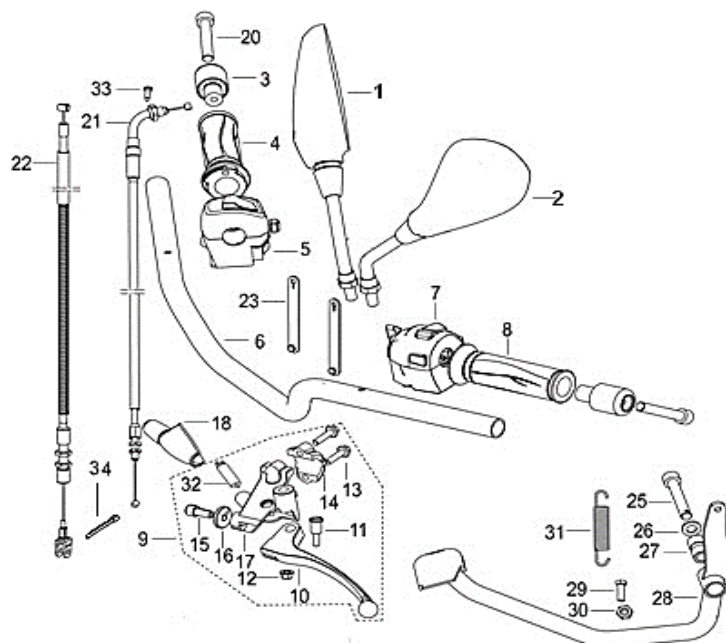


RKV 125 E4



RKV 125 E4

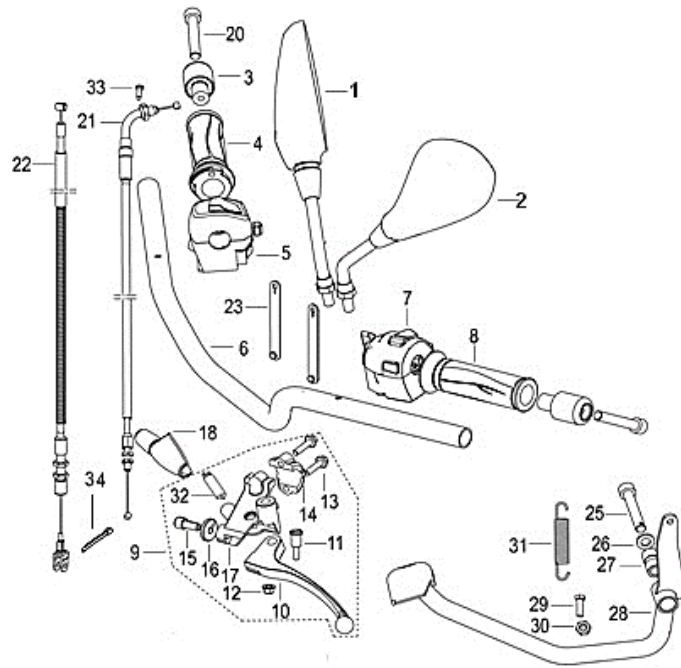
F01 CONTROL ASSY



Nº	CÓDIGO	DESCRIÇÃO	Qt.	OBSERVAÇÕES
1	40480J300006	MIRROR ASSY.,RR VIEW,R.	1	
2	40450J300003	MIRROR ASSY.,RR VIEW,L.	1	
3	40031J000022	BALANCER ASSY.	2	
4	40210J670010	GRIP ASSY., HANDLE, R.	1	
5	40600M140000	SWITCH ASSY., R.headligts lit	1	
6	40100K670021	HANDLE BAR ASSY	1	
7	40500K670001	SWITCH ASSY., L.	1	
8	40001J670010	GRIP ASSY.,L.	1	
9	40080K740001	LEVER ASSY., L.mark:2	1	
10	40002K740000	LEVER., L.mark:2	1	
11	40083K010000	MOUNTING BOLT,HANDLE	1	
12	B04170600064	NUT M6	1	
13	B01400602365	BOLT M6x23	2	
14	45023K010000	COVER,FIX	1	
15	45083K010000	SCREW,ADJUSTING	1	
16	55064K010000	NUT,ADJUSTING	1	
17	40085K740001	MIRROR SEAT,RR. VIEW,L,mark:2	1	
18	40017J130000	JACKET, CABLE	1	
20	B02050603565	SCREW M6x35	2	
21	40300K690003	CABLE ASSY., THROTTLE	1	
22	40400K690000	CABLE ASSY., CLUTCH	1	
23	49371T620000	CLIP	2	
25	08012J000000	SHAFT, BRAKE PEDAL	1	
26	B07000001003	SPRING WASHER 10mm	1	
27	40705J000001	BUSH	1	
28	40710J800001	PEDAL COMP., RR. BRAKE	1	
29	B01010604005	BOLT M6x40	1	

RKV 125 E4

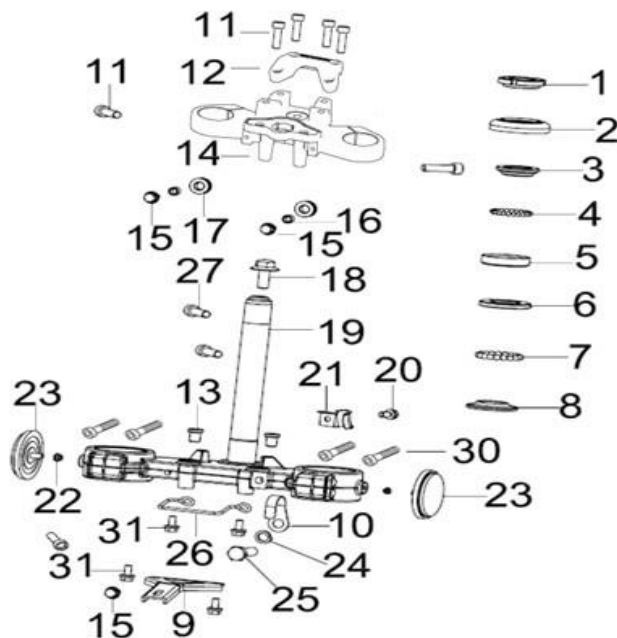
F01 CONTROL ASSY



N°	CÓDIGO	DESCRIÇÃO	Qt.	OBSERVAÇÕES
29	B01090603565	BOLT M6x35	1	
30	B04000600055	NUT M6	1	
31	40702K670000	SPRING, RR. BRAKE PEDAL	1	
32	91090K010000	SWITCH,CLUTCH	1	
33	B05074801305	SCREW ST4.8x13	1	
34	B090002018A5	COTTER PIN 2x18	1	

RKV 125 E4

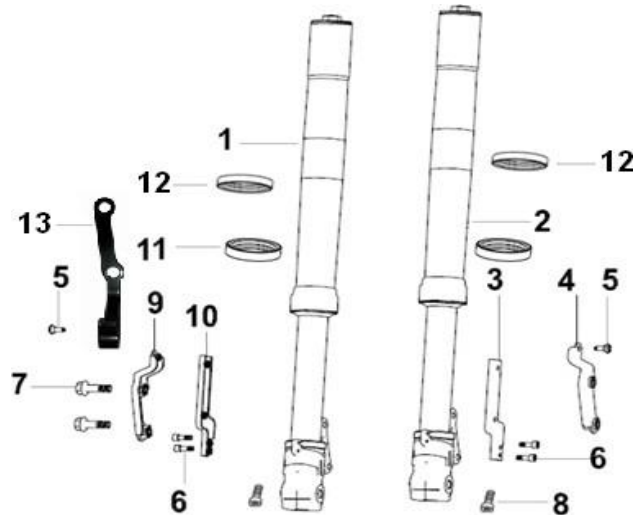
F02 FORK



Nº	CÓDIGO	DESCRIÇÃO	Qt.	OBSERVAÇÕES
1	43008G130010	NUT	1	
2	43005G130000	DUST COVER	1	
3	43001G130000	RACE, UPPER BEARING, UPPER	1	
4	B06010140000	STEEL BALL,3/16'	23	
5	43002G130000	RACE, UPPER BEARING, LOWER	1	
6	43003N040000	RACE,UPPER,BOTTOM BEARING	1	
7	B06010200000	STEEL SHOT 1/4'	19	
8	43004J000000	RACE,LOWER,BOTTOM BEARING	1	
9	08345K690000	BRACKET,LOWER	1	
10	43057J000070	CLIP	1	
11	08003K670000	BOLT 8X30	6	
12	43014J800003	SEAT,HANDLERBAR,UPPER	1	
13	08333J040000	SUPPORT UNDER THE RUBBER PAD	2	
14	43011J800001	UPPER BRACKET ASSY,	1	
15	B01090601665	BOLT M6x16	3	
16	08061K670000	CUSHION,BUFFER	2	
17	47028G220000	BUFFER RUBBER	2	
18	43049J050051	BOLT,LOCKING,COLUMN M10x1.25x33	1	
19	43100J800000	UNDER BRACKET COMP.	1	
20	B13110601205	SCREW W/WASHER M6x12	1	
21	43035J000004	CLIP,DISC BRAKE	1	
22	B04000600055	NUT M6	2	
23	86300N060000	REFLECTOR ASSY	2	
24	B07000001005	WASHER 10mm	1	
25	B01091001665	BOLT M10x16	1	
26	43035J300000	CLIP	1	
27	B13010601605	SCREW W/WASHER M6x16	2	
30	08002K670000	BOLT M16x30	4	
31	B01090601265	BOLT M6x12	4	

RKV 125 E4

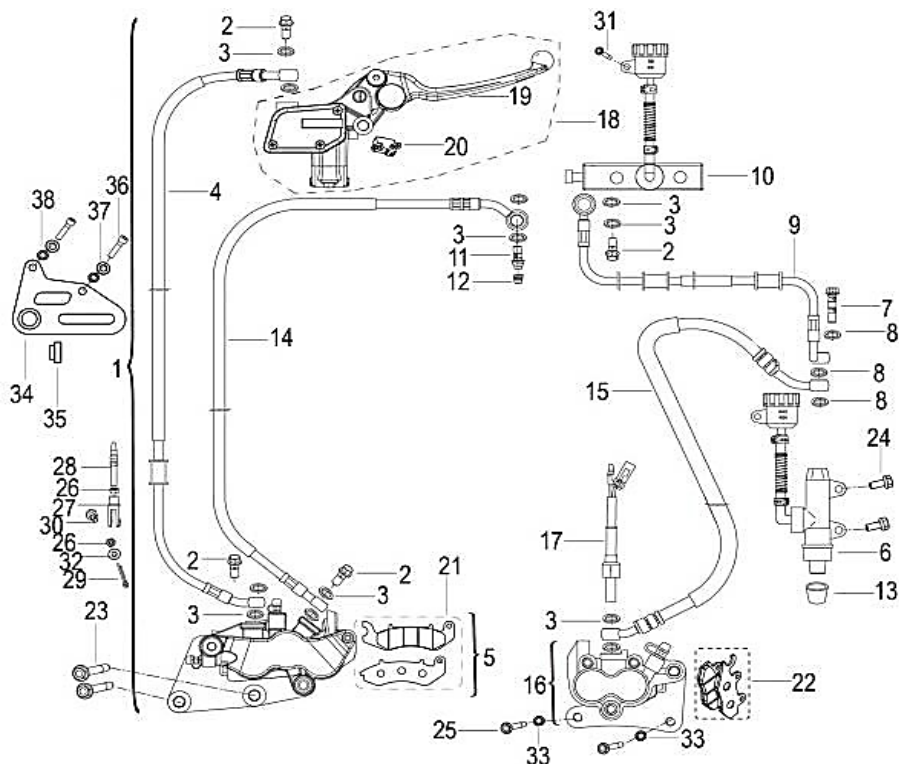
F03 FRONT ABSORVER



Nº	CÓDIGO	DESCRIÇÃO	Qt.	OBSERVAÇÕES
1	43300M040000	ABSORBER ASSY.,FR.,RH.BROWN	1	
2	43200M040000	ABSORBER ASSY.,FR.,LH.BROWN	1	
3	65130J800010	BRACKET I.,FRONT FENDER,LH.	1	
4	65150J800010	BRACKET II, FRONT FENDE LH.	1	
5	B0284060150A	SCREW M6x15.2	2	
6	08001K670000	SCREW M6x16	4	
7	08011K670010	BOLT M10x1.25x30	2	
8	08002K670000	BOLT M16x30	2	
9	65160J800010	BRACKET II.,FRONT FENDER,RH.	1	
10	65140J800010	BRACKET I, FRONT FENDE RH.	1	
11	43260N100000	OIL SEAL	2	
12	43290N100000	DUST SEAL	2	
13	43057K670000	CLIP	1	

RKV 125 E4

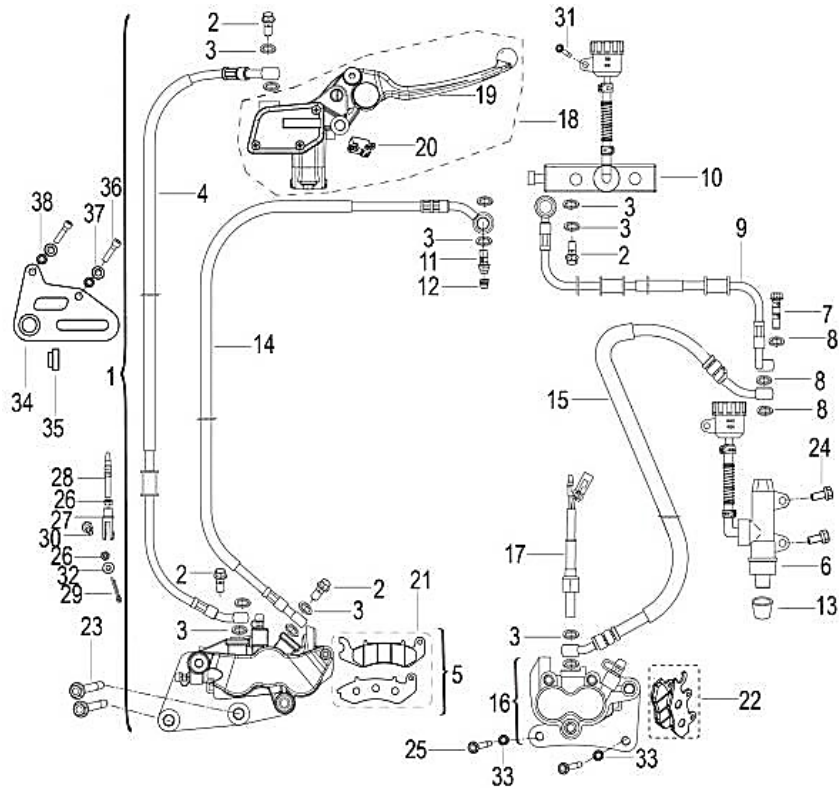
F04 BRAKE SYSTEM



Nº	CÓDIGO	DESCRIÇÃO	Qt.	OBSERVAÇÕES
1	55A00J800000	FRONT&REAR DISC BRAKE ASSY.	1	
2	45037J000000	BOLT	4	
3	45180J000000	WASHER	12	
4	45200J80000C	FRONT BRAKE HOSE ASSY.I	1	
5	45500J800004	FRONT LEFT DISC BRAKE CALIPER ASSY.	1	
6	55400J800001	REAR MASTER CYLINDER ASSY	1	
7	45037P150001	BRAKE HOSE BANJO BOLT	1	
8	45180P300000	WASHER	3	
9	55210J80000C	CBS BRAKE HOSE ASSY.I	1	
10	55400T800001	CBS MASTER CYLINDER ASSY.	1	
11	45037P300000	BRAKE HOSE BANJO BOLT	1	
12	45019N100000	VALVE	1	
13	55003J410000	DUSTPROOF COVER	1	
14	55240J80000C	CBS BRAKE HOSE ASSY.II	1	
15	55270J80000C	CBS BRAKE HOSE ASSY.III	1	
16	55600J800003	REAR DISC BRAKE CALIPER ASSY.	1	
17	55300J800001	REAR BRAKE SWITCH ASSY.	1	
18	45400J820010	FRONT MASTER CYLINDER ASSY	1	
19	45020J820000	FRONT BRAKE LEVER	1	
20	45300J000010	FRONT BRAKE SWITCH	1	
21	45110T800000	FRONT BRAKE PAD	1	
22	45110T400000	REAR BRAKE PAD	1	
23	B01591004064	BOLT M10x1.25x40	2	
24	B01030602065	BOLT M6x20	2	
25	B01090802265	BOLT M8x22	2	

RKV 125 E4

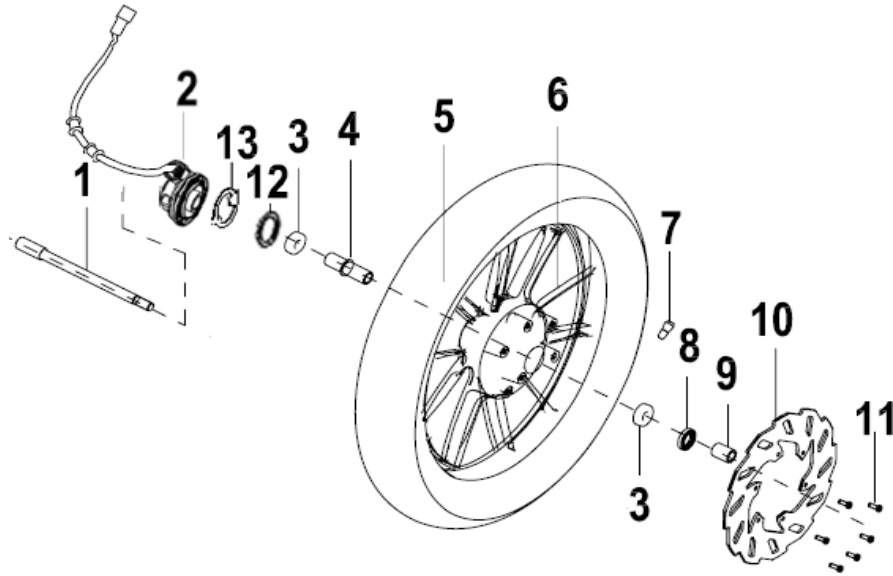
F04 BRAKE SYSTEM



Nº	CÓDIGO	DESCRIÇÃO	Qt.	OBSERVAÇÕES
26	B04000600055	NUT M6	2	
27	40716M030000	DRAWHEAD	1	
28	55502M030000	ROD END YOKE	1	
29	B090002018A5	COTTER PIN 2x18	1	
30	40717D010000	FIXED BOLT	1	
31	B01090601265	BOLT M6x12	1	
32	B07030000605	WASHER 6MM	1	
33	B07030001004	WASHER 10MM	2	
34	55410J800002	REAR DISC BRAKE BRACKET	1	
35	54005J800002	BUSH	1	
36	B02551001665	SCREW M10x1.25x16	2	
37	B07030001005	WASHER 10MM	2	
38	B07000001005	SPRING WASHER 10mm	2	

RKV 125 E4

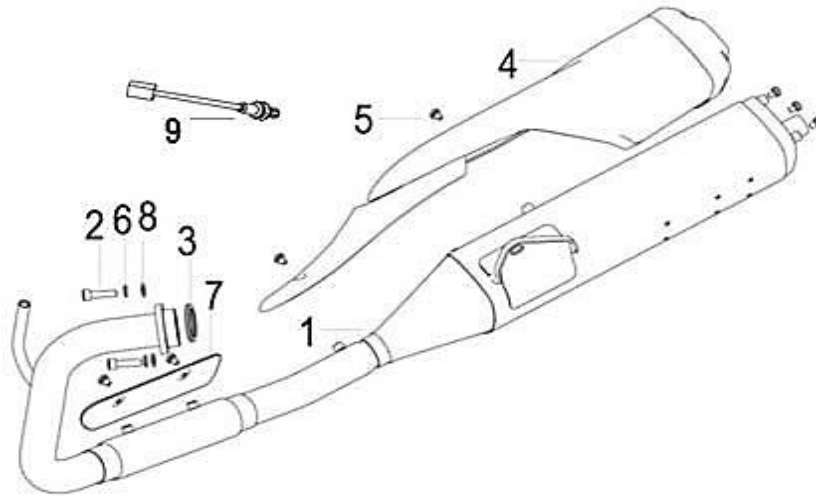
F05 FRONT WHEEL



Nº	CÓDIGO	DESCRIÇÃO	Qt.	OBSERVAÇÕES
1	44004J800000	AXLE, FRONT WHEEL	1	
2	44200K690000	SPEEDOMETER DRIVE ASSY	1	
3	B12016020200	BEARING	2	
4	44600J800000	INTERMEDIATE SHAFT SLEEVE	1	
5		TYRE 100/80-17	1	
6	44101J800001	FRONT WHEEL	1	
7	B1403Z201100	VALVE INSIDE	1	
8	44300B910000	OIL SEAL ASSY,FRONT WHEEL	1	
9	44005J800000	LEFT SHAFT SLEEVE,FRONT WHEEL	1	
10	45033J800000	BRAKE DISK	1	
11	45036D010000	BOLT, FIXING M6x16	6	
12	44230J000000	SEAL ASSY	1	
13	44023J000000	DRIVING PLATE	1	

RKV 125 E4

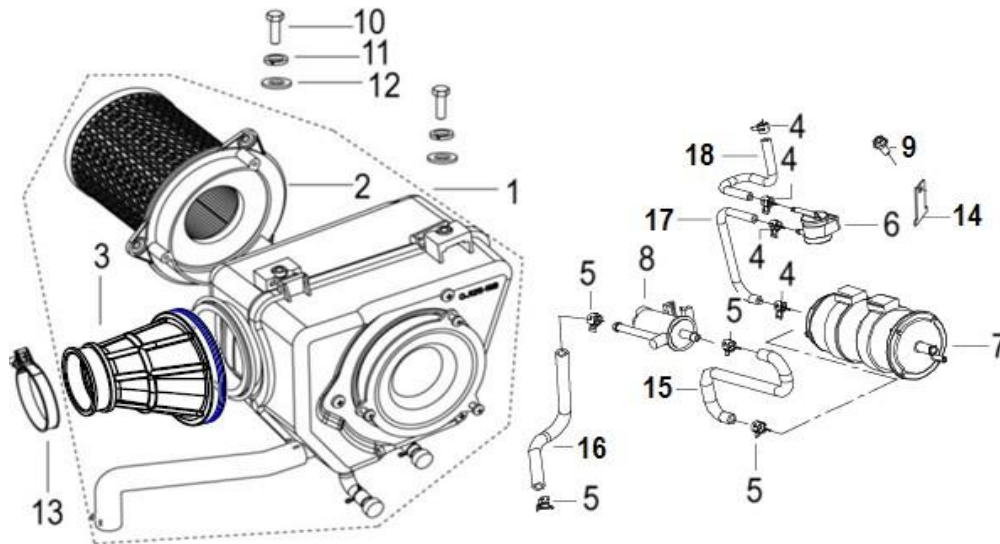
F06 MUFFLER



N°	CÓDIGO	DESCRIÇÃO	Qt.	OBSERVAÇÕES
1	47100J800002	MUFFLER COMP.	1	
2	B0205080306L	BOLT M8x30	2	
3	47800J060000	GASKTE ASSY,EXHAUST PIPE	1	
4	47010J800031	MUFFLER TAIL COVER	1	
5	B1304060100L	SCREW W/WASHER M6x10	7	
6	B07000000804	SPRING WASHER 8MM	2	
7	47009K670000	COVER, DECORATION	1	
8	B07030000804	WASHER 8MM	2	
9	280023420000	OXYGEN SENSOR	1	

RKV 125 E4

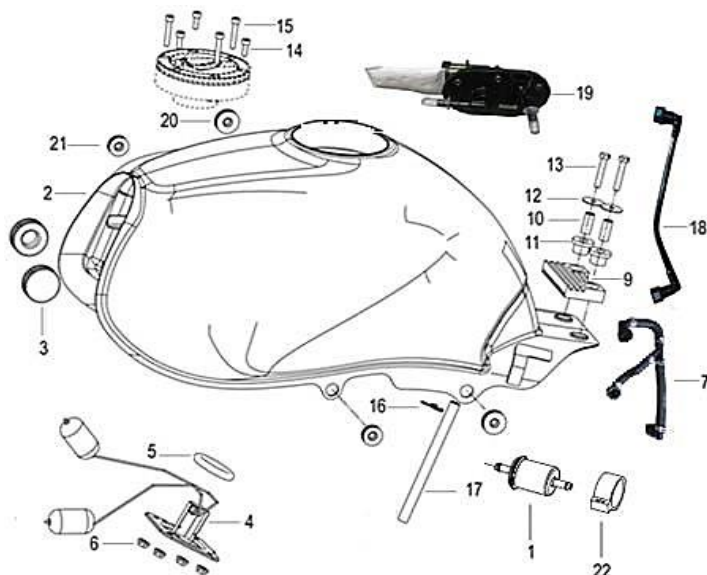
F07 AIR CLEANER



Nº	CÓDIGO	DESCRIÇÃO	Qt.	OBSERVAÇÕES
1	49100J800000	AIR CLEANER ASSY	1	
2	49200J320000	FILTER ASSY,material:paper	1	
3	49005J800000	PIPE.AIR OUT	1	
4	49806J000000	CLAMP $\Phi 7 \times 7 \times 0.6$	4	
5	50307J140002	PLATE CLAMP $\Phi 10$	4	
6	49930G410000	ONE WAY VALVE	1	
7	49912K670000	CANISTER	1	
8	49710N070000	VALVE EGR	1	
9	B01090601265	BOLT M6x12	1	
10	B01010601625	BOLT M6x16	2	
11	B07000000605	WASHER 6MM	2	
12	B07030000605	WASHER 6MM	2	
13	49350J000010	CLAMP ASSY.	1	
14	57055J690000	ELECTROMAG. VALVE MOUNTING BRACKET	1	
15	B16010726601	PIPE 7x11x660	1	
16	B16010727201	PIPE 7x11x720	1	
17	B16010C23701	PIPE 4.5x8.5x370	1	
18	B16010C20901	PIPE 4.5x8.5x90	1	

RKV 125 E4

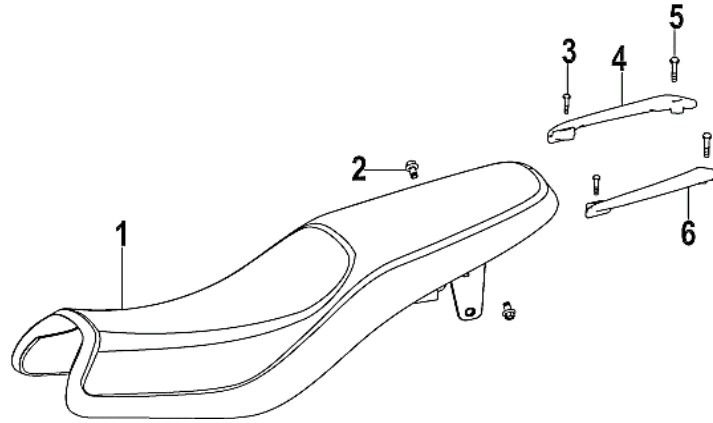
F08 FUEL TANK



Nº	CÓDIGO	DESCRIÇÃO	Qt.	OBSERVAÇÕES
1	50340N070000	FILTER ASSY	1	
2	50100M03093Z	FUEL TANK COMP.,WHITE WF,with sticker	1	BRANCO
2	50100M03094Z	FUEL TANK COMP.,BLACK BC,with sticker	1	PRETO
2	50100M03095Z	FUEL TANK COMP.,RED TL,with sticker	1	VERMELHO
2	50100M03097Z	FUEL TANK COMP.,ORANGE M9,with sticker	1	LARANJA
3	50005J820000	MOUNTING PAD,FUEL TANK	2	
4	50800J800000	SENSOR ASSY	1	
5	50002K020000	CUSHION	1	
6	B04070600055	OUT M6	4	
7	50380M050000	PIPE I	1	
9	50006J000001	MOUNTING PAD,FUEL TANK	1	
10	50221J000001	BUSH	2	
11	50222J000001	SLEEVE,RUBBER	2	
12	08023J000020	WASHER	2	
13	B01000603563	BOLT M6x35	2	
14	B0280050140A	SCREW M5x14	3	
15	B0280050300A	SCREW M5x30	4	
16	B17010105003	CLIP 10.5MM	1	
17	B16010724001	TUBE $\phi 7 \times 11 \times 400$	1	
18	50390J800000	PIPE II	1	
19	50400J830000	FUEL PUMP ASSY.	1	
20	65618J000000	CUSHION	2	
21	65618J800000	CUSHION	2	
22	50391N070000	FILTER PROTECTIVE COVERING	1	

RKV 125 E4

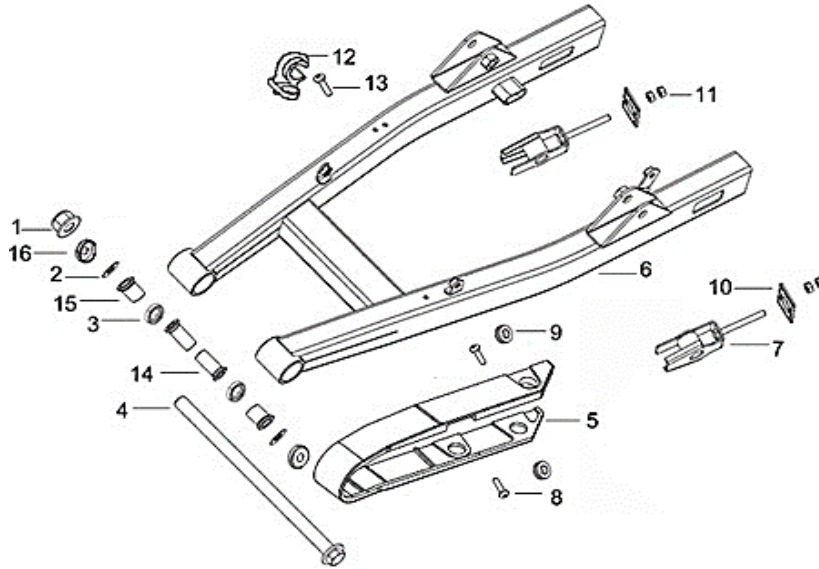
F09 SEAT



N°	CÓDIGO	DESCRIÇÃO	Qt.	OBSERVAÇÕES
1	51100J800001	SEAT ASSY.MARK KEEWAY	1	
2	B01090802065	BOLT M8x20	2	
3	52018J800000	SCREW I	2	
4	52011J80B400	RR. ARM REST , R.BLACK B4	1	
5	52019J800000	SCREW II	2	
6	52002J80B400	RR. ARM REST , L.BLACK B4	1	

RKV 125 E4

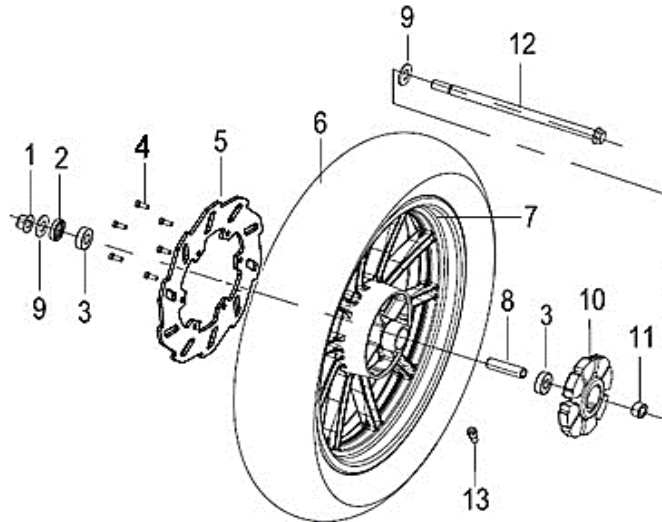
F10 REAR SWINGARM



Nº	CÓDIGO	DESCRIÇÃO	Qt.	OBSERVAÇÕES
1	B04171415055	NUT M14x1.5	1	
2	53018K690000	WASHER	2	
3	53210J060000	WASHER	2	
4	53001J000002	SHAFT, FIX, RR. SWING ARM	1	
5	53004J800000	CHAIN SHIELD BLOCK	1	
6	53100K690011	REAR SWING ARM ASSY	1	
7	53230N030030	CHAIN ADJUSTER	2	
8	B02000501225	SCREW M5x12	2	
9	53018J800000	BUSH	2	
10	53234N030020	PLATE, CHAIN ADJUSTER	2	
11	B04000800055	NUT M8	4	
12	40022N050002	CLIP	1	
13	B02010601225	SCREW M6x12	1	
14	53005K690000	MID BUSHING	2	
15	53013K690000	CUSHION, BUFFER	2	
16	53220J060000	DUST COVER ASSY	2	

RKV 125 E4

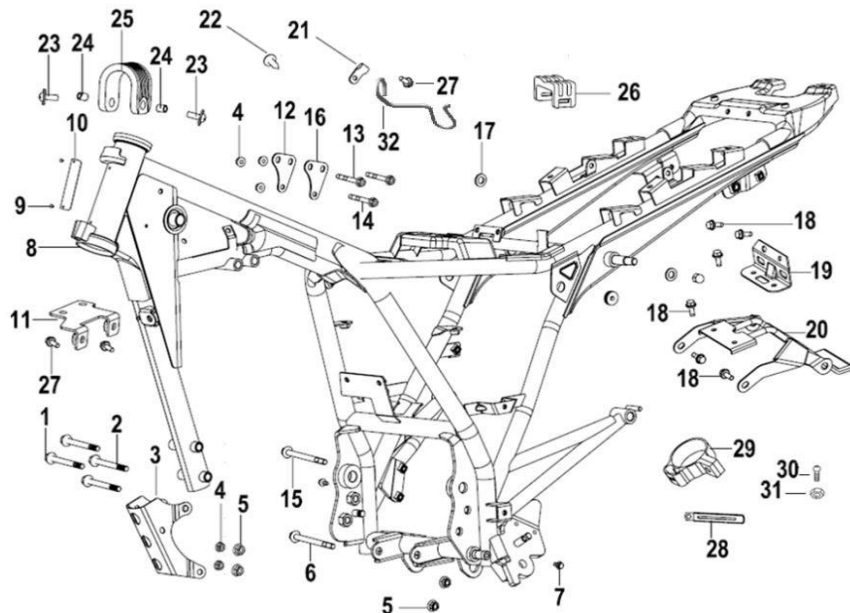
F11 REAR WHEEL



N°	CÓDIGO	DESCRIÇÃO	Qt.	OBSERVAÇÕES
1	B04171415055	NUT M14x1.5	1	
2	44300B910000	OIL SEAL COMPONENTS	1	
3	B12016020200	BEARING 6202-2RS	2	
4	45036D010000	BOLT M6x16	6	
5	55033J410000	REAR DISK BRAKE	1	
6	B140508D1721	TYRE 130/70-17,E-mark:E4-75R-0004222	1	
7	54101K690001	REAR WHEEL	1	
8	54006J800000	SPACER BUSH	1	
9	08021K670000	WASHER $\Phi 16 \times \Phi 32 \times 2$	2	
10	54024J000000	BUFFER BLOCK,REAR WHEEL	1	
11	54016J800000	BUSH,LEFT REAR WHEEL ASSY	1	
12	54004J670000	AXLE,REAR WHEEL	1	
13	B1403Z201100	VALVE INSIDE	1	

RKV 125 E4

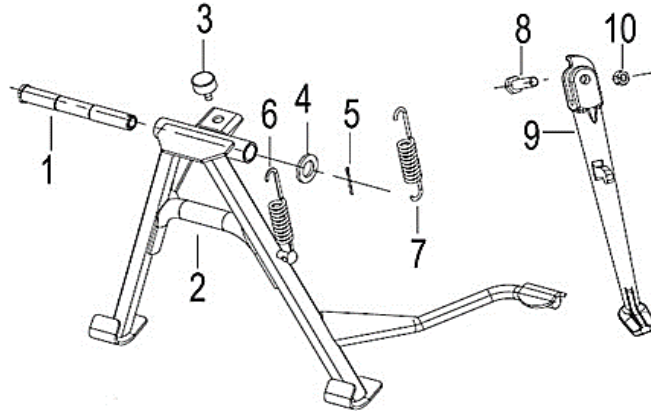
F12 FRAME



Nº	CÓDIGO	DESCRIÇÃO	Qt.	OBSERVAÇÕES
1	B01090807065	BOLT M8x70	2	
2	B01591009065	BOLT M10x1.25x90	2	
3	57011K690001	BRACKET, ENGINE, FRONT	1	
4	B04070800055	NUT M8	5	
5	B04181012555	NUT M10x1.25	4	
6	B01591010065	BOLT M10x1.25x100	1	
7	B01090601265	BOLT M6x12	2	
8	57100J800001	FRAME JOINTING COMP.	1	
9	B10000300600	RIVET M3x6	2	
10	57001J800004	FRAME PLATE	1	
12	57008K690000	ENGINE MOUNTING PLATE	1	
13	B01090807065	BOLT M8x70	3	
14	B01090805565	BOLT M8X55	1	
15	B01591011365	BOLT M10x1.25x113	1	
16	57009K690000	ENGINE MOUNTING PLATE	1	
17	65618J000000	RUBBER CUSHION, GUARD BOARD	2	
18	B01090601665	BOLT M6x16	6	
19	65721J800000	REINFORCEMENT PLATE	1	
20	65770K670000	BRACKER ASSY., REAR FENDER	1	
21	43070D010020	CLAMP, SPEEDOMETER ASSY	1	
22	B05074801305	SCREW ST4.8x13	1	
23	B13060601605	COMBINATION SCREW M6x16	2	
24	08061K670000	BUSH	2	
25	50005K670000	RUBBER FUEL TANK INSTALLATION	1	
26	57169K670000	RUBBER FUEL TANK INSTALLATION	1	
27	B01090601265	BOLT M6x12	1	
28	58430J000000	CLIP	1	
29	57013J000000	CLIP	1	
30	B02000502525	SCREW M5x25	1	
31	B04000500055	NUT M5	1	
32	57012J560000	CLIP	1	

RKV 125 E4

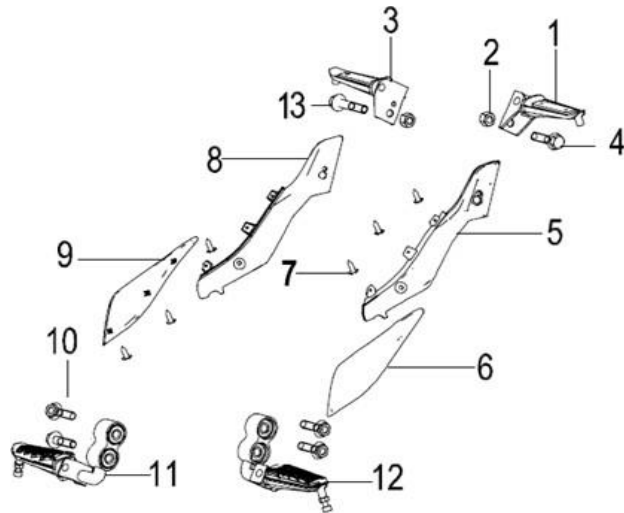
F13 MAIN & SIDE STAND



N°	CÓDIGO	DESCRIÇÃO	Qt.	OBSERVAÇÕES
1	58501J000010	SHAFT, MID STAND	1	
2	58520J800000	MID STAND COMP.	1	
3	58507K670000	BUFFER BLOCK,MAIN STAND	1	
4	B07010001605	WASHER 16mm	1	
5	B090003025A5	COTTER PIN 3x25	1	
6	58510J830000	SPRING ASSY, MID STAND	1	
7	57010J830000	SPRING ASSY, SIDE STAND	1	
8	57005N030020	FIXING BOLT,SIDE STAND M10x1.25x35	1	
9	58701K690001	SIDE STAND COMP.	1	
10	B04011012555	NUT M10x1.25	1	

RKV 125 E4

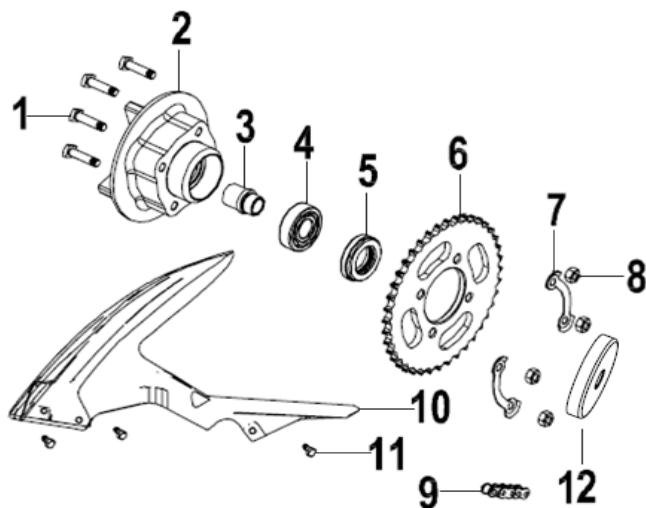
F14 TREAD PEDAL



Nº	CÓDIGO	DESCRIÇÃO	Qt.	OBSERVAÇÕES
1	58260K670000	FOOTREST ASSY., RR.L.	1	
2	B04181012555	NUT M10x1.25	1	
3	58280K670000	FOOTREST ASSY., RR.R.	1	
4	B01091004565	BOLT M10x45	1	
5	58211J800000	DECORATING BOARD,L	1	
6	58212J80CS00	DECORATING BOARD,L SILVER CS	1	
7	B05004201305	SCREW ST4.2x13	6	
8	58311J800001	DECORATING BOARD,R	1	
9	58312J80CS01	DECORATING BOARD,R SILVER CS	1	
10	B01591003565	BOLT M10x1.25x35	4	
11	58240K670000	FR.PEDAL ASSY(R)	1	
12	58220K670000	FR.PEDAL ASSY(L)	1	
13	B01591005565	BOLT M10x1.25x55	1	

RKV 125 E4

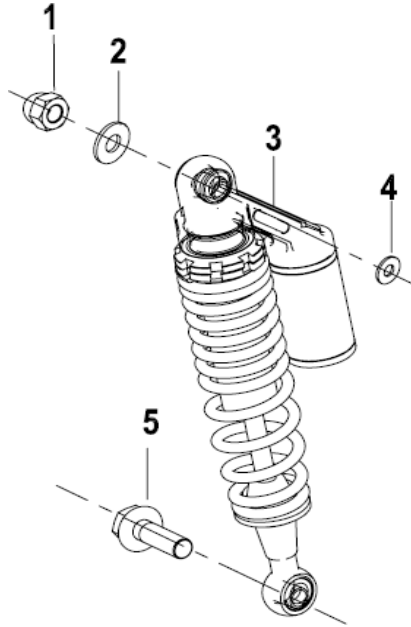
F15 SPROCKET WHEEL



Nº	CÓDIGO	DESCRIÇÃO	Qt.	OBSERVAÇÕES
1	60015J000010	BOLT, SPROCKET MOUNTING M8x33	4	
2	60001J000020	DRUM, SPROCKET MOUNTING	1	
3	60006J000000	DRIVE SHAFT SLEEVE, CHAIN	1	
4	B12016020400	BEARING 6204-2RS	1	
5	60200J000001	OIL SEAL	1	
6	60002J040004	SPROCKET 43 TEETH	1	
7	60004J000050	LOOSE-PROOF LOCK, SPROCKET WHEEL	2	
8	B04000800055	NUT M8	4	
9	B1502W1126B0	CHAIN 428HG-1x126	1	
10	60101J800000	CASE, CHAIN	1	
11	08011H010000	BOLT M6x14	3	
12	60027J040010	COVER, DUST	1	
	KRKV-TK	KIT TRANSMISSÃO	1	
	KRKV-TKP	KIT TRANSMISSÃO PERFORMANCE	1	CORRENTE O-RINGS

RKV 125 E4

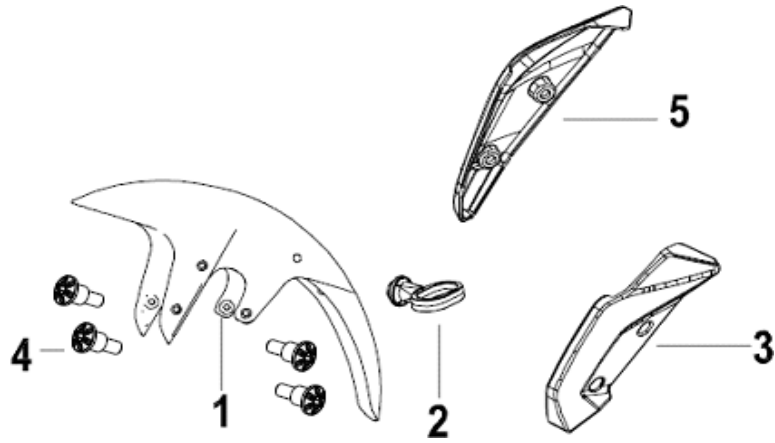
F16 REAR ABSORVER



Nº	CÓDIGO	DESCRIÇÃO	Qt.	OBSERVAÇÕES
1	08052J000000	NUT, COVER STYL	2	
2	63013J000050	WASHER	2	
3	63800M040000	REAR ABSORBER COMP.spring in red	2	
4	B07030001205	WASHER Φ 12mm	2	
5	B01591004065	BOLT M10x1.25x40	2	

RKV 125 E4

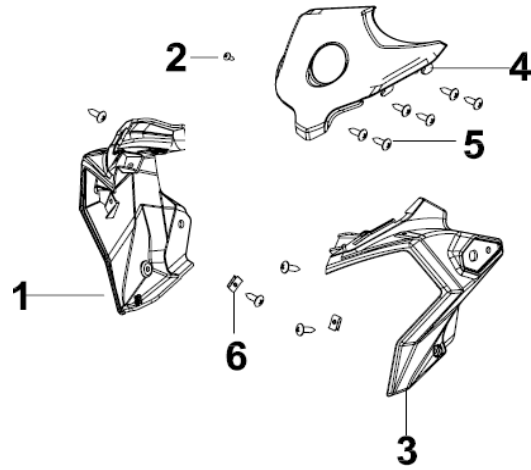
F17 FRONT FENDER



N°	CÓDIGO	DESCRIÇÃO	Qt.	OBSERVAÇÕES
1	65101J800180	FRONT FENDER,WHITE/BLACK WF/B4	1	BRANCO
1	65101J800130	FRONT FENDER,BLACK/BLACK BC/B4	1	PRETO
1	65101J800140	FRONT FENDER,RED/BLACK TL/B4	1	VERMELHO
1	65101J800160	FRONT FENDER,ORANGE/BLACK M9/B4	1	LARANJA
2	65113J000000	RUBBER RING	1	
3	65108K670000	DECORATIVE, FRONT FENDER LH	1	
4	65117K670000	SCREW, FRONT FENDER	4	
5	65116K670000	DECORATIVE, FRONT FENDER RH	1	

RKV 125 E4

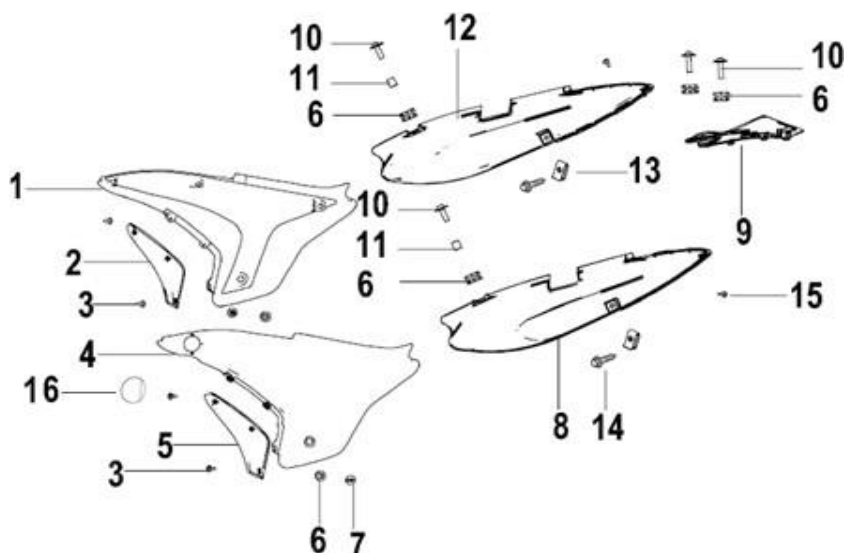
F18 FRONT COVER



N°	CÓDIGO	DESCRIÇÃO	Qt.	OBSERVAÇÕES
1	65531K69HP00	BRACKET ASSY., COWLING,R GRAY HP	1	
2	B05004001025	SCREW ST4x10	1	
3	65521K69HP00	BRACKET ASSY., COWLING,L GRAY HP	1	
4	65541K690000	BRACKET ASSY.,COWLING	1	
5	B05004201305	SCREW ST4.2x13	10	
6	65801T020001	INSERT ST4.2	6	

RKV 125 E4

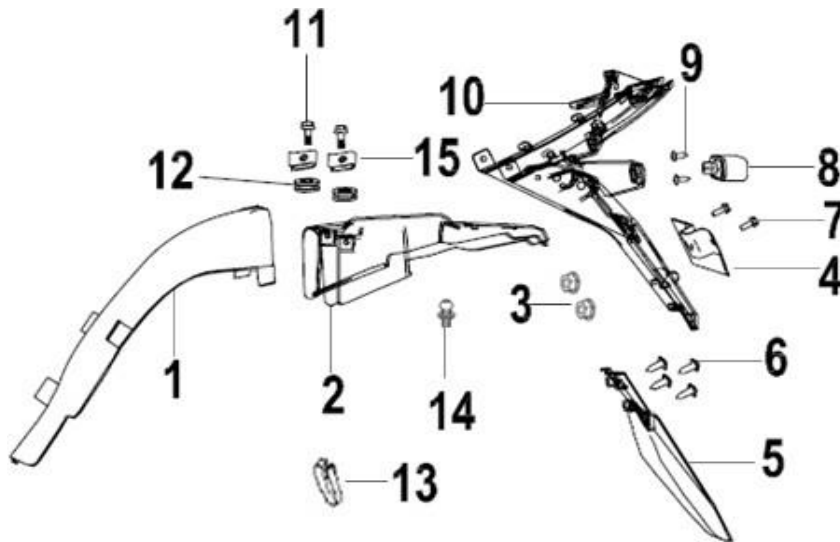
F19 SIDE COVER ASSY



Nº	CÓDIGO	DESCRIÇÃO	Qt.	OBSERVAÇÕES
1	65602J80HP00	SIDE COVER, R GRAY HP,without sticker	1	
2	65622J80B400	SIDE COVER,R BLACK B4	1	
3	B05004201305	SCREW ST4.2×13	4	
4	65601J80HP00	SIDE COVER,L,GRAY HP	1	
5	65621J80B400	SIDE COVER,L BLACK B4	1	
6	47028G220000	RUBBER SLEEVE	6	
7	08001J800000	SCREW M6×11.5	2	
8	65901J80WF00	COVER,PROTECTIVE,L,WHITE WF	1	BRANCO
8	65901J80BC00	COVER,PROTECTIVE,L,BLACK BC	1	PRETO
8	65901J80TL00	COVER,PROTECTIVE,L,RED TL	1	VERMELHO
8	65901J80M900	COVER,PROTECTIVE,L,ORANGE M9	1	LARANJA
8	65901J80066Z	COVER,PROTECTIVE,L,BLACK BC,with sticker	1	PRETO C/ AUTO
8	65901J80067Z	COVER,PROTECTIVE,L,RED TL,with sticker	1	VERMELHO C/ AUTO
8	65901J80069Z	COVER,PROTECTIVE,L,ORANGE M9,with sticker	1	LARANJA C/ AUTO
9	65911J80B400	CONNECTING PIECES,SIDE COVER BLACK B4	1	
10	B13060601605	COMBINATION SCREW M6×16	4	
11	08061K670000	BUSH	2	
12	65902J80WF00	COVER,PROTECTIVE,RH,WHITE WF	1	BRANCO
12	65902J80BC00	COVER,PROTECTIVE,RH,BLACK BC	1	PRETO
12	65902J80TL00	COVER,PROTECTIVE,RH,RED TL	1	VERMELHO
12	65902J80M900	COVER,PROTECTIVE,RH,ORANGE M9	1	LARANJA
12	65902J80070Z	COVER,PROTECTIVE,RH,WHITE WF,with	1	BRANCO C/ AUTO
12	65902J80071Z	COVER,PROTECTIVE,RH,BLACK BC,with	1	PRETO C/ AUTO
12	65902J80072Z	COVER,PROTECTIVE,RH,RED TL,with sticker	1	VERMELHO C/ AUTO
12	65902J80074Z	COVER,PROTECTIVE,R,ORANGE M9,with sticker	1	LARANJA C/ AUTO
13	65625J560000	NUT	2	
14	B01090601665	BOLT M6×16	2	
15	B05004201305	SCREW ST4.2×13	2	
16	65608K67HP00	DECORATIVE COVER,GRAY HP	1	

RKV 125 E4

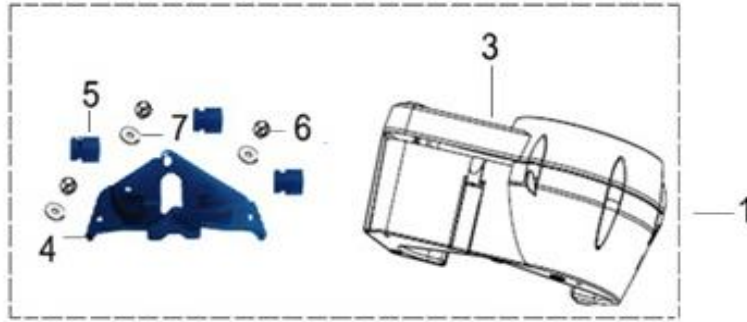
F20 REAR FENDER



Nº	CÓDIGO	DESCRIÇÃO	Qt.	OBSERVAÇÕES
1	65731J00000A	FORESIDE, REAR. FENDER	1	
2	65732J800000	FORESIDE 2, REAR. FENDER	1	
3	B04070600055	NUT M6	2	
4	08252J820000	SUPPORT,LINCENSE PLATE	1	
5	65709J800000	REAR FENDER 2	1	
6	B05004201305	SCREW ST4.2x13	4	
7	B01090603065	BOLT M6x30	2	
8	82900D010000	LAMP,LICENCE	1	
9	B05074201305	SCREW ST4.2x13	2	
10	65701J800000	REAR FENDER 1	1	
11	B01090601665	BOLT M6x16	2	
12	65704J000000	WASHER,RUBBER	2	
13	65708J000001	CLIP	1	
14	B13060601605	SCREW W/WASHER M6x16	1	
15	65625J560000	NUT	2	

RKV 125 E4

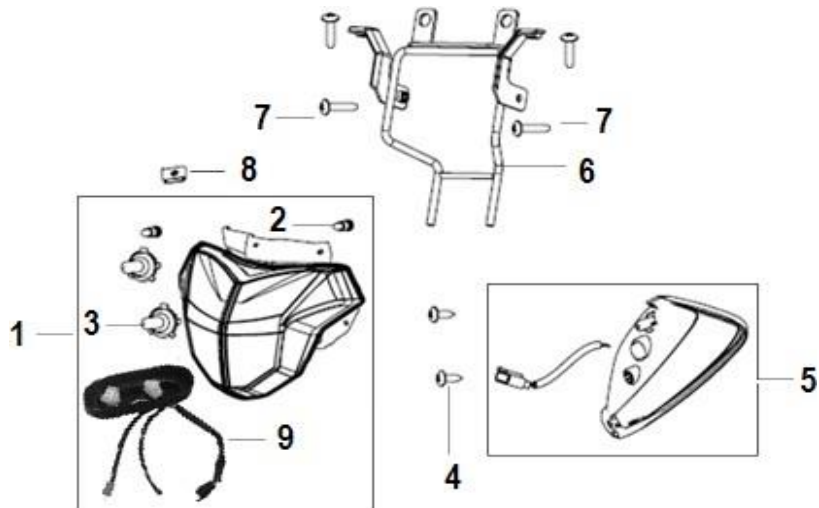
F21 SPEEDOMETER



Nº	CÓDIGO	DESCRIÇÃO	Qt.	OBSERVAÇÕES
1	7000K69005Z	SPEEDOMETER ASSY.COMP.,mark:KEEWAY	1	
3	70001J300000	COVER,SPEEDOMETE	1	
4	65543K690000	FIXING BORAD,SPEEDOMETER	1	
5	70027J000000	CUSHION	3	
6	B04000600053	NUT 6MM	3	
7	B07020000603	WASHER 6MM	3	

RKV 125 E4

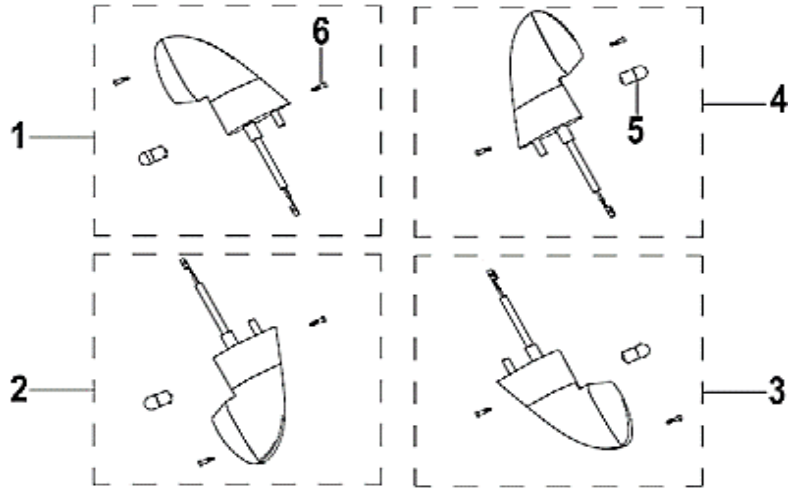
F22 HEADLIGHT



Nº	CÓDIGO	DESCRIÇÃO	Qt.	OBSERVAÇÕES
1	80000K670000	HEAD LIGHT	1	
2	B24013120000	BULB W5W	2	
3	B24010320000	BULB HS1	2	
4	B05004801605	SCREW ST4.8x16	2	
5	82000J800000	REAR LAMP	1	
6	08330K690002	BRACKET ASSY,HEAD LIGHT	1	
7	B02060602025	SCREW M6x20	2	
8	65625J560000	NUT	1	
9	80102J800000	CABEL,HEAD LIGHT	1	

RKV 125 E4

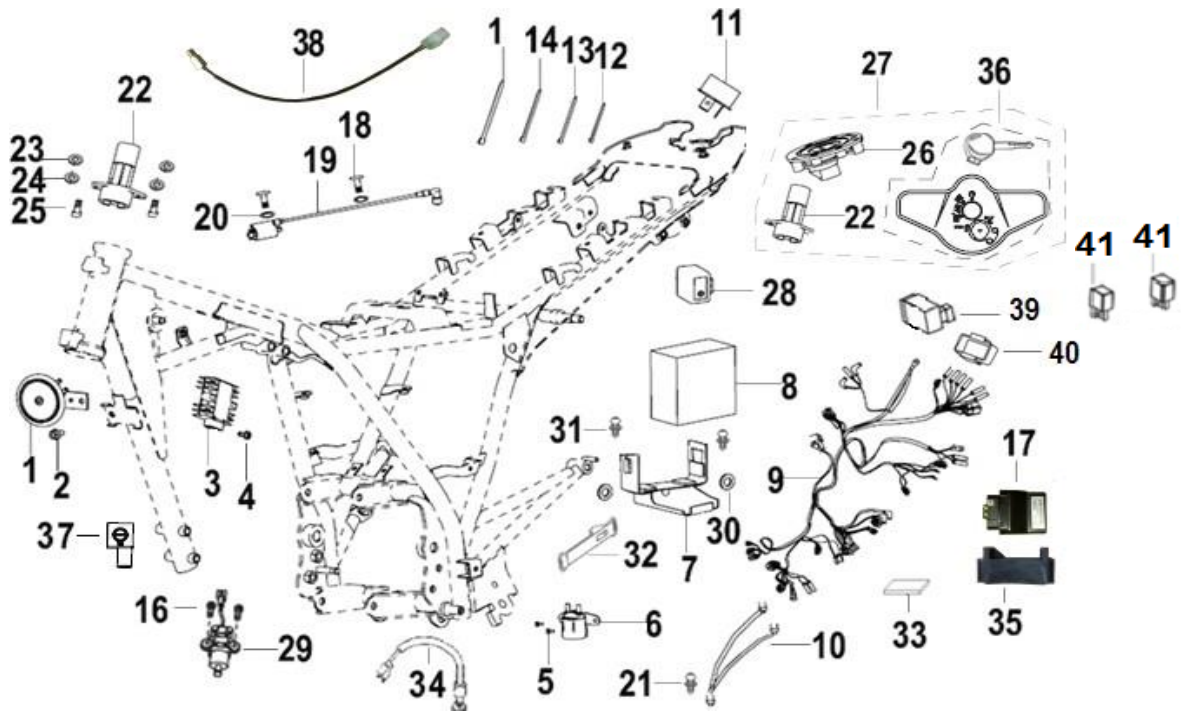
F23 FLASHER LIGHT



Nº	CÓDIGO	DESCRIÇÃO	Qt.	OBSERVAÇÕES
1	81300J800000	TURN SIGNAL, FR., RH.	1	
2	81100J800000	TURN SIGNAL, FR., LH.	1	
3	81700J800000	TURN SIGNAL, RR., RH.	1	
4	81500J800000	TURN SIGNAL, RR., LH.	1	
5	B24014020002	BULB RY10	4	
6	B05004201603	SCREW SELF-TAPPING ST4.2x16	4	

RKV 125 E4

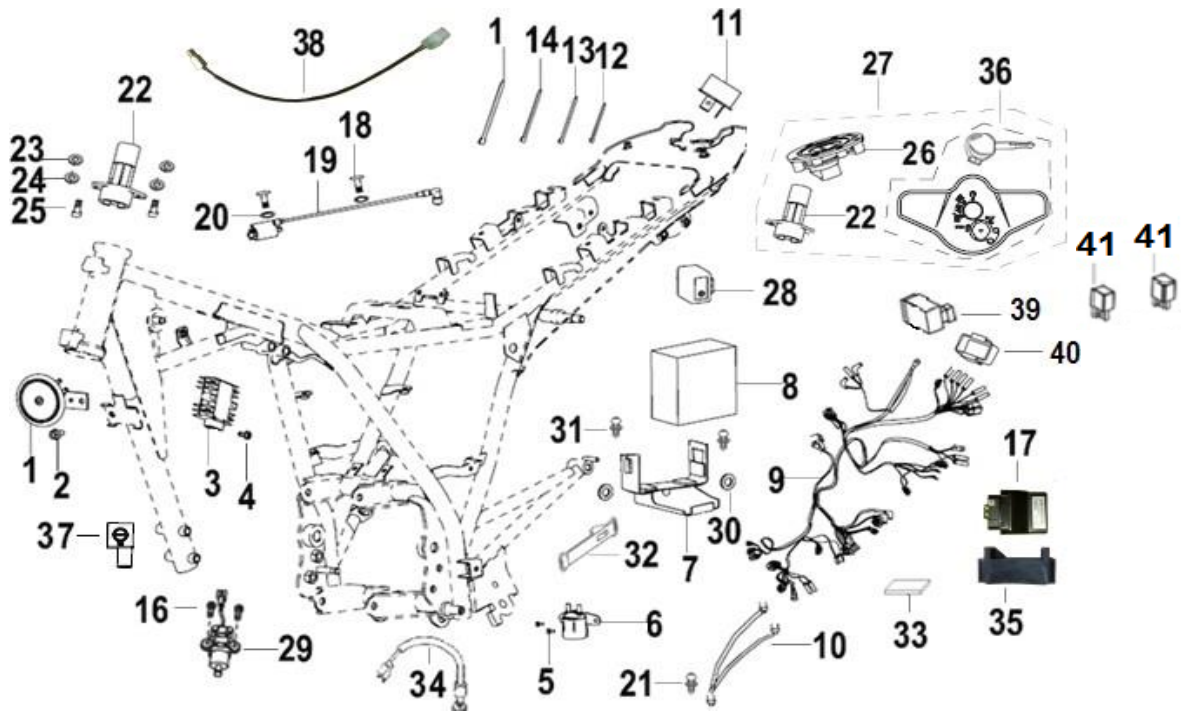
F24 ELECTRICAL EQUIPMENT



Nº	CÓDIGO	DESCRIÇÃO	Qt.	OBSERVAÇÕES
1	95100K670001	HORN	1	
2	B01090801265	BOLT M8x12	1	
3	299083090010	RECTIFIER ASSY.	1	
4	B01090602065	BOLT M6x20	4	
5	B01090601065	BOLT M6x10	2	
6	94100J000002	START-UP RELAY	1	
7	58750J800000	BATTERY BRACKET ASSY.	1	
8	96010J000020	BATTERY 12N9-4B	1	
9	92000K690007	EFI WIRE HARNESS ASSY. automatic headlight on	1	
10	92500J400000	EARTH WIRE	1	
11	96700K060000	ACTUATING DIODE	2	
12	96001J000000	CLAMP 150MM	6	
13	96002J000000	CLAMP 200MM	2	
14	96003J000000	CLAMP 250MM	2	
15	96004J000000	CLAMP 300MM	1	
16	B02050501665	SCREW M5x16	2	
17	96C00J800000	ECU	1	
18	B02000501225	SCREW M5x12	2	
19	96200J060001	COIL ASSY., IGNITION	1	
20	B07210000501	WASHER 5mm	2	
21	B13170601205	SCREW W/WASHER M6x12	1	
22	88100K690000	MAIN SWITCH ASSY.	1	
23	B07000000802	WASHER 8mm	2	
24	B07030000802	WASHER 8mm	2	
25	B02260802062	SCREW M8x20	2	
26	88400J820005	FUEL TANK LOCK	1	
27	88000K690009	LOCK SETS	1	

RKV 125 E4

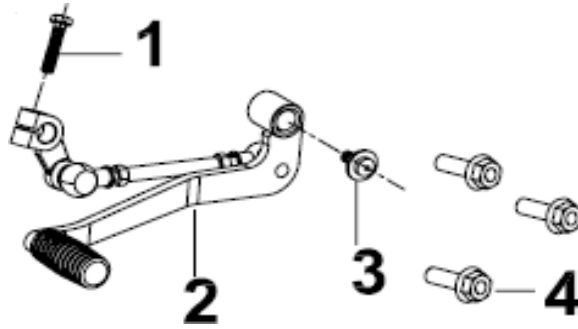
F24 ELECTRICAL EQUIPMENT



Nº	CÓDIGO	DESCRIÇÃO	Qt.	OBSERVAÇÕES
28	96400J670000	FLASHER	1	
29	95800N140000	FLAMEOUT SWITCH,SIDE STAND	1	
30	08027J000000	MAT	2	
31	B13060601605	SCREW W/WASHER M6x16	2	
32	02200J800000	BAND	1	
33	58752J00000A	CUSHION,FOAM	7	
34	92200J000000	ELECTRIC CABLE	1	
35	50026J830000	ECU MOUNTING RUBBER	1	
36	88101K690000	KEY NUT,mark:keeway logo	1	
37	94118B910000	EARTH WIRE JACKET	1	
38	280013320000	TEMPRETURE SENSOR	1	
39	94400N140000	HEADLIGHT RELAY CONTROLLER,MARK:250T-4	1	
40	96007K010002	COVER, C. D. I	1	
41	94100J800000	FUEL PUMP / HEADLIGHT RELAY	2	

RKV 125 E4

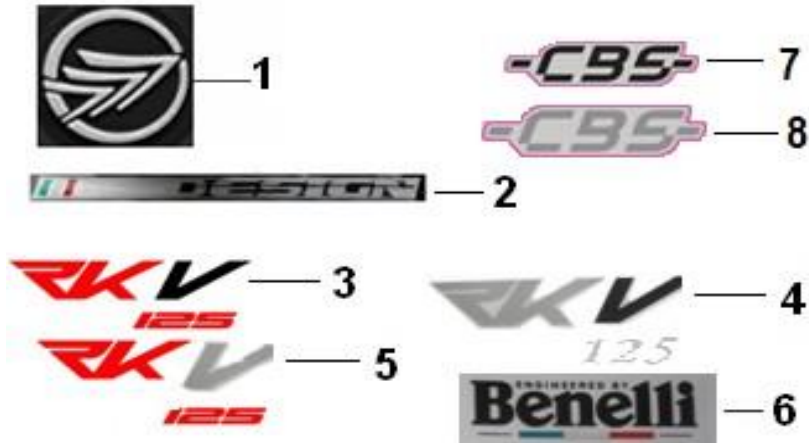
F25 GEAR-SHIFT PEDAL



N°	CÓDIGO	DESCRIÇÃO	Qt.	OBSERVAÇÕES
1	B01030602265	BOLT M6x22	1	
2	08370K690000	GEAR-SHIFT PEDAL LEVER ASSY	1	
3	B13060601605	SCREW W/WASHER M6x16	1	
4	B01070603065	BOLT M6x30	3	

RKV 125 E4

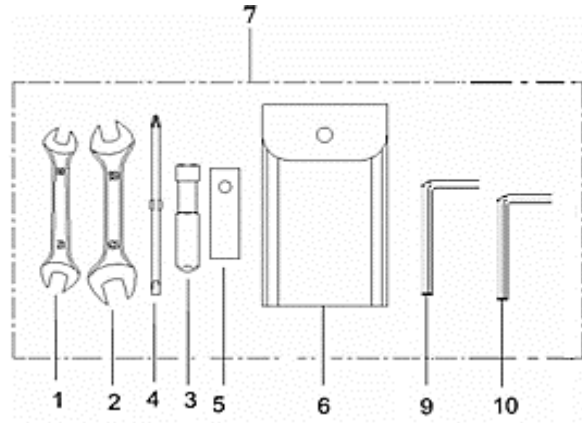
F26 STICKERS



N°	CÓDIGO	DESCRIÇÃO	Qt.	OBSERVAÇÕES
1	05521K690000	STICKER,KEEWAY	1	
2	05515M030000	STICKE,Italian DESIGN	2	
3	05513J80WF02	STICKER,RK125 in red,V in black	2	
4	05513J80TL02	STICKER,RK125 in silver,V in black	2	
5	05513J80BC02	STICKER,RK125 in red,V in silver	2	
6	05531K790002	BENELLI STICKER	1	
7	05503J80CJ00	BLACK CBS STICKER	2	
8	05503J80BC00	GREY CBS STICKER	2	

RKV 125 E4

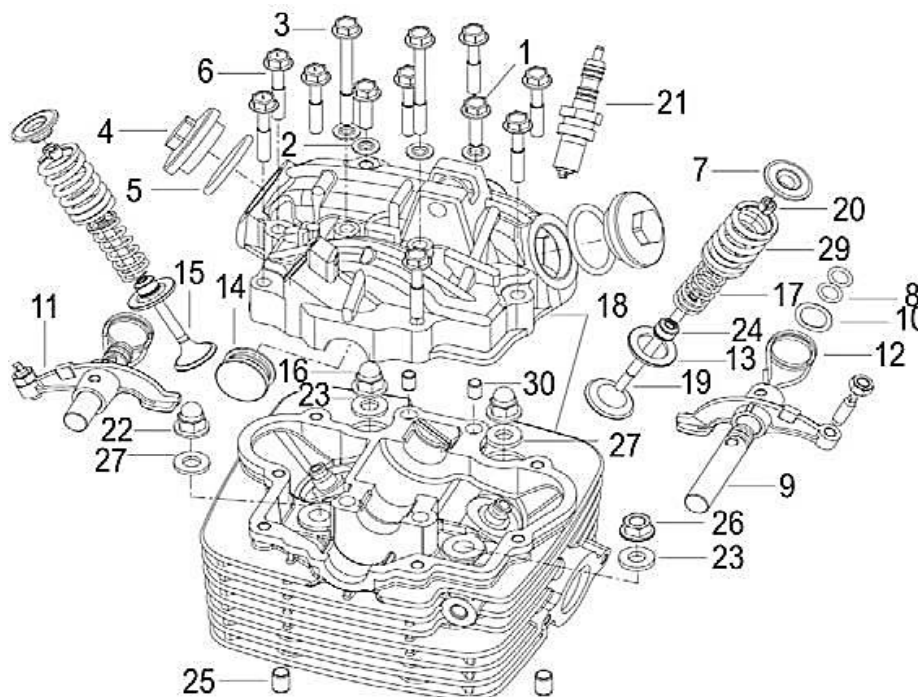
F27 TOOL KIT



Nº	CÓDIGO	DESCRIÇÃO	Qt.	OBSERVAÇÕES
1	B20011001203	WRENCH 10-12mm	1	
2	B20011301603	WRENCH 13-16mm	1	
3	02106J000000	HANDLE, SCREW DRIVER	1	
4	02103J000000	DRIVER, SCREW	1	
5	02102J000000	SOCKET, SPARK PLUG	1	
6	02110J000000	TOOL BAG	1	
7	02100K670002	TOOL KIT	1	
9	B20020600003	INNER HEXAGONAL WRENCH 6	1	
10	B20020500003	INNER HEXAGONAL WRENCH 5	1	

RKV 125 E4

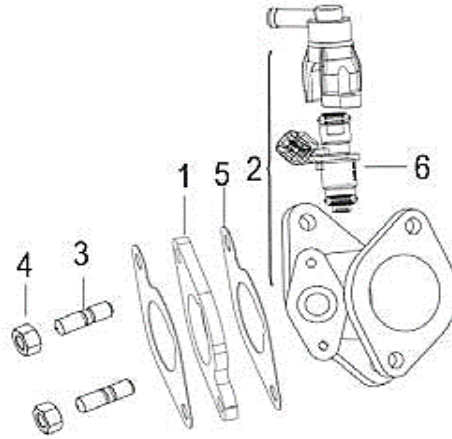
E01 COVER & CYLINDER HEAD



Nº	CÓDIGO	DESCRIÇÃO	Qt.	OBSERVAÇÕES
1	120143090000	BOLT M6x21	2	
2	120133090002	WASHER	4	
3	10005309001X	BOLT M6x60	2	
4	120012140020	VAVLE HEAD	2	
5	100033090000	O RING 30.5x3.3	2	
6	10006309001X	BOLT M6X35	8	
7	120013090002	GASKET,UP SPRING	2	
8	B190100860A0	O RING 8.6x1.9	4	
9	12916309002X	AXLE, VALVE ROCKER ARM	2	
10	120033090000	WASHER,SPRING	2	
11	12913309002X	ADJUSTING	2	
12	120163090000	ROCKER SPRING	2	
13	129213090003	GASKET,OUTER SPRING,ø1.5	2	
14	100043090000	CYLINDER COVER JAMMING	1	
15	129193090002	VALVE,EXHAUST	1	
16	120083090000	CAP NUT M8	2	
17	129264180000	SPRING,OUTER	2	
18	109013090020	COVER&CYLINDER HEAD ASSY,GRAY	1	
19	129183090002	VALVE,INTAKE	1	
20	129223230000	COTTER,VALVE	4	
21	299073070010	SPARK PLUG M12x1.25	1	
22	12008309001X	CAP NUT M8	1	
23	120093090000	WASHER 8	2	
24	120013050000	OIL SEAL	2	
25	120103090000	PIN	2	
26	12012309002X	NUT M8	1	
27	120113090000	WASHER 8	2	
29	129254180000	SPRING,INNER	2	
30	150022140000	PIN,DOWEL,ø7Xø8X12	2	

RKV 125 E4

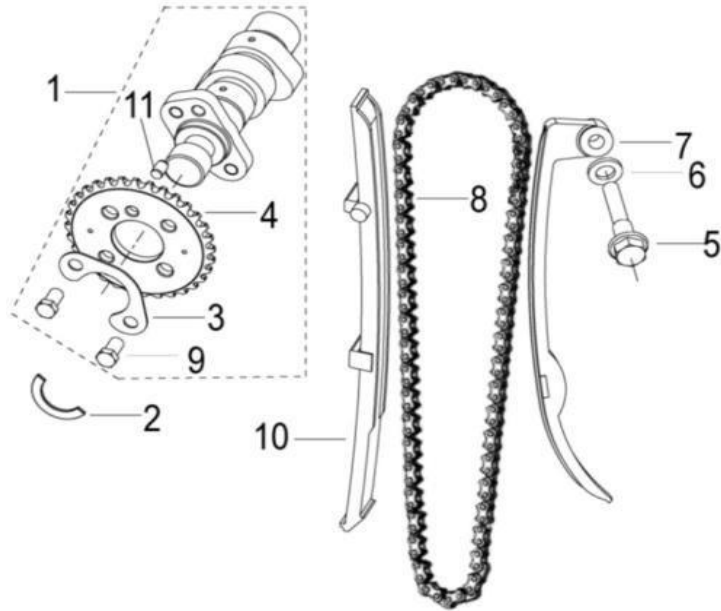
E02 INSULATOR, CARBURETOR



N°	CÓDIGO	DESCRIÇÃO	Qt.	OBSERVAÇÕES
1	119073210000	INSULATION MAT	1	
2	119123090010	INTAKE PIPE ASSY.	1	
3	12007305001X	STUD BOLT	2	
4	B04050600064	NUT M6	1	
5	110013210000	GASKET	2	
6	100073210000	FUEL INJECTOR	1	

RKV 125 E4

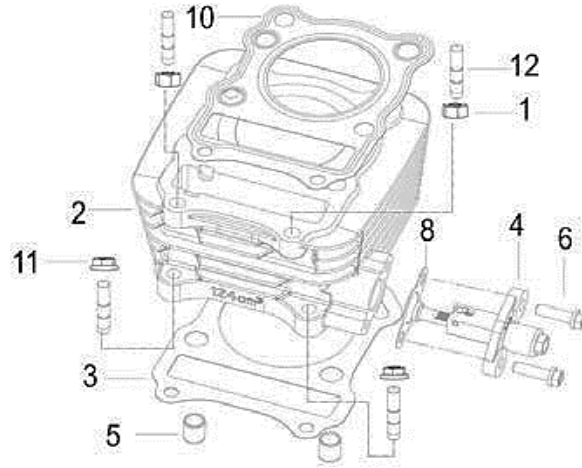
E03 INTAKE & EXHAUST MECHANISM



N°	CÓDIGO	DESCRIÇÃO	Qt.	OBSERVAÇÕES
1	129074180000	CAMSHAFT ASSY	1	
2	120043090000	WASHER	1	
3	120343090000	WASHER	1	
4	120353090000	CHAIN WHEEL	1	
5	140023090000	BOLT	1	
6	140033090000	WASHER	1	
7	140013090002	RIGHT CHAIN GUIDE PLATE	1	
8	129023090002	TIMING CHAIN	1	
9	120203090000	BOLT	2	
10	140063090002	CHAIN LEFT GUIDE PLATE	1	
11	B090105008B0	PIN	1	

RKV 125 E4

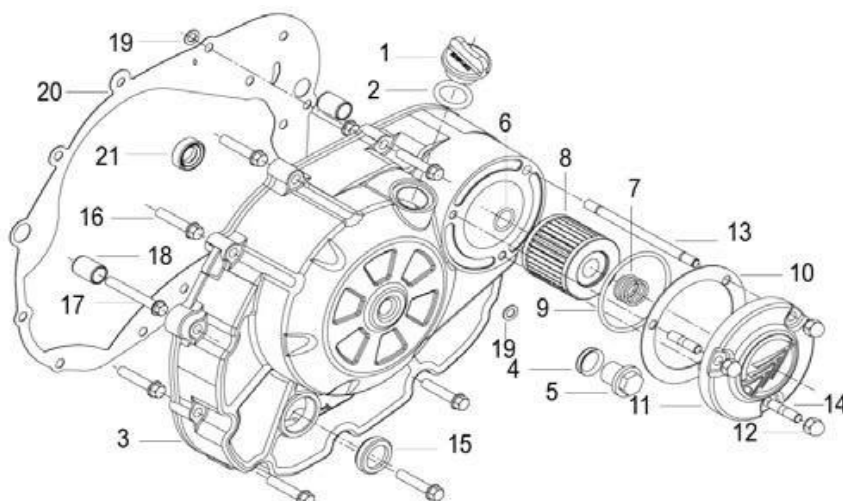
E04 CYLINDER



Nº	CÓDIGO	DESCRIÇÃO	Qt.	OBSERVAÇÕES
1	B04050600064	NUT M6	2	
2	139013210070	EFI CYLINDE,GRAY	1	
3	139023090032	GASKET,CYLINDER,in black	1	
4	149033090010	TENSIONER ASSY GRAY	1	
5	130023090000	PIN,DOWEL	2	
6	13001309001X	BOLT M6X20	2	
8	130113090012	SEAL SPACER	1	
10	109073090000	CYLINDER HEAD GASKET	1	
11	B04070600054	HEXAGON NUTS WITH FLANGE M6	2	
12	12007309001X	STUD BOLT	4	

RKV 125 E4

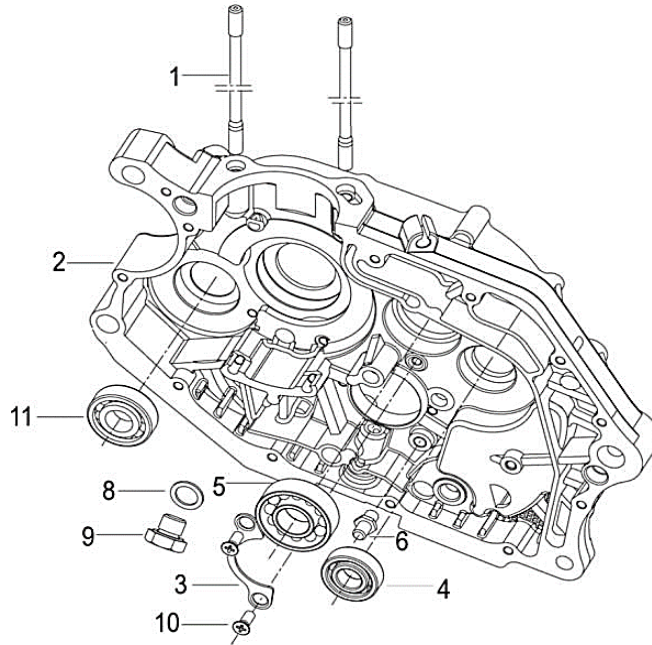
E05 CLUTCH COVER



Nº	CÓDIGO	DESCRIÇÃO	Qt.	OBSERVAÇÕES
1	160063090000	OIL FILLER THREAD PLUG	1	
2	B190101700C0	O RING17x3.55	1	
3	169103090190	COVER,CLUTCH GRAY	1	
4	160253090000	O RING φ12	1	
5	160203090002	PLUG M12	1	
6	B190101250A0	O RING12.5x1.8	1	
7	160033090000	SPRING	1	
8	160043090000	PAPER FILTER ELEMENT MODULE	1	
9	B190105260B0	O RING52.6x2.4	1	
10	160373210010	MACHINE FILTERS COVERS THE FILLING PIECE	1	
11	160393090090	MACHINE FILTERS THE LID GRAY	1	
12	B04220600034	COVERS THE NUT M6	3	
13	16005309001X	DOUBLE SCREW BOLT	1	
14	B03000601262	DOUBLE SCREW BOLT M6x12	2	
15	160083090000	OIL INDICATOR ASSY	1	
16	B01070603264	BOLT M6x32	9	
17	B01070604564	BOLT M6x45	1	
18	150043090000	PIN,DOWEL	2	
19	150013070000	WASHER 6	2	
20	169113210010	GASKET,COVER RH	1	
21	160023090000	OIL SEAL	1	

RKV 125 E4

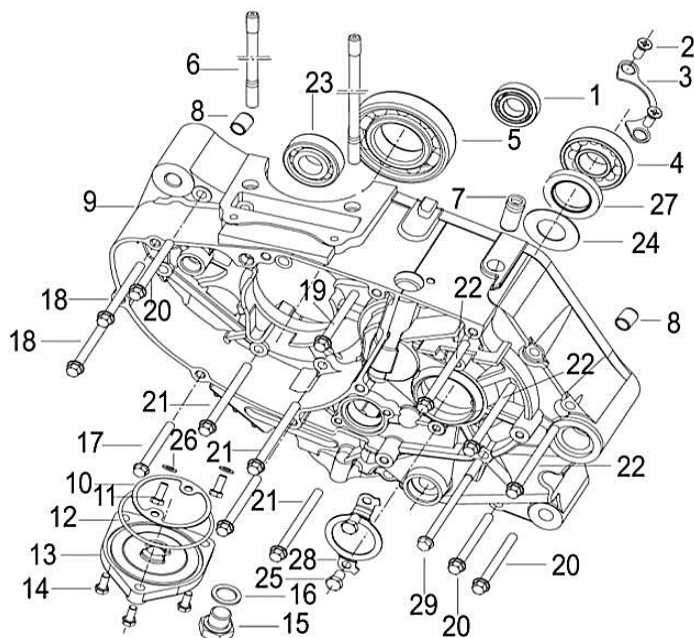
E06 RIGHT CRANKCASE



N°	CÓDIGO	DESCRIÇÃO	Qt.	OBSERVAÇÕES
1	15911309002X	STIDBOLT,CYLINDER 8x173	2	
2	159033210040	CRANKCASE,RIGHT GRAY,with plug	1	
3	150113090000	GEAR	1	
4	B12016020204	BERING6202/P6	1	
5	B12016020403	BEARING6204/P6	1	
6	150123090000	SET BOLT	1	
8	150093090000	GASKET SEAL	1	
9	15008309003X	THE SPIRAL STOPS UP	1	
10	B02010601263	SCREW M6X12	2	
11	B12016020301	BERING 6203	1	

RKV 125 E4

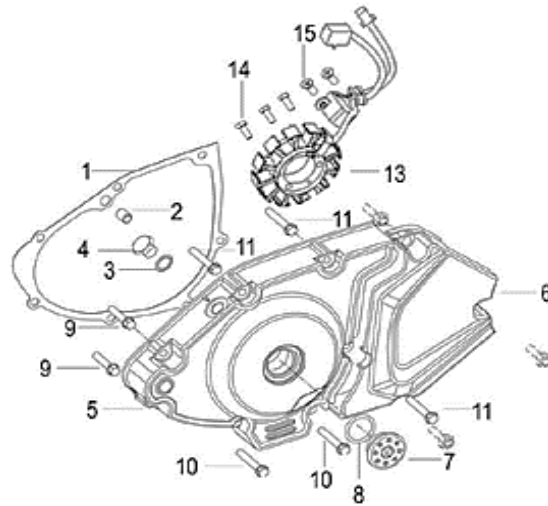
E07 LEFT CRANKCASE



Nº	CÓDIGO	DESCRIÇÃO	Qt.	OBSERVAÇÕES
1	B12016000203	BERING 6002-RS/P6	1	
2	B02010601263	TEN CHARACTER TROUGHS SINK A BOLT M6x12	2	
3	150113090000	GEAR	1	
4	B12016020403	BEARING6204/P6	1	
5	150304230000	BERING 6207/P53 Z2	1	
6	15910309002X	AIR CYLINDER STUD	2	
7	150153090000	HOSE,BREATHER	1	
8	150043090000	PIN,DOWEL	2	
9	159023210090	LEFT CRANKCASE ASSY., GRAY	1	
10	150103090000	OIL SET	1	
11	B01030501263	HEXAGONAL HEAD TAP BOLT M5x12	1	
12	B190106050B0	O RING 60.5x2.4	1	
13	150023090090	MESH LID GRAY	1	
14	B01070602064	BOLT M6x20	3	
15	16009309002X	THE SPIRAL STOPS UP	1	
16	150093090000	GASKET SEAL	1	
17	B01070605564	BOLT M6x55	1	
18	B01070606563	BOLT M6x65	2	
19	B01070606063	BOLT M6x60	1	
20	B01070606064	BOLT M6x60	4	
21	B01070607563	BOLT M6x75	3	
22	B01070607564	BOLT M6x75	3	
23	B12016020301	BEARING 6203	1	
24	210083090000	WASHER 20	1	
25	B01030601063	BOLT M6x10	2	
26	100084050000	WASHER 5	2	
27	210073090000	OIL SEAL 27X40X6	1	
28	210093090000	SEAL PACKING COVER	1	
29	10001305001X	BOLT M6x95	1	

RKV 125 E4

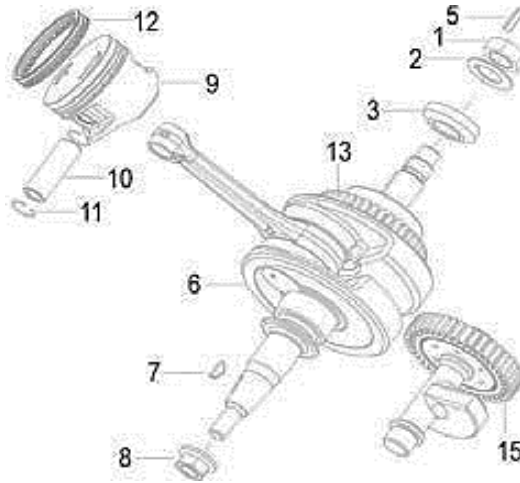
E08 MAGNETO COVER



N°	CÓDIGO	DESCRIÇÃO	Qt.	OBSERVAÇÕES
1	169073210010	GASKET,COVER MAGNETO	1	
2	150112070000	PIN,DOWEL	2	
3	160253090000	O RING ϕ 12	1	
4	160203090002	PLUG	1	
5	169063090090	COVER,MAGNETO GRAY	1	
6	169053090140	COVER,SPROCKET GRAY	1	
7	160383090000	SEAL COVER	1	
8	B190102240C0	O RING22.4x3.55	1	
9	B01070603064	BOLT M6x30	2	
10	B01070603864	BOLT M6x38	2	
11	B01070604064	BOLT M6x40	3	
13	299033090000	STATOR ASSY. COMP.	1	
14	B01030502863	BOLT	2	
15	B02040401223	SCREW M4x12	2	

RKV 125 E4

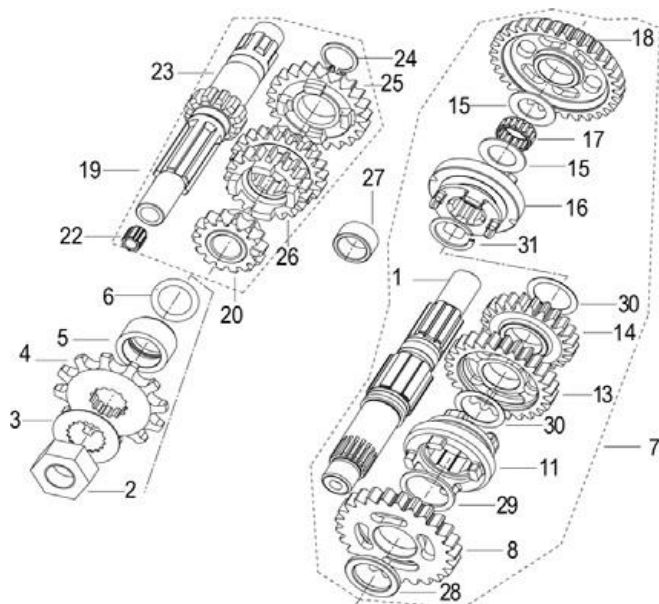
E09 CRANKSHAFT & PISTON



Nº	CÓDIGO	DESCRIÇÃO	Qt.	OBSERVAÇÕES
1	170013090000	NUT M16X1.5	1	
2	170023090000	WASHER	1	
3	269063090000	OIL PUMP, GEAR DRIVE	1	
5	170041170000	KEY 4x20	1	
6	179013210002	CRANKSHAFT&CONNECTING ROD ASSY	1	
7	B11810305013	KEY	1	
8	240013060010	NUT M12	1	
9	179133090003	PISTON	1	
10	179143090002	PIN,PISTON	1	
11	179153090000	CIRCLIPΦ14	2	
12	17009309003Z	RING ASSY	1	
13	179303210000	GEAR DRIVE	1	
15	179243210005	BALANCE SHAFT ASSY	1	

RKV 125 E4

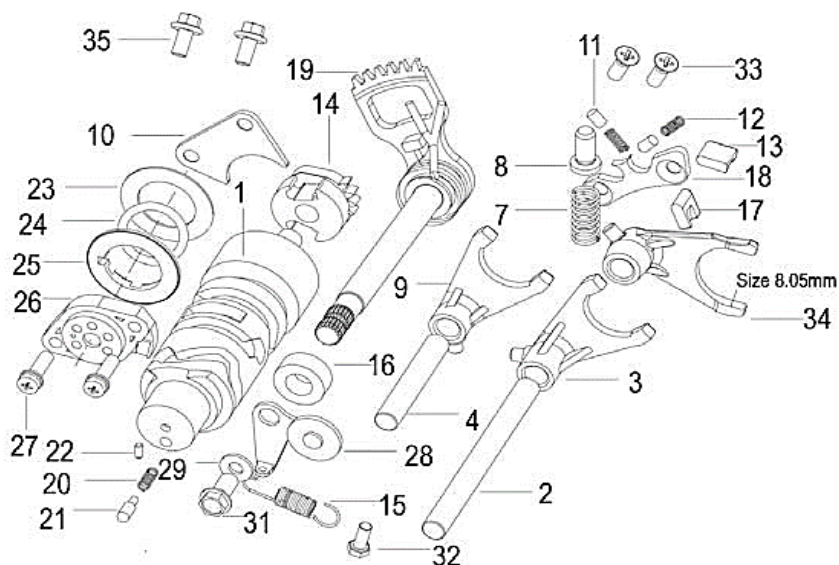
E10 COUNTER & DRIVE SHAFT



Nº	CÓDIGO	DESCRIÇÃO	Qt.	OBSERVAÇÕES
1	219223090010	SHAFT,DRIVE	1	
2	210063090000	WASHER,LOCK M16X1.5	1	
3	219313090000	GASKET, COVER MAGNETO	1	
4	219303090000	SPROCKET,ENGINE 13TEETH	1	
5	210053090000	SPACER	1	
6	B190101900B1	O RING 19x2.65	1	
7	219213090010	DRIVEN SHAFT ASSY	1	
8	219243090000	GEAR,2ND DRIVEN	1	
11	210483090000	CHANGES THE FILES WHEEL	1	
13	219253090000	GEAR, 3 RD DRIVEN	1	
14	219263090000	GEAR, 4 TH DRIVEN	1	
15	210133090000	WASHER	4	
16	219273090000	GEAR, 5 TH DRIVEN	1	
17	210463090000	BERING	1	
18	219233090000	GEAR, 1ST DRIVEN	1	
19	219133210000	DRIVE SHAFT ASSY	1	
20	219163090000	DRIVING TWO SPEED GEAR	1	
22	210043090000	STOPS UP THE COLUMN	1	
23	219143210000	SHAFT,COUNTER	1	
24	B080100020A0	CIRCLIP	1	
25	219193090000	DRIVING FIFTH GEAR GEAR	1	
26	210033090000	INITIATIVE THREE, FOURTH SPEED GEAR	1	
27	210013210000	SPACER	1	
28	210013390000	WASHER	1	
29	210033390000	WASHER 23	1	
30	210133070000	WASHER φ20	2	
31	220014030000	CIRCLIP 20	1	

RKV 125 E4

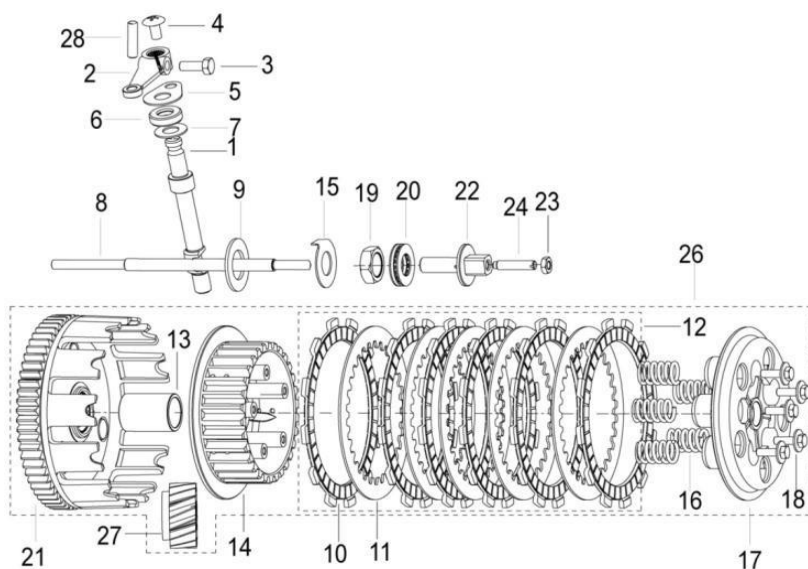
E11 GEAR SHIFT MECHANISM



Nº	CÓDIGO	DESCRIÇÃO	Qt.	OBSERVAÇÕES
1	250043090000	DRUM, GEAR SHIFT	1	
2	219093090000	SHAFT, GEAR SHIFT	1	
3	219103090000	FORK	1	
4	219083090000	SHAFT, SHIFT FORK	1	
7	210393090000	LATCH SPRING	1	
8	210383090000	NEUTRAL LATCH	1	
9	219113090000	FORK	1	
10	250063090020	ON NOTCH WHEEL THRUSTPLATE	1	
11	210303090000	NOTCH WHEEL BACK-UP POST	2	
12	210283090000	RATCHET SPRING	2	
13	210273090000	RIGHT PAWL	1	
14	250083090000	CHANGES THE FILES NOTCH WHEEL MODULE	1	
15	210363090022	ABUT ARM EXTENSION SPRING	1	
16	210373090000	OIL SEAL	1	
17	210293090000	LEFT PAWL	1	
18	250033090000	UNDER NOTCH WHEEL THRUSTPLATE	1	
19	219063210000	SHAFT, GEAR SHIFT	1	
20	210313090000	SPRING	1	
21	210323090000	ANTENNA	1	
22	B091404006B0	PIN B4x6	1	
23	250073090000	WASHER	1	
24	B190102580B0	O RING 25.8x2.65	1	
25	210253090030	CHANGES GRADE OF DRUM BACK PLATE	1	
26	210263090002	FILES POSITION CONTACT DEVICE	1	
27	B13080502022	SCREW W/WASHER M5x20	2	
28	210353090002	ABUT ARM MODULE	1	
29	210343090000	WASHERS 6	1	
31	210333090000	MOVE BOLT M6	1	
32	150263090000	BOLTS M4X10	1	
33	B02010601263	SCREW M6X12	2	
34	219103390000	FORK, LEFT	1	
35	B01070601263	BOLT M6X12	2	

RKV 125 E4

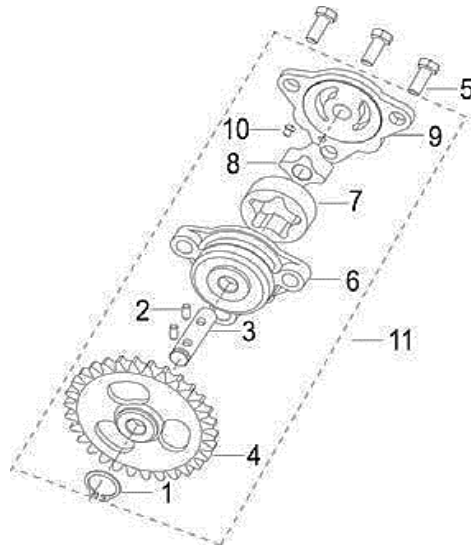
E12 CLUTCH



N°	CÓDIGO	DESCRIÇÃO	Qt.	OBSERVAÇÕES
1	129083090000	CLUTCH RELEASE SHAFT	1	
2	209073090000	SEPARATION RELEASE LEVER	1	
3	B01010601625	BOLT M6×16	1	
4	B02060601224	SCREW M6×12	1	
5	200173090000	CLIP	1	
6	200023090000	TUMBLER AXIS OIL SEAL	1	
7	200013090000	WASHER,THRUST	2	
8	200013210000	PUSH ROD	1	
9	200043090000	WASHER,THRUST	1	
10	200083090000	PLATE, DRIVE	5	
11	200093090000	PLATE, DRIVE	4	
12	200473090000	CLUTCH ASSY	1	
13	200053090000	SPACER	1	
14	200073090000	HUB, CLUTCH SLEEVE	1	
15	200163090000	LOCKING WASHER	1	
16	200113090000	SPRING	5	
17	200103090000	PRESSURE PLATE	1	
18	B13010501605	SCREW W/WASHER M5×16	5	
19	200153090000	PIECE,DIRVE	1	
20	200123090000	NEEDLE BEARING	1	
21	200063090000	GEAR, PRIMARY DRIVE	1	
22	200143090000	SEAT, BEARING	1	
23	B04000600054	NUT M6	1	
24	20013309001X	SCREW M6	1	
26	209013210000	CLUTCH ASSY	1	
27	170393210000	GEAR DRIVE	1	
28	B090406014A5	SHAFT M6×14	1	

RKV 125 E4

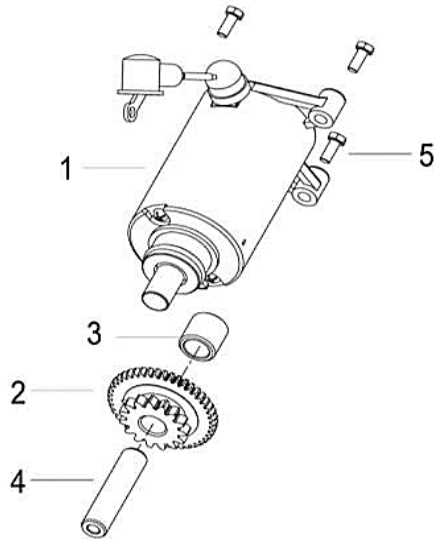
E13 OIL PUMP



Nº	CÓDIGO	DESCRIÇÃO	Qt.	OBSERVAÇÕES
1	B0803000601	RING 6	1	
2	B09012501220	PIN B2.5x12	2	
3	260063090000	OIL PUMP SHAFT	1	
4	260053090000	GEAR OIL PUMP	1	
5	B01070602563	BOLT M6x25	3	
6	260043090000	OIL PUMP BODY	1	
7	260033090000	ROTOR	1	
8	260023090000	OIL PUMP INNER ROTOR	1	
9	260013090000	OIL PUMP EXTERNAL ROTOR	1	
10	B02000300522	SCREW	1	
11	269003090000	OIL PUMP ASSY	1	

RKV 125 E4

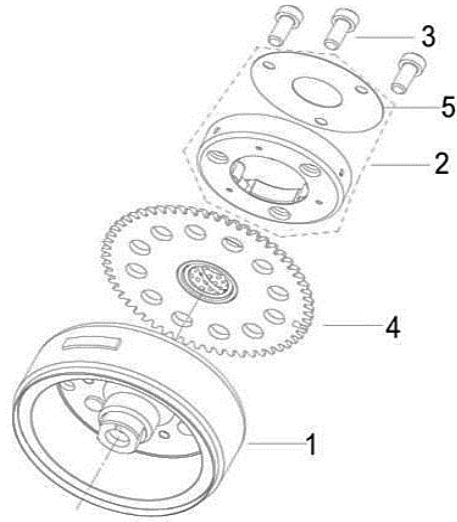
E14 STARTING MOTOR



N°	CÓDIGO	DESCRIÇÃO	Qt.	OBSERVAÇÕES
1	249013210010	STARTER MOTOR ASSY.COMP.GRAY	1	
2	249043090000	START TURN IDLENESS	1	
3	240013090000	BUSHING BLOCK	1	
4	240023090000	HINGE PIN	1	
5	B01070602564	BOLT M6x25	2	

RKV 125 E4

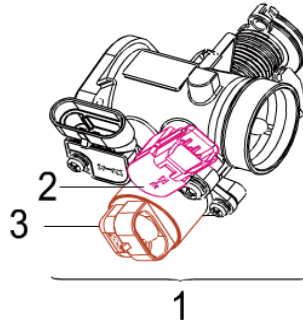
E15 MAGNETO



N°	CÓDIGO	DESCRIÇÃO	Qt.	OBSERVAÇÕES
1	299023090020	EFI ROTOR ASSY.	1	
2	249093230000	GEAR,STARTER	1	
3	240063090000	SCREW M6x14	3	
4	240043090020	DRIVEN GEAR,STARTER	1	
5	240013240000	WASHER	1	

RKV 125 E4

E16 THROTTLE BODY



N°	CÓDIGO	DESCRIÇÃO	Qt.	OBSERVAÇÕES
1	289003210000	THROTTLE ASSY	1	
2	280023130000	THROTTLE LOCATION SENSOR	1	
3	280013130000	STEPPER MOTOR	1	