

PARTS CATALOGUE



SCOOTERS

SK80EB(PT)

XCITING VS 400 E5



Release Date : 2023/01/05
Print Date : 2023/04/20

ABOUT THIS PARTS LIST

- This parts list is compiled all service parts for model SK80EB(PT).
- Any difference between color chart and motorcycle will be revised according to motorcycle.
- The Mark:
 1. Marking "***" must add color code in the end before ordering parts.
 2. Marking "#" are parts with modification, Please find the details from e-Parts system.
- When modification or additions to this parts list are made a revised edition at an appropriate time.



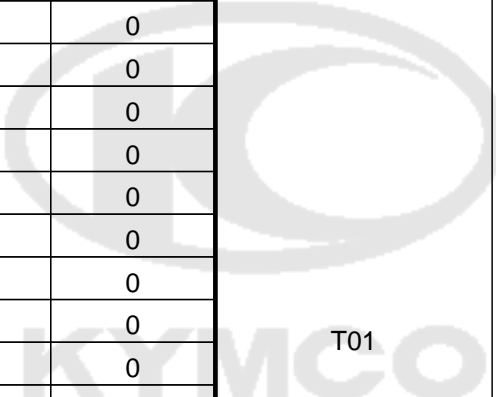
CONTENTS

● ABOUT THIS PARTS LIST	1
● COLOR CHART OF SK80EB(PT)	3
● CONTENTS-ENGINE GROUP	8
● CONTENTS-FRAME GROUP	9
● ENGINE PARTS LIST	12
● FRAME PARTS LIST	48
● PART NO. INDEX	128

NO	MODEL			COLOR CHART OF SK80EB(PT)			
	PHOTO NO			NO. 1			
	BASIC COLOR			Pearly Black			
	CODE			Pearly Black			
	PARTS NAME	PARTS NO.	VERSION	NH359PA			
1	TOP COVER HANDLE	53207-ADG5-E00	0	ALP			
2	COVER A FRONT	64301-BAC8-E00	0				
3	COVER R SIDE	83501-ADG5-E00	0				
4	BOARD A R SIDE	83530-ADG5-E00	0				
5	SKIRT B R SIDE	83540-ADG5-E00	0				
6	COVER L SIDE	83601-ADG5-E00	0				
7	BOARD A L SIDE	83630-ADG5-E00	0				
8	SKIRT B L SIDE	83640-ADG5-E00	0				
9	FENDER FRONT	61100-ADG5-E00	1	DLL			
10	WHEEL COMP. . RR	42601-LKF5-E00	2	EHA			
11	WHEEL SET FR	44600-LKF5-305	0				
12	GRIP R HANDLE	53140-LHJ3-900	3	H5R			
13	GRIP L HANDLE	53150-LEA6-900	6				
14	FR COVER COMP L	1134B-ADG5-E00	0	JBP			
15	DUCT. L. COVER	11345-ADG5-E00	5	JEP			
16	COVER C FRONT	64101-BAC8-E00	0				
17	MOLDING A R SIDE	64302-BAC8-E00	0				
18	MOLDING A L SIDE	64303-BAC8-E00	0				
19	SKIRT A FR. R SIDE	64305-ADG5-E00	0				
20	SKIRT A FR. L SIDE	64306-ADG5-E00	0				
21	LEG SHILED R SIDE	81141-BAC8-E00	0				
22	LEG SHILED L SIDE	81151-BAC8-E00	0				
23	CARRIER R REAR	81200-ADG5-E00	5				
24	CARRIER L REAR	81210-ADG5-E00	5				
25	COVER R BODY	83500-ADG5-E00	0				
DATE OF STARTING-SALES							
DATE OF END-SALES							

NO	MODEL			COLOR CHART OF SK80EB(PT)			
	PHOTO NO			NO. 1			
	BASIC COLOR			Pearly Black			
	CODE			Pearly Black			
	PARTS NAME	PARTS NO.	VERSION	NH359PA			
26	COVER L BODY	83600-ADG5-E00	0	JEP			
27	COVER RR CENTER	83750-ADG5-E00	1				
28	CUSHION ASSY RR R/H	52400-ADG5-E00	1	M2S			
29	CUSHION ASSY RR L/H	52500-ADG5-E00	1				
30	LEVER R STRG HANDLE	53175-LKF5-E00	0	M3A			
31	LEVER L STRG HANDLE	53178-LKF5-E00	0				
32	COVER COMP R CRANK	11330-ADG5-E00	5	MLA			
33	BATTERY CASE	50327-ADG5-E00	1				
34	BATTERY COVER	50328-AKC3-E00	1				
35	COVER UNDER	50613-ADG5-E00	0				
36	COVER A METER	53204-ADG5-E00	1				
37	COVER HANDLE UP	53205-ADG5-E00	1				
38	COVER HANDLE LOW	53206-ADG5-E00	1				
39	COVER B ASSY METER	5321A-ADG5-E00	1				
40	INNER FENDER FRONT	61101-ADG5-E00	0				
41	COVER R WIND	64140-ADG5-E00	1				
42	COVER B FORNT	64201-BAC8-E00	0	N1R			
43	COVER L WIND SCREEN	64240-ADG5-E00	1				
44	PANEL R FLOOR	64310-ADG5-E00	0				
45	MAT R FLOOR	64320-ADG5-E00	0				
46	PANEL L FLOOR	64330-ADG5-E00	0				
47	MAT L FLOOR	64340-ADG5-E00	0				
48	MAT R LEG SHIELD	64350-ADG5-E00	0				
49	MAT L LEG SHIELD	64360-ADG5-E00	0				
50	COWL UNDER	64400-ADG5-E00	0				
DATE OF STARTING-SALES							
DATE OF END-SALES							

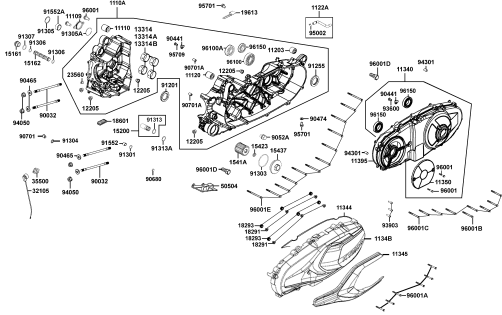
NO	MODEL			COLOR CHART OF SK80EB(PT)			
	PHOTO NO			NO. 1			
	BASIC COLOR			Pearly Black			
	CODE			Pearly Black			
	PARTS NAME	PARTS NO.	VERSION	NH359PA			
51	FENDER RR INNER	80101-ADG5-E00	0	N1R			
52	FENDER REAR	80105-ADG5-E00	1				
53	COVER A LICENSE	80107-ADG5-E00	0				
54	FENDER ASSY.RR TIRE	8010B-LKF5-E00	6				
55	COVER CENTER	80151-ADG5-E00	1				
56	LID FUEL CAP MAINT	80152-BAC8-E00	0				
57	LID R LEG SHIELD	81111-ADG5-E00	1				
58	LID L LEG SHIELD	81121-ADG5-E00	1				
59	LEG SHIELD UP	81131-BAC8-E00	0				
60	LID LEG SHIELD	81132-BAC8-E00	0				
61	INNER BOX R FRONT	8113A-ADG5-E00	0				
62	INNER BOX L FRONT	8113B-ADG5-E00	0				
63	COVER BATTERY	81450-ADG5-E00	0				
64	SKIRT A R SIDE	83510-ADG5-E00	0				
65	BOARD B R SIDE	83520-ADG5-E00	0				
66	SKIRT A L SIDE	83610-ADG5-E00	0				
67	BOARD B L SIDE	83620-ADG5-E00	0				
68	BAND HARNESS WIRE	90656-KUDU-900	0				
69	COVER WATER PUMP	19220-LKF5-305	0				
70	COVER ASSY WATER	1922A-LKF5-E00	5				
71	CALIPER ASSY RR	43100-LKF5-E00	4				
72	CALIPER ASSY FR L/H	45100-LKF5-E00	7				
73	CALIPER ASSY FR R/H	45200-LKF5-E00	7				
74	FORK ASSY. FR R	51400-LKF5-E00	7				
75	BOTTOM CASE R	51421-LKF5-E00	0				
DATE OF STARTING-SALES							
DATE OF END-SALES							

NO	MODEL			COLOR CHART OF SK80EB(PT)							
	PHOTO NO			NO. 1							
	BASIC COLOR			Pearly Black							
	CODE			Pearly Black							
	PARTS NAME	PARTS NO.	VERSION	NH359PA							
76	FORK ASSY. FR L	51500-LKF5-E00	7	NEA							
77	BOTTOM CASE L	51521-LKF5-E00	0								
78	FORK ASSY RR	52000-LKF5-E01	3								
79	FORK A RR CAST	52110-LKF5-E00	0								
80	COVER SEAT	80154-ADG5-E00	0	NEP							
81	END HANDLE	53102-LEA5-E00	3	NES							
82	END R STRG HANDLE	53105-LEA5-E00	3								
83	WIND SCREEN	64220-ADG5-E00	1								
84	SEAT ASSY	77200-BAC8-E00	0								
85	SEAT ASSY BACK	77220-BAC8-E00	0								
86	EMB HANDLE COVER	86020-BAC8-E00	0								
87	STRIPE R FR COVER	86121-BAC8-E00	0								
88	STRIPE L FR COVER	86131-BAC8-E00	0								
89	STRIPE B R FR COVER	86141-BAC8-E00	0								
90	STRIPE B L FR COVER	86151-BAC8-E00	0								
91	EMB BODY COVER	86202-BAC8-E00	0								
92	STRIPE R BODY COVER	86221-BAC8-E00	0								
93	STRIPE L BODY COVER	86231-BAC8-E00	0								
94	STRIPE R SIDE COVER	86323-BAC8-E00	0								
95	EMB SKIRT	86332-ADG5-E00	3								
96	STRIPE L SIDE COVER	86333-BAC8-E00	0								
97	STRIPE FR FENDER	86408-ACD5-E00	2								
98	EMB K-LOGO	87206-ADG5-E00	3								
99	NOTICE MOBILE PHONE	87541-ZZA6-E00	2								
100	LABEL FUEL TANK	87546-ADG5-E00	2								
DATE OF STARTING-SALES											
DATE OF END-SALES											

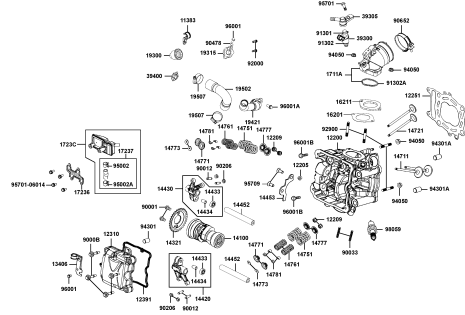
NO	MODEL			COLOR CHART OF SK80EB(PT)			
	PHOTO NO			NO. 1			
	BASIC COLOR			Pearly Black			
	CODE			Pearly Black			
	PARTS NAME	PARTS NO.	VERSION	NH359PA			
101	MARK DRIVER CAUTION	87560-ADG5-E00	2	T01			
102	TAIL CAP MUFFLER	18306-ADG5-E00	5	T02			
103	MUFFLER ASSY EXH	1830A-BAC8-E00	0				
104	MUFF. PROTECTOR A	18318-ADG5-E00	5				
105	PROTECTOR EXHAUST	18325-ADG5-E00	6				
106	COLLAR MAIN	35102-BAC8-E00	0				
DATE OF STARTING-SALES							
DATE OF END-SALES							

CONTENTS - ENGINE GROUP

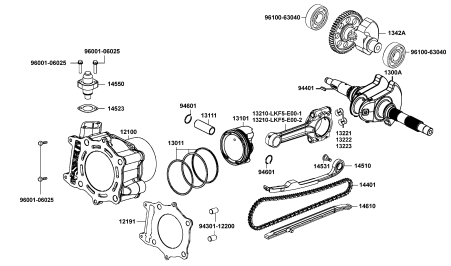
E01 Crank Case



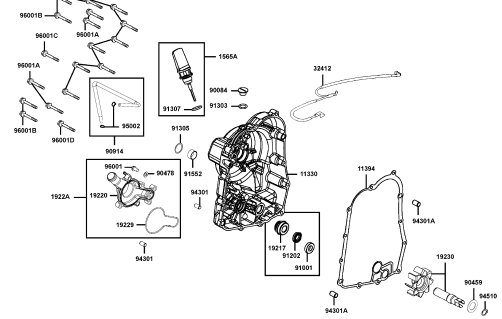
E02 Cylinder Head Cover Cylinder



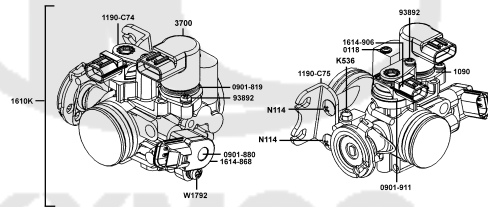
E03 Cylinder Piston Crankshaft



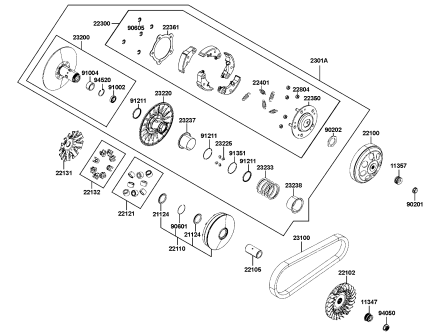
E04 Right Crankcase Cover Water



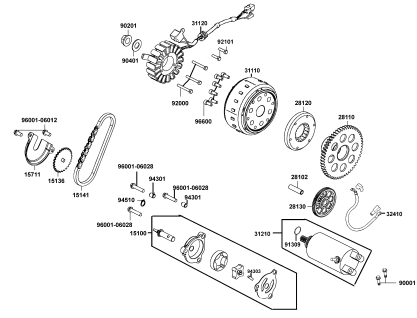
E05 Throttle Body Assy



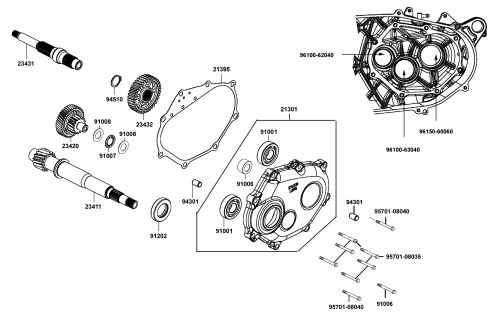
E06 Drive Pulley



E07 Starting Motor Generator

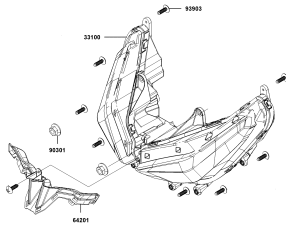


E08 Shaft Reduction

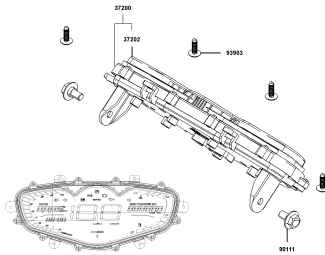


CONTENTS - FRAME GROUP

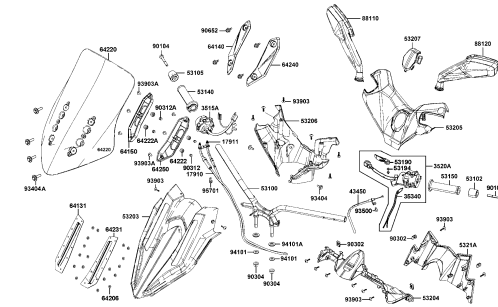
F01 Head Light



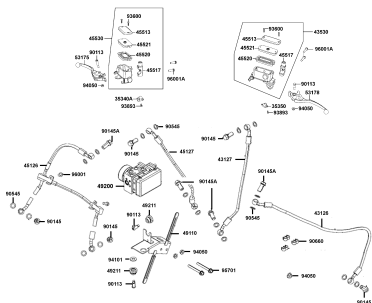
F02 Speed meter



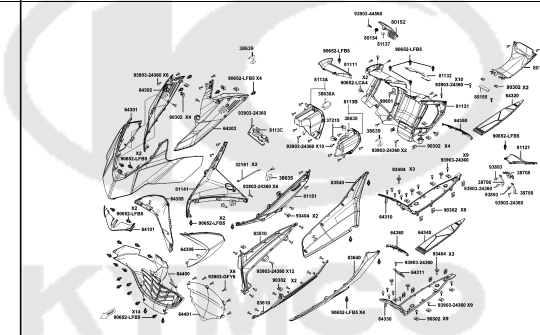
F03 Handle Steering



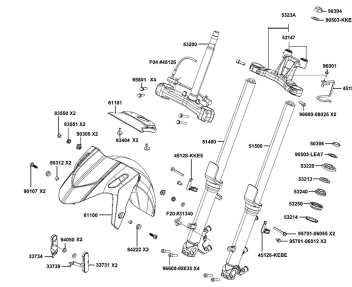
F04 Master Cylinder



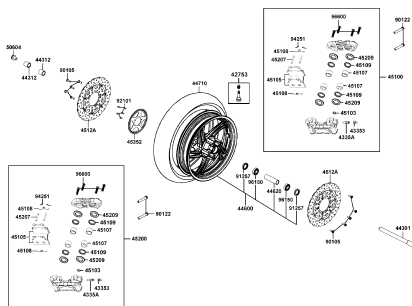
F05 Fender Front



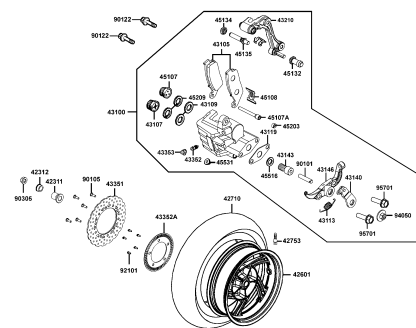
F06 Stem Steering



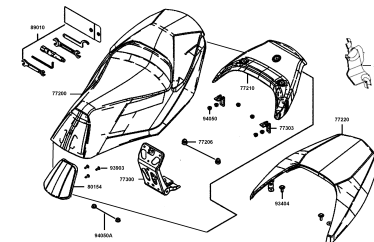
F07 Front Wheel



F08 Rear Wheel

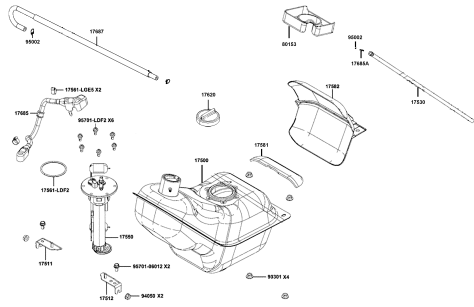


F09 Seat

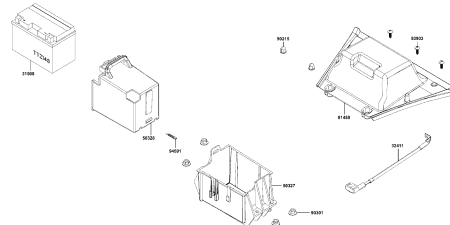


CONTENTS - FRAME GROUP

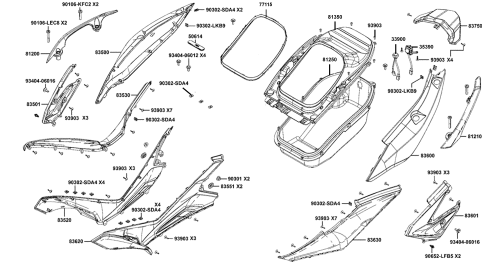
F10 Fuel Tank



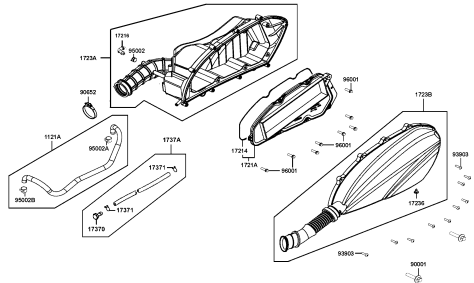
F11 Battery



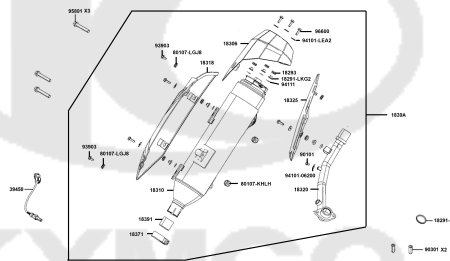
F12 Body Cover Luggage Box



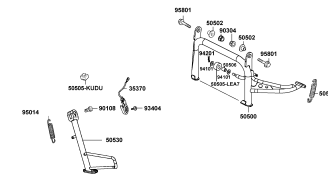
F13 Air Cleaner



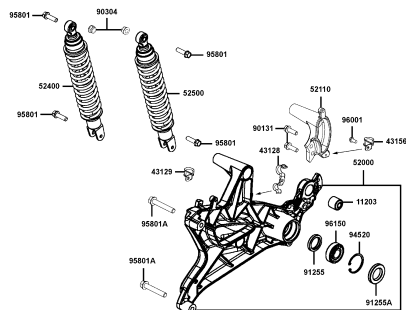
F14 Exhaust Muffler



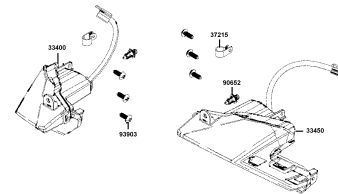
F15 Stand



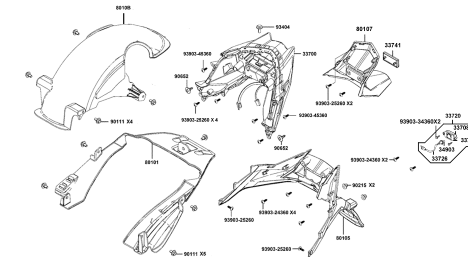
F16 Rr Cushion



F17 Winker

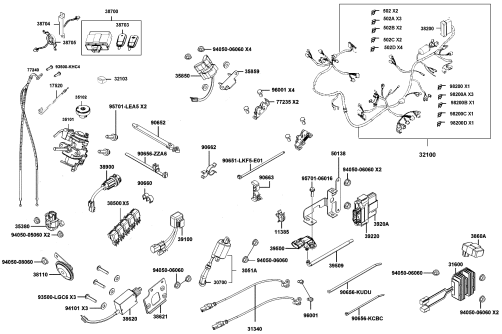


F18 Light Tail

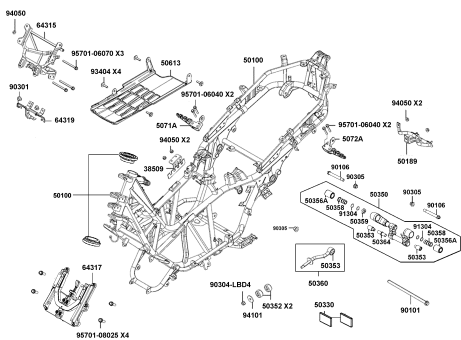


CONTENTS - FRAME GROUP

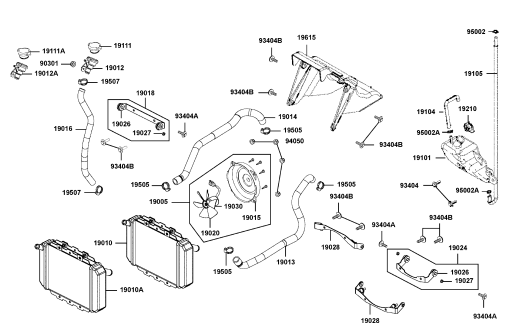
F19 **Harness Wire**



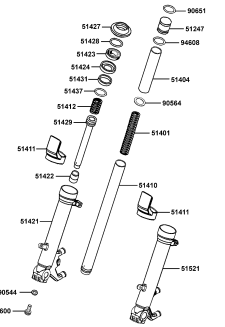
F20 **Frame Body**



F21 **Radiator**



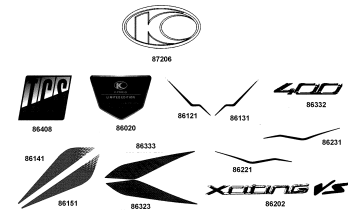
F22 **Separated Parts Of Fr Fork**



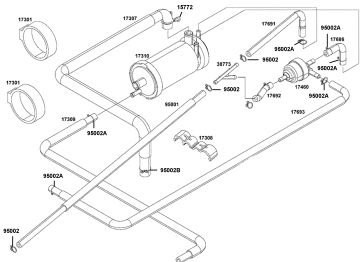
F23 **Caution Label**



F24 **Emblem Stripe**

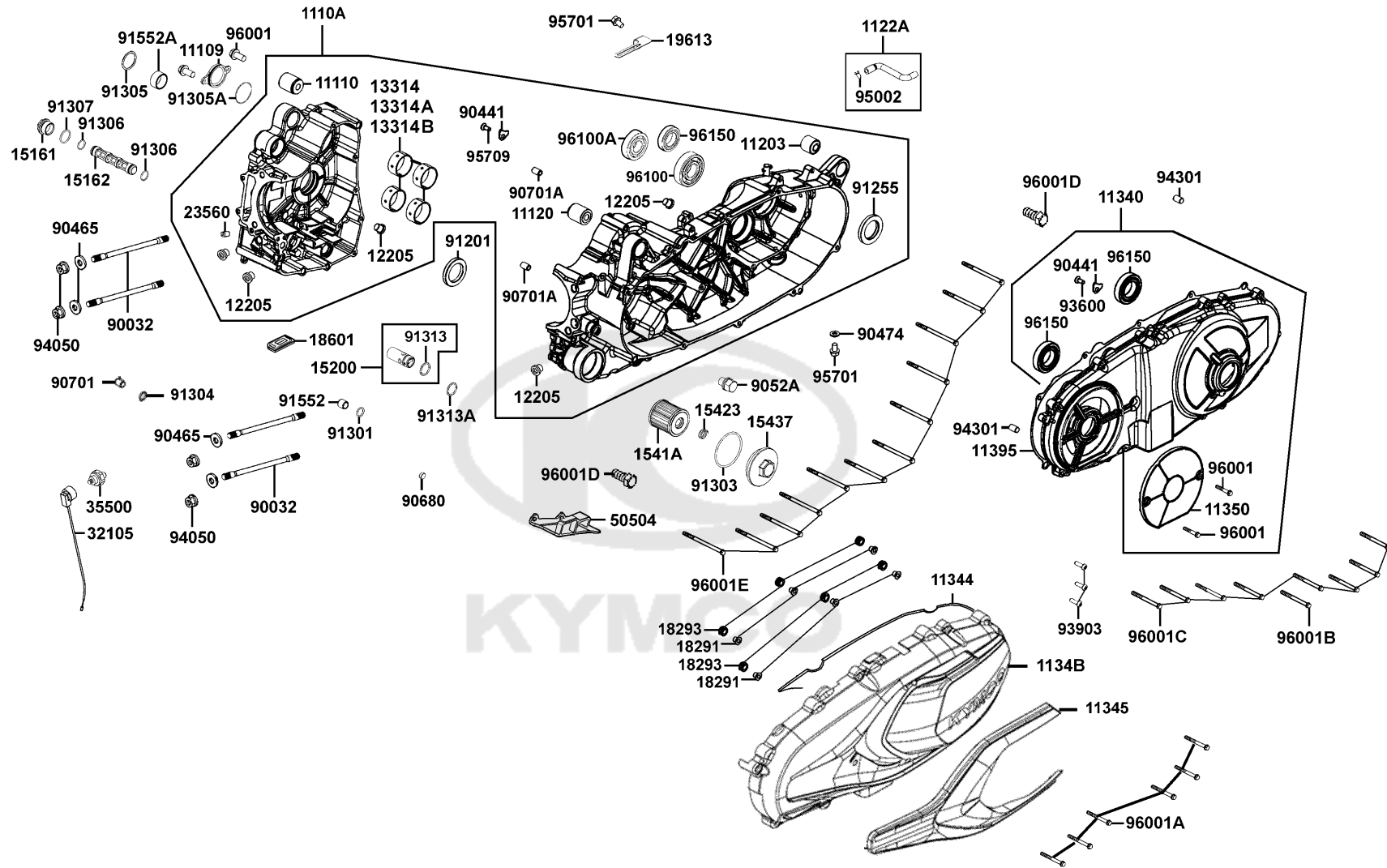


F25 **Canister-Pcv Assy**



E01

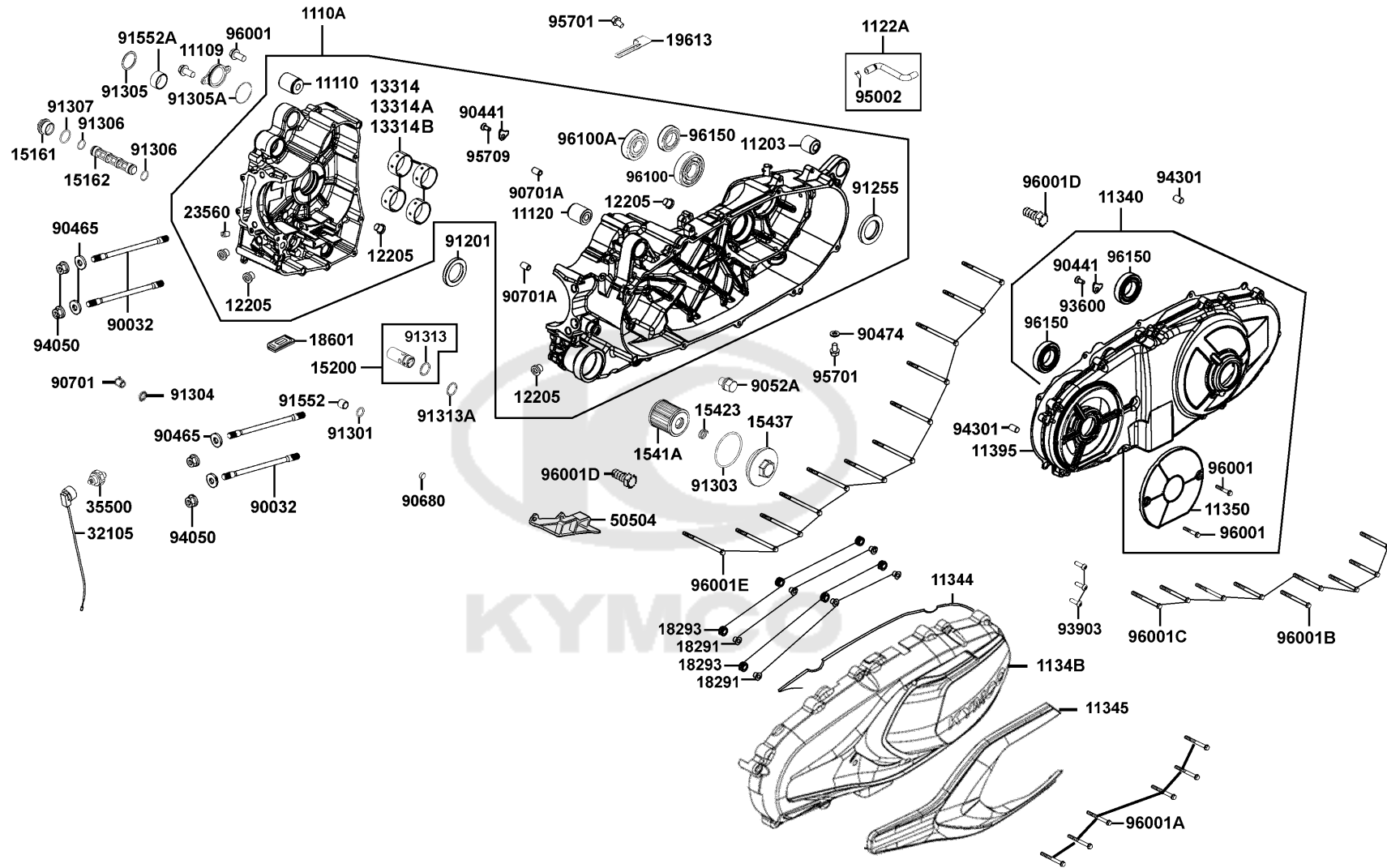
Crank Case



Sales mark	Ref no	Part no	Description	Reg description	Regd no	E01
	11109	11109-LKF5-E00	COVER BLANCE SHAFT	COVER BLANCE SHAFT	1	
	1110A	1110A-ADG5-305	CRANK CASE R/ L ASSY	CRANK CASE R/ L ASSY	1	
	11110	11110-ADG5-E00	BUSH ASSY R ENG HANGER	BUSH ASSY R ENG HANGER	1	
	11120	11120-ADG5-E00	BUSH ASSY L ENG HANGER	BUSH ASSY L ENG HANGER	1	
	11203	11203-LBA2-E00	RUB BUSH L CASE	RUB BUSH L CASE	1	
	1122A	1122A-LEA7-E00	TUBE ASSY BREATHER	TUBE ASSY BREATHER	1	
	11340	11340-ADG5-E00	COVER COMP L.CRANK CASE	COVER COMP.L.CRANK CASE	1	
	11344	11344-ADG5-E00	FOAM TEXTURE A	FOAM TEXTURE A	1	
**	11345	11345-ADG5-E00	DUCT. L. COVER	DUCT. L. COVER	1	
**	1134B	1134B-ADG5-E00	FR COVER COMP L COVER	FR COVER COMP L COVER	1	
	11350	11350-LKF5-E00	ELEMENT DUCT. A L. COVER	ELEMENT DUCT. A L. COVER	1	
	11395	11395-ADG5-E00	GASKET L COVER	GASKETL COVER	1	
	12205	12205-LEA7-E00	BOLT SEALING 12MM	BOLT SEALING 12MM	5	
	13314	13314-LKF5-E00-A	BEARING. CRANK SHAFT	BEARING. CRANK SHAFT (RED/1.495~1.498)	4	
	13314A	13314-LKF5-E00-B	BEARING. CRANK SHAFT	BEARING. CRANK SHAFT	4	
	13314B	13314-LKF5-E00-C	BEARING. CRANK SHAFT	BEARING. CRANK SHAFT	4	
	15161	15161-PUA5-E00	PLUG SCREW SECTION FILTER	PLUG SCREW SECTION FILTER	1	
	15162	15162-PUA5-E00	SUCTION FILTER CRANK SIDE	SUCTION FILTER CRANK SIDE	1	
	15200	15200-LKF5-E00	OIL RELIEF VALVE ASSY	OIL RELIEF VALVE ASSY	1	
	1541A	1541A-LEH6-E00	ELEMENT ASSY OIL FILTER	ELEMENT ASSY OIL FILTER	1	

E01

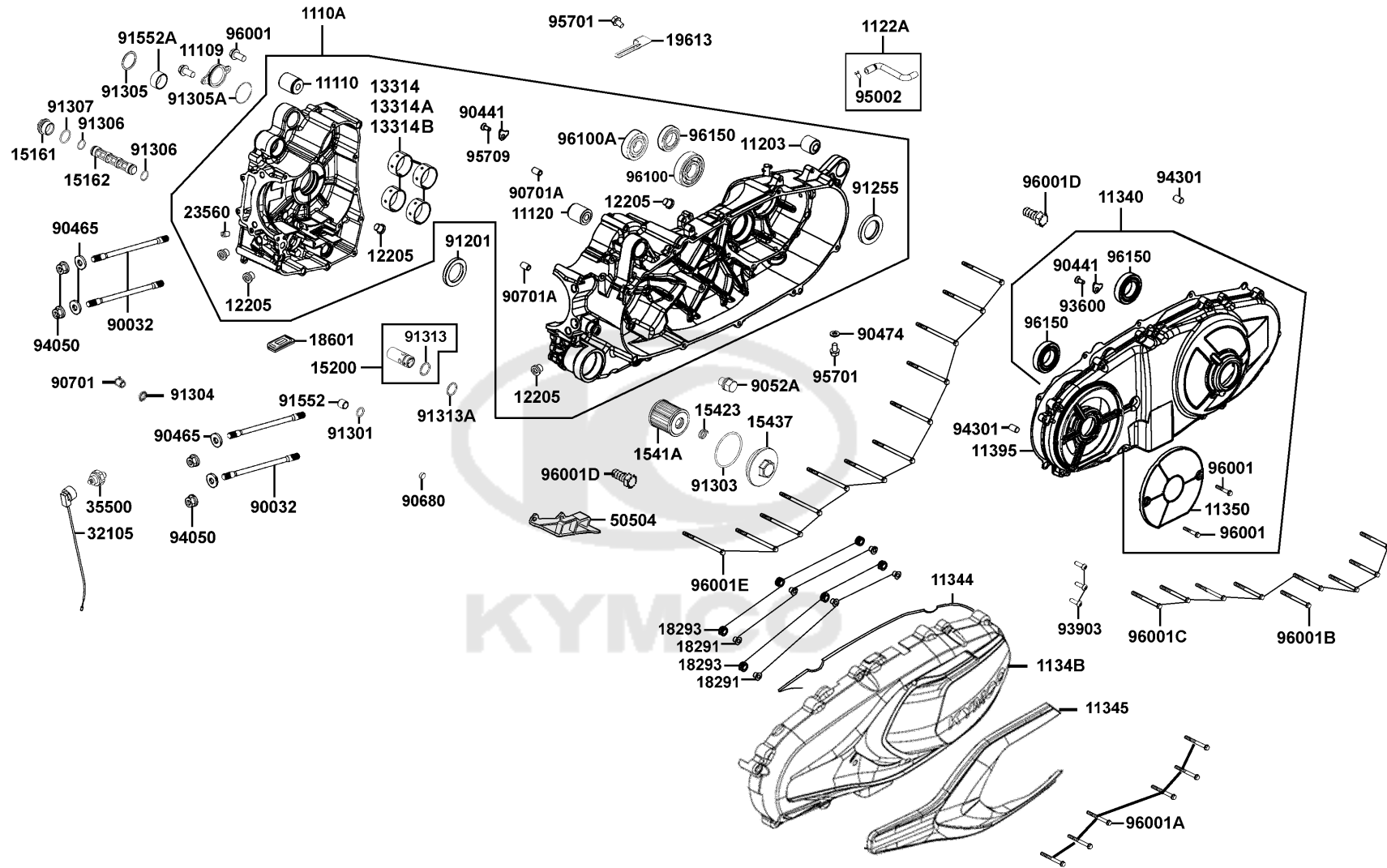
Crank Case



Sales mark	Ref no	Part no	Description	Reg description	Regd no	E01
15423		15423-KKC3-900	SPRING CAP OIL	SPRING CAP OIL	1	
15437		15437-LEA7-E00	CAP OIL FILTER	CAP OIL FILTER	1	
18291		18291-KKC4-900	COLLAR	COLLAR	6	
18293		18293-KKC4-900	RUBBER	RUBBER	6	
18601		18601-LKF5-E00	REED VALVE COMP.	REED VALVE COMP.	1	
19613		19613-LEA7-E00	CLAMPER STARTER MOTOR CORD	CLAMPER STARTER MOTOR CORD	1	
23560		23560-LBA2-E00	ORIFICE R CASE	ORIFICE R CASE	1	
32105		32105-LLJ3-E00	SUB HARNESS	SUB HARNESS	1	
35500		35500-KED9-900	SW ASSY OIL PRESSURE	SW ASSY OIL PRESSURE	1	
50504		50504-LKF5-E00	STOPPER PLATE.MAIN STAND	STOPPER PLATE.MAIN STAND	1	
90032		90032-LEA7-E00	BOLT B STUD 10*180	BOLT B STUD 10*180	4	
90441		90441-LKF5-E00	PLATE BRG HOLD	PLATE BRG HOLD	2	
90465		90465-LBA2-E00	WASHER 10.2 MM	WASHER 10.2 MM	4	
90474		90474-3C33-001	WASHER 8MM	WASHER 8MM	1	
9052A		9052A-LEB1-900	BOLT ASSY DRAIN PLUG	BOLT ASSY DRAIN PLUG	1	
90680		90680-KED9-900	CONE TYPE PLUG 10X5	CONE TYPE PLUG 10X5	1	
90701		90701-6K79-001	PIN DOWEL 8*10	PIN DOWEL 8*10	1	
90701A		90701-9E65-001	PIN DOWEL 10*16	PIN DOWEL 10*16	2	
91201		91201-LEA7-E00	OIL SEAL 35*50*7	OIL SEAL 35*50*7	1	
91201		91201-LKF5-E00	OIL SEAL 38*50*7	OIL SEAL 38*50*7	1	

E01

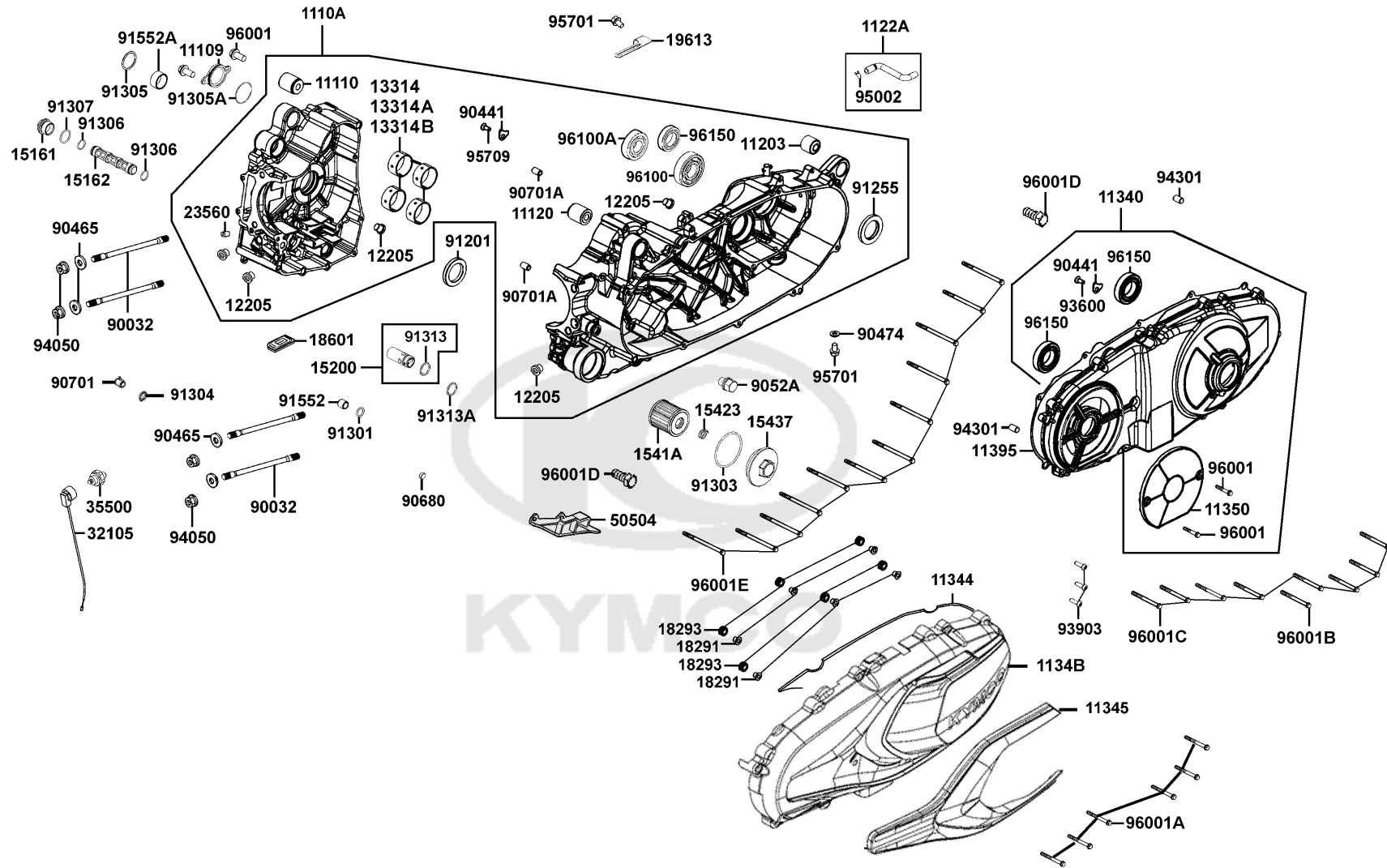
Crank Case



Sales mark	Ref no	Part no	Description	Reg description	Regd no	E01
	91255	91255-LKF5-E00	OIL SEAL 38X56X7	OIL SEAL 38X56X7	1	
	91301	91301-2L00-001	O-RING 10*1.6	O-RING 10*1.6	1	
	91303	91303-LEA7-E00	O-RING 52.5x2.5	O-RING 52.5x2.5	1	
	91304	91304-LEA3-900	O-RING 7.8*1.9	O-RING 7.8*1.9	1	
	91305	91305-LEH6-E00	O RING 19.8x1.9	O RING 19.8x1.9	1	
	91305A	91305-LKF5-E00	O-RING 48*1.8	O-RING 48*1.8	1	
	91306	91306-PUA5-E00	O-RING 13*1.5	O-RING 13*1.5	2	
	91307	91307-PUA5-E00	O-RING 18*2	O-RING 18*2	1	
	91313	91313-KED9-900	O-RING 15.5*1.5	O-RING 15.5*1.5	1	
	91313A	91313-LKF5-E00	O RING 14X2	O RING 14X2	1	
	91552	91552-LEA7-E00	COLLAR.10.5MM	COLLAR.10.5MM	1	
	91552A	91552-LEH6-E00	COLLAR 20mm	COLLAR 20mm	1	
	93600	93600-LKF5-E00	BOLT FLAT SOCKET	BOLT FLAT SOCKET	1	
	93903	93903-25380	SCREW TAPP 5*16	SCREW TAPP 5*16	3	
	94050	94050-10060	NUT FLANGE 10MM	NUT FLANGE 10MM	4	
	94301	94301-10160	DOWEL PIN 10*16	DOWEL PIN 10*16	2	
	95002	95002-50000	CLIP C9 TUBE	CLIP C9 TUBE	2	
	95701	95701-08012-06	BOLT FLANGE 8*12	BOLT FLANGE 8*12	2	
	95709	95709-PRA1-E00	SCREW COUNTERSUNK M6*12	SCREW COUNTERSUNK M6*12	1	
	96001	96001-06012-06	BOLT FLANGE SH 6*12	BOLT FLANGE SH 6*12	1	

E01

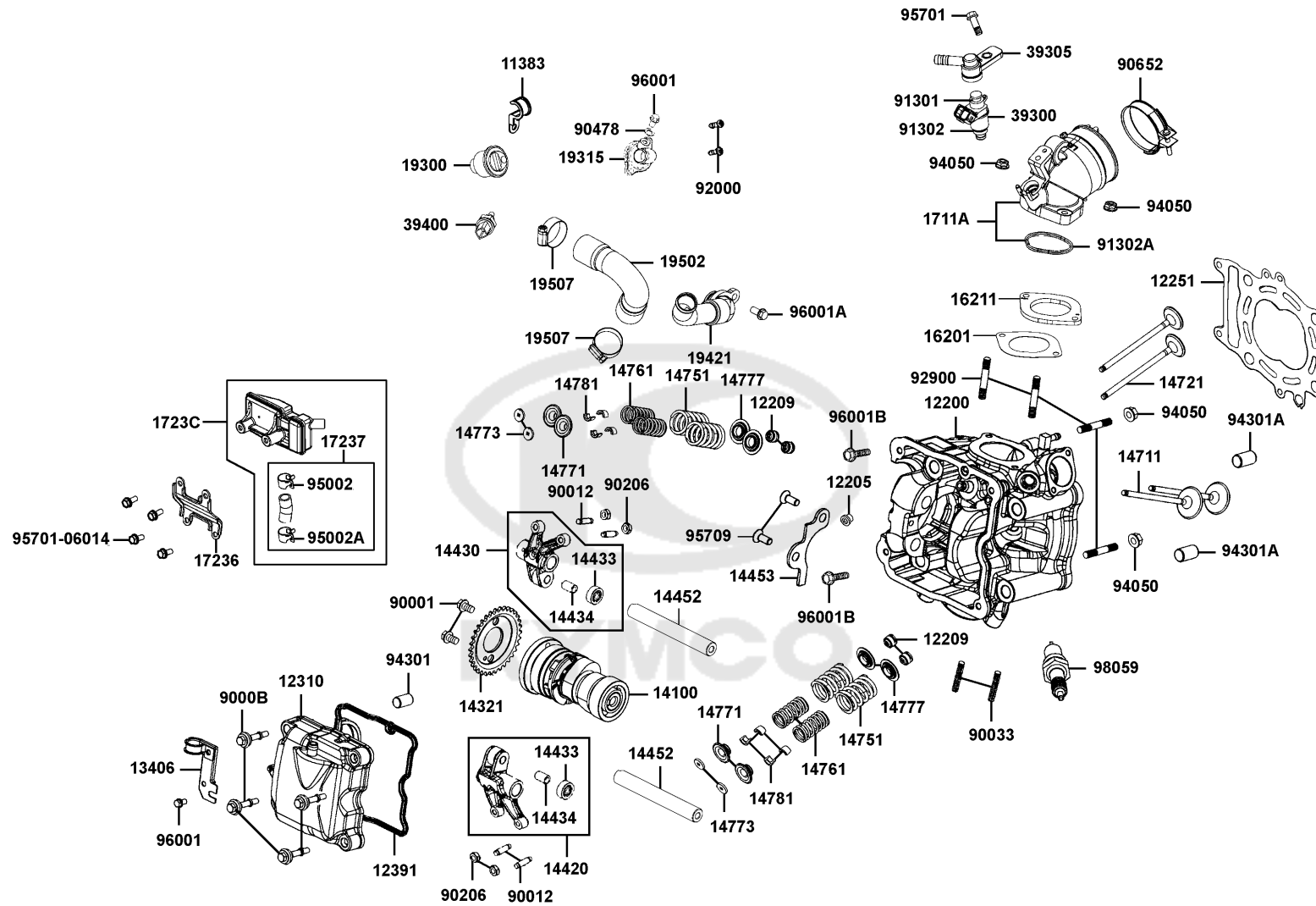
Crank Case



Sales mark	Ref no	Part no	Description	Reg description	Regd no	E01
96001A	96001-06020-06	96001-06020-06	BOLT FLANGE SH 6*20	BOLT FLANGE SH 6*20	6	
96001B	96001-06022-06	96001-06022-06	BOLT FLANGE SH 6*22 (G)	BOLT FLANGE SH 6*22 (G)	1	
96001C	96001-06030-06	96001-06030-06	BOLT FLANGE SH 6X30	BOLT FLANGE SH 6X30	1	
96001D	96001-06035-06	96001-06035-06	BOLT FLANGE SH 6*35	BOLT FLANGE SH 6*35	1	
96001E	96001-06070-06	96001-06070-06	BOLT FLANGE SH 6*70	BOLT FLANGE SH 6*70	12	
96100	96100-62040-00	96100-62040-00	BEARING BALL RADIAL 6204	BEARING BALL RADIAL 6204	1	
96100A	96100-63040-00	96100-63040-00	BRG BALL RADIAL 6304	BRG BALL RADIAL 6304	1	
96150	96150-60060-10	96150-60060-10	BEARING BALL RADIAL 6006	BEARING BALL RADIAL 6006	4	

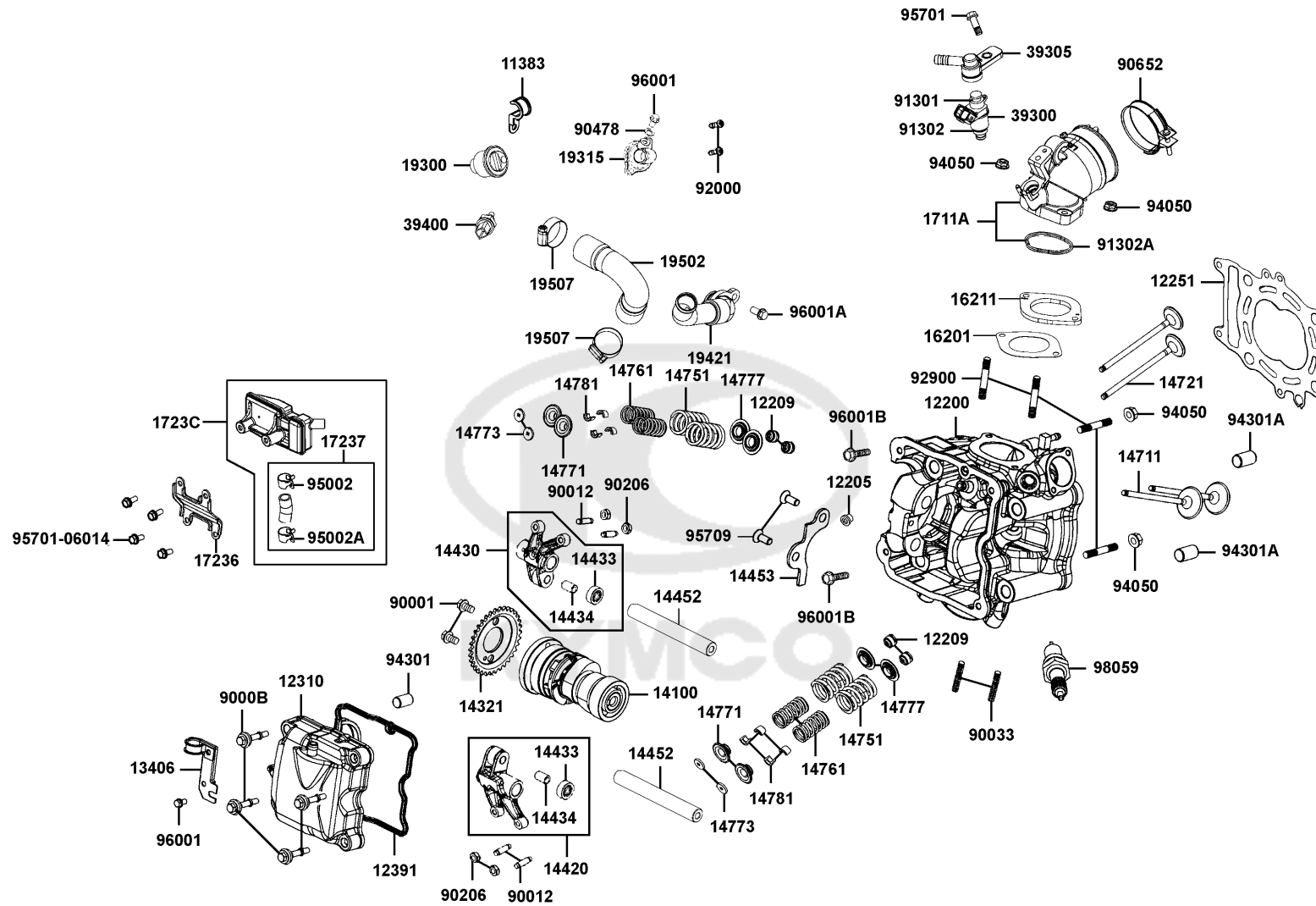


Cylinder Head Cover Cylinder Head



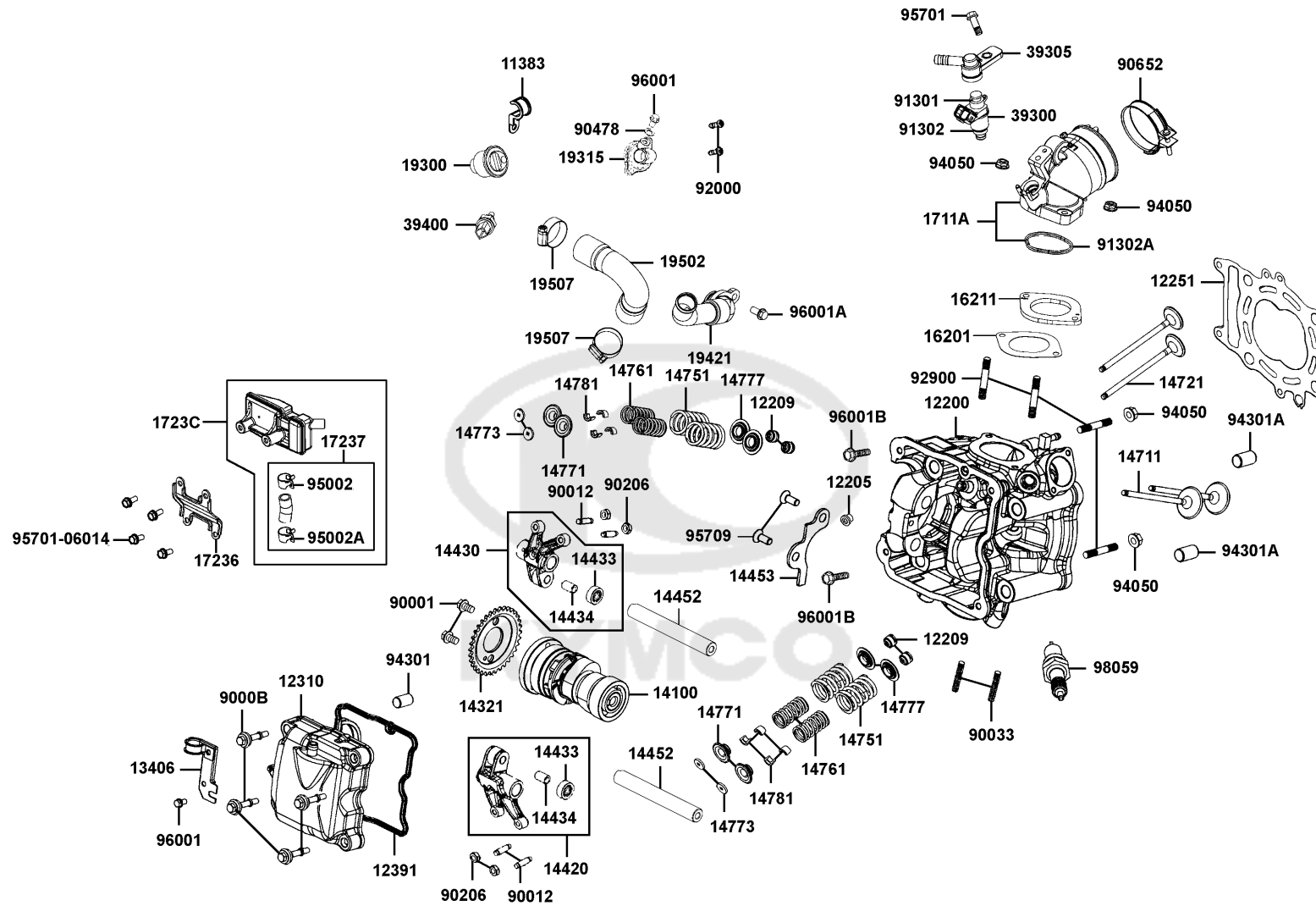
Sales mark	Ref no	Part no	Description	Reg description	Regd no	E02
11383		11383-KHE7-900	CLAMPER RR BRK HOSE	CLAMPER RR BRK HOSE	1	
12200		12200-LKF5-E00	HEAD COMP CYLINDER	HEAD COMP.. CYLINDER	1	
12205		12205-KHE8-301	BOLT SEALING 12MM	BOLT SEALING 12MM	5	
12209		12209-GDB4-68B	SEAL VALVE STEM	SEAL VALVE STEM	1	
12251		12251-LKF5-E00	GASKET CYLINDER HEAD	GASKET CYLINDER HEAD	1	
12310		12310-LKF5-E01	COVER COMP HEAD	COVER COMP HEAD	1	
12391		12391-LKF5-900	GASKET CYLINDER HEAD COVER	GASKET CYLINDER HEAD COVER	1	
13406		13406-LEA7-E00	PLATE FUEL INJECTOR	PLATE FUEL INJECTOR	1	
14100		14100-BAC8-E00	SHAFT COMP CAM	SHAFT COMP CAM	1	
14321		14321-LEA7-E00	SPROCKET CAMSHAFT	SPROCKET CAMSHAFT	1	
14420		14420-ABE1-E00	ARM COMP EXH VALVE ROCKER	ARM COMP EXH VALVE ROCKER	1	
14430		14430-ABE1-E00	ARM COMP IN VALVE ROCKER	ARM COMP IN VALVE ROCKER	1	
14433		14433-ACD5-E00	ROLLER ASSY ROCKER ARM	ROLLER ASSY ROCKER ARM	2	
14434		14434-ACD5-E00	PIN. ROCKER ARM	PIN. ROCKER ARM	2	
14452		14452-LKF5-E00	SHAFT. ROCKER ARM	SHAFT. ROCKER ARM	2	
14453		14453-LKF5-E00	SET. PLATE. ROCKER ARM SHAFT	SET. PLATE. ROCKER ARM SHAFT	1	
14711		14711-ABE1-E00	VALVE INLET	VALVE INLET	1	
14721		14721-ABE1-E00	VALVE EXHAUST	VALVE EXHAUST	1	
14751		14751-LKF5-E00	SPRING. VALVE OUTER	SPRING. VALVE OUTER	4	
14761		14761-LKF5-E00	SPRING. VALVE INNER	SPRING. VALVE INNER	4	

Cylinder Head Cover Cylinder Head



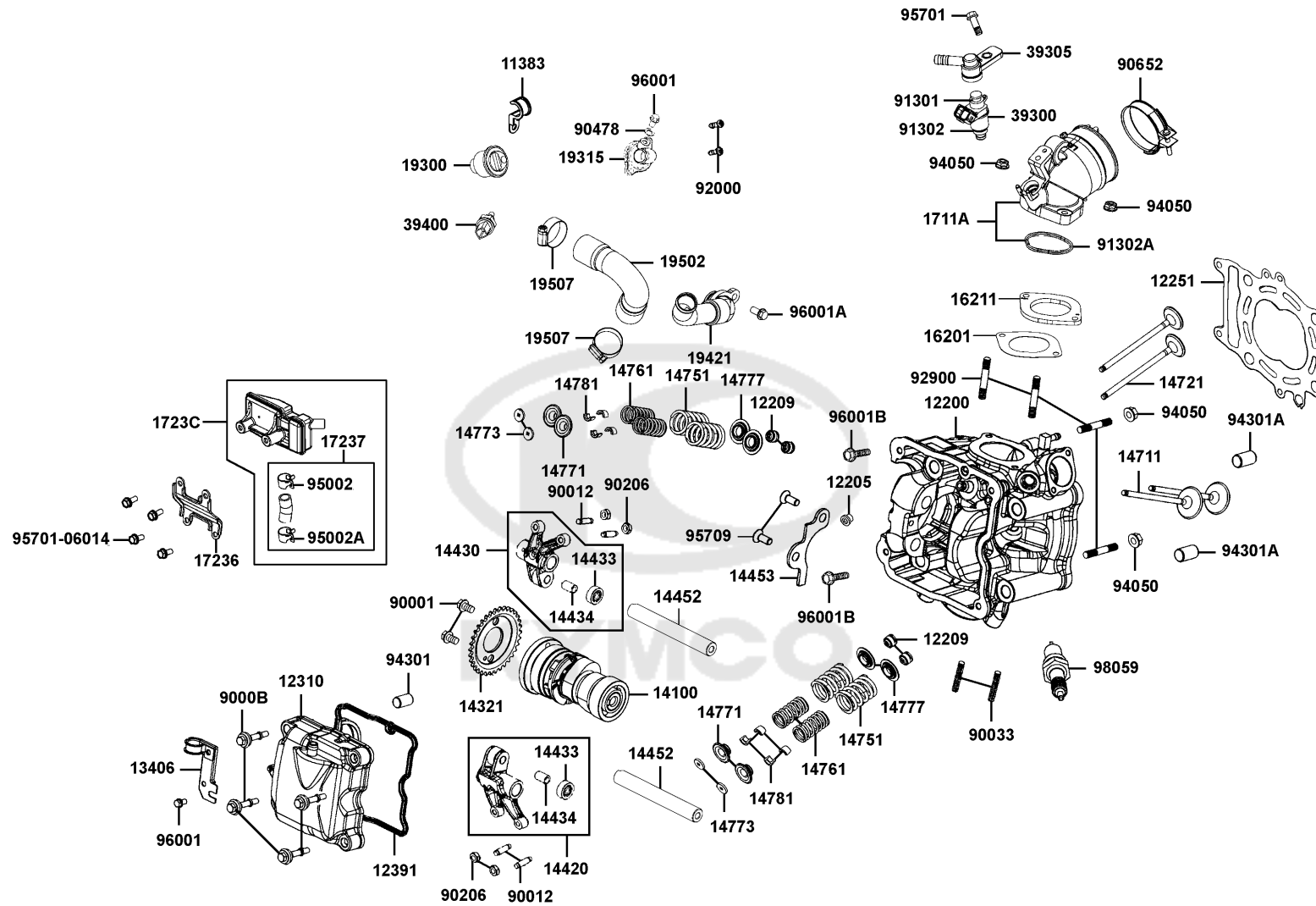
Sales mark	Ref no	Part no	Description	Reg description	Regd no	E02
14771		14771-LKF5-E00	RETAINER. VALVE SPRING	RETAINER. VALVE SPRING	4	
14773		14773-LKF5-E00	SHIM	SHIM	4	
14777		14777-LBA2-E00	SEAT VALVE SPG	SEAT VALVE SPG	4	
14781		14781-MFA6-001	COTTER VALVE	COTTER VALVE	8	
16201		16201-LKF5-E00	GASKET. CARB INSULATOR @A	GASKET. CARB INSULATOR A	1	
16211		16211-LKF5-E00	INSULATOR. CARB	INSULATOR. CARB	1	
1711A		1711A-LKF5-E00	PIPE ASSY.. INLET	PIPE ASSY.. INLET	1	
17236		17236-LKF5-E00	STAY OIL CATCH	STAY OIL CATCH	1	
17237		17237-LKF5-E00	TUBE OIL CATCH	TUBE OIL CATCH	1	
1723C		1723C-LKF5-E00	OIL CATCH COMP.	OIL CATCH COMP.	1	
19300		19300-KAE1-004	THERMOSTAT ASSY	THERMOSTAT ASSY	1	
19315		19315-LKF5-E00	COVER THERMOSTAT	COVER THERMOSTAT	1	
19421		19421-LKF5-E00	JOINT WATER HOSE	JOINT WATER HOSE	1	
19502		19502-LKF5-E00	HOSE . B WATER	HOSE . B WATER	1	
19507		19507-LDB5-E00	CLAMP D 28	CLAMP D 28	2	
39300		39300-LDG7-M90	INJECTOR UNIT FUEL	INJECTOR UNIT FUEL	1	
39305		39305-LKF5-E00	HOLDER. FUEL INJECTOR	HOLDER. FUEL INJECTOR	1	
39400		39400-LDF2-800	WATER TEMP SENSOR	WATER TEMP SENSOR	1	
90001		90001-GFY6-901	SOCKET BOLT 6*10 (B)	SOCKET BOLT 6*10 (B)	2	
9000B		9000B-KHD6-900	BOLT ASSY SPECIAL 6*41.5	BOLT ASSY SPECIAL 6*41.5	4	

Cylinder Head Cover Cylinder Head



Sales mark	Ref no	Part no	Description	Reg description	Regd no	E02
90012		90012-LKF5-E00	SCREW TAPPET ADJUSTING	SCREW TAPPET ADJUSTING	4	
90033		90033-GFY6-900	BOLT STUD 8*32	BOLT STUD 8*32	2	
90206		90206-0A01-001	NUT TAPPET ADJG	NUT TAPPET ADJG	4	
90478		90478-7L00-001	WASHER A 6MM	WASHER A 6MM	1	
90652		90652-LDG7-900	C-HOPE 50~70	C-HOPE 50~70	1	
91301		91301-LDF2-M90	O-RING 7.3*2.2 (BLACK)	O-RING 7.3X2.2	1	
91302		91302-LDF2-M90	SEAL RING	SEAL RING	1	
91302A		91302-LKF5-E00	SET RUBBER.	SET RUBBER.	1	
92000		92000-05016-0G	BOLT HEX 5X16	BOLT HEX 5X16	1	
92900		92900-06040-0E	BOLT STUD 6*40	BOLT STUD 6*40	4	
94050		94050-06080	NUT FLANGE 6MM	NUT FLANGE 6MM	4	
94301		94301-08100	DOWEL PIN 8*10	DOWEL PIN 8*10	1	
94301A		94301-12200	DOWEL PIN 12*20	DOWEL PIN 12*20	2	
95002		95002-KED9-M31	CLAMP D14.8 TUBE	CLAMP D14.8 TUBE	1	
95002A		95002-LKF5-E00	CLAMP D14.6 TUBE	CLAMP D14.6 TUBE	1	
95701-06014		95701-06014-06	BOLT FLANGE 6*14	BOLT FLANGE 6*14	4	
95701		95701-06016-06	BOLT FLANGE 6*16 (K)	BOLT FLANGE 6*16 (K)	1	
95709		95709-PRA1-E00	SCREW COUNTERSUNK M6*12	SCREW COUNTERSUNK M6*12	2	
96001		96001-06010-00	BOLT FLANGE SH 6X10	BOLT FLANGE SH 6X10	2	
96001A		96001-06016-06	BOLT FLANGE SH 6X16	BOLT FLANGE SH 6*16	2	

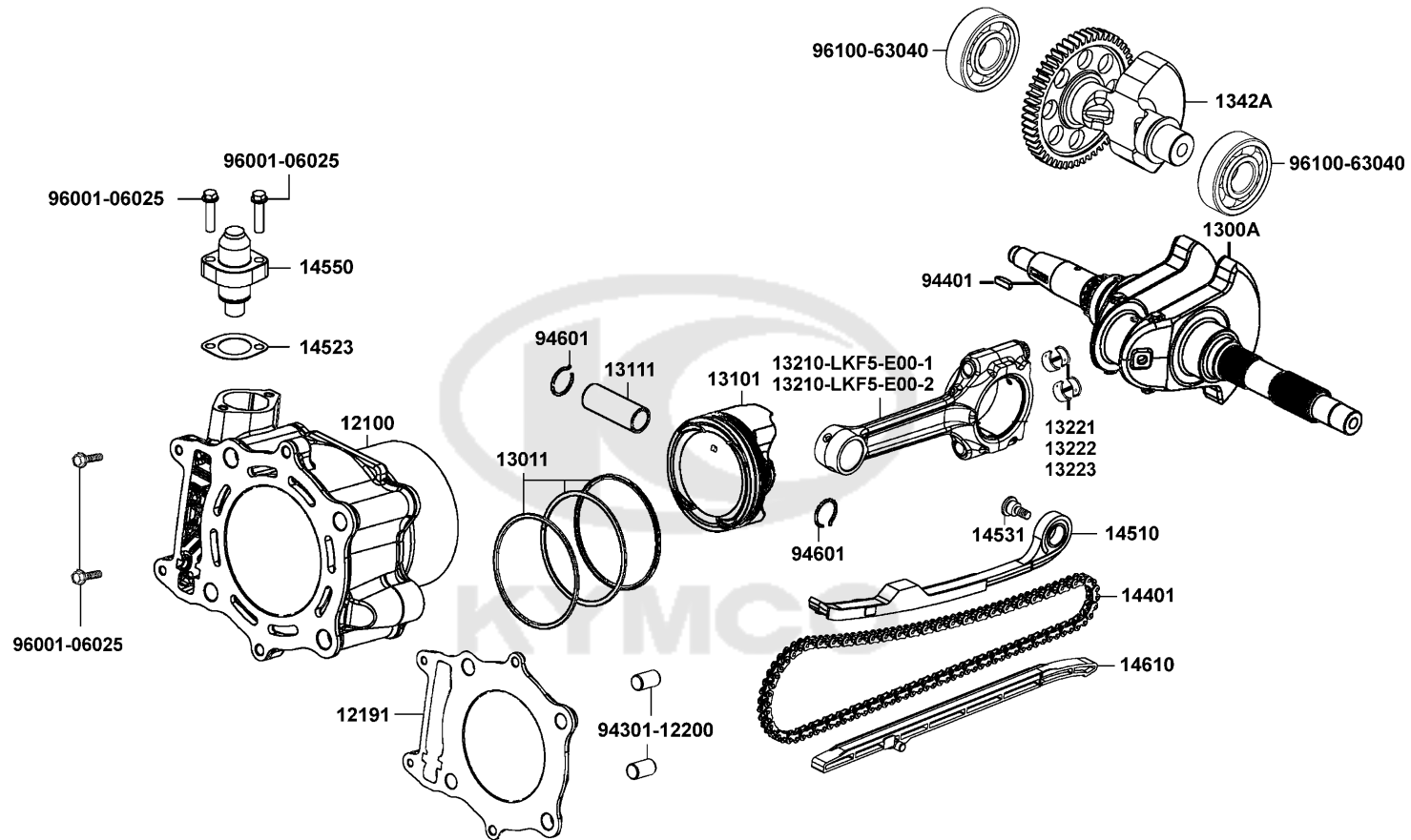
Cylinder Head Cover Cylinder Head



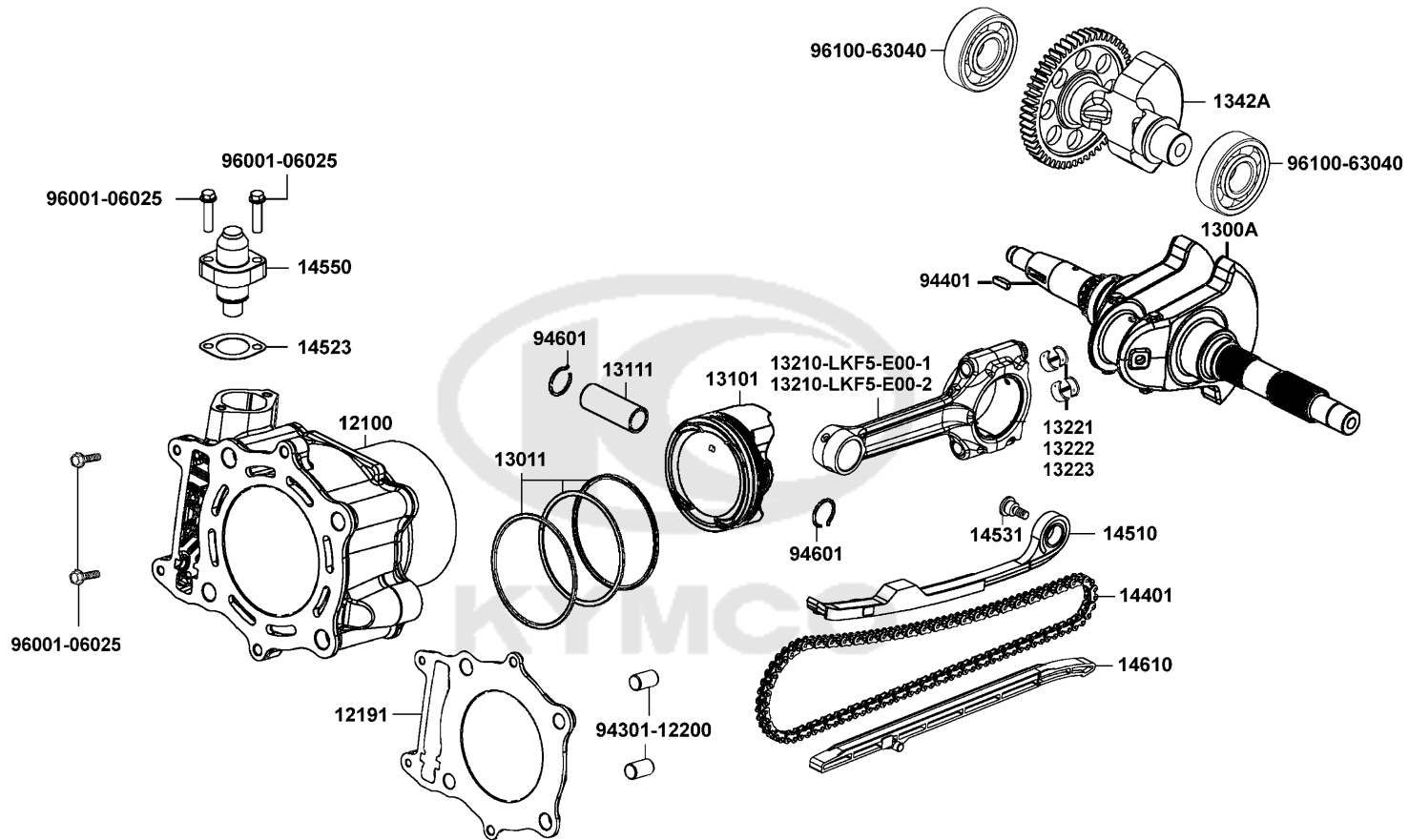
Sales mark	Ref no	Part no	Description	Reg description	Regd no	E02
------------	--------	---------	-------------	-----------------	---------	------------

96001B		96001-06025-06	BOLT FLANGE SH 6*25	BOLT FLANGE SH 6*25	2	
98059		98059-57916-00	SPARK PLUG (CR7E)	SPARK PLUG (CR7E)	1	





Sales mark	Ref no	Part no	Description	Reg description	Regd no	E03
	12100	12100-LKF5-E00	CYLINDER COMP (A)	CYLINDER COMP.	1	
	12191	12191-LKF5-E00	GASKET CYLINDER @A	GASKET CYLINDER @A	1	
	1300A	1300A-LKF5-E01	CRANK SHAFT COMP	CRANK SHAFT COMP	1	
	13011	13011-ADG5-E00	RING ASSY PISTON	RING ASSY PISTON	1	
	13101	13101-LKF5-E02	PISTON	PISTON	1	
	13111	13111-LKF5-E00	PIN. PISTON	PIN. PISTON	1	
	13210-LKF5-E00-1	13210-LKF5-E00-1	CONN. ROD ASSY 40(0~+0.008)	CONN. ROD ASSY 40(0~+0.008)	1	
	13210-LKF5-E00-2	13210-LKF5-E00-2	CONN. ROD ASSY 40(+0.008~+0.016)	CONN. ROD ASSY 40(+0.008~+0.016)	1	
	13221	13221-ABE1-E00-01	BEARING CONN ROD(RED/1.494~1.498)	BEARING CONN ROD(RED/1.494~1.498)	2	
	13221	13221-ABE1-E00-02	BEARING CONN	BEARING CONN ROD(GREEN/1.490~1.494)	2	
	13221	13221-ABE1-E00-03	BEARING CONN	BEARING CONN ROD(BLACK/1.486~1.490)	2	
	13222	13222-LKF5-E00	BEARING. CONN. ROD(1.491~1.494)	BEARING. CONN. ROD(1.491~1.494)	1	
	13223	13223-LKF5-E00	BEARING. CONN. ROD(1.486~1.490)	BEARING. CONN. ROD(1.486~1.490)	2	
	1342A	1342A-LKF5-E01	SHAFT COMP.. BALANCER	SHAFT COMP.. BALANCER	1	
	14401	14401-PWB1-900	CHAIN CAM	CHAIN CAM	1	
	14510	14510-LKF5-E01	TENSIONER. CAM CHAIN	TENSIONER. CAM CHAIN	1	
	14523	14523-LKF5-E00	GASKET TENSIONER LIFTER @A	GASKET TENSIONER LIFTER @A	1	
	14531	14531-KHE7-900	PIVOT CAM CHAIN TENSIONER	PIVOT CAM CHAIN TENSIONER	1	
	14550	14550-LKF5-E00	ADJUSTER CAM CHAIN	ADJUSTER. CAM CHAIN	1	
	14610	14610-LEA7-E00	GUIDE COMP CAM CHAIN	GUIDE COMP CAM CHAIN	1	

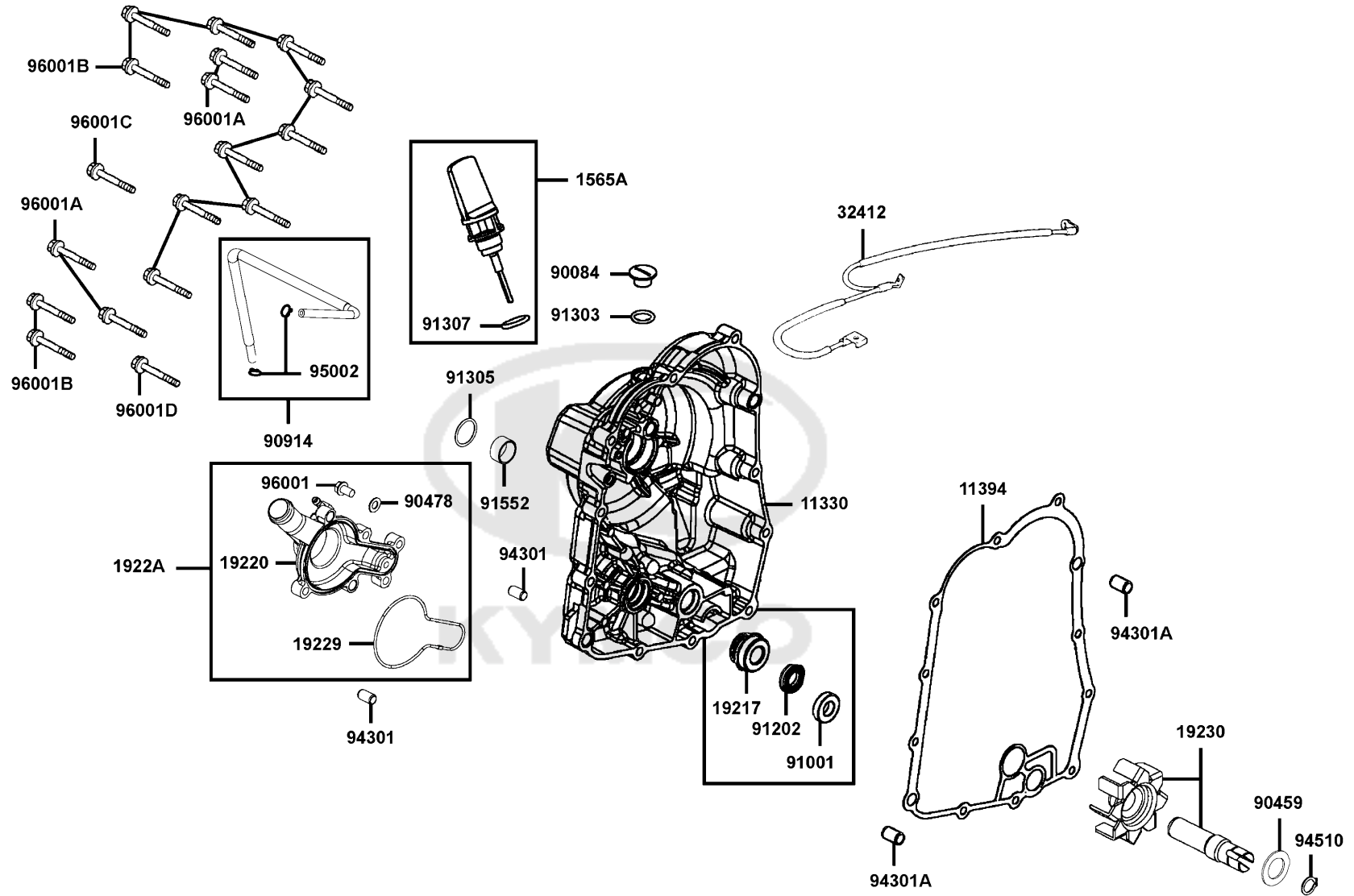


Sales mark	Ref no	Part no	Description	Reg description	Regd no	E03
	94301-12200	94301-12200	DOWEL PIN 12*20	DOWEL PIN 12*20	2	
	94401	94401-25140	WOODRUFF KEY 25*14	WOODRUFF KEY 25*14	1	
	94601	94601-PSA6-E00	CIRCLIP PISTON PIN 20MM	CIRCLIP PISTON PIN 20MM	2	
	96001-06025	96001-06025-06	BOLT FLANGE SH 6*25	BOLT FLANGE SH 6*25	3	
	96100-63040	96100-63040-00	BRG BALL RADIAL 6304	BRG BALL RADIAL 6304	2	



E04

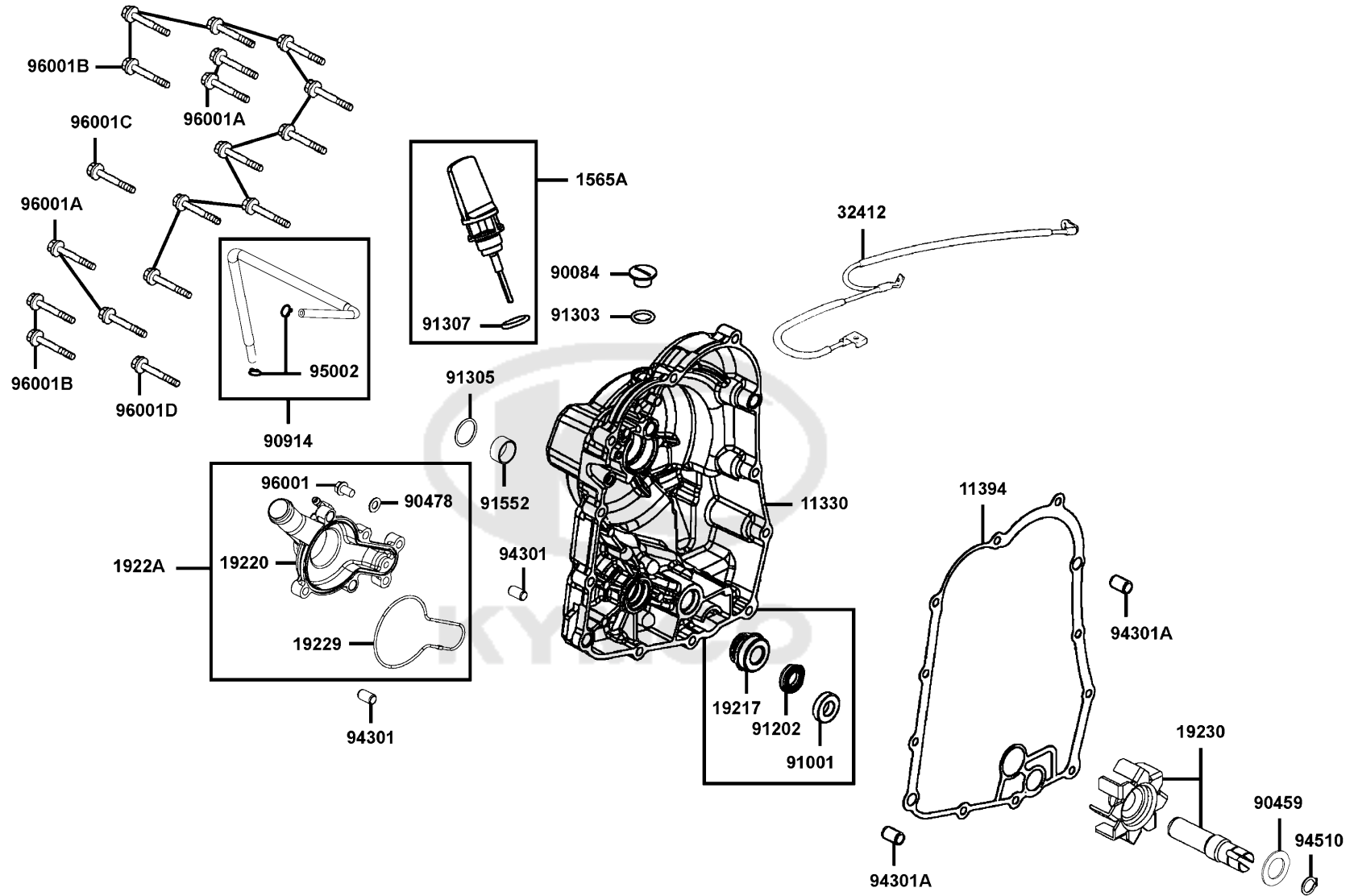
Right Crankcase Cover Water Pump



Sales mark	Ref no	Part no	Description	Reg description	Regd no	E04
**	11330	11330-ADG5-E00	COVER COMP R CRANK CASE	COVER COMP R CRANK CASE	1	
	11394	11394-ADG5-E00	GASKET R COVER	GASKET R COVER	1	
	1565A	1565A-LBA2-E00	GAUGE OIL LEVEL ASSY	GAUGE OIL LEVEL ASSY	1	
	19217	19217-ZPA3-E00	SEAL MECHANICAL	SEAL MECHANICAL	1	
**	19220	19220-LKF5-305	COVER WATER PUMP	COVER WATER PUMP	1	
	19229	19229-LKF5-E00	O-RING. WATER PUMP	O-RING. WATER PUMP	1	
**	1922A	1922A-LKF5-E00	COVER ASSY WATER PUMP	COVER ASSY WATER PUMP	1	
	19230	19230-LKF5-E00	ASSY WATER PUMP	ASSY WATER PUMP	1	
	32412	32412-ADG5-E00	CABLE EARTH	CABLE EARTH	1	
	90084	90084-KKF9-901	CAP AC GENERATOR	CAP ACG	1	
	90459	90459-LKF5-E00	WASHER 12MM	WASHER 12MM	1	
	90478	90478-7L00-001	WASHER A 6MM	WASHER A 6MM	1	
	90914	90914-LKF5-E00	TUBE ASSY.WATER	TUBE ASSY.WATER	1	
	91001	91001-KKJ9-006	BRG BALL RADIAL 6901	BRG BALL RADIAL 6901	1	
	91202	91202-LKG2-900	OIL SEAL 13.7*24*5	OIL SEAL 13.7*24*5	1	
	91303	91303-3G77-001	O-RING 13.8*2.5	O-RING 13.8*2.5	1	
	91305	91305-LEH6-E00	O RING 19.8x1.9	O RING 19.8x1.9	1	
	91307	91307-0E35-001	O RING 18*3	O RING 18*3	1	
	91552	91552-LEH6-E00	COLLAR 20mm	COLLAR 20mm	1	
	94301	94301-08140	DOWEL PIN 8*14	DOWEL PIN 8*14	2	

E04

Right Crankcase Cover Water Pump

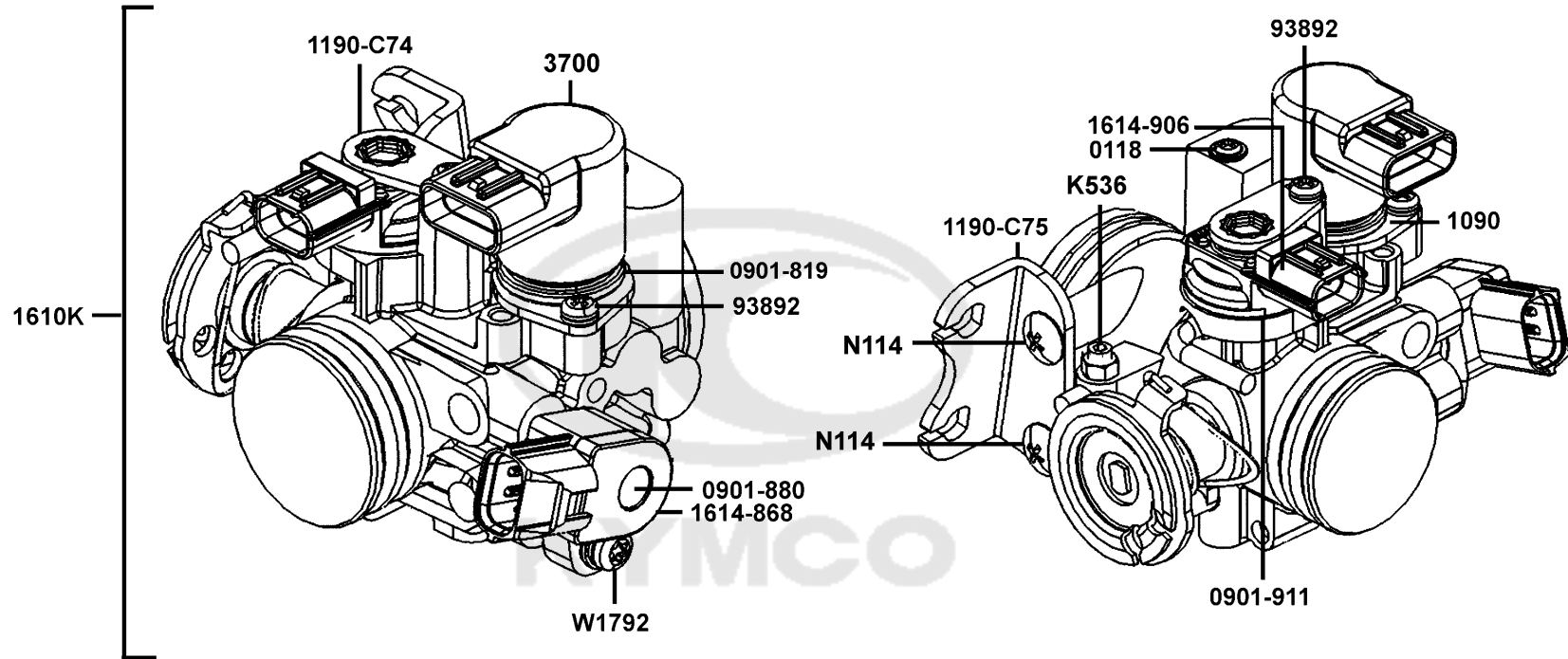


Sales mark	Ref no	Part no	Description	Reg description	Regd no	E04
94301A		94301-10160	DOWEL PIN 10*16	DOWEL PIN 10*16	2	
94510		94510-12000	CIR CLIP EXTERNAL 12	CIR CLIP EXTERNAL 12	1	
95002		95002-02070	CLIP B7 TUBE	CLIP B7 TUBE	2	
96001		96001-06010-00	BOLT FLANGE SH 6X10	BOLT FLANGE SH 6X10	1	
96001A		96001-06022-06	BOLT FLANGE SH 6*22 (G)	BOLT FLANGE SH 6*22 (G)	4	
96001B		96001-06028-06	BOLT FLANGE SH 6*28	BOLT FLANGE SH 6*28	12	
96001C		96001-06035-06	BOLT FLANGE SH 6*35	BOLT FLANGE SH 6*35	1	
96001D		96001-06125-06	BOLT FLANGE SH 6*125	BOLT FLANGE SH 6*125	1	



E05

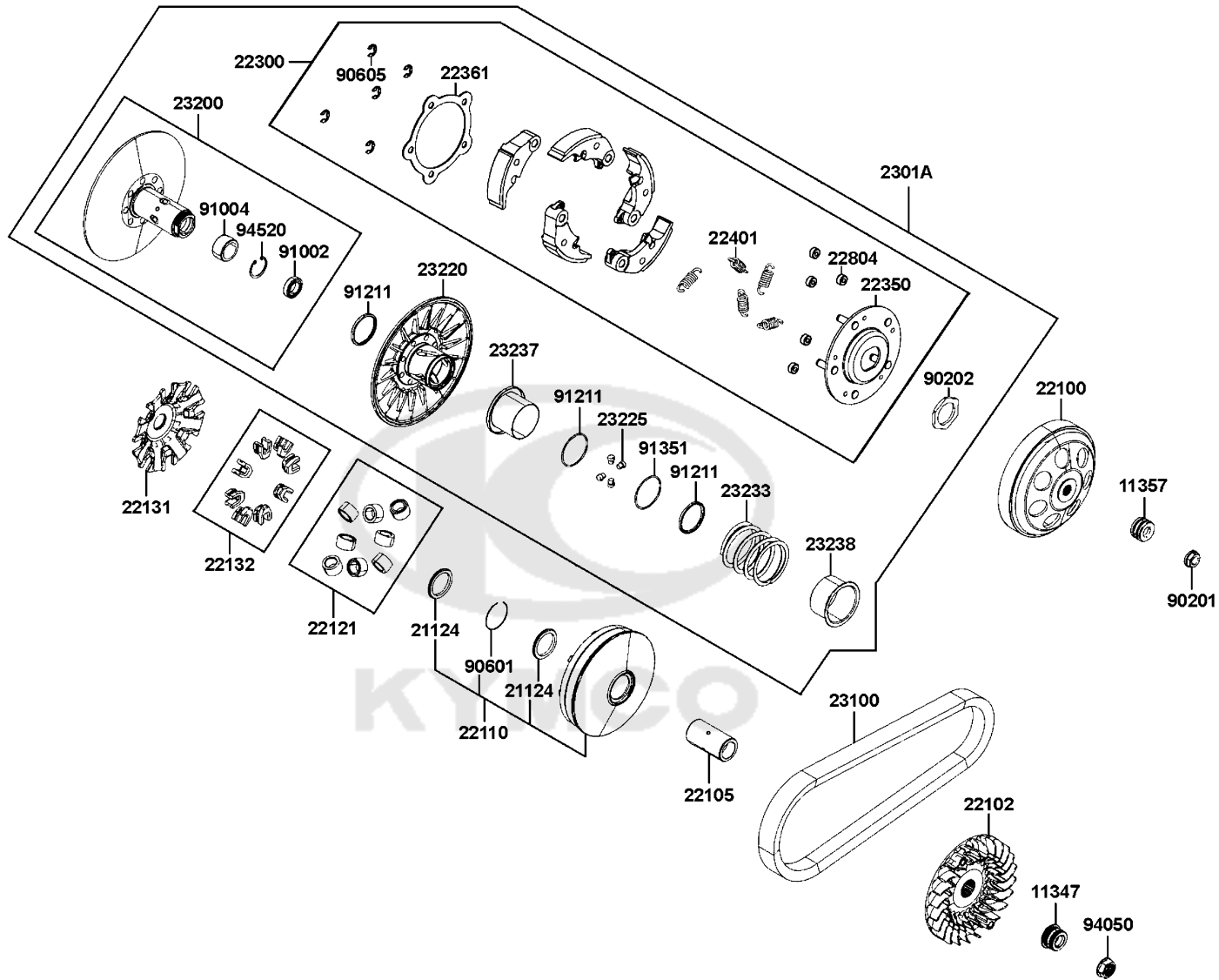
Throttle Body Assy



Sales mark	Ref no	Part no	Description	Reg description	Regd no	E05
0118		0118-814-1100-3	SCREW SET	SCREW SET	1	
0901-819		0901-819-6001	O-RING	O-RING	1	
0901-880		0901-880-6000	O-RING/TPS	O-RING/TPS	1	
0901-911		0901-911-6000	O-RING	O-RING	1	
1090		1090-873-2001	SET PLATE	SET PLATE	1	
1190-C74		1190-C74-2000	STAY PLATE	STAY PLATE	1	
1190-C75		1190-C75-2000	BRACKET / THROTTLE CABLE	BRACKET / THROTTLE CABLE	1	
1610K		1610K-LKF5-900	THROTTLE BODY ASSY	CARBURETOR ASSY.	1	
1614-868		1614-868-0000-S	THROTTLE POSITION SENSER	THROTTLE POSITION SENSER	1	
1614-906		1614-906-0002	MAP SENSOR	MAP SENSOR	1	
3700		3700-A35B-0110	ISC VALVE	ISC VALVE	1	
93892		93892-04008-16	SCREW WASHER 4X8	SCREW WASHER 4X8	1	
K536		K536-174-0200	SCREW SET	SCREW SET	1	
N114		N114-05103-3	SCREW WASHER	SCREW WASHER	2	
W1792		W1792-048-9901	SCREW TORX M5*0.8/TPS	SCREW TORX M5*0.8/TPS	1	

E06

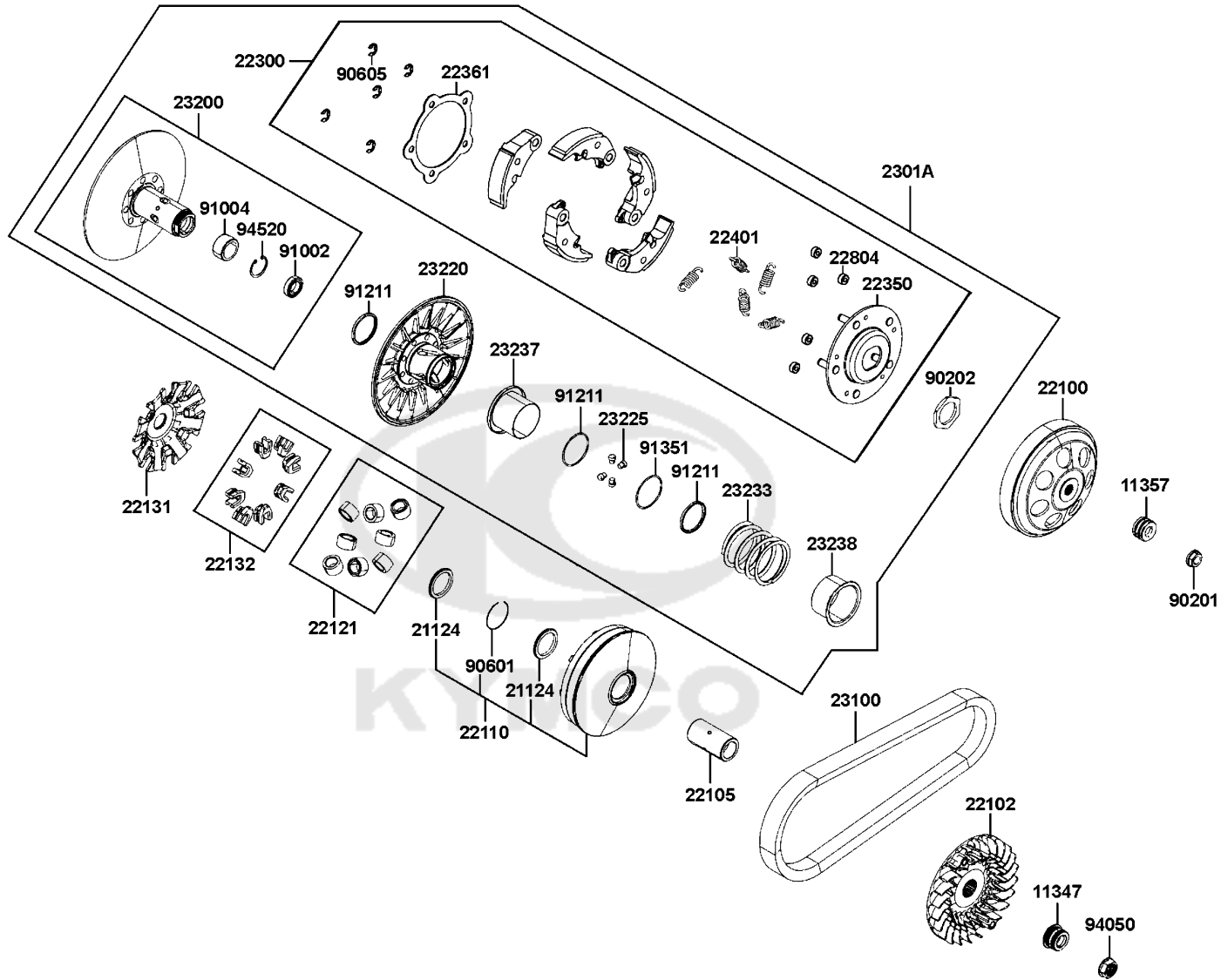
Drive Pulley



Sales mark	Ref no	Part no	Description	Reg description	Regd no	E06
11347		11347-LKF5-E00	BOSS DRIVE SHAFT	BOSS DRIVE SHAFT	1	
11357		11357-LKF5-E00	BOSS DRIVE SHAFT	BOSS DRIVE SHAFT	1	
21124		21124-LKF5-E00	OIL SEAL 35*45*4	OIL SEAL 35*45*4	2	
22100		22100-ADG5-E00	OUTER COMP CLUTCH	OUTER COMP CLUTCH	1	
22102		22102-LKF5-E02	FACE COMP DRIVER	FACE COMP DRIVER	1	
22105		22105-LKF5-E02	BOSS DRIVE FACE	BOSS DRIVE FACE	1	
22110		22110-ADG5-E00	FACE COMP MOVABLE DRIVE	FACE COMP MOVABLE DRIVE	1	
22121		22121-ADG5-305	ROLLER SET WEIGHT(1SET:8 PCS)	ROLLER SET WEIGHT(1SET:8 PCS)	1	
22131		22131-ADG5-E00	PLATE RAMP	PLATE RAMP	1	
22132		22132-ADG5-305	PIECE SET SLIDE(1 SET:8 PCS)	PIECE SET SLIDE(1 SET:8 PCS)	1	
22300		22300-LKF5-E01	PLATE ASSY DRIVE	PLATE ASSY. DRIVE	1	
22350		22350-LKF5-E01	PLATE COMP. DRIVE	PLATE COMP. DRIVE	1	
22361		22361-LBA2-E00	PLATE CLUTCH SIDE	PLATE CLUTCH SIDE	1	
22401		22401-ADG5-E00	SPRING. CLUTCH	SPRING. CLUTCH	5	
22804		22804-GBB2-001	RUBBER CLUTCH DAMPER	RUBBER CLUTCH DAMPER	3	
2301A		2301A-ADG5-E00	PULLEY SUB ASSY DRIVEN	PULLEY SUB ASSY DRIVEN	1	
23100		23100-LKF5-E02	BELT DRIVE (N-6M)	BELT DRIVE (N-6M)	1	
23200		23200-LKF5-E02	FACE ASSY DRIVEN	FACE ASSY DRIVEN	1	
23220		23220-ADG5-E00	FACE COMP MOVABLE DRIVEN	FACE COMP MOVABLE DRIVEN	1	
23225		23225-LKF5-E00	PIN ROLLER GUIDE	PIN ROLLER GUIDE	4	

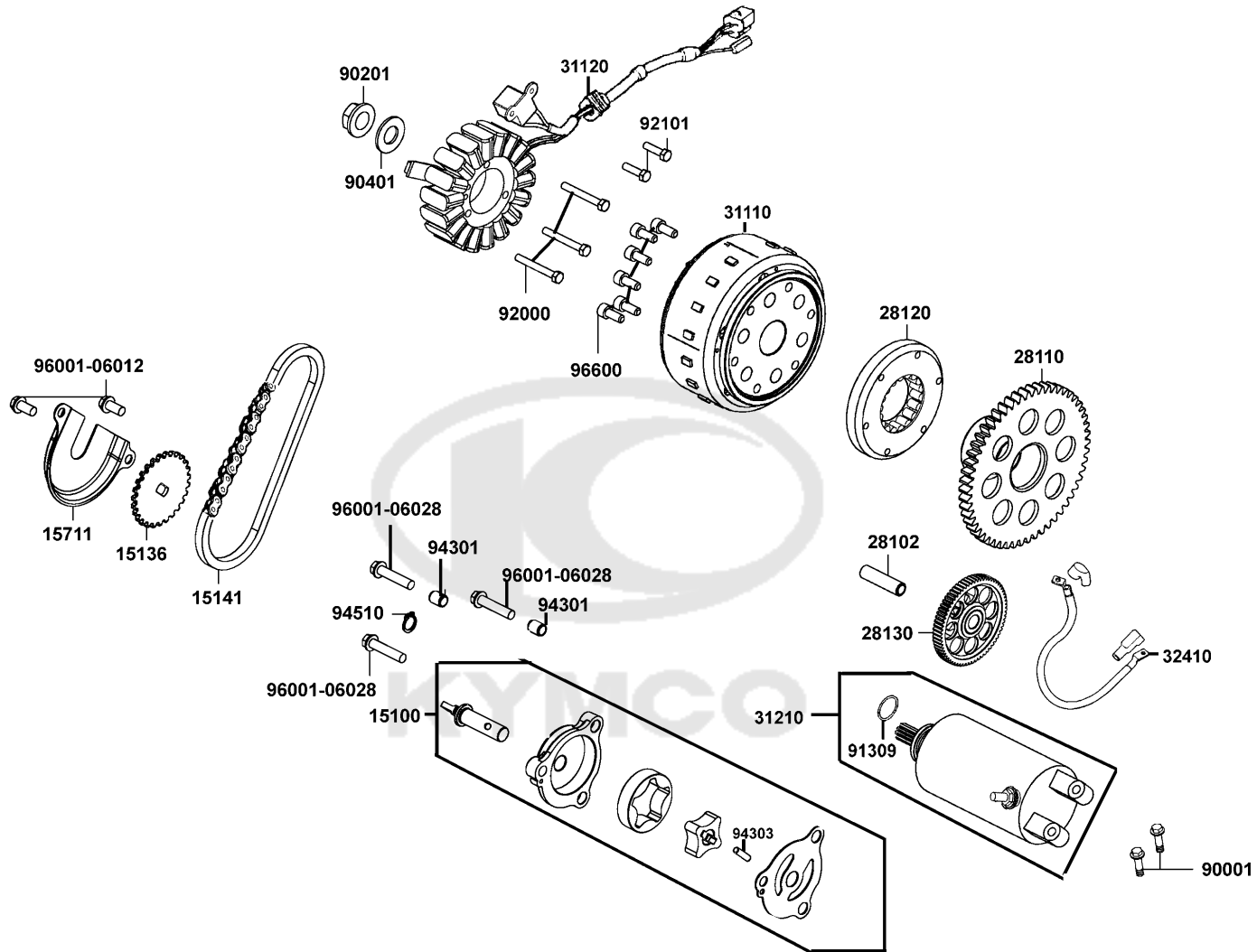
E06

Drive Pulley



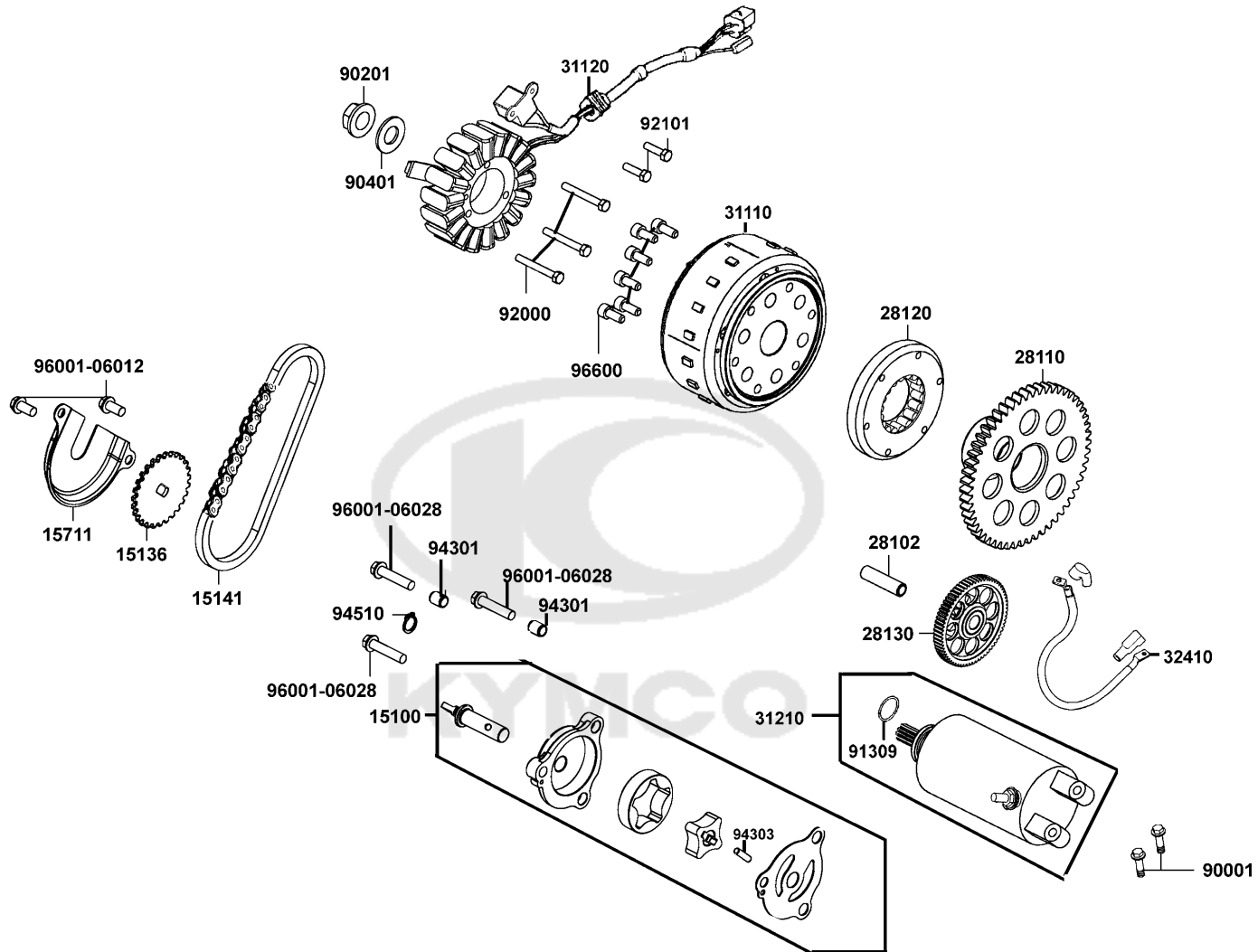
Sales mark	Ref no	Part no	Description	Reg description	Regd no	E06
23233		23233-LEA7-E00	SPG DRIVEN FACE	SPG DRIVEN FACE	1	
23237		23237-LKF5-E00	COLLAR SEAL	COLLAR SEAL	1	
23238		23238-LKF5-E01	COLLAR SPG	COLLAR SPG	1	
90201		90201-LKF5-E00	NUT. HEX	NUT. HEX	1	
90202		90202-LDB5-E00	NUT SPECIAL 36MM	NUT SPECIAL 36MM	1	
90601		90601-LKF5-E00	TUBE NULL	TUBE NULL	1	
90605		90605-1F66-721	CIR CLIP 7MM	CIR CLIP 7MM	3	
91002		91002-LKF5-E00	SET RING	SET RING	1	
91004		91004-LBA2-E00	BRG NDL 25*33*18	BRG NDL 25*33*18	1	
91211		91211-LDB5-E00	SEAL DRIVEN FACE 40.2*47*4	SEAL DRIVEN FACE 40.2*47*4	2	
91351		91351-LDB5-E00	O-RING PINION CAP	O-RING PINION CAP	2	
94050		94050-LKF5-E00	NUT FLANGE 18MM	NUT FLANGE 18MM	1	
94520		94520-30000	CIR CLIP IN 30	CIR CLIP IN 30	1	

Starting Motor Generator



Sales mark	Ref no	Part no	Description	Reg description	Regd no	E07
15100		15100-ADG5-E00	OIL PUMP ASSY	OIL PUMP ASSY	1	
15136		15136-KKE5-E00	SPROCKET W/P DRIVEN	SPROCKET W/P DRIVEN	1	
15141		15141-LKF5-E00	CHAIN. OIL PUMP	CHAIN. OIL PUMP	1	
15711		15711-LKF5-E00	SEPARATOR OIL	SEPARATOR OIL	1	
28102		28102-LEA7-E00	SHAFT STARTER REDUCTION	SHAFT STARTER REDUCTION	1	
28110		28110-LKF5-E00	GEAR COMP.. STARTING CLUTCH	GEAR COMP., STARTING CLUTCH	1	
28120		28120-LKF5-E00	ONE WAY CLUTCH	ONE WAY CLUTCH	1	
28130		28130-LKF5-E00	GEAR COMP.. REDUCTION	GEAR COMP.. REDUCTION	1	
31110		31110-BAC8-E00	FLYWHEEL COMP	FLYWHEEL COMP	1	
31120		31120-ADG5-E00	STATOR COMP (D402)	STATOR COMP (D402)	1	
31210		31210-LKF5-E00	MOTOR UNIT STARTER	MOTOR UNIT STARTER	1	
32410		32410-ADG5-E00	CABLE STARTER MOTOR	CABLE STARTER MOTOR	1	
90001		90001-GBHB-661	BOLT FLANGE SH 6*22	BOLT FLANGE SH 6*22	2	
90201		90201-KHR8-75A	NUT FLANGE 14MM	NUT FLANGE 14MM	1	
90401		90401-KKJ9-001	WASHER THRUST 14*28*2	WASHER THRUST 14*28*2	1	
91309		91309-4E25-004	O-RING 24.4*3.1	O-RING 24.4*3.1	1	
92000		92000-LEA6-900	BOLT HEX 5*40	BOLT HEX 5*40	3	
92101		92101-05012-0G	BOLT HEX 5X12	BOLT HEX 5*12	1	
94301		94301-08100	DOWEL PIN 8*10	DOWEL PIN 8*10	2	
94303		94303-04160	PIN 4x16	PIN 4x16	1	

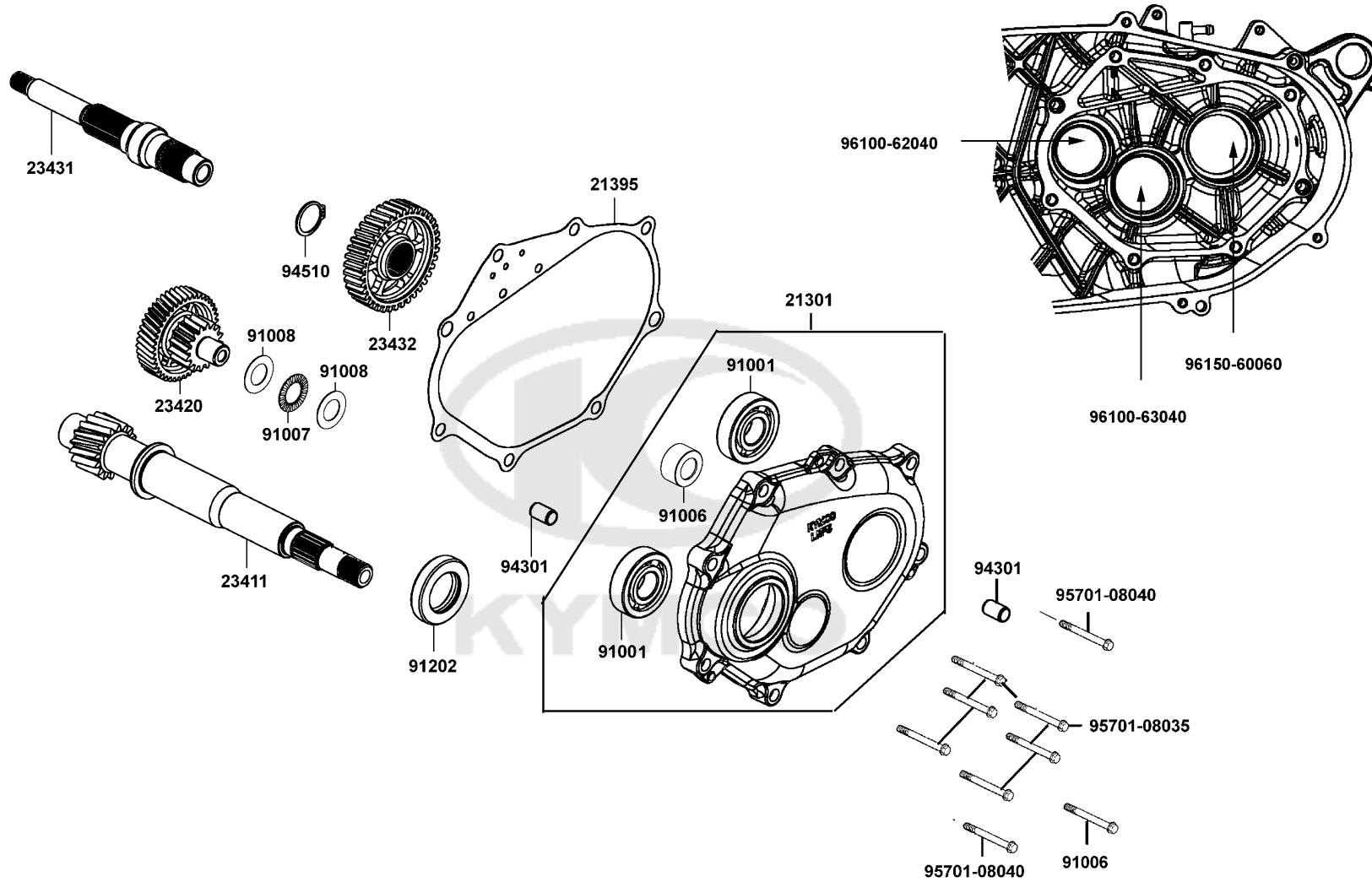
Starting Motor Generator



Sales mark	Ref no	Part no	Description	Reg description	Regd no	E07
------------	--------	---------	-------------	-----------------	---------	------------

94510	94510-10000	94510-10000	CIR CLIP EX 10MM	CIR CLIP EX 10MM	1	
96001-06012	96001-06012-06	96001-06012-06	BOLT FLANGE SH 6*12	BOLT FLANGE SH 6*12	1	
96001-06028	96001-06028-06	96001-06028-06	BOLT FLANGE SH 6*28	BOLT FLANGE SH 6*28	3	
96600	96600-06015-10	96600-06015-10	SOCKET BOLT 6*15 (B)	SOCKET BOLT 6*15 (B)	6	

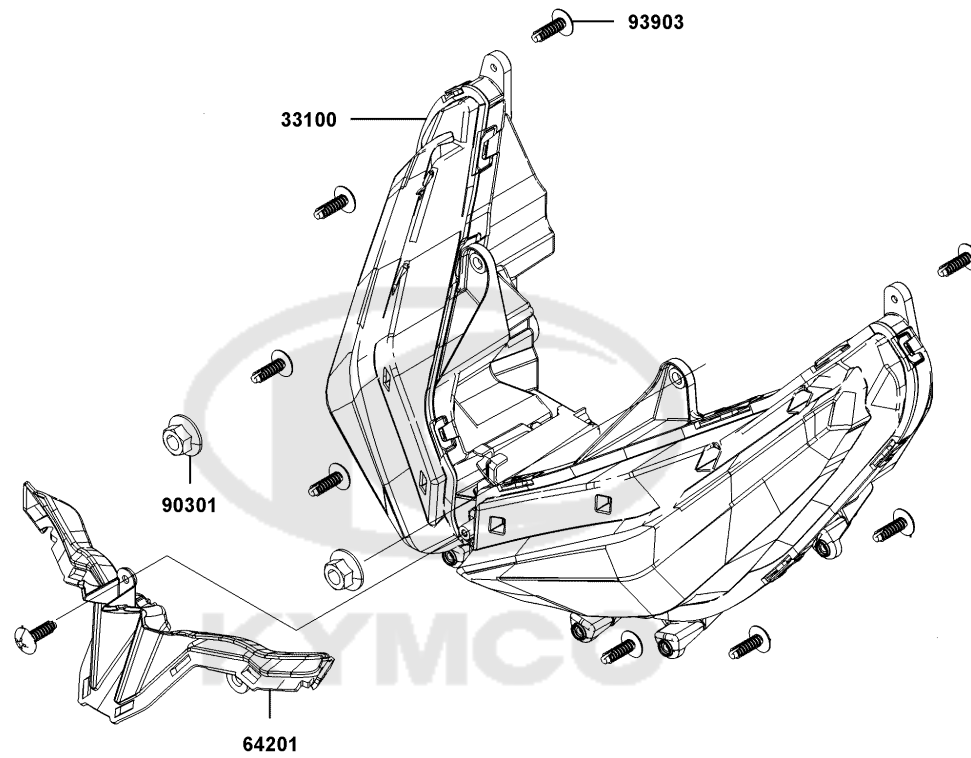




Sales mark	Ref no	Part no	Description	Reg description	Regd no	E08
21301		21301-LKF5-305	COVER. MISSION	COVER. MISSION	1	
21395		21395-LKF5-E00	GASKET MISSION CASE @A	GASKET MISSION CASE @A	1	
23411		23411-LKF5-E02	SHAFT DRIVE	SHAFT DRIVE	1	
23420		23420-LKF5-E00	SHAFT COMP.. COUNTER	SHAFT COMP.. COUNTER	1	
23431		23431-LKF5-E00	SHAFT. FINAL	SHAFT. FINAL	1	
23432		23432-LKF5-E00	GEAR. FINAL	GEAR. FINAL	1	
91001		91001-KHV8-004	BRG BALL RADIAL 6305	BRG BALL RADIAL 6305	1	
91006		91006-LKF5-E00	BEARING NK20X34X18	BEARING NK20X34X18	1	
91007		91007-LKF5-E00	BEARING AXK1104	BEARING AXK1104	1	
91008		91008-LKF5-E00	PLATE .BEARING	PLATE .BEARING	2	
91202		91202-LEA7-E0A	OIL SEAL 25*35*6	OIL SEAL 25*35*6	1	
94301		94301-10160	DOWEL PIN 10*16	DOWEL PIN 10*16	2	
94510		94510-29000	CIR CLIP EX 29	CIR CLIP EX 29	1	
95701-08035		95701-08035-06	BOLT FLANGE 8*35	BOLT FLANGE 8*35	1	
95701-08040		95701-08040-06	BOLT FLANGE 8x40 (G)	BOLT FLANGE 8x40 (G)	1	
96100-62040		96100-62040-00	BEARING BALL RADIAL 6204	BEARING BALL RADIAL 6204	1	
96100-63040		96100-63040-00	BRG BALL RADIAL 6304	BRG BALL RADIAL 6304	1	
96150-60060		96150-60060-10	BEARING BALL RADIAL 6006	BEARING BALL RADIAL 6006	1	

F01

Head Light



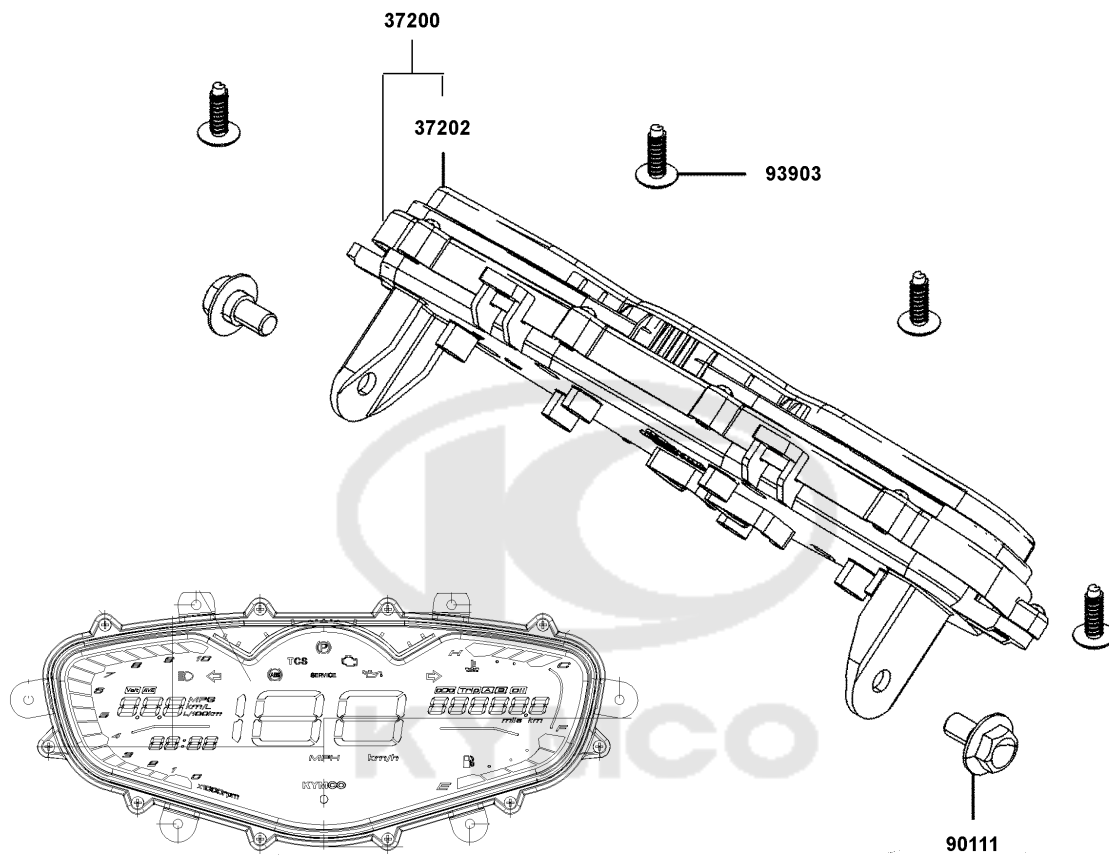
Sales mark	Ref no	Part no	Description	Reg description	Regd no	F01
------------	--------	---------	-------------	-----------------	---------	------------

	33100	33100-BAC8-E00	LIGHT ASSY HEAD	LIGHT ASSY HEAD	1	
**	64201	64201-BAC8-E00	COVER B FORNT	COVER B FORNT	1	
	90301	90301-6D34-671	NUT FLANGE 6MM	NUT FLANGE 6MM	2	
	93903	93903-25260	SCREW TAPPING 5*12	SCREW TAPPING 5*12	9	



F02

Speed meter



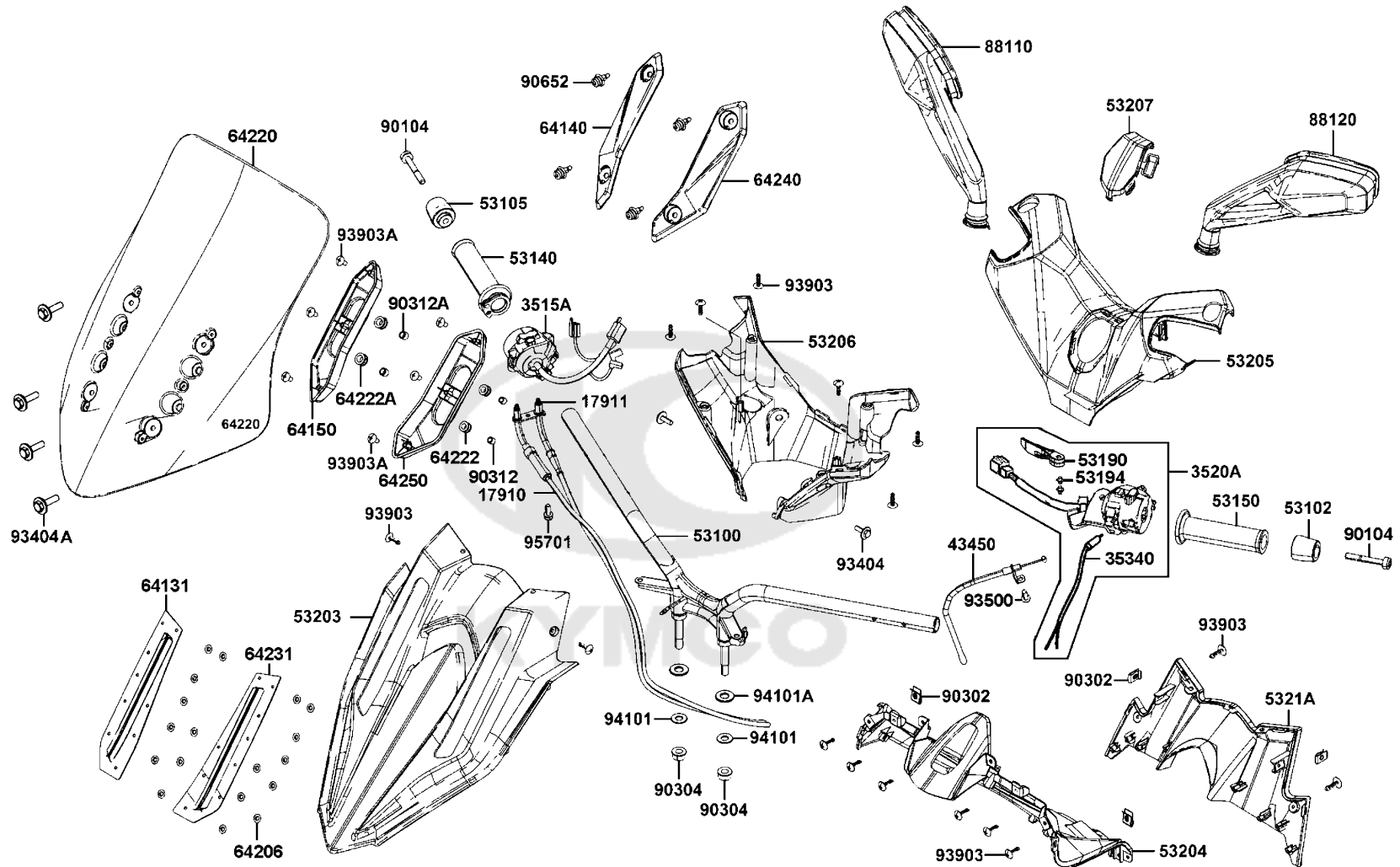
Sales mark	Ref no	Part no	Description	Reg description	Regd no	F02
------------	--------	---------	-------------	-----------------	---------	------------

37200		37200-BAC8-E00	METER ASSY SPEED	METER ASSY SPEED	1	
37202		37202-BAC8-E00	LENS	LENS	1	
90111		90111-LEB1-900	BOLT FLANGE 6MM	BOLT FLANGE 6MM	2	
93903		93903-35360	SCREW TAPPING 5*16	SCREW TAPPING 5*16	6	



F03

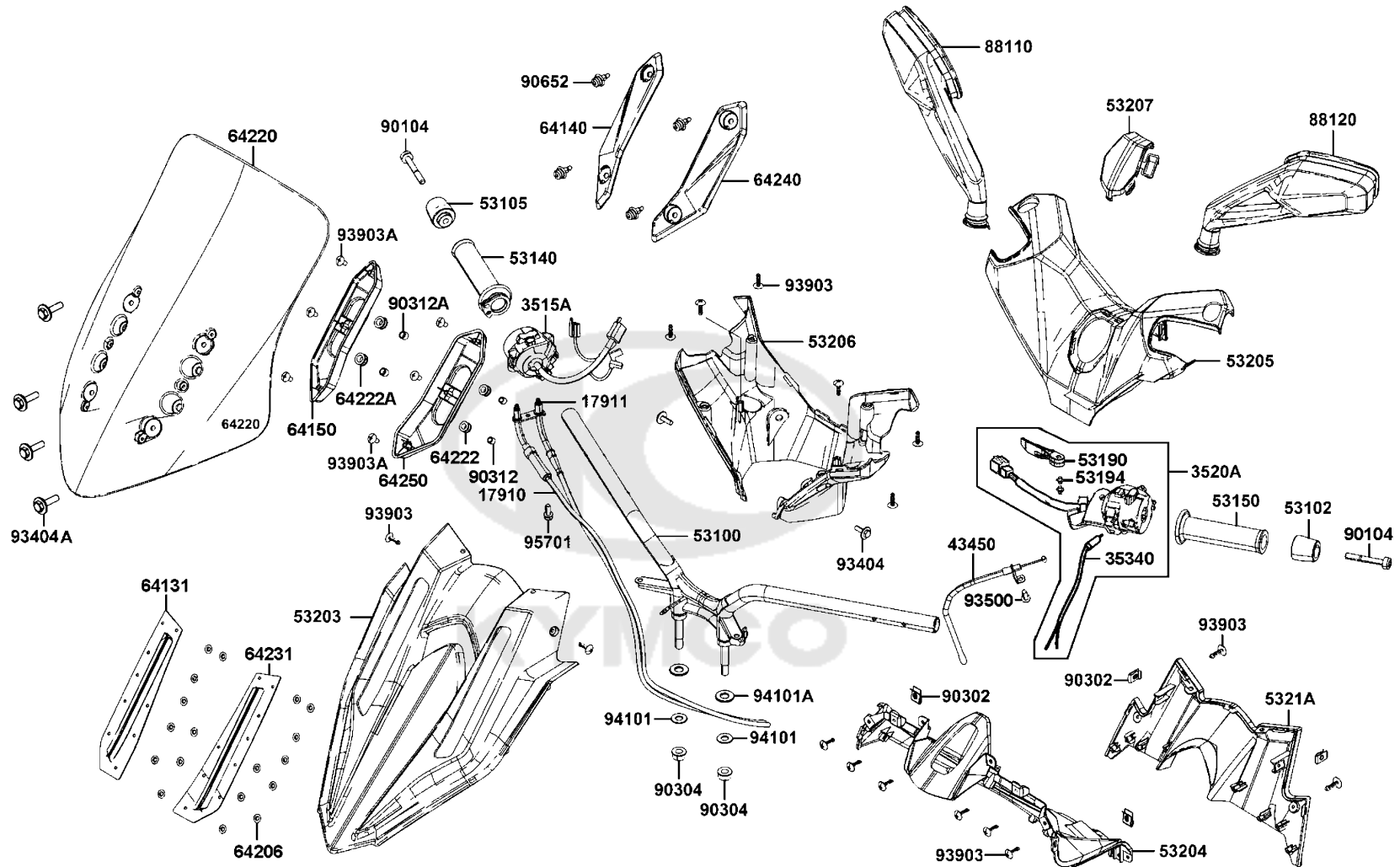
Handle Steering



Sales mark	Ref no	Part no	Description	Reg description	Regd no	F03
	17910	17910-ADG5-E00	CABLE A THROT	CABLE A THROT	1	
	17911	17911-ADG5-E00	CABLE B THROT	CABLE B THROT	1	
	3515A	3515A-BAC8-E00	SW ASSY RH HANDLE COMP	SW ASSY RH HANDLE COMP	1	
	3520A	3520A-BAC8-E00	SW ASSY LH HANDLE COMP	SW ASSY LH HANDLE COMP	1	
	35340	35340-ADG5-E00	SW ASSY FRONT STOP	SW ASSY FRONT STOP	1	
	43450	43450-ADG5-E00	CABLE COMP PARKING	CABLE COMP PARKING	1	
	53100	53100-ADG5-E00	HANDLE COMP STRG	HANDLE COMP STRG	1	
**	53102	53102-LEA5-E00	END L STRG HANDLE **(2)	END L STRG HANDLE **(2)	1	
**	53105	53105-LEA5-E00	END R STRG HANDLE **(2) C.2007.01.03	END R STRG HANDLE **(2) C.2007.01.03	1	
**	53140	53140-LHJ3-900	GRIP COMP THROT (Medium Gray)	GRIP COMP THROT (Medium Gray)	1	
**	53150	53150-LEA6-900	GRIP COMP L HANDLE	GRIP COMP L HANDLE	1	
	53190	53190-ADG5-E00	LEVER PARKING BRAKE	LEVER PARKING BRAKE	1	
	53194	53194-LGC6-E00	PIVOT BOSS	PIVOT BOSS	2	
	53203	53203-ADG5-E00	COVER METER FR	COVER METER FR	1	
**	53204	53204-ADG5-E00	COVER A METER	COVER A METER	1	
**	53205	53205-ADG5-E00	COVER HANDLE UP (Black)	COVER HANDLE UP (Black)	1	
**	53206	53206-ADG5-E00	COVER HANDLE LOW (Black)	COVER HANDLE LOW (Black)	1	
**	53207	53207-ADG5-E00	TOP COVER HANDLE COVER	TOP COVER HANDLE COVER	1	
**	5321A	5321A-ADG5-E00	COVER B ASSY METER	COVER B ASSY METER	1	
	64131	64131-ADG5-E00	RUBBER R FR METER COVER	RUBBER R FR METER COVER	1	

F03

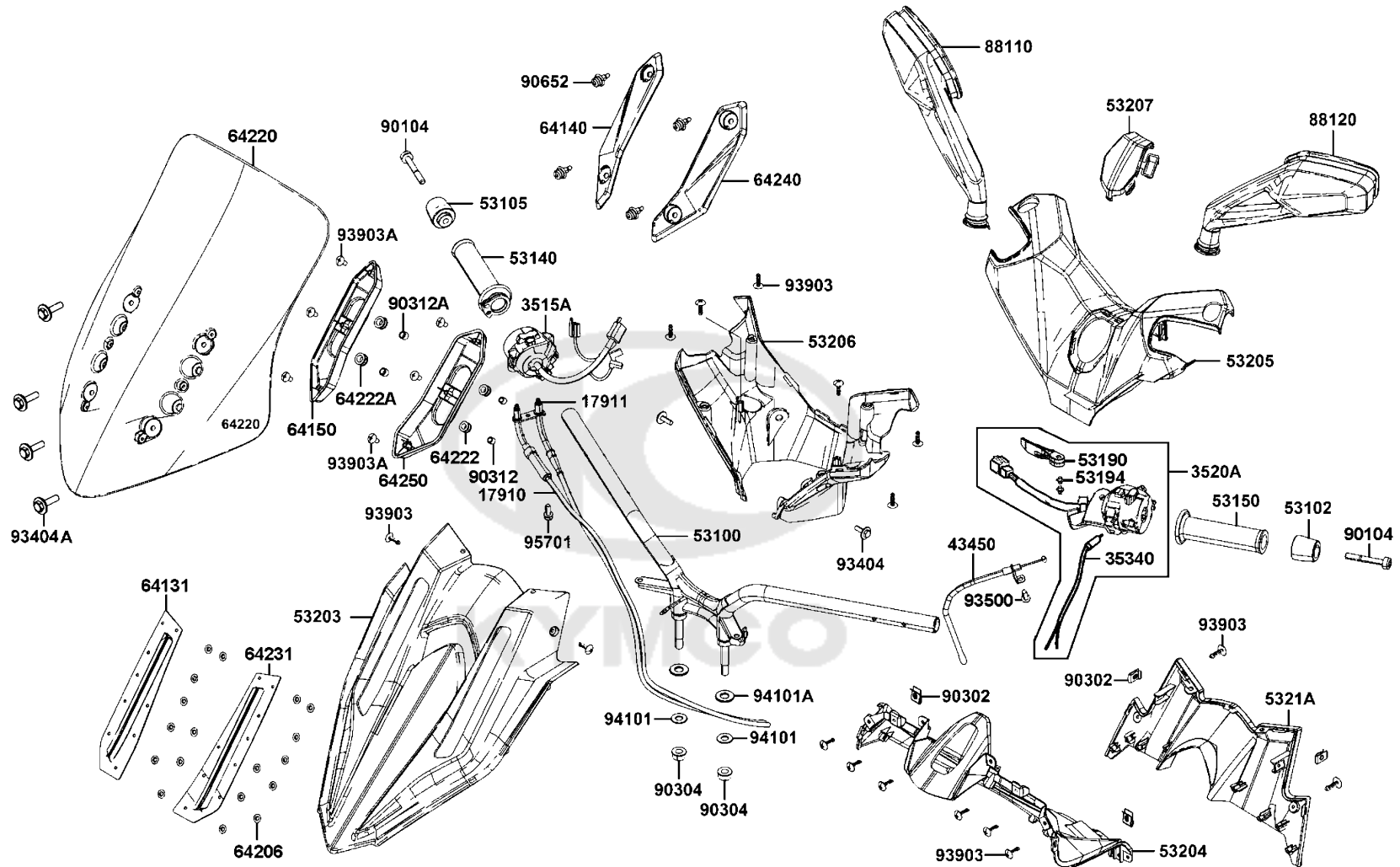
Handle Steering



Sales mark	Ref no	Part no	Description	Reg description	Regd no	F03
**	64140	64140-ADG5-E00	COVER R WIND SCREEN	COVER R WIND SCREEN	1	
	64150	64150-ADG5-E00	COVER R WIND SCREEN LOW	COVER R WIND SCREEN LOW	1	
	64206	64206-MLJ0-001	NUT SPEED 4MM	NUT SPEED 4MM	18	
**	64220	64220-ADG5-E00	WIND SCREEN	WIND SCREEN	1	
	64222	64222-KKC4-900	RUBBER WIND SCREEN	RUBBER WIND SCREEN	2	
	64222A	64222-LLJ3-E00	RUBBER WIND SCREEN	RUBBER WIND SCREEN	2	
	64231	64231-ADG5-E00	RUBBER L FR METER COVER	RUBBER L FR METER COVER	1	
**	64240	64240-ADG5-E00	COVER L WIND SCREEN	COVER L WIND SCREEN	1	
	64250	64250-ADG5-E00	COVER L WIND SCREEN LOW	COVER L WIND SCREEN LOW	1	
	88110	88110-ADG5-E00	MIRROR ASSY. R BACK	MIRROR ASSY. R BACK	1	
	88120	88120-ADG5-E00	MIRROR ASSY. L BACK	MIRROR ASSY. L BACK	1	
	90104	90104-LEA7-E00	BOLT WASH M8*60	BOLT WASH M8*60	2	
	90302	90302-SDA4-004	NUT SPRING 4MM	NUT SPRING 4MM	4	
	90304	90304-LEA1-900	NUT U FLANGE 10MM	NUT U 10MM	2	
	90312	90312-GLF0-001	COLLAR BODY COVER	COLLAR BODY COVER	2	
	90312A	90312-LLJ3-E00	COLLAR WIND SCREEN	COLLAR WIND SCREEN	2	
	90652	90652-LGC6-E00	PUSH RIVET	PUSH RIVET	4	
	93404	93404-06012-06	BOLT WASHER 6*12 (G)	BOLT WASHER 6*12 (G)	2	
	93404A	93404-06020-06	BOLT WASHER 6*20 (G)	BOLT WASHER 6*20 (G)	4	
	93500	93500-05010-0F	SCREW PAN 5X10	SCREW PAN 5X10	1	

F03

Handle Steering

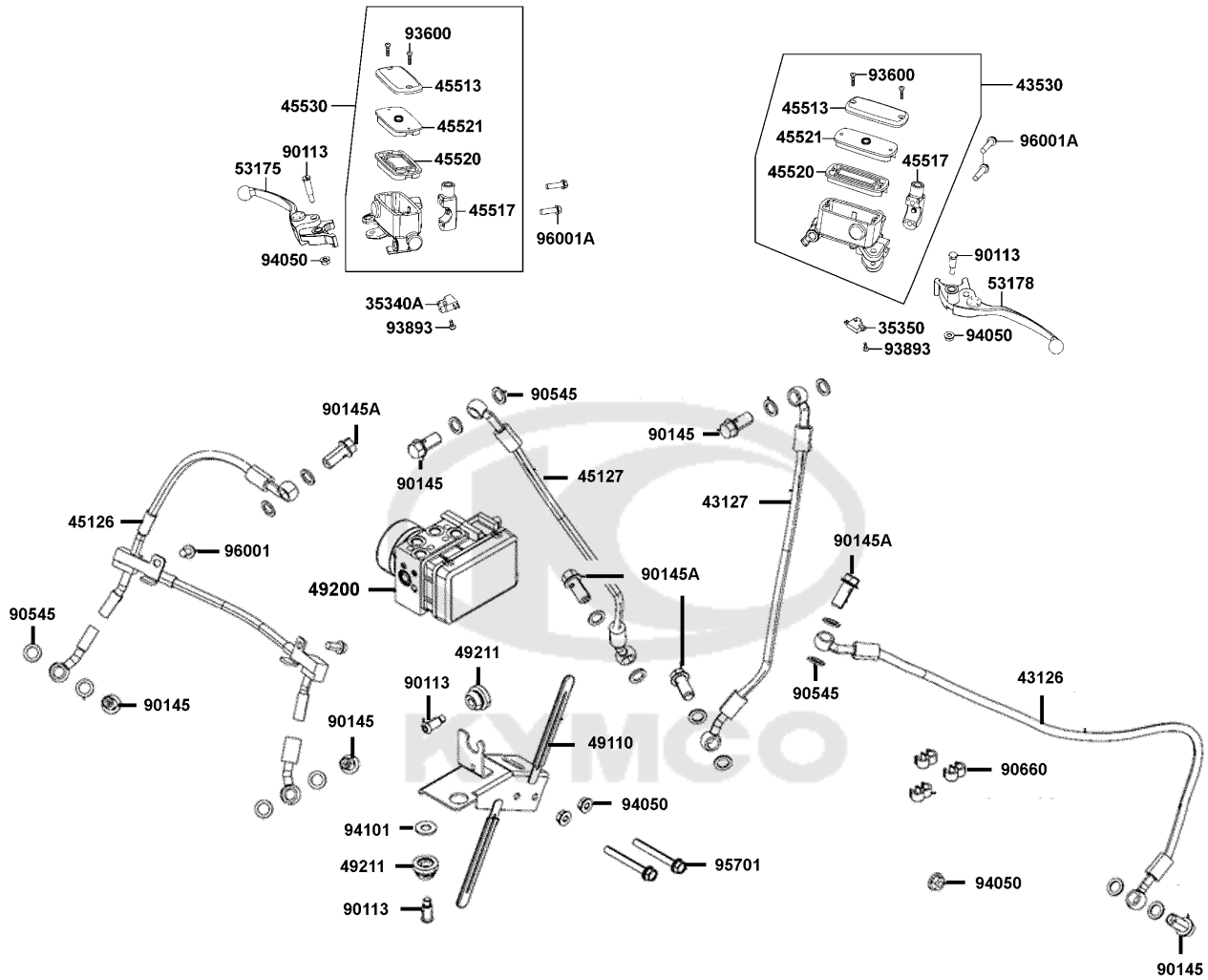


Sales mark	Ref no	Part no	Description	Reg description	Regd no	F03
93903		93903-24360	SCREW TAPPING 4*12	SCREW TAPPING 4*12	16	
93903A		93903-25260	SCREW TAPPING 5*12	SCREW TAPPING 5*12	6	
94101		94101-10000	WASHER PLAIN 10MM	WASHER PLAIN 10MM	2	
94101A		94101-12000	WASHER PLAIN 12 MM	WASHER PLAIN 12 MM	2	
95701		95701-06012-06	BOLT FLANGE 6*12 **07 C.2005.07.01	BOLT FLANGE 6*12 **07 C.2005.07.01	1	



F04

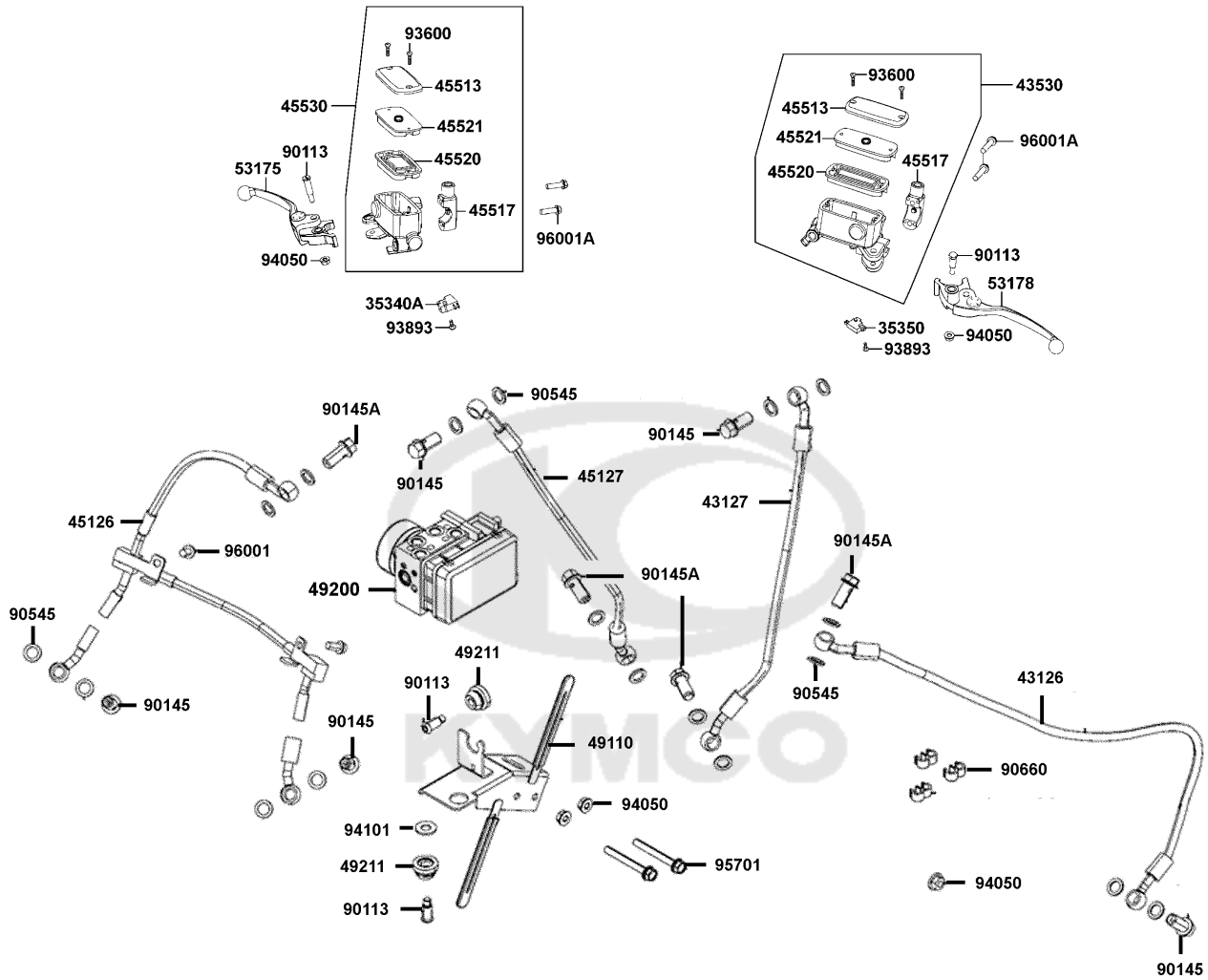
Master Cylinder



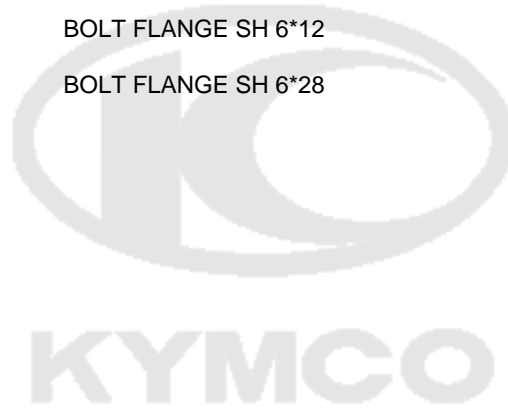
Sales mark	Ref no	Part no	Description	Reg description	Regd no	F04
	35340A	35340-LKF5-E01	SW ASSY FR STOP	SW ASSY FR STOP	1	
	35350	35350-LKF5-E01	SW ASSY RR STOP	SW ASSY RR STOP	1	
	43126	43126-ADG5-E00	HOSE ASSY A RR BRK	HOSE ASSY A RR BRK	1	
	43127	43127-ADG5-E00	HOSE ASSY B RR BRK	HOSE ASSY B RR BRK	1	
	43530	43530-LKF5-305	CYLINDER SET RR MASTER	CYLINDER SET RR MASTER	1	
	45126	45126-ADG5-E00	HOSE ASSY A FR BRK	HOSE ASSY A FR BRK	1	
	45127	45127-ADG5-E00	HOSE ASSY B FR BRK	HOSE ASSY B FR BRK	1	
	45513	45513-LEA7-E00	CAP MASTER CYLINDER	CAP MASTER CYLINDER	2	
	45517	45517-LKF5-E00	HOLDER M/C	HOLDER M/C	2	
	45520	45520-KKA8-900	DIAPHRAGM	DIAPHRAGM	2	
	45521	45521-LEA7-E00	PLATE DIAPHRAGM	PLATE DIAPHRAGM	2	
	45530	45530-LKF5-305	CYLINDER SET FR MASTER	CYLINDER SET FR MASTER	1	
	49110	49110-ADG5-E00	STAY ABS MODULATOR	STAY ABS MODULATOR	1	
	49200	49200-AKC3-E00	MODULATOR ASSY ABS+TCS	MODULATOR ASSY ABS+TCS	1	
	49211	49211-LFH1-E00	RUBBER BUSH	RUBBER BUSH	2	
**	53175	53175-LKF5-E00	LEVER R STRG HANDLE	LEVER R STRG HANDLE	1	
**	53178	53178-LKF5-E00	LEVER L STRG HANDLE	LEVER L STRG HANDLE	1	
	90113	90113-LGE5-E01	BOLT FLANGE 6*20 ABS	BOLT FLANGE 6X20 ABS	2	
	90145	90145-LEA3-E00	OIL BOLT 10*22	OIL BOLT 10*22	5	
	90145A	90145-LFH1-E00	OIL BOLT 10x22	OIL BOLT 10X22	4	

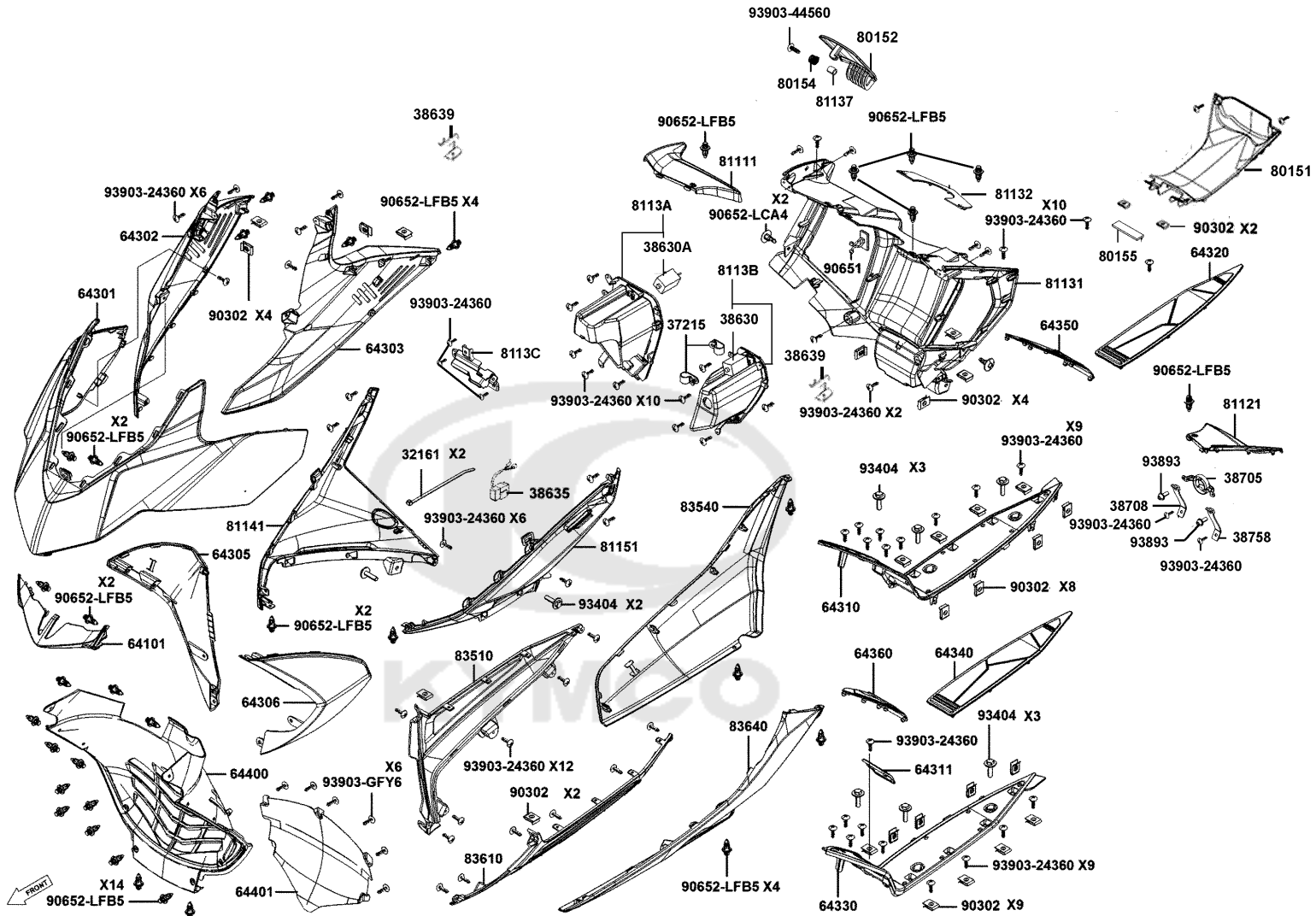
F04

Master Cylinder



Sales mark	Ref no	Part no	Description	Reg description	Regd no	F04
90545		90545-3L00-001	WASHER OIL BOLT	WASHER OIL BOLT	18	
90660		90660-PWA2-900	CLAMP TUBE	CLAMP TUBE	3	
93600		93600-04012-1G	SCREW FLAT 4*12	SCREW FLAT 4*12	4	
93893		93893-04012-18	SCREW WASHER 4*12	SCREW WASHER 4*12	2	
94050		94050-06060	NUT FLANGE 6MM	NUT FLANGE 6MM	3	
94101		94101-08600	WASH PLAIN 8MM	WASH PLAIN 8MM	1	
95701		95701-06050-06	BOLT FLANGE 6*50	BOLT FLANGE 6*50	2	
96001		96001-06012-06	BOLT FLANGE SH 6*12	BOLT FLANGE SH 6*12	2	
96001A		96001-06028-06	BOLT FLANGE SH 6*28	BOLT FLANGE SH 6*28	4	

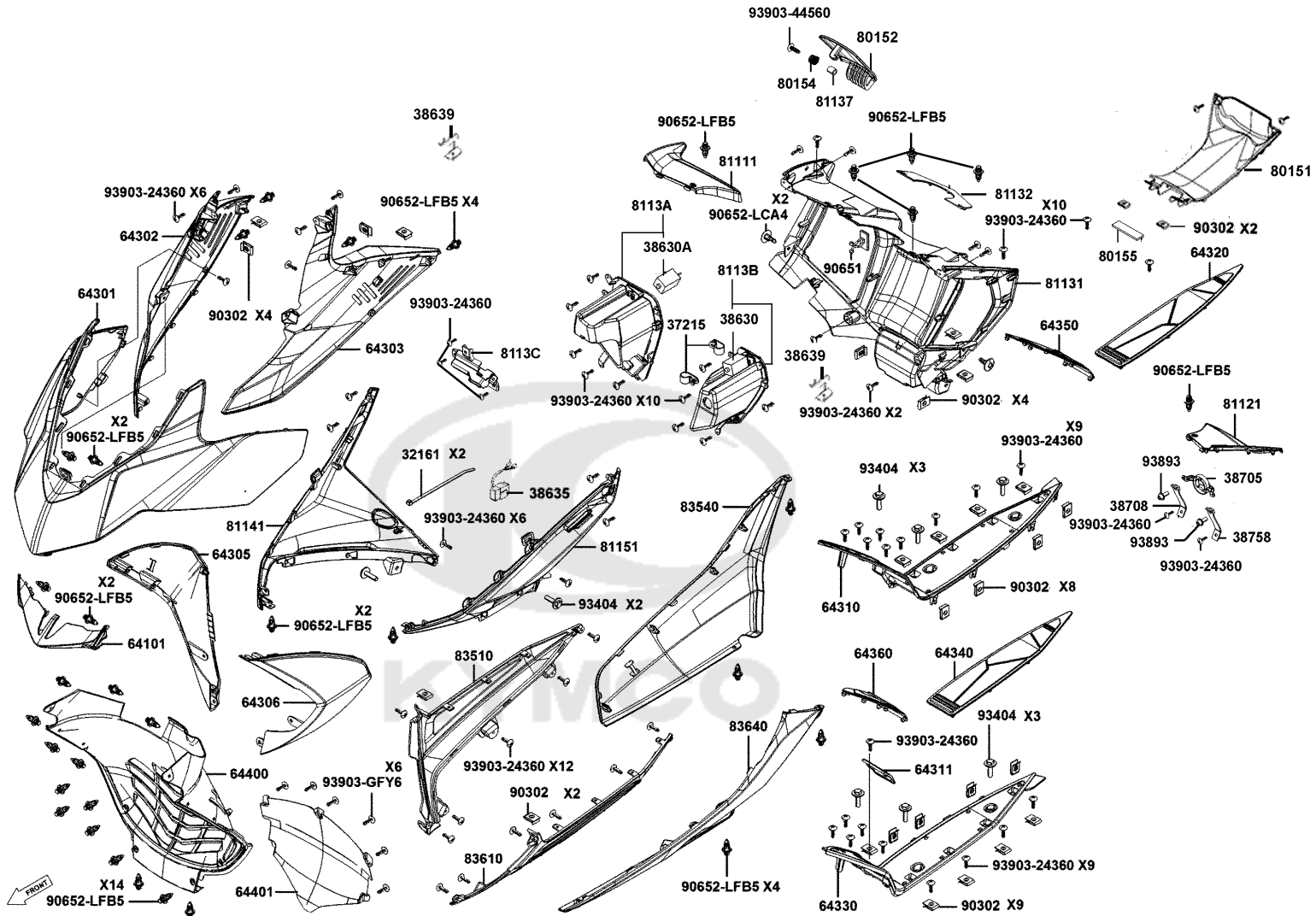




Sales mark	Ref no	Part no	Description	Reg description	Regd no	F05
	32161	32161-LBA7-900	BAND WIRE	BAND WIRE	2	
	37215	37215-LGM9-900	CLAMP	CLAMP	2	
	38630	38630-ADG5-E00	MAGNET VALVE RETENTIVITY	MAGNET VALVE RETENTIVITY	1	
	38630A	38630-ADG5-E01	MAGNET VALVE RETENTIVITY	MAGNET VALVE RETENTIVITY	1	
	38635	38635-ADG5-E00	CONTROLLER MAGNET VALVE	CONTROLLER MAGNET VALVE	1	
	38639	38639-ADG5-E00	STAY LOCK VALVE	STAY LOCK VALVE	2	
	38705	38705-AGJ5-E01	ANTENNA COMP SHORT RANGE	ANTENNA COMP SHORT RANGE	1	
	38708	38708-BAC8-E00	STAY R H SHORT ANTENN	STAY R H SHORT ANTENN	1	
	38758	38758-BAC8-E00	STAY L H SHORT ANTENN	STAY L H SHORT ANTENN	1	
**	64101	64101-BAC8-E00	COVER C FRONT	COVER C FRONT	1	
**	64301	64301-BAC8-E00	COVER A FRONT	COVER A FRONT	1	
**	64302	64302-BAC8-E00	MOLDING A R SIDE	MOLDING A R SIDE	1	
**	64303	64303-BAC8-E00	MOLDING A L SIDE	MOLDING A L SIDE	1	
**	64305	64305-ADG5-E00	SKIRT A FR. R SIDE	SKIRT A FR. R SIDE	1	
**	64306	64306-ADG5-E00	SKIRT A FR. L SIDE	SKIRT A FR. L SIDE	1	
**	64310	64310-ADG5-E00	PANEL R FLOOR (Black)	PANEL R FLOOR (Black)	1	
	64311	64311-ADG5-E00	LID RESERVE TANK	LID RESERVE TANK	1	
**	64320	64320-ADG5-E00	MAT R FLOOR (Black)	MAT R FLOOR (Black)	1	
**	64330	64330-ADG5-E00	PANEL L FLOOR (Black)	PANEL L FLOOR (Black)	1	
**	64340	64340-ADG5-E00	MAT L FLOOR (Black)	MAT L FLOOR (Black)	1	

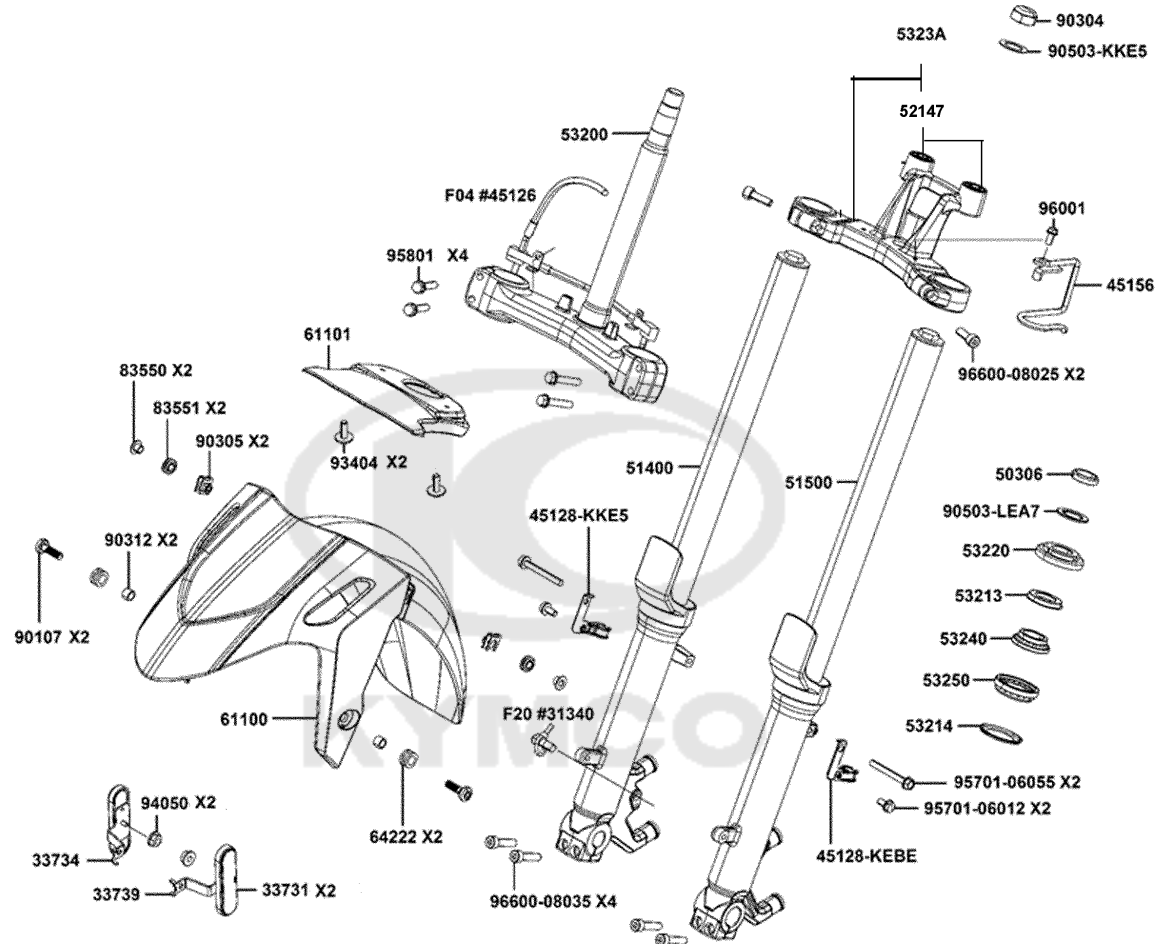
Sales mark	Ref no	Part no	Description	Reg description	Regd no	F05
**	64350	64350-ADG5-E00	MAT R LEG SHIELD (Black)	MAT R LEG SHIELD (Black)	1	
**	64360	64360-ADG5-E00	MAT L LEG SHIELD (Black)	MAT L LEG SHIELD (Black)	1	
**	64400	64400-ADG5-E00	COWL UNDER (Black)	COWL UNDER (Black)	1	
	64401	64401-ADG5-E00	MESH UNDER COWL	MESH UNDER COWL	1	
**	80151	80151-ADG5-E00	COVER CENTER	COVER CENTER	1	
**	80152	80152-BAC8-E00	LID FUEL CAP MAINT	LID FUEL CAP MAINT	1	
	80154	80154-BAC8-E00	SPRING	SPRING	1	
	80155	80155-AKB8-E00	SPONGE B LID FUEL CAP	SPONGE B LID FUEL CAP	1	
**	81111	81111-ADG5-E00	LID R LEG SHIELD	LID R LEG SHIELD	1	
**	81121	81121-ADG5-E00	LID L LEG SHIELD	LID L LEG SHIELD	1	
**	81131	81131-BAC8-E00	LEG SHIELD UP	LEG SHIELD UP	1	
**	81132	81132-BAC8-E00	LID LEG SHIELD	LID LEG SHIELD	1	
	81137	81137-BAC8-E00	COLLAR	COLLAR	1	
**	8113A	8113A-ADG5-E00	INNER BOX R FRONT (Black)	INNER BOX R FRONT (Black)	1	
**	8113B	8113B-ADG5-E00	INNER BOX L FRONT (Black)	INNER BOX L FRONT (Black)	1	
	8113C	8113C-BAC8-E00	LOCK ASSY FR BOX	LOCK ASSY FR BOX	1	
**	81141	81141-BAC8-E00	LEG SHILED R SIDE	LEG SHILED R SIDE	1	
**	81151	81151-BAC8-E00	LEG SHILED L SIDE	LEG SHILED L SIDE	1	
**	83510	83510-ADG5-E00	SKIRT A R SIDE (Black)	SKIRT A R SIDE (Black)	1	
**	83540	83540-ADG5-E00	SKIRT B R SIDE	SKIRT B R SIDE	1	

Fender Front

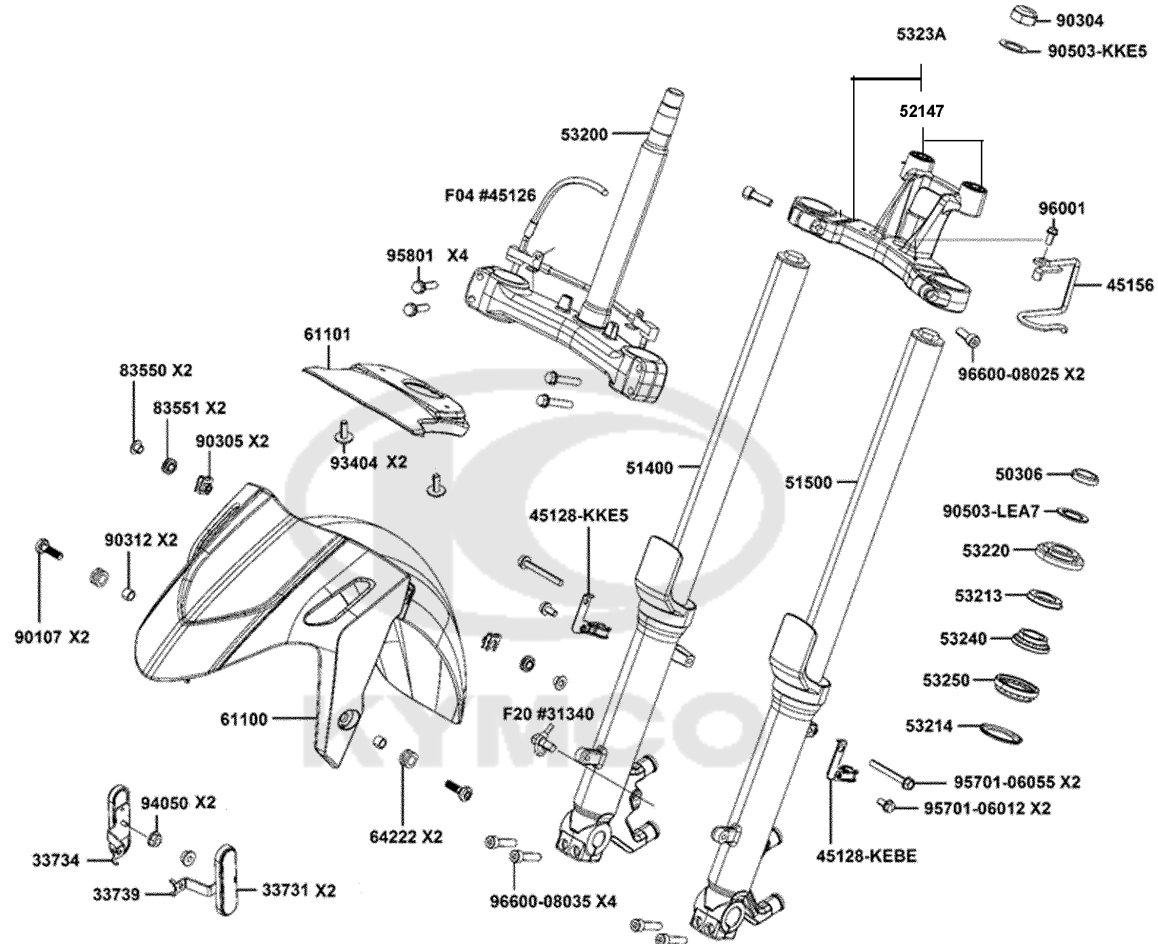


Sales mark	Ref no	Part no	Description	Reg description	Regd no	F05
**	83610	83610-ADG5-E00	SKIRT A L SIDE (Black)	SKIRT A L SIDE (Black)	1	
**	83640	83640-ADG5-E00	SKIRT B L SIDE	SKIRT B L SIDE	1	
	90302	90302-SDA4-004	NUT SPRING 4MM	NUT SPRING 4MM	27	
	90651	90651-LGM9-700	CLIP HARNESS WIRE	CLIP HARNESS WIRE	1	
	90652-LCA4	90652-LCA4-E00	CLIP MUDGUARD	CLIP MUDGUARD	2	
	90652-LFB5	90652-LFB5-900	CLIP MUDGUARD	CLIP MUDGUARD	34	
	93404	93404-06016-06	BOLT WASHER 6*16	BOLT WASHER 6*16	8	
	93893	93893-04012-0G	SCREW WASHER 4*12	SCREW WASHER 4*12	2	
	93903-24360	93903-24360	SCREW TAPPING 4*12	SCREW TAPPING 4*12	72	
	93903-44560	93903-44560	SCREW TAPPING 4*20	SCREW TAPPING 4*20	1	
	93903-GFY6	93903-GFY6-900	SCREW TAPPING 4*14	SCREW TAPPING 4*14	6	





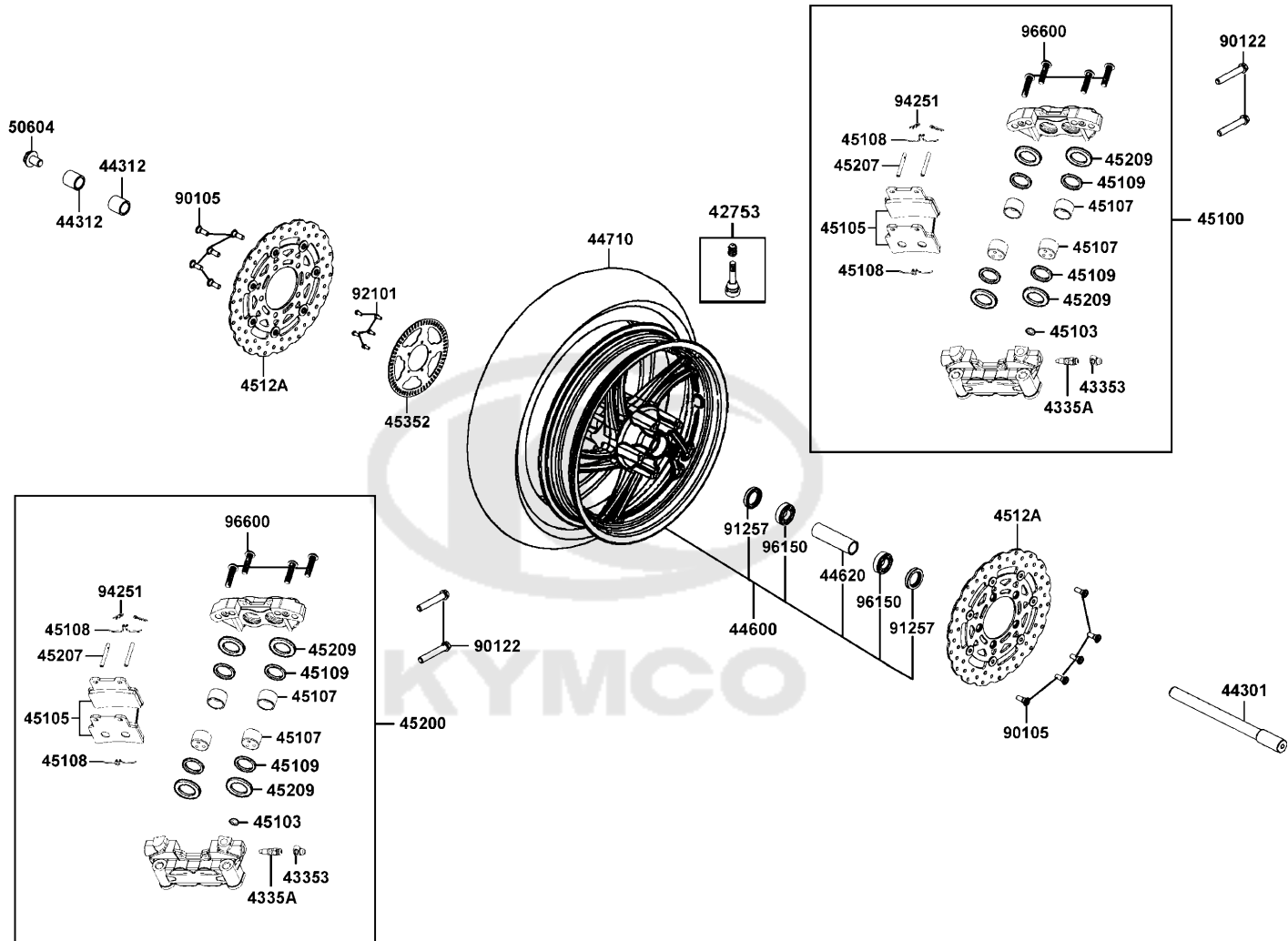
Sales mark	Ref no	Part no	Description	Reg description	Regd no	F06
	33731	33731-PUA6-MX0	REFLEX REFLECTOR	REFLEX REFLECTOR	2	
	33734	33734-ADG5-E00	STAY RH. REFLEX REFLECTOR	STAY RH. REFLEX REFLECTOR	1	
	33739	33739-ADG5-E00	STAY LH. REFLEX REFLECTOR	STAY LH. REFLEX REFLECTOR	1	
	45128-KEBE	45128-KEBE-900	CLAMPER FR BRAKE HOSE	CLAMPER FR BRAKE HOSE	1	
	45128-KKE5	45128-KKE5-E00	CLAMPER FR BRK HOSE	CLAMPER FR BRK HOSE	1	
	45156	45156-ADG5-E00	CLIP COMP FR BRK HOSE	CLIP COMP FR BRK HOSE	1	
	50306	50306-1F96-001	NUT STRG STEM LOCK	NUT STRG STEM LOCK	1	
**	51400	51400-LKF5-E00	FORK ASSY. FR R	FORK ASSY. FR R	1	
**	51500	51500-LKF5-E00	FORK ASSY. FR L	FORK ASSY. FR L	1	
	52147	52147-0H28-301	RUBBER BUSH REAR FORK PIVOT	RUBBER BUSH REAR FORK PIVOT	2	
	53200	53200-ADG5-E00	STEM COMP STRG	STEM COMP STRG	1	
	53213	53213-LBA2-E00	DUST SEAL STRG HEAD TOP	DUST SEAL STRG HEAD TOP	1	
	53214	53214-LBA2-E00	DUST SEAL STRG (HEAD)	DUST SEAL STRG HEAD BOT	1	
	53220	53220-LBA2-E00	THREAD COMP STRG HEAD TOP	THREAD COMP STRG HEAD TOP	2	
	5323A	5323A-ADG5-E00	BRIDGE ASSY FORK TOP	BRIDGE ASSY FORK TOP	1	
	53240	53240-LEA7-90A	BEARING TOP STRG (mark:TP1)	BEARING TOP STRG	1	
	53250	53250-LEA7-90A	BEARING BOT STRG (mark:TP1)	BEARING BOT STRG	1	
**	61100	61100-ADG5-E00	FENDER FRONT	FENDER FRONT	1	
**	61101	61101-ADG5-E00	INNER FENDER FRONT (Black)	INNER FENDER FRONT (Black)	1	
	64222	64222-LLJ3-E00	RUBBER WIND SCREEN	RUBBER WIND SCREEN	2	



Sales mark	Ref no	Part no	Description	Reg description	Regd no	F06
83550		83550-KEC8-900	COLLAR	COLLAR	2	
83551		83551-KEC8-900	GROMMET COVER **KEC8-9000	GROMMET COVER **KEC8-9000 C.2005.09.01	2	
90107		90107-LEA7-E00	BOLT SPECIAL 8MM	BOLT SPECIAL 8MM	2	
90304		90304-KKE5-E00	NUT. STRG. STEM	NUT. STRG. STEM	1	
90305		90305-LBA2-E00	NUT CLIP 6MM	NUT CLIP 6MM	2	
90312		90312-LLJ3-E01	COLLAR WIND SCREEN	COLLAR WIND SCREEN	2	
90503-KKE5		90503-KKE5-E00	WASHER STEERING STEM NUT	WASHER STEERING STEM NUT	1	
90503-LEA7		90503-LEA7-E00	WASHER STRG STEM NUT	WASHER STRG STEM NUT	1	
93404		93404-06012-06	BOLT WASHER 6*12 (G)	BOLT WASHER 6*12 (G)	2	
94050		94050-06060	NUT FLANGE 6MM	NUT FLANGE 6MM	2	
95701-06012		95701-06012-06	BOLT FLANGE 6*12 **07 C.2005.07.01	BOLT FLANGE 6*12 **07 C.2005.07.01	2	
95701-06055		95701-06055-06	BOLT FLANGE 6*55	BOLT FLANGE 6*55	2	
95801		95801-08040-06	BOLT FLANGE 8*40	BOLT FLANGE 8*40	4	
96001		96001-06012-06	BOLT FLANGE SH 6*12	BOLT FLANGE SH 6*12	1	
96600-08025		96600-08025-06	SOCKET BOLT 8*25	SOCKET BOLT 8*25	2	
96600-08035		96600-08035-06	SOCKET BOLT 8*35	SOCKET BOLT 8*35	2	

F07

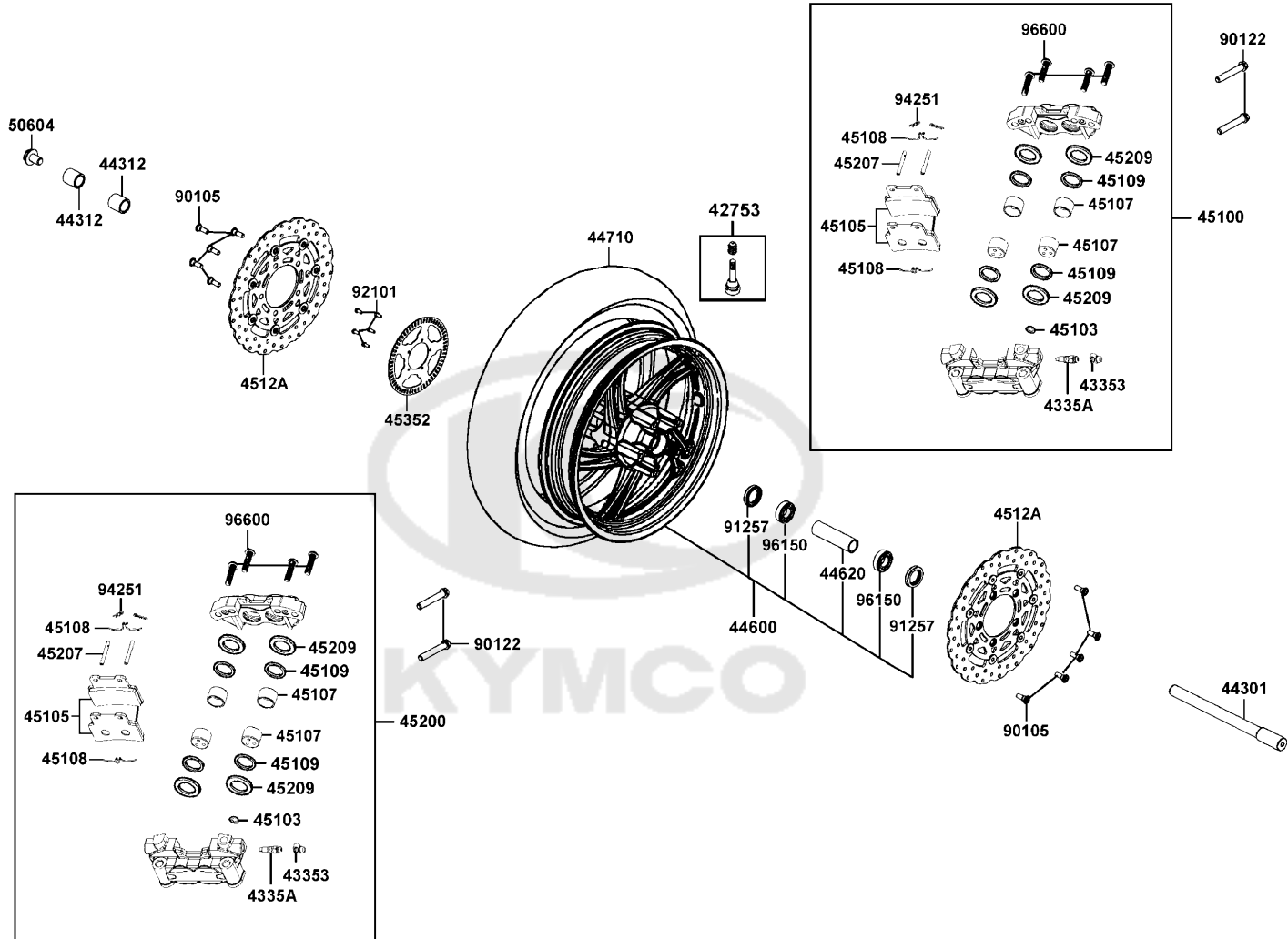
Front Wheel



Sales mark	Ref no	Part no	Description	Reg description	Regd no	F07
	42753	42753-KNBN-90B	VALAE RIM (TR412)	VALAE RIM (TR412)	1	
	43353	43353-KED9-900	CAP BLEEDER	CAP BLEEDER	2	
	4335A	4335A-LBA2-E01	BLEEDER ASSY	SCREW BLEEDER	2	
	44301	44301-LKF5-E00	AXLE. FR WHEEL	AXLE. FR WHEEL	1	
	44312	44312-LKF5-E00	COLLAR. FR WHEEL SIDE L	COLLAR. FR WHEEL SIDE L	2	
**	44600	44600-LKF5-305	WHEEL SET FR	WHEEL SET FR	1	
	44620	44620-LBA2-E00	COLLAR FR AXLE DISTANCE	COLLAR FR AXLE DISTANCE	1	
	44710	44710-LKF5-E00	TIRE ASSY FR(120/70-15 56S)	TIRE ASSY FR	1	
**	45100	45100-LKF5-E00	CALIPER ASSY FR L/H	CALIPER ASSY FR L/H	1	
	45103	45103-MGR7-007	SEAL JOINT	SEAL JOINT	2	
	45105	45105-LKF5-305	PAD SET	PAD SET	2	
	45107	45107-LKF5-E00	PISTON C/P (Ø25.4MM)	PISTON C/P (Ø25.4MM)	8	
	45108	45108-LKF5-E00	SPRING PAD	SPRING PAD	8	
	45109	45109-GBE2-007	DUST SEAL	DUST SEAL	8	
	4512A	4512A-LKF5-E00	DISK COMP.. FR BRAKE	DISK COMP.. FR BRAKE	2	
**	45200	45200-LKF5-E00	CALIPER ASSY FR R/H	CALIPER ASSY FR R/H	1	
	45207	45207-LKF5-E00	PIN HANGER	PIN HANGER	2	
	45209	45209-GBE2-007	SEAL PISTON	SEAL PISTON	8	
	45352	45352-LKF5-E00	TOOTHED RING. SENSOR	TOOTHED RING. SENSOR	1	
	50604	50604-KED9-950	BOLT FR AXLE	BOLT FR AXLE	1	

F07

Front Wheel

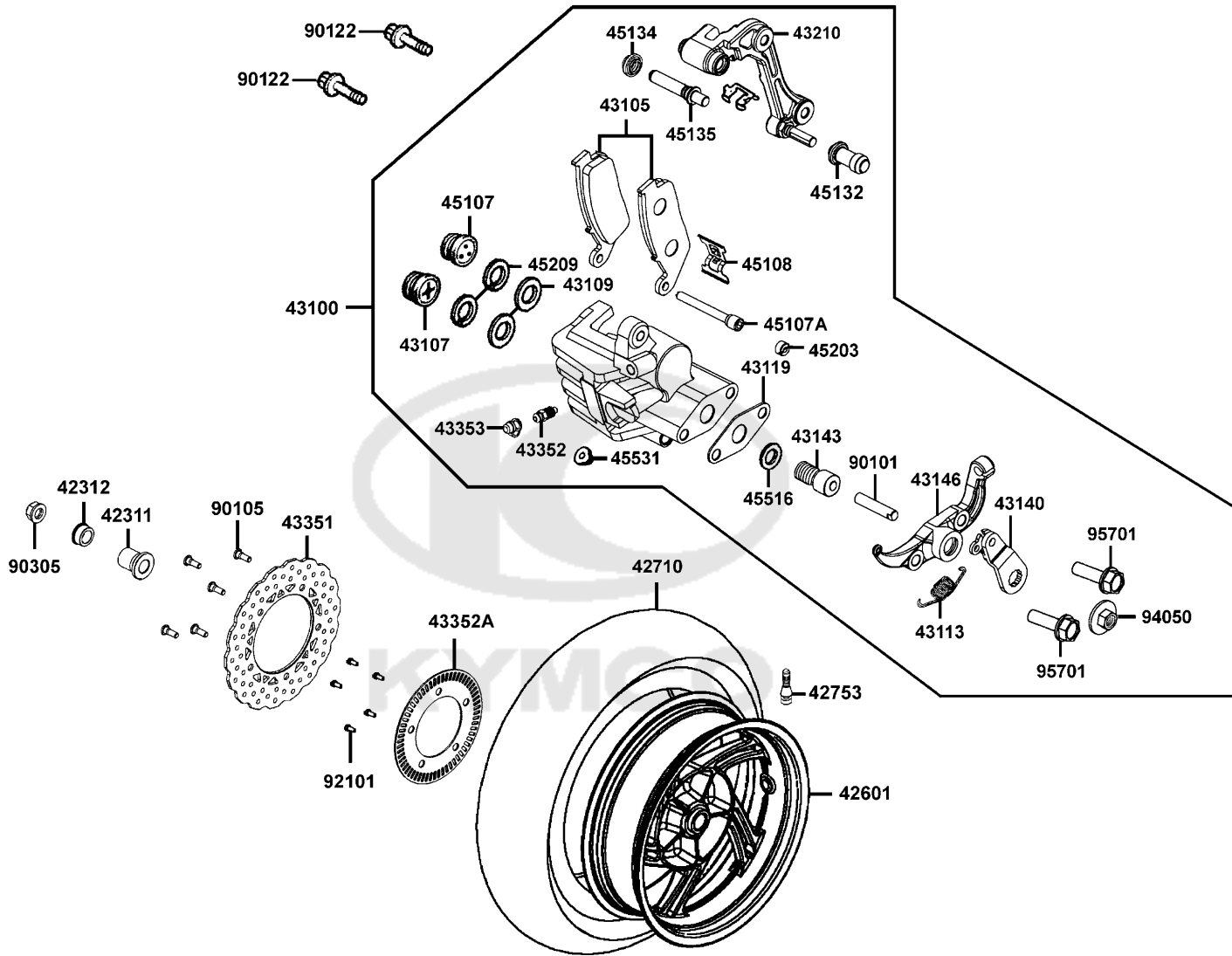


Sales mark	Ref no	Part no	Description	Reg description	Regd no	F07
90105		90105-KCR3-001	BOLT FR DISK 8*24	BOLT FR DISK 8*24	10	
90122		90122-LKF5-E00	BOLT FLANGE 10X58	BOLT FLANGE 10*58	4	
91257		91257-KED9-900	DUST SEAL 28*42*8	DUST SEAL 28*42*8	2	
92101		92101-05012-0G	BOLT HEX 5X12	BOLT HEX 5*12	5	
94251		94251-08400	PIN LOCK 8MM	PIN LOCK 8MM	4	
96150		96150-60040-10	BEARING BALL RADIAL 6004	BEARING BALL RADIAL 6004	2	
96600		96600-KKC4-900	SOCKET BOLT	SOCKET BOLT	8	



F08

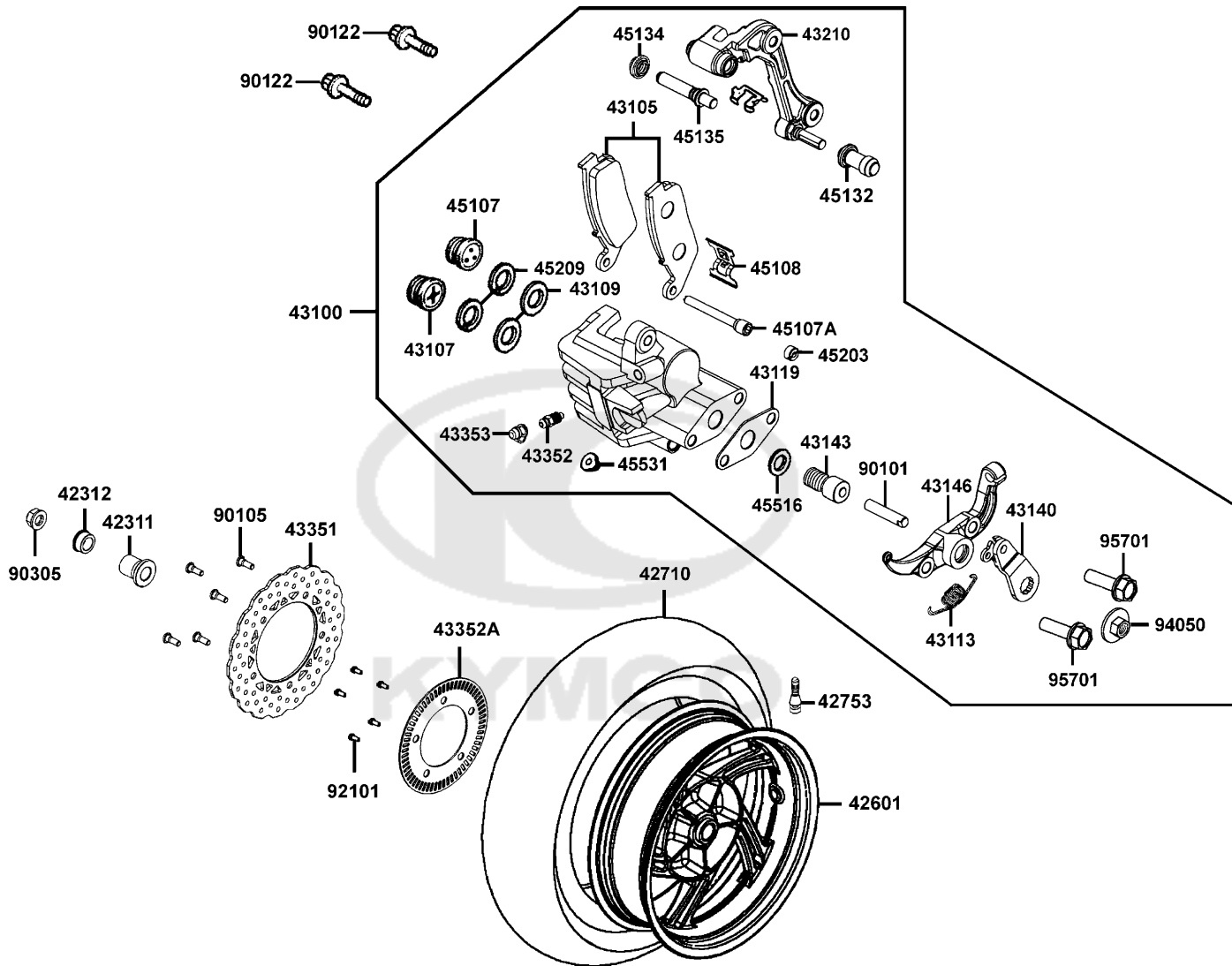
Rear Wheel



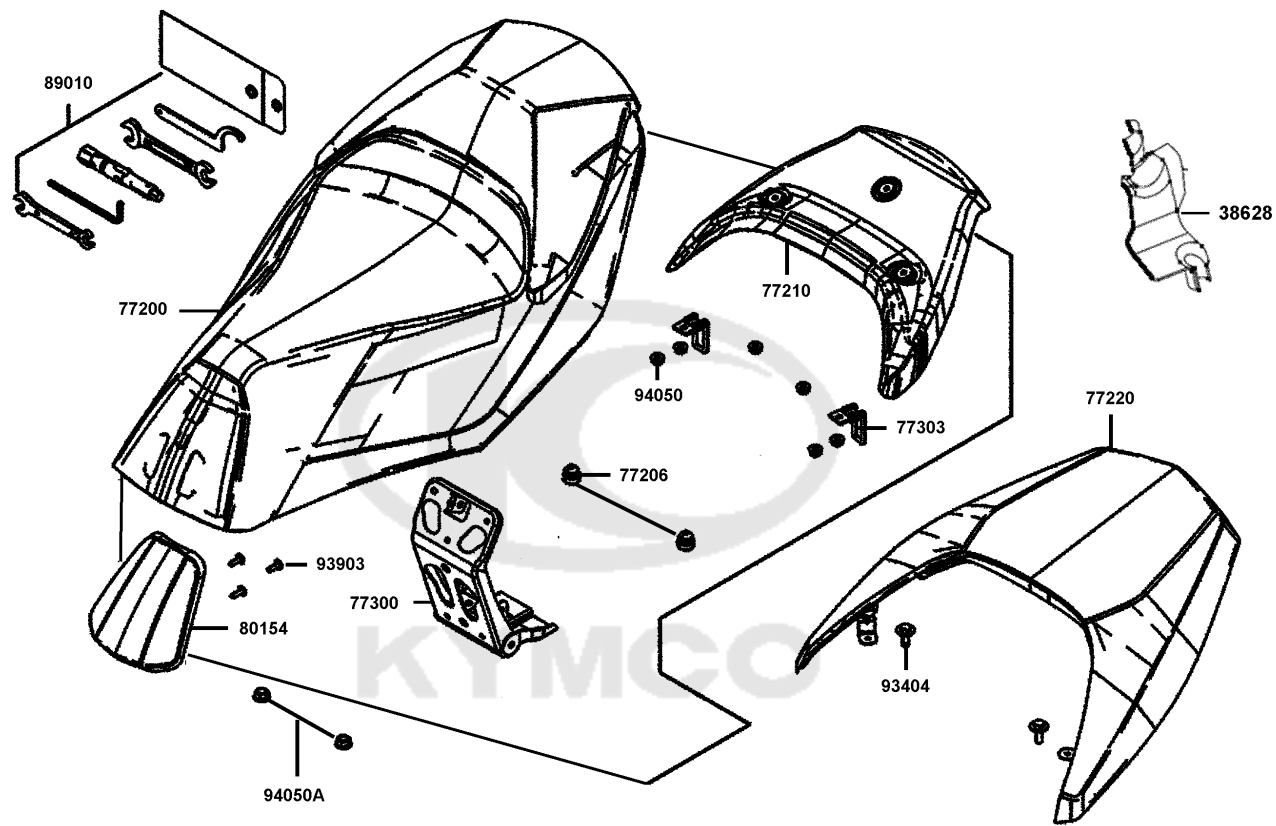
Sales mark	Ref no	Part no	Description	Reg description	Regd no	F08
	42311	42311-LEA7-E00	COLLAR RR AXLE SIDE A	COLLAR RR AXLE SIDE A	1	
	42312	42312-LEA7-E00	COLLAR RR AXLE SIDE	COLLAR RR AXLE SIDE	1	
**	42601	42601-LKF5-E00	WHEEL COMP. . RR	WHEEL COMP. . RR	1	
	42710	42710-LKF5-E00	TIRE ASSY RR(150/70-14 66S)	TIRE ASSY RR	1	
	42753	42753-KNBN-90B	VALAE RIM (TR412)	VALAE RIM (TR412)	1	
**	43100	43100-LKF5-E00	CALIPER ASSY RR	CALIPER ASSY RR	1	
	43105	43105-LKF5-305	PAD SET	PAD SET	1	
	43107	43107-LBA2-E00	PISTON ASSY C/P (Ø27MM)	PISTON ASSY C/P (Ø27MM)	1	
	43109	43109-MCA3-007	DUST SEAL	DUST SEAL	2	
	43113	43113-LBA2-E00	SPRING BRAKE ARM	SPRING BRAKE ARM	1	
	43119	43119-LBA2-E00	GASKET WATER PROOF	GASKET WATER PROOF	1	
	43140	43140-LKF5-E00	ARM BRAKE ASSY	ARM BRAKE ASSY	1	
	43143	43143-LBA2-E00	BOLT DRIVE	BOLT DRIVE	1	
	43146	43146-LKF5-E00	BRACKET CABLE	BRACKET CABLE	1	
	43210	43210-LKF5-305	BRACKET RR	BRACKET RR	1	
	43351	43351-LKF5-E00	DISK. RR BRAKE	DISK. RR BRAKE	1	
	43352	43352-KKD6-E90	SCREW BLEEDER	SCREW BLEEDER	1	
	43352A	43352-LKF5-E01	TOOTHED RING SENSOR	TOOTHED RING SENSOR	1	
	43353	43353-KED9-900	CAP BLEEDER	CAP BLEEDER	1	
	45107	45107-LLJ3-E00	PISTON C/P (Ø27MM)	PISTON C/P (Ø27MM)	1	

F08

Rear Wheel



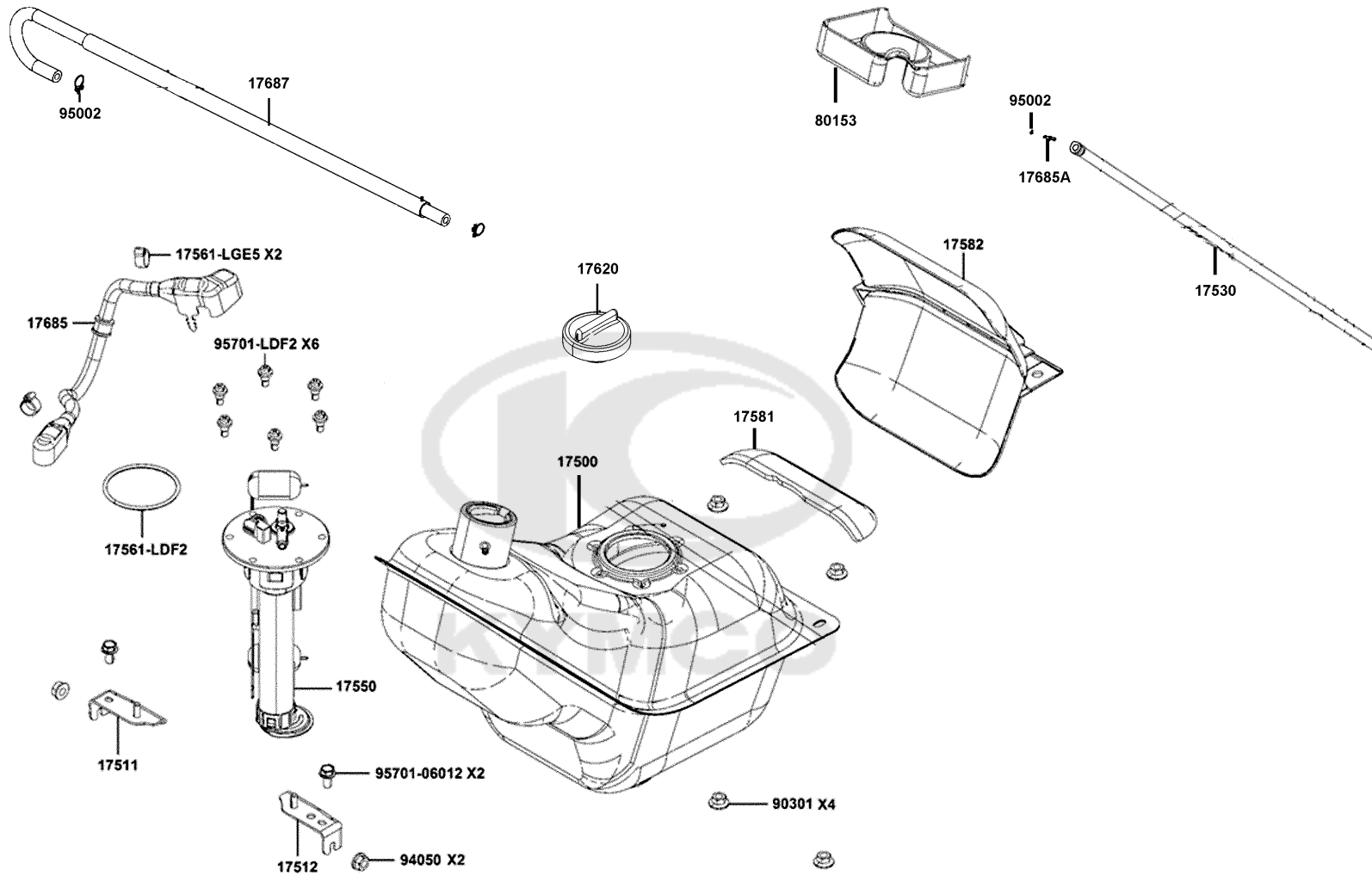
Sales mark	Ref no	Part no	Description	Reg description	Regd no	F08
	45107A	45107-LLJ3-E90	PIN HANGE	PIN HANGE	1	
	45108	45108-KED9-900	SPRING PAD	SPRING PAD	1	
	45132	45132-1F66-017	BUSH BOOT PIN	BUSH BOOT PIN	1	
	45134	45134-KED9-900	BOOT B	BOOT B	1	
	45135	45135-KED9-900	PIN BOLT A	PIN BOLT A	1	
	45203	45203-KED9-900	PLUG PIN	PLUG PIN	1	
	45209	45209-KED9-900	SEAL PISTON	SEAL PISTON	2	
	45516	45516-LBA2-E00	O RING	O RING	1	
	45531	45531-KED9-900	PLUG	PLUG	1	
	90101	90101-LBA2-E00	BOLT BUSH ROD	BOLT BUSH ROD	1	
	90105	90105-KCR3-001	BOLT FR DISK 8*24	BOLT FR DISK 8*24	5	
	90122	90122-LEA7-E00	BOLT FLANGE 10X42	BOLT FLANGE 10X42	2	
	90305	90305-KKAK-900	NUT U 16MM	NUT U 16MM	1	
	92101	92101-05012-0G	BOLT HEX 5X12	BOLT HEX 5*12	1	
	94050	94050-86000	FLANGE NUT M6*1.0	FLANGE NUT M6*1.0	1	
	95701	95701-LBA2-E00	BOLT FLANGE	BOLT FLANGE	1	



Sales mark	Ref no	Part no	Description	Reg description	Regd no	F09
	38628	38628-ADG5-E00	PROTECTOR ANTI. THIEF	PROTECTOR ANTI. THIEF	1	
**	77200	77200-BAC8-E00	SEAT ASSY	SEAT ASSY	1	
	77206	77206-LKB9-900	RUBBER SEAT CUSH	RUBBER SEAT CUSH	2	
	77210	77210-ADG5-E00	BACK SEAT ASSY	BACK SEAT ASSY	1	
**	77220	77220-BAC8-E00	SEAT ASSY BACK	SEAT ASSY BACK	1	
	77300	77300-ADG5-E00	SEAT HINGE ASSY	SEAT HINGE ASSY.	1	
	77303	77303-ADG5-E00	HOOK SEAT LOCK	HOOK SEAT LOCK	1	
**	80154	80154-ADG5-E00	COVER SEAT (Mat Black)	COVER SEAT (Mat Black)	1	
	89010	89010-LKF5-E00	TOOL SET	TOOL SET	1	
	93404	93404-06012-06	BOLT WASHER 6*12 (G)	BOLT WASHER 6*12 (G)	2	
	93903	93903-34380-G	SCREW TAPPING 4x12	SCREW TAPPING 4x12	3	
	94050	94050-06080	NUT FLANGE 6MM	NUT FLANGE 6MM	6	
	94050A	94050-08060	NUT FLANGE 8MM	NUT FLANGE 8MM	2	

F10

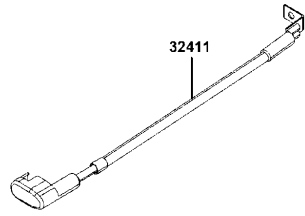
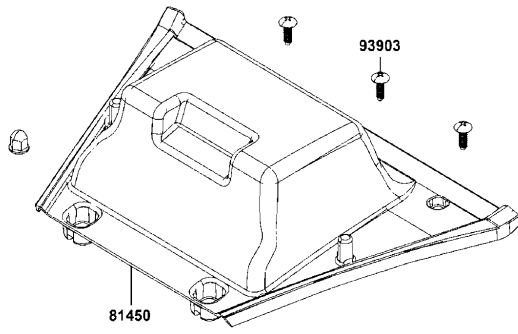
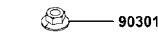
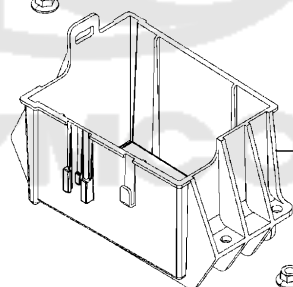
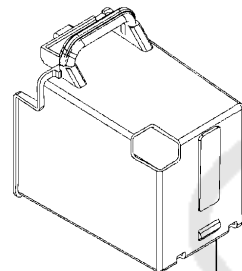
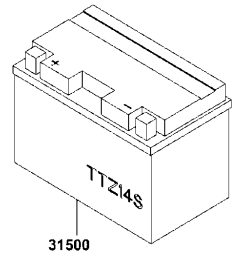
Fuel Tank



Sales mark	Ref no	Part no	Description	Reg description	Regd no	F10
	17500	17500-BAC8-E00	TANK COMP FUEL	TANK COMP FUEL	1	
	17511	17511-LKF5-E00	STAY R.FUEL TANK	STAY R.FUEL TANK	1	
	17512	17512-LKF5-E00	STAY L.FUEL TANK	STAY L.FUEL TANK	1	
	17530	17530-KGB5-900	TUBE ASSY DRAIN	TUBE ASSY DRAIN	1	
	17550	17550-LKF5-E00	PUMP ASSY FUEL	PUMP ASSY FUEL	1	
	17561-LDF2	17561-LDF2-900	O-RING	O-RING	1	
	17561-LGE5	17561-LGE5-E00	CLIP 13.5	CLIP 13.5	1	
	17581	17581-LEA7-E00	SPONGE FUEL TANK	SPONGE FUEL TANK	1	
	17582	17582-LKF5-E00	HEAD GUARD COVER	HEAD GUARD COVER	1	
	17620	17620-ADE1-900	CAP FUEL FILLER	CAP FUEL FILLER	1	
	17685A	17685-KZCZ-900	JOINT TUBE	JOINT TUBE	1	
	17685	17685-LKF5-E00	TUBE.FUEL PUMP	TUBE.FUEL PUMP	1	
	17687	17687-LKG7-305	TUBE FUEL COMP	TUBE FUEL COMP	1	
	80153	80153-BAC8-E00	TRAY FUEL CAP	TRAY FUEL CAP	1	
	90301	90301-6D34-671	NUT FLANGE 6MM	NUT FLANGE 6MM	4	
	94050	94050-06060	NUT FLANGE 6MM	NUT FLANGE 6MM	2	
	95002	95002-02080	CLIP B8 TUBE	CLIP B8 TUBE	3	
	95701-06012	95701-06012-06	BOLT FLANGE 6*12 **07 C.2005.07.01	BOLT FLANGE 6*12 **07 C.2005.07.01	2	
	95701-LDF2	95701-LDF2-800	BOLT FLANGE 5*6.5	BOLT FLANGE 5*6.5	6	

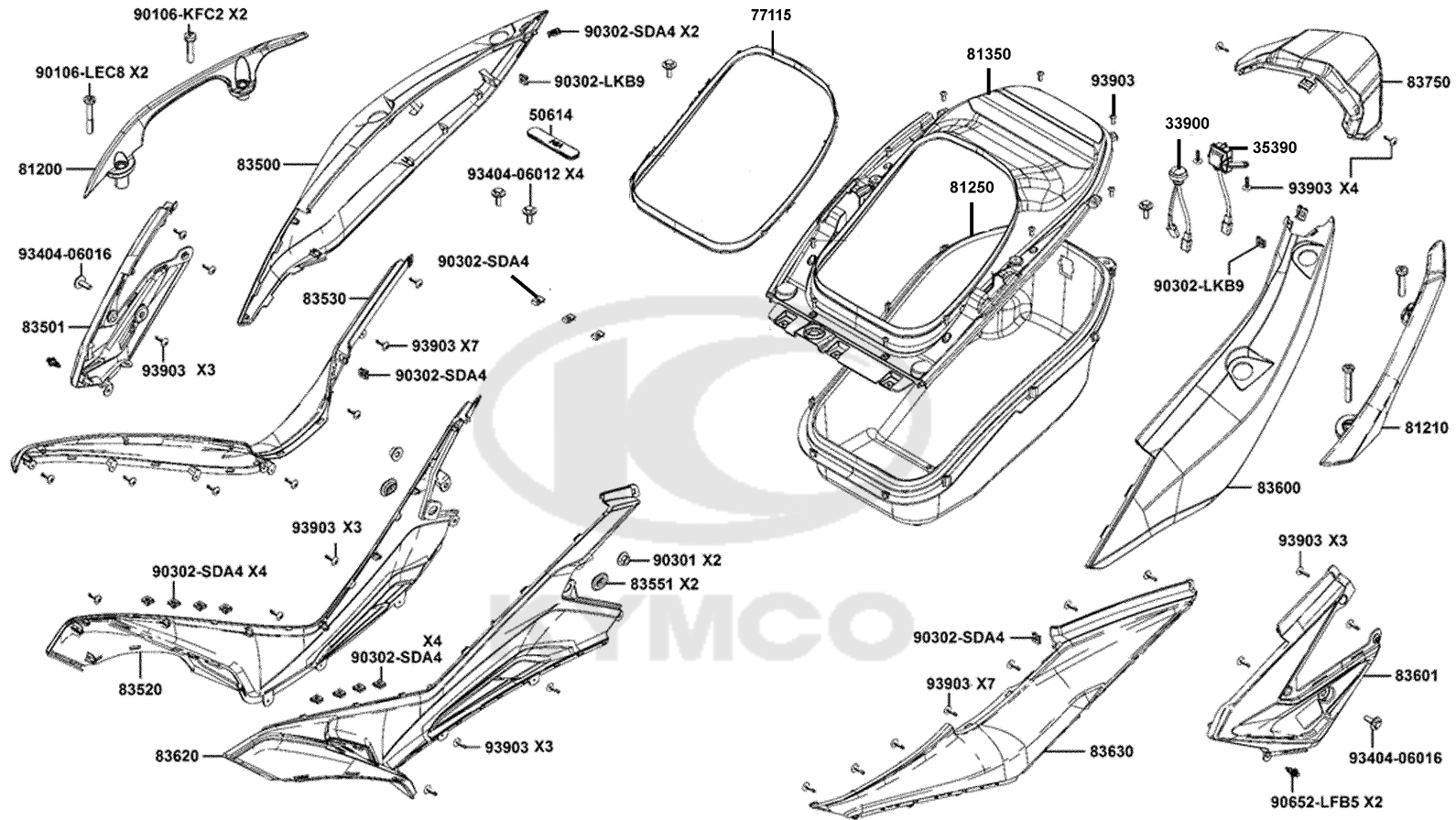
F11

Battery

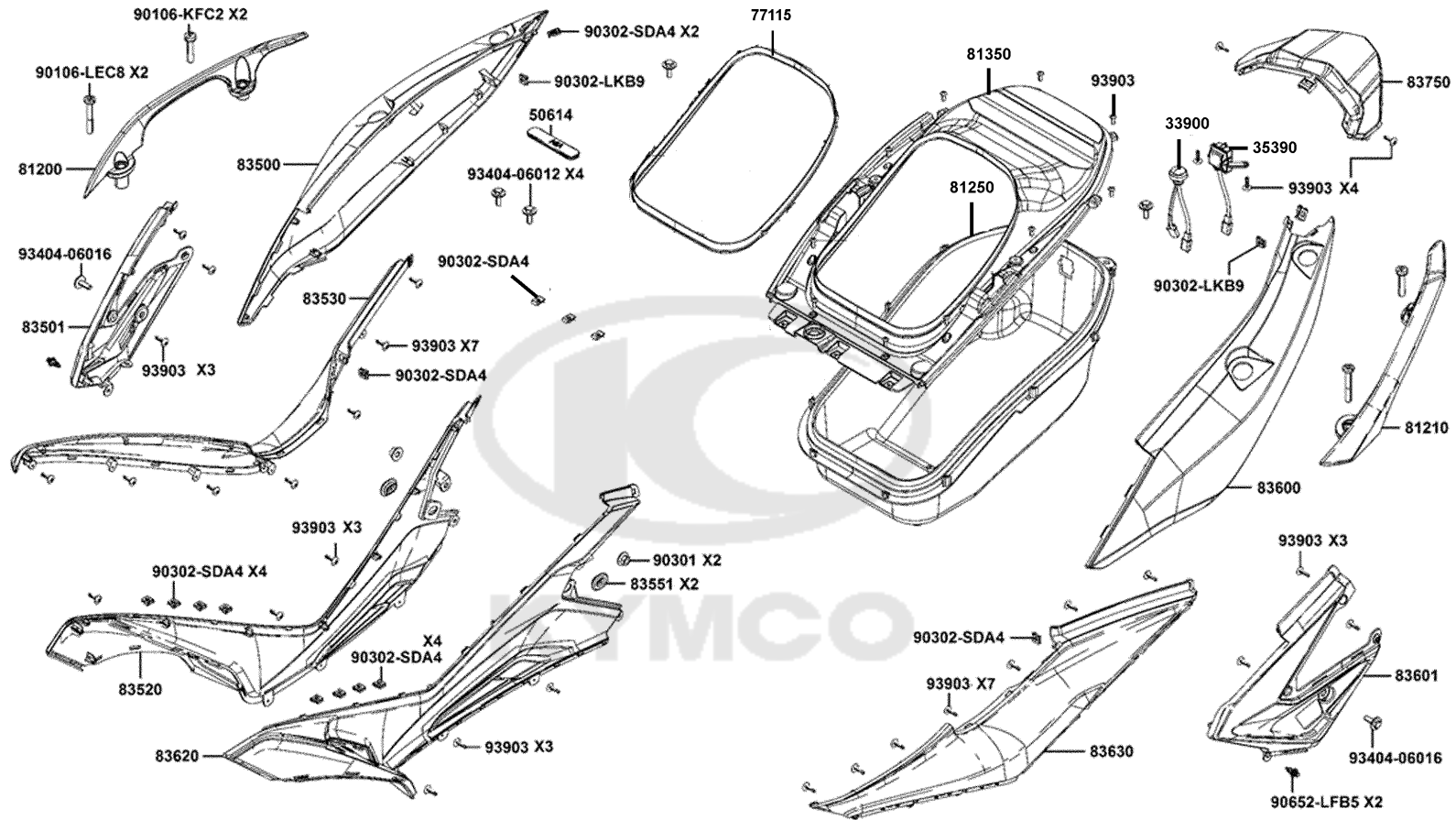




Sales mark	Ref no	Part no	Description	Reg description	Regd no	F11
	31500	31500-LGC6-E01	BATTERY TTZ14S	BATTERY TTZ14S	1	
	32411	32411-ADG5-E00	CABLE BAT	CABLE BAT	1	
**	50327	50327-ADG5-E00	BATTERY CASE	BATTERY CASE	1	
**	50328	50328-AKC3-E00	BATTERY COVER	BATTERY COVER	1	
**	81450	81450-ADG5-E00	COVER BATTERY (Black)	COVER BATTERY (Black)	1	
	90215	90215-ALK5-900	NUT CAP 6MM	NUT CAP 6MM	2	
	90301	90301-6D34-671	NUT FLANGE 6MM	NUT FLANGE 6MM	4	
	93903	93903-GFY6-900	SCREW TAPPING 4*14	SCREW TAPPING 4*14	3	
	94591	94591-KFBF-900	CLIP 2*70	CLIP 2*70	1	

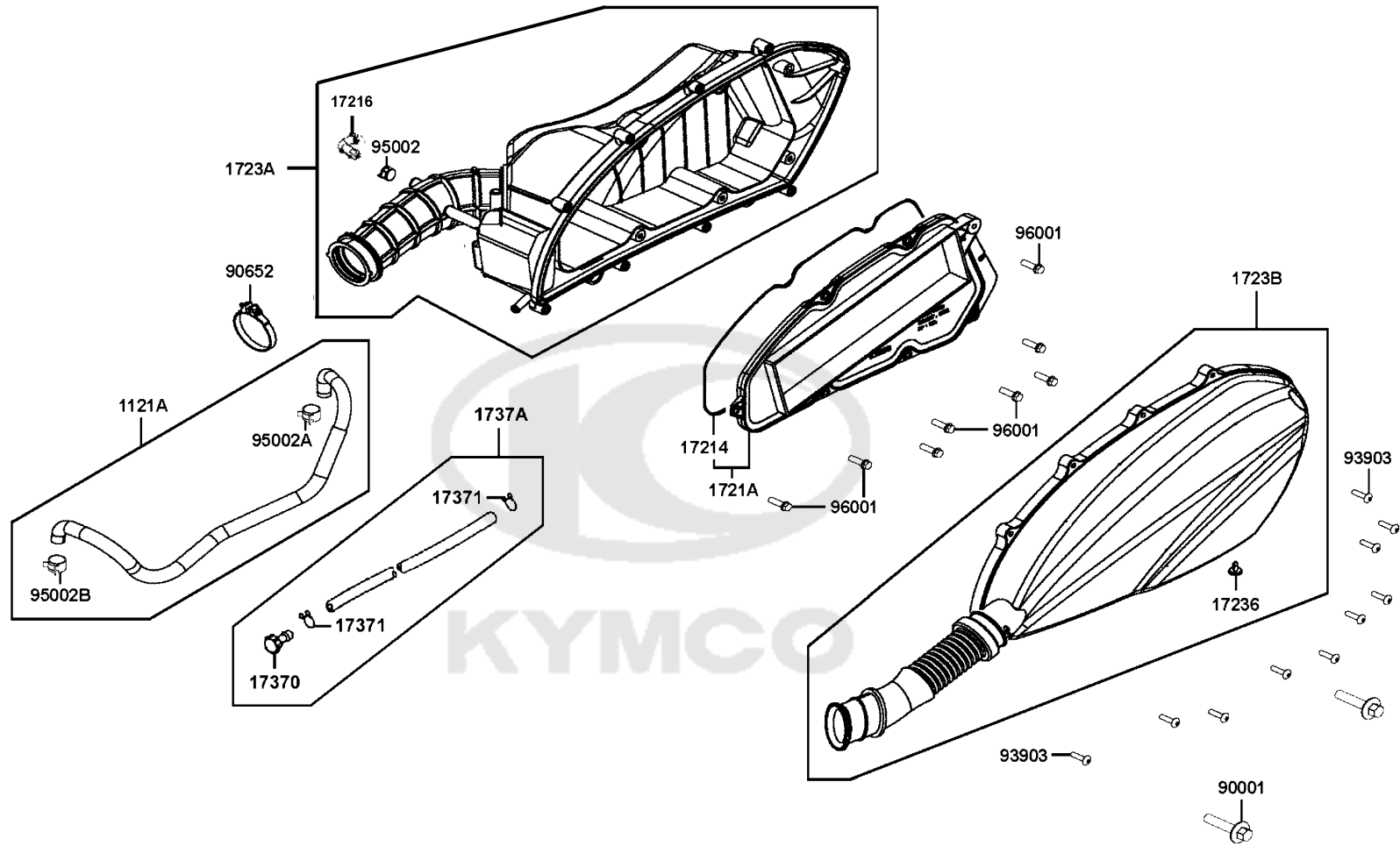




Sales mark	Ref no	Part no	Description	Reg description	Regd no	F12
	33900	33900-LGC6-E00	LIGHT ASSY LUGGAGE BOX	LIGHT ASSY.. LUGGAGE BOX	1	
	35390	35390-LHG7-E00	SENSOR .LUGGAGE BOX LIGHT	SENSOR .LUGGAGE BOX LIGHT	1	
	50614	50614-LKG2-900	RUBBER UNDER COVER	RUBBER UNDER COVER	1	
	77115	77115-ADG5-E00	RUBBER SEAL	RUBBER SEAL	1	
**	81200	81200-ADG5-E00	CARRIER R REAR	CARRIER R REAR	1	
**	81210	81210-ADG5-E00	CARRIER L REAR	CARRIER L REAR	1	
	81250	81250-ADG5-E00	BOX LOW LUGGAGE	BOX LOW LUGGAGE	1	
	81350	81350-ADG5-E00	BOX UP LUGGAGE	BOX UP LUGGAGE	1	
**	83500	83500-ADG5-E00	COVER R BODY	COVER R BODY	1	
**	83501	83501-ADG5-E00	COVER R SIDE	COVER R SIDE	1	
**	83520	83520-ADG5-E00	BOARD B R SIDE (Black)	BOARD B R SIDE (Black)	1	
**	83530	83530-ADG5-E00	BOARD A R SIDE	BOARD A R SIDE	1	
	83551	83551-LGC6-E00	GROMMER COVER	GROMMER COVER	2	
**	83600	83600-ADG5-E00	COVER L BODY	COVER L BODY	1	
**	83601	83601-ADG5-E00	COVER L SIDE	COVER L SIDE	1	
**	83620	83620-ADG5-E00	BOARD B L SIDE (Black)	BOARD B L SIDE (Black)	1	
**	83630	83630-ADG5-E00	BOARD A L SIDE	BOARD A L SIDE	1	
**	83750	83750-ADG5-E00	COVER RR CENTER	COVER RR CENTER	1	
	90106-KFC2	90106-KFC2-900	BOLT SPECIAL 8MM	BOLT SPECIAL 8MM	2	
	90106-LEC8	90106-LEC8-900	BOLT SPECIAL M8	BOLT SPECIAL M8	2	



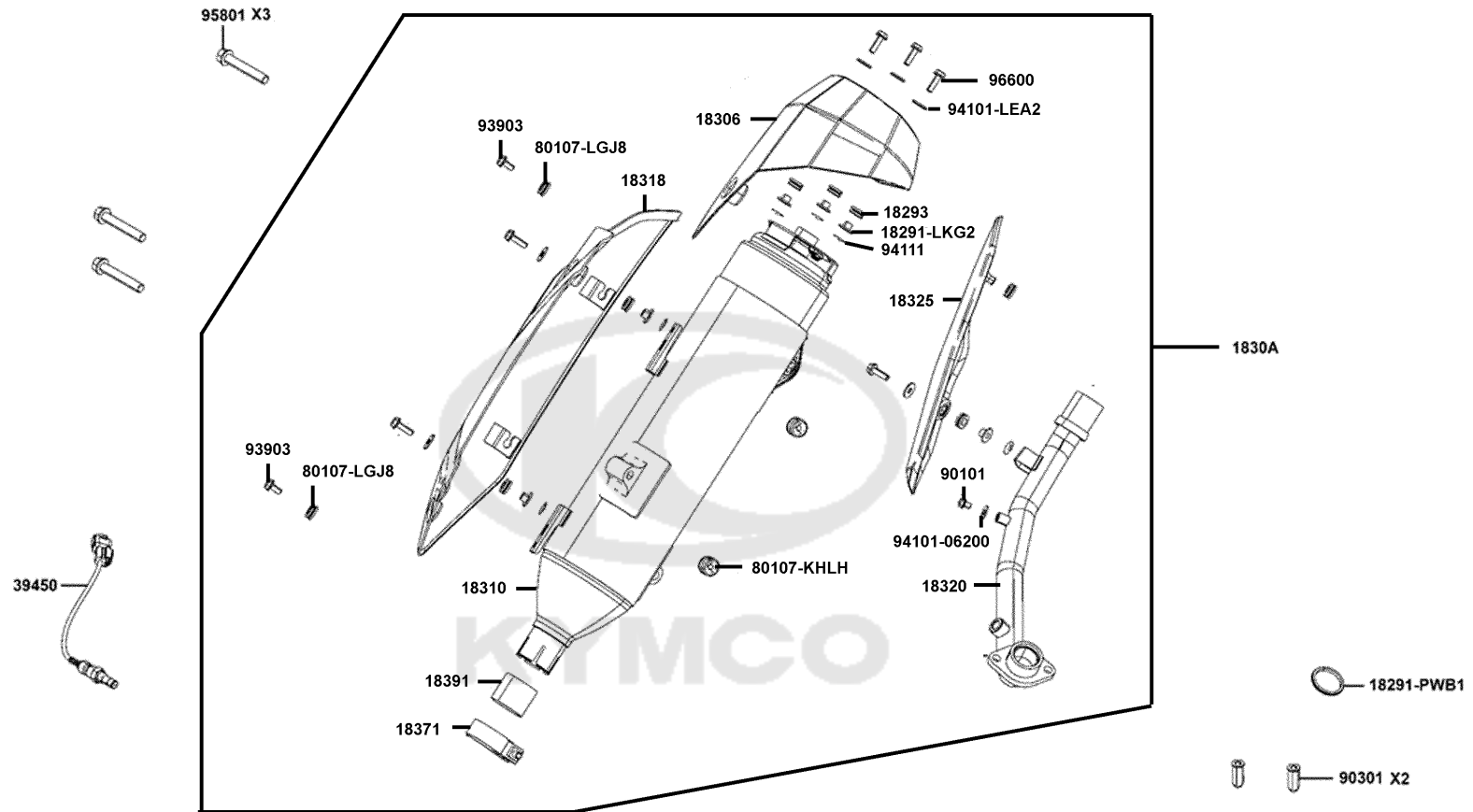
Sales mark	Ref no	Part no	Description	Reg description	Regd no	F12
90301		90301-6D34-671	NUT FLANGE 6MM	NUT FLANGE 6MM	2	
90302-LKB9		90302-LKB9-900	NUT SPRING 5MM	NUT SPRING 5MM	2	
90302-SDA4		90302-SDA4-004	NUT SPRING 4MM	NUT SPRING 4MM	15	
90652-LFB5		90652-LFB5-900	CLIP MUDGUARD	CLIP MUDGUARD	2	
93404-06012		93404-06012-06	BOLT WASHER 6*12 (G)	BOLT WASHER 6*12 (G)	4	
93404-06016		93404-06016-06	BOLT WASHER 6*16	BOLT WASHER 6*16	2	
93903		93903-24360	SCREW TAPPING 4*12	SCREW TAPPING 4*12	40	
						
						



Sales mark	Ref no	Part no	Description	Reg description	Regd no	F13
1121A		1121A-LKF5-E01	TUBE BREATHER	TUBE BREATHER	1	
17214		17214-LDB2-E00	SEAL CASE	SEAL CASE	1	
17216		17216-KHC4-900	L JOINT BREATHER TUBE	L JOINT BREATHER TUBE	1	
1721A		1721A-LKF5-E01	ELEMENT ASSY AIR/C	ELEMENT ASSY AIR/C	1	
17236		17236-KFBF-910	PLATE	PLATE	1	
1723A		1723A-ADG5-B80	CASE ASSY AIR/C	CASE ASSY AIR/C	1	
1723B		1723B-ADG5-E00	COVER ASSY AIR/C	COVER ASSY AIR/C	1	
17370		17370-4K19-701	PLUG BREATHER TUBE	PLUG BREATHER TUBE	1	
17371		17371-1D74-671	CLIP BREATHER TUBE	CLIP BREATHER TUBE	2	
1737A		1737A-LKF5-E01	V TUBE ASSY	V TUBE ASSY	1	
90001		90001-GBHB-681	BOLT FLANGE SHF 6*28	BOLT FLANGE SHF 6*28	2	
90652		90652-LKF5-E00	CLAMP (54)	CLAMP (54)	1	
93903		93903-25460	SCREW TAPPING 5*20 **93903-25480	SCREW TAPPING 5*20 **93903-25480 C.2005	9	
95002		95002-41150-00	CLIP D11.5 TUBE	CLIP D11.5 TUBE	1	
95002A		95002-KED9-M30	CLAMP D14.8 TUBE	CLAMP D14.8 TUBE	2	
95002B		95002-LKF5-E00	CLAMP D14.6 TUBE	CLAMP D14.6 TUBE	2	
96001		96001-GFY6-900	BOLT SPECIAL 5X10	BOLT SPECIAL 5X10	7	

F14

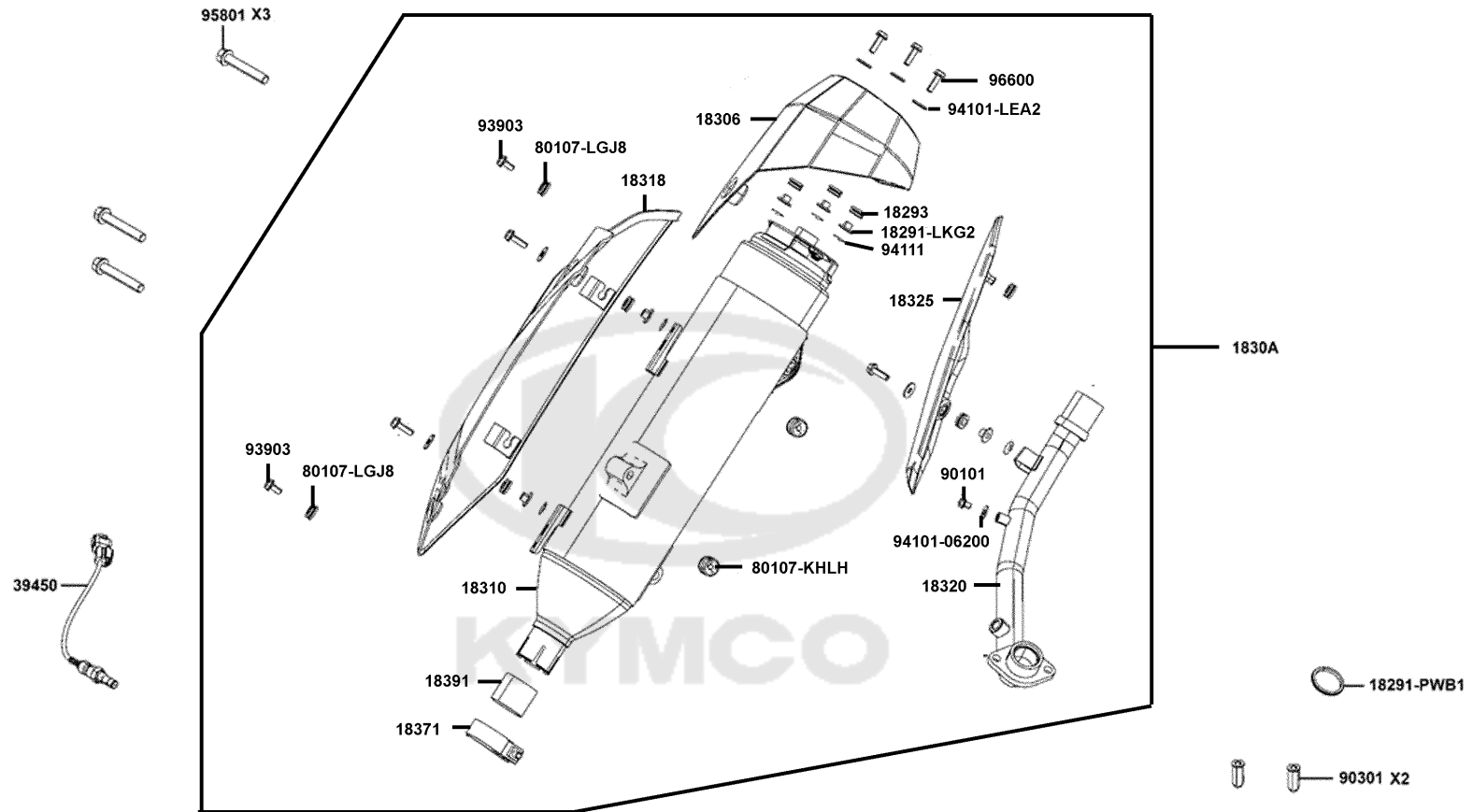
Exhaust Muffler



Sales mark	Ref no	Part no	Description	Reg description	Regd no	F14
	18291-LKG2	18291-LKG2-90A	COLLAR	COLLAR	7	
	18291-PWB1	18291-PWB1-900	SEAL EXHAUST PIPE	SEAL EXHAUST PIPE	1	
	18293	18293-LHJ8-900	RUBBER PKG PROTR	RUBBER PKG PROTR	7	
**	18306	18306-ADG5-E00	TAIL CAP MUFFLER	TAIL CAP MUFFLER	1	
**	1830A	1830A-BAC8-E00	MUFFLER ASSY EXH	MUFFLER ASSY EXH	1	
	18310	18310-BAC8-E00	MUFFLER COMP	MUFFLER COMP	1	
**	18318	18318-ADG5-E00	MUFF. PROTECTOR A	MUFF. PROTECTOR A	1	
	18320	18320-ADG5-E00	PIPE COMP. EXH	PIPE COMP. EXH	1	
**	18325	18325-ADG5-E00	PROTECTOR EXHAUST	PROTECTOR EXHAUST	1	
	18371	18371-LBA2-E00	BAND MUFFLER	BAND MUFFLER	1	
	18391	18391-LKF5-E00	PACKING. MUFFLER	PACKING. MUFFLER	1	
	39450	39450-AEH1-900	O2 SENSOR	O2 SENSOR	1	
	80107-KHLH	80107-KHLH-900	RUBBER A RR FENDER	RUBBER A RR FENDER	2	
	80107-LGJ8	80107-LGJ8-900	RUBBER A RR FENDER	RUBBER A RR FENDER	2	
	90101	90101-LEA7-E00	BOLT FLANGE SH 6X8	BOLT FLANGE SH 6X8	1	
	90301	90301-GFY6-901	NUT CAP 8MM **(1) C.2008.10.28	NUT CAP 8MM **(1) C.2008.10.28	2	
	93903	93903-KEB7-900	SCREW WASHER 4*12	SCREW WASHER 4*12	2	
	94101-06200	94101-06200	WASHER PLAIN 6MM	WASHER PLAIN 6MM	1	
	94101-LEA2	94101-LEA2-900	WASHER PLAIN 6.5*18*105	WASHER PLAIN 6MM	7	
	94111	94111-ACD5-E00	WASHER.SPG	WASHER SPG 6MM	7	

F14

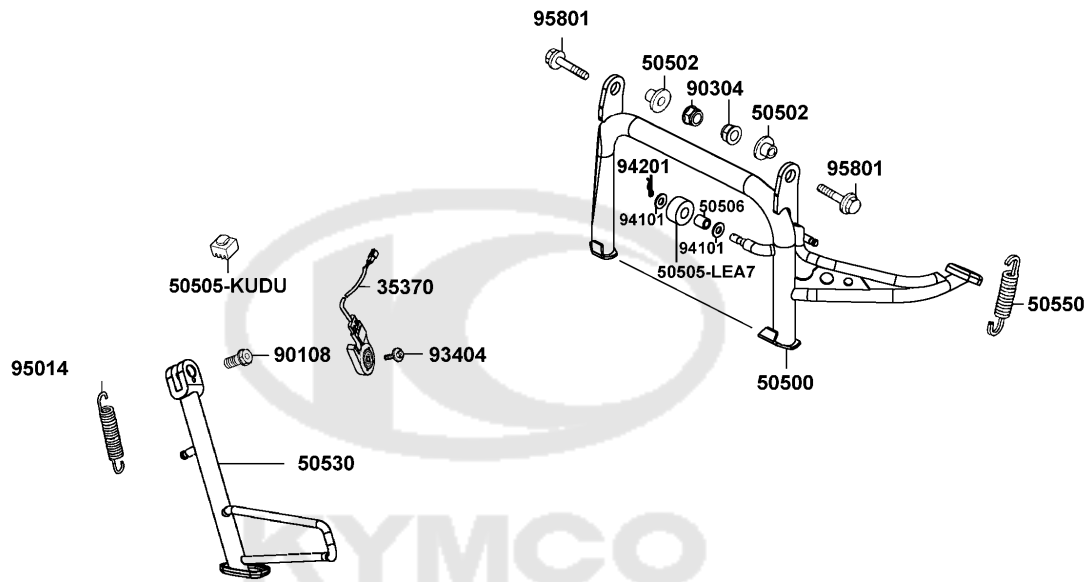
Exhaust Muffler



Sales mark	Ref no	Part no	Description	Reg description	Regd no	F14
------------	--------	---------	-------------	-----------------	---------	------------

	95801	95801-10060-06	BOLT FLANGE 10*60	BOLT FLANGE 10*60	3	
	96600	96600-LEA7-E01	SOCKET BOLT	SOCKET BOLT	7	

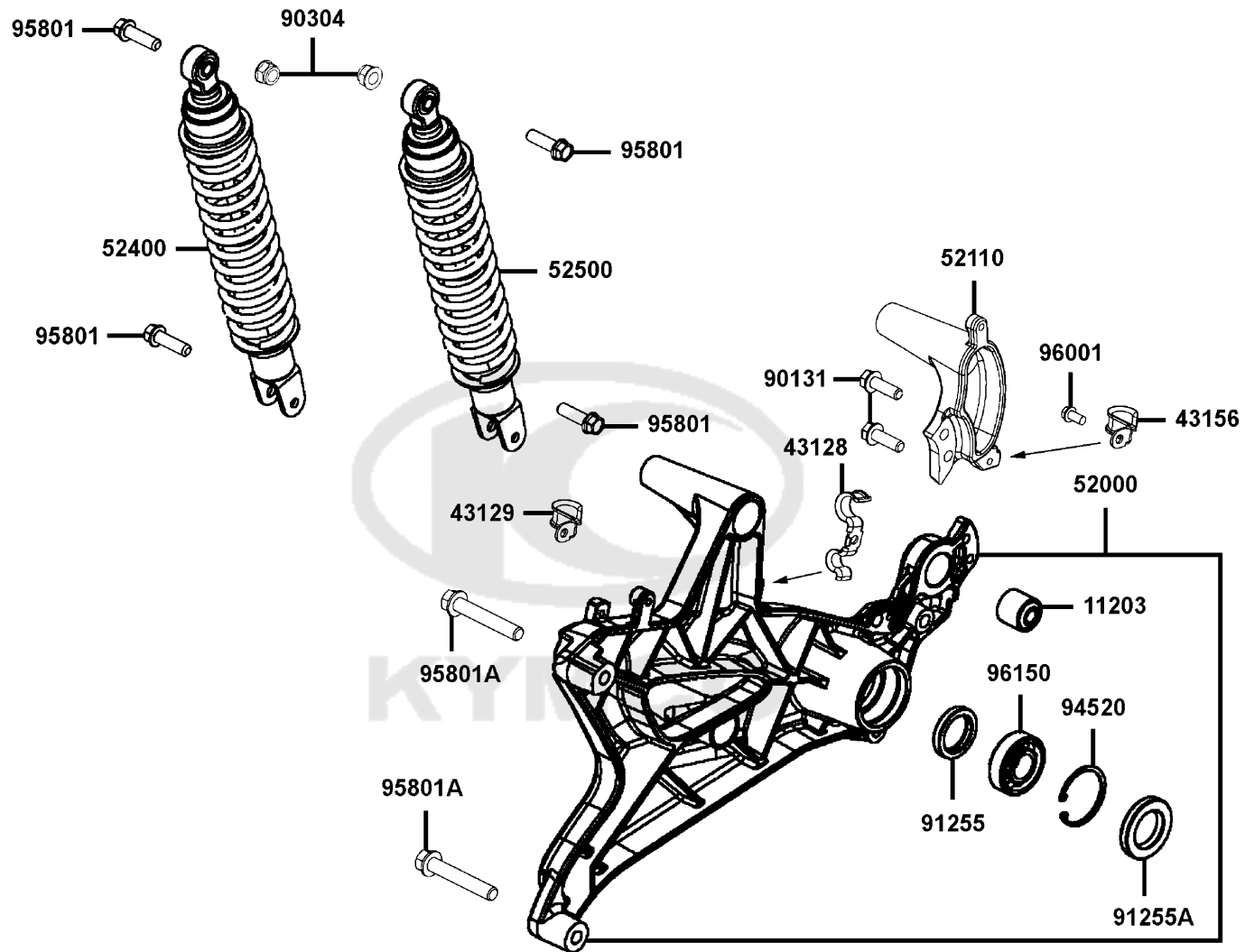




Sales mark	Ref no	Part no	Description	Reg description	Regd no	F15
35370		35370-LLJ3-E00	SW UNIT SIDE STAND	SW UNIT SIDE STAND	1	
50500		50500-LKF5-E00	STAND COMP..MAIN	STAND COMP..MAIN	1	
50502		50502-GFY6-901	COLLAR MAIN STAND	COLLAR MAIN STAND	2	
50505-KUDU		50505-KUDU-900	STOPPER RUBBER STAND	STOPPER RUBBER STAND	1	
50505-LEA7		50505-LEA7-E00	STOPPER RUBBER	STOPPER RUBBER	1	
50506		50506-KHE7-E00	COLLAR STOPPER RUBBER	COLLAR STOPPER RUBBER	1	
50530		50530-LKF5-E00	STAND COMP..SIDE	STAND COMP..SIDE	1	
50550		50550-KKC2-E00	SPG ASSY MAIN STAND	SPG ASSY MAIN STAND	1	
90108		90108-KKC4-900	SCREW SIDE STAND PIVOT	SCREW SIDE STAND PIVOT	1	
90304		90304-LEA1-900	NUT U FLANGE 10MM	NUT U 10MM	2	
93404		93404-06016-06	BOLT WASHER 6*16	BOLT WASHER 6*16	1	
94101		94101-08600	WASH PLAIN 8MM	WASH PLAIN 8MM	2	
94201		94201-20180	PIN SPLIT 2.0*18	PIN SPLIT 2.0*18	1	
95014		95014-72204	SPG B1 SIDE STAND	SPG B1 SIDE STAND	1	
95801		95801-10030-06	BOLT FLANGE 10X30	BOLT FLANGE 10X30	2	

F16

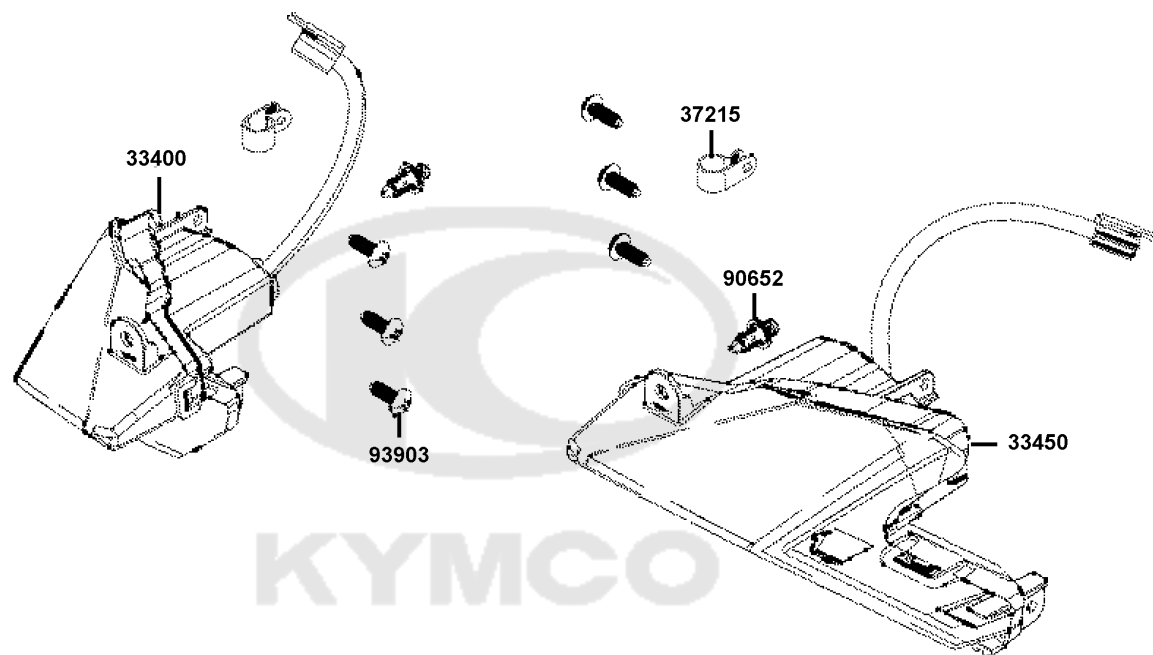
Rr Cushion



Sales mark	Ref no	Part no	Description	Reg description	Regd no	F16
	11203	11203-LBA2-E00	RUB BUSH L CASE	RUB BUSH L CASE	1	
	43128	43128-LKF5-E00	CLAMPER. RR BRK HOSE AND CABLE	CLAMPER. RR BRK HOSE AND CABLE	1	
	43129	43129-LKF5-E00	CLAMPER. RR BRK HOSE & CABLE. 1.B	CLAMPER. RR BRK HOSE & CABLE. 1.B	1	
	43156	43156-LDB2-900	CLAMPER HOSE RR	CLAMPER HOSE RR	1	
**	52000	52000-LKF5-E01	FORK ASSY RR	FORK ASSY RR	1	
**	52110	52110-LKF5-E00	FORK A RR CAST	FORK A RR CAST	1	
**	52400	52400-ADG5-E00	CUSHION ASSY RR R/H	CUSHION ASSY RR R/H	1	
**	52500	52500-ADG5-E00	CUSHION ASSY RR L/H	CUSHION ASSY RR L/H	1	
	90131	90131-KEBE-900	BOLT FLANGE 8*24	BOLT FLANGE 8*24	2	
	90304	90304-LEA1-900	NUT U FLANGE 10MM	NUT U 10MM	2	
	91255	91255-LGE5-E00	OIL SEAL 30*48*7	OIL SEAL 30*48*7	1	
	91255A	91255-LLB1-900	OIL SEAL 30*40*7	OIL SEAL 30*40*7	1	
	94520	94520-47000	CIR CLIP IN 47	CIR CLIP IN 47	1	
	95801	95801-10040-06	BOLT FLANGE 10X40	BOLT FLANGE 10X40	4	
	95801A	95801-10060-06	BOLT FLANGE 10*60	BOLT FLANGE 10*60	2	
	96001	96001-06012-06	BOLT FLANGE SH 6*12	BOLT FLANGE SH 6*12	3	
	96150	96150-62040-10	BEARING BALL RADIAL 6204	BEARING BALL RADIAL 6204	1	

F17

Winker

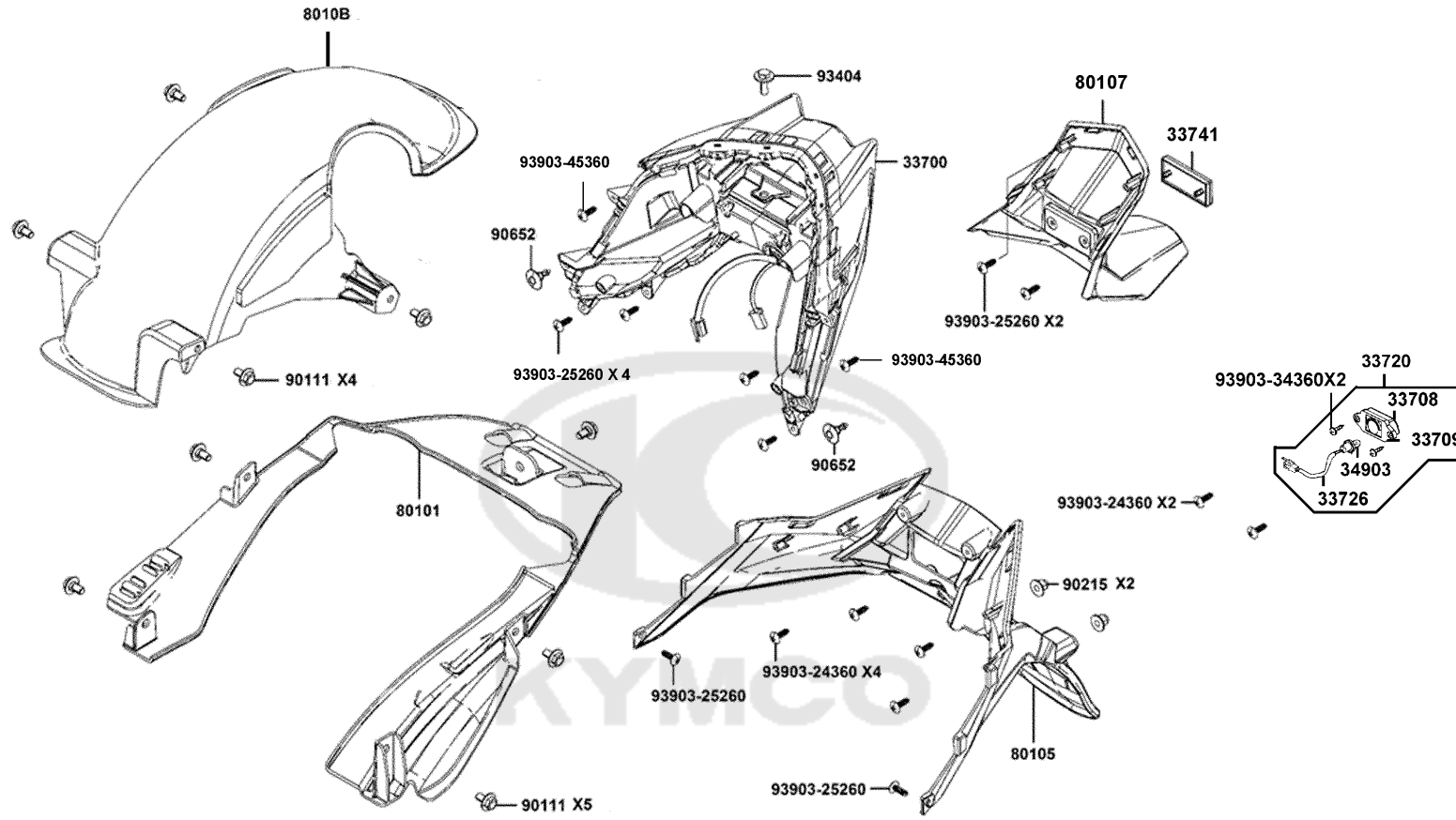


Sales mark	Ref no	Part no	Description	Reg description	Regd no	F17
	33400	33400-ADG5-E00	WINKER ASSY RH.FR	WINKER ASSY RH.FR	1	
	33450	33450-ADG5-E00	WINKER ASSY LH.FR	WINKER ASSY LH.FR	1	
	37215	37215-LHJ3-900	CLAMPER	CLAMPER	2	
	90652	90652-LFB5-900	CLIP MUDGUARD	CLIP MUDGUARD	2	
	93903	93903-35260	SCREW TAPPING 5*12	SCREW TAPPING 5*12	6	



F18

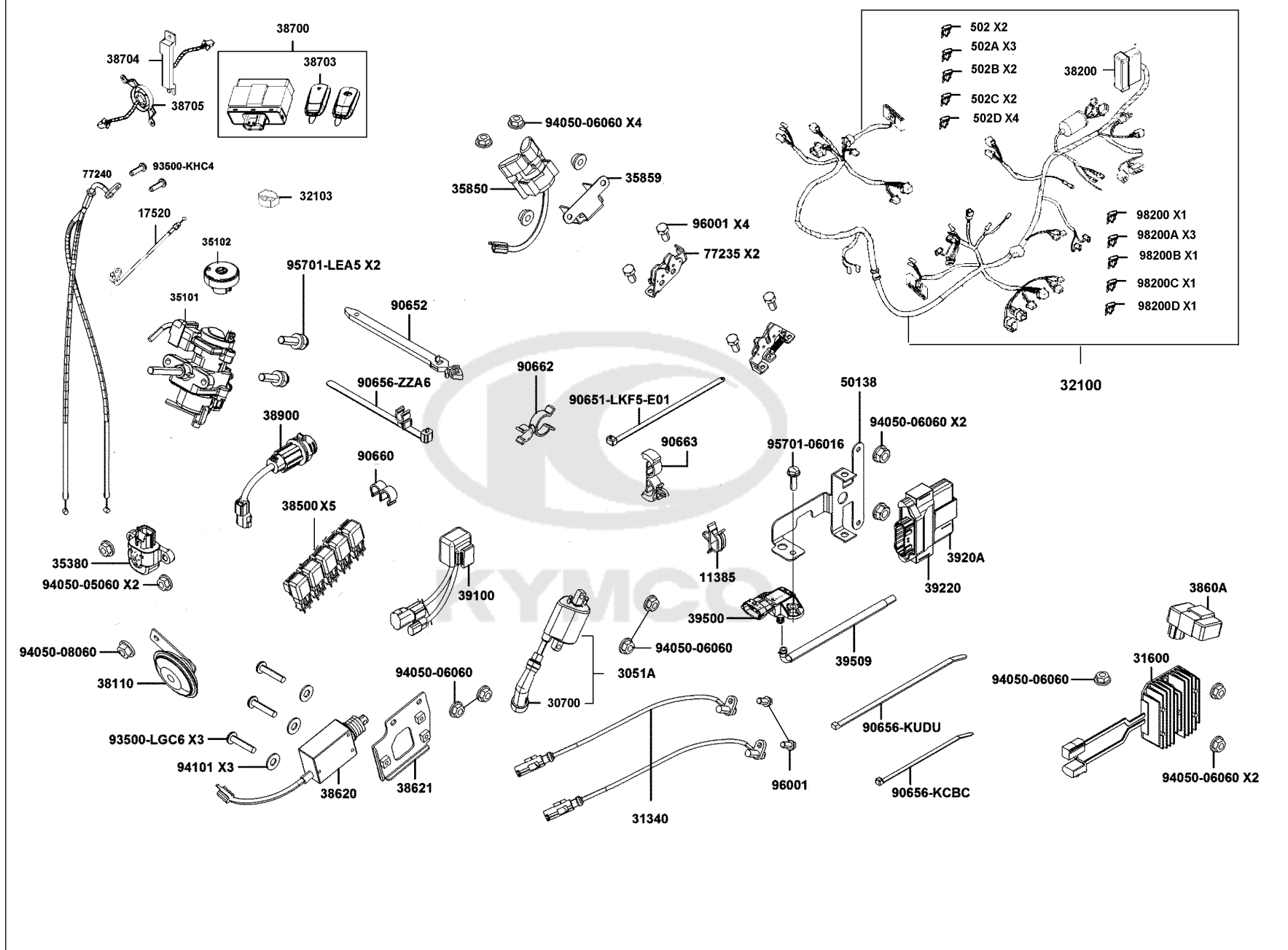
Light Tail



Sales mark	Ref no	Part no	Description	Reg description	Regd no	F18
	33700	33700-ADG5-E00	LIGHT ASSY RR COMB	LIGHT ASSY RR COMB	1	
	33708	33708-KHE7-E00	LENS LICENSE	LENS LICENSE	1	
	33709	33709-KHE7-E00	BASE LICENSE	BASE LICENSE	1	
	33720	33720-LBB5-E00	LIGHT ASSY LICENSE	LIGHT ASSY LICENSE	1	
	33726	33726-LBB5-E00	SCOKET COMP	SCOKET COMP	1	
	33741	33741-ACH7-900	REFLEX REFLECTOR	REFLEX REFLECTOR	1	
	34903	34903-KPCP-900	BULB POSITION LIGHT 12V5W **KCP-	BULB POSITION LIGHT 12V5W **KCP-9000	1	
**	80101	80101-ADG5-E00	FENDER RR INNER (Black)	FENDER RR INNER (Black)	1	
**	80105	80105-ADG5-E00	FENDER REAR	FENDER REAR	1	
**	80107	80107-ADG5-E00	COVER A LICENSE LIGHT (Black)	COVER A LICENSE LIGHT (Black)	1	
**	8010B	8010B-LKF5-E00	FENDER ASSY.RR TIRE	FENDER ASSY.RR TIRE	1	
	90111	90111-LEB1-900	BOLT FLANGE 6MM	BOLT FLANGE 6MM	9	
	90215	90215-KKC4-900	NUT CAP 6MM	NUT CAP 6MM	2	
	90652	90652-LCA4-E00	CLIP MUDGUARD	CLIP MUDGUARD	2	
	93404	93404-06012-06	BOLT WASHER 6*12 (G)	BOLT WASHER 6*12 (G)	1	
	93903-24360	93903-24360	SCREW TAPPING 4*12	SCREW TAPPING 4*12	6	
	93903-25260	93903-25260	SCREW TAPPING 5*12	SCREW TAPPING 5*12	8	
	93903-34360	93903-34360	SCREW TAPPING 4X12	SCREW TAPPING 4X12	2	
	93903-45360	93903-45360	SCREW TAPPING 5*16	SCREW TAPPING 5*16	2	

F19

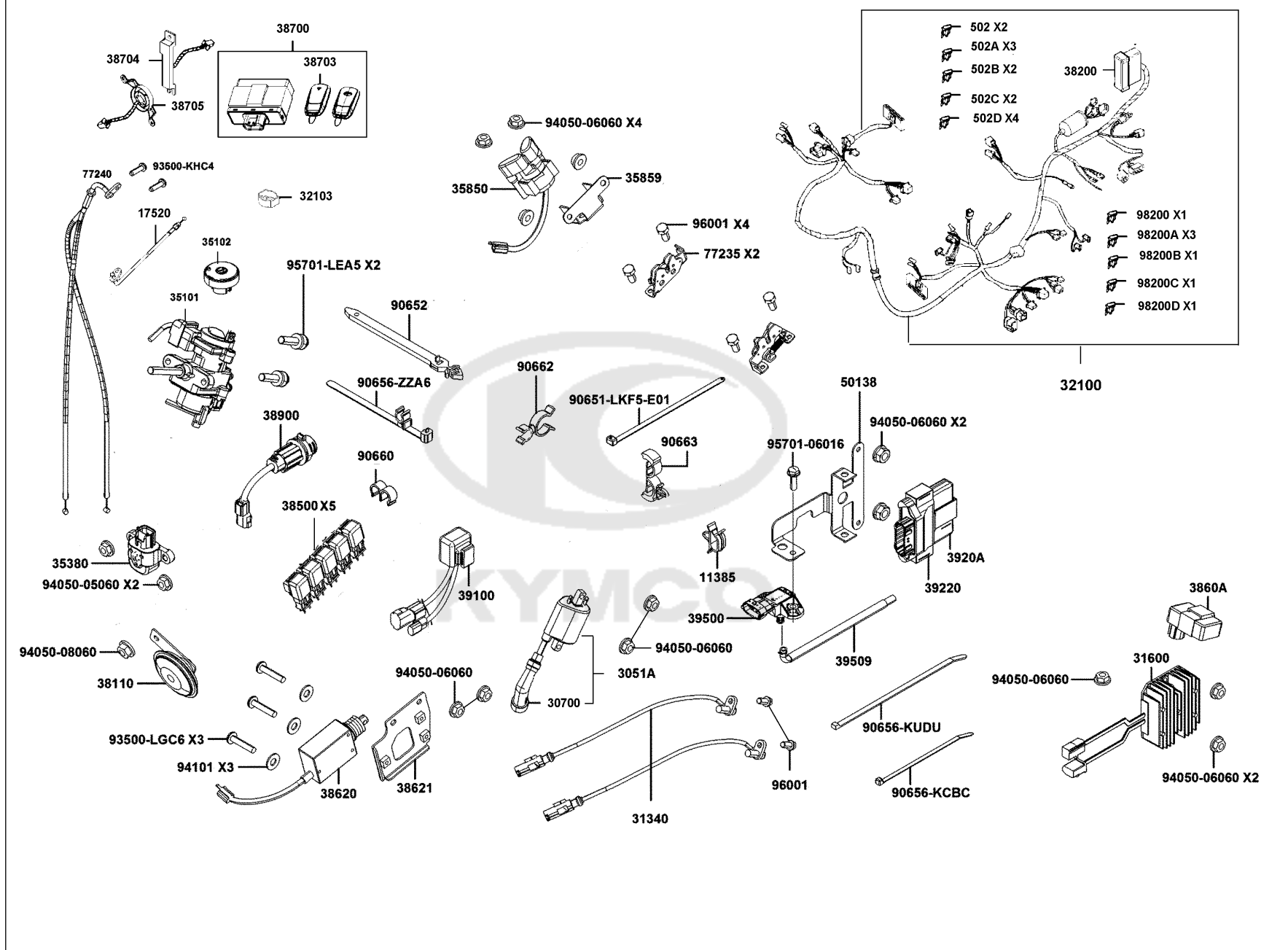
Harness Wire



Sales mark	Ref no	Part no	Description	Reg description	Regd no	F19
	11385	11385-KGBG-900	CLIP VACUUM TUBE	CLIP VACUUM TUBE	1	
	17520	17520-BAC8-E00	CABLE COMP FUEL CAP	CABLE COMP FUEL CAP	1	
	3051A	3051A-LKF5-E00	COIL ASSY IGN	COIL ASSY IGN	1	
	30700	30700-KKE3-900	CAP ASSY NOISE SUPPRESOR	CAP ASSY NOISE SUPPRESOR	1	
	31340	31340-LEA7-E00	SENSOR FR WHEEL SPEED	SENSOR FR WHEEL SPEED	2	
	31600	31600-ZXA6-M01	REG RECT COMP	REG RECT COMP	1	
	32100	32100-BAC8-E00	HARNESS WIRE	HARNESS WIRE	1	
	32103	32103-BAD6-800	COVER DUST	COVER DUST	1	
	35101	35101-BAC8-E00	SW COMB LOCK	SW COMB LOCK	1	
**	35102	35102-BAC8-E00	COLLAR MAIN SW(KEYLESS)	COLLAR MAIN SW(KEYLESS)	1	
	35380	35380-ABE1-E00	SENSOR ANGLE DETECT (D106)	SENSOR ANGLE DETECT	1	
	35850	35850-LKF5-E0A	SW ASSY. START MAG.(D402)	SW ASSY. START MAG.(D402)	1	
	35859	35859-ADG5-E00	STAY START MAG	STAY START MAG	1	
	38110	38110-LDA7-90B	HORN COMP	HORN COMP	1	
	38200	38200-KHE7-900	BOX COMP FUSE	BOX COMP FUSE	1	
	38500	38500-LGL3-90A	RELAY ASSY LIGHT	RELAY ASSY LIGHT	5	
	3860A	3860A-LGC6-E00	CONTROLLER ASS'Y HEAD LIGHT (D423)	CONTROLLER ASS'Y HEAD LIGHT (D423)	1	
	38620	38620-LGC6-E00	LINEAR MOTOR ASS'Y	LINEAR MOTOR ASSY	1	
	38621	38621-ADG5-E00	STAY LINEAR MOTOR	STAY LINEAR MOTOR	1	
	38700	38700-AGE2-305	KEYLESS SET	KEYLESS SET	1	

F19

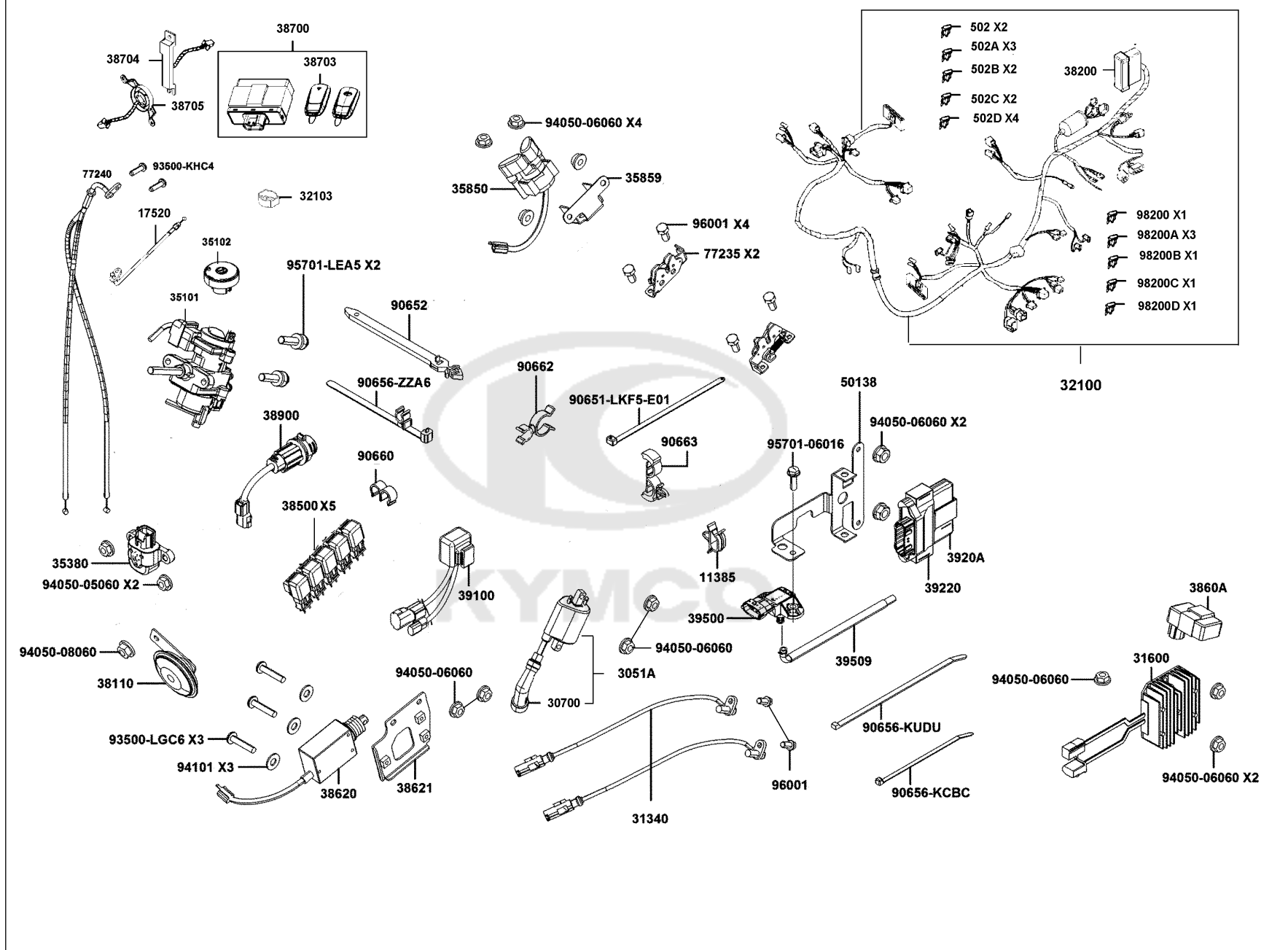
Harness Wire



Sales mark	Ref no	Part no	Description	Reg description	Regd no	F19
38703		38703-AGE2-E00	KEY COMP. CHIP	KEY COMP. CHIP	2	
38704		38704-AGE2-E00	ANTENNA COMP. LONG RANGE	ANTENNA COMP. LONG RANGE	1	
38705		38705-AGJ5-E01	ANTENNA COMP SHORT RANGE	ANTENNA COMP SHORT RANGE	1	
38900		38900-ADG5-E00	CONTROLLER USB CHARGER	CONTROLLER USB CHARGER	1	
39100		39100-LKF5-E00	EMI FILTER. FAN MOTOR	EMI FILTER. FAN MOTOR	1	
3920A		3920A-BAC8-E00	ECU ASSY	ECU ASSY	1	
39220		39220-AKC8-E00	CUSHION CASE ECU	CUSHION CASE ECU	1	
39500		39500-AAC9-900	SENSOR T-MAP	SENSOR T-MAP	1	
39509		39509-AKC8-E00	TUBE T-MAP	TUBE T-MAP	1	
50138		50138-BAC8-E00	STAY ECU	STAY ECU	1	
502		502-00063	BLADE FUSE MINI 30A	BLADE FUSE MINI 30A	2	
502A		502-00149	BLADE FUSE MINI 15A	BLADE FUSE MINI 15A	3	
502B		502-00151	BLADE FUSE MINI 10A	BLADE FUSE MINI 10A	2	
502C		502-00155	BLADE FUSE MINI 25A	BLADE FUSE MINI 25A	2	
502D		502-00164	BLADE FUSE MINI 5A	BLADE FUSE MINI 5A	4	
77235		77235-ADG5-E00	CATCH COMP SEAT	CATCH COMP SEAT	1	
77240		77240-BAC8-E00	CABLE ASSY SEAT LOCK	CABLE ASSY SEAT LOCK	1	
90651-LKF5-E01		90651-LKF5-E01	CLIP WIRE HARN	CLIP WIRE HARN	1	
90652		90652-LGL7-E00	CLIP 8*120	CLIP 8*120	1	
90656-KCBC		90656-KCBC-900	BAND OIL HANDLE 8X146	BAND OIL HANDLE 8X146	20	

F19

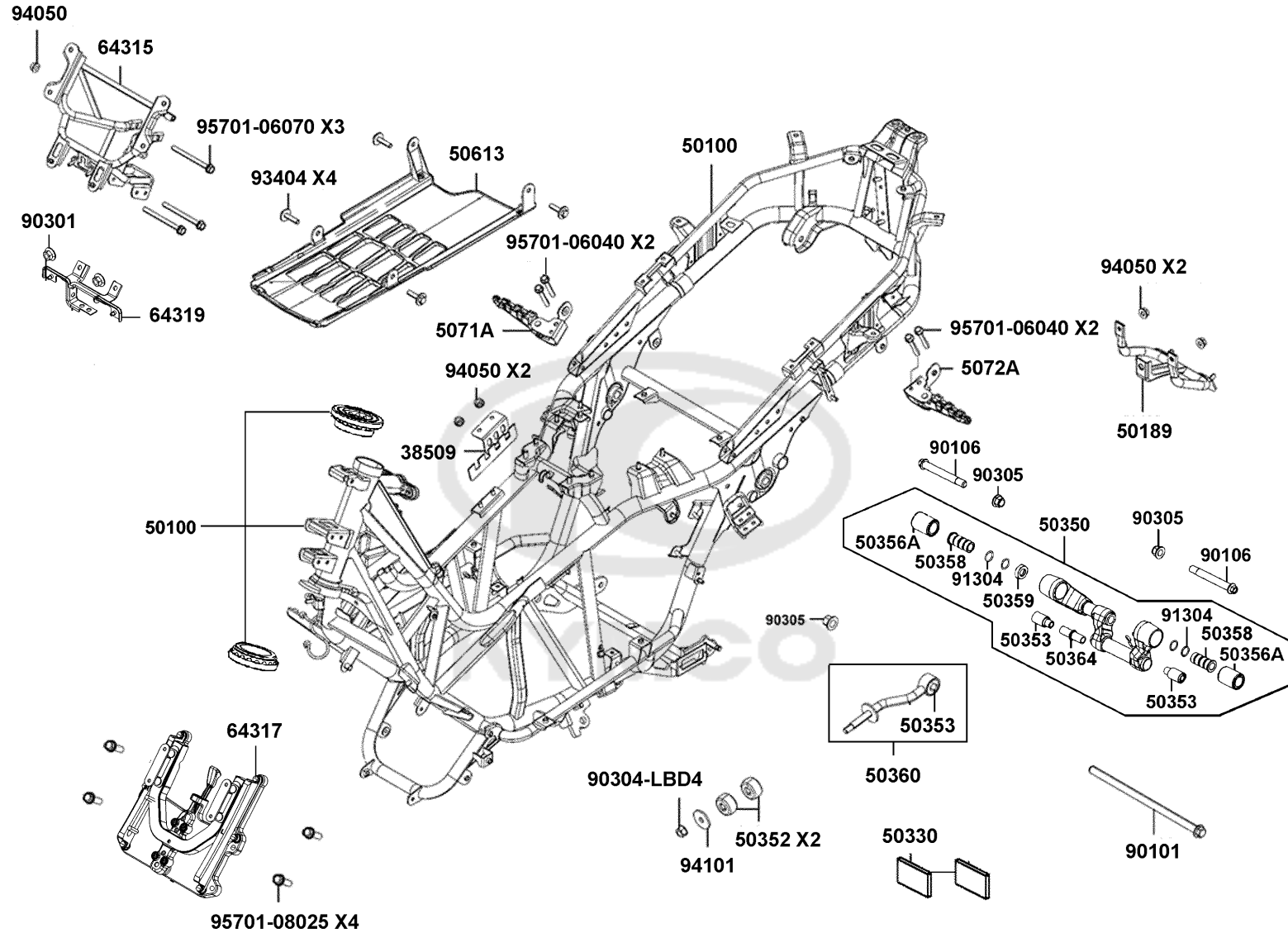
Harness Wire



Sales mark	Ref no	Part no	Description	Reg description	Regd no	F19
**	90656-KUDU	90656-KUDU-900	BAND HARNESS WIRE	BAND HARNESS WIRE	5	
	90656-ZZA6	90656-ZZA6-E03	CABLE STRAP 150-D8	CABLE STRAP 150-D8	1	
	90660	90660-LDE9-E00	CLAMP TUBE	CLAMP TUBE	1	
	90662	90662-LHG7-E00	CLIP WATER HOSE	CLIP WATER HOSE	1	
	90663	90663-AEB9-E00	CLIP	CLIP	1	
	93500-KHC4	93500-KHC4-90A	SCREW PAN 5*10	SCREW PAN 5*10	2	
	93500-LGC6	93500-LGC6-E00	SCREW PAN 4X40	SCREW PAN 4X40	3	
	94050-05060	94050-05060	NUT FLANGE 5MM	NUT FLANGE 5MM	2	
	94050-06060	94050-06060	NUT FLANGE 6MM	NUT FLANGE 6MM	13	
	94050-08060	94050-08060	NUT FLANGE 8MM	NUT FLANGE 8MM	1	
	94101	94101-04800	WASHER PLAIN 4.5*10*0.8	WASHER PLAIN 4.5*10*0.8	3	
	95701-06016	95701-06016-06	BOLT FLANGE 6*16 (K)	BOLT FLANGE 6*16 (K)	1	
	95701-LEA5	95701-LEA5-E00	BOLT TORQUE 8*25 **(0) C.2007.01.22	BOLT TORQUE 8*25 **(0) C.2007.01.22	2	
	96001	96001-06012-06	BOLT FLANGE SH 6*12	BOLT FLANGE SH 6*12	6	
	98200	98200-31000	BLADE FUSE 10A **(0) C.2005.03.01	BLADE FUSE 10A **(0) C.2005.03.01	1	
	98200A	98200-31500	FUSE A15	FUSE A15	3	
	98200B	98200-32000	BLADE FUSE 20A	BLADE FUSE 20A	1	
	98200C	98200-32500	BLADE FUSE 25A	BLADE FUSE 25A	1	
	98200D	98200-33000	BLADE FUSE 30A	BLADE FUSE 30A	1	

F20

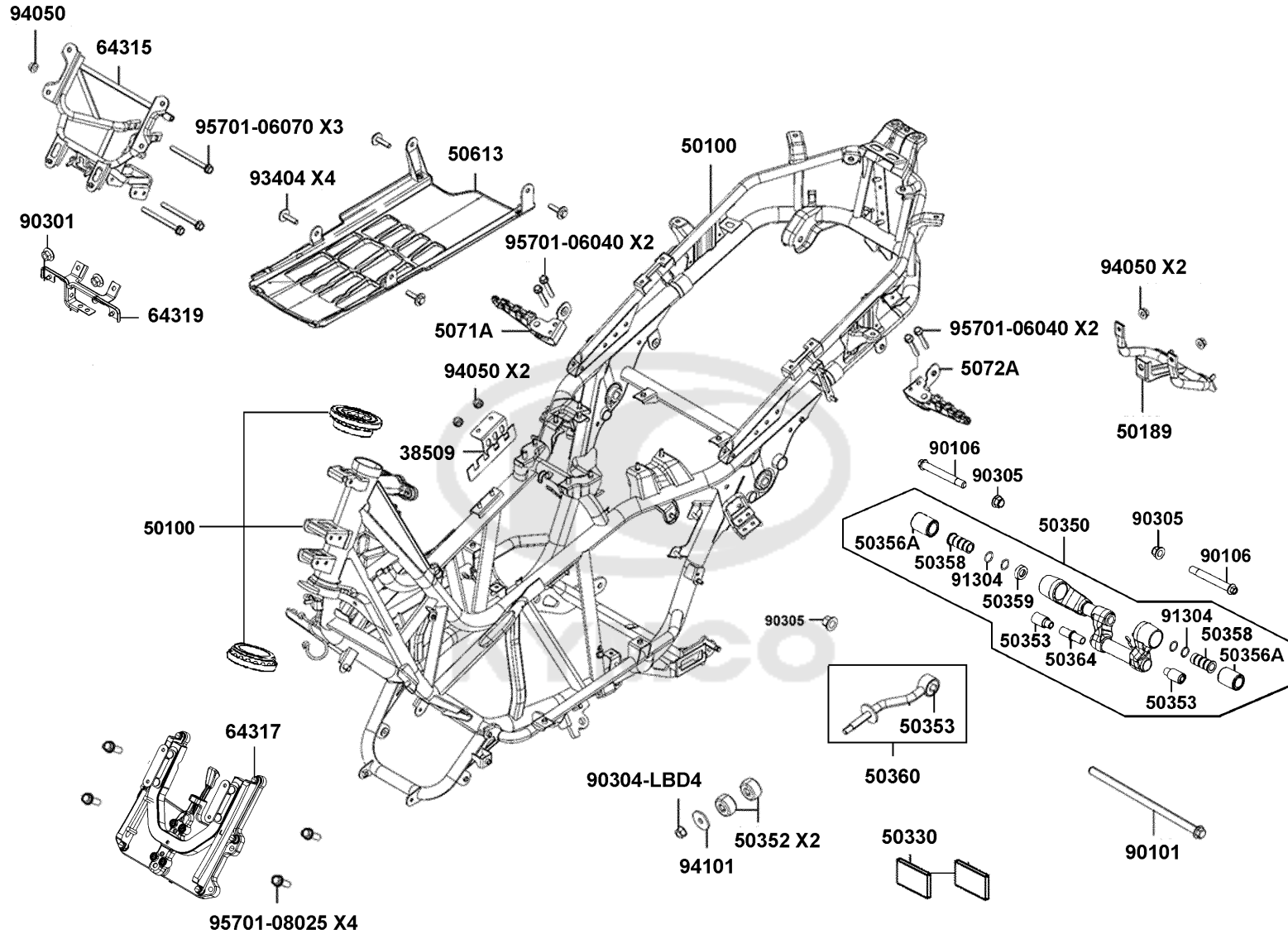
Frame Body



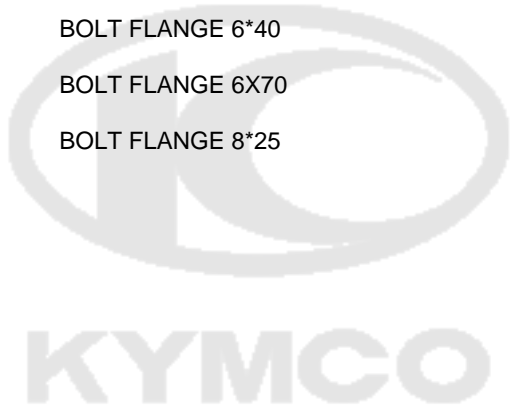
Sales mark	Ref no	Part no	Description	Reg description	Regd no	F20
	38509	38509-ADG5-E00	STAY RELAY	STAY RELAY	1	
	50100	50100-AKC3-315	BODY COMP FRAME (EZ5)	BODY COMP FRAME (EZ5)	1	
	50189	50189-ADG5-E00	STAY RR FENDER	STAY RR FENDER	1	
	50330	50330-ALK5-900	PONGE BATTERY	PONGE BATTERY	2	
	50350	50350-ADG5-E00	HANGER ASSY ENG	HANGER ASSY ENG	1	
	50352	50352-LBA2-E00	RUBBER STOPPER	RUBBER STOPPER	2	
	50353	50353-ADG5-E00	RUBBER BUSH	RUBBER BUSH	3	
	50356A	50356-LHG7-E00	RUBBER BUSH ENG HANGER	RUBBER BUSH ENG HANGER	2	
	50358	50358-LKF5-E01	BUSH INNER SWING LOCK	BUSH INNER SWING LOCK	2	
	50359	50359-LKF5-E01	COLLAR	COLLAR	1	
	50360	50360-ADG5-E00	TIE-ROD ASSY, ENG HANGER	TIE-ROD ASSY ENG HANGER	1	
	50364	50364-ADG5-E00	COLLAR B ENG HANGER	COLLAR B ENG HANGER	1	
**	50613	50613-ADG5-E00	COVER UNDER (Black)	COVER UNDER (Black)	1	
	5071A	5071A-ADG5-E00	BAR ASSY. R PILLION STEP	BAR ASSY. R PILLION STEP	1	
	5072A	5072A-ADG5-E00	BAR ASSY L PILLION STEP	BAR ASSY. LPILLION STEP	1	
	64315	64315-ADG5-E00	BRKT FR COVER	BRKT FR COVER	1	
	64317	64317-ADG5-E00	VISOR BRKT ASSY	VISOR BRKT ASSY	1	
	64319	64319-BAC8-E00	BRKT HEAD LIGHT	BRKT HEAD LIGHT	1	
	90101	90101-ADG5-E00	BOLT FLANGE 14X270(G)	BOLT FLANGE 14X270(G)	1	
	90106	90106-LKF5-E00	BOLT FLANGE 15X122(M14)	BOLT FLANGE 15X122(M14)	2	

F20

Frame Body

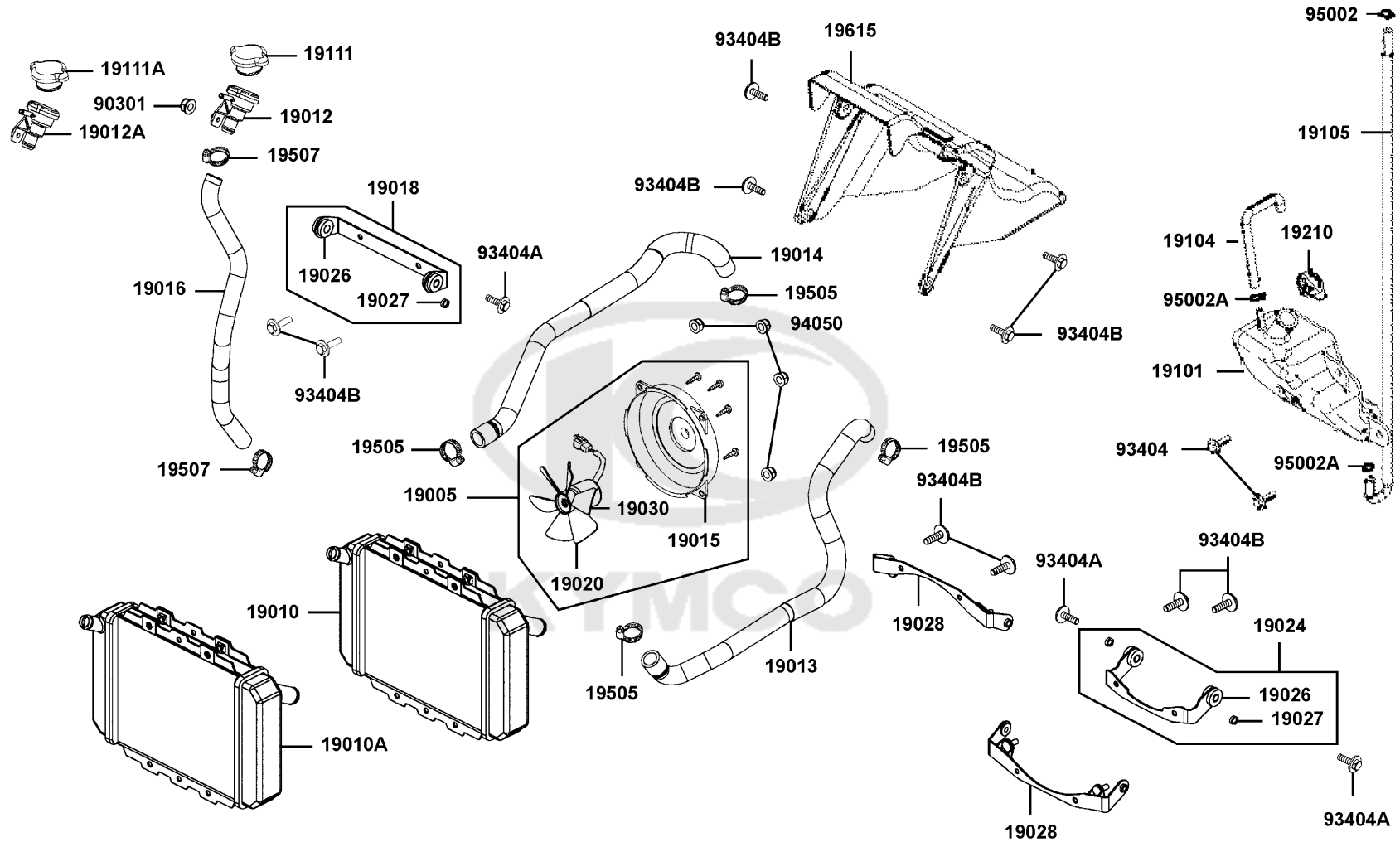


Sales mark	Ref no	Part no	Description	Reg description	Regd no	F20
90301		90301-6D34-671	NUT FLANGE 6MM	NUT FLANGE 6MM	2	
90304-LBD4		90304-LBD4-900	NUT U FLANGE 10MM	NUT U FLANGE 10MM	1	
90305		90305-LBD4-900	NUT U 14MM	NUT U 14MM	3	
91304		91304-LGE5-E00	O-RING 17.8*2.4	O-RING 17.8x2.4	4	
93404		93404-06012-06	BOLT WASHER 6*12 (G)	BOLT WASHER 6*12 (G)	4	
94050		94050-06060	NUT FLANGE 6MM	NUT FLANGE 6MM	5	
94101		94101-LBA2-E00	WASHER PLATE 10.5*38*3.0	WASHER PLATE 10.5*38*3.0	1	
95701-06040		95701-06040-06	BOLT FLANGE 6*40	BOLT FLANGE 6*40	4	
95701-06070		95701-06070-06	BOLT FLANGE 6X70	BOLT FLANGE 6X70	3	
95701-08025		95701-08025-06	BOLT FLANGE 8*25	BOLT FLANGE 8*25	4	



F21

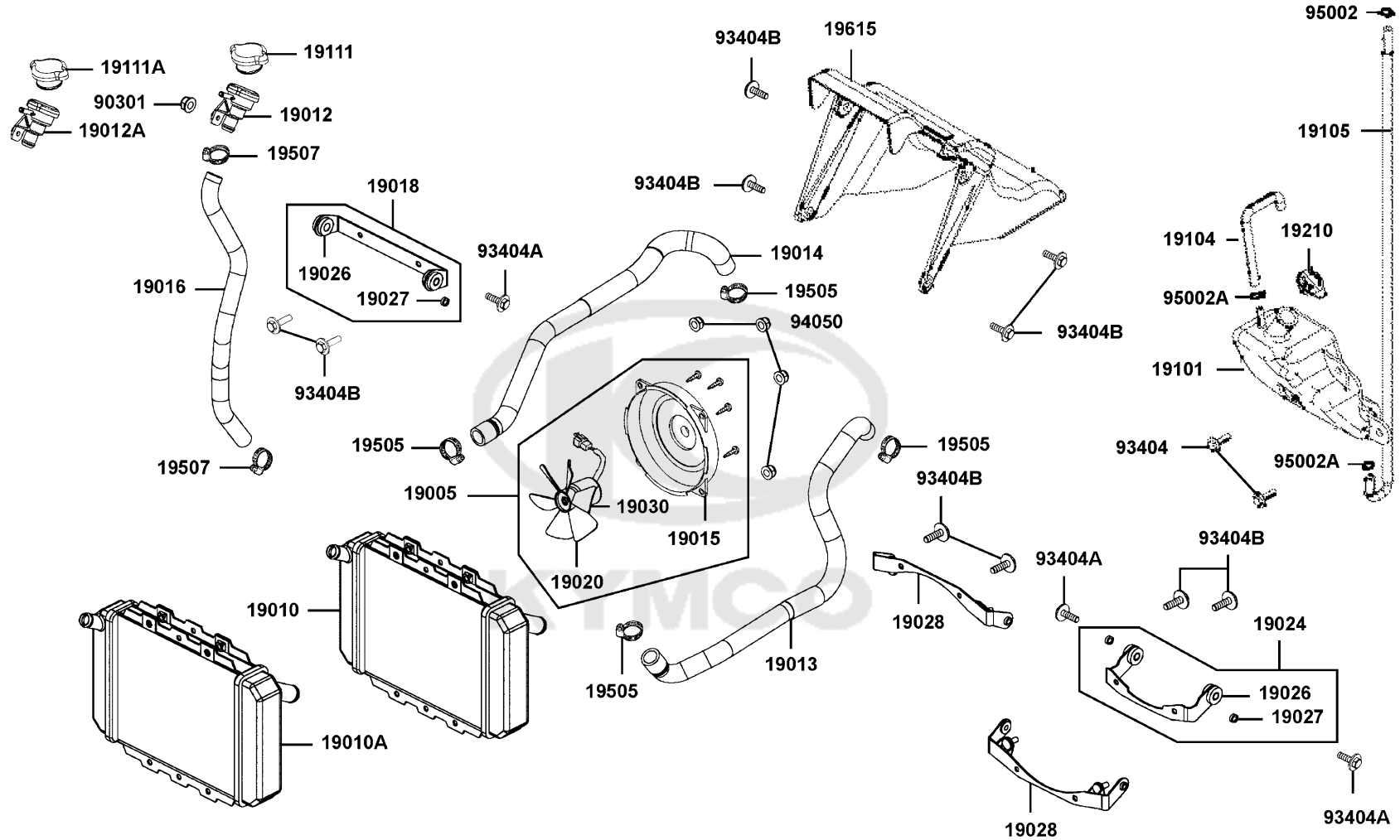
Radiator



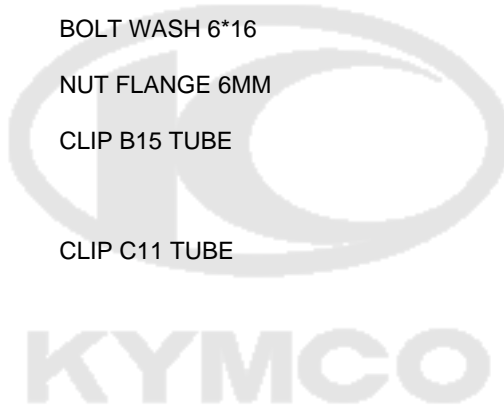
Sales mark	Ref no	Part no	Description	Reg description	Regd no	F21
	19005	19005-LKF5-E01	SHROUD ASSY.	SHROUD ASSY.	1	
	19010	19010-LKF5-E00	RADIATOR COMP	RADIATOR COMP	1	
	19012	19012-LEA7-E05	UNIT RADIATOR	UNIT RADIATOR	1	
	19012A	19012-LEA7-E0S	SUPT FILLER NECK	SUPT FILLER NECK	1	
	19013	19013-ADG5-E00	HOSE WATER INLET	HOSE WATER INLET	1	
	19014	19014-ADG5-E00	HOSE WATER OUTLET	HOSE WATER OUTLET	1	
	19015	19015-LBA2-E00	SHROUD COMP	SHROUD COMP	1	
	19016	19016-ADG5-E00	HOSE WATER-UNIT CAP	HOSE WATER-UNIT CAP	1	
	19018	19018-LKF5-E00	HOLDER UPPER.RADIATOR	HOLDER UPPER.RADIATOR	1	
	19020	19020-LBA2-E00	FAN COOLING	FAN COOLING	1	
	19024	19024-LKF5-E00	HOLDER LOWER.RADIATOR	HOLDER LOWER.RADIATOR	1	
	19026	19026-LKF5-E00	DAMPING RUBBER RADIATOR	DAMPING RUBBER RADIATOR	4	
	19027	19027-LKF5-E00	COLLAR RADIATOR	COLLAR RADIATOR	3	
	19028	19028-LKF5-E00	STAY.RADIATOR FAN	STAY.RADIATOR FAN	2	
	19030	19030-LBA2-E00	MOTOR ASSY FAN	MOTOR ASSY FAN	1	
	19101	19101-ADG5-E00	TANK RESERVE	TANK RESERVE	1	
	19104	19104-ACD5-E00	HOSE ASSY DRAIN	HOSE ASSY DRAIN	1	
	19105	19105-ADG5-E00	HOSE ASSY RESERVE TANK-PRESSURE	HOSE ASSY RESERVE TANK-PRESSURE	1	
	19111	19111-PRB3-900	CAP COMP RADIATOR	CAP COMP RADIATOR	1	
	19111A	19111-PRB3-90B	CAP COMP RADIATOR	CAP COMP RADIATOR	1	

F21

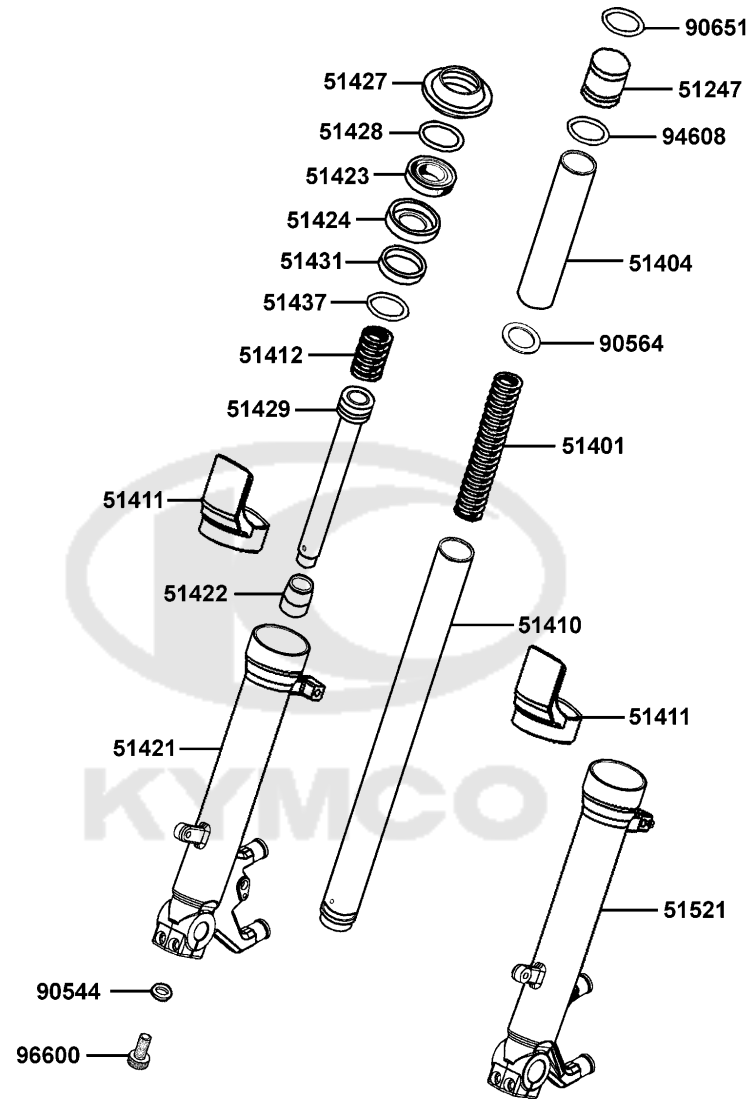
Radiator



Sales mark	Ref no	Part no	Description	Reg description	Regd no	F21
	19210	19210-KKC4-900	CAP RESERVE TANK	CAP RESERVE TANK	1	
	19505	19505-LKF5-E00	CLAMP.D31	CLAMP.D31	4	
	19507	19507-LDB5-E00	CLAMP D 28	CLAMP D 28	2	
	19615	19615-LKF5-E00	COVER.RADLATOR	COVER.RADLATOR	1	
	90301	90301-6D34-671	NUT FLANGE 6MM	NUT FLANGE 6MM	1	
	93404	93404-06012-06	BOLT WASHER 6*12 (G)	BOLT WASHER 6*12 (G)	2	
	93404A	93404-06025-06	BOLT WASHER 6*25	BOLT WASHER 6*25	3	
	93404B	93404-KKC2-900	BOLT WASH 6*16	BOLT WASH 6*16	10	
	94050	94050-06060	NUT FLANGE 6MM	NUT FLANGE 6MM	4	
	95002	95002-02100	CLIP B15 TUBE	CLIP B15 TUBE	1	
	95002A	95002-70000	CLIP C11 TUBE	CLIP C11 TUBE	2	

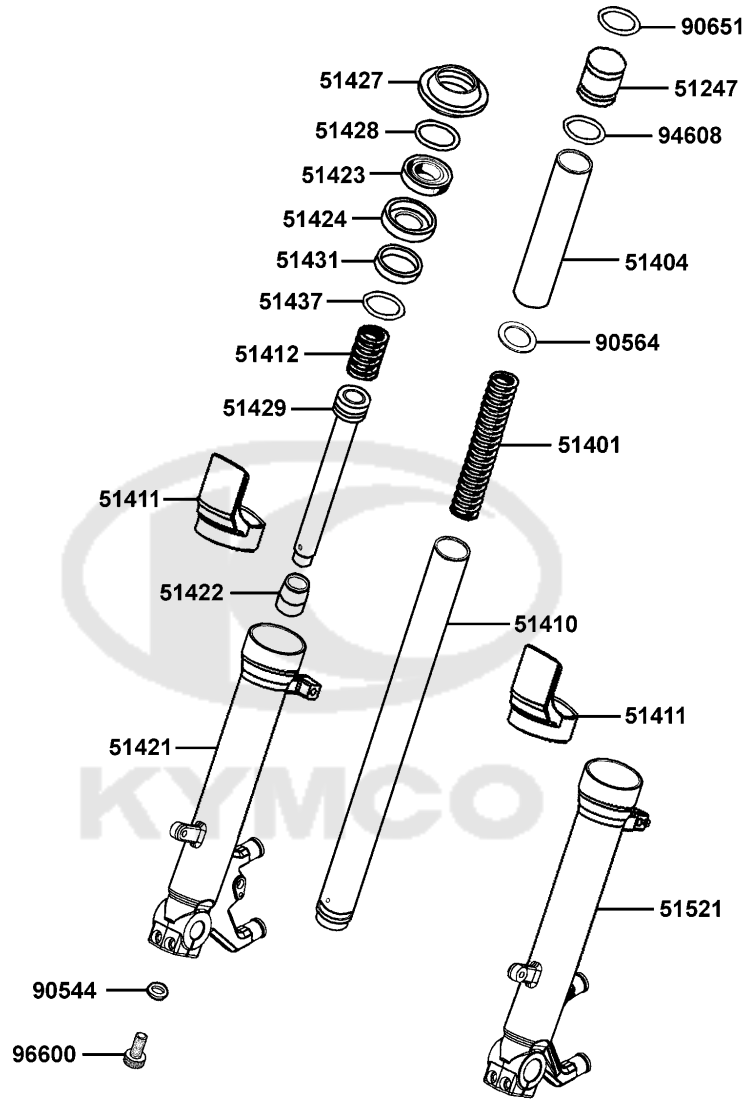


Separated Parts Of Fr Fork



Sales mark	Ref no	Part no	Description	Reg description	Regd no	F22
	51247	51247-LKF5-E00	FORK BOLT CAP	FORK BOLT CAP	2	
	51401	51401-LKF5-E00	SPRING	SPRING	4	
	51404	51404-LKF5-E00	SPRING COLLAR	SPRING COLLAR	2	
	51410	51410-LKF5-E00	FORK PIPE COMP	FORK PIPE COMP	2	
	51411	51411-KKE5-E00	FORK FENDER	FORK FENDER	2	
	51412	51412-LKF5-E00	REBOUND SPRING	REBOUND SPRING	2	
**	51421	51421-LKF5-E00	BOTTOM CASE R	BOTTOM CASE R	1	
	51422	51422-LBA2-E00	OIL LOCK PIECE	OIL LOCK PIECE	2	
	51423	51423-KED9-900	OIL SEAL (OUT DIA.:54MM)	OIL SEAL (OUT DIA.:54MM)	2	
	51424	51424-KED9-900	SPACER	SPACER	2	
	51427	51427-KED9-900	DUST SEAL	DUST SEAL	2	
	51428	51428-KED9-900	OIL SEAL STOPPER RING	OIL SEAL STOPPER RING	2	
	51429	51429-LKF5-E00	PIPE SEAT COMP	PIPE SEAT COMP	2	
	51431	51431-KED9-900	GUIDE BUSH	GUIDE BUSH	2	
	51437	51437-KED9-900	PISTON RING	PISTON RING	2	
**	51521	51521-LKF5-E00	BOTTOM CASE L	BOTTOM CASE L	1	
	90544	90544-KEC8-900	PACKING	PACKING	2	
	90564	90564-KED9-900	PLANE WASHER	PLANE WASHER	2	
	90651	90651-LKF5-900	STOPPER RING	STOPPER RING	2	
	94608	94608-LKF5-E00	O-RING	O-RING	2	

Separated Parts Of Fr Fork



Sales mark	Ref no	Part no	Description	Reg description	Regd no	F22
------------	--------	---------	-------------	-----------------	---------	------------

96600

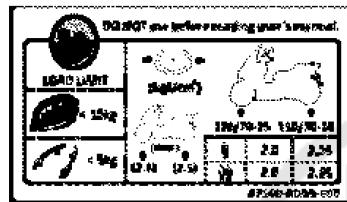
96600-LKF5-E00

BOLT

BOLT

2

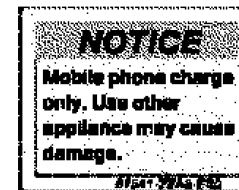




87560



87546

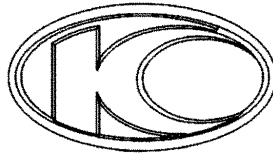


87541

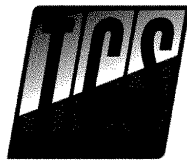
KYMCO

Sales mark	Ref no	Part no	Description	Reg description	Regd no	F23
**	87541	87541-ZZA6-E00	NOTICE MOBILE PHONE	NOTICE MOBILE PHONE	1	
**	87546	87546-ADG5-E00	LABEL FUEL TANK	LABEL FUEL TANK	1	
**	87560	87560-ADG5-E00	MARK DRIVER CAUTION	MARK DRIVER CAUTION	1	





87206



86408



86020



86121



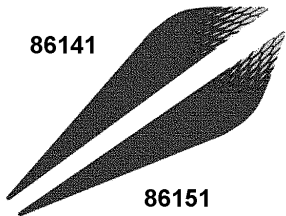
86131



86332



86231



86141

86151



86323



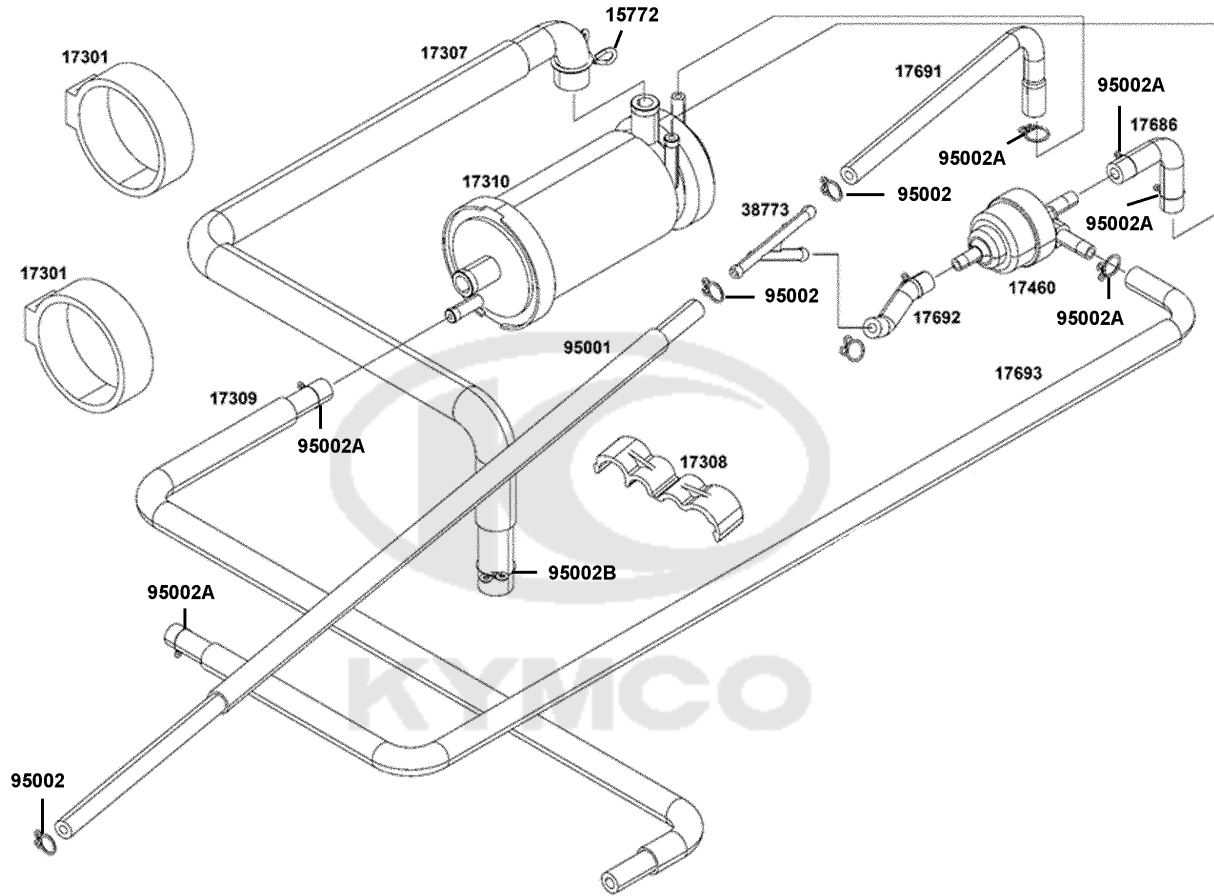
86221

86202

Sales mark	Ref no	Part no	Description	Reg description	Regd no	F24
**	86020	86020-BAC8-E00	EMB HANDLE COVER	EMB HANDLE COVER	1	
**	86121	86121-BAC8-E00	STRIPE R FR COVER	STRIPE R FR COVER	1	
**	86131	86131-BAC8-E00	STRIPE L FR COVER	STRIPE L FR COVER	1	
**	86141	86141-BAC8-E00	STRIPE B R FR COVER	STRIPE B R FR COVER	1	
**	86151	86151-BAC8-E00	STRIPE B L FR COVER	STRIPE B L FR COVER	1	
**	86202	86202-BAC8-E00	EMB BODY COVER	EMB BODY COVER	1	
**	86221	86221-BAC8-E00	STRIPE R BODY COVER	STRIPE R BODY COVER	1	
**	86231	86231-BAC8-E00	STRIPE L BODY COVER	STRIPE L BODY COVER	1	
**	86323	86323-BAC8-E00	STRIPE R SIDE COVER	STRIPE R SIDE COVER	1	
**	86332	86332-ADG5-E00	EMB SKIRT	EMB SKIRT	2	
**	86333	86333-BAC8-E00	STRIPE L SIDE COVER	STRIPE L SIDE COVER	1	
**	86408	86408-ACD5-E00	STRIPE FR FENDER	STRIPE FR FENDER	1	
**	87206	87206-ADG5-E00	EMB K-LOGO	EMB K-LOGO	1	

F25

Canister-Pcv Assy



Sales mark	Ref no	Part no	Description	Reg description	Regd no	F25
	15772	15772-5L00-013	CLIP B14.5 TUBE	CLIP B14.5 TUBE	1	
	17301	17301-KNBN-960	RUBBER CANISTER MOUNT	RUBBER CANISTER MOUNT	2	
	17307	17307-LKF5-900	TUBE ASSY.	TUBE ASSY.	1	
	17308	17308-LKF5-900	CLAMP. TUBE	CLAMP. TUBE	1	
	17309	17309-LKF5-900	TUBE. ASSY	TUBE. ASSY	1	
	17310	17310-LKF5-E03	CANISTER COMP	CANISTER COMP	1	
#	17460	17460-AGA6-M01	VALVE COMP VAPOR CONTROL	VALVE COMP VAPOR CONTROL	1	
	17686	17686-LKF5-E03	TUBE FUEL FILLER	TUBE FUEL FILLER	1	
	17691	17691-LKF5-E03	TUBE ASSY	TUBE ASSY	1	
	17692	17692-LKF5-E03	TUBE ASSY	TUBE ASSY	1	
	17693	17693-LKF5-E03	TUBE ASSY	TUBE ASSY	1	
	38773	38773-KEC3-900	JOINT ASSY TANK CAP	JOINT ASSY TANK CAP	1	
	95001	95001-AKC3-900	TUBE ASSY	TUBE ASSY	1	
	95002	95002-02070	CLIP B7 TUBE	CLIP B7 TUBE	3	
	95002A	95002-02080	CLIP B8 TUBE	CLIP B8 TUBE	6	
	95002B	95002-02130	CLIP B12.5 TUBE	CLIP B12.5 TUBE	1	

PART NO. INDEX

PART NO.	VERSION	PAGE	PART NO.	VERSION	PAGE	PART NO.	VERSION	PAGE
			11203-LBA2-E00	2	E01	12310-LKF5-E01	2	E02
			11203-LBA2-E00	2	F16	12391-LKF5-900	2	E02
			1121A-LKF5-E01	3	F13			
			1122A-LEA7-E00	2	E01	13000		
0118-814-1100-3	0	E05	11330-ADG5-E00	5	E04			
0901-819-6001	0	E05	11340-ADG5-E00	4	E01	1300A-LKF5-E01	4	E03
0901-880-6000	0	E05	11344-ADG5-E00	0	E01	13011-ADG5-E00	0	E03
0901-911-6000	0	E05	11345-ADG5-E00	5	E01	13101-LKF5-E02	3	E03
			11347-LKF5-E00	1	E06	13111-LKF5-E00	2	E03
			1134B-ADG5-E00	0	E01	13210-LKF5-E00-1	8	E03
			11350-LKF5-E00	4	E01	13210-LKF5-E00-2	8	E03
1090-873-2001	0	E05	11357-LKF5-E00	1	E06	13221-ABE1-E00-01	1	E03
1190-C74-2000	0	E05	11383-KHE7-900	0	E02	13221-ABE1-E00-02	1	E03
1190-C75-2000	0	E05	11385-KGBG-900	0	F19	13221-ABE1-E00-03	1	E03
1614-868-0000-S	0	E05	11394-ADG5-E00	0	E04	13222-LKF5-E00	0	E03
1614-906-0002	0	E05	11395-ADG5-E00	2	E01	13223-LKF5-E00	0	E03
			12000			13314-LKF5-E00-A	0	E01
						13314-LKF5-E00-B	0	E01
						13314-LKF5-E00-C	0	E01
			12100-LKF5-E00	7	E03	13406-LEA7-E00	2	E02
			12191-LKF5-E00	1	E03	1342A-LKF5-E01	8	E03
			12200-LKF5-E00	9	E02			
			12205-KHE8-301	5	E02	14000		
			12205-LEA7-E00	0	E01			
11109-LKF5-E00	2	E01	12209-GDB4-68B	0	E02	14100-BAC8-E00	0	E02
1110A-ADG5-305	0	E01	12251-LKF5-E00	0	E02	14321-LEA7-E00	8	E02
11110-ADG5-E00	3	E01						
11120-ADG5-E00	3	E01						

PART NO. INDEX

PART NO.	VERSION	PAGE	PART NO.	VERSION	PAGE	PART NO.	VERSION	PAGE
14401-PWB1-900	2	E03	15161-PUA5-E00	5	E01	1723B-ADG5-E00	0	F13
14420-ABE1-E00	0	E02	15162-PUA5-E00	7	E01	1723C-LKF5-E00	7	E02
14430-ABE1-E00	0	E02	15200-LKF5-E00	2	E01	17301-KNBN-960	0	F25
14433-ACD5-E00	0	E02	1541A-LEH6-E00	2	E01	17307-LKF5-900	2	F25
14434-ACD5-E00	0	E02	15423-KKC3-900	1	E01	17308-LKF5-900	2	F25
14452-LKF5-E00	0	E02	15437-LEA7-E00	1	E01	17309-LKF5-900	0	F25
14453-LKF5-E00	1	E02	1565A-LBA2-E00	2	E04	17310-LKF5-E03	0	F25
14510-LKF5-E01	2	E03	15711-LKF5-E00	1	E07	17370-4K19-701	1	F13
14523-LKF5-E00	1	E03	15772-5L00-013	1	F25	17371-1D74-671	0	F13
14531-KHE7-900	1	E03				1737A-LKF5-E01	1	F13
14550-LKF5-E00	2	E03	16000			17460-AGA6-M01	0	F25
14610-LEA7-E00	2	E03				17500-BAC8-E00	0	F10
14711-ABE1-E00	2	E02	1610K-LKF5-900	4	E05	17511-LKF5-E00	2	F10
14721-ABE1-E00	1	E02	16201-LKF5-E00	2	E02	17512-LKF5-E00	2	F10
14751-LKF5-E00	3	E02	16211-LKF5-E00	2	E02	17520-BAC8-E00	0	F19
14761-LKF5-E00	1	E02				17530-KGB5-900	1	F10
14771-LKF5-E00	0	E02	17000			17550-LKF5-E00	2	F10
14773-LKF5-E00	1	E02				17561-LDF2-900	0	F10
14777-LBA2-E00	4	E02	1711A-LKF5-E00	1	E02	17561-LGE5-E00	1	F10
14781-MFA6-001	0	E02	17214-LDB2-E00	1	F13	17581-LEA7-E00	1	F10
			17216-KHC4-900	0	F13	17582-LKF5-E00	2	F10
15000			1721A-LKF5-E01	0	F13	17620-ADE1-900	2	F10
			17236-KFBF-910	1	F13	17685-KZCZ-900	0	F10
15100-ADG5-E00	1	E07	17236-LKF5-E00	0	E02	17685-LKF5-E00	3	F10
15136-KKE5-E00	6	E07	17237-LKF5-E00	4	E02	17686-LKF5-E03	0	F25
15141-LKF5-E00	1	E07	1723A-ADG5-B80	0	F13	17687-LKG7-305	0	F10

PART NO. INDEX

PART NO.	VERSION	PAGE	PART NO.	VERSION	PAGE	PART NO.	VERSION	PAGE
17691-LKF5-E03	0	F25	19010-LKF5-E00	2	F21	19315-LKF5-E00	2	E02
17692-LKF5-E03	0	F25	19012-LEA7-E05	1	F21	19421-LKF5-E00	5	E02
17693-LKF5-E03	0	F25	19012-LEA7-E0S	3	F21	19502-LKF5-E00	3	E02
17910-ADG5-E00	2	F03	19013-ADG5-E00	0	F21	19505-LKF5-E00	0	F21
17911-ADG5-E00	2	F03	19014-ADG5-E00	2	F21	19507-LDB5-E00	1	E02
			19015-LBA2-E00	0	F21	19507-LDB5-E00	1	F21
18000			19016-ADG5-E00	0	F21	19613-LEA7-E00	1	E01
			19018-LKF5-E00	1	F21	19615-LKF5-E00	2	F21
18291-KKC4-900	1	E01	19020-LBA2-E00	0	F21			
18291-LKG2-90A	1	F14	19024-LKF5-E00	0	F21	21000		
18291-PWB1-900	4	F14	19026-LKF5-E00	0	F21			
18293-KKC4-900	0	E01	19027-LKF5-E00	0	F21	21124-LKF5-E00	1	E06
18293-LHJ8-900	2	F14	19028-LKF5-E00	2	F21	21301-LKF5-305	2	E08
18306-ADG5-E00	5	F14	19030-LBA2-E00	0	F21	21395-LKF5-E00	0	E08
1830A-BAC8-E00	0	F14	19101-ADG5-E00	0	F21			
18310-BAC8-E00	0	F14	19104-ACD5-E00	0	F21	22000		
18318-ADG5-E00	5	F14	19105-ADG5-E00	0	F21			
18320-ADG5-E00	5	F14	19111-PRB3-900	2	F21	22100-ADG5-E00	2	E06
18325-ADG5-E00	6	F14	19111-PRB3-90B	3	F21	22102-LKF5-E02	1	E06
18371-LBA2-E00	2	F14	19210-KKC4-900	0	F21	22105-LKF5-E02	3	E06
18391-LKF5-E00	0	F14	19217-ZPA3-E00	2	E04	22110-ADG5-E00	2	E06
18601-LKF5-E00	0	E01	19220-LKF5-305	0	E04	22121-ADG5-305	0	E06
			19229-LKF5-E00	3	E04	22131-ADG5-E00	1	E06
19000			1922A-LKF5-E00	5	E04	22132-ADG5-305	0	E06
			19230-LKF5-E00	1	E04	22300-LKF5-E01	6	E06
19005-LKF5-E01	1	F21	19300-KAE1-004	1	E02	22350-LKF5-E01	4	E06

PART NO. INDEX

PART NO.	VERSION	PAGE	PART NO.	VERSION	PAGE	PART NO.	VERSION	PAGE
22361-LBA2-E00	1	E06						
22401-ADG5-E00	0	E06	30000			33000		
22804-GBB2-001	0	E06						
23000			3051A-LKF5-E00	4	F19	33100-BAC8-E00	0	F01
			30700-KKE3-900	2	F19	33400-ADG5-E00	1	F17
			31000			33450-ADG5-E00	1	F17
2301A-ADG5-E00	8	E06				33700-ADG5-E00	0	F18
23100-LKF5-E02	0	E06				33708-KHE7-E00	0	F18
23200-LKF5-E02	2	E06	31110-BAC8-E00	0	E07	33709-KHE7-E00	0	F18
23220-ADG5-E00	0	E06	31120-ADG5-E00	0	E07	33720-LBB5-E00	4	F18
23225-LKF5-E00	4	E06	31210-LKF5-E00	6	E07	33726-LBB5-E00	1	F18
23233-LEA7-E00	5	E06	31340-LEA7-E00	3	F19	33731-PUA6-MX0	2	F06
23237-LKF5-E00	3	E06	31500-LGC6-E01	1	F11	33734-ADG5-E00	0	F06
23238-LKF5-E01	3	E06	31600-ZXA6-M01	0	F19	33739-ADG5-E00	0	F06
23411-LKF5-E02	0	E08	32000			33741-ACH7-900	0	F18
23420-LKF5-E00	7	E08				33900-LGC6-E00	4	F12
23431-LKF5-E00	4	E08				34000		
23432-LKF5-E00	3	E08	32100-BAC8-E00	2	F19			
23560-LBA2-E00	2	E01	32103-BAD6-800	2	F19			
28000			32105-LLJ3-E00	2	E01	34903-KPCP-900	0	F18
			32161-LBA7-900	0	F05	35000		
			32410-ADG5-E00	0	E07			
28102-LEA7-E00	3	E07	32411-ADG5-E00	2	F11			
28110-LKF5-E00	4	E07	32412-ADG5-E00	1	E04	35101-BAC8-E00	0	F19
28120-LKF5-E00	2	E07				35102-BAC8-E00	0	F19
28130-LKF5-E00	4	E07				3515A-BAC8-E00	0	F03

PART NO. INDEX

PART NO.	VERSION	PAGE	PART NO.	VERSION	PAGE	PART NO.	VERSION	PAGE
3520A-BAC8-E00	0	F03	38621-ADG5-E00	1	F19	39509-AKC8-E00	2	F19
35340-ADG5-E00	3	F03	38628-ADG5-E00	0	F09			
35340-LKF5-E01	2	F04	38630-ADG5-E00	3	F05	42000		
35350-LKF5-E01	1	F04	38630-ADG5-E01	2	F05			
35370-LLJ3-E00	5	F15	38635-ADG5-E00	0	F05	42311-LEA7-E00	3	F08
35380-ABE1-E00	2	F19	38639-ADG5-E00	1	F05	42312-LEA7-E00	1	F08
35390-LHG7-E00	5	F12	38700-AGE2-305	0	F19	42601-LKF5-E00	2	F08
35500-KED9-900	7	E01	38703-AGE2-E00	6	F19	42710-LKF5-E00	2	F08
35850-LKF5-E0A	0	F19	38704-AGE2-E00	4	F19	42753-KNBN-90B	1	F07
35859-ADG5-E00	0	F19	38705-AGJ5-E01	0	F05	42753-KNBN-90B	1	F08
37000			38705-AGJ5-E01	0	F19			
			38708-BAC8-E00	0	F05	43000		
			38758-BAC8-E00	0	F05			
37200-BAC8-E00	2	F02	38773-KEC3-900	0	F25	43100-LKF5-E00	4	F08
37202-BAC8-E00	0	F02	38900-ADG5-E00	1	F19	43105-LKF5-305	0	F08
37215-LGM9-900	0	F05	39000			43107-LBA2-E00	0	F08
37215-LHJ3-900	1	F17				43109-MCA3-007	0	F08
38000						43113-LBA2-E00	0	F08
			39100-LKF5-E00	0	F19	43119-LBA2-E00	0	F08
			3920A-BAC8-E00	0	F19	43126-ADG5-E00	3	F04
38110-LDA7-90B	2	F19	39220-AKC8-E00	0	F19	43127-ADG5-E00	3	F04
38200-KHE7-900	0	F19	39300-LDG7-M90	2	E02	43128-LKF5-E00	1	F16
38500-LGL3-90A	5	F19	39305-LKF5-E00	4	E02	43129-LKF5-E00	1	F16
38509-ADG5-E00	0	F20	39400-LDF2-800	3	E02	43140-LKF5-E00	0	F08
3860A-LGC6-E00	2	F19	39450-AEH1-900	0	F14	43143-LBA2-E00	0	F08
38620-LGC6-E00	3	F19	39500-AAC9-900	1	F19	43146-LKF5-E00	0	F08

PART NO. INDEX

PART NO.	VERSION	PAGE	PART NO.	VERSION	PAGE	PART NO.	VERSION	PAGE
43156-LDB2-900	2	F16	45107-LLJ3-E90	0	F08			
43210-LKF5-305	0	F08	45108-KED9-900	0	F08	49000		
43351-LKF5-E00	1	F08	45108-LKF5-E00	0	F07			
43352-KKD6-E90	1	F08	45109-GBE2-007	0	F07	49110-ADG5-E00	2	F04
43352-LKF5-E01	2	F08	45126-ADG5-E00	3	F04	49200-AKC3-E00	0	F04
43353-KED9-900	0	F07	45127-ADG5-E00	3	F04	49211-LFH1-E00	1	F04
43353-KED9-900	0	F08	45128-KEBE-900	0	F06			
4335A-LBA2-E01	2	F07	45128-KKE5-E00	2	F06	50000		
43450-ADG5-E00	2	F03	4512A-LKF5-E00	4	F07			
43530-LKF5-305	0	F04	45132-1F66-017	0	F08	50100-AKC3-315	0	F20
44000			45134-KED9-900	0	F08	50138-BAC8-E00	1	F19
			45135-KED9-900	0	F08	50189-ADG5-E00	1	F20
			45156-ADG5-E00	3	F06	50306-1F96-001	0	F06
44301-LKF5-E00	1	F07	45200-LKF5-E00	7	F07	50327-ADG5-E00	1	F11
44312-LKF5-E00	0	F07	45203-KED9-900	0	F08	50328-AKC3-E00	1	F11
44600-LKF5-305	0	F07	45207-LKF5-E00	0	F07	50330-ALK5-900	2	F20
44620-LBA2-E00	3	F07	45209-GBE2-007	0	F07	50350-ADG5-E00	3	F20
44710-LKF5-E00	2	F07	45209-KED9-900	0	F08	50352-LBA2-E00	1	F20
45000			45352-LKF5-E00	0	F07	50353-ADG5-E00	0	F20
			45513-LEA7-E00	1	F04	50356-LHG7-E00	2	F20
			45516-LBA2-E00	0	F08	50358-LKF5-E01	4	F20
45100-LKF5-E00	7	F07	45517-LKF5-E00	2	F04	50359-LKF5-E01	1	F20
45103-MGR7-007	0	F07	45520-KKA8-900	0	F04	50360-ADG5-E00	2	F20
45105-LKF5-305	0	F07	45521-LEA7-E00	1	F04	50364-ADG5-E00	1	F20
45107-LKF5-E00	0	F07	45530-LKF5-305	0	F04	50500-LKF5-E00	7	F15
45107-LLJ3-E00	0	F08	45531-KED9-900	0	F08	50502-GFY6-901	3	F15

PART NO. INDEX

PART NO.	VERSION	PAGE	PART NO.	VERSION	PAGE	PART NO.	VERSION	PAGE
50504-LKF5-E00	1	E01	51428-KED9-900	0	F22	53200-ADG5-E00	0	F06
50505-KUDU-900	1	F15	51429-LKF5-E00	0	F22	53203-ADG5-E00	1	F03
50505-LEA7-E00	1	F15	51431-KED9-900	0	F22	53204-ADG5-E00	1	F03
50506-KHE7-E00	0	F15	51437-KED9-900	0	F22	53205-ADG5-E00	1	F03
50530-LKF5-E00	3	F15	51500-LKF5-E00	7	F06	53206-ADG5-E00	1	F03
50550-KKC2-E00	0	F15	51521-LKF5-E00	0	F22	53207-ADG5-E00	0	F03
50604-KED9-950	0	F07				53213-LBA2-E00	2	F06
50613-ADG5-E00	0	F20	52000			53214-LBA2-E00	2	F06
50614-LKG2-900	1	F12				5321A-ADG5-E00	1	F03
5071A-ADG5-E00	3	F20	52000-LKF5-E01	3	F16	53220-LBA2-E00	4	F06
5072A-ADG5-E00	3	F20	52110-LKF5-E00	0	F16	5323A-ADG5-E00	4	F06
51000			52147-0H28-301	2	F06	53240-LEA7-90A	2	F06
			52400-ADG5-E00	1	F16	53250-LEA7-90A	2	F06
			52500-ADG5-E00	1	F16	61000		
51247-LKF5-E00	0	F22						
51400-LKF5-E00	7	F06	53000			61100-ADG5-E00	1	F06
51401-LKF5-E00	0	F22				61101-ADG5-E00	0	F06
51404-LKF5-E00	0	F22	53100-ADG5-E00	5	F03			
51410-LKF5-E00	0	F22	53102-LEA5-E00	3	F03	64000		
51411-KKE5-E00	0	F22	53105-LEA5-E00	3	F03			
51412-LKF5-E00	0	F22	53140-LHJ3-900	3	F03			
51421-LKF5-E00	0	F22	53150-LEA6-900	6	F03	64101-BAC8-E00	0	F05
51422-LBA2-E00	0	F22	53175-LKF5-E00	0	F04	64131-ADG5-E00	0	F03
51423-KED9-900	0	F22	53178-LKF5-E00	0	F04	64140-ADG5-E00	1	F03
51424-KED9-900	0	F22	53190-ADG5-E00	4	F03	64150-ADG5-E00	0	F03
51427-KED9-900	0	F22	53194-LGC6-E00	0	F03	64201-BAC8-E00	0	F01

PART NO. INDEX

PART NO.	VERSION	PAGE	PART NO.	VERSION	PAGE	PART NO.	VERSION	PAGE
64206-MLJ0-001	1	F03				80155-AKB8-E00	1	F05
64220-ADG5-E00	1	F03	77000					
64222-KKC4-900	3	F03				81000		
64222-LLJ3-E00	1	F03	77115-ADG5-E00	0	F12			
64222-LLJ3-E00	1	F06	77200-BAC8-E00	0	F09	81111-ADG5-E00	1	F05
64231-ADG5-E00	0	F03	77206-LKB9-900	1	F09	81121-ADG5-E00	1	F05
64240-ADG5-E00	1	F03	77210-ADG5-E00	0	F09	81131-BAC8-E00	0	F05
64250-ADG5-E00	0	F03	77220-BAC8-E00	0	F09	81132-BAC8-E00	0	F05
64301-BAC8-E00	0	F05	77235-ADG5-E00	4	F19	81137-BAC8-E00	0	F05
64302-BAC8-E00	0	F05	77240-BAC8-E00	0	F19	8113A-ADG5-E00	0	F05
64303-BAC8-E00	0	F05	77300-ADG5-E00	3	F09	8113B-ADG5-E00	0	F05
64305-ADG5-E00	0	F05	77303-ADG5-E00	0	F09	8113C-BAC8-E00	0	F05
64306-ADG5-E00	0	F05				81141-BAC8-E00	0	F05
64310-ADG5-E00	0	F05	80000			81151-BAC8-E00	0	F05
64311-ADG5-E00	0	F05				81200-ADG5-E00	5	F12
64315-ADG5-E00	4	F20	80101-ADG5-E00	0	F18	81210-ADG5-E00	5	F12
64317-ADG5-E00	2	F20	80105-ADG5-E00	1	F18	81250-ADG5-E00	0	F12
64319-BAC8-E00	1	F20	80107-ADG5-E00	0	F18	81350-ADG5-E00	0	F12
64320-ADG5-E00	0	F05	80107-KHLH-900	0	F14	81450-ADG5-E00	0	F11
64330-ADG5-E00	0	F05	80107-LGJ8-900	1	F14			
64340-ADG5-E00	0	F05	8010B-LKF5-E00	6	F18	83000		
64350-ADG5-E00	0	F05	80151-ADG5-E00	1	F05			
64360-ADG5-E00	0	F05	80152-BAC8-E00	0	F05	83500-ADG5-E00	0	F12
64400-ADG5-E00	0	F05	80153-BAC8-E00	0	F10	83501-ADG5-E00	0	F12
64401-ADG5-E00	1	F05	80154-ADG5-E00	0	F09	83510-ADG5-E00	0	F05
			80154-BAC8-E00	1	F05	83520-ADG5-E00	0	F12

PART NO. INDEX

PART NO.	VERSION	PAGE	PART NO.	VERSION	PAGE	PART NO.	VERSION	PAGE
83530-ADG5-E00	0	F12	86408-ACD5-E00	2	F24	90033-GFY6-900	1	E02
83540-ADG5-E00	0	F05				90084-KKF9-901	0	E04
83550-KEC8-900	4	F06	87000			90101-ADG5-E00	0	F20
83551-KEC8-900	4	F06				90101-LBA2-E00	0	F08
83551-LGC6-E00	0	F12	87206-ADG5-E00	3	F24	90101-LEA7-E00	1	F14
83600-ADG5-E00	0	F12	87541-ZZA6-E00	2	F23	90104-LEA7-E00	3	F03
83601-ADG5-E00	0	F12	87546-ADG5-E00	2	F23	90105-KCR3-001	1	F07
83610-ADG5-E00	0	F05	87560-ADG5-E00	2	F23	90105-KCR3-001	1	F08
83620-ADG5-E00	0	F12				90106-KFC2-900	2	F12
83630-ADG5-E00	0	F12	88000			90106-LEC8-900	1	F12
83640-ADG5-E00	0	F05				90106-LKF5-E00	2	F20
83750-ADG5-E00	1	F12	88110-ADG5-E00	2	F03	90107-LEA7-E00	4	F06
86000			88120-ADG5-E00	2	F03	90108-KKC4-900	1	F15
			89000			90111-LEB1-900	1	F02
86020-BAC8-E00	0	F24				90111-LEB1-900	1	F18
86121-BAC8-E00	0	F24	89010-LKF5-E00	3	F09	90113-LGE5-E01	0	F04
86131-BAC8-E00	0	F24				90122-LEA7-E00	2	F08
86141-BAC8-E00	0	F24	90000			90122-LKF5-E00	1	F07
86151-BAC8-E00	0	F24				90131-KEBE-900	2	F16
86202-BAC8-E00	0	F24	90001-GBHB-661	3	E07	90145-LEA3-E00	1	F04
86221-BAC8-E00	0	F24	90001-GBHB-681	3	F13	90145-LFH1-E00	1	F04
86231-BAC8-E00	0	F24	90001-GFY6-901	5	E02	90201-KHR8-75A	1	E07
86323-BAC8-E00	0	F24	9000B-KHD6-900	2	E02	90201-LKF5-E00	1	E06
86332-ADG5-E00	3	F24	90012-LKF5-E00	5	E02	90202-LDB5-E00	3	E06
86333-BAC8-E00	0	F24	90032-LEA7-E00	2	E01	90206-0A01-001	4	E02
						90215-ALK5-900	0	F11

PART NO. INDEX

PART NO.	VERSION	PAGE	PART NO.	VERSION	PAGE	PART NO.	VERSION	PAGE
90215-KKC4-900	2	F18	90465-LBA2-E00	1	E01	90656-ZZA6-E03	0	F19
90301-6D34-671	1	F01	90474-3C33-001	1	E01	90660-LDE9-E00	1	F19
90301-6D34-671	1	F10	90478-7L00-001	0	E02	90660-PWA2-900	1	F04
90301-6D34-671	1	F11	90478-7L00-001	0	E04	90662-LHG7-E00	1	F19
90301-6D34-671	1	F12	90503-KKE5-E00	1	F06	90663-AEB9-E00	0	F19
90301-6D34-671	1	F20	90503-LEA7-E00	2	F06	90680-KED9-900	3	E01
90301-6D34-671	1	F21	9052A-LEB1-900	2	E01	90701-6K79-001	0	E01
90301-GFY6-901	2	F14	90544-KEC8-900	0	F22	90701-9E65-001	0	E01
90302-LKB9-900	4	F12	90545-3L00-001	2	F04	90914-LKF5-E00	2	E04
90302-SDA4-004	3	F03	90564-KED9-900	0	F22			
90302-SDA4-004	3	F05	90601-LKF5-E00	2	E06	91000		
90302-SDA4-004	3	F12	90605-1F66-721	0	E06			
90304-KKE5-E00	1	F06	90651-LGM9-700	0	F05	91001-KHV8-004	0	E08
90304-LBD4-900	2	F20	90651-LKF5-900	0	F22	91001-KKJ9-006	0	E04
90304-LEA1-900	1	F03	90651-LKF5-E01	1	F19	91002-LKF5-E00	1	E06
90304-LEA1-900	1	F15	90652-LCA4-E00	6	F05	91004-LBA2-E00	1	E06
90304-LEA1-900	1	F16	90652-LCA4-E00	6	F18	91006-LKF5-E00	0	E08
90305-KKAK-900	0	F08	90652-LDG7-900	1	E02	91007-LKF5-E00	0	E08
90305-LBA2-E00	1	F06	90652-LFB5-900	3	F05	91008-LKF5-E00	0	E08
90305-LBD4-900	1	F20	90652-LFB5-900	3	F12	91201-LEA7-E00	1	E01
90312-GLF0-001	0	F03	90652-LFB5-900	3	F17	91201-LKF5-E00	1	E01
90312-LLJ3-E00	1	F03	90652-LGC6-E00	0	F03	91202-LEA7-E0A	4	E08
90312-LLJ3-E01	0	F06	90652-LGL7-E00	1	F19	91202-LKG2-900	1	E04
90401-KKJ9-001	0	E07	90652-LKF5-E00	0	F13	91211-LDB5-E00	1	E06
90441-LKF5-E00	0	E01	90656-KCBC-900	0	F19	91255-LGE5-E00	1	F16
90459-LKF5-E00	0	E04	90656-KUDU-900	0	F19	91255-LKF5-E00	1	E01

PART NO. INDEX

PART NO.	VERSION	PAGE	PART NO.	VERSION	PAGE	PART NO.	VERSION	PAGE
91255-LLB1-900	2	F16				93500-KHC4-90A	0	F19
91257-KED9-900	2	F07	92000			93500-LGC6-E00	0	F19
91301-2L00-001	0	E01				93600-04012-1G	0	F04
91301-LDF2-M90	2	E02	92000-05016-0G	0	E02	93600-LKF5-E00	2	E01
91302-LDF2-M90	2	E02	92000-LEA6-900	2	E07	93892-04008-16	0	E05
91302-LKF5-E00	0	E02	92101-05012-0G	0	E07	93893-04012-0G	0	F05
91303-3G77-001	0	E04	92101-05012-0G	0	F07	93893-04012-18	0	F04
91303-LEA7-E00	1	E01	92101-05012-0G	0	F08	93903-24360	0	F03
91304-LEA3-900	2	E01	92900-06040-0E	2	E02	93903-24360	0	F05
91304-LGE5-E00	1	F20				93903-24360	0	F12
91305-LEH6-E00	0	E01	93000			93903-24360	0	F18
91305-LEH6-E00	0	E04				93903-25260	1	F01
91305-LKF5-E00	0	E01	93404-06012-06	1	F03	93903-25260	1	F03
91306-PUA5-E00	3	E01	93404-06012-06	1	F06	93903-25260	1	F18
91307-0E35-001	1	E04	93404-06012-06	1	F09	93903-25380	0	E01
91307-PUA5-E00	3	E01	93404-06012-06	1	F12	93903-25460	0	F13
91309-4E25-004	0	E07	93404-06012-06	1	F18	93903-34360	0	F18
91313-KED9-900	3	E01	93404-06012-06	1	F20	93903-34380-G	0	F09
91313-LKF5-E00	1	E01	93404-06012-06	1	F21	93903-35260	0	F17
91351-LDB5-E00	1	E06	93404-06016-06	1	F05	93903-35360	0	F02
91552-LEA7-E00	1	E01	93404-06016-06	1	F12	93903-44560	0	F05
91552-LEH6-E00	0	E01	93404-06016-06	1	F15	93903-45360	0	F18
91552-LEH6-E00	0	E04	93404-06020-06	1	F03	93903-GFY6-900	1	F05
			93404-06025-06	0	F21	93903-GFY6-900	1	F11
			93404-KKC2-900	1	F21	93903-KEB7-900	1	F14
			93500-05010-0F	0	F03			

PART NO. INDEX

PART NO.	VERSION	PAGE	PART NO.	VERSION	PAGE	PART NO.	VERSION	PAGE	
94000			94201-20180	0	F15	95002-02080	0	F10	
			94251-08400	0	F07	95002-02080	0	F25	
			94301-08100	1	E02	95002-02100	0	F21	
	94050-05060	2	F19	94301-08100	1	E07	95002-02130	0	F25
	94050-06060	1	F04	94301-08140	4	E04	95002-41150-00	0	F13
	94050-06060	1	F06	94301-10160	0	E01	95002-50000	0	E01
	94050-06060	1	F10	94301-10160	0	E04	95002-70000	0	F21
	94050-06060	1	F19	94301-10160	0	E08	95002-KED9-M30	1	F13
	94050-06060	1	F20	94301-12200	1	E02	95002-KED9-M31	4	E02
	94050-06060	1	F21	94301-12200	1	E03	95002-LKF5-E00	2	E02
	94050-06080	2	E02	94303-04160	0	E07	95002-LKF5-E00	2	F13
	94050-06080	2	F09	94401-25140	4	E03	95014-72204	0	F15
	94050-08060	0	F09	94510-10000	0	E07	95701-06012-06	1	F03
	94050-08060	0	F19	94510-12000	0	E04	95701-06012-06	1	F06
	94050-10060	0	E01	94510-29000	0	E08	95701-06012-06	1	F10
	94050-86000	0	F08	94520-30000	0	E06	95701-06014-06	0	E02
	94050-LKF5-E00	1	E06	94520-47000	0	F16	95701-06016-06	1	E02
	94101-04800	0	F19	94591-KFBF-900	2	F11	95701-06016-06	1	F19
	94101-06200	1	F14	94601-PSA6-E00	3	E03	95701-06040-06	0	F20
	94101-08600	0	F04	94608-LKF5-E00	0	F22	95701-06050-06	0	F04
94101-08600	0	F15				95701-06055-06	0	F06	
94101-10000	0	F03	95000			95701-06070-06	0	F20	
94101-12000	0	F03				95701-08012-06	0	E01	
94101-LBA2-E00	1	F20	95001-AKC3-900	1	F25	95701-08025-06	0	F20	
94101-LEA2-900	0	F14	95002-02070	2	E04	95701-08035-06	1	E08	
94111-ACD5-E00	1	F14	95002-02070	2	F25	95701-08040-06	0	E08	

PART NO. INDEX

PART NO.	VERSION	PAGE	PART NO.	VERSION	PAGE	PART NO.	VERSION	PAGE
95701-LBA2-E00	0	F08	96001-06025-06	0	E03			
95701-LDF2-800	2	F10	96001-06028-06	0	E04	98000		
95701-LEA5-E00	1	F19	96001-06028-06	0	E07			
95709-PRA1-E00	4	E01	96001-06028-06	0	F04	98059-57916-00	2	E02
95709-PRA1-E00	4	E02	96001-06030-06	0	E01	98200-31000	1	F19
95801-08040-06	0	F06	96001-06035-06	0	E01	98200-31500	1	F19
95801-10030-06	0	F15	96001-06035-06	0	E04	98200-32000	0	F19
95801-10040-06	0	F16	96001-06070-06	0	E01	98200-32500	0	F19
95801-10060-06	0	F14	96001-06125-06	1	E04	98200-33000	0	F19
95801-10060-06	0	F16	96001-GFY6-900	2	F13			
96000			96100-62040-00	0	E01	502000		
			96100-62040-00	0	E08			
			96100-63040-00	1	E01	502-00063	0	F19
96001-06010-00	0	E02	96100-63040-00	1	E03	502-00149	0	F19
96001-06010-00	0	E04	96100-63040-00	1	E08	502-00151	0	F19
96001-06012-06	0	E01	96150-60040-10	0	F07	502-00155	0	F19
96001-06012-06	0	E07	96150-60060-10	0	E01	502-00164	0	F19
96001-06012-06	0	F04	96150-60060-10	0	E08			
96001-06012-06	0	F06	96150-62040-10	0	F16	K		
96001-06012-06	0	F16	96600-06015-10	4	E07			
96001-06012-06	0	F19	96600-08025-06	0	F06	K536-174-0200	0	E05
96001-06016-06	0	E02	96600-08035-06	0	F06			
96001-06020-06	0	E01	96600-KKC4-900	0	F07	N		
96001-06022-06	1	E01	96600-LEA7-E01	1	F14			
96001-06022-06	1	E04	96600-LKF5-E00	0	F22	N114-05103-3	0	E05
96001-06025-06	0	E02						

PART NO. INDEX

PART NO.	VERSION	PAGE	PART NO.	VERSION	PAGE	PART NO.	VERSION	PAGE
<p>W</p> <p>W1792-048-9901</p>	0	E05						

