

SUPERSHADOW 250



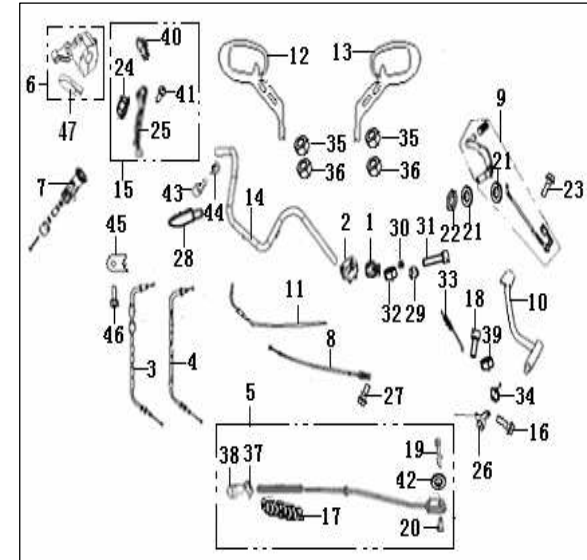
SUPERSHADOW 250

SUPERSHADOW 250

F01 STEERING

NO.	CODE	EN DESCRIPTION	QTY.
1	40210N0HP000	GRIP ASSY., THROTTLE	1
2	40600N0HP000	SWITCH ASSY , R.	1
3	40300N0HP000	CABLE ASSY.I, THROTTLE	1
4	40330N0HP000	CABLE ASSY.II, THROTTLE	1
5	40270N0HP000	WIRE ASSY , RR. BRAKE	1
6	40500N0HP001	SWITCH ASSY , L.	1
7	40070N0HP000	GRIP ASSY , HANDLE, L.	1
8	40400N0HP000	CABLE ASSY ,CLUTCH	1
9	08370N0HP000	LEVER ASSY , GEAR SHIFT	1
10	40710N0HP000	PEDAL ASSY , BRAKE	1
11	40350N0HP000	CABLE ASSY , CHOKE	1
12	40470K2GP001	MIRROR ASSY, RR. VIEW, R.	1
13	40460K2GP001	MIRROR ASSY., RR. VIEW, L.	1
14	40101N0HP001	HANDLEBAR	1
15	40080G0KP000	LEVER, L.	1
16	B01010602025	BOLT 6×20MM	2
17	40274N0HP000	SPRING	1
18	B01020602564	BOLT 6×25MM	1
19	B09001601812	PIN 1.6×18 MM	1
20	40018N0HP000	PIN,RR. BRAKE ROD	1
21	08029J00P000	WASHER 12MM	1
22	B08010001201	CIR-CLIP 12 MM	1
23	B01020602064	BOLT 6X20MM	1
24	B04170600065	NUT 6MM	1
25	40084G0KP000	LEVER , L.	1
26	40720N0HP000	BRACKET ASSY,BRAKE PEDAL	1
27	B01090601264	BOLT 6X12MM	1
28	40017N0HP000	SLEEVE,THROTTLE CABLE	1
29	40031N0HP000	BALANCER	2
30	40033K0BP000	PLUG, RUBBER	2
31	B02050605564	SCREW 6X55MM	2
32	B04070600064	NUT 6MM	2
33	40019J00P000	SPRING, BRAKE LIGHT	1
34	40702N0HP000	SPRING, BRAKE RETURN	1
35	B04000800064	NUT 8MM	2
36	B04220800064	NUT 8MM	2
37	40273BM0T000	PIN, STOPPER	1
38	40271BM0T000	NUT, ADJUSTING	1
39	B04000600054	NUT 6MM	1
40	40081G0KP000	COVER,LEVER BRKT.	1
41	40083G0KP000	SCREW, LEVER BRKT.	1
42	B07030000602	WASHER 6MM	1
43	40086N0HP000	COIL, ADJUSTER	1
44	40087N0HP000	NUT, NOTCH	1
45	40321N0HP000	FIXING PLATE,THROTTLE LINE	1
46	B02000501024	SCREW 5X10MM	1

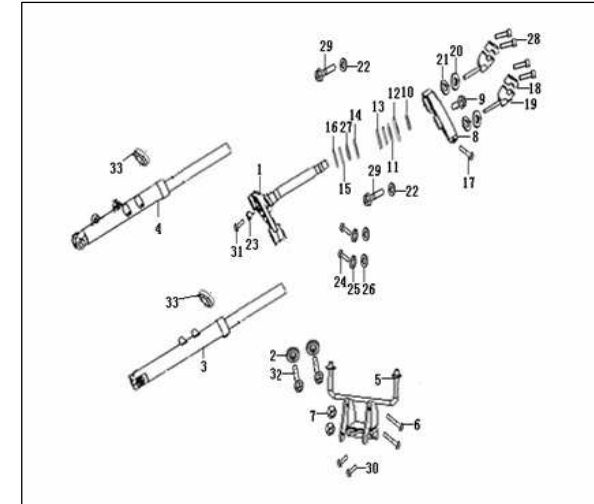
NOTES



SUPERSHADOW 250

F02 FRONT FORK ASSY

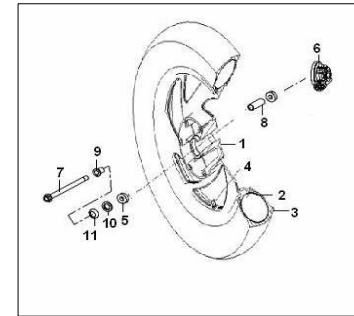
NO.	CODE	EN DESCRIPTION	QTY.	NOTES
1	43100N0HP000	LOWER BRACKET ASSY	1	
2	B07030001204	WASHER 12MM	2	
3	43300K0BP000	ABSORBER ASSY, FR., R.	1	
4	43200K0BP000	ABSORBER ASSY, FR., L.	1	
5	08510N0HP000	BRACKET ASSY, HEAD LAMP	1	
6	B01090605064	BOLT 6X50MM	2	
7	B04070600054	NUT 6MM	2	
8	43011N0HP000	UPPER BRACKET	1	ATÉ JUNHO 2008
8A	43011N020001	UPPER BRACKET	1	APÓS JUNHO 2008
9	43049G0KP000	BOLT, STEM FIXING	1	
10	43008G0KP000	NUT	1	
11	43001G0KP000	RACE, UPPER STEERING, UPPER	1	
12	43005G0KP000	DUST COVER	1	
13	43002G0KP000	RACE, UPPER STEERING, LOWER	1	
14	43003G0KP000	RACE, LOWER STEERING, UPPER	1	
15	43004G0KP000	RACE, LOWER STEERING, LOWER	1	
16	43019G0KP000	CUSHION, STEERING STEM	1	
17	B01090804064	BOLT 8x40MM	2	
18	43014G0KP000	BRKT. HANDLEBAR, UPPER	2	
19	43410G0KP000	BRKT. ASSY., HANDLEBAR, LOWER	2	
20	43043G0KP000	WASHER I, BRACKET	2	
21	43037G0KP000	DUST SEAL, BRACKET	2	
22	43044G0KP000	WASHER II, BRACKET	2	
23	43021G0KP000	HOLDER, WIRE	1	
24	B01010601625	BOLT 6X16MM	2	
25	B07000000605	WASHER 6 MM	2	
26	B07030000604	WASHER 6 MM	2	
27	B06010200000	STEEL BALL SR 6.35g	38	UNIDADE
28	B0205080306L	SCREW 8x30MM	4	
29	B01591003064	SCREW 10x1.25x30MM	2	
30	B01090601064	BOLT 6x10MM	2	
31	B01010601024	BOLT 6x10MM	1	
32	B01051203564	BOLT 12x1.25x35MM	2	
33	43260G0KP000	OIL SEAL	2	



SUPERSHADOW 250

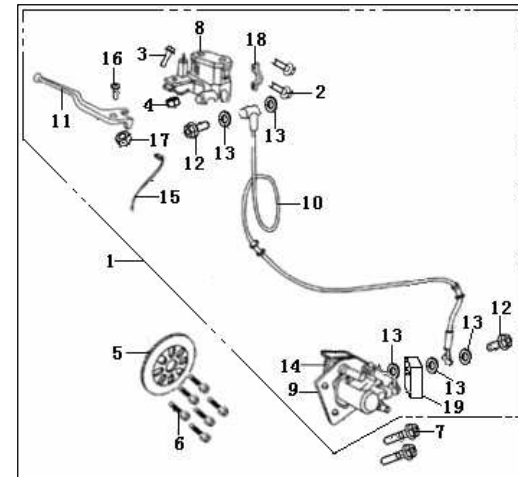
F03 FRONT WHEEL

NO.	CODE	EN DESCRIPTION	QTY.	NOTES
1	44101K0BP000	RIM, FRONT WHEEL MT1.85X18	1	
2	B140230018AA	TUBE 3.00-18 E4 75R000217	1	
3	B140530018AA	TIRE 3.00-18 E4 75R000217	1	
4	B1404Z1102A0	CAP, VALVE	1	
5	B12016020200	BEARING 6202-2RS	2	
6	44200N0HP000	GEAR BOX ASSY., SPEEDOMETER	1	
7	44004G0KP000	AXLE, FRONT WHEEL	1	
8	44006G0KP000	SPACER, MID, FR. WHEEL	1	
9	44016G0KP000	SPACER, FRONT WHEEL, R.	1	
10	44300G0KP000	DUST SEAL	1	
11	44017G0KP000	DUST COVER	1	



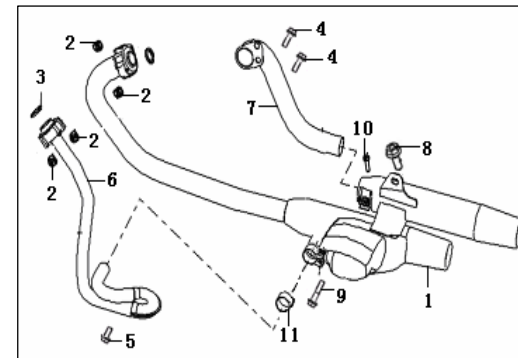
F04 FRONT DISK BRAKE ASSY

NO.	CODE	EN DESCRIPTION	QTY.	NOTES
1	45000G0KP000	DISK BRAKE ASSY	1	
2	B01070602465	BOLT 6X24MM	2	
3	B01010603325	SCREW 6X33MM	1	
4	B04070600055	BOLT 6MM	1	
5	45033G0KP000	BRAKE DISK	1	
6	45036G0KP000	BOLT, FIXING	6	
7	B01591003064	BOLT 10X1.25X30MM	2	
8	45400G0KP000	MASTER CYLINDER	1	
9	45500G0KP000	CALIPER ASSY.	1	
10	45200G0KP000	FR. BRAKE HOSE	1	
11	45022G0KP000	DISK BRAKE LEVER	1	
12	45037G0KP000	UNION BOLT	2	
13	08021G0KP000	WASHER	4	
14	45120G0KP001	FRONT BRAKE PADS	1 set JOGO	
15	45300G0KP000	LOCK ASSY, FR. BREAK	1	
16	08011G0KP000	SCREW	1	
17	08051G0KP000	NUT	1	
18	45023G0KP000	MASTER CYLINDER BRACKET	1	
19	45700N0HP000	ABS SYSTEM	1	



F05 MUFFLER

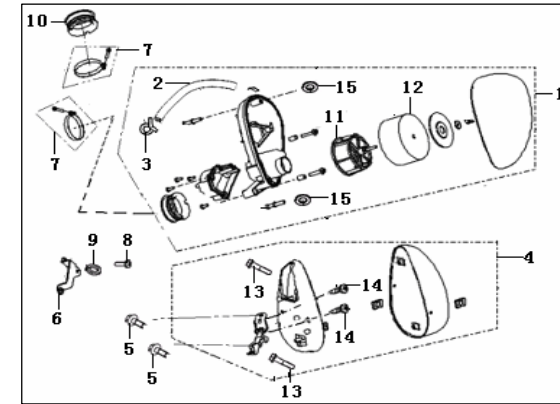
NO.	CODE	EN DESCRIPTION	QTY.	NOTES
1	47100N0HP001	MUFFLER JOINTING ASSY.	1	
2	47006J0AP000	CAP NUT	4	
3	47800N0HP000	GASKET, EXHAUST PIPE	2	
4	B01090801664	BOLT 8x16MM	2	
5	B01090600564	BOLT 6x5MM	1	
6	47500N0HP000	EXHAUST PIPE A	1	
7	47840N0HP000	PIPE, DECORATING	1	
8	B01091001564	BOLT 10x15MM	1	
9	B01090804064	BOLT 8x40MM	1	
10	B01020602864	BOLT 6x28MM	1	
11	47035N0HP000	BUSH	1	



SUPERSHADOW 250

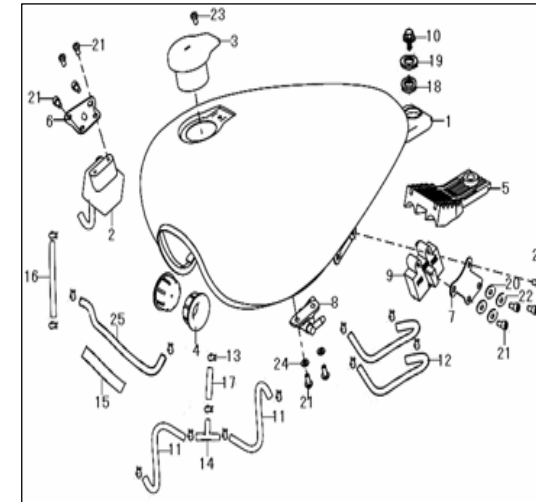
F06 AIR CLEANER

NO.	CODE	EN DESCRIPTION	QTY.	NOTES
1	49000N0HP001	AIR CLEANER ASSY.	1	
2	49005N0HP000	PIPE, AIR-OUT	1	
3	49016N0HP000	CLIP	1	
4	49700N0HP000	CAP ASSY., DECORATING	1	
5	B01070601265	BOLT 6X12MM	2	
6	49360N0HP000	BRACKET, AIR CLEANER	1	
7	49350N0HP000	CLAMP ASSY.	2	
8	B02000603025	SCREW 6X30MM	1	
9	B07030000605	WASHER 6MM	1	
10	49014N0HP000	FITTING, CARBURETOR	1	
11	49200N0HP000	FILTER	1	
12	49202N0HP000	SPONGE	1	
13	B01040603565	SCREW 6X45MM	2	
14	B02000602065	BOLT 6X20MM	2	
15	B07030000605	WASHER 6MM	2	



F07 FUEL TANK

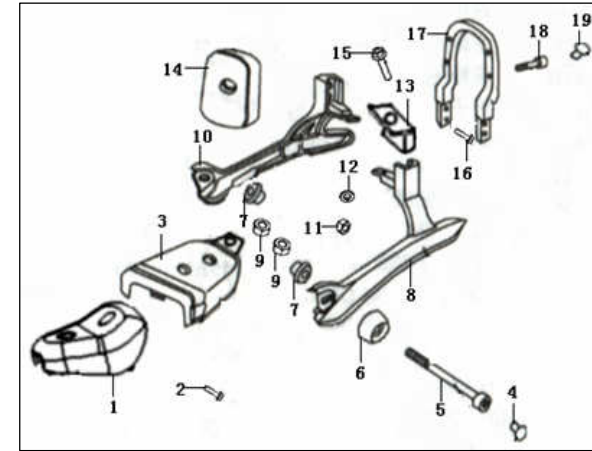
NO.	CODE	EN DESCRIPTION	QTY.	NOTES
1	50100N0HPR30	FUEL TANK JOINTING ASSY.	1	VRM
	50100N0HPB20	FUEL TANK JOINTING ASSY.	1	PRT
2	50720N0HP000	fuel pump assy	1	
3	50200N0HP000	CAP ASSY., FUEL TANK	1	
4	50005N0HP000	CUSHION, FUEL TANK, FR.	2	
5	50006N0HP000	CUSHION, FUEL TANK, RR.	1	
6	50022N0HP000	BRACKET, SHUTOFF	1	
7	50021N0HP000	BRACKET, SWITCH	1	
8	50710N0HP000	FITTING, SWITCH	1	
9	50310N0HP000	fuel cock	1	
10	B01090803564	FLANGE BOLT 8x35MM	1	
11	B16010522001	HOSE (1 5x2x200) MM	2	
12	B16010522301	HOSE (2 5x2x230) MM	2	
13	50306N0HP000	CLIP 10MM	14	
14	50008N0HP000	3-DIRECTIONS PIPE	1	
15	50017N0HP000	SLEEVE, HOSE	1	
16	B16010521251	HOSE 3 (5x2x125) MM	1	
17	B16010520501	HOSE 4 (5x2x50) MM	1	
18	50014N0HP000	CUSHION, FUEL TANK FIXING	1	
19	B07090000804	WASHER 8MM	1	
20	B0703000060L	WASHER 6MM	8	
21	B0200060162L	SCREW 6x16MM	10	
22	B0700000060L	SPRING WASHER 6MM	8	
23	B02000501024	SCREW 5x10MM	1	
24	08023N0HP000	WASHER , ALUMINIUM	2	
25	B16010522351	HOSE 5 (5x2x235) MM	1	



SUPERSHADOW 250

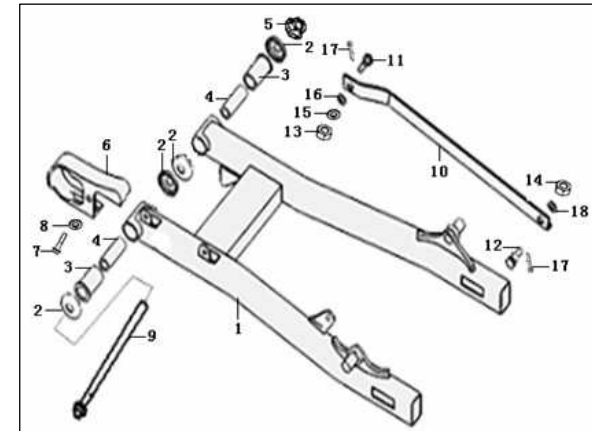
F08 SEAT

NO.	CODE	EN DESCRIPTION	QTY.	NOTES
1	51100N0HP000	SEAT I	1	
2	B0109060206L	BOLT 6X20MM	2	
3	51200K0BP000	SEAT II	1	
4	65823G0KP000	CAP, DECORATING	2	
5	B02051006564	SCREW 10X65MM	2	
6	51305G0KP000	SLEEVE, BRACKET, DECORATING	2	
7	51304G0KP000	BUSH, BRACKET	2	
8	51301K0BP000	BRACKET, SEAT III, L.	2	
9	B04071000054	NUT 10MM	2	
10	51302K0BP000	BRACKET, SEAT III, R.	1	
11	B04070800054	NUT 8MM	1	
12	B07020000804	WASHER 8MM	1	
13	51306K0BP000	FIXING PLATE, BRACKET	1	
14	51310G0KP000	SEAT III	1	
15	B01090804064	BOLT 8X40MM	1	
16	B01090602064	BOLT 6X20MM	4	
17	51303G0KP000	BRACKET, SEAT, RR.	1	
18	B02050602564	SCREW 6X25MM	3	
19	65821G0KP000	CAP, DECORATING	3	



F09 REAR SWINGING ARM

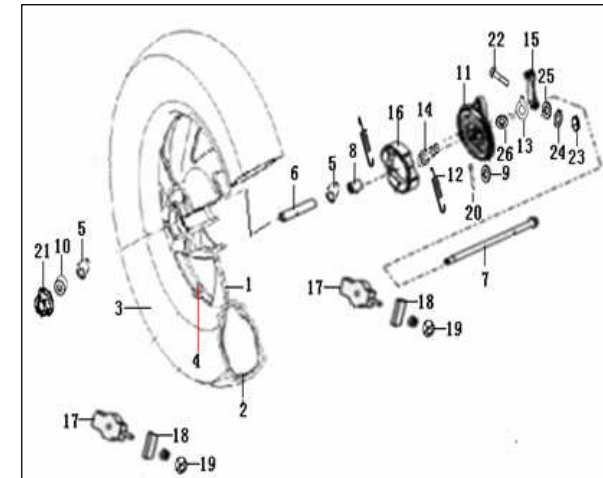
NO.	CODE	EN DESCRIPTION	QTY.	NOTES
1	53100N0HP000	REAR SWINGING ARM ASSY.	1	
2	53220N0HP000	DUST SEAL	2	
3	53007N0HP000	SPACER, SWINGING ARM	2	
4	53008N0HP000	BUSH, SWINGING ARM	2	
5	B04171212564	NUT 12X1.25MM	1	
6	53004N0HP000	BUFFER, CHAIN TOUCH DEFENSE	1	
7	B01010601224	BOLT 6X12MM	1	
8	B07020000604	WASHER 6MM	1	
9	53001N0HP000	SHAFT, PIVOT	1	
10	53300N0HP000	TORQUE LINK	1	
11	53011K0BP000	BOLT I, TORQUE LINK	1	
12	53012K0BP000	BOLT, LINK MOUNTING 8X27MM	1	
13	B04000800054	NUT 8MM	1	
14	B04020800014	NUT 8MM	1	
15	B07020000804	PLATE WASHER 8MM	1	
16	53014N0HP000	CUSHION, LINK FITTING	1	
17	B090002018A4	SPLIT PIN 2X18MM	2	
18	B07020000804	WASHER 8MM	1	



SUPERSHADOW 250

F10 REAR WHEEL

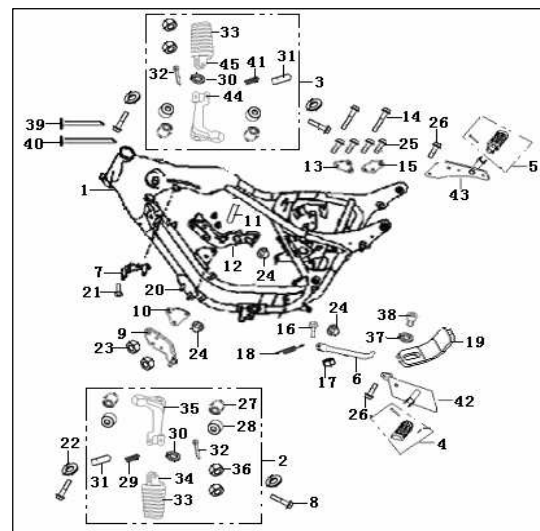
NO.	CODE	EN DESCRIPTION	QTY.	NOTES
1	54100K0BP000	RIM, RR. WHEEL MT2.75X15	1	
2	B140208F15BB	TUBE 130/90-15	1	
3	B140508F15BB	TIRE 130/90-15	1	
4	B1404Z1102A0	CAP, VALVE	1	
5	B12016030300	BEARING 6303-2RS	2	
6	54006K0BP000	MID SPACER, RR. WHEEL	1	
7	54004K0BP000	AXLE, REAR WHEEL	1	
8	54005K0BP000	SPACER, RR. WHEEL, R.	1	
9	B07030000804	WASHER 8MM	1	
10	54711N0HP000	BUSH, SPROCKET, L	1	
11	54400K0BP000	PANEL, REAR WHEEL	1	
12	54001K0BP000	SPRING, BRAKE SHOE	2	
13	54002J0ET000	PLATE, WEAR INDICATING	1	
14	54003K0BP000	CAMSHAFT, REAR BRAKE	1	
15	54007N0HP000	LEVER, RR. RAKE	1	
16	54200K0BP001	BRAKE SHOE, REAR BRAKE	1 set	JOGO
17	53230K0BP000	ADJUSTER ASSY, CHAIN	2	
18	53234K0BP000	FIXING PLATE, ADJUSTER	2	
19	B04020800054	NUT 8MM	2	
20	B090002018A2	SPLIT PIN 2X18MM	1	
21	B04171615064	NUT 16X1.5MM	1	
22	B01090603564	BOLT 6X35MM	1	
23	B04000600054	NUT 6MM	1	
24	B07000000604	WASHER 6MM	1	
25	B07030000604	WASHER 6MM	1	
26	08031K0BP000	O-RING 18X2.4MM	1	



SUPERSHADOW 250

F11 FRAME ASSY

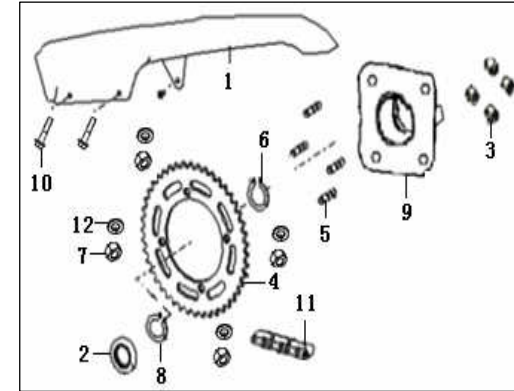
NO.	CODE	EN DESCRIPTION	QTY.	NOTES
1	50100N0HP001	FRAME ASSY.	1	
1A	57100N020004	FRAME ASSY.	1	ATÉ JUNHO 2008 APÓS JUNHO 2008
2	58220N0HP000	FOOTREST ASSY , FR., L.	1	
3	58240N0HP000	FOOTREST ASSY , FR., R.	1	
4	58260N0HP000	FOOTREST ASSY , RR., L.	1	
5	58280N0HP000	FOOTREST ASSY , RR., R.	1	
6	58701N0JP00A	SIDE STAND ASSY.	1	
7	58770N0HP000	BRACKET, IGNITION COIL	1	
8	57024N02000L	BOLT, FOOTREST FIXING	4	
9	58451N0HP000	BRACKET, FR. L. FOOTREST	1	
10	57011N0HP000	BRACKET, ENGINE, FR.	2	
11	58303N0HP000	SHAFT, ENGINE, FR.	1	
12	58471N0HP000	BRACKET, FR. R. FOOTREST	1	
13	57008N0HP000	UPPER BRACKET, ENGINE, R.	1	
14	B01090811064	BOLT 8X110MM	2	
15	57009N0HP000	LOWER BRACKET, ENGINE, R.	1	
16	57005N0JP000	BOLT, SIDE STAND MOUNTING	1	
17	B04001012564	NUT 10x1.25MM	1	
18	57010N0HP000	SPRING ASSY, SIDE STAND	1	
19	58702N0LP000	BRACKET	1	
20	57037N0HP000	STUD, FR. FOOTREST FIXING	4	
21	B01090601264	BOLT 6x12MM	1	
22	B07020001004	WASHER 10MM	4	
23	B04221012564	NUT 10X1.25MM	4	
24	B04170800054	NUT 8MM	3	
25	B01090801664	BOLT 8x16MM	4	
26	B01090802064	BOLT 8x20MM	2	
27	58228N0HP000	BUSH I	4	
28	58229N0HP000	SLEEVE, RUBBER	8	
29	58202N0HP000	SPRING, FOOTREST RH	1	
30	58224N0HP000	BUSH II	2	
31	B090408035B4	PIN B8X35MM	2	
32	B09002502013	SPLIT PIN 2.5X20MM	2	
33	58221N0HP000	RUBBER, FOOTREST	2	
34	58226N0HP000	BAR, FOOTREST.LH	1	
35	58227N0HP000	SEAT, FOOTREST LH	1	
36	B04080600054	NUT 6MM	4	
37	B07030000505	WASHER 5MM	1	
38	B02050501064	SCREW 5X10MM	1	
39	96001N0HP000	BAND I 150MM	7	
40	96002N0HP000	BAND II 200MM	1	
41	58402N0HP000	SPRING, FOOTREST LH	1	
42	58210N0HP000	BRACKET, LH, RR , FOOTREST	1	
43	58310N0HP000	BRACKET, RH, RR , FOOTREST	1	
44	58247N0HP000	SEAT, FOOTREST.RH	1	
45	58246N0HP000	BAR, FOOTREST RH	1	



SUPERSHADOW 250

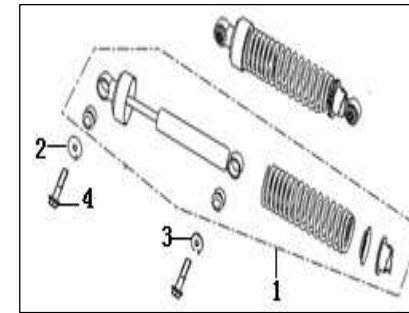
F12 SPROCKET

NO.	CODE	EN DESCRIPTION	QTY.	NOTES
1	60101N0HP000	CASE, SPROCKET	1	
2	60200N0HP000	DUST SEAL, SPROCKET	1	
3	54710K0BP000	RUBBER, REAR WHEEL DRIVING	4	
4	60002N0HP000	SPROCKET	1	
5	60015N0HP000	BOLT, SPROCKET MOUNTING	4	
6	B08000004701	CIR-CLIP 47MM	1	
7	B04171012554	NUT 10X1.25MM	4	
8	B08010006001	CIR-CLIP 60MM	1	
9	60027K0BP000	BRACKET, SPROCKET	1	
10	B01090601264	BOLT 6×12MM	3	
11	B1501K1014B0	DRIVE CHAIN 10A-1×114	1	
12	B07010001004	WASHER 10MM	4	



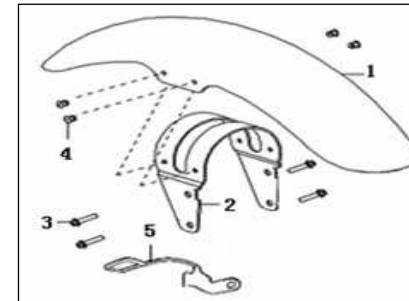
F13 REAR ABSORBER

NO.	CODE	EN DESCRIPTION	QTY.	NOTES
1	63000G0KP000	REAR ABSORBER ASSY.	2	
2	63013G0KP000	WASHER, UPPER, REAR ABSORBER	2	
3	63014G0KP000	WASHER, LOWER, REAR ABSORBER	2	
4	B01090801664	BOLT 8×16MM	4	



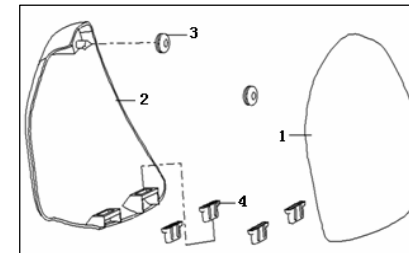
F14 FRONT FENDER

NO.	CODE	EN DESCRIPTION	QTY.	NOTES
1	65101K0BPR30	FRONT FENDER	1	VRM
1	65101K0BPB20	FRONT FENDER	1	PRT
2	65121G0KP000	REINFORCEMENT, FR. FENDER	1	
3	B01090801664	BOLT 8×16MM	4	
4	B100342008P0	RIVET 5×8MM	4	
5	08470N0HP00A	DISK BRAKE TUBE ASSY,FRONT	1	



F15 SIDE COVER ASSY

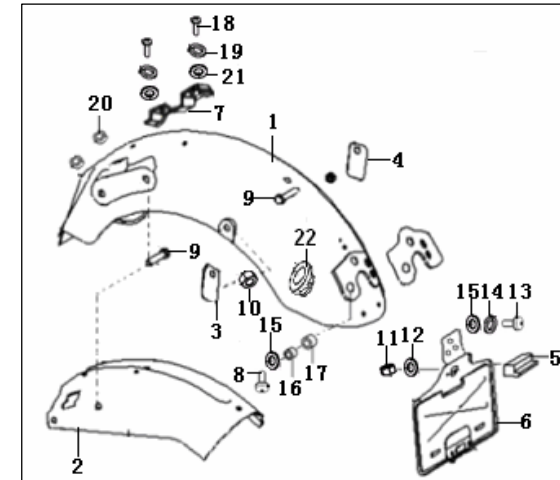
NO.	CODE	EN DESCRIPTION	QTY.	NOTES
1	65601N0HPR30	FRAME COVER, L.(RED R3)	1	
	65601N0HPB20	FRAME COVER, L.(BLACK B2)	1	
2	65602N0HPR30	FRAME COVER, R. (RED R3)	1	
	65602N0HPB20	FRAME COVER, R. (BLACK B2)	1	
3	65616N0HP000	CUSHION, FRAME COVER I	2	
4	65618N0HP000	CUSHION, FRAME COVER II	4	



SUPERSHADOW 250

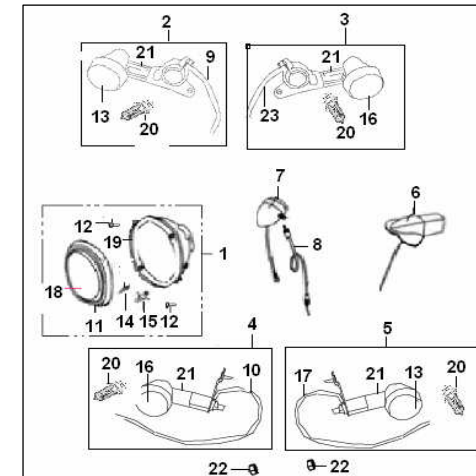
F16 REAR FENDER ASSY

NO.	CODE	EN DESCRIPTION	QTY.	NOTES
1	65750N0HPR30	REAR FENDER ASSY.	1	VRM
	65750N0HPB20	REAR FENDER ASSY.	1	PRT
2	65720K0BP000	REINFORCEMENT, RR. FENDER	1	
3	65780G0KP000	BRKT., L. RR. TURN SIGNAL LAMP	1	
4	65790G0KP000	BRKT., R. RR. TURN SIGNAL LAMP	1	
5	86500J00P001	REAR REFLECTOR E11-020612	1	
6	08250G0KP000	BRACKET, RR. LICENSE PLATE	1	
7	51201G0KP000	BRACKET, SEAT	1	
8	B01010602064	BOLT 6X20mm	3	
9	B01091002064	BOLT 10x20MM	2	
10	B04070800054	NUT 8MM	2	
11	B04000500054	NUT 5MM	1	
12	B07020000504	WASHER 5MM	1	
13	B01010601624	BOLT 6x16MM	3	
14	B07000000604	WASHER 6MM	3	
15	B07020000604	WASHER 6MM	6	
16	82011K0BP000	CUSHION	3	
17	82015K0BP000	BUSH	3	
18	B02000602023	SCREW 6X20MM	2	
19	B07000000603	WASHER 6MM	2	
20	57014K0BP000	WASHER, RUBBER	2	
21	B07030000603	WASHER 6mm	2	
22	65713N0HP000	RUBBER WASHER	1	



F17 ELECTRICAL EQUIPMENT I

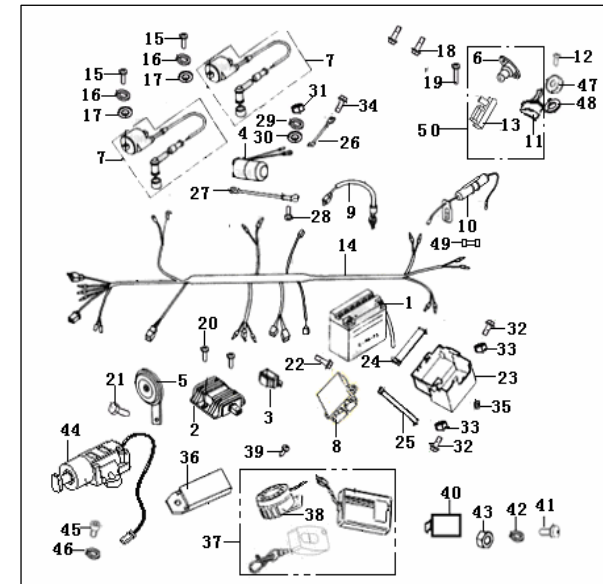
NO.	CODE	EN DESCRIPTION	QTY.	NOTES
1	80000N0HP001	HEAD LAMP ASSY.	1	
2	81300N0HP001	LAMP ASSY., FR. TURN SIGNAL, R.	1	
3	81100N0HP001	LAMP ASSY., FR. TURN SIGNAL, L.	1	
4	81700N0HP001	LAMP ASSY., RR. TURN SIGNAL, R.	1	
5	81500N0HP001	LAMP ASSY., RR. TURN SIGNAL, L.	1	
6	82000N0HP001	TAIL LAMP ASSY.	1	
7	70000N0HP001	SPEEDOMETER ASSY.	1	
8	72900N0HP000	CABLE ASSY., SPEEDOMETER	1	
9	81310N0HP000	WIRE ASSY.,FR. R. TURN SIGNAL	1	
10	81710N0HP000	WIRE ASSY.,RR. R. TURN SIGNAL	1	
11	80006N0HP000	BOWL, HEAD LAMP	1	
12	B02000501224	SCREW 5X12MM	2	
13	81303N0HP000	COVER, TURN SIGNAL, FR.,R	2	
14	B24012920000	BULB 1,HEADLIGHT	1	
15	B24010520000	BULB 2,HEADLIGHT	1	
16	81103N0HP000	COVER, TURN SIGNAL, FR., L.	2	
17	81510N0HP000	WIRE ASSY.,FR. L. TURN SIGNAL	1	
18	80004N0HP000	COVER, HEAD LAMP	1	
19	80007BM0T000	BASE, HEAD LAMP	1	
20	B24012120000	BULB, 12V/10W	4	
21	81010K100000	BASE, TURN SIGNAL	4	
22	B04001000064	NUT 10MM	2	
23	81110N0HP000	WIRE ASSY.,FR. L. TURN SIGNAL	1	



SUPERSHADOW 250

F18 ELECTRICAL EQUIPMENT II

NO.	CODE	EN DESCRIPTION	QTY.	NOTES
1	96100J00P000	BATTERY 12N9-4B 12V,9AH	1	
2	98801N04FN04	RECTIFIER	1	
3	96400N0HP000	RELAY, TURN SIGNAL	1	
4	96700N0HP000	RELAY, KICK STARTER	1	
5	95000N0HP001	HORN ASSY.	1	
6	88100N0HP000	LOCK ASSY.	1	ATÉ JUNHO 2008
6A	88100N0HP00A	LOCK ASSY.	1	APÓS JUNHO 2008 (PROVA DE ÁGUA)
7	96200N0HP000	COIL ASSY.,IGNITION	2	
8	97701N04FN04	C.D.I	1	
9	91700N0HP000	SWITCH, REAR BRAKE	1	
10	96800N0HP000	FUSE ASSY.	1	
11	88300N0HP000	LOCK ASSY, STEERING	1	ATÉ JUNHO 2008
11A	88300N0JP000	LOCK ASSY, STEERING	1	APÓS JUNHO 2008, APARTIR VIN TSYPFNOH39B521499
12	B100342008P0	RIVET 4.2X8MM	1	ATÉ JUNHO 2008
12A	B02010601023	SCREW 6X10MM	2	APÓS JUNHO 2008, APARTIR VIN TSYPFNOH39B521499
13	88700N0HP000	LOCK ASSY, HELMET	1	
14	92000N0HP000	HARNESS, WIRING	1	
14A	92000N0HP004	HARNESS, WIRING	1	PROVA DE ÁGUA
15	B02000502024	SCREW 5x20MM	4	
16	B07000000504	WASHER 5MM	4	
17	B07010000504	LOCK WASHER 5MM	4	
18	B01090601664	BOLT 6x16MM	2	ATÉ JUNHO 2008
18A	B0107060126L	BOLT 6x12MM	2	APÓS JUNHO 2008, APARTIR VIN TSYPFNOH39B521499
19	B0200060302L	BOLT 6x30MM	1	
20	B01010602025	BOLT 6x20MM	2	
21	B01010602025	BOLT 6x20MM	1	
22	B01090601664	BOLT 6x16MM	1	
23	65816N0HP000	CASE, BATTERY	1	
24	02200N0HP000	BAND , TOOL	1	
25	96004N0HP000	BAND , BATTERY CASE	1	
26	96900N0HP000	WIRE, EARTH	1	
27	92900N0HP000	WIRE, MOTOR	1	
28	B02000501224	SCREW 5X12MM	1	
29	B07000000603	WASHER 6MM	1	
30	B07030000603	LOCK WASHER 6MM	1	
31	B04240600034	BOLT 6MM	1	
32	B01090601064	BOLT 6X10MM	2	
33	B04050600064	NUT 6MM	2	
34	B01090601264	BOLT 6X12MM	1	
35	96008N0HP000	ACCUMULATOR CUSHION	1	
36	97900B030000	THERMOSTAT	1	
37	95700N0HP000	ALARM SYSTEM ASSY	1	
38	97600N0HP000	HORN ALARM SYSTEM	1	
39	B05074001205	SCREW 4X12MM	1	
40	97291N0HP000	ANNUNCIATOR FIXING PLATE	1	
41	B01090601564	SCREW 6X15MM	1	
42	B07020000603	WASHER 6MM	1	
43	B04000600043	NUT 6 MM	1	
44	91900N0LP001	SIDE STAND FLAMEOUT SWITCH	1	

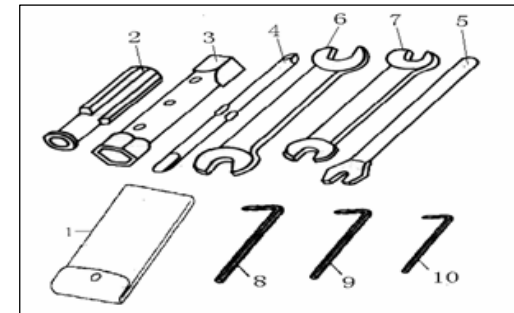


SUPERSHADOW 250

45	B02050501565	SCREW M5X15	2	
46	B07030000505	WASHER 5MM	2	
47	88809N0HP000	BUSH	1	
48	B190100600A0	O RING 6X1.8	1	
49	96810N0HP000	FUSE ASSY.	1	
50	88000N020000	LOCK ASSY	1	ATÉ JUNHO 2008
50A	88000N020003	LOCK ASSY	1	APÓS JUNHO 2008, APARTIR VIN TSYPFNOH39B521499

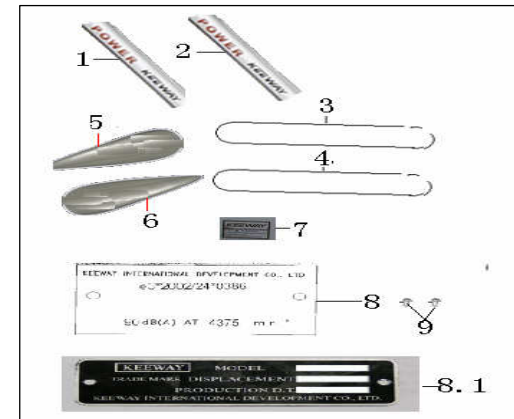
F19 TOOL KIT

NO.	CODE	EN DESCRIPTION	QTY.	NOTES
1	02110K0BP000	TOOL BAG	1	
2	02104K0BP000	HANDLE	1	
3	02101K0BP000	SOCKET, SPARK PLUG	1	
4	02103K0BP000	SCREW DRIVER, DOUBLE-HEADED	1	
5	02102K0BP000	SPANNER, SPARK PLUG	1	
6	B20011301603	WRENCH, DOUBLE-HEADED	1	
7	B20011001203	WRENCH, DOUBLE-HEADED	1	
8	B200208000R3	SOCKET WRENCH 8	1	
9	B200206000R3	SOCKET WRENCH 6	1	
10	B200205000R3	SOCKET WRENCH 5	1	



F20 STICKER

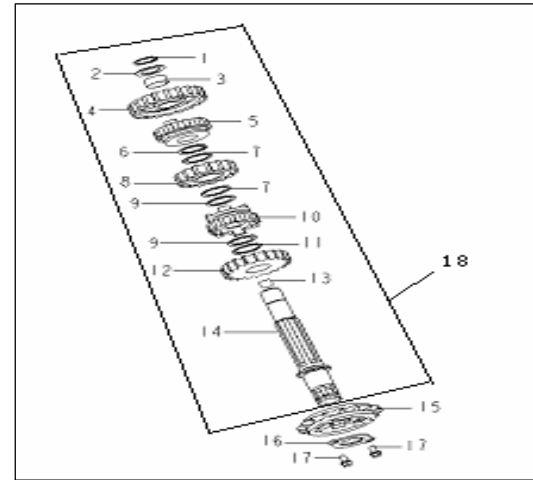
NO.	CODE	EN DESCRIPTION	QTY.	NOTES
1	05503N0HP001	STICKER 2, FRONT FORK, L.	1	
2	05504N0HP001	STICKER 2, FRONT FORK, R.	1	
3	05505N0HP000	STICKER, FRONT FENDER	1	
4	05506N0HP000	STICKER, REAR FENDER	1	
5	05532N0HP001	STICKER, FUEL TANK, L.	1	
6	05533N0HP001	STICKER, FUEL TANK, R.	1	
7	05531N0HP001	WARNING STICKER, FUEL TANK	1	
8	57001N0HP000	LABEL PLATE	1	
9	B10000300600	RIVET 3X6MM	2	
10	05535N0HP000	LEFT STICKER, FUEL TANK	1	
11	05536N0HP000	RIGHT STICKER, FUEL TANK	1	



SUPERSHADOW 250

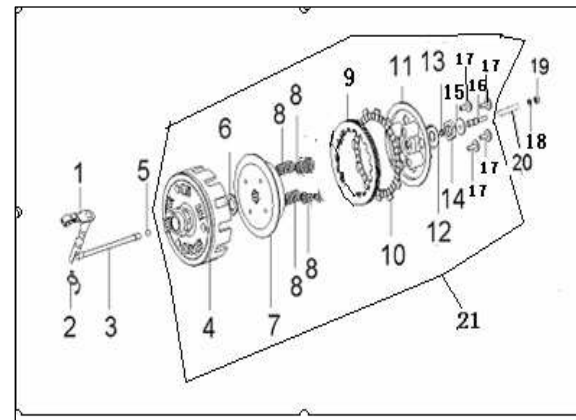
E01 COUNTERSHAFT ASSY

NO	CODE		QTY	NOTES
1	B08010002000	CIRCLIP	1	
2	17307N04F000	WASHER	1	
3	17306N04F000	BUSH	1	
4	17305N04F000	GEAR, 1st driven	1	
5	17312N04F000	GEAR, 4st driven	1	
6	B08010002500	CIRCLIP	1	
7	17310N04F000	WASHER	2	
8	17311N04F000	GEAR, 3rd driven	1	
9	17346N04F000	CIRCLIP	2	
10	17320N04F000	GEAR, 5th driven	1	
11	17348N04F000	WASHER	1	
12	17309N04F000	GEAR, 2nd driven	1	
13	17347N04F000	SLIP WAHER	1	
14	17303N04F000	SHAFT , DRIVEN	1	
15	17340N04F000	SPROCKET ASSY	1	
16	17344N04F940	WASHER, lock	1	
17	B01010601063	BOLT	2	
18	209102.014000	DRIVEN SHAFT , ASSY	1	



E02 CLUTCH ASSY

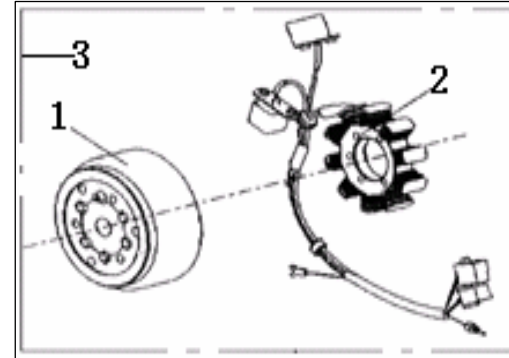
NO	CODE		QTY	NOTES
1	207110.001472	JOY STICK	1	
2	24904N04F920	TWIST SPRING	1	
3	24908N04F000	HANDSPIKE	1	
4	24400N04F000	HUB, primary drive	1	
5	B06010290000	BALL	1	
6	24616N04F000	WASHER, spline	1	
7	24500N04F000	HUB, clutch sleeve	1	
8	24611N04F930	SPRING	4	
9	24708N04F000	PRESSURE PLATE	4	
10	24705N04F000	PLATE FRICTION	5	
11	24503N04F000	HUBSEAT	1	
12	24615N04F930	STOP WASHER	1	
13	24505N04F000	WASHER (RN7443 GB7039-86)	1	
14	24607N04F930	NUT M16X1.6	1	
15	24651N04F930	HANDSPIKE , Seat	1	
16	24914N04F930	HANDSPIKE	1	
17	24507N04F000	BOLT (M6x20)	4	
18	B07030000600	FLAT WASHER 6	1	
19	B04040000052	NUT 6	1	
20	24652J03F000	SCREW	1	
21	24000N04F000	CLUTCH ASSY	1	



SUPERSHADOW 250

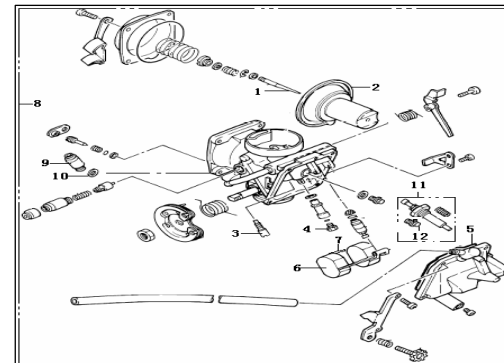
E03 MAGNETO ASSY

NO	CODE		QTY	NOTES
1	34301N04F000	FLY WHEEL ASSY	1	
2	34310N04F000	COIL ASSY STATOR	1	
3	34300N04F000	MAGNETO ASSY COMP.	1	
2	299035040000	COIL ASSY STATOR	1	
3	223100.008000	MAGNETO ASSY COMP.	1	PROVA DE ÁGUA



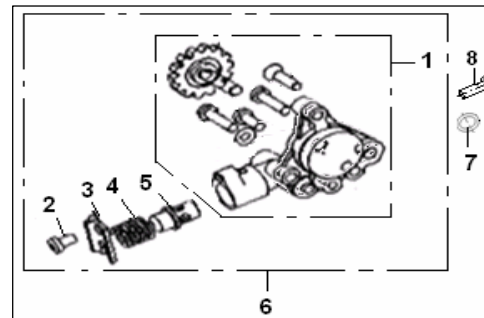
E04 CARBURETOR ASSY

NO	CODE		QTY	NOTES
1	32508N04F000	NEEDLE JET	1	
2	32506N04F000	PISTON Valve	1	
3	32618N04F000	Idle Jet (50#)	1	
4	224202.054000	Main Jet (102.5#)	1	
5	32701N04F000	GASKET,float chamber	1	
6	32622N04F000	FLOAT	1	
7	32621N04F000	FLOAT PIN	1	
8	224100.118000	CARBURATOR ASSY	1	
9	224260.002000	HEATER	1	
10	32801B09F000	WASHER, HEATER	1	
11	224131.001000	ACCELERATOR ASSY.	1	
12	32719N04F000	SEAL CABLE,ACCELERATOR PUMP	1	



E05 OIL PUMP ASSY

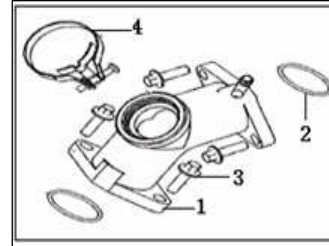
NO	CODE		QTY	NOTES
1	219100.040000	GEAR ASSY,oil pump	1	
2	B02040601063	SCREW (M6X10)	1	
3	19301N04F910	PLATE	1	
4	19302N04F930	SPRING	1	
5	19303N04F000	VALVE,decompress	1	
6	19000N04F000	OIL PUMP ASSY	1	
7	260055040000	O SEAL RING	1	
8	B02010602523	SCREW 6X25	1	



SUPERSHADOW 250

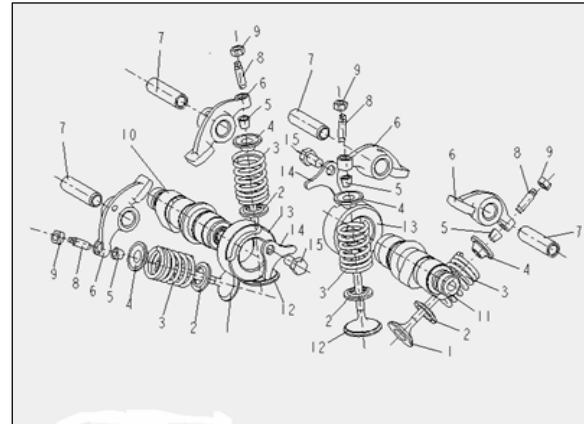
E06 CARBURETOR INTAKE PIPE

NO	CODE		QTY	NOTES
1	32200N04F000	Intake Pipe assy.	1	
2	32209N04F000	O RING	2	
3	B01070602064	SCREW	4	
4	202104.005472	CLAMP ASSY	1	



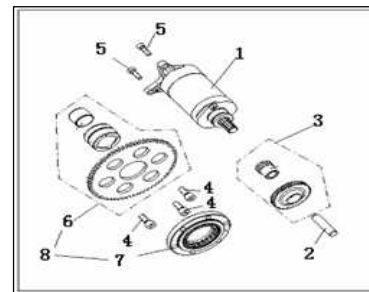
E07 INTAKE & EXHAUST MECHANISM

NO	CODE		QTY	NOTES
1	30201N04F000	VALVE , exhaust	2	
2	30106N04F000	GASKET, valve spring	4	
3	30101N04F930	SPRING, valve	4	
4	30105N04F000	RETAINER, valve spring	4	
5	30108N04F000	COTTER, valve	8	
6	30123N04F000	ARM, valve rocker	4	
7	30121N04F000	SHAFT, valve rocker	4	
8	30302H03F000	SCREW, adjusting	4	
9	30303H03F000	NUT, adjusting	4	
10	30401N04F000	CAMSHAFT(□)	1	
11	30424N04F000	CAMSHAFT(□)	1	
12	30103N04F000	VALVE, intake	2	
13	30423N04F000	SEAT, camshaft	2	
14	30417N04F000	PLATE, camshaft	2	
15	B02040601262	SCREW M6X12	2	



E08 STARTING CLUTCH ASSY

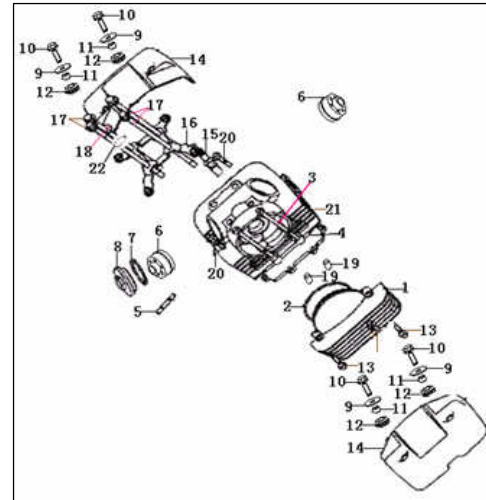
NO	CODE		QTY	NOTES
1	218100.015082	Starting motor assy.	1	
2	34146N04F000	Shaft,starting idle gear	1	
3	34140N04F000	Starting idle gear comp.	1	
4	B02040801862	SCREW M8X18	3	
5	B02040602562	SCREW M6X25	2	
6	34150N04F000	Starting gearwheel comp.	1	
7	34400N04F000	Starting clutch	1	
8	217100.018082	Starting clutch assy.	1	



SUPERSHADOW 250

E09 FRONT CYLINDER HEAD ASSY

NO	CODE		QTY	NOTES
1	201301.004082	RIGHT COVER, front cylinder head	1	
2	30505N04F000	O RING 82.5x3	1	
3	B01070611064	SCREW M6X110	2	
4	30503N04F000	GASKET, head cover	1	
5	201216.001472	STUD BOLT 6x43	2	
6	30240N04F000	SEAL COMP, valve	2	
7	30116N04F000	O RING 45X3	2	
8	201326.003082	OBSERVE COVER	2	
9	30112N04F940	WASHER	4	
10	B01070602064	SCREW M6X20	4	
11	30534N04F910	CONDUIT	4	
12	30111N04F000	GASKET, seal	4	
13	B01070602564	SCREW M6X25	2	
14	201300.018082	HEAD COVER COMP	2	
15	299075040000	SPARK PLUG	1	A6RTC
16	30320N04F910	FIXTURE	1	
17	201313.006472	MOUNT	4	
18	30515N04F000	FLAT WASHER 20X8.5X2	1	
19	26208J01F000	PIN, POWEL	2	
20	B01070604064	SCREW (M6X40)	2	
21	201100.017082	FRONT CYLINDER HEAD COMP	1	
22	26117J01F000	O RING (6.8X1.9)	3	

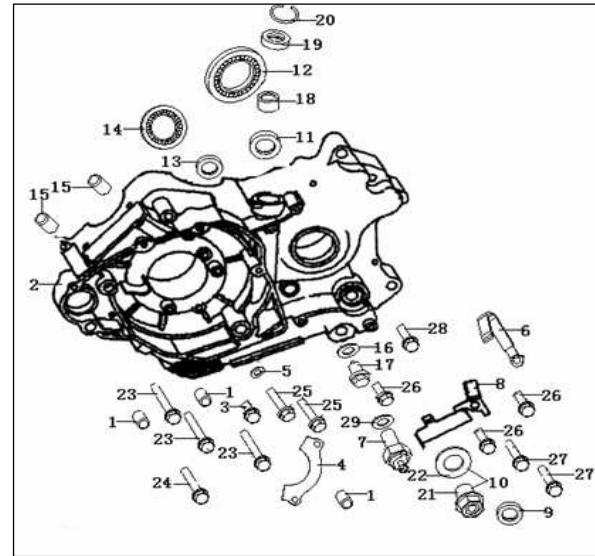


SUPERSHADOW 250

E10 LEFT CRANKCASE ASSY

NO	CODE		QTY
1	26123G02F000	PIN DOWEL	2
2	26110N04F000	LEFT CRANKCASE COMP	1
3	B01030601263	BOLT	2
4	26113N04F000	CHAINPLATE	2
5	307991002230	WASHER □	2
6	26601N04F940	CLAMP □	1
7	34800N04F000	SENCOR,neutral switch	1
8	26603N04F940	CLAMP □	1
9	26133N04F000	OIL SEAL I	1
10	26143N04F000	DRAIN PLUG COMP	1
11	26130N04F000	OIL SEAL □	1
12	B12016630550	BEARING	1
13	26129N04F000	OIL SEAL □	1
14	B12016610350	BEARING	1
15	26123N04F000	PIN,dowel	4
16	307991002430	WASHER □	1
17	26138N04F940	SCREW,dowel	1
18	26137N04F000	NEEDLE BEARING (20X14X12)	1
19	26142N04F000	OILSEAL□	1
20	B08000002800	CLIP	1
21	26144N04F000	PLUG	1
22	26145N04F000	WASHER	1
23	301310608065	SCREW	4
24	301310607065	SCREW	2
25	301310604065	SCREW	1
26	301310602565	SCREW	4
27	301310606365	SCREW	2
28	301310603065	SCREW	2
29	307991511651	WASHER	1

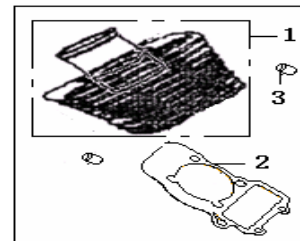
NOTES



E11 FRONT CYLINDER ASSY

NO	CODE		QTY
1	204100.013082	FRONT CYLINDER ASSY	1
2	27102N04F000	GASKET,Front cylinder	1
3	26208J01F000	PIN,POWER	2

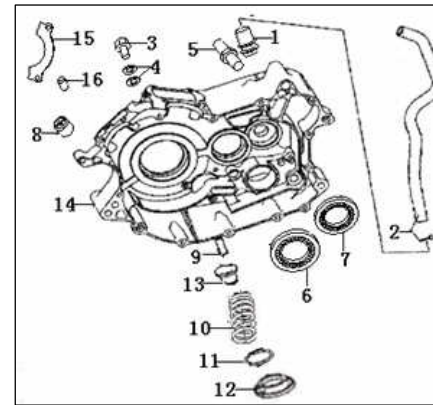
NOTES



SUPERSHADOW 250

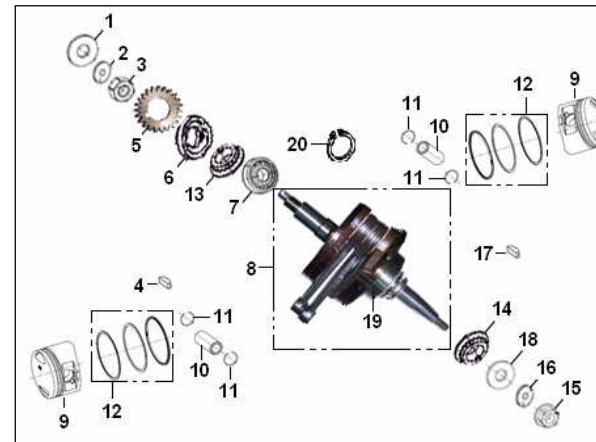
E12 RIGHT CRANKCASE ASSY

NO	CODE		QTY	NOTES
1	26401N04F940	PIPE,link	1	
2	26400N04F000	VENTILATE PIPE COMP	1	
3	201207.002472	BOLT,oil pressure indication	1	
4	26216N04F940	WASHER □	1	
5	26208N04F930	PIN	1	
6	B12016620550	BEARING	1	
7	B12016610450	BEARING	1	
8	26228N04F000	PLUG,oil limiting	2	
9	26321N04F000	OIL PIPE,soak oil	1	
10	26305N04F930	SPRING	1	
11	26307N04F000	O RING □	1	
12	206211.004082	DRAIN PLUG	1	
13	26300N03F000	FILTER WEB	1	
14	26210N04F000	RIGHT CRANKCASE COMP	1	
15	26113N04F000	CHAIN PLATE	1	
16	26207N04F000	BOLT	1	



E13 CRANKSHAFT,CONNECTING ROD,PISTON ASSY

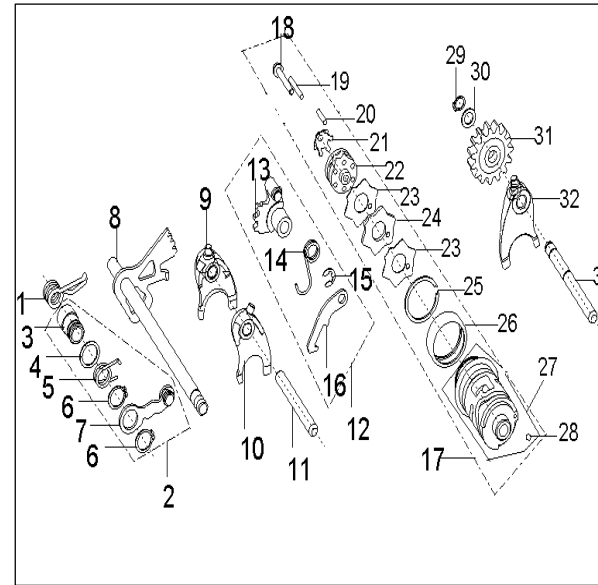
NO	CODE		QTY	NOTES
1	15230N04F000	LOCK NUT	1	
2	15233N04F930	WASHER (20-GB710-88)	1	
3	15234N04F000	WASHER (35-GB710-88)	1	
4	15116N04F000	KEY	1	
5	15207N04F000	GEAR	1	
6	15117N04F000	PLATE, CHAIN	1	
7	B12016630653	BEARING	1	
8	15200N04F000	CRANKSHAFT COMP	1	
9	208300.030062	PISTON	2	
10	15105N04FF10	PIN, PISTON	2	
11	15106N04F930	CIRCLIP	4	
12	15120N04F000	RING ASSY.	2	JOGOS
13	15232N04F000	SPROCKET,C/SHAFT TIMING(□)	1	
14	15238N04F000	SPROCKET,C/SHAFT TIMING(□)	1	
15	15228H03F000	NUT(M12X1.2)	1	
16	15209N04F920	WASHER (31X12.5X4)	1	
17	15101N03F000	KEY	1	
18	34122N04F000	WASHER (40X25.3X1)	1	
19	B12016630653	BEARING	1	
20	15212N04F000	CIRCLIP	3	



SUPERSHADOW 250

E14 GEAR SHIFT MECHANISM

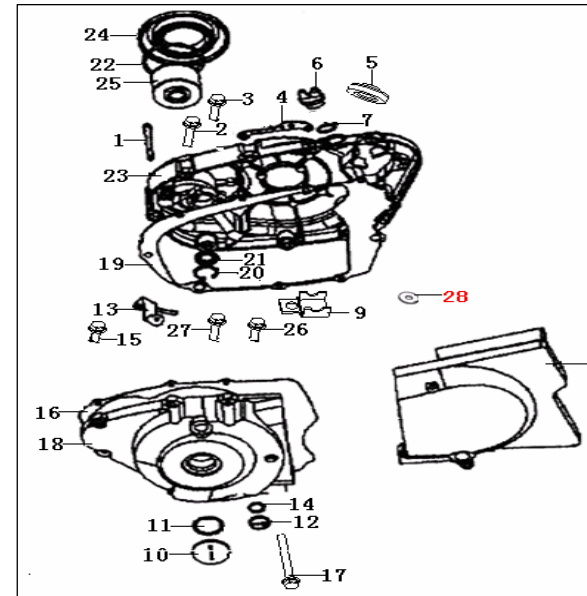
NO	CODE		QTY	NOTES
1	17701N04F000	SPRING	1	
2	17515N04F000	STOPPER ASSY	1	
3	17516N04F000	AXLE SET	1	
4	17517N04F930	WASHER	1	
5	17518N04F930	SPRING	1	
6	B08010001700	CIRCLIP	2	
7	17514N04F000	STOPPER	1	
8	17703N04F000	SHAFT	1	
9	17614N04F940	FORK□	1	
10	17616N04F940	FORK□	1	
11	17617N04F000	SHAFT□, shift fork	1	
12	17415N04F000	CLAW ASSY	1	
13	17417N04F000	GEAR□	1	
14	17418N04F930	SPRING	1	
15	17442N04F920	CIRCLIP	1	
16	17713N04F000	CLAW	1	
17	17600N04F000	CAM ASSY	1	
18	B02010503563	BOLT	1	
19	17601N04F000	PIN	1	
20	17618N04F000	PIN	5	
21	17624N04F000	SPRING WASHER	1	
22	17625N04F000	KICKSTAND	1	
23	17603N04F920	WASHER	2	
24	17602N04F000	PLATE	1	
25	17626N04F930	CIRCLIP	1	
26	17623N04F000	NEEDLE BEARING	1	
27	17604N04F000	CAM, gear shift	1	
28	17609N04F000	PLATE, neutral switch	1	
33	17621N04F000	SHAFT□, shift fork	1	
29	B08010001000	CIRCLIP	3	
30	30300N04F000	WASHER	1	
31	19117N04F000	GEAR	1	
32	17615N04F940	FORK□	1	



SUPERSHADOW 250

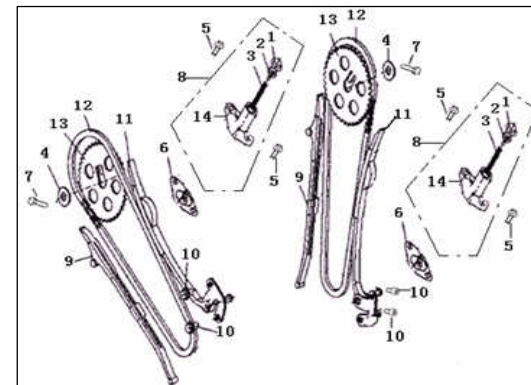
E15 CLUTCH COVER ASSY

NO	CODE		QTY	NOTES
1	301310609065	SCREW	1	
2	301310603565	SCREW	4	
3	301310602565	SCREW	16	
4	206303.005472	BRACKET,right crankcase cover	1	
5	160083090000	OIL LEVEL INDICATOR ASSY	1	
6	207305.006472	PLUG	1	
7	14208N04F000	O RING	1	
8	207201.026472	COVER,sprocket	1	
9	14231N04F000	PLATE	1	
10	207204.006472	PLUG,cover magneto	1	
11	14116H03F000	O RING	1	
12	207205.001472	PLUG	1	
13	207213.005472	PLATE	1	
14	14115N04F000	O RING	1	
15	B01050601064	SCREW	2	
16	14230N04F000	GASKET,magneto cover	1	
17	B01070607064	SCREW	1	
18	207200.043472	Cover,magneto	1	
19	14229N04F000	GASKET,sprccket cover	1	
20	B08000002500	CIRCLIP	1	
21	14221N04F000	OIL SEAL	1	
22	B190106300C0	O RING	1	
23	207300.015472	CLUTCH COVER	1	
24	207308.007472	CAP,strainer (Mark "KEEWAY")	1	
25	26308N04F000	STAINER	1	
26	34345J01F000	SCREW	2	
27	B02040603023	SCREW	3	
28	30351J01F000	WASHER 6	1	



E16 TIMING CHAIN & TENSIONER ASSY

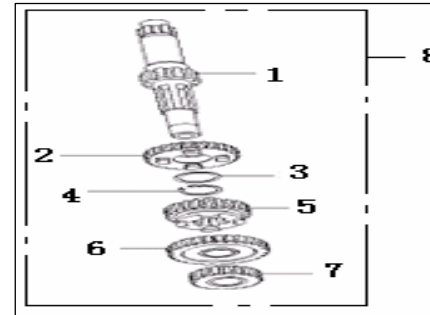
NO	CODE		QTY	NOTES
1	27450B08F000	BOLT	2	
2	27302N03F000	O RING (8.5x2)	2	
3	27305N03F000	SPRING (1)	2	
4	27304N04F000	WASHER 19.5X8.2X2	2	
5	B01070601864	SCREW(M6X18)	4	
6	27304N03F000	GASKET	2	
7	27328N04F930	BOLT (M8X21.5)	2	
8	27300N03F000	TENSIONER COMP.	2	
9	27440N04F000	GUIDE CHAIN PLATE	2	
10	B02030601063	BOLT(M6X12)	4	
11	27430N04F000	GUIDE CHAIN PLATE	2	
12	27321N04F000	TIMING CHAIN	2	
13	30404N04F000	TIMING CHAIN SPROCKET BIG	2	
14	205117001000	SET TENSIONER ASSY	2	



SUPERSHADOW 250

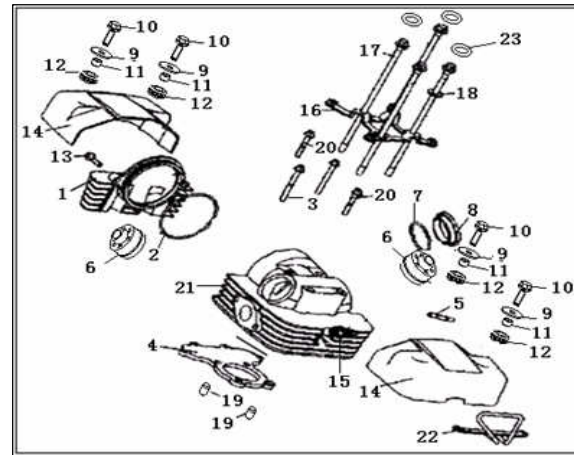
E17 PRINCIPAL AXLE ASSY

NO	CODE		QTY	NOTES
1	17201N04F000	SHAFT , DRIVEN	1	
2	17205N04F000	GEAR, 4th drive	1	
3	17223N04F000	WASHER	1	
4	17224N04F930	CIRCLIP	1	
5	17204N04F000	GEAR, 3rd drive	1	
6	17206N04F000	GEAR, 5th drive	1	
7	17202N04F000	GEAR, 2nd drive	1	
8	209101.010000	DRIVEN SHAFT ASSY	1	



E18 REAR CYLINDER HEAD ASSY

NO	CODE		QTY	NOTES
1	201301.004082	RIGHT COVER, rear cylinder head	1	
2	30505N04F000	O RING	1	
3	B01070611064	SCREW	2	
4	30503N04F000	GASKET, head cover	1	
5	201216.001472	STUD BOLT	2	
6	30240N04F000	SEAL COMP, valve	2	
7	30116N04F000	O RING	2	
8	201326.003082	OBSERVE COVER	2	
9	30112N04F940	WASHER	4	
10	B01070602064	SCREW	4	
11	30534N04F910	CONDUIT	4	
12	30111N04F000	GASKET, seal	4	
13	B01070602564	SCREW	2	
14	201300.018082	HEAD COVER COMP	2	
15	299075040000	SPARK PLUG (A6RTC)	1	
16	30320N04F910	FIXTURE	1	
17	201313.006472	MOUNT	4	
18	30515N04F000	WASHER	1	
19	26208J01F000	PIN, DOWEL	2	
20	B01070604064	SCREW	2	
21	201100.017082	REAR CYLINDER HEAD	1	
22	201105.001472	SUSPENDER COMP	1	
23	26117J01F000	O RING	3	



E19 REAR CYLINDER ASSY

NO	CODE		QTY	NOTES
1	204100.014082	CYLINDER MACHINING ASSY	1	
2	27102N04F000	GASKET, cylinder	1	
3	26208J01F000	PIN, POWEL	2	

