

# PARTS CATALOGUE



## MOTORCYCLES

RA50AC(PT)

VENOX250



Release Date : 1899/12/31  
Print Date : 2022/08/03

## ABOUT THIS PARTS LIST

- This parts list is compiled all service parts for model RA50AC(PT).
- Any difference between color chart and motorcycle will be revised according to motorcycle.
- The Mark:
  1. Marking "\*\*\*" must add color code in the end before ordering parts.
  2. Marking "#" are parts with modification, Please find the details from e-Parts system.
- When modification or additions to this parts list are made a revised edition at an appropriate time.



# CONTENTS

● ABOUT THIS PARTS LIST .....	1
● COLOR CHART OF RA50AC(PT) .....	3
● CONTENTS-ENGINE GROUP .....	5
● CONTENTS-FRAME GROUP .....	7
● ENGINE PARTS LIST .....	11
● FRAME PARTS LIST .....	65
● PART NO. INDEX .....	153

NO	MODEL			COLOR CHART OF RA50AC(PT)			
	PHOTO NO			NO. 1	NO. 2	NO. 3	NO. 4
	BASIC COLOR			Black Blue	Bright Silver	Deep Silver Metallic	Diamond Red
	CODE			Black Blue	Bright Silver	Deep Silver Metallic	Diamond Red
	PARTS NAME	PARTS NO.	VERSION	PB184PA	NH045MA	NH232MA	RR164MA
1	MIRROR ASSY R BACK	88110-KHC6-C00	2	F1S			
2	MIRROR ASSY L BACK	88120-KHC6-C00	2				
3	LEVER R STRG HNDL	53175-KKA8-900	0	M3A			
4	LEVER L STRG HNDL	53178-KKA8-900	1				
5	FENDER FR	61100-KED9-900	1	BJP	N8P	NZP	RDP
6	COVER R SIDE **(7)	83520-KED9-900	8				
7	COVER BODY	83600-KED9-900	7				
8	COVER L SIDE **(7)	83620-KED9-900	8				
9	TANK SET FUEL	17500-KED9-305	0	BJS	N8S	NZS	RDS
10	BODY ASSY FRAME	50100-KED9-305	0				
11	PLATE R PIVOT COVER	50300-KED9-900	3				
12	PLATE L PIVOT COVER	50310-KED9-900	3				
13	FORK COMP RR	52110-KED9-900	7	NJA			
14	FIN B COMP	12228-KED9-900	3				
15	FIN C COMP	12229-KED9-900	2				
16	FIN D COMP	12230-KED9-900	3				
17	WHEEL SET RR	42600-KED9-305	0				
18	PANEL COMP RR BRK	43100-KED9-900	5				
19	WHEEL SET FR	44600-KED9-305	4				
20	CALIPER ASSY FR	45200-KED9-900	3				
21	FORK ASSY R FR	51400-KED9-900	6				
22	FORK ASSY L FR	51500-KED9-900	6				
23	STAY R HEAD LIGHT	51601-KED9-900	5				
24	STAY L HEAD LIGHT	51602-KED9-900	5				
25	SEAT ASSY (REACH)	77200-KED9-900	4	T01			
DATE OF STARTING-SALES				2005-11-16	2005-11-16		
DATE OF END-SALES							

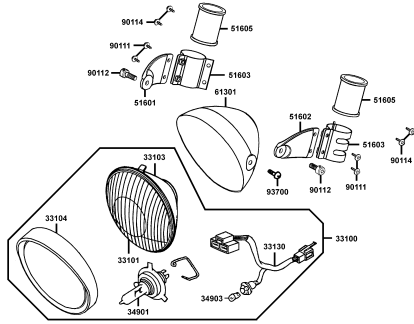




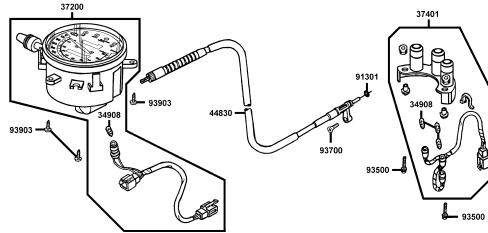


# CONTENTS - FRAME GROUP

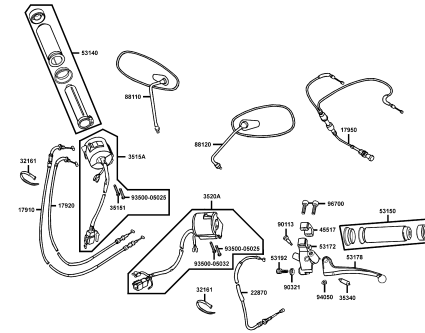
**F01** Head Light



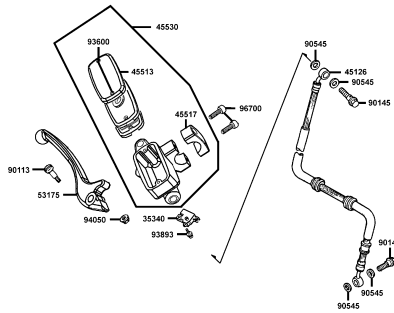
**F02** Speedometer



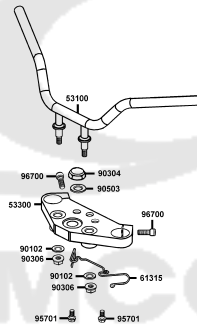
**F03** Cable Switch Mirror



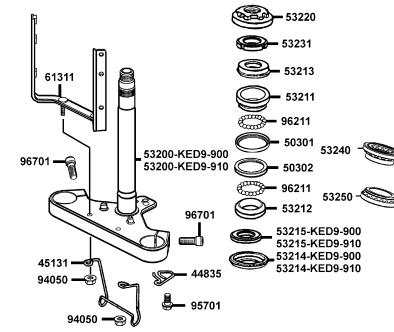
**F04** Master Cylinder



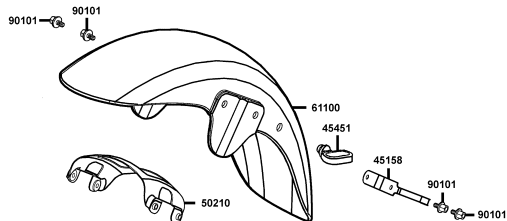
**F05** Handle Steering



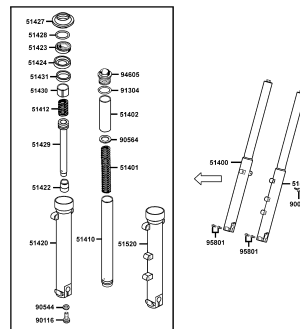
**F06** Steering Stem



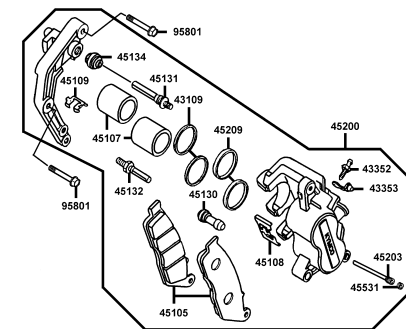
**F07** Front Fender



**F08** Front Fork



**F09** Front Caliper











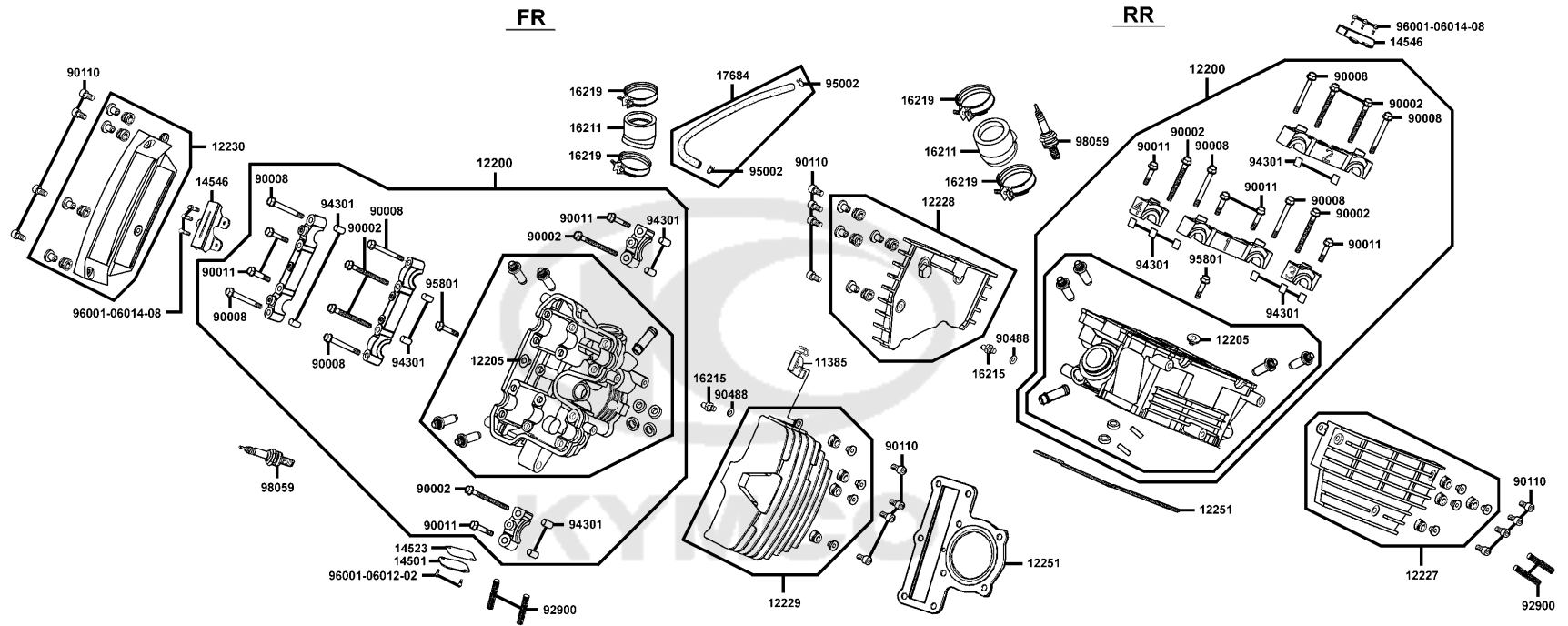


Sales mark	Ref no	Part no	Description	Reg description	Regd no	<b>E01</b>
	12311	12311-KED9-900	COVER CYLINDER HEAD	COVER CYLINDER HEAD	2	
	12391	12391-KED9-900	SEAL HEAD COVER	SEAL HEAD COVER	2	
	90017	90017-KED9-900	BOLT ASSY HEAD COVER	BOLT ASSY HEAD COVER	8	
	90084	90084-KKAK-900	CAP AC GENERATOR	CAP AC GENERATOR	2	
	90541	90541-KED9-900	RUBBER MOUNTING	RUBBER MOUNTING	8	
	90914	90914-KED9-900	WASHER HEAD COVER BOLT	WASHER HEAD COVER BOLT	8	
	91303	91303-3G77-001	O-RING 13.8*2.5	O-RING 13.8*2.5	2	
	94301	94301-10120	DOWEL PIN 10*12	DOWEL PIN 10*12	4	



E02

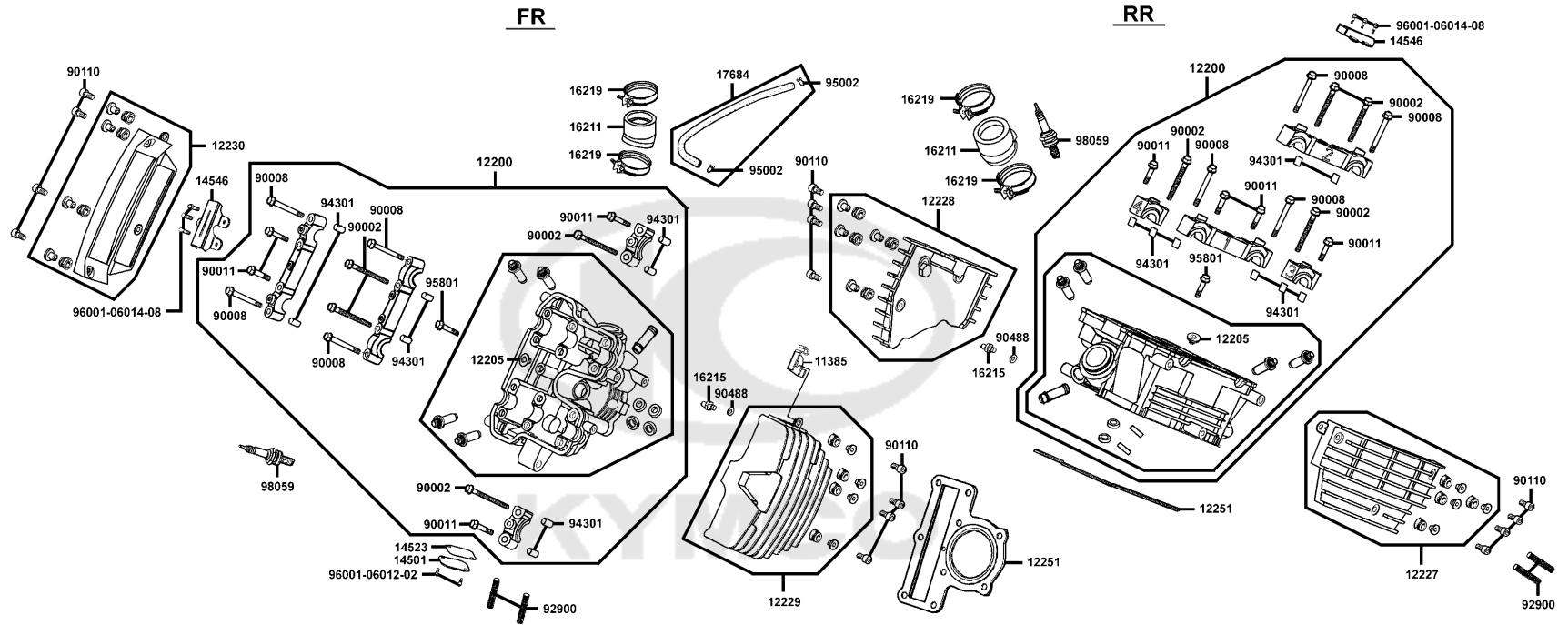
# Cylinder Head



Sales mark	Ref no	Part no	Description	Reg description	Regd no	E02
	11385	11385-KED9-900	CLAMP IDLING WIRE	CLAMP IDLING WIRE	1	
	12200	12200-KED9-900	HEAD COMP CYLINDER	HEAD COMP CYLINDER	2	
	12205	12205-KHE8-301	BOLT SEALING 12MM	BOLT SEALING 12MM	2	
	12227	12227-KED9-900	FIN A COMP	FIN A COMP	1	
**	12228	12228-KED9-900	FIN B COMP	FIN B COMP	1	
**	12229	12229-KED9-900	FIN C COMP	FIN C COMP	1	
**	12230	12230-KED9-900	FIN D COMP	FIN D COMP	1	
	12251	12251-KED9-900	GASKET CYLINDER HEAD	GASKET CYLINDER HEAD	2	
	14501	14501-KED9-900	COVER TENSIONER HOLE	COVER TENSIONER HOLE	1	
#	14523	14523-KED9-920	GASKET TENSIONER LIFTER @A	GASKET TENSIONER LIFTER @A	1	
	14546	14546-KED9-900	GUIDE UPPER TENSION	GUIDE UPPER TENSION	2	
	16211	16211-KED9-900	INSULATOR CARB	INSULATOR CARB	2	
	16215	16215-KED9-900	JOINT	JOINT	2	
	16219	16219-KED9-900	BAND INSULATOR	BAND INSULATOR	4	
	17684	17684-KED9-900	TUBE COMP VACUUM	TUBE COMP VACUUM	1	
	90002	90002-KED9-900	BOLT UBS 8*151	BOLT UBS 8*151	8	
	90008	90008-KED9-900	BOLT UBS 8*129	BOLT UBS 8*129	8	
	90011	90011-KED9-900	BOLT UBS 8X48(C)	BOLT UBS 8X48(C)	8	
	90110	90110-KED9-900	SCREW PAN 6*18	SCREW PAN 6*18	16	
	90488	90488-KED9-900	WASHER 5MM	WASHER 5MM	2	

E02

# Cylinder Head



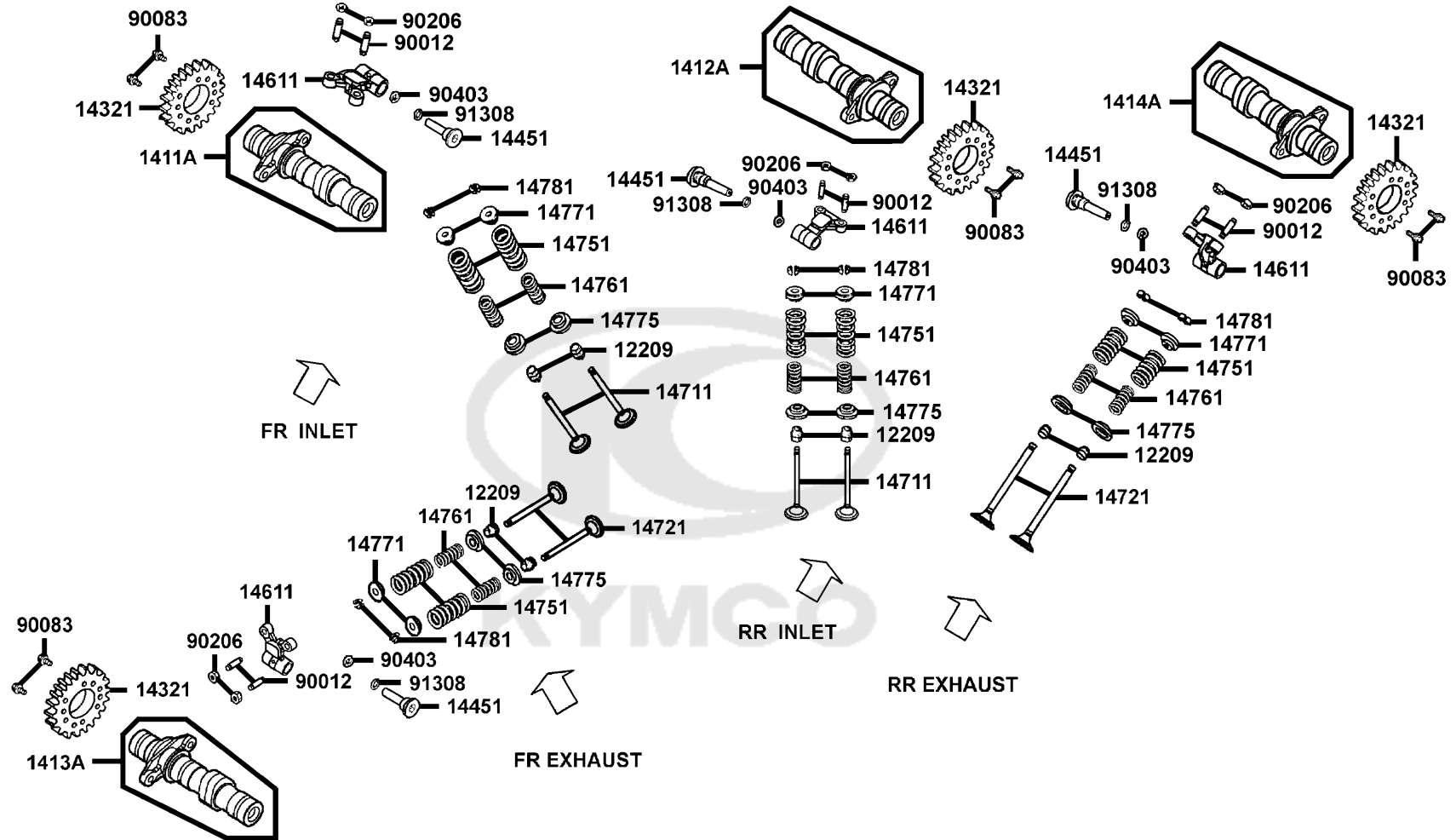


Sales mark	Ref no	Part no	Description	Reg description	Regd no	<b>E02</b>
	92900	92900-06040-0E	BOLT STUD 6*40	BOLT STUD 6*40	4	
	94301	94301-10120	DOWEL PIN 10*12	DOWEL PIN 10*12	16	
	95002	95002-02070	CLIP B7 TUBE	CLIP B7 TUBE	2	
	95801	95801-KED9-900	BOLT UBS 8x71 (C)	BOLT UBS 8x71 (C)	2	
	96001-06012-02	96001-06012-02	BOLT FLANGE SH 6*12	BOLT FLANGE SH 6*12	2	
#	96001-06014-08	96001-06014-06	BOLT FLANGE SH 6X14	BOLT FLANGE SH 6X14	1	
	98059	98059-58916-00	PLUG SPARK(CR8E)	PLUG SPARK(CR8E)	2	



E03

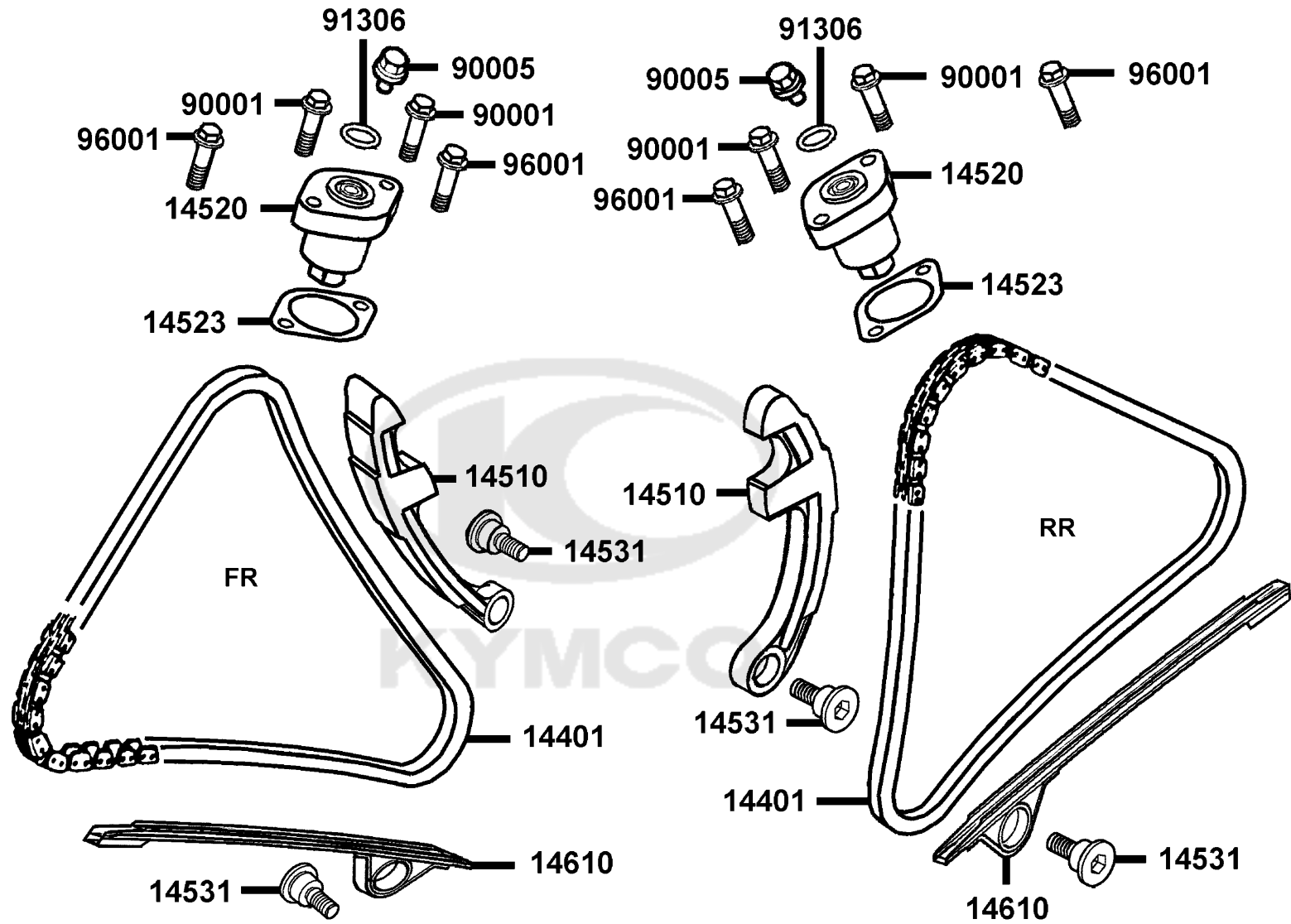
Valve



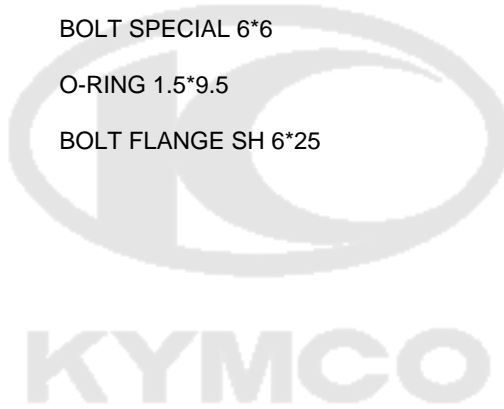
Sales mark	Ref no	Part no	Description	Reg description	Regd no	<b>E03</b>
12209		12209-GDB4-68B	SEAL VALVE STEM	SEAL VALVE STEM	1	
1411A		1411A-KED9-220	CAM SHAFT FR INLET COMP	CAM SHAFT FR INLET COMP	1	
1412A		1412A-KED9-220	CAM SHAFT RR INLET COMP	CAM SHAFT RR INLET COMP	1	
1413A		1413A-KED9-220	CAM SHAFT FR EXHAUST COMP	CAM SHAFT FR EXHAUST COMP	1	
1414A		1414A-KED9-220	CAM SHAFT RR EXHAUST COMP	CAM SHAFT RR EXHAUST COMP	1	
14321		14321-KED9-900	SPROCKET CAMSHAFT	SPROCKET CAMSHAFT	4	
14451		14451-KED9-900	SHAFT ROCKER ARM	SHAFT ROCKER ARM	4	
14611		14611-KED9-900	ARM VALVE ROCKER	ARM VALVE ROCKER	4	
14711		14711-KED9-900	VALVE INLET	VALVE INLET	4	
14721		14721-KED9-900	VALVE EXHAUST	VALVE EXHAUST	4	
14751		14751-KED9-900	SPRING VALVE OUTER	SPRING VALVE OUTER	8	
14761		14761-KED9-900	SPRING VALVE INNER	SPRING VALVE INNER	8	
14771		14771-KED9-900	RETAINER VALVE SPRING	RETAINER VALVE SPRING	8	
14775		14775-KED9-900	SEAT VALVE SPG	SEAT VALVE SPG	8	
14781		14781-MFA6-001	COTTER VALVE	COTTER VALVE	16	
90012		90012-3C33-001	SCREW TAPPET ADJUSTING	SCREW TAPPET ADJUSTING	8	
90083		90083-KED9-900	BOLT KNOCK 6X12 (C) +NYLON	BOLT KNOCK 6X12 (C) +NYLON	8	
90206		90206-0A01-001	NUT TAPPET ADJG	NUT TAPPET ADJG	8	
90403		90403-KED9-900	WASHER WAVE 10MM	WASHER WAVE 10MM	4	
91308		91308-KED9-900	O-RING 17.5*1.5	O-RING 17.5*1.5	4	

E04

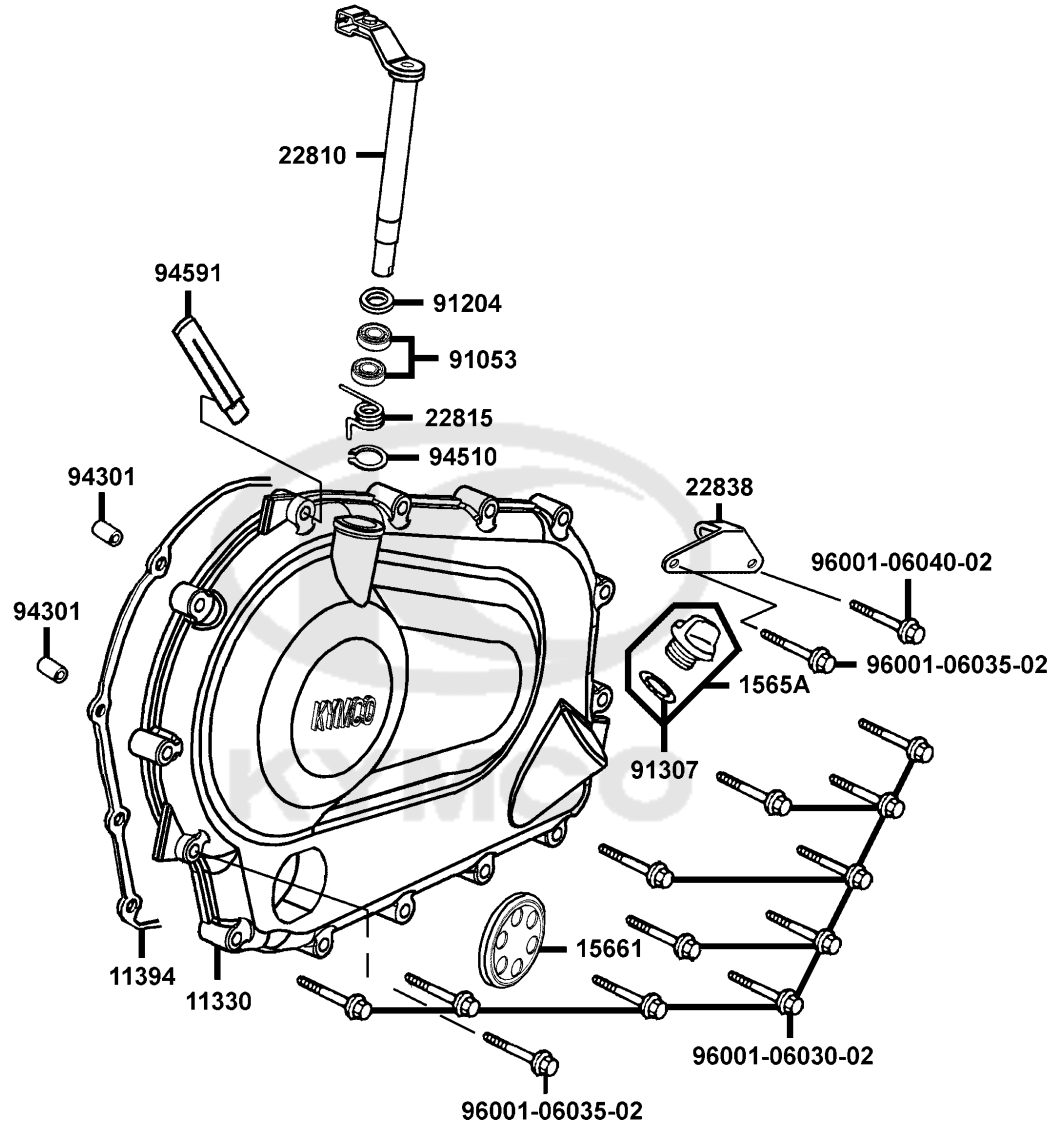
Chain



Sales mark	Ref no	Part no	Description	Reg description	Regd no	<b>E04</b>
	14401	14401-KED9-90B	CHAIN CAM (92RH2010-130)	CHAIN CAM (92RH2010-130)	2	
	14510	14510-KED9-900	TENSIONER CAM CHAIN	TENSIONER CAM CHAIN	2	
	14520	14520-KED9-900	LIFTER ASSY TENSIONER	LIFTER ASSY TENSIONER	2	
#	14523	14523-KED9-920	GASKET TENSIONER LIFTER @A	GASKET TENSIONER LIFTER @A	2	
	14531	14531-KED9-900	PIVOT TENSION GUIDE	PIVOT TENSION GUIDE	4	
	14610	14610-KED9-900	GUIDE COMP CAM CHAIN	GUIDE COMP CAM CHAIN	2	
	90001	90001-KED9-900	BOLT FLANGE SHF 6*22	BOLT FLANGE SHF 6*22	4	
	90005	90005-KED9-900	BOLT SPECIAL 6*6	BOLT SPECIAL 6*6	2	
	91306	91306-1E05-691	O-RING 1.5*9.5	O-RING 1.5*9.5	2	
#	96001	96001-06025-02	BOLT FLANGE SH 6*25	BOLT FLANGE SH 6*25	2	



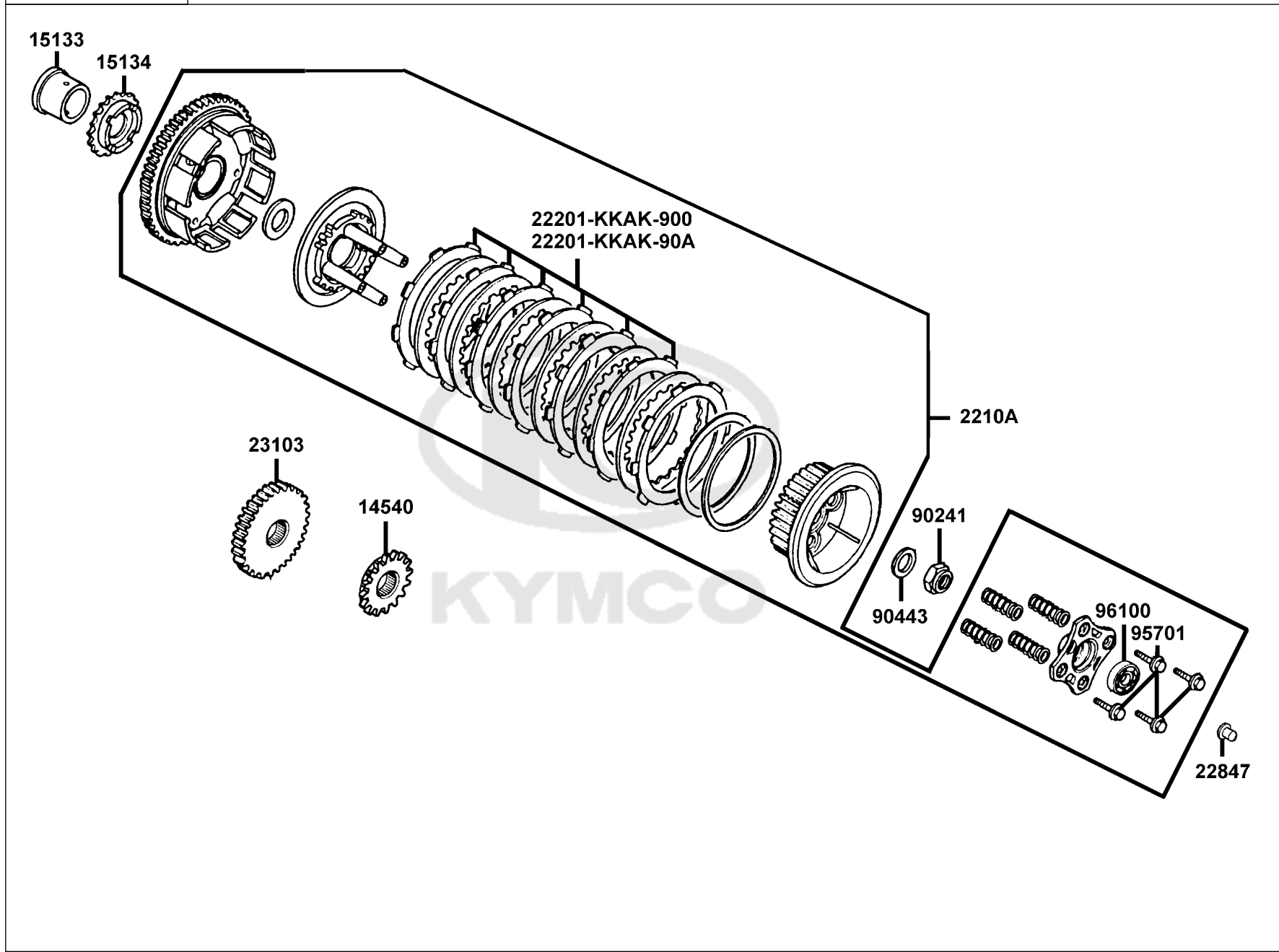
Right Crankcase Cover



Sales mark	Ref no	Part no	Description	Reg description	Regd no	E05
	11330	11330-KED9-900	COVER R CRANK CASE	COVER R CRANK CASE	1	
	11394	11394-KED9-900	GASKET R COVER @A	GASKET R COVER @A	1	
	1565A	1565A-KKAK-900	GAUGE OIL LEVEL ASSY	GAUGE OIL LEVEL ASSY	1	
#	15661	15661-LBA7-900	FINDER OIL LEVEL	FINDER OIL LEVEL	1	
	22810	22810-KED9-900	SHAFT COMP CLUTCH LEVER	SHAFT COMP CLUTCH LEVER	1	
	22815	22815-KED9-900	SPRING CLUTCH LEVER	SPRING CLUTCH LEVER	1	
	22838	22838-KED9-900	HOLDER CLUTCH WIRE	HOLDER CLUTCH WIRE	1	
	91053	91053-7K19-006	BRG NDL 12*16*10	BRG NDL 12*16*10	2	
	91204	91204-KED9-900	OIL SEAL 12*19*5	OIL SEAL 12*19*5	1	
	91307	91307-0E35-001	O RING 18*3	O RING 18*3	1	
	94301	94301-08120	DOWEL PIN 8*12	DOWEL PIN 8*12	2	
	94510	94510-10000	CIR CLIP EX 10MM	CIR CLIP EX 10MM	1	
	94591	94591-KFBF-900	CLIP 2*70	CLIP 2*70	1	
	96001-06030-02	96001-06030-02	BOLT FLANGE SH 6*30	BOLT FLANGE SH 6*30	11	
	96001-06035-02	96001-06035-02	BOLT FLANGE SH 6*35	BOLT FLANGE SH 6*35	2	
	96001-06040-02	96001-06040-02	BOLT FLANGE SH 6*40	BOLT FLANGE SH 6*40	1	

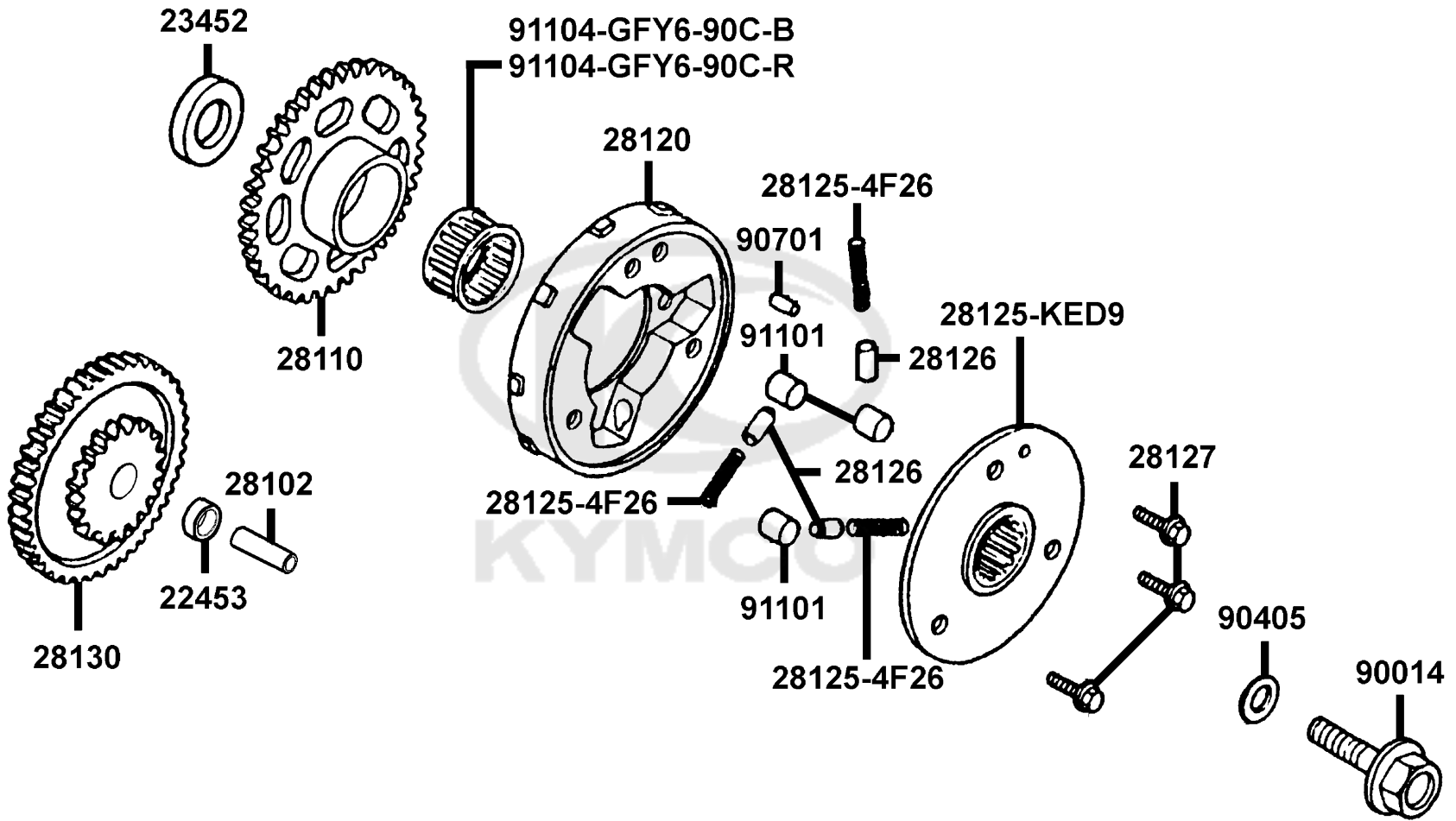
E06

Clutch





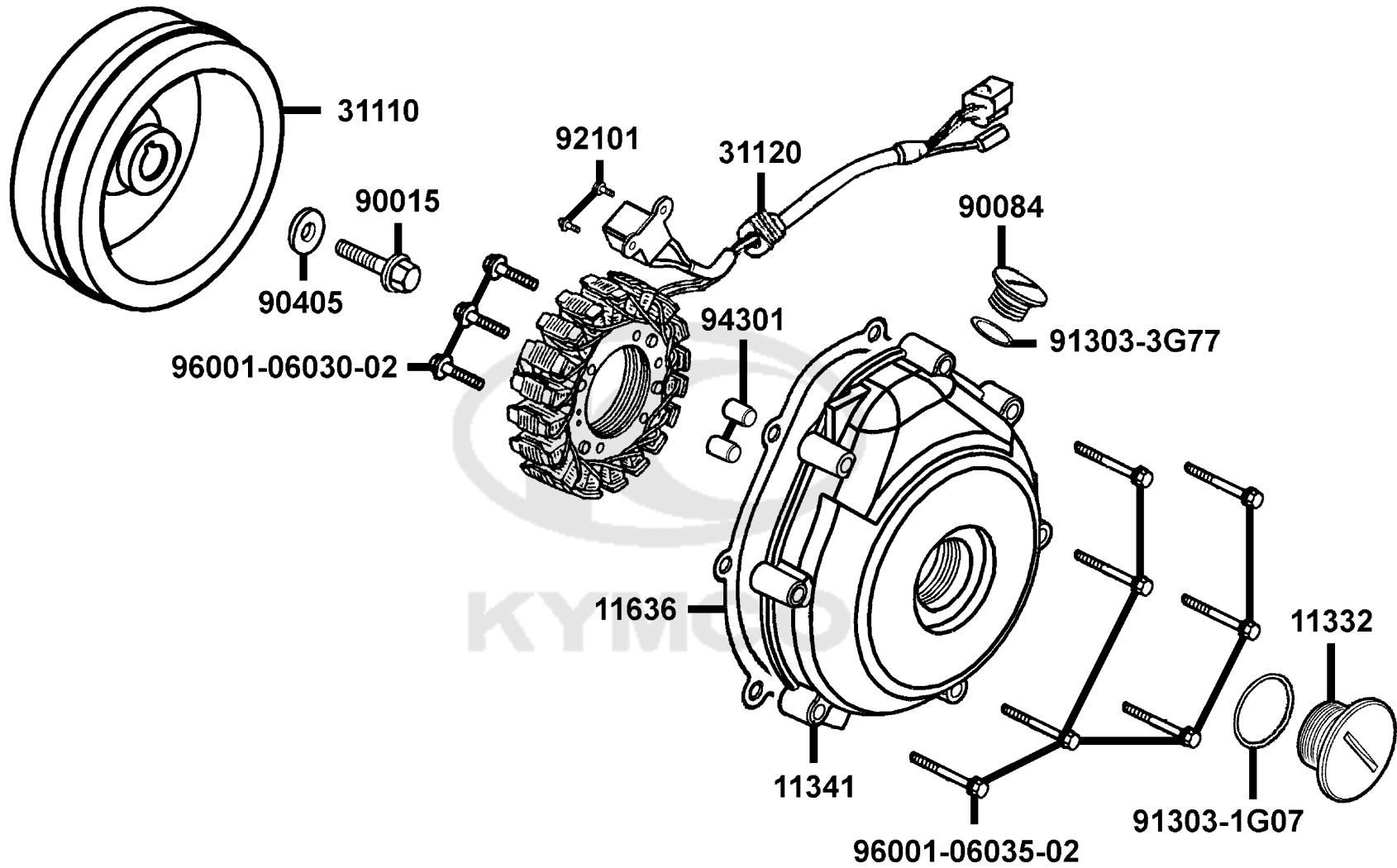
Sales mark	Ref no	Part no	Description	Reg description	Regd no	E06
	14540	14540-KED9-900	SPROCKET CRANKSHAFT	SPROCKET CRANKSHAFT	1	
	15133	15133-KED9-900	BUSH	BUSH	1	
	15134	15134-KED9-900	SPROCKET OIL PUMP DRIVE	SPROCKET OIL PUMP DRIVE	1	
	2210A	2210A-KED9-900	OUTER COMP CLUTCH	OUTER COMP CLUTCH	1	
	22201-KKAK-900	22201-KKAK-900	DISK CLUTCH FRICTION	DISK CLUTCH FRICTION	6	
	22201-KKAK-90A	22201-KKAK-90A	DISK CLUTCH FRICTON	DISK CLUTCH FRICTON	6	
	22847	22847-KED9-900	ROD CLUTCH LIFTER	ROD CLUTCH LIFTER	1	
	23103	23103-KED9-800	PRIMARY GEAR DRIVE	PRIMARY GEAR DRIVE	1	
	90241	90241-KED9-900	NUT LOCK 20MM	NUT LOCK 20MM	1	
	90443	90443-KED9-900	WASHER 30*20.8*2	WASHER 30*20.8*2	1	
#	95701	95701-06022-06	BOLT FLANGE 6*22	BOLT FLANGE 6*22	1	
	96100	96100-60010-00	BEARING RADIAL BALL 6001	BEARING RADIAL BALL 6001	1	



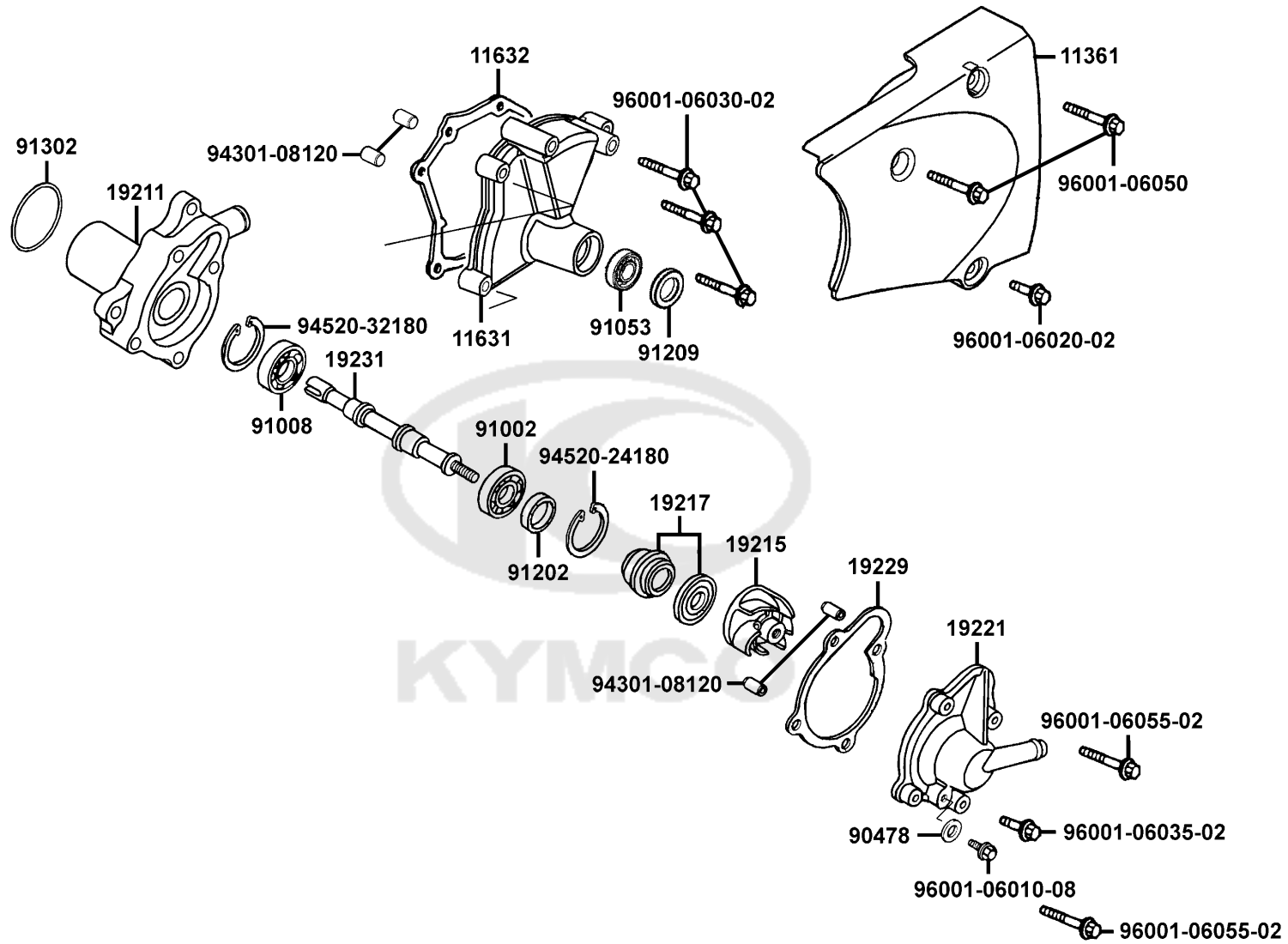
Sales mark	Ref no	Part no	Description	Reg description	Regd no	<b>E07</b>
22453		22453-KED9-900	COLLAR 10*8.3	COLLAR 10*8.3	1	
23452		23452-KED9-900	COLLAR 21.8*9.5	COLLAR 21.8*9.5	1	
28102		28102-KED9-900	SHAFT REDUCTION GEAR	SHAFT REDUCTION GEAR	1	
28110		28110-KED9-900	GEAR COMP STARTING	GEAR COMP STARTING	1	
28120		28120-KED9-900	OUTER COMP STARTING CLUTCH	OUTER COMP STARTING CLUTCH	1	
28125-4F26		28125-4F26-001	SPRING ROLLER STARTER CLUTCH	SPRING ROLLER STARTER CLUTCH	3	
28125-KED9		28125-KED9-900	FLANGE STARTING CLUTCH	FLANGE STARTING CLUTCH	1	
28126		28126-KUDU-900	CAP STARTING ROLLER SPRING	CAP STARTING ROLLER SPRING	3	
28127		28127-KED9-900	SOCKET BOLT 8*12 (G)	SOCKET BOLT 8*12 (G)	3	
28130		28130-KED9-900	GEAR STARTER REDUCTION	GEAR STARTER REDUCTION	1	
90014		90014-KED9-900	BOLT UBS 10*35(G)	BOLT UBS 10*35(G)	1	
90405		90405-KED9-900	WASHER 10*25*4	WASHER 10*25*4	1	
90701		90701-GFY6-960	PIN DOWEL 6*10 **GY6-960 C.2005.07.14	PIN DOWEL 6*10 **GY6-960 C.2005.07.14	1	
91101		91101-KED9-900	ROLLER 11.5*10	ROLLER 11.5*10	3	
91104-GFY6-90C-B		91104-GFY6-90C-B	BRG NEEDLE/28*32*17/0.002~0.004	BRG NEEDLE/28*32*17/0.002~0.004	1	
91104-GFY6-90C-R		91104-GFY6-90C-R	BRG NEEDLE 28*32*17	BRG NEEDLE 28*32*17	1	

E08

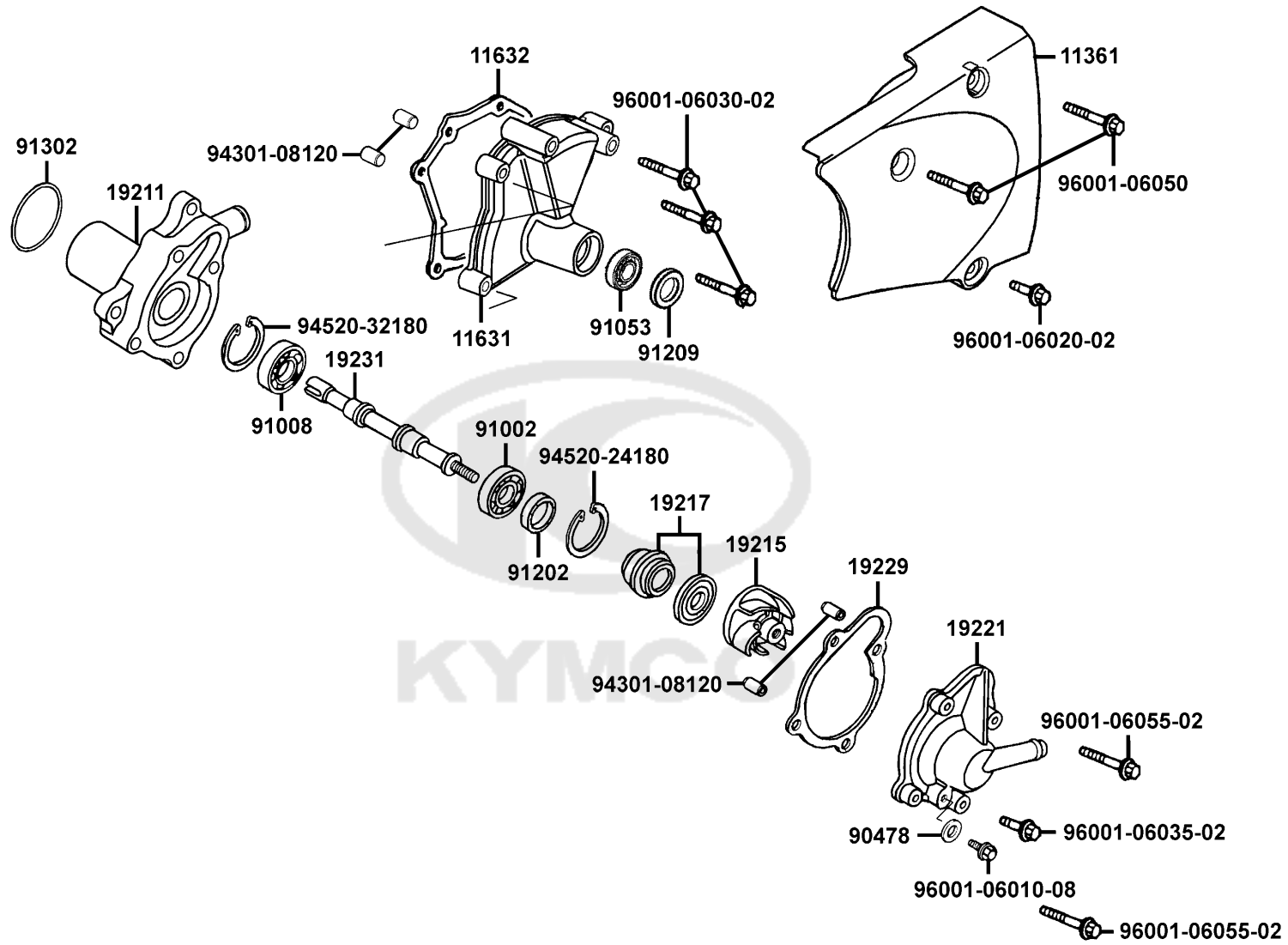
Left Crankcase Cover



Sales mark	Ref no	Part no	Description	Reg description	Regd no	<b>E08</b>
	11332	11332-KED9-900	CAP 45MM	CAP 45MM	1	
	11341	11341-KED9-900	COVER LEFT CRANK CASE	COVER LEFT CRANK CASE	1	
	11636	11636-KED9-900	GASKET L COVER	GASKET L COVER	1	
	31110	31110-KED9-900	FLYWHEEL COMP (D402)	FLYWHEEL COMP (D402)	1	
	31120	31120-KED9-900	STATOR COMP (D402)	STATOR COMP (D402)	1	
	90015	90015-KED9-900	BOLT UBS 10X35(B)	BOLT UBS 10X35(B)	1	
	90084	90084-KKAK-900	CAP AC GENERATOR	CAP AC GENERATOR	1	
	90405	90405-KED9-900	WASHER 10*25*4	WASHER 10*25*4	1	
	91303-1G07	91303-1G07-001	O-RING 35*3.0	O-RING 35*3.0	1	
	91303-3G77	91303-3G77-001	O-RING 13.8*2.5	O-RING 13.8*2.5	1	
#	92101	92101-05012-0G	BOLT HEX 5X12	BOLT HEX 5*12	1	
	94301	94301-08120	DOWEL PIN 8*12	DOWEL PIN 8*12	2	
	96001-06030-02	96001-06030-02	BOLT FLANGE SH 6*30	BOLT FLANGE SH 6*30	3	
	96001-06035-02	96001-06035-02	BOLT FLANGE SH 6*35	BOLT FLANGE SH 6*35	7	



Sales mark	Ref no	Part no	Description	Reg description	Regd no	<b>E09</b>
11361		11361-KED9-900	COVER L RR CRANK CASE	COVER L RR CRANK CASE	1	
11631		11631-KED9-900	COVER CHANGE	COVER CHANGE	1	
11632		11632-KED9-900	GASKET CHANGER COVER	GASKET CHANGER COVER	1	
19211		19211-KED9-900	BODY WATER PUMP	BODY WATER PUMP	1	
19215		19215-KED9-900	IMPELLER WATER PUMP	IMPELLER WATER PUMP	1	
19217		19217-KED9-900	SEAL MECHANICAL	SEAL MECHANICAL	1	
19221		19221-KED9-900	COVER WATER PUMP	COVER WATER PUMP	1	
19229		19229-KED9-900	GASKET WATER PUMP	GASKET WATER PUMP	1	
19231		19231-KED9-900	SHAFT WATER PUMP	SHAFT WATER PUMP	1	
90478		90478-7L00-001	WASHER A 6MM	WASHER A 6MM	1	
91002		91002-KED9-900	BRG BALL REDIAL 6902	BRG BALL REDIAL 6902	1	
91008		91008-HCB3-00B	BRG BALL RADIAL	BRG BALL RADIAL	1	
91053		91053-7K19-006	BRG NDL 12*16*10	BRG NDL 12*16*10	1	
91202		91202-KGB4-C00	OIL SEAL 13.7*24*5	OIL SEAL 13.7*24*5	1	
91209		91209-KED9-900	OIL SEAL 12*22*7	OIL SEAL 12*22*7	1	
91302		91302-KED9-900	O-RING 32.95*2.62	O-RING 32.95*2.62	1	
94301-08120		94301-08120	DOWEL PIN 8*12	DOWEL PIN 8*12	4	
94520-24180		94520-24180	CIR CLIP IN 24	CIR CLIP IN 24	1	
94520-32180		94520-32180	CIR CLIP IN 32	CIR CLIP IN 32	1	
#		96001-06010-08	BOLT FLANGE 6*10	BOLT FLANGE 6*10	1	



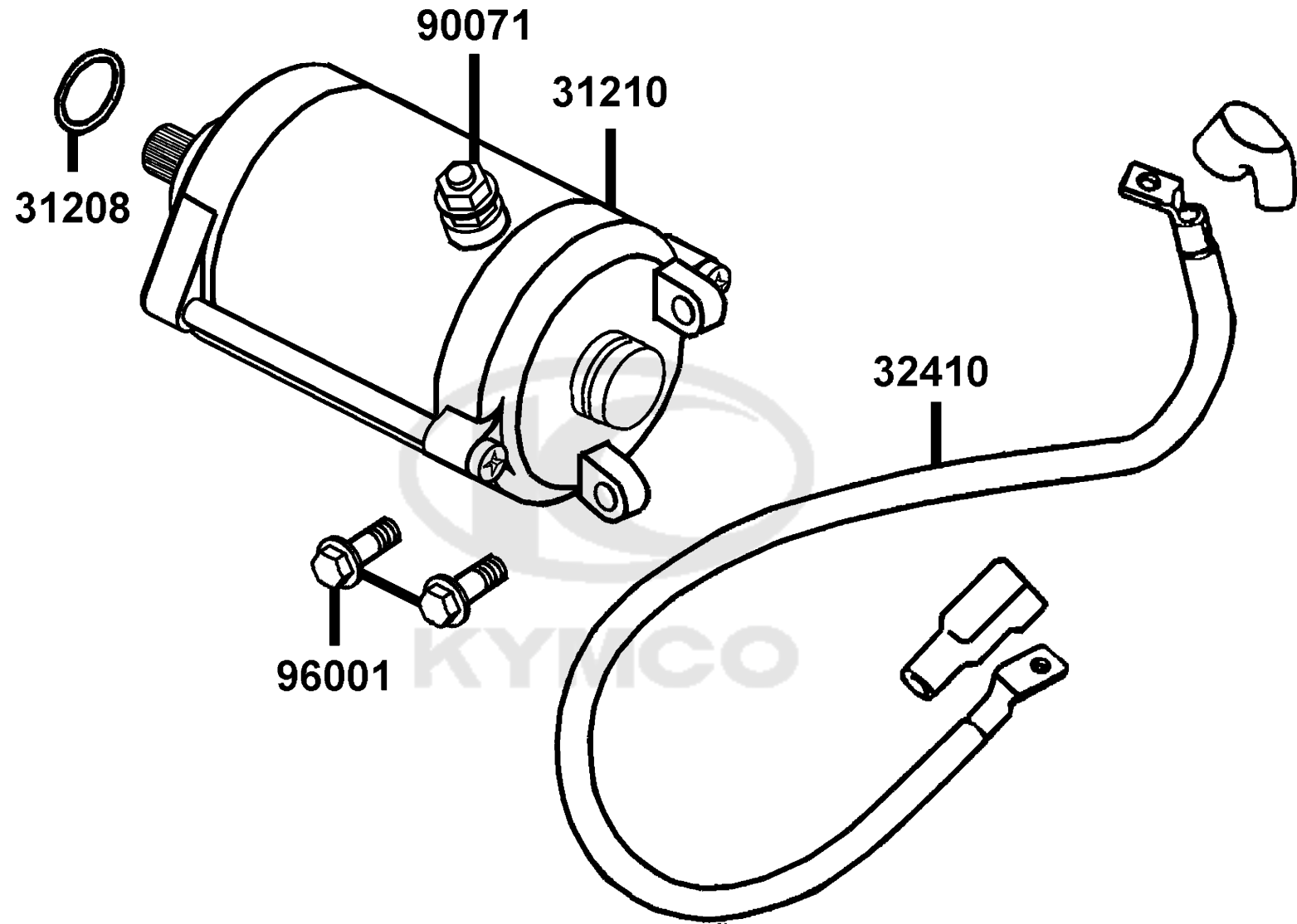


Sales mark	Ref no	Part no	Description	Reg description	Regd no	<b>E09</b>
	96001-06020-02	96001-06020-02	BOLT FLANGE SH 6*20	BOLT FLANGE SH 6*20	1	
	96001-06030-02	96001-06030-02	BOLT FLANGE SH 6*30	BOLT FLANGE SH 6*30	3	
	96001-06035-02	96001-06035-02	BOLT FLANGE SH 6*35	BOLT FLANGE SH 6*35	1	
	96001-06050	96001-06050-02	BOLT FLANGE SH 6*50	BOLT FLANGE SH 6*50	2	
	96001-06055-02	96001-06055-02	BOLT FLANGE SH 6*55	BOLT FLANGE SH 6*55	2	



E10

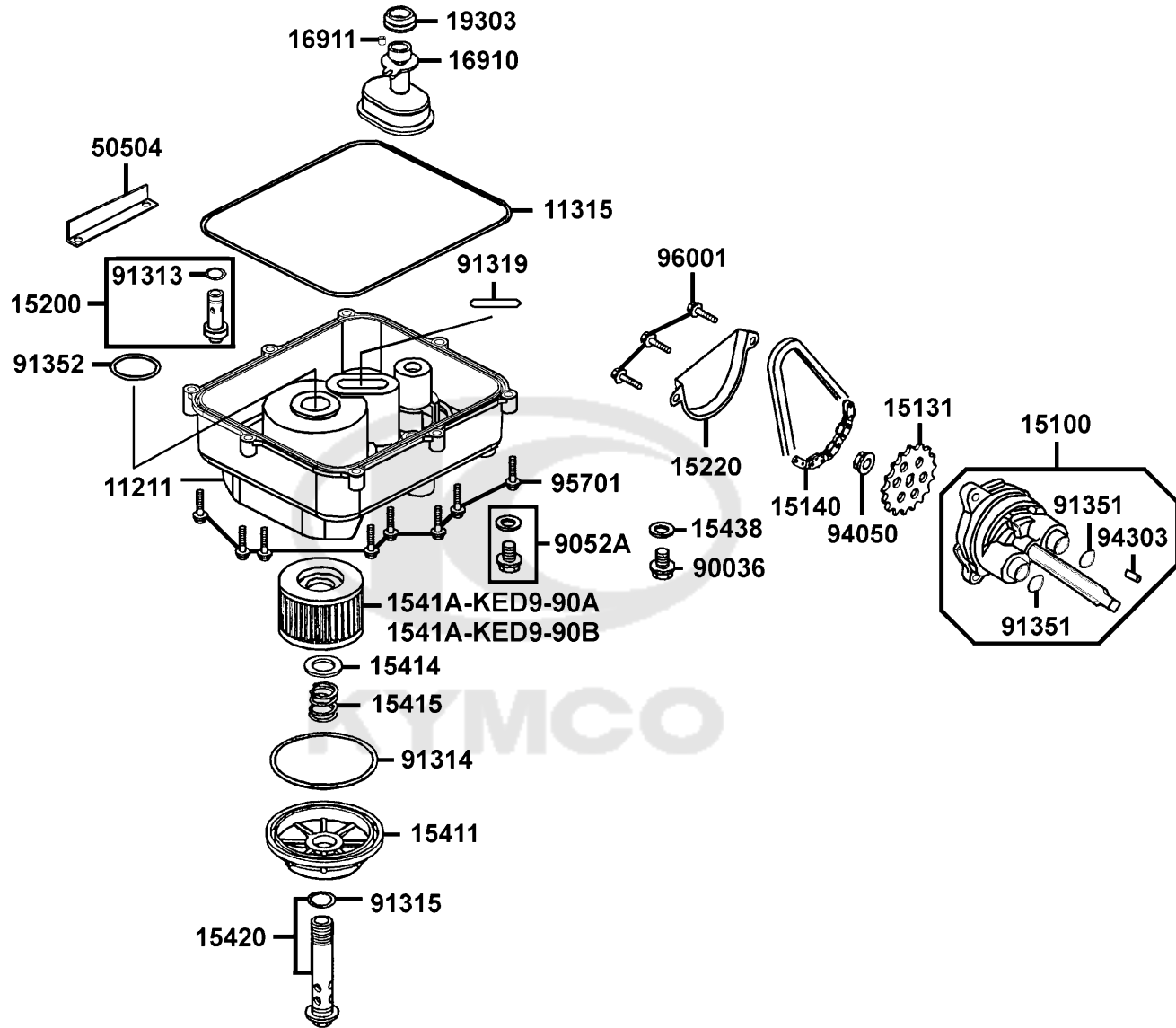
Starter Motor



Sales mark	Ref no	Part no	Description	Reg description	Regd no	<b>E10</b>
	31208	31208-KED9-900	O-RING	O-RING	1	
#	31210	31210-LBF2-700	MOTOR UNIT STARTER	MOTOR UNIT STARTER	1	
	32410	32410-KED9-900	CABLE STARTER MOTOR	CABLE STARTER MOTOR	1	
	90071	90071-MLB0-001	NUT WASH 6MM	NUT WASH 6MM	1	
#	96001	96001-06025-02	BOLT FLANGE SH 6*25	BOLT FLANGE SH 6*25	2	

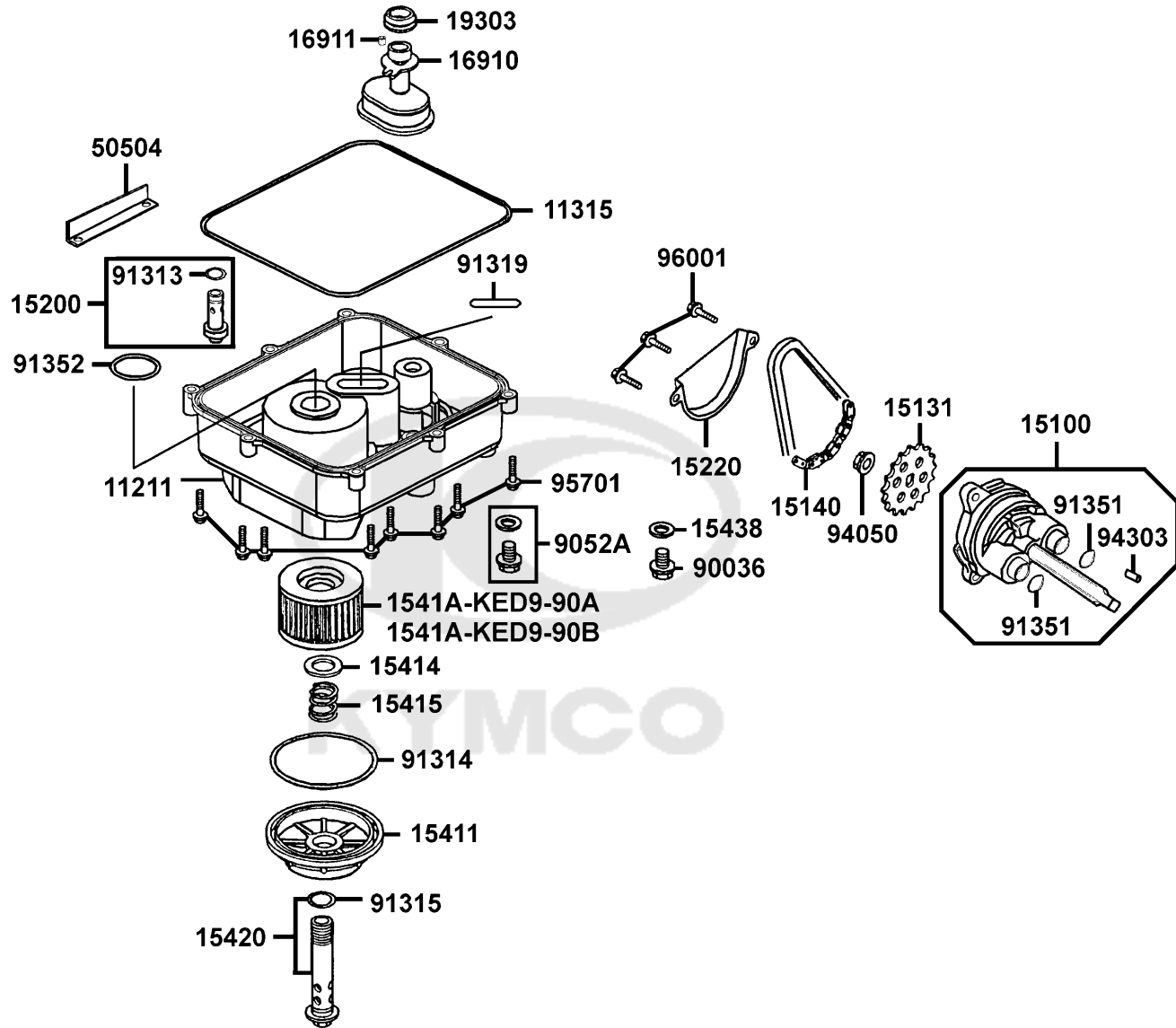


Oil Pump

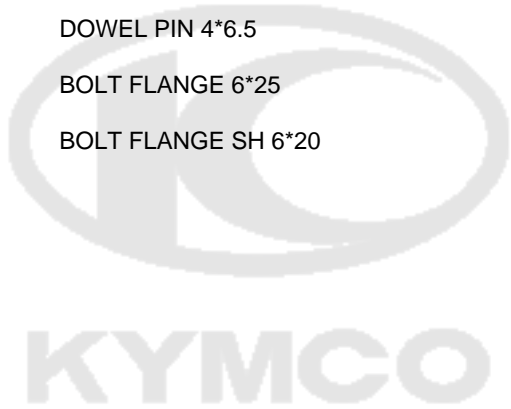


Sales mark	Ref no	Part no	Description	Reg description	Regd no	E11
#	11211	11211-KED9-901	OIL SUMP	OIL SUMP	1	
	11315	11315-KED9-900	SEAL OIL SUMP	SEAL OIL SUMP	1	
	15100	15100-KED9-900	OIL PUMP ASSY	OIL PUMP ASSY	1	
	15131	15131-KED9-900	SPROCKET OIL PUMP DRIVEN	SPROCKET OIL PUMP DRIVEN	1	
	15140	15140-KED9-900	CHAIN OIL PUMP	CHAIN OIL PUMP	1	
	15200	15200-KED9-900	OIL RELIEF VALVE ASSY	OIL RELIEF VALVE ASSY	1	
	15220	15220-KED9-900	OIL SEPERATOR	OIL SEPERATOR	1	
	15411	15411-KED9-900	CAP OIL FILTER	CAP OIL FILTER	1	
	15414	15414-KED9-900	SEAT OIL FILTER SPG	SEAT OIL FILTER SPG	1	
	15415	15415-KED9-900	SPR FILTER ELEMENT TANK	SPR FILTER ELEMENT TANK	1	
	1541A-KED9-90A	1541A-KED9-90A	ELEMENT COMP OIL FILTER	ELEMENT COMP OIL FILTER	1	
	1541A-KED9-90B	1541A-KED9-90B	ELEMENT COMP OIL FILTER	ELEMENT COMP OIL FILTER	1	
	15420	15420-KED9-900	BOLT COMP OIL FILTER	BOLT COMP OIL FILTER	1	
	15438	15438-PWB1-900	GASKET METAL COMPRESSION	GASKET METAL COMPRESSION	1	
	16910	16910-KED9-900	STRAINER	STRAINER	1	
	16911	16911-KED9-900	PIN STRAINER	PIN STRAINER	1	
	19303	19303-KED9-900	SEAL STRAINER	SEAL STRAINER	1	
	50504	50504-KED9-900	HOLDER MOTOR CABLE	HOLDER MOTOR CABLE	1	
	90036	90036-PWB1-900	BOLT PLUG DRAIN SPECIAL 14X13.5 (C)	BOLT PLUG DRAIN SPECIAL 14X13.5 (C)	1	
	9052A	9052A-GFY6-950	BOLT ASSY DRAIN PLUG	BOLT ASSY DRAIN PLUG	1	

Oil Pump

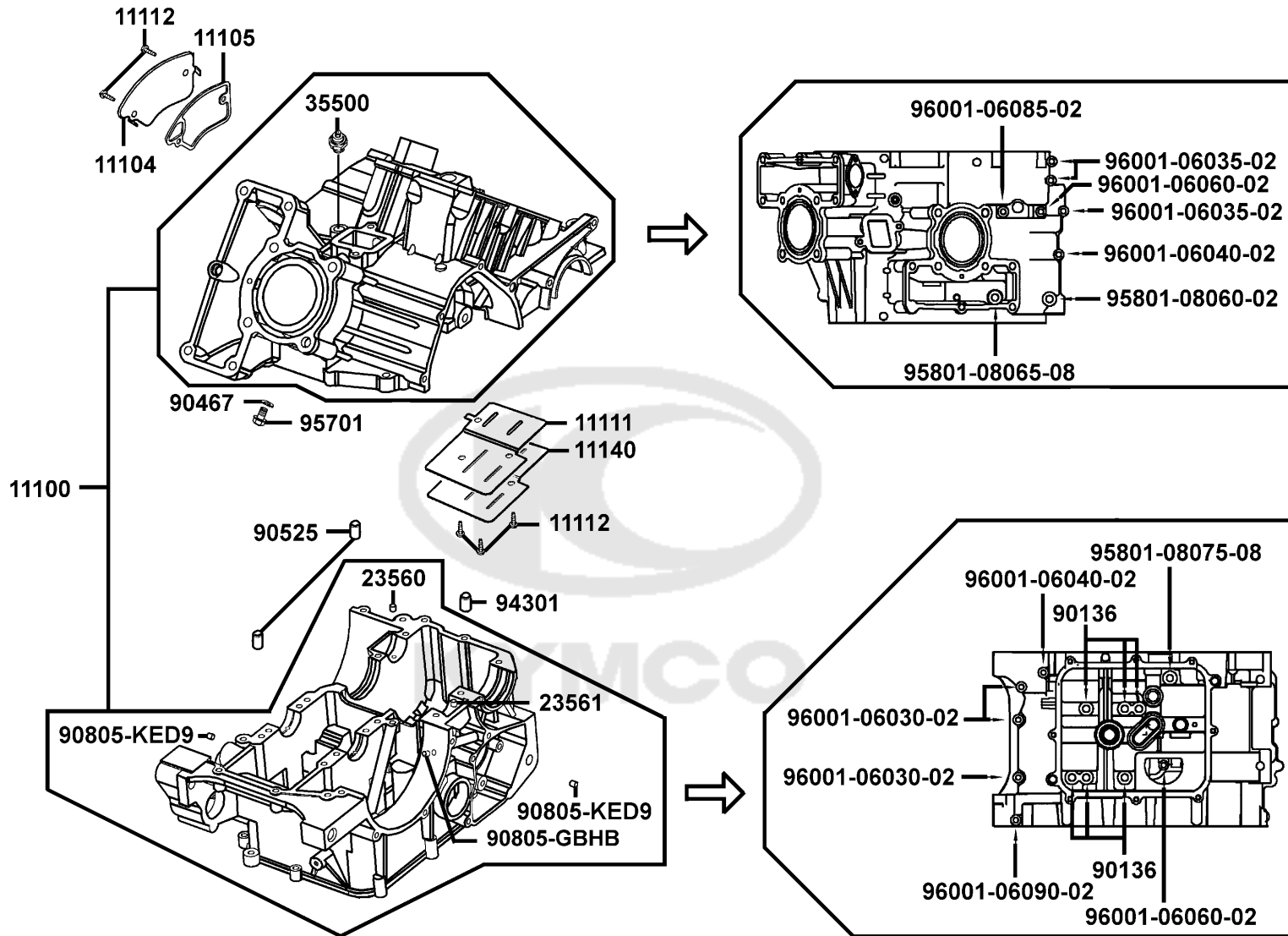


Sales mark	Ref no	Part no	Description	Reg description	Regd no	<b>E11</b>
	91313	91313-KED9-900	O-RING 15.5*1.5	O-RING 15.5*1.5	1	
	91314	91314-KED9-900	O-RING 84.4X3.1	O-RING 84.4X3.1	1	
	91315	91315-KED9-900	O-RING 15.8X2.4	O-RING 15.8X2.4	1	
	91319	91319-KED9-900	SEAL FILTER IN OIL	SEAL FILTER IN OIL	1	
	91351	91351-KED9-900	OIL RING 13.8*1.3	OIL RING 13.8*1.3	2	
	91352	91352-KED9-900	OIL RING 25.5*2.4	OIL RING 25.5*2.4	1	
	94050	94050-08080	NUT FLANGE 8MM	NUT FLANGE 8MM	1	
	94303	94303-04065	DOWEL PIN 4*6.5	DOWEL PIN 4*6.5	1	
#	95701	95701-06025-06	BOLT FLANGE 6*25	BOLT FLANGE 6*25	1	
#	96001	96001-06020-06	BOLT FLANGE SH 6*20	BOLT FLANGE SH 6*20	1	



E12

# Crank Case

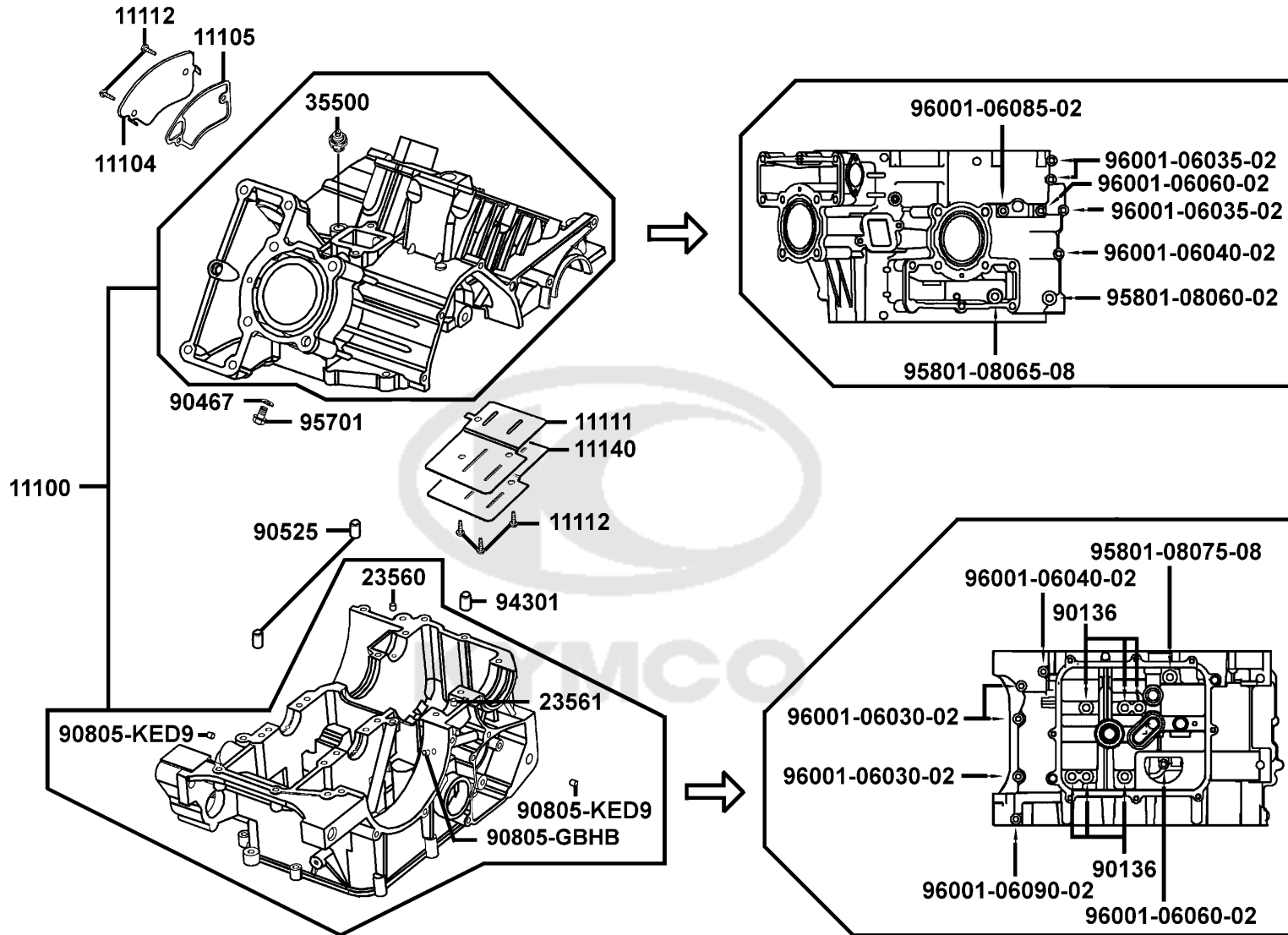




Sales mark	Ref no	Part no	Description	Reg description	Regd no	E12
	11100	11100-KED9-900	CRANK CASE SET	CRANK CASE SET	1	
	11104	11104-KED9-900	PLATE SEAL	PLATE SEAL	1	
	11105	11105-KED9-900	GASKET PLATE	GASKET PLATE	1	
	11111	11111-KED9-900	GASKET PLATE OIL FLOWBY	GASKET PLATE OIL FLOWBY	1	
	11112	11112-KED9-900	SCREW PIN 5X10 (G)	SCREW PIN 5X10 (G)	5	
	11140	11140-KED9-900	PLATE OIL FLOWBY	PLATE OIL FLOWBY	1	
	23560	23560-KED9-900	ORIFICE COUNTER SHAFT	ORIFICE COUNTER SHAFT	1	
	23561	23561-KED9-900	ORIFICE MAIN SHAFT	ORIFICE MAIN SHAFT	1	
	35500	35500-KED9-900	SW ASSY OIL PRESSURE	SW ASSY OIL PRESSURE	1	
	90136	90136-KED9-900	BOLT CRANKCASE M8 MAIN	BOLT CRANKCASE M8 MAIN	6	
	90467	90467-KED9-900	WASHER SEALING	WASHER SEALING	1	
	90525	90525-KED9-900	LOCK PIN OIL 8*16	LOCK PIN OIL 8*16	2	
	90805-GBHB	90805-GBHB-901	CONE TYPE PLUG 6*7	CONE TYPE PLUG 6*7	1	
	90805-KED9	90805-KED9-900	CONE TYPE PLUG 13*10	CONE TYPE PLUG 13*10	2	
	94301	94301-08120	DOWEL PIN 8*12	DOWEL PIN 8*12	1	
	95701	95701-06010-02	BOLT FLANGE 6*10	BOLT FLANGE 6*10	1	
	95801-08060-02	95801-08060-02	BOLT FLANGE 8*60	BOLT FLANGE 8*60	1	
#	95801-08065-08	95801-08065-06	BOLT FLANGE 8*65	BOLT FLANGE 8*65	1	
#	95801-08075-08	95801-08075-06	BOLT FLANGE 8*75	BOLT FLANGE 8*75	1	
	96001-06030-02	96001-06030-02	BOLT FLANGE SH 6*30	BOLT FLANGE SH 6*30	3	

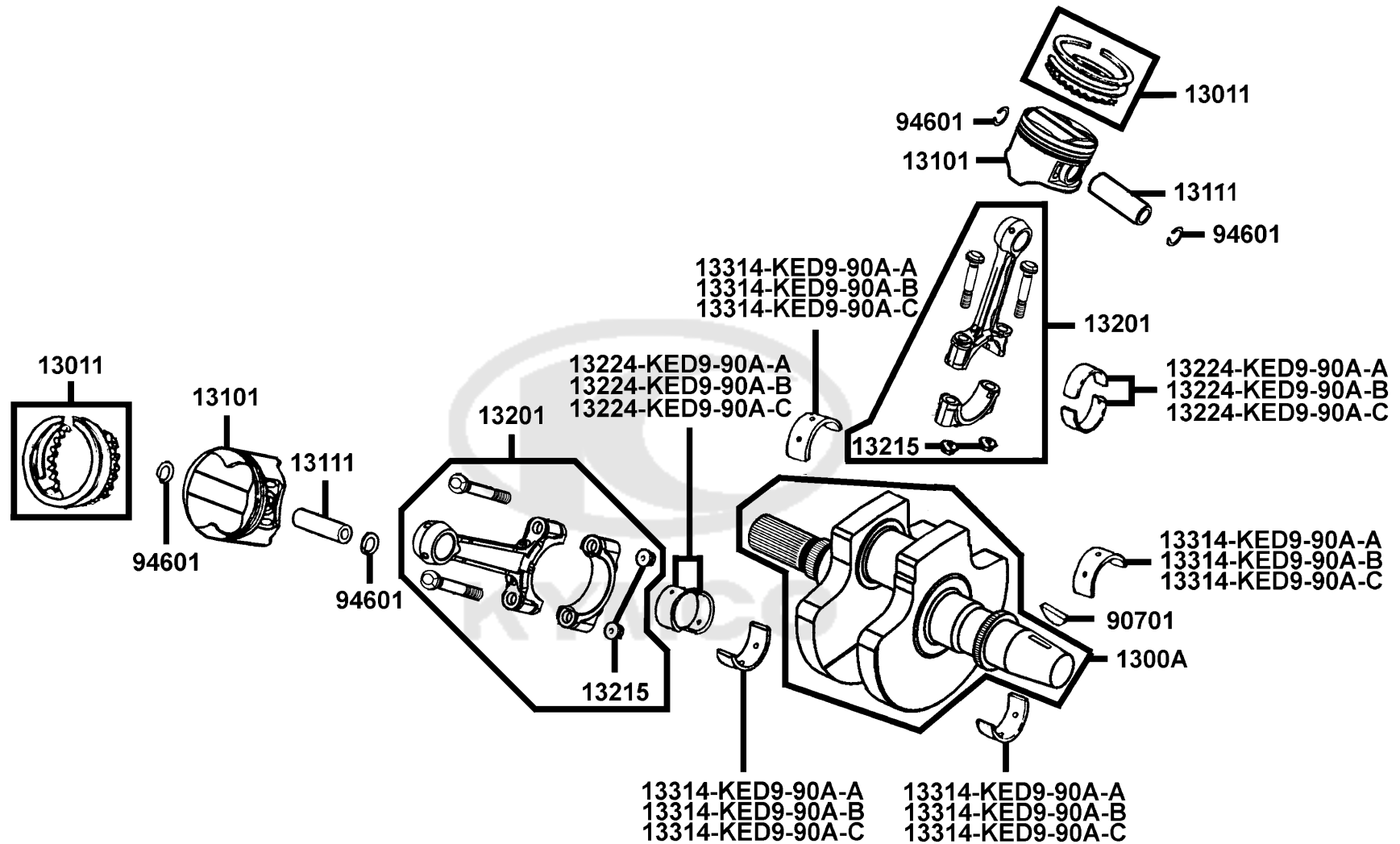
E12

# Crank Case

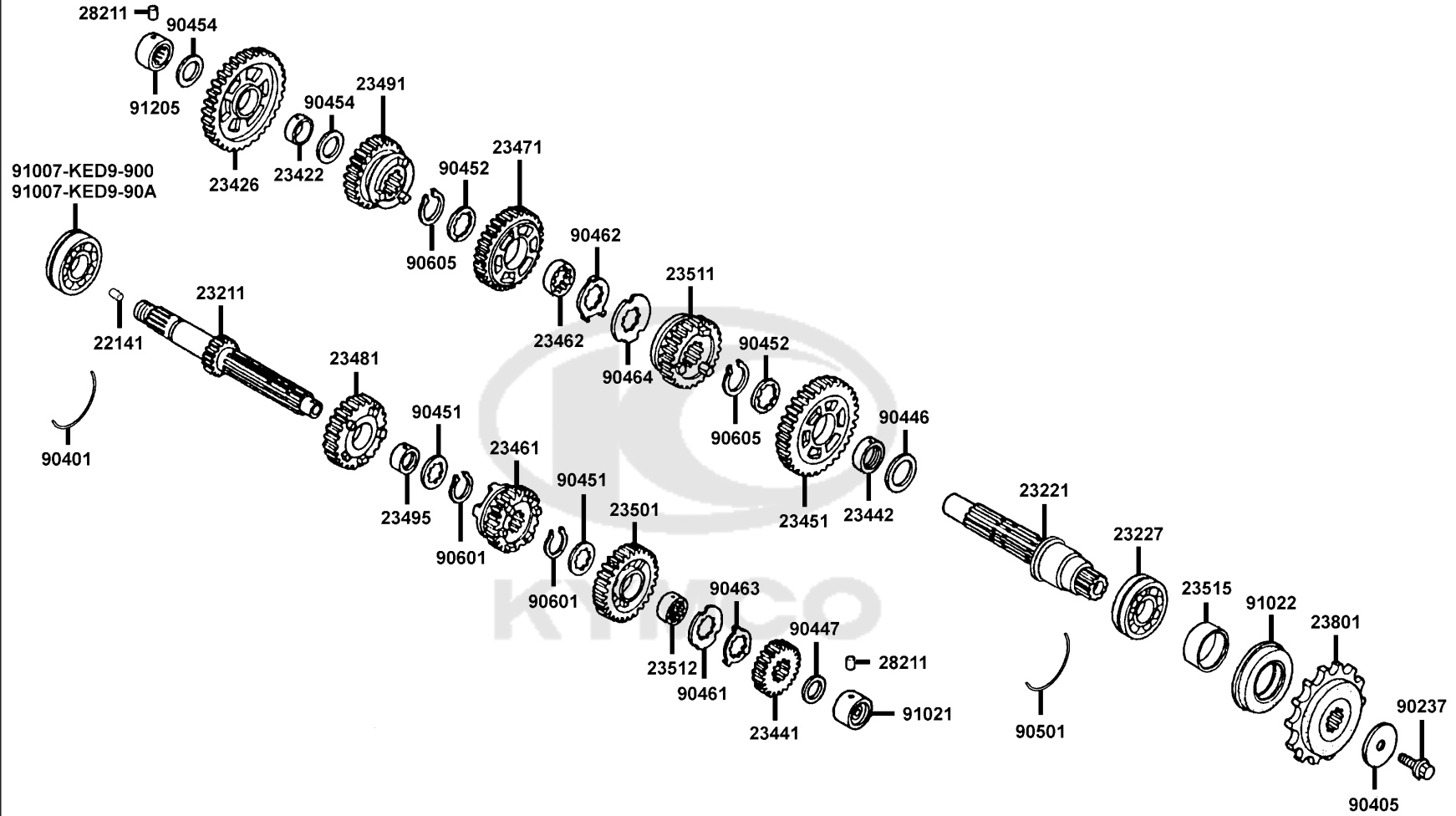


Sales mark	Ref no	Part no	Description	Reg description	Regd no	<b>E12</b>
	96001-06035-02	96001-06035-02	BOLT FLANGE SH 6*35	BOLT FLANGE SH 6*35	3	
	96001-06040-02	96001-06040-02	BOLT FLANGE SH 6*40	BOLT FLANGE SH 6*40	2	
	96001-06060-02	96001-06060-02	BOLT FLANGE 6*60	BOLT FLANGE 6*60	2	
	96001-06085-02	96001-06085-02	BOLT FLANGE SH 6*85	BOLT FLANGE SH 6*85	1	
	96001-06090-02	96001-06090-02	BOLT FLANGE SH 6*90	BOLT FLANGE SH 6*90	1	

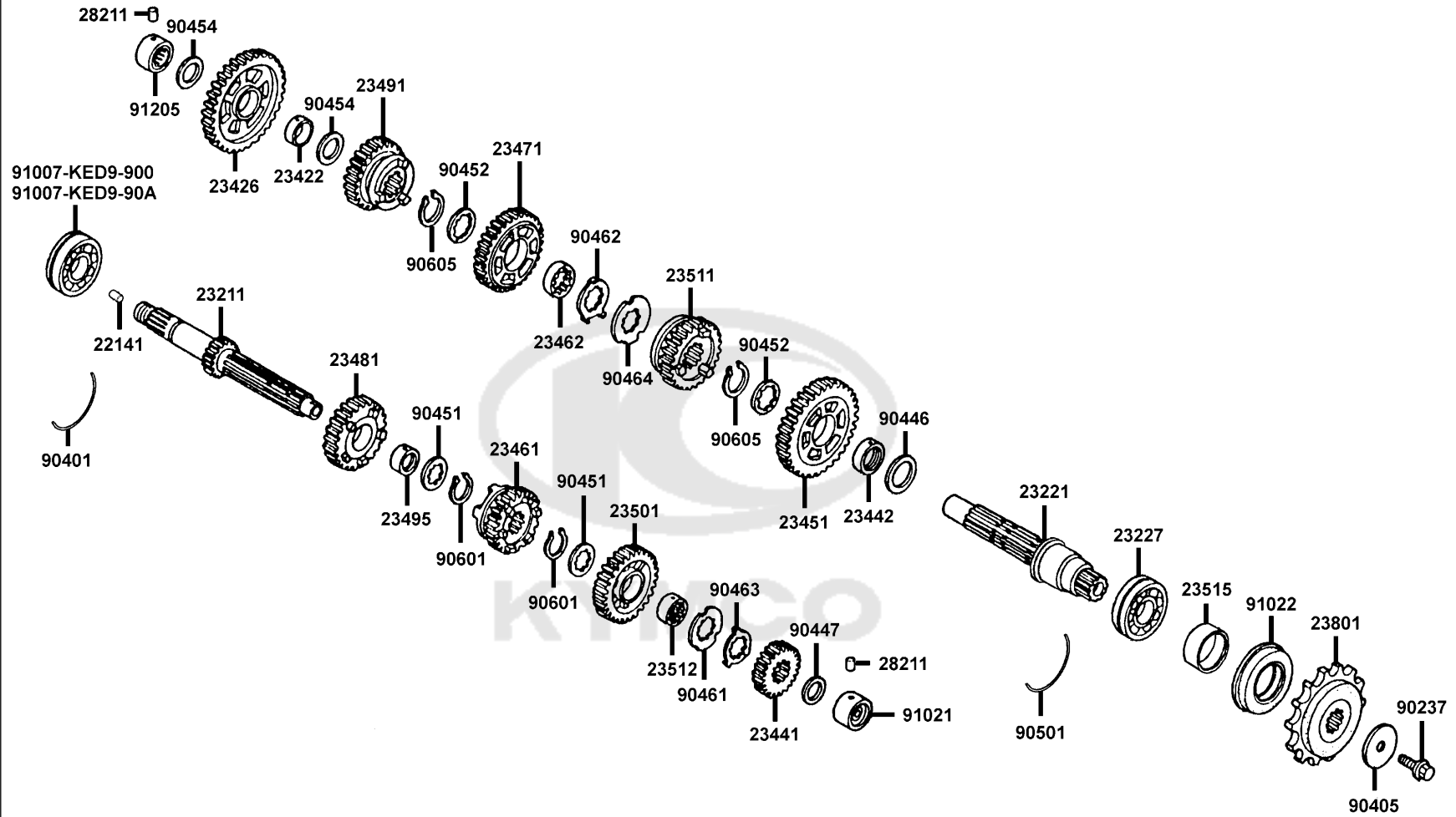




Sales mark	Ref no	Part no	Description	Reg description	Regd no	E13
#	1300A	1300A-KED9-90A	CRANK SHAFT COMP	CRANK SHAFT COMP	1	
	13011	13011-KED9-900	RING SET PISTON	RING SET PISTON	2	
	13101	13101-KED9-900	PISTON	PISTON	2	
	13111	13111-KED9-900	PIN PISTON	PIN PISTON	2	
	13201	13201-KED9-900-B	ROD COMP CONNECT	ROD COMP CONNECT	2	
	13215	13215-KED9-900	NUT CONNECT ROD	NUT CONNECT ROD	4	
	13224-KED9-90A-A	13224-KED9-90A-A	BEARING BIG END	BEARING BIG END	4	
	13224-KED9-90A-B	13224-KED9-90A-B	BEARING BIG END	BEARING BIG END	4	
	13224-KED9-90A-C	13224-KED9-90A-C	BEARING BIG END	BEARING BIG END	4	
	13314-KED9-90A-A	13314-KED9-90A-A	BRG CRANK SHAFT	BRG CRANK SHAFT (1.498~1.502)/BROWN	4	
	13314-KED9-90A-B	13314-KED9-90A-B	BRG CRANK SHAFT	BRG CRANK SHAFT (1.494~1.498)/GREEN	4	
	13314-KED9-90A-C	13314-KED9-90A-C	BRG CRANK SHAFT	BRG CRANK SHAFT (1.490~1.494)/YELLOW	4	
	90701	90701-KED9-900	KEY WAY ACG	KEY WAY ACG	1	
	94601	94601-16000	CIR PISTON PIN 16MM	CIR PISTON PIN 16MM	4	

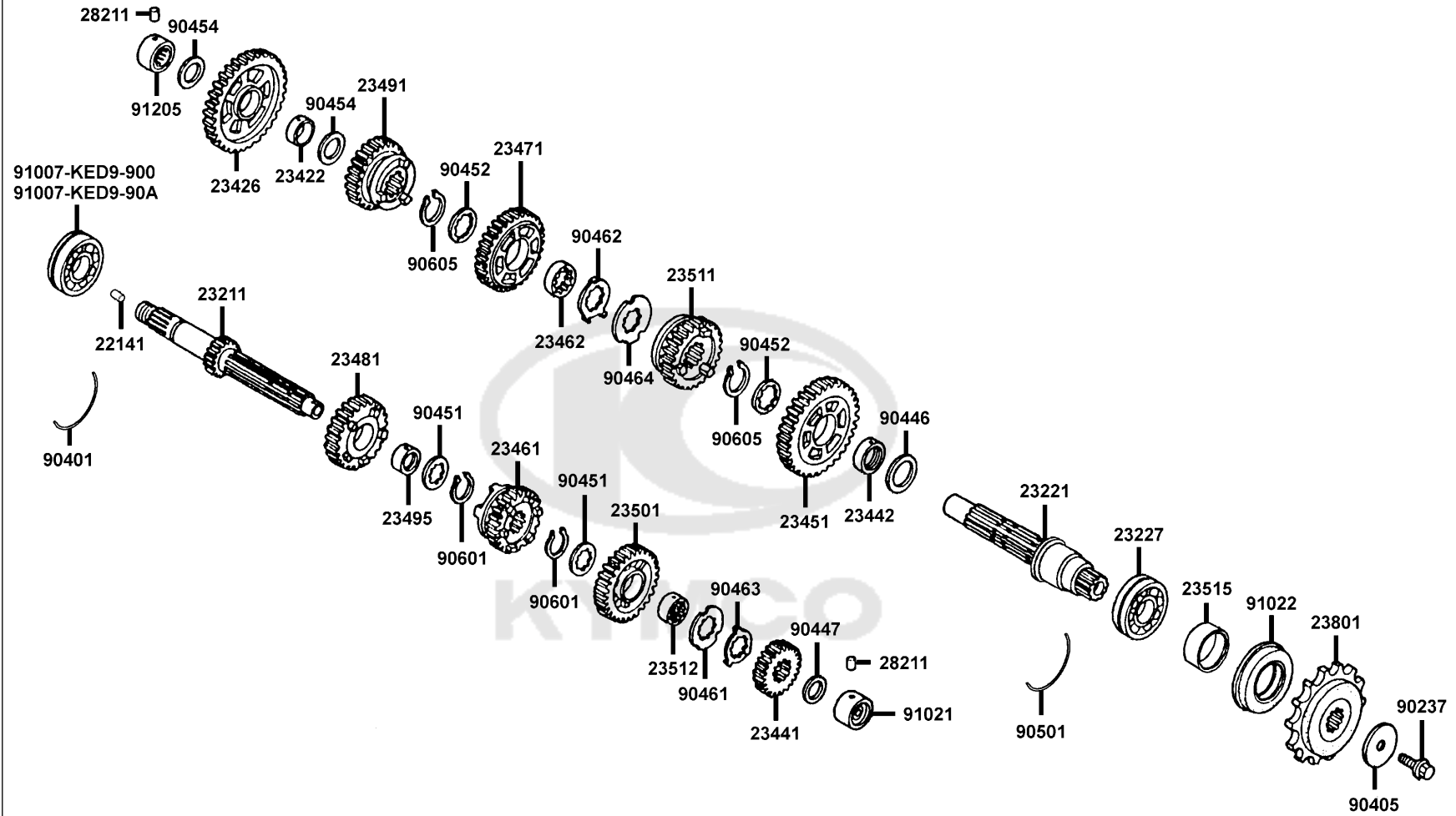


Sales mark	Ref no	Part no	Description	Reg description	Regd no	E14
	22141	22141-KED9-900	PLUG CLUTCH SHAFT	PLUG CLUTCH SHAFT	1	
	23211	23211-KED9-900	SHAFT MAIN TRANSMISSION	SHAFT MAIN TRANSMISSION	1	
	23221	23221-KED9-900	SHAFT COUNTER TRANSMISSION	SHAFT COUNTER TRANSMISSION	1	
	23227	23227-KED9-900	BRG BALL SHAFT 5205*3N*12	BRG BALL SHAFT 5205*3N*12	1	
	23422	23422-KED9-900	COLLAR 20*8	COLLAR 20*8	1	
	23426	23426-KED9-900	GEAR COUNTER SHAFT LOW	GEAR COUNTER SHAFT LOW	1	
	23441	23441-KED9-900	GEAR M-2	GEAR M-2	1	
	23442	23442-KED9-900	COLLAR 25*8	COLLAR 25*8	1	
	23451	23451-KED9-900	GEAR C-2	GEAR C-2	1	
	23461	23461-KED9-900	GEAR M-3	GEAR M-3	1	
	23462	23462-KED9-900	COLLAR SPLINE 22*8	COLLAR SPLINE 22*8	1	
	23471	23471-KED9-900	GEAR C-3	GEAR C-3	1	
	23481	23481-KED9-900	GEAR M-4	GEAR M-4	1	
	23491	23491-KED9-900	GEAR C-4	GEAR C-4	1	
	23495	23495-KED9-900	COLLAR 22*13	COLLAR 22*13	1	
	23501	23501-KED9-900	GEAR M-5	GEAR M-5	1	
	23511	23511-KED9-900	GEAR C-5	GEAR C-5	1	
	23512	23512-KED9-900	COLLAR SPLINE 22*14	COLLAR SPLINE 22*14	1	
	23515	23515-KED9-900	COLLAR OIL SEAL COUNTER	COLLAR OIL SEAL COUNTER	1	
	23801	23801-KED9-900	SPROCKET DRIVE	SPROCKET DRIVE	1	





Sales mark	Ref no	Part no	Description	Reg description	Regd no	<b>E14</b>
28211		28211-KED9-900	PIN CLUTCH SHIFT SHAFT BEARIN	PIN CLUTCH SHIFT SHAFT BEARIN	2	
90237		90237-KED9-900	BOLT SPECIAL 10*30	BOLT SPECIAL 10*30	1	
90401		90401-KED9-900	CLIP MAIN SHAFT BALL BRG	CLIP MAIN SHAFT BALL BRG	1	
90405		90405-KED9-900	WASHER 10*25*4	WASHER 10*25*4	1	
90446		90446-KED9-900	WASHER THRUST 25.2*34*2	WASHER THRUST 25.2*34*2	1	
90447		90447-KED9-900	WASHER THRUST 17.2MM	WASHER THRUST 17.2MM	1	
90451		90451-KED9-900	WASHER 22MM	WASHER 22MM	2	
90452		90452-KED9-900	WASHER 25*31*1.5	WASHER 25*31*1.5	2	
90454		90454-KED9-900	WASHER THRUST 20*1	WASHER THRUST 20*1	2	
90461		90461-KED9-900	WASHER SPLINE 22MM	WASHER SPLINE 22MM	1	
90462		90462-KED9-900	WASHER LOCK 25M/M	WASHER LOCK 25M/M	1	
90463		90463-KED9-900	WASHER LOCK 22M/M	WASHER LOCK 22M/M	1	
90464		90464-KED9-900	SPLINE 25MM	SPLINE 25MM	1	
90501		90501-KED9-900	CLIP COUNTER SHAFT BALL	CLIP COUNTER SHAFT BALL	1	
90601		90601-KED9-900	SET RING 25MM	SET RING 25MM	2	
90605		90605-KED9-900	SET RING 28MM	SET RING 28MM	2	
91007-KED9-900		91007-KED9-900	BRG BALL RADIAL 63/22N*4	BRG BALL RADIAL 63/22N*4	1	
91007-KED9-90A		91007-KED9-90A	BRG BALL RADIAL 63/22N*4	BRG BALL RADIAL 63/22N*4	1	
91021		91021-KED9-900	BRG NEEDLE NKZ 17*31*18-2	BRG NEEDLE NKZ 17*31*18-2	1	
91022		91022-KED9-900	OIL SEAL 34*52*9	OIL SEAL 34*52*9	1	



Sales mark	Ref no	Part no	Description	Reg description	Regd no	<b>E14</b>
------------	--------	---------	-------------	-----------------	---------	------------

91205

91205-KED9-900

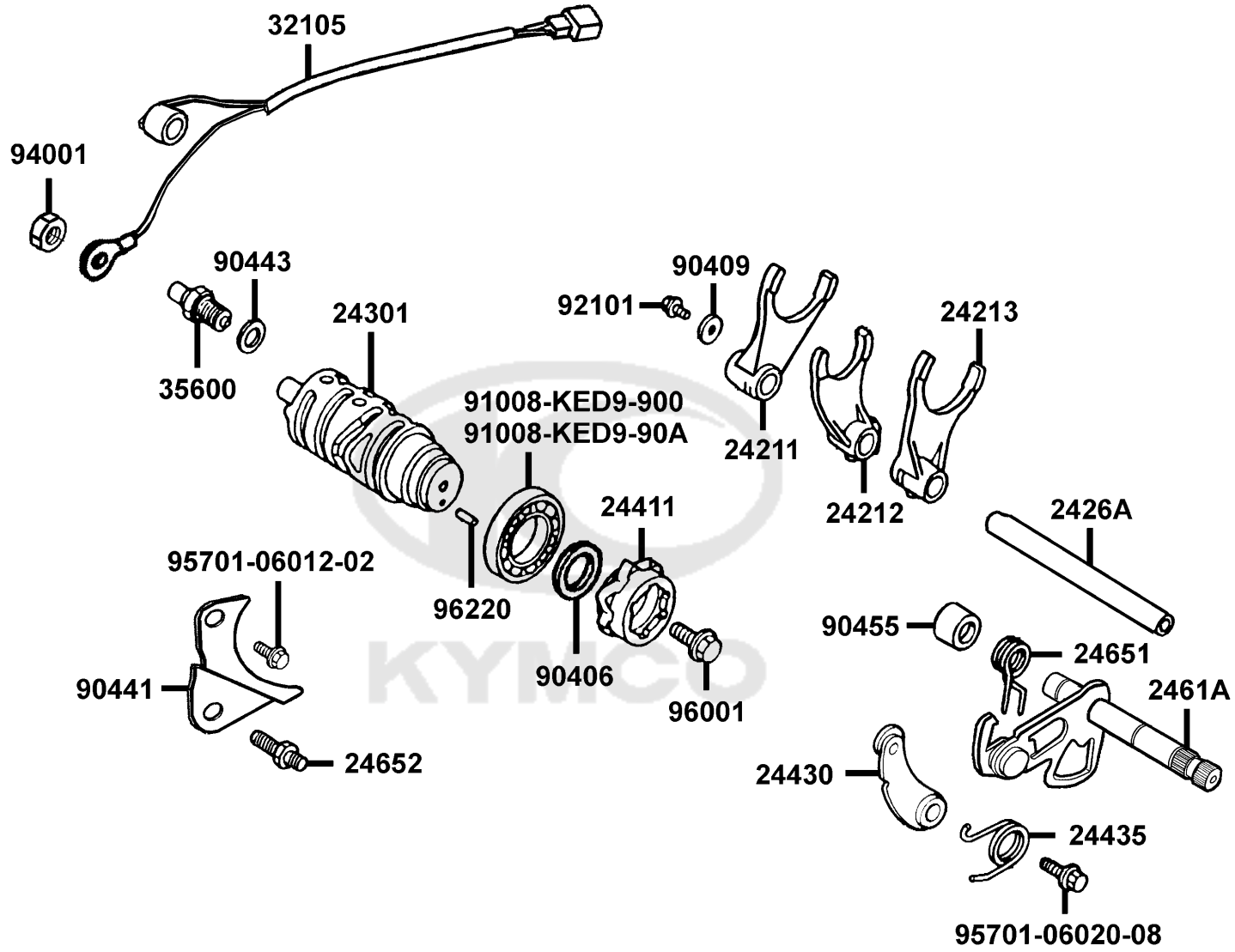
BRG NEEDLE NKZ 20\*18.5-5P\*1

BRG NEEDLE NKZ 20\*18.5-5P\*1

1

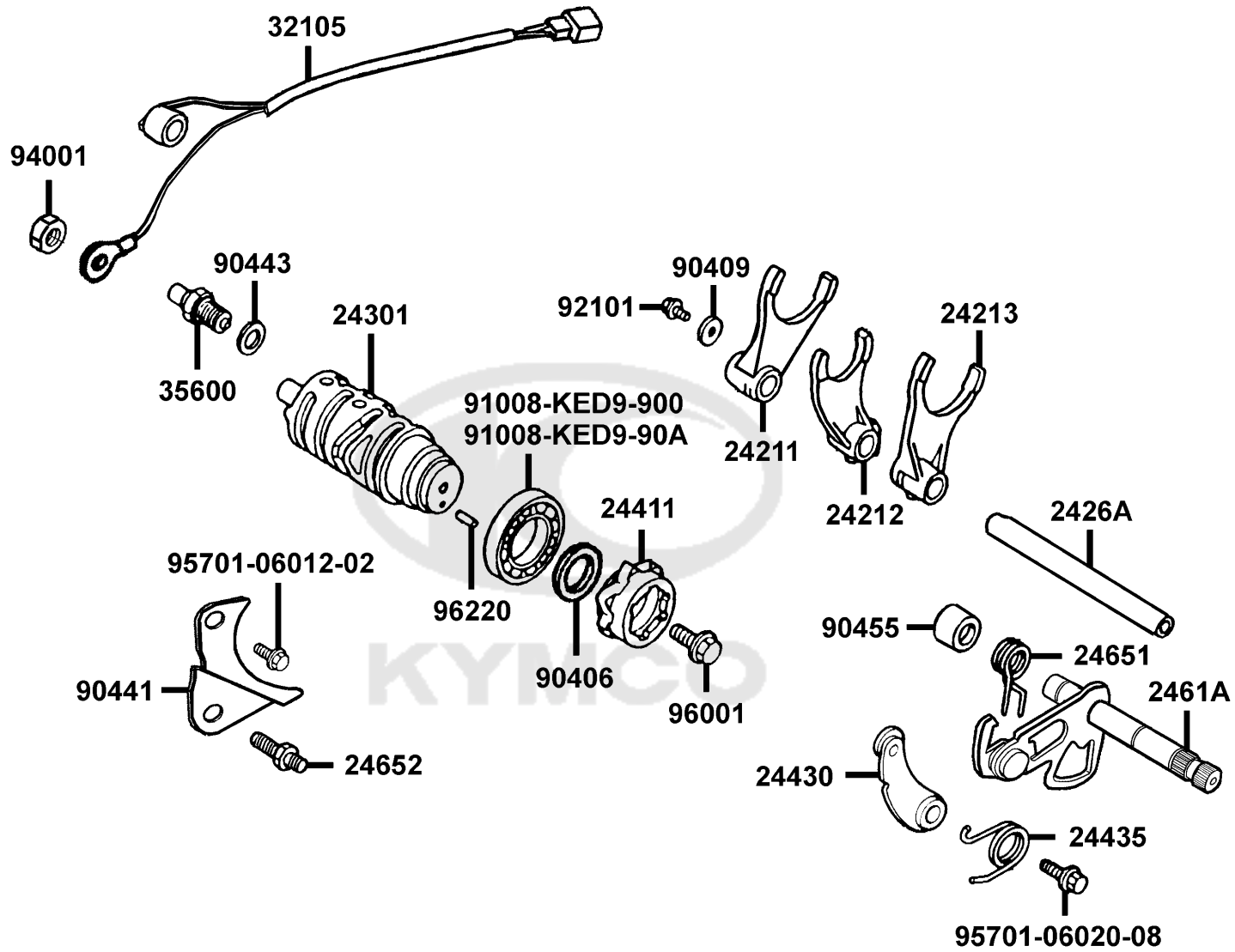


Gearshift Drum



Sales mark	Ref no	Part no	Description	Reg description	Regd no	<b>E15</b>
24211		24211-KED9-900	FORK R GEAR SHIFT	FORK R GEAR SHIFT	1	
24212		24212-KED9-900	FORK CENTER GEAR SHIFT	FORK CENTER GEAR SHIFT	1	
24213		24213-KED9-900	FORK L GEAR SHIFT	FORK L GEAR SHIFT	1	
2426A		2426A-KED9-900	SHAFT SHIFT FORK COMP	SHAFT SHIFT FORK COMP	1	
24301		24301-KED9-900	DRUM GEAR SHIFT	DRUM GEAR SHIFT	1	
24411		24411-KED9-900	CAM GEAR SHIFT	CAM GEAR SHIFT	1	
24430		24430-KED9-900	STOPPER COMP DRUM	STOPPER COMP DRUM	1	
24435		24435-KED9-900	SPRING GEAR SHIFT DRUM	SPRING GEAR SHIFT DRUM	1	
2461A		2461A-KED9-900	SPINDLE SET GEAR SHIFT	SPINDLE SET GEAR SHIFT	1	
24651		24651-KED9-900	SPRING GEAR SHIFT RETURN	SPRING GEAR SHIFT RETURN	1	
24652		24652-KED9-900	BOLT SHIFT RETURN SPRG	BOLT SHIFT RETURN SPRG	1	
32105		32105-KED9-900	SUB HARENSS	SUB HARENSS	1	
35600		35600-4C13-023	SW ASSY NEUTROL	SW ASSY NEUTROL	1	
90406		90406-KED9-900	WASHER 32*25*3	WASHER 32*25*3	1	
90409		90409-KED9-900	WASHER 33*6.4*2	WASHER 33*6.4*2	1	
90441		90441-KED9-900	PLATE BALL BRG HOLDER	PLATE BALL BRG HOLDER	1	
90443		90443-KLR0-001	WASHER NEUTRAL	WASHER NEUTRAL	1	
90455		90455-KED9-900	WASHER 20*10*2.5	WASHER 20*10*2.5	1	
91008-KED9-900		91008-KED9-900	BRG BALL 16005	BRG BALL 16005	1	
91008-KED9-90A		91008-KED9-90A	BRG BALL 16005	BRG BALL 16005	1	

Gearshift Drum

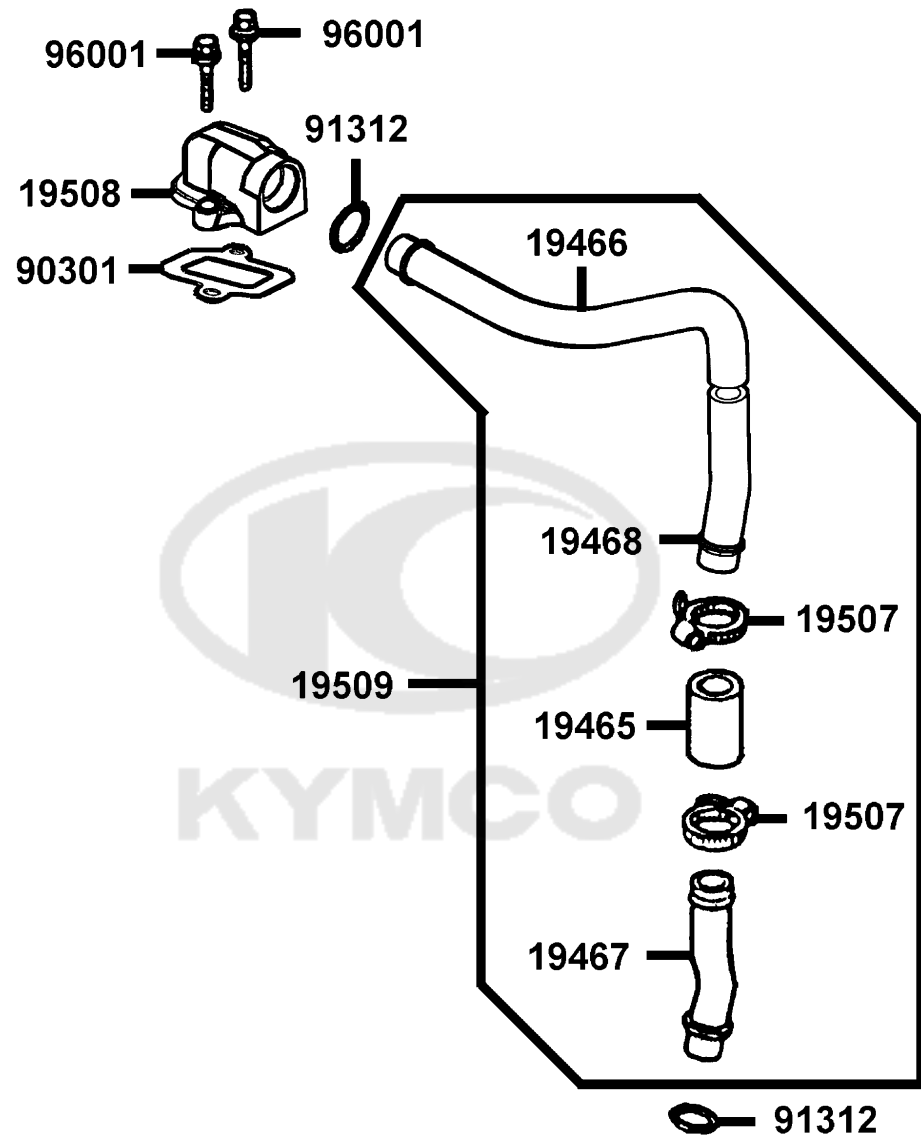


Sales mark	Ref no	Part no	Description	Reg description	Regd no	<b>E15</b>
#	92101	92101-06012-0G	BOLT HEX 6X12	BOLT HEX 6X12	1	
	94001	94001-04080-0S	NUT HEX 4MM	NUT HEX 4MM	1	
	95701-06012-02	95701-06012-02	BOLT FLANGE 6*12	BOLT FLANGE 6*12	1	
#	95701-06020-08	95701-06020-06	BOLT FLANGE 6*20 ALT 95701-06020-08	BOLT FLANGE 6*20 ALT 95701-06020-08G	1	
#	96001	96001-06020-06	BOLT FLANGE SH 6*20	BOLT FLANGE SH 6*20	1	
	96220	96220-40080	ROLLER 4*8	ROLLER 4*8	1	



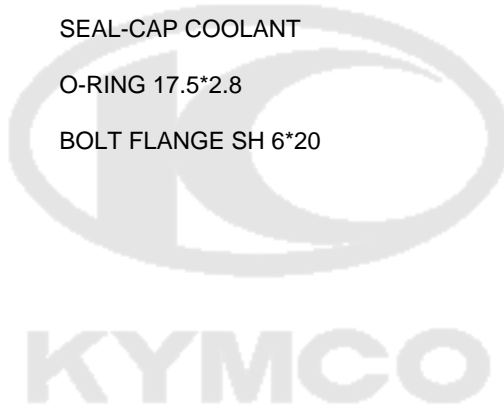
E16

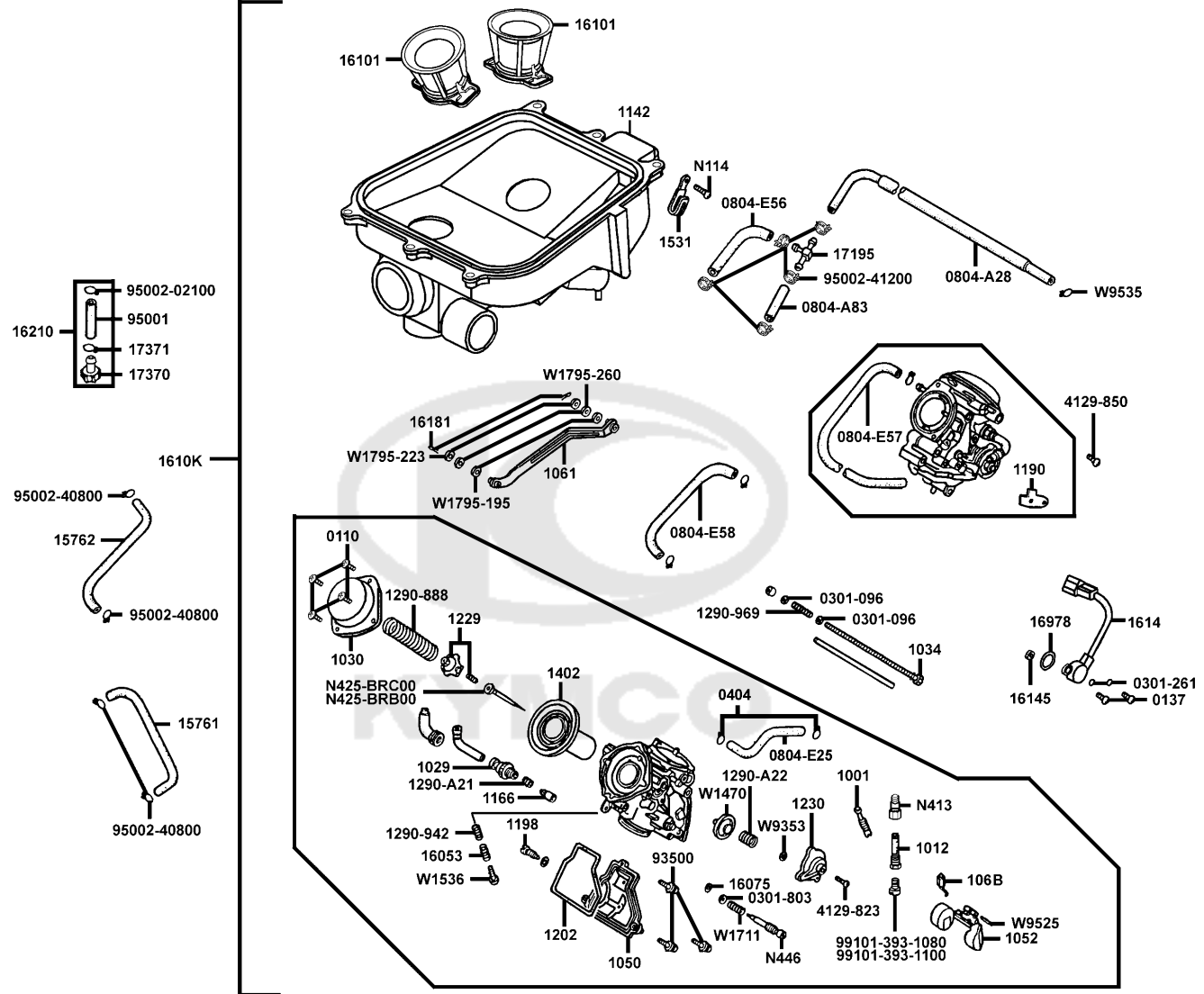
Coolant Tube





Sales mark	Ref no	Part no	Description	Reg description	Regd no	<b>E16</b>
	19465	19465-KED9-900	HOSE COOLANT	HOSE COOLANT	1	
	19466	19466-KED9-900	PIPE A COOLANT	PIPE A COOLANT	1	
	19467	19467-KED9-900	PIPE B COOLANT	PIPE B COOLANT	1	
	19468	19468-KED9-900	RUBBER MOUNTING	RUBBER MOUNTING	1	
#	19507	19507-LBA2-E00	CLAMP D 27.5	CLAMP D 27.5	1	
	19508	19508-KED9-900	CASE COOLER TANK PIPE	CASE COOLER TANK PIPE	1	
	19509	19509-KED9-900	TUBE ASSY W/P COOLANT	TUBE ASSY W/P COOLANT	1	
	90301	90301-KED9-900	SEAL-CAP COOLANT	SEAL-CAP COOLANT	1	
	91312	91312-KED9-900	O-RING 17.5*2.8	O-RING 17.5*2.8	2	
	96001	96001-06020-02	BOLT FLANGE SH 6*20	BOLT FLANGE SH 6*20	2	

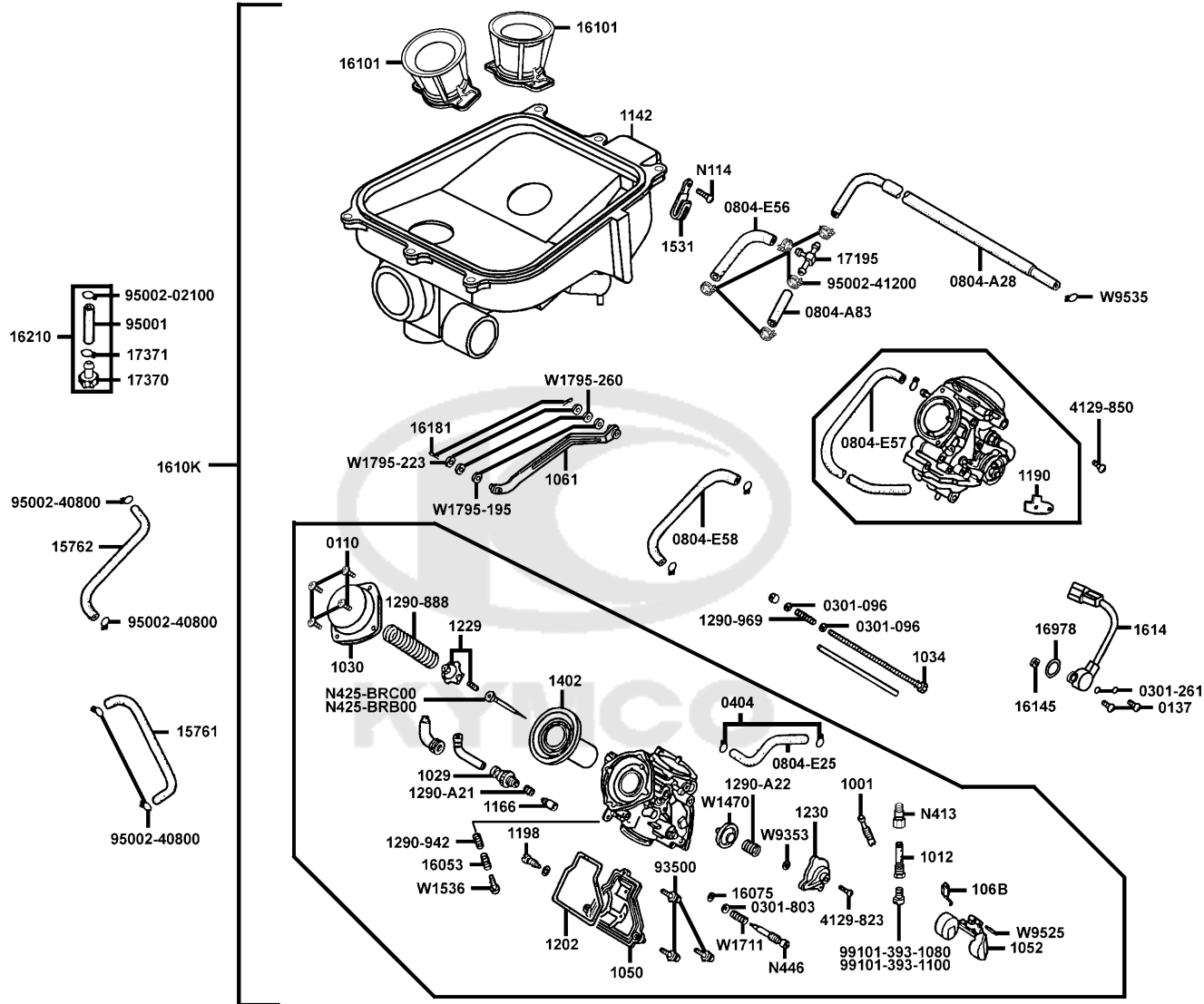




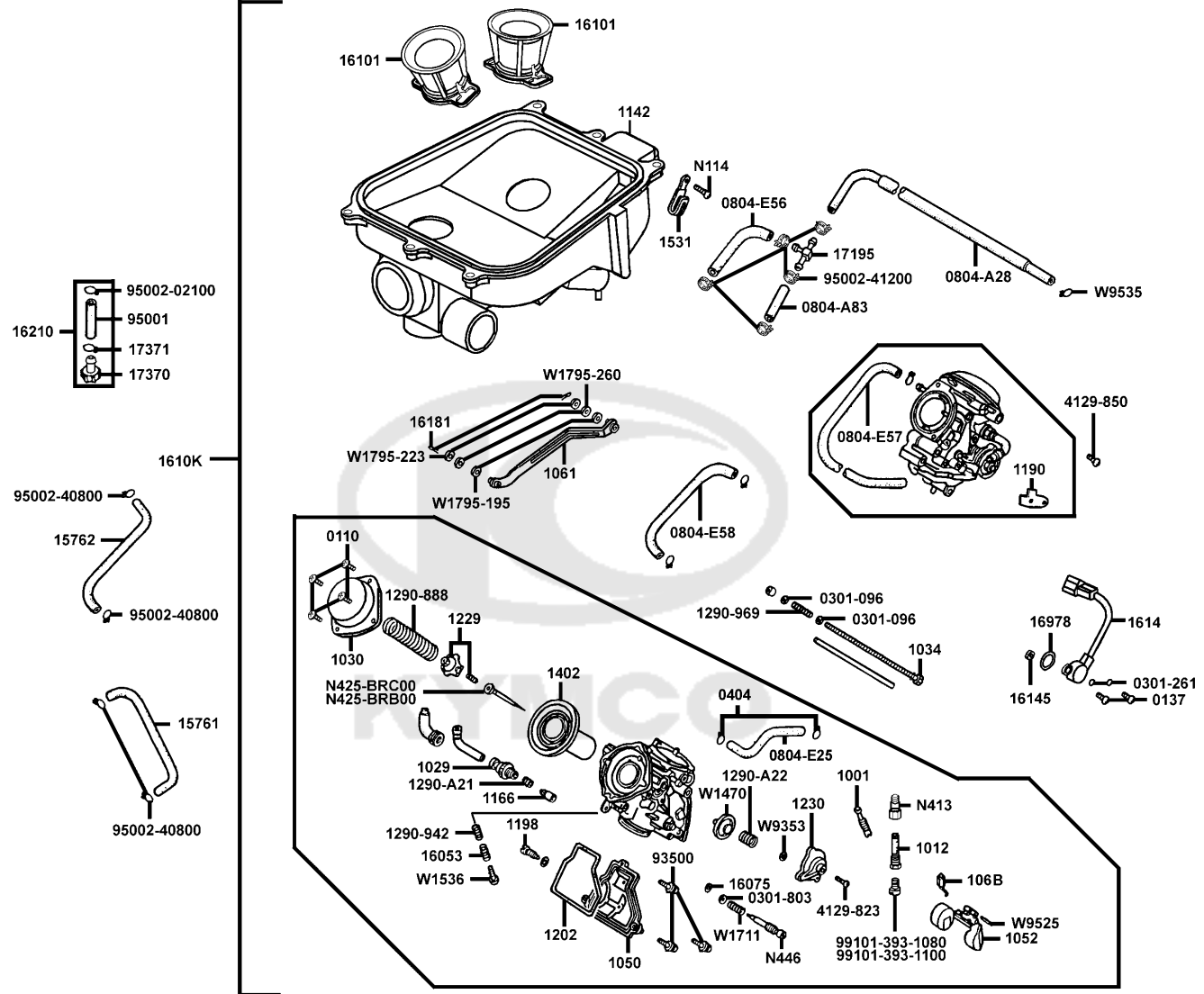
Sales mark	Ref no	Part no	Description	Reg description	Regd no	<b>E17</b>
0110		0110-803-1100	SCREW PAN	SCREW PAN	8	
0137		0137-261-36G5	SCREW PAN	SCREW PAN	2	
0301-096		0301-096-1200	PLAIN WASHER	PLAIN WASHER	2	
0301-261		0301-261-36G5	PLAIN WASHER	PLAIN WASHER	2	
0301-803		0301-803-2000	PLAIN WASHER	PLAIN WASHER	1	
0404		0404-814-1900	ICING TUBE CLAMP	ICING TUBE CLAMP	2	
0804-A28		0804-A28-0001	FUEL TUBE	FUEL TUBE	1	
0804-A83		0804-A83-0000	FUEL TUBE	FUEL TUBE	1	
0804-E25		0804-E25-0000	ICING TUBE	ICING TUBE	1	
0804-E56		0804-E56-0000	FUEL TUBE	FUEL TUBE	1	
0804-E57		0804-E57-0000	BOWL VENT TUBE	BOWL VENT TUBE	1	
0804-E58		0804-E58-0000	BOWL VENT TUBE	BOWL VENT TUBE	1	
1001		1001-GC8H-0351	SLOW JET	SLOW JET	2	
1012		1012-805-2000	JET HOLDER	JET HOLDER	1	
1029		1029-858-7000	STARTER VALVE CAP	STARTER VALVE CAP	2	
1030		1030-842-7002	TOP	TOP	2	
1034		1034-855-2500	IDLE SPEED ADJUST STOP SCREW	IDLE SPEED ADJUST STOP SCREW	1	
1050		1050-967-2000	FLOAT CHAMBER BODY	FLOAT CHAMBER BODY	2	
1052		1052-865-2100	FLOAT COMP	FLOAT COMP	2	
1061		1061-834-2101	LINK ARM COMP	LINK ARM COMP	1	

E17

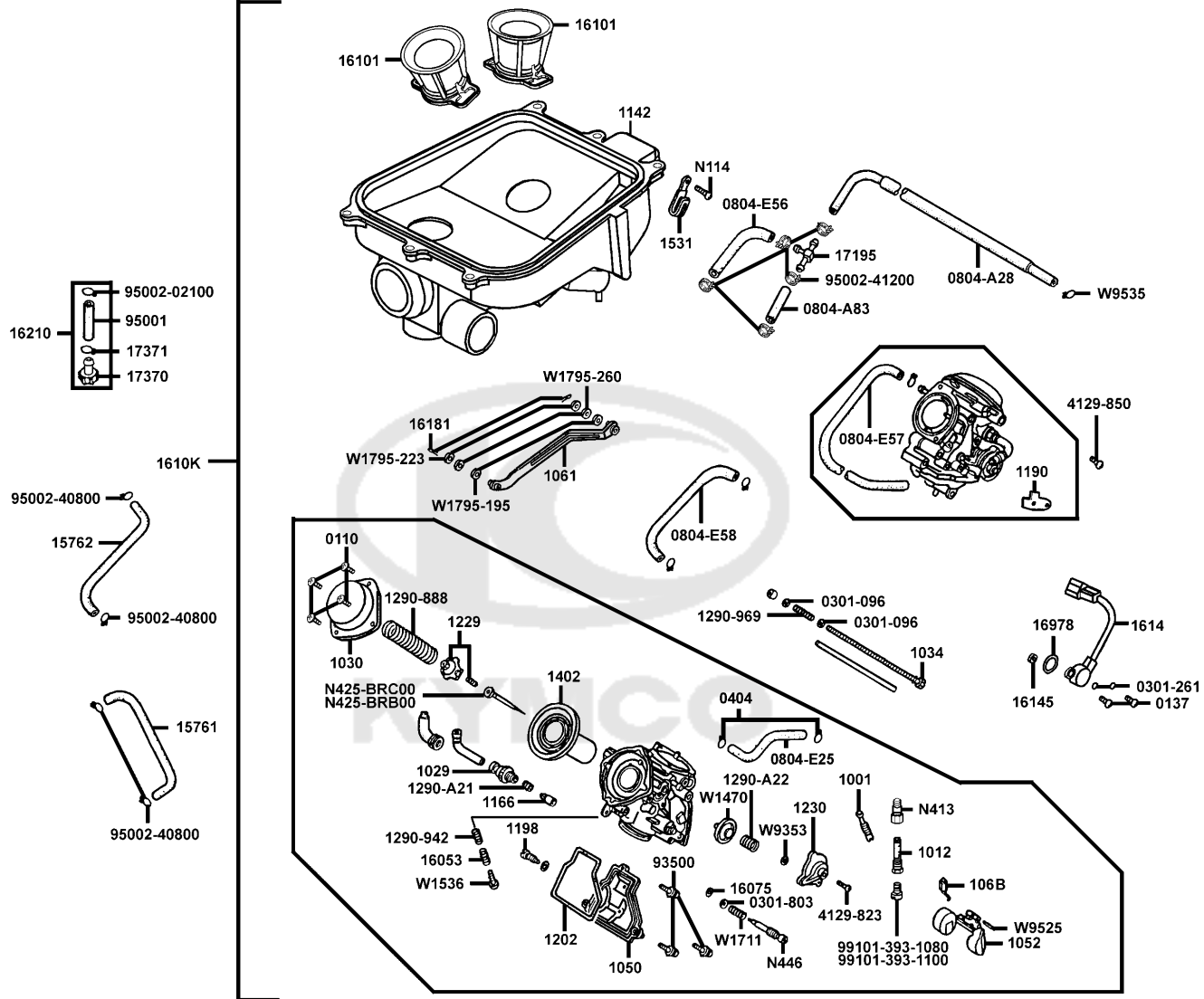
# Carburetor



Sales mark	Ref no	Part no	Description	Reg description	Regd no	E17
#	106B	106B-KPS0-0003	FLOAT VALVE COMP	FLOAT VALVE COMP	1	
	1142	1142-801-2002	CLEANER CASE	CLEANER CASE	1	
	1166	1166-839-2100	STARTER VALVE COMP	STARTER VALVE COMP	2	
	1190	1190-B64-2000	STAY PLATE	STAY PLATE	2	
	1198	1198-816-2000-3	DRAIN SCREW	DRAIN SCREW	1	
	1202	1202-869-6000	CAMBER GASKET O-RING	CAMBER GASKET O-RING	2	
	1229	1229-800-7000	SPG SEAT	SPG SEAT	2	
	1230	1230-857-2000	ACV COVER	ACV COVER	2	
	1290-888	1290-888-2000	COIL SPG	COIL SPG	2	
	1290-942	1290-942-2000	SYNCHRONIZE COIL SPG	SYNCHRONIZE COIL SPG	1	
	1290-969	1290-969-2000	COIL SPG	COIL SPG	1	
	1290-A21	1290-A21-2001	STARTER VALVE COIL SPG	STARTER VALVE COIL SPG	2	
	1290-A22	1290-A22-2000	ACV COIL SPG	ACV COIL SPG	2	
	1402	1402-825-2400	VACUUM PISTON COMP	VACUUM PISTON COMP	2	
	1531	1531-815-2000	BINDER	BINDER	1	
	15761	15761-KED9-900	TUBE WATER IN CARB	TUBE WATER IN CARB	1	
	15762	15762-KED9-900	TUBE WATER OUT CARB	TUBE WATER OUT CARB	1	
	16053	16053-KT7-0030	SPG	SPG	1	
	16075	16075-KG8-9010-M1	O-RING	O-RING	1	
	16101	16101-KED9-900	INLET DUCT(32)	INLET DUCT(32)	2	



Sales mark	Ref no	Part no	Description	Reg description	Regd no	E17
	1610K	1610K-KED9-E00	CARBURETOR ASSY	CARBURETOR ASSY	1	
	1614	1614-850-2100	THROTTLE SENSOR ASSY	THROTTLE SENSOR ASSY	1	
	16145	16145-MZ2-7800	JOINT COLLAR	JOINT COLLAR	1	
	16181	16181-PC3-7810-M1	SPLIT PIN	SPLIT PIN	2	
	16210	16210-KED9-900	DRAIN TUBE ASSY CARB	DRAIN TUBE ASSY CARB	1	
	16978	16978-ZB9-0050	O-RING	O-RING	1	
	17195	17195-MN5-0000	FUEL T-JOINT	FUEL T-JOINT	1	
	17370	17370-4K19-701	PLUG BREATHER TUBE	PLUG BREATHER TUBE	1	
	17371	17371-1D74-671	CLIP BREATHER TUBE	CLIP BREATHER TUBE	1	
	4129-823	4129-823-1101	PAN SCREW	PAN SCREW	2	
	4129-850	4129-850-1200	PAN SCREW	PAN SCREW	1	
	93500	93500-04008-1H-3	SCREW PAN	SCREW PAN	1	
	95001	95001-KED9-900	TUBE DRAIN	TUBE DRAIN	1	
	95002-02100	95002-02100	CLIP B15 TUBE	CLIP B15 TUBE	1	
	95002-40800	95002-40800-08	CLAMP D8 TUBE	CLAMP D8 TUBE	4	
	95002-41200	95002-41200-08	FUEL TUBE CLAMP	FUEL TUBE CLAMP	5	
	99101-393-1080	99101-393-1080	MAIN JET (Rr)	MAIN JET (Rr)	1	
	99101-393-1100	99101-393-1100	MAIN JET (Fr)	MAIN JET (Fr)	1	
	N114	N114-04063	PAN SCREW	PAN SCREW	1	
	N413	N413-21H00	NEEDLE JET HOLDER	NEEDLE JET HOLDER	1	





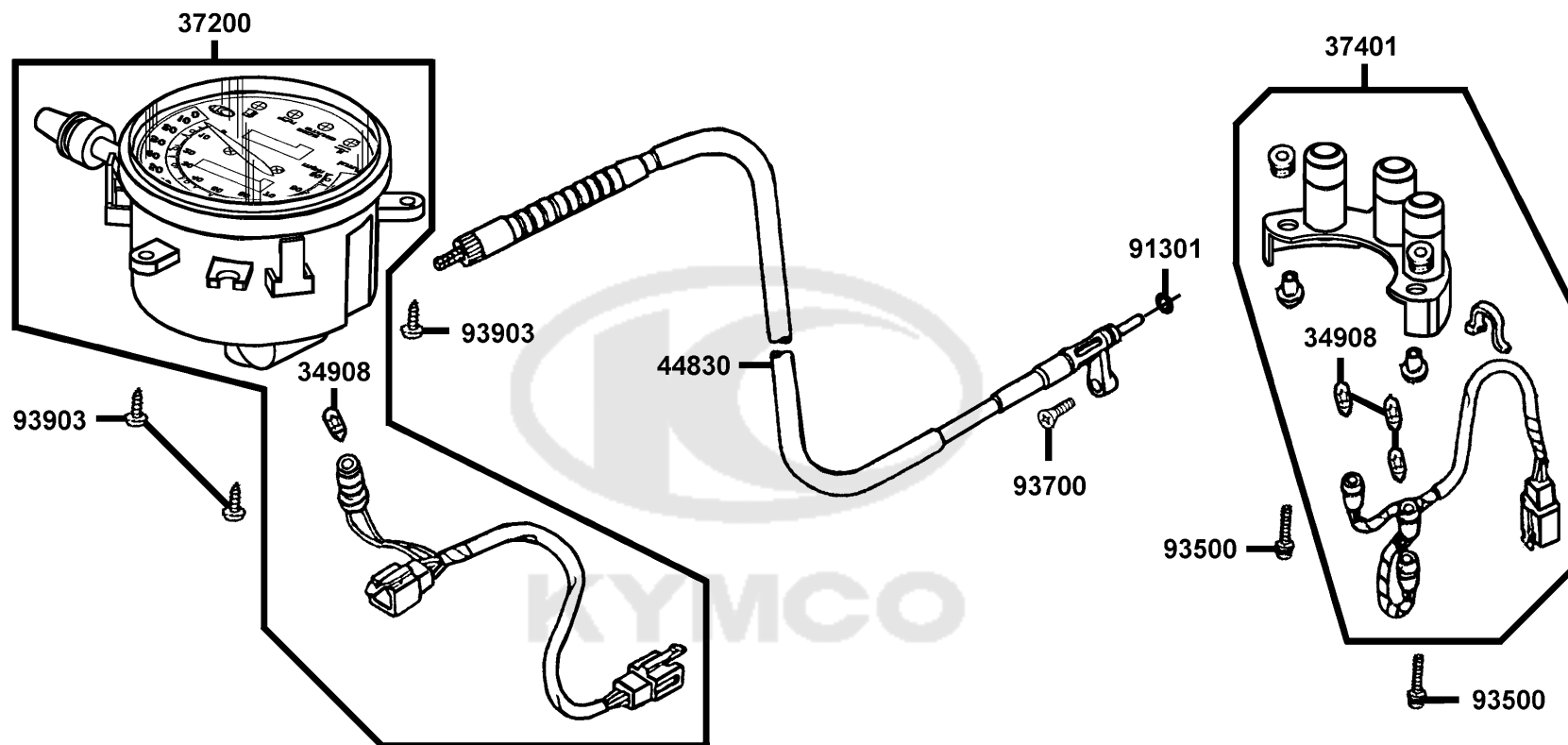
Sales mark	Ref no	Part no	Description	Reg description	Regd no	<b>E17</b>
	N425-BRB00	N425-BRB00	JET NEEDLE COMP	JET NEEDLE COMP	1	
	N425-BRC00	N425-BRC00	JET NEEDLE COMP	JET NEEDLE COMP	1	
	N446	N446-23B00	IDLE MIXTURE ADJUST SCREW	IDLE MIXTURE ADJUST SCREW	2	
	W1470	W1470-MW0-7500	DIAPHRAGM COMP	DIAPHRAGM COMP	2	
	W1536	W1536-169-9900	SYNCHRONIZE STOP SCREW	SYNCHRONIZE STOP SCREW	1	
	W1711	W1711-518-9902	SPG COMPR	SPG COMPR	2	
	W1795-195	W1795-195-9910	WASHER	WASHER	2	
	W1795-223	W1795-223-9900	PLAIN WASHER	PLAIN WASHER	2	
	W1795-260	W1795-260-9901	PLAIN WASHER	PLAIN WASHER	2	
	W9353	W9353-36000	U RING	U RING	2	
	W9525	W9525-25250	ARM PIN	ARM PIN	2	
	W9535	W9535-75000	TUBE CLIP	TUBE CLIP	1	



Sales mark	Ref no	Part no	Description	Reg description	Regd no	F01
	33100	33100-KED9-900	HEAD ASSY LIGHT	HEAD ASSY LIGHT	1	
#	33101	33101-KKA8-900	LENS HEAD LIGHT	LENS HEAD LIGHT	1	
	33103	33103-KED9-900	REFLECTOR HEAD LIGHT	REFLECTOR HEAD LIGHT	1	
	33104	33104-KED9-900	RIM HEAD LIGHT COMB	RIM HEAD LIGHT COMB	1	
	33130	33130-KED9-900	SOCKET COMP	SOCKET COMP	1	
	34901	34901-KED9-900	BULB HEAD LIGHT (12V 60/55W12342)	BULB HEAD LIGHT (12V 60/55W12342)	1	
	34903	34903-KPCP-900	BULB POSITION LIGHT 12V5W **KCP-	BULB POSITION LIGHT 12V5W **KCP-9000	1	
**	51601	51601-KED9-900	STAY R HEAD LIGHT	STAY R HEAD LIGHT	1	
**	51602	51602-KED9-900	STAY L HEAD LIGHT	STAY L HEAD LIGHT	1	
	51603	51603-KED9-900	HOLDER HEAD LIGHT STAY	HOLDER HEAD LIGHT STAY	2	
	51605	51605-KED9-900	RUBBER HEAD LIGHT STAY	RUBBER HEAD LIGHT STAY	2	
	61301	61301-KED9-900	CASE HEAD LIGHT	CASE HEAD LIGHT	1	
#	90111	90111-LEC8-E01	SCREW.PAN 6X14(CG)	SCREW.PAN 6X14(CG)	4	
	90112	90112-KED9-900	BOLT SOCKET 8*12	BOLT SOCKET 8*12	2	
	90114	90114-KED9-900	SCREW PAN 6*12	SCREW PAN 6*12	4	
#	93700	93700-05016-0F	SCREW OVAL 5X16	SCREW OVAL 5X16	1	

F02

# Speedometer

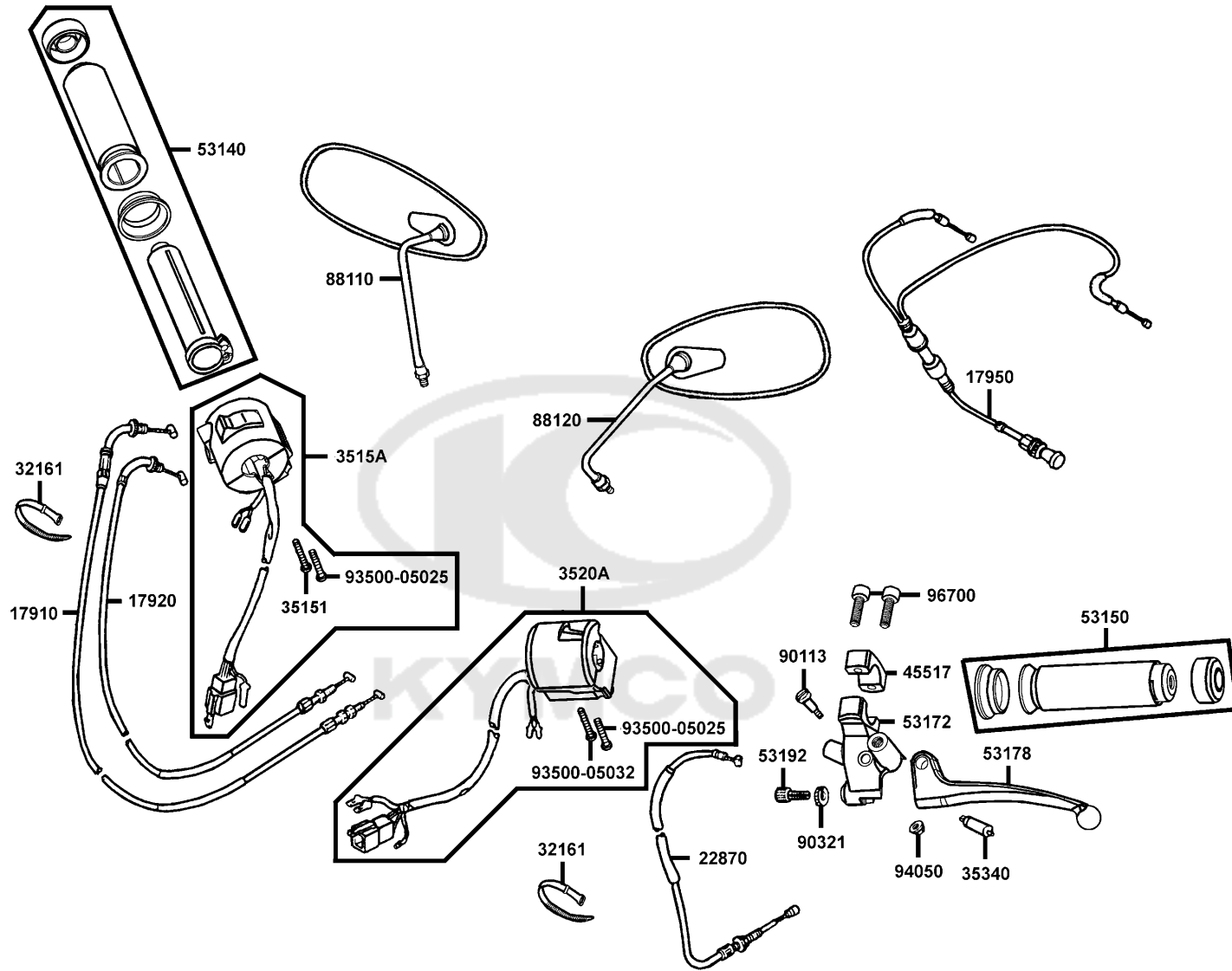


Sales mark	Ref no	Part no	Description	Reg description	Regd no	F02
	34908	34908-MKB9-87A	BULB WEDGE BASE T10	BULB WEDGE BASE T10	4	
	37200	37200-KED9-900	SPEEDOMETER ASSY	SPEEDOMETER ASSY	1	
	37401	37401-KED9-900	PILOT LAMP	PILOT LAMP	1	
	44830	44830-KED9-900	CABLE COMP SPDMT	CABLE COMP SPDMT	1	
	91301	91301-KBE2-710	O-RING 6.8*1.9	O-RING 6.8*1.9	1	
	93500	93500-04014-0G	SCREW PAN 4*14	SCREW PAN 4*14	2	
#	93700	93700-05020-0F	SCREW OVAL 5X20	SCREW OVAL 5X20	1	
#	93903	93903-35360	SCREW TAPPING 5*16	SCREW TAPPING 5*16	1	



F03

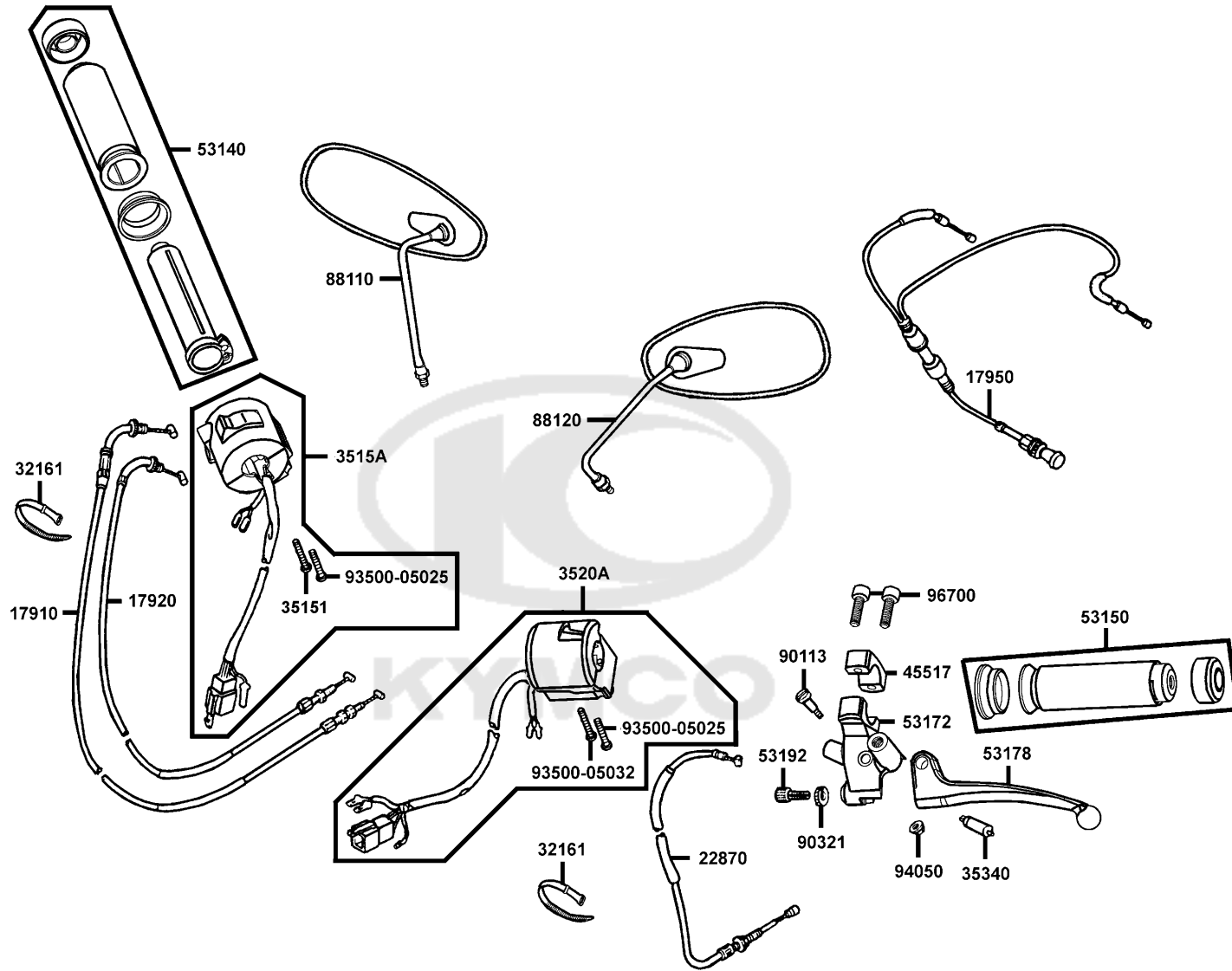
# CableSwitchMirror



Sales mark	Ref no	Part no	Description	Reg description	Regd no	F03
	17910	17910-KED9-900	CABLE A COMP THROT	CABLE A COMP THROT	1	
	17920	17920-KED9-900	CABLE B COMP THROT	CABLE B COMP THROT	1	
	17950	17950-KED9-900	CABLE COMP CHOCK	CABLE COMP CHOCK	1	
	22870	22870-KED9-900	CABLE COMP CLUTCH	CABLE COMP CLUTCH	1	
	32161	32161-4D04-001	BAND BI WIRE	BAND BI WIRE	2	
	35151	35151-KKA8-900	SCREW PAN M5*22	SCREW PAN M5*22	1	
	3515A	3515A-KED9-900	SW ASSY RH HANDLE COMP	SW ASSY RH HANDLE COMP	1	
	3520A	3520A-KED9-900	SW ASSY LH HANDLE COMP	SW ASSY LH HANDLE COMP	1	
#	35340	35340-GFY6-901	SW ASSY FR STOP	SW ASSY FR STOP	1	
	45517	45517-KKA8-900	HOLDER M/C	HOLDER M/C	1	
	53140	53140-KED9-900	GRIP COMP TUROT	GRIP COMP TUROT	1	
	53150	53150-KED9-900	GRIP COMP L HANDLE	GRIP COMP L HANDLE	1	
	53172	53172-KED9-900	BRKT HANDLE L	BRKT HANDLE L	1	
**	53178	53178-KKA8-900	LEVER L STRG HNDL	LEVER L STRG HNDL	1	
#	53192	53192-KED9-950	BOLT WIRE ADJUST	BOLT WIRE ADJUST	1	
**	88110	88110-KHC6-C00	MIRROR ASSY R BACK	MIRROR ASSY R BACK	1	
**	88120	88120-KHC6-C00	MIRROR ASSY L BACK	MIRROR ASSY L BACK	1	
#	90113	90114-KED9-950	BOLT L HNDL LEVER	BOLT L HNDL LEVER	1	
#	90321	90321-KED9-950	NUT FIXING	NUT FIXING	1	
	93500-05025	93500-05025-1B	SCREW PAN 5*25	SCREW PAN 5*25	2	

F03

CableSwitchMirror

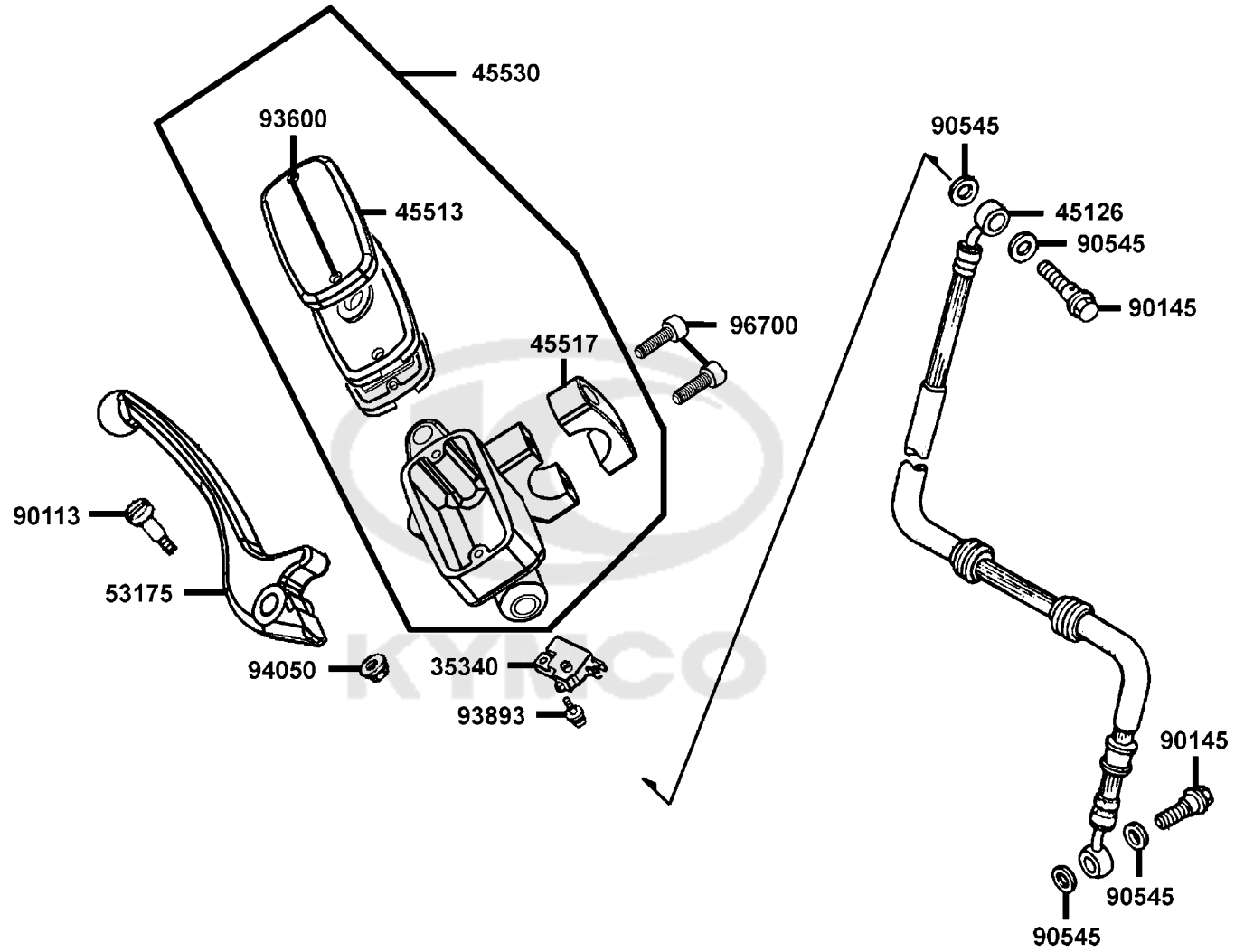




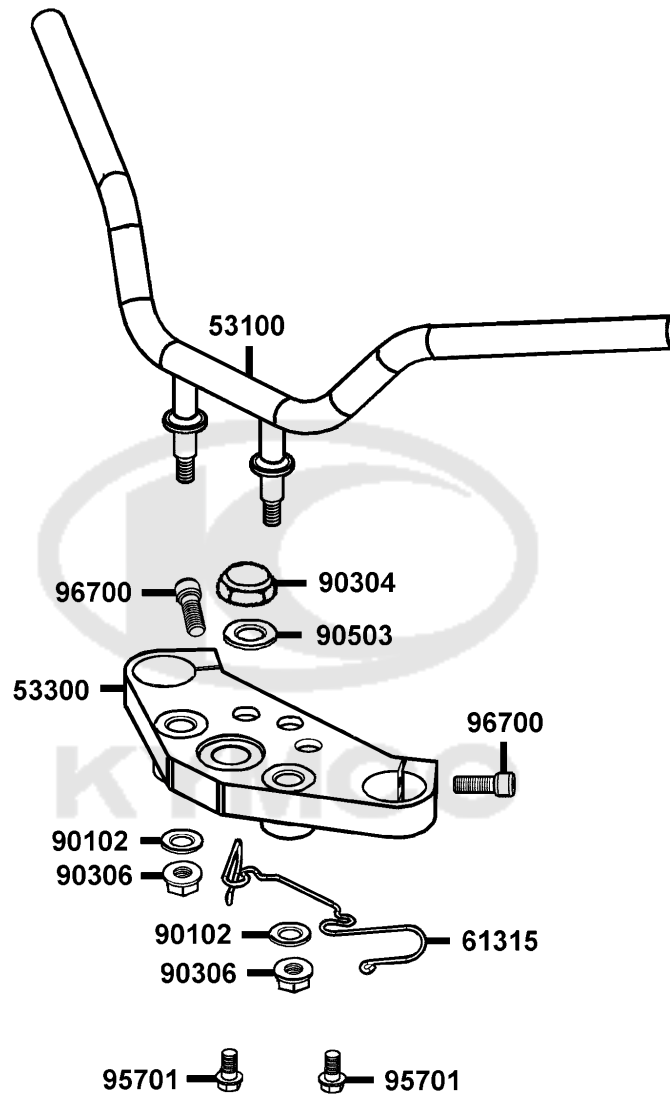
Sales mark	Ref no	Part no	Description	Reg description	Regd no	<b>F03</b>
------------	--------	---------	-------------	-----------------	---------	------------

93500-05032		93500-05032-1B	SCREW PAN 5*32	SCREW PAN 5*32	1	
94050		94050-06080	NUT FLANGE 6MM	NUT FLANGE 6MM	1	
96700		96700-06022-10	SOCKET BOLT 6*22	SOCKET BOLT 6*22	2	

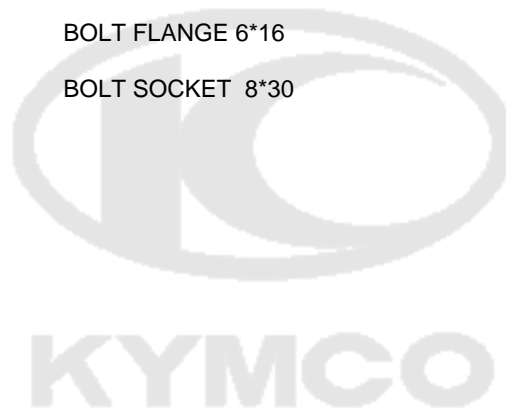


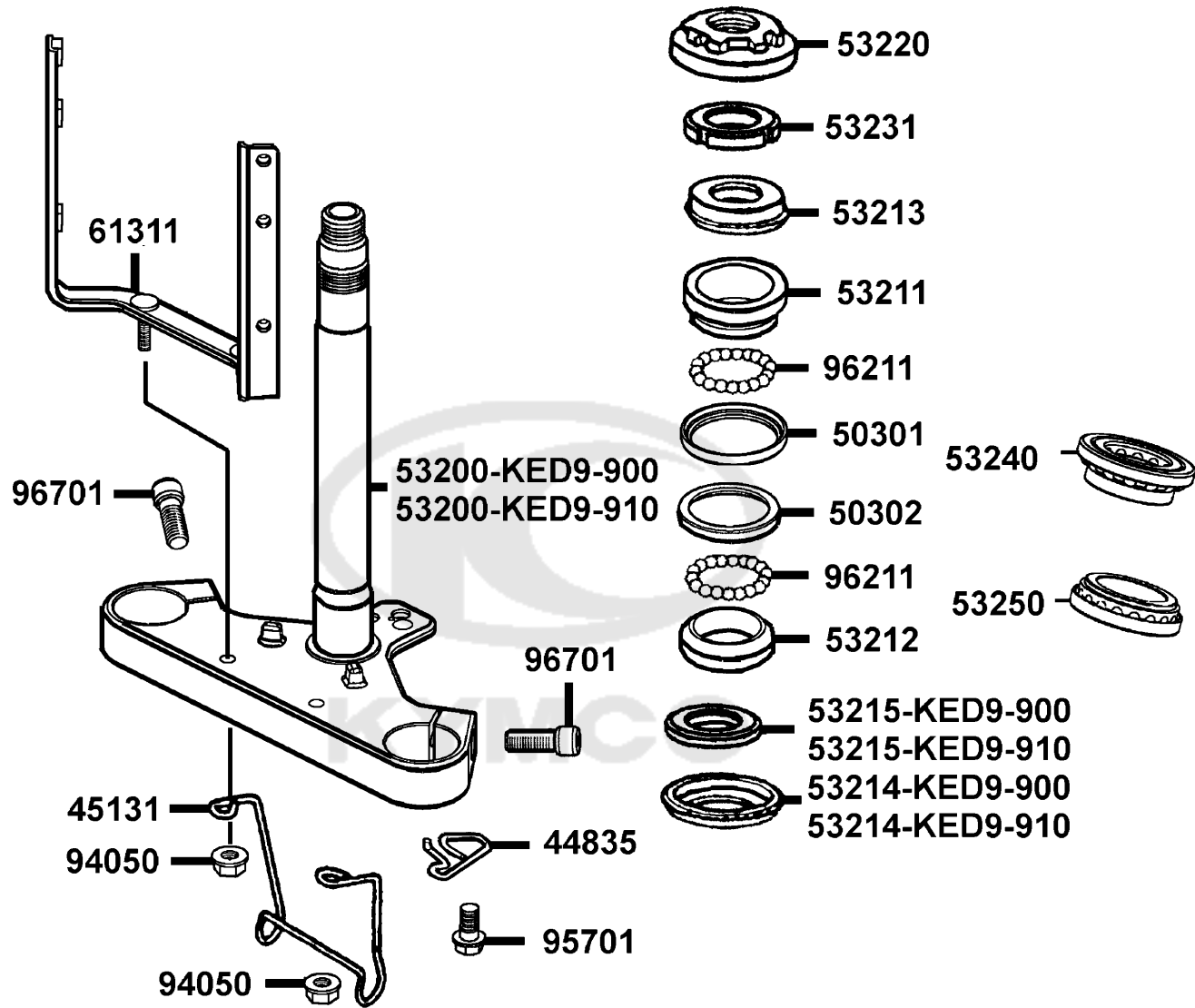


Sales mark	Ref no	Part no	Description	Reg description	Regd no	<b>F04</b>
	35340	35340-KNBN-901	SW ASSY FR STOP	SW ASSY FR STOP	1	
	45126	45126-KED9-900	HOSE ASSY FR BRK	HOSE ASSY FR BRK	1	
	45513	45513-KKA8-900	CAP M/C	CAP M/C	1	
	45517	45517-KKA8-900	HOLDER M/C	HOLDER M/C	1	
	45530	45530-KKA7-305	CYLINDER SET FR MASTER	CYLINDER SET FR MASTER	1	
**	53175	53175-KKA8-900	LEVER R STRG HNDL	LEVER R STRG HNDL	1	
#	90113	90113-KED9-950	BOLT L HANDLE LEVER	BOLT L HANDLE LEVER	1	
#	90145	90145-LEA3-E00	OIL BOLT 10*22	OIL BOLT 10*22	1	
	90545	90545-3L00-001	WASHER OIL BOLT	WASHER OIL BOLT	4	
#	93600	93600-04012-16	SCREW FLAT 4*12	SCREW FLAT 4*12	2	
#	93893	93893-04012-16	SCREW WASHER 4X12	SCREW WASHER 4X12	1	
#	94050	94050-06060	NUT FLANGE 6MM	NUT FLANGE 6MM	1	
#	96700	96700-06020-06	SOCKET BOLT 6X20	SOCKET BOLT 6X20	2	

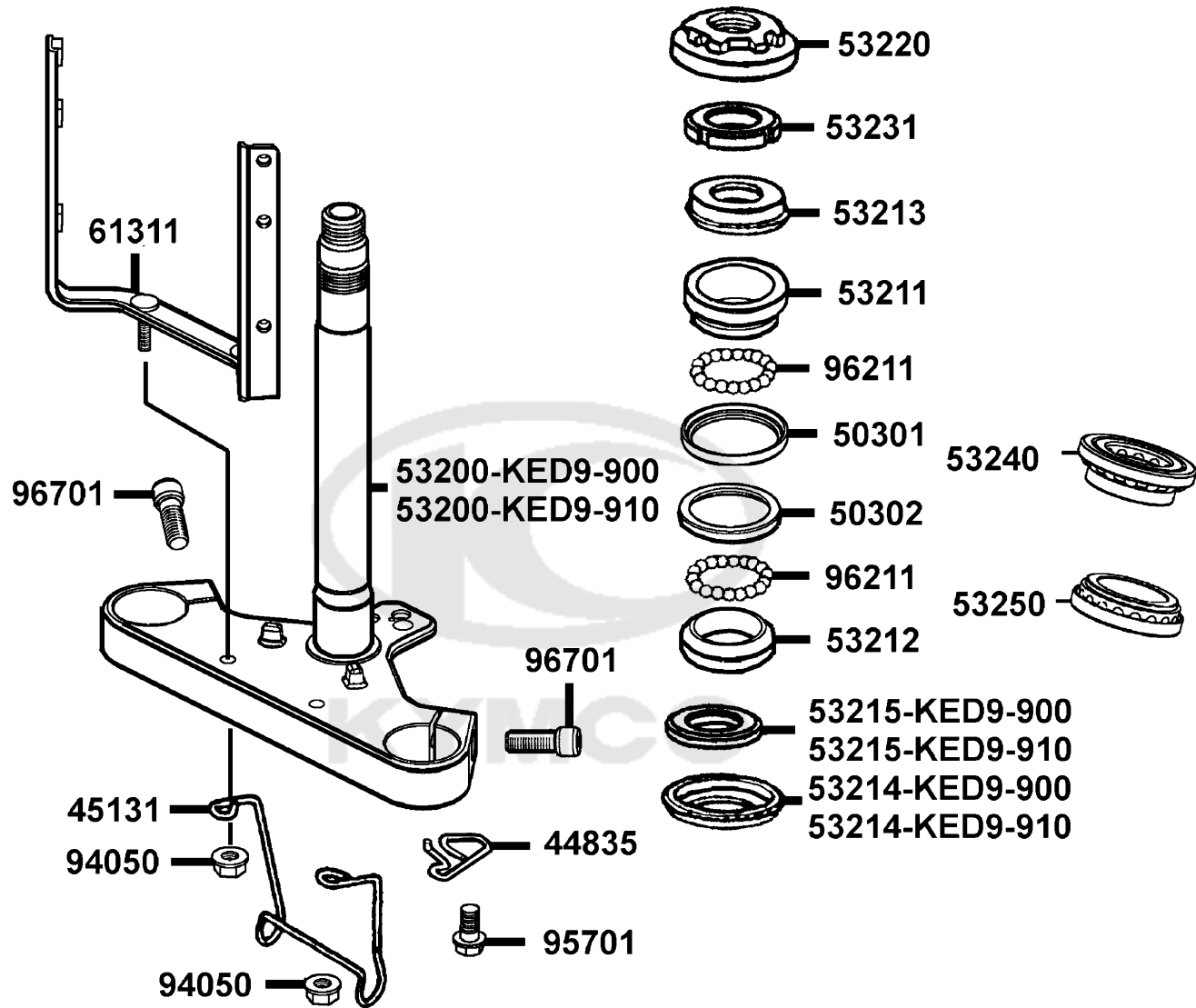


Sales mark	Ref no	Part no	Description	Reg description	Regd no	F05
	53100	53100-KED9-900	HANDLE COMP STRG	HANDLE COMP STRG	1	
	53300	53300-KED9-900	BRIDGE FORK TOP	BRIDGE FORK TOP	1	
	61315	61315-KED9-900	GUIDE CABLE	GUIDE CABLE	1	
	90102	90102-KKAK-900	WASHER HANDLE	WASHER HANDLE	2	
	90304	90304-KKAK-900	NUT STRG STEM	NUT STRG STEM	1	
	90306	90306-GLW0-90A	NUT FLANGE 12MM	NUT FLANGE 12MM	1	
	90503	90503-0A51-870	WASHER STEERING STEM NUT	WASHER STEERING STEM NUT	1	
	95701	95701-06016-02	BOLT FLANGE 6*16	BOLT FLANGE 6*16	2	
#	96700	96700-KED9-900	BOLT SOCKET 8*30	BOLT SOCKET 8*30	2	





Sales mark	Ref no	Part no	Description	Reg description	Regd no	<b>F06</b>
44835		44835-KED9-900	GUIDE SPDMT CABLE	GUIDE SPDMT CABLE	1	
45131		45131-KED9-900	PIN BOLT A	PIN BOLT A	1	
50301		50301-KED9-900	RACE STRG BALL TOP	RACE STRG BALL TOP	1	
50302		50302-KED9-900	RACE STRG BALL BOP	RACE STRG BALL BOP	1	
53200-KED9-900		53200-KED9-900	STEM COMP STRG	STEM COMP STRG	1	
53200-KED9-910		53200-KED9-910	STEM COMP STRG	STEM COMP STRG	1	
53211		53211-KED9-900	RACE STRG TOP CONE	RACE STRG TOP CONE	1	
53212		53212-KED9-900	RACE STRG CONE BOT	RACE STRG CONE BOT	1	
53213		53213-KED9-900	DUST SEAL STRG HEAD TOP	DUST SEAL STRG HEAD TOP	1	
53214-KED9-900		53214-KED9-900	DUST-SEAL STRG HEAD BOT	DUST-SEAL STRG HEAD BOT	1	
53214-KED9-910		53214-KED9-910	DUST-SEAL STRG HEAD BOT	DUST-SEAL STRG HEAD BOT	1	
53215-KED9-900		53215-KED9-900	DUST SEAL STRG HEAD BOT	DUST SEAL STRG HEAD BOT	1	
53215-KED9-910		53215-KED9-910	DUST SEAL STRG HEAD BOT	DUST SEAL STRG HEAD BOT	1	
53220		53220-KED9-900	THREAD COMP STRG HEAD TOP	THREAD COMP STRG HEAD TOP	1	
53231		53231-KED9-900	NUT LOCK	NUT LOCK	1	
53240		53240-LBA2-E00	BEARING TOT STRG (mark:PX1)	BEARING TOT STRG (mark:PX1)	1	
53250		53250-LBA2-E00	BEARING BOT STRG (mark:PX1)	BEARING BOT STRG (mark:PX1)	1	
61311		61311-KED9-900	STAY WINKER	STAY WINKER	1	
94050		94050-06080	NUT FLANGE 6MM	NUT FLANGE 6MM	2	
95701		95701-06012-02	BOLT FLANGE 6*12	BOLT FLANGE 6*12	1	





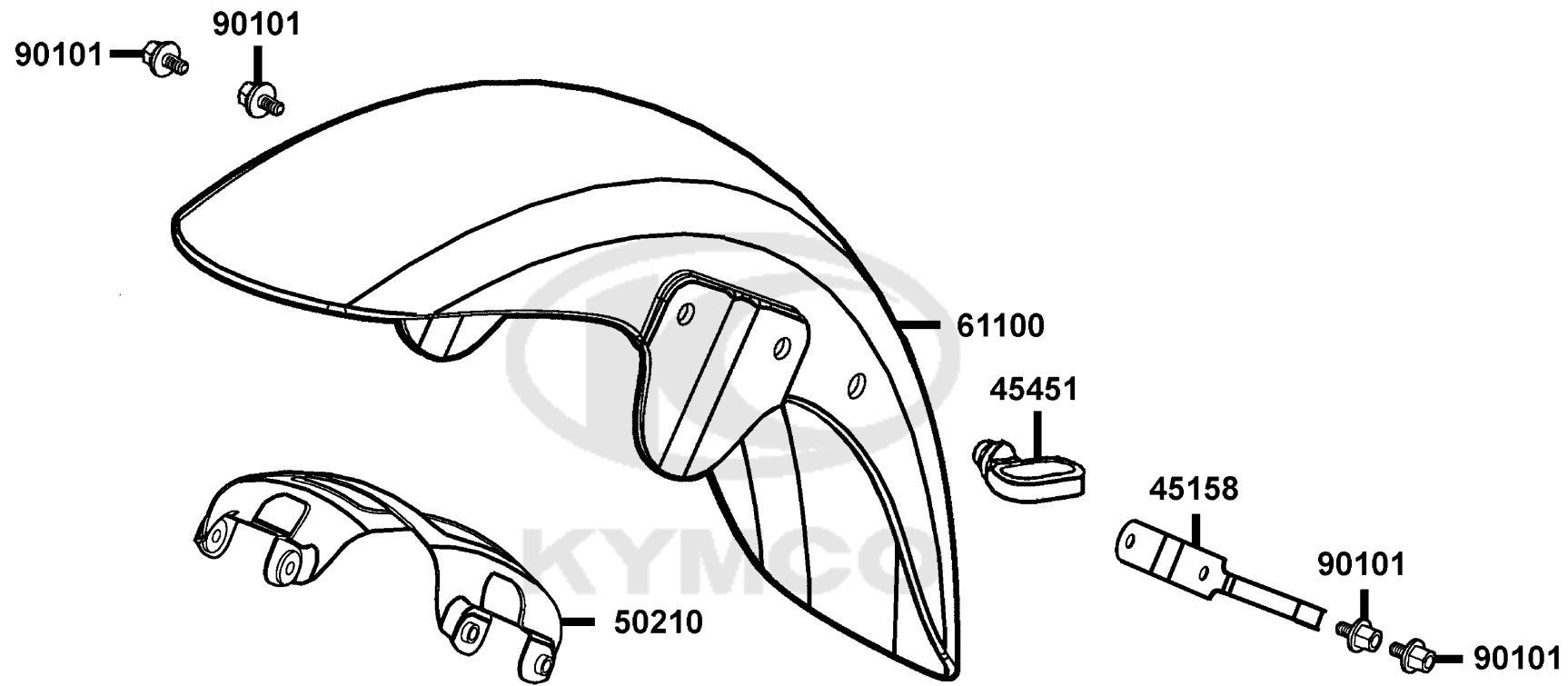
Sales mark	Ref no	Part no	Description	Reg description	Regd no	<b>F06</b>
------------	--------	---------	-------------	-----------------	---------	------------

	96211	96211-08000	BALL STEEL #8	BALL STEEL #8	38	
#	96701	96701-KED9-950	BOLT SOCKET 10*30	BOLT SOCKET 10*30	1	



F07

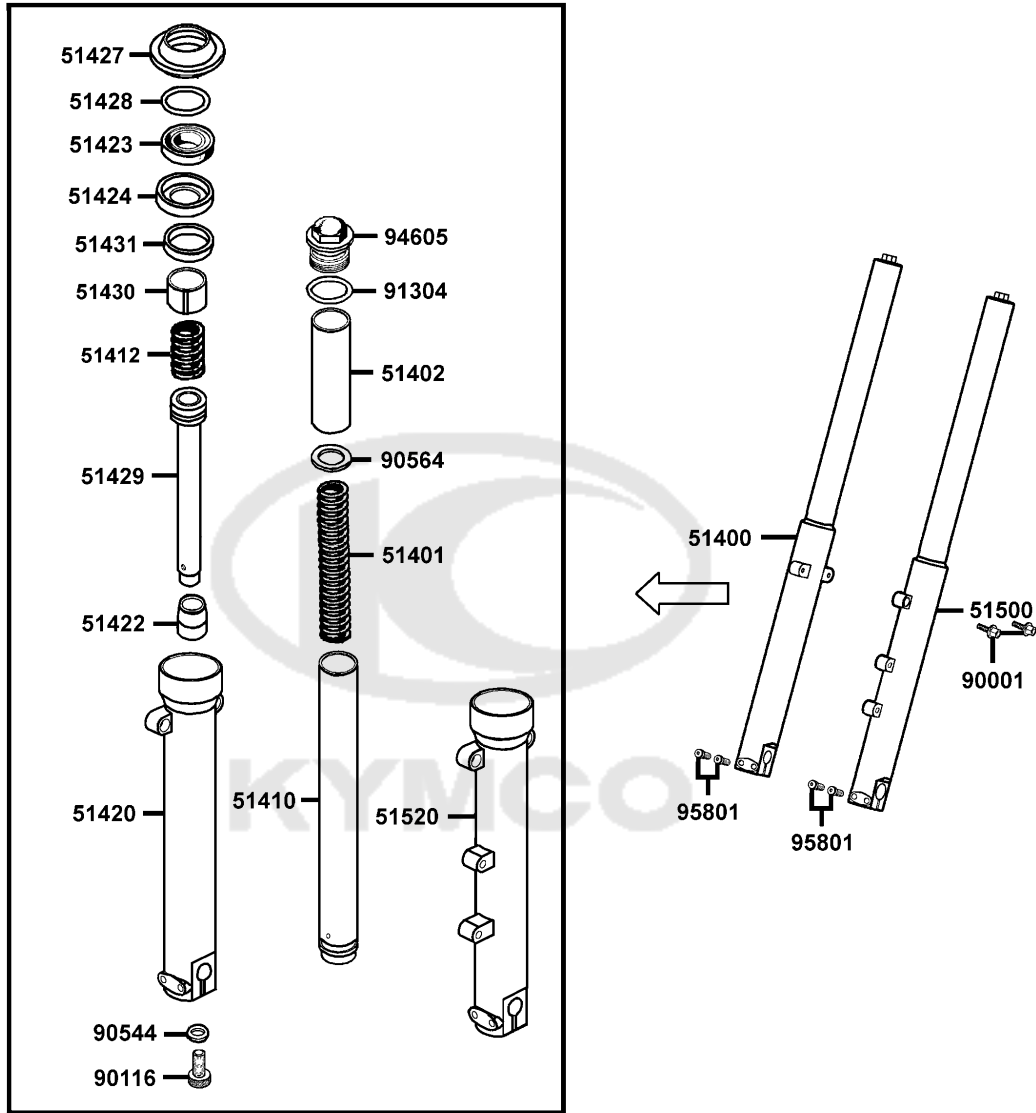
Front Fender



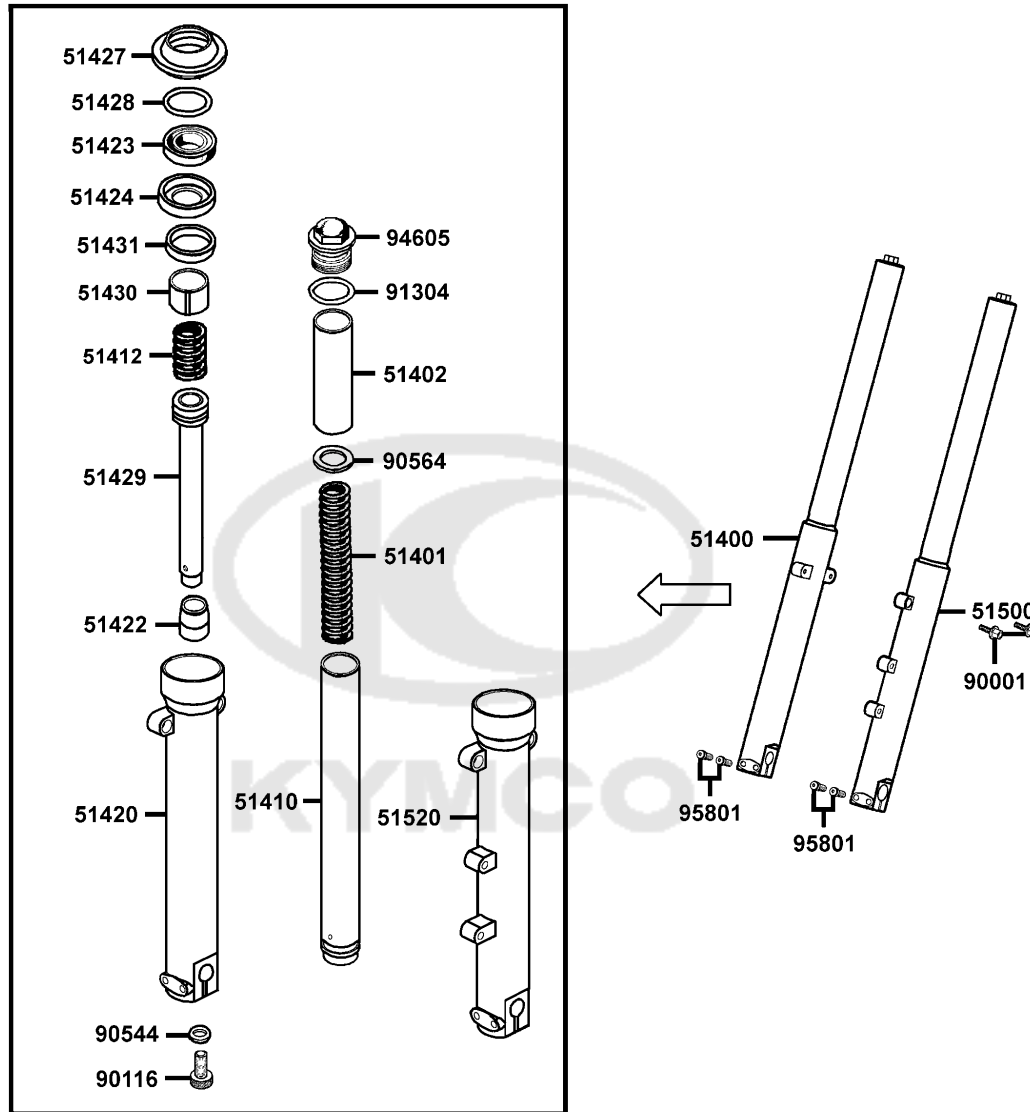
Sales mark	Ref no	Part no	Description	Reg description	Regd no	<b>F07</b>
------------	--------	---------	-------------	-----------------	---------	------------

	45158	45158-KED9-900	CLAMPER BRK HOSE	CLAMPER BRK HOSE	1	
	45451	45451-4A71-001	GROMMET WIRE	GROMMET WIRE	1	
	50210	50210-KED9-900	STAY FR FENDER	STAY FR FENDER	1	
**	61100	61100-KED9-900	FENDER FR	FENDER FR	1	
	90101	90101-KED9-900	BOLT NUT 6MM	BOLT NUT 6MM	4	





Sales mark	Ref no	Part no	Description	Reg description	Regd no	<b>F08</b>
**	51400	51400-KED9-900	FORK ASSY R FR	FORK ASSY R FR	1	
	51401	51401-KED9-900	SPRING	SPRING	2	
	51402	51402-KED9-900	SPRING COLLAR	SPRING COLLAR	2	
	51410	51410-KED9-900	FORK PIPE COMP	FORK PIPE COMP	2	
	51412	51412-KED9-900	REBOUND SPRING	REBOUND SPRING	2	
	51420	51420-KED9-900	BOTTOM CASE R	BOTTOM CASE R	1	
	51422	51422-KED9-900	OIL LOCK PIECE	OIL LOCK PIECE	2	
	51423	51423-KED9-900	OIL SEAL	OIL SEAL	2	
	51424	51424-KED9-900	SPACER	SPACER	2	
	51427	51427-KED9-900	DUST SEAL	DUST SEAL	2	
	51428	51428-KED9-900	OIL SEAL STOPPER RING	OIL SEAL STOPPER RING	2	
	51429	51429-KED9-900	PIPE SEAT COMP	PIPE SEAT COMP	2	
	51430	51430-KED9-900	SLIDE BUSH	SLIDE BUSH	2	
	51431	51431-KED9-900	GUIDE BUSH	GUIDE BUSH	2	
	**	51500-KED9-900	FORK ASSY L FR	FORK ASSY L FR	1	
	51520	51520-KED9-900	BOTTOM CASE L	BOTTOM CASE L	1	
	90001	90001-GAE1-921	BOLT SPECIAL SOCKET	BOLT SPECIAL SOCKET	4	
	90116	90116-KHD8-900	BOLT	BOLT	2	
	90544	90544-KHC7-E00	PACKING B 10MM	PACKING B 10MM	2	
	90564	90564-KED9-900	PLANE WASHER	PLANE WASHER	2	



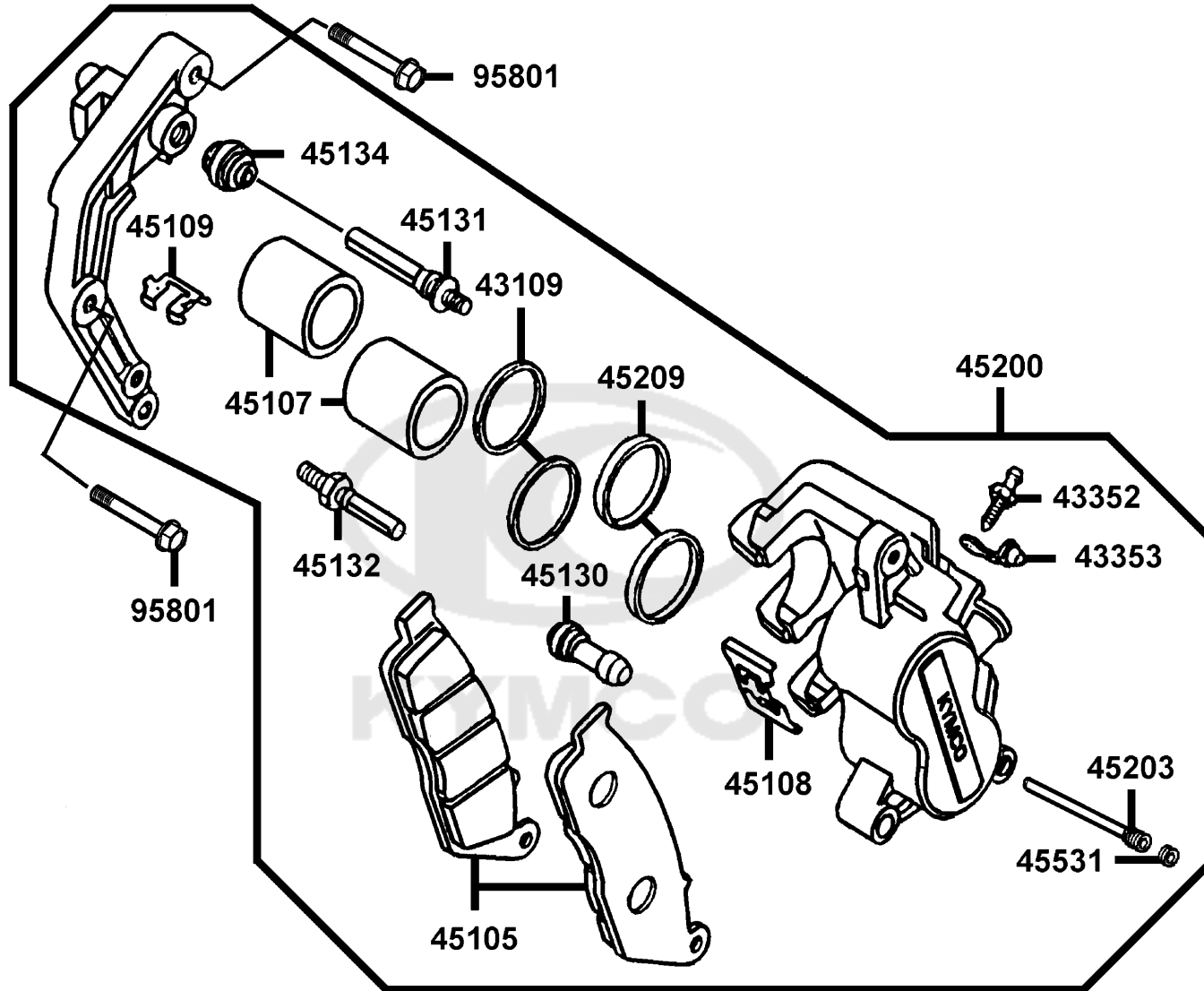
Sales mark	Ref no	Part no	Description	Reg description	Regd no	<b>F08</b>
------------	--------	---------	-------------	-----------------	---------	------------

	91304	91304-KED9-900	O-RING	O-RING	2	
	94605	94605-KED9-900	FORK BOLT	FORK BOLT	2	
#	95801	95801-08045-06	BOLT FLANGE 8*45	BOLT FLANGE 8*45	1	



F09

Front Caliper

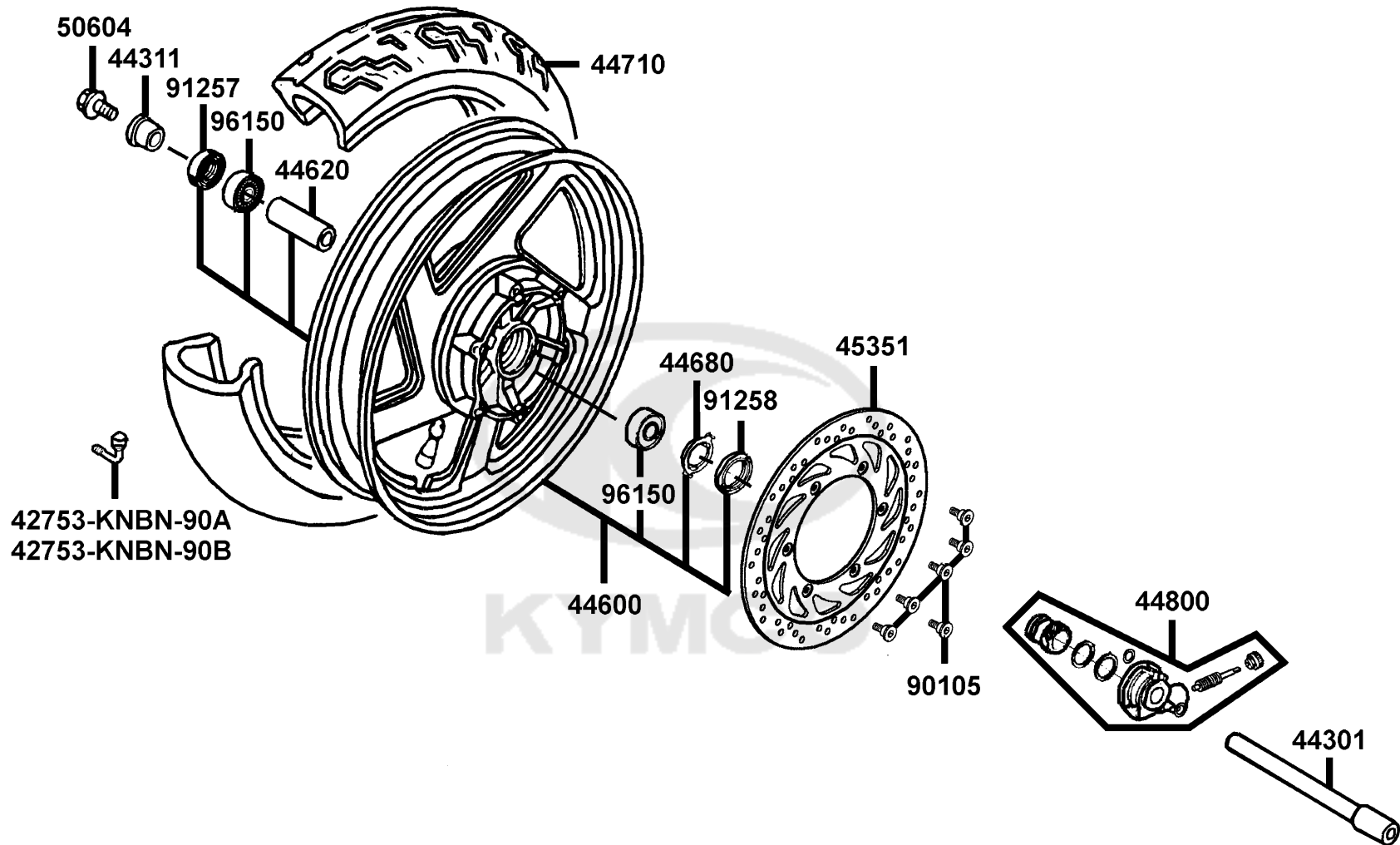




Sales mark	Ref no	Part no	Description	Reg description	Regd no	F09
	43109	43109-MCA3-007	DUST SEAL	DUST SEAL	2	
	43353	43353-KED9-900	CAP BLEEDER	CAP BLEEDER	1	
#	43352	4335A-LBA2-E01	BLEEDER ASSY	SCREW BLEEDER	1	
	45105	45105-KED9-305	PAD ASSY A\B	PAD ASSY A\B	1	
	45107	45107-KED9-900	PISTON	PISTON	2	
	45108	45108-KED9-900	SPRING PAD	SPRING PAD	1	
	45109	45109-KED9-900	SLIDE PAD	SLIDE PAD	1	
	45130	45130-KED9-900	BUSH PIN	BUSH PIN	1	
	45131	45131-KED9-900	PIN BOLT A	PIN BOLT A	1	
	45132	45132-KED9-900	PIN BOLT	PIN BOLT	1	
	45134	45134-KED9-900	BOOT B	BOOT B	1	
**	45200	45200-KED9-900	CALIPER ASSY FR	CALIPER ASSY FR	1	
	45203	45203-KED9-900	PLUG PIN	PLUG PIN	1	
	45209	45209-KED9-900	SEAL PISTON	SEAL PISTON	2	
	45531	45531-KED9-900	PLUG	PLUG	1	
#	95801	95801-08035-06	BOLT FLANGE 8*35	BOLT FLANGE 8*35	1	

F10

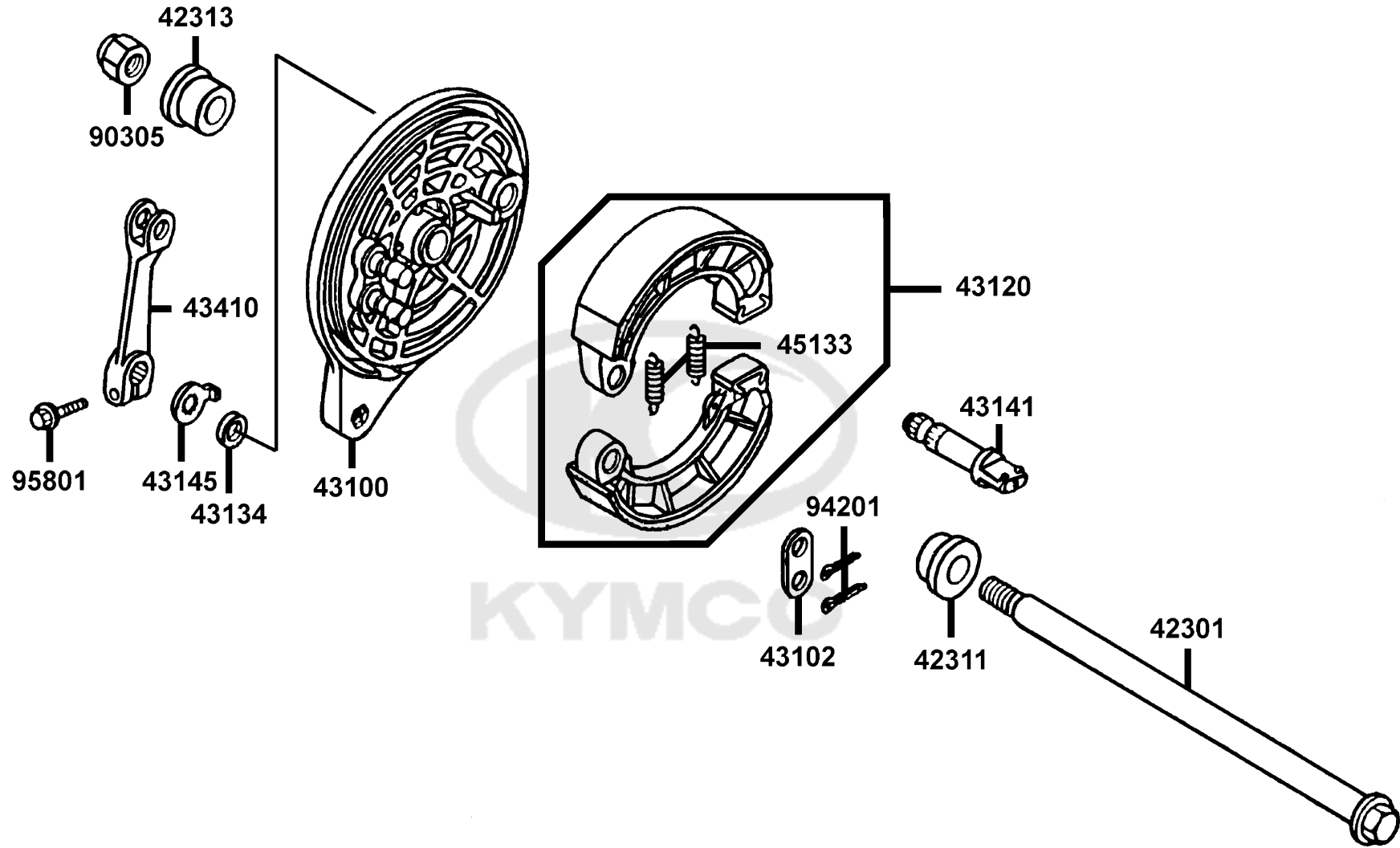
Front Wheel



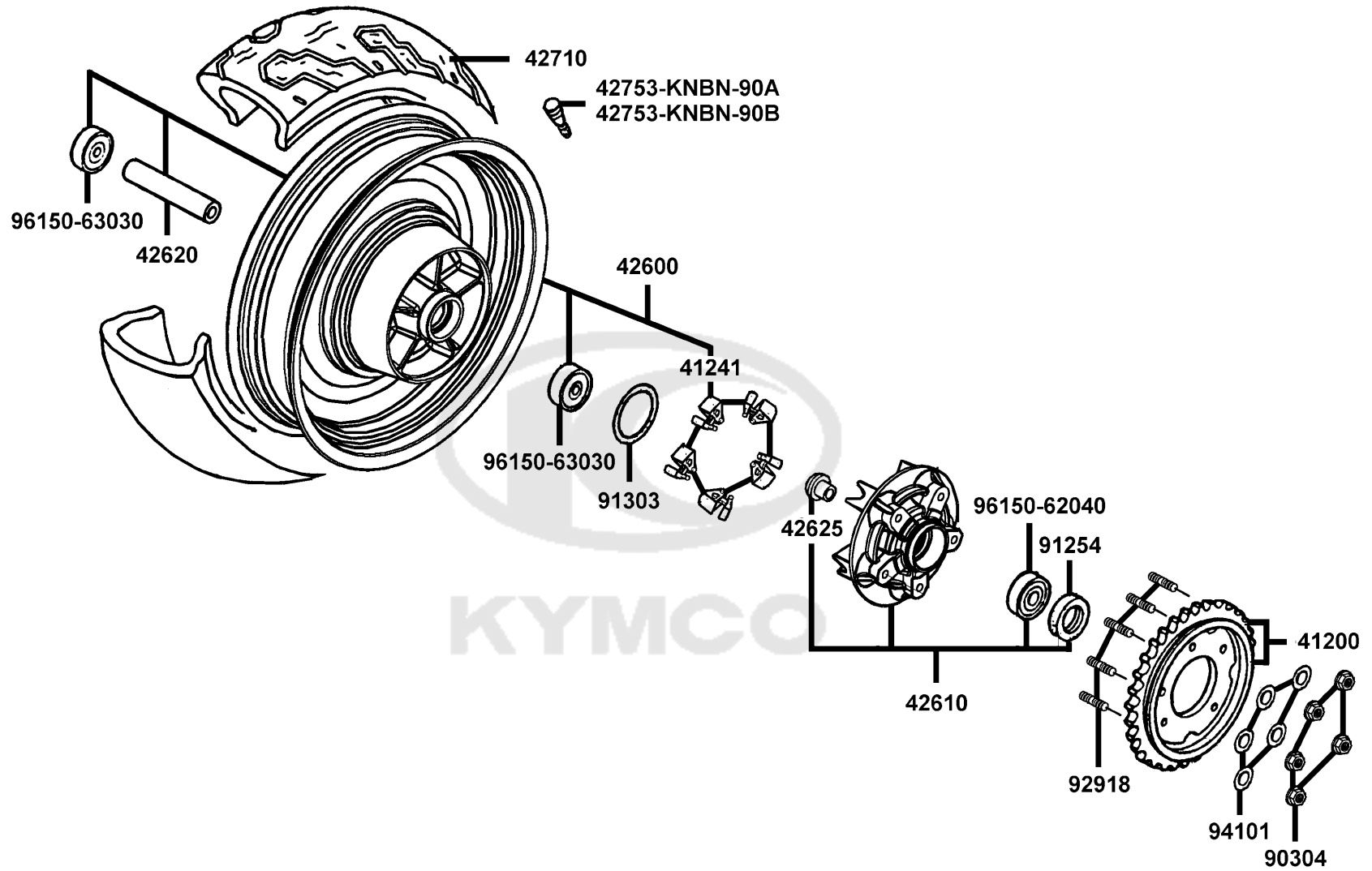
Sales mark	Ref no	Part no	Description	Reg description	Regd no	<b>F10</b>
#	42753-KNBN-90B	42753-KNBN-90B	VALAE RIM (TR412)	VALAE RIM (TR412)	2	
	44301	44301-KED9-900	AXLE FR WHEEL M20*207.7MM	AXLE FR WHEEL M20*207.7MM	1	
	44311	44311-KED9-900	COLLAR FR WHEEL SIDE	COLLAR FR WHEEL SIDE	1	
**	44600	44600-KED9-305	WHEEL SET FR	WHEEL SET FR	1	
	44620	44620-KED9-900	COLLAR FR AXLE DIST	COLLAR FR AXLE DIST	1	
	44680	44680-KED9-900	RETAINER GEAR BOX	RETAINER GEAR BOX	1	
	44710	44710-KED9-90C	TIRE ASSY FR/120/80-17 61S /CHENG	TIRE ASSY FR/120/80-17 61S /CHENG SHIN	1	
	44800	44800-KED9-900	GEAR BOX ASSY SPDMT	GEAR BOX ASSY SPDMT	1	
	45351	45351-KED9-900	DISK FR BRAKE	DISK FR BRAKE	1	
	50604	50604-KED9-900	BOLT FR AXLE	BOLT FR AXLE	1	
	90105	90105-MLL0-731	BOLT STEP HOLDER 8*24	BOLT STEP HOLDER 8*24	6	
	91257	91257-KED9-900	DUST SEAL 28*42*8	DUST SEAL 28*42*8	1	
	91258	91258-KED9-900	DUST SEAL 45*55*5	DUST SEAL 45*55*5	1	
	96150	96150-60040-10	BEARING BALL RADIAL 6004	BEARING BALL RADIAL 6004	2	

F11

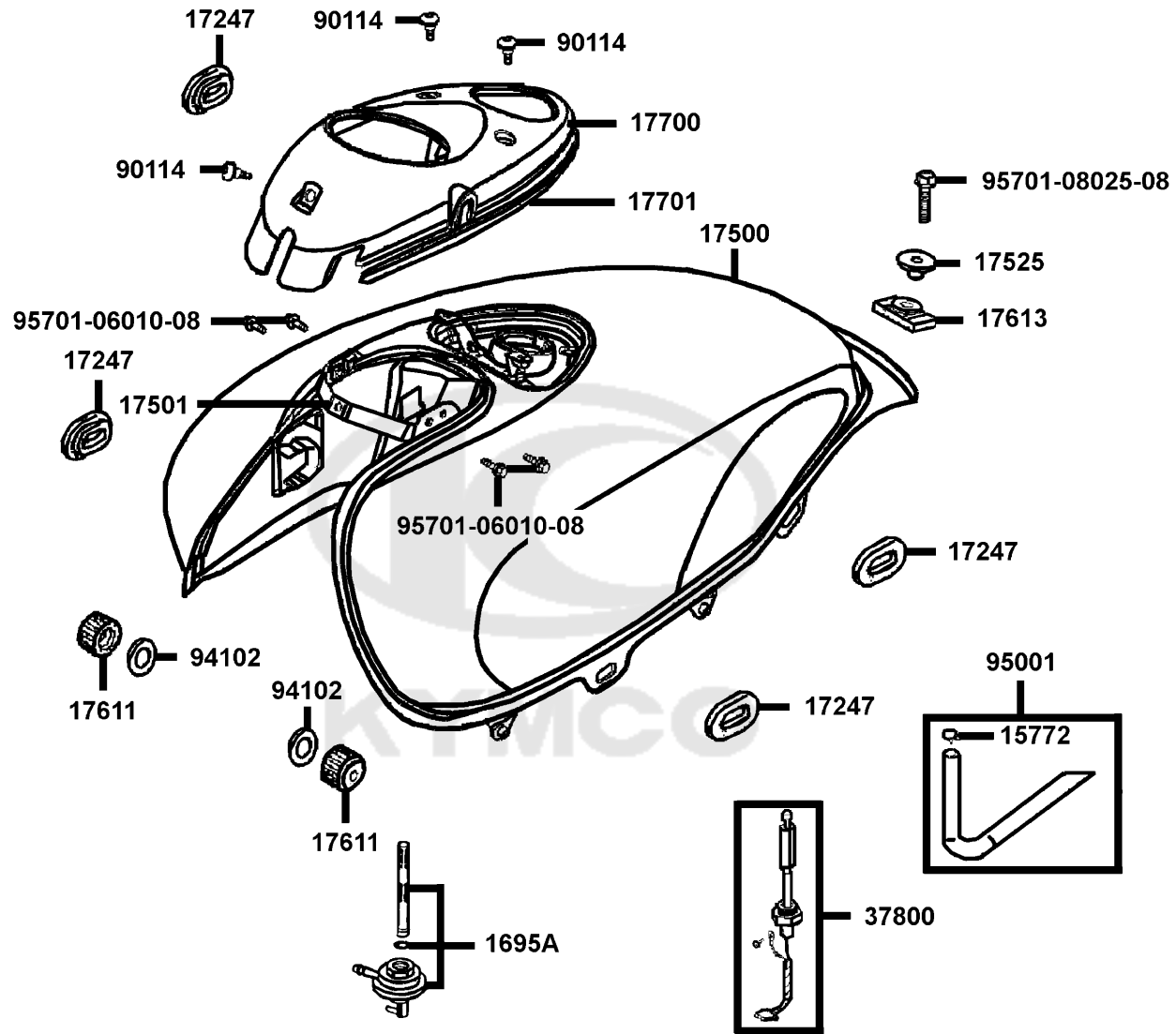
Rear Brake Panel



Sales mark	Ref no	Part no	Description	Reg description	Regd no	F11
	42301	42301-KED9-900	AXLE RR WHEEL M16*375MM	AXLE RR WHEEL M16*375MM	1	
	42311	42311-KED9-900	COLLAR L RR WHEEL	COLLAR L RR WHEEL	1	
	42313	42313-KED9-900	COLLAR R RR WHEEL	COLLAR R RR WHEEL	1	
**	43100	43100-KED9-900	PANEL COMP RR BRK	PANEL COMP RR BRK	1	
	43102	43102-KED9-900	WASHER ANCHOR PIN	WASHER ANCHOR PIN	1	
#	43120	43120-KED9-305	SHOE SET	SHOE SET	1	
	43134	43134-KED9-900	DUST SEAL BRK CAM	DUST SEAL BRK CAM	1	
	43141	43141-KED9-900	CAM RR BRK	CAM RR BRK	1	
	43145	43145-KED9-900	INDICATE RR BRK	INDICATE RR BRK	1	
	43410	43410-KED9-900	ARM RR BRK	ARM RR BRK	1	
	45133	45133-KED9-900	SPG RR BRK SHOE	SPG RR BRK SHOE	2	
#	90305	90305-KFW6-900	NUT U FLANGE 16MM	NUT U FLANGE 16MM (B)	1	
	90305	90305-KKAK-900	NUT U 16MM	NUT U 16MM	1	
	94201	94201-20200	PIN SPLIT 2*20	PIN SPLIT 2*20	2	
#	95801	95801-08025-06	BOLT FLANGE 8*25	BOLT FLANGE 8*25	1	



Sales mark	Ref no	Part no	Description	Reg description	Regd no	F12
	41200	41200-KED9-900	SPRKT COMP	SPRKT COMP	1	
	41241	41241-KED9-900	DAMPER RR WHEEL	DAMPER RR WHEEL	5	
**	42600	42600-KED9-305	WHEEL SET RR	WHEEL SET RR	1	
	42610	42610-KED9-305	FLANGE SET FINAL DRIVEN	FLANGE SET FINAL DRIVEN	1	
	42620	42620-KED9-900	COLLAR RR WHEEL DIST	COLLAR RR WHEEL DIST	1	
	42625	42625-KED9-900	COLLAR B RR AXLE DIST	COLLAR B RR AXLE DIST	1	
	42710	42710-KED9-90C	TIRE ASSY RR 150/80-15 70H /CHENG	TIRE ASSY RR 150/80-15 70H /CHENG SHIN	1	
#	42753-KNBN-90B	42753-KNBN-90B	VALAE RIM (TR412)	VALAE RIM (TR412)	2	
	90304	90304-GLW0-90A	NUT U FLANGE 10MM	NUT U FLANGE 10MM	5	
	91254	91254-KED9-900	DUST SEAL 30*47*7.5	DUST SEAL 30*47*7.5	1	
	91303	91303-KED9-900	O-RING 60.04*1.78	O-RING 60.04*1.78	1	
	92918	92918-KED9-900	BOLT STUD 10*30	BOLT STUD 10*30	5	
	94101	94101-KED9-900	WASHER PLAIN 10MM	WASHER PLAIN 10MM	5	
	96150-62040	96150-62040-10	BEARING BALL RADIAL 6204	BEARING BALL RADIAL 6204	1	
	96150-63030	96150-63030-10	BEARING BALL RADIAL 6303	BEARING BALL RADIAL 6303	2	

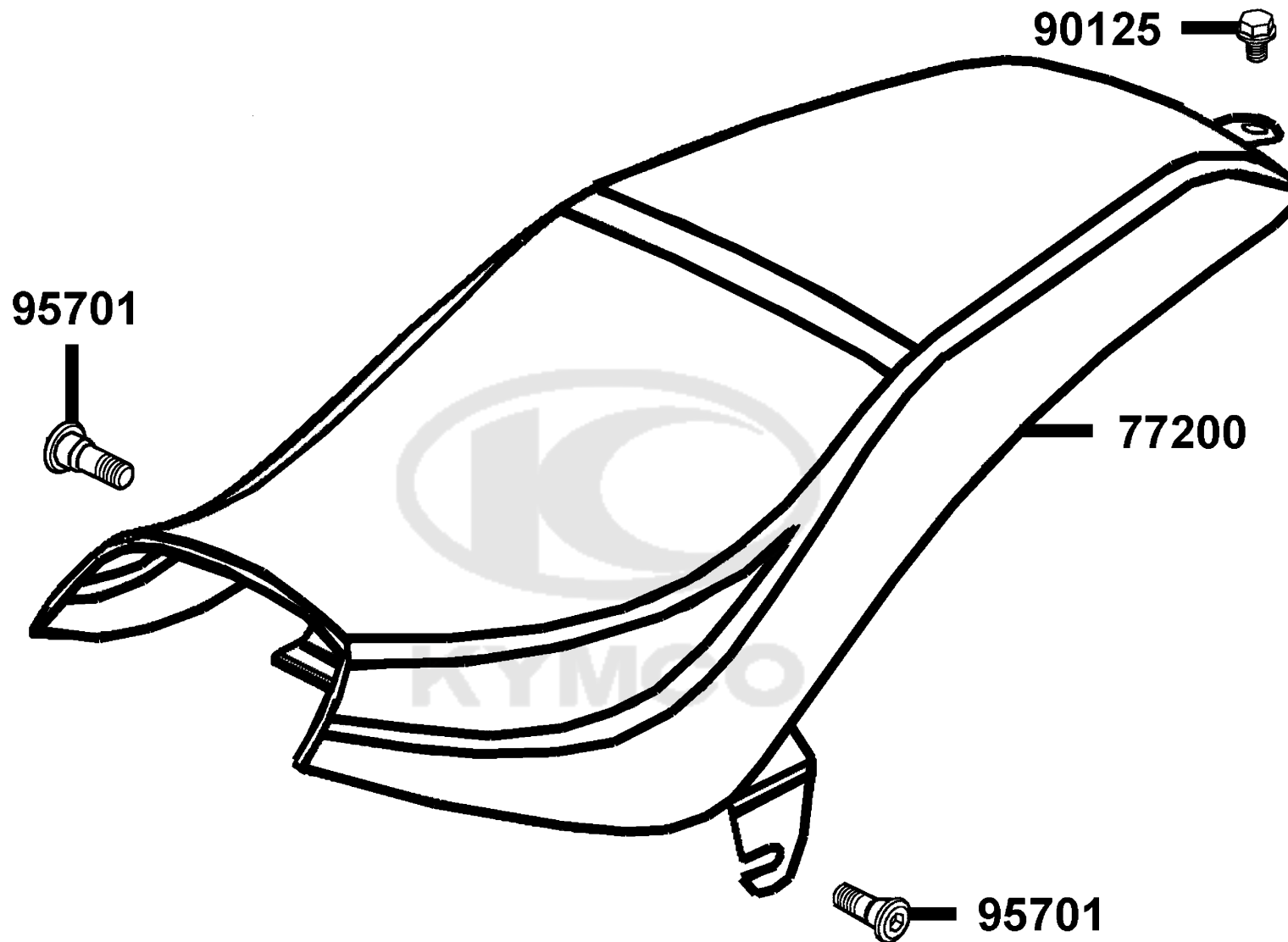




Sales mark	Ref no	Part no	Description	Reg description	Regd no	F13
	15772	15772-5L00-013	CLIP B14.5 TUBE	CLIP B14.5 TUBE	1	
	1695A	1695A-KED9-900	AUTO COCK ASSY FUEL	AUTO COCK ASSY FUEL	1	
	17247	17247-3C03-001	GROMMET A AIR CLEANER CASE	GROMMET A AIR CLEANER CASE	4	
**	17500	17500-KED9-305	TANK SET FUEL	TANK SET FUEL	1	
	17501	17501-KED9-900	STAY METER COVER	STAY METER COVER	1	
	17525	17525-KGG7-001	COLLAR FUEL TANK MT	COLLAR FUEL TANK MT	1	
	17611	17611-2F86-001	CUSHION FRONT FUEL TANK	CUSHION FRONT FUEL TANK	2	
	17613	17613-KFW6-911	CUSH FUEL TANK RR	CUSH FUEL TANK RR	1	
	17700	17700-KED9-900	COVER TANK	COVER TANK	1	
	17701	17701-KED9-900	SEAL FUEL TANK COVER	SEAL FUEL TANK COVER	1	
	37800	37800-KED9-900	FUEL UNIT	FUEL UNIT	1	
	90114	90114-KED9-900	SCREW PAN 6*12	SCREW PAN 6*12	3	
	94102	94102-KED9-900	WASHER PLAI N 10.5*30*2	WASHER PLAI N 10.5*30*2	2	
	95001	95001-KED9-900	TUBE DRAIN	TUBE DRAIN	1	
#	95701-06010-08	95701-06010-06	BOLT FLANGE 6*10	BOLT FLANGE 6*10	1	
#	95701-08025-08	95701-08025-06	BOLT FLANGE 8*25	BOLT FLANGE 8*25	1	

F14

Seat



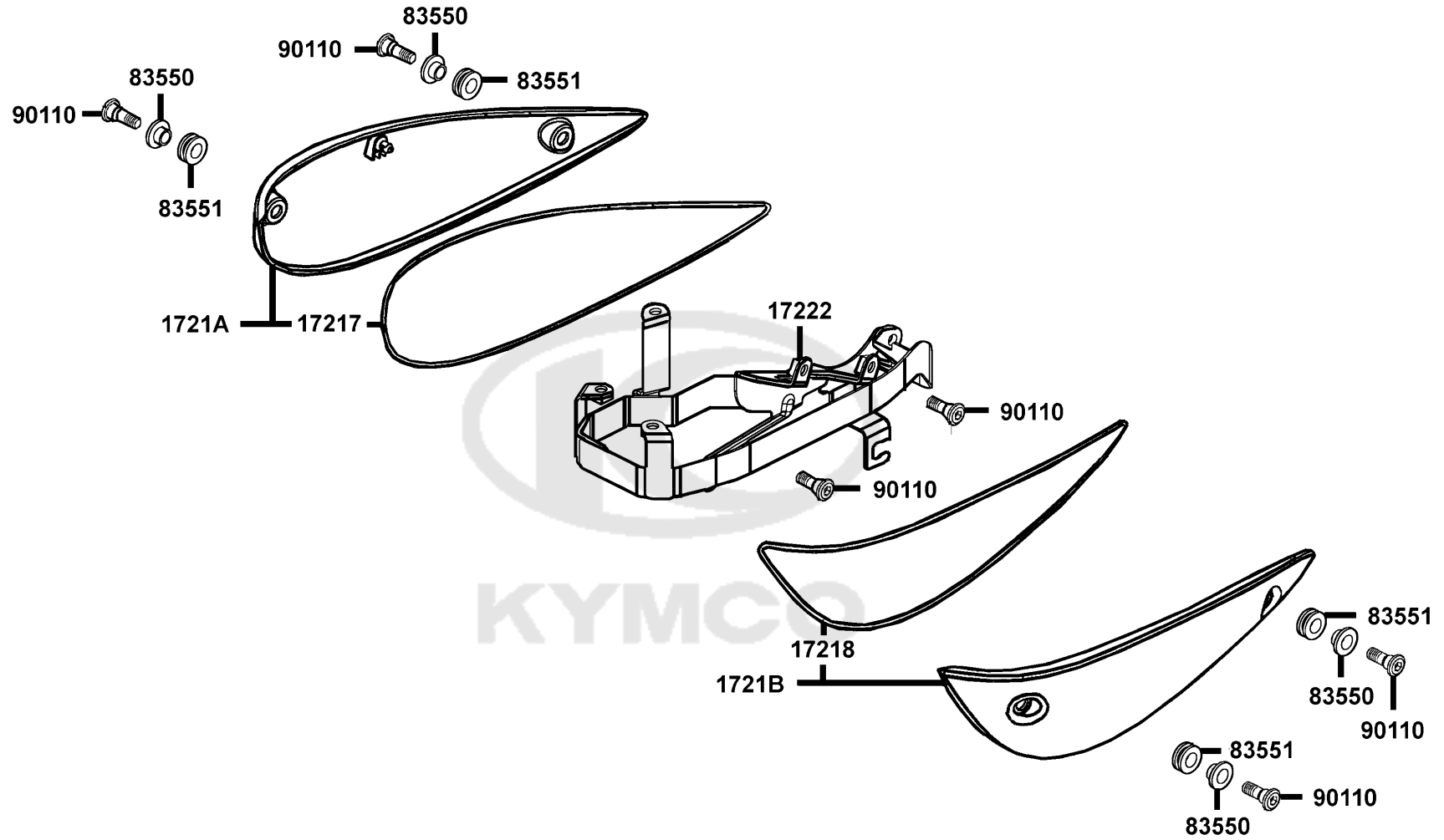
Sales mark	Ref no	Part no	Description	Reg description	Regd no	<b>F14</b>
------------	--------	---------	-------------	-----------------	---------	------------

**	77200	77200-KED9-900	SEAT ASSY (REACH)	SEAT ASSY (REACH)	1	
	90125	90125-KED9-900	BOLT SPECIAL FLANGE 8*20	BOLT SPECIAL FLANGE 8*20	1	
#	95701	95701-08012-06	BOLT FLANGE 8*12	BOLT FLANGE 8*12	1	



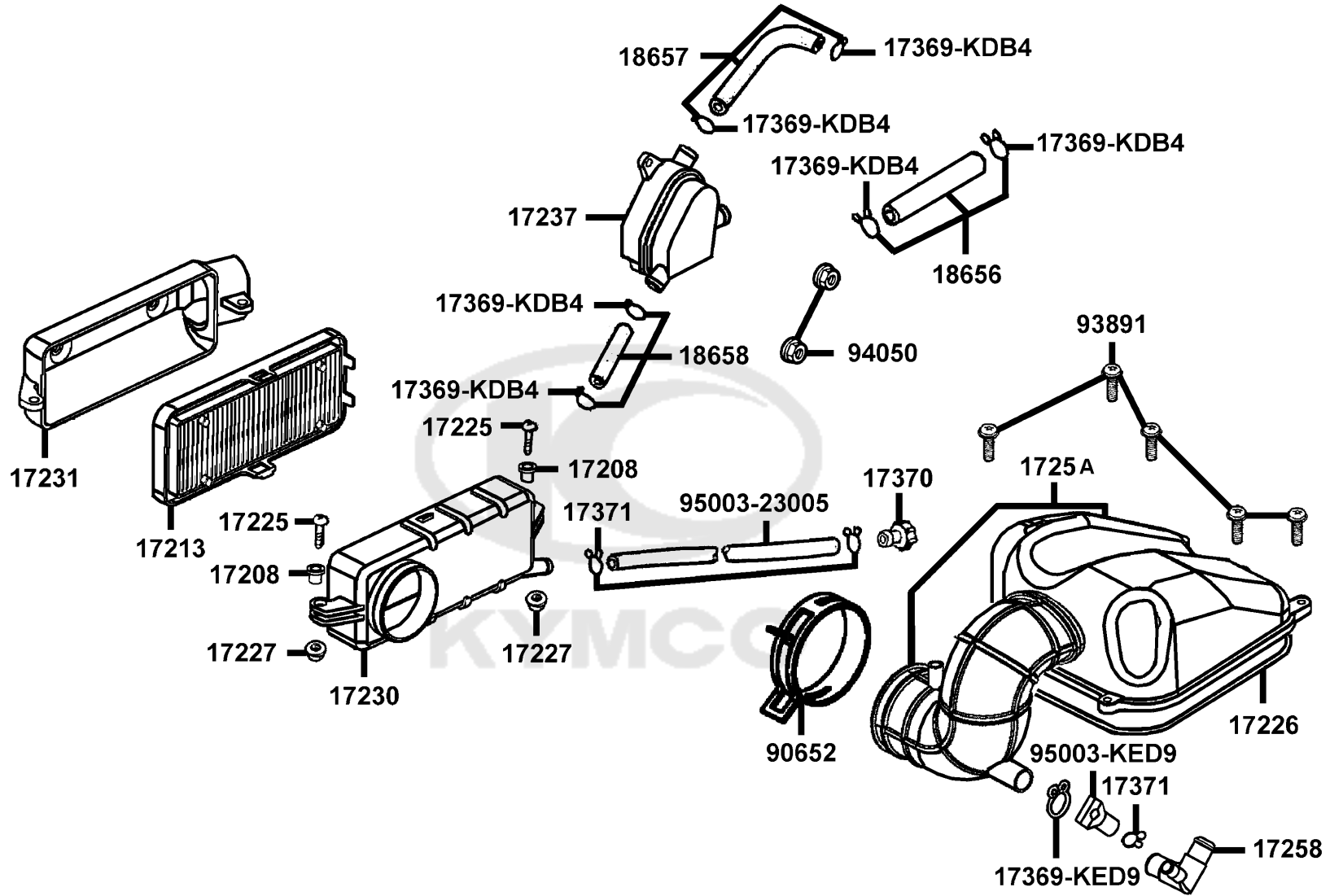
F15

Front Cover

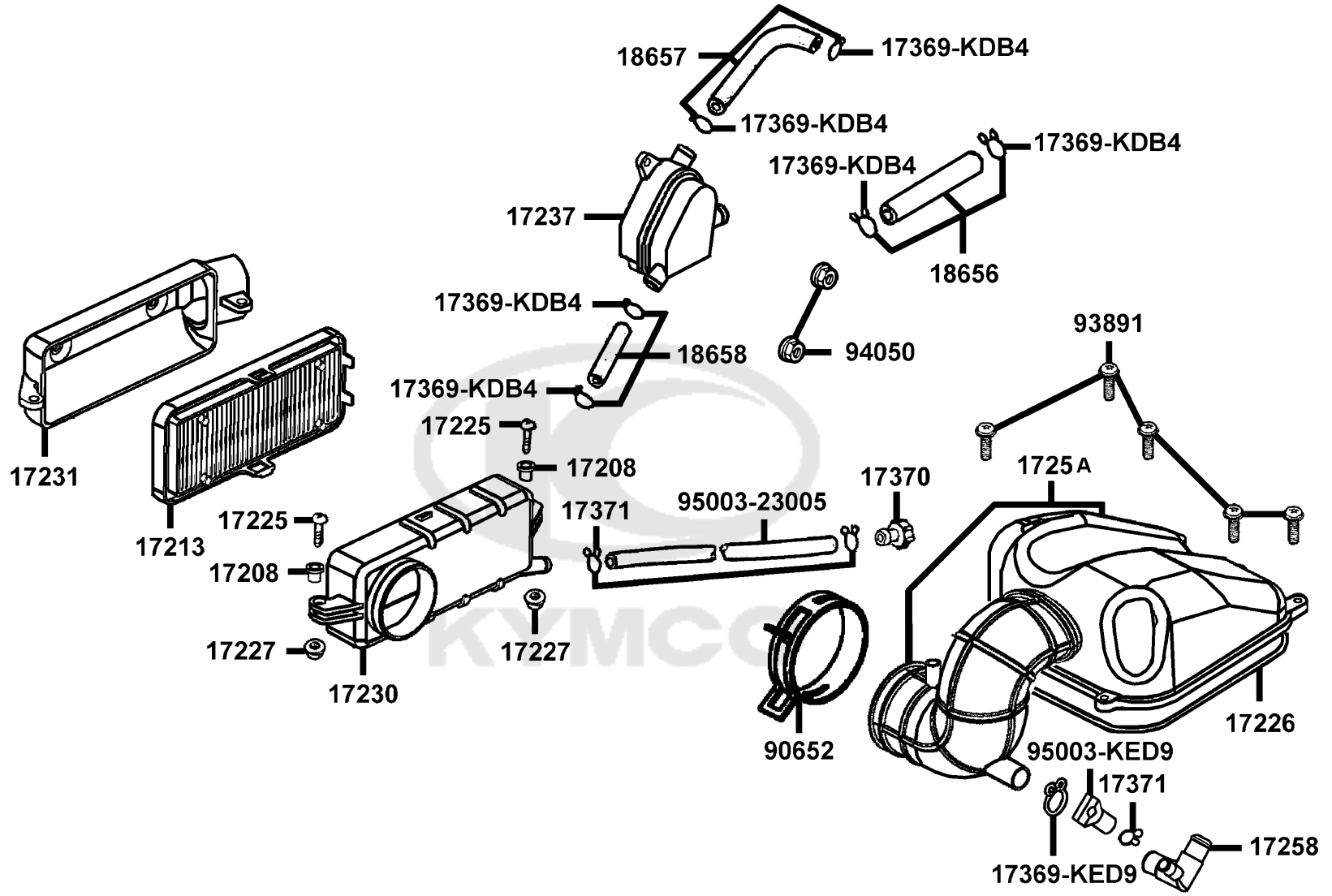


Sales mark	Ref no	Part no	Description	Reg description	Regd no	<b>F15</b>
	17217	17217-KED9-900	SEAL FR COVER R	SEAL FR COVER R	1	
	17218	17218-KED9-900	SEAL FR COVER L	SEAL FR COVER L	1	
	1721A	1721A-KED9-900	COVER ASSY R FR	COVER ASSY R FR	1	
	1721B	1721B-KED9-900	COVER ASSY L FR	COVER ASSY L FR	1	
	17222	17222-KED9-900	STAY THERMOSTAT	STAY THERMOSTAT	1	
	83550	83550-KEC8-900	COLLAR	COLLAR	4	
	83551	83551-KEC8-900	GROMMET COVER **KEC8-9000	GROMMET COVER **KEC8-9000 C.2005.09.01	4	
	90110	90110-KED9-900	SCREW PAN 6*18	SCREW PAN 6*18	6	





Sales mark	Ref no	Part no	Description	Reg description	Regd no	F16
	17208	17208-GAR1-011	COLLAR AIR/C SET	COLLAR AIR/C SET	2	
	17213	17213-KED9-900	ELMENT ASSY	ELMENT ASSY	1	
	17225	17225-KED9-900	SCREW TAPPING 6*20	SCREW TAPPING 6*20	2	
	17226	17226-KED9-900	SEAL AIR/C	SEAL AIR/C	1	
	17227	17227-KED9-900	NUT SPECIAL 6MM	NUT SPECIAL 6MM	2	
	17230	17230-KED9-900	CASE AIR/C	CASE AIR/C	1	
	17231	17231-KED9-900	COVER AIR/C	COVER AIR/C	1	
	17237	17237-KED9-900	OIL CATCH ASSY	OIL CATCH ASSY	1	
	17258	17258-KED9-900	JOINT AIR/C	JOINT AIR/C	1	
	1725A	1725A-KED9-900	TOP COVER COMP	TOP COVER COMP	1	
	17369-KDB4	17369-KDB4-671	CLIP BREATHER TUBE	CLIP BREATHER TUBE	6	
	17369-KED9	17369-KED9-900	CLIP BREATHER TUBE	CLIP BREATHER TUBE	1	
	17370	17370-4K19-701	PLUG BREATHER TUBE	PLUG BREATHER TUBE	1	
	17371	17371-1D74-671	CLIP BREATHER TUBE	CLIP BREATHER TUBE	3	
	18656	18656-KED9-900	TUBE A OIL CATCH	TUBE A OIL CATCH	1	
	18657	18657-KED9-900	TUBE B OIL CATCH	TUBE B OIL CATCH	1	
	18658	18658-KED9-900	TUBE C OIL CATCH	TUBE C OIL CATCH	1	
	90652	90652-KED9-900	BAND 74 AIR/C CONN TUBE	BAND 74 AIR/C CONN TUBE	1	
	93891	93891-05025-06	SCREW WASH 5*25	SCREW WASH 5*25	5	
	94050	94050-06080	NUT FLANGE 6MM	NUT FLANGE 6MM	2	

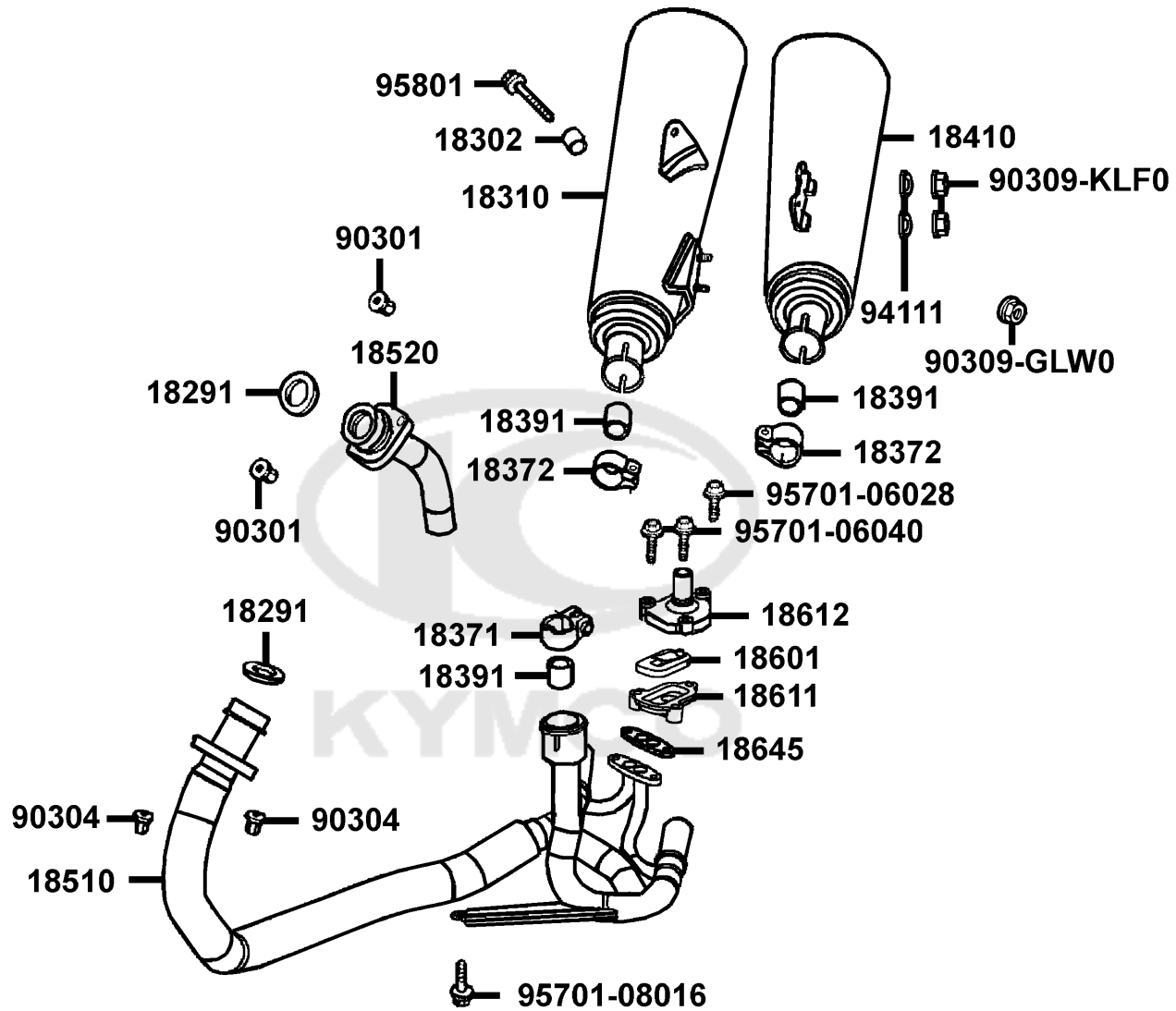




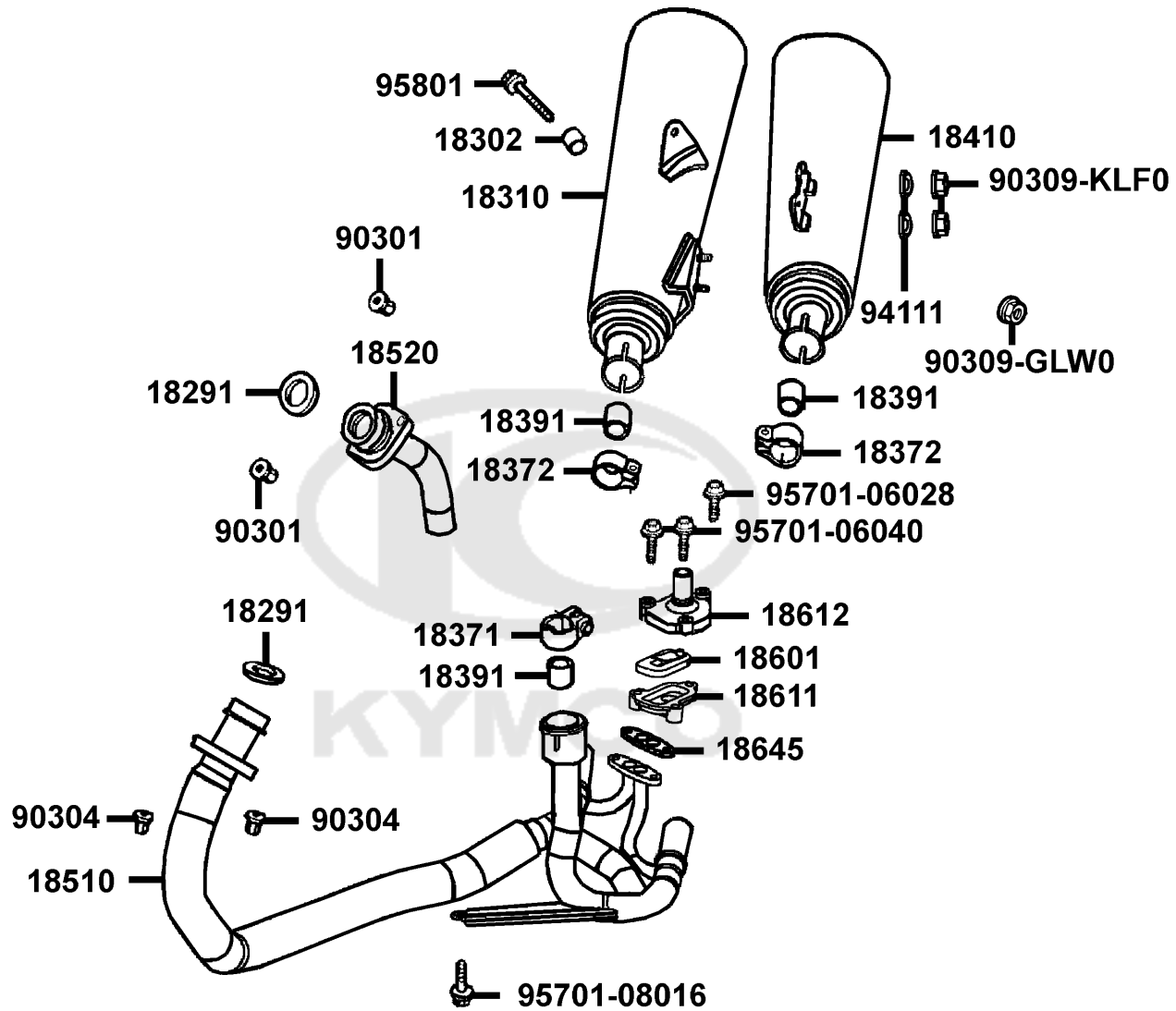
Sales mark	Ref no	Part no	Description	Reg description	Regd no	<b>F16</b>
------------	--------	---------	-------------	-----------------	---------	------------

	95003-23005	95003-23005-60	V TUBE 8*12*50	V TUBE 8*12*50	1	
	95003-KED9	95003-KED9-E00	TUBE DRAIN	TUBE DRAIN	1	





Sales mark	Ref no	Part no	Description	Reg description	Regd no	F17
	18291	18291-KED9-900	GASKET EXH PIPE	GASKET EXH PIPE	2	
	18302	18302-KED9-900	COLLAR MUFFLER BODY STAY	COLLAR MUFFLER BODY STAY	1	
	18310	18310-KED9-EZ0	BODY COMP FR MUFFLER	BODY COMP FR MUFFLER	1	
	18371	18371-KED9-900	BAND A MUFFLER	BAND A MUFFLER	1	
	18372	18372-KED9-900	BAND B MUFFLER	BAND B MUFFLER	2	
	18391	18391-KED9-900	PARKING MUFFLER	PARKING MUFFLER	3	
	18410	18410-KED9-EZ0	BODY COMP RR MUFFLER	BODY COMP RR MUFFLER	1	
	18510	18510-KED9-EZ0	PIPE COMP EXH	PIPE COMP EXH	1	
	18520	18520-KED9-900	PIPE A EXH	PIPE A EXH	1	
	18601	18601-KED9-900	REED VALVE COMP	REED VALVE COMP	1	
	18611	18611-KED9-900	BODY REED VALVE	BODY REED VALVE	1	
	18612	18612-KED9-900	COVER REED VALVE	COVER REED VALVE	1	
	18645	18645-KED9-900	GASKET A/I PIPE	GASKET A/I PIPE	1	
	90301	90301-KGBG-900	NUT CAP 6MM	NUT CAP 6MM	2	
	90304	90304-HCB3-77A	NUT SPECIAL 6MM	NUT SPECIAL 6MM	2	
	90309-GLW0	90309-GLW0-90A	NUT U FLANGE 8MM	NUT U FLANGE 8MM	1	
#	90309-KLF0	90309-KLF0-004	NUT FLANGE 8MM	NUT FLANGE 8MM	1	
	94111	94111-08800	WASHER SPG 8MM	WASHER SPG 8MM	2	
#	95701-06028	95701-06028-06	BOLT FLANGE 6X28	BOLT FLANGE 6X28	1	
#	95701-06040	95701-06040-06	BOLT FLANGE 6*40	BOLT FLANGE 6*40	1	



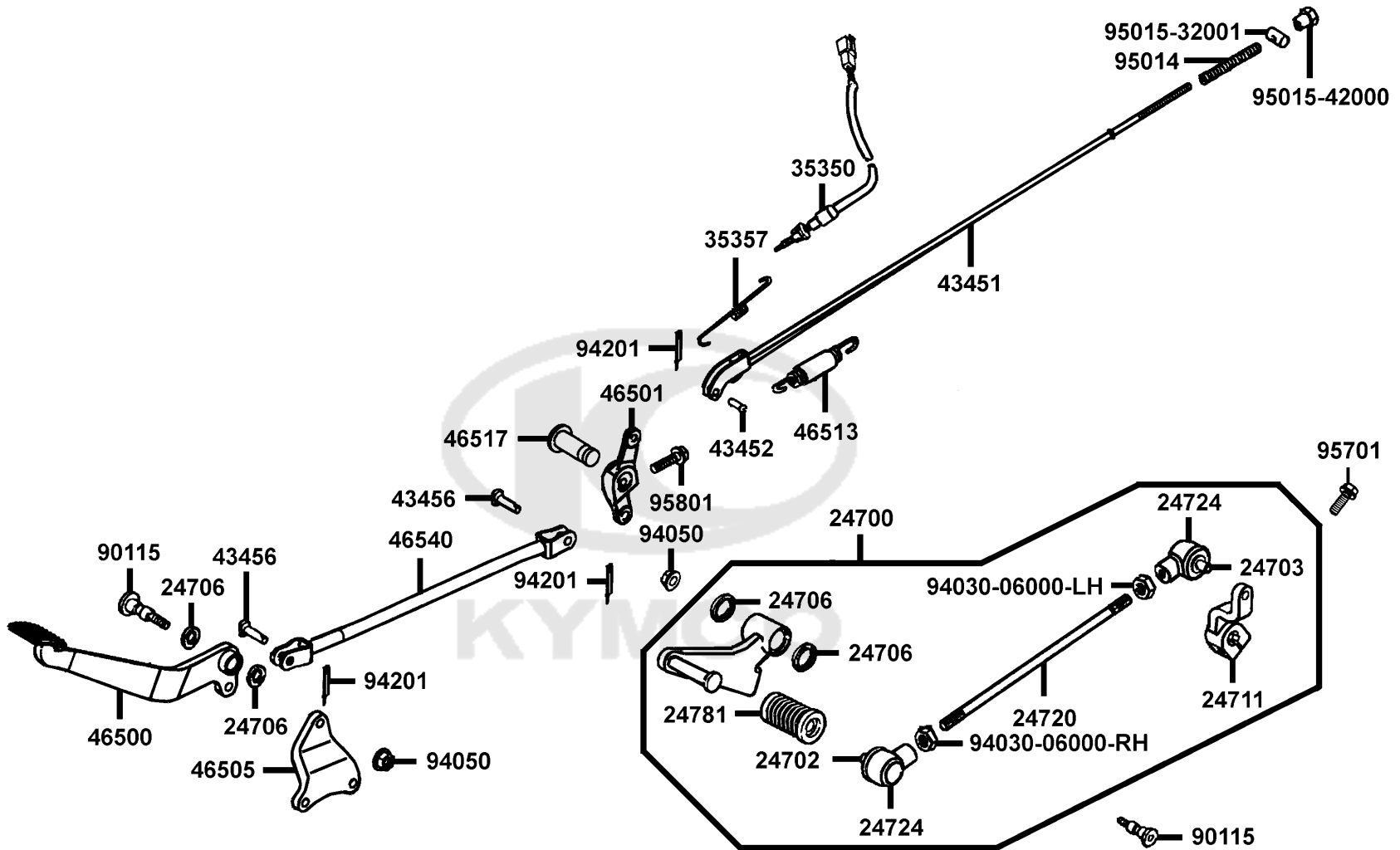
Sales mark	Ref no	Part no	Description	Reg description	Regd no	<b>F17</b>
------------	--------	---------	-------------	-----------------	---------	------------

#	95701-08016	95701-08016-06	BOLT FLANGE 8*16	BOLT FLANGE 8*16	1	
	95801	95801-08075-02	BOLT FLANGE 8*57	BOLT FLANGE 8*57	1	



F18

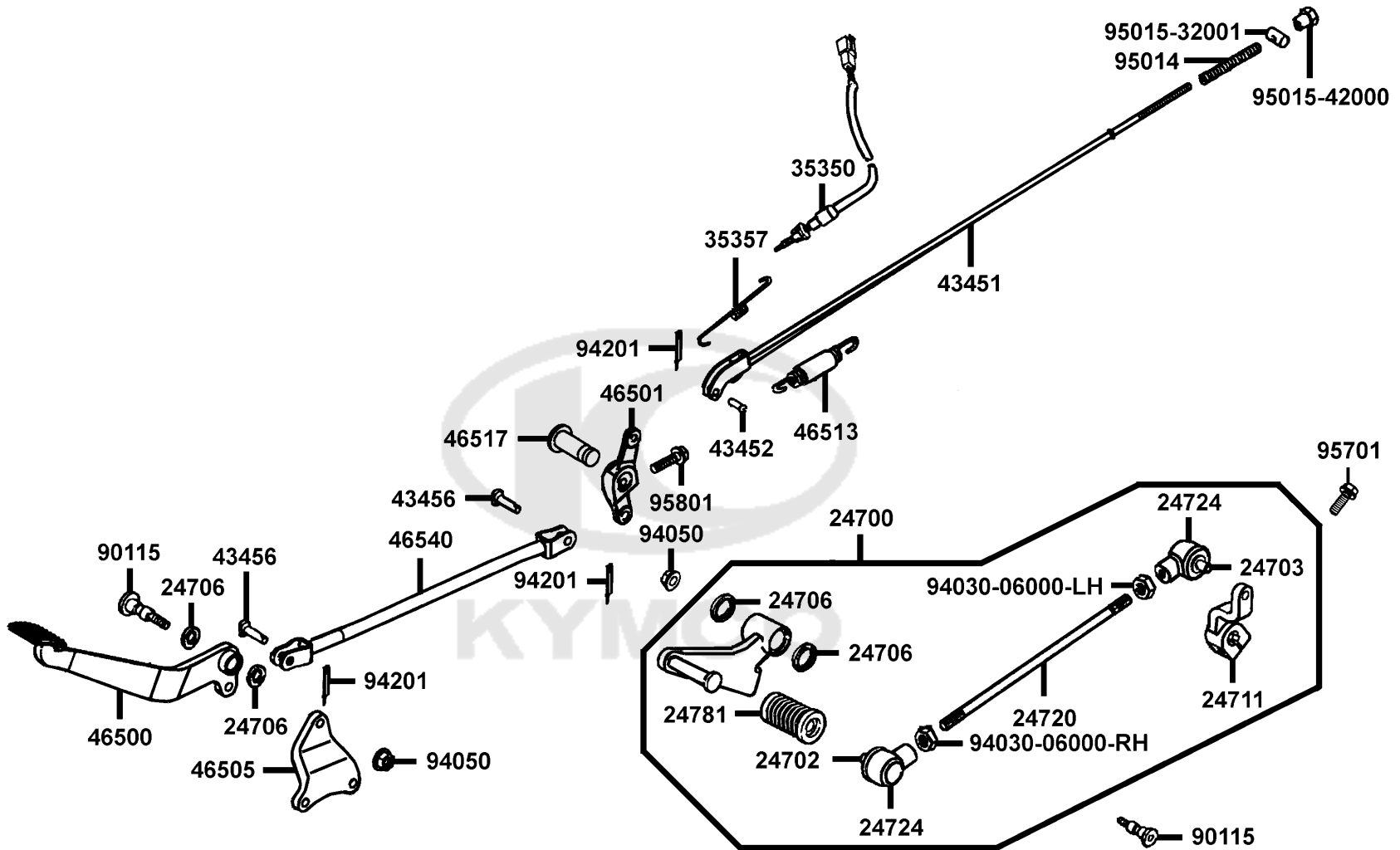
Pedal



Sales mark	Ref no	Part no	Description	Reg description	Regd no	F18
24700		24700-KED9-900	PEDAL ASSY CHANGER	PEDAL ASSY CHANGER	1	
24702		24702-KKAK-900	TIE ROD A	TIE ROD A	1	
24703		24703-KKAK-900	TIE ROD B	TIE ROD B	1	
24706		24706-KED9-900	RUBBER DUST SEAL	RUBBER DUST SEAL	4	
24711		24711-KED9-900	ARM GEAR CHANGE	ARM GEAR CHANGE	1	
24720		24720-KED9-900	ROD TIE	ROD TIE	1	
24724		24724-4B22-000	COVER DUST	COVER DUST	2	
24781		24781-KED9-900	RUBBER PEDAL CHANGER	RUBBER PEDAL CHANGER	1	
35350		35350-KKAK-900	REAR STOP SW	REAR STOP SW	1	
35357		35357-KED9-900	SPG STOP SW	SPG STOP SW	1	
43451		43451-KED9-900	ROD COMP RR BRK	ROD COMP RR BRK	1	
43452		43452-KED9-900	BRAKE ROD JOINT PIN	BRAKE ROD JOINT PIN	1	
43456		43456-KED9-900	PIN MIDDLE ROD JOINT	PIN MIDDLE ROD JOINT	2	
46500		46500-KED9-800	PEDAL COMP RR BRK	PEDAL COMP RR BRK	1	
46501		46501-KED9-900	ARM RR BRK MIDDLE	ARM RR BRK MIDDLE	1	
46505		46505-KED9-900	BRKT RR BRK PEDAL	BRKT RR BRK PEDAL	1	
46513		46513-KED9-900	SPG SET BRK PEDAL	SPG SET BRK PEDAL	1	
46517		46517-KED9-900	SHAFT RR BRK	SHAFT RR BRK	1	
46540		46540-KED9-900	ROD RR BRK MIDDLE	ROD RR BRK MIDDLE	1	
90115		90115-KED9-900	BOLT CHANGE PIVOT	BOLT CHANGE PIVOT	2	

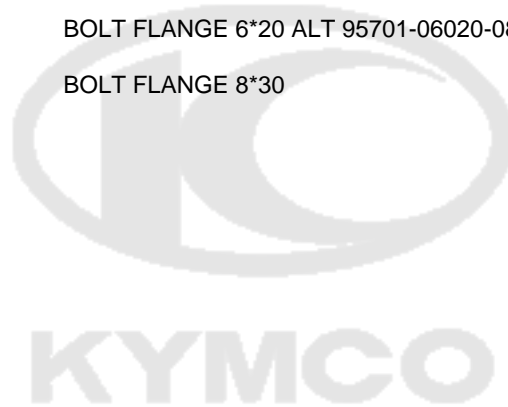
F18

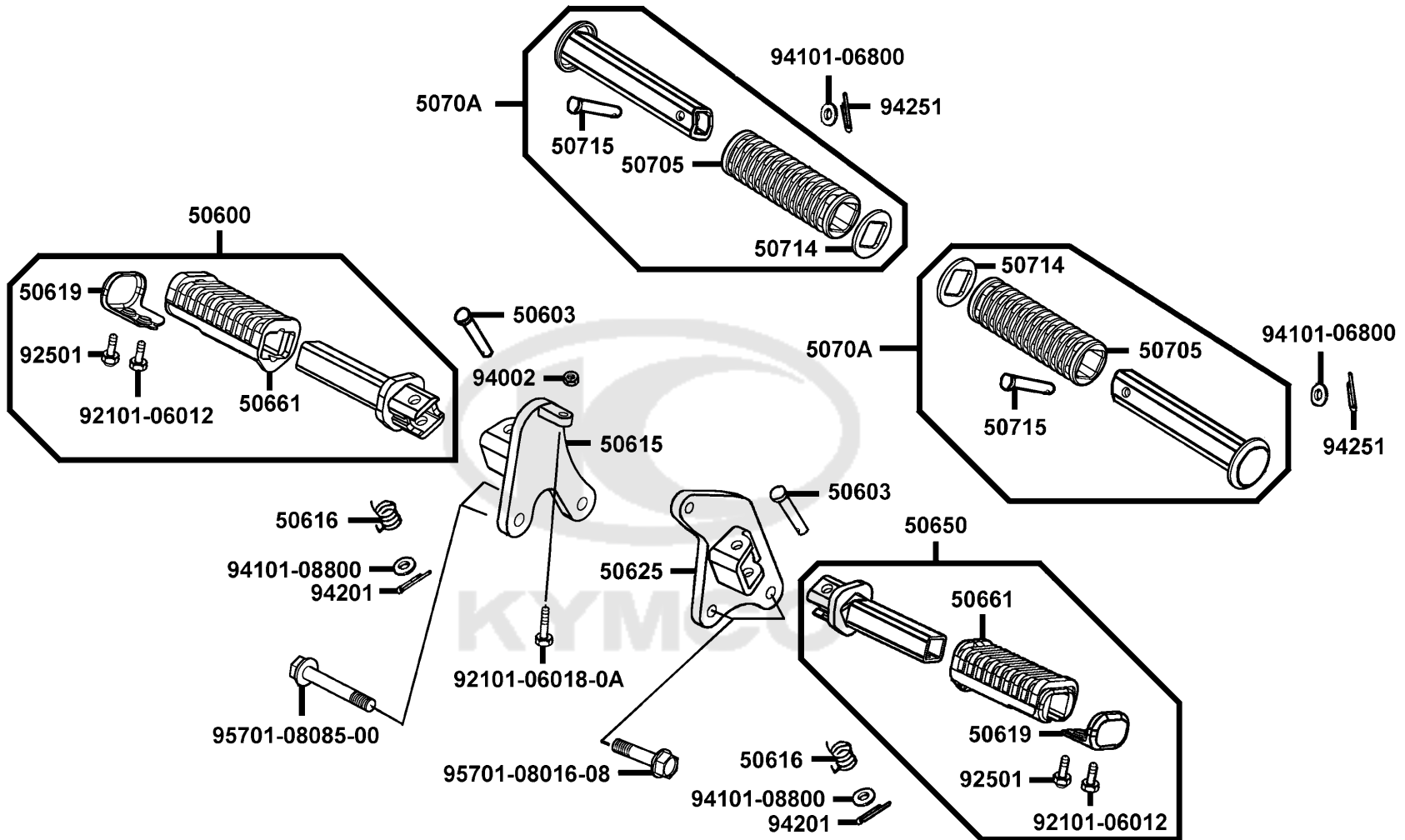
Pedal



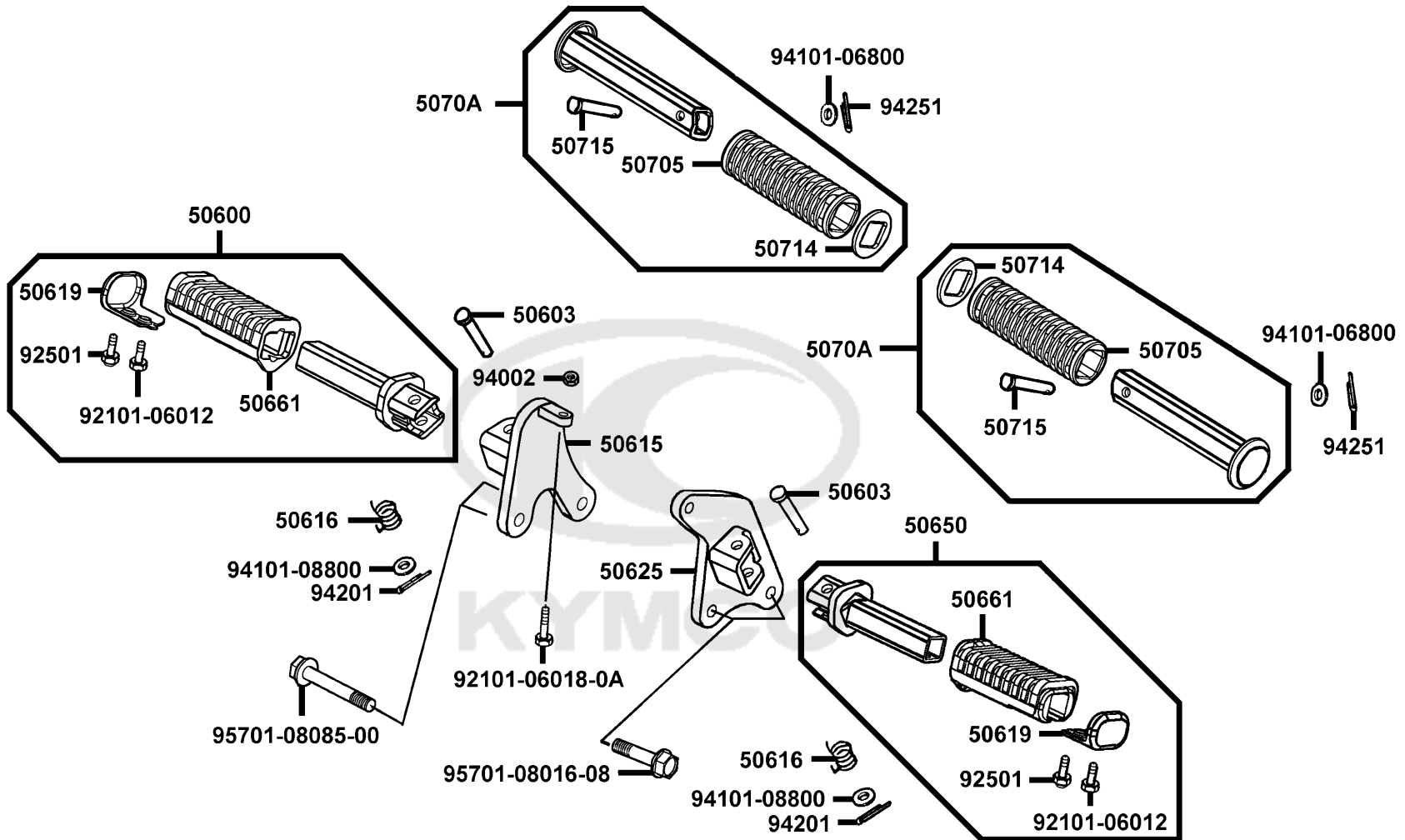


Sales mark	Ref no	Part no	Description	Reg description	Regd no	<b>F18</b>
	94030-06000-LH	94030-06000-LH	NUT HEX 6MM	NUT HEX 6MM	1	
	94030-06000-RH	94030-06000-RH	NUT HEX 6MM	NUT HEX 6MM	1	
	94050	94050-08080	NUT FLANGE 8MM	NUT FLANGE 8MM	2	
	94201	94201-20150	PIN SPLIT 2*15	PIN SPLIT 2*15	3	
	95014	95014-73100	SPRING A BRAKE ROD	SPRING A BRAKE ROD	1	
	95015-32001	95015-32001	JOINT B BRAKE ARM	JOINT B BRAKE ARM	1	
	95015-42000	95015-42000	NUT B ADJUST	NUT B ADJUST	1	
#	95701	95701-06020-06	BOLT FLANGE 6*20 ALT 95701-06020-08G	BOLT FLANGE 6*20 ALT 95701-06020-08G	1	
#	95801	95801-08030-06	BOLT FLANGE 8*30	BOLT FLANGE 8*30	1	





Sales mark	Ref no	Part no	Description	Reg description	Regd no	F19
	50600	50600-KED9-305	STEP SET R FR	STEP SET R FR	1	
	50603	50603-KEC2-810	PIN STEP RUBBER JOINT	PIN STEP RUBBER JOINT	2	
	50615	50615-KED9-900	BRKT COMP R STEP	BRKT COMP R STEP	1	
	50616	50616-KEC2-810	SPRING STEP RETURN	SPRING STEP RETURN	2	
	50619	50619-KED9-900	STOPPER STEP RUBBER	STOPPER STEP RUBBER	2	
	50625	50625-KED9-900	BRKT COMP L STEP	BRKT COMP L STEP	1	
	50650	50650-KED9-305	STEP SET L FR	STEP SET L FR	1	
	50661	50661-KEC2-810	RUBBER MAIN STEP	RUBBER MAIN STEP	2	
	50705	50705-3C83-001	RUBBER PILLION STEP	RUBBER PILLION STEP	2	
	5070A	5070A-KED9-900	BAR ASSY PILLION STEP	BAR ASSY PILLION STEP	2	
	50714	50714-KEC8-900	WASHER PILLON STEP	WASHER PILLON STEP	2	
	50715	50715-KEC8-900	PIN PILLON STEP	PIN PILLON STEP	2	
#	92101-06012	92101-06012-0G	BOLT HEX 6X12	BOLT HEX 6X12	1	
	92101-06018-0A	92101-06018-0A	BOLT HEX 6*18	BOLT HEX 6*18	1	
	92501	92501-06012-0A	BOLT HEX CAP 6*12	BOLT HEX CAP 6*12	2	
#	94002	94002-06060-0S	NUT HEX 6MM	NUT HEX 6MM	1	
	94101-06800	94101-06800	WASHER PLAIN 6MM	WASHER PLAIN 6MM	2	
	94101-08800	94101-08800	WASHER PLAIN 8MM	WASHER PLAIN 8MM	2	
	94201	94201-20150	PIN SPLIT 2*15	PIN SPLIT 2*15	2	
	94251	94251-08400	PIN LOCK 8MM	PIN LOCK 8MM	2	



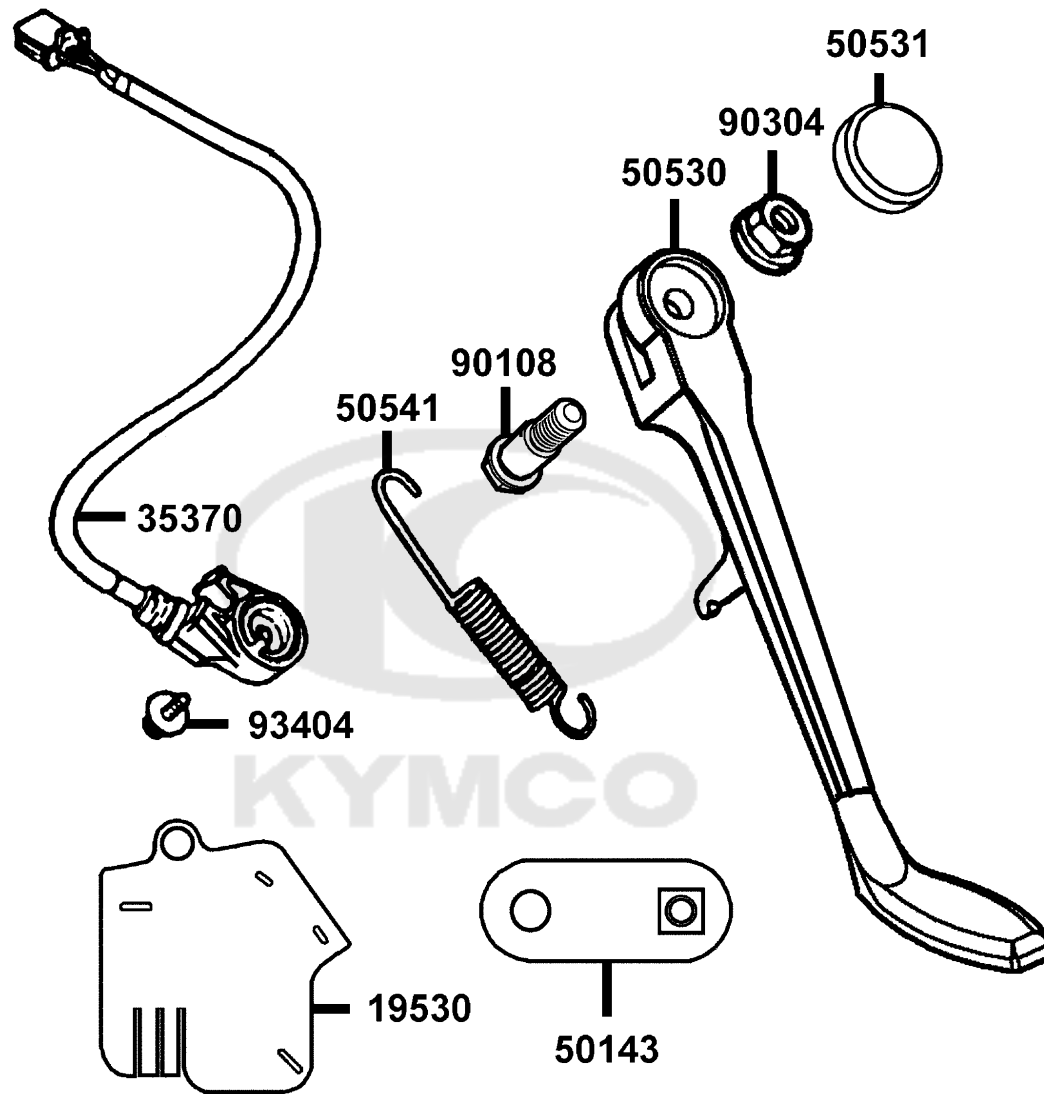
Sales mark	Ref no	Part no	Description	Reg description	Regd no	<b>F19</b>
------------	--------	---------	-------------	-----------------	---------	------------

#	95701-08016-08	95701-08016-06	BOLT FLANGE 8*16	BOLT FLANGE 8*16	1	
	95701-08085-00	95701-08085-00	BOLT FLANGE 8*85	BOLT FLANGE 8*85	2	

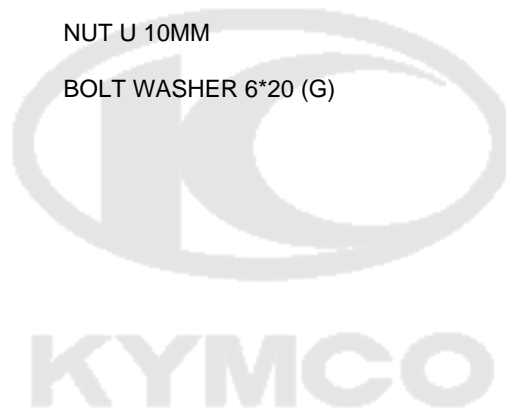


F20

Side Stand

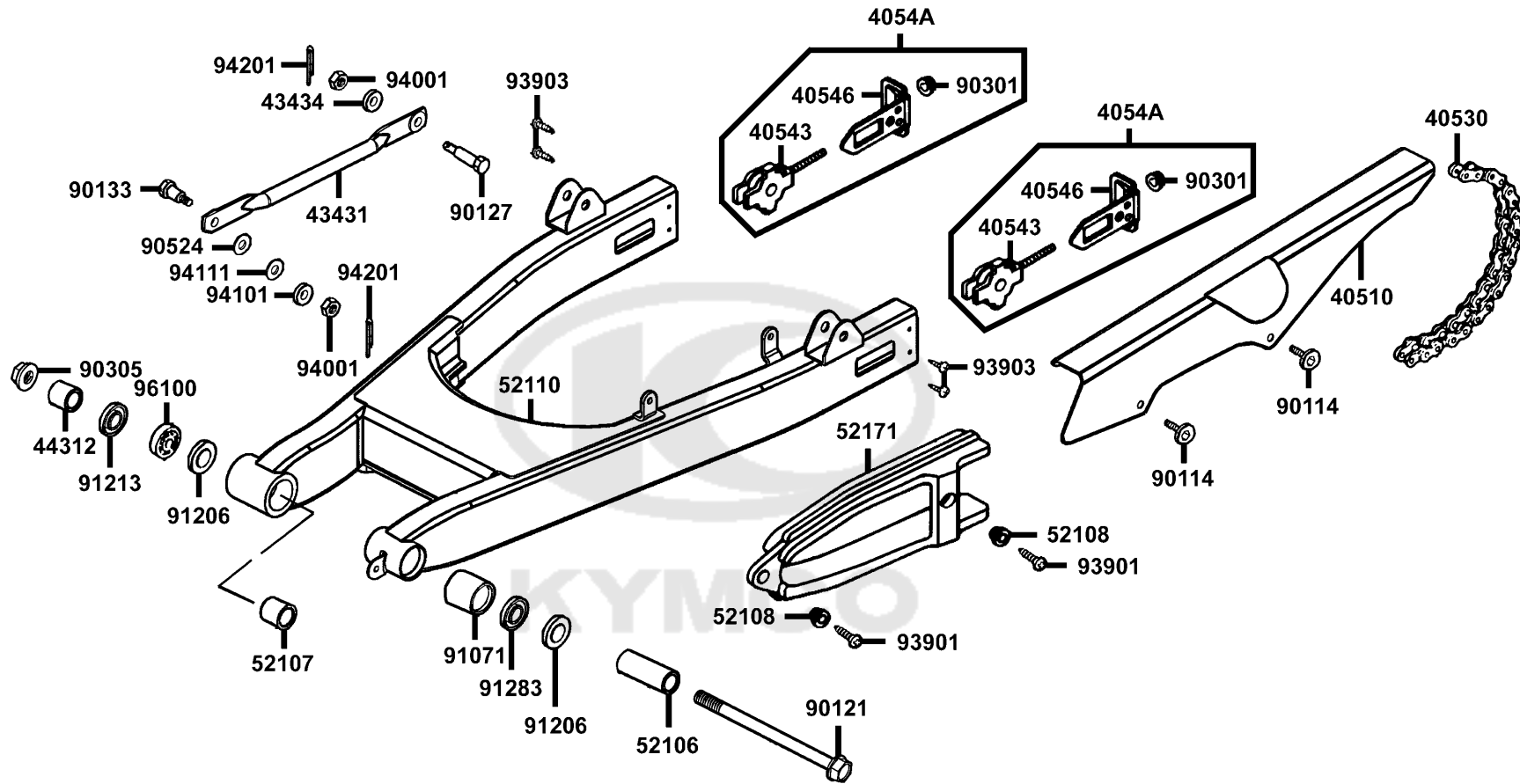


Sales mark	Ref no	Part no	Description	Reg description	Regd no	<b>F20</b>
19530		19530-KED9-900	PLATE HEAT BOARD	PLATE HEAT BOARD	1	
35370		35370-KEC8-E00	SW UNIT SIDE STAND	SW UNIT SIDE STAND	1	
50143		50143-KED9-900	STAY RADIATOR JOINT	STAY RADIATOR JOINT	1	
50530		50530-KED9-900	BAR SIDE STAND	BAR SIDE STAND	1	
50531		50531-KED9-900	CAP SIDE STAND PIVOT	CAP SIDE STAND PIVOT	1	
50541		50541-KED9-900	SPG SIDE STAND	SPG SIDE STAND	1	
90108		90108-KED9-900	BOLT SIDE STAND PIVOT	BOLT SIDE STAND PIVOT	1	
90304		90304-GHE8-004	NUT U 10MM	NUT U 10MM	1	
93404		93404-06020-06	BOLT WASHER 6*20 (G)	BOLT WASHER 6*20 (G)	1	



F21

Rear ForkChain Cover

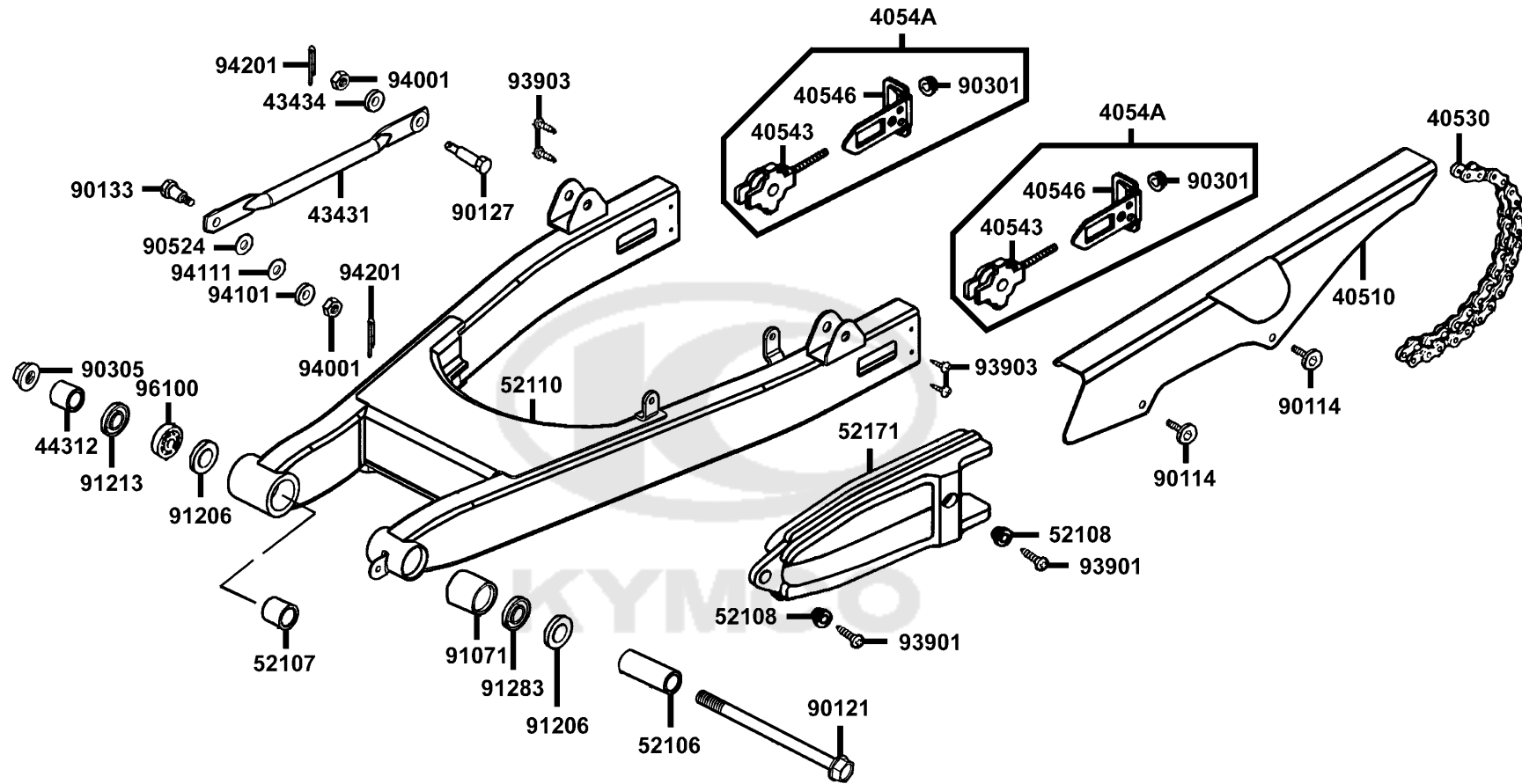




Sales mark	Ref no	Part no	Description	Reg description	Regd no	F21
	40510	40510-KED9-900	COVER DRIVE CHAIN	COVER DRIVE CHAIN	1	
	40530	40530-KED9-900	CHAIN DRIVE	CHAIN DRIVE	1	
	40543	40543-KFW6-901	ADJUSTER CHAIN	ADJUSTER CHAIN	2	
	40546	40546-KFW6-901	CAP REAR FORK END	CAP REAR FORK END	2	
	4054A	4054A-KKAK-900	ADJUSTER CHAIN ASSY	ADJUSTER CHAIN ASSY	2	
	43431	43431-KED9-900	ARM RR BRK STOPPER	ARM RR BRK STOPPER	1	
	43434	43434-2F86-001	RUBBER STOPPER ARM CUSHION	RUBBER STOPPER ARM CUSHION	1	
	44312	44312-KED9-900	COLLAR A PIVOT	COLLAR A PIVOT	1	
	52106	52106-KED9-900	COLLAR B PIVOT	COLLAR B PIVOT	1	
	52107	52107-KED9-900	COLLAR C PIVOT	COLLAR C PIVOT	1	
	52108	52108-KFW6-901	COLLAR CHAIN SLIDER	COLLAR CHAIN SLIDER	2	
**	52110	52110-KED9-900	FORK COMP RR	FORK COMP RR	1	
	52171	52171-KKAK-900	SLIDER CHAIN	SLIDER CHAIN	1	
	90114	90114-KED9-900	SCREW PAN 6*12	SCREW PAN 6*12	2	
	90121	90121-KED9-900	BOLT RR FORK PIVOT M14*295MM	BOLT RR FORK PIVOT M14*295MM	1	
	90127	90127-KED9-900	BOLT RR BRK STOPPER	BOLT RR BRK STOPPER	1	
#	90133	90133-KED9-950	BOLT RR BRK STOPPER ARM	BOLT RR BRK STOPPER ARM	1	
	90301	90301-KKAK-900	NUT U 6MM	NUT U 6MM	2	
	90305	90305-GHE8-004	NUT U 14MM	NUT U 14MM	1	
	90524	90524-KKAK-900	WASHER STOPPER ARM	WASHER STOPPER ARM	1	

F21

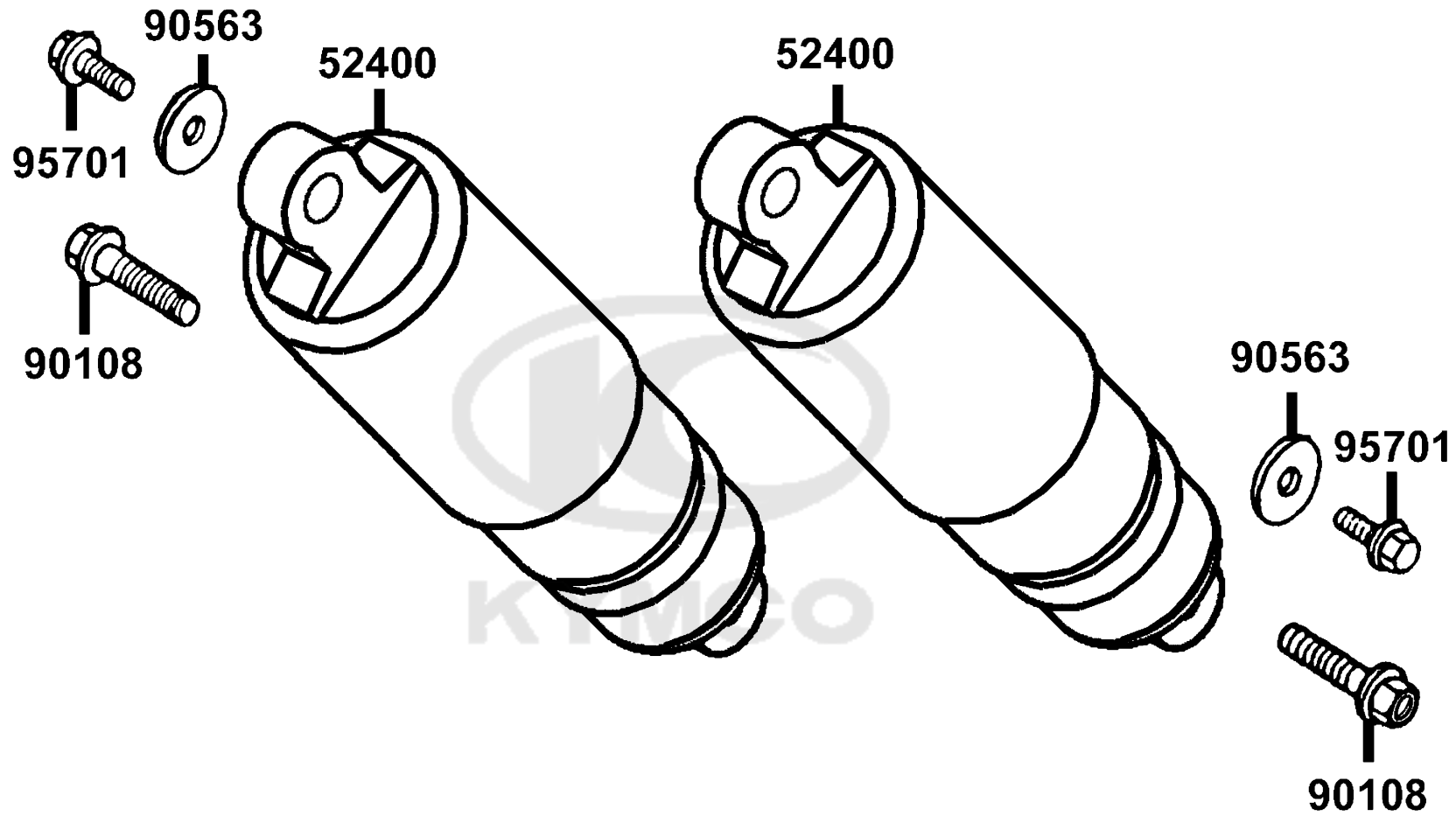
Rear ForkChain Cover




Sales mark	Ref no	Part no	Description	Reg description	Regd no	F21
	91071	91071-KED9-900	BEARING NEDDLE	BEARING NEDDLE	1	
	91206	91206-KED9-900	OIL SEAL 22*31*5	OIL SEAL 22*31*5	2	
	91213	91213-KED9-900	OIL SEAL 22*35*7	OIL SEAL 22*35*7	1	
	91283	91283-KED9-900	OIL SEAL 22*29*4	OIL SEAL 22*29*4	1	
#	93901	93901-26160	SCREW TAPPING 6*12	SCREW TAPPING 6*12	3	
	93903	93903-24280-02	SCREW TAPPING 4*10	SCREW TAPPING 4*10	4	
	94001	94001-08080-0S	NUT HEX 8MM	NUT HEX 8MM	2	
	94101	94101-08600	WASH PLAIN 8MM	WASH PLAIN 8MM	1	
	94111	94111-10800	WASHER SPG 10MM	WASHER SPG 10MM	1	
	94201	94201-20180	PIN SPLIT 2.0*18	PIN SPLIT 2.0*18	2	
	96100	96100-62020-00	BEARING BALL RADIAL 6202	BEARING BALL RADIAL 6202	1	

F22

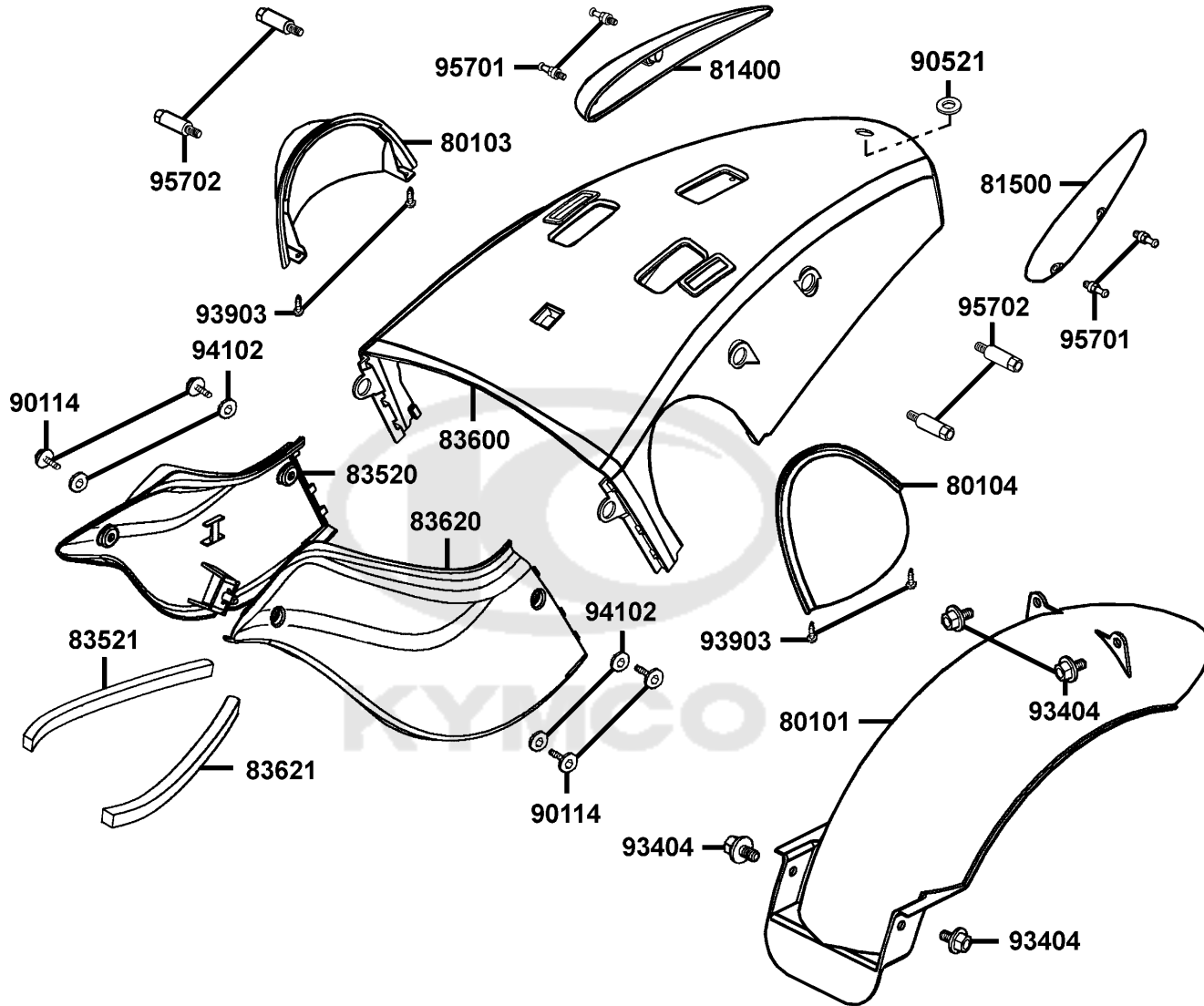
Rear Cushion



Sales mark	Ref no	Part no	Description	Reg description	Regd no	<b>F22</b>
52400		52400-KED9-800	CUSHION ASSY RR **(0) C.2007.01.26	CUSHION ASSY RR **(0) C.2007.01.26	2	
90108		90108-KKAK-900	BOLT RR CUSH UND	BOLT RR CUSH UND	2	
90563		90563-KED9-900	WASHER PLAIN 6MM	WASHER PLAIN 6MM	2	
95701		95701-06016-02	BOLT FLANGE 6*16	BOLT FLANGE 6*16	2	
						

F23

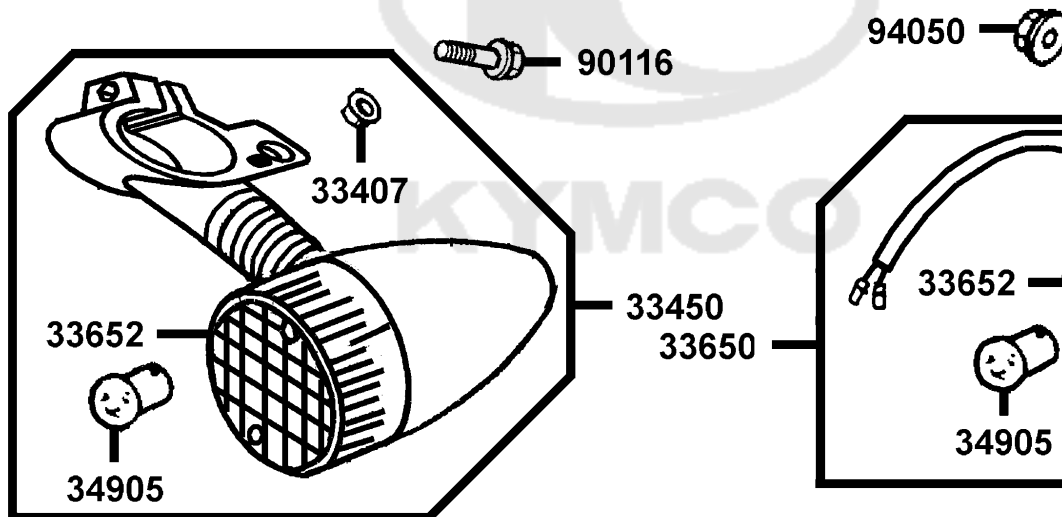
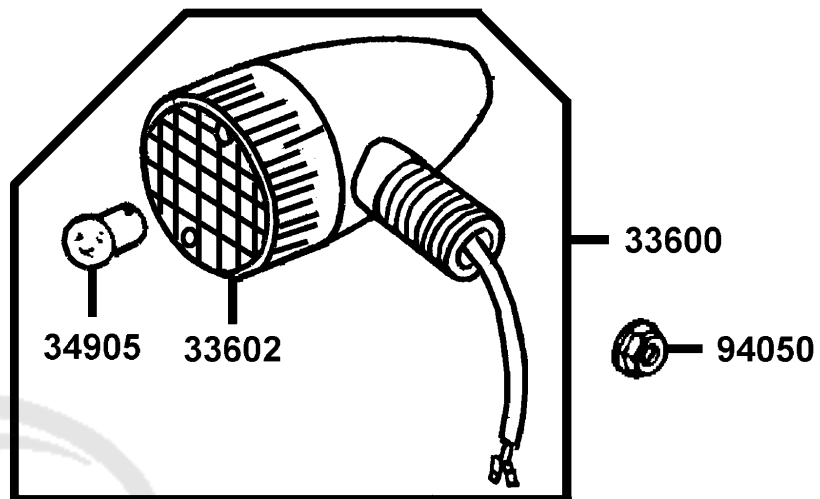
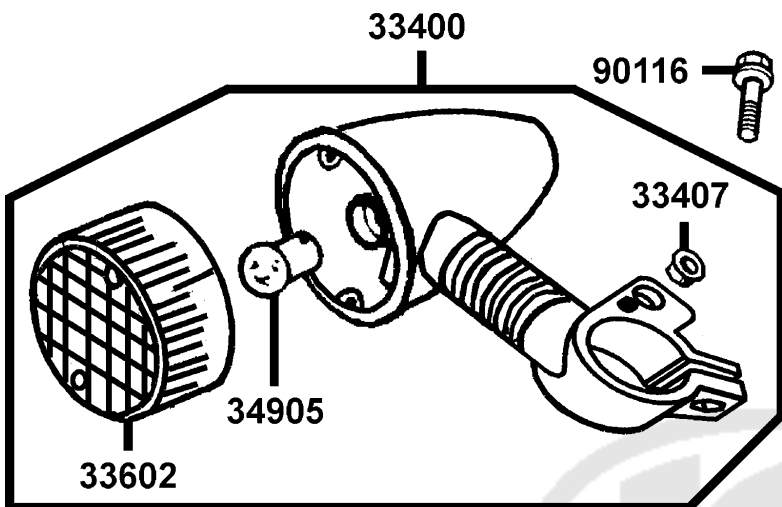
Rear Fender



Sales mark	Ref no	Part no	Description	Reg description	Regd no	F23
	80101	80101-KED9-900	FENDER A RR	FENDER A RR	1	
	80103	80103-KED9-900	COVER R RR CUSHION	COVER R RR CUSHION	1	
	80104	80104-KED9-900	COVER L RR CUSHION	COVER L RR CUSHION	1	
	81400	81400-KED9-900	GRIP COMP R SIDE	GRIP COMP R SIDE	1	
	81500	81500-KED9-900	GRIP COMP L SIDE	GRIP COMP L SIDE	1	
**	83520	83520-KED9-900	COVER R SIDE	COVER R SIDE	1	
	83521	83521-KED9-900	SPONGE SIDE COVER R	SPONGE SIDE COVER R	1	
**	83600	83600-KED9-900	COVER BODY	COVER BODY	1	
**	83620	83620-KED9-900	COVER L SIDE	COVER L SIDE	1	
	83621	83621-KED9-900	SPONGE SIDE COVER L	SPONGE SIDE COVER L	1	
	90114	90114-KED9-900	SCREW PAN 6*12	SCREW PAN 6*12	4	
	90521	90521-GFY6-950	WASHER SPECIAL	WASHER SPECIAL	1	
#	93404	93404-06012-06	BOLT WASHER 6X12	BOLT WASHER 6X12	1	
	93903	93903-34360	SCREW TAPPING 4X12	SCREW TAPPING 4X12	4	
	94102	94102-08000	WASHER PLAIN 8MM	WASHER PLAIN 8MM	4	
	95701	95701-KED9-900	BOLT SPECIAL 8*23	BOLT SPECIAL 8*23	4	
	95702	95702-KED9-900	BOLT NUT 8MM	BOLT NUT 8MM	4	

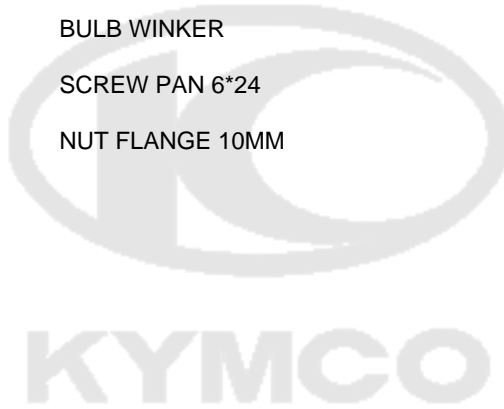
F24

Winker



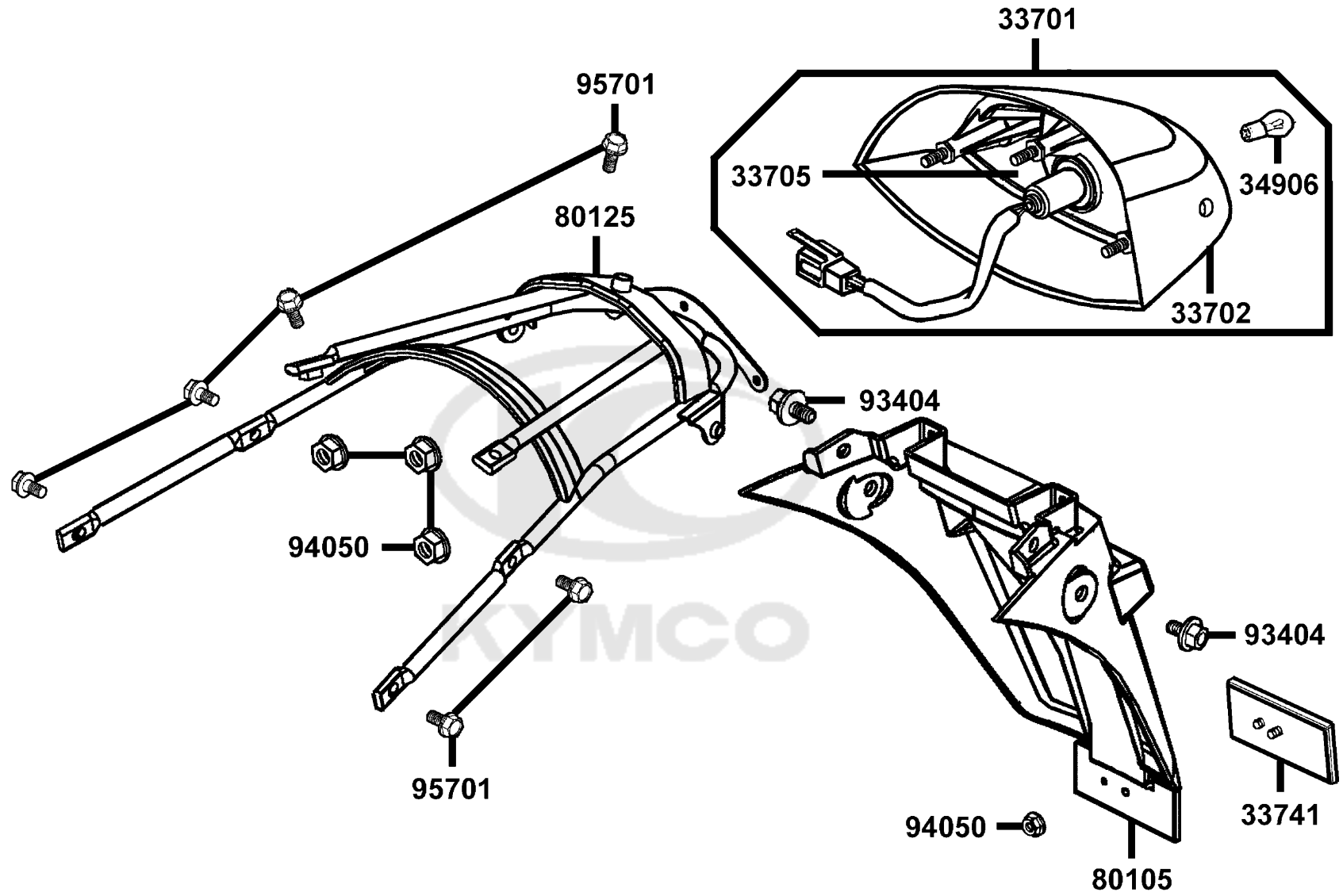


Sales mark	Ref no	Part no	Description	Reg description	Regd no	F24
	33400	33400-KED9-900	WINKER ASSY R FR	WINKER ASSY R FR	1	
	33407	33407-KED9-E00	COLLAR	COLLAR	2	
	33450	33450-KED9-900	WINKER ASSY L FR	WINKER ASSY L FR	1	
	33600	33600-KED9-900	WINKER ASSY R RR	WINKER ASSY R RR	1	
	33602	33602-KKA7-E00	LENS R FR WINKER	LENS R FR WINKER	2	
	33650	33650-KED9-900	WINKER ASSY L RR	WINKER ASSY L RR	1	
	33652	33652-KKA7-E00	LENS L FR WINKER	LENS L FR WINKER	2	
	34905	34905-KPCP-900	BULB WINKER	BULB WINKER	4	
	90116	90116-KED9-900	SCREW PAN 6*24	SCREW PAN 6*24	2	
	94050	94050-10080	NUT FLANGE 10MM	NUT FLANGE 10MM	2	

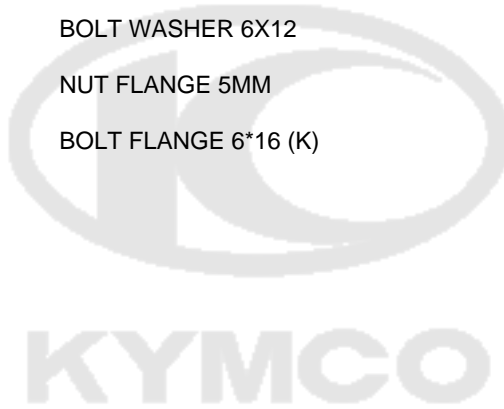


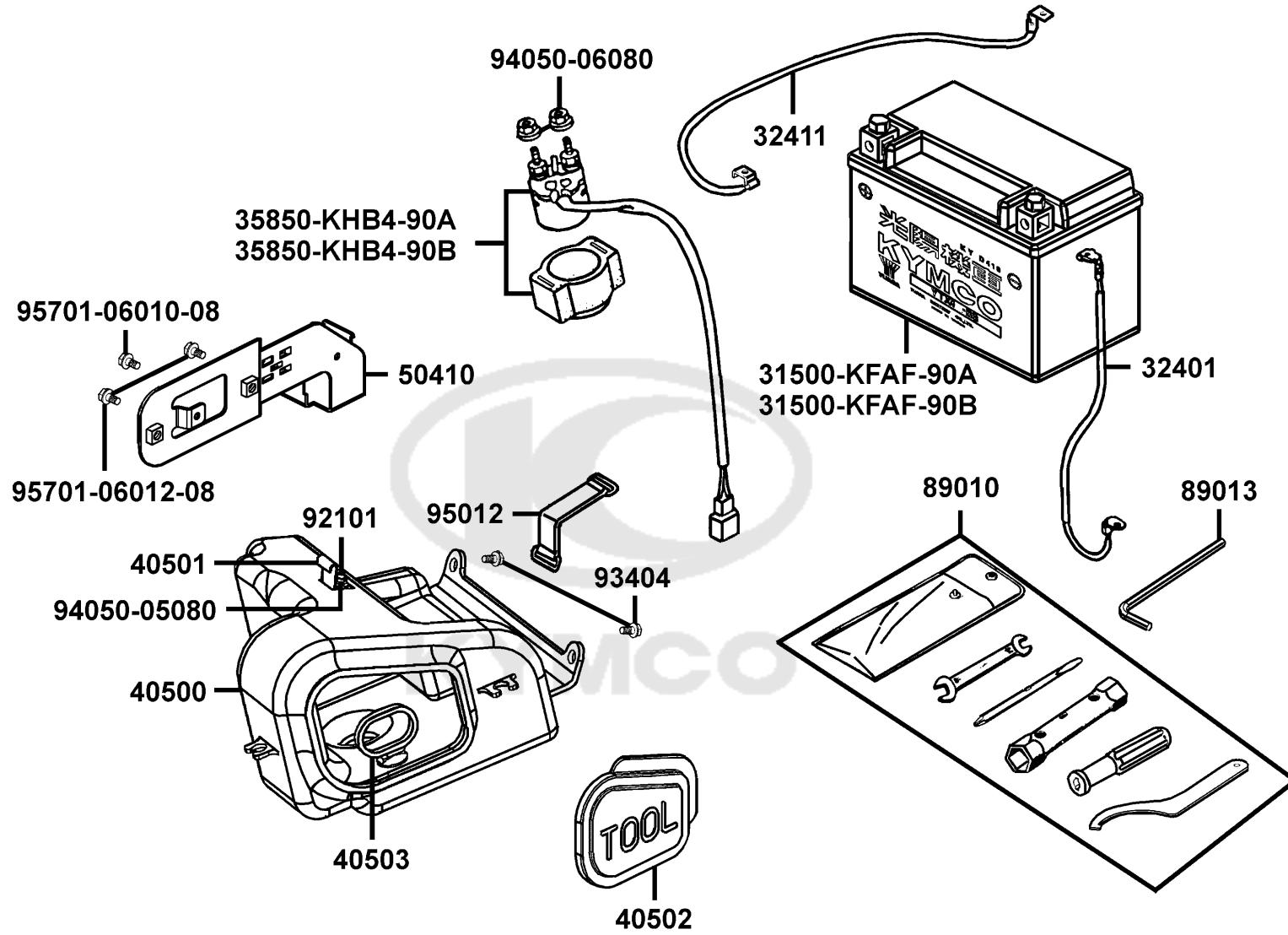
F25

Tail Light

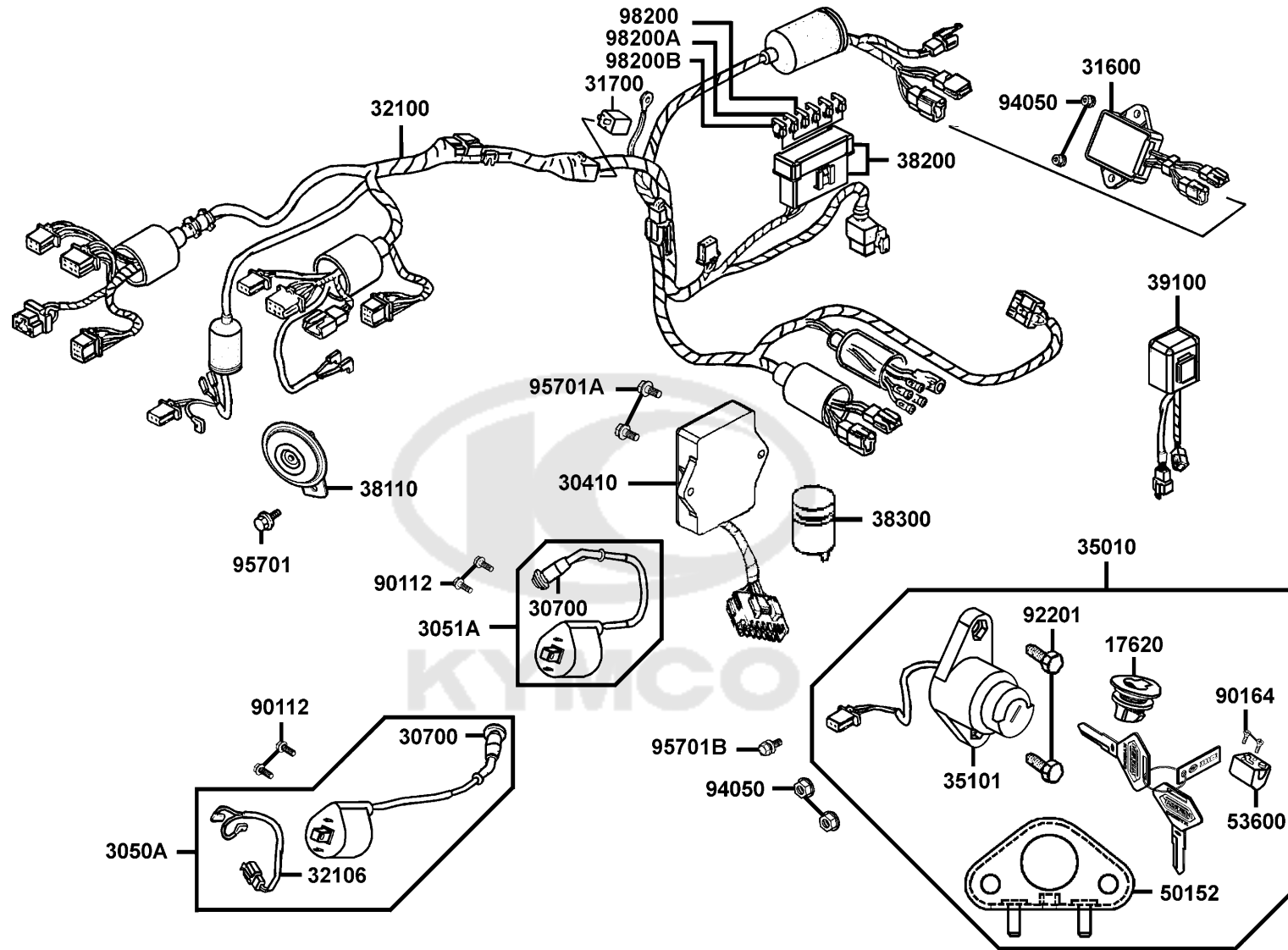


Sales mark	Ref no	Part no	Description	Reg description	Regd no	F25
	33701	33701-KED9-900	LIGHT ASSY LIGHT	LIGHT ASSY LIGHT	1	
	33702	33702-KED9-900	LENS COMP TAIL LIGHT	LENS COMP TAIL LIGHT	1	
	33705	33705-KED9-900	BASE COMP TAIL LIGHT	BASE COMP TAIL LIGHT	1	
	33741	33741-KEBE-900	REFLEX REFLECTOR	REFLEX REFLECTOR	1	
	34906	34906-KPCP-900	BULB TAIL & STOP	BULB TAIL & STOP	1	
	80105	80105-KED9-900	FENDER RR	FENDER RR	1	
	80125	80125-KED9-900	SUPPORTER TAIL LIGHT	SUPPORTER TAIL LIGHT	1	
#	93404	93404-06012-06	BOLT WASHER 6X12	BOLT WASHER 6X12	1	
	94050	94050-05080	NUT FLANGE 5MM	NUT FLANGE 5MM	4	
#	95701	95701-06016-06	BOLT FLANGE 6*16 (K)	BOLT FLANGE 6*16 (K)	1	

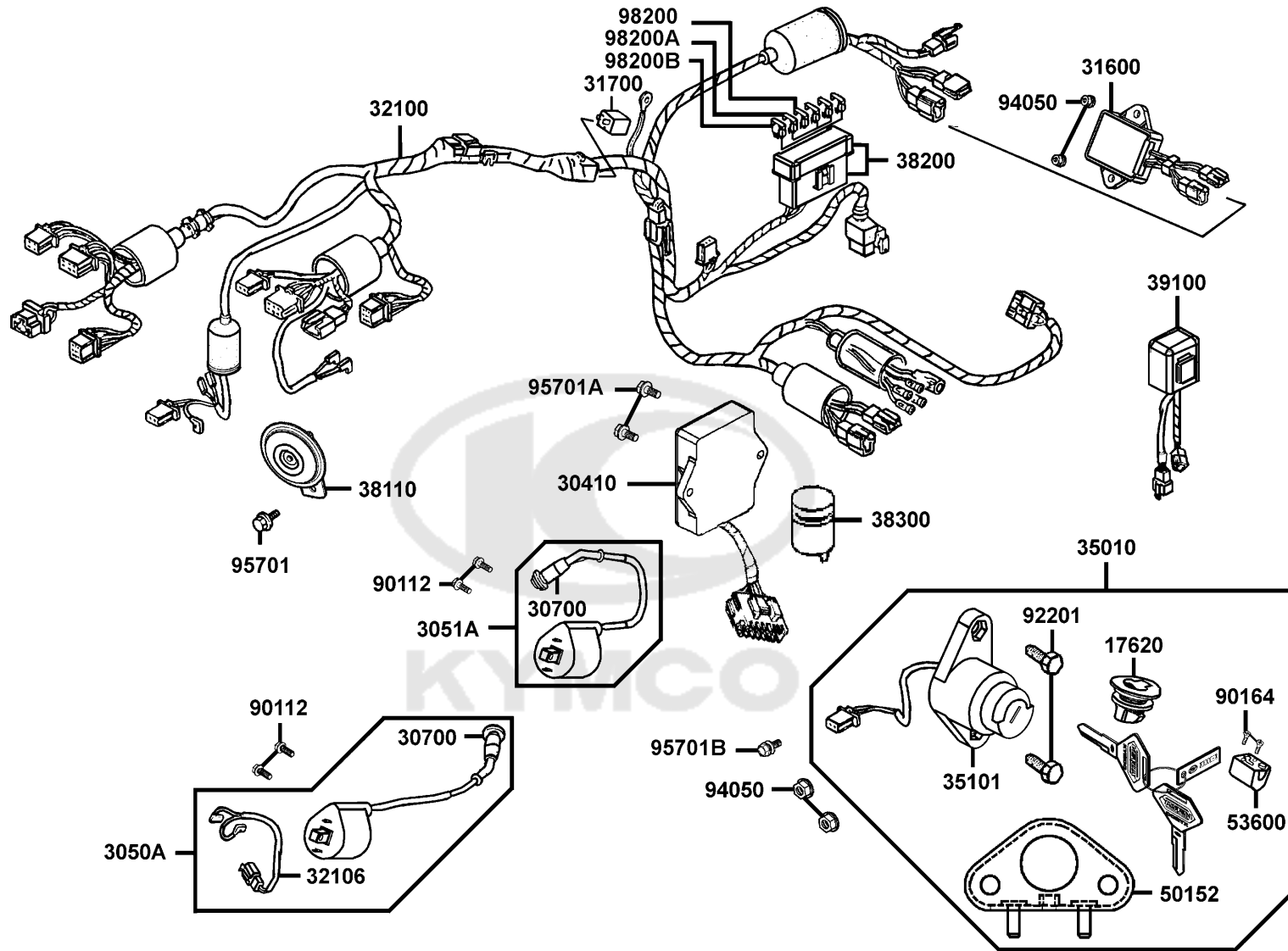




Sales mark	Ref no	Part no	Description	Reg description	Regd no	F26
	31500-KFAF-90A	31500-KFAF-90A	BATTERY YTX9-BS	BATTERY YTX9-BS	1	
	31500-KFAF-90B	31500-KFAF-90B	BATTERY GTX9-BS	BATTERY GTX9-BS	1	
	32401	32401-KED9-900	CORD EARTH	CORD EARTH	1	
	32411	32411-KED9-900	CABLE BATTERY	CABLE BATTERY	1	
	35850-KHB4-90A	35850-KHB4-90A	SET START MAG (D402)	SET START MAG (D402)	1	
	35850-KHB4-90B	35850-KHB4-90B	SET START MAG (D406)	SET START MAG (D406)	1	
	40500	40500-KED9-900	BOX COMP A INNER	BOX COMP A INNER	1	
	40501	40501-KED9-900	HOOK BATTERY	HOOK BATTERY	1	
	40502	40502-KED9-900	COVER TOOL BOX	COVER TOOL BOX	1	
	40503	40503-KED9-900	GROMMET BAG	GROMMET BAG	1	
	50410	50410-KED9-900	STAY FUEL BOX	STAY FUEL BOX	1	
	89010	89010-KED9-900	TOOL SET	TOOL SET	1	
	89103	89103-KED9-900	HEX SPANNER 5MM	HEX SPANNER 5MM	1	
#	92101	92101-05012-0G	BOLT HEX 5X12	BOLT HEX 5*12	1	
#	93404	93404-06012-06	BOLT WASHER 6X12	BOLT WASHER 6X12	1	
	94050-05080	94050-05080	NUT FLANGE 5MM	NUT FLANGE 5MM	1	
	94050-06080	94050-06080	NUT FLANGE 6MM	NUT FLANGE 6MM	2	
	95012	95012-KED9-900	BAND BATTERY	BAND BATTERY	1	
#	95701-06010-08	95701-06010-06	BOLT FLANGE 6*10	BOLT FLANGE 6*10	1	
#	95701-06012-08	95701-06012-06	BOLT FLANGE 6*12 **07 C.2005.07.01	BOLT FLANGE 6*12 **07 C.2005.07.01	1	



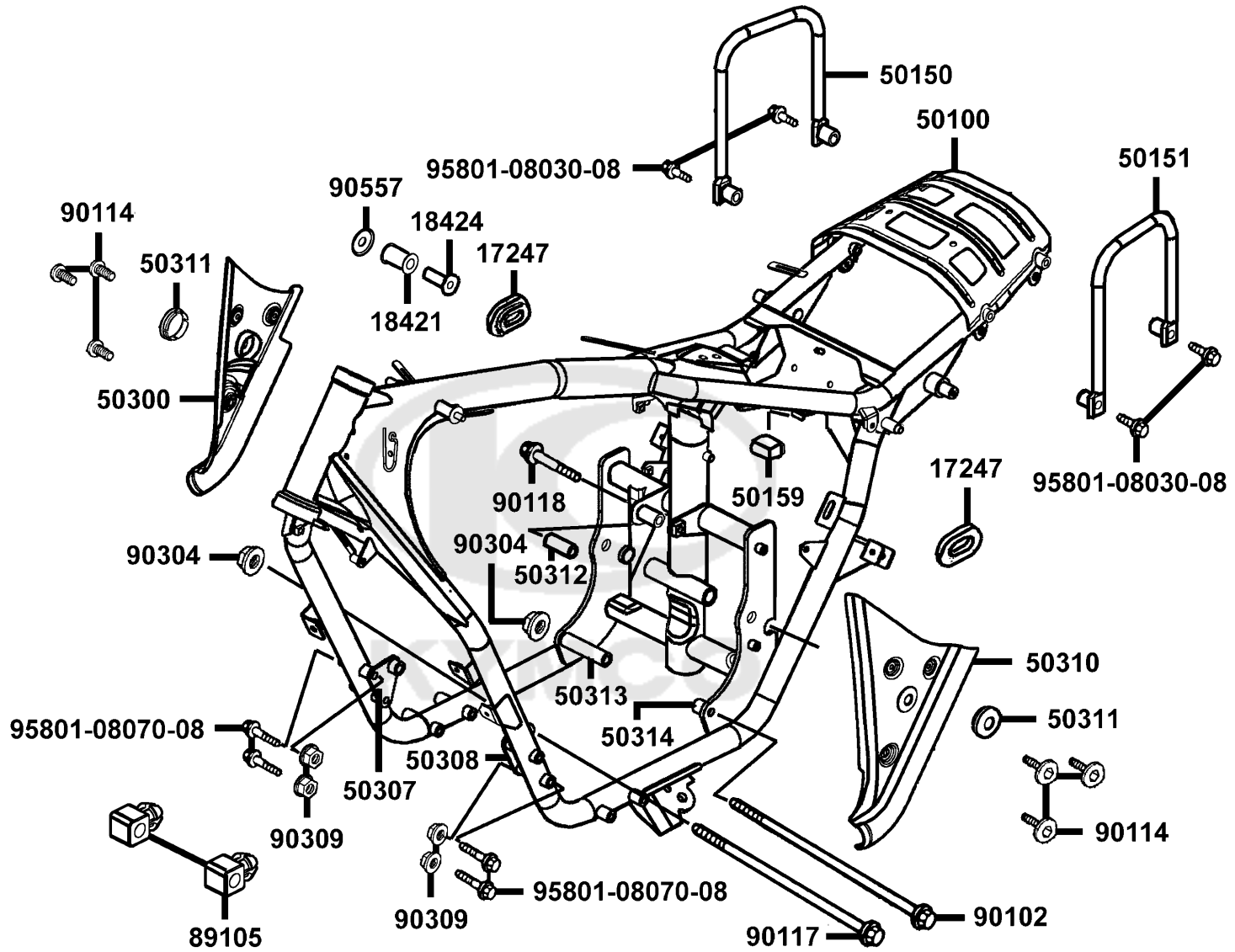
Sales mark	Ref no	Part no	Description	Reg description	Regd no	F27
	17620	17620-KED9-325	CAP SET FUEL FILLER	CAP SET FUEL FILLER	1	
	30410	30410-KED9-900	UNIT ASSY CDI	UNIT ASSY CDI	1	
	3050A	3050A-KED9-900	COIL ASSY A IGNITION	COIL ASSY A IGNITION	1	
	3051A	3051A-KED9-900	COIL ASSY B IGNITION	COIL ASSY B IGNITION	1	
	30700	30700-KED9-900	CAP ASSY NOISE SUPPRESSOR	CAP ASSY NOISE SUPPRESSOR	2	
	31600	31600-KED9-900	REG REC COMP	REG REC COMP	1	
	31700	31700-KEC8-E00	RECTIFIER COMP DIODE	RECTIFIER COMP DIODE	1	
	32100	32100-KED9-900	HARNESS WIRE	HARNESS WIRE	1	
	32106	32106-KED9-900	SUB HARNESS IGNITION	SUB HARNESS IGNITION	1	
	35010	35010-KED9-E00	KEY SET	KEY SET	1	
	35101	35101-KED9-325	MAIN SW SET	MAIN SW SET	1	
	38110	38110-KED9-900	HORN COMP	HORN COMP	1	
	38200	38200-KHE7-900	BOX COMP FUSE	BOX COMP FUSE	1	
	38300	38300-GLW0-C11	RELAY ASSY WINKER	RELAY ASSY WINKER	1	
	39100	39100-KED9-900	EMI FILTER FAN MOTOR	EMI FILTER FAN MOTOR	1	
	50152	50152-KED9-900	BRKT MAIN SWITCH	BRKT MAIN SWITCH	1	
	53600	53600-KED9-325	LOCK STEERING HANDLE	LOCK STEERING HANDLE	1	
	90112	90112-KRDR-900	BOLT FLANGE 5*22	BOLT FLANGE 5*22	4	
	90164	90164-0H28-900	SCREW FLAT U LOCK 6*12	SCREW FLAT U LOCK 6*12	2	
	92201	92201-08020-02	BOLT HEX 8*20	BOLT HEX 8*20	2	



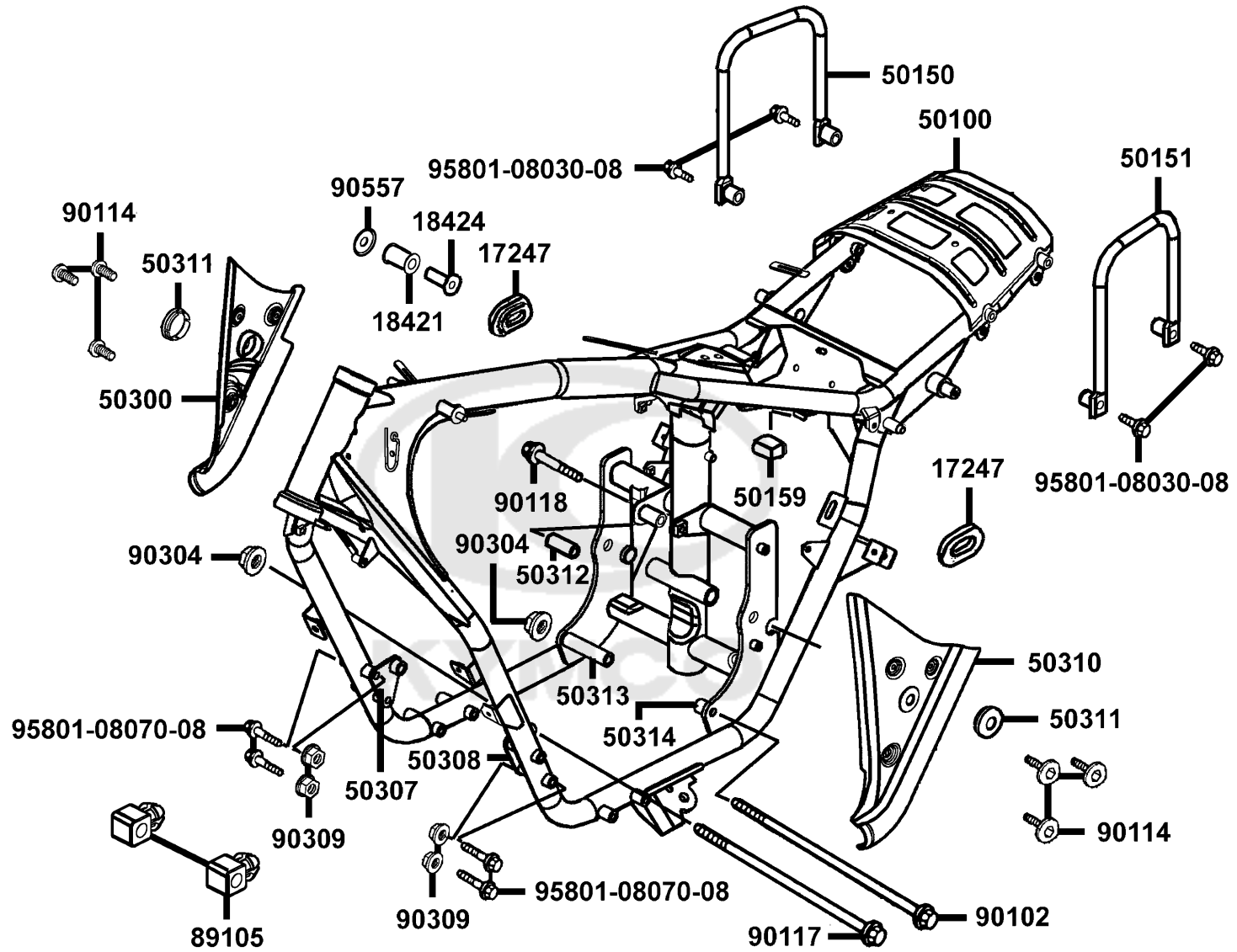


Sales mark	Ref no	Part no	Description	Reg description	Regd no	<b>F27</b>
	94050	94050-06080	NUT FLANGE 6MM	NUT FLANGE 6MM	4	
#	95701	95701-06012-06	BOLT FLANGE 6*12 **07 C.2005.07.01	BOLT FLANGE 6*12 **07 C.2005.07.01	1	
#	95701A	95701-06016-06	BOLT FLANGE 6*16 (K)	BOLT FLANGE 6*16 (K)	1	
	95701B	95701-KEB7-E00	BOLT TORQUE 6*16	BOLT TORQUE 6*16	1	
	98200	98200-31000	BLADE FUSE 10A **(0) C.2005.03.01	BLADE FUSE 10A **(0) C.2005.03.01	1	
	98200A	98200-31500	FUSE A15	FUSE A15	3	
	98200B	98200-33000	BLADE FUSE 30A	BLADE FUSE 30A	2	





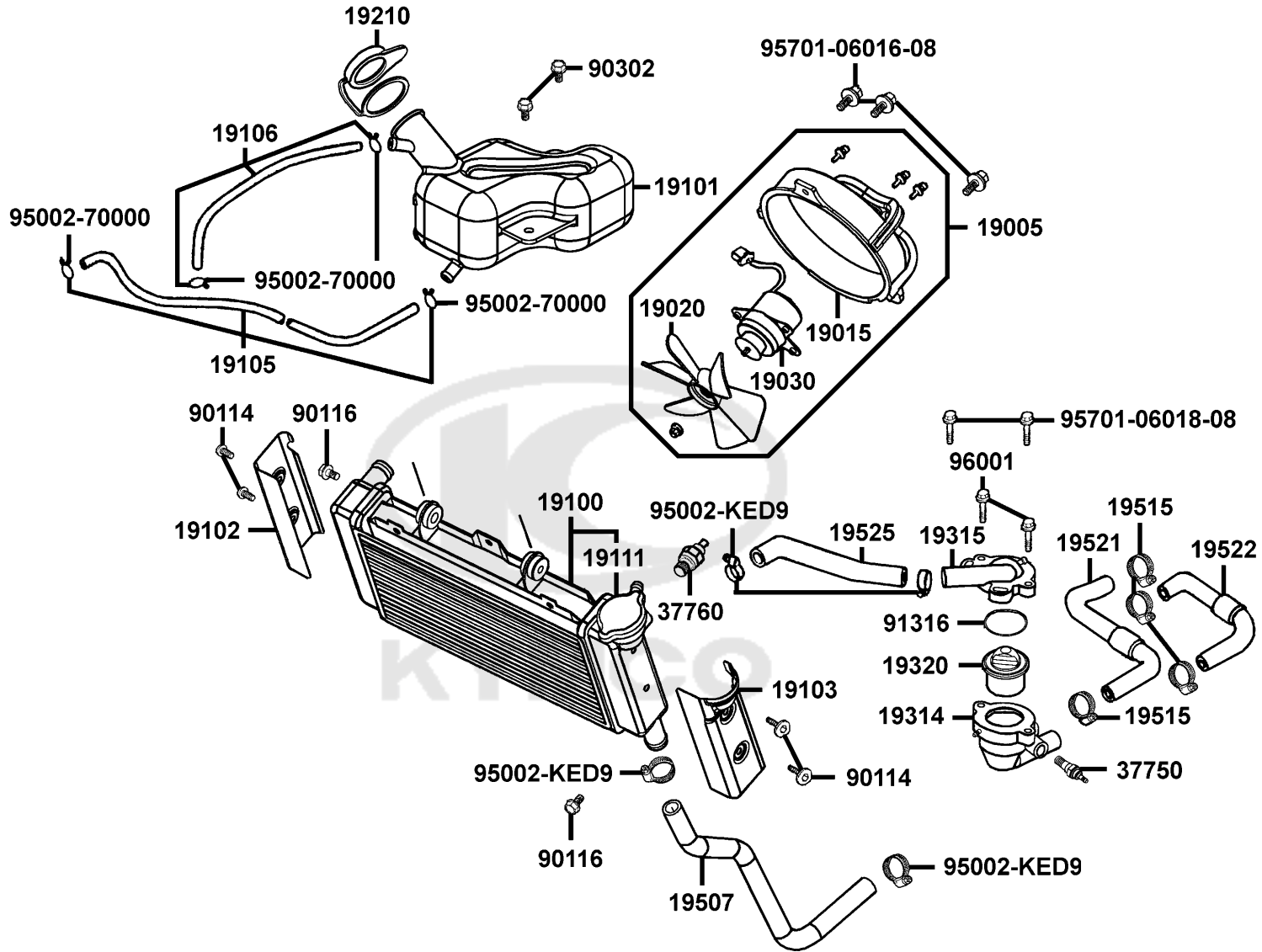
Sales mark	Ref no	Part no	Description	Reg description	Regd no	F28
	17247	17247-3C03-001	GROMMET A AIR CLEANER CASE	GROMMET A AIR CLEANER CASE	2	
	18421	18421-KED9-900	RUBBER MUFF MOUNT	RUBBER MUFF MOUNT	1	
	18424	18424-KED9-900	COLLAR MUFF MOUNT	COLLAR MUFF MOUNT	1	
**	50100	50100-KED9-305	BODY ASSY FRAME	BODY ASSY FRAME	1	
	50150	50150-KED9-900	HOOK R CARRIER	HOOK R CARRIER	1	
	50151	50151-KED9-900	HOOK L CARRIER	HOOK L CARRIER	1	
	50159	50159-KED9-900	RUBBER BATTERY STOP	RUBBER BATTERY STOP	1	
**	50300	50300-KED9-900	PLATE R PIVOT COVER	PLATE R PIVOT COVER	1	
	50307	50307-KED9-900	BRKT R ENG HANGER FR	BRKT R ENG HANGER FR	1	
	50308	50308-KED9-900	BRKT L ENG HANGER FR	BRKT L ENG HANGER FR	1	
**	50310	50310-KED9-900	PLATE L PIVOT COVER	PLATE L PIVOT COVER	1	
	50311	50311-KED9-900	CAP PIVOT COVER	CAP PIVOT COVER	2	
	50312	50312-KED9-900	COLLAR ENG HANGER	COLLAR ENG HANGER	1	
	50313	50313-KED9-900	COLLAR R LOW ENG HANGER	COLLAR R LOW ENG HANGER	1	
	50314	50314-KED9-900	COLLAR L LOW ENG HANGER	COLLAR L LOW ENG HANGER	1	
	89105	89105-KED9-900	HOLDER HEX SPANER	HOLDER HEX SPANER	2	
	90102	90102-KED9-900	BOLT ENG HANGER 10*286	BOLT ENG HANGER 10*286	1	
	90114	90114-KED9-900	SCREW PAN 6*12	SCREW PAN 6*12	6	
#	90117	90117-KED9-950	BOLT FLANGER 10*265	BOLT FLANGER 10X265	1	
	90118	90118-KED9-900	BOLT FLANGE 10*85	BOLT FLANGE 10*85	1	



Sales mark	Ref no	Part no	Description	Reg description	Regd no	<b>F28</b>
------------	--------	---------	-------------	-----------------	---------	------------

	90304	90304-GLW0-90A	NUT U FLANGE 10MM	NUT U FLANGE 10MM	2	
	90309	90309-GLW0-90A	NUT U FLANGE 8MM	NUT U FLANGE 8MM	4	
	90557	90557-KED9-900	WASHER SPECIAL 8MM	WASHER SPECIAL 8MM	1	
#	95801-08030-08	95801-08030-06	BOLT FLANGE 8*30	BOLT FLANGE 8*30	1	
#	95801-08070-08	95801-08070-06	BOLT FLANGE 8X70	BOLT FLANGE 8X70	1	



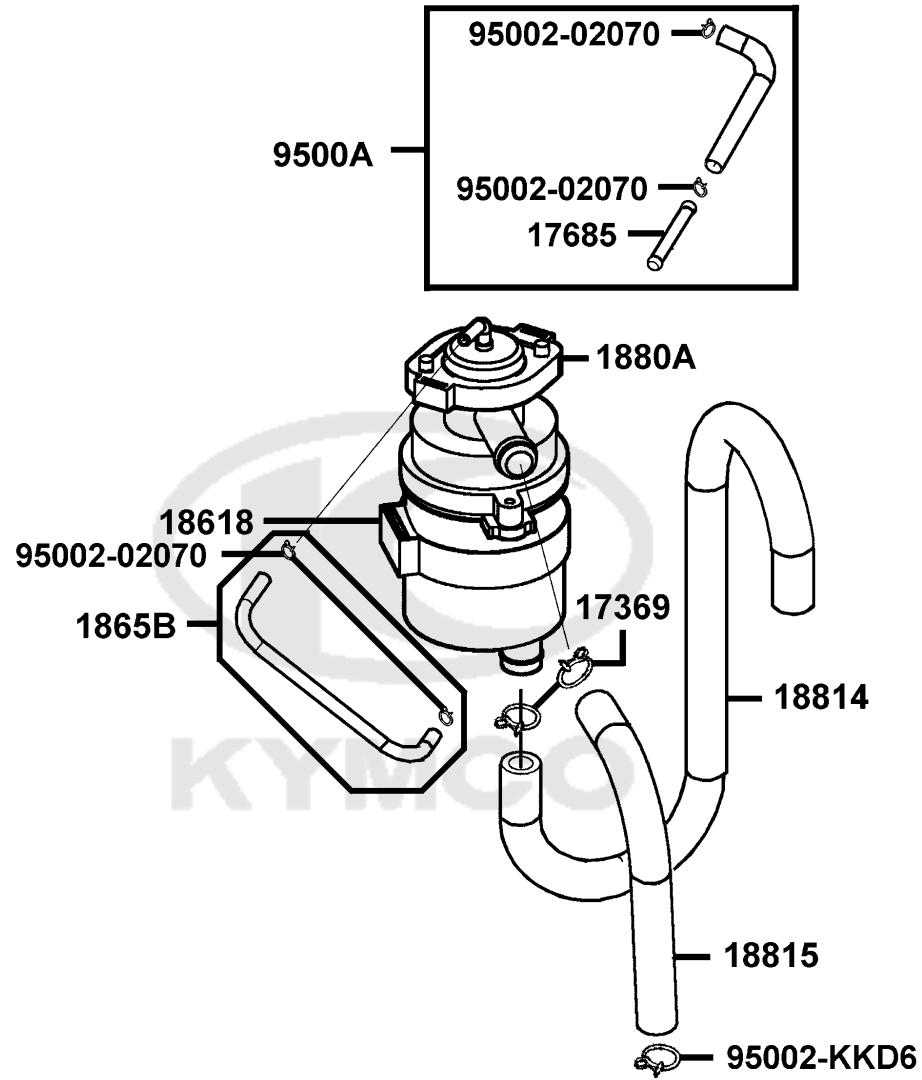


Sales mark	Ref no	Part no	Description	Reg description	Regd no	<b>F29</b>
	19005	19005-KED9-900	SHROUD ASSY	SHROUD ASSY	1	
	19015	19015-KED9-900	SHROUD COMP	SHROUD COMP	1	
	19020	19020-KED9-900	FAN COOLING	FAN COOLING	1	
	19030	19030-KHD8-900	MOTOR	MOTOR	1	
	19100	19100-KED9-900	RADIATOR COMP	RADIATOR COMP	1	
	19101	19101-KED9-900	TANK RESERVE	TANK RESERVE	1	
	19102	19102-KED9-900	R COVER RAD	R COVER RAD	1	
	19103	19103-KED9-900	L COVER RAD	L COVER RAD	1	
	19105	19105-KED9-900	HOSE ASSY RESERVE TANK	HOSE ASSY RESERVE TANK	1	
	19106	19106-KED9-900	HOSE ASSY DRAIN	HOSE ASSY DRAIN	1	
	19111	19111-KED9-900	CAP COMP	CAP COMP	1	
	19210	19210-KKC4-900	CAP RESERVE TANK	CAP RESERVE TANK	1	
	19314	19314-KED9-900	HOUSING THERMOSTAT	HOUSING THERMOSTAT	1	
	19315	19315-KED9-900	COVER THERMOSTAT	COVER THERMOSTAT	1	
	19320	19320-KED9-90A	THERMOSTAT	THERMOSTAT	1	
	19507	19507-KED9-900	HOSE RADIATOR LOWER	HOSE RADIATOR LOWER	1	
#	95002-KED9	19507-PUA5-E00	CLAMP. D27.5	CLAMP. D27.5	4	
	19515	19515-KED9-900	CLIP HOSE	CLIP HOSE	4	
	19521	19521-KED9-900	HOSE WATER A	HOSE WATER A	1	
	19522	19522-KED9-900	HOSE WATER B	HOSE WATER B	1	

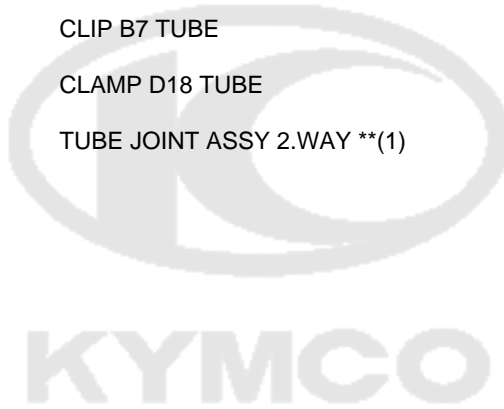




Sales mark	Ref no	Part no	Description	Reg description	Regd no	<b>F29</b>
	19525	19525-KED9-900	HOSE WATER C	HOSE WATER C	1	
	37750	37750-PAC1-005	THERMO UNIT ASSY	THERMO UNIT ASSY	1	
	37760	37760-KHD8-900	SW ASSY THERMO	SW ASSY THERMO	1	
	90114	90114-KED9-900	SCREW PAN 6*12	SCREW PAN 6*12	4	
	90116	90116-KED9-900	SCREW PAN 6*24	SCREW PAN 6*24	2	
	90302	90302-GFY6-901	BOLT WASH 5*12 **(1) C.V.	BOLT WASH 5*12 **(1) C.V.	2	
	91316	91316-KED9-900	O-RING 48.3*2.0	O-RING 48.3*2.0	1	
	95002-70000	95002-70000	CLIP C11 TUBE	CLIP C11 TUBE	4	
#	95701-06016-08	95701-06016-06	BOLT FLANGE 6*16 (K)	BOLT FLANGE 6*16 (K)	1	
#	95701-06018-08	95701-06018-06	BOLT FLANGE 6X18	BOLT FLANGE 6X18	1	
	96001	96001-06020-02	BOLT FLANGE SH 6*20	BOLT FLANGE SH 6*20	2	



Sales mark	Ref no	Part no	Description	Reg description	Regd no	F30
17369		17369-KDB4-671	CLIP BREATHER TUBE	CLIP BREATHER TUBE	2	
17685		17685-GLE0-301	JOINT COCK-CARB TUBE	JOINT COCK-CARB TUBE	1	
18618		18618-GFY6-960	RUBBER AIC-AICV MOUNT	RUBBER AIC-AICV MOUNT	1	
1865B		1865B-KED9-900	TUBE ASSY AICV-3WAY JOINT **(0)	TUBE ASSY AICV-3WAY JOINT **(0) C.2005	1	
1880A		1880A-KHD8-91A	AI/C AICV ASSY	AI/C AICV ASSY	1	
18814		18814-KED9-900	DUCT AIR/C-AIR	DUCT AIR/C-AIR	1	
18815		18815-KED9-900	TUBE AICV-REED VALVE	TUBE AICV-REED VALVE	1	
95002-02070		95002-02070	CLIP B7 TUBE	CLIP B7 TUBE	4	
95002-KKD6		95002-KKD6-E05	CLAMP D18 TUBE	CLAMP D18 TUBE	1	
9500A		9500A-KED9-EZ0	TUBE JOINT ASSY 2.WAY **(1)	TUBE JOINT ASSY 2.WAY **(1) C.2007.03.23	1	



**Important Instruction**

Normal Tire Pressure : psi (kg/cm<sup>2</sup>)

One rider : Front : 28 (2.00)      Rear : 28 (2.00)

Two rider : Front : 28 (2.00)      Rear : 32 ( 2.25)

Tire size : Front : 120/80-17

Rear : 150/80-15

KED9-E000

  
**87505**  
**USE UNLEADED GASOLINE ONLY**  
**87501**

Sales mark	Ref no	Part no	Description	Reg description	Regd no	<b>F31</b>
------------	--------	---------	-------------	-----------------	---------	------------

**	87501	87501-KRDR-E00	CAUTION USE GAS ONLY	CAUTION USE GAS ONLY	1	
**	87505	87505-KED9-E00	MARK TIRE CAUTION	MARK TIRE CAUTION	1	





87129

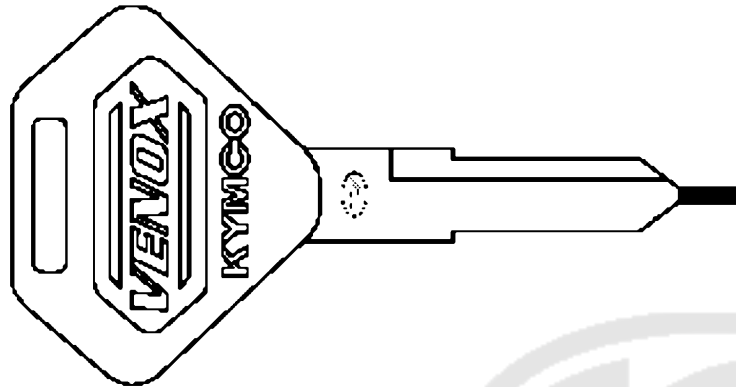


8622A  
8624A

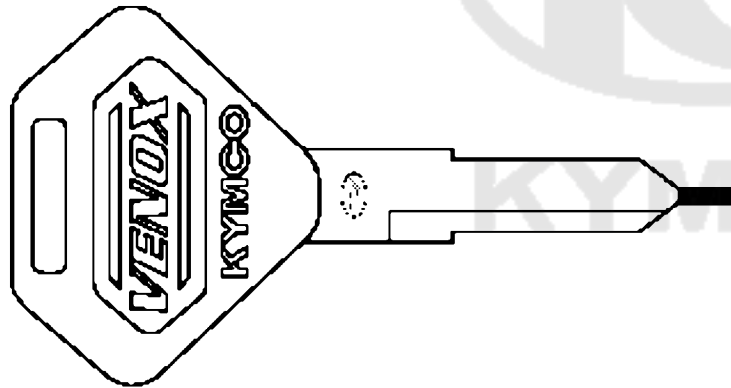
Sales mark	Ref no	Part no	Description	Reg description	Regd no	<b>F32</b>
------------	--------	---------	-------------	-----------------	---------	------------

**	8622A	8622A-KED9-900	EMB R FUEL TANK ASSY	EMB R FUEL TANK ASSY	1	
**	8624A	8624A-KED9-900	EMB L FUEL TANK ASSY	EMB L FUEL TANK ASSY	1	
**	87129	87129-KFW6-960	MARK UP COWL BRIDGGE	MARK UP COWL BRIDGGE	1	





**35111-KED9-305**



**35111-KED9-306**



Sales mark	Ref no	Part no	Description	Reg description	Regd no	<b>F33</b>
------------	--------	---------	-------------	-----------------	---------	------------

35111-KED9-305	35111-KED9-305	35111-KED9-305	KEY COMP /R CUT	KEY COMP /R CUT	1	
35111-KED9-306	35111-KED9-306	35111-KED9-306	KEY COMP /L CUT	KEY COMP /L CUT	1	



## PART NO. INDEX

PART NO.	VERSION	PAGE	PART NO.	VERSION	PAGE	PART NO.	VERSION	PAGE	
<b>0000</b>			106B-KPS0-0003	0	E17	11105-KED9-900	5	E12	
			1142-801-2002	0	E17	11111-KED9-900	4	E12	
			1166-839-2100	0	E17	11112-KED9-900	3	E12	
	0110-803-1100	0	E17	1190-B64-2000	0	E17	11140-KED9-900	4	E12
	0137-261-36G5	0	E17	1198-816-2000-3	0	E17	11211-KED9-901	0	E11
	0301-096-1200	0	E17	1202-869-6000	0	E17	11315-KED9-900	2	E11
	0301-261-36G5	0	E17	1229-800-7000	0	E17	11330-KED9-900	9	E05
	0301-803-2000	0	E17	1230-857-2000	0	E17	11332-KED9-900	3	E08
	0404-814-1900	0	E17	1290-888-2000	0	E17	11341-KED9-900	13	E08
	0804-A28-0001	0	E17	1290-942-2000	0	E17	11361-KED9-900	5	E09
	0804-A83-0000	0	E17	1290-969-2000	0	E17	11385-KED9-900	5	E02
	0804-E25-0000	0	E17	1290-A21-2001	0	E17	11394-KED9-900	5	E05
	0804-E56-0000	0	E17	1290-A22-2000	0	E17	11631-KED9-900	8	E09
	0804-E57-0000	0	E17	1402-825-2400	0	E17	11632-KED9-900	7	E09
	0804-E58-0000	0	E17	1531-815-2000	0	E17	11636-KED9-900	7	E08
				1614-850-2100	0	E17			
	<b>1000</b>			<b>4000</b>			<b>12000</b>		
1001-GC8H-0351	0	E17				12200-KED9-900	6	E02	
1012-805-2000	0	E17	4129-823-1101	0	E17	12205-KHE8-301	5	E02	
1029-858-7000	0	E17	4129-850-1200	0	E17	12209-GDB4-68B	0	E03	
1030-842-7002	0	E17				12227-KED9-900	3	E02	
1034-855-2500	0	E17	<b>11000</b>			12228-KED9-900	3	E02	
1050-967-2000	0	E17				12229-KED9-900	2	E02	
1052-865-2100	0	E17	11100-KED9-900	5	E12	12230-KED9-900	3	E02	
1061-834-2101	0	E17	11104-KED9-900	4	E12	12251-KED9-900	5	E02	

## PART NO. INDEX

PART NO.	VERSION	PAGE	PART NO.	VERSION	PAGE	PART NO.	VERSION	PAGE	
12311-KED9-900	12	E01	14451-KED9-900	7	E03	15200-KED9-900	7	E11	
12391-KED9-900	8	E01	14501-KED9-900	2	E02	15220-KED9-900	2	E11	
<b>13000</b>			14510-KED9-900	6	E04	15411-KED9-900	5	E11	
			14520-KED9-900	1	E04	15414-KED9-900	1	E11	
			14523-KED9-920	1	E02	15415-KED9-900	2	E11	
			14523-KED9-920	1	E04	1541A-KED9-90A	5	E11	
			14531-KED9-900	4	E04	1541A-KED9-90B	0	E11	
1300A-KED9-90A	4	E13	14540-KED9-900	8	E06	15420-KED9-900	5	E11	
13011-KED9-900	1	E13	14546-KED9-900	4	E02	15438-PWB1-900	2	E11	
13101-KED9-900	5	E13	14610-KED9-900	3	E04	1565A-KKAK-900	0	E05	
13111-KED9-900	6	E13	14611-KED9-900	2	E03	15661-LBA7-900	1	E05	
13201-KED9-900-B	5	E13	14711-KED9-900	2	E03	15761-KED9-900	2	E17	
13215-KED9-900	3	E13	14721-KED9-900	2	E03	15762-KED9-900	2	E17	
13224-KED9-90A-A	3	E13	14751-KED9-900	3	E03	15772-5L00-013	1	F13	
13224-KED9-90A-B	3	E13	14761-KED9-900	3	E03	<b>16000</b>			
13224-KED9-90A-C	3	E13	14771-KED9-900	2	E03				
13314-KED9-90A-A	3	E13	14775-KED9-900	3	E03				
13314-KED9-90A-B	3	E13	14781-MFA6-001	0	E03				
13314-KED9-90A-C	3	E13	<b>15000</b>						
<b>14000</b>							16053-KT7-0030	0	E17
							16075-KG8-9010-M1	0	E17
							16101-KED9-900	2	E17
							1610K-KED9-E00	2	E17
						16145-MZ2-7800	0	E17	
1411A-KED9-220	4	E03	15100-KED9-900	6	E11	16181-PC3-7810-M1	0	E17	
1412A-KED9-220	1	E03	15131-KED9-900	6	E11	16210-KED9-900	3	E17	
1413A-KED9-220	4	E03	15133-KED9-900	3	E06	16211-KED9-900	3	E02	
1414A-KED9-220	1	E03	15134-KED9-900	2	E06	16215-KED9-900	3	E02	
14321-KED9-900	5	E03	15140-KED9-900	1	E11				
14401-KED9-90B	1	E04							

## PART NO. INDEX

PART NO.	VERSION	PAGE	PART NO.	VERSION	PAGE	PART NO.	VERSION	PAGE
16219-KED9-900	4	E02	17369-KDB4-671	1	F16	18371-KED9-900	6	F17
16910-KED9-900	4	E11	17369-KDB4-671	1	F30	18372-KED9-900	6	F17
16911-KED9-900	1	E11	17369-KED9-900	1	F16	18391-KED9-900	1	F17
1695A-KED9-900	2	F13	17370-4K19-701	1	E17	18410-KED9-EZ0	0	F17
16978-ZB9-0050	0	E17	17370-4K19-701	1	F16	18421-KED9-900	3	F28
			17371-1D74-671	0	E17	18424-KED9-900	3	F28
<b>17000</b>			17371-1D74-671	0	F16	18510-KED9-EZ0	0	F17
			17500-KED9-305	0	F13	18520-KED9-900	5	F17
17195-MN5-0000	0	E17	17501-KED9-900	3	F13	18601-KED9-900	1	F17
17208-GAR1-011	0	F16	17525-KGG7-001	0	F13	18611-KED9-900	2	F17
17213-KED9-900	1	F16	17611-2F86-001	0	F13	18612-KED9-900	1	F17
17217-KED9-900	4	F15	17613-KFW6-911	0	F13	18618-GFY6-960	0	F30
17218-KED9-900	4	F15	17620-KED9-325	0	F27	18645-KED9-900	2	F17
1721A-KED9-900	3	F15	17684-KED9-900	2	E02	18656-KED9-900	2	F16
1721B-KED9-900	3	F15	17685-GLE0-301	2	F30	18657-KED9-900	2	F16
17222-KED9-900	8	F15	17700-KED9-900	5	F13	18658-KED9-900	2	F16
17225-KED9-900	2	F16	17701-KED9-900	5	F13	1865B-KED9-900	2	F30
17226-KED9-900	1	F16	17910-KED9-900	6	F03	1880A-KHD8-91A	0	F30
17227-KED9-900	2	F16	17920-KED9-900	6	F03	18814-KED9-900	1	F30
17230-KED9-900	5	F16	17950-KED9-900	5	F03	18815-KED9-900	1	F30
17231-KED9-900	5	F16						
17237-KED9-900	3	F16	<b>18000</b>			<b>19000</b>		
17247-3C03-001	0	F13						
17247-3C03-001	0	F28	18291-KED9-900	5	F17	19005-KED9-900	3	F29
17258-KED9-900	3	F16	18302-KED9-900	2	F17	19015-KED9-900	3	F29
1725A-KED9-900	0	F16	18310-KED9-EZ0	0	F17	19020-KED9-900	1	F29

## PART NO. INDEX

PART NO.	VERSION	PAGE	PART NO.	VERSION	PAGE	PART NO.	VERSION	PAGE
19030-KHD8-900	2	F29	19508-KED9-900	3	E16	23227-KED9-900	1	E14
19100-KED9-900	4	F29	19509-KED9-900	6	E16	23422-KED9-900	3	E14
19101-KED9-900	3	F29	19515-KED9-900	2	F29	23426-KED9-900	5	E14
19102-KED9-900	2	F29	19521-KED9-900	6	F29	23441-KED9-900	3	E14
19103-KED9-900	2	F29	19522-KED9-900	4	F29	23442-KED9-900	2	E14
19105-KED9-900	3	F29	19525-KED9-900	3	F29	23451-KED9-900	4	E14
19106-KED9-900	3	F29	19530-KED9-900	1	F20	23452-KED9-900	2	E07
19111-KED9-900	1	F29				23461-KED9-900	4	E14
19210-KKC4-900	0	F29	<b>22000</b>			23462-KED9-900	3	E14
19211-KED9-900	6	E09				23471-KED9-900	4	E14
19215-KED9-900	4	E09	2210A-KED9-900	2	E06	23481-KED9-900	4	E14
19217-KED9-900	1	E09	22141-KED9-900	2	E14	23491-KED9-900	5	E14
19221-KED9-900	3	E09	22201-KKAK-900	0	E06	23495-KED9-900	2	E14
19229-KED9-900	1	E09	22201-KKAK-90A	0	E06	23501-KED9-900	5	E14
19231-KED9-900	3	E09	22453-KED9-900	1	E07	23511-KED9-900	5	E14
19303-KED9-900	1	E11	22810-KED9-900	5	E05	23512-KED9-900	4	E14
19314-KED9-900	5	F29	22815-KED9-900	1	E05	23515-KED9-900	2	E14
19315-KED9-900	4	F29	22838-KED9-900	1	E05	23560-KED9-900	1	E12
19320-KED9-90A	1	F29	22847-KED9-900	4	E06	23561-KED9-900	1	E12
19465-KED9-900	0	E16	22870-KED9-900	4	F03	23801-KED9-900	2	E14
19466-KED9-900	0	E16						
19467-KED9-900	0	E16	<b>23000</b>			<b>24000</b>		
19468-KED9-900	0	E16						
19507-KED9-900	3	F29	23103-KED9-800	1	E06	24211-KED9-900	6	E15
19507-LBA2-E00	1	E16	23211-KED9-900	5	E14	24212-KED9-900	6	E15
19507-PUA5-E00	2	F29	23221-KED9-900	6	E14	24213-KED9-900	6	E15

## PART NO. INDEX

PART NO.	VERSION	PAGE	PART NO.	VERSION	PAGE	PART NO.	VERSION	PAGE
2426A-KED9-900	2	E15	28130-KED9-900	1	E07	32161-4D04-001	2	F03
24301-KED9-900	11	E15	28211-KED9-900	1	E14	32401-KED9-900	1	F26
24411-KED9-900	5	E15				32410-KED9-900	2	E10
24430-KED9-900	3	E15	<b>30000</b>			32411-KED9-900	6	F26
24435-KED9-900	7	E15						
2461A-KED9-900	11	E15	30410-KED9-900	4	F27	<b>33000</b>		
24651-KED9-900	3	E15	3050A-KED9-900	3	F27			
24652-KED9-900	4	E15	3051A-KED9-900	3	F27	33100-KED9-900	6	F01
24700-KED9-900	7	F18	30700-KED9-900	5	F27	33101-KKA8-900	0	F01
24702-KKAK-900	1	F18				33103-KED9-900	0	F01
24703-KKAK-900	1	F18	<b>31000</b>			33104-KED9-900	0	F01
24706-KED9-900	1	F18				33130-KED9-900	0	F01
24711-KED9-900	3	F18	31110-KED9-900	2	E08	33400-KED9-900	8	F24
24720-KED9-900	2	F18	31120-KED9-900	6	E08	33407-KED9-E00	0	F24
24724-4B22-000	0	F18	31208-KED9-900	0	E10	33450-KED9-900	8	F24
24781-KED9-900	2	F18	31210-LBF2-700	1	E10	33600-KED9-900	5	F24
			31500-KFAF-90A	9	F26	33602-KKA7-E00	0	F24
<b>28000</b>			31500-KFAF-90B	9	F26	33650-KED9-900	5	F24
			31600-KED9-900	4	F27	33652-KKA7-E00	0	F24
28102-KED9-900	2	E07	31700-KEC8-E00	1	F27	33701-KED9-900	5	F25
28110-KED9-900	8	E07				33702-KED9-900	0	F25
28120-KED9-900	5	E07	<b>32000</b>			33705-KED9-900	0	F25
28125-4F26-001	0	E07				33741-KEBE-900	3	F25
28125-KED9-900	7	E07	32100-KED9-900	8	F27			
28126-KUDU-900	1	E07	32105-KED9-900	4	E15			
28127-KED9-900	3	E07	32106-KED9-900	0	F27			

## PART NO. INDEX

PART NO.	VERSION	PAGE	PART NO.	VERSION	PAGE	PART NO.	VERSION	PAGE
<b>34000</b>			35850-KHB4-90B	4	F26	40510-KED9-900	2	F21
34901-KED9-900	0	F01	<b>37000</b>			40530-KED9-900	2	F21
34903-KPCP-900	0	F01	37200-KED9-900	5	F02	40543-KFW6-901	0	F21
34905-KPCP-900	0	F24	37401-KED9-900	3	F02	40546-KFW6-901	0	F21
34906-KPCP-900	0	F25	37750-PAC1-005	0	F29	4054A-KKAK-900	0	F21
34908-MKB9-87A	0	F02	37760-KHD8-900	1	F29	<b>41000</b>		
<b>35000</b>			37800-KED9-900	5	F13	41200-KED9-900	4	F12
35010-KED9-E00	3	F27	<b>38000</b>			41241-KED9-900	3	F12
35101-KED9-325	0	F27	38110-KED9-900	4	F27	<b>42000</b>		
35111-KED9-305	0	F33	38200-KHE7-900	0	F27	42301-KED9-900	5	F11
35111-KED9-306	0	F33	38300-GLW0-C11	2	F27	42311-KED9-900	3	F11
35151-KKA8-900	0	F03	<b>39000</b>			42313-KED9-900	3	F11
3515A-KED9-900	8	F03	39100-KED9-900	1	F27	42600-KED9-305	0	F12
3520A-KED9-900	5	F03	<b>40000</b>			42610-KED9-305	0	F12
35340-GFY6-901	1	F03	40500-KED9-900	7	F26	42620-KED9-900	2	F12
35340-KNBN-901	0	F04	40501-KED9-900	1	F26	42625-KED9-900	4	F12
35350-KKAK-900	0	F18	40502-KED9-900	1	F26	42710-KED9-90C	1	F12
35357-KED9-900	5	F18	40503-KED9-900	1	F26	42753-KNBN-90B	1	F10
35370-KEC8-E00	3	F20				42753-KNBN-90B	1	F12
35500-KED9-900	7	E12						
35600-4C13-023	1	E15						
35850-KHB4-90A	5	F26						

## PART NO. INDEX

PART NO.	VERSION	PAGE	PART NO.	VERSION	PAGE	PART NO.	VERSION	PAGE	
<b>43000</b>			44680-KED9-900	1	F10	45517-KKA8-900	0	F03	
			44710-KED9-90C	0	F10	45517-KKA8-900	0	F04	
			44800-KED9-900	4	F10	45530-KKA7-305	0	F04	
	43100-KED9-900	5	F11	44830-KED9-900	6	F02	45531-KED9-900	0	F09
	43102-KED9-900	2	F11	44835-KED9-900	1	F06			
	43109-MCA3-007	0	F09						
	43120-KED9-305	0	F11	<b>45000</b>			<b>46000</b>		
	43134-KED9-900	6	F11			46500-KED9-800	0	F18	
	43141-KED9-900	6	F11	45105-KED9-305	0	F09	46501-KED9-900	1	F18
	43145-KED9-900	2	F11	45107-KED9-900	0	F09	46505-KED9-900	2	F18
	43353-KED9-900	0	F09	45108-KED9-900	0	F09	46513-KED9-900	1	F18
	4335A-LBA2-E01	2	F09	45109-KED9-900	0	F09	46517-KED9-900	2	F18
	43410-KED9-900	2	F11	45126-KED9-900	5	F04	46540-KED9-900	2	F18
	43431-KED9-900	4	F21	45130-KED9-900	0	F09			
	43434-2F86-001	0	F21	45131-KED9-900	2	F06	<b>50000</b>		
	43451-KED9-900	3	F18	45131-KED9-900	2	F09			
43452-KED9-900	1	F18	45132-KED9-900	0	F09	50100-KED9-305	0	F28	
43456-KED9-900	1	F18	45133-KED9-900	2	F11	50143-KED9-900	1	F20	
			45134-KED9-900	0	F09	50150-KED9-900	1	F28	
<b>44000</b>			45158-KED9-900	3	F07	50151-KED9-900	1	F28	
			45200-KED9-900	3	F09	50152-KED9-900	1	F27	
44301-KED9-900	7	F10	45203-KED9-900	0	F09	50159-KED9-900	2	F28	
44311-KED9-900	5	F10	45209-KED9-900	0	F09	50210-KED9-900	2	F07	
44312-KED9-900	3	F21	45351-KED9-900	3	F10	50300-KED9-900	3	F28	
44600-KED9-305	4	F10	45451-4A71-001	1	F07	50301-KED9-900	0	F06	
44620-KED9-900	4	F10	45513-KKA8-900	0	F04	50302-KED9-900	0	F06	



## PART NO. INDEX

PART NO.	VERSION	PAGE	PART NO.	VERSION	PAGE	PART NO.	VERSION	PAGE
50307-KED9-900	6	F28						
50308-KED9-900	6	F28	<b>51000</b>			<b>52000</b>		
50310-KED9-900	3	F28						
50311-KED9-900	1	F28	51400-KED9-900	6	F08	52106-KED9-900	4	F21
50312-KED9-900	1	F28	51401-KED9-900	0	F08	52107-KED9-900	2	F21
50313-KED9-900	1	F28	51402-KED9-900	0	F08	52108-KFW6-901	1	F21
50314-KED9-900	1	F28	51410-KED9-900	0	F08	52110-KED9-900	7	F21
50410-KED9-900	5	F26	51412-KED9-900	0	F08	52171-KKAK-900	0	F21
50504-KED9-900	1	E11	51420-KED9-900	0	F08	52400-KED9-800	1	F22
50530-KED9-900	7	F20	51422-KED9-900	0	F08			
50531-KED9-900	2	F20	51423-KED9-900	0	F08	<b>53000</b>		
50541-KED9-900	3	F20	51424-KED9-900	0	F08			
50600-KED9-305	0	F19	51427-KED9-900	0	F08	53100-KED9-900	6	F05
50603-KEC2-810	0	F19	51428-KED9-900	0	F08	53140-KED9-900	2	F03
50604-KED9-900	2	F10	51429-KED9-900	0	F08	53150-KED9-900	1	F03
50615-KED9-900	3	F19	51430-KED9-900	0	F08	53172-KED9-900	1	F03
50616-KEC2-810	0	F19	51431-KED9-900	0	F08	53175-KKA8-900	0	F04
50619-KED9-900	1	F19	51500-KED9-900	6	F08	53178-KKA8-900	1	F03
50625-KED9-900	2	F19	51520-KED9-900	0	F08	53192-KED9-950	1	F03
50650-KED9-305	0	F19	51601-KED9-900	5	F01	53200-KED9-900	0	F06
50661-KEC2-810	0	F19	51602-KED9-900	5	F01	53200-KED9-910	1	F06
50705-3C83-001	0	F19	51603-KED9-900	6	F01	53211-KED9-900	0	F06
5070A-KED9-900	3	F19	51605-KED9-900	2	F01	53212-KED9-900	0	F06
50714-KEC8-900	0	F19				53213-KED9-900	2	F06
50715-KEC8-900	0	F19				53214-KED9-900	0	F06
						53214-KED9-910	0	F06

## PART NO. INDEX

PART NO.	VERSION	PAGE	PART NO.	VERSION	PAGE	PART NO.	VERSION	PAGE
53215-KED9-900	2	F06	80125-KED9-900	5	F25	87505-KED9-E00	0	F31
53215-KED9-910	2	F06						
53220-KED9-900	8	F06	<b>81000</b>			<b>88000</b>		
53231-KED9-900	1	F06						
53240-LBA2-E00	2	F06	81400-KED9-900	3	F23	88110-KHC6-C00	2	F03
53250-LBA2-E00	2	F06	81500-KED9-900	3	F23	88120-KHC6-C00	2	F03
53300-KED9-900	4	F05						
53600-KED9-325	0	F27	<b>83000</b>			<b>89000</b>		
<b>61000</b>			83520-KED9-900	8	F23	89010-KED9-900	5	F26
			83521-KED9-900	0	F23	89103-KED9-900	2	F26
61100-KED9-900	1	F07	83550-KEC8-900	4	F15	89105-KED9-900	1	F28
61301-KED9-900	4	F01	83551-KEC8-900	4	F15			
61311-KED9-900	4	F06	83600-KED9-900	7	F23	<b>90000</b>		
61315-KED9-900	1	F05	83620-KED9-900	8	F23			
			83621-KED9-900	0	F23	90001-GAE1-921	1	F08
<b>77000</b>			<b>86000</b>			90001-KED9-900	1	E04
						90002-KED9-900	4	E02
77200-KED9-900	4	F14				90005-KED9-900	2	E04
			8622A-KED9-900	0	F32	90008-KED9-900	3	E02
<b>80000</b>			8624A-KED9-900	0	F32	90011-KED9-900	2	E02
			<b>87000</b>			90012-3C33-001	1	E03
80101-KED9-900	2	F23				90014-KED9-900	3	E07
80103-KED9-900	2	F23				90015-KED9-900	3	E08
80104-KED9-900	2	F23	87129-KFW6-960	4	F32	90017-KED9-900	3	E01
80105-KED9-900	6	F25	87501-KRDR-E00	2	F31	90036-PWB1-900	6	E11

## PART NO. INDEX

PART NO.	VERSION	PAGE	PART NO.	VERSION	PAGE	PART NO.	VERSION	PAGE
90071-MLB0-001	1	E10	90116-KHD8-900	0	F08	90309-GLW0-90A	1	F17
90083-KED9-900	3	E03	90117-KED9-950	1	F28	90309-GLW0-90A	1	F28
90084-KKAK-900	0	E01	90118-KED9-900	2	F28	90309-KLF0-004	1	F17
90084-KKAK-900	0	E08	90121-KED9-900	2	F21	90321-KED9-950	1	F03
90101-KED9-900	2	F07	90125-KED9-900	3	F14	90401-KED9-900	3	E14
90102-KED9-900	2	F28	90127-KED9-900	2	F21	90403-KED9-900	2	E03
90102-KKAK-900	0	F05	90133-KED9-950	0	F21	90405-KED9-900	1	E07
90105-MLL0-731	1	F10	90136-KED9-900	1	E12	90405-KED9-900	1	E08
90108-KED9-900	4	F20	90145-LEA3-E00	1	F04	90405-KED9-900	1	E14
90108-KKAK-900	2	F22	90164-0H28-900	2	F27	90406-KED9-900	3	E15
90110-KED9-900	2	E02	90206-0A01-001	4	E03	90409-KED9-900	1	E15
90110-KED9-900	2	F15	90237-KED9-900	3	E14	90441-KED9-900	1	E15
90111-LEC8-E01	3	F01	90241-KED9-900	2	E06	90443-KED9-900	4	E06
90112-KED9-900	2	F01	90301-KED9-900	3	E16	90443-KLR0-001	0	E15
90112-KRDR-900	1	F27	90301-KGBG-900	1	F17	90446-KED9-900	3	E14
90113-KED9-950	1	F04	90301-KKAK-900	1	F21	90447-KED9-900	2	E14
90114-KED9-900	3	F01	90302-GFY6-901	1	F29	90451-KED9-900	1	E14
90114-KED9-900	3	F13	90304-GHE8-004	0	F20	90452-KED9-900	2	E14
90114-KED9-900	3	F21	90304-GLW0-90A	1	F12	90454-KED9-900	1	E14
90114-KED9-900	3	F23	90304-GLW0-90A	1	F28	90455-KED9-900	1	E15
90114-KED9-900	3	F28	90304-HCB3-77A	1	F17	90461-KED9-900	2	E14
90114-KED9-900	3	F29	90304-KKAK-900	1	F05	90462-KED9-900	3	E14
90114-KED9-950	1	F03	90305-GHE8-004	1	F21	90463-KED9-900	1	E14
90115-KED9-900	2	F18	90305-KFW6-900	1	F11	90464-KED9-900	2	E14
90116-KED9-900	2	F24	90305-KKAK-900	0	F11	90467-KED9-900	1	E12
90116-KED9-900	2	F29	90306-GLW0-90A	1	F05	90478-7L00-001	0	E09

## PART NO. INDEX

PART NO.	VERSION	PAGE	PART NO.	VERSION	PAGE	PART NO.	VERSION	PAGE
90488-KED9-900	1	E02	91007-KED9-90A	0	E14	91303-3G77-001	0	E08
90501-KED9-900	3	E14	91008-HCB3-00B	0	E09	91303-KED9-900	3	F12
90503-0A51-870	0	F05	91008-KED9-900	2	E15	91304-KED9-900	0	F08
90521-GFY6-950	2	F23	91008-KED9-90A	0	E15	91306-1E05-691	0	E04
90524-KKAK-900	0	F21	91021-KED9-900	2	E14	91307-0E35-001	1	E05
90525-KED9-900	2	E12	91022-KED9-900	3	E14	91308-KED9-900	1	E03
9052A-GFY6-950	4	E11	91053-7K19-006	0	E05	91312-KED9-900	2	E16
90541-KED9-900	1	E01	91053-7K19-006	0	E09	91313-KED9-900	3	E11
90544-KHC7-E00	0	F08	91071-KED9-900	2	F21	91314-KED9-900	1	E11
90545-3L00-001	2	F04	91101-KED9-900	1	E07	91315-KED9-900	1	E11
90557-KED9-900	2	F28	91104-GFY6-90C-B	0	E07	91316-KED9-900	3	F29
90563-KED9-900	1	F22	91104-GFY6-90C-R	0	E07	91319-KED9-900	1	E11
90564-KED9-900	0	F08	91202-KGB4-C00	1	E09	91351-KED9-900	3	E11
90601-KED9-900	1	E14	91204-KED9-900	3	E05	91352-KED9-900	1	E11
90605-KED9-900	2	E14	91205-KED9-900	1	E14			
90652-KED9-900	1	F16	91206-KED9-900	2	F21	<b>92000</b>		
90701-GFY6-960	0	E07	91209-KED9-900	2	E09			
90701-KED9-900	2	E13	91213-KED9-900	2	F21	92101-05012-0G	0	E08
90805-GBHB-901	2	E12	91254-KED9-900	2	F12	92101-05012-0G	0	F26
90805-KED9-900	2	E12	91257-KED9-900	2	F10	92101-06012-0G	0	E15
90914-KED9-900	3	E01	91258-KED9-900	2	F10	92101-06012-0G	0	F19
			91283-KED9-900	2	F21	92101-06018-0A	0	F19
<b>91000</b>			91301-KBE2-710	0	F02	92201-08020-02	0	F27
			91302-KED9-900	2	E09	92501-06012-0A	0	F19
91002-KED9-900	1	E09	91303-1G07-001	1	E08	92900-06040-0E	2	E02
91007-KED9-900	2	E14	91303-3G77-001	0	E01	92918-KED9-900	3	F12

## PART NO. INDEX

PART NO.	VERSION	PAGE	PART NO.	VERSION	PAGE	PART NO.	VERSION	PAGE	
<b>93000</b>			94030-06000-LH	0	F18	94301-08120	0	E05	
			94030-06000-RH	0	F18	94301-08120	0	E08	
			94050-05080	0	F25	94301-08120	0	E09	
	93404-06012-06	1	F23	94050-05080	0	F26	94301-08120	0	E12
	93404-06012-06	1	F25	94050-06060	1	F04	94301-10120	0	E01
	93404-06012-06	1	F26	94050-06080	2	F03	94301-10120	0	E02
	93404-06020-06	1	F20	94050-06080	2	F06	94303-04065	0	E11
	93500-04008-1H-3	0	E17	94050-06080	2	F16	94510-10000	0	E05
	93500-04014-0G	0	F02	94050-06080	2	F26	94520-24180	0	E09
	93500-05025-1B	0	F03	94050-06080	2	F27	94520-32180	0	E09
	93500-05032-1B	0	F03	94050-08080	0	E11	94591-KFBF-900	2	E05
	93600-04012-16	0	F04	94050-08080	0	F18	94601-16000	2	E13
	93700-05016-0F	1	F01	94050-10080	1	F24	94605-KED9-900	0	F08
	93700-05020-0F	0	F02	94101-06800	0	F19			
	93891-05025-06	0	F16	94101-08600	0	F21	<b>95000</b>		
	93893-04012-16	0	F04	94101-08800	0	F19			
	93901-26160	0	F21	94101-KED9-900	1	F12	95001-KED9-900	4	E17
	93903-24280-02	0	F21	94102-08000	5	F23	95001-KED9-900	4	F13
	93903-34360	0	F23	94102-KED9-900	1	F13	95002-02070	2	E02
	93903-35360	0	F02	94111-08800	0	F17	95002-02070	2	F30
<b>94000</b>			94111-10800	0	F21	95002-02100	0	E17	
			94201-20150	0	F18	95002-40800-08	0	E17	
			94201-20150	0	F19	95002-41200-08	0	E17	
	94001-04080-0S	0	E15	94201-20180	0	F21	95002-70000	0	F29
	94001-08080-0S	0	F21	94201-20200	0	F11	95002-KKD6-E05	0	F30
	94002-06060-0S	0	F19	94251-08400	0	F19	95003-23005-60	0	F16

## PART NO. INDEX

PART NO.	VERSION	PAGE	PART NO.	VERSION	PAGE	PART NO.	VERSION	PAGE
95003-KED9-E00	0	F16	95701-08016-06	0	F17	96001-06020-02	0	F29
9500A-KED9-EZ0	2	F30	95701-08016-06	0	F19	96001-06020-06	0	E11
95012-KED9-900	1	F26	95701-08025-06	0	F13	96001-06020-06	0	E15
95014-73100	0	F18	95701-08085-00	0	F19	96001-06025-02	1	E04
95015-32001	0	F18	95701-KEB7-E00	1	F27	96001-06025-02	1	E10
95015-42000	0	F18	95701-KED9-900	4	F23	96001-06030-02	0	E05
95701-06010-02	0	E12	95702-KED9-900	5	F23	96001-06030-02	0	E08
95701-06010-06	1	F13	95801-08025-06	0	F11	96001-06030-02	0	E09
95701-06010-06	1	F26	95801-08030-06	0	F18	96001-06030-02	0	E12
95701-06012-02	0	E15	95801-08030-06	0	F28	96001-06035-02	0	E05
95701-06012-02	0	F06	95801-08035-06	1	F09	96001-06035-02	0	E08
95701-06012-06	1	F26	95801-08045-06	0	F08	96001-06035-02	0	E09
95701-06012-06	1	F27	95801-08060-02	0	E12	96001-06035-02	0	E12
95701-06016-02	0	F05	95801-08065-06	0	E12	96001-06040-02	0	E05
95701-06016-02	0	F22	95801-08070-06	0	F28	96001-06040-02	0	E12
95701-06016-06	1	F25	95801-08075-02	0	F17	96001-06050-02	0	E09
95701-06016-06	1	F27	95801-08075-06	0	E12	96001-06055-02	0	E09
95701-06016-06	1	F29	95801-KED9-900	3	E02	96001-06060-02	0	E12
95701-06018-06	0	F29				96001-06085-02	0	E12
95701-06020-06	1	E15	<b>96000</b>			96001-06090-02	0	E12
95701-06020-06	1	F18				96100-60010-00	0	E06
95701-06022-06	1	E06	96001-06010-06	0	E09	96100-62020-00	0	F21
95701-06025-06	2	E11	96001-06012-02	1	E02	96150-60040-10	0	F10
95701-06028-06	0	F17	96001-06014-06	0	E02	96150-62040-10	0	F12
95701-06040-06	0	F17	96001-06020-02	0	E09	96150-63030-10	0	F12
95701-08012-06	0	F14	96001-06020-02	0	E16	96211-08000	19	F06

## PART NO. INDEX

PART NO.	VERSION	PAGE	PART NO.	VERSION	PAGE	PART NO.	VERSION	PAGE
96220-40080	0	E15						
96700-06020-06	0	F04	<b>W</b>					
96700-06022-10	0	F03						
96700-KED9-900	3	F05	W1470-MW0-7500	0	E17			
96701-KED9-950	0	F06	W1536-169-9900	0	E17			
			W1711-518-9902	0	E17			
<b>98000</b>			W1795-195-9910	0	E17			
			W1795-223-9900	0	E17			
98059-58916-00	2	E02	W1795-260-9901	0	E17			
98200-31000	1	F27	W9353-36000	0	E17			
98200-31500	1	F27	W9525-25250	0	E17			
98200-33000	0	F27	W9535-75000	0	E17			
<b>99000</b>								
99101-393-1080	0	E17						
99101-393-1100	0	E17						
<b>N</b>								
N114-04063	0	E17						
N413-21H00	0	E17						
N425-BRB00	0	E17						
N425-BRC00	0	E17						
N446-23B00	0	E17						