

ATV300-D T3b



VIN: LL8RAP4W*****

BUCK 125 E5

ÍNDICE

ESQ	QUADRO	PAG
B1	HANDLEBAR	4
B2	FUEL TANK	5
B3	REAR FENDERS	6
B3.1	REAR FENDERS	7
B4	FRONT BODY & FRAM	8
B4.1	FRONT BODY & FRAM	9
B5	A-ARM	10
B6	SWINGARM ASSY	11
B7	WHEEL FRONT	12
B8	SHOCK ABSORBER REAR	13
B9	WHEEL REAR (FOR EUROPE)	14
B10	REAR GEAR-BOX	15
B11	TRANSMISSION (FOR 4WD)	16
B11.1	TRANSMISSION (FOR 4WD)	17
B11.2	TRANSMISSION (FOR 4WD)	18
B12	SUPPORT BRACKET	19
B13	SHIFT ROD	20
B14	SHOCK ABSORBER FRONT	21
B15	STEERING COLUMN	22
B16	ELECTRICAL SYSTEM	23
B16.1	ELECTRICAL SYSTEM	24
B17	BRAKING SYSTEM (MARK ZJ)	25
B18	PARKING SYSTEM I (FOR EUROPE)	27
B19	PEDAL,BRAKE	28
B20	BUMPER & RACK	29
B20.1	BUMPER & RACK	30
B21	SERVICE KIT	31

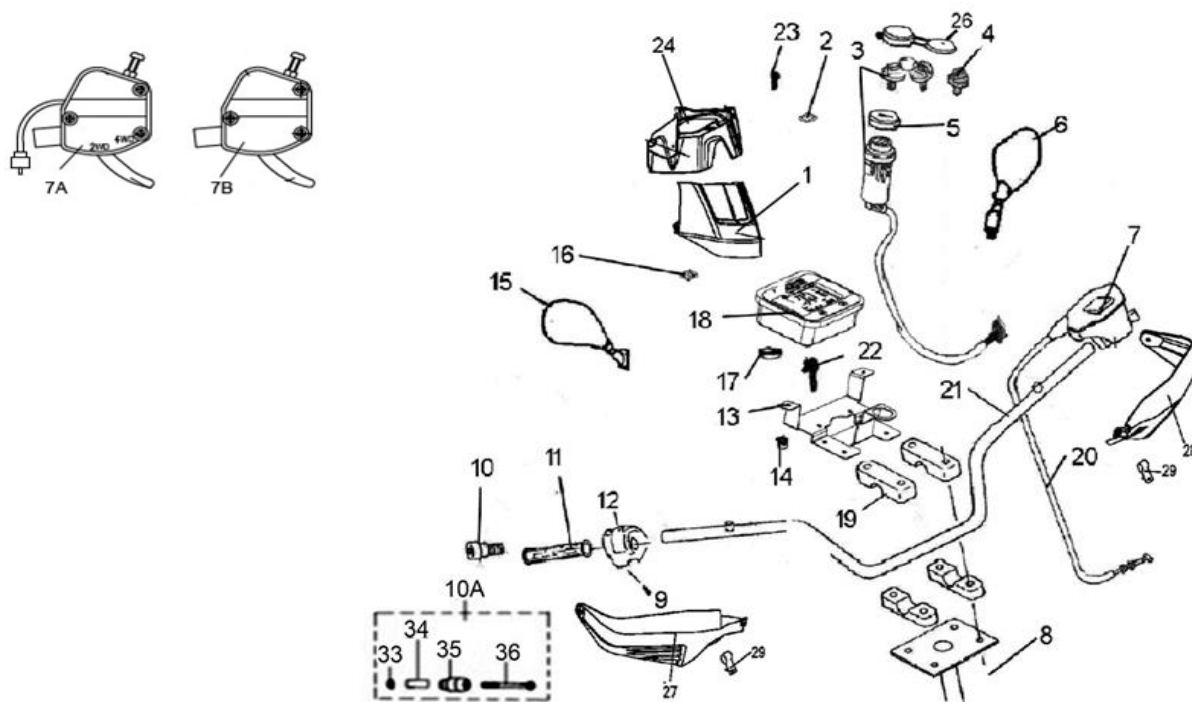
BUCK 125 E5

ÍNDICE

ESQ	MOTOR	PAG
E01	CYLINDER	32
E02	CRANKSHAFT COMP	33
E03	VALVE	34
E04	CAMSHAFT CHAIN	35
E05	WATER PUMP	36
E06	RADIATOR	37
E07	OIL PUMP	38
E08	AIR CLEANER	39
E09	CARBURETOR	40
E10	EXHAUST (FOR EUROPE)	41
E11	CRANKCASE	42
E12	LEFT & RIGHT COVER	43
E13	STARTER	44
E14	CLUTCH (NEW MODEL)	45
E14.1	HIGH-POWER CLUTCH STAND ASSY	46
E15	GENERATOR	47
E16	STARTING MOTOR	48
E17	ENGINE	49
E18	FRONT GEAR-BOX (FOR 4WD)	50
E19	FRONT DRIVE AXLE (FOR 4WD)	51
E20	FOC BODY (FOR 4WD)	52
E21	SPECIAL TOOL KIT	53

ATV300-D T3b

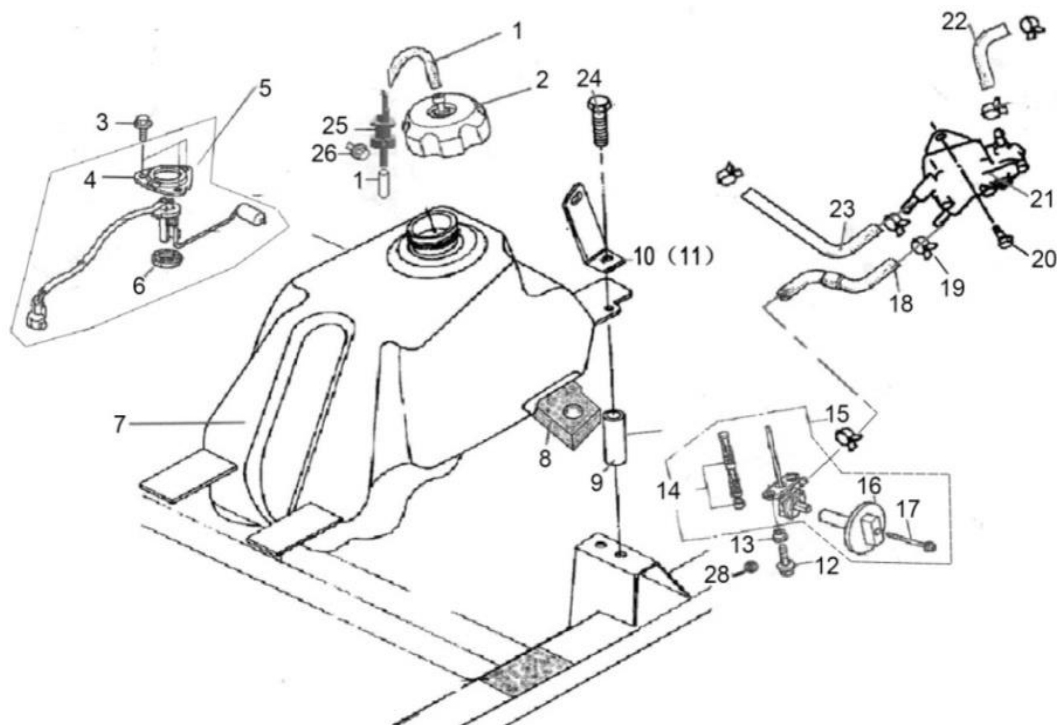
B1 HANDLEBAR



Nº	CÓDIGO	DESCRIÇÃO	Q	OBSERVAÇÕES
1	LH00027415	FRONT SPEEDOMETER COVER	1	
2	LH00027600	EMERGENT SWITCH	1	
3	LH00027601	IGNITION SWITCH WITH KEY (USED FOR T3)	1	
4	LH00025003	KEY BLANK	1	
5	LH00025004	THREADED NUT	1	
6	LH00030118	REAR VIEW MIRROR LEFT (ONLY FOR EUROPE)	1	
7A	LH0020109A	THROTTLE CONTROL (WITH 2WD/4WD SWITCH) (SEE PICTURE)	1	
8	LH00010079	NUT M8	4	
9	LH00010140	BOLT M6X12	1	
10	LH00030119	GRIP END.	2	
10A	LH00072037	NEW GUARD,HANDLEBAR END ASSY. (MATCH WITH NEW HANDLEBAR)	2	
11	LH00030515	GRIP	2	
12	LH00027602	SWITCH ASSY (FOR T3)	1	
13	LH00025008	SPEEDOMETER BRACKET	1	
14	LH00010004	NUT M6	2	
15	LH00030117	REAR VIEW MIRROR RIGHT (ONLY FOR EUROPE)	1	Mirror Up Holder in "B18" pos6
16	LH00025010	SPEEDOMETER COVER CAP	1	
17	LH00070447	WASHER	2	
18	LH00025246	LCD SPEEDOMETER (FOR EUROPE)	1	
19	LH0020112a	HANDLEBAR CLAMP	4	
20	LH0020114b	THROTTLE CABLE(FOR TOP PULL CABLE TYPE)	1	
21	LH0030109f	HANDLEBAR (NEW MODEL)(MATCH WITH NEW GUARD,HANDLEBAR END ASSY)	1	
22	LH00010139	BOLT M8X65	4	
23	LH00025013	SCREW M6X12	2	
24	LH00027416	REAR SPEEDOMETER COVER	1	
26	LH00027257	IGNITION SWITCH COVER	1	
27	LH00027418	HANDLEBAR COVER LEFT	1	
28	LH00027417	HANDLEBAR COVER RIGHT	1	
29	LH00027419	HANDLE COVER INSTALLATION BELT	2	
33	LH00010913	NUT M6	2	
34	LH00072035	TENSIONING BLOCK	2	
35	LH00072036	BALANCE WEIGHT	2	
36	LH00010940	SCREW M6X70	2	

ATV300-D T3b

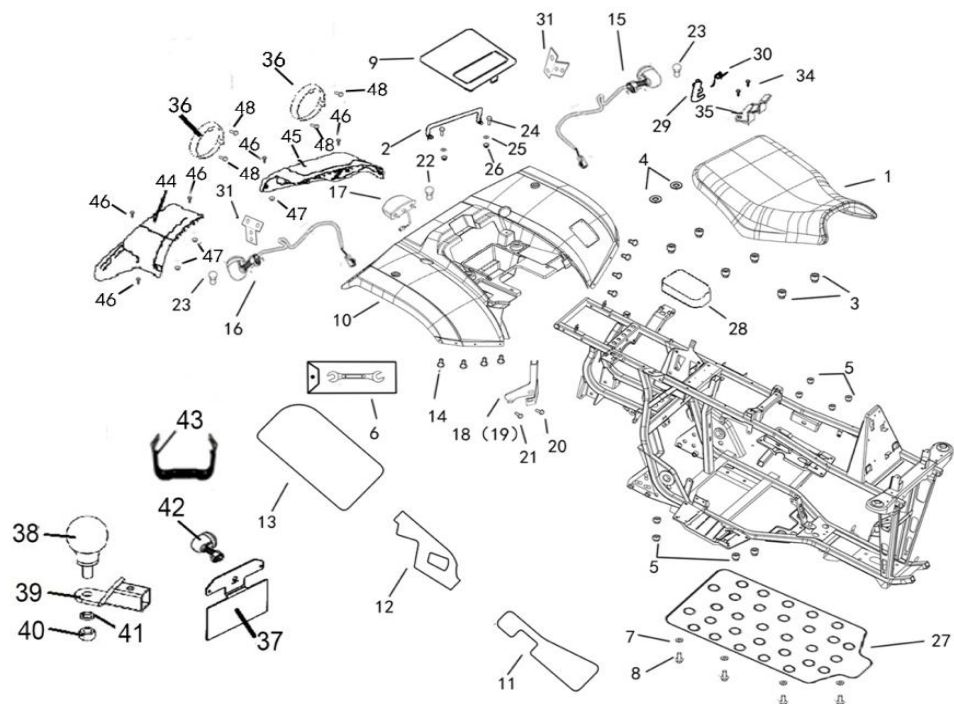
B2 FUEL TANK



Nº	CÓDIGO	DESCRIÇÃO	Q	OBSERVAÇÕES
1	LH00028093	TUBE,FUEL CAP BREATHER	1	
2	LH00070725	FUEL CAP	1	
3	LH00010140	BOLT M6X12	3	
4	LH00025019	PLATE, UNIT SET	1	
5	LH00025020	FUEL UNIT SET ASSY	1	
6	LH00025021	GASKET, BASE	1	
7	LH00025022	FUEL TANK	1	
8	LH00020209	FOAM PAD	1	
9	LH00020210	SPACER	2	
10	LH00025023	MOUNTING BRACKET LEFT	1	
11	LH00025024	MOUNTING BRACKET RIGHT	1	
12	LH00010140	BOLT	2	
13	LH00070742	COLLAR	2	
14	LH00025027	SCREW SET, FUEL STRAINER	1	
15	LH00027558	PETCOCK ASSY	1	
16	LH00025030	LEVER, PETCOCK	1	
17	LH00025031	SCREW-WASHER	1	
18	LH00025307	TUBE,FUEL	1	
19	LH00020218	HOSE CLAMP 1	9	
20	LH00010110	BOLT M6X8	2	
21	LH00020228	FUEL PUMP ASSY	1	
22	LH00020230	FUEL LINE 3	1	
23	LH00027557	FUEL LINE	1	
24	LH00010005	BOLT M6X60	2	
25	LH00025037	VALVE,TANK, FUEL	1	
26	LH00070734	TUBE	1	
27	LH00025039	BOLT M5X10	1	
28	LH00010006	WASHER 6	2	

ATV300-D T3b

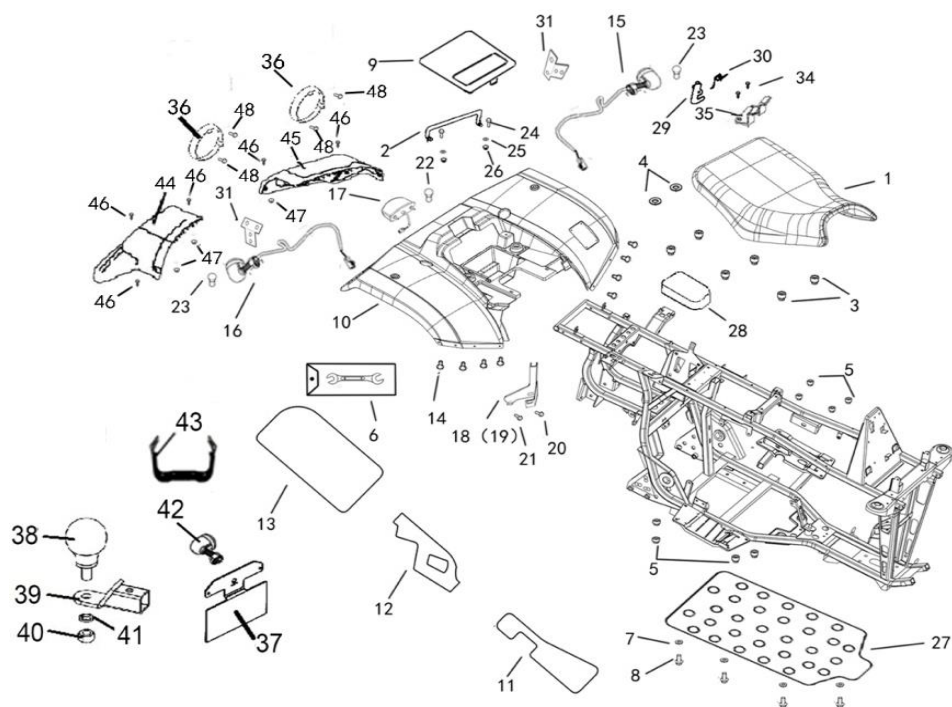
B3 REAR FENDERS



Nº	CÓDIGO	DESCRIÇÃO	Q	OBSERVAÇÕES
1	LH00025040	SEAT	1	
2	LH00025041	LATCH ASSEMBLY	1	
3	LH00025042	RUBBER, SEAT SETTING 1	6	
4	LH00070445	RUBBER , SEAT SETTING 2	2	
5	LH00020316	RUBBER PAD	8	
6	LH00025044	TOOL	1	
7	LH00020331	WASHER 6	7	
8	LH00010191	BOLT M6X18	9	
9	LH0025045a	TOOL BOX CAP (NEW MODEL, MUST BE MATCHED WITH 2014 NEW MOULD REAR FENDER)	1	
10	LH0357562G	REAR FENDER (RED)	1	
10	LH0357561F	REAR FENDER (BLACK)	1	
10	LH0357566F	REAR FENDER (WHITE)	1	
10	LH0357567F	REAR FENDER (CONCEAL CAMOUFLAGE)	1	
11	LH00025047	FOOTREST RIGHT ADIABATIC PELLICLE	1	
12	LH00025048	REAR MUD ADIABATIC PELLICLE 1	1	
13	LH00025049	REAR MUD ADIABATIC PELLICLE 2	1	
14	LH00010420	SCREW M6X16	8	
15	LH00025286	LEFT REAR INDICATION LIGHT (NON T3 CERTIFIED, OPTIONAL) (USED FOR WATERPROOF PLUG UNIT)	1	
16	LH00025287	RIGHT REAR INDICATION LIGHT (NON T3 CERTIFIED, OPTIONAL) (USED FOR WATERPROOF PLUG UNIT)	1	
17	LH00025280	TAILLIGHT (NON T3 CERTIFIED, OPTIONAL) (USED FOR WATERPROOF PLUG UNIT)	1	
18	LH00025054	TRESTLE RIGHT	1	
19	LH00025055	TRESTLE LEFT	1	
20	LH00025056	BOLT M8X70	2	
21	LH00010055	BOLT M8X45	2	

ATV300-D T3b

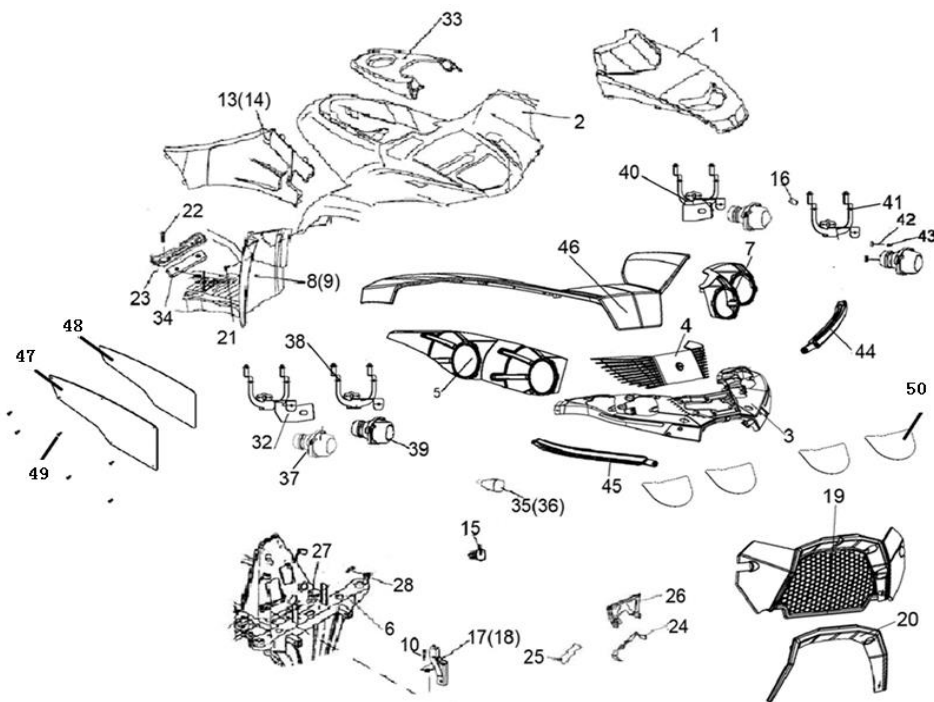
B3.1 REAR FENDERS



Nº	CÓDIGO	DESCRIÇÃO	Q	OBSERVAÇÕES
22	LH00025058	TAILLIGHT BULB 12V 21W/5W	1	
23	LH00032045	REAR INDICATION LIGHT BULB 12V10W (WHITE)	2	
24	LH00010140	BOLT M6X12	2	
25	LH00010006	WASHER 6	2	
26	LH00010004	NUT	2	
27	LH00027312	PLASTIC PLANT	1	
28	LH00025063	BATTERY COVER	1	
29	LH00070788	HOOK BRACKET, SEAT LOCK	1	
30	LH00070802	SPRING	1	
31	LH00027362	REAR INDICATION LIGHT BRACKET	2	
34	LH00010178	SCREW M6X16 ST4.2X13	2	
35	LH00070803	BAFFLE.SEAT	1	
36	LH00035840	TURN LIGHT COVER	2	
37	LH00027606	BRACKET, LENS, LICENSE LIGHT (T3 CERTIFIED)	1	
38	LH00025294	TOWING HITCH BALL (E13 55R-014154)	1	
39	LH00025295	TOWING BALL INSTALL WELDED COMPONENTS (OPTION)	1	
40	LH00010874	NUT M16	1	
41	LH00027050	SPRING 16	1	
42	LH00083459	LENS, LICENSE LIGHT (T3 CERTIFIED)	1	
43	LH00025319	BRACKET, LENS, LICENSE (NON T3 CERTIFIED, OPTIONAL) (USED FOR FRANCE)	1	
44	LH00027383	REAR INDICATION LIGHT COVER, R	1	
45	LH00027382	REAR INDICATION LIGHT COVER, L	1	
46	LH00011099	SCREW M6X20	6	
47	LH00010004	NUT	6	
48	LH00010178	SCREW ST4.2X13	8	

ATV300-D T3b

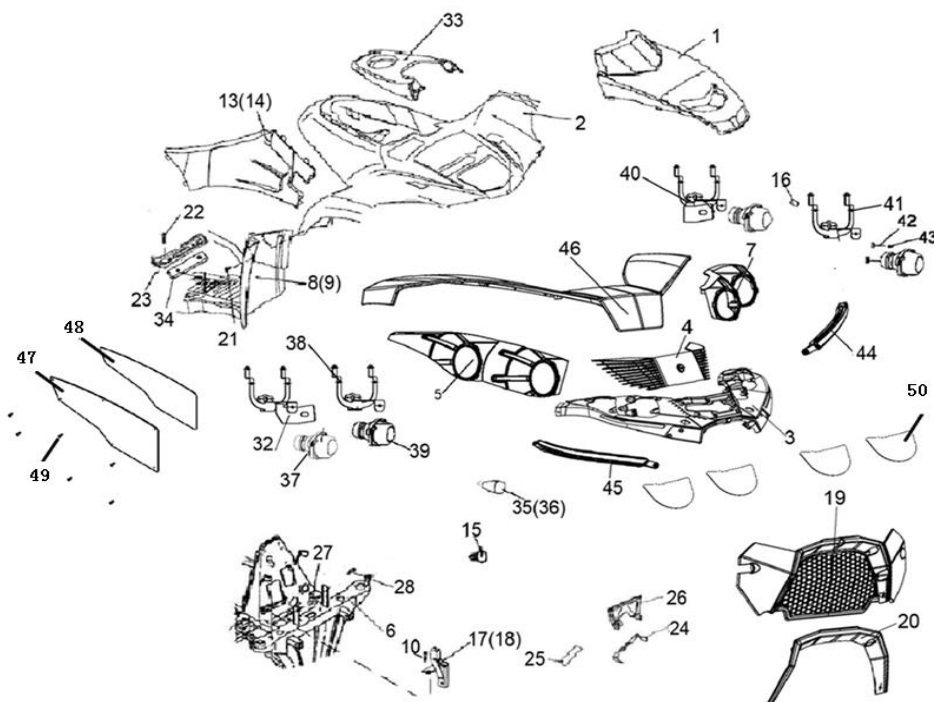
B4 FRONT BODY & FRAM



Nº	CÓDIGO	DESCRIÇÃO	Q	OBSERVAÇÕES
1	LH00025064	FRONT COVER	1	
2	LH0252811F	FRONT BODY - BLACK	1	
2	LH0252812G	FRONT BODY - RED	1	
2	LH0252816F	FRONT BODY - WHITE	1	
2	LH0252817F	FRONT BODY - CONCEAL CAMOUFLAGE	1	
3	LH00027420	FRONT BODY COVER	1	
4	LH00027421	FRONT COVER	1	
5	LH00027422	PROTECTOR.R.HEADLIGHT	1	
6	LH00025296	FRAME COMP. (FOR EUROPE)	1	
7	LH00027423	PROTECTOR.L.HEADLIGHT	1	
8	LH00025071	FOOTREST RIGHT	1	
9	LH00025072	FOOTREST LEFT	1	
10	LH00010140	BOLT M6X12	2	
11	LH00027350	FRONT BODY BRACKET R	1	
12	LH00027390	FRONT BODY BRACKET L	1	
13	LH00025076	SIDE COVER R	1	
14	LH00025077	SIDE COVER L	1	
15	LH00022371	BULB,HEADLIGHT 35W/35W	4	
16	LH00027371	BALL JOINT, HEADLIGHT	4	
17	LH00025080	TRESTLE R	1	
18	LH00025081	TRESTLE L	1	
19	LH00027426	PLATE, FRONT RACK	1	
20	LH0274271F	INSERTS, FRONT RACK - BLACK	1	
20	LH0274272G	INSERTS, FRONT RACK - RED	1	
20	LH0274276F	INSERTS, FRONT RACK - WHITE	1	
20	LH0274277F	INSERTS, FRONT RACK - CONCEAL CAMOUFLAGE	1	
21	LH00010420	SCREW M6X16	8	
22	LH00010127	SCREW M6X20	4	
23	LH00070336	STEP	2	
24	LH00020413	DOWN BRACKET RADIATOR	1	
25	LH00020414	SPACER RUBBER	1	

ATV300-D T3b

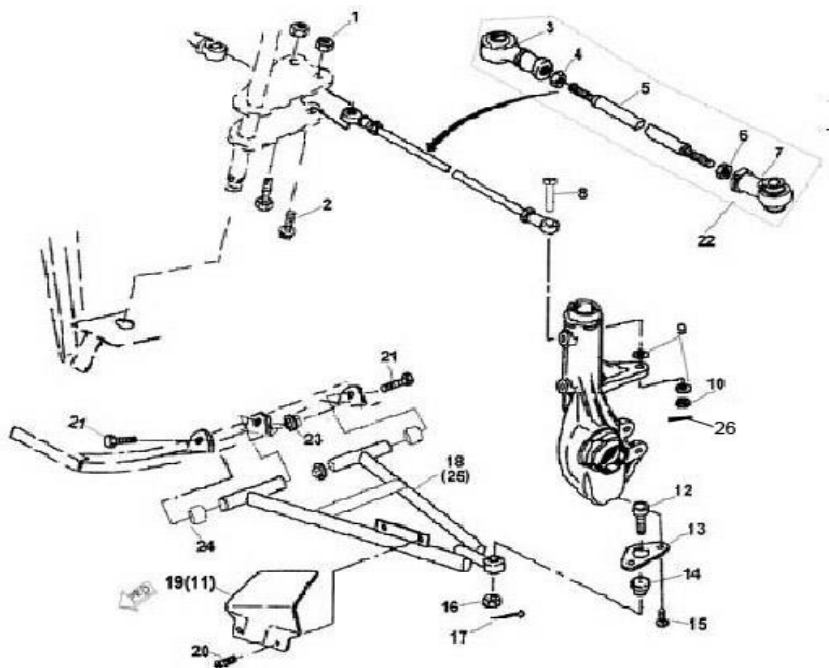
B4.1 FRONT BODY & FRAM



Nº	CÓDIGO	DESCRIÇÃO	Q	OBSERVAÇÕES
26	LH00020412	UP BRACKET RADIATOR	1	
27	LH00010004	NUT M6	2	
28	LH00010140	BOLT M6X12	2	
31	LH00032045	FRONT INDICATOR LIGHT BULB 12V 10W (ONLY FOR EUROPE) (YELLOW)	2	
32	LH00027428	HIGH BEAM BRACKET, R	1	
33	LH00035561	COVER,FUEL TANK TOP (NEW MODEL)	1	
34	LH00070300	RUBBER WASHER	2	
35	LH00027495	FRONT INDICATOR LIGHT R (WATERPROF)	1	
36	LH00027494	FRONT INDICATOR LIGHT L (WATERPROF)	1	
37	LH00083373	DIPPED HEADLIGHT	2	
38	LH00027431	DIPPED HEADLIGHT BRACKET, R	1	
39	LH00027610	HIGH BEAM	2	
40	LH00027432	HIGH BEAM BRACKET, L	1	
41	LH00027433	DIPPED HEADLIGHT BRACKET, L	1	
42	LH00027372	ADJUSTMENT BOLT, HEADLIGHT	8	
43	LH00027373	SPRING	8	
44	LH00027434	LED LIGHT, L	1	
45	LH00027435	LED LIGHT, R	1	
46	LH00027611	BOARD, FRONT COVER	1	
47	LH00027613A	LEG BAFFLE	1	
48	LH00027614	ADIABATIC PELLICLE, LEG BAFFLEL	1	
49	LH0010178B	SCREW ST4.2X13	6	
50	LH00027612	REFLECTIVE DECALS, HEADLIGHT	4	

ATV300-D T3b

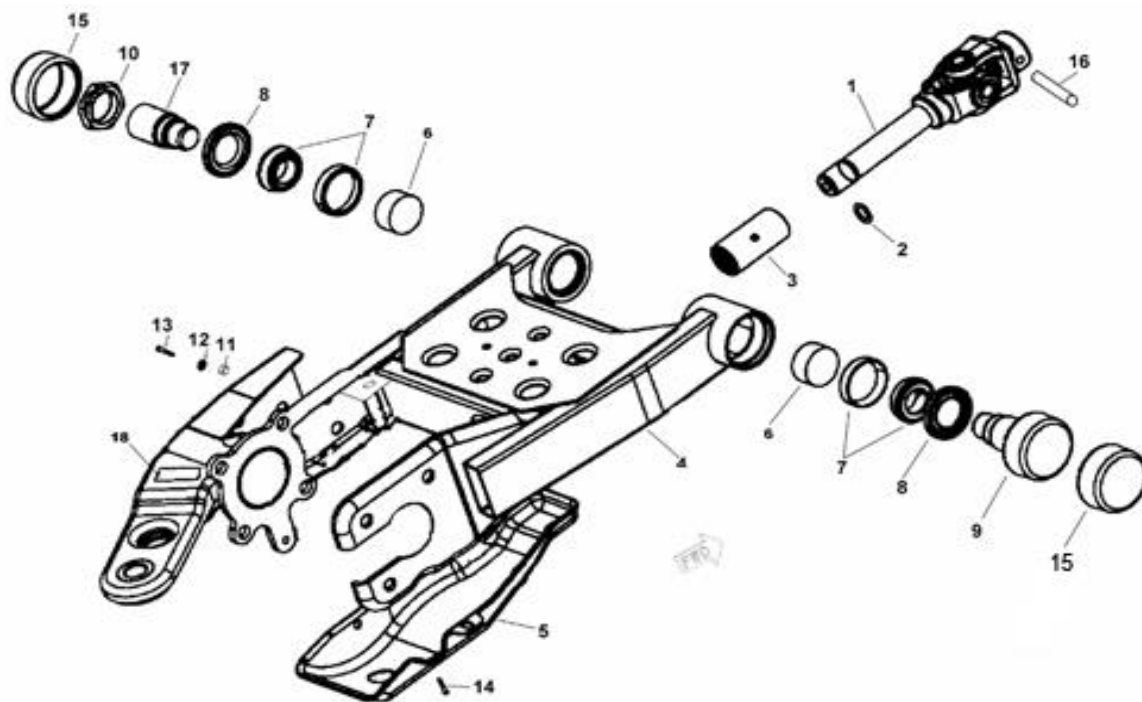
B5 A-ARM



Nº	CÓDIGO	DESCRIÇÃO	Q	OBSERVAÇÕES
1	LH00010015	NUT M10X1.25	2	
2	LH00027794	BOLT M10X1.25X57	2	
3	LH00020507	TIE ROD END B (RIGHT)	2	
4	LH00010017	JAM NUT(RIGHT)	2	
5	LH00025095	TIE ROD	2	
6	LH00020506	JAM NUT(LEFT)	2	
7	LH00020503	TIE ROD END A (LEFT)	2	
8	LH00010018	BOLT M10X1.25X55	2	
9	LH00010019	WASHER	4	
10	LH00010020	NUT M10X1.25	2	
11	LH00020628	A-ARM SHIELD RIGHT	1	
12	LH00020512	BALL JOINT STUD	2	
13	LH00020513	BALL JOINT MOUNTING BRACKET	2	
14	LH00020514	BALL JOINT CUP	2	
15	LH00010022	BOLT M6X12	4	
16	LH00027067	NUT M10X1.25	2	
17	LH00010021	COTTER PIN 2.5X25	2	
18	LH00025096	A-ARM LEFT	1	
19	LH00020519	A - ARM SHIELD LEFT	1	
20	LH00010001	SCREW M5X12	4	
21	LH0020522f	A-ARM PIVOT SHAFT	4	
22	LH0020629B	TIE ROD ASSY	2	
23	LH00010136	NUT M12X1.25	4	
24	LH0020524f	BUSHING	4	
25	LH00025097	A-ARM RIGHT	1	
26	LH00010021	COTTER PIN	2	

ATV300-D T3b

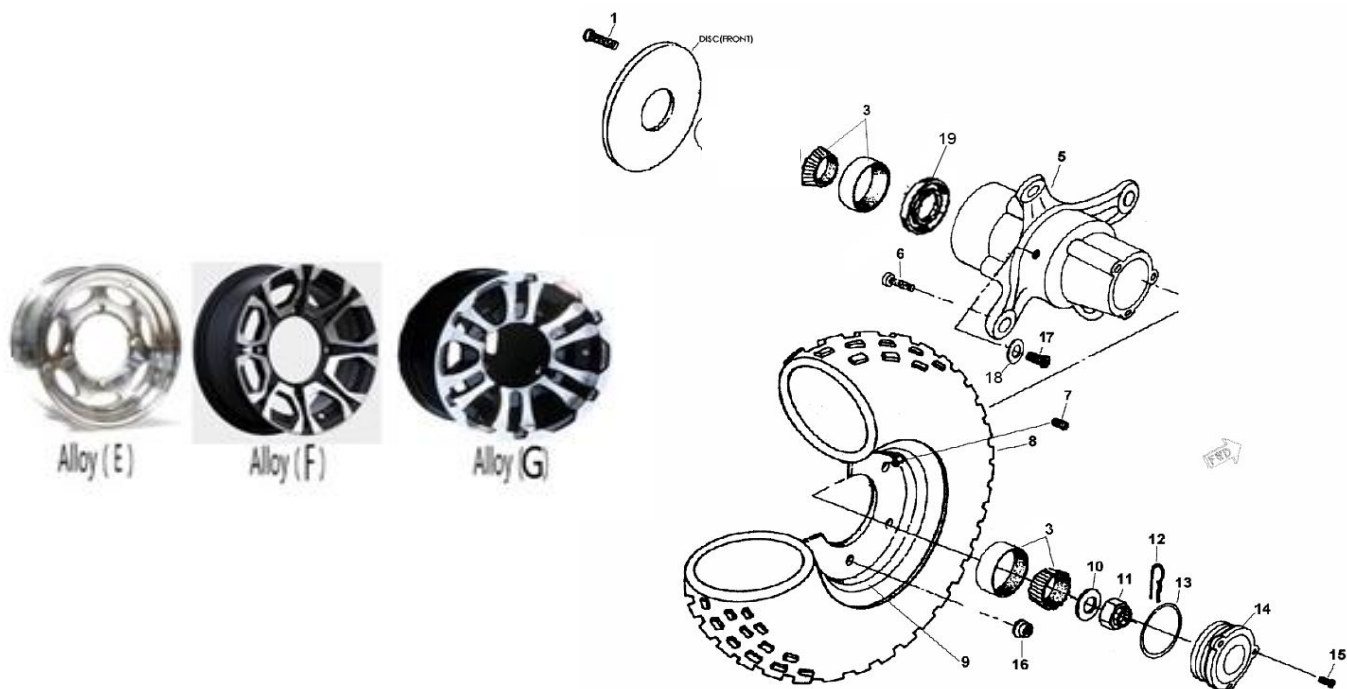
B6 SWINGARM ASSY



Nº	CÓDIGO	DESCRIÇÃO	Qt	OBSERVAÇÕES
1	LH00025098	REAR PROPSHAFT ASSY	1	
2	LH00011039	O-RING	1	
3	LH00020703	COUPLING-PROP SHAFT GREASED	1	
4	LH00025099	SWINGARM ASSY	1	
5	LH00020705	SKID PLATE REAR	1	
6	LH00020706	SEAL-SWINGARM PIVOT	1	
7	LH00010030	BEARING	2	
8	LH00020708	SEAL	2	
9	LH00020709	SWING ARM PIVOT RIGHT	1	
10	LH00020710	THREADED PIVOT	1	
11	LH00010031	NUT M12	3	
12	LH00010032	WASHER 12	3	
13	LH00010033	BOLT M12X35	3	
14	LH00010034	BOLT M8X12	3	
15	LH00020715	CAP SWINGARM PIVOT	2	
16	LH00020716	ROLL PIN	1	
17	LH00020717	SWINGARM PIVOT LEFT	1	
18	LH00020718	SPONGY GASKET	1	

ATV300-D T3b

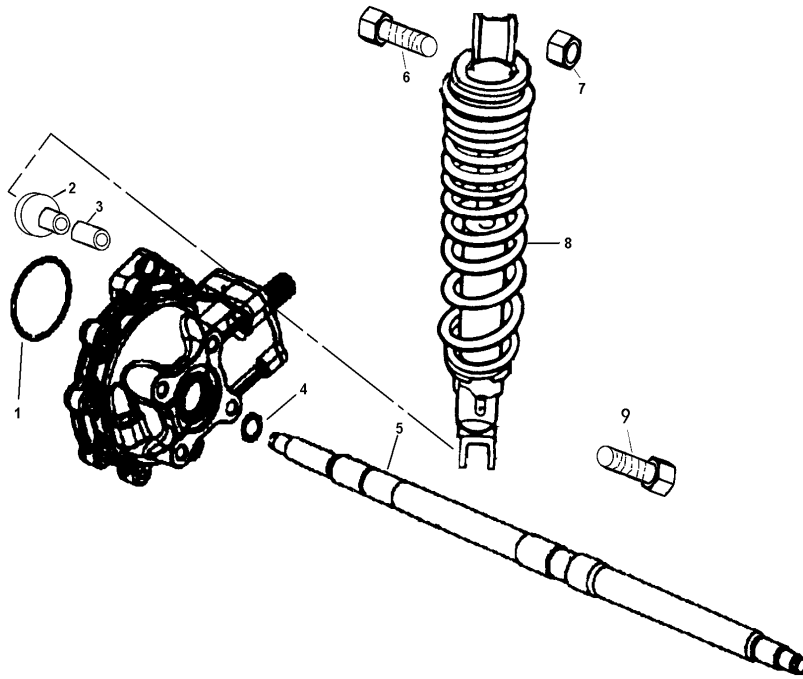
B7 WHEEL FRONT



Nº	CÓDIGO	DESCRIÇÃO	QTD	OBSERVAÇÕES
1	LH00010035	BOLT M8X20	8	
3	LH00010095	BEARING (ONLY FOR 4WD) NEW	2	
5	LH0020805a	HUB ASSY SHRT (FOR 4WD)	2	
6	LH0020806s	WHEEL STUD (FOR ALUMINIUM WHEEL)	8	
7	LH0020807a	VALVE, RIM (TR412) (FOR ALUMINIUM WHEEL)	4	
8	LH00020808	TIRE FRONT (MARK IN "DURO")	2	
9	LH00025101	WHEEL FRONT (ALUMINIUM) - ALLOY (E)	2	
9	LH00025358	WHEEL FRONT (ALUMINIUM) - ALLOY (F)	2	
9	LH00025386	WHEEL FRONT (ALUMINIUM) - ALLOY (G)	2	
10	LH00020810	WASHER (FOR 4WD)	2	
11	LH0020811A	SLOTTED NUT (FOR 4WD)	2	
12	LH00010051	COTTER PIN	2	
13	LH00010039	O-RING	2	
14	LH00020814	HUB CAP 2-LOBE AWD	2	
15	LH00010040	SCREW M5X16	6	
16	LH0010015s	LUG NUT M10X1.25 (WHITE FOR ALUMINIUM)	8	
17	LH00020817	LUG	1	
18	LH00020818	WASHER	1	
19	LH00020804	SEAL SLEEVE 66.6x82.5x12.8	2	

ATV300-D T3b

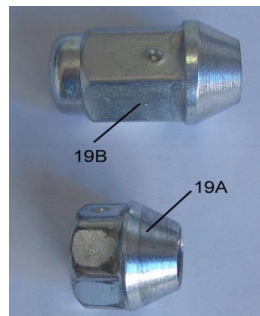
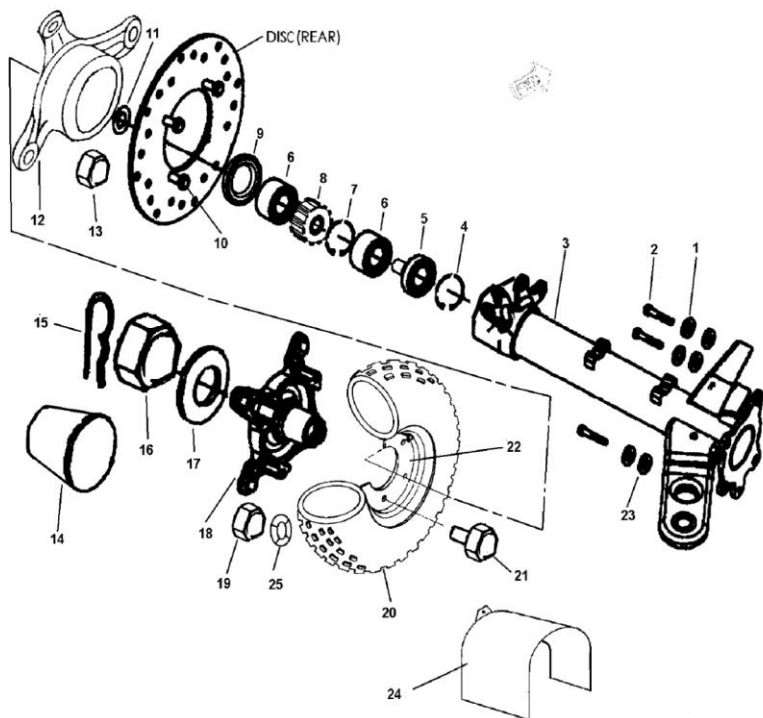
B8 SHOCK ABSORBER REAR



Nº	CÓDIGO	DESCRIÇÃO	Qtd	OBSERVAÇÕES
1	LH00020901	O-RING	1	
2	LH00020902	CUSHION PAD	2	
3	LH00020903	SPACER-BEARING	1	
4	LH00011041	O-RING	2	
5	LH00025102	REAR AXLE (FOR EUROPE AND PARKING SYSTEM I)	1	
6	LH00020906	UP BOLT M10X1.25X57	1	
7	LH00010015	NUT M10X1.25	2	
8	LH00025104	SHOCK ABSORBER REAR	1	
9	LH00020909	DOWN BOLT M10X1.25X57	1	

ATV300-D T3b

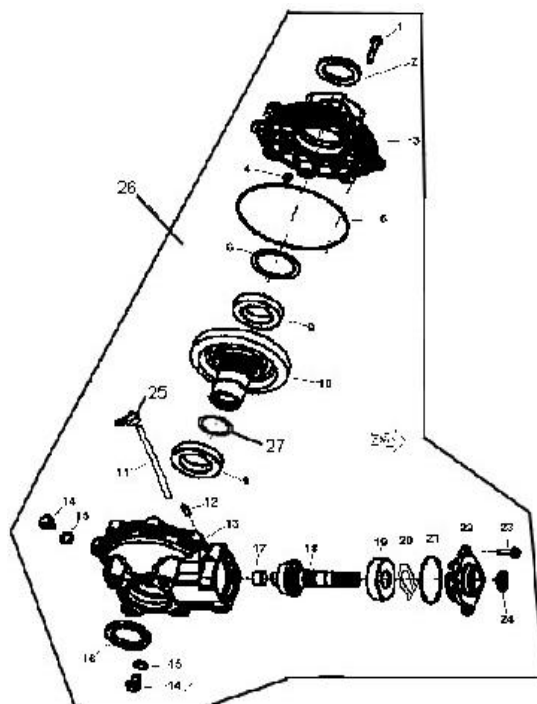
B9 WHEEL REAR (FOR EUROPE)



Nº	CÓDIGO	DESCRIÇÃO	Q	OBSERVAÇÕES
1	LH00010032	WASHER 12	8	
2	LH00010045	BOLT M12X30	8	
3	LH00029823	AXLE TUBE AND HITCH ASSEMBLY	1	
4	LH00021004	RING RETAINER INT	1	
5	LH00021005	SPACER	1	
6	LH00010046	BEARING BALL DBL SEAL	2	
7	LH00010047	RING RETAINER INT	1	
8	LH00031008	SPACER-BEARING	1	
9	LH00021009	SEAL REAR AXLE	2	
10	LH00010048	BOLTS M10X1.25X20	6	
11	LH00011040	O-RING	1	
12	LH00021012	HUB BRAKE DISC MACH	1	
13	LH00010050	NUT M10X1.25	6	
14A	LH00025106	AXLE CAP, R	2	
14B	LH00021014	AXLE CAP, L	2	
15	LH00010051	COTTER PIN	2	
16	LH00011042	NUT SLOTTED M20X2	2	
17	LH00021017	WASHER	2	
18	LH00021018	WHEEL HUB	2	
19B	LH0021019b	LUG NUT M12X1.25 (FOR ALUMINIUM WHEELS) (LONG)	8	
20	LH00031020	TIRE REAR (MARK IN "DURO")	2	
21	LH00010053	WHEEL STUD M12X1.25X45	8	
21	LH0010053s	WHEEL STUD M12X1.25X45 (FOR SPORT)	8	
22	LH0021022s	WHEEL REAR (ALUMINIUM) - ALLOY (E)	2	
22	LH00025359	WHEEL REAR (ALUMINIUM) - ALLOY (F)	2	
22	LH00025385	WHEEL REAR (ALUMINIUM) - ALLOY (G)	2	
23	LH00010054	WASHER 12	8	
24	LH00031024	BRAKE HOSE COVER	2	
25	LH00021026	WHEEL WASHER	8	

ATV300-D T3b

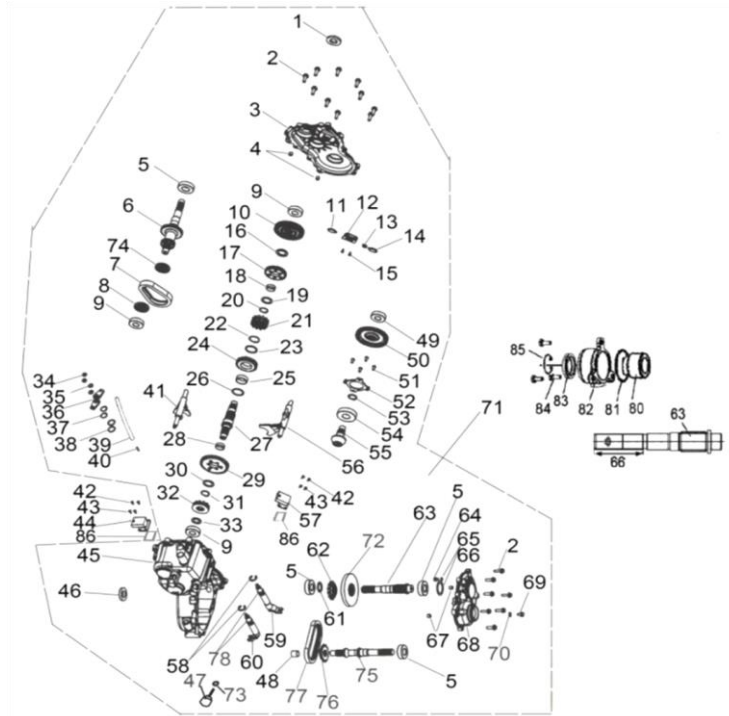
B10 REAR GEAR-BOX



Nº	CÓDIGO	DESCRIÇÃO	Q	OBSERVAÇÕES
1	LH00010055	BOLT M8X45	2	
2	LH00021102	SEAL 50X70X8	1	
3	LH00021103	OUTPUT COVER	1	
4	LH00021104	DOWEL PIN	1	
5	LH00021105	O-RING 176X2.65	1	
6	LH00021106	SHIM	1	
7	LH00021107	SHIM D	1	
8	LH00021108	THRUST BUTTON	1	
9	LH00010056	BEARING 110	2	
10	LH00021110	RING GEAR	1	
11	LH00021111	VENT	1	
12	LH00021112	BEARING	1	
13	LH00021113	DRIVE HOUSING	1	
14	LH00021114	OIL PLUG	2	
15	LH00021115	WASHER	2	
16	LH00021102	SEAL 50X70X8	1	
17	LH00010057	BUSHING P23X20X15	1	
18	LH00021118	PINION SHAFT	1	
19	LH00010058	BEARING 6306ST	1	
20	LH00021120	RETAINER 30	1	
21	LH0020901A	O-RING 79X2.65	1	
22	LH00021122	INPUT COVER	1	
23	LH00010059	BOLT M8X25	10	
24	LH00021124	SEAL 25X35X5	1	
25	LH00025107	CLAMP	1	
26	LH00021125	REAR GEARBOX ASSY	1	
27	LH00025609	O-RING 35.5X3.55	1	

ATV300-D T3b

B11 TRANSMISSION (FOR 4WD)



Nº	CÓDIGO	DESCRIÇÃO	Q	OBSERVAÇÕES
1	LH00021201	SEAL 25X47X8	1	
2	LH00010060	BOLT M8X28	17	
3	LH0021203b	MAIN COVER	1	
4	LH00021104	DOWEL PIN	2	
5	LH00010061	BEARING 6205c3	3	
6	LH0021206b	INPUT SHAFT	1	
7	LH00021207	CHAIN	1	
8	LH00021208	GEAR 16T	1	
9	LH00010062	BEARING 6204	3	
10	LH00021210	GEAR,HELICAL 35T	1	
11	LH00021211	INTERLOCK PIN	1	
12	LH00021212	INTERLOCK BRACKET	1	
13	LH00021213	SPRING	1	
14	LH00021211	INTERLOCK PIN	1	
15	LH00010001	SCREW M5X12	2	
16	LH00021216	SPACER	1	
17	LH00021217	GEAR 31T	1	
18	LH00021218	NEEDLE BEARING 25	1	
19	LH00021219	THRUST WASHER	1	
20	LH00010064	SNAP RING	1	
21	LH00021221	DOG GEAR	1	
22	LH00010065	SNAP RING	1	
23	LH00021223	THRUST WASHER	1	
24	LH00021224	SPROCKET 24T	1	
25	LH00021225	NEEDLE BEARING 25	1	
26	LH00021223	THRUST WASHER	1	
27	LH00021327	SHAFT	1	
28	LH00021218	NEEDLE BEARING 25	1	
29	LH00021329	GEAR 35T	1	
30	LH00021223	THRUST WASHER —REPLACED BY LH00021219	1	
30	LH00021219	THRUST WASHER	1	
31	LH00010064	SNAP RING	1	
32	LH00021332	ENGAGEMENT	1	

ATV300-D T3b

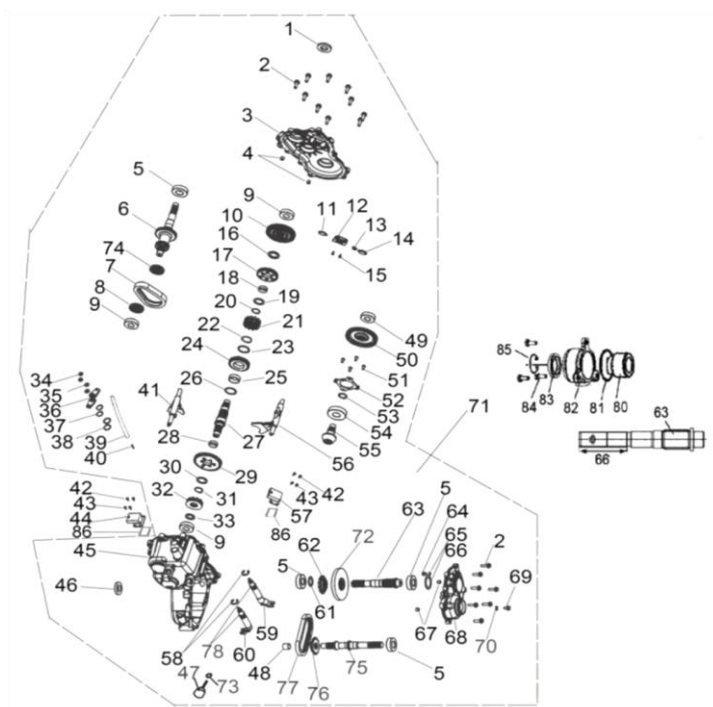
B11.1 TRANSMISSION (FOR 4WD)



Nº	CÓDIGO	DESCRIÇÃO	Q	OBSERVAÇÕES
33	LH00021333	THRUST WASHER	1	
34	LH00010067	NUT M8	2	
35	LH00010068	WASHER 8	2	
36	LH00021336	BELLCRANK	2	
37	LH00010069	SNAP RING	2	
38	LH00021338	WASHER	2	
39	LH00021339	VENT TUBE	1	
40	LH00021340	VENT TUBE FITTING	1	
41	LH00021341	SHIFT FORK HIGH/REVERSE	1	
42	LH00010007	SCREW M4	8	
43	LH00010071	WASHER 4	8	
44	LH00021344	GEAR INDICATOR SWITCH	1	
45	LH0021345b	GEARCASE,RH	1	
46	LH00021201	SEAL 25X47X8	1	
47	LH00021475	DIPSTICK	1	
48	LH00010275	BUSHING	1	
49	LH00010063	BEARING 6204C3	1	
50	LH00021350	GEAR HELICAL 46T	1	
51	LH00010073	SCREW M6X10	4	
52	LH00021351	BEARING RETAINER PLATE	1	
53	LH00021453	SNAP RING	1	
54	LH00010074	BEARING 6305ST	1	
55	LH00021455	PINION SHAFT 10T	1	
56	LH00021456	SHIFT FORK LOW	1	
57	LH00021457	GEAR INDICATOR SWITCH	1	
58	LH00010075	SNAP RING	2	
59	LH00021459	SHIFT ROD LOW	1	
60	LH00021460	SHIFT ROD HIGH/REVERSE	1	
61	LH00021461	THRUST WASHER	1	
62	LH00021483	SPROCKET 12T	1	
63B	LH00070354	SHAFT REAR OUTPUT (USE WITH SPEED SENSOR) (NEW MODEL)	1	
64	LH00021464	THRUST BUTTON	1	
65	LH00021465	SHIM 1	1	

ATV300-D T3b

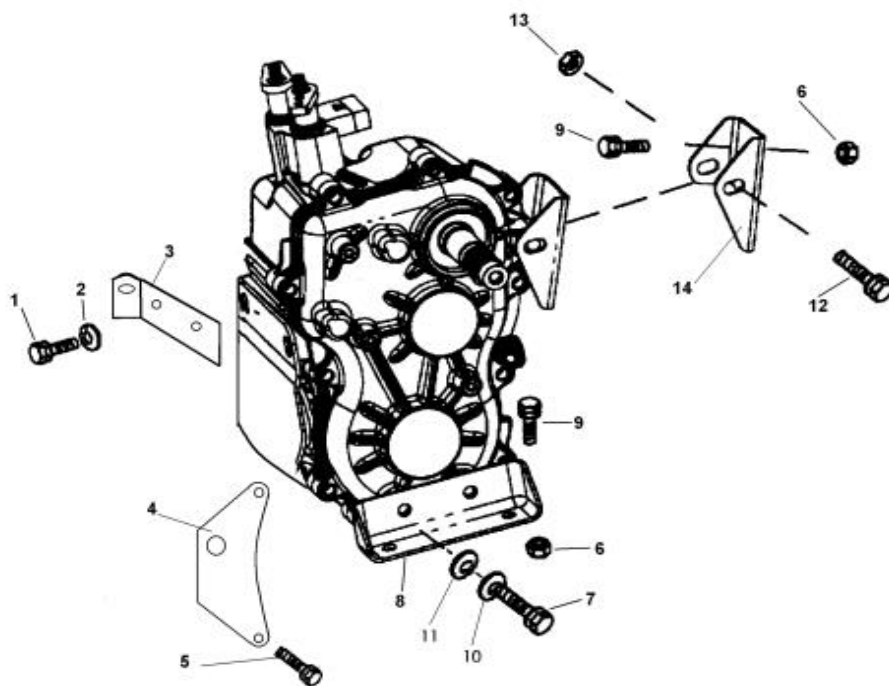
B11.2 TRANSMISSION (FOR 4WD)



Nº	CÓDIGO	DESCRIÇÃO	Qt	OBSERVAÇÕES
66	LH00021107	SHIM 2	1	
67	LH00021104	DOWEL PIN	2	
68	LH0021468t	COVER	1	
69	LH00021469	DRAIN SCREW	1	
70	LH00021470	WASHER	1	
71	LH0021471t	TRANSMISSION ASSY	1	
72	LH00021462	GEAR	1	
73	LH00010122	O RING 18X2.65	1	
74	LH00021477	SPROCKET	1	
75	LH00021480	SHAFT FRONT OUTPUT	1	
76	LH00021481	SPORCKET 12T	1	
77	LH00021482	CHAIN	1	
78	LH00010123	O RING 14X2.65	4	
80B	LH0025511A	COLLAR (NEW MODEL)	1	
81	LH00025512	O RING 50X1.5	1	
82B	LH0025513A	SPEED SENSOR COVER (NEW MODEL)	1	
83B	LH00027068	SEAL 30X40X5 (NEW MODEL)	1	
84	LH00010010	BOLT	3	
85	LH00010164	CLAMP 24 (NEW MODEL)	1	

ATV300-D T3b

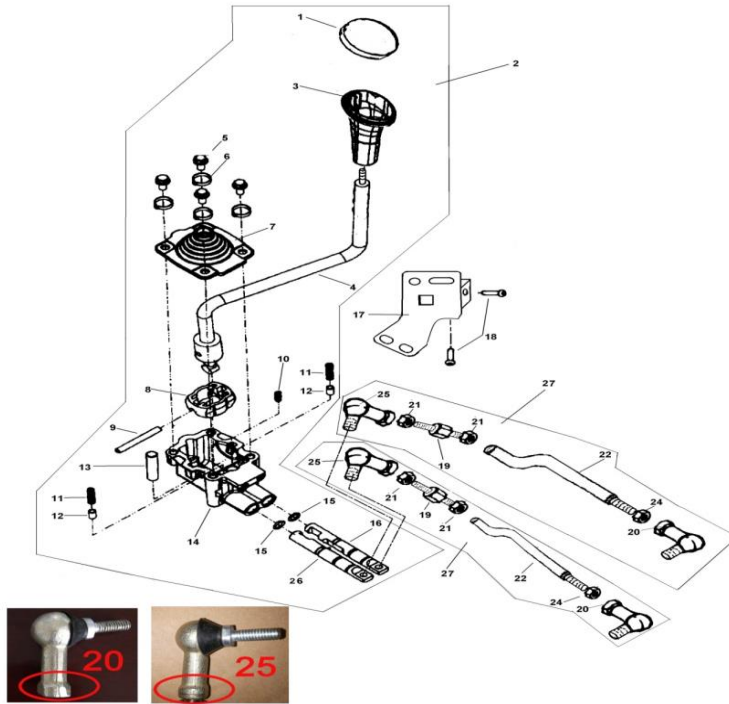
B12 SUPPORT BRACKET



Nº	CÓDIGO	DESCRIÇÃO	Q	OBSERVAÇÕES
1	LH00010076	BOLT M12X20	2	
2	LH00010054	WASHER 12	2	
3	LH00021503	TRANSMISSION MOUNTING BRACKET RIGHT	1	
4	LH00021504	TRANSMISSION MOUNTING BRACKET LEFT	1	
5	LH00010078	BOLT M8X30	3	
6	LH00010079	NUT M8	3	
7	LH00010028	BOLT M10X25	2	
8	LH00021508	TRANSMISSION MOUNTING BRACKET BOTTOM	1	
9	LH00010081	BOLT M8X20	3	
10	LH00010027	WASHER 10	2	
11	LH00010019	WASHER	2	
12	LH00010084	BOLTM10X1.25X70	1	
13	LH00010015	NUT M10	1	
14	LH00021514	TRANSMISSION MOUNTING BRACKET REAR	1	

ATV300-D T3b

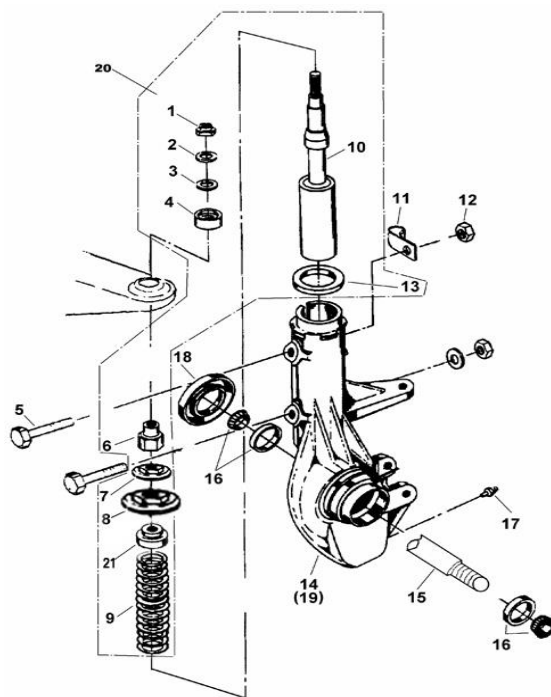
B13 SHIFT ROD



Nº	CÓDIGO	DESCRIÇÃO	Q	OBSERVAÇÕES
1	LH0021601a	LABLE	1	
2	LH0021729 b	SHIFTER ASSY MOUNTING	1	
3	LH0021603 a	KNOB	1	
4	LH0021604 a	SHIFT LEVER	1	
5	LH00010086	BOLT M6X12	4	
6	LH00010006	WASHER 6	4	
7	LH00021607	BOOT	1	
7	LH0021607A	BOOT NEW	1	
8	LH00021608	PLASTIC SPHERE	1	
8	LH0021608A	PLASTIC SPHERE NEW	1	
9	LH00021609	GROOVE PIN	1	
9	LH0021609A	GROOVE PIN NEW	1	
10	LH00021610	CENTERING SPRING	1	
10	LH0021610A	CENTERING SPRING NEW	1	
11	LH00021611	DETENT SPRING	2	
11	LH0021611A	DETENT SPRING NEW	2	
12	LH00021612	DETENT BULLET	2	
12	LH0021612A	DETENT BULLET NEW	2	
13	LH00021613	DOWEL PIN	1	
13	LH0021613A	DOWEL PIN NEW	1	
14	LH00021614	SHIFFER HOUSING	1	
14	LH0021614A	SHIFFER HOUSING NEW	1	
15	LH00021615	O-RING	2	
16	LH00021616	SELECTOR SLIDES HIGH/REVERSE	2	
16	LH0021616A	SELECTOR SLIDES HIGH/REVERSE NEW	2	
17	LH0021617a	SHIFTER MOUNTING BRACKET	1	
18	LH00010010	BOLT M6X15	4	
19	LH00021619	SHIFT ROD COUPLER	1	
20	LH00021620	SHIFT ROD END CW	2	
21	LH00010090	JAM NUT M6 CW	4	
22	LH00025254	SHIFT ROD HIGH/REVERSE	2	
24	LH00021624	JAM NUT M6 CCW	2	
25	LH00021625	SHIFT ROD END CCW	2	
26	LH00021626	SELECTOR SLIDES LOW	1	
27	LH00021727	SHIFTER MOUNTING ROD A	2	
27	LH00025256	SHIFTER MOUNTING ROD A NEW	2	

ATV300-D T3b

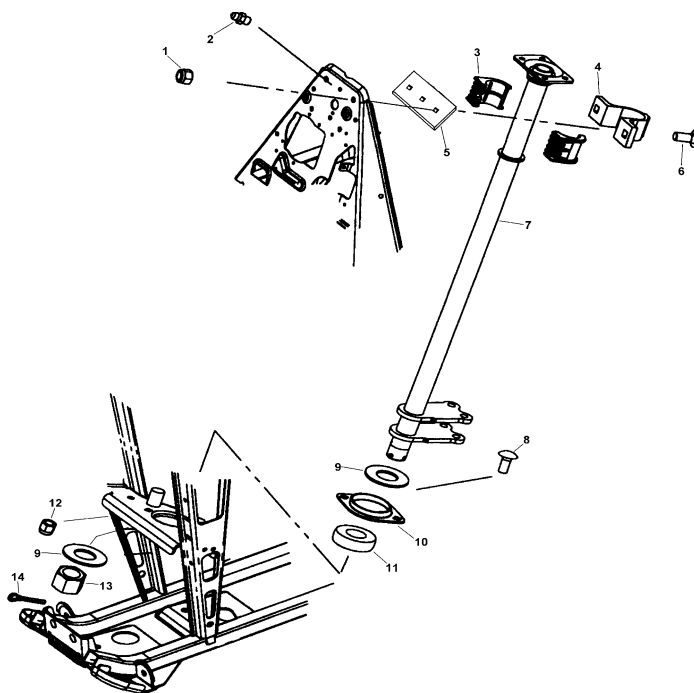
B14 SHOCK ABSORBER FRONT



Nº	CÓDIGO	DESCRIÇÃO	Q	OBSERVAÇÕES
1	LH00010091	NUT M14X1.5	2	
2	LH00021802	WASHER 14	2	
3	LH00021803	SPACER RUBBER	2	
4	LH00021804	UPPER PIVOT BALL	2	
5	LH00010093	BOLT M8X55	4	
6	LH00021806	NUT M14X1.5	2	
7	LH00021807	LOWER PIVOT BALL	2	
8	LH00021808	SPRING RETAINER	2	
9	LH00021809	SPRING	2	
10	LH00025288	STRUT BUMPER	2	
11	LH00021811	CLAMP	2	
12	LH00010079	NUT M8	4	
13	LH00021813	SPRING RETAINER	2	
14	LH00021814	STRUT BODY LEFT	1	
15	LH00021815	SPINDLE BOLT(FOR 2WD)	2	
16	LH00010095	BEARING	4	
17	LH00027074	GREASE FITTING	2	
18	LH00021818	SEAL SLEEVE	2	
19	LH00021819	STRUT BODY RIGHT	1	
20	LH00021820	FRONT SHOCK ABSORBER ASSY	2	
21	LH00025110	CUSHION	2	

ATV300-D T3b

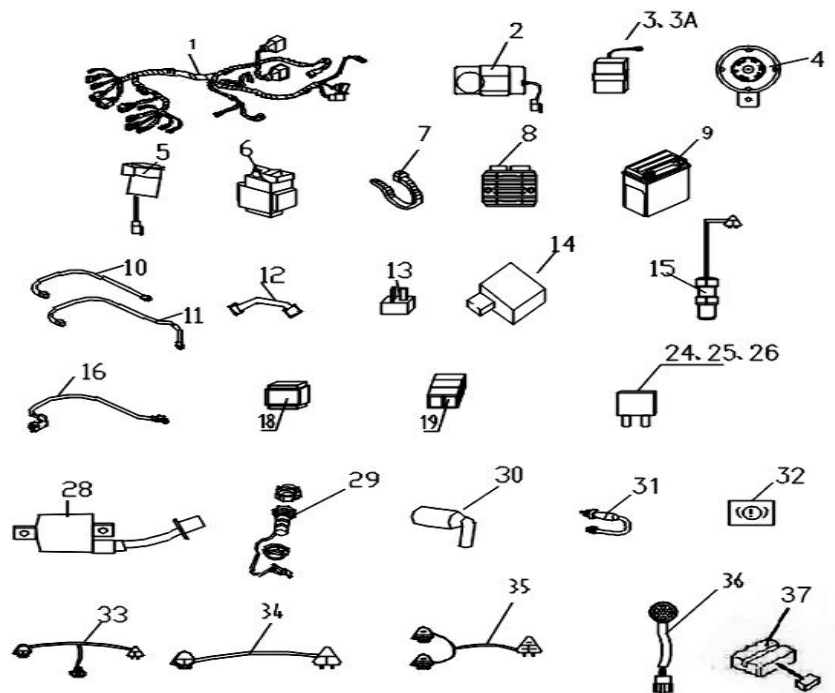
B15 STEERING COLUMN



Nº	CÓDIGO	DESCRIÇÃO	Q	OBSERVAÇÕES
1	LH00010079	NUT M8	2	
2	LH00010026	GREASE FITTING	1	
3	LH00021903	BUSHING	2	
4	LH00021904	STEERING CLAMP REAR	1	
5	LH00021905	STEERING CLAMP FRONT	1	
6	LH00021906	BOLT	2	
7	LH0021907f	STEERING COLUMN (608 MM LENGTH)	1	
8	LH00021906	BOLT	2	
9	LH00021909	WASHER	2	
10	LH00021910	BEARING RETAINER	1	
11	LH00021911	BEARING	1	
12	LH00010079	NUT M8	2	
13	LH00010100	STEERING COLUMN RETAINER NUT	1	
14	LH00010101	COTTER PIN	1	

ATV300-D T3b

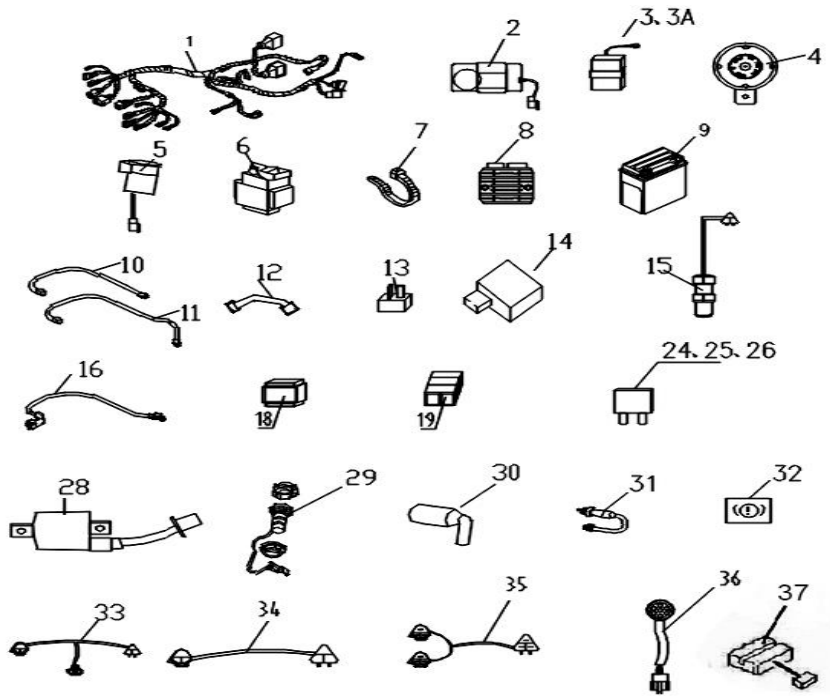
B16 ELECTRICAL SYSTEM



Nº	CÓDIGO	DESCRIÇÃO	Q	OBSERVAÇÕES
1	LH00025297	WIRING HARNESS (IF FOR CZECH, NEED ADD 2pcs LH00025315 and 1pcs LH00025316)	1	
2	LH00032038	REVERSE GEAR WARNING (FOR 4WD)	1	
3	LH0022002a	REVERSE SPEED LIMITER	1	
3A	LH00025318	ELECTRIC SPEED LIMITER (FOR FINLAND)	1	
4	LH00070404	HORN	1	
5	LH00026456	FLASHER RELAY ASSY	1	
5	LH00027438	FLASHER RELAY ASSY (USED FOR NON T3 FRONT AND NON T3 REAR TURN INDICATE LIGHT) (FOR FRANCE, PORTUGAL, UK)	1	
6	LH00071602	STARTER RELAY	1	
7	LH00025530	TIE	20	
8	LH00022007	REGULATOR RECTIFIER	1	
9	MG20HL-BS-C	BATTERY	1	
10	LH00032003	BATTERY CABLE POSITIVE	1	
11	LH00032006	BATTERY CABLE GROUND	1	
12	LH00022018	BATTERY BELL	1	
13	LH00032021	CAPACITOR	1	
14	LH0022001A	CDI	1	
15	LH00025601	GEAR SENSOR 1a (FIX AT TRANSMISSION)	1	
16	LH00025602	GEAR SENSOR HARNESS (USED WITH GEAR SENSOR 1a)	1	
18	LH00025517	RUBBER SHEATH 1		
19	LH00025519	RUBBER SHEATH 2		

ATV300-D T3b

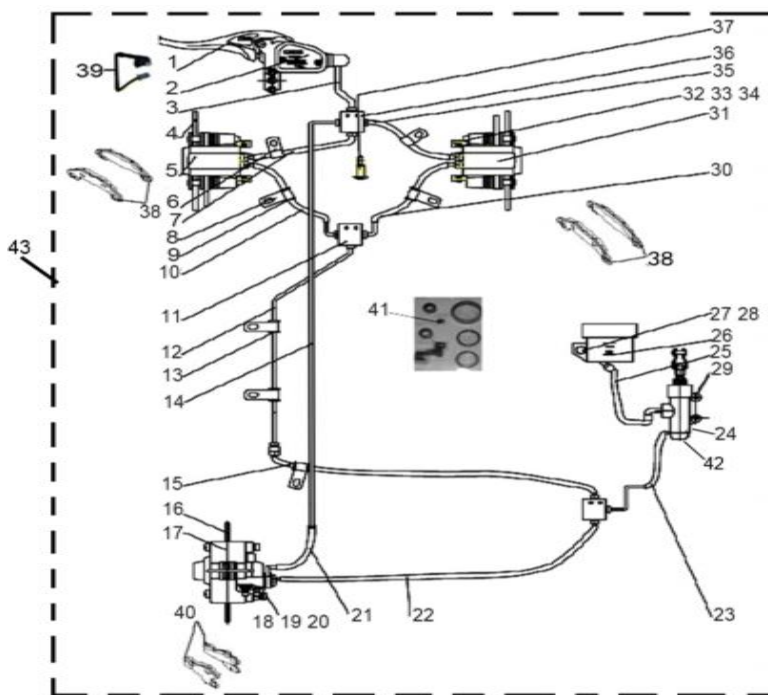
B16.1 ELECTRICAL SYSTEM



Nº	CÓDIGO	DESCRIÇÃO	Q	OBSERVAÇÕES
24	LH00022019	7.5 AMP FUSE	1	
25	LH00022020	15 AMP FUSE	2	
26	LH00022021	3 AMP FUSE	1	
27	LH00032021	CAPACITOR	1	
28	LH00022012	IGNITON COIL AND WIRE	1	
29	LH00070400	ACCESSORY SOCKET ASSY	1	
29	LH00071973	ACCESSORY SOCKET ASSY (USED FOR WATERPROOF)	1	
30	LH00022024	CAP, IGNITON COIL	1	
31	LH0070405a	BRAKE SWITCH (USED FOR WATERPROOF PLUG IN UNIT)	1	
32	LH00025298	BRAKE FLUID INDICATOR	1	
33	LH00025315	FRONT INDICATOR LIGHT WIRING HARNESS (MATCH WITH FLASHER RELAY ASSY WIRING HARNESS FOR CZECH) (MATCH WITH TAILLIGHT WIRING HARNESS FOR FRANCE)	2	
34	LH00025316	FLASHER RELAY ASSY WIRING HARNESS (MATCH WITH FRONT INDICATOR LIGHT WIRING HARNESS FOR CZECH)	1	
35	LH00025317	TAILLIGHT WIRING HARNESS (MATCH WITH FRONT INDICATOR LIGHT WIRING HARNESS FOR FRANCE)	1	
36	LH00084432	TRAILER CONNECTOR	1	
37	LH00032044	RESISTANCE	1	
38	LH00025113	PROTECTOR	1	
39	LH00035907	STARTER RELAY SHIELD	1	

ATV300-D T3b

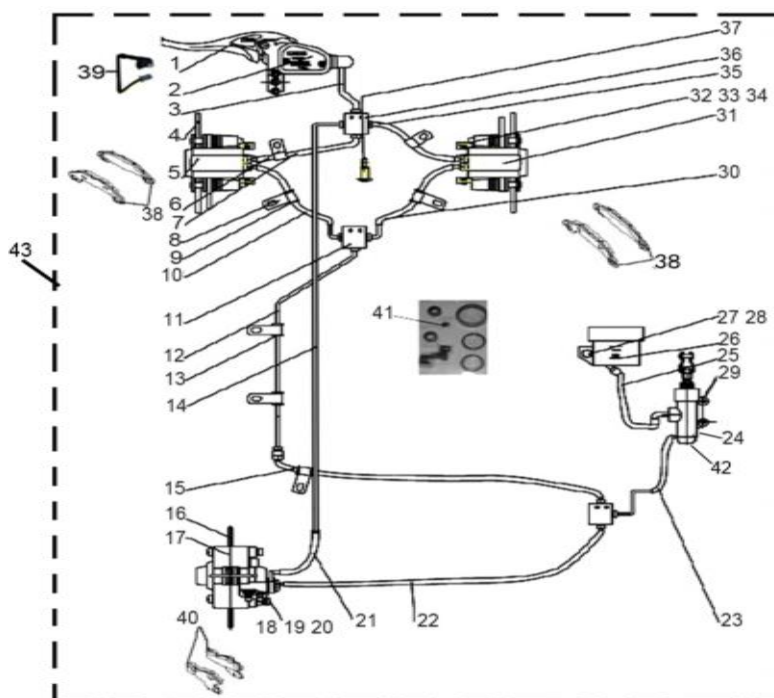
B17 BRAKING SYSTEM (MARK ZJ)



Nº	CÓDIGO	DESCRIÇÃO	Q	OBSERVAÇÕES
1	LH02211120	BRAKE LEVER L	1	
2	LH00022101	MASTER CYLINDER	1	
3	LH00027683	HAND BRAKE HOSE	1	
4	LH00022226	FRONT BRAKE DISC	2	
5	LH0032205A	BRAKE CALIPER LEFT	1	
6	LH00021811	CLAMP	2	
7	LH00022229	FRONT BRAKE HOSE 2	1	
8	LH00032104	CLAMP	5	
9	LH00032105	RUBBER TUBE1	3	
10	LH00025269	FRONT BRAKE HOSE1	1	
11	LH00025270	BRAKE LINE COUPLER	2	
12	LH00032108	TUB DISKBRAKE FRONT	1	
13	LH00032109	RUBBER TUBE2	2	
14	LH00022103	REAR BRAKE HOSE	1	
15	LH00025121	FRONT BRAKE HOSE	1	
16	LH00032115	REAR DISC BRAKE	1	
17	LH00022105	REAR BRAKE CALIPER	1	
18	LH00010102	BOLT M10X1.25X83	2	
19	LH00010015	NUT M10X1.25	2	
20	LH00010019	WASHER 10	2	
21	LH00025240	REAR BRAKE HOSE 2	1	

ATV300-D T3b

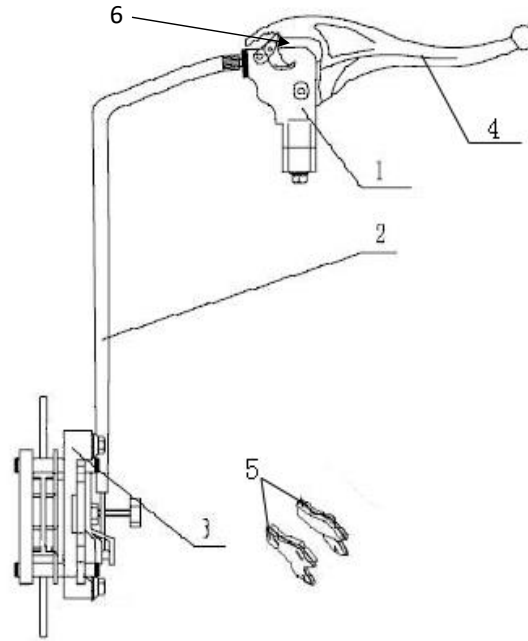
B17 BRAKING SYSTEM (MARK ZJ)



Nº	CÓDIGO	DESCRIÇÃO	Q	OBSERVAÇÕES
22	LH00025242	REAR BRAKE HOSE 3	1	
23	LH00025122	FOOT BRAKE HOSE	1	
24	LH00025265	REAR BRAKE CYLINDER	1	
25	LH00025262	RESERVOIR HOSE	1	
26	LH00025299	RESERVOIR	1	
27	LH00010109	NUT M5	1	
28	LH00010108	BOLT M5X12	1	
29	LH00010110	BOLT M6X20	2	
30	LH00025225	FRONT BRAKE HOSE2	1	
31	LH0032231A	BRAKE CALIPER RIGHT	1	
32	LH00010105	BOLT M8X25	4	
33	LH00010106	WASHER 8	4	
34	LH00010068	WASHER 8	4	
35	LH00022228	FRONT BRAKEHOSE 1	1	
36	LH00022230	BRAKE LINECOUPLER	1	
37	LH00010111	SCREW M5X15	6	
39	LH00048323	STORP SWITCH FRONT	1	
38	LH00022245	INSIDE/OUTSIDE PAD (FOR FRONT BRAKE CALIPER)	2	
40	LH00022111	INSIDE/OUTSIDE PAD(FOR REAR BRAKE CALIPER)	1	
41	LH00032252	ZJ E2 Service Kit (FOR EUROPE)	1	
42	LH00035868	FOOT BRAKE PUMP CONNECTION BOLT	1	
43	LH00025389	BRAKING SYSTEM	1	

ATV300-D T3b

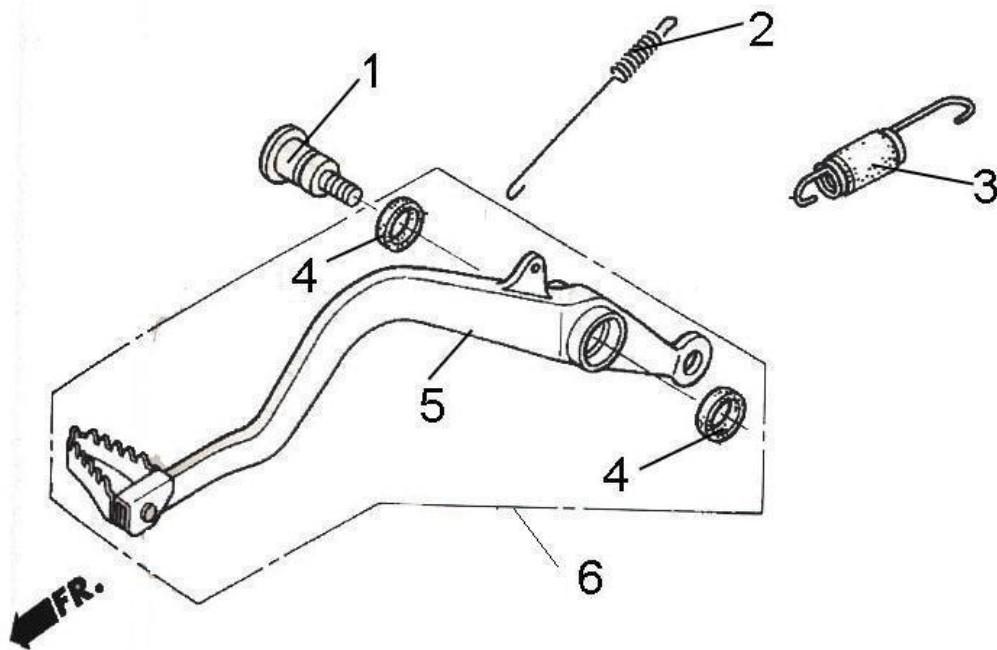
B18 PARKING SYSTEM I (FOR EUROPE)



Nº	CÓDIGO	DESCRIÇÃO	Q	OBSERVAÇÕES
1	LH00027625	MASTER CYLINDER	1	
2	LH00025138	BRAKE CABLE	1	
3	LH00025139	BRAKE CALIPER	1	
4	LH00025140	BRAKE LEVER R	1	
5	LH00025141	INSIDE AND OUTSIDE PAD	1	
6	LH00027277	MIRROR UPPER HOLDER	1	

ATV300-D T3b

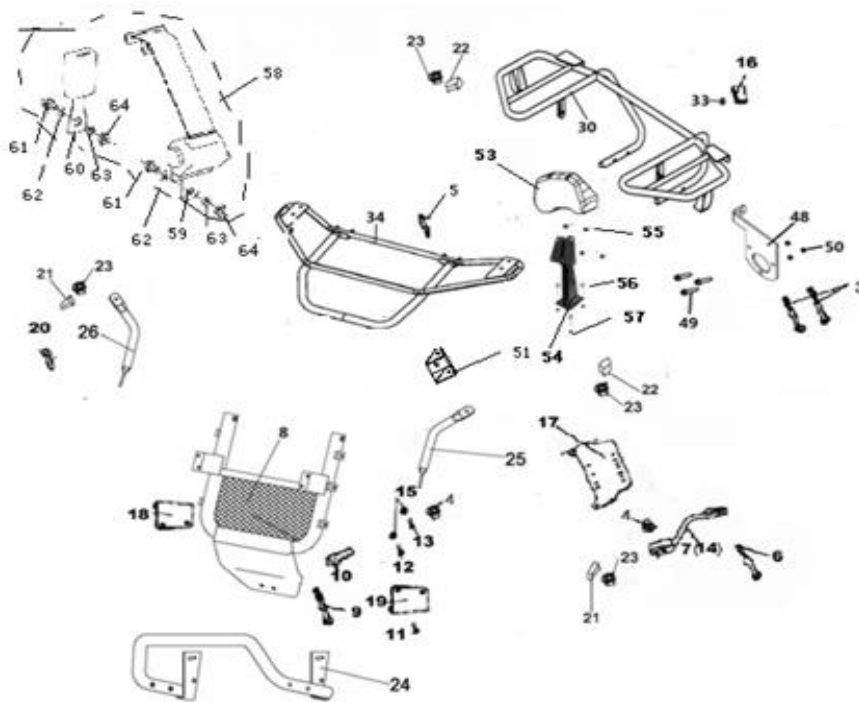
B19 PEDAL,BRAKE



N°	CÓDIGO	DESCRIÇÃO	Qtd	OBSERVAÇÕES
1	LH00070542	SHAFT,BRAKE PIVOT	1	
2	LH00032246	SPRING,STOP SWITCH	1	
3	LH00025539	SPRING ASSY	1	
4	LH00070540	DUST SEAL	2	
5	LH00025146	PEDAL BRAKE	1	
6	LH00025147	PEDAL BRAKE ASSY	1	

ATV300-D T3b

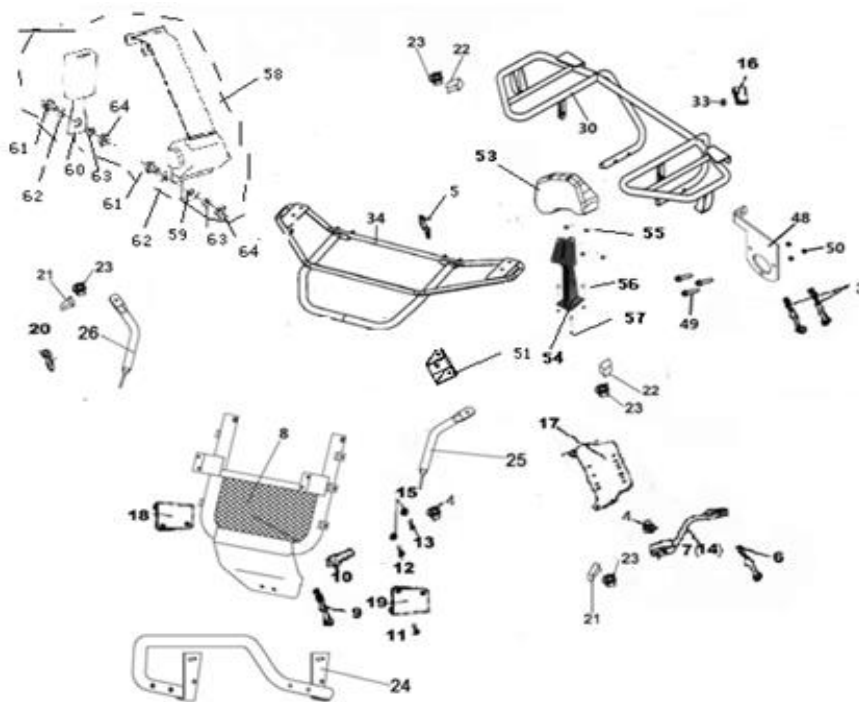
B20 BUMPER & RACK



Nº	CÓDIGO	DESCRIÇÃO	Q	OBSERVAÇÕES
3	LH00010055	BOLTM8X45	4	
4	LH00010079	NUT M8	4	
5	LH00010059	BOLT M8X25	2	
6	LH00010819	BOLT M8X85	2	
7	LH00027440	TRESTLE 1 LEFT (FOR EUROPE)	1	
8	LH00027626	BUMPER BRACKET	1	
9	LH00025056	BOLT M8X70	4	
10	LH00010059	BOLT M8X25	2	
11	LH00029506	BOLT M8X55	4	
12	LH00010081	BOLT M8X20	2	
13	LH00010059	BOLT M8X25	2	
14	LH00027442	TRESTLE 1 RIGHT (FOR EUROPE)	1	
15	LH00026009	WASHER 8	4	
16	LH00035705	FRONT REFLECTER	2	
17	LH00070366	BRACKET,PULLING	1	
18	LH00027387	HOLDER,R.PULLIN BRACKET	1	
19	LH00027386	HOLDER,L.PULLIN BRACKET	1	
20	LH00010140	BOLT M6X12	4	
24	LH00027443	FRONT BUMPER	1	
25	LH00027444	FRONT SUPPORT TUBE,L	1	
26	LH00027445	FRONT SUPPORT TUBE,R	1	
30	LH00025300	REAR RACK	1	

ATV300-D T3b

B20.1 BUMPER & RACK



Nº	CÓDIGO	DESCRIÇÃO	Q	OBSERVAÇÕES
34	LH00027439	FRONT RACK (NOT INCL. MOUNTING PLATE FOR FRONT TOWING HITCH)	1	
48	LH00071070	BRACKET,OUTPUT SOCKET	1	
49	LH00010935	SCREW M6X38	3	
50	LH00010004	NUT M6	3	
51	LH00025302	FOTMER DRAG HOOKS CONNECTING PLATE1	1	
52	LH00025303	FOTMER DRAG HOOKS CONNECTING PLATE2	1	
53	LH00035721	BACKREST	1	
54	LH00035384	REAR BACKREST WELD ASSEMBLY	1	
55	LH00010919	NUT M8	4	
56	LH00010059	BOLT M8X25	4	
57	LH00010079	NUT M8	4	
58	LH00084380	BELT COMPONENTS	1	
59	LH00084382	BELT	1	
60	LH00084381	LOCK,BELT	1	
61	LH00026916	BOLT	4	
62	LH00026917	SPRING WASHER	8	
63	LH00026918	WASHER	8	
64	LH00026919	NUT	8	

ATV300-D T3b

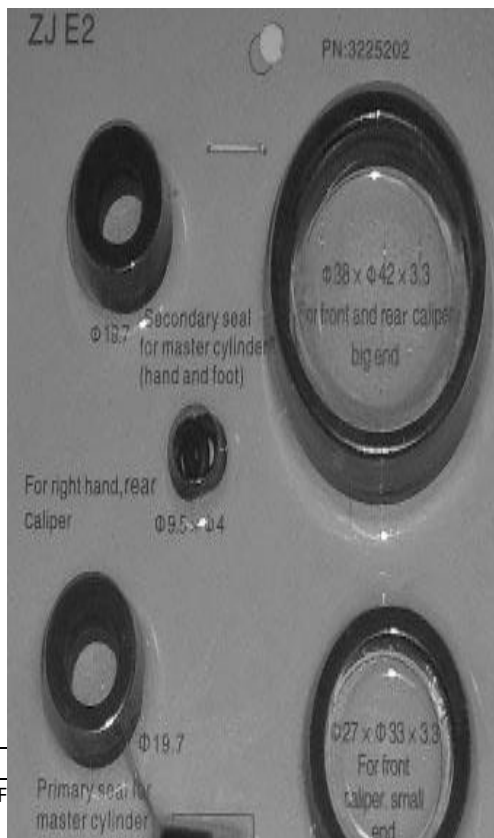
B21 STICKERS



Nº	CÓDIGO	DESCRIÇÃO	Q	OBSERVAÇÕES
1	LH80364BFB	SET AUTOCOLANTES DIANTEIRO ATV300-D T3b - PRETO	1	
1*	LH80364BFBW	SET AUTOCOLANTES DIANTEIRO ATV300 - PRETO c/aviso de segurança	1	
2	LH80364BRB	SET AUTOCOLANTES TRASEIROS ATV300-D T3b - PRETO	1	
2*	LH80364BRBW	SET AUTOCOLANTES TRASEIROS ATV300-D - Preto c/aviso de segurança	1	
3	LH80363RFB	SET AUTOCOLANTES DIANTEIRO ATV300-D T3b - VERMELHO	1	
3*	LH80363RFBW	SET AUTOCOLANTES DIANTEIRO ATV300 - VERMELHO c/aviso de segurança	1	
4	LH80363RRB	SET AUTOCOLANTES TRASEIROS ATV300-D T3b - VERMELHO	1	
4*	LH80363RRBW	SET AUTOCOLANTES TRASEIROS ATV300-D T3b - VERMELHO c/aviso de segurança	1	
5	LH80362WFB	SET AUTOCOLANTES DIANTEIRO ATV300-D T3b - BRANCO E CAMO	1	
5*	LH80362WFBW	SET AUTOCOLANTES DIANTEIRO ATV300 - BRANCO/CAMO c/aviso de segurança	1	
6	LH80362WRB	SET AUTOCOLANTES TRASEIROS ATV300-D T3b - BRANCO E CAMO	1	
6*	LH80362WRBW	SET AUTOCOLANTES TRASEIROS ATV300-D T3b - BRANCO E CAMO c/aviso de segurança	1	

ATV300-D T3b

B22 SERVICE KIT



Nº	CÓDIGO	DESCRIÇÃO	Qtd	OBSERVAÇÕES
1	LH00032252	ZJ E2 Service Kit (F	1	

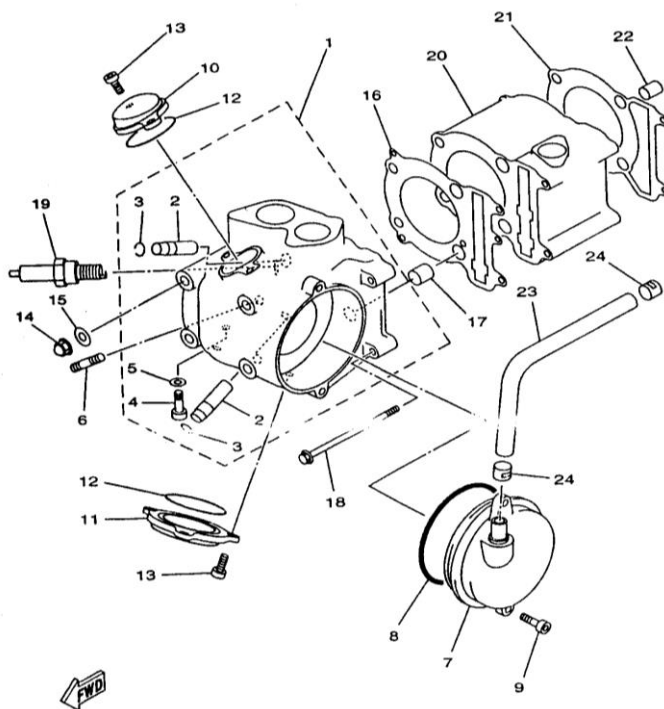
Note: Service Kit

- ▲Always order and use the correct type..
- ▲Wrong kit will cause brake malfunction.
- ▲This service must be performed by an authorized dealer.

Service Kit contains Seals,O Rings of the caliper and cylinder, and the Park Brake Lock Button for hydraulic park brake.

ATV300-D T3b

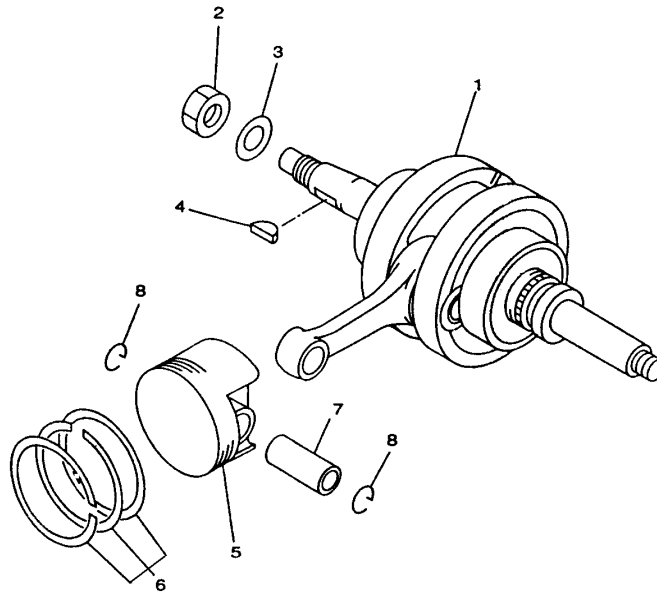
E1 CYLINDER



Nº	CÓDIGO	DESCRIÇÃO	Qt.	OBSERVAÇÕES
1	LH2401B-xa	CYLINDER HEAD ASSY	1	
2	LH00022402	GUIDE INTAKE VALVE	2	
3	LH00010112	CIRCLIP 12	2	
4	LH00010086	BOLT M6X12	1	
5	LH00022810	GASKET 6	1	
6	LH00010014	BOLT STUD M8X25	2	
7	LH00025604	BREATHER ASSY	1	
8	LH00022408	O-RING 95X3.3	1	
9	LH00010008	BOLT SOCKET HEAD M6X20	2	
10	LH00022410	VALVE COVER INTAKE SIDE	1	
11	LH00022411	VALVE COVER EXHAUST SIDE	1	
12	LH00022412	O-RING 57.5X2.3	2	
13	LH00010008	BOLT SOCKET HEAD M6X20	5	
14	LH00022414	NUT CROWN M8	4	
15	LH00022415	WASHER PLATE 8	4	
16	LH0022416a	GASKET CYLINDER HEAD2	1	
17	LH00022417	PIN DOWEL 14X16	2	
18	LH00022418	BOLT FLANGE M6X120	2	
19	LH00022419	PLUG SPARK (NGK DR8EA)	1	
20	LH0022420a	CYLINDER	1	
21	LH00022421	GASKET CYLINDER	1	
22	LH00022422	PIN DOWEL 10X14	2	
23	LH00022423	PIPE BREATHER1	1	
24	LH00043514	CLIP 12MM	2	

ATV300-D T3b

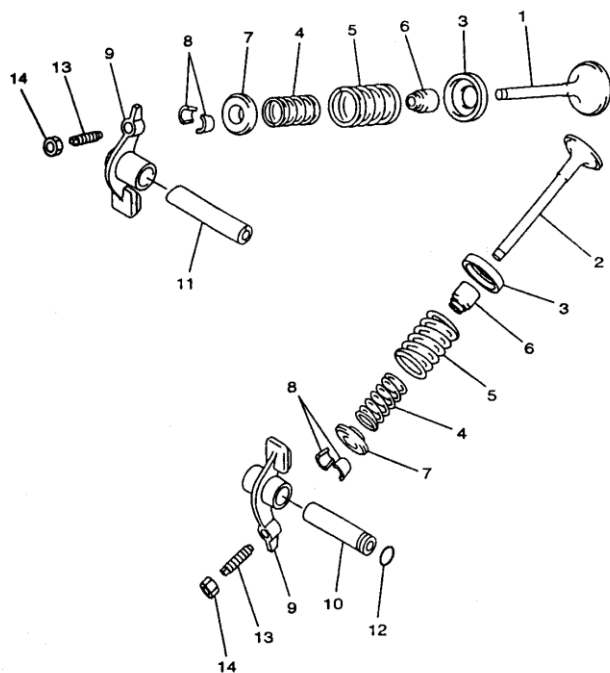
E2 CRANKSHAFT COMP



Nº	CÓDIGO	DESCRIÇÃO	Qt.	OBSERVAÇÕES
1	LH00022501	CRANKSHAFT ASSY	1	
2	LH00022502	NUT M16X1	1	
3	LH00022503	WASHER PLATE 16	1	
4	LH00022504	KEY WOODRUFF	1	
5	LH0022505A	PISTON (FOR ATV300)	1	
6	LH0022506a	PISTON RING SET (FOR ATV300)	1	
7	LH00022507	PISTON PIN	1	
8	LH00022508	CLIP	2	

ATV300-D T3b

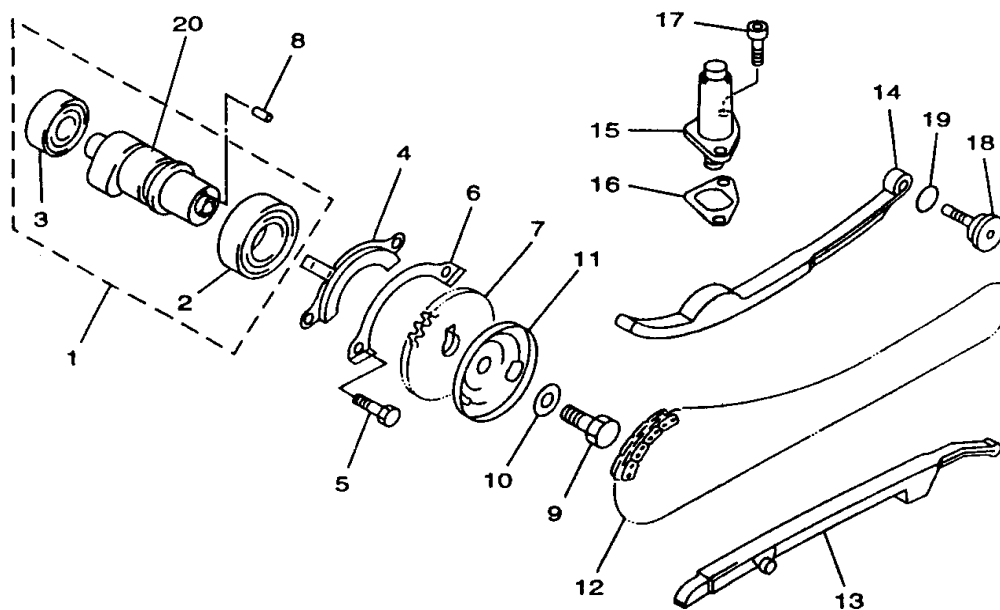
E3 VALVE



Nº	CÓDIGO	DESCRIÇÃO	Qt.	OBSERVAÇÕES
1	LH00022601	INTAKE VALVE	1	
2	LH00022602	EXHAUST VALVE	1	
3	LH00022603	SEAT SPRING VALVE	2	
4	LH00022604	SPRING VALVE INNER	2	
5	LH00022605	SPRING VALVE OUTER	2	
6	LH00022606	SEAL VALVE STEM	2	
7	LH00022607	RETAINER SPRING VALVE	2	
8	LH00022608	COTTER VALVE	4	
9	LH00022609	ROCKER ARM VALVE	2	
10	LH00022610	EXHAUST ROCKER SHAFT	1	
11	LH00022611	INTAKE ROCKER SHAFT	1	
12	LH00022612	O-RING 9X2	1	
13	LH00022613	ADJUSTING SCREW VALVE	2	
14	LH00022614	NUT M6X0.75	2	

ATV300-D T3b

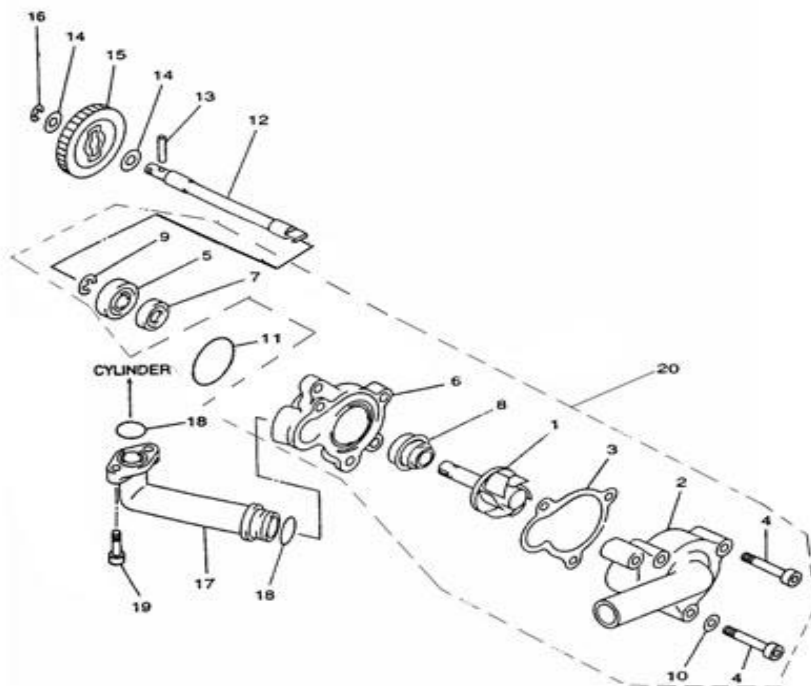
E4 CAMSHAFT CHAIN



Nº	CÓDIGO	DESCRIÇÃO	Qt.	OBSERVAÇÕES
1	LH00022701	CAMSHAFT ASSY1	1	
2	LH00010012	BEARING	1	
3	LH00010013	BEARING (B6202Z)	1	
4	LH00022704	PLATE	1	
5	LH00010128	BOLT M6X12	2	
6	LH00022706	LOCK WASHER	1	
7	LH00022707	CAM CHAIN SPROCKET	1	
8	LH00010024	DOWEL PIN B4X10	1	
9	LH00010025	BOLT M10X1.25X25	1	
10	LH00022710	WASHER PLATE 10	1	
11	LH00022711	BREATHER PLATE2	1	
12	LH00022712	CHAIN	1	
13	LH00022713	GUIDE STOPPER1	1	
14	LH00022714	GUIDE STOPPER2	1	
15	LH00022715	CAM CHAIN TENSIONER ASSY	1	
16	LH00022716	GASKET TENSIONER CASE	1	
17	LH00010036	SOCKET HEAD BOLT M6X14	2	
18	LH00022718	CHAIN TENSIONER PIVOT BOLT	1	
19	LH00022719	O-RING 14.5X1.8	1	
20	LH00022720	CAMSHAFT	1	

ATV300-D T3b

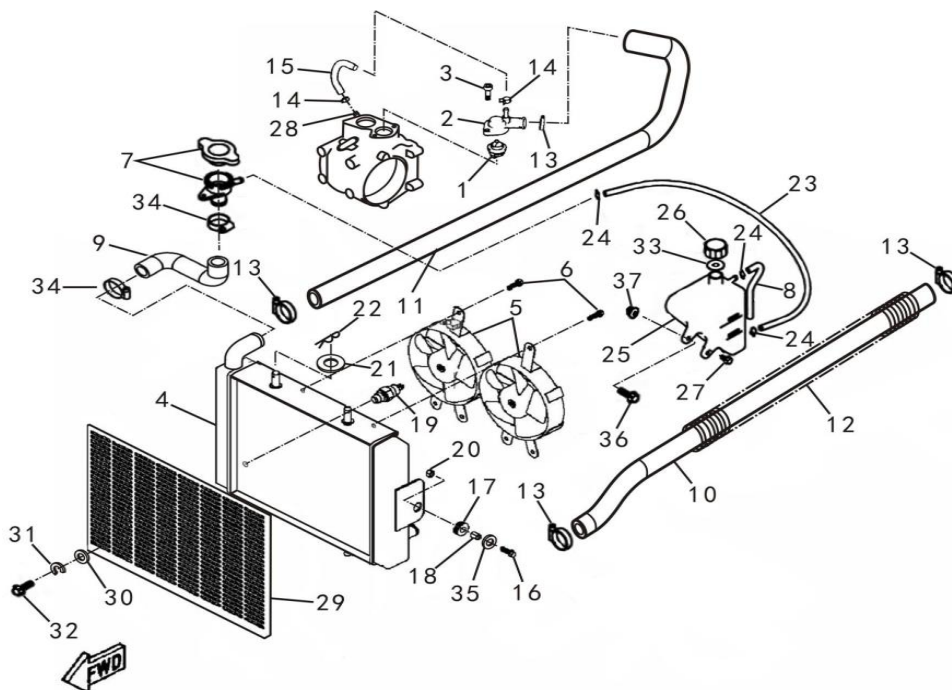
E5 WATER PUMP



Nº	CÓDIGO	DESCRIÇÃO	Qt.	OBSERVAÇÕES
1	LH0022801a	IMPELLER SHAFT ASSY (ADC12)	1	
2	LH00022802	HOUSING COVER	1	
3	LH00022803	GASKET HOUSING COVER2	1	
4	LH00010041	SOCKET HEAD BOLT M6X35	3	
5	LH00010043	BEARING	1	
6	LH00022806	WATER PUMP HOUSING	1	
7	LH00022807	OIL SEAL 10X21X5	1	
8	LH00022808	MECHANICAL SEAL	1	
9	LH00010044	CIRCLIP 9	1	
10	LH00022810	GASKET 6	1	
11	LH00010049	O-RING 33.5X2.65	1	
12	LH00022812	SHAFT	1	
13	LH00010070	DOWEL PIN C3X22	1	
14	LH00022814	WASHER PLATE 8	2	
15	LH00022815	IMPELLER SHAFT GEAR	1	
16	LH00010072	CIRCLIP 8	1	
17	LH0022817a	JOINT (ADC12)	1	
18	LH00010082	O-RING 15.5X2.5	2	
19	LH00010083	SOCKET HEAD BOLT M6X15	2	
20	LH00022820	WATER PUMP ASSY	1	

ATV300-D T3b

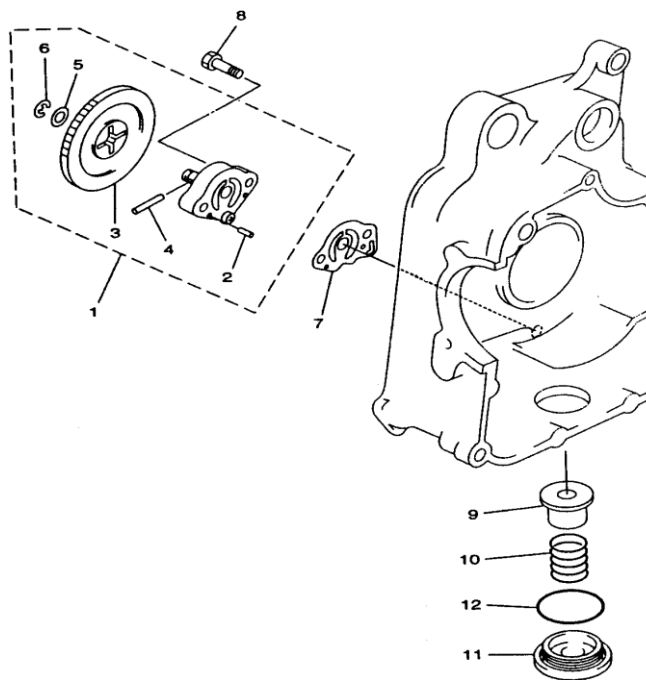
E6 RADIATOR



Nº	CÓDIGO	DESCRIÇÃO	Qt.	OBSERVAÇÕES
1	LH00022901	THERMOSTAT	1	
2	LH00022902	THERMOSTAT COVER	1	
3	LH00010085	SOCKET HEAD BOLT M6X25	2	
4	LH0022904T	RADIATOR ASSY (THICKER)	1	
5	LH00027451	BLOWER ASSY (USED FOR WATERPROOF PLUG UNIT)	2	
6	LH00010087	FLANGE BOLT M6X9	6	
7	LH0022907a	SAFETY VALVE	1	
8	LH00023028	PIPE 2	1	
9	LH0022909F	RADIATOR FILLER HOSE	1	
10	LH00025193	RETURN HOSE	1	
11	LH00022911	FEED HOSE	1	
12	LH0022912a	COMPRESSION SPRING	2	
13	LH00070140	CLAMP 16/27	4	
14	LH00022914	HOSE CLAMP2	2	
15	LH00022915	HOSE1	1	
16	LH00010110	BOLT M6X20	2	
17	LH00022917	RADIATOR SIDE SUPT GROMMET	2	
18	LH00022918	COLLAR	2	
19	LH00027694	THERMOSTAT SWITCH ASSY	1	
20	LH00010004	NUT M6	2	

ATV300-D T3b

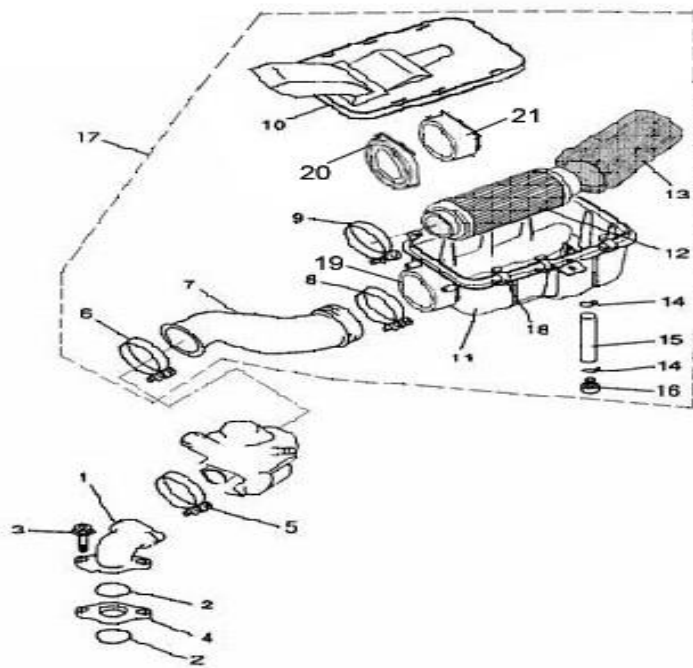
E7 OIL PUMP



Nº	CÓDIGO	DESCRIÇÃO	Qt.	OBSERVAÇÕES
1	LH00023101	OIL PUMP ASSY	1	
2	LH00010096	DOWEL PIN 3X12	2	
3	LH00023103	GEAR PUMP DRIVEN	1	
4	LH00010097	DOWEL PIN C3X22	1	
5	LH00022814	WASHER PLATE	1	
6	LH00010130	CIRCLIP	1	
7	LH00023107	GASKET	1	
8	LH00010946	SCREW M6X25	2	
9	LH00023109	OIL STRAINER	1	
10	LH00023110	COMPRESSION SPRING	1	
11	LH00023111	DRAIN PLUG	1	
12	LH00023112	O-RING 36X3.5	1	

ATV300-D T3b

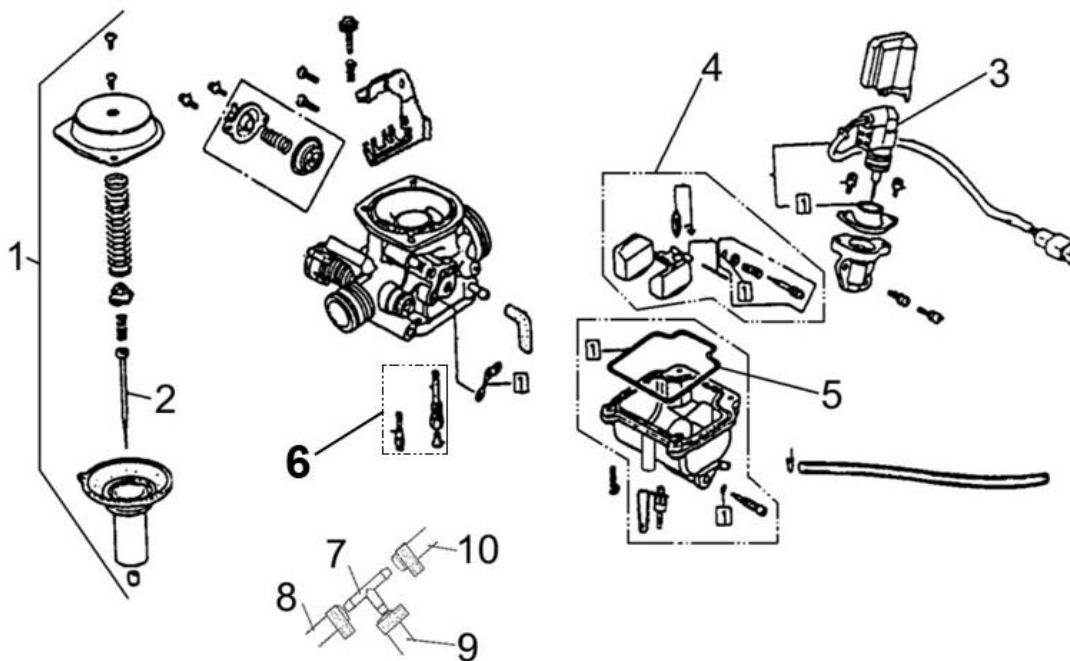
E8 AIR CLEANER



Nº	CÓDIGO	DESCRIÇÃO	Qt.	OBSERVAÇÕES
1	LH0023201b	JOINT CARBURETOR (FOR EUROPE)	1	
2	LH00023202	O-RING 35X2	2	
3	LH00010085	SCOKET HEAD BOLT M6X25	2	
4	LH00023204	JOINT	1	
5	LH00023205	HOSE CLAMP D	1	
6	LH00023206	HOSE CLAMP C	1	
7	LH00025285	AIR CLEANER JOINT	1	
8	LH00023208	HOSE CLAMP B	1	
9	LH00023209	HOSE CLAMP A	1	
10	LH00025197	COVER AIR CLEANER	1	
11	LH00023211	AIR CLEANER CASE1	1	
12	LH00023212	ELEMENT COMP AIR CLEANER	1	
13	LH00023213	FILTER COVER	1	
14	LH00023214	CLIP	2	
15	LH00023215	HOSE	1	
16	LH00023216	PLUG	1	
17	LH00025198	AIR CLEANER ASSY	1	
18	LH0023218A	AIR CLEANER COVER CLIP	6	
19	LH00025587	JOINT, AIR CLEANER	1	
20	LH00025588	WASHER, AIR CLEANER	1	
21	LH00025589	JOINT FIXED, AIR CLEANER	1	
22	LH00025600	RUBBER WASHER	2	
23	LH00010182	BOLT M6X30	1	

ATV300-D T3b

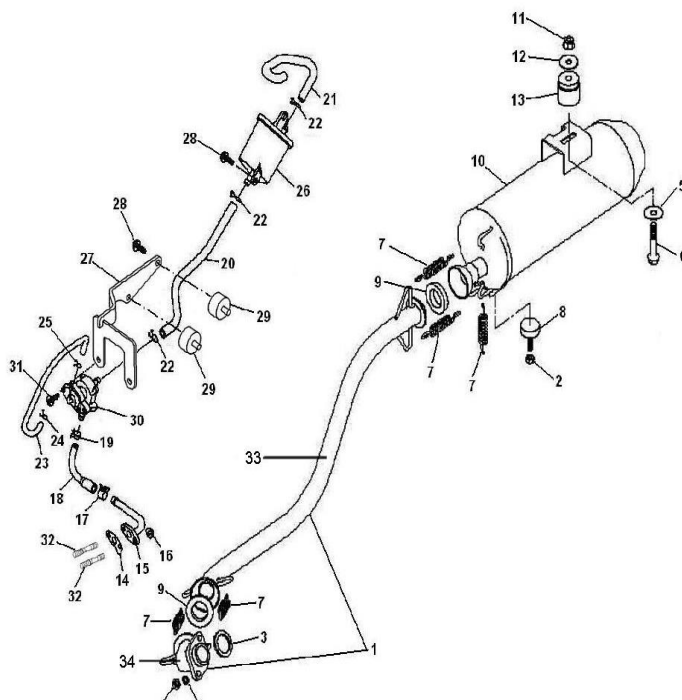
E9 CARBURETOR



N°	CÓDIGO	DESCRIÇÃO	Qt.	OBSERVAÇÕES
1	LH0023301a	CARBURETOR ASSY (TOP PULL CABLE TYPE)	1	
2	LH00023302	JET NEEDLE SET	1	
3	LH00023303	AUTO CHOKE ASSEM	1	
4	LH00023304	FLOAT ASSY	1	
5	LH00023305	BOWL GASKET	1	
6	LH00023306	MAIN JET	1	
	LH00023307	IDLE JET	1	
7	LH00030235	FUEL HOSE COUPLER	1	
8	LH00023308	HOSE $\Phi 8 \times 4.5 \times 260$	1	
9	LH00023309	HOSE $\Phi 8 \times 4.5 \times 390$	1	
10	LH00023310	HOSE $\Phi 8 \times 4.5 \times 280$	1	

ATV300-D T3b

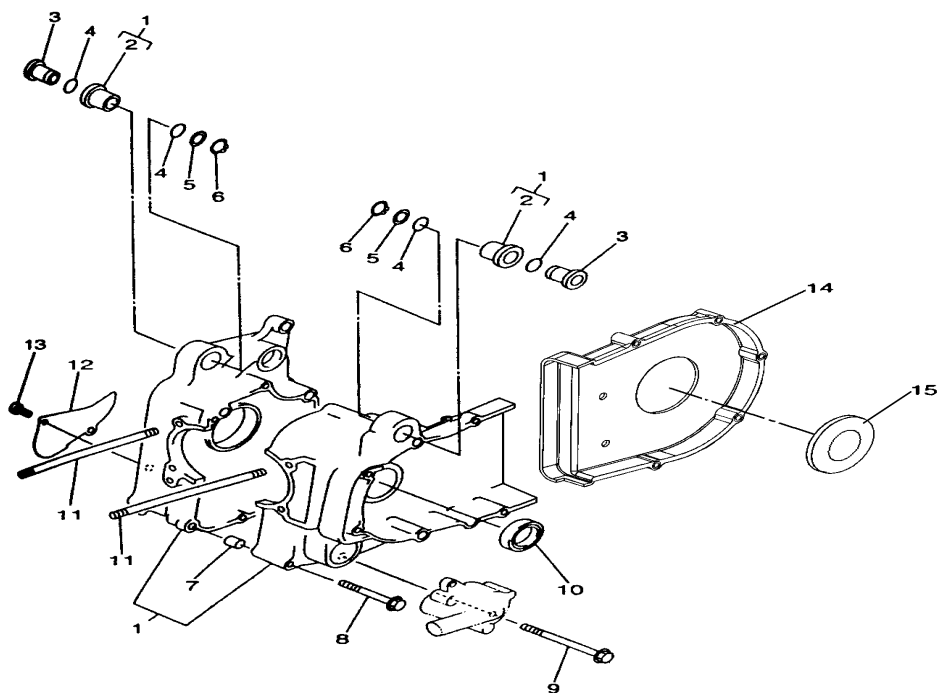
E10 EXHAUST (FOR EUROPE)



Nº	CÓDIGO	DESCRIÇÃO	Qt.	OBSERVAÇÕES
1	LH00025200	EXHAUST PIPE	1	
2	LH00010099	NUT M8	4	
3	LH00023403	EXHAUST PIPE GASKET	1	
4	LH00010106	WASHER 8	2	
5	LH00010117	WASHER PLATE 10	1	
6	LH00010120	BOLT FLANGE M10X1.25X62	1	
7	LH00023408	SPRING	5	
8	LH00025202	MUFFLER SUPPORT BOTTOM	1	
9	LH00025222	JOINT	1	
10	LH00025203	MUFFLER	1	
11	LH00010015	NUT M10X1.25	1	
12	LH00010117	WASHER PLATE 10	1	
13	LH00023415	MUFFLER SUPPORT	1	
14	LH00043510	WASHER	1	
15	LH0043511B	HOSE	1	
16	LH00010004	NUT M6	2	
17	LH00070140	CLAMP 16/27 (MATCH WITH NEW HOSE C)	1	
18	LH00043512	HOSE C (NEW MODEL)	1	
19	LH00043514	CLIP 13	1	
19	LH00010774	CLAMP 12/20 (MATCH WITH NEW HOSE C)	1	
20	LH00043525	HOSE B	1	
21	LH00043518	HOSE A	1	
22	LH00043519	HOSE CLAMP 16	3	
23	LH00043520	PIPE	1	
24	LH00043521	CLIP 9	1	
25	LH00043522	CLIP 7.6	1	
26	LH00043523	FILTER	1	
27	LH00025204	VALVE BRACKET	1	
28	LH00010140	BOLT M6X12	4	
29	LH00020316	RUBBER PAD	8	
30	LH00043516	VALVE	1	
31	LH00010263	BOLT M6X20	2	
32	LH00026003	BOLT	2	
33	LH00025275	EXHAUST PIPE 1	1	
34	LH00025276	EXHAUST PIPE 2	1	

ATV300-D T3b

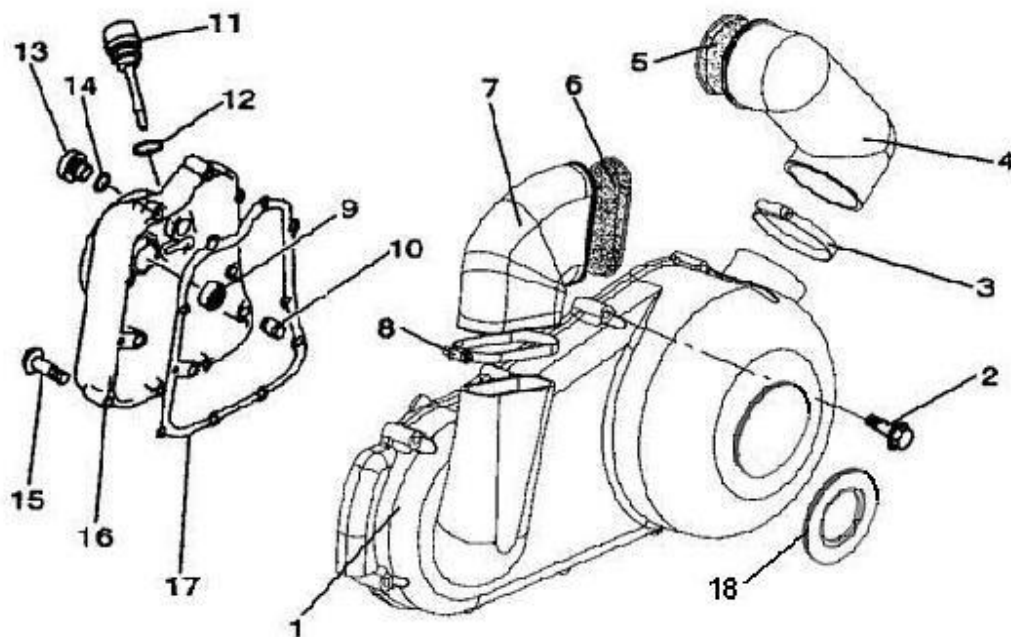
E11 CRANKCASE



Nº	CÓDIGO	DESCRIÇÃO	Qt.	OBSERVAÇÕES
1	LH00023501	CRANKCASE ASSY	1	
2	LH00023502	HOLDER	2	
3	LH00023503	COLLAR	2	
4	LH00023504	O-RING	4	
5	LH00023505	WASHER PLATE 16	2	
6	LH00010121	CIRCLIP 16	2	
7	LH00022422	DOWEL PIN 10X14	2	
8	LH00023508	FLANGE BOLT M6X70	4	
9	LH00023509	FLANGE BOLT M6X100	5	
10	LH00023510	OIL SEAL 30X45X5	1	
11	LH00023511	STUD BOLT M8X245	4	
12	LH00023512	COVER CRANKCASE RIGHT	1	
13	LH00010036	SOCKET HEAD BOLT M6X14	2	
14	LH0023514F	REAR INSIDE COVER	1	
15	LH00023515	SEALING	1	

ATV300-D T3b

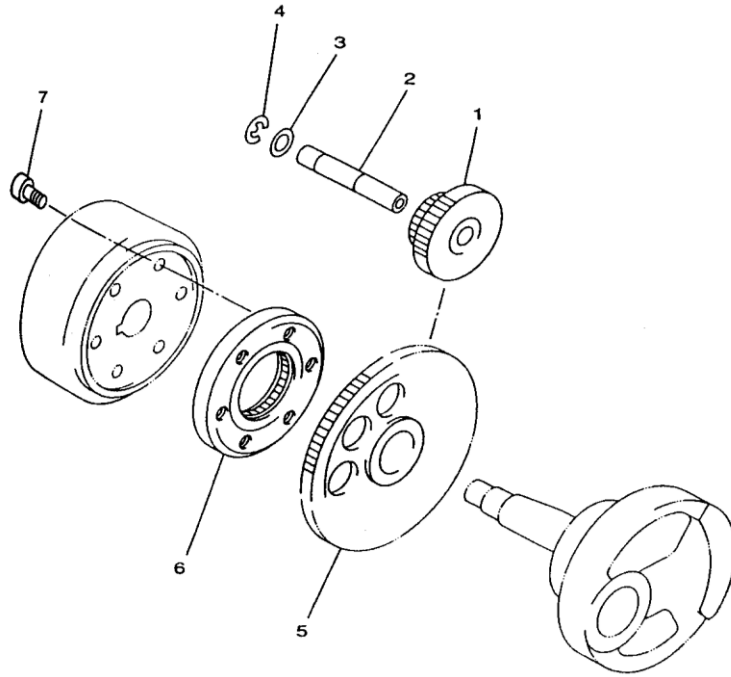
E12 LEFT & RIGHT COVER



Nº	CÓDIGO	DESCRIÇÃO	Qt.	OBSERVAÇÕES
1	LH0023601a	COVER CRANKCASE LEFT	1	
2	LH00023602	FLANGE BOLT M6X52	5	
3	LH00023603	HOSE CLAMP B	1	
4	LH00023604	JOINT A	1	
5	LH00023605	AIR STRAINER B	1	
6	LH00023606	AIR STRAINER A	1	
7	LH00023607	JOINT B	1	
8	LH00023608	HOSE CLAMP A	1	
9	LH00023609	OIL SEAL	1	
10	LH00022422	DOWEL PIN 10X14	4	
11	LH00023611	OIL PLUG	1	
12	LH00010122	O-RING 18X2.65	1	
13	LH00023613	OIL PLUG	1	
14	LH00010123	O-RING 14X2.65	1	
15	LH00023615	FLANGE BOLT M6X40	15	
16	LH00023616	CAP COVER	1	
16	LH0023616A	CAP COVER (USE WITH HIGH-POWER GENERATOR)	1	
17	LH00023617	CRANKCASE COVER GASKET RIGHT	1	
18	LH00023619	RUBBER GASKET(WITH HIGH-POWER CLUTCH)	1	

ATV300-D T3b

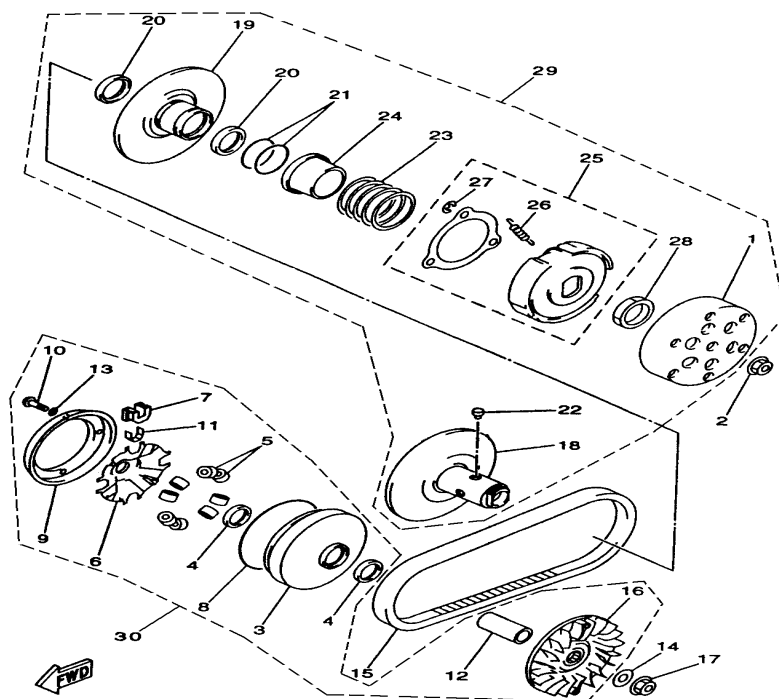
E13 STARTER



Nº	CÓDIGO	DESCRIÇÃO	Qt.	OBSERVAÇÕES
1	LH00023701	GEAR IDLER	1	
2	LH00023702	SHAFT	1	
3	LH00023703	WASHER 12	1	
4	LH00010129	CIRCLIP 12	1	
5	LH00023705	GEAR REDUCTION	1	
6	LH00023706	STARTER CLUTCH	1	
7	LH00010131	SOCKET HEAD BOLT M8X16	3	

ATV300-D T3b

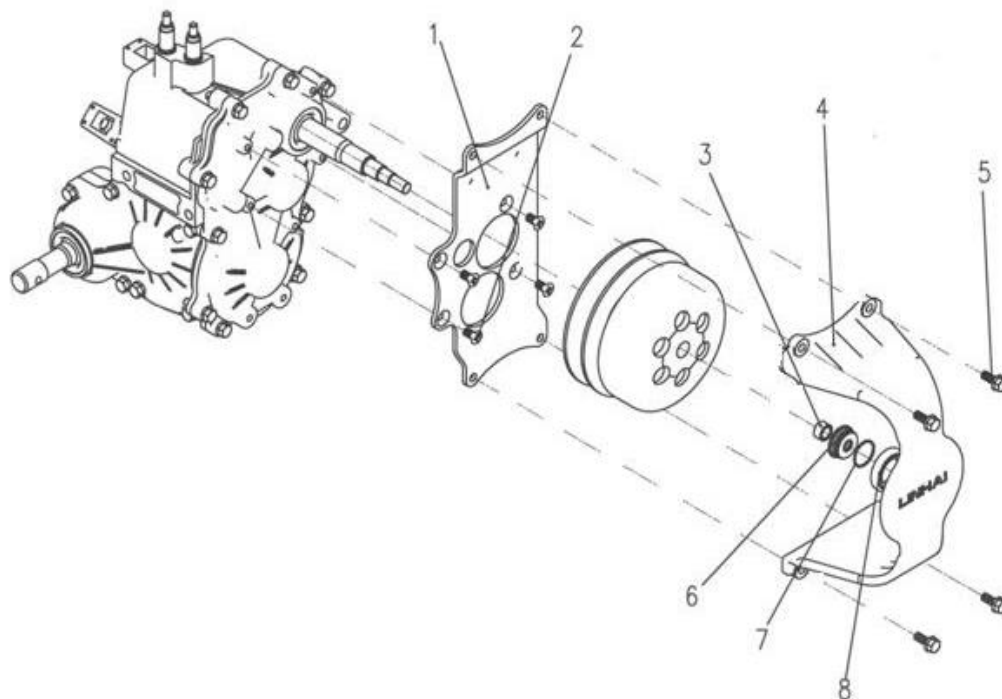
E14 CLUTCH (NEW MODEL)



Nº	CÓDIGO	DESCRIÇÃO	Qt.	OBSERVAÇÕES
1	LH00025614	CLUTCH HOUSING COMP.	1	
2	LH00023802	NUT	1	
3	LH00027460	PRIMARY SLIDING SHEAVE COMP	1	
4	LH00023804	OIL SEAL	2	
5	LH00027461	WEIGHT	8	
6	LH00025615	CAM	1	
7	LH00027463	SLIDER	4	
8	LH00027464	O-RING 115X2.5	1	
9	LH00027465	STOPPER	1	
10	LH00010132	PAN HEAD SCREW M4X12	4	
11	LH00027466	SPACER 1	4	
12	LH00025616	COLLAR	1	
13	LH00023813	WASHER PLATE 4	4	
14	LH00025617	WASHER PLATE	1	
15	LH00023815	V-BELT (LOGO "MITSUBOSHI")	1	
15	LH00023817	V-BELT (LOGO "GATES")	1	
16	LH00025618	SHEAVE PRIMARY FIXED	1	
17	LH00023802	NUT	1	
18	LH00027469	SECONDARY FIXED SHEAVE COMP. (INCL. BEARINGS, OIL SEAL AND CIRCLIP)	1	
19	LH00027470	SECONDARY SLIDING SHEAVE	1	
20	LH00023820	OIL SEAL47X41X4	2	
21	LH00027471	O-RING 46.2X2	2	
22	LH00027472	PIN GUIDE	4	
23	LH00027473	COMPRESSION SPRING	1	
24	LH00027474	SEAT SECONDARY SPRING	1	
25	LH00025619	CLUTCH CARRIER ASSY	1	
26	LH00025643	CLUTCH WEIGHT SPRING 1	3	
27	LH00010133	CIRCLIP 8	3	
28	LH00023928	NUT M36X1.5	1	
29	LH00025620	DRIVEN ASSY COMPLETE	1	
30	LH00025621	DRIVE ASSY COMPLETE	1	

ATV300-D T3b

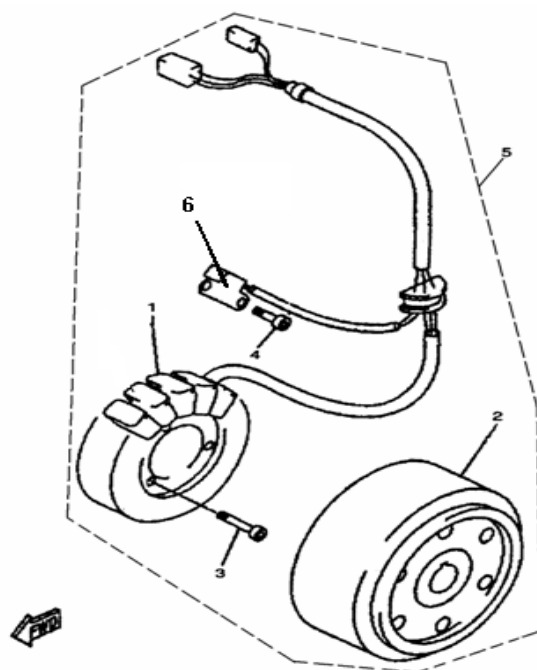
E14.1 HIGH-POWER CLUTCH STAND ASSY



N°	CÓDIGO	DESCRIÇÃO	Qt.	OBSERVAÇÕES
1	LH00023941	BRACKET 1	1	
2	LH00010424	SWCREW M8X12	4	
3	LH00023942	SMALL SPACER	1	
4	LH00023943	BRACKET 2	1	
5	LH00010060	BOLT M8X28	4	
6	LH00023944	SPACER	1	
7	LH00010321	O-RING 26.5X1.8	1	
8	LH00010426	BEARING 6906Z	1	

ATV300-D T3b

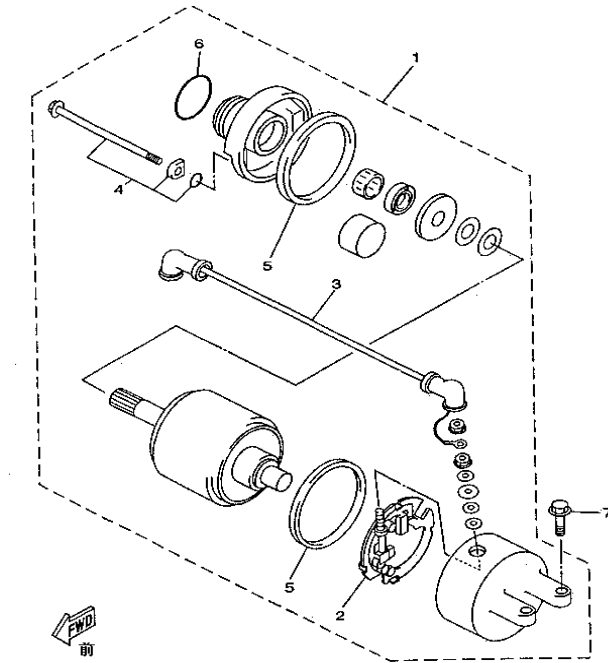
E15 GENERATOR



Nº	CÓDIGO	DESCRIÇÃO	Qt.	OBSERVAÇÕES
1	LH00027450	STATOR (USED FOR WATERPROOF PLUG UNIT)	1	TILL VIN LL8RAP4W7K0H01185
1	LH00025325	STATOR (USED FOR WATERPROOF PLUG UNIT)		START VIN LL8RAP4W7K0H01185
2	LH00024002	ROTOR ASSY (GREEN COLOR)	1	TILL VIN LL8RAP4W7K0H01185
2	LH00024002A	ROTOR ASSY (GREEN COLOR)	1	START VIN LL8RAP4W7K0H01185
3	LH00010134	SOCKET HEAD BOLT M5X25	3	
	LH00010085	SOCKET HEAD BOLT M6X25	3	
4	LH00010135	SOCKET HEAD BOLT M5X12	2	
5	LH00024005	GENERATOR ASSY	1	TILL VIN LL8RAP4W7K0H01185
5	LH00024005A	GENERATOR ASSY	1	START VIN LL8RAP4W7K0H01185
6	LH00024006	PICK UP COIL	1	

ATV300-D T3b

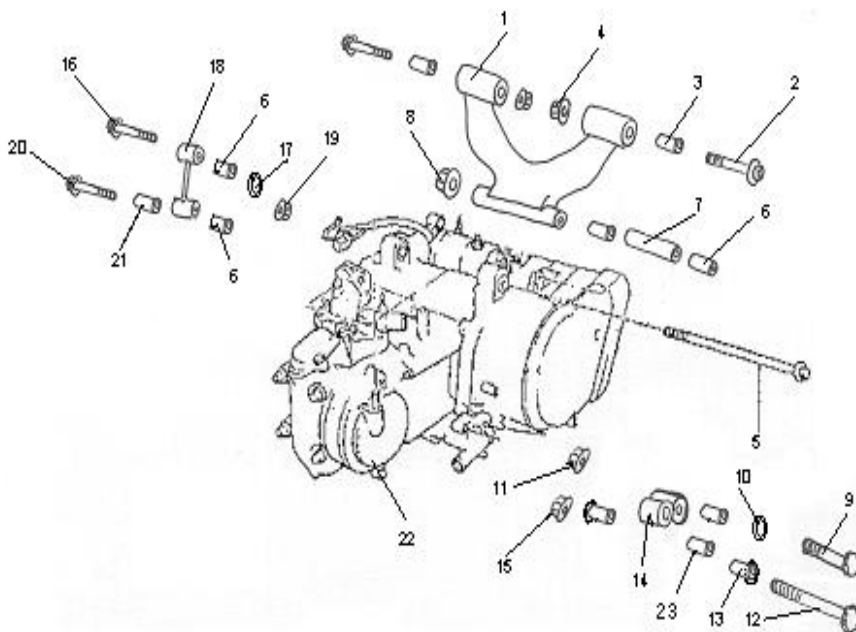
E16 STARTING MOTOR



N°	CÓDIGO	DESCRIÇÃO	Qt.	OBSERVAÇÕES
1	LH00024101	STARTING MOTOR ASSY	1	
2	LH00024102	BRUSH HOLD ASSY	1	
3	LH00024103	CORD,STARTER MOTOR	1	
4	LH00024104	BOLT	2	
5	LH00024105	GASKET	2	
6	LH00024106	O-RING 24.5X3	1	
7	LH00024107	FLANGE BOLT M6X25	2	

ATV300-D T3b

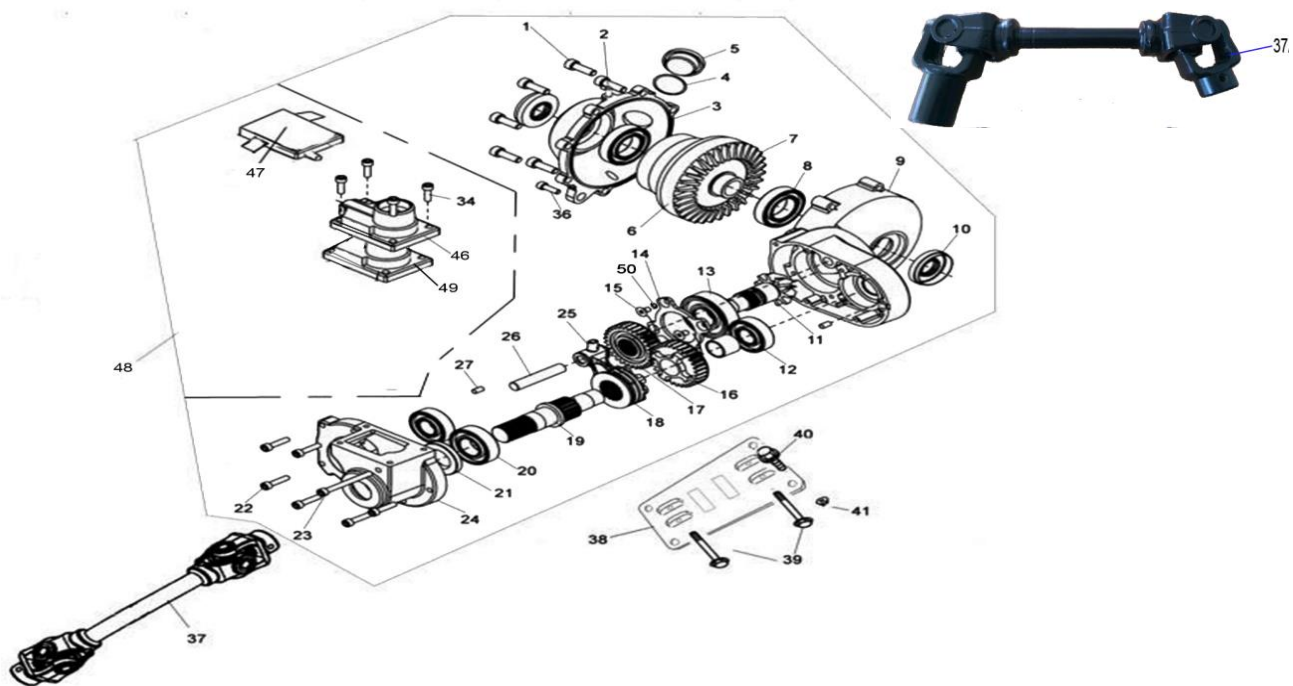
E17 ENGINE



N°	CÓDIGO	DESCRIÇÃO	Qt.	OBSERVAÇÕES
1	LH00024201	FRONT ENGINE MOUNT BRACKET	1	
2	LH00024202	ENGINE BRACKET BOLT	2	
3	LH00024203	BUSHING ENGING BRACKET1	2	
4	LH00010136	NUT M12X1.25	2	
5	LH00024205	ENGINE MOUNTING BOLT	1	
6	LH00024206	BUSHING ENGING BRACKET2	4	
7	LH00024207	SPACER ENGINE BRACKET	1	
8	LH00010015	NUT M10X1.25	1	
9	LH00010016	BOLT M10X1.25X55	1	
10	LH00024210	WASHER	1	
11	LH00010015	NUT M10X1.25	1	
12	LH00010137	BOLT M8X120	1	
13	LH00024213	LEFT SPACER	2	
14	LH00024214	STAY ENGINE LEFT	1	
15	LH00010079	NUT M8	1	
16	LH00010138	BOLT M10X1.25X68	1	
17	LH00024217	WASHER	1	
18	LH00024218	STAY ENGINE RIGHT	1	
19	LH00010015	NUT M10X1.25	1	
20	LH00010139	BOLT M8X65	1	
21	LH00024221	RIGHT SPACER	2	
22	LH0024222b	ENGINE ASSY(300CC)	1	
23	LH00024223	BUSHING	2	

ATV300-D T3b

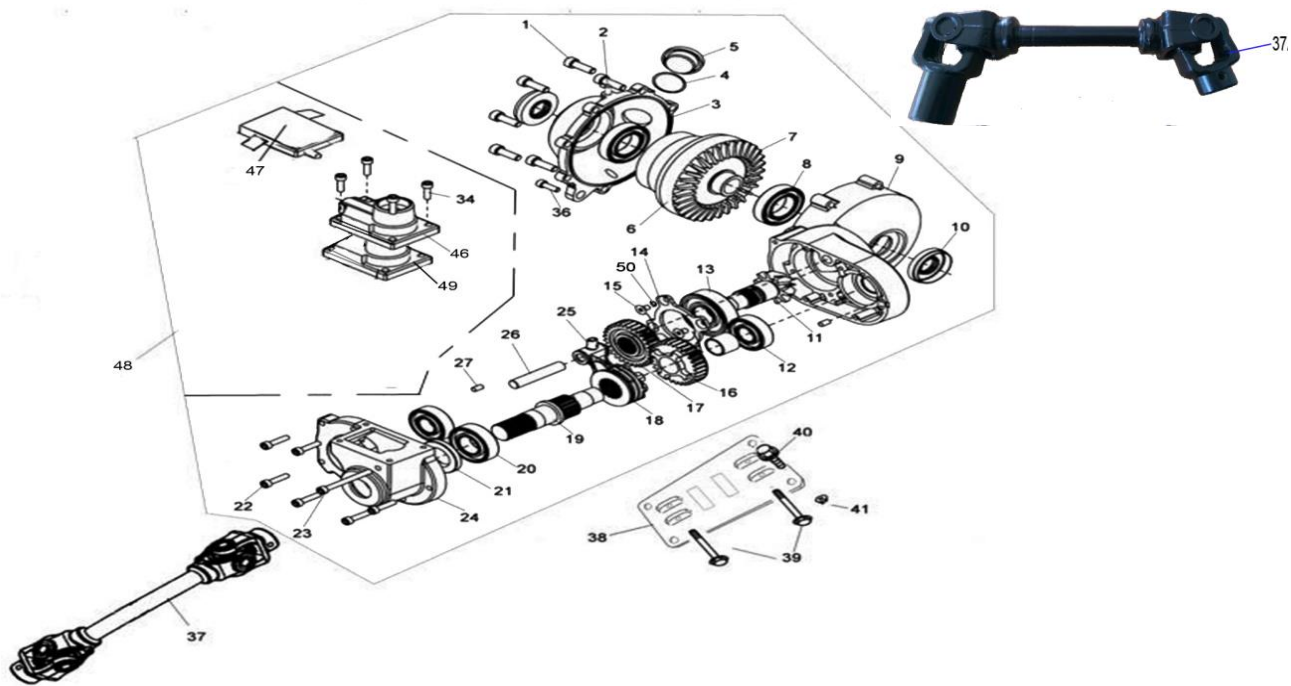
E18 FRONT GEAR-BOX (FOR 4WD)



Nº	CÓDIGO	DESCRIÇÃO	Qt.	OBSERVAÇÕES
1	LH00010059	BOLT M8X25	7	
2	LH00021112	VENT FITTING	1	
3	LH00024303	LEFT COVER	1	
4	LH00010122	O-RING 18X2.65	1	
5	LH00024305	DIFF FILLERPLUG	1	
6	LH00024306	FOC BODY	1	
7	LH00024307	BEVEL CROWNWHEEL	1	
8	LH00010202	BEAR 6006	2	
9	LH00024309	DIFFCASE RHS	1	
10	LH00024310	SEAL SDD722X48X11	2	
11	LH00024311	CONICAL WITH HELICAL GEARING	1	
12	LH00010062	BEAR 6204	2	
13	LH00010074	BEAR 6305ST	1	
14	LH00024314	CASEBEAR RETAINER	1	
15	LH00010287	SCREW M6X12	4	
16	LH00024316	DIFF GEAR	1	
17	LH00024317	DIFF GEAR DRIVEN	1	
18	LH00024318	SPLINED DOG	1	
19	LH00024319	DIFF INPUTSHAFT A	1	
20	LH00010267	BEAR 6205	1	
21	LH00024321	SEAL TC25X47X7	1	
22	LH00010182	BOLE M6X30	6	
23	LH00010160	BOLE M6X70	1	
24	LH00024324	REAR COVER	1	
25	LH00024325	DIFF SELECTOR FORK	1	
26	LH00024326	SELECTOR RAIL	1	
27	LH00024327	PIN	2	
28	LH00024328	SELECTOR SHAFT	1	
29	LH00024429	SELECTOR COVER	1	
30	LH00010203	STEEL BALL 8	1	
31	LH00024431	SPRING	1	

ATV300-D T3b

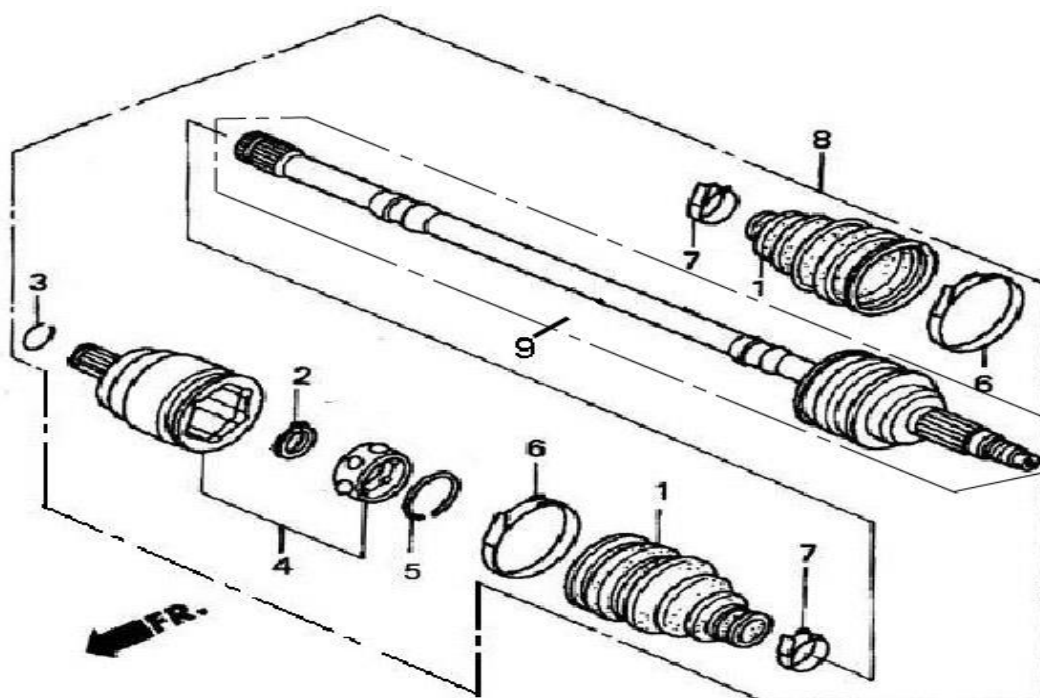
E18.1 FRONT GEAR-BOX (FOR 4WD)



Nº	CÓDIGO	DESCRIÇÃO	Qt.	OBSERVAÇÕES
32	LH00024433	INDENT BALL INSERT	1	
33	LH00083462	WASHER	1	
34	LH00010183	BOLT M6X16	4	
35	LH00024435	SEAL TC12X28X7	1	
36	LH00010168	BOLT M8X16	1	
37	LH00025216	FRONT PROPSHAFT ASSY	1	
38	LH0022325f	FRONT GEAR-BOX BACKSTOP	1	
39	LH00010208	BOLT M10X1.25X43	2	
40	LH00010163	BOLT M10X1.25X20	4	
41	LH00010209	NUT M10	6	
42	LH00010355	BOLT M8X1X16	1	
43	LH00010356	NUT M8X1	1	
44	LH00024444	4WD AND 2WD SWITCH	1	
45	LH00024445	FRONT GEAR-BOX (MECHANICAL SHIFT)	1	
46	LH0024446c	2WD/4WD SHIFT MOTOR(USED WITH 2WD / 4WD SWITCH PN20109b)	1	
47	LH0024447c	2WD/4WD SHIFT ELECTRONIC CONTROLER (USED WITH 2WD / 4WD SWITCH PN20109b)	1	
48	LH0024445a	FRONT GEAR-BOX (ELECTRIC SHIFT)	1	
49	LH00026005	GASKET	1	
50	LH00021453	CIRCLIP 25	1	

ATV300-D T3b

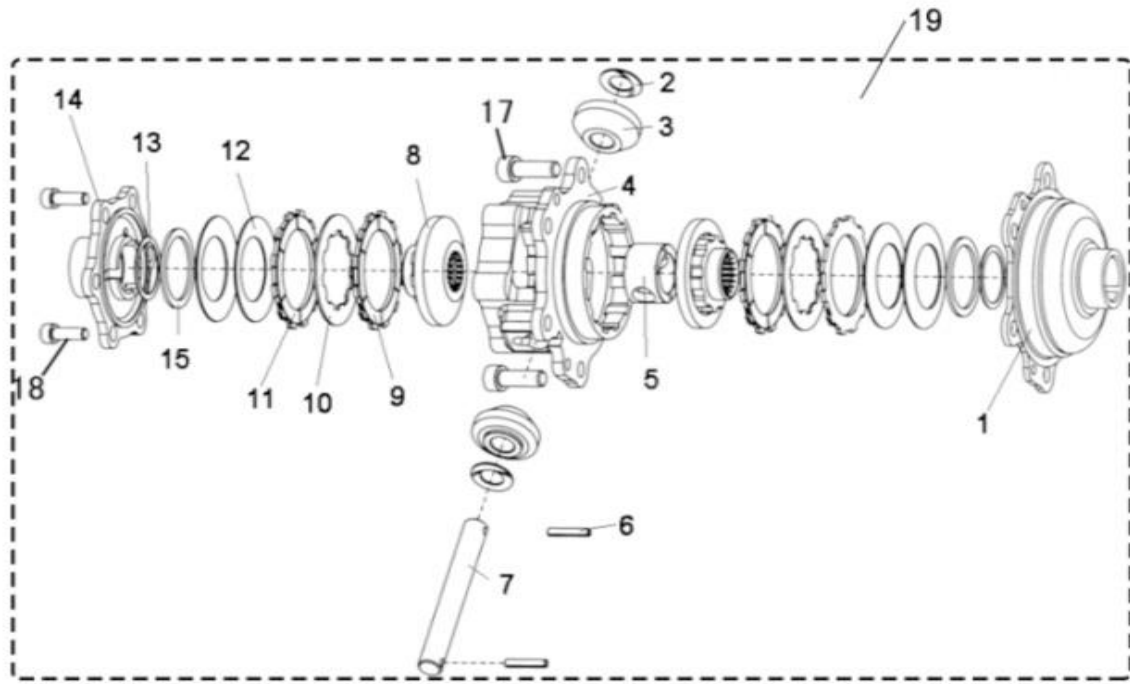
E19 FRONT DRIVE AXLE (FOR 4WD)



Nº	CÓDIGO	DESCRIÇÃO	Qt.	OBSERVAÇÕES
1	LH00024403	OUTER BOARD BOOT	4	
2	LH00024407	CIRCLIP 20	2	
3	LH00070084	ATOPPER RING ϕ 17.2	2	
4	LH00025244	JOINT, INBOARD (CONTAIN INBOARD AXLE STEEL BALL BRACKET STEEL BALL AND GEAR WHEEL)	1	
5	LH00024409	STOPPER RING ϕ 65.4	2	
6	LH00024404	BOOT BAND B	4	
7	LH00024402	BOOT BAND A	4	
8	LH00025274	FRONT DRIVE AXLE	2	
9	LH0024401B	DRIVE AXLE/OUTER CV JOINT ASSEMBLY	2	

ATV300-D T3b

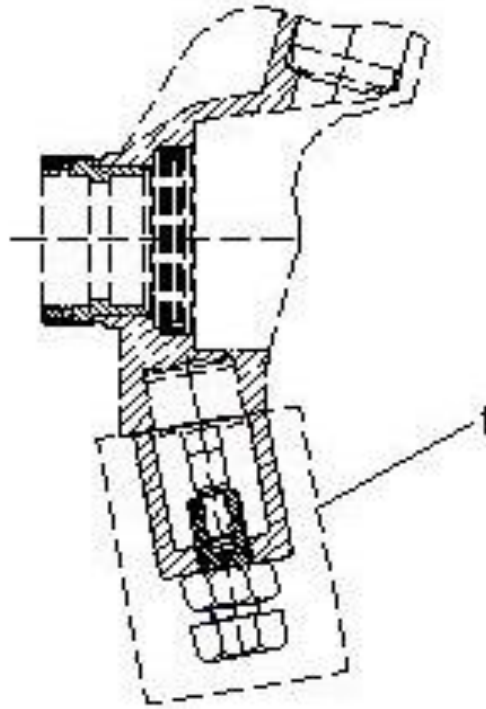
E20 FOC BODY (FOR 4WD)



Nº	CÓDIGO	DESCRIÇÃO	Qt.	OBSERVAÇÕES
1	LH00024701	LARGER COVER	1	
2	LH00024702	WASHER	2	
3	LH00024703	PINION	2	
4	LH00024704	HOUSING	1	
5	LH00024705	CENTER SPACER	1	
6	LH00010003	ROLL PIN	2	
7	LH00024707	CENTER PIN	2	
8	LH00024708	BEVEL GEAR	2	
9	LH00024709	CLUTCH PLATE OUTER DOUBLE	2	
10	LH00024710	CLITCH PLATE INNER	2	
11	LH00024711	CLUTCH PLATE OUTER SINGLE	2	
12	LH00024712	DISHED SPRING	4	
13	LH00024713	WASHER	2	
14	LH00024714	SMALL COVER	1	
15	LH00024715	SPING SEAT	2	
16	LH00010083	SCREW M6X15 - CANCELLED	2	
17	LH00010131	SCREW M8X16	6	
18	LH00024718	BOLT M8X15	6	

ATV300-D T3b

E21 SPECIAL TOOL KIT



Nº	CÓDIGO	DESCRIÇÃO	Qt.	OBSERVAÇÕES
1	LH00024801	TOOL FOR BALL JOINT,STRUT REMOVAL	1	