

PARTS CATALOGUE



SCOOTERS

SBA0BB(PT)

XCITING R500i



Release Date : 2018/06/24
Print Date : 2022/08/01

ABOUT THIS PARTS LIST

- This parts list is compiled all service parts for model SBA0BB(PT).
- Any difference between color chart and motorcycle will be revised according to motorcycle.
- The Mark:
 1. Marking "***" must add color code in the end before ordering parts.
 2. Marking "#" are parts with modification, Please find the details from e-Parts system.
- When modification or additions to this parts list are made a revised edition at an appropriate time.



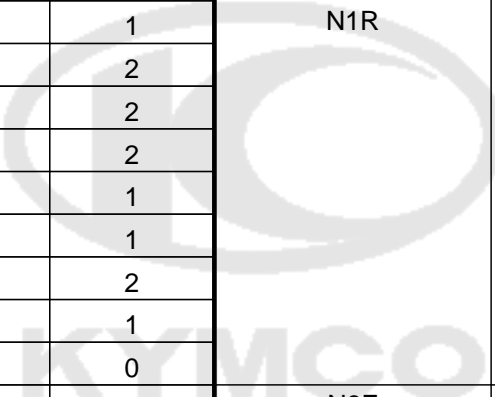
CONTENTS

● ABOUT THIS PARTS LIST	1
● COLOR CHART OF SBA0BB(PT)	3
● CONTENTS-ENGINE GROUP	11
● CONTENTS-FRAME GROUP	12
● ENGINE PARTS LIST	15
● FRAME PARTS LIST	57
● PART NO. INDEX	145

NO	MODEL			COLOR CHART OF SBA0BB(PT)			
	PHOTO NO			NO. 1	NO. 2	NO. 3	NO. 4
	BASIC COLOR			Bright Silver	Dark Gray Metallic	Dark Gray Metallic	Pearly White
	CODE			Bright Silver	Dark Gray Metallic	Dark Gray Metallic	Pearly White
	PARTS NAME	PARTS NO.	VERSION	NH045MA	NH124MA	NH230MA	NH193PA
1	FENDER SET FR	61100-LKF5-305	0	D0C	D0M	D1J	D1S
2	SKIRT R	64305-LBA2-E00	2	D1R			
3	SKIRT L SIDE	64306-LBA2-E00	2				
4	CALIPER ASSY RR	43100-LFH1-E00	5	EBA			
5	CALIPER ASSY FR L	45100-LFH1-E00	3				
6	CALIPER ASSY FR R	45200-LFH1-E00	4				
7	COVER ASSY R CRANK	11330-LBA2-E00	3				
8	WATER PUMP ASSY	19200-LBA2-E00	18	HJA			
9	WHEEL CAST	42601-LFH1-E00	4				
10	BRACKET CABLE	43146-LBA2-E00	0				
11	WHEEL SET FR	44650-LBA2-305	0				
12	FORK ASSY REAR	52000-LFH1-E00	2				
13	CAP A.C.G	90084-LEA5-001	1	HJP			
14	FRONT COVER COMP L	1134B-LDG7-E00	3				
15	TAIL CAP COMP	18307-LBA2-900	4				
16	PROTECTOR MUFF	18318-LGR2-E00	0				
17	COVER R SIDE	83520-LBA2-E00	2				
18	COVER L SIDE	83620-LBA2-E00	2				
19	PROTECTOR EXH PIPE	18325-LBA2-E00	4	HJS			
20	WIND SCREEN	64220-LGR2-E00	4	LFR			
21	LEVER R STRG HANDLE	53175-LGR2-E01	0	M2A			
22	LEVER L STRG HANDLE	53178-LGR2-E01	0				
23	GRIP COMP THROT	53140-KKC4-900	1	N1R			
24	GRIP L HANDLE	53166-KGB5-900	1				
25	COVER METER FR	53203-LBA2-E00	3				
DATE OF STARTING-SALES							
DATE OF END-SALES							

NO	MODEL			COLOR CHART OF SBA0BB(PT)			
	PHOTO NO			NO. 5			
	BASIC COLOR			Mat Black			
	CODE			Mat Black			
	PARTS NAME	PARTS NO.	VERSION	NH105SA			
1	FENDER SET FR	61100-LKF5-305	0				
2	SKIRT R	64305-LBA2-E00	2	D1R			
3	SKIRT L SIDE	64306-LBA2-E00	2				
4	CALIPER ASSY RR	43100-LFH1-E00	5				
5	CALIPER ASSY FR L	45100-LFH1-E00	3	EBA			
6	CALIPER ASSY FR R	45200-LFH1-E00	4				
7	COVER ASSY R CRANK	11330-LBA2-E00	3				
8	WATER PUMP ASSY	19200-LBA2-E00	18				
9	WHEEL CAST	42601-LFH1-E00	4				
10	BRACKET CABLE	43146-LBA2-E00	0	HJA			
11	WHEEL SET FR	44650-LBA2-305	0				
12	FORK ASSY REAR	52000-LFH1-E00	2				
13	CAP A.C.G	90084-LEA5-001	1				
14	FRONT COVER COMP L	1134B-LDG7-E00	3				
15	TAIL CAP COMP	18307-LBA2-900	4				
16	PROTECTOR MUFF	18318-LGR2-E00	0	HJP			
17	COVER R SIDE	83520-LBA2-E00	2				
18	COVER L SIDE	83620-LBA2-E00	2				
19	PROTECTOR EXH PIPE	18325-LBA2-E00	4	HJS			
20	WIND SCREEN	64220-LGR2-E00	4	LFR			
21	LEVER R STRG HANDLE	53175-LGR2-E01	0	M2A			
22	LEVER L STRG HANDLE	53178-LGR2-E01	0				
23	GRIP COMP THROT	53140-KKC4-900	1				
24	GRIP L HANDLE	53166-KGB5-900	1	N1R			
25	COVER METER FR	53203-LBA2-E00	3				
DATE OF STARTING-SALES							
DATE OF END-SALES							

NO	MODEL			COLOR CHART OF SBA0BB(PT)							
	PHOTO NO			NO. 1	NO. 2	NO. 3	NO. 4				
	BASIC COLOR			Bright Silver	Dark Gray Metallic	Dark Gray Metallic	Pearly White				
	CODE			Bright Silver	Dark Gray Metallic	Dark Gray Metallic	Pearly White				
	PARTS NAME	PARTS NO.	VERSION	NH045MA	NH124MA	NH230MA	NH193PA				
26	COVER METER RR	53204-LBA2-E00	3	N1R							
27	COVER HNDL UP	53205-LBA2-E02	1								
28	COVER R HANDLE LOW	53206-LBA2-E00	1								
29	HOLDER ASSY..R WIND	6413A-LGR2-E00	5								
30	COVER.R WIND	64140-LGR2-E00	1								
31	HOLDER ASSY L WIND	6423A-LGR2-E00	5								
32	COVER L WIND SCREEN	64240-LGR2-E00	1								
33	FLOOR PANEL	64310-LBA2-E00	4								
34	COVER R PILLION STEP	64311-LBA2-E00	1								
35	MAT R FLOOR	64320-LBA2-E00	2								
36	MAT L FLOOR	64330-LBA2-E00	2								
37	COWL UNDER	64400-LBA2-E00	2								
38	FENDER RR	80105-LBA2-E00	1								
39	COVER CENTER	80151-LBA2-E00	1								
40	LEG SHIELD	81131-LBA2-E01	2								
41	LID ASSY INNER BOX	8114A-LBA2-E00	1								
42	BAND HARNESS WIRE	90656-KUDU-900	0								
43	EMB ENG COVER	11345-LDG7-E00	3					N8F			
44	MOLDING FR	64302-LGR2-E00	0					N8P	NFP	HKP	NVP
45	COVER R BODY	83500-LBA2-E00	3								
46	COVER L BODY	83600-LBA2-E00	3								
47	COVER RR CENTER	83750-LBA2-E00	2	NEA							
48	BRACKET	43110-LBA2-E00	0								
49	FORK SET R. FR	5140A-LGR2-E01	4								
50	BOTTOM CASE R	51421-LGR2-E01	0								
DATE OF STARTING-SALES											
DATE OF END-SALES											

NO	MODEL			COLOR CHART OF SBA0BB(PT)						
	PHOTO NO			NO. 5						
	BASIC COLOR			Mat Black						
	CODE			Mat Black						
	PARTS NAME	PARTS NO.	VERSION	NH105SA						
26	COVER METER RR	53204-LBA2-E00	3							
27	COVER HNDL UP	53205-LBA2-E02	1							
28	COVER R HANDLE LOW	53206-LBA2-E00	1							
29	HOLDER ASSY..R WIND	6413A-LGR2-E00	5							
30	COVER.R WIND	64140-LGR2-E00	1							
31	HOLDER ASSY L WIND	6423A-LGR2-E00	5							
32	COVER L WIND SCREEN	64240-LGR2-E00	1							
33	FLOOR PANEL	64310-LBA2-E00	4							
34	COVER R PILLION STEP	64311-LBA2-E00	1					N1R		
35	MAT R FLOOR	64320-LBA2-E00	2							
36	MAT L FLOOR	64330-LBA2-E00	2							
37	COWL UNDER	64400-LBA2-E00	2							
38	FENDER RR	80105-LBA2-E00	1							
39	COVER CENTER	80151-LBA2-E00	1							
40	LEG SHIELD	81131-LBA2-E01	2							
41	LID ASSY INNER BOX	8114A-LBA2-E00	1							
42	BAND HARNESS WIRE	90656-KUDU-900	0							
43	EMB ENG COVER	11345-LDG7-E00	3					N8F		
44	MOLDING FR	64302-LGR2-E00	0							
45	COVER R BODY	83500-LBA2-E00	3					NEP		
46	COVER L BODY	83600-LBA2-E00	3							
47	COVER RR CENTER	83750-LBA2-E00	2							
48	BRACKET	43110-LBA2-E00	0					NEA		
49	FORK SET R. FR	5140A-LGR2-E01	4							
50	BOTTOM CASE R	51421-LGR2-E01	0							
DATE OF STARTING-SALES										
DATE OF END-SALES										

NO	MODEL			COLOR CHART OF SBA0BB(PT)							
	PHOTO NO			NO. 1	NO. 2	NO. 3	NO. 4				
	BASIC COLOR			Bright Silver	Dark Gray Metallic	Dark Gray Metallic	Pearly White				
	CODE			Bright Silver	Dark Gray Metallic	Dark Gray Metallic	Pearly White				
	PARTS NAME	PARTS NO.	VERSION	NH045MA	NH124MA	NH230MA	NH193PA				
51	FORK SET L. FR	5150A-LGR2-E01	4	NEA							
52	BOOTTOM CASE L	51521-LGR2-E00	0								
53	RR COVER L COVER	11343-LDG7-E00	2	NEP							
54	COVER FR TOP	64301-LGR2-E00	1								
55	SKIRT FR R SIDE	64307-LGR2-E00	0								
56	SKIRT FR L SIDE	64308-LGR2-E00	0								
57	MIRROR ASSY R BACK	88110-LBA2-E02	2								
58	MIRROR ASSY L BACK	88120-LBA2-E02	2								
59	CUSHION ASSY R RR	52400-LBA2-E00	5	NES							
60	END HANDLE	53102-LEA5-E00	3								
61	END R STRG HANDLE	53105-LEA5-E00	3	T01							
62	CARRIER RR	81200-LBA2-E00	2					NJP	NFP	HKP	NVP
63	SEAT ASSY	77200-LDG7-E00	1								
64	SEAT ASSY PAD	77220-LDG7-E00	0								
65	EMB BODY COVER	86202-LDG7-E00	2								
66	EMB MARK KYMCO	87206-LBA2-E00	3								
67	STRIPE MARK 500	87311-LBA2-E00	5								
68	LABEL TIRE	87505-LBA2-E00	1								
69	LABEL CLEANNESS	87508-KKC4-E00	2								
70	CAUTION FILTER	87512-LBA2-E00	3								
71	CAUTION SIDE STAND	87541-GAR1-E00	2								
72	CAUTION MOBILE	87541-KKC2-E00	2								
73	MARK MAINT CAUTION	87542-GAR1-E00	3								
74	MARK DRIVE CAUTION	87560-GFY6-E00	5								
75	STRIPE R FR FENDER	86161-LGR2-E00	2								
DATE OF STARTING-SALES											
DATE OF END-SALES											

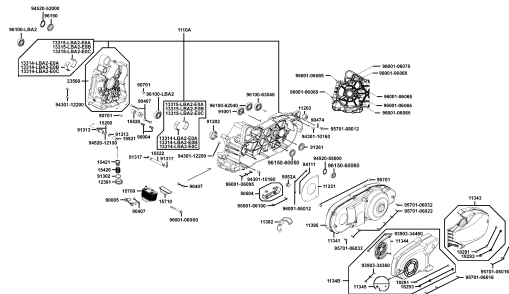
NO	MODEL			COLOR CHART OF SBA0BB(PT)			
	PHOTO NO			NO. 5			
	BASIC COLOR			Mat Black			
	CODE			Mat Black			
	PARTS NAME	PARTS NO.	VERSION	NH105SA			
51	FORK SET L. FR	5150A-LGR2-E01	4	NEA			
52	BOOTOM CASE L	51521-LGR2-E00	0				
53	RR COVER L COVER	11343-LDG7-E00	2	NEP			
54	COVER FR TOP	64301-LGR2-E00	1				
55	SKIRT FR R SIDE	64307-LGR2-E00	0				
56	SKIRT FR L SIDE	64308-LGR2-E00	0				
57	MIRROR ASSY R BACK	88110-LBA2-E02	2				
58	MIRROR ASSY L BACK	88120-LBA2-E02	2				
59	CUSHION ASSY R RR	52400-LBA2-E00	5	NES			
60	END HANDLE	53102-LEA5-E00	3				
61	END R STRG HANDLE	53105-LEA5-E00	3	NEP			
62	CARRIER RR	81200-LBA2-E00	2				
63	SEAT ASSY	77200-LDG7-E00	1				
64	SEAT ASSY PAD	77220-LDG7-E00	0				
65	EMB BODY COVER	86202-LDG7-E00	2				
66	EMB MARK KYMCO	87206-LBA2-E00	3				
67	STRIPE MARK 500	87311-LBA2-E00	5				
68	LABEL TIRE	87505-LBA2-E00	1				
69	LABEL CLEANNESS	87508-KKC4-E00	2				
70	CAUTION FILTER	87512-LBA2-E00	3				
71	CAUTION SIDE STAND	87541-GAR1-E00	2				
72	CAUTION MOBILE	87541-KKC2-E00	2				
73	MARK MAINT CAUTION	87542-GAR1-E00	3				
74	MARK DRIVE CAUTION	87560-GFY6-E00	5				
75	STRIPE R FR FENDER	86161-LGR2-E00	2		T01		
DATE OF STARTING-SALES							
DATE OF END-SALES							

NO	MODEL			COLOR CHART OF SBA0BB(PT)			
	PHOTO NO			NO. 1	NO. 2	NO. 3	NO. 4
	BASIC COLOR			Bright Silver	Dark Gray Metallic	Dark Gray Metallic	Pearly White
	CODE			Bright Silver	Dark Gray Metallic	Dark Gray Metallic	Pearly White
	PARTS NAME	PARTS NO.	VERSION	NH045MA	NH124MA	NH230MA	NH193PA
76	STRIPE L FR FENDER	86171-LGR2-E00	2	T01			
77	STRIPE R FR MOLD	86282-LGR2-E00	2				
78	STRIPE L FR MOLD	86283-LGR2-E00	2				
79	STRIPE B R FR MOLD	86284-LGR2-E00	2				
80	STRIPE B L FR MOLD	86286-LGR2-E00	2				
81	EMB I MARK	87140-LDG7-E00	2	T02			
82	STRIPE MARK ABS	87311-LFH1-E01	2				
83	EMB R MARK	87311-LDG7-E00	3	T03			
84	FENDER FR (A:EV/B:NE)	61100-LKF5-E00	1				
DATE OF STARTING-SALES							
DATE OF END-SALES							

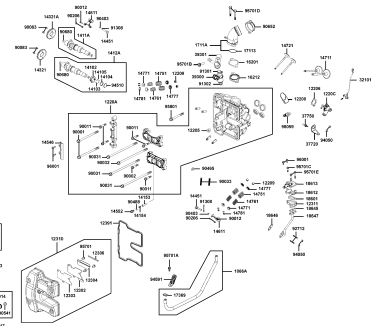
NO	MODEL			COLOR CHART OF SBA0BB(PT)			
	PHOTO NO			NO. 5			
	BASIC COLOR			Mat Black			
	CODE			Mat Black			
	PARTS NAME	PARTS NO.	VERSION	NH105SA			
76	STRIPE L FR FENDER	86171-LGR2-E00	2				
77	STRIPE R FR MOLD	86282-LGR2-E00	2				
78	STRIPE L FR MOLD	86283-LGR2-E00	2				
79	STRIPE B R FR MOLD	86284-LGR2-E00	2				
80	STRIPE B L FR MOLD	86286-LGR2-E00	2				
81	EMB I MARK	87140-LDG7-E00	2	T02			
82	STRIPE MARK ABS	87311-LFH1-E01	2				
83	EMB R MARK	87311-LDG7-E00	3	T03			
84	FENDER FR (A:EV/B:NE)	61100-LKF5-E00	1	NEP			
DATE OF STARTING-SALES							
DATE OF END-SALES							

CONTENTS - ENGINE GROUP

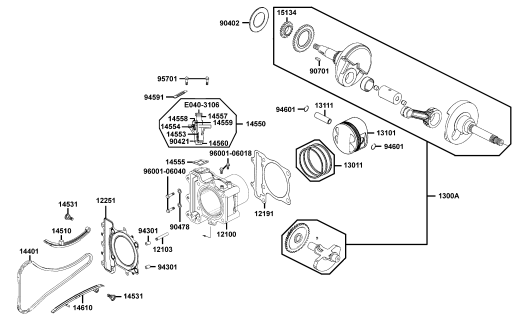
E01 Crank Case



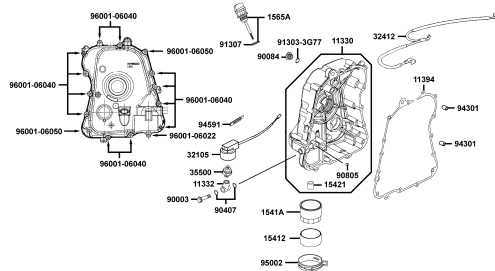
E02 Cylinder Head CoverCylinder



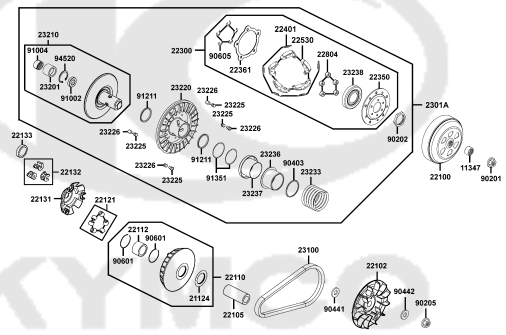
E03 CylinderPistonCrankshaft



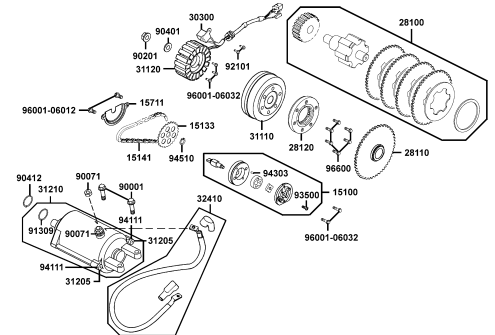
E04 Right Crankcase Cover



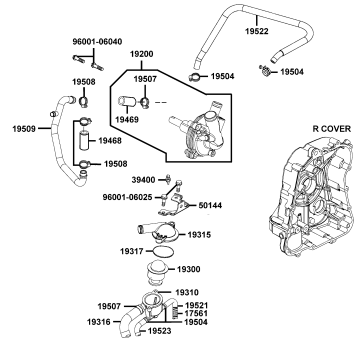
E05 Transmission Pulley



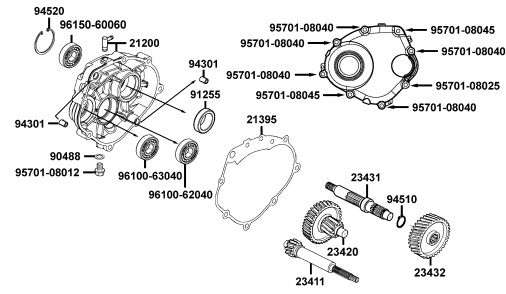
E06 Starting MotorGenerator



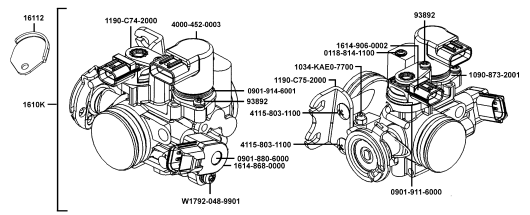
E07 GeneratorWater Pump



E08 Transmission

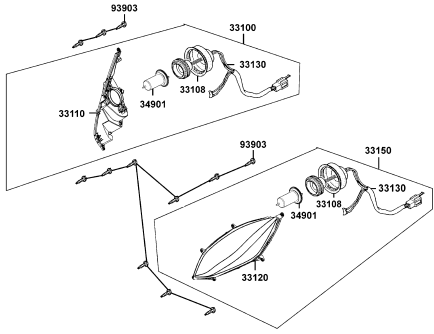


E09 Throttle Body

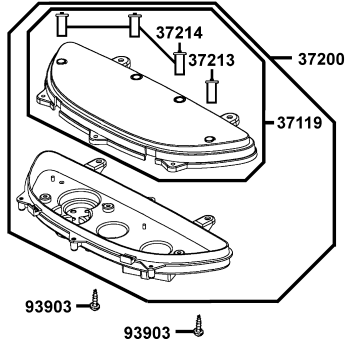


CONTENTS - FRAME GROUP

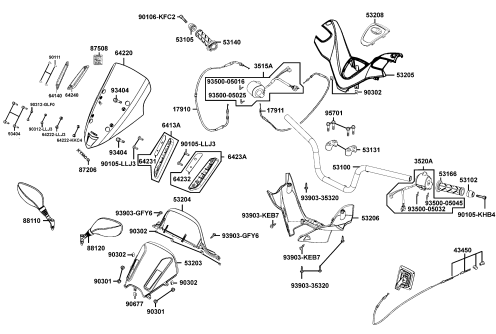
F01 Head Light



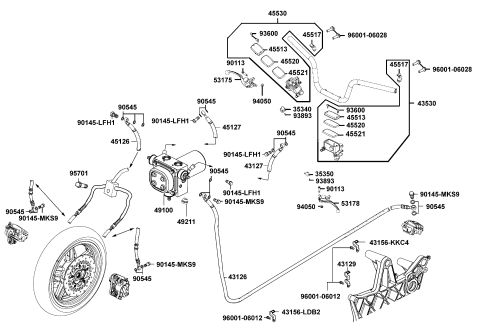
F02 Speed meter



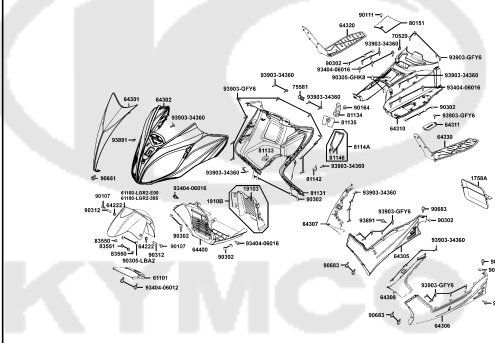
F03 Handle Steering Handle Cover



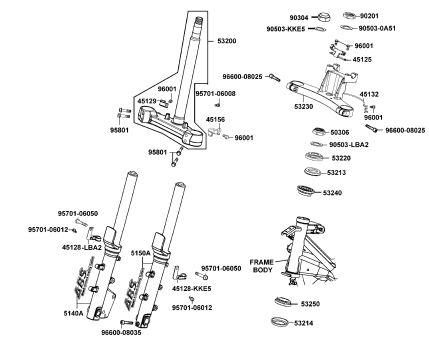
F04 Brake Master Cylinder



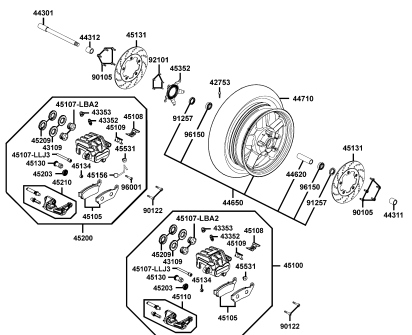
F05 Front Cover Floor Panel



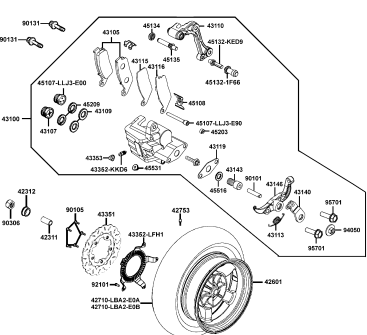
F06 Front Cushion



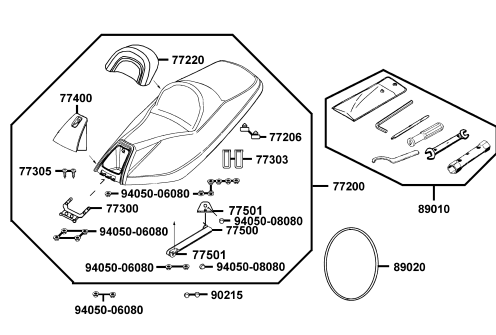
F07 Front Wheel



F08 Rear Wheel



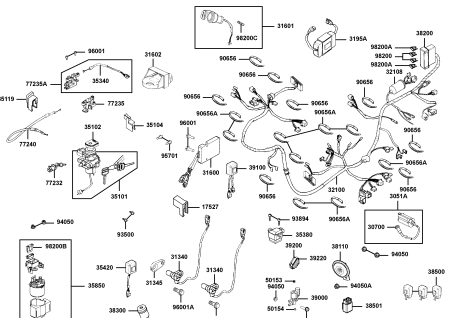
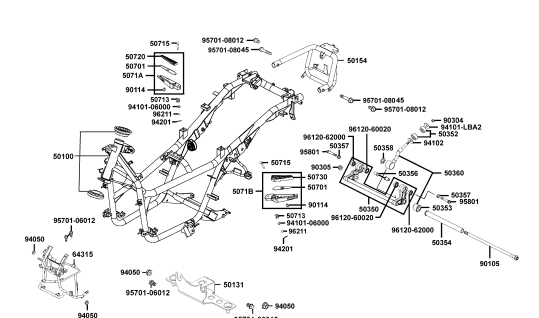
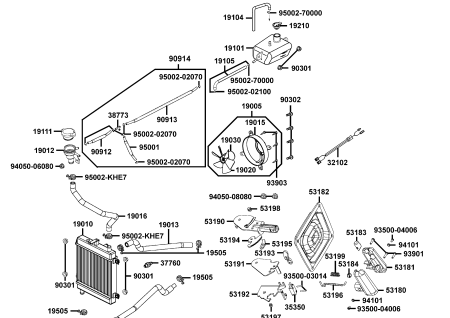
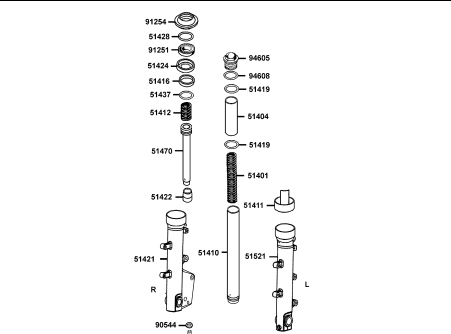
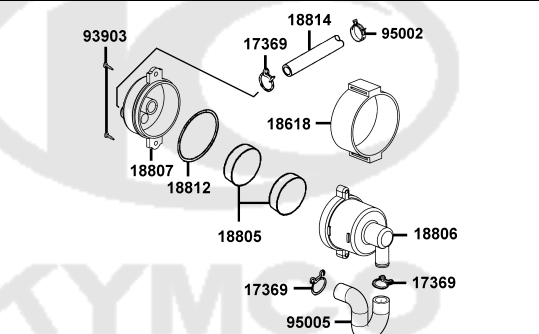
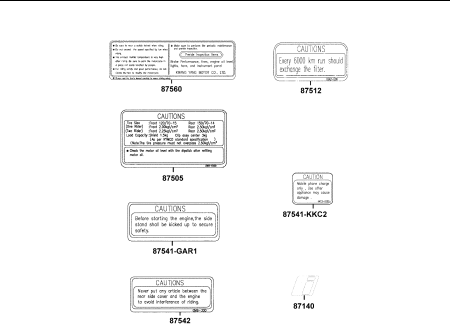
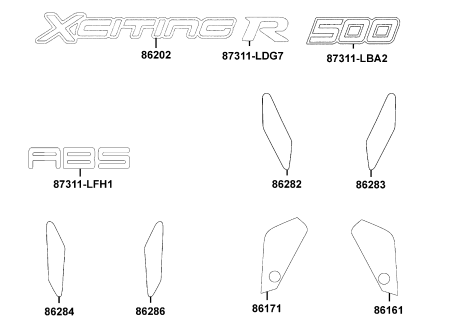
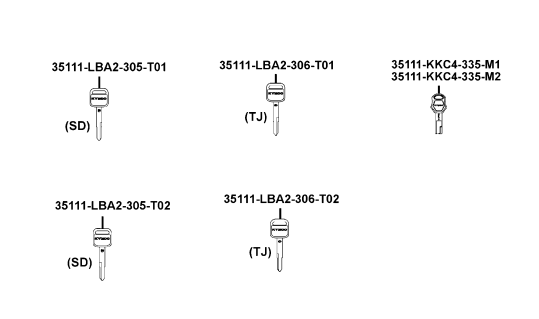
F09 Seat



CONTENTS - FRAME GROUP

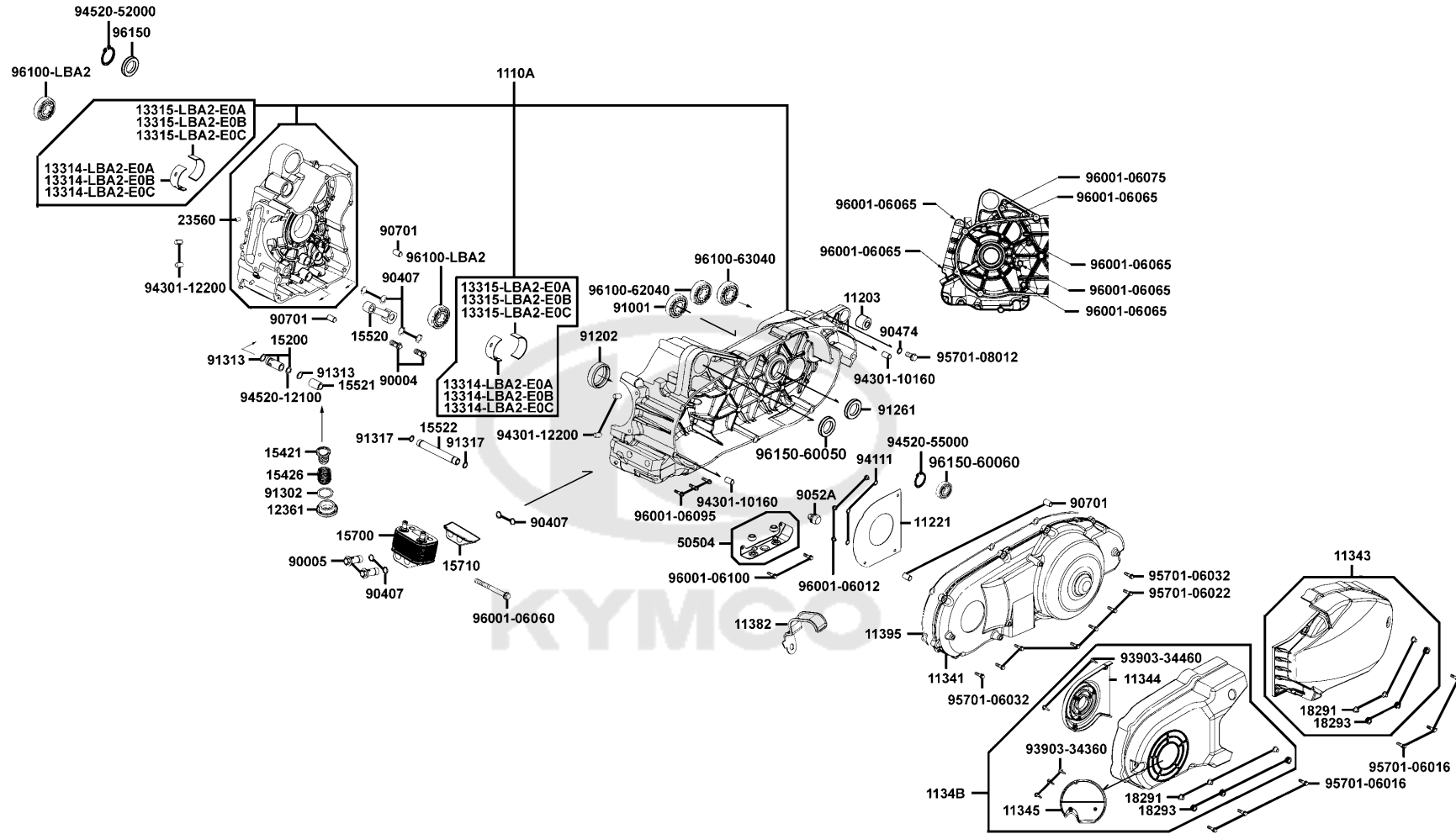
F10 Fuel Tank	F11 Battery	F12 Body CoverLuggage Box
F13 Air Cleaner 	F14 Exhaust Muffler 	F15 Stand
F16 Rear Cushion 	F17 Front Winker 	F18 Rear LightRear Fender

CONTENTS - FRAME GROUP

F19 Wire Harness 	F20 Frame Body 	F21 Radiator 
F22 Separated Parts Of Fr Fork 	F23 Air Cleaner Two 	F24 Caution Label 
F25 Emblem/Stripe 	F26 KEY 	

E01

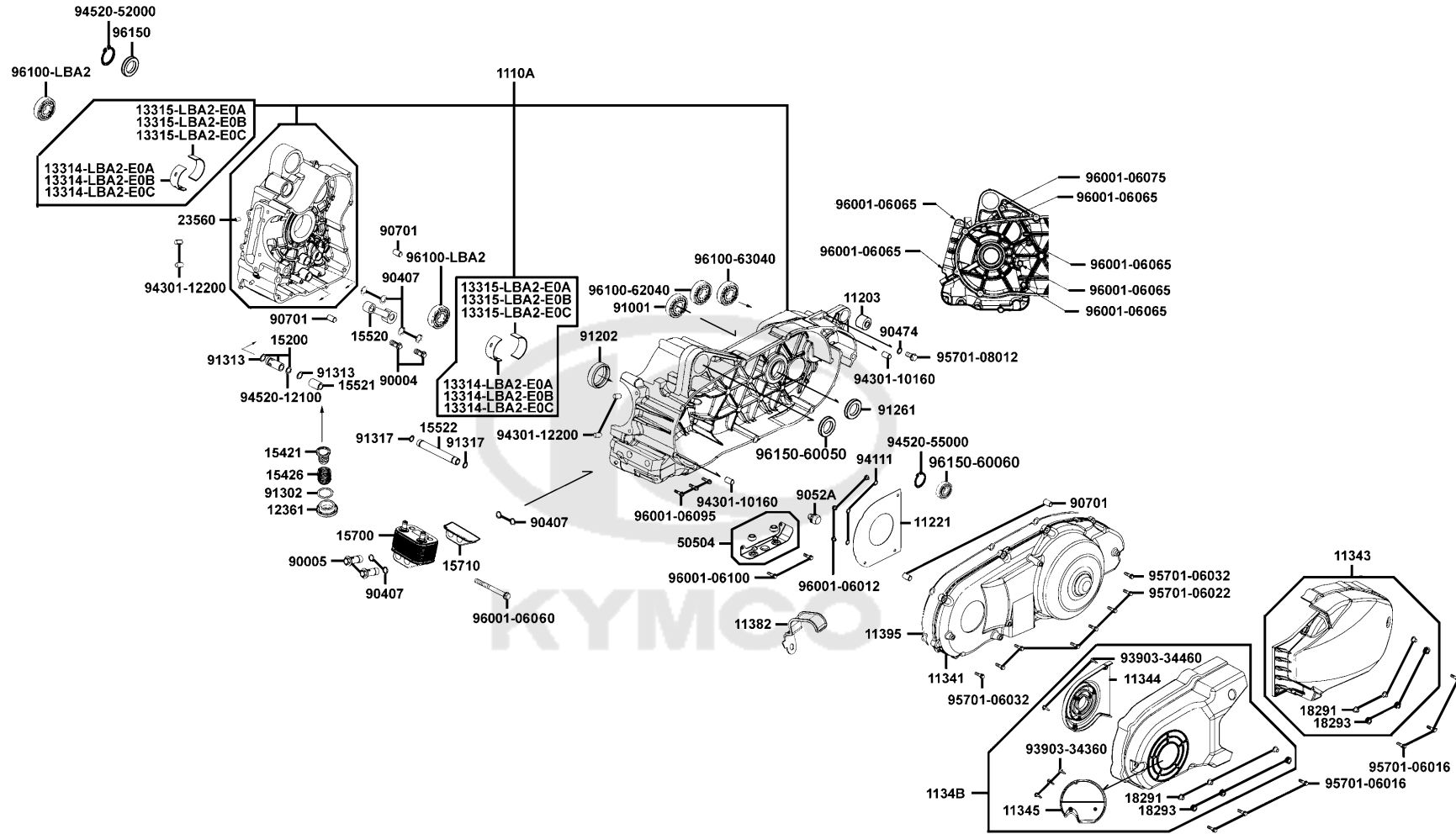
Crank Case



Sales mark	Ref no	Part no	Description	Reg description	Regd no	E01
	1110A	1110A-LDG7-E00	CRANK CASE R/L ASSY	CRANK CASE R/L ASSY	1	
	11203	11203-LBA2-E00	RUB BUSH L CASE	RUB BUSH L CASE	1	
	11221	11221-LBA2-E00	PLATE INSULATOR	PLATE INSULATOR	1	
	11341	11341-LBA2-E01	COVER LEFT	COVER LEFT	1	
**	11343	11343-LDG7-E00	RR COVER L COVER	RR COVER L COVER	1	
	11344	11344-LBA2-E00	INNER COVER L COVER	INNER COVER L COVER	1	
**	11345	11345-LDG7-E00	EMB ENG COVER	EMB ENG COVER	1	
**	1134B	1134B-LDG7-E00	FRONT COVER COMP L COVER	FRONT COVER COMP L COVER (CHARCOAL)	1	
	11382	11382-LDG7-900	CLAMPER INJECTOR WIRE	CLAMPER INJECTOR WIRE	1	
	11395	11395-LBA2-E00	GASKET L COVER @ A	GASKET L COVER @ A	1	
	12361	12361-LBA2-E00	HOLE CAP.TAPPET ADJUSTING	HOLE CAP.TAPPET ADJUSTING	1	
	13314-LBA2-E0A	13314-LBA2-E0A	BRG CRANK SHAFT A(BROWN)	BRG CRANK SHAFT A(BROWN)	2	
	13314-LBA2-E0B	13314-LBA2-E0B	BRG CRANK SHAFT B(GREEN)	BRG CRANK SHAFT B(GREEN)	2	
	13314-LBA2-E0C	13314-LBA2-E0C	BRG CRANK SHAFT C(YELLOW)	BRG CRANK SHAFT C(YELLOW)	2	
	13315-LBA2-E0A	13315-LBA2-E0A	BRG CRANK SHAFT A(BROWN)	BRG CRANK SHAFT A(BROWN)	2	
	13315-LBA2-E0B	13315-LBA2-E0B	BRG CRANK SHAFT B(GREEN)	BRG CRANK SHAFT B(GREEN)	2	
	13315-LBA2-E0C	13315-LBA2-E0C	BRG CRANK SHAFT C(YELLOW)	BRG CRANK SHAFT C(YELLOW)	2	
	15200	15200-LBA2-E00	OIL RELIEF VALVE ASSY	OIL RELIEF VALVE ASSY	1	
	15421	15421-LFH1-E00	SCREEN. OIL FILTER	SCREEN. OIL FILTER	1	
	15426	15426-LBA2-E00	SPRING.OIL FILTER SCREEN	SPRING.OIL FILTER SCREEN	1	

E01

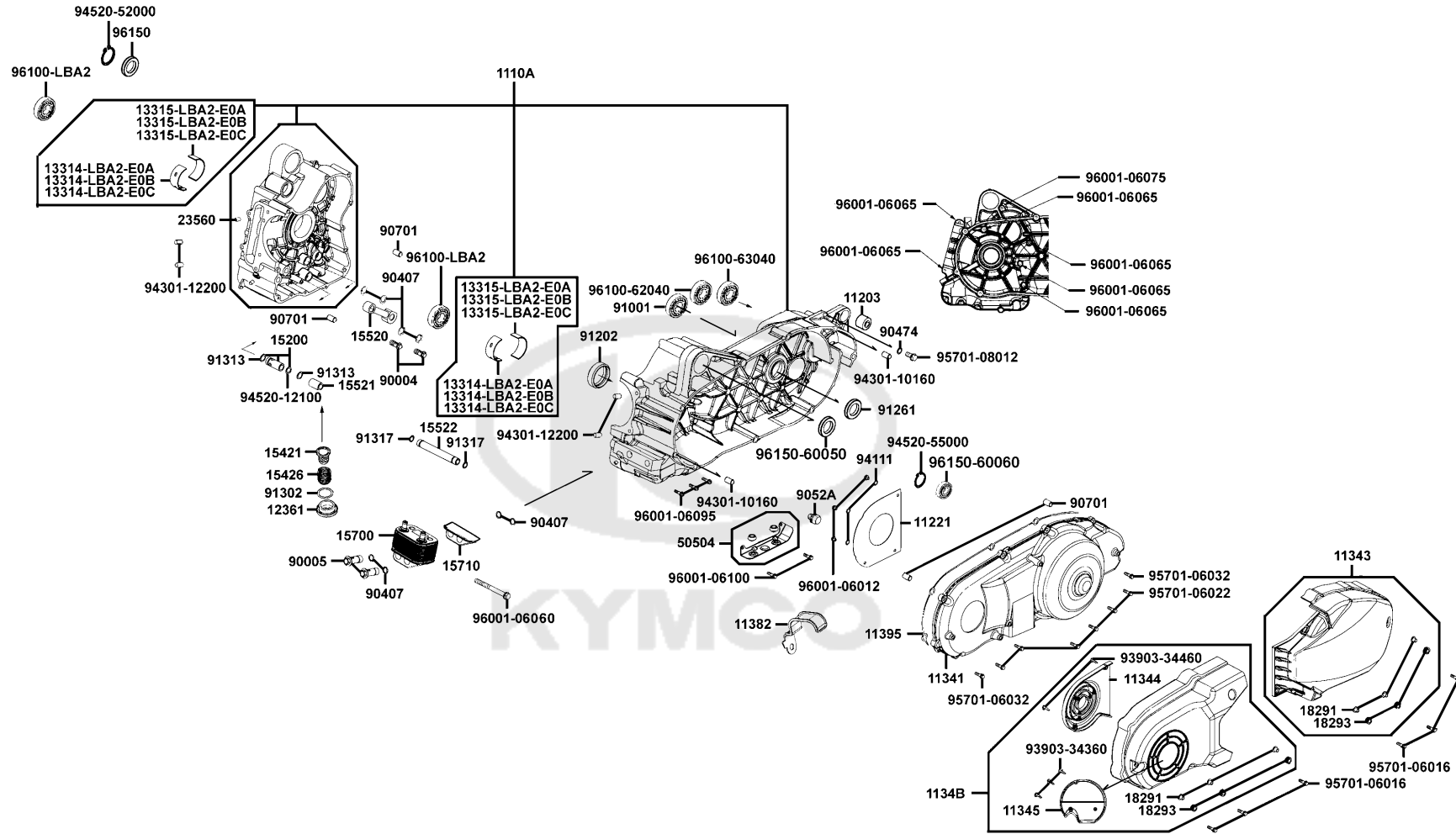
Crank Case



Sales mark	Ref no	Part no	Description	Reg description	Regd no	E01
	15520	15520-LBA2-E00	PIPE COMP OIL	PIPE COMP OIL	1	
	15521	15521-LBA2-E00	COLLAR OIL	COLLAR OIL	1	
	15522	15522-LBA2-E00	PIPE OIL R/L CASE	PIPE OIL R/L CASE	1	
	15700	15700-LBA2-E00	OIL WATER HEAT EXCHANGER	OIL WATER HEAT EXCHANGER	1	
#	15700	15700-LBA2-E0A	OIL WATER HEAT EXCHANGER	OIL WATER HEAT EXCHANGER	1	
	15710	15710-LBA2-E00	BOTTOM OIL WATER	BOTTOM OIL WATER	1	
	18291	18291-KKC4-900	COLLAR	COLLAR	6	
	18293	18293-KKC4-900	RUBBER	RUBBER	6	
	23560	23560-LBA2-E00	ORIFICE R CASE	ORIFICE R CASE	1	
	50504	50504-LBA2-E00	STAND MAIN STOPPER	STAND MAIN STOPPER	1	
	90004	90004-LBA2-E00	BOLT B OIL PASS	BOLT B OIL PASS	2	
	90005	90005-LBA2-E00	BOLT C OIL PASS	BOLT C OIL PASS	2	
	90407	90407-LBA2-E00	SEALING WASHER OIL PIPE	SEALING WASHER OIL PIPE	8	
	90474	90474-3C33-001	WASHER 8MM	WASHER 8MM	1	
	9052A	9052A-GFY6-950	BOLT ASSY DRAIN PLUG	BOLT ASSY DRAIN PLUG	1	
	90701	90701-9E65-001	PIN DOWEL 10*16	PIN DOWEL 10*16	4	
	91001	91001-KHV8-004	BRG BALL RADIAL 6305	BRG BALL RADIAL 6305	1	
	91202	91202-LBA2-E00	OIL SEAL 35*47*7	OIL SEAL 35*47*7	1	
	91261	91261-4E15-004	OIL SEAL 25*40*8	OIL SEAL 25*40*8	1	
	91302	91302-0A01-021	O-RING 30.8M/M	O-RING 30.8M/M	1	

E01

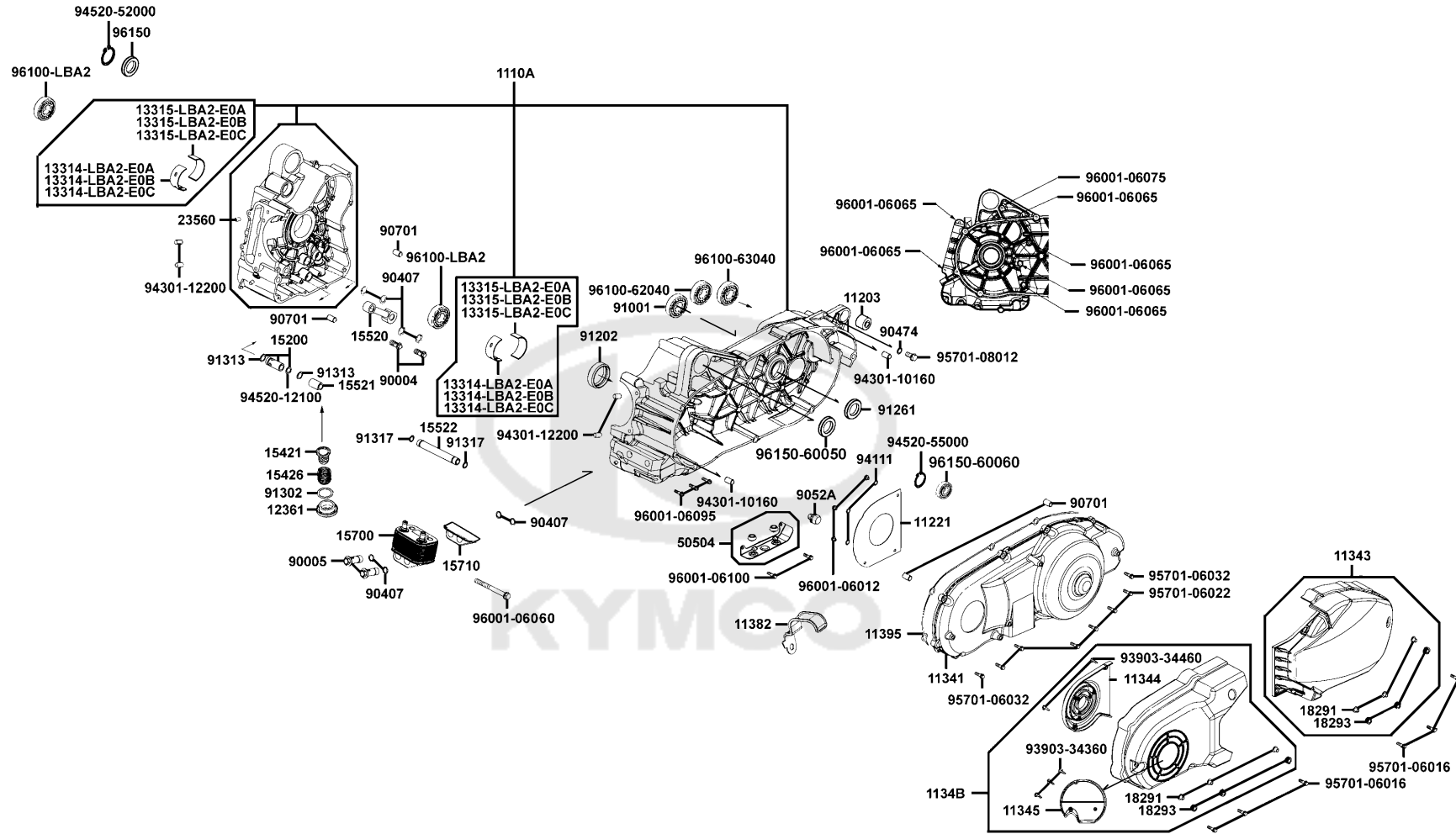
Crank Case




Sales mark	Ref no	Part no	Description	Reg description	Regd no	E01
	91313	91313-KED9-900	O-RING 15.5*1.5	O-RING 15.5*1.5	1	
	91317	91317-LBA2-E00	O RING 13.5*1.5	O RING 13.5*1.5	2	
	93903-34360	93903-34360	SCREW TAPPING 4X12	SCREW TAPPING 4X12	3	
	93903-34460	93903-34460	SCREW TAPPING 4*16	SCREW TAPPING 4*16	2	
	94111	94111-06800	WASHER SPRING 6MM	WASHER SPRING 6MM	3	
	94301-10160	94301-10160	DOWEL PIN 10*16	DOWEL PIN 10*16	2	
	94301-12200	94301-12200	DOWEL PIN 12*20	DOWEL PIN 12*20	4	
	94520-12100	94520-12100	CIR CLIP IN 12	CIR CLIP IN 12	1	
	94520-52000	94520-52000	CIR CLIP IN 52	CIR CLIP IN 52	1	
	94520-55000	94520-55000	CIR CLIP IN 55	CIR CLIP IN 55	1	
	95701-06016	95701-06016-02	BOLT FLANGE 6*16	BOLT FLANGE 6*16	6	
#	95701-06022	95701-06022-06	BOLT FLANGE 6*22	BOLT FLANGE 6*22	1	
#	95701-06032	95701-06032-06	BOLT FLANGE 6*32	BOLT FLANGE 6*32	1	
#	95701-08012	95701-08012-06	BOLT FLANGE 8*12	BOLT FLANGE 8*12	1	
#	96001-06012	96001-06012-06	BOLT FLANGE SH 6*12	BOLT FLANGE SH 6*12	1	
#	96001-06060	96001-06060-06	BOLT FLANE 6*60	BOLT FLANE 6*60	1	
#	96001-06065	96001-06065-06	BOLT FLANGE SH 6X65	BOLT FLANGE SH 6X65	1	
#	96001-06075	96001-06075-06	BOLT FLANGE SH 6X75	BOLT FLANGE SH 6X75	1	
#	96001-06095	96001-06095-06	BOLT FLANGE SH 6*95 **07 C.2005.07.01	BOLT FLANGE SH 6*95 **07 C.2005.07.01	1	
#	96001-06100	96001-06100-06	BOLT FLANGE SH 6*100	BOLT FLANGE SH 6*100	1	

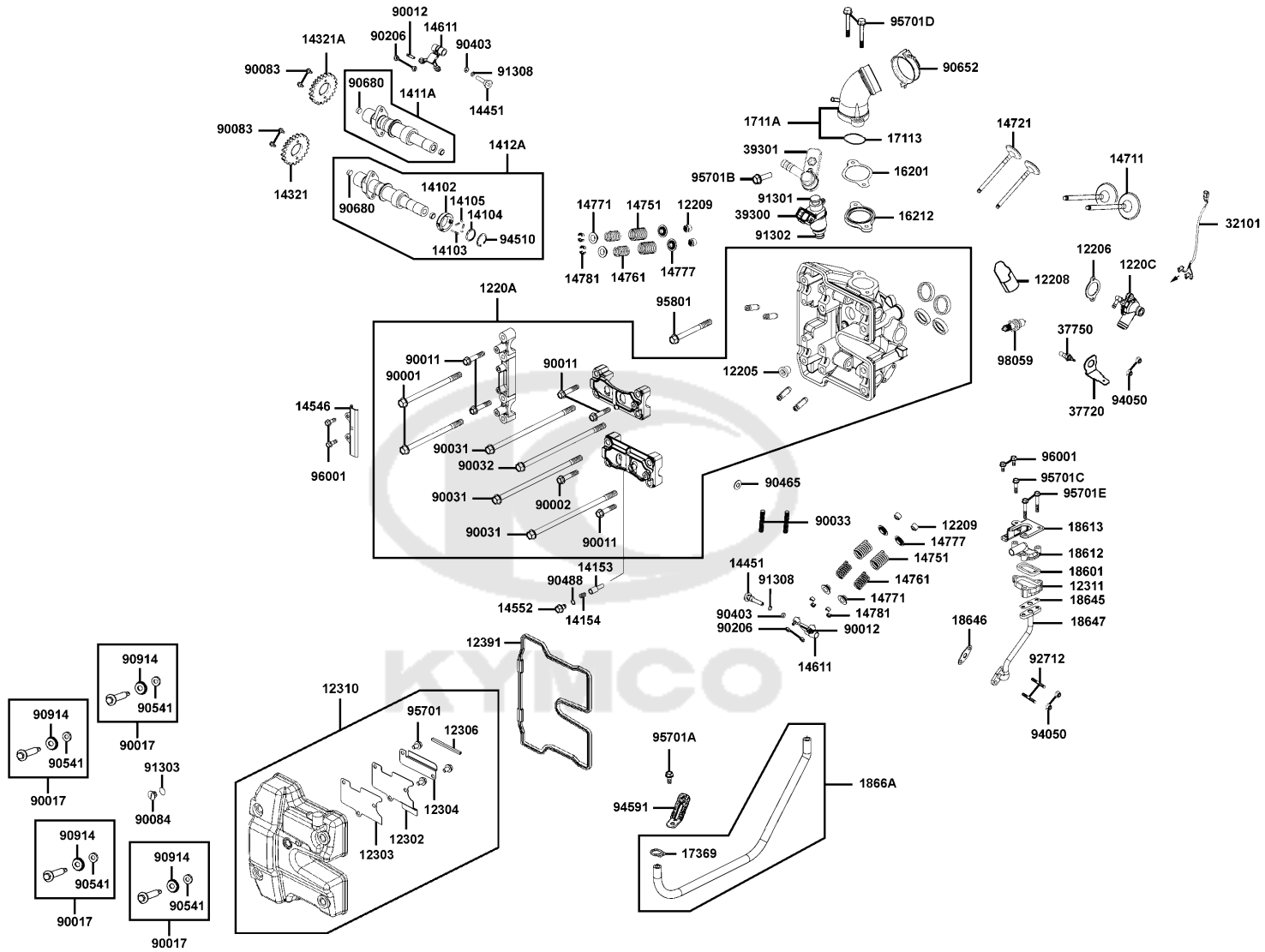
E01

Crank Case



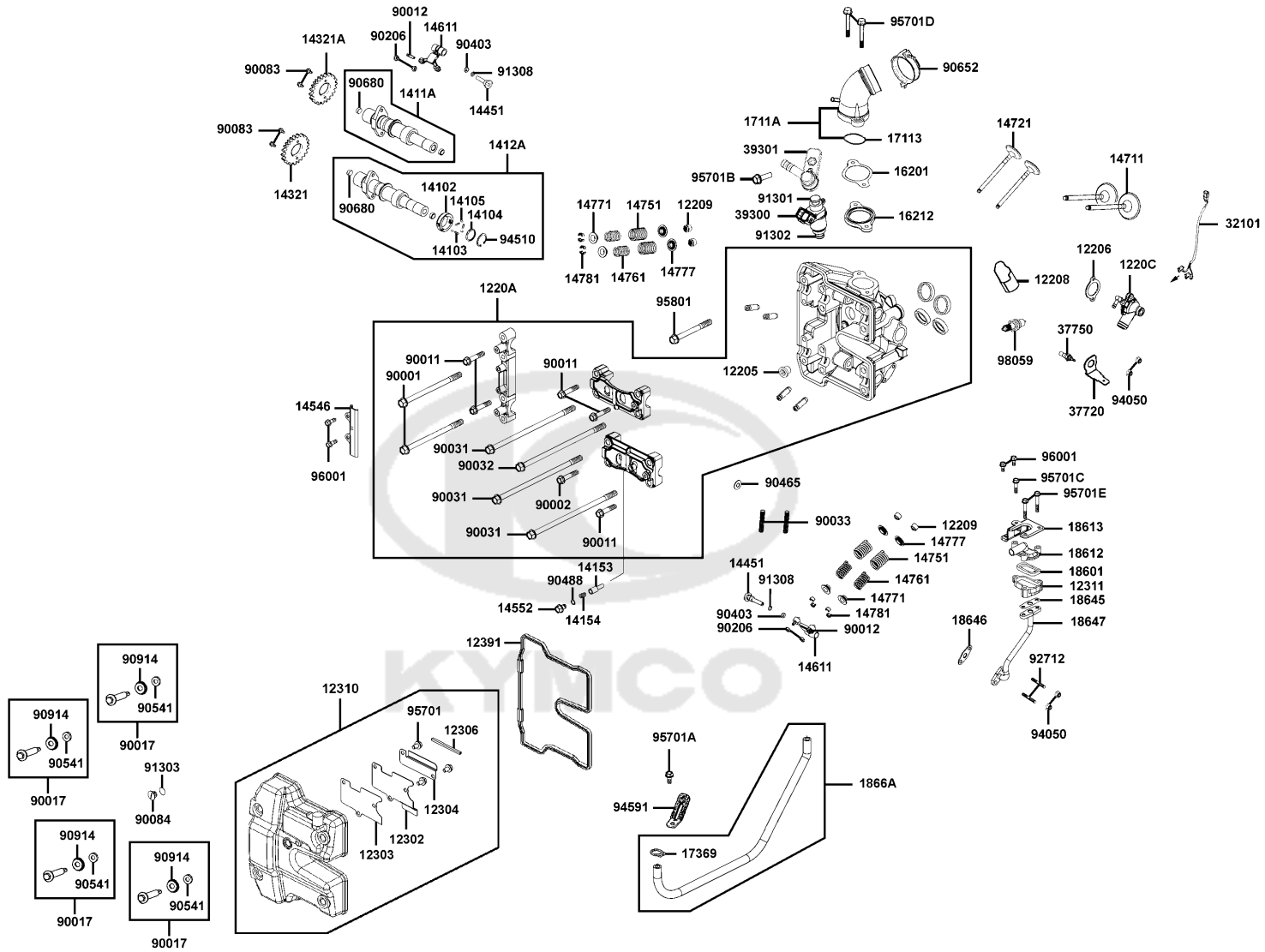
Sales mark	Ref no	Part no	Description	Reg description	Regd no	E01
	96100-62040	96100-62040-00	BEARING BALL RADIAL 6204	BEARING BALL RADIAL 6204	1	
	96100-63040	96100-63040-00	BRG BALL RADIAL 6304	BRG BALL RADIAL 6304	1	
	96100-LBA2	96100-LBA2-E00	BRG BALL RADIAL 6304	BRG BALL RADIAL 6304	2	
	96150-60050	96150-60050-00	BEARING BALL RADIAL 6005	BEARING BALL RADIAL 6005	2	
	96150-60060	96150-60060-10	BEARING BALL RADIAL 6006	BEARING BALL RADIAL 6006	1	
						

Cylinder Head CoverCylinder Head



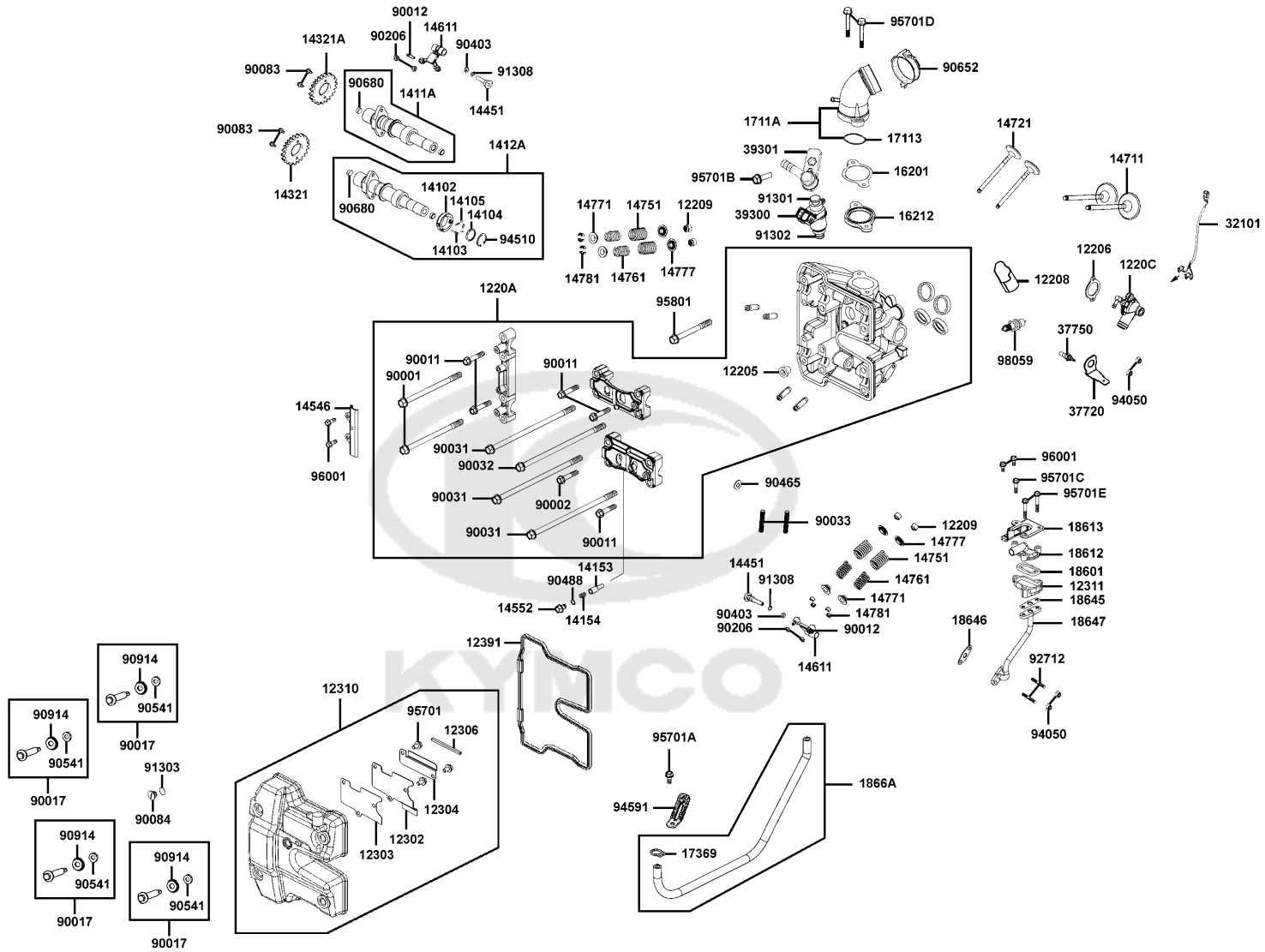
Sales mark	Ref no	Part no	Description	Reg description	Regd no	E02
12205		12205-KHE8-301	BOLT SEALING 12MM	BOLT SEALING 12MM	2	
12206		12206-LBA2-E00	GASKET WATER COVER	GASKET WATER COVER	1	
12208		12208-LBA2-E00	STOPPER HEAD WATER	STOPPER HEAD WATER	1	
12209		12209-GDB4-68B	SEAL VALVE STEM	SEAL VALVE STEM	5	
1220A		1220A-LDG7-900	HEAD ASSY CYLNDER	HEAD ASSY CYLNDER	1	
1220C		1220C-LBA2-E00	WATER COVER HEAD	WATER COVER HEAD	1	
12302		12302-LBA2-E00	PLATE BREATHER SEPARATER	PLATE BREATHER SEPARATER	1	
12303		12303-LBA2-E00	GASKET PLATE	GASKET PLATE	1	
12304		12304-LBA2-E00	PLATE BREATHER SEPARATOR @A	PLATE BREATHER SEPARATOR @A	1	
12306		12306-LBA2-E00	RUBBER SEPARATOR	RUBBER SEPARATOR	1	
12310		12310-LBA2-E00	COVER COMP CYLN HEAD	COVER COMP CYLN HEAD	1	
12311		12311-KBE2-900	BODY REED VALVE	BODY REED VALVE	1	
12391		12391-LBA2-E00	SEAL HEAD COVER	SEAL HEAD COVER	1	
14102		14102-LDG7-E00	CAM	CAM	1	
14103		14103-GEN5-912	SPG ROLLER	SPG ROLLER	3	
14104		14104-LBA2-E00	WASHER THRUST	WASHER THRUST	1	
14105		14105-GEN5-910	ROLLER 3*5	ROLLER 3*5	3	
1411A		1411A-LBA2-E00	CAMSHAFT INLET COMP	CAMSHAFT INLET COMP	1	
1412A		1412A-LDG7-E00	CAMSHAFT EXH COMP	CAMSHAFT EXH COMP	1	
14153		14153-LBA2-E00	STOPPER	STOPPER	1	

Cylinder Head CoverCylinder Head



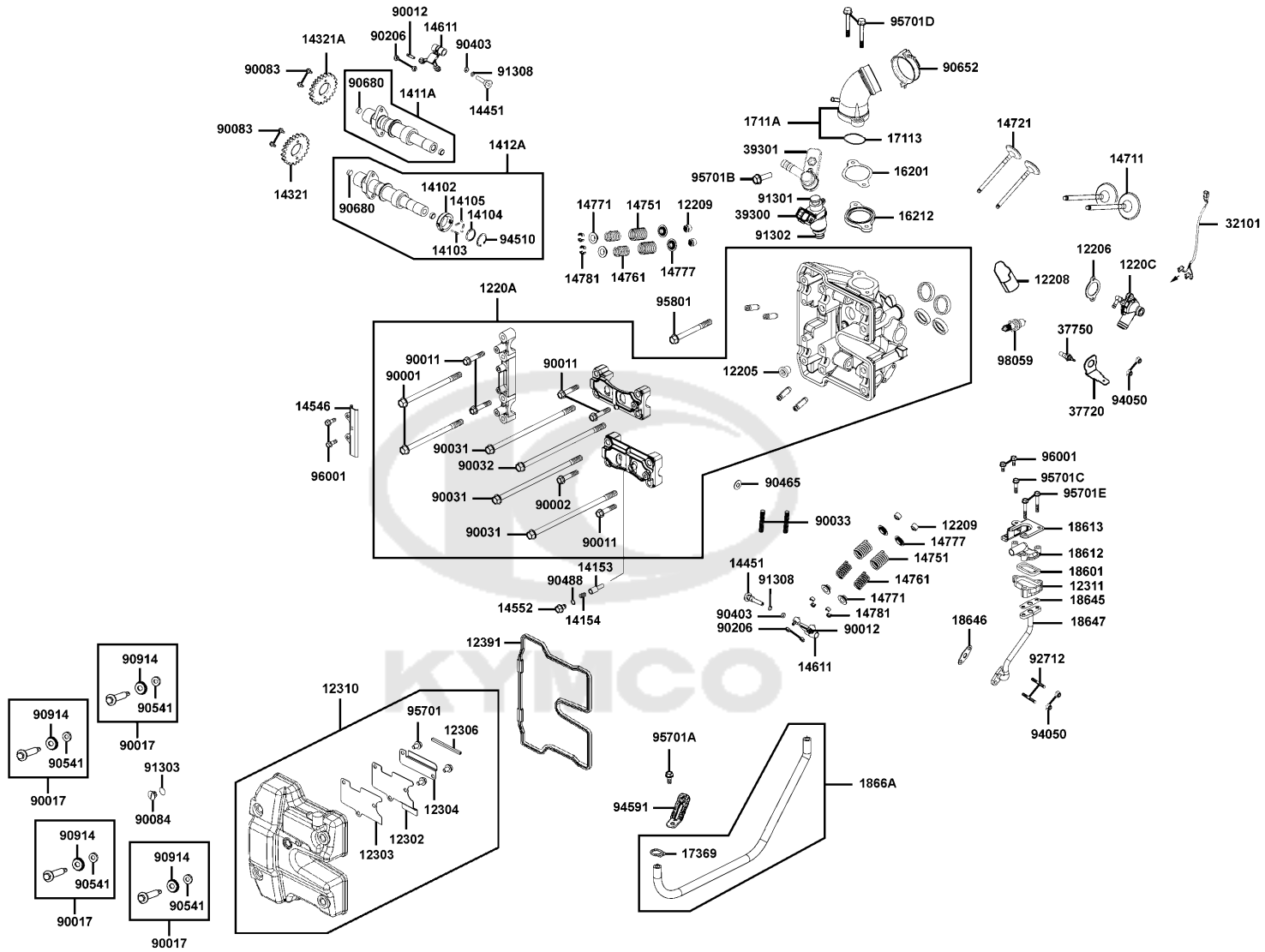
Sales mark	Ref no	Part no	Description	Reg description	Regd no	E02
	14154	14154-LBA2-E00	SPRING STOPPER	SPRING STOPPER	1	
	14321	14321-KED9-900	SPROCKET CAMSHAFT	SPROCKET CAMSHAFT	1	
	14321A	14321-LBA2-E00	SPROCKET CAMSHAFT	SPROCKET CAMSHAFT	1	
	14451	14451-LBA2-E00	SHAFT ROCKER ARM	SHAFT ROCKER ARM	2	
	14546	14546-LBA2-E00	GUIDE UPPER TENSIONER	GUIDE UPPER TENSIONER	1	
	14552	14552-KGBG-900	PLUG ADJUSTER	PLUG ADJUSTER	1	
	14611	14611-LBA2-E00	ARM VALVE ROCKER	ARM VALVE ROCKER	2	
	14711	14711-LDG7-900	VALVE INLET	VALVE INLET	2	
	14721	14721-LBA2-E00	VALVE EXHAUST	VALVE EXHAUST	2	
	14751	14751-LBA2-E00	SPG VALVE OUTER	SPG VALVE OUTER	4	
	14761	14761-LDG7-900	SPG VALVE INNER	SPG VALVE INNER	4	
	14771	14771-KED9-900	RETAINER VALVE SPRING	RETAINER VALVE SPRING	4	
	14777	14777-LBA2-E00	SEAT VALVE SPG	SEAT VALVE SPG	4	
	14781	14781-MFA6-001	COTTER VALVE	COTTER VALVE	8	
	16201	16201-LBA2-E00	GASKET CARB INSULATOR	GASKET CARB INSULATOR	1	
	16212	16212-LDG7-900	INSULATOR INLET PIPE	INSULATOR INLET PIPE	1	
	17113	17113-LBA2-E00	O-RING INLET PIPE	O-RING INLET PIPE	1	
	1711A	1711A-LDG7-900	PIPE COMP INLET	PIPE COMP INLET	1	
	17369	17369-KDB4-671	CLIP BREATHER TUBE	CLIP BREATHER TUBE	1	
	18601	18601-KBE2-900	REED VALVE COMP LDV 52*27*6.0	REED VALVE COMP LDV 52*27*6.0	1	

Cylinder Head CoverCylinder Head



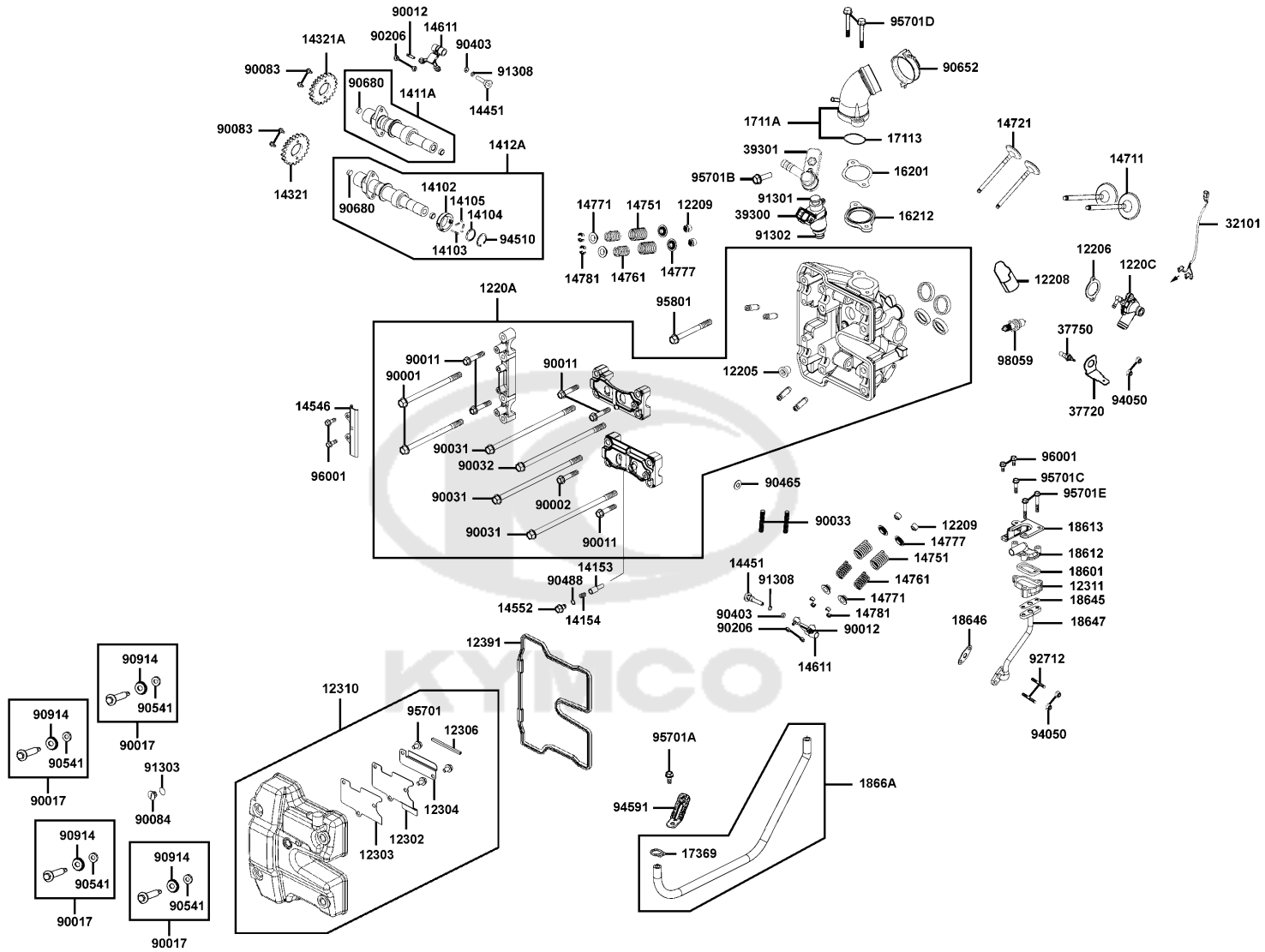
Sales mark	Ref no	Part no	Description	Reg description	Regd no	E02
	18612	18612-KFB5-900	COVER REED VALVE	COVER REED VALVE	1	
	18613	18613-LDB5-E00	STAY REED VALVE ASSY	STAY REED VALVE ASSY	1	
	18645	18645-LBA2-E00	GASKET A/I PIPE	GASKET A/I PIPE	1	
	18646	18646-LBA2-E00	GASKET A/I PIPE	GASKET A/I PIPE	1	
	18647	18647-LBA2-E00	PIPE COMP AIR	PIPE COMP AIR	1	
	1866A	1866A-LDG7-900	TUBE AISV-HEAD ASSY	TUBE AISV-HEAD ASSY	1	
	32101	32101-LDG7-900	SUB HARNESS THERMO UNIT	SUB HARNESS THERMO UNIT	1	
	37720	37720-KGB5-900	EARTH TERMINAL THERMO	EARTH TERMINAL THERMO	1	
	37750	37750-PAC1-005	THERMO UNIT ASSY	THERMO UNIT ASSY	1	
	39300	39300-LDG7-800	FUEL INJECTOR	FUEL INJECTOR	1	
	39301	39301-LDG7-900	CUP COMP FUEL INJECTOR	CUP COMP FUEL INJECTOR	1	
#	39301	39301-LDG7-910	HOLDER ASSY.. FUEL INJECTOR	HOLDER ASSY.. FUEL INJECTOR	1	
	90001	90001-LBA2-E00	BOLT UBS 8X137	BOLT UBS 8X137	2	
	90002	90002-LBA2-E00	BOLT UBS M8X201(C)	BOLT UBS M8X201(C)	1	
	90011	90011-KED9-900	BOLT UBS 8X48(C)	BOLT UBS 8X48(C)	5	
	90012	90012-3C33-001	SCREW TAPPET ADJUSTING	SCREW TAPPET ADJUSTING	4	
	90017	90017-KED9-900	BOLT ASSY HEAD COVER	BOLT ASSY HEAD COVER	4	
	90031	90031-LBA2-E00	BOLT UBS 10*220	BOLT UBS 10*220	2	
	90032	90032-LBA2-E00	BOLT UBS 10*210	BOLT UBS 10*210	2	
	90033	90033-GFY6-900	BOLT STUD 8*32	BOLT STUD 8*32	2	

Cylinder Head CoverCylinder Head



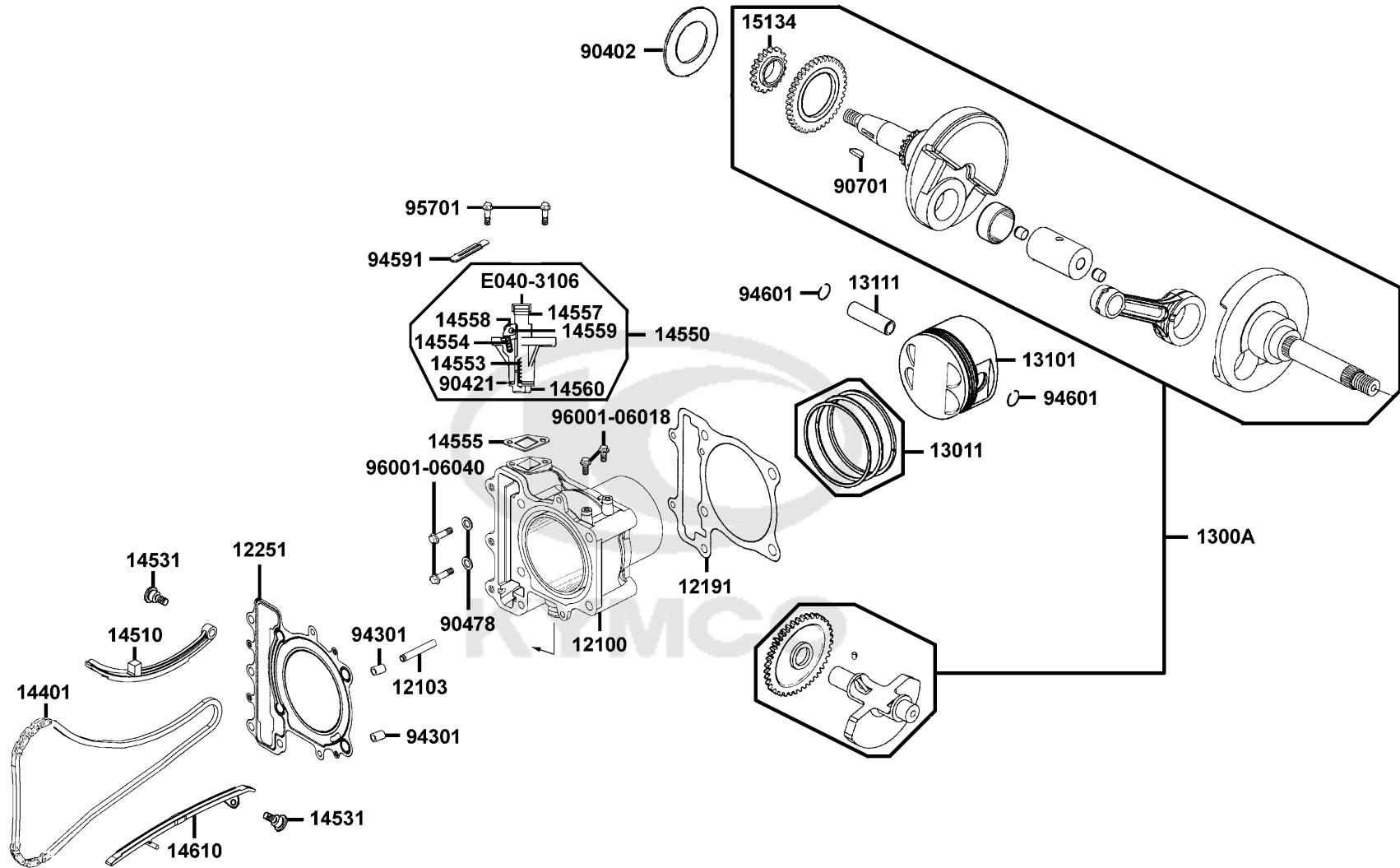
Sales mark	Ref no	Part no	Description	Reg description	Regd no	E02
	90083	90083-KED9-900	BOLT KNOCK 6X12 (C) +NYLON	BOLT KNOCK 6X12 (C) +NYLON	4	
	90206	90206-0A01-001	NUT TAPPET ADJG	NUT TAPPET ADJG	4	
	90403	90403-KED9-900	WASHER WAVE 10MM	WASHER WAVE 10MM	2	
	90465	90465-LBA2-E00	WASHER 10.2 MM	WASHER 10.2 MM	4	
	90488	90488-7L00-001	WASHER 8MM	WASHER 8MM	1	
	90541	90541-KED9-900	RUBBER MOUNTING	RUBBER MOUNTING	4	
	90652	90652-LDG7-900	C-HOPE 50~70	C-HOPE 50~70	1	
	90680	90680-LBA2-E00	CONE TYPE PLUG 12*7	CONE TYPE PLUG 12*7	2	
	90914	90914-KED9-900	WASHER HEAD COVER BOLT	WASHER HEAD COVER BOLT	4	
	91301	91301-LDF2-800	O-RING 7.47*3.6	O-RING 7.47*3.6	1	
	91302	91302-LDF2-800	SEAL RING	SEAL RING	1	
	91303	91303-3G77-001	O-RING 13.8*2.5	O-RING 13.8*2.5	1	
	91308	91308-KED9-900	O-RING 17.5*1.5	O-RING 17.5*1.5	2	
	92712	92712-06028-0B	BOLT STUD 6*28	BOLT STUD 6*28	4	
	94050	94050-06080	NUT FLANGE 6MM	NUT FLANGE 6MM	4	
	94510	94510-20000	CIR CLIP EX 20	CIR CLIP EX 20	1	
	94591	94591-KFBF-900	CLIP 2*70	CLIP 2*70	1	
#	95701	95701-06010-06	BOLT FLANGE 6*10	BOLT FLANGE 6*10	1	
#	95701A	95701-06012-06	BOLT FLANGE 6*12 **07 C.2005.07.01	BOLT FLANGE 6*12 **07 C.2005.07.01	1	
#	95701B	95701-06016-06	BOLT FLANGE 6*16 (K)	BOLT FLANGE 6*16 (K)	1	

Cylinder Head CoverCylinder Head



Sales mark	Ref no	Part no	Description	Reg description	Regd no	E02
#	95701C	95701-06025-06	BOLT FLANGE 6*25	BOLT FLANGE 6*25	1	
#	95701D	95701-06028-06	BOLT FLANGE 6X28	BOLT FLANGE 6X28	1	
#	95701E	95701-06040-06	BOLT FLANGE 6*40	BOLT FLANGE 6*40	1	
	95801	95801-KED9-900	BOLT UBS 8x71 (C)	BOLT UBS 8x71 (C)	1	
#	96001	96001-06014-06	BOLT FLANGE SH 6X14	BOLT FLANGE SH 6X14	1	
	98059	98059-57916-00	SPARK PLUG (CR7E)	SPARK PLUG (CR7E)	1	

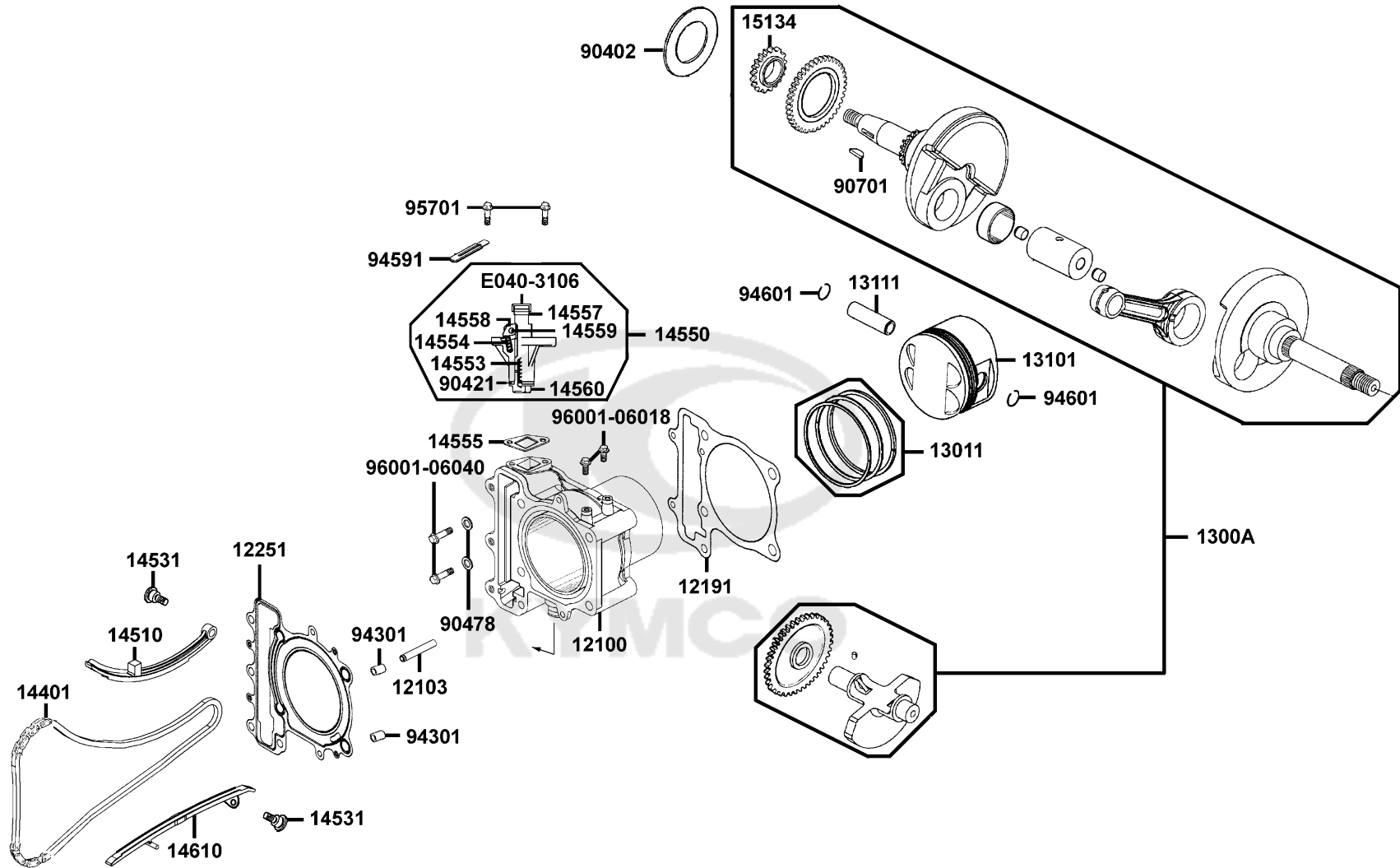




Sales mark	Ref no	Part no	Description	Reg description	Regd no	E03
	12100	12100-LBA2-E00	CYLINDER COMP	CYLINDER COMP	1	
	12103	12103-LBA2-E00	STOPPER CYLN WATER	STOPPER CYLN WATER	1	
	12191	12191-LBA2-E00	GASKET CYLINDER @A	GASKET CYLINDER @A	1	
	12251	12251-LBA2-E00	GASKET CYLINDER HEAD	GASKET CYLINDER HEAD	1	
	1300A	1300A-LBA2-308	CRANK BLANCER COMP	CRANK BLANCER COMP	1	
	13011	13011-LBA2-E0A	RING SET PISTON	RING SET PISTON	1	
#	13011	13011-LBA2-E0B	RING SET PISTON/E901	RING SET PISTON/E901	1	
	13101	13101-LDG7-E00	PISTON	PISTON	1	
	13111	13111-LBA2-E00	PIN PISTON	PIN PISTON	1	
	14401	14401-LBA2-E00	CHAIN CAM	CHAIN CAM	1	
	14510	14510-LBA2-E00	TENSIONER CAM CHAIN	TENSIONER CAM CHAIN	1	
	14531	14531-KED9-900	PIVOT TENSION GUIDE	PIVOT TENSION GUIDE	2	
	14550	14550-LBA2-E00	ADJUSTER CAM CHAIN	ADJUSTER CAM CHAIN	1	
	14553	14553-LBA2-E00	SPRING CAM CHAIN ADJUSTER	SPRING CAM CHAIN ADJUSTER	1	
	14554	14554-KAM1-004	SPRING RATCHET	SPRING RATCHET	1	
	14555	14555-LBA2-E00	GASKET CAM CHAIN ADJUSTER	GASKET CAM CHAIN ADJUSTER	1	
	14557	14557-LBA2-E00	PLUNGER ADJUSTER	PLUNGER ADJUSTER	1	
	14558	14558-LBA2-E00	CAM ADJUSTER	CAM ADJUSTER	1	
	14559	14559-LBA2-E00	PIN ADJUSTER	PIN ADJUSTER	1	
	14560	14560-LBA2-E00	PLUG COMP ADJUSTER	PLUG COMP ADJUSTER	1	

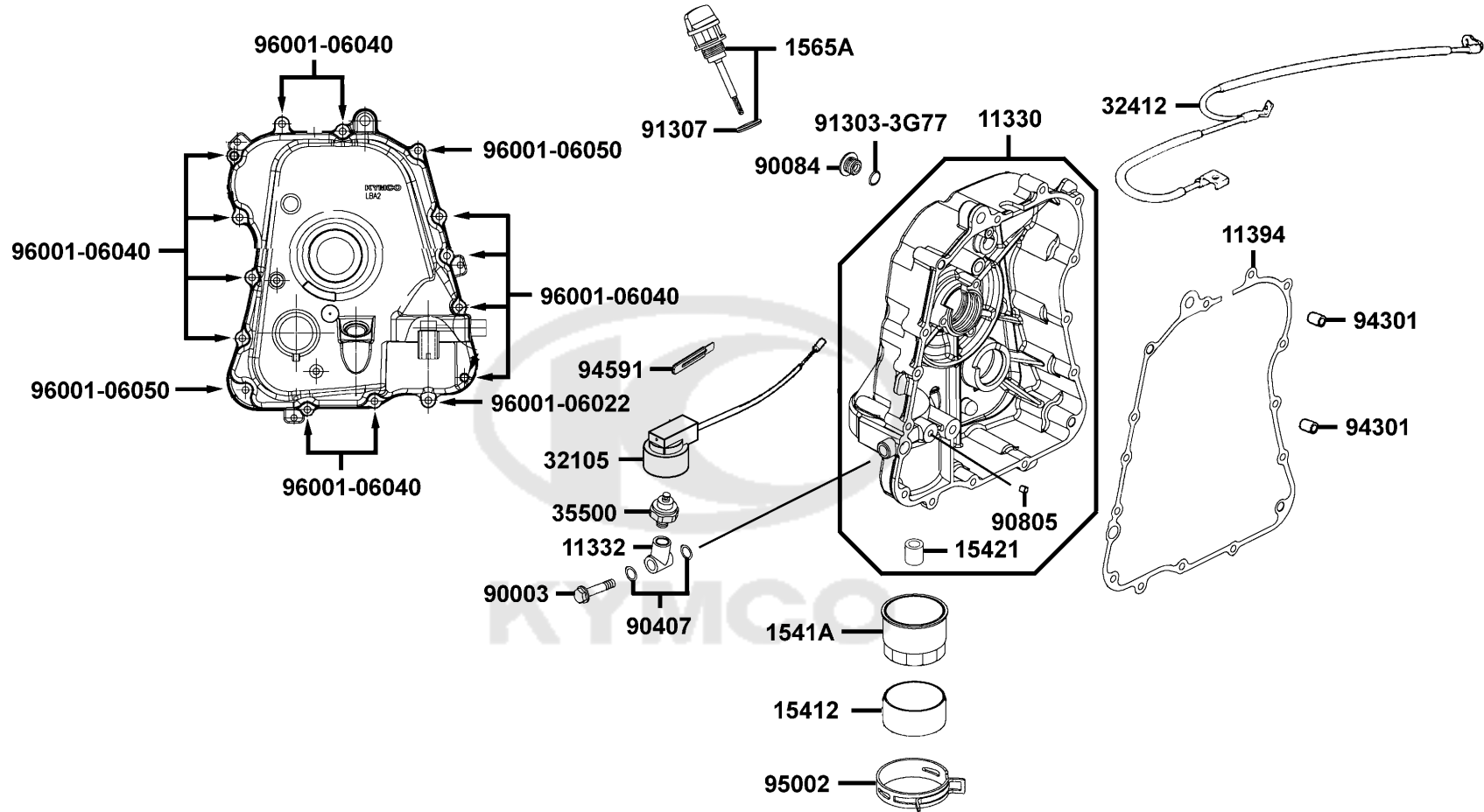
E03

CylinderPistonCrankshaft



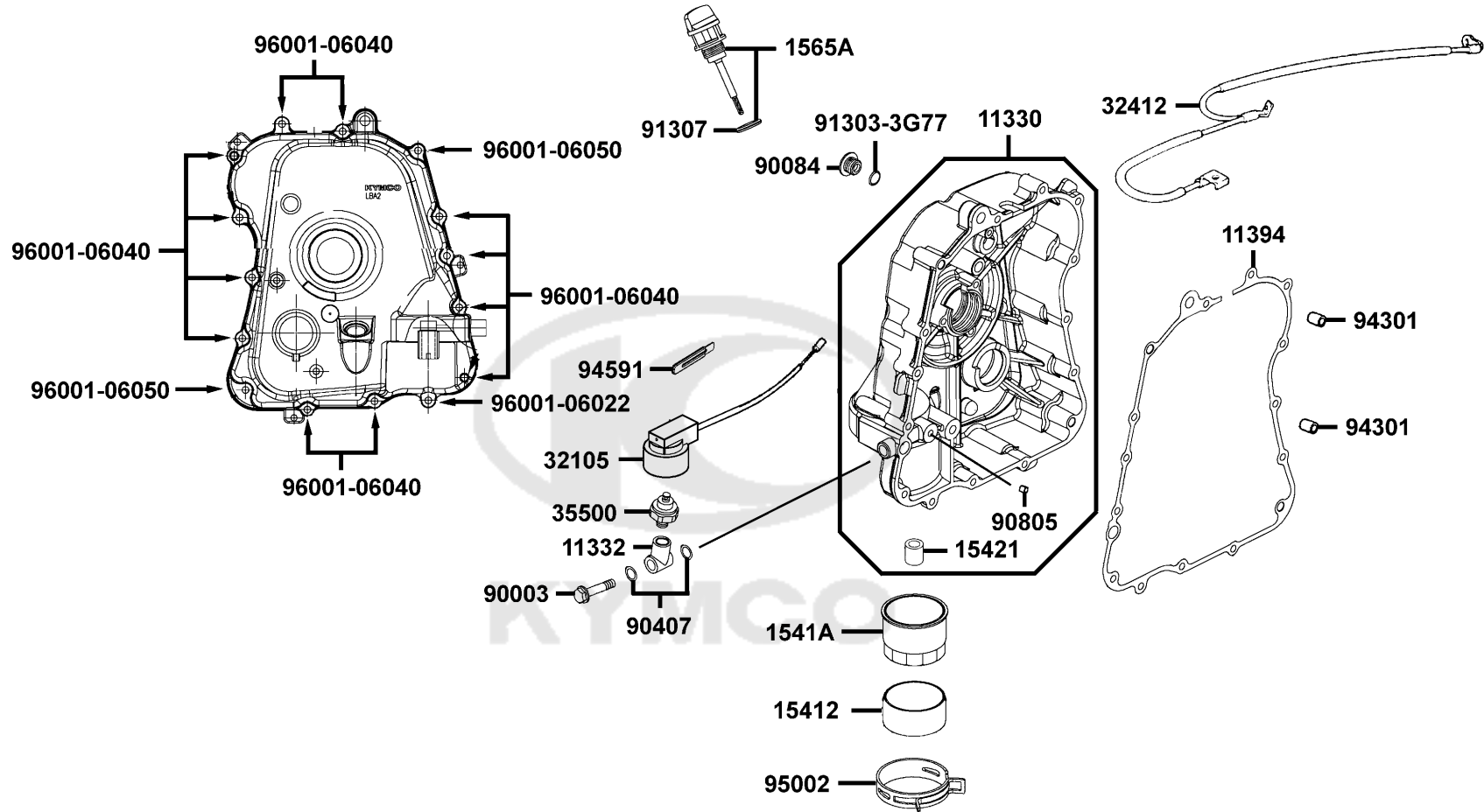
Sales mark	Ref no	Part no	Description	Reg description	Regd no	E03
	14610	14610-LBA2-E00	GUIDE COMP CAM CHAIN	GUIDE COMP CAM CHAIN	1	
	15134	15134-LBA2-E00	SPROCKET OIL PUMP DRIVE	SPROCKET OIL PUMP DRIVE	1	
	90402	90402-LBA2-E00	THRUST WASHER 46*80*1.5	THRUST WASHER 46*80*1.5	1	
	90421	90421-LBA2-E00	WASHER SEALING 10*16*1	WASHER SEALING 10*16*1	1	
	90478	90478-7L00-001	WASHER A 6MM	WASHER A 6MM	2	
	90701	90701-KED9-900	KEY WAY ACG	KEY WAY ACG	1	
	94301	94301-12200	DOWEL PIN 12*20	DOWEL PIN 12*20	2	
	94591	94591-KFBF-900	CLIP 2*70	CLIP 2*70	1	
	94601	94601-22000	CLIP PISTON PIN 22MM	CLIP PISTON PIN 22MM	2	
#	95701	95701-06025-06	BOLT FLANGE 6*25	BOLT FLANGE 6*25	1	
#	96001-06018	96001-06018-06	BOLT FLANGE SH 6X18	BOLT FLANGE SH 6*18	1	
#	96001-06040	96001-06040-06	BOLT FLANGE SH 6*40	BOLT FLANGE SH 6*40	1	
	E040	E040-3106	CAP	CAP	1	

Right Crankcase Cover



Sales mark	Ref no	Part no	Description	Reg description	Regd no	E04
**	11330	11330-LBA2-E00	COVER ASSY R CRANK CASE	COVER ASSY R CRANK CASE (CHARCOAL)	1	
	11332-LBA2	11332-LBA2-E00	JOINT COMP PRESSURE GAUGE	JOINT COMP PRESSURE GAUGE	1	
	11394	11394-LBA2-E00	GASKET R COVER @A	GASKET R COVER @A	1	
	15412	15412-LBA2-E00	RUBBER OIL FILTER	RUBBER OIL FILTER	1	
	1541A	1541A-LBA2-E00	ELEMENT COMP OIL FILTER	ELEMENT COMP OIL FILTER	1	
	15421	15421-LBA2-E00	BOLT OIL FILTER	BOLT OIL FILTER	1	
	1565A	1565A-LBA2-E00	GAUGE OIL LEVEL ASSY	GAUGE OIL LEVEL ASSY	1	
	32105	32105-LLJ3-E00	SUB HARNESS	SUB HARNESS	1	
	32412	32412-LBA2-E00	CABLE EARTH	CABLE EARTH	1	
	35500	35500-KED9-900	SW ASSY OIL PRESSURE	SW ASSY OIL PRESSURE	1	
	90003	90003-LBA2-E00	BOLT A OIL PASS 12X34(C)	BOLT A OIL PASS 12X34(C)	1	
**	90084	90084-LEA5-001	CAP A.C.G	CAP A.C.G	1	
	90407	90407-KAM1-001	SEALING WASHER B OIL PIPE JOIN	SEALING WASHER B OIL PIPE JOIN	2	
	90805	90805-LBA2-E00	CONE TYPE PLUG 10*5	CONE TYPE PLUG 10*5	1	
	91303-3G77	91303-3G77-001	O-RING 13.8*2.5	O-RING 13.8*2.5	1	
	91307	91307-0E35-001	O RING 18*3	O RING 18*3	1	
	94301	94301-10160	DOWEL PIN 10*16	DOWEL PIN 10*16	2	
	94591	94591-KFBF-900	CLIP 2*70	CLIP 2*70	1	
	95002	95002-LBA2-E00	CLAMP D72	CLAMP D72	1	
#	96001-06022	96001-06022-06	BOLT FLANGE SH 6*22 (G)	BOLT FLANGE SH 6*22 (G)	1	

Right Crankcase Cover



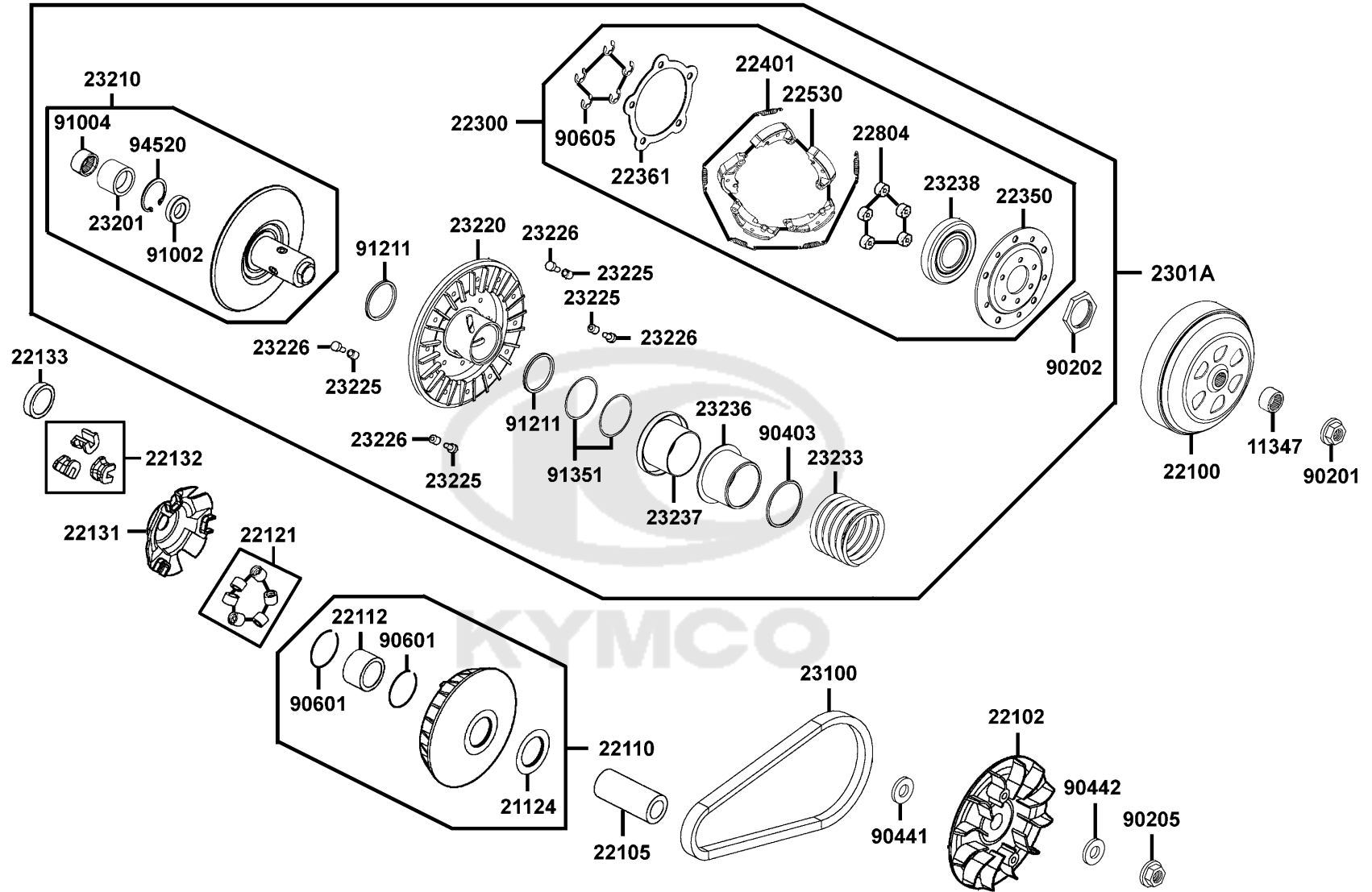
Sales mark	Ref no	Part no	Description	Reg description	Regd no	E04
------------	--------	---------	-------------	-----------------	---------	------------

#	96001-06040	96001-06040-06	BOLT FLANGE SH 6*40	BOLT FLANGE SH 6*40	1	
#	96001-06050	96001-06050-06	BOLT FLANGE SH 6*50	BOLT FLANGE SH 6*50	1	



E05

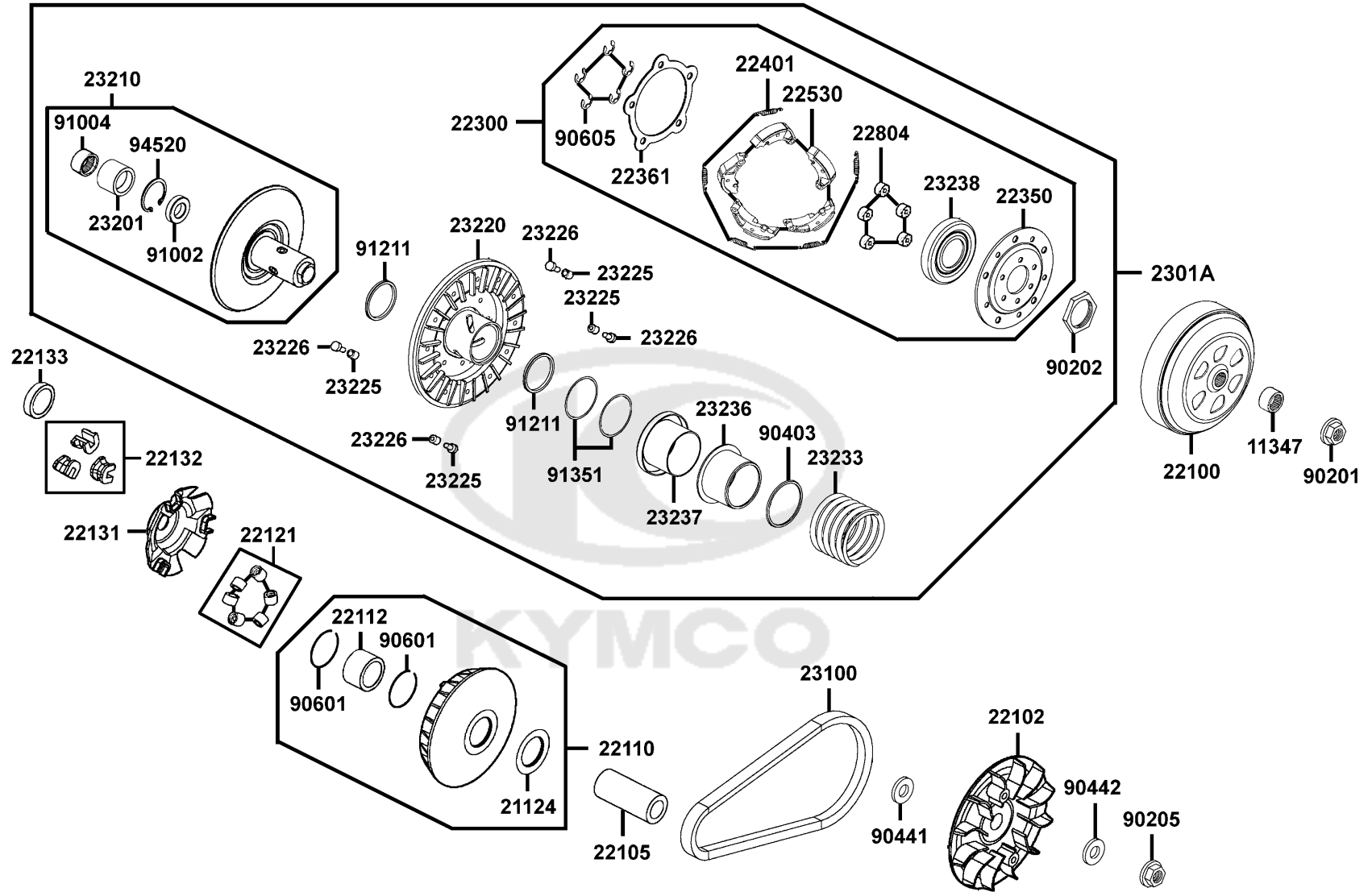
Transmission Pulley



Sales mark	Ref no	Part no	Description	Reg description	Regd no	E05
	11347	11347-LBA2-E00	BOSS DRIVE SHAFT	BOSS DRIVE SHAFT	1	
	21124	21124-LBA2-E00	OIL SEAL 29*42*6	OIL SEAL 29*42*6	1	
	22100	22100-LBA2-E00	OUTER CLUTCH	OUTER CLUTCH	1	
	22102	22102-LBA2-E00	FACE DRIVE	FACE DRIVE	1	
	22105	22105-LBA2-E00	BOSS DRIVE FACE	BOSS DRIVE FACE	1	
	22110	22110-LBA2-E00	FACE COMP MOVABLE DRIVE	FACE COMP MOVABLE DRIVE	1	
	22112	22112-LBA2-E00	BUSH 29.5*34*35.5	BUSH 29.5*34*35.5	1	
#	22121	22121-LDG7-305	ROLLER SET WEIGHT (1SET:6PCS)	ROLLER SET WEIGHT (1SET:6PCS)	1	
	22131	22131-LBA2-E00	PLATE RAMP	PLATE RAMP	1	
#	22132	22132-LBA2-305	PIECE SLIDE SET (1SET:3PCS)	PIECE SLIDE SET (1SET:3PCS)	1	
	22133	22133-LBA2-E00	STOPPER RAMP PLATE	STOPPER RAMP PLATE	1	
	22300	22300-LBA2-E00	PLATE ASSY DRIVE	PLATE ASSY DRIVE	1	
	22350	22350-LBA2-E00	PLATE COMP DRIVE	PLATE COMP DRIVE	1	
	22361	22361-LBA2-E00	PLATE CLUTCH SIDE	PLATE CLUTCH SIDE	1	
	22401	22401-LBA2-E00	SPRING CLUTCH	SPRING CLUTCH	5	
	22530	22530-LBA2-E00	WEIGHT CLUTCH	WEIGHT CLUTCH	5	
	22804	22804-GBB2-001	RUBBER CLUTCH DAMPER	RUBBER CLUTCH DAMPER	3	
	2301A	2301A-LBA2-E00	PULLEY SUB ASSY	PULLEY SUB ASSY	1	
#	23100	23100-LBA2-305	BELT DRIVE (N-5U)	BELT DRIVE (N-5U)	1	
	23100	23100-LBA2-E00	BELT DRIVE	BELT DRIVE	1	

E05

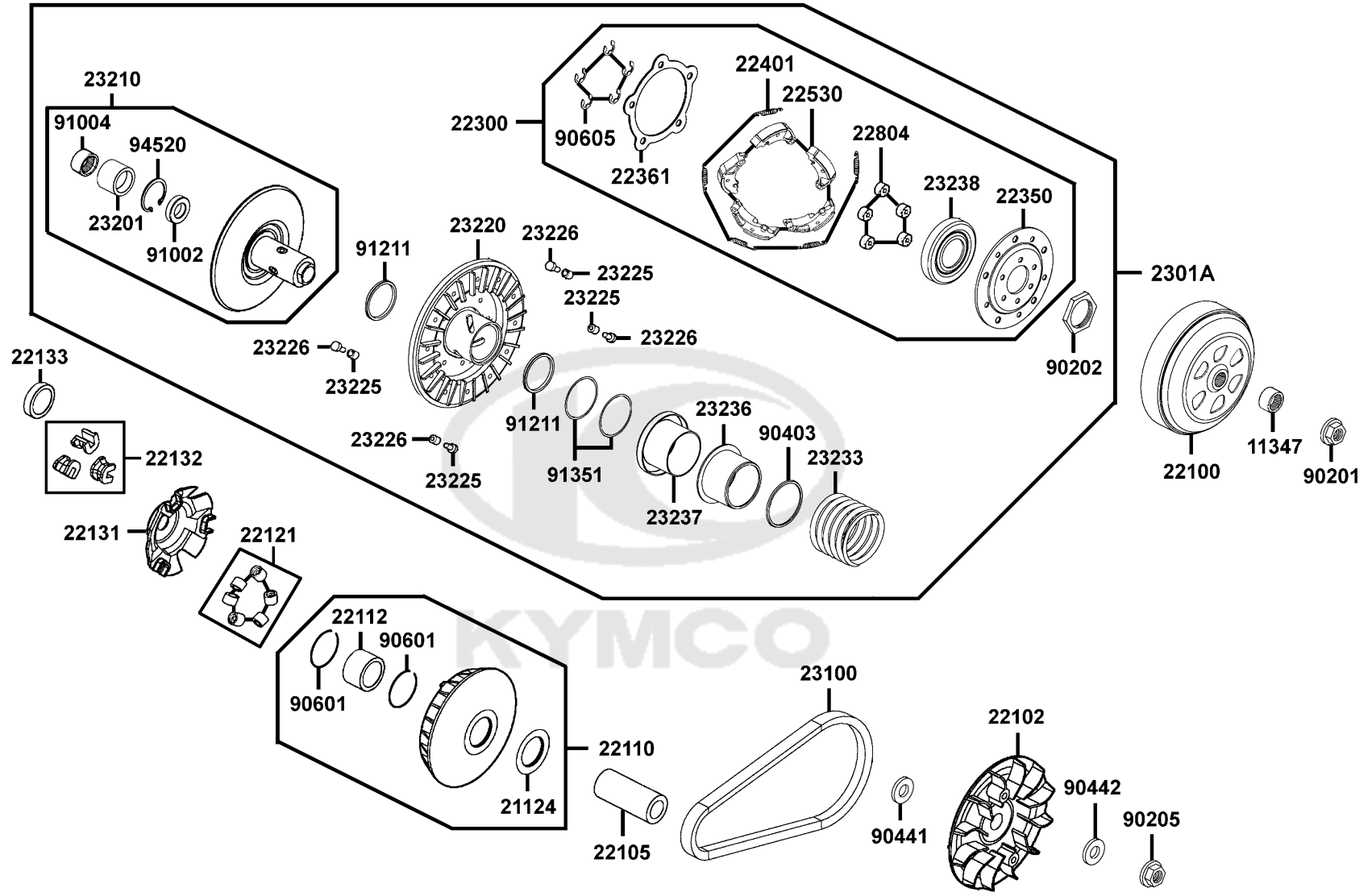
Transmission Pulley



Sales mark	Ref no	Part no	Description	Reg description	Regd no	E05
23201		23201-LBA2-E00	COLLAR BRG	COLLAR BRG	1	
23210		23210-LBA2-E00	FACE COMP DRIVEN A	FACE COMP DRIVEN A	1	
23220		23220-LBA2-E00	FACE RR MOVABLE DRIVEN B	FACE RR MOVABLE DRIVEN B	1	
23225		23225-LBA2-E00	PIN ROLLER GUIDE	PIN ROLLER GUIDE	4	
23226		23226-GHC8-004	ROLLER GUIDE	ROLLER GUIDE	4	
23233		23233-LBA2-E00	SPG DRIVEN FACE	SPG DRIVEN FACE	1	
23236		23236-LBA2-E00	COLLAE CLUTCH	COLLAE CLUTCH	1	
23237		23237-LBA2-E00	COLLAR SEAL	COLLAR SEAL	1	
23238		23238-LBA2-E00	COLLAR SPG	COLLAR SPG	1	
90201		90201-KHR8-75A	NUT FLANGE 14MM	NUT FLANGE 14MM	1	
90202		90202-LBA2-E00	NUT SPECIAL 40MM	NUT SPECIAL 40MM	1	
90205		90205-LBA2-E00	NUT FLANGE 18MM	NUT FLANGE 18MM	1	
90403		90403-LBA2-E00	WASHER 68*81*4	WASHER 68*81*4	1	
90441		90441-LBA2-E00	WASHER 22*34*2.5	WASHER 22*34*2.5	1	
90442		90442-LBA2-E00	WASHER 38*18.5*1.5	WASHER 38*18.5*1.5	1	
90601		90601-LBA2-E00	CIR CLIP 34MM	CIR CLIP 34MM	2	
90605		90605-1F66-721	CIR CLIP 7MM	CIR CLIP 7MM	5	
91002		91002-LBA2-E00	BRG BALL RADIAL 6904	BRG BALL RADIAL 6904	1	
91004		91004-LBA2-E00	BRG NDL 25*33*18	BRG NDL 25*33*18	1	
91211		91211-LBA2-E00	SEAL DRIVEN FACE 48*55*4	SEAL DRIVEN FACE 48*55*4	2	

E05

Transmission Pulley

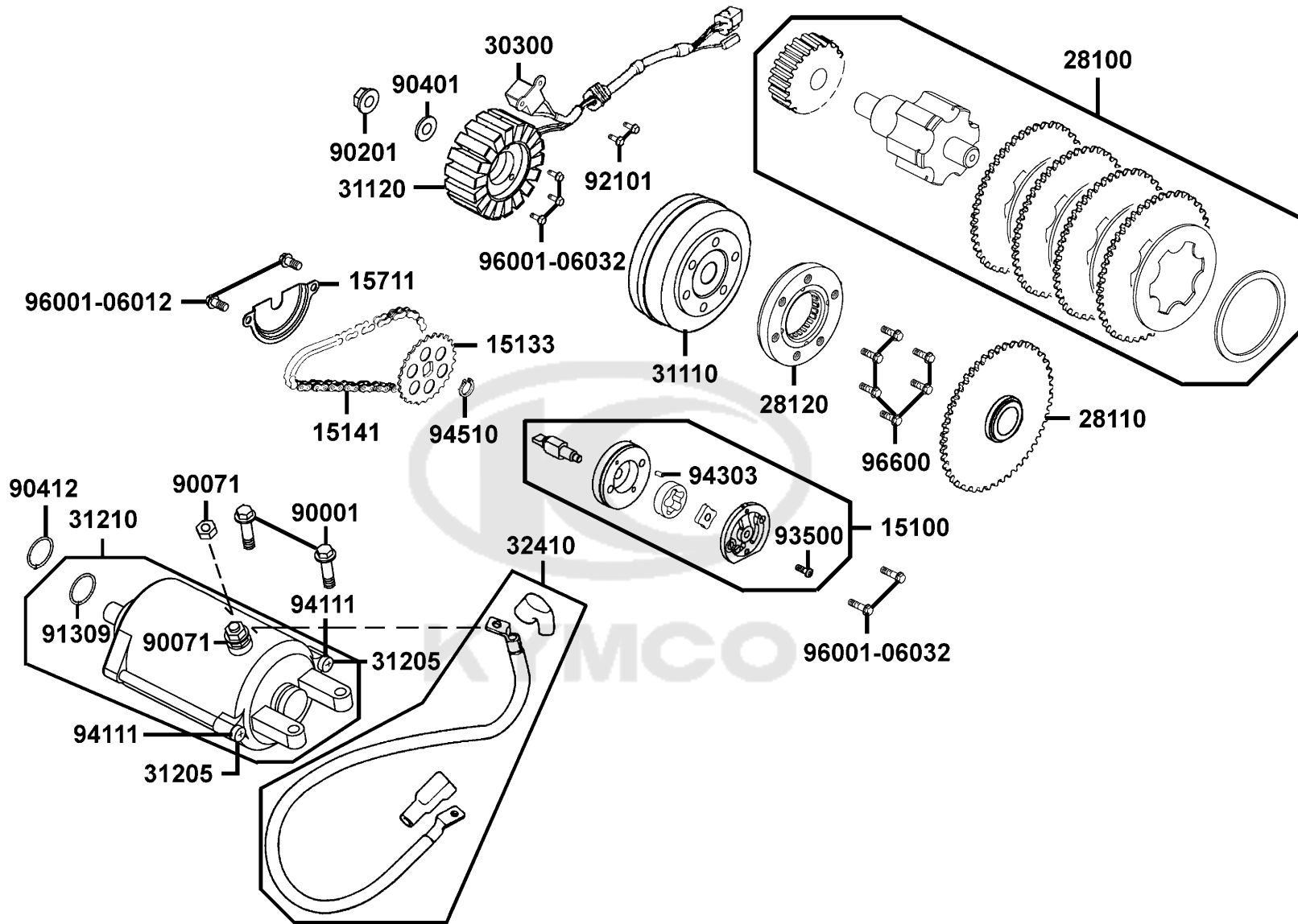


Sales mark	Ref no	Part no	Description	Reg description	Regd no	E05
------------	--------	---------	-------------	-----------------	---------	------------

91351		91351-LBA2-E00	O-RING PINION CAP 55*2	O-RING PINION CAP 55*2	2	
94520		94520-LBA2-E00	CIR CLIP IN 37MM	CIR CLIP IN 37MM	1	

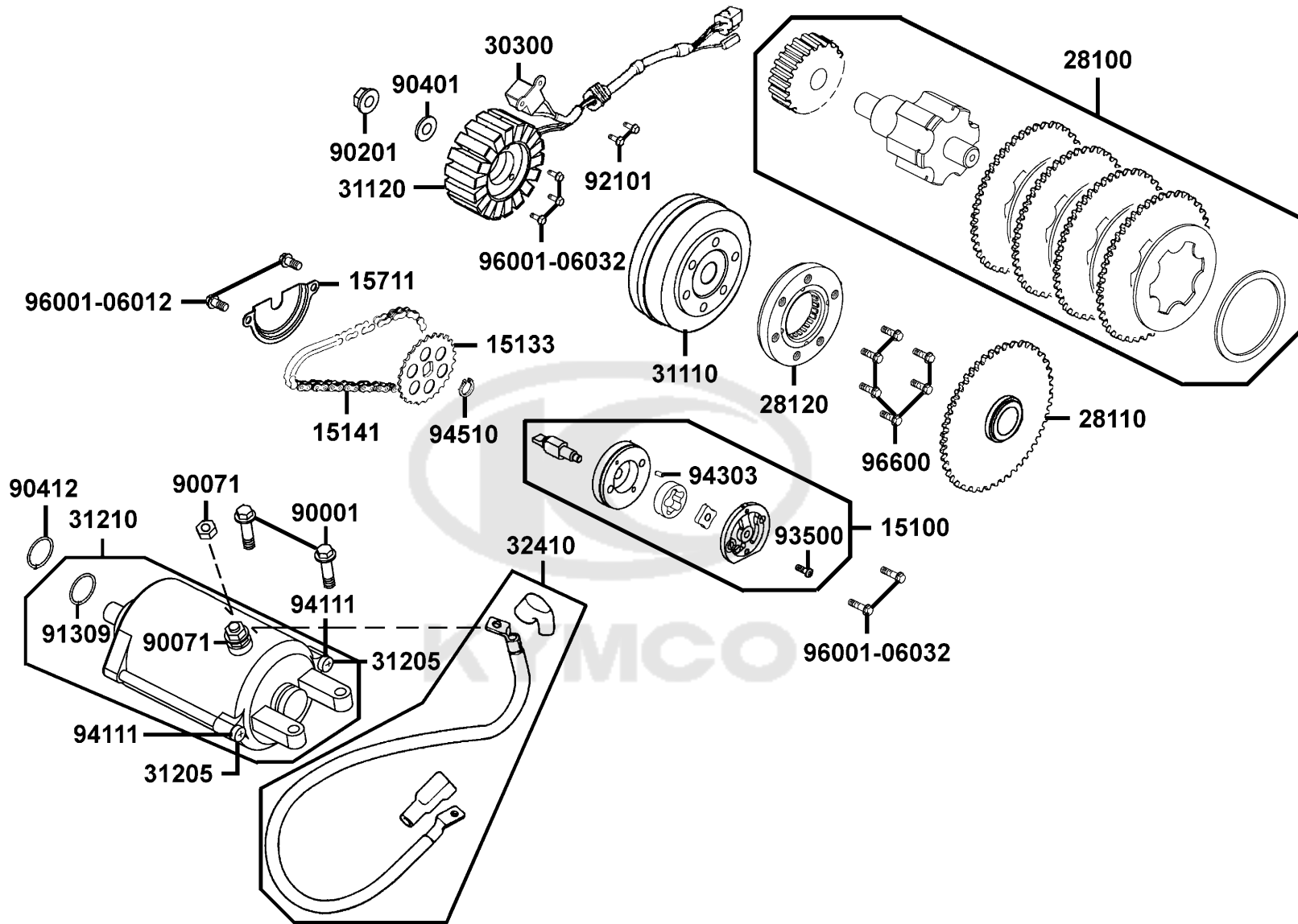


Starting MotorGenerator



Sales mark	Ref no	Part no	Description	Reg description	Regd no	E06
#	15100	15100-LDG7-E01	PUMP ASSY OIL	PUMP ASSY OIL	1	
	15133	15133-LBA2-E00	SPROCKET OIL PUMP DRIVE	SPROCKET OIL PUMP DRIVE	1	
	15141	15141-LBA2-E00	CHAIN OIL PUMP	CHAIN OIL PUMP	1	
	15711	15711-LBA2-E00	SEPARATER OIL	SEPARATER OIL	1	
	28100	28100-LDG7-E00	SHAFT COMP REDUCTION	SHAFT COMP REDUCTION	1	
	28110	28110-LDG7-E00	GEAR COMP STARTING CLUTCH	GEAR COMP STARTING CLUTCH	1	
	28120	28120-LBA2-E00	ONE WAY CLUTCH	ONE WAY CLUTCH	1	
#	30300	30300-LDG7-900	PULSER GEN COMP	PULSER GEN COMP	1	
	31110	31110-LDG7-900	FLYWHEEL COMP (D402)	FLYWHEEL COMP (D402)	1	
	31120	31120-LDG7-900	STATOR COMP (D402)	STATOR COMP (D402)	1	
	31205	31205-KKJ9-000	BOLT SET	BOLT SET	2	
	31210	31210-LBA2-E00	MOTOR UNIT STARTER	MOTOR UNIT STARTER	1	
	32410	32410-LBA2-E00	CABLE STARTER MOTOR	CABLE STARTER MOTOR	1	
	90001	90001-GBHB-661	BOLT FLANGE SH 6*22	BOLT FLANGE SH 6*22	2	
	90071	90071-MLB0-001	NUT WASH 6MM	NUT WASH 6MM	2	
	90201	90201-KHR8-75A	NUT FLANGE 14MM	NUT FLANGE 14MM	1	
	90401	90401-KKJ9-001	WASHER THRUST 14*28*2	WASHER THRUST 14*28*2	1	
	90412	90412-3K29-001	WASHER THRUST 10M/M	WASHER THRUST 10M/M	1	
	91309	91309-4E25-004	O-RING 24.4*3.1	O-RING 24.4*3.1	1	
#	92101	92101-05012-0G	BOLT HEX 5X12	BOLT HEX 5*12	1	

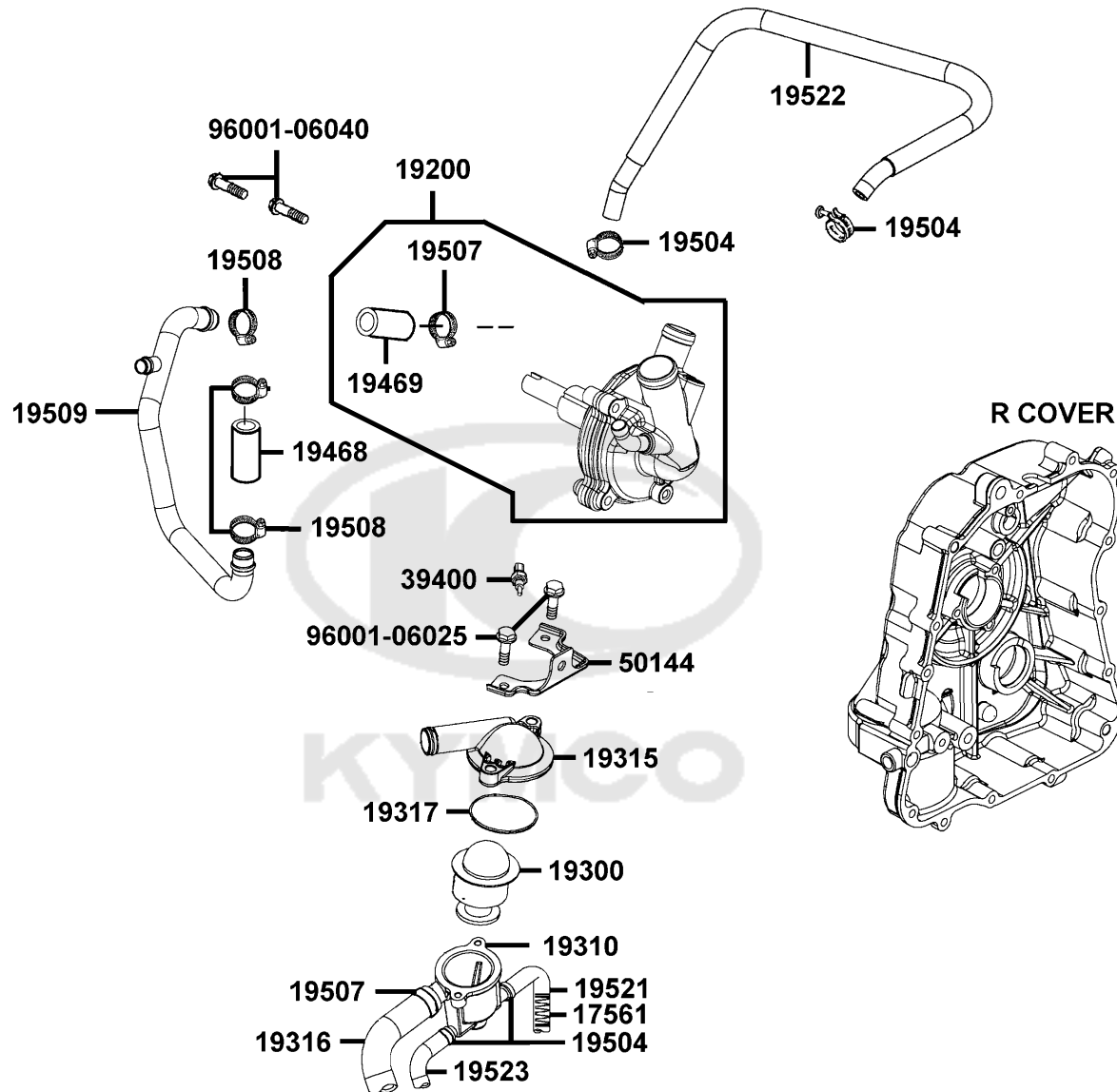
Starting MotorGenerator



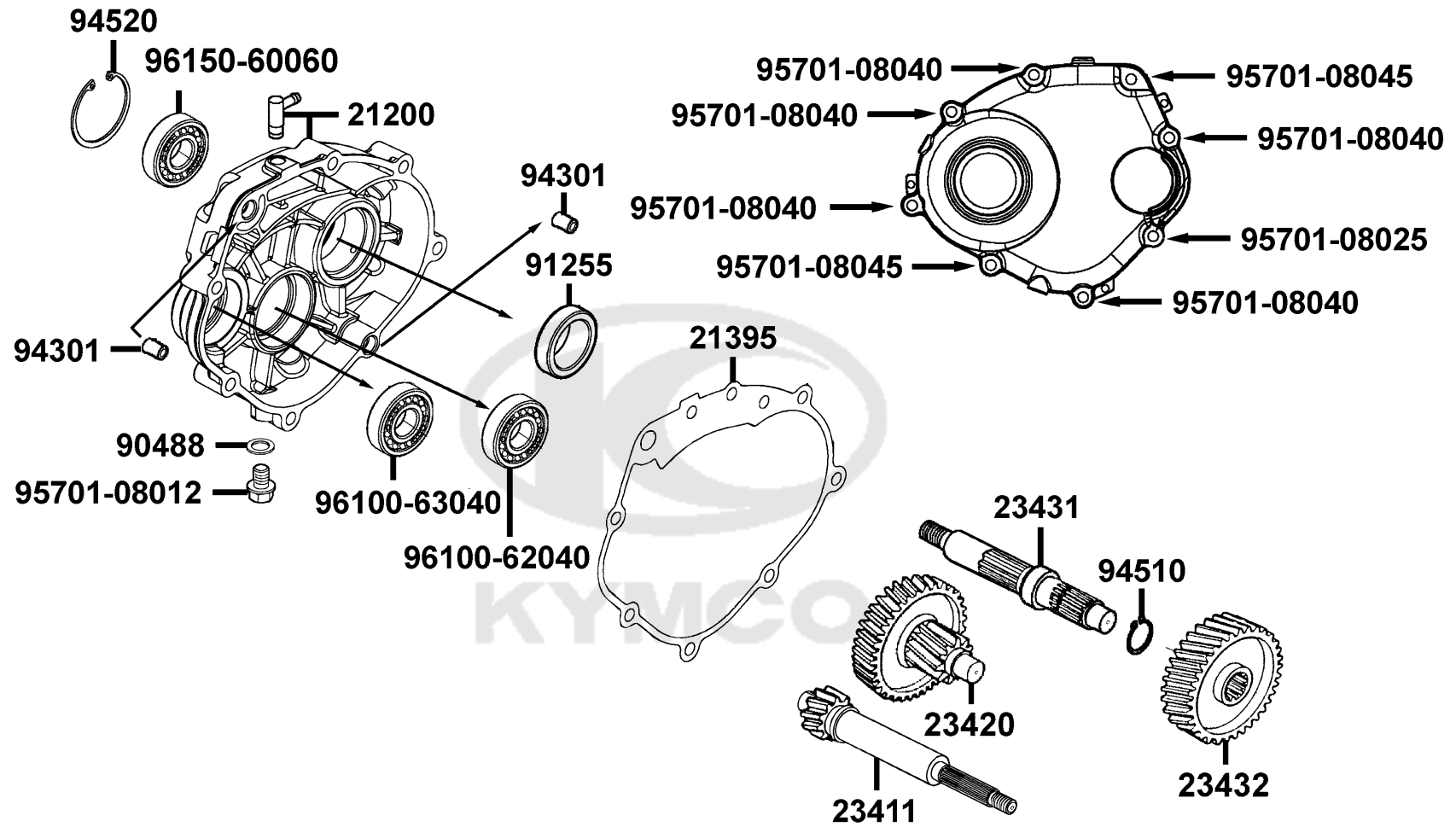
Sales mark	Ref no	Part no	Description	Reg description	Regd no	E06
#	93500	93500-03010-0F	SCREW PAN 3X10	SCREW PAN 3X10	1	
	94111	94111-05800	WASHER SPRING 5MM	WASHER SPRING 5MM	2	
	94303	94303-04065	DOWEL PIN 4*6.5	DOWEL PIN 4*6.5	1	
	94510	94510-10000	CIR CLIP EX 10MM	CIR CLIP EX 10MM	1	
#	96001-06012	96001-06012-06	BOLT FLANGE SH 6*12	BOLT FLANGE SH 6*12	1	
#	96001-06032	96001-06032-06	BOLT FLANGE 6*32	BOLT FLANGE 6*32	1	
#	96600	96600-LDG7-900	SOCKET BOLT	SOCKET BOLT	1	



GeneratorWater Pump



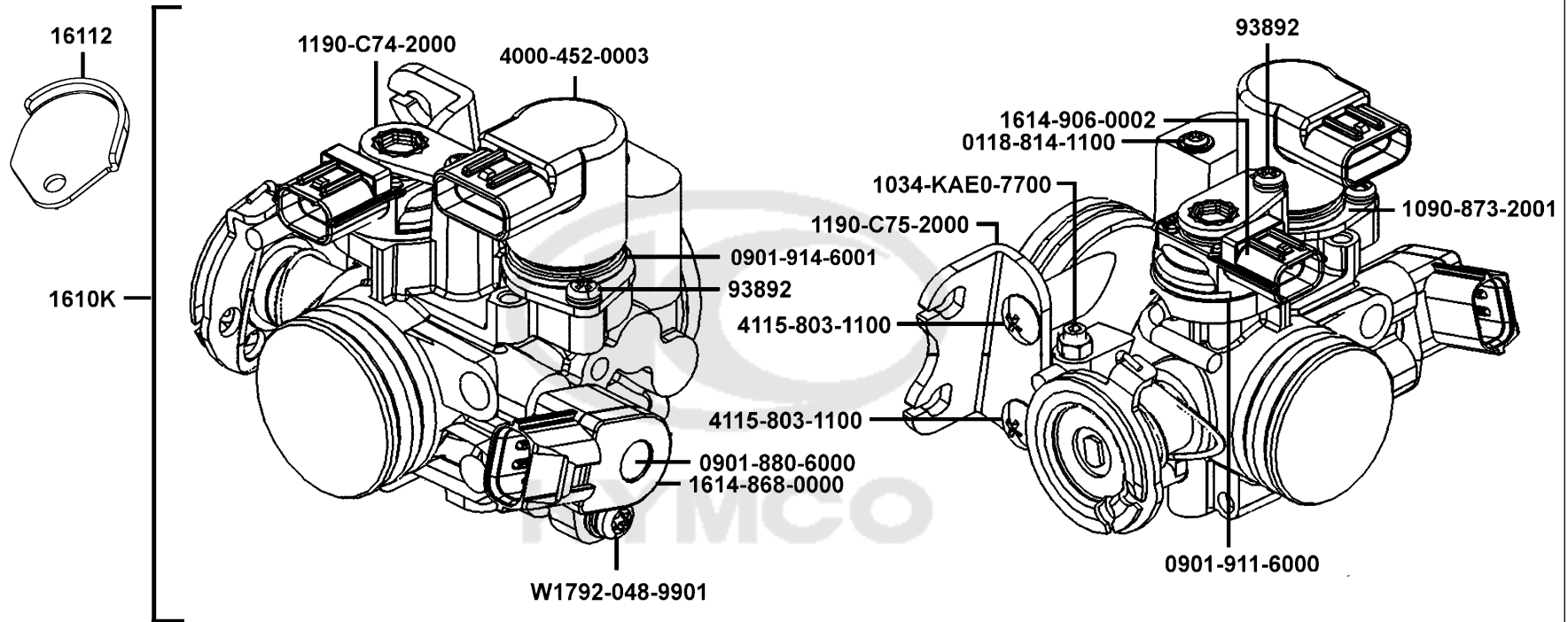
Sales mark	Ref no	Part no	Description	Reg description	Regd no	E07
	17561	17561-LDG7-900	SPG PROTECTOR WATER HOSE	SPG PROTECTOR WATER HOSE	1	
**	19200	19200-LBA2-E00	WATER PUMP ASSY	WATER PUMP ASSY	1	
	19300	19300-LBA2-E00	THERMOSTAT ASSY	THERMOSTAT ASSY	1	
	19310	19310-LDG7-900	CASE COMP THERMOSTAT	CASE COMP THERMOSTAT	1	
	19315	19315-LBA2-E00	COVER THERMOSTAT	COVER THERMOSTAT	1	
	19316	19316-LBA2-E00	HOSE THERMOSTAT	HOSE THERMOSTAT	1	
	19317	19317-LBA2-E00	RING 48.3*2	RING 48.3*2	1	
	19468	19468-LBA2-E00	RUBBER MOUNTING	RUBBER MOUNTING	1	
	19469	19469-LBA2-E00	RUBBER MOUNTING	RUBBER MOUNTING	1	
	19504	19504-LBA2-E00	CLAMP D16.8	CLAMP D16.8	4	
	19507	19507-LBA2-E00	CLAMP D 27.5	CLAMP D 27.5	2	
	19508	19508-LBA2-E00	CLAMP WATER HOSE	CLAMP WATER HOSE	3	
	19509	19509-LBA2-E00	TUBE COOLANT	TUBE COOLANT	1	
	19521	19521-LDG7-900	WATER HOSE	WATER HOSE	1	
	19522	19522-LBA2-E00	WATER HOSE A COOLER	WATER HOSE A COOLER	1	
	19523	19523-LBA2-E00	WATER HOSE B COOLER	WATER HOSE B COOLER	1	
	39400	39400-LDF2-800	WATER TEMP SENSOR	WATER TEMP SENSOR	1	
	50144	50144-LBA2-E00	BRKT THERMOSTAT	BRKT THERMOSTAT	1	
#	96001-06025	96001-06025-06	BOLT FLANGE SH 6*25	BOLT FLANGE SH 6*25	1	
#	96001-06040	96001-06040-06	BOLT FLANGE SH 6*40	BOLT FLANGE SH 6*40	1	



Sales mark	Ref no	Part no	Description	Reg description	Regd no	E08
	21200	21200-LBA2-E00	CASE COMP MISSION	CASE COMP MISSION	1	
	21395	21395-LBA2-E00	GASKET MISSION COVER @ A	GASKET MISSION COVER @ A	1	
	23411	23411-LBA2-E00	SHAFT DRIVE	SHAFT DRIVE	1	
	23420	23420-LBA2-E00	SHAFT COMP COUNTER	SHAFT COMP COUNTER	1	
	23431	23431-LBA2-E00	SHAFT FINAL	SHAFT FINAL	1	
	23432	23432-LBA2-E00	GEAR FINAL	GEAR FINAL	1	
	90488	90488-7L00-001	WASHER 8MM	WASHER 8MM	1	
	91255	91255-LBA2-E00	OIL SEAL 38*50*7	OIL SEAL 38*50*7	1	
	94301	94301-10160	DOWEL PIN 10*16	DOWEL PIN 10*16	2	
	94510	94510-25000	CIR CLIP EXTERNAL 25	CIR CLIP EXTERNAL 25	1	
	94520	94520-55000	CIR CLIP IN 55	CIR CLIP IN 55	1	
#	95701-08012	95701-08012-06	BOLT FLANGE 8*12	BOLT FLANGE 8*12	1	
#	95701-08025	95701-08025-06	BOLT FLANGE 8*25	BOLT FLANGE 8*25	1	
#	95701-08040	95701-08040-06	BOLT FLANGE 8x40 (G)	BOLT FLANGE 8x40 (G)	1	
#	95701-08045	95701-08045-06	BOLT FLANGE 6*45	BOLT FLANGE 6*45	1	
	96100-62040	96100-62040-00	BEARING BALL RADIAL 6204	BEARING BALL RADIAL 6204	1	
	96100-63040	96100-63040-00	BRG BALL RADIAL 6304	BRG BALL RADIAL 6304	1	
	96150-60060	96150-60060-10	BEARING BALL RADIAL 6006	BEARING BALL RADIAL 6006	1	

E09

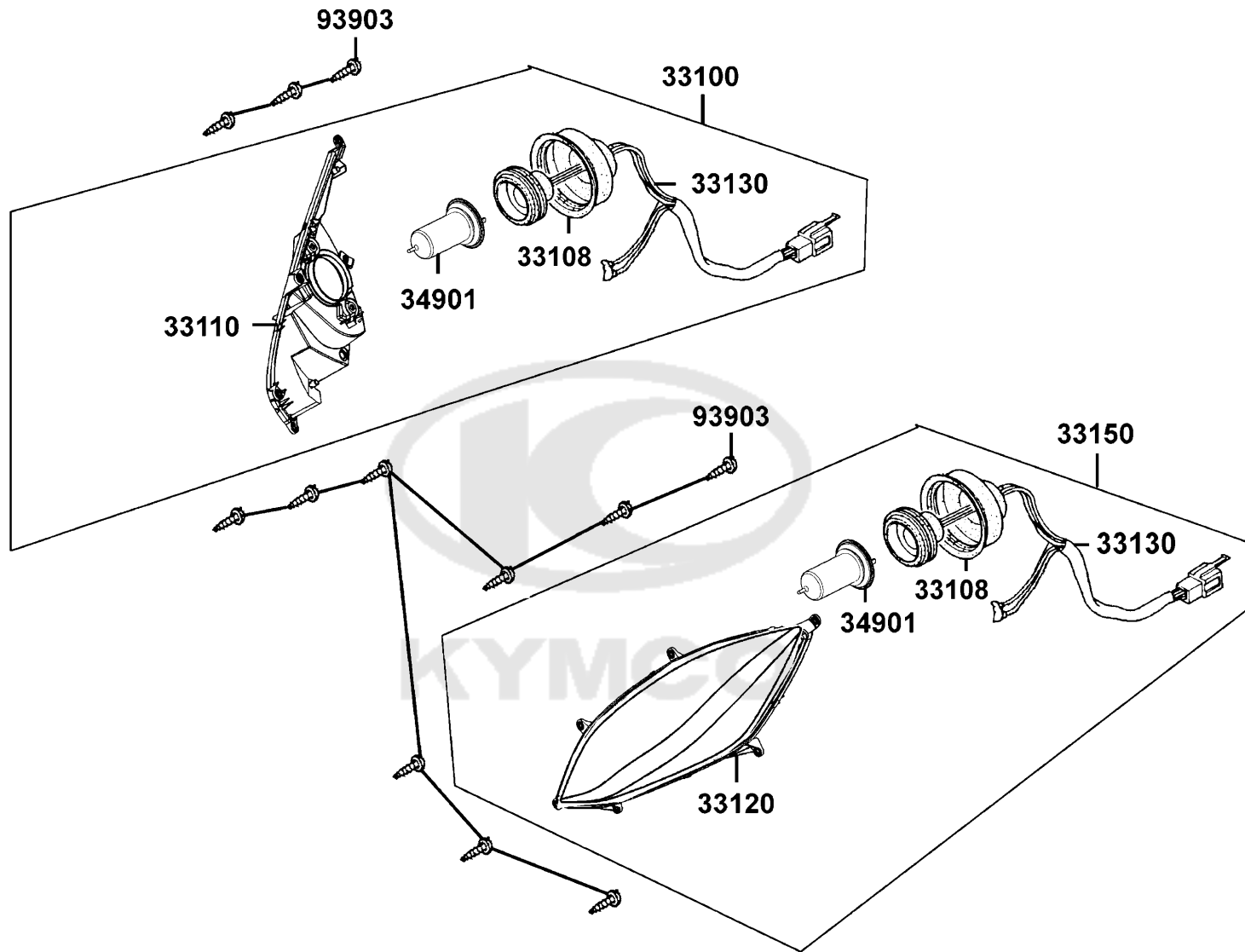
Throttle Body



Sales mark	Ref no	Part no	Description	Reg description	Regd no	E09
	0118-814-1100	0118-814-1100	SCREW SET	SCREW SET	1	
	0901-880-6000	0901-880-6000	O-RING/TPS	O-RING/TPS	1	
	0901-911-6000	0901-911-6000	O-RING	O-RING	1	
	0901-914-6001	0901-914-6001	O-RING	O-RING	1	
	1034-KAE0-7700	1034-KAE0-7700	SCREW / THROTTLE	SCREW / THROTTLE	1	
	1090-873-2001	1090-873-2001	SET PLATE	SET PLATE	1	
	1190-C74-2000	1190-C74-2000	STAY PLATE	STAY PLATE	1	
	1190-C75-2000	1190-C75-2000	BRACKET / THROTTLE CABLE	BRACKET / THROTTLE CABLE	1	
	1610K	1610K-LDG7-E00	THROTTLE BODY ASSY	THROTTLE BODY ASSY	1	
	16112	16112-LDG7-900	COVER THROTTLE BODY	COVER THROTTLE BODY	1	
	1614-868-0000	1614-868-0000-S	THROTTLE POSITION SENSER	THROTTLE POSITION SENSER	1	
	1614-906-0002	1614-906-0002	MAP SENSOR	MAP SENSOR	1	
#	4000-452-0003	4000-452-0010	ISC VALVE	ISC VALVE	1	
	4115-803-1100	4115-803-1100	SCREW PAN	SCREW PAN	2	
#	93892	93892-04008-16	SCREW WASHER 4X8	SCREW WASHER 4X8	1	
	W1792-048-9901	W1792-048-9901	SCREW TORX M5*0.8/TPS	SCREW TORX M5*0.8/TPS	1	

F01

Head Light

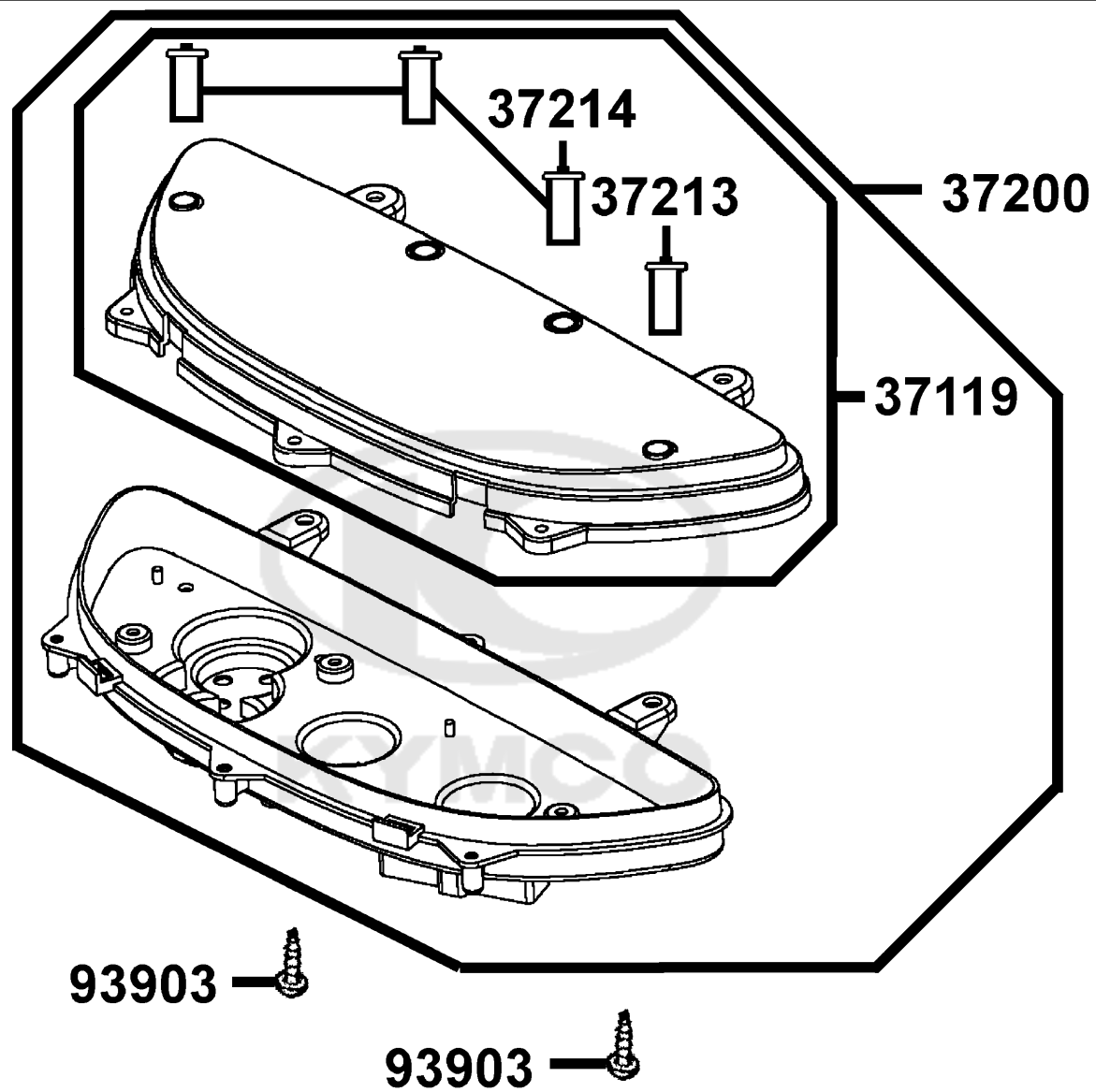


Sales mark	Ref no	Part no	Description	Reg description	Regd no	F01
	33100	33100-LGR2-E00	LIGHT ASSY HEAD RH	LIGHT ASSY HEAD RH	1	
#	33108	33108-KHE7-E00	COVER A RUBBER	COVER A RUBBER	2	
	33110	33110-LGR2-E00	UNIT HEAD LIGHT R	UNIT HEAD LIGHT R	1	
	33120	33120-LGR2-E00	UNIT HEAD LIGHT L	UNIT HEAD LIGHT L	1	
	33130	33130-LGR2-E00	SOCKET COMP R	SOCKET COMP R	2	
	33150	33150-LGR2-E00	LIGHT ASSY HEAD LH	LIGHT ASSY HEAD LH	1	
	34901	34901-KFA6-900	BULB HEAD LIGHT (HSI 12V 35/35W)	BULB HEAD LIGHT (HSI 12V 35/35W)	2	
#	93903	93903-35360	SCREW TAPPING 5*16	SCREW TAPPING 5*16	1	



F02

Speed meter



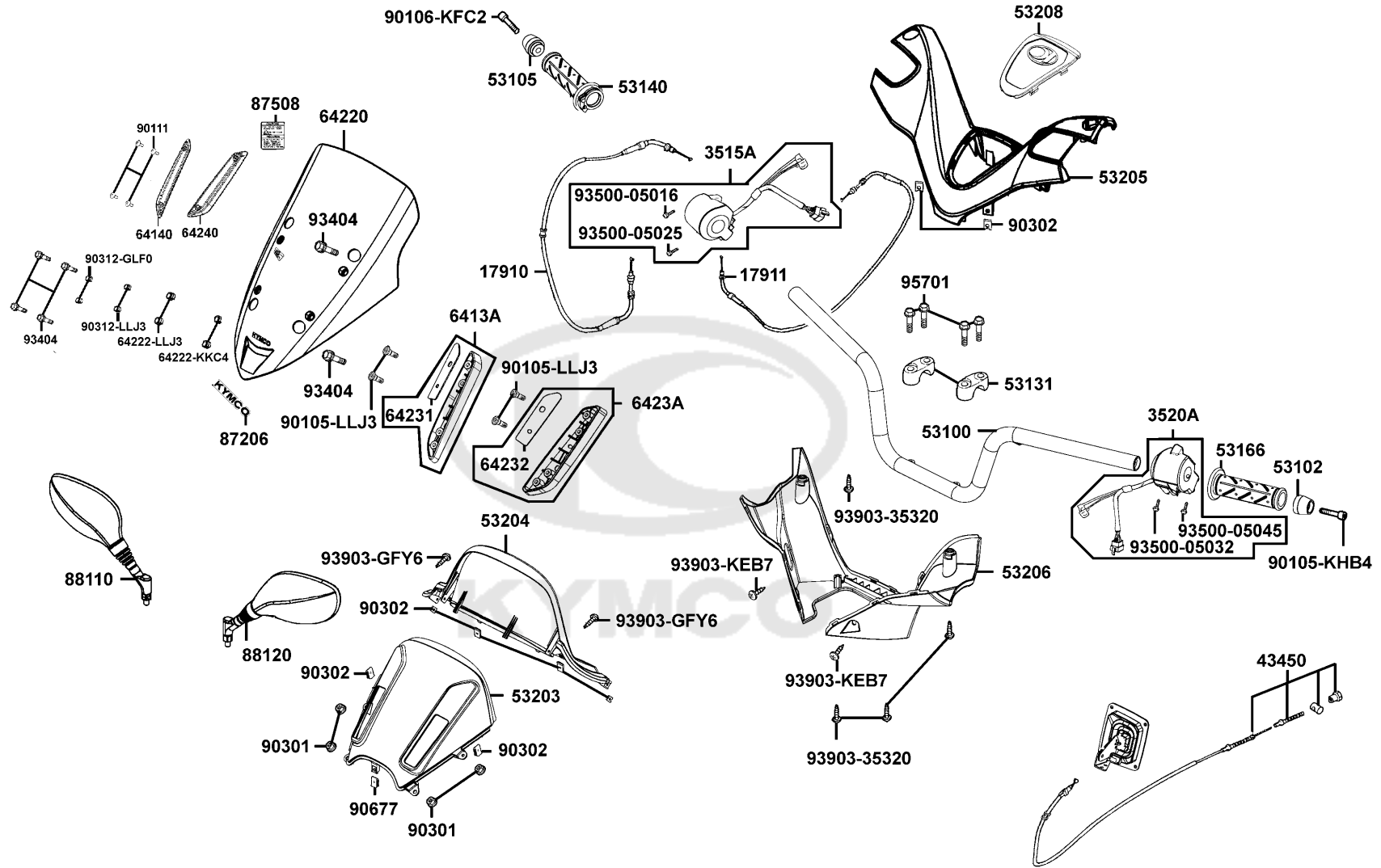
Sales mark	Ref no	Part no	Description	Reg description	Regd no	F02
------------	--------	---------	-------------	-----------------	---------	------------

	37119	37119-LBA2-E00	LENS	LENS	1	
	37200	37200-LFH1-E00	METER ASSY SPEED	METER ASSY SPEED	1	
	37213	37213-LBA2-E00	BUTTON A	BUTTON A	1	
	37214	37214-LBA2-E00	BUTTON B	BUTTON B	3	
#	93903	93903-35360	SCREW TAPPING 5*16	SCREW TAPPING 5*16	1	



F03

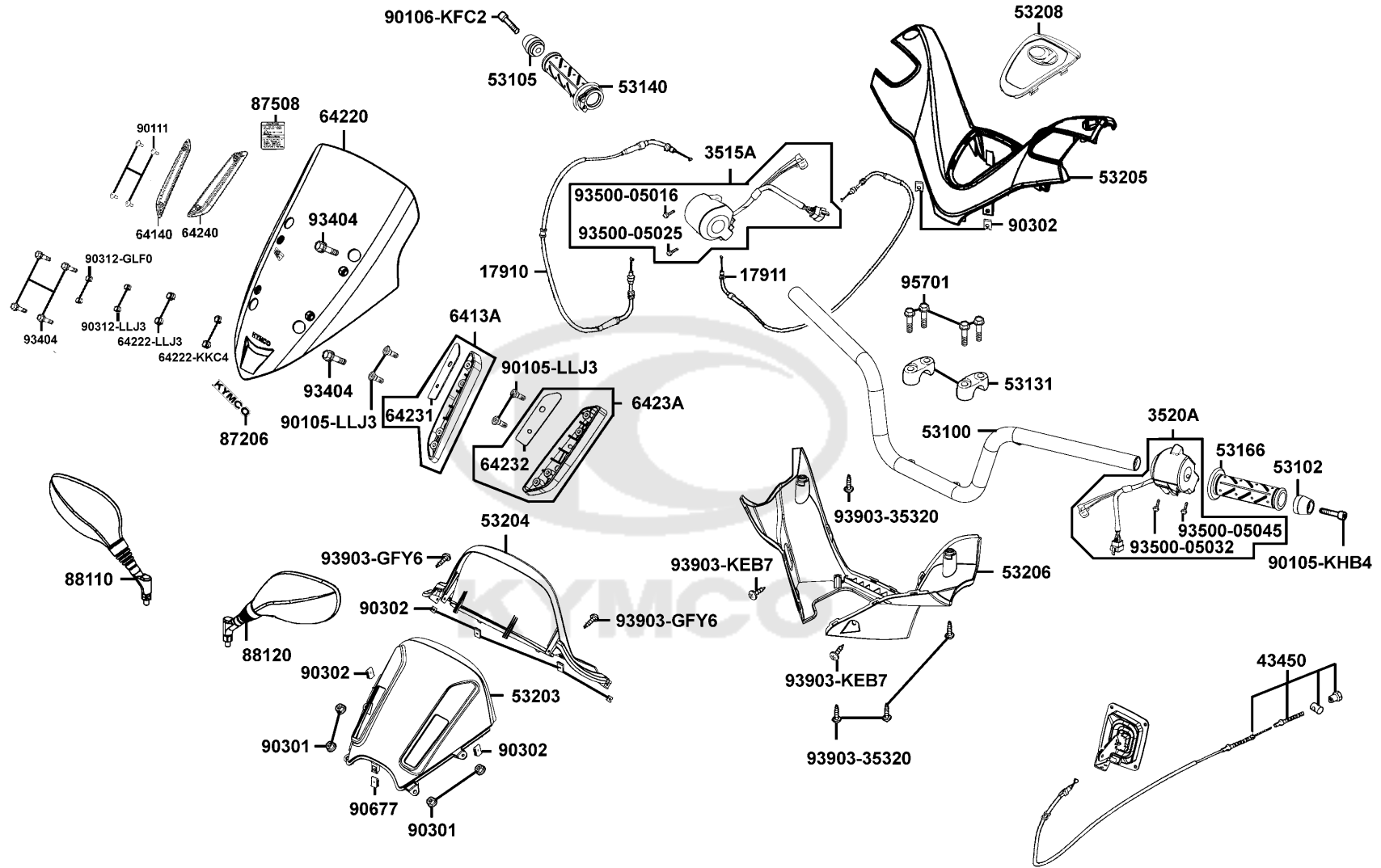
Handle SteeringHandle Cover



Sales mark	Ref no	Part no	Description	Reg description	Regd no	F03
	17910	17910-LDG7-900	CABLE COMP THROT	CABLE COMP THROT	1	
#	17911	17911-LDF2-900	CABLE B COMP THROT	CABLE B COMP THROT	1	
	3515A	3515A-LBA2-E01	SW ASSY RH HNDL COMP	SW ASSY RH HNDL COMP	1	
	3520A	3520A-KEBE-900	SW ASSY L HNDL COMP	SW ASSY L HNDL COMP	1	
	43450	43450-LBA2-E00	CABLE RR HAND BRAKE	CABLE RR HAND BRAKE	1	
	53100	53100-LBA2-E00	HANDLE COMP STRG	HANDLE COMP STRG	1	
**	53102	53102-LEA5-E00	END L STRG HANDLE **(2)	END L STRG HANDLE **(2)	1	
**	53105	53105-LEA5-E00	END R STRG HANDLE **(2) C.2007.01.03	END R STRG HANDLE **(2) C.2007.01.03	1	
	53131	53131-3H98-941	HOLDER HANDLE PIPE	HOLDER HANDLE PIPE	2	
**	53140	53140-KKC4-900	GRIP COMP THROT	GRIP COMP THROT	1	
**	53166	53166-KGB5-900	GRIP L HANDLE	GRIP L HANDLE	1	
**	53203	53203-LBA2-E00	COVER METER FR	COVER METER FR	1	
**	53204	53204-LBA2-E00	COVER METER RR	COVER METER RR	1	
**	53205	53205-LBA2-E02	COVER HNDL UP	COVER HNDL UP	1	
**	53206	53206-LBA2-E00	COVER R HANDLE LOW	COVER R HANDLE LOW	1	
	53208	53208-LBA2-E00	GRILL HANDLE UP	GRILL HANDLE UP	1	
**	6413A	6413A-LGR2-E00	HOLDER ASSY..R WIND SCREEN	HOLDER ASSY..R WIND SCREEN	1	
**	64140	64140-LGR2-E00	COVER,R WIND SCREEN (MAT BLACK)	COVER,R WIND SCREEN (MAT BLACK)	1	
**	64220	64220-LGR2-E00	WIND SCREEN	WIND SCREEN	1	
	64222-KKC4	64222-KKC4-900	RUBBER WIND SCREEN	RUBBER WIND SCREEN	2	

F03

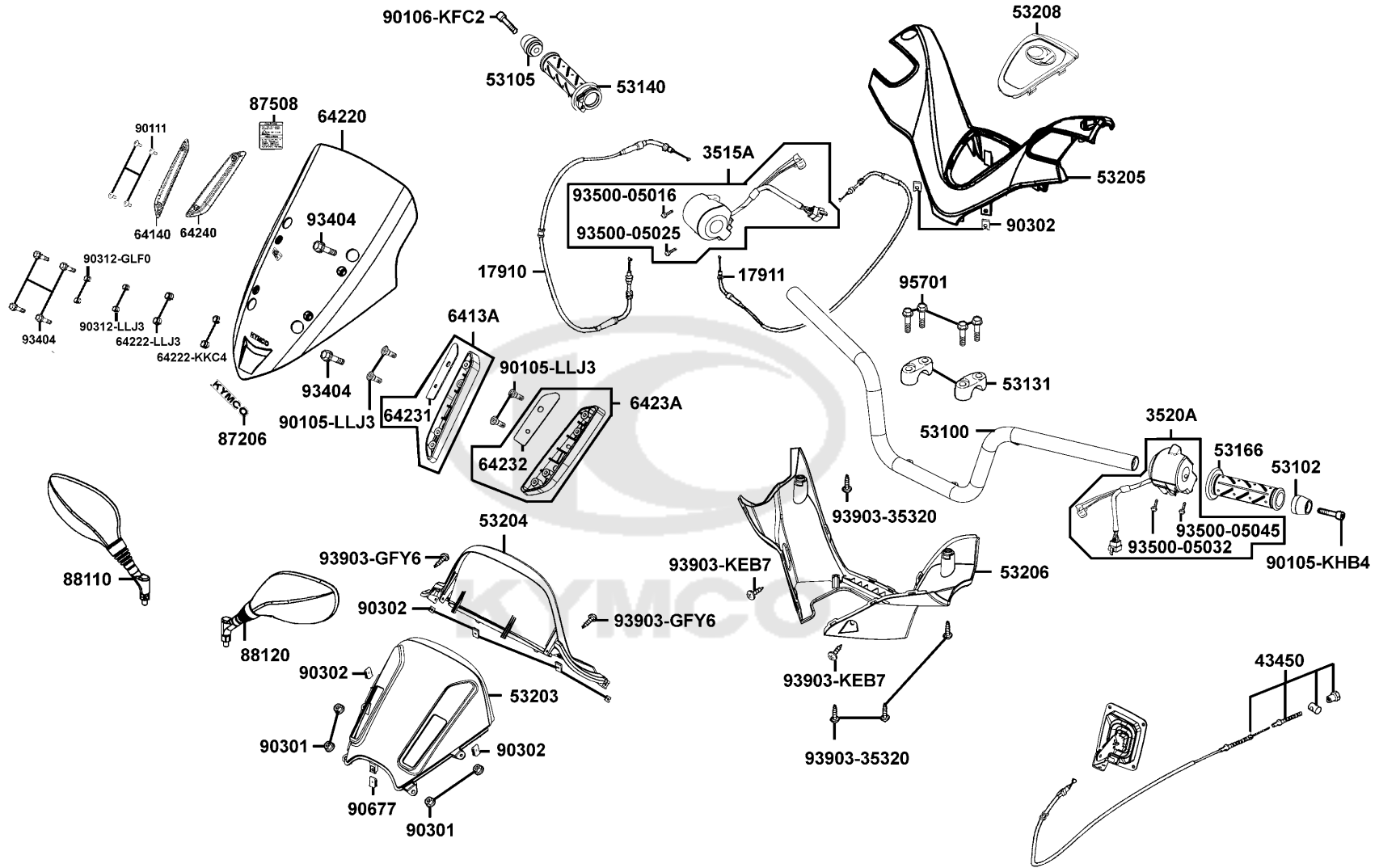
Handle SteeringHandle Cover



Sales mark	Ref no	Part no	Description	Reg description	Regd no	F03
	64222-LLJ3	64222-LLJ3-E00	RUBBER WIND SCREEN	RUBBER WIND SCREEN	2	
	64231	64231-LBA2-E00	SPONGE TAPE R HOLDER	SPONGE TAPE R HOLDER	1	
	64232	64232-LBA2-E00	SPONGE TAPE L HOLDER	SPONGE TAPE L HOLDER	1	
**	6423A	6423A-LGR2-E00	HOLDER ASSY L WIND SCREEN	HOLDER ASSY L WIND SCREEN	1	
**	64240	64240-LGR2-E00	COVER,L WIND SCREEN (MAT BLACK)	COVER,L WIND SCREEN (MAT BLACK)	1	
**	87206	87206-LBA2-E00	EMB MARK KYMCO	EMB MARK KYMCO	1	
**	87508	87508-KKC4-E00	LABEL CLEANNESS CAUTION	LABEL CLEANNESS CAUTION	1	
**	88110	88110-LBA2-E02	MIRROR ASSY R BACK	MIRROR ASSY R BACK	1	
**	88120	88120-LBA2-E02	MIRROR ASSY L BACK	MIRROR ASSY L BACK	1	
	90105-KHB4	90105-KHB4-900	BOLT WASH M8*60	BOLT WASH M8*60	1	
	90105-LLJ3	90105-LLJ3-E00	BOLT SPECIAL 8MM	BOLT SPECIAL 8MM	4	
	90106	90106-KFC2-900	BOLT SPECIAL 8MM	BOLT SPECIAL 8MM	1	
#	90111	90111-LEC8-E01	SCREW.PAN 6X14(CG)	SCREW.PAN 6X14(CG)	4	
	90301	90301-6D34-671	NUT FLANGE 6MM	NUT FLANGE 6MM	4	
	90302	90302-SDA4-004	NUT SPRING 4MM	NUT SPRING 4MM	8	
	90312-GLF0	90312-GLF0-001	COLLAR BODY COVER	COLLAR BODY COVER	2	
	90312-LLJ3	90312-LLJ3-E00	COLLAR WIND SCREEN	COLLAR WIND SCREEN	2	
	90677	90677-GAR1-004	NUT CLIP 5MM	NUT CLIP 5MM	1	
	93404	93404-06020-06	BOLT WASHER 6*20 (G)	BOLT WASHER 6*20 (G)	4	
	93500-05016	93500-05016-1B	SCREW PAN 5*16	SCREW PAN 5*16	1	

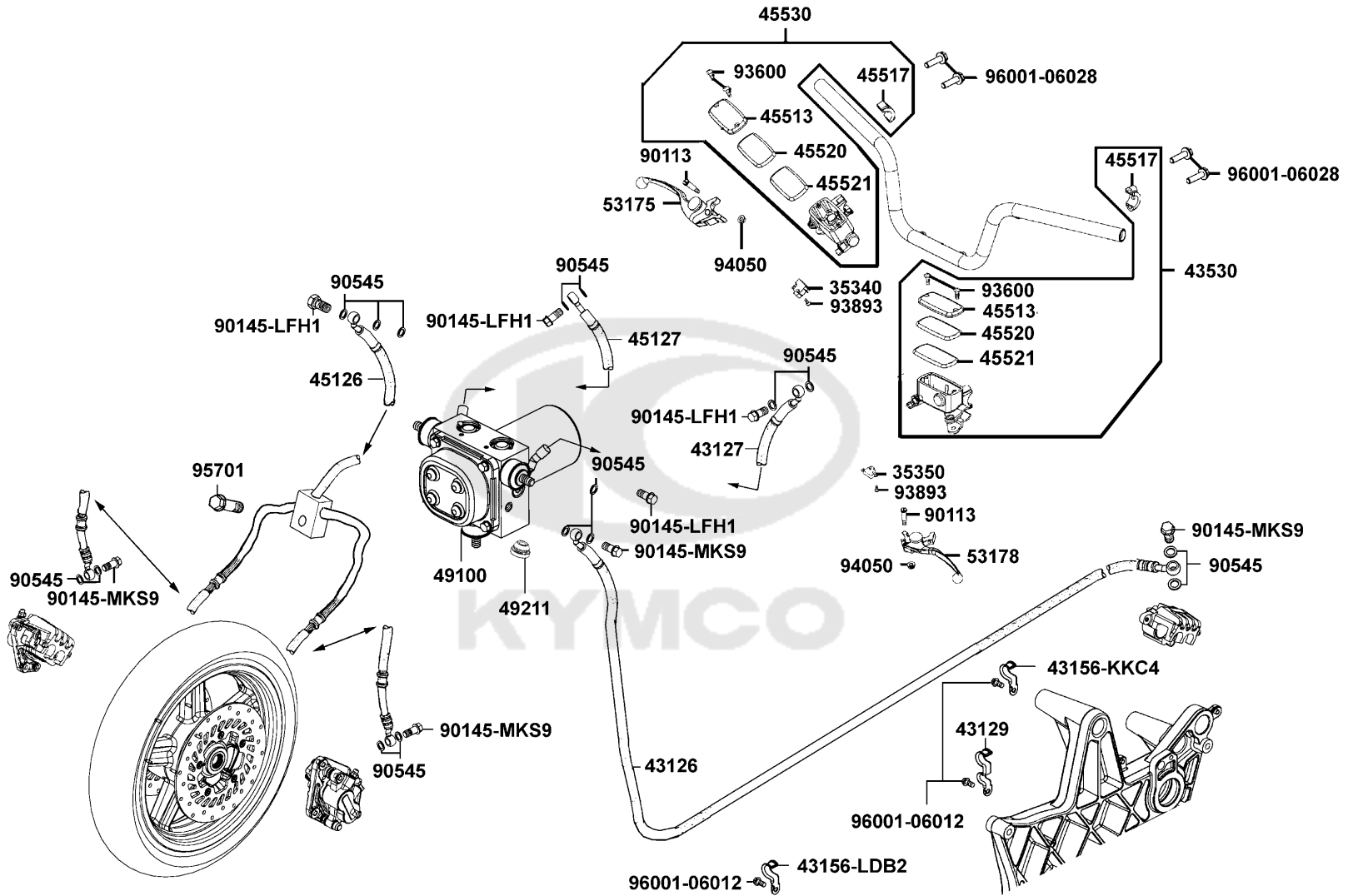
F03

Handle SteeringHandle Cover



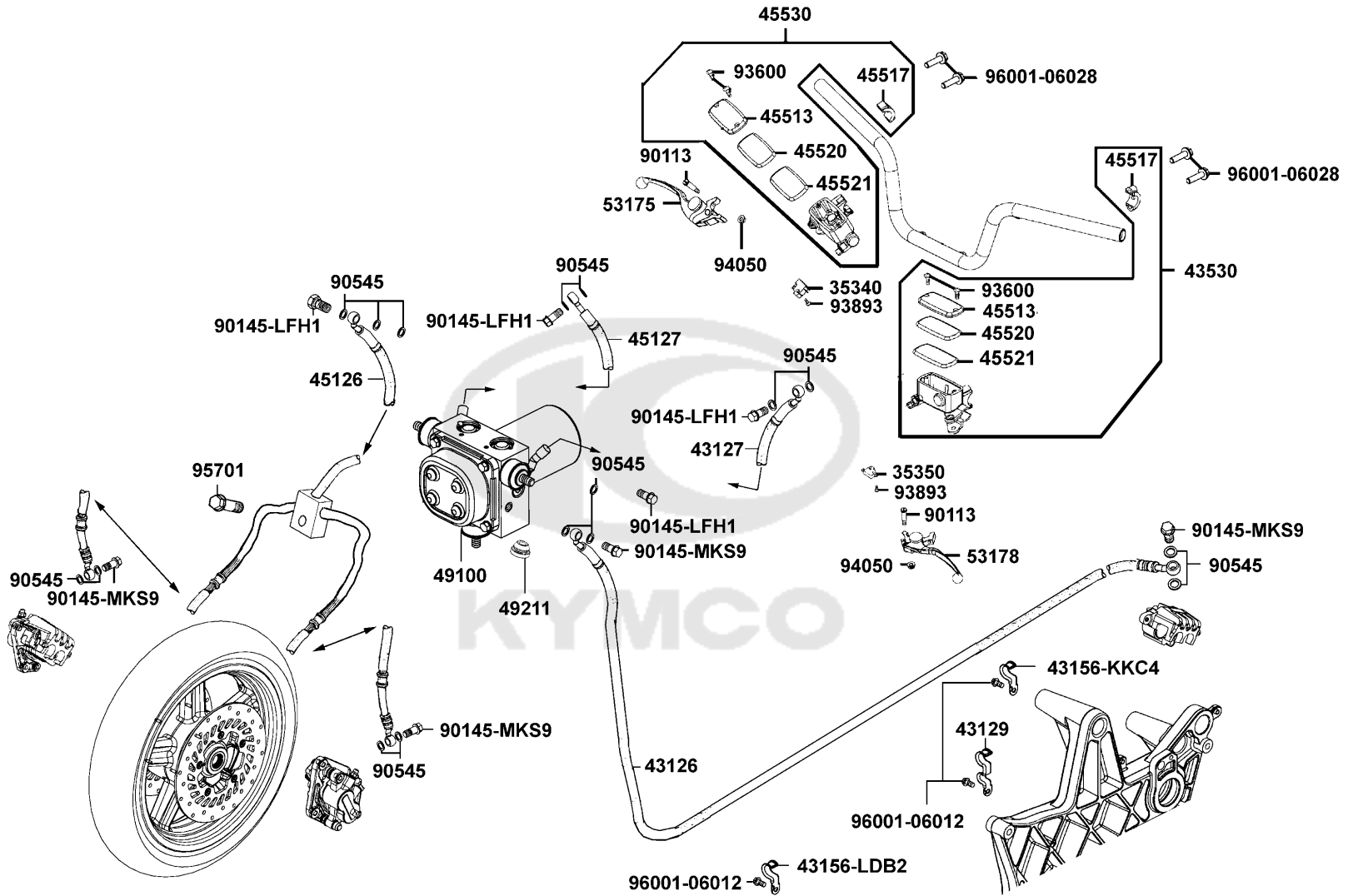
Sales mark	Ref no	Part no	Description	Reg description	Regd no	F03
	93500-05025	93500-05025-1B	SCREW PAN 5*25	SCREW PAN 5*25	1	
	93500-05032	93500-05032-1B	SCREW PAN 5*32	SCREW PAN 5*32	1	
	93500-05045	93500-05045-1B	SCREW PAN 5*45	SCREW PAN 5*45	1	
#	93903	93903-35360	SCREW TAPPING 5*16	SCREW TAPPING 5*16	1	
	93903-GFY6	93903-GFY6-900	SCREW TAPPING 4*14	SCREW TAPPING 4*14	2	
	93903-KEB7-900	93903-KEB7-900-06	SCREW WASHER 4*12 (G)	SCREW WASHER 4*12 (G)	2	
	95701	95701-08035-06	BOLT FLANGE 8*28	BOLT FLANGE 8*28	4	



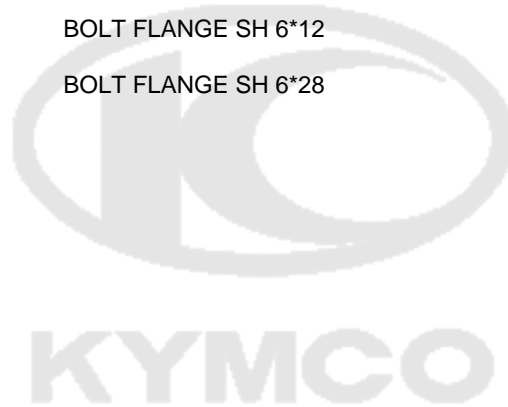


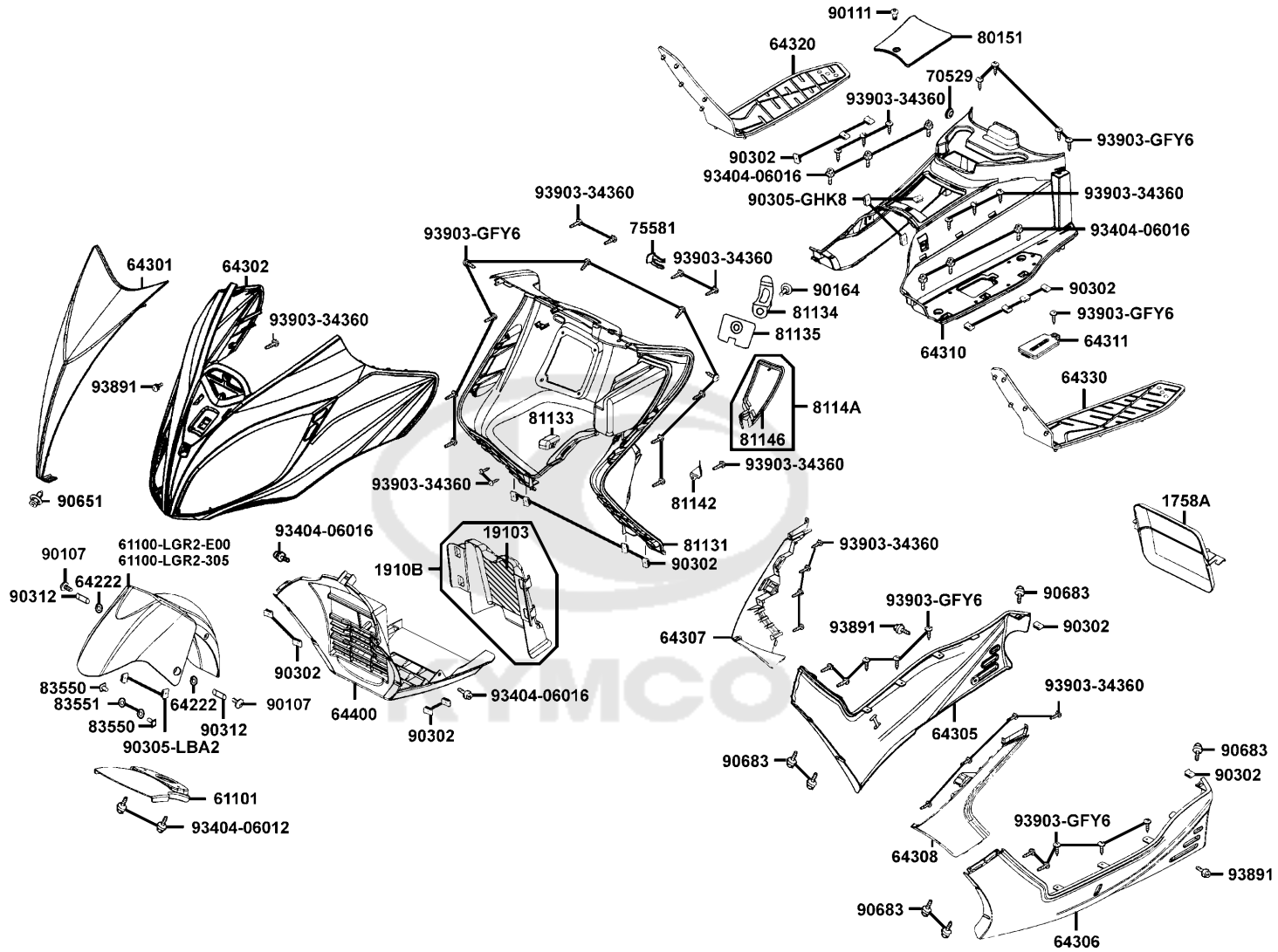
Sales mark	Ref no	Part no	Description	Reg description	Regd no	F04
#	35340	35340-LKF5-E01	SW ASSY FR STOP	SW ASSY FR STOP	1	
#	35350	35350-LKF5-E01	SW ASSY RR STOP	SW ASSY RR STOP	1	
	43126	43126-LFH1-E00	HOSE ASSY. RR BRK	HOSE ASSY. RR BRK	1	
	43127	43127-LFH1-E00	HOSE ASSY. RR BRK	HOSE ASSY. RR BRK	1	
	43129	43129-LBA2-E00	CLAMPER RR BRK HOSE & CABLE	CLAMPER RR BRK HOSE & CABLE	1	
	43156-KKC4	43156-KKC4-900	CLAMPER HOSE RR	CLAMPER HOSE RR	1	
	43156-LDB2	43156-LDB2-900	CLAMPER HOSE RR	CLAMPER HOSE RR	1	
	43530	43530-KKE5-305	CYLINDER SET RR MASTER	CYLINDER SET RR MASTER	1	
	45126	45126-LFH1-E00	HOSE ASSY. FR BRK	HOSE ASSY. FR BRK	1	
	45127	45127-LFH1-E00	HOSE ASSY. M/C FR BRK	HOSE ASSY. M/C FR BRK	1	
	45513	45513-LEA7-E00	CAP MASTER CYLINDER	CAP MASTER CYLINDER	2	
	45517	45517-LBA2-E00	HOLDER M/C	HOLDER M/C	2	
	45520	45520-KKA8-900	DIAPHRAGM	DIAPHRAGM	2	
	45521	45521-LEA7-E00	PLATE DIAPHRAGM	PLATE DIAPHRAGM	2	
	45530	45530-KKE5-305	CYLINDER SET MASTER	CYLINDER SET MASTER	1	
	49100	49100-LFH1-E00	MODULATOR ASSYABS	MODULATOR ASSYABS	1	
	49211	49211-LFH1-E00	RUBBER BUSH	RUBBER BUSH	1	
**	53175	53175-LGR2-E01	LEVER R STRG HANDLE	LEVER R STRG HANDLE	1	
**	53178	53178-LGR2-E01	LEVER L STRG HANDLE	LEVER L STRG HANDLE	1	
	90113	90113-KKA8-900	BOLT L STEERING HANDLE	BOLT L STEERING HANDLE	2	

Brake Master Cylinder

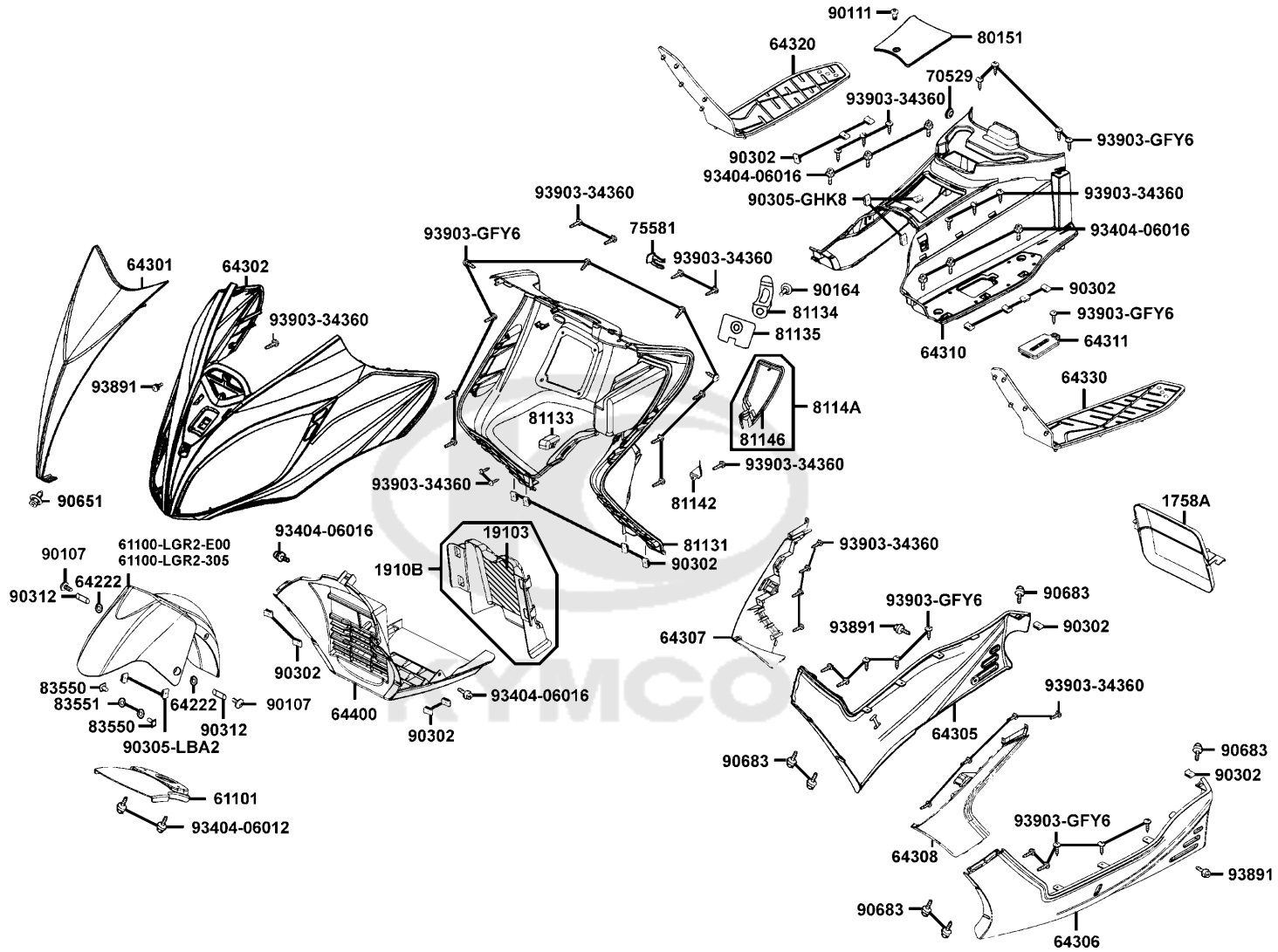


Sales mark	Ref no	Part no	Description	Reg description	Regd no	F04
#	90145-MKS9	90145-LEA3-E00	OIL BOLT 10*22	OIL BOLT 10*22	1	
	90145-LFH1	90145-LFH1-E00	OIL BOLT 10x22	OIL BOLT 10X22	4	
	90545	90545-3L00-001	WASHER OIL BOLT	WASHER OIL BOLT	15	
	93600	93600-04012-1A	SCREW FLAT 4*12	SCREW FLAT 4*12	4	
	93893	93893-04012-18	SCREW WASHER 4*12	SCREW WASHER 4*12	2	
	94050	94050-06060	NUT FLANGE 6MM	NUT FLANGE 6MM	2	
#	95701	95701-06016-06	BOLT FLANGE 6*16 (K)	BOLT FLANGE 6*16 (K)	1	
#	96001-06012	96001-06012-06	BOLT FLANGE SH 6*12	BOLT FLANGE SH 6*12	1	
	96001-06028	96001-06028-06	BOLT FLANGE SH 6*28	BOLT FLANGE SH 6*28	4	

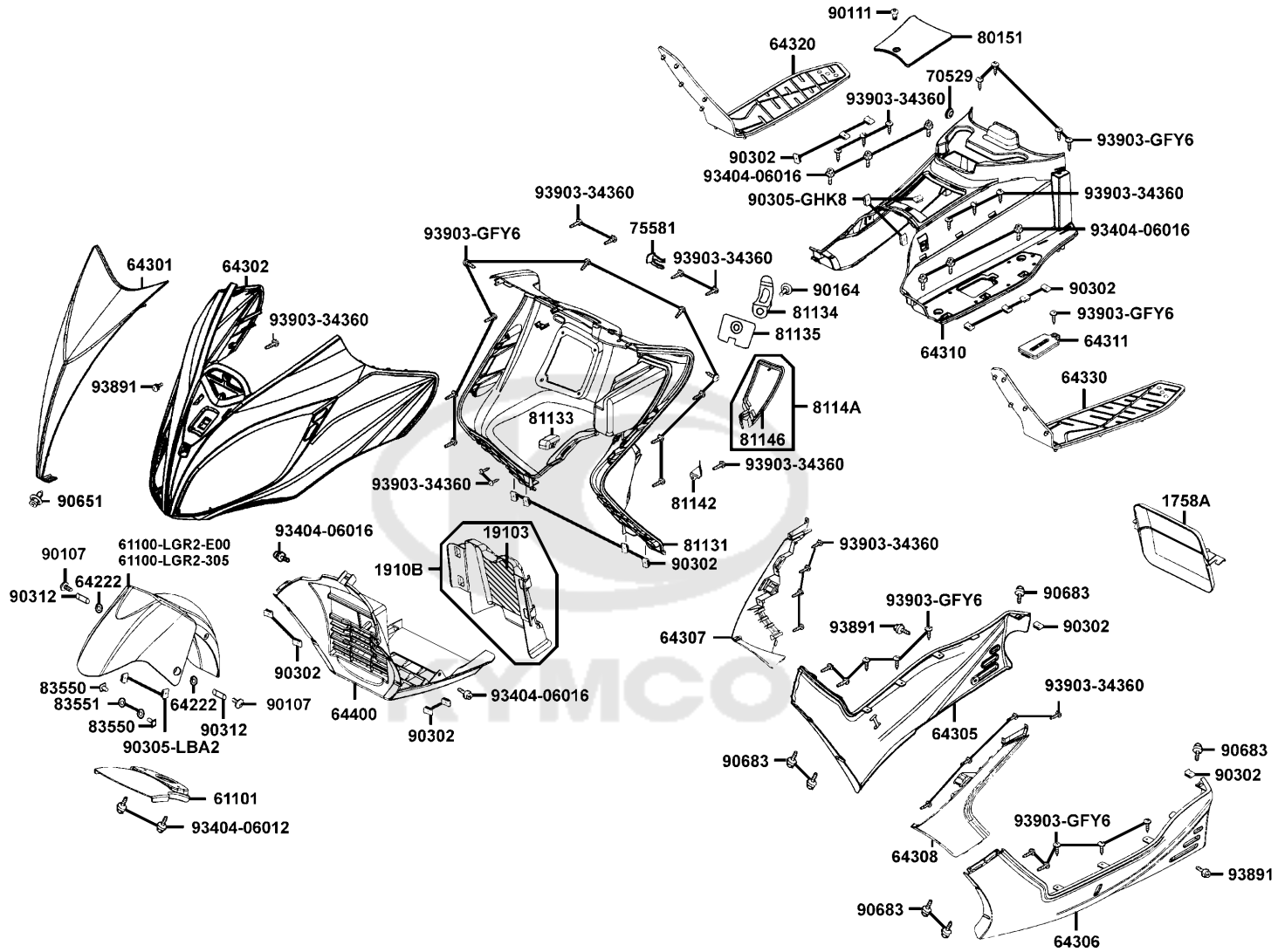




Sales mark	Ref no	Part no	Description	Reg description	Regd no	F05
	1758A	1758A-LBA2-E00	GUARD ASSY TANK	GUARD ASSY TANK	1	
	19103	19103-LBA2-E00	HRAT GUARD COOLING AIR	HRAT GUARD COOLING AIR	1	
	1910B	1910B-LBA2-E00	DUCT ASSY COOLING TANK	DUCT ASSY COOLING TANK	1	
# **	61100-LGR2-E00	61100-LKF5-E00	FENDER FR (BLACK)	FENDER FR (BLACK)	1	
	61101	61101-LBA2-E00	FENDER FR INNER	FENDER FR INNER	1	
	64222	64222-LLJ3-E00	RUBBER WIND SCREEN	RUBBER WIND SCREEN	2	
**	64301	64301-LGR2-E00	COVER, FR.TOP (BLACK)	COVER, FR.TOP (BLACK)	1	
**	64302	64302-LGR2-E00	MOLDING FR (BLACK)	MOLDING FR (BLACK)	1	
**	64305	64305-LBA2-E00	SKIRT R SID	SKIRT R SID	1	
**	64306	64306-LBA2-E00	SKIRT L SIDE	SKIRT L SIDE	1	
**	64307	64307-LGR2-E00	SKIRT,FR.R SIDE (BLACK)	SKIRT,FR.R SIDE (BLACK)	1	
**	64308	64308-LGR2-E00	SKIRT,FR.L SIDE (BLACK)	SKIRT,FR.L SIDE (BLACK)	1	
**	64310	64310-LBA2-E00	FLOOR PANEL	FLOOR PANEL	1	
**	64311	64311-LBA2-E00	COVER R PILLION STEP	COVER R PILLION STEP	1	
**	64320	64320-LBA2-E00	MAT R FLOOR	MAT R FLOOR	1	
**	64330	64330-LBA2-E00	MAT L FLOOR	MAT L FLOOR	1	
**	64400	64400-LBA2-E00	COWL UNDER	COWL UNDER	1	
	70529	70529-6G57-671	GROM B SIDE PNL	GROM B SIDE PNL	1	
	75581	75581-6C73-001	SET SPG LOCK KEY	SET SPG LOCK KEY	1	
**	80151	80151-LBA2-E00	COVER CENTER	COVER CENTER	1	



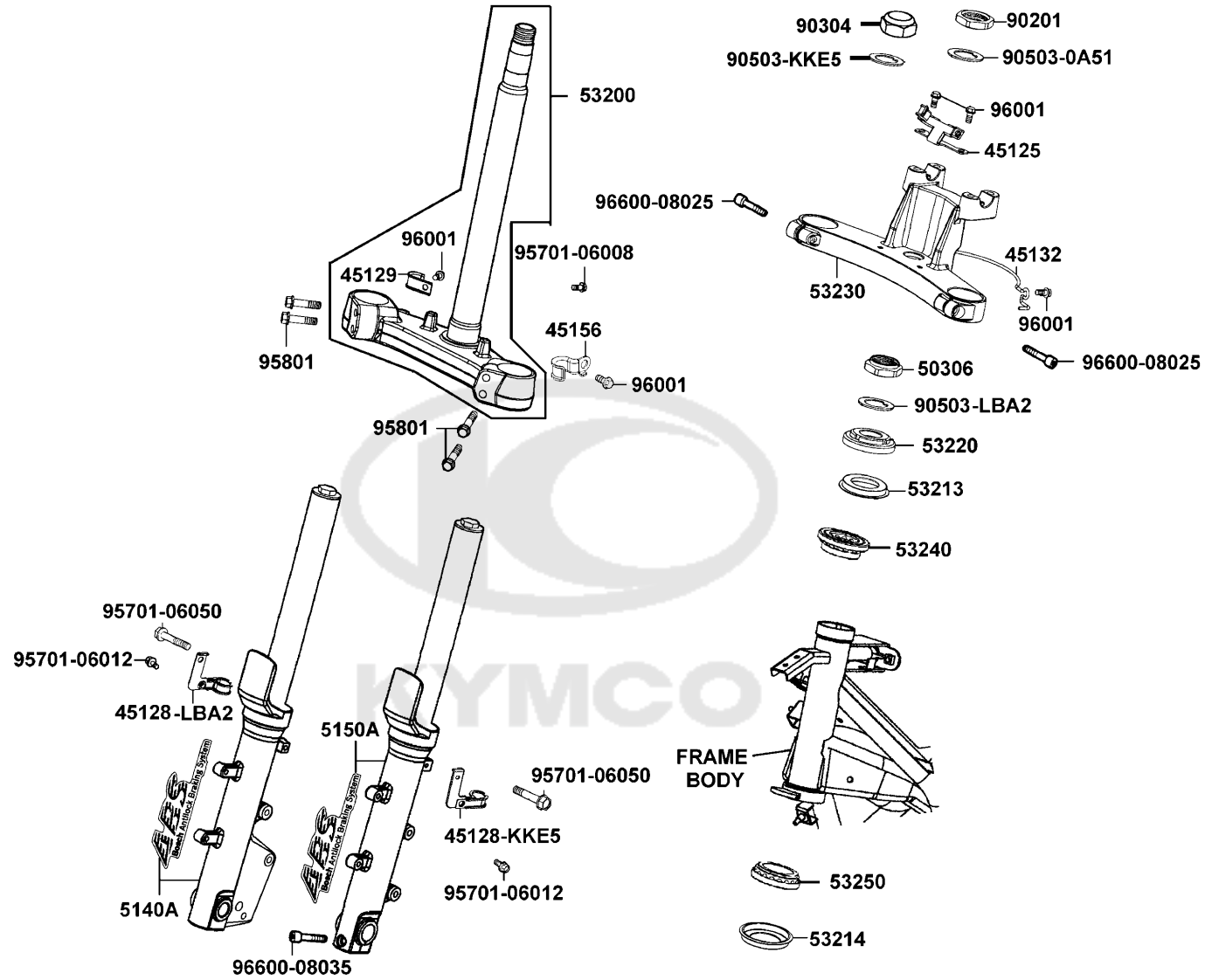
Sales mark	Ref no	Part no	Description	Reg description	Regd no	F05
**	81131	81131-LBA2-E01	LEG SHIELD	LEG SHIELD	1	
	81133	81133-LBA2-E00	CAP LEG SHIELD	CAP LEG SHIELD	1	
	81134	81134-KGBG-900	HOOK LUGGAGE	HOOK LUGGAGE	1	
	81135	81135-KGBG-900	STAY LUGGAGE HOOK	STAY LUGGAGE HOOK	1	
	81142	81142-LBA2-E00	STAY LID INNER BOX	STAY LID INNER BOX	1	
	81146	81146-LBA2-E00	SEAL LID INNER BOX	SEAL LID INNER BOX	1	
**	8114A	8114A-LBA2-E00	LID ASSY INNER BOX	LID ASSY INNER BOX	1	
	83550	83550-KEC8-900	COLLAR	COLLAR	2	
	83551	83551-KEC8-900	GROMMET COVER **KEC8-9000	GROMMET COVER **KEC8-9000 C.2005.09.01	2	
	90107	90107-LEA7-E00	BOLT SPECIAL 8MM	BOLT SPECIAL 8MM	2	
#	90111	90111-LEC8-E01	SCREW.PAN 6X14(CG)	SCREW.PAN 6X14(CG)	1	
	90164	90164-KGBG-900	SCREW SPECIAL 6MM	SCREW SPECIAL 6MM	1	
	90302	90302-SDA4-004	NUT SPRING 4MM	NUT SPRING 4MM	21	
	90305-GHK8	90305-GHK8-001	NUT CLIP 6MM	NUT CLIP 6MM	3	
	90305-LBA2	90305-LBA2-E00	NUT CLIP 6MM	NUT CLIP 6MM	2	
	90312	90312-LLJ3-E01	COLLAR WIND SCREEN	COLLAR WIND SCREEN	2	
	90651	90651-LCA5-E00	CLIP FENDER	CLIP FENDER	1	
	90683	90683-GAR1-004	CLIP BODY COVER	CLIP BODY COVER	6	
	93404-06012	93404-06012-06	BOLT WASHER 6X12	BOLT WASHER 6X12	2	
	93404-06016	93404-06016-06	BOLT WASHER 6*16	BOLT WASHER 6*16	8	



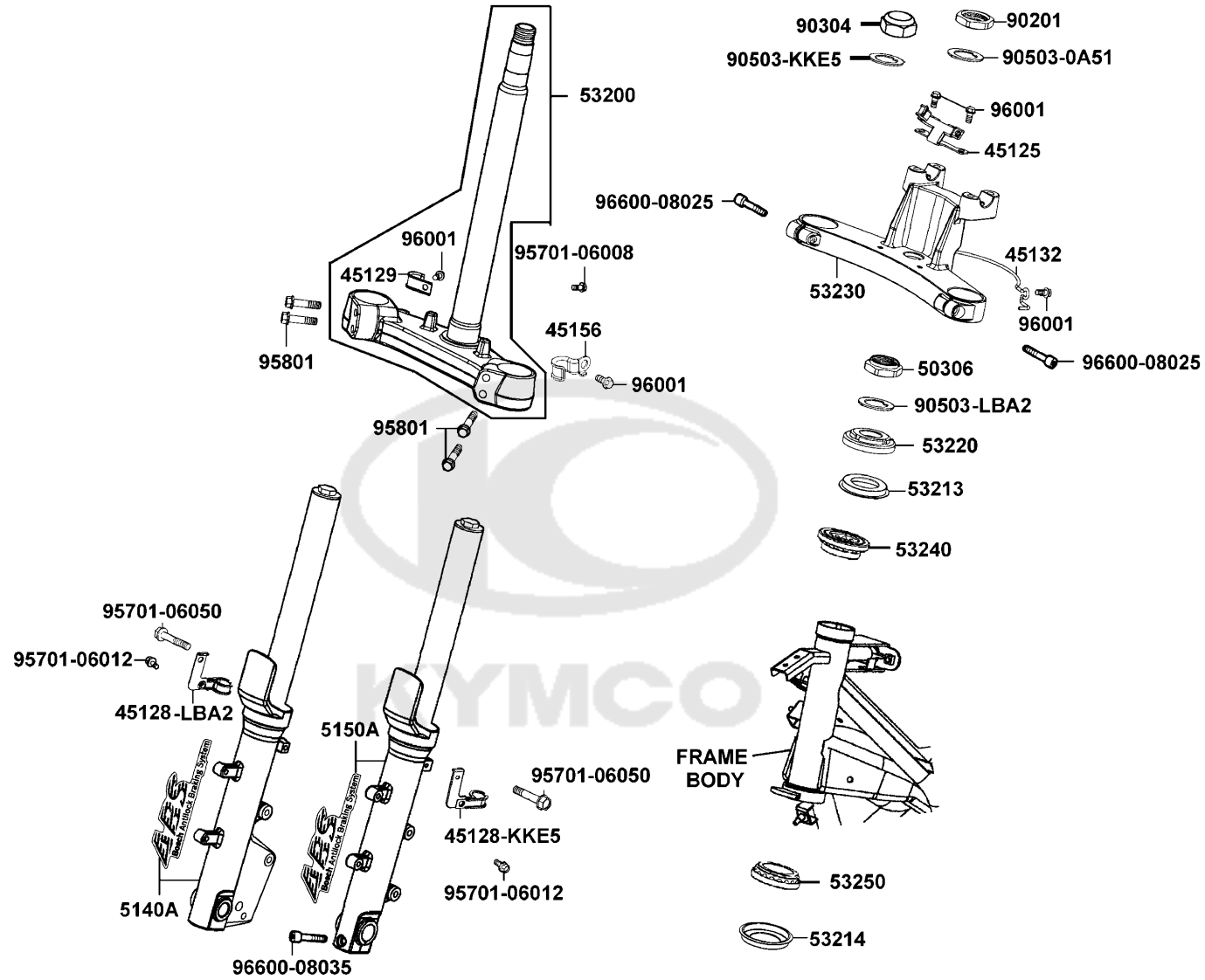
Sales mark	Ref no	Part no	Description	Reg description	Regd no	F05
------------	--------	---------	-------------	-----------------	---------	------------

	93891	93891-05016-06	SCREW WASHER 5* 16	SCREW WASHER 5* 16	3	
	93903-34360	93903-34360	SCREW TAPPING 4X12	SCREW TAPPING 4X12	24	
	93903-GFY6	93903-GFY6-900	SCREW TAPPING 4*14	SCREW TAPPING 4*14	25	





Sales mark	Ref no	Part no	Description	Reg description	Regd no	F06
	45125	45125-LBA2-E00	CLIP BRK HOSE(TOP BRIDGE)	CLIP BRK HOSE(TOP BRIDGE)	1	
	45128-KKE5	45128-KKE5-E00	CLAMPER FR BRK HOSE	CLAMPER FR BRK HOSE	1	
	45128-LBA2	45128-LBA2-920	CLAMPER FR BRK HOSE	CLAMPER FR BRK HOSE	1	
	45129	45129-LFH1-E00	STAY. HOSE ASSY FR(STEM)	STAY. HOSE ASSY FR(STEM)	1	
	45132	45132-LFH1-E00	CLAMPER FR BRK (TOP BRIDGE)	CLAMPER FR BRK (TOP BRIDGE)	1	
	45156	45156-KKE5-E00	CLAMPER FR BRK HOSE	CLAMPER FR BRK HOSE	1	
	50306	50306-1F96-001	NUT STRG STEM LOCK	NUT STRG STEM LOCK	1	
**	5140A	5140A-LGR2-E01	FORK ASSY FR R (BLACK)	FORK ASSY FR R (BLACK)	1	
**	5150A	5150A-LGR2-E01	FORK SET L. FR	FORK SET L. FR	1	
	53200	53200-LFH1-E00	STEM COMP. STRG	STEM COMP. STRG	1	
	53213	53213-LBA2-E00	DUST SEAL STRG HEAD TOP	DUST SEAL STRG HEAD TOP	1	
	53214	53214-LBA2-E00	DUST SEAL STRG (HEAD)	DUST SEAL STRG HEAD BOT	1	
	53220	53220-LBA2-E00	THREAD COMP STRG HEAD TOP	THREAD COMP STRG HEAD TOP	1	
	53230	53230-LBA2-E00	BRIDGE FORK TOP	BRIDGE FORK TOP	1	
	53240	53240-LBA2-E00	BEARING TOT STRG (mark:PX1)	BEARING TOT STRG (mark:PX1)	1	
	53250	53250-LBA2-E00	BEARING BOT STRG (mark:PX1)	BEARING BOT STRG (mark:PX1)	1	
	90201	90201-LBA2-E00	NUT STRG STEM	NUT STRG STEM	1	
#	90304	90304-KKE5-E00	NUT. STRG. STEM	NUT. STRG. STEM	1	
	90503-0A51	90503-0A51-870	WASHER STEERING STEM NUT	WASHER STEERING STEM NUT	1	
#	90503-KKE5	90503-KKE5-E00	WASHER STEERING STEM NUT	WASHER STEERING STEM NUT	1	

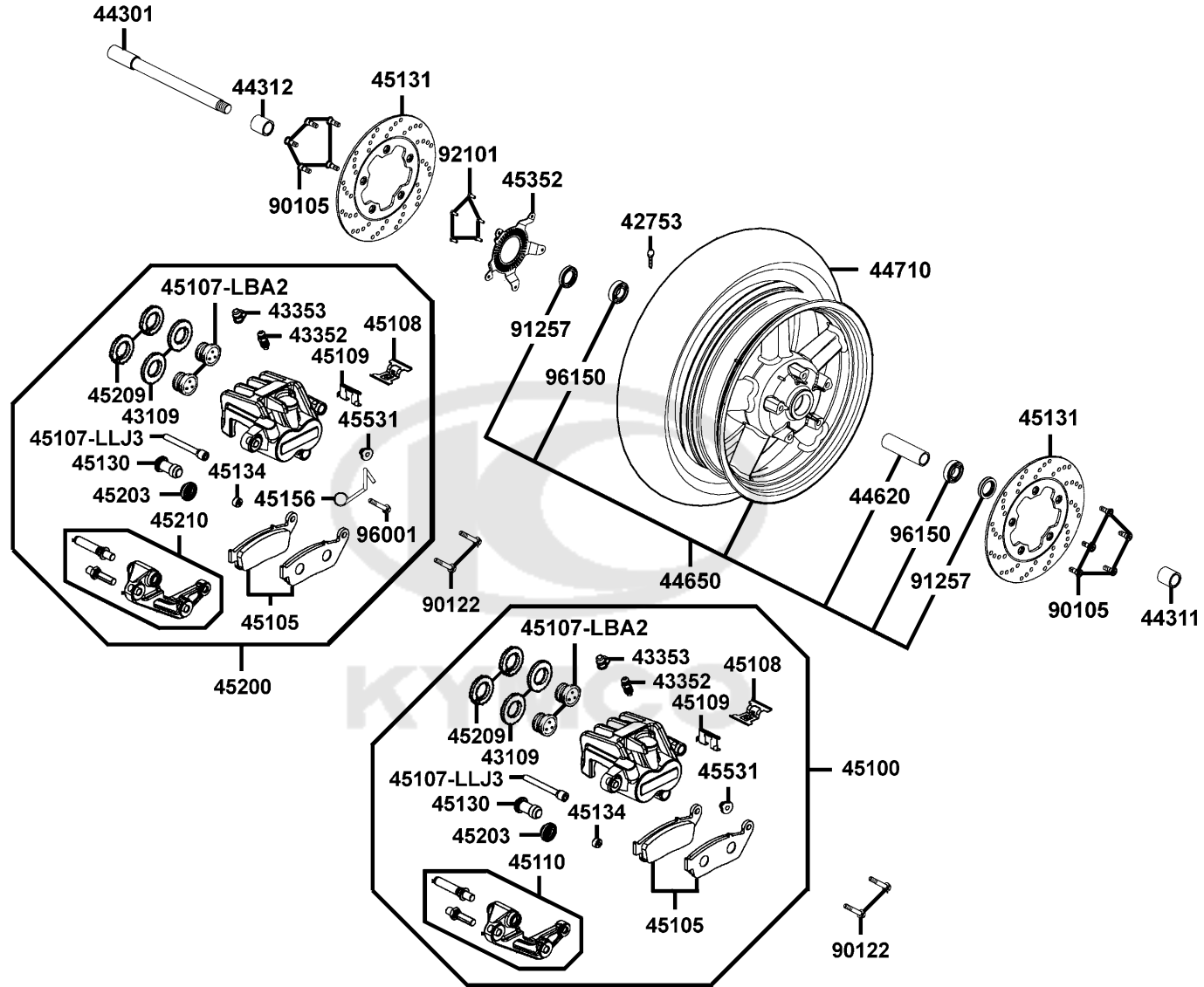


Sales mark	Ref no	Part no	Description	Reg description	Regd no	F06
	90503-LBA2	90503-LBA2-E00	WASHER STRG STEM NUT	WASHER STRG STEM NUT	1	
	95701-06008	95701-06008-06	BOLT FLANGE 6*8	BOLT FLANGE 6*8	2	
#	95701-06012	95701-06012-06	BOLT FLANGE 6*12 **07 C.2005.07.01	BOLT FLANGE 6*12 **07 C.2005.07.01	1	
#	95701-06050	95701-06050-06	BOLT FLANGE 6*50	BOLT FLANGE 6*50	1	
#	95801	95801-08040-06	BOLT FLANGE 8*40	BOLT FLANGE 8*40	1	
#	96001	96001-06012-06	BOLT FLANGE SH 6*12	BOLT FLANGE SH 6*12	1	
	96600-08025	96600-08025-06	SOCKET BOLT 8X25	SOCKET BOLT 8X25	2	
	96600-08035	96600-08035-06	SOCKET BOLT 8X35	SOCKET BOLT 8X35	1	



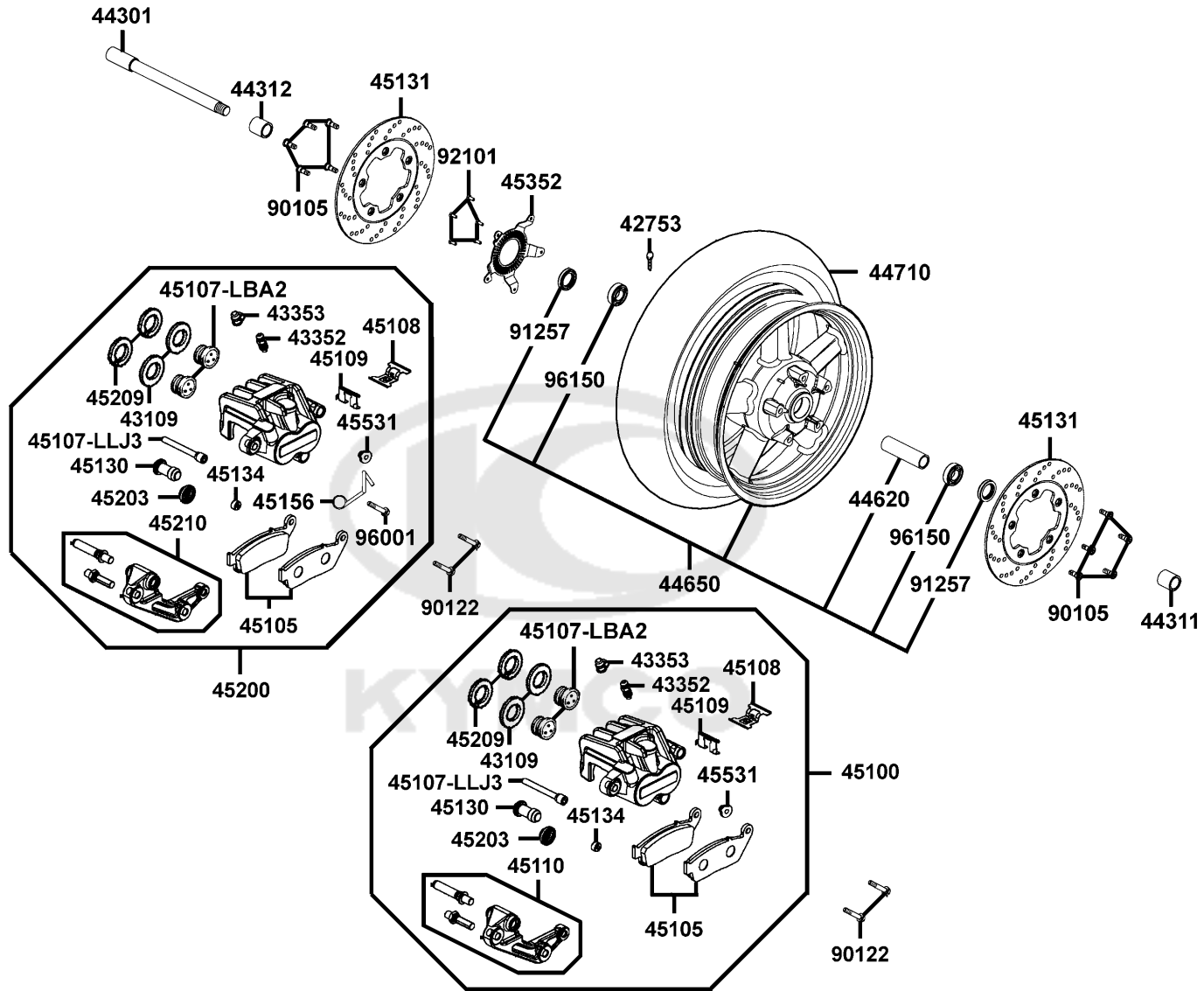
F07

Front Wheel



Sales mark	Ref no	Part no	Description	Reg description	Regd no	F07
	42753	42753-KNBN-90B	VALAE RIM (TR412)	VALAE RIM (TR412)	1	
	43109	43109-LBA2-E00	DUST SEAL	DUST SEAL	4	
	43353	43353-KED9-900	CAP BLEEDER	CAP BLEEDER	2	
#	43352	4335A-LBA2-E01	BLEEDER ASSY	SCREW BLEEDER	1	
	44301	44301-LBA2-E00	AXLE FR WHEEL M20*287MM	AXLE FR WHEEL M20*287MM	1	
	44311	44311-KED9-900	COLLAR FR WHEEL SIDE	COLLAR FR WHEEL SIDE	1	
	44312	44312-LBA2-E00	COLLAR FR WHEEL SIDE L	COLLAR FR WHEEL SIDE L	1	
	44620	44620-LBA2-E00	COLLAR FR AXLE DISTANCE	COLLAR FR AXLE DISTANCE	1	
**	44650	44650-LBA2-305	WHEEL SET FR	WHEEL SET FR	1	
	44710	44710-LBA2-E02	TIRE ASSY FR 120/70-R15 56S MAXXIS	TIRE ASSY FR 120/70-R15 56S MAXXIS	1	
**	45100	45100-LFH1-E00	CALIPER ASSY FR L (RED)	CALIPER ASSY FR L (RED)	1	
	45105	45105-LFH1-305	PAD ASSY	PAD ASSY	2	
	45107-LBA2	45107-LBA2-E00	PISTON	PISTON	4	
	45107-LLJ3	45107-LLJ3-E90	PIN HANGE	PIN HANGE	2	
	45108	45108-KED9-900	SPRING PAD	SPRING PAD	2	
	45109	45109-KED9-900	SLIDE PAD	SLIDE PAD	2	
	45110	45110-KKE5-305	BRACKET COMP FR	BRACKET COMP FR	1	
	45130	45130-KED9-900	BUSH PIN	BUSH PIN	2	
	45131	45131-LFH1-E00	DISK. FR BRK	DISK. FR BRK	2	
	45134	45134-KED9-900	BOOT B	BOOT B	2	

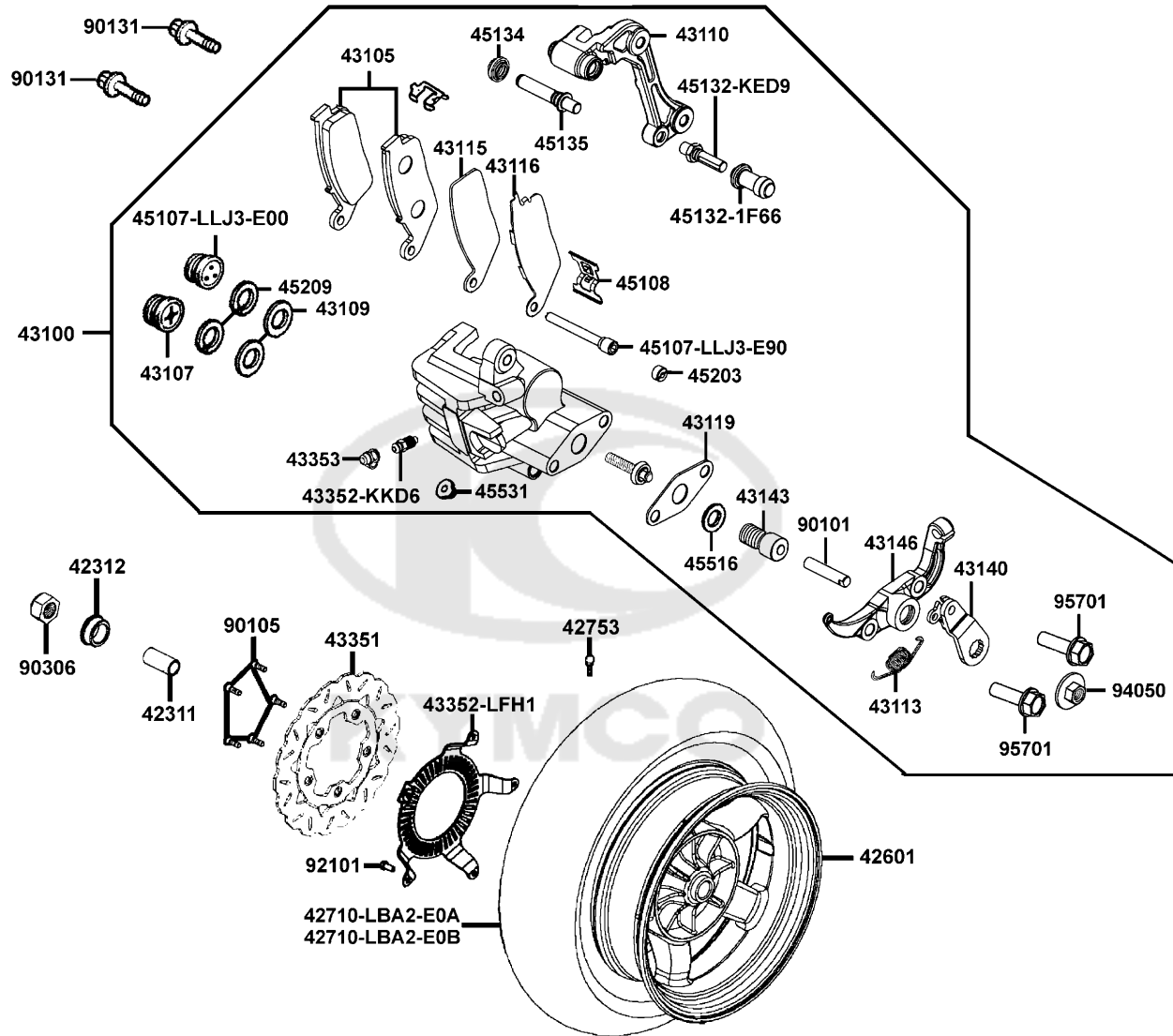
Front Wheel



Sales mark	Ref no	Part no	Description	Reg description	Regd no	F07
	45156	45156-LFH1-E00	CLIP	CLIP	1	
**	45200	45200-LFH1-E00	CALIPER ASSY FR R	CALIPER ASSY FR R	1	
	45203	45203-KED9-900	PLUG PIN	PLUG PIN	2	
	45209	45209-LBA2-E00	SEAL PISTON	SEAL PISTON	4	
	45210	45210-LFH1-305	BRACKET COMP FR	BRACKET COMP FR	1	
	45352	45352-LFH1-E00	TOOTHED RING. SENSOR	TOOTHED RING. SENSOR	1	
	45531	45531-KED9-900	PLUG	PLUG	2	
	90105	90105-KCR3-001	BOLT FR DISK 8*24	BOLT FR DISK 8*24	10	
	90122	90122-LBA2-E00	BOLT FLANGE 8*38	BOLT FLANGE 8*38	4	
	91257	91257-KED9-900	DUST SEAL 28*42*8	DUST SEAL 28*42*8	2	
#	92101	92101-05012-0G	BOLT HEX 5X12	BOLT HEX 5*12	1	
	96001	96001-06010-06	BOLT FLANGE 6*10	BOLT FLANGE 6*10	1	
	96150	96150-60040-10	BEARING BALL RADIAL 6004	BEARING BALL RADIAL 6004	2	

F08

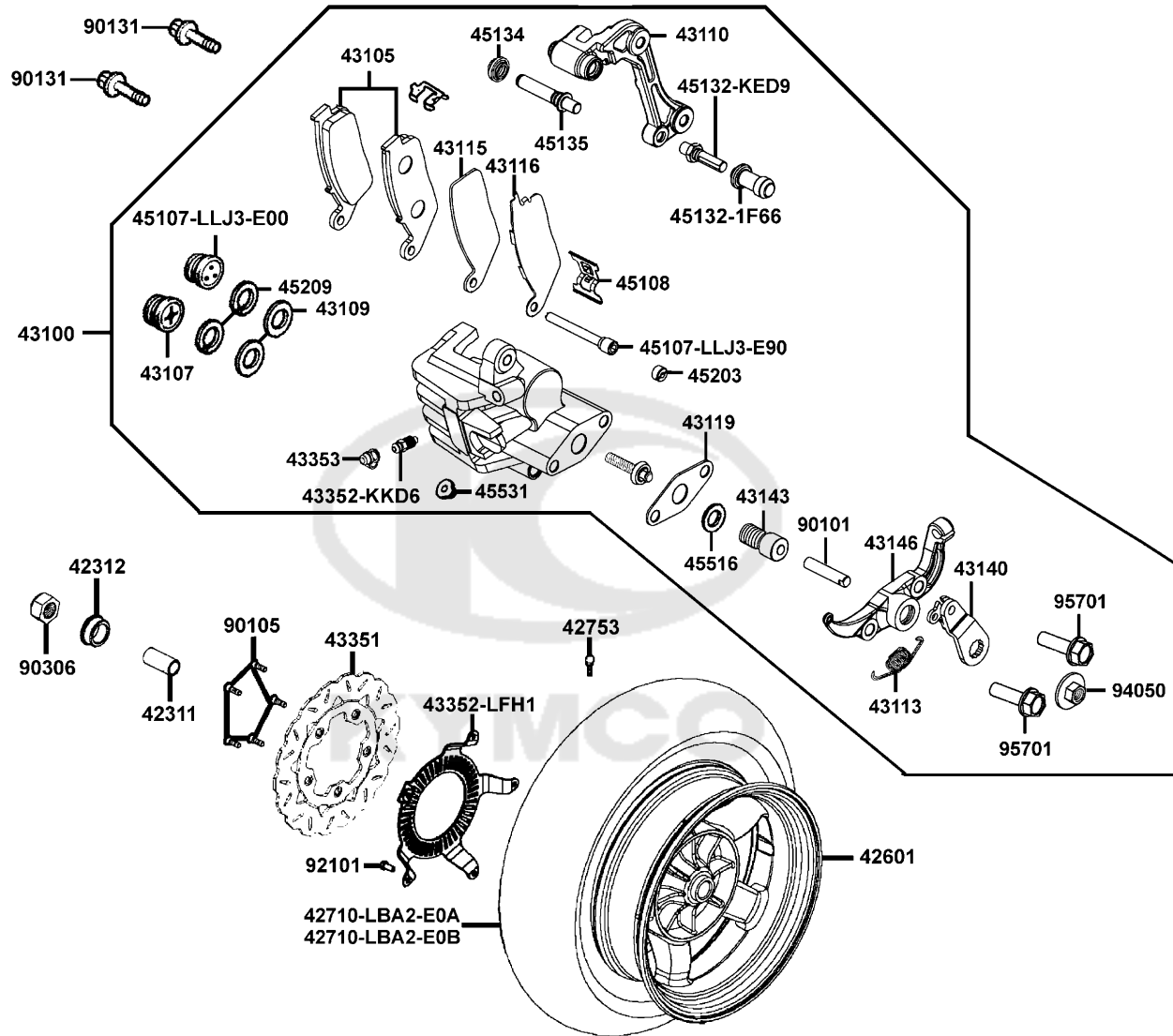
Rear Wheel



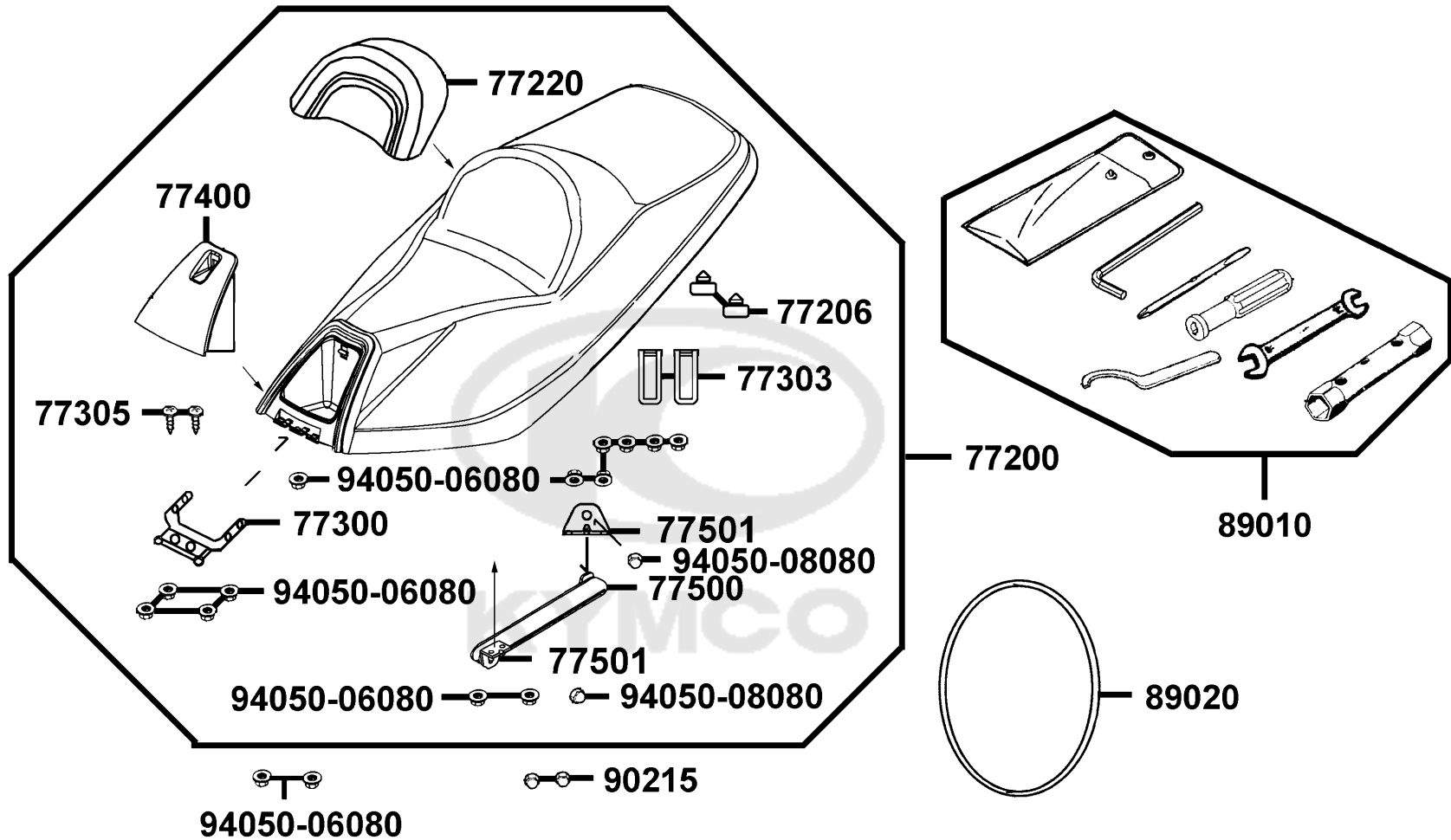
Sales mark	Ref no	Part no	Description	Reg description	Regd no	F08
	42311	42311-LBA2-E00	COLLAR RR AXLE A	COLLAR RR AXLE A	1	
	42312	42312-LBA2-E00	COLLAR RR AXLE SIDE	COLLAR RR AXLE SIDE	1	
**	42601	42601-LFH1-E00	WHEEL CAST	WHEEL CAST	1	
	42710-LBA2-E0A	42710-LBA2-E0A	TIRE ASSY RR 150/70-14 66S /MAXXIS	TIRE ASSY RR 150/70-14 66S /MAXXIS	1	
	42710-LBA2-E0B	42710-LBA2-E0B	TIRE ASSY RR 150/70-14 4P TL /KENDA	TIRE ASSY RR 150/70-14 4P TL /KENDA	1	
	42753	42753-KNBN-90B	VALAE RIM (TR412)	VALAE RIM (TR412)	1	
**	43100	43100-LFH1-E00	CALIPER ASSY RR	CALIPER ASSY RR	1	
#	43105	43105-LFH1-305	PAD SET	PAD SET	1	
	43107	43107-LBA2-E00	PISTON ASSY	PISTON ASSY	1	
	43109	43109-MCA3-007	DUST SEAL	DUST SEAL	2	
**	43110	43110-LBA2-E00	BRACKET	BRACKET	1	
	43113	43113-LBA2-E00	SPRING BRAKE ARM	SPRING BRAKE ARM	1	
#	43115	43115-LFH1-E00	INSULATING BOARD	INSULATING BOARD	1	
#	43116	43116-LFH1-E00	PAD HANGER	PAD HANGER	1	
	43119	43119-LBA2-E00	GASKET WATER PROOF	GASKET WATER PROOF	1	
	43140	43140-LBA2-E00	ARM BRAKE ASSY	ARM BRAKE ASSY	1	
	43143	43143-LBA2-E00	BOLT DRIVE	BOLT DRIVE	1	
**	43146	43146-LBA2-E00	BRACKET CABLE	BRACKET CABLE	2	
	43351	43351-LDG7-E03	DISK RR BRAKE	DISK RR BRAKE	1	
	43352-KKD6	43352-KKD6-E90	SCREW BLEEDER	SCREW BLEEDER	1	

F08

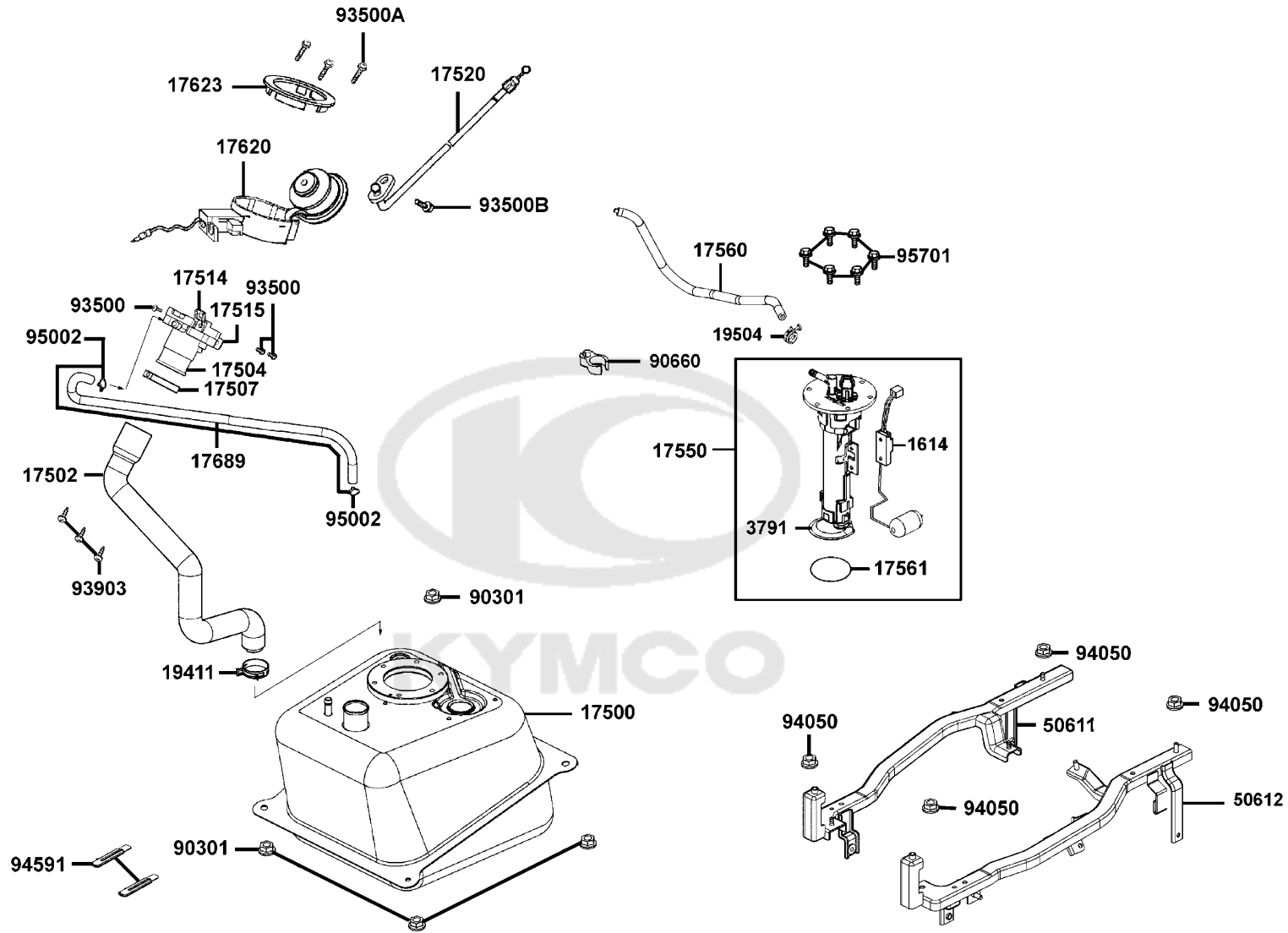
Rear Wheel



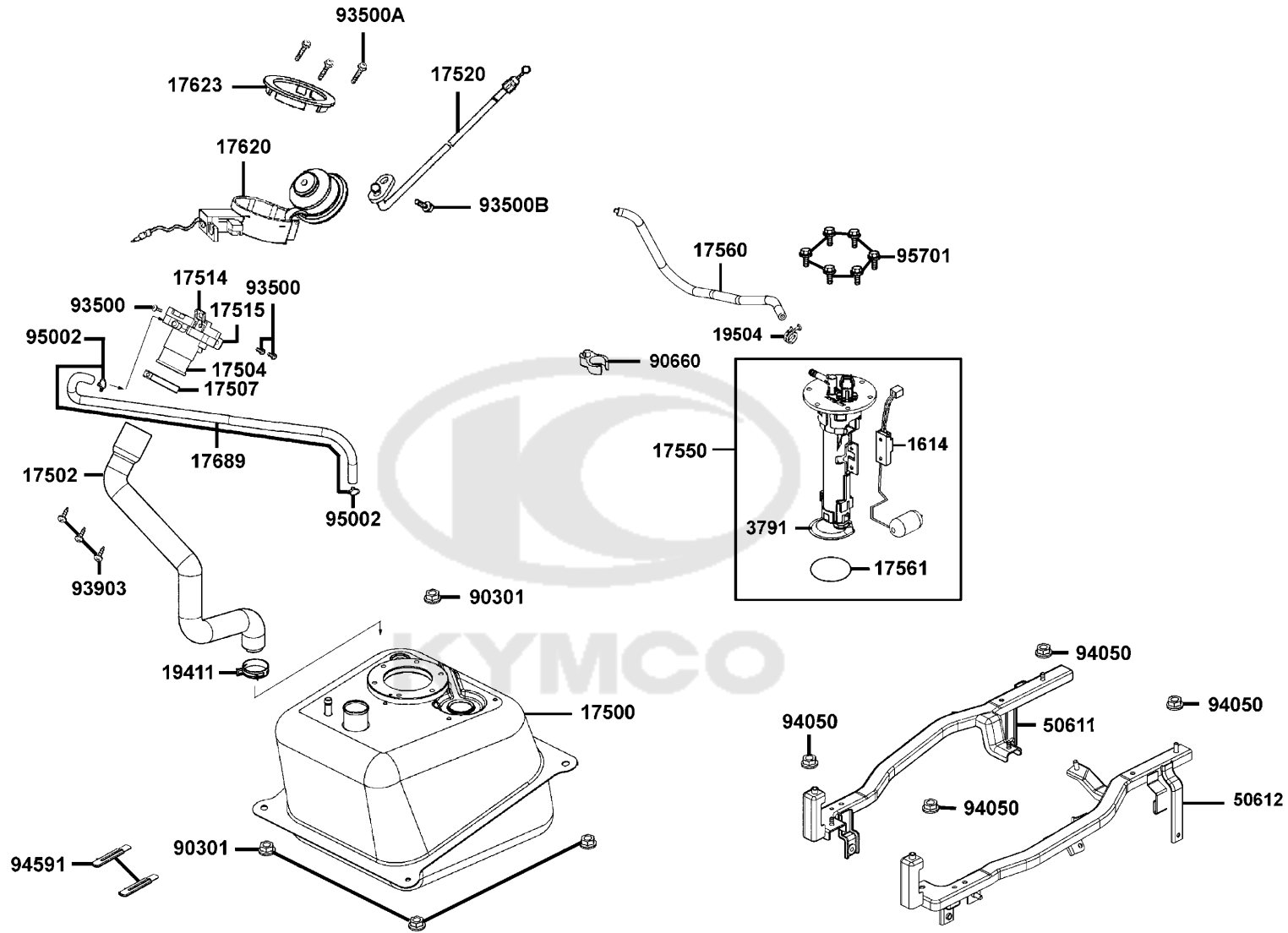
Sales mark	Ref no	Part no	Description	Reg description	Regd no	F08
	43352-LFH1	43352-LFH1-E00	READ PLATE ABS	READ PLATE ABS	1	
	43353	43353-KED9-900	CAP BLEEDER	CAP BLEEDER	1	
	45107-LLJ3-E00	45107-LLJ3-E00	PISTON	PISTON	1	
	45107-LLJ3-E90	45107-LLJ3-E90	PIN HANGE	PIN HANGE	1	
	45108	45108-KED9-900	SPRING PAD	SPRING PAD	1	
	45132-1F66	45132-1F66-017	BUSH BOOT PIN	BUSH BOOT PIN	1	
	45132-KED9	45132-KED9-900	PIN BOLT	PIN BOLT	1	
	45134	45134-KED9-900	BOOT B	BOOT B	1	
	45135	45135-KED9-900	PIN BOLT A	PIN BOLT A	1	
	45203	45203-KED9-900	PLUG PIN	PLUG PIN	1	
	45209	45209-KED9-900	SEAL PISTON	SEAL PISTON	2	
	45516	45516-LBA2-E00	O RING	O RING	1	
	45531	45531-KED9-900	PLUG	PLUG	1	
	90101	90101-LBA2-E00	BOLT BUSH ROD	BOLT BUSH ROD	1	
	90105	90105-KCR3-001	BOLT FR DISK 8*24	BOLT FR DISK 8*24	5	
	90131	90131-LDB2-E00	BOLT FLANGE 8X45	BOLT FLANGE 8X45	2	
	90306	90306-LBA2-900	NUT U 20MM	NUT U 20MM	1	
#	92101	92101-05012-0G	BOLT HEX 5X12	BOLT HEX 5*12	1	
	94050	94050-86000	FLANGE NUT M6*1.0	FLANGE NUT M6*1.0	1	
	95701	95701-LBA2-E00	BOLT FLANGE	BOLT FLANGE	1	



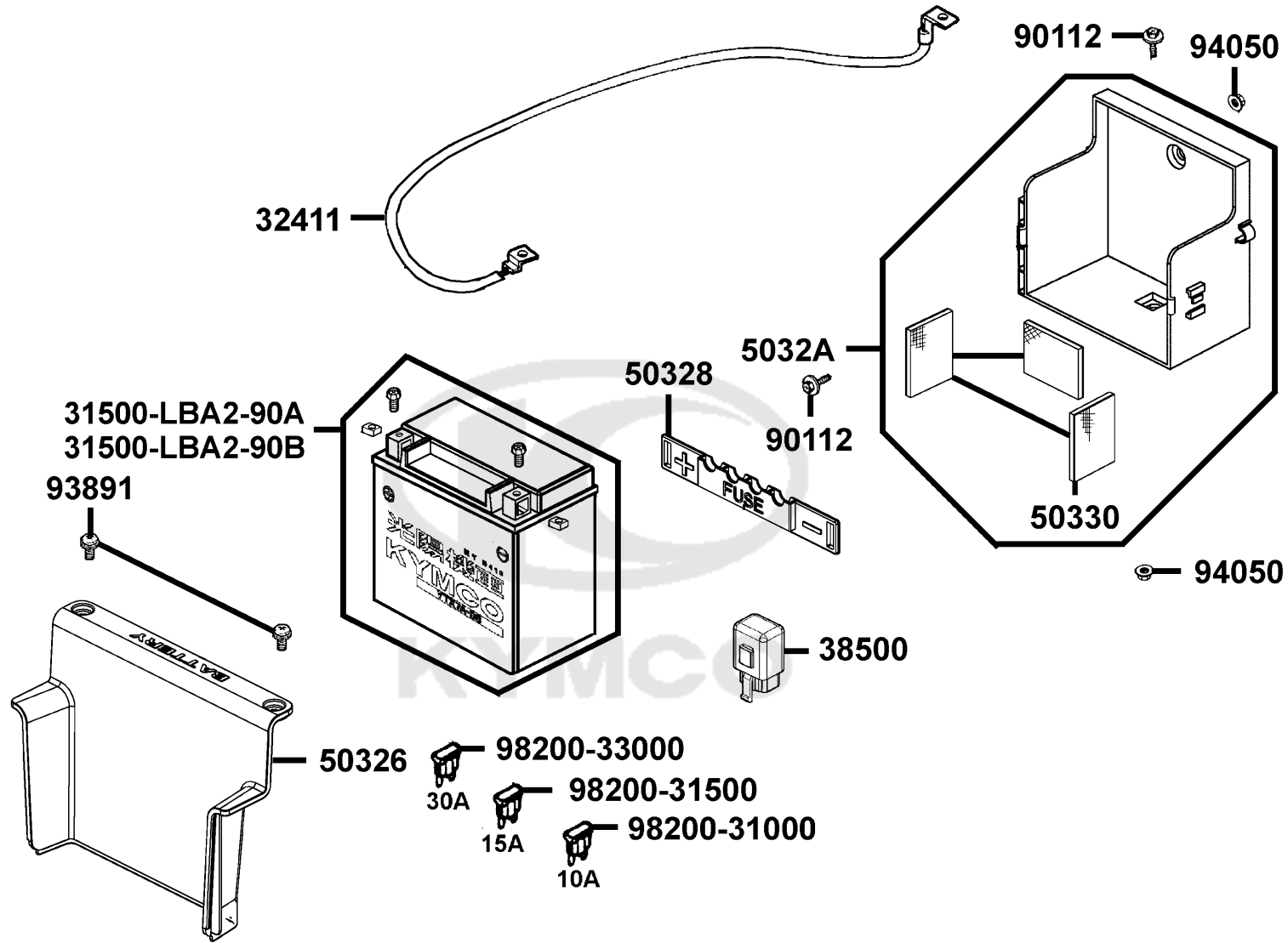
Sales mark	Ref no	Part no	Description	Reg description	Regd no	F09
**	77200	77200-LDG7-E00	SEAT ASSY	SEAT ASSY	1	
	77206	77206-KEB7-900	RUBBER SEAT CUSH	RUBBER SEAT CUSH	2	
**	77220	77220-LDG7-E00	SEAT ASSY PAD (REACH)	SEAT ASSY PAD (REACH)	1	
	77300	77300-LBA2-E00	HINGE ASSY SEAT	HINGE ASSY SEAT	1	
	77303	77303-LLJ3-E00	HOOK SEAT LOCK	HOOK SEAT LOCK	2	
	77305	77305-LDG7-E00	SCREW RIVENT	SCREW RIVENT	2	
	77400	77400-LBA2-E00	BOX ASSY SEAT	BOX ASSY SEAT	1	
	77500	77500-LBA2-E00	DAMPER GAS	DAMPER GAS	1	
	77501	77501-LBA2-E00	STAY GAS DAMPER	STAY GAS DAMPER	2	
	89010	89010-LBA2-E00	TOOL SET	TOOL SET	1	
	89020	89020-KKC4-900	BAND TOOL SET	BAND TOOL SET	1	
	90215	90215-KKC4-900	NUT CAP 6MM	NUT CAP 6MM	2	
	94050-06080	94050-06080	NUT FLANGE 6MM	NUT FLANGE 6MM	15	
	94050-08080	94050-08080	NUT FLANGE 8MM	NUT FLANGE 8MM	2	



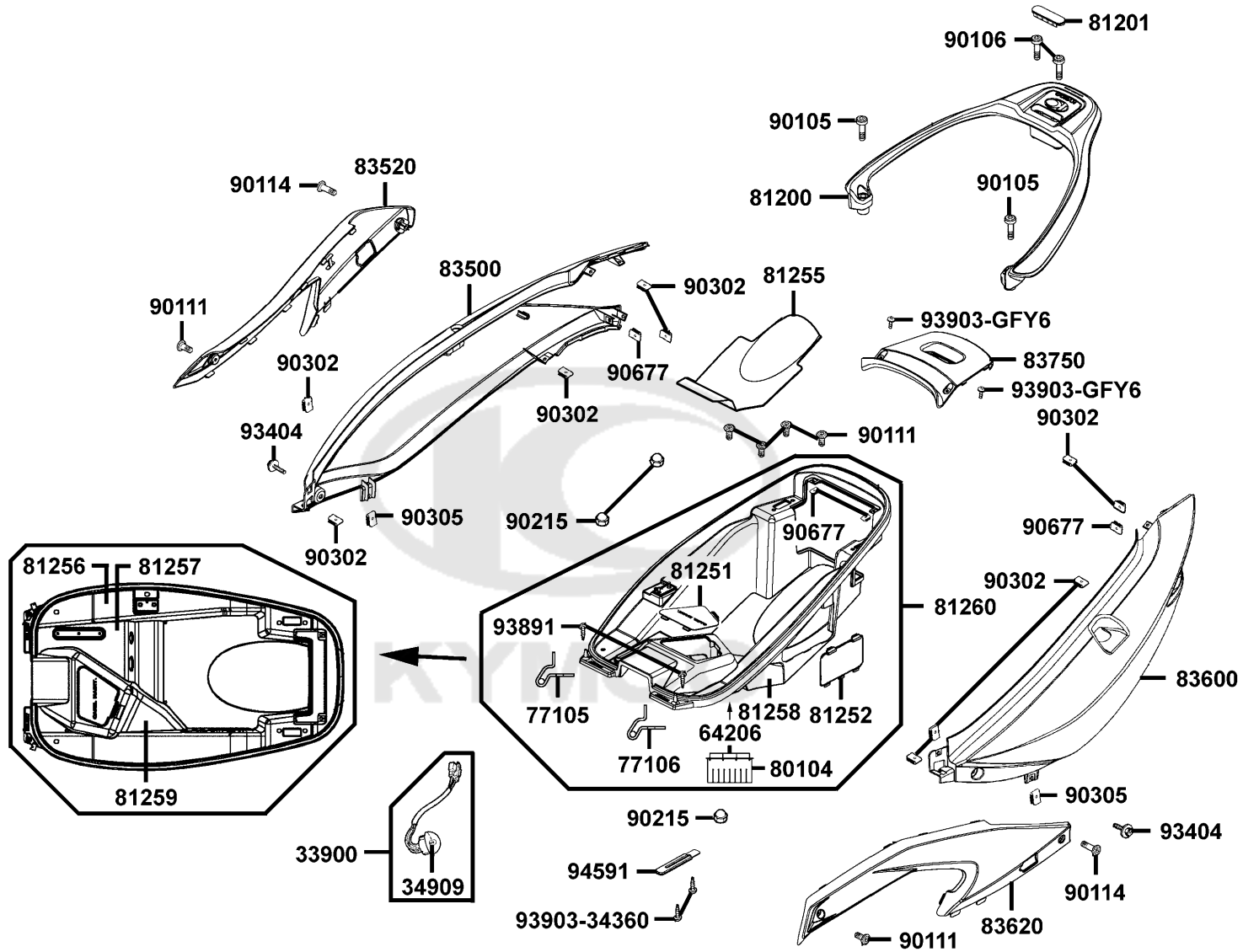
Sales mark	Ref no	Part no	Description	Reg description	Regd no	F10
#	1614	1614-891-2104	FUEL LEVER SENSOR ASSY	FUEL LEVER SENSOR ASSY	1	
	17500	17500-LDF2-910	TANK COMP FUEL	TANK COMP FUEL	1	
	17502	17502-LBA2-E00	TUBE FUEL	TUBE FUEL	1	
	17504	17504-LAB4-900	FUEL FILLER	FUEL FILLER	1	
	17507	17507-LAB4-900	BAND 50 FUEL HOSE	BAND 50 FUEL HOSE	1	
	17514	17514-LBA2-E00	STAY A FUEL FILLER	STAY A FUEL FILLER	1	
	17515	17515-LBA2-E00	STAY B FUEL FILLER	STAY B FUEL FILLER	1	
	17520	17520-LBA2-E00	CABLE COMP FUEL CAP	CABLE COMP FUEL CAP	1	
	17550	17550-LDF2-800	FUEL PUMP ASSY	FUEL PUMP ASSY	1	
	17560	17560-LDG7-900	TUBE PUMP INJECTOR	TUBE PUMP INJECTOR	1	
	17561	17561-LDF2-900	O-RING	O-RING	1	
	17620	17620-LGR2-E0A	CAP COMP FUEL FILLER	CAP COMP FUEL FILLER	1	
	17620	17620-LGR2-E0B	CAP COMP FUEL FILLER	CAP COMP FUEL FILLER	1	
#	17623	17623-LAB4-900	COLLAR FUEL FILLER	COLLAR FUEL FILLER	1	
	17623	17623-LAB4-90A	COLLAR FUEL CAP	COLLAR FUEL CAP	1	
	17689	17689-KEBE-900	TUBE ASSY TANK TO 3 WJT	TUBE ASSY TANK TO 3 WJT	1	
	19411	19411-KBCB-900	CLIP HOSE	CLIP HOSE	1	
	19504	19504-LBA2-E00	CLAMP D16.8	CLAMP D16.8	2	
#	3791	3791-HN80-0000	FILTER COMP	FILTER COMP	1	
	50611	50611-LBA2-E00	RNFCT R COMP FLOOR	RNFCT R COMP FLOOR	1	



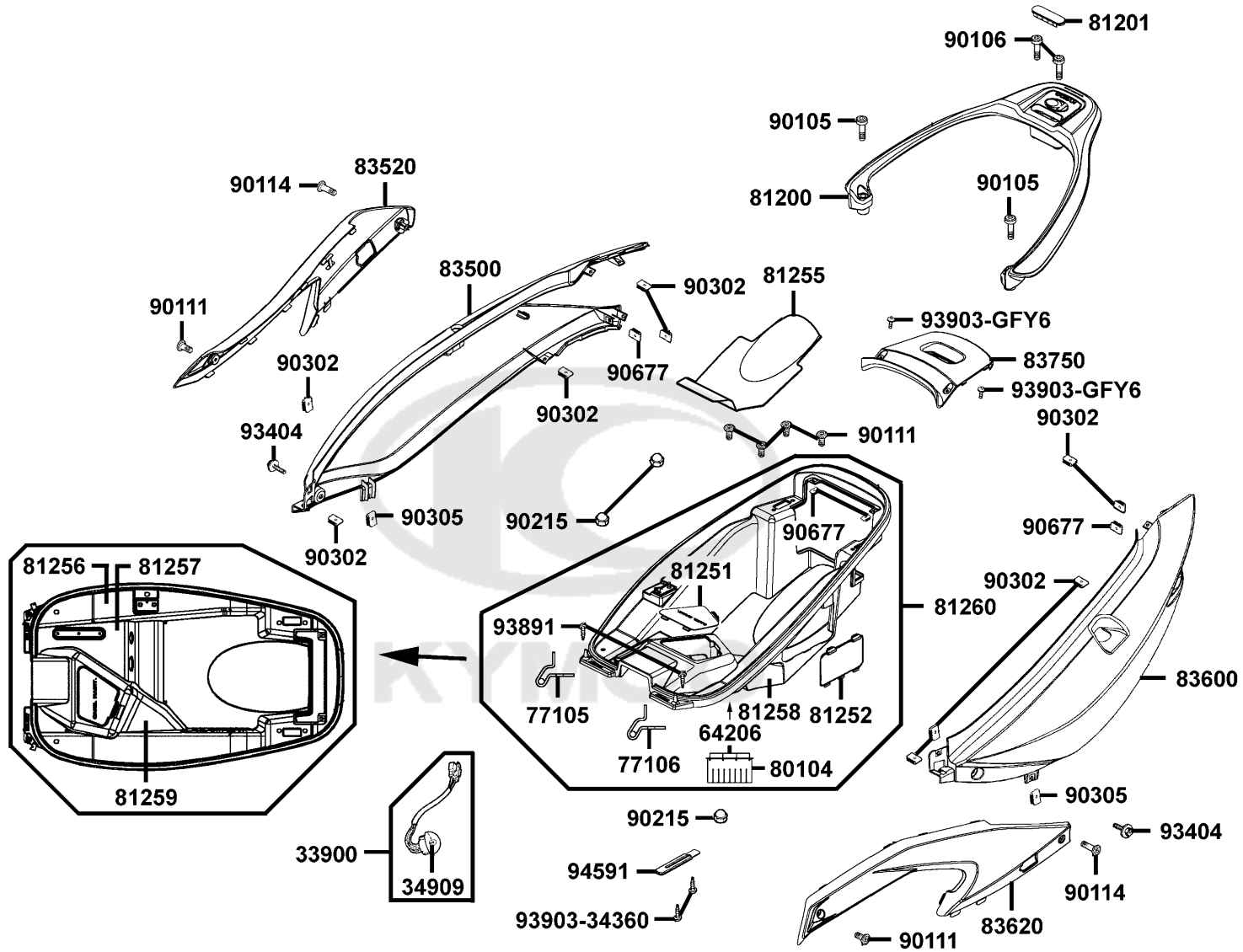
Sales mark	Ref no	Part no	Description	Reg description	Regd no	F10
	50612	50612-LDG7-900	RNFCT L COMP FLOOR	RNFCT L COMP FLOOR	1	
	90301	90301-6D34-671	NUT FLANGE 6MM	NUT FLANGE 6MM	4	
	90660	90660-KNBN-921	CLAMP TUBE	CLAMP TUBE	1	
#	93500	93500-04008-0F	SCREW PAN 4X8	SCREW PAN 4X8	3	
	93500A	93500-04020-0G	SCREW PAN 4*20	SCREW PAN 4*20	3	
	93500B	93500-KHC4-90A	SCREW PAN 5*10	SCREW PAN 5*10	1	
	93903	93903-35260	SCREW TAPPING 5*12	SCREW TAPPING 5*12	3	
	94050	94050-06080	NUT FLANGE 6MM	NUT FLANGE 6MM	4	
	94591	94591-KFBF-900	CLIP 2*70	CLIP 2*70	1	
	95002	95002-02130	CLIP B12.5 TUBE	CLIP B12.5 TUBE	2	
	95701	95701-LDF2-800	BOLT FLANGE 5*6.5	BOLT FLANGE 5*6.5	6	



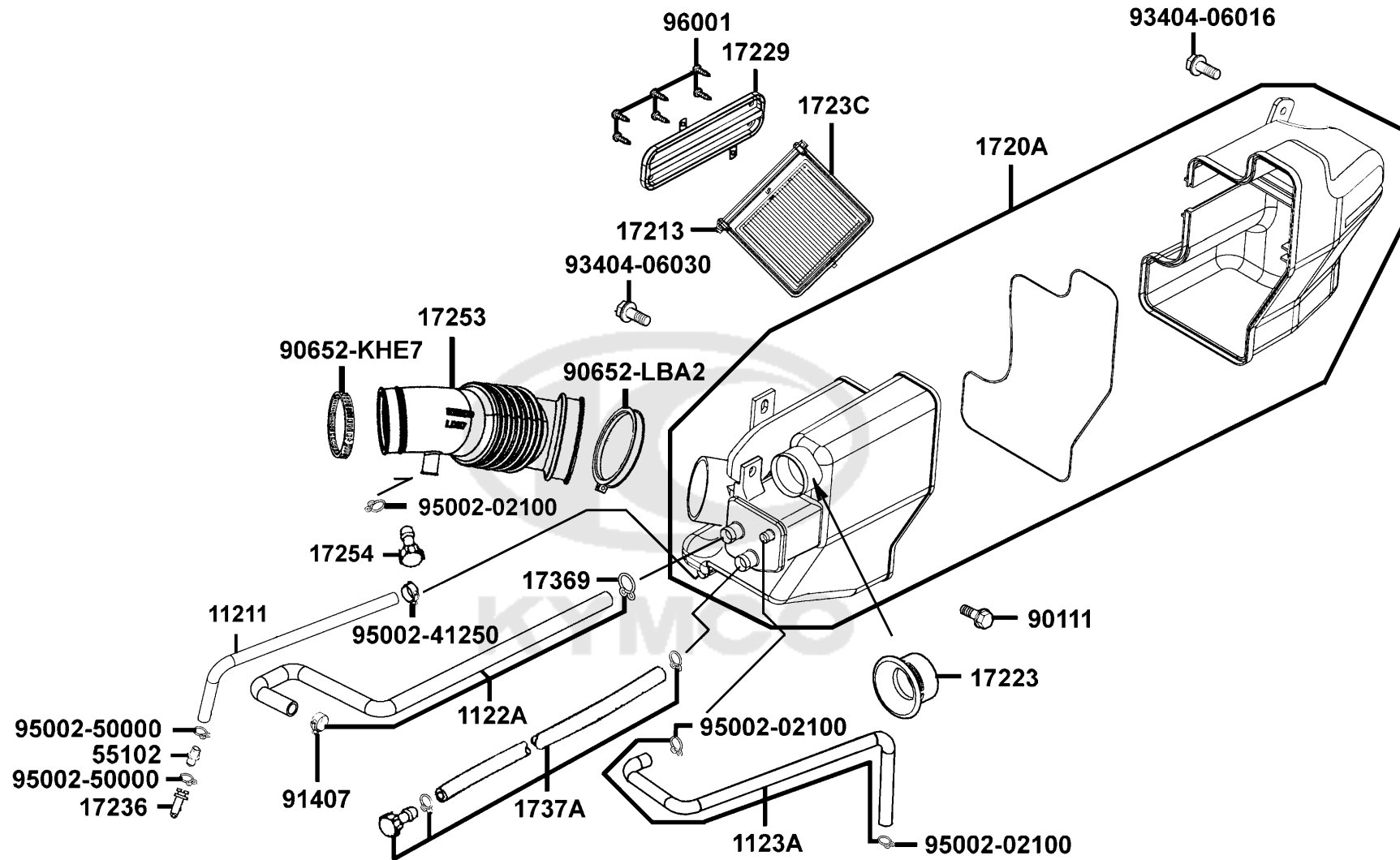
Sales mark	Ref no	Part no	Description	Reg description	Regd no	F11
	31500-LBA2-90A	31500-LBA2-90A	BATTERY YTX14-BS	BATTERY YTX14-BS	1	
	31500-LBA2-90B	31500-LBA2-90B	BATTERY GTX14-BS	BATTERY GTX14-BS	1	
	32411	32411-LBA2-E00	CABLE BATTERY	CABLE BATTERY	1	
#	38500	38500-LGL3-90A	RELAY ASSY LIGHT	RELAY ASSY LIGHT	2	
	50326	50326-LBA2-E00	COVER BATTERY	COVER BATTERY	1	
	50328	50328-LBA2-E00	BAND BATTERY	BAND BATTERY	1	
	5032A	5032A-LBA2-E00	CASE ASSY BATTERY	CASE ASSY BATTERY	1	
	50330	50330-LBA2-E00	SPONGE BATTERY	SPONGE BATTERY	3	
	90112	90112-KNBN-901	BOLT FLANGE 6MM	BOLT FLANGE 6MM	2	
	93891	93891-05016-06	SCREW WASHER 5* 16	SCREW WASHER 5* 16	2	
	94050	94050-06080	NUT FLANGE 6MM	NUT FLANGE 6MM	2	
	98200-31000	98200-31000	BLADE FUSE 10A **(0) C.2005.03.01	BLADE FUSE 10A **(0) C.2005.03.01	1	
	98200-31500	98200-31500	FUSE A15	FUSE A15	1	
	98200-33000	98200-33000	BLADE FUSE 30A	BLADE FUSE 30A	1	



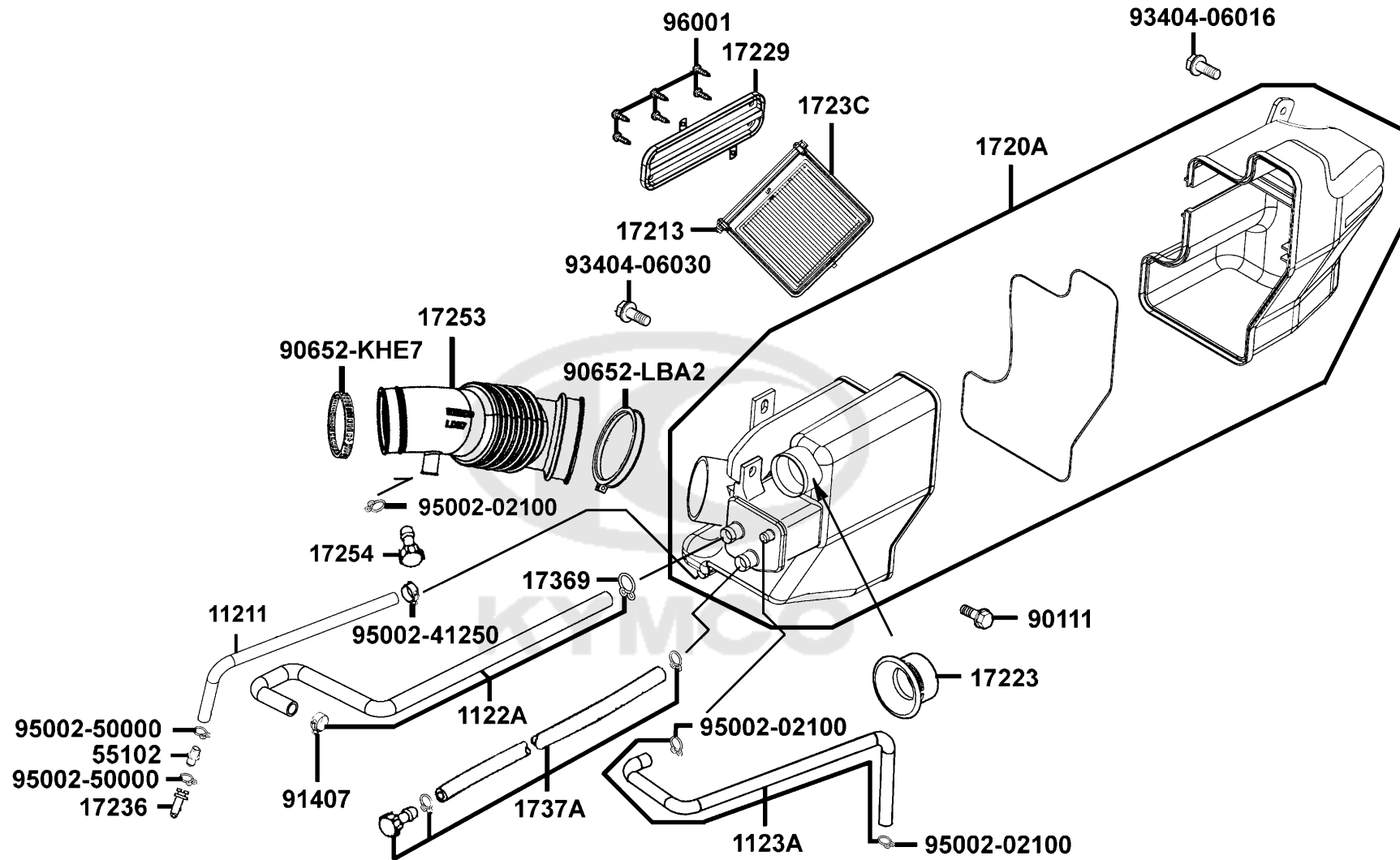
Sales mark	Ref no	Part no	Description	Reg description	Regd no	F12
	33900	33900-KFBF-900	LIGHT ASSY LUGGAGE BOX	LIGHT ASSY LUGGAGE BOX	1	
	34909	34909-KFBF-900	BULB WEDGE BASE	BULB WEDGE BASE	1	
	64206	64206-MLJ0-001	NUT SPEED 4MM	NUT SPEED 4MM	4	
	77105	77105-GFS6-001	HOOK R HELMET	HOOK R HELMET	1	
	77106	77106-GFS6-001	HOOK L HELMET	HOOK L HELMET	1	
	80104	80104-LBA2-E00	PLATE C SPLASH GUARD	PLATE C SPLASH GUARD	1	
**	81200	81200-LBA2-E00	CARRIER RR (BLACK)	CARRIER RR (BLACK)	1	
	81201	81201-LBA2-E00	PLUG BAR RR CARRIER	PLUG BAR RR CARRIER	1	
	81251	81251-LBA2-E00	COVER CARB MAINT	COVER CARB MAINT	1	
	81252	81252-LBA2-E00	COVER A/C MAINT	COVER A/C MAINT	1	
	81255	81255-LBA2-E00	BAG LUGGAGE	BAG LUGGAGE	1	
	81256	81256-LBA2-E00	HEAT GUARD A LUGGAGE BOX	HEAT GUARD A LUGGAGE BOX	1	
	81257	81257-LBA2-E00	HEAT GUARD B LUGGAGE BOX	HEAT GUARD B LUGGAGE BOX	1	
	81258	81258-LBA2-E00	HEAT GUARD C LUGGAGE BOX	HEAT GUARD C LUGGAGE BOX	1	
	81259	81259-LBA2-E00	HEAT GUARD D LUGGAGE BOX	HEAT GUARD D LUGGAGE BOX	1	
	81260	81260-LBA2-E00	BOX ASSY LUGGAGE	BOX ASSY LUGGAGE	1	
**	83500	83500-LBA2-E00	COVER R BODY (BLACK)	COVER R BODY (BLACK)	1	
**	83520	83520-LBA2-E00	COVER R SIDE	COVER R SIDE	1	
**	83600	83600-LBA2-E00	COVER L BODY	COVER L BODY	1	
**	83620	83620-LBA2-E00	COVER L SIDE	COVER L SIDE	1	



Sales mark	Ref no	Part no	Description	Reg description	Regd no	F12
**	83750	83750-LBA2-E00	COVER RR CENTER (BLACK)	COVER RR CENTER (BLACK)	1	
	90105	90105-KHB4-900	BOLT WASH M8*60	BOLT WASH M8*60	2	
	90106	90106-KFA6-900	BOLT WASH 8MM	BOLT WASH 8MM	2	
#	90111	90111-LEC8-E01	SCREW.PAN 6X14(CG)	SCREW.PAN 6X14(CG)	6	
	90114	90114-LBA2-E00	SCREW PAN 6*30	SCREW PAN 6*30	2	
	90215	90215-KKC4-900	NUT CAP 6MM	NUT CAP 6MM	3	
	90302	90302-SDA4-004	NUT SPRING 4MM	NUT SPRING 4MM	10	
	90305	90305-GHK8-001	NUT CLIP 6MM	NUT CLIP 6MM	2	
	90677	90677-GAR1-004	NUT CLIP 5MM	NUT CLIP 5MM	4	
	93404	93404-06016-06	BOLT WASHER 6*16	BOLT WASHER 6*16	2	
	93891	93891-06010-07	SCREW WASHER 6*10	SCREW WASHER 6*10	2	
	93903	93903-34360	SCREW TAPPING 4X12	SCREW TAPPING 4X12	2	
	93903-GFY6	93903-GFY6-900	SCREW TAPPING 4*14	SCREW TAPPING 4*14	2	
	94591	94591-27000	CLIP 2*70	CLIP 2*70	1	



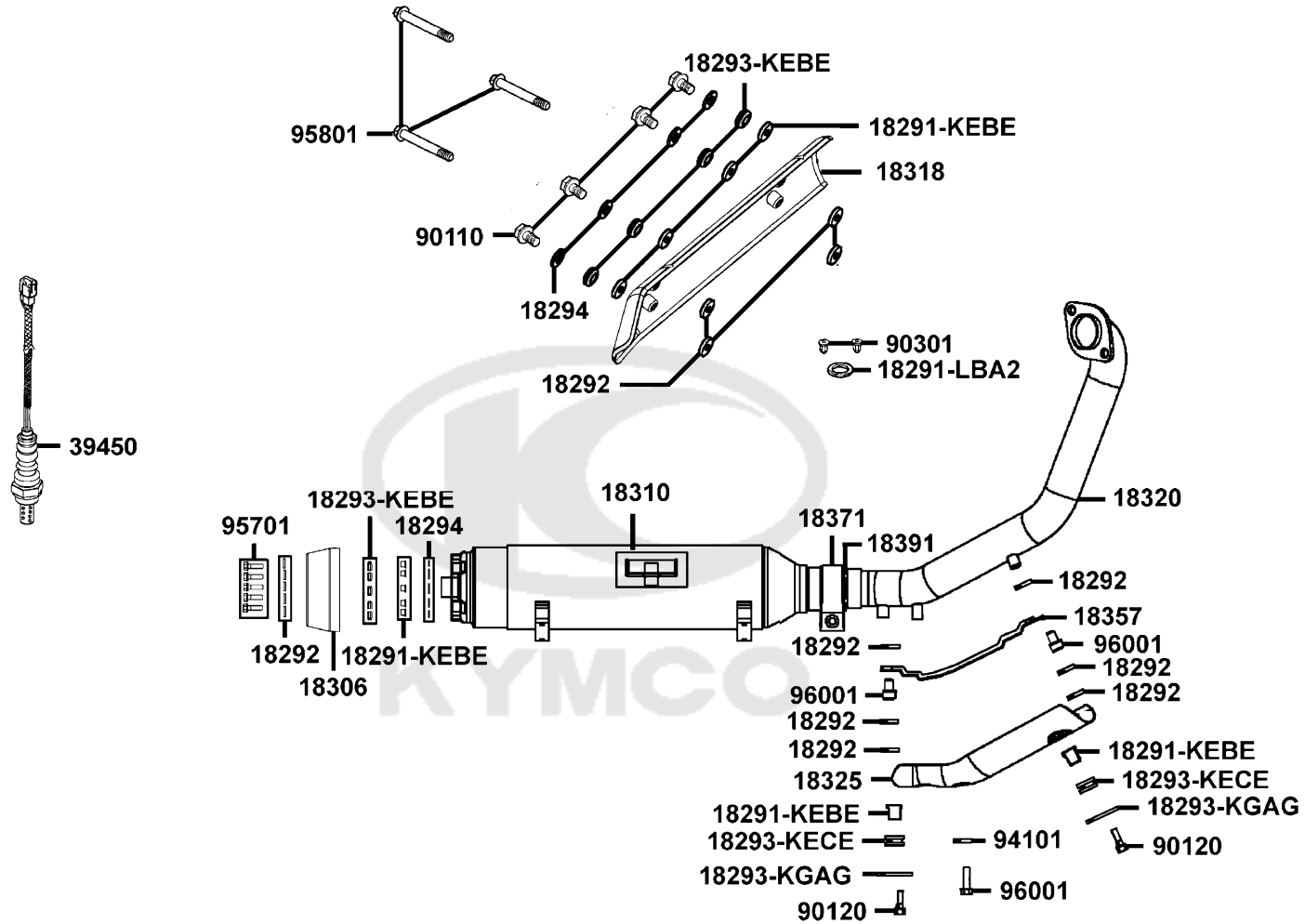
Sales mark	Ref no	Part no	Description	Reg description	Regd no	F13
	11211	11211-LBA2-E00	TUBE AIR/C	TUBE AIR/C	1	
	1122A	1122A-LBA2-E00	TUBE ASSY	TUBE ASSY	1	
	1123A	1123A-LBA2-E00	TUBE BREATHER ASSY	TUBE BREATHER ASSY	1	
	1720A	1720A-LDG7-900	CASE COMP, AIR/C	CASE COMP, AIR/C	1	
	17213	17213-LBA2-E00	SEAL ELEMENT	SEAL ELEMENT	1	
	17223	17223-LBA2-E00	DUCT ELEMENT	DUCT ELEMENT	1	
	17229	17229-LBA2-E00	COVER B AIR/C	COVER B AIR/C	1	
	17236	17236-CA01-900	DRAINER	DRAINER	1	
	1723C	1723C-LBA2-E00	ELEMENT ASSY AIR/C	ELEMENT ASSY AIR/C	1	
	17253	17253-LDG7-900	TUBE AIR/C CONN	TUBE AIR/C CONN	1	
	17254	17254-KACA-P00	PLUG AIR/C CONN TUBE	PLUG AIR/C CONN TUBE	1	
	17369	17369-KDB4-671	CLIP BREATHER TUBE	CLIP BREATHER TUBE	1	
	1737A	1737A-KKC3-E00	V TUBE ASSY	V TUBE ASSY	1	
	55102	55102-1F66-001	JOINT OIL TUBE	JOINT OIL TUBE	1	
	90111	90111-1G87-001	BOLT FLANGE 6MM	BOLT FLANGE 6MM	1	
	90652-KHE7	90652-KHE7-900	BAND CONNECTING TUBE	BAND CONNECTING TUBE	1	
	90652-LBA2	90652-LBA2-E00	C-HOPE 40-59	C-HOPE 40-59	1	
	91407	91407-SGA7-004	CLAMP 17 FUSE HOSE	CLAMP 17 FUSE HOSE	1	
	93404-06016	93404-06016-06	BOLT WASHER 6*16	BOLT WASHER 6*16	1	
	93404-06030	93404-06030-06	BOLT WASHER 6*30	BOLT WASHER 6*30	1	



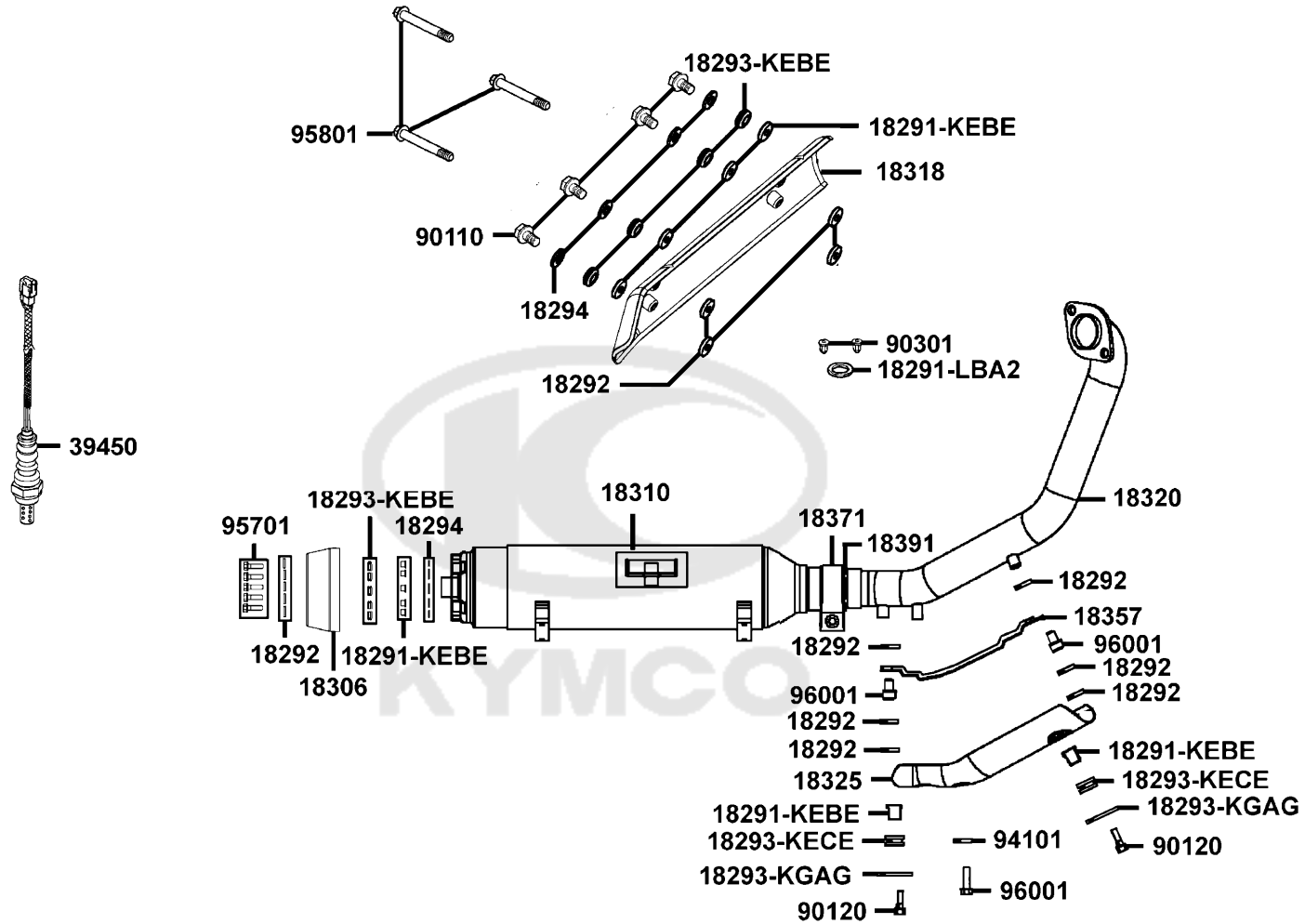
Sales mark	Ref no	Part no	Description	Reg description	Regd no	F13
------------	--------	---------	-------------	-----------------	---------	------------

	95002-02100	95002-02100	CLIP B15 TUBE	CLIP B15 TUBE	2	
	95002-41250	95002-41250-00	CLIP D12.5 TUBE	CLIP D12.5 TUBE	1	
	95002-50000	95002-50000	CLIP C9 TUBE	CLIP C9 TUBE	2	
	96001	96001-GFY6-900	BOLT SPECIAL 5X10	BOLT SPECIAL 5X10	6	





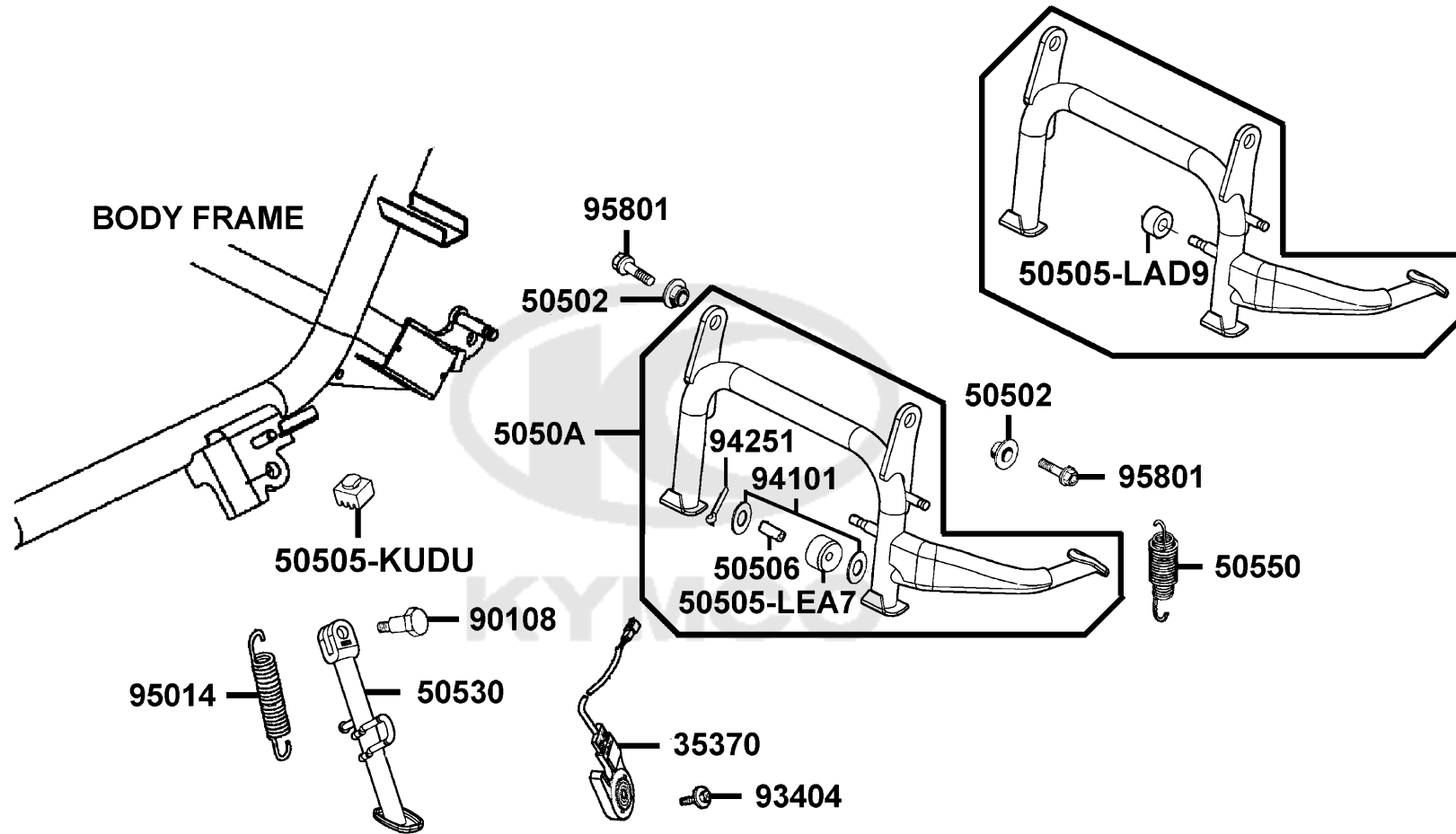
Sales mark	Ref no	Part no	Description	Reg description	Regd no	F14
	18291-KEBE	18291-KEBE-900	COLLAR	COLLAR	11	
	18291-LBA2	18291-LBA2-E00	GASKET EXH PIPE	GASKET EXH PIPE	1	
	18292	18292-KEBE-900	PACKING PROTECTOR	PACKING PROTECTOR	15	
	18293-KEBE	18293-KEBE-900	RUBBER PKG PROTR	RUBBER PKG PROTR	9	
	18293-KECE	18293-KECE-900	RUBBER A PROTECTOR	RUBBER A PROTECTOR	2	
	18293-KGAG	18293-KGAG-520	PACKING PROTECTOR	PACKING PROTECTOR	2	
	18294	18294-KEBE-900	PACKING PROTECTOR	PACKING PROTECTOR	9	
# **	18306	18307-LBA2-900	TAIL CAP COMP MUFFLER	TAIL CAP COMP MUFFLER	1	
	18310	18310-LDG7-E00	MUFFLER COMP	MUFFLER COMP	1	
**	18318	18318-LGR2-E00	PROTECTOR MUFF (CHARCOAL)	PROTECTOR MUFF (CHARCOAL)	1	
	18320	18320-LDG7-900	PIPE EXHAUST	PIPE EXHAUST	1	
**	18325	18325-LBA2-E00	PROTECTOR EXH PIPE	PROTECTOR EXH PIPE	1	
	18357	18357-LBA2-E00	PROTECTOR INNER EXH PIPE	PROTECTOR INNER EXH PIPE	1	
	18371	18371-LBA2-E00	BAND MUFFLER	BAND MUFFLER	1	
	18391	18391-LBA2-E00	GASKET	GASKET	1	
	39450	39450-LDF2-800	O2 SENSOR	O2 SENSOR	1	
	90110	90110-KEBE-900	SCREW SPECIAL 6*22	SCREW SPECIAL 6*22	4	
	90120	90120-KGAG-520	SOCKET BOT SPECIAL 6*22	SOCKET BOT SPECIAL 6*22	2	
	90301	90301-GFY6-901	NUT CAP 8MM **(1) C.2008.10.28	NUT CAP 8MM **(1) C.2008.10.28	2	
	94101	94101-06700	WASHER PLAIN 6MM	WASHER PLAIN 6MM	1	



Sales mark	Ref no	Part no	Description	Reg description	Regd no	F14
------------	--------	---------	-------------	-----------------	---------	------------

#	95701	95701-06025-06	BOLT FLANGE 6*25	BOLT FLANGE 6*25	5	
	95801	95801-10050-06	BOLT FLANGE 10*50	BOLT FLANGE 10*50	3	
	96001	96001-06014-07	BOLT FLANGE SH 6*10	BOLT FLANGE SH 6*10	3	

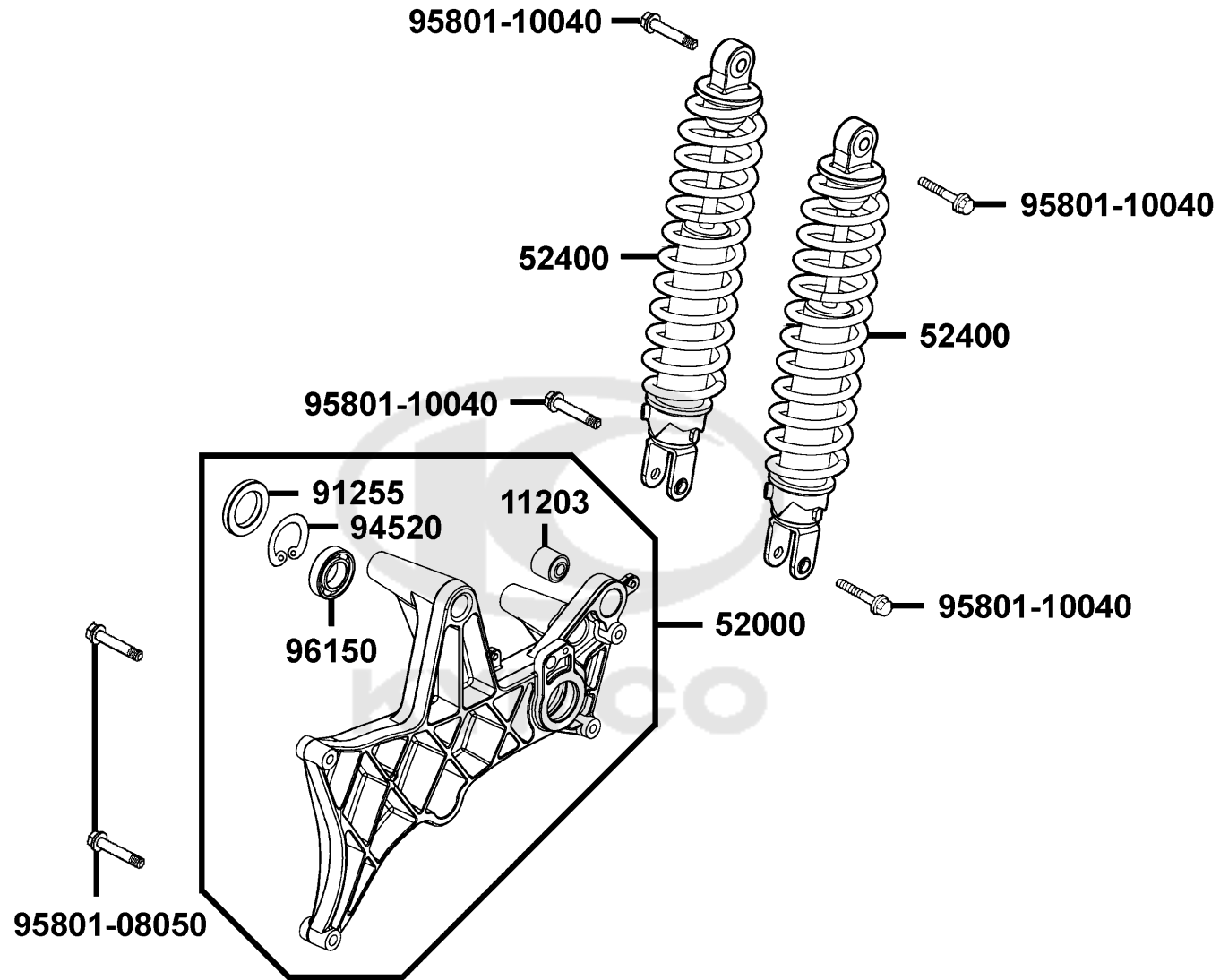




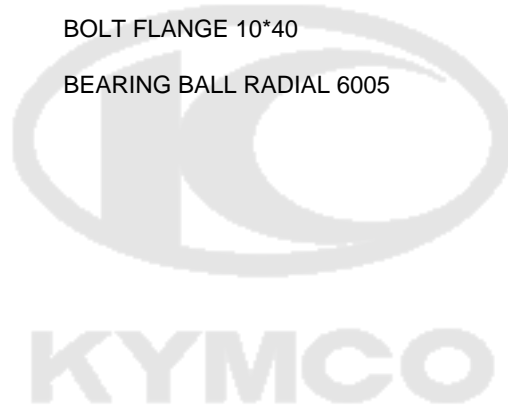
Sales mark	Ref no	Part no	Description	Reg description	Regd no	F15
	35370	35370-KEC8-E00	SW UNIT SIDE STAND	SW UNIT SIDE STAND	1	
	50502	50502-GFY6-901	COLLAR MAIN STAND	COLLAR MAIN STAND	2	
	50505-KUDU	50505-KUDU-900	STOPPER RUBBER STAND	STOPPER RUBBER STAND	1	
	50505-LAD9	50505-LAD9-900	STOPPER RUBBER	STOPPER RUBBER	1	
#	50505-LEA7	50505-LEA7-E00	STOPPER RUBBER	STOPPER RUBBER	1	
	50506	50506-KHE7-E00	COLLAR STOPPER RUBBER	COLLAR STOPPER RUBBER	1	
	5050A	5050A-LDG7-900	STAND ASSY MAIN	STAND ASSY MAIN	1	
	50530	50530-LDB2-E00	BAR SIDE STAND	BAR SIDE STAND	1	
	50550	50550-KKC2-E00	SPG ASSY MAIN STAND	SPG ASSY MAIN STAND	1	
	90108	90108-KKC4-900	SCREW SIDE STAND PIVOT	SCREW SIDE STAND PIVOT	1	
	93404	93404-06016-06	BOLT WASHER 6*16	BOLT WASHER 6*16	1	
	94101	94101-08700	WASHER PLAIN 8MM	WASHER PLAIN 8MM	2	
	94251	94251-08400	PIN LOCK 8MM	PIN LOCK 8MM	1	
	95014	95014-72204	SPG B1 SIDE STAND	SPG B1 SIDE STAND	1	
#	95801	95801-10025-06	BOLT FLANGE 10*25	BOLT FLANGE 10*25	1	

F16

Rear Cushion

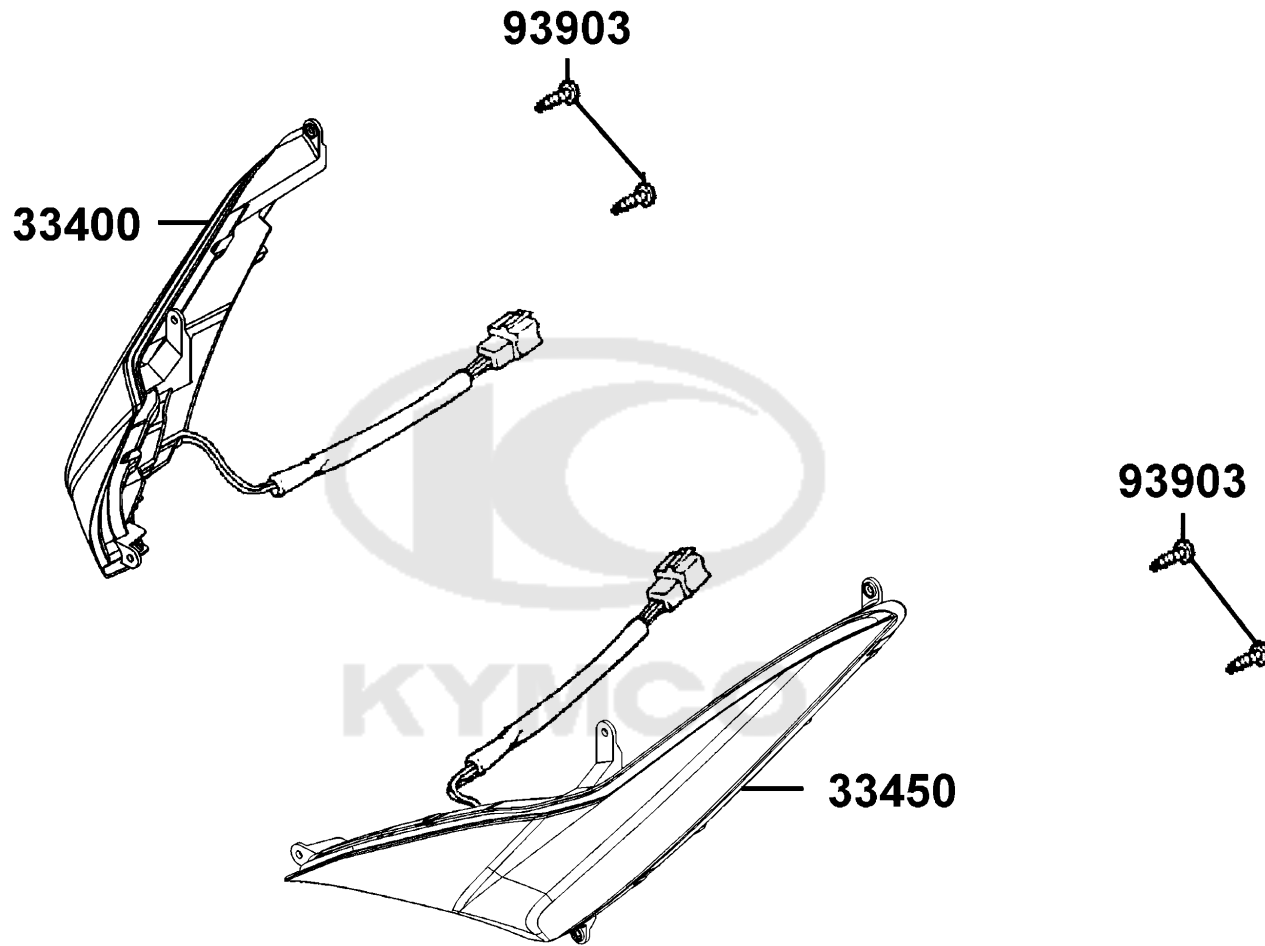


Sales mark	Ref no	Part no	Description	Reg description	Regd no	F16
	11203	11203-LBA2-E00	RUB BUSH L CASE	RUB BUSH L CASE	1	
**	52000	52000-LFH1-E00	FORK ASSY REAR (CHARCOAL)	FORK ASSY REAR (CHARCOAL)	1	
**	52400	52400-LBA2-E00	CUSHION ASSY R RR	CUSHION ASSY R RR	2	
	91255	91255-KHE7-900	OIL SEAL 34*52*7	OIL SEAL 34*52*7	1	
#	91255	91255-KHE7-90A	OIL SEAL 34*52*7	OIL SEAL 34*52*7	1	
	94520	94520-47000	CIR CLIP IN 47	CIR CLIP IN 47	1	
	95801-08050	95801-08050-06	BOLT FLANGE 8*50	BOLT FLANGE 8*50	2	
	95801-10040	95801-10040-02	BOLT FLANGE 10*40	BOLT FLANGE 10*40	4	
	96150	96150-60050-00	BEARING BALL RADIAL 6005	BEARING BALL RADIAL 6005	1	



F17

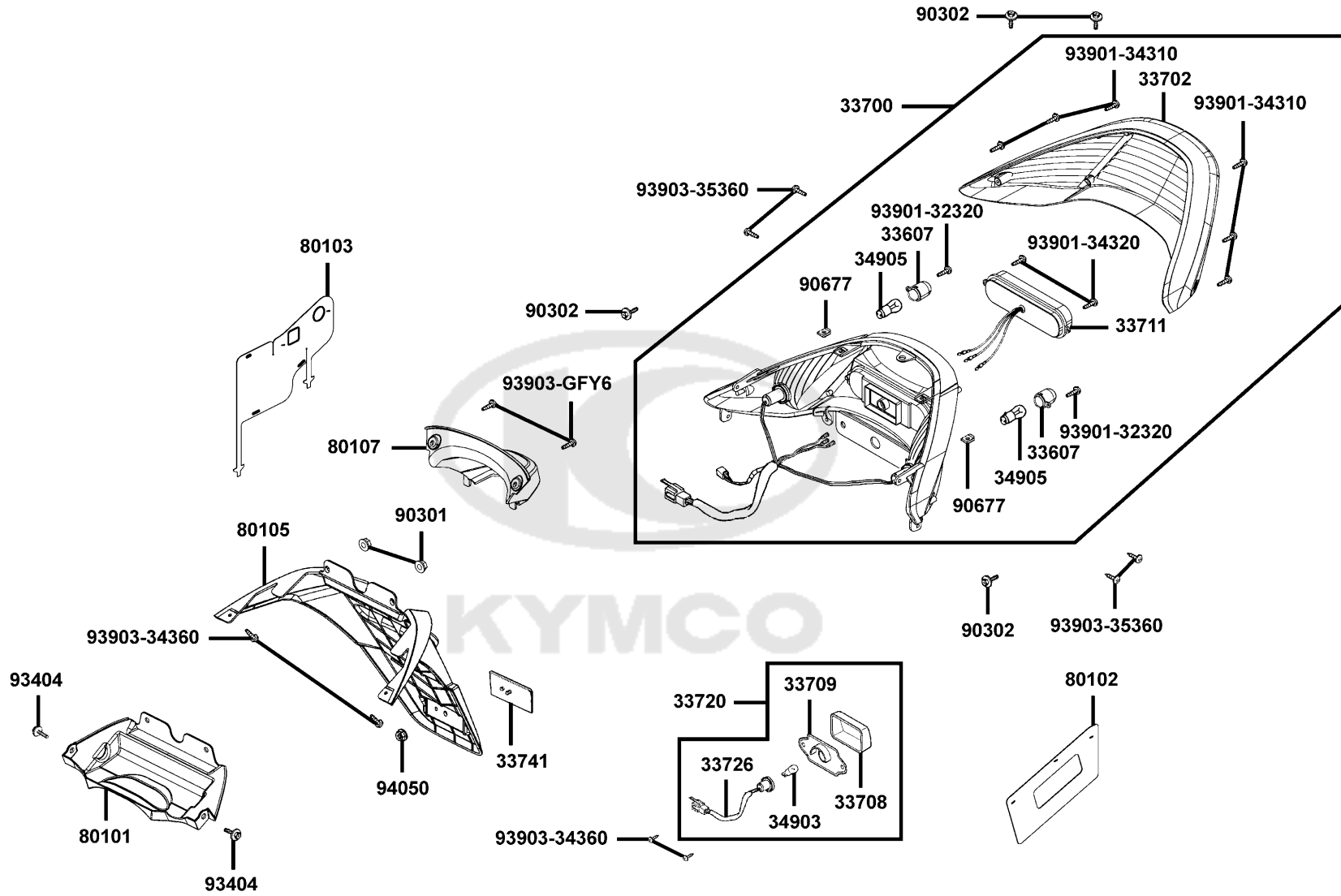
Front Winker



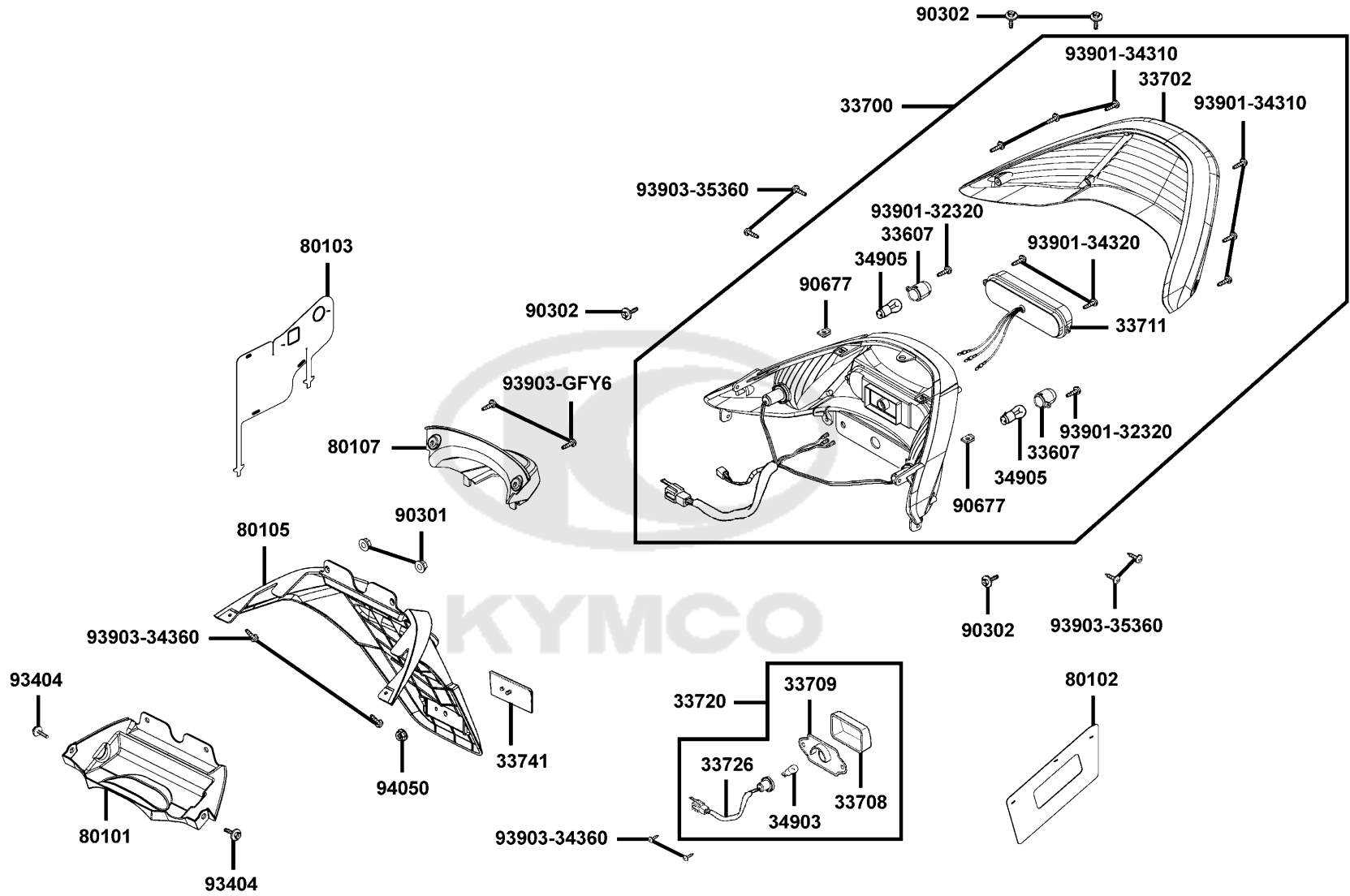
Sales mark	Ref no	Part no	Description	Reg description	Regd no	F17
------------	--------	---------	-------------	-----------------	---------	------------


33400		33400-LGR2-E00	WINKER ASSY RH FR	WINKER ASSY RH FR	1	
33450		33450-LGR2-E00	WINKER ASSY LH FR	WINKER ASSY LH FR	1	
93903		93903-34360	SCREW TAPPING 4X12	SCREW TAPPING 4X12	4	

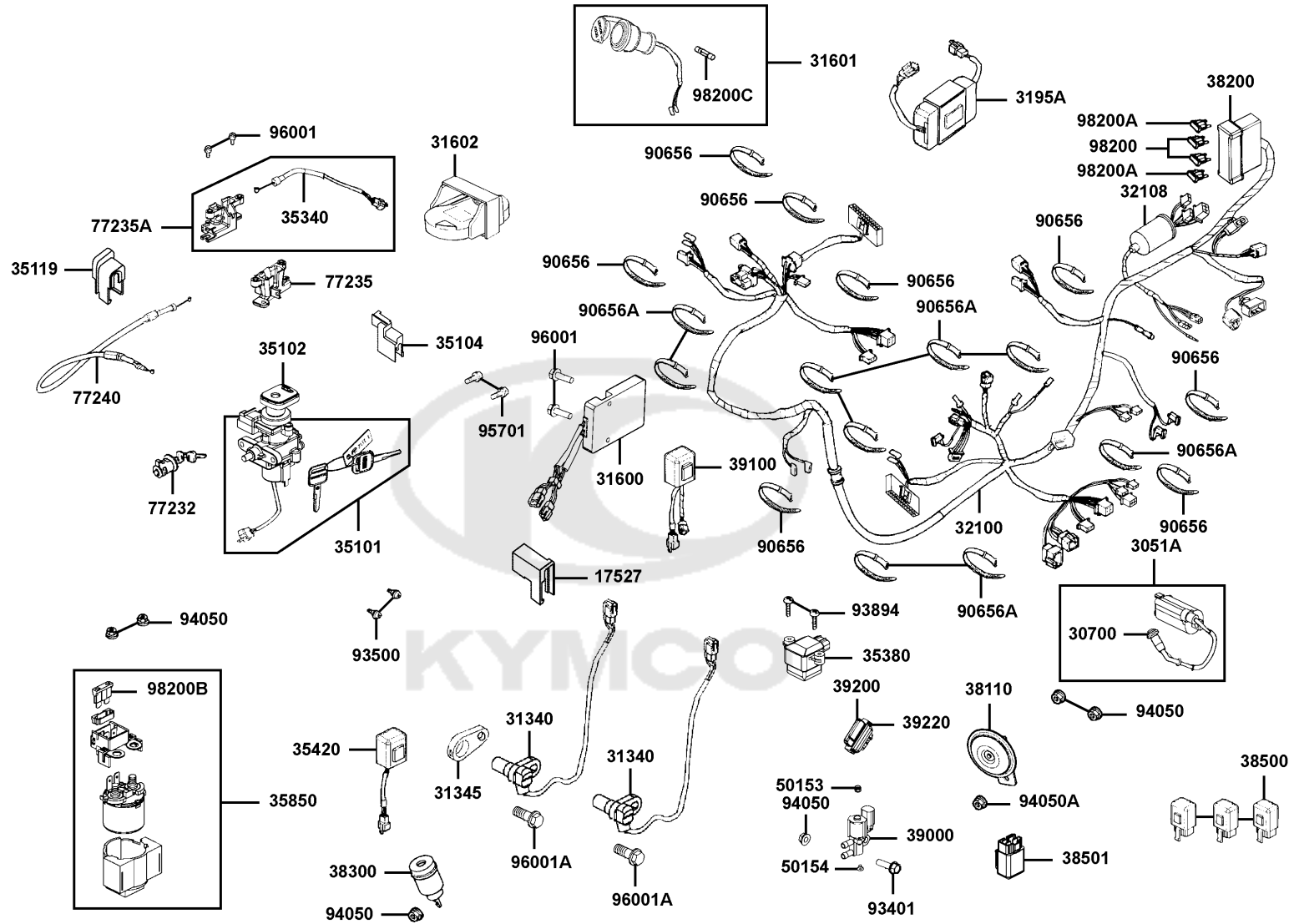




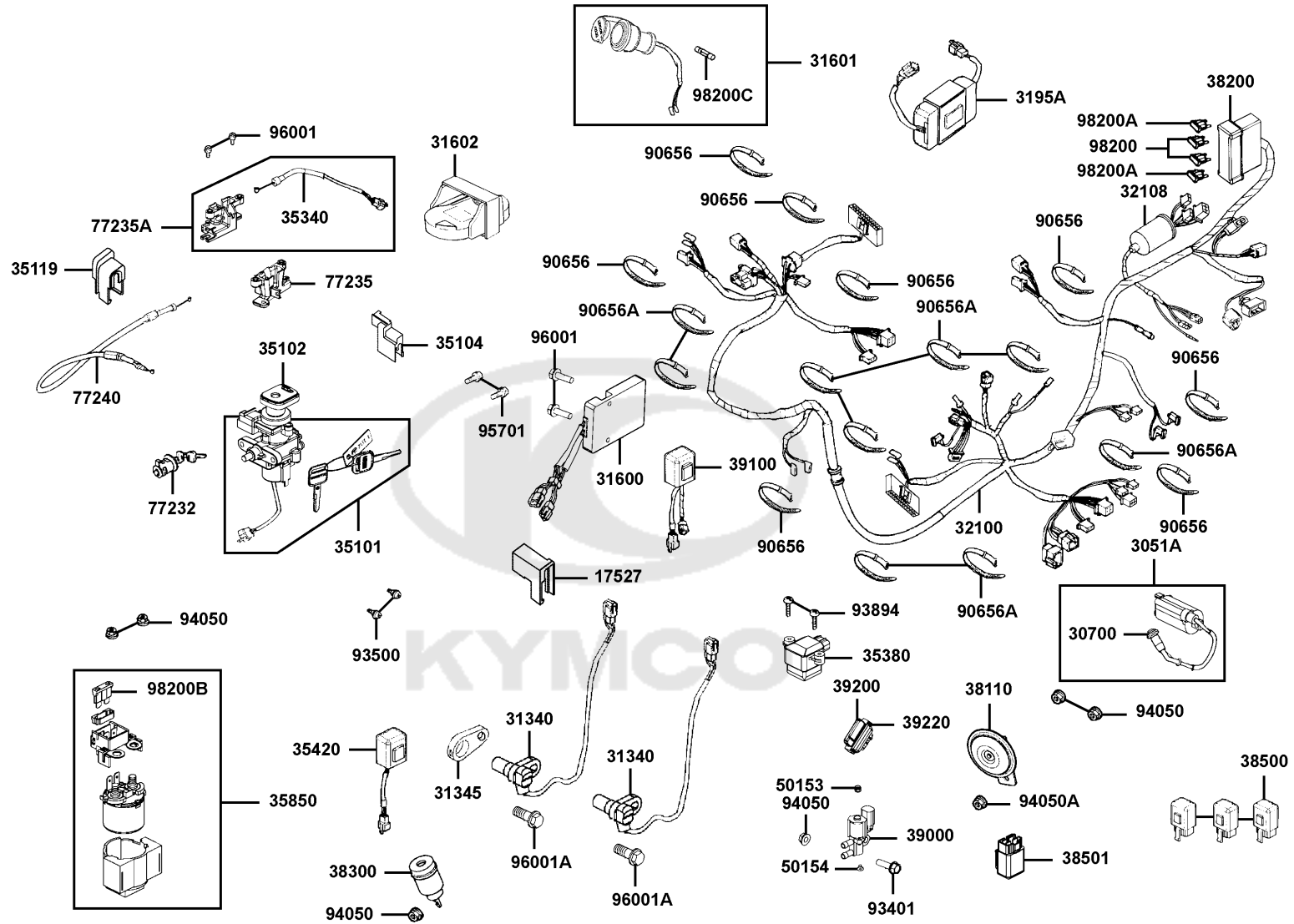
Sales mark	Ref no	Part no	Description	Reg description	Regd no	F18
	33607	33607-KKD7-E00	INNER LENS WINKER	INNER LENS WINKER	2	
	33700	33700-LGR2-E00	LIGHT ASSY RR COMB	LIGHT ASSY RR COMB	1	
	33702	33702-LBA2-E00	LENS TAIL LIGHT	LENS TAIL LIGHT	1	
	33708	33708-KHE7-E00	LENS LICENSE	LENS LICENSE	1	
	33709	33709-KHE7-E00	BASE LICENSE	BASE LICENSE	1	
	33711	33711-LBA2-305	LIGHT COMB LED	LIGHT COMB LED	1	
	33720	33720-LBB5-E00	LIGHT ASSY LICENSE	LIGHT ASSY LICENSE	1	
	33726	33726-LBB5-E00	SCOKET COMP	SCOKET COMP	1	
	33741	33741-KHC5-M00	REFLEX REFLECTOR	REFLEX REFLECTOR	1	
	34903	34903-KPCP-900	BULB POSITION LIGHT 12V5W **KCP-	BULB POSITION LIGHT 12V5W **KCP-9000	1	
	34905	34905-KPCP-900	BULB WINKER	BULB WINKER	2	
	80101	80101-LBA2-E00	FENDER RR INNER	FENDER RR INNER	1	
	80102	80102-LBA2-E00	PLATE A SPLASH GUARD	PLATE A SPLASH GUARD	1	
	80103	80103-LBA2-E00	PLATE B SPLASH GUARD	PLATE B SPLASH GUARD	1	
**	80105	80105-LBA2-E00	FENDER RR	FENDER RR	1	
	80107	80107-LBA2-E00	COVER LICENSE LIGHT	COVER LICENSE LIGHT	1	
	90301	90301-6D34-671	NUT FLANGE 6MM	NUT FLANGE 6MM	2	
	90302	90302-GFY6-940	BOLT-WASH 5*16	BOLT-WASH 5*16	4	
	90677	90677-GAR1-004	NUT CLIP 5MM	NUT CLIP 5MM	2	
	93404	93404-06016-06	BOLT WASHER 6*16	BOLT WASHER 6*16	2	



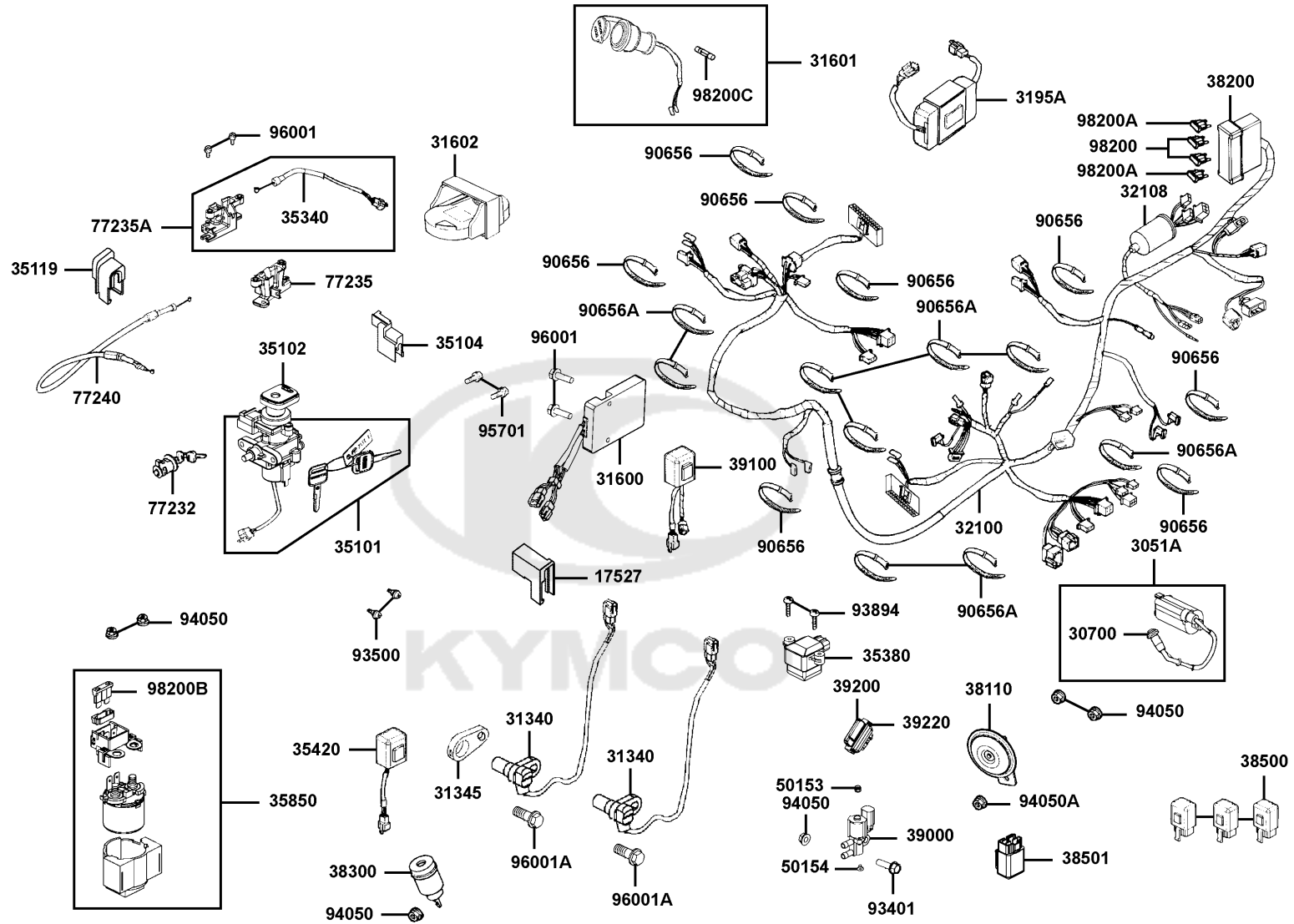
Sales mark	Ref no	Part no	Description	Reg description	Regd no	F18
	93901-32320	93901-32320	SCREW TAPPING 3*12	SCREW TAPPING 3*12	2	
	93901-34310	93901-34310	SCREW TAPPING 4*12	SCREW TAPPING 4*12	6	
	93901-34320	93901-34320	SCREW TAPPING 4*12	SCREW TAPPING 4*12	2	
	93903-34360	93903-34360	SCREW TAPPING 4X12	SCREW TAPPING 4X12	4	
#	93903-35360	93903-35360	SCREW TAPPING 5*16	SCREW TAPPING 5*16	4	
	93903-GFY6	93903-GFY6-900	SCREW TAPPING 4*14	SCREW TAPPING 4*14	2	
	94050	94050-05080	NUT FLANGE 5MM	NUT FLANGE 5MM	1	
						



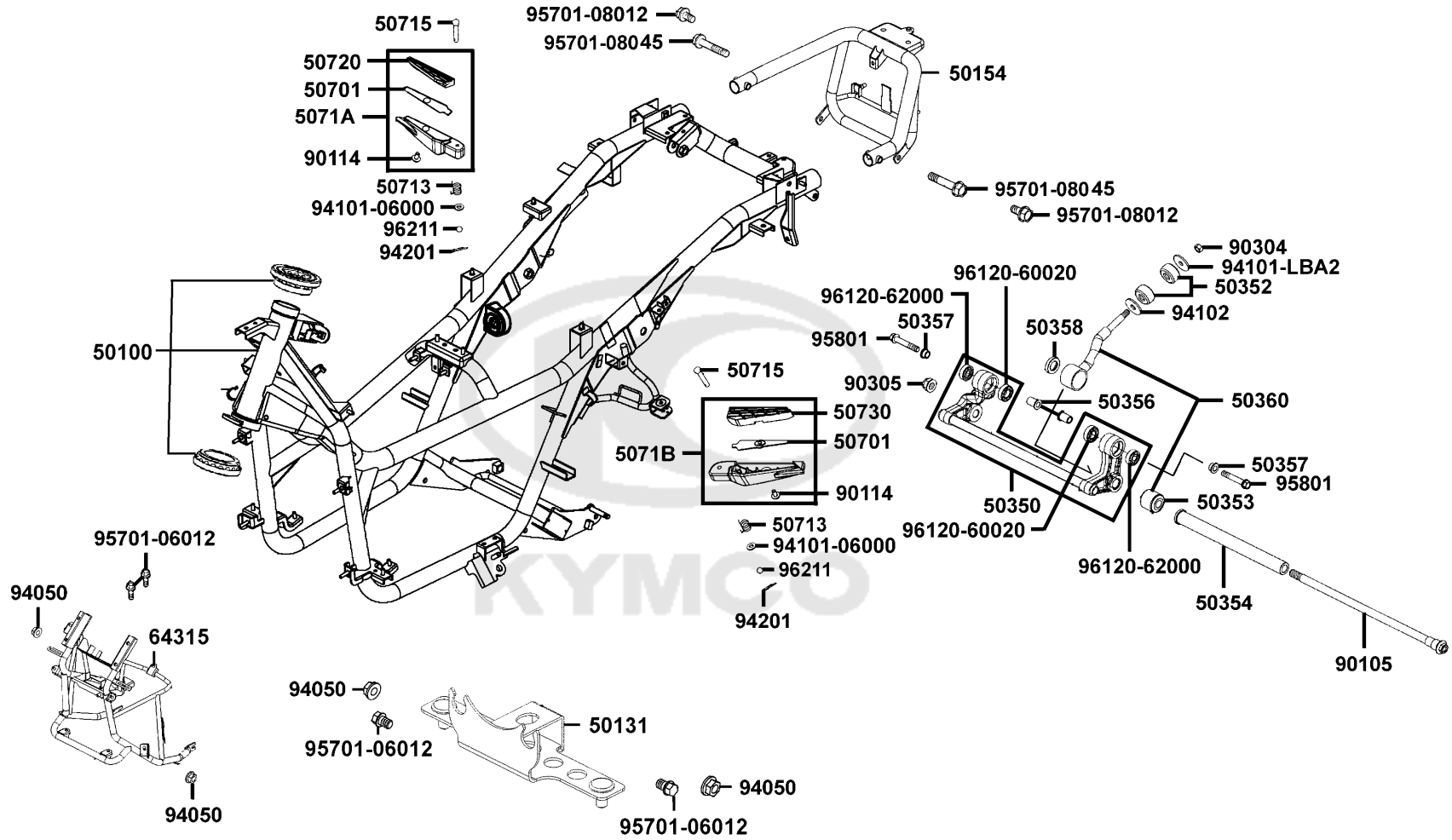
Sales mark	Ref no	Part no	Description	Reg description	Regd no	F19
	17527	17527-LBA2-900	SLIDE COVER FUEL CAP	SLIDE COVER FUEL CAP	1	
	3051A	3051A-LDG7-800	COIL ASSY IGN	COIL ASSY IGN	1	
	30700	30700-KKC3-90B	CAP ASSY NOISE SUPPR	CAP ASSY NOISE SUPPR	1	
	31340	31340-LFH1-E00	SENSOR RR WHEEL SPEED	SENSOR RR WHEEL SPEED	2	
	31345	31345-LBA2-E00	WASHER WHEEL SPEED SENSOR	WASHER WHEEL SPEED SENSOR	1	
#	31600	31600-LDG7-910	REG. REC. COMP.	REG. REC. COMP.	2	
	31601	31601-LBA2-E00	SOCKET COMP DC 12V	SOCKET COMP DC 12V	1	
	31602	31602-KKC4-900	SOCKET COMP CELL-PHONE	SOCKET COMP CELL-PHONE	1	
	3195A	3195A-LBA2-E00	HAZARD CONTROL ASSY	HAZARD CONTROL ASSY	1	
	32100	32100-LGR2-E01	HARNES WIRE	HARNES WIRE	1	
	32108	32108-KXCX-E00	COVER COUPLER 6P F	COVER COUPLER 6P F	1	
	35101	35101-LBA2-315-M1	SW SET COMB & LOCK	SW SET COMB & LOCK	1	
	35101	35101-LBA2-315-M2	SW SET COMB & LOCK	SW SET COMB & LOCK	1	
	35102	35102-LBA2-315-M1	SHUTTER MAGNETIC	SHUTTER MAGNETIC	1	
	35102	35102-LBA2-315-M2	SHUTTER MAGNETIC	SHUTTER MAGNETIC	1	
	35104	35104-KHC4-90A	PLATE COVER FUEL CAP CABLE	PLATE COVER FUEL CAP CABLE	1	
	35104	35104-KHC4-90B	PLATE COVER FUEL CAP CABLE	PLATE COVER FUEL CAP CABLE	1	
	35119	35119-KHC4-90A	COVER SEAT CABLE	COVER SEAT CABLE	1	
	35119	35119-KHC4-90B	COVER SEAT CABLE	COVER SEAT CABLE	1	
	35340	35340-KKC4-80A	STOP SWITCH	STOP SWITCH	1	



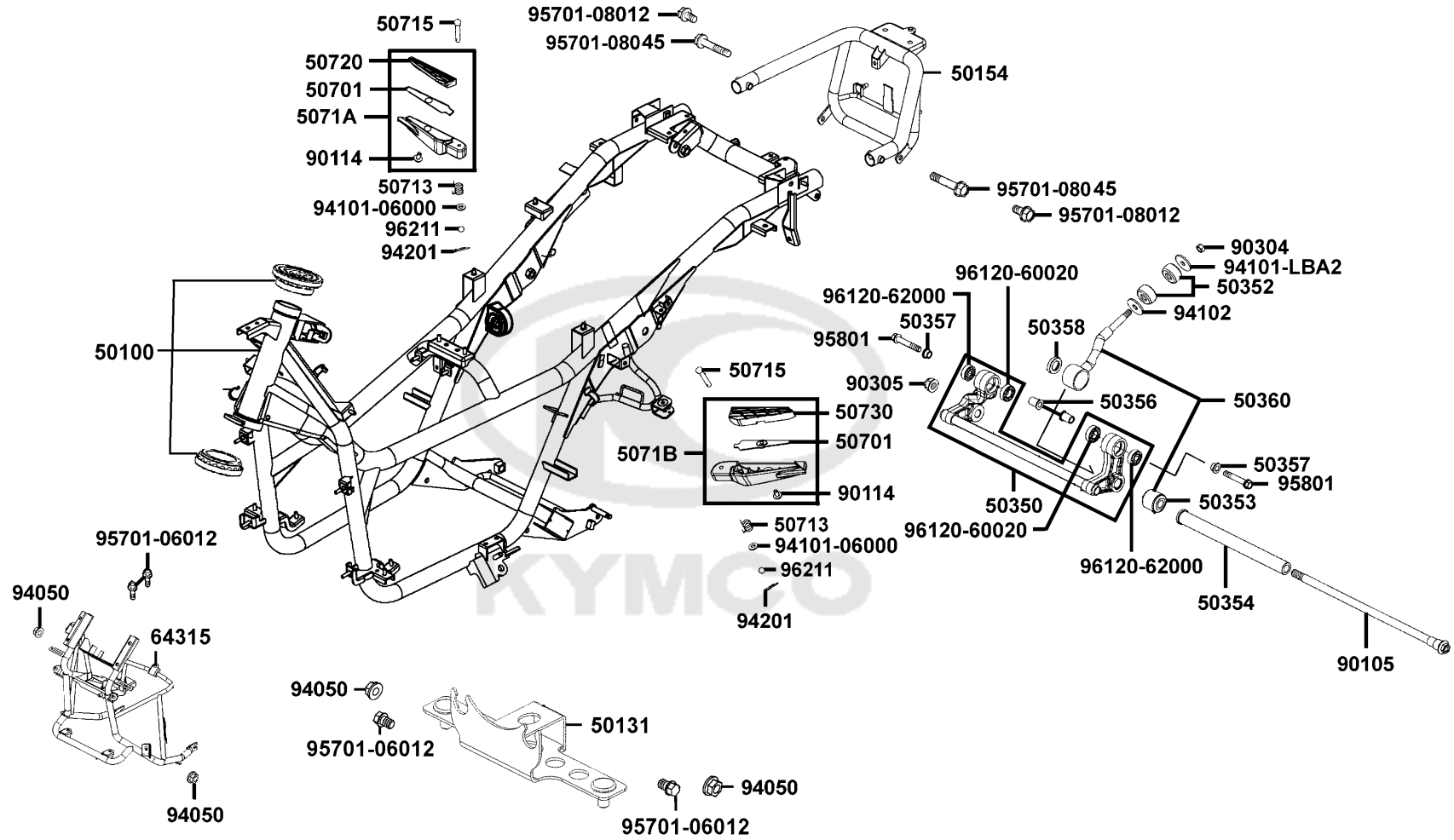
Sales mark	Ref no	Part no	Description	Reg description	Regd no	F19
	35340	35340-KKC4-80B	STOP SWITCH	STOP SWITCH	1	
	35380	35380-LDF2-900	SENSOR ANGLE DETECT	SENSOR ANGLE DETECT	1	
	35420	35420-LFH1-E00	CONTROLLER OIL LAMP	CONTROLER OIL LAMP	1	
	35850	35850-LBA2-E00	SET START MAG	SET START MAG	1	
	38110	38110-KHB4-E0A	HORN COMP (D405)	HORN COMP (D405)	1	
	38110	38110-KHB4-E0B	HORN COMP (D203)	HORN COMP (D203)	1	
	38200	38200-KHE7-900	BOX COMP FUSE	BOX COMP FUSE	1	
	38300	38300-LCB4-900	RELAY COMP WINKER	RELAY COMP WINKER	1	
#	38500	38500-LGL3-90A	RELAY ASSY LIGHT	RELAY ASSY LIGHT	2	
#	38501	38501-LGL3-90A	RELAY COMP LIGHT	RELAY COMP LIGHT	1	
	39000	39000-LDF2-800	VALVE UNIT SOLENOID	VALVE UNIT SOLENOID	1	
#	39100	39100-KKE5-E01	EMI FILTER MOTOR	EMI FILTER MOTOR	1	
	39200	39200-LDG7-800	ECU	ECU	1	
	39220	39220-LDF2-900	CUSHION CASE ECU	CUSHION CASE ECU	1	
	50153	50153-LDF2-900	RUBBER SOLENOID VALVE	RUBBER SOLENOID VALVE	1	
	50154	50154-LDF2-900	COLLAR	COLLAR	1	
	77232	77232-GLW0-316-M1	LOCK SET FUEL LID	LOCK SET FUEL LID	1	
	77232	77232-GLW0-316-M2	LOCK SET FUEL LID	LOCK SET FUEL LID	1	
	77235	77235-KGC4-E0A	SEAT CATCH	SEAT CATCH	1	
	77235	77235-KGC4-E0B	SEAT CATCH	SEAT CATCH	1	



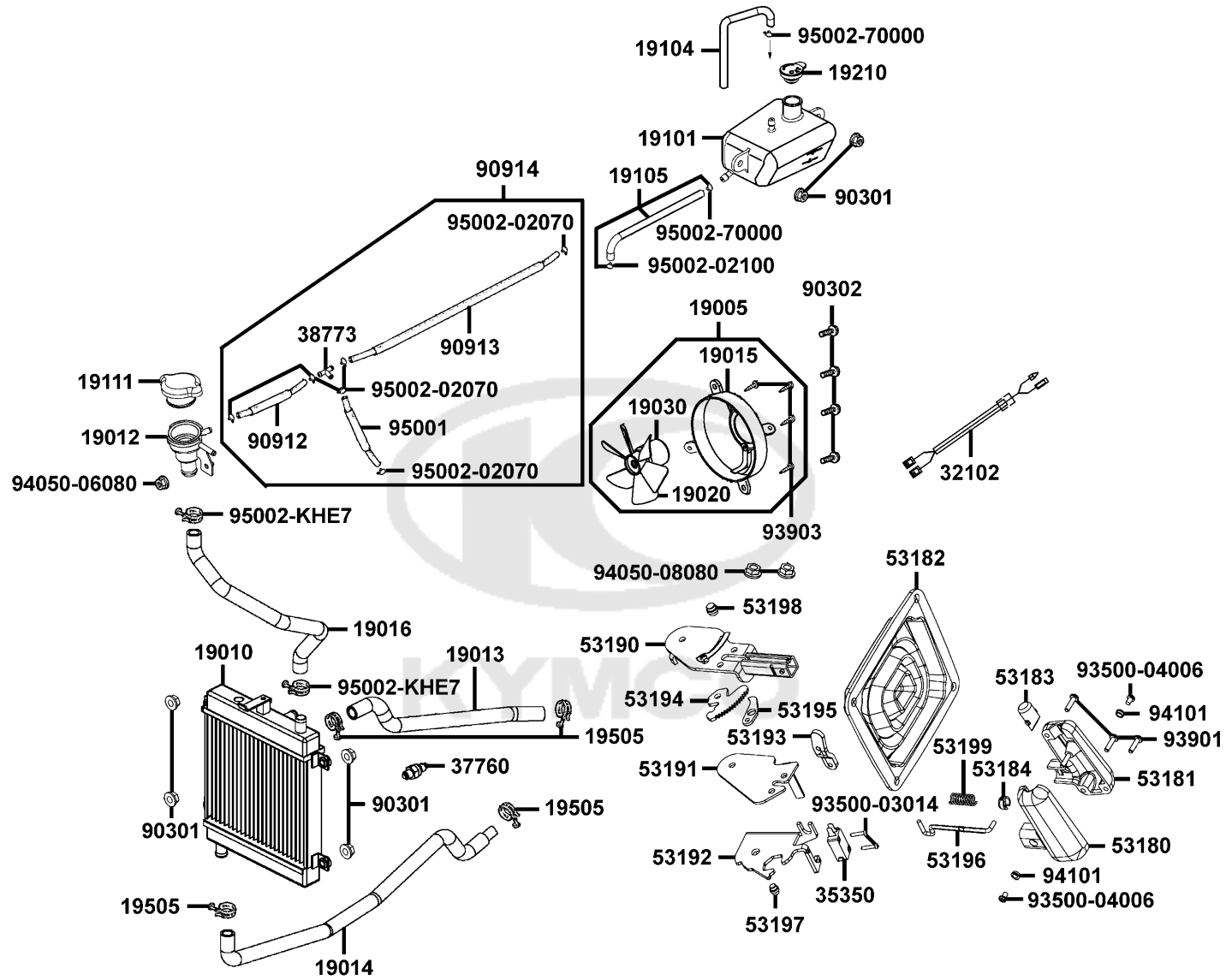
Sales mark	Ref no	Part no	Description	Reg description	Regd no	F19
	77235A	77235-KKC4-80A	SEAT CATCH	SEAT CATCH	1	
	77235A	77235-KKC4-80B	SEAT CATCH	SEAT CATCH	1	
	77240	77240-LBA2-E00	CABLE SEAT LOCK	CABLE SEAT LOCK	1	
	90656	90656-KCBC-900	BAND OIL HANDLE 8X146	BAND OIL HANDLE 8X146	8	
**	90656A	90656-KUDU-900	BAND HARNESS WIRE **KUDU-900	BAND HARNESS WIRE **KUDU-900 C.2005.05.	9	
#	93401	93401-05020-06	BOLT WASHER 5X20	BOLT WASHER 5X20	1	
	93500	93500-KHC4-90A	SCREW PAN 5*10	SCREW PAN 5*10	2	
#	93894	93894-04022-06	SCREW WASHER 4X22	SCREW WASHER 4X22	1	
	94050	94050-06080	NUT FLANGE 6MM	NUT FLANGE 6MM	6	
	94050A	94050-08080	NUT FLANGE 8MM	NUT FLANGE 8MM	1	
	95701	95701-KHC5-E00	BOLT TORQUE 8*25	BOLT TORQUE 8*25	2	
#	96001	96001-06012-06	BOLT FLANGE SH 6*12	BOLT FLANGE SH 6*12	2	
#	96001A	96001-06014-06	BOLT FLANGE SH 6X14	BOLT FLANGE SH 6X14	1	
	98200	98200-31000	BLADE FUSE 10A **(0) C.2005.03.01	BLADE FUSE 10A **(0) C.2005.03.01	2	
	98200A	98200-31500	FUSE A15	FUSE A15	2	
	98200B	98200-33000	BLADE FUSE 30A	BLADE FUSE 30A	1	
#	98200C	98200-LBA2-900	FUSE 2.0A	FUSE 2.0A	1	



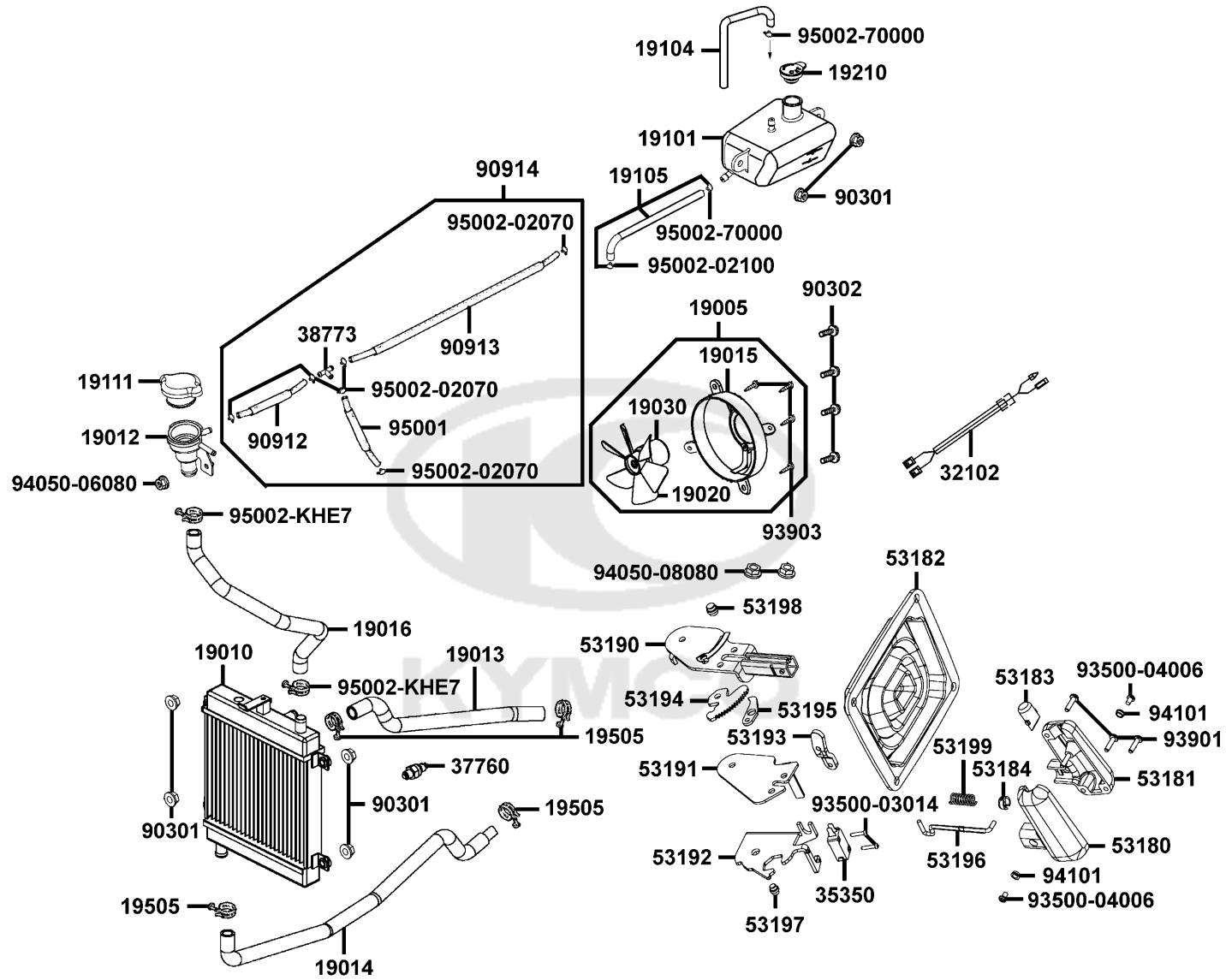
Sales mark	Ref no	Part no	Description	Reg description	Regd no	F20
#	50100	50100-LFH1-305	BODY ASSY FRAME	BODY ASSY FRAME	1	
	50131	50131-LFH1-E00	STAY.ABS	STAY.ABS	1	
	50154	50154-LBA2-E00	STAY RR CARRIER	STAY RR CARRIER	1	
	50350	50350-LBA2-E00	ENG HANGER COMP	ENG HANGER COMP	1	
	50352	50352-LDG7-900	RUBBER STOPPER	RUBBER STOPPER	2	
		50353	50353-LBA2-E00	RUBBER BUSH ENG HANGER	1	
	50354	50354-LBA2-E00	DIST COLLAR	DIST COLLAR	1	
	50356	50356-LBA2-E00	BUSH FRAME	BUSH FRAME	2	
	50357	50357-LBA2-E00	BUSH A FRAME	BUSH A FRAME	2	
	50358	50358-LBA2-E00	CAP ENG HANGER	CAP ENG HANGER	1	
		50360	50360-LBA2-E00	TIE ROD ASSY ENG HANGER	1	
	50701	50701-LBA2-E00	STAY RR STEP	STAY RR STEP	1	
	50713	50713-KEB7-900	SPRING	SPRING	2	
	50715	50715-KEB7-900	PIN RR STEP	PIN RR STEP	2	
	5071A	5071A-LBA2-E00	BAR R STEP ASSY	BAR R STEP ASSY	1	
		5071B	5071B-LBA2-E00	BAR L STEP ASSY	1	
	50720	50720-LBA2-E00	RUBBER R STEP	RUBBER R STEP	1	
	50730	50730-LBA2-E00	RUBBER L STEP	RUBBER L STEP	1	
	64315	64315-LGR2-E00	BRKT FR COVER	BRKT FR COVER	1	
	90105	90105-LBA2-E00	BOLT ENG HANGER	BOLT ENG HANGER	1	



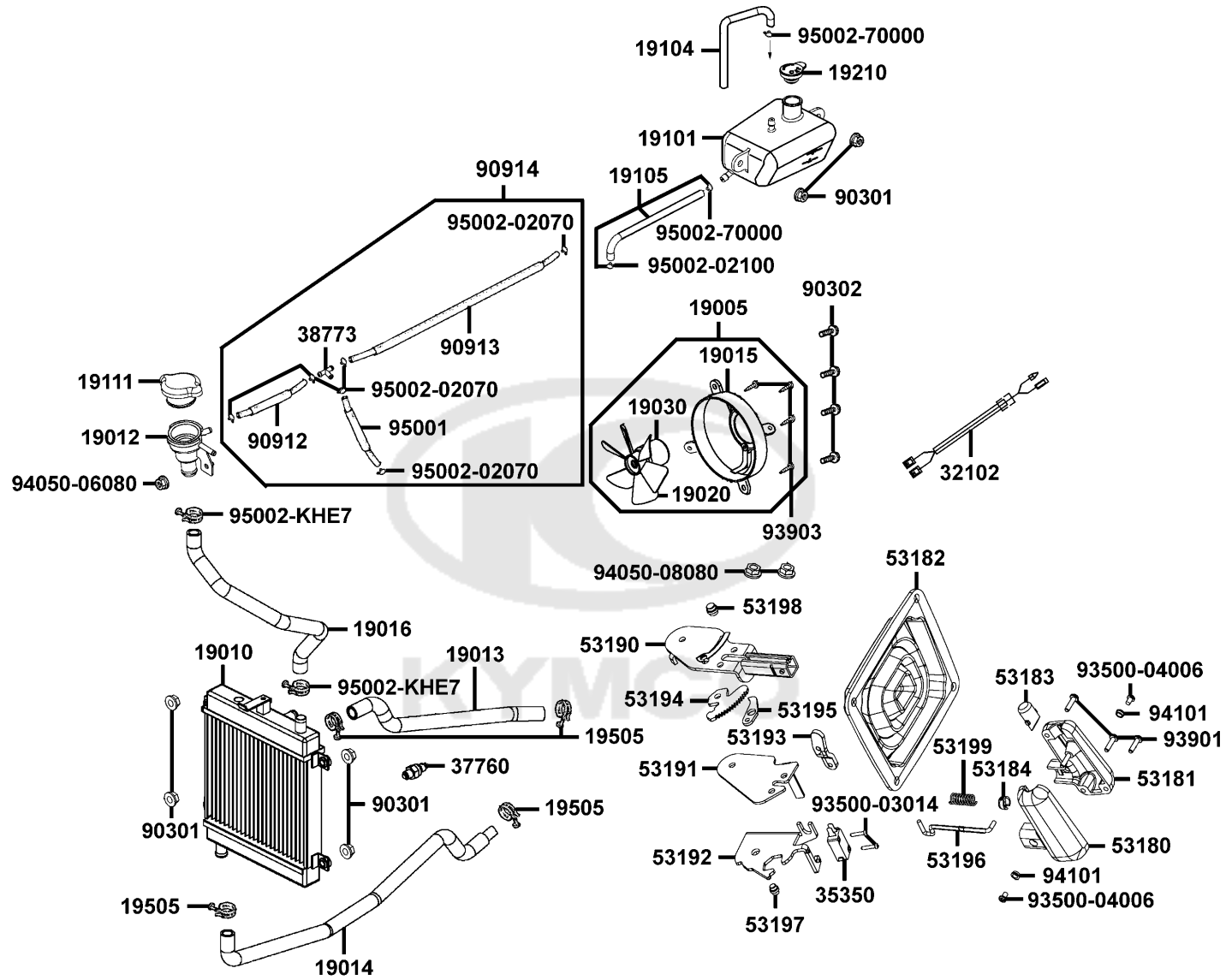
Sales mark	Ref no	Part no	Description	Reg description	Regd no	F20
	90114	90114-KED9-900	SCREW PAN 6*12	SCREW PAN 6*12	2	
	90304	90304-LBD4-900	NUT U FLANGE 10MM	NUT U FLANGE 10MM	1	
	90305	90305-GHE8-004	NUT U 14MM	NUT U 14MM	1	
	94050	94050-06080	NUT FLANGE 6MM	NUT FLANGE 6MM	4	
	94101-06000	94101-06000	WASHER PLAIN 6MM	WASHER PLAIN 6MM	2	
	94101-LBA2	94101-LBA2-E00	WASHER PLATE 10.5*38*3.0	WASHER PLATE 10.5*38*3.0	1	
	94102	94102-LBA2-E00	WASHER PLAIN 38*12.5*3	WASHER PLAIN 38*12.5*3	1	
	94201	94201-16150	PIN SPLIT 1.6*15	PIN SPLIT 1.6*15	2	
#	95701-06012	95701-06012-06	BOLT FLANGE 6*12 **07 C.2005.07.01	BOLT FLANGE 6*12 **07 C.2005.07.01	1	
#	95701-08012	95701-08012-06	BOLT FLANGE 8*12	BOLT FLANGE 8*12	1	
#	95701-08045	95701-08045-06	BOLT FLANGE 6*45	BOLT FLANGE 6*45	1	
	95801	95801-10057-06	BOLT FLANGE 10*57	BOLT FLANGE 10*57	2	
	96120-60020	96120-60020-00	BEARING RAD 6002	BEARING RAD 6002	2	
	96120-62000	96120-62000-00	BEARING BALL RADIAL 6202Z	BEARING BALL RADIAL 6202Z	2	
	96211	96211-08000	BALL STEEL #8	BALL STEEL #8	2	



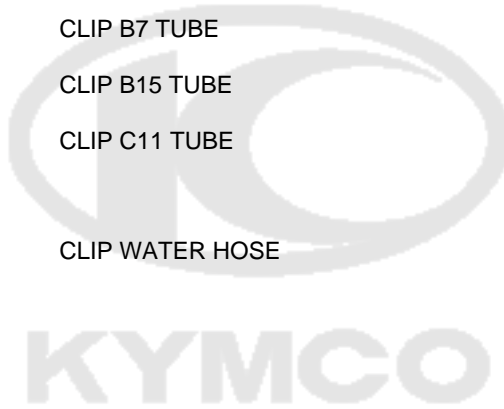
Sales mark	Ref no	Part no	Description	Reg description	Regd no	F21
19005		19005-LBA2-E00	SHROUD ASSY	SHROUD ASSY	1	
19010		19010-LBA2-E00	RADIATOR COMP	RADIATOR COMP	1	
19012		19012-KHD8-900	UNIT RADIATOR	UNIT RADIATOR	1	
19013		19013-LBA2-E00	HOSE WATER INLET	HOSE WATER INLET	1	
19014		19014-LBA2-E00	HOSE WATER OUTLET	HOSE WATER OUTLET	1	
19015		19015-LBA2-E00	SHROUD COMP	SHROUD COMP	1	
19016		19016-LGR2-E00	HOSE WATER UNIT CAP	HOSE WATER UNIT CAP	1	
19020		19020-LBA2-E00	FAN COOLING	FAN COOLING	1	
19030		19030-LBA2-E00	MOTOR ASSY FAN	MOTOR ASSY FAN	1	
19101		19101-LBA2-E00	TANK RESERVE	TANK RESERVE	1	
19104		19104-LBA2-E00	HOSE ASSY DRAIN	HOSE ASSY DRAIN	1	
19105		19105-LBA2-E00	HOSE ASSY RESERVE-COOLER	HOSE ASSY RESERVE-COOLER	1	
19111		19111-GBE2-004	CAP COMP	CAP COMP	1	
19210		19210-KKC4-900	CAP RESERVE TANK	CAP RESERVE TANK	1	
19505		19505-LBA2-E00	CLAMP WATER HOSE	CLAMP WATER HOSE	4	
32102		32102-LBA2-E00	SUB CORD THERMO	SUB CORD THERMO	1	
35350		35350-LBA2-E00	SWITCH HAND BRK	SWITCH HAND BRK	1	
37760		37760-KHD8-900	SW ASSY THERMO	SW ASSY THERMO	1	
38773		38773-PKB9-001	JOINT 3 WAY 3.5	JOINT 3 WAY 3.5	1	
53180		53180-LBA2-E00	GRIP UPPER HAND BRK	GRIP UPPER HAND BRK	1	



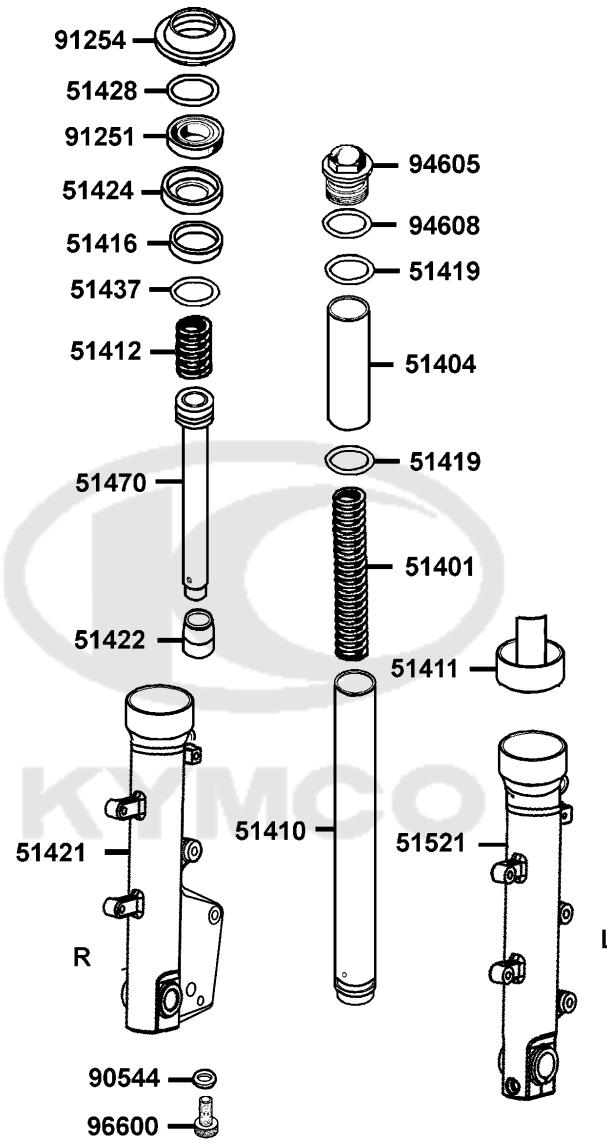
Sales mark	Ref no	Part no	Description	Reg description	Regd no	F21
	53181	53181-LBA2-E00	GRIP UNDER HAND BRK	GRIP UNDER HAND BRK	1	
	53182	53182-LBA2-E00	DUST SEAL HAND BRK	DUST SEAL HAND BRK	1	
	53183	53183-LBA2-E00	BUTTON HAND BRK	BUTTON HAND BRK	1	
	53184	53184-LBA2-E00	GUIDE SPRING	GUIDE SPRING	1	
	53190	53190-LBA2-E00	ARM COMP HAND BRK	ARM COMP HAND BRK	1	
	53191	53191-LBA2-E00	ARM PLATE	ARM PLATE	1	
	53192	53192-LBA2-E00	BRK HAND BRK	BRK HAND BRK	1	
	53193	53193-LBA2-E00	LINKER HAND BRK	LINKER HAND BRK	1	
	53194	53194-LBA2-E00	RATCH HAND BRK	RATCH HAND BRK	1	
	53195	53195-LBA2-E00	DRIVEN GEAR	DRIVEN GEAR	1	
	53196	53196-LBA2-E00	DRIVEN LINKER	DRIVEN LINKER	1	
	53197	53197-LBA2-E00	PIVOT HAND BRK	PIVOT HAND BRK	1	
	53198	53198-LBA2-E00	PIVOT DRIVEN GEAR	PIVOT DRIVEN GEAR	1	
	53199	53199-LBA2-E00	SPRING RETURN	SPRING RETURN	1	
	90301	90301-6D34-671	NUT FLANGE 6MM	NUT FLANGE 6MM	7	
	90302	90302-GBR2-001	BOLT WASH 5*16	BOLT WASH 5*16	4	
	90912	90912-LBA2-E00	TUBE FUEL 3.5	TUBE FUEL 3.5	1	
	90913	90913-LBA2-E00	TUBE FUEL 3.5*1800	TUBE FUEL 3.5*1800	1	
	90914	90914-LBA2-E00	WASHER HEAD COVER BOLT	WASHER HEAD COVER BOLT	1	
	93500-03014	93500-03014-1A	SCREW PAN 3*14	SCREW PAN 3*14	2	



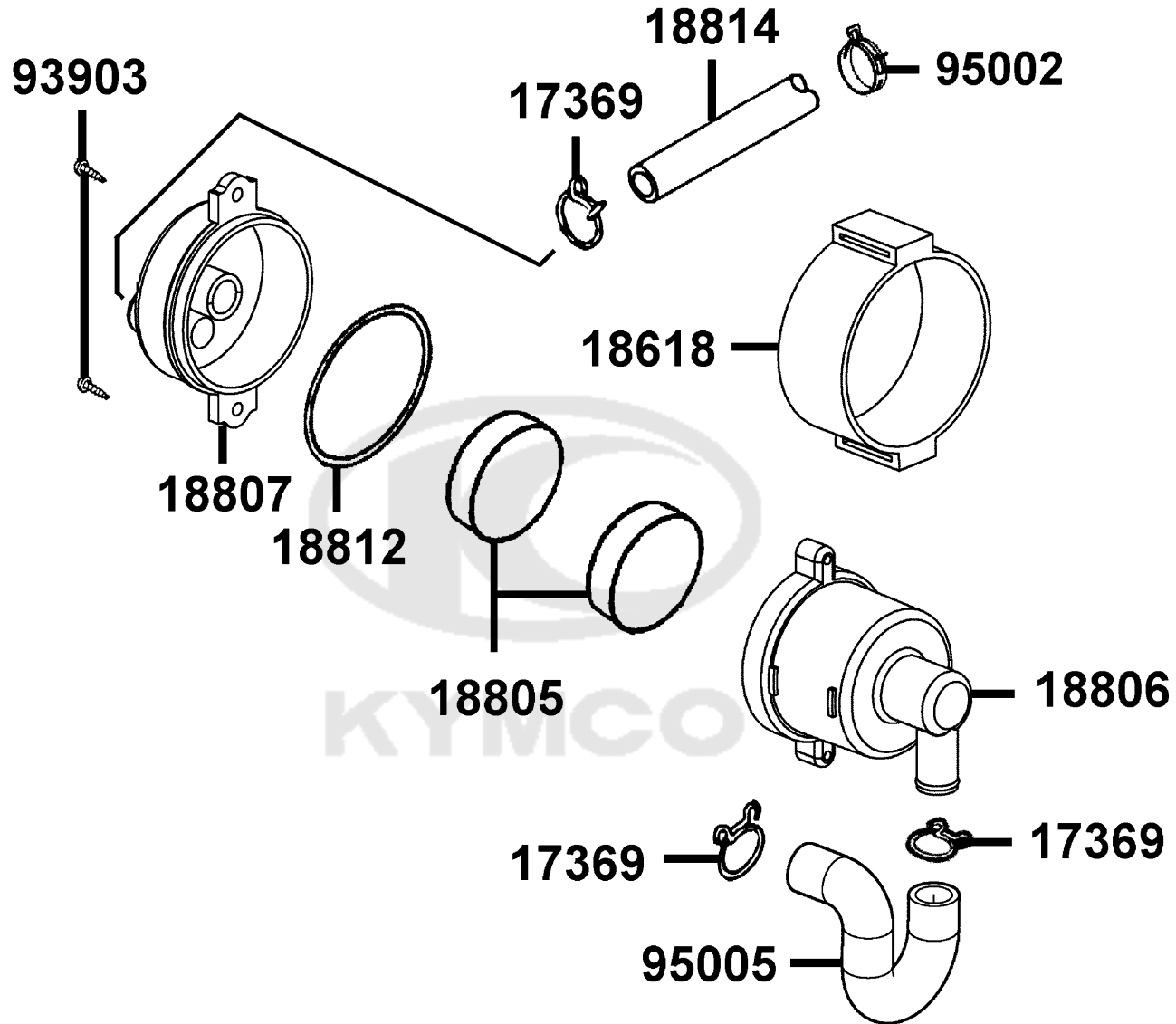
Sales mark	Ref no	Part no	Description	Reg description	Regd no	F21
	93500-04006	93500-04006-1G	SCREW PAN 4*6	SCREW PAN 4*6	2	
	93901	93901-24560	SCREW TAPPING 4*20	SCREW TAPPING 4*20	3	
	93903	93903-GFY6-900	SCREW TAPPING 4*14	SCREW TAPPING 4*14	4	
	94050-06080	94050-06080	NUT FLANGE 6MM	NUT FLANGE 6MM	3	
	94050-08080	94050-08080	NUT FLANGE 8MM	NUT FLANGE 8MM	2	
	94101	94101-04800	WASHER PLAIN 4.5*10*0.8	WASHER PLAIN 4.5*10*0.8	2	
	95001	95001-35550-40	TUBE FUEL 3.5*550	TUBE FUEL 3.5*550	1	
	95002-02070	95002-02070	CLIP B7 TUBE	CLIP B7 TUBE	6	
	95002-02100	95002-02100	CLIP B15 TUBE	CLIP B15 TUBE	1	
	95002-70000	95002-70000	CLIP C11 TUBE	CLIP C11 TUBE	2	
	95002-KHE7	95002-KHE7-900	CLIP WATER HOSE	CLIP WATER HOSE	2	



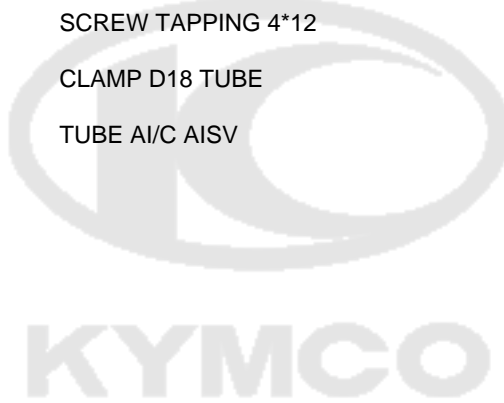
Separated Parts Of Fr Fork



Sales mark	Ref no	Part no	Description	Reg description	Regd no	F22
	51401	51401-LBA2-E00	SPRING	SPRING	2	
	51404	51404-LBA2-E00	SPRING COLLAR	SPRING COLLAR	2	
	51410	51410-LBA2-E00	FORK PIPE COMP	FORK PIPE COMP	2	
	51411	51411-KKE5-E00	FORK FENDER	FORK FENDER	1	
	51412	51412-LBA2-E00	REBOUND SPRING	REBOUND SPRING	2	
	51416	51416-LBA2-E00	GUIDE BUSH	GUIDE BUSH	2	
	51419	51419-LBA2-E00	PLAIN WASHER	PLAIN WASHER	4	
**	51421	51421-LGR2-E01	BOTTOM CASE R (BLACK)	BOTTOM CASE R (BLACK)	1	
	51422	51422-LBA2-E00	OIL LOCK PIECE	OIL LOCK PIECE	2	
	51424	51424-LBA2-E00	SPACER	SPACER	2	
	51428	51428-LBA2-E00	OIL SEAL STOPPER RING	OIL SEAL STOPPER RING	2	
	51437	51437-LBA2-E00	PISTON RING	PISTON RING	2	
	51470	51470-LBA2-E00	PIPE SEAT COMP	PIPE SEAT COMP	2	
**	51521	51521-LGR2-E00	BOOTTOM CASE L (BLACK)	BOOTTOM CASE L (BLACK)	1	
	90544	90544-KEC8-900	PACKING	PACKING	2	
	91251	91251-LBA2-E00	OIL SEAL	OIL SEAL	2	
	91254	91254-LBA2-E00	DUST SEAL	DUST SEAL	2	
	94605	94605-LBA2-E00	FORK BOLT	FORK BOLT	2	
	94608	94608-LBA2-E00	O-RING	O-RING	2	
	96600	96600-LBA2-E00	SOCKET BOLT	SOCKET BOLT	2	



Sales mark	Ref no	Part no	Description	Reg description	Regd no	F23
17369		17369-KDB4-671	CLIP BREATHER TUBE	CLIP BREATHER TUBE	3	
18618		18618-KBE2-900	RUBBER AI CLEANER MOUNT	RUBBER AI CLEANER MOUNT	1	
18805		18805-KHB4-910	ELEMENT AI CLEANER	ELEMENT AI CLEANER	2	
18806		18806-KBE2-900	CASE AI CLEANER	CASE AI CLEANER	1	
18807		18807-KBE2-900	COVER AI CLEANER	COVER AI CLEANER	1	
18812		18812-KBE2-900	SEAL AI CLEANER COVER	SEAL AI CLEANER COVER	1	
18814		18814-LDG7-900	DUCT AI CLEANER	DUCT AI CLEANER	1	
93903		93903-24320	SCREW TAPPING 4*12	SCREW TAPPING 4*12	2	
95002		95002-KKD6-E05	CLAMP D18 TUBE	CLAMP D18 TUBE	1	
95005		95005-LDG7-E00	TUBE AI/C AISV	TUBE AI/C AISV	1	



● Do care to wear a safety helmet when riding.
 ● Do not exceed the speed specified by law when riding.
 ● The exhaust muffler temperature is very high after riding. Be sure to park the motorcycle in a place not easily touched by people.
 ● For riding safety and good performance, do not violate the law to modify the motorcycle.

● Make sure to perform the periodic maintenance and periodic inspection.

Periodic Inspection Items

Brake Performance, tires, engine oil level, lights, horn, and instrument panel

KWANG YANG MOTOR CO., LTD.

● Please read the User's Manual carefully to ensure riding safety.

LB42-000

87560

CAUTIONS

Every 6000 km run should exchange the filter.

LB42-000

87512

CAUTIONS

Tire Size	:Front 120/70-15	Rear 150/70-14
(One Rider)	:Front 2.00kgf/cm ²	Rear 2.50kgf/cm ²
(Two Rider)	:Front 2.25kgf/cm ²	Rear 2.50kgf/cm ²
Load Capacity	:Shield 1.5kg	Clip assy center 3kg

(As per KYMCO standard specification)
 (Note: The tire pressure must not overpass 2.50kgf/cm²)

● Check the motor oil level with the dipstick after refilling motor oil.

LB42-000

87505

CAUTION

Mobile phone charge only . Use other appliance may cause damage .

KKC2-000

87541-KKC2

CAUTIONS

Before starting the engine, the side stand shall be kicked up to secure safety.

87541-GAR1

CAUTIONS

Never put any article between the rear side cover and the engine to avoid interference of riding.

GM9-300

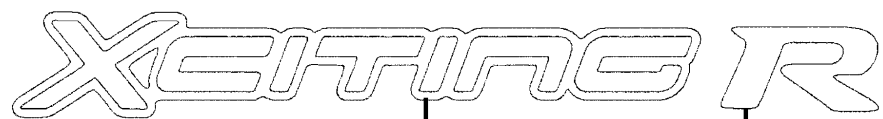
87542



87140

Sales mark	Ref no	Part no	Description	Reg description	Regd no	F24
**	87140	87140-LDG7-E00	EMB I MARK	EMB I MARK	1	
**	87505	87505-LBA2-E00	LABEL TIRE	LABEL TIRE	1	
**	87512	87512-LBA2-E00	CAUTION FILTER	CAUTION FILTER	1	
**	87541-GAR1	87541-GAR1-E00	CAUTION SIDE STAND	CAUTION SIDE STAND	1	
**	87541-KKC2	87541-KKC2-E00	CAUTION MOBILE PHONE	CAUTION MOBILE PHONE	1	
**	87542	87542-GAR1-E00	MARK MAINT CAUTION	MARK MAINT CAUTION	1	
**	87560	87560-GFY6-E00	MARK DRIVE CAUTION	MARK DRIVE CAUTION	1	





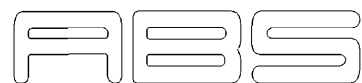
86202



87311-LDG7



87311-LBA2



87311-LFH1



86282



86283



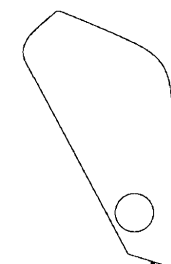
86284



86286



86171



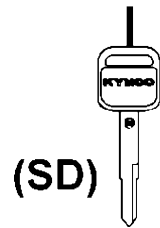
86161



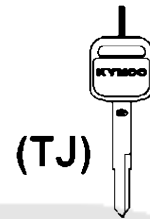
Sales mark	Ref no	Part no	Description	Reg description	Regd no	F25
**	86202	86202-LDG7-E00	EMB BODY COVER	EMB BODY COVER	2	
**	87311-LBA2	87311-LBA2-E00	STRIPE MARK 500	STRIPE MARK 500	1	
**	87311-LDG7	87311-LDG7-E00	EMB R MARK	EMB R MARK	1	
**	87311-LFH1	87311-LFH1-E01	STRIPE MARK ABS	STRIPE MARK ABS	2	



35111-LBA2-305-T01



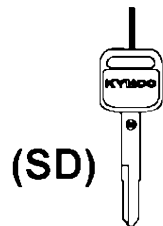
35111-LBA2-306-T01



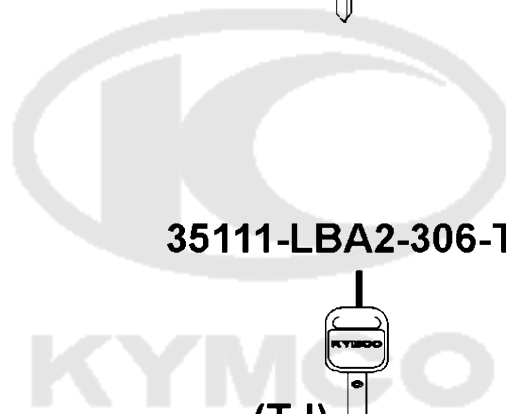
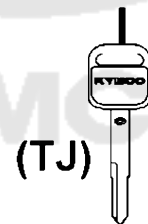
35111-KKC4-335-M1
35111-KKC4-335-M2



35111-LBA2-305-T02



35111-LBA2-306-T02



Sales mark	Ref no	Part no	Description	Reg description	Regd no	F26
	35111-KKC4-335-M1	35111-KKC4-335-M1	KEY COMP/SHUTTER MAGNETIC	KEY COMP/SHUTTER MAGNETIC LOCK(SD)	1	
	35111-KKC4-335-M2	35111-KKC4-335-M2	KEY COMP/SHUTTER MAGNETIC	KEY COMP/SHUTTER MAGNETIC LOCK(TJ)	1	
	35111-LBA2-305-T01	35111-LBA2-305-T01	KEY COMP(R TANGENT PLANE/SD)	KEY COMP(R TANGENT PLANE/SD)	1	
	35111-LBA2-305-T02	35111-LBA2-305-T02	KEY COMP (L TANGENT PLANE/SD)	KEY COMP (L TANGENT PLANE/SD)	1	
	35111-LBA2-306-T01	35111-LBA2-306-T01	KEY COMP (R TANGENT PLANE/TJ)	KEY COMP (R TANGENT PLANE/TJ)	1	
	35111-LBA2-306-T02	35111-LBA2-306-T02	KEY COMP (L TANGENT PLANE/TJ)	KEY COMP (L TANGENT PLANE/TJ)	1	



PART NO. INDEX

PART NO.	VERSION	PAGE	PART NO.	VERSION	PAGE	PART NO.	VERSION	PAGE
0000			11000			12191-LBA2-E00	9	E03
0118-814-1100	0	E09	1110A-LDG7-E00	1	E01	12205-KHE8-301	5	E02
0901-880-6000	0	E09	11203-LBA2-E00	2	E01	12206-LBA2-E00	4	E02
0901-911-6000	0	E09	11203-LBA2-E00	2	F16	12208-LBA2-E00	3	E02
0901-914-6001	0	E09	11211-LBA2-E00	1	F13	12209-GDB4-68B	0	E02
			11221-LBA2-E00	6	E01	1220A-LDG7-900	5	E02
1000			1122A-LBA2-E00	1	F13	1220C-LBA2-E00	1	E02
1034-KAE0-7700	0	E09	1123A-LBA2-E00	1	F13	12251-LBA2-E00	4	E03
1090-873-2001	0	E09	11330-LBA2-E00	3	E04	12302-LBA2-E00	3	E02
1190-C74-2000	0	E09	11332-LBA2-E00	3	E04	12303-LBA2-E00	4	E02
1190-C75-2000	0	E09	11341-LBA2-E01	1	E01	12304-LBA2-E00	1	E02
1614-868-0000-S	0	E09	11343-LDG7-E00	2	E01	12306-LBA2-E00	0	E02
1614-891-2104	0	F10	11344-LBA2-E00	2	E01	12310-LBA2-E00	9	E02
1614-906-0002	0	E09	11345-LDG7-E00	3	E01	12311-KBE2-900	4	E02
			11347-LBA2-E00	3	E05	12361-LBA2-E00	1	E01
3000			1134B-LDG7-E00	3	E01	12391-LBA2-E00	1	E02
			11382-LDG7-900	2	E01	13000		
			11394-LBA2-E00	6	E04	1300A-LBA2-308	0	E03
3791-HN80-0000	0	F10	11395-LBA2-E00	3	E01	13011-LBA2-E0A	1	E03
			12000			13011-LBA2-E0B	0	E03
4000						13101-LDG7-E00	2	E03
4000-452-0010	0	E09	12100-LBA2-E00	9	E03	13111-LBA2-E00	4	E03
4115-803-1100	0	E09	12103-LBA2-E00	1	E03	13314-LBA2-E0A	2	E01
						13314-LBA2-E0B	2	E01

PART NO. INDEX

PART NO.	VERSION	PAGE	PART NO.	VERSION	PAGE	PART NO.	VERSION	PAGE
13314-LBA2-E0C	2	E01	14555-LBA2-E00	2	E03	15426-LBA2-E00	1	E01
13315-LBA2-E0A	2	E01	14557-LBA2-E00	2	E03	15520-LBA2-E00	8	E01
13315-LBA2-E0B	2	E01	14558-LBA2-E00	2	E03	15521-LBA2-E00	3	E01
13315-LBA2-E0C	2	E01	14559-LBA2-E00	1	E03	15522-LBA2-E00	3	E01
			14560-LBA2-E00	1	E03	1565A-LBA2-E00	2	E04
			14610-LBA2-E00	5	E03	15700-LBA2-E00	2	E01
			14611-LBA2-E00	3	E02	15700-LBA2-E0A	3	E01
			14711-LDG7-900	1	E02	15710-LBA2-E00	4	E01
			14721-LBA2-E00	1	E02	15711-LBA2-E00	4	E06
			14751-LBA2-E00	1	E02			
			14761-LDG7-900	1	E02	16000		
			14771-KED9-900	2	E02			
			14777-LBA2-E00	4	E02	1610K-LDG7-E00	0	E09
			14781-MFA6-001	0	E02	16112-LDG7-900	1	E09
						16201-LBA2-E00	4	E02
			15000			16212-LDG7-900	1	E02
			15100-LDG7-E01	4	E06	17000		
			15133-LBA2-E00	2	E06			
			15134-LBA2-E00	3	E03	17113-LBA2-E00	2	E02
			15141-LBA2-E00	1	E06	1711A-LDG7-900	3	E02
			15200-LBA2-E00	4	E01	1720A-LDG7-900	4	F13
			15412-LBA2-E00	1	E04	17213-LBA2-E00	1	F13
			1541A-LBA2-E00	2	E04	17223-LBA2-E00	0	F13
			15421-LBA2-E00	3	E04	17229-LBA2-E00	2	F13
			15421-LFH1-E00	1	E01	17236-CA01-900	0	F13

PART NO. INDEX

PART NO.	VERSION	PAGE	PART NO.	VERSION	PAGE	PART NO.	VERSION	PAGE
1723C-LBA2-E00	3	F13	17911-LDF2-900	3	F03	18646-LBA2-E00	1	E02
17253-LDG7-900	3	F13				18647-LBA2-E00	4	E02
17254-KACA-P00	0	F13	18000			1866A-LDG7-900	2	E02
17369-KDB4-671	1	E02				18805-KHB4-910	0	F23
17369-KDB4-671	1	F13	18291-KEBE-900	1	F14	18806-KBE2-900	1	F23
17369-KDB4-671	1	F23	18291-KKC4-900	1	E01	18807-KBE2-900	3	F23
1737A-KKC3-E00	0	F13	18291-LBA2-E00	3	F14	18812-KBE2-900	0	F23
17500-LDF2-910	3	F10	18292-KEBE-900	1	F14	18814-LDG7-900	1	F23
17502-LBA2-E00	4	F10	18293-KEBE-900	1	F14			
17504-LAB4-900	2	F10	18293-KECE-900	0	F14	19000		
17507-LAB4-900	2	F10	18293-KGAG-520	0	F14			
17514-LBA2-E00	1	F10	18293-KKC4-900	0	E01	19005-LBA2-E00	2	F21
17515-LBA2-E00	1	F10	18294-KEBE-900	1	F14	19010-LBA2-E00	6	F21
17520-LBA2-E00	3	F10	18307-LBA2-900	4	F14	19012-KHD8-900	4	F21
17527-LBA2-900	0	F19	18310-LDG7-E00	1	F14	19013-LBA2-E00	4	F21
17550-LDF2-800	7	F10	18318-LGR2-E00	0	F14	19014-LBA2-E00	4	F21
17560-LDG7-900	4	F10	18320-LDG7-900	2	F14	19015-LBA2-E00	0	F21
17561-LDF2-900	0	F10	18325-LBA2-E00	4	F14	19016-LGR2-E00	0	F21
17561-LDG7-900	1	E07	18357-LBA2-E00	2	F14	19020-LBA2-E00	0	F21
1758A-LBA2-E00	1	F05	18371-LBA2-E00	2	F14	19030-LBA2-E00	0	F21
17620-LGR2-E0A	0	F10	18391-LBA2-E00	1	F14	19101-LBA2-E00	2	F21
17620-LGR2-E0B	0	F10	18601-KBE2-900	4	E02	19103-LBA2-E00	1	F05
17623-LAB4-900	1	F10	18612-KFB5-900	1	E02	19104-LBA2-E00	1	F21
17623-LAB4-90A	1	F10	18613-LDB5-E00	2	E02	19105-LBA2-E00	1	F21
17689-KEBE-900	1	F10	18618-KBE2-900	0	F23	1910B-LBA2-E00	1	F05
17910-LDG7-900	4	F03	18645-LBA2-E00	1	E02	19111-GBE2-004	1	F21

PART NO. INDEX

PART NO.	VERSION	PAGE	PART NO.	VERSION	PAGE	PART NO.	VERSION	PAGE
19200-LBA2-E00	18	E07				23220-LBA2-E00	5	E05
19210-KKC4-900	0	F21	22000			23225-LBA2-E00	1	E05
19300-LBA2-E00	1	E07				23226-GHC8-004	0	E05
19310-LDG7-900	2	E07	22100-LBA2-E00	2	E05	23233-LBA2-E00	2	E05
19315-LBA2-E00	2	E07	22102-LBA2-E00	2	E05	23236-LBA2-E00	1	E05
19316-LBA2-E00	4	E07	22105-LBA2-E00	3	E05	23237-LBA2-E00	2	E05
19317-LBA2-E00	1	E07	22110-LBA2-E00	1	E05	23238-LBA2-E00	1	E05
19411-KBCB-900	0	F10	22112-LBA2-E00	2	E05	23411-LBA2-E00	5	E08
19468-LBA2-E00	0	E07	22121-LDG7-305	0	E05	23420-LBA2-E00	2	E08
19469-LBA2-E00	0	E07	22131-LBA2-E00	4	E05	23431-LBA2-E00	6	E08
19504-LBA2-E00	3	E07	22132-LBA2-305	0	E05	23432-LBA2-E00	1	E08
19504-LBA2-E00	3	F10	22133-LBA2-E00	4	E05	23560-LBA2-E00	2	E01
19505-LBA2-E00	4	F21	22300-LBA2-E00	7	E05			
19507-LBA2-E00	1	E07	22350-LBA2-E00	3	E05	28000		
19508-LBA2-E00	0	E07	22361-LBA2-E00	1	E05			
19509-LBA2-E00	4	E07	22401-LBA2-E00	3	E05	28100-LDG7-E00	2	E06
19521-LDG7-900	1	E07	22530-LBA2-E00	5	E05	28110-LDG7-E00	2	E06
19522-LBA2-E00	2	E07	22804-GBB2-001	0	E05	28120-LBA2-E00	3	E06
19523-LBA2-E00	2	E07						
			23000			30000		
21000			2301A-LBA2-E00	9	E05	30300-LDG7-900	0	E06
21124-LBA2-E00	0	E05	23100-LBA2-305	0	E05	3051A-LDG7-800	1	F19
21200-LBA2-E00	5	E08	23100-LBA2-E00	1	E05	30700-KKC3-90B	1	F19
21395-LBA2-E00	2	E08	23201-LBA2-E00	3	E05			
			23210-LBA2-E00	5	E05			

PART NO. INDEX

PART NO.	VERSION	PAGE	PART NO.	VERSION	PAGE	PART NO.	VERSION	PAGE
31000			33000			34905-KPCP-900	0	F18
						34909-KFBF-900	0	F12
31110-LDG7-900	3	E06	33100-LGR2-E00	3	F01	35000		
31120-LDG7-900	5	E06	33108-KHE7-E00	0	F01			
31205-KKJ9-000	0	E06	33110-LGR2-E00	0	F01	35101-LBA2-315-M1	0	F19
31210-LBA2-E00	4	E06	33120-LGR2-E00	0	F01	35101-LBA2-315-M2	0	F19
31340-LFH1-E00	1	F19	33130-LGR2-E00	0	F01	35102-LBA2-315-M1	0	F19
31345-LBA2-E00	1	F19	33150-LGR2-E00	0	F01	35102-LBA2-315-M2	0	F19
31500-LBA2-90A	6	F11	33400-LGR2-E00	4	F17	35104-KHC4-90A	0	F19
31500-LBA2-90B	4	F11	33450-LGR2-E00	4	F17	35104-KHC4-90B	0	F19
31600-LDG7-910	1	F19	33607-KKD7-E00	0	F18	35111-KKC4-335-M1	0	F26
31601-LBA2-E00	3	F19	33700-LGR2-E00	2	F18	35111-KKC4-335-M2	0	F26
31602-KKC4-900	0	F19	33702-LBA2-E00	0	F18	35111-LBA2-305-T01	0	F26
3195A-LBA2-E00	1	F19	33708-KHE7-E00	0	F18	35111-LBA2-305-T02	0	F26
32000			33709-KHE7-E00	0	F18	35111-LBA2-306-T01	0	F26
			33711-LBA2-305	0	F18	35111-LBA2-306-T02	0	F26
32100-LGR2-E01	4	F19	33720-LBB5-E00	3	F18	35119-KHC4-90A	0	F19
32101-LDG7-900	1	E02	33726-LBB5-E00	1	F18	35119-KHC4-90B	0	F19
32102-LBA2-E00	1	F21	33741-KHC5-M00	1	F18	3515A-LBA2-E01	2	F03
32105-LLJ3-E00	2	E04	33900-KFBF-900	0	F12	3520A-KEBE-900	3	F03
32108-KXCX-E00	0	F19	34000			35340-KKC4-80A	0	F19
32410-LBA2-E00	2	E06				35340-KKC4-80B	0	F19
32411-LBA2-E00	3	F11	34901-KFA6-900	0	F01	35340-LKF5-E01	2	F04
32412-LBA2-E00	3	E04	34903-KPCP-900	0	F18	35350-LBA2-E00	0	F21
						35350-LKF5-E01	1	F04

PART NO. INDEX

PART NO.	VERSION	PAGE	PART NO.	VERSION	PAGE	PART NO.	VERSION	PAGE
35370-KEC8-E00	3	F15				43105-LFH1-305	0	F08
35380-LDF2-900	2	F19	39000			43107-LBA2-E00	0	F08
35420-LFH1-E00	3	F19				43109-LBA2-E00	0	F07
35500-KED9-900	7	E04	39000-LDF2-800	5	F19	43109-MCA3-007	0	F08
35850-LBA2-E00	1	F19	39100-KKE5-E01	4	F19	43110-LBA2-E00	0	F08
37000			39200-LDG7-800	2	F19	43113-LBA2-E00	0	F08
			39220-LDF2-900	1	F19	43115-LFH1-E00	0	F08
			39300-LDG7-800	2	E02	43116-LFH1-E00	0	F08
37119-LBA2-E00	0	F02	39301-LDG7-900	2	E02	43119-LBA2-E00	0	F08
37200-LFH1-E00	1	F02	39301-LDG7-910	1	E02	43126-LFH1-E00	3	F04
37213-LBA2-E00	0	F02	39400-LDF2-800	3	E07	43127-LFH1-E00	2	F04
37214-LBA2-E00	0	F02	39450-LDF2-800	4	F14	43129-LBA2-E00	3	F04
37720-KGB5-900	0	E02				43140-LBA2-E00	0	F08
37750-PAC1-005	0	E02	42000			43143-LBA2-E00	0	F08
37760-KHD8-900	1	F21				43146-LBA2-E00	0	F08
38000			42311-LBA2-E00	2	F08	43156-KKC4-900	2	F04
			42312-LBA2-E00	1	F08	43156-LDB2-900	2	F04
			42601-LFH1-E00	4	F08	43351-LDG7-E03	4	F08
38110-KHB4-E0A	2	F19	42710-LBA2-E0A	4	F08	43352-KKD6-E90	1	F08
38110-KHB4-E0B	3	F19	42710-LBA2-E0B	4	F08	43352-LFH1-E00	6	F08
38200-KHE7-900	0	F19	42753-KNBN-90B	1	F07	43353-KED9-900	0	F07
38300-LCB4-900	4	F19	42753-KNBN-90B	1	F08	43353-KED9-900	0	F08
38500-LGL3-90A	5	F11				4335A-LBA2-E01	2	F07
38500-LGL3-90A	5	F19	43000			43450-LBA2-E00	7	F03
38501-LGL3-90A	4	F19				43530-KKE5-305	1	F04
38773-PKB9-001	0	F21	43100-LFH1-E00	5	F08			

PART NO. INDEX

PART NO.	VERSION	PAGE	PART NO.	VERSION	PAGE	PART NO.	VERSION	PAGE
			45128-LBA2-920	3	F06	45531-KED9-900	0	F08
			45129-LFH1-E00	1	F06			
			45130-KED9-900	0	F07	49000		
44301-LBA2-E00	5	F07	45131-LFH1-E00	2	F07			
44311-KED9-900	5	F07	45132-1F66-017	0	F08	49100-LFH1-E00	1	F04
44312-LBA2-E00	2	F07	45132-KED9-900	0	F08	49211-LFH1-E00	1	F04
44620-LBA2-E00	3	F07	45132-LFH1-E00	2	F06			
44650-LBA2-305	0	F07	45134-KED9-900	0	F07	50000		
44710-LBA2-E02	2	F07	45134-KED9-900	0	F08			
			45135-KED9-900	0	F08	50100-LFH1-305	0	F20
45000			45156-KKE5-E00	1	F06	50131-LFH1-E00	1	F20
			45156-LFH1-E00	1	F07	50144-LBA2-E00	4	E07
45100-LFH1-E00	3	F07	45200-LFH1-E00	4	F07	50153-LDF2-900	2	F19
45105-LFH1-305	0	F07	45203-KED9-900	0	F07	50154-LBA2-E00	3	F20
45107-LBA2-E00	0	F07	45203-KED9-900	0	F08	50154-LDF2-900	1	F19
45107-LLJ3-E00	0	F08	45209-KED9-900	0	F08	50306-1F96-001	0	F06
45107-LLJ3-E90	0	F07	45209-LBA2-E00	0	F07	50326-LBA2-E00	3	F11
45107-LLJ3-E90	0	F08	45210-LFH1-305	0	F07	50328-LBA2-E00	2	F11
45108-KED9-900	0	F07	45352-LFH1-E00	5	F07	5032A-LBA2-E00	2	F11
45108-KED9-900	0	F08	45513-LEA7-E00	1	F04	50330-LBA2-E00	1	F11
45109-KED9-900	0	F07	45516-LBA2-E00	0	F08	50350-LBA2-E00	5	F20
45110-KKE5-305	0	F07	45517-LBA2-E00	2	F04	50352-LDG7-900	1	F20
45125-LBA2-E00	3	F06	45520-KKA8-900	0	F04	50353-LBA2-E00	1	F20
45126-LFH1-E00	4	F04	45521-LEA7-E00	1	F04	50354-LBA2-E00	8	F20
45127-LFH1-E00	3	F04	45530-KKE5-305	0	F04	50356-LBA2-E00	5	F20
45128-KKE5-E00	2	F06	45531-KED9-900	0	F07	50357-LBA2-E00	2	F20

PART NO. INDEX

PART NO.	VERSION	PAGE	PART NO.	VERSION	PAGE	PART NO.	VERSION	PAGE
50358-LBA2-E00	3	F20	51410-LBA2-E00	0	F22	53166-KGB5-900	1	F03
50360-LBA2-E00	5	F20	51411-KKE5-E00	0	F22	53175-LGR2-E01	0	F04
50502-GFY6-901	3	F15	51412-LBA2-E00	0	F22	53178-LGR2-E01	0	F04
50504-LBA2-E00	3	E01	51416-LBA2-E00	0	F22	53180-LBA2-E00	4	F21
50505-KUDU-900	1	F15	51419-LBA2-E00	0	F22	53181-LBA2-E00	4	F21
50505-LAD9-900	3	F15	51421-LGR2-E01	0	F22	53182-LBA2-E00	3	F21
50505-LEA7-E00	1	F15	51422-LBA2-E00	0	F22	53183-LBA2-E00	3	F21
50506-KHE7-E00	0	F15	51424-LBA2-E00	0	F22	53184-LBA2-E00	1	F21
5050A-LDG7-900	3	F15	51428-LBA2-E00	0	F22	53190-LBA2-E00	2	F21
50530-LDB2-E00	3	F15	51437-LBA2-E00	0	F22	53191-LBA2-E00	4	F21
50550-KKC2-E00	0	F15	51470-LBA2-E00	0	F22	53192-LBA2-E00	5	F21
50611-LBA2-E00	6	F10	5150A-LGR2-E01	4	F06	53193-LBA2-E00	3	F21
50612-LDG7-900	2	F10	51521-LGR2-E00	0	F22	53194-LBA2-E00	3	F21
50701-LBA2-E00	1	F20				53195-LBA2-E00	3	F21
50713-KEB7-900	0	F20	52000			53196-LBA2-E00	2	F21
50715-KEB7-900	0	F20				53197-LBA2-E00	0	F21
5071A-LBA2-E00	1	F20	52000-LFH1-E00	2	F16	53198-LBA2-E00	0	F21
5071B-LBA2-E00	1	F20	52400-LBA2-E00	5	F16	53199-LBA2-E00	0	F21
50720-LBA2-E00	1	F20				53200-LFH1-E00	1	F06
50730-LBA2-E00	1	F20	53000			53203-LBA2-E00	3	F03
51000						53204-LBA2-E00	3	F03
			53100-LBA2-E00	7	F03	53205-LBA2-E02	1	F03
			53102-LEA5-E00	3	F03	53206-LBA2-E00	1	F03
51401-LBA2-E00	0	F22	53105-LEA5-E00	3	F03	53208-LBA2-E00	3	F03
51404-LBA2-E00	0	F22	53131-3H98-941	0	F03	53213-LBA2-E00	2	F06
5140A-LGR2-E01	4	F06	53140-KKC4-900	1	F03	53214-LBA2-E00	2	F06

PART NO. INDEX

PART NO.	VERSION	PAGE	PART NO.	VERSION	PAGE	PART NO.	VERSION	PAGE	
53220-LBA2-E00	4	F06	64231-LBA2-E00	1	F03	77000			
53230-LBA2-E00	8	F06	64232-LBA2-E00	1	F03				
53240-LBA2-E00	2	F06	6423A-LGR2-E00	5	F03				
53250-LBA2-E00	2	F06	64240-LGR2-E00	1	F03		77105-GFS6-001	1	F12
55000			64301-LGR2-E00	1	F05		77106-GFS6-001	1	F12
			64302-LGR2-E00	0	F05		77200-LDG7-E00	1	F09
			64305-LBA2-E00	2	F05		77206-KEB7-900	0	F09
55102-1F66-001	0	F13	64306-LBA2-E00	2	F05		77220-LDG7-E00	0	F09
61000			64307-LGR2-E00	0	F05		77232-GLW0-316-M1	0	F19
			64308-LGR2-E00	0	F05		77232-GLW0-316-M2	0	F19
			64310-LBA2-E00	4	F05	77235-KGC4-E0A	2	F19	
61100-LGR2-305	1	F05	64311-LBA2-E00	1	F05	77235-KGC4-E0B	2	F19	
61100-LGR2-E00	1	F05	64315-LGR2-E00	2	F20	77235-KKC4-80A	0	F19	
61100-LKF5-305	0	F05	64320-LBA2-E00	2	F05	77235-KKC4-80B	0	F19	
61100-LKF5-E00	1	F05	64330-LBA2-E00	2	F05	77240-LBA2-E00	2	F19	
61101-LBA2-E00	1	F05	64400-LBA2-E00	2	F05	77300-LBA2-E00	1	F09	
64000			70000			77303-LLJ3-E00	2	F09	
				77305-LDG7-E00	0	F09			
				77400-LBA2-E00	3	F09			
				77500-LBA2-E00	1	F09			
				77501-LBA2-E00	1	F09			
				80000					
					80101-LBA2-E00	1	F18		
					80102-LBA2-E00	2	F18		
6413A-LGR2-E00	5	F03	70529-6G57-671	0	F05				
64140-LGR2-E00	1	F03	75000						
64206-MLJ0-001	1	F12							
64220-LGR2-E00	4	F03							
64222-KKC4-900	3	F03	75581-6C73-001	0	F05				
64222-LLJ3-E00	1	F03							
64222-LLJ3-E00	1	F05							

PART NO. INDEX

PART NO.	VERSION	PAGE	PART NO.	VERSION	PAGE	PART NO.	VERSION	PAGE
80103-LBA2-E00	3	F18				87311-LDG7-E00	3	F25
80104-LBA2-E00	1	F12	83000			87311-LFH1-E01	2	F25
80105-LBA2-E00	1	F18				87505-LBA2-E00	1	F24
80107-LBA2-E00	1	F18	83500-LBA2-E00	3	F12	87508-KKC4-E00	2	F03
80151-LBA2-E00	1	F05	83520-LBA2-E00	2	F12	87512-LBA2-E00	3	F24
81000			83550-KEC8-900	4	F05	87541-GAR1-E00	2	F24
			83551-KEC8-900	4	F05	87541-KKC2-E00	2	F24
			83600-LBA2-E00	3	F12	87542-GAR1-E00	3	F24
81131-LBA2-E01	2	F05	83620-LBA2-E00	2	F12	87560-GFY6-E00	5	F24
81133-LBA2-E00	1	F05	83750-LBA2-E00	2	F12	88000		
81134-KGBG-900	2	F05	86000					
81135-KGBG-900	2	F05				88110-LBA2-E02	2	F03
81142-LBA2-E00	1	F05				88120-LBA2-E02	2	F03
81146-LBA2-E00	2	F05	86161-LGR2-E00	2	F25	89000		
8114A-LBA2-E00	1	F05	86171-LGR2-E00	2	F25			
81200-LBA2-E00	2	F12	86202-LDG7-E00	2	F25			
81201-LBA2-E00	1	F12	86282-LGR2-E00	2	F25	89010-LBA2-E00	5	F09
81251-LBA2-E00	3	F12	86283-LGR2-E00	2	F25	89020-KKC4-900	1	F09
81252-LBA2-E00	3	F12	86284-LGR2-E00	2	F25			
81255-LBA2-E00	1	F12	86286-LGR2-E00	2	F25	90000		
81256-LBA2-E00	1	F12						
81257-LBA2-E00	1	F12	87000			90001-GBHB-661	3	E06
81258-LBA2-E00	0	F12				90001-LBA2-E00	4	E02
81259-LBA2-E00	0	F12	87140-LDG7-E00	2	F24	90002-LBA2-E00	3	E02
81260-LBA2-E00	7	F12	87206-LBA2-E00	3	F03	90003-LBA2-E00	2	E04
			87311-LBA2-E00	5	F25			

PART NO. INDEX

PART NO.	VERSION	PAGE	PART NO.	VERSION	PAGE	PART NO.	VERSION	PAGE
90004-LBA2-E00	4	E01	90111-LEC8-E01	3	F05	90302-GFY6-940	2	F18
90005-LBA2-E00	4	E01	90111-LEC8-E01	3	F12	90302-SDA4-004	3	F03
90011-KED9-900	2	E02	90112-KNBN-901	1	F11	90302-SDA4-004	3	F05
90012-3C33-001	1	E02	90113-KKA8-900	0	F04	90302-SDA4-004	3	F12
90017-KED9-900	3	E02	90114-KED9-900	3	F20	90304-KKE5-E00	1	F06
90031-LBA2-E00	3	E02	90114-LBA2-E00	1	F12	90304-LBD4-900	2	F20
90032-LBA2-E00	3	E02	90120-KGAG-520	0	F14	90305-GHE8-004	1	F20
90033-GFY6-900	1	E02	90122-LBA2-E00	1	F07	90305-GHK8-001	1	F05
90071-MLB0-001	1	E06	90131-LDB2-E00	2	F08	90305-GHK8-001	1	F12
90083-KED9-900	3	E02	90145-LEA3-E00	1	F04	90305-LBA2-E00	1	F05
90084-4H28-001	1	E02	90145-LFH1-E00	1	F04	90306-LBA2-900	1	F08
90084-LEA5-001	1	E04	90164-KGBG-900	1	F05	90312-GLF0-001	0	F03
90101-LBA2-E00	0	F08	90201-KHR8-75A	1	E05	90312-LLJ3-E00	1	F03
90105-KCR3-001	1	F07	90201-KHR8-75A	1	E06	90312-LLJ3-E01	0	F05
90105-KCR3-001	1	F08	90201-LBA2-E00	1	F06	90401-KKJ9-001	0	E06
90105-KHB4-900	0	F03	90202-LBA2-E00	3	E05	90402-LBA2-E00	3	E03
90105-KHB4-900	0	F12	90205-LBA2-E00	3	E05	90403-KED9-900	2	E02
90105-LBA2-E00	2	F20	90206-0A01-001	4	E02	90403-LBA2-E00	1	E05
90105-LLJ3-E00	3	F03	90215-KKC4-900	2	F09	90407-KAM1-001	0	E04
90106-KFA6-900	0	F12	90215-KKC4-900	2	F12	90407-LBA2-E00	3	E01
90106-KFC2-900	2	F03	90301-6D34-671	1	F03	90412-3K29-001	0	E06
90107-LEA7-E00	4	F05	90301-6D34-671	1	F10	90421-LBA2-E00	1	E03
90108-KKC4-900	1	F15	90301-6D34-671	1	F18	90441-LBA2-E00	1	E05
90110-KEBE-900	1	F14	90301-6D34-671	1	F21	90442-LBA2-E00	1	E05
90111-1G87-001	1	F13	90301-GFY6-901	2	F14	90465-LBA2-E00	1	E02
90111-LEC8-E01	3	F03	90302-GBR2-001	2	F21	90474-3C33-001	1	E01

PART NO. INDEX

PART NO.	VERSION	PAGE	PART NO.	VERSION	PAGE	PART NO.	VERSION	PAGE
90478-7L00-001	0	E03	90805-LBA2-E00	2	E04	91308-KED9-900	1	E02
90488-7L00-001	0	E02	90912-LBA2-E00	8	F21	91309-4E25-004	0	E06
90488-7L00-001	0	E08	90913-LBA2-E00	1	F21	91313-KED9-900	3	E01
90503-0A51-870	0	F06	90914-KED9-900	3	E02	91317-LBA2-E00	1	E01
90503-KKE5-E00	1	F06	90914-LBA2-E00	9	F21	91351-LBA2-E00	1	E05
90503-LBA2-E00	2	F06				91407-SGA7-004	0	F13
9052A-GFY6-950	4	E01	91000					
90541-KED9-900	1	E02				92000		
90544-KEC8-900	0	F22	91001-KHV8-004	0	E01			
90545-3L00-001	2	F04	91002-LBA2-E00	1	E05	92101-05012-0G	0	E06
90601-LBA2-E00	2	E05	91004-LBA2-E00	1	E05	92101-05012-0G	0	F07
90605-1F66-721	0	E05	91202-LBA2-E00	1	E01	92101-05012-0G	0	F08
90651-LCA5-E00	1	F05	91211-LBA2-E00	1	E05	92712-06028-0B	2	E02
90652-KHE7-900	0	F13	91251-LBA2-E00	0	F22			
90652-LBA2-E00	1	F13	91254-LBA2-E00	0	F22	93000		
90652-LDG7-900	1	E02	91255-KHE7-900	2	F16			
90656-KCBC-900	0	F19	91255-KHE7-90A	2	F16	93401-05020-06	1	F19
90656-KUDU-900	0	F19	91255-LBA2-E00	1	E08	93404-06012-06	1	F05
90660-KNBN-921	0	F10	91257-KED9-900	2	F07	93404-06016-06	1	F05
90677-GAR1-004	2	F03	91261-4E15-004	0	E01	93404-06016-06	1	F12
90677-GAR1-004	2	F12	91301-LDF2-800	1	E02	93404-06016-06	1	F13
90677-GAR1-004	2	F18	91302-0A01-021	0	E01	93404-06016-06	1	F15
90680-LBA2-E00	1	E02	91302-LDF2-800	2	E02	93404-06016-06	1	F18
90683-GAR1-004	4	F05	91303-3G77-001	0	E02	93404-06020-06	1	F03
90701-9E65-001	0	E01	91303-3G77-001	0	E04	93404-06030-06	0	F13
90701-KED9-900	2	E03	91307-0E35-001	1	E04	93500-03010-0F	0	E06

PART NO. INDEX

PART NO.	VERSION	PAGE	PART NO.	VERSION	PAGE	PART NO.	VERSION	PAGE
93500-03014-1A	0	F21	93903-34360	0	F18	94050-08080	0	F19
93500-04006-1G	0	F21	93903-34460	0	E01	94050-08080	0	F21
93500-04008-0F	0	F10	93903-35260	0	F10	94050-86000	0	F08
93500-04020-0G	0	F10	93903-35360	0	F01	94101-04800	0	F21
93500-05016-1B	0	F03	93903-35360	0	F02	94101-06000	0	F20
93500-05025-1B	0	F03	93903-35360	0	F03	94101-06700	0	F14
93500-05032-1B	0	F03	93903-35360	0	F18	94101-08700	0	F15
93500-05045-1B	0	F03	93903-GFY6-900	1	F03	94101-LBA2-E00	1	F20
93500-KHC4-90A	0	F10	93903-GFY6-900	1	F05	94102-LBA2-E00	1	F20
93500-KHC4-90A	0	F19	93903-GFY6-900	1	F12	94111-05800	0	E06
93600-04012-1A	0	F04	93903-GFY6-900	1	F18	94111-06800	0	E01
93891-05016-06	0	F05	93903-GFY6-900	1	F21	94201-16150	0	F20
93891-05016-06	0	F11	93903-KEB7-900-06	1	F03	94251-08400	0	F15
93891-06010-07	0	F12				94301-10160	0	E01
93892-04008-16	0	E09	94000			94301-10160	0	E04
93893-04012-18	0	F04				94301-10160	0	E08
93894-04022-06	1	F19	94050-05080	0	F18	94301-12200	1	E01
93901-24560	0	F21	94050-06060	1	F04	94301-12200	1	E03
93901-32320	0	F18	94050-06080	2	E02	94303-04065	0	E06
93901-34310	0	F18	94050-06080	2	F09	94510-10000	0	E06
93901-34320	0	F18	94050-06080	2	F10	94510-20000	1	E02
93903-24320	0	F23	94050-06080	2	F11	94510-25000	0	E08
93903-34360	0	E01	94050-06080	2	F19	94520-12100	0	E01
93903-34360	0	F05	94050-06080	2	F20	94520-47000	0	F16
93903-34360	0	F12	94050-06080	2	F21	94520-52000	0	E01
93903-34360	0	F17	94050-08080	0	F09	94520-55000	0	E01

PART NO. INDEX

PART NO.	VERSION	PAGE	PART NO.	VERSION	PAGE	PART NO.	VERSION	PAGE
94520-55000	0	E08	95701-06008-06	1	F06	95701-LDF2-800	2	F10
94520-LBA2-E00	1	E05	95701-06010-06	1	E02	95801-08040-06	0	F06
94591-27000	0	F12	95701-06012-06	1	E02	95801-08050-06	1	F16
94591-KFBF-900	2	E02	95701-06012-06	1	F06	95801-10025-06	0	F15
94591-KFBF-900	2	E03	95701-06012-06	1	F20	95801-10040-02	0	F16
94591-KFBF-900	2	E04	95701-06016-02	0	E01	95801-10050-06	1	F14
94591-KFBF-900	2	F10	95701-06016-06	1	E02	95801-10057-06	2	F20
94601-22000	1	E03	95701-06016-06	1	F04	95801-KED9-900	3	E02
94605-LBA2-E00	0	F22	95701-06022-06	1	E01			
94608-LBA2-E00	0	F22	95701-06025-06	2	E02	96000		
95000			95701-06025-06	2	E03			
			95701-06025-06	2	F14	96001-06010-06	0	F07
			95701-06028-06	0	E02	96001-06012-06	0	E01
95001-35550-40	0	F21	95701-06032-06	0	E01	96001-06012-06	0	E06
95002-02070	2	F21	95701-06040-06	0	E02	96001-06012-06	0	F04
95002-02100	0	F13	95701-06050-06	0	F06	96001-06012-06	0	F06
95002-02100	0	F21	95701-08012-06	0	E01	96001-06012-06	0	F19
95002-02130	0	F10	95701-08012-06	0	E08	96001-06014-06	0	E02
95002-41250-00	0	F13	95701-08012-06	0	F20	96001-06014-06	0	F19
95002-50000	0	F13	95701-08025-06	0	E08	96001-06014-07	0	F14
95002-70000	0	F21	95701-08035-06	1	F03	96001-06018-06	0	E03
95002-KHE7-900	0	F21	95701-08040-06	0	E08	96001-06022-06	1	E04
95002-KKD6-E05	0	F23	95701-08045-06	1	E08	96001-06025-06	0	E07
95002-LBA2-E00	2	E04	95701-08045-06	1	F20	96001-06028-06	0	F04
95005-LDG7-E00	1	F23	95701-KHC5-E00	3	F19	96001-06032-06	0	E06
95014-72204	0	F15	95701-LBA2-E00	0	F08	96001-06040-06	0	E03

PART NO. INDEX

PART NO.	VERSION	PAGE	PART NO.	VERSION	PAGE	PART NO.	VERSION	PAGE
96001-06040-06	0	E04						
96001-06040-06	0	E07	98000					
96001-06050-06	0	E04						
96001-06060-06	0	E01	98059-57916-00	2	E02			
96001-06065-06	0	E01	98200-31000	1	F11			
96001-06075-06	1	E01	98200-31000	1	F19			
96001-06095-06	0	E01	98200-31500	1	F11			
96001-06100-06	0	E01	98200-31500	1	F19			
96001-GFY6-900	2	F13	98200-33000	0	F11			
96100-62040-00	0	E01	98200-33000	0	F19			
96100-62040-00	0	E08	98200-LBA2-900	0	F19			
96100-63040-00	1	E01						
96100-63040-00	1	E08	E					
96100-LBA2-E00	1	E01						
96120-60020-00	0	F20	E040-3106	0	E03			
96120-62000-00	0	F20	W					
96150-60040-10	0	F07						
96150-60050-00	0	E01						
96150-60050-00	0	F16	W1792-048-9901	0	E09			
96150-60060-10	0	E01						
96150-60060-10	0	E08						
96211-08000	19	F20						
96600-08025-06	0	F06						
96600-08035-06	0	F06						
96600-LBA2-E00	0	F22						
96600-LDG7-900	0	E06						