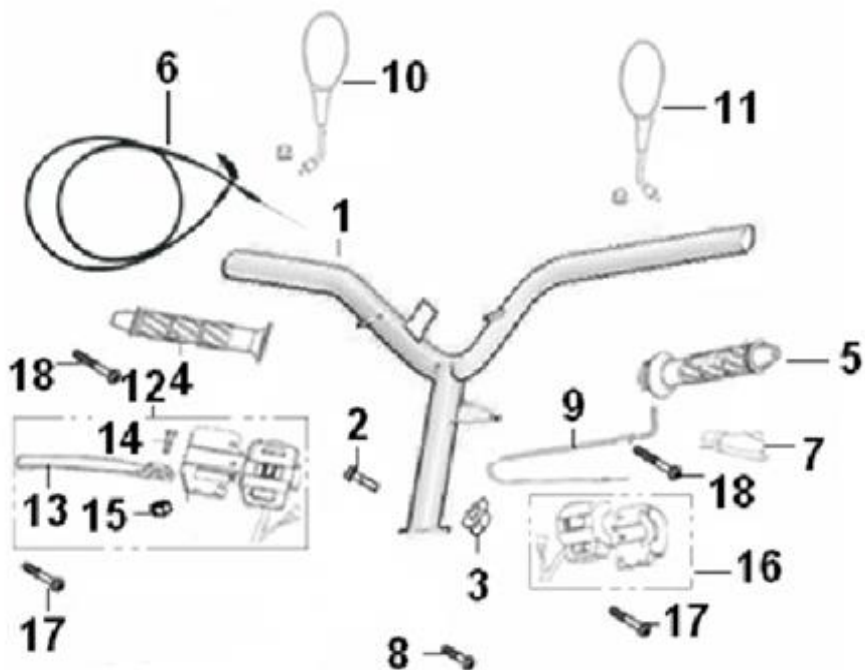


## RY6 50



# RY6 50

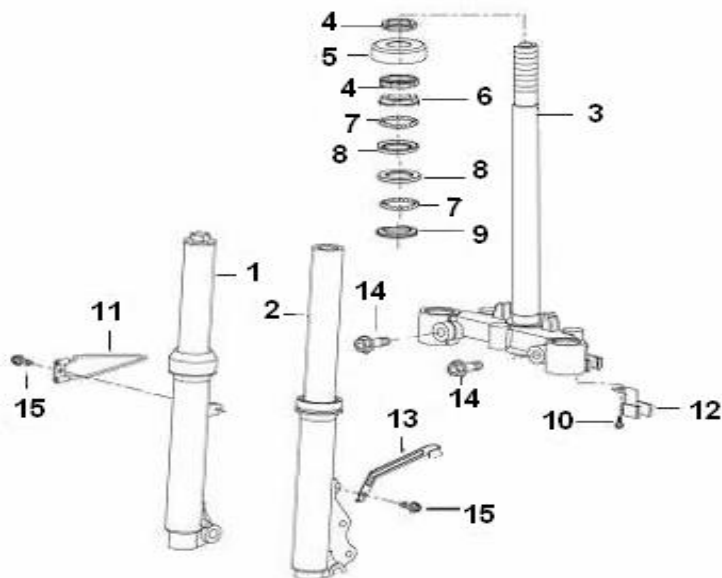
## F01 CONTROL ASSY



Nº	CÓDIGO	DESCRIÇÃO	Qt.	OBSERVAÇÕES
1	40100B670000	HANDLE COMP.	1	
2	B01591004565	BOLT 10X1.25X45MM	1	
3	B04171012555	U NUT 10X1.25MM	1	
4	40001T090003	L. GRIP	1	
5	40210T090003	GRIP ASSY.	1	
6	40300B910002	CABLE ASSY. THROTTLE (C/ CABO BOMBA ÓLEO)	1	ATÉ LBBB94E1CB273959
	40300B910004	CABLE ASSY. THROTTLE (S/ CABO BOMBA ÓLEO)	1	APÓS LBBB94E1CB273959
7	40008BM0T000	JACKET,RR. BRAKE CABLE	1	
8	B02000501025	PAN HEAD SCREW 5X10MM	1	
9	40270BMBT000	BRAKE CABLE ASSY.	1	
10	40460BMBT000	REAR VIEW MIRROR ASSY., L	1	
11	40470BMBT000	REAR VIEW MIRROR ASSY., R	1	
12	40500BM0T000	LEFT HANDLE SWITCH ASSY.	1	
13	40002BM0T000	LEFT LEVER	1	
14	40004BMAT000	LEVER MOUNTING SCREW	1	
15	B04000500055	NUT 5MM	1	
16	40600B910001	RIGHT HANDLE SWITCH ASSY.	1	
	40600B910003	RIGHT HANDLE SWITCH ASSY.	1	VEÍCULOS C/ LUZES AUTO.
17	B02000502025	PAN HEAD SCREW M5X20	2	
18	B02000502525	PAN HEAD SCREW M5X25	2	

## RY6 50

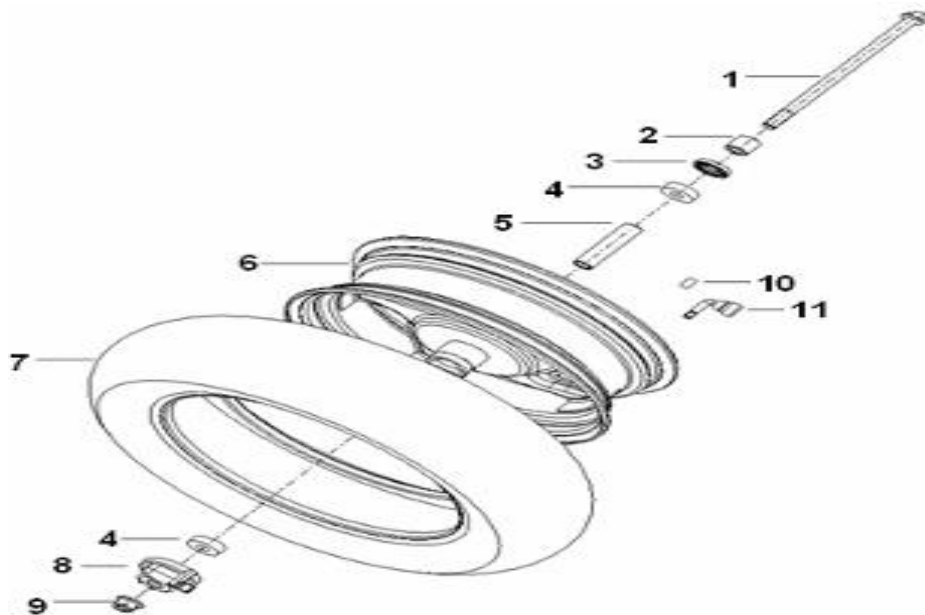
### F02 FORK ASSY



Nº	CÓDIGO	DESCRIÇÃO	Qt.	OBSERVAÇÕES
1	43300B97HU00	FR.R. FORK ASSY.GRAY	1	
2	43200B97HU00	FR. L. FORK ASSY.GRAY	1	
3	43100BMBT003	STEM, STEERING	1	
4	80136B910000	NUT	2	
5	44021B910000	BALL RACE COVER	1	
6	43001B920000	BALL RACE, CONNECTING	1	
7	B06010150000	STEEL BALL $\phi$ 5 (A SET OF 42)	42	
8	43002B920000	BALL RACE	2	
9	43004BMBT000	BALL RACE	1	
10	B01090601265	BOLT 6X12MM	1	
11	43150BMAT000	CLIP, SPEEDOMETER CABLE	1	
12	43035BMBT000	HOLDER, BRAKE HOSE 2	1	
13	43021BM0T003	HOLDER, BRAKE HOSE 1	1	
14	B01591003065	BOLT 10X1.25X30MM	2	
15	B01070601665	BOLT 6X16MM	2	

# RY6 50

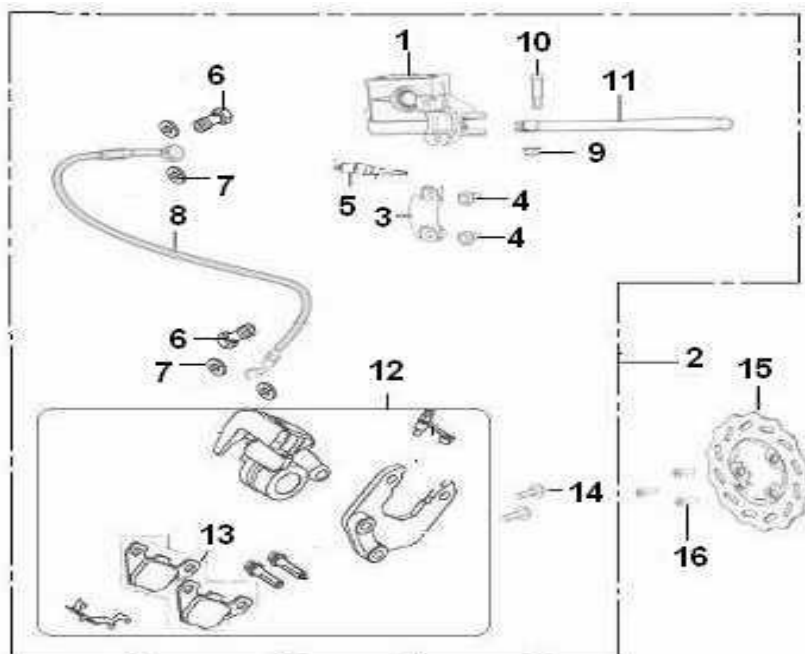
## F03 FRONT WHEEL ASSY



N°	CÓDIGO	DESCRIÇÃO	Qt.	OBSERVAÇÕES
1	44004G4CT000	FR.WHEEL AXLE	1	
2	44005BM0T000	FR. WHEEL L. COLLAR	1	
3	44300BM0T000	OIL SEAL 22X35X7	1	
4	B12016020100	BALL BEARING 6201-2RS	2	
5	44600BM0T910	DISTANCE COLLAR COMP.	1	
6	44100B91BH2A	FR. RIM COMP. 3.5X12" (BLACK BH) ALLOY	1	
7	1232800	TIRE 120/70-12	1	PIRELLI
8	44200BM0TBH0	SPEEDOMETER GEAR COMP.BLACK	1	
9	B04171212553	NUT 12X1.25MM	1	
10	B1404Z1102A0	CAP, VALVE	1	
11	B1403Z201120	RIM VALVE Z2-01-1	1	

# RY6 50

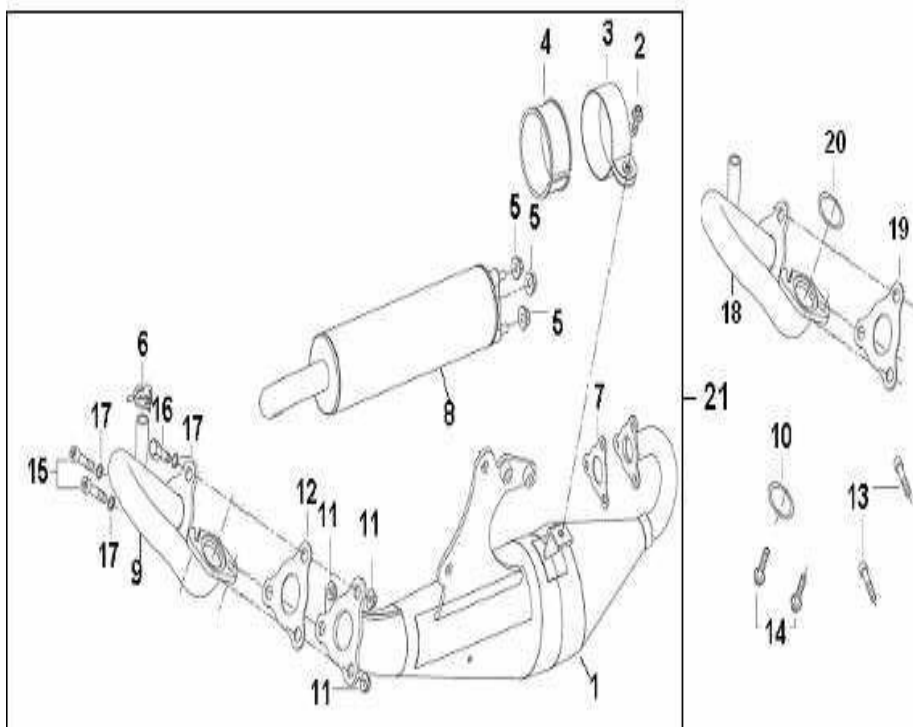
## F04 FRONT DISK BRAKE



Nº	CÓDIGO	DESCRIÇÃO	Qt.	OBSERVAÇÕES
1	45400B920000	MASTER CYLINDER COMP	1	
2	45000J4FTRN0	DISC BRAKE ASSY., FR.	4	
3	45023J1DT000	MASTER CYLINDER BRACKET	4	
4	B01070602365	BOLT 6X23MM	2	
5	45300T030000	FRONT STOP SWITCH ASSY.	1	
6	45651B920000	FLANGE BOLT	2	
7	45653B920000	WASHER	4	
8	45200BMBT000	FR. BRAKE HOSE	1	
9	B04160600065	NUT 6MM	1	
10	45015J400000	LEVER MOUNTING SCREW	1	
11	45014B920000	BRAKE LEVER (145MM, $\phi$ 14MM)	1	
12	45500T100000	CALIPER ASSY.	1	
13	45110J4FT000	BRAKE PAD KIT ASSY	1	
14	45039J4FT001	BOLT 8X36MM	2	
15	45033BMBT001	BRAKE DISC	1	
16	45039J4FT001	BOLT 8X36MM	3	

# RY6 50

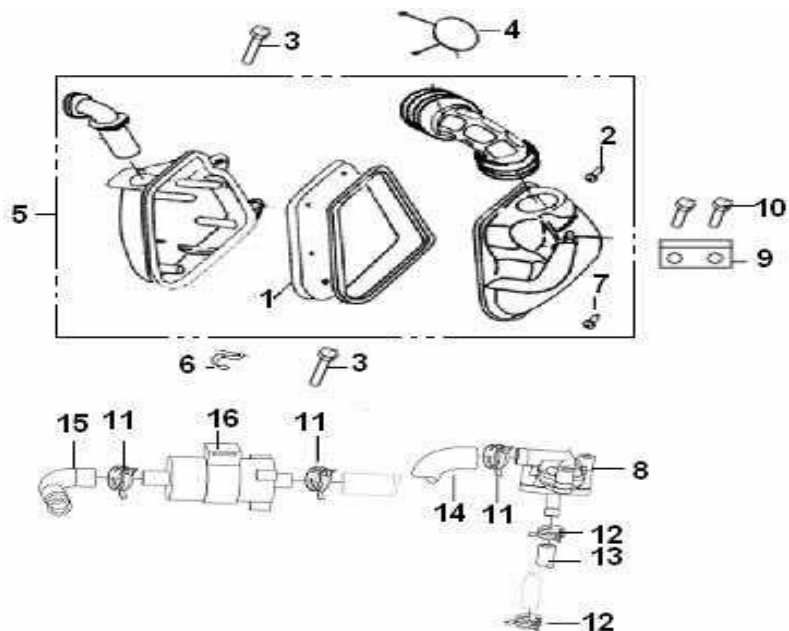
## F05 MUFFLER



Nº	CÓDIGO	DESCRIÇÃO	Qt.	OBSERVAÇÕES
1	47200BM0T005	COMPLETE SILENCIER	1	
2	B01090602064	SCREW	1	
3	48831B2GT005	SPRING CLAMP	1	
4	02135B920000	GASKET	1	
5	47006J010000	NUT	3	
6	49805B920000	HOSE GUIDE SPRING	1	
7	47491B920002	GASKET	1	
8	47300B920042	MUFFLER CANISTER ASSY.	1	
9	47500BM0T004	EXHAUST PIPE COMP.	1	
10	47035B910000	EXHAUST GASKET	1	
11	B0400060005A	NUT	3	
12	47491B920002	GASKET	1	
13	B01090802065	SCREW	2	
14	B01090601665	SCREW	2	
15	B0205060256A	SCREW	2	
16	08001B920000	SCREW	1	
17	B07030000605	WASHER	3	
18	47500B670006	EXHAUST PIPE COMP	1	
19	47491B920002	GASKET, FLANGE	1	
20	47035B910000	GROMMET, EXHAUST PIPE	1	
21	47100B67006Z	MUFFELER ASSY COMP	1	

# RY6 50

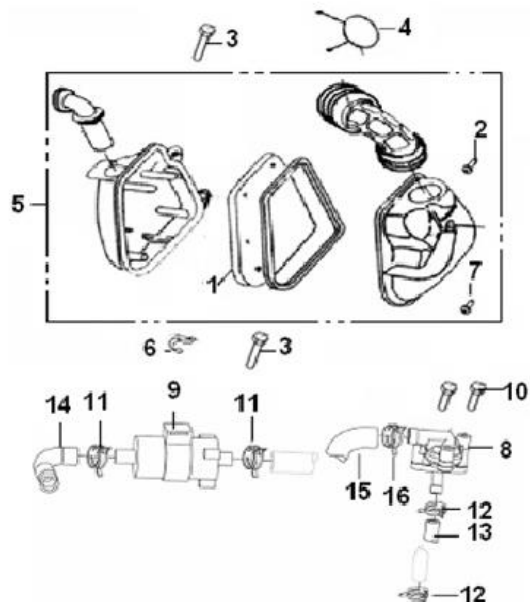
## F06 AIR CLEANER ASSY



N°	CÓDIGO	DESCRIÇÃO	Qt.	OBSERVAÇÕES
1	49200BMBT000	FILTER	1	
2	B05074202005	TAPPING SCREW 4.2X20MM	5	
3	B01090602065	BOLT 6X20MM	2	
4	49350B070000	CLIP 42.5	1	
5	49000BMBT000	AIR CLEANER ASSY.	1	
6	55038B290000	GUIDE, BRAKE CABLE	1	
7	B05074201205	TAPPING SCREW 4.2X1.2MM	4	
8	49840B0ES000	ONE WAY VALVE II	1	
9	57051B2GT000	PLATE, ONE WAY VALVE	1	
10	B01090601265	SCREW 6x12MM	2	
11	49805BMBT000	SPRING II ,LOCK φ17.5	4	
12	49855B0ES000	SPRING II ,LOCK φ16.5	2	
13	B16010945001	HOSE 260MM	1	
14	49852BMMT000	HOSE I 250MM	1	
15	49853BMMT000	HOSE II 210MM	1	
16	49870B2GT000	AIR CLEANER, SMALL	1	

## RY6 50

F06\_1 AIR CLEANER ASSY (APÓS VIN LBBB946E9BB718754)

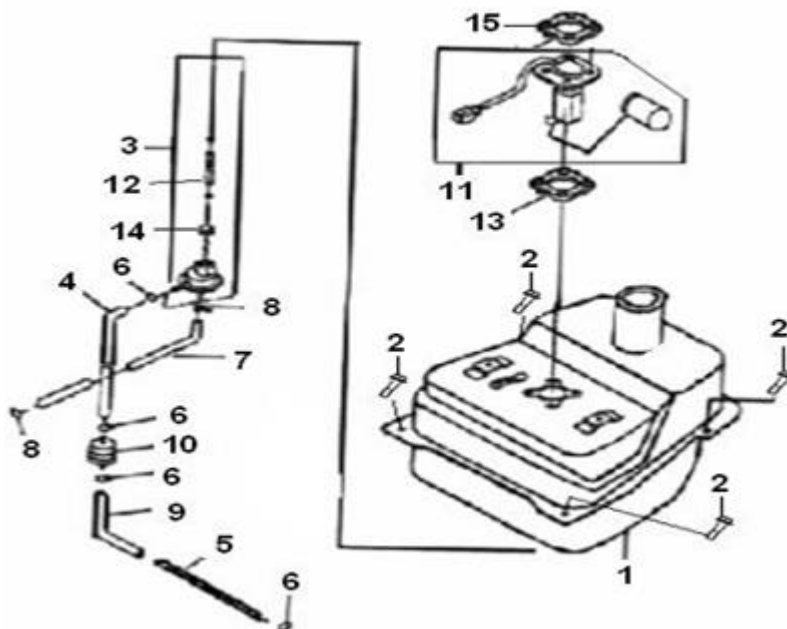


Nº	CÓDIGO	DESCRIÇÃO	Qt.	OBSERVAÇÕES
1	49200BMBT000	FILTER	1	
2	B05074202005	TAPPING SCREW 4.2X20MM	5	
3	B01090602065	BOLT 6X20MM	2	
4	49350B070000	CLIP 42.5	1	
5	49000BMBT001	AIR CLEANER ASSY.	1	
6	55038B290000	GUIDE, BRAKE CABLE	1	
7	B05074201205	TAPPING SCREW 4.2X1.2MM	4	
8	110011070000	ONE WAY VALVE II	1	
9	49870B2GT000	AIR CLEANER SMALL	1	
10	B01090604064	SCREW 6x12MM	2	
11	49805BMBT000	SPRING II ,LOCK φ17.5	4	
12	270125060020	SPRING II ,LOCK φ16.5	2	
13	49852T720000	HOSE φ13×φ18	1	
14	49852BMMT000	HOSE I 250MM	1	
15	B160113B1501	HOSE φ13×φ18×150	1	
16	49805B570000	CLAMP 19.3x10x1	1	



## RY6 50

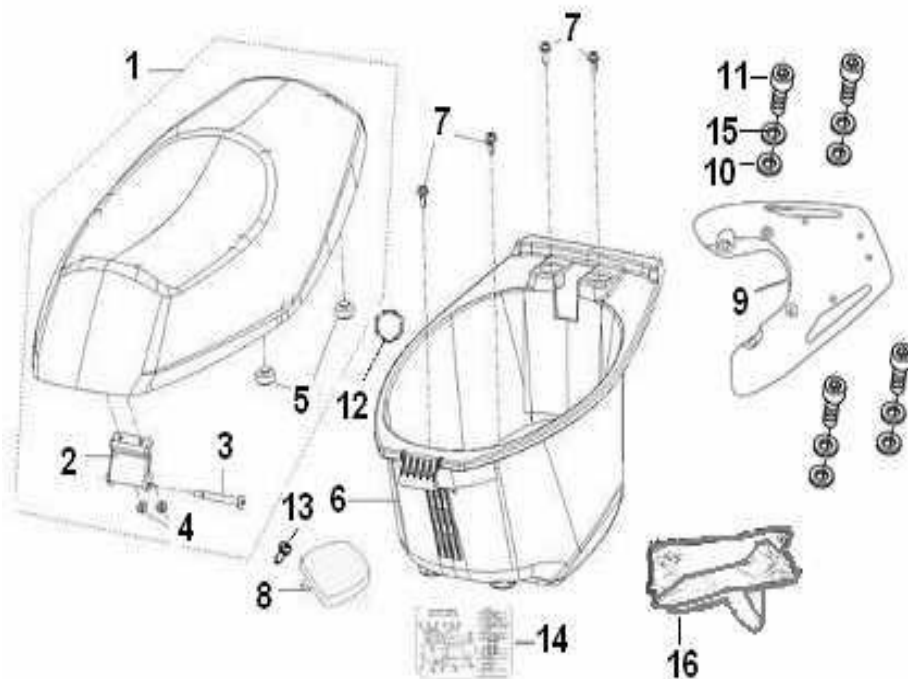
### F07 FUEL TANK



Nº	CÓDIGO	DESCRIÇÃO	Qt.	OBSERVAÇÕES
1	50100B670000	FUEL TANK COMP.	1	
2	B01090601665	BOLT 6X16	4	
3	330011070031	FUEL COCK ASSY.	1	
4	B16010C20801	FUEL HOSE 1 , $\phi$ 4.5X2X80	1	
5	08354B920001	SPRING(BLACK)	1	
6	49808N050000	CLIP $\phi$ 8	4	
7	B16010423601	VACUUM HOSE, $\phi$ 4X $\phi$ 8X360	1	
8	B17010075003	CLIP $\phi$ 7	2	
9	B16010C22501	FUEL HOSE 2, $\phi$ 4.5X2X250	1	
10	50340G120002	FUEL FILTER ASSY.	1	
11	50800B670000	SENDER UNIT	1	
12	50352BM0T000	FUEL FILTER	1	
13	50004T030000	SENDER UNIT GASKET	1	
14	50312J0ET000	SEAL RING	1	
15	50003G120000	PLATE,SENSOR	1	

## RY6 50

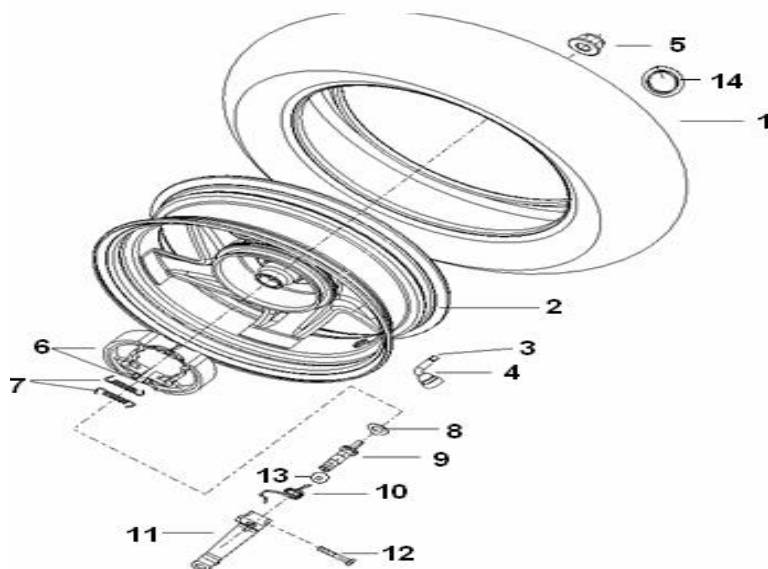
F08 SEAT



Nº	CÓDIGO	DESCRIÇÃO	Qt.	OBSERVAÇÕES
1	51100B670001	SEAT ASSY.	1	
2	51080B670000	SEAT HINGE	1	
3	51001B670000	PIN SHAFT	1	
4	B04070600053	NUT M6	2	
5	51103B670000	RUBBER WASHER	2	
6	51004B670000	LUGGAGE BOX	1	
7	B01090601665	BOLT M6X16	4	
8	51005B670000	COVER,HELMET	1	
9	52011B33BA02	RR.. CARRIER COMP BLACK BA	1	
10	B07030000805	WASHER 8MM	4	
11	B02050804565	SCREW 8X45MM	4	
12	63104B920000	O-RING 84.4X3.1	1	
13	B05074801605	SCREW 4.8X16	1	
14	57002BMBT010	ANTI-TAMPERING PLATE	1	
15	B07030000605	WASHER 6MM	2	
16	A03070000022	SMALL BAG	1	

# RY6 50

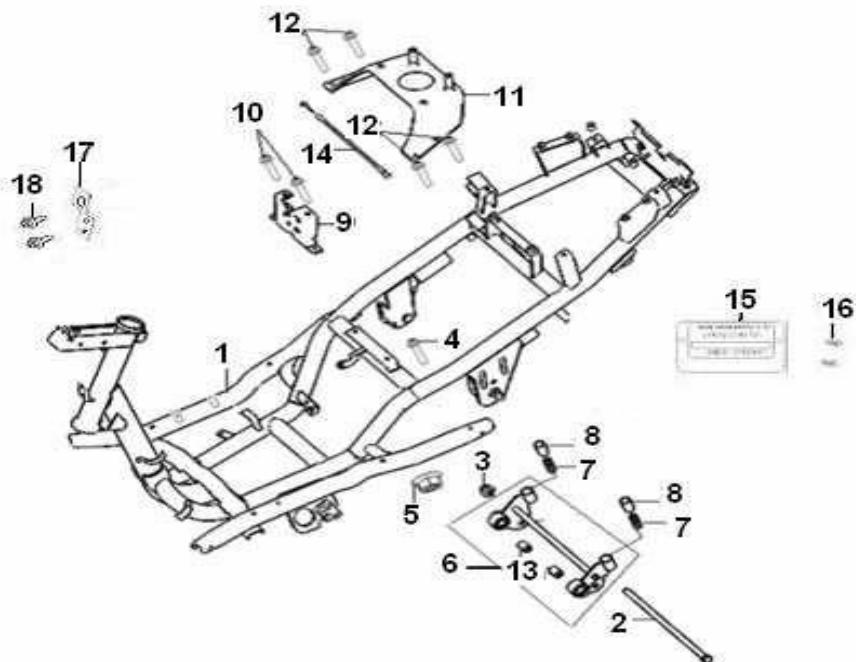
## F09 REAR WHEEL



N°	CÓDIGO	DESCRIÇÃO	Qt.	OBSERVAÇÕES
1	736900	TIRE 130/70-12 (E MARK)	1	PIRELLI
2	54100B91BH2A	RR .RIMCOMP.3.5X12" (BLACK BH) ALLOY	1	
3	B1404Z1102A0	CAP, VALVE	1	
4	B1403Z201120	RIM VALVE Z2-01-1	1	
5	B04171615053	NUT 16x1.5MM	1	
6	54200BMBT000	BRAKE SHOE KIT	1	
7	55051B920000	SPRING(BLACK)	2	
8	44002B910000	INDICATOR	1	
9	54003BM0T000	CAM SHAFT	1	
10	54008B910030	TENSION SPRING	1	
11	54250B910000	CAM SHAFT LEVER, ASSY	1	
12	08011B910001	HEx. BOLT 6x30MM	1	
13	44022B290001	O RING 10x1.9MM	1	
14	54027BM0T000	CAP	1	

# RY6 50

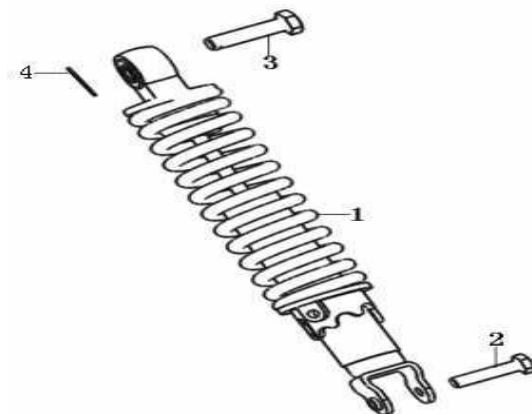
## F10 FRAME



N°	CÓDIGO	DESCRIÇÃO	Qt.	OBSERVAÇÕES
1	57100B670000	FRAME COMP.	1	
2	58303BM0T001	E/G MOUNTING BOLT,M12X1.25X280	1	
3	B04171212565	U NUT 12X1.25MM	1	
4	08013B910000	E/G MOUNTING BOLT,	2	
5	B04171012555	U NUT 10X1.25MM	2	
6	58360BMBT000	E/G BRKT COMP.	1	
7	57014B070000	DAMPER	2	
8	58304BMBT000	SPRING	2	
9	58800B910001	SEAT CATCH COMP.	1	
10	B01070601665	BOLT 6X16MM	2	
11	57080B670000	CARRIER BRACKET	1	
12	B01090601265	BOLT 6X12MM	6	
13	08305B910000	BUFFER, ENGINE BRACKET	2	
14	58900BMBT000	SEAT CABLE	1	
15	57001B670001	FRAME BODY NO.	1	
16	B100432007P0	RIVETM3X10	2	
17	57520B670000	BRACKET,FRONT COVER	1	
18	B01090601265	BOLT 6X12MM	2	

## Ry6 50

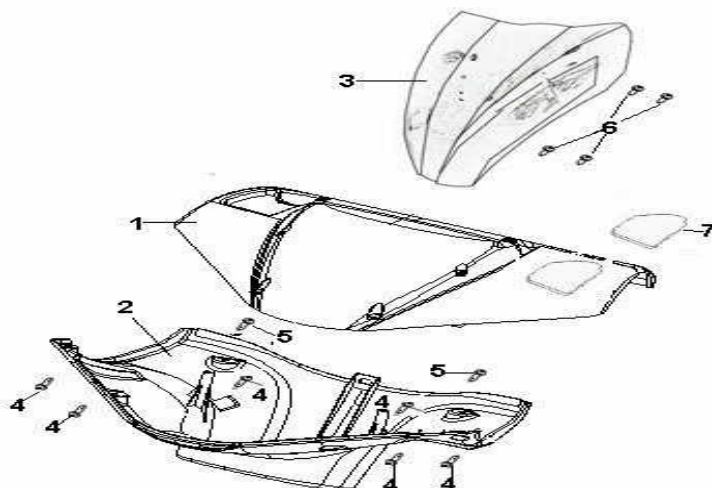
### F11 REAR ABSORVER



N°	CÓDIGO	DESCRIÇÃO	Qt.	OBSERVAÇÕES
1	63100BM0TR80	RR. ABSORBER COMP.RED R8	1	
2	B01090803564	FLANGE BOLT , 8X31MM	1	
3	B01141004063	BOLT.W/HOLE 10X1.25X40MM	1	
4	63016B0DT000	SPLIT PIN	1	

# RY6 50

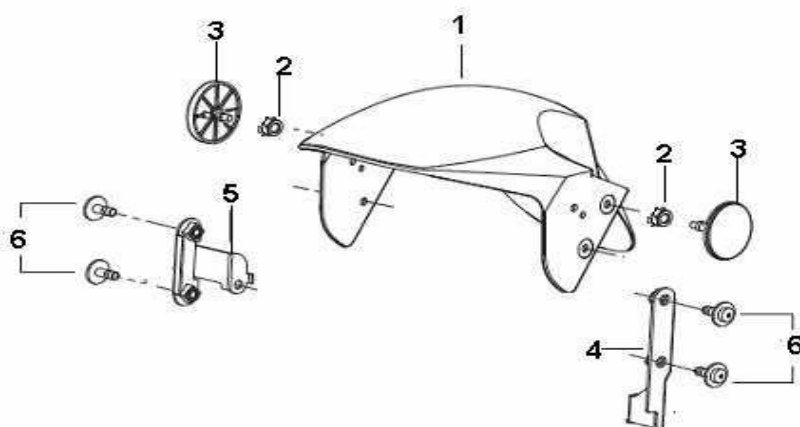
## F12 HANDLE COVER



Nº	CÓDIGO	DESCRIÇÃO	Qt.	OBSERVAÇÕES
1	65201B67BA00	HANDLE COVER, FRONT, BLACK BA WITHOUT	1	
	65201B67W100	HANDLE COVER, FRONT, WHITE W1 WITHOUT	1	
	65201B67H100	HANDLE COVER, FRONT, GREY H1 WITHOUT STICKER	1	
	65201B67M900	HANDLE COVER, FRONT, ORANGE WITHOUT STICKER	1	
	65201B67H800	HANDLE COVER, FRONT, GREY H8 WITHOUT STICKER	1	
2	65202B670000	COVER,HANDLE BACK	1	
3	65203B67BH00	METER VISION ASSY, BLACK BH	1	
	65203B67TF00	METER VISION ASSY, RED TF	1	
	65203B67W100	METER VISION ASSY, WHITE W1	1	
	65203B67BA00	METER VISION ASSY, SATIN BLACK BA	1	
4	B05074201605	TAPPING SCREW 4.2X16MM	6	
5	B05074201305	TAPPING SCREW 4.2X13MM	2	
6	B05070401205	TAPPING SCREW 4X12MM	4	
7	65212B67BA00	DECORATE COVER SATIN BLACK, WITHOUT STICKER	1	
	65212B67H100	DECORATE COVER GREY H1, WITHOUT STICKER	1	
	65212B67R800	DECORATE COVER RED R8, WITHOUT STICKER	1	
	65212B67W100	DECORATE COVER WHITE W1, WITHOUT STICKER	1	
	65212B67M900	DECORATE COVER,ORANGE M9, WITHOUT STICKER	1	
	65212B67H800	DECORATE COVE, GREY H8, WITHOUT STICKER	1	

# RY6 50

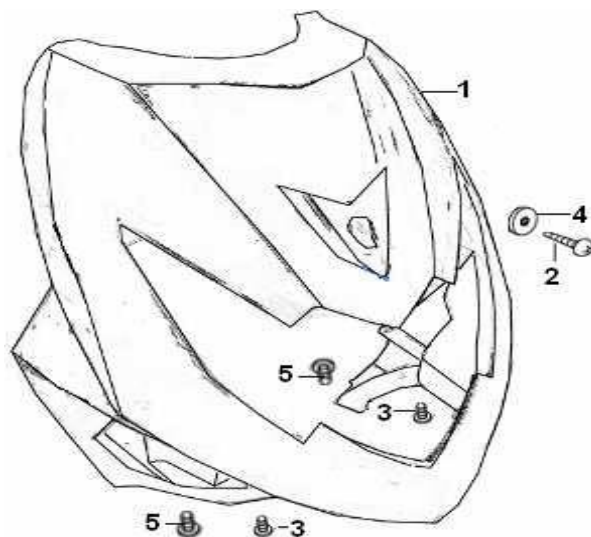
## F13 FRONT FENDER



Nº	CÓDIGO	DESCRIÇÃO	Qt.	OBSERVAÇÕES
1	65101B67W100	FRONT FENDER, WHITE W1	1	
	65101B67BA00	FRONT FENDER, BLACK BA	1	
	65101B67H100	FRONT FENDER GREY H1	1	
	65101B67M900	FRONT FENDER ORANGE M9	1	
	65101B67R800	FRONT FENDER RED R8	1	
	65101B67H800	FRONT FENDER LIGHT GREY H8	1	
2	B04000600055	NUT 6MM	2	
3	86300BMMT000	FRONT REFLECTOR	2	
4	65130B470000	FRONT FENDER BRACKET, 1	1	
5	65140B470000	FRONT FENDER BRACKET, 2	1	
6	08011B920000	BOLT M6X16	4	

# RY6 50

## F14 FRONT COVER

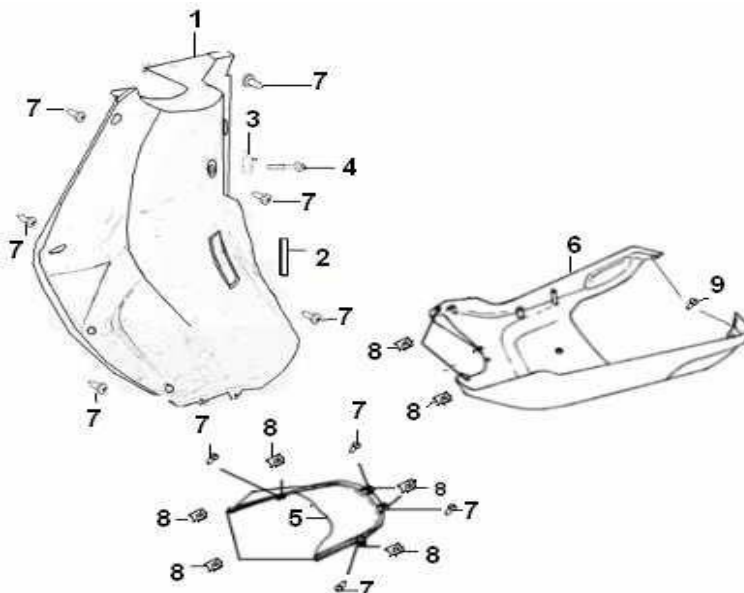


N°	CÓDIGO	DESCRIÇÃO	Qt.	OBSERVAÇÕES
1	65301B670010	LEG SHIELD WHITE-BLACK W1-BA WITHOUT STICKER	1	
	65301B670020	LEG SHIELD BLACK BA-BH WITHOUT STICKER	1	
	65301B670050	LEG SHIELD BLACK-ORANGE M9 BA-BA WITHOUT STICKER	1	
	65301B670070	LEG SHIELD GREY H8-SATIN BLACK BA WITHOUT STICKER	1	
	65301B67001Z	LEG SHIELD, WHITE W1 WITH STICKER	1	
	65301B67004Z	LEG SHIELD, WHITE/BLACK W1/BA WITH STICKER	1	
	65301B67005Z	LEG SHIELD, BLACK BA/BH WITH STICKER	1	
	65301B67010Z	LEG SHIELD WHITE/BLACK W1/BA WITH STICKER IN REI	1	
	65301B67015Z	LEG SHIELD BLACK-RED R8 BA-R8 WITH STICKER	1	
	65301B67016Z	LEG SHIELD GREY H8/SATIN BLACK BA W/ GREEN STICKER	1	
2	08018B910010	SCREW (M6X14)	1	
3	B05074201605	SCREW ST4.2x16	2	
4	65313BMBT000	PLASTIC WASHER	3	
5	B05074801605	SCREW ST4.8x16	2	



# RY6 50

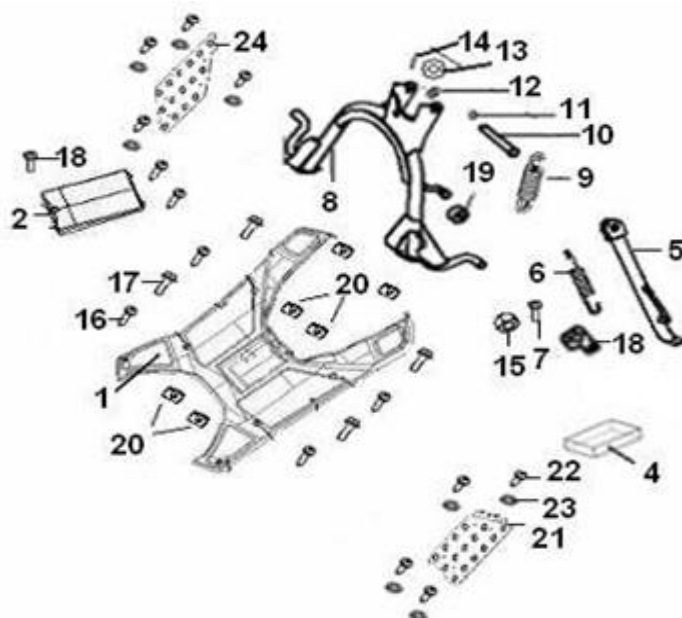
## F15 LEG SHIELD



N°	CÓDIGO	DESCRIÇÃO	Qt.	OBSERVAÇÕES
1	65402B670000	LEG SHIELD, 2	1	
2	65403B670000	INSPECT COVER	1	
3	51011B670000	HOOK, HELMET	8	
4	B01090603065	BOLT 6X30MM	1	
5	65407B670000	INNER FENDER	1	
6	65406B67BA00	UNDER COVER BLACK BA WITHOUT STIKER	1	
	65406B67W100	UNDER COVER WHITE W1 WITHOUT STIKER	1	
	65406B67H100	UNDER COVER GREY H1 WITHOUT STICKER	1	
	65406B67M900	UNDER COVER ORANGE M9 WITHOUT STICKER	1	
	65406B67R800	UNDER COVER RED R8 WITHOUT STICKER	1	
	65406B67H800	UNDER COVER GREY H8 WITHOUT STICKER	1	
7	B05074201605	TAPPING SCREW 4.2X16MM	10	
8	65801BMAT000	SPRING NUT 4.2MM	6	
9	B05074801605	TAPPING SCREW 4.8X16MM	2	

## RY6 50

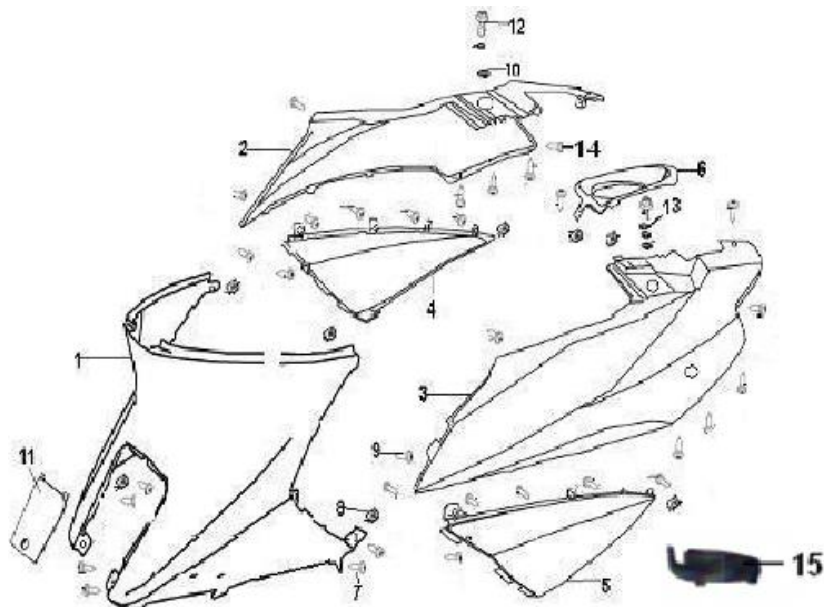
### F16 FOOTREST / STAND



Nº	CÓDIGO	DESCRIÇÃO	Qt.	OBSERVAÇÕES
1	65405B670000	FLOOR, BLACK	1	
2	65813B670000	BATTERY COVER	1	
4	65812B920000	BATTERY DAMPER II	2	
5	58700B970000	SIDE STAND COMP.	1	
6	57010BM0T000	SIDE STAND SPRING ASSY.	1	
7	57005BMBT000	BOLT, SINGLE STAND	1	
8	58520B920001	MAIN STAND COMP.	1	
9	58510BM0T000	MAIN STAND SPRING ASSY.	1	
10	58501B450050	PIN,MAIN STAND	1	
11	B190101000A0	O-RING 10X1.8	1	
12	58508B0DT000	PLATE WASHER	1	
13	B07030001005	WASHER 10MM	1	
14	63016B0DT000	SPLIT PIN	1	
15	B04070800065	NUT M8	1	
16	B05074201605	TAPPING SCREW 4.2X16MM	6	
17	B01090601265	BOLT 6X12MM	4	
18	57006BM0T000	HOOK SPRING	1	
19	58507BM0T000	CUSHION, MAIN STAND	1	
20	65801BMAT000	SPRING NUT 4.2MM	6	
21	65411B990000	FOOT PLATE, L	1	
22	B05004201304	TAPPING SCREW 4.2X13MM	10	
23	08021T090000	WASHER	10	
24	65412B990000	FOOT PLATE, R	1	

## RY6 50

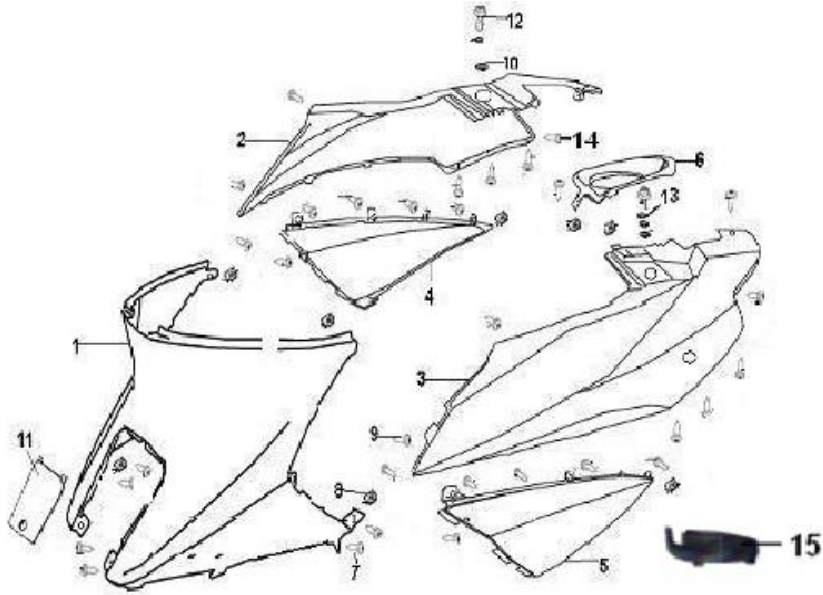
### F17 SIDE COVER



Nº	CÓDIGO	DESCRIÇÃO	Qt.	OBSERVAÇÕES
1	65605B670000	LINK BOARD SIDE COVER LF.RH.	1	
2	65602B67BA00	RIGHT BREAST BOARD BLACK BA WITHOUT STICKER	1	
	65602B67H100	RIGHT BREAST BOARD GRAY H1 WITHOUT STICKER	1	
	65602B67W100	RIGHT BREAST BOARD WHITE W1 WITHOUT STICKER	1	
	65602B67H800	RIGHT BREAST BOARD GREY H8 without sticker	1	
	65602B67001Z	RIGHT BREAST BOARD WHITE W1 WITH STICKER	1	
	65602B67002Z	RIGHT BREAST BOARD GRAY H1 WITH STICKER	1	
	65602B67004Z	RIGHT BREAST BOARD WHITE W1 WITH STICKER	1	
	65602B67005Z	RIGHT BREAST BOARD BLACK BA WITH STICKER	1	
	65602B67011Z	RIGHT BREAST BOARD WHITE W1 with sticker	1	
	65602B67012Z	RIGHT BREAST BOARD SATIN BLACK BA with sticker	1	
3	65601B67BA00	LEFT BREAST BOARD BLACK BA WITHOUT STICKER	1	
	65601B67H100	LEFT BREAST BOARD GREY H1 WITHOUT STICKER	1	
	65601B67W100	LEFT BREAST BOARD WHITE W1 WITHOUT STICKER	1	
	65601B67H800	LEFT BREAST BOARD GREY H8 without sticker	1	
	65601B67001Z	LEFT BREAST BOARD WHITE W1 WITH STICKER	1	
	65601B67002Z	LEFT BREAST BOARD GRAY H1 WITH STICKER	1	
	65601B67004Z	LEFT BREAST BOARD WHITE W1 with sticker	1	
	65601B67005Z	LEFT BREAST BOARD BLACK BA with sticker	1	
	65601B67011Z	LEFT BREAST BOARD WHITE W1 with sticker	1	
	65601B67012Z	LEFT BREAST BOARD SATIN BLACK BA with sticker	1	
4	65409B670000	RIGHT FRONT BREAST BOARD	1	
5	65408B670000	LEFT FRONT BREAST BOARD	1	
6	65606B67BA00	CONNECT COVER BLACK BA	1	
	65606B67H100	CONNECT COVER GRAY H1	1	
	65606B67W100	CONNECT COVER WHITE W1	1	
	65606B67H800	CONNECT COVER GREY H8	1	
7	B05074801605	SCREW ST4.8x16	7	
8	65801BMAT000	CLIP NUT	8	

# RY6 50

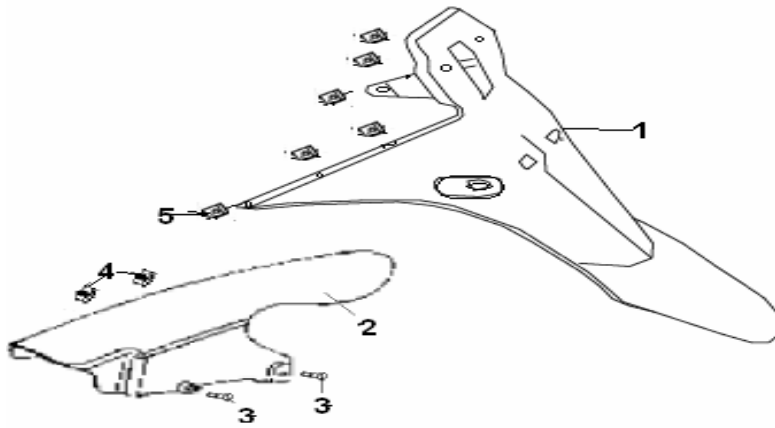
## F17 SIDE COVER



Nº	CÓDIGO	DESCRIÇÃO	Qt.	OBSERVAÇÕES
9	B05074201305	SCREW SELF-TAPPING ST4.2X13	21	
10	65616B670000	RUBBER WASHER	2	
11	65607B670000	PERSPECTIVE HOLE COVER	1	
12	B01090601265	PARAFUSO M6X12	2	
13	08021B920000	WASHER	2	
14	B02000602525	SCREW M6x25	2	
15	65636B670000	CLAPBOARD BURGLAR ALARM	1	APÓS LBBB941E7BB707534

# RY6 50

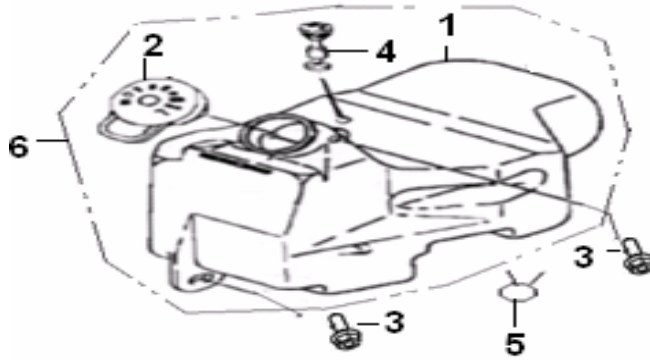
## F18 REAR FENDER



N°	CÓDIGO	DESCRIÇÃO	Qt.	OBSERVAÇÕES
1	65701B560000	REAR FENDER	1	
2	65701BMBT001	REAR FENDER	1	
3	B01090601665	SCRAW6x16MM	2	
4	65803S010000	NUT	2	
5	65801BMAT000	SPRING NUT 4.2MM	6	

## RY6 50

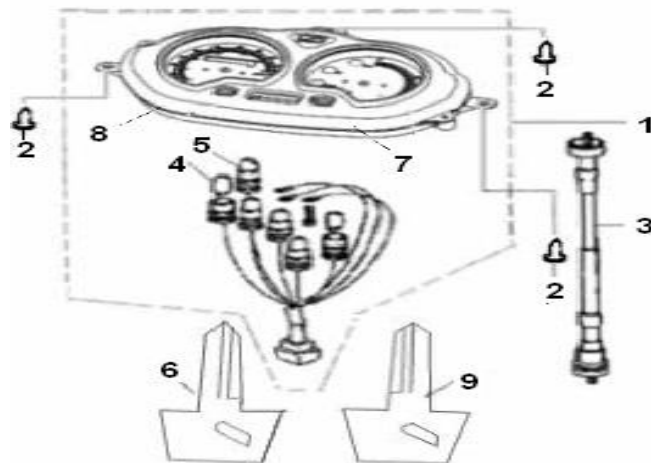
### F20 OIL TANK ASSY



N°	CÓDIGO	DESCRIÇÃO	Qt.	OBSERVAÇÕES
1	64001BMAT000	OIL TANK	1	
2	64090BMAT000	OIL TANK CAP	1	
3	B01090601665	BOLT 6X16MM	2	
4	64100BMAT000	OIL LEVER GAUGE ASSY.	1	
5	50307BM0T000	CLIP $\varphi 8$	1	
6	64000BMAT000	OIL TANK ASSY.	1	

## RY6 50

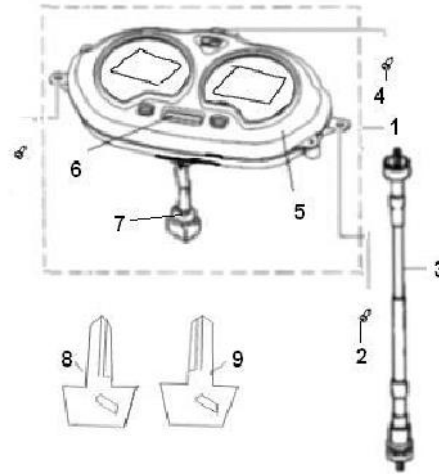
### F20\_1 SPEEDOMETER



N°	CÓDIGO	DESCRIÇÃO	Qt.	OBSERVAÇÕES
1	7000BMMTW63	SPEEDOMETER COMP.	1	
2	B05074201305	TAPPING SCREW 4.2X13MM	3	
3	72900BMBT000	SPEEDOMETERCABLE COMP.	1	
4	B24012920000	BULB 12V-3W	3	
5	B24020221100	BULB 12V-2W	3	
6	88900B92000X	KEY NUT (LEFT)	1	
7	70003BMBT004	SPEEDOMETER COVER	1	
8	76000BMBT001	DIGITAL WATCH	1	
9	88900B92001X	KEY NUT(RIGHT)	1	

# RY6 50

## F20\_2 DIGITAL SPEEDOMETER

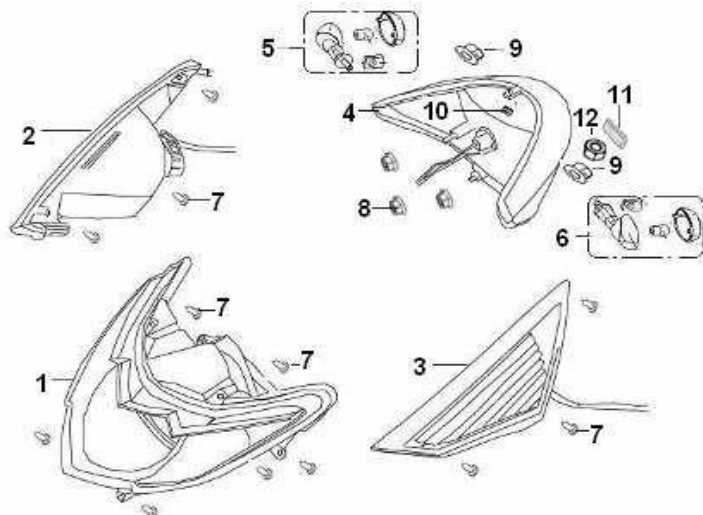


N°	CÓDIGO	DESCRIÇÃO	Qt.	OBSERVAÇÕES
1	70000B92000H	DIGITAL SPEEDOMETER COMP.	1	
2	B05074001205	SCREW ST4x12	2	
3	72900BMBT000	SPEEDOMETER CABLE COMP.	1	
4	B05074001005	SCREW ST4x10	1	
5	70003BMBT002	SPEEDOMETER COVER	1	
6	76000BMBT000	DIGITAL WATCH	1	
7	75000BMBT000	SPEEDOMETER WIRE ASSY	1	
8	88900B92000X	KEY NUT (LEFT)	1	
9	88900B92001X	KEY NUT (RIGHT)	1	



# RY6 50

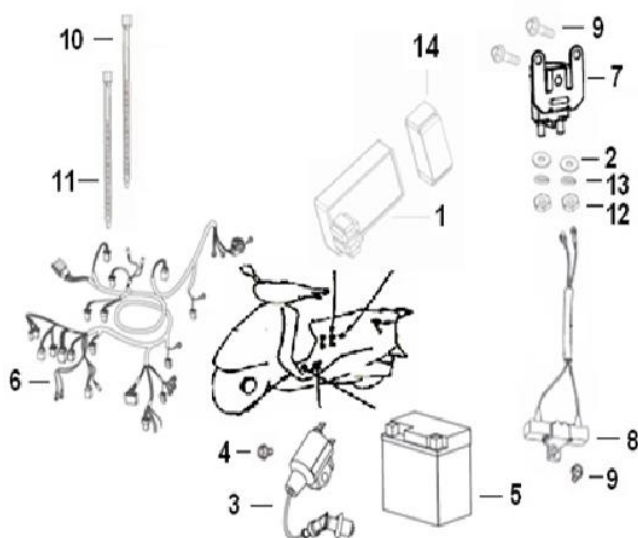
## F21 LIGHTS



N°	CÓDIGO	DESCRIÇÃO	Qt.	OBSERVAÇÕES
1	80000B670000	HEAD LIGHT ASSY.	1	
2	81100B670000	FLASHER LIGHT ASSY., F..L.	1	
3	81300B670000	FLASHER LIGHT ASSY., F..R.	1	
4	82000B670000	TAIL LIGHT ASSY.	1	
5	81700B670000	TURN LIGHT,R.R	1	
6	81500B670000	TURN LIGHT,R.L	1	
7	B05074201605	SCREW 4.2X16MM	12	
8	B04070600055	NUT 6MM	3	
9	B04061012555	NUT 10X1.25MM	2	
10	65801BMAT000	SPRING NUT 4.2MM	1	
11	86500T030001	BACK REFLEX REFLECTOR	1	
12	B04070500065	NUT 5MM	1	

# RY6 50

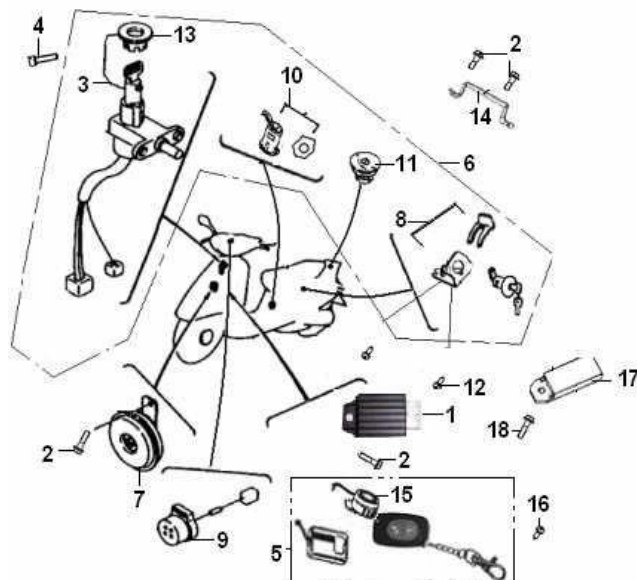
## F22 ELECTRICAL EQUIPMENT I



Nº	CÓDIGO	DESCRIÇÃO	Qt.	OBSERVAÇÕES
1	299051070001	C.D.I. UNIT COMP.	1	
2	B07030000605	WASHER 6MM	2	
3	96200B990000	IGNITION COIL ASSY	1	
4	B01090602065	SCREW 6X20MM	1	
5	BCTX4L-BS	BATTERY ASSY.	1	
6	92000B670000	WIRE HARNESS ASSY.	1	
	92000B670003	WIRE HARNESS ASSY.	1	LUZES AUTOMÁTICAS
7	94100J000002	STARTER RELAY COMP.	1	
8	96600BMAT000	RESISTOR COMP.	1	
9	B01090601265	BOLT 6X12MM	3	
10	96004J000000	BAND 8X300	1	
11	96003K00P000	BAND 8X200	1	
12	B04000600055	NUT 6MM	2	
13	B07000000605	SPRING WASHER 6MM	2	

# RY6 50

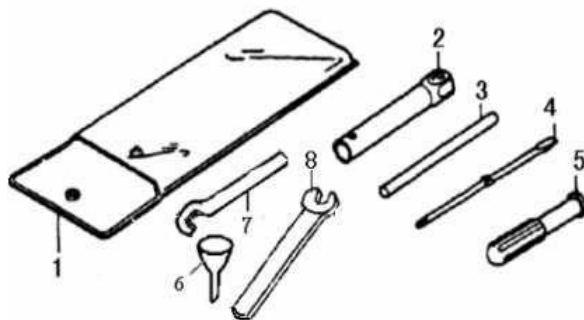
## F23 ELECTRICAL EQUIPMENT II



Nº	CÓDIGO	DESCRIÇÃO	Qt.	OBSERVAÇÕES
1	299061040002	REGULATOR COMP.	1	
2	B01090601265	BOLT 6X12MM	4	
3	88100B920002	MAIN SWITCH ASSY.	1	
4	08017B920010	BOLT M6X19	2	
5	95500T090000	ALARM ASSY.	1	
6	88000B920002	LOCK ASSY.	1	
7	95000BMDT000	HORN (E MARK)	1	
8	88800B920002	LOCK ASSY., SEAT	1	
9	96500BM0T00B	FLASH&AUDIO PILOT COMP.	1	
10	88500B920002	LOCK, COVER	1	
11	88400B920002	LOCK ASSY., FUEL TANK	1	
12	B05074201305	TAPPING SCREW 4.2X13MM	2	
13	88101BMBT000	COVER MAIN SWITCH	1	
14	95701JCCT000	BAKT ALARMSYSTEM	1	
15	95730T090000	ALARM SYSTEM HORN	1	
16	B05074801305	TAPPING SCREW 4.8X13MM	1	

## RY6 50

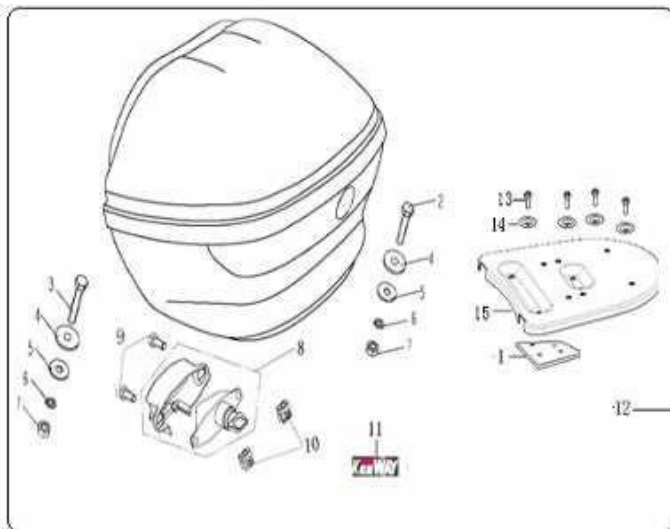
### F24 TOOL KIT



Nº	CÓDIGO	DESCRIÇÃO	Qt.	OBSERVAÇÕES
1	02110BM0T000	TOOL BAG	1	
2	02102BM0T000	SPARK PLUG SOCKET	1	
3	02101BM0T000	SPARK PLUG SOCKET HANDLE	1	
4	02103BM0T000	SCREW DRIVER	1	
5	02104BM0T000	HANDLE	1	
6	02114BM0T000	FILTER, OIL TANK	1	
7	02115BM0T000	RR. ABSORBER ADJUSTER	1	
8	02117BMBT000	WRENCH 35	1	

## RY6 50

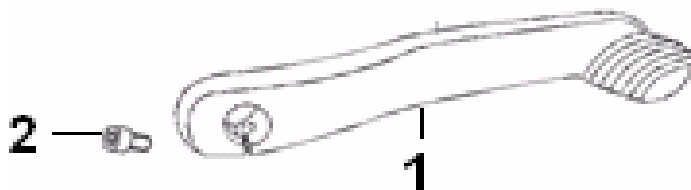
### F25 BACK BOX



N°	CÓDIGO	DESCRIÇÃO	Qt.	OBSERVAÇÕES
1	52222BMBT000	RUBBER MAT	1	
2	B01010603033	BOLT 6X30MM	2	
3	B01010603533	BOLT M6X35	2	
4	52221BMBT000	WASHER	4	
5	B07020000603	WASHER 6MM	4	
6	B07000000603	SPRING WASHER 6MM	4	
7	B04000600043	NUT 6MM	4	
8	88600BMBT000	BACK BOX LOCK	1	
9	B01070601663	SCREW 6X16MM	2	
10	52910BMBT000	NUT, CLIPPING 6MM	2	
11	05591BMBT000	BACK BOX COVER	1	
12		BACK BOX (WHITE/BLACK W1/BA )	1	
		BACK BOX (BLACK BA )	1	
13	B01010601623	BOLT 6X16MM	4	
14	52221BMBT000	WASHER	4	
15	52180BMBT000	STORAGE BOX, ASSY PLATE	1	

# RX6 50

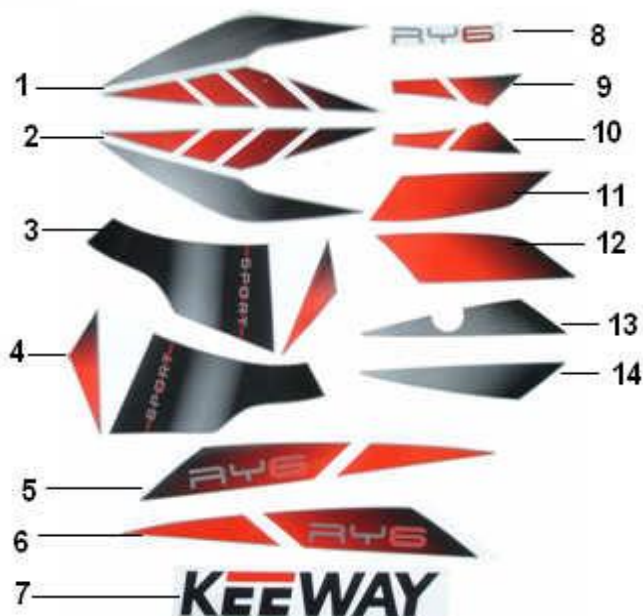
## F26 ENGINE ATTACHMENT



N°	CÓDIGO	DESCRIÇÃO	Qt.	OBSERVAÇÕES
1	08351BM0THU0	STANTING SHAFT	1	
2	B02050602565	SCREW 6X25MM	1	

## RY6 50

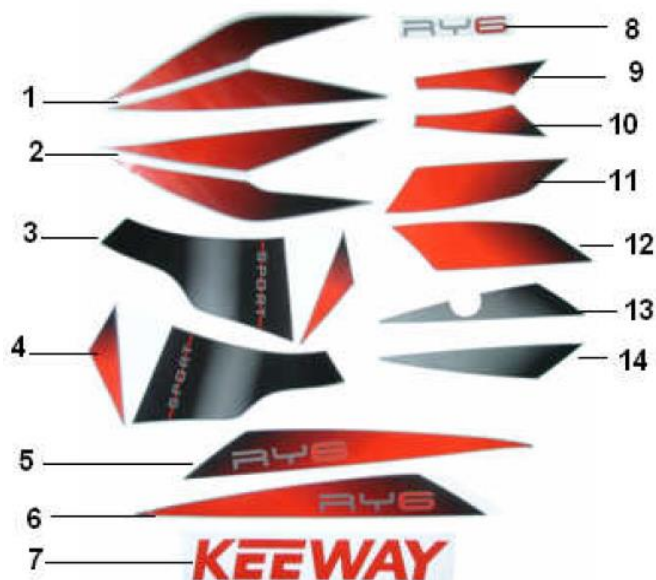
### F27\_1 STICKERS FOR WHITE MODEL 2009



Nº	CÓDIGO	DESCRIÇÃO	Qt.	OBSERVAÇÕES
1	05521B67W10	STICKER 1,FRONT COVER LEFT	2	
2	05522B67W10	STICKER 1,FRONT COVER RIGHT	1	
3	05525B670000	STICKER 3,FRONT COVER LEFT	1	
4	05526B670000	STICKER 3,FRONT COVER RIGHT	1	
5	05511B67W10	STICKER 1,SIDE COVER LEFT	1	
6	05512B67W10	STICKER 1,SIDE COVER RIGHT	1	
7	05541B67W10	STICKER 1,UNDER COVER	2	
8	05501B670000	STICKER,HANDLE COVER	1	
9	05523B67W10	STICKER 2,FRONT COVER LEFT	1	
10	05524B67W10	STICKER 2,FRONT COVER RIGHT	1	
11	05543B670000	STICKER 2,UNDER COVER LEFT	1	
12	05544B670000	STICKER 2,UNDER COVER RIGHT	1	
13	05513B670000	STICKER 2,SIDE COVER LEFT	1	
14	05514B670000	STICKER 2,SIDE COVER RIGHT	1	

## RY6 50

### F27\_2 STICKERS FOR BLACK AND GREY MODEL 2009



Nº	CÓDIGO	DESCRIÇÃO	Qt.	OBSERVAÇÕES
1	05521B67H100	STICKER 1,FRONT COVER LEFT	2	
2	05522B67H100	STICKER 1,FRONT COVER RIGHT	1	
3	05525B670000	STICKER 3,FRONT COVER LEFT	1	
4	05526B670000	STICKER 3,FRONT COVER RIGHT	1	
5	05511B67H100	STICKER 1,SIDE COVER LEFT	1	
6	05512B67H100	STICKER 1,SIDE COVER RIGHT	1	
7	05541B67H100	STICKER 1,UNDER COVER	2	
8	05501B670000	STICKER,HANDLE COVER	1	
9	05523B67H100	STICKER 2,FRONT COVER LEFT	1	
10	05524B67H100	STICKER 2,FRONT COVER RIGHT	1	
11	05543B670000	STICKER 2,UNDER COVER LEFT	1	
12	05544B670000	STICKER 2,UNDER COVER RIGHT	1	
13	05513B670000	STICKER 2,SIDE COVER LEFT	1	
14	05514B670000	STICKER 2,SIDE COVER RIGHT	1	



## RY6 50

### F27\_3 STICKERS FOR BLACK MODEL 2010-2012



Nº	CÓDIGO	DESCRIÇÃO	Qt.	OBSERVAÇÕES
1	05513B67BA01	STICKER ,SIDE COVER LEFT	2	
2	05511B67BA01	STICKER,SIDE COVER LEFT	1	
3	05512B67BA01	STICKER ,SIDE COVER RIGHT	1	
4	05523B67BA01	STICKER ,FRONT COVER LEFT	1	
5	05524B67BA01	STICKER ,FRONT COVER RIGHT	1	
6	05543B670001	UNDER COVER STICKER	1	
7	05514B67BA01	STICKER,SIDE COVER LEFT	2	
8	05525B67BA01	FRONT COVER LEFT STICKER	2	
9	05521B67BA01	STICKER ,FRONT COVER LEFT	1	
10	05522B67BA01	STICKER ,FRONT COVER RIGHT	1	
11	05541B67BA01	STICKER ,UNDER COVER LEFT	1	
12	05542B67BA01	STICKER ,UNDER COVER RIGHT	1	

## RY6 50

### F27\_4 STICKERS FOR WHITE MODEL 2010-2012



Nº	CÓDIGO	DESCRIÇÃO	Qt.	OBSERVAÇÕES
1	05513B67W101	STICKER ,SIDE COVER LEFT	2	
2	05511B67W101	STICKER,SIDE COVER LEFT	1	
3	05512B67W101	STICKER ,SIDE COVER RIGHT	1	
4	05523B67W101	STICKER ,FRONT COVER LEFT	1	
5	05524B67W101	STICKER ,FRONT COVER RIGHT	1	
6	05543B670001	UNDER COVER STICKER	1	
7	05514B67W101	STICKER,SIDE COVER LEFT	2	
8	05525B67W101	FRONT COVER LEFT STICKER	2	
9	05521B67W101	STICKER ,FRONT COVER LEFT	1	
10	05522B67W101	STICKER ,FRONT COVER RIGHT	1	
11	05541B67W101	STICKER ,UNDER COVER LEFT	1	
12	05542B67W101	STICKER ,UNDER COVER RIGHT	1	

## RY6 50

### F27\_5 STICKERS FOR WHITE MODEL 2013



Nº	CÓDIGO	DESCRIÇÃO	Qt.	OBSERVAÇÕES
1	05512B67W104	STICKER I SIDE COVER RIGHT	1	
2	05511B67W104	STICKER I SIDE COVER LEFT	1	
3	05542B670004	STICKER UNDER COVER RH	1	
4	05541B670004	STICKER UNDER COVER LH	1	
5	05514B67W104	STICKER II SIDE COVER RIGHT	1	
6	05513B67W104	STICKER II SIDE COVER LEFT	1	
7	05525B67W104	STICKER III FRONT COVER LH.	1	
8	05526B67W104	STICKER III FRONT COVER RH.	1	
9	05502B67W104	STICKER HANDLE COVER RH.	1	
10	05501B67W104	STICKER HANDLE COVER LH.	1	
11	05524B67W104	STICKER II FRONT COVER RH.	1	
12	05523B67W104	STICKER II FRONT COVER LEFT	1	
13	05522B67W104	STICKER I FRONT COVER RH.	1	
14	05521B67W104	STICKER I FRONT COVER LEFT	1	
15	05541B920007	KEEWAY STICKER UNDER COVER	2	

## RY6 50

### F27\_5 STICKERS FOR BLACK MODEL 2013



Nº	CÓDIGO	DESCRIÇÃO	Qt.	OBSERVAÇÕES
1	05512B67BA04	STICKER I SIDE COVER RIGHT	1	
2	05511B67BA04	STICKER I SIDE COVER LEFT	1	
3	05542B670004	STICKER UNDER COVER RH	1	
4	05541B670004	STICKER UNDER COVER LH	1	
5	05523B67BA04	STICKER II FRONT COVER LEFT	1	
6	05524B67BA04	STICKER II FRONT COVER RH.	1	
7	05514B67BA04	STICKER II SIDE COVER RIGHT	1	
8	05513B67BA04	STICKER II SIDE COVER LEFT	1	
9	05522B67BA04	STICKER I FRONT COVER RH.	1	
10	05521B67BA04	STICKER I FRONT COVER LEFT	1	
11	05525B67BA04	STICKER III FRONT COVER LH.	1	
12	05526B67BA04	STICKER III FRONT COVER RH.	1	
13	05502B67M904	STICKER HANDLE COVER RH.	1	
14	05501B67M904	STICKER HANDLE COVER LH.	1	
15	05541B920007	KEEWAY STICKER UNDER COVER	2	

## RY6 50

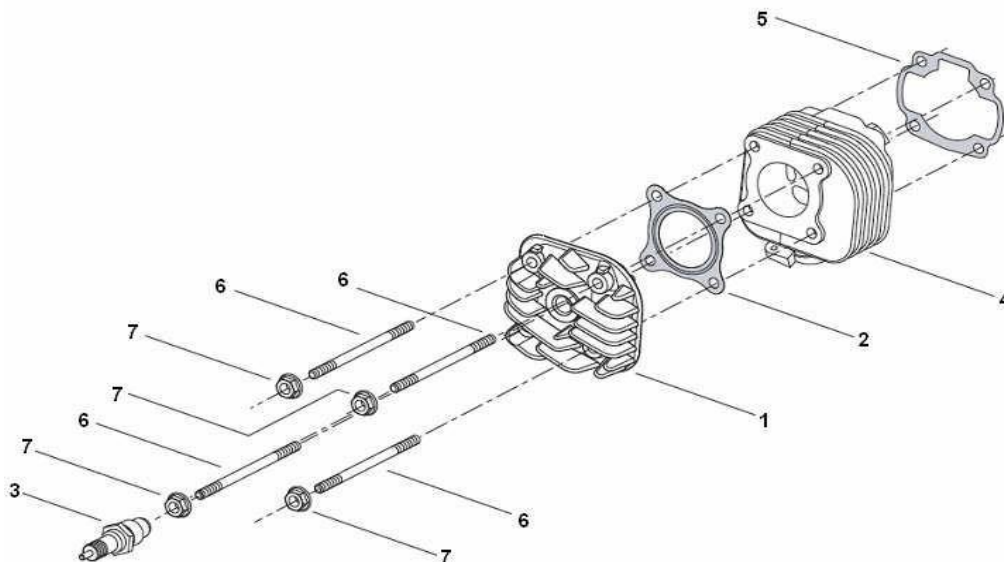
### F27\_5 STICKERS FOR GREY MODEL 2015



Nº	CÓDIGO	DESCRIÇÃO	Qt.	OBSERVAÇÕES
1	05522B67BA04	STICKER I FRONT COVER RH.	1	
2	05521B67BA04	STICKER I FRONT COVER LEFT	1	
3	05512B67H804	STICKER I SIDE COVER RIGHT	1	
4	05511B67H804	STICKER I SIDE COVER LEFT	1	
5	05542B67H804	STICKER UNDER COVER RH	1	
6	05541B67H804	STICKER UNDER COVER LH	1	
7	05514B67H804	STICKER II SIDE COVER RIGHT	1	
8	05513B67H804	STICKER II SIDE COVER LEFT	1	
9	05526B67H804	STICKER III FRONT COVER RH.	1	
10	05521B67BA04	STICKER I FRONT COVER LEFT	1	
11	05502B67H804	STICKER HANDLE COVER RH.	1	
12	05501B67H804	STICKER HANDLE COVER LH.	1	
13	05523B67H804	STICKER II FRONT COVER LH.	1	
14	05524B67H804	STICKER II FRONT COVER RIGHT	1	
15	05541B92H807	KEEWAY STICKER UNDER COVER	2	

# RY6 50

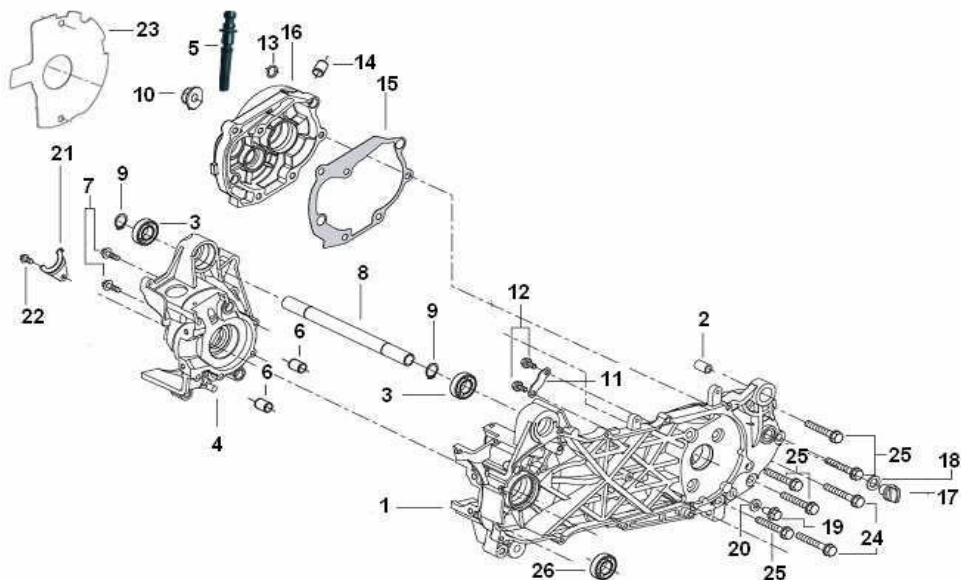
## E01 CYLINDER HEAD



Nº	CÓDIGO	DESCRIÇÃO	Qt.	OBSERVAÇÕES
1	201200.066000	HEAD, CYLINDER (VER PÁGINA 51)	1	ATÉ 2010
	30701B01F000	HEAD, CYLINDER	1	DESDE 2011
2	30507B01F000	GASKET, CYLINDER HEAD	1	
3	BR7ES	SPARK PLUG (VER PÁGINA 51)	1	ATÉ 2010
	BR8HSA	SPARK PLUG	1	DESDE 2011
4		CYLINDER (VER PÁGINA 51)	1	ATÉ 2010
	27101B01F00A	CYLINDER	1	DESDE 2011
5	204204.001000	GASKET, CYLINDER	1	
6	26107B01F910	STUD BOLT	4	
7	304290700063	NUT	4	

# RY6 50

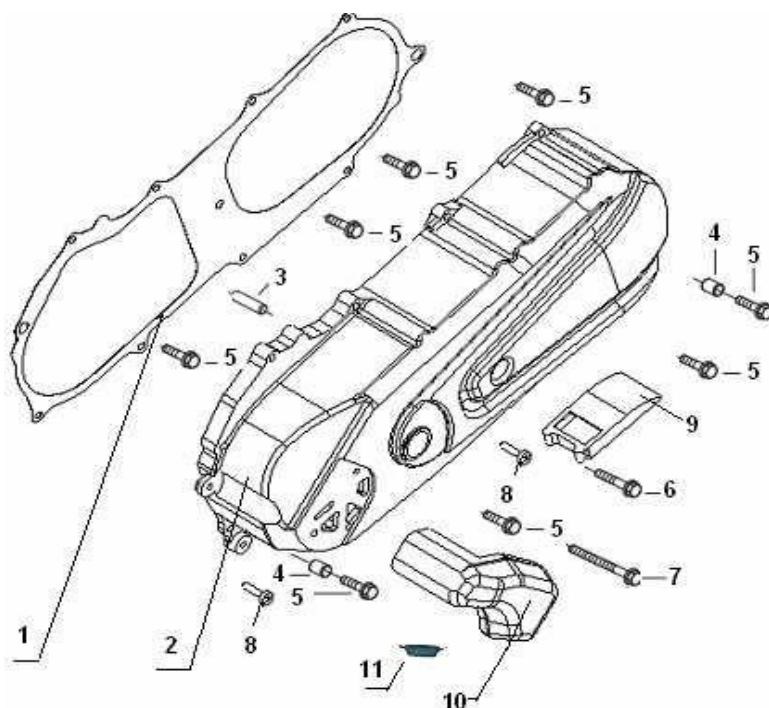
## E02 CRANKCASE ASSY



N°	CÓDIGO	DESCRIÇÃO	Qt.	OBSERVAÇÕES
1	206200.057000	CRANKCASE,LH	1	
2	26108G02F000	BUSH,ENGINE MOUNTING	1	
3	B12016600300	BEARING 6003-2RS	2	
4	26211B09F001	CRANKCASE,RH	1	
5	26142G02F000	BRAKE SHOE	1	
6	26123G02F000	DOWEL PIN 12X16	2	
7	301310603565	PAN HEAD SCREW M6X35	6	
8	26109B09F000	AXLE,engine mount	1	
9	B08010001700	CIRCLIP 17	2	
10	B04070812553	NUT M8	1	
11	26214B09F000	BEARING HOLDER	1	
12	B02000601262	PAN HEAD SCREW M6X12	2	
13	14222J01F000	O-RING	1	
14	26123G02F000	DOWEL PIN 12X16	2	
15	214201.004000	GASKET, GEAR BOX	1	
16	18101B09F000	COVER, GEAR BOX	1	
17	206407.004081	OIL PLUG	1	
18	26102G02F000	O RING	1	
19	301310801605	FLANGE BOLT M8X16	1	
20	18105H03F000	PLATE WASHER 8	1	
21	26214G02F910	OIL SEAL HOLDER	1	
22	301310601263	PAN HEAD SCREW M6X12	1	
23	206321.001000	GASKET	1	
24	301310805565	SCREW M8X55	2	
25	301310805065	SCREW M8X50	5	
26	207234.001000	BUSH	1	

# RY6 50

## E03 SIDECOVER ASSY

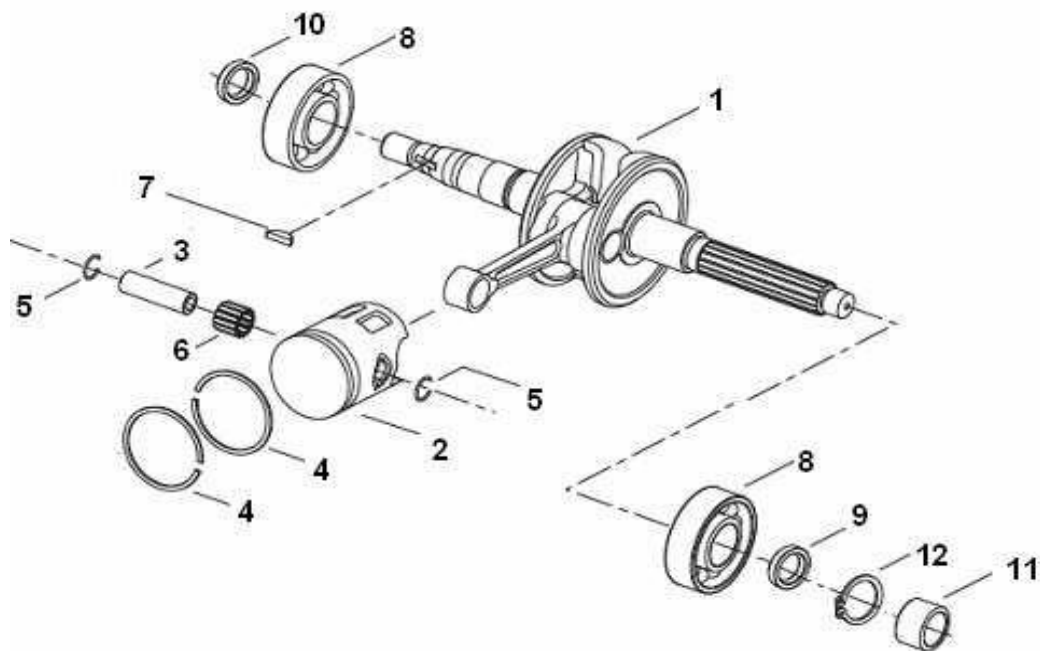


Nº	CÓDIGO	DESCRIÇÃO	Qt.	OBSERVAÇÕES
1	207208.017000	GASKET,L CRANKCASE	1	
2	169021070013	L CRANKCASE COVER	1	
3	26128G02F000	IDLE GEAR	1	
4	26208J01F000	DOWEL PIN	2	
5	301310602565	PAN HEAD SCREW M6X25	8	
6	301310603565	PAN HEAD SCREW M6X35	1	
7	301310606565	PAN HEAD SCREW M6X65	1	
8	3052035014F5	SCREW ST3.5X14	6	
9	14149B09F000	AIR DUCT-OUTLET	1	
10	14148B09F000	AIR DUCT-INLET	1	
11	14150B09F000	FILTER ASSY	1	ATÉ 2010



## RY6 50

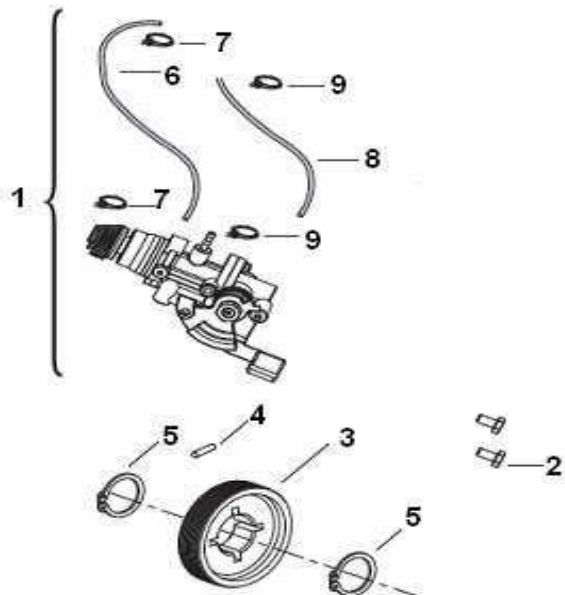
### E04 PISTON CRANKSHAFT CONNECTING ROD ASSY



Nº	CÓDIGO	DESCRIÇÃO	Qt.	OBSERVAÇÕES
1	208100.022000	CRANKSHAFT, ASSY	1	
2	15100B09F000	PISTON ASSY (VER PÁGINA 51)	1	ATÉ 2010
	15100B01F00B	PISTON ASSY (PARA CILINDRO 27101B01F00A)	1	APÓS 2011
3	15105B16F000	PISTON PIN	1	
4	15103B09F000	PISTON RING ASSY (VER PÁGINA 51)	1	ATÉ 2010
	15103B01F000	PISTON RING ASSY (PARA PISTÃO 15100B01F00B)	1	APÓS 2011
5	15111G02F000	CIRCLIP	2	
6	15110B16F000	NEEDLE BEARING	1	
7	15101B01F000	WOODRUFF KEY	1	
8	B12016620453	BEARING	2	
9	15213G02F000	OIL SEAL	1	
10	26215G02F000	OIL SEAL ASSY	1	
11	15214G02F000	COLLAR	1	
12	17308G02F000	CIRCLIP	1	

# RY6 50

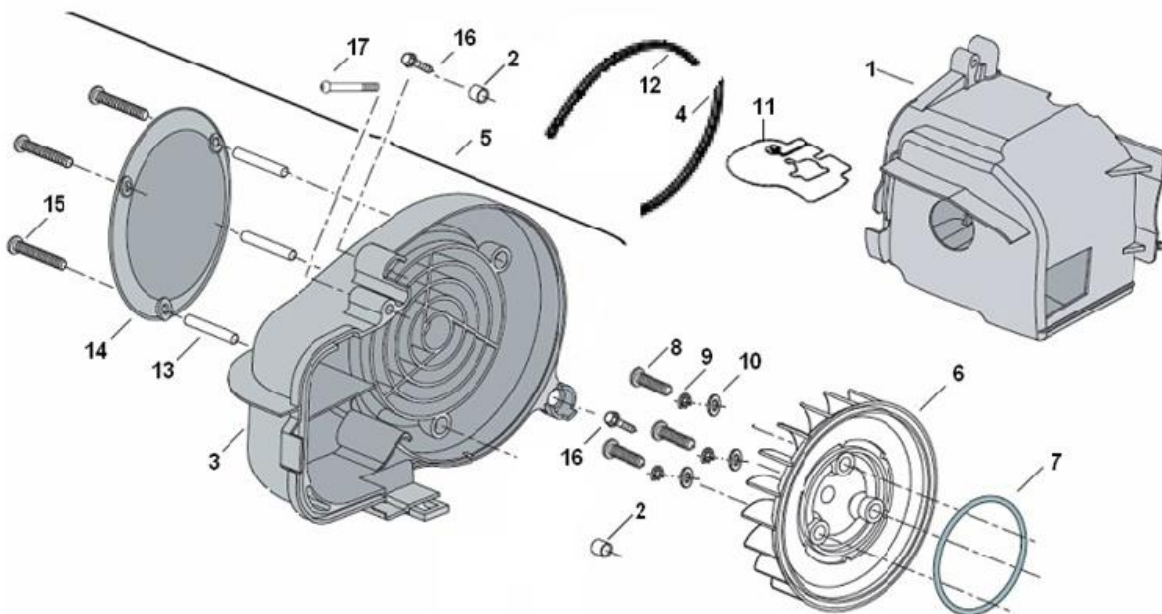
## E05 OIL PUMP ASSY



N°	CÓDIGO	DESCRIÇÃO	Qt.	OBSERVAÇÕES
1	269011070011	OIL PUMP ASSY	1	
2	B02000501463	SCREW	2	
3	15211G02F000	WORM	1	
4	B090103014C0	PIN	1	
5	15106G02F910	CIRCLIP	2	
6	221405.10000	HOSE,OIL INLET	1	
7	19213G02F00A	HOSE CLIP	2	
8	221405.101000	HOSE,OIL OUTLET	1	
9	19217G02F00A	HOSE CLIP	2	

# RY6 50

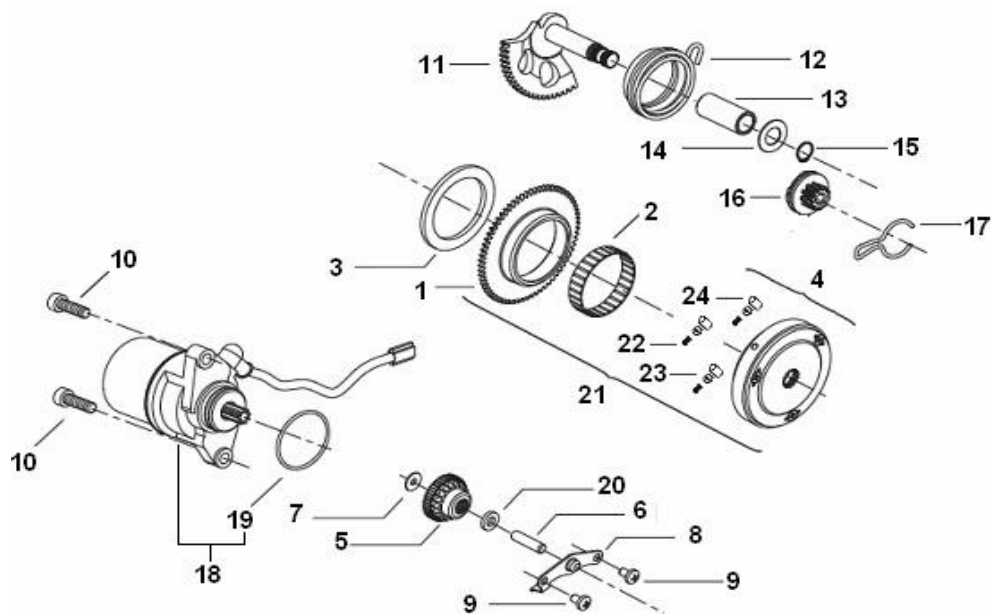
## E06 AIR COOLING SYSTEM



Nº	CÓDIGO	DESCRIÇÃO	Qt.	OBSERVAÇÕES
1	20301B01F000	COWLING,cylinder	1	
2	20303G02F000	GROMMET	2	
3	20201B09F000	COELING,fan	1	
4	20208G02F000	BEADING (RUBBER)	1	
5	222103.014000	COVER ASSY (FAN)	1	ATÉ LBBB946E0CB832451
	270011070090	COVER ASSY (FAN) NEW TYPE	1	APÓS LBBB946E0CB832451
6	20401B01F000	FAN ASSY	1	
7	20402G02F000	RUBBER RING 70X3.1	1	
8	B02000601663	SCREW M6X16	3	
9	B07000000600	SPRING WASHER φ6	3	
10	B07030000600	WASHER φ6	3	
11	20102G02F000	DUST COVER (RUBBER)	1	
12	20206G02F000	BEADING (RUBBER)	1	
13	20208B09F000	COLLOR	3	
14	222304.101000	COVER	1	
15	B02000403524	SCREW M4X35	3	
16	B01070602065	BOLT M6x20	2	
17	B05035504005	BOLT	1	

# RY6 50

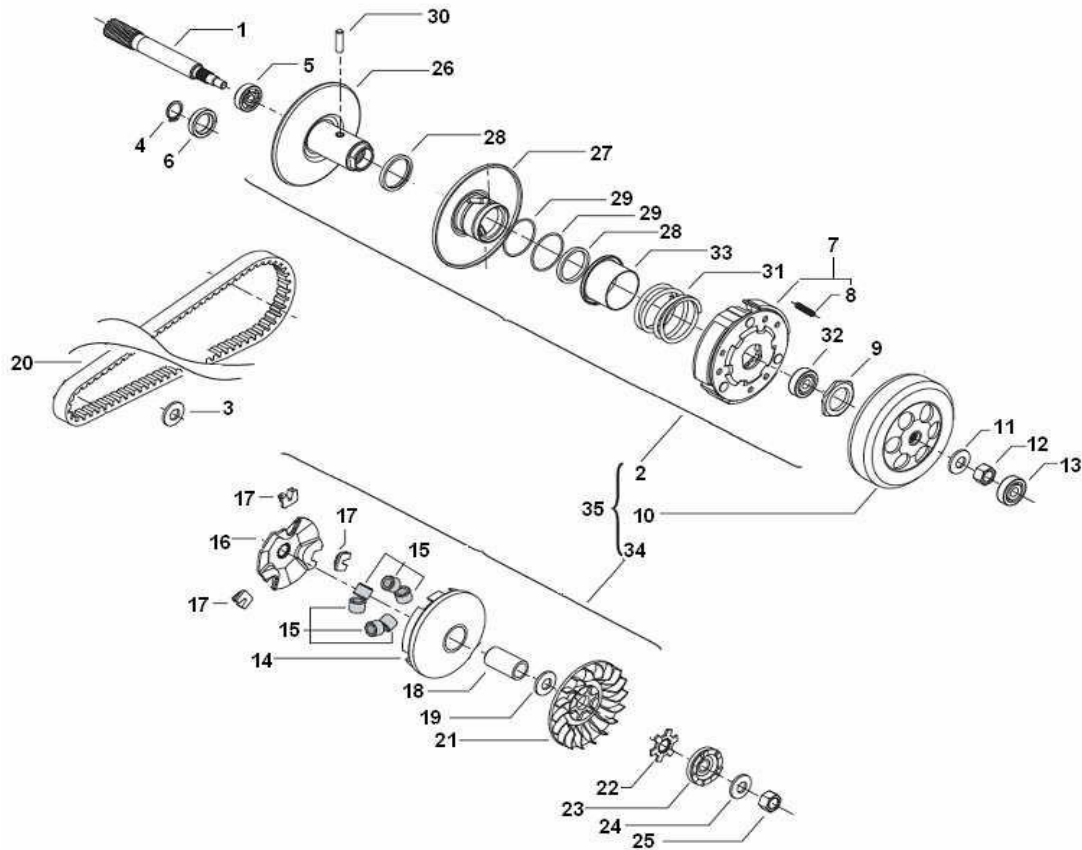
## E07 KICK STARTER ASSY



Nº	CÓDIGO	DESCRIÇÃO	Qt.	OBSERVAÇÕES
1	34120G02F000	START GEAR ASSY	1	
2	34121G02F000	NEEDLE BEARING	1	
3	34123G02F000	THRUST WASHER	1	
4	34110G02F00A	START HOLDER ASSY	1	
5	34126G02F000	DRIVEN GEAR,STARTER	1	
6	26128G02F000	IDLE GEAR SHAFT	1	
7	34122G02F000	PLATE WASHER	1	
8	34125G02F000	IDLE GEAR HOLDER	1	
9	B02000601063	SCREW	2	
10	302040602065	SCREW	2	
11	216100.003000	SHAFT, kick starter	1	
12	17407G02F000	SPRING	1	
13	216217.004000	BUSH	1	
14	307991005552	WASHER ,kick starter	1	
15	308090150003	CIRCLIP	1	
16	17415G02F000	KICK PINION ASSY	1	
17	17418G02F930	CLIP	1	
18	218100.051472	STARTING MOTOR ASSY	1	
19	B190102120B0	O-RING	1	
20	34130G02F000	PLATE WASHER	1	
21	217100.10000	START CLUTCH ASSY	1	
22	34404G02F00A	SPRING	3	
23	34405G02F00A	CAP	3	
24	34402G02F00A	ROLLER	3	

# RY6 50

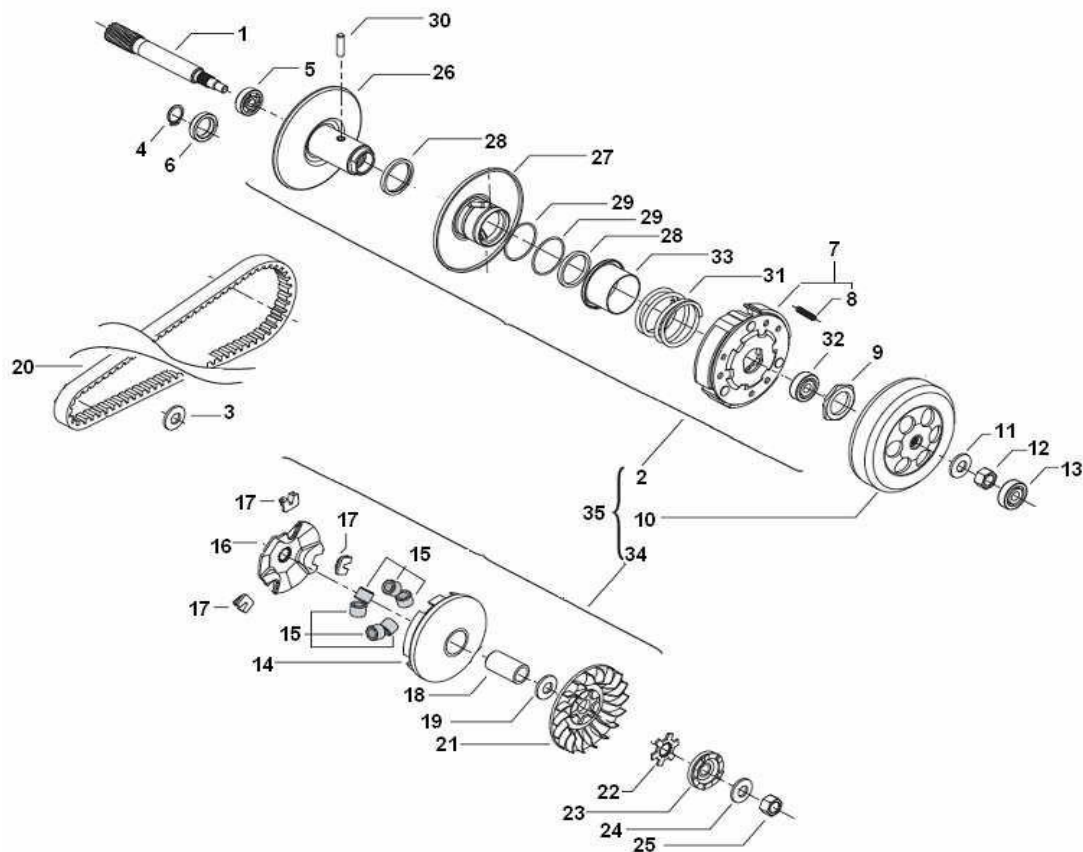
## E08 CLUTCH ASSY



Nº	CÓDIGO	DESCRIÇÃO	Qt.	OBSERVAÇÕES
1	229041070000	PRIMARY DRIVE SHAFT	1	
2	24200B01F000	DRIVEN PULLEY and CLUTCH ASSY	1	
3	24106B09F00F	WASHER	1	
4	B08010001700	CIRCLIP	1	
5	B12016620300	ROLING BEARING 6203	1	
6	24203B09F000	OIL SEAL	1	
7	24301B01F000	CLUTCH ASSY,shoe	3	
8	24302B01F000	SPRING	3	
9	24303G02F000	NUT	1	
10	24700G02F000	CLUTCH DRUM	1	
11	24305G02F940	NUT	1	
12	24243G02F000	O-RING	2	
13	24209G02F000	BEARING 638Z	1	
14	24101B09F000	FACE,movable drive	1	
15	213119.005000	ROLLER (6,5G)	6	ATÉ 2010
	213119.003000	ROLLER (5G)	6	DESDE 2011
16	24103G02F000	PLATE,movable drive	1	
17	24104G02F000	DAMPER	3	
18	24105G02F000	COLLER	1	
19	24106B01F000	WASHER	1	
20	24107B01F000	V BELT, DRIVE	1	
21	24108B09F000	FACE, FIXED DRIVE	1	
22	24109G02F000	PLATE, WOODRUFF KEY	1	

# RY6 50

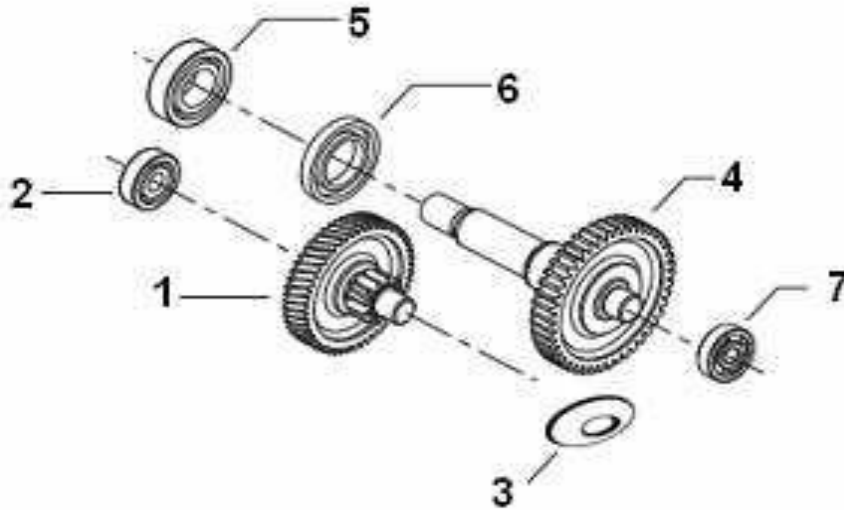
## E08 CLUTCH ASSY



Nº	CÓDIGO	DESCRIÇÃO	Qt.	OBSERVAÇÕES
23	213203.001161	STARTING DISC	1	
24	15112G02F010	WASHER, SPRING	1	
25	B04031212553	NUT	1	
26	24204G02F000	FACE, FIXED DRIVEN	1	
27	24205G02F000	FACE, MOVABLE DRIVEN	1	
28	24206G02F000	OIL SEAL	1	
29	24207G02F000	O-RING	2	
30	24208G02F000	PIN, GUIDE	2	
31	24308B01F000	SPRING	1	
32	24245G02F000	ROLLER BEARING	1	
33	24309G02F930	SEAT, SPRING	1	
34	24100B09F000	DRIVE ASSY	1	
35	213100.022000	SHIFT ASSY (6,5G)	1	ATÉ 2010
	213100.010000	SHIFT ASSY (5G)	1	DESDE 2011

## RY6 50

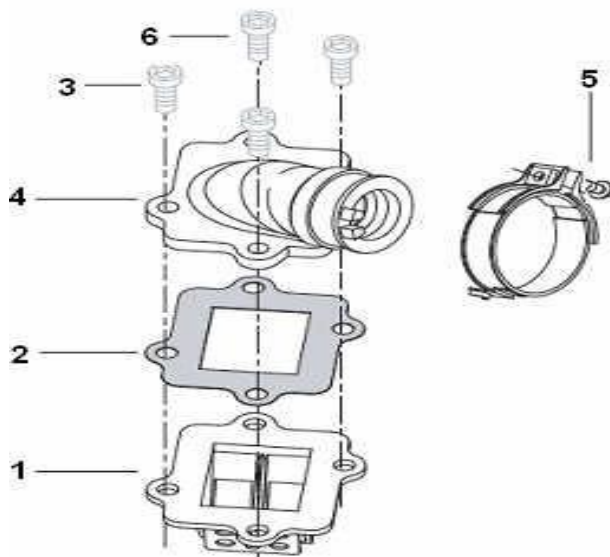
### E09 TRANSMISSION SYSTEM ASSY



N°	CÓDIGO	DESCRIÇÃO	Qt.	OBSERVAÇÕES
1	17800B09F000	SHAFT, IDLE	1	
2	B12016620000	BEARING 6200	1	
3	17732J01F000	WASHER, thrust	1	
4	17300B09F000	SHAFT, REAR BOX	1	
5	B12016600400	NEEDLE BEARING	1	
6	17317B09F000	OIL SEAL	1	
7	B12016620200	NEEDLE BEARING	1	

# RY6 50

## E10 REED VALVE ASSY

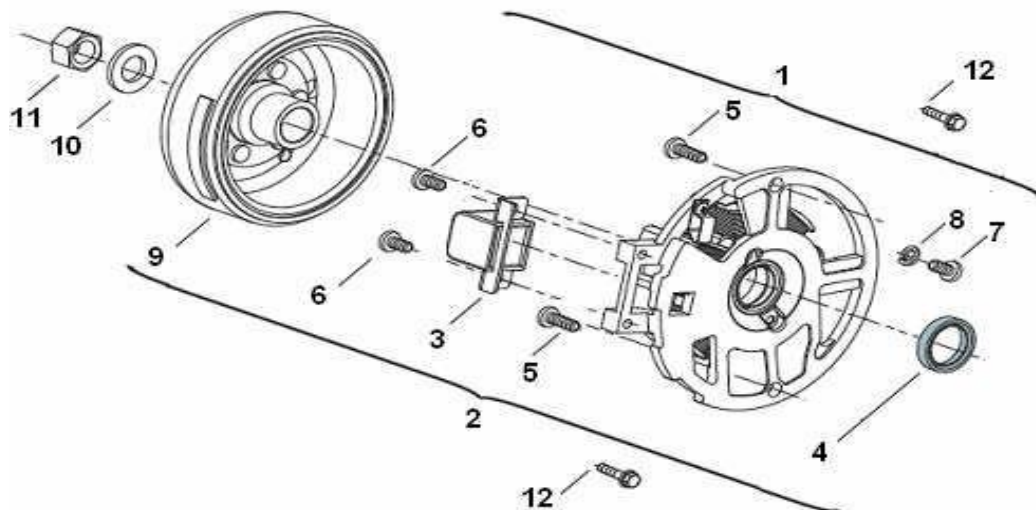


N°	CÓDIGO	DESCRIÇÃO	Qt.	OBSERVAÇÕES
1	110092080010	REED VALVE ASSY	1	
2	202306.002000	VALVE SEAT GASKET	1	
3	302040602065	SCREW	4	
4	32200G02F000	PIPE, intake	1	
5	202215.007994	CLIP	1	
6	206412.001472	SCREW	1	



## RY6 50

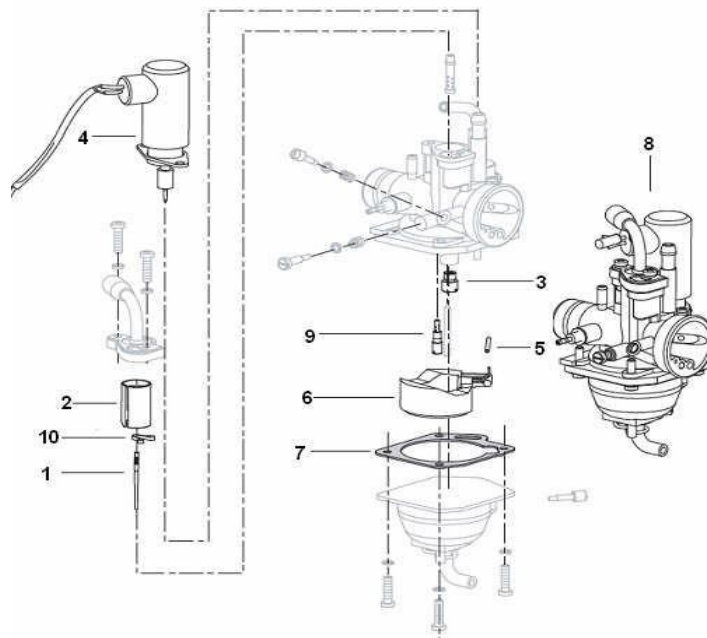
### E11 MAGNETO ASSY



N°	CÓDIGO	DESCRIÇÃO	Qt.	OBSERVAÇÕES
1	299031070001	COIL ASSY	1	
2	299011070001	MAGNETO ASSY	1	
3	34330G02F000	PULSE TRIGGER	1	
4	34350G02F000	OIL SEAT	1	
5	B02000502522	SCREW	2	
6	B02000501262	SCREW	2	
7	B02000400622	SCREW	1	
8	B07000000400	SPRING WASHER	1	
9	299022080014	FLY WHEEL ASSY	1	
10	B07030001200	WASHER	1	
11	15228H03F000	NUT	1	
12	B01070601664	NUT	2	

# RY6 50

## E12 CARBURATOR ASSY



N°	CÓDIGO	DESCRIÇÃO	Qt.	OBSERVAÇÕES
1	32510B01F000	NEEDLE, jet	1	
2	32511B01F000	VALVE,PISTON	1	
3	3311505E0160	JET, main	1	
4	32612B01F000	ENRICH VALVE	1	
5	32619B01F000	PIN, float	1	
6	32620B01F000	FLOAT	1	
7	32701B01F000	GASKET	1	
8	3390005E0160	CARBURETOR ASSY	1	ATÉ 2010
	3390005E0331	CARBURETOR ASSY	1	DESDE 2011
9	224203.100000	JET, idle	1	
10	32508B01F000	CLIPMM,V shape	1	

## Ry6 50

### Modificação de Motor

Dada a ruptura de stock e a não produção das peças necessárias para motores anteriores a 2011 propomos a alteração das peças (cilindro, culassa, pistão, segmentos e vela) pelas mais recentes.

Nº	CÓDIGO	DESCRIÇÃO	Qt.	OBSERVAÇÕES
1	30701B01F000	HEAD, CYLINDER	1	
2	27101B01F00A	CYLINDER	1	
3	BR8HSA	SPARK PLUG	1	
4	15100B01F00B	PISTON ASSY	1	
5	15103B01F000	PISTON RING ASSY	1	
6	27101B01F00A	CYLINDER	1	