

RKF 125 E4



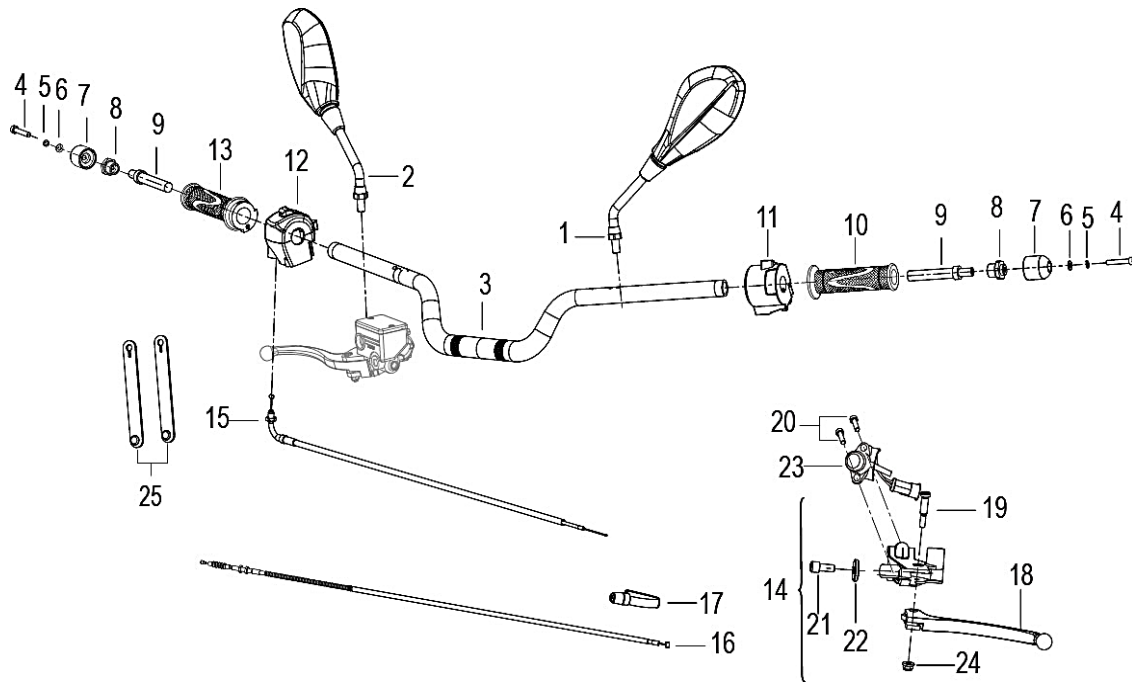
ÍNDICE

ESQ	QUADRO	PAG
F01	GUIADOR	3
F02	SUSPENSÃO DIANTEIRA	4
F03	GUARDA-LAMAS FRONTAL	5
F04	SISTEMA DE TRAVAGEM	6
F05	RODA DIANTEIRA	7
F06	ESCAPE	8
F07	FILTRO DE AR	9
F08	DEPÓSITO DE GASOLINA	10
F09	SUSPENSÃO TRASEIRA	11
F10	RODA TRSEIRA	12
F11	QUADRO	13
F12	POUSA-PÉS	14
F13	CARENAGENS DE FAROL	16
F14	CARENAGENS DE DEPÓSITO	17
F15	CARENAGENS LATERAIS	19
F16	GUARDA-LAMAS TRASEIRO	20
F17	RADIADOR	21
F18	SISTEMA ELÉTRICO	22
F19	AUTOCOLANTES PARA MOTO BRANCA	23
F20	AUTOCOLANTES PARA MOTO VERDE	24
F21	AUTOCOLANTES PARA MOTO VERMELHA	25
F22	AUTOCOLANTES PARA MOTO PRETA	26

ESQ	MOTOR	PAG
E01	CABEÇA CILINDRO	27
E02	MECANISMO DAS VÁLVULAS	29
E03	TENSOR / GUIA DE CORRENTE	30
E04	CAMBOTA	31
E05	CILINDRO	32
E06	CARTER ESQUERDO	33
E07	CARTER DIREITO	34
E08	TAMPA DO MOTOR DIREITA	35
E09	TAMPA DO MOTOR ESQUERDA	36
E10	BOMBA DE ÓLEO	37
E11	EMBRAIAGEM	38
E12	CAIXA DE VELOCIDADES	39
E13	VEIO DE EMBRAIAGEM	40
E14	VEIO DE PINHÃO	41
E15	MOTOR DE ARRANQUE	42
E16	BOMBA DE ÁGUA	43

RKF 125 E4

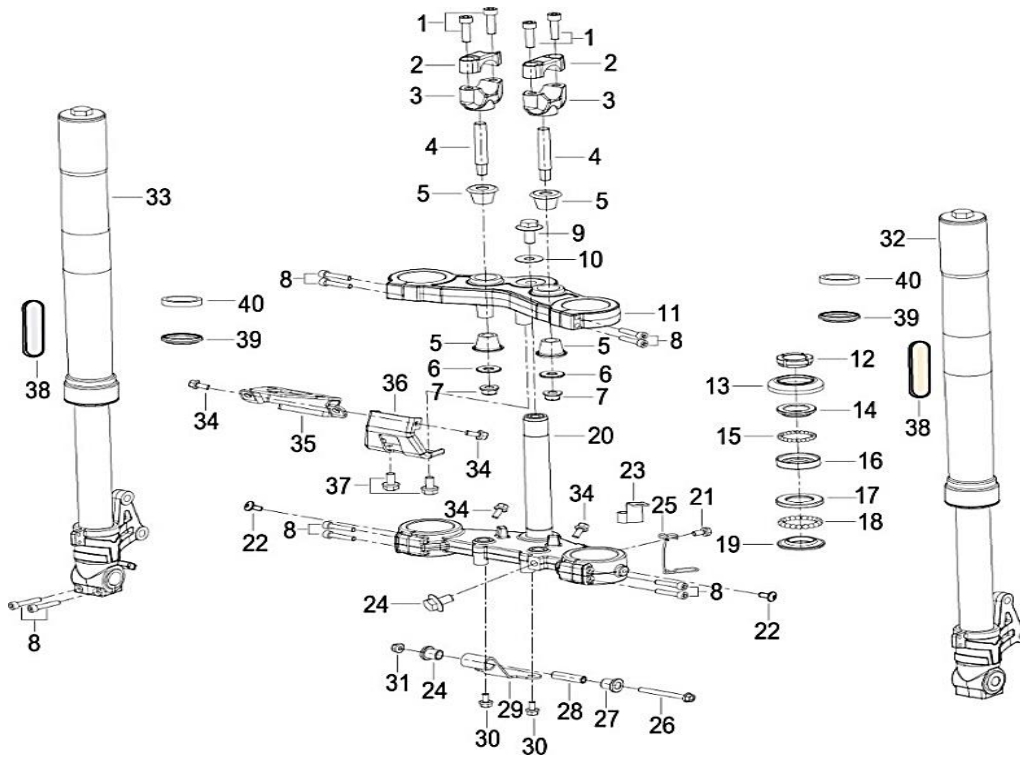
F01 GUIADOR



Nº	CÓDIGO	DESCRIÇÃO	Qt.	OBSERVAÇÕES
1	40450U210001	ESPELHO ESQUERDO	1	
2	40480U210001	ESPELHO DIREITO	1	
3	40101L430000	GUIADOR	1	
4	B0205060356H	PARAFUSO M6x35	2	
5	B0703000060H	ANILHA 6	2	
6	B0700000060H	ANILHA DE PRESSÃO 6	2	
7	40031P250000	TERMINAL DE PUNHO	2	
8	40032P250000	BORRACHA TERMINAL DE PUNHO	2	
9	40031S010000	VEIO DE PUNHO	2	
10	40001K740000	PUNHO ESQUERDO	1	
11	40500L210002	COMUTADOR ESQUERDO	1	
12	40600L210004	COMUTADOR DIREITO	1	
13	40210K740000	PUNHO DE ACELERADOR	1	
14	40080J04006Z	MANETE DE EMBRAIAGEM COMPLETA	1	
15	40300L430000	CABO DE ACELERADOR	1	
16	40400L430000	CABO DE EMBRAIAGEM	1	
17	40017J010000	REVESTIMENTO DE CABO DE EMBRAIAGEM	1	
18	40084J040006	MANETE DE EMBRAIAGEM	1	
19	40083K010000	PARAFUSO	1	
20	B0205060306H	PARAFUSO M6x30	2	
21	45083K010000	AFINADOR DE CABO DE EMBRAIAGEM	1	
22	55064K010000	PORCA	1	
23	70190L430000	INTERRUPTOR DE QUADRANTE	1	
24	B0417060004H	PORCA M6	1	
25	49371T620000	ABRAÇADEIRA DE BORRACHA	5	

RKF 125 E4

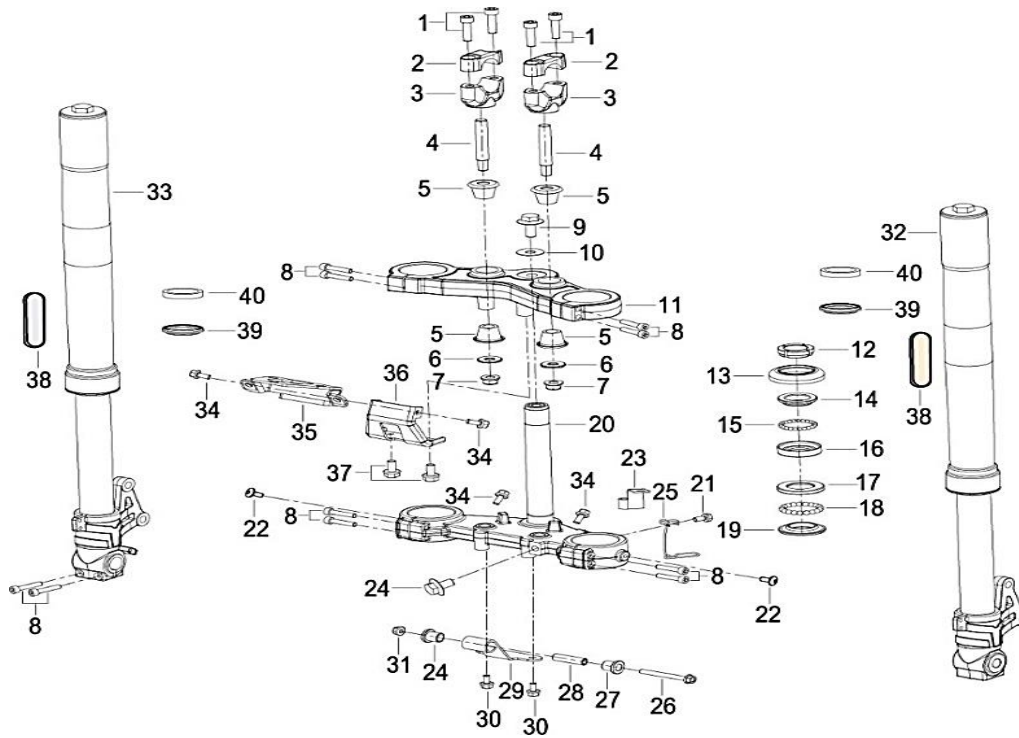
F02 SUSPENSÃO DIANTEIRA



Nº	CÓDIGO	DESCRIÇÃO	Qt.	OBSERVAÇÕES
1	B0205080256K	PARAFUSO M8x25	4	
2	43013P010000	SUPORE SUPERIOR DE GUIADOR	2	
3	43014P010000	LOWER HANDLEBAR HOLDER	2	
4	40086P010000	HANDLE POSITIONING STUD	2	
5	47015P010000	SILENCING PLUG	4	
6	40089P010100	HANDLEBAR DOWEL WASHER $\phi 10.2 \times \phi 24.9 \times 2.5$	2	
7	B0417101254H	SELF-LOCKING NUT M10x1.25	2	
8	08002K670000	SCREW M6x30	10	
9	43049J000000	BOLT STEM FIXING M10x1.25x23	1	
10	43044K230000	WASHER	1	
11	43011L430000	UPPER BRACKET	1	
12	43008L430000	LOCK NUT	1	
13	43005G130000	DUST COVER	1	
14	43001G130000	RACE,UPPER BEARING,UPPER	1	
15	B06010140000	STEEL BALL 3/16"	22	
16	43002G130000	RACE,UPPER BEARING,LOWER	1	
17	43003N040000	RACE,UPPER,BOTTOM BEARING	1	
18	B06010200000	STEEL BALL 1/4"	18	
19	43004J000000	RACE,LOWER,BOTTOM BEARING	1	
20	43100J800020	CROWN	1	
21	B0109060126H	BOLT M6x12	1	
22	B02830600862	BOLT M8x8	2	
23	43058J410000	CLAMP II, ODOMETER CABLE	1	
24	B0109100166H	BOLT M10x16	1	
25	43035J800000	CLIP	1	
26	B0109060606K	BOLT M6x60	1	
27	08524P250000	HEADLIGHT BUFFER SETS	2	
28	08523P250000	HEADLIGHT INSTALL SPACER	1	
29	08333L430000	HEADLIGHT FIXING PLATE	1	
30	B0109060166H	BOLT M6x16	2	
31	B0407060005H	NUT M6	1	
32	43200L430000	FRONT LEFT SHOCK ABSORBER ASSY.	1	

RKF 125 E4

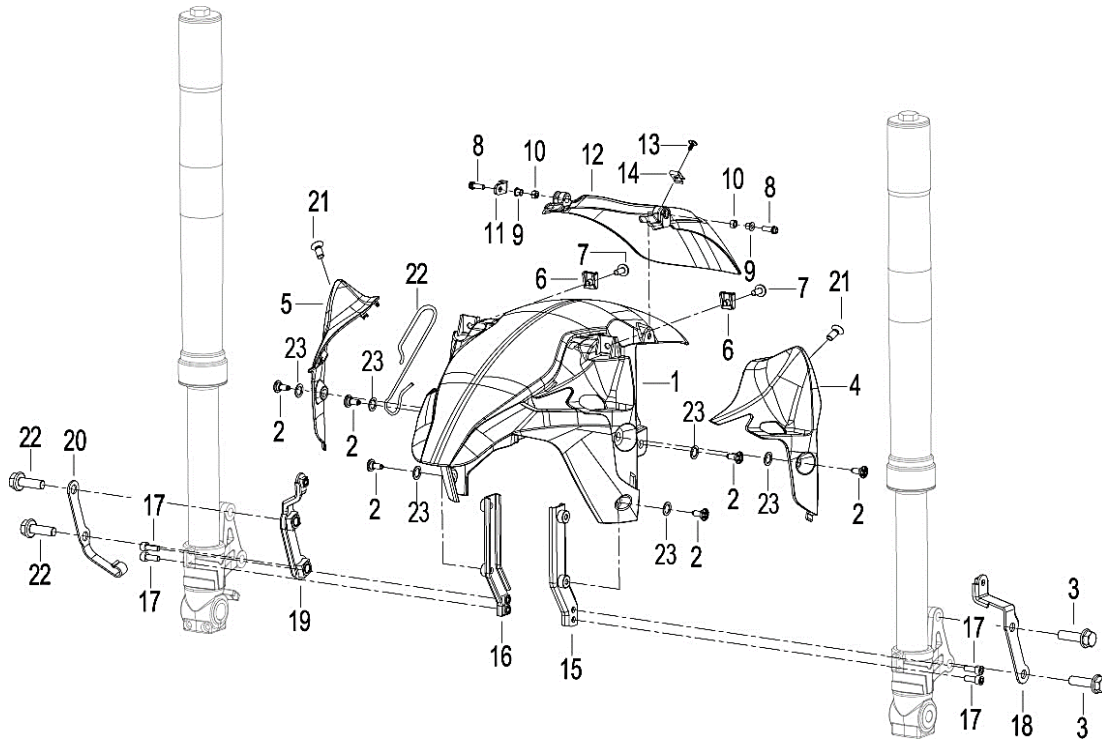
F02 SUSPENSÃO DIANTEIRA



Nº	CÓDIGO	DESCRIÇÃO	Qt.	OBSERVAÇÕES
33	43300L430000	FRONT RIGHT SHOCK ABSORBER ASSY.	1	
34	B0109060126H	BOLT M6×12	4	
35	08330L430000	HEADLIGHT BRACKET	1	
36	58780L430000	HEADLIGHT MOUNTING BRACKET	1	
37	B0109080126H	BOLT M8×12	2	
38	86200L420000	FRONT SIDE REFLECTOR	2	
39	43290D010000	DUST SEAL	2	
40	43260K990000	OIL SEAL	2	

RKF 125 E4

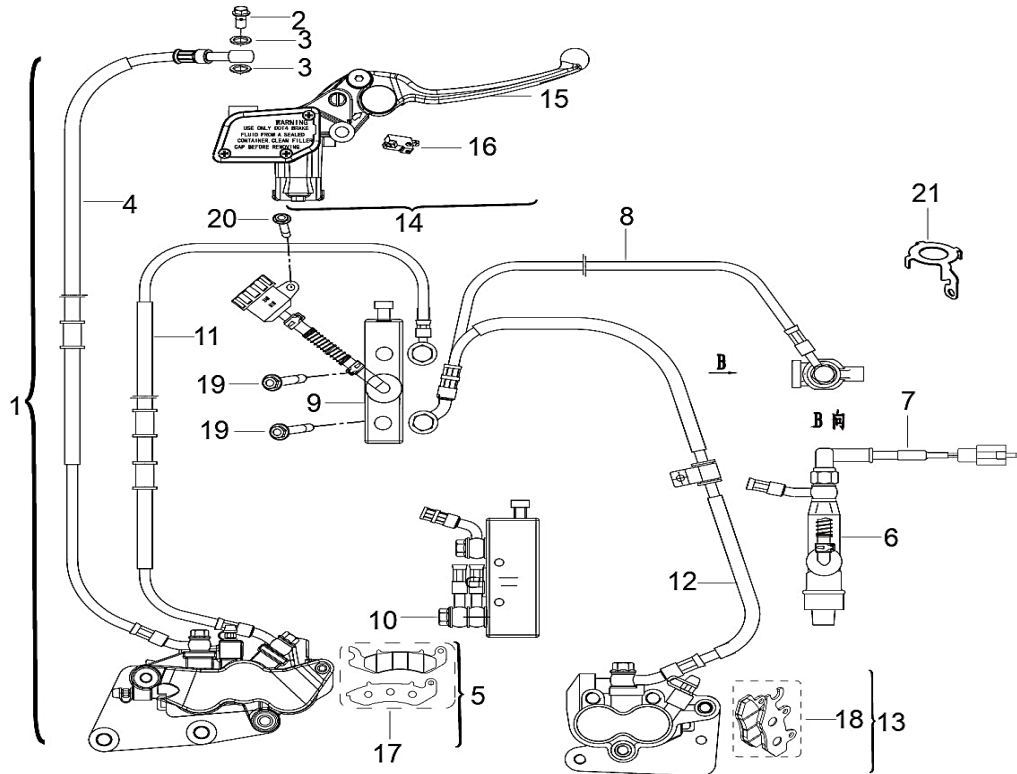
F03 GUARDA-LAMAS FRONTAL



N°	CÓDIGO	DESCRIÇÃO	Qt.	OBSERVAÇÕES
1	65101L29WF00	FRONT FENDER,WHITE WF,WITHOUT STICKER	1	
1	65101L29E400	FRONT FENDER,BLUE E4,WITHOUT STICKER	1	
1	65101L29F900	FRONT FENDER,RED F9,WITHOUT STICKER	1	
1	65101L29BC00	FRONT FENDER,GRAPHITE BLACK BC,WITHOUT STICKER	1	
2	B0284060150A	SCREW M6×15.2	6	
3	B0159100406H	BOLT M10×1.25×40	2	
4	65108L290000	LEFT DECORATIVE BOARD	1	
5	65116L290000	RIGHT DECORATIVE BOARD	1	
6	65625J560000	CLIP NUT M6	2	
7	B0283060146H	SCREW M6×14	2	
8	B02810501462	BOLT M5×0.8×14	2	
9	65105S040000	T BUSH 5×7×6×10×0.8	2	
10	B0400050005H	NUT M5	2	
11	43070J670010	WIRE CLIP	2	
12	65102P250000	LITTLE FENDER BEFORE	1	
13	B0507420130H	TAPPING SCREW ST4.2×13	1	
14	65801T020201	INSERT ST4.2	1	
15	65130L290000	FRONT FENDER LEFT BRACKET I	1	
16	65140L290000	FRONT FENDER RIGHTT BRACKET I	1	
17	08001K670000	SCREW M6×16	4	
18	65150J800200	FRONT FENDER LEFT BRACKET II	1	
19	65160J800200	FRONT FENDER RIGHTT BRACKET II	1	
20	43057K670000	CLIP	1	
21	B0285060126H	SCREW M6×12	2	
22	B0159100306H	BOLT M10×1.25×30	2	
23	47936S010000	GASKET	6	

RKF 125 E4

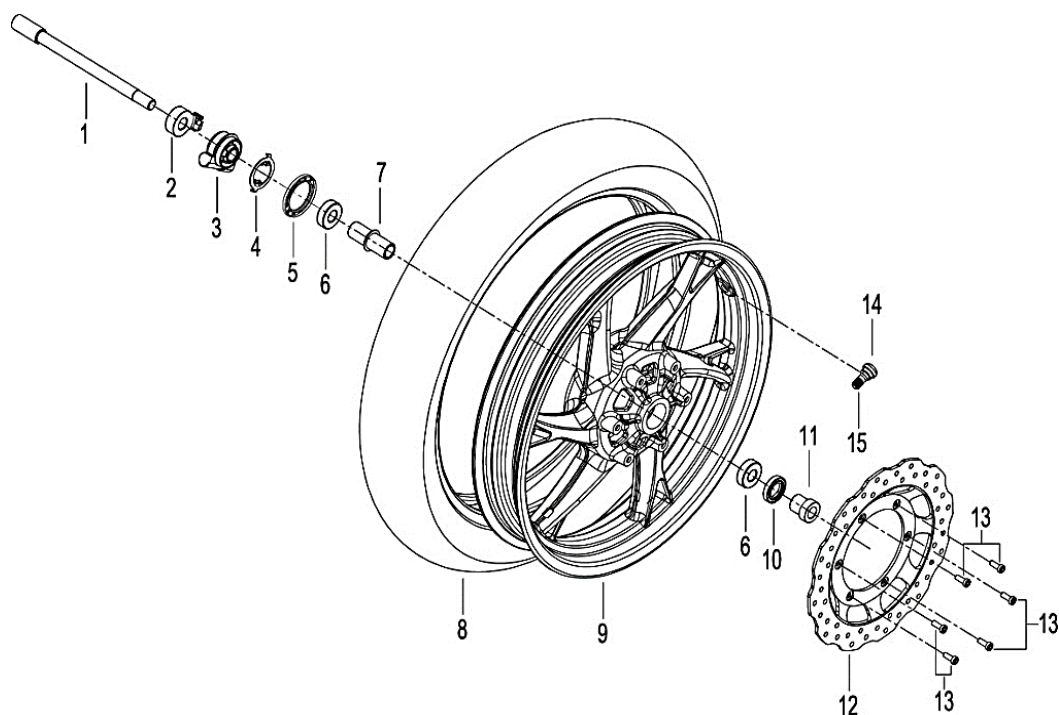
F04 SISTEMA DE TRAVAGEM



Nº	CÓDIGO	DESCRIÇÃO	Qt.	OBSERVAÇÕES
1	55A00L430000	CBS BRAKE ASSY	1	
2	45037J000000	BOLT	4	
3	45180J000000	WASHER	12	
4	45200L43000C	CBS FRONT BRAKE HOSE	1	
5	45500J800004	FRONT LEFT BRAKE CALIPER ASSY.	1	
6	55400J800001	REAR MASTER CYLINDER ASSY	1	
7	55300L430000	REAR BRAKE SWITCH ASSY.	1	
8	55210L43000C	CBS BRAKE HOSE ASSY.I	1	
9	55400U030000	CBS MASTER CYLINDER ASSY.	1	
10	45037P150001	BRAKE HOSE BANJO BOLT	1	
11	55240L43000C	CBS BRAKE HOSE ASSY.II	1	
12	55270L43000C	CBS BRAKE HOSE ASSY.III	1	
13	55600L430000	REAR BRAKE CALIPER ASSY.RED	1	
14	45400J820020	FRONT MASTER CYLINDER ASSY	1	
15	45020J800000	FRONT BRAKE LEVER, BLACK	1	
16	45300J000010	FRONT BRAKE SWITCH	1	
17	45110T800000	FRONT BRAKE BADS ASSY	1	
18	45110T400000	REAR BRAKE BADS ASSY	1	
19	B0109060356H	BOLT M6×35	2	
20	B0109060126H	BOLT M6×12	2	
21	57041V030001	TAMPER BRACKET	1	

RKF 125 E4

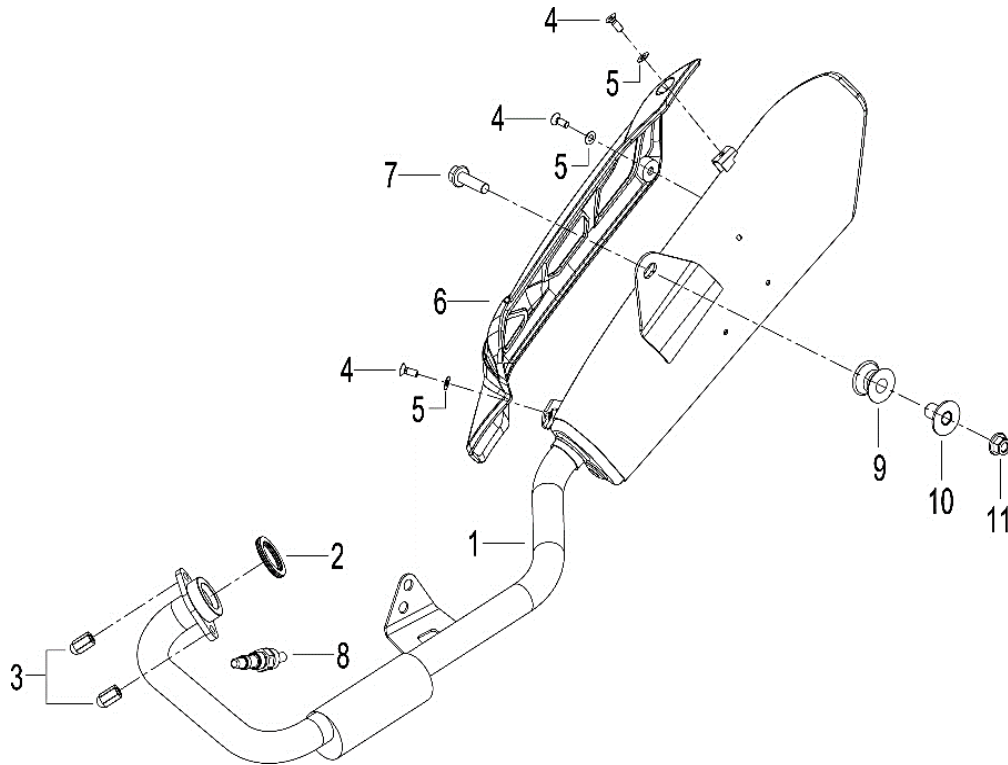
F05 RODA DIANTEIRA



N°	CÓDIGO	DESCRIÇÃO	Qt.	OBSERVAÇÕES
1	44004J800200	FRONT WHEEL AXLE M14×1.5×207	1	
2	44016K740000	BUSH FRONT WHEEL ASSY RIGHT	1	
3	44200K690000	SPEEDOMETER DRIVE ASSY	1	
4	44023J000000	DRIVING PLATE	1	
5	44230J000000	SEAL ASSY	1	
6	B12016020200	BALL BEARING 6202-2RS	2	
7	44600N210000	BUSH	1	
8	B140105E1709	TUBELESS TIRE 100/80-17	1	
9	44101N210000	FRONT RIM	1	
10	44300B910000	FRONT OIL SEAL ASSY	1	
11	44005J800000	FRONT WHEEL LEFT COLLAR	1	
12	45033L290000	FRONT BRAKE DISC	1	
13	45036D010200	BOLT M6×16	6	
14	B1403Z201100	AIR VALVE/RIM VALVE	1	
15	B1404Z2011A0	CAP, VALVE	1	

RKF 125 E4

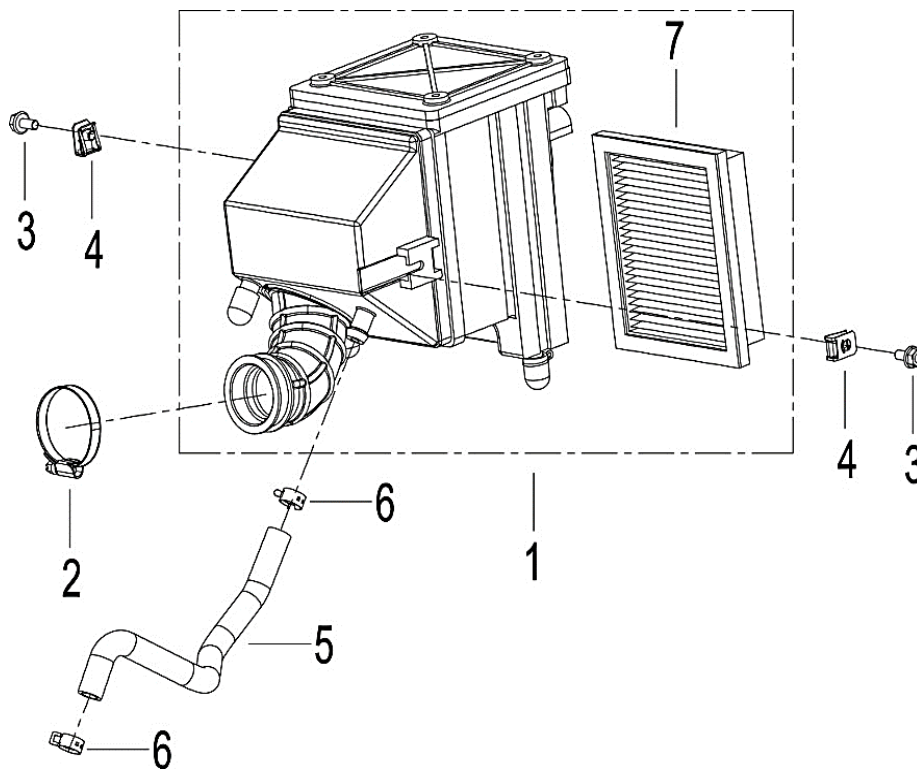
F06 ESCAPE



N°	CÓDIGO	DESCRIÇÃO	Qt.	OBSERVAÇÕES
1	47100U320000	MUFFLER ASSY, MARK: e9 QJ EX-L43	1	
2	47800P250000	EXHAUST PIPE GASKET ASSY	1	
3	08051N030100	NUT M8	2	
4	B0285060126H	SCREW M6×12	3	
5	08022N050000	HEAT INSULATION WASHER	6	
6	47023V030000	GUARD BOARD, MUFFLER	1	
7	B0159100406H	BOLT M10×1.25×40	1	
8	280014460000	OXYGEN SENSOR	1	
9	47028H390000	RUBBER BUSH	1	
10	47040H390000	T BUSH	1	
11	B0417101254H	SELF-LOCKING NUT M10×1.25	1	

RKF 125 E4

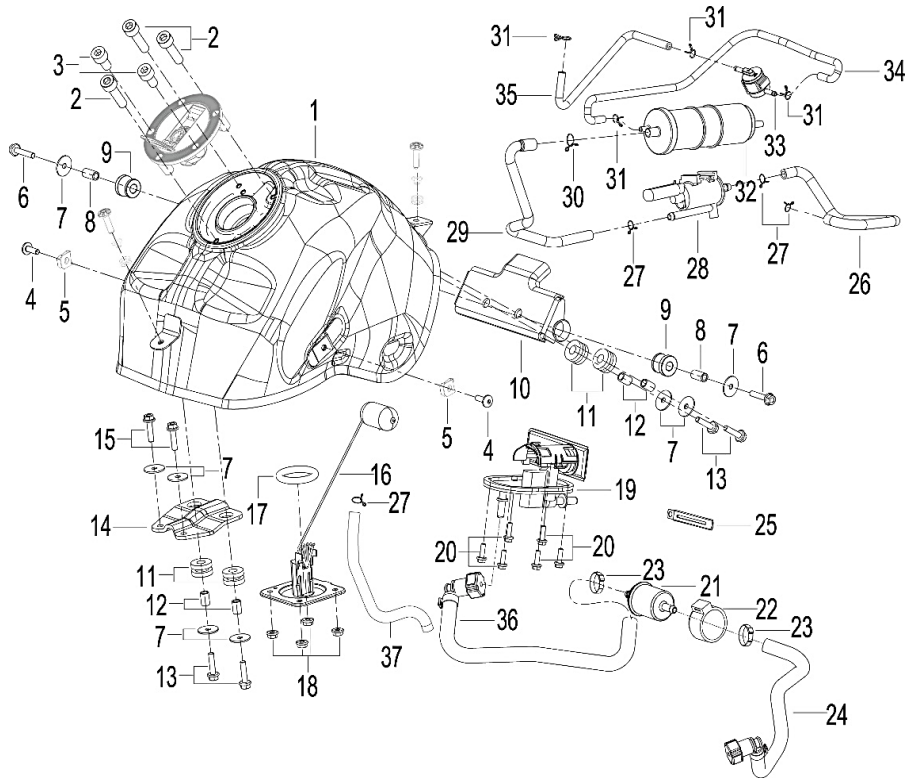
F07 FILTRO DE AR



N°	CÓDIGO	DESCRIÇÃO	Qt.	OBSERVAÇÕES
1	49100L430000	AIR FILTER ASSY	1	
2	49016N070000	STAINLESS CLAMP 50	1	
3	B0109060126H	BOLT M6×12	2	
4	65625J560000	CLIP NUT M6	2	
5	49858L430000	PIPE	1	
6	49805G120000	CLAMP Φ 14.5×12×0.8	2	
7	49200L430000	AIR FILTER ASSY	1	

RKF 125 E4

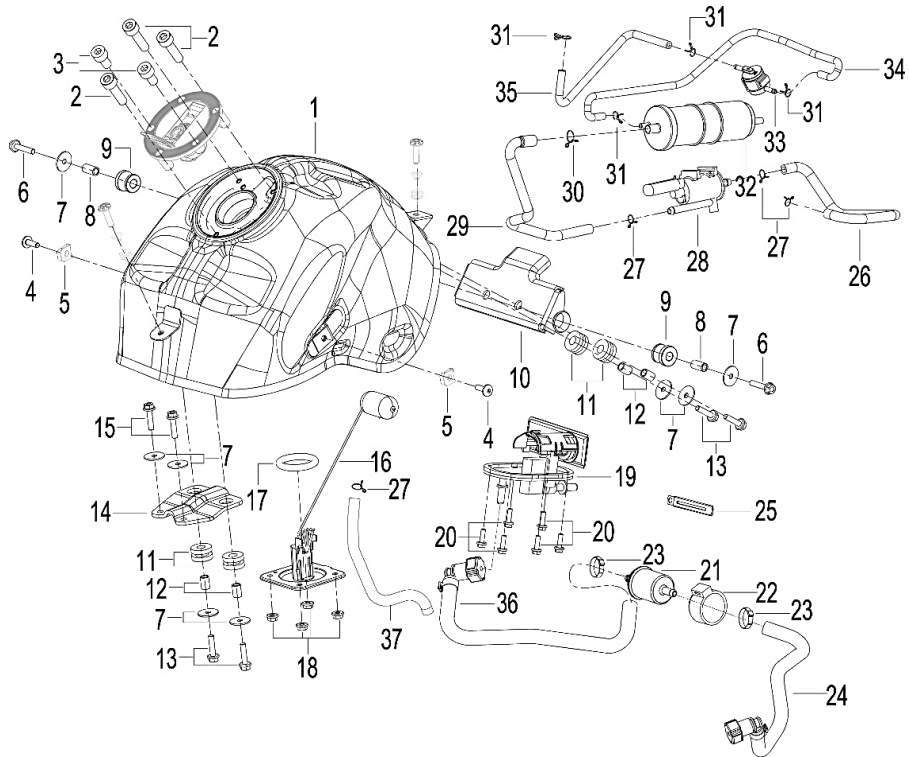
F08 DEPÓSITO DE GASOLINA



Nº	CÓDIGO	DESCRIÇÃO	Qt.	OBSERVAÇÕES
1	50100L430000	FUEL TANK ASSY	1	
2	B0280050300A	SCREW M5×30	3	
3	B0280050140A	SCREW 5X14	2	
4	08012P160000	BOLT M5×16	2	
5	65624P160000	CARD NUT M5	2	
6	B0109060306H	BOLT M6×30	2	
7	08023J000100	FUEL TANK MOUNTING WASHER	8	
8	50243L430000	BUFFER SPACER	2	
9	50242L430000	BUFFER RUBBER	2	
10	57080L430000	FUEL TANK REAR PRESSURE PLATE	1	
11	50005P250000	RUBBER BUSH	4	
12	50014P250000	RUBBER BUSH	4	
13	B0109060256H	BOLT M6×25	4	
14	50231L430000	FUEL TANK FRONT FIXING PLATE	1	
15	B0109060256H	BOLT M6×25	2	
16	50800L430000	FUEL SENSOR ASSY	1	
17	50002K020000	FUEL LEVEL SENSOR RUBBER WASHER	1	
18	B0407060005H	NUT M6	4	
19	50400P100040	FUEL PUMP ASSY	1	
20	B0109050166H	BOLT M5×16	6	
21	50340N100001	FUEL FILTER	1	
22	50391N070000	FUEL FILTER JACKET	1	
23	50307J690000	CLAMP 14.5	2	
24	50080L430000	TUBE	1	
25	58430J000000	CLIP	1	
26	49923L430000	TUBE	1	
27	B17010110003	WIRE CLAMP Ø11	5	
28	49710N070000	CANISTER SOLENOID VALVE	1	
29	49922L430000	TUBE	1	
30	B17010125003	WIRE CLAMP Ø12.5	1	
31	B17010085003	WIRE CLAMP Ø8.5	4	
32	49910V300001	CANISTER ASSY	1	

RKF 125 E4

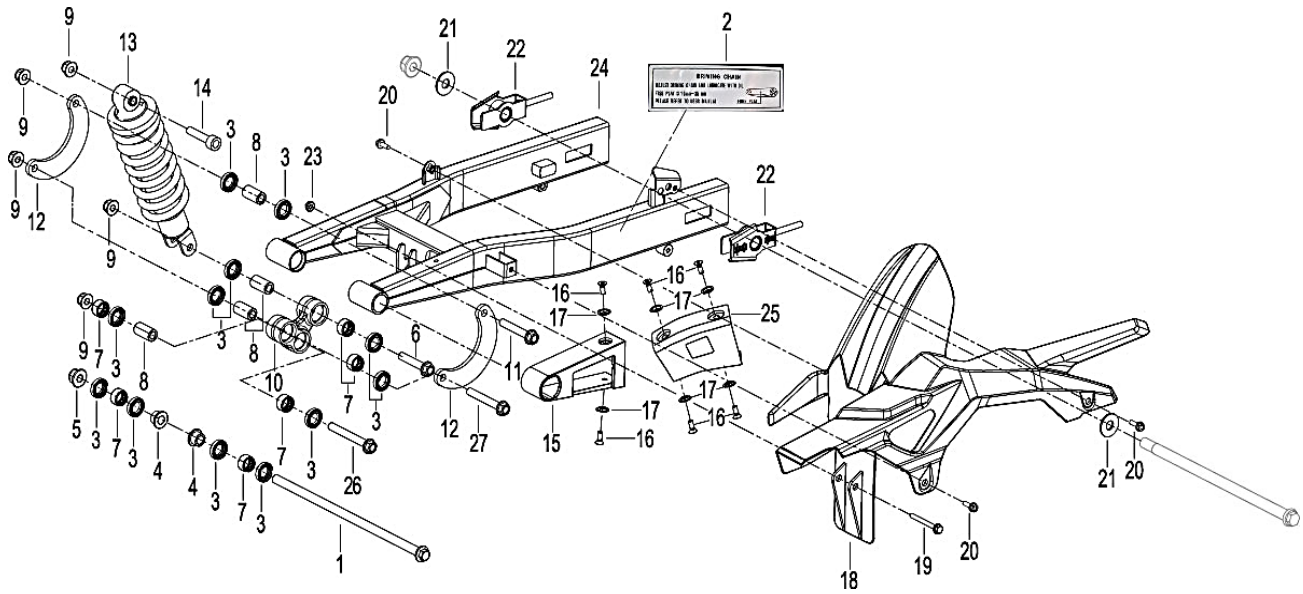
F08 DEPÓSITO DE GASOLINA



Nº	CÓDIGO	DESCRIÇÃO	Qt.	OBSERVAÇÕES
33	50260T730003	ROLL OVER SENSOR	1	
34	49902L430000	TUBE	1	
35	49905L430000	TUBE	1	
36	50090L430000	TUBE	1	
37	B16010726201	HOSE $\Phi 7 \times 11 \times 620$	1	

RKF 125 E4

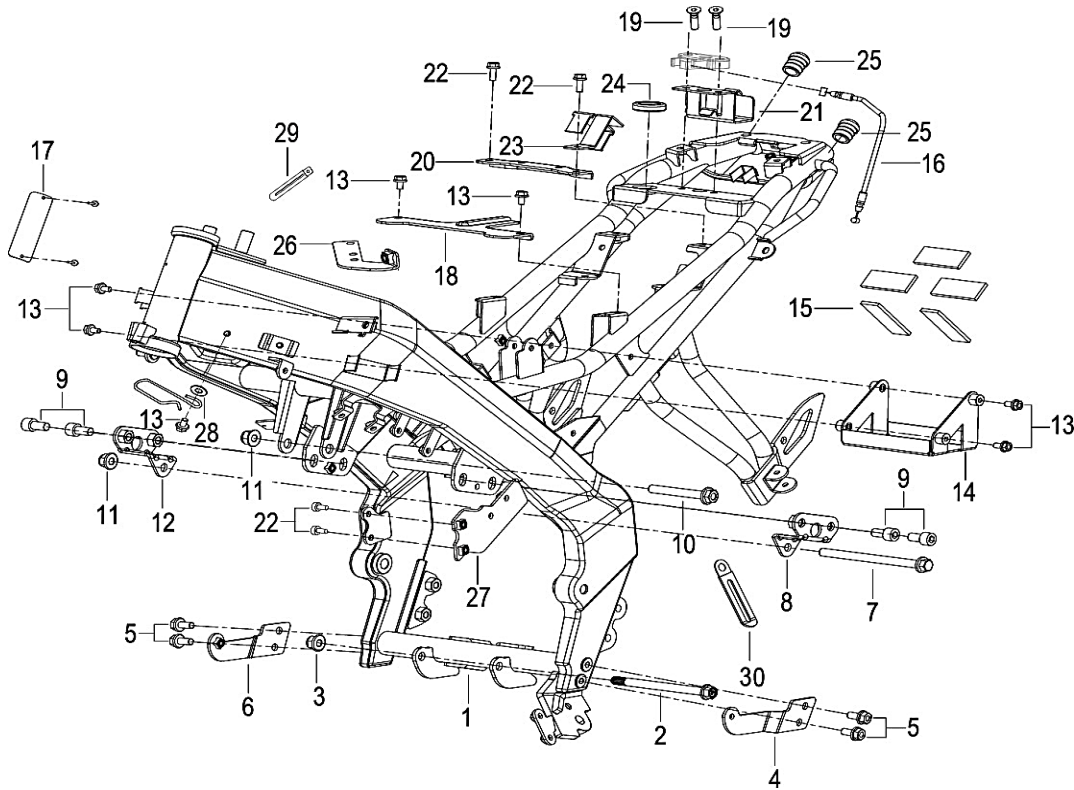
F09 SUSPENSÃO TRASEIRA



Nº	CÓDIGO	DESCRIÇÃO	Qt.	OBSERVAÇÕES
1	58303L430000	PIVOT SHAFT M12×1.25×318	1	
2	05551J000010	CHAIN ADJUSTING STICKER	1	
3	54640L430000	SEAL RING 17×27×6	12	
4	53006L430000	T BUSH	2	
5	B0417121254H	SELF-LOCKING NUT M12×1.25	1	
6	08013V030000	BOLT M10×67	1	
7	53243L430000	NEEDLE BEARING 17×24×15	8	
8	53242L430000	REAR SHOCK ABSORBER BUSH	4	
9	B0417101254H	SELF-LOCKING NUT M10×1.25	5	
10	53241L430000	REAR SHOCK ABSORBER ROCKER	1	
11	08011L430000	BOLT	1	
12	53244L430001	ROCKER CONNECT PLATE	2	
13	63800L430000	REAR SHOCK ABSORBER ASSY	1	
14	B0255100558H	SCREW M10×1.25×55	1	
15	53004L430000	CHAIN SHIELD BLOCK	1	
16	B0201060122H	SCREW M6×12	6	
17	53056D010050	BUSH	6	
18	60101L430000	DRIVE CHAIN COVER	1	
19	B0109060506H	BOLT M6×50	1	
20	B0109060126H	BOLT M6×12	3	
21	08021K670100	WASHER $\Phi 16 \times \Phi 32 \times 2$	2	
22	53230L430000	LEFT CHAIN REGULATOR ASSY	2	
23	B0407060005H	NUT M6	1	
24	53100L430000	SWING ARM ASSY	1	
25	53018L430000	CHAIN REAR SHIELD BLOCK	1	
26	08012V030000	BOLT M10×77	1	
27	08013V030000	BOLT M10×67	1	

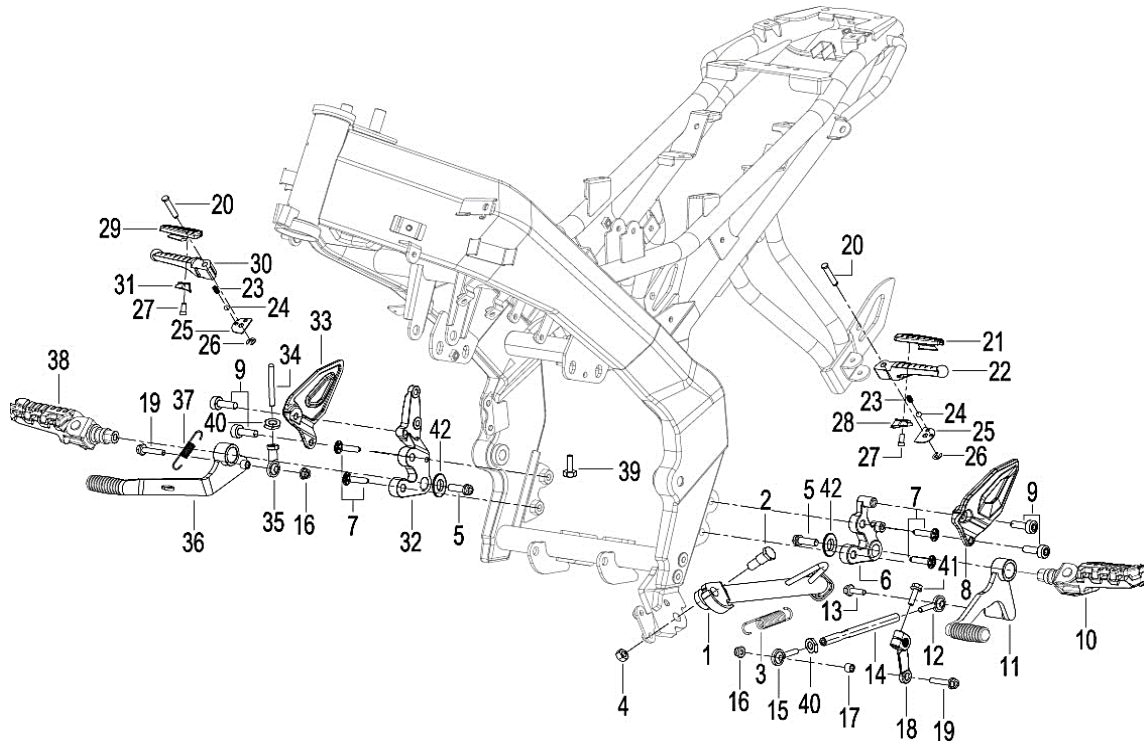
RKF 125 E4

F11 QUADRO



N°	CÓDIGO	DESCRIÇÃO	Qt.	OBSERVAÇÕES
1	57100L43BG00	FRAME ASSY	1	
2	58306V030100	ENGINE MOUNTING SHAFT M10×124	1	
3	B0417101254H	SELF-LOCKING NUT M10×1.25	1	
4	65570L430000	LEFT COWLING	1	
5	B0109080166H	BOLT M8×16	4	
6	65580L430000	LEFT FIXING PLATE	1	
7	58305L430000	ENGINE MOUNTING SHAFT M10×1.25×134	1	
8	57020L430000	ENGINE LEFT MOUNTING PLATE	1	
9	B0255100186H	SCREW M10×1.25×18	4	
10	B01591007562	BOLT M10×1.25×75	1	
11	B0417101254H	SELF-LOCKING NUT M10×1.25	2	
12	57030L430000	ENGINE RIGHT MOUNTING PLATE	1	
13	B0109060126H	BOLT M6×12	7	
14	58750L430002	BATTERY FIXING BRACKET	1	
15	58752P250000	BATTERY SPONGE CUSHION	5	
16	58900L430000	SEAT LOCK CABLE ASSY	1	
17	57001U320000	LABEL PLATE	1	
18	58741L430000	BATTERY PRESSURE PLATE	1	
19	B0201060252H	SCREW M6×25	2	
20	57410L430000	SEAT SUPPORT PLATE	1	
21	58761L430000	TOOL KIT BOX BRACKET	1	
22	B0109060166H	BOLT M6×16	4	
23	57437L430000	FLASHER FIXING PLATE	1	
24	51103L430000	BUFFER RUBBER	1	
25	57015N140000	PLUG	2	
26	57400L430000	STARTER RELAY FIXING BRACKET	1	
27	58030L430000	CBS MOUNTING PLATE	1	
28	B0702000060H	WASHER 6	1	
29	08430P250000	CLIP ASSY	1	
30	58430J670000	CLIP	1	

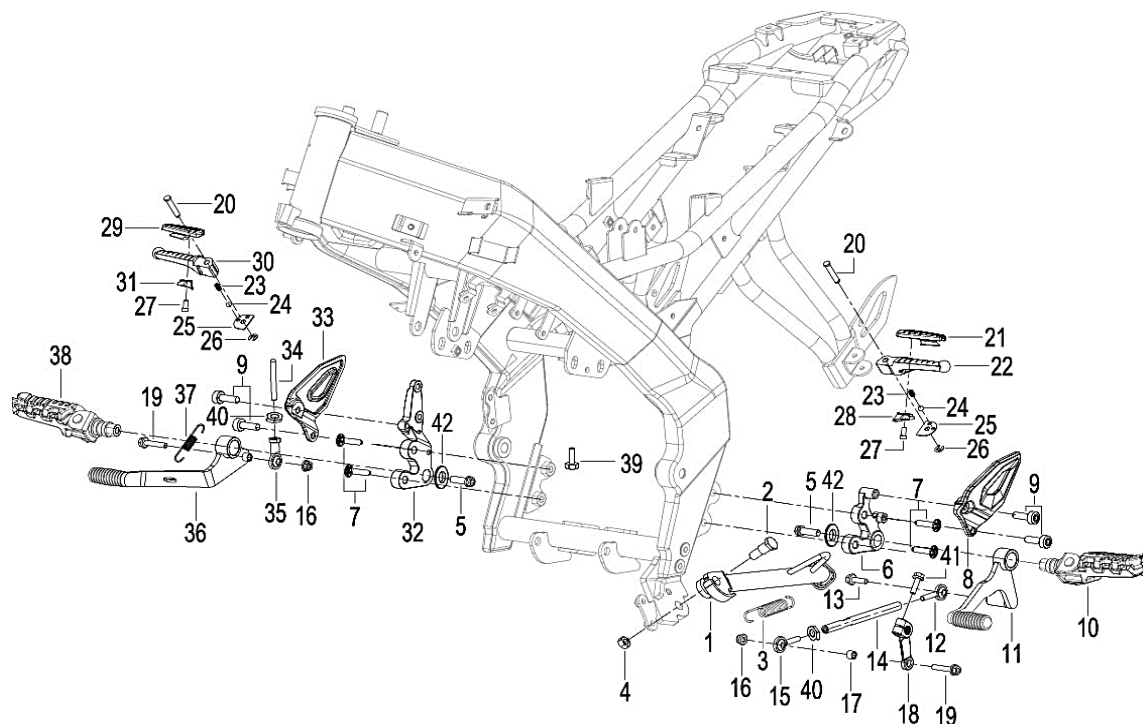
F12 POUSA-PÉS



N°	CÓDIGO	DESCRIÇÃO	Qt.	OBSERVAÇÕES
1	58700L430000	SIDE STAND ASSY	1	
2	57005B410101	SIDE STAND BOLT M8×35.5	1	
3	57010N100100	SIDE STAND SPRING	1	
4	B0402080001H	NUT M8	1	
5	B0226080206H	SCREW M8×20	2	
6	58451L430000	LEFT FOOTREST BRACKET PLATE	1	
7	52018J800000	SCREW M8×25	4	
8	58211L430000	LEFT FOOTREST DECORATIVE PLATE	1	
9	B02810602062	BOLT M6×1×20	4	
10	58220L430000	LEFT FRONT FOOTREST ASSY.	1	
11	08370L430000	SHIFT PEDAL	1	
12	40706S040000	M6 LEFT SECTION HEAD	1	
13	B0109060166H	BOLT M6×16	1	
14	08371L430000	SHIFT ROD	1	
15	08375S010000	SECTION HEAD	1	
16	B0417060004H	SELF-LOCKING NUT M6	2	
17	47033T430000	MUFFLER GUARD PLATE INSTALLATION SPACER	1	
18	08386P100001	SHIFT PEDAL MOUNTING BRACKET	1	
19	B0109060306H	BOLT M6×30	2	
20	58213L430000	PEDAL MOUNTING SHAFT	2	
21	08352S020000	LEFT PEDAL RUBBER	1	
22	58266S010000	LEFT REAR FOOTREST	1	
23	58222B930000	PEDAL SPRING	2	
24	B06000002000	PEDAL BALL	2	
25	58203L430000	PEDAL LIMIT PLATE	2	
26	B0882000050A	CIRCLIP φ5	2	
27	B0280040100A	SCREW M4×10	2	
28	58205S020000	LEFT PEDAL RUBBER PAD IS	1	
29	08372S020000	RUBBER PEDAL RIGHT	1	
30	58286S010000	RIGHT REAR PEDAL	1	
31	58405S020000	RUBBER PEDAL RIGHT	1	
32	58471L430000	RIGHT FOOTREST BRACKET PLATE	1	

RKF 125 E4

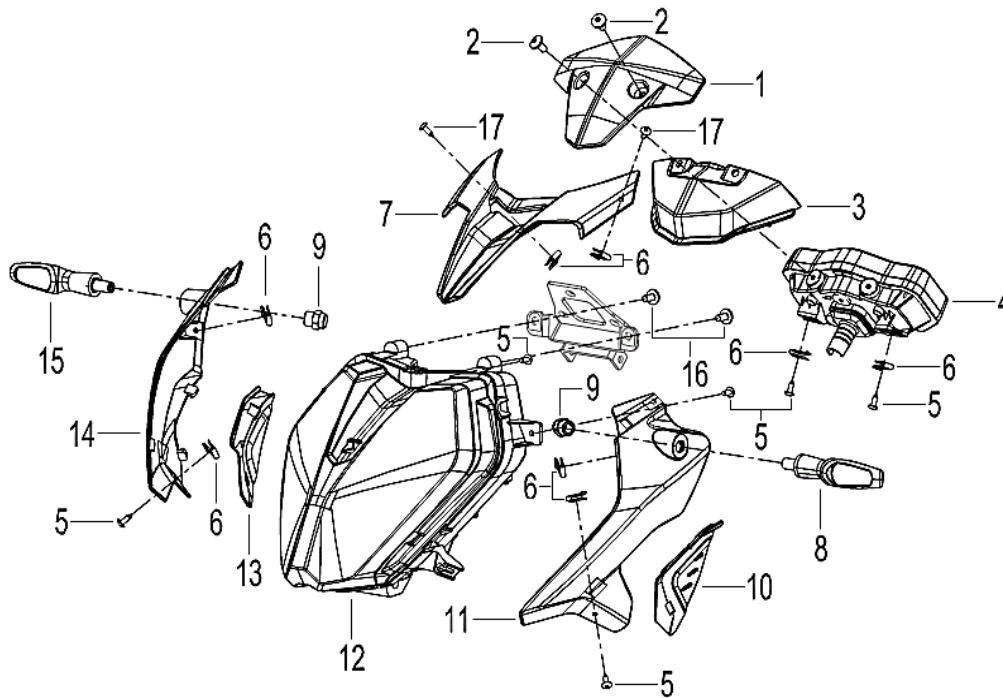
F12 POUSA-PÉS



N°	CÓDIGO	DESCRIÇÃO	Qt.	OBSERVAÇÕES
33	58311L430000	RIGHT FOOTREST DECORATIVE PLATE	1	
34	55061L290000	BRAKE PUSH ROD	1	
35	40283S010000	SECTION HEAD M6	1	
36	40710L430000	BRAKE PEDAL ASSY	1	
37	40702L290000	BRAKE SPRING	1	
38	58240L430000	RIGHT FRONT PEDAL ASSY	1	
39	B0109060256H	BOLT M6×25	1	
40	08051S040010	LEFT NUT M6	2	
41	B02810602062	BOLT M6×1×20	1	
42	08023P250000	WASHER Φ10.5×Φ19×0.8	2	

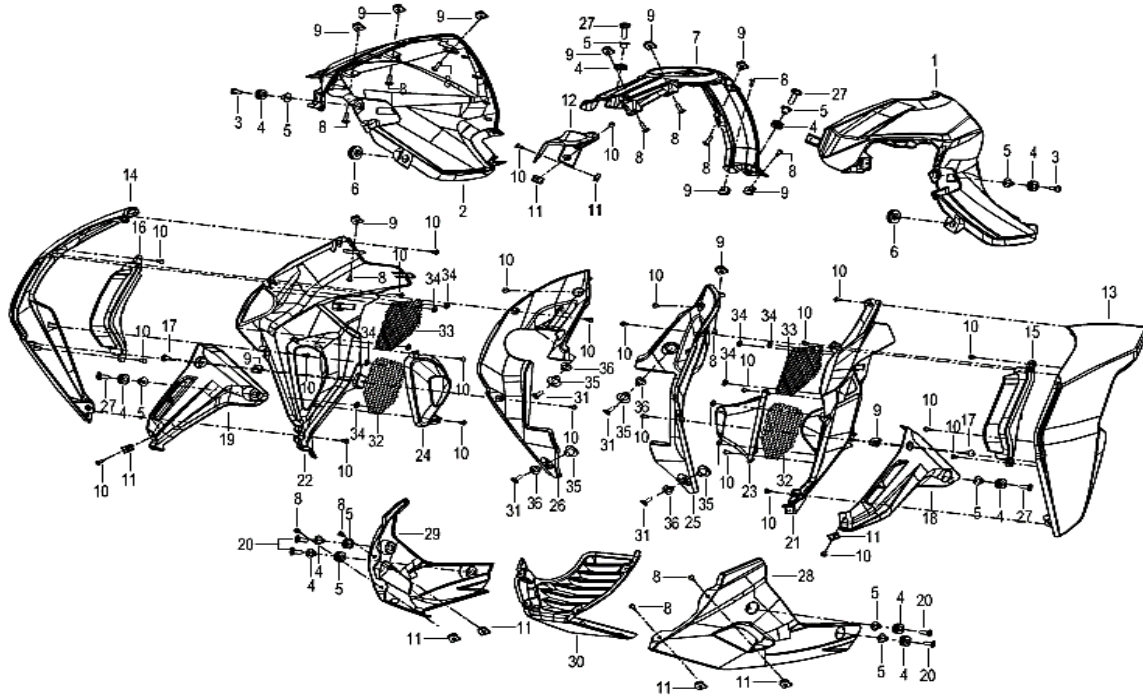
RKF 125 E4

F13 CARENAGENS DE FAROL



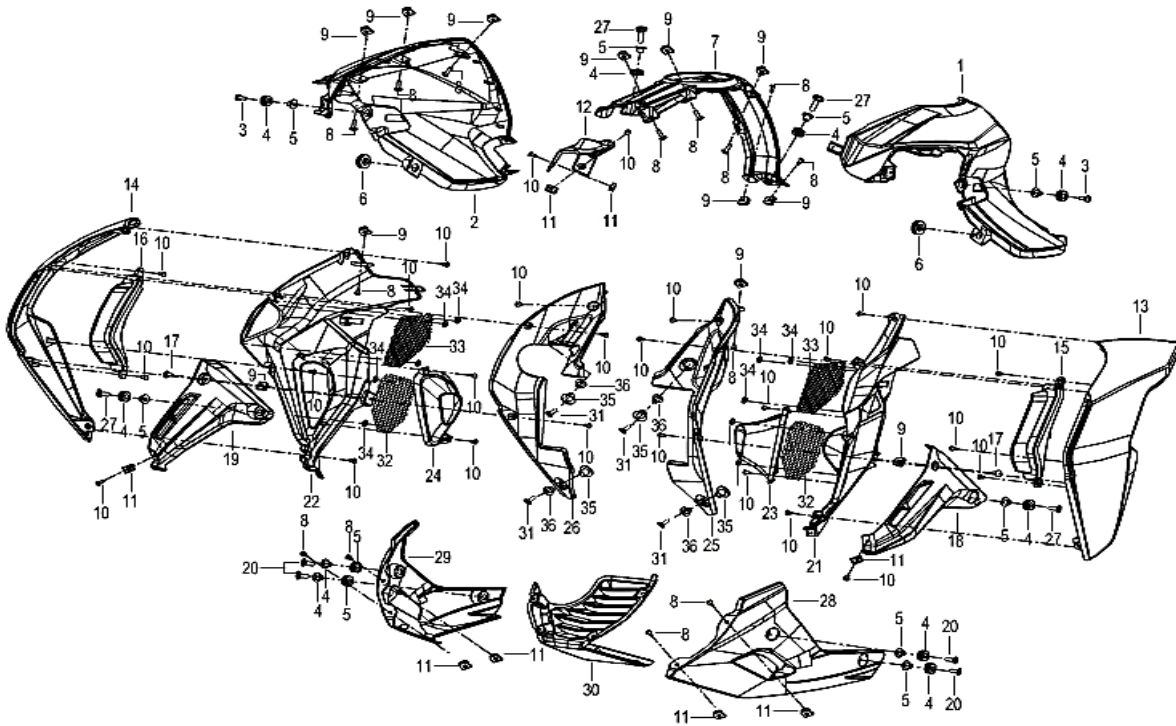
Nº	CÓDIGO	DESCRIÇÃO	Qt.	OBSERVAÇÕES
1	65203L43B200	METER VISOR, BLACK B2	1	
2	08011P160000	SCREW M5×12	2	
3	65202L430000	INSTRUMENT COVER	1	
4	70000L430000	METER ASSY	1	
5	B0507420130H	TAPPING SCREW ST4.2×13	8	
6	65801T020201	INSERT ST4.2	8	
7	65501L430000	COWLING	1	
8	81100L430000	FRONT LEFT TURN SIGNAL LIGHT	1	
9	81065L430000	SCREW	2	
10	65521L430000	LEFT COWLING DECORATIVE PLATE	1	
11	65506L43001Z	LEFT COWLING, WHITE WF, WITH STICKER	1	
11	65506L43002Z	LEFT COWLING, BLUE E4, WITH STICKER	1	
11	65506L43003Z	LEFT COWLING, RED F9, WITH STICKER	1	
11	65506L43004Z	LEFT COWLING, GRAPHITE BLACK BC, WITH STICKER	1	
12	80000L430020	HEAD LIGHT	1	
13	65531L430000	RIGHT COWLING DECORATIVE PLATE	1	
14	65507L43001Z	RIGHT COWLING, WHITE WF, WITH STICKER	1	
14	65507L43002Z	RIGHT COWLING, BLUE E4, WITH STICKER	1	
14	65507L43003Z	RIGHT COWLING, RED F9, WITH STICKER	1	
14	65507L43004Z	RIGHT COWLING, GRAPHITE BLACK BC, WITH STICKER	1	
15	81300L430000	FRONT RIGHT TURN SIGNAL LIGHT	1	
16	B0107060126H	BOLT M6×12	2	
17	B0507420101H	TAPPING SCREW ST4.2×10	2	

F14 CARENAGENS DE DEPÓSITO



Nº	CÓDIGO	DESCRIÇÃO	Qt.	OBSERVAÇÕES
1	50015L43001Z	FUEL TANK L. SIDE COVER,WHITE WF,WITH STICKER	1	
1	50015L43002Z	FUEL TANK L. SIDE COVER,BLUE E4,WITH STICKER	1	
1	50015L43003Z	FUEL TANK L. SIDE COVER,RED F9,WITH STICKER	1	
1	50015L43004Z	FUEL TANK L. SIDE COVER, BLACK BC,WITH STICKER	1	
2	50016L43001Z	FUEL TANK R. SIDE COVER,WHITE WF,WITH STICKER	1	
2	50016L43002Z	FUEL TANK R. SIDE COVER,BLUE E4,WITH STICKER	1	
2	50016L43003Z	FUEL TANK R. SIDE COVER,RED F9,WITH STICKER	1	
2	50016L43004Z	FUEL TANK R. SIDE COVER, BLACK BC,WITH STICKER	1	
3	B0284060200A	SCREW M6×20	2	
4	65616L430000	RUBBER CUSHION	10	
5	65517J900001	HEADLIGHT BRACKET BUSH	10	
6	50018G530000	RUBBER SLEEVE	2	
7	65672L43HT00	FUEL TANK MID COVER,GREY HT	1	
8	08012P160000	BOLT M5×16	16	
9	65624P160000	CARD NUT M5	16	
10	B0507420130H	TAPPING SCREW ST4.2×13	38	
11	65801T020201	INSERT ST4.2	12	
12	65671L430000	FUEL TANK FRONT DECORATIVE PLATE	1	
13	65675L43WF00	FUEL TANK L. FR. SIDE C. WHITE WF,WITHOUT STICKER	1	
13	65675L43E400	FUEL TANK L. FR SIDE COVER,BLUE E4,WITHOUT STICKER	1	
13	65675L43F900	FUEL TANK L. FR SIDE COVER,RED F9,WITHOUT STICKER	1	
13	65675L43BC00	FUEL TANK L. FR SIDE C. BLACK BC,WITHOUT STICKER	1	
14	65676L43WF00	FUEL TANK R. FR. SIDE C. WHITE WF,WITHOUT STICKER	1	
14	65676L43E400	FUEL TANK R. FR SIDE COVER,BLUE E4,WITHOUT STICKER	1	
14	65676L43F900	FUEL TANK R. FR SIDE COVER,RED F9,WITHOUT STICKER	1	
14	65676L43BC00	FUEL TANK R. FR SIDE C. BLACK BC,WITHOUT STICKER	1	
15	81900L430001	FRONT LEFT CITY LIGHT	1	
16	83900L430001	FRONT RIGHT CITY LIGHT	1	
17	08012P160000	SCREW M5×16	2	
18	65681L430000	FUEL TANK LEFT LOWER SIDE COVER	1	
19	65682L430000	FUEL TANK RIGHT LOWER SIDE COVER	1	
20	B0284060200A	SCREW M6×20	4	

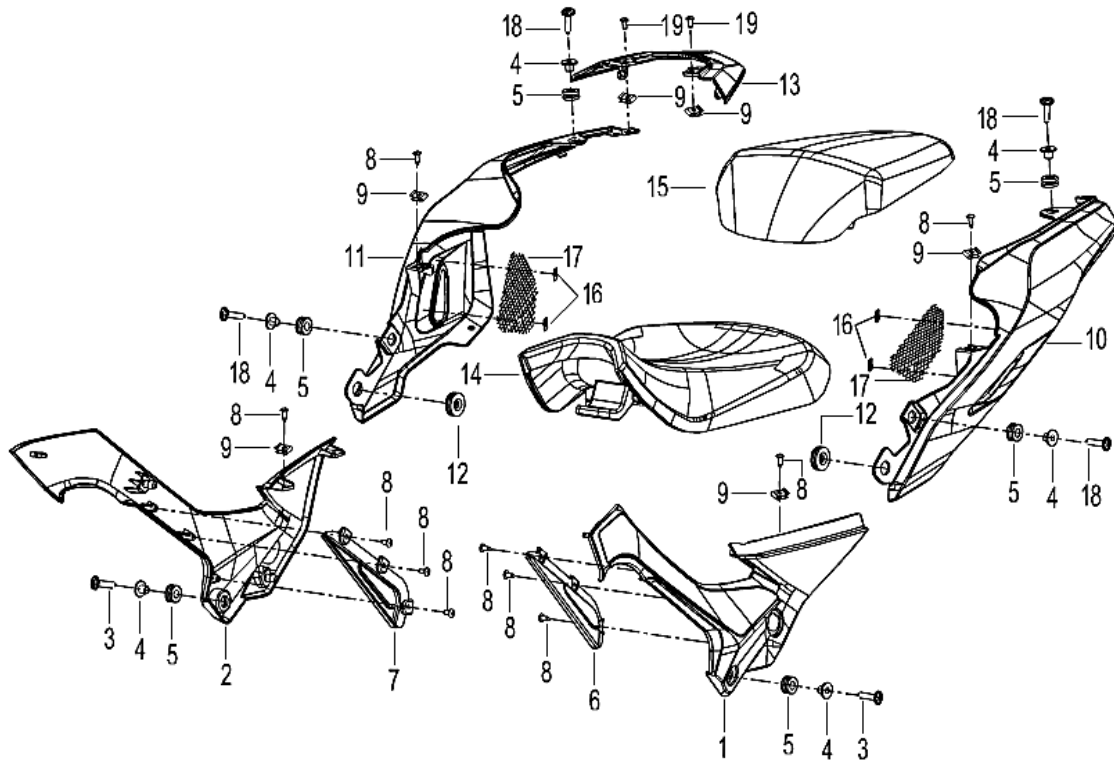
F14 CARENAGENS DE DEPÓSITO



Nº	CÓDIGO	DESCRIÇÃO	Qt.	OBSERVAÇÕES
21	65677L430000	LEFT FRONT DECORATIVE PLATE	1	
22	65678L430000	RIGHT FRONT DECORATIVE PLATE	1	
23	65683L430000	LEFT GUIDE TUYERE	1	
24	65684L430000	RIGHT GUIDE TUYERE	1	
25	65673L430000	LEFT INNER DECORATIVE PLATE	1	
26	65674L430000	RIGHT INNER DECORATIVE PLATE	1	
27	B0284060250A	SCREW M6×25	2	
28	65406L43HT00	LEFT BOTTOM COVER,GREY HT	1	
29	65407L43HT00	RIGHT BOTTOM COVER,GREY HT	1	
30	65436L430000	BOTTOM COVER CONNECT PLATE	1	
31	B0284060250A	SCREW M6×25	4	
32	65306L430000	STEEL NET	2	
33	65305L430000	STEEL NET	2	
34	82038J800000	CLIP	10	
35	50026L430000	T RUBBER	2	
36	65627J410000	SPACER,SIDE COVER	2	

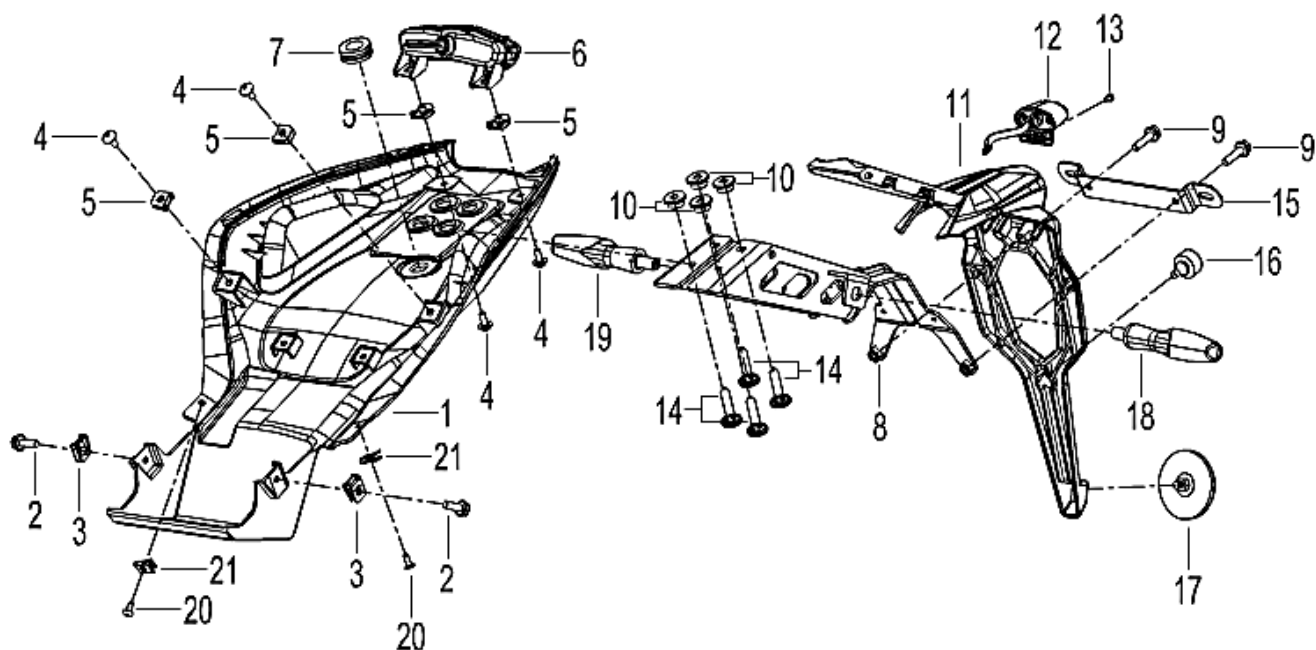
RKF 125 E4

F15 CARENAGENS LATERAIS



Nº	CÓDIGO	DESCRIÇÃO	Qt.	OBSERVAÇÕES
1	65601L43HT00	LEFT SIDE COVER,GREY HT	1	
2	65602L43HT00	RIGHT SIDE COVER,GREY HT	1	
3	B0284060250A	SCREW M6×25	2	
4	65517J900001	HEADLIGHT BRACKET BUSH	2	
5	65616L430000	RUBBER CUSHION	2	
6	65621L430000	LEFT SIDE COVER DECORATIVE PLATE	1	
7	65623L430000	RIGHT SIDE COVER DECORATIVE PLATE	1	
8	08012P160000	SCREW M5×16	4	
9	65801T020201	INSERT ST4.2	6	
10	65901L43001Z	LEFT TAIL COVER,WHITE WF,WITH STICKER	1	
10	65901L43002Z	LEFT TAIL COVER,BLUE E4,WITH STICKER	1	
10	65901L43003Z	LEFT TAIL COVER,RED F9,WITH STICKER	1	
10	65901L43004Z	LEFT TAIL COVER,GRAPHITE BLACK BC,WITH STICKER	1	
11	65902L43001Z	RIGHT TAIL COVER,WHITE WF,WITH STICKER	1	
11	65902L43002Z	RIGHT TAIL COVER,BLUE E4,WITH STICKER	1	
11	65902L43003Z	RIGHT TAIL COVER,RED F9,WITH STICKER	1	
11	65902L43004Z	RIGHT TAIL COVER, BLACK BC,WITH STICKER	1	
12	50018G530000	RUBBER SLEEVE	2	
13	65606L43HT00	TAIL COVER CONNECT PLATE,GREY HT	1	
14	51100L430000	FRONT SEAT	1	
15	51200L430000	REAR SEAT	1	
16	65311B910000	CARD	4	
17	65307L430000	STEEL NET	2	
18	B0284060200A	SCREW M6×20	4	
19	B0507420101H	TAPPING SCREW ST4.2×10	2	

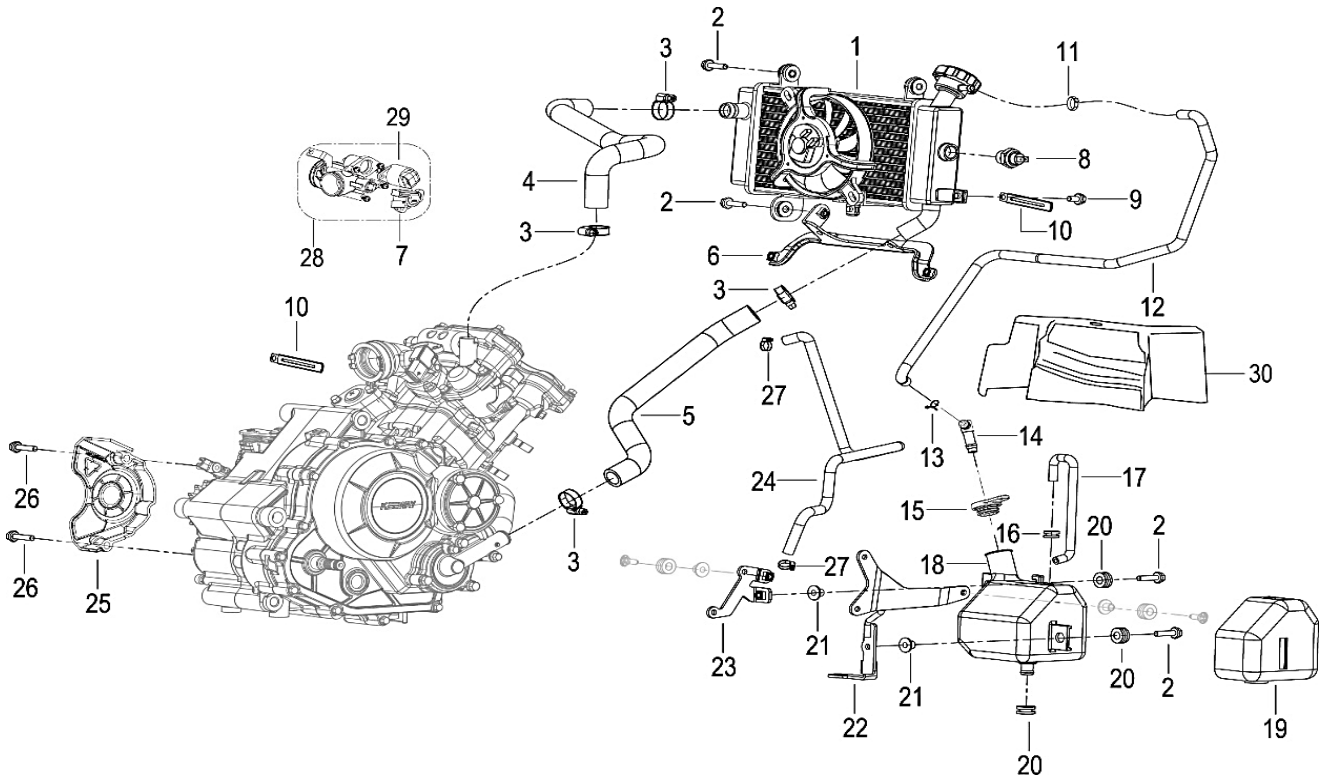
F16 GUARDA-LAMAS TRASEIRO



Nº	CÓDIGO	DESCRIÇÃO	Qt.	OBSERVAÇÕES
1	65731L430000	REAR FENDER FORESIDE	1	
2	B0109060126H	BOLT M6×12	2	
3	65625J560000	CLIP NUT M6	2	
4	08012P160000	SCREW M5×16	4	
5	65624P160000	CARD NUT M5	4	
6	82000L430000	TAIL LIGHT	1	
7	65713H160000	RUBBER SLEEVE I	1	
8	65770L43CJ00	REAR FENDER BRAK CET,SILVER CJ	1	
9	B0109060206H	BOLT M6×20	2	
10	65711L430000	REAR FENDER UPPER SPACER	4	
11	65701V020000	REAR FENDER	1	
12	82900B470002	REAR LICENSE PLATE LIGHT	1	
13	B0500420160H	TAPPING SCREW ST4.2×16	1	
14	B0284060250A	SCREW M6×25	4	
15	08252V020000	REAR LICENSE FIXING PLATE	1	
16	58507K670000	BUFFER BLOCK MAIN STAND	1	
17	86500V020000	REAR REFLECTOR	1	
18	81500L430000	REAR LEFT TURN SIGNAL LIGHT	1	
19	81700L430000	REAR RIGHT TURN SIGNAL LIGHT	1	
20	B0507420130H	TAPPING SCREW ST4.2×13	6	
21	65801T020201	INSERT ST4.2	6	

RKF 125 E4

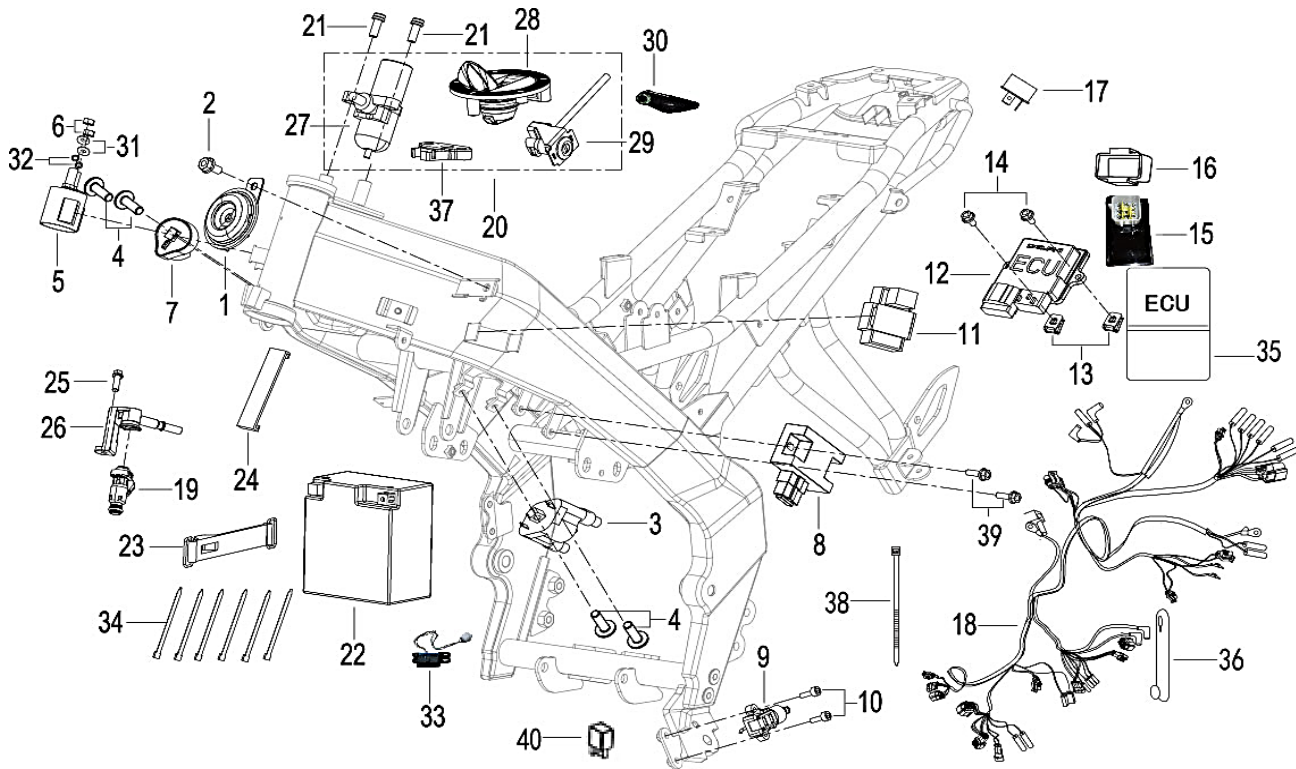
F17 RADIADOR



N°	CÓDIGO	DESCRIÇÃO	Qt.	OBSERVAÇÕES
1	279124460010	RADIATOR ASSY	1	
2	B0109060256H	BOLT M6×25	4	
3	270125060020	CLAMP	4	
4	06211L430000	INLET HOSE	1	
5	06251L430000	OUTLET HOSE	1	
6	59510L430000	RADIATOR LOWER FIXING PLATE	1	
7	280756030001	THROTTLE POSITION SENSOR	1	
8	279113160010	WATER TEMPERATURE SWITCH 93°C	1	
9	B0109060126H	BOLT M6×12	1	
10	58430J000000	CLIP	2	
11	50306J690000	WIRE CLAMP Ø12.5	1	
12	06223L430000	OVER FLOW PIPE	1	
13	B17010110003	WIRE CLAMP Ø11	1	
14	14039S040000	GUIDE TUBE	1	
15	14030S040000	VICE WATER TANK COVER	1	
16	43038P250000	RUBBER BUSH	1	
17	06107L430000	COOLANT RESERVE TANK OVER FLOW PIPE	1	
18	06111L430000	INFLATION KETTLE	1	
19	06113L430000	INFLATION KETTLE PROTECT JACKET	1	
20	65616L430000	RUBBER CUSHION	2	
21	65517J900001	HEADLIGHT BRACKET BUSH	2	
22	65550L430000	LEFT COWLING FRONT FIXING PLATE	1	
23	65560L430000	RIGHT COWLING FRONT FIXING PLATE	1	
24	06226P250000	OVER FLOW PIPE	1	
25	169044410020	LEFT REAR COVER ASSY	1	
26	B0107060286H	BOLT M6×28	2	
27	B1701016000A	HOOP 16	2	
28	289004320010	THROTTLE POSITION SENSOR	1	
29	280024320000	STEPPER MOTOR	1	
30	06203L430001	RUBBER	1	

RKF 125 E4

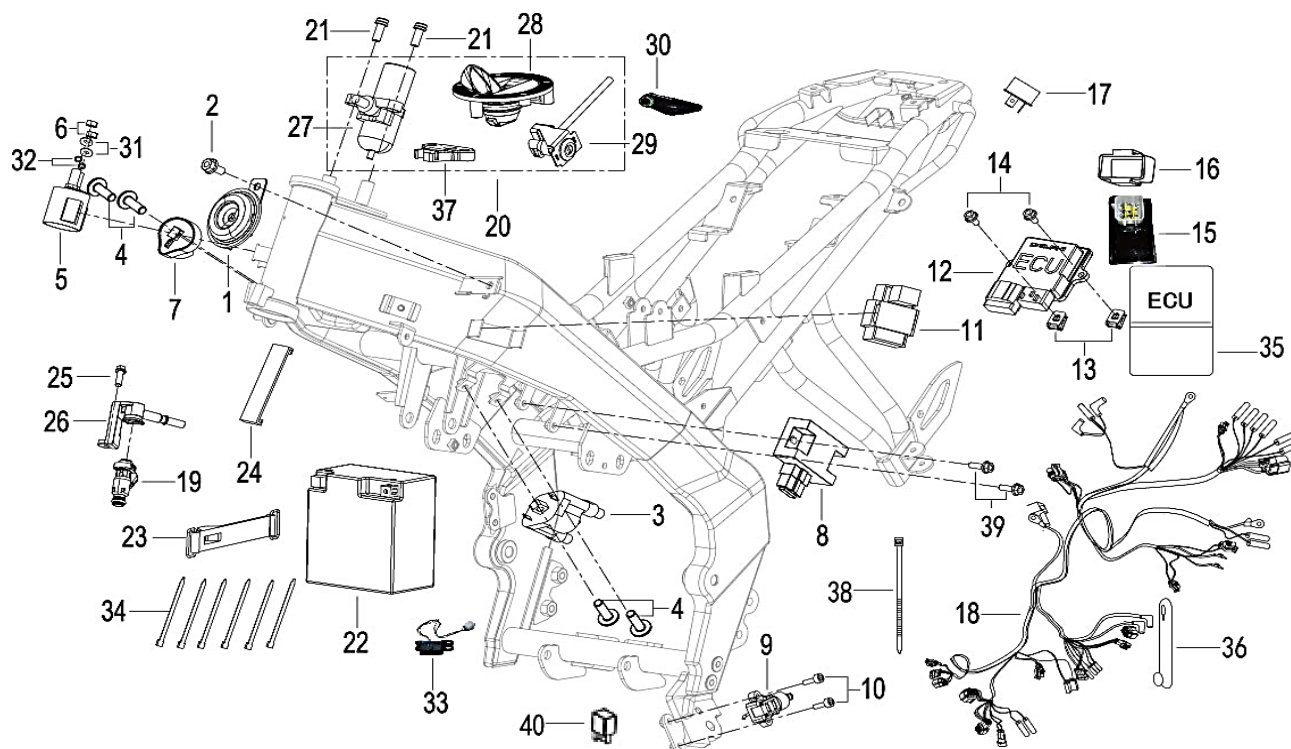
F18 SISTEMA ELÉTRICO



N°	CÓDIGO	DESCRIÇÃO	Qt.	OBSERVAÇÕES
1	95100T750000	HORN	1	
2	B0109060126H	BOLT M6×12	1	
3	96200U320000	IGNITION COIL	1	
4	08012P160000	SCREW M5×16	4	
5	94100T850000	STARTER RELAY	1	
6	B0400060005H	NUT M6	2	
7	96200V030000	IGNITION COIL	1	
8	299064010000	RECTIFIER.	1	
9	91170N070000	SIDE STAND SWITCH	1	
10	B0205050166H	SCREW M5×16	2	
11	94400N140000	HEADLIGHT RELAY CONTROLLER	1	
12	96C00P100H01	ECU	1	
13	65625J560000	CLIP NUT M6	2	
14	B0109060166H	BOLT M6×16	2	
15	96400H390001	FLASHER	1	
16	96007B720001	JACKET,FLASHER	1	
17	96700K060000	START DIODE	1	
18	92000L430002	MAIN WIRE HARNESS	1	
19	289035210000	FUEL INJECTOR	1	
20	88000L430100	LOCK ASSY	1	
21	B0207080168H	SCREW M8×16	2	
22	96100V030000	BATTERY	1	
23	02200J0000A0	BATTERY BELT ASSY	1	
24	96004W020010	BAND	1	
25	B02810501262	SCREW M5×0.8×12	1	
26	289044460000	INJECTION HOUSING	1	
27	88100L430000	POWER LOCK	1	
28	88400L430000	FUEL TANK LOCK	1	
29	88800P250000	SEAT LOCK	1	
30	88900L43090X	KEY NUT	1	
31	B0702000060H	WASHER 6	2	
32	B0700000060H	SPRING WASHER 6	2	

RKf 125 E4

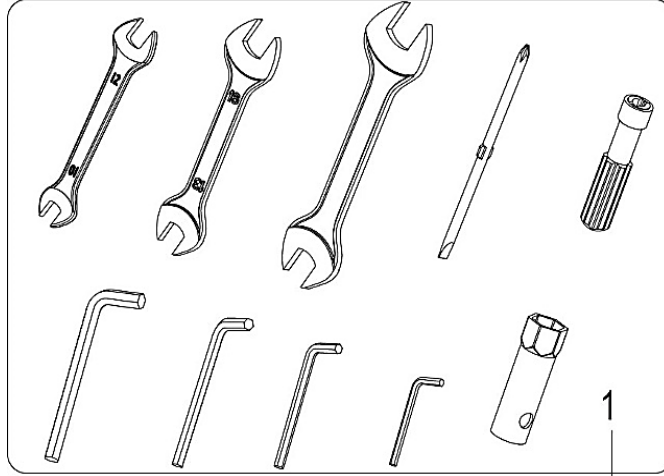
F18 SISTEMA ELÉTRICO



Nº	CÓDIGO	DESCRIÇÃO	Qt.	OBSERVAÇÕES
33	92940P100000	OBD WIRE	1	
34	40098B450000	BAND 3×150	16	
35	96C21L290000	ECU WATERPROOF COVER	1	
36	96003P250000	RUBBER CLIP	1	
37	58800P250000	BASE SEAT LOCK REAR	1	
38	96003J000000	BAND 250MM	5	
39	B0109060206H	BOLT M6×20	2	
40	94100J800000	RELAY	2	

RKF 125 E4

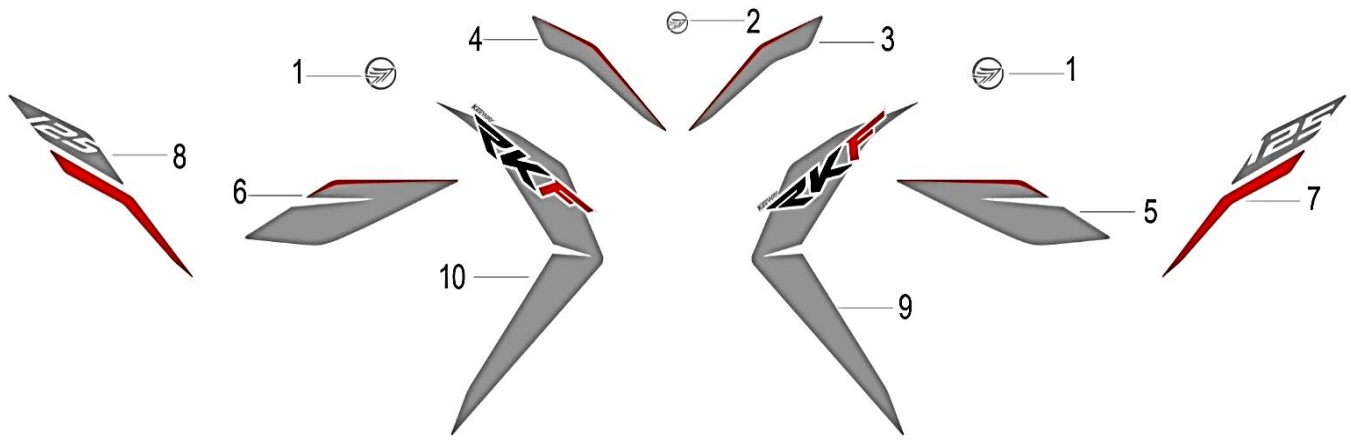
F20 KIT DE FERRAMENTAS



N°	CÓDIGO	DESCRIÇÃO	Qt.	OBSERVAÇÕES
1	02100B420000	TOOL KIT ASSY	1	

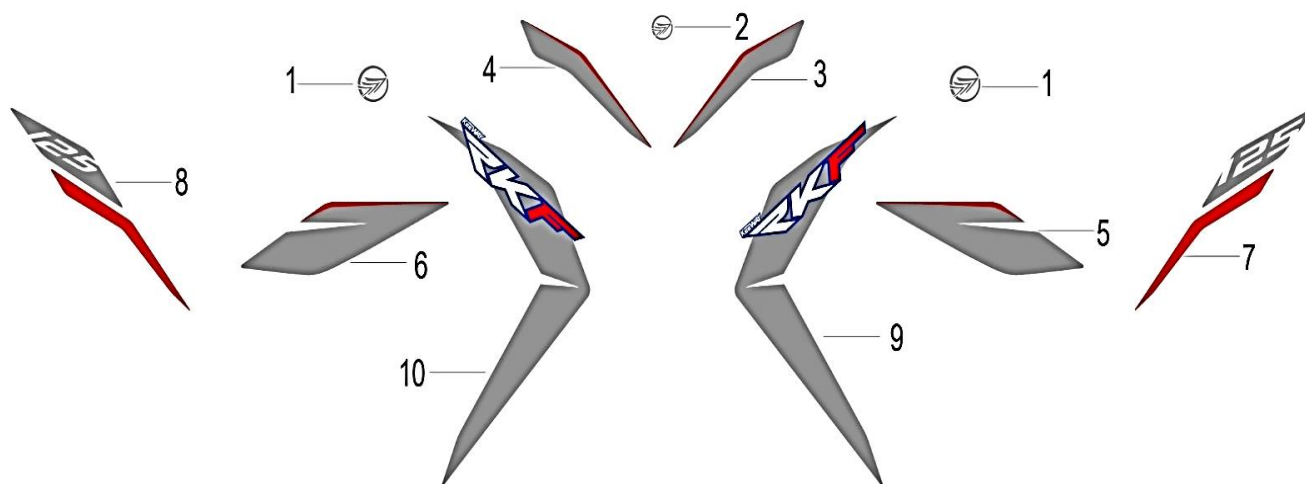
F20 AUTOCOLANTES PARA MOTO BRANCA

STICKERS FOR **WHITE** VERSION



N°	CÓDIGO	DESCRIÇÃO	Qt.	OBSERVAÇÕES
1	05531U320000	FUEL TANK STICKER	1	
2	05501U320000	FRONT FENDER STICKER	1	
3	05521U32WF00	LEFT COWLING STICKER	1	
4	05522U32WF00	RIGHT COWLING STICKER	1	
5	05532U32WF00	FUEL TANK LEFT STICKER	1	
6	05533U32WF00	FUEL TANK RIGHT STICKER	1	
7	05571U32WF00	LEFT TAIL COVER STICKER	1	
8	05572U32WF00	RIGHT TAIL COVER STICKER	1	
9	05534U32WF00	FUEL TANK LEFT FRONT STICKER	1	
10	05535U32WF00	FUEL TANK RIGHT FRONT STICKER	1	

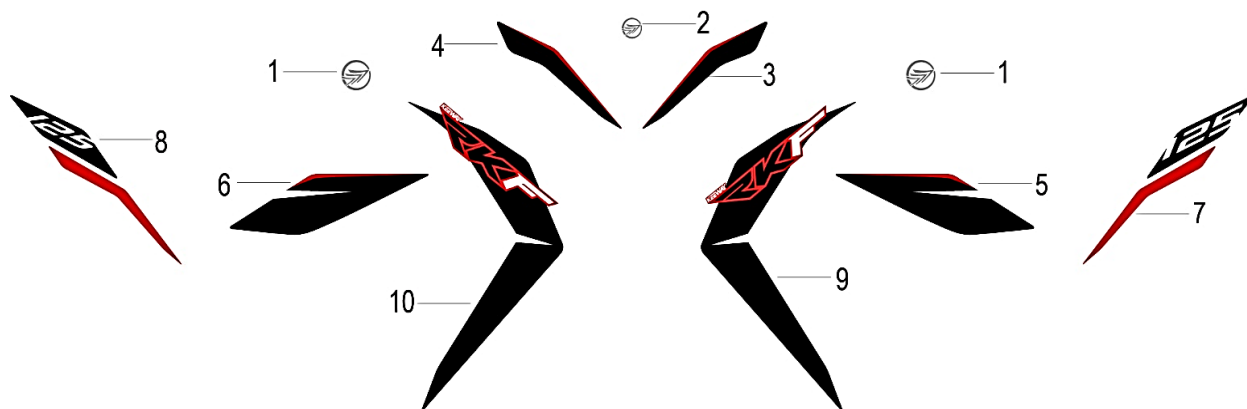
STICKERS FOR **BLUE** VERSION



Nº	CÓDIGO	DESCRIÇÃO	Qt.	OBSERVAÇÕES
1	05531U320000	FUEL TANK STICKER	1	
2	05501U320000	FRONT FENDER STICKER	1	
3	05521U32WF00	LEFT COWLING STICKER	1	
4	05522U32WF00	RIGHT COWLING STICKER	1	
5	05532U32WF00	FUEL TANK LEFT STICKER	1	
6	05533U32WF00	FUEL TANK RIGHT STICKER	1	
7	05571U32WF00	LEFT TAIL COVER STICKER	1	
8	05572U32WF00	RIGHT TAIL COVER STICKER	1	
9	05534U32E400	FUEL TANK LEFT FRONT STICKER	1	
10	05535U32E400	FUEL TANK RIGHT FRONT STICKER	1	

F22 AUTOCOLANTES PARA MOTO VERMELHA

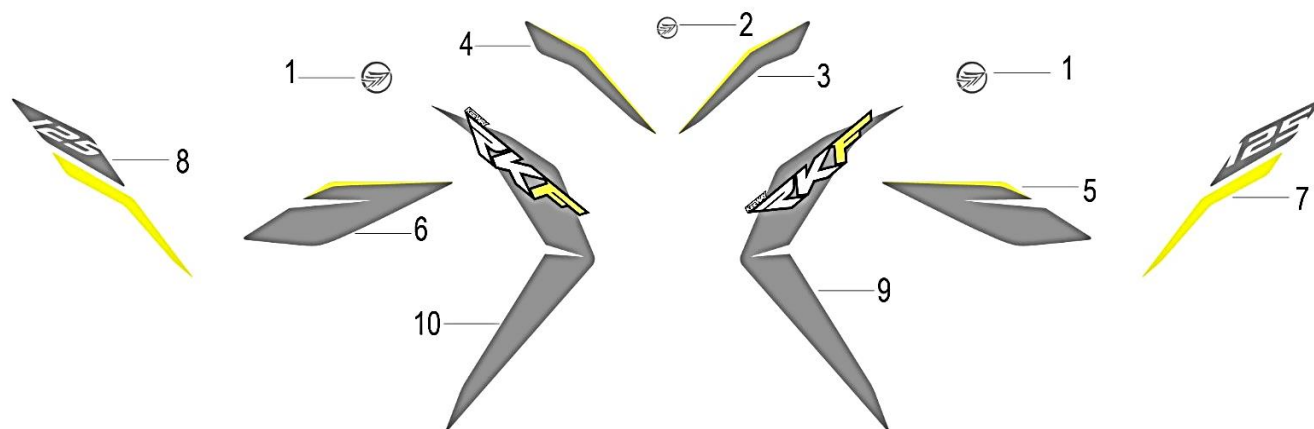
STICKERS FOR RED VERSION



Nº	CÓDIGO	DESCRIÇÃO	Qt.	OBSERVAÇÕES
1	05531U320000	FUEL TANK STICKER	1	
2	05501U320000	FRONT FENDER STICKER	1	
3	05521U32F900	LEFT COWLING STICKER	1	
4	05522U32F900	RIGHT COWLING STICKER	1	
5	05532U32F900	FUEL TANK LEFT STICKER	1	
6	05533U32F900	FUEL TANK RIGHT STICKER	1	
7	05571U32F900	LEFT TAIL COVER STICKER	1	
8	05572U32F900	RIGHT TAIL COVER STICKER	1	
9	05534U32F900	FUEL TANK LEFT FRONT STICKER	1	
10	05535U32F900	FUEL TANK RIGHT FRONT STICKER	1	

F23 AUTOCOLANTES PARA MOTO PRETA

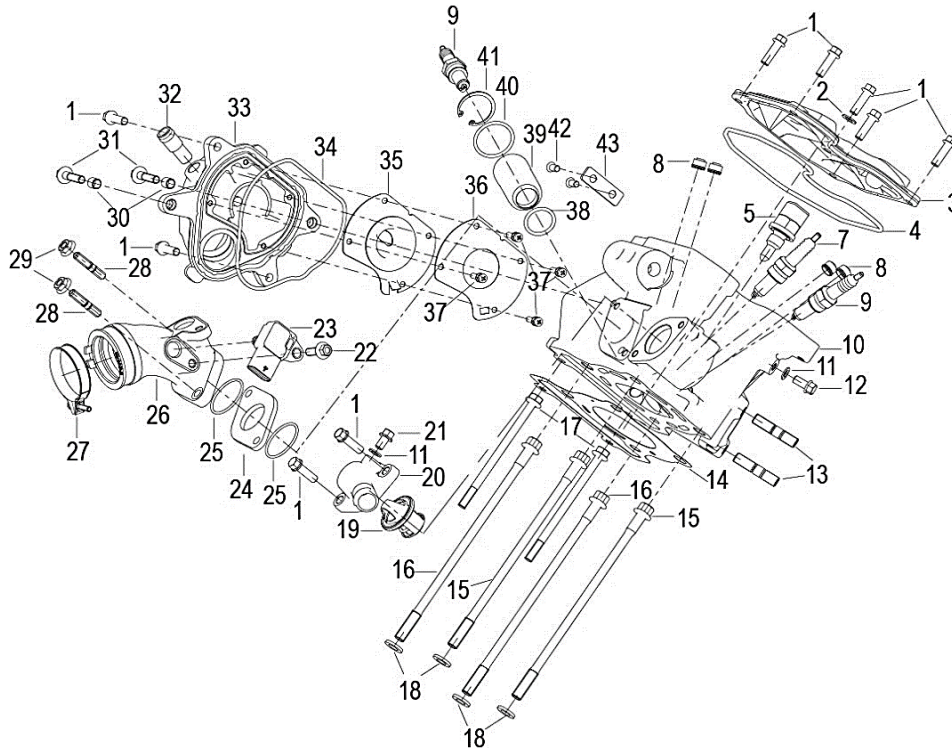
STICKERS FOR **BLACK** VERSION



Nº	CÓDIGO	DESCRIÇÃO	Qt.	OBSERVAÇÕES
1	05531U320000	FUEL TANK STICKER	2	
2	05501U320000	FRONT FENDER STICKER	1	
3	05521U32BC00	LEFT COWLING STICKER	1	
4	05522U32BC00	RIGHT COWLING STICKER	1	
5	05532U32BC00	FUEL TANK LEFT STICKER	1	
6	05533U32BC00	FUEL TANK RIGHT STICKER	1	
7	05571U32BC00	LEFT TAIL COVER STICKER	1	
8	05572U32BC00	RIGHT TAIL COVER STICKER	1	
9	05534U32BC00	FUEL TANK LEFT FRONT STICKER	1	
10	05535U32BC00	FUEL TANK RIGHT FRONT STICKER	1	

RKF 125 E4

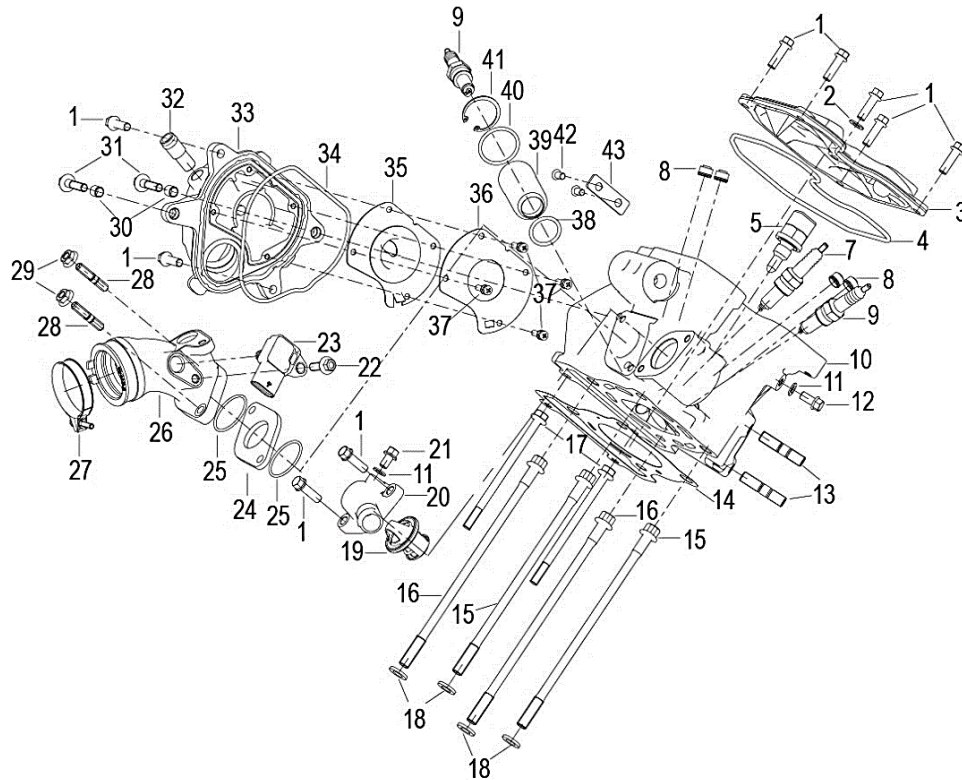
E01 CYLINDER HEAD



Nº	CÓDIGO	DESCRIÇÃO	Qt.	OBSERVAÇÕES
1	B0107060206H	BOLT M6x20	9	
2	150013070000	WASHER 6	1	
3	109014470010	CYLINDER HEAD COVER COMP,GREY	1	
4	109024460000	RUBBER SEALS	1	
5	280596090000	COOLANT TEMPERATURE SENSOR	1	
7	299074470010	SPARK PLUG	1	
8	120015090000	VALVE STEM SEAL	4	
9	299074470010	SPARK PLUG	2	
10	109054460010	CYLINDER HEAD ASSY,GREY	1	
11	150013070000	WASHER 6	2	
12	B0107060126H	BOLT M6x12	1	
13	B0300080206H	STUDS M8x20	2	
14	109074410010	CYLINDER HEAD GASKET (ONE LAYER)	1	ATÉ LBBU32016KBA63976
14	109074460000	CYLINDER HEAD GASKET (THREE LAYERS)	1	APÓS LBBU32016KBA63976
15	100084460000	CYLINDER HEAD BOLT	2	
16	100014460000	CYLINDER HEAD BOLT	2	
17	B0107061006H	BOLT M6x100	2	
18	100054460000	WASHER 8	4	
19	279165050000	THERMOSTAT ASSY	1	
20	100094460001	THERMOSTAT COVER,GREY	1	
21	B0107060106H	BOLT M6x10	1	
22	B0107060186H	BOLT M6x18	1	
23	290016250000	TEMPERATURE SENSOR,INTAKE	1	
24	109154460000	HEAT INSULATION BODY	1	

RKF 125 E4

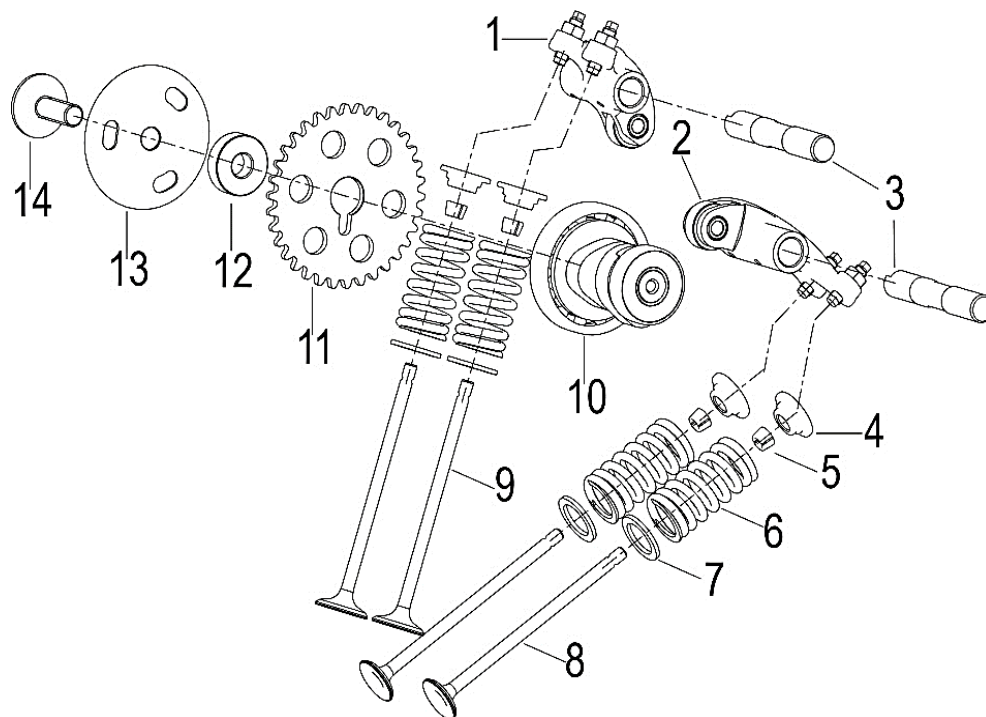
E01 CYLINDER HEAD



Nº	CÓDIGO	DESCRIÇÃO	Qt.	OBSERVAÇÕES
25	B190103000A0	O-RING	2	
26	119014470000	INLET AIR DUCT	1	
27	110043090004	CLAMP ASSY	1	
28	12007305001X	SHORT STUD	2	
29	B0407060005H	NUT M6	2	
30	200086030000	DOWEL PIN $\Phi 8 \times 8$	2	
31	B0107060256H	BOLT M6x25	2	
32	150084230000	PIPE	1	
33	100024460011	CHAIN WHEEL COVER, GREY	1	
34	100034460000	SEAL RING, CHAIN WHEEL COVER	1	
35	100064460000	BREATHING ROOM COVER	1	
36	100434460000	GASKET	1	
37	B1308040100H	SCREW W/WASHER M4x10	4	
38	150283070000	O-RING	1	
39	100044460000	SPARK PLUG COVER	1	
40	120202140000	O-RING	1	
41	B08000002800	CIRCLIP	1	
42	B0201050106H	SCREW M5x10	2	
43	100074460000	BACK PLATE, ROCKER ARM SHAFT	1	

RKF 125 E4

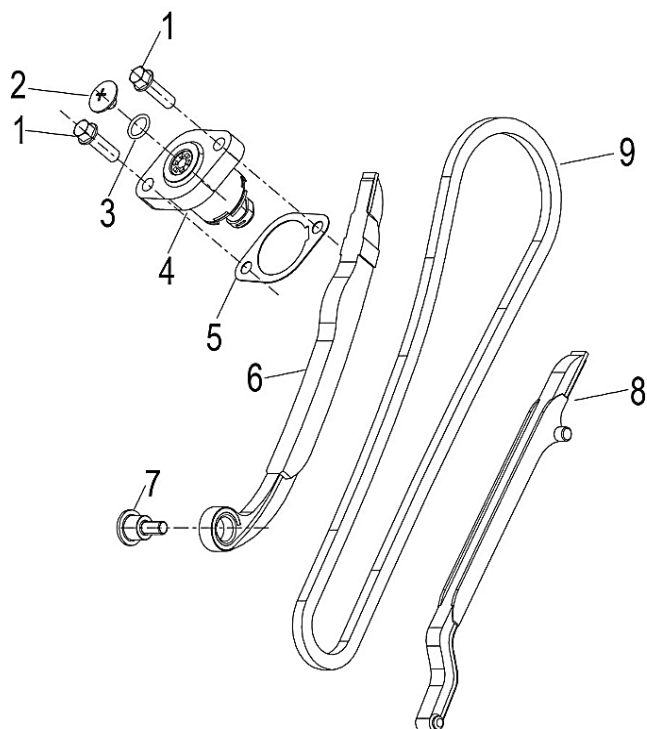
E02 VALVE MECHANISM SUB-ASSEMBLY



N°	CÓDIGO	DESCRIÇÃO	Qt.	OBSERVAÇÕES
1	129314460000	INTAKE ROCKER ARM	1	
2	129324460000	EXHAUST ROCKER ARM	1	
3	129164410000	ROCKER ARM SHAFT	2	
4	129202290000	RETAINER, VALVE SPRING	4	
5	129225090000	VALVE COTTER	8	
6	129254410000	VALVE SPRING	4	
7	129212290000	VALVE LOWER SPRING SEAT	4	
8	129194460000	EXHAUST VALVE	2	
9	129184460000	INTAKE VALVE	2	
10	129094540000	CAMSHAFT ASSY.	1	
11	129034410000	SPROCKET	1	
12	100424460000	RUBBER PLUG	1	
13	100414460000	BAFFLE	1	
14	120014410010	BOLT	1	

RKF 125 E4

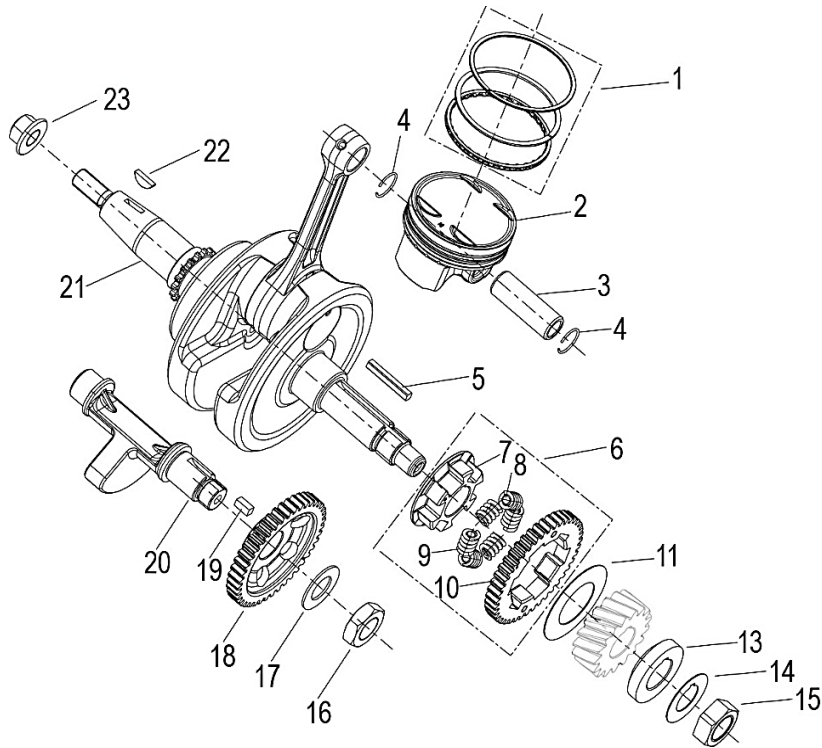
E03 STRAINER UNIT ASSEMBLY



Nº	CÓDIGO	DESCRIÇÃO	Qt.	OBSERVAÇÕES
1	B0107060206H	BOLT M6X20	2	
2	14005305001X	TENSIONER BOLT	1	
3	210043050000	O-RING	1	
4	149033140080	TENSIONER ASSY,GREY	1	
5	140013050040	GASKET	1	
6	149014410000	REAR CHAIN GUIDE ASSY.	1	
7	140053630000	PIVOT, CAM CHAIN TENSIONER	1	
8	149024410000	FRONT CHAIN GUIDE	1	
9	140023140010	OIL PUMP DRIVE CHAIN	1	

RKF 125 E4

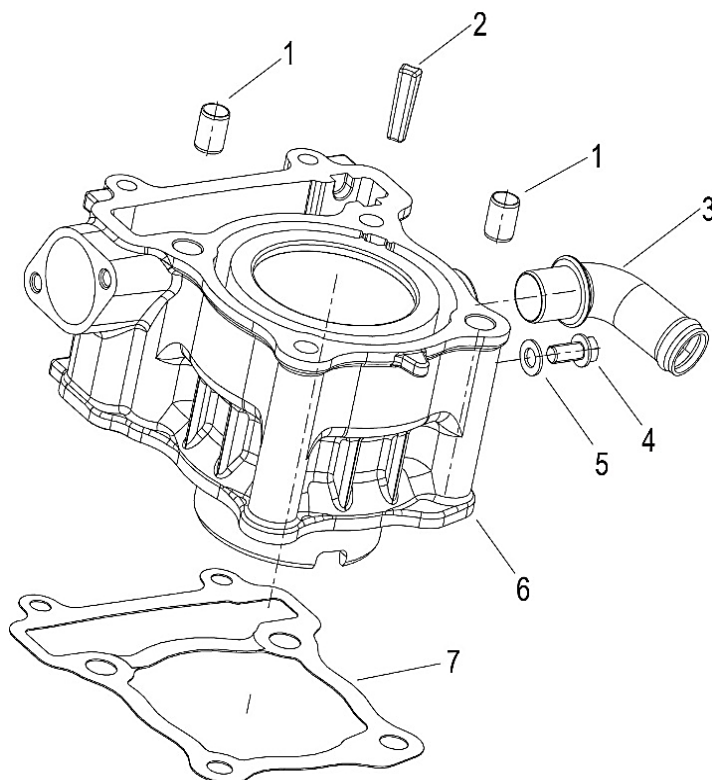
E04 PISTON,CONNECTING ROD & CRANKSHAFT ASSY



N°	CÓDIGO	DESCRIÇÃO	Qt.	OBSERVAÇÕES
1	170084320000	PISTON RING	1	
2	179134420000	PISTON	1	
3	149144100000	PISTON PIN	1	
4	179153090000	PISTON PIN CLIP	2	
5	B11120404028	STRAIGHT KEY	1	
6	179274410010	BALANCER GEAR ASSY	1	
7	170034410010	BUSH	1	
8	170204410010	DAMPING BLOCK	6	
9	170194410010	DAMPING SPRING	6	
10	179284410010	BALANCE SHAFT DRIVE GEAR	1	
11	170144410000	DISC SPRING	1	
13	269063090000	OIL PUMP DRIVE GEAR	1	
14	170023090000	LOCK WASHER	1	
15	170013090100	NUT M16X1.5	1	
16	170065150110	NUT M14X1	1	
17	170024320000	CONICAL WASHER	1	
18	179264410000	BALANCE SHAFT GEAR	1	
19	B11130040008	KEY 4x8	1	
20	179254410000	BALANCE SHAFT	1	
21	179013640000	CRANKSHAFT ASSY	1	
22	B11810305013	WOODRUFF KEY	1	
23	260092140100	NUT M10x1.25	1	

RKF 125 E4

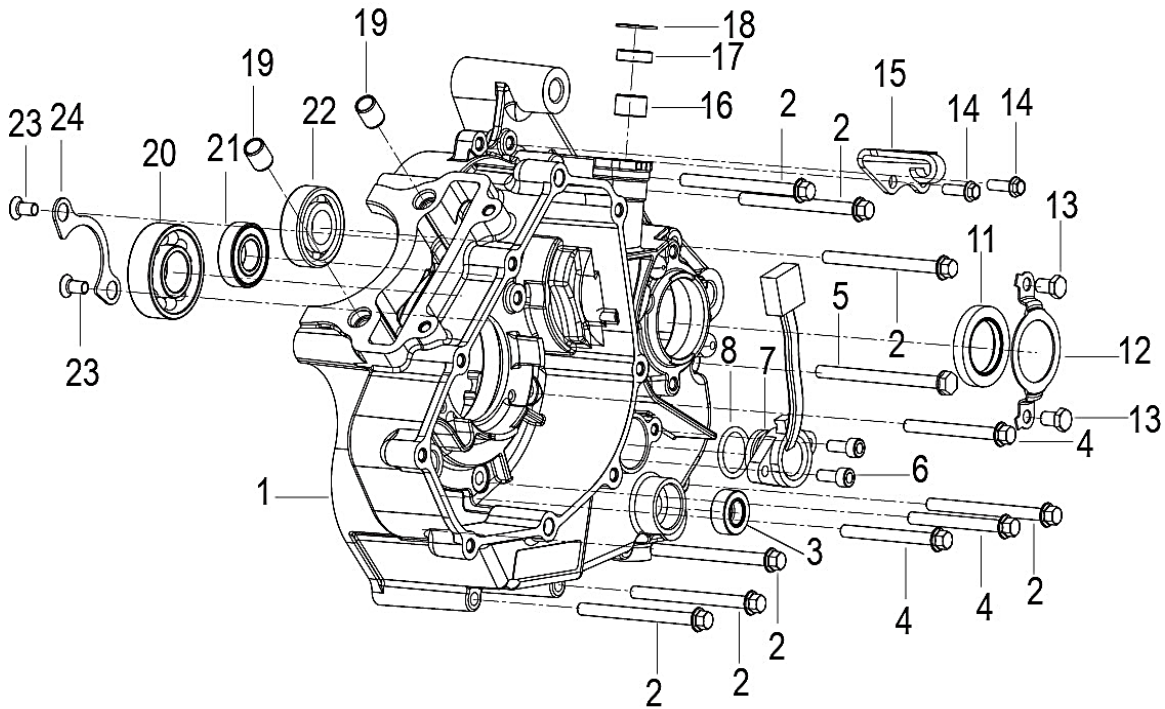
E05 CYLINDER ASSY



N°	CÓDIGO	DESCRIÇÃO	Qt.	OBSERVAÇÕES
1	150083070000	DOWEL PIN	2	
2	139054410000	RUBBER PLUG	1	
3	279085150000	INLET HOSE	1	
4	B0107060126H	BOLT M6X12	1	
5	150013070000	WASHER 6	1	
6	139013640010	CYLINDER COMP, GREY (FORA DE PROD.)	1	ATÉ LBBU32016KBA63976
	SUBSTITUIR POR 139014540010 + 109074460000			
6	139014540010	CYLINDER COMP, GREY		APÓS LBBU32016KBA63976
7	139024410010	CYLINDER GASKET	1	

RKF 125 E4

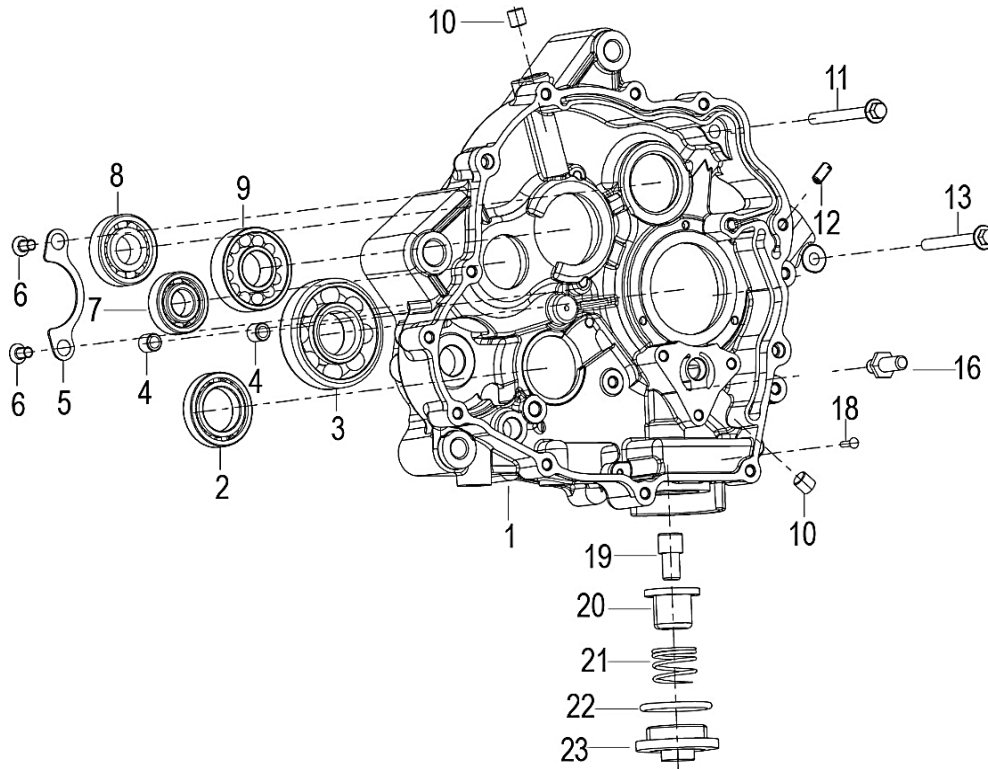
E06 LEFT CRANKCASE ASSY



N°	CÓDIGO	DESCRIÇÃO	Qt.	OBSERVAÇÕES
1	150024410010	LEFT CRANKCASE ASSY,GREY	1	
2	B0107060756H	BOLT M6X75	7	
3	210373090000	OIL SEA 12X22X9	1	
4	B0107060606H	BOLT M6X60	3	
5	B0107060806H	BOLT M6X80	1	
6	B0205050166H	SCREW M5X16	2	
7	159124410000	GEARSHIFT SENSOR	1	
8	B190102030B0	O-RING 20.3X2.65	1	
9	B0201050122H	SCREW M5X12	1	
10	159144410000	CHAIN BAFFLE	1	
11	210073090000	OIL SEAL 27X40X6	1	
12	210093090000	OIL SEAL COVER	1	
13	B0103060106H	BOLT M6X10	2	
14	B0107060146H	SCREW M6X14	2	
15	159134410000	CLUTCH WIRE GUIDE BRACKET	1	
16	B1212K121002	NEEDLE ROLLER BEARING 12X16X10	1	
17	200001050000	OIL SEAL	1	
18	B080000020A1	CIRCLIP 20	1	
19	130023090000	PIN	2	
20	B12016020410	BALL BEARING 6204	1	
21	B12016000204	BEARING 6002-Z	1	
22	B12016020314	BALL BEARING 6203	1	
23	B0201060126H	SCREW M6X12	2	
24	150113090000	BLOCK PLATE	1	

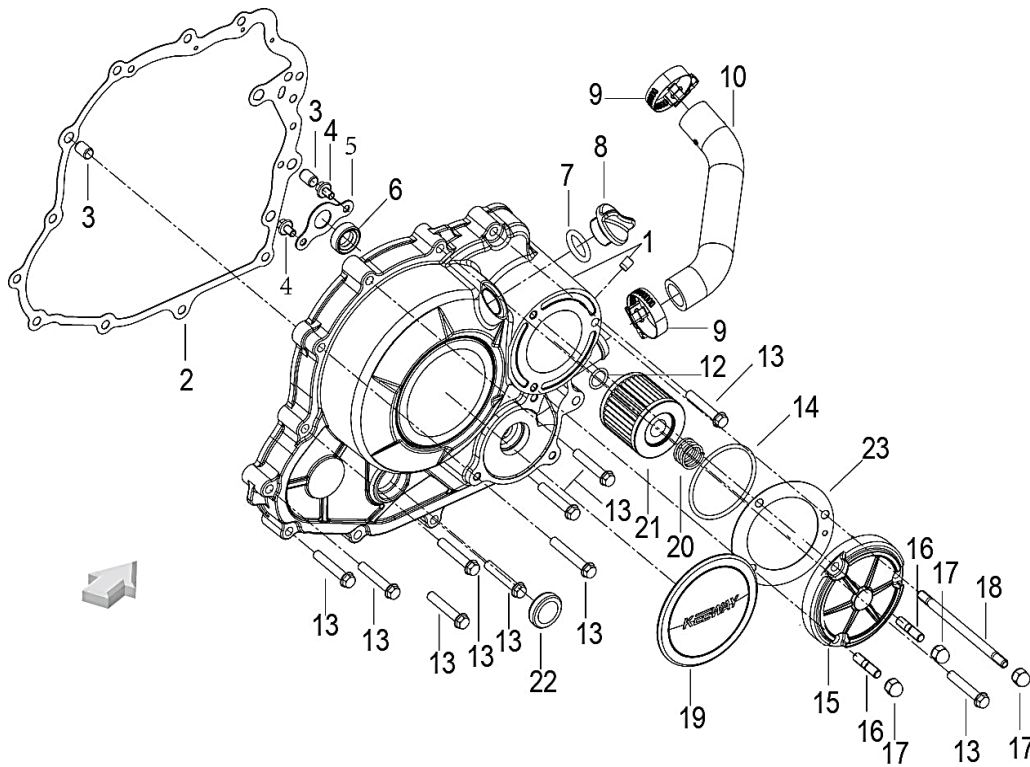
RKF 125 E4

E07 RIGHT CRANKCASE ASSY



N°	CÓDIGO	DESCRIÇÃO	Qt.	OBSERVAÇÕES
1	150034410010	RIGHT CRANKCASE ASSY,GREY	1	
2	B12016190503	BEARING 61905	1	
3	B12016030501	BALL BEARING	1	
4	150083070000	DOWEL PIN	2	
5	150113090000	BLOCK PLATE	1	
6	B0201060126H	SCREW M6X12	2	
7	B12016020211	BALL BEARING	1	
8	B12016020314	BALL BEARING 6203	1	
9	B12016020410	BALL BEARING 6204	1	
10	150035140000	PLUG	2	
10	150166090000	CONE PLUG M10x1	2	
11	B0107060706H	BOLT M6X70	1	
12	159336190000	PLUG	1	
13	B0107060656H	BOLT M6X65	1	
16	21010405002X	LIMIT BLOCK NAIL	1	
18	150126030100	RIVET 3X13	1	
19	150045050000	HOSE	1	
20	150105050000	SIEVE ASSY	1	
21	150195050000	SPRING	1	
22	150205040000	O RING II	1	
23	150215040000	DRAIN PLUG	1	

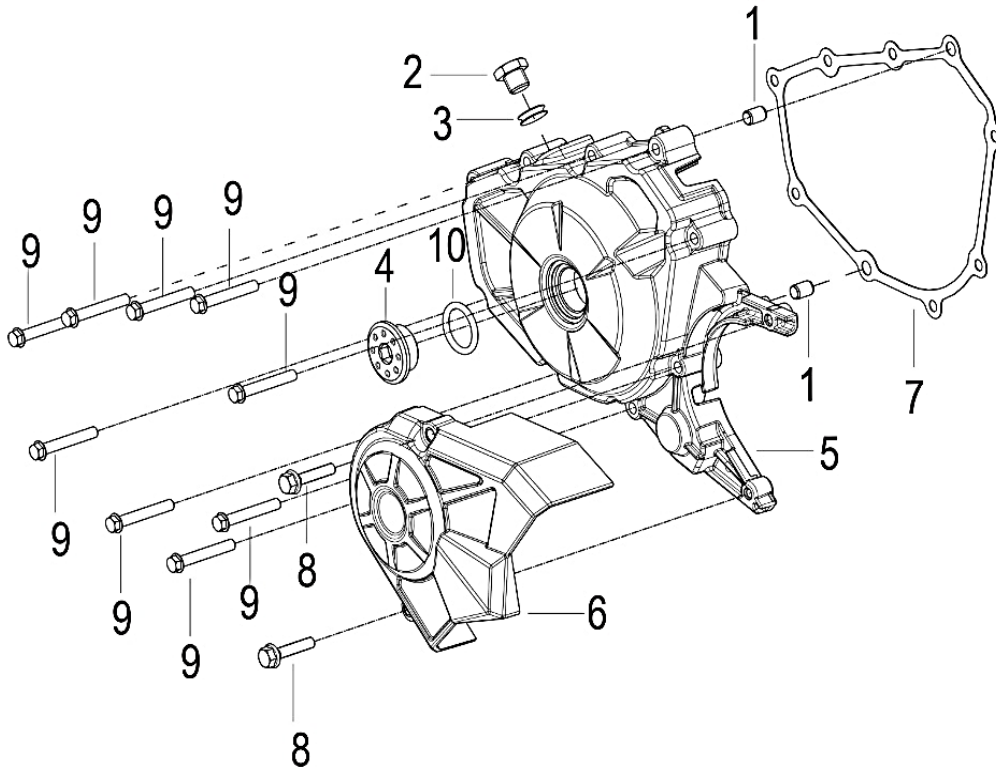
E08 RIGHT COVER ASSY



N°	CÓDIGO	DESCRIÇÃO	Qt.	OBSERVAÇÕES
1	16910446HT01	RIGHT COVER,GREY	1	
2	169114410010	RIGHT COVER GASKET	1	
3	160056030000	DOWEL PIN	2	
4	B0107050086H	BOLT M5X8	2	
5	160034410000	SEAL PLATE	1	
6	160023090000	OIL SEAL	1	
7	B190101700C0	O-RING 17X3.55	1	
8	160024460010	OIL FILLER PLUG,GREY	1	
9	08060B450000	CLAMP 16-25	2	
10	279094460000	OUTLET HOSE	1	
12	B190101250A0	O-RING	1	
13	B0107060356H	BOLT M6X35	10	
14	B190105260B0	O-RING	1	
15	160014410010	OIL FILTER COVER,,GREY	1	
16	B0300060126H	STUB BOLT M6X12	2	
17	B0422060003H	NUT M6	2	
18	B0107060906H	BOLT M6x90	1	
19	160123420000	ENGINE SIDE COVER PLATE,MARK:KEEWAY	1	
20	160033090000	SPRING	1	
21	160043090000	FILTER	1	
22	160083090000	OIL LEVEL INDICATOR	1	
23	160373210010	GASKER,FILTER	1	

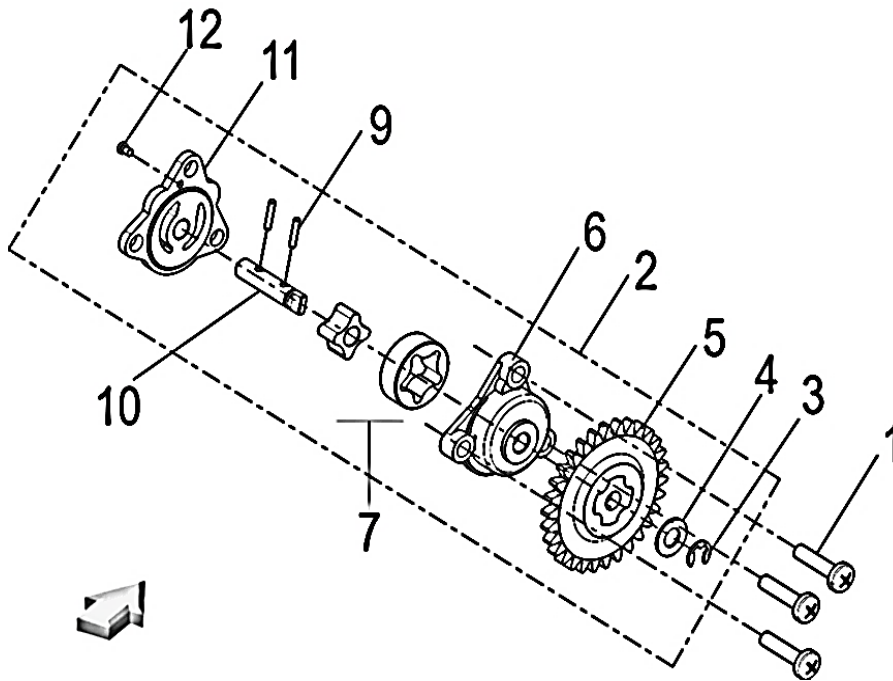
RKF 125 E4

E09 LEFT COVER ASSY



N°	CÓDIGO	DESCRIÇÃO	Qt.	OBSERVAÇÕES
1	160056030000	DOWEL PIN	2	
2	16020309011X	BOLT PLUG M12x1.25x10	1	
3	160253090000	WASHER	1	
4	160383090020	PLUG,COVER MAGNETO,GREY	1	
5	169024410010	LEFT COVER,GREY	1	
6	169044410020	LEFT REAR LID ASSEMBLY,GREY	1	
7	169074410010	LEFT COVER GASKET	1	
8	B0107060286H	BOLT M6X28	2	
9	B0107060406H	BOLT M6X40	9	
10	B190102240C0	O-RING	1	

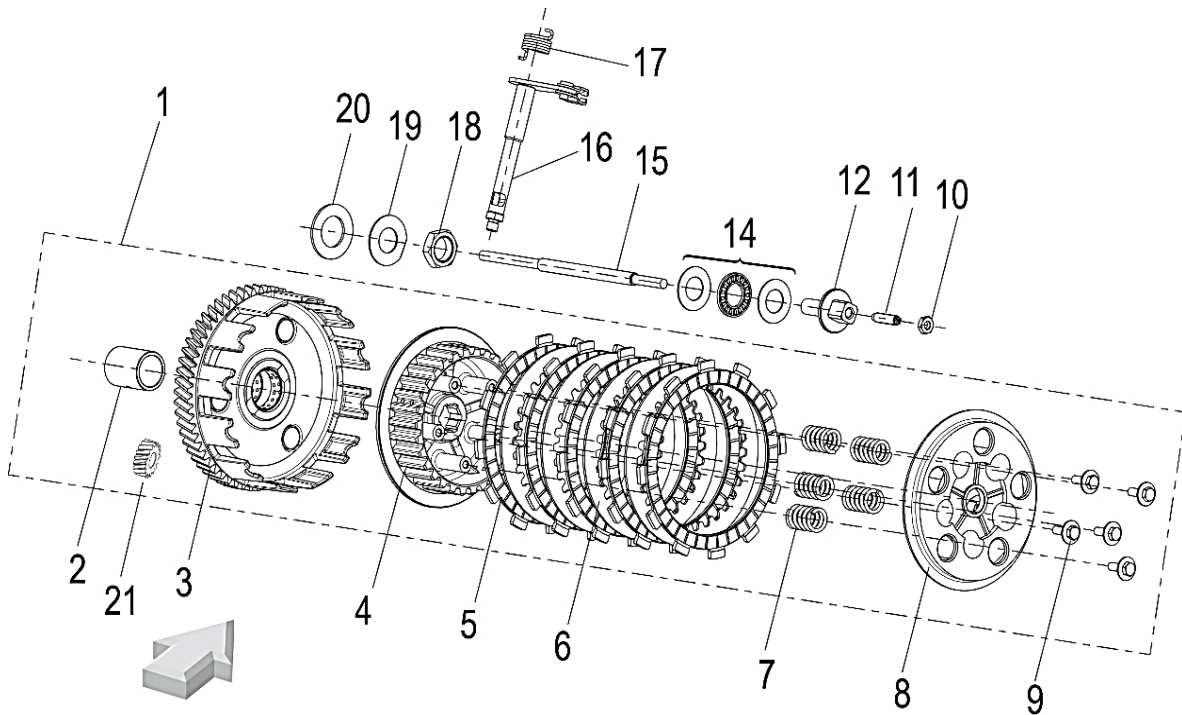
E10 OIL PUMP ASSY



N°	CÓDIGO	DESCRIÇÃO	Qt.	OBSERVAÇÕES
1	B0107060256H	BOLT M6X25	3	
2	269014460020	OIL PUMP ASSY	1	
3	B08030000600	CIRCLIP 6x6	1	
4	260053300000	WASHER	1	
5	269084460020	OIL PUMP GEAR ASSY	1	
6	260043090000	OIL PUMP BODY	1	
7	260033090000	OIL PUMP EXTERNAL ROTOR	1	
9	B09012501220	PIN B2.5x12	2	
10	260064460020	OIL PUMP SHAFT	1	
11	260013090000	OIL PUMP SEAT	1	
12	B02000300522	SCREW M3X5	1	

RKF 125 E4

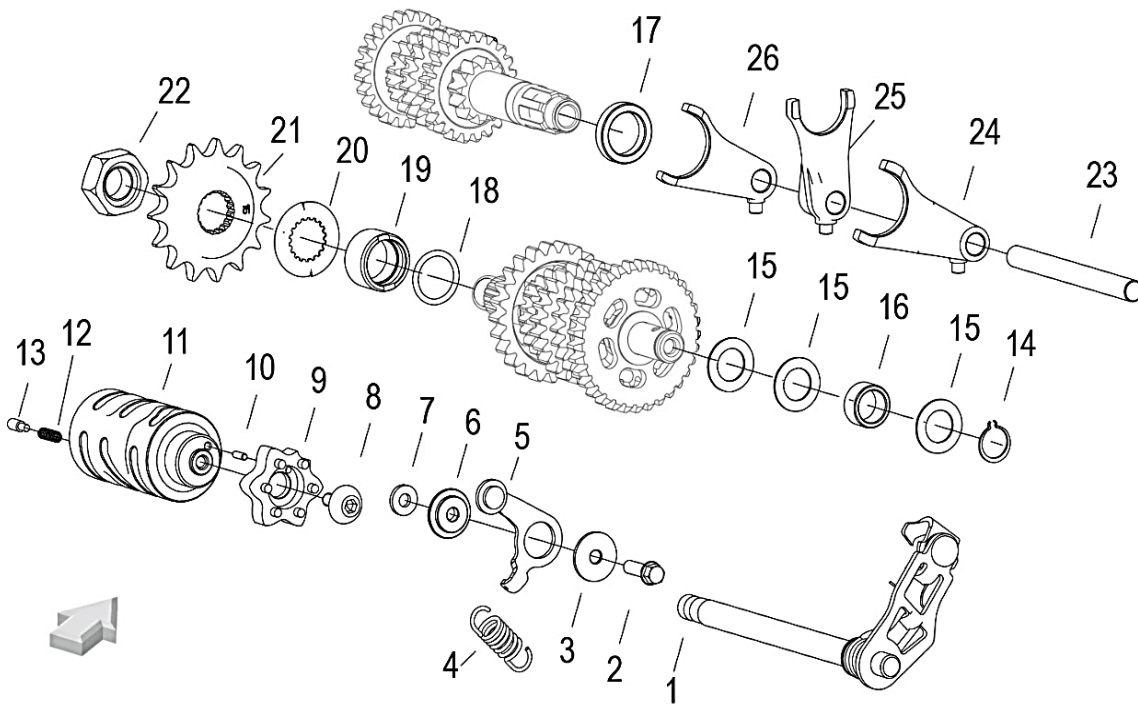
E11 CLUTCH ASSY



N°	CÓDIGO	DESCRIÇÃO	Qt.	OBSERVAÇÕES
1	209014410000	CLUTCH ASSY	1	
2	200053090000	SPACER	1	
3	200573090000	CLUTCH HOUSING	1	
4	200073090000	CLUTCH HUB	1	
5	200083090000	FRICTION PLATE	5	
6	200093090000	CLUTCH PLATE	4	
7	209144410000	CLUTCH SPRING	5	
8	200103090000	PRESSURE PLATE	1	
9	B13010501605	SCREW W/WASHER M5x16	5	
10	B0402060000H	NUT M6	1	
11	20013309001X	SLOTTED ADJUSTING SCREW	1	
12	200143090000	BEARING SEAT	1	
14	200123090000	NEEDLE BEARING	1	
15	200013210000	PUSH ROD	1	
16	209044410000	RELEASE LEVER ASSEMBLY	1	
17	200024410000	RETURN SPRING	1	
18	200153090000	NUT	1	
19	200163090000	LOCKING WASHER	1	
20	200043090000	THRUST WASHER	1	
21	170014410000	CLUTCH DRIVE GEAR	1	

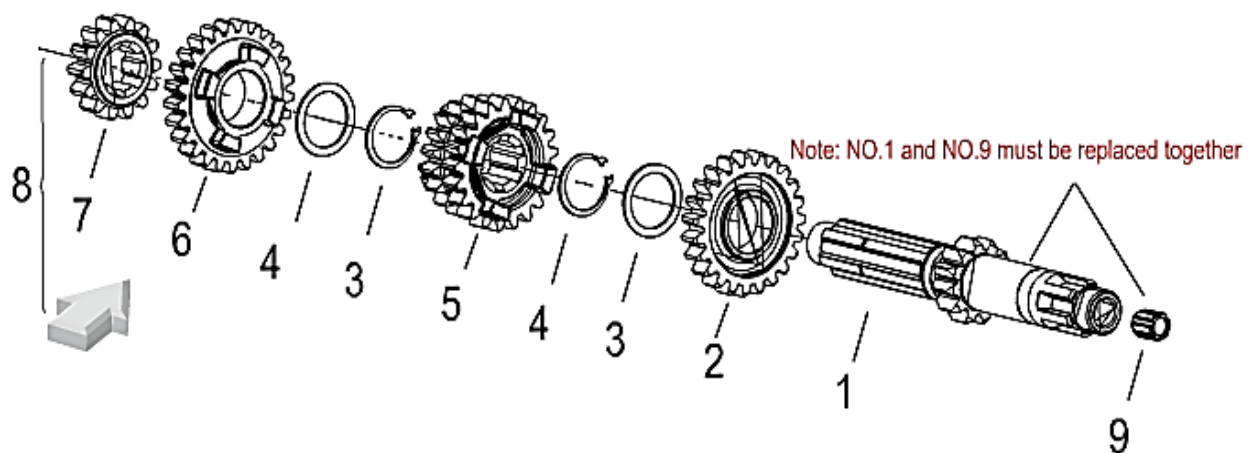
RKF 125 E4

E12 GEAR SHIFT MECHANISM ASSEMBLY



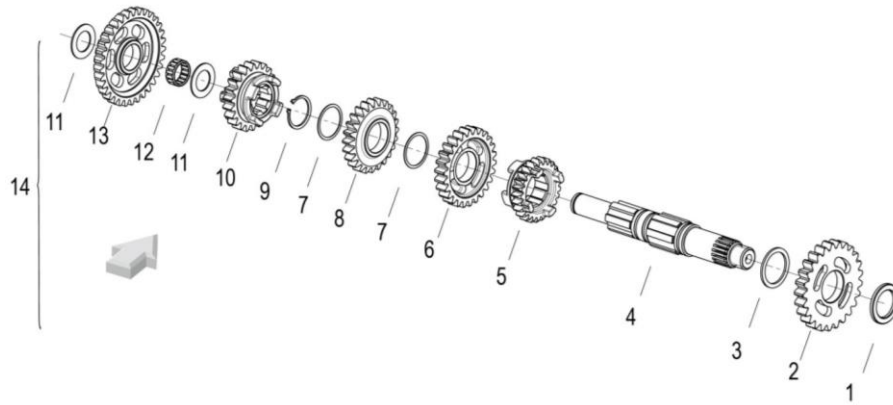
N°	CÓDIGO	DESCRIÇÃO	Qt.	OBSERVAÇÕES
1	219014410000	SHIFT LEVER ASSEMBLY	1	
2	B0107060206H	FLANGE BOLT M6x20	1	
3	219344410000	WASHER	1	
4	210026030000	STOPPER LEVER SPRING	1	
5	210416030010	STOPPER LEVER	1	
6	219334410000	WASHER	1	
7	120101270000	WASHER 6.2x14x2.2	1	
8	210014410000	BOLT	1	
9	210366030000	PLATE COMP,GEARSHIFT DRUM STOPPER	1	
10	210356030000	DOWEL PIN	1	
11	219054410000	SHIFT DRUM	1	
12	210313090000	PROD SPRING	1	
13	210323090000	SHIFT PROD	1	
14	B080100015A0	CIRCLIPS FOR SHAFT	1	
15	210133090000	THRUST WASHER	3	
16	210034410000	COLLAR	1	
17	210013210000	AXLE SLEEVE,MAIN SHAFT ASSY	1	
18	B190101900B1	O RING	1	
19	210053090000	COLLAR	1	
20	219313090000	WASHER	1	
21	219303090000	SPROCKET,ENGINE 13TEETH	1	
22	210063090100	NUT M16x1.5	1	
23	219093090000	SHIFT FORK SHAFT	1	
24	219124410000	RIGHT SHIFT FORK	1	
25	219114410000	MIDDLE SHIFT FORK	1	
26	219104410000	LEFT SHIFT FORK	1	

E13 PRIMARY SHAFT ASSY



Nº	CÓDIGO	DESCRIÇÃO	Qt.	OBSERVAÇÕES
1	219144410000	MAIN SHAFT	1	DEVE SER AQUIRIDO C/ A PEÇA Nº 9
2	219193390000	PRIMARY SHAFT GEAR 5	1	
3	210243090000	WASHER	2	
4	210023070000	CIRCLIP	2	
5	210023390000	PRIMARY SHAFT GEAR 3&4	1	
6	219203390000	PRIMARY SHAFT GEAR 6	1	
7	219163390000	PRIMARY SHAFT GEAR 2	1	
8	219134410000	PRIMARY SHAFT ASSY	1	
9	210043090000	STOPS UP THE COLUMN	1	

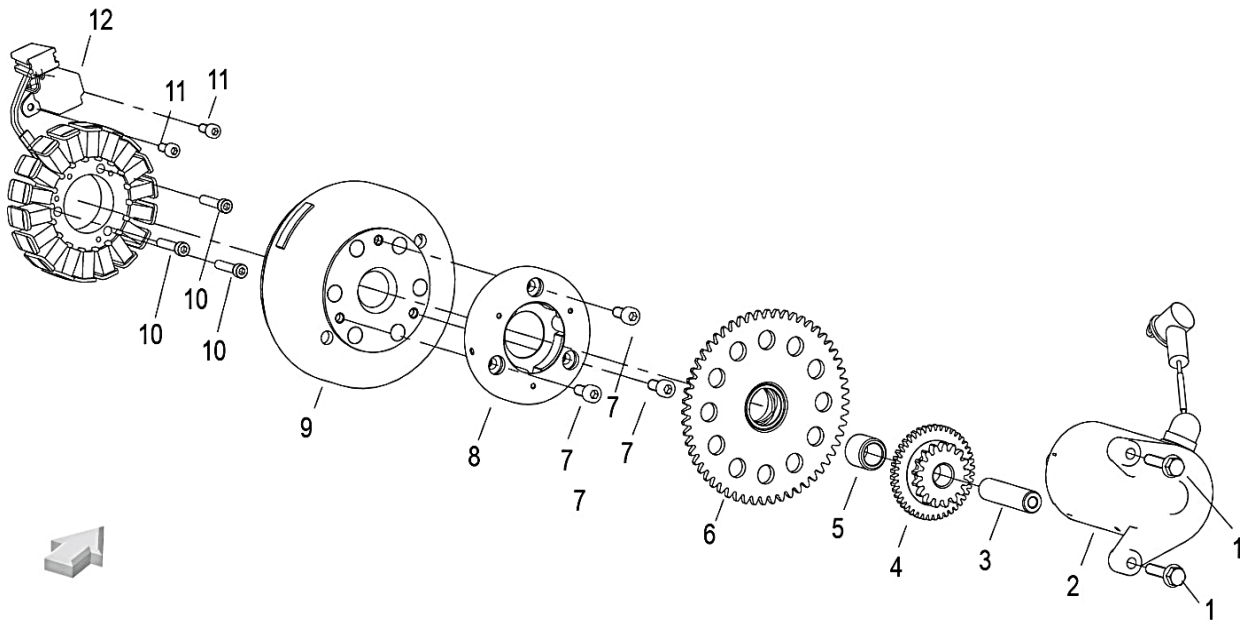
E14 COUNTERSHAFT ASSY



Nº	CÓDIGO	DESCRIÇÃO	Qt.	OBSERVAÇÕES
1	210013390000	WASHER 20	1	
2	219243090000	COUNTERSHAFT GEAR 2	1	
3	210033390000	WASHER 30	1	
4	219224410000	COUNTERSHAFT	1	
5	219283390000	COUNTERSHAFT GEAR 6	1	
6	219253390000	COUNTERSHAFT GEAR 3	1	
7	210043390000	WASHER 22	2	
8	219263390000	COUNTERSHAFT GEAR 4	1	
9	210053390000	CIRCLIP 22	1	
10	219273390000	COUNTERSHAFT GEAR 5	1	
11	210133090000	THRUSH WASHER 15	2	
12	210463090000	NEEDLE BEARING	1	
13	219233090000	COUNTERSHAFT GEAR 1	1	
14	219214410000	COUNTERSHAFT ASSY	1	

RKf 125 E4

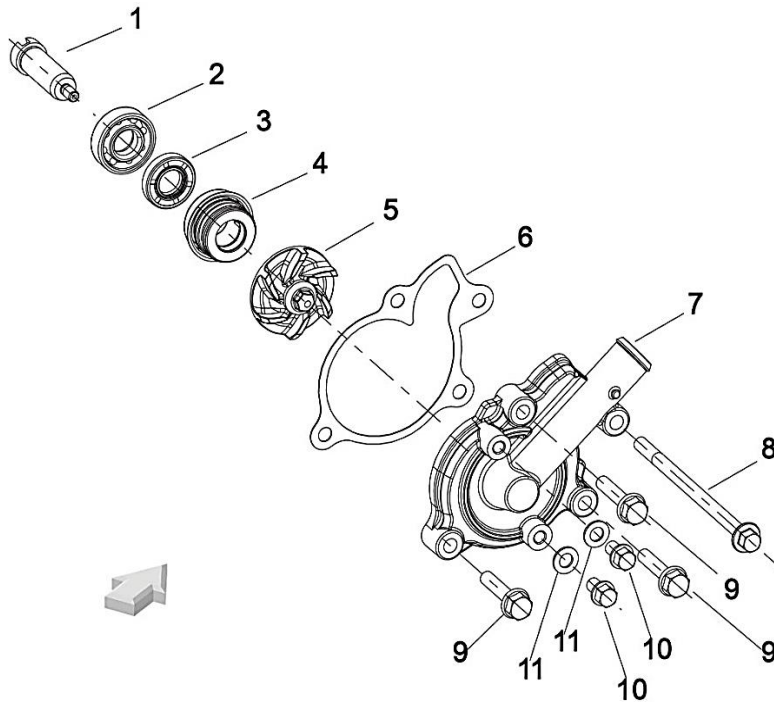
E15 ELECTRIC STARTER ASSY



N°	CÓDIGO	DESCRIÇÃO	Qt.	OBSERVAÇÕES
1	B0107060286H	BOLT M6x28	2	
2	249013210150	STARTER MOTOR ASSY,wire length:550mm	1	
3	240023090000	DOWEL PIN	1	
4	249043090000	GEAR,STARTER IDLER	1	
5	240013090000	SLEEVE	1	
6	240043090020	GEAR,STARTER DRIVEN	1	
7	B0205060146H	SCREW M6x14	3	
8	249093230000	SPROCKET UNIT	1	
9	299024180010	FLY WHEEL ASSY	1	
10	B0205050256H	SCREW M5x25	3	
11	B0205040106H	SCREW M4x10	2	
12	299033090000	COIL ASSY	1	

RKF 125 E4

E16 WATER PUMP ASSY



Nº	CÓDIGO	DESCRIÇÃO	Qt.	OBSERVAÇÕES
1	279224460010	IMPELLER SHAFT	1	
2	B12016000100	BEARING 6001	1	
3	270153160000	OIL SEAL 12x24x5	1	
4	160253160000	SEAL COMPONENTS	1	
5	279214460000	IMPELLER	1	
6	279344460000	GASKET	1	
7	279334460010	WATER PUMP COVER,GREY	1	
8	B0107061056H	BOLT M6x105	1	
9	B0107060286H	BOLT M6x28	3	
10	B0107060106H	BOLT M6x105	2	
11	150013070000	WASHER 6	2	