

PARTS CATALOGUE



SCOOTERS

KN25AA(PT)

LIKE 125



Release Date : 2019/07/13
Print Date : 2022/10/14

ABOUT THIS PARTS LIST

- This parts list is compiled all service parts for model KN25AA(PT).
- Any difference between color chart and motorcycle will be revised according to motorcycle.
- The Mark:
 1. Marking "***" must add color code in the end before ordering parts.
 2. Marking "#" are parts with modification, Please find the details from e-Parts system.
- When modification or additions to this parts list are made a revised edition at an appropriate time.



CONTENTS

● ABOUT THIS PARTS LIST	1
● COLOR CHART OF KN25AA(PT)	3
● CONTENTS-ENGINE GROUP	9
● CONTENTS-FRAME GROUP	10
● ENGINE PARTS LIST	13
● FRAME PARTS LIST	43
● PART NO. INDEX	103

NO	MODEL			COLOR CHART OF KN25AA(PT)			
	PHOTO NO			NO. 1	NO. 2	NO. 3	NO. 4
	BASIC COLOR			Light Blue	Black Blue	Deep Gray Metallic	Pearly White
	CODE			Light Blue	Black Blue	Deep Gray Metallic	Pearly White
	PARTS NAME	PARTS NO.	VERSION	CB622SA	PB184PA	NH129MA	NH193PA
1	COVER HANDLE FR	53205-LGR5-E10	1	17P	BJP	NHP	NVP
2	COVER HANDLE RR	53206-LGR5-E10	1				
3	FENDER FRONT A	61100-LGR5-E10	1				
4	FENDER FRONT B	61101-LGR5-E10	1				
5	COVER FR	64301-LGR5-E10	1				
6	MOLD FRONT	64302-LGR5-E10	2				
7	FR COVER LOW	64303-LGR5-E10	1				
8	SKIRT R SIDE	64305-LGR5-E10	2				
9	SKIRT L SIDE	64306-LGR5-E10	2				
10	COVER CENTER UP	80151-LGR5-E10	1				
11	COVER CENTER LOW	80152-LGR5-E10	1				
12	LEG SHIELD UP	81131-LGR5-E10	5				
13	LEG SHIELD	81141-LGR5-E10	1				
14	COVER R BODY	83500-LGR5-E10	1				
15	MOLD R SIDE	83501-LGR5-E10	1				
16	COVER L BODY	83600-LGR5-E10	1				
17	MOLD L SIDE	83601-LGR5-E10	1				
18	REAR CENTER COVER	83750-LGR5-E10	1				
19	RR BOX ASSY (Pearly	8150A-LGR5-E10	0				
20	COVER L. CRANK CASE	11341-KEC4-C00	0	HUA			
21	WHEEL ASSY RR	42600-LGR5-E10	0				
22	WHEEL COMP RR CAST	42601-LGR5-E10	0				
23	WHEEL ASSY FR	44600-LGR5-E10	0				
24	WHEEL COMP FR CAST	44601-LGR5-E10	0				
25	LEVER L STRG HANDLE	53178-KNBN-C00	0	M3A			
DATE OF STARTING-SALES							
DATE OF END-SALES							

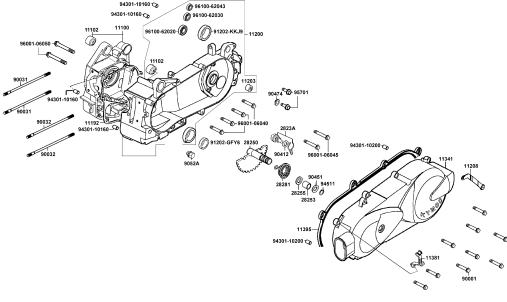
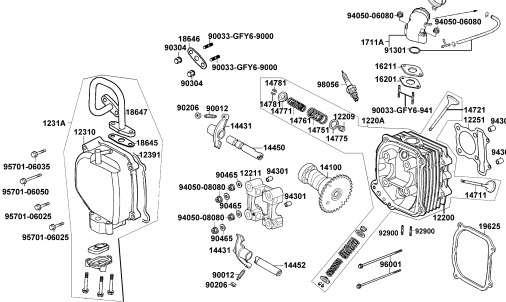
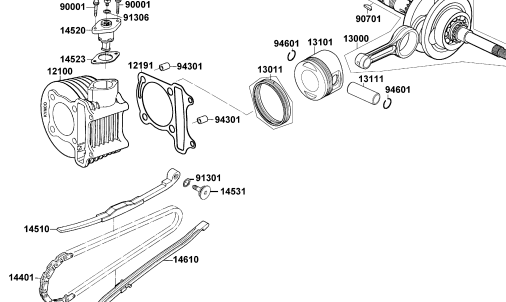
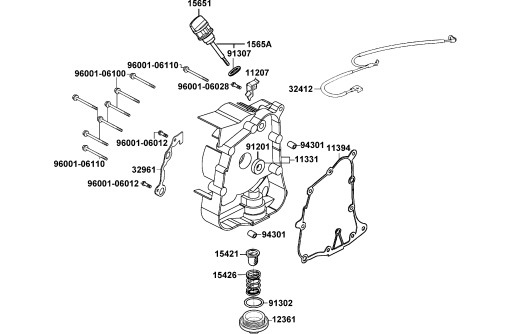
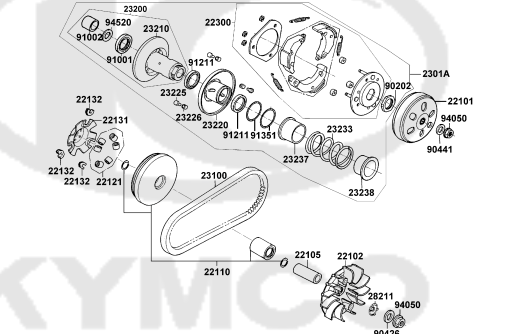
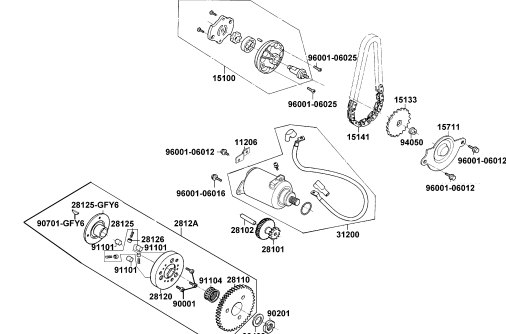
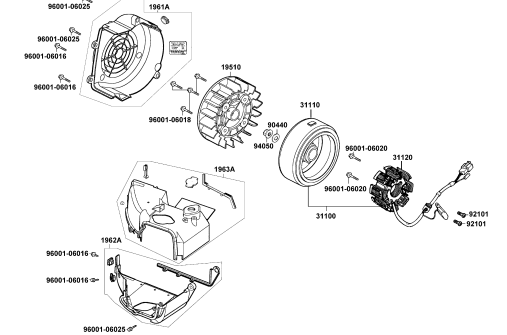
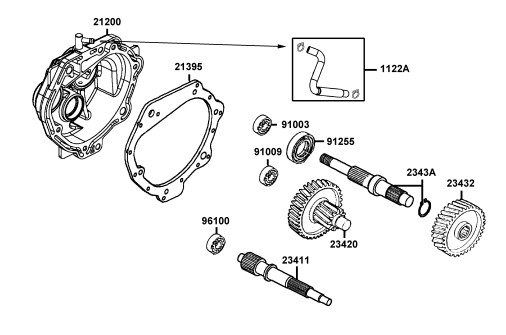
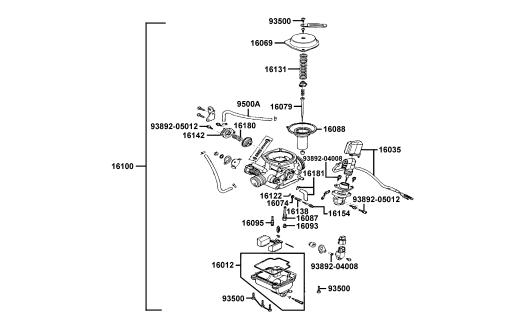
NO	MODEL			COLOR CHART OF KN25AA(PT)			
	PHOTO NO			NO. 5			
	BASIC COLOR			Bright Red			
	CODE			Bright Red			
	PARTS NAME	PARTS NO.	VERSION	RR136PA			
1	COVER HANDLE FR	53205-LGR5-E10	1	R9P			
2	COVER HANDLE RR	53206-LGR5-E10	1				
3	FENDER FRONT A	61100-LGR5-E10	1				
4	FENDER FRONT B	61101-LGR5-E10	1				
5	COVER FR	64301-LGR5-E10	1				
6	MOLD FRONT	64302-LGR5-E10	2				
7	FR COVER LOW	64303-LGR5-E10	1				
8	SKIRT R SIDE	64305-LGR5-E10	2				
9	SKIRT L SIDE	64306-LGR5-E10	2				
10	COVER CENTER UP	80151-LGR5-E10	1				
11	COVER CENTER LOW	80152-LGR5-E10	1				
12	LEG SHIELD UP	81131-LGR5-E10	5				
13	LEG SHIELD	81141-LGR5-E10	1				
14	COVER R BODY	83500-LGR5-E10	1				
15	MOLD R SIDE	83501-LGR5-E10	1				
16	COVER L BODY	83600-LGR5-E10	1				
17	MOLD L SIDE	83601-LGR5-E10	1				
18	REAR CENTER COVER	83750-LGR5-E10	1				
19	RR BOX ASSY (Pearly	8150A-LGR5-E10	0	DDW			
20	COVER L. CRANK CASE	11341-KEC4-C00	0	HUA			
21	WHEEL ASSY RR	42600-LGR5-E10	0				
22	WHEEL COMP RR CAST	42601-LGR5-E10	0				
23	WHEEL ASSY FR	44600-LGR5-E10	0				
24	WHEEL COMP FR CAST	44601-LGR5-E10	0	M3A			
25	LEVER L STRG HANDLE	53178-KNBN-C00	0				
DATE OF STARTING-SALES							
DATE OF END-SALES							

NO	MODEL			COLOR CHART OF KN25AA(PT)			
	PHOTO NO			NO. 1	NO. 2	NO. 3	NO. 4
	BASIC COLOR			Light Blue	Black Blue	Deep Gray Metallic	Pearly White
	CODE			Light Blue	Black Blue	Deep Gray Metallic	Pearly White
	PARTS NAME	PARTS NO.	VERSION	CB622SA	PB184PA	NH129MA	NH193PA
26	GRIP L HANDLE	53166-KNBN-C00	1	N1R			
27	COVER SWITCH **(0)	53207-KKD9-B00	0				
28	FENDER FR. INNER	61110-LGR5-E10	3				
29	LID FR. COVER LOW	64304-LGR5-E10	2				
30	LID R SIDE SKIRT	64307-LGR5-E10	1				
31	LID L SIDE SKIRT	64308-LGR5-E10	1				
32	FENDER REAR UP	80101-LGR5-E10	2				
33	LID R BODY COVER	83510-LGR5-E10	1				
34	LID L BODY COVER	83610-LGR5-E10	1				
35	FORK ASSY R FR	51400-LGR5-E10	0				
36	FORK ASSY L FR	51500-LGR5-E10	0				
37	REAR CARRIER ASSY	8120A-LGR5-E10	0				
38	RIB FRONT COVER LOW	64314-LGR5-E10	1	NJP			
39	UP RIB R CENTER	80111-LGR5-E10	1				
40	UP RIB L CENTER	80121-LGR5-E10	1				
41	LOW RIB R CENTER	80131-LGR5-E10	1				
42	LOW RIB L CENTER	80141-LGR5-E10	1				
43	COVER R CARRIER	81220-LGR5-E10	1				
44	COVER L CARRIER	81230-LGR5-E10	1	T01			
45	SEAT ASSY	77200-LGR5-E10	0				
46	STRIPE FR COVER	86101-LGR5-E10	1				
47	EMB K-LOGO	86102-LGR5-E00	2				
48	EMB BODY COVER	86202-LGR5-E10	0				
49	EMB R FRINGE	86420-LGR5-E00	1				
50	STRIPE REAR BOX	86421-LGR5-E00	1				
DATE OF STARTING-SALES							
DATE OF END-SALES							

NO	MODEL			COLOR CHART OF KN25AA(PT)			
	PHOTO NO			NO. 5			
	BASIC COLOR			Bright Red			
	CODE			Bright Red			
	PARTS NAME	PARTS NO.	VERSION	RR136PA			
26	GRIP L HANDLE	53166-KNBN-C00	1	N1R			
27	COVER SWITCH **(0)	53207-KKD9-B00	0				
28	FENDER FR. INNER	61110-LGR5-E10	3				
29	LID FR. COVER LOW	64304-LGR5-E10	2				
30	LID R SIDE SKIRT	64307-LGR5-E10	1				
31	LID L SIDE SKIRT	64308-LGR5-E10	1				
32	FENDER REAR UP	80101-LGR5-E10	2				
33	LID R BODY COVER	83510-LGR5-E10	1				
34	LID L BODY COVER	83610-LGR5-E10	1				
35	FORK ASSY R FR	51400-LGR5-E10	0				
36	FORK ASSY L FR	51500-LGR5-E10	0				
37	REAR CARRIER ASSY	8120A-LGR5-E10	0				
38	RIB FRONT COVER LOW	64314-LGR5-E10	1	NJP			
39	UP RIB R CENTER	80111-LGR5-E10	1				
40	UP RIB L CENTER	80121-LGR5-E10	1				
41	LOW RIB R CENTER	80131-LGR5-E10	1				
42	LOW RIB L CENTER	80141-LGR5-E10	1				
43	COVER R CARRIER	81220-LGR5-E10	1				
44	COVER L CARRIER	81230-LGR5-E10	1				
45	SEAT ASSY	77200-LGR5-E10	0				
46	STRIPE FR COVER	86101-LGR5-E10	1				
47	EMB K-LOGO	86102-LGR5-E00	2				
48	EMB BODY COVER	86202-LGR5-E10	0				
49	EMB R FRINGE	86420-LGR5-E00	1				
50	STRIPE REAR BOX	86421-LGR5-E00	1				
DATE OF STARTING-SALES							
DATE OF END-SALES							

NO	MODEL			COLOR CHART OF KN25AA(PT)			
	PHOTO NO			NO. 5			
	BASIC COLOR			Bright Red			
	CODE			Bright Red			
	PARTS NAME	PARTS NO.	VERSION	RR136PA			
51	EMB L FRINGE	86422-LGR5-E00	1	T01			
52	STRIPE REAR BOX	86423-LGR5-E00	1				
53	CAUTION SIDE STAND	87541-GAR1-C01	1				
DATE OF STARTING-SALES							
DATE OF END-SALES							

CONTENTS - ENGINE GROUP

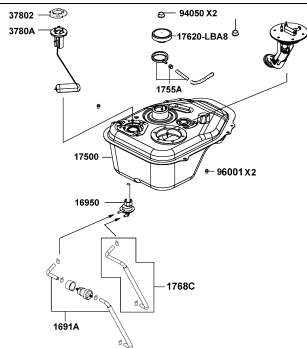
<p>E01 Crank Case</p> 	<p>E02 Cylinder Head</p> 	<p>E03 Cylinder Piston Crankshaft</p> 
<p>E04 Right Crankcase Cover</p> 	<p>E05 Driven Pulley</p> 	<p>E06 Starting Motor Oil Pump</p> 
<p>E07 Fan Cover Generator</p> 	<p>E08 Transmission</p> 	<p>E09 Carburetor</p> 

CONTENTS - FRAME GROUP

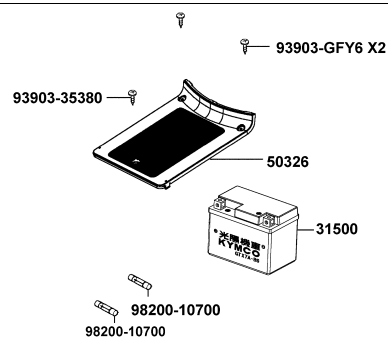
<p>F01 Head Light</p>	<p>F02 Speedometer</p>	<p>F03 Handle Steering Handle Cover</p>
<p>F04 Brake Master Cylinder</p>	<p>F05 Front Cover Front Fender</p>	<p>F06 Stem Steering Front Cushion</p>
<p>F07 Front Wheel</p>	<p>F08 Rear Wheel</p>	<p>F09 Seat</p>

CONTENTS - FRAME GROUP

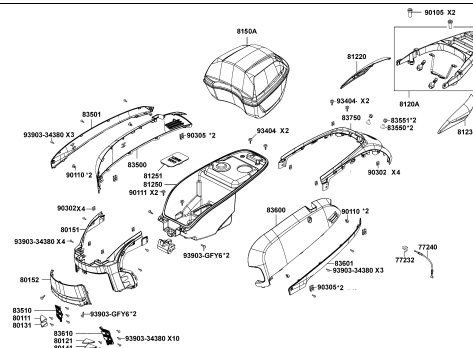
F10 Fuel Tank



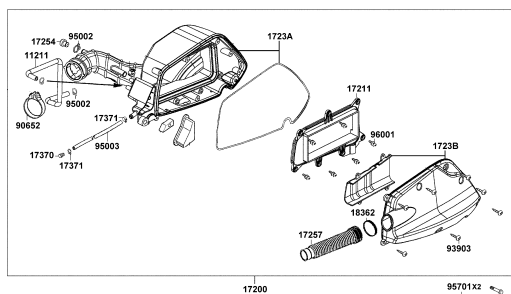
F11 Battery



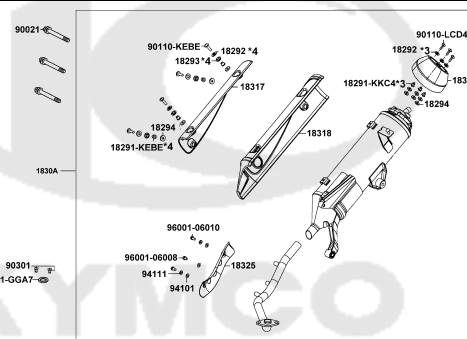
F12 Body Cover Luggage Box



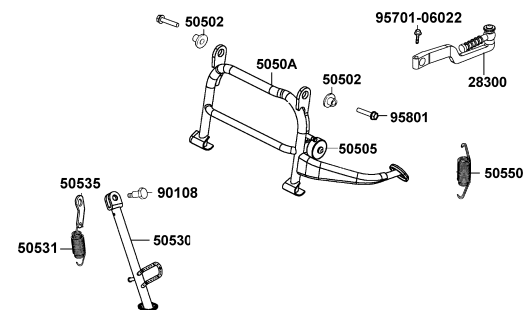
F13 Air Cleaner



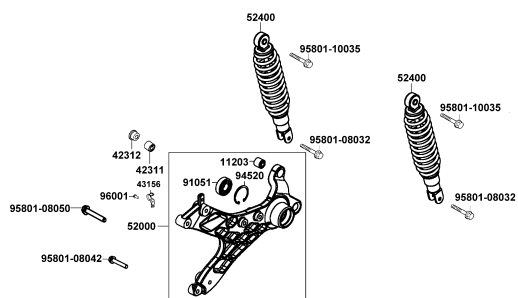
F14 Exhaust Muffler



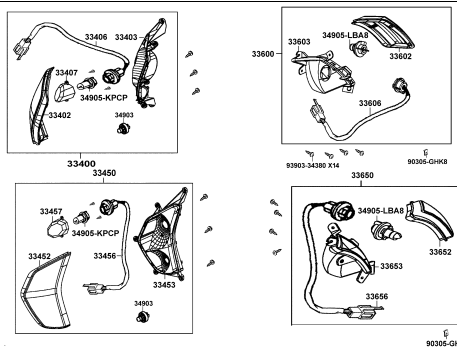
F15 Stand Kick Starter Arm



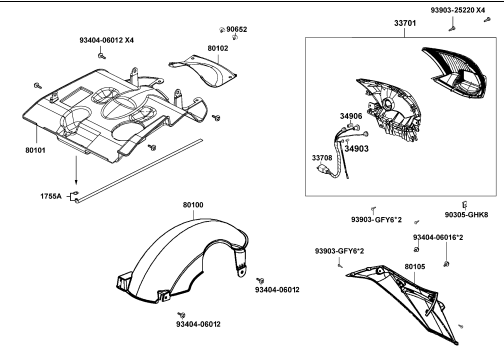
F16 Rear Cushion



F17 Front Winker

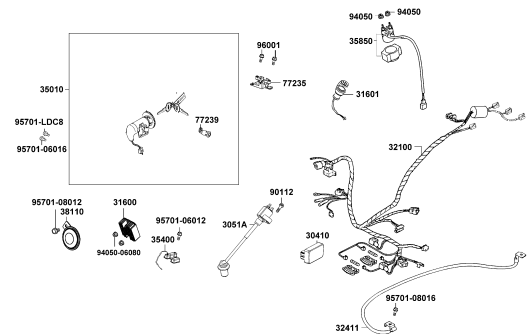


F18 Tail Light

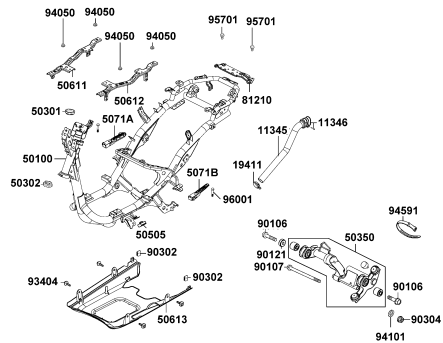


CONTENTS - FRAME GROUP

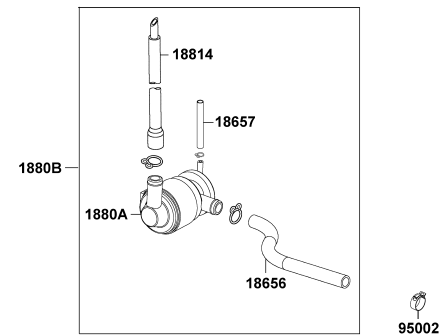
F19 Wire Harness



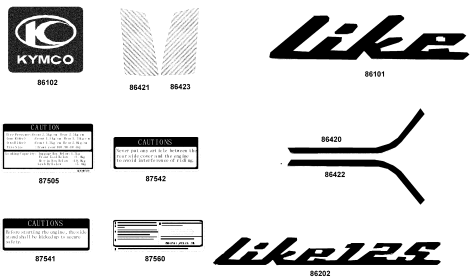
F20 Frame Body



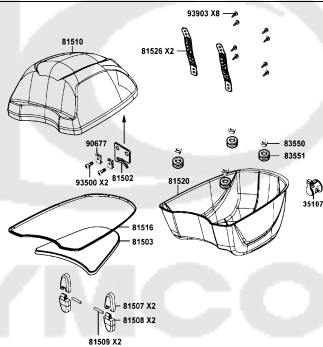
F21 Air Cleaner Two



F22 Emblem Stripe

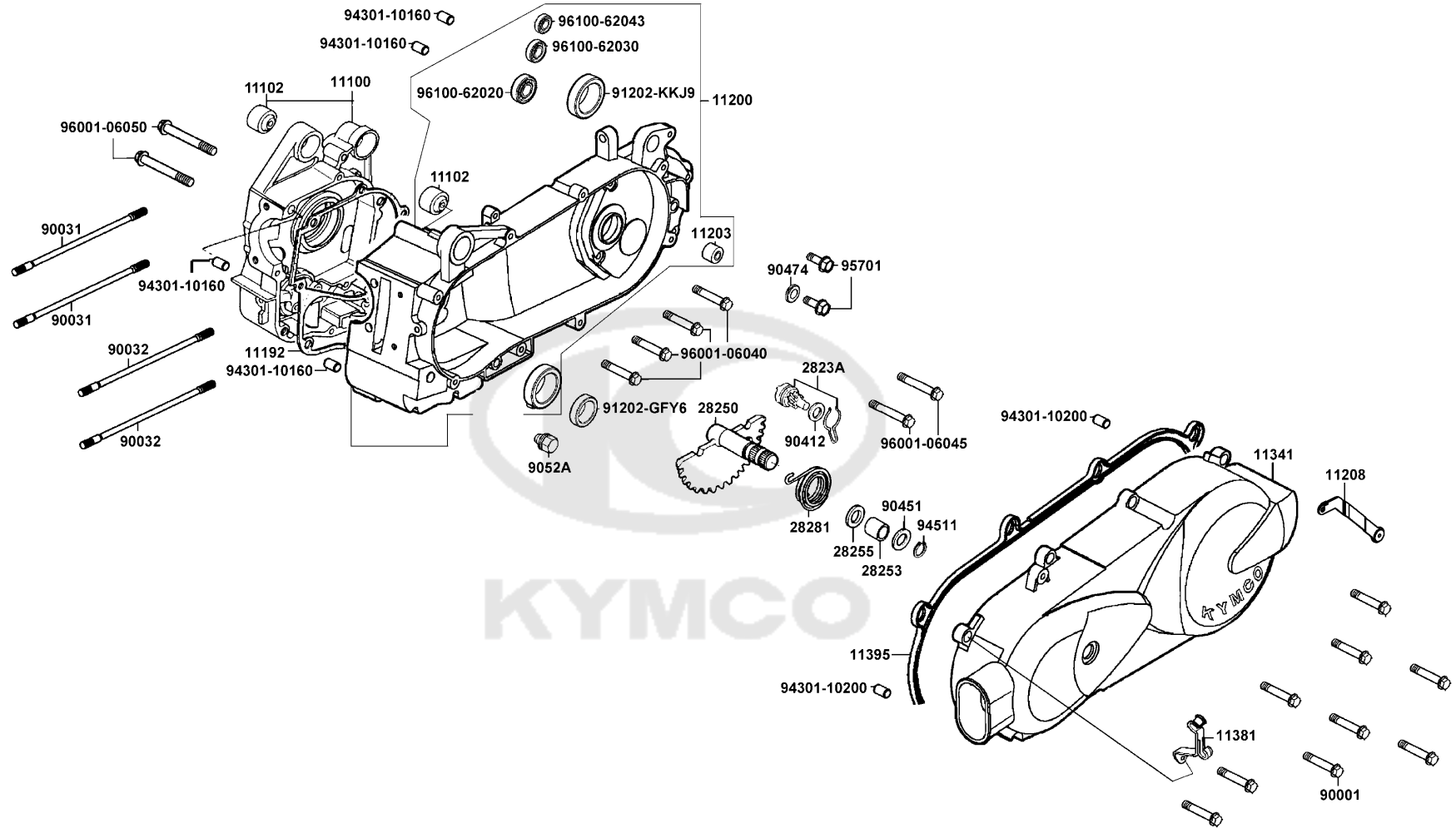


F23 RR BOX



E01

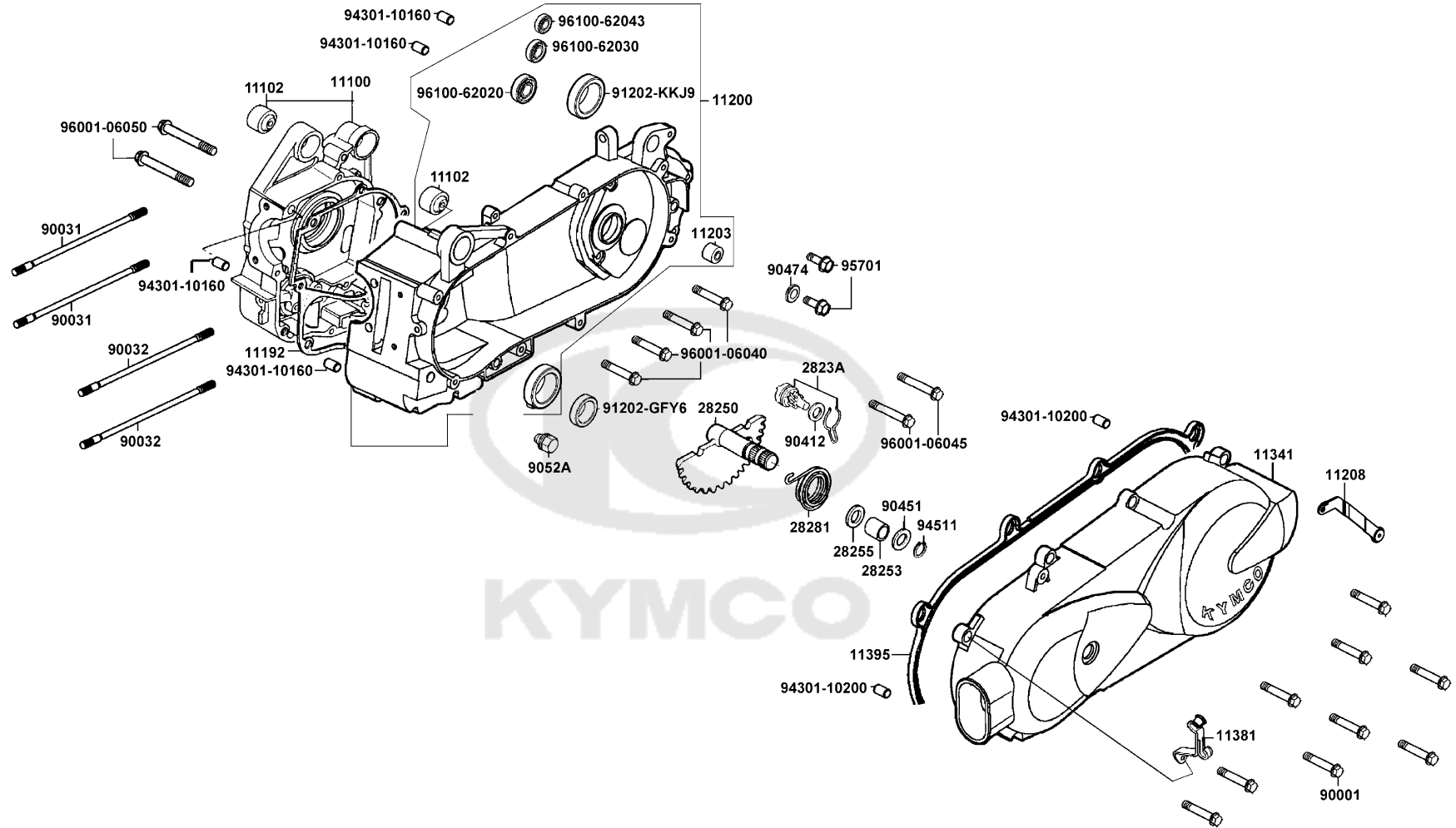
Crank Case



Sales mark	Ref no	Part no	Description	Reg description	Regd no	E01
	11100	11100-KUDU-C00	CASE COMP R CRANK	CASE COMP R CRANK	1	
	11102	11102-1G87-C00	RUB BUSH ENG HANGER	RUB BUSH ENG HANGER	1	
#	11192	11192-KUDU-E90	GASKET CRANK CASE @ A	GASKET CRANK CASE @ A	1	
	11200	11200-KEC4-C00	CRANK CASE COMP L	CRANK CASE COMP L	1	
	11203	11203-GGC7-W10	UNDER RUBBER BUSH REAR CUSHION	UNDER RUBBER BUSH REAR CUSHION	1	
#	11208	11208-LGR5-E11	STAY B RR FENDER	STAY B RR FENDER	1	
# **	11341	11341-KEC4-C00	COVER L. CRANK CASE	COVER L. CRANK CASE	1	
#	11381	11381-KUDU-C00	CLAMPER THROTTLE CABLE	CLAMPER THROTTLE CABLE	1	
#	11395	11395-KKD7-E90	GASKET L COVER @A	GASKET L COVER @A	1	
	2823A	2823A-GKAK-W10	GEAR ASSY KICK DRIVEN	GEAR ASSY KICK DRIVEN	1	
#	28250	28250-KNBN-C00	SPINDLE COMP KICK STARTER	SPINDLE COMP KICK STARTER	1	
#	28253	28253-GBN2-C00	BUSH KICK SPINDLE	BUSH KICK SPDL	1	
#	28255	28255-GFS6-C00	COLLAR KICK BOSS	COLLAR KICK BOSS	1	
#	28281	28281-GBN2-C00	SPRING KICK RETURN	SPRING KICK RETURN	1	
#	90001	90001-GBHB-C11	BOLT FLANGE SHF 6*40	BOLT FLANGE SHF 6*40	1	
#	90031	90031-KUDU-C01	BOLT A STUD 8*200.5	BOLT A STUD 8*200.5	1	
#	90032	90032-KUDU-C00	BOLT B STUD 8*208.5	BOLT B STUD 8*208.5	1	
#	90412	90412-3K29-C00	WASHER THRUST 10M/M	WASHER THRUST 10M/M	1	
#	90451	90451-GBN2-C00	WASHER KICK SPINDLE	WASHER KICK SPINDLE	1	
#	90474	90474-3C33-C00	WASHER 8MM (T*2)	WASHER 8MM (T*2)	1	

E01

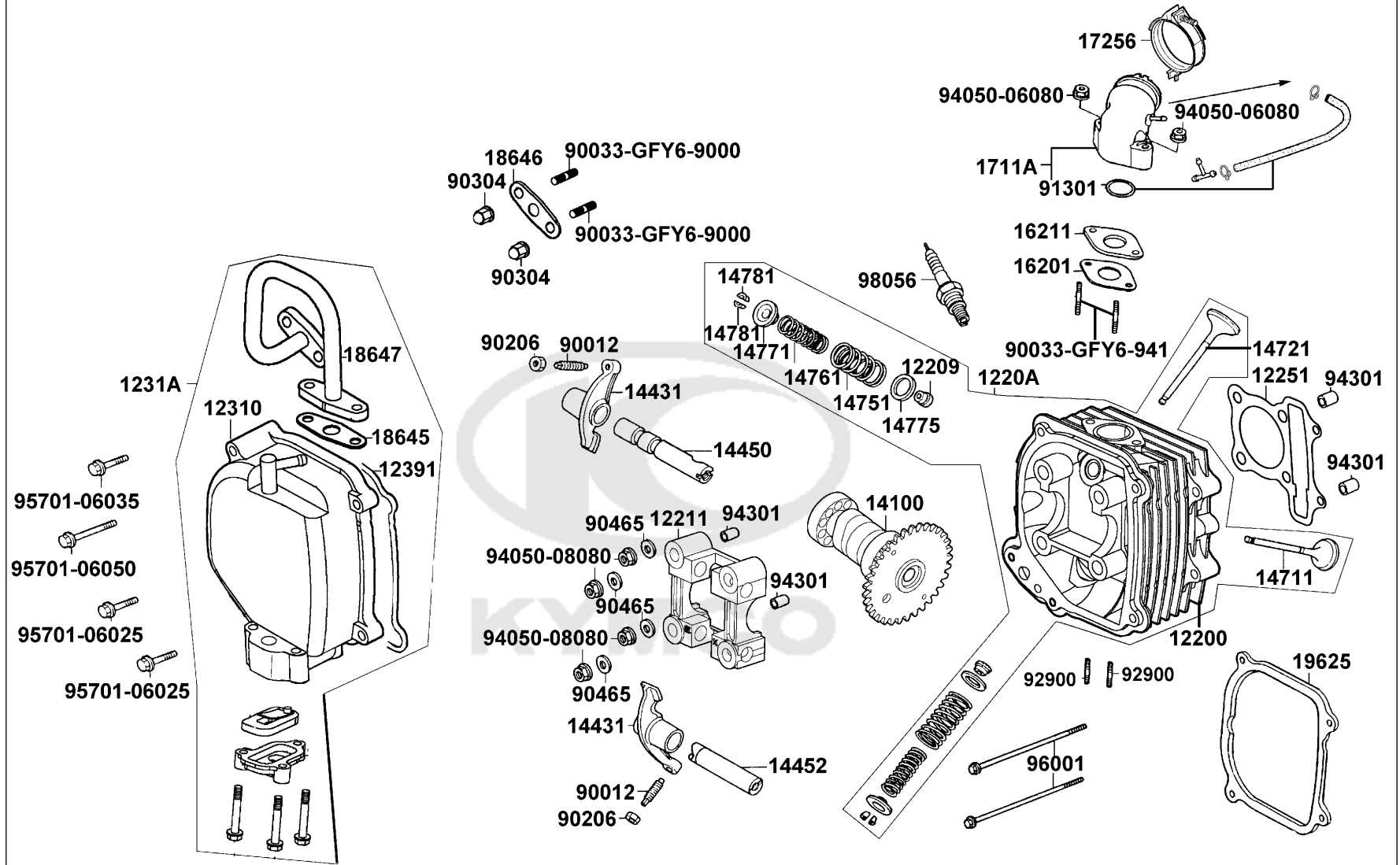
Crank Case



Sales mark	Ref no	Part no	Description	Reg description	Regd no	E01
#	9052A	9052A-GFY6-C00	BOLT ASSY DRAIN PLUG	BOLT ASSY DRAIN PLUG	1	
#	91202-GFY6	91201-GFY6-C00	OIL SEAL 19.8*30*5	OIL SEAL 19.8*30*5	1	
#	91202-KKJ9	91202-KKJ9-C00	OIL SEAL 20*32*6	OIL SEAL 20*32*6	1	
	94301-10160	94301-10160	DOWEL PIN 10*16	DOWEL PIN 10*16	4	
	94301-10200	94301-10200-M2	DOWEL PIN 10*20	DOWEL PIN 10*20	2	
	94511	94511-14000	CIR CLIP EX 14	CIR CLIP EX 14	1	
	95701	95701-08012-08G	BOLT FLANGE 8X12(C)	BOLT FLANGE 8X12(C)	2	
	96001-06040	96001-06040-08	BOLT FLANGE 6*40	BOLT FLANGE SH 6*40 (C)	4	
	96001-06040	96001-06040-08	BOLT FLANGE 6*40	BOLT FLANGE 6*40	4	
	96001-06045	96001-06045-08	BOLT FLANGE SH 6*45 (C)	BOLT FLANGE SH 6*45	3	
	96001-06050	96001-06050-08	BOLT FLANGE 6*50	BOLT FLANGE 6*50	2	
	96100-62020	96100-62020-00	BEARING BALL RADIAL 6202	BEARING BALL RADIAL 6202	1	
	96100-62030	96100-62030-00	BRG BALL RADIAL 6203	BRG BALL RADIAL 6203	1	
	96100-62043	96100-62043-00	BEARING BALL RADIAL 6204	BEARING BALL RADIAL 6204	1	

E02

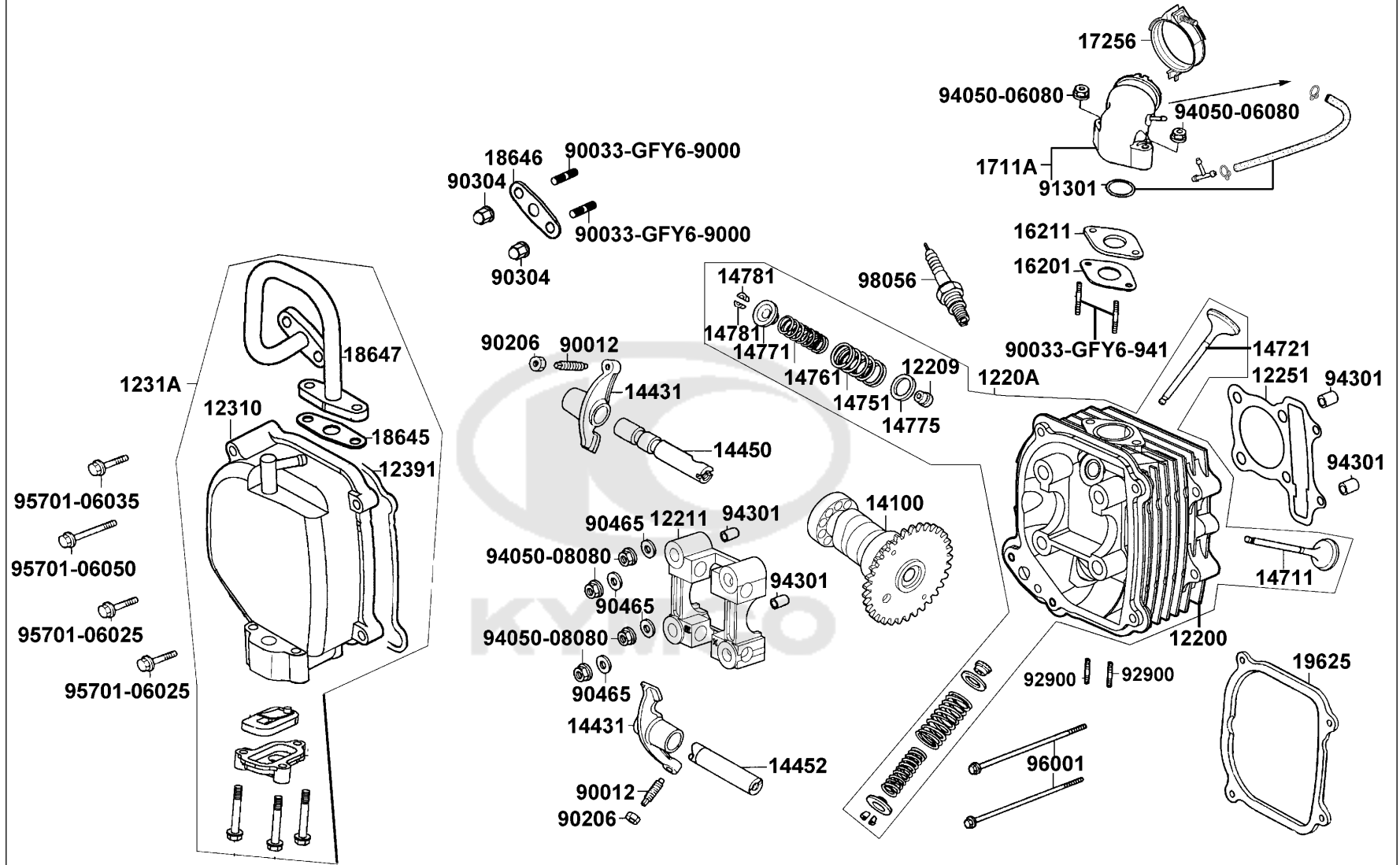
Cylinder Head



Sales mark	Ref no	Part no	Description	Reg description	Regd no	E02
#	12200	12200-KUDU-C10	HEAD COMP CYLN	HEAD COMP CYLN	1	
#	12209	12209-GDB4-C00	SEAL VALVE STEM	SEAL VALVE STEM	1	
#	1220A	1220A-KUDU-C00	HEAD ASSY CYLN	HEAD ASSY CYLN	1	
	12211	12211-KUDU-W10	HOLDER CAM SHAFT	HOLDER CAM SHAFT	1	
#	12251	12251-GFY6-C00	GASKET CYLINDER HEAD	GASKET CYLINDER HEAD	1	
#	12310	12310-KUDU-C10	COVER COMP HEAD	COVER COMP HEAD	1	
#	1231A	1231A-KUDU-C10	COVER ASSY HEAD	HEAD ASSY CYLINDER	1	
#	12391	12391-GFY6-C00	GASKET CYLINDER HEAD COVER	GASKET HEAD COVER	1	
#	14100	14100-LGS6-E10	SHAFT COMP CAM	SHAFT COMP CAM	1	
	14431	14431-KUDU-W10	ARM VALVE ROCKER	ARM VALVE ROCKER	2	
	14450	14450-GFY6-W10	SHAFT COMP IN ROCKER ARM	SHAFT COMP IN ROCKER ARM	1	
	14452	14452-GFY6-W10	SHAFT EXH ROCKER ARM	SHAFT EXH ROCKER ARM	1	
#	14711	14711-KUDU-C00	VALVE INLET	VALVE INLET	1	
#	14721	14721-KUDU-C00	VALVE EXHAUST	VALVE EXHAUST	1	
	14751	14751-KUDU-C10	SPRING VALVE OUTER	SPRING VALVE OUTER	2	
	14761	14761-KUDU-C10	SPG VALVE INNER	SPG VALVE INNER	2	
#	14771	14771-GDB4-C00	RETAINER VALVE SPRING	RETAINER VALVE SPRING	1	
#	14775	14775-MFA6-C00	SEAT VALVE SPG OUTER	SEAT VALVE SPG OUTER	1	
#	14781	14781-MFA6-C00	COTTER VALVE	COTTER VALVE	1	
#	16201	16201-GFY6-E90	GASKET CARBURETOR INSULATOR	GASKET CARB INSULATOR	1	

E02

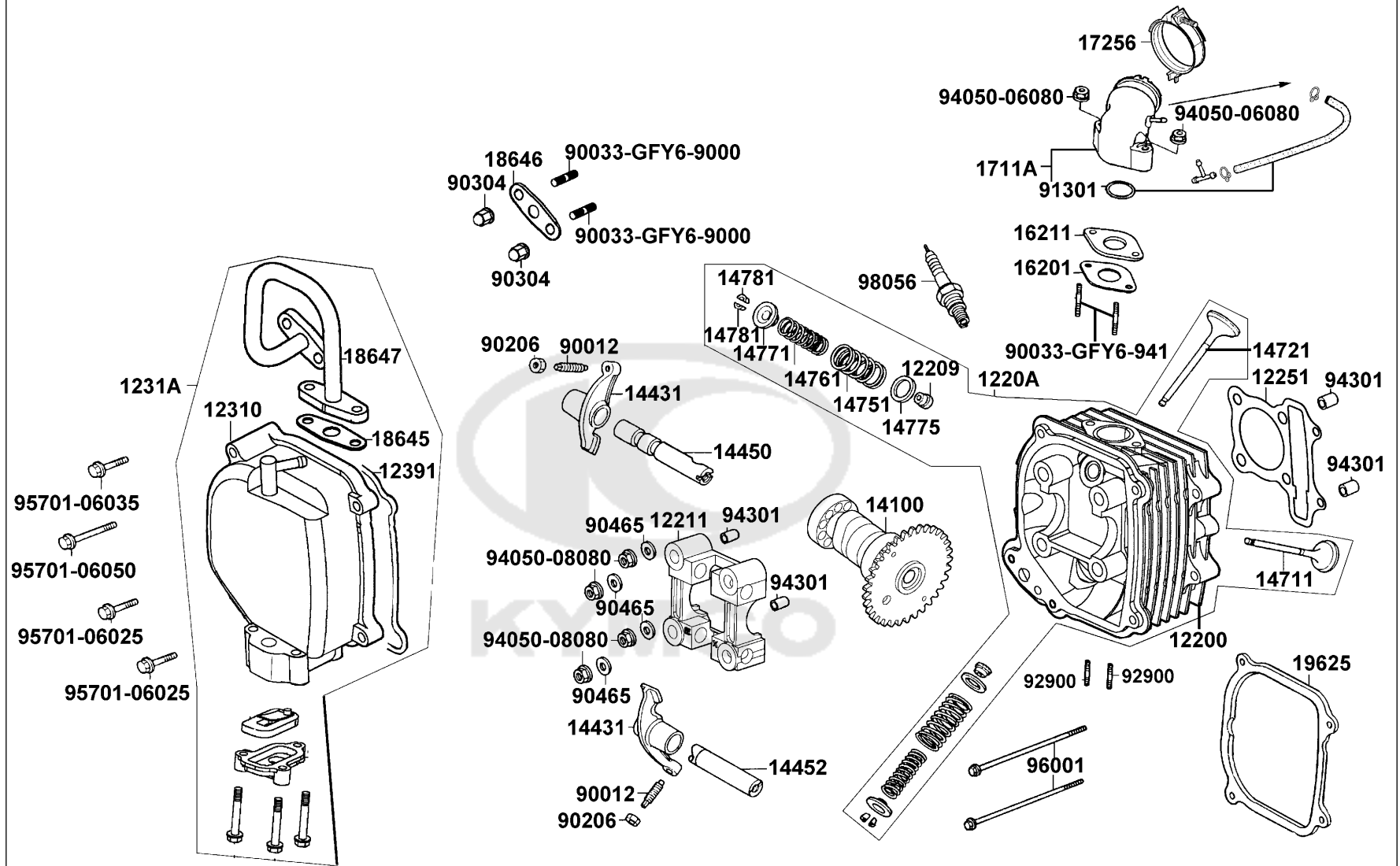
Cylinder Head



Sales mark	Ref no	Part no	Description	Reg description	Regd no	E02
	16211	16211-GFY6-W10	INSULATOR	INSULATOR	1	
	1711A	1711A-LDF7-E10	PIPE COMP INLET	PIPE COMP INLET	1	
#	17256	17256-GFY6-C00	BAND INSULATOR	BAND INSULATOR	1	
#	18645	18645-GFY6-C00	GASKET A/I PIPE	GASKET A/I PIPE	1	
	18646	18646-LDC8-E10	GASKET A/I PIPE	GASKET A/I PIPE	1	
#	18647	18647-GFY6-C00	PIPE COMP AIR	PIPE COMP AIR	1	
#	19625	19625-KUDU-C00	SEAL SHROUD	SEAL SHROUD	1	
#	90012	90012-3C33-C00	SCREW TAPPET ADJUSTING	SCREW TAPPET ADJUSTING	1	
#	90033-GFY6-9000	90033-GFY6-C00	BOLT STUD 8*32	BOLT 8*32	1	
#	90033-GFY6-941	90033-GFY6-C10	BOLT STUD 6*16	BOLT STUD 6*16	1	
#	90206	90206-0A01-C00	NUT TAPPET ADJG	NUT TAPPET ADJG	1	
#	90304	90304-4H38-C00	NUT HEX CAP 6MM	NUT HEX CAP 6MM	1	
#	90465	90465-MDC4-C00	WASHER 8MM	WASHER 8MM	1	
#	91301	91301-0H28-C00	O-RING 27*2	O-RING 27*2	1	
	92900	92900-06060-0B	BOLT STUD 6*60	BOLT STUD 6*60	2	
	94050-06080	94050-06080	NUT FLANGE 6MM	NUT FLANGE 6MM	2	
	94050-08080	94050-08080	NUT FLANGE 8MM	NUT FLANGE 8MM	4	
	94301	94301-10160	DOWEL PIN 10*16	DOWEL PIN 10*16	4	
	95701-06025	95701-06025-08	BOLT FLANGE 6*25	BOLT FLANGE 6*25	2	
	95701-06035	95701-06035-08	BOLT FLANGE 6*35 (C)	BOLT FLANGE 6*35	1	

E02

Cylinder Head



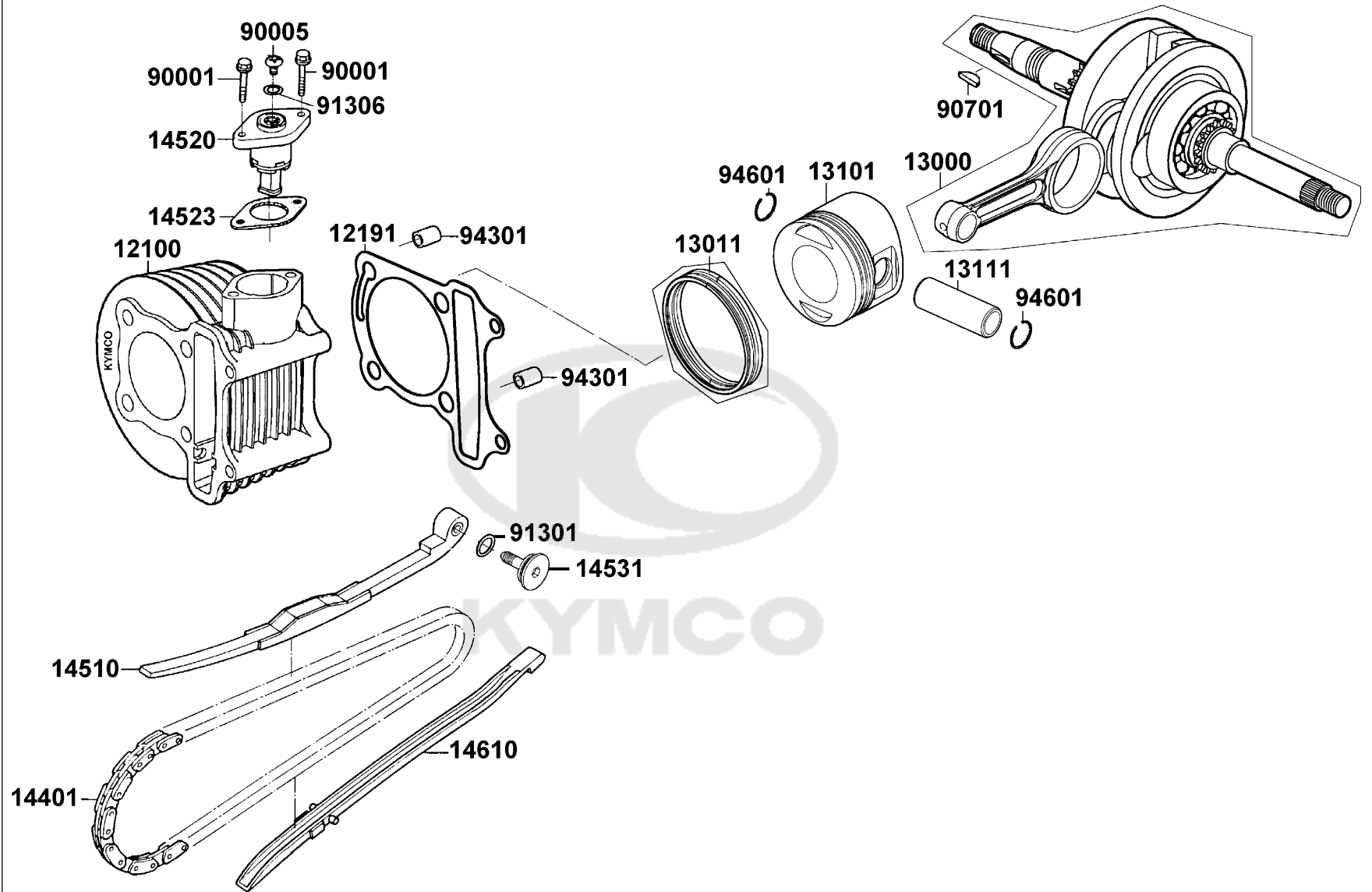
Sales mark	Ref no	Part no	Description	Reg description	Regd no	E02
------------	--------	---------	-------------	-----------------	---------	------------

95701-06050	95701-06050-08	95701-06050-08	BOLT FLANGE 6X50	BOLT FLANGE 6*50 (C)	1	
96001	96001-06100-08	96001-06100-08	BOLT FLANGE SH 6*100 (C)	BOLT FLANGE SH 6*100	2	
98056	98056-5771R-00	98056-5771R-00	SPARK PLUG (CR7HSA)	SPARK PLUG (CR7HSA)	1	



E03

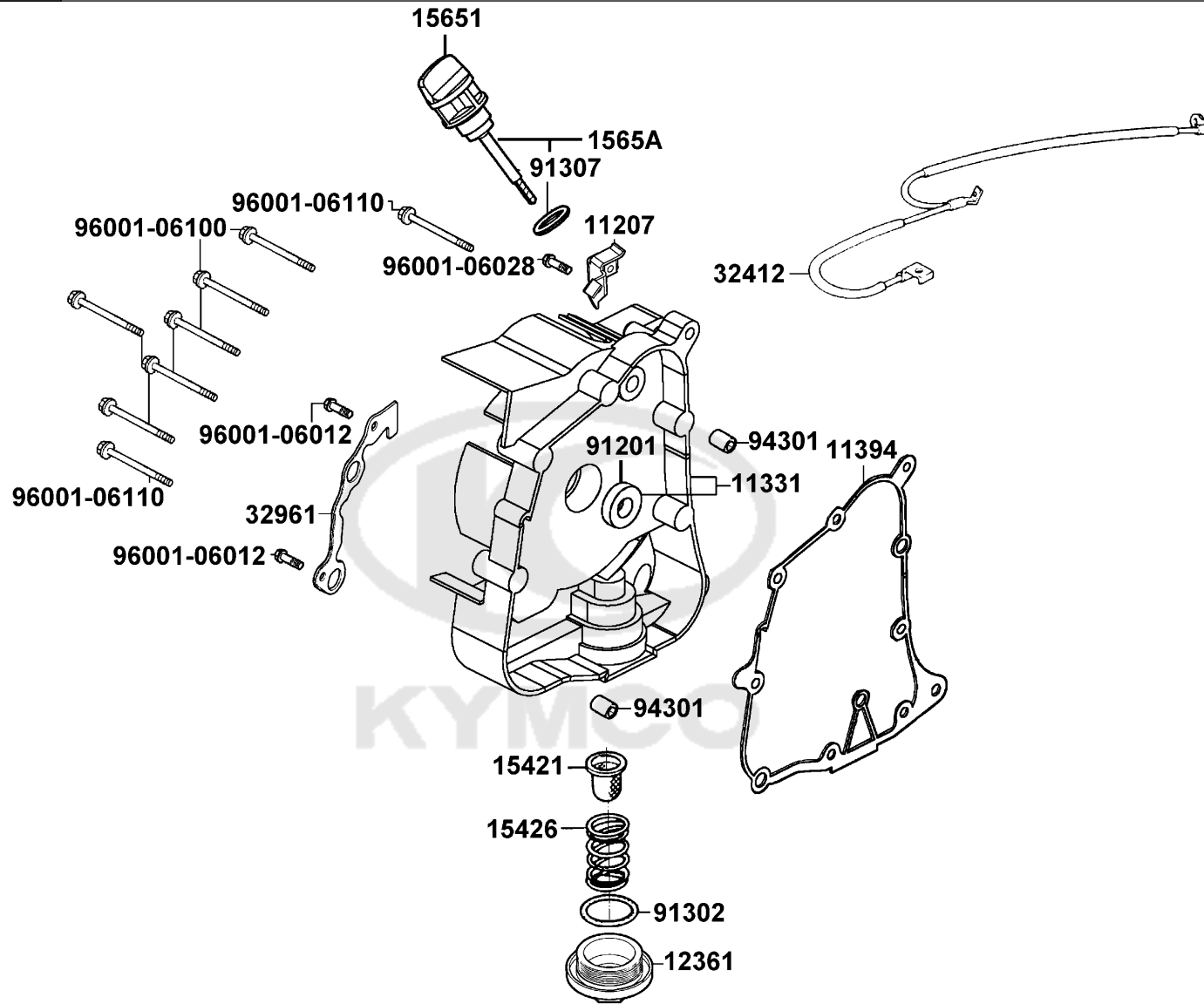
Cylinder Piston Crankshaft



Sales mark	Ref no	Part no	Description	Reg description	Regd no	E03
	12100	12100-GFY6-C00	CYLINDER COMP	CYLINDER COMP	1	
#	12191	12191-GFY6-E90	GASKET CRANK CASE @ A	GASKET CRANK CASE @ A	1	
#	13000	13000-KUDU-C00	CRANK SHAFT COMP	CRANK SHAFT COMP	1	
#	13011	13011-GFY6-C00	RING ASSY PISTON	RING ASSY PISTON	1	
#	13101	13101-KUDU-C00	PISTON	PISTON A	1	
#	13111	13111-3D84-C00	PIN,PISTON	PIN PISTON	1	
#	14401	14401-KUDU-C00	CHAIN CAM	CHAIN CAM	1	
#	14510	14510-KUDU-C0B	TENSIONER CAM CHAIN	TENSIONER CAM CHAIN	1	
#	14520	14520-GFY6-C00	LIFTER ASSY TENSIONER	LIFTER ASSY TENSIONER	1	
#	14523	14523-GFY6-E90	GASKET TENSIONER LIFTER @A	GASKET TENSIONER LIFTER@A	1	
#	14531	14531-GLR0-W10	PIVOT CAM CHAIN TENSIONER	PIVOT CAM CHAIN TENSIONER	1	
#	14610	14610-KUDU-C0B	GUIDE COMP CAM CHAIN	GUIDE COMP CAM CHAIN	1	
#	90001	90001-GBHB-C05	BOLT FLANGE SHF 6*22 (B)	BOLT FLANGE SHF 6*22 (B)	1	
	90005	90005-KAW1-901	SCREW PAN 6X6	SCREW PAN 6X6	1	
#	90701	90701-HFB6-C00	KEY WOODRUFF 25*14*4	KEY WOODRUFF 25X14X4	1	
#	91301	91301-GLR0-W10	O-RING 15.2*1.5	O-RING 15.2*1.5	1	
#	91306	91306-1E05-C00	O-RING 1.5*9.5	O-RING 1.5*9.5	1	
	94301	94301-10160	DOWEL PIN 10*16	DOWEL PIN 10*16	2	
	94601	94601-15000	CLIP PISTON PIN 15MM	CLIP PISTON PIN 15MM	2	

E04

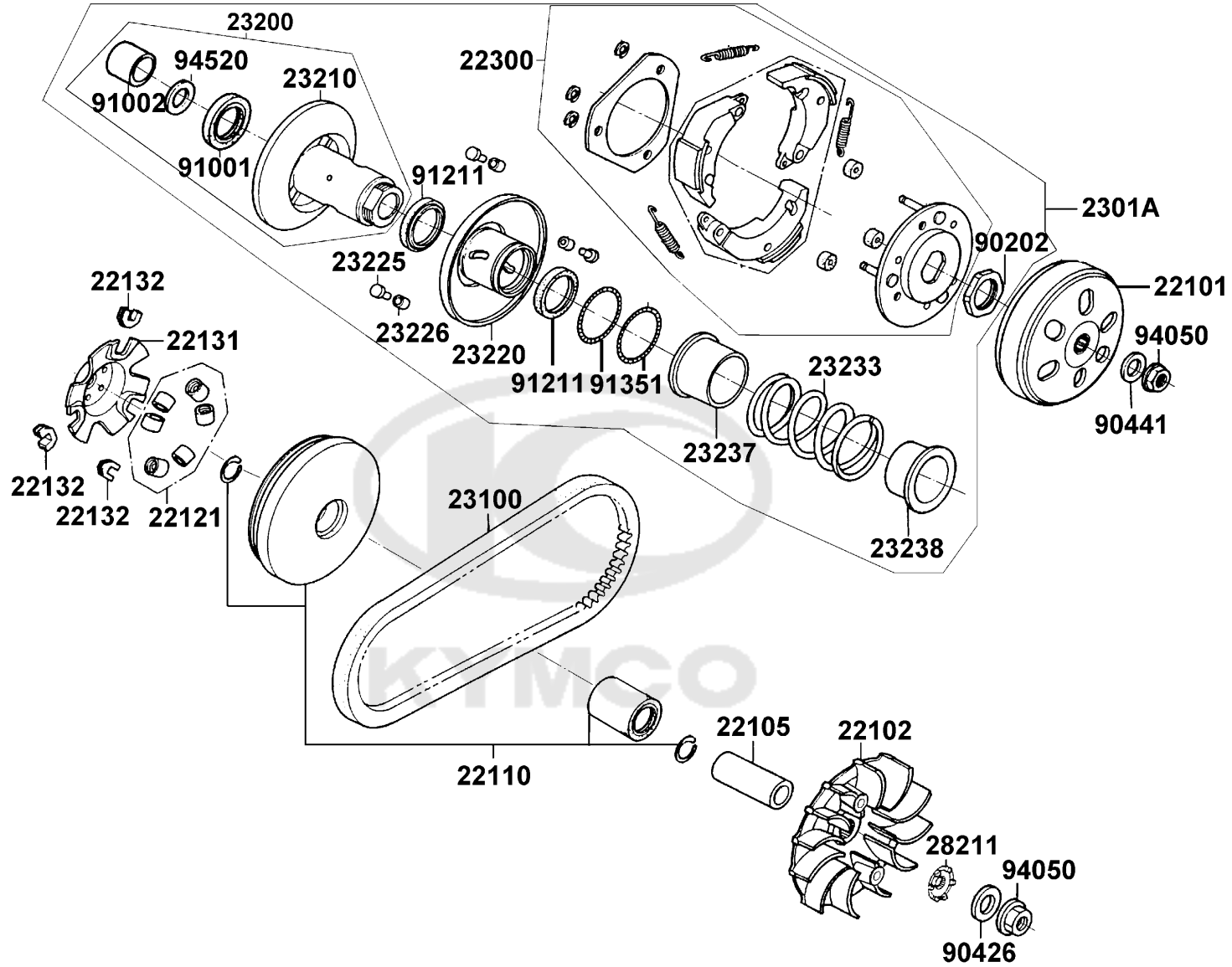
Right Crankcase Cover



Sales mark	Ref no	Part no	Description	Reg description	Regd no	E04
	11207	11207-KKE3-C00	STAY B RR FENDER	STAY B RR FENDER	1	
	11331	11331-LCD3-E00	COVER R CRANK CASE	COVER R CRANK CASE	1	
#	11394	11394-KUDU-E90	GASKET.R COVER	GASKET R COVER	1	
#	12361	12361-GFY6-C00	HOLE CAP TAPPET ADJUSTING	HOLE CAP TAPPET ADJUSTING	1	
#	15421	15421-1G07-C00	SCREEN OIL FILTER	SCREEN OIL FILTER	1	
#	15426	15426-GAE1-C00	SPG OIL FILTER SCREEN	SPG OIL FILTER SCREEN	1	
	15651	15651-KUDU-W10	GUAGE OIL LEVEL	GUAGE OIL LEVEL	1	
	1565A	1565A-KUDU-W10	GAUGE OIL LEVEL ASSY	GAUGE OIL LEVEL ASSY	1	
	32412	32412-LDF7-E10	CABLE EARTH	CABLE EARTH	1	
#	32961	32961-KUDU-C00	CLAMPER ACG CORD	CLAMPER ACG CORD	1	
#	91201	91201-GFY6-C00	OIL SEAL 19.8*30*5	OIL SEAL 19.8*30*5	1	
#	91302	91302-0A01-C00	O-RING 30.8MM	O-RING 30.8MM	1	
	91307	91307-0E35-W10	O-RING 18*3	O-RING 18*3	1	
	94301	94301-10160	DOWEL PIN 10*16	DOWEL PIN 10*16	2	
	96001-06012	96001-06012-08G	BOLT FLANGE SH 6X12 (C)	BOLT FLANGE SH 6X12 (C)	2	
	96001-06028	96001-06028-08	BOLT FLANGE SH 6*28	BOLT FLANGE SH 6*28	1	
	96001-06100	96001-06100-08	BOLT FLANGE SH 6*100 (C)	BOLT FLANGE SH 6*100	6	
	96001-06110	96001-06110-08	BOLT FLANGE SH 6*110	BOLT FLANGE SH 6*110	2	

E05

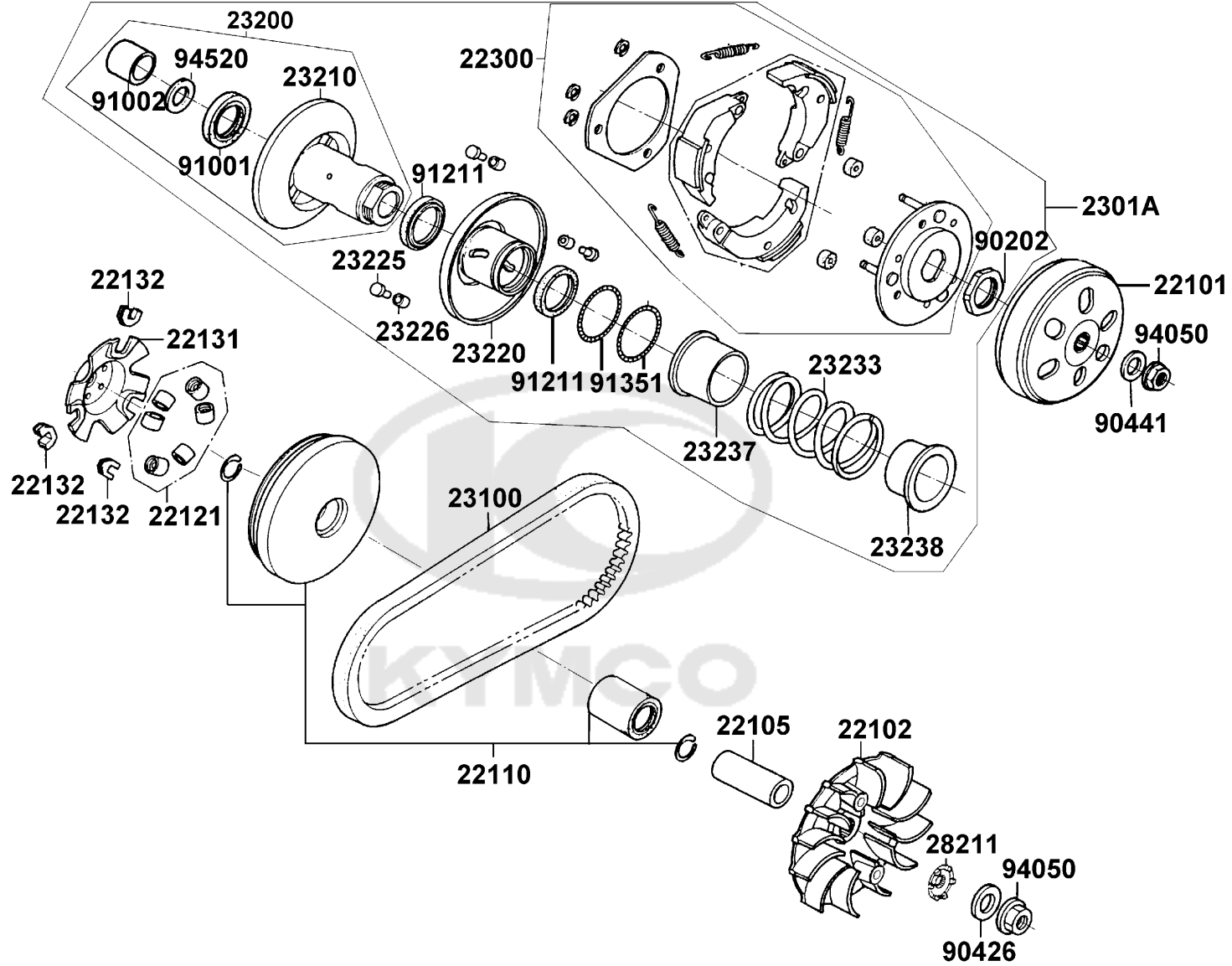
Driven Pulley



Sales mark	Ref no	Part no	Description	Reg description	Regd no	E05
#	22101	22101-LCD3-C00	OUTER CLUTCH	OUTER CLUTCH	1	
#	22102	22102-KUDU-E80	FACE DRIVE	FACE DRIVE	1	
#	22105	22105-GFY6-C10	BOSS DRIVE FACE	BOSS DRIVE FACE	1	
#	22110	22110-KUDU-E80	FACE MOVABLE DRIVE	FACE COMP MOVABLE DRIVE	1	
#	22121	22121-KKD7-315	ROLLER SET WEIGHT (1SET:6PCS)	ROLLER COMP WEIGHT	1	
#	22131	22131-GFY6-C00	PLATE RAMP	PLATE RAMP	1	
#	22132	22132-KBN2-315	PIECE SLIDE COMP	PIECE SLIDE	1	
#	22300	22300-KEC6-C00	PLATE ASSY DRIVE	PLATE ASSY DRIVE	1	
#	2301A	2301A-KEC6-C00	PULLEY SUB ASSY	PULLEY ASSY DRIVEN	1	
#	23100	23100-KEC4-C0E	BELT DRIVE	BELT DRIVE	1	
#	23200	23200-GFY6-C00	FACE ASSY DRIVEN	FACE ASSY DRIVEN	1	
#	23210	23210-GFY6-C00	FACE COMP DRIVEN A	FACE COMP DRIVEN A	1	
#	23220	23220-KFBF-C00	FACE COMP MOVABLE DRIVEN	FACE MOVABLE DRIVEN	1	
#	23225	23225-GHC8-C00	PIN ROLLER GUIDE	PIN ROLLER GUIDE	1	
#	23226	23226-GHC8-C00	ROLLER GUIDE	"ROLLER,GUIDE"	1	
#	23233	23233-GCW3-C00	SPG DRIVEN FACE	SPG DRIVEN FACE	1	
#	23237	23237-GFY6-C00	COLLAR SEAL	COLLAR SEAL	1	
#	23238	23238-GFY6-C00	COLLAR SPG	COLLAR SPG	1	
#	28211	28211-KUDU-W10	RATCHET KICK STARTER	RATCHET KICK STARTER	1	
#	90202	90202-1G87-C00	NUT SPECIAL 28MM	NUT SPECIAL 28MM	1	

E05

Driven Pulley

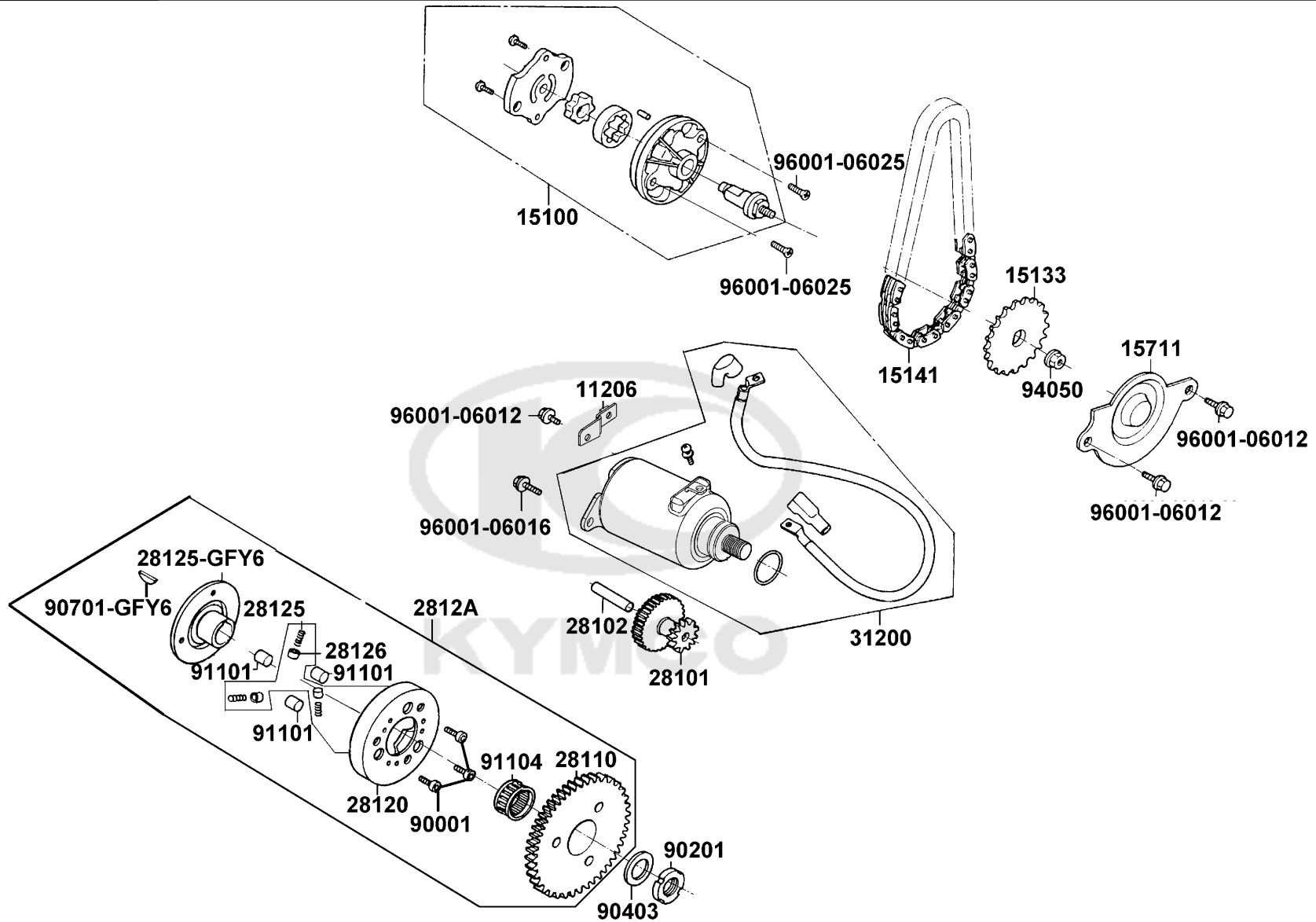


Sales mark	Ref no	Part no	Description	Reg description	Regd no	E05
#	90426	90426-KNBN-C01	WASHER SPECIAL 12MM	WASHER SPECIAL 12MM	1	
#	90441	90441-GFY6-C00	WASHER 12.2*29*2.5	WASHER 12.2*29*2.5	1	
#	91001	91001-GFY6-C00	BRG CON-ROD 20*29*18	BRG CON-ROD 20*29*18	1	
#	91002	91002-GGA7-C00	BRG BALL RADIAL 6902U	BRG BALL RADIAL 6902U	1	
#	91211	91211-KEBE-C00	SEAL DRIVEN FACE 34*41*4	SEAL DRIVEN FACE 34*41*4	1	
#	91351	91351-6B42-C00	O-RING PINION CAP	O-RING PINION CAP	1	
	94050	94050-12080	NUT FLANGE 12MM	NUT FLANGE 12MM	1	
	94520	94520-28000	CIR CLIP IN 28	CIR CLIP IN 28	1	



E06

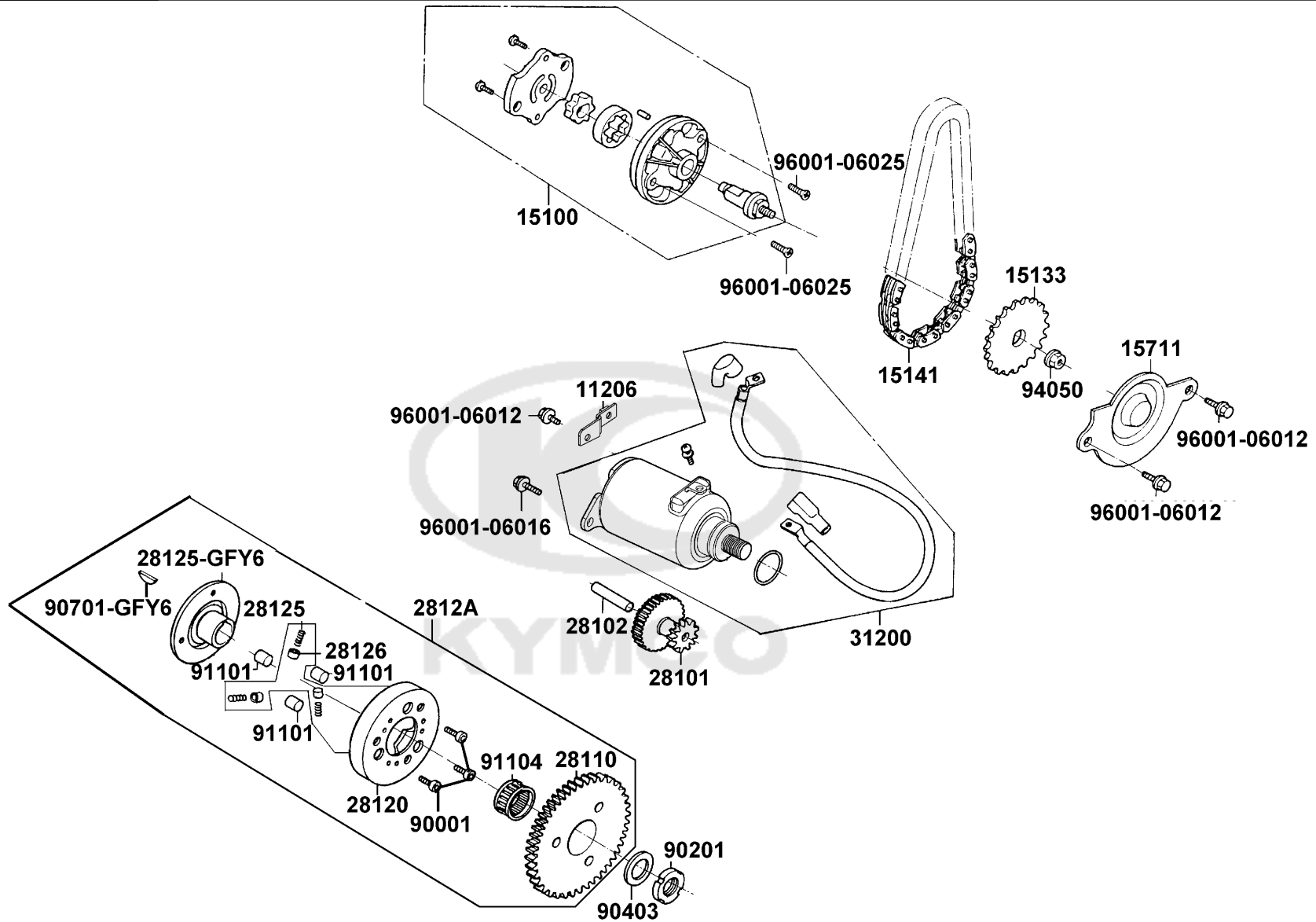
Starting Motor Oil Pump




Sales mark	Ref no	Part no	Description	Reg description	Regd no	E06
	11206	11206-LGR5-E10	"STAY A, RR FENDER"	"STAY A, RR FENDER"	1	
	15100	15100-KUDU-W10	PUMP ASSY OIL	PUMP ASSY OIL	1	
	15133	15133-GFY6-W10	SPROCKET OIL PUMP DRIVE	SPROCKET OIL PUMP DRIVE	1	
#	15141	15141-GFY6-C00	CHAIN OIL PUMP	CHAIN OIL PUMP	1	
#	15711	15711-KUDU-C00	SEPARATER OIL	SEPARATER OIL	1	
#	28101	28101-GFY6-C00	GEAR STARTER REDUCTION	GEAR STARTER REDUCTION	1	
#	28102	28102-GFY6-C00	SHAFT STARTER REDUCTION GEAR	SHAFT STARTER REDUCTION GEAR	1	
	28110	28110-GFY6-C10	OUTER ASSY START CLUTCH	OUTER ASSY START CLUTCH	1	
	28120	28120-GFY6-C10	OUTER COMP STARTING CLUTCH	OUTER COMP STARTING CLUTCH	1	
#	28125-4F26	28125-4F26-C00	SPRING ROLLER STARTER CLUTCH	SPRING ROLLER STARTER CLUTCH	1	
#	28125-GFY6	28125-GFY6-C10	SPRING ROLLER STARTER CLUTCH	SPRING ROLLER STARTER CLUTCH	1	
#	28126	28126-GFY6-C10	CAP STARTING ROLLER SPRING	FLANGE STARTING CLUTCH	1	
	2812A	2812A-GFY6-C10	OUTER ASSY START CLUTCH	OUTER ASSY START CLUTCH	1	
#	31200	31200-KUDU-C00	MOTOR ASSY START	MOTOR ASSY START	1	
#	90001	90001-GFY6-C00	SOCKET BOLT 6*10	SOCKET BOLT 6*10	1	
	90201	90201-GFY6-901	NUT LOCK 22MM	NUT LOCK 22MM	1	
	90403	90403-KUDU-900	WASHER THRUST 22.2*39*2.5	WASHER THRUST 22.2*39*2.5	1	
#	90701	90701-GFY6-901	CAP STARTING ROLLER SPRING	CAP STARTING ROLLER SPRING	1	
#	91101	91101-1K79-C00	ROLLER 10*10	ROLLER 10*10	1	
#	91104	91104-GFY6-C00	BRG NEEDLE 28*32*17	BRG NEEDLE 28*32*17	1	

E06

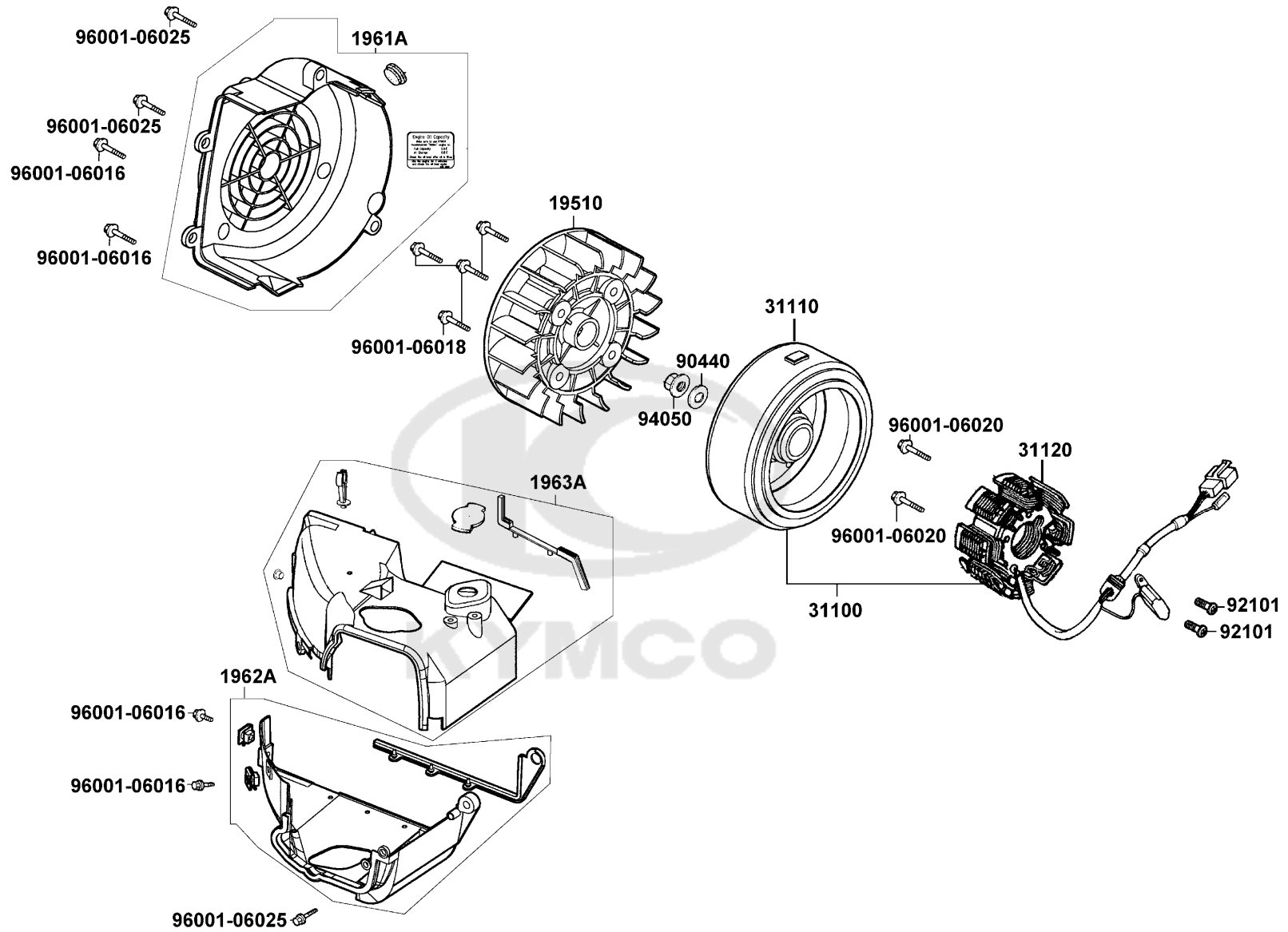
Starting Motor Oil Pump



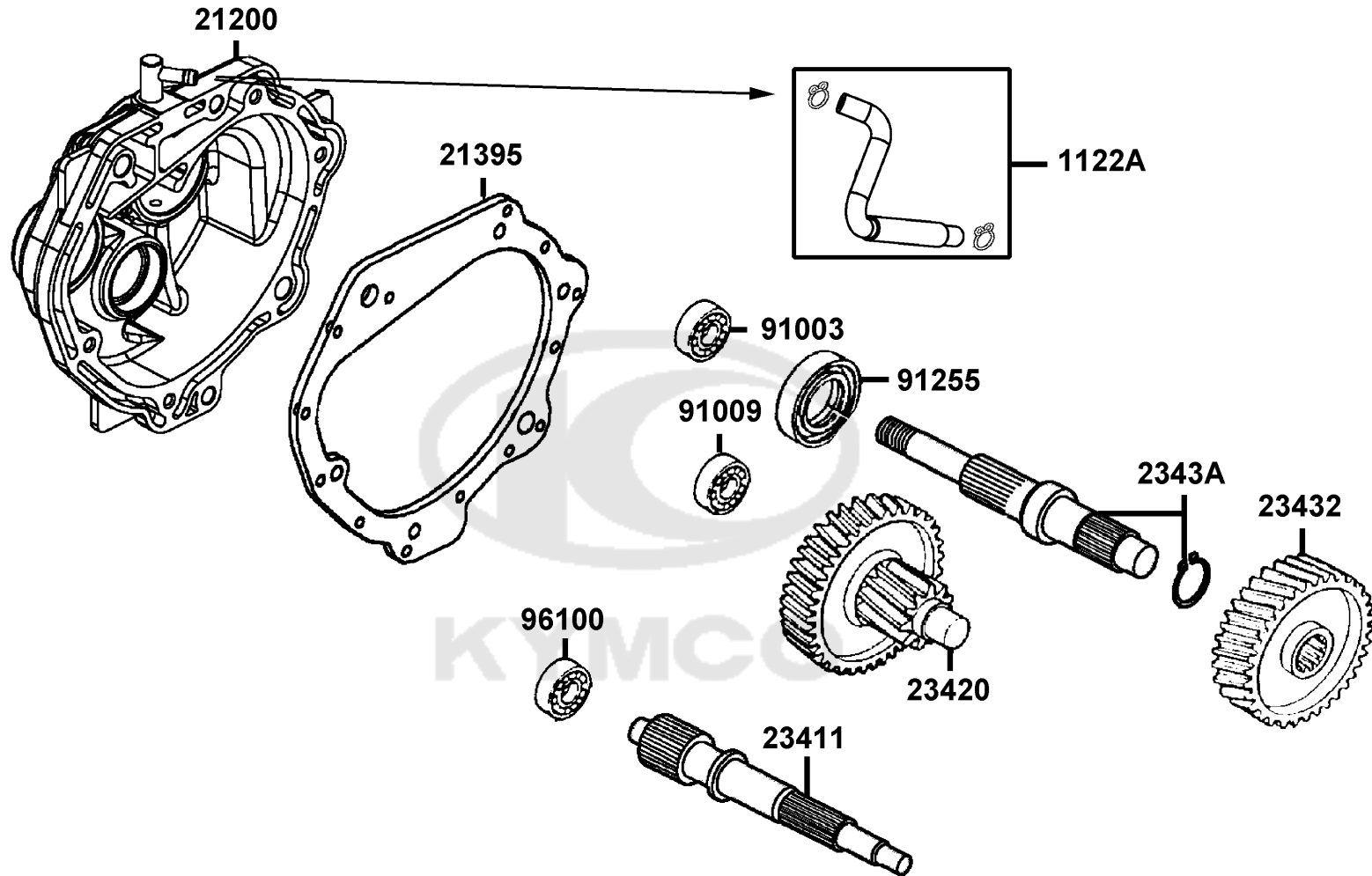
Sales mark	Ref no	Part no	Description	Reg description	Regd no	E06
	94050	94050-06080	NUT FLANGE 6MM	NUT FLANGE 6MM	1	
	96001-06012	96001-06012-08G	BOLT FLANGE SH 6X12 (C)	BOLT FLANGE SH 6X12 (C)	3	
	96001-06016	96001-06016-08	BOLT FLANGE SH 6*16	BOLT FLANGE SH 6*16	2	
	96001-06025	96001-06025-08	BOLT FLANGE SH 6*25 (C)	BOLT FLANGE SH 6*25	2	
						

E07

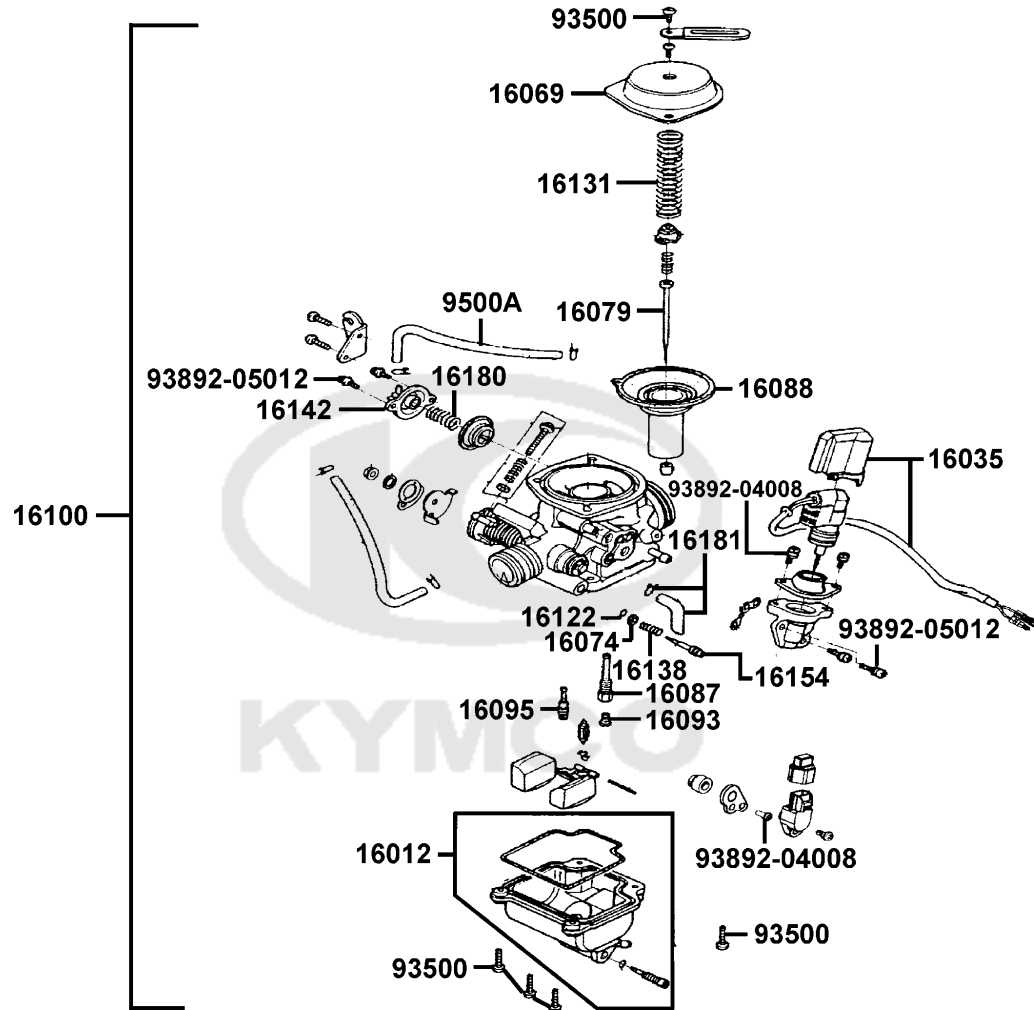
Fan Cover Generator



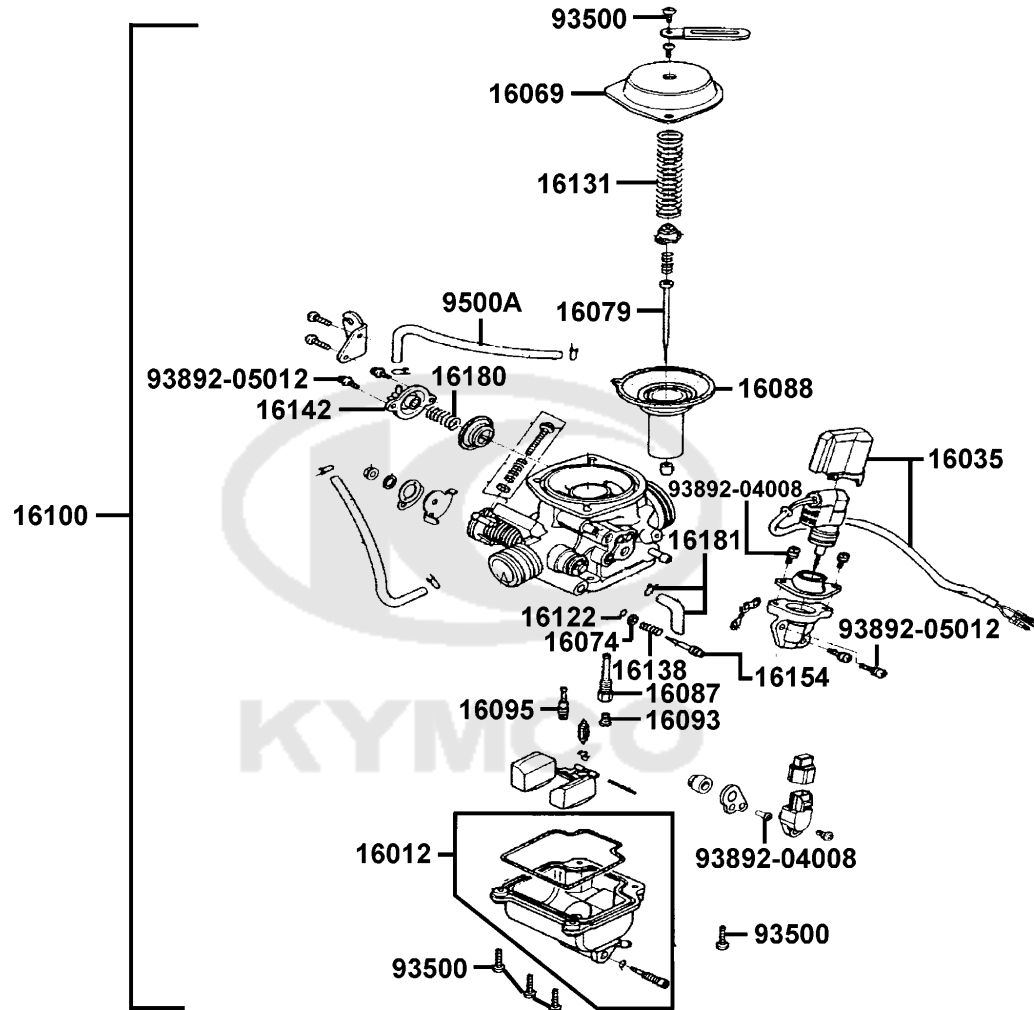
Sales mark	Ref no	Part no	Description	Reg description	Regd no	E07
#	19510	19510-GFY6-C00	FAN COMP COOLING	FAN COMP COOLING	1	
	1961A	1961A-KUDU-E10	COVER ASSY FAN	COVER ASSY FAN	1	
#	1962A	1962A-KUDU-C00	SHROUD ASSY A	SHROUD COMP A	1	
	1963A	1963A-LDF7-E10	SHROUD ASSY B	SHROUD ASSY B	1	
#	31100	31100-LHA2-M30	AC GEN ASSY	AC GEN ASSY	1	
#	31110	31110-LAD9-C00	FLYWHEEL COMP	FLYWHEEL COMP	1	
	31120	31120-LFC3-E10	STATOR COMP	STATOR COMP	1	
#	90440	90440-1F66-C00	WASHER PLAIN 12MM	WASHER PLAIN 12MM	1	
	92101	92101-05012-0H	BOLT HEX 5*12	BOLT HEX 5*12	2	
	94050	94050-12080	NUT FLANGE 12MM	NUT FLANGE 12MM	1	
	96001-06016	96001-06016-08	BOLT FLANGE SH 6*16	BOLT FLANGE SH 6*16	4	
	96001-06018	96001-06018-08	BOLT FLANGE SH 6*18	BOLT FLANGE SH 6*18	4	
	96001-06020	96001-06020-08	BOLT FLANGE SH 6*20 (C)	BOLT FLANGE SH 6*20	2	
	96001-06025	96001-06025-08	BOLT FLANGE SH 6*25 (C)	BOLT FLANGE SH 6*25	3	



Sales mark	Ref no	Part no	Description	Reg description	Regd no	E08
#	1122A	1122A-LGR5-E10	TUBE ASSY.,MISSION BREATHER	TUBE ASSY.,MISSION BREATHER	1	
	21200	21200-LGR5-E10	CASE COMP MISSION	CASE COMP MISSION	1	
#	21395	21395-KEC4-E90	GASKET MISSION CASE	GASKET MISSION CASE	1	
#	23411	23411-KEC4-C00	SHAFT DRIVE	SHAFT DRIVE	1	
#	23420	23420-KEC4-C00	SHAFT COMP COUNTER	SHAFT COMP COUNTER	1	
#	23432	23432-KEC4-C00	GEAR FINAL	GEAR FINAL	1	
#	2343A	2343A-KKD5-C00	SHAFT FINAL	SHAFT FINAL	1	
#	91003	91003-KDS4-C00	BRG BALL RADIAL 6301TMB	BRG BALL RADIAL 6301TMB	1	
#	91009	91009-GLE0-C00	BRG BALL RADIAL 6004 UU	BRG BALL RADIAL 6004 UU	1	
	91255	91255-LDC8-E10	OIL SEAL 27*42*7(C?)	OIL SEAL 27*42*7(C?)	1	
	96100	96100-60020-00	BRG BALL RADIAL 6002	BRG BALL RADIAL 6002	1	



Sales mark	Ref no	Part no	Description	Reg description	Regd no	E09
	16012	16012-KEC3-C01	CHAMBER COMP FLOAT	CHAMBER COMP FLOAT	1	
	16035	16035-LEJ3-900	UNIT BY-ST	UNIT BY-ST	1	
	16069	16069-KEC3-C00	COVER PISTON VALVE DIAPHRAGM	COVER PISTON VALVE DIAPHRAGM	1	
	16074	16074-KEC3-C00	WASHER IDLE ADJUIST SCERW	WASHER IDLE ADJUIST SCERW	1	
	16079	16079-LDF7-900	NEELDE ASSY JET	NEELDE ASSY JET	1	
	16087	16087-KEC3-C00	TUBE EMULSION	TUBE EMULSION	1	
	16088	16088-LDF7-C00	JET NEEDLE	JET NEEDLE	1	
	16093	16093-5098-C00	MAIN JET	MAIN JET	1	
	16095	16095-KEC3-900	JET SLOW	JET SLOW	1	
	16100	16100-LGR5-EY1	CARBURETOR ASSY	CARBURETOR ASSY	1	
	16122	16122-KEC3-C00	O-RING IDLE SCREW	O-RING IDLE SCREW	1	
	16131	16131-KEC3-C00	SPRING VACUUM PISTON	SPRING VACUUM PISTON	1	
	16138	16138-KEC3-C00	SPG IDLE ADJ SCREW	SPG IDLE ADJ SCREW	1	
	16142	16142-KEC3-C00	COVER ACV	COVER ACV	1	
	16154	16154-KEC3-C00	SCREW IDEL ADJUST	SCREW IDEL ADJUST	1	
	16180	16180-KEC3-C00	SPRING ACV	PLATE WIRE FIXED	1	
	16181	16181-KEC3-C00	TUBE AIR VENT	TUBE AIR VENT	1	
	93500	93500-04014-1A	SCREW PAN 4*14(B)	SCREW PAN 4*14(B)	4	
	93892-04008	93892-04008-18	SCREW WASHER 4*8	SCREW WASHER 4*8	3	
	93892-05012	93892-05012-18	SCREW WASHER 5*12	SCREW WASHER 5*12(C)	2	



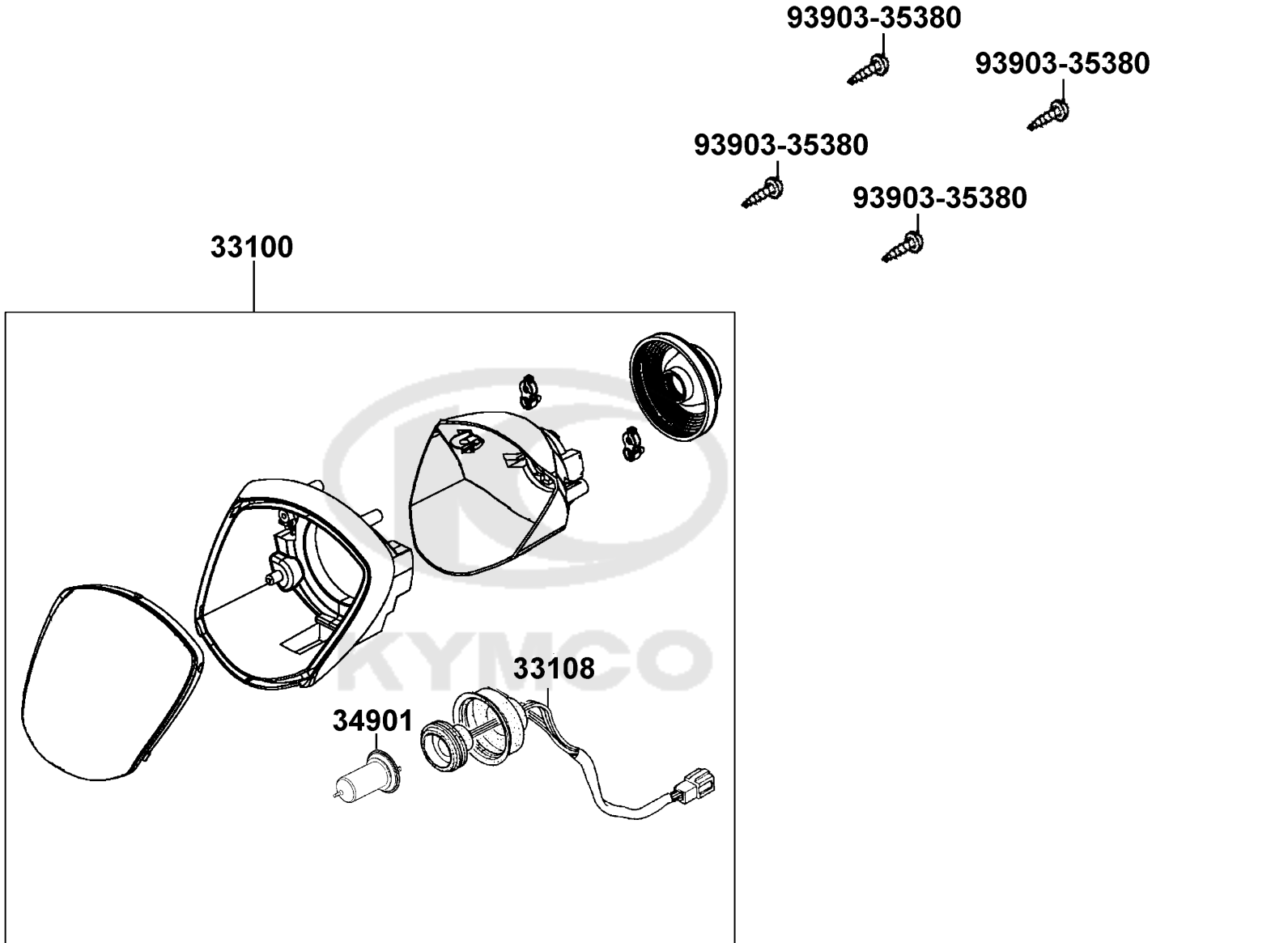
Sales mark	Ref no	Part no	Description	Reg description	Regd no	E09
------------	--------	---------	-------------	-----------------	---------	------------

9500A	9500A-LDF7-EY0	TUBE ASSY ACV	TUBE ASSY ACV		1	
-------	----------------	---------------	---------------	--	---	--



F01

Head Light



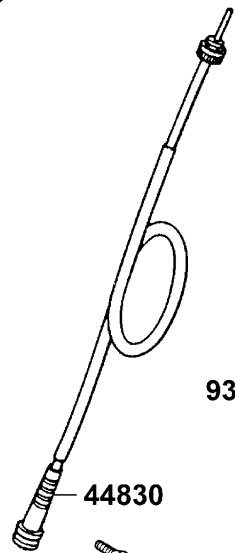
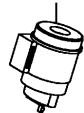
Sales mark	Ref no	Part no	Description	Reg description	Regd no	F01
	33100	33100-LGR5-E10	LIGHT ASSY HEAD	LIGHT ASSY HEAD	1	
	33108	33108-LGR5-E10	SOCKET COMP FR COMB	SOCKET COMP FR COMB	1	
	34901	34901-LDC8-E10	BULB HEAD LIGHT	BULB HEAD LIGHT	1	
#	93903	93903-35280-G	SCREW TAPPING 5*12 (K)	SCREW TAPPING 5*12 (KG)	4	



F02

Speedometer

38300

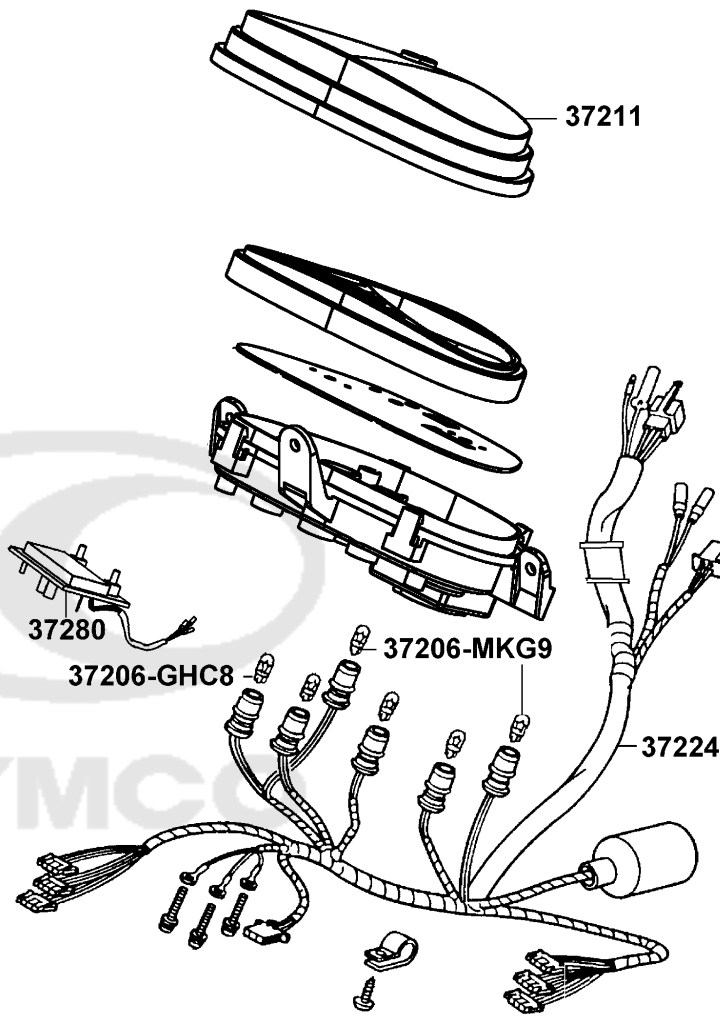


44830

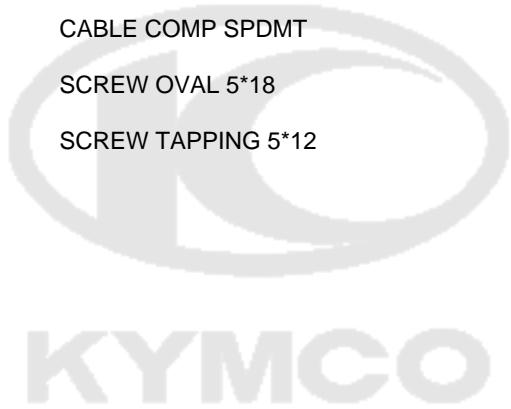
93700-05018-0H

37200

93903-25220 X4

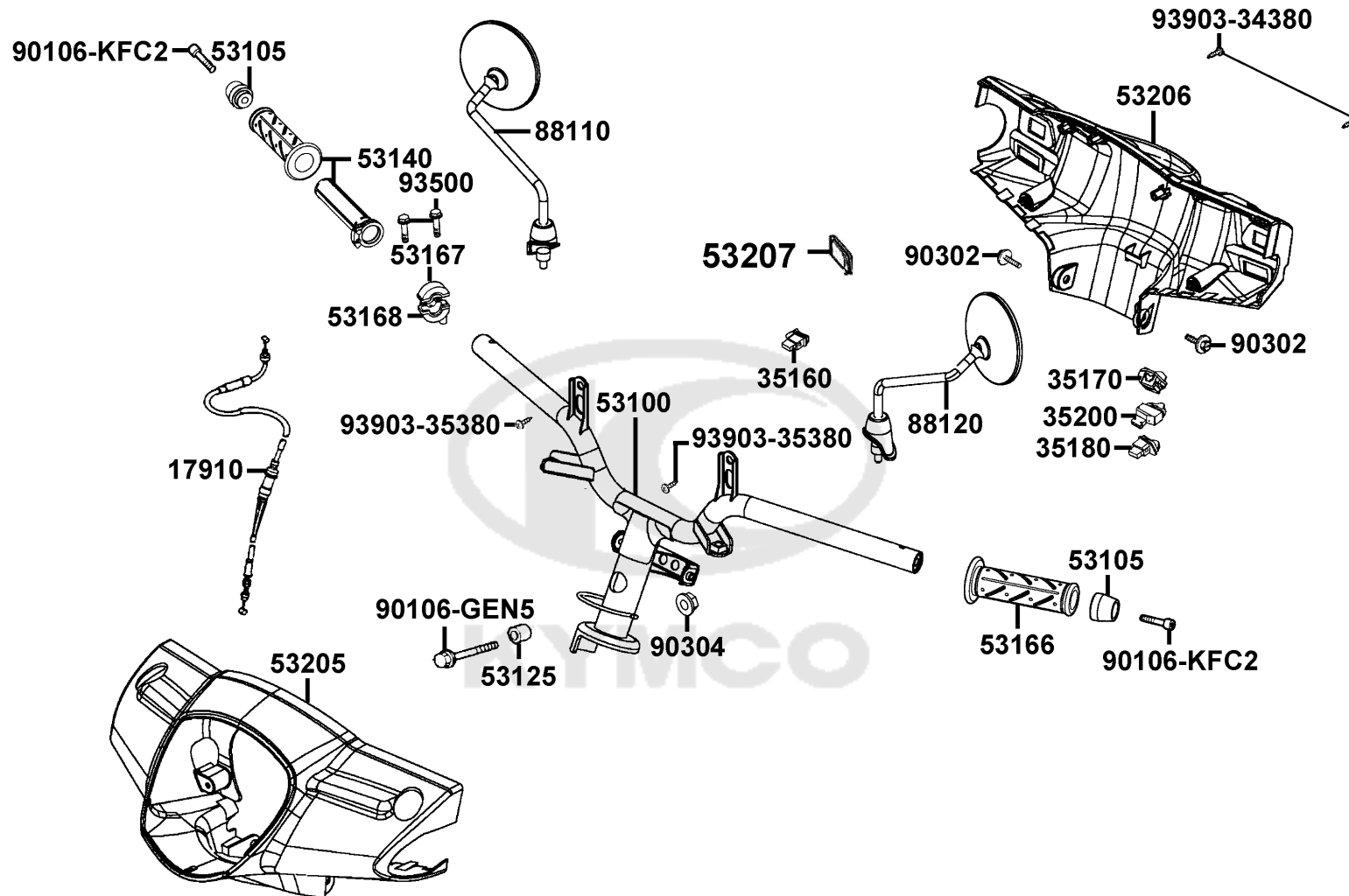


Sales mark	Ref no	Part no	Description	Reg description	Regd no	F02
	37200	37200-LGR5-EV0	METER ASSY SPEED	METER ASSY SPEED	1	
	37206-GHC8	37206-GHC8-008	OUTER SOCKET	OUTER SOCKET	3	
	37206-MKG9	37206-MKG9-951	OUTER SOCKET	OUTER SOCKET	2	
	37211	37211-LGR5-E10	"LENS COMP.,METER"	"LENS COMP.,METER"	1	
	37224	37224-LGR5-EV0	SOCKER COMP METER	SOCKER COMP METER	1	
	37280	37280-LGR5-E10	LCD ASSY CLOCK	"LCD ASSY.,CLOCK"	1	
#	38300	38300-KECE-W10	RELAY ASSY WINKER	RELAY ASSY WINKER	1	
	44830	44830-LDC8-E10	CABLE COMP SPDMT	CABLE COMP SPDMT	1	
	93700	93700-05018-0H	SCREW OVAL 5*18	SCREW OVAL 5*18	1	
	93903	93903-25220	SCREW TAPPING 5*12	SCREW TAPPING 5*12	4	



F03

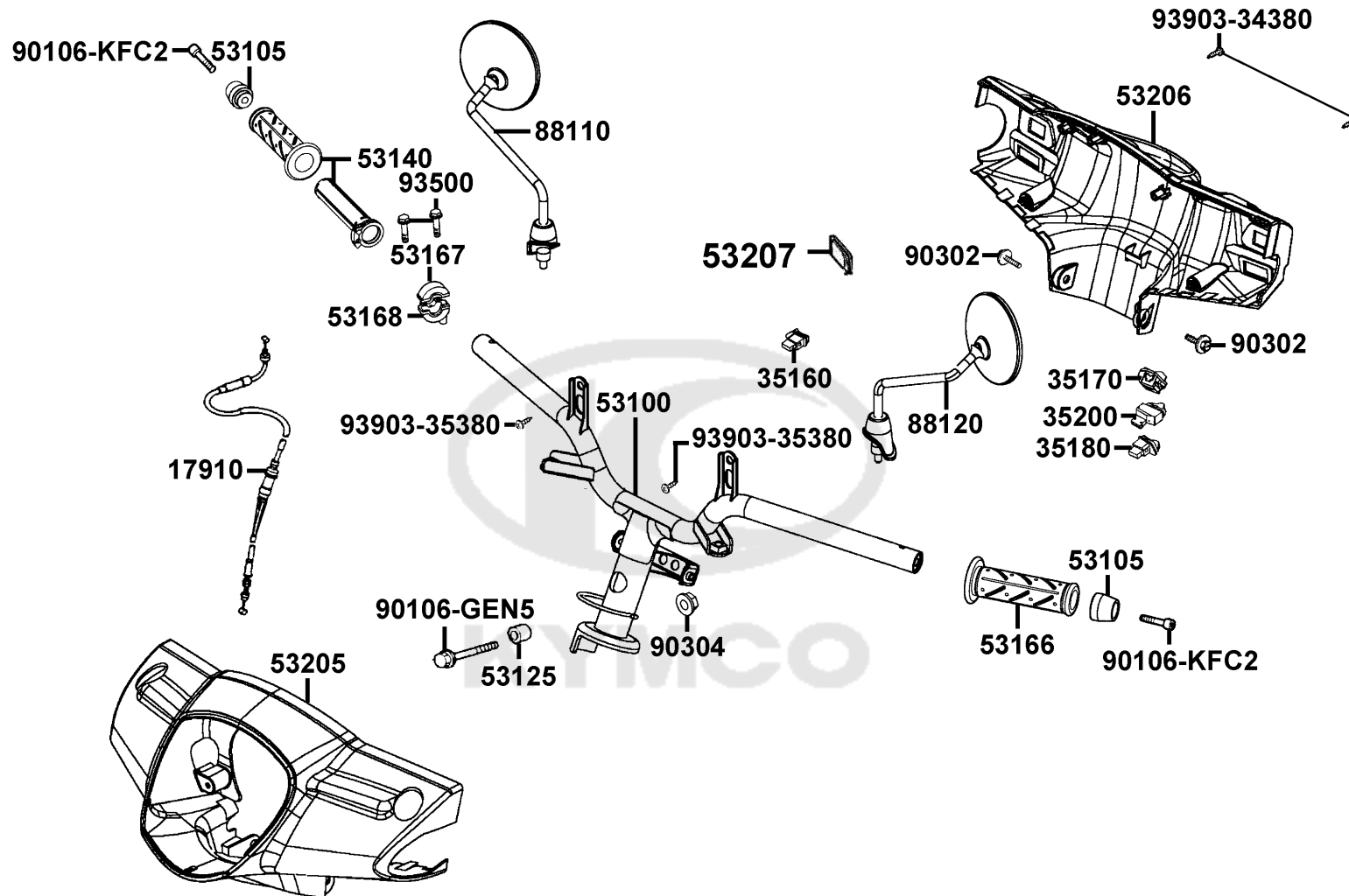
Handle Steering Handle Cover



Sales mark	Ref no	Part no	Description	Reg description	Regd no	F03
	17910	17910-LDF7-E10	CABLE COMP THROT	CABLE COMP THROT	1	
#	35160	35160-GFY6-C00	SW UNIT START	SW UNIT START	1	
#	35170	35170-KNBN-C00	SW UNIT DIMMER	SW UNIT DIMMER	1	
#	35180	35180-GFY6-C00	SW UNIT HORN	SW UNIT HORN	1	
#	35200	35200-GFY6-C00	SW. ASSY. LH HNDL COMP.	SW. ASSY. LH HNDL COMP.	1	
	53100	53100-LGR5-E10	HANDLE COMP STRG	HANDLE COMP STRG	1	
	53105	53105-LGR5-E10	END, R HANDLE	END R HANDLE	2	
#	53125	53125-GEN5-C00	COLLAR HANDLE SET	COLLAR HANDLE SET	1	
	53140	53140-KNBN-960	GRIP COMP THROT	GRIP COMP THROT	1	
# **	53166	53166-KNBN-C00	GRIP L HANDLE	GRIP L HANDLE	1	
#	53167	53167-GBN2-C00	HOUSING UND THROT	HOUSING UND THROT	1	
#	53168	53168-GBN2-C00	HOUSING UP THROT	HOUSING UP THROT	1	
**	53205	53205-LGR5-E10	COVER HANDLE FR	COVER HANDLE FR	1	
**	53206	53206-LGR5-E10	COVER HANDLE RR	COVER HANDLE RR	1	
**	53207	53207-KKD9-B00	COVER SWITCH **(0) C.2005.04.25 (Black)	COVER SWITCH **(0) C.2005.04.25 (Black)	1	
	88110	88110-LGR5-E10	MIRROR ASSY R BACK	MIRROR ASSY R BACK	1	
	88120	88120-LGR5-E10	MIRROR ASSY L BACK	MIRROR ASSY L BACK	1	
	90106-GEN5	90106-GEN5-901	BOLT FLANGE 10*50	BOLT FLANGE 10*50	1	
	90106-KFC2	90106-KFC2-900	BOLT SPECIAL 8MM	BOLT SPECIAL 8MM	2	
#	90302	90302-LLB1-C01	BOLT-WASH 5*12	"BOLT-WASHER,5*12"	1	

F03

Handle Steering Handle Cover



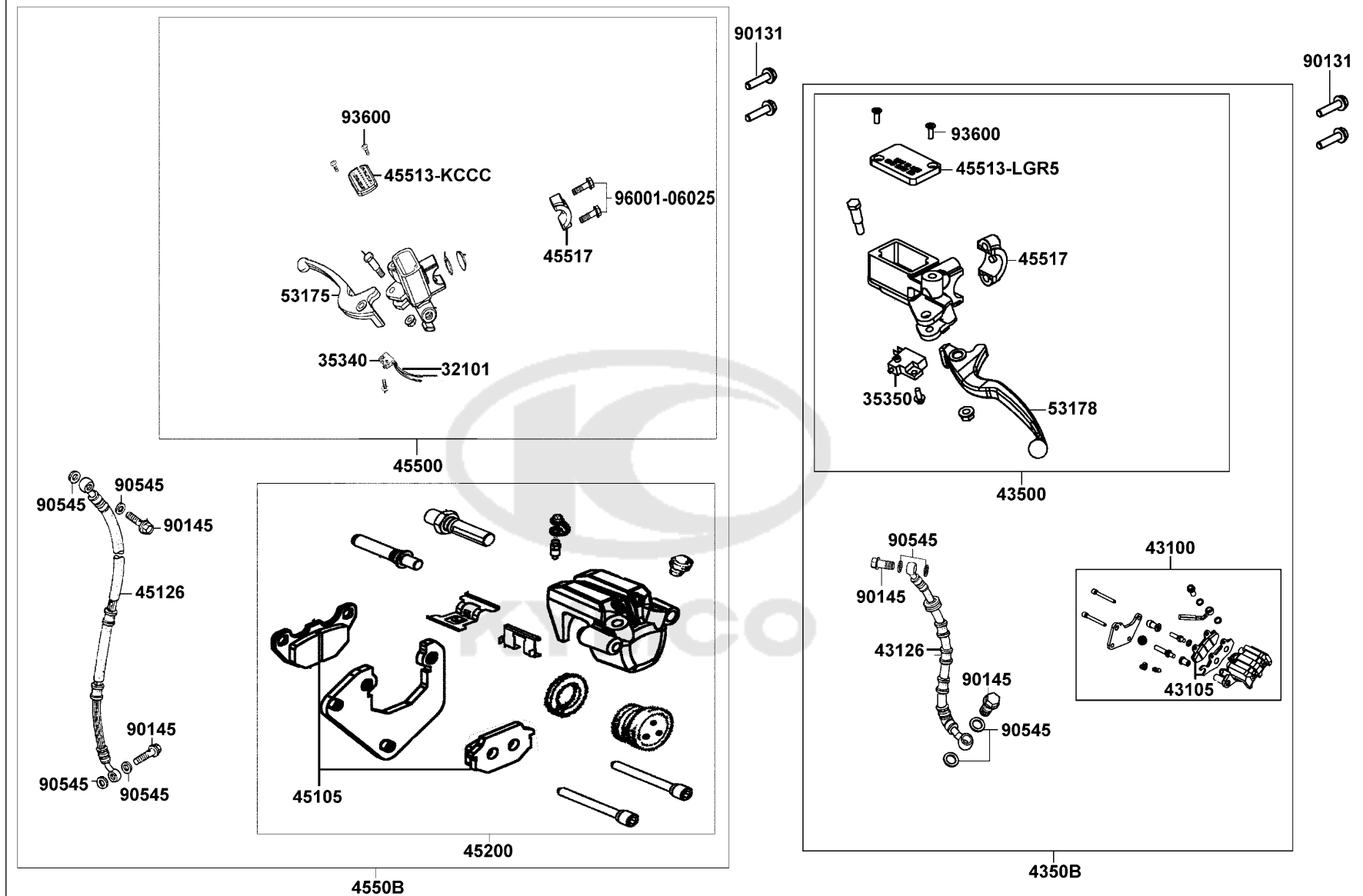
Sales mark	Ref no	Part no	Description	Reg description	Regd no	F03
------------	--------	---------	-------------	-----------------	---------	------------

#	90304	90304-GHE8-C00	NUT U 10MM (C)	NUT U 10MM (C)	1	
	93500	93500-05022-0G	SCREW PAN 5*22	SCREW PAN 5*22	2	
	93903-34380	93903-34380	SCREW TAPPING 4*12	SCREW TAPPING 4*12 (K)	2	
	93903-35380	93903-35380	SCREW TAPPING 5*16 (K)	SCREW TAPPING 5*16 (K)	2	



F04

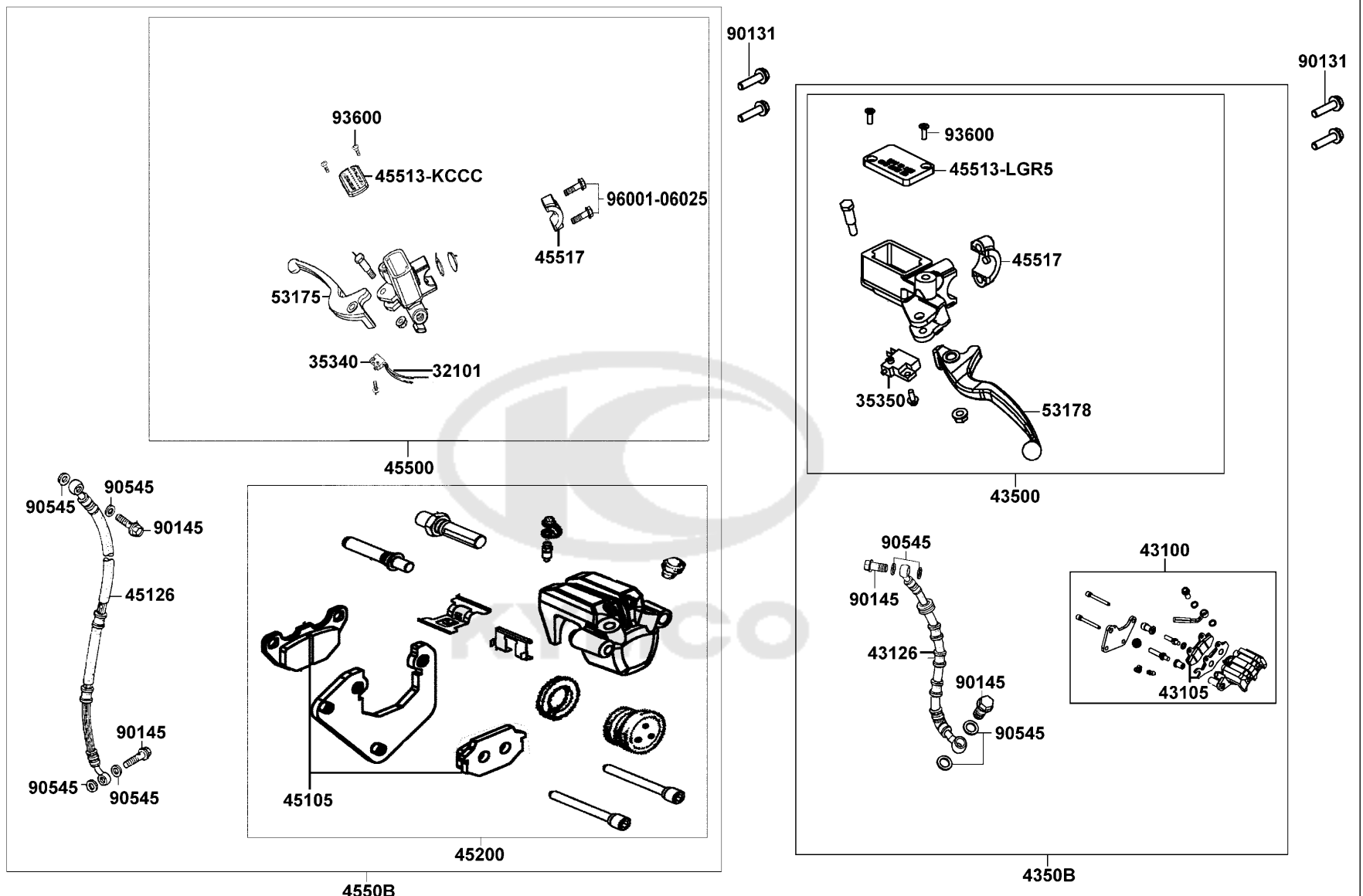
Brake Master Cylinder



Sales mark	Ref no	Part no	Description	Reg description	Regd no	F04
#	32101	32101-GFY6-C00	SUB CORD R	SUB CORD R/L	1	
	35340	35340-KNBN-901	SW ASSY FR STOP	SW ASSY FR STOP	1	
	35350	35350-KNBN-901	SW ASSY RR STOP	SW ASSY RR STOP	1	
	43100	43100-LGR5-E10	CALIPER ASSY R RR	CALIPER ASSY R RR	1	
	43105	43105-LFC4-305	PAD COMP A AND B	PAD COMP A AND B	1	
#	43126	43126-LGR5-E1A	HOSE ASSY RR BRK	HOSE ASSY RR BRK	1	
	43500	43500-LGR5-E10	M/C ASSY RR	M/C ASSY RR	1	
	4350B	4350B-LGR5-E10	SUB ASSY RR BRK	SUB ASSY RR BRK	1	
	45105	45105-LDC8-305	PAD COMP A+B	PAD COMP A+B	1	
#	45126	45126-LGR5-E1A	HOSE ASSY FR BRK	HOSE ASSY FR BRK	1	
	45200	45200-LGR5-E10	CALIPER ASSY L FR	CALIPER ASSY L FR	1	
	45500	45500-LGR5-E10	M/C ASSY FR	M/C ASSY FR	1	
	4550B	4550B-LGR5-E10	SUB ASSY FR BRK	SUB ASSY FR BRK	1	
#	45513-KCCC	45513-LEB2-C00	CAP M/C	CAP M/C	1	
	45513-LGR5	45513-LGR5-E10	CAP M/C	CAP M/C	1	
	45517	45517-KFAF-910	HOLDER M/C	HOLDER M/C	2	
	53175	53175-KXBX-E00	LEVER R STRG HNDL	LEVER R STRG HNDL	1	
# **	53178	53178-KNBN-C00	LEVER L STRG HANDLE	LEVER L STRG HANDLE	1	
#	90131	90131-GLW0-C00	BOLT FLANGE 8*35	BOLT FLANGE 8*35	1	
#	90145	90145-9A61-C00	OIL BOLT 10*22	OIL BOLT 10*22	1	

F04

Brake Master Cylinder



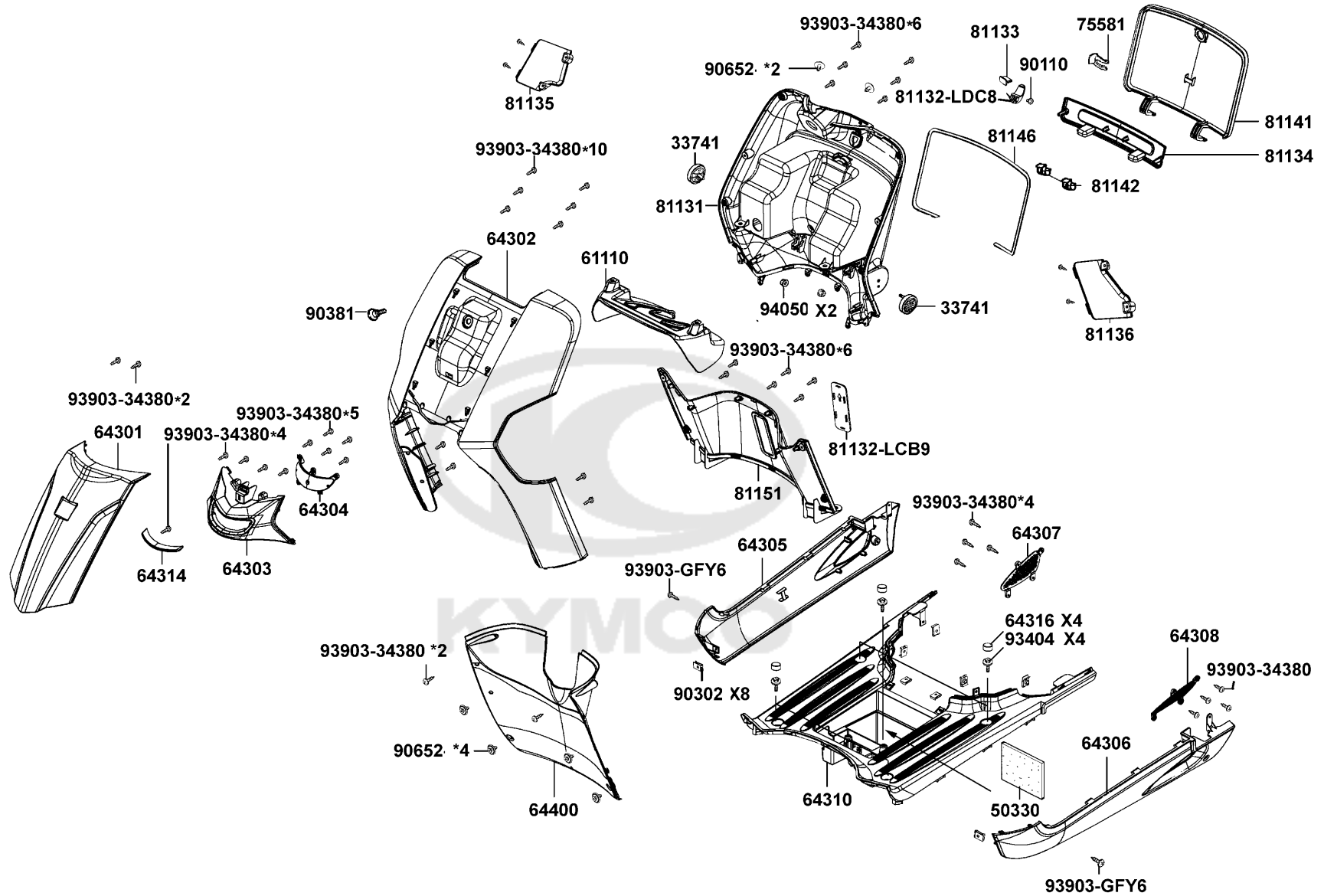
Sales mark	Ref no	Part no	Description	Reg description	Regd no	F04
------------	--------	---------	-------------	-----------------	---------	------------

#	90545	90545-3L00-C00	WASHER OIL BOLT	WASHER OIL BOLT	1	
	93600	93600-04012-1G	SCREW FLAT 4X12	SCREW FLAT 4X12	4	
	96001-06025	96001-06025-08	BOLT FLANGE SH 6*25 (C)	BOLT FLANGE SH 6*25	2	



F05

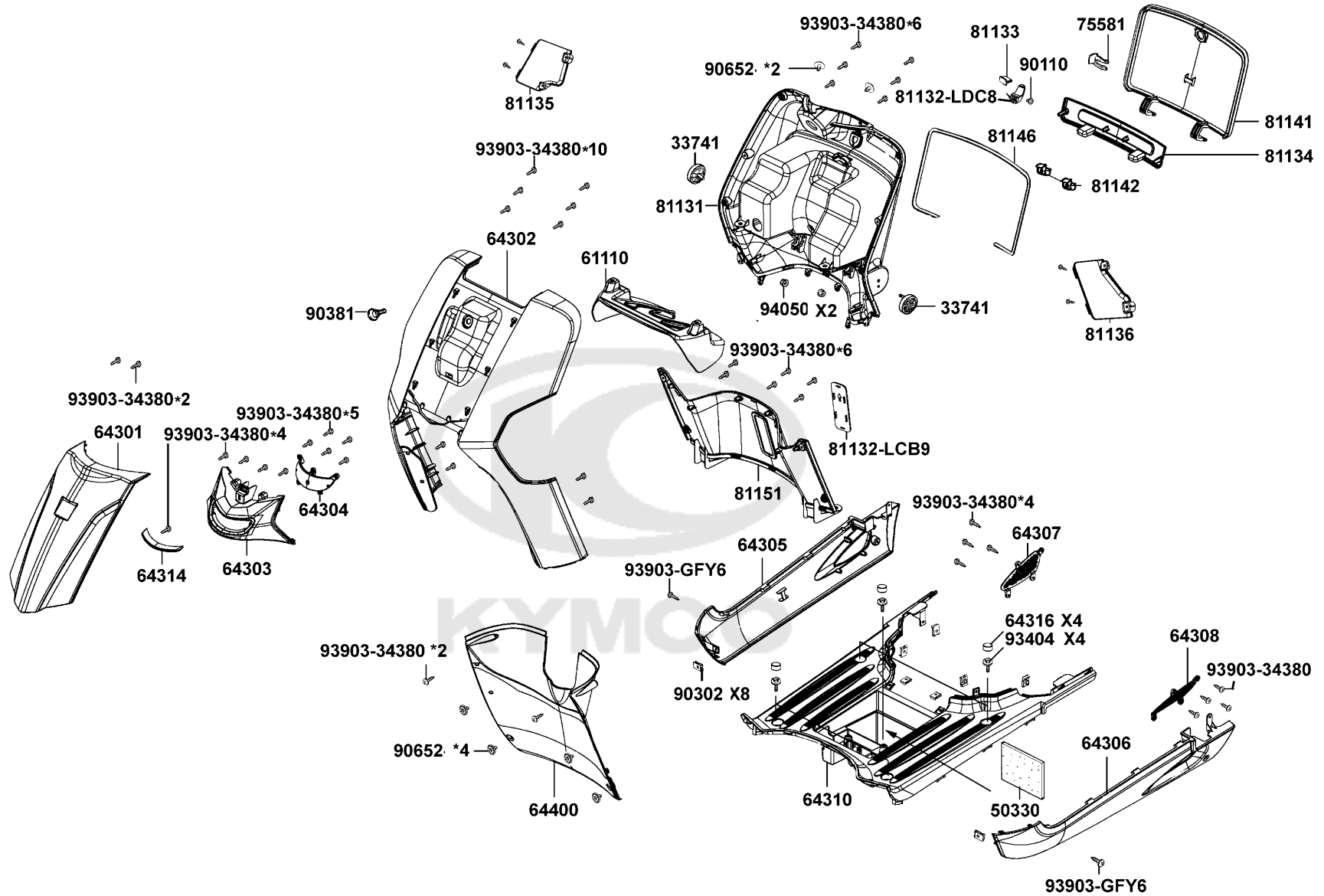
Front Cover Front Fender



Sales mark	Ref no	Part no	Description	Reg description	Regd no	F05
#	33741	33741-GFY6-C00	REFLEX REFLECTOR	REFLEX REFLECTOR	1	
#	50330	50330-KEBE-C00	SEAL BATTERY FRONT	SEAL BATTERY FRONT	1	
**		61110-LGR5-E10	FENDER FR. INNER	FENDER FR. INNER	1	
**	64301	64301-LGR5-E10	COVER FR	COVER FR	1	
**	64302	64302-LGR5-E10	MOLD FRONT	MOLD FRONT	1	
**	64303	64303-LGR5-E10	FR COVER LOW	FR COVER LOW	1	
**	64304	64304-LGR5-E10	LID FR COVER LOW	LID FR COVER LOW	1	
**	64305	64305-LGR5-E10	SKIRT R SIDE	SKIRT R SIDE	1	
**	64306	64306-LGR5-E10	SKIRT L SIDE	SKIRT L SIDE	1	
**	64307	64307-LGR5-E10	LID R SIDE SKIRT	LID R SIDE SKIRT	1	
**	64308	64308-LGR5-E10	LID L SIDE SKIRT	LID L SIDE SKIRT	1	
	64310	64310-LGR5-E10	PANEL FLOOR	PANEL FLOOR	1	
**	64314	64314-LGR5-E10	RIB FRONT COVER LOW	RIB FRONT COVER LOW	1	
	64316	64316-LCB9-C10	PLUG FLOOR	PLUG FLOOR	4	
	64400	64400-LGR5-E10	UNDER COWL	UNDER COWL	1	
#	75581	75581-6C73-C00	SET SPG LOCK KET(43°C)	SET SPG LOCK KET(43°C)	1	
**	81131	81131-LGR5-E10	LEG SHIELD UP	LEG SHIELD UP	1	
	81132-LCB9	81132-LCB9-C10	LID LEG SHIELD	LID LEG SHIELD	1	
	81132-LDC8	81132-LDC8-E10	HOOK LUGGAGE	HOOK LUGGAGE	1	
#	81133	81133-KNBN-C00	STOPPER LUGGAGE	STOPPER LUGGAGE	1	

F05

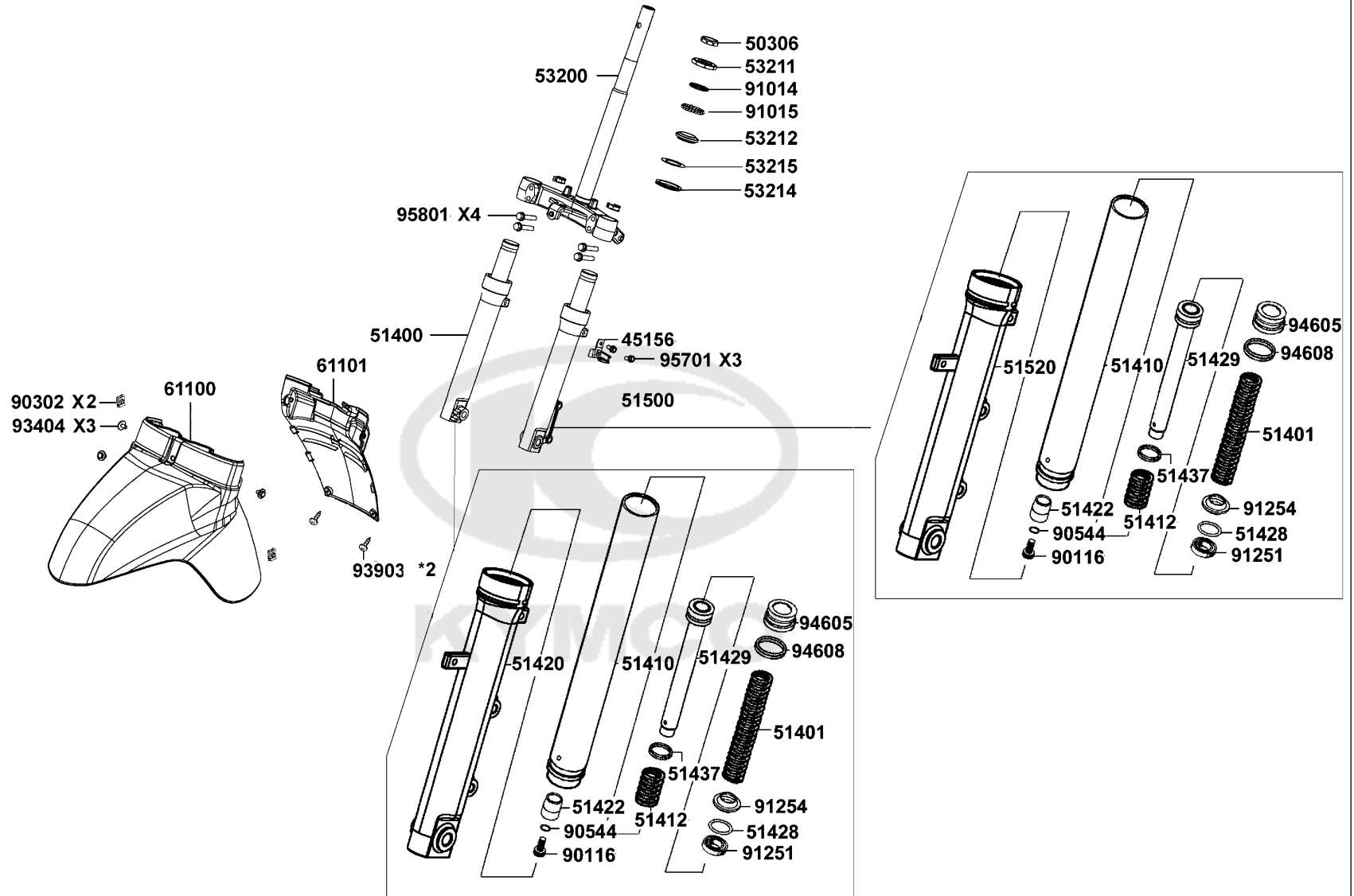
Front Cover Front Fender



Sales mark	Ref no	Part no	Description	Reg description	Regd no	F05
	81134	81134-LGR5-E10	PLATE INNER BOX	PLATE INNER BOX	1	
	81135	81135-LGR5-E10	LID R MAINT. FR. WINKER	LID R MAINT. FR. WINKER	1	
	81136	81136-LGR5-E10	LID L MAINT. FR. WINKER	LID L MAINT. FR. WINKER	1	
**	81141	81141-LGR5-E10	LEG SHIELD	LEG SHIELD	1	
#	81142	81142-KFA6-C00	STAY LID INNER BOX	STAY LID INNER BOX	1	
	81146	81146-LGR5-E10	SEAL LID INNER BOX	SEAL LID INNER BOX	1	
	81151	81151-LGR5-E10	LEG SHIELD LOW	LEG SHIELD LOW	1	
#	90110	90110-GLW0-C00	SCREW SPECIFIED 6*14	SCREW SPECIAL 6*14(CR)	1	
#	90302	90302-SDA4-C01	"NUT,SPPING 4MM"	"NUT,SPPING 4MM"	1	
#	90381	90381-GEZ5-C00	SCREW SPECIAL 6*17	SCREW SPECIAL 6*17	1	
#	90652	90652-LCA4-C10	CLIP MUDGUARD	CLIP MUDGUARD	1	
	93404	93404-06020-07	BOLT WASHER 6*20 (K)	BOLT WASHER 6*20 (K)	4	
	93903-34380	93903-34380	SCREW TAPPING 4*12	SCREW TAPPING 4*12 (K)	48	
	93903-GFY6	93903-GFY6-C01	SCREW TAPPING 4*14(K)	"SCREW,TAPPING4*14"	1	
	94050	94050-06080	NUT FLANGE 6MM	NUT FLANGE 6MM	2	

F06

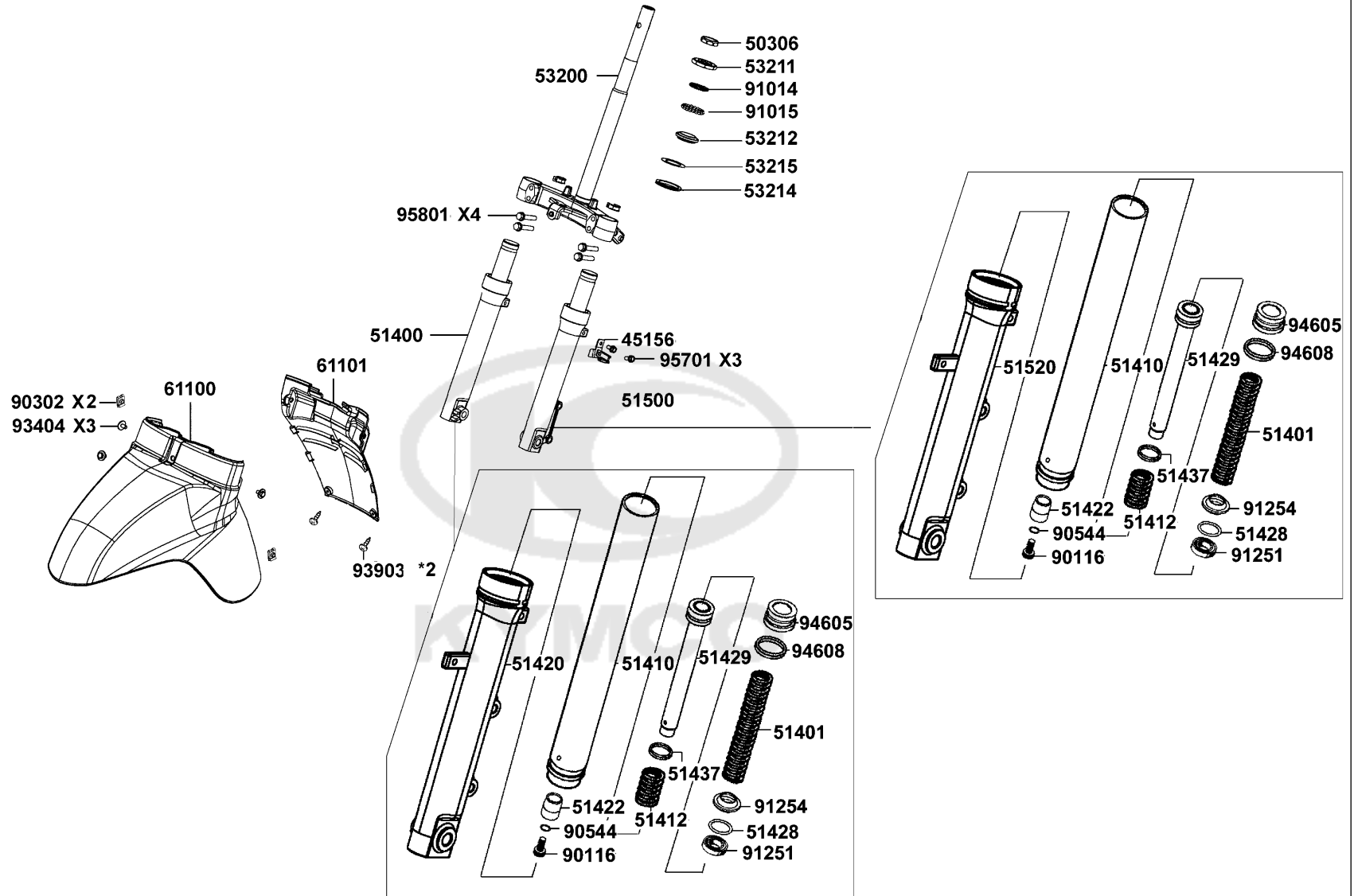
Stem Steering Front Cushion



Sales mark	Ref no	Part no	Description	Reg description	Regd no	F06
#	45156	45156-KNBN-C00	CLAMPER FR BRAKE HOSE	CLAMPER FR BRAKE HOSE	1	
#	50306	50306-1F96-C00	NUT STRG STEM LOCK	NUT STRG STEM LOCK	1	
**	51400	51400-LGR5-E10	FORK ASSY R FR	FORK ASSY R FR	1	
	51401	51401-LGB5-E10	SPRING	SPRING	1	
	51410	51410-LDC8-E10	FORK PIPE COMP	FORK PIPE COMP	1	
	51412	51412-LDC8-E10	REBOUND SPRING	REBOUND SPRING	1	
	51420	51420-LGR5-E10	BOTTOM CASE R	BOTTOM CASE R	1	
	51422	51422-LDC8-E10	OIL LOCK PIECE	OIL LOCK PIECE	1	
	51428	51428-LDC8-E10	OIL SEAL STOPPER RING	OIL SEAL STOPPER RING	1	
	51429	51429-LGR5-E10	PIPE SEAT	PIPE SEAT	1	
	51437	51437-LDC8-E10	PIPE SEAT	PISTON RING	1	
**	51500	51500-LGR5-E10	FORK ASSY L FR	FORK ASSY L FR	1	
	51520	51520-LGR5-E10	BOTTOM CASE L	BOTTOM CASE L	1	
	53200	53200-LGR5-E10	STEM COMP STRG.	STEM COMP STRG.	1	
#	53211	53211-GFY6-C00	RACE STRG. CONE TOP	RACE STRG. CONE TOP	1	
#	53212	53212-2L50-C00	RACE STRG. BOTTOM CONE	RACE STRG. BOTTOM CONE	1	
#	53214	53214-2L50-C00	DUST SEAL STRG HEAD	DUST SEAL STRG. HEAD BOT	1	
#	53215	53215-2L50-C00	WASHER STRG HDL DUST-SEAL	"WASHER,STRG. HEAD DUST SEAL"	1	
**	61100	61100-LGR5-E10	FENDER FRONT A	FENDER FRONT A	1	
**	61101	61101-LGR5-E10	FENDER FRONT B	FENDER FRONT B	1	

F06

Stem Steering Front Cushion



Sales mark	Ref no	Part no	Description	Reg description	Regd no	F06
	90116	90116-LDC8-E10	BOLT	BOLT	1	
#	90302	90302-SDA4-C01	"NUT,SPPING 4MM"	"NUT,SPPING 4MM"	1	
	90544	90544-LDC8-E10	PACKING (CU)B	PACKING	1	
#	91014	91014-LLJ3-C00	CAGE STRG TOPP	CAGE STRG TOPP	1	
#	91015	91015-LLJ3-C00	CAGE STRG BOT	CAGE STRG BOT	1	
	91251	91251-LDC8-E10	OIL SEAL	OIL SEAL	1	
	91254	91254-LDC8-E10	DUST SEAL	DUST SEAL	1	
	93404	93404-06016-07	BOTL WASHER 6*16	BOTL WASHER 6*16	3	
	93903	93903-GFY6-C01	SCREW TAPPING 4*14(K)	"SCREW,TAPPING4*14"	1	
	94605	94605-LDC8-E10	FORK BOLT	FORK BOLT	1	
	94608	94608-LDC8-E10	O-RING B	O-RING	1	
	95701	95701-06012-08	BOLT FLANGE 6*12	BOLT FLANGE 6*12	3	
	95801	95801-08040-08	BOLT FLANGE 8*40 (C)	BOLT FLANGE 8*40	4	

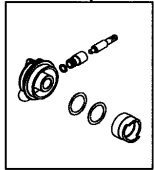
F07

Front Wheel

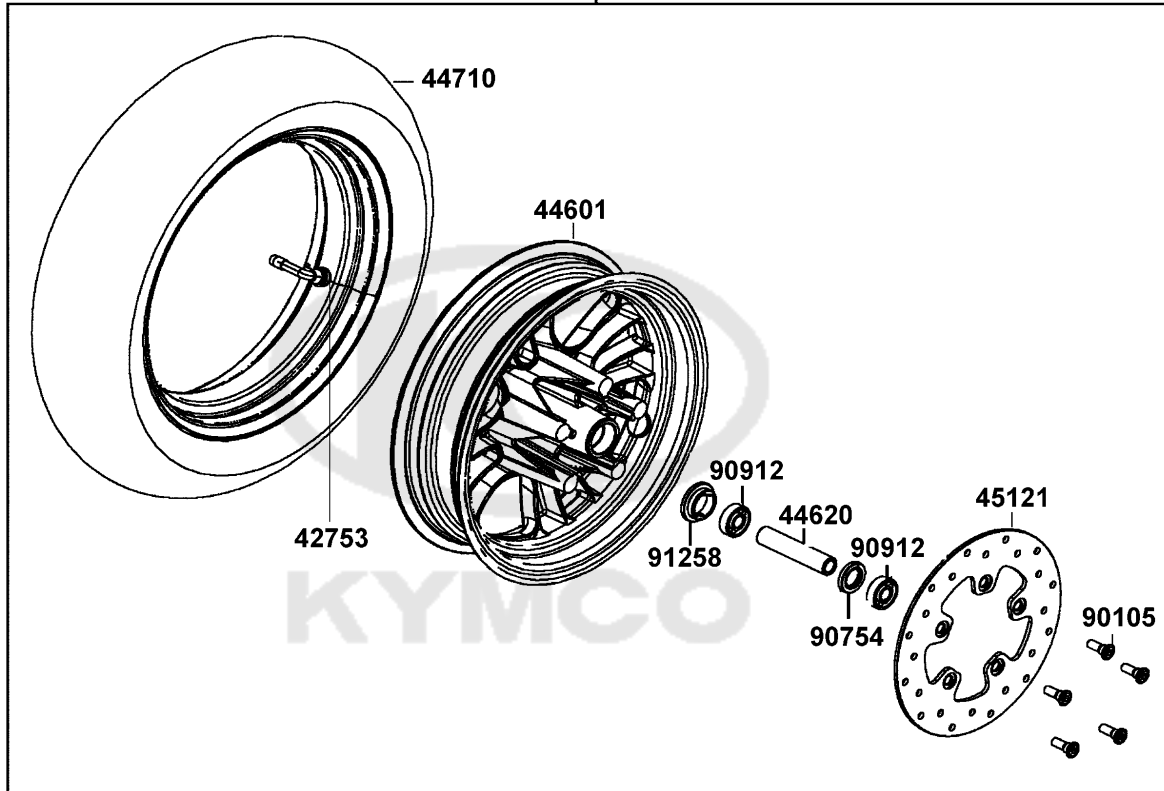
90306



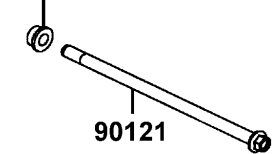
44800



44600



44311

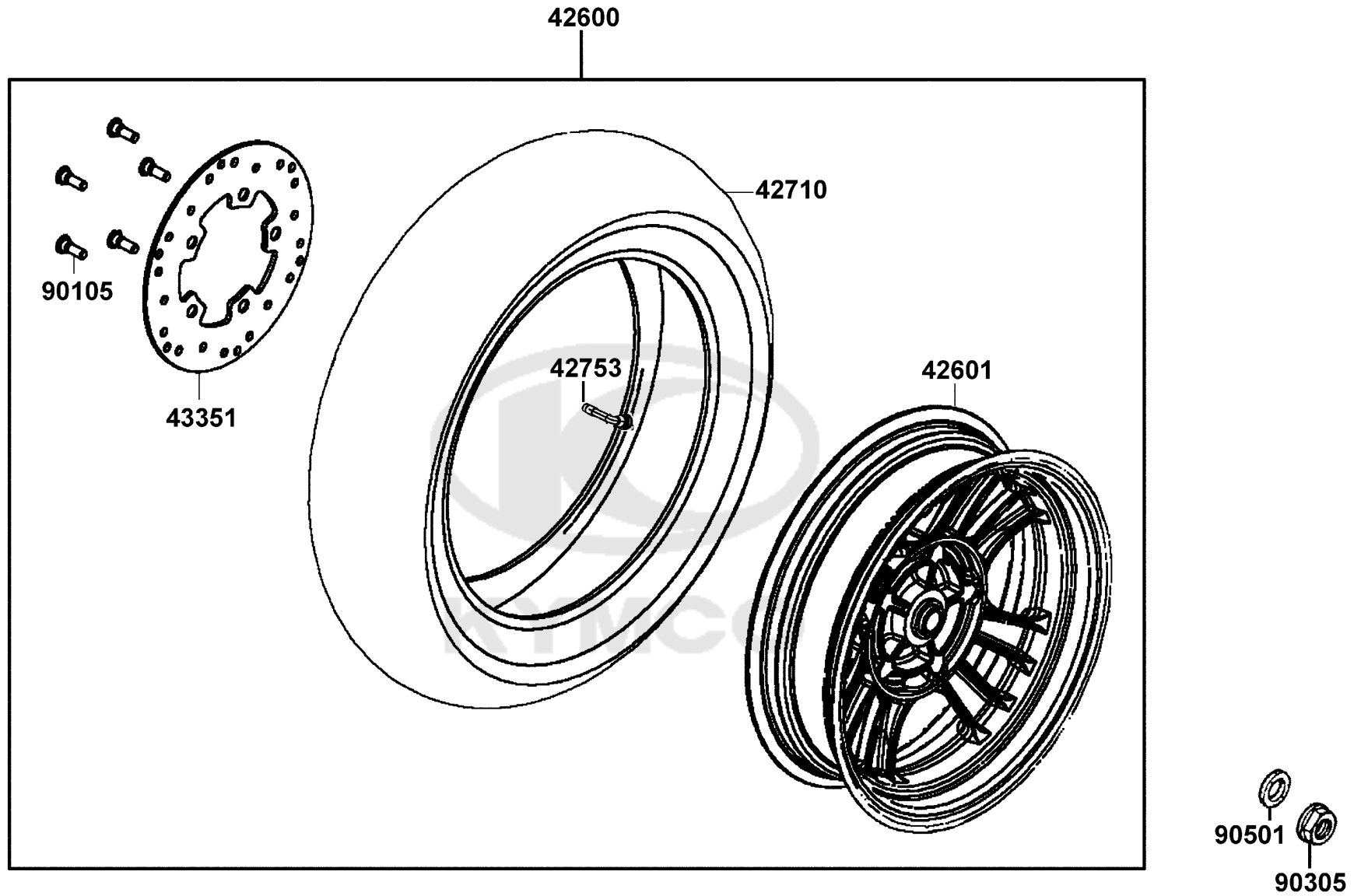


90121

Sales mark	Ref no	Part no	Description	Reg description	Regd no	F07
#	42753	42753-0A01-C00	VALVE (TR 412) & CAP (C)	VALVE (TR 412) & CAP (C)	1	
	44311	44311-GLW0-W10	COLLAR FR WHEEL SIDE	COLLAR FR WHEEL SIDE	1	
**	44600	44600-LGR5-E10	WHEEL ASSY FR	WHEEL ASSY FR	1	
**	44601	44601-LGR5-E10	WHEEL COMP FR CAST	WHEEL COMP FR CAST	1	
#	44620	44620-KEB7-C00	COLLAR FR DIST	COLLAR FR DIST	1	
	44710	44710-LDC8-E10	TIRE ASSY,FR	TIRE ASSY,FR	1	
	44800	44800-LDC8-E10	GEAR BOX ASSY SPDMT	GEAR BOX ASSY SPDMT	1	
#	45121	45121-LGR5-E80	DISK FR BRK	"DISK , FR BRAKE"	1	
	90105	90105-KCR3-001	BOLT FR DISK 8*24	BOLT FR DISK 8*24	5	
#	90121	90121-KBE2-C00	BOLT RR FORK PIVOT	BOLT RR FORK PIVOT	1	
#	90306	90306-KLF0-C00	NUT FLANGE 12MM	NUT FLANGE 12MM	1	
#	90754	90754-GHC8-C00	DUST SEAL 20*32*5	DUST SEAL 20*32*5	1	
#	90912	90912-GHC8-C00	BEARING 6201 (U) (NTN)	BEARING 6201 (U) (NTN)	1	
#	91258	91258-KAM1-C00	SEAL SPDMT GEAR BOX	SEAL SPDMT GEAR BOX	1	

F08

Rear Wheel

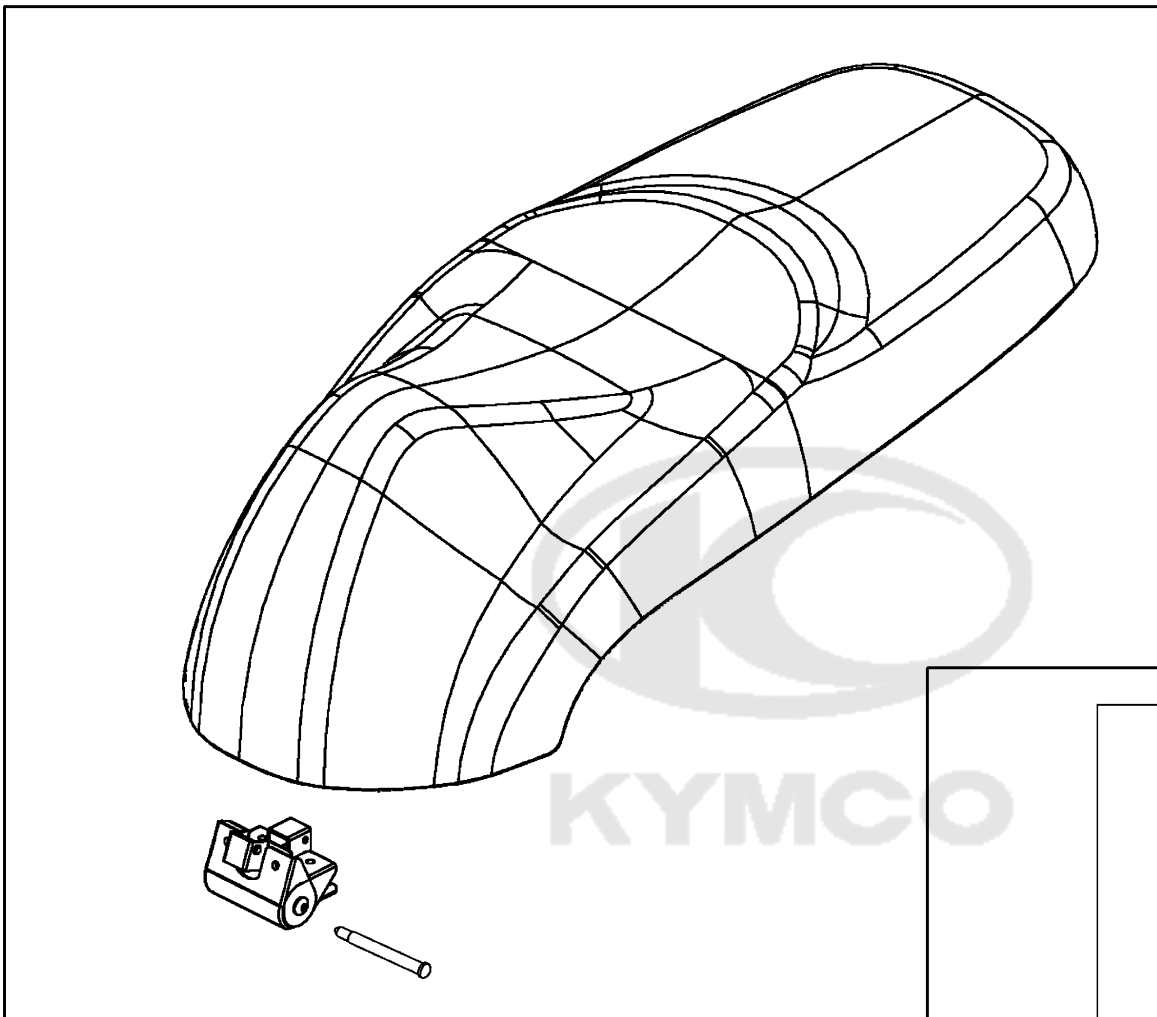


Sales mark	Ref no	Part no	Description	Reg description	Regd no	F08
**	42600	42600-LGR5-E10	WHEEL ASSY RR	WHEEL ASSY RR	1	
**	42601	42601-LGR5-E10	WHEEL COMP RR CAST	WHEEL COMP RR CAST	1	
	42710	42710-LDC8-E10	TIRE ASSY RR	TIRE ASSY RR	1	
#	42753	42753-0A01-C00	VALVE (TR 412) & CAP (C)	VALVE (TR 412) & CAP (C)	1	
	43351	43351-LFB5-900	DISK FR BRAKE	DISK BRAKE RR	1	
	90105	90105-KCR3-001	BOLT FR DISK 8*24	BOLT FR DISK 8*24	5	
#	90305	90305-KNBN-C00	NUT U 16MM(C)	NUT U 16MM(C)	1	
#	90501	90501-KNBN-C00	WASHER 16MM	WASHER 16MM	1	



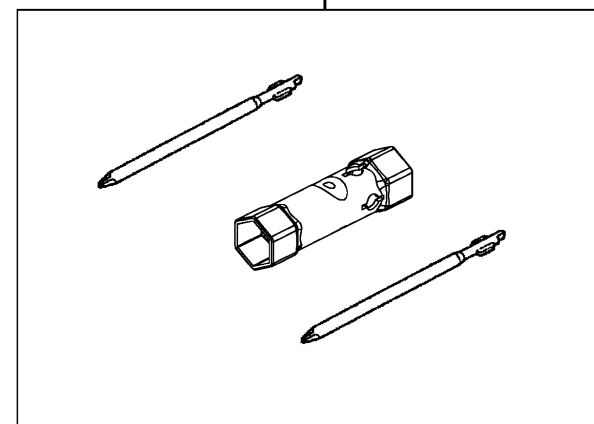
F09

Seat



77200

89010



94050-06080

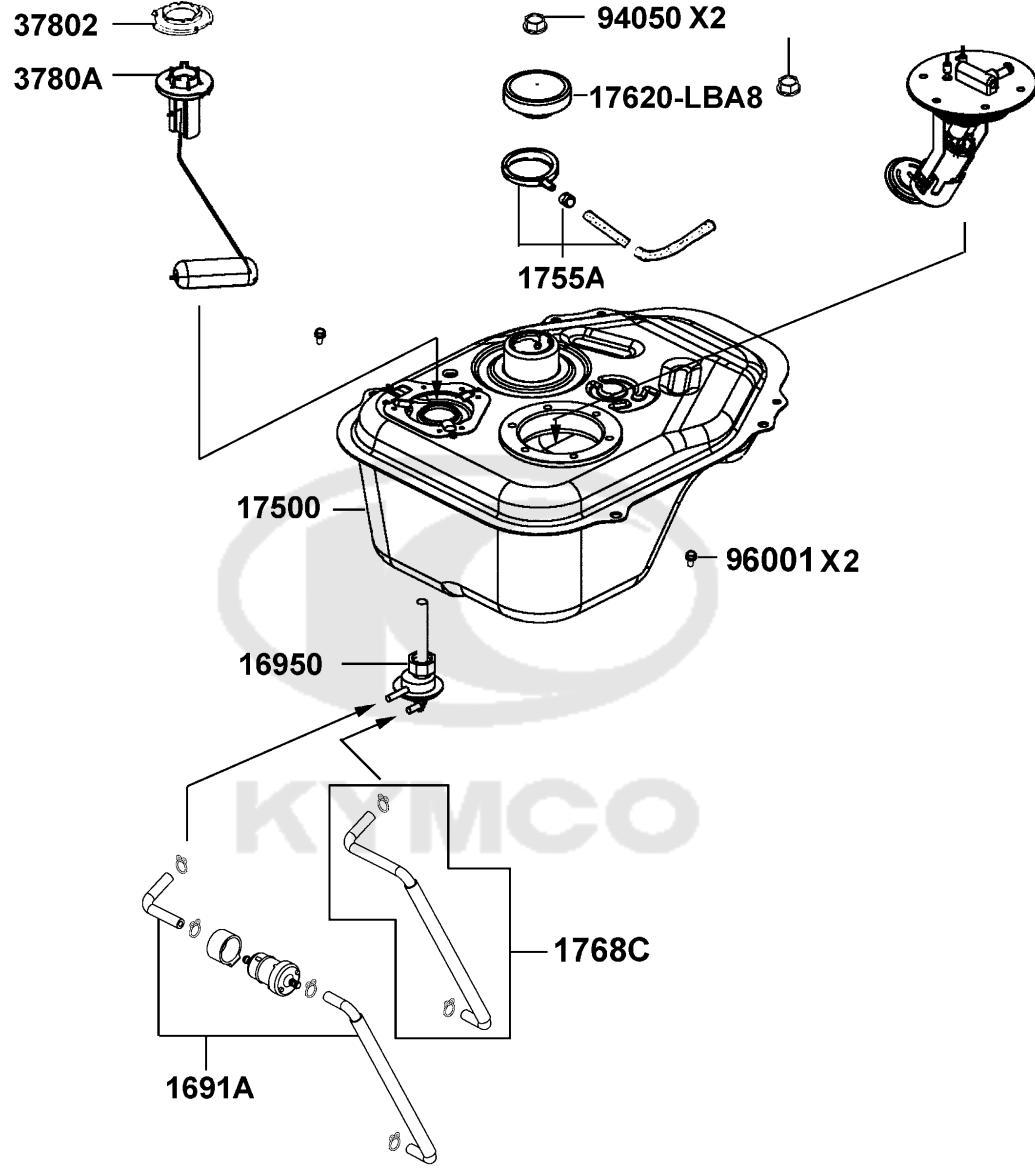
Sales mark	Ref no	Part no	Description	Reg description	Regd no	F09
------------	--------	---------	-------------	-----------------	---------	------------

**	77200	77200-LGR5-E10	SEAT ASSY	SEAT ASSY	1	
	89010	89010-KGBG-C00	TOOL SET	TOOL SET	1	
	94050	94050-06080	NUT FLANGE 6MM	NUT FLANGE 6MM	2	

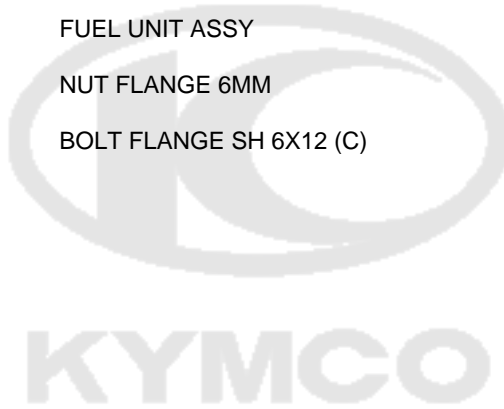


F10

Fuel Tank

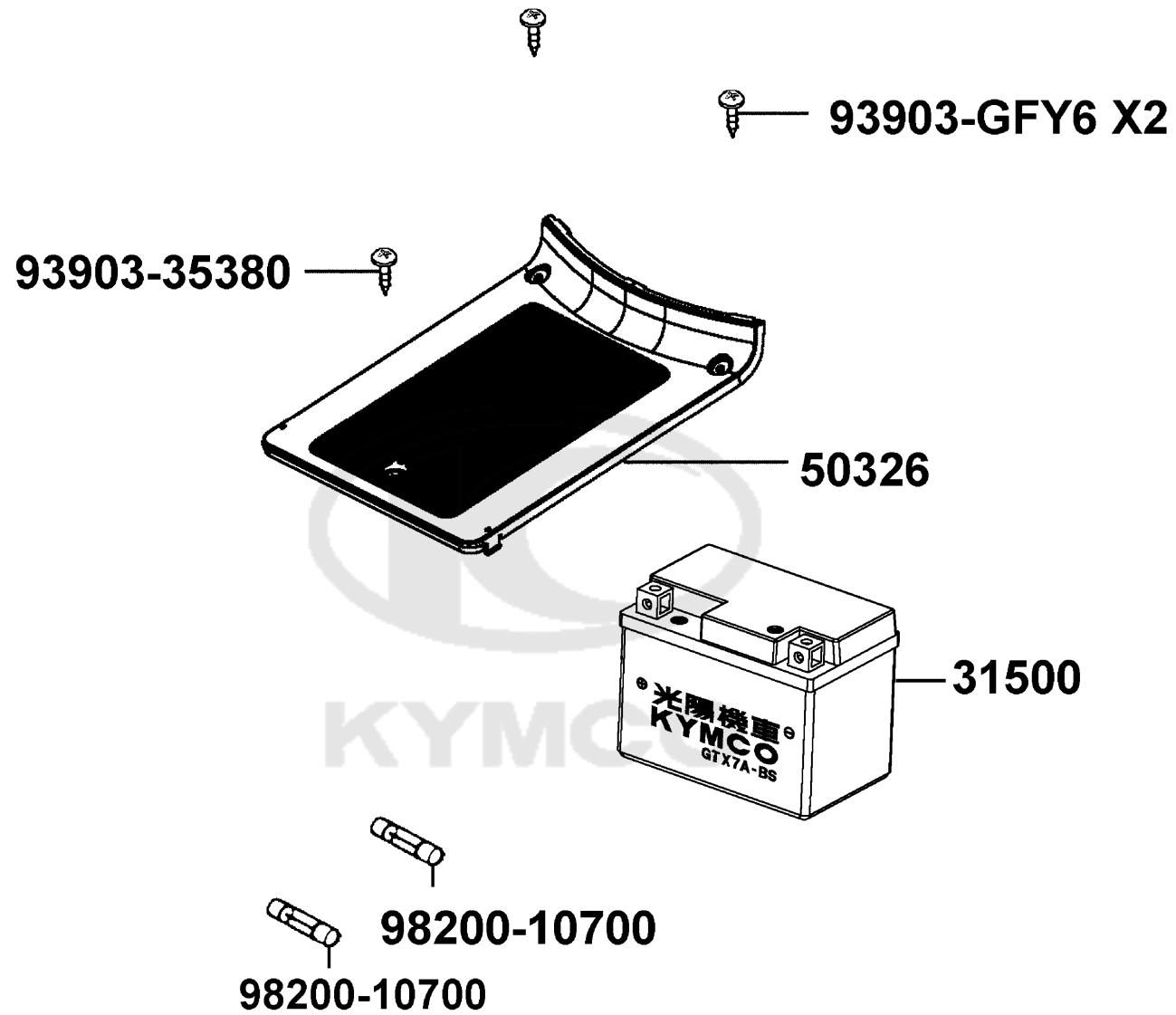


Sales mark	Ref no	Part no	Description	Reg description	Regd no	F10
	1691A	1691A-LGR5-E10	STRAINER ASSY FUEL	STRAINER ASSY FUEL	1	
#	16950	16950-KKJ9-C00	AUTO COCK ASSY FUEL	AUTO COCK ASSY FUEL	1	
	17500	17500-LGR5-E10	TANK COMP FUEL	TANK COMP FUEL	1	
	1755A	1755A-KKD5-C10	TRAY ASSY FUEL CAP	TRAY ASSY FUEL CAP	1	
#	17620	17620-LBA8-C10	CAP FUEL FILLER	CAP FUEL FILLER	1	
	1768C	1768C-LGR5-E10	TUBE ASSY COCK TO INLET PIPE	TUBE ASSY COCK TO INLET PIPE	1	
#	37802	37802-GGA7-C00	RET FUEL UNIT	RET FUEL UNIT	1	
	3780A	3780A-LGR5-E10	FUEL UNIT ASSY	FUEL UNIT ASSY	1	
	94050	94050-06080	NUT FLANGE 6MM	NUT FLANGE 6MM	2	
	96001	96001-06012-08G	BOLT FLANGE SH 6X12 (C)	BOLT FLANGE SH 6X12 (C)	2	



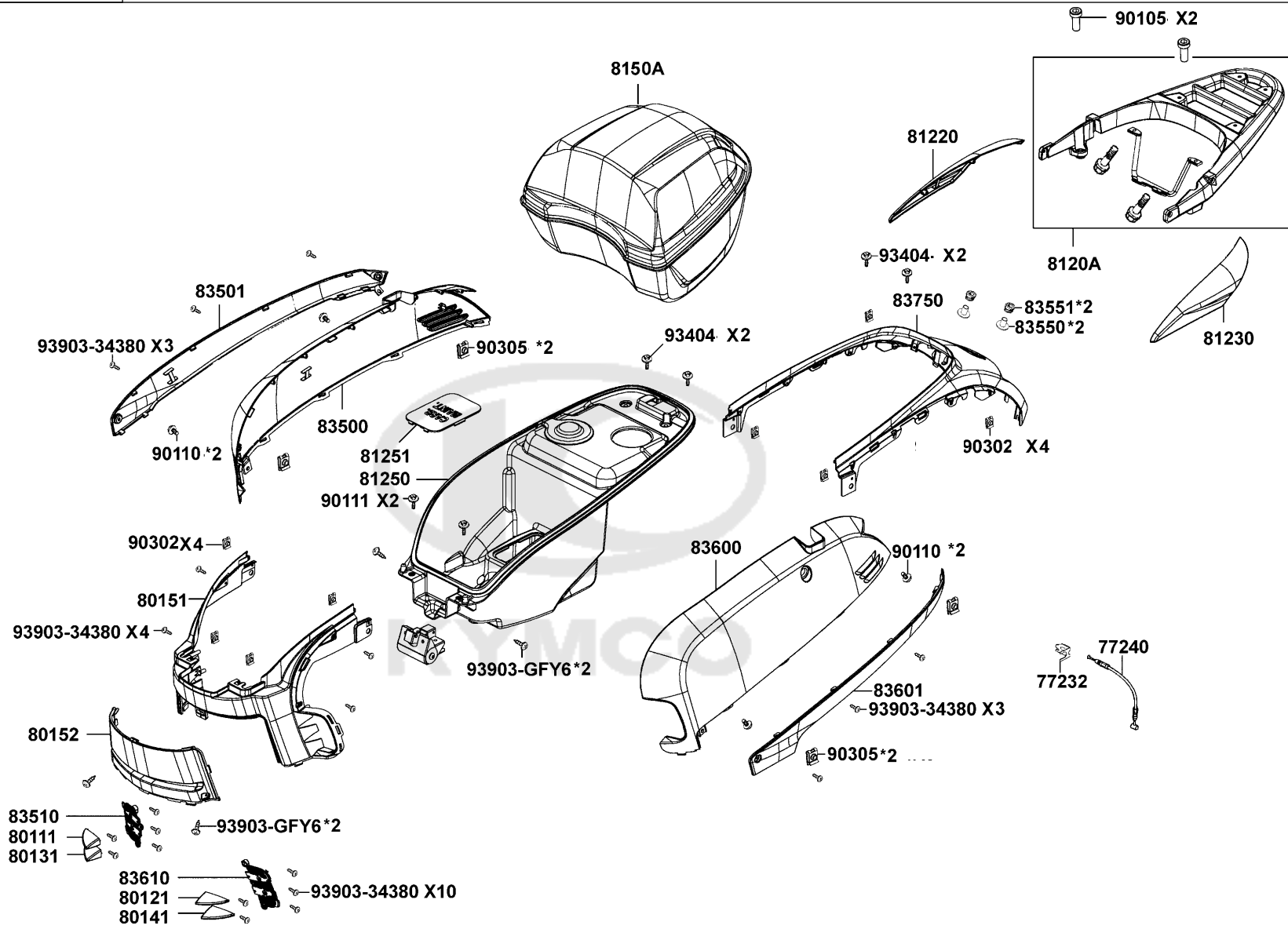
F11

Battery



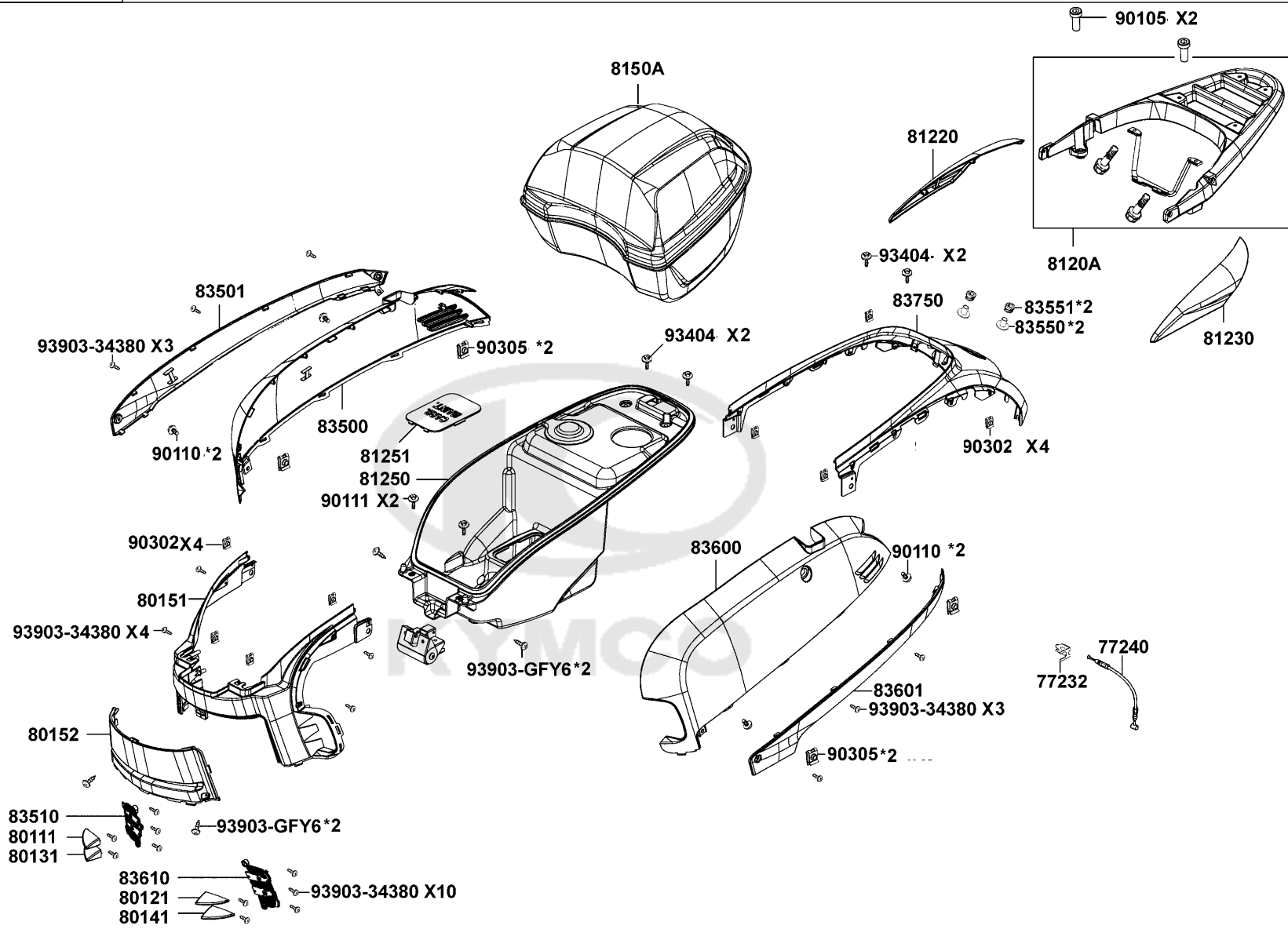
Sales mark	Ref no	Part no	Description	Reg description	Regd no	F11
#	31500	31500-GFY6-C00	BATTERY YTX7A-BS	BATTERY GTX7A-BS	1	
	50326	50326-LGR5-E10	COVER BATTERY	COVER BATTERY	1	
	93903-35380	93903-35380	SCREW TAPPING 5*16 (K)	SCREW TAPPING 5*16 (K)	1	
	93903-GFY6	93903-GFY6-C01	SCREW TAPPING 4*14(K)	"SCREW,TAPPING4*14"	1	
	98200	98200-10700	FUSE A7	FUSE A7	1	





Sales mark	Ref no	Part no	Description	Reg description	Regd no	F12
#	77232	77232-KCAC-C00	SET SPG SEAT LOCK	SET SPG SEAT LOCK	1	
	77240	77240-LGB5-E10	CABLE COMP SEAT LOCK	CABLE COMP SEAT LOCK	1	
**	80111	80111-LGR5-E10	UP RIB R CENTER COVER	UP RIB R CENTER COVER	1	
**	80121	80121-LGR5-E10	UP RIB L CENTER COVER	UP RIB L CENTER COVER	1	
**	80131	80131-LGR5-E10	LOW RIB R CENTER COVER	LOW RIB R CENTER COVER	1	
**	80141	80141-LGR5-E10	LOW RIB L CENTER COVER	LOW RIB L CENTER COVER	1	
**	80151	80151-LGR5-E10	COVER CENTER UP	COVER CENTER UP	1	
**	80152	80152-LGR5-E10	COVER CENTER LOW	COVER CENTER LOW	1	
**	8120A	8120A-LGR5-E10	REAR CARRIER ASSY	REAR CARRIER ASSY	1	
**	81220	81220-LGR5-E10	COVER R CARRIER	COVER R CARRIER	1	
**	81230	81230-LGR5-E10	COVER L CARRIER	COVER L CARRIER	1	
	81250	81250-LGR5-E10	BOX LUGGAGE	BOX LUGGAGE	1	
	81251	81251-LCB9-C10	LID CARB MAINT	LID CARB MAINT	1	
**	8150A	8150A-LGR5-E10	RR BOX ASSY	RR BOX ASSY	1	
**	83500	83500-LGR5-E10	COVER R BODY	COVER R BODY	1	
**	83501	83501-LGR5-E10	MOLD R SIDE	MOLD R SIDE	1	
**	83510	83510-LGR5-E10	LID R BODY COVER	LID R BODY COVER	1	
#	83550	83550-KEC8-C00	COLLAR SET METER	COLLAR	1	
#	83551	83551-KEC8-C10	GROMMET COVER	GROMMET COVER	1	
**	83600	83600-LGR5-E10	COVER L BODY	COVER L BODY	1	

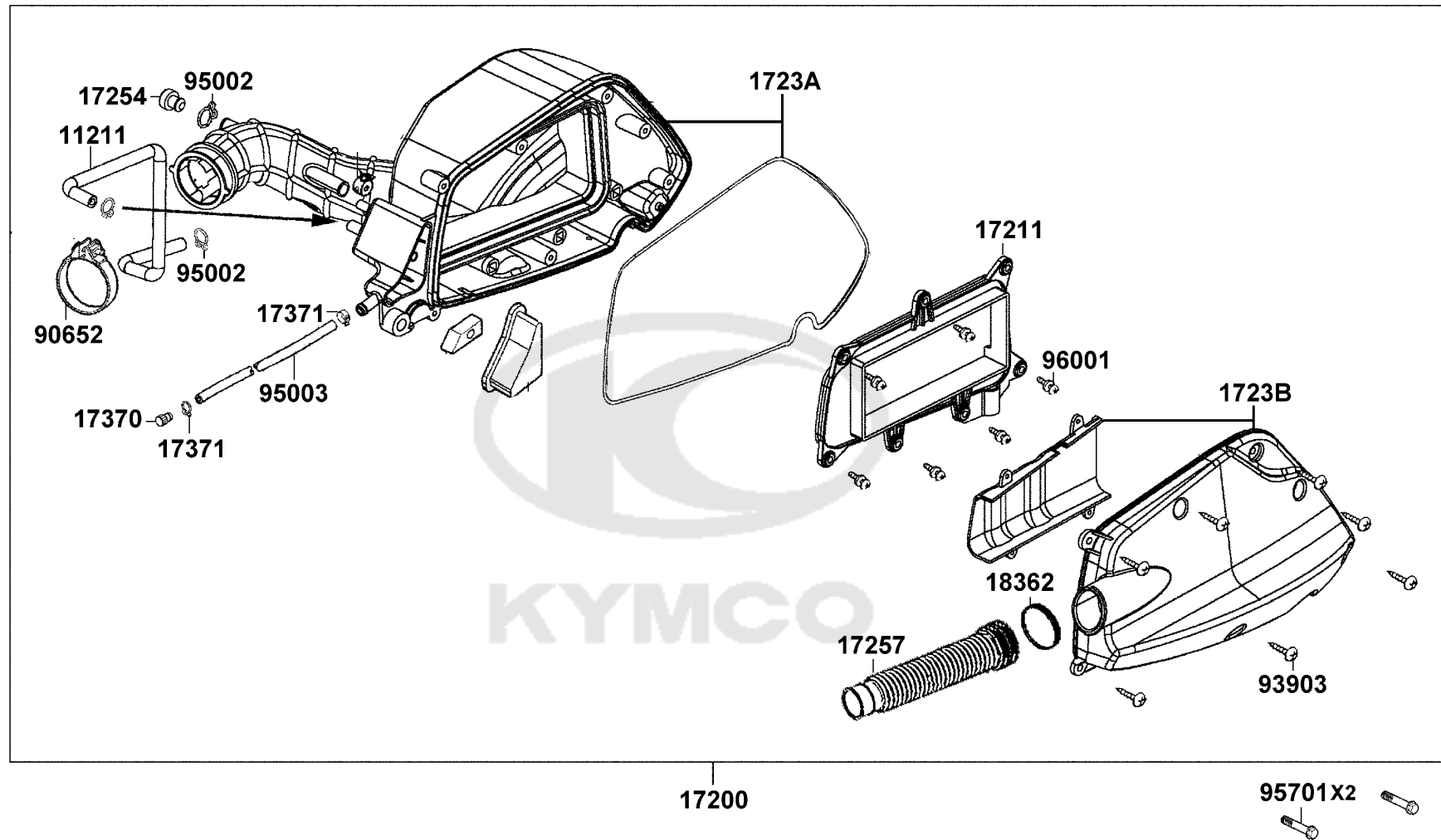
Body Cover Luggage Box



Sales mark	Ref no	Part no	Description	Reg description	Regd no	F12
**	83601	83601-LGR5-E10	MOLD L SIDE	MOLD L SIDE	1	
**	83610	83610-LGR5-E10	LID L BODY COVER	LID L BODY COVER	1	
**	83750	83750-LGR5-E10	REAR CENTER COVER	REAR CENTER COVER	1	
	90105	90105-KNBN-901	BOLT SPECIAL 8MM	BOLT SPECIAL 8MM	2	
#	90110	90110-GLW0-C00	SCREW SPECIFIED 6*14	SCREW SPECIAL 6*14(CR)	1	
#	90111	90111-1G87-C01	BOLT FLANGE 6MM	BOLT FLANGE 6MM	1	
#	90302	90302-SDA4-C01	"NUT,SPPING 4MM"	"NUT,SPPING 4MM"	1	
#	90305	90305-GHK8-C00	NUT CLIP 6MM	NUT U 16MM(C)	1	
	93404	93404-06020-07	BOLT WASHER 6*20 (K)	BOLT WASHER 6*20 (K)	4	
#		93404-06022-07	BOLT WASHER 6*22 (K)	BOLT WASHER 6*22 (K)	2	
	93903-34380	93903-34380	SCREW TAPPING 4*12	SCREW TAPPING 4*12 (K)	20	
	93903-GFY6	93903-GFY6-C01	SCREW TAPPING 4*14(K)	"SCREW,TAPPING4*14"	1	

F13

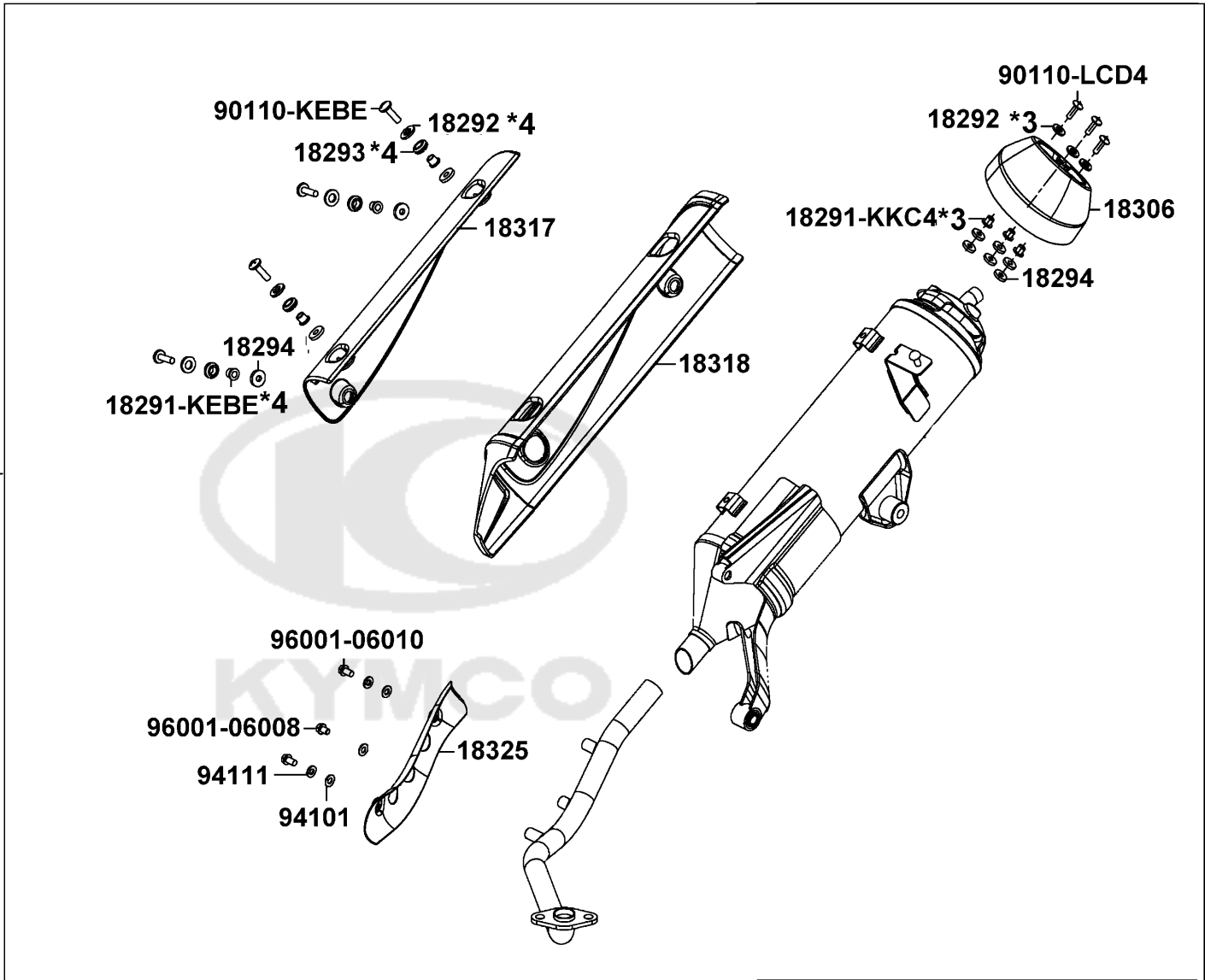
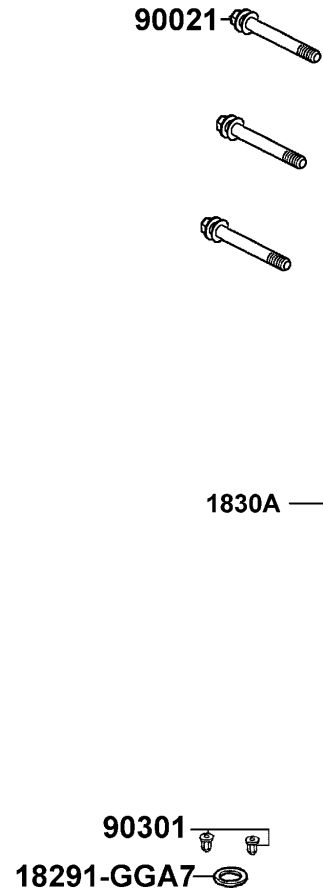
Air Cleaner



Sales mark	Ref no	Part no	Description	Reg description	Regd no	F13
	11211	11211-KUDU-C00	TUBE BREATHER	TUBE BREATHER	1	
	17200	17200-LGR5-E10	AIR/C ASSY	AIR/C ASSY	1	
	17211	17211-LGR5-E10	ELEMENT COMP AIR/C	ELEMENT COMP AIR/C	1	
	1723A	1723A-LGR5-E10	CASE COMP AIR/C	CASE COMP AIR/C	1	
	1723B	1723B-LGR5-E10	COVER COMP AIR/C	COVER COMP AIR/C	1	
	17254	17254-KACA-P00	PLUG AIR/C CONN TUBE	PLUG AIR/C CONN TUBE	1	
	17257	17257-LGR5-E10	TUBE AIR/C CONN	TUBE AIR/C CONN	1	
	17370	17370-4K19-701	PLUG BREATHER TUBE	PLUG BREATHER TUBE	1	
#	17371	17371-1D74-C00	CLIP BREATHER TUBE	CLIP BREATHER TUBE	1	
	18362	18362-LGR5-E10	SPRING CLIP	SPRING CLIP	1	
#	90652	90652-GFY6-C00	BAND 49 AIR/C CONNECTING TUBE	BAND 49 AIR/C CONNECTING TUBE	1	
	93903	93903-25480	SCREW TAPPING 5*20 (K)	SCREW TAPPING 5*20 (K)	7	
	95002	95002-02120	CLIP B12 TUBE	CLIP B12 TUBE	2	
	95003	95003-23024-60	V TUBE 8*12*240	V TUBE 8*12*240	1	
	95701	95701-06032-08	BOLT FLANGE 6*32(C)	BOLT FLANGE 6*32	2	
#	96001	96001-GFY6-C00	BOLT SPECIAL 5*10	BOLT SPECIAL 5X10	1	

F14

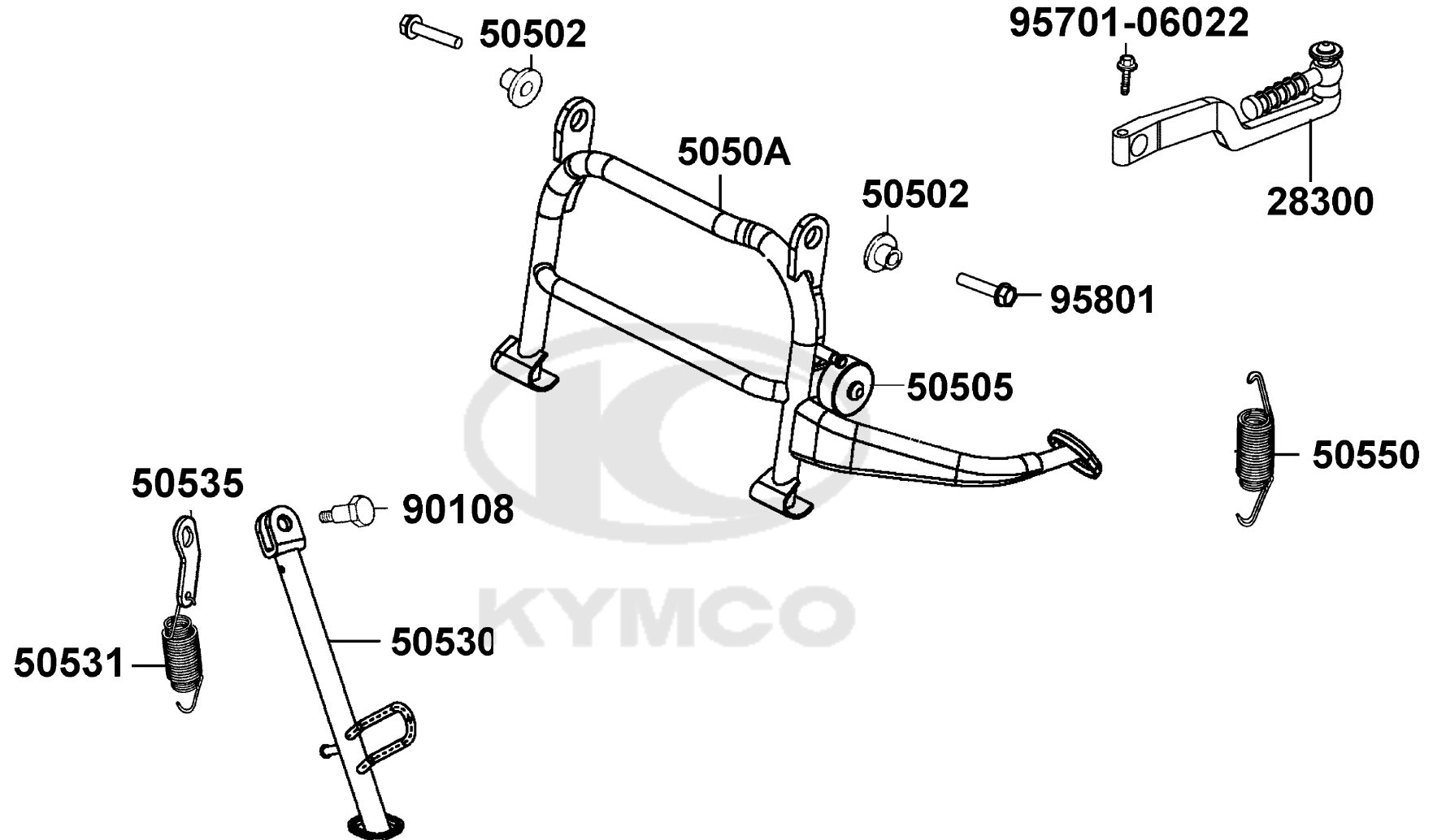
Exhaust Muffler



Sales mark	Ref no	Part no	Description	Reg description	Regd no	F14
#	18291-GGA7	18291-GGA7-C01	GASKET EXH PIPE	GASKET EXH PIPE	1	
#	18291-KEBE	18291-KEBE-C00	COLLAR	COLLAR	1	
#	18291-KKC4	18291-KKC4-C00	COLLAR	SCREW TAPPING 5*16 (K)	1	
#	18292	18292-KEBE-C00	PACKING PROTECTOR	PACKING PROTECTOR	1	
#	18293	18293-KEBE-C00	RUBBER PKG PROTR	RUBBER PRK PROTR	1	
#	18294	18294-PUA3-B50	PACKING PTOTECTOR	PACKING PROTECTOR	1	
	18306	18306-LGR5-E10	TAIL CAP MUFFLER	TAIL CAP MUFFLER	1	
	1830A	1830A-LGR5-E10	MUFFLER ASSY EXHAUST	MUFFLER ASSY EXHAUST	1	
	18317	18317-LGR5-E10	PROTECTOR A MUFFLER	PROTECTOR A MUFFLER	1	
	18318	18318-LGR5-E10	PROTECTOR MUFFLER	PROTECTOR MUFFLER	1	
	18325	18325-LGR5-E10	PROTECTOR EXHAUST PIPE	PROTECTOR EXHAUST PIPE	1	
#	90021	90021-GFY6-C11	BOLT WASHER COMP	BOLT WASHER COMP	1	
#	90110-KEBE	90110-KEBE-C00	SCREW SPECIAL 6*22	SCREW SPECIAL 6*22	1	
	90110-LCD4	90110-LCD4-E00	SCREW SPECIAL 6X20	SCREW SPECIAL 6*16	3	
#	90301	90301-GFY6-C01	NUT (HEX) CAP 8MM	NUT (HEX) CAP 8MM	1	
	94101	94101-06200	WASHER PLAIN 6MM	WASHER PLAIN 6MM	3	
	94111	94111-06800	WASHER SPRING 6MM	WASHER SPRING 6MM	2	
	96001-06008	96001-06008-07	BOLT FLANGE SH 6*8	BOLT FLANGE SH 6*8	1	
	96001-06010	96001-06010-02	BOLT FLANGE SH 6*10	BOLT FLANGE SH 6*10	2	

F15

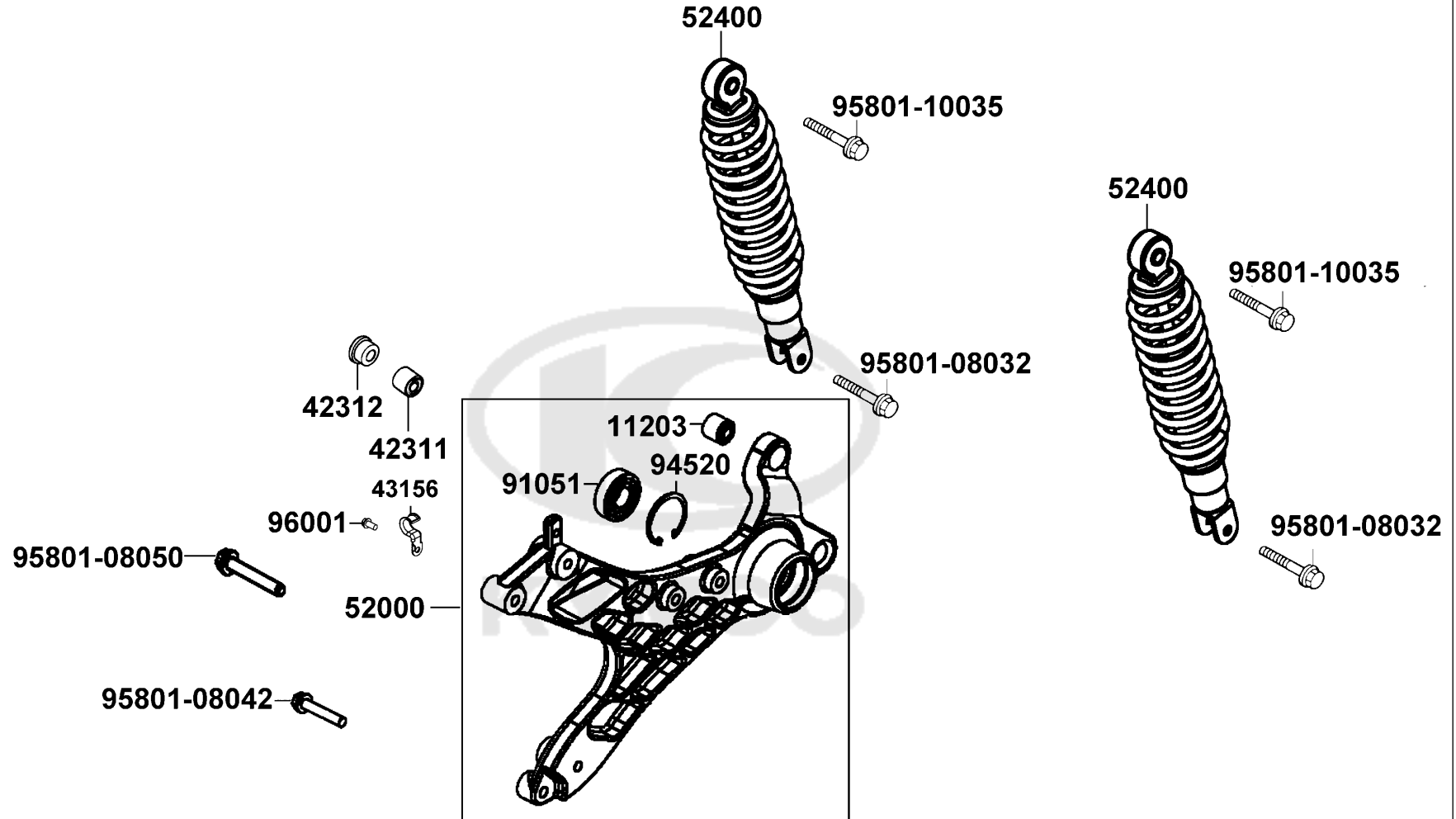
Stand Kick Starter Arm



Sales mark	Ref no	Part no	Description	Reg description	Regd no	F15
#	28300	28300-KNBN-C00	ARM ASSY KICK STARTER	ARM ASSY KICK STARTER	1	
#	50502	50502-LDF7-C00	COLLAR,MAIN STAND	COLLAR MAIN STAND	1	
#	50505	50505-LCB9-C00	STOPPER RUBBER	STOPPER RUBBER	1	
	5050A	5050A-LGR5-E10	STAND COMP MAIN	STAND COMP MAIN	1	
	50530	50530-LGR5-E10	SIDE STAND COMP.	SIDE STAND COMP.	1	
#	50531	50531-KEB7-C00	PLATE SPRING STOPPER	PLATE SPRING STOPPER	1	
	50535	50535-KEB7-W10	SPRING COMP SIDE STAND	SPRING COMP SIDE STAND	1	
#	50550	50550-KEB7-C00	SPG MAIN STAND COMP	SPG ASSY MAIN STAND	1	
	90108	90108-KEB7-E00	SCREW SIDE STAND PIVOT	SCREW SIDE STAND PIVOT	1	
	95701	95701-06022-07	BOLT FLANGE 6*22 (K)	BOLT FLANGE 6*22 (K)	1	
	95801	95801-10025-08	BOLT FLANGE 10*25	BOLT FLANGE 10*25	2	

F16

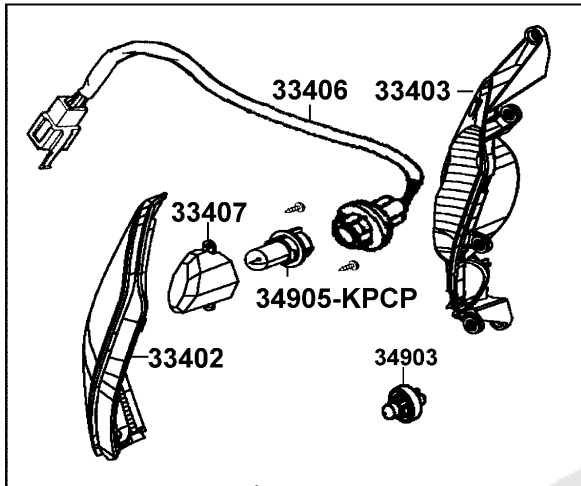
Rear Cushion



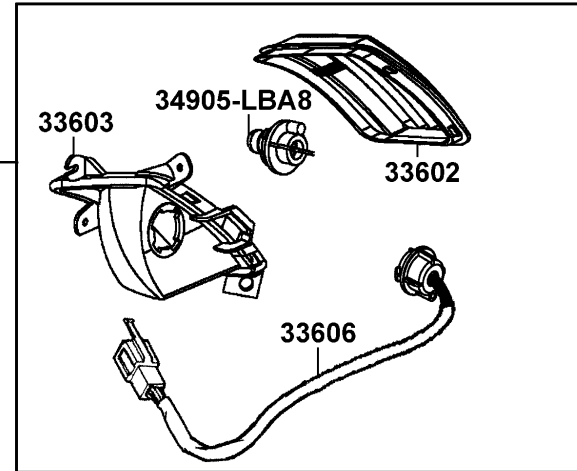
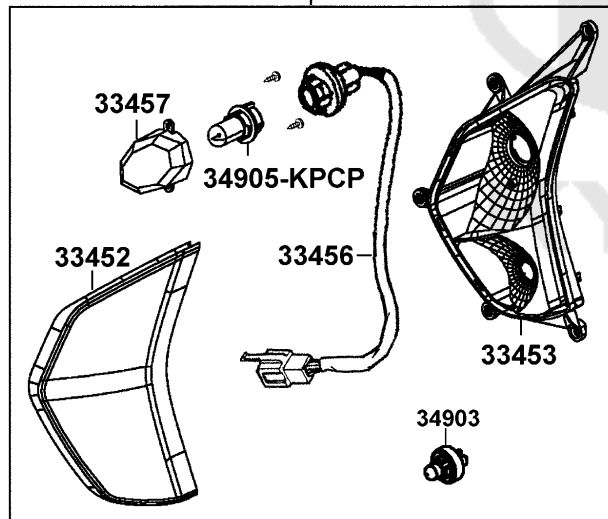
Sales mark	Ref no	Part no	Description	Reg description	Regd no	F16
	11203	11203-GGC7-W10	UNDER RUBBER BUSH REAR CUSHION	UNDER RUBBER BUSH REAR CUSHION	1	
#	42311	42311-KKD5-C10	COLLAR RR AXLE A	COLLAR RR AXLE A	1	
#	42312	42312-KHB4-C00	CLOLLAR RR AXLE SIDE	CLOLLAR RR AXLE SIDE	1	
	43156	43156-LFC3-E10	CLAMPER HOSE RR	CLAMPER HOSE RR	1	
	52400	52400-LGR5-E10	CUSHION ASSY REAR	CUSHION ASSY REAR	2	
#	91051	91051-KFBF-C00	BRG BALL RADIAL 6203 LLU	BRG BALL RADIAL 6203 LLU	1	
	94520	94520-40000	CIR CLIP IN 40	CIR CLIP IN 40	1	
	95801-08032	95801-08032-08	BOLT FLANGE 8*32(C)	BOLT FLANGE 8*32(C)	2	
#	95801-08042	95801-08042-07G	BOLT FLANGE 8*42 (G)	BOLT FLANGE 8*42 (K)	1	
	95801-08050	95801-08050-07	BOLT FLANGE 8*50 (K)	BOLT FLANGE 8*50 (K)	1	
	95801-10035	95801-10035-08	BOLT FLANGE 10*35 (C)	BOLT FLANGE 10*35	2	
	96001	96001-06012-08G	BOLT FLANGE SH 6X12 (C)	BOLT FLANGE SH 6X12 (C)	1	

F17

Front Winker

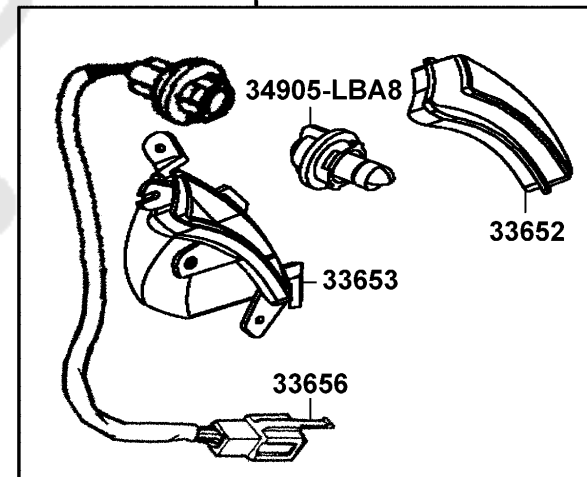


33400
33450



93903-34380 X14
90305-GHK8

33650

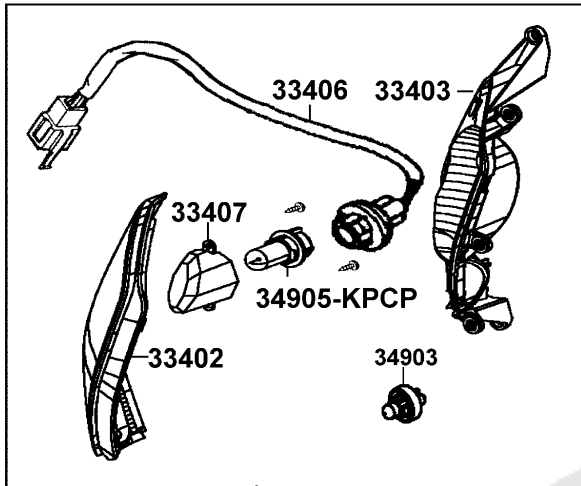


90305-GHK8

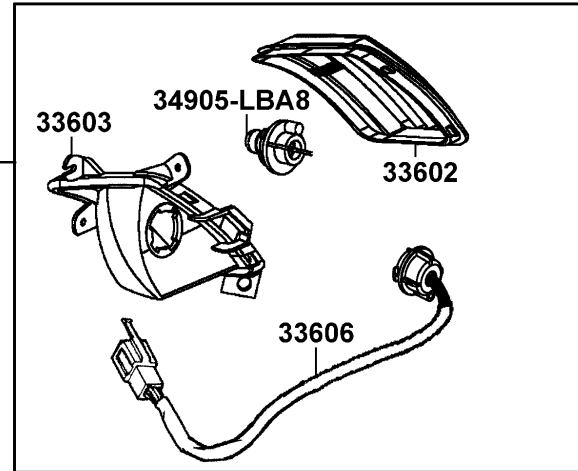
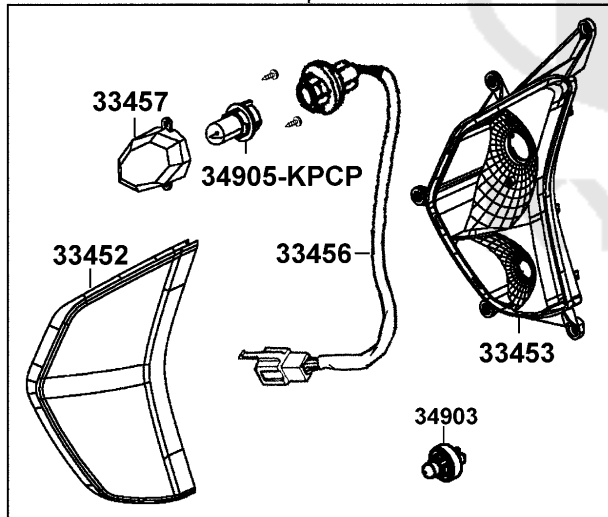
Sales mark	Ref no	Part no	Description	Reg description	Regd no	F17
	33400	33400-LGR5-E10	WINKER ASSY R FR	WINKER ASSY R FR	1	
	33402	33402-LGR5-E10	LENS R FR WINKER	LENS R FR WINKER	1	
	33403	33403-LGR5-E10	BASE R FR WINKER	BASE R FR WINKER	1	
	33406	33406-LGR5-E10	SOCKET COMP R FR WINKER	SOCKET COMP R FR WINKER	1	
	33407	33407-LGR5-E10	INNER LENS L WINKER	INNER LENS L WINKER	1	
	33450	33450-LGR5-E10	WINKER ASSY L FR	WINKER ASSY L FR	1	
	33452	33452-LGR5-E10	LENS L FR WINKER	LENS L FR WINKER	1	
	33453	33453-LGR5-E10	BASE L FR WINKER	BASE L FR WINKER	1	
	33456	33456-LGR5-E10	SOCKET COMP L FR WINKER	SOCKET COMP L FR WINKER	1	
	33457	33457-LGR5-E10	INNER LENS L WINKER	INNER LENS L WINKER	1	
	33600	33600-LGR5-E10	WINKER ASSY R RR	WINKER ASSY R RR	1	
	33602	33602-LGR5-E10	LENS R RR WINKER	LENS R RR WINKER	1	
	33603	33603-LGR5-E10	BASE R RR WINKER	BASE R RR WINKER	1	
	33606	33606-LGR5-E10	SOCKET COMP R RR WINKER	SOCKET COMP R RR WINKER	1	
	33650	33650-LGR5-E10	WINKER SET L RR	WINKER SET L RR	1	
	33652	33652-LGR5-E10	LENS L RR WINKER	LENS L RR WINKER	1	
	33653	33653-LGR5-E10	BASE L RR WINKER	BASE L RR WINKER	1	
	33656	33656-LGR5-E10	SOCKET COMP L RR WINKER	SOCKET COMP L RR WINKER	1	
	34903	34903-LDC8-E10	BULB POSITION	BULB POSITION	2	
#	34905-KPCP	34905-KPCP-C00	BULB WINKER	BULB WINKER	1	

F17

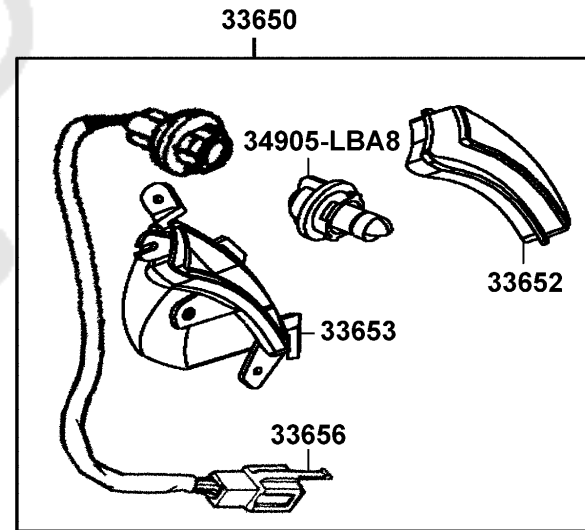
Front Winker



33400
33450



93903-34380 X14
90305-GHK8



90305-GHK8

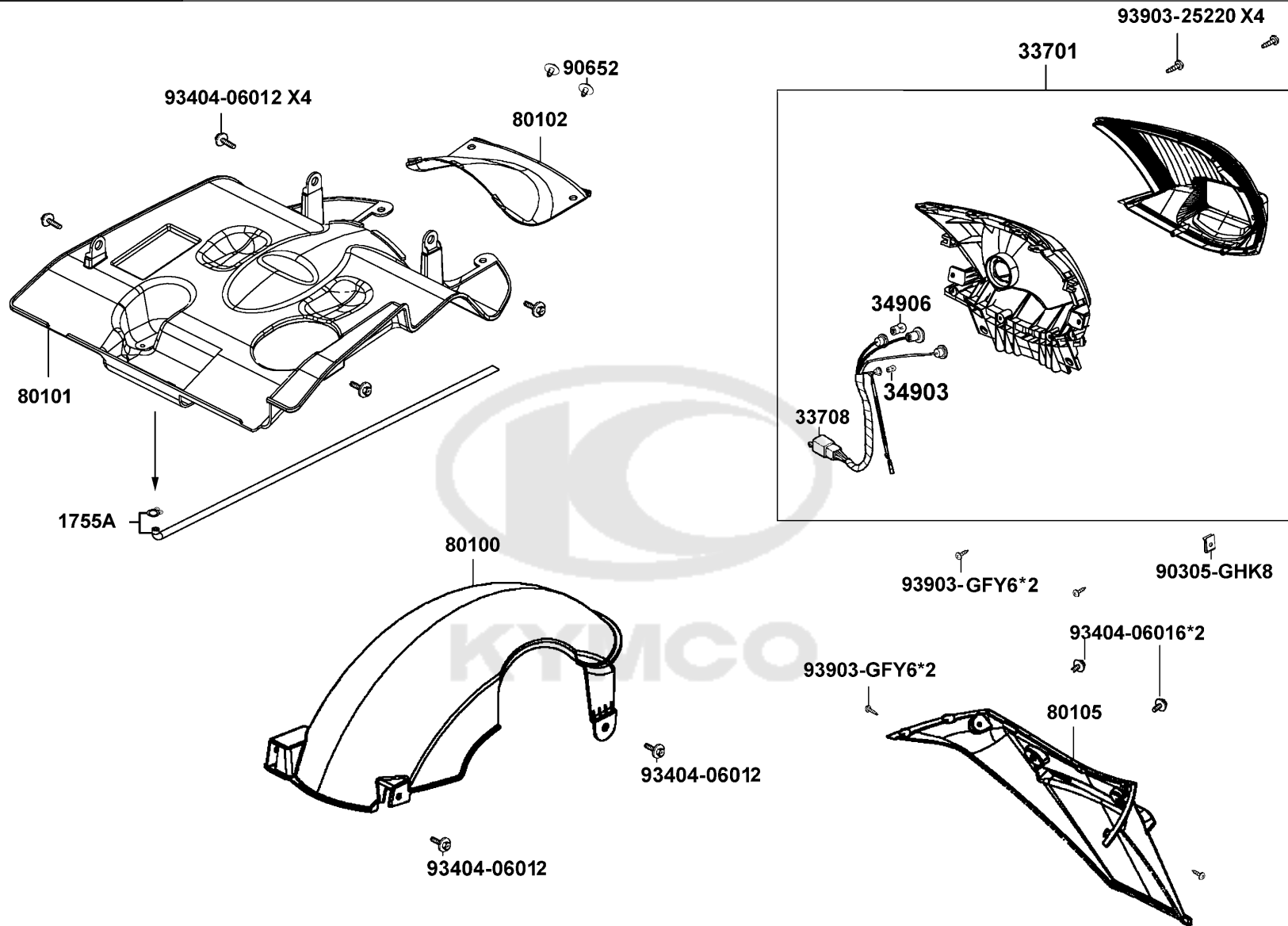
Sales mark	Ref no	Part no	Description	Reg description	Regd no	F17
------------	--------	---------	-------------	-----------------	---------	------------

	34905-LBA8	34905-LBA8-E80	BULB WINKER	BULB WINKER	2	
#	90305	90305-GHK8-C00	NUT CLIP 6MM	NUT U 16MM(C)	1	
	93903	93903-34380	SCREW TAPPING 4*12	SCREW TAPPING 4*12 (K)	14	



F18

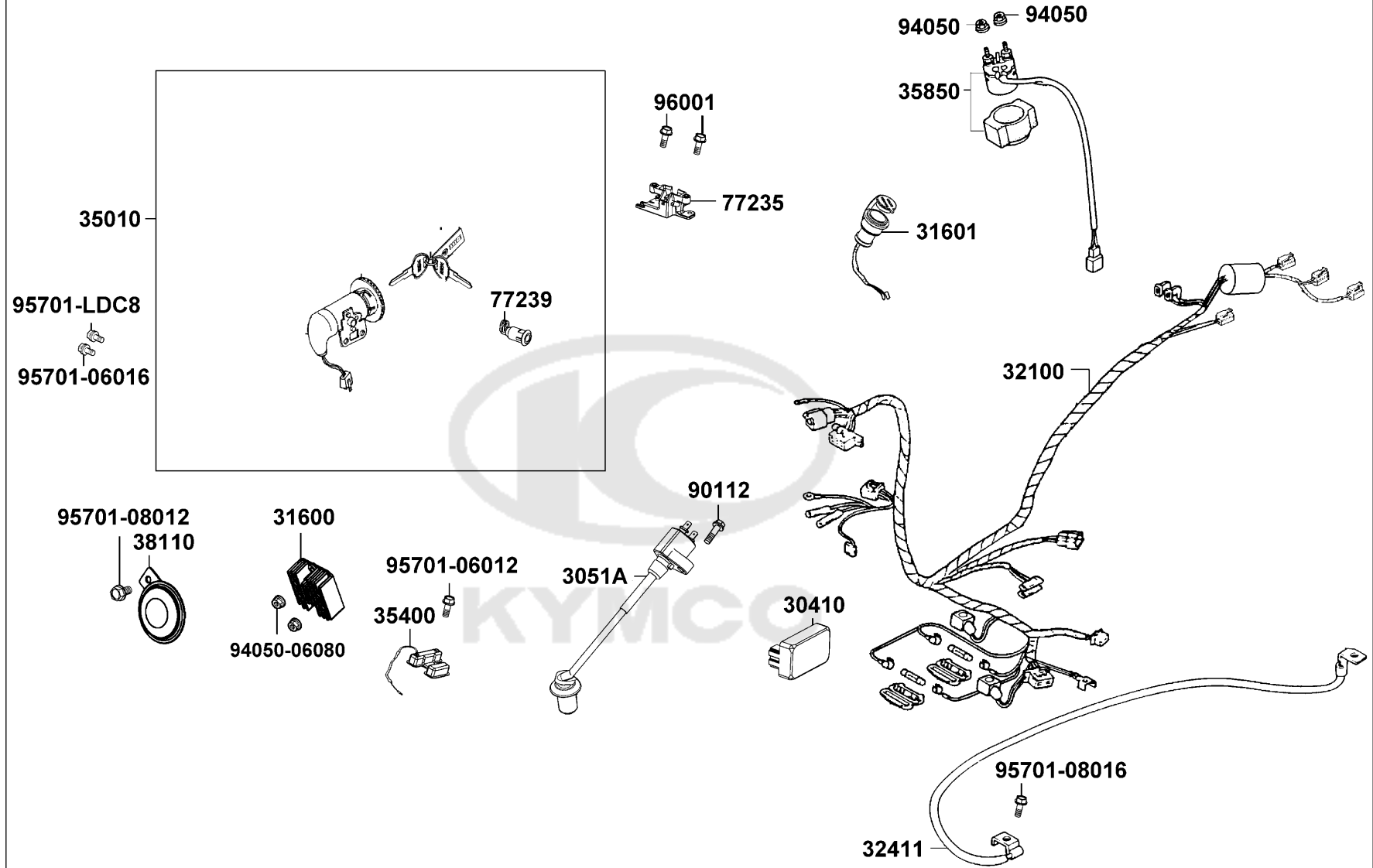
Tail Light



Sales mark	Ref no	Part no	Description	Reg description	Regd no	F18
	1755A	1755A-LDC8-E10	TUBE ASSY FUEL DRAIN	TUBE ASSY FUEL DRAIN	1	
	33701	33701-LGR5-E10	UNIT TAIL LIGHT	UNIT TAIL LIGHT	1	
	33708	33708-LGR5-E10	SOCKET COMP RR COMB	SOCKET COMP RR COMB	1	
	34903	34903-KPCP-900	BULB POSITION LIGHT 12V5W **KCP-	BULB POSITION LIGHT 12V5W **KCP-9000	1	
	34906	34906-LBA8-E80	BULB TAIL & STOP	BULB TAIL & STOP	1	
	80100	80100-LGR5-E10	FENDER REAR TIRE	FENDER REAR. TIRE	1	
**		80101-LGR5-E10	FENDER REAR UP	FENDER REAR UP	1	
	80102	80102-LGR5-E10	LID MAIN TAIL LIGHT	LID MAINT. TAIL LIGHT	1	
	80105	80105-LGR5-E10	FENDER REAR	FENDER REAR	1	
#	90305	90305-GHK8-C00	NUT CLIP 6MM	NUT U 16MM(C)	1	
#	90652	90652-LCA4-C10	CLIP MUDGUARD	CLIP MUDGUARD	1	
	93404-06012	93404-06012-07	BOLT WASH 6*12	BOLT WASH 6*12	4	
	93404-06016	93404-06016-07	BOTL WASHER 6*16	BOTL WASHER 6*16	2	
	93903-25220	93903-25220	SCREW TAPPING 5*12	SCREW TAPPING 5*12	4	
	93903-GFY6	93903-GFY6-C01	SCREW TAPPING 4*14(K)	"SCREW,TAPPING4*14"	1	

F19

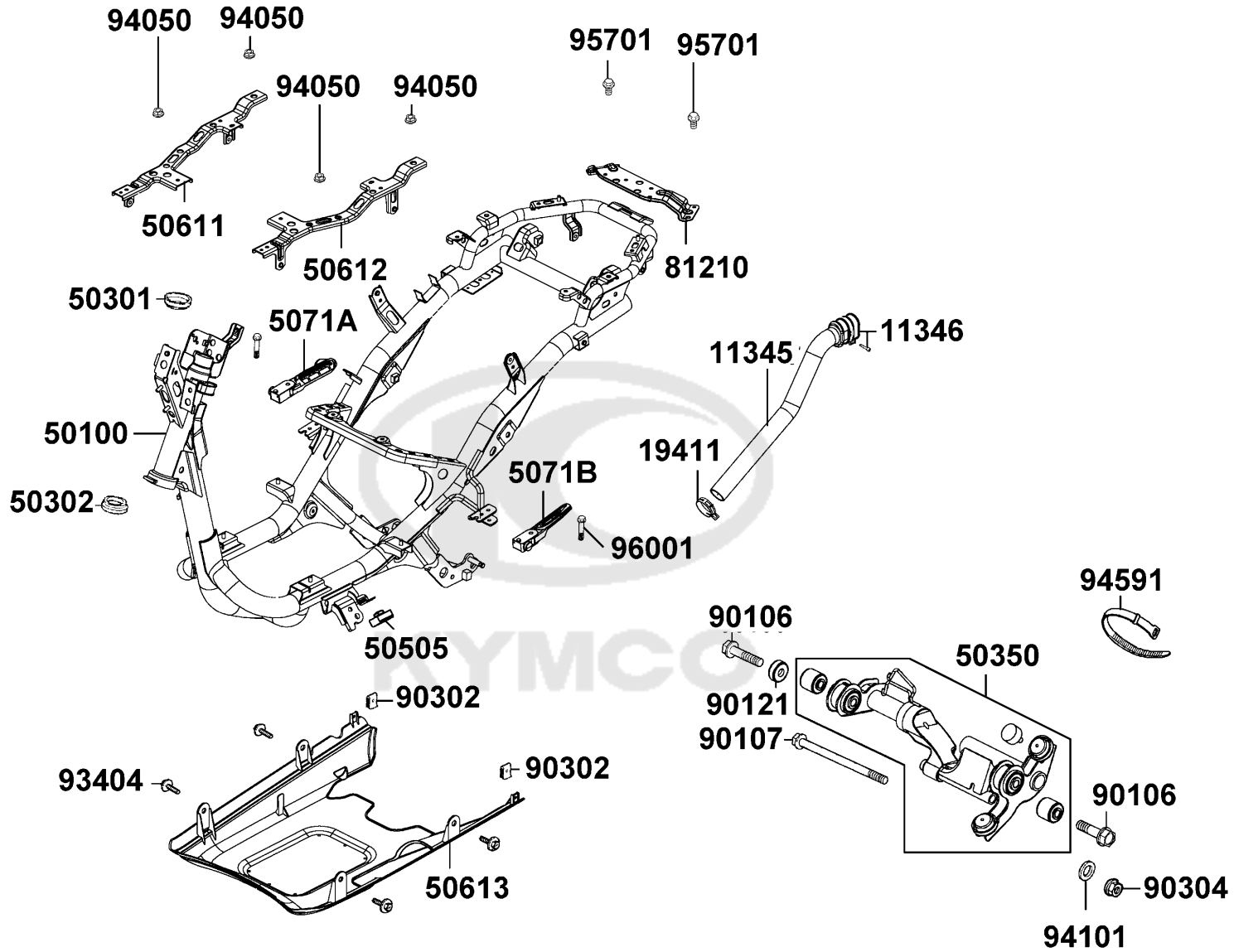
Wire Harness



Sales mark	Ref no	Part no	Description	Reg description	Regd no	F19
	30410	30410-LEJ3-E10	UNIT COMP CDI	UNIT COMP CDI	1	
#	3051A	3051A-KHC4-C00	COIL ASSY IGN	COIL ASSY IGN	1	
	31600	31600-LCD3-E0B	REG REC COMP (D406)	REG REC COMP(DC)	1	
	31601	31601-LFC2-E10	SOCKET COMP DC 12V	SOCKET COMP DC 12V	1	
	32100	32100-LGR5-E10	HARNESS WIRE	HARNESS WIRE	1	
	32411	32411-LDF7-E10	CABLE BAT	CABLE BAT	1	
	35010	35010-LGR5-E10	KEY SET	KEY SET	1	
	35400	35400-LEJ3-E10	RESISTOR COMP	RESISTOR COMP	1	
#	35850	35850-KHD8-C00	RELAY ASSY START	SET START MAG	1	
	38110	38110-KHB4-E0A	HORN COMP (D405)	HORN COMP (D405)	1	
	77235	77235-LGB5-E10	SEAT CATCH COMP	SEAT CATCH COMP	1	
#	77239	77239-GFY6-C00	KEY SEAT LOCK	KEY SEAT LOCK	1	
#	90112	90112-KRDR-C00	BOLT FLANGE 5*22	BOLT FLANGE 5*22	1	
	94050	94050-06080	NUT FLANGE 6MM	NUT FLANGE 6MM	3	
	95701-06012	95701-06012-08	BOLT FLANGE 6*12	BOLT FLANGE 6*12	1	
	95701-06016	95701-06016-08	BOLT FLANGE 6*16 (C)	BOLT FLANGE 6*16	1	
	95701-08012	95701-08012-08G	BOLT FLANGE 8X12(C)	BOLT FLANGE 8X12(C)	1	
	95701-08016	95701-08016-08	BOLT FLANGE 8X16	BOLT FLANGE 8*16 (C)	1	
#	95701-LDC8	95701-LDC8-E11	BOLT TORQUE 6x16	BOLT TORQUE 6x16	1	
	96001	96001-06012-08G	BOLT FLANGE SH 6X12 (C)	BOLT FLANGE SH 6X12 (C)	2	

F20

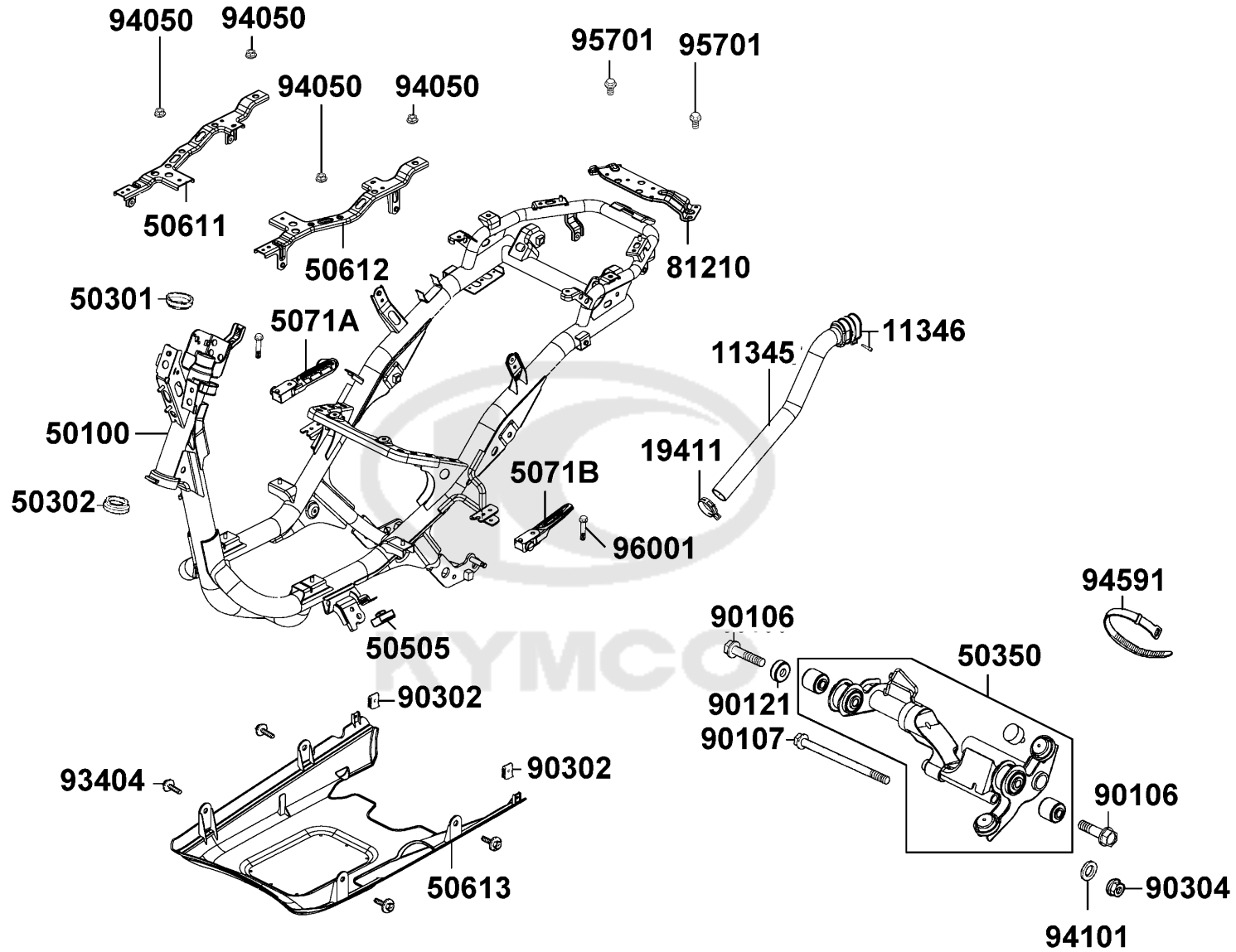
Frame Body



Sales mark	Ref no	Part no	Description	Reg description	Regd no	F20
	11345	11345-LDF7-E10	DUCT L COVER	DUCT L COVER	1	
#	11346	11346-KEBE-C00	BAND L COVER DUCT	BAND L COVER DUCT	1	
#	19411	19411-KNBN-C00	CLIP HOSE	CLIP HOSE	1	
	50100	50100-LGR5-E10	BODY COMP FRAME	BODY COMP FRAME	1	
#	50301	50301-GLM0-C00	RACE UPPER STRG BALL	RACE UPPER STRG BALL	1	
#	50302	50302-2H68-C00	RACE (STRG BOT) BALL	RACE (STRG BOT) BALL	1	
#	50350	50350-LFC3-B40	ENG HANGER COMP	ENG HANGER COMP	1	
	50505	50505-LDC8-E10	STOPPER RUBBER	STOPPER RUBBER	1	
#		50505-PUA3-B50	STOPPER RUBBER	STOPPER RUBBER	1	
	50611	50611-LGR5-E10	RNFCT R FLOOR	RNFCT R FLOOR	1	
	50612	50612-LGR5-E10	RNFCT L FLOOR	RNFCT L FLOOR	1	
	50613	50613-LGR5-E10	COVER UNDER	COVER UNDER	1	
#	5071A	5071A-LDA6-C00	BAR R P STEP ASSY	BAR STEP R ASSY	1	
#	5071B	5071B-LDA6-C00	BAR L P STEP ASSY	BAR STEP L ASSY	1	
	81210	81210-LGR5-E10	STAY CARRIER	STAY CARRIER	1	
	90106	90106-GFY6-901	BOLT FLANGE 10*55	BOLT FLANGE 10*55	2	
	90107	90107-KUDU-900	BOLT FLANGE 10*188	BOLT FLANGE 10*188	1	
#	90121	90121-GFY6-C00	COLLAR DISTANCE	COLLAR DISTANCE	1	
#	90302	90302-SDA4-C01	"NUT,SPPING 4MM"	"NUT,SPPING 4MM"	1	
#	90304	90304-GHE8-C00	NUT U 10MM (C)	NUT U 10MM (C)	1	

F20

Frame Body

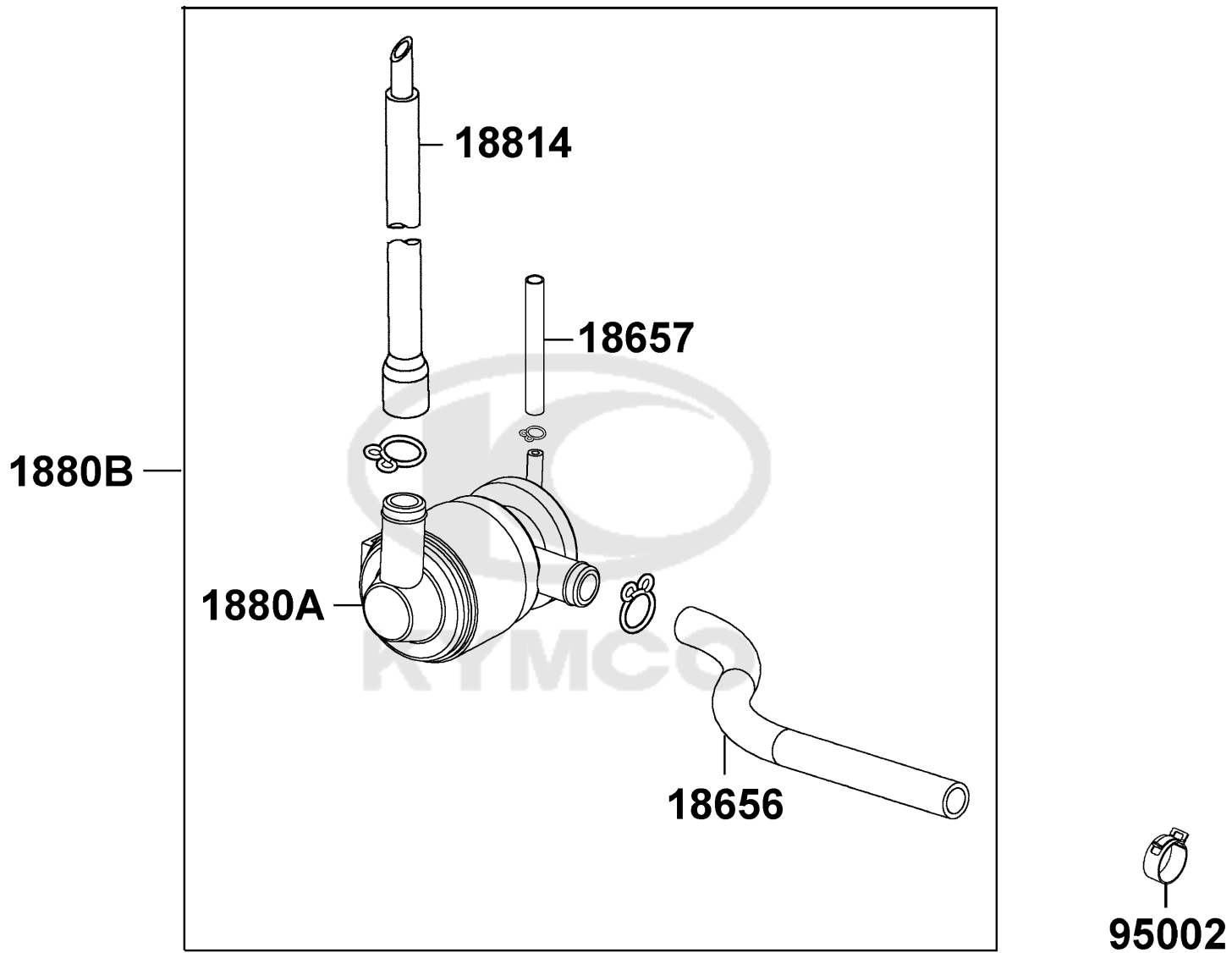


Sales mark	Ref no	Part no	Description	Reg description	Regd no	F20
93404		93404-06012-07	BOLT WASH 6*12	BOLT WASH 6*12	4	
94050		94050-06080	NUT FLANGE 6MM	NUT FLANGE 6MM	4	
94101		94101-10800	WASHER PLAIN 10*22*1.6	WASHER PLAIN 10*22*1.6	1	
94591		94591-LDC8-E10	CLIP BIND	CLIP BIND	1	
95701		95701-06012-08	BOLT FLANGE 6*12	BOLT FLANGE 6*12	2	
96001		96001-06035-06	BOLT FLANGE SH 6*35	BOLT FLANGE SH 6*35	2	



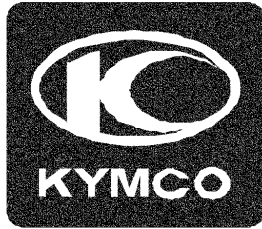
F21

Air Cleaner Two

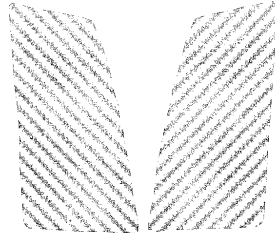


Sales mark	Ref no	Part no	Description	Reg description	Regd no	F21
	18656	18656-LDF7-E10	DUCT AICV-REED VALVE	DUCT AICV-REED VALVE	1	
	18657	18657-LDC8-E10	TUBE ASSY AICV-INNET PIPE	TUBE ASSY AICV-INNET PIPE	1	
	1880A	1880A-LGR5-E10	AI/C -AICV ASSY	AI/C -AICV ASSY	1	
	1880B	1880B-LGR5-E10	AI/C -AICV SET	AI/C -AICV SET	1	
	18814	18814-LDC8-E10	DUCT ASSY AIR-AICV	DUCT ASSY AIR-AICV	1	
#	95002	95002-KKD6-C00	CLAMP D18 TUBE	CLAMP D18 TUBE	1	





86102

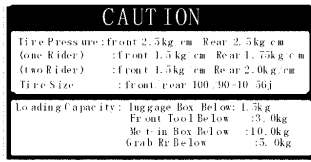


86421

86423



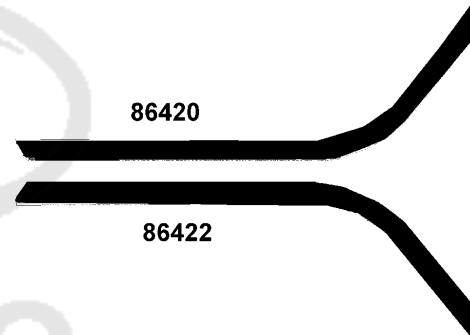
86101



87505



87542



86420

86422



87541

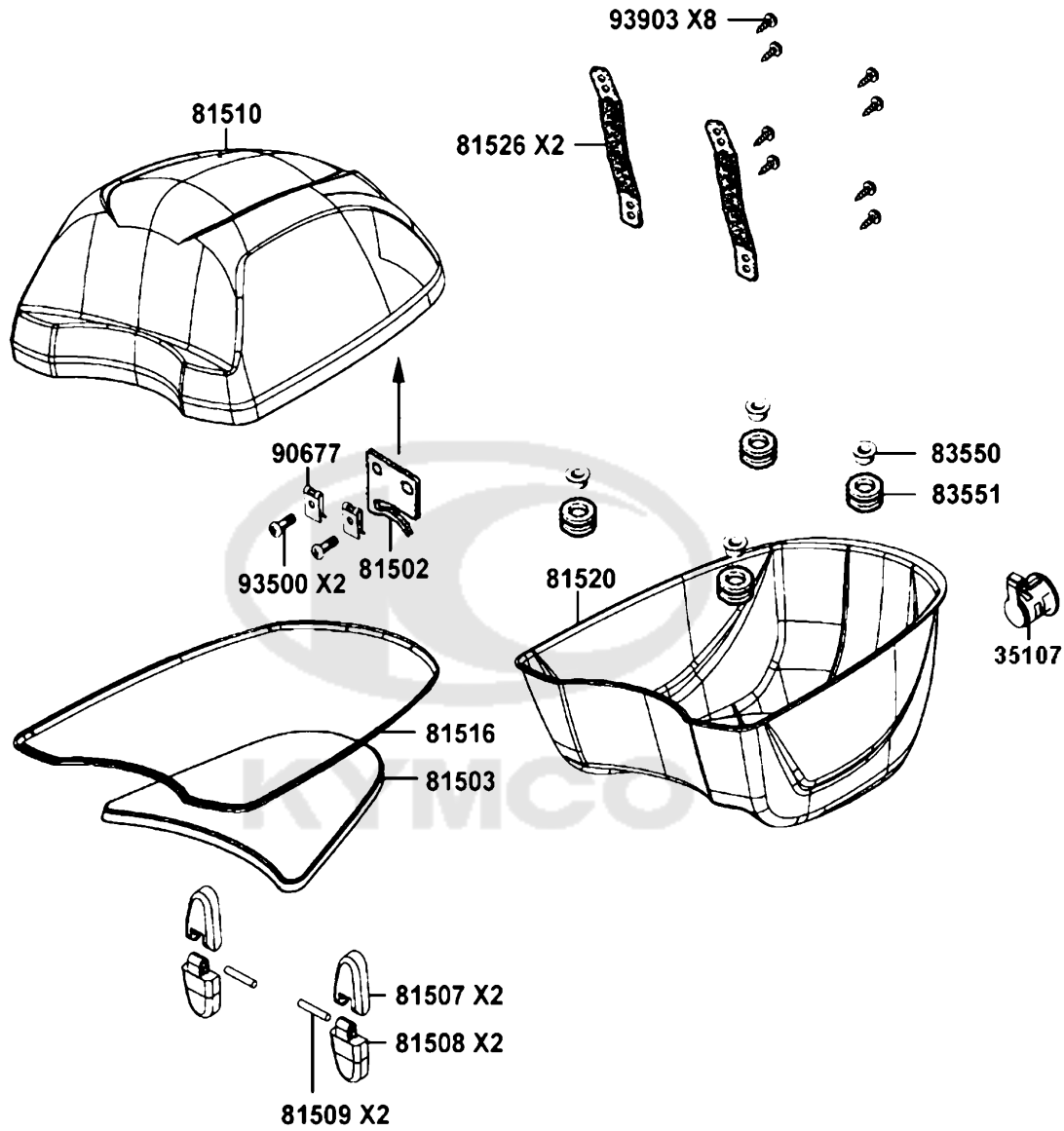


87560



86202

Sales mark	Ref no	Part no	Description	Reg description	Regd no	F22
**	86101	86101-LGR5-E10	STRIPE FR COVER	STRIPE FR COVER	1	
**	86102	86102-LGR5-E00	EMB K-LOGO	EMB K-LOGO	1	
**	86202	86202-LGR5-E10	EMB BODY COVER	EMB BODY COVER	1	
**	86420	86420-LGR5-E00	EMB R FRINGE	EMB R FRINGE	1	
**	86421	86421-LGR5-E00	STRIPE REAR BOX	STRIPE REAR BOX	1	
**	86422	86422-LGR5-E00	EMB L FRINGE	EMB L FRINGE	1	
**	86423	86423-LGR5-E00	STRIPE REAR BOX	STRIPE REAR BOX	1	
	87505	87505-LDC8-E10	LABEL TIRE	LABEL TIRE	1	
# **		87541-GAR1-C01	CAUTION SIDE STAND	CAUTION SIDE STAND	1	
	87541	87541-GAR1-E01	MARK SIDE STAND	MARK SIDE STAND	1	
	87542	87542-GAR1-E01	MARK MAINT CAUTION	MARK MAINT CAUTION	1	
	87560	87560-GFY6-E01	MARK DRIVE CAUTION	MARK DRIVE CAUTION	1	



Sales mark	Ref no	Part no	Description	Reg description	Regd no	F23
	35107	35107-LFC2-E13	PACKING RR BOX LOCK	PACKING RR BOX LOCK	1	
	81502	81502-LGA5-C10	BOTTOM UP THE HOOK	BOTTOM UP THE HOOK	1	
	81503	81503-LGR5-E10	RUBBER RR WASHER	RUBBER RR WASHER	1	
	81507	81507-LFD6-C50	CATCH COMP UP	CATCH COMP UP	1	
	81508	81508-LFD6-C50	CATCH COMP DOWN	CATCH COMP DOWN	1	
	81509	81509-LDD9-C50	PIN LOCK	PIN LOCK	1	
	81510	81510-LGR5-E10	RR BOX UP	RR BOX UP	1	
	81520	81520-LGR5-E10	REAR BOX LOW	REAR BOX LOW	1	
	81526	81526-LGR5-E10	LINK STRIP	LINK STRIP	1	
#	83550	83550-KEC8-C00	COLLAR SET METER	COLLAR	1	
#	83551	83551-KEC8-C10	GROMMET COVER	GROMMET COVER	1	
#	90677	90677-GAR1-C01	NUT CLIP 5MM	NUT CLIP 5MM	1	
	93500	93500-05016-0H	SCREW PAN 5*16	SCREW PAN 5*16	1	
	93903	93903-25480	SCREW TAPPING 5*20 (K)	SCREW TAPPING 5*20 (K)	1	

PART NO. INDEX

PART NO.	VERSION	PAGE	PART NO.	VERSION	PAGE	PART NO.	VERSION	PAGE
11000			12200-KUDU-C10	1	E02	14523-GFY6-E90	1	E03
11100-KUDU-C00	6	E01	12209-GDB4-C00	2	E02	14531-GLR0-W10	1	E03
11102-1G87-C00	3	E01	1220A-KUDU-C00	9	E02	14610-KUDU-C0B	0	E03
11192-KUDU-E90	1	E01	12211-KUDU-W10	4	E02	14711-KUDU-C00	1	E02
11200-KEC4-C00	6	E01	12251-GFY6-C00	1	E02	14721-KUDU-C00	1	E02
11203-GGC7-W10	2	E01	12310-KUDU-C10	1	E02	14751-KUDU-C10	2	E02
11203-GGC7-W10	2	F16	1231A-KUDU-C10	1	E02	14761-KUDU-C10	2	E02
11206-LGR5-E10	1	E06	12361-GFY6-C00	5	E04	14771-GDB4-C00	2	E02
11207-KKE3-C00	6	E04	12391-GFY6-C00	5	E02	14775-MFA6-C00	5	E02
11208-LGR5-E11	0	E01	13000			14781-MFA6-C00	4	E02
11211-KUDU-C00	1	F13	13000-KUDU-C00	9	E03	15000		
1122A-LGR5-E10	1	E08	13011-GFY6-C00	1	E03	15100-KUDU-W10	1	E06
11331-LCD3-E00	5	E04	13101-KUDU-C00	1	E03	15133-GFY6-W10	1	E06
11341-KEC4-C00	0	E01	13111-3D84-C00	1	E03	15141-GFY6-C00	1	E06
11345-LDF7-E10	1	F20	14000			15421-1G07-C00	1	E04
11346-KEBE-C00	1	F20	14100-LGS6-E10	1	E02	15426-GAE1-C00	1	E04
11381-KUDU-C00	1	E01	14401-KUDU-C00	1	E03	15651-KUDU-W10	5	E04
11394-KUDU-E90	1	E04	14431-KUDU-W10	4	E02	1565A-KUDU-W10	1	E04
11395-KKD7-E90	0	E01	14450-GFY6-W10	1	E02	15711-KUDU-C00	1	E06
12000			14452-GFY6-W10	1	E02	16000		
12100-GFY6-C00	6	E03	14510-KUDU-C0B	0	E03	16012-KEC3-C01	0	E09
12191-GFY6-E90	1	E03	14520-GFY6-C00	1	E03	16035-LEJ3-900	0	E09

PART NO. INDEX

PART NO.	VERSION	PAGE	PART NO.	VERSION	PAGE	PART NO.	VERSION	PAGE
16069-KEC3-C00	0	E09	1723B-LGR5-E10	1	F13	18362-LGR5-E10	1	F13
16074-KEC3-C00	3	E09	17254-KACA-P00	1	F13	18645-GFY6-C00	1	E02
16079-LDF7-900	3	E09	17256-GFY6-C00	4	E02	18646-LDC8-E10	1	E02
16087-KEC3-C00	3	E09	17257-LGR5-E10	1	F13	18647-GFY6-C00	1	E02
16088-LDF7-C00	0	E09	17370-4K19-701	1	F13	18656-LDF7-E10	1	F21
16093-5098-C00	0	E09	17371-1D74-C00	1	F13	18657-LDC8-E10	2	F21
16095-KEC3-900	2	E09	17500-LGR5-E10	0	F10	1880A-LGR5-E10	1	F21
16100-LGR5-EY1	0	E09	1755A-KKD5-C10	1	F10	1880B-LGR5-E10	1	F21
16122-KEC3-C00	0	E09	1755A-LDC8-E10	1	F18	18814-LDC8-E10	1	F21
16131-KEC3-C00	0	E09	17620-LBA8-C10	0	F10			
16138-KEC3-C00	0	E09	1768C-LGR5-E10	1	F10	19000		
16142-KEC3-C00	0	E09	17910-LDF7-E10	2	F03			
16154-KEC3-C00	0	E09				19411-KNBN-C00	2	F20
16180-KEC3-C00	0	E09	18000			19510-GFY6-C00	1	E07
16181-KEC3-C00	1	E09				1961A-KUDU-E10	2	E07
16201-GFY6-E90	0	E02	18291-GGA7-C01	1	F14	19625-KUDU-C00	1	E02
16211-GFY6-W10	1	E02	18291-KEBE-C00	1	F14	1962A-KUDU-C00	1	E07
1691A-LGR5-E10	1	F10	18291-KKC4-C00	0	F14	1963A-LDF7-E10	1	E07
16950-KKJ9-C00	4	F10	18292-KEBE-C00	0	F14			
			18293-KEBE-C00	1	F14	21000		
17000			18294-PUA3-B50	1	F14			
			18306-LGR5-E10	1	F14	21200-LGR5-E10	1	E08
1711A-LDF7-E10	2	E02	1830A-LGR5-E10	2	F14	21395-KEC4-E90	0	E08
17200-LGR5-E10	2	F13	18317-LGR5-E10	2	F14			
17211-LGR5-E10	2	F13	18318-LGR5-E10	2	F14			
1723A-LGR5-E10	1	F13	18325-LGR5-E10	1	F14			

PART NO. INDEX

PART NO.	VERSION	PAGE	PART NO.	VERSION	PAGE	PART NO.	VERSION	PAGE
22000			23432-KEC4-C00	1	E08	31000		
			2343A-KKD5-C00	0	E08			
22101-LCD3-C00	3	E05	28000			31100-LHA2-M30	3	E07
22102-KUDU-E80	1	E05				31110-LAD9-C00	0	E07
22105-GFY6-C10	1	E05	28101-GFY6-C00	1	E06	31120-LFC3-E10	0	E07
22110-KUDU-E80	0	E05	28102-GFY6-C00	1	E06	31200-KUDU-C00	4	E06
22121-KKD7-315	0	E05	28110-GFY6-C10	1	E06	31500-GFY6-C00	1	F11
22131-GFY6-C00	3	E05	28120-GFY6-C10	1	E06	31600-LCD3-E0B	3	F19
22132-KBN2-315	0	E05	28125-4F26-C00	1	E06	31601-LFC2-E10	1	F19
22300-KEC6-C00	0	E05	28125-GFY6-C10	3	E06	32000		
23000			28126-GFY6-C10	1	E06			
			2812A-GFY6-C10	2	E06			
2301A-KEC6-C00	1	E05	28211-KUDU-W10	4	E05	32100-LGR5-E10	2	F19
23100-KEC4-C0E	0	E05	2823A-GKAK-W10	1	E01	32101-GFY6-C00	1	F04
23200-GFY6-C00	3	E05	28250-KNBN-C00	1	E01	32411-LDF7-E10	2	F19
23210-GFY6-C00	1	E05	28253-GBN2-C00	5	E01	32412-LDF7-E10	1	E04
23220-KFBF-C00	1	E05	28255-GFS6-C00	5	E01	32961-KUDU-C00	5	E04
23225-GHC8-C00	1	E05	28281-GBN2-C00	1	E01	33000		
23226-GHC8-C00	1	E05	28300-KNBN-C00	3	F15			
23233-GCW3-C00	1	E05	30000			33100-LGR5-E10	1	F01
23237-GFY6-C00	1	E05				33108-LGR5-E10	0	F01
23238-GFY6-C00	1	E05	30410-LEJ3-E10	1	F19	33400-LGR5-E10	1	F17
23411-KEC4-C00	1	E08	3051A-KHC4-C00	1	F19	33402-LGR5-E10	0	F17
23420-KEC4-C00	1	E08				33403-LGR5-E10	0	F17

PART NO. INDEX

PART NO.	VERSION	PAGE	PART NO.	VERSION	PAGE	PART NO.	VERSION	PAGE
33406-LGR5-E10	1	F17	34906-LBA8-E80	1	F18			
33407-LGR5-E10	0	F17				38000		
33450-LGR5-E10	1	F17	35000					
33452-LGR5-E10	0	F17				38110-KHB4-E0A	2	F19
33453-LGR5-E10	0	F17	35010-LGR5-E10	1	F19	38300-KECE-W10	2	F02
33456-LGR5-E10	1	F17	35107-LFC2-E13	0	F23			
33457-LGR5-E10	0	F17	35160-GFY6-C00	5	F03	42000		
33600-LGR5-E10	1	F17	35170-KNBN-C00	5	F03			
33602-LGR5-E10	0	F17	35180-GFY6-C00	2	F03	42311-KKD5-C10	1	F16
33603-LGR5-E10	0	F17	35200-GFY6-C00	5	F03	42312-KHB4-C00	1	F16
33606-LGR5-E10	1	F17	35340-KNBN-901	1	F04	42600-LGR5-E10	0	F08
33650-LGR5-E10	1	F17	35350-KNBN-901	1	F04	42601-LGR5-E10	0	F08
33652-LGR5-E10	0	F17	35400-LEJ3-E10	1	F19	42710-LDC8-E10	3	F08
33653-LGR5-E10	0	F17	35850-KHD8-C00	1	F19	42753-0A01-C00	1	F07
33656-LGR5-E10	1	F17				42753-0A01-C00	1	F08
33701-LGR5-E10	1	F18	37000					
33708-LGR5-E10	1	F18				43000		
33741-GFY6-C00	0	F05	37200-LGR5-EV0	0	F02			
			37206-GHC8-008	0	F02	43100-LGR5-E10	0	F04
34000			37206-MKG9-951	0	F02	43105-LFC4-305	1	F04
			37211-LGR5-E10	1	F02	43126-LGR5-E1A	0	F04
34901-LDC8-E10	1	F01	37224-LGR5-EV0	0	F02	43156-LFC3-E10	2	F16
34903-KPCP-900	0	F18	37280-LGR5-E10	1	F02	43351-LFB5-900	2	F08
34903-LDC8-E10	1	F17	37802-GGA7-C00	1	F10	43500-LGR5-E10	0	F04
34905-KPCP-C00	1	F17	3780A-LGR5-E10	1	F10	4350B-LGR5-E10	1	F04
34905-LBA8-E80	1	F17						

PART NO. INDEX

PART NO.	VERSION	PAGE	PART NO.	VERSION	PAGE	PART NO.	VERSION	PAGE
44000			50000			51000		
44311-GLW0-W10	1	F07	50100-LGR5-E10	2	F20	51400-LGR5-E10	0	F06
44600-LGR5-E10	0	F07	50301-GLM0-C00	1	F20	51401-LGB5-E10	0	F06
44601-LGR5-E10	0	F07	50302-2H68-C00	2	F20	51410-LDC8-E10	0	F06
44620-KEB7-C00	0	F07	50306-1F96-C00	1	F06	51412-LDC8-E10	0	F06
44710-LDC8-E10	2	F07	50326-LGR5-E10	0	F11	51420-LGR5-E10	0	F06
44800-LDC8-E10	1	F07	50330-KEBE-C00	1	F05	51422-LDC8-E10	0	F06
44830-LDC8-E10	3	F02	50350-LFC3-B40	1	F20	51428-LDC8-E10	0	F06
			50502-LDF7-C00	1	F15	51429-LGR5-E10	0	F06
45000			50505-LCB9-C00	1	F15	51437-LDC8-E10	0	F06
			50505-LDC8-E10	2	F20	51500-LGR5-E10	0	F06
45105-LDC8-305	1	F04	50505-PUA3-B50	2	F20	51520-LGR5-E10	0	F06
45121-LGR5-E80	1	F07	5050A-LGR5-E10	3	F15			
45126-LGR5-E1A	1	F04	50530-LGR5-E10	0	F15	52000		
45156-KNBN-C00	1	F06	50531-KEB7-C00	1	F15			
45200-LGR5-E10	1	F04	50535-KEB7-W10	3	F15	52000-LGR5-E10	0	F16
45500-LGR5-E10	1	F04	50550-KEB7-C00	1	F15	52400-LGR5-E10	0	F16
4550B-LGR5-E10	2	F04	50611-LGR5-E10	1	F20			
45513-LEB2-C00	0	F04	50612-LGR5-E10	1	F20	53000		
45513-LGR5-E10	0	F04	50613-LGR5-E10	1	F20			
45517-KFAF-910	1	F04	5071A-LDA6-C00	2	F20	53100-LGR5-E10	1	F03
			5071B-LDA6-C00	2	F20	53105-LGR5-E10	1	F03
						53125-GEN5-C00	1	F03
						53140-KNBN-960	0	F03

PART NO. INDEX

PART NO.	VERSION	PAGE	PART NO.	VERSION	PAGE	PART NO.	VERSION	PAGE
53166-KNBN-C00	1	F03	64305-LGR5-E10	2	F05	80105-LGR5-E10	2	F18
53167-GBN2-C00	1	F03	64306-LGR5-E10	2	F05	80111-LGR5-E10	1	F12
53168-GBN2-C00	1	F03	64307-LGR5-E10	1	F05	80121-LGR5-E10	1	F12
53175-KXBX-E00	1	F04	64308-LGR5-E10	1	F05	80131-LGR5-E10	1	F12
53178-KNBN-C00	0	F04	64310-LGR5-E10	2	F05	80141-LGR5-E10	1	F12
53200-LGR5-E10	1	F06	64314-LGR5-E10	1	F05	80151-LGR5-E10	1	F12
53205-LGR5-E10	1	F03	64316-LCB9-C10	5	F05	80152-LGR5-E10	1	F12
53206-LGR5-E10	1	F03	64400-LGR5-E10	1	F05			
53207-KKD9-B00	0	F03				81000		
53211-GFY6-C00	1	F06	75000					
53212-2L50-C00	1	F06				81131-LGR5-E10	5	F05
53214-2L50-C00	5	F06	75581-6C73-C00	1	F05	81132-LCB9-C10	1	F05
53215-2L50-C00	1	F06				81132-LDC8-E10	1	F05
			77000			81133-KNBN-C00	1	F05
61000						81134-LGR5-E10	1	F05
			77200-LGR5-E10	0	F09	81135-LGR5-E10	1	F05
61100-LGR5-E10	1	F06	77232-KCAC-C00	2	F12	81136-LGR5-E10	1	F05
61101-LGR5-E10	1	F06	77235-LGB5-E10	6	F19	81141-LGR5-E10	1	F05
61110-LGR5-E10	3	F05	77239-GFY6-C00	0	F19	81142-KFA6-C00	1	F05
			77240-LGB5-E10	1	F12	81146-LGR5-E10	1	F05
			80000			81151-LGR5-E10	1	F05
						8120A-LGR5-E10	0	F12
64301-LGR5-E10	1	F05				81210-LGR5-E10	1	F20
64302-LGR5-E10	2	F05	80100-LGR5-E10	1	F18	81220-LGR5-E10	1	F12
64303-LGR5-E10	1	F05	80101-LGR5-E10	2	F18	81230-LGR5-E10	1	F12
64304-LGR5-E10	2	F05	80102-LGR5-E10	1	F18	81250-LGR5-E10	0	F12

PART NO. INDEX

PART NO.	VERSION	PAGE	PART NO.	VERSION	PAGE	PART NO.	VERSION	PAGE
81251-LCB9-C10	0	F12	83750-LGR5-E10	1	F12	88120-LGR5-E10	2	F03
81502-LGA5-C10	0	F23						
81503-LGR5-E10	0	F23	86000			89000		
81507-LFD6-C50	1	F23						
81508-LFD6-C50	1	F23	86101-LGR5-E10	1	F22	89010-KGBG-C00	1	F09
81509-LDD9-C50	0	F23	86102-LGR5-E00	0	F22			
8150A-LGR5-E10	0	F12	86102-LGR5-E00	2	F22	90000		
81510-LGR5-E10	0	F23	86202-LGR5-E10	0	F22			
81516-LGR5-E10	0	F23	86420-LGR5-E00	1	F22	90001-GBHB-C05	0	E03
81520-LGR5-E10	0	F23	86421-LGR5-E00	1	F22	90001-GBHB-C11	1	E01
81526-LGR5-E10	0	F23	86422-LGR5-E00	0	F22	90001-GFY6-C00	4	E06
83000			86422-LGR5-E00	1	F22	90005-KAW1-901	1	E03
			86423-LGR5-E00	0	F22	90012-3C33-C00	1	E02
			86423-LGR5-E00	1	F22	90021-GFY6-C11	0	F14
83500-LGR5-E10	1	F12				90031-KUDU-C01	0	E01
83501-LGR5-E10	1	F12	87000			90032-KUDU-C00	5	E01
83510-LGR5-E10	0	F12				90033-GFY6-C00	2	E02
83510-LGR5-E10	1	F12	87505-LDC8-E10	2	F22	90033-GFY6-C10	2	E02
83550-KEC8-C00	4	F12	87541-GAR1-C01	1	F22	90105-KCR3-001	3	F07
83550-KEC8-C00	4	F23	87541-GAR1-E01	1	F22	90105-KCR3-001	3	F08
83551-KEC8-C10	4	F12	87542-GAR1-E01	2	F22	90105-KNBN-901	1	F12
83551-KEC8-C10	4	F23	87560-GFY6-E01	3	F22	90106-GEN5-901	1	F03
83600-LGR5-E10	1	F12				90106-GFY6-901	1	F20
83601-LGR5-E10	1	F12	88000			90106-KFC2-900	2	F03
83610-LGR5-E10	0	F12				90107-KUDU-900	5	F20
83610-LGR5-E10	1	F12	88110-LGR5-E10	2	F03	90108-KEB7-E00	0	F15

PART NO. INDEX

PART NO.	VERSION	PAGE	PART NO.	VERSION	PAGE	PART NO.	VERSION	PAGE
90110-GLW0-C00	0	F05	90305-KNBN-C00	1	F08	91000		
90110-GLW0-C00	0	F12	90306-KLF0-C00	1	F07			
90110-KEBE-C00	0	F14	90381-GEZ5-C00	1	F05			
90110-LCD4-E00	1	F14	90403-KUDU-900	1	E06	91001-GFY6-C00	0	E05
90111-1G87-C01	1	F12	90412-3K29-C00	5	E01	91002-GGA7-C00	0	E05
90112-KRDR-C00	1	F19	90426-KNBN-C01	1	E05	91003-KDS4-C00	1	E08
90116-LDC8-E10	0	F06	90440-1F66-C00	1	E07	91009-GLE0-C00	1	E08
90121-GFY6-C00	1	F20	90441-GFY6-C00	1	E05	91014-LLJ3-C00	1	F06
90121-KBE2-C00	4	F07	90451-GBN2-C00	10	E01	91015-LLJ3-C00	1	F06
90131-GLW0-C00	1	F04	90465-MDC4-C00	1	E02	91051-KFBF-C00	1	F16
90145-9A61-C00	1	F04	90474-3C33-C00	1	E01	91101-1K79-C00	1	E06
90201-GFY6-901	1	E06	90501-KNBN-C00	1	F08	91104-GFY6-C00	1	E06
90202-1G87-C00	1	E05	9052A-GFY6-C00	5	E01	91201-GFY6-C00	1	E01
90206-0A01-C00	2	E02	90544-LDC8-E10	0	F06	91201-GFY6-C00	1	E04
90301-GFY6-C01	0	F14	90545-3L00-C00	2	F04	91202-KKJ9-C00	5	E01
90302-LLB1-C01	1	F03	90652-GFY6-C00	1	F13	91211-KEBE-C00	1	E05
90302-SDA4-C01	0	F05	90652-LCA4-C10	6	F05	91251-LDC8-E10	0	F06
90302-SDA4-C01	0	F06	90652-LCA4-C10	6	F18	91254-LDC8-E10	0	F06
90302-SDA4-C01	0	F12	90677-GAR1-C01	1	F23	91255-LDC8-E10	5	E08
90302-SDA4-C01	0	F20	90701-GFY6-901	6	E06	91258-KAM1-C00	1	F07
90304-4H38-C00	1	E02	90701-HFB6-C00	0	E03	91301-0H28-C00	1	E02
90304-GHE8-C00	1	F03	90754-GHC8-C00	1	F07	91301-GLR0-W10	1	E03
90304-GHE8-C00	1	F20	90912-GHC8-C00	1	F07	91302-0A01-C00	10	E04
90305-GHK8-C00	2	F12				91306-1E05-C00	1	E03
90305-GHK8-C00	2	F17				91307-0E35-W10	1	E04
90305-GHK8-C00	2	F18				91351-6B42-C00	1	E05

PART NO. INDEX

PART NO.	VERSION	PAGE	PART NO.	VERSION	PAGE	PART NO.	VERSION	PAGE	
92000			93903-34380	6	F03	94101-10800	1	F20	
			93903-34380	6	F05	94111-06800	1	F14	
			93903-34380	6	F12	94301-10160	4	E01	
	92101-05012-0H	2	E07	93903-34380	6	F17	94301-10160	4	E02
	92900-06060-0B	2	E02	93903-35280-G	1	F01	94301-10160	4	E03
93000			93903-35380	2	F03	94301-10160	4	E04	
			93903-35380	2	F11	94301-10200-M2	1	E01	
			93903-GFY6-C01	1	F05	94511-14000	10	E01	
	93404-06012-07	5	F18	93903-GFY6-C01	1	F06	94520-28000	1	E05
	93404-06012-07	5	F20	93903-GFY6-C01	1	F11	94520-40000	1	F16
	93404-06016-07	1	F06	93903-GFY6-C01	1	F12	94591-LDC8-E10	1	F20
	93404-06016-07	1	F18	93903-GFY6-C01	1	F18	94601-15000	10	E03
	93404-06020-07	4	F05			94605-LDC8-E10	0	F06	
	93404-06020-07	4	F12	94000		94608-LDC8-E10	0	F06	
	93404-06022-07	0	F12						
93500-04014-1A	0	E09	94050-06080	2	E02	95000			
93500-05016-0H	0	F23	94050-06080	2	E06				
93500-05022-0G	2	F03	94050-06080	2	F05		95002-02120	1	F13
93600-04012-1G	1	F04	94050-06080	2	F09		95002-KKD6-C00	1	F21
93700-05018-0H	1	F02	94050-06080	2	F10		95003-23024-60	1	F13
93892-04008-18	0	E09	94050-06080	2	F19		9500A-LDF7-EY0	0	E09
93892-05012-18	0	E09	94050-06080	2	F20		95701-06012-08	3	F06
93903-25220	2	F02	94050-08080	4	E02		95701-06012-08	3	F19
93903-25220	2	F18	94050-12080	1	E05		95701-06012-08	3	F20
93903-25480	1	F13	94050-12080	1	E07		95701-06016-08	1	F19
93903-25480	1	F23	94101-06200	1	F14	95701-06022-07	3	F15	

PART NO. INDEX

PART NO.	VERSION	PAGE	PART NO.	VERSION	PAGE	PART NO.	VERSION	PAGE
95701-06025-08	2	E02	96001-06018-08	1	E07			
95701-06032-08	1	F13	96001-06020-08	2	E07			
95701-06035-08	1	E02	96001-06025-08	4	E06			
95701-06050-08	1	E02	96001-06025-08	4	E07			
95701-08012-08G	1	E01	96001-06025-08	4	F04			
95701-08012-08G	1	F19	96001-06028-08	1	E04			
95701-08016-08	1	F19	96001-06035-06	1	F20			
95701-LDC8-E11	0	F19	96001-06040-08	0	E01			
95801-08032-08	1	F16	96001-06045-08	1	E01			
95801-08040-08	4	F06	96001-06050-08	1	E01			
95801-08042-07G	1	F16	96001-06100-08	2	E02			
95801-08050-07	0	F16	96001-06100-08	2	E04			
95801-10025-08	0	F15	96001-06110-08	1	E04			
95801-10035-08	1	F16	96001-GFY6-C00	3	F13			
			96100-60020-00	1	E08			
96000			96100-62020-00	1	E01			
			96100-62030-00	1	E01			
96001-06008-07	1	F14	96100-62043-00	1	E01			
96001-06010-02	1	F14						
96001-06012-08G	1	E04	98000					
96001-06012-08G	1	E06						
96001-06012-08G	1	F10	98056-5771R-00	1	E02			
96001-06012-08G	1	F16	98200-10700	2	F11			
96001-06012-08G	1	F19						
96001-06016-08	6	E06						
96001-06016-08	6	E07						