

## LH500-D T3B



## BUCK 125 E5

ESQ	ÍNDICE QUADRO	PAG
B1	HANDLEBAR	4
B2	FUEL TANK (FOR EUROPE)	5
B3	REAR FENDERS	6
B3.1	REAR FENDERS	7
B4	FRONT BODY & FRAM	8
B4.1	FRONT BODY & FRAM	9
B5	SHOCK ABSORBER FRONT	10
B5.1	SHOCK ABSORBER FRONT	11
B6	REAR ARM (NEW MODEL 20141107)	12
B7	WHEEL FRONT	13
B8	WHEEL REAR	14
B9	SHIFT ROD	15
B10	FRONT AND REAR GEAR-BOX	16
B11	FRONT LEFT DRIVE AXLE (FOR 4WD)	17
B12	FRONT RIGHT DRIVE AXLE (FOR 4WD)	18
B13	REAR LEFT DRIVE AXLE (XL)	19
B14	REAR RIGHT DRIVE AXLE (XL)	20
B15	FRONT AND REAR KNUCKLE ASSY	21
B16	STEERING COLUMN	22
B17-1	EPS (OPTIONAL) (MARKED DK)	23
B17-2	EPS (OPTIONAL) (MARKED GY)	24
B18	ELECTRICAL SYSTEM	25
B19	BRAKING SYSTEM (FOR EUROPE)	26
B20-1	BRAKE CALIPER, R. FR OF EUROPE BRAKING SYSTEM	27
B20-2	BRAKE CALIPER, L. FR OF EUROPE BRAKING SYSTEM	28
B21	BRAKE CALIPER, L. RR OF EUROPE BRAKING SYSTEM	29
B22	AUXILIARY BRAKE (FOR EUROPE)	30
B23	PEDAL, BRAKE	31
B24	BUMPER & RACK	32
B24.1	BUMPER & RACK	33
B25	ENGINE	34
B26	FRONT AXLE	35
B26.1	FRONT AXLE	36
B27	REAR AXLE	37
Options	WINCH	38

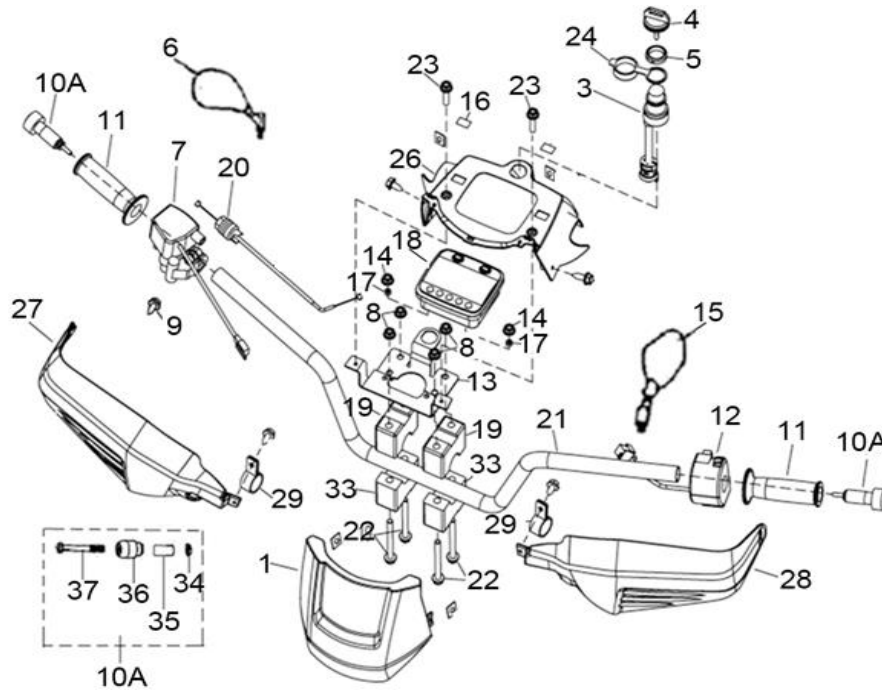
# BUCK 125 E5

## ÍNDICE

ESQ	MOTOR	PAG
E01	CYLINDER HEAD COVER	39
E02	CYLINDER HEAD	40
E03	CAMSHAFT	41
E04	CYLINDER	42
E05	CRANKSHAFT COMP	43
E06	CRANKSHAFT COMP (2016 NEW MODEL)	44
E07	LEFT CRANKCASE	45
E08	RIGHT CRANKCASE	46
E09	CVT HOUSING	47
E10	CVT COVER	48
E11	LEFT CRANKCASE COVER	49
E12	LEFT CRANKCASE COVER (2016 NEW MODEL)	50
E13	GENERATOR	51
E14	ELECTRIC STARTER	52
E15	CLUTCH	53
E16	TRANSMISSION I	54
E17	TRANSMISSION II	55
E18	TRANSMISSION III	56
E19	OIL PUMP	57
E20	WATER PUMP	58
E21	LEFT SIDE COVER (2016 NEW MODEL)	59
E22	CARBURETOR	60
E23	OIL RADIATOR	61
E24	CVT AIR SHROUD	62
E25	AIR CLEANER	63
E26	EXHAUST	64
E27	RADIATOR	65
E28	SPECIAL SERVICE TOOL	66
E29	GASKET ASSY	67

## LH500-D

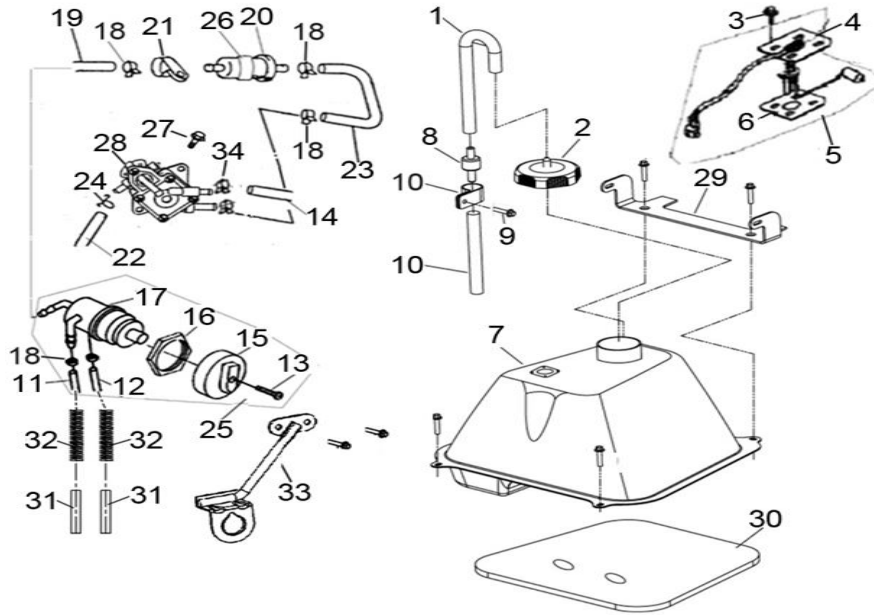
### B1 HANDLEBAR



Nº	CÓDIGO	DESCRIÇÃO	Qt.	OBSERVAÇÕES
1	LH00027415	FRONT SPEEDOMETER COVER	1	
3	LH00027457	IGNITION SWITCH WITH KEY (WITH DIFF LOCK)	1	
4	LH00025003	KEY BLANK	1	
5	LH00025004	THREADED NUT	1	
6	LH00030117	REAR VIEW MIRROR RIGHT (ONLY FOR EUROPE)	1	Up Holder in "B19 BRAKING SYSTEM" pos29
7	LH00035072	THROTTLE CONTROL (WITH 2WD/4WD SWITCH)	1	
8	LH00010079	NUT M8	4	
9	LH0010140B	BOLT M6X12	1	
10A	LH00072037	NEW GUARD,HANDLEBAR END.	2	
11	LH00035727	GRIP	2	
12	LH00035825	SWITCH ASSY (FOR EUROPE)	1	
13	LH00025008	SPEEDOMETER BRACKET	1	
14	LH00010004	NUT M6	2	
15	LH00030118	REAR VIEW MIRROR LEFT ( ONLY FOR EUROPE)	1	
16	LH00025010	SPEEDOMETER COVER CAP (FOR EUROPE)	1	
17	LH00070447	RUBBER WASHER	2	
18	LH00035089	LCD SPEEDOMETER	1	
19	LH0020112a	HANDLEBAR CLAMP	2	
20	LH00035073	THROTTLE CABLE	1	
21	LH0027385a	HANDLEBAR	1	
22	LH00011068	BOLT M8X72	4	
23	LH00025013	SCREW M6X12	2	
24	LH00027257	IGNITION SWITCH COVER	1	
26	LH00027416	REAR SPEEDOMETER COVER	1	
27	LH00027417	HANDLEBAR COVER RIGHT	1	
28	LH00027418	HANDLEBAR COVER LEFT	1	
29	LH00027419	HANDLE COVER INSTALLATION BELT	2	
33	LH00036437	HANDLEBAR DOWN CLAMP	2	
34	LH00010913	NUT M6	2	
35	LH00072035	TENSIONING BLOCK	2	
36	LH00072036	BALANCE WEIGHT	2	
37	LH00010940	SCREW M6X70	2	

## LH500-D

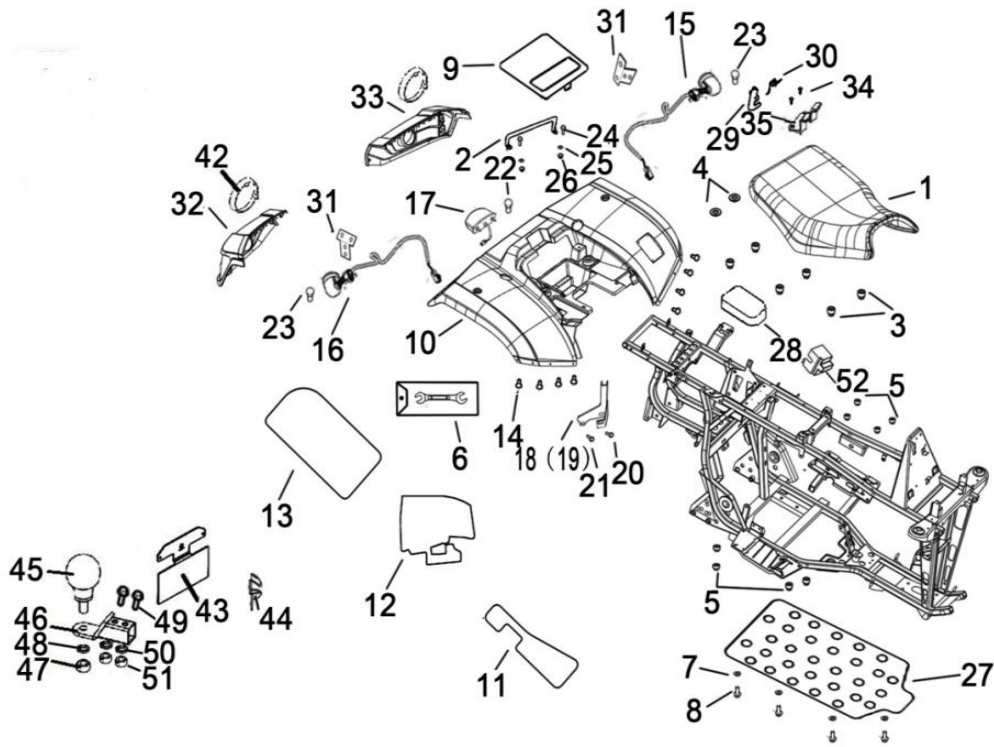
### B2 FUEL TANK (FOR EUROPE)



Nº	CÓDIGO	DESCRIÇÃO	Qt.	OBSERVAÇÕES
1	LH00028095	TUBE,FUEL CAP BREATHER	1	
2	LH00070725	FUEL CAP	1	
3	LH00010183	BOLT M6X16	4	
4	LH00035085	PLATE, UNIT SET	1	
5	LH00035084	FUEL UNIT SET ASSY	1	
6	LH00035086	GASKET, BASE	1	
7	LH00035021	FUEL TANK	1	
8	LH00025037	VALVE,TANK, FUEL	1	
9	LH00010820	BOLT M5X10	1	
10	LH00070734	TUBE	1	
11	LH00035022	FUEL LINE 11	1	
12	LH00035023	FUEL LINE 22	1	
13	LH00011058	SCREW ST 4X10	1	
14	LH00035025	PIPE	1	
15	LH0020215A	FUEL CONTROL KNOB (RED)	1	
16	LH00020216	NUT	1	
17	LH00020217	FUEL VALVE	1	
18	LH00020218	HOSE CLAMP 1	9	
19	LH00020219	FUEL LINE 2	1	
20	LH00020220	FUEL FILTER	1	
21	LH00020221	CLAMP	1	
22	LH00035024	FUEL LINE 3	1	
23	LH0020223A	FUEL LINE 2	1	
24	LH00040706	HOSE CLAMP $\phi$ 11.3	1	
25	LH0020225A	FUEL VALVE ASSY (RED)	1	
26	LH00020226	FUEL FILTER PAD	1	
27	LH00011031	BOLT M6X12	2	
28	LH00020228	FUEL PUMP ASSY	1	
29	LH00035860	MOUNTING BRACKET, SEAT (INSERT LENGTHEN)	1	
30	LH00035520	FUEL TANK ADIABATIC PELLICLE	1	
31	LH00035521	FUEL LINE ADIABATIC PELLICLE	2	
32	LH00035522	FUEL LINE SPRING	2	
33	LH00036141	BRACKET, FUEL VALVE	1	
34	LH00036001	HOSE CLAMP $\phi$ 9.8	2	

## LH500-D

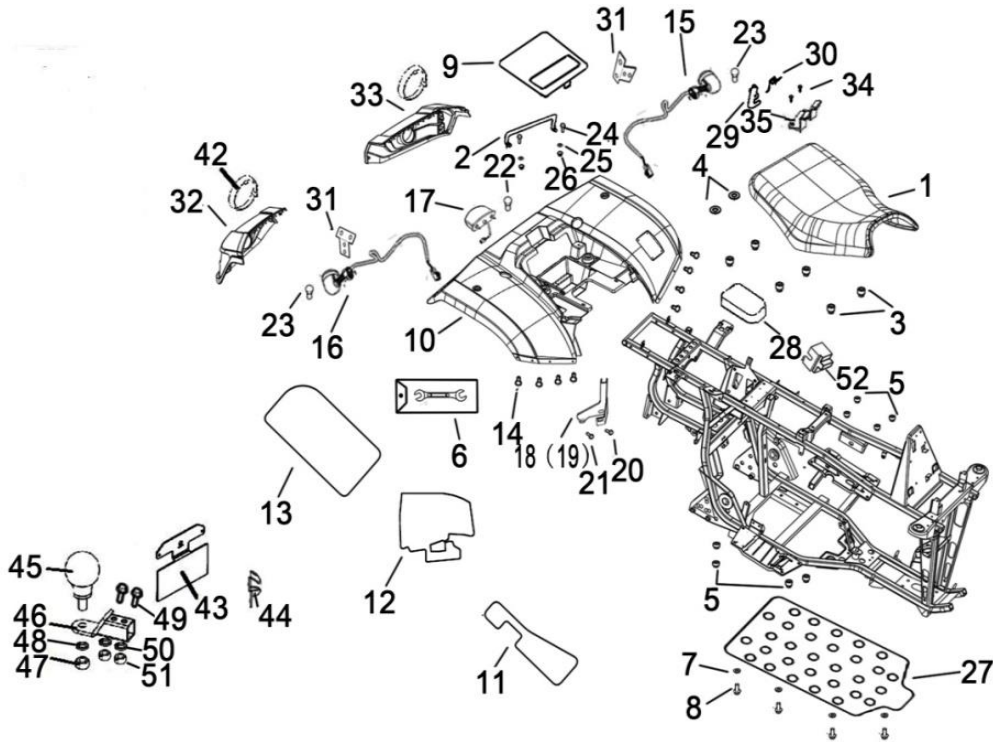
### B3 REAR FENDERS



Nº	CÓDIGO	DESCRIÇÃO	Qt.	OBSERVAÇÕES
1	LH00025040	SEAT (BLACK) (BASIC)	1	
2	LH00025041	LATCH ASSEMBLY	1	
3	LH00025042	RUBBER, SEAT SETTING 1	6	
4	LH00070445	RUBBER, SEAT SETTING 2	2	
5	LH00020316	RUBBER PAD	8	
6	LH00025044	TOOL	1	
7	LH00020331	WASHER 6	8	
8	LH00010191	BOLT M6X18	8	
9	LH0025045a	TOOL BOX CAP	1	
10	LH0357567F	REAR FENDER (CONCEAL CAMOUFLAGE)	1	
10	LH0357562G	REAR FENDER (RED)	1	
10	LH0357561F	REAR FENDER (BLACK)	1	
10	LH0357566F	REAR FENDER (WHITE)	1	
11	LH00025047	FOOTREST RIGHT ADIABATIC PELLICLE	1	
12	LH00035001	REAR MUD ADIABATIC PELLICLE 1	1	
13	LH00035002	REAR MUD ADIABATIC PELLICLE 2	1	
14	LH00010420	SCREW M6X16	8	
15	LH00027478	LEFT REAR INDICATION LIGHT	1	
16	LH00027479	RIGHT REAR INDICATION LIGHT	1	
15	LH00073324	TURN INDICATE LIGHT,L,RR	1	
16	LH00073319	TURN INDICATE LIGHT,R,RR	1	
17	LH00025280	POSITION LIGHTS,L,RR	2	
18	LH00025054	TRESTLE RIGHT	1	
19	LH00025055	TRESTLE LEFT	1	
20	LH00025056	BOLT M8X70	2	
21	LH00010055	BOLT M8X45	2	
24	LH00010140	BOLT M6X12	2	
25	LH00010006	WASHER 6	2	
26	LH00010004	NUT	2	
27	LH00035497	PLASTIC PLANT	1	
28	LH00035078	BATTERY COVER	1	
29	LH00070788	HOOK BRACKET, SEAT LOCK	1	
30	LH00070802	SPRING	1	

## LH500-D

### B3.1 REAR FENDERS

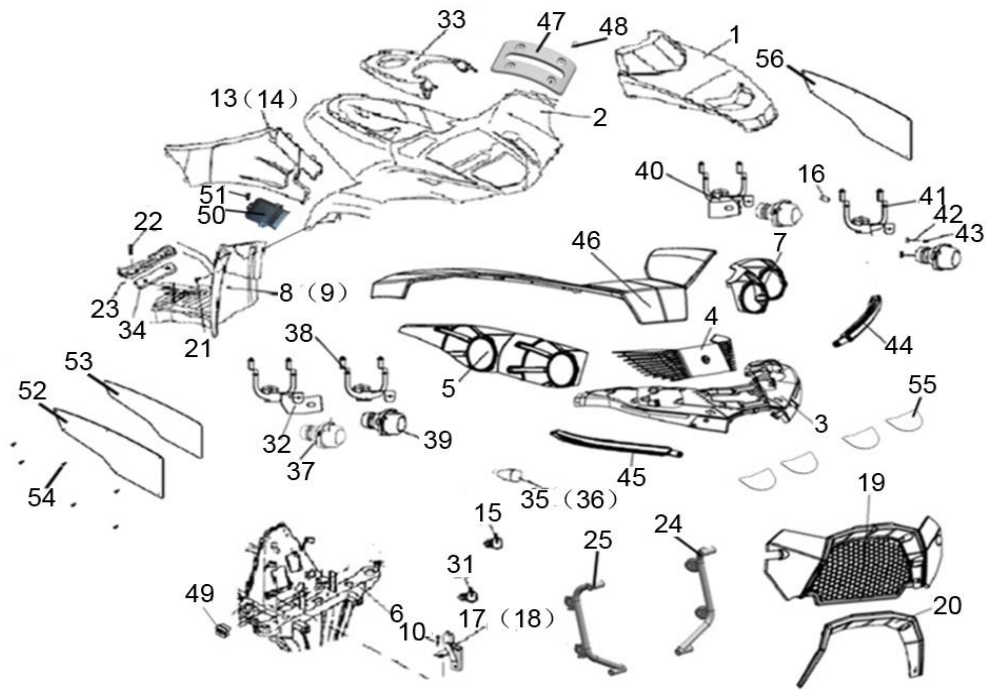


Nº	CÓDIGO	DESCRIÇÃO	Qt.	OBSERVAÇÕES
31	LH00027362	REAR INDICATION LIGHT BRACKET	2	
32	LH00027383	TAILLIGHT COVER, R	1	
33	LH00027382	TAILLIGHT COVER, L	1	
34	LH00010178	SCREW ST4.2X13	8	
35	LH00070803	BAFFLE,SEAT	1	
42	LH00029821	FRONT TURN LIGHT COVER	2	
43	LH00027606	BRACKET, LENS,LICENSE LIGHT	1	
44	LH00083459	LENS,LICENSE LIGHT	1	
45	LH00025294	PULL THE BALL (E13 55R-014154)	1	
46	LH00025295	THE TRACTION BALL WELDING COMPONENTS	1	
47	LH00011059	NUT M16	1	
48	LH00027050	WASHER 16	1	
49	LH00010947	BOLT 16X95	2	
50	LH00011060	WASHER 16	2	
51	LH00010874	NUT M16	2	
52	LH00035907	STARTER RELAY SHIELD	1	



## LH500-D

### B4 FRONT BODY & FRAM

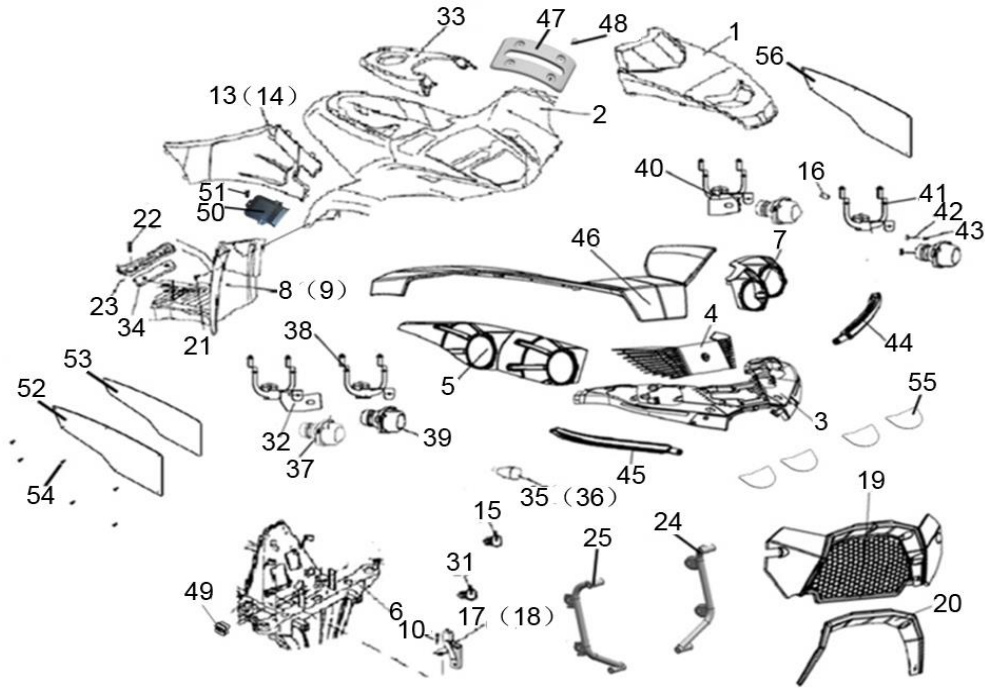


Nº	CÓDIGO	DESCRIÇÃO	Qt.	OBSERVAÇÕES
1	LH00025064	FRONT COVER	1	
2	LH0350797F	FRONT BODY (CONCEAL CAMOUFLAGE)	1	
2	LH0350792G	FRONT BODY (RED)	1	
2	LH0350791F	FRONT BODY (BLACK)	1	
2	LH0350796F	FRONT BODY (WHITE)	1	
3	LH0274207F	PLASTIC BUMPER (CONCEAL CAMOUFLAGE)	1	
3	LH0274202G	PLASTIC BUMPER (RED)	1	
3	LH0274201F	PLASTIC BUMPER (BLACK)	1	
3	LH0274206F	PLASTIC BUMPER (WHITE)	1	
4	LH00027421	FRONT COVER	1	
5	LH00027422	PROTECTOR.R.HEADLIGHT	1	
6	LH00035713	FRAME COMP.(FOR )	1	
7	LH00027423	PROTECTOR.L.HEADLIGHT	1	
8	LH00035076	FOOTREST RIGHT	1	
9	LH00035077	FOOTREST LEFT	1	
10	LH00010140	BOLT M6X12	2	
13	LH00025076	SIDE COVER R	1	
14	LH00025077	SIDE COVER L	1	
15	LH00071927	BULB,HEADLIGHT 35W/35W	4	
16	LH00027371	BALL JOINT, HEADLIGHT	4	
17	LH00035029	TRESTLE R	1	
18	LH00035028	TRESTLE L	1	
19	LH00027426	PLATE, FRONT RACK	1	
20	LH0274277F	INSERTS, FRONT RACK (CONCEAL CAMOUFLAGE)	1	
20	LH0274272G	INSERTS, FRONT RACK (RED)	1	
20	LH0274271F	INSERTS, FRONT RACK (BLACK)	1	
20	LH0274276F	INSERTS, FRONT RACK (WHITE)	1	
21	LH00010420	SCREW M6X16	8	
22	LH00011003	SCREW M6X20	4	
23	LH00070336	STEP	2	
24	LH00035012	LEFT BRACKET RADIATOR	1	
25	LH00035013	RIGHT BRACKET RADIATOR	1	
31	LH00071473	FRONT INDICATOR LIGHT BULB 12V 10W (YELLOW)	2	
32	LH00027428	HIGH BEAM BRACKET, R	1	



## LH500-D

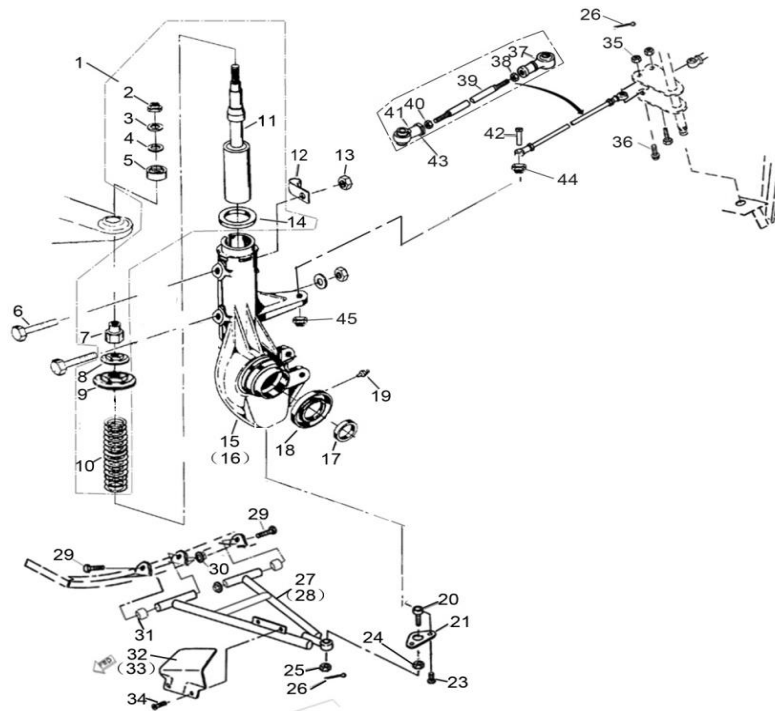
### B4.1 FRONT BODY&FRAM



N°	CÓDIGO	DESCRIÇÃO	Qt.	OBSERVAÇÕES
33	LH00035841	COVER,FUEL TANK TOP (NEW MODEL)	1	
34	LH00070300	RUBBER WASHER	2	
35	LH00027494	TURN INDICATE LIGHT,L,FR (NON STANDARD T3)	1	
35	LH00083365	TURN INDICATE LIGHT,L,FR (Standard T3)	1	
36	LH00027495	TURN INDICATE LIGHT,R,FR (NON STANDARD T3)	1	
36	LH00083364	TURN INDICATE LIGHT,R,FR (Standard T3)	1	
37	LH00083551	DIPPED HEADLIGHT	2	
38	LH00027431	DIPPED HEADLIGHT BRACKET, R	1	
39	LH00072298	HIGH BEAM	2	
40	LH00027432	HIGH BEAM BRACKET, L	1	
41	LH00027433	DIPPED HEADLIGHT BRACKET, L	1	
42	LH00027372	ADJUSTMENT BOLT, HEADLIGHT	8	
43	LH00027373	SPRING	8	
44	LH00027434	LED LIGHT, L (OPTION)	1	
45	LH00027435	LED LIGHT, R (OPTION)	1	
46	LH00027436	BOARD, FRONT COVER	1	
47	LH00035499	SHIFT COVER (BLACK)	1	
48	LH00010520	SCREW ST4.8X12	4	
49	LH00070287	RUBBER COVER	6	
50	LH00035515	CAP,SIDE COVER R	1	
51	LH00010178	SCREW ST4.2X13	3	
52	LH00035725	LEG BAFFLEL	1	
53	LH00035726	ADIABATIC PELLICLE, LEG BAFFLEL	1	
54	LH0010178B	SCREW ST4.2X13	8	
55	LH00027612	REFLECTIVE DECALS, HEADLIGHT	4	
56	LH00035732	LEFT LEG BAFFLEL	1	

# LH500-D

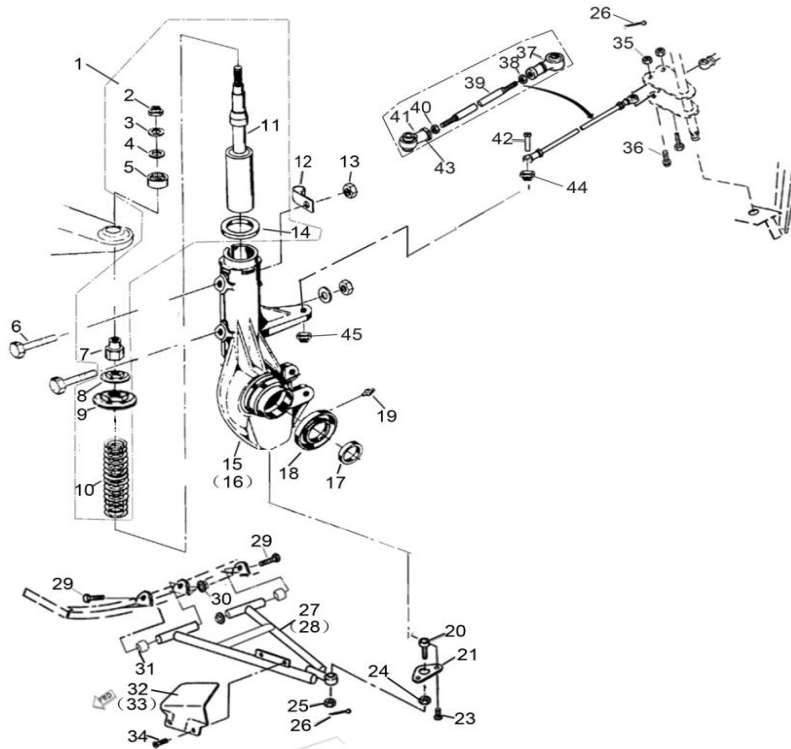
## B5 SHOCK ABSORBER FRONT



Nº	CÓDIGO	DESCRIÇÃO	Qt.	OBSERVAÇÕES
1	LH00035015	FRONT SHOCK ABSORBER ASSEMBLY	2	
2	LH0013.002	NUT M14X1.5	2	
3	LH00021802	WASHR 14	2	
4	LH00021803	SPACER RUBBER	2	
5	LH00021804	UPPER PIVOT BALL	2	
6	LH00010093	BOLT M8X55	4	
7	LH00021806	NUT M14X1.5	2	
8	LH00021807	LOWER PIVOT BALL	2	
9	LH00021808	SPRING RETAINER	2	
10	LH00026909	SPRING	2	
11	LH00026908	STRUT BUMPER	2	
12	LH00032104	CLAMP	2	
13	LH00010079	NUT M8	4	
14	LH00021813	SPRING RETAINER	2	
15	LH00035019	STRUT BODY LEFT	1	
16	LH00035016	STRUT BODY RIGHT	1	
17	LH00026912	CIRCLIP	2	
18	LH00026913	BEARING	2	
19	LH00027074	GREASE FITTING	2	
20	LH00020512	BALL JOINT STUD	2	
21	LH00020513	BALL JOINT MOUNTING BRACKET	2	
23	LH00010022	BOLT M6X12	4	
24	LH00010019	WASHER	2	
25	LH00027067	NUT M10X1.25	2	
26	LH00010501	COTTER PIN 2.5X25	2	
27	LH0020518F	A-ARM LEFT	1	
28	LH0020627F	A-ARM RIGHT	1	
29	LH0020522F	A-ARM PIVOT SHAFT	2	
30	LH00010136	NUT M12X1.25	4	

# LH500-D

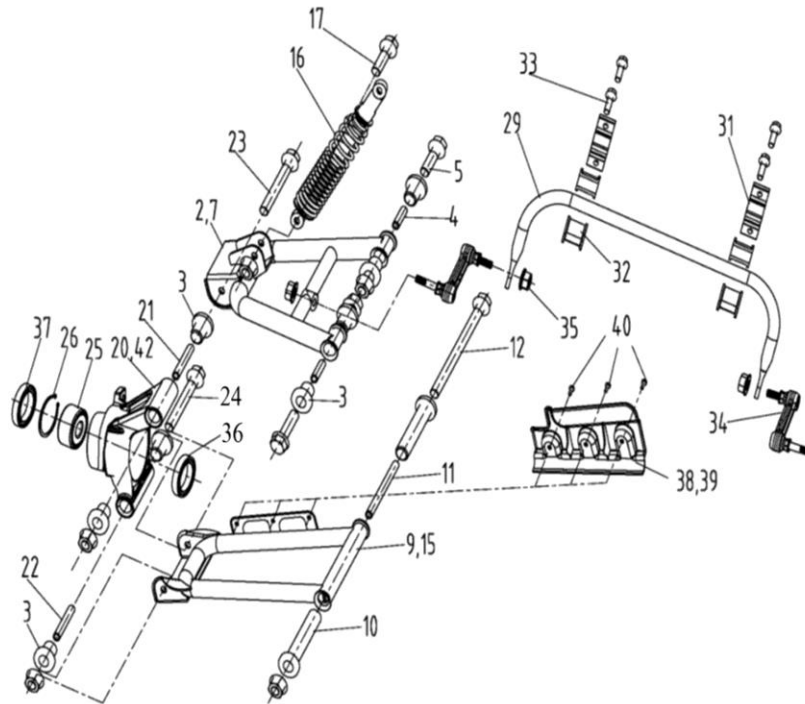
## B5.1 SHOCK ABSORBER FRONT



N°	CÓDIGO	DESCRIÇÃO	Qt.	OBSERVAÇÕES
31	LH0020524F	BUSHING	4	
32	LH00020519	A - ARM SHIELD LEFT	1	
33	LH00020628	A - ARM SHIELD RIGHT	1	
34	LH00010001	SCREW M5X12	4	
35	LH00010015	NUT M10X1.25	2	
36	LH00010016	BOLT M10X1.25X55	2	
37	LH00020503	TIE ROD END A	2	
38	LH00010017	JAM NUT(RIGHT)	2	
39	LH00036147	TIE ROD (NEW MODEL)	2	
40	LH00020506	JAM NUT(LEFT)	2	
41	LH00020507	TIE ROD END B	2	
42	LH00035722	BOLT	2	
43	LH00036146	TIE ROD ASSY (NEW MODEL)	2	
44	LH00035017	FRONT T TYPE	1	
45	LH00035018	DOWN T TYPE	1	

## LH500-D

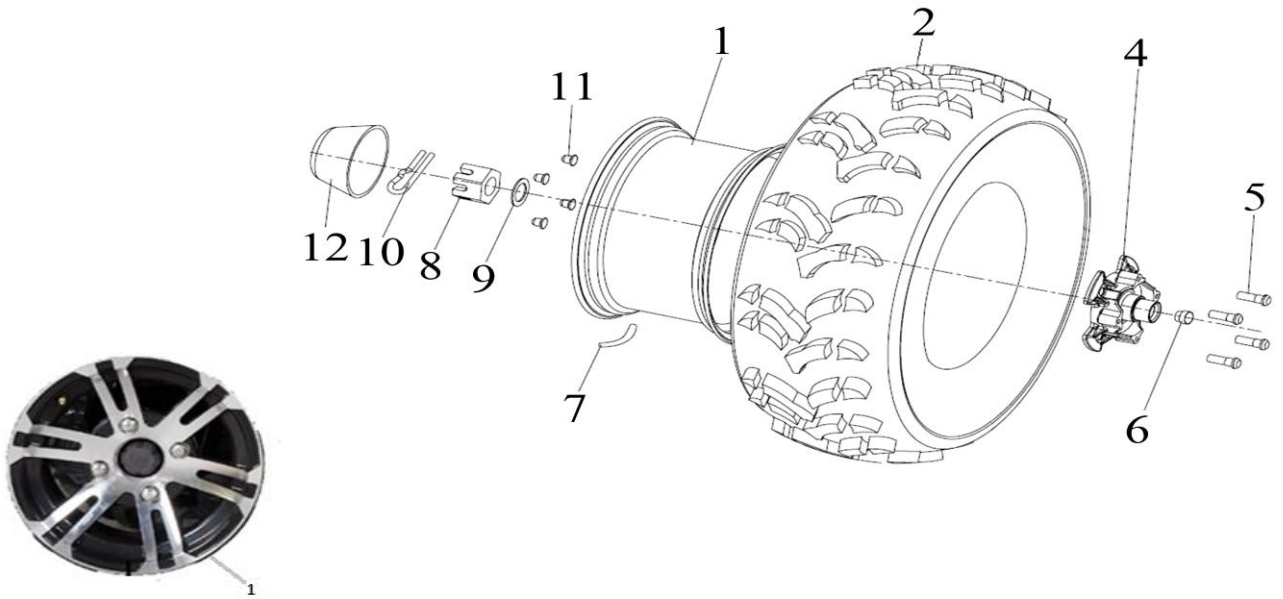
### B6 REAR ARM (NEW MODEL 20141107)



Nº	CÓDIGO	DESCRIÇÃO	Qt.	OBSERVAÇÕES
2	LH00027324	ARM ,L.RR	1	
3	LH00070682	BUSH 1, ARM ,R.RR	16	
4	LH00070683	COLLAR	4	
5	LH00070684	BOLT M10X1.25X80	4	
7	LH00027325	ARM ,R.RR	1	
9	LH00027326	ARM SET,L.RR	1	
10	LH00070665	BUSH 2, ARM ,R.RR	4	
11	LH00070687	COLLAR,ARM	2	
12	LH00070688	BOLT M10M1.25M230	2	
15	LH00027327	ARM SET,R.RR	1	
16	LH00027394	SHOCK ABSORBER ,RR	2	
17	LH00070012	BOLT M10X1.25X52	4	
20	LH00036136	KNUCKLE, L.RR (CAST STEEL)	1	
21	LH00070692	COLLAR,RR.KNUCKLE,(UPPER)	2	
22	LH00070693	COLLAR,RR.KNUCKLE,(LOWER)	2	
23	LH00070694	BOL,TKNUCKLE,(UPPER)	2	
24	LH00070695	BOL,TKNUCKLE,(LOWER)	2	
25	LH00070674	BEARING AU0712	2	
26	LH00070055	CIRCLIP 58	2	
29	LH00035385	SPRING,RR.STABILIZER	1	
31B	LH00035523	HOLDER,STABILIZER BUSH (NEW MODEL)	2	
32A	LH00027091	BUSH,RR.STABILIZER (NEW MODEL)	2	
33	LH00010081	BOLT M8X20	4	
34	LH00070699	LINK,RR. STABILIZER	2	
35	LH00010015	NUT M10X1.25	18	
36	LH00070675	SEAL 61.5 43 11	2	
37	LH00070676	SEAL 58 41.2 11	2	
38	LH00070977	ARM PROTECT, L	1	
39	LH00070976	ARM PROTECT, R	1	
40	LH00010001	BOLT M5x12	6	
41	LH00072019	BRACKET	2	
42	LH00036135	KNUCKLE, R.RR (CAST STEEL)	1	

## LH500-D

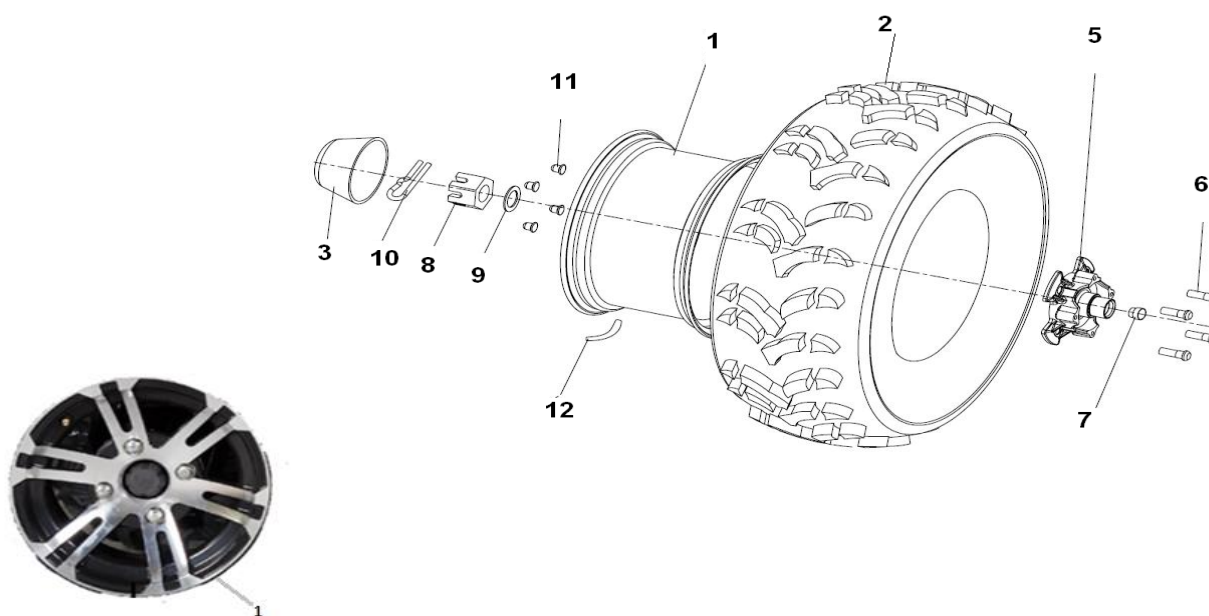
### B7 WHEEL FRONT



N°	CÓDIGO	DESCRIÇÃO	Qt.	OBSERVAÇÕES
1	LH00035508	WHEEL SUB-ASSY, FR(ALUMINIUM)	2	
2	LH00036435	TYRE AT25X8-12 73F 4PR (DURO E4-75R-0012911)	2	
2	LH0027319t	TIRE FRONT AT25X8-12 6PR (WANDA P350)	2	
2	LH00035509	TIRE FRONT AT25X8-12 43J (WANDA P390 E4-75R-0006366)	2	
2	LH00027615	TIRE FRONT AT25X8-12 47F (WANDA P377 E4-75R-0008830)	2	
2	LH00035776	TIRE FRONT AT25X8-12 47F 6PR (INNOVA E11-75R-002002)	2	
2	LH00027617	TIRE FRONT "SUN.F"LOGO (25X8-12 65J)	2	
2	LH00036435	TIRE FRONT AT25X8-12 73F 4PR (DURO E4-75R-0012911)	2	
4	LH00027285	HUB ASSY SHRT	2	
5	LH00070714	BOLT M12X1.25	16	
6	LH00070718	SEAL	2	
7	LH0020807A	VALVE, RIM (TR412)	4	
8	LH00070721	BOLT SLOTTED	4	
9	LH00070722	WASHER	2	
10	LH00010945	PIN 4X32	2	
11	LH00027411	NUT, WHEEL	8	
12	LH00070717	CAP, WHEEL CENTER	2	

# LH500-D

## B8 WHEEL REAR

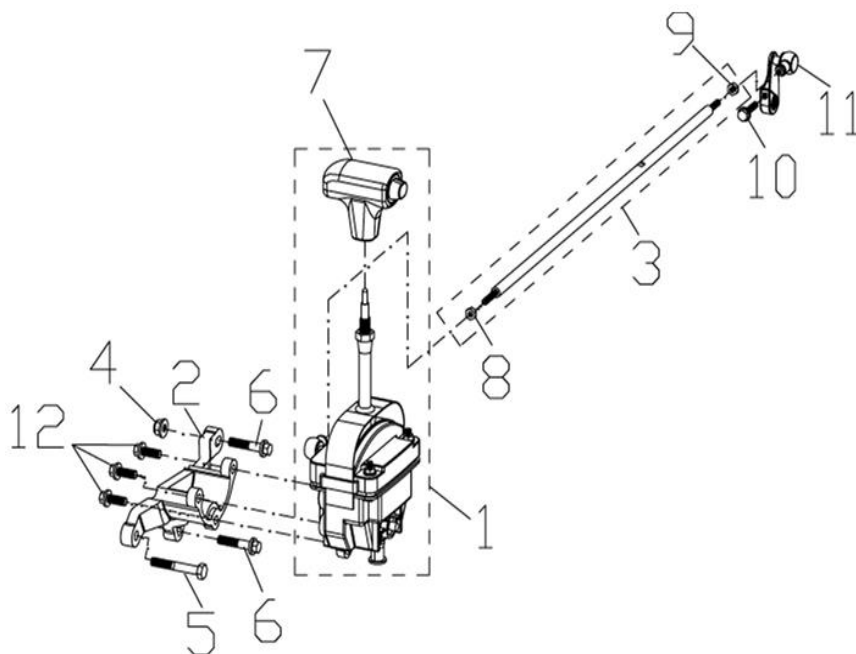


N°	CÓDIGO	DESCRIÇÃO	Qt.	OBSERVAÇÕES
1	LH00035510	WHEEL SUB-ASSY, RR(ALUMINIUM)	2	
2	LH00036436	REAR TYRE AT25X10-12 79F 4PR (DURO E4-75R-0012912)	2	
3	LH00070717	CAP, WHEEL CENTER	2	
5	LH00070719	HUB, RR WHEEL	2	
6	LH00070714	BOLT M12X1.25	16	
7	LH00070718	SEAL	4	
8	LH00070721	BOLT SLOTTED	2	
9	LH00070722	WASHER	2	
10	LH00010945	PIN 4X32	2	
11	LH00027411	NUT, WHEEL	8	
12	LH0020807A	VALVE, RIM (TR412)	4	



## LH500-D

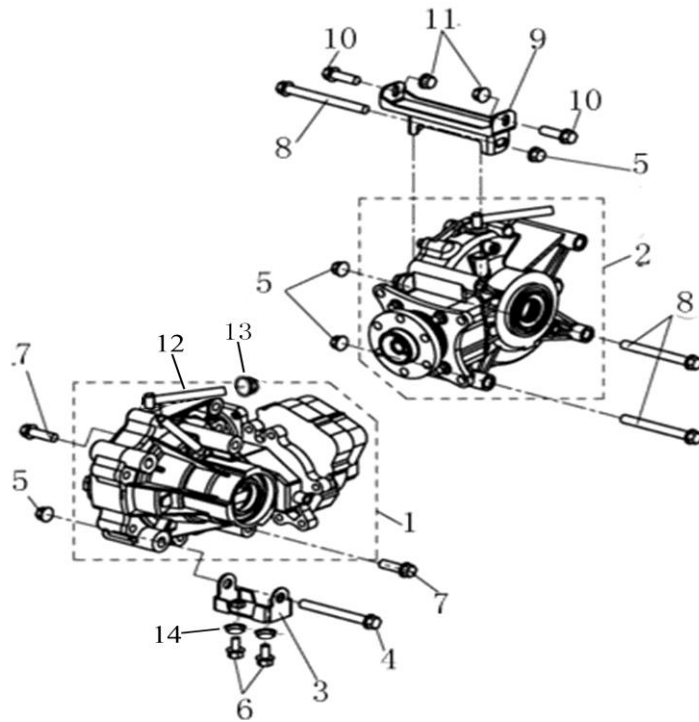
### B9 SHIFT ROD



N°	CÓDIGO	DESCRIÇÃO	Qt.	OBSERVAÇÕES
1	LH0035008A	SHIFTER ASSY MOUNTING	1	
2	LH00035010	SHIFTER MOUNTING BRACKET	1	
3	LH00035720	SHIFTER MOUNTING ROD (NEW MODEL)	1	
4	LH00010067	NUT M8	3	
5	LH00010403	BOLT M8X50	1	
6	LH00010078	BOLT M8X30	2	
7	LH00026368	HANDLE SHIFTER	1	
8	LH00010090	NUT M6	1	
9	LH0010090L	NUT M6 (LEFT)	1	
10	LH00010187	BOLT M6×1X25	1	
11	LH00036452	SHIFT ROCKER ARM COMPONENTS	1	
12	LH00010783	BOLT M8X20	3	

## LH500-D

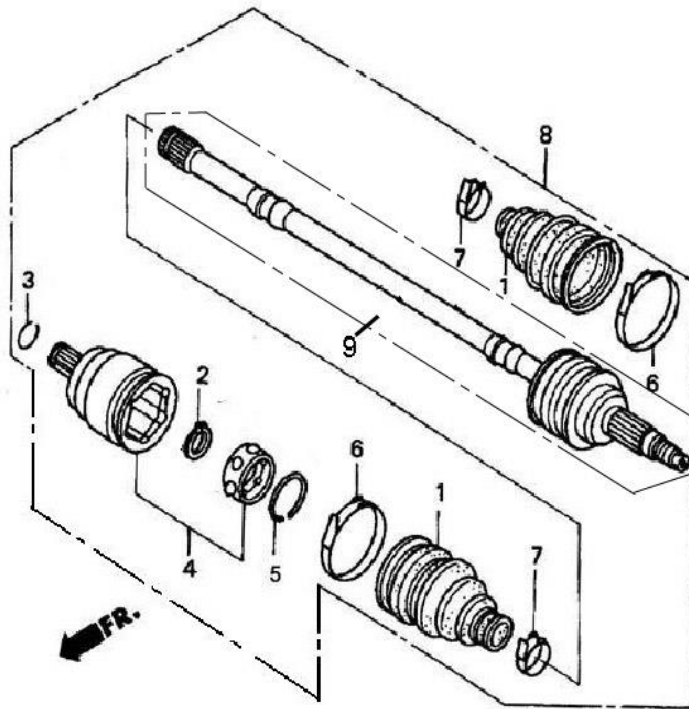
### B10 FRONT AND REAR GEAR-BOX



Nº	CÓDIGO	DESCRIÇÃO	Qt.	OBSERVAÇÕES
1	LH00026319	FRONT GEAR-BOX ASSY	1	
2	LH00026300	REAR GEAR-BOX ASSY	1	
3	LH00035500	BRACKET, FRONT GEAR-BOX ASSY	1	
4	LH00010924	BOLT M10X1.25X90	1	
5	LH00010015	NUT M10X1.25	1	
6	LH00010168	BOLT M8X1.25X16	2	
7	LH00011190	BOLT M10X1.25X30	2	
8	LH00010925	BOLT M10X1.25X110	3	
9	LH00036310	BRACKET, REAR GEAR-BOX ASSY	1	
10	LH00011072	BOLT M8X1.25X20	2	
11	LH00010079	NUT M8X1.25	4	
12	LH00035501	PIPE $\phi 5 \times \phi 9 \times 450$	2	
13	LH00022924	CLAMP 8	2	
14	LH00026009	WASHER 8	2	

## LH500-D

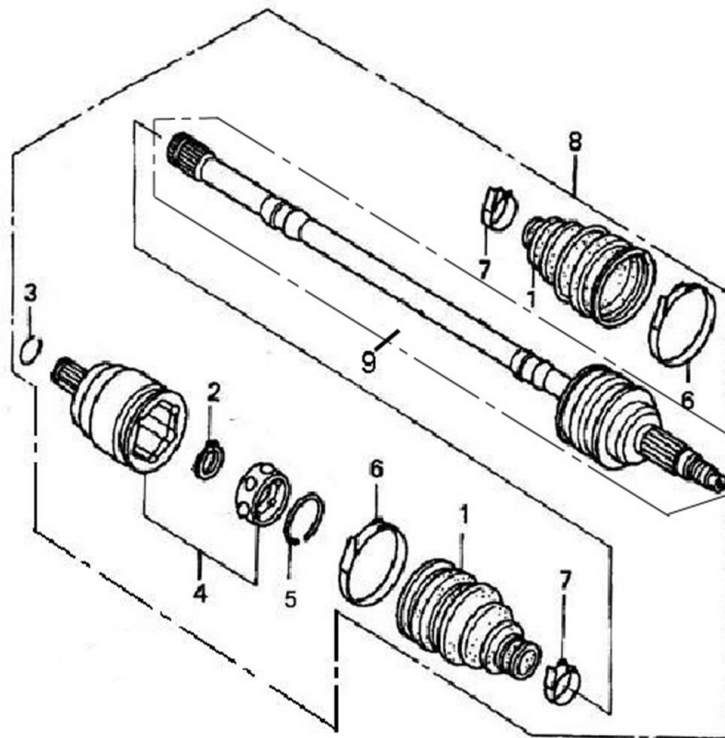
### B11 FRONT LEFT DRIVE AXLE (FOR 4WD)



Nº	CÓDIGO	DESCRIÇÃO	Qt.	OBSERVAÇÕES
1	LH00035038	OUTER BOARD BOOT	1	
2	LH00035044	CIRCLIP	1	
3	LH00035046	ATOPPER RING 19.2	1	
4	LH00035041	JOUNT, INBOARD	1	
5	LH00035039	STOPPER RING	1	
6	LH00035040	BOOT BAND B	1	
7	LH00035037	BOOT BAND A	1	
8	LH00035030	FRONT LEFT DRIVE AXLE	1	
9	LH00035032	DRIVE AXLE/OUTER CV JOINT ASSEMBLY	1	

## LH500-D

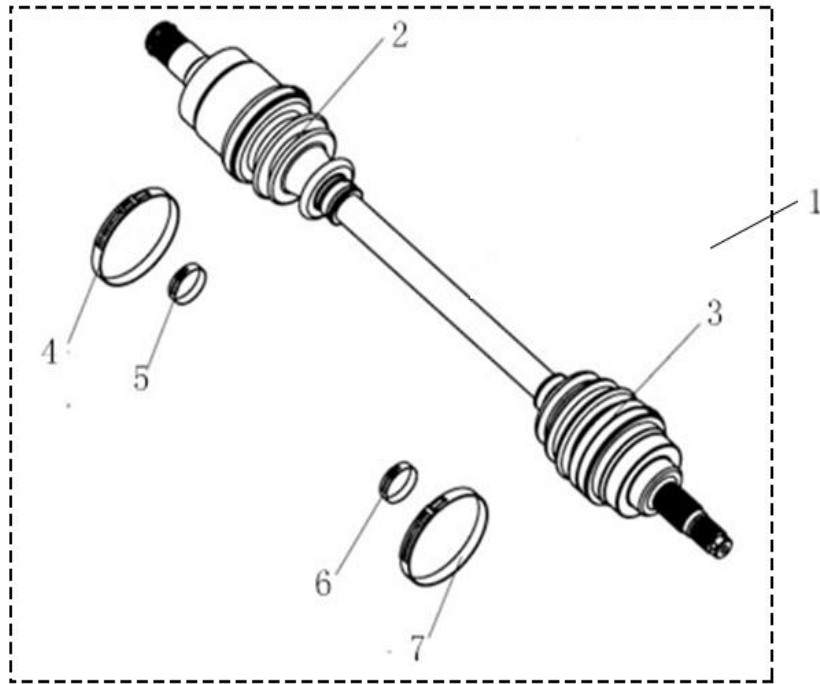
### B12 FRONT RIGHT DRIVE AXLE (FOR 4WD)



Nº	CÓDIGO	DESCRIÇÃO	Qt.	OBSERVAÇÕES
1	LH00035038	OUTER BOARD BOOT	1	
2	LH00035044	CIRCLIP	1	
3	LH00035046	STOPPER RING 19.2	1	
4	LH00035904	JOINT, INBOARD	1	
5	LH00035039	STOPPER RING	1	
6	LH00035040	BOOT BAND B	1	
7	LH00035037	BOOT BAND A	1	
8	LH00035031	FRONT RIGHT DRIVE AXLE	1	
9	LH00035033	DRIVE AXLE/OUTER CV JOINT ASSEMBLY	1	

## LH500-D

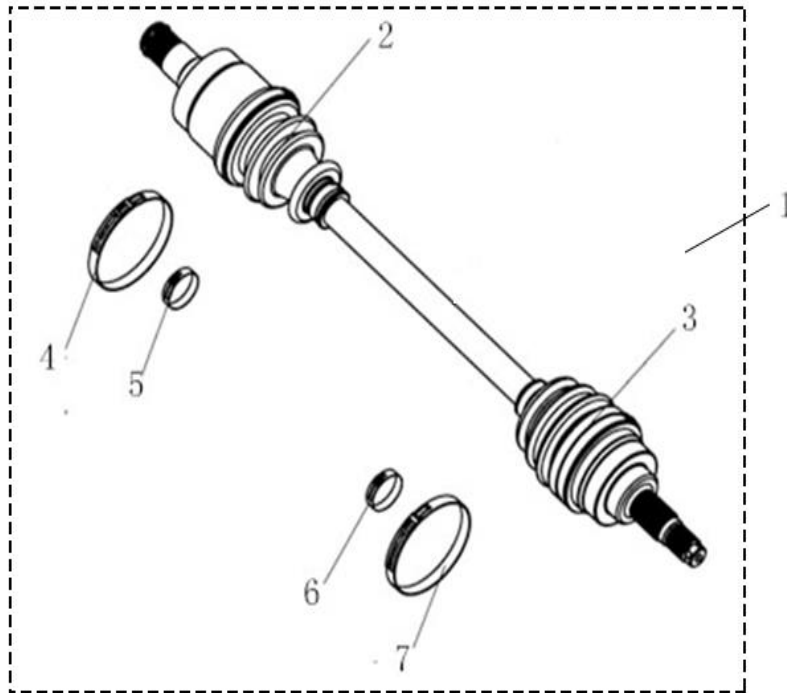
### B13 REAR LEFT DRIVE AXLE (XL)



Nº	CÓDIGO	DESCRIÇÃO	Qt.	OBSERVAÇÕES
1	LH0036143	REAR LEFT DRIVE AXLE (MARK "XL 4AV rear left")	1	
2	LH0036164	INTER BOARD BOOT	1	
3	LH0036165	OUTER BOARD BOOT	1	
4	LH0036166	INTER BOOT BAND B	1	
5	LH0036167	INTER BOOT BAND A	1	
6	LH0036168	OUTER BOOT BAND B	1	
7	LH0035920	OUTER BOOT BAND A	1	

## LH500-D

### B14 REAR RIGHT DRIVE AXLE (XL)

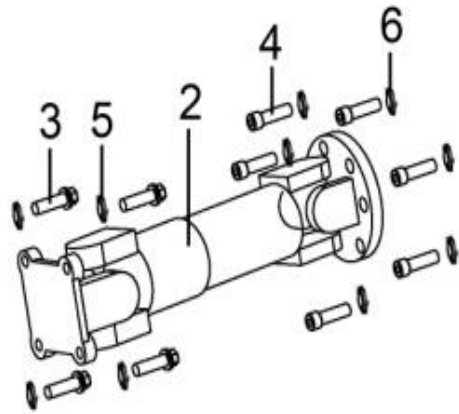
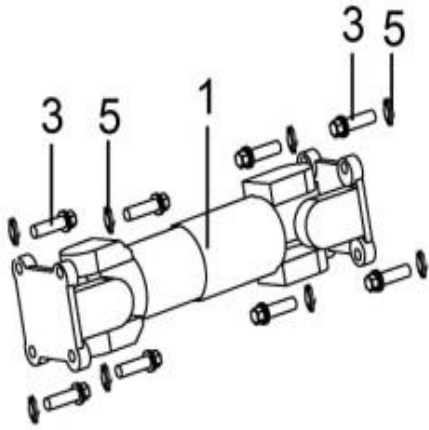


Nº	CÓDIGO	DESCRIÇÃO	Qt.	OBSERVAÇÕES
1	LH0036144	REAR RIGHT DRIVE AXLE (MARK "XL 4AV rear right")	1	
2	LH0036164	INTER BOARD BOOT	1	
3	LH0036165	OUTER BOARD BOOT	1	
4	LH0036166	INTER BOOT BAND B	1	
5	LH0036167	INTER BOOT BAND A	1	
6	LH0036168	OUTER BOOT BAND B	1	
7	LH0035920	OUTER BOOT BAND A	1	



# LH500-D

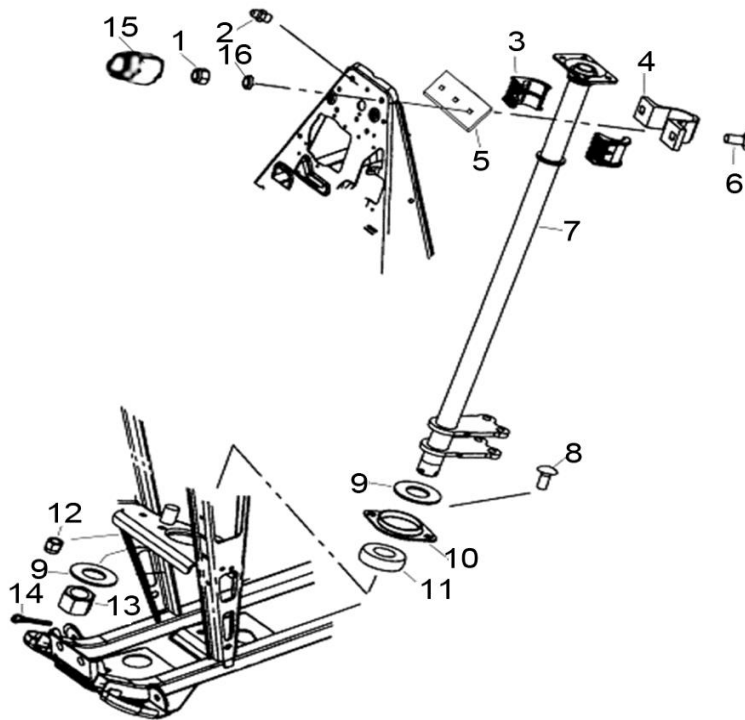
## B15 FRONT AND REAR KNUCKLE ASSY



Nº	CÓDIGO	DESCRIÇÃO	Qt.	OBSERVAÇÕES
1	LH00036150	FRONT KNUCKLE (MARK "XL")	1	
2	LH00036151	REAR KNUCKLE (MARK "XL")	1	
3	LH00010926	BOLT M8X1.0X25	12	
4	LH00010927	BOLT M10X1.25X32	6	
5	LH00010106	SPRING WASHER 8	12	
6	LH00010027	SPRING WASHER 10	6	

## LH500-D

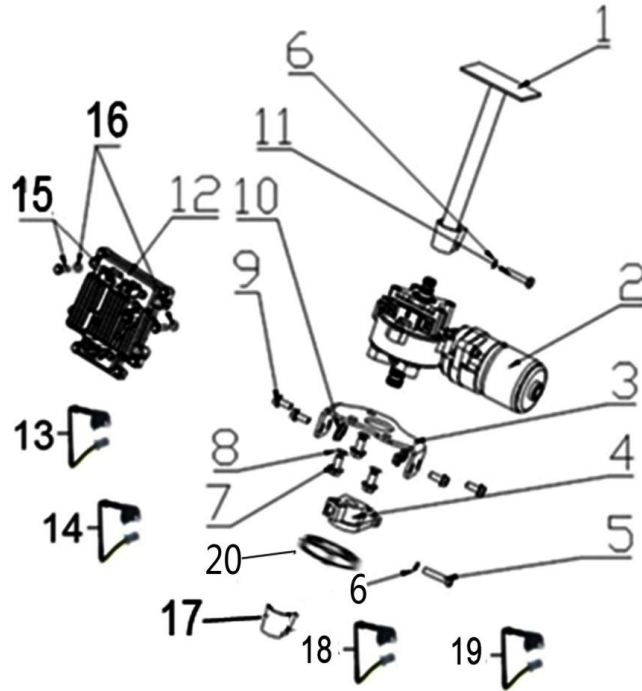
### B16 STEERING COLUMN



Nº	CÓDIGO	DESCRIÇÃO	Qt.	OBSERVAÇÕES
1	LH00010079	NUT M8	2	
2	LH00010026	GREASE FITTING	1	
3	LH00021903	BUSHING	2	
4	LH00021904	STEERING CLAMP REAR	1	
5	LH00021905	STEERING CLAMP FRONT	1	
6	LH00021906	BOLT	2	
7	LH00035020	STEERING COLUMN	1	
8	LH00021906	BOLT	2	
9	LH00021909	WASHER	2	
10	LH00021910	BEARING RETAINER	1	
11	LH00021911	BEARING	1	
12	LH00010079	NUT M8	2	
13	LH00010100	STEERING COLUMN RETAINER NUT	1	
14	LH00010101	COTTER PIN	1	
15	LH00027256	PROTECT COVER	2	
16	LH00010106	SPRING WASHER	2	

## LH500-D

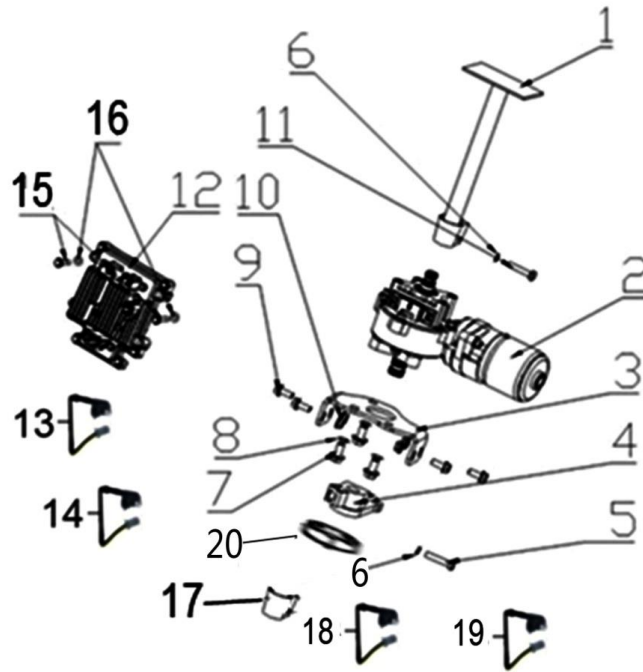
B17-1 EPS (OPTIONAL) (MARKED DK)



Nº	CÓDIGO	DESCRIÇÃO	Qt.	OBSERVAÇÕES
1	LH00036254	UPPER STEERING COLUMN	1	
2	LH00036255	EPS ASSY. (MARKED DK)	1	
3	LH00036256	PLATE EPS ASSY.	1	
4	LH00036257	LOWER STEERING COLUMN	1	
5	LH00036509	BOLT M8X40	1	
6	LH00010106	WASHER 8	4	
7	LH00011020	BOLT M10X1.5X20	3	
8	LH00011021	WASHER 10	3	
9	LH00010783	BOLT M8X20	4	
10	LH00010882	NUT M8	4	
11	LH00036509	BOLT M8X40	1	
12	LH00036258	EPS CONTROLLER"DK"	1	
13	LH00036287	EPS POWER WIRE (FOR DK)	1	
14	LH00036259	EPS SIGNALING LINE (FOR DK)	1	
15	LH00011496	BOLT M6X30	2	
16	LH00011019	WASHER 6	2	
17	LH00036271	BALL BEARING MOUNTING NUT	1	
18	LH00036851	THE TRANSITION OF EPS SENSOR WIRE	1	
19	LH00036852	EPS MOTOR TRANSITION WIRE	1	
20	LH00035938	WASHER	1	

## LH500-D

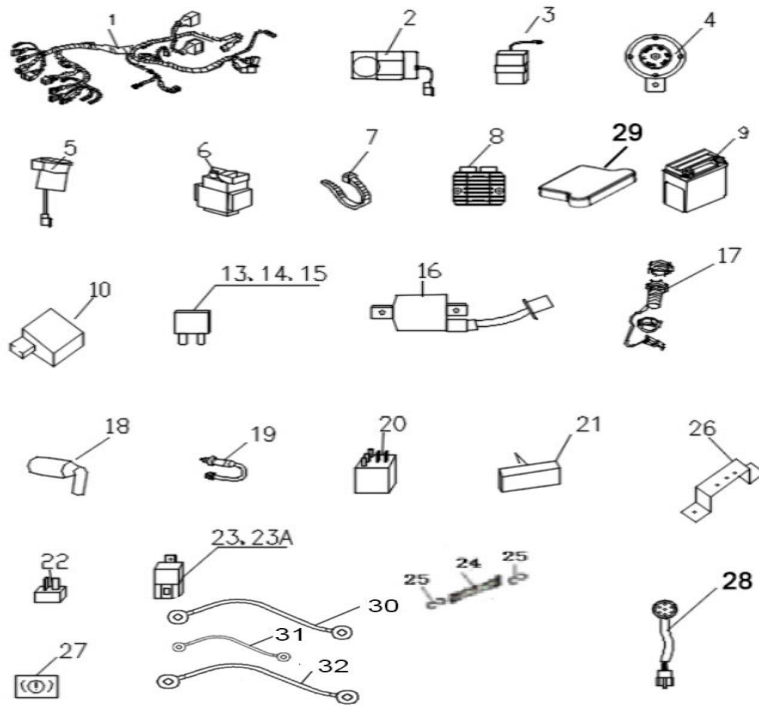
B17-2 EPS (OPTIONAL) (MARKED GY)



Nº	CÓDIGO	DESCRIÇÃO	Qt.	OBSERVAÇÕES
1	LH00036507	UPPER STEERING COLUMN	1	
2	LH0036508A	EPS ASSY.MARK"GY"	1	
3	LH00036256	PLATE EPS ASSY.	1	
4	LH00036257	LOWER STEERING COLUMN	1	
5	LH00036509	BOLT M8X40	1	
6	LH00010106	WASHER 8	4	
7	LH00011020	BOLT M10X1.5X20	3	
8	LH00011021	WASHER 10	3	
9	LH00010783	BOLT M8X20	4	
10	LH00010882	NUT M8	4	
11	LH00036509	BOLT M8X40	1	
12	LH00036510	EPS CONTROLLER (MARK"GY")	1	
13	LH00036511	EPS POWER WIRE (FOR GY)	1	
14	LH00036512	EPS SIGNALING LINE (FOR GY)	1	
15	LH00011496	BOLT M6X30	2	
16	LH00011019	WASHER 6	2	
17	LH00036271	BALL BEARING MOUNTING NUT	1	
18	LH00036851	THE TRANSITION OF EPS SENSOR WIRE	1	
19	LH00036852	EPS MOTOR TRANSITION WIRE	1	
20	LH00035938	WASHER	1	

## LH500-D

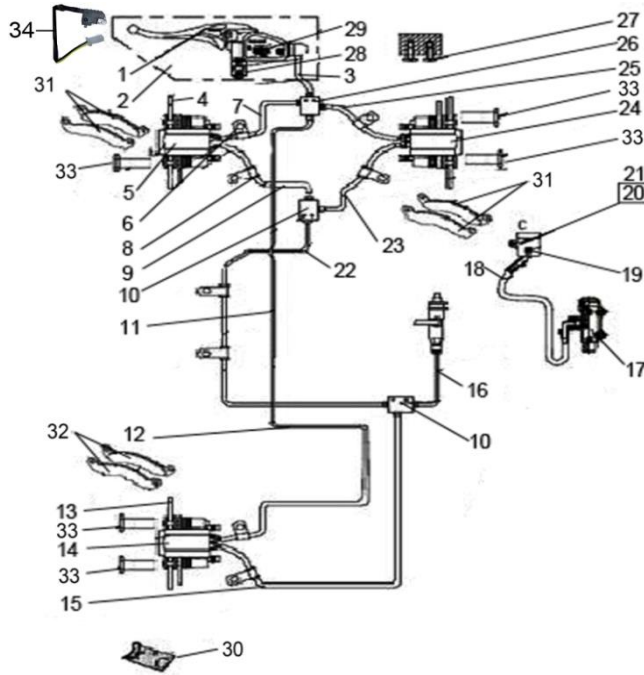
### B18 ELECTRICAL SYSTEM



Nº	CÓDIGO	DESCRIÇÃO	Qt.	OBSERVAÇÕES
1	LH00035736	WIRING HARNESS	1	
2	LH00035088	REVERSE GEAR WARNING	1	
3	LH00035931	ELECTRIC SPEED LIMITER (60km/h)	1	
4	LH00032029	HORN	1	
5	LH00026456	FLASHER RELAY ASSY	1	
6	LH00071602	STARTER RELAY	1	
7	LH00025530	TIE	20	
8	LH00071603	REGULATOR RECTIFIER	1	
9	CBTX20L-BS	BATTERY	1	
10	LH00035386	CDI	1	
13	LH00022019	7.5 AMP FUSE	1	
14	LH00022020	15 AMP FUSE	2	
15	LH00022021	3 AMP FUSE	1	
16	LH00035514	IGNITION COIL AND WIRE	1	
17	LH00071973	ACCESSORY SOCKET ASSY	1	
18	LH00022024	CAP, IGNITION COIL	1	
19	LH0070405A	BRAKE SWITCH	1	
20	LH00035083	AUXILIARY RELAY	4	
21	LH00035705	REAR REFLECTOR	1	
22	LH00026272	PROTECTOR	3	
23	LH00050280	START RELAY (CONTROL FAN)	1	
23	LH00050280	START RELAY (CONTROL HIGH BEAM AND DIPPED BEAM)	2	
23	LH00035656	START RELAY (CONTROL HIGH BEAM AND DIPPED BEAM)	2	
24	LH00022018	TIE, BATTERY	1	
25	LH00035716	HOOK	2	
26	LH00035532	AUXILIARY RELAY BRACKET	1	
27	LH00025298	BRAKE FLUID INDICATOR	1	
28	LH00084432	TRAILER CONNECTOR	1	
29	LH00035078	BATTERY 18 Ah COVER	1	
29	LH00035839	BATTERY 30 Ah COVER	1	
30	LH00035952	START THE POSITIVE CABLE 1 (670mm)	1	
31	LH00035953	START THE POSITIVE CABLE 2 (220mm)	1	
32	LH00035954	START THE NEGATIVE CABLE (750mm)	1	

# LH500-D

## B19 BRAKING SYSTEM (FOR EUROPE)



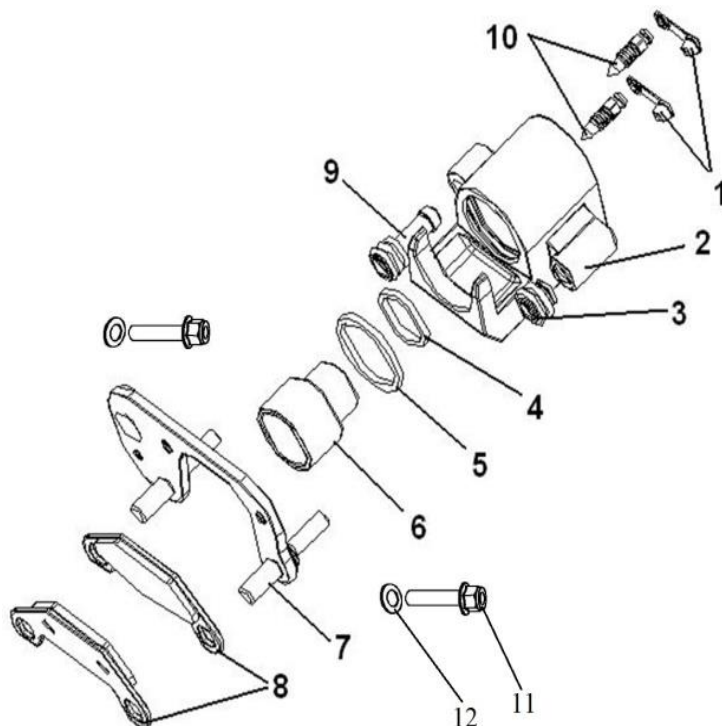
30

Nº	CÓDIGO	DESCRIÇÃO	Qt.	OBSERVAÇÕES
1	LH02211120	BRAKE LEVER	1	
2	LH00027320	MASTER CYLINDER WITH BRAKE LEVER	1	
3	LH00027683	HAND BRAKE HOSE	1	
4	LH00027321	FRONT BRAKE DISC	2	
5	LH00027409	BRAKE CALIPER LEFT,FRONT	1	
6	LH00032104	CLAMP	2	
7	LH00022229	FRONT BRAKE HOSE 2	1	
8	LH00035534	RUBBER TUBE1	3	
9	LH00027313	FRONT BRAKE HOSE 1	1	
10	LH00032107	BRAKE LINE COUPLER	1	
11	LH00035068	TUBE DISKBRAKE REAR	1	
12	LH00035069	REAR BRAKE HOSE 1	1	
13	LH00070537	REAR BRAKE DISC	2	
14	LH00070520	BRAKE CALIPER LEFT,REAR	1	
15	LH00035070	REAR BRAKE HOSE 2	1	
16	LH00027377	REAR BRAKE HOSE 3	1	
17	LH00027378	FOOT BRAKE CYLINDER	1	
18	LH00027379	RESERVOIR HOSE	1	
19	LH00025299	RESERVOIR	1	
20	LH00010109	NUT M5	1	
21	LH00010108	BOLT M5X12	1	
22	LH00035071	TUBE DISKBRAKE, FOOT BRAKE	1	
23	LH00032233	FRONT BRAKE HOSE2	1	
24	LH00027410	BRAKE CALIPER RIGHT	1	
25	LH00070483	FRONT BRAKE HOSE3	1	
26	LH00070548	FOUR LINE COUPLER	1	
27	LH00010111	BOLT M5X15	4	
28	LH00027283	BOLT M6X22	2	
29	LH00027277	MIRROR UPPER HOLDER	1	
30	LH00035711	SERVICE KIT	1	
31	LH00022245	INSIDE AND OUTSIDE PAD ,FRONT	2	
32	LH00022245	INSIDE AND OUTSIDE PAD,REAR	1	
33	LH00027212	BOLT M8X20	12	
34	LH00022243	STOP SWITCH FRONT	1	
35	LH00035868	FOOT BRAKE PUMP CONNECTION BOLT	1	



## LH500-D

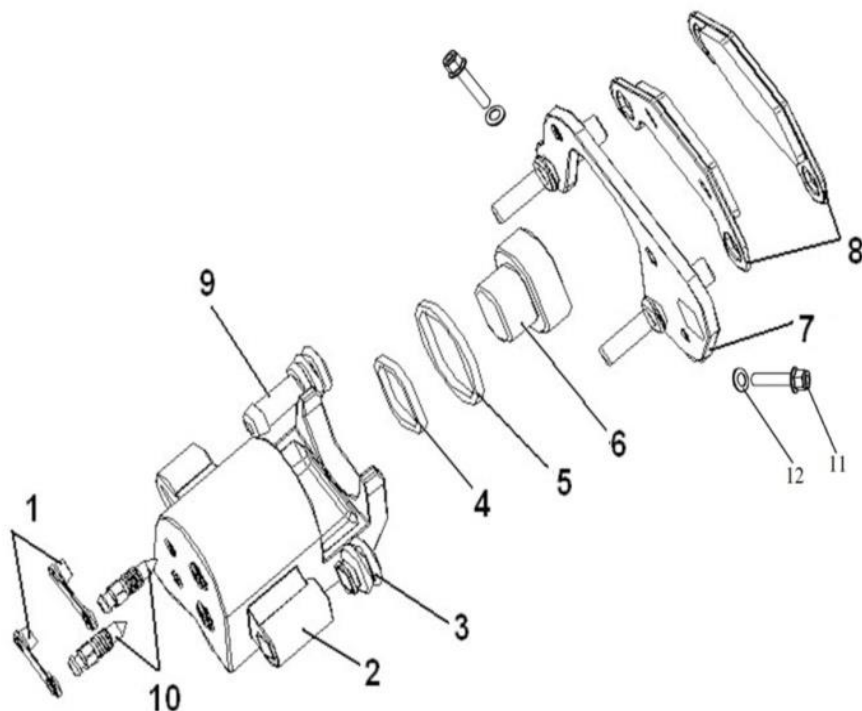
### B20-1 BRAKE CALIPER,R.FR OF EUROPE BRAKING SYSTEM



N°	CÓDIGO	DESCRIÇÃO	Qt.	OBSERVAÇÕES
1	LH00035538	DUSTPROOF COVER OF BLOWHOLE	2	
2	LH00035539	CALIPER BODY,R,FR	1	
3	LH00035540	DUSTPROOF COVER OF THE BELOW AXLE	1	
4	LH00035541	BIG SEALING RING 27	1	
5	LH00035542	BIG SEALING RING 38	1	
6	LH00035543	CALIPER PISTON	1	
7	LH00035544	BRACKET	1	
8	LH00022245	INSIDE AND OUTSIDE PAD	2	
9	LH00035545	DUSTPROOF COVER OF THE ABOVEAXLE	1	
10	LH00035546	BLOWHOLE	2	
11	LH00035547	BOLT M5X12-L	2	
12	LH00035548	WASHER 12	2	

## LH500-D

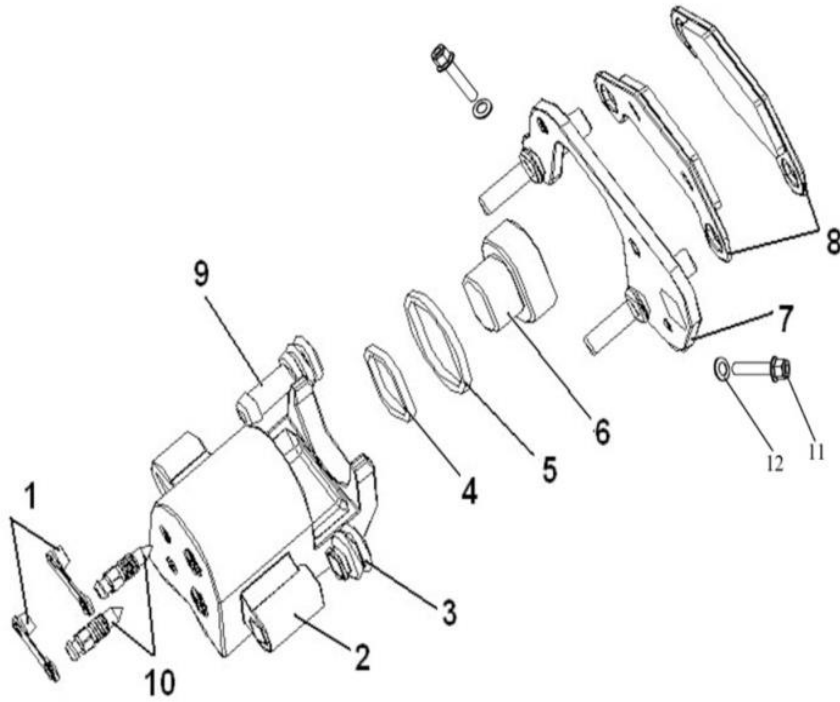
### B20-2 BRAKE CALIPER,L.FR OF EUROPE BRAKING SYSTEM



Nº	CÓDIGO	DESCRIÇÃO	Qt.	OBSERVAÇÕES
1	LH00035538	DUSTPROOF COVER OF BLOWHOLE	2	
2	LH00035549	CALIPER BODY,L,FR	1	
3	LH00035540	DUSTPROOF COVER OF THE BELOW AXLE	1	
4	LH00035541	BIG SEALING RING 27	1	
5	LH00035542	BIG SEALING RING 38	1	
6	LH00035543	CALIPER PISTON	1	
7	LH00035544	BRACKET	1	
8	LH00022245	INSIDE AND OUTSIDE PAD	2	
9	LH00035545	DUSTPROOF COVER OF THE ABOVEAXLE	1	
10	LH00035546	BLOWHOLE	2	
11	LH00035547	BOLT M5X12-L	2	
12	LH00035548	WASHER 12	2	

## LH500-D

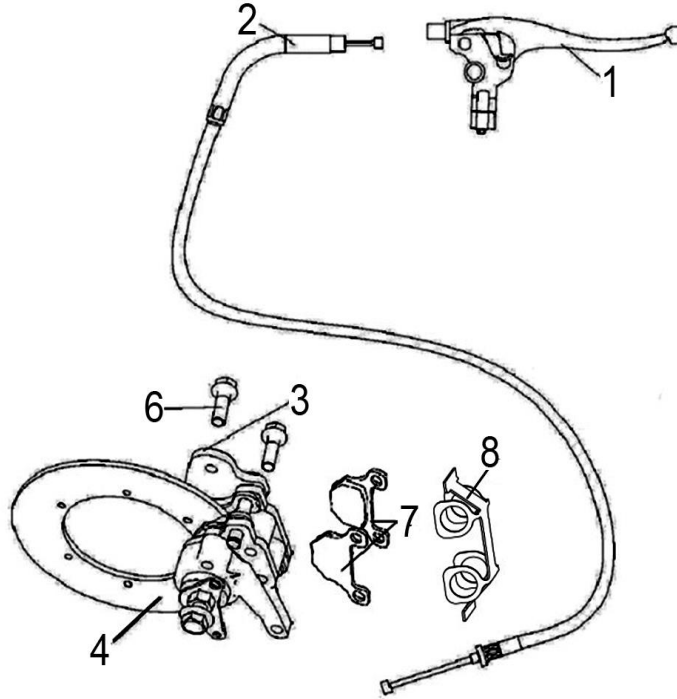
### B21 BRAKE CALIPER,L.RR OF EUROPE BRAKING SYSTEM



Nº	CÓDIGO	DESCRIÇÃO	Qt.	OBSERVAÇÕES
1	LH00035538	DUSTPROOF COVER OF BLOWHOLE	2	
2	LH00035549	CALIPER BODY,R,FR	1	
3	LH00035540	DUSTPROOF COVER OF THE BELOW AXLE	1	
4	LH00035541	BIG SEALING RING 27	1	
5	LH00035542	BIG SEALING RING 38	1	
6	LH00035543	CALIPER PISTON	1	
7	LH00035550	BRACKET	1	
8	LH00022245	INSIDE AND OUTSIDE PAD	2	
9	LH00035545	DUSTPROOF COVER OF THE ABOVEAXLE	1	
10	LH00035546	BLOWHOLE	2	
11	LH00035547	BOLT M5X12-L	2	
12	LH00035548	WASHER 12	2	

## LH500-D

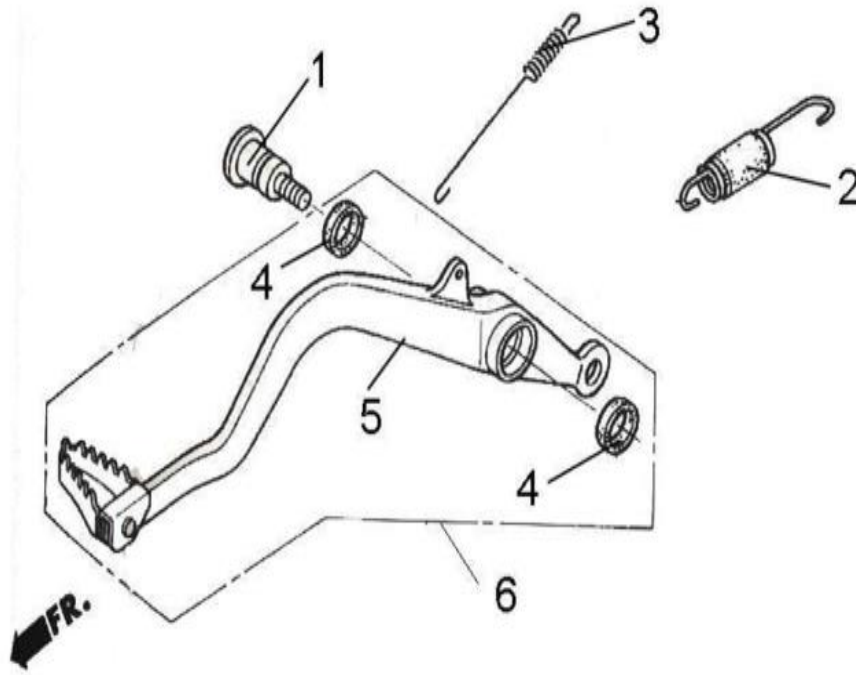
### B22 AUXILIARY BRAKE (FOR EUROPE)



Nº	CÓDIGO	DESCRIÇÃO	Qt.	OBSERVAÇÕES
1	LH00070636	MASTER CYLINDER(WITH LEVER)	1	
2	LH00070637	BRACK CABLE	1	
3	LH00035074	BRACK CALIPER	1	
4	LH00035075	DISK BRAKE	1	
6	LH00010218	BOLT M8X40	2	
7	LH00026291	BRAKE PAD	2	
8	LH00035530	LIMIT SPRING PLATE	1	

## LH500-D

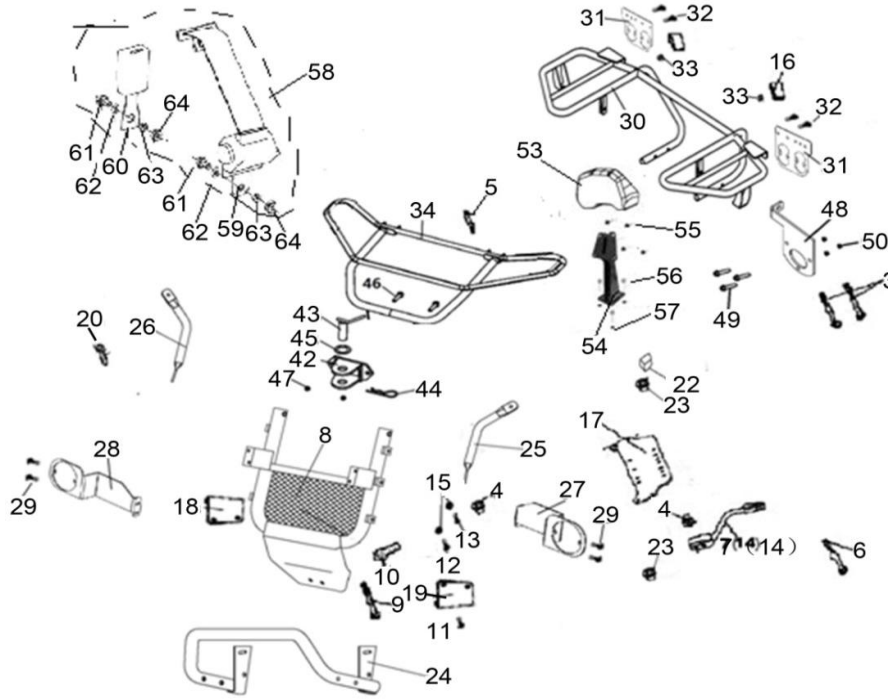
B23 PEDAL,BRAKE



N°	CÓDIGO	DESCRIÇÃO	Qt.	OBSERVAÇÕES
1	LH00070542	SHAFT,BRAKE PIVOT	1	
2	LH00070541	SPRING,STOP SWITCH	1	
3	LH00035502	SPRING ASSY(NEW MODEL)	1	
4	LH00070540	DUST SEAL	2	
5	LH00035821	PEDAL BRAKE	1	
6	LH00035822	PEDAL BRAKE ASSY	1	

# LH500-D

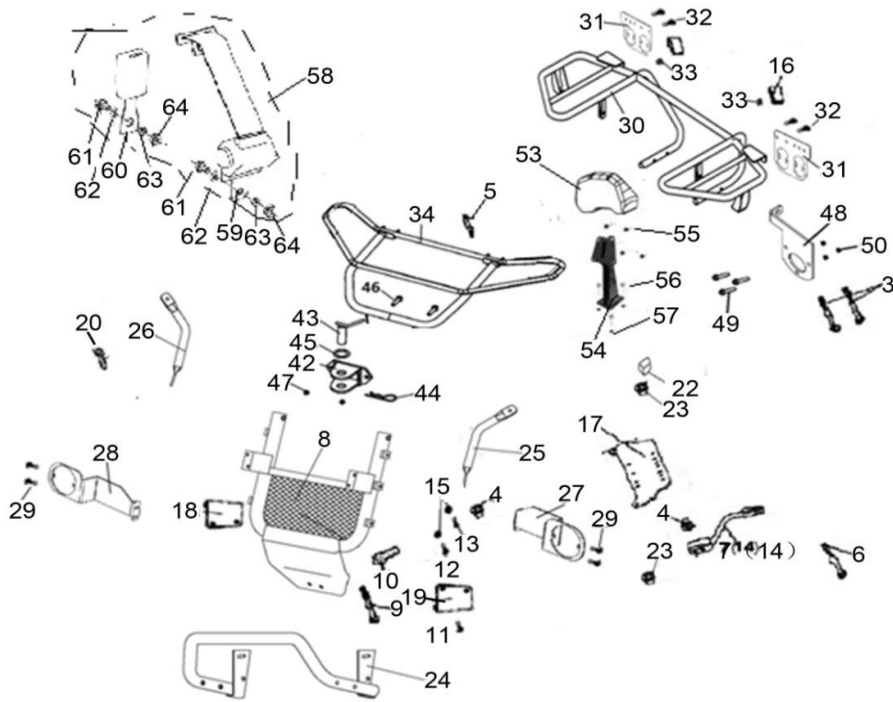
## B24 BUMPER & RACK



Nº	CÓDIGO	DESCRIÇÃO	Qt.	OBSERVAÇÕES
3	LH00010055	BOLTM8X45	4	
4	LH00010079	NUT M8	4	
5	LH00010059	BOLT M8X25	2	
6	LH00010819	BOLT M8X85	2	
7	LH00035026	TRESTLE 1 LEFT (FOR EUROPE)	1	
8	LH00027626	BUMPER BRACKET	1	
9	LH00025056	BOLT M8X70	4	
10	LH00010059	BOLT M8X25	2	
11	LH00010511	BOLT M8X55	4	
12	LH00010081	BOLT M8X20	2	
13	LH00010059	BOLT M8X25	2	
14	LH00035027	TRESTLE 1 RIGHT (FOR EUROPE)	1	
15	LH00026009	WASHER 8	4	
16	LH00035705	FRONT REFLECTER	2	
17	LH00070366	BRACKET,PULLING	1	
18	LH00027387	HOLDER,R.PULLIN BRACKET	1	
19	LH00027386	HOLDER,L.PULLIN BRACKET	1	
20	LH00010140	BOLT M6X12	4	
24	LH00027443	FRONT BUMPER	1	
25	LH00027444	FRONT SUPPORT TUBE,L	1	
26	LH00027445	FRONT SUPPORT TUBE,R	1	
27	LH00027627	FRONT INDICATOR LIGHT BRACKET,L	1	
28	LH00027628	FRONT INDICATOR LIGHT BRACKET,R	1	
29	LH0010183B	BOLT M6X16	4	
30	LH00025300	REAR RACK	1	
31	LH00027631	BRACKET,TAILLIGHT	2	
32	LH0010183B	BOLT M6X16	4	
33	LH00010004	NUT M6	4	
34	LH00027439	FRONT RACK	1	
42	LH00084234	FRONT HOOK	1	
43	LH00084235	PIN FRONT HOOK	1	
44	LH00010862	PIN 6X115	1	
45	LH00084231	RUBBER DUMPER	1	

## LH500-D

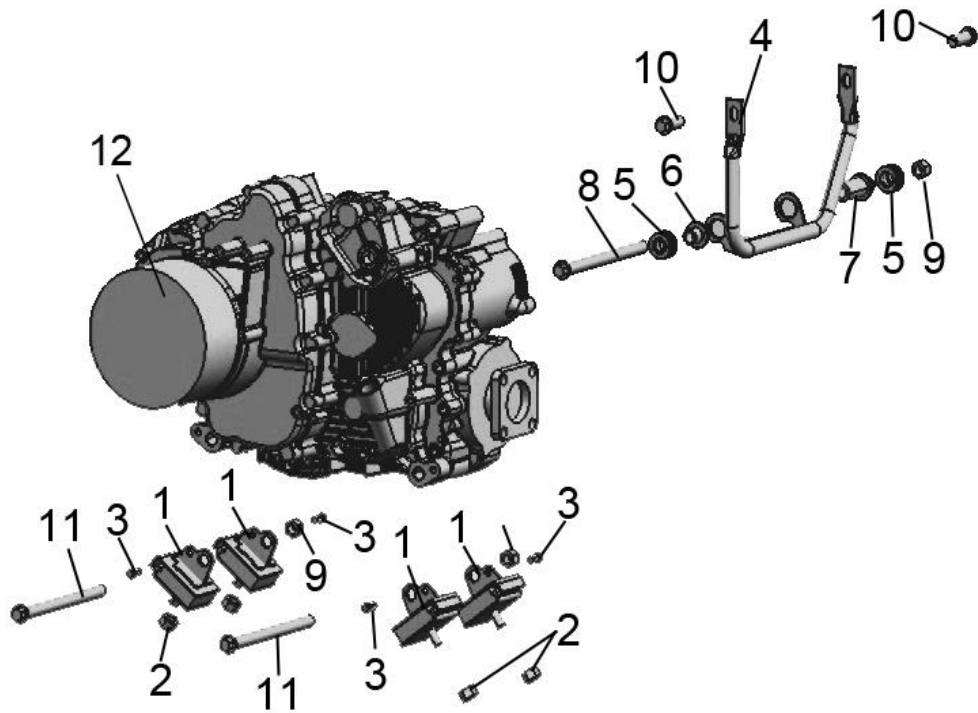
### B24.1 BUMPER & RACK



N°	CÓDIGO	DESCRIÇÃO	Qt.	OBSERVAÇÕES
46	LH00010934	SCREW M16X42	2	
47	LH00010874	NUT M16	2	
48	LH00071070	BRACKET,OUTPUT SOCKET	1	
49	LH00010935	SCREW M6X38	3	
50	LH00010004	NUT M6	3	
53	LH00035721	BACKREST	1	
54	LH00035384	REAR BACKREST WELD ASSEMBLY	1	
55	LH00010919	NUT M8	4	
56	LH00010059	BOLT M8X25	4	
57	LH00010079	NUT M8	4	
58	LH00084380	Belt components	1	
59	LH00084382	Belt	1	
60	LH00084381	Lock,Belt	1	
61	LH00026916	Bolt	4	
62	LH00026917	Spring Washer	8	
63	LH00026918	Washer	8	
64	LH00026919	Nut	8	

# LH500-D

B25 ENGINE

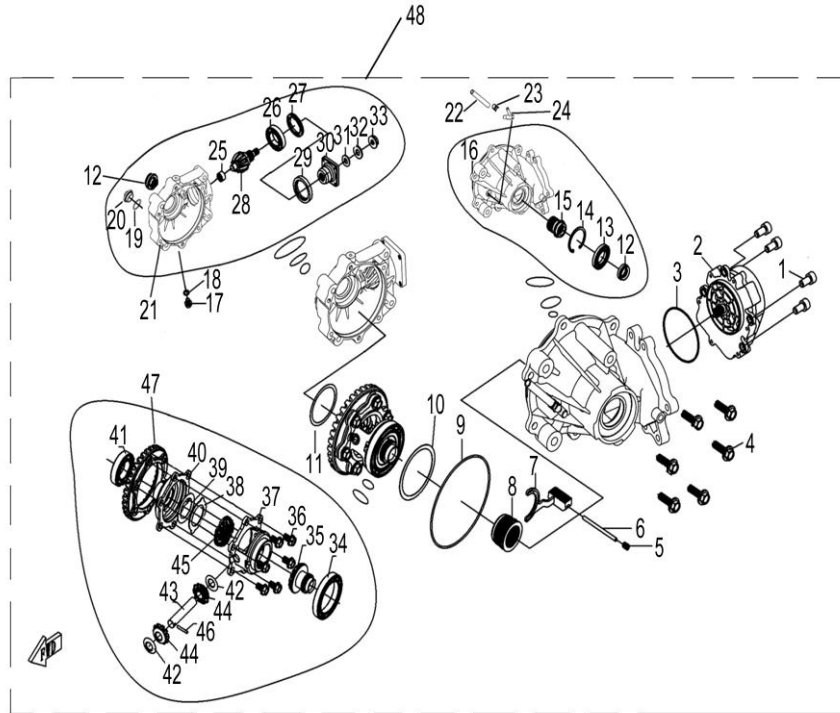


Nº	CÓDIGO	DESCRIÇÃO	Qt.	OBSERVAÇÕES
1	LH00035503	BUSHING ENGING BRACKET	4	
2	LH0010015A	NUT M10X1.25	4	
3	LH00010928	BOLT M6X16	4	
4	LH00035504	FRONT ENGINE MOUNT BRACKET	1	
5	LH00035505	RUBBER BUSHING	2	
6	LH00035506	SPACER 1	1	
7	LH00035507	SPACER 2	1	
8	LH00010929	BOLT M12X1.25X170	1	
9	LH00010136	NUT M12X1.25	3	
10	LH00010183	BOLT M8X16	2	
11	LH00010930	BOLT M12X1.25X150	2	
12	LH00035524	ENGINE ASSY.	1	



## LH500-D

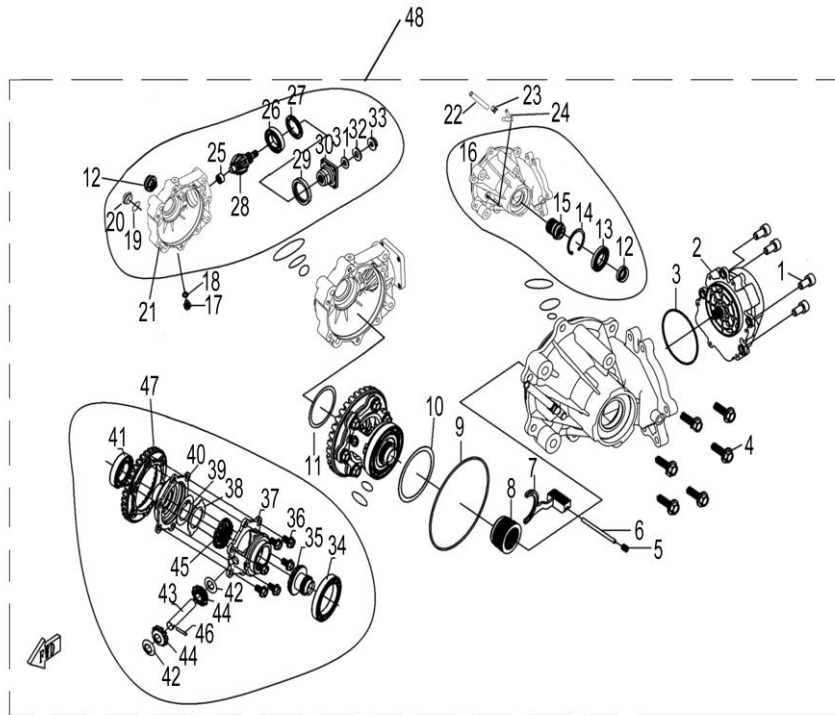
### B26 FRONT AXLE



Nº	CÓDIGO	DESCRIÇÃO	Qt.	OBSERVAÇÕES
1	LH00035391	Screw	4	
2	LH00035388	Gear Motor	1	
3	LH00035389	O-Ring φ81.2×1.9	1	
4	LH00010059	Bolt	6	
5	LH00010954	Screw	1	
6	LH00010957	Pin Shaft	1	
7	LH00026314	Shift Fork	1	
8	LH00026315	Drive Clutch	1	
9	LH00035401	O-Ring φ141×2.4	1	
10	LH00026322	Adjust Shim(83×71)	As NEEDED	
11	LH00026323	Adjust Shim(61×48)	As NEEDED	
12	LH00035410	Oil Seal	2	
13	LH00010960	Bearing 16007	1	
14	LH00035412	Retainer 62	1	
15	LH00026316	Drive Clutch Cover	1	
16	LH00026321	Case Cover, Front Axle	1	
17	LH00010953	Drain Bolt	1	
18	LH00073021	Washer 10	1	
19	LH00050082	O-Ring φ30.5×3	1	
20	LH00024305	Fill Plug	1	
21	LH00026320	Gear Case, Front Axle	1	
22	LH00021111	Breather Pipe	1	
23	LH00025107	Clip	1	
24	LH00021112	Hose Fitting	1	
25	LH00035429	Needle Bearing	1	
26	LH00035424	Bearing 6007	1	
27	LH00026317	Bearing Retainer	1	
28	LH00026328	Bevel Gear -Driving	1	
29	LH00035423	Oil Seal	1	
30	LH00026330	Coupler	1	

# LH500-D

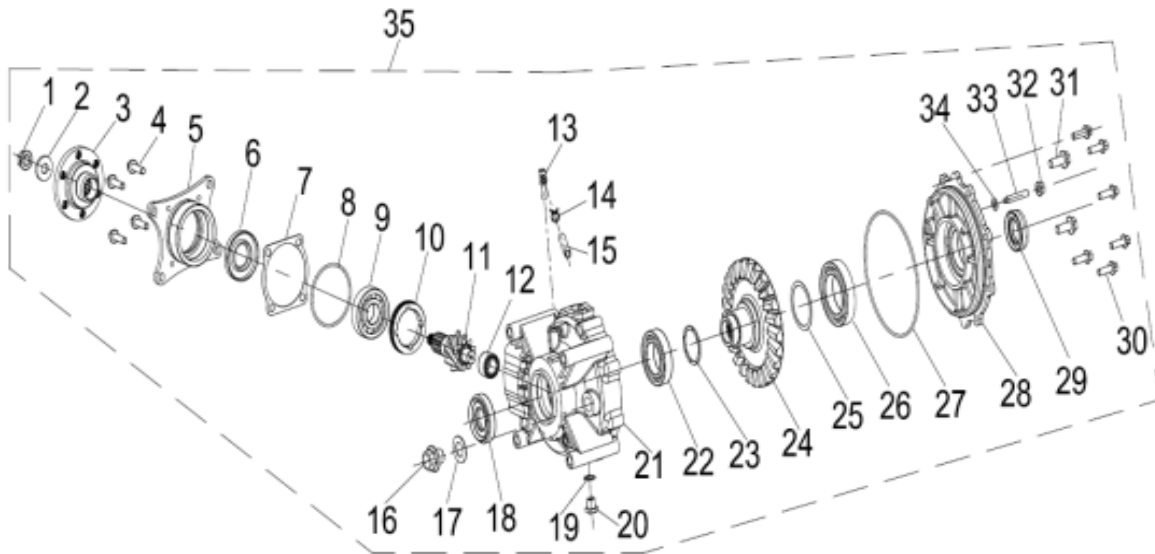
## B26.1 FRONT AXLE



N°	CÓDIGO	DESCRIÇÃO	Qt.	OBSERVAÇÕES
31	LH00035428	O-Ring	1	
32	LH00026324	Nut Washer	1	
33	LH00026318	Nut	1	
34	LH00010959	Bearing 61912	1	
35	LH00035434	Drive Gear	1	
36	LH00026331	Bolt	6	
37	LH00026332	Bracket,Differential	1	
38	LH00026326	Shim	1	
39	LH00026325	Washer	1	
40	LH00026334	Top Bracket,Differential Gear	1	
41	LH00035424	Bearing 6007	1	
42	LH00026327	Wearing Ring	2	
43	LH00026333	Gear Shaft(Center), Differential	1	
44	LH00035437	Gear(Center), Differential	2	
45	LH00035440	Driven Gear	1	
46	LH00010956	Pin	1	
47	LH00026329	Bevel Gear -Driven	1	
48	LH00026319	Front Gear-box Assy	1	

## LH500-D

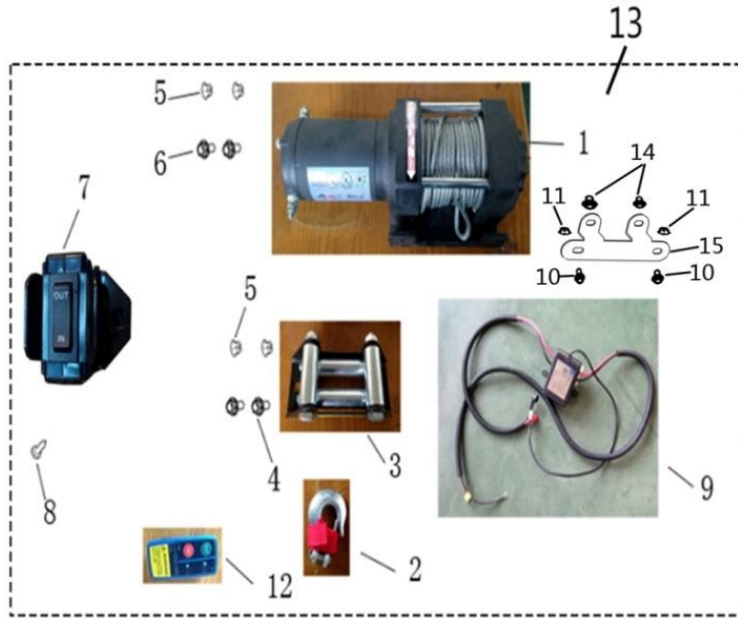
### B27 REAR AXLE



Nº	CÓDIGO	DESCRIÇÃO	Qt.	OBSERVAÇÕES
1	LH00035473	NUT M12x1.25	1	
2	LH00026309	WASHER 12.5x30x4	1	
3	LH00035474	COUPLER, REAR AXLE	1	
4	LH00010078	BOLT M8x30	4	
5	LH00026304	BEVEL GEAR BEARING HOUSING	1	
6	LH00035471	OIL SEAL $\Phi 35 \times \Phi 61 \times 9$	1	
7	LH00026308	ADJUST SHIM	As Needed	
8	LH00026311	O-RING 69x3	1	
9	LH00035468	BEARING 6305	1	
10	LH00026310	BEARING RETAINERM64x1.5x10	1	
11	LH00026313	ACTIVE BEVEL GEAR ASSEMBLY	1	
12	LH00035465	NEEDLE BEARING	1	
13	LH00021112	VENT NOZZLE	1	
14	LH00025107	CLAMPS	1	
15	LH00021111	VENT PIPE	1	
16	LH00083179	BOLT M18x1.25	1	
17	LH00083180	WASHER 18	1	
18	LH00026303	OIL SEAL 30x60x15	1	
19	LH00083462	WASHER	1	
20	LH00083010	HEXAGON HEAD BOLT	1	
21	LH00026312	REAR GEAR CASE	1	
22	LH00010958	BEARING 6008	1	
23	LH00026305	ADJUST SHIM 48x40.3	As Needed	
24	LH00026307	DRIVE BEVEL GEAR ASSEMBLY	1	
25	LH00026306	ADJUST SHIM 60.5x50.3	As Needed	
26	LH00010569	BEARING 6010	1	
27	LH00035493	O-RING 151x3	1	
28	LH00026301	REAR GEAR BEARING HOUSING	1	
29	LH00026302	OIL SEAL 30x50x13.5	1	
30	LH00010059	BOLT M8x25	6	
31	LH00035463	BOLT M10x25	2	
32	LH00035487	NUT M8	1	
33	LH00010955	HEX SCREW M8x45	1	
34	LH00043615	WASHER 8	1	
35	LH00026300	REAR AXLE ASSEMBLY	1	

# LH500-D

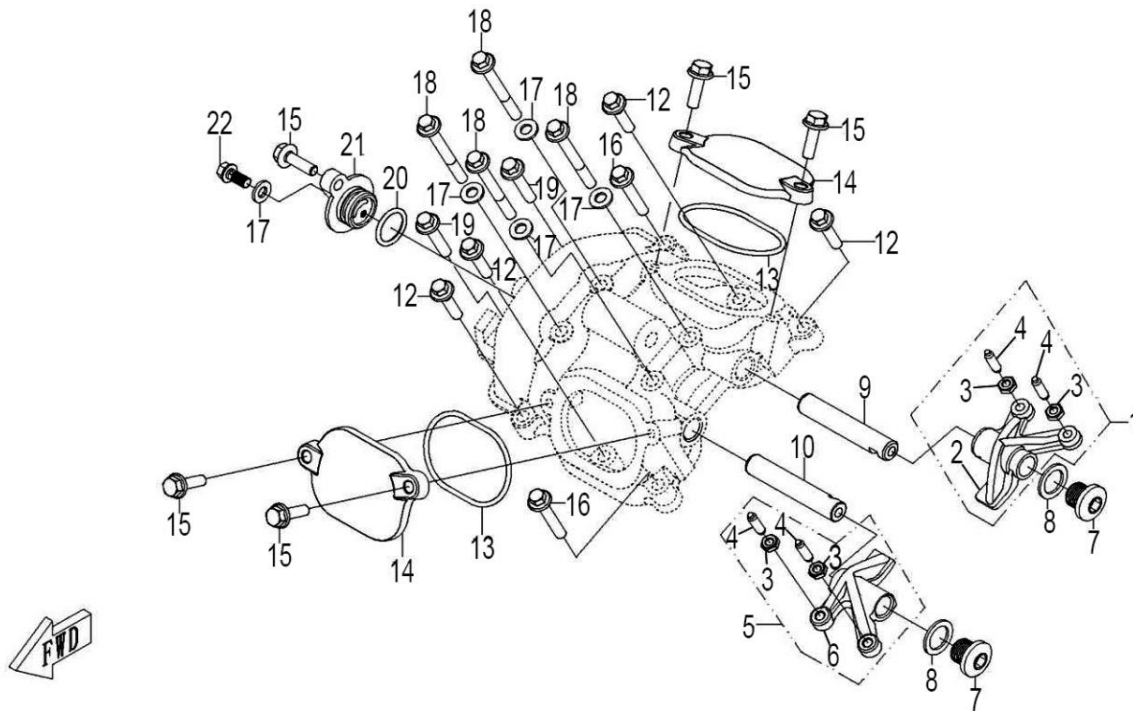
## Options (WINCH)



N°	CÓDIGO	DESCRIÇÃO	Qt.	OBSERVAÇÕES
1	LH00073544	LH 3000LBS WINCH	1	
2	LH00073545	Tow Hook	1	
3	LH00073546	Slideway	1	
4	LH00010081	BOLT M8X20	2	
5	LH00010794	Hexagon Nut M8	4	
6	LH00010105	BOLT M8X25	2	
7	LH00036492	SWITCH WINCH	1	
8	LH00010009	SCREW TAPPING ST4.8X16	1	
9	LH00035856	WINCH CONTROLLER (1350mm)	1	
10	LH00011640	Bolt M5×25	2	
11	LH00011639	NUT M5	2	
12	LH00073549	Remote Control	1	
13	LH00072220	Winch Assy	1	
14	LH00011097	Bolt M6×16	2	
15	LH00037126	CONTROLLER BRACKET	1	

# LH500-D

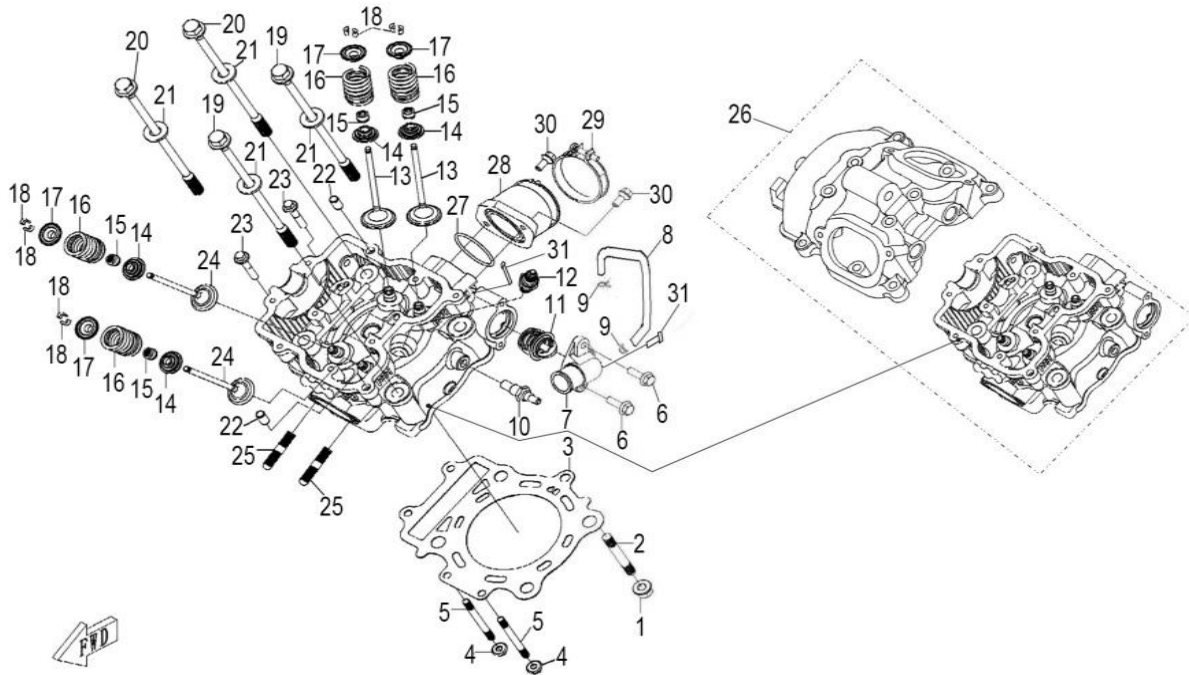
## E1 CYLINDER HEAD COVER



Nº	CÓDIGO	DESCRIÇÃO	Qt.	OBSERVAÇÕES
1	LH00035143	INTAKE ROCKER ARM COMP	1	
2	LH00035144	INTAKE ROCKER ARM VALVE	1	
3	LH00035146	ADJUSTING NUT VALVE	4	
4	LH00035147	ADJUSTING SCREW VALVE	4	
5	LH00035148	EXHAUST ROCKER ARM COMP	1	
6	LH00035149	EXHAUST ROCKER ARM VALVE	1	
7	LH00035150	BOLT M14X1.25X12	2	
8	LH00035215	WASHER 14	2	
9	LH00035142	INTAKE ROCKER SHAFT	1	
10	LH00035145	EXHAUST ROCKER SHAFT	1	
11	LH00035863	CYLINDER HEAD COVER	1	
12	LH00010187	BOLT M6X25	4	
13	LH00035111	GASKET	2	
14	LH00035107	VALVE ADJUST COVER	2	
15	LH00010110	BOLT M6X20	5	
16	LH00010186	BOLT M6X35	2	
17	LH00035108	WASHER 6	5	
18	LH00010530	BOLT M6X55	4	
19	LH00010182	BOLT M6X30	2	
20	LH00035113	O-RING 18X2.4	1	
21	LH00035112	SEAL COVER	1	
22	LH00010140	BOLT M6X12	1	

# LH500-D

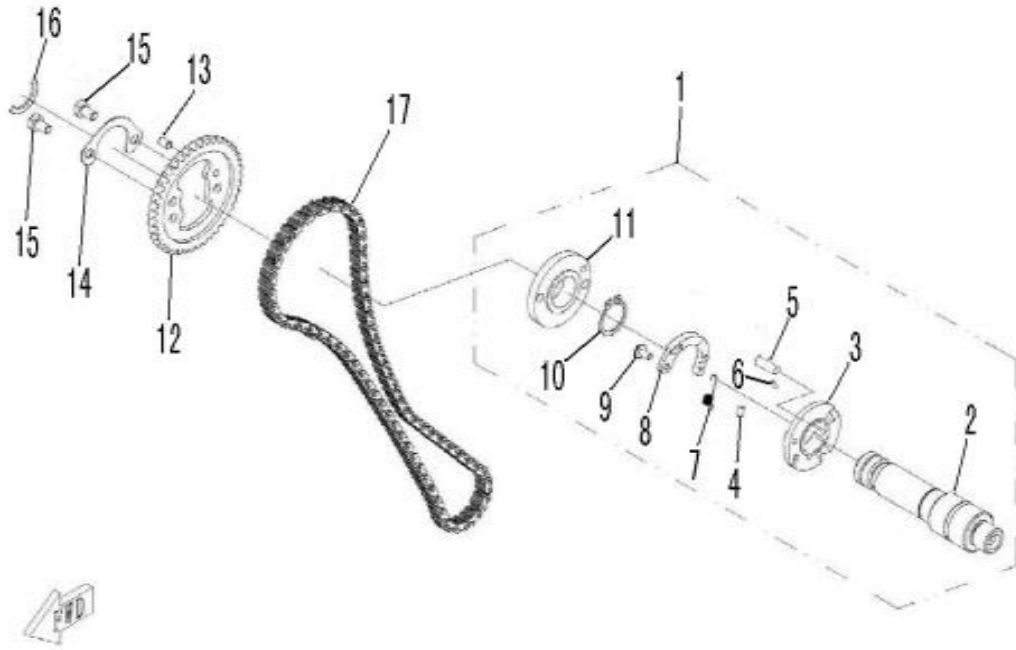
## E2 CYLINDER HEAD



Nº	CÓDIGO	DESCRIÇÃO	Qt.	OBSERVAÇÕES
1	LH00010067	THRUST NUT M8	1	
2	LH00035097	STUD M8X68	1	
3	LH00035106	GASKET,CYLINDER HEAD	1	
4	LH00010004	THRUST NUT M6	2	
5	LH00035098	STUD M6X72	2	
6	LH00010278	BOLT M6X22	2	
7	LH00035103	WATER OUTLET JOINT, CYLINDER HEAD	1	
8	LH00035104	PIPE,CYLINDER HEAD	1	
9	LH00035109	CLIP 7.5	2	
10	LH00035095	WATER TEMPERATURE SENSOR	1	
11	LH00035171	THERMOSTAT	1	
12	LH00035105	SPARK PLUG DPR7EA-9(NGK)	1	
13	LH00035135	INTAKE VALVE	2	
14	LH00035137	SEAT SPRING VALVE	4	
15	LH00035140	SEAL VALVE STEM	4	
16	LH00035136	SPRING VALVE	4	
17	LH00035138	RETAINER SPRING VALVE	4	
18	LH00035139	COTTER VALVE	8	
19	LH00035100	CYLINDER BOLT M10X1.25X190	2	
20	LH00035101	CYLINDER BOLT M10X1.25X200	2	
21	LH00035102	WASHER, CYLINDER BOLT	4	
22	LH00050076	DOWEL PIN 8x14	2	
23	LH00010186	BOLT M6X35	2	
24	LH00035141	EXHAUST VALVE	2	
25	LH00035099	STUD M8X42	2	
26	LH00035863	CYLINDER HEAD AND CYLINDER HEAD COVER ASSEMBLY	1	
27	LH00035207	O-RING 40x2.4	1	
28	LH00035210	JOINT, CARBURETOR	1	
29	LH00035208	AIR INLET PIPE CLAMP	1	
30	LH00035209	SCREW M6X16	2	
31	LH00035851	HOSE CONNECTOR	1	

## LH500-D

### E3 CAMSHAFT

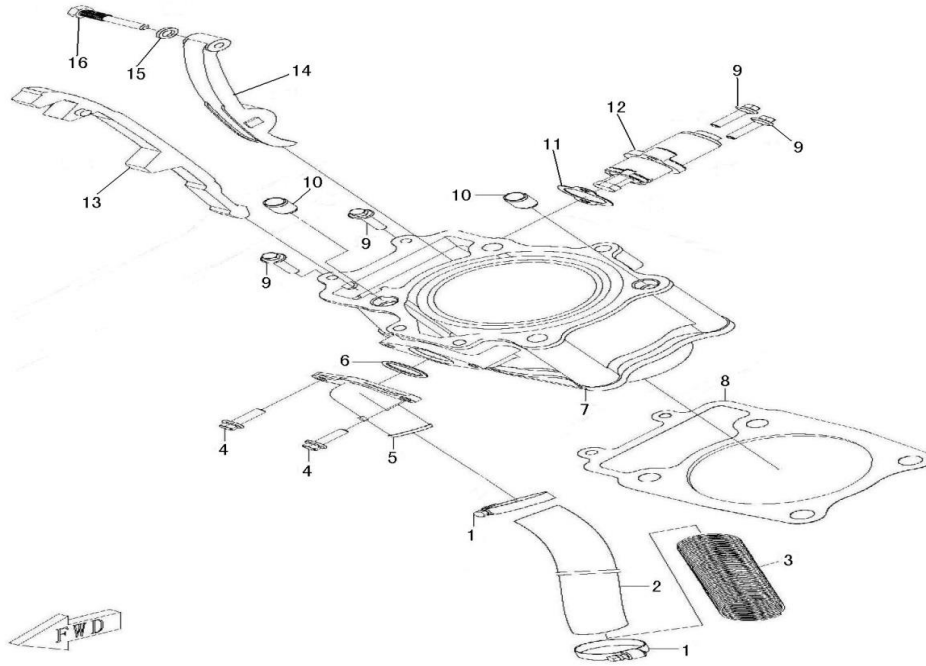


Nº	CÓDIGO	DESCRIÇÃO	Qt.	OBSERVAÇÕES
1	LH00035156	CAMSHAFT ASSEMBLY	1	
2	LH00035151	CAMSHAFT	1	
3	LH00035168	LIMIT CAM	1	
4	LH00035167	DOWEL PIN, DECOMPRESSOR	1	
5	LH00035170	DECOMPRESSOR CAM	1	
6	LH00035169	DEFLECTOR ROD	1	
7	LH00035164	DECOMPRESSOR SPRING	1	
8	LH00035165	DECOMPRESSOR ROCKER ARM	1	
9	LH00035166	DECOMPRESSOR ROCKER ARM WRIST	1	
10	LH00010841	RETAINER 22	1	
11	LH00035155	FLANGE, CAMSHAFT	1	
12	LH00035154	TIMING SPROCKET	1	
13	LH00010835	DOWEL PIN, TIMING SPROCKET	1	
14	LH00035153	RETAINER	1	
15	LH00010828	BOLT M6X10	2	
16	LH00035152	CAMSHAFT SPACER	1	
17	LH00035163	TIMING CHAIN	1	



# LH500-D

## E4 CYLINDER

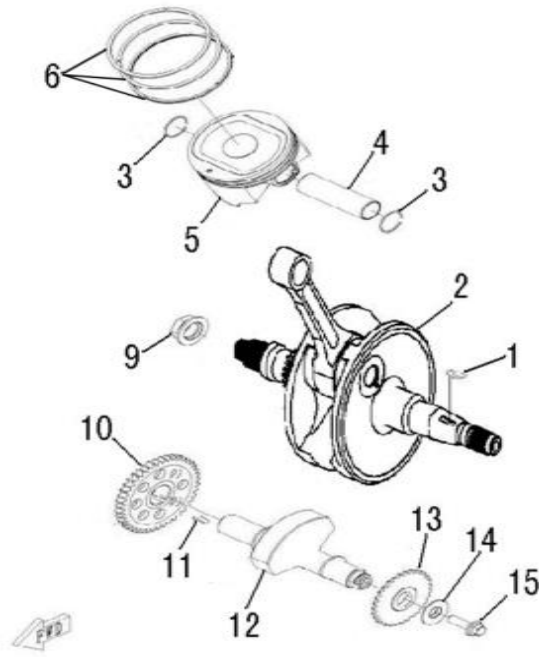


Nº	CÓDIGO	DESCRIÇÃO	Qt.	OBSERVAÇÕES
1	LH00035343	CLAMP 20/32	2	
2	LH00035116	WATER INLET HOSE	1	
3	LH00035117	SLEEVE, WATER HOSE	1	
4	LH00010278	BOLT M6X22	2	
5	LH00035114	JOINT, WATER INLET	1	
6	LH00035115	O-RING 24X2.5	1	
7	LH00035119	CYLINDER	1	
8	LH00035120	GASKET, CYLINDER	1	
9	LH00010187	BOLT M6X25	4	
10	LH00035118	DOWEL PIN 13X18	2	
11	LH00035158	GASKET, TENSIONER	1	
12	LH00035157	TENSIONER	1	
13	LH00035159	TIMING CHAIN GUIDE	1	
14	LH00035160	TENSIONER PLATE	1	
15	LH00035162	WASHER 8	1	
16	LH00035161	BOLT, TENSIONER PLATE	1	



## LH500-D

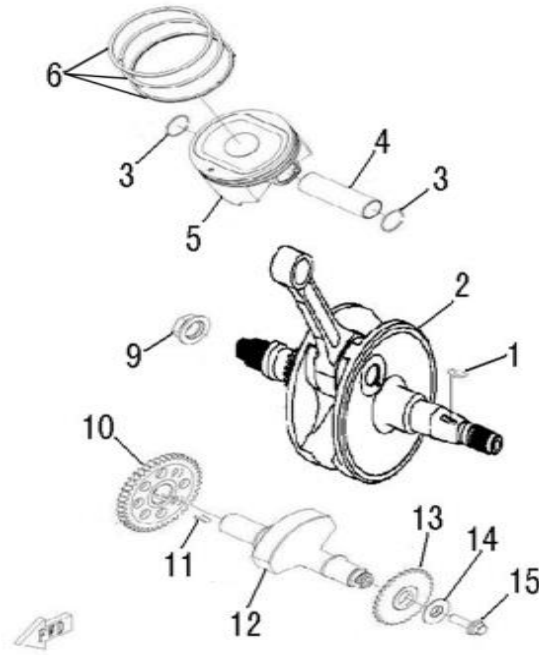
### E5 CRANKSHAFT COMP



Nº	CÓDIGO	DESCRIÇÃO	Qt.	OBSERVAÇÕES
1	LH00035133	KEY	1	
2	LH00035121	CRANKSHAFT	1	
3	LH00035129	CLIP, PISTON PIN	2	
4	LH00035128	PISTON PIN	1	
5	LH00035127	PISTON	1	
6	LH00035124	PISTON RING	1	
9	LH00035122	NUT M18X1.5 (L)	1	
10	LH00035131	GEAR, BALANCER SHAFT	1	
11	LH00035123	KEY	1	
12	LH00035130	BALANCER SHAFT	1	
13	LH00035132	SPROCKET, BALANCE SHAFT	1	
14	LH00035134	WASHER 10.2X28X2	1	
15	LH00010028	BOLT M10X25	1	

## LH500-D

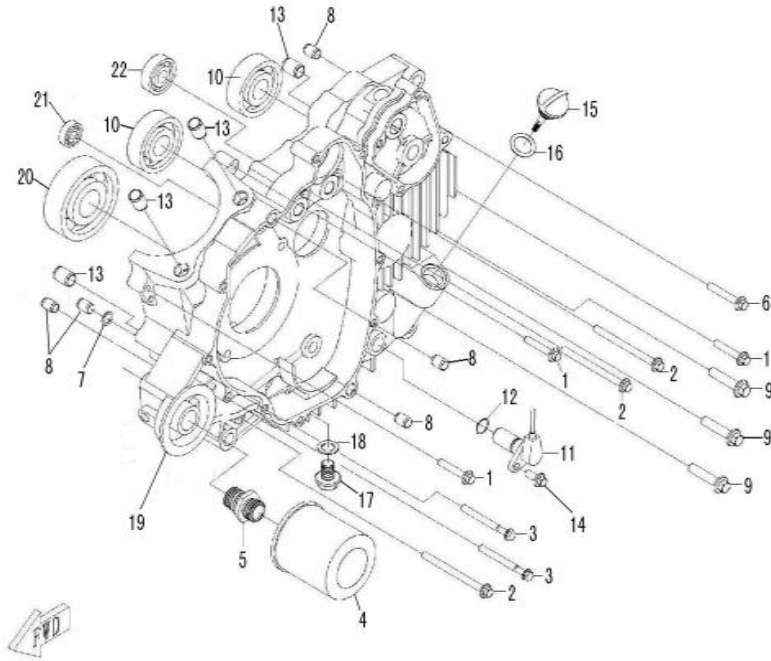
### E6 CRANKSHAFT COMP (2016 NEW MODEL)



N°	CÓDIGO	DESCRIÇÃO	Qt.	OBSERVAÇÕES
1	LH00035133	KEY	1	
2	LH0035121a	CRANKSHAFT (NEW MODEL)	1	
3	LH00035129	CLIP, PISTON PIN	2	
4	LH00035128	PISTON PIN	1	
5	LH00035127	PISTON	1	
6	LH00035124	PISTON RING	1	
9	LH00035122	NUT M18X1.5 (L)	1	
10	LH00035131	GEAR, BALANCER SHAFT	1	
11	LH00035123	KEY	1	
12	LH00035130	BALANCER SHAFT	1	
13	LH00035132	SPROCKET, BALANCE SHAFT	1	
14	LH00035134	WASHER 10.2X28X2	1	
15	LH00010028	BOLT M10X25	1	
16	LH00071689	WASHER 16.6	1	
17	LH00071688	NUT M16X1.5	1	

# LH500-D

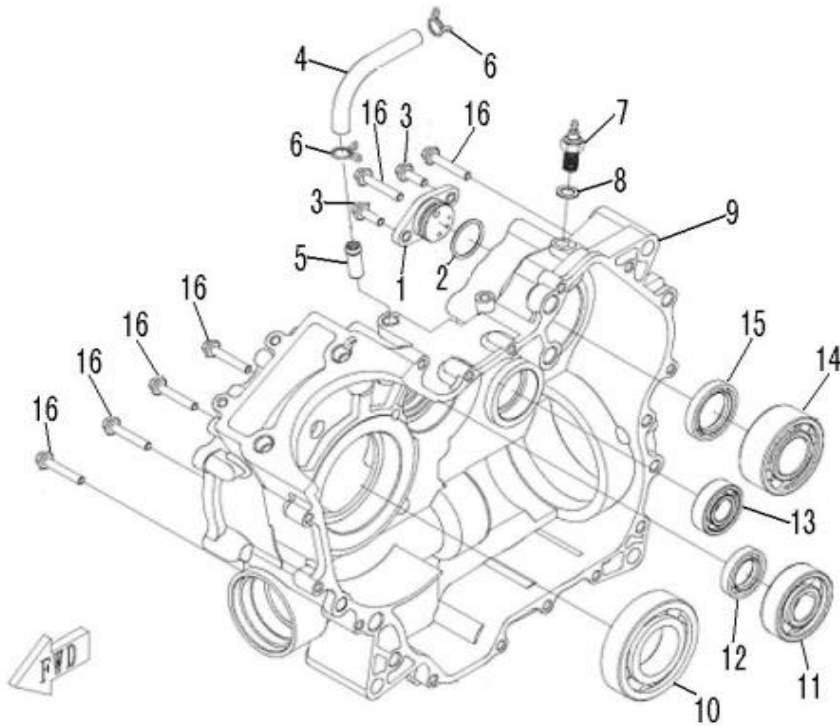
## E7 LEFT CRANKCASE



N°	CÓDIGO	DESCRIÇÃO	Qt.	OBSERVAÇÕES
1	LH00010186	BOLT M6×35	3	
2	LH00010827	BOLT M6×80	3	
3	LH00010005	BOLT M6×60	2	
4	LH00035223	OIL FILTER	1	
5	LH00035213	BOLT, OIL FILTER	1	
6	LH00010177	BOLT M6×40	1	
7	LH00010843	O-RING 10X1.8	1	
8	LH00035094	DOWEL PIN 10×14	5	
9	LH00035221	BOLT M8×38	3	
10	LH00010846	BEARING 6303C3	2	
11	LH00035337	SPEED SENSOR	1	
12	LH00035225	O-RING 14×1.44	1	
13	LH00035118	DOWEL PIN 13×18	4	
14	LH00010189	BOLT M6×16	1	
15	LH00035224	OIL DIP ROD	1	
16	LH00010844	O-RING 18×3.55	1	
17	LH00050105	DRAIN BOLT M12×1.5	1	
18	LH01309283	WASHER 12	1	
19	LH00035216	LEFT CRANKCASE	1	
20	LH00010847	BEARING 6307	1	
21	LH00010848	BEARING 63/22	1	
22	LH00010849	BEARING 6202	1	

## LH500-D

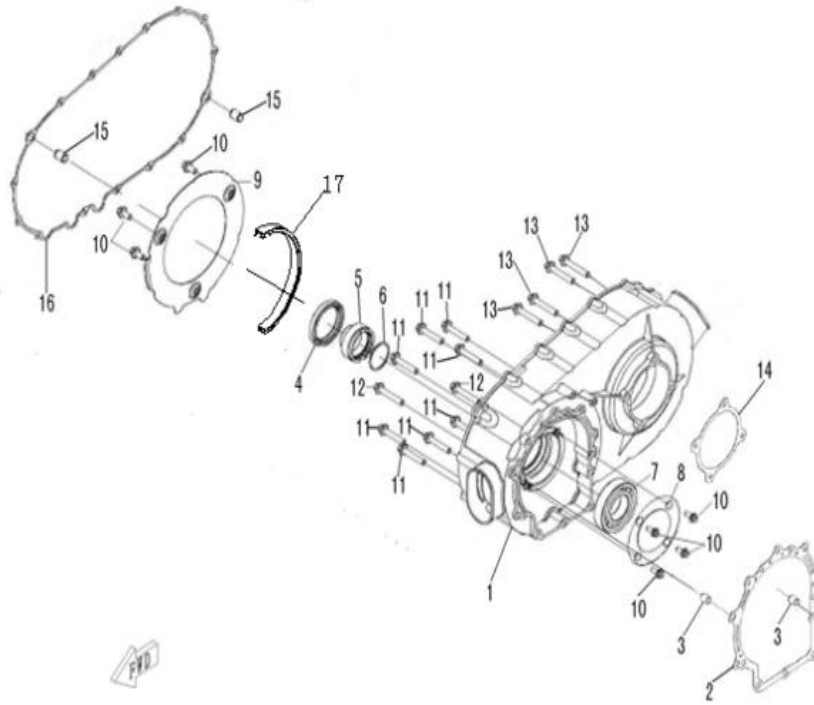
### E8 RIGHT CRANKCASE



Nº	CÓDIGO	DESCRIÇÃO	Qt.	OBSERVAÇÕES
1	LH00035338	GEAR POSITION SENSOR	1	
2	LH00035226	O-RING 26×2.5	1	
3	LH00010191	BOLT M6×18	2	
4	LH00035220	BREATHER HOSE	1	
5	LH00035219	JOINT, BREATHER HOSE	1	
6	LH00010845	CLAMP A12	2	
7	LH00035339	REVERSE GEAR SENSOR	1	
8	LH00035227	WASHER 10	1	
9	LH00035217	RIGHT CRANKCASE	1	
10	LH00010850	BEARING 6208	1	
11	LH00010848	BEARING 63/22	1	
12	LH00035218	OIL SEAL 22×38×7	1	
13	LH00010851	BEARING 6203RS	1	
14	LH00010860	BEARING 5206C3	1	
15	LH00035222	OIL SEAL 30×45×8	1	
16	LH00010186	BOLT M6×35	6	

# LH500-D

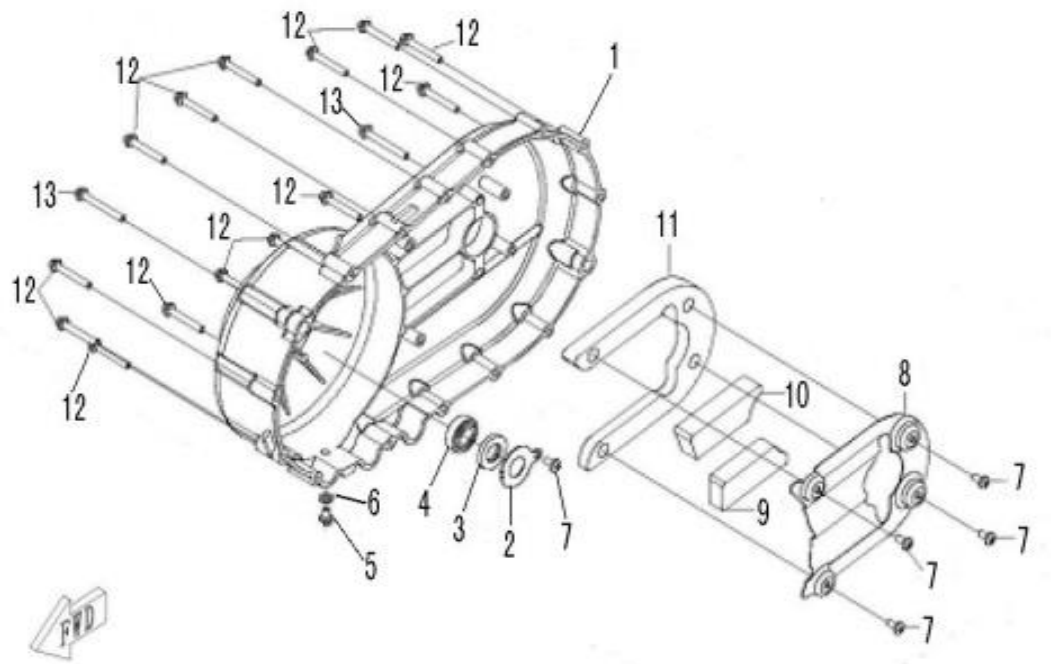
## E9 CVT HOUSING



N°	CÓDIGO	DESCRIÇÃO	Qt.	OBSERVAÇÕES
1	LH00035235	CVT HOUSING	1	
2	LH00035238	GASKET 1, CVT HOUSING	1	
3	LH00035094	DOWEL PIN 10×14	2	
4	LH00035251	OIL SEAL 54×70×8	1	
5	LH00035228	SPACER, DRIVE SHAFT	1	
6	LH00035229	O-RING 39×2.3	1	
7	LH00010852	BEARING 6208RS	1	
8	LH00035236	BEARING RETAINER, CVT	1	
9	LH00035237	PLATE, AIR INTAKE	1	
10	LH00010140	BOLT M6×12	7	
11	LH00035233	BOLT M8×45	8	
12	LH00035232	BOLT M8×50	2	
13	LH00010187	BOLT M6×25	4	
14	LH00035239	GASKET 2, CVT HOUSING	1	
15	LH00035118	DOWEL PIN 13×18	2	
16	LH00035231	GASKET, CVT COVER	1	
17	LH00035533	RUBBER STRIP	1	

# LH500-D

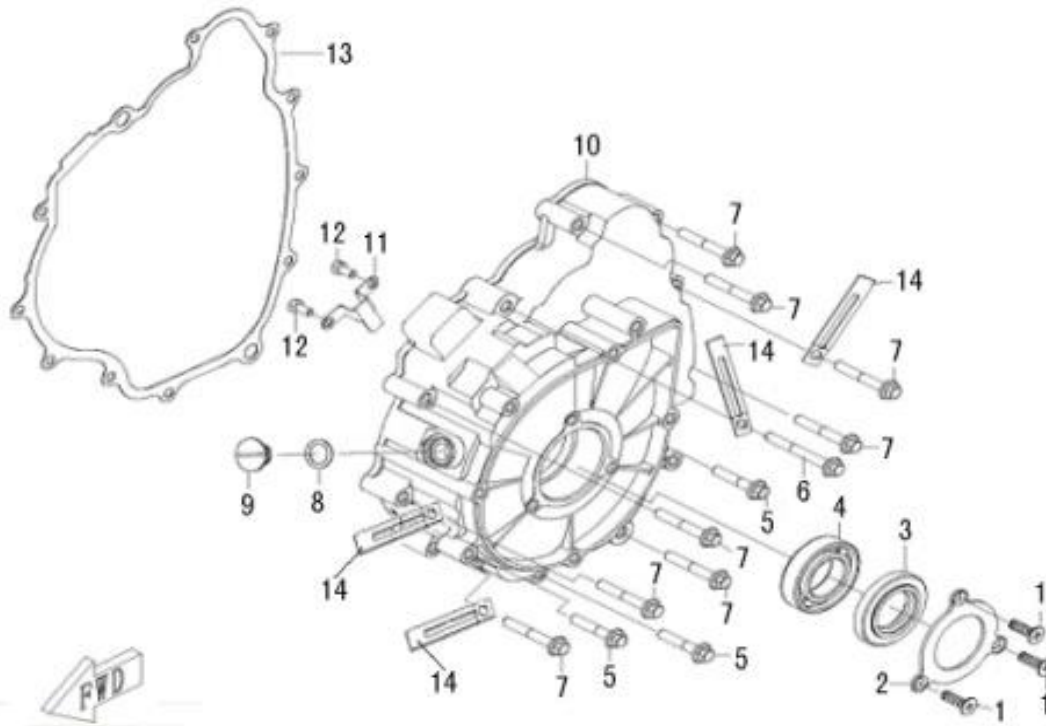
## E10 CVT COVER



N°	CÓDIGO	DESCRIÇÃO	Qt.	OBSERVAÇÕES
1	LH00035230	CVT COVER	1	
2	LH00035253	LIMITATOR, OIL SEAL	1	
3	LH00035252	OIL SEAL 17×35×5	1	
4	LH00010853	BEARING 6003/P6	1	
5	LH00010826	BOLT M6×10	1	
6	LH00035108	WASHER 6	1	
7	LH00026262	SCREW M6×12	5	
8	LH00035254	DAMPER PLATE	1	
9	LH00035257	RUBBER DAMPER 3	1	
10	LH00035255	RUBBER DAMPER 1	1	
11	LH00035256	RUBBER DAMPER 2	1	
12	LH00029503	BOLT M6×45	14	
13	LH00010530	BOLT M6×55	2	

## LH500-D

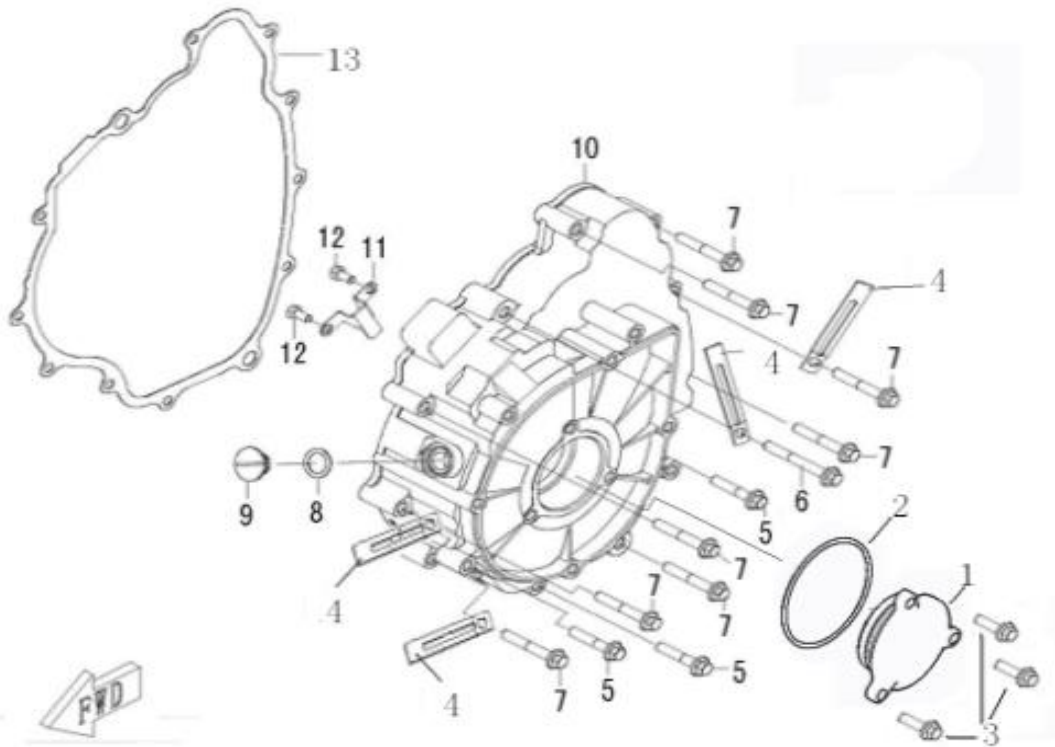
### E11 LEFT CRANKCASE COVER



N°	CÓDIGO	DESCRIÇÃO	Qt.	OBSERVAÇÕES
1	LH00010832	SCREW M6×10	3	
2	LH00035245	HOLDER,OIL SEAL	1	
3	LH00035248	OIL SEAL 28×52×7	1	
4	LH00010854	BEARING 60/28	1	
5	LH00010329	BOLT M6×32	3	
6	LH00010349	BOLT M6×50	1	
7	LH00010177	BOLT M6×40	8	
8	LH00035250	O-RING 12x2.8	1	
9	LH00035249	PLUG, INSPECTION	1	
10	LH00035234	LEFT CRANKCASE COVER	1	
11	LH00035246	LEAD HOLDER	1	
12	LH00010829	BOLT M5×10	2	
13	LH00035244	GASKET, LEFT CRANKCASE COVER	1	
14	LH00035247	CABLE CLAMP	4	

## LH500-D

### E12 LEFT CRANKCASE COVER (2016 NEW MODEL)

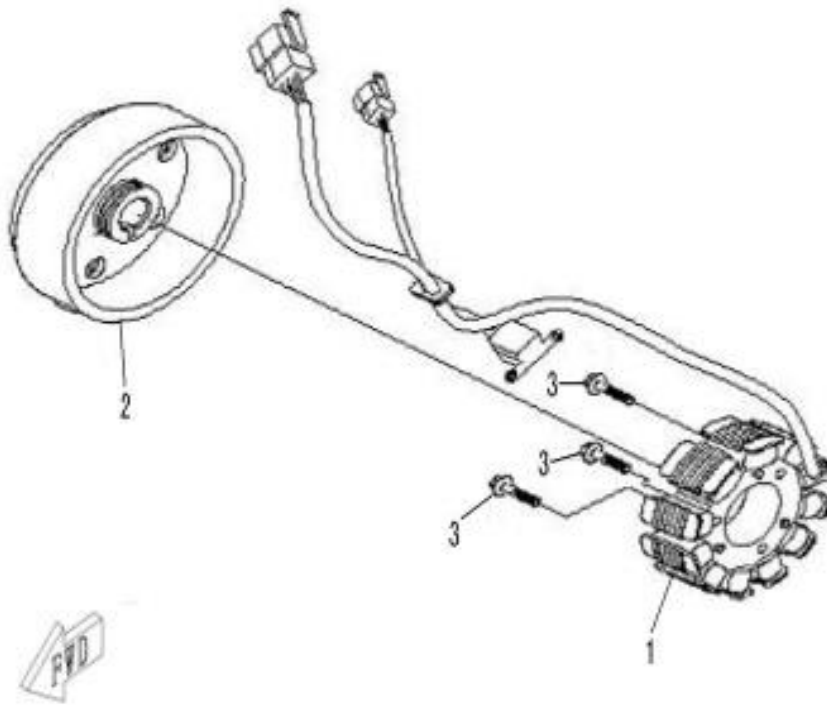


N°	CÓDIGO	DESCRIÇÃO	Qt.	OBSERVAÇÕES
1	LH00035537	END CAP	1	
2	LH00010039	O-RING 46.5X2.65	1	
3	LH00010140	BOLT M6×12	3	
4	LH00035247	CABLE CLAMP	4	
5	LH00010329	BOLT M6×32	3	
6	LH00010349	BOLT M6×50	1	
7	LH00010177	BOLT M6×40	8	
8	LH00035250	O-RING 12x2.8	1	
9	LH00035249	PLUG, INSPECTION	1	
10	LH00035234	LEFT CRANKCASE COVER	1	
11	LH00035246	LEAD HOLDER	1	
12	LH00010829	BOLT M5×10	2	
13	LH00035244	GASKET, LEFT CRANKCASE COVER	1	



# LH500-D

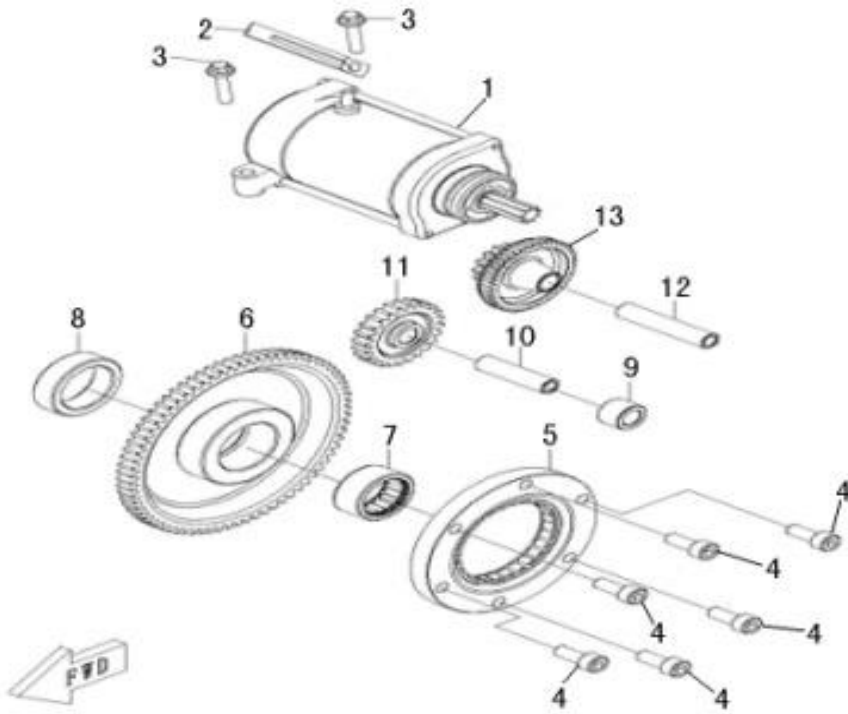
## E13 GENERATOR



N°	CÓDIGO	DESCRIÇÃO	Qt.	OBSERVAÇÕES
1	LH00035334	STATOR ASSY	1	
2	LH00035335	ROTOR ASSY	1	
3	LH00010182	BOLT M6×30	3	

## LH500-D

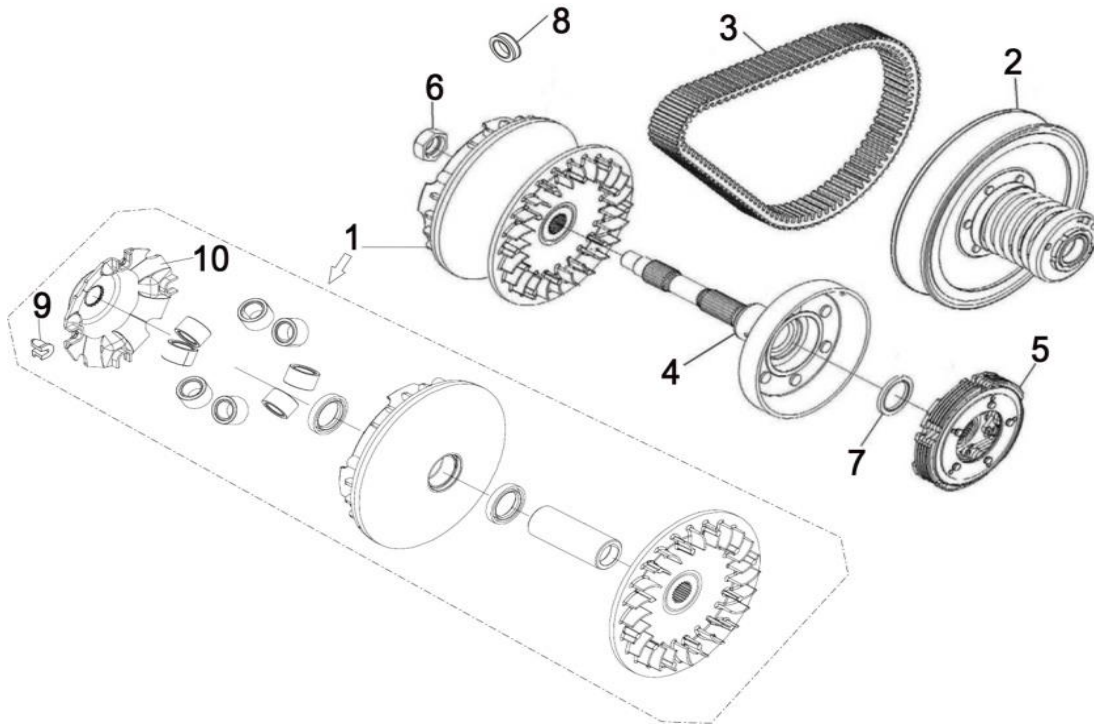
### E14 ELECTRIC STARTER



N°	CÓDIGO	DESCRIÇÃO	Qt.	OBSERVAÇÕES
1	LH00035336	STARTING MOTOR	1	
2	LH00035247	CABLE CLAMP	1	
3	LH00010182	BOLT M6×30	2	
4	LH00010830	SCREW M8×20	6	
5	LH00035265	STATER CLUTCH	1	
6	LH00035260	OUTPUT GEAR ASSY	1	
7	LH00010859	NEEDLE BEARING RNA49/22	1	
8	LH00035259	SPACER	1	
9	LH00035264	IDLE GEAR BUSHING	1	
10	LH00035262	IDLE GEAR SHAFT	1	
11	LH00035263	IDLE GEAR	1	
12	LH00035261	AXLE, DUAL GEAR	1	
13	LH00035258	DUAL GEAR	1	

## LH500-D

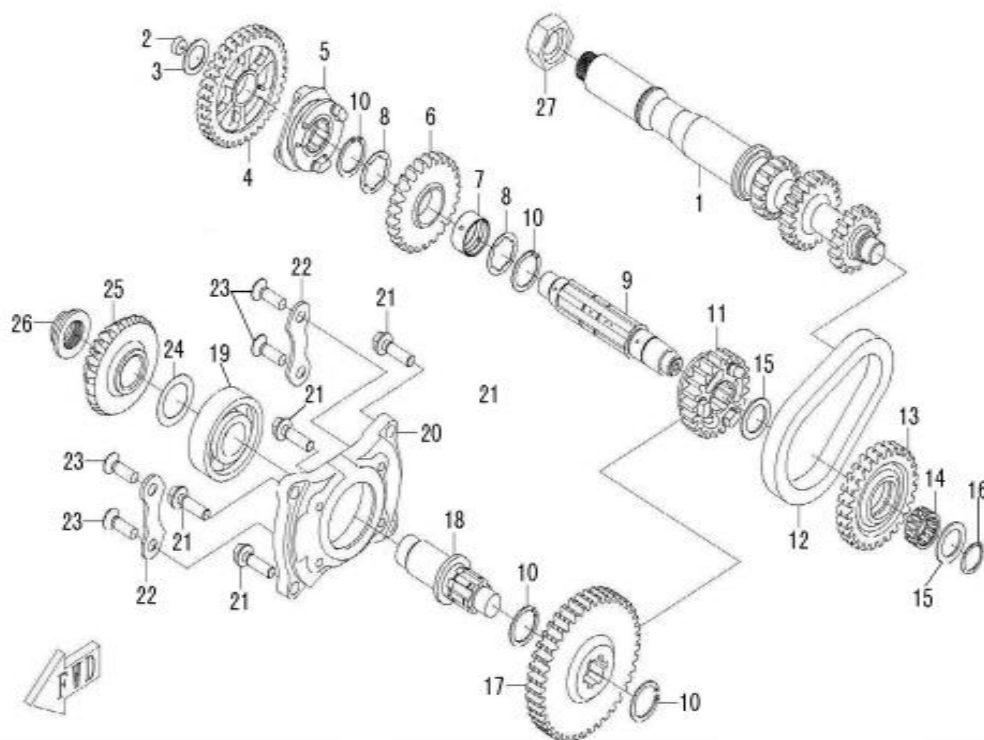
### E15 CLUTCH



N°	CÓDIGO	DESCRIÇÃO	Qt.	OBSERVAÇÕES
1	LH00035298	DRIVE ASSY COMP	1	
2	LH00035299	DRIVEN ASSY COMP	1	
2	LH0035299a	DRIVEN ASSY COMP (MARK "R1210")	1	
3	LH00035297	V-BELT	1	
4	LH00035295	CLUTCH HOUSING ASSY	1	
5	LH00035296	CLUTCH CARRIER ASSY	1	
6	LH00035294	NUT M20x1.5	1	
7	LH00035293	OIL SEAL 38x46x4/6, END FACE	1	
8	LH00035668	ROLLER	8	
9	LH00035932	SPACER1	4	
10	LH00035933	CAM	1	

# LH500-D

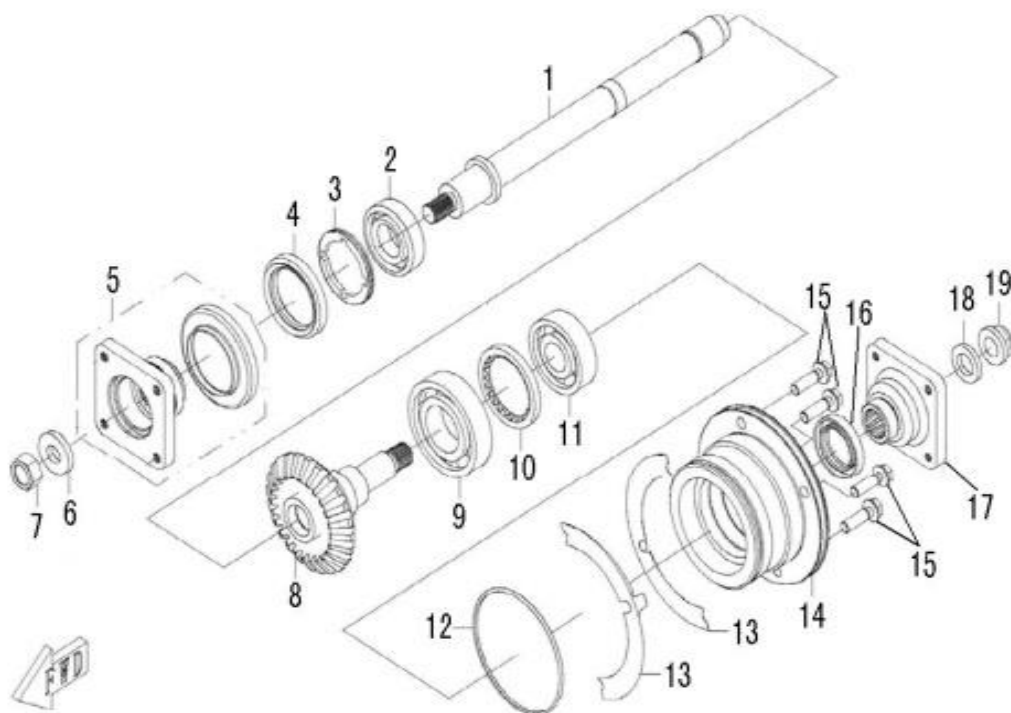
## E16 TRANSMISSION I



N°	CÓDIGO	DESCRIÇÃO	Qt.	OBSERVAÇÕES
1	LH00035320	MAIN SHAFT. GEARSHIFT	1	
2	LH00035309	BELL PLUG 12	1	
3	LH00035307	WASHER 17.5×26×1	1	
4	LH00035318	DRIVEN GEAR, LOW RANGE	1	
5	LH00035314	SLIDING BUSH, GEARSHIFT	1	
6	LH00035316	DRIVEN GEAR, HIGH RANGE	1	
7	LH00035317	BUSHING, DRIVEN HIGH RANGE GEAR	1	
8	LH00035310	SPLINE WASHER	2	
9	LH00035315	DRIVEN SHAFT	1	
10	LH00035311	CIRCLIP 25	2	
11	LH00035308	DRIVEN OUTPUT GEAR	1	
12	LH00035313	CHAIN, REVERSE GEAR	1	
13	LH00035319	SPROCKET, REVERSE GEAR	1	
14	LH00010858	NEEDLE BEARING K20X26X12	1	
15	LH00035312	WASHER 20.5×30×1.5	2	
16	LH00024407	CIRCLIP 20	1	
17	LH00035271	OUTPUT DRIVEN GEAR	1	
18	LH00035276	DRIVE BEVEL GEAR SHAFT	1	
19	LH00010855	BEARING 6305C3	1	
20	LH00035274	BEARING SEAT,DRIVE BEVEL GEAR	1	
21	LH00035286	BOLT M8×28	4	
22	LH00035287	BEARING LIMIT	2	
23	LH00010276	SCREW M8×25	4	
24	LH00035277	ADJUST WASHER, DRIVE BEVEL GEAR	1	
25	LH00035272	DRIVE BEVEL GEAR	1	
26	LH00035275	LOCKNUT, BEVEL GEAR	1	
27	LH00035294	NUT M20x1.5	1	

## LH500-D

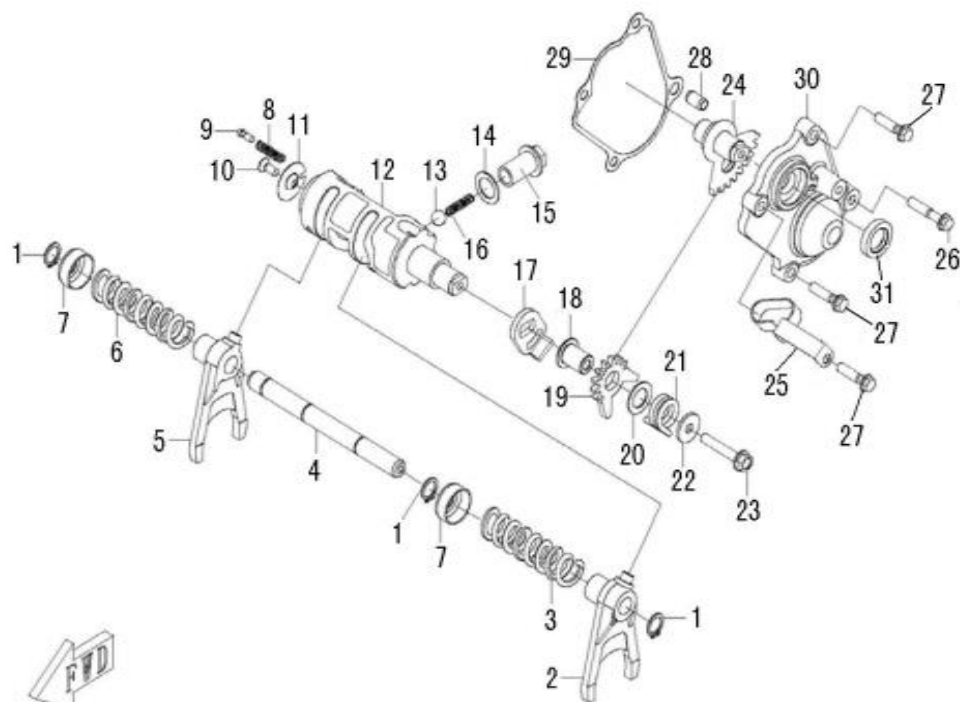
### E17 TRANSMISSION II



Nº	CÓDIGO	DESCRIÇÃO	Qt.	OBSERVAÇÕES
1	LH00035288	FRONT OUTPUT SHAFT	1	
2	LH0010267N	BEARING 6205	1	
3	LH00035291	BEARING RETAINER, FRONT OUTPUT SHAFT	1	
4	LH00035289	OIL SEAL 44×60×6.7/10	1	
5	LH00035290	COUPLER, FRONT TRANSMISSION OUTPUT	1	
6	LH00035292	WASHER,FRONT TRANSMISSION OUTPUT SHAFT NUT	1	
7	LH00010837	NUT M14×1.5-10	1	
8	LH00035273	DRIVEN BEVEL GEAR	1	
9	LH00010856	BEARING 6207/P63	1	
10	LH00035282	BEARING LIMIT NUT	1	
11	LH00010848	BEARING 63/22	1	
12	LH00035279	O-RING 88×2.4	1	
13	LH00035280	ADJUST WASHER, DRIVEN BEVEL GEAR	2	
14	LH00035278	BEARING SEAT, DRIVEN BEVEL GEAR	1	
15	LH00035286	BOLT M8×28	4	
16	LH00035281	OIL SEAL 30×46×7	1	
17	LH00035283	COUPLER, REAR TRANSMISSION OUTPUT	1	
18	LH00035284	WASHER, REAR OUTPUT SHAFT NUT	1	
19	LH00035285	NUT, REAR OUTPUT SHAFT	1	

## LH500-D

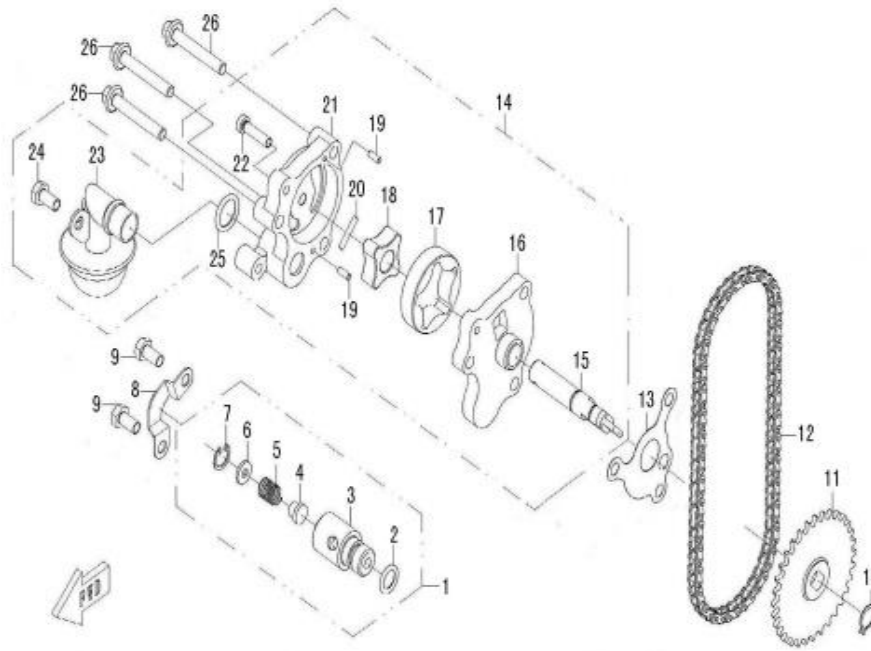
### E18 TRANSMISSION III



Nº	CÓDIGO	DESCRIÇÃO	Qt.	OBSERVAÇÕES
1	LH00010129	CIRCLIP 12	3	
2	LH00035330	LEFT SHIFT FORK	1	
3	LH00035327	SPRING 1, SHIFT FORK	1	
4	LH00035333	GUIDE BAR	1	
5	LH00035329	RIGHT SHIFT FORK	1	
6	LH00035328	SPRING 2, SHIFT FORK	1	
7	LH00035326	SPRING SEAT	2	
8	LH00035322	SPRING, GEAR CONTACTOR	1	
9	LH00035321	GEAR CONTACTOR	1	
10	LH00010135	SCREW M5×12	1	
11	LH00035323	LIMIT WASHER	1	
12	LH00035331	SHIFT CAM	1	
13	LH00010842	FRICTION BALL 3/8	1	
14	LH00035324	WASHER 14×22×1	1	
15	LH00035325	HOLE BOLT M14×1.5	1	
16	LH00035332	LIMIT SPRING	1	
17	LH00035303	WASHER, DRIVEN SECTOR GEAR	1	
18	LH00035302	SHAFT, DRIVEN SECTOR GEAR	1	
19	LH00035301	DRIVEN SECTOR GEAR	1	
20	LH00035304	WASHER 13.5×22×1	1	
21	LH00035305	TORSION SPRING, DRIVEN SECTOR GEAR	1	
22	LH00035306	WASHER 6.6×20×2	1	
23	LH00010186	BOLT M6×35	1	
24	LH00035300	WELD PART, DRIVE SECTOR GEAR	1	
25	LH00035243	CLIP	1	
26	LH00010329	BOLT M6×32	1	
27	LH00010187	BOLT M6×25	3	
28	LH00050076	DOWEL PIN 8×14	1	
29	LH00035241	GASKET, SECTOR GEAR HOUSING	1	
30	LH00035240	COVER, SECTOR GEAR HOUSING	1	
31	LH00035242	OIL SEAL 15×25×5	1	

## LH500-D

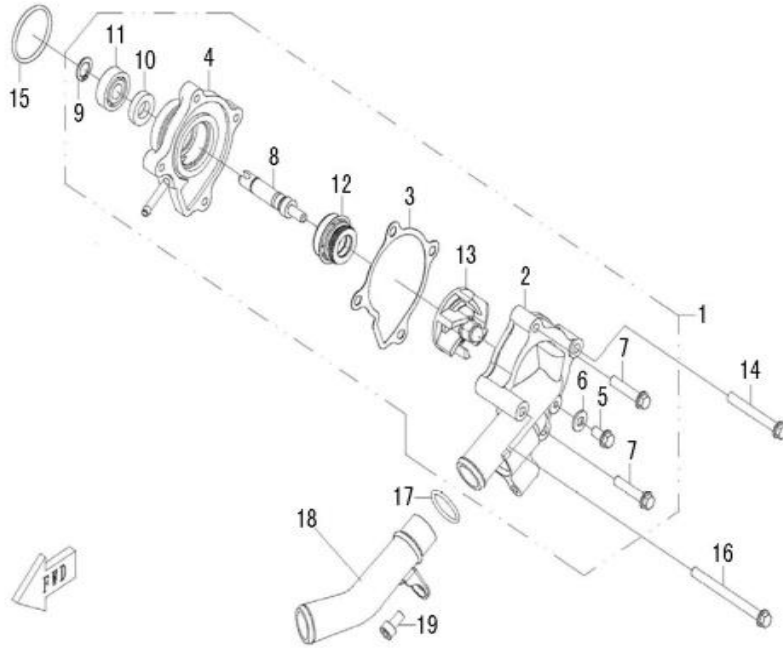
### E19 OIL PUMP



Nº	CÓDIGO	DESCRIÇÃO	Qt.	OBSERVAÇÕES
1	LH00035197	RELIEF VALVE	1	
2	LH00035200	O-RING 10x2.3	1	
3	LH00035198	RELIEF VALVE BODY	1	
4	LH00035199	OIL PLUG, RELIEF VALVE	1	
5	LH00035201	SPRING RELIEF VALVE	1	
6	LH00035202	SPRING WASHER	1	
7	LH00010838	CIRCLIP 12	1	
8	LH00035203	PRESSURE STRIP,RELIEF VALVE	1	
9	LH00010140	BOLT M6x12	2	
10	LH00010840	CIRCLIP 11	1	
11	LH00035191	SPROCKET, OIL PUMP	1	
12	LH00035196	CHAIN, OIL PUMP	1	
13	LH00035206	GASKET, OIL PUMP	1	
14	LH00035195	OIL PUMP	1	
15	LH00035192	SHAFT, OIL PUMP	1	
16	LH00035187	COVER, OIL PUMP	1	
17	LH00035189	OUTER ROTOR,OIL PUMP	1	
18	LH00035190	INNER ROTOR,OIL PUMP	1	
19	LH00035193	DOWEL PIN	2	
20	LH00035194	STRAIGHT PIN	1	
21	LH00035188	OIL PUMP HOUSING	1	
22	LH00010857	SCREW M5x20	1	
23	LH00035204	OIL STRAINER	1	
24	LH00010210	BOLT M6x14	1	
25	LH00035205	O-RING 14x2.5	1	
26	LH00010177	BOLT M6x40	3	

## LH500-D

### E20 WATER PUMP

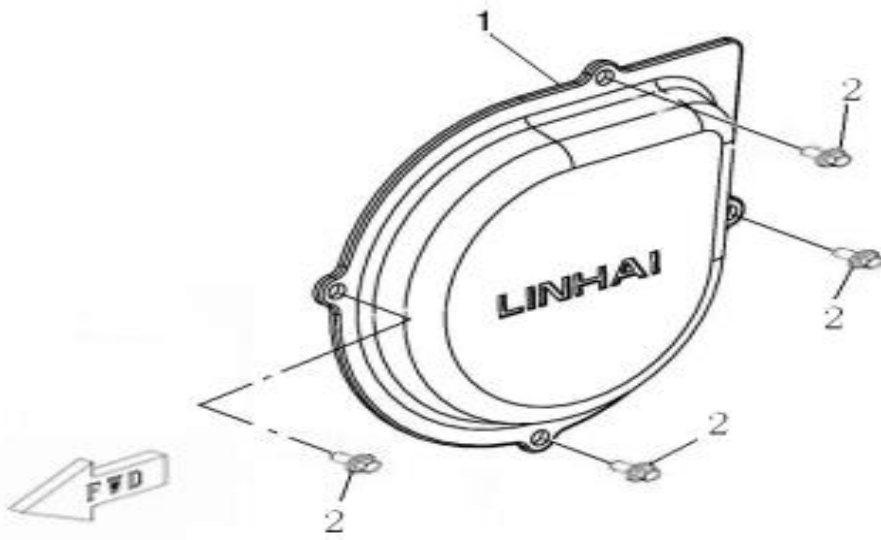


Nº	CÓDIGO	DESCRIÇÃO	Qt.	OBSERVAÇÕES
1	LH00035179	WATER PUMP ASSY	1	
2	LH00035173	WATER PUMP COVER	1	
3	LH00035176	GASKET	1	
4	LH00035172	WATER PUMP HOUSING	1	
5	LH00010140	BOLT M6×12	1	
6	LH00035108	WASHER 6	1	
7	LH00010182	BOLT M6×30	2	
8	LH00035175	WATER PUMP SHAFT	1	
9	LH00010839	CIRCLIP 10	1	
10	LH00035177	OIL SEAL 10×20×5	1	
11	LH00070020	BEARING 6000	1	
12	LH00035178	WATER SEAL	1	
13	LH00035180	IMPELLER	1	
14	LH00010349	BOLT M6×50	1	
15	LH00035174	O-RING 34×2.5	1	
16	LH00010160	BOLT M6×70	1	
17	LH00035182	O-RING 21×2.5	1	
18	LH00035181	WATER OUTLET PIPE	1	
19	LH00010831	SCREW M6×10	1	



## LH500-D

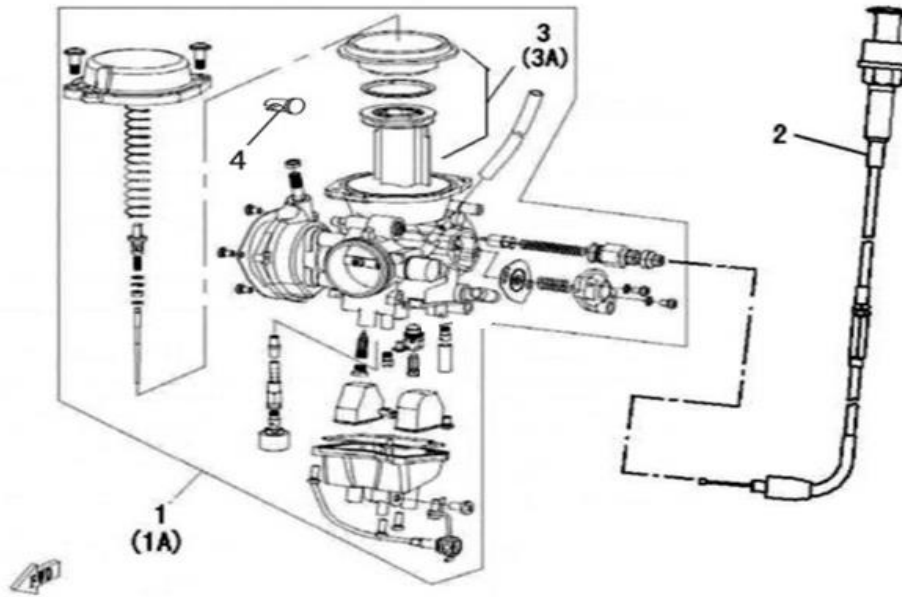
### E21 LEFT SIDE COVER (2016 NEW MODEL)



Nº	CÓDIGO	DESCRIÇÃO	Qt.	OBSERVAÇÕES
1	LH00035270	LEFT SIDE COVER	1	
2	LH00010140	BOLT M6×12 of ATV500-D	4	

# LH500-D

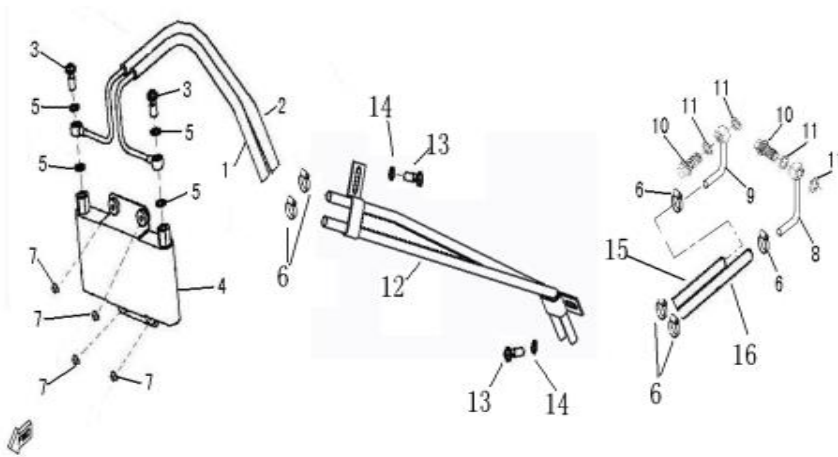
## E22 CARBURETOR



Nº	CÓDIGO	DESCRIÇÃO	Qt.	OBSERVAÇÕES
1	LH00035211	CARBURETOR	1	
2	LH00035340	LINE ASSY	1	
3	LH00035381	PLUNGER	1	
4	LH00035862	THROTTLE CABLE COLUMNAR	1	

# LH500-D

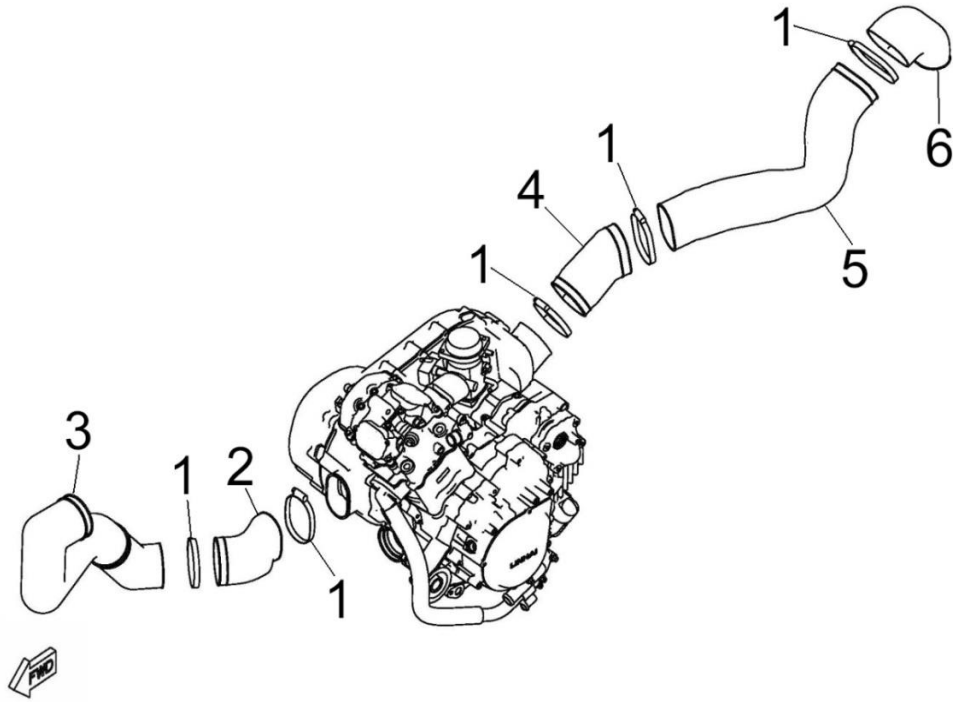
## E23 OIL RADIATOR



Nº	CÓDIGO	DESCRIÇÃO	Qt.	OBSERVAÇÕES
1	LH0035185A	PIPE A (OLD MODEL)	1	
2	LH0035184A	PIPE B (OLD MODEL)	1	
3	LH00035379	DRAIN PLUG	2	
4	LH00029850	OIL RADIATOR	1	
5	LH00035341	WASHER	4	
6	LH00010774	CLAMP 12/20	6	
7	LH00010836	NUT 6	4	
8	LH00035183	JOUNT A	1	
9	LH00035186	JOUNT B	1	
10	LH00035214	HINGE BOLT M14×1.5	2	
11	LH00035215	WASHER 14	4	
12	LH00036174	Oil cooling pipe	1	
13	LH0010183W	BOLT M6×16	2	
14	LH00010011	WASHER 6	2	
15	LH00036175	PIPE C (120mm)	1	
16	LH00036176	PIPE D (190mm)	1	

# LH500-D

## E24 CVT AIR SHROUD

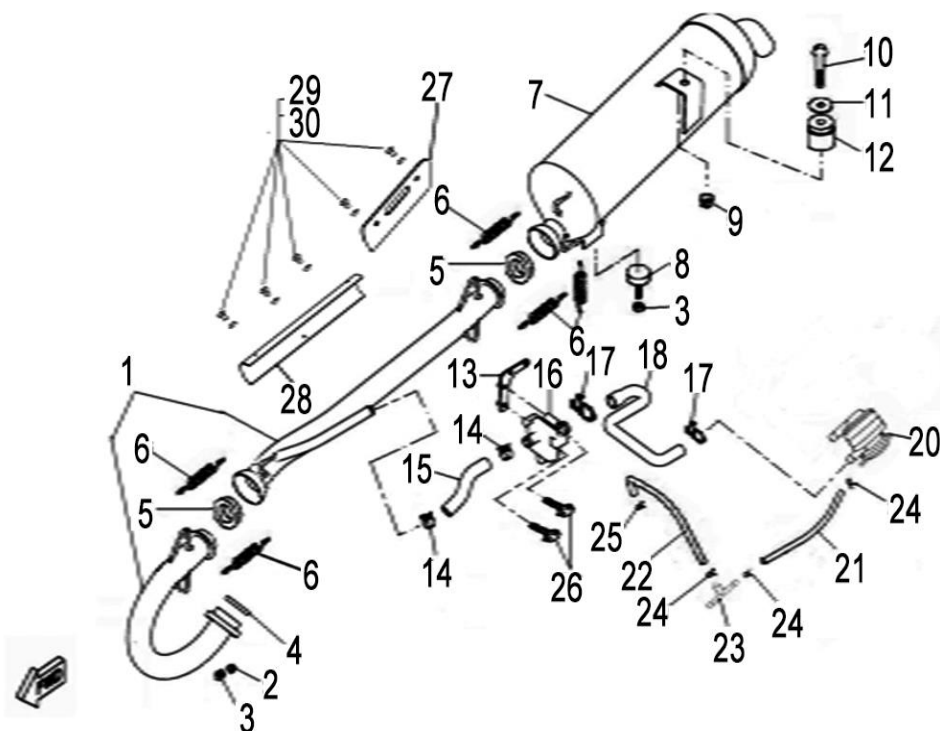


N°	CÓDIGO	DESCRIÇÃO	Qt.	OBSERVAÇÕES
1	LH00035670	CLAMP 80	5	
2	LH00035346	RUBBER JOINT AIR SHROUD 1, CVT	1	
3	LH00035347	AIR SHROUD 1, CVT	1	
4	LH00035348	RUBBER JOINT AIR SHROUD 2, CVT	1	
5	LH00035349	AIR SHROUD 2, CVT	1	
6	LH00035350	RUBBER JOINT AIR SHROUD 3, CVT	1	



## LH500-D

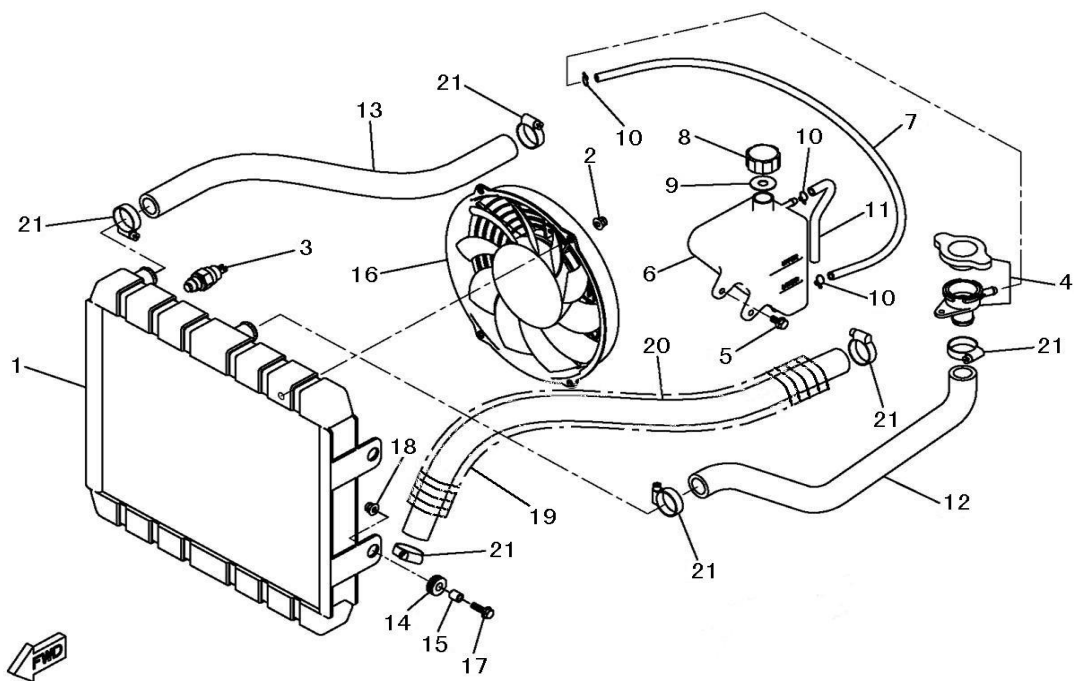
### E26 EXHAUST



Nº	CÓDIGO	DESCRIÇÃO	Qt.	OBSERVAÇÕES
1	LH00035368	EXHAUST PIPE	1	
2	LH00010106	WASHER 8	2	
3	LH00010099	NUT M8	3	
4	LH00035369	EXHAUST PIPE GASKET	1	
5	LH00035370	JOINT	2	
6	LH00023408	SPRING	5	
7	LH00035371	MUFFLER	1	
8	LH00035345	MUFFLER SUPPORT BOTTOM	1	
9	LH00010015	NUT M10X1.25	1	
10	LH00010120	BOLT FLANGE M10X1.25X62	1	
11	LH00010117	WASHER PLATE 10	1	
12	LH00035344	MUFFLER SUPPORT	1	
13	LH00035373	VALVE BRACKET	1	
14	LH00070140	CLAMP 16/27	2	
15	LH00035374	HOSE C	1	
16	LH00035372	VALVE	1	
17	LH00043519	HOSE CLAMP 16	3	
18	LH00035375	HOSE B	1	
20	LH02603214	AIR INDUCTION SYSTEM ASSY	1	
21	LH00035680	PIPE,AIR INDUCTION (Φ4.5XΦ8X200)	1	
22	LH00035376	PIPE	1	
23	LH00035681	TRI-CONNECTER	1	
24	LH00071952	CLIP 9.8	3	
25	LH00043522	CLIP 7.6	2	
26	LH00010186	BOLT M6X35	2	
27	LH00035535	SAFETY GUARD 2	1	
28	LH00035536	SAFETY GUARD 1	1	
29	LH00010730	BOLT M6X12	5	
30	LH00010308	WASHER 6	5	

# LH500-D

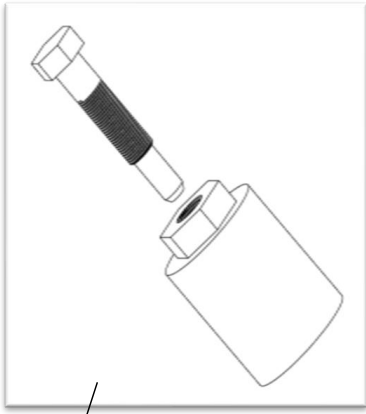
## E27 RADIATOR



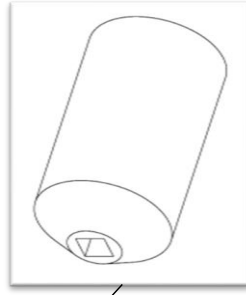
N°	CÓDIGO	DESCRIÇÃO	Qt.	OBSERVAÇÕES
1	LH00035351	RADIATOR	1	
2	LH00010103	NUT M6	4	
3	LH00027964	THERMOSTAT SWITCH ASSY	1	
4	LH0022907a	SAFETY VALVE	1	
5	LH00010140	BOLT M6X12	2	
6	LH00070340	TANK RECOVERY	1	
7	LH00035353	PIPE,SAFETY VALVE	1	
8	LH00070338	COVER,TANK RECOVERY	1	
9	LH00070339	WASHER,TANK RECOVERY	1	
10	LH00022924	CLIP	3	
11	LH00070342	PIPE,TANK RECOVERY	1	
12	LH0022909t	HOSE,RADIATOR	1	
13	LH00035355	HOSE,FEED	1	
14	LH00022917	RADIATOR SIDE GROMMET	4	
15	LH00022918	COLLAR	4	
16	LH00035354	BLOWER ASSY	1	
17	LH00010110	BOLT M6X20	4	
18	LH00010004	NUT M6	4	
19	LH00035352	SLEEVE	1	
20	LH00070347	HOSE,RETURN	1	
21	LH00070344	CLAMP 20/32	6	

## LH500-D

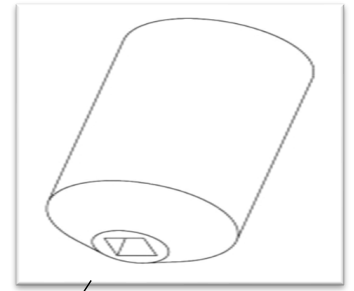
### E28 SPECIAL SERVICE TOOL



1



2



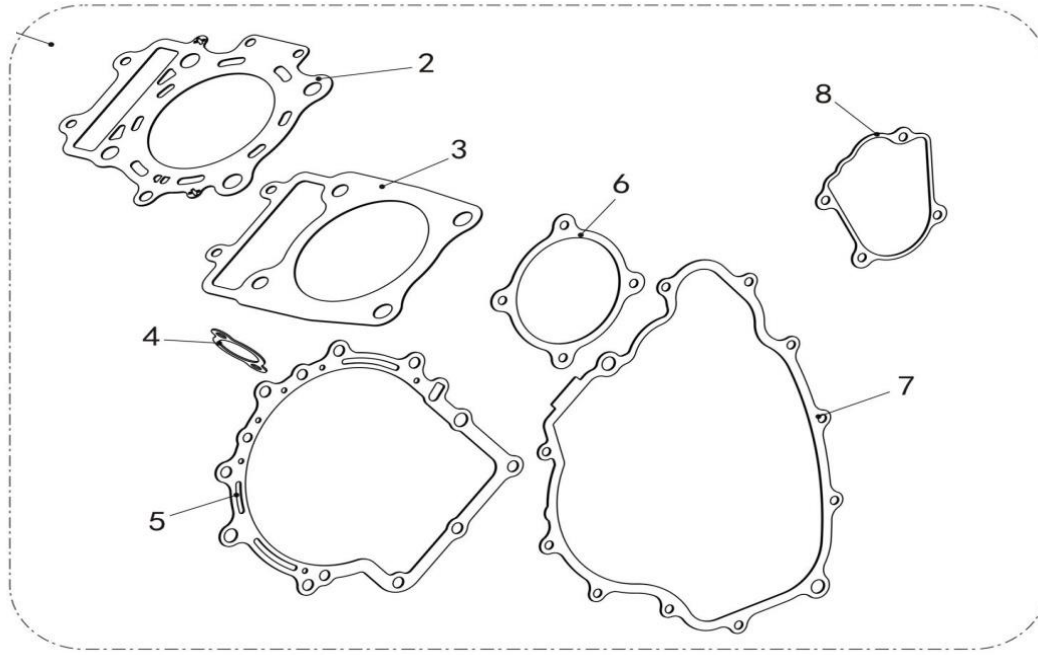
3

N°	CÓDIGO	DESCRIÇÃO	Qt.	OBSERVAÇÕES
1	LH00080129	Rotor ASSY puller	1	
2	LH00080130	BEARING RETAINER, FRONT OUTPUT SHAFT, NUT WRENCH	1	
3	LH00080131	BEARING LIMIT NUT, NUT WRENCH	1	



# LH500-D

## E29 GASKET ASSY



N°	CÓDIGO	DESCRIÇÃO	Qt.	OBSERVAÇÕES
2	LH00035106	GASKET,CYLINDER HEAD	1	
3	LH00035120	GASKET, CYLINDER	1	
4	LH00035158	GASKET, TENSIONER	1	
5	LH00035238	GASKET 1, CVT HOUSING	1	
6	LH00035239	GASKET 2, CVT HOUSING	1	
7	LH00035244	GASKET, LEFT CRANKCASE COVER	1	
8	LH00035241	GASKET, SECTOR GEAR HOUSING	1	