

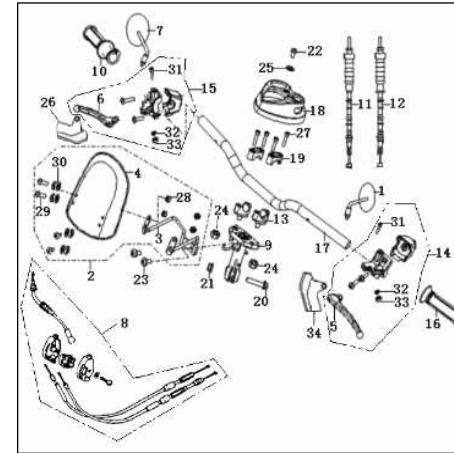
MILAN 50



MILAN 50

F01 STEERING

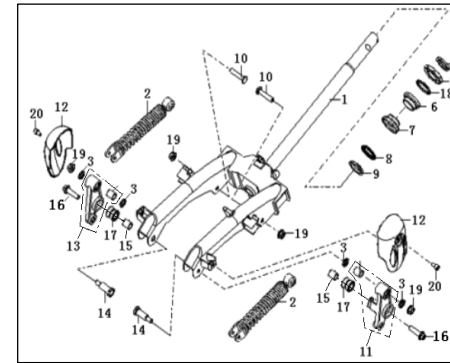
NO.	PART NO.	EN DESCRIPTION	QTY	NOTES
1	40460B50T002	MIRROR ASSY, REAR VIEW, LH	1	
2	65500B50T000	COWLING ASSY	1	
3	03320B130011	SKELETON ASSY, SUPPORT	1	
4	65501B50T000	COWLING	1	
5	40002B50T000	LEVER , L	1	
6	40014B50T000	LEVER , R	1	
7	40470B50T002	MIRROR ASSY, REAR VIEW, RH	1	
8	40300B130004	CABLE ASSY., THROTTLE	1	
9	40180B50T000	MOUNTING SEAT, HANLEBAR	1	
10	40210B50T001	GRIP ASSY, RH	1	
11	40250B130005	CABLE ASSY., FRONT BRAKE	1	
12	40270B130005	CABLE ASSY., REAR BRAKE	1	
13	43013B50T000	BRACKET, HANDLEBAR, LOWER	2	
14	40500B130002	SWITCH ASSY., LH	1	
15	40600B130004	SWITCH ASSY., RH	1	
16	40001B50T001	GRIP, LH	1	
17	40101B130002	HANLEBAR	1	
18	43005B50T000	COVER, MOUNTING SEAT	1	
19	43014B50T000	BRACKET, HANDLEBAR, UPPER	2	
20	B01091004565	BOLT 10X1.25X45MM	1	
21	B04171012555	NUT 10X1.25MM	1	
22	B02000501225	SCREW 5X12MM	1	
23	B01070601265	SCREW 6X12MM	2	
24	B04171012555	NUT 10X1.25MM	2	
25	B07030000505	WASHER 5	1	
26	40008B0ET000	JACKET, BRAKE CABLE	1	
27	B0107060306A	BOLT 6X30MM	4	
28	B04070500055	NUT 5MM	4	
29	B02060501425	SCREW 5X14MM	4	
30	65509B50T000	RUBBER WASHER	4	
31	40015B50T000	SCREW	2	
32	B07000000505	WASHER 5	2	
33	B04000500063	NUT 5MM	2	
34	40007B0ET000	JACKET, LEVER L	1	



MILAN 50

F02 FRONT FORK

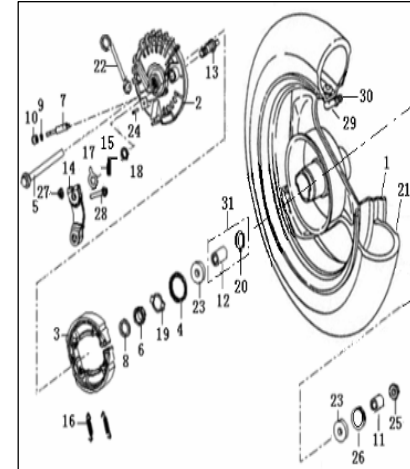
NO.	PART NO.	EN DESCRIPTION	QTY	NOTES
1	43100B50T000	LOWER BRACKET ASSY.	1	
2	43200B50T000	FRONT CUSHION ASSY	2	
3	43910B50T000	SEAL ASSY	4	
4	43017J0ET000	NUT, STEERING STEM	1	
5	43001B50T000	RACE, UPPER, UPPER BEARING	1	
6	43002B50T000	RACE, LOWER, UPPER BEARING	1	
7	43003B50T000	RACE, UPPER, LOWER BEARING	1	
8	43131B50T000	RETAINER, BEARING	1	
9	43004B50T000	RACE,LOWER,LOWER BEARING	1	
10	08011B50T000	BOLT	2	
11	43950B50T000	LEVER, LH. FRONT FORK	1	
12	43012B50T000	DECORATION PLATE	2	
13	43900B50T000	LEVER, RH. FRONT FORK	1	
14	08012B50T000	BOLT	2	
15	43901B50T000	BUSH	2	
16	08013B50T000	BOLT	2	
17	43904B50T000	WASHER, RUBBER	2	
18	B06010110000	BALL, STEEL	25	
19	B04070800055	NUT 8MM	4	
20	B01090601665	BOLT 6X16MM	2	



MILAN 50

F03 FRONT WHEEL

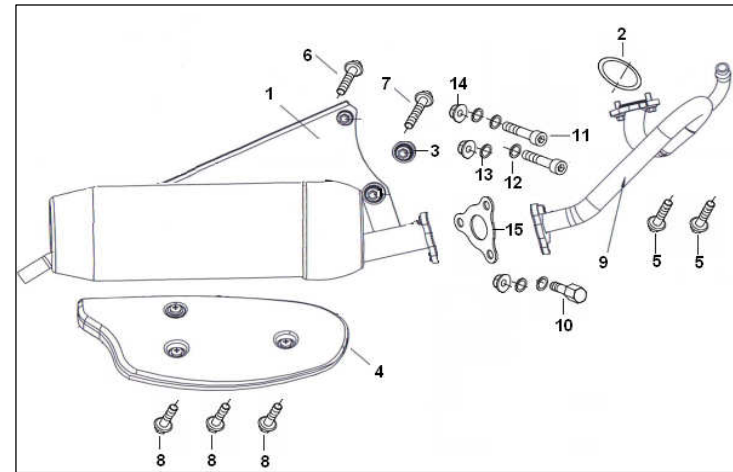
NO.	PART NO.	EN DESCRIPTION	QTY	NOTES
1	44100B50TB20	RIM, FRONT WHEEL	1	
2	44400B0ATB20	PANEL ASSY.	1	
3	44500B0AT000	BRAKE SHOE	1	JOGO
4	44300B0AT000	DUST SEAL	1	
5	44004B50T000	AXLE, FRONT WHEEL	1	
6	44201B0AT000	GEAR, SPEEDOMETER	1	
7	44202B0AT000	PINION, SPEEDOMETER	1	
8	44203B0AT000	WASHER, GEAR	1	
9	44204B0AT000	WASHER, PINION	1	
10	44205B0AT000	BUSH, PINION	1	
11	44016B50T000	SPACER, RH.	1	
12	44601B0AT000	BUSH, MID	1	
13	44003B040010	CAMSHAFT, FR. BRAKE	1	
14	44007B040010	LEVER, FR. BRAKE	1	
15	44008B040010	SPRING, BRAKE RETURN	1	
16	44001B0AT000	SPRING, BRAKE SHOE	2	
17	44002B070010	INDICATOR, WEAR	1	
18	44015B0AT000	SEAL, CAMSHAFT	1	
19	44023B0AT000	PLATE, DRIVING	1	
20	44602B0AT000	FLANGE SPACER	1	
21	B140104F10AA	TIRE (90/90-10)	1	
22	44019B50T000	CLIP	1	
23	B12046020000	BEARING	2	
24	B02020502025	SCREW 5X20MM	1	
25	B04171012555	NUT 10X1.25MM	1	
26	44300B50T000	OIL SEAL	1	
27	B04170600055	NUT 6MM	1	
28	B01090603565	BOLT 6X35MM	1	
29	B1403Z201120	RIM , VALVE	1	
30	B1404Z2011C0	CAP, VALVE	1	
31	44600B0AT000	SPACER ASSY,FR.WHEEL	1	



MILAN 50

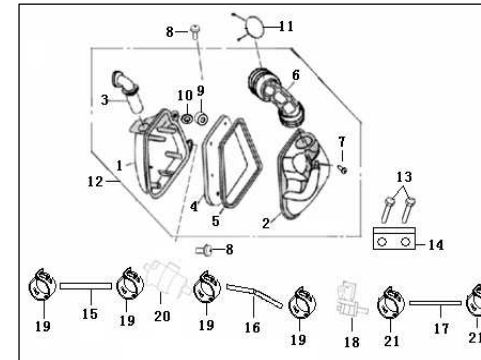
F04 MUFFLER

NO.	PART NO.	EN DESCRIPTION	QTY	NOTES
1	47100B130008	MUFFLER WITH ACCELERANT	1	
2	47800B0DT000	GASKET,EXHAUST PIPE	1	
3	47740B0ET000	BUSH ASSY	1	
4	47760B0CT000	COVER,MUFFLER	1	
5	B01070601665	BOLT 6X16MM	2	
6	B01070802065	BOLT 8X20MM	1	
7	B01070803065	BOLT 8X30MM	1	
8	B0107060086A	BOLT 6X8MM	3	
9	47500B130009	EXHAUST PIPE COMP.	1	
10	08017B920010	SCREW	1	
11	B02050803065	SCREW 8X30MM	2	
12	B07000000805	WASHER 8	3	
13	B07030000805	WASHER 8	3	
14	B04000800045	NUT 8	3	
15	47491B920002	GASKET, FLANGE	1	



F05 AIR CLEANER

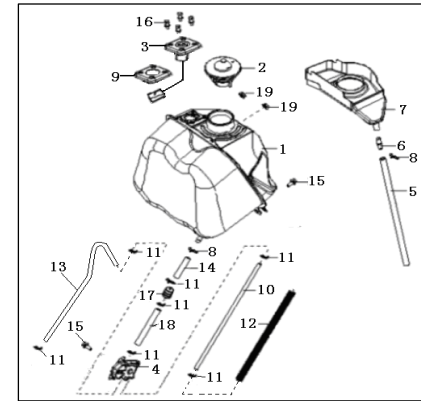
NO.	PART NO.	EN DESCRIPTION	QTY	NOTES
1	49101B0AT000	CASE, AIR CLEANER	1	
2	49001B0AT000	COVER, AIR CLEANER	1	
3	49002B130001	GUIDE PIPE (φ 16)	1	
4	49200B0AT000	FILTER	1	
5	49013B0AT000	SEAL GASKET	1	
6	49005B0AT000	CONNECTING PIPE	1	
7	B05075002505	TAPPING SCREW	3	
8	B13140602005	SCREW 6X20MM	2	
9	49004B0AT000	BUSH	2	
10	49022B0AT000	GROMMET	2	
11	49016F0BT000	CLIP	1	
12	49100B130005	AIR CLEANER ASSY.	1	
13	B01090601265	SCREW 6X12MM	2	
14	57051B2GT000	PLATE,ONE WAY VALVE	1	
15	49853BMMT001	HOSE II 85MM	1	
16	49852BMMT001	HOSE I 380MM	1	
17	49851BMMT001	HOSE 550MM	1	
18	49840B0ES000	ONE WAY VALVE II	1	
19	49805BMBT000	SPRING □,LOCK φ17.5	4	
20	49870B2GT000	AIR CLEANER,SMALL	1	
21	49855B0ES000	SPRING □,LOCK φ16.5	2	



MILAN 50

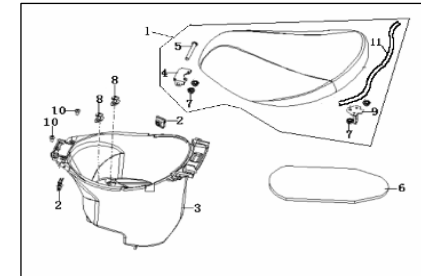
F06 FUEL TANK

NO.	PART NO.	EN DESCRIPTION	QTY	NOTES
1	50100B50T001	FUEL TANK COMP.STEEL	1	
2	50200B50T000	CAP, FUEL TANK	1	
3	50800B50T000	GAUGE ASSY, FUEL LEVEL	1	
4	50320B50T000	SHUTOFF ASSY., FUEL TANK	1	
5	50012B50T000	PIPE, WATER 7X11X486	1	
6	50013B50T000	CONNECT PIPE	1	
7	50011B50T000	CUSHION, ANTI-WATER	1	
8	64002BMAT000	CLIP 10.5	2	
9	50004B50T000	RUBBER JOINT, . GAUGE	1	
10	50301B50T000	FUEL HOSE1, 4.5X8.5X300	1	
11	50307J00P000	CLIP 8	7	
12	50324B50T000	SPRING, AIR HOSE	1	
13	B16010422801	FUEL HOSE ϕ 4X2X280	1	
14	50302B50T000	FUEL HOSE 2, 5X9X45	1	
15	B01090601665	BOLT 6X16MM	2	
16	B13140501405	BOLT ASSY. 5X14MM	4	
17	50340B50T000	FILTER, FUEL	1	
18	B16010C21001	FUEL HOSE 3, 4.5X8.5X100	1	
19	B04070600055	NUT	2	



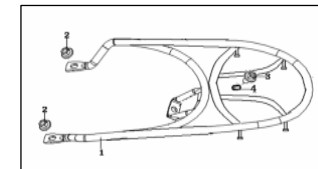
F07 SEAT

NO.	PART NO.	EN DESCRIPTION	QTY	NOTES
1	51100B50T00C	SEAT COMP.	1	
2	65803J0ET000	NUT ASSY. 6MM	2	
3	51004B50T000	LUGGAGE BOX	1	
4	51083B50T000	PLATE, CONNECTING	1	
5	51001B50T000	PIN, FIXING	1	
6	51006B50T000	COVER, LOWER	1	
7	B04070600053	NUT 6MM	3	
8	B13060601605	BOLT ASSY. 6X16MM	2	
9	51070B50T000	BRACKET COMP.	1	
10	B05074801605	SCREW 4.8X16MM	2	
11	51490B50T001	AIRPROOF STRIP	1	



F08 LUGGAGE CARRIER

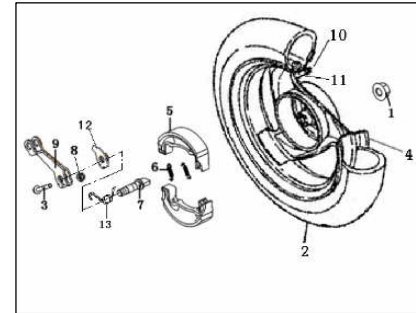
NO.	PART NO.	EN DESCRIPTION	QTY	NOTES
1	52100B130011	BODY, REAR CARRIER.	1	
2	B04070600055	NUT 6MM	2	
3	B01070801665	BOLT 8X16MM	1	
4	B07030000805	WASHER 8MM	1	



MILAN 50

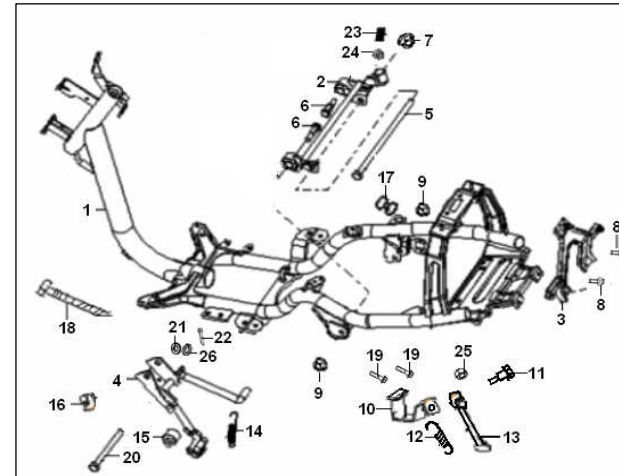
F09 REAR WHEEL

NO.	PART NO.	EN DESCRIPTION	QTY	NOTES
1	B04171415054	NUT 14X1.5MM	1	
2	B140104F10AA	TIRE (90/90-10)	1	
3	B01020603265	BOLT 6X32MM	1	
4	54100BMLTB20	RIM, REAR WHEEL	1	
5	44500B0AT000	BRAKE SHOE	1	JOGO
6	44001B0AT000	SPRING, BRAKE SHOE	2	
7	54003B000010	CAMSHAFT, RR.. BRAKE	1	
8	B04170600055	NUT 6MM	1	
9	54007E130010	LEVER, RR. BRAKE	1	
10	B1404Z2011C0	CAP , VALVE	1	
11	B1403Z201120	RIM , VALVE	1	
12	54002B0AT000	INDICATOR WEAR	1	
13	54008B130010	TENSION SPRING	1	



F10 FRAME

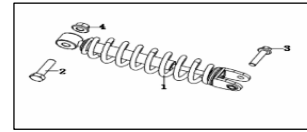
NO.	PART NO.	EN DESCRIPTION	QTY	NOTES
1	57100B50T000	FRAME BODY ASSY.	1	
2	58300B50T000	BRACKET, ENGINE	1	
3	57760B50T000	BRACKET ASSY, REAR CARRIER	1	
4	58520B0DT000	MAIN STAND ASSY	1	
5	58303B50T000	SHAFT, ENGINE BRACKET	1	
6	58301B50T000	MOUNTING BOLT, BRACKET	2	
7	B04171212554	LOCK NUT M12X1.25	1	
8	B01090601665	BOLT 6X16MM	2	
9	B04171012555	NUT	2	
10	58030B50T001	SIDE STAND SEAT.	1	
11	57005BMBT001	BOLT 8X49MM	1	
12	57010B130010	RETURN SPRING	1	
13	58700B50T001	SIDE STAND ASSY.	1	
14	58510B130010	SPRING , MAIN STAND	1	
15	58507B50T000	ABSORBER PLATE , MAIN STAND	1	
16	40022B0DT000	CLIP	1	
17	57014B50T000	ABSORBER WASHER	1	
18	96001B50T000	CLIP 250	3	
19	B01090802065	BOLT 6X20MM	2	
20	58501B30T000	AXLE, MAIN STAND	1	
21	58508B0DT000	WASHER	1	
22	58513B0DT000	SPLIT PIN	1	
23	58304B50T000	SPRING	1	
24	58302B50T000	DAMPER	1	
25	B04070800055	NUT 8MM	1	
26	B07030001005	WASHER 8MM	1	



MILAN 50

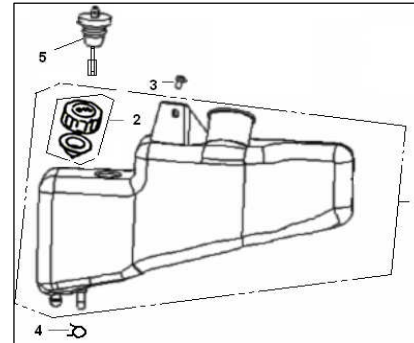
F11 REAR ABSORBER

NO.	PART NO.	EN DESCRIPTION	QTY	NOTES
1	63000B50T000	REAR CUSHION COMP.	1	
2	08014J0ET000	BOLT 10X1.25X40MM	1	
3	B01070803265	BOLT 8X32MM	1	
4	B04071012555	NUT 10X1.25MM	1	



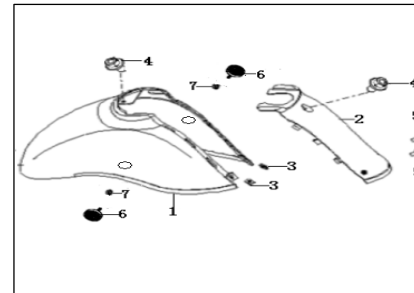
F12 OIL TANK

NO.	PART NO.	EN DESCRIPTION	QTY	NOTES
1	64001B50T000	CASE, OIL TANK	1	
2	64090G0MP000	Cap assy., oil tank	1	
3	B01090601665	BOLT 6X16MM	1	
4	50307J00P000	CLIP 8	1	
5	64100B50T000	GAUGE,OIL LEVEL	1	



F13 FRONT FENDER

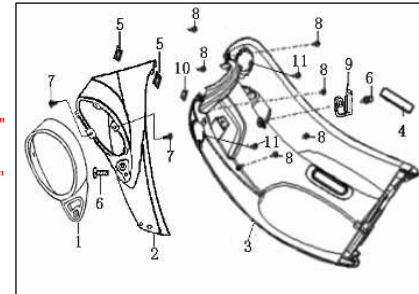
NO.	PART NO.	EN DESCRIPTION	QTY	NOTES
1	65101B50TW10	FRONT FENDER,FR.	1	BRA
1	65101B50TBW0	FRONT FENDER,FR.	1	PRT
1	65101B13001Z	FRONT FENDER,FR.	1	BRA C/ AUTOCOLANTE
1	65101B13002Z	FRONT FENDER,FR.	1	PRT C/ AUTOCOLANTE
2	65106B50TBW0	FRONT FENDER,RR.	1	PRT
2	65106B50TW10	FRONT FENDER,RR.	1	BRA
3	65801J0ET000	CLIP, SCREW 4MM	2	
4	B01090601665	BOLT 6X16MM	2	
5	B05074001205	SCREW GB845	2	
6	86300B0DT000	SIDE REFLEX REFLECTOR	2	
7	B04070600064	NUT 6MM	2	



MILAN 50

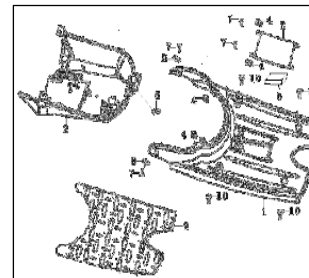
F14 FRONT COVER

NO.	PART NO.	EN DESCRIPTION	QTY	NOTES
1	80004B50T001	COVER, HEADLAMP	1	
2	65301B13B401	COVER, FRONT	1	PRT, BRA
3	65302B13W100	COVER, LOWER	1	BRA
3	65302B13BW00	COVER, LOWER	1	PRT
3	65302B13010Z	COVER, LOWER	1	BRA C/ AUTOCOLANTE "79"
3	65302B13011Z	COVER, LOWER	1	BRA C/ AUTOCOLANTE "FLOR"
3	65302B13012Z	COVER, LOWER	1	PRT C/ AUTOCOLANTE "79"
3	65302B13013Z	COVER, LOWER	1	PRT C/ AUTOCOLANTE "FLOR"
4	65403B13W100	CAP, FRAME NUMBER	1	BRA
4	65403B13BW00	CAP, FRAME NUMBER	1	PRT
5	65802BMAT000	NUT 5MM	2	
6	B0206060252A	SCREW 6X25MM	1	
7	B0206060252A	SCREW 6X25MM	1	
8	B05074801605	SELF-TAPPING SCREW	6	
9	51011B130010	HOOK, HELMET	1	
10	B04070600054	NUT 6MM	1	
11	B05070501205	SELF-TAPPING SCREW 5X12	4	



F15 FOOTREST

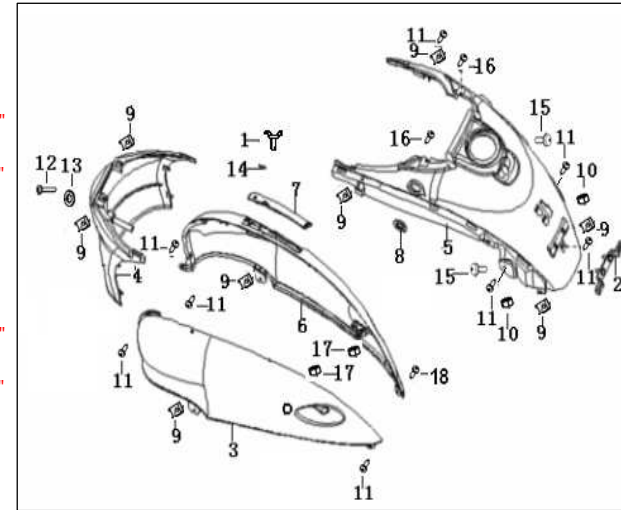
NO.	PART NO.	EN DESCRIPTION	QTY	NOTES
1	65401B130020	FOOTREST	1	BRA, PRT
2	65406B50T000	COVER, LOWER	1	
3	65411B130020	CAP, BATTERY	1	BRA, PRT
4	65801J0ET000	NUT 4MM	4	
5	B13060601205	SCREW W/WASHER 6X12MM	1	
6	65811B50T000	BATTERY DAMPER	1	
7	B05074201605	SCREW ST4.2X16	4	
8	B07020000505	WASHER 5MM	2	
9	65413B50T000	CUSHION, FOOTREST	1	
10	B13060602005	SCREW W/WASHER 6X20MM	4	



MILAN 50

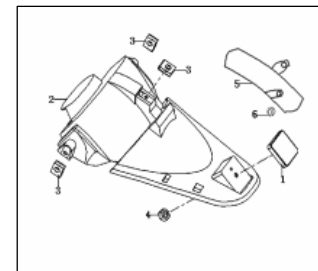
F16 FRAME COVER

NO.	PART NO.	EN DESCRIPTION	QTY	NOTES
1	08002B50T001	SCREW	1	
2	08252B130001	PLATE, NUMBER	1	
3	65601B13W100	SIDE COVER, LH	1	BRA
3	65601B13BW00	SIDE COVER, LH	1	PRT
3	65601B13001Z	SIDE COVER, LH	1	BRA C/ AUTOCOLANTE "79"
3	65601B13002Z	SIDE COVER, LH	1	BRA C/ AUTOCOLANTE "FLOR"
3	65601B13003Z	SIDE COVER, LH	1	PRT C/ AUTOCOLANTE "79"
3	65601B13004Z	SIDE COVER, LH	1	PRT C/ AUTOCOLANTE "FLOR"
4	65605B13B400	COVER, FRONT	1	BRA, PRT
5	65606B13B400	COVER, TAIL	1	BRA, PRT
6	65602B13BW00	SIDE COVER, RH	1	PRT
6	65602B13W100	SIDE COVER, RH	1	BRA
6	65602B13001Z	SIDE COVER, RH	1	BRA C/ AUTOCOLANTE "79"
6	65602B13002Z	SIDE COVER, RH	1	BRA C/ AUTOCOLANTE "FLOR"
6	65602B13003Z	SIDE COVER, RH	1	PRT C/ AUTOCOLANTE "79"
6	65602B13004Z	SIDE COVER, RH	1	PRT C/ AUTOCOLANTE "FLOR"
7	65609B13BW00	COVER, OIL TANK	1	PRT
7	65609B13W100	COVER, OIL TANK	1	BRA
8	05201B50T000	DECORATION, SEAT LOCK	1	
9	65801J0ET000	NUT 4MM	8	
10	B04070600055	NUT 6MM	2	
11	B05074201605	SELF-TAPPING SCREW ST4.2X16	9	
12	B02000607025	SCREW 6X70MM	1	
13	B07030000605	WASHER 6MM	1	
14	B090303012A3	PIN 2.8X12	1	
15	B13060601605	SCREW W/WASHER 6X16MM	2	
16	B05074801605	SELF-TAPPING SCREW ST4.8X16	2	
17	B04070600055	NUT 6MM	2	
18	B05074201305	SELF-TAPPING SCREW ST4.2X13	1	



F17 REAR FENDER

NO.	PART NO.	EN DESCRIPTION	QTY	NOTES
1	86500B50T000	REAR REFLECTOR ASSY.	1	
2	65701B50T000	REAR FENDER	1	
3	65801J0ET000	NUT 4MM	3	
4	B04070500005	NUT 5MM	1	
5	65702B50T000	TAIL, REAR FENDER	1	
6	65711B50T000	BUSH	1	



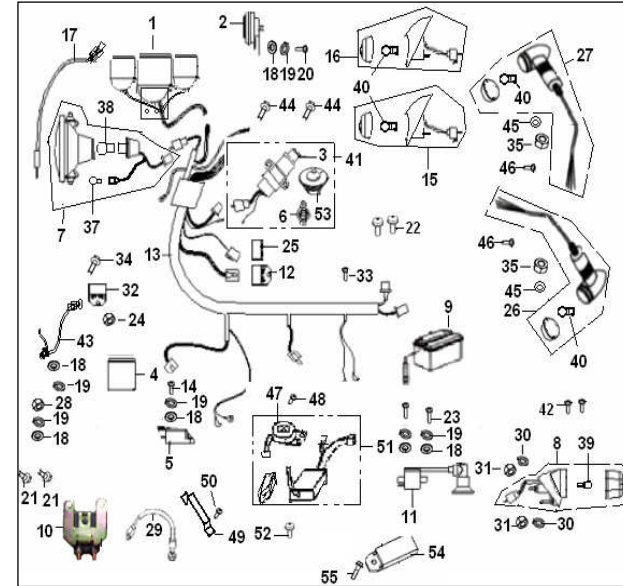
MILAN 50

F18 ELECTRIC

NO.	PART NO.	EN DESCRIPTION	QTY
1	70000B130007	SPPEEDOMETER ASSY.	1
2	95000B50T000	HORN	1
3	88000B130001	LOCK ASSY, POWER	1
4	77000B50T001	INDICATOR COMP.	1
5	98801B50T000	RECTIFIER	1
6	88800B50T000	LOCK ASSY, SEAT	1
7	80000B50T001	HEAD LAMP ASSY	1
8	82000B50T001	TAIL LAMP ASSY	1
9	96100B50T001	BATTERY ASSY.	1
10	94100J000002	RELAY, STARTER	1
11	96200B50T000	COIL ASSY	1
12	96400K010001	FLASHER	1
13	92000B13000D	HARNESS ASSY, WIRING	1
14	B02000601625	SCREW 6X16MM	1
15	81100B130001	LAMP, TURN SIGNAL, L	1
16	81300B130001	LAMP, TURN SIGNAL, R	1
17	72900B50T000	CABLE, SPEEDOMETER	1
18	B07030000605	WASHER 6MM	5
19	B07000000605	WASHER 6MM	5
20	B02000601625	SCREW 6X16MM	1
21	B01090601065	BOLT M6x10	2
22	B13060601605	SCREW W/WASHER 6X16MM	2
23	B02000601625	SCREW 6X16MM	2
24	B04070600055	NUT 6MM	1
25	96401B50T000	COVER, FLASHER	1
26	81500B130004	FLASHER LIGHT, L	1
27	81700B130004	FLASHER LIGHT, R	1
28	B04000600053	NUT 6MM	1
29	92200G120000	ELECTRIC CABLE	1
30	B07030000504	WASHER 5MM	2
31	B04070500064	NUT 5MM	2
32	97701B50T000	C.D.I.	1
33	B02000601225	SCREW 6X12MM	1
34	B01090602065	BOLT 6X20MM	1
35	B04000600054	NUT 6MM	2
37	80023B50T000	BULB , 12V/3W	1
38	80002B50T000	BULB , 12V/35/35W	1
39	82005B50T000	BULB , 12V/21W/5W	1
40	B24012120000	BULB, 12V/10W	4
41	88000B50T000	LOCK ASSY.COMP.	1
42	B02054201224	SCREW 4.2X12MM	2
43	96900B50T000	WIRE, EARTH	1
44	08001BMBT000	BOLT 6X16 MM	2
45	B07020000604	WASHER 6MM	2
46	B05074201605	SCREW 4.2X16MM	2
47	95730B50T000	ALARM SYSTEM HORN	1
48	B13010601605	SCREW W/WASHER M6x16	2
49	95701JCCT000	BAKT ALARMSYSTEM	1
50	B01090601265	SCREW 6X12MM	2

NOTES

12V, 4AH

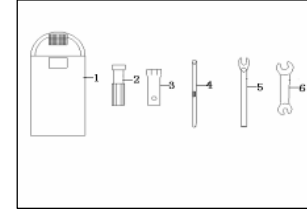


MILAN 50

51	95700B50T000	ANNUNCIATOR,VOICE ASSY.	1
52	B05074001205	SELF-TAPPING SCREW 4X12	1
53	50200B50T000	CAP, FUEL TANK	1

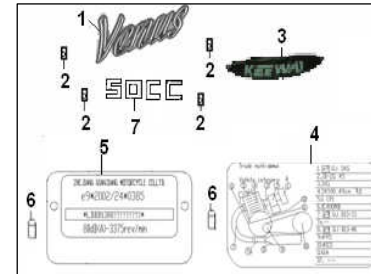
F19 TOOL KIT

NO.	PART NO.	EN DESCRIPTION	QTY	NOTES
1	02110B50T000	BAG, TOOL KIT	1	
2	02104B50T000	HANDLE, SCREW DRIVER	1	
3	02101B50T000	SOCKET, SPARK PLUG	1	
4	02103B50T000	DRIVER, DOUBLE-ENDED	1	
5	02108G0BP000	WRENCH	1	
6	B200110-1200	WRENCH, DOUBLE-ENDED	1	



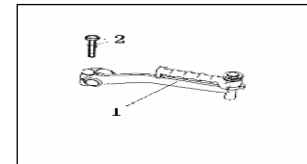
F20 STICKER

NO.	PART NO.	EN DESCRIPTION	QTY	NOTES
1	05511B130003	STICKER I, RR. SIDE COVER MILAN	2	
2	65311B50T000	NIP NUT	8	
3	05521B50T008	STICKER FRONT COVER	1	
4	57002B130000	ANTI-TAMPERING PLATE	1	
5	57001B030007	PLATE, LABEL	1	
6	B100432007P0	RIVER 3.2X7	2	
7	05512B50T002	STICKER II, RR. SIDE COVER	2	



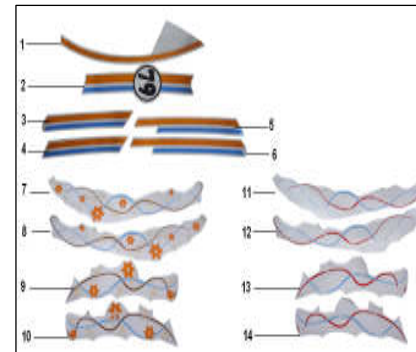
F21 ENGINE ATTACHMENT

NO.	PART NO.	EN DESCRIPTION	QTY	NOTES
1	08350B070070	KICK STARTER ASSY.	1	
2	B01020602565	BOLT 6X25MM	1	



F22 STICKER

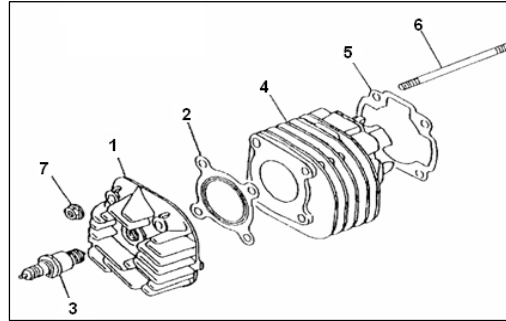
NO.	PART NO.	EN DESCRIPTION	QTY	NOTES
1	05501B13000A	STICKER,FRONT FENDER	1	
2	05521B13000A	STICKER,FRONT COVER	1	
3	05511B13000A	STICKER,SIDE COVER LEFT	1	
4	05512B13000A	STICKER,SIDE COVER RIGHT	1	
5	05513B13000A	STICKER,SIDE COVER LEFT REAR	1	
6	05514B13000A	STICKER,SIDE COVER RIGHT REAR	1	
7	05521B130001	STICKER,FRONT COVER LEFT	1	BRA
8	05524B130001	STICKER,FRONT COVER RIGHT	1	BRA
9	05511B130001	STICKER,SIDE COVER LEFT	1	BRA
10	05512B130001	STICKER,SIDE COVER RIGHT	1	BRA
11	05521B130001	STICKER,FRONT COVER LEFT	1	PRT
12	05524B130001	STICKER,FRONT COVER RIGHT	1	PRT
13	05511B130001	STICKER,SIDE COVER LEFT	1	PRT
14	05512B130001	STICKER,SIDE COVER RIGHT	1	PRT



KEEWAY MILAN 50

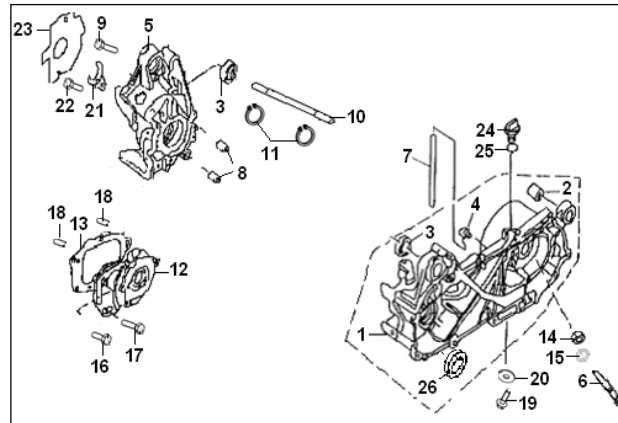
E01.CYLINDER HEAD ASSY

NO.	PART NO.	EN DESCRIPTION	QTY	NOTES
1	30701B01F000	HEAD , CYLINDER	1	
2	30507B01F000	GASKET , CYLINDER HEAD	1	
3	201204.013000	SPARK PLUG	1	BR8HSA
4	27101B01F00A	CYLINDER	1	
5	204204.001000	GASKET , CYLINDER	1	
6	26107B01F910	STUD BOLT	4	
7	304290700062	NUT	4	



E02.CRANKCASE ASSY

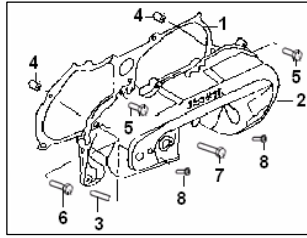
NO.	PART NO.	EN DESCRIPTION	QTY	NOTES
1	26100B01F000	CRANKCASE , LH	1	
2	26108G02F000	BUSH,ENGINE MOUNTING	1	
3	B12046600300	bearing	2	
4	26126G02F000	BREATHER PLUG	1	
5	26200B01F000	CRANKCASE , RH	1	
6	26142G02F000	BRAKE SHOE ANCHOR PIN ASSY	1	
7	26105G02F000	HOSE	1	
8	26123G02F000	DOWEL PIN	2	
9	302270603562	SCREW	6	
10	26109B01F000	AXLE,engine mount	1	
11	B08010001700	CIRCLIP	2	
12	18101G02F001	COVER, GEAR BOX	1	
13	214201.001000	GASKET , GEAR BOX	1	
14	B04070812553	NUT	1	
15	14222J01F000	O RING	1	
16	B01070603063	SCREW	2	
17	B01070602263	SCREW	3	
18	26208J01F000	DOWEL PIN	2	
19	301310801605	FLANGE BOLT	1	
20	18105H03F000	WASHER	1	
21	26214G02F000	HOLDER	1	
22	301310601262	SCREW M6X12	1	
23	206321.001000	GASKET	1	
24	206407.004083	OIL PLUG	1	
25	26102G02F000	O-RING	1	
26	26112G02F000	SHAFT COLLAR	1	



KEEWAY MILAN 50

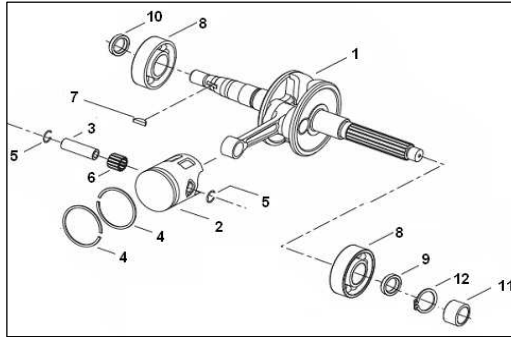
E03.SIDECOVER ASSY

NO.	PART NO.	EN DESCRIPTION	QTY	NOTES
1	207208.009000	GASKET , SIDE COVER	1	
2	169022080100	SIDE COVER	1	
3	26128G02F000	SHAFT	1	
4	26208J01F000	DOWEL PIN	2	
5	302270602565	SCREW M6X25	8	
6	302270603565	SCREW	2	
7	302270606565	PAN HEAD SCREW	1	
8	302460601265	STOPPER	1	



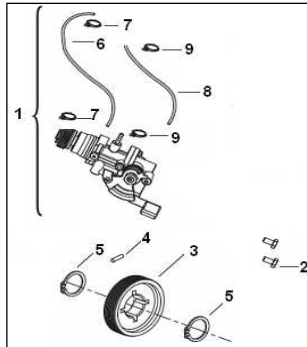
E04.PISTON CRANKSHAFT CONNECTING ROD ASSY

NO.	PART NO.	EN DESCRIPTION	QTY	NOTES
1	208100.022000	CRANKSHAFT , ASSY	1	
2	15100B01F00B	PISTON ASSY	1	
3	15105B16F000	PISTON PIN	1	
4	15103B01F000	PISTON RING	2	
5	15111G02F000	CIRCLIP	2	
6	15110B16F000	NEEDLE BEARING	1	
7	15101B01F000	WOODRUFF KEY	1	
8	B12016E20401	BALL BEARING	2	
9	15213G02F000	OIL SEAL	1	
10	26215G02F000	OIL SEAL ASSY	1	
11	15214G02F000	COLLAR	1	
12	17308G02F000	CIRCLIP	1	



E05.OIL PUMP ASSY

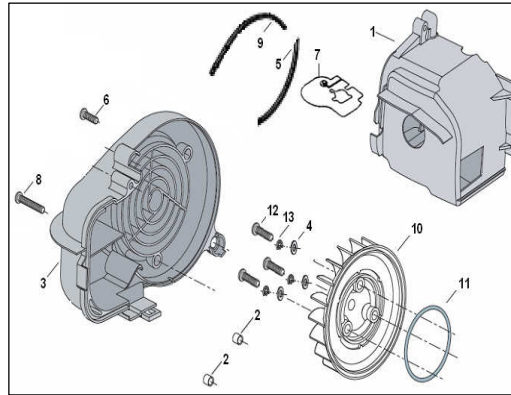
NO.	PART NO.	EN DESCRIPTION	QTY	NOTES
1	219101.012000	OIL PUMP ASSY	1	
2	B02000501463	SCREW	2	
3	15211G02F000	PUMP DRIVE GEAR	1	
4	B090103014C0	PIN	1	
5	15106G02F910	CIRCLIP	2	
6	221405.103000	HOSE,OIL INLET	1	
7	19213G02F00A	HOSE CLIP	2	
8	221405.101000	HOSE,OIL OUTLET	1	
9	19217G02F00A	HOSE CLIP	2	



KEEWAY MILAN 50

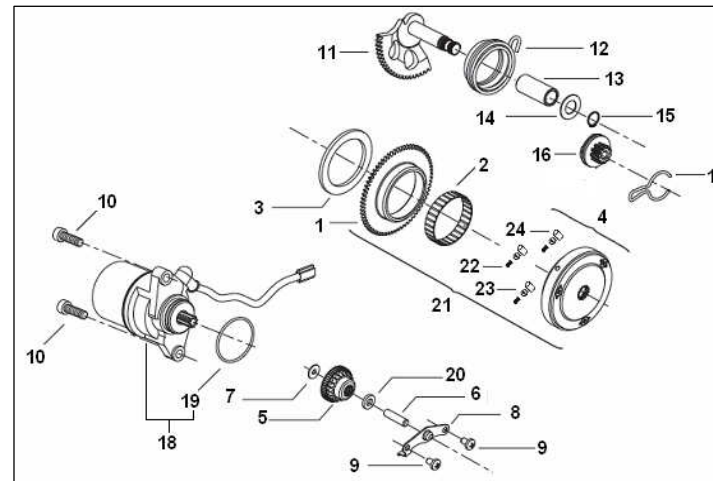
E06.AIR COOLING SYSTEM

NO.	PART NO.	EN DESCRIPTION	QTY	NOTES
1	20301B01F000	COWLING,cylinder	1	
2	20303G02F000	GROMMET	2	
3	20200B01F000	COVER ASSY (FAN)	1	
4	B07030000600	WASHER φ6	3	
5	20208G02F000	BEADING (RUBBER)	1	
6	B01070602063	BOLT M6X20	2	
7	20102G02F000	DUST COVER (RUBBER)	1	
8	3050355040F5	SCREW ST5.5X40-F	1	
9	20206G02F000	BEADING (RUBBER)	1	
10	20401B01F000	FAN ASSY	1	
11	20402G02F000	RUBBER RING 70X3.1	1	
12	301310601665	SCREW M6X16	3	
13	B07000000600	SPRING WASHER φ6	3	



E07.KICK STARTER ASSY

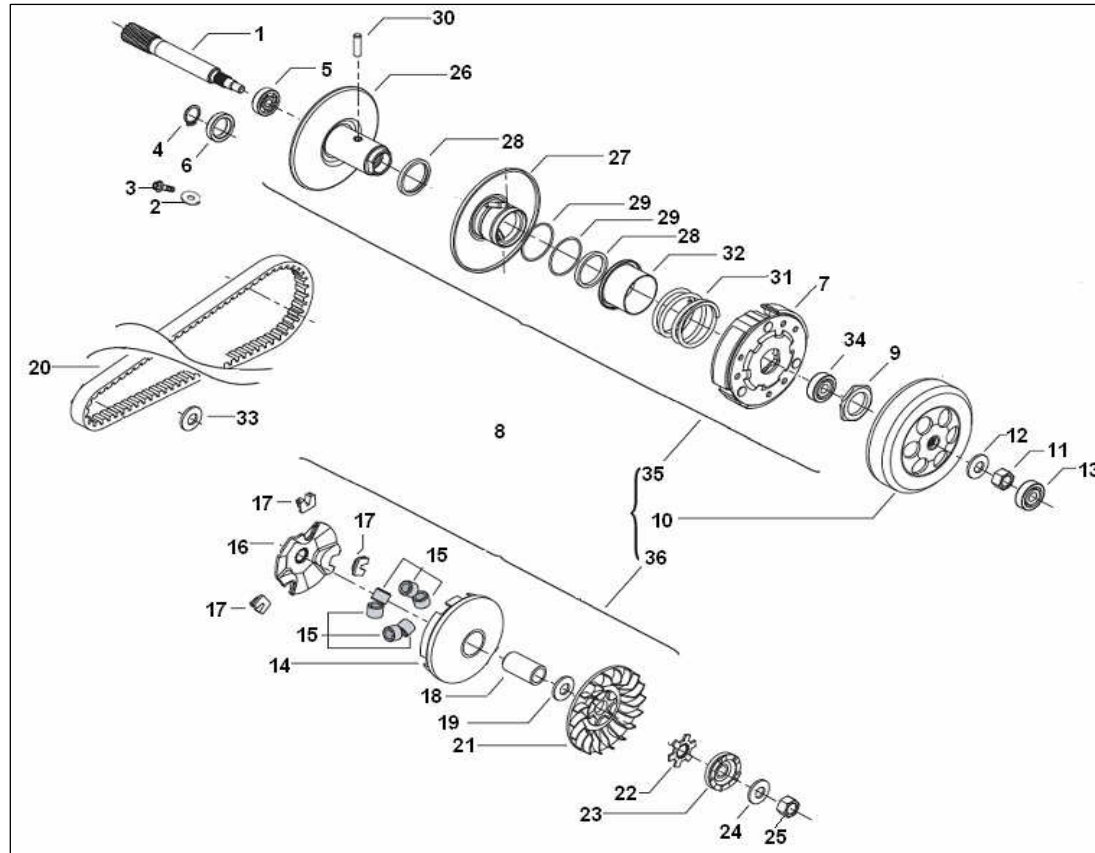
NO.	PART NO.	EN DESCRIPTION	QTY	NOTES
1	34120G02F000	START GEAR ASSY	1	
2	34121G02F000	NEEDLE BEARING	1	
3	34123G02F000	THRUST WASHER	1	
4	34110G02F00A	START HOLDER ASSY	1	
5	34126G02F000	DRIVEN GEAR,STARTER	1	
6	26128G02F000	IDLE GEAR SHAFT	1	
7	34122G02F000	PLATE WASHER	1	
8	34125G02F000	IDLE GEAR HOLDER	1	
9	B01070601063	SCREW	2	
10	302040602065	SCREW	2	
11	216100.004000	SHAFT, kick starter	1	
12	17407G02F000	SPRING	1	
13	216217.001000	BUSH	1	
14	307991005552	WASHER ,kick starter	1	
15	308090150003	CIRCLIP	1	
16	17415G02F000	KICK PINION ASSY	1	
17	17418G02F930	CLIP	1	
18	218100.051472	STARTING MOTOR ASSY	1	
19	B190102120B0	O-RING	1	
20	34130G02F000	PLATE WASHER	1	
21	217100.100000	START CLUTCH ASSY	1	
22	34404G02F00A	SPRING	3	
23	34405G02F00A	CAP	3	
24	34402G02F00A	ROLLER	3	



KEEWAY MILAN 50

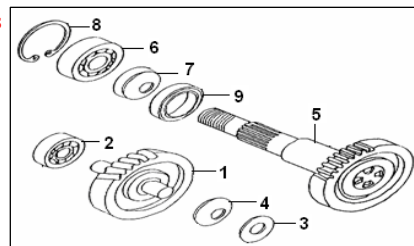
E08.CLUTCH ASSY

NO.	PART NO.	EN DESCRIPTION	QTY	NOTES
1	220011160000	PRIMARY DRIVE SHAFT	1	
2	18114G02F000	PLATE WASHER	1	
3	B01090801263	PAN HEAD SCREW	1	
4	B08010001700	CIRCLIP	1	
5	B12016600300	BALL BEARING 6003	1	
6	24203G02F000	OIL SEAL	1	
7	24301B01F000	CLUTCH ASSY,shoe	1	
8	213100.010000	SHIFT ASSY	1	
9	24303G02F000	NUT	1	
10	24700G02F000	CLUTCH DRUM	1	
11	24305G02F940	NUT	1	
12	200492080000	RING	2	
13	24209G02F000	BEARING 8X28X8	1	
14	24101G02F000	FACE, movable drive	1	
15	213119.003000	ROLLER	6	
16	24103G02F000	PLATE, movable drive	1	
17	24104G02F000	DAMPER	3	
18	24105G02F000	COLLAR	1	
19	24106B01F000	WASHER	1	
20	24107B01F000	V BELT , DRIVE	1	
21	24108G02F000	FACE , FIXED DRIVE	1	
22	24109G02F000	STAR WASHER	1	
23	213203.001161	RATCHET (STARTING)	1	
24	15112G02F010	WASHER , SPRING	1	
25	B04031212553	NUT	1	
26	24204G02F000	FACE , FIXED DRIVEN	1	
27	24205G02F000	FACE , MOVABLE DRIVEN	1	
28	24206G02F000	OIL SEAL	2	
29	24207G02F000	O-RING	2	
30	24208G02F000	PIN , GUIDE	2	
31	24308B01F000	SPRING	1	
32	24309G02F930	SEAT , SPRING	1	
33	213207.023000	WASHER	1	
34	24245G02F000	ROLLER BEARING	1	
35	24200B01F000	DRIVEN PULLEY COMP.	1	
36	213100.039000	DRIVE PULLEY COMP.	1	



E09.TRANSMISSION SYSTEM ASSY

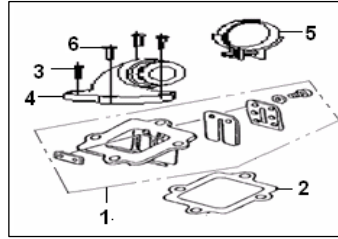
NO.	PART NO.	EN DESCRIPTION	QTY	NOTES
1	229062080000	SHAFT , IDLE	1	
2	B12016620100	BEARING 6201	1	
3	17509G02F000	PLATE WASHER12	1	
4	17802G02F000	WASHER , CONICAL	1	
5	229092110000	DRIVEN SHAFT(GEAR BOX)	1	
6	B12016600400	BEARING	1	
7	17317G02F000	OIL SEAL	1	
8	17308G02F000	CIRCLIP	1	
9	26136G02F000	NEEDLE BEARING	1	



KEEWAY MILAN 50

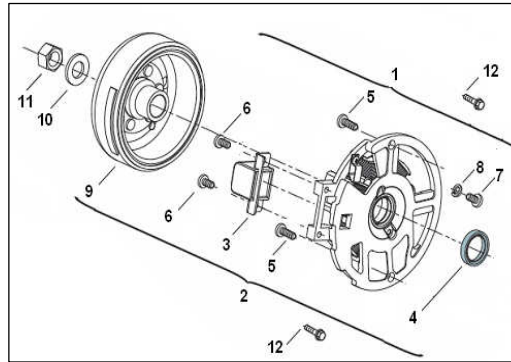
E10. REED VALVE ASSY

NO.	PART NO.	EN DESCRIPTION	QTY	NOTES
1	110092080010	REED VALVE ASSY	1	
2	202306.002000	VALVE SEAT GASKET	1	
3	302040602065	SCREW	3	
4	32200G02F000	PIPE, intake	1	
5	110022080010	CLIP	1	
6	206412.001472	SCREW	1	



E11. MAGNETO ASSY

NO.	PART NO.	EN DESCRIPTION	QTY	NOTES
1	34310G02F000	COIL ASSY	1	
2	223100.100000	MAGNETO ASSY	1	
3	34330G02F000	PULSE TRIGGER	1	
4	34350G02F000	OIL SEAT	1	
5	B02000502522	SCREW M5X25	2	
6	B02000501062	SCREW M5X10	2	
7	B02000400622	SCREW M4X6	1	
8	B07000000400	SPRING WASHER	1	
9	223101.019000	FLY WHEEL ASSY	1	
10	B07030001200	WASHER	1	
11	15228H03F000	NUT	1	
12	B01070601664	SCREW M6X16	2	



E12. CARBURETOR ASSY

NO.	PART NO.	EN DESCRIPTION	QTY	NOTES
1	32510B01F000	NEEDLE, jet	1	
2	32511B01F000	VALVE, PISTON	1	
3	224202.100000	JET, main	1	#60
4	32612B01F000	ENRICH VALVE	1	
5	32619B01F000	PIN, float	1	
6	32620B01F000	FLOAT	1	
7	32701B01F000	GASKET	1	
8	224100.111000	CARBURETOR ASSY	1	
9	224203.100000	JET, idle	1	#22.5
10	32508B01F000	CLIPMM, V shape	1	

