

PARTS CATALOGUE



SCOOTERS

TG25AA(PT)

Dink R 125 - Tunnel



Release Date : 2023/03/12
Print Date : 2023/04/20

ABOUT THIS PARTS LIST

- This parts list is compiled all service parts for model TG25AA(PT).
- Any difference between color chart and motorcycle will be revised according to motorcycle.
- The Mark:
 1. Marking "***" must add color code in the end before ordering parts.
 2. Marking "#" are parts with modification, Please find the details from e-Parts system.
- When modification or additions to this parts list are made a revised edition at an appropriate time.

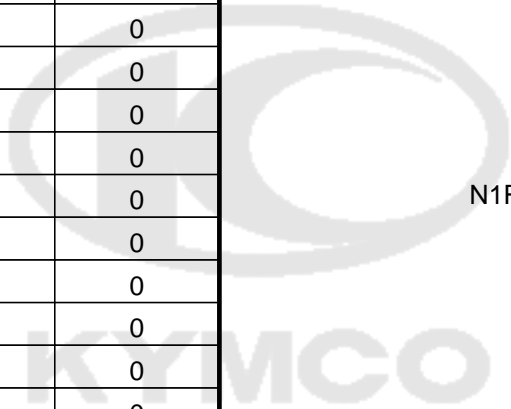


CONTENTS

● ABOUT THIS PARTS LIST	1
● COLOR CHART OF TG25AA(PT)	3
● CONTENTS-ENGINE GROUP	6
● CONTENTS-FRAME GROUP	7
● ENGINE PARTS LIST	10
● FRAME PARTS LIST	36
● PART NO. INDEX	92

NO	MODEL			COLOR CHART OF TG25AA(PT)			
	PHOTO NO			NO. 1	NO. 2		
	BASIC COLOR			Mat Black	Gray		
	CODE			Mat Black	Gray		
	PARTS NAME	PARTS NO.	VERSION	CH294FA	CN713SA		
1	"SKIRT R SIDE, A"	64305-AHA7-C00	0	66P	UAP		
2	"SKIRT L SIDE, A"	64306-AHA7-C00	0				
3	"MOLDING R, A"	64312-AHA7-C00	0				
4	"MOLDING L, A"	64313-AHA7-C00	0				
5	"MOLDING R, B"	64325-AHA7-C00	0				
6	"MOLDING L, B"	64326-AHA7-C00	0				
7	COVER BODY R	83500-AHA7-C00	0				
8	COVER BODY L	83600-AHA7-C00	0				
9	"FENDER, FR."	61100-AHA7-C00	0	CH294FA	C11		
10	LEVER R STRG HANDLE	53175-LKF5-C00	0	M3A			
11	LEVER L STRG HANDLE	53178-LKF5-C00	0				
12	WHEEL COMP RR CAST	42601-AKF3-E00	0	N1A			
13	WHEEL FR CAST	44601-AGE7-C00	0				
14	CARRIER RR.	81200-AHA7-C00	0	N1P			
15	"COVER HANDLE, TOP"	53207-AHA7-C00	0				
16	"COVER FRONT, B"	64303-AHA7-C00	0	N1R			
17	COVER BATTERY	50326-AHA7-C00	0				
18	COVER UNDER	50613-AHA7-C00	0				
19	COVER,UNDER	50623-AKF3-E00	0				
20	GRIP COMP THROT	53140-LEA7-E00	0				
21	GRIP COMP L HANDLE	53150-LEA6-C00	0				
22	COVER METER	53204-AHA7-C00	0				
23	"COVER HANDLE, UP"	53205-AHA7-C00	0				
24	"COVER HANDLE, LOW"	53206-AHA7-C00	0				
25	"HINGE, HANDLE TOP	53208-AHA7-C00	0				
DATE OF STARTING-SALES							
DATE OF END-SALES							

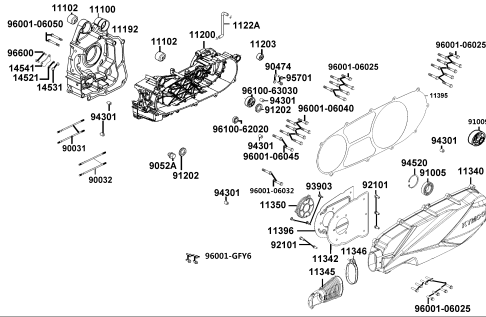
NO	MODEL			COLOR CHART OF TG25AA(PT)			
	PHOTO NO			NO. 1	NO. 2		
	BASIC COLOR			Mat Black	Gray		
	CODE			Mat Black	Gray		
	PARTS NAME	PARTS NO.	VERSION	CH294FA	CN713SA		
26	"FENDER INNER, FR."	61110-AHA7-C00	0				
27	"COVER FRONT, A"	64301-AHA7-C00	0				
28	"COVER FRONT, C"	64304-AHA7-C00	0				
29	"SKIRT R SIDE, B"	64307-AHA7-C00	0				
30	"SKIRT L SIDE, B"	64308-AHA7-C00	0				
31	FLOOR, PANEL	64310-AKF3-E00	0				
32	"LID,COOLING TANK	64311-AHA7-C00	0				
33	PLUG FLOOR	64316-AEH2-M40	0				
34	FLOOR PANEL L	64330-AKF3-E00	0				
35	"COWL, UNDER"	64400-AKF3-E00	0				
36	"FENDER, RR. INNER"	80101-AHA7-C00	0				
37	"FENDER RR., UP"	80105-AHA7-C00	0				
38	"COVER, LICENSE	80107-AHA7-C00	0				
39	FENDER ASSY RR	8010A-AKF3-E00	0				
40	COVER CENTER	80151-AKF3-E00	0				
41	HOLDER, FUEL COVER	80155-AKF3-E00	0				
42	COVER	8015D-AKF3-E00	0				
43	BOTTOM, CATCH	80162-AKF3-E00	0				
44	COVER, INNER BOX	80165-AKF3-E00	0				
45	LEG SHIELD	81131-AKF3-E00	0				
46	"HINGE, LEG SHIELD	81134-AHA7-C00	0				
47	"COVER ASSY., INNER	8113A-AHA7-C00	0				
48	BOTTOM ASSY. BOX	8113B-AHA7-C00	0				
49	FLOOR PANEL R UP	81141-AKF3-E00	0				
50	FLOOR PANEL L UP	81143-AKF3-E00	0				
DATE OF STARTING-SALES							
DATE OF END-SALES							



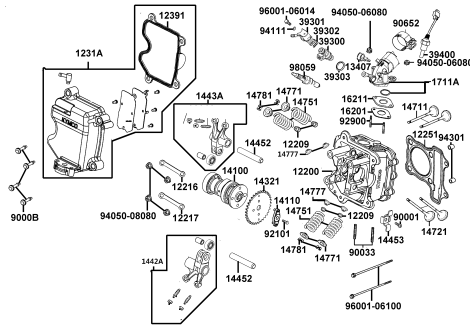
NO	MODEL			COLOR CHART OF TG25AA(PT)			
	PHOTO NO			NO. 1	NO. 2		
	BASIC COLOR			Mat Black	Gray		
	CODE			Mat Black	Gray		
	PARTS NAME	PARTS NO.	VERSION	CH294FA	CN713SA		
51	BOX LUGGAGE	81260-AHA7-C00	0	N1R			
52	REAR CENTER COVER	83530-AKF3-E00	0				
53	REAR CENTEL COVER	83630-AKF3-E00	0				
54	"COVER CENTER, RR."	83750-AHA7-C00	0				
55	DISK FR BRK	4512A-AKF2-E00	0	N1S			
56	COVER COMP L SIDE	11340-AHA7-C00	0	NEA			
57	"C/P ASSY,RR RH"	43100-AHA7-C00	0				
58	"FORK ASSY,RR"	52000-AKF3-E00	0				
59	MUFFLER ASSY	1830A-AKF3-E00	0	NEP			
60	MUFF. PROTECTOR	18318-AKF3-E00	0				
61	"COVER, LEG SHIELD"	81133-AHA7-C00	0				
62	"FORK ASSY, R FR"	51400-AHA7-C00	0	NES			
63	"FORK ASSY, L FR"	51500-AHA7-C00	0				
64	"CUSHION RR,ASSY"	52400-AKF2-E00	0				
65	EMB K-LOGO	86102-AHA7-C01	0	T01			
66	EMB BODY COVER	86202-AKF3-E00	0				
67	LABEL CLEANNESS	87508-ABD2-E00	0				
68	CAUTION SIDE STAND	87541-GAR1-C01	1				
69	MARK MAINT CAUTION	87542-GAR1-C01	2				
70	LABEL FUEL TANK	87546-AGE3-E00	0				
71	MARK DRIVER CAUTION	87560-AKF2-E00	0				
72	STRIPE R SIDE MOLD	86310-AKF3-E01	0	T01	T02		
73	STRIPE L SIDE MOLD	86320-AKF3-E01	0				
74	SEAT ASSY	77200-AHA7-C00	0	T02			
DATE OF STARTING-SALES							
DATE OF END-SALES							

CONTENTS - ENGINE GROUP

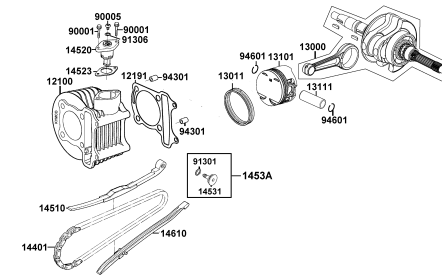
E01 Crank Case



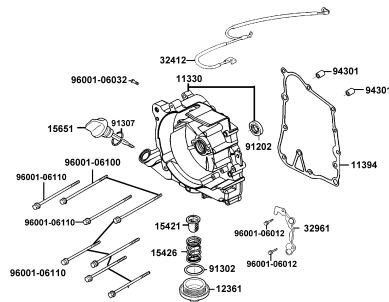
E02 Cylinder Head



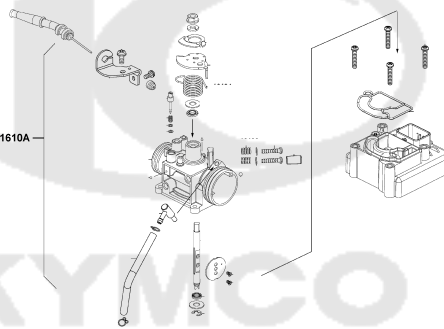
E03 Cylinder Piston Crankshaft



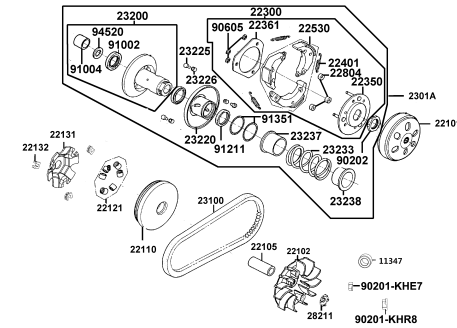
E04 Right Crankcase Cover



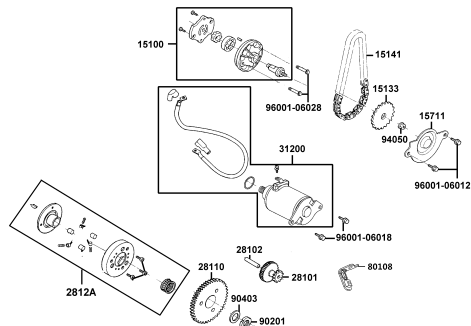
E05 Carburetor



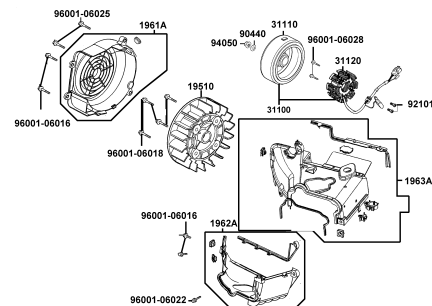
E06 Driven Pulley



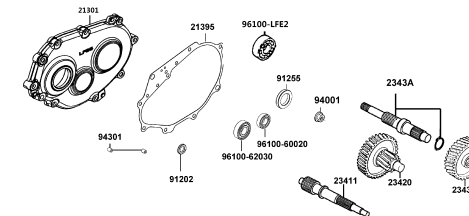
E07 Starting Motor Oil Pump



E08 Fan Cover Generator

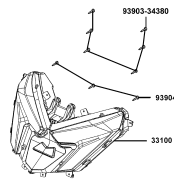


E09 Transmission

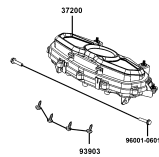


CONTENTS - FRAME GROUP

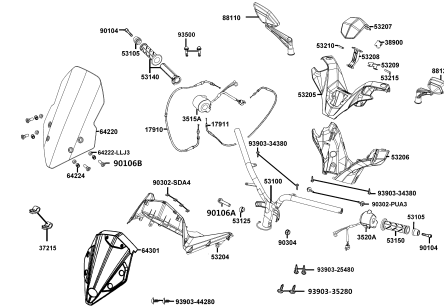
F01 Head Light



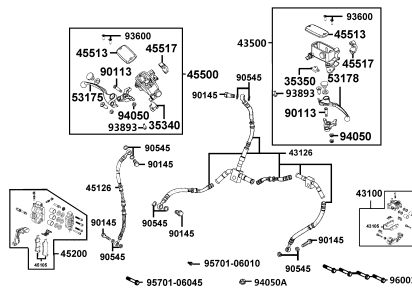
F02 Speedometer



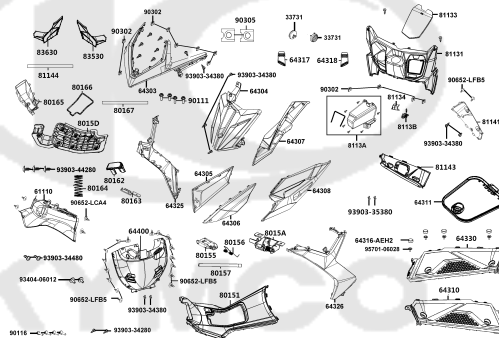
F03 Handle Steering Handle Cover



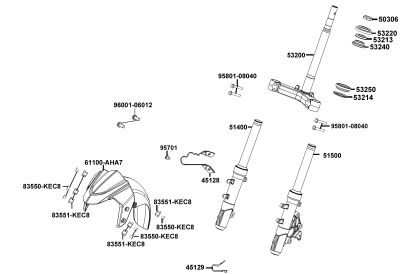
F04 Brake Master Cylinder



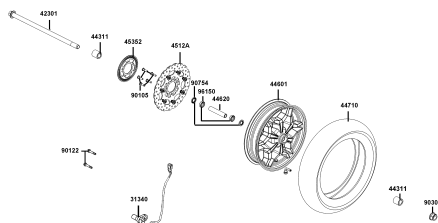
F05 Front Cover Front Fender



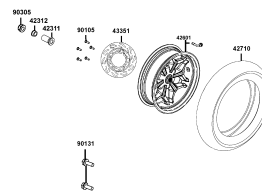
F06 Stem Steering Front Cushion



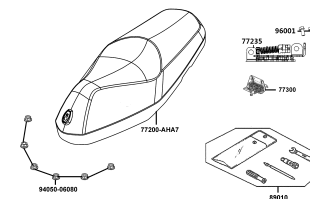
F07 Front Wheel



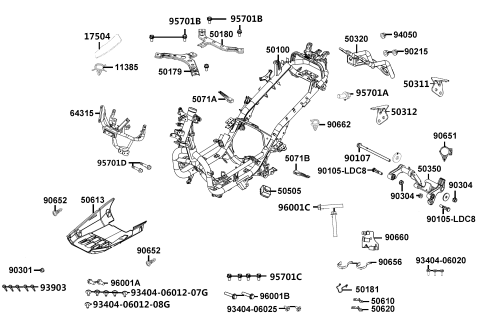
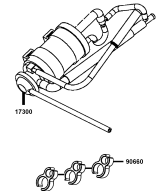
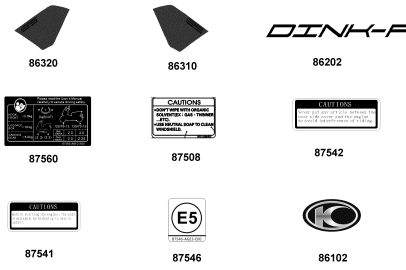

F08 Rear Wheel



F09 Seat

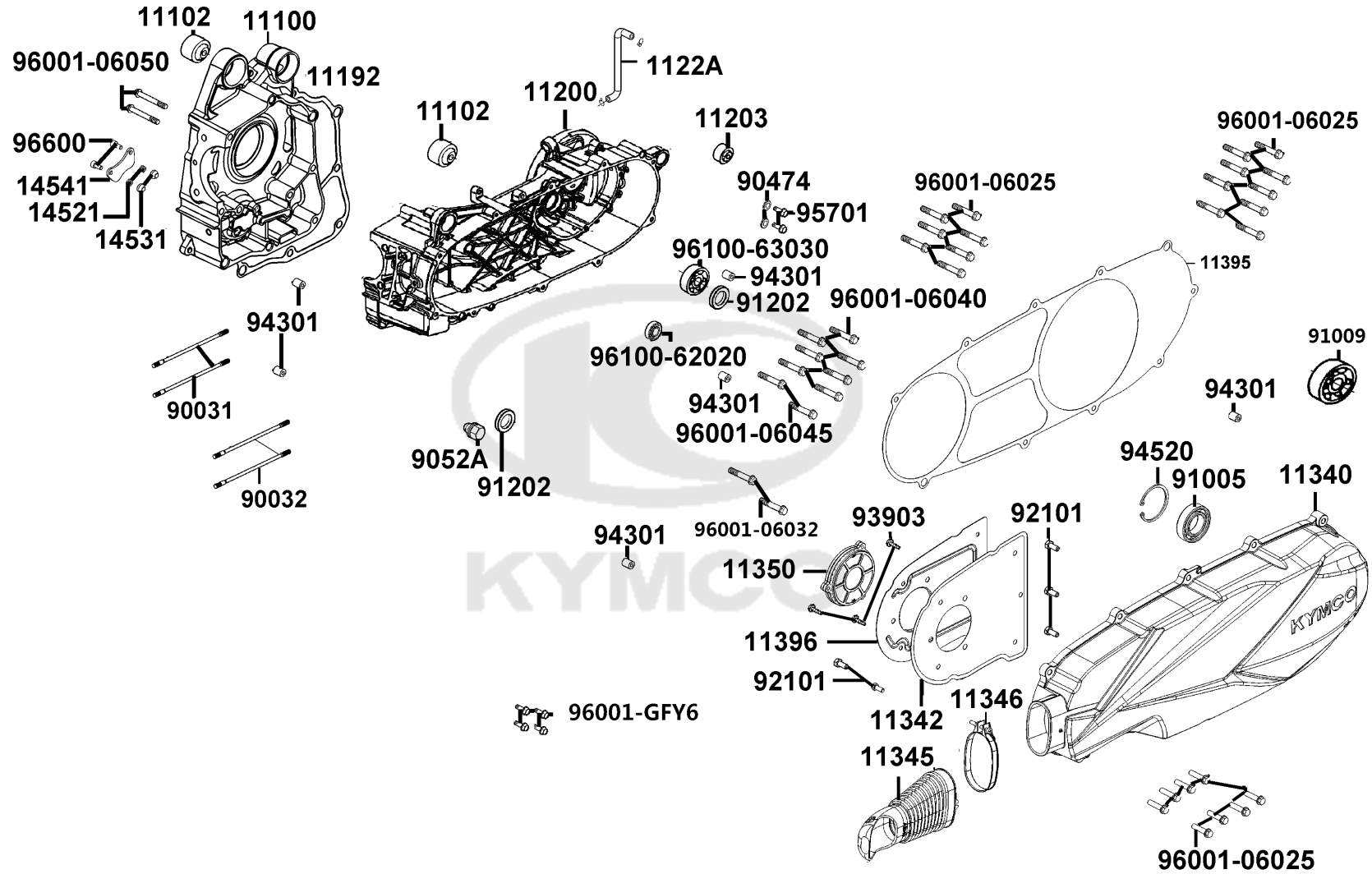


CONTENTS - FRAME GROUP

F19 Frame Body	F20 Air Cleaner Two	F21 Emblem Stripe
 <p> 17504 95701B 95701B 50180 50100 50320 94050 90216 11385 50179 5071A 90662 50311 50312 90651 64315 5071B 90107 90105-LDC8 90304 90304 90105-LDC8 95701D 50505 96001C 90660 90656 93404-06020 90652 50613 90652 90301 → 98001A 95701C 90181 93903 93404-06012-07G 96001B 50610 50620 93404-06012-08G 93404-06025 </p>	 <p>17390 99600</p>	 <p> 86320 86310 86202 87500 87508 87542 87541 87546 86102 </p>
		

E01

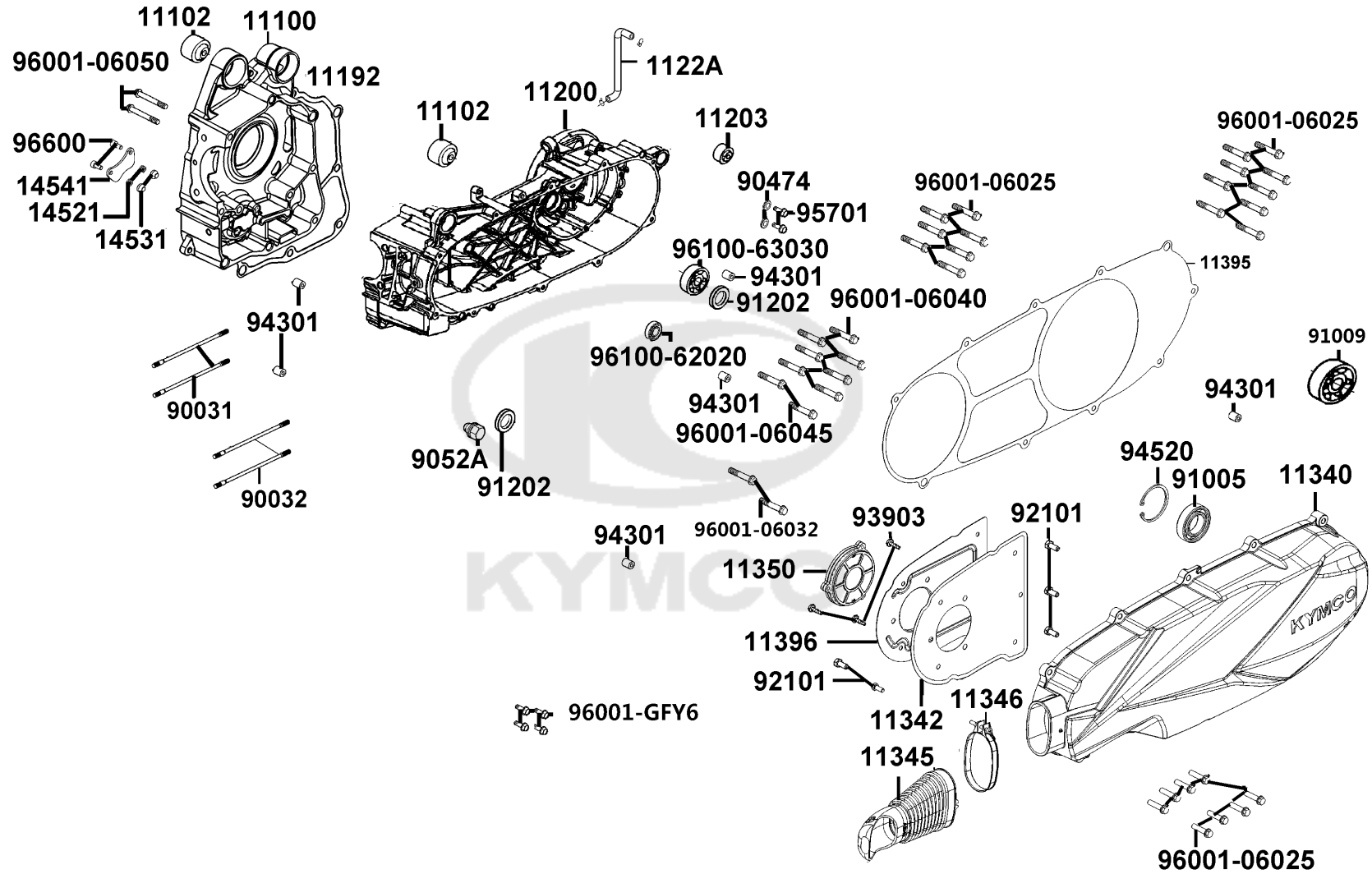
Crank Case



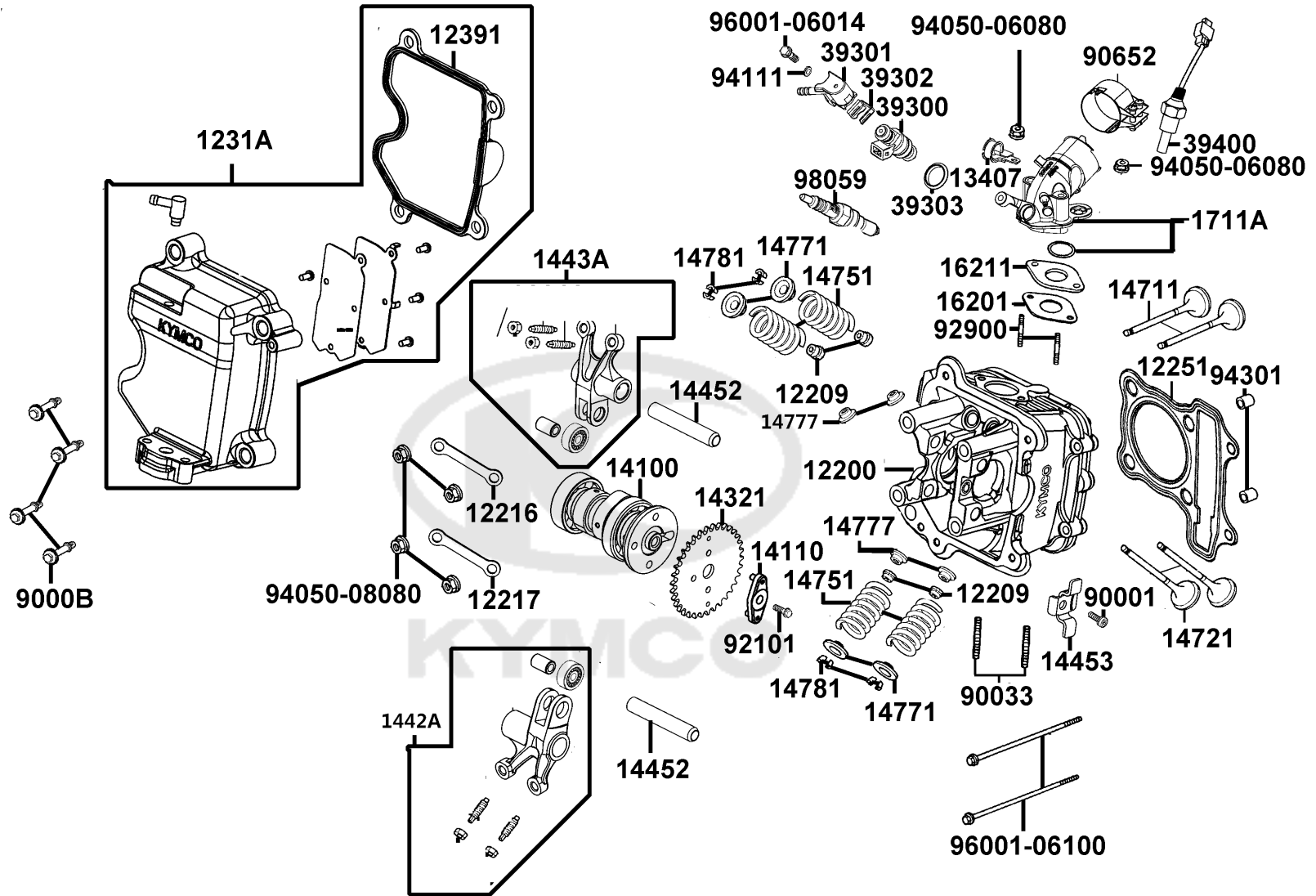
Sales mark	Ref no	Part no	Description	Reg description	Regd no	E01
	11100	11100-ACC1-E10	CRANK CASE COMP RIGHT	CRANK CASE COMP RIGHT	1	
	11102	11102-1G87-C00	RUB BUSH ENG HANGER	RUB BUSH ENG HANGER	2	
	11192	11192-LEB1-C00	GASKET CRANK CASE @ A	GASKET CRANK CASE @ A	1	
	11200	11200-AKF3-C00	CRANK CASE COMP LEFT	CRANK CASE COMP LEFT	1	
	11203	11203-GGC7-W10	UNDER RUBBER BUSH REAR CUSHION	UNDER RUBBER BUSH REAR CUSHION	1	
	1122A	1122A-AHA7-C00	TUBE ASSY MISSION BREATHER	TUBE ASSY MISSION BREATHER	1	
**	11340	11340-AHA7-C00	COVER COMP L SIDE	COVER COMP L SIDE	1	
	11342	11342-AHA7-C00	"PLATE, L. COVER"	"PLATE, L. COVER"	1	
	11345	11345-AEH9-C00	DUCT L COVER ASSY	DUCT L COVER ASSY	1	
	11346	11346-GFY6-C00	BAND L COVER DUCT	BAND L COVER DUCT	1	
	11350	11350-LKG2-C00	"ELEMENT ASSY., L COVER"	"ELEMENT ASSY., L COVER"	1	
	11395	11395-AHA7-C00	"GASKET, L. COVER @A"	"GASKET, L. COVER @A"	1	
	11396	11396-AHA7-C00	GASKET L COVER PLATE	GASKET L COVER PLATE	1	
	14521	14521-AAG1-C00	"PLUG,BEARING PUSH"	"PLUG,BEARING PUSH"	2	
	14531	14531-AAG1-C00	PIVOT CAM CHIAN TENSIONER	PIVOT CAM CHIAN TENSIONER	2	
	14541	14541-ALH4-C00	"PLATE, BEARING PUSH"	"PLATE, BEARING PUSH"	1	
	90031	90031-KHD6-C01	BOLT A STUD 8*218	BOLT A STUD 8*218	2	
	90032	90032-KHD6-C01	BOLT B STUD 8*208.5	BOLT B STUD 8*208.5	2	
	90474	90474-3C33-C00	WASHER 8MM (T*2)	WASHER 8MM (T*2)	2	
	9052A	9052A-LEB1-C01	BOLT ASSY DRAIN PLUG12*15(C)	BOLT ASSY DRAIN PLUG12*15(C)	1	

E01

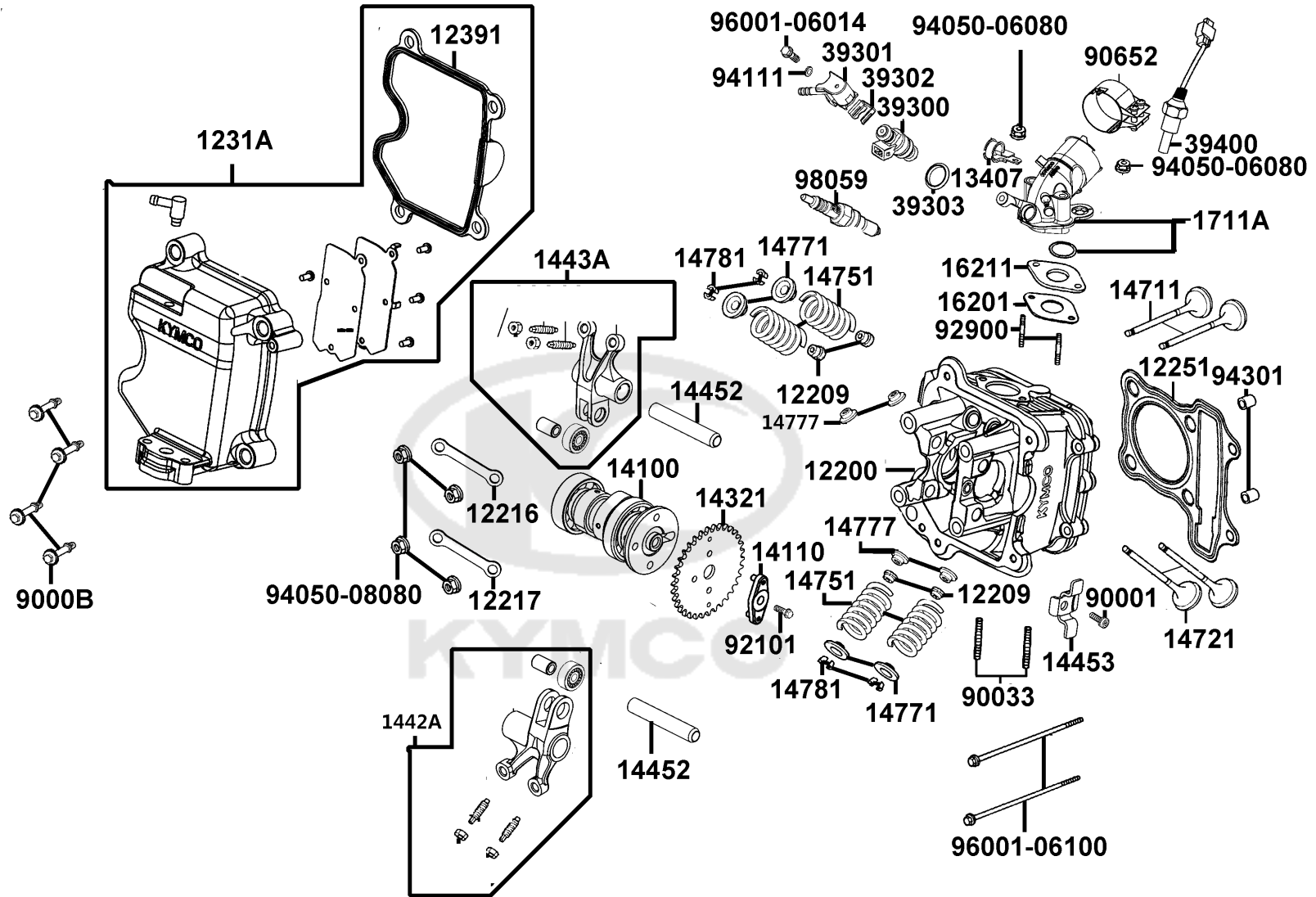
Crank Case



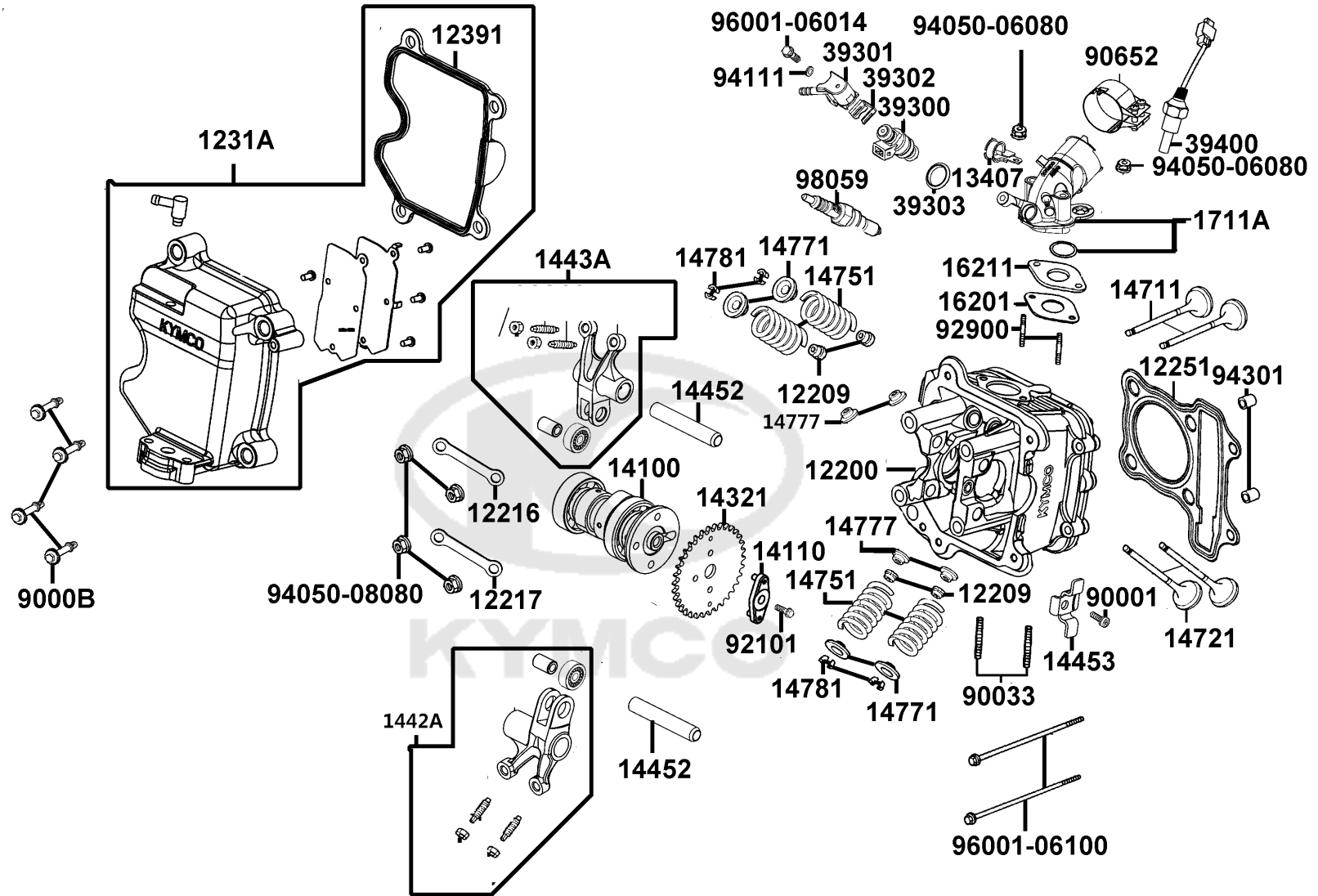
Sales mark	Ref no	Part no	Description	Reg description	Regd no	E01
91005		91005-LBA7-C00	BRG BALL RADIAL 6005LLU	BRG BALL RADIAL 6005LLU	1	
91009		91009-KHE7-C00	BRG BALL RADIAL 6205LLU	BRG BALL RADIAL 6205LLU	1	
91202		91202-LEB1-900	OIL SEAL 25*35*5	OIL SEAL 25*35*5	1	
92101		92101-05012-0HG	BOLT HEX 5*12	BOLT HEX 5*12	5	
93903		93903-35280-G	SCREW TAPPING 5*12 (K)	SCREW TAPPING 5*12 (KG)	3	
94301		94301-10160	DOWEL PIN 10*16	DOWEL PIN 10*16	6	
94520		94520-47000	CIR CLIP IN 47	CIR CLIP IN 47	1	
95701		95701-08012-07G	BOLT FLANGE 8*12 (G)	BOLT FLANGE 8*12 (G)	2	
96001-06025		96001-06025-07G	BOLT FLANGE SH 6*25 (K)	BOLT FLANGE SH 6*25 (G)	16	
96001-06032		96001-06032-07G	BOLT FLANGE SH6*32	BOLT FLANGE 6*32(G)	2	
96001-06040		96001-06040-07G	BOLT FLANGE SH 6*40 (G)	BOLT FLANGE SH 6*40 (KG)	7	
96001-06045		96001-06045-07G	BOLT FLANGE SH 6*45 (G)	BOLT FLANGE SH 6*45 (C)	2	
96001-06050		96001-06050-07G	BOLT FLANGE SH 6*50 (K)	BOLT FLANGE SH 6*50 (K)	2	
96001-GFY6		96001-GFY6-C01	BOLT SPECIAL 5X10	BOLT SPECIAL 5X10	4	
96100-62020		96100-62020-00	BEARING BALL RADIAL 6202	BEARING BALL RADIAL 6202	1	
96100-63030		96100-63030-00	BEARING BALL RADIAL 6303	BEARING BALL RADIAL 6303	1	
96600		96600-06016-08G	SOCKET BOLT 6*16(B)	SOCKET BOLT 6*16(B)	2	



Sales mark	Ref no	Part no	Description	Reg description	Regd no	E02
12200		12200-LKE6-C00	HEAD COMP CYLN	HEAD COMP CYLN	1	
12209		12209-LEA2-C00	SEAL VALVE STEM	SEAL VALVE STEM	1	
12216		12216-LEB1-C00	"FORK A, HOLDER"	"FORK A, HOLDER"	1	
12217		12217-LEB1-C00	"FORK B, HOLDER"	"FORK B, HOLDER"	1	
12251		12251-LKE6-C00	GASKET CYLINDER HEAD	GASKET CYLINDER HEAD	1	
1231A		1231A-LHJ3-C00	HEAD COVER SET	HEAD COVER SET	1	
12391		12391-LEB1-C00	GASEKT HEAD COVER	GASEKT HEAD COVER	1	
13407		13407-LKC6-C00	PLATE A ECU MODULE	PLATE A ECU MODULE	1	
14100		14100-LKE6-C00	CAM SHAFT COMP	CAM SHAFT COMP	1	
14110		14110-LEB1-C00	"FIXTURE,CAMSHAFT"	"FIXTURE,CAMSHAFT"	1	
14321		14321-LEB1-C00	SPROCKET CAM	SPROCKET CAM	1	
1442A		1442A-LEB1-C00	"ARM ASSY, VALVE ROCKER"	"ARM ASSY, VALVE ROCKER"	1	
1443A		1443A-LEB1-C00	"ARM ASSY.,VALVE ROCKER"	"ARM ASSY.,VALVE ROCKER"	1	
14452		14452-LFA7-C00	SHAFT EXH ROCKER ARM	SHAFT EXH ROCKER ARM	2	
14453		14453-LKE6-C00	SET PLATE ROCKER ARM SHAFT	SET PLATE ROCKER ARM SHAFT	1	
14711		14711-LKE6-C00	VALVE INLET	VALVE INLET	1	
14721		14721-LKE6-C00	VALVE EXHAUST	VALVE EXHAUST	1	
14751		14751-KHD6-C00	SPG VALVE OUTER	SPG VALVE OUTER	1	
14771		14771-LEA2-900	RETAINER UPPER SPRING	RETAINER UPPER SPRING	1	
14777		14777-LFA7-C00	SEAT VALVE SPG	SEAT VALVE SPG	4	



Sales mark	Ref no	Part no	Description	Reg description	Regd no	E02
	14781	14781-KKE5-C00	COTTER VALVE	COTTER VALVE	1	
	16201	16201-LEB1-C00	GASKET CARB INSULATOR	GASKET CARB INSULATOR	1	
	16211	16211-LEB1-C00	INSULATOR CARB	INSULATOR CARB	1	
	1711A	1711A-AKF3-E00	PIPE ASSY INLET	PIPE ASSY INLET	1	
	39300	39300-LEB2-800	FUEL INJECTOR	FUEL INJECTOR	1	
	39301	39301-AKF3-E00	HOLDER ASSY FUEL	HOLDER ASSY FUEL	1	
	39302	39302-KKE3-C00	CLIP SPRING FUEL INJECTOR	CLIP SPRING FUEL INJECTOR	1	
	39303	39303-LEB2-C00	SEAL,HIGH TENSION FUEL INJECT	SEAL,HIGH TENSION FUEL INJECT	1	
	39400	39400-LHJ3-900	SENSOR. HEAD TEMPERATURE	SENSOR. HEAD TEMPERATURE	1	
	90001	90001-GFY6-C01	SOCKET BOLT 6*10	SOCKET BOLT 6*10	1	
	9000B	9000B-KHD6-C02	BOLT ASSY SPECIAL 6X41.5(G)	BOLT ASSY SPECIAL 6X41.5(G)	4	
	90033	90033-KGB4-C11	BOLT STUD 8*40	BOLT STUD 8*40	2	
	90652	90652-AHA7-C00	"BAND 49, INLET-PIPE"	"BAND 49, INLET-PIPE"	1	
	92101	92101-06014-07G	BOLT HEX 6*14	BOLT HEX 6*14	1	
	92900	92900-06060-0BG	BOLT STUD 6*60	BOLT STUD 6*60	2	
	94050-06080	94050-06080-G	NUT FLANGE 6MM	NUT FLANGE 6MM	2	
	94050-08080	94050-08080-G	NUT FLANGE 8MM	FLANGE NUT 8MM(C)	4	
	94111	94111-06800-G	WASHER SPG 6MM(C)	WASHER SPG 6MM(C)	1	
	94301	94301-10160	DOWEL PIN 10*16	DOWEL PIN 10*16	2	
	96001-06014	96001-06014-08G	BOLT FLANGE SH 6*14 (C)	BOLT FLANGE SH 6*14 (C)	1	

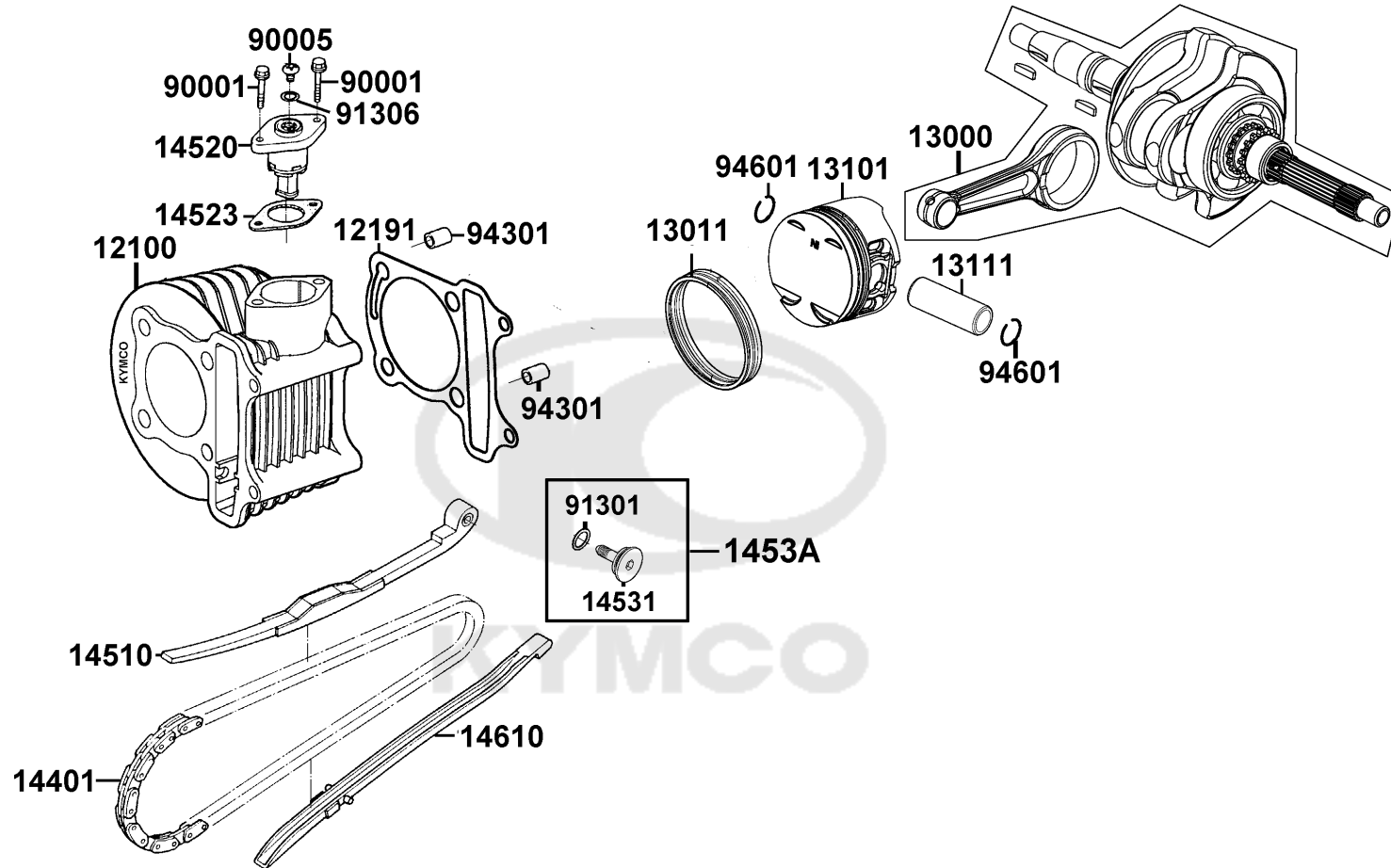


Sales mark	Ref no	Part no	Description	Reg description	Regd no	E02
------------	--------	---------	-------------	-----------------	---------	------------

96001-06100		96001-06100-07G	BOLT FLANGE 6*100	BOLT FLANGE 6*100	2	
98059		98059-58916-00	PLUG SPARK(CR8E)	PLUG SPARK(CR8E)	1	



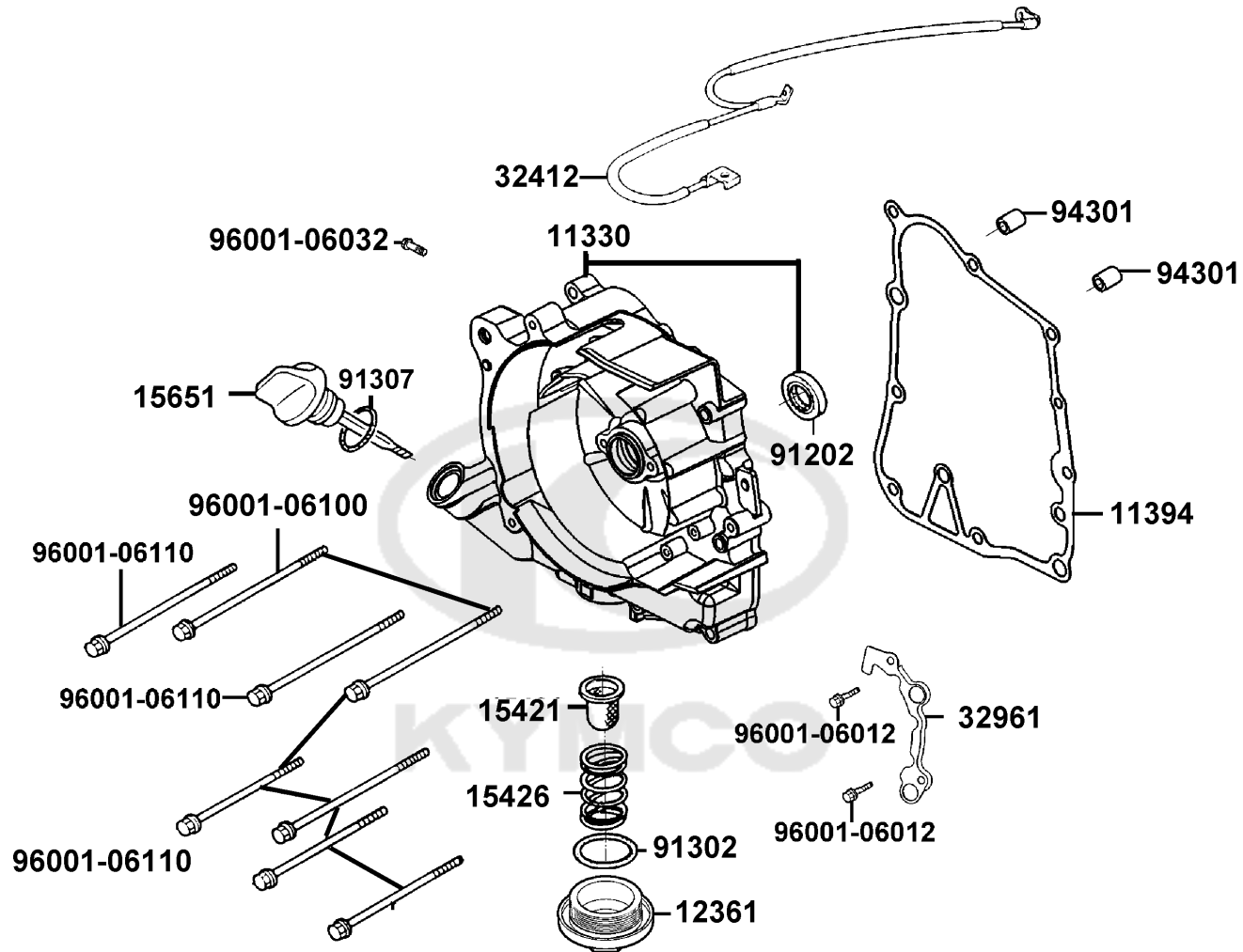
Cylinder Piston Crankshaft



Sales mark	Ref no	Part no	Description	Reg description	Regd no	E03
	12100	12100-LEB1-90B	CYLINDER COMP	CYLINDER COMP	1	
	12191	12191-LEB1-C00	GASKET CYLINDER @A	GASKET CYLINDER @A	1	
	13000	13000-AKF3-E00	CRANK SHAFT COMP	CRANK SHAFT COMP	1	
	13011	13011-LKE6-C00	RING ASSY PISTON	RING ASSY PISTON	1	
	13101	13101-LKE6-C00	PISTON	PISTON	1	
	13111	13111-LFA7-C00	PIN PISTON	PIN PISTON	1	
	14401	14401-KUDU-C00	CHAIN CAM	CHAIN CAM	1	
	14510	14510-LEB1-C00	TENSIONER CAM CHAIN	TENSIONER CAM CHAIN	1	
	14520	14520-LFA7-C00	LIFTER ASSY TENSIONER	LIFTER ASSY TENSIONER	1	
	14523	14523-KED9-C00	GASKET TENSIONER LIFTER @A	GASKET TENSIONER LIFTER @A	1	
	14531	14531-GLR0-W11	PIVOT CAM CHAIN TENSIONER	PIVOT CAM CHAIN TENSIONER	1	
	1453A	1453A-GFY6-W10	PIVOT CAM CHAIN TENSIONER	PIVOT CAM CHAIN TENSIONER	1	
	14610	14610-LEB1-C00	GUIDE,CAM CHAIN	GUIDE,CAM CHAIN	1	
	90001	90001-GBHB-C06	BOLT FLANGE SHF 6*22	BOLT	2	
	90005	90005-KAW1-C00	SCREW PAN 6*6(G)	SCREW PAN 6*6(G)	1	
	91301	91301-GLR0-W10	O-RING 15.2*1.5	O-RING 15.2*1.5	1	
	91306	91306-1E05-C00	O-RING 1.5*9.5	O-RING 1.5*9.5	1	
	94301	94301-10160	DOWEL PIN 10*16	DOWEL PIN 10*16	2	
	94601	94601-14000	CLIP PISTON PIN 12MM	CLIP PISTON PIN 12MM	2	

E04

Right Crankcase Cover

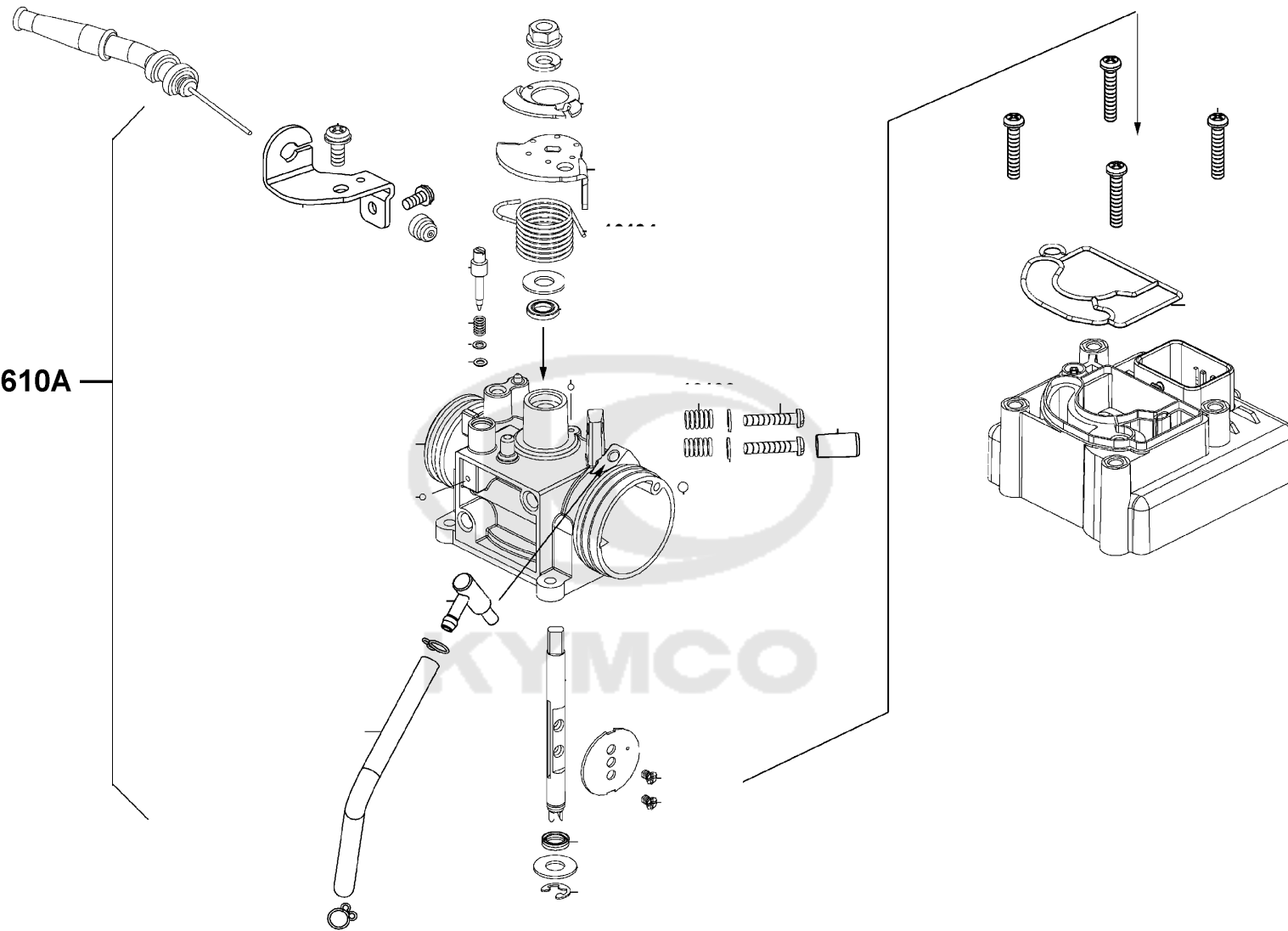


Sales mark	Ref no	Part no	Description	Reg description	Regd no	E04
11330		11330-LEB1-C00	COVER COMP R CRANK CASE	COVER COMP R CRANK CASE	1	
11394		11394-AEA7-E10	GASKET R COVER @A	GASKET R COVER @A	1	
12361		12361-GFY6-C00	HOLE CAP TAPPET ADJUSTING	HOLE CAP TAPPET ADJUSTING	1	
15421		15421-1G07-C00	SCREEN OIL FILTER	SCREEN OIL FILTER	1	
15426		15426-GAE1-C00	SPG OIL FILTER SCREEN	SPG OIL FILTER SCREEN	1	
15651		15651-KUDU-W10	GUAGE OIL LEVEL	GUAGE OIL LEVEL	1	
32412		32412-AKF3-E00	CABLE EARTH COMP	CABLE EARTH COMP	1	
32961		32961-LEB1-C00	CLAMPER ACG CORD	CLAMPER ACG CORD	1	
91202		91202-GFY6-90C	OIL SEAL 19.8*30*5	OIL SEAL 19.8*30*5	1	
91302		91302-0A01-C00	O-RING 30.8MM	O-RING 30.8MM	1	
91307		91307-0E35-W10	O-RING 18*3	O-RING 18*3	1	
94301		94301-10160	DOWEL PIN 10*16	DOWEL PIN 10*16	2	
96001-06012		96001-06012-07G	BOLT FLANGE 6*12(G)	BOLT FLANGE SH 6*12 (KG)	2	
96001-06032		96001-06032-07G	BOLT FLANGE SH6*32	BOLT FLANGE 6*32(G)	2	
96001-06100		96001-06100-07G	BOLT FLANGE 6*100	BOLT FLANGE 6*100	6	
96001-06110		96001-06110-07G	BOLT FLANGE SH 6*110 (G)	BOLT FLANGE SH 6*110 (G)	2	

E05

Carburetor

1610A



Sales mark	Ref no	Part no	Description	Reg description	Regd no	E05
------------	--------	---------	-------------	-----------------	---------	------------

1610A

1610A-AKF3-E00

THROTTLE BODY ASSY

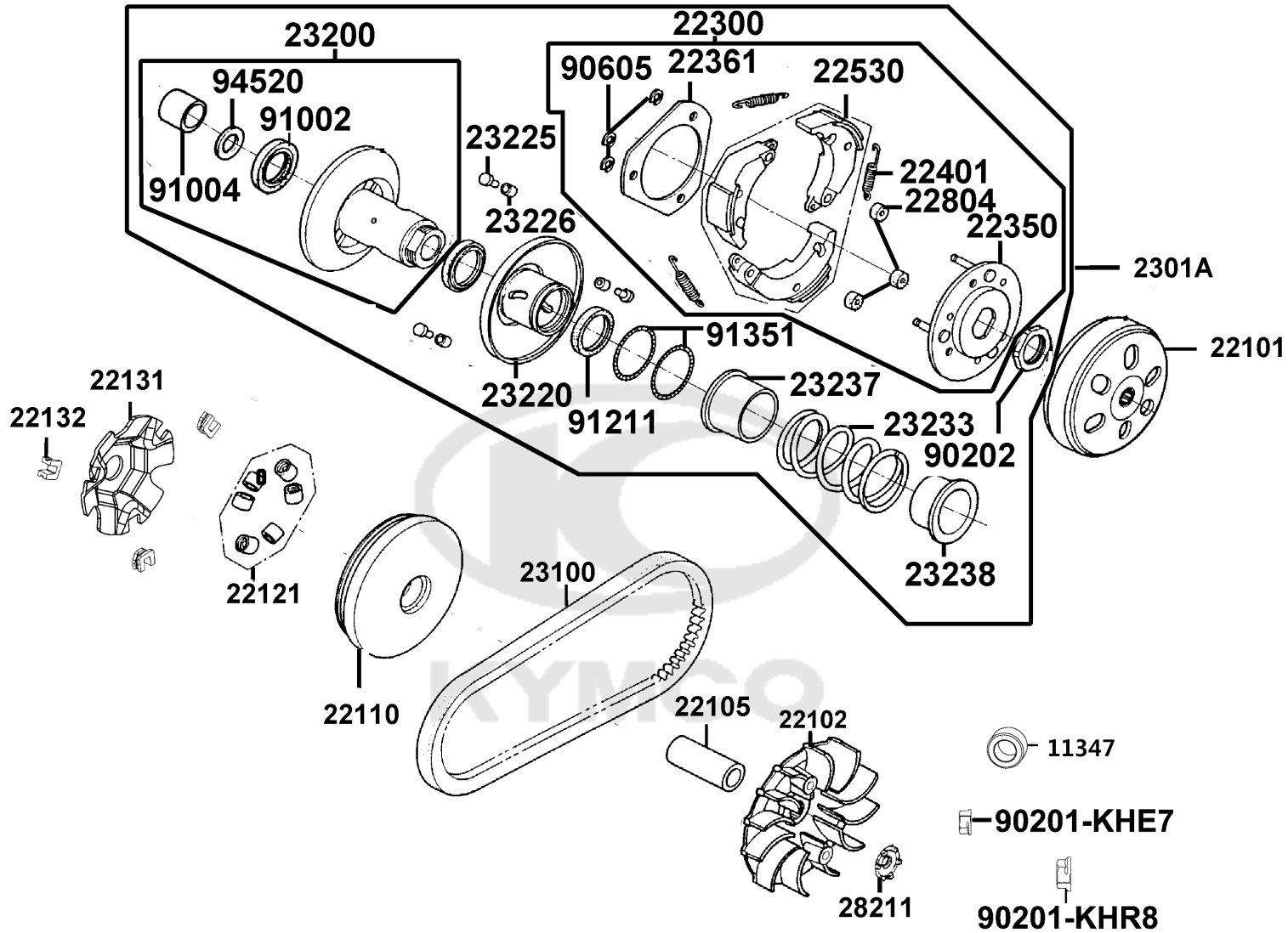
THROTTLE BODY ASSY

1



E06

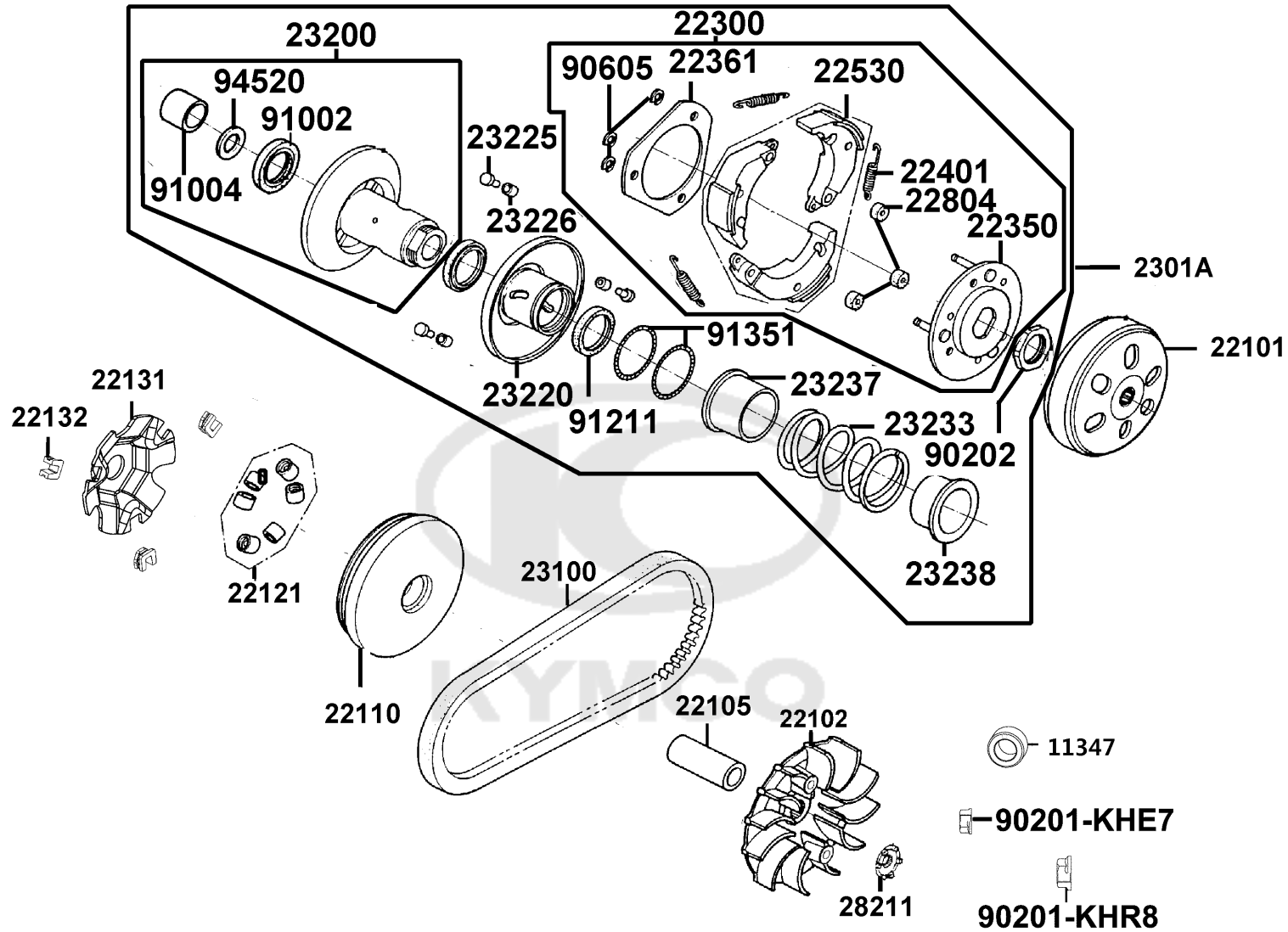
Driven Pulley



Sales mark	Ref no	Part no	Description	Reg description	Regd no	E06
11347		11347-AHA7-C00	BOSS DRIVER SHAFT	BOSS DRIVER SHAFT	1	
22101		22101-LCD3-C00	OUTER CLUTCH	OUTER CLUTCH	1	
22102		22102-LKG2-C00	FACEDRIVE	FACEDRIVE	1	
22105		22105-AHA7-C00	"BOSS, DRIVE FACE"	"BOSS, DRIVE FACE"	1	
22110		22110-AHA7-C00	"FACE COMP., MOVABLE DRIVE"	"FACE COMP., MOVABLE DRIVE"	1	
22121		22121-AKF3-305	ROLLER COMP WEIGHT	ROLLER COMP WEIGHT	6	
22131		22131-AHA7-C00	"PLATE, RAMP"	"PLATE, RAMP"	1	
22132		22132-AFF8-405	PIECE SET SLIDE(1 SET:3 PCS)	PIECE SLIDE	1	
22300		22300-AKF3-E00	PLATE ASSY DRIVE	PLATE ASSY DRIVE	1	
22350		22350-LHM6-C00	PLATE COMP. DRIVE	PLATE COMP. DRIVE	1	
22361		22361-LHM6-C00	PLATE CLUTCH LIFTER	PLATE CLUTCH SIDE	1	
22401		22401-AKF3-E00	SPRING CLUTCH	SPRING CLUTCH	3	
22530		22530-LHJ3-C01	"WEIGHT,CLUTCH"	"WEIGHT,CLUTCH"	3	
22804		22804-GBB2-C00	RUBBER CLUTCH DAMPER	RUBBER CLUTCH DAMPER	3	
2301A		2301A-AKF3-E00	PULLEY SUB ASSY	PULLEY SUB ASSY	1	
23100		23100-AHA7-C01	BELT DRIVE	BELT DRIVE	1	
23200		23200-LKG2-C00	FACE ASSY.DRIVEN	FACE ASSY.DRIVEN	1	
23220		23220-AAG1-C00	FACE COMP.. MOVABLE DRIVEN	FACE COMP.. MOVABLE DRIVEN	1	
23225		23225-GHC8-C00	PIN ROLLER GUIDE	PIN ROLLER GUIDE	3	
23226		23226-GHC8-C00	ROLLER GUIDE	"ROLLER,GUIDE"	3	

E06

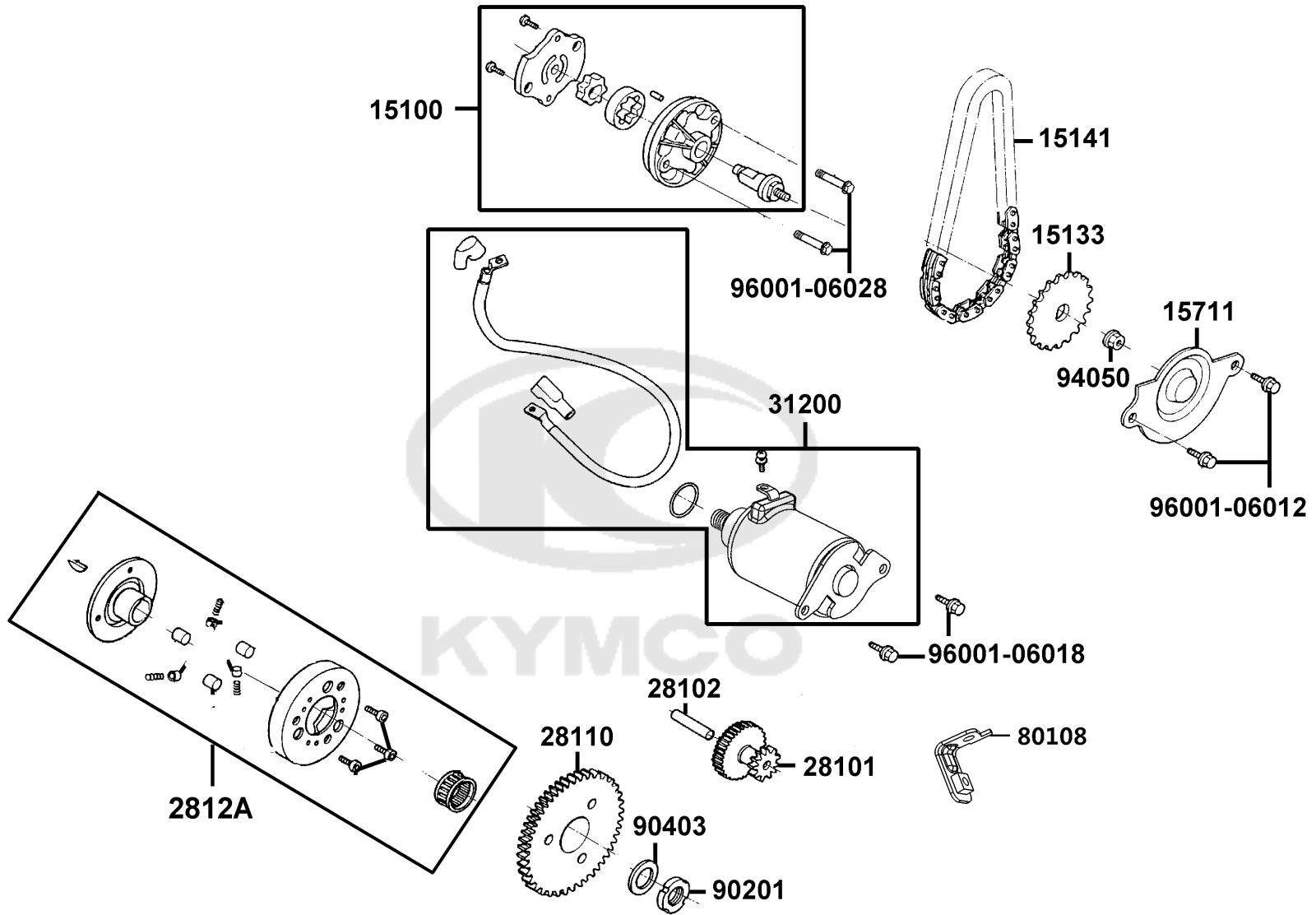
Driven Pulley



Sales mark	Ref no	Part no	Description	Reg description	Regd no	E06
23233		23233-LFE2-C00	SPG DRIVEN FACE	SPG DRIVEN FACE	1	
23237		23237-AEE2-C00	COLLAR SEAL	COLLAR SEAL	1	
23238		23238-AAC9-C00	COLLAR SPG	COLLAR SPG	1	
28211		28211-LKG2-C00	WASHER	WASHER	1	
90201-KHE7		90201-KHE7-C01	NUT C FLANGE M12(C)	NUT C FLANGE M12(C)	1	
90201-KHR8		90201-KHR8-C01	NUT FLANGE 14MM(C)	NUT FLANGE 14MM(C)	1	
90202		90202-KGN7-C00	NUT SPECIAL 28MM	NUT SPECIAL 28MM	1	
90605		90605-1F66-C00	CIR CLIP 7MM	CIR CLIP 7MM	3	
91002		91002-GGA7-C00	BRG BALL RADIAL 6902U	BRG BALL RADIAL 6902U	1	
91004		91004-KHE7-C00	BRG NDL 22*29*18	BRG NDL 22*29*18	1	
91211		91211-KEBE-C00	SEAL DRIVEN FACE 34*41*4	SEAL DRIVEN FACE 34*41*4	2	
91351		91351-6B42-C00	O-RING PINION CAP	O-RING PINION CAP	2	
94520		94520-28000	CIR CLIP IN 28	CIR CLIP IN 28	1	

E07

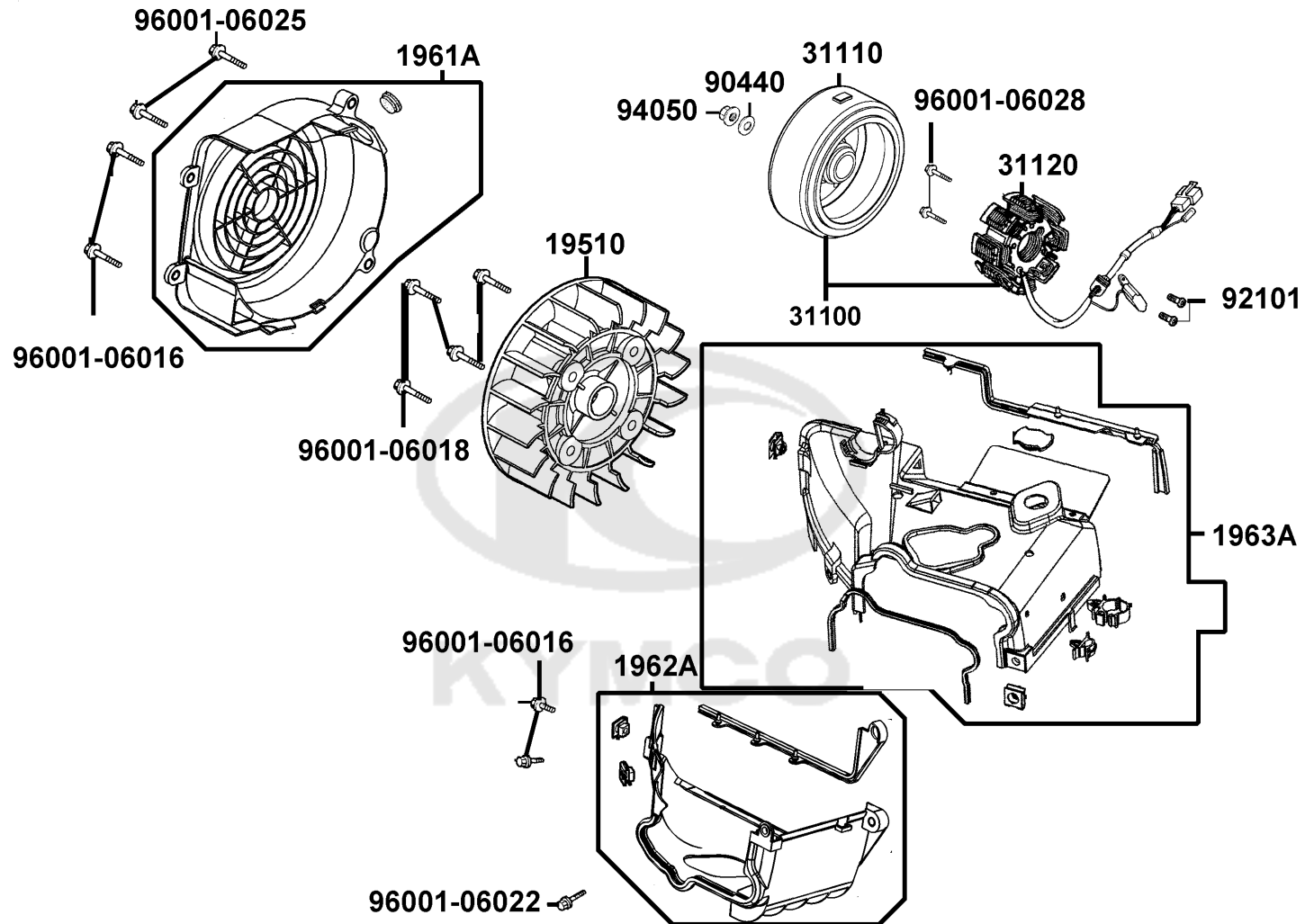
Starting Motor Oil Pump



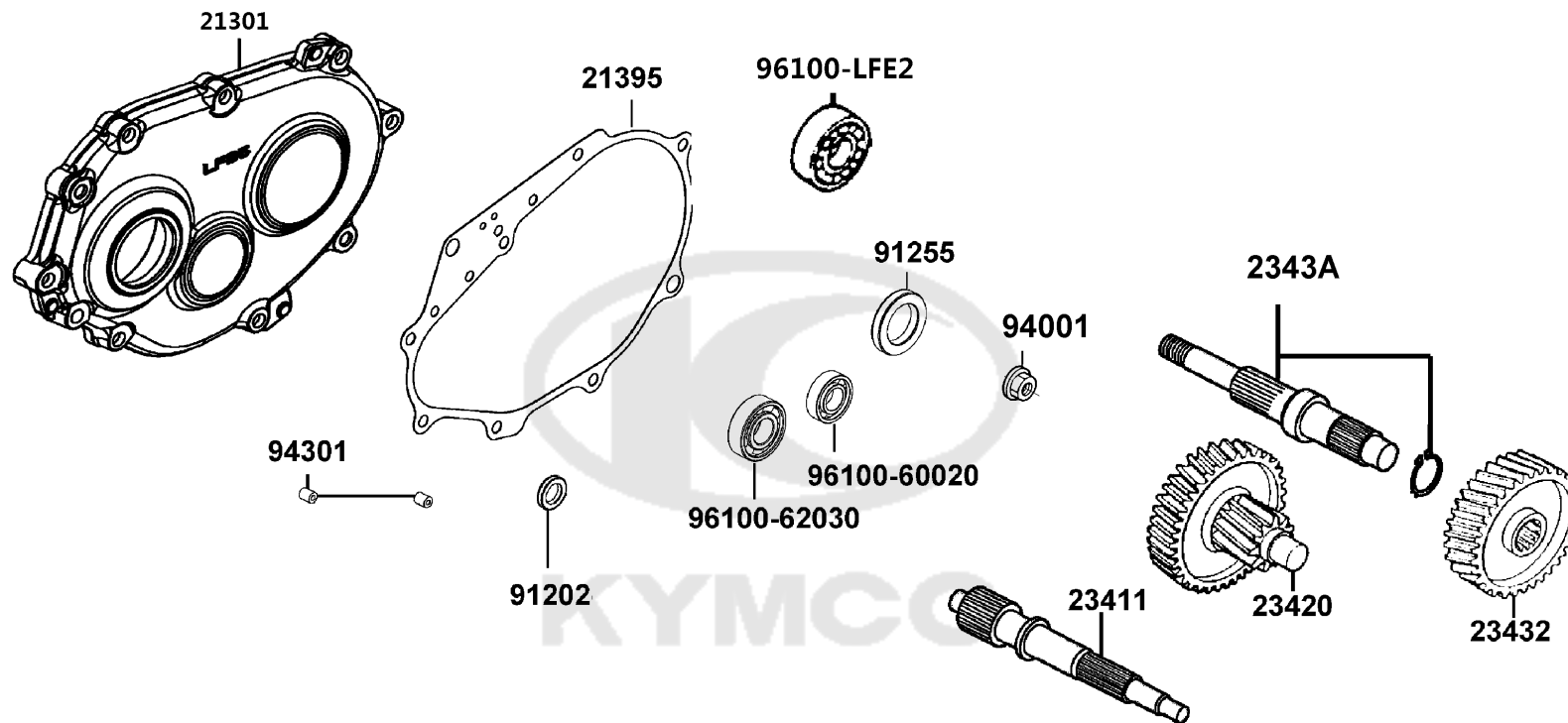
Sales mark	Ref no	Part no	Description	Reg description	Regd no	E07
15100		15100-KFB7-C00	OIL PUMP ASSY	PUMP ASSY OIL	1	
15133		15133-GFY6-W10	SPROCKET OIL PUMP DRIVE	SPROCKET OIL PUMP DRIVE	1	
15141		15141-GFY6-C00	CHAIN OIL PUMP	CHAIN OIL PUMP	1	
15711		15711-GFY6-C00	SEPARATER OIL	SEPARATER OIL	1	
28101		28101-ADG1-C00	GEAR STARTER REDUCTION	GEAR STARTER REDUCTION	1	
28102		28102-GFY6-C00	SHAFT STARTER REDUCTION GEAR	SHAFT STARTER REDUCTION GEAR	1	
28110		28110-LEB1-C00	GEAR COMP. STARTING CLUTCH	GEAR COMP. STARTING CLUTCH	1	
2812A		2812A-ADG1-C00	OUTER COMP STARTING CLUTCH	OUTER COMP STARTING CLUTCH	1	
31200		31200-AKF3-E00	MOTOR ASSY START	MOTOR ASSY START	1	
80108		80108-AKF3-E00	"STAY, RR. TIRE FENDER"	"STAY, RR. TIRE FENDER"	1	
90201		90201-GFY6-901	NUT LOCK 22MM	NUT LOCK 22MM	1	
90403		90403-GFY6-C00	WASHER THRUST 22.2*31*2.5	WASHER THRUST 22.2*31*2.5	1	
94050		94050-06080-G	NUT FLANGE 6MM	NUT FLANGE 6MM	1	
96001-06012		96001-06012-07G	BOLT FLANGE 6*12(G)	BOLT FLANGE SH 6*12 (KG)	1	
96001-06018		96001-06018-07G	BOLT FLANGE 6*18	BOLT FLANGE 6*18	2	
96001-06028		96001-06028-07G	BOLT FLANGE SH 6*28 (G)	BOLT FLANGE SH 6*28 (G)	2	

E08

Fan Cover Generator



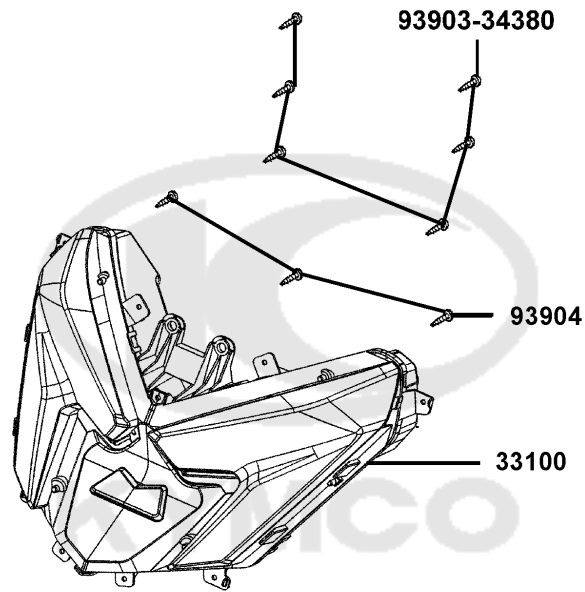
Sales mark	Ref no	Part no	Description	Reg description	Regd no	E08
19510		19510-LEB1-C01	FAN COMP COOLING	FAN COMP COOLING	1	
1961A		1961A-LEB1-C00	COVER ASSY FAN	COVER ASSY FAN	1	
1962A		1962A-LKE6-C00	SHROUD ASSY A	SHROUD ASSY A	1	
1963A		1963A-AKF3-E00	SHROUD ASSY B	SHROUD ASSY B	1	
31100		31100-AKF3-E00	AC GEN ASS'Y	AC GEN ASS'Y	1	
31110		31110-ACC1-E10	FLYWHEEL COMP	FLYWHEEL COMP.	1	
31120		31120-AKF3-E00	STATOR COMP.	STATOR COMP.	1	
90440		90440-1F66-C00	WASHER PLAIN 12MM	WASHER PLAIN 12MM	1	
92101		92101-05012-OHG	BOLT HEX 5*12	BOLT HEX 5*12	2	
94050		94050-12080-G	NUT FLANGE 12MM (C)	NUT FLANGE 12MM (C)	1	
96001-06016		96001-06016-08G	BOLT FLANGE SH 6x16 (C)	BOLT FLANGE SH 6*16 (CR3+)	4	
96001-06018		96001-06018-07G	BOLT FLANGE 6*18	BOLT FLANGE 6*18	4	
96001-06022		96001-06022-08G	BOLT FLANGE 6*22	BOLT FLANGE 6*22	1	
96001-06025		96001-06025-08G	BOLT FLANGE SH 6*25 (C)	BOLT FLANGE SH 6*25 (Cr3+)	2	
96001-06028		96001-06028-07G	BOLT FLANGE SH 6*28 (G)	BOLT FLANGE SH 6*28 (G)	2	



Sales mark	Ref no	Part no	Description	Reg description	Regd no	E09
21301		21301-AHA7-C00	"COVER, MISSION"	"COVER, MISSION"	1	
21395		21395-AHA7-C00	"GASKET, MISSION CASE"	"GASKET, MISSION CASE"	1	
23411		23411-LKG2-C00	SHAFTDRIVE	SHAFTDRIVE	1	
23420		23420-AHA7-C00	"SHAFT COMP., COUNTER"	"SHAFT COMP., COUNTER"	1	
23432		23432-AHA7-C00	"GEAR,FINAL"	"GEAR,FINAL"	1	
2343A		2343A-AHA7-C00	"SHAFT, FINAL"	"SHAFT, FINAL"	1	
91202		91202-LFE2-90A	OIL SEAL 22*32*5	OIL SEAL 22*32*5	1	
91255		91255-KHE7-90A	OIL SEAL 34*52*7	OIL SEAL 34*52*7	1	
94001		94001-12280-0SG	NUT HEX 12MM(C)	NUT HEX 12MM(C)	1	
94301		94301-08140	DOWEL PIN 8*14	DOWEL PIN 8*14	2	
96100-60020		96100-60020-00	BRG BALL RADIAL 6002	BRG BALL RADIAL 6002	1	
96100-62030		96100-62030-00	BRG BALL RADIAL 6203	BRG BALL RADIAL 6203	1	
96100-LFE2		96100-LFE2-900	BRG BALL RADIAL TMB2/22CC4	BRG BALL RADIAL TMB2/22CC4	1	

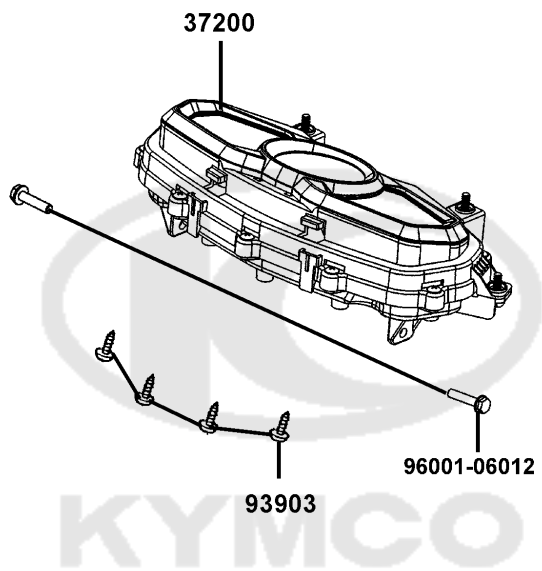
F01

Head Light



Sales mark	Ref no	Part no	Description	Reg description	Regd no	F01
	33100	33100-AHA7-C00	"LIGHT ASSY.,HEAD"	"LIGHT ASSY.,HEAD"	1	
	93903-34380	93903-34380-G	SCREW TAPPING 4x12	SCREW TAPPING 4x12	6	
	93904	93904-35380-G	SCREW TAPPING 5*16(K)	SCREW TAPPING 5*16(K)	3	



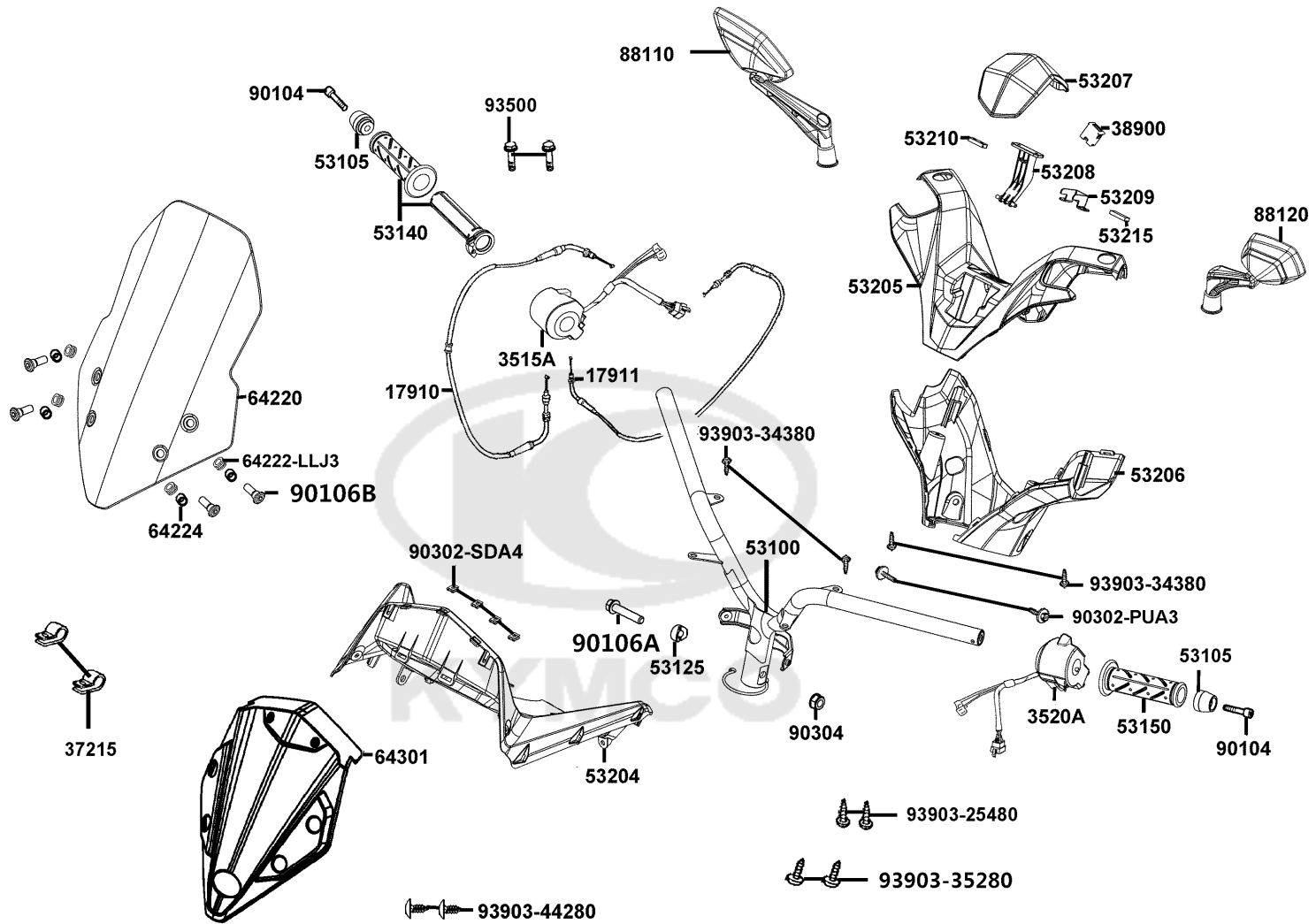


Sales mark	Ref no	Part no	Description	Reg description	Regd no	F02
------------	--------	---------	-------------	-----------------	---------	------------

37200	37200-AKF3-E00	37200-AKF3-E00	METER ASSY SPEED	METER ASSY SPEED	1	
93903	93903-35380-G	93903-35380-G	SCREW TAPPING 5*16 (K)	SCREW TAPPING 5*16	4	
96001-06012	96001-06012-08G	96001-06012-08G	BOLT FLANGE SH 6X12 (C)	BOLT FLANGE SH 6X12 (C)	2	

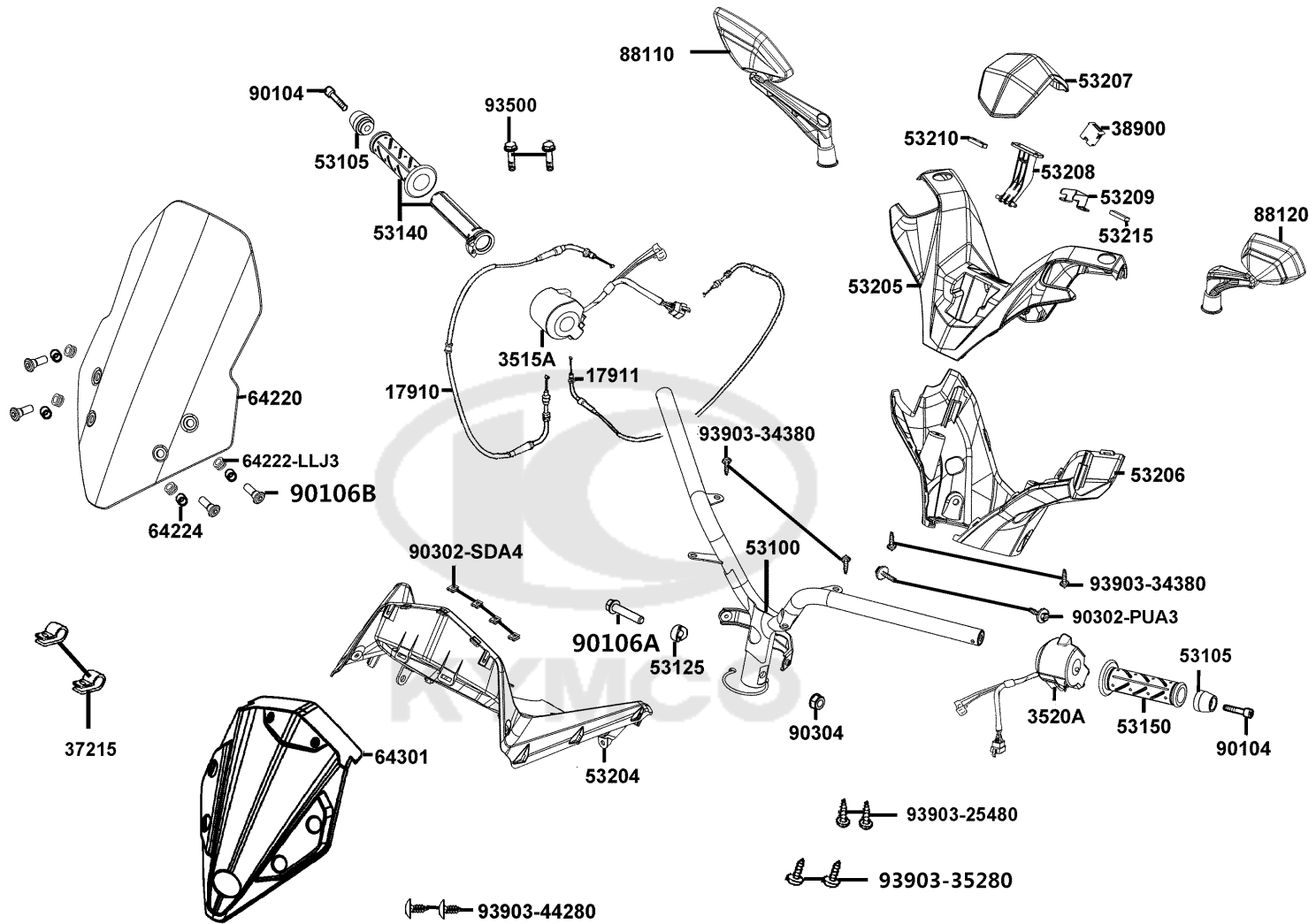


Handle Steering Handle Cover



Sales mark	Ref no	Part no	Description	Reg description	Regd no	F03
	17910	17910-AHA7-C00	"CABLE A COMP.,THROT"	"CABLE A COMP.,THROT"	1	
	17911	17911-AHA7-C00	"CABLE B COMP.,THROT"	"CABLE B COMP.,THROT"	1	
	3515A	3515A-AHA7-C00	SW. ASSY.RH. HANDLE COMP	SW. ASSY.RH. HANDLE COMP	1	
	3520A	3520A-ACD5-E00	SW ASSY LH HANDLE COMP	SW. ASSY.. LH. HANDLE COMP.	1	
	37215	37215-LHJ3-C00	CLAMPER	CLAMPER	1	
	38900	38900-AGE7-C00	SOCKET	SOCKET	1	
	53100	53100-AHA7-C00	"HANDLE COMP., STRG"	"HANDLE COMP., STRG"	1	
	53125	53125-GEN5-C00	COLLAR HANDLE SET	COLLAR HANDLE SET	1	
**	53140	53140-LEA7-E00	GRIP COMP THROT	GRIP R HANDLE	1	
#**	53150	53150-LEA6-C00	GRIP L HANDLE	GRIP L HANDLE	1	
**	53204	53204-AHA7-C00	COVER METER	COVER METER	1	
**	53205	53205-AHA7-C00	"COVER HANDLE, UP"	"COVER HANDLE, UP"	1	
**	53206	53206-AHA7-C00	"COVER HANDLE, LOW"	"COVER HANDLE, LOW"	1	
**	53207	53207-AHA7-C00	"COVER HANDLE, TOP"	"COVER HANDLE, TOP"	1	
**	53208	53208-AHA7-C00	"HINGE, HANDLE TOP COVER"	"HINGE, HANDLE TOP COVER"	1	
	53209	53209-AHA7-C00	"STAY, HANDLE UP COVER"	"STAY, HANDLE UP COVER"	1	
	53210	53210-AHA7-C00	"STAY, HANDLE TOP COVER"	"STAY, HANDLE TOP COVER"	1	
	53215	53215-AHA7-C00	MAGNET	MAGNET	1	
	64220	64220-AHA7-C00	"ASSY.,WIND SCREEN"	"ASSY.,WIND SCREEN"	1	
	64222-LLJ3	64222-LLJ3-C00	RUBBER WIND SCREEN	RUBBER WIND SCREEN	4	

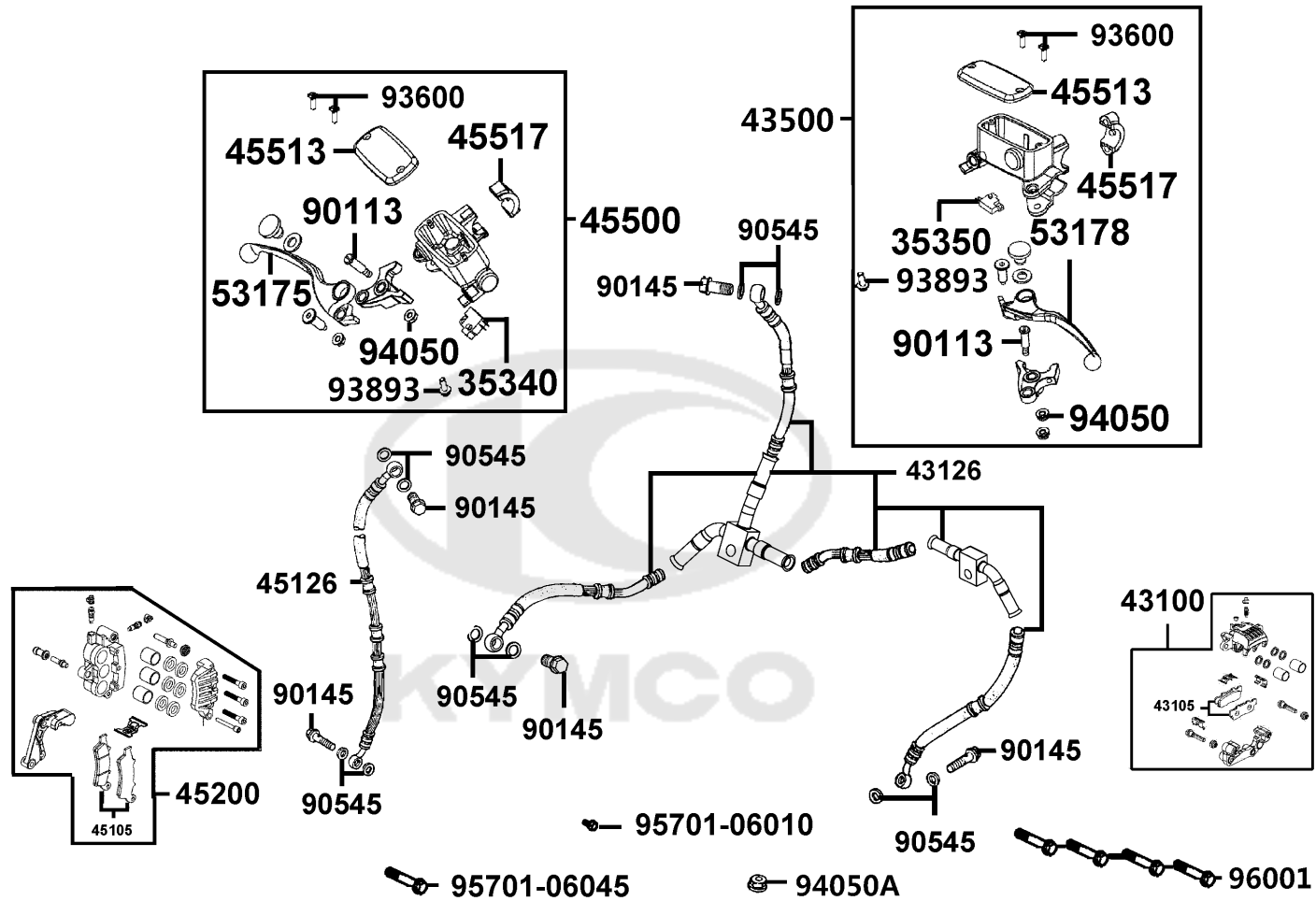
Handle Steering Handle Cover



Sales mark	Ref no	Part no	Description	Reg description	Regd no	F03
	64224	64224-AHA7-C00	"COLLAR, WIND SCREEN"	"COLLAR, WIND SCREEN"	4	
**	64301	64301-AHA7-C00	"COVER FRONT, A"	"COVER FRONT, A"	1	
	88110	88110-AHA7-C00	MIRROR ASSY R BACK	MIRROR ASSY R BACK	1	
	88120	88120-AHA7-C00	MIRROR ASSY L BACK	MIRROR ASSY L BACK	1	
	90104	90104-LEA7-C01	"BOLT WASH.,M8*60"	"BOLT WASH.,M8*60"	2	
	90106A	90106-GEN5-901	BOLT FLANGE 10*50	BOLT FLANGE 10*50	1	
	90106B	90106-KFAF-C10	BOLT SPECIAL 8MM	BOLT SPECIAL 8MM	4	
	90302-PUA3	90302-PUA3-B51	BOLT-WASH 5*12	BOLT-WASH 5*12	2	
	90302-SDA4	90302-SDA4-C01	"NUT,SPPING 4MM"	"NUT,SPPING 4MM"	6	
	90304	90304-GHE8-C01	NUT U 10MM (C)	NUT U 10MM(C)	1	
	93500	93500-05022-0G	SCREW PAN 5*22	SCREW PAN 5*22	2	
	93903-25480	93903-25480	SCREW TAPPING 5*20 (K)	SCREW TAPPING 5*20 (K)	2	
	93903-34380	93903-34380-G	SCREW TAPPING 4x12	SCREW TAPPING 4x12	7	
	93903-35280	93903-35280-G	SCREW TAPPING 5*12 (K)	SCREW TAPPING 5*12 (KG)	2	
	93903-44280	93903-44280-G	SCREW TAPPING 4*10 (K)	SCREW TAPPING 4*10 (K)	2	

F04

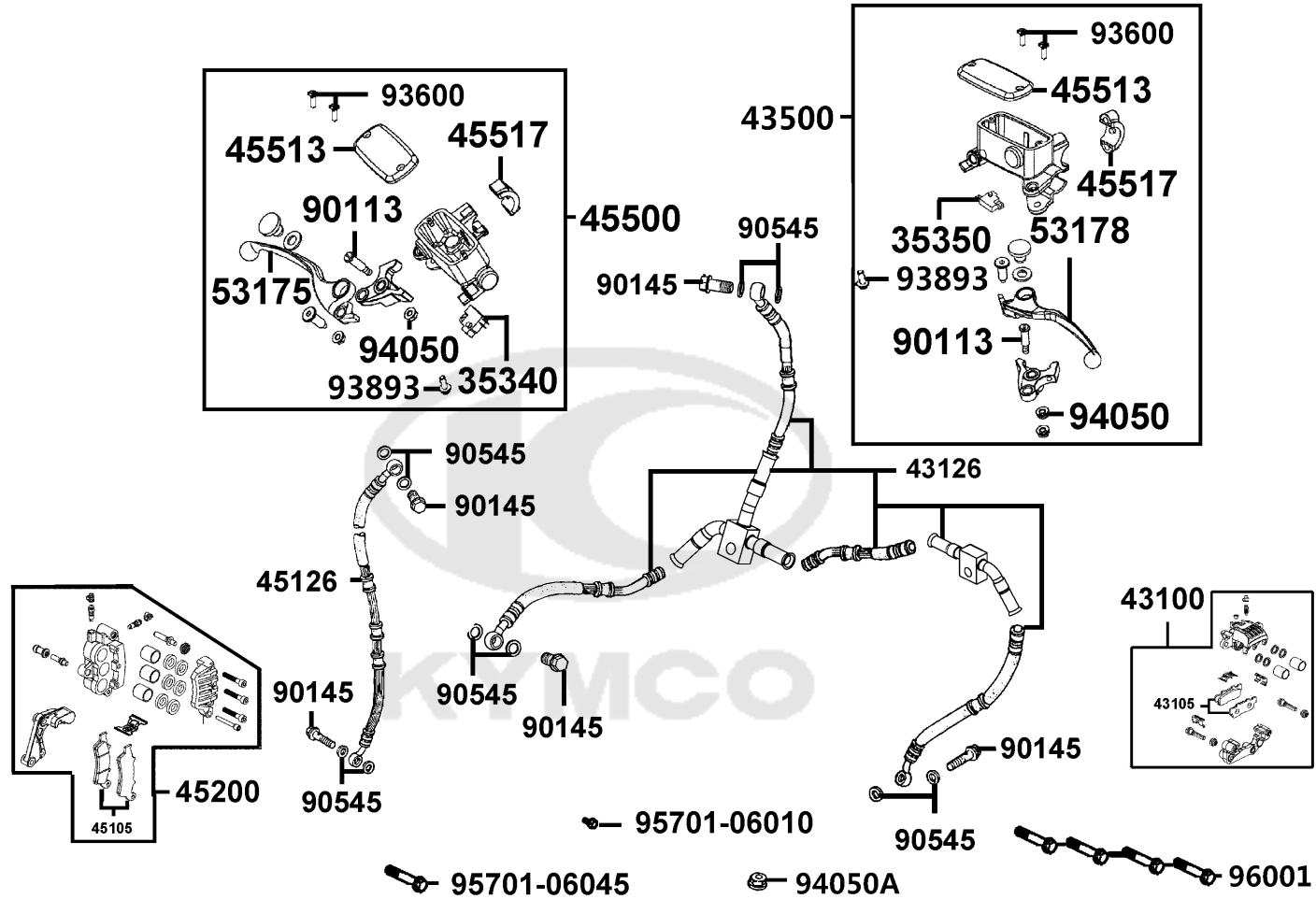
Brake Master Cylinder




Sales mark	Ref no	Part no	Description	Reg description	Regd no	F04
	35340	35340-LKF5-E01	SW ASSY FR STOP	SW ASSY FR STOP	1	
	35350	35350-KNBN-C00	SW ASSY RR STOP	SW ASSY RR STOP	1	
**	43100	43100-AHA7-C00	CALIPER ASSY RR	CALIPER ASSY RR	1	
	43105	43105-LKG2-305	PAD SET	PAD SET	1	
	43126	43126-AKF3-E00	HOSE COMP RR BRK (CBS)	HOSE COMP RR BRK (CBS)	1	
	43500	43500-ACJ1-E00	M/C ASY FR BRK	"M/C ASSY, RR"	1	
	45105	45105-LGE5-305	PAD SET	PAD SET	1	
	45126	45126-AKF3-E00	HOSE COMP FR BRAKE	HOSE COMP FR BRAKE	1	
	45200	45200-ACJ1-E00	CALIPER ASSY FR BRK	"CALIPER ASSY, FR"	1	
	45500	45500-LKG5-E00	M/C ASSY FR BRK	M/C ASSY FR BRK	1	
	45513	45513-LEA7-C00	CAP M/C	CAP M/C	2	
	45517	45517-LBA2-E00	HOLDER M/C	HOLDER M/C	2	
**	53175	53175-LKF5-C00	LEVER R STRG HANDLE	LEVER R STRG HANDLE	1	
**	53178	53178-LKF5-C00	LEVER L STRG HANDLE	LEVER L STRG HANDLE	1	
	90113	90113-KKA8-C00	BOLT HANDLE LEVER	BOLT HANDLE LEVER	2	
	90145	90145-9A61-C01	OIL BOLT 10*22	OIL BOLT 10*22	4	
	90545	90545-3L00-C01	WASHER OIL BOLT	WASHER OIL BOLT	16	
	93600	93600-04012-1G	SCREW FLAT 4*12	SCREW FLAT 4*12	4	
	93893	93893-04012-18	SCREW WASHER 4*12	SCREW WASHER 4*12	2	
	94050	94050-06060	NUT FLANGE 6MM	NUT FLANGE 6MM	2	

F04

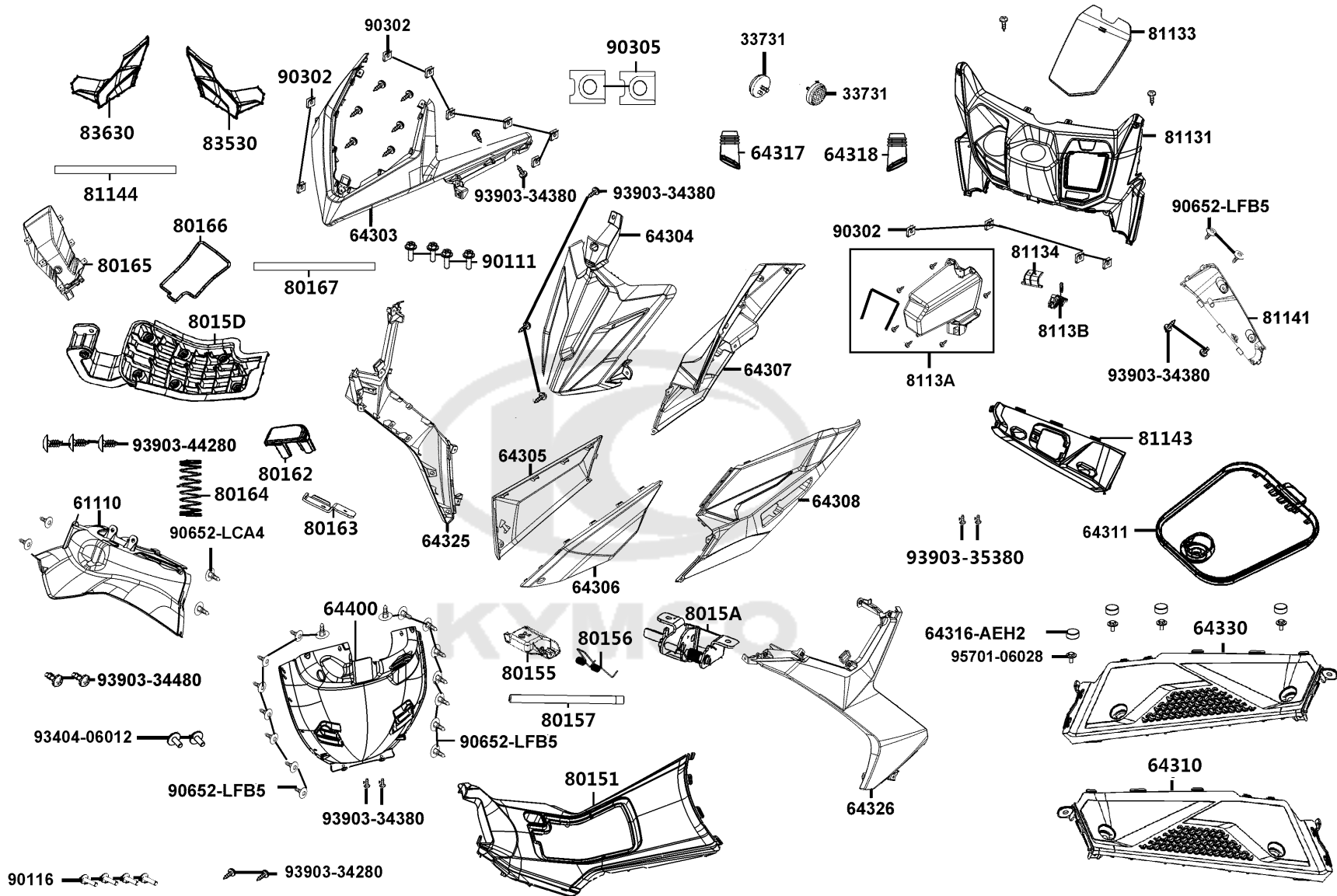
Brake Master Cylinder



Sales mark	Ref no	Part no	Description	Reg description	Regd no	F04
	94050A	94050-06080-G	NUT FLANGE 6MM	NUT FLANGE 6MM	1	
	95701-06010	95701-06010-08G	BOLT FLANGE 6*10	BOLT FLANGE 6*10	1	
	95701-06045	95701-06045-08G	BOLT FLANGE 6*45 (C)	BOLT FLANGE 6*45 (C)	1	
	96001	96001-06040-08G	BOLT FLANGE SH 6*40 (CG)	BOLT FLANGE SH 6*40 (B)	4	
						

F05

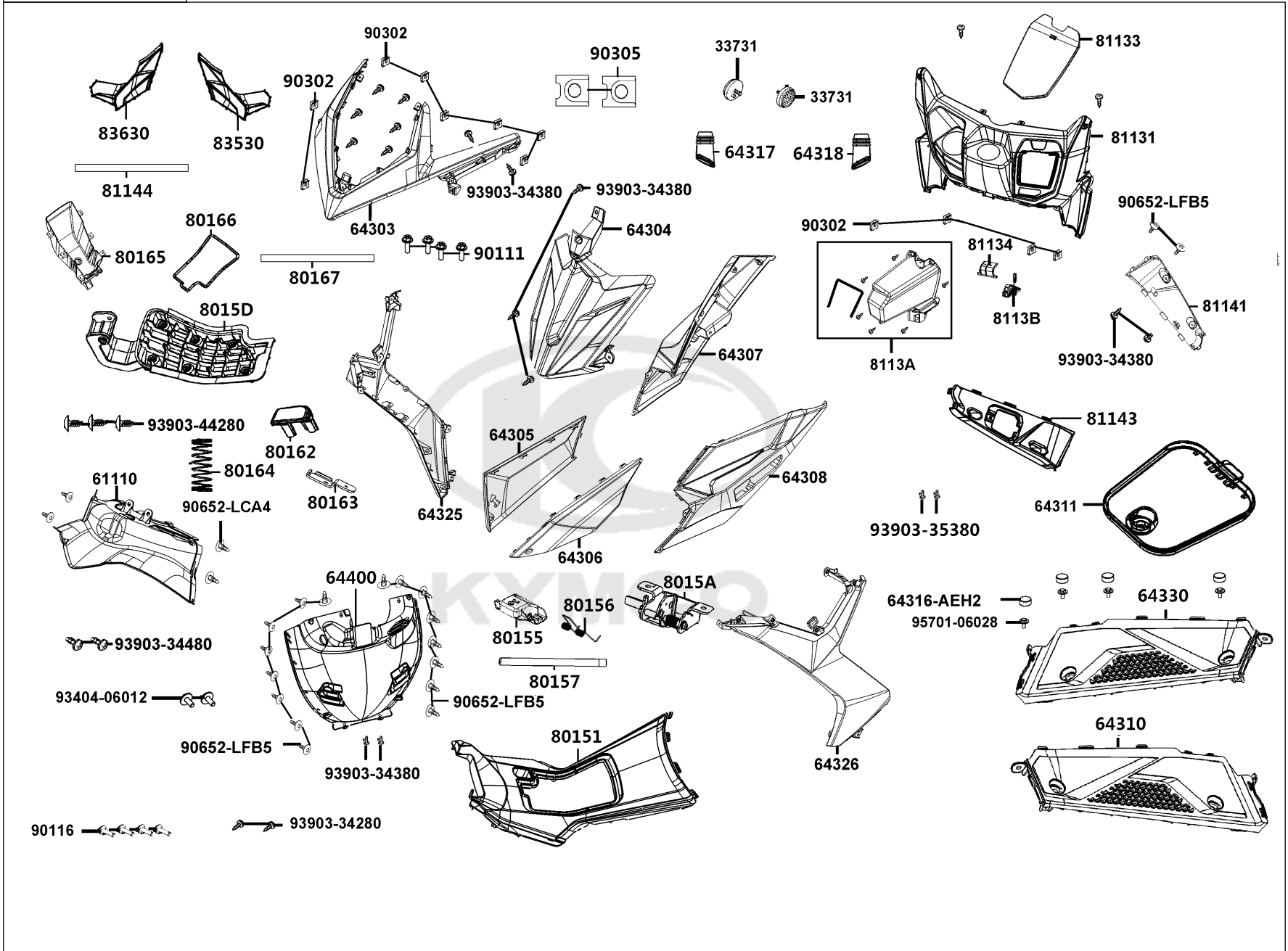
Front Cover Front Fender



Sales mark	Ref no	Part no	Description	Reg description	Regd no	F05
	33731	33731-AKH7-C00	REFLEX REFLECTOR SIDE	REFLEX REFLECTOR SIDE	2	
**	61110	61110-AHA7-C00	"FENDER INNER, FR."	"FENDER INNER, FR."	1	
**	64303	64303-AHA7-C00	"COVER FRONT, B"	"COVER FRONT, B"	1	
**	64304	64304-AHA7-C00	"COVER FRONT, C"	"COVER FRONT, C"	1	
**	64305	64305-AHA7-C00	SKIRT R SIDE	SKIRT R SIDE	1	
**	64306	64306-AHA7-C00	SKIRT L SIDE	SKIRT L SIDE	1	
**	64307	64307-AHA7-C00	"SKIRT R SIDE, B"	"SKIRT R SIDE, B"	1	
**	64308	64308-AHA7-C00	"SKIRT L SIDE, B"	"SKIRT L SIDE, B"	1	
**	64310	64310-AKF3-E00	FLOOR, PANEL	FLOOR, PANEL	1	
**	64311	64311-AHA7-C00	"LID,COOLING TANK MAINT"	"LID,COOLING TANK MAINT"	1	
**	64316-AEH2	64316-AEH2-M40	PLUG FLOOR	PLUG FLOOR	4	
	64317	64317-AKF3-E00	PLUG SKIRT, R	"PLUG SKIRT B, R"	1	
	64318	64318-AKF3-E00	PLUG SKIRT, L	"PLUG SKIRT B, L"	1	
**	64325	64325-AHA7-C00	"MOLDING R, BRN"	"MOLDING R, BRN"	1	
**	64326	64326-AHA7-C00	"MOLDING L, BRN"	"MOLDING L, BRN"	1	
**	64330	64330-AKF3-E00	FLOOR PANEL L	FLOOR PANEL L	1	
**	64400	64400-AKF3-E00	"COWL, UNDER"	"COWL, UNDER"	1	
**	80151	80151-AKF3-E00	COVER CENTER	COVER CENTER	1	
**	80155	80155-AKF3-E00	HOLDER, FUEL COVER	HOLDER, FUEL COVER	1	
	80156	80156-AKF3-E00	SPRNG CENTER LID	SPRNG CENTER LID	1	

F05

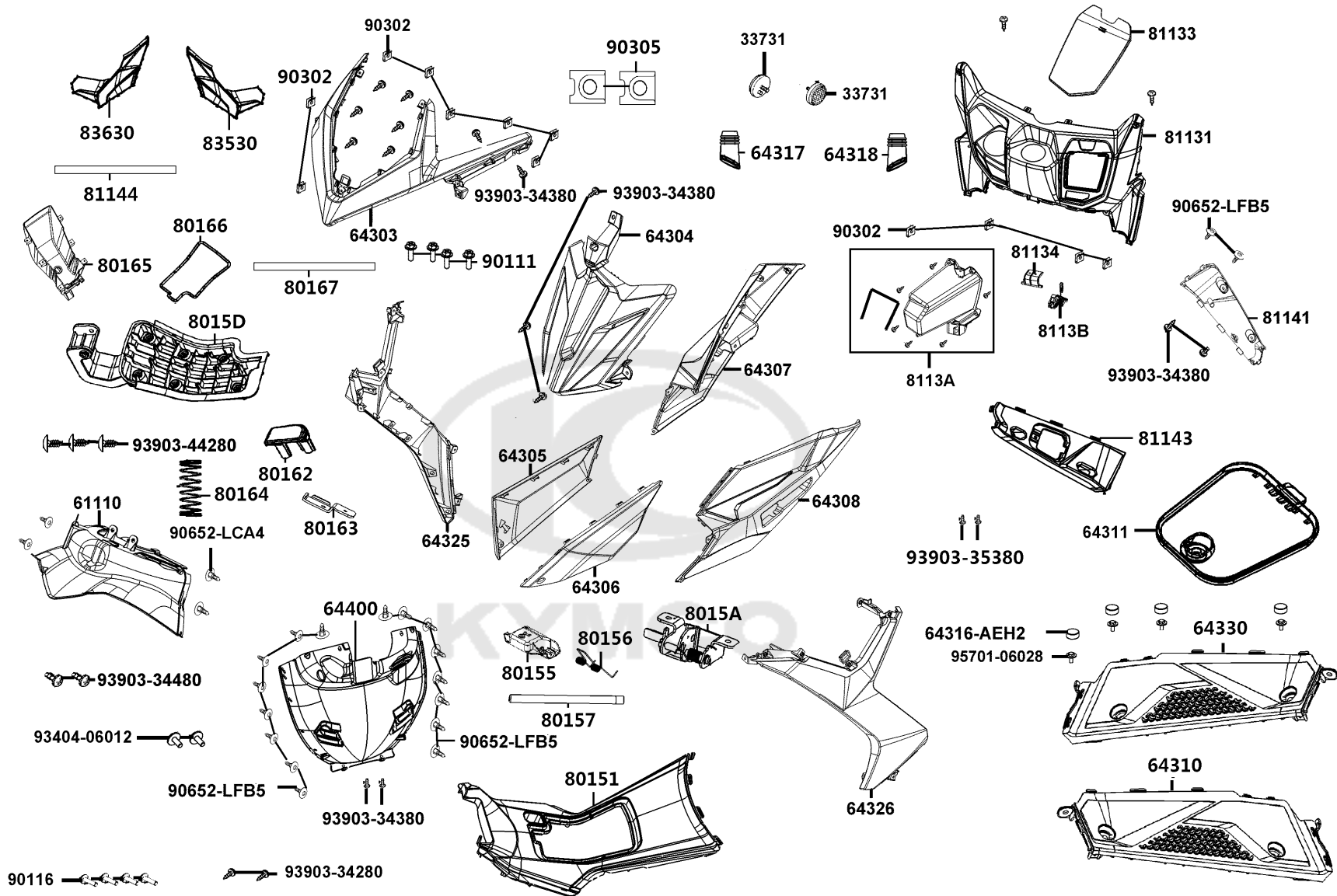
Front Cover Front Fender



Sales mark	Ref no	Part no	Description	Reg description	Regd no	F05
	80157	80157-AKF3-E00	SHIFT, CENTER LID	SHIFT, CENTER LID	1	
	8015A	8015A-AKF3-E00	CATCH, CENTER LID	CATCH, CENTER LID	1	
**	8015D	8015D-AKF3-E00	COVER	COVER	1	
**	80162	80162-AKF3-E00	BUTTOM, CATCH	BUTTOM, CATCH	1	
	80163	80163-AKF3-E00	WASHER CATCH BUTTON	WASHER CATCH BUTTON	1	
	80164	80164-AKF3-E00	SPRING CATCH BUTTON	SPRING CATCH BUTTON	1	
**	80165	80165-AKF3-E00	COVER, INNER BOX	COVER, INNER BOX	1	
	80166	80166-AKF3-E00	SPONGE,LID CENTER COVER	SPONGE,LID CENTER COVER	1	
	80167	80167-AKF3-E00	SPONGE, CENTER COVER	SPONGE, CENTER COVER	2	
**	81131	81131-AKF3-E00	LEG SHIELD	LEG SHIELD	1	
**	81133	81133-AHA7-C00	"COVER, LEG SHIELD"	"COVER, LEG SHIELD"	1	
**	81134	81134-AHA7-C00	"HINGE, LEG SHIELD COVER"	"HINGE, LEG SHIELD COVER"	1	
**	8113A	8113A-AHA7-C00	"COVER ASSY., INNER BOX"	"COVER ASSY., INNER BOX"	1	
**	8113B	8113B-AHA7-C00	BUTTOM ASSY. BOX	BUTTOM ASSY. BOX	1	
**	81141	81141-AKF3-E00	FLOOR PANEL R UP	FLOOR PANEL R UP	1	
**	81143	81143-AKF3-E00	FLOOR PANEL L UP	FLOOR PANEL L UP	1	
	81144	81144-AHA7-C00	SPONGE INNER BOX	SPONGE INNER BOX	1	
**	83530	83530-AKF3-E00	REAR CENTER COVER	REAR CENTER COVER	1	
**	83630	83630-AKF3-E00	REAR CENTEL COVER	REAR CENTEL COVER	1	
	90111	90111-1G47-C01	SCREW TAPPING	SCREW TAPPING	4	

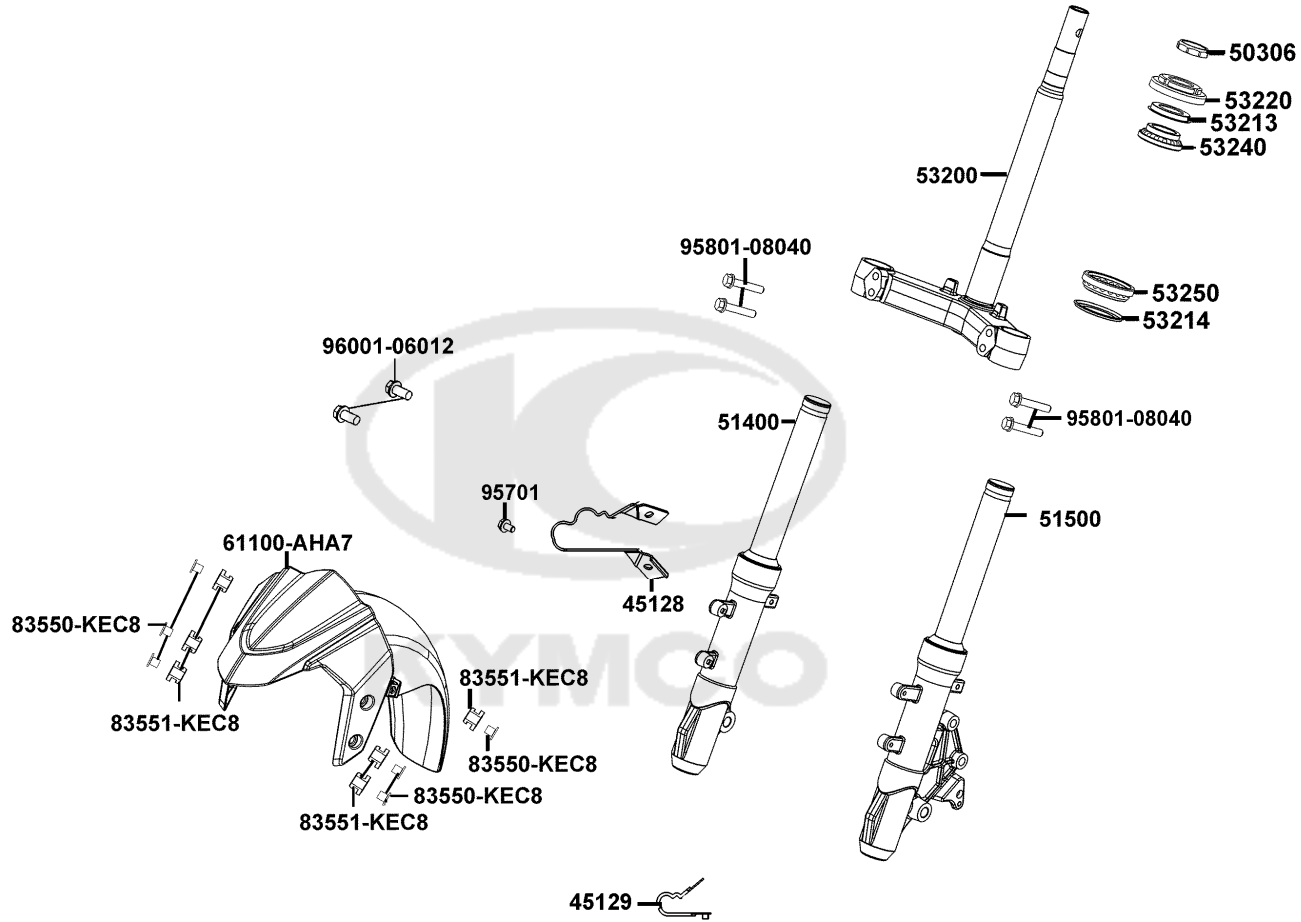
F05

Front Cover Front Fender



Sales mark	Ref no	Part no	Description	Reg description	Regd no	F05
90116		90116-KED9-900	SCREW PAN 6*24	SCREW PAN 6*24	4	
90302		90302-SDA4-C01	"NUT,SPPING 4MM"	"NUT,SPPING 4MM"	26	
90305		90305-LBA2-C00	"NUT.CLIP 6MM"	"NUT.CLIP 6MM"	2	
90652-LCA4		90652-LCA4-C10	CLIP MUDGUARD	CLIP MUDGUARD	4	
90652-LFB5		90652-LFB5-C00	"CLIP,MUDGUARD"	"CLIP,MUDGUARD"	20	
93404-06012		93404-06012-08G	BOLT WASHER 6*12 (C)	BOLT WASHER 6*12 (C)	2	
93903-34280		93903-34280-G	SCREW TAPPING 4*10	SCREW TAPPING 4*10	22	
93903-34380		93903-34380-G	SCREW TAPPING 4x12	SCREW TAPPING 4x12	50	
93903-34480		93903-34480-G	SCREW TAPPING 4*16 (K)	SCREW TAPPING 4*16 (K)	4	
93903-35380		93903-35380-G	SCREW TAPPING 5*16 (K)	SCREW TAPPING 5*16	2	
93903-44280		93903-44280-G	SCREW TAPPING 4*10 (K)	SCREW TAPPING 4*10 (K)	5	
95701-06028		95701-06028-07G	BOLT FLANGE 6*28 (K)	BOLT FLANGE 6X28(KG)	4	

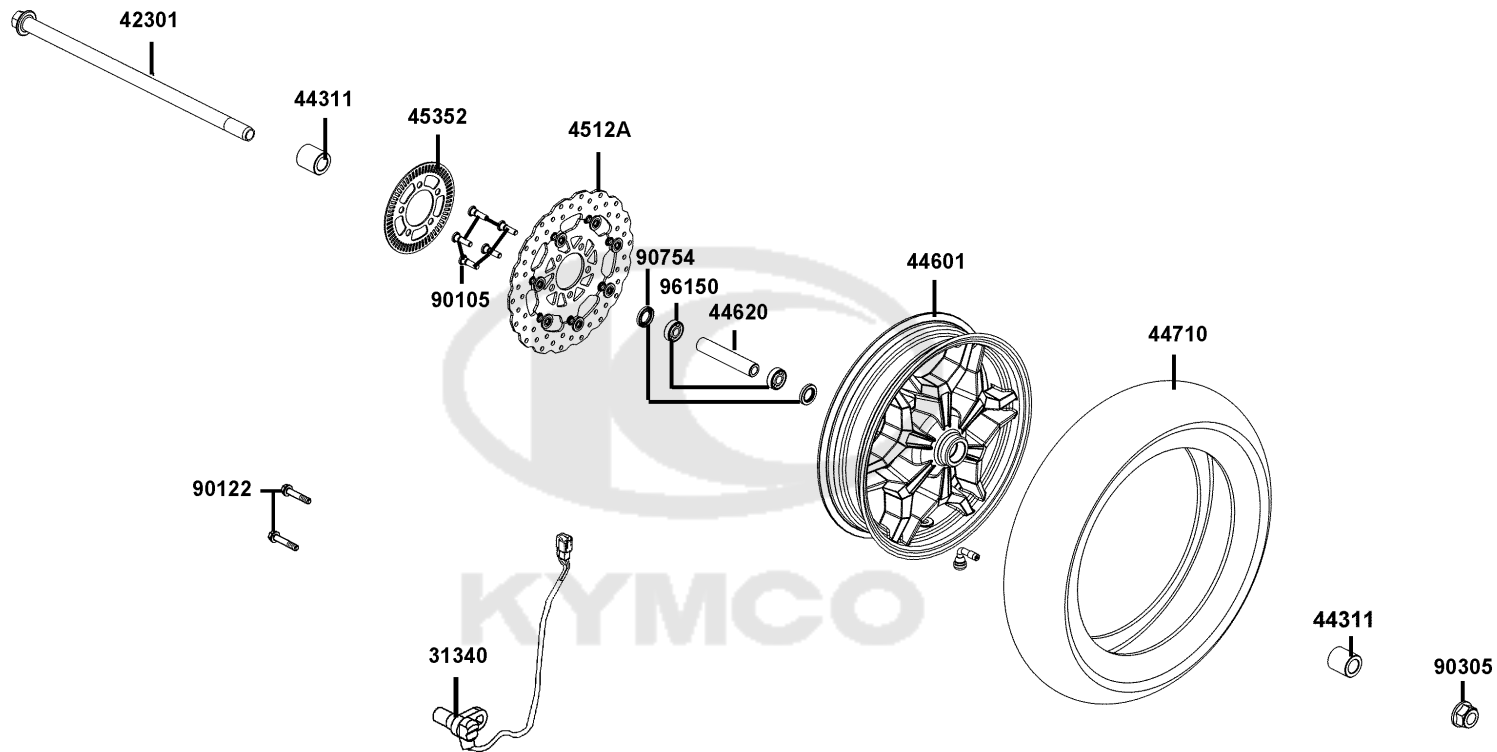
Stem Steering Front Cushion



Sales mark	Ref no	Part no	Description	Reg description	Regd no	F06
	45128	45128-AKF3-E00	CLAMPER FR BRK HOSE	CLAMPER FR BRK HOSE	1	
	45129	45129-AKF3-E00	CLAMPER FR BRK HOSE	CLAMPER FR BRK HOSE	1	
	50306	50306-1F96-C00	NUT STRG STEM LOCK	NUT STRG STEM LOCK	1	
**	51400	51400-AHA7-C00	"FORK ASSY, R FR"	"FORK ASSY, R FR"	1	
**	51500	51500-AHA7-C00	"FORK ASSY, L FR"	"FORK ASSY, L FR"	1	
	53200	53200-AHA7-C00	"STEM COPM., STERRING"	"STEM COPM., STERRING"	1	
	53213	53213-LBA2-C00	DUST SEAL STRG HEAD TOP	DUST SEAL STRG HEAD TOP	1	
	53214	53214-LBA2-C00	DUST SEAL STRG HEAD BOT	DUST SEAL STRG HEAD BOT	1	
	53220	53220-LBA2-E00	THREAD COMP STRG HEAD TOP	THREAD COMP STRG HEAD TOP	1	
	53240	53240-LEA7-90A	BEARING TOP STRG (mark:TP1)	BEARING TOP STRG	1	
	53250	53250-LEA7-90A	BEARING BOT STRG (mark:TP1)	BEARING BOT STRG	1	
**	61100-AHA7	61100-AHA7-C00	FENDER FRONT	FENDER FRONT	1	
	83550-KEC8	83550-KEC8-C00	COLLAR SET METER	COLLAR	6	
	83551-KEC8	83551-KEC8-C10	GROMMET COVER	GROMMET COVER	6	
	95701	95701-06008-07G	BOLT FLANGE 6*12(G)	BOLT FLANGE 6X8(KG)	1	
	95801-08040	95801-08040-08G	BOLT FLANGE 8*40	BOLT FLANGE 8*40	4	
	96001-06012	96001-06012-08G	BOLT FLANGE SH 6X12 (C)	BOLT FLANGE SH 6X12 (C)	2	

F07

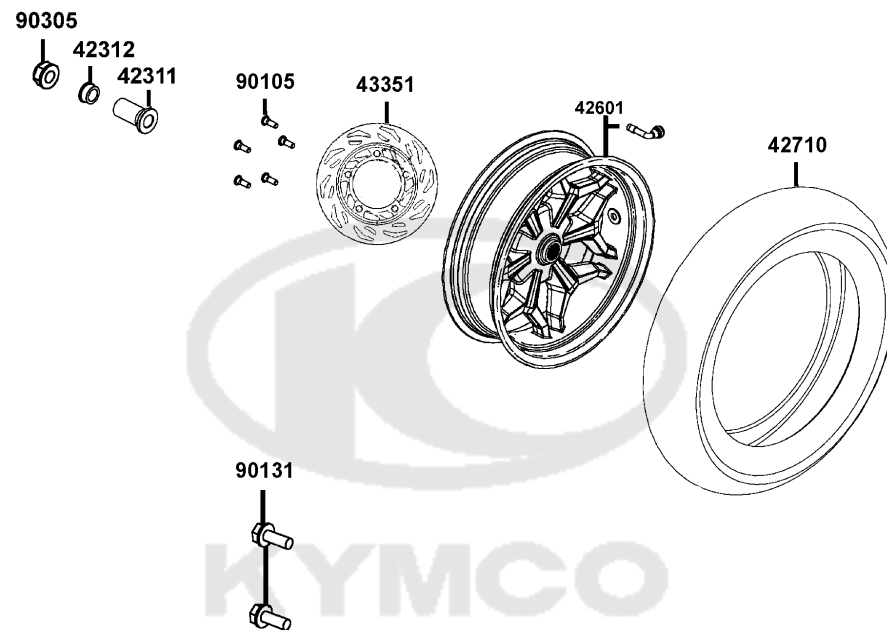
Front Wheel



Sales mark	Ref no	Part no	Description	Reg description	Regd no	F07
	31340	31340-LFH1-E00	SENSOR RR WHEEL SPEED	SENSOR RR WHEEL SPEED	2	
	42301	42301-LKH3-C00	AXLE RR WHEEL	AXLE RR WHEEL	1	
	44311	44311-LEA7-C00	COLLAR FR AXLE SIDE	COLLAR FR AXLE SIDE	1	
**	44601	44601-AGE7-C00	WHEEL FR CAST	WHEEL FR CAST	1	
	44620	44620-LEA7-C00	COLLAR FR DIST	COLLAR FR DIST	1	
	44710	44710-AKF3-E01	"WHEEL ASSY,FR"	"WHEEL ASSY,FR"	1	
**	4512A	4512A-AKF2-E00	DISK FR BRK	DISK FR BRK	1	
	45352	45352-LEA7-E00	TOOTHED RING SENSOR	TOOTHED RING SENSOR	1	
	90105	90105-LEA7-C01	BOLT FR DISK 8*30	BOLT FR DISK 8*30	5	
	90122	90122-LEA7-C01	BOLT FLANGE 8*32	BOLT FLANGE 8*32	2	
	90305	90305-LEF1-C11	NUT U 14MM	NUT U 14MM	1	
	90754	90754-LLJ3-C00	DUST SEAL 22X32X7	DUST SEAL 22X32X7	2	
	96150	96150-60020-10	BEARING BALL RADIAL 6002	BEARING BALL RADIAL 6002	2	

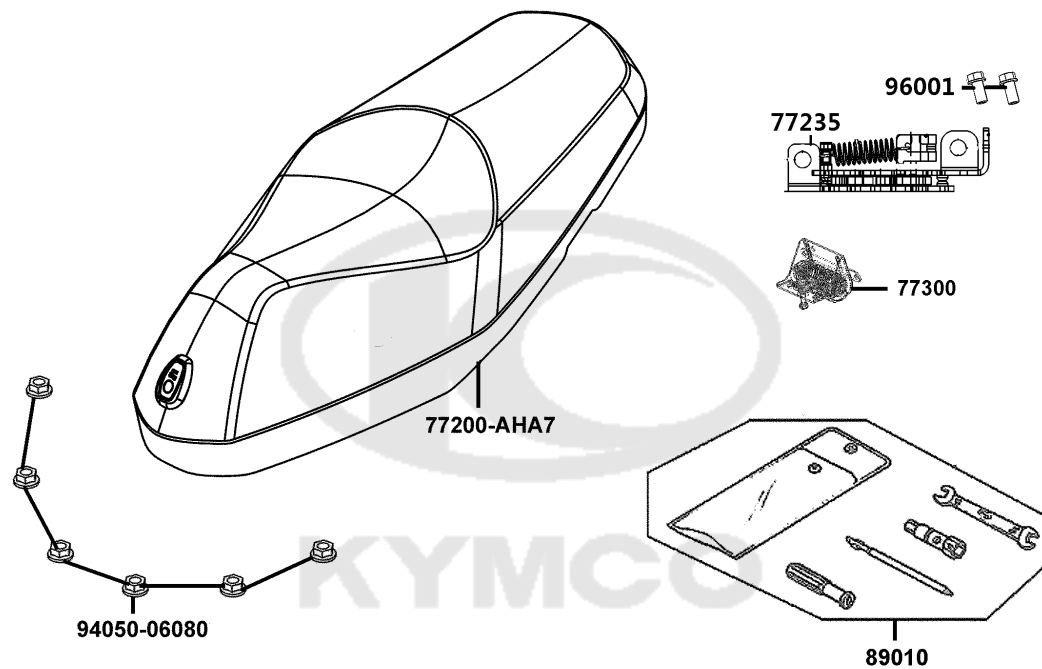
F08

Rear Wheel



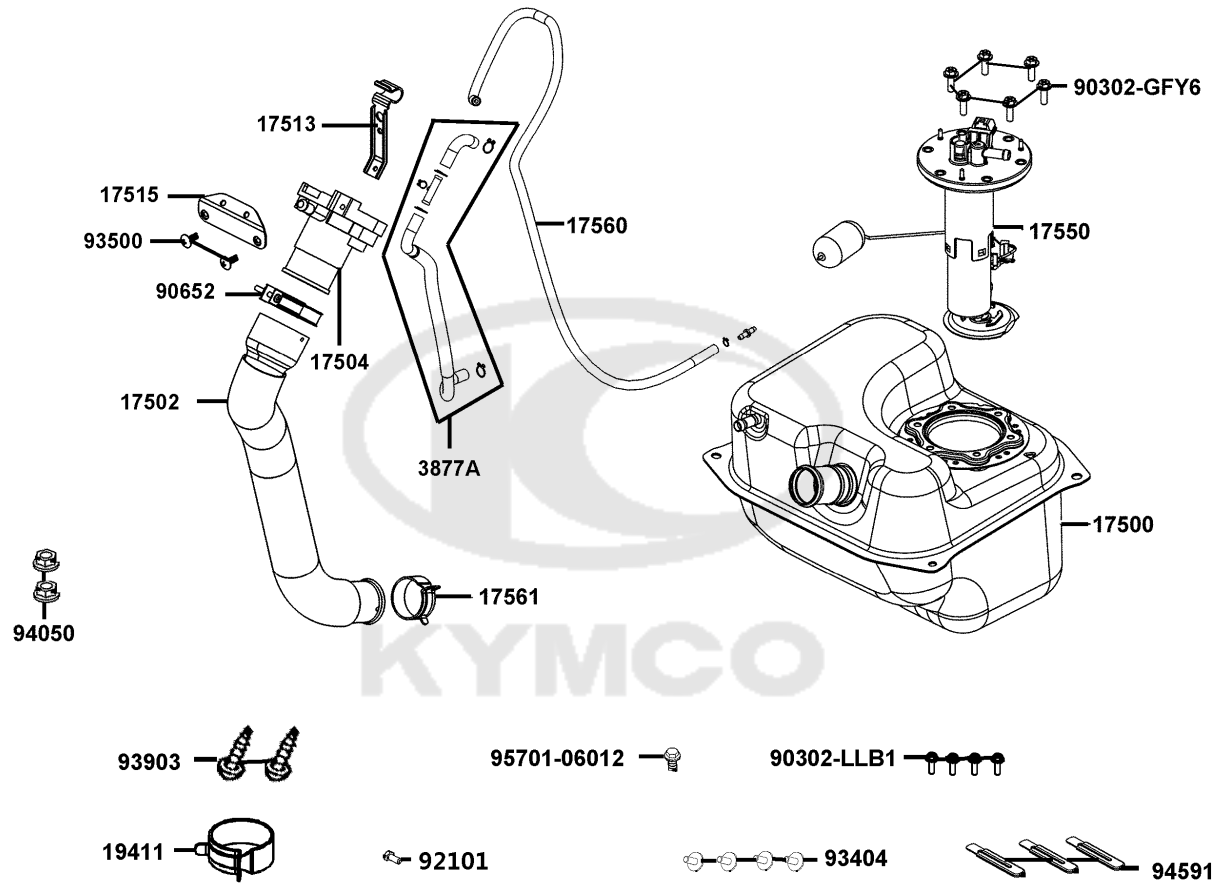
Sales mark	Ref no	Part no	Description	Reg description	Regd no	F08
	42311	42311-AHA7-C00	"COLLAR,RR AXLE SIDE A"	"COLLAR,RR AXLE SIDE A"	1	
	42312	42312-AHA7-C00	CLOLLAR RR AXLE SIDE	CLOLLAR RR AXLE SIDE	1	
**	42601	42601-AKF3-E00	WHEEL COMP RR CAST	WHEEL COMP RR CAST	1	
	42710	42710-AKF3-E01	"WHEEL ASSY,RR"	"WHEEL ASSY,RR"	1	
	43351	43351-AHA7-C00	"DISK,REAR BEAKE"	"DISK,REAR BEAKE"	1	
	90105	90105-KCR3-C02	BOLT FR DISK 8*24	BOLT FR DISK 8*24	5	
	90131	90131-KFAF-C03	BOLT FLANGE 8*42	BOLT FLANGE 8*42	2	
	90305	90305-KFW6-C01	NUT U FLANGE 16MM(C)	NUT U FLANGE 16MM(C)	1	



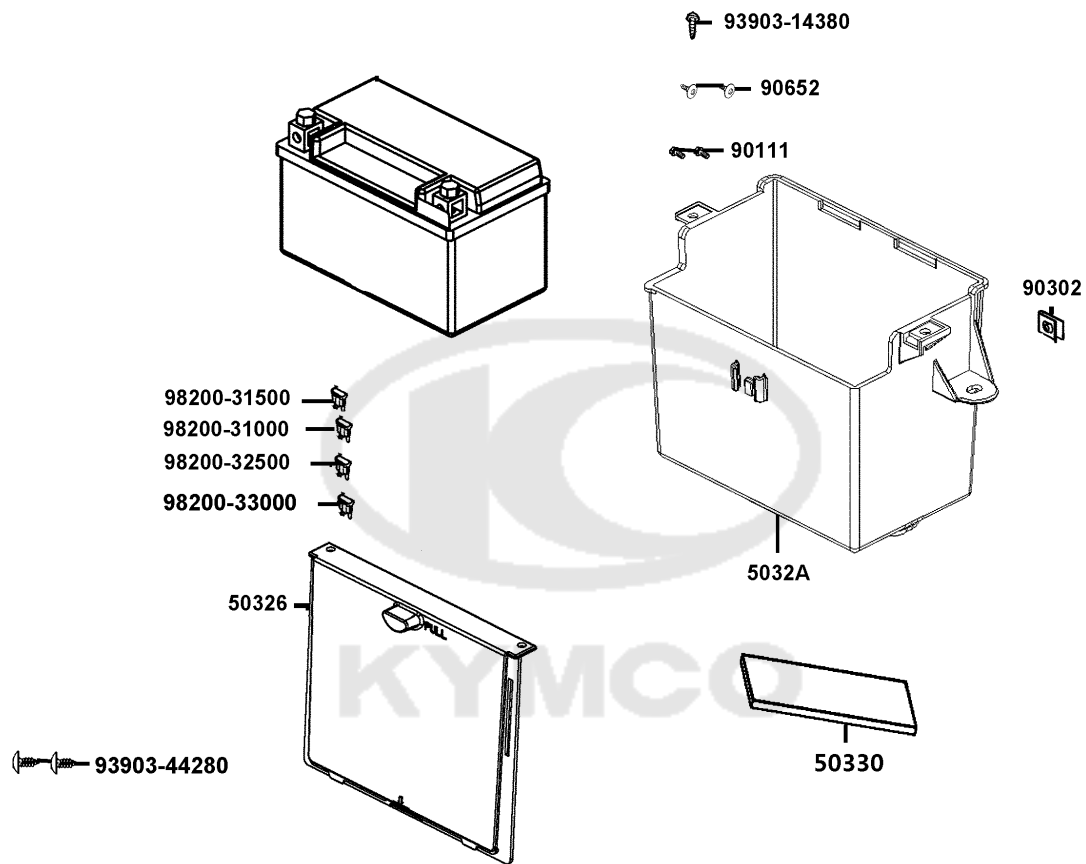


Sales mark	Ref no	Part no	Description	Reg description	Regd no	F09
**	77200-AHA7	77200-AHA7-C00	SEAT ASSY	SEAT ASSY	1	
	77235	77235-BLA3-900	CATCH COMP SEAT	CATCH COMP SEAT	1	
	77300	77300-ACH6-900	HINGE COMP SEAT	HINGE COMP SEAT	1	
	89010	89010-AKF2-E00	TOOL SET	TOOL SET	1	
	94050-06080	94050-06080-G	NUT FLANGE 6MM	NUT FLANGE 6MM	6	
	96001	96001-06012-02	BOLT FLANGE SH 6*12	BOLT FLANGE SH 6*12	2	



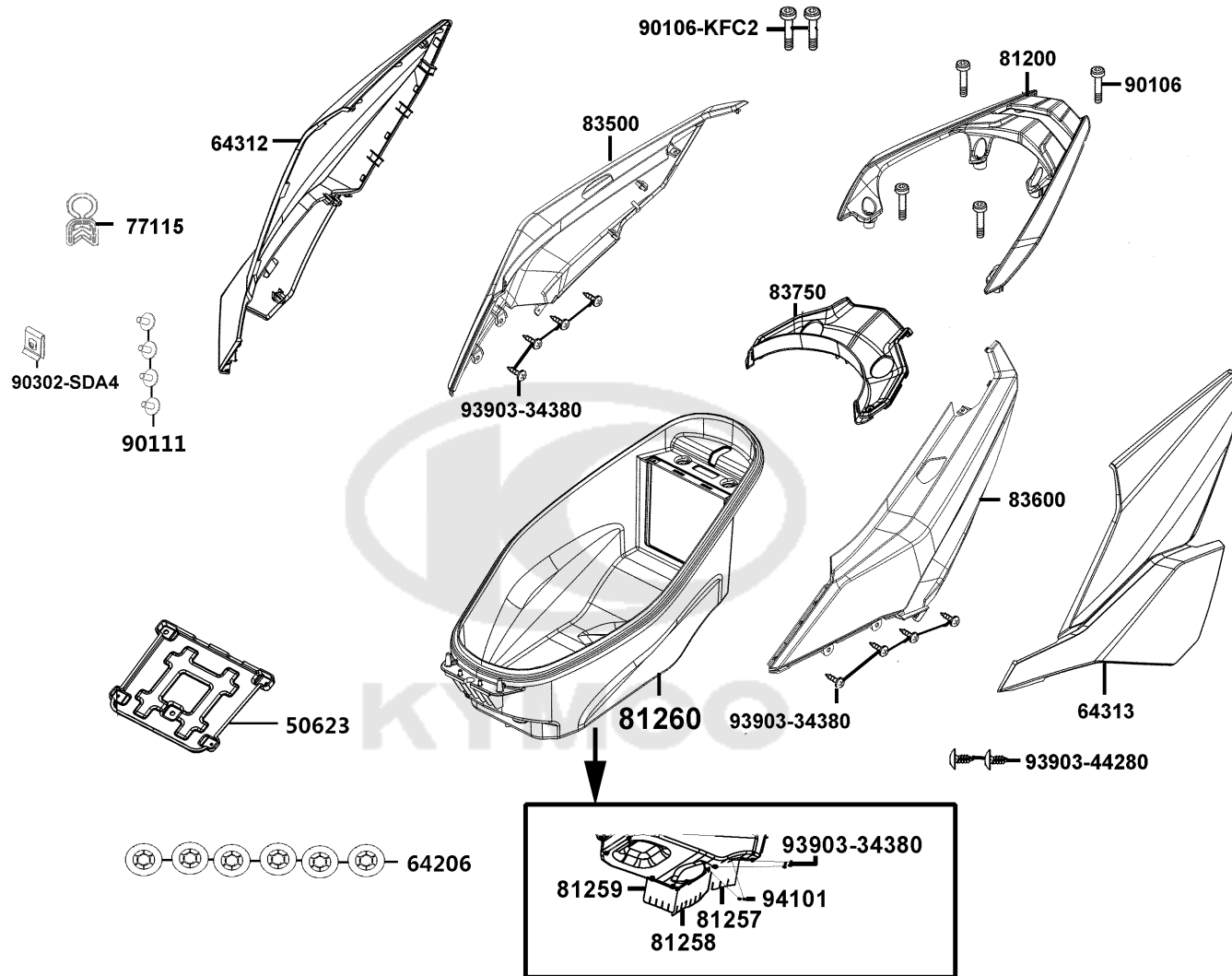


Sales mark	Ref no	Part no	Description	Reg description	Regd no	F10
	17500	17500-AHA7-C00	"TANK COMP,FUEL"	"TANK COMP,FUEL"	1	
	17502	17502-AHA7-C00	HOSE FUEL	HOSE FUEL	1	
	17504	17504-LAB4-C00	FUEL FILLER	FUEL FILLER	1	
	17513	17513-AHA7-C00	STAY A FUEL FILLER	STAY A FUEL FILLER	1	
	17515	17515-LAB4-900	STAY B FUEL FILLER	STAY B FUEL CUP	1	
	17550	17550-AHA7-C00	PUMP ASSY.. FUEL	PUMP ASSY.. FUEL	1	
	17560	17560-AKF3-E00	"TUBE ASSY., FUEL PUMP-INJECTOR"	"TUBE ASSY., FUEL PUMP-INJECTOR"	1	
	17561	17561-LKB9-900	CLIP 12.5	CLIP 12.5	2	
	19411	19411-KBCB-900	CLIP HOSE	CLIP HOSE	1	
	3877A	3877A-AHA7-C00	JOINT ASSY TUBE	JOINT ASSY TUBE	1	
	90302-GFY6	90302-GFY6-C11	BOLT-WASH 5*16	BOLT-WASH 5*16	6	
	90302-LLB1	90302-LLB1-C01	BOLT-WASH 5*12	"BOLT-WASHER,5*12"	4	
	90652	90652-GFY6-C00	BAND 49 AIR/C CONNECTING TUBE	BAND 49 AIR/C CONNECTING TUBE	1	
	92101	92101-05012-0HG	BOLT HEX 5*12	BOLT HEX 5*12	1	
	93404	93404-06016-07G	BOLT-WASH 6x16	BOLT WASHER 6*16 (K)	4	
	93500	93500-04008-0G	SCREW PAN 4*8	SCREW PAN 4*8	2	
	93903	93903-35360-G	SCREW TAPPING 5*16	SCREW TAPPING 5*16	2	
	94050	94050-06080-G	NUT FLANGE 6MM	NUT FLANGE 6MM	2	
	94591	94591-KFBF-C00	CLIP 2*71	CLIP 2*70	3	
	95701-06012	95701-06012-08G	BOLT FLANGE 6*12	BOLT FLANGE 6*12	1	

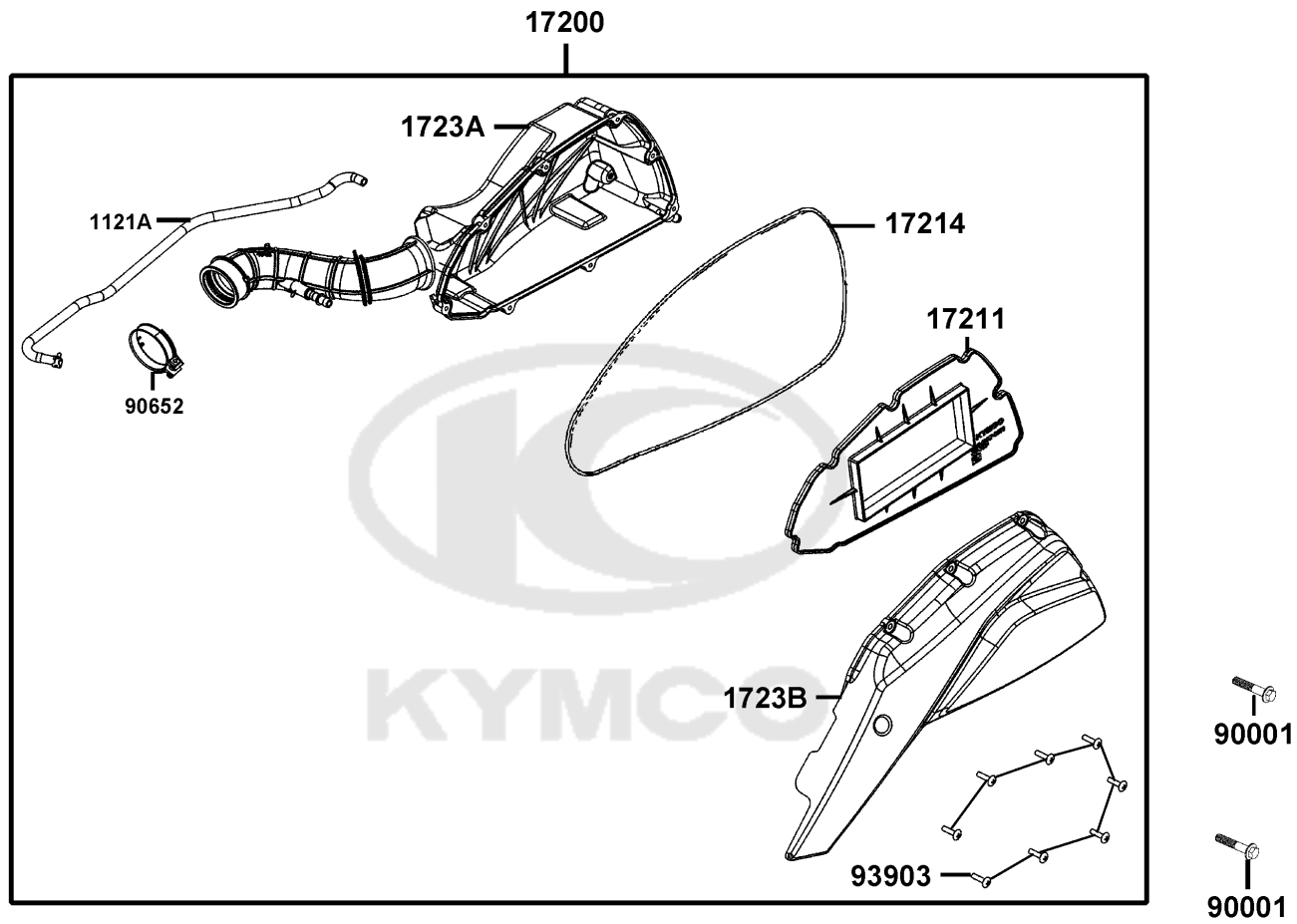


Sales mark	Ref no	Part no	Description	Reg description	Regd no	F11
**	50326	50326-AHA7-C00	COVER BATTERY	COVER BATTERY	1	
	5032A	5032A-AHA7-C00	"CASE ASS'Y.,BATTERY"	"CASE ASS'Y.,BATTERY"	1	
	50330	50330-KEBE-C00	SEAL BATTERY FRONT	SEAL BATTERY FRONT	1	
	90111	90111-1G87-C01	BOLT FLANGE 6MM	BOLT FLANGE 6MM	2	
	90302	90302-SDA4-C01	"NUT,SPPING 4MM"	"NUT,SPPING 4MM"	1	
	90652	90652-LFB5-C00	"CLIP,MUDGUARD"	"CLIP,MUDGUARD"	2	
	93903-14380	93903-14380-G	SCREWTAPPING 4x12	SCREWTAPPING 4x12	1	
	93903-44280	93903-44280-G	SCREW TAPPING 4*10 (K)	SCREW TAPPING 4*10 (K)	2	
	98200-31000	98200-31000	BLADE FUSE 10A **(0) C.2005.03.01	BLADE FUSE 10A **(0) C.2005.03.01	1	
	98200-31500	98200-31500	FUSE A15	FUSE A15	1	
	98200-32500	98200-32500	BLADE FUSE 25A	BLADE FUSE 25A	1	
	98200-33000	98200-33000	BLADE FUSE 30A	BLADE FUSE 30A	1	

Body Cover Luggage Box



Sales mark	Ref no	Part no	Description	Reg description	Regd no	F12
**	50623	50623-AKF3-E00	COVER,UNDER	COVER,UNDER	1	
	64206	64206-MLJ0-C01	NUT SPEED 4MM	NUT SPEED 4MM	6	
**	64312	64312-AHA7-C00	"MOLDING R, A"	"MOLDING R, A"	1	
**	64313	64313-AHA7-C00	"MOLDING L, A"	"MOLDING L, A"	1	
	77115	77115-AHA7-C00	SEAL,SEAT	"SEAL,SEAT"	1	
**	81200	81200-AHA7-C00	CARRIER RR.	CARRIER RR.	1	
	81257	81257-AHA7-C00	PLATE SPLASH GUARD B	PLATE SPLASH GUARD B	1	
	81258	81258-AHA7-C00	PLATE SPLASH GUARD C	PLATE SPLASH GUARD C	1	
	81259	81259-AHA7-C00	PLATE SPLASH GUARD D	PLATE SPLASH GUARD D	1	
**	81260	81260-AHA7-C00	BOX ASSY.LUGGAGE	BOX ASSY.LUGGAGE	1	
**	83500	83500-AHA7-C00	COVER R BODY	COVER R BODY	1	
**	83600	83600-AHA7-C00	COVER L BODY	COVER L BODY	1	
**	83750	83750-AHA7-C00	"COVER CENTER, RR."	"COVER CENTER, RR."	1	
	90106	90106-KFAF-900	BOLT SPECIAL	BOLT SPECIAL	2	
	90106-KFC2	90106-KFC2-900	BOLT SPECIAL 8MM	BOLT SPECIAL 8MM	2	
	90111	90111-06016-07G	BOLT FLANGE 6*16 (K)	BOLT FLANGE 6*16 (K)	4	
	90302-SDA4	90302-SDA4-C01	"NUT,SPPING 4MM"	"NUT,SPPING 4MM"	2	
	93903-34380	93903-34380-G	SCREW TAPPING 4x12	SCREW TAPPING 4x12	8	
	93903-44280	93903-44280-G	SCREW TAPPING 4*10 (K)	SCREW TAPPING 4*10 (K)	2	
	94101	94101-06600-07G	WASHER	WASHER	2	

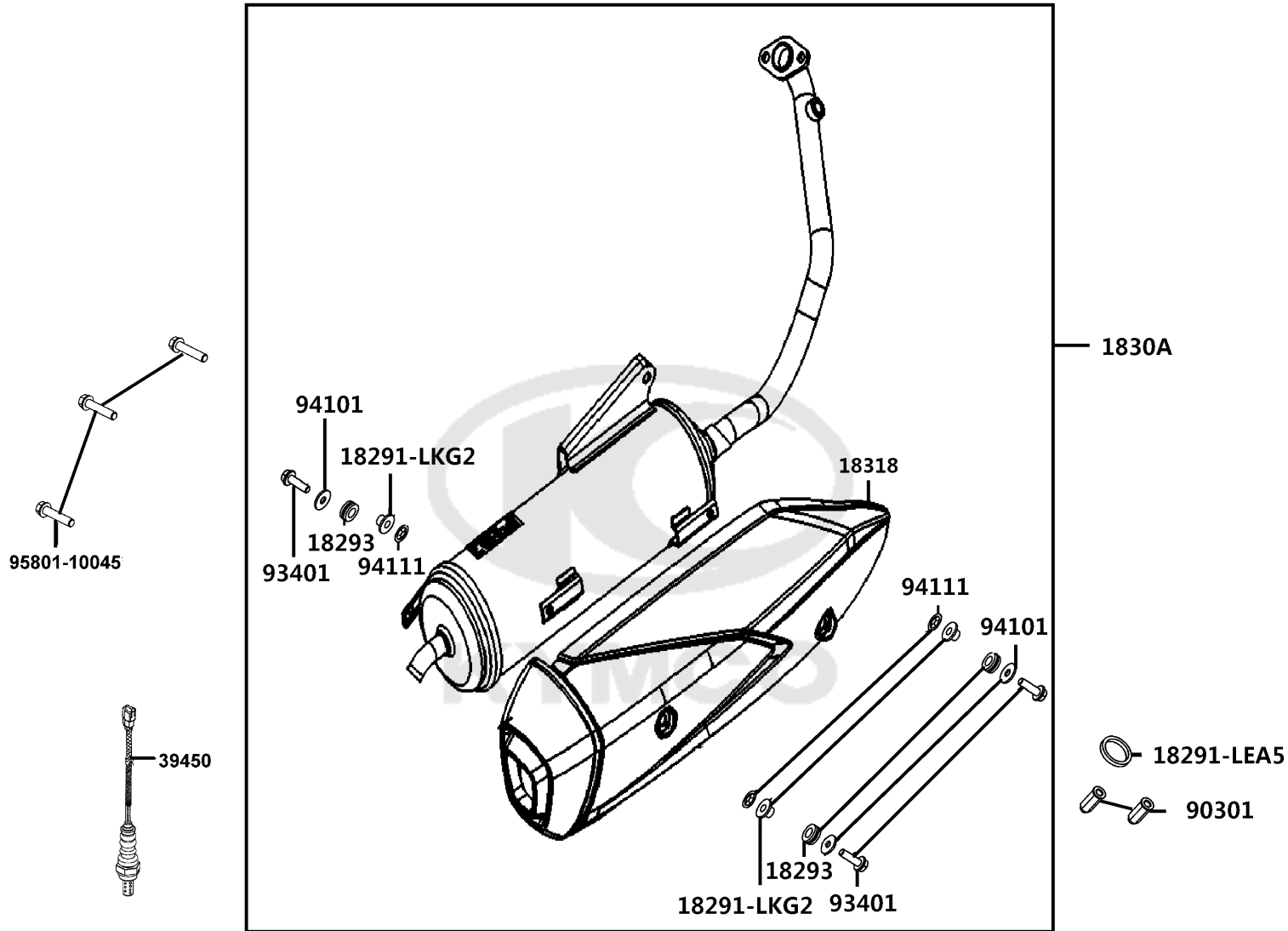


Sales mark	Ref no	Part no	Description	Reg description	Regd no	F13
1121A		1121A-AHA7-C00	"TUBE ASSY., BREATHER"	"TUBE ASSY., BREATHER"	1	
17200		17200-AHA7-C00	AIR/C ASSY.	AIR/C ASSY.	1	
17211		17211-AHA7-C00	ELEMENT COMP.. AIR/C	ELEMENT COMP.. AIR/C	1	
17214		17214-AHA7-C00	"SEAL, AIR/C CASE"	"SEAL, AIR/C CASE"	2	
1723A		1723A-AHA7-C00	"CASE ASSY., AIR/C"	"CASE ASSY., AIR/C"	1	
1723B		1723B-AHA7-C00	"COVER COMP., AIR/C"	"COVER COMP., AIR/C"	1	
90001		90001-KGF1-C01	BOLT FLANGE 6*32	BOLT FLANGE SHF6*32(CG)	2	
90652		90652-AHA7-C00	"BAND 49, INLET-PIPE"	"BAND 49, INLET-PIPE"	1	
93903		93903-25580	SCREW TAPPING 5*25	SCREW TAPPING 5*25	8	



F14

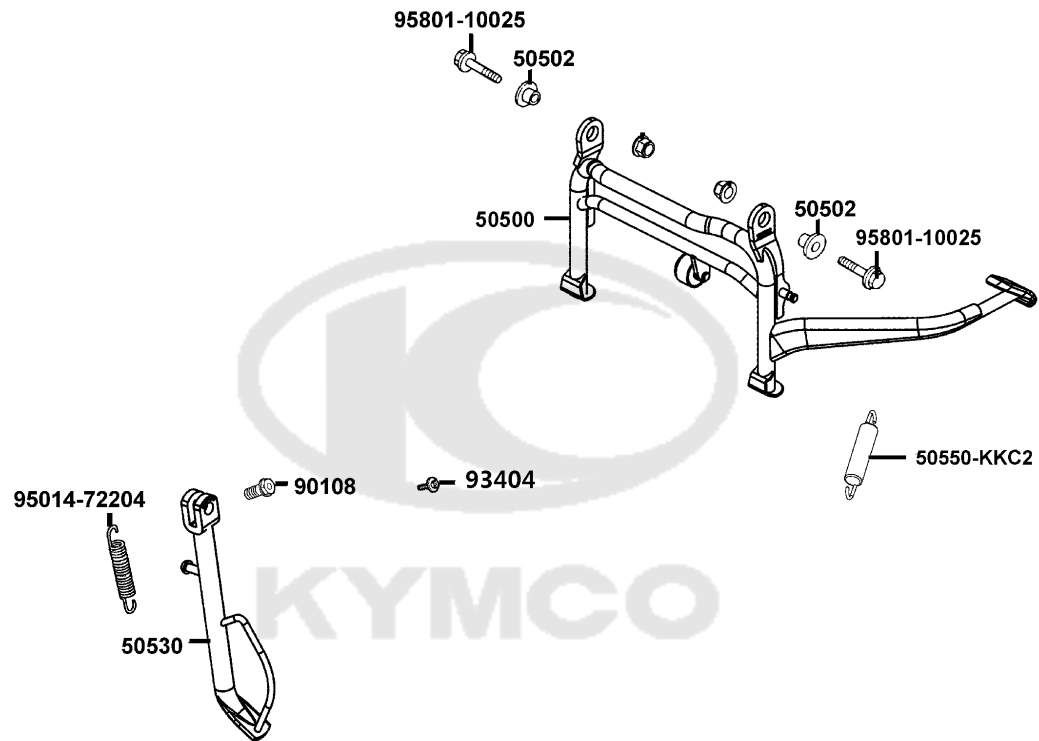
Exhaust Muffler



Sales mark	Ref no	Part no	Description	Reg description	Regd no	F14
	18291-LEA5	18291-LEA5-C00	GASKET EXH PIPE	GASKET EXH PIPE	1	
	18291-LKG2	18291-LKG2-C00	COLLAR	COLLAR	3	
	18293	18293-LHJ8-900	RUBBER PKG PROTR	RUBBER PKG PROTR	3	
**	1830A	1830A-AKF3-E00	MUFFLER ASSY EXHAUST	MUFFLER ASSY EXHAUST	1	
**	18318	18318-AKF3-E00	MUFF. PROTECTOR	MUFF. PROTECTOR	1	
	39450	39450-ZVA6-M00	O2 SENSOR	O2 SENSOR	1	
	90301	90301-GFY6-C01	NUT (HEX) CAP 8MM	NUT (HEX) CAP 8MM	2	
	93401	93401-06020-06	BOLT WASHER 6X20	BOLT WASHER 6X20	3	
	94101	94101-LEA2-C00	"WASHER PLAIN.6.5X18X1.5"	"WASHER PLAIN.6.5X18X1.5"	3	
	94111	94111-ACD5-C00	WASHER SPG	WASHER SPG	3	
	95801-10045	95801-10045-08G	BOLT FLANGE 10X45	BOLT FLANGE 10X45	3	

F15

Stand Kick Starter Arm

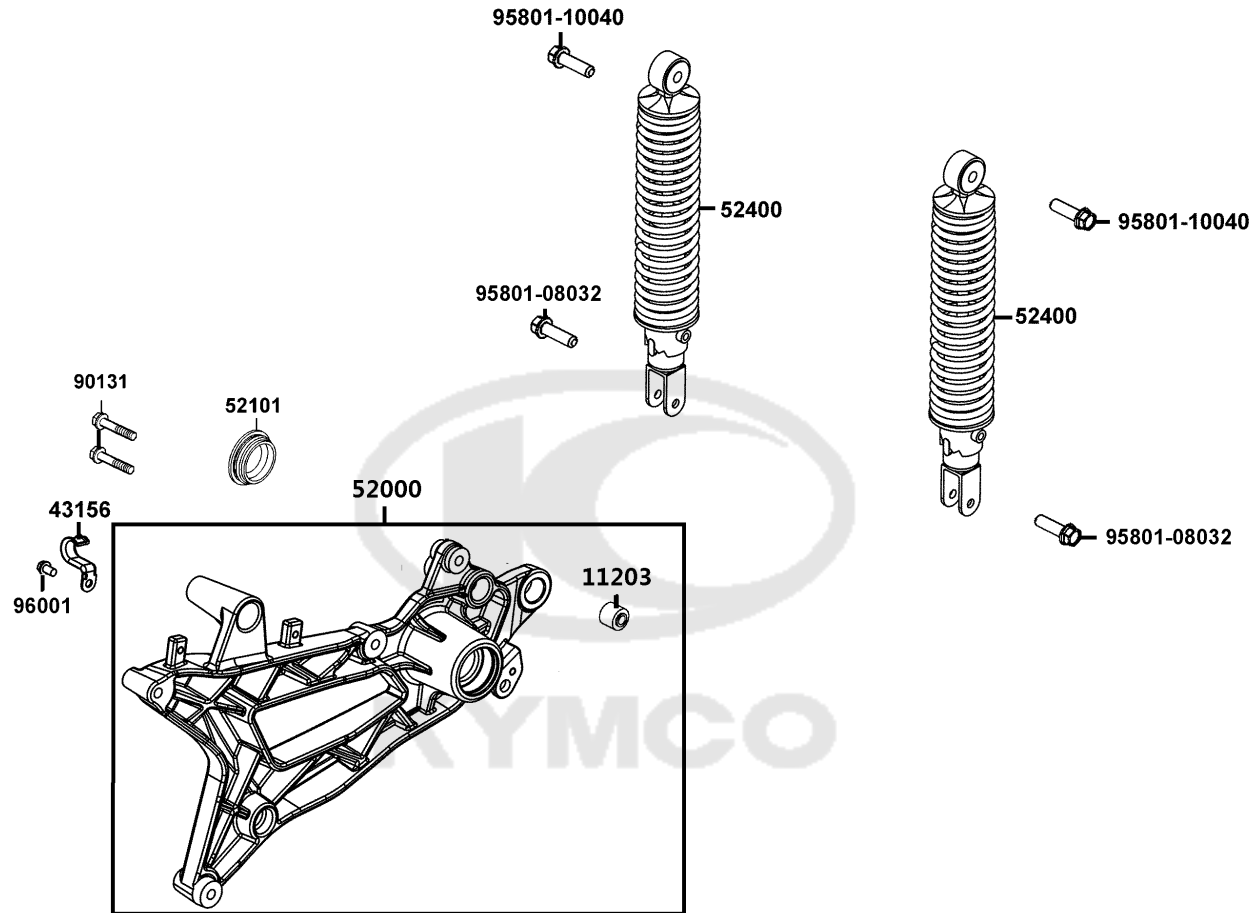


Sales mark	Ref no	Part no	Description	Reg description	Regd no	F15
50500		50500-AHA7-C00	"STAND COMP,MAIN"	"STAND COMP,MAIN"	1	
50502		50502-GFY6-C00	COLLAR MAIN STAND	COLLAR MAIN STAND	2	
50530		50530-AHA7-C00	"STAND COMP.,SIDE"	"STAND COMP.,SIDE"	1	
50550-KKC2		50550-KKC2-C00	SPG ASSY MAIN STAND	SPG ASSY MAIN STAND	1	
90108		90108-KKC4-900	SCREW SIDE STAND PIVOT	SCREW SIDE STAND PIVOT	1	
93404		93404-06016-07G	BOLT-WASH 6x16	BOLT WASHER 6*16 (K)	1	
95014-72204		95014-72204-G	"SPG B1,SIDE STAND (G)"	"SPG B1,SIDE STAND (G)"	1	
95801-10025		95801-10025-07G	BOLT FLANGE 10*25	BOLT FLANGE 10*25 (G)	2	

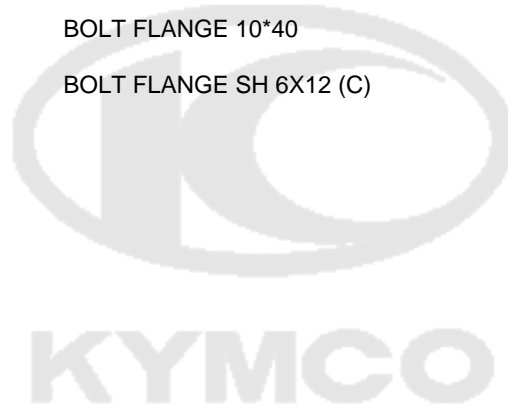


F16

Rear Cushion

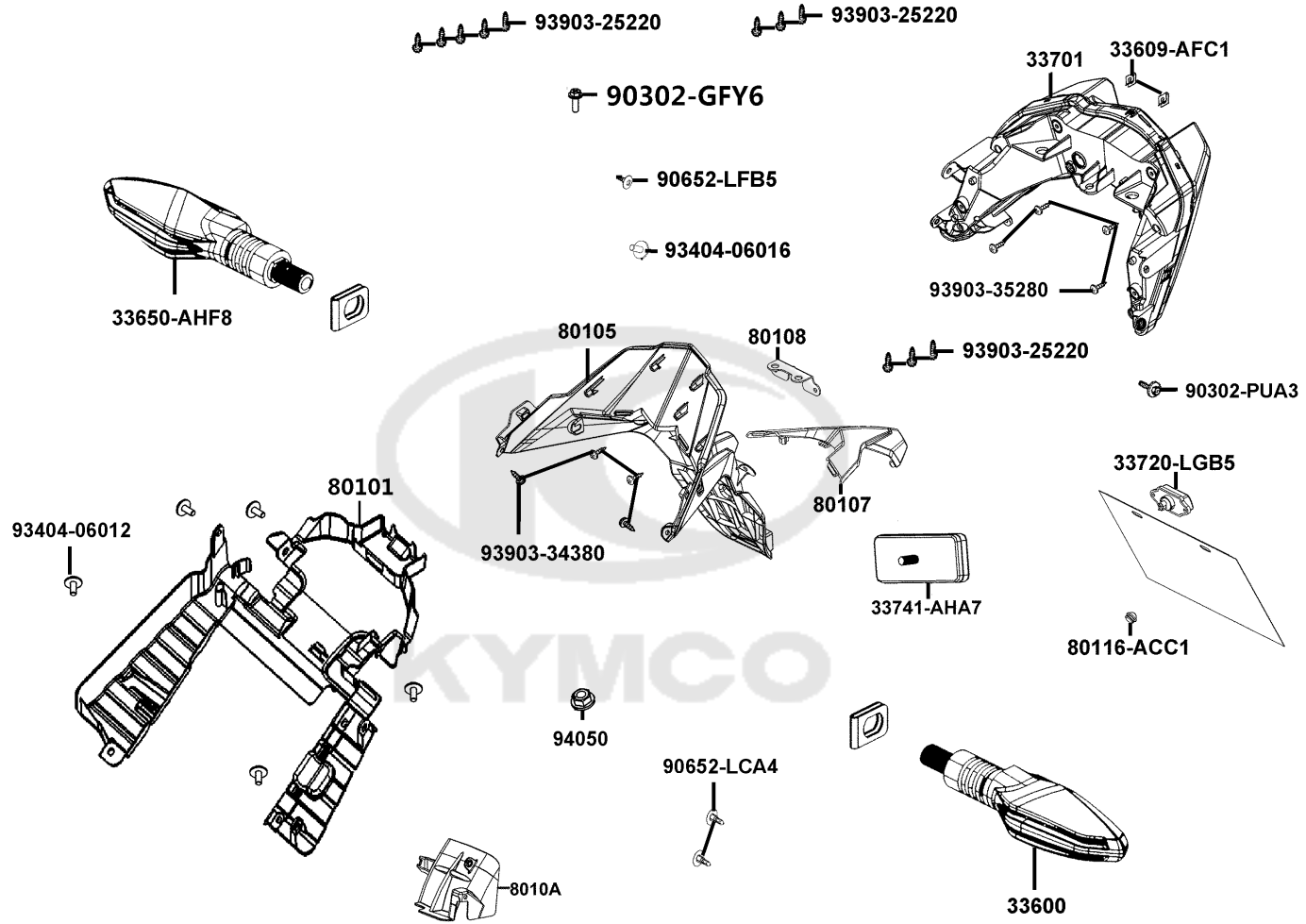


Sales mark	Ref no	Part no	Description	Reg description	Regd no	F16
	11203	11203-GGC7-W10	UNDER RUBBER BUSH REAR CUSHION	UNDER RUBBER BUSH REAR CUSHION	1	
	43156	43156-AHA7-C00	"CLAMPER HOSE,RR"	"CLAMPER HOSE,RR"	1	
**	52000	52000-AKF3-E00	"FORK ASSY,RR"	"FORK ASSY,RR"	1	
	52101	52101-LGR8-900	FORK RR. CAP	FORK RR CAP	1	
**	52400	52400-AKF2-E00	CUSHION ASSY REAR	CUSHION ASSY REAR	2	
	90131	90131-LFG2-C00	"BOLT,FLANGE 8X55"	"BOLT,FLANGE 8X55"	2	
	95801-08032	95801-08032-08G	BOLT FLANGE 8*32(C)	BOLT FLANGE 8X32	2	
	95801-10040	95801-10040-08G	BOLT FLANGE 10*40	BOLT FLANGE 10x42 (Cr3+)	2	
	96001	96001-06012-08G	BOLT FLANGE SH 6X12 (C)	BOLT FLANGE SH 6X12 (C)	1	



F17

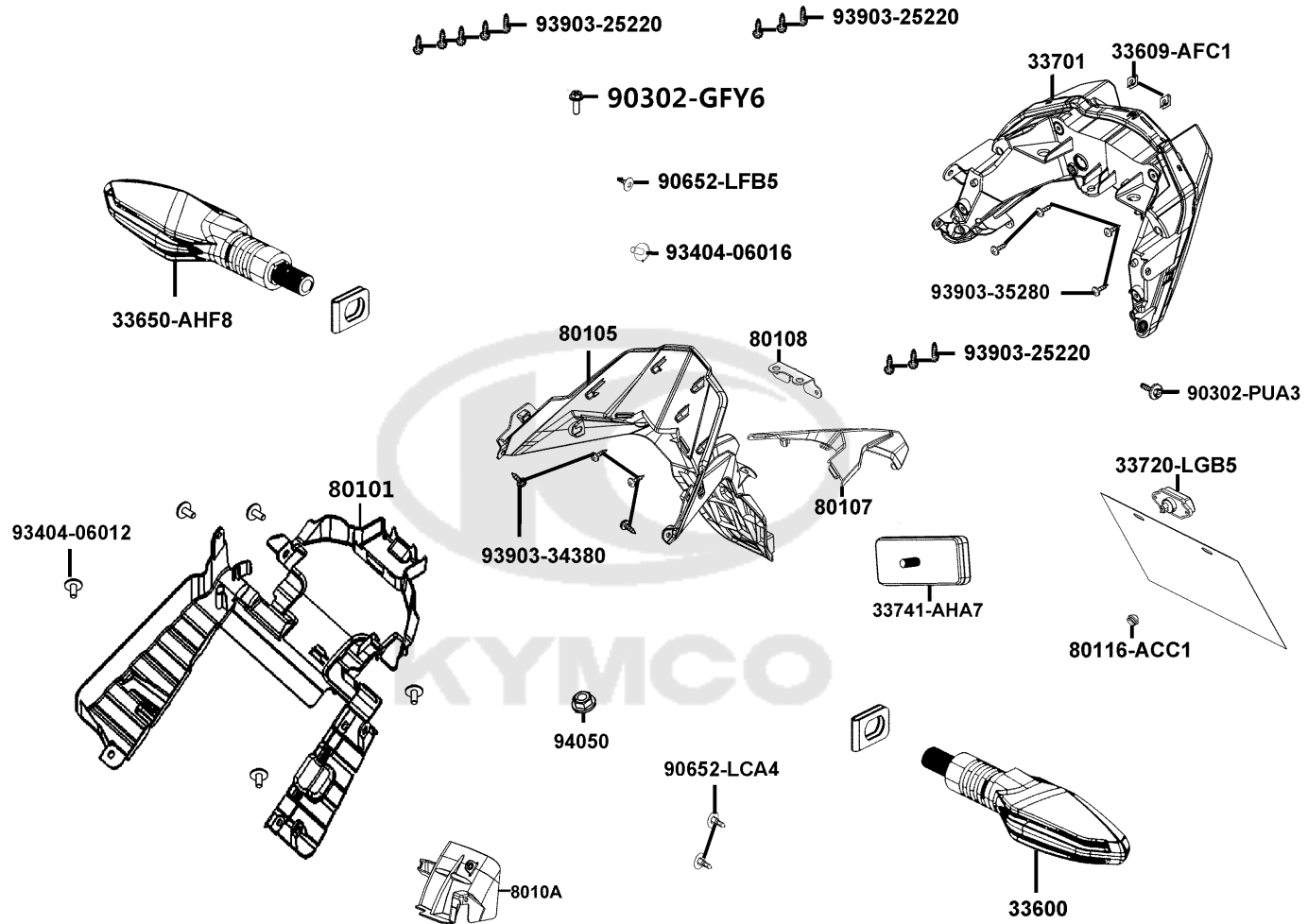
Tail Light



Sales mark	Ref no	Part no	Description	Reg description	Regd no	F17
	33600	33600-AHF8-M40	WINKER ASSY RH RR	WINKER ASSY RH RR	1	
	33609-AFC1	33609-AFC1-E60	NUT SPRING 10MM	NUT SPRING 10MM	2	
	33650-AHF8	33650-AHF8-M40	WINKER ASSY LH RR	WINKER ASSY LH RR	1	
	33701	33701-AHA7-C00	UNIT TAIL LIGHT	UNIT TAIL LIGHT	1	
	33720-LGB5	33720-LGB5-E10	LIGHT ASSY LICENSE	LIGHT ASSY LICENSE	1	
	33741-AHA7	33741-AHA7-C00	REFLEX REFLECTOR	REFLEX REFLECTOR	1	
**	80101	80101-AHA7-C00	"FENDER, RR. INNER"	"FENDER, RR. INNER"	1	
**	80105	80105-AHA7-C00	"FENDER RR., UP"	"FENDER RR., UP"	1	
**	80107	80107-AHA7-C00	"COVER, LICENSE LIGHT"	"COVER, LICENSE LIGHT"	1	
	80108	80108-AHA7-C00	"STAY, LICENSE LIGHT"	"STAY, LICENSE LIGHT"	1	
**	8010A	8010A-AKF3-E00	FENDER ASSY RR	FENDER ASSY RR	1	
	80116-ACC1	80116-ACC1-E10	RUBBER LICENSE PLATE STOP	RUBBER LICENSE PLATE STOP	1	
	90302-GFY6	90302-GFY6-C11	BOLT-WASH 5*16	BOLT-WASH 5*16	1	
	90302-PUA3	90302-PUA3-B51	BOLT-WASH 5*12	BOLT-WASH 5*12	1	
	90652-LCA4	90652-LCA4-C10	CLIP MUDGUARD	CLIP MUDGUARD	2	
	90652-LFB5	90652-LFB5-C00	"CLIP,MUDGUARD"	"CLIP,MUDGUARD"	1	
	93404-06012	93404-06012-07G	BOLT WASHER 6*12 (K)	BOLT WASHER 6*12 (K)	5	
	93404-06016	93404-06016-07G	BOLT-WASH 6x16	BOLT WASHER 6*16 (K)	1	
	93903-25220	93903-25220-G	SCREW TAPPING 5*12	SCREW TAPPING 5*12	11	
	93903-34380	93903-34380-G	SCREW TAPPING 4x12	SCREW TAPPING 4x12	2	

F17

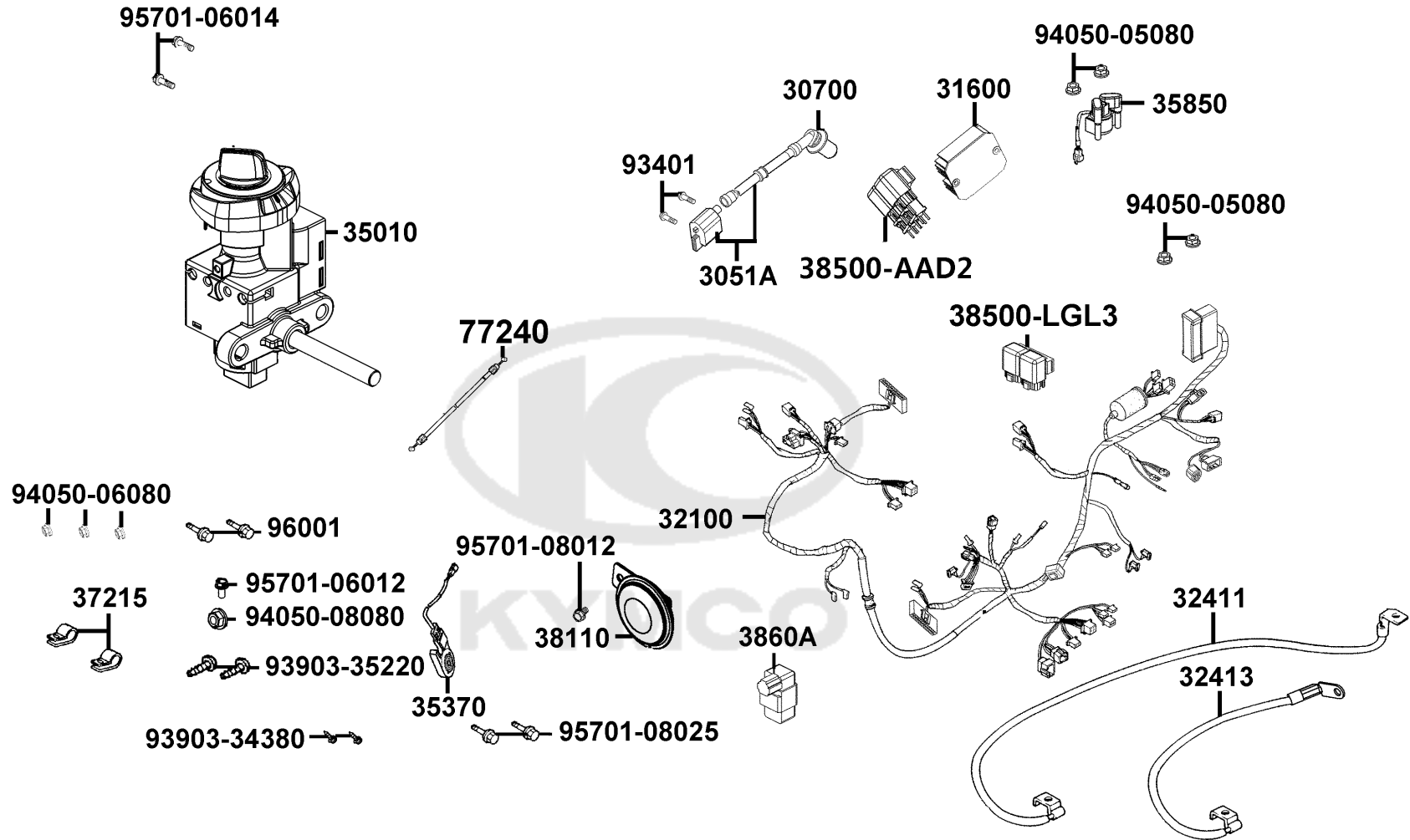
Tail Light



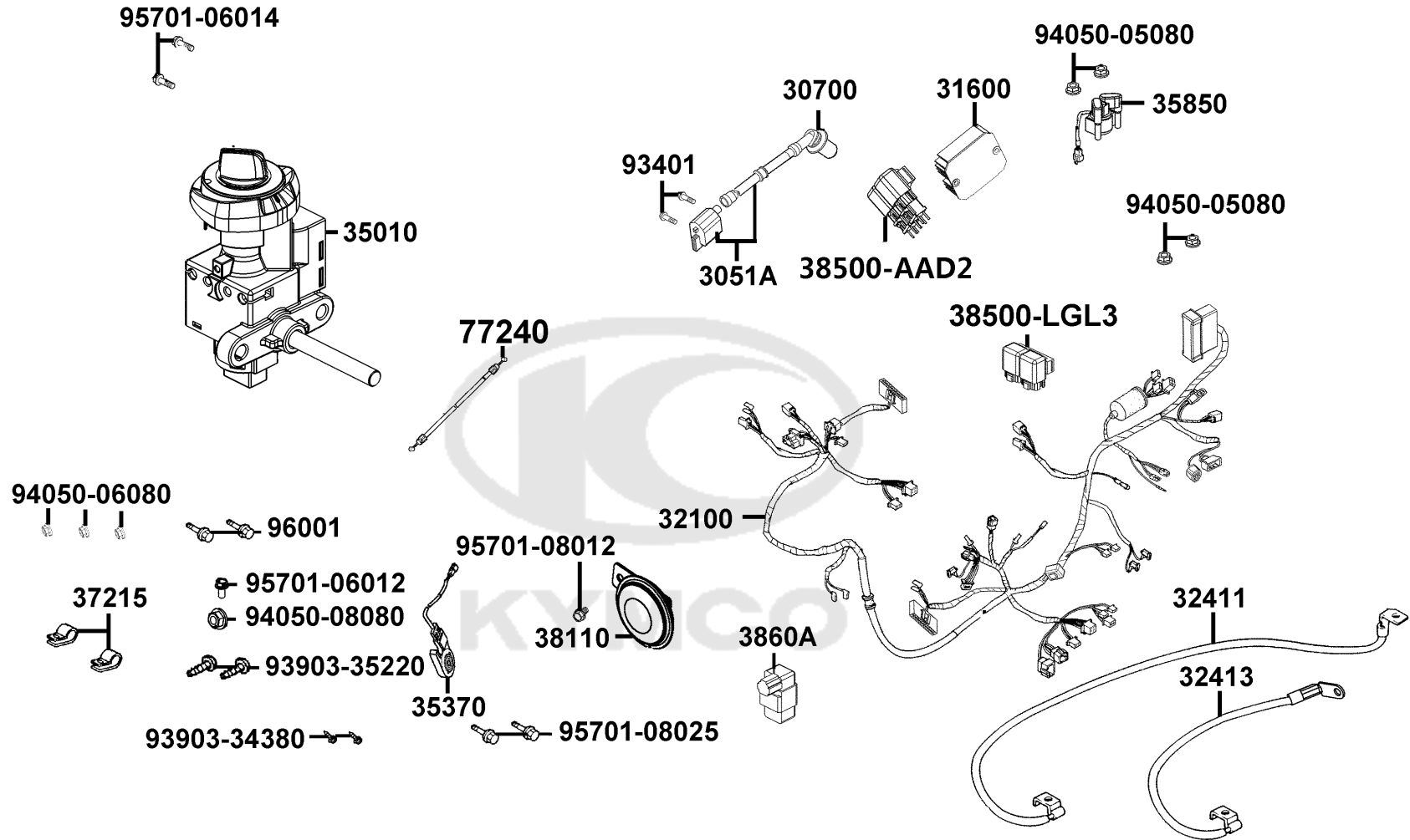
Sales mark	Ref no	Part no	Description	Reg description	Regd no	F17
------------	--------	---------	-------------	-----------------	---------	------------

	93903-35280	93903-35280-G	SCREW TAPPING 5*12 (K)	SCREW TAPPING 5*12 (KG)	13	
	94050	94050-06080-G	NUT FLANGE 6MM	NUT FLANGE 6MM	1	





Sales mark	Ref no	Part no	Description	Reg description	Regd no	F18
	3051A	3051A-AKF3-E00	"COIL ASS'Y.,IGN"	"COIL ASS'Y.,IGN"	1	
	30700	30700-AEB9-E01	CAP ASSY NOISE SUPPRESOR	CAP ASSY NOISE SUPPRESOR	1	
	31600	31600-AGE7-C00	REG RECT COMP	REG RECT COMP	1	
	32100	32100-AKF3-E00	HARNESS WIRE	HARNESS WIRE	1	
	32411	32411-AHA7-C00	"CABLE,BAT"	"CABLE,BAT"	1	
	32413	32413-AHA7-C00	"CABLE, EARTH"	"CABLE, EARTH"	1	
	35010	35010-AKF3-E00	KEY SET(KEYLESS)	KEY SET(KEYLESS)	1	
	35370	35370-LLJ3-E00	SW UNIT SIDE STAND	SW UNIT SIDE STAND	1	
	35850	35850-ALL1-C00	SET START MAG	SET START MAG	1	
	37215	37215-LHJ3-C00	CLAMPER	CLAMPER	2	
	38110	38110-KHB4-C00	HORN COMP	HORN COMP	1	
	38500-AAD2	38500-AAD2-C00	RELAY ASSY LIGHT	RELAY ASSY START	1	
	38500-LGL3	38500-LGL3-90A	RELAY ASSY LIGHT	RELAY ASSY LIGHT	1	
	3860A	3860A-AEH2-M40	CONTROL ASSY LIGHTING	CONTROL ASSY LIGHTING	1	
	77240	77240-AKF3-E00	CABLE SEAT LOCK	CABLE SEAT LOCK	1	
	93401	93401-04020-08G	BOLT WASHER 4*20	BOLT WASHER 4*20	2	
	93903-34380	93903-34380-G	SCREW TAPPING 4x12	SCREW TAPPING 4x12	2	
	93903-35220	93903-35220-G	SCREW TAPPING 5*12	SCREW TAPPING 5*12	2	
	94050-05080	94050-05080-G	NUT FLANGE 5MM	NUT FLANGE 5MM	4	
	94050-06080	94050-06080-G	NUT FLANGE 6MM	NUT FLANGE 6MM	3	

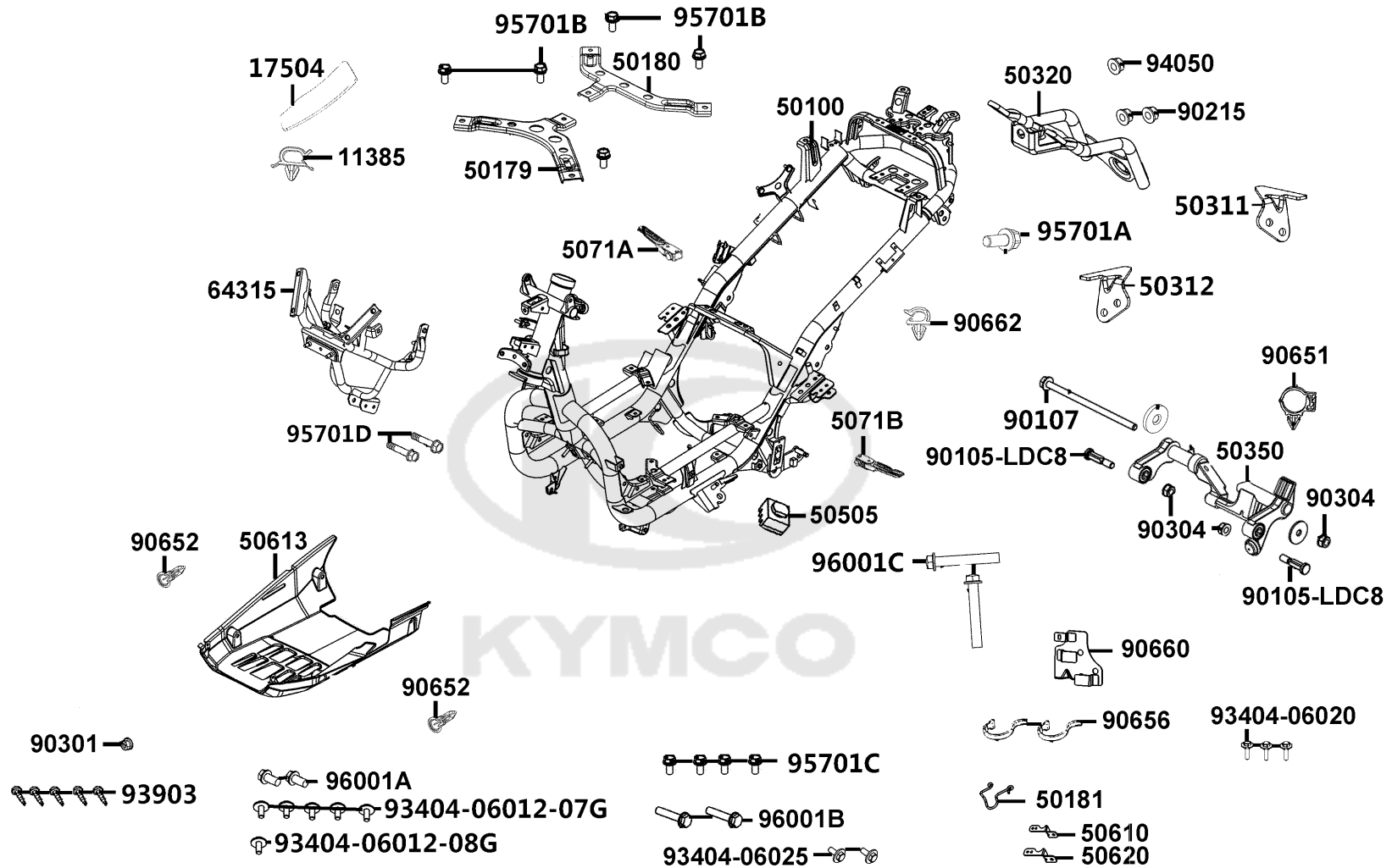


Sales mark	Ref no	Part no	Description	Reg description	Regd no	F18
	94050-08080	94050-08080-G	NUT FLANGE 8MM	FLANGE NUT 8MM(C)	1	
	95701-06012	95701-06012-07G	BOLT FLANGE 6X12(KG)	BOLT FLANGE 6X12(KG)	1	
	95701-06014	95701-06014-07G	BOLT FLANGE 6*14 (K)	BOLT FLANGE 6*14 (K)	2	
	95701-08012	95701-08012-07G	BOLT FLANGE 8*12 (G)	BOLT FLANGE 8*12 (G)	1	
	95701-08025	95701-08025-07G	BOLT FLANGE 8*25 (K)	BOLT FLANGE 8*25 (K)	2	
	96001	96001-06018-07G	BOLT FLANGE 6*18	BOLT FLANGE 6*18	2	



F19

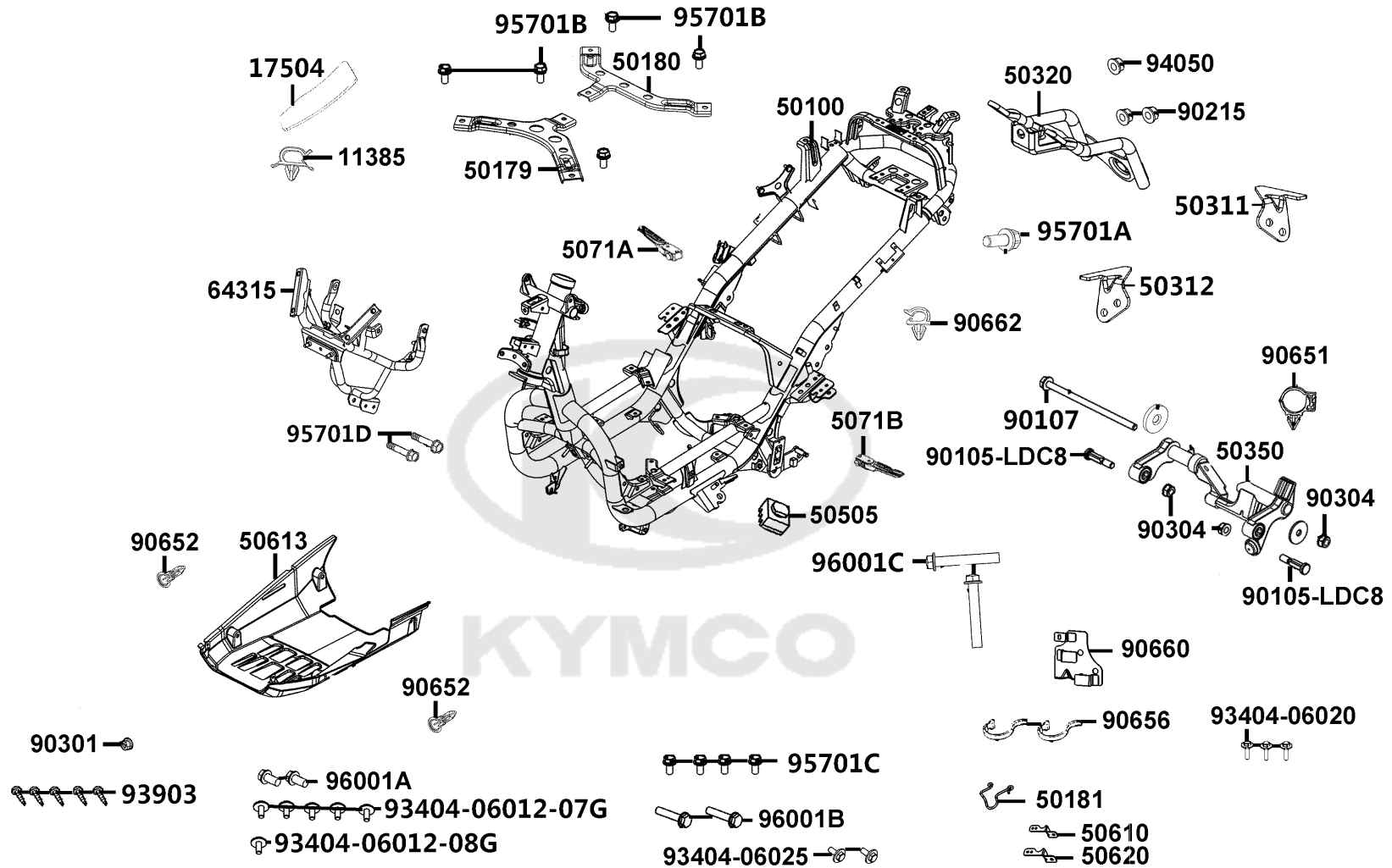
Frame Body



Sales mark	Ref no	Part no	Description	Reg description	Regd no	F19
	11385	11385-KGBG-900	CLIP VACUUM TUBE	CLIP VACUUM TUBE	1	
	17504	17504-ALJ8-E10	SPONGE TANK	SPONGE TANK	1	
	50100	50100-AKF3-E00	"BODY COMP .,FRAME"	"BODY COMP .,FRAME"	1	
	50179	50179-AHA7-C00	"PLATE,FLOOR"	"PLATE,FLOOR"	1	
	50180	50180-AHA7-C00	STAY FLOOR PANEL	STAY FLOOR PANEL	1	
	50181	50181-AHA7-C00	CLIP, HARNESS WIRE	"CLIP, HARNESS WIRE"	1	
	50311	50311-AHA7-C00	BRKT.R,BODY COVER	BRKT.R,BODY COVER	1	
	50312	50312-AHA7-C00	BRKT.L,BODY COVER	BRKT.L,BODY COVER	1	
	50320	50320-AHA7-C00	"STAY .,RR FENDER LOW"	"STAY .,RR FENDER LOW"	1	
	50350	50350-AKF3-E00	ENG HANGER COMP	ENG HANGER COMP	1	
	50505	50505-KEBE-C00	STOPPER RUBBER	STOPPER RUBBER	1	
	50610	50610-AHA7-C00	STAY R SKIRT	STAY R SKIRT	1	
**	50613	50613-AHA7-C00	COVER UNDER	COVER UNDER	1	
	50620	50620-AHA7-C00	STAY L SKIRT	STAY L SKIRT	1	
	5071A	5071A-AHA7-C00	BAR R ASSY RR STEP	BAR R ASSY RR STEP	1	
	5071B	5071B-AHA7-C00	BAR L ASSY RR STEP	BAR L ASSY RR STEP	1	
	64315	64315-AHA7-C00	"STAY,FRONT COVER"	"STAY,FRONT COVER"	1	
	90105-LDC8	90105-LDC8-E11	SQUARE BOLT M10*50(K)	SQUARE BOLT M10*50(K)	2	
	90107	90107-KUDU-C01	BOLT FLANGE 10*188	BOLT FLANGE 10*188	1	
	90215	90215-KKC4-C00	NUT CAP 6MM	NUT CAP 6MM	2	

F19

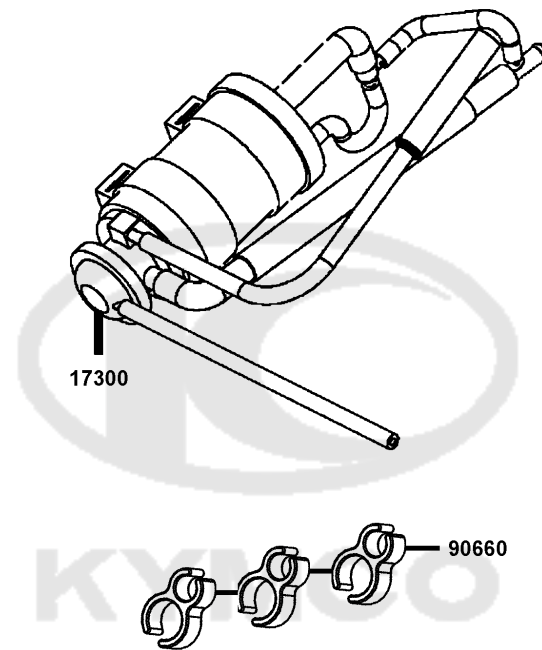
Frame Body



Sales mark	Ref no	Part no	Description	Reg description	Regd no	F19
	90301	90301-6D34-C01	NUT FLANGE 6MM(C)	NUT FLANGE 6MM(C)	1	
	90304	90304-GHE8-C01	NUT U 10MM (C)	NUT U 10MM(C)	3	
	90662	90622-LHJ8-900	CLAMP	CLAMP	1	
	90651	90651-LKE6-900	CLIP CABLE	CLIP CABLE	1	
	90652	90652-LFB5-C00	"CLIP,MUDGUARD"	"CLIP,MUDGUARD"	2	
	90660	90660-AHA7-C00	"STAY, COUPLER"	"STAY, COUPLER"	1	
	93404-06012-07G	93404-06012-07G	BOLT WASHER 6*12 (K)	BOLT WASHER 6*12 (K)	5	
	93404-06012-08G	93404-06012-08G	BOLT WASHER 6*12 (C)	BOLT WASHER 6*12 (C)	1	
	93404-06020	93404-06020-07G	BOLT-WASH 6x20	BOLT-WASH 6x20	3	
	93404-06025	93404-06025-07G	BOLT WASHER 6*25 (G)	BOLT WASHER 6*25 (G)	2	
	93903	93903-34380-G	SCREW TAPPING 4x12	SCREW TAPPING 4x12	5	
	94050	94050-06080-G	NUT FLANGE 6MM	NUT FLANGE 6MM	11	
	95701A	95701-05012-07	BOLT FLANGE 5*12	BOLT FLANGE 5*12	1	
	95701B	95701-06012-07G	BOLT FLANGE 6X12(KG)	BOLT FLANGE 6X12(KG)	4	
	95701C	95701-06012-08G	BOLT FLANGE 6*12	BOLT FLANGE 6*12	4	
	95701D	95701-06045-07G	BOLT FLANGE 6*45(G)	BOLT FLANGE 6*45(G)	2	
	96001A	96001-06012-07G	BOLT FLANGE 6*12(G)	BOLT FLANGE SH 6*12 (KG)	2	
	96001B	96001-06012-08G	BOLT FLANGE SH 6X12 (C)	BOLT FLANGE SH 6X12 (C)	2	
	96001C	96001-06040-07G	BOLT FLANGE SH 6*40 (G)	BOLT FLANGE SH 6*40 (KG)	2	

F20

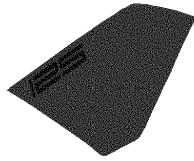
Air Cleaner Two



Sales mark	Ref no	Part no	Description	Reg description	Regd no	F20
------------	--------	---------	-------------	-----------------	---------	------------

17300		17300-AHA7-C00	CANISTER-PCV ASSY	CANISTER-PCV ASSY	1	
90660		90660-KNBN-C00	CLAMPER TUBE	CLAMPER TUBE	3	





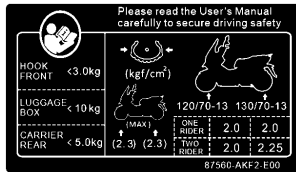
86320



86310



86202



87560



87508



87542



87541



87546



86102

Sales mark	Ref no	Part no	Description	Reg description	Regd no	F21
**	86102	86102-AHA7-C01	EMB MARK K-LOGO	EMB MARK K-LOGO	1	
**	86202	86202-AKF3-E00	EMB BODY COVER	EMB BODY COVER	2	
**	86310	86310-AKF3-E01	STRIPE R SIDE MOLD	STRIPE R SIDE MOLD	1	
**	86320	86320-AKF3-E01	STRIPE L SIDE MOLD	STRIPE L SIDE MOLD	1	
**	87508	87508-ABD2-E00	CAUTION FEDERAL LAW	CAUTION FEDERAL LAW	1	
**	87541	87541-GAR1-C01	CAUTION SIDE STAND	CAUTION SIDE STAND	1	
**	87542	87542-GAR1-C01	MARK MAINT CAUTION R	MARK MAINT CAUTION R	1	
**	87546	87546-AGE3-E00	LABEL FUEL TANK	LABEL FUEL TANK	1	
**	87560	87560-AKF2-E00	MARK DRIVER CAUTION	MARK DRIVER CAUTION	1	



PART NO. INDEX

PART NO.	VERSION	PAGE	PART NO.	VERSION	PAGE	PART NO.	VERSION	PAGE
11000			12191-LEB1-C00	1	E03	14452-LFA7-C00	1	E02
11100-ACC1-E10	1	E01	12200-LKE6-C00	0	E02	14453-LKE6-C00	1	E02
11102-1G87-C00	3	E01	12209-LEA2-C00	0	E02	14510-LEB1-C00	1	E03
11192-LEB1-C00	1	E01	12216-LEB1-C00	1	E02	14520-LFA7-C00	1	E03
11200-AKF3-C00	0	E01	12217-LEB1-C00	1	E02	14521-AAG1-C00	1	E01
11203-GGC7-W10	2	E01	12251-LKE6-C00	1	E02	14523-KED9-C00	1	E03
11203-GGC7-W10	2	F16	1231A-LHJ3-C00	1	E02	14531-AAG1-C00	1	E01
1121A-AHA7-C00	0	F13	12361-GFY6-C00	5	E04	14531-GLR0-W11	1	E03
1122A-AHA7-C00	0	E01	12391-LEB1-C00	1	E02	1453A-GFY6-W10	1	E03
11330-LEB1-C00	0	E04	13000			14541-ALH4-C00	1	E01
11340-AHA7-C00	0	E01	13000-AKF3-E00	1	E03	14610-LEB1-C00	0	E03
11342-AHA7-C00	0	E01	13011-LKE6-C00	1	E03	14711-LKE6-C00	0	E02
11345-AEH9-C00	1	E01	13101-LKE6-C00	0	E03	14721-LKE6-C00	0	E02
11346-GFY6-C00	1	E01	13111-LFA7-C00	1	E03	14751-KHD6-C00	0	E02
11347-AHA7-C00	0	E06	13407-LKC6-C00	1	E02	14771-LEA2-900	2	E02
11350-LKG2-C00	0	E01	14000			14777-LFA7-C00	0	E02
11385-KGBG-900	0	F19	14100-LKE6-C00	1	E02	14781-KKE5-C00	0	E02
11394-AEA7-E10	0	E04	15000					
11395-AHA7-C00	0	E01	14110-LEB1-C00	1	E02	15100-KFB7-C00	1	E07
11396-AHA7-C00	0	E01	14321-LEB1-C00	1	E02	15133-GFY6-W10	1	E07
12000			14401-KUDU-C00	1	E03	15141-GFY6-C00	1	E07
12100-LEB1-90B	0	E03	1442A-LEB1-C00	1	E02	15421-1G07-C00	1	E04
			1443A-LEB1-C00	1	E02	15426-GAE1-C00	1	E04
						15651-KUDU-W10	5	E04

PART NO. INDEX

PART NO.	VERSION	PAGE	PART NO.	VERSION	PAGE	PART NO.	VERSION	PAGE
15711-GFY6-C00	1	E07	17910-AHA7-C00	0	F03	22000		
16000			17911-AHA7-C00	0	F03			
			18000			22101-LCD3-C00	3	E06
1610A-AKF3-E00	0	E05				22102-LKG2-C00	0	E06
16201-LEB1-C00	1	E02	18291-LEA5-C00	1	F14	22105-AHA7-C00	0	E06
16211-LEB1-C00	1	E02	18291-LKG2-C00	0	F14	22110-AHA7-C00	0	E06
17000			18293-LHJ8-900	2	F14	22121-AKF3-305	0	E06
			1830A-AKF3-E00	0	F14	22131-AHA7-C00	0	E06
			18318-AKF3-E00	0	F14	22132-AFF8-405	0	E06
1711A-AKF3-E00	0	E02	19000			22300-AKF3-E00	0	E06
17200-AHA7-C00	0	F13				22350-LHM6-C00	0	E06
17211-AHA7-C00	0	F13				22361-LHM6-C00	0	E06
17214-AHA7-C00	0	F13	19411-KBCB-900	1	F10	22401-AKF3-E00	0	E06
1723A-AHA7-C00	0	F13	19510-LEB1-C01	0	E08	22530-LHJ3-C01	0	E06
1723B-AHA7-C00	0	F13	1961A-LEB1-C00	1	E08	22804-GBB2-C00	0	E06
17300-AHA7-C00	0	F20	1962A-LKE6-C00	1	E08			
17500-AHA7-C00	0	F10	1963A-AKF3-E00	0	E08	23000		
17502-AHA7-C00	0	F10				2301A-AKF3-E00	0	E06
17504-ALJ8-E10	1	F19	21000			23100-AHA7-C01	0	E06
17504-LAB4-C00	0	F10				23200-LKG2-C00	0	E06
17513-AHA7-C00	0	F10	21301-AHA7-C00	0	E09	23220-AAG1-C00	0	E06
17515-LAB4-900	0	F10	21395-AHA7-C00	0	E09	23225-GHC8-C00	1	E06
17550-AHA7-C00	0	F10				23226-GHC8-C00	1	E06
17560-AKF3-E00	0	F10				23233-LFE2-C00	0	E06
17561-LKB9-900	1	F10						

PART NO. INDEX

PART NO.	VERSION	PAGE	PART NO.	VERSION	PAGE	PART NO.	VERSION	PAGE
23237-AEE2-C00	0	E06	31340-LFH1-E00	1	F07	3520A-ACD5-E00	0	F03
23238-AAC9-C00	0	E06	31600-AGE7-C00	0	F18	35340-LKF5-E01	2	F04
23411-LKG2-C00	0	E09				35350-KNBN-C00	1	F04
23420-AHA7-C00	0	E09	32000			35370-LLJ3-E00	3	F18
23432-AHA7-C00	0	E09				35850-ALL1-C00	1	F18
2343A-AHA7-C00	0	E09	32100-AKF3-E00	0	F18			
			32411-AHA7-C00	0	F18	37000		
28000			32412-AKF3-E00	0	E04			
			32413-AHA7-C00	0	F18	37200-AKF3-E00	0	F02
28101-ADG1-C00	1	E07	32961-LEB1-C00	1	E04	37215-LHJ3-C00	0	F03
28102-GFY6-C00	1	E07				37215-LHJ3-C00	0	F18
28110-LEB1-C00	0	E07	33000					
2812A-ADG1-C00	0	E07				38000		
28211-LKG2-C00	0	E06	33100-AHA7-C00	0	F01			
			33600-AHF8-M40	0	F17	38110-KHB4-C00	0	F18
30000			33609-AFC1-E60	1	F17	38500-AAD2-C00	5	F18
			33650-AHF8-M40	0	F17	38500-LGL3-90A	5	F18
3051A-AKF3-E00	0	F18	33701-AHA7-C00	0	F17	3860A-AEH2-M40	0	F18
30700-AEB9-E01	0	F18	33720-LGB5-E10	1	F17	3877A-AHA7-C00	0	F10
			33731-AKH7-C00	0	F05	38900-AGE7-C00	0	F03
31000			33741-AHA7-C00	0	F17			
						39000		
31100-AKF3-E00	1	E08	35000					
31110-ACC1-E10	0	E08				39300-LEB2-800	1	E02
31120-AKF3-E00	1	E08	35010-AKF3-E00	0	F18	39301-AKF3-E00	0	E02
31200-AKF3-E00	0	E07	3515A-AHA7-C00	0	F03	39302-KKE3-C00	1	E02

PART NO. INDEX

PART NO.	VERSION	PAGE	PART NO.	VERSION	PAGE	PART NO.	VERSION	PAGE
39303-LEB2-C00	1	E02	44710-AKF3-E01	0	F07	5032A-AHA7-C00	0	F11
39400-LHJ3-900	1	E02				50330-KEBE-C00	1	F11
39450-ZVA6-M00	0	F14	45000			50350-AKF3-E00	0	F19
42000			45105-LGE5-305	0	F04	50500-AHA7-C00	0	F15
			45126-AKF3-E00	0	F04	50502-GFY6-C00	5	F15
42301-LKH3-C00	1	F07	45128-AKF3-E00	0	F06	50505-KEBE-C00	0	F19
42311-AHA7-C00	0	F08	45129-AKF3-E00	0	F06	50530-AHA7-C00	0	F15
42312-AHA7-C00	0	F08	4512A-AKF2-E00	0	F07	50550-KKC2-C00	0	F15
42601-AKF3-E00	0	F08	45200-ACJ1-E00	0	F04	50610-AHA7-C00	0	F19
42710-AKF3-E01	0	F08	45352-LEA7-E00	0	F07	50613-AHA7-C00	0	F19
43000			45500-LKG5-E00	0	F04	50620-AHA7-C00	0	F19
			45513-LEA7-C00	0	F04	50623-AKF3-E00	0	F12
			45517-LBA2-E00	0	F04	5071A-AHA7-C00	0	F19
43100-AHA7-C00	0	F04				5071B-AHA7-C00	0	F19
43105-LKG2-305	0	F04	50000			51000		
43126-AKF3-E00	0	F04						
43156-AHA7-C00	0	F16	50100-AKF3-E00	0	F19	51400-AHA7-C00	0	F06
43351-AHA7-C00	0	F08	50179-AHA7-C00	0	F19	51500-AHA7-C00	0	F06
43500-ACJ1-E00	0	F04	50180-AHA7-C00	0	F19			
44000			50181-AHA7-C00	0	F19	52000		
			50306-1F96-C00	1	F06			
			50311-AHA7-C00	0	F19	52000-AKF3-E00	0	F16
44311-LEA7-C00	0	F07	50312-AHA7-C00	0	F19	52101-LGR8-900	2	F16
44601-AGE7-C00	0	F07	50320-AHA7-C00	0	F19	52400-AKF2-E00	0	F16
44620-LEA7-C00	0	F07	50326-AHA7-C00	0	F11			

PART NO. INDEX

PART NO.	VERSION	PAGE	PART NO.	VERSION	PAGE	PART NO.	VERSION	PAGE
53000			61000			64318-AKF3-E00	0	F05
53100-AHA7-C00	0	F03	61100-AHA7-C00	0	F06	64325-AHA7-C00	0	F05
53105-LEA7-C00	0	F03	61110-AHA7-C00	0	F05	64326-AHA7-C00	0	F05
53125-GEN5-C00	1	F03	64000			64330-AKF3-E00	0	F05
53140-LEA7-E00	0	F03	77000			64400-AKF3-E00	0	F05
53150-LEA6-C00	0	F03				80000		
53175-LKF5-C00	0	F04	64206-MLJ0-C01	0	F12	77115-AHA7-C00	0	F12
53178-LKF5-C00	0	F04	64220-AHA7-C00	0	F03	77200-AHA7-C00	0	F09
53200-AHA7-C00	0	F06	64222-LLJ3-C00	0	F03	77235-BLA3-900	0	F09
53204-AHA7-C00	0	F03	64224-AHA7-C00	0	F03	77240-AKF3-E00	0	F18
53205-AHA7-C00	0	F03	64301-AHA7-C00	0	F03	77300-ACH6-900	0	F09
53206-AHA7-C00	0	F03	64303-AHA7-C00	0	F05			
53207-AHA7-C00	0	F03	64304-AHA7-C00	0	F05			
53208-AHA7-C00	0	F03	64305-AHA7-C00	0	F05			
53209-AHA7-C00	0	F03	64306-AHA7-C00	0	F05	80101-AHA7-C00	0	F17
53210-AHA7-C00	0	F03	64307-AHA7-C00	0	F05	80105-AHA7-C00	0	F17
53213-LBA2-C00	0	F06	64308-AHA7-C00	0	F05	80107-AHA7-C00	0	F17
53214-LBA2-C00	0	F06	64310-AKF3-E00	0	F05	80108-AHA7-C00	0	F17
53215-AHA7-C00	0	F03	64311-AHA7-C00	0	F05	80108-AKF3-E00	0	E07
53220-LBA2-E00	0	F06	64312-AHA7-C00	0	F12	8010A-AKF3-E00	0	F17
53240-LEA7-90A	2	F06	64313-AHA7-C00	0	F12	80116-ACC1-E10	1	F17
53250-LEA7-90A	2	F06	64315-AHA7-C00	0	F19	80151-AKF3-E00	0	F05
			64316-AEH2-M40	0	F05	80155-AKF3-E00	0	F05
			64317-AKF3-E00	0	F05	80156-AKF3-E00	0	F05

PART NO. INDEX

PART NO.	VERSION	PAGE	PART NO.	VERSION	PAGE	PART NO.	VERSION	PAGE
80157-AKF3-E00	0	F05						
8015A-AKF3-E00	0	F05	83000			88000		
8015D-AKF3-E00	0	F05						
80162-AKF3-E00	0	F05	83500-AHA7-C00	0	F12	88110-AHA7-C00	0	F03
80163-AKF3-E00	0	F05	83530-AKF3-E00	0	F05	88120-AHA7-C00	0	F03
80164-AKF3-E00	0	F05	83550-KEC8-C00	4	F06			
80165-AKF3-E00	0	F05	83551-KEC8-C10	4	F06	89000		
80166-AKF3-E00	0	F05	83600-AHA7-C00	0	F12			
80167-AKF3-E00	0	F05	83630-AKF3-E00	0	F05	89010-AKF2-E00	0	F09
			83750-AHA7-C00	0	F12			
81000			86000			90000		
81131-AKF3-E00	0	F05				90001-GBHB-C06	1	E03
81133-AHA7-C00	0	F05	86102-AHA7-C01	0	F21	90001-GFY6-C01	0	E02
81134-AHA7-C00	0	F05	86202-AKF3-E00	0	F21	90001-KGF1-C01	0	F13
8113A-AHA7-C00	0	F05	86310-AKF3-E01	0	F21	90005-KAW1-C00	0	E03
8113B-AHA7-C00	0	F05	86320-AKF3-E01	0	F21	9000B-KHD6-C02	1	E02
81141-AKF3-E00	0	F05				90031-KHD6-C01	0	E01
81143-AKF3-E00	0	F05	87000			90032-KHD6-C01	1	E01
81144-AHA7-C00	0	F05				90033-KGB4-C11	0	E02
81200-AHA7-C00	0	F12	87508-ABD2-E00	0	F21	90104-LEA7-C01	0	F03
81257-AHA7-C00	0	F12	87541-GAR1-C01	1	F21	90105-KCR3-C02	1	F08
81258-AHA7-C00	0	F12	87542-GAR1-C01	2	F21	90105-LDC8-E11	0	F19
81259-AHA7-C00	0	F12	87546-AGE3-E00	0	F21	90105-LEA7-C01	0	F07
81260-AHA7-C00	0	F12	87560-AKF2-E00	0	F21	90106-GEN5-901	1	F03
						90106-KFAF-900	2	F12

PART NO. INDEX

PART NO.	VERSION	PAGE	PART NO.	VERSION	PAGE	PART NO.	VERSION	PAGE
90106-KFAF-C10	4	F03	90302-SDA4-C01	0	F05	90660-AHA7-C00	0	F19
90106-KFC2-900	2	F12	90302-SDA4-C01	0	F11	90660-KNBN-C00	0	F20
90107-KUDU-C01	1	F19	90302-SDA4-C01	0	F12	90754-LLJ3-C00	0	F07
90108-KKC4-900	0	F15	90304-GHE8-C01	0	F03			
90111-06016-07G	0	F12	90304-GHE8-C01	0	F19	91000		
90111-1G47-C01	0	F05	90305-KFW6-C01	0	F08			
90111-1G87-C01	1	F11	90305-LBA2-C00	0	F05	91002-GGA7-C00	0	E06
90113-KKA8-C00	0	F04	90305-LEF1-C11	0	F07	91004-KHE7-C00	0	E06
90116-KED9-900	2	F05	90403-GFY6-C00	1	E07	91005-LBA7-C00	0	E01
90122-LEA7-C01	0	F07	90440-1F66-C00	1	E08	91009-KHE7-C00	0	E01
90131-KFAF-C03	0	F08	90474-3C33-C00	1	E01	91202-GFY6-90C	1	E04
90131-LFG2-C00	0	F16	9052A-LEB1-C01	0	E01	91202-LEB1-900	1	E01
90145-9A61-C01	0	F04	90545-3L00-C01	0	F04	91202-LFE2-90A	0	E09
90201-GFY6-901	1	E07	90605-1F66-C00	0	E06	91211-KEBE-C00	1	E06
90201-KHE7-C01	0	E06	90622-LHJ8-900	1	F19	91255-KHE7-90A	1	E09
90201-KHR8-C01	1	E06	90651-LKE6-900	1	F19	91301-GLR0-W10	1	E03
90202-KGN7-C00	0	E06	90652-AHA7-C00	0	E02	91302-0A01-C00	10	E04
90215-KKC4-C00	1	F19	90652-AHA7-C00	0	F13	91306-1E05-C00	1	E03
90301-6D34-C01	1	F19	90652-GFY6-C00	1	F10	91307-0E35-W10	1	E04
90301-GFY6-C01	0	F14	90652-LCA4-C10	6	F05	91351-6B42-C00	1	E06
90302-GFY6-C11	1	F10	90652-LCA4-C10	6	F17			
90302-GFY6-C11	1	F17	90652-LFB5-C00	1	F05	92000		
90302-LLB1-C01	1	F10	90652-LFB5-C00	1	F11			
90302-PUA3-B51	1	F03	90652-LFB5-C00	1	F17	92101-05012-0HG	1	E01
90302-PUA3-B51	1	F17	90652-LFB5-C00	1	F19	92101-05012-0HG	1	E08
90302-SDA4-C01	0	F03	90656-KUDU-900	0	F19	92101-05012-0HG	1	F10

PART NO. INDEX

PART NO.	VERSION	PAGE	PART NO.	VERSION	PAGE	PART NO.	VERSION	PAGE
92101-06014-07G	0	E02	93903-34380-G	0	F03	94050-06080-G	1	E07
92900-06060-0BG	0	E02	93903-34380-G	0	F05	94050-06080-G	1	F04
93000			93903-34380-G	0	F12	94050-06080-G	1	F09
			93903-34380-G	0	F17	94050-06080-G	1	F10
			93903-34380-G	0	F18	94050-06080-G	1	F17
			93903-34380-G	0	F19	94050-06080-G	1	F18
			93903-34480-G	1	F05	94050-06080-G	1	F19
93401-04020-08G	0	F18	93903-35220-G	1	F18	94050-08080-G	1	E02
93401-06020-06	0	F14	93903-35280-G	1	E01	94050-08080-G	1	F18
93404-06012-07G	0	F17	93903-35280-G	1	F03	94050-12080-G	0	E08
93404-06012-07G	0	F19	93903-35280-G	1	F17	94101-06600-07G	0	F12
93404-06012-08G	0	F05	93903-35360-G	0	F10	94101-LEA2-C00	0	F14
93404-06012-08G	0	F19	93903-35380-G	1	F02	94111-06800-G	0	E02
93404-06016-07G	1	F10	93903-35380-G	1	F05	94111-ACD5-C00	0	F14
93404-06016-07G	1	F15	93903-44280-G	0	F03	94301-08140	4	E09
93404-06016-07G	1	F17	93903-44280-G	0	F05	94301-10160	4	E01
93404-06020-07G	1	F19	93903-44280-G	0	F11	94301-10160	4	E02
93404-06025-07G	1	F19	93903-44280-G	0	F12	94301-10160	4	E03
93500-04008-0G	0	F10	93904-35380-G	0	F01	94301-10160	4	E04
93500-05022-0G	2	F03				94520-28000	1	E06
93600-04012-1G	1	F04	94000			94520-47000	0	E01
93893-04012-18	0	F04				94591-KFBF-C00	1	F10
93903-14380-G	0	F11				94601-14000	1	E03
93903-25220-G	0	F17	94001-12280-0SG	1	E09			
93903-25480	1	F03	94050-05080-G	1	F18			
93903-25580	0	F13	94050-06060	1	F04			
93903-34280-G	0	F05	94050-06080-G	1	E02			
93903-34380-G	0	F01						

PART NO. INDEX

PART NO.	VERSION	PAGE	PART NO.	VERSION	PAGE	PART NO.	VERSION	PAGE
95000			96000			96001-06045-07G	1	E01
95014-72204-G	0	F15	96001-06012-02	3	F09	96001-06050-07G	1	E01
95701-05012-07	0	F19	96001-06012-07G	1	E04	96001-06100-07G	0	E02
95701-06008-07G	1	F06	96001-06012-07G	1	E07	96001-06100-07G	0	E04
95701-06010-08G	0	F04	96001-06012-07G	1	F19	96001-06110-07G	0	E04
95701-06012-07G	1	F18	96001-06012-08G	1	F02	96001-GFY6-C01	1	E01
95701-06012-07G	1	F19	96001-06012-08G	1	F06	96100-60020-00	1	E09
95701-06012-08G	1	F10	96001-06012-08G	1	F16	96100-62020-00	1	E01
95701-06012-08G	1	F19	96001-06012-08G	1	F19	96100-62030-00	1	E09
95701-06014-07G	1	F18	96001-06014-08G	0	E02	96100-63030-00	1	E01
95701-06028-07G	1	F05	96001-06016-08G	1	E08	96100-LFE2-900	1	E09
95701-06045-07G	1	F19	96001-06018-07G	0	E07	96150-60020-10	0	F07
95701-06045-08G	1	F04	96001-06018-07G	0	E08	96600-06016-08G	0	E01
95701-08012-07G	0	E01	96001-06018-07G	0	F18	98000		
95701-08012-07G	0	F18	96001-06022-08G	1	E08	98059-58916-00	2	E02
95701-08025-07G	0	F18	96001-06025-07G	0	E01	98200-31000	1	F11
95801-08032-08G	1	F16	96001-06025-08G	1	E08	98200-31500	1	F11
95801-08040-08G	1	F06	96001-06028-07G	1	E07	98200-32500	0	F11
95801-10025-07G	0	F15	96001-06028-07G	1	E08	98200-33000	0	F11
95801-10040-08G	1	F16	96001-06032-07G	1	E01			
95801-10045-08G	0	F14	96001-06032-07G	1	E04			
			96001-06040-07G	1	E01			
			96001-06040-07G	1	F19			
			96001-06040-08G	1	F04			