

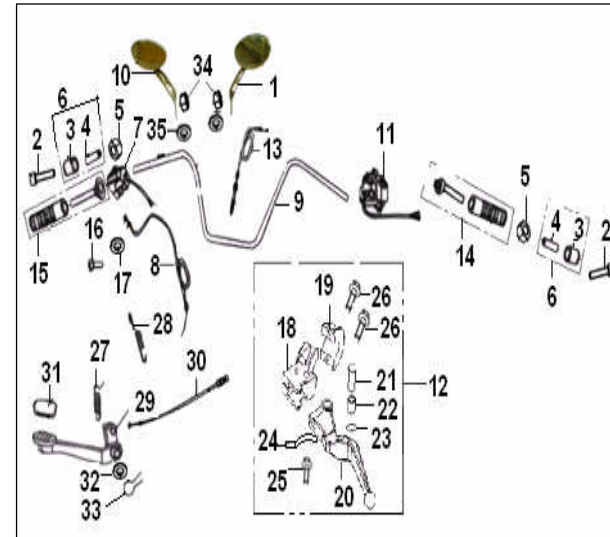
SUPERLIGHT 125_150



SUPERLIGHT 125_150

F01 STEERING

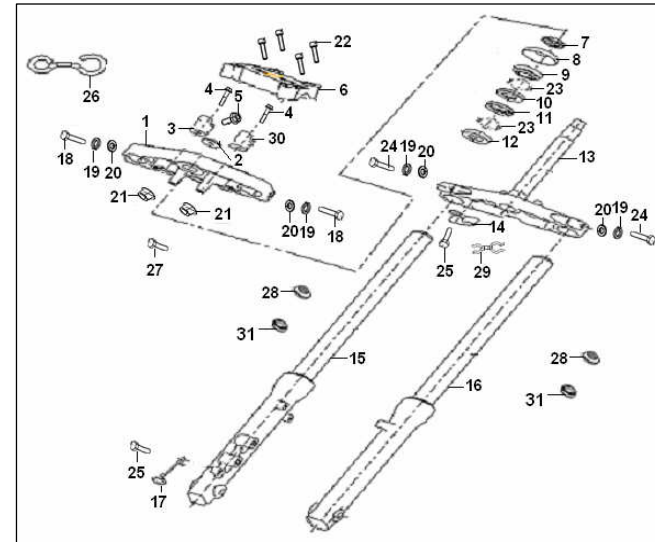
NO.	CODE	EN DESCRIPTION	Qty.	NOTES	Season
1	40470K2GP003	MIRROR ASSY., RR VIEW, R.	1		
2	B02050605564	SCREW 6X55MM	2		
3	40031K0BP001	BALANCER	2		
4	40033K2GP000	PLUG, RUBBER	2		
5	B04070600054	NUT 6MM	2		
6	40030K2GP001	BALANCER,ASSY	1		
7	40600K2GP002	SWITCH ASSY., R.	1	PISCAS SISTEMA AUTOMÁTICO	
7A	40600K2GP003	SWITCH ASSY., R.	1	PISCAS SISTEMA MANUAL	
8	40300K2GP000	CABLE ASSY,THROTTLE	1		
9	40101K2GP001	HANDLE BAR	1		
10	40460K2GP003	MIRROR ASSY., RR VIEW, L.	1		
11	40500K2GP002	SWITCH ASSY.,L.	1	PISCAS SISTEMA AUTOMÁTICO	
11A	40500K2GP003	SWITCH ASSY.,L.	1	PISCAS SISTEMA MANUAL	
12	40080K2GP001	LEVER ASSY., L.	1		
13	40400K2GP000	CABLE ASSY.,CLUTCH	1		
14	40070K2GP000	GRIP ASSY.,L.	1		
15	40210K2GP000	GRIP ASSY., THROTTLE	1		
16	B02000401224	SCREW 4X12MM	1		
17	B07030000404	WASHER 4	2		
18	40082K2GP000	COVER,LEVER BRKT,LOWER	1		
19	40081K2GP000	COVER,LEVER BRKT,UPPER	1		
20	40084K2GP001	LEVEL,L	1		
21	40083K2GP000	BOLT	1		
22	40088K2GP000	SPACER	1		
23	B08010001001	WASHER	1		
24	40089K2GP000	SPRING	1		
25	40087K2GP000	BOLT	1		
26	B01070602465	BOLT 6X24MM	2		
27	40702K0BP000	SPRING, RR. BRAKE PEDAL	1		
28	40019K0BP000	SPRING,BRAKE SWITCH	1		
29	40710K0BP001	PEDAL COMP., RR. BRAKE	1		
30	40270K2GP000	CABLE ASSY., RR. BRAKE	1		
31	40701K0BP000	RUBBER, BRAKE PEDAL	1		
32	B07030001204	WASHER 12	1		
33	B090002022A2	COTTER PIN 2X22MM	1		
34	B04220800044	NUT 8 MM	2		
35	B0703000080L	WASHER 8	2		



SUPERLIGHT 125_150

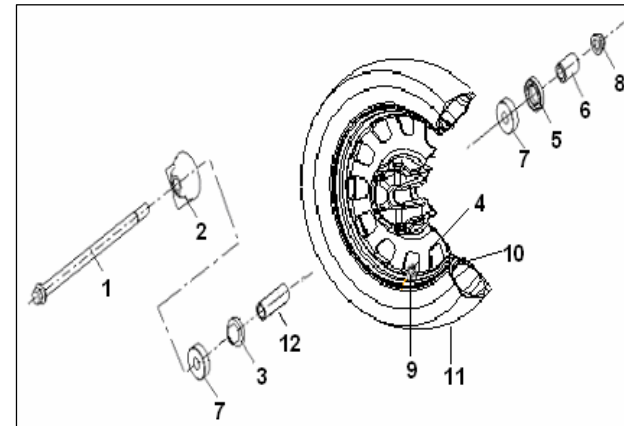
F02 FRONT FORK

NO.	CODE	EN DESCRIPTION	Qty.	NOTES
1	43011K3AP000	UPPER BRACKET	1	
2	43044K2GP000	UPPER WASHER	1	
3	43013K2GP000	BASE., HANDLE BAR, LOWER LH	1	
4	08011K3AP000	BOLT	2	
5	430049J00P000	BOLT, STEM FIXING	1	
6	43014K2GP001	BASE., HANDLE BAR, UPPER	1	
7	43017G0KP000	NUT	1	
8	43005K3AP000	DUST COVER	1	
9	43001K2FP000	RACE, UPPER BEARING, UPPER	1	
10	43002K0BP000	RACE, UPPER BEARING, LOWER	1	
11	43003K0BP000	RACE, LOWER BEARING, UPPER	1	
12	43004K2FP000	RACE, LOWER BEARING, LOWER	1	
13	43100K2FP000	UNDER BRACKET COMP.	1	
14	43160K3AP000	CLIP COMP.	1	
15	43200K3AP000	FRONT ABSORBER, L.	1	
16	43300K3AP000	FRONT ABSORBER, R.	1	
17	43035K3AP000	CLAMP SPEEDMETER CABLE	1	
18	B01020804564	BOLT 8X45MM	2	
19	B07000000804	SPRING WASHER 8MM	4	
20	B07030000804	WASHER 8MM	4	
21	B04171000054	NUT 10MM	2	
22	B02050802564	SCREW 8X25MM	4	
23	B06010200000	BALL 1/4"	38	
24	B01020804064	BOLT 8X40MM	2	
25	B01070601265	BOLT 6X12MM	2	
26	43104K2GP000	CLIP	1	
27	B01070601664	BOLT 6X16MM	2	
28	43260K2GP000	OIL SEAL	2	
29	43021K2GP000	CLIP COMP.	1	
30	43015K2GP000	BASE., HANDLE BAR, LOWER RH	1	
31	43290K3AP000	COVER, ANTI-DUST	2	



F03 FRONT WHEEL

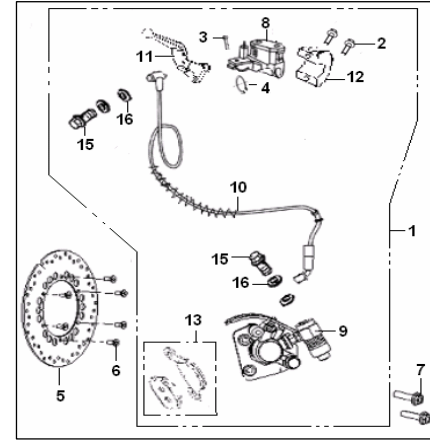
NO.	CODE	EN DESCRIPTION	Qty.	NOTES
1	44004K3AP000	BOLT, FRONT WHEEL	1	
2	44200K3AP000	SPEEDOMETER GEAR COMP.	1	
3	44062K3AP000	BUSH RUBBER	1	
4	44100K2GPC10	RIM COMP,FRONT WHEEL	1	
5	44300K3AP000	OIL SEAL ASSY.,FR. WHEEL	1	
6	44005K3AP000	BUSH, FR. WHEEL	1	
7	B12016030200	BEARING 6302-2RS	2	
8	B04171415054	NUT 14X1.5MM	1	
9	B1404Z1102A0	CAP, VALVE	1	
10	B140206F16AB	TUBE 110/90-16	1	
11	B140106F16AB	TIRE 110/90-16	1	
12	44006K3AP000	CENTER SPACER,FR. WHEEL	1	



SUPERLIGHT 125_150

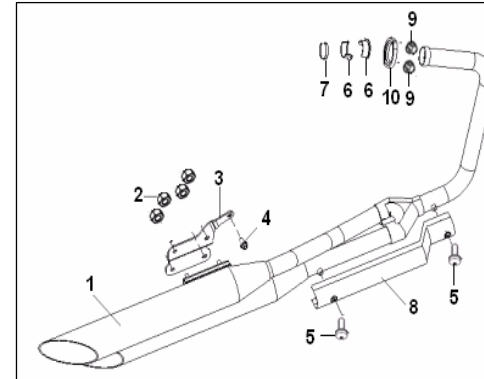
F04 FRONT DISK BRAKE

NO.	CODE		QTY.
1	45000K2GP001	DISK BRAKE ASSY.	1
2	B01070602455	BOLT 6X24MM	2
3	B090410030A4	PIN 30MM	1
4	B080100093P4	CIR-CLIP 10MM	1
5	45033K3AP000	BRAKE DISK	1
6	45036B20T000	BOLT	6
7	B01591004064	BOLT 10X1.25X40MM	2
8	45400K2GP000	MASTER CYLINDER ASSY.	1
9	45500K2GP000	CALIPER ASSY.	1
10	45200K2GP000	HOSE ASSY, FR. BRAKE	1
11	45022K2GP001	LEVER, DISK BRAKE	1
12	45023K2GP000	COVER	1
13	45110K2GP000	BRAKE PAD KIT ASSY	1 JOGO
14	45037K2FP000	BOLT,	2
15	45029K2FP000	WASHER	4



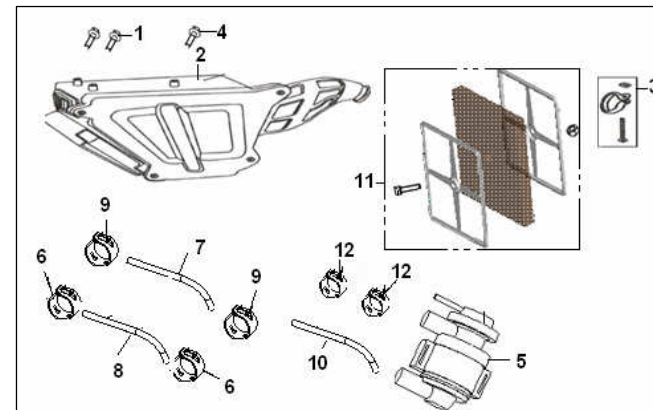
F05 MUFFLER

NO.	CODE		QTY.
1	47100K2GP001	MUFFLER JOINTING ASSY.	1 Euro 2
1	47100J2GP000	MUFFLER JOINTING ASSY.	1 Euro 3
2	B04000800054	NUT 8MM	4
3	47601K0BP001	BRACKET, FIXED	1
4	B01070801664	BOLT 8X16MM	1
5	B13040601004	SCREW 6X10MM	2
6	47003J0AP000	HALF, EXHAUST PIPE	2
7	47800K00P000	GASKET, EXHAUST PIPE	1
8	47009K2GP001	SHIELD	1
9	47006J0AP000	CAP NUT	2
10	47001J0AP000	FLANGE, EXHAUST PIPE	1



F06 AIR CLEANER

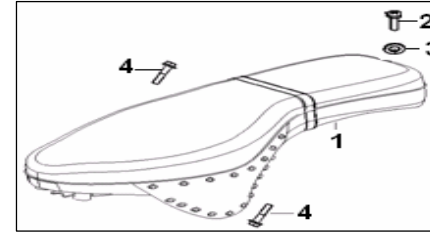
NO.	CODE		QTY.
1	B01090601065	BOLT 6X10MM	2
2	49000J2GP000	AIR FILTER ASSY	1 Euro 2
2A	49000J2GP003	AIR FILTER ASSY	1 Euro 3
3	49350J00P000	CLAMP ASSY.	1
4	B01090601265	BOLT 6X12MM	1
5	49810J00P000	RETAINER VALVE	1 Euro 3
6	49804J00P000	SPRING ϕ 17.5	2 Euro 3
7	49801K0BP000	TUBE	1 Euro 3
8	49805K0BP001	HOSE	1 Euro 3
9	49805J00P000	SPRING ϕ 18.5	2 Euro 3
10	49803J00P000	MINI TUBE	2 Euro 3
11	49200K2GP000	FILTER	1 Euro 3
12	49806J00P000	SPRING ϕ 7	2 Euro 3



SUPERLIGHT 125_150

F07 SEAT

NO.	CODE		QTY.
1	51100K2GP002	SEAT I	1
2	B01090802064	BLOT M8x20	1
3	B0703000080C	WASHER,8MM	1
4	B01070602065	BLOT 6x20 MM	2

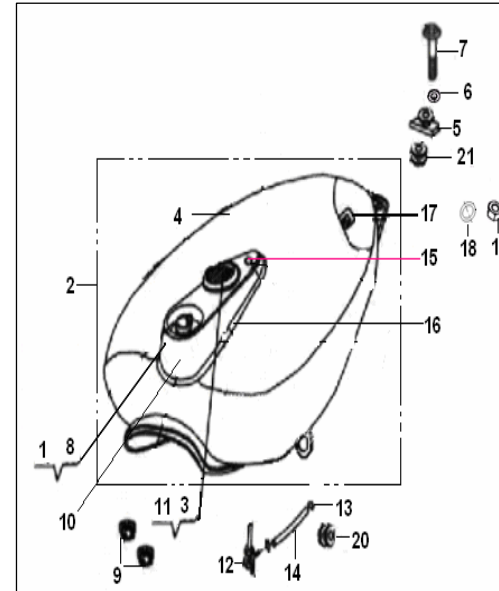


F08 FUEL TANK

NO.	CODE		QTY.
1	B02020501624	SCREW M5X16	2
2	50900K02014Z	FUEL TANK COMP	1
	50900K02015Z	FUEL TANK COMP	1
	50900K02012Z	FUEL TANK COMP	1
	50900K02013Z	FUEL TANK COMP	1
3	B13040401204	SCREW M4X12	3
4	50100K02012Z	FUEL TANK JOINTING COMP	1
	50100K02013Z	FUEL TANK JOINTING COMP	1
	50100K02014Z	FUEL TANK JOINTING COMP	1
	50100K02015Z	FUEL TANK JOINTING COMP	1
5	50005K0BP000	CUSHION I, FUEL TANK	1
6	B07090000804	WASHER 8MM	1
7	B01090803564	BOLT 8X35MM	1
8	50202K0BP001	SEAL, FUEL TANK CAP	1
9	50006K00P000	CUSHION II, FUEL TANK	2
10	50116K0BP000	CAP, FUEL TANK DECORATING	1
11	74000K0BP000	METER ASSY., FUEL CAPACITY	1
12	50310K00P000	SHUTOFF ASSY., FUEL	1
13	50306J00P000	CLIP	2
14	50301J00P000	HOSE	1
15	B02020501224	SCREW 5X12MM	1
16	50117K0BP000	CUSHION, DECORATING CAP	1
17	50800K0BP000	SENSOR ASSY., FUEL LEVEL	1
18	B190104120D0	O-RING 41.2X5.3	1
19	B04070600054	NUT 6MM	4
20	57014K0BP000	WASHER, RUBBER	2
21	50221K2GP000	BUSH	1

Notes

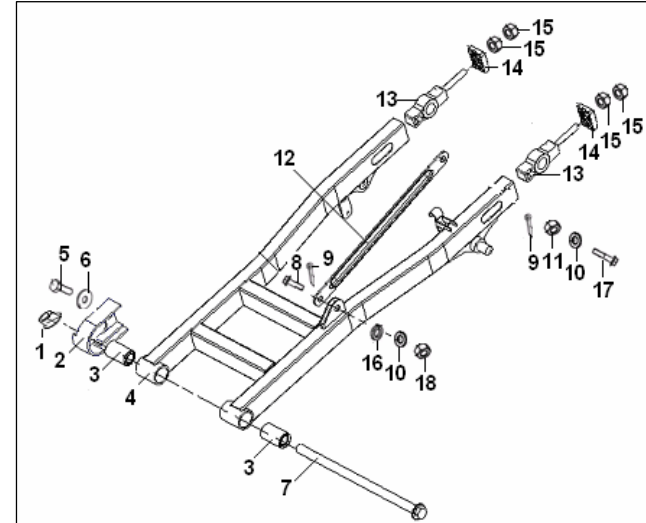
1	CREME C/ AUTOCOLANTES 150CC
1	PRT C/ AUTOCOLANTES 150CC
1	CREME C/ AUTOCOLANTES 125CC
1	PRT C/ AUTOCOLANTES 125CC
1	CREME C/ AUTOCOLANTES 125CC
1	PRT C/ AUTOCOLANTES 125CC
1	CREME C/ AUTOCOLANTES 150CC
1	PRT C/ AUTOCOLANTES 150CC



SUPERLIGHT 125_150

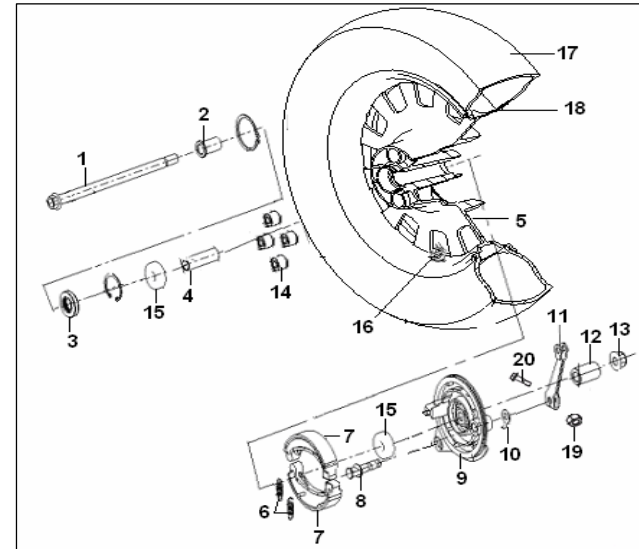
F09 REAR SWINGING ARM

NO.	CODE		QTY.
1	B04171415054	NUT 14X1.5MM	1
2	53004K0BP000	BUFFER, CHAIN TOUCH DEFENSE	1
3	53200K0BP000	BUSH ASSY, SWINGING ARM	2
4	53100K2GP001	RR. SWINGING ARM COMP.	1
5	B01010601224	BOLT 6X12MM	1
6	B07020000604	WASHER 6MM	1
7	53001K0BP000	SHAFT, PIVOT	1
8	53012K0BP000	BOLT	1
9	B090002018A2	COTTER PIN 2X18MM	2
10	B07020000804	WASHER 8	2
11	B04020800014	NUT 8MM	1
12	53300N0HP001	TORQUE LINK,REAR	1
13	53230K0BP000	ADJUSTER,COMP,CHAIN, DRIVE	2
14	53234K0BP000	SHUTTER,ADJUSTER,CHAIN,DRIVE	2
15	B04000800054	NUT 8MM	4
16	53014K00P000	CUSHION, LINK	1
17	54023J00P000	BOLT	1
18	B04000800054	NUT 8MM	1



F10 REAR WHEEL

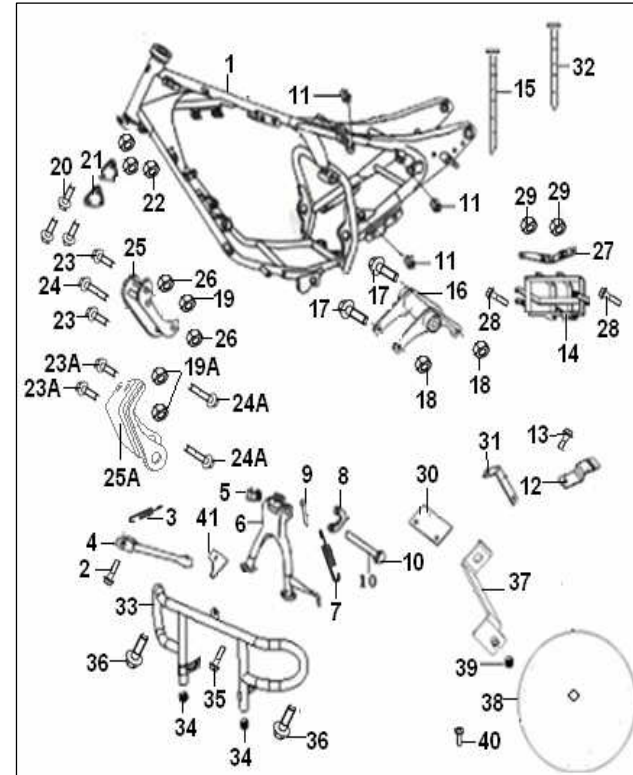
NO.	CODE		QTY.
1	54004K0BP000	BOLT,REAR WHEEL	1
2	54016K2GP000	BUSH, REAR WHEEL, L.	1
3	54300K0BP000	DUST SEAL, RR. HUB	1
4	54006K2GP000	MID SPACER, RR. WHEEL	1
5	54100K2GPC10	RIM, RR. WHEEL MT3.0X15	1
6	54001K3AP000	SPRING, BRAKE SHOE	2
7	54200K3AP000	BRAKE SHOE	2
8	54003K3AP000	CAM SHAFT, RR. BRAKE	1
9	54400K2GP000	HUB ASSY,REAR WHEEL	1
10	54002K3AP000	INDICATOR, RR. BRAKE	1
11	54007K0BP000	LEVER, RR. BRAKE	1
12	54005K2GP000	SPACER,RR. WHEEL, R.	1
13	B04171615054	NUT 16X1.5MM	1
14	54710K2GP000	BUFFER, RR. WHEEL	4
15	B12016030300	BEARING	2
16	B1404Z1102A0	CAP, VALVE	1
17	B140108F15BB	TIRE 130/90-15	1
18	B140208F15BB	TUBE 130/90-15	1
19	B04070600054	NUT 6MM	1
20	B01090603564	BOLT 6X35MM	1
21	B190001800B0	airproof O 18X2.65	1



SUPERLIGHT 125_150

F11 FRAME I

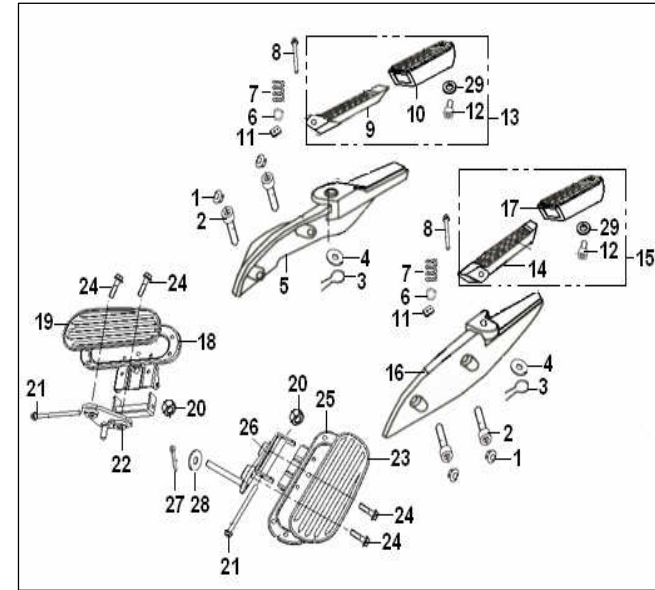
NO.	CODE	DESCRIPTION	QTY.	REMARKS
1	57100K2GP001	FRAME JOINTING COMP. (BLACK)	1	MOTOR S/ CONTRA BALANÇO
1	57100K2GP000	FRAME JOINTING COMP. (BLACK)	1	MOTOR C/ CONTRA BALANÇO
2	57005K2GP000	BOLT, SIDE STAND	1	
3	57010K2GP000	SPRING, SIDE STAND RETURN	1	
4	58700K0BP000	SIDE STAND JOINTING COMP.	1	
5	58507K0BP000	BUFFER, MID STAND	1	
6	58520K0BP000	MID STAND JOINTING COMP.	1	
7	58510K2GP000	SPRING, MID STAND	1	
8	58503K0BP000	HOOK, MID STAND SPRING	1	
9	B09003202612	SPLIT PIN 3.2X26	1	
10	58501K0BP000	SHAFT, MID STAND	1	
11	57014K0BP000	WASHER, RUBBER	6	
12	57039K0BP000	BRKT,ALARM SYSTEM	1	
13	B01070601264	BOLT 6X12MM	1	
14	58750K0BP000	BRKT. ASSY., BATTERY, LOWER	1	
15	96002K0BP000	BAND 250	1	
16	58630K0BP000	E/G BRKT., RR.	1	
17	B01591011064	BOLT 10X1.25X110MM	2	
18	B04171012554	NUT 10X1.25MM	2	
19	B04171212554	NUT 12X1.25MM	1	Euro 2
19A	B04171012554	NUT 10X1.25MM	2	Euro 3
20	B01090806764	BOLT 8X67MM	3	
21	57008K0BP000	E/G BRKT., UPPER	2	MOTOR S/ CONTRA BALANÇO
22	B04070800054	NUT 8MM	3	MOTOR S/ CONTRA BALANÇO
23	B01401009064	BOLT 10x1.25x90MM	2	MOTOR S/ CONTRA BALANÇO
24	B01591211064	BOLT 12X1.25X110MM	1	MOTOR S/ CONTRA BALANÇO
25	57009K0BP001	E/G BRKT., FR.	1	MOTOR S/ CONTRA BALANÇO
21A	57008K2GP000	E/G BRKT., UPPER	2	MOTOR C/ CONTRA BALANÇO
22A	B04070800054	NUT 8MM	3	MOTOR C/ CONTRA BALANÇO
23A	B01090801665	BOLT 8X16MM	2	MOTOR C/ CONTRA BALANÇO
24A	B01091009564	BOLT M10X95	2	MOTOR C/ CONTRA BALANÇO
25A	57009K2GP000	E/G BRKT., FR.	1	MOTOR C/ CONTRA BALANÇO
26	B04181012554	NUT 10x1.25MM	2	
27	58820K0BP000	BRKT. ASSY., BATTERY, UPPER	1	MOTOR S/ CONTRA BALANÇO
27A	58820K0BP001	BRKT. ASSY., BATTERY, UPPER	1	MOTOR C/ CONTRA BALANÇO
28	B01090601664	BOLT 6X16MM	2	
29	B04070600055	NUT 6MM	2	
30	57331K0BP000	BRKT,ALARM SYSTEM	1	
31	58791K0BP000	BRKT,RECTIFIER	1	
32	96001K0BP000	BAND 150	4	
33	59100K2GP001	SAFE STICK	1	
34	59001K2GP000	PLUG	2	
35	B01090802064	BOLT 8X20MM	1	
36	B01591002064	BOLT 10X1.25X20MM	2	
37	58390K2GP000	BRACKET OF CAP, DECORATING	1	
38	05321K2GP000	CAP, ENGINE DECORATING	1	
39	57014G00P000	RUBBER	1	
40	B01090601264	BOLT 6X12MM	1	
41	57006BM0T000	BRKT., UPPER	1	



SUPERLIGHT 125_150

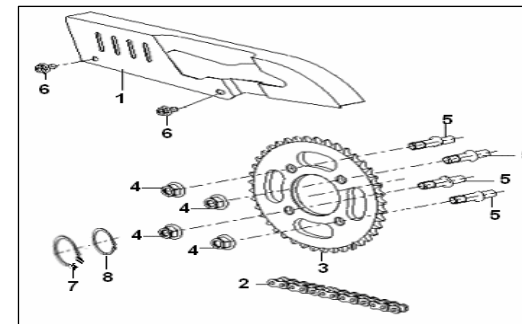
F12 FRAME II

NO.	CODE		QTY.
1	65821K0BP000	CAP, DECORATING	4
2	08005K0BP000	SCREW, FOOTREST BRKT.M8x24	4
3	B090002018A3	COTTER PIN 2X18MM	2
4	B07030000604	WASHER 6MM	2
5	58311K0BP001	BRKT., RR. R. FOOTREST	1
6	B06010200000	STEEL BALL 1/4"	2
7	58262G0KP000	SPRING, RR. FOOTREST	2
8	B090406040B4	PIN 6X40MM	2
9	58286K0BP000	FOOTREST BAR ., RR. R.	1
10	58281K2FP000	RUBBER, FOOTREST BAR ., RR. R.	1
11	58263K0BP001	BRKT,FOOTREST	2
12	B02000501623	SCREW 5X16MM	2
13	58280K2FP000	FOOTREST BAR COMP., RR. R.	1
14	58266K0BP000	FOOTREST BAR ., RR. L	1
15	58260K2FP000	FOOTREST BAR COMP., RR. L.	1
16	58211K0BP001	BRKT., RR. L. FOOTREST	1
17	58261K2FP000	RUBBER, FOOTREST BAR ., RR. L	1
18	58240K0BP001	FOOTREST ASSY,FR,R	1
19	58241K0BP001	RUBBER, FOOTREST BAR ., FR.,R	1
20	B04070800054	NUT 8MM	2
21	B01020811564	BOLT 8X115MM	2
22	58470K0BP001	BRKT. ASSY., FR. FOOTREST, R.	1
23	58221K0BP001	RUBBER, FOOTREST BAR ., FR.,L	1
24	B01401002564	BOLT 10X1.25X25MM	4
25	58220K0BP001	FOOTREST ASSY,FR,L	1
26	58450K0BP001	BRKT. ASSY., FR. FOOTREST, L.	1
27	B090002022A2	COTTER PIN 2X22MM	1
28	B07030001204	WASHER 12	1
29	B07030000503	WASHER 5	2



F13 DRIVE CHAIN

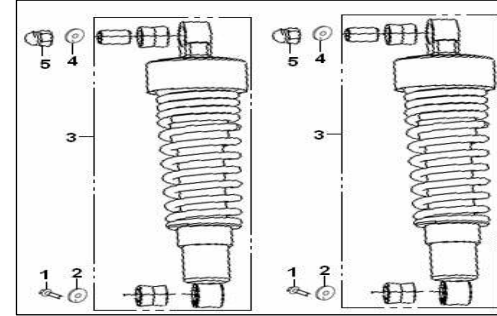
NO.	CODE		QTY.
1	60101K2GP001	CASE,CHAIN	1
2	B150181134B0	DRIVE CHAIN 08B-1X134	1
3	60002K2GP000	SPROCKET 41T	1
4	B04171012554	NUT 10X1.25MM	4
5	60015K2GP000	BOLT, SPROCKET MOUNTING	4
6	B01090601064	BOLT 6X10MM	2
7	B08010005501	CIR-CLIP 55	1
8	60014K2GP000	WASHER	1



SUPERLIGHT 125_150

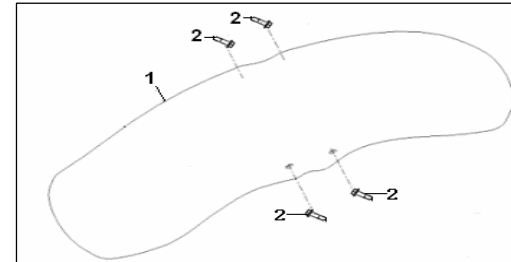
F14 REAR ABSORBER

NO.	CODE		QTY.
1	B01090801664	BOLT 8X16MM	2
2	63014G0KP000	WASHER, RR. ABSORBER, LOWER	2
3	63100K2FP000	REAR ABSORBER COMP.	2
4	63013J00P000	WASHER, RR. ABSORBER,UPPER	2
5	B04221012544	NUT 10X1.25MM	2



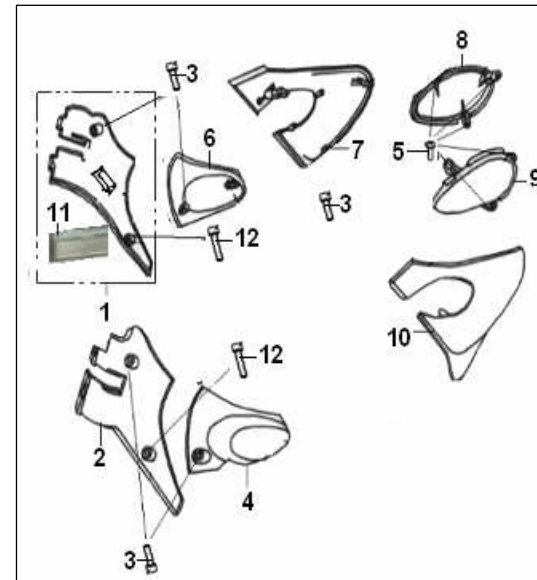
F15 FRONT FENDER

NO.	CODE		QTY.
1	65101K2GPWB0	FRONT FENDER	1
	65101K2GPB20	FRONT FENDER	1
2	B01090601064	BOLT 6X10MM	4



F16 SIDE COVER

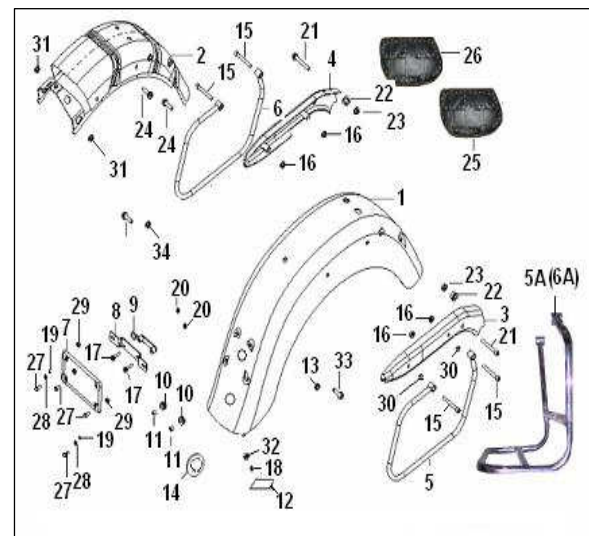
NO.	CODE		QTY.
1	65633K2GP000	COVER ASSY FR. R.	1
2	65632K2FP000	COVER, FR., L.	1
3	B02000601025	SCREW 6×10MM	4
4	65621K0BP000	COVER, DECORATION, L.	1
5	B05074201304	SCREW 4.2×13	6
6	65622K0BP000	COVER, DECORATION, R.	1
7	65602K0BPWB0	SIDE COVER I, R.	1
	65602K0BPB20	SIDE COVER I, R.	1
	65602K02001Z	SIDE COVER I, R.	1
	65602K02002Z	SIDE COVER I, R.	1
	65602K02009Z	SIDE COVER I, R.	1
	65602K02010Z	SIDE COVER I, R.	1
8	65604K0BP000	SIDE COVER II, R.	1
9	65603K0BP000	SIDE COVER II, L.	1
10	65601K0BPWB0	SIDE COVER I, L.	1
	65601K0BPB20	SIDE COVER I, L.	1
	65601K02001Z	SIDE COVER I, L.	1
	65601K02002Z	SIDE COVER I, L.	1
	65601K02009Z	SIDE COVER I, L.	1
	65601K02010Z	SIDE COVER I, L.	1
11	65634K220000	TRANSLUCENT DECORATION COVER	1
12	B02000601225	SCREW 6×12MM	2



SUPERLIGHT 125_150

F17 REAR FENDER

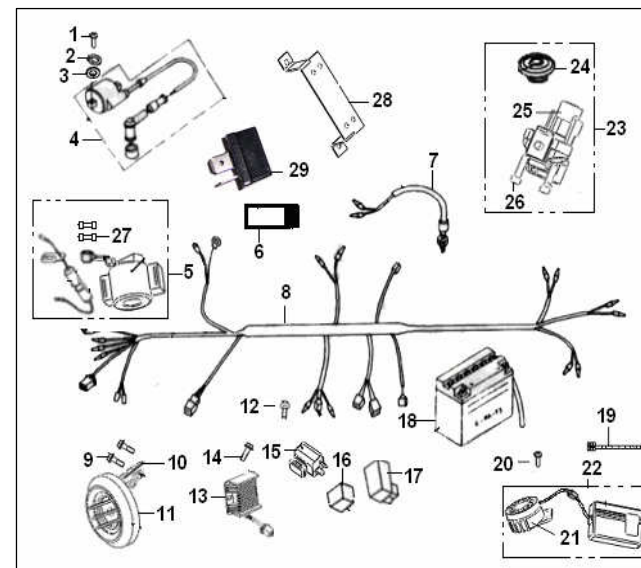
NO.	CODE	QTY.	
1	65701K2GPWB2	1	REAR FENDER,ASSY
	65701K2GPB22	1	REAR FENDER,ASSY
2	65720K2GP000	1	BRKT,RR,FENDER
3	65960K2GP000	1	PLATE, DECORATION, R
4	65950K2GP000	1	PLATE, DECORATION, L
5	52400K2GP000	1	BRKT,BAG..R.
6	52300K2GP000	1	BRKT,BAG..L.
5A	52400K230001	1	BRKT,BAG..R.
6A	52300K230001	1	BRKT,BAG..L.
7	08207N0JP000	1	BRKT., LICENSE PLATE
8	08251K2GP000	1	BRKT., LICENSE PLATE
9	08290K2GP000	1	BRKT.ASSY.LICENSE PLATE
10	82011K2GP000	2	SPACER
11	82015K2GP000	2	SPACER, TAIL LIGHT
12	86500B20T000	1	SIDE MIRROR,RR
13	B04070600054	2	NUT 6MM
14	65703K2GP000	1	RUBBER
15	B01090808564	4	BOLT8X85MM
15	B01090806064	4	BOLT8X60MM
16	B04070800054	4	NUT 8MM
17	B01090603055	2	BOLT6X30MM
18	B07030000603	1	WASHER 6MM
19	B07000000605	2	WASHER 6MM
20	B04070600054	2	NUT 6MM
21	B01591006564	2	BOLT10X1.25X65MM
22	51304G0KP000	2	BUSH, BRKT. MOUNTING
23	B04181012554	2	NUT 10X1.25MM
24	B01591003064	2	BOLT 10X1.25X30MM
25	52250K230010	1	BAG..L.
26	52260K230010	1	BAG..R.
27	B01010601625	4	BOLT 6X16MM
28	B07000000604	4	WASHER 6MM
29	B04070600055	6	NUT 6MM
30	B07030000804	4	WASHER 8MM
31	40011J3FT000	2	RUBBER
32	B04000600053	1	NUT 6MM
33	05321N0JP000	2	BOLT 6X12MM



SUPERLIGHT 125_150

F18 ELECTRIC I

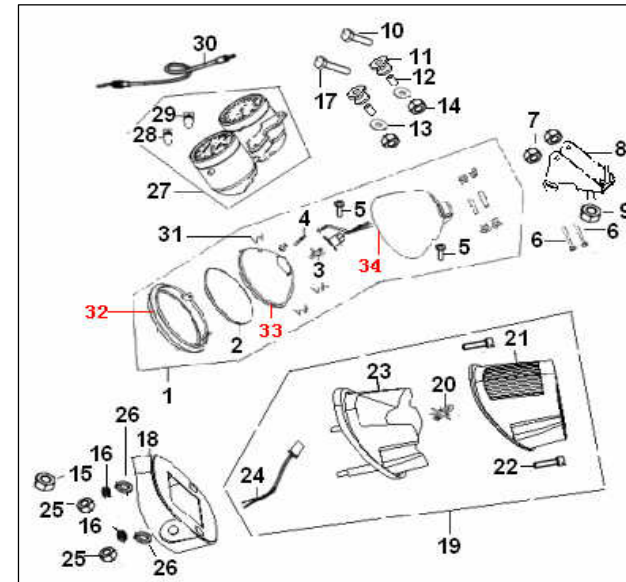
NO.	CODE	QTY.		
1	B02000502523	2	SCREW 5X25MM	
2	B07000000503	2	WASHER 5	
3	B07030000503	2	WASHER 5	
4	96200K0BP000	1	COIL ASSY., IGNITION	
5	94000J00P000	1	RELAY,KICK STARTER	
6	02200G00P000	1	BAND	
7	91700G00P000	1	SWITCH, REAR BRAKE	
8	92000K2GP001	1	HARNESS, WIRING	PISCAS SISTEMA AUTOMÁTICO
8A	92000K2GP004	1	HARNESS, WIRING	Euro 2 (PROVA DE ÁGUA)
8B	92000K2GP006	1	HARNESS, WIRING	Euro 3
8C	92000K2GP002	1	HARNESS, WIRING	PISCAS SISTEMA MANUAL
9	B01070601264	4	BOLT 6X12MM	
10	B04170600054	4	NUT 6MM	
11	95000K2GP000	2	HORN 12V1.5A 100db	
12	B01090601664	1	BOLT 6X16MM	
13	98801J00P000	1	RECTIFIER	Euro 2
13A	902000800001	1	RECTIFIER	Euro 3
14	B01090601664	1	BOLT 6X16MM	
14A	B01090602064	1	BOLT 6X20MM	Euro 3
15	96400K00P000	1	FLASHER	PISCAS SISTEMA AUTOMÁTICO
15A	96400K00P001	1	FLASHER	PISCAS SISTEMA MANUAL
16	96007K00P000	1	SLEEVE, C.D.I.	
17	97701K2GP000	1	C.D.I.	Euro 2
17	97701J0AP00	1	C.D.I.	Euro 3
18	96100K0BP000	1	BATTERY	YTX7A-BS
19	96003K00P000	1	BAND 200	
20	B05074001604	1	SCREW 4X16MM	
21	97200K2GP000	1	HORN, ALARM SYSTEM	Euro 2
21A	97300J4AT000	1	HORN, ALARM SYSTEM	Euro 3
22	95800K2GP000	1	ALARM ASSY.	Euro 2
22A	95800J2GP000	1	ALARM SYSTEM ASSY	Euro 3
23	88000K2GP00A	1	LOCK ASSY	PROVA DE ÁGUA
23A	88000K2GP001	1	LOCK ASSY	2007-2008 2006
24	88400K2FP001	1	CAP COMP,FUEL TANIK	
25	88100K2FP00A	1	IGNITION SWITCH	PROVA DE ÁGUA
25A	88100K2FP000	1	IGNITION SWITCH	2007-2008 2006
26	B02050803064	2	SCREW 8X30MM	
27	96810K0BP000	2	FUSE 10A	
28	08100K3AP001	1	HORN BRACKET	
29	96700K060000	1	DIODE	



SUPERLIGHT 125_150

F19 ELECTRIC II

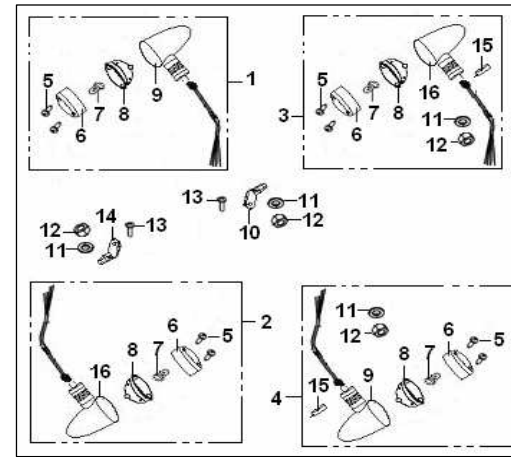
NO.	CODE		QTY.
1	80000N0JP001	HEAD LIGHT	1
2	80004N0JP001	COVER,HEADLIGHT	1
3	B24010520000	BULB 1, HEAD LIGHT12V/35W	1
4	B24013120000	BULB 2, HEADLIGHT 12V/5W	1
5	B05004801604	SCREW 4.8X16 MM	2
6	B01090605564	BOLT 6X55MM	2
7	B04070600054	NUT 6MM	2
8	08510N0JP002	BASE, HEAD LAMP	1
9	B04171000054	NUT 10MM	1
10	B01090603064	BOLT 6X30MM	1
11	08342K3AP000	RUBBER WASHER	2
12	08343K3AP000	SPACER	2
13	B07020000603	WASHER 6MM	2
14	B04070600054	NUT 6MM	2
15	B04171012554	NUT 10x1.25MM	1
16	53014K00P000	RUBBER	3
17	B01090603564	BOLT 6X35MM	1
18	82003K2GP000	BASE, TAIL LIGHT	1
19	82000K2GP001	TAIL LIGHT (E3 50R00-1028)	1
20	B24013820000	BULB, TAIL LIGHT,12V21W/5W	1
21	82008K2GP001	COVER, TAIL LIGHT	1
22	B02000307024	SCREW 3X70MM	3
23	82012K2GP000	BRACKET, TAIL LIGHT	1
24	82900K2GP000	WIRE ASSY., TAIL LIGHT	1
25	B04000600054	NUT 6MM	2
26	B07020000604	WASHER 6MM	2
27	70000K2FP000	SPEEDOMETER ASSY	1
28	B24020321100	BACK GROUND LIGHT12V3W	2
29	B24020221100	High Beam Indication lamp12V3W	3
30	72900J00P000	CABLE, SPEEDOMETER	1
31	80024N0JP000	SPRING	4
32	80025K2GP000	RIM, HEAD LIGHT	1
33	80006K2GP000	BOWL, HEAD LIGHT	1
34	80037K2GP000	BASE ,HEAD LIGHT	1



SUPERLIGHT 125_150

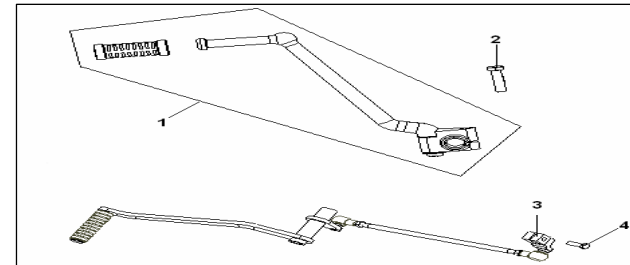
F20 ELECTRIC III

NO.	CODE		QTY.
1	81100J2GP000	TURN SIGNAL, FR., L.	1
2	81300J2GP000	TURN SIGNAL, FR., R.	1
3	81500J2GP000	TURN SIGNAL, RR., L.	1
4	81700J2GP000	TURN SIGNAL, RR., R.	1
5	B05070302503	SCREW 3X25MM	8
6	81102K2FP001	COVER, TURN SIGNAL	4
7	B24012120000	TURN SIGNAL BULB,12V10W	4
8	81103K2FP000	SOCKET,TURN SIGNAL BULB	4
9	81101J2GP000	BASE, TURN SIGNAL FRONT LH.	2
10	08526K2FP000	BRKT., TURN SIGNAL,FR, L.	1
11	B07000001003	WASHER 10MM	4
12	B04001000053	NUT 10MM	4
13	B01090601664	BOLT 6X16MM	2
14	08527K2FP000	BRKT., TURN SIGNAL,FR, R.	1
15	B07030001003	WASHER 10MM	2
16	81301J2GP000	BASE, TURN SIGNAL FRONT RH.	2



F21 ENGINE ATTACHMENT

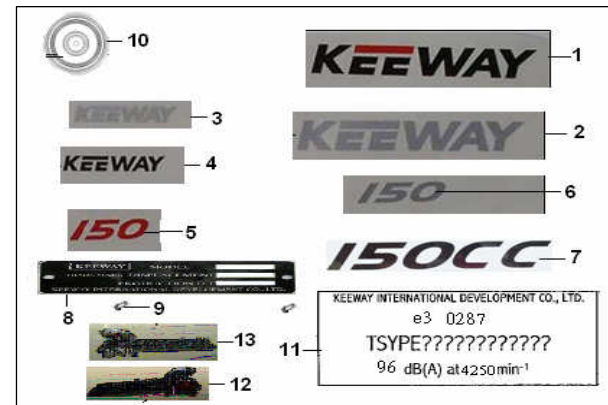
NO.	CODE		QTY.
1	08350K3AP000	LEVER ASSY., STARTER	1 Euro 2
1	08350J0FP006	LEVER ASSY., STARTER	1 Euro 3
2	B01020804064	BOLT 8X40MM	1
3	08370J2GP000	LEVER ASSY,GEAR SHIFT	1
4	B01020602064	BOLT 6X20MM	1



F22/1 STICKER (For 150cc)

NO.	CODE		QTY.
1	05511K2GP001	STICKER, COVER,L(Black/Red "KEEWAY")	2 CREME
2	05511K2GP002	STICKER, COVER,L(Silver "KEEWAY")	2 PRT
5	05512K2GP003	STICKER, COVER(RED "150")	2 CREME
6	05512K2GP004	STICKER, COVER(SILIVER "150")	2 PRT
8	57001K2GP002	PLATE, LABEL	1 Euro 2
9	B100032007P0	RIVET 3.2x7MM	2
10	05301K2GP001	PLATE	1
12	05531K2GP001	STICKER, FUEL TANK, R.	1
13	05532K2GP001	STICKER, FUEL TANK, L.	1
14	05501K2GP001	STICKER, FR, FENDER	1
15	05502K2GP001	STICKER, FR, FENDER	1
16	05571K2GP000	STICKER,REAR FENDER,L	1
17	05572K2GP000	STICKER,REAR FENDER,R	1

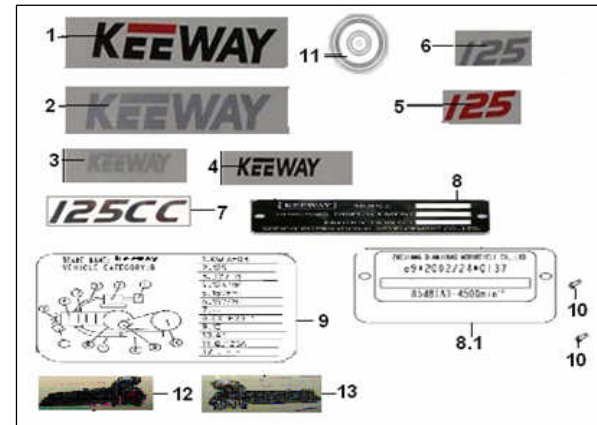
2006
2006
2006
2006



SUPERLIGHT 125_150

F22/2 STICKER(For 125cc)

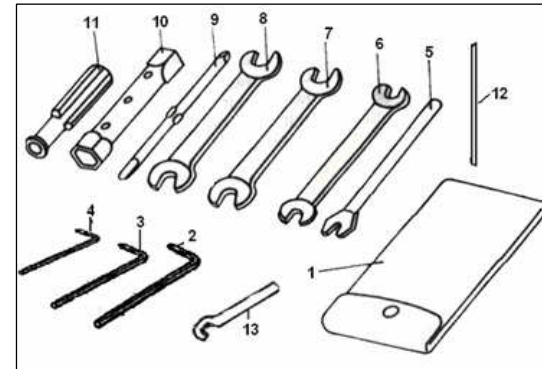
NO.	CODE	DESCRIPTION	QTY.	REMARKS
1	05511K2GP001	STICKER, COVER,L	2	CREME
2	05511K2GP002	STICKER, COVER,L	2	PRT
5	05512K2GP001	STICKER, COVER	2	CREME
6	05512K2GP002	STICKER, COVER	2	PRT
8	57001J2GP002	PLATE, LABEL	1	Euro 2
8	57001J2GP003	PLATE, LABEL	1	Euro 3
9	57002J2GP003	PLATE, LABEL	1	Euro 3
10	B100032007P0	RIVET 3.2x7MM	2	
11	05301K2GP001	PLATE	1	
12	05531K2GP001	STICKER, FUEL TANK, R.	1	
13	05532K2GP001	STICKER, FUEL TANK, L.	1	
14	05512J2GP001	STICKER, COVER	2	CREME
15	05512J2GP002	STICKER, COVER	2	PRT
16	05571K2GP000	STICKER,REAR FENDER,L	1	
17	05572K2GP000	STICKER,REAR FENDER,R	1	



2006
2006
2006

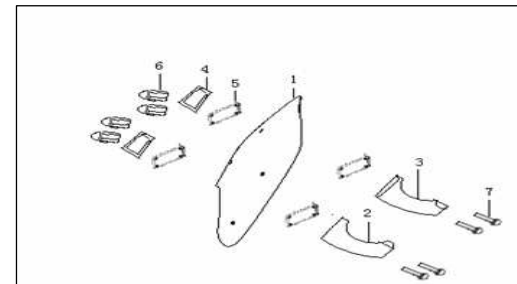
F23 TOOL KIT

NO.	CODE	DESCRIPTION	QTY.
1	02110G0BP000	TOOL BAG	1
2	B200208000R3	SOCKET SPANNER 8MM	1
3	B200206000R3	SOCKET SPANNER 6MM	1
4	B200205000R3	SOCKET SPANNER 5MM	1
5	02101G00P000	HANDLE, SPARK PLUG SOCKET	1
6	B20011401703	DOUBLE-HEADED SPANNER	1
7	B20011301603	DOUBLE-HEADED SPANNER	1
8	B20011001203	DOUBLE-HEADED SPANNER	1
9	02103G00P000	SCREW DRIVER,DOUBLE-ENDED	1
10	02102K0BP000	SOCKET,SPARK PLUG	1
11	02104G00P000	HANDLE, DRIVER	1
12	02200G00P000	BAND, TOOL BAG	1
13	02115BM0T000	RR. ABSORBER ADJUSTER	1



F24 WINDSHIELD ASSY.

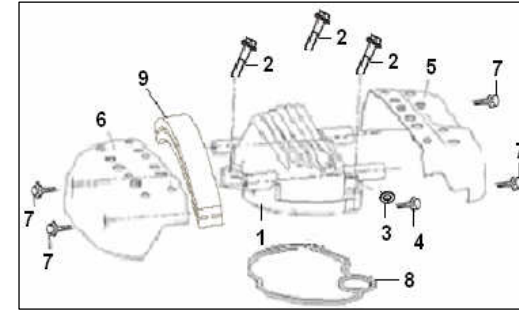
NO.	CODE	DESCRIPTION	QTY.
1	65503K2GP002	COWLING	1
2	65504K2GP000	BRKT. COWLING,L	1
3	65505K2GP000	BRKT. COWLING,R	1
4	65513K2GP000	BRACKET	2
5	65509K2GP000	RUBBER WASHER	4
6	B04220600044	NUT	4
7	B01070602064	BOLT M6X20MM	4



SUPERLIGHT 125_150

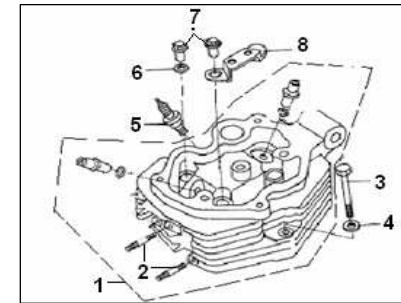
E01 COVER CYLINDER HEAD ASSY

NO	CODE	EN DESCRIPTION	QTY	NOTES
1	201300.011082	COVER,cylinder head	1	
2	301310602865	BOLT M6X28	3	
3	27310J01F000	WASHER 6	1	
4	301310601262	BOLT M6X12	1	
5	201301.014472	SHROUD CYLINDER HEAD	1	
6	201301.011472	SHROUD CYLINDER HEAD	1	
7	301310601265	BOLT M6X12	4	
8	30707J01F000	GASKET,head cover	1	
9	201329.008000	damping block	1	



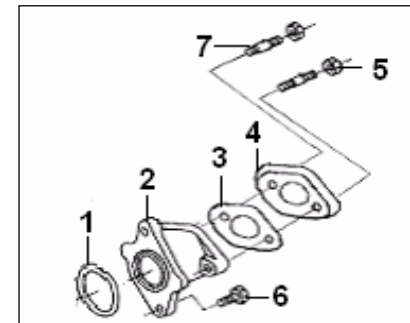
E02 CYLINDER HEAD ASSY

NO	CODE	EN DESCRIPTION	QTY	NOTES
1	201100.005082	CYLINDER HEAD ASSY	1	125CC
1A	201100.031082	CYLINDER HEAD ASSY	1	150CC
2	201216.009271	STUD BOLT	2	
3	301990807705	BOLT M8X77	1	
4	18105N03F000	WASHER	1	
5	30506J01F000	SPARK PLUG	1	
6	B07050000800	WASHER	2	
7	30518J01F000	BOLT	4	
8	201210.001161	GUIDEPLATE,push rod	1	



E03 INSULATOR,CARBURETOR ASSY

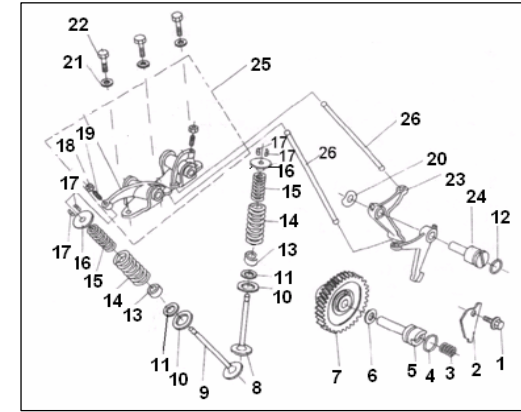
NO	CODE	EN DESCRIPTION	QTY	NOTES
1	30517J01F000	GASKET,insulator	1	
2	202200.012082	INSULATOR,carburetor	1	
3	32101J01F000	GASKET,insulator	1	
4	30112J01F000	SEPERATOR PLATE	1	125CC
5	B04000600074	NUT M6	2	125CC
4A	30112K01F000	SEPERATOR PLATE	1	150CC
5A	304210600065	NUT M6	2	150CC
6	B01030602064	BOLT M6X20	2	
7	30519J01F000	STUD BOLTM6X29	2	



SUPERLIGHT 125_150

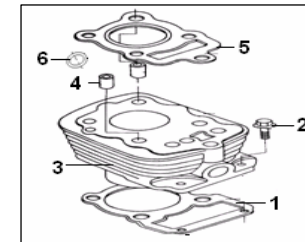
E04 INTAKE&EXHAUST MECHANISM

NO	CODE		QTY	NOTES
1	B01070601264	BOLT	1	
2	30417J01F000	PLATE, STOPPER	1	
3	206213.001161	SPRING,camshaft	1	
4	30418J01F000	O RING 20X2.5	1	
5	30401J01F000	MTG. PIN CAM GEAR	1	125CC
5A	30401K01F000	MTG. PIN CAM GEAR	1	150CC
6	30412J01F000	WASHER,thrust	1	
7	30400J01F000	GEAR,camshaft timing	1	
8	30103J01F000	VALVE,intake	1	125CC
9	30201J01F000	VALVE,exhaust	1	125CC
8A	30103K01F000	VALVE,intake	1	150CC
9A	30201K01F000	VALVE,exhaust	1	150CC
10	30128J01F000	GASKET,outer spring	2	
11	30130J01F000	GASKET,inner spring	2	
12	30432J01F000	O RING17X2.5	1	
13	30111J01F000	OIL SEAL	2	
14	203202.007161	SPRING,outer	2	
15	203203.005161	SPRING,inner	2	
16	129203070001	RETAINER,valve spring	1	
17	129223070001	COTTER,valve	4	
18	30302J01F000	NUT,adjusting	2	
19	30303J01F000	SCREW,adjusting	2	
20	201318.002161	WASHER,spring	1	
21	30505J01F000	WASHER	3	
22	201225.006271	BOLT	3	
23	203310.001063	FOLLOWER,cam	2	
24	203311.001063	SHAFT,cam follower	1	
25	30300J01F000	ROCKERARM ASSY	1	
26	30230J01F000	PUSH ROD	2	



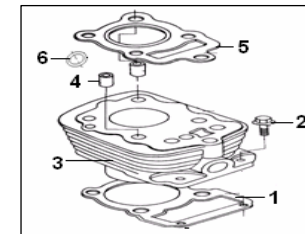
E05/1 CYLINDER

NO	CODE		QTY	NOTES
1	27102J01F000	GASKET,cylinder	1	
2	301310602565	BOLT M6X25	2	
3	204100.005082	CYLINDER	1	125CC
4	27105J01F000	PIN,dowel	2	
5	10202J01F000	GASKET,cylinder head	1	
6	315110016030	O RING 10*1.6	1	



E05/2 CYLINDER

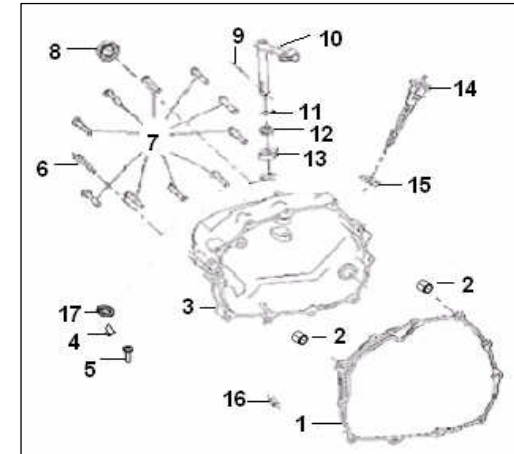
NO	CODE		QTY	NOTES
1	27102K01F000	GASKET,cylinder	1	
2	301310602565	BOLT M6X25	2	
3	204100.016082	CYLINDER	1	150CC
4	27105J01F000	PIN,dowel	2	
5	30503K01F000	GASKET,cylinder head	1	
6	315110016030	O RING 10*1.6	1	



SUPERLIGHT 125_150

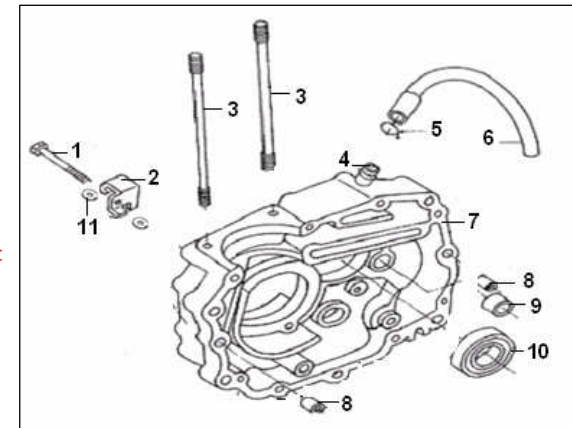
E06 CLUTCH COVER ASSY

NO	CODE		QTY	NOTES
1	14204J01F000	GASKET,clutch cover	1	
2	14206J01F000	PIN,dowel	2	
3	207300.057472	COVER,clutch	1	
4	206224.100000	STOPPER	1	
5	B02020502523	SCREW M5x25	1	
6	B01070604864	BOLT M6X48	1	
7	B01070603864	BOLT M6X38	10	
8	14221J01F000	OIL SEAL16X28X7	1	
9	B09000201600	PIN,cotter2X16	1	
10	207110.004472	DECLUTCHING LEVER	1	
11	14222J01F000	O RING6.8X1.9	1	
12	14342J01F000	SPRING,clutch release	1	
13	14341J01F000	CAM,clutch lifter	1	
14	207304.001472	GAUGE,oil level	1	
15	14215J01F000	O RING18X3.5	1	
16	14344J01F000	OIL COVER	1	
17	315110016030	O RING	1	



E07 RIGHT CRANKCASE ASSY

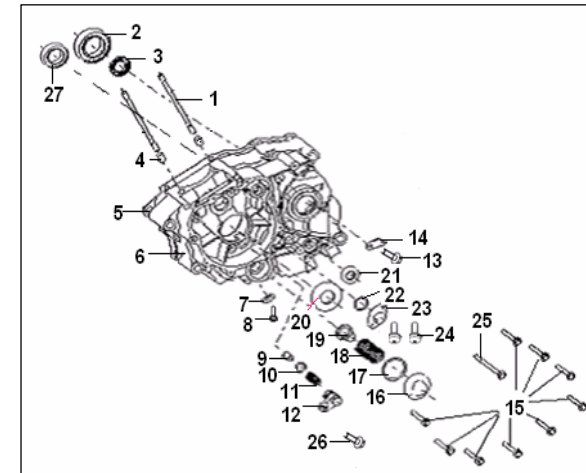
NO	CODE		QTY	NOTES
1	301260605565	BOLT M6x55	1	
2	206303.001472	BRACKET,clutch cable	1	
3	26206J01F000	STIDBOLT,cylinder	2	
4	206207.002271	HOSE ,breather	1	
5	26403J01F910	CLIP,breather hose	1	
6	26134J01F000	HOSE,breather	1	
7	206300.010082	CRANKCASE,right	1	MODELO ANTIGO (DIÂMETRO VISOR 21MM)
7A	159033070100	CRANKCASE,right	1	NOVO MODELO (DIÂMETRO VISOR 23MM) 125CC
7B	206300.044082	CRANKCASE,right	1	150CC
8	26208J01F000	PIN,dowel	2	
9	26217K01F000	Needle BEARING	1	P/ DIÂMETRO VISOR 21MM (125CC E 150CC)
9A	150084030000	Needle BEARING	1	P/ DIÂMETRO VISOR 23MM
10	B12016610650	BERING 6006/P6	1	
11	27310J01F000	WASHER 6	2	



SUPERLIGHT 125_150

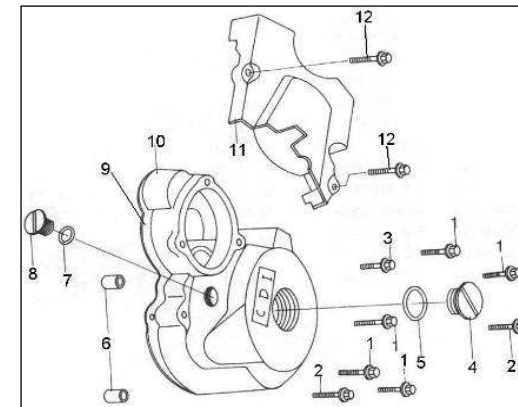
E08 LEFT CRANKCASE ASSY

NO	CODE		QTY	NOTES
1	26107J01F000	STUD BOLT	2	
2	B12016620460	BEARING6204/P6	1	
3	26130J01F000	OIL SEAL20×34×7	1	
4	26123J01F000	PIN,dowel	2	
5	26201J01F000	GASKET,crankcase	1	125CC
6	206200.010082	LEFT CRANKCASE ASSY	1	125CC
7	26203K08F000	GASKET,drain plug	1	125CC
5A	26201K01F000	GASKET,crankcase	1	150CC
6A	206200.049082	LEFT CRANKCASE ASSY	1	150CC
7A	26203K01F000	GASKET,drain plug	1	150CC
8	206211.002271	PLUG,drain	1	
9	206229.001000	STOPPER	1	
10	26116J01F000	O RING13×2.5	1	
11	206204.001161	SPRING	1	
12	26230J01F000	SUPPORT	1	
13	B01070601264	BOLTM6×14	1	
14	26214J01F000	RETAINER line	1	
15	301310605065	SCREWM6×50	9	
16	26322J01F000	CAP,strainer	1	
17	26307J01F000	O RING35×3	1	
18	26305J01F000	SPRING	1	
19	26308J01F000	STERNER	1	
20	26133J01F000	OIL SEAL34×50×7	1	
21	26132J01F000	OIL SEAL14×28×7	1	
22	26141J01F000	O RING19×2.2	1	
23	210112.007000	SHIFT SENOR	1	
24	B13080402003	Combination Bolt M4×20	2	
25	B01070609564	BOLTM6×95	1	
26	B01070602562	BOLTM6×25	1	
27	B12016620260	BEARING6202/P6	1	



E09 MAGNETO COVER

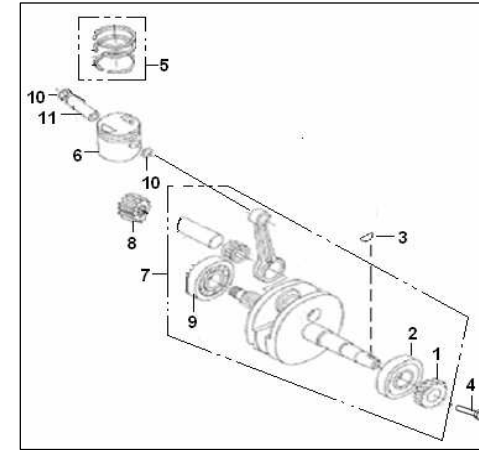
NO	CODE		QTY	NOTES
1	301310604065	BOLT M6X40	5	
2	301310605065	BOLT M6X50	2	
3	301310602565	BOLT M6X25	1	
4	14104J01F000	PLUG MAGNETO COVER	1	
5	14115J01F000	O RING	1	
6	26208J01F000	PIN,dowel	2	
7	14116J01F000	O RING13.8X2.5	1	
8	207205.009472	PLUG	1	
9	14103J01F000	GASKET,cover magneto	1	
10	207200.033472	COVER,magneto	1	
11	207201.008472	COVER,sprocket	1	
12	B01070602864	BOLT M6X28	2	



SUPERLIGHT 125_150

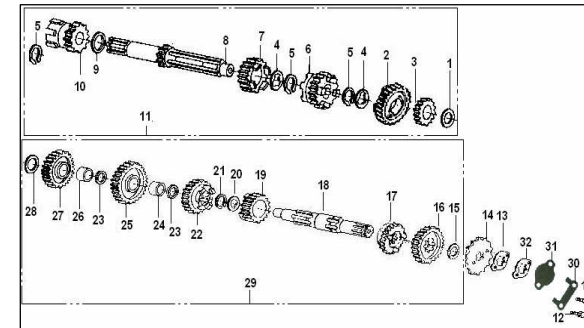
E10 PISTON, CONNECTING ROD, CRANKSHAFT ASSY

NO	CODE		QTY	NOTES
1	15207J01F000	GEAR,drive	1	
2	15224J01F000	BEARING	1	
3	15101J01F000	KEY	1	
4	201224.004161	BOLT	1	
5	208106.005000	RING ASSY	1	125CC
6	15100J01F000	PISTON	1	125CC
5A	15120K01F000	RING ASSY	1	150CC
6A	208300.023062	PISTON	1	150CC
7	15200J01F000	CRANKSHAFT&CONNECTING ROD ASSY	1	
8	15208J01F000	GEAR drive (18 teeth)	1	
9	15210J01F000	BEARING 63/28P53	1	
10	208308.004161	CIRCLIPφ15	2	
11	15105J01F000	PIN,piston	1	125CC
11A	15105K01F000	PIN,piston	1	150CC



E11 COUNTER&DRIVE SHAFT ASSY

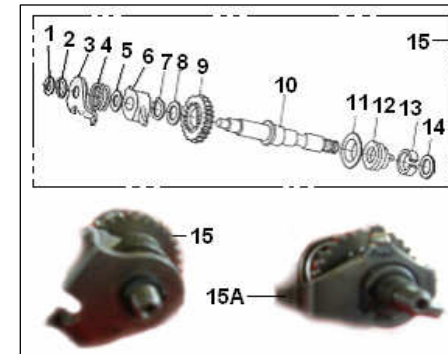
NO	CODE		QTY	NOTES
1	17216J01F000	WASHER,THRUSTφ15	1	
2	17206K01F000	GEAR,5TH DRIVE	1	
3	17202K01F000	GEAR,2ND DRIVE	1	
4	17203J01F000	WASHER,SPLINE	2	
5	17225J01F930	CIRCLIPφ20	3	
6	17205K01F000	GEAR,4TH DRIVE	1	
7	17204K01F000	GEAR,3RD DRIVE	1	
8	17201K01F000	COUNTER SHAFT	1	
9	17207J01F930	WASHER,THRUSTφ20	1	
10	17218J01F000	GEAR,LICK STARTER	1	
11	17200K01F000	COUNTER SHAFT ASSY	1	
12	B01030601062	BOLT M6X10	2	
13	17344J01F000	WASHER,lock	1	
14	17343K01F000	SPROCKET DRIVING CHAIN	1	17 DENTES
15	17322J01F000	WASHER,thrust	1	
16	17309K01F000	GEAR,2nd driven	1	
17	17320K01F000	GEAR,5th driven	1	
18	17303K01F000	SHAFT,drive	1	
19	17312K01F000	GEAR,4th driven	1	
20	17203J01F000	WASHER,spline	1	
21	17225J01F930	CIRCLIP	1	
22	17311K01F000	GEAR,3rd driven	1	
23	17323J01F000	WASHER,thrust	2	
24	17306J01F000	BUSH,1st gear	1	
25	17305J01F000	GEAR ,1st driven	1	
26	17315J01F000	BUSH,starter idler gear	1	
27	17327J01F000	GEAR,starter idler	1	
28	17328J01F000	WASHER,thrust	1	
29	17300K01F000	DRIVEN SHAFT ASSY COMP	1	
30	17329J01F000	GASKET	1	
31	17333J01F000	CAP , OIL PUMP	1	
32	210033070000	CAP , SPROCKET	1	



SUPERLIGHT 125_150

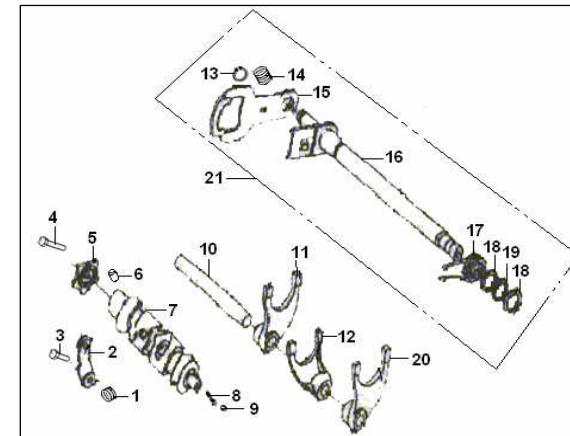
E12 KICK STARTER ASSY

NO	CODE		QTY	NOTES
1	17406J01F000	WASHER,thrust	1	
2	B08010001600	CIRCLIP	1	
3	17435J01F000	PLATE,ratchet guide	1	
4	216218.002000	SPRING,kick starter ratchet	1	
5	17432J01F000	WASHER,thust	1	
6	17403J01F000	RATCHET,kick starter ratchet	1	
7	17410J01F000	CLRCLIP	1	
8	17436J01F000	WASHER,thrust	1	
9	17401J01F000	GEAR,kick starter	1	
10	17409J01F000	SHAFT,kick starter	1	
11	17408J01F000	SEAT, kick starter spring	1	
12	216218.001000	SPRING,kick starter	1	
13	17422J01F000	GUIDE, kick starter shaft	1	
14	17437J01F000	WASHER,thust	1	
15	17400J01F000	KICK STARTER SHAFT COMP.	1	
15A	17400J01F000	KICK STARTER SHAFT COMP.	1	COMPATÍVEL COM Nº 15



E13 GEAR SHIFT MECHANISM

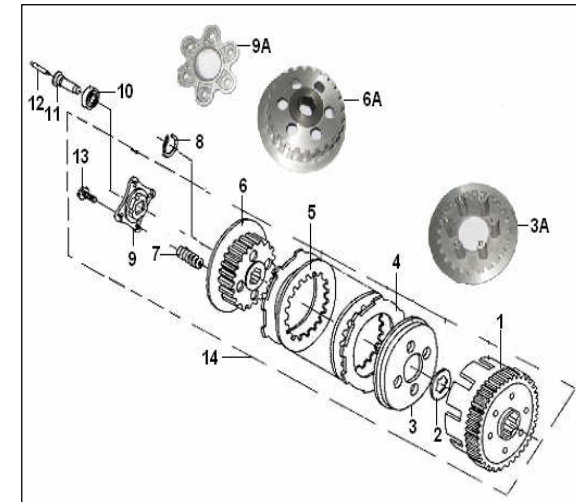
NO	CODE		QTY	NOTES
1	17502J01F930	SPRING,stopper	1	
2	17500J01F000	STOPPER, gear shift	1	
3	B01020602064	BOLT M6X20	1	
4	B01030602562	BOLT M6X25	1	
5	17602K01F000	PLATE,gear shift cam	1	
6	B090104010A0	PIN4ga X 10	1	
7	17600K01F000	CAM,gear shift	1	
8	210311.001161	SPRING	1	
9	17609J01F000	ANTENNA	1	
10	17617K02F000	SHAFT,gear shift	1	
11	17615J01F000	FORK,gear shift RH	1	
12	17616J01F000	FORK,gear shift MD	1	
13	B08010001200	CIRCLIP12	1	
14	17702J01F930	SPRING	1	
15	17712J01F00B	PLATE,gear shift	1	
16	17703J01F001	SHAFT,gear shift	1	
17	17701J01F000	SPRING,return	1	
18	17732J01F000	WASHER,thrustΦ14	2	
19	B08010001400	CIRCLIP14	1	
20	17614K01F000	FORK,gear shift LH	1	
21	17700J01F000	SHAFT,gear shift ASSY	1	



SUPERLIGHT 125_150

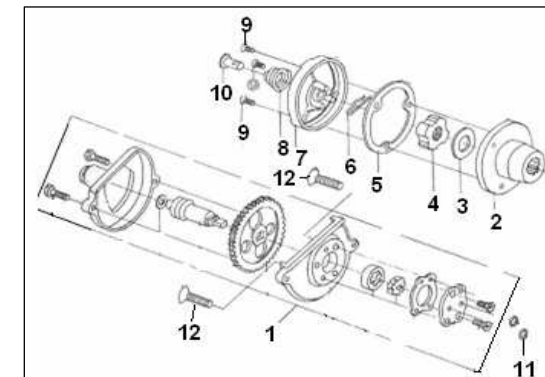
E14 CLUTCH ASSY

NO	CODE		QTY	NOTES
1	24419J01F000	GEAR,primary drive	1	
2	24420J01F000	WASHER,spline	1	
3	24423J01F000	HUB,clutch sleeve	1	4 FUIROS
3A	200043080001	HUB,clutch sleeve	1	6 FUIROS
4	24700J01F000	PLATE,drive	5	4 FUIROS
5	24701J01F000	PLATE,driven	4	4 FUIROS
4A	24700J01F000	PLATE,drive	6	6 FUIROS
5A	200093080001	PLATE,driven	5	6 FUIROS
6	24630J01F000	DISK,pressure	1	4 FUIROS
6A	209103080001	DISK,pressure	1	6 FUIROS
7	24611J01F000	SPRING,clutch	4	4 FUIROS
7A	200053080001	SPRING,clutch	6	6 FUIROS
8	17326J01F000	RETAINER	1	
9	24623J01F000	PLATE,clutch release	1	4 FUIROS
9A	200083080001	PLATE,clutch release	1	6 FUIROS
10	B12016E10150	BEARING E101	1	
11	24625J01F000	SLEEVE,release rod	1	
12	24624J01F000	ROD,release	1	
13	B01030602063	BOLT M6X20	4	4 FUIROS
13A	B01030502063	BOLT M5X20	6	6 FUIROS
14	24000J01F000	CLUTCH ASSY	1	4 FUIROS
14A	209003080001	CLUTCH ASSY COMP.	1	6 FUIROS



E15 OIL PUMP ASSY

NO	CODE		QTY	NOTES
1	219100.002000	OIL PUMP ASSY	1	
2	26315J01F000	BODY,OIL FILTER	1	
3	26316J01F000	WASHER	1	
4	208210.002161	PIECE,DRIVE	1	
5	26318J01F000	CAP,OIL FILTER ROTOR	1	
6	26319J01F000	PIN,DOWEL	1	
7	26320J01F000	CAP,ROTOR	1	
8	26323J01F000	SPRING,OIL PASSAGE	1	
9	B02020501222	SCREW M5X12Zn.D	3	
10	26321J01F000	TUBE,FILTER	1	
11	19214J01F000	O RING	2	
12	B02010603022	SCREW M6x30	2	

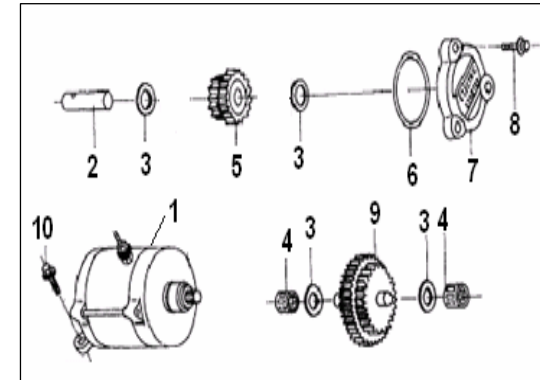


SUPERLIGHT 125_150

E16 STARTING MOTOR ASSY

NO	CODE		QTY
1	218100.009082	STARTER MOTOR ASSY. COMP.	1
2	34146J01F000	SHAFT,STARTER GEAR	1
3	34147J01F000	WASHER	4
4	B12105794160	BEARING 57941/10	2
5	34135J01F000	GEAR,STARTER	1
6	34106J01F000	O RING	1
7	207203.003472	COVER STARTER MOTOR	1
8	301310602062	BOLT AM6X20	3
9	34141J01F000	GEAR,STARTER IDLE	1
10	301310602565	BOLT M6X25	2

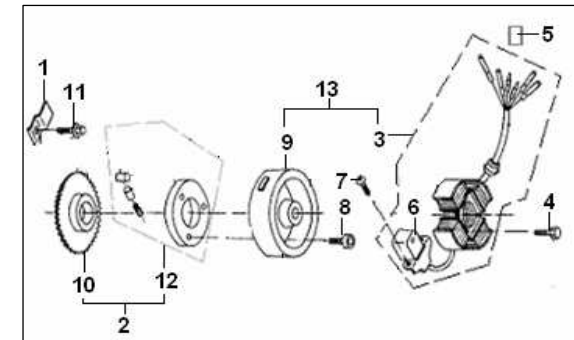
NOTES



E17 MAGNETO ASSY

NO	CODE		QTY
1	34125J01F000	RETAINER,DRIVEN GEAR	1
2	34400J01F000	STARTER CLUTCH ASSY. COMP.	1
3	34350J01F000	STATOR ASSY. COMP..	1
4	B02000502523	BOLT M5X25	3
5	225109.001000	junction box	1
6	34330J01F000	COIL,PICK UP	1
7	34345J01F000	SCREW M5X12	2
8	34324J01F000	SCREW M8X18	3
9	34301J01F000	ROTOR ASSY	1
10	34120J01F000	GEAR,STARTER	1
11	B01070601264	BOLT M6X12	1
12	34110J01F000	GEAR ASSY	1
13	34300J01F000B	MAGNETO ASSY COMP..	1

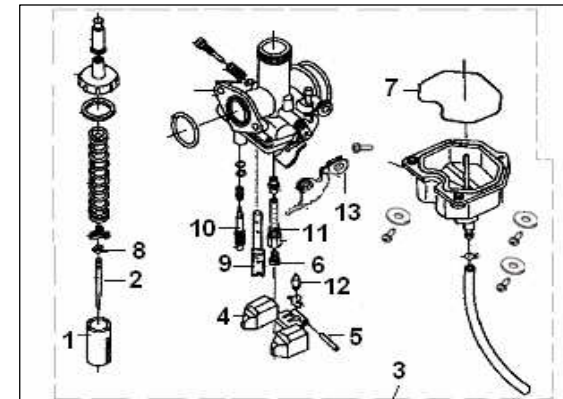
NOTES



SUPERLIGHT 125_150

E18/1 CARBURETOR ASSY(for 125cc)

NO	CODE		QTY	NOTES
1	224600.009000	Piston valve	1	
2	32508J01F000	Needle jet	1	
3	224100.027000	CARBURETOR ASSY	1	
4	32622J01F000	Float	1	
5	32621J01F000	Float Pin	1	
6	32617J01F000	Main Jet (173#)	1	
7	32701J01F000	Gasket,float chamfer	1	
8	32506J01F000	Clip	1	
9	32618J01F000	Idle Jet (42.5#)	1	
10	224237.009000	SCREW AIR	1	
11	224205.016000	PIPE	1	
12	224216.015000	VALVE, NEEDLE	1	
13	32311J01F000	ROCKER	1	



E18/2 CARBURETOR ASSY for 150cc

NO	CODE		QTY	NOTES
1	224600.009000	Valve,piston	1	
2	32508K01F000	Needle,iet	1	
3	224100.029000	CARBURETOR ASSY	1	
4	32622J01F000	Float	1	
5	32621J01F000	Float Pin	1	
6	32617J01F000	Main Jet (173#)	1	
7	32701J01F000	Gasket,floar chamfer	1	
8	32506J01F000	Clip	1	
9	32618K01F000	IDLE JET (55#)	1	
10	224237.009000	SCREW AIR	1	
11	224205.016000	PIPE	1	
12	224216.015000	VALVE, NEEDLE	1	
13	32311J01F000	ROCKER, CHOKE SHAFT	1	

