

# PARTS CATALOGUE



## SCOOTERS

KL25FB(PT)

AGILITY PLUS125



Release Date : 2022/03/28  
Print Date : 2022/10/06

## ABOUT THIS PARTS LIST

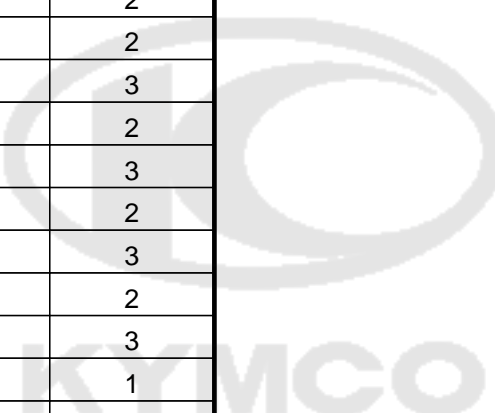
- This parts list is compiled all service parts for model KL25FB(PT).
- Any difference between color chart and motorcycle will be revised according to motorcycle.
- The Mark:
  1. Marking "\*\*\*" must add color code in the end before ordering parts.
  2. Marking "#" are parts with modification, Please find the details from e-Parts system.
- When modification or additions to this parts list are made a revised edition at an appropriate time.



# CONTENTS

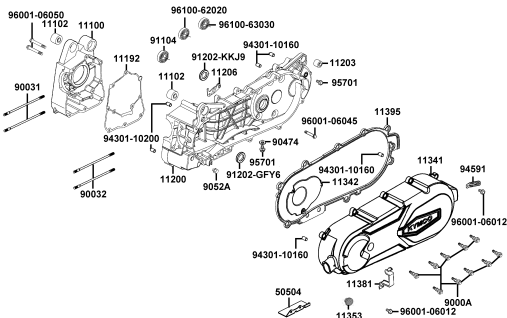
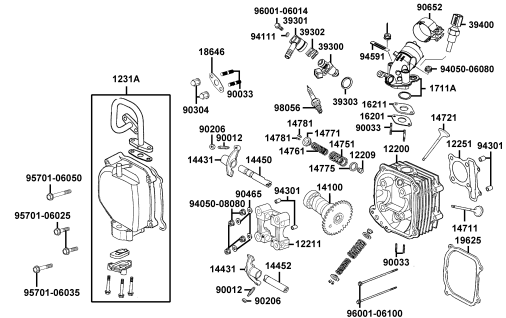
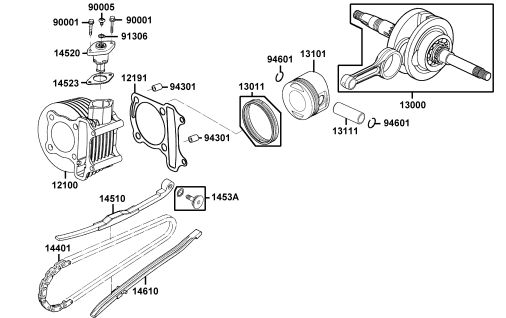
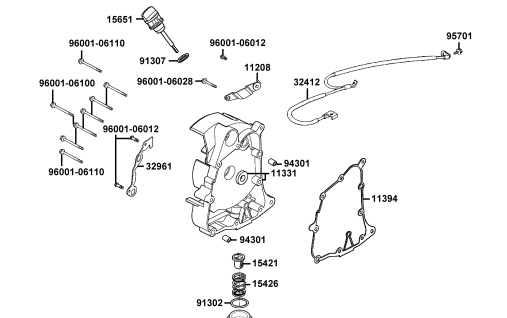
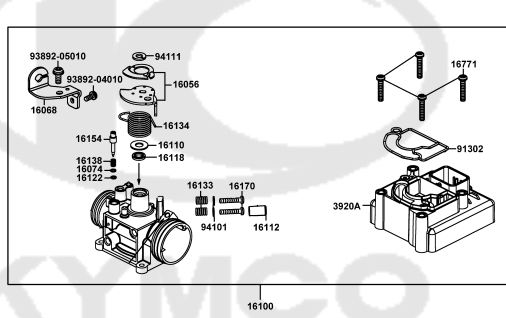
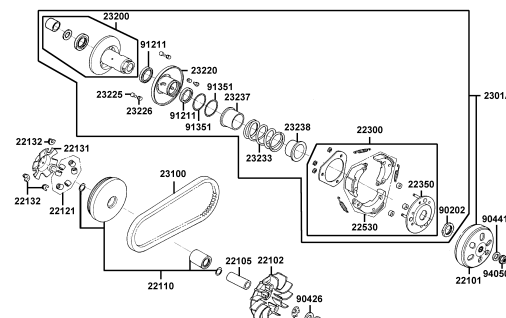
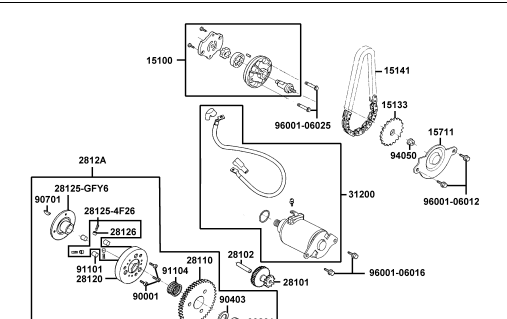
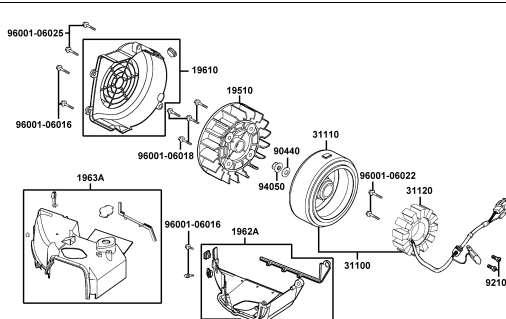
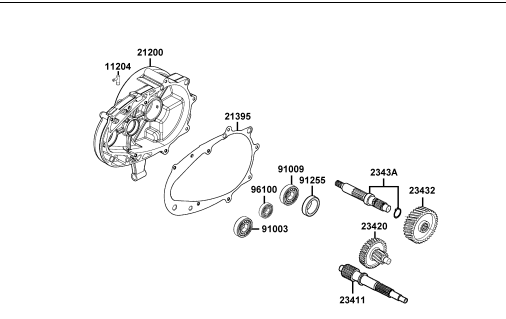
● ABOUT THIS PARTS LIST .....	1
● COLOR CHART OF KL25FB(PT) .....	3
● CONTENTS-ENGINE GROUP .....	6
● CONTENTS-FRAME GROUP .....	7
● ENGINE PARTS LIST .....	10
● FRAME PARTS LIST .....	38
● PART NO. INDEX .....	102

NO	MODEL			COLOR CHART OF KL25FB(PT)			
	PHOTO NO			NO. 1	NO. 2	NO. 3	
	BASIC COLOR			Mat Light Blue	Black	Pearly White	
	CODE			Mat Light Blue	Black	Pearly White	
	PARTS NAME	PARTS NO.	VERSION	CB645FA	NH001SA	NH193PA	
1	COVER HANDLE FRONT	53205-ALJ8-E10	1	61P	N1P	NVP	
2	FENDER FR INNER	61100-ALJ8-E10	1				
3	COVER FR	64301-ALJ8-E10	1				
4	COVER R SIDE SKIRT	64307-ALJ8-E10	1				
5	COVER L SIDE SKIRT	64308-ALJ8-E10	1				
6	COVER R BODY	83500-ALJ8-E10	1				
7	COVER L BODY	83600-ALJ8-E10	1				
8	COVER COMP L SIDE	11341-ALJ8-E10	4	HUA			
9	CARRIER ASSY REAR	81200-ALJ8-E10	2	HUP			
10	COVER METER	53204-ALJ8-E10	1	HUS			
11	TAIL CAP MUFFLER	18306-ALJ8-E10	0	N1A			
12	MUFFLER ASSY	1830A-ALJ9-E15	0	N1R			
13	PROTECTOR MUFF	18318-ALJ8-E10	5	N1R			
14	WHEEL COMP FR CAST	42601-ALJ8-E10	1	N1R			
15	WHEEL CAST FR	44601-LFC2-E10	2	N1R			
16	HEAT GUARD FUEL	17582-ALJ8-E10	0	N1R			
17	COLLAR FUEL CAP	17623-ALJ8-E10	2	N1R			
18	CASE BATTERY	50325-ALJ8-E10	1	N1R			
19	COVER BATTERY	50326-AED9-E10	0	N1R			
20	COVER BATTERY	50326-ALJ8-E10	1	N1R			
21	COVER UNDER	50613-ALJ8-E10	4	N1R			
22	COVER RR HANDLE	53206-ALJ8-E10	2	N1R			
23	PROTECTOR R HANDLE	53207-ALJ8-E10	2	N1R			
24	PROTECTOR L HANDLE	53208-ALJ8-E10	2	N1R			
25	FENDER FR INNER	61110-ALJ8-E10	1	N1R			
DATE OF STARTING-SALES							
DATE OF END-SALES							

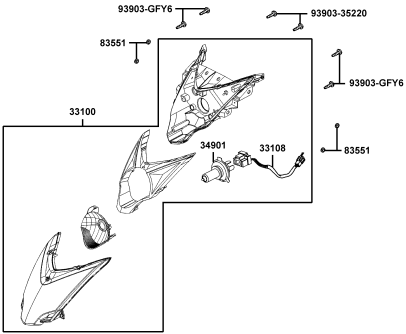
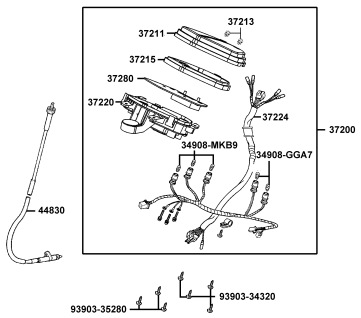
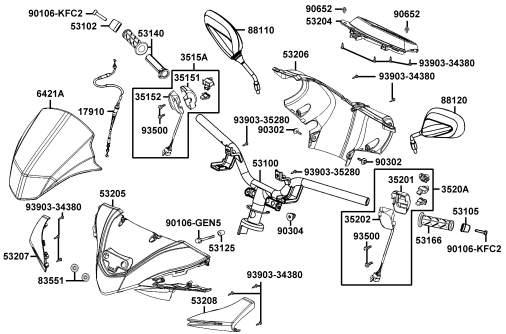
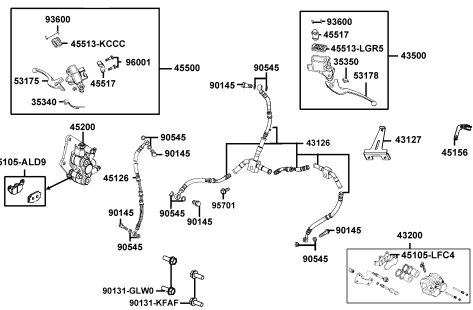
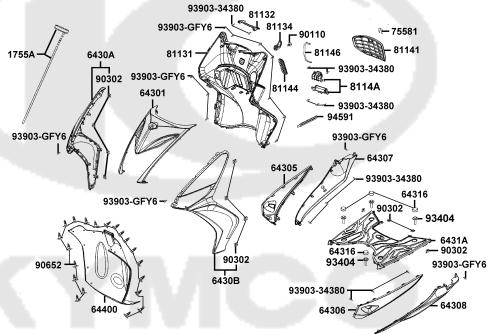
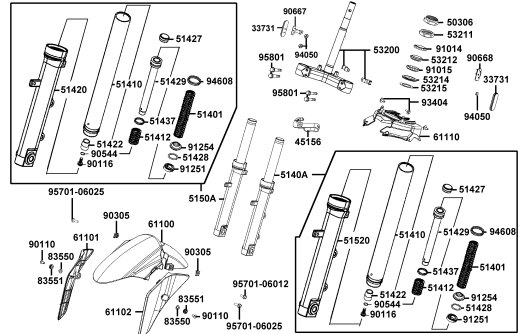
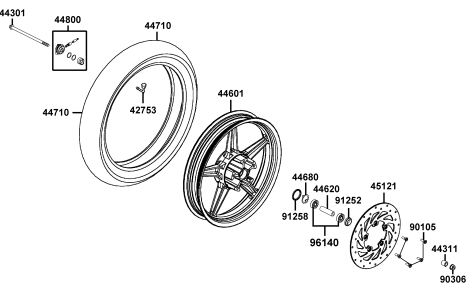
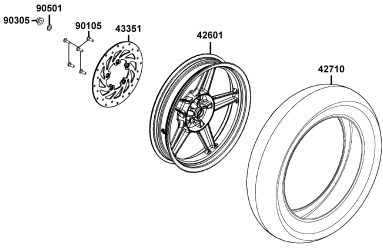
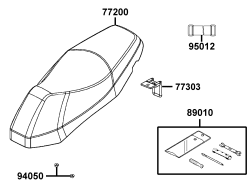
NO	MODEL			COLOR CHART OF KL25FB(PT)						
	PHOTO NO			NO. 1	NO. 2	NO. 3				
	BASIC COLOR			Mat Light Blue	Black	Pearly White				
	CODE			Mat Light Blue	Black	Pearly White				
	PARTS NAME	PARTS NO.	VERSION	CB645FA	NH001SA	NH193PA				
26	ASSY METER VISOR	6421A-ALJ8-E11	2	 N1R						
27	SKIRT R SIDE	64305-ALJ8-E10	3							
28	SKIRT L SIDE	64306-ALJ8-E10	3							
29	MOLD R FRONT ASSY	6430A-ALJ8-E10	4							
30	MOLDING FRONT COMP	6430B-ALJ8-E10	4							
31	PLUG FLOOR	64316-LCB9-C10	5							
32	FLOOR ASSY PANEL	6431A-ALJ8-E10	2							
33	COWL ASSY UNDER	64400-ALJ8-E10	2							
34	FENDER RR TIRE	80100-ALJ8-E11	2							
35	FENDER RR INNER	80101-ALJ8-E10	3							
36	LID MAINT TAIL LIGHT	80102-ALJ8-E10	2							
37	FENDER RR	80105-ALJ8-E10	3							
38	COVER ASSY CENTER	8015A-ALJ8-E10	2							
39	LEG SHIELD UP	81131-ALJ8-E10	3							
40	CAP LEG SHIELD UP	81132-ALJ8-E10	2							
41	LID INNER BOX	81141-ALJ8-E10	3							
42	HING LID INNER ASSY	8114A-ALJ8-E10	1							
43	"LID,LUG.BOX"	81251-AAD3-C00	1							
44	BOX LUGGAGE	81260-ALJ8-E10	0							
45	COVER R RR SIDE	8351A-ALJ8-E10	2							
46	LID R BODY COVER	83520-ALJ8-E10	1							
47	COVER L RR SIDE	8361A-ALJ8-E10	3							
48	LID L BODY COVER	83620-ALJ8-E10	1							
49	CUSHION ASSY RR	52400-ALJ8-E10	1				N1S			
50	M/C ASY RR BRK	43500-LFC3-E10	0				NEA			
DATE OF STARTING-SALES										
DATE OF END-SALES										

NO	MODEL			COLOR CHART OF KL25FB(PT)			
	PHOTO NO			NO. 1	NO. 2	NO. 3	
	BASIC COLOR			Mat Light Blue	Black	Pearly White	
	CODE			Mat Light Blue	Black	Pearly White	
	PARTS NAME	PARTS NO.	VERSION	CB645FA	NH001SA	NH193PA	
51	M/C ASSY FR	45500-ALJ8-E10	1	NEA			
52	FORK SET R FR	5140A-ALJ8-E10	0				
53	BOTTOM CASE RH	51420-LFC2-E10	1				
54	FORK SET L FR	5150A-ALJ8-E10	0				
55	BOTTOM CASE L	51520-LFC2-E10	0				
56	LEVER L STRG HANDLE	53178-KNBN-C00	0	NEP			
57	FENDER B R FR	61101-ALJ8-E10	1				
58	FENDER B L FR	61102-ALJ8-E10	1				
59	MIRROR ASSY R BACK	88110-LEB5-C11	2				
60	MIRROR ASSY L BACK	88120-LEB5-C11	2				
61	MUFFLER COMP EXH	18325-LFC3-E10	2	NES			
62	CALIPER ASSY RR BRK	43200-ALJ9-E15	0				
63	CALIPER ASSY FR BRK	45200-ALJ9-E12	0				
64	SEAT ASSY	77200-ALJ8-E10	2				
65	EMB K-LOGO	86102-ALG1-E00	2				
66	EMB BODY COVER	86202-ALJ8-E10	0	T01			
67	STRIPE METER	86407-ALJ8-E10	0				
68	EMB MARK 125	87140-ALJ9-E10	0				
69	LABEL TIRE	87505-ALJ8-E10	2				
70	CAUTION SIDE STAND	87541-GAR1-C01	1				
71	LABEL OIL CAP	87541-KUDU-E00	1	T01			
72	MARK MAINT CAUTION	87542-GAR1-C01	2				
73	MARK DRIVE CAUTION	87560-GFY6-E11	3				
74	EMB MARK K-LOGO	86102-ALJ8-E00	0				
DATE OF STARTING-SALES				T01		T02	
DATE OF END-SALES							

# CONTENTS - ENGINE GROUP

<p><b>E01 Crank Case</b></p> 	<p><b>E02 Cylinder Head</b></p> 	<p><b>E03 Cylinder Piston Crankshaft</b></p> 
<p><b>E04 Right Crankcase Cover</b></p> 	<p><b>E05 Carburetor</b></p> 	<p><b>E06 Driven Pulley</b></p> 
<p><b>E07 Starting Motor Oil Pump</b></p> 	<p><b>E08 Fan Cover Generator</b></p> 	<p><b>E09 Transmission</b></p> 

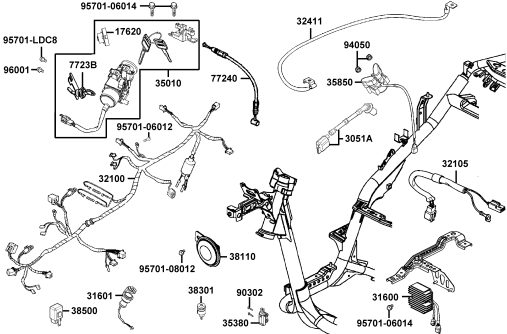
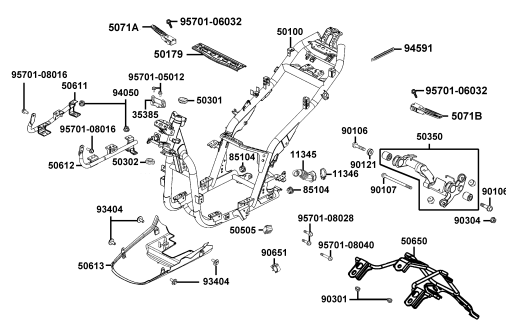
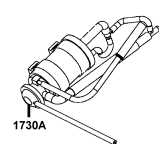
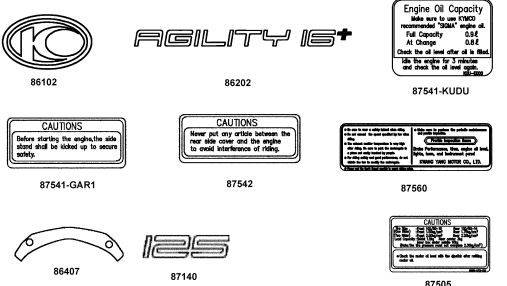
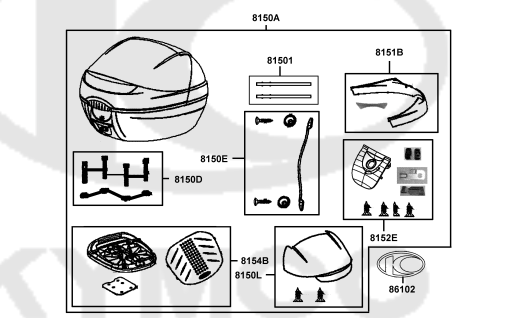
# CONTENTS - FRAME GROUP

<p><b>F01 Head Light</b></p> 	<p><b>F02 Speedometer</b></p> 	<p><b>F03 Handle Steering Handle Cover</b></p> 
<p><b>F04 Brake Master Cylinder</b></p> 	<p><b>F05 Front Cover Front Fender</b></p> 	<p><b>F06 Stem Steering Front Cushion</b></p> 
<p><b>F07 Front Wheel</b></p> 	<p><b>F08 Rear Wheel</b></p> 	<p><b>F09 Seat</b></p> 



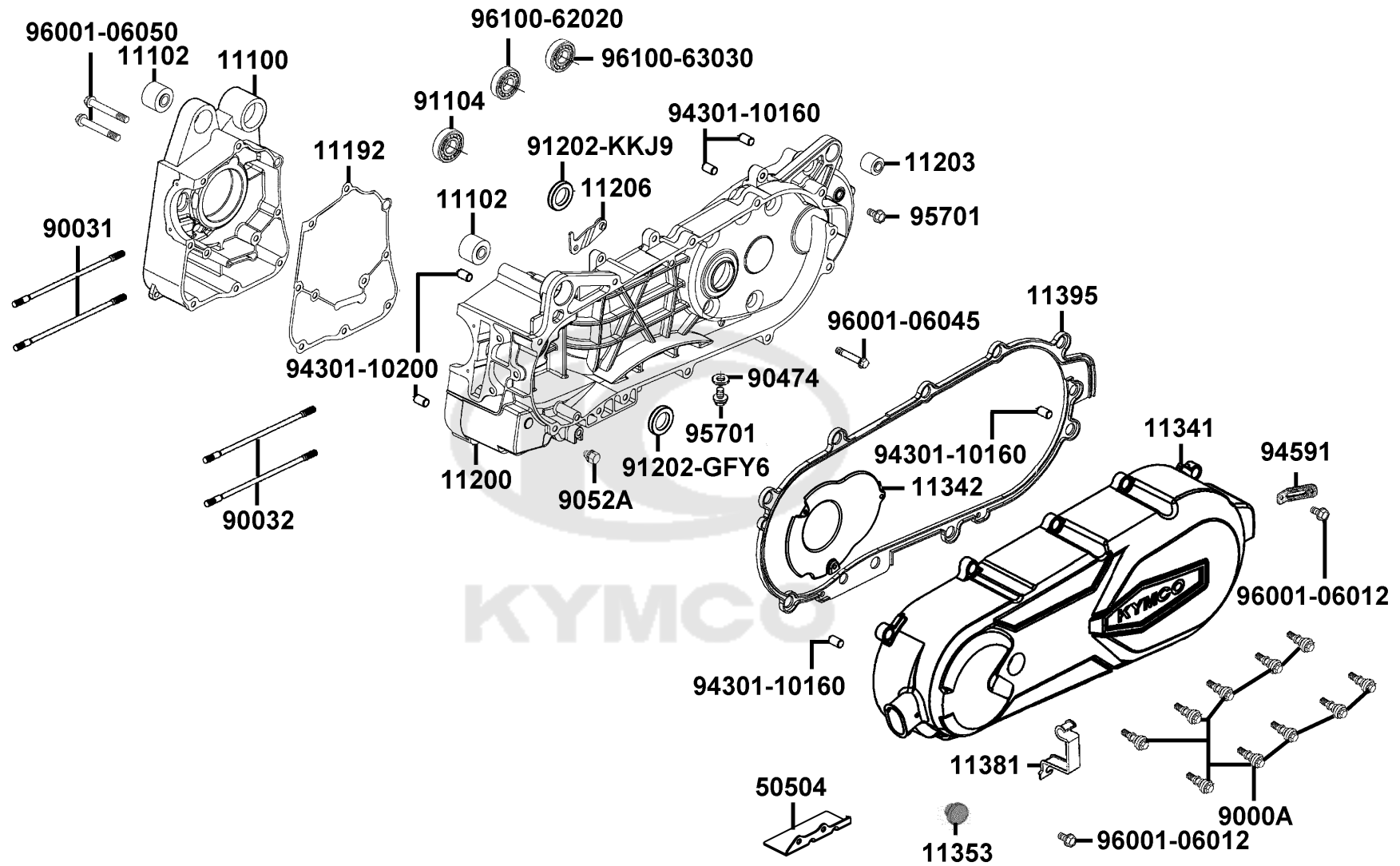


# CONTENTS - FRAME GROUP

F19 Wire Harness	F20 Frame Body	F21 CANISTER-PCV ASSY
		
<b>F22 Emblem Stripe</b>	<b>F23 RR BOX</b>	
		

E01

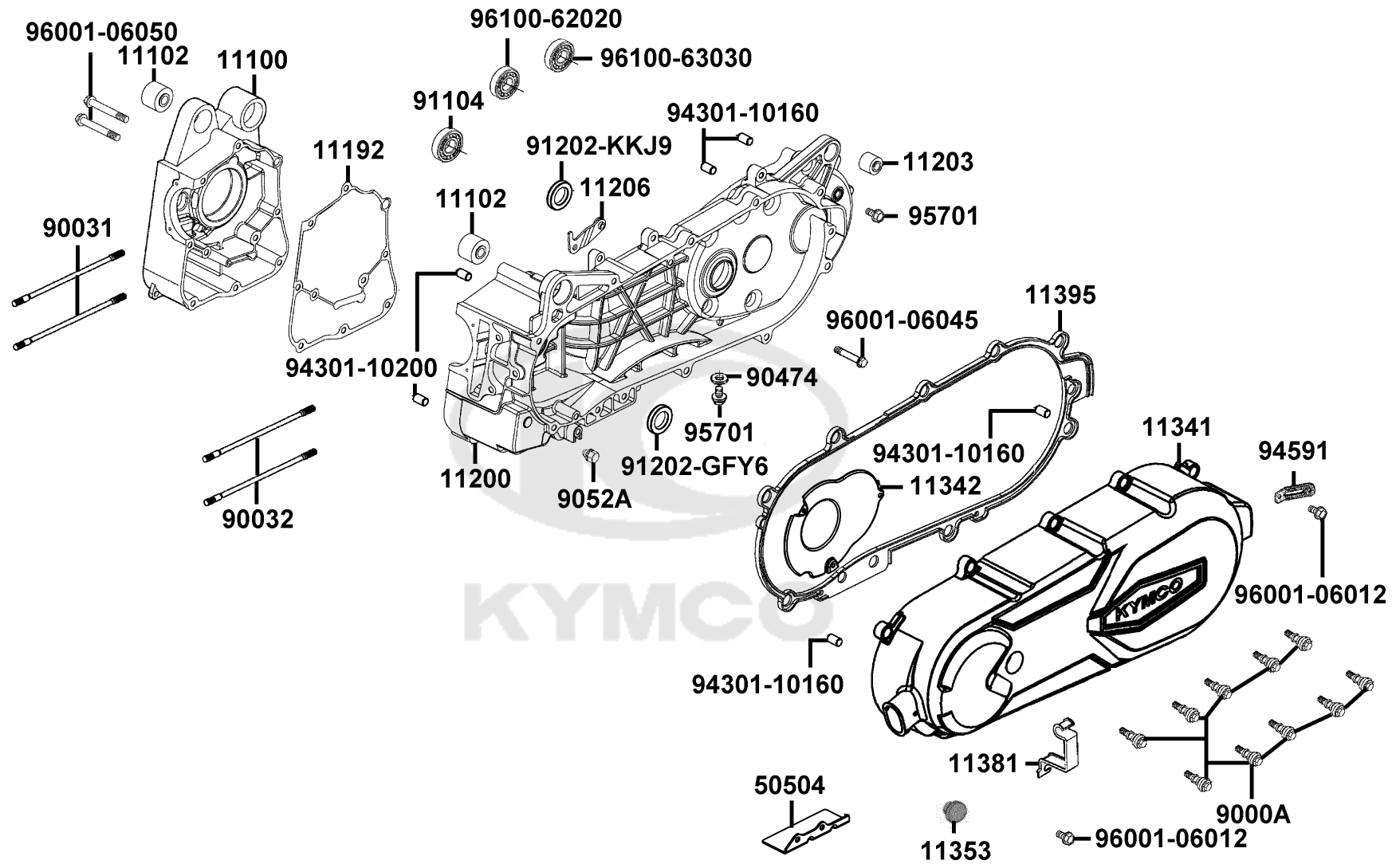
Crank Case



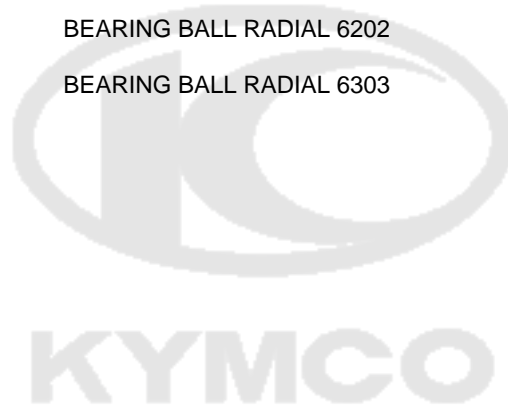
Sales mark	Ref no	Part no	Description	Reg description	Regd no	E01
	11100	11100-KUDU-C00	CASE COMP R CRANK	CASE COMP R CRANK	1	
	11102	11102-1G87-C00	RUB BUSH ENG HANGER	RUB BUSH ENG HANGER	2	
	11192	11192-KUDU-E90	GASKET CRANK CASE @ A	GASKET CRANK CASE @ A	1	
	11200	11200-LCD3-C00	CRANK CASE COMP L	CRANK CASE COMP L	1	
	11203	11203-GGC7-W10	UNDER RUBBER BUSH REAR CUSHION	UNDER RUBBER BUSH REAR CUSHION	1	
	11206	11206-LCD3-C00	STAY A RR FENDER	STAY A RR FENDER	1	
**	11341	11341-ALJ8-E10	COVER COMP L SIDE	COVER COMP L SIDE	1	
	11342	11342-ALJ8-E10	PLATE L COVER	PLATE L COVER	1	
	11353	11353-ALJ8-E11	RUBBER PLUG L COVER KICK	RUBBER PLUG L COVER KICK	1	
	11381	11381-KHB4-C00	CLAMPER THROTTLE CABLE	"CLAMPER,THROTTLE CABLE"	1	
	11395	11395-KHB4-C00	GASKET L COVER @A	GASKET L COVER @A	1	
	50504	50504-LEJ3-E11	STAND MAIN STOPPER	STAND MAIN STOPPER	1	
#	9000A	9000A-KTDT-C03	BOLT ASSY SPECIAL 6*29.5(G)	BOLT ASSY SPECIAL 6*29.5	10	
#	90031	90031-KUDU-C01	BOLT A STUD 8*200.5	BOLT A STUD 8*200.5	2	
	90032	90032-KUDU-C00	BOLT B STUD 8*208.5	BOLT B STUD 8*208.5	2	
	90474	90474-3C33-C00	WASHER 8MM (T*2)	WASHER 8MM (T*2)	1	
	9052A	9052A-GFY6-C00	BOLT ASSY DRAIN PLUG	BOLT ASSY DRAIN PLUG	1	
	91104	91104-KGN7-671	BRG BALL RADIAL 6204	BRG BALL RADIAL 6204	1	
#	91202-GFY6	91202-GFY6-90C	OIL SEAL 19.8*30*5	OIL SEAL 19.8*30*5	1	
	91202-KKJ9	91202-KKJ9-C00	OIL SEAL 20*32*6	OIL SEAL 20*32*6	1	

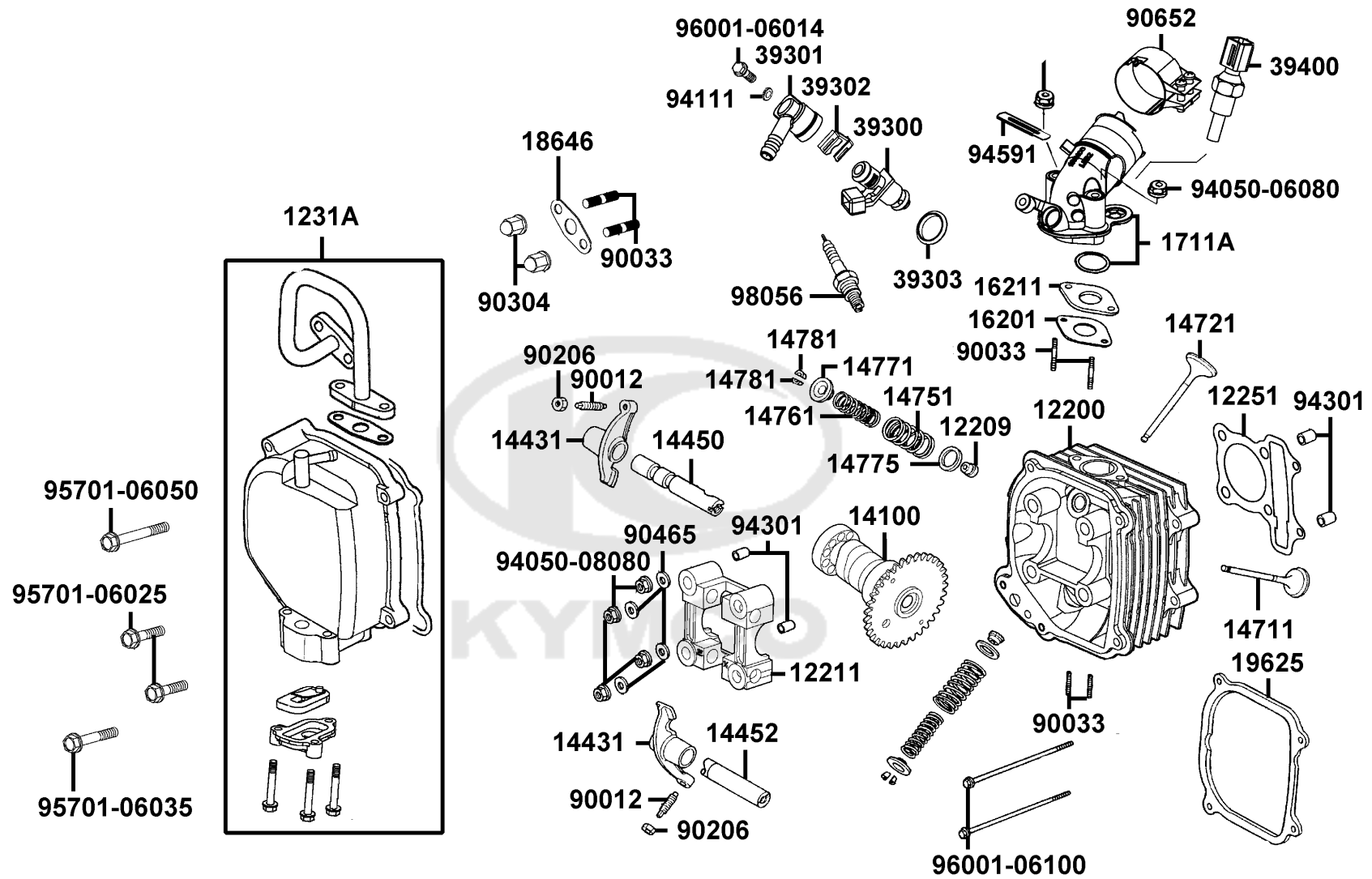
E01

Crank Case



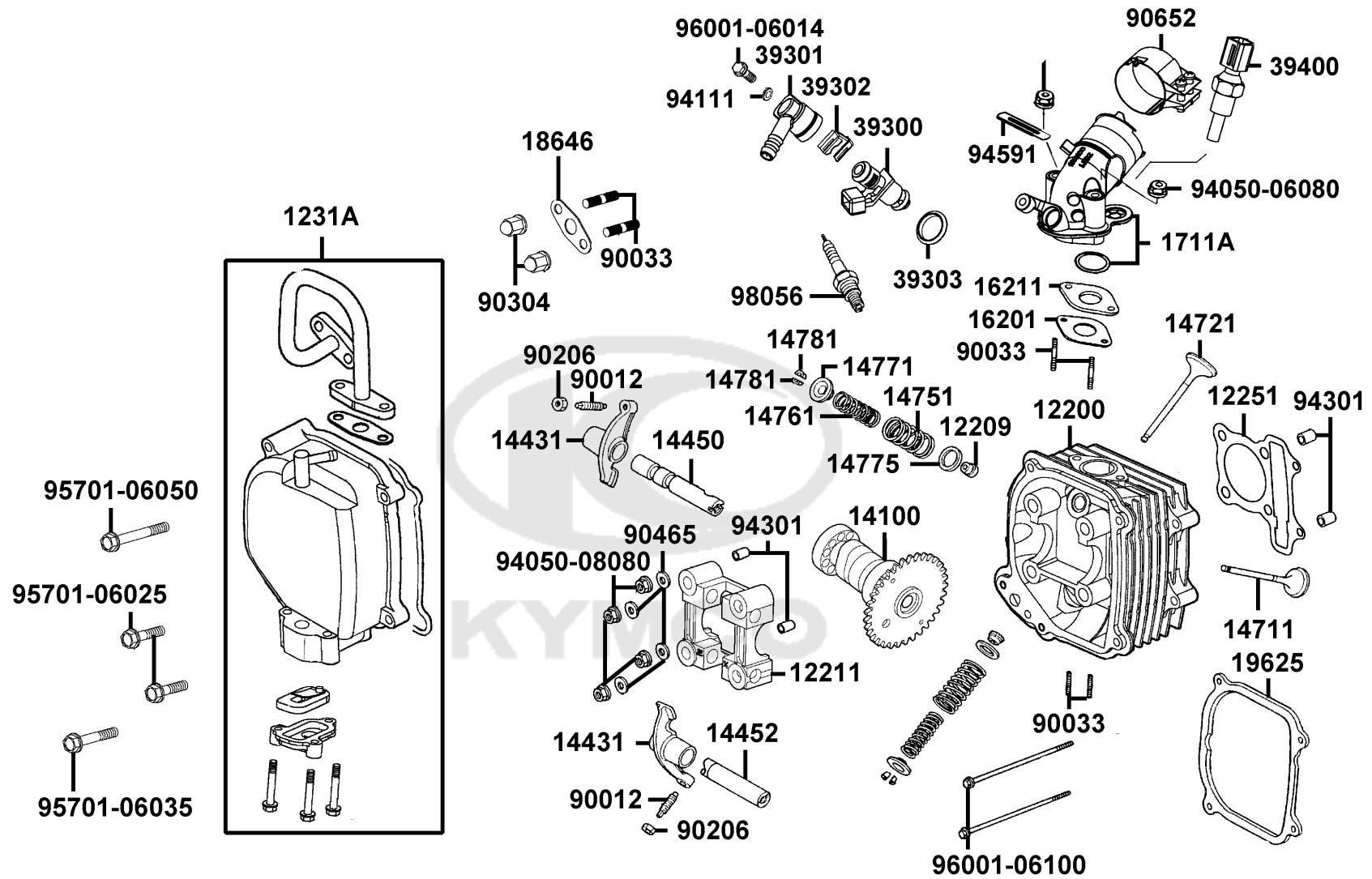
Sales mark	Ref no	Part no	Description	Reg description	Regd no	<b>E01</b>
	94301-10160	94301-10160	DOWEL PIN 10*16	DOWEL PIN 10*16	4	
	94301-10200	94301-10200	DOWEL PIN 10*20	DOWEL PIN 10*20	2	
	94591	94591-LDC8-E10	CLIP BIND	CLIP BIND	1	
	95701	95701-08012-08G	BOLT FLANGE 8X12(C)	BOLT FLANGE 8X12(C)	2	
	96001-06012	96001-06012-08G	BOLT FLANGE SH 6X12 (C)	BOLT FLANGE SH 6X12 (C)	2	
	96001-06045	96001-06045-08	BOLT FLANGE SH 6*45 (C)	BOLT FLANGE SH 6*45	10	
	96001-06050	96001-06050-08	BOLT FLANGE 6*50	BOLT FLANGE 6*50	2	
	96100-62020	96100-62020-00	BEARING BALL RADIAL 6202	BEARING BALL RADIAL 6202	1	
	96100-63030	96100-63030-00	BEARING BALL RADIAL 6303	BEARING BALL RADIAL 6303	1	



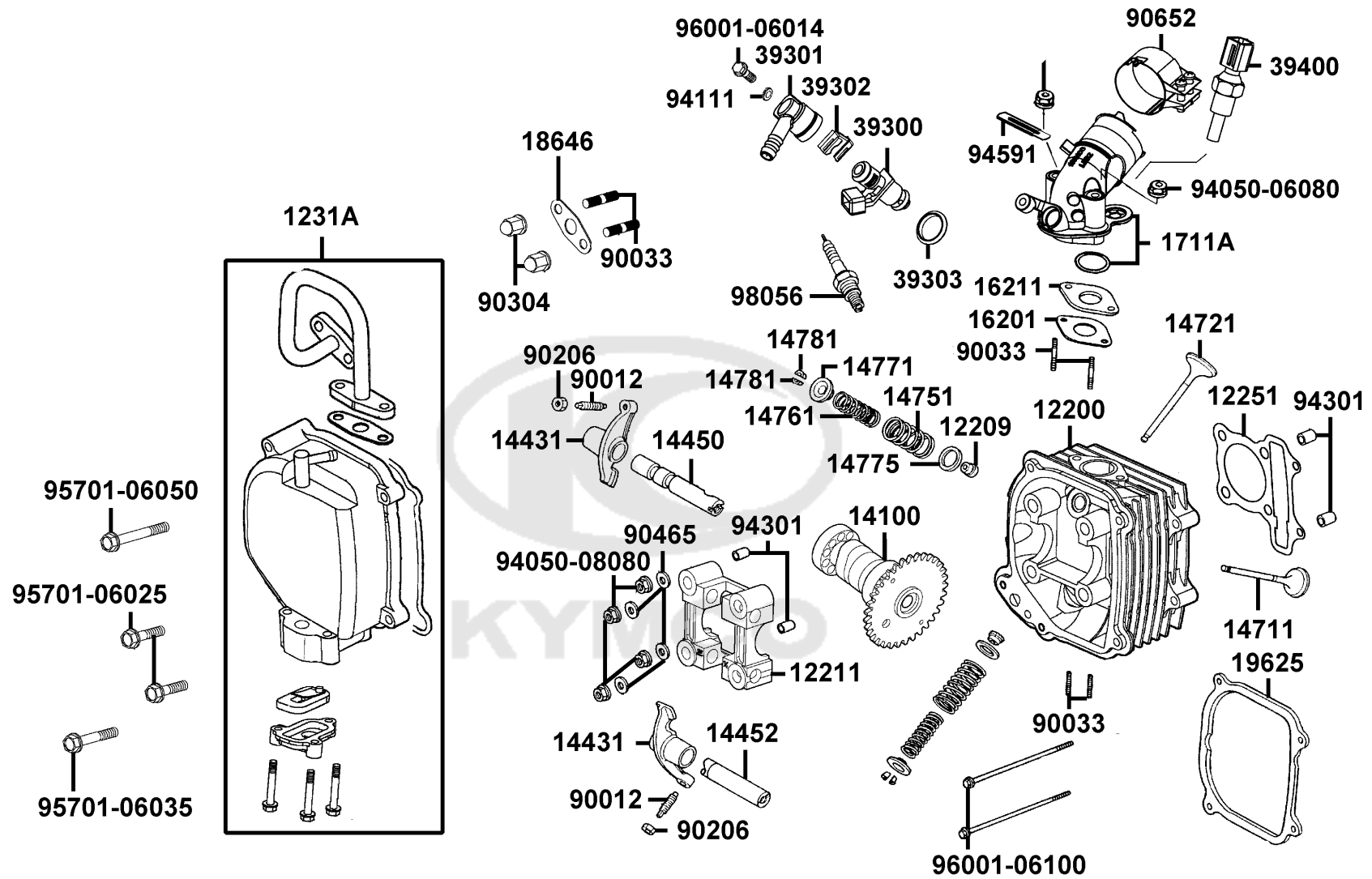


Sales mark	Ref no	Part no	Description	Reg description	Regd no	<b>E02</b>
12200		12200-KKE3-900	HEAD COMP CYLINDER	HEAD COMP CYLINDER	1	
12209		12209-GDB4-C00	SEAL VALVE STEM	SEAL VALVE STEM	2	
12211		12211-KUDU-W10	HOLDER CAM SHAFT	HOLDER CAM SHAFT	1	
12251		12251-GFY6-C00	GASKET CYLINDER HEAD	GASKET CYLINDER HEAD	1	
1231A		1231A-ALL1-C00	HEAD COVER	HEAD COVER	1	
14100		14100-AAA2-C00	CAMSHAFT	CAMSHAFT	1	
14431		14431-KUDU-W10	ARM VALVE ROCKER	ARM VALVE ROCKER	2	
14450		14450-GFY6-W10	SHAFT COMP IN ROCKER ARM	SHAFT COMP IN ROCKER ARM	1	
14452		14452-GFY6-W10	SHAFT EXH ROCKER ARM	SHAFT EXH ROCKER ARM	1	
14711		14711-KUDU-C00	VALVE INLET	VALVE INLET	1	
14721		14721-KUDU-C00	VALVE EXHAUST	VALVE EXHAUST	1	
14751		14751-LFD7-C00	SPG VALVE OUTER	SPRING VALVE OUTER	2	
14761		14761-KKJ9-C00	SPG VALVE INNER	SPG VALVE INNER	2	
14771		14771-GDB4-C00	RETAINER VALVE SPRING	RETAINER VALVE SPRING	2	
14775		14775-MFA6-C00	SEAT VALVE SPG OUTER	SEAT VALVE SPG OUTER	2	
14781		14781-MFA6-C00	COTTER VALVE	COTTER VALVE	4	
16201		16201-GFY6-E90	GASKET CARBURETOR INSULATOR	GASKET CARB INSULATOR	1	
16211		16211-GFY6-W10	INSULATOR	INSULATOR	1	
1711A		1711A-LGL3-C00	PIPE ASSY INLET	PIPE ASSYINLET	1	
18646		18646-LDC8-E10	GASKET A/I PIPE	GASKET A/I PIPE	1	





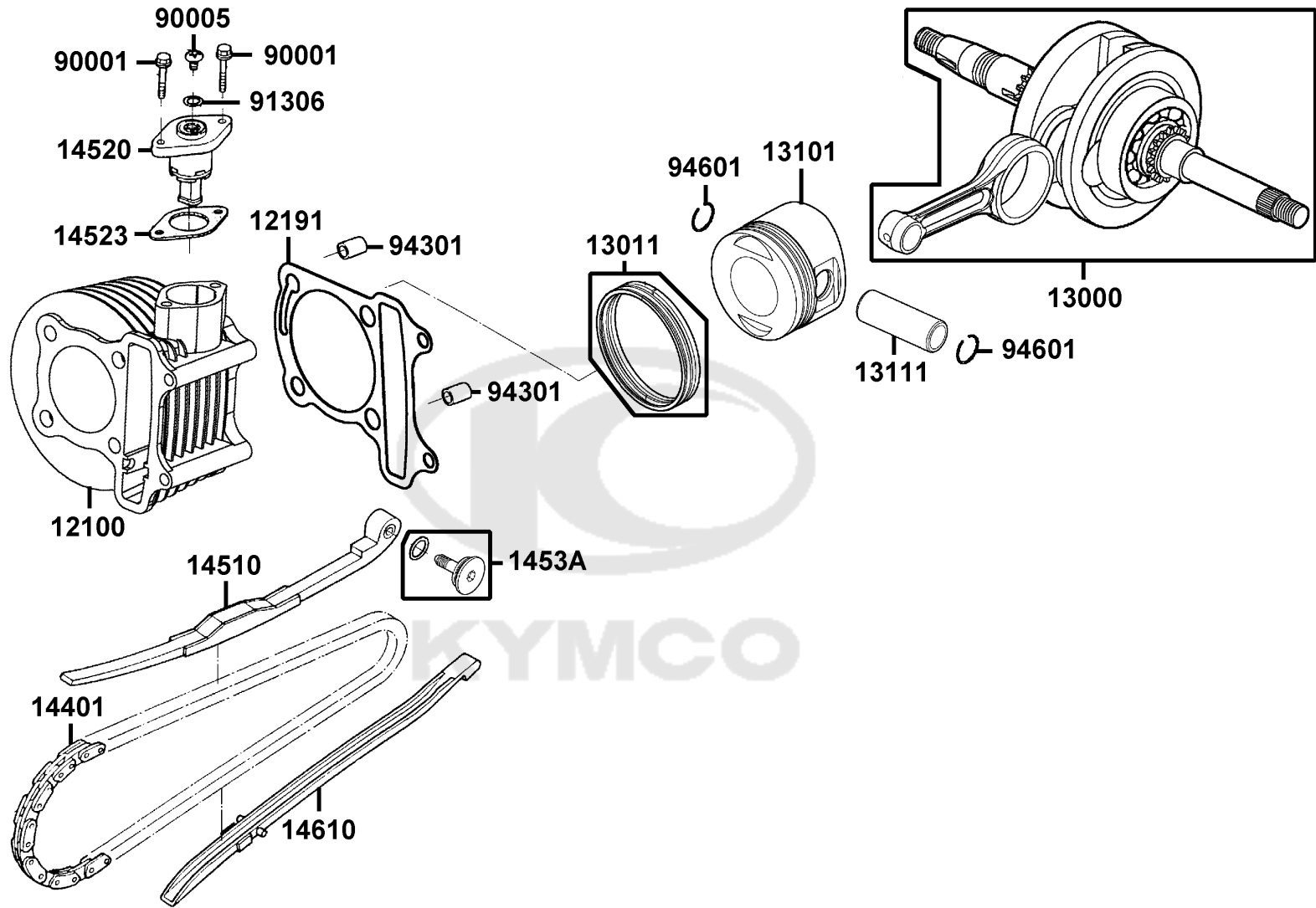
Sales mark	Ref no	Part no	Description	Reg description	Regd no	E02
19625		19625-KUDU-C00	SEAL SHROUD	SEAL SHROUD	1	
39300		39300-LEA6-800	FUEL INJECTOR	FUEL INJECTOR	1	
39301		39301-ALJ8-E10	CUP COMP FUEL INJECTOR	CUP COMP FUEL INJECTOR	1	
39302		39302-KKE3-C00	CLIP SPRING FUEL INJECTOR	CLIP SPRING FUEL INJECTOR	1	
39303		39303-LEB2-C00	SEAL,HIGH TENSION FUEL INJECT	SEAL,HIGH TENSION FUEL INJECT	1	
39400		39400-LHJ3-900	SENSOR. HEAD TEMPERATURE	SENSOR. HEAD TEMPERATURE	1	
90012		90012-3C33-C00	SCREW TAPPET ADJUSTING	SCREW TAPPET ADJUSTING	2	
90033		90033-GFY6-C10	BOLT STUD 6*16	BOLT STUD 6*16	2	
90206		90206-0A01-C00	NUT TAPPET ADJG	NUT TAPPET ADJG	1	
90304		90304-4H38-C00	NUT HEX CAP 6MM	NUT HEX CAP 6MM	2	
90465		90465-MDC4-C00	WASHER 8MM	WASHER 8MM	4	
90652		90652-LGJ9-900	BAND 48. INLET-PIPE	BAND 48 INLET-PIPE	1	
94050-06080		94050-06080	NUT FLANGE 6MM	NUT FLANGE 6MM	2	
94050-08080		94050-08080	NUT FLANGE 8MM	NUT FLANGE 8MM	4	
94111		94111-06800	WASHER SPRING 6MM	WASHER SPRING 6MM	1	
94301		94301-10160	DOWEL PIN 10*16	DOWEL PIN 10*16	4	
94591		94591-11000	CLIP 1*100	CLIP 1*100	1	
95701-06025		95701-06025-08	BOLT FLANGE 6*25	BOLT FLANGE 6*25	2	
95701-06035		95701-06035-08	BOLT FLANGE 6*35 (C)	BOLT FLANGE 6*35	1	
95701-06050		95701-06050-08	BOLT FLANGE 6X50	BOLT FLANGE 6*50 (C)	1	



Sales mark	Ref no	Part no	Description	Reg description	Regd no	<b>E02</b>
------------	--------	---------	-------------	-----------------	---------	------------

96001-06014		96001-06014-08	BOLT FLANGE 6*14	BOLT FLANGE 6*14	1	
96001-06100		96001-06100-08	BOLT FLANGE SH 6*100 (C)	BOLT FLANGE SH 6*100	1	
98056		98056-5771R-00	SPARK PLUG (CR7HSA)	SPARK PLUG (CR7HSA)	1	

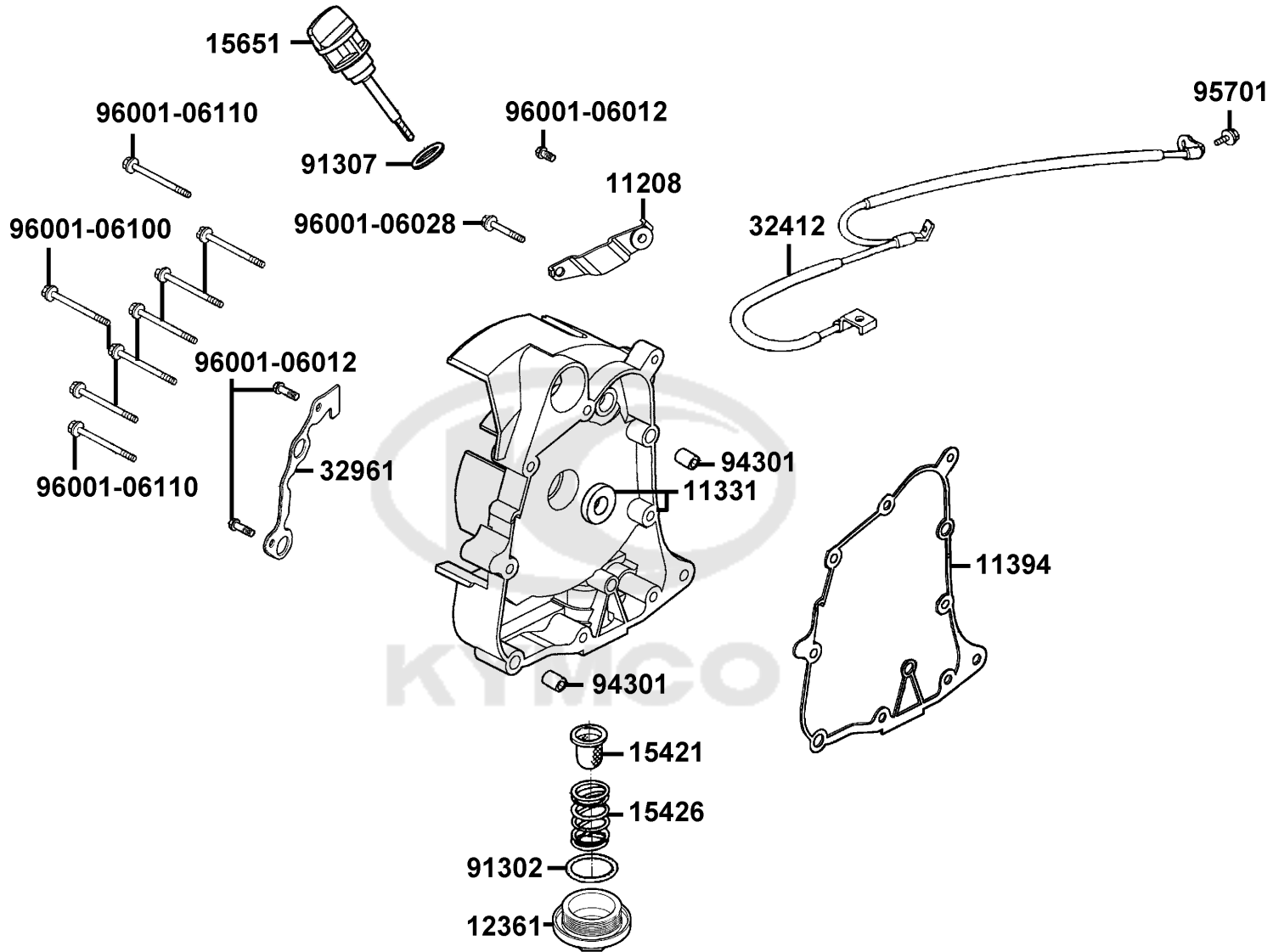




Sales mark	Ref no	Part no	Description	Reg description	Regd no	E03
	12100	12100-GFY6-C00	CYLINDER COMP	CYLINDER COMP	1	
	12191	12191-GFY6-E90	GASKET CRANK CASE @ A	GASKET CRANK CASE @ A	1	
	13000	13000-KUDU-C00	CRANK SHAFT COMP	CRANK SHAFT COMP	1	
	13011	13011-GFY6-C00	RING ASSY PISTON	RING ASSY PISTON	1	
	13101	13101-KUDU-C00	PISTON	PISTON A	1	
	13111	13111-3D84-C00	PIN,PISTON	PIN PISTON	1	
	14401	14401-KUDU-C00	CHAIN CAM	CHAIN CAM	1	
#	14510	14510-KUDU-C0B	TENSIONER CAM CHAIN	TENSIONER CAM CHAIN	1	
	14520	14520-GFY6-C00	LIFTER ASSY TENSIONER	LIFTER ASSY TENSIONER	1	
	14523	14523-GFY6-E90	GASKET TENSIONER LIFTER @A	GASKET TENSIONER LIFTER@A	1	
	1453A	1453A-GFY6-W10	PIVOT CAM CHAIN TENSIONER	PIVOT CAM CHAIN TENSIONER	1	
#	14610	14610-KUDU-C0B	GUIDE COMP CAM CHAIN	GUIDE COMP CAM CHAIN	1	
#	90001	90001-GBHB-C05	BOLT FLANGE SHF 6*22 (B)	BOLT FLANGE SHF 6*22 (B)	2	
	90005	90005-KAW1-901	SCREW PAN 6X6	SCREW PAN 6X6	1	
	91306	91306-1E05-C00	O-RING 1.5*9.5	O-RING 1.5*9.5	1	
	94301	94301-10160	DOWEL PIN 10*16	DOWEL PIN 10*16	2	
	94601	94601-15000	CLIP PISTON PIN 15MM	CLIP PISTON PIN 15MM	2	

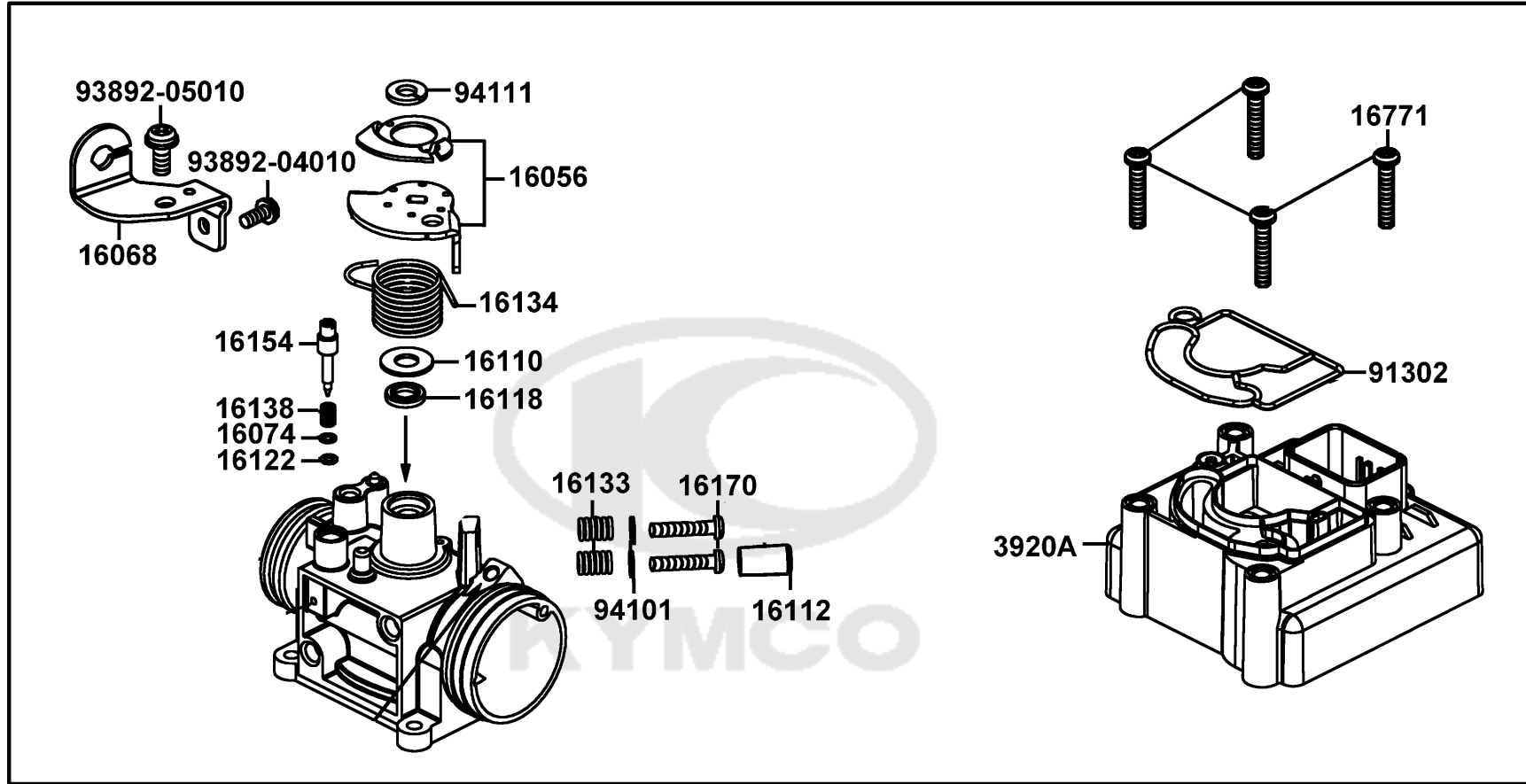
E04

# Right Crankcase Cover



Sales mark	Ref no	Part no	Description	Reg description	Regd no	<b>E04</b>
11208		11208-LFC3-E10	STAY RR TIRE FENDER	STAY RR TIRE FENDER	1	
11331		11331-LCD3-E00	COVER R CRANK CASE	COVER R CRANK CASE	1	
11394		11394-KUDU-E90	GASKET.R COVER	GASKET R COVER	1	
12361		12361-GFY6-C00	HOLE CAP TAPPET ADJUSTING	HOLE CAP TAPPET ADJUSTING	1	
15421		15421-1G07-C00	SCREEN OIL FILTER	SCREEN OIL FILTER	1	
15426		15426-GAE1-C00	SPG OIL FILTER SCREEN	SPG OIL FILTER SCREEN	1	
15651		15651-KUDU-W10	GUAGE OIL LEVEL	GUAGE OIL LEVEL	1	
32412		32412-ALJ8-E10	CABLE.EARTH	CABLE EARTH	1	
32961		32961-KUDU-C00	CLAMPER ACG CORD	CLAMPER ACG CORD	1	
91302		91302-0A01-C00	O-RING 30.8MM	O-RING 30.8MM	1	
91307		91307-0E35-W10	O-RING 18*3	O-RING 18*3	1	
94301		94301-10160	DOWEL PIN 10*16	DOWEL PIN 10*16	2	
95701		95701-06012-08	BOLT FLANGE 6*12	BOLT FLANGE 6*12	1	
96001-06012		96001-06012-08G	BOLT FLANGE SH 6X12 (C)	BOLT FLANGE SH 6X12 (C)	3	
96001-06028		96001-06028-08	BOLT FLANGE SH 6*28	BOLT FLANGE SH 6*28	1	
96001-06100		96001-06100-08	BOLT FLANGE SH 6*100 (C)	BOLT FLANGE SH 6*100	6	
96001-06110		96001-06110-08	BOLT FLANGE SH 6*110	BOLT FLANGE SH 6*110	2	





16100

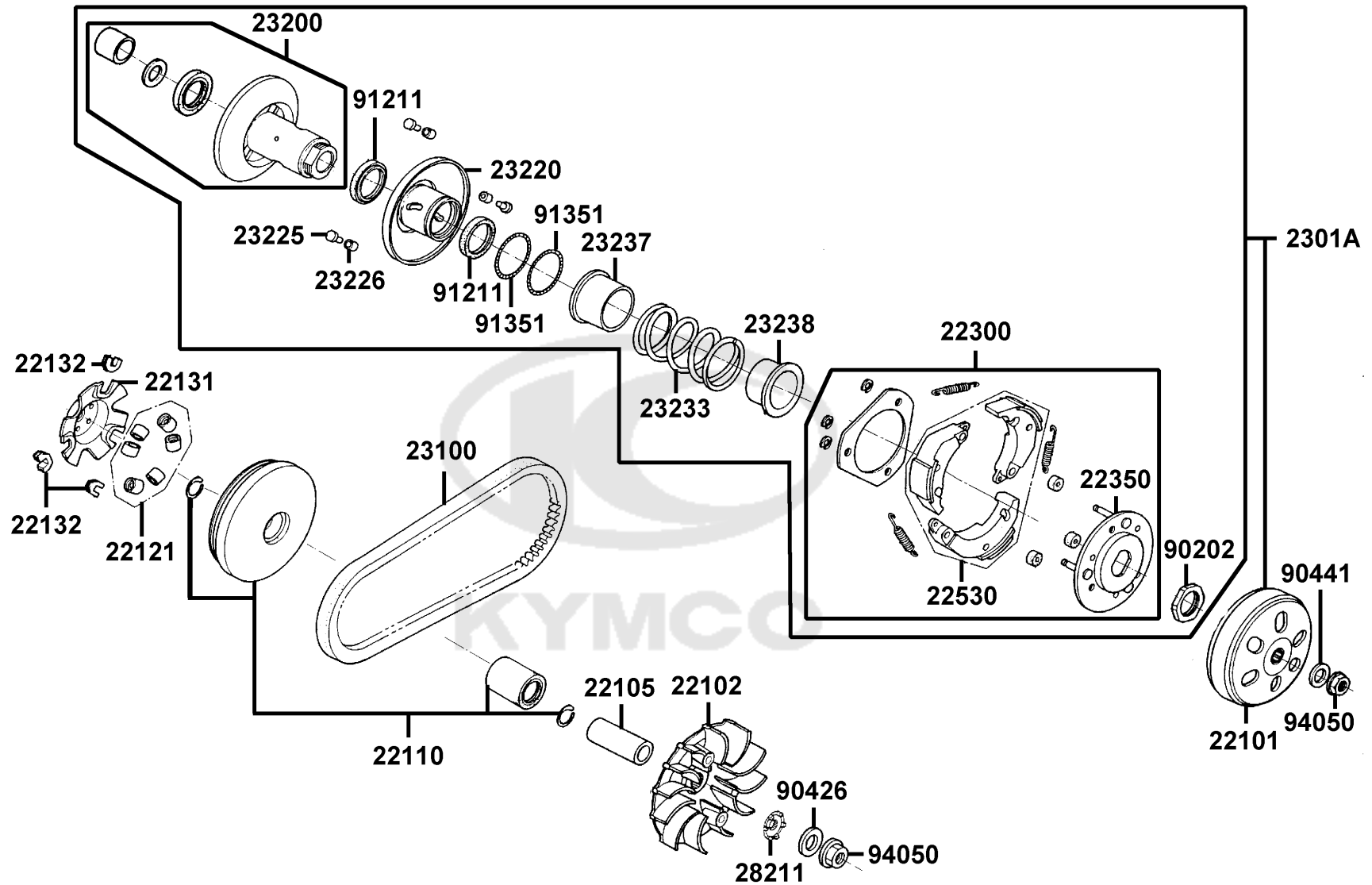
Sales mark	Ref no	Part no	Description	Reg description	Regd no	E05
16056		16056-LEB2-C00	LEVER ASSY..THROTTLE	LEVER ASSY..THROTTLE	1	
16068		16068-LEB2-C00	PLATE WIRE FIXED	PLATE WIRE FIXED	1	
16074		16074-KEC3-C00	WASHER IDLE ADJUIST SCERW	WASHER IDLE ADJUIST SCERW	1	
16100		16100-ALJ9-E15	THROTTLE BODY ASSY	THROTTLE BODY ASSY	1	
16110		16110-KKE3-C00	WASHER THROTTLE COMP	WASHER THROTTLE COMP	1	
16112		16112-KKE3-C00	COVER IDLE SCREW	COVER IDLE SCREW	1	
16118		16118-KGC5-C00	SEAL THROTTLE SHAFT	SEAL THROTTLE SHAFT	1	
16122		16122-KEC3-C00	O-RING IDLE SCREW	O-RING IDLE SCREW	1	
16133		16133-KEC3-C00	SPG THROTTLE ADJ SCREW	SPG THROTTLE ADJ SCREW	1	
16134		16134-KKE3-C00	SPRING THROTTLE SHAFT	SPRING THROTTLE SHAFT	1	
16138		16138-KGC5-C00	SPRING IDLE ADJUST SCREW	SPRING IDLE ADJUST SCREW	1	
16154		16154-KEC3-C00	SCREW IDEL ADJUST	SCREW IDEL ADJUST	1	
16170		16170-KEC3-C00	SCREW THROTTLE ADJUST	SCREW THROTTLE ADJUST	1	
16771		16771-GKAK-220	SCREW-WASHER M4x30	SCREW-WASHER M4*30	1	
3920A		3920A-ALJ9-E15	MODULE ASSY ECU	MODULE ASSY ECU	1	
91302		91302-LEB2-C00	SEAL THROTTLE-ECU	SEAL THROTTLE-ECU	1	
93892-04010		93892-04010-08	SCREW WASHER 4*10	SCREW WASHER 4*10	1	
93892-05010		93892-05010-08	SCREW WASHER 5X10	SCREW WASHER 5X10	1	
94101		94101-KKE3-C00	WASHER SPG 4MM	WASHER SPG 4MM	1	
94111		94111-06800	WASHER SPRING 6MM	WASHER SPRING 6MM	1	



Sales mark	Ref no	Part no	Description	Reg description	Regd no	E06
	22101	22101-LCD3-C00	OUTER CLUTCH	OUTER CLUTCH	1	
	22102	22102-KUDU-E80	FACE DRIVE	FACE DRIVE	1	
	22105	22105-LGS6-E10	BOSS DRIVE FACE	BOSS DRIVE FACE	1	
	22110	22110-KUDU-E80	FACE MOVABLE DRIVE	FACE COMP MOVABLE DRIVE	1	
#	22121	22121-LFC4-315	ROLLER SET WEIGHT (1SET:6PCS)	ROLLER COMP WEIGHT	1	
	22131	22131-GFY6-C00	PLATE RAMP	PLATE RAMP	1	
#	22132	22132-KBN2-315	PIECE SLIDE COMP	PIECE SLIDE	3	
	22300	22300-LCD4-C00	PLATE ASSY DRIVE	PLATE ASSY DRIVE	1	
	22350	22350-GFY6-C00	PLATE COMP DRIVE	PLATE COMP DRIVE	1	
	22530	22530-LCD3-C00	WEIGHT CLUTCH	"WEIGHT,CLUTCH"	3	
	2301A	2301A-LCD4-C00	PULLEY SUB ASSY	PULLEY SUB ASSY	1	
#	23100	23100-KEC4-C0E	BELT DRIVE	BELT DRIVE	1	
	23200	23200-GFY6-C00	FACE ASSY DRIVEN	FACE ASSY DRIVEN	1	
	23220	23220-KFBF-C00	FACE COMP MOVABLE DRIVEN	FACE MOVABLE DRIVEN	1	
	23225	23225-GHC8-C00	PIN ROLLER GUIDE	PIN ROLLER GUIDE	3	
	23226	23226-GHC8-C00	ROLLER GUIDE	"ROLLER,GUIDE"	3	
	23233	23233-GCW3-C00	SPG DRIVEN FACE	SPG DRIVEN FACE	1	
	23237	23237-GFY6-C00	COLLAR SEAL	COLLAR SEAL	1	
	23238	23238-GFY6-C00	COLLAR SPG	COLLAR SPG	1	
	28211	28211-LGK2-C00	WASHER 15.2x24x5	WASHER 15.2x24x5	1	

E06

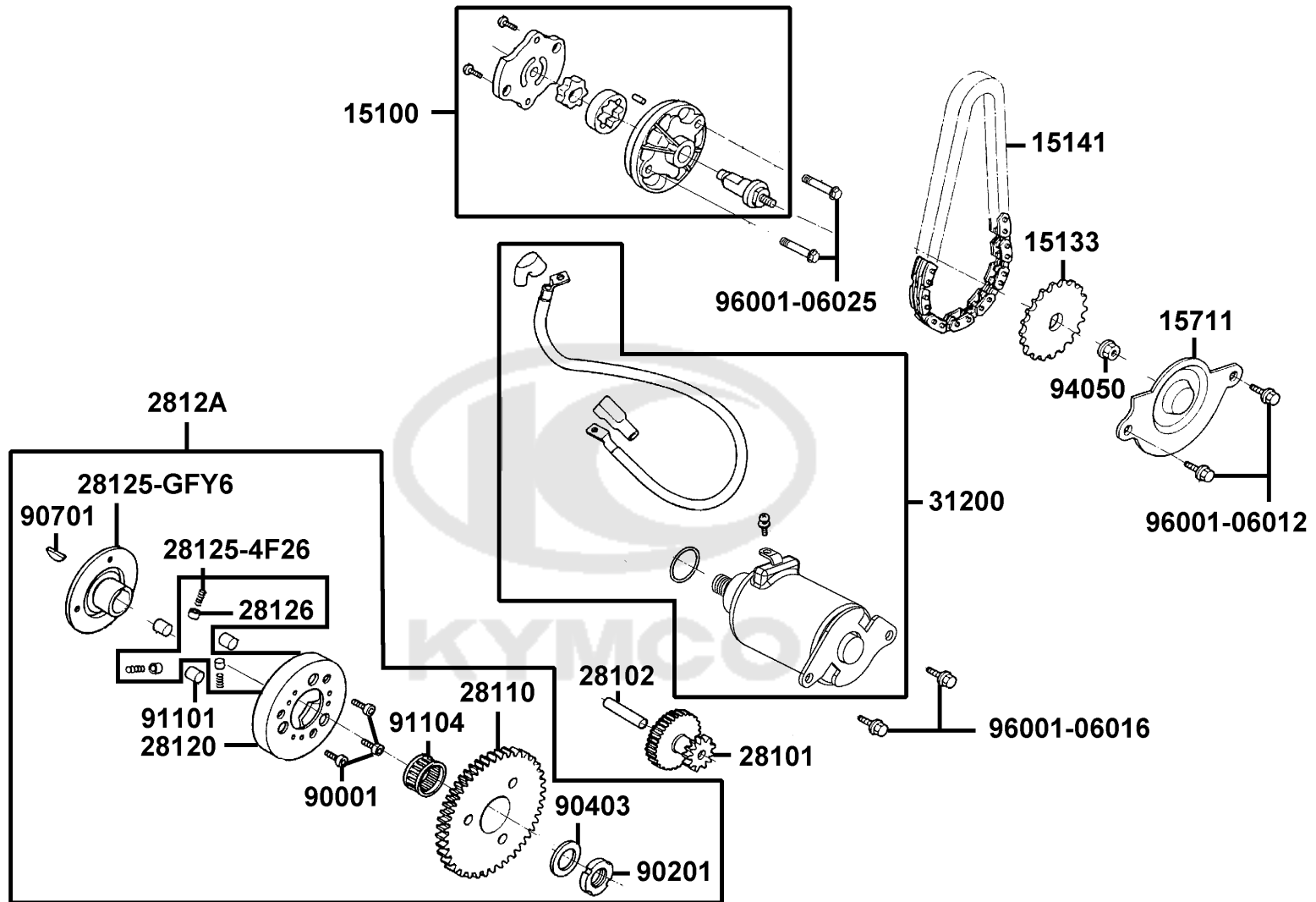
# Driven Pulley



Sales mark	Ref no	Part no	Description	Reg description	Regd no	<b>E06</b>
	90202	90202-1G87-C00	NUT SPECIAL 28MM	NUT SPECIAL 28MM	1	
#	90426	90426-KNBN-C01	WASHER SPECIAL 12MM	WASHER SPECIAL 12MM	1	
	90441	90441-GFY6-C00	WASHER 12.2*29*2.5	WASHER 12.2*29*2.5	1	
	91211	91211-KEBE-C00	SEAL DRIVEN FACE 34*41*4	SEAL DRIVEN FACE 34*41*4	2	
	91351	91351-6B42-C00	O-RING PINION CAP	O-RING PINION CAP	2	
	94050	94050-12080	NUT FLANGE 12MM	NUT FLANGE 12MM	1	



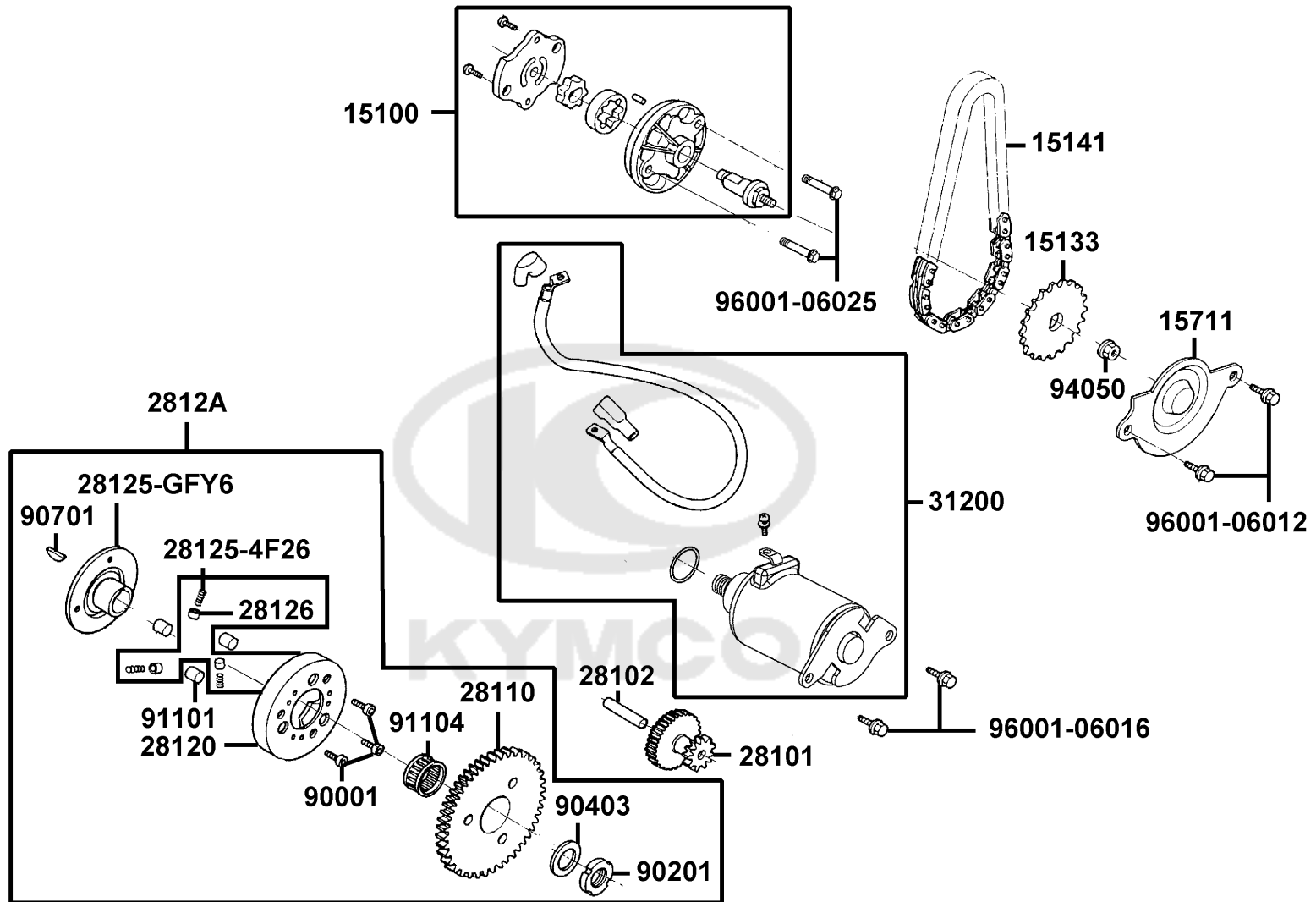
Starting Motor Oil Pump



Sales mark	Ref no	Part no	Description	Reg description	Regd no	E07
	15100	15100-KFB7-C00	OIL PUMP ASSY	PUMP ASSY OIL	1	
	15133	15133-GFY6-W10	SPROCKET OIL PUMP DRIVE	SPROCKET OIL PUMP DRIVE	1	
	15141	15141-GFY6-C00	CHAIN OIL PUMP	CHAIN OIL PUMP	1	
	15711	15711-KUDU-C00	SEPARATER OIL	SEPARATER OIL	1	
	28101	28101-GFY6-C00	GEAR STARTER REDUCTION	GEAR STARTER REDUCTION	1	
	28102	28102-GFY6-C00	SHAFT STARTER REDUCTION GEAR	SHAFT STARTER REDUCTION GEAR	1	
	28110	28110-GFY6-C10	OUTER ASSY START CLUTCH	OUTER ASSY START CLUTCH	1	
	28120	28120-GFY6-C10	OUTER COMP STARTING CLUTCH	OUTER COMP STARTING CLUTCH	1	
	28125-4F26	28125-4F26-C00	SPRING ROLLER STARTER CLUTCH	SPRING ROLLER STARTER CLUTCH	3	
	28125-GFY6	28125-GFY6-C10	SPRING ROLLER STARTER CLUTCH	SPRING ROLLER STARTER CLUTCH	1	
	28126	28126-GFY6-C10	CAP STARTING ROLLER SPRING	FLANGE STARTING CLUTCH	3	
	2812A	2812A-GFY6-C10	OUTER ASSY START CLUTCH	OUTER ASSY START CLUTCH	1	
	31200	31200-ALJ8-E10	MOTOR ASSY START	MOTOR ASSY START	1	
	90001	90001-GFY6-C00	SOCKET BOLT 6*10	SOCKET BOLT 6*10	3	
	90201	90201-GFY6-901	NUT LOCK 22MM	NUT LOCK 22MM	1	
	90403	90403-KUDU-C00	WASHER THRUST 22.2*39*2.5	WASHER THRUST 22.2*39*2.5	1	
#	90701	90701-GFY6-901	CAP STARTING ROLLER SPRING	CAP STARTING ROLLER SPRING	1	
	91101	91101-1K79-C00	ROLLER 10*10	ROLLER 10*10	3	
	91104	91104-GFY6-C00	BRG NEEDLE 28*32*17	BRG NEEDLE 28*32*17	1	
	94050	94050-06080	NUT FLANGE 6MM	NUT FLANGE 6MM	1	



Starting Motor Oil Pump



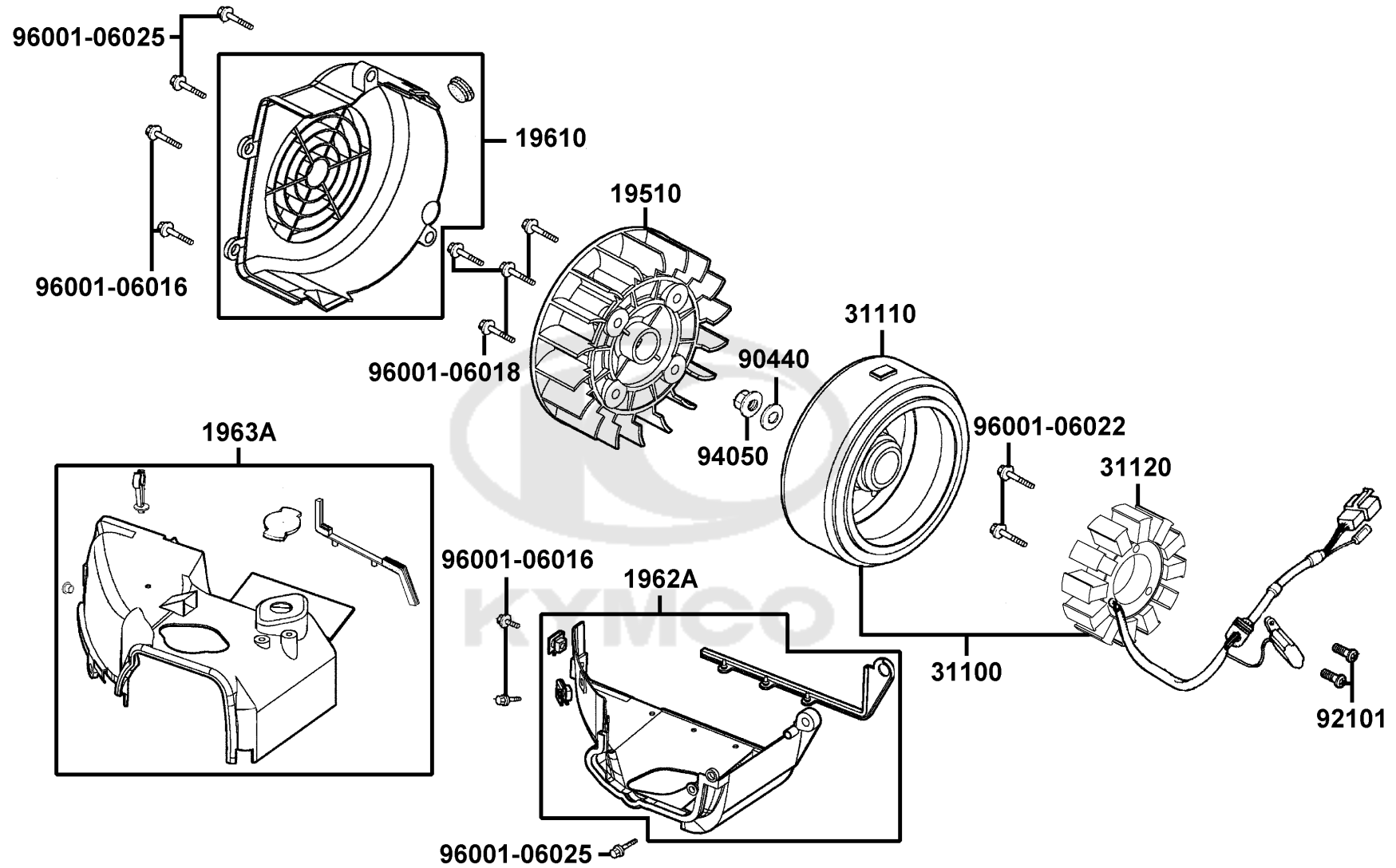
Sales mark	Ref no	Part no	Description	Reg description	Regd no	<b>E07</b>
------------	--------	---------	-------------	-----------------	---------	------------

	96001-06012	96001-06012-08G	BOLT FLANGE SH 6X12 (C)	BOLT FLANGE SH 6X12 (C)	2	
	96001-06016	96001-06016-08	BOLT FLANGE SH 6*16	BOLT FLANGE SH 6*16	2	
	96001-06025	96001-06025-08	BOLT FLANGE SH 6*25 (C)	BOLT FLANGE SH 6*25	2	

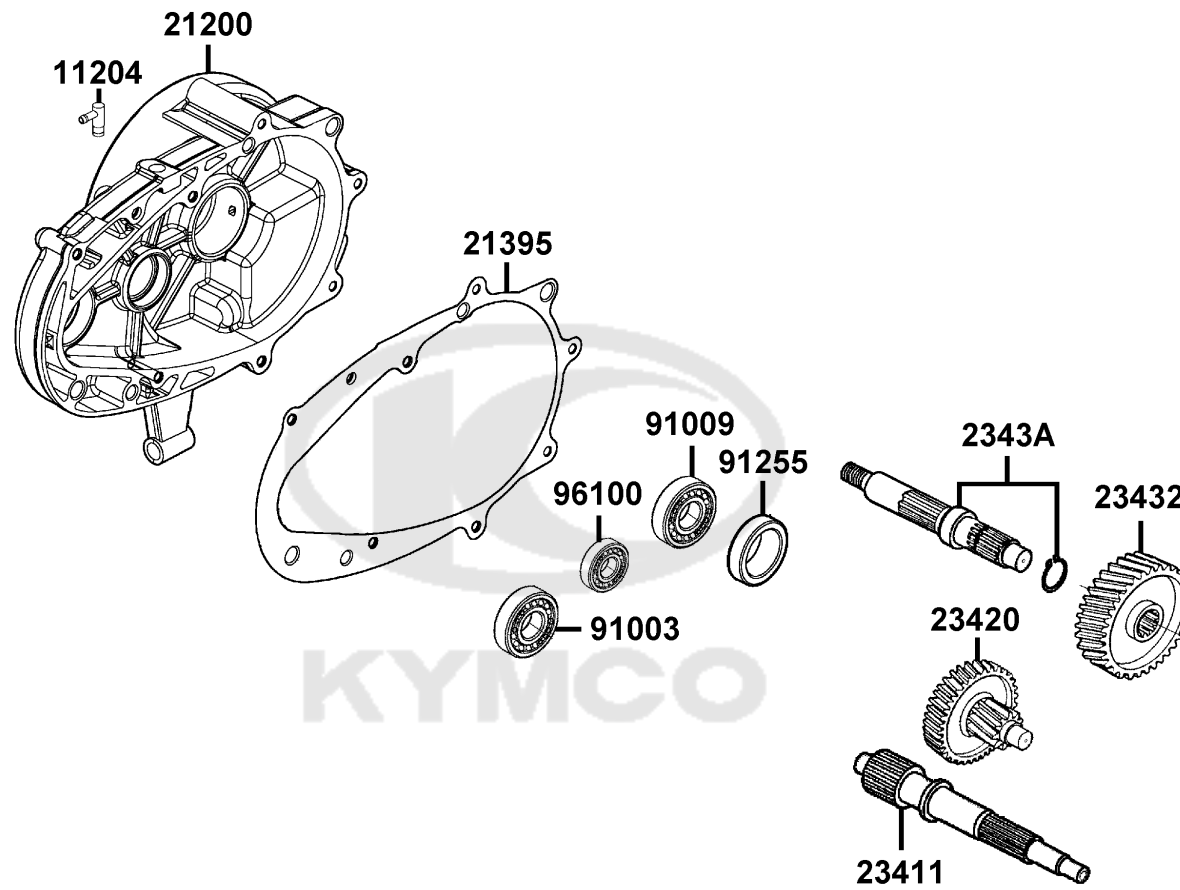


E08

Fan Cover Generator



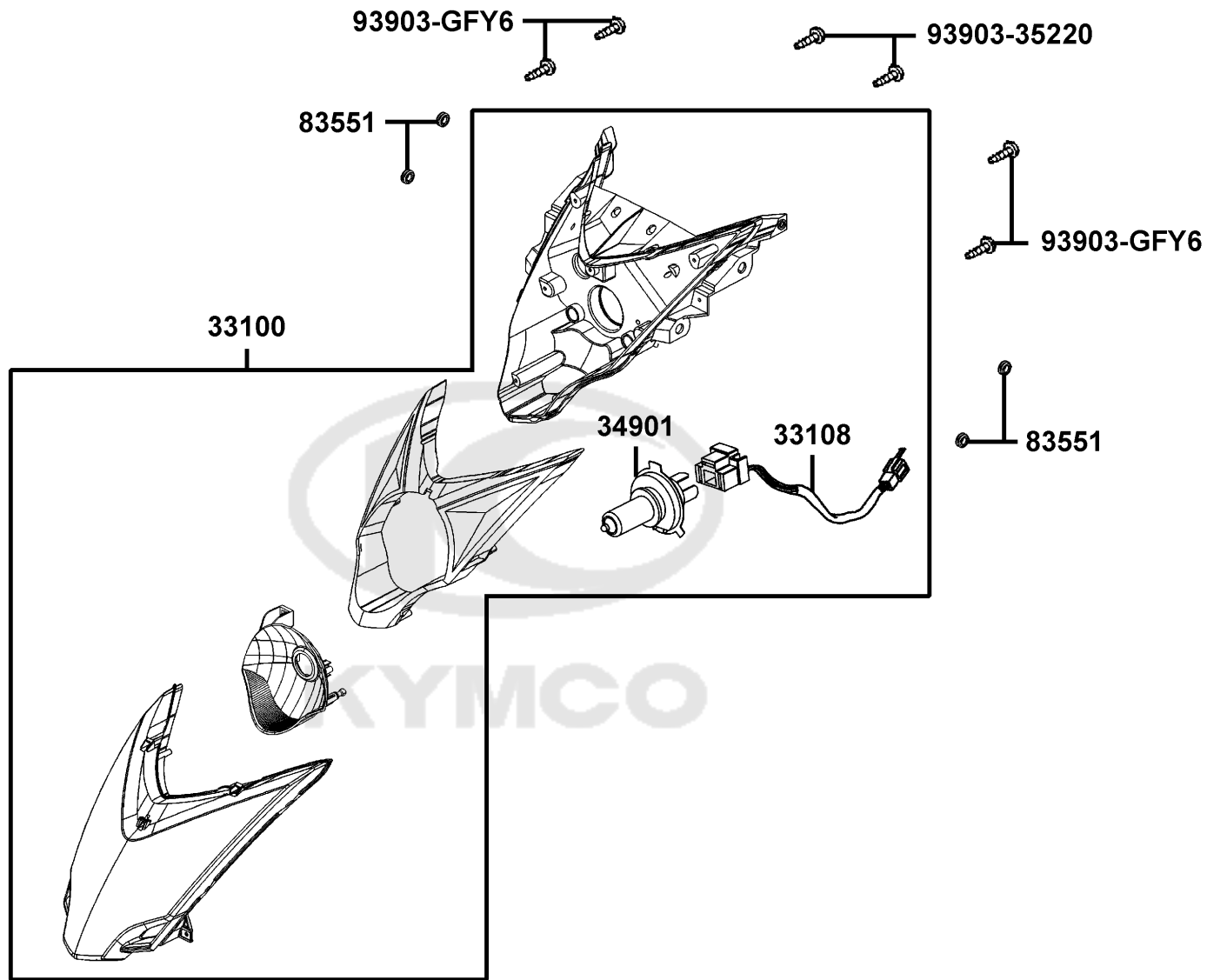
Sales mark	Ref no	Part no	Description	Reg description	Regd no	<b>E08</b>
	19510	19510-KFB7-C00	FAN COMP COOLING	FAN COMP COOLING	1	
	19610	19610-KUDU-C10	COVER COMP FAN	COVER COMP FAN	1	
	1962A	1962A-LEJ8-E00	SHROUD ASSY A	SHROUD ASSY A	1	
	1963A	1963A-AAD2-C00	SHROUD ASSY B	SHROUD ASSY B	1	
	31100	31100-LGS6-E10	A.C. GEN. ASS'Y	A.C. GEN. ASS'Y	1	
	31110	31110-KKE3-C00	FLYWHEEL COMP	FLYWHEEL COMP	1	
	31120	31120-LGS6-E10	STATOR COMP.	STATOR COMP.	1	
	90440	90440-1F66-C00	WASHER PLAIN 12MM	WASHER PLAIN 12MM	1	
	92101	92101-05012-0H	BOLT HEX 5*12	BOLT HEX 5*12	2	
	94050	94050-12080	NUT FLANGE 12MM	NUT FLANGE 12MM	1	
	96001-06016	96001-06016-08	BOLT FLANGE SH 6*16	BOLT FLANGE SH 6*16	4	
	96001-06018	96001-06018-08	BOLT FLANGE SH 6*18	BOLT FLANGE SH 6*18	4	
	96001-06022	96001-06022-08	BOLT FLANGE 6*22	BOLT FLANGE SH 6*22	2	
	96001-06025	96001-06025-08	BOLT FLANGE SH 6*25 (C)	BOLT FLANGE SH 6*25	3	



Sales mark	Ref no	Part no	Description	Reg description	Regd no	<b>E09</b>
11204		11204-KUDU-C00	JOINT COMP BREATHER TUBE	JOINT COMP BREATHER TUBE	1	
21200		21200-LEJ8-C00	CASE COMP MISSION	CASE COMP MISSION	1	
21395		21395-LCD3-E90	GASKET MISSION CASE@A	GASKET MISSION CASE@A	1	
23411		23411-ALJ8-E10	SHAFT, DRIVE	SHAFT DRIVE	1	
23420		23420-ALJ8-E10	SHAFT COMP., COUNTER	SHAFT COMP COUNTER	1	
23432		23432-ALJ8-E10	GEAR, FINAL	GEAR FINAL	1	
2343A		2343A-ALJ8-E10	SHAFT ASSY. FINAL	SHAFT FINAL	1	
91003		91003-KDS4-C00	BRG BALL RADIAL 6301TMB	BRG BALL RADIAL 6301TMB	1	
91009		91009-GLE0-C00	BRG BALL RADIAL 6004 UU	BRG BALL RADIAL 6004 UU	1	
91255		91255-LDC8-E10	OIL SEAL 27*42*7(C?)	OIL SEAL 27*42*7(C?)	1	
96100		96100-60020-00	BRG BALL RADIAL 6002	BRG BALL RADIAL 6002	1	

F01

Head Light



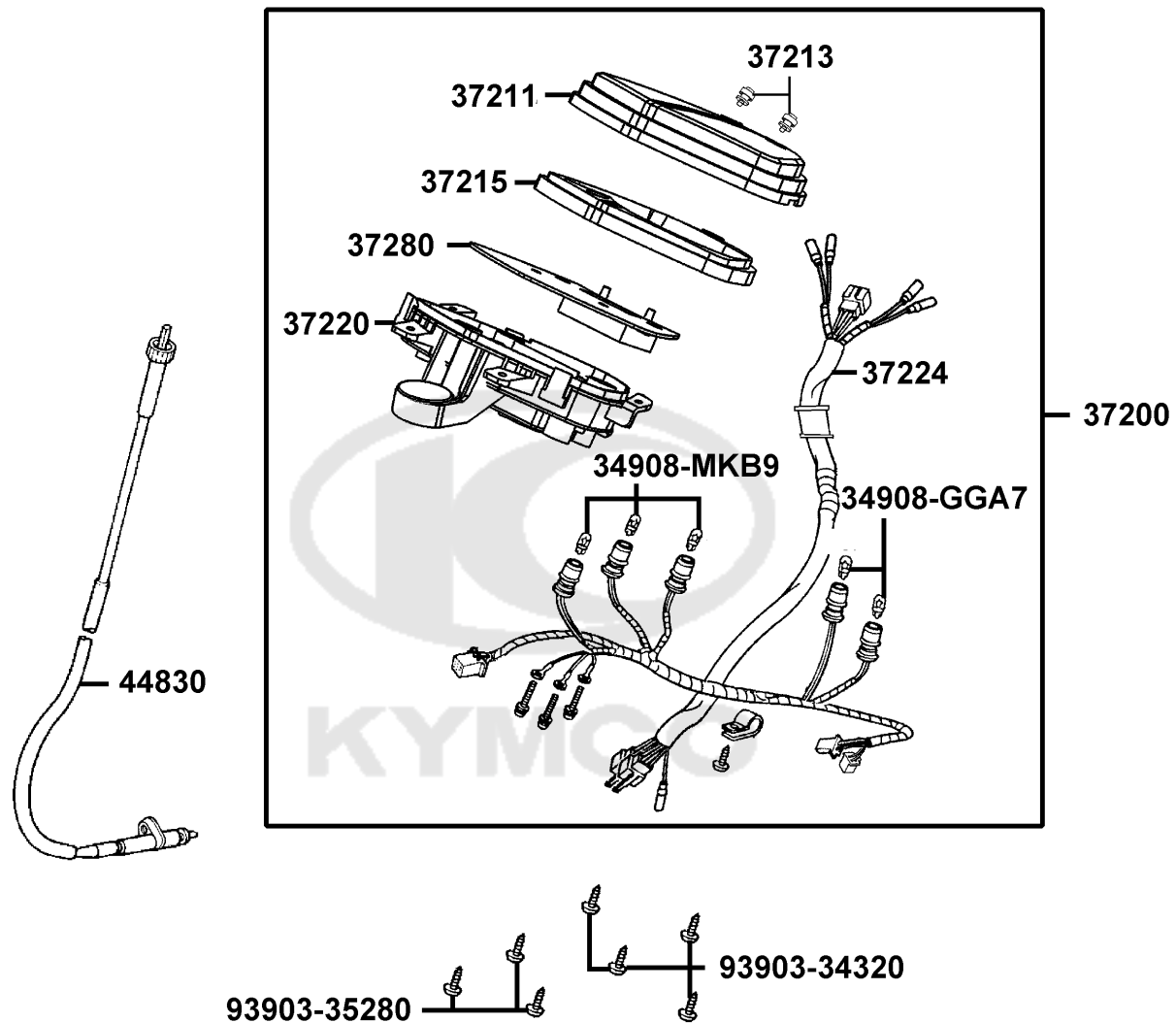
Sales mark	Ref no	Part no	Description	Reg description	Regd no	F01
	33100	33100-ALJ8-E10	LIGHT ASSY. HEAD	LIGHT ASSY HEAD	1	
	33108	33108-ALJ8-E10	SOCKET COMP HEAD LIGHT	SOCKET COMP HEAD LIGHT	1	
	34901	34901-LDC8-E10	BULB HEAD LIGHT	BULB HEAD LIGHT	1	
	83551	83551-KEC8-C10	GROMMET COVER	GROMMET COVER	4	
	93903-35220	93903-35220	SCREW TAPPING 5*12	SCREW TAPPING 5*12	2	
	93903-GFY6	93903-GFY6-C01	SCREW TAPPING 4*14(K)	"SCREW,TAPPING4*14"	4	





F02

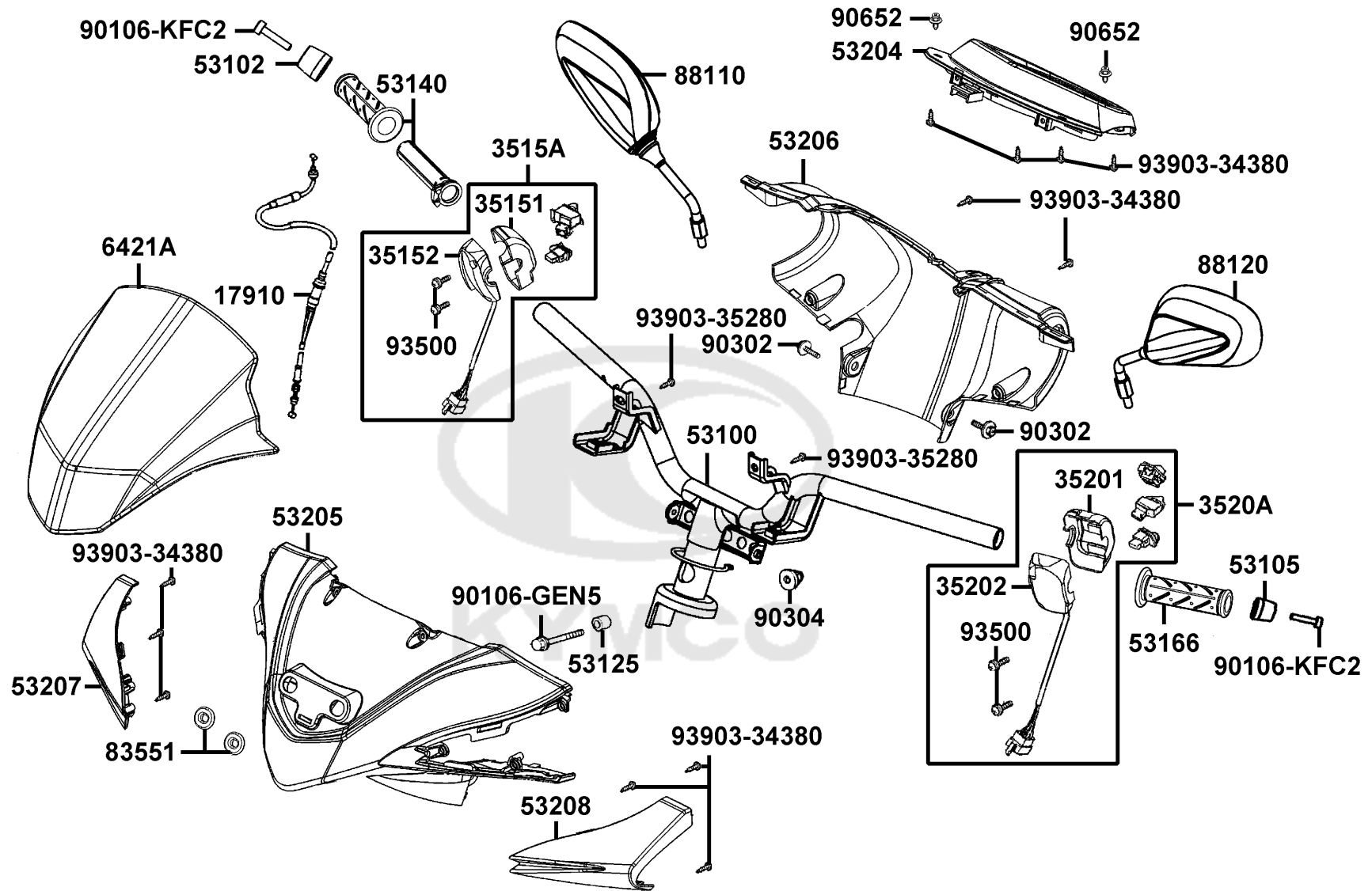
Speedometer



Sales mark	Ref no	Part no	Description	Reg description	Regd no	F02
	34908-GGA7	34908-GGA7-C00	BULB,WEDGE BASE T10	"BULB,WEDGE BASE T10"	2	
	34908-MKB9	34908-MKB9-C00	BULB WEDGE BASE	BULB WEDGE BASE T10	3	
	37200	37200-ALJ8-E10	METER ASSY COMBINATION	METER ASSY COMBINATION	1	
	37211	37211-LFC2-E1A	LENS COMP METER	LENS COMP METER	1	
	37213	37213-LFC2-E1A	BUTTON ADJUST	BUTTON ADJUST	2	
	37215	37215-LFC2-E1A	PLATE COSMETIC	PLATE COSMETIC	1	
	37220	37220-ALJ8-E10	CASE ASSY	CASE ASSY	1	
	37224	37224-ALJ8-E10	SOCKET COMP. METER	SOCKET COMP. METER	1	
	37280	37280-ALJ8-E10	LCD ASSY (LOCK)	LCD ASSY (LOCK)	1	
	44830	44830-LCD3-C00	CABLE COMP SPDMT	CABLE COMP SPDMT	1	
	93903-34320	93903-34320	SCREW TAPPING 4*12	SCREW TAPPING 4*12	4	
#	93903-35280	93903-35280-G	SCREW TAPPING 5*12 (K)	SCREW TAPPING 5*12 (KG)	3	

F03

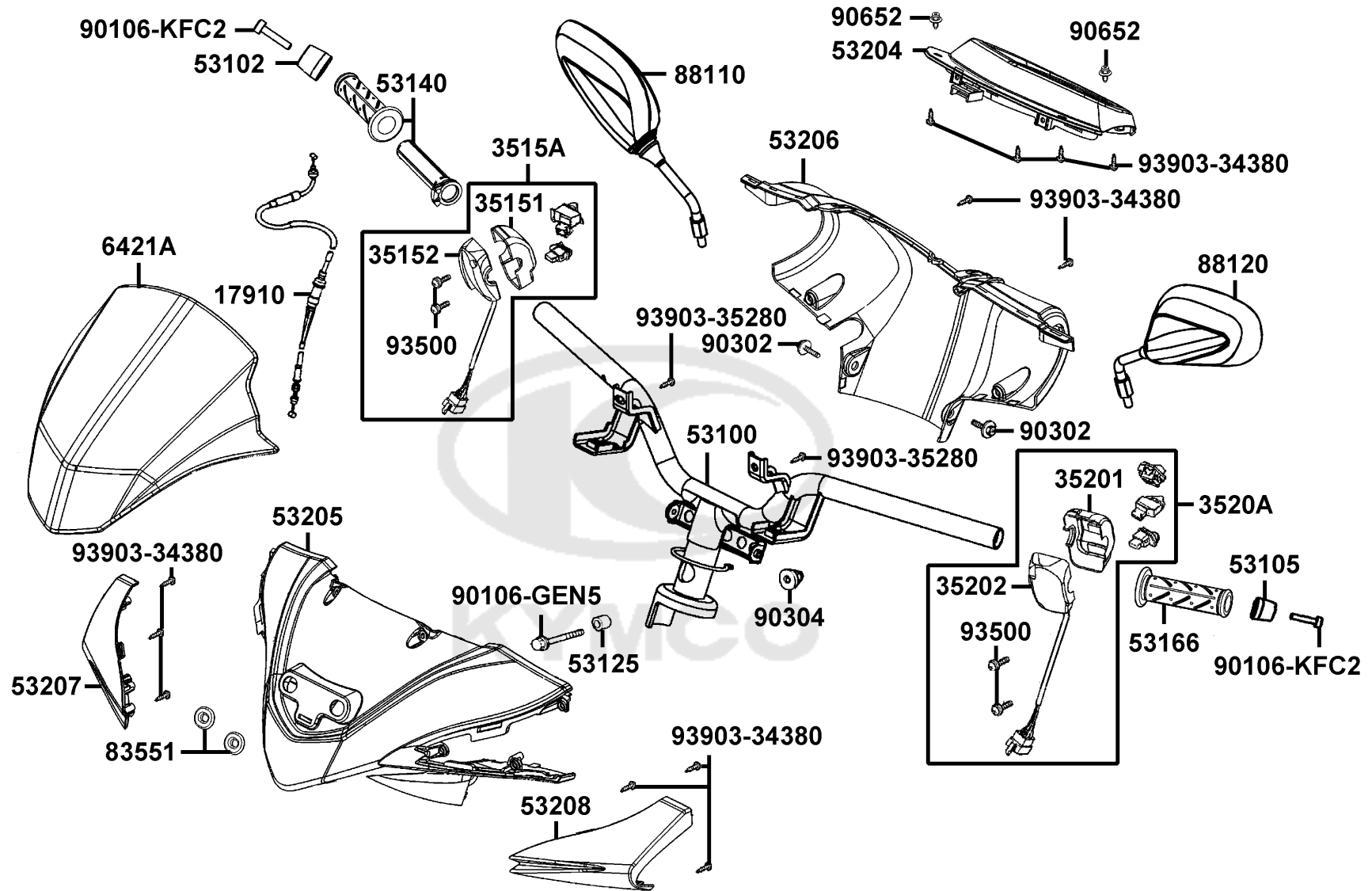
# Handle Steering Handle Cover



Sales mark	Ref no	Part no	Description	Reg description	Regd no	F03
#	17910	17910-ALJ8-E1D	CABLE COMPTHROTTL	CABLE COMPTHROTTL	1	
	35151	35151-LGB5-E10	FR CASE RH HNDL COMP SW	FR CASE RH HNDL COMP SW	1	
	35152	35152-LGB5-E10	RR CASE RH HNDL COMP SW	RR CASE RH HNDL COMP SW	1	
	3515A	3515A-LGB5-E10	SW ASSY RH HANDLE COMP	SW ASSY RH HANDLE COMP	1	
	3515A	3515A-LGB5-EV0	SW ASSY RH HANDLE COMP	SW ASSY RH HNDL COMP	1	
	35201	35201-LGB5-E10	FR CASE LH HNDL COMP SW	FR CASE LH HNDL COMP SW	1	
	35202	35202-LGB5-C00	RR CASE LH HNDL SW COMP	RR CASE LH HNDL SW COMP	1	
	3520A	3520A-LGB5-E11	"SW ASS'Y..LH HANDLE COMP"	"SW ASS'Y..LH HANDLE COMP"	1	
	53100	53100-ALJ9-E12	HANDLE COMP STRG	HANDLE COMP STRG	1	
	53125	53125-GEN5-C00	COLLAR HANDLE SET	COLLAR HANDLE SET	1	
	53140	53140-ALJ8-E10	GRIP COMP THROT	GRIP COMP THROT	1	
**	53204	53204-ALJ8-E10	COVER METER	COVER METER	1	
**	53205	53205-ALJ8-E10	COVER HANDLE FRONT	COVER HANDLE FRONT	1	
**	53206	53206-ALJ8-E10	COVER RR HANDLE	COVER RR HANDLE	1	
**	53207	53207-ALJ8-E10	PROTECTOR R HANDLE	PROTECTOR R HANDLE	1	
**	53208	53208-ALJ8-E10	PROTECTOR L HANDLE	PROTECTOR L HANDLE	1	
**	6421A	6421A-ALJ8-E11	ASSY METER VISOR	ASSY METER VISOR	1	
	83551	83551-KKAK-C00	GROMMET AIR CLEANER C	GROMMET AIR CLEANER CASE	2	
**	88110	88110-LEB5-C11	MIRROR ASSY R BACK	MIRROR ASSY R BACK	1	
**	88120	88120-LEB5-C11	MIRROR ASSY L BACK	MIRROR ASSY L BACK	1	

F03

# Handle Steering Handle Cover



Sales mark	Ref no	Part no	Description	Reg description	Regd no	F03
	90106-GEN5	90106-GEN5-901	BOLT FLANGE 10*50	BOLT FLANGE 10*50	1	
	90106-KFC2	90106-KFC2-900	BOLT SPECIAL 8MM	BOLT SPECIAL 8MM	2	
#	90302	90302-LLB1-C01	BOLT-WASH 5*12	"BOLT-WASHER,5*12"	2	
	90304	90304-GHE8-C00	NUT U 10MM (C)	NUT U 10MM (C)	1	
	90652	90652-LCA4-C10	CLIP MUDGUARD	CLIP MUDGUARD	2	
	93500	93500-05025	SCREW PAN 5*25	SCREW PAN 5*25	2	
	93903-34380	93903-34380	SCREW TAPPING 4*12	SCREW TAPPING 4*12 (K)	12	
#	93903-35280	93903-35280-G	SCREW TAPPING 5*12 (K)	SCREW TAPPING 5*12 (KG)	2	





Sales mark	Ref no	Part no	Description	Reg description	Regd no	F04
	35340	35340-KNBN-C00	SW ASSY FR STOP	SW ASSY FR STOP	1	
	35350	35350-KNBN-C00	SW ASSY RR STOP	SW ASSY RR STOP	1	
	43126	43126-ALJ9-E12	HOSE ASSY RR BRK (CBS)	HOSE ASSY RR BRK (CBS)	1	
	43127	43127-ALJ9-E12	CBS STAY	HANDLE COMP STRG	1	
**	43200	43200-ALJ9-E15	CALIPER ASSY RR BRK	CALIPER ASSY RR BRK	1	
**	43500	43500-LFC3-E10	M/C ASY RR BRK	M/C ASY RR BRK	1	
	45105-ALD9	45105-ALD9-306	PAD COMP A&B	PAD COMP A&B	1	
	45105-LFC4	45105-LFC4-305	PAD A&B	PAD A&B	1	
	45126	45126-ALJ9-E12	HOSE ASSY FR BRK	HOSE ASSY FR BRK	1	
	45156	45156-ALD9-E14	CLAMPER FR BRAKE HOSE	CLAMPER BRK HOSE	1	
**	45200	45200-ALJ9-E12	CALIPER ASSY FR BRK	CALIPER ASSY FR BRK	1	
**	45500	45500-ALJ8-E10	M/C ASSY FR	M/C ASSY FR	1	
	45513-KCCC	45513-KCCC-900	CAP M/C	CAP M/C	1	
	45513-LGR5	45513-LGR5-E10	CAP M/C	CAP M/C	1	
	45517	45517-KFAF-910	HOLDER M/C	HOLDER M/C	1	
	53175	53175-KTCT-C00	LEVER R STRG HNDL	LEVER R STRG HNDL	1	
**	53178	53178-KNBN-C00	LEVER L STRG HANDLE	LEVER L STRG HANDLE	1	
	90131-GLW0	90131-GLW0-C01	BOLT FLANGE 8*35	BOLT FLANGE 8*35	1	
	90131-KFAF	90131-KFAF-C01	BOLT FLANGE 8*42	BOLT FLANGE 8*42	2	
	90145	90145-9A61-C00	OIL BOLT 10*22	OIL BOLT 10*22	1	





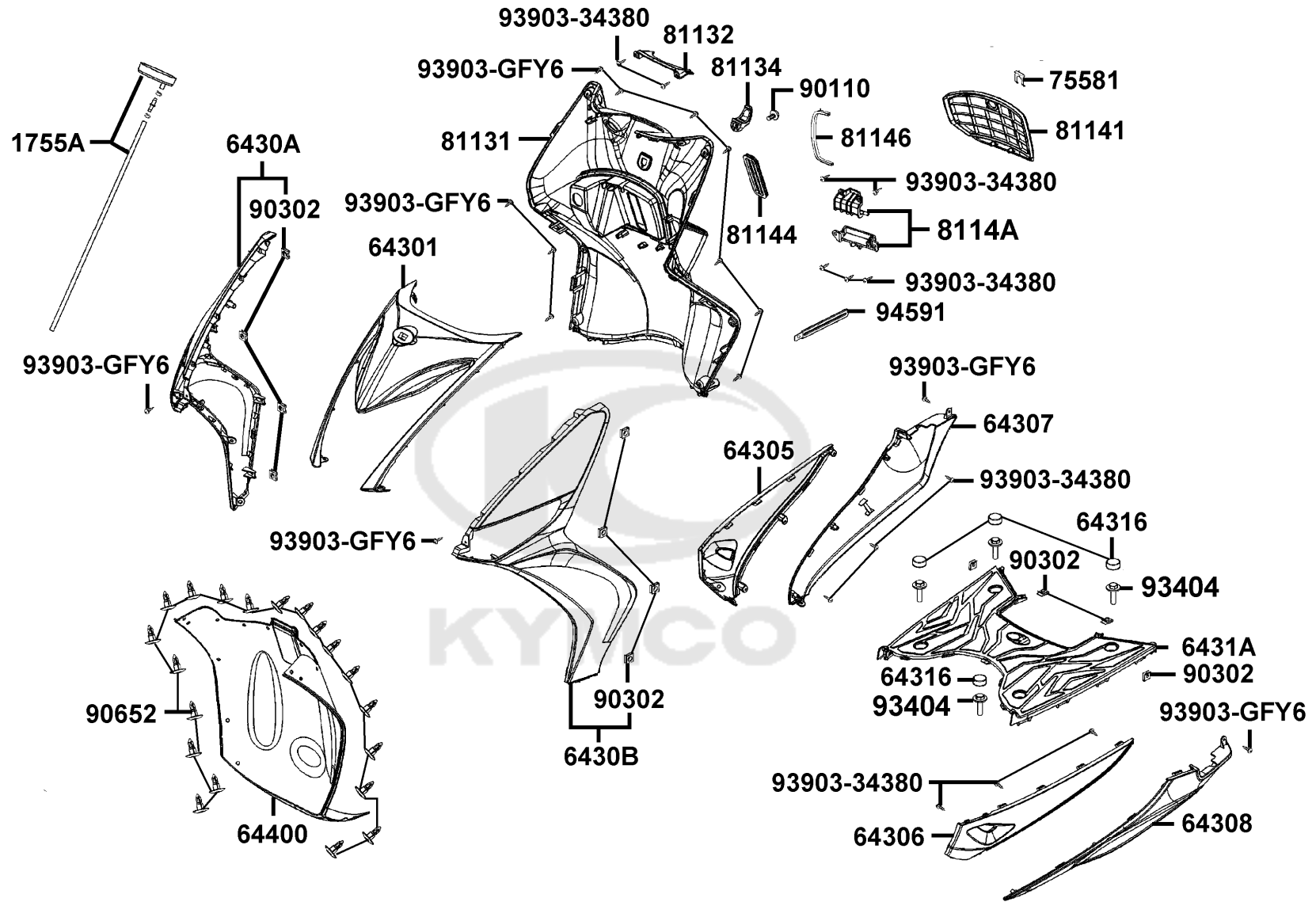
Sales mark	Ref no	Part no	Description	Reg description	Regd no	<b>F04</b>
------------	--------	---------	-------------	-----------------	---------	------------

90545		90545-3L00-C00	WASHER OIL BOLT	WASHER OIL BOLT	1	
93600		93600-04012-1G	SCREW FLAT 4X12	SCREW FLAT 4X12	1	
95701		95701-06022-07	BOLT FLANGE 6*22 (K)	BOLT FLANGE 6*22 (K)	1	
96001		96001-06025-00	BOLT FLANGE SH 6*25	BOLT FLANGE SH 6*25	1	



F05

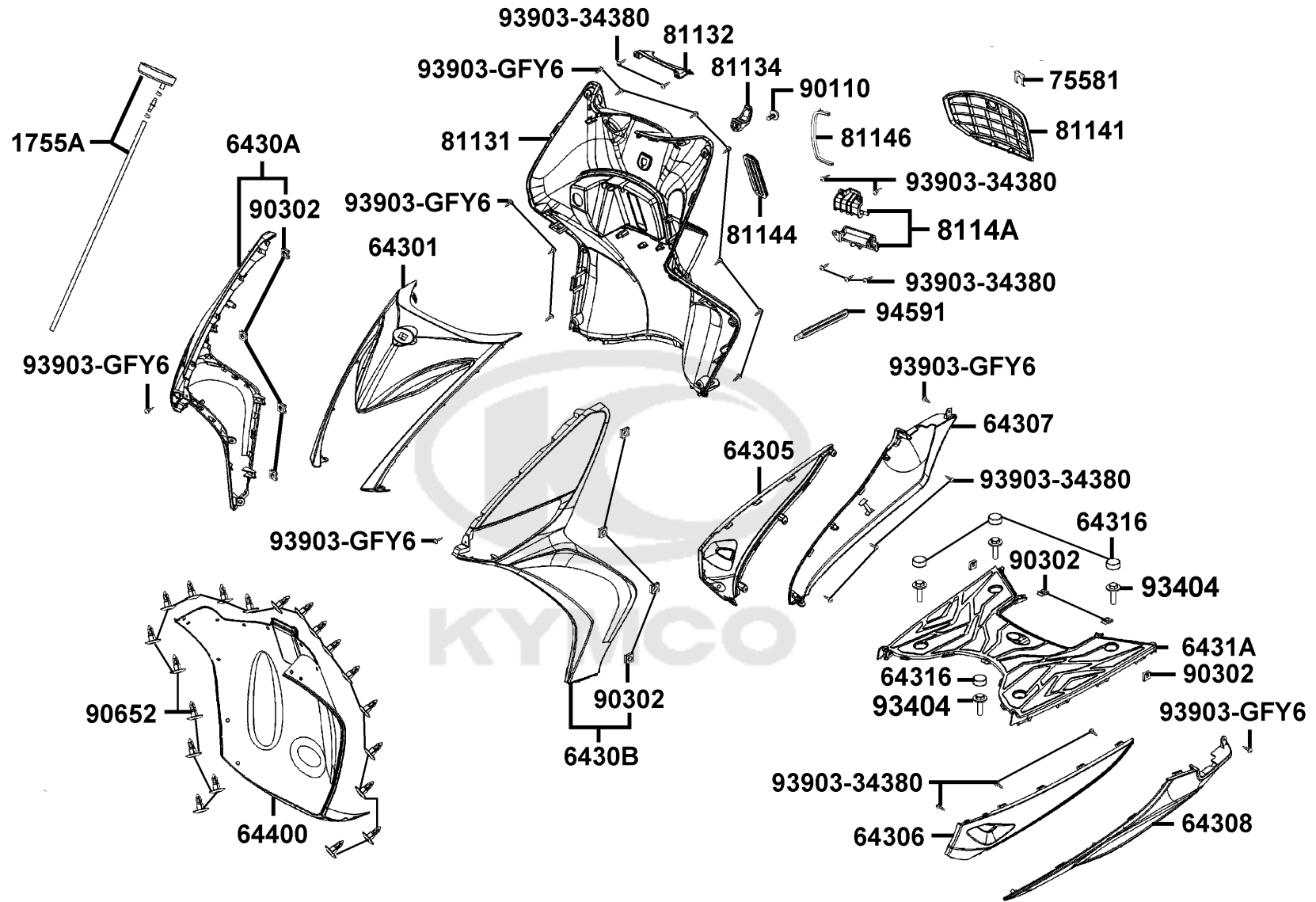
Front Cover Front Fender



Sales mark	Ref no	Part no	Description	Reg description	Regd no	F05
	1755A	1755A-ALJ8-E10	TRAY ASSY FUEL CAP	TRAY ASSY FUEL CAP	1	
**	64301	64301-ALJ8-E10	COVER FR	COVER FR	1	
**	64305	64305-ALJ8-E10	SKIRT R SIDE	SKIRT R SIDE	1	
**	64306	64306-ALJ8-E10	SKIRT L SIDE	SKIRT L SIDE	1	
**	64307	64307-ALJ8-E10	COVER R SIDE SKIRT	COVER R SIDE SKIRT	1	
**	64308	64308-ALJ8-E10	COVER L SIDE SKIRT	COVER L SIDE SKIRT	1	
**	6430A	6430A-ALJ8-E10	FRONT COVER	FRONT COVER	1	
**	6430B	6430B-ALJ8-E10	MOLDING FRONT COMP	MOLDING FRONT COMP	1	
**	64316	64316-LCB9-C10	PLUG FLOOR	PLUG FLOOR	1	
**	6431A	6431A-ALJ8-E10	FLOOR ASSY PANEL	FLOOR ASSY PANEL	1	
**	64400	64400-ALJ8-E10	COWL ASSY UNDER	COWL ASSY UNDER	1	
	75581	75581-6C73-C00	SET SPG LOCK KET(43*C)	SET SPG LOCK KET(43*C)	1	
**	81131	81131-ALJ8-E10	LEG SHIELD UP	LEG SHIELD UP	1	
**	81132	81132-ALJ8-E10	CAP LEG SHIELD UP	CAP LEG SHIELD UP	1	
	81134	81134-KGBG-C00	HOOK LUGGAGE	HOOK LUGGAGE	1	
**	81141	81141-ALJ8-E10	LID INNER BOX	LID INNER BOX	1	
	81144	81144-ALJ8-E10	LID LEG SHIELD	LID LEG SHIELD	1	
	81146	81146-ALJ8-E10	SEAL A LID INNER BOX	SEAL RUBBER A	1	
**	8114A	8114A-ALJ8-E10	HING ASSY	HING ASSY	1	
	90110	90110-GLW0-C00	SCREW SPECIFIED 6*14	SCREW SPECIAL 6*14(CR)	1	

F05

Front Cover Front Fender

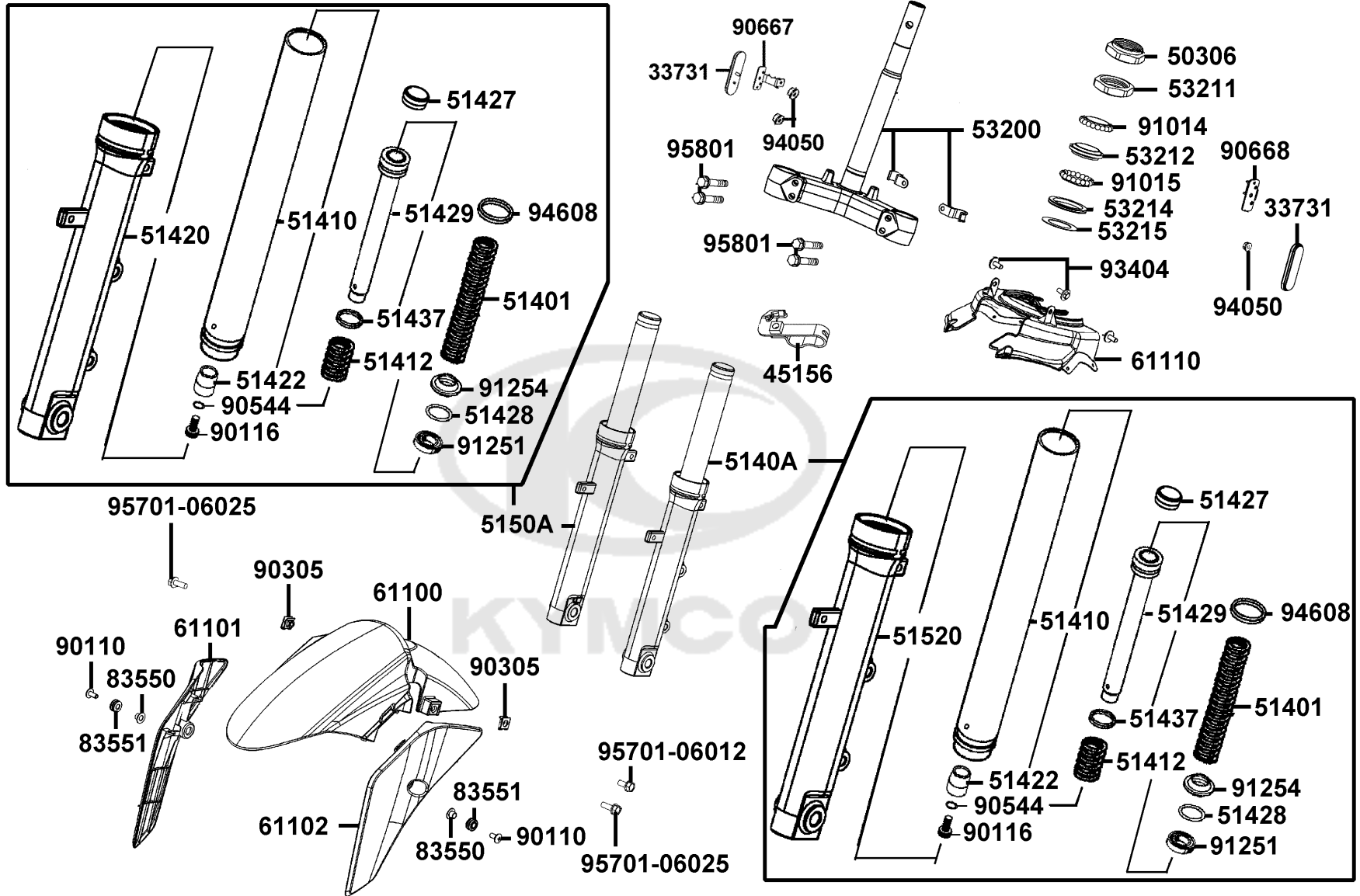


Sales mark	Ref no	Part no	Description	Reg description	Regd no	<b>F05</b>
#	90302	90302-SDA4-C01	"NUT,SPPING 4MM"	"NUT,SPPING 4MM"	30	
	90652	90652-LFB5-C00	"CLIP,MUDGUARD"	"CLIP,MUDGUARD"	7	
	93404	93404-06020-07	BOLT WASHER 6*20 (K)	BOLT WASHER 6*20 (K)	4	
	93903-34380	93903-34380	SCREW TAPPING 4*12	SCREW TAPPING 4*12 (K)	13	
	93903-GFY6	93903-GFY6-C01	SCREW TAPPING 4*14(K)	"SCREW,TAPPING4*14"	14	
	94591	94591-LGR5-E10	CLIP 1*100	CLIP 1*100	1	



F06

# Stem Steering Front Cushion

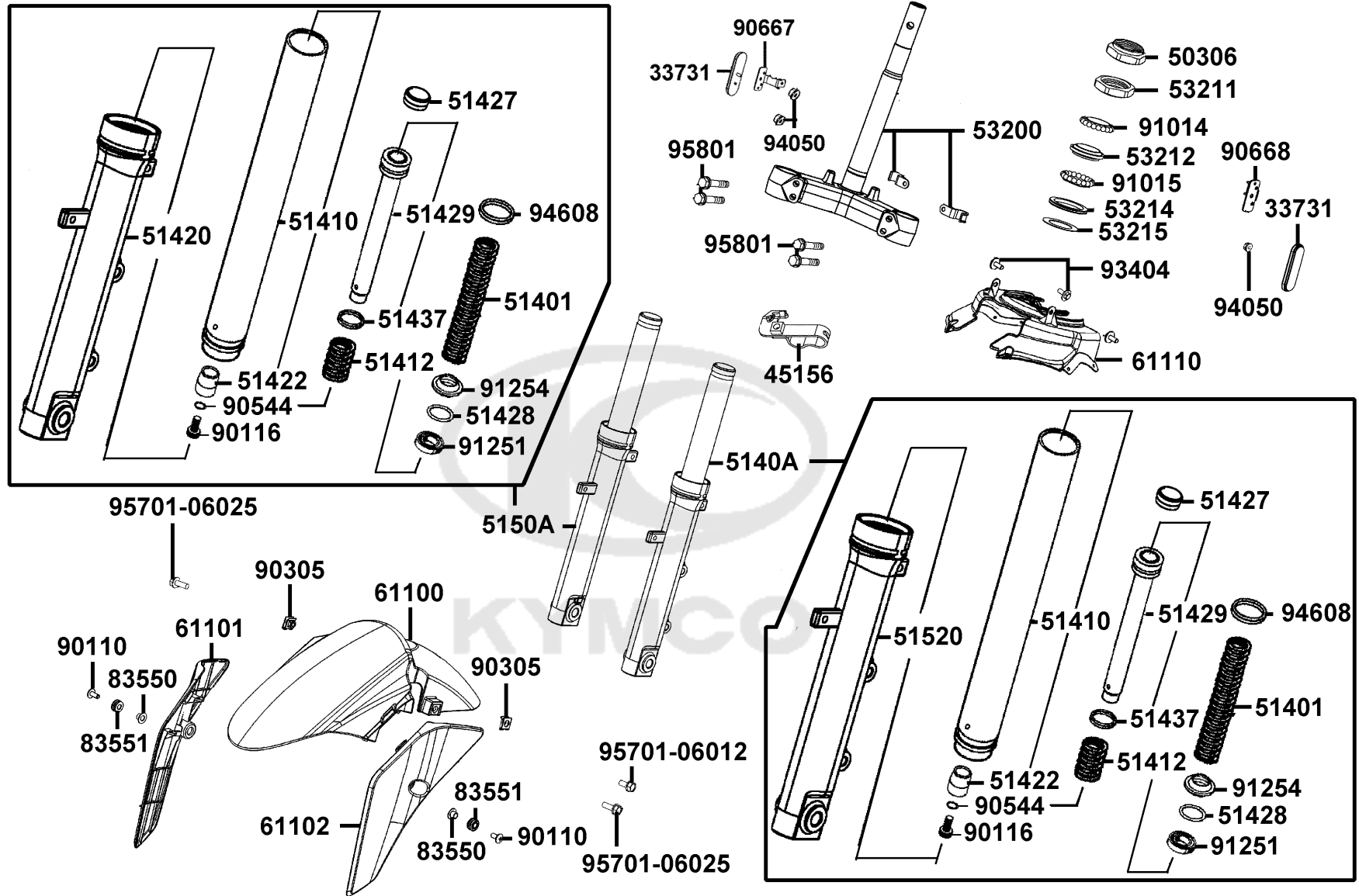


Sales mark	Ref no	Part no	Description	Reg description	Regd no	F06
#	33731	33731-KGB5-EZ0	REFLEX REFLECTOR SIDE	REFLEX REFLECTOR SIDE	1	
	45156	45156-ALJ9-E15	CLAMPER FR BRAKE HOSE	CLAMPER FR BRAKE HOSE	1	
	50306	50306-1F96-C00	NUT STRG STEM LOCK	NUT STRG STEM LOCK	1	
	51401	51401-LFC3-E10	SPRING	SPRING	2	
**	5140A	5140A-ALJ8-E10	FORK SET R FR.	FORK SET R FR.	1	
	51410	51410-LEJ2-E10	FORK PIPE COMP	FORK PIPE COMP	1	
	51412	51412-LEJ2-E10	REBOUND SPRING	REBOUND SPRING	1	
**	51420	51420-LFC2-E10	BOTTOM CASE RH	BOTTOM CASE RH	1	
	51422	51422-LEJ2-E10	OIL LOCK PIECE	OIL LOCK PIECE	1	
	51427	51427-LEJ2-E10	FORK BOLT	FORK BOLT	1	
	51428	51428-LEJ2-E10	OIL SEAL STOP RING	OIL SEAL STOP RING	1	
	51429	51429-LFC3-E10	PIPE SEAT	PIPE SEAT	1	
	51437	51437-LEJ2-E10	PISTON RING	PISTON RING	1	
**	5150A	5150A-ALJ8-E10	FORK SET L FR.	FORK SET L FR.	1	
**	51520	51520-LFC2-E10	BOTTOM CASE LH	BOTTOM CASE LH	1	
	53200	53200-ALJ9-E12	STEM COMP STRG	STEM COMP STRG	1	
	53211	53211-GFY6-C00	RACE STRG. CONE TOP	RACE STRG. CONE TOP	1	
	53212	53212-2L50-C00	RACE STRG. BOTTOM CONE	RACE STRG. BOTTOM CONE	1	
	53214	53214-2L50-C00	DUST SEAL STRG HEAD	DUST SEAL STRG. HEAD BOT	1	
	53215	53215-2L50-C00	WASHER STRG HDL DUST-SEAL	"WASHER,STRG. HEAD DUST SEAL"	1	



F06

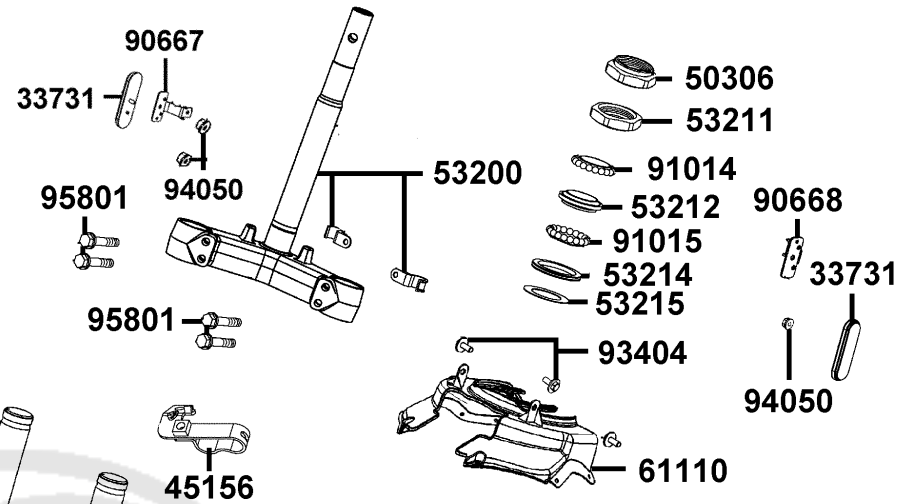
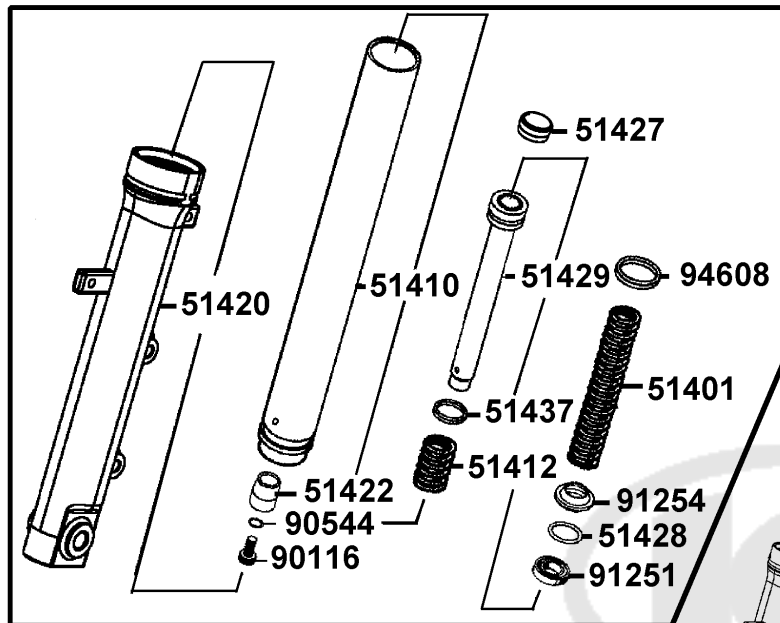
# Stem Steering Front Cushion



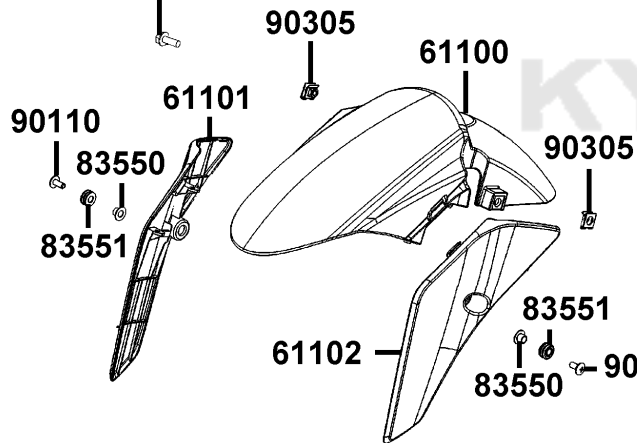
Sales mark	Ref no	Part no	Description	Reg description	Regd no	F06
**	61100	61100-ALJ8-E10	FENDER A FR INNER	FENDER A FR INNER	1	
**	61101	61101-ALJ8-E10	FENDER B FR R	FENDER B FR R	1	
**	61102	61102-ALJ8-E10	FENDER B FR L	FENDER B FR L	1	
**	61110	61110-ALJ8-E10	FENDER FR INNER	FENDER FR INNER	1	
	83550	83550-KEC8-C00	COLLAR SET METER	COLLAR	2	
	83551	83551-KEC8-C10	GROMMET COVER	GROMMET COVER	2	
	90110	90110-KEB7-C00	SCREW SPECIAL 6*14	SCREW SPECIAL 6*14	2	
	90116	90116-LEJ2-E10	BOLT	BOLT	1	
	90305	90305-GHK8-C00	NUT CLIP 6MM	NUT U 16MM(C)	2	
	90544	90544-LEJ2-E10	PACKINGCUB	PACKINGCUB	1	
	90667	90667-LFC2-MG0	"STAY,R/L,SIDE REFLECTOR"	"STAY,R/L,SIDE REFLECTOR"	1	
	90668	90668-LFC2-MG0	"STAY,SIDE REFLECTOR"	"STAY,SIDE REFLECTOR"	1	
	91014	91014-LLJ3-C00	CAGE STRG TOPP	CAGE STRG TOPP	1	
	91015	91015-LLJ3-C00	CAGE STRG BOT	CAGE STRG BOT	1	
	91251	91251-LEJ2-E10	OIL SEAL	OIL SEAL	1	
	91254	91254-LEJ2-E10	DUST SEAL	DUST SEAL	1	
	93404	93404-06012-07	BOLT WASH 6*12	BOLT WASH 6*12	2	
	94050	94050-06080	NUT FLANGE 6MM	NUT FLANGE 6MM	1	
	94608	94608-LEJ2-E10	O-RING 23X2.4	O-RING 23X2.4	1	
	95701-06012	95701-06012-07	BOLT FLANGE 6*12(K)	BOLT FLANGE 6*12(K)	1	

F06

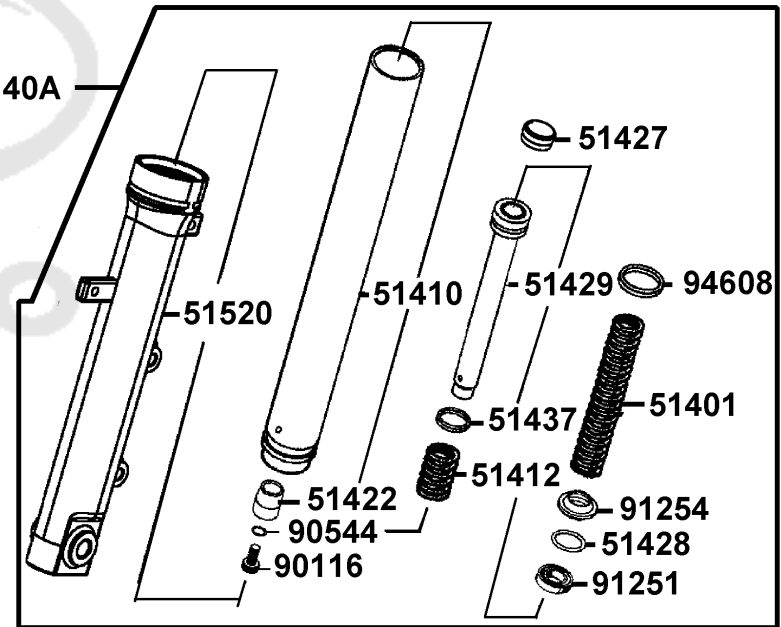
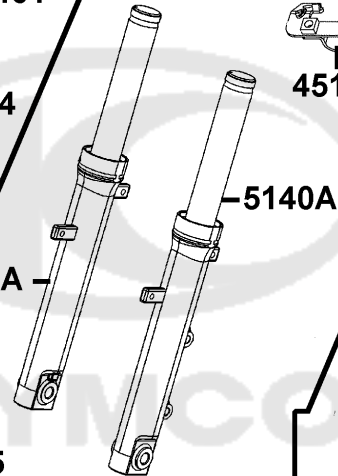
# Stem Steering Front Cushion



95701-06025



5150A



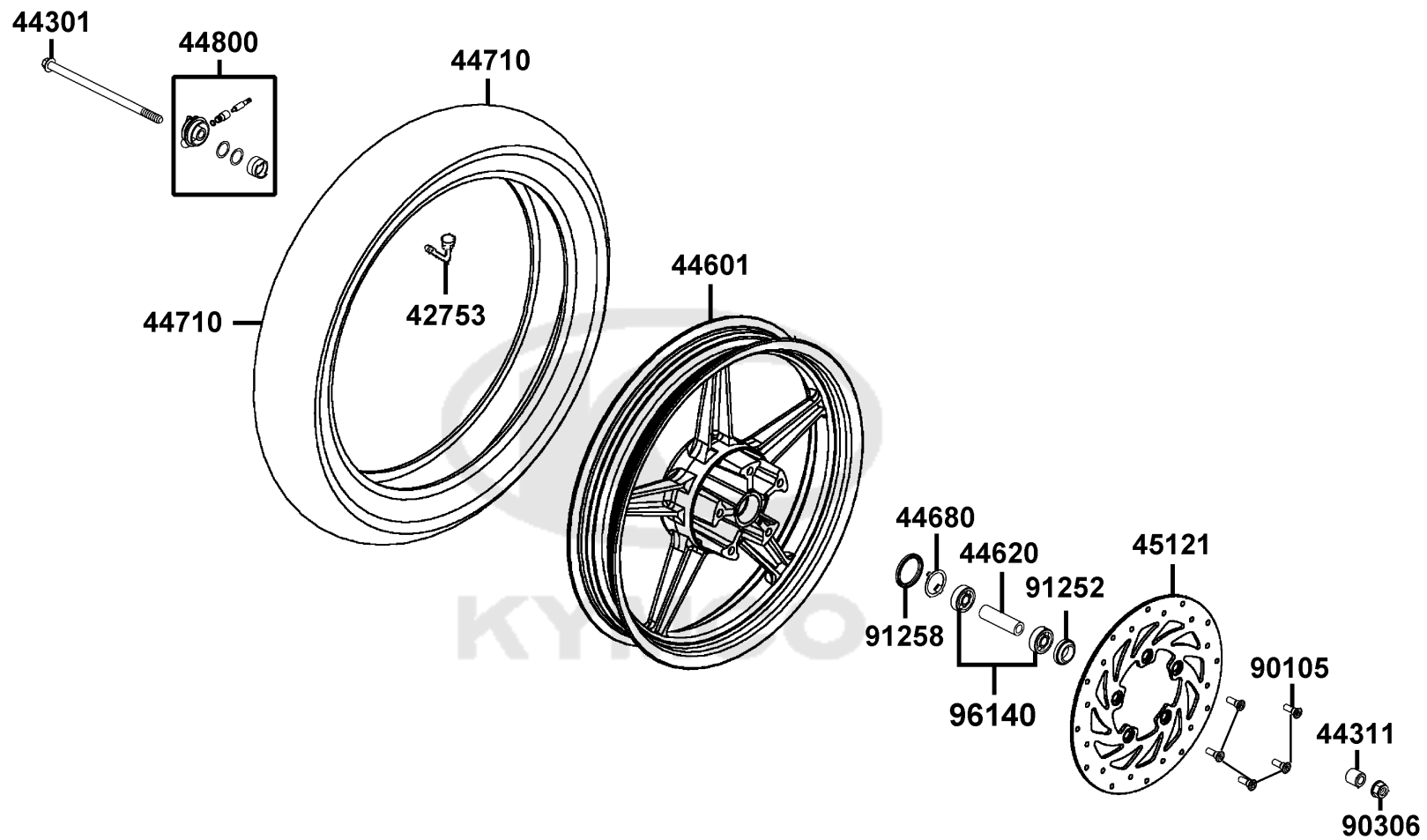
Sales mark	Ref no	Part no	Description	Reg description	Regd no	<b>F06</b>
------------	--------	---------	-------------	-----------------	---------	------------

95701-06025		95701-06025-07	BOLT FLANGE 6*25 (K) **06 C.P.N.	BOLT FLANGE 6*25 (K) **06 C.P.N.	2	
95801		95801-08040-08	BOLT FLANGE 8*40 (C)	BOLT FLANGE 8*40	4	

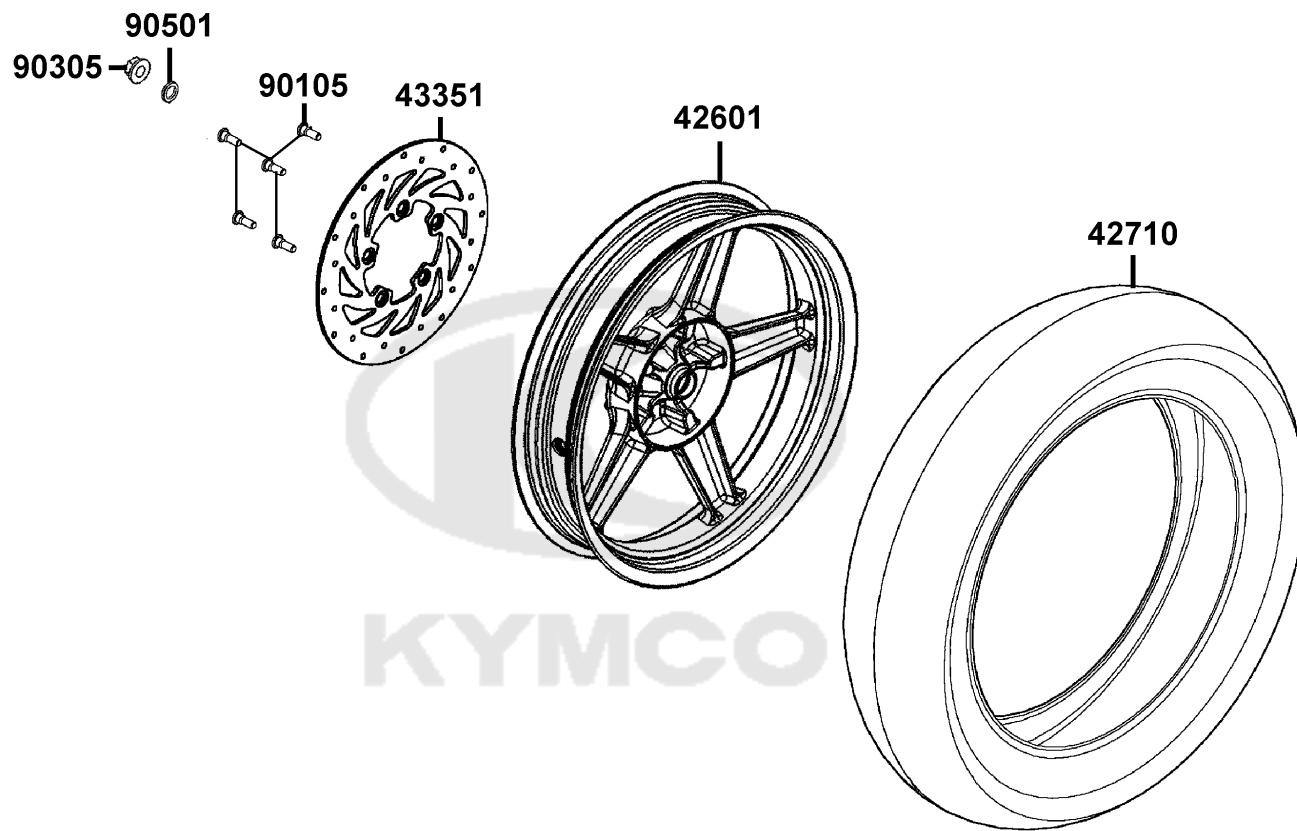


F07

Front Wheel



Sales mark	Ref no	Part no	Description	Reg description	Regd no	F07
	42753	42753-0A01-C00	VALVE (TR 412) & CAP (C)	VALVE (TR 412) & CAP (C)	1	
#	44301	44301-LEJ2-E13	AXLE FR WHEEL 12*243(K)	AXLE FR WHEEL 12*243(K)	1	
	44311	44311-LFC2-E10	COLLAR FR WHEEL SIDE	COLLAR FR WHEEL SIDE	1	
**	44601	44601-LFC2-E10	WHEEL CAST FR	WHEEL CAST FR	1	
	44620	44620-KFLF-C00	COLLAR FR DIST	COLLAR FR DIST	1	
	44680	44680-4L10-C00	RETAINER GEAR BOX	RETAINER GEAR BOX	1	
	44710	44710-LFC4-E91	TIRE FR	TIRE ASSY FR ?	1	
	44800	44800-LKD1-E10	GEAR BOX ASSY SPDMT	GEAR BOX ASSY SPDMT	1	
	45121	45121-LFC2-E80	DISK FR BRK	DISK FR BRK	1	
	90105	90105-KCR3-001	BOLT FR DISK 8*24	BOLT FR DISK 8*24	5	
	90306	90306-LKL5-E30	NUT U FLANGE 12MM	NUT U FLANGE 12MM	1	
#	91252	91252-0L30-C00	OIL SEAL 23*37*7	OIL SEAL 23*37*7	1	
	91258	91258-4L10-007	DUST SEAL 40*50*5	DUST SEAL 40*50*5	1	
	96140	96140-63010-10	BEARING BALL RADIAL 6301 U	BEARING BALL RADIAL 6301 U	1	



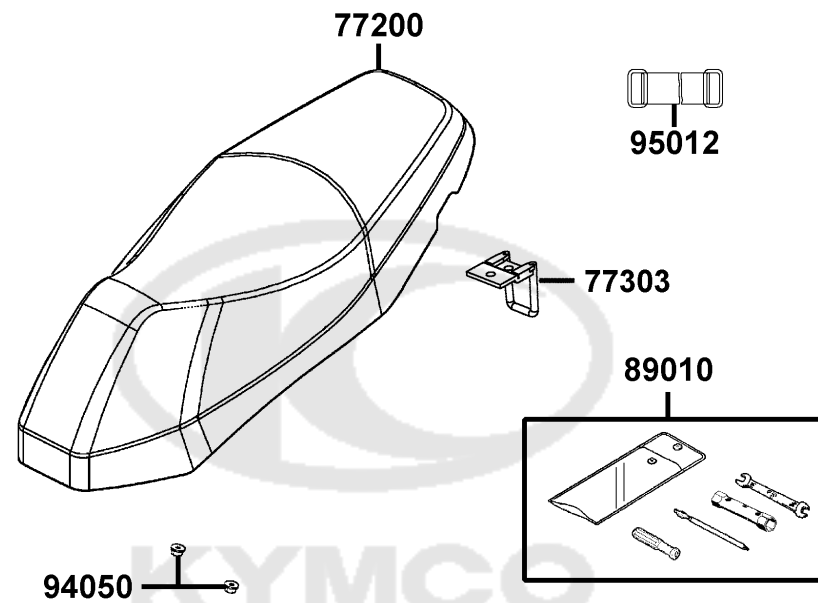
Sales mark	Ref no	Part no	Description	Reg description	Regd no	<b>F08</b>
**	42601	42601-ALJ8-E10	WHEEL COMP FR CAST	WHEEL COMP FR CAST	1	
	42710	42710-ALJ8-E10	TIRE ASSY. RR	TIRE ASSY RR 120/80-14	1	
	43351	43351-LFC3-E80	DISK RR BRK	DISK FR BRK	1	
	90105	90105-KCR3-001	BOLT FR DISK 8*24	BOLT FR DISK 8*24	5	
#	90305	90305-KNBN-C03	NUT U 16MM(C)	NUT U 16MM(K)	1	
	90501	90501-KNBN-C00	WASHER 16MM	WASHER 16MM	1	





F09

Seat



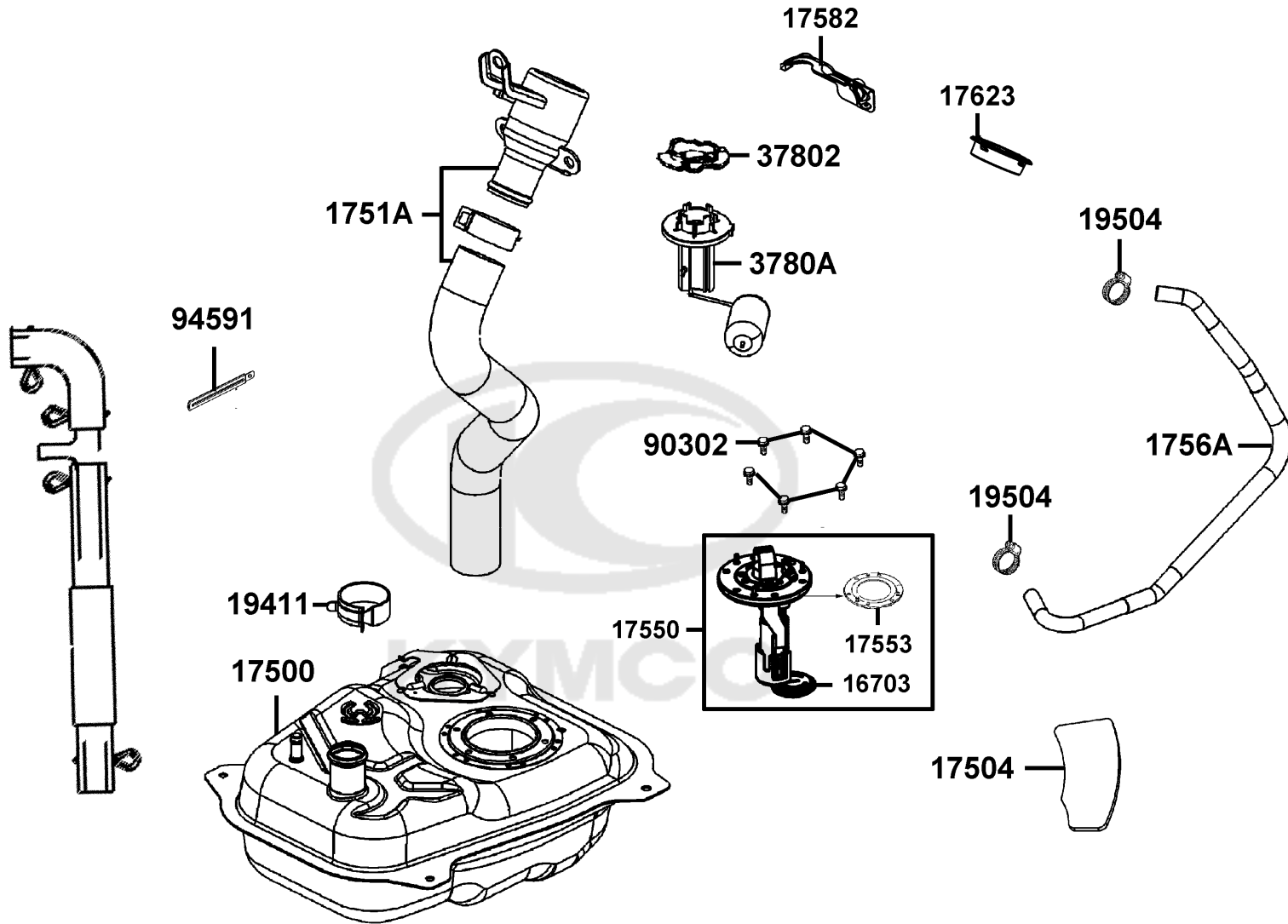
Sales mark	Ref no	Part no	Description	Reg description	Regd no	<b>F09</b>
------------	--------	---------	-------------	-----------------	---------	------------

**	77200	77200-ALJ8-E10	SEAT ASSY	SEAT ASSY	1	
	77303	77303-LAB4-C00	HOOK. SEAT LOCK	HOOK. SEAT LOCK	1	
	89010	89010-KGBG-C00	TOOL SET	TOOL SET	1	
	94050	94050-06080	NUT FLANGE 6MM	NUT FLANGE 6MM	2	
	95012	95012-KGE2-C10	BATTERY BAND	BATTERY BAND	1	



F10

Fuel Tank



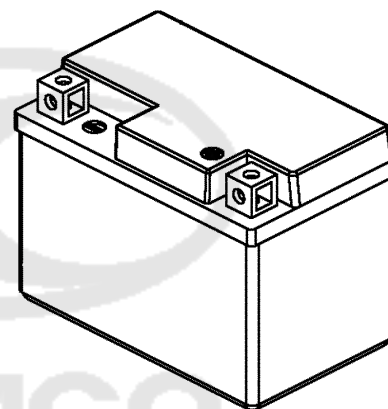
Sales mark	Ref no	Part no	Description	Reg description	Regd no	<b>F10</b>
	16703	16703-LKD2-M90	FUEL FILTER COMP	FUEL FILTER COMP	1	
	17500	17500-ALJ8-E10	TANK COMP FUEL	TANK COMP FUEL	1	
	17504	17504-ALJ8-E10	SPONGE TANK	SPONGE TANK	1	
	1751A	1751A-ALJ9-E15	TUBE PIPE ASSY	FUEL PIPE ASSY	1	
	17550	17550-ALJ8-E10	FUEL PUMP ASSY	FUEL PUMP ASSY	1	
	17553	17553-LEB2-900	PACKING PUMP	PACKING PUMP	1	
	1756A	1756A-ALJ8-E10	TUBE PUMP INJECTOR	TUBE PUMP INJECTOR	1	
**	17582	17582-ALJ8-E10	HEAT GUARD FUEL TANK	HEAT GUARD FUEL TANK	1	
**	17623	17623-ALJ8-E10	COLLAR FUEL CAP	COLLAR FUEL CAP	1	
	19411	19411-KNBN-C10	CLIP HOSE	CLIP HOSE	1	
	19504	19504-LBA2-C00	CLAMP D16.8	CLAMP D16.8	1	
	37802	37802-GGA7-C00	RET FUEL UNIT	RET FUEL UNIT	1	
	3780A	3780A-ALJ8-E10	FUEL UNIT. ASSY.	FUEL UNIT ASSY	1	
	90302	90302-GFY6-C10	BOLT-WASH 5*16	BOLT WASHER 5*16	1	
	94591	94591-LGR5-E10	CLIP 1*100	CLIP 1*100	1	

F11

Battery

98200-11000 

98200-11500 



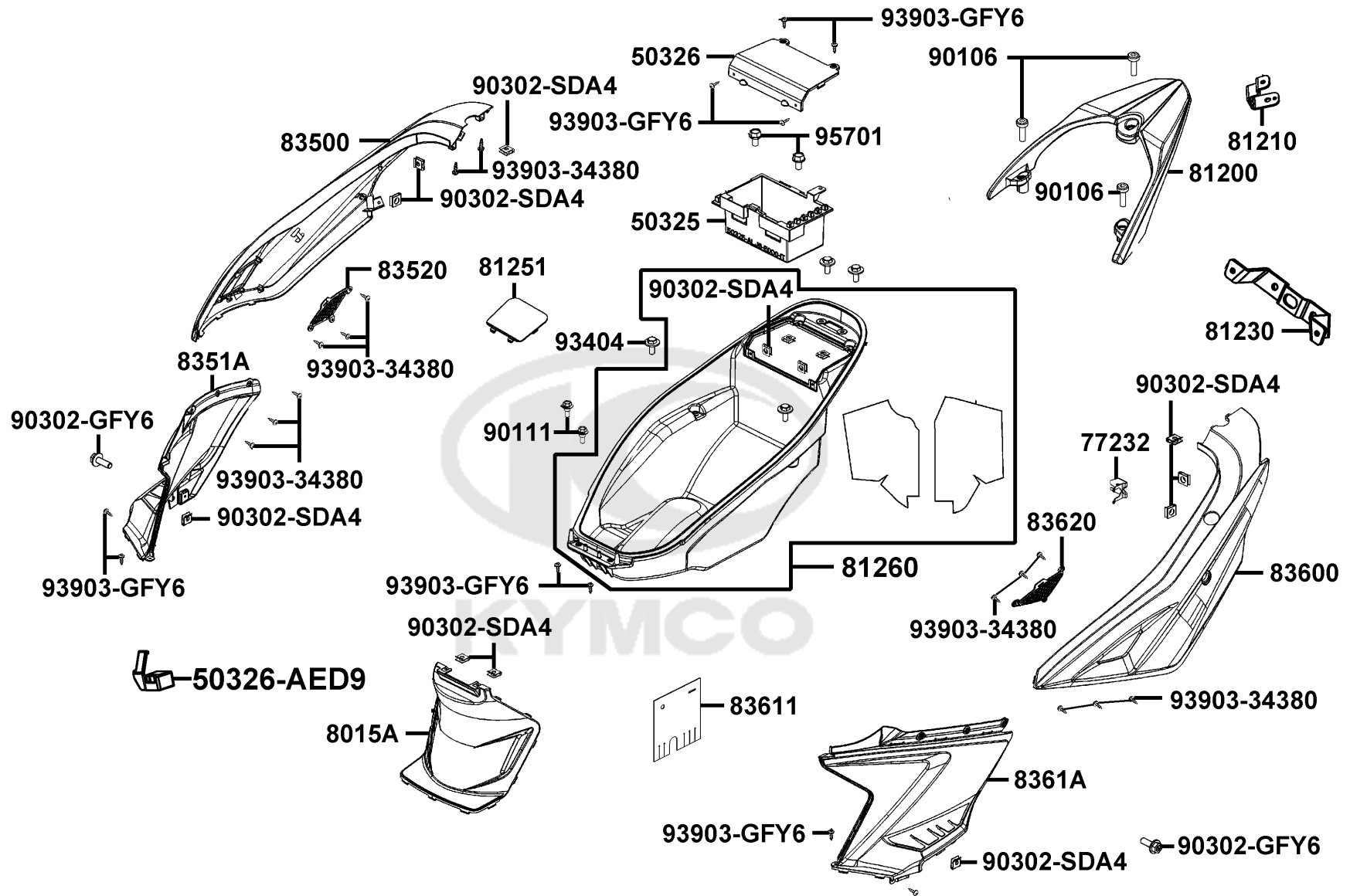
31500

Sales mark	Ref no	Part no	Description	Reg description	Regd no	<b>F11</b>
------------	--------	---------	-------------	-----------------	---------	------------

#	31500	31500-KFAF-EZ0	BATTERY EB9-4	BATTERY YTX9-BS	1	
	98200-11000	98200-11000	FUSE A10	FUSE 10A	1	
	98200-11500	98200-11500	FUSE A15	FUSE A15	1	



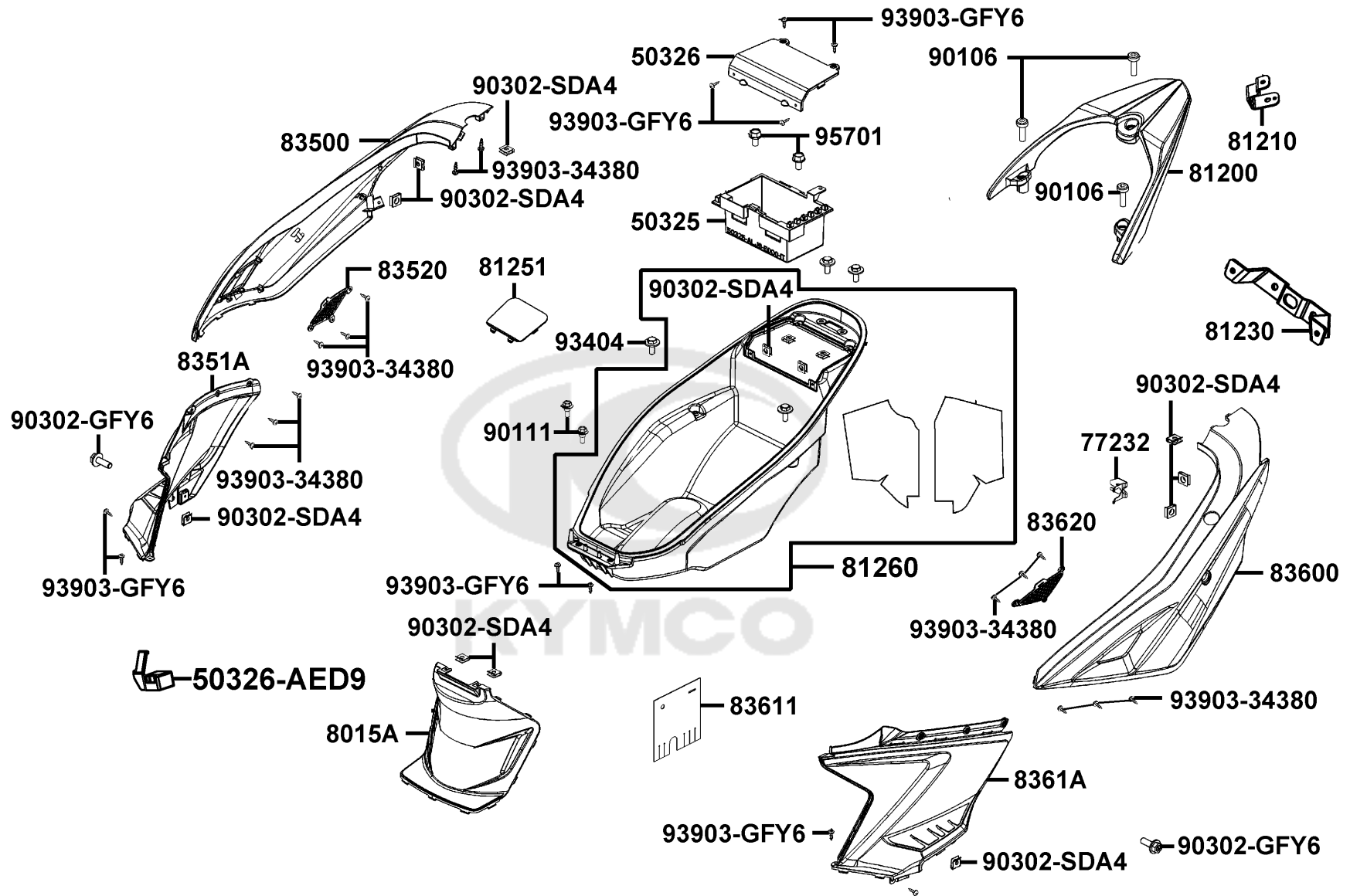
Body Cover Luggage Box



Sales mark	Ref no	Part no	Description	Reg description	Regd no	F12
**	50325	50325-ALJ8-E10	CASE BATTERY	CASE BATTERY	1	
**	50326-AED9	50326-AED9-E10	COVER BATTERY	COVER BATTERY	1	
**	50326	50326-ALJ8-E10	COVER BATTERY	COVER BATTERY	1	
	77232	77232-KCAC-C00	SET SPG SEAT LOCK	SET SPG SEAT LOCK	1	
**	8015A	8015A-ALJ8-E10	COVER ASSY CENTER	COVER ASSY CENTER	1	
**	81200	81200-ALJ8-E10	CARRIER ASSY REAR	CARRIER ASSY REAR	1	
	81210	81210-ALJ8-E10	STAY CARRIER	STAY CARRIER	1	
	81230	81230-ALJ8-E10	STAY RR BOX	STAY RR BOX	1	
**	81251	81251-AAD3-C00	"LID,LUG.BOX"	"LID,LUG.BOX"	1	
**	81260	81260-ALJ8-E10	BOX LUGGAGE	BOX LUGGAGE	1	
**	83500	83500-ALJ8-E10	COVER R BODY	COVER R BODY	1	
**	8351A	8351A-ALJ8-E10	COVER R RR SIDE	COVER R RR SIDE	1	
**	83520	83520-ALJ8-E10	LID R BODY COVER	LID R BODY COVER	1	
**	83600	83600-ALJ8-E10	COVER L BODY	COVER L BODY	1	
	83611	83611-ALJ8-E10	PLATE SPLASH BOARD	PLATE SPLASH BOARD	1	
**	8361A	8361A-ALJ8-E10	COVER L RR SIDE	COVER L RR SIDE	1	
**	83620	83620-ALJ8-E10	LID L BODY COVER	LID L BODY COVER	1	
	90106	90106-KFC2-900	BOLT SPECIAL 8MM	BOLT SPECIAL 8MM	3	
#	90111	90111-1G87-C01	BOLT FLANGE 6MM	BOLT FLANGE 6MM	2	
	90302-GFY6	90302-GFY6-C00	BOLT-WASH 5*12	BOLT-WASH 5*12	10	

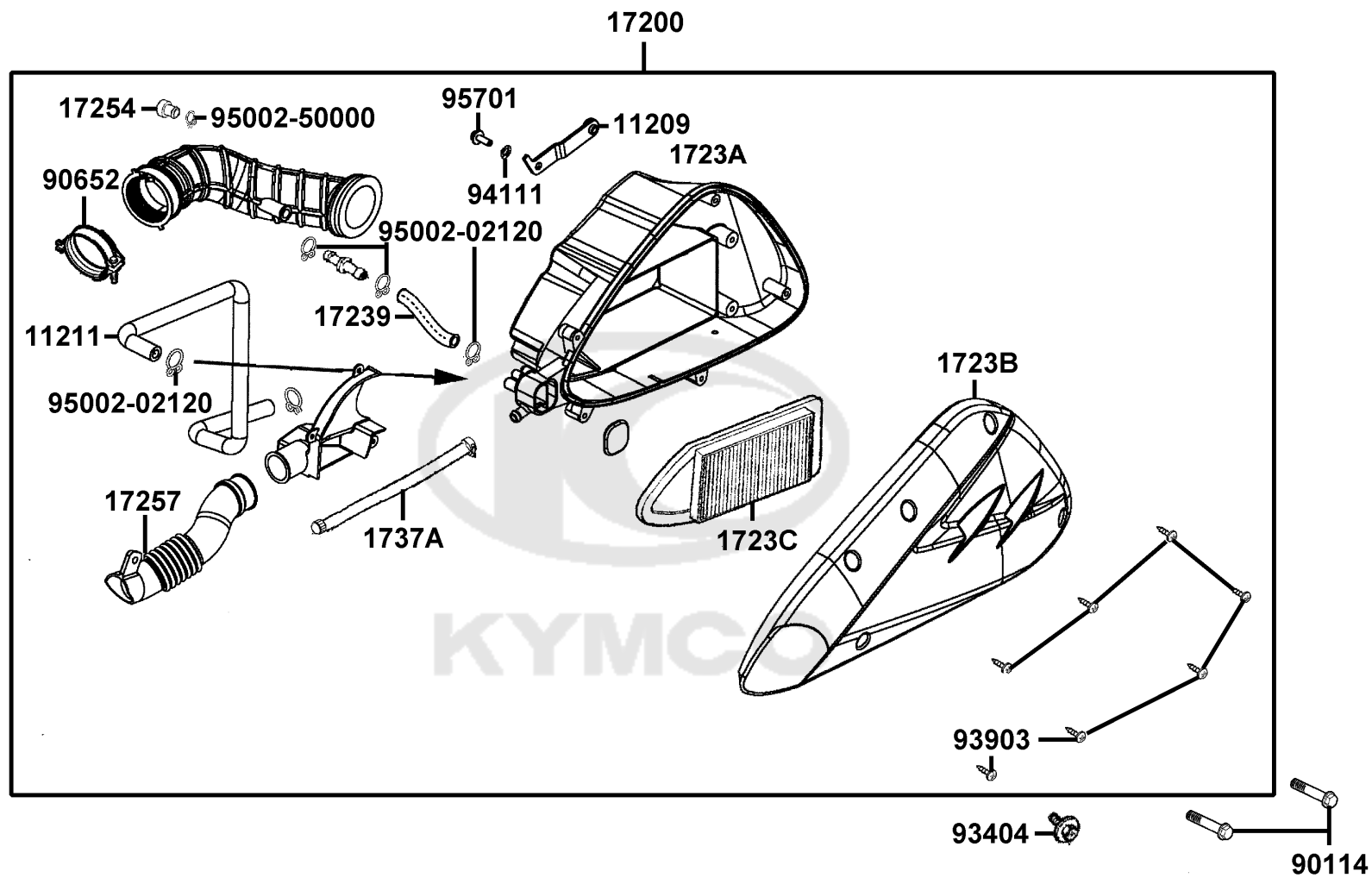


Body Cover Luggage Box



Sales mark	Ref no	Part no	Description	Reg description	Regd no	<b>F12</b>
#	90302-SDA4	90302-SDA4-C01	"NUT,SPPING 4MM"	"NUT,SPPING 4MM"	10	
	93404	93404-06012-07	BOLT WASH 6*12	BOLT WASH 6*12	4	
	93903-34380	93903-34380	SCREW TAPPING 4*12	SCREW TAPPING 4*12 (K)	14	
	93903-GFY6	93903-GFY6-C01	SCREW TAPPING 4*14(K)	"SCREW,TAPPING4*14"	4	
	95701	95701-06012-08	BOLT FLANGE 6*12	BOLT FLANGE 6*12	2	

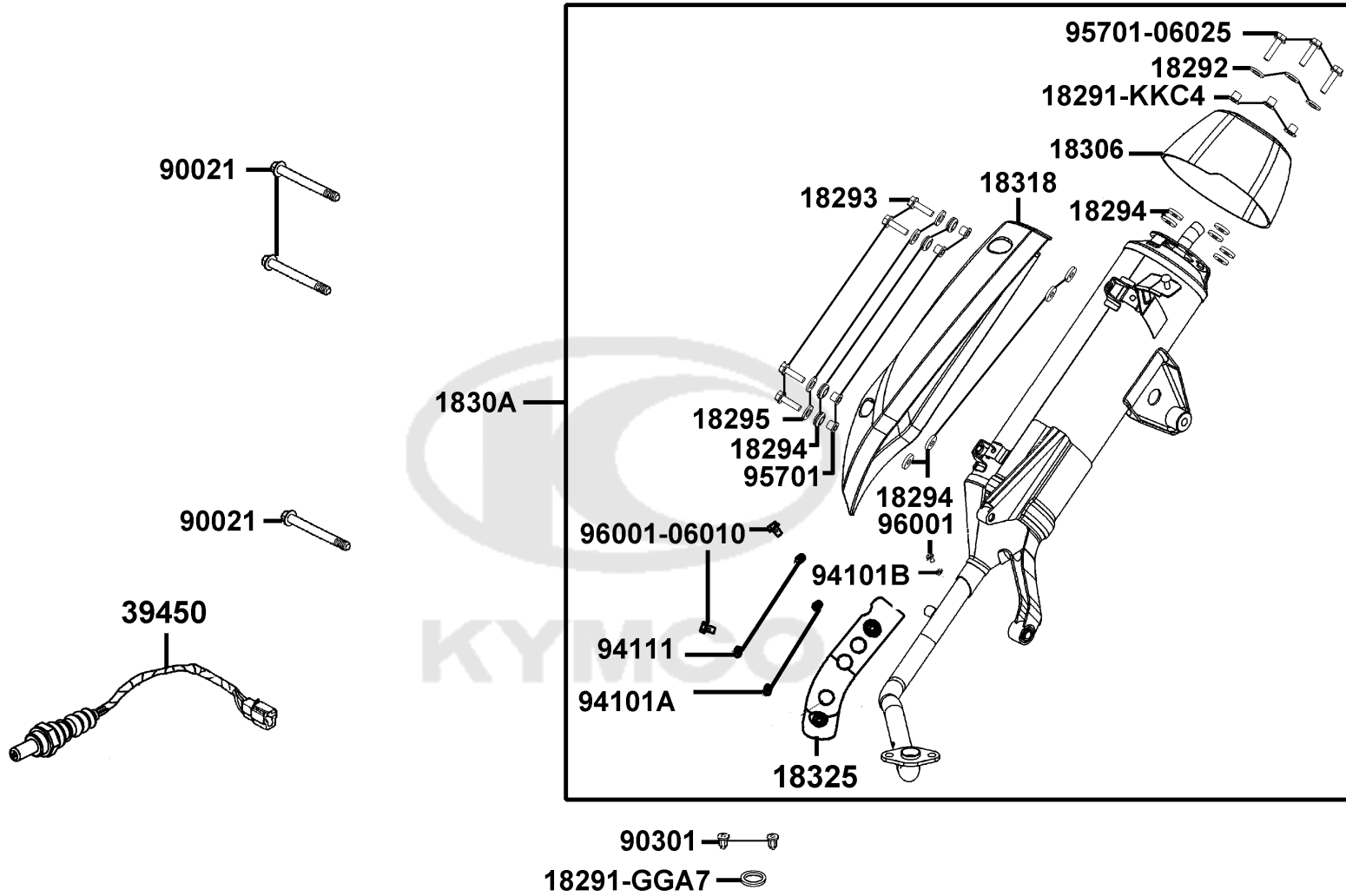




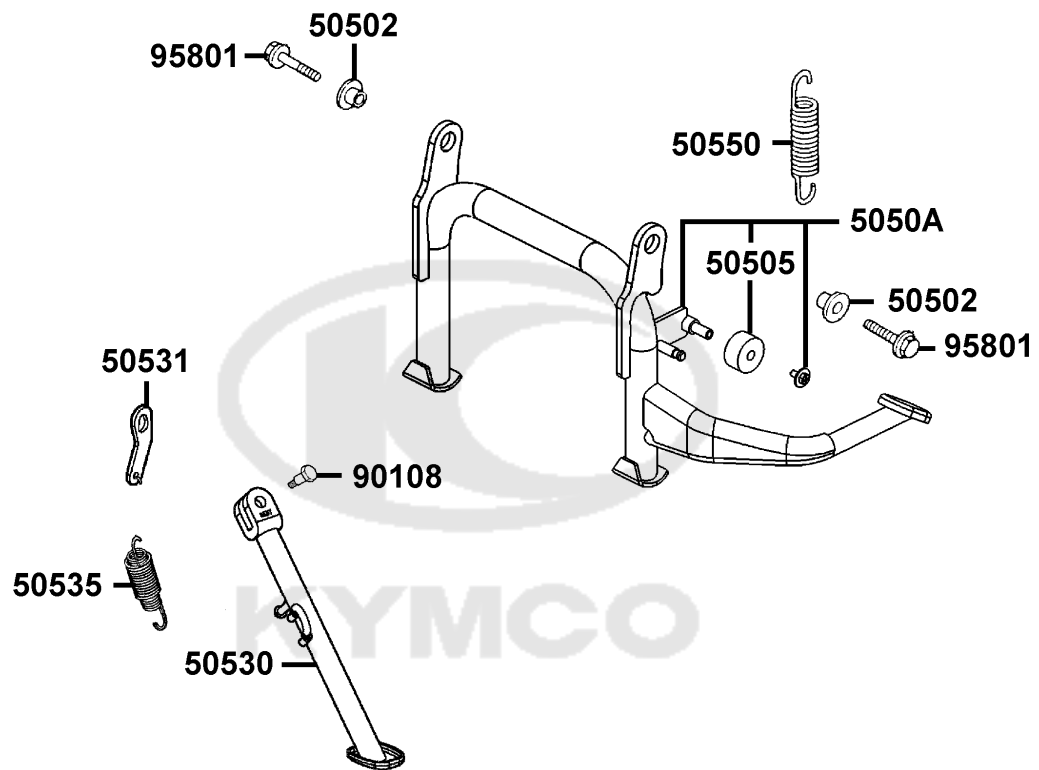
Sales mark	Ref no	Part no	Description	Reg description	Regd no	F13
	11209	11209-LCD3-E00	STAY B RR FENDER	STAY B RR FENDER	1	
	11211	11211-LKD2-C00	TUBE BREATHER	TUBE BREATHER	1	
	17200	17200-ALJ9-E15	AIR/C ASSY	AIR/C ASSY	1	
	17239	17239-KHB4-C00	TUBE AIR/C BLOW BY	TUBE AIR/C BLOW BY	1	
	1723A	1723A-LKD2-E10	CASE ASSY AIR/C	CASE ASSY AIR/C	1	
	1723B	1723B-LFC4-E10	COVER COMP AIR/C	COVER COMP AIR/C	1	
	1723C	1723C-LEJ3-E10	ELEMENT ASSY AIR/C	ELEMENT COMP AIR/C	1	
	17254	17254-KACA-P00	PLUG AIR/C CONN TUBE	PLUG AIR/C CONN TUBE	1	
	17257	17257-LFC4-E10	DUCT AIR/C COVER	DUCT AIR/C	1	
#	1737A	1737A-LCD3-E00	V TUBE ASSY	V TUBE ASSY	1	
	90114	90114-GDM4-C00	BOLT M6*28	BOLT M6*28	1	
	90652	90652-GFY6-C00	BAND 49 AIR/C CONNECTING TUBE	BAND 49 AIR/C CONNECTING TUBE	1	
	93404	93404-06012-07	BOLT WASH 6*12	BOLT WASH 6*12	1	
	93903	93903-25480	SCREW TAPPING 5*20 (K)	SCREW TAPPING 5*20 (K)	6	
	94111	94111-06800	WASHER SPRING 6MM	WASHER SPRING 6MM	1	
	95002-02120	95002-02120	CLIP B12 TUBE	CLIP B12 TUBE	5	
	95002-50000	95002-50000	CLIP C9 TUBE	CLIP C9 TUBE	1	
	95701	95701-06008-08	BOLT FLANGE 6*8	BOLT FLANGE 6*8	1	

F14

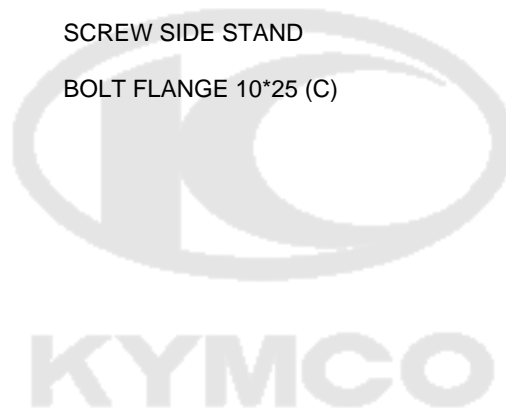
Exhaust Muffler



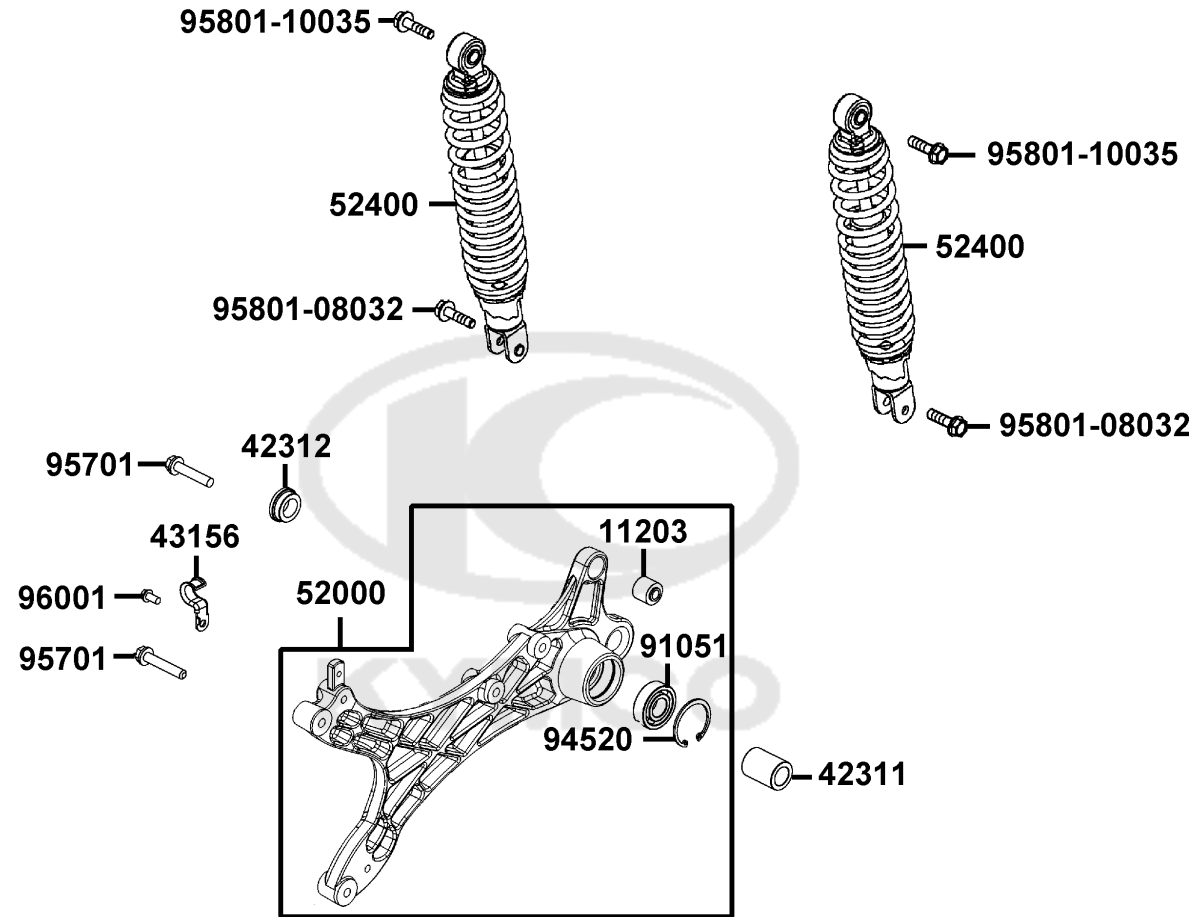
Sales mark	Ref no	Part no	Description	Reg description	Regd no	F14
	18291-GGA7	18291-GGA7-C01	GASKET EXH PIPE	GASKET EXH PIPE	1	
	18291-KKC4	18291-KKC4-C00	COLLAR	SCREW TAPPING 5*16 (K)	1	
	18292	18292-KEBE-C00	PACKING PROTECTOR	PACKING PROTECTOR	1	
	18293	18293-KECE-C00	RUBBER A PROTR	RUBBER A PROTR	1	
	18294	18294-PUA3-B50	PACKING PTOTECTOR	PACKING PROTECTOR	1	
	18295	18295-KECE-900	COLLAR 6MM	COLLAR 6MM	1	
**	18306	18306-ALJ8-E10	TAIL CAP MUFFLER(Mat Silver Crystal)	TAIL CAP MUFFLER(Mat Silver Crystal)	1	
**	1830A	1830A-ALJ9-E15	MUFFLER ASSY EXHAUST	MUFFLER ASSY EXHAUST	1	
**	18318	18318-ALJ8-E10	PROTECTOR MUFFLER	PROTECTOR MUFFLER	1	
**	18325	18325-LFC3-E10	PROTECTOR EXH PIPE	PROTECTOR EXH PIPE	1	
	39450	39450-LEA6-800	O2 SENSOR	O2 SENSOR	1	
#	90021	90021-GFY6-C11	BOLT WASHER COMP	BOLT WASHER COMP	3	
#	90301	90301-GFY6-C01	NUT (HEX) CAP 8MM	NUT (HEX) CAP 8MM	1	
	94101A	94101-06200	WASHER PLAIN 6MM	WASHER PLAIN 6MM	2	
	94101B	94101-06700	WASHER PLAIN 6MM	WASHER PLAIN 6MM	1	
	94111	94111-06800	WASHER SPRING 6MM	WASHER SPRING 6MM	2	
	95701	95701-06018-07	BOLT FLANGE 6*18	BOLT FLANGE 6*18	1	
	95701-06025	95701-06025-07	BOLT FLANGE 6*25 (K) **06 C.P.N.	BOLT FLANGE 6*25 (K) **06 C.P.N.	1	
	96001	96001-06008-07	BOLT FLANGE SH 6*8	BOLT FLANGE SH 6*8	1	
	96001-06010	96001-06010-02	BOLT FLANGE SH 6*10	BOLT FLANGE SH 6*10	2	



Sales mark	Ref no	Part no	Description	Reg description	Regd no	<b>F15</b>
50502		50502-LDF7-C00	COLLAR,MAIN STAND	COLLAR MAIN STAND	2	
50505		50505-LCB9-C00	STOPPER RUBBER	STOPPER RUBBER	1	
5050A		5050A-ALJ8-E10	"STAND COMP.,MAIN "	"STAND COMP.,MAIN "	1	
50530		50530-ALJ8-E10	BAR SIDE STAND	BAR SIDE STAND	1	
50531		50531-KEB7-C00	PLATE SPRING STOPPER	PLATE SPRING STOPPER	1	
50535		50535-KEB7-W10	SPRING COMP SIDE STAND	SPRING COMP SIDE STAND	1	
50550		50550-KEB7-C00	SPG MAIN STAND COMP	SPG ASSY MAIN STAND	1	
90108		90108-KFA6-E00	SCREW SIDE STAND	SCREW SIDE STAND PIVOT	1	
95801		95801-10025-07	BOLT FLANGE 10*25 (C)	BOLT FLANGE 10*25 (C)	2	



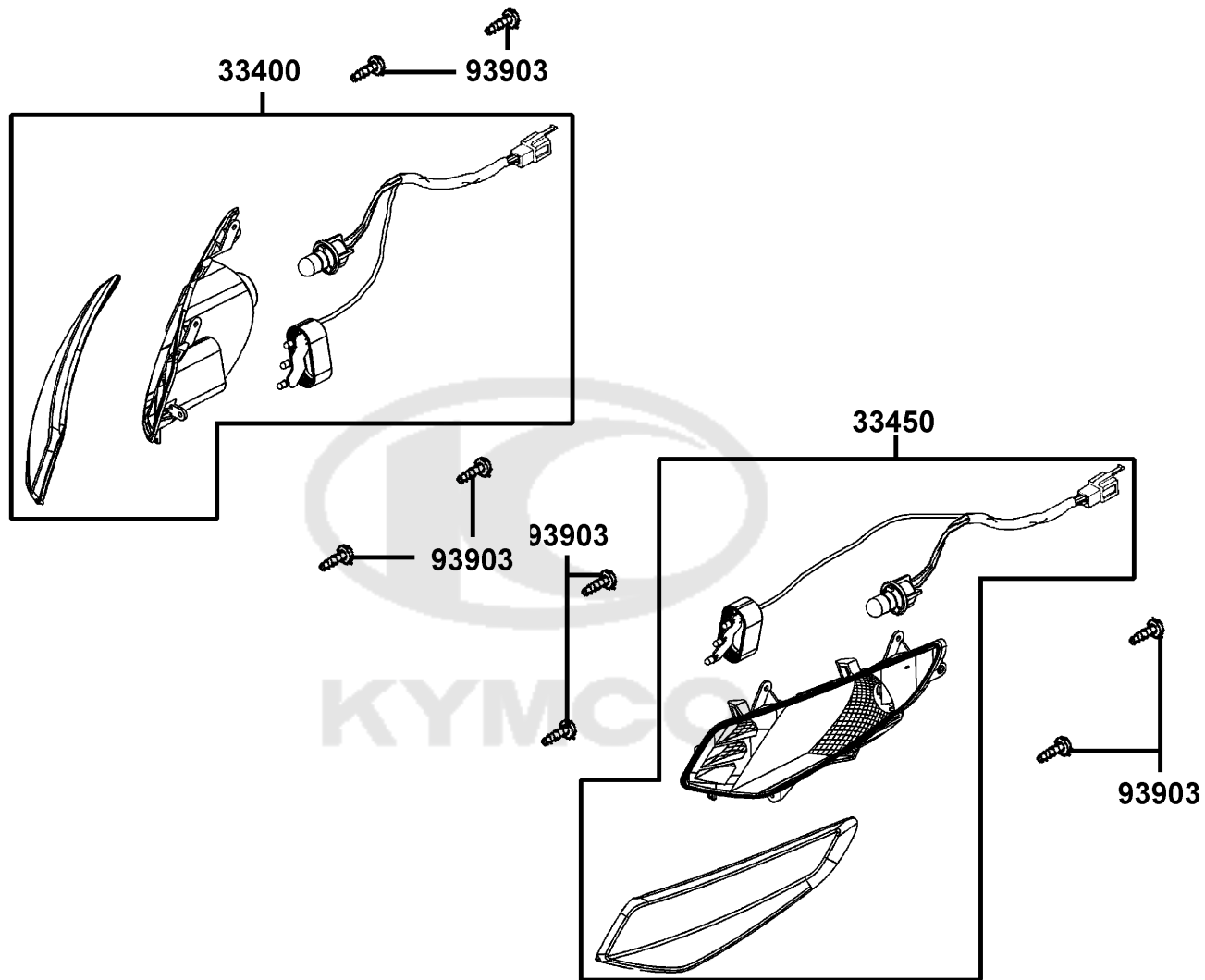




Sales mark	Ref no	Part no	Description	Reg description	Regd no	<b>F16</b>
	11203	11203-GGC7-W10	UNDER RUBBER BUSH REAR CUSHION	UNDER RUBBER BUSH REAR CUSHION	1	
	42311	42311-KHB4-C00	COLLAR RR AXLE A	COLLAR RR AXLE A	1	
	42312	42312-LEJ2-E10	COLLAR RR AXLE SIDE	COLLAR RR AXLE SIDE	1	
	43156	43156-LFC3-E10	CLAMPER HOSE RR	CLAMPER HOSE RR	1	
	52000	52000-ALJ8-E10	FORK ASSY RR	FORK ASSY RR	1	
**	52400	52400-ALJ8-E10	CUSHION ASSY RR	CUSHION ASSY RR	2	
	91051	91051-KFBF-C00	BRG BALL RADIAL 6203 LLU	BRG BALL RADIAL 6203 LLU	1	
	94520	94520-40000	CIR CLIP IN 40	CIR CLIP IN 40	1	
	95701	95701-08050-07	BOLT FLANGE 8*50 (K)	BOLT FLANGE 8*50 (K)	2	
	95801-08032	95801-08032-07	BOLT FLANGE 8*32(K)	BOLT FLANGE 8*32(K)	2	
	95801-10035	95801-10035-08	BOLT FLANGE 10*35 (C)	BOLT FLANGE 10*35	2	
	96001	96001-06012-07	BOLT FLANGE SH 6X12	BOLT FLANGE SH 6X12	1	

F17

Front Winker



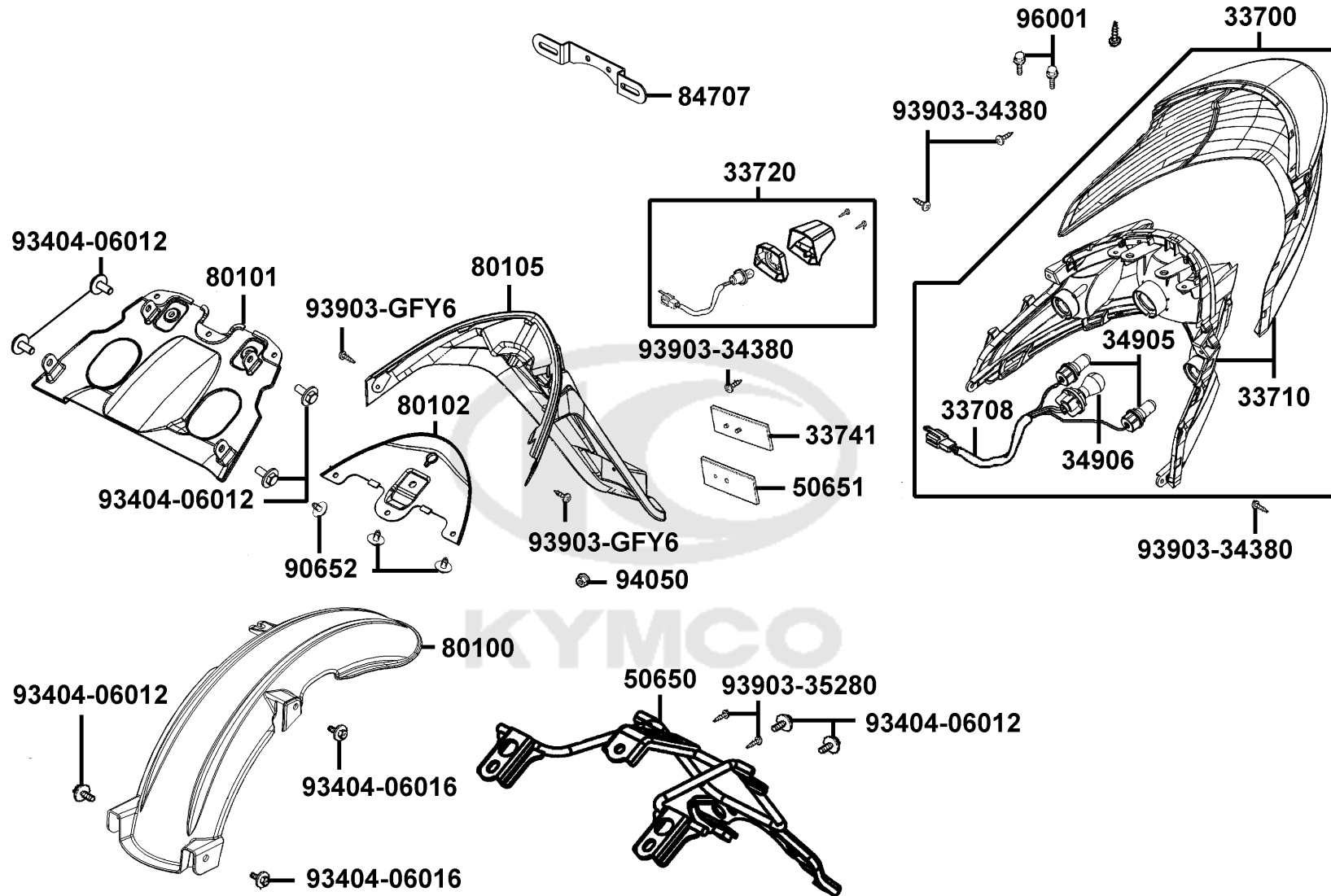
Sales mark	Ref no	Part no	Description	Reg description	Regd no	<b>F17</b>
------------	--------	---------	-------------	-----------------	---------	------------

33400		33400-ALJ8-E10	WINKER ASSY RH FR	WINKER ASSY R FR	1	
33450		33450-ALJ8-E10	WINKER ASSY LH FR	WINKER ASSY L FR	1	
93903		93903-34380	SCREW TAPPING 4*12	SCREW TAPPING 4*12 (K)	8	



F18

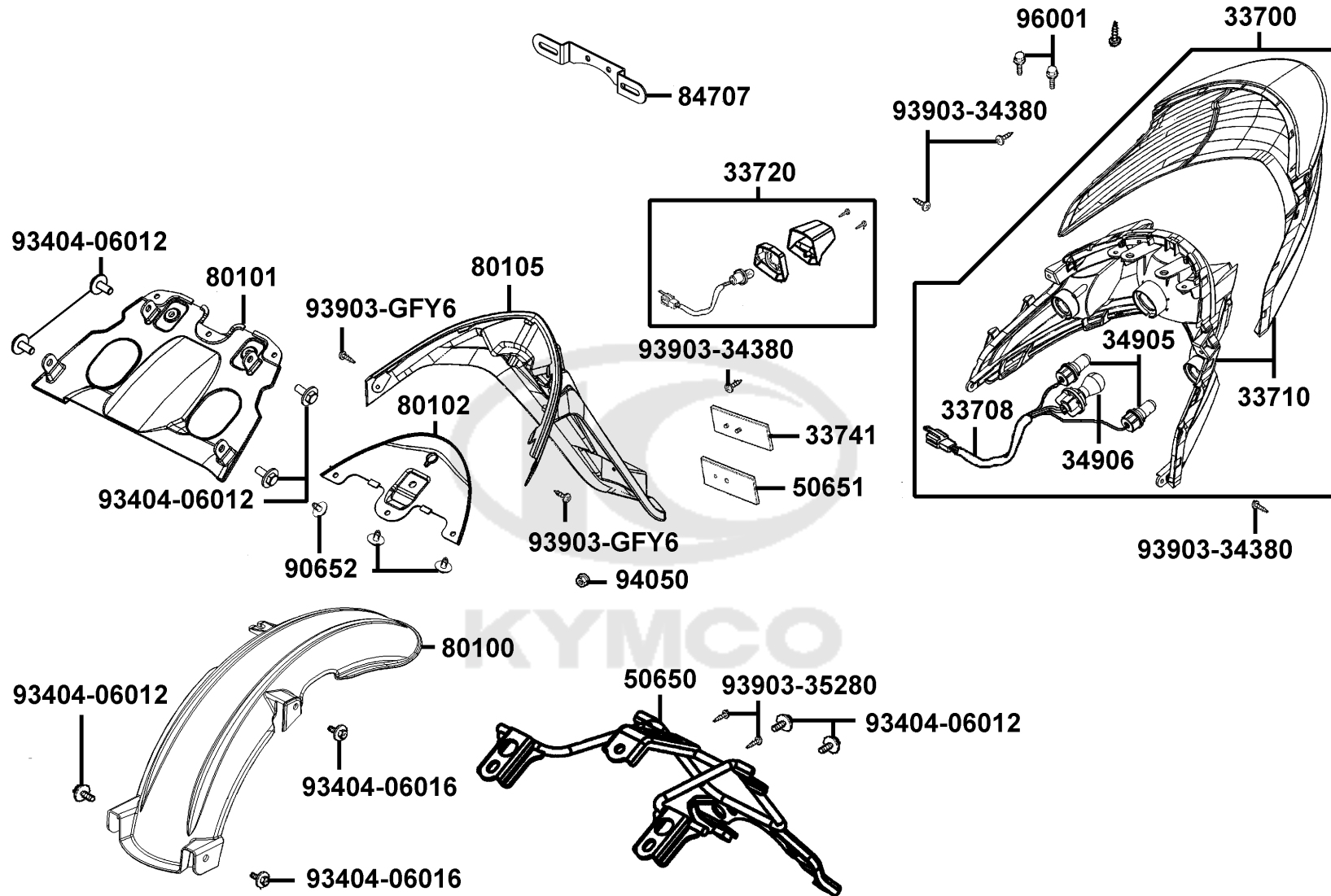
Tail Light



Sales mark	Ref no	Part no	Description	Reg description	Regd no	F18
	33700	33700-ALJ8-E10	LIGHT ASSY RR COMB	LIGHT ASSY RR COMB	1	
	33708	33708-ALJ8-E10	SOCKER COMP RR COMB	SOCKER COMP RR COMB	1	
	33710	33710-ALJ8-E10	LIGHT COMP RR COMB	LIGHT COMP RR COMB	1	
	33720	33720-LEJ2-E10	LIGHT ASSY LICENSE	LIGHT ASSY LICENSE	1	
#	33741	33741-LEH3-EZ0	REFLEX REFLECTOR	REFLEX REFLECTOR	1	
	34905	34905-LCA5-E00	BULB WINKER (12V 10W)	BULB WINKER (12V 10W)	2	
	34906	34906-KPCP-C00	BULB TAIL LIGHT	BULB TAIL LIGHT	1	
	50650	50650-LFC2-E10	STAY RR. FENDER	STAY RR. FENDER	1	
	50651	50651-LFC4-E10	STAY RR FENDER BALANCE	STAY RR FENDER BALANCE	1	
**	80100	80100-ALJ8-E11	FENDER RR TIRE	FENDER RR TIRE	1	
**	80101	80101-ALJ8-E10	FENDER RR INNER	FENDER RR INNER	1	
**	80102	80102-ALJ8-E10	LID MAINT TAIL LIGHT	LID MAINT TAIL LIGHT	1	
**	80105	80105-ALJ8-E10	FENDER RR	FENDER RR	1	
	84707	84707-LFC3-B20	UNDER NUMBER BRKT FR	UNDER NUMBER BRKT FR	1	
	90652	90652-LCA4-C10	CLIP MUDGUARD	CLIP MUDGUARD	3	
	93404-06012	93404-06012-07	BOLT WASH 6*12	BOLT WASH 6*12	7	
	93404-06016	93404-06016-07	BOTL WASHER 6*16	BOTL WASHER 6*16	1	
	93903-34380	93903-34380	SCREW TAPPING 4*12	SCREW TAPPING 4*12 (K)	7	
#	93903-35280	93903-35280-G	SCREW TAPPING 5*12 (K)	SCREW TAPPING 5*12 (KG)	2	
	93903-GFY6	93903-GFY6-C01	SCREW TAPPING 4*14(K)	"SCREW,TAPPING4*14"	7	

F18

Tail Light



Sales mark	Ref no	Part no	Description	Reg description	Regd no	<b>F18</b>
------------	--------	---------	-------------	-----------------	---------	------------

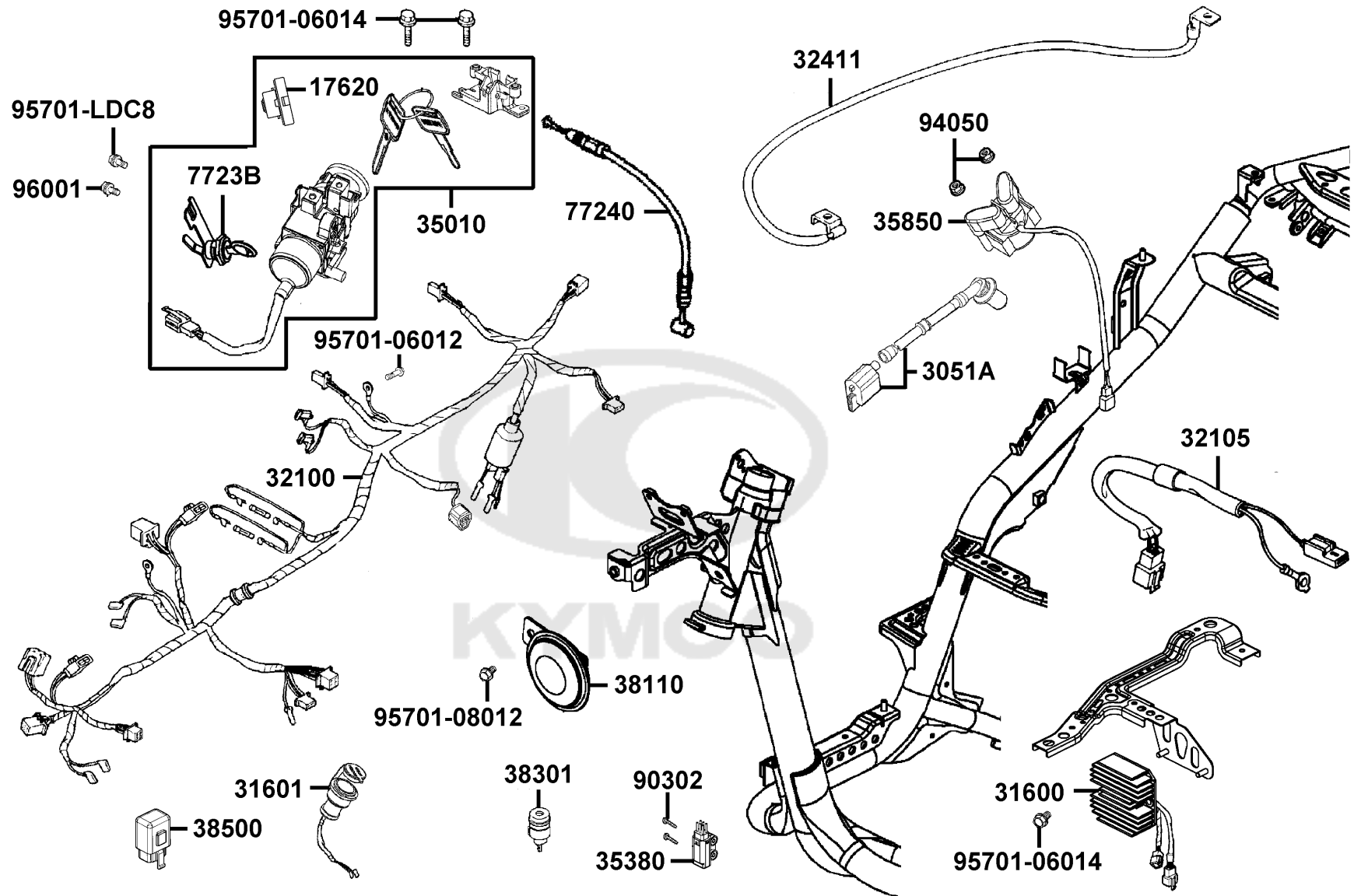
94050		94050-05080	NUT FLANGE 5MM	NUT FLANGE 5MM	1	
96001		96001-06012-08G	BOLT FLANGE SH 6X12 (C)	BOLT FLANGE SH 6X12 (C)	2	





F19

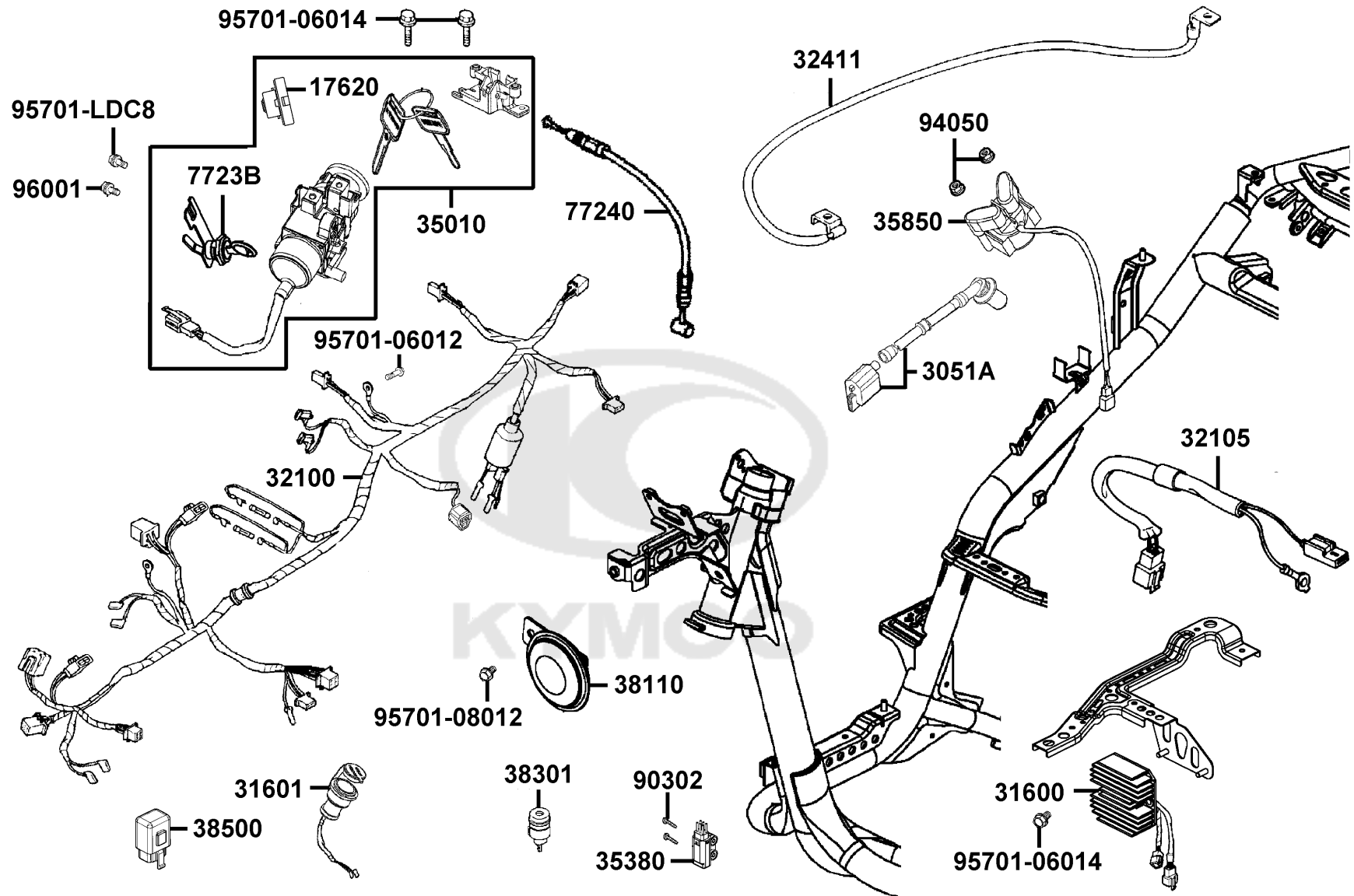
Wire Harness



Sales mark	Ref no	Part no	Description	Reg description	Regd no	<b>F19</b>
	17620	17620-ALJ9-E15	CAP COMP FUEL FILLER	CAP COMP FUEL FILLER	1	
	3051A	3051A-ALJ8-E10	COIL ASSY IGNITION	COIL ASSY IGNITION	1	
	31600	31600-LEA5-C01	REG RECT COMP	REG REC COMP(DC)	1	
	31601	31601-LFC2-E10	SOCKET COMP DC 12V	SOCKET COMP DC 12V	1	
	32100	32100-ALJ8-E10	HARNESS WIRE	HARNESS WIRE	1	
	32105	32105-LFA7-E00	SUB CORD OBD	SUB CORD OBD	1	
	32411	32411-ALJ8-E10	CABLE BAT.	CABLE BAT	1	
	35010	35010-ALJ9-E16	KEY ASSY	KEY ASSY	1	
#	35380	35380-ABE1-C00	SENSOR ANGLE	SENSOR ANGLE	1	
	35850	35850-KHD8-C00	RELAY ASSY START	SET START MAG	1	
	38110	38110-KHB4-E0A	HORN COMP (D405)	HORN COMP (D405)	1	
	38301	38301-ALJ9-E15	RELAY ASSY WINKER	RELAY COMP AP WINKER	1	
#	38500	38500-LGL3-90A	RELAY ASSY LIGHT	RELAY ASSY LIGHT	1	
	7723B	7723B-ALJ9-E30	LOCK ASSY RR	LOCK ASSY RR	1	
	77240	77240-LFC2-E10	CABLE SEAT LOCK	"CABLE,SEAT LOCK"	1	
	90302	90302-GFY6-C10	BOLT-WASH 5*16	BOLT WASHER 5*16	1	
	94050	94050-06080	NUT FLANGE 6MM	NUT FLANGE 6MM	4	
	95701-06012	95701-06012-08	BOLT FLANGE 6*12	BOLT FLANGE 6*12	1	
	95701-06014	95701-06014-08	BOLT FLANGE 6*14	BOLT FLANGE 6*14	2	
	95701-08012	95701-08012-08G	BOLT FLANGE 8X12(C)	BOLT FLANGE 8X12(C)	1	

F19

Wire Harness



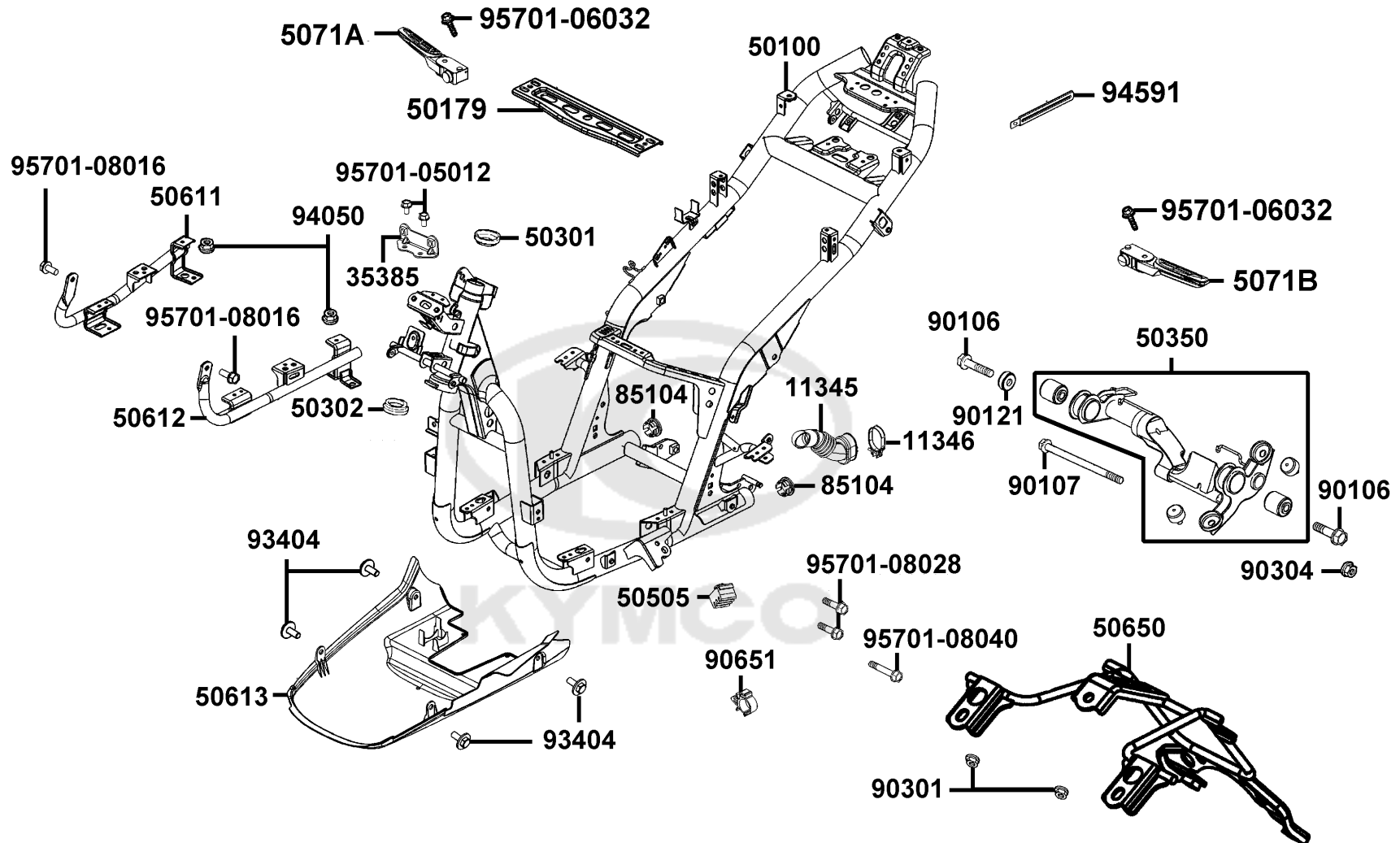
Sales mark	Ref no	Part no	Description	Reg description	Regd no	<b>F19</b>
------------	--------	---------	-------------	-----------------	---------	------------

#	95701-LDC8	95701-LDC8-E11	BOLT TORQUE 6x16	BOLT TORQUE 6x16	1	
	96001	96001-06016-08	BOLT FLANGE SH 6*16	BOLT FLANGE SH 6*16	1	



F20

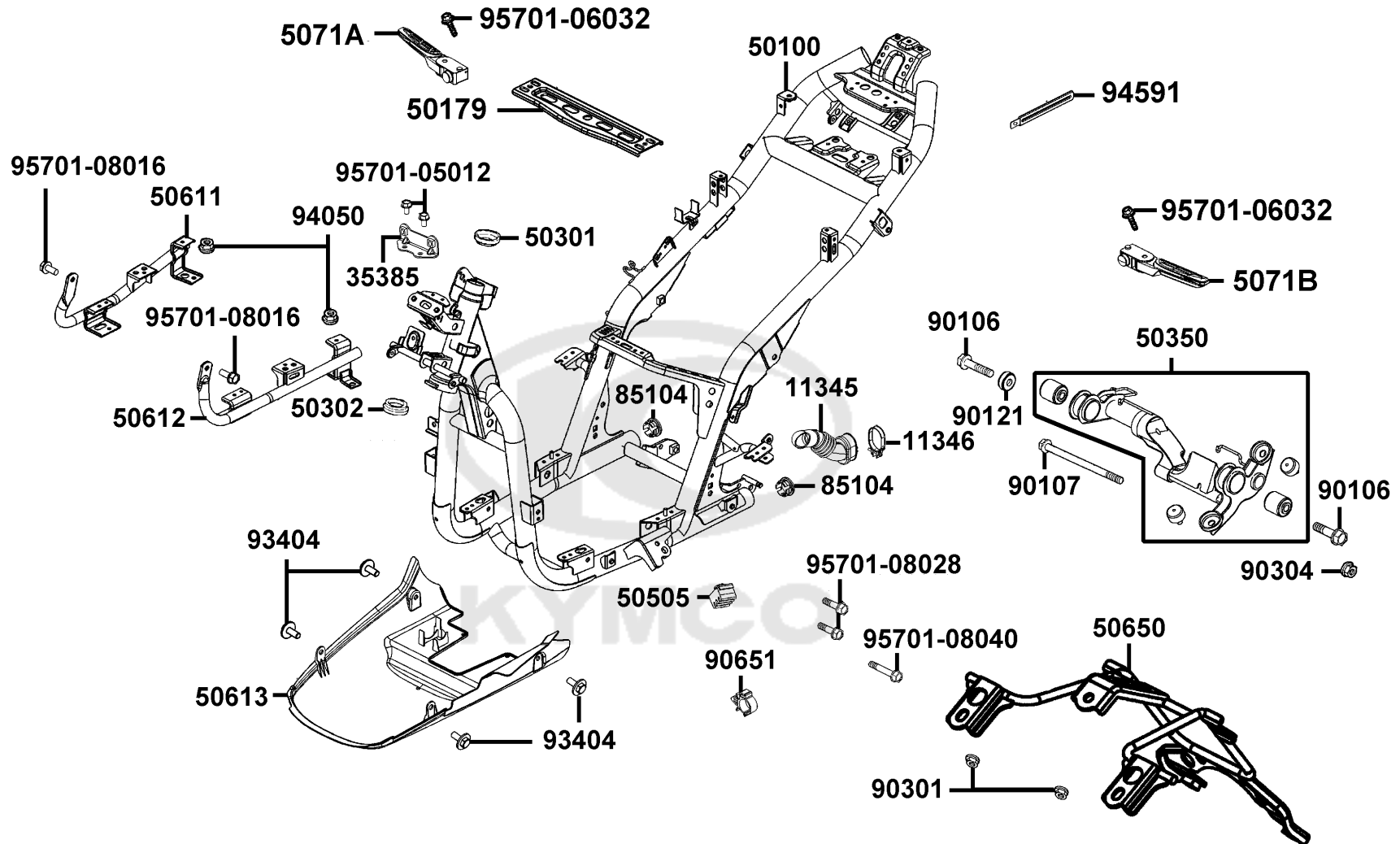
Frame Body



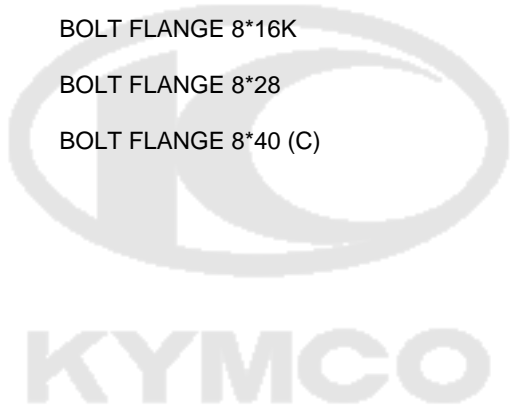
Sales mark	Ref no	Part no	Description	Reg description	Regd no	F20
	11345	11345-ALJ8-E10	"DUCT,L COVER"	DUCT L COVER	1	
	11346	11346-KEBE-C00	BAND L COVER DUCT	BAND L COVER DUCT	1	
	35385	35385-AAD2-C00	STAY SENEOR ANGLE	STAY SENEOR ANGLE	1	
	50100	50100-ALJ9-E12	BODY COMP FRAME	"BODY COMP,FRAME"	1	
	50179	50179-ALJ8-E10	BRKT FLOOR PANEL	BRKT FLOOR PANEL	1	
	50301	50301-KGN7-C00	RACE UPPER STRG BALL	RACE UP STRG BALL	1	
	50302	50302-2H68-C00	RACE (STRG BOT) BALL	RACE (STRG BOT) BALL	1	
	50350	50350-LEJ3-B40	ENG HANGER ASSY	ENG HANGER ASSY	1	
	50505	50505-PUA3-B50	STOPPER RUBBER	STOPPER RUBBER	1	
	50611	50611-ALJ8-E10	"RNFCT R, FLOOR"	RNFCT R FLOOR	1	
	50612	50612-ALJ8-E10	"RNFCT L, FLOOR"	RNFCT L FLOOR	1	
**	50613	50613-ALJ8-E10	COVER UNDER	COVER UNDER	1	
	50650	50650-LFC2-E10	STAY RR. FENDER	STAY RR. FENDER	1	
	5071A	5071A-LDA6-C00	BAR R P STEP ASSY	BAR STEP R ASSY	1	
	5071B	5071B-LDA6-C00	BAR L P STEP ASSY	BAR STEP L ASSY	1	
	85104	85104-ALJ8-E10	STOPPER	STOPPER	1	
	90106	90106-LGB6-E10	"BOLT,FLANGE,10x55"	"BOLT,FLANGE,10x55"	2	
	90107	90107-KUDU-900	BOLT FLANGE 10*188	BOLT FLANGE 10*188	1	
	90121	90121-GFY6-C00	COLLAR DISTANCE	COLLAR DISTANCE	1	
	90301	90301-LEJ2-E10	NUT FLANGE 6mm	NUT FLANGE 6mm	2	

F20

Frame Body



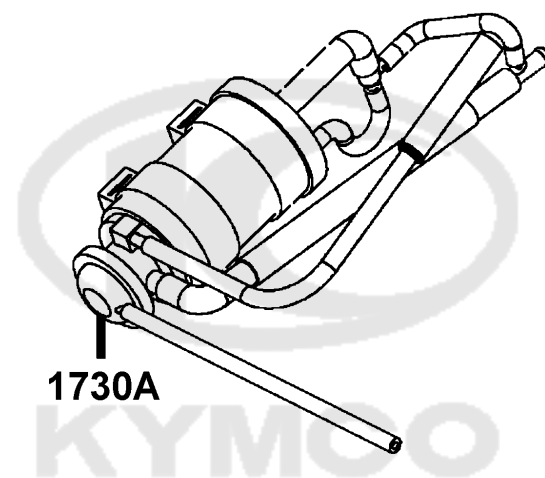
Sales mark	Ref no	Part no	Description	Reg description	Regd no	<b>F20</b>
90304		90304-GHE8-C00	NUT U 10MM (C)	NUT U 10MM (C)	1	
90651		90651-ALJ8-E10	CLIP CABLE	CLIP CABLE	1	
93404		93404-06012-07	BOLT WASH 6*12	BOLT WASH 6*12	4	
94050		94050-06080	NUT FLANGE 6MM	NUT FLANGE 6MM	5	
94591		94591-LDC8-E10	CLIP BIND	CLIP BIND	1	
95701-05012		95701-05012-07	BOLT FLANGE 5*12	BOLT FLANGE 5*12	2	
95701-06032		95701-06032-08	BOLT FLANGE 6*32(C)	BOLT FLANGE 6*32	1	
95701-08016		95701-08016-07	BOLT FLANGE 8*16K	BOLT FLANGE 8*16K	2	
95701-08028		95701-08028-08	BOLT FLANGE 8*28	BOLT FLANGE 8*28	2	
95701-08040		95701-08040-08	BOLT FLANGE 8*40 (C)	BOLT FLANGE 8*40	1	





F21

CANISTER-PCV ASSY



Sales mark	Ref no	Part no	Description	Reg description	Regd no	<b>F21</b>
------------	--------	---------	-------------	-----------------	---------	------------

1730A

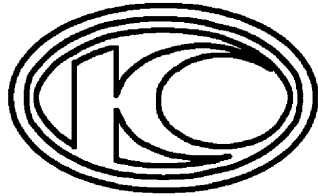
1730A-ALJ9-E12

CANISTER-PCV ASSY

CANISTER-PCV ASSY

1





86102



86202

**Engine Oil Capacity**  
 Make sure to use KYMCO recommended "SIGMA" engine oil.  
 Full Capacity 0.9ℓ  
 At Change 0.8ℓ  
 Check the oil level after oil is filled.  
 Idle the engine for 3 minutes and check the oil level again.  
 KDU-E000

87541-KUDU

**CAUTIONS**  
 Before starting the engine, the side stand shall be kicked up to secure safety.

87541-GAR1

**CAUTIONS**  
 Never put any article between the rear side cover and the engine to avoid interference of riding.

87542

- Do not wear a safety helmet when riding.
- Do not exceed the speed specified by the rider's manual.
- The exhaust outlet temperature is very high after riding. Be sure to park the motorcycle in a place not easily touched by people.
- For riding safety and good performance, do not tamper with the tire to modify the motorcycle.

- Make sure to perform the periodic maintenance and periodic inspection.

**Prohibit Impaction Items**

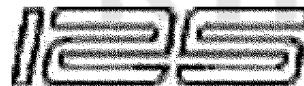
Brake Performance, Horn, engine oil level, lights, horn, and instrument panel.  
 KWANG YANG MOTOR CO., LTD.

Do not ride on wet or slippery roads to avoid falling.

87560



86407



87140

**CAUTIONS**

Tire Size	Front 100/90-14	Rear 130/90-14
(One Rider)	Front 1.50kg/cm <sup>2</sup>	Rear 1.75kg/cm <sup>2</sup>
(Two Rider)	Front 2.00kg/cm <sup>2</sup>	Rear 2.25kg/cm <sup>2</sup>
Load Capacity	Should 1.5kg Rear carrier 2kg never put under pedals 10kg	

(Note: The tire pressure must not overpass 2.30kg/cm<sup>2</sup>)

Check the motor oil level with the dipstick after refilling motor oil.

87505

Sales mark	Ref no	Part no	Description	Reg description	Regd no	<b>F22</b>
**	86102	86102-ALG1-E00	EMB K-LOGO	EMB K-LOGO	1	
**	86202	86202-ALJ8-E10	EMB BODY COVER	EMB BODY COVER	1	
**	86407	86407-ALJ8-E10	STRIPE METER	STRIPE METER	1	
**	87140	87140-ALJ9-E10	EMB MARK 125	EMB MARK 125	1	
**	87505	87505-ALJ8-E10	LABEL TIRE	LABEL TIRE	1	
**	87541-GAR1	87541-GAR1-C01	CAUTION SIDE STAND	CAUTION SIDE STAND	1	
**	87541-KUDU	87541-KUDU-E00	LABEL OIL CAP	LABEL OIL CAP	1	
**	87542	87542-GAR1-C01	MARK MAINT CAUTION R	MARK MAINT CAUTION R	1	
**	87560	87560-GFY6-E11	MARK DRIVE CAUTION	MARK DRIVE CAUTION	1	





Sales mark	Ref no	Part no	Description	Reg description	Regd no	<b>F23</b>
	81501	81501-LFC4-E10	AXIS HINGE SH29 ? 3x58.5	AXIS HINGE SH29	1	
	8150D	8150D-AAD2-C00	SCREW BAG KY33 5 KYMCO	SCREW BAG KY33 5 KYMCO	1	
	8150E	8150E-LFC4-E10	INTERIOR STRIP	INTERIOR STRIP	1	
	8151B	8151B-LFC4-E10	SPARE PART REFLECTOR WHITE SH33	COVER REAR BOX UP	1	
	8152E	8152E-LFC4-E10	HOOK KY33 KYMCO	HOOK KY33 KYMCO	1	
	8154B	8154B-AAD2-C00	SET CASE SUPPORT	SET CASE SUPPORT LOGO KYMCO	1	
**	86102	86102-ALJ8-E00	EMB MARK K-LOGO	EMB MARK K-LOGO	1	



## PART NO. INDEX

PART NO.	VERSION	PAGE	PART NO.	VERSION	PAGE	PART NO.	VERSION	PAGE
<b>11000</b>			<b>12000</b>			14510-KUDU-C0B	0	E03
11100-KUDU-C00	6	E01	12100-GFY6-C00	6	E03	14520-GFY6-C00	1	E03
11102-1G87-C00	3	E01	12191-GFY6-E90	1	E03	14523-GFY6-E90	1	E03
11192-KUDU-E90	1	E01	12200-KKE3-900	1	E02	1453A-GFY6-W10	1	E03
11200-LCD3-C00	2	E01	12209-GDB4-C00	2	E02	14610-KUDU-C0B	0	E03
11203-GGC7-W10	2	E01	12211-KUDU-W10	4	E02	14711-KUDU-C00	1	E02
11203-GGC7-W10	2	F16	12251-GFY6-C00	1	E02	14721-KUDU-C00	1	E02
11204-KUDU-C00	1	E09	1231A-ALL1-C00	0	E02	14751-LFD7-C00	1	E02
11206-LCD3-C00	0	E01	12361-GFY6-C00	5	E04	14761-KKJ9-C00	2	E02
11208-LFC3-E10	2	E04	<b>13000</b>			14771-GDB4-C00	2	E02
11209-LCD3-E00	3	F13	13000-KUDU-C00	9	E03	14775-MFA6-C00	5	E02
11211-LKD2-C00	0	F13	13011-GFY6-C00	1	E03	14781-MFA6-C00	4	E02
11331-LCD3-E00	5	E04	13101-KUDU-C00	1	E03	<b>15000</b>		
11341-ALJ8-E10	0	E01	13111-3D84-C00	1	E03	15100-KFB7-C00	1	E07
11341-ALJ8-E10	4	E01	<b>14000</b>			15133-GFY6-W10	1	E07
11342-ALJ8-E10	0	E01	14100-AAA2-C00	0	E02	15141-GFY6-C00	1	E07
11345-ALJ8-E10	2	F20	14401-KUDU-C00	1	E03	15421-1G07-C00	1	E04
11346-KEBE-C00	1	F20	14431-KUDU-W10	4	E02	15426-GAE1-C00	1	E04
11353-ALJ8-E11	0	E01	14450-GFY6-W10	1	E02	15651-KUDU-W10	5	E04
11381-KHB4-C00	0	E01	14452-GFY6-W10	1	E02	15711-KUDU-C00	1	E07
11394-KUDU-E90	1	E04	<b>16000</b>					
11395-KHB4-C00	0	E01				16056-LEB2-C00	0	E05

## PART NO. INDEX

PART NO.	VERSION	PAGE	PART NO.	VERSION	PAGE	PART NO.	VERSION	PAGE
16068-LEB2-C00	0	E05	17257-LFC4-E10	0	F13	18325-LFC3-E10	2	F14
16074-KEC3-C00	3	E05	1730A-ALJ9-E12	0	F21	18646-LDC8-E10	1	E02
16100-ALJ9-E15	0	E05	1737A-LCD3-E00	0	F13			
16110-KKE3-C00	0	E05	17500-ALJ8-E10	0	F10	<b>19000</b>		
16112-KKE3-C00	0	E05	17504-ALJ8-E10	1	F10			
16118-KGC5-C00	0	E05	1751A-ALJ9-E15	0	F10	19411-KNBN-C10	2	F10
16122-KEC3-C00	0	E05	17550-ALJ8-E10	0	F10	19504-LBA2-C00	1	F10
16133-KEC3-C00	0	E05	17553-LEB2-900	0	F10	19510-KFB7-C00	0	E08
16134-KKE3-C00	0	E05	1755A-ALJ8-E10	2	F05	19610-KUDU-C10	2	E08
16138-KGC5-C00	0	E05	1756A-ALJ8-E10	0	F10	19625-KUDU-C00	1	E02
16154-KEC3-C00	0	E05	17582-ALJ8-E10	0	F10	1962A-LEJ8-E00	1	E08
16170-KEC3-C00	0	E05	17620-ALJ9-E15	0	F19	1963A-AAD2-C00	0	E08
16201-GFY6-E90	0	E02	17623-ALJ8-E10	2	F10			
16211-GFY6-W10	1	E02	17910-ALJ8-E1D	0	F03	<b>21000</b>		
16703-LKD2-M90	0	F10						
16771-GKAK-220	0	E05	<b>18000</b>			21200-LEJ8-C00	2	E09
						21395-LCD3-E90	0	E09
<b>17000</b>			18291-GGA7-C01	1	F14	<b>22000</b>		
			18291-KKC4-C00	0	F14			
1711A-LGL3-C00	4	E02	18292-KEBE-C00	0	F14	22101-LCD3-C00	3	E06
17200-ALJ9-E15	0	F13	18293-KECE-C00	0	F14	22102-KUDU-E80	1	E06
17239-KHB4-C00	0	F13	18294-PUA3-B50	1	F14	22105-LGS6-E10	0	E06
1723A-LKD2-E10	0	F13	18295-KECE-900	0	F14	22110-KUDU-E80	0	E06
1723B-LFC4-E10	0	F13	18306-ALJ8-E10	0	F14	22121-LFC4-315	0	E06
1723C-LEJ3-E10	0	F13	1830A-ALJ9-E15	0	F14	22131-GFY6-C00	3	E06
17254-KACA-P00	1	F13	18318-ALJ8-E10	5	F14			



## PART NO. INDEX

PART NO.	VERSION	PAGE	PART NO.	VERSION	PAGE	PART NO.	VERSION	PAGE
22132-KBN2-315	0	E06	28120-GFY6-C10	1	E07	32412-ALJ8-E10	1	E04
22300-LCD4-C00	0	E06	28125-4F26-C00	1	E07	32961-KUDU-C00	5	E04
22350-GFY6-C00	1	E06	28125-GFY6-C10	3	E07			
22530-LCD3-C00	0	E06	28126-GFY6-C10	1	E07	<b>33000</b>		
<b>23000</b>			2812A-GFY6-C10	2	E07			
			28211-LGK2-C00	5	E06	33100-ALJ8-E10	4	F01
			<b>30000</b>			33108-ALJ8-E10	0	F01
2301A-LCD4-C00	1	E06				33400-ALJ8-E10	3	F17
23100-KEC4-C0E	0	E06				33450-ALJ8-E10	3	F17
23200-GFY6-C00	3	E06	3051A-ALJ8-E10	0	F19	33700-ALJ8-E10	4	F18
23220-KFBF-C00	1	E06				33708-ALJ8-E10	0	F18
23225-GHC8-C00	1	E06	<b>31000</b>			33710-ALJ8-E10	0	F18
23226-GHC8-C00	1	E06				33720-LEJ2-E10	0	F18
23233-GCW3-C00	1	E06	31100-LGS6-E10	0	E08	33731-KGB5-EZ0	0	F06
23237-GFY6-C00	1	E06	31110-KKE3-C00	3	E08	33741-LEH3-EZ0	1	F18
23238-GFY6-C00	1	E06	31120-LGS6-E10	0	E08			
23411-ALJ8-E10	4	E09	31200-ALJ8-E10	1	E07	<b>34000</b>		
23420-ALJ8-E10	3	E09	31500-KFAF-EZ0	0	F11			
23432-ALJ8-E10	4	E09	31600-LEA5-C01	2	F19	34901-LDC8-E10	1	F01
2343A-ALJ8-E10	1	E09	31601-LFC2-E10	1	F19	34905-LCA5-E00	0	F18
<b>28000</b>			<b>32000</b>			34906-KPCP-C00	0	F18
						34908-GGA7-C00	0	F02
						34908-MKB9-C00	0	F02
28101-GFY6-C00	1	E07	32100-ALJ8-E10	0	F19			
28102-GFY6-C00	1	E07	32105-LFA7-E00	0	F19			
28110-GFY6-C10	1	E07	32411-ALJ8-E10	1	F19			

## PART NO. INDEX

PART NO.	VERSION	PAGE	PART NO.	VERSION	PAGE	PART NO.	VERSION	PAGE
<b>35000</b>			37802-GGA7-C00	1	F10			
			3780A-ALJ8-E10	4	F10	<b>43000</b>		
35010-ALJ9-E16	0	F19	<b>38000</b>			43126-ALJ9-E12	0	F04
35151-LGB5-E10	1	F03				43127-ALJ9-E12	0	F04
35152-LGB5-E10	0	F03	38110-KHB4-E0A	2	F19	43156-LFC3-E10	2	F16
3515A-LGB5-E10	3	F03	38301-ALJ9-E15	0	F19	43200-ALJ9-E15	0	F04
3515A-LGB5-EV0	0	F03	38500-LGL3-90A	5	F19	43351-LFC3-E80	2	F08
35201-LGB5-E10	1	F03				43500-LFC3-E10	0	F04
35202-LGB5-C00	0	F03	<b>39000</b>					
3520A-LGB5-E11	0	F03				<b>44000</b>		
35340-KNBN-C00	1	F04	3920A-ALJ9-E15	0	E05			
35350-KNBN-C00	1	F04	39300-LEA6-800	0	E02	44301-LEJ2-E13	1	F07
35380-ABE1-C00	0	F19	39301-ALJ8-E10	0	E02	44311-LFC2-E10	2	F07
35385-AAD2-C00	0	F20	39302-KKE3-C00	1	E02	44601-LFC2-E10	2	F07
35850-KHD8-C00	1	F19	39303-LEB2-C00	1	E02	44620-KFLF-C00	1	F07
			39400-LHJ3-900	1	E02	44680-4L10-C00	1	F07
<b>37000</b>			39450-LEA6-800	2	F14	44710-LFC4-E91	0	F07
						44800-LKD1-E10	2	F07
37200-ALJ8-E10	0	F02	<b>42000</b>			44830-LCD3-C00	0	F02
37211-LFC2-E1A	1	F02						
37213-LFC2-E1A	0	F02	42311-KHB4-C00	0	F16	<b>45000</b>		
37215-LFC2-E1A	0	F02	42312-LEJ2-E10	1	F16			
37220-ALJ8-E10	0	F02	42601-ALJ8-E10	1	F08	45105-ALD9-306	0	F04
37224-ALJ8-E10	2	F02	42710-ALJ8-E10	1	F08	45105-LFC4-305	0	F04
37280-ALJ8-E10	0	F02	42753-0A01-C00	1	F07	45121-LFC2-E80	1	F07

## PART NO. INDEX

PART NO.	VERSION	PAGE	PART NO.	VERSION	PAGE	PART NO.	VERSION	PAGE
45126-ALJ9-E12	0	F04	50531-KEB7-C00	1	F15			
45156-ALD9-E14	0	F04	50535-KEB7-W10	3	F15	<b>52000</b>		
45156-ALJ9-E15	0	F06	50550-KEB7-C00	1	F15			
45200-ALJ9-E12	0	F04	50611-ALJ8-E10	3	F20	52000-ALJ8-E10	2	F16
45500-ALJ8-E10	1	F04	50612-ALJ8-E10	3	F20	52400-ALJ8-E10	1	F16
45513-KCCC-900	0	F04	50613-ALJ8-E10	4	F20			
45513-LGR5-E10	0	F04	50650-LFC2-E10	3	F18	<b>53000</b>		
45517-KFAF-910	1	F04	50650-LFC2-E10	3	F20			
<b>50000</b>			50651-LFC4-E10	1	F18	53100-ALJ9-E12	0	F03
			5071A-LDA6-C00	2	F20	53102-ALJ8-E10	2	F03
			5071B-LDA6-C00	2	F20	53105-ALJ8-E10	2	F03
50100-ALJ9-E12	0	F20	<b>51000</b>			53125-GEN5-C00	1	F03
50179-ALJ8-E10	0	F20				53140-ALJ8-E10	1	F03
50301-KGN7-C00	2	F20				53166-ALJ8-E10	1	F03
50302-2H68-C00	2	F20	51401-LFC3-E10	0	F06	53175-KTCT-C00	0	F04
50306-1F96-C00	1	F06	5140A-ALJ8-E10	0	F06	53178-KNBN-C00	0	F04
50325-ALJ8-E10	1	F12	51410-LEJ2-E10	0	F06	53200-ALJ9-E12	0	F06
50326-AED9-E10	0	F12	51412-LEJ2-E10	0	F06	53204-ALJ8-E10	1	F03
50326-ALJ8-E10	1	F12	51420-LFC2-E10	1	F06	53205-ALJ8-E10	0	F03
50350-LEJ3-B40	0	F20	51422-LEJ2-E10	0	F06	53205-ALJ8-E10	1	F03
50502-LDF7-C00	1	F15	51427-LEJ2-E10	0	F06	53206-ALJ8-E10	0	F03
50504-LEJ3-E11	1	E01	51428-LEJ2-E10	0	F06	53206-ALJ8-E10	2	F03
50505-LCB9-C00	1	F15	51429-LFC3-E10	0	F06	53207-ALJ8-E10	2	F03
50505-PUA3-B50	2	F20	51437-LEJ2-E10	0	F06	53208-ALJ8-E10	2	F03
5050A-ALJ8-E10	3	F15	5150A-ALJ8-E10	0	F06	53211-GFY6-C00	1	F06
50530-ALJ8-E10	2	F15	51520-LFC2-E10	0	F06	53212-2L50-C00	1	F06

## PART NO. INDEX

PART NO.	VERSION	PAGE	PART NO.	VERSION	PAGE	PART NO.	VERSION	PAGE
53214-2L50-C00	5	F06	6430A-ALJ8-E10	4	F05	80102-ALJ8-E10	2	F18
53215-2L50-C00	1	F06	6430B-ALJ8-E10	4	F05	80105-ALJ8-E10	0	F18
<b>61000</b>			64316-LCB9-C10	5	F05	80105-ALJ8-E10	3	F18
			6431A-ALJ8-E10	2	F05	8015A-ALJ8-E10	0	F12
			64400-ALJ8-E10	2	F05	8015A-ALJ8-E10	2	F12
61100-ALJ8-E10	1	F06	<b>75000</b>		<b>81000</b>			
61101-ALJ8-E10	0	F06						
61101-ALJ8-E10	1	F06						
61102-ALJ8-E10	0	F06		75581-6C73-C00		1	F05	81131-ALJ8-E10
61102-ALJ8-E10	1	F06	<b>77000</b>			81131-ALJ8-E10	3	F05
61110-ALJ8-E10	0	F06				81132-ALJ8-E10	0	F05
61110-ALJ8-E10	1	F06				81132-ALJ8-E10	2	F05
				77200-ALJ8-E10	0	F09	81134-KGBG-C00	2
<b>64000</b>			77200-ALJ8-E10	2	F09	81141-ALJ8-E10	0	F05
			77232-KCAC-C00	2	F12	81141-ALJ8-E10	3	F05
			7723B-ALJ9-E30	0	F19	81144-ALJ8-E10	2	F05
	6421A-ALJ8-E11	2	F03	77240-LFC2-E10	5	F19	81146-ALJ8-E10	1
64301-ALJ8-E10	0	F05	77303-LAB4-C00	0	F09	8114A-ALJ8-E10	1	F05
64301-ALJ8-E10	1	F05	<b>80000</b>			81200-ALJ8-E10	0	F12
64305-ALJ8-E10	0	F05				81200-ALJ8-E10	2	F12
64305-ALJ8-E10	3	F05				81210-ALJ8-E10	0	F12
64306-ALJ8-E10	0	F05		80100-ALJ8-E11	0	F18	81230-ALJ8-E10	0
64306-ALJ8-E10	3	F05	80100-ALJ8-E11	2	F18	81251-AAD3-C00	1	F12
64307-ALJ8-E10	0	F05	80101-ALJ8-E10	0	F18	81260-ALJ8-E10	0	F12
64307-ALJ8-E10	1	F05	80101-ALJ8-E10	3	F18	81501-LFC4-E10	0	F23
64308-ALJ8-E10	0	F05	80102-ALJ8-E10	0	F18	8150A-ALJ8-E11	0	F23
64308-ALJ8-E10	1	F05						

## PART NO. INDEX

PART NO.	VERSION	PAGE	PART NO.	VERSION	PAGE	PART NO.	VERSION	PAGE
8150D-AAD2-C00	0	F23						
8150E-LFC4-E10	0	F23	<b>84000</b>			<b>88000</b>		
8150L-LFC4-E10	0	F23						
8151B-LFC4-E10	0	F23	84707-LFC3-B20	0	F18	88110-LEB5-C11	2	F03
8152E-LFC4-E10	0	F23				88120-LEB5-C11	2	F03
8154B-AAD2-C00	0	F23	<b>85000</b>			<b>89000</b>		
<b>83000</b>			85104-ALJ8-E10	1	F20			
83500-ALJ8-E10	0	F12	<b>86000</b>			89010-KGBG-C00	1	F09
83500-ALJ8-E10	1	F12				<b>90000</b>		
8351A-ALJ8-E10	1	F12	86102-ALG1-E00	2	F22			
8351A-ALJ8-E10	2	F12	86102-ALJ8-E00	0	F23	90001-GBHB-C05	0	E03
83520-ALJ8-E10	0	F12	86202-ALJ8-E10	0	F22	90001-GFY6-C00	4	E07
83520-ALJ8-E10	1	F12	86407-ALJ8-E10	0	F22	90005-KAW1-901	1	E03
83550-KEC8-C00	4	F06				9000A-KTDT-C03	0	E01
83551-KEC8-C10	4	F01	<b>87000</b>			90012-3C33-C00	1	E02
83551-KEC8-C10	4	F06				90021-GFY6-C11	0	F14
83551-KKAK-C00	0	F03	87140-ALJ9-E10	0	F22	90031-KUDU-C01	0	E01
83600-ALJ8-E10	1	F12	87505-ALJ8-E10	2	F22	90032-KUDU-C00	5	E01
83611-ALJ8-E10	2	F12	87541-GAR1-C01	1	F22	90033-GFY6-C10	2	E02
8361A-ALJ8-E10	1	F12	87541-KUDU-E00	1	F22	90105-KCR3-001	3	F07
8361A-ALJ8-E10	3	F12	87542-GAR1-C01	2	F22	90105-KCR3-001	3	F08
83620-ALJ8-E10	0	F12	87560-GFY6-E11	3	F22	90106-GEN5-901	1	F03
83620-ALJ8-E10	1	F12				90106-KFC2-900	2	F03
						90106-KFC2-900	2	F12

## PART NO. INDEX

PART NO.	VERSION	PAGE	PART NO.	VERSION	PAGE	PART NO.	VERSION	PAGE
90106-LGB6-E10	1	F20	90305-GHK8-C00	2	F06	91009-GLE0-C00	1	E09
90107-KUDU-900	5	F20	90305-KNBN-C03	1	F08	91014-LLJ3-C00	1	F06
90108-KFA6-E00	1	F15	90306-LKL5-E30	1	F07	91015-LLJ3-C00	1	F06
90110-GLW0-C00	0	F05	90403-KUDU-C00	1	E07	91051-KFBF-C00	1	F16
90110-KEB7-C00	1	F06	90426-KNBN-C01	1	E06	91101-1K79-C00	1	E07
90111-1G87-C01	1	F12	90440-1F66-C00	1	E08	91104-GFY6-C00	1	E07
90114-GDM4-C00	0	F13	90441-GFY6-C00	1	E06	91104-KGN7-671	0	E01
90116-LEJ2-E10	0	F06	90465-MDC4-C00	1	E02	91202-GFY6-90C	1	E01
90121-GFY6-C00	1	F20	90474-3C33-C00	1	E01	91202-KKJ9-C00	5	E01
90131-GLW0-C01	0	F04	90501-KNBN-C00	1	F08	91211-KEBE-C00	1	E06
90131-KFAF-C01	0	F04	9052A-GFY6-C00	5	E01	91251-LEJ2-E10	0	F06
90145-9A61-C00	1	F04	90544-LEJ2-E10	0	F06	91252-0L30-C00	0	F07
90201-GFY6-901	1	E07	90545-3L00-C00	2	F04	91254-LEJ2-E10	0	F06
90202-1G87-C00	1	E06	90651-ALJ8-E10	1	F20	91255-LDC8-E10	5	E09
90206-0A01-C00	2	E02	90652-GFY6-C00	1	F13	91258-4L10-007	1	F07
90301-GFY6-C01	0	F14	90652-LCA4-C10	6	F03	91302-0A01-C00	10	E04
90301-LEJ2-E10	1	F20	90652-LCA4-C10	6	F18	91302-LEB2-C00	0	E05
90302-GFY6-C00	2	F12	90652-LFB5-C00	1	F05	91306-1E05-C00	1	E03
90302-GFY6-C10	1	F10	90652-LGJ9-900	2	E02	91307-0E35-W10	1	E04
90302-GFY6-C10	1	F19	90667-LFC2-MG0	0	F06	91351-6B42-C00	1	E06
90302-LLB1-C01	1	F03	90668-LFC2-MG0	0	F06			
90302-SDA4-C01	0	F05	90701-GFY6-901	6	E07	<b>92000</b>		
90302-SDA4-C01	0	F12						
90304-4H38-C00	1	E02	<b>91000</b>			92101-05012-0H	2	E08
90304-GHE8-C00	1	F03						
90304-GHE8-C00	1	F20	91003-KDS4-C00	1	E09			

## PART NO. INDEX

PART NO.	VERSION	PAGE	PART NO.	VERSION	PAGE	PART NO.	VERSION	PAGE	
<b>93000</b>			93903-GFY6-C01	1	F05	94301-10160	4	E04	
			93903-GFY6-C01	1	F12	94301-10200	4	E01	
			93903-GFY6-C01	1	F18	94520-40000	1	F16	
93404-06012-07	5	F06	<b>94000</b>			94591-11000	0	E02	
93404-06012-07	5	F12		94591-LDC8-E10	1	E01			
93404-06012-07	5	F13		94591-LDC8-E10	1	F20			
93404-06012-07	5	F18	94050-05080	6	F18	94591-LGR5-E10	1	F05	
93404-06012-07	5	F20	94050-06080	2	E02	94591-LGR5-E10	1	F10	
93404-06016-07	1	F18	94050-06080	2	E07	94601-15000	10	E03	
93404-06020-07	4	F05	94050-06080	2	F06	94608-LEJ2-E10	0	F06	
93500-05025	0	F03	94050-06080	2	F09	<b>95000</b>			
93600-04012-1G	1	F04	94050-06080	2	F19		95002-02120	1	F13
93892-04010-08	0	E05	94050-06080	2	F20		95002-50000	1	F13
93892-05010-08	0	E05	94050-08080	4	E02	95012-KGE2-C10	0	F09	
93903-25480	1	F13	94050-12080	1	E06	95701-05012-07	0	F20	
93903-34320	0	F02	94050-12080	1	E08	95701-06008-08	0	F13	
93903-34380	6	F03	94101-06200	1	F14	95701-06012-07	3	F06	
93903-34380	6	F05	94101-06700	1	F14	95701-06012-08	3	E04	
93903-34380	6	F12	94101-KKE3-C00	0	E05	95701-06012-08	3	F12	
93903-34380	6	F17	94111-06800	1	E02	95701-06012-08	3	F19	
93903-34380	6	F18	94111-06800	1	E05	95701-06014-08	0	F19	
93903-35220	4	F01	94111-06800	1	F13	95701-06018-07	1	F14	
93903-35280-G	1	F02	94111-06800	1	F14	95701-06022-07	3	F04	
93903-35280-G	1	F03	94301-10160	4	E01	95701-06025-07	3	F06	
93903-35280-G	1	F18	94301-10160	4	E02				
93903-GFY6-C01	1	F01	94301-10160	4	E03				

## PART NO. INDEX

PART NO.	VERSION	PAGE	PART NO.	VERSION	PAGE	PART NO.	VERSION	PAGE
95701-06025-07	3	F14	96001-06014-08	1	E02			
95701-06025-08	2	E02	96001-06016-08	6	E07			
95701-06032-08	1	F20	96001-06016-08	6	E08			
95701-06035-08	1	E02	96001-06016-08	6	F19			
95701-06050-08	1	E02	96001-06018-08	1	E08			
95701-08012-08G	1	E01	96001-06022-08	2	E08			
95701-08012-08G	1	F19	96001-06025-00	0	F04			
95701-08016-07	0	F20	96001-06025-08	4	E07			
95701-08028-08	0	F20	96001-06025-08	4	E08			
95701-08040-08	3	F20	96001-06028-08	1	E04			
95701-08050-07	1	F16	96001-06045-08	1	E01			
95701-LDC8-E11	0	F19	96001-06050-08	1	E01			
95801-08032-07	1	F16	96001-06100-08	2	E02			
95801-08040-08	4	F06	96001-06100-08	2	E04			
95801-10025-07	1	F15	96001-06110-08	1	E04			
95801-10035-08	1	F16	96100-60020-00	1	E09			
			96100-62020-00	1	E01			
<b>96000</b>			96100-63030-00	1	E01			
			96140-63010-10	1	F07			
96001-06008-07	1	F14						
96001-06010-02	1	F14	<b>98000</b>					
96001-06012-07	0	F16						
96001-06012-08G	1	E01	98056-5771R-00	1	E02			
96001-06012-08G	1	E04	98200-11000	1	F11			
96001-06012-08G	1	E07	98200-11500	2	F11			
96001-06012-08G	1	F18						