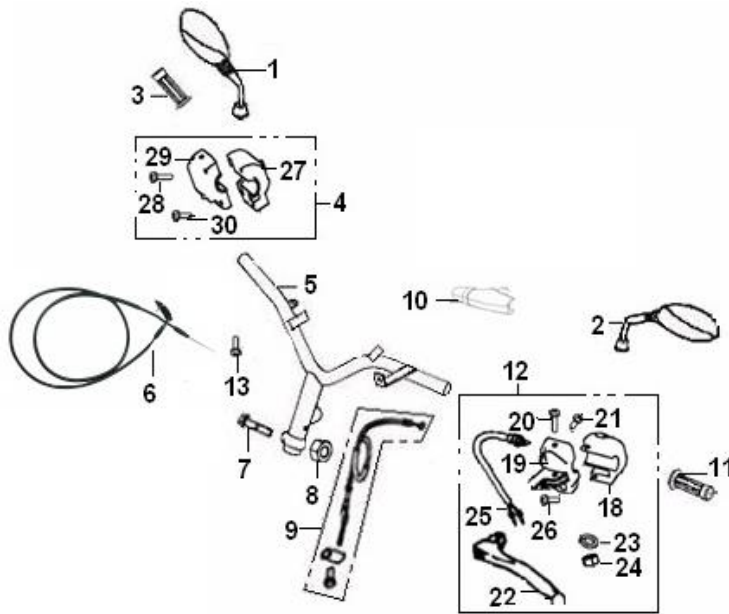


Hurricane 50 2ST

F01 操纵系总成 CONTROL ASSY.



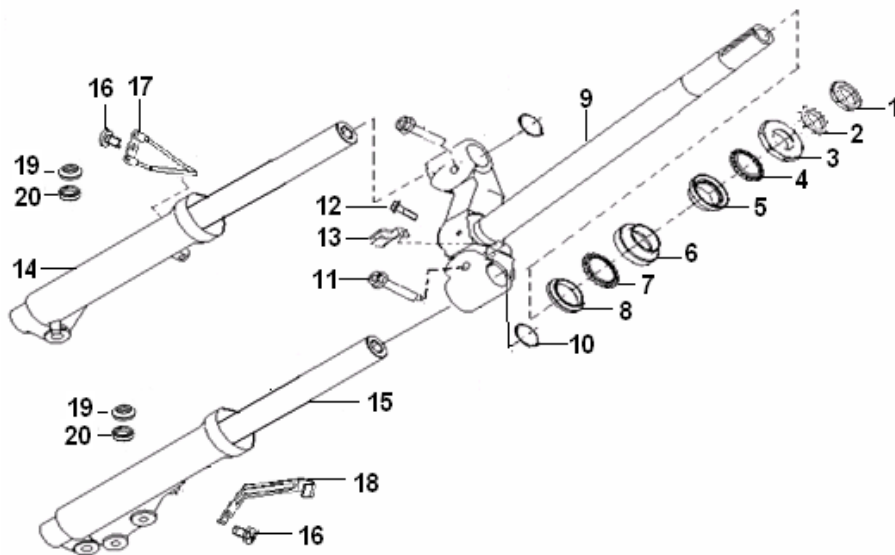
NO.	Position No.	CODE	EN DESCRIPTION	Qty/Unit
1	F01-1	40470BMBT000	REAR VIEW MIRROR ASSY.RH. (BLACK)	1
2	F01-2	40460BMBT000	REAR VIEW MIRROR ASSY.LH. (BLACK)	1
3	F01-3	40210T090003	GRIP ASSY., THROTTLE	1
4	F01-4	40600B910001	RIGHT HANDLE SWITCH, RH. ASSY.	1
4	F01-4	40600B910002	RIGHT HANDLE SWITCH, RH. ASSY.,automatic headlamp on	1
5	F01-5	40100B20TG81	JOINTING ASSY., HANDLE BAR	1
6	F01-6	40300B030006	CABLE ASSY., THROTTLE	1
7	F01-7	B01591004565	BOLT M10X1.25X45	1
8	F01-8	B04171012545	NUT M10X1.25	1
9	F01-9	40270B20T001	CABLE COMP., REAR. BRAKE	1
10	F01-10	40008BM0T000	PROTECTOR,, REAR. BRAKE CABLE	1
11	F01-11	40001T090003	GRIP, LH.	1
12	F01-12	40500BM0T000	LEFT HANDLE SWITCH ,1 ASSY.	1
13	F01-13	B02000501025	SCREW M5X10	1
18	F01-18	40510BM0T000	LEFT HANDLE SWITCH	1
19	F01-19	40520BM0T000	L. SWITCH FIXING SEAT	1
20	F01-20	B02000502525	PAN HEAD SCREW 5X25	1
21	F01-21	40004BMAT000	SCREW M5	1
22	F01-22	40002BM0T000	LEFT LEVER	1
23	F01-23	B07000000505	WASHER SPRING 5	1
24	F01-24	B04000500065	NUT M5	1
25	F01-25	91700BMAT000	STOP SWITCH ASSY.	1
26	F01-26	B02000502025	PAN HEAD SCREW M5X20	1
27	F01-27	40610B910000	RIGHT HANDLE SWITCH, RH.	1
28	F01-28	B02000502525	PAN HEAD SCREW M5X25	1

Hurricane 50 2ST

29	F01-29	40620BM0T000	SWITCH FIXING R.	1
30	F01-30	B02000502025	PAN HEAD SCREW M5X20	1

Hurricane 50 2ST

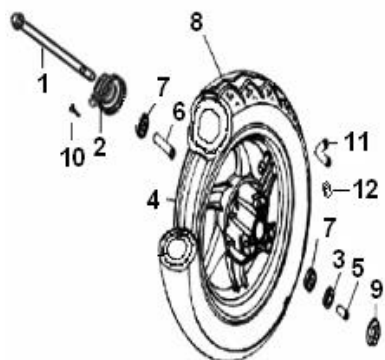
F02 前叉总成 FRONT FORK ASSY.



NO.	Position No.	CODE	EN DESCRIPTION	Qty/Unit
1	F02-1	43008J0ET000	PRESS NUT	1
2	F02-2	43007B20T000	WASHER	1
3	F02-3	43001B20T000	UPPER STEEL BOWL, UPPER BEARING	1
4	F02-4	B06010110000	STEEL BALL Φ 3.969	25
5	F02-5	43002B20T000	LOWER STEEL BOWL, UPPER BEARING	1
6	F02-6	43003B20T000	UPPER STEEL BOWL, LOWER BEARING	1
7	F02-7	B06010140000	STEEL BALL Φ 4.763	21
8	F02-8	43004B20T000	LOWER STEEL BOWL, LOWER BEARING	1
9	F02-9	43100B20T001	UNDER BRACKET COMP	1
10	F02-10	43215BMAT000	CLIP	2
11	F02-11	B01591003065	FLANGE BOLT M10X1.25X30	2
12	F02-12	B01090601265	FLANGE BOLT M6X12	1
13	F02-13	43035BMBT000	HOLDER, BRAKE HOSE 2	1
14	F02-14	43300B03BA00	R.H. FR. FORK ASSY.SILVER BLACK BA	1
15	F02-15	43200B03BA00	L.H. FR. FORK ASSY.SILVER BLACK BA	1
16	F02-16	B01070601665	BLOT M6X16	2
17	F02-17	43150BMAT000	CABLE HOLDER	1
18	F02-18	43021BM0T003	BRAKE HOSE HOLDER, 1	1
19	F02-19	43290H00X000	COVER, ANTI-DUST	2
20	F02-20	43260H00X000	OIL SEAL	2

Hurricane 50 2ST

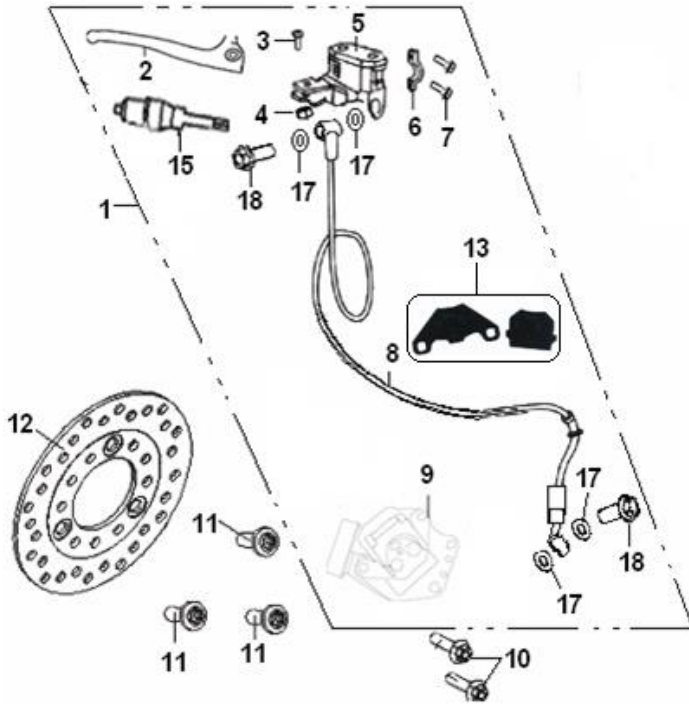
F03 前轮总成 FRONT WHEEL ASSY.



NO.	Position No.	CODE	EN DESCRIPTION	Qty/Unit
1	F03-1	44005B20T001	AXLE, FRONT WHEEL	1
2	F03-2	44200B20TBH1	SEAT ASSY., GEAR WHEEL,(BLACK BH)	1
3	F03-3	44300B20T000	OIL SEAL	1
4	F03-4	44100B03BH06	WHEEL HUB, FRONT, (BLACK BH)	1
5	F03-5	44004B20T000	BUSHING RING	1
6	F03-6	44006B20TT10	SPACER, BEARING	1
7	F03-7	B12040100900	BEARING 6200-2RS	2
8	F03-8	B14013501012	TIRE 3.5-10 E11 75R-000197&DOT,green tire	1
9	F03-9	B04171012545	NUT M10X1.25	1
10	F03-10	B02020501624	SCREW M5X16	1
11	F03-11	B1403Z201110	VALVE	1
12	F03-12	B1404Z2011C0	CAP, VALVE	1

Hurricane 50 2ST

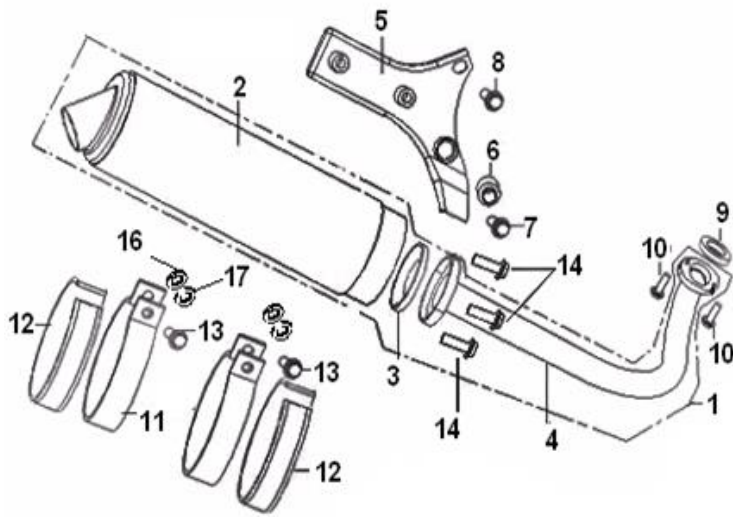
F04_1 液刹总成 DISC BRAKE ASSY. I for EEC2 market



NO.	Position No.	CODE	EN DESCRIPTION	Qty/Unit
1	F04_1	45900B030003	DISK BRAKE ASSY.(matching vehicle with 10" wheels,without ABS)	1
2	F04_1	45022J3AT000	DISC BRAKE LEVER	1
3	F04_1	45024J1CT000	LEVER MOUNTING SCREW M6	1
4	F04_1	B04160600065	NUT M6	1
5	F04_1	45400BMBTB30	CYLINDER COMP.(BLACK)	1
6	F04_1	45023J1DT000	MASTER CYLINDER BRACKET	1
7	F04_1	B01070602365	BOLT M6X25	1
8	F04_1	45200B20T002	BRAKE HOSE ASSY.	1
9	F04_1	45500B20T002	CALIPER ASSY. (BLACK)	1
10	F04_1	45039J4FT000	BOLT M8X36	2
11	F04_1	08005B030000	BOLT M8×20	3
12	F04_1	45033B20T000	BRAKE DISC	1
13	F04_1	45110B20T000	BRAKE PAD KIT MARK : WTC JB	1
15	F04_1	45300T030000	STOP SWITCH ASSY.	1
17	F04_1	45653B20T000	WASHER	2
18	F04_1	45037J000000	FLANGE BOLT M10*1.25	1

Hurricane 50 2ST

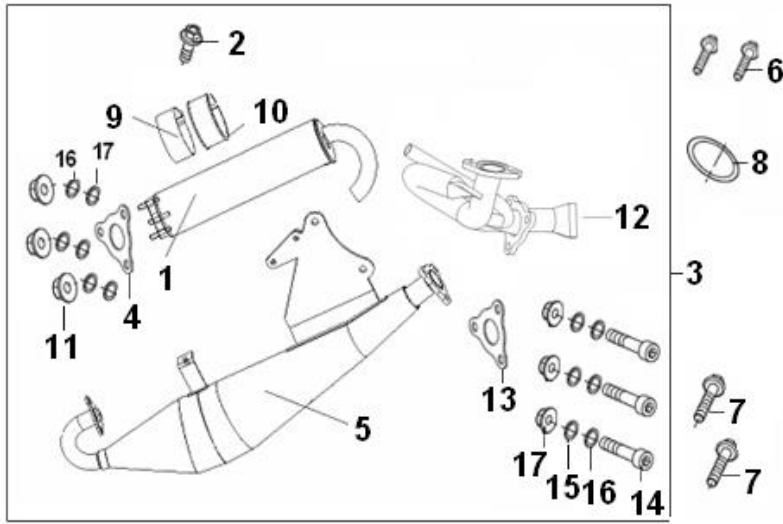
F05_1 消音器总成 MUFFLER



NO.	Position No.	CODE	EN DESCRIPTION	Qty/Unit
-----	--------------	------	----------------	----------

Hurricane 50 2ST

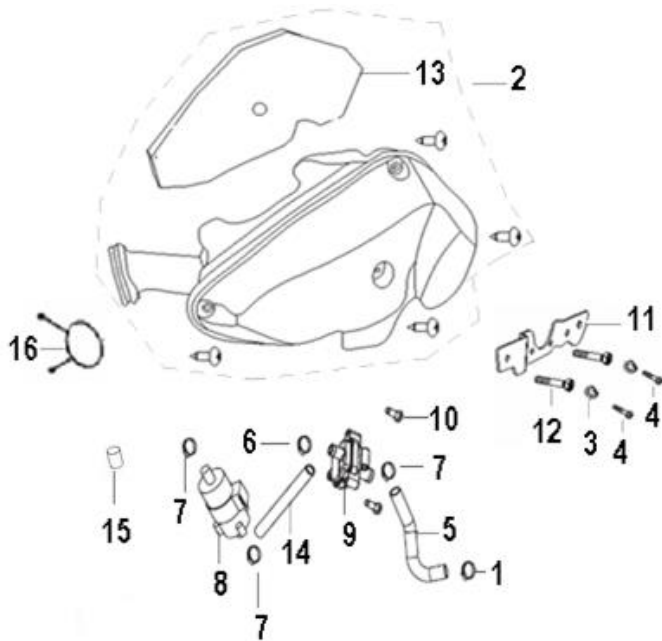
F05_2 消音器总成(箭形) SPORTY MUFFLER



NO.	Position No.	CODE	EN DESCRIPTION	Qty/Unit
1	F05_2-1	48300BM0T000	Integrated MUFFLER CANISTER ASSY. (cylindric)	1
2	F05_2-2	B01070601664	BOLT 6x16MM	1
3	F05_2-3	47100B0300KZ	MUFFLER ASSY.COMP with catalyzer,mark:e9 QJ EX—M2	1
4	F05_2-4	47490BM0T005	GASKET, EXHAUST PIPE	1
5	F05_2-5	47200B03000K	MUFFLER ASSY.with catalyzer,mark:e9 QJ EX—M2	1
6	F05_2-6	B01090602065	BOLT 6x20MM	2
7	F05_2-7	B01090802565	BOLT 8x25MM	2
8	F05_2-8	47035B910000	GASKET, EXHAUST PIPE	1
9	F05_2-9	02135B920000	ADIABATIC RUBBER	1
10	F05_2-10	48831B2GT005	HOLDING CLAMP, MUFFLER	1
11	F05_2-11	47006J0AP000	NUT 6MM	3
12	F05_2-12	47500B03000H	EXHAUST PIPE Assy.mark:e9 QJ EX-M2P,for 45km	1
12	F05_2-12	47500B03000K	EXHAUST PIPE Assy.full speed,with secondary air intake pipe	1
13	F05_2-13	47491B920002	GASKET, EXHAUST PIPE	1
14	F05_2-14	B02050602565	BOLT 6X25MM	3
15	F05_2-15	B07000000605	WASHER	6
16	F05_2-16	B07030000605	WASHER 6	6
17	F05_2-17	B04000600055	NUT 6	3

Hurricane 50 2ST

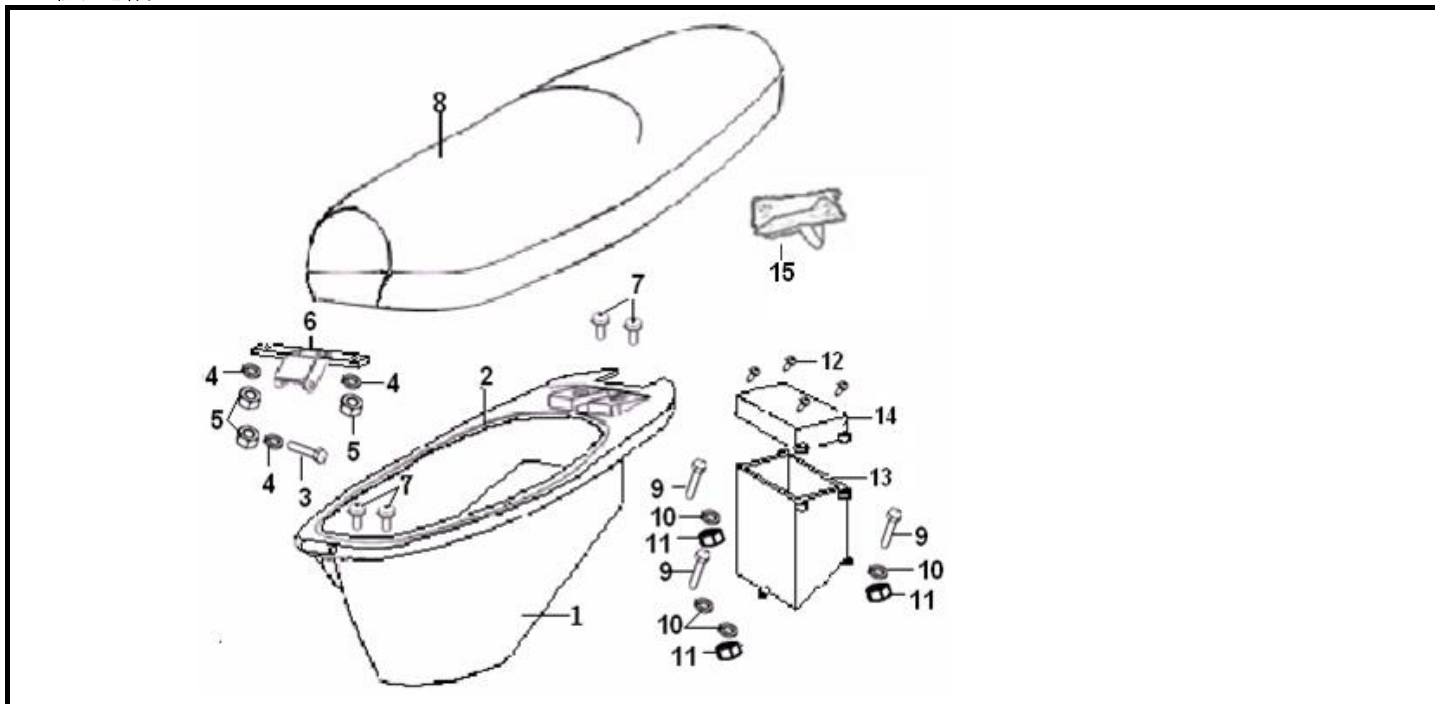
F06_1 空滤器 AIR CLEANER ASSY.



NO.	Position No.	CODE	EN DESCRIPTION	Qty/Unit
1	F06_1	270125060020	CLAMP Φ25	2
2	F06_1	49100B570000	AIR CLEANER	1
3	F06_1	B07000000505	SPRING 5	2
4	F06_1	B02000501625	SCREW M5×16	2
5	F06_1	49852B230000	PIPE	1
6	F06_1	49805B570000	HEAT PIPE CLAMP Φ19.3×10×1	1
7	F06_1	49804J000000	CLIP Φ17.5×10×1	3
8	F06_1	49870B140000	AIR CLEANER,SMALL	1
9	F06_1	110011070000	VALVE	1
10	F06_1	B01090603565	BOLT M6×35	2
11	F06_1	57404E070000	BRACKET, AIR CLEANER	1
12	F06_1	B01130603045	BOLT M6×30	2
13	F06_1	49202B030000	FILTER	1
14	F06_1	B160113B3401	PIPE Φ13×18×340	1
15	F06_1	49613B720000	PIPE,SPONGE	1
16	F06_1	49351B070000	CLIP	1

Hurricane 50 2ST

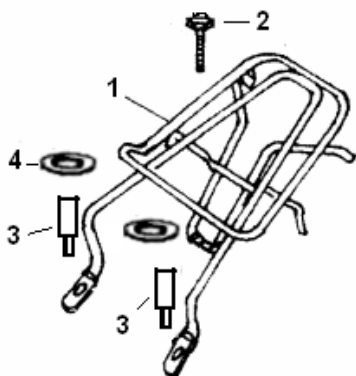
F08 座垫总成 SEAT ASSY.



NO.	Position No.	CODE	EN DESCRIPTION	Qty/Unit
1	F08-1	51004B20T000	HELMET BOX	1
2	F08-2	51012B20T000	AIRPROOF.BAR	1
3	F08-3	51001B20T000	BOLT	1
4	F08-4	B07000000603	WASHER SPRING 6	3
5	F08-5	B04000600053	NUT M6	3
6	F08-6	51005B20T000	MOUNTING PANEL ,SEAT	1
7	F08-7	B13060601664	SCREW M6X16	4
8	F08-8	51100B03000B	SEAT COMP.red line	1
8	F08-8	51100B03001B	SEAT COMP.white line	1
9	F08-9	B01010501664	BOLT M5X16	3
10	F08-10	B07020000504	WASHER 5	4
11	F08-11	B04000500054	NUT M5	3
12	F08-12	B05072901605	TAPPING SCREW ST2.9X16	4
13	F08-13	65816B20T000	CASE.BATTERY	1
14	F08-14	65813B030003	CASE.BATTERY	1

Hurricane 50 2ST

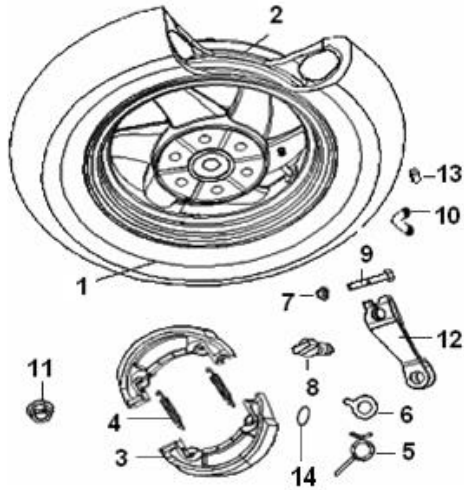
F09.1 货架总成 (铁) CARRIER ASSY. (steel)



NO.	Position No.	CODE	EN DESCRIPTION	Qty/Unit
1	F09.1-1	52011B20T000	REAR CARRIER	1
2	F09.1-2	B01070601665	BOLT M6X16	1
3	F09.1-3	52016B2GT910	SCREW M6X48	2
4	F09.1-4	65822J00P000	DECORATIVE, COVER	2

Hurricane 50 2ST

F10 后轮总成 REAR WHEEL ASSY.

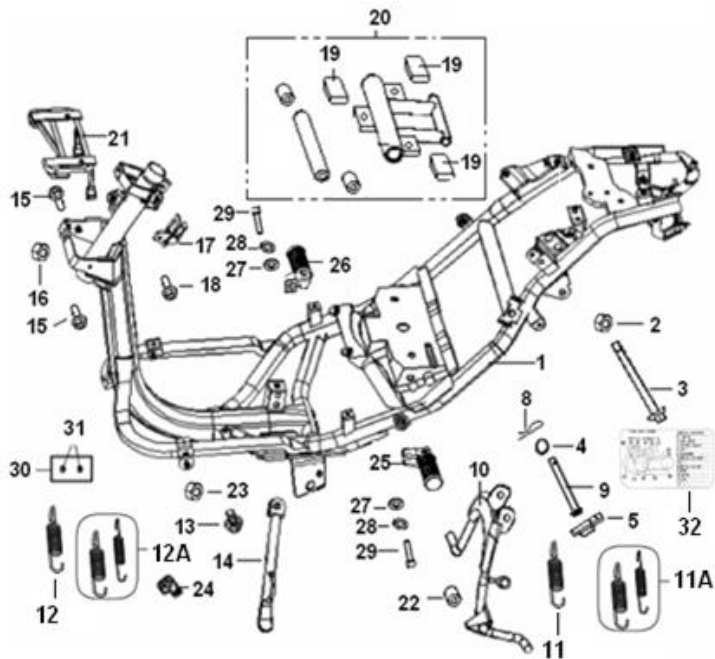


NO.	Position No.	CODE	EN DESCRIPTION	Qty/Unit
1	F10-1	B14013501012	TIRE 3.5-10 E11 75R-000197&DOT,green tire	1
2	F10-2	54100B03BH06	RIM ASSY., REAR WHEEL (BLACK BH)	1
3	F10-3	54200B00T000	SHOE ASSY., REAR BRAKE MARK:PJ ST5G3-00	1
4	F10-4	54001B00T000	SPRING, BRAKE SHOE	2
5	F10-5	54008B0ET000	RETURN SPRING	1
6	F10-6	54002B00T000	REAR INDICATOR	1
7	F10-7	B04170600045	NUT M6	1
8	F10-8	54003B0ET000	CAMSHAFT, REAR BRAKE	1
9	F10-9	B01010603025	BOLT M6X30	1
10	F10-10	B1403Z201110	VALVE	1
11	F10-11	B04171415064	NUT M14X1.5	1
12	F10-12	54007B0ET000	ROCKER,REAR BREAK	1
13	F10-13	B1404Z2011C0	CAP, VALVE	1
14	F10-14	44022B070001	O RING 10x1.9	1

F11车架总成

Hurricane 50 2ST

F11 FRAME ASSY.



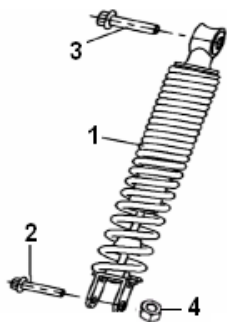
NO.	Position No.	CODE	EN DESCRIPTION	Qty/Unit
1	F11-1	57100B03000E	JOINTING ASSY., FRAME	1
2	F11-2	B04171012545	NUT M10X1.25	1
3	F11-3	58301B20T000	AXLE, SUPPORT	1
4	F11-4	58505B20T000	PROTECTOR, MAIN STAND	1
5	F11-5	58506B20T000	CLIP, BRAKE CABLE	1
8	F11-8	B09003202823	COTTER PIN	1
9	F11-9	58501B450050	SHAFT, MAIN STAND	1
10	F11-10	58520B030005	MAIN STAND ASSY	1
11A	F11-11A	58510BSAT000	DOUBLE SPRING, MAIN STAND	1
12A	F11-12A	57010BM0T001	TENSION SPRING ASSY	1
13	F11-13	57005BMBT000	BOLT 8x49	1
14	F11-14	58700B20TT11	JOINTING ASSY., SINGLE STAND	1
15	F11-15	B01090601665	BOLT M6X16	2
16	F11-16	B04070600064	NUT M6	1
17	F11-17	57007B20T000	POTHOOK, HELMET	1
18	F11-18	B01090601665	BOLT M6X16	1
19	F11-19	58342B20T000	DAMPER	3
20	F11-20	58320BSAT000	SUSPEND FRAME ASSY., ENGINE	1
21	F11-21	58200B20TT11	BRACKET ASSY., FRAME FRONT	1
22	F11-22	58504B20T000	RUBBER, MAIN STAND	1
23	F11-23	B04070800065	U NUT M8	1
24	F11-24	57006BM0T000	HOOK	1
25	F11-25	58260J000035	FOOTCAST, ASSY,LEFT	1
26	F11-26	58280J000035	FOOTCAST, ASSY,RIGHT	1

Hurricane 50 2ST

27	F11-27	B07030001004	WASHER 10mm	2
28	F11-28	B07000001004	WASHER SPRING 10mm	2
29	F11-29	B02051002264	BOLT 10X22mm	2
30	F11-30	57001B030005	PLATE, LABEL,45KM	1
31	F11-31	B100432007P0	RIVET 3.2x7	2
32	F11-32	57002B030004	ANTI-TAMPERING PLATE,for 45km	1

Hurricane 50 2ST

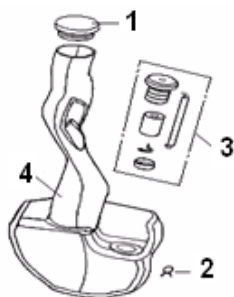
F12 后减震总成 REAR SHOCK ABSORBER ASSY.



NO.	Position No.	CODE	EN DESCRIPTION	Qty/Unit
1	F12-1	63100B20TBH1	ABSORBER ASSY.(BLACK BH)	1
2	F12-2	B01070803564	BOLT 8X40MM	1
3	F12-3	B01591003865	BOLT 10X1.25X38MM	1
4	F12-4	B04070008064	NUT M8MM	1

Hurricane 50 2ST

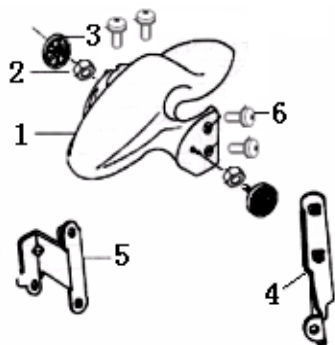
F13 机油箱总成 OIL TANK ASSY.



NO.	Position No.	CODE	EN DESCRIPTION	Qty/Unit
1	F13-1	64091B20T000	CAP, OIL TANK	1
2	F13-2	50307BM0T000	CLIPφ8	2
3	F13-3	64100B20T000	SENSOR, OIL POSITION	1
4	F13-4	64001B20T000	OIL TANK	1

Hurricane 50 2ST

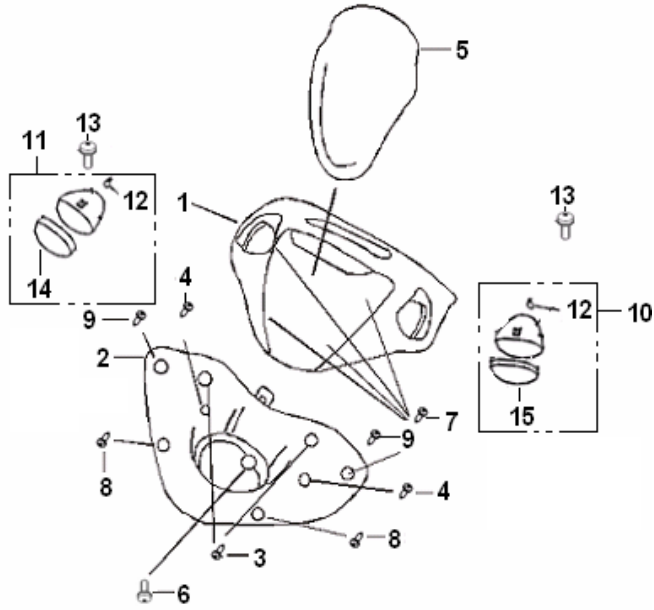
F14 前挡泥板总成 FRONT FENDER ASSY.



NO.	Position No.	CODE	EN DESCRIPTION	Qty/Unit
1	F14-1	65101BMBTBH0	FENDER ,FRONT, (BLACK BH)	1
2	F14-2	B04070600064	NUT M6	2
3	F14-3	86300BMMT000	FRONT REFLECTOR (E11 020614)	2
4	F14-4	65130B20T000	FENDER ,FRONT, LH.BRACKET	1
5	F14-5	65140B20T000	FENDER ,FRONT, RH.BRACKET	1
6	F14-6	65114BMBT000	FENDER SCREW,FRONT	4

Hurricane 50 2ST

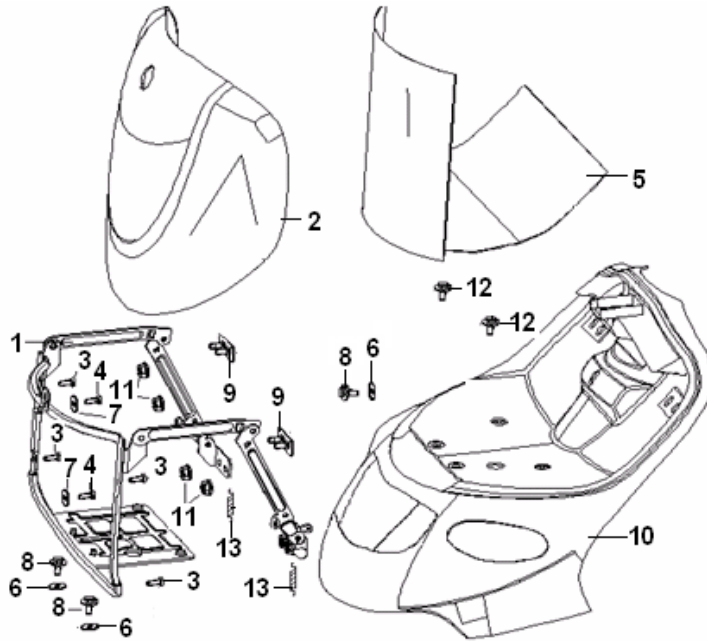
F15 龙头护罩总成 HANDLE COVER ASSY.



NO.	Position No.	CODE	EN DESCRIPTION	Qty/Unit
1	F15-1	65201BMBTBH0	HANDLE COVER, UP,(BLACK BH without sticker)	1
2	F15-2	65203B20T000	HANDLE COVER, DOWN	1
3	F15-3	B0507480160H	TAPPING SCREW, ST5X16	2
4	F15-4	B05074001605	TAPPING SCREW, ST4X16	2
5	F15-5	65203B910000	METER VISION ASSY.black	1
6	F15-6	B13010501405	SCREW,5X14	1
7	F15-7	B05073001005	TAPPING SCREW,ST3X10	4
8	F15-8	B05075001205	TAPPING SCREW,ST5X12	2
9	F15-9	B05074001205	TAPPING SCREW,ST4X12	2
10	F15-10	81100B20T001	FLASHER LIGHT ASSY., 1 MARK:E3 50R-00 1024	1
11	F15-11	81300B20T001	FLASHER LIGHT ASSY., 2 MARK:E3 50R-00 1024	1
12	F15-12	B24012120000	BULB, 12V/10W	2
13	F15-13	08005AE0D000	SCREW W/WASHER 5X11.5	2
14	F15-14	81302B20T000	LIGHT COVER, RH.	1
15	F15-15	81102B20T000	LIGHT COVER, LH.	1

Hurricane 50 2ST

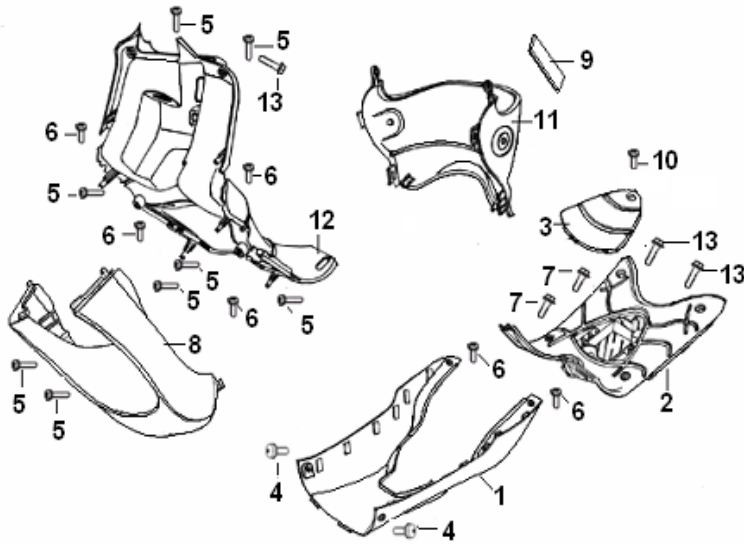
F16 前大單总成 FRONT COVER ASSY.



NO.	Position No.	CODE	EN DESCRIPTION	Qty/Unit
1	F16-1	65340B20T000	FRAME, FRONT	1
2	F16-2	65301B03H800	FACEPLATE,(GRAY H8) without sticker	1
2	F16-2	65301B20TBH0	FACEPLATE,(EXTRA BLACK BH) without sticker	1
2	F16-2	65301B20TWF0	FACEPLATE,(WHITE WF) without sticker	1
2	F16-2	65301B03102Z	FACEPLATE,(GRAY H8) witht sticker	1
2	F16-2	65301B03101Z	FACEPLATE,(EXTRA BLACK BH) with sticker	1
2	F16-2	65301B03103Z	FACEPLATE,(WHITE WF) with sticker	1
3	F16-3	B05074201305	TAPPING SCREW ST4.2X13	4
4	F16-4	B05074201605	TAPPING SCREW ST4.2X16	2
5	F16-5	65390B20T000	FRONT RACK	1
6	F16-6	B07020000605	WASHER 6	3
7	F16-7	B07020000504	WASHER 5	2
8	F16-8	B01010601664	BOLT M6X16	3
9	F16-9	65330B20T000	FIXING SEAT	2
10	F16-10	65302B20T000	MOTHERBOARD, FRONT COVER	1
11	F16-11	B04070600064	NUT M6	4
12	F16-12	B01070602024	BOLT M6X20	2

Hurricane 50 2ST

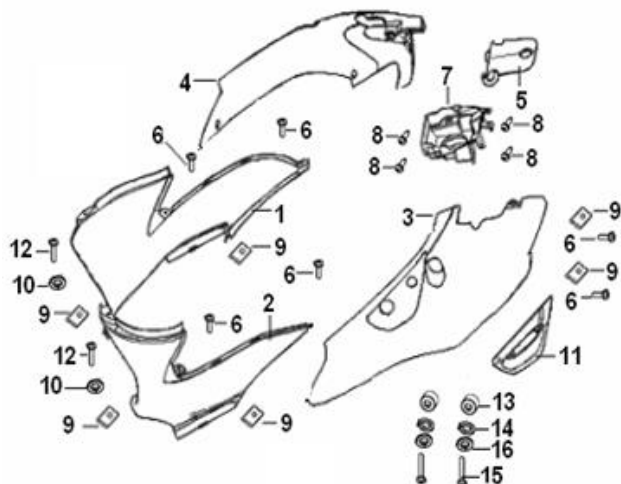
F17 脚防护板总成 LEG SHIELD ASSY.



NO.	Position No.	CODE	EN DESCRIPTION	Qty/Unit
1	F17-1	65407B20TBH0	COVER LOWER II ,(EXTRA BLACK BH)without sticker	1
1	F17-1	65407B03H800	COVER LOWER II ,(GRAY H8)without sticker	1
1	F17-1	65407B20TWF0	COVER LOWER II ,(WHITE WF)without sticker	1
1	F17-1	65407B35015Z	COVER LOWER II ,(EXTRA BLACK BH)with sticker	1
1	F17-1	65407B35016Z	COVER LOWER II ,(GRAY H8)with sticker	1
1	F17-1	65407B35017Z	COVER LOWER II ,(WHITE WF)with sticker	1
2	F17-2	65401B20T000	FOOTPLATE	1
3	F17-3	65400B030001	CAP FOOTPLATE	1
4	F17-4	08011B920000	BOLT 6x16MM	2
5	F17-5	B05074201605	TAPPING SCREW , ST4.2X16	8
6	F17-6	B05074201305	TAPPING SCREW, ST4.2x13	6
7	F17-7	B01070601265	BOLT M6X12	2
8	F17-8	65406B20T000	COVER LOWER I,without sticker	1
8	F17-8	65406B03029Z	COVER LOWER I,with sticker	1
9	F17-9	65403B20T000	INSPECT COVER	1
10	F17-10	B05074801605	SCREW ST4.8×16	1
11	F17-11	65404B20T000	COVER,FRONT LUGGAGE BOX	1
12	F17-12	65402B20T000	COVER, REAR	1
13	F17-13	B01070601665	BOLT M6x16	3

Hurricane 50 2ST

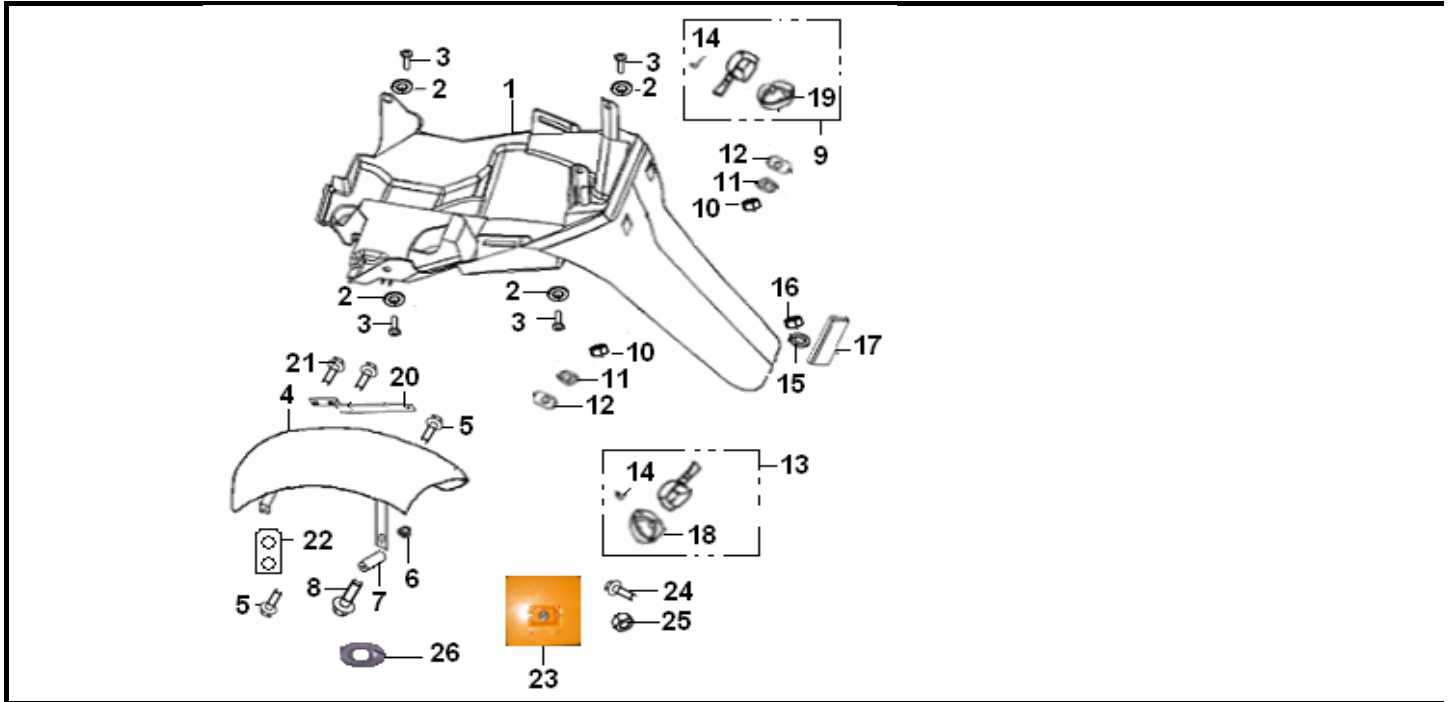
F18 护板总成 FRAME COVER ASSY.



NO.	Position No.	CODE	EN DESCRIPTION	Qty/Unit
1	F18-1	65603B20T000	COVER FRONT RH	1
2	F18-2	65601B20T000	COVER FRONT LH	1
3	F18-3	65604B20TBH0	COVER REAR LH,(EXTRA BLACK BH)without sticker	1
3	F18-3	65604B03H800	COVER REAR LH,(GRAY H8)without sticker	1
3	F18-3	65604B20TWF0	COVER REAR LH,(WHITE WF)without sticker	1
3	F18-3	65604B03127Z	COVER REAR LH,(EXTRA BLACK BH)with sticker	1
3	F18-3	65604B03128Z	COVER REAR LH,(GRAY H8)with sticker	1
3	F18-3	65604B03129Z	COVER REAR LH,(WHITE WF)with sticker	1
4	F18-4	65602B20TBH0	COVER REAR RH,(EXTRA BLACK BH)without sticker	1
4	F18-4	65602B03H800	COVER REAR RH,(GRAY H8)without sticker	1
4	F18-4	65602B20TWF0	COVER REAR RH,(WHITE WF)without sticker	1
4	F18-4	65602B03127Z	COVER REAR RH,(EXTRA BLACK BH)with sticker	1
4	F18-4	65602B03128Z	COVER REAR RH,(GRAY H8)with sticker	1
4	F18-4	65602B03129Z	COVER REAR RH,(WHITE WF)with sticker	1
5	F18-5	65606B20TBH0	COUPLING BOARD,(EXTRA BLACK BH)	1
5	F18-5	65606B03H800	COUPLING BOARD,(GRAY H8)	1
5	F18-5	65606B20TWF0	COUPLING BOARD,(WHITE WF)	1
6	F18-6	B05074801605	TAPPING SCREW ST4.8x16	6
7	F18-7	65615B20T000	BOARD, FUEL TANK FIXING	1
8	F18-8	B05070401005	TAPPING SCREW, ST4x10	4
9	F18-9	65801B20T000	CARD	6
10	F18-10	B07030000505	WASHER 5MM	2
11	F18-11	65612B20T000	HANDLE, LH	1
12	F18-12	B05074201605	TAPPING SCREW, ST4.2x16	2
13	F18-13	65613B20T000	BUSH, HANDLE	2
14	F18-14	B07030000604	WASHER 6	2
15	F18-15	B02000603064	SCREW M6x30	2
16	F18-16	B07000000604	WASHER SPRING 6	2

Hurricane 50 2ST

F19 后挡泥板总成 REAR FENDER ASSY.



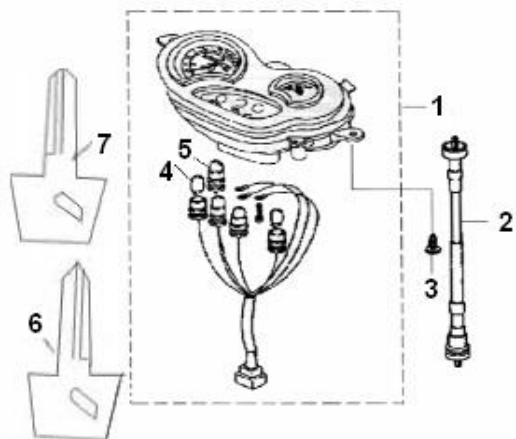
NO.	Position No.	CODE	EN DESCRIPTION	Qty/Unit
1	F19-1	65701B20T000	FENDER, REAR	1
2	F19-2	B07020000605	WASHER 6	4
3	F19-3	B01010601664	BOLT M6x16	4
4	F19-4	65701B030001	TAIL, REAR FENDER	1
5	F19-5	B01070601265	BOLT M6X12	2
6	F19-6	65810B20T000	FIT NUT ASSY,FENDER	1
7	F19-7	65763B20T000	FIT BUSH,FENDER	1
8	F19-8	B01090605063	BOLT M6X50	1
9	F19-9	81700B20T001	TURN LIGHT,F.R. E-MARK: E3 50R-00 1024	1
10	F19-10	B04031012514	NUT M10X1.25	2
11	F19-11	81703B20T000	RUBBERCUSHION,REARTURNLIGHT	2
12	F19-12	81704B20T000	CUSHION,REAR TURN LIGHT	2
13	F19-13	81500B20T001	TURN LIGHT,R.LH. MARK: E3 50R-00 1024	1
14	F19-14	B24012120000	BULB, 12V/10W	2
15	F19-15	B07020000505	WASHER 5	1
16	F19-16	B04000500065	NUT M5	1
17	F19-17	86500B20T000	REAR REFLECTOR E-MARK: E11 020612	1
18	F19-18	81302B20T000	LIGHT COVER, R.	1
19	F19-19	81102B20T000	LIGHT COVER, LH.	1
20	F19-20	57861B20T001	RR, FENDER BRACKET, R	1
21	F19-21	B01090601265	BOLT 6X12MM	2
22	F19-22	65770B20T000	BRACKET ASSY	1
24	F19-24	B01090601665	BOLT M6 X 16	1

Hurricane 50 2ST

25	F19-25	B04070600055	NUT 6MM	1
26	F19-26	08305G120050	BUSH	1

Hurricane 50 2ST

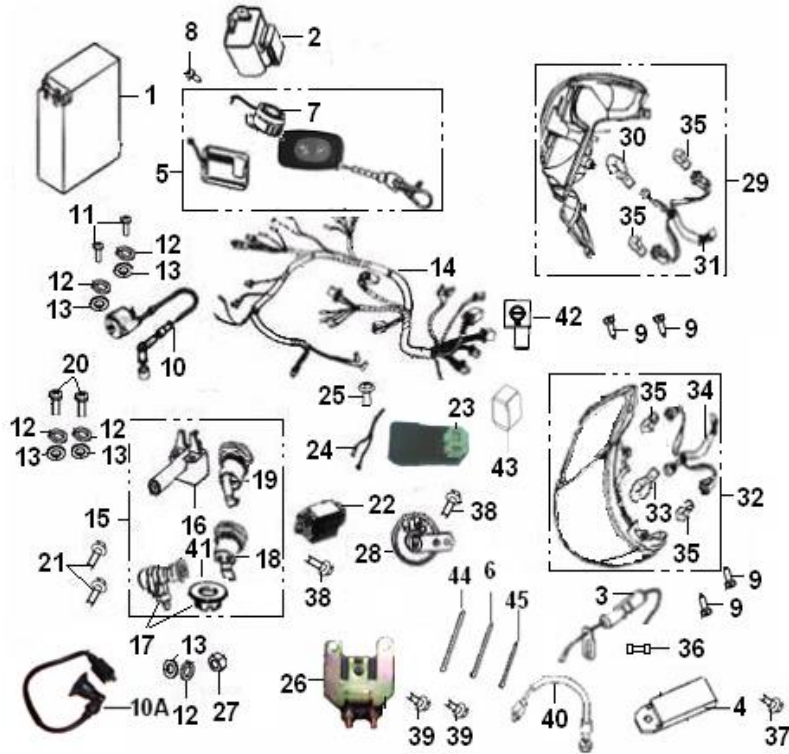
F20 仪表总成 SPEEDOMETER ASSY.



NO.	Position No.	CODE	EN DESCRIPTION	Qty/Unit
1	F20-1	70000B03000C	SPEEDOMETER ASSY.45~80km/h in red mark	1
2	F20-2	72900J4FT000	CABLE ASSY, SPEEDOMETER	1
3	F20-3	B05074001205	TAPPING SCREW ST4X12	3
4	F20-4	B24012920000	BULB 12V-3W	2
5	F20-5	B24020221100	BULB 12V-2W	3
6	F20-6	88900B03000X	KEY NUT LEFT	1
7	F20-7	88900B03001X	KEY NUT RIGHT	1

Hurricane 50 2ST

F21 电器总成 I ELECTRICAL EQUIPMENT ASSY.



NO.	Position No.	CODE	EN DESCRIPTION	Qty/Unit
1	F21-1	96100B030010	BATTERY ASSY. 12V,3AH (YTX4L-BS)	1
2	F21-2	96400K00P001	FLASHER (MANUAL TYPE)	1
3	F21-3	96800B20T000	FUSE COMP	1
6	F21-6	96001B20T000	BAND 8X200	4
8	F21-8	B05074201605	TAPPING SCREW ST4.2X16	1
9	F21-9	B05074801305	TAPPING SCREW ST4.8X13	4
10	F21-10	96200B20T000	COIL ASSY.,IGNITION	1
11	F21-11	B02000602064	SCREW M6X20	2
13	F21-13	B01090601665	BOLT 6X16MM	2
14	F21-14	92000B03001F	HARNESS, WIRING with thermostat	1
14	F21-14	92000B03000U	HARNESS, WIRING with thermostat, automatic headlamp on	1
15	F21-15	88000B20T00A	LOCK COMP.	1
16	F21-16	88800B20T000	SEAT LOCK	1
17	F21-17	88100B20T00A	LOCK ASSY. STEERING	1
18	F21-18	88400B20T000	LOCK FUEL TANK	1
19	F21-19	88200B20T000	LOCK, FRONT LUGGAGE BOX	1
20	F21-20	B02000604024	SCREW M6X40	2
21	F21-21	B01090601665	BOLT 6X16MM	2
22	F21-22	98801J0ET000	RECTIFIER	1
23	F21-23	97701BM0T001	C.D.I. UNIT COMP.	1
24	F21-24	96900B00T000	WIRE, EARTH	1

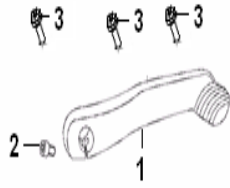
Hurricane 50 2ST

25	F21-25	B01090601265	BOLT M6X12	1
26	F21-26	94100J000002	RELAY ASSY.,STARTER	1
27	F21-27	B04000600054	NUT M6	2
28	F21-28	95000B50T000	HORN ASSY.	1
29	F21-29	82008B20T000	TAIL LIGHT ASSY, R.R., MARK: E3 50R-00 1025	1
30	F21-30	B24013820000	TAIL LIGHT BULB 12V/21W/5W	1
31	F21-31	82900B20T001	WIRING ASSY. TAIL LIGHT	1
32	F21-32	80004B20T000	HEADLIGHT COMP. E3 50R -001021	1
33	F21-33	B24010520000	HEADLIGHT BULB 12V35/35W	1
34	F21-34	80020B20T000	WIRING ASSY.HEAD LIGHT	1
35	F21-35	B24020321102	INDICATOR BULB 12V/3W	4
36	F21-36	96810B940000	FUSE 10A,250V	1
37	F21-37	B01090601265	BOLT 6X12MM	1
38	F21-38	B01090601665	BOLT 6x16MM	2
39	F21-39	B01090601265	BOLT 6x12MM	2
40	F21-40	92200A020001	WIRE	1
41	F21-41	88101B030002	COVER MAIN SWITCH	1
42	F21-42	94118B910000	JACKET,EARTH WIRE	1
43	F21-43	96008N030000	JACKET,CDI	1
44	F21-44	96003J000000	BAND 8X200	2
45	F21-45	96001J000000	BAND 8X150	8

F22 发动机附件

Hurricane 50 2ST

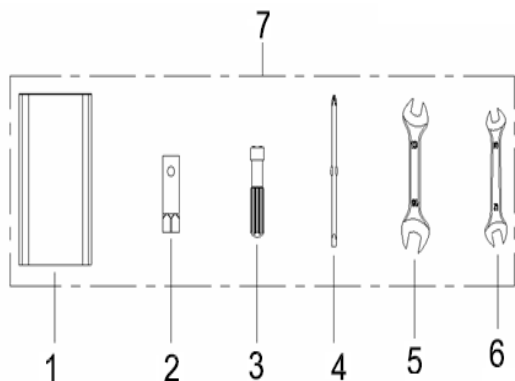
F22 ENGINE ATTACHMENT



NO.	Position No.	CODE	EN DESCRIPTION	Qty/Unit
1	F22-1	08351BM0THU0	KICK STARTER ASSY.SILVER GRAY HU	1
2	F22-2	B02050602565	BOLT M6X25	1
3	F22-3	B01070602564	BOLT 6X25MM	2

Hurricane 50 2ST

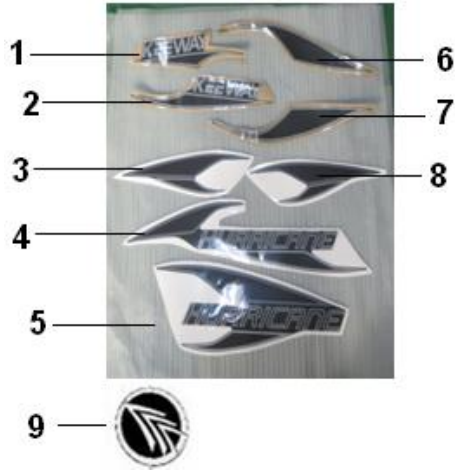
F23 随车工具总成 TOOL KIT ASSY.



NO.	Position No.	CODE	EN DESCRIPTION	Qty/Unit
1	F23-1	02110J000000	TOOL BAG	1
2	F23-2	02102B070000	SOCKET, SPARK PLUG	1
3	F23-3	02106J000000	HANDLE, SCREW DRIVER	1
4	F23-4	02103J000000	DRIVER, SCREW	1
5	F23-5	B20011301603	WRENCH 13-16MM	1
6	F23-6	B20011001203	WRENCH 10-12MM	1
7	F23-7	02100B030000	TOOL KIT	1

Hurricane 50 2ST

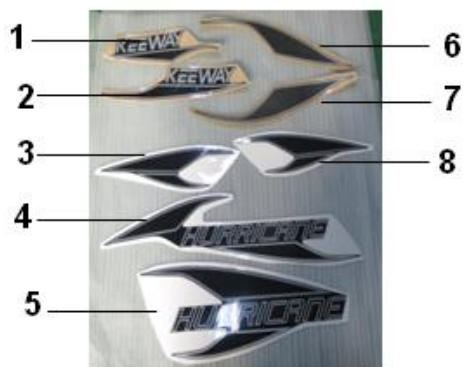
F24_1 铭牌不干胶,STICKER ASSY._USED FOR GRAY H8 VEHICLE



NO.	Position No.	CODE	EN DESCRIPTION	Qty/Unit
1	F24_1-1	05541B03H80S	LEFT STICKER,UNDER COVER	1
2	F24_1-2	05542B03H80S	RIGHT STICKER,UNDER COVER	1
3	F24_1-3	05521B03H80S	LEFT STICKER,FRONT COVER	1
4	F24_1-4	05511B03H80S	LEFT STICKER,SIDE COVER	1
5	F24_1-5	05512B03H80S	RIGHT STICKER,SIDE COVER	1
6	F24_1-6	05523B03000S	LEFT STICKER	1
7	F24_1-7	05524B03000S	RIGHT STICKER	1
8	F24_1-8	05522B03H80S	RIGHT STICKER,FRONT COVER	1
9	F24_1-9	05525BMBT004	MARK ,BIRD BLACK	1

Hurricane 50 2ST

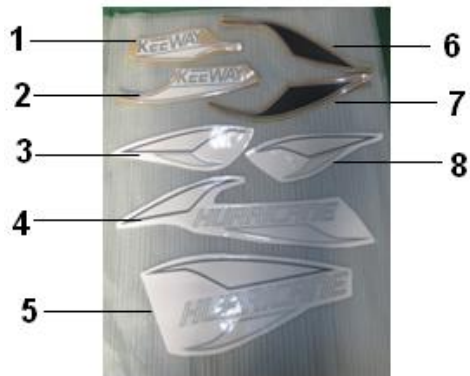
F24_2 铭牌不干胶STICKER ASSY._USED FOR EXTRA BLACK BH VEHICLE



NO.	Position No.	CODE	EN DESCRIPTION	Qty/Unit
1	F24_2-1	05541B03BH0S	LEFT STICKER,UNDER COVER	1
2	F24_2-2	05542B03BH0S	RIGHT STICKER,UNDER COVER	1
3	F24_2-3	05521B03BH0S	LEFT STICKER,FRONT COVER	1
4	F24_2-4	05511B03BH0S	LEFT STICKER,SIDE COVER	1
5	F24_2-5	05512B03BH0S	RIGHT STICKER,SIDE COVER	1
6	F24_2-6	05523B03000S	LEFT STICKER	1
7	F24_2-7	05524B03000S	RIGHT STICKER	1
8	F24_2-8	05522B03BH0S	RIGHT STICKER,FRONT COVER	1

Hurricane 50 2ST

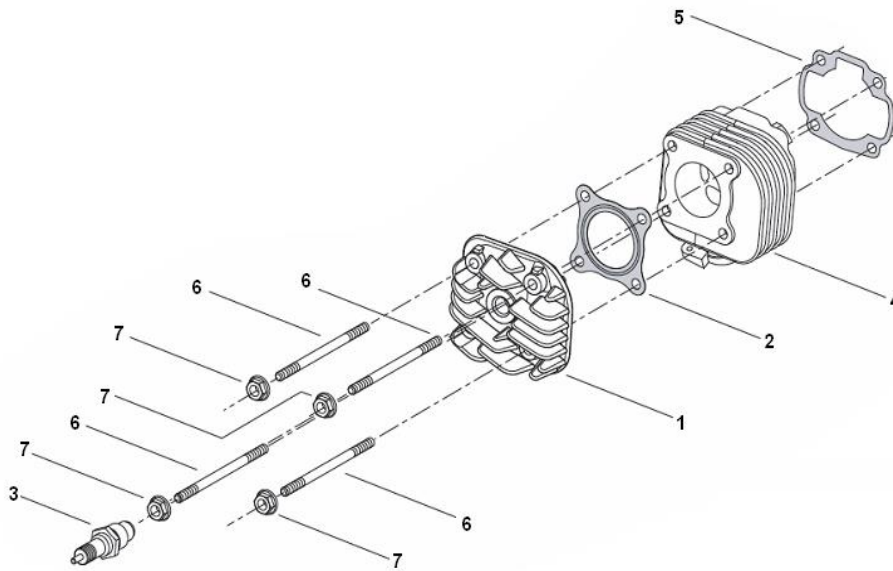
F24_3 铭牌不干胶白WFSTICKER ASSY._USED FOR WHITE WF VEHICLE



NO.	Position No.	CODE	EN DESCRIPTION	Qty/Unit
1	F24_3-1	05541B03WF0S	LEFT STICKER,UNDER COVER	1
2	F24_3-2	05542B03WF0S	RIGHT STICKER,UNDER COVER	1
3	F24_3-3	05521B03WF0S	LEFT STICKER,FRONT COVER	1
4	F24_3-4	05511B03WF0S	LEFT STICKER,SIDE COVER	1
5	F24_3-5	05512B03WF0S	RIGHT STICKER,SIDE COVER	1
6	F24_3-6	05523B03000S	LEFT STICKER	1
7	F24_3-7	05524B03000S	RIGHT STICKER	1
8	F24_3-8	05522B03WF0S	RIGHT STICKER,FRONT COVER	1

Hurricane 50 2ST

E01 气缸总成 (40-1) 状态: 仿欧II气缸盖, 火花塞型号: BR8HSA, 缸盖螺母: 正常型, 非石棉垫片 CYLINDER HEAD ASSY

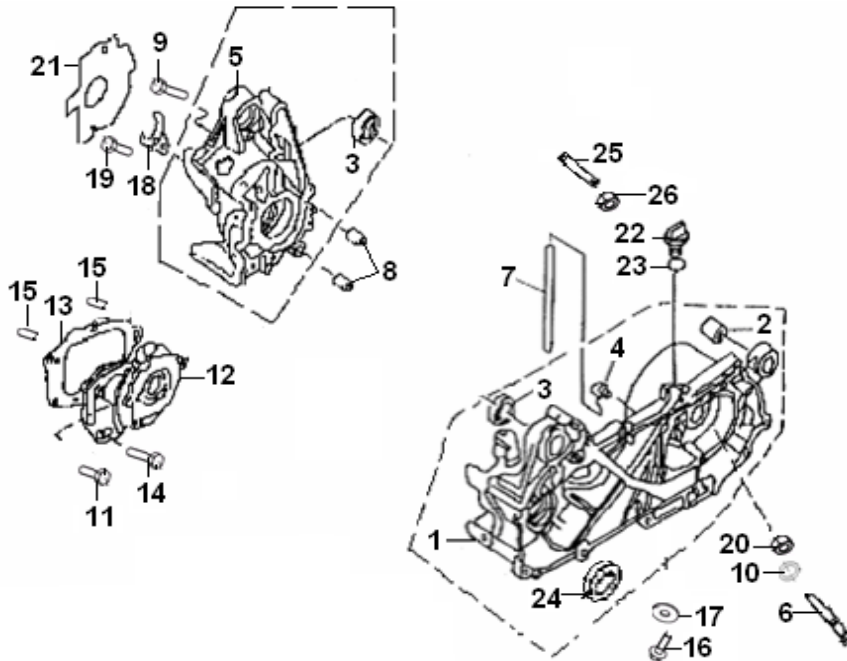


NO.	Position No.	CODE	EN DESCRIPTION	Qty/Unit
1	E01-1	30701B01F000	HEAD, CYLINDER	1
2	E01-2	30507B01F000	GASKET, CYLINDER HEAD	1
3	E01-3	201204.013000	SPARK PLUG	1
4	E01-4	27101B01F00A	CYLINDER	1
5	E01-5	204204.001000	GASKET, CYLINDER	1
6	E01-6	26107B01F910	STUD BOLT	4
7	E01-7	304290700062	NUT	4

Hurricane 50 2ST

E02 曲轴箱分总成 ((40-2B) B f 40-7B)

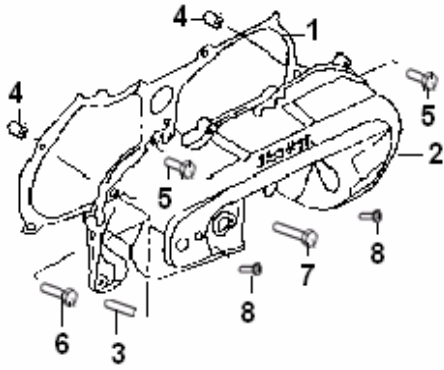
非石棉垫片, 用于益中40 CRANKCASE ASSY



NO.	Position No.	CODE	EN DESCRIPTION	Qty/Unit
1	E02-1	26100B01F00B	CRANKCASE, LH	1
2	E02-2	26108G02F000	BUSH,ENGINE MOUNTING	1
3	E02-3	207230.002000	BUSH,ENGINE MOUNTING	2
4	E02-4	26126G02F000	BREATHER PLUG	1
5	E02-5	26200B01F000	CRANKCASE, RH	1
6	E02-6	26142G02F000	BRAKE SHOE ANCHOR PIN ASSY	1
7	E02-7	26105G02F000	HOSE	1
8	E02-8	26123G02F000	DOWEL PIN	2
9	E02-9	B02270603564	SCREW	6
10	E02-10	14222J01F000	O RING6.8X1.9	1
11	E02-11	B01070603064	BOLT	2
12	E02-12	18101G02F001	COVER, GEAR BOX	1
13	E02-13	214201.001000	GASKET, GEAR BOX	1
14	E02-14	B01070602264	BOLT	3
15	E02-15	26208J01F000	DOWEL PIN	2
16	E02-16	301310801605	FLANGE BOLT	1
17	E02-17	18105H03F000	WASHER	1
18	E02-18	26214G02F000	HOLDER	1
19	E02-19	301310601262	BOLT M6X12	1
20	E02-20	304290800062	NUT	1
21	E02-21	206321.001000	GASKET	1
22	E02-22	206407.004083	OIL PLUG	1
23	E02-23	26102G02F000	O-RING	1
24	E02-24	26112G02F000	SHAFT COLLAR	1
25	E02-25	231215.001000	SHAFT	1
26	E02-26	B04171012563	NUT	1

Hurricane 50 2ST

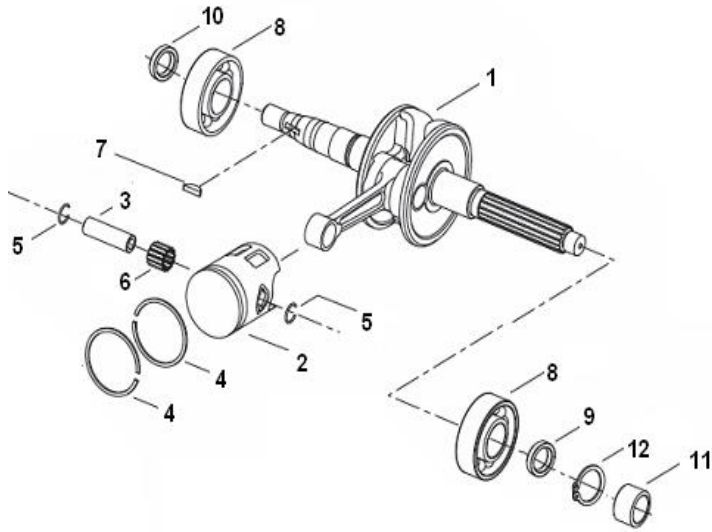
E03 侧盖分总成 (50-3-1M) 非石棉垫片, 侧盖喷银白色漆, 侧盖光板, 不装塑料罩壳 SIDECOVER ASSY



NO.	Position No.	CODE	EN DESCRIPTION	Qty/Unit
1	E03-1	207208.009000	GASKET, SIDE COVER	1
2	E03-2	169022080030	SIDE COVER	1
3	E03-3	26128G02F000	SHAFT	1
4	E03-4	26208J01F000	DOWEL PIN	2
5	E03-5	301310602565	SCREW M6X25	8
6	E03-6	301310603565	SCREW	2
7	E03-7	301310606565	PAN HEAD SCREW	1
8	E03-8	302460601265	STOPPER	1

Hurricane 50 2ST

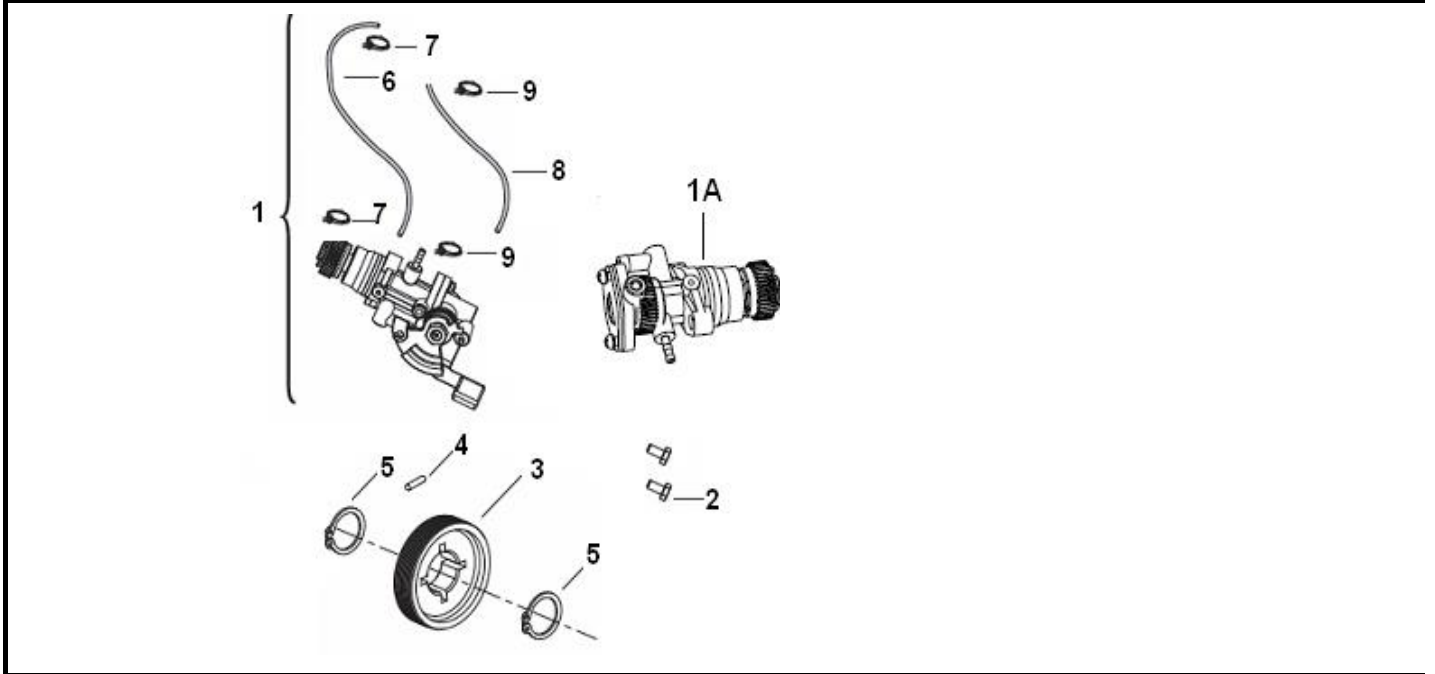
E04 PISTON CRANKSHAFT CONNECTING ROD ASSY 活塞连杆曲轴分总成 (QJ1E40MB.8D) 欧II销孔加大, 正圆(轴承SKF)



NO.	Position No.	CODE	EN DESCRIPTION	Qty/Unit
1	E04-1	208100.022000	CRANKSHAFT, ASSY	1
2	E04-2	15100B01F00B	PISTON ASSY	1
3	E04-3	15105B16F000	PISTON PIN	1
4	E04-4	15103B01F000	PISTON RING ASSY	2
5	E04-5	15111G02F000	CIRCLIP	2
6	E04-6	15110B16F000	NEEDLE BEARING	1
7	E04-7	15101B01F000	WOODRUFF KEY	1
8	E04-8	B12016620453	BEARING	2
8	E04-8	B12016620453	BEARING	2
8	E04-8	B12016E20401	BEARING	2
9	E04-9	15213G02F000	OIL SEAL	1
10	E04-10	26215G02F000	OIL SEAL ASSY	1
11	E04-11	15214G02F000	COLLAR	1
12	E04-12	17308G02F000	CIRCLIP	1

Hurricane 50 2ST

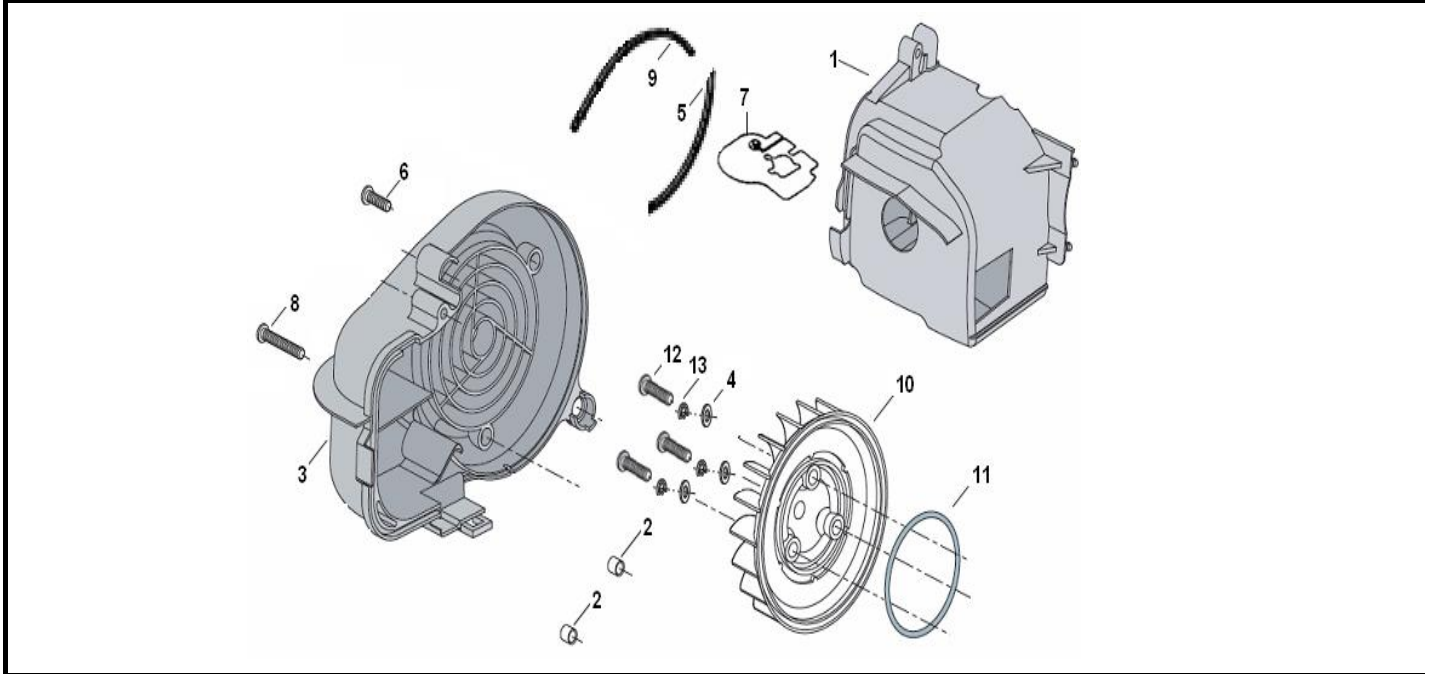
E05 机油泵分总成 (QJ1E40QMB-4.10I) 状态: 带拉线50CC (打50标记) 进油管长度: 590, 出油管长度: 400 OIL PUMP ASSY



NO.	Position No.	CODE	EN DESCRIPTION	Qty/Unit
1	E05-1	219101.006000	OIL PUMP ASSY, with mark 502,old type	1
1	E05-1	269001070040	OIL PUMP ASSY,with mark 502,new type	1
1A	E05-1A	269011070071	OIL PUMP ASSY,Automatic pump	1
2	E05-2	B02000501463	SCREW	2
3	E05-3	15211G02F000	PUMP DRIVE GEAR	1
4	E05-4	B090103014C0	PIN	1
5	E05-5	15106G02F910	CIRCLIP	2
6	E05-6	221405.103000	HOSE,OIL INLET	1
7	E05-7	19213G02F00A	HOSE CLIP	2
8	E05-8	221405.104000	HOSE,OIL OUTLET	1
9	E05-9	19217G02F00A	HOSE CLIP	2

Hurricane 50 2ST

E06 导风罩分总成 (40-8B) 外露件镀铬 AIR COOLING SYSTEM

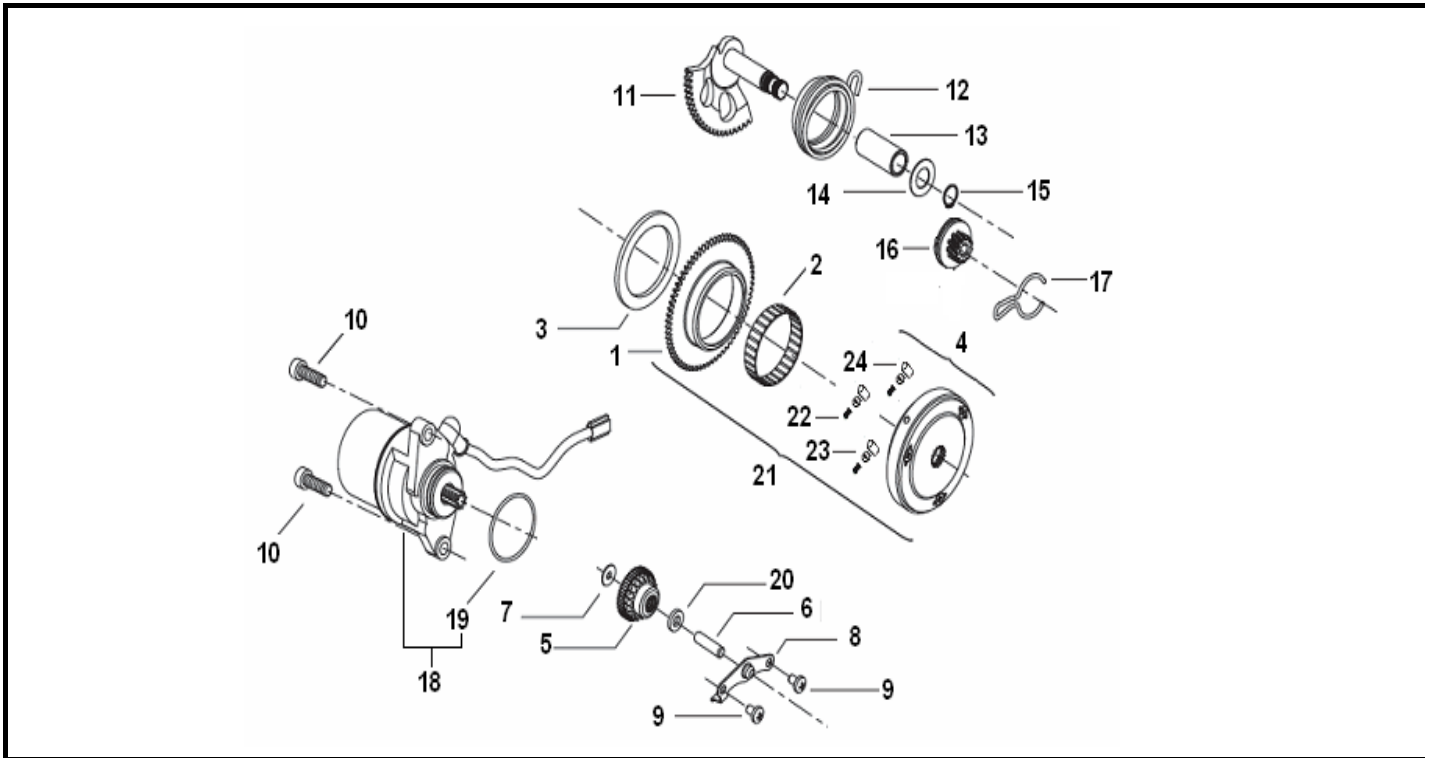


NO.	Position No.	CODE	EN DESCRIPTION	Qty/Unit
1	E06-1	20301B01F000	COWLING,CYLINDER	1
2	E06-2	20303G02F000	GROMMET	2
3	E06-3	20200B01F000	COVER ASSY (FAN),OLD TYPE	1
3	E06-3	270031040000	COVER ASSY (FAN),NEW TYPE	1
4	E06-4	B07030000600	WASHER Φ6	3
5	E06-5	20208G02F000	BEADING (RUBBER)	1
6	E06-6	B01070602063	BOLT M6X20	2
7	E06-7	20102G02F000	DUST COVER (RUBBER)	1
8	E06-8	3050355040F5	SCREW ST5.5X40-F	1
9	E06-9	20206G02F000	BEADING (RUBBER)	1
10	E06-10	20401B01F000	FAN ASSY	1
11	E06-11	20402G02F000	RUBBER RING 70X3.1	1
12	E06-12	301310601665	SCREW M6X16	3
13	E06-13	B07000000600	SPRING WASHER Φ6	3

Hurricane 50 2ST

E07 起动分总成 (50-11A £ 50-15A £ 50-3-2A) 马达线长度: 460-470MM, 起动机轴正常 KICK STARTER ASSY

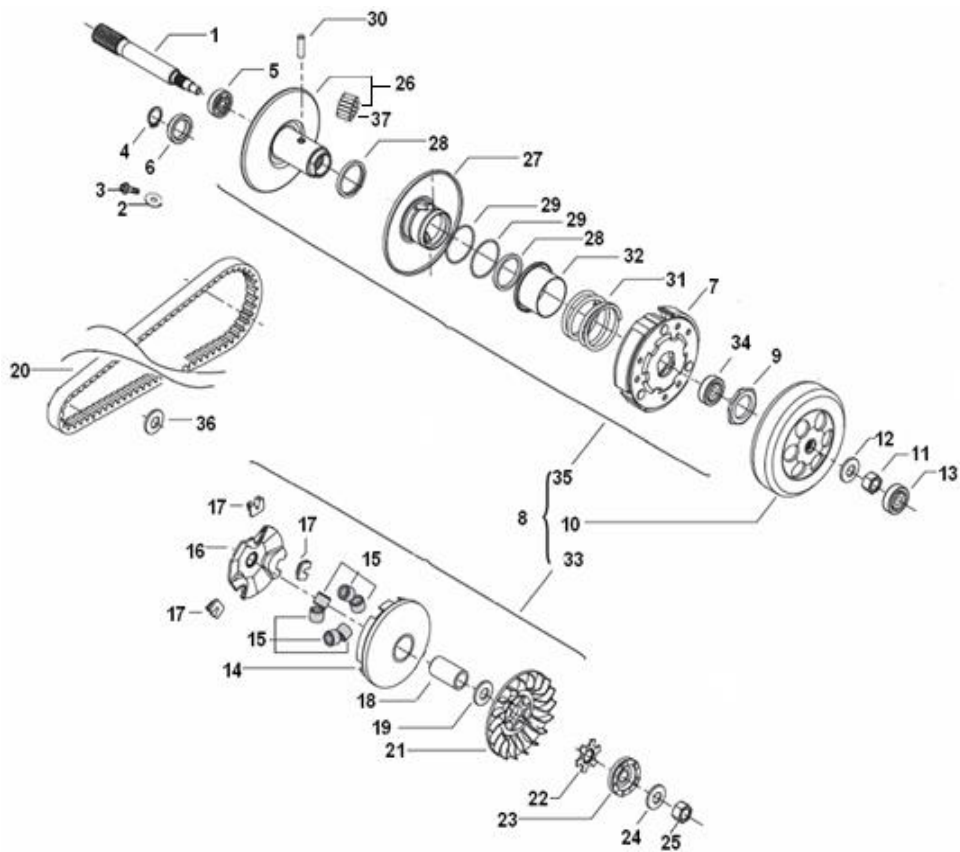
E07 KICK STARTER ASSY



NO.	Position No.	CODE	EN DESCRIPTION	Qty/Unit
1	E07-1	34120G02F000	START GEAR ASSY	1
2	E07-2	34121G02F000	NEEDLE BEARING	1
3	E07-3	34123G02F000	THRUST WASHER	1
4	E07-4	34110G02F00A	STARTER CLUTCH ASSY.COMP	1
5	E07-5	34126G02F000	DRIVEN GEAR,STARTER	1
6	E07-6	26128G02F000	IDLE GEAR SHAFT	1
7	E07-7	34122G02F000	PLATE WASHER	1
8	E07-8	34125G02F000	IDLE GEAR HOLDER	1
9	E07-9	301310601062	SCREW	2
10	E07-10	302040602065	SCREW	2
11	E07-11	216100.004000	SHAFT, KICK STARTER	1
12	E07-12	17407G02F000	SPRING	1
13	E07-13	216217.001000	BUSH	1
14	E07-14	307991005552	WASHER ,KICK STARTER	1
15	E07-15	308090150003	CIRCLIP	1
16	E07-16	250062080000	KICK PINION ASSY	1
17	E07-17	17418G02F930	CLIP	1
18	E07-18	218100.017472	STARTING MOTOR ASSY	1
19	E07-19	B190102120B0	O-RING	1
20	E07-20	34130G02F000	PLATE WASHER	1
21	E07-21	217100.100000	START CLUTCH ASSY, COMP.	1
22	E07-22	34404G02F00A	SPRING	3
23	E07-23	34405G02F00A	CAP	3
24	E07-24	34402G02F00A	ROLLER	3

Hurricane 50 2ST

E08

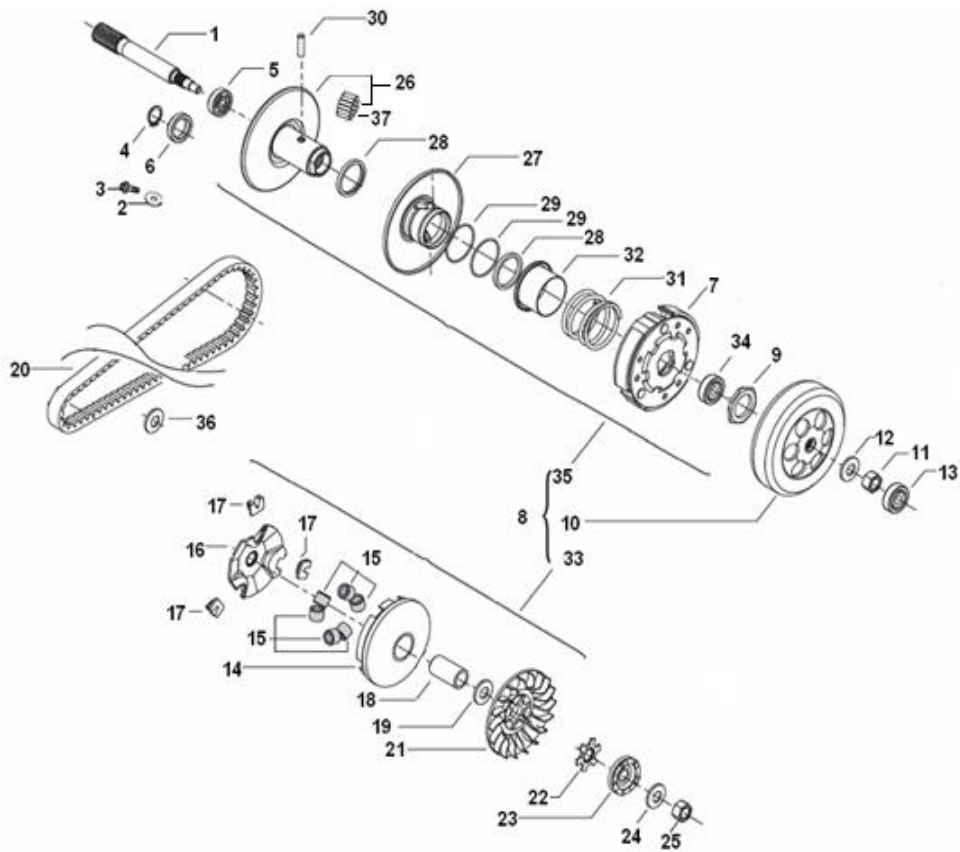


传动机构总成 (40-5-1 C) CLUTCH

NO.	Position No.	CODE	EN DESCRIPTION	Qty/Unit
1	E08-1	24201B01F000	PRIMARY DRIVE SHAFT OLD	1
1	E08-1	220011160000	PRIMARY DRIVE SHAFT NEW	1
2	E08-2	18114G02F000	PLATE WASHER	1
3	E08-3	B01090801263	PAN HEAD SCREW	1
4	E08-4	B08010001700	CIRCLIP	1
5	E08-5	B12016600300	BALL BEARING 6003	1
6	E08-6	24203G02F000	OIL SEAL	1
7	E08-7	24301B01F000	CLUTCH ASSY,SHOE	1
8	E08-8	213100.010000	SHIFT ASSY 5G	1
9	E08-9	24303G02F000	NUT	1
10	E08-10	24700G02F000	CLUTCH DRUM	1
11	E08-11	24305G02F940	NUT	1
12	E08-12	24243G02F000	RING $\Phi 6.7 \times 3$	1
12	E08-12	200492080000	RING $\Phi 5.5 \times 1.5$	2
13	E08-13	24209G02F000	BEARING 8X28X8	1
14	E08-14	24101G02F000	FACE, MOVABLE DRIVE	1
15	E08-15	213119.003000	ROLLER 5g	6
16	E08-16	24103G02F000	PLATE, MOVABLE DRIVE	1

Hurricane 50 2ST

E08

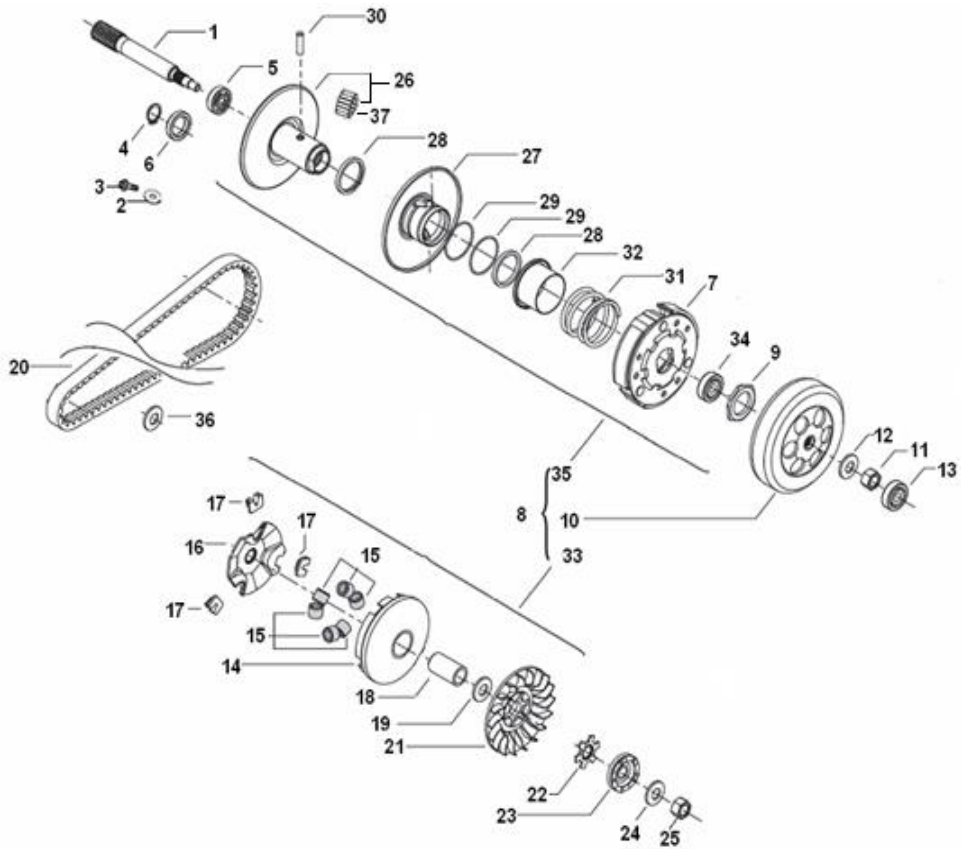


传动机构总成 (40-5-1 C) CLUTCH

NO.	Position No.	CODE	EN DESCRIPTION	Qty/Unit
17	E08-17	24104G02F000	DAMPER	3
18	E08-18	24105G02F000	COLLAR	1
19	E08-19	24106B01F000	WASHER	1
20	E08-20	229011160020	V BELT, DRIVE	1
20	E08-20	24107B01F000	V BELT, DRIVE	1
21	E08-21	24108G02F000	FACE, FIXED DRIVE	1
22	E08-22	24109G02F000	STAR WASHER	1
23	E08-23	213203.001161	RATCHET (STARTING)	1
24	E08-24	15112G02F010	WASHER, SPRING	1
25	E08-25	B04031212553	NUT	1
26	E08-26	24204G02F000	FACE, FIXED DRIVEN	1
27	E08-27	24205G02F000	FACE, MOVABLE DRIVEN	1
28	E08-28	24206G02F000	OIL SEAL	2
29	E08-29	24207G02F000	O-RING	2
30	E08-30	24208G02F000	PIN, GUIDE	2
31	E08-31	24308B01F000	SPRING	1
32	E08-32	24309G02F930	SEAT, SPRING	1
33	E08-33	213100.039000	DRIVE PULLEY COMP.	1

Hurricane 50 2ST

E08

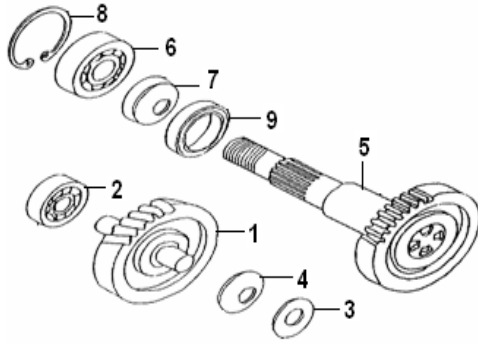


传动机构总成 (40-5-1 C) CLUTCH

NO.	Position No.	CODE	EN DESCRIPTION	Qty/Unit
34	E08-34	24245G02F000	ROLLER BEARING	1
35	E08-35	24200B01F000	DRIVEN PULLEY COMP.	1
36	E08-36	200021070030	WASHER	1
36	E08-36	200011070013	WASHER	1
36	E08-36	200021070100	WASHER	1
36	E08-36	200021070070	WASHER,12.2mm	1
37	E08-37	200232080000	NEEDLE BEARING	1

Hurricane 50 2ST

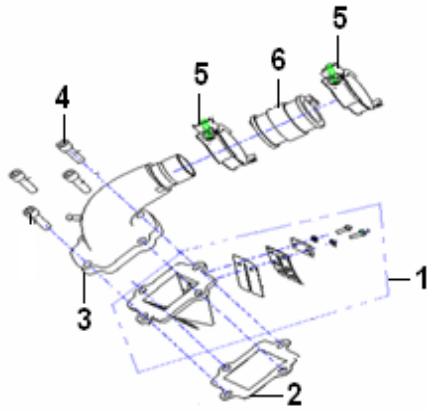
E09 变速系统分总成(40-5-2A) 40中间轴, 40输出轴) TRANSMISSION SYSTEM ASSY



NO.	Position No.	CODE	EN DESCRIPTION	Qty/Unit
1	E09-1	17800B01F000	SHAFT, IDLE	1
2	E09-2	B12016620100	BEARING 6201	1
3	E09-3	17509G02F000	PLATE WASHER12	1
4	E09-4	17802G02F000	WASHER, CONICAL	1
5	E09-5	17300B01F000	DRIVEN SHAFT(GEAR BOX)	1
6	E09-6	B12016600400	BEARING	1
7	E09-7	17317G02F000	OIL SEAL	1
8	E09-8	17308G02F000	CIRCLIP	1
9	E09-9	26136G02F000	NEEDLE BEARING	1

Hurricane 50 2ST

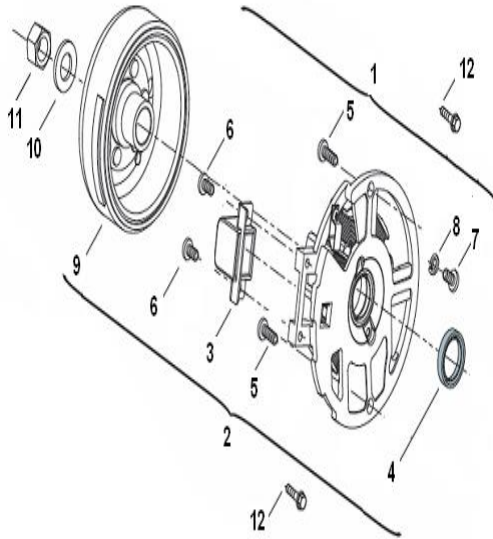
E10 进气阀分总成 (36-13 £ 40-13) A 进口 REED VALVE ASSY



NO.	Position No.	CODE	EN DESCRIPTION	Qty/Unit
1	E10-1	32300A02F000	REED VALVE ASSY	1
2	E10-2	202306.002000	VALVE SEAT GASKET	1
3	E10-3	110011160000	PIPE,INTAKE	1
4	E10-4	302040602065	SCREWM6X20	3
5	E10-5	32202G01F000	CLAMP HOSE ASSY	2
6	E10-6	32237G01F000	RUBBER PIPE	1
7	E10-7	206412.001472	SCREW	1

Hurricane 50 2ST

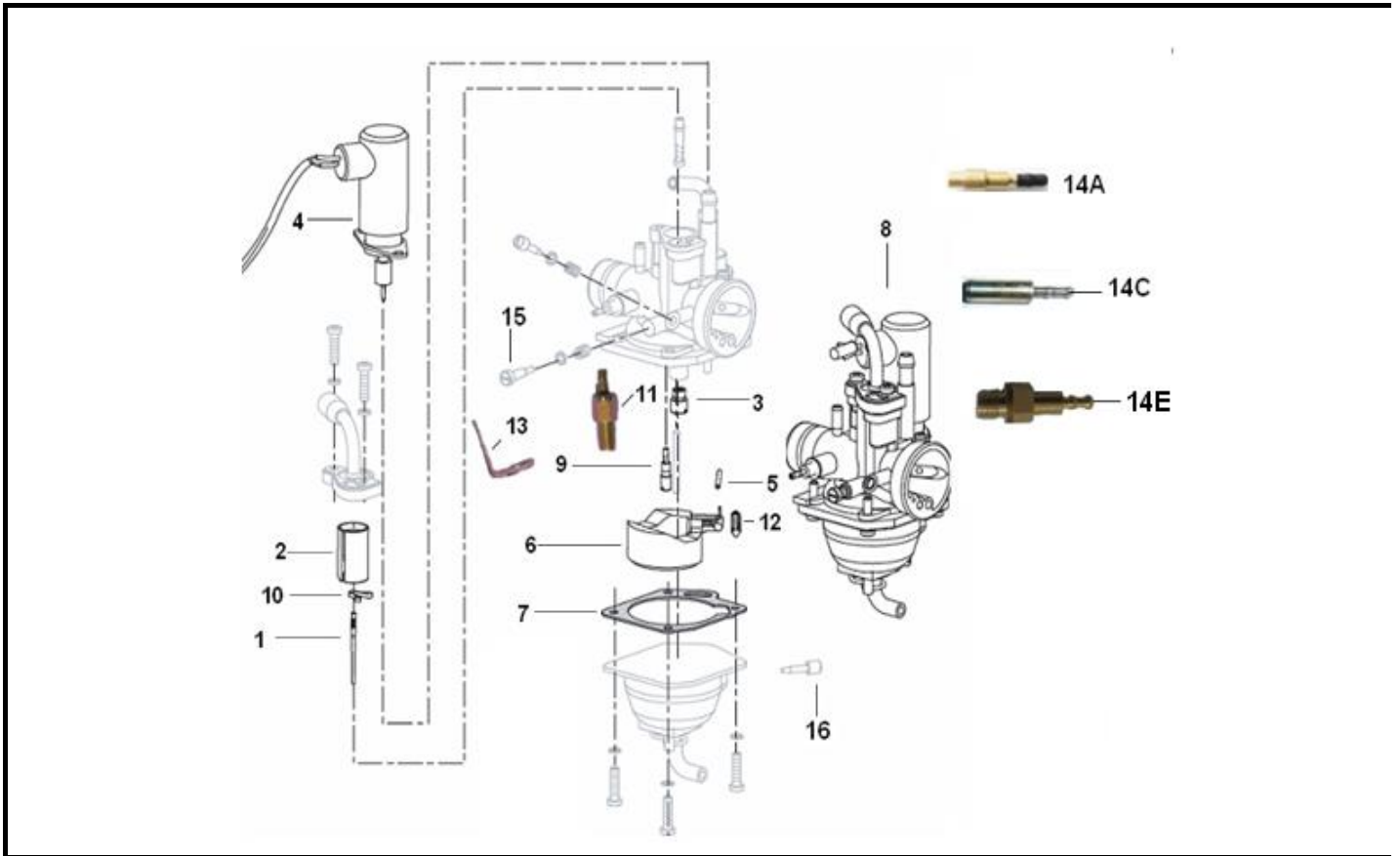
E11 磁电机总成 (50-9D) 飞轮提前角: 17° MAGNETO ASSY



NO.	Position No.	CODE	EN DESCRIPTION	Qty/Unit
1	E11-1	223102.104000	COIL ASSY 17°	1
2	E11-2	223100.101000	MAGNETO ASSY 17°	1
3	E11-3	34330G02F000	PULSE TRIGGER	1
4	E11-4	34350G02F000	OIL SEAT	1
5	E11-5	B01070601663	BOLT M6X16	2
6	E11-6	B02000501262	SCREW	2
7	E11-7	B02000400622	SCREW	1
8	E11-8	B07000000400	SPRING WASHER	1
9	E11-9	223101.022000	FLY WHEEL ASSY 17°	1
10	E11-10	B07030001200	WASHER	1
11	E11-11	15228H03F000	NUT	1
12	E11-12	B01070601664	NUT	2

Hurricane 50 2ST

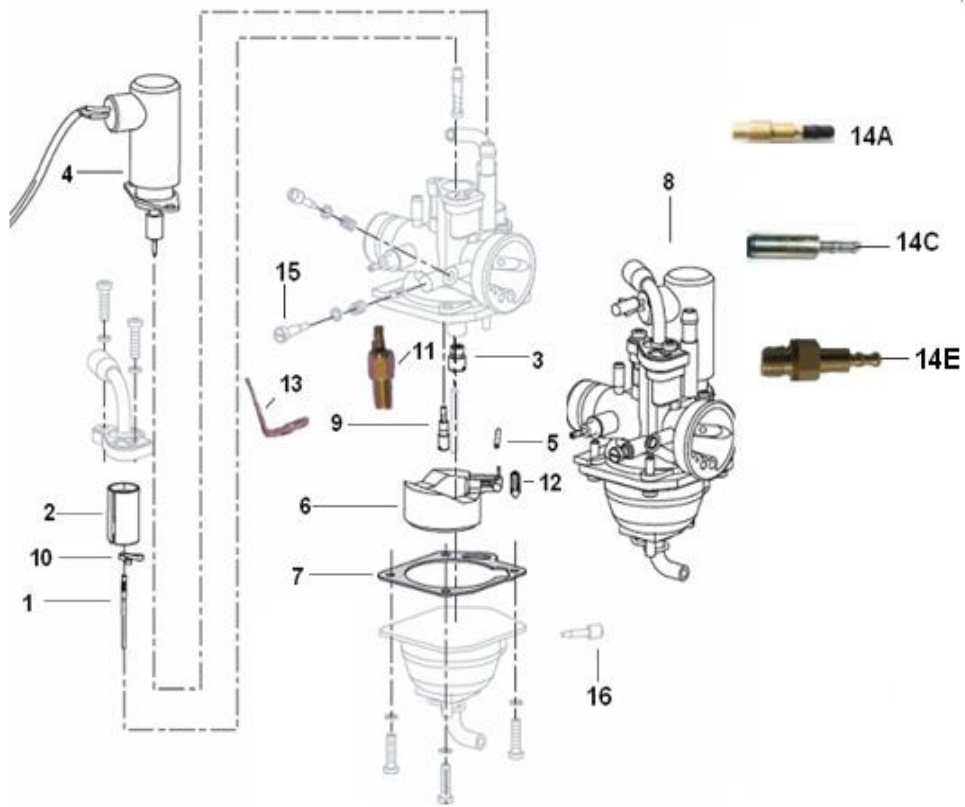
E12_1 化油器分总成 (PZ19JB-3) A 化油器分总成 CARBURETOR ASSY



NO.	Position No.	CODE	EN DESCRIPTION	Qty/Unit
1	E12_1	32510B01F000	NEEDLE, JET	1
2	E12_1	32511B01F000	VALVE,PISTON DIAMETER 15.5MM,HIGH 28MM	1
2	E12_1	3322105E0020	VALVE,PISTON MIKUNI LENGTH 32MM	1
3	E12_1	224202.104000	JET, MAIN 60#	1
3	E12_1	3311505E0380	JET, MAIN 65#	1
3	E12_1	3311505E0100	JET, MAIN 62.5#	1
4	E12_1	32612B01F000	ENRICH VALVE	1
5	E12_1	32619B01F000	PIN, FLOAT	1
6	E12_1	32620B01F000	FLOAT	1
7	E12_1	32701B01F000	GASKET	1
8	E12_1	3390005E0370	CARBURETOR ASSY (MJ60#,NJ22.5# WITH HEARTER)	1
8	E12_1	3390005E0380	CARBURETOR ASSY (MJ60#,NJ22.5# WITHOUT HEATER, WITH SOCK	1
8	E12_1	3390005E0693	CARBURETOR ASSY,MJ62.5#,NJ22.5#,mark:JB28	1
9	E12_1	224203.100000	JET, IDLE	1
10	E12_1	32508B01F000	CLIPMM,V SHAPE	1
11	E12_1	32800B09F000	HEATING ASSY	1
12	E12_1	32617B01F000	VALVE NEEDLE	1
13	E12_1	32801B09F000	L WASHER	1
14A	E12_1	224128.003000	OIL PIPE ASSY QJ	1
14C	E12_1	33151E050000	OIL PIPE ASSY QJ (WITHOUT SCREW THREAD)	1

Hurricane 50 2ST

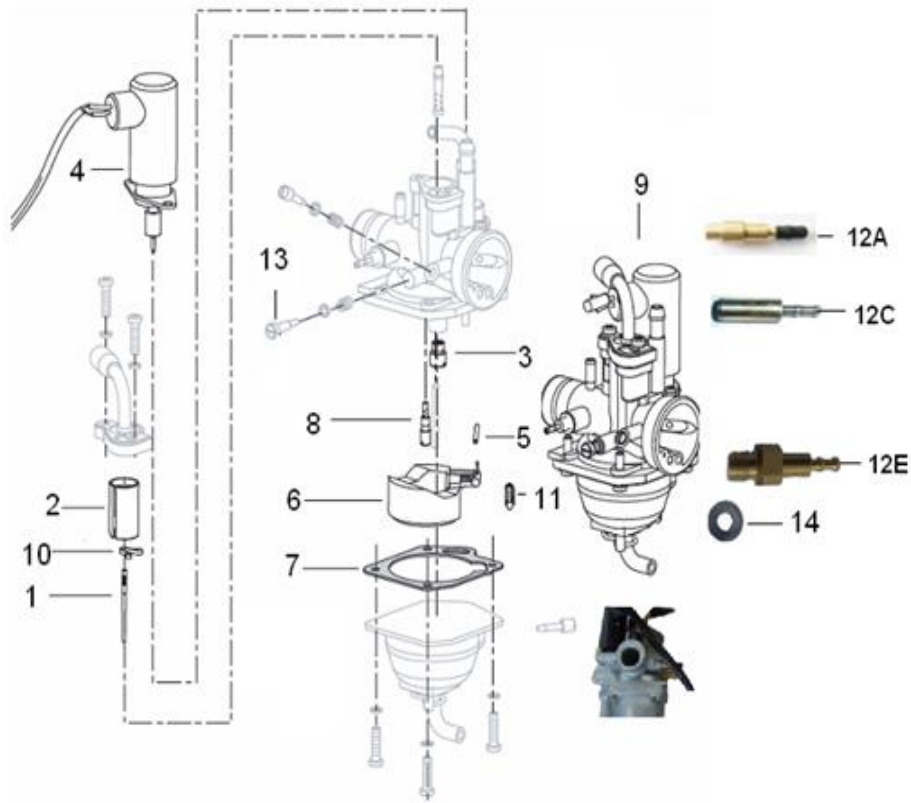
E12_1 化油器分总成 (PZ19JB-3) A 化油器分总成 CARBURETOR ASSY



NO.	Position No.	CODE	EN DESCRIPTION	Qty/Unit
14E	E12_1	3315102E0010	OIL PIPE ASSY QJ (PIN VALVE STRUCTURE, WITH SCREW THREAD)	1
15	E12_1	3322605E0000	SCREW, IDLE SPEED QJ	1
16	E12_1	3314505E0000	SCREW, AIR	1

Hurricane 50 2ST

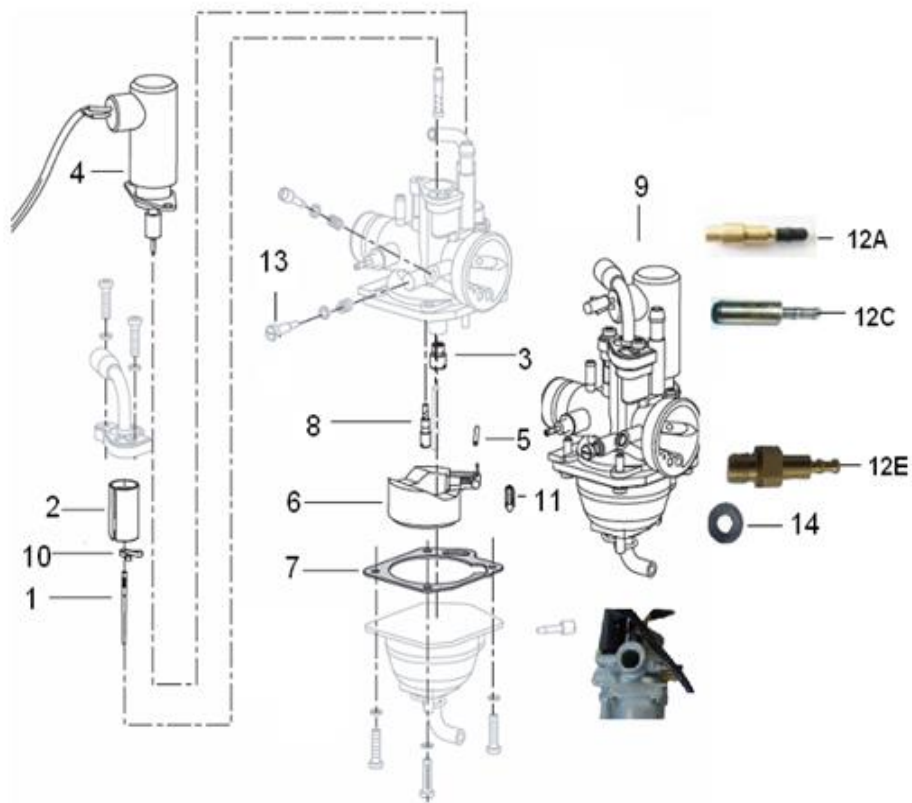
E12_2 CARBURETOR ASSY (for EEC2 market, used for 25km/h, 30km/h vehicles)



NO.	Position No.	CODE	EN DESCRIPTION	Qty/Unit
1	E12_2	224208.100000	NEEDLE, JET	1
2	E12_2	224600.018000	VALVE,PISTON DIAMETER 14MM,HIGH 32.6MM	1
3	E12_2	3311502A0030	JET, MAIN 57.5#	1
4	E12_2	32612B01F000	ENRICH VALVE	1
5	E12_2	32619B01F000	PIN, FLOAT	1
6	E12_2	32620B01F000	FLOAT	1
7	E12_2	32701B01F000	GASKET	1
8	E12_2	3312402A0030	JET, IDLE 15#	1
8	E12_2	224203.039000	JET, IDLE 20#	1
9	E12_2	3390002A0070	CARBURETOR ASSY MJ57.5#,NJ15#,WITH HEATER&WITH VACUUM E	1
9	E12_2	3390002A0100	CARBURETOR ASSY (MJ57.5#,NJ15 without heater, with socket of heate	1
9	E12_2	3390002A0282	CARBURETOR ASSY MJ57.5#,NJ20#,mark:JF16	1
10	E12_2	32508B01F000	CLIPMM,V SHAPE	1
11	E12_2	32617B01F000	VALVE NEEDLE	1

Hurricane 50 2ST

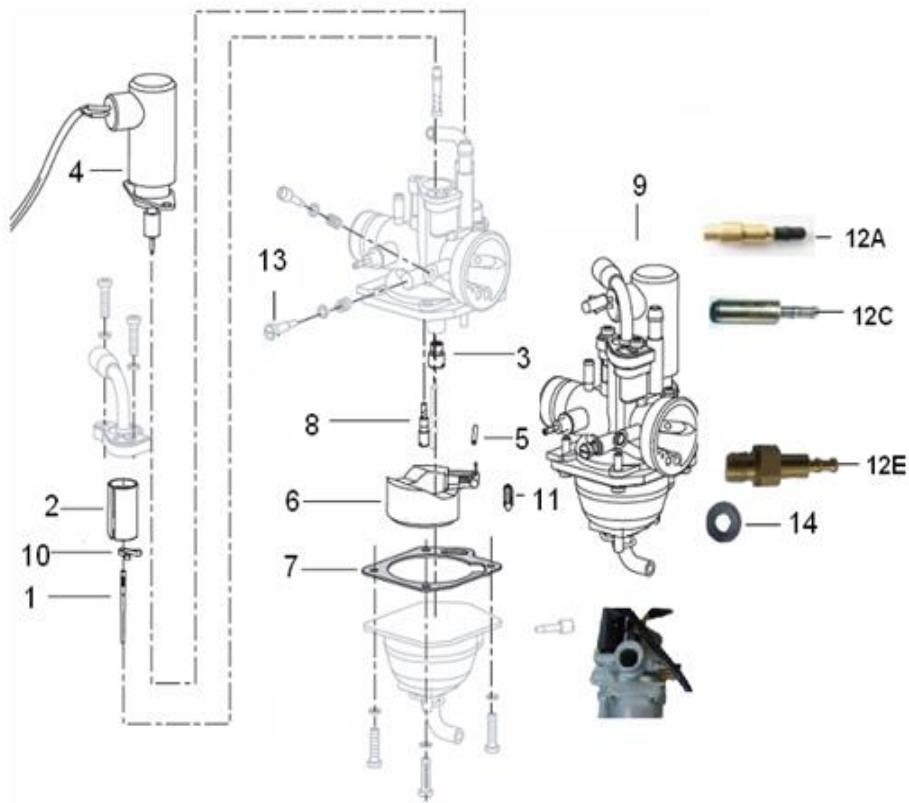
E12_2 CARBURETOR ASSY (for EEC2 market, used for 25km/h, 30km/h vehicles)



NO.	Position No.	CODE	EN DESCRIPTION	Qty/Unit
12A	E12_2	224128.003000	OIL PIPE ASSY QJ	1
12C	E12_2	33151E050000	OIL PIPE ASSY QJ (WITHOUT SCREW THREAD)	1
12E	E12_2	3315102E0010	OIL PIPE ASSY QJ (PIN VALVE STRUCTURE, WITH SCREW THREAD)	1
13	E12_2	3322605E0000	SCREW, IDLE SPEED QJ	1
14	E12_2	3315102E0002	SEAL,RING,OIL PIPE	1
1	E12_2	224208.100000	NEEDLE, JET	1
2	E12_2	224600.018000	VALVE,PISTON DIAMETER 14MM,HIGH 32.6MM	1
3	E12_2	3311502A0030	JET, MAIN 57.5#	1
4	E12_2	32612B01F000	ENRICH VALVE	1
5	E12_2	32619B01F000	PIN, FLOAT	1
6	E12_2	32620B01F000	FLOAT	1
7	E12_2	32701B01F000	GASKET	1

Hurricane 50 2ST

E12_2 CARBURETOR ASSY (for EEC2 market, used for 25km/h, 30km/h vehicles)



NO.	Position No.	CODE	EN DESCRIPTION	Qty/Unit
8	E12_2	3312402A0030	JET, IDLE 15#	1
1	E12_2	224208.100000	NEEDLE, JET	1
2	E12_2	224600.018000	VALVE,PISTON DIAMETER 14MM,HIGH 32.6MM	1
3	E12_2	3311502A0030	JET, MAIN 57.5#	1
4	E12_2	32612B01F000	ENRICH VALVE	1
5	E12_2	32619B01F000	PIN, FLOAT	1
6	E12_2	32620B01F000	FLOAT	1
7	E12_2	32701B01F000	GASKET	1
8	E12_2	3312402A0030	JET, IDLE 15#	1
9	E12_2	3390002A0100	CARBURETOR ASSY MJ57.5#,NJ15#,WITH HEATER SOCKET,mark:JF5	1
10	E12_2	32508B01F000	CLIPMM,V SHAPE	1
11	E12_2	32617B01F000	VALVE NEEDLE	1
12A	E12_2	224128.003000	OIL PIPE ASSY QJ	1
12C	E12_2	33151E050000	OIL PIPE ASSY QJ (WITHOUT SCREW THREAD)	1
12E	E12_2	3315102E0010	OIL PIPE ASSY QJ (PIN VALVE STRUCTURE, WITH SCREW THREAD)	1
13	E12_2	3322605E0000	SCREW, IDLE SPEED QJ	1
14	E12_2	3315102E0002	SEAL,RING,OIL PIPE	1