

## M565i EFI T3



**ÍNDICE**  
**QUADRO**

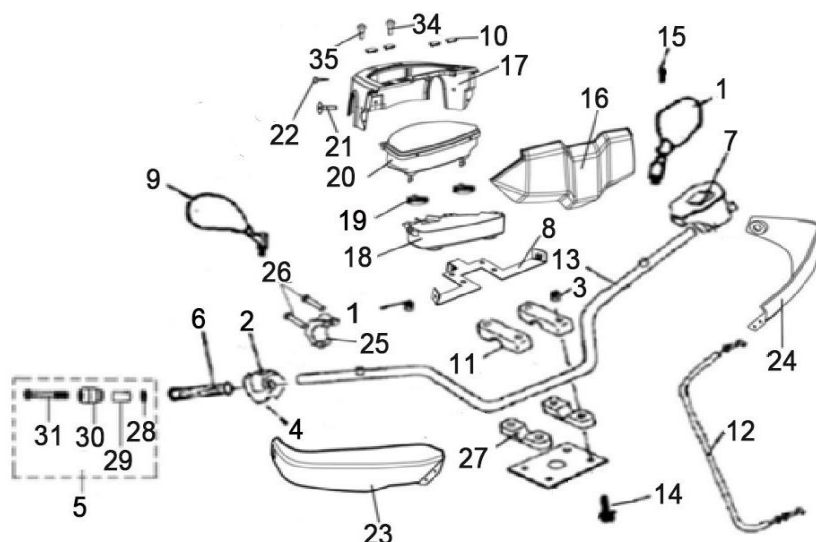
<b>ESQ</b>		<b>PAG</b>
B1	HANDLEBAR	4
B2	FUEL TANK	5
B3	REAR FENDERS	6
B3.1	REAR FENDERS	7
B4	MIDDLE FENDERS AND FRAM	8
B4.1	MIDDLE FENDERS AND FRAM	9
B5	FRONT BODY AND FRAM	10
B5.1	FRONT BODY AND FRAM	11
B6	SHOCK ABSORBER FRONT	12
B6.1	SHOCK ABSORBER FRONT	13
B7	REAR ARM	14
B8	WHEEL FRONT	15
B9	WHEEL REAR	16
B10	SHIFT ROD	17
B11	FRONT AND REAR GEAR-BOX	18
B12	FRONT LEFT DRIVE AXLE (FOR 4WD)	19
B13	FRONT RIGHT DRIVE AXLE (FOR 4WD)	20
B14	REAR LEFT DRIVE AXLE (XL)	21
B15	REAR RIGHT DRIVE AXLE (XL)	22
B16	FRONT AND REAR KNUCKLE ASSY	23
B17	STEERING COLUMN	24
B18	ELECTRICAL SYSTEM	25
B18.1	ELECTRICAL SYSTEM	26
B19	BRAKING SYSTEM	27
B19.1	BRAKING SYSTEM	28
B20	AUXILIARY BRAKE	29
B21	PEDAL, BRAKE	30
B22	BUMPER AND RACK	31
B22.1	BUMPER AND RACK	32
B23	EPS (OPTIONAL) (MARKED "DK")	33
B23.1	EPS (OPTIONAL) (MARKED "GY")	34
B24	ENGINE ASSY	35
B25	FRONT GEAR-BOX	36
B25.1	FRONT GEAR-BOX	37
B26	REAR GEAR-BOX	38

## ÍNDICE

ESQ	MOTOR	PAG
E1	CYLINDER HEAD COVER	39
E2	CYLINDER HEAD	40
E3	CAMSHAFT	41
E4	CYLINDER	42
E5	CRANKSHAFT COMP	43
E6	LEFT CRANKCASE	44
E7	RIGHT CRANKCASE	45
E8	CVT HOUSING	46
E9	CVT COVER	47
E10	LEFT CRANKCASE COVER	48
E11	GENERATOR	49
E12	ELECTRIC STARTER	50
E13	CLUTCH	51
E14	TRANSMISSION I	52
E15	TRANSMISSION II	53
E16	TRANSMISSION III	54
E17	OIL PUMP	55
E18	WATER PUMP	56
E19	FUEL INJECTION ASSY	57
E20	LEFT SIDE COVER	58
E21	RADIATOR	59
E22	OIL RADIATOR	60
E23	AIR CLEANER	61
E24	CVT AIR SHROUD	62
E25	EXHAUST T3	63
E26	TOOL	64
E27	WINCH	65
E28	FRAGILE GASKET ASSY.	66

# M565i

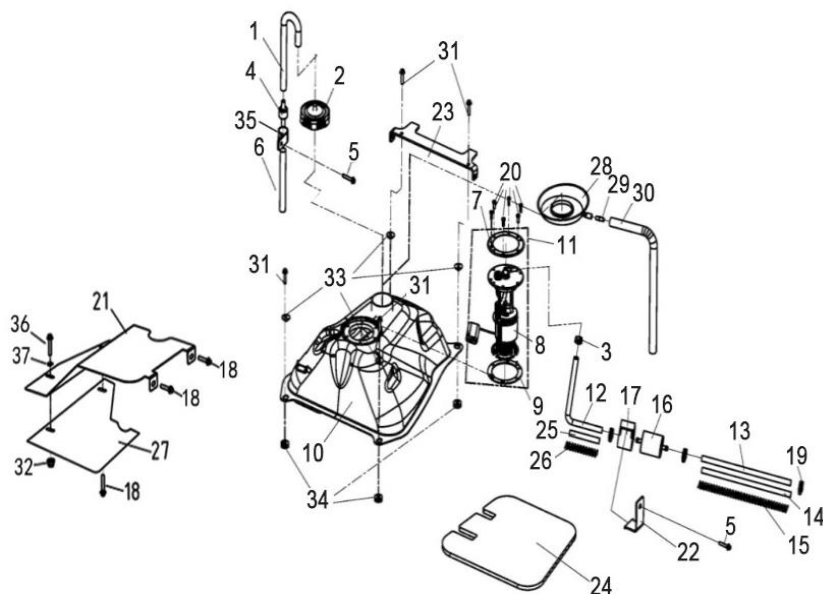
## B1 HANDLEBAR



Nº	CÓDIGO	DESCRIÇÃO	Qt.	OBSERVAÇÕES
1	LH00036101	REAR VIEW MIRROR LEFT (ONLY FOR EUROPE) (MARK L-E9-00.1145)	1	
2	LH00035734	THROTTLE CONTROL (WITH 2WD/4WD SWITCH) (WITHIN DIFF-LOCK)	1	
3	LH00011455	NUT M8	9	
4	LH0010140B	BOLT M6X12	1	
5	LH00072037	NEW GUARD, HANDLEBAR END ASSY. (MATCH WITH NEW HANDLEBAR)	2	
6	LH00035727	GRIP	2	
7	LH00072212	SWITCH ASSY (FOR EUROPE)	1	
8	LH00036020	SPEEDOMETER BRACKET	1	
9	LH00036103	REAR VIEW MIRROR RIGHT (ONLY FOR EUROPE) (MARK R-E9-00.1145)	1	
10	LH00025010	SPEEDOMETER COVER CAP (FOR EUROPE)	4	
11	LH0020112a	HANDLEBAR CLAMP	2	
12	LH00036423	THROTTLE CABLE	1	
13	LH0036098a	HANDLEBAR	1	
14	LH00011244	BOLT M8X80	4	
15	LH00011532	SCREW M6X12	2	
16	LH0361161H	FRONT SPEEDOMETER COVER (BLACK)	1	INJECTION MODEL
16	LH0361162G	FRONT SPEEDOMETER COVER (RED)	1	INJECTION MODEL
16	LH0361166F	FRONT SPEEDOMETER COVER (WHITE)	1	INJECTION MODEL
16	LH0361164P	FRONT SPEEDOMETER COVER (SAND)	1	INJECTION MODEL
17	LH00036117	REAR SPEEDOMETER COVER	1	
18	LH00036115	HANDLEBAR COVER RIGHT	1	
19	LH00022351	RUBBER WASHER	2	
20	LH00035872	LCD SPEEDOMETER, BIGGER	1	
21	LH00010420	SCREW M6X16	12	
22	LH00010520	SCREW ST4.8X12	4	
23	LH00036288	HANDLEBAR COVER RIGHT (NEW MODEL)	1	
24	LH00036289	HANDLEBAR COVER LEFT (NEW MODEL)	1	
25	LH00025526	DOWN HOLDER, REAR VIEW MIRROR	1	
26	LH00010008	BOLT M6X20	2	
27	LH00036437	HANDLEBAR DOWN CLAMP	2	
28	LH00010913	NUT M6	2	
29	LH00072035	TENSIONING BLOCK	2	
30	LH00072036	BALANCE WEIGHT	2	
31	LH00010940	SCREW M6X70	2	
34	LH00073329	A KEY FUNCTION	1	
35	LH00036153	THE TWO KEY FUNCTION	1	

# M565i

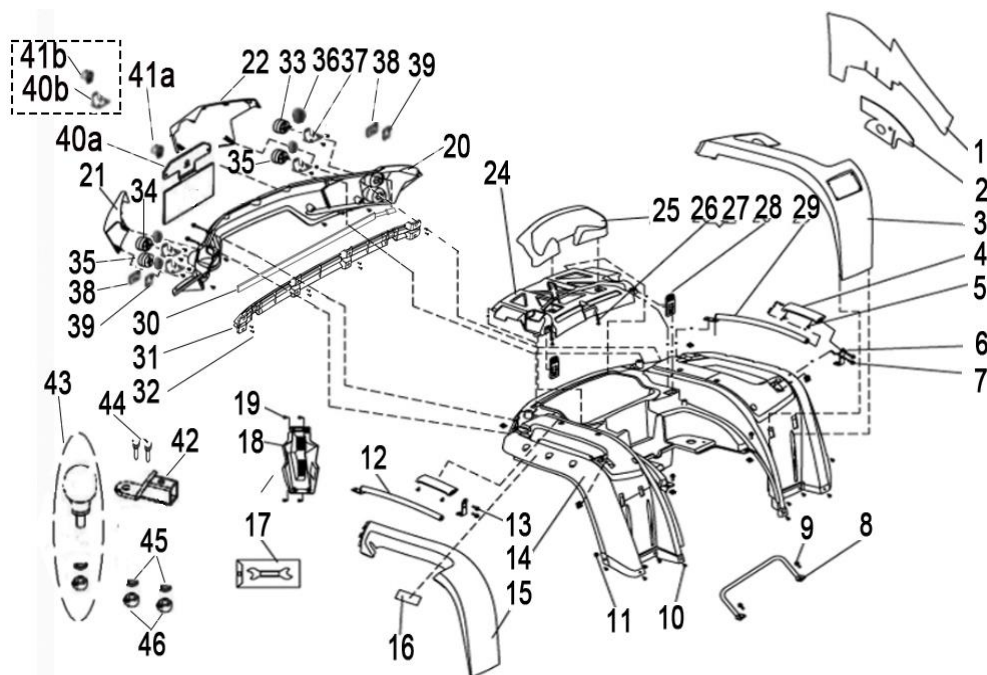
## B2 FUEL TANK



Nº	CÓDIGO	DESCRIÇÃO	Qt.	OBSERVAÇÕES
1	LH00028095	TUBE, FUEL CAP BREATHER	1	
2	LH00070725	FUEL CAP	1	
3	LH00084428	SINGLE EAR CLAMP (φ4.5)	1	
4	LH00025037	DUMPING VALVE	1	
5	LH00010971	BOLT M6X10	2	
6	LH00070734	TUBE	1	
9	LH00036440	RUBBER WASHER	1	
10	LH00036441	FUEL TANK	1	
11	LH00036442	FUEL PUMP ASSY	1	
12	LH00036443	FUEL HOSE 1	1	
13	LH00038153	FUEL HOSE (Pump to Filter)	1	
14	LH00036073	FUEL LINE ADIABATIC PELLICLE	1	
15	LH00036077	FUEL LINE SPRING	1	
16	LH00070842	FUEL FILTER	1	
17	LH00070845	FUEL FILTER INSTALLATION	1	
18	LH00011080	BOLT M6X20	6	
19	LH00071658	HOSE CLAMPS 8/14	3	
20	LH00010201	SCREW M5X16	6	
21	LH00035830	PLATE, VALVE, TANK, FUEL	1	
22	LH00036142	PLATE, FUEL FILTER	1	
23	LH00036023	MOUNTING BRACKET, SEAT	1	
24	LH00036464	FUEL TANK ADIABATIC PELLICLE	1	
25	LH00036465	FUEL LINE ADIABATIC PELLICLE	1	
26	LH00036466	FUEL LINE SPRING	1	
27	LH00035755	ADIABATIC PELLICLE, VALVE, TANK, FUEL	1	
28	LH00036078	FLUID PAN	1	
29	LH00060210	JOINT	1	
30	LH00035501	BREATHER PIPE (φ5Xφ9X450)	1	
31	LH00011069	BOLT M6X35	6	
32	LH00011454	NUT M6	2	
33	LH00036064	FUEL TANK BUFFER SLEEVE	4	
34	LH00036065	FUEL TANK BUFFER SLEEVE	4	
35	LH00025351	DUMP VALVE FIXING PLATE	1	
36	LH00011098	BOLT M6X40	1	
37	LH00010006	WASHER 6	1	

# M565i

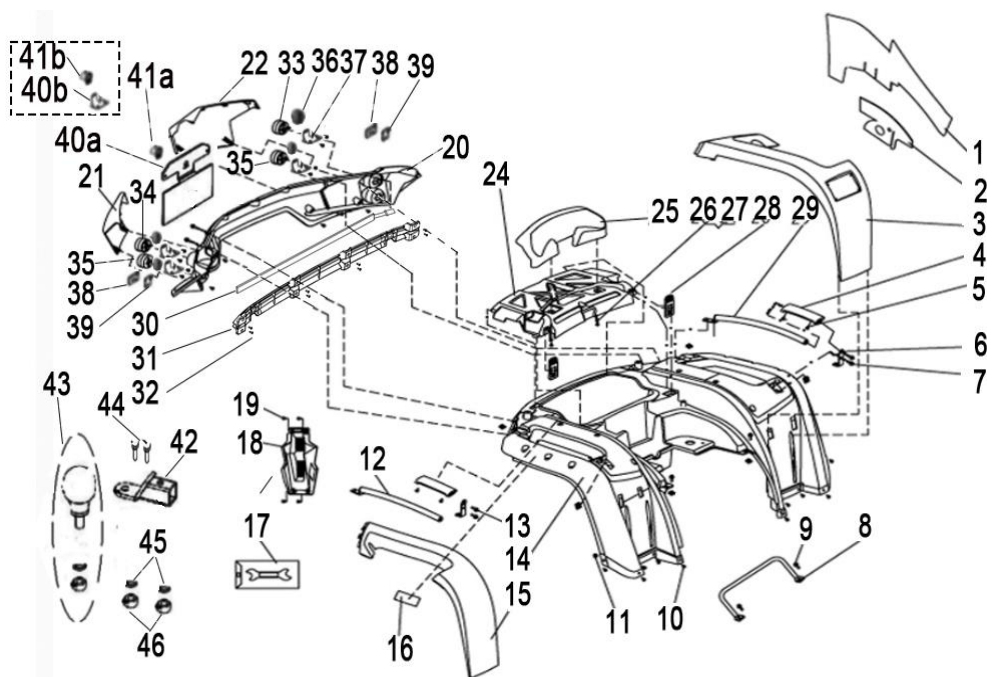
## B3 REAR FENDERS



Nº	CÓDIGO	DESCRIÇÃO	Qt.	OBSERVAÇÕES
1	LH00036045	REAR MUD ADIABATIC PELLICLE 1	1	
2	LH00036046	REAR MUD ADIABATIC PELLICLE 2	1	
3	LH0360376C	REAR LEFT TRIM COVER 1 (SILVER) (PAINT)	1	
3	LH0360378A	REAR LEFT TRIM COVER 1 (TITANIUM ALLOYS) (PAINT)	1	
3	LH0360374M	REAR LEFT TRIM COVER 1 (SAND) (PAINT)	1	
4	LH00036083	ARM RUBBER SLEEVE	2	
5	LH00036446	BOLT	4	
6	LH00036090	CONNECTING PLATE OF ARM TUBE	2	
7	LH00011031	BOLT M6X12	2	
8	LH00036081	LATCH ASSEMBLY	1	
9	LH00011449	SCREW M6X20	2	
10	LH00010420	SCREW M6X16	12	
11	LH00010913	NUT 6	12	
12	LH00036089	RIGHT REAR ARM TUBE ASSEMBLY	1	
13	LH00011031	BOLT M6X12	2	
14	LH0036036a	REAR FENDER (TWO HOLE USED FOR ASSEMBLE REAR RACK )	1	
15	LH0360386C	REAR RIGHT TRIM COVER 1 (SILVER) (PAINT)	1	
15	LH0360388A	REAR RIGHT TRIM COVER 1 (TITANIUM ALLOYS) (PAINT)	1	
15	LH0360384M	REAR RIGHT TRIM COVER 1 (SAND) (PAINT)	1	
17	LH00025044	TOOL	1	
18	LH00035498	REAR DECORATION COVER	1	
19	LH00011031	BOLT M6X12	4	
20	LH00035870	REAR LIGHT FRAME	1	
21	LH0360406C	REAR RIGHT TRIM COVER 2 (SILVER) (PAINT)	1	
21	LH0360408A	REAR RIGHT TRIM COVER 2 (TITANIUM ALLOYS) (PAINT))	1	
21	LH0360404M	REAR RIGHT TRIM COVER 2 (SAND) (PAINT)	1	
22	LH0360396C	REAR LEFT TRIM COVER 2 (SILVER) (PAINT)	1	
22	LH0360398A	REAR LEFT TRIM COVER 2 (TITANIUM ALLOYS) (PAINT)	1	
22	LH0360394M	REAR LEFT TRIM COVER 2 (SAND) (PAINT)	1	
24	LH00036043	BACK TOOL BOX COVER	1	
25	LH00036080	SHORT BACK	1	

# M565i

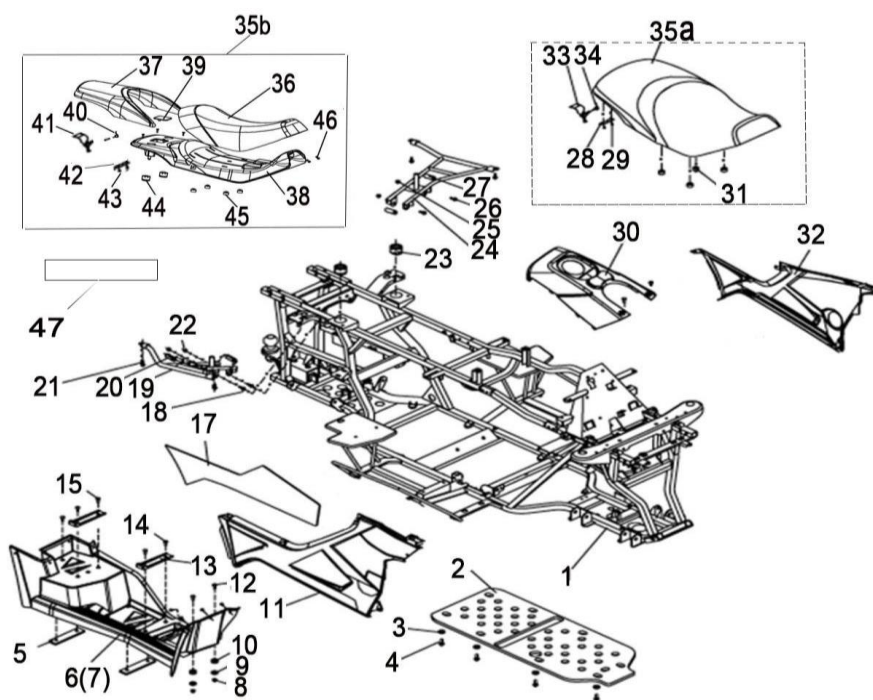
## B3.1 REAR FENDERS



Nº	CÓDIGO	DESCRIÇÃO	Qt.	OBSERVAÇÕES
26	LH00010006	WASHER 6	3	
27	LH00010004	NUT 6	3	
28	LH00036082	TOOLBOX LOCK	2	
29	LH00036088	LEFT REAR ARM ASSEMBLY	1	
30	LH00035871	LED LAMP BAND (BLUE)	1	
30	LH00035903	LED LAMP BAND (RED) (ALTERNATIVE)	1	
31	LH00035878	LAMP BELT MOUNTING PLATE	1	
32	LH00011195	SCREW ST4.8X13	8	
33	LH00073324	LEFT REAR INDICATION LIGHT (CERTIFIED T3)	1	
33	LH00036125	LEFT REAR INDICATION LIGHT (OPTIONAL, EURO 4)	1	
34	LH00073319	RIGHT REAR INDICATION LIGHT (CERTIFIED T3)	1	
34	LH00036127	RIGHT REAR INDICATION LIGHT (OPTIONAL, EURO 4)	1	
35	LH00073320	TAILLIGHT (CERTIFIED T3)	2	
35	LH00036132	TAILLIGHT (OPTIONAL, EUOR 4)	2	
36	LH00072276	RUBBER COVER FOR REAR LIGHT (ONLY USED FOR STANDARD T3)	4	
37	LH00072214	REAR REAR LAMP MOUNTING PANEL (ONLY USED FOR STANDARD T3)	4	
38	LH00040319	REAR REFLECTOR	2	
39	LH00035758	REAR REFLECTOR MOUNTING PLATE	2	
40a	LH00027606	BRACKET, LENS, LICENSE LIGHT	1	
40b	LH00036430	BRACKET, LENS, LICENSE LIGHT (OPTION)	1	
41a	LH00083459	LENS, LICENSE LIGHT	1	
41b	LH00036131	LENS, LICENSE LIGHT (OPTION)	1	
42	LH00025295	THE TRACTION BALL WELDING COMPONENTS	1	
43	LH00025294	PULL THE BALL	1	
44	LH00010865	BOLT M16X85	2	
45	LH00027050	WASHER 16	2	
46	LH00010874	NUT M16	2	

# M565i

## B4 MIDDLE FENDERS AND FRAM

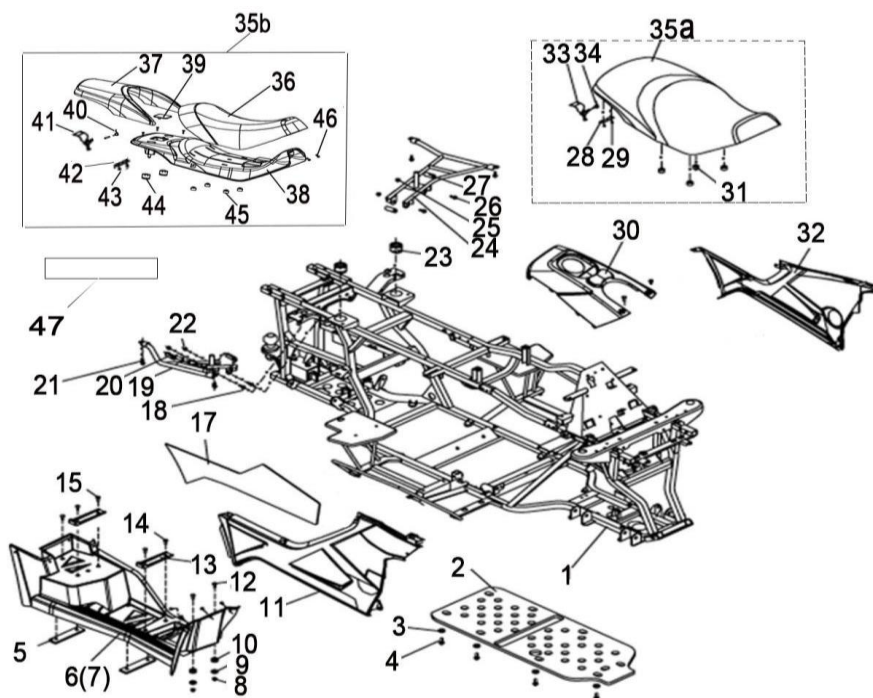


Nº	CÓDIGO	DESCRIÇÃO	Qt.	OBSERVAÇÕES
1	LH00072300	FRAME ASSY (T3)	1	
2	LH00036427	PLASTIC PLANT	1	
3	LH00020331	WASHER 6	8	
4	LH00011194	BOLT M6X18	8	
5	LH00070300	RUBBER WASHER	4	
6	LH00036425	FOOTREST LEFT	1	
7	LH00036426	FOOTREST RIGHT	1	
8	LH00010004	NUT 6	30	
9	LH00036065	FUEL TANK BUFFER SLEEVE	10	
10	LH00036064	FUEL TANK BUFFER SLEEVE	10	
11	LH0364101H	SIDE COVER R (BLACK)	1	INJECTION MODEL
11	LH0364102G	SIDE COVER R (RED)	1	INJECTION MODEL
11	LH0364106F	SIDE COVER R (WHITE)	1	INJECTION MODEL
11	LH0364104P	SIDE COVER R (SAND)	1	INJECTION MODEL
12	LH00029517	SCREW M6X30	34	
13	LH00070336	STEP	4	
14	LH00011449	BOLT M6X20	4	
15	LH0010177A	BOLT M6X40	4	
17	LH00036251	FOOTREST RIGHT ADIABATIC PELLICLE	1	
18	LH00025056	BOLT M8X70	2	
19	LH00036417	TRESTLE RIGHT	1	
20	LH00036445	SLEEVE	2	
21	LH0010183W	BOLT M6X16	4	
22	LH00011442	NUT 8	2	
23	LH00070445	RUBBER , SEAT SETTING 2	2	
24	LH00036416	TRESTLE LEFT	1	
25	LH00011442	NUT 8	2	



# M565i

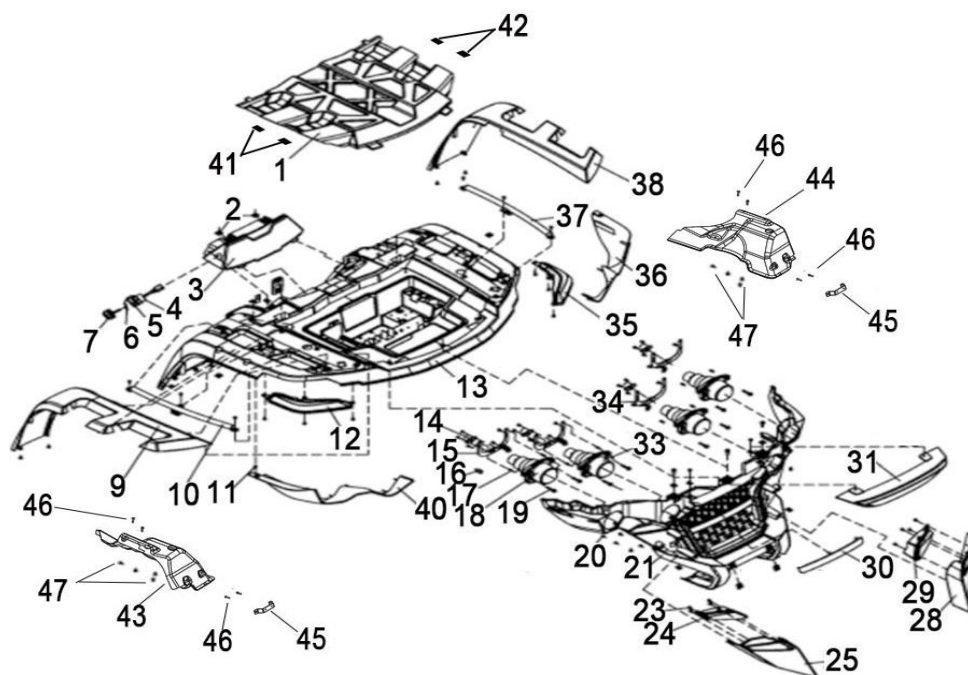
## B4.1 MIDDLE FENDERS AND FRAM



Nº	CÓDIGO	DESCRIÇÃO	Qt.	OBSERVAÇÕES
26	LH00025056	BOLT M8X70	2	
27	LH00036445	SLEEVE	2	
28	LH00070803	CUSHION PLATE	1	
29	LH00010178	SCREW ST4.2X13	25	
30	LH0364471H	TOP COVER OF FUEL TANK (OVERHEAD FUEL PUMP) (BLACK)	1	INJECTION MODEL
30	LH0364472G	TOP COVER OF FUEL TANK (OVERHEAD FUEL PUMP) (RED)	1	INJECTION MODEL
30	LH0364476F	TOP COVER OF FUEL TANK (OVERHEAD FUEL PUMP) (WHITE)	1	INJECTION MODEL
30	LH0364474P	TOP COVER OF FUEL TANK (OVERHEAD FUEL PUMP) (SAND)	1	INJECTION MODEL
31	LH00025042	RUBBER, SEAT SETTING 1	4	
32	LH0364091H	SIDE COVER L (BLACK)	1	INJECTION MODEL
32	LH0364092G	SIDE COVER L (RED)	1	INJECTION MODEL
32	LH0364096F	SIDE COVER L (WHITE)	1	INJECTION MODEL
32	LH0364094P	SIDE COVER L (SAND)	1	INJECTION MODEL
33	LH00070788	HOOK BRACKET, SEAT LOCK	1	
34	LH00070802	SPRING	1	
35a	LH00036252	SEAT (WHOLE)	1	
35b		SEAT (SPLIT, ONLY FOR USED FOR CZECH)	1	
36	LH00036412	FRONT SEAT	1	
37	LH00036413	REAR SEAT	1	
38	LH00036415	SEAT COVER	1	
39	LH00036414	LITTLE COVER	1	
40	LH00070802	SPRING	1	
41	LH00070788	HOOK BRACKET, SEAT LOCK	1	
42	LH00070803	CUSHION PLATE	1	
43	LH00010178	SCREW ST4.2X13	2	
44	LH00070445	RUBBER, SEAT SETTING 2	2	
45	LH00025042	RUBBER, SEAT SETTING 1	4	
46	LH0010140B	BOLT M6X12	8	
47	LH00038193	SEAT INSULATION FILM	1	

# M565i

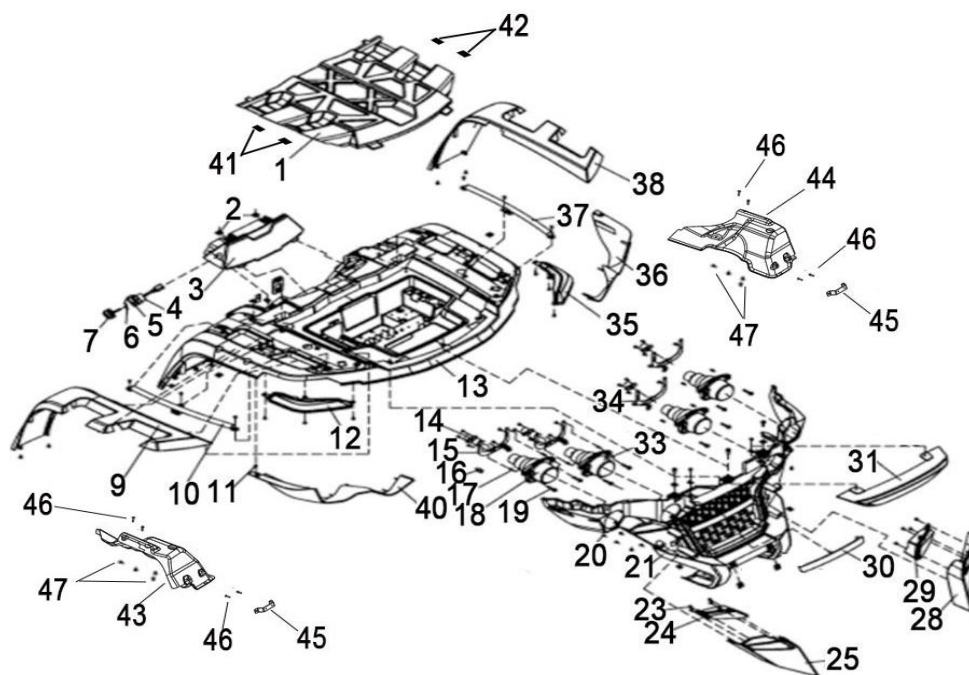
## B5 FRONT BODY AND FRAM



Nº	CÓDIGO	DESCRIÇÃO	Qt.	OBSERVAÇÕES
1	LH00036034	FRONT TOOL BOX COVER	1	
2	LH00070960	FLEXIBLE MOUNTING NUT	20	
3	LH00036047	FRONT COVER OF FUEL TANK	1	
4	LH00027457	IGNITION SWITCH WITH KEY	1	
5	LH00025004	THREADED NUT	1	
6	LH00025003	KEY BLANK	1	
7	LH00027257	IGNITION SWITCH COVER	1	
8	LH00071959	FRONT REFLECTION TAPE	2	
9	LH0360336C	FRONT RIGHT TRIM COVER (FOR NO ASSEMBLE FRONT RACK) (SILVER) (PAINT)	1	
9	LH0360338A	FRONT RIGHT TRIM COVER (FOR NO ASSEMBLE FRONT RACK) (TITANIUM ALLOYS) (PAINT)	1	
9	LH0360334M	FRONT RIGHT TRIM COVER (FOR NO ASSEMBLE FRONT RACK) (SAND) (PAINT)	1	
9	LH36033A6C	FRONT RIGHT TRIM COVER (FOR ASSEMBLE FRONT RACK) (SILVER) (PAINT)	1	
9	LH36033A8A	FRONT RIGHT TRIM COVER (FOR ASSEMBLE FRONT RACK) (TITANIUM ALLOYS) (PAINT)	1	
9	LH36033A4M	FRONT RIGHT TRIM COVER (FOR ASSEMBLE FRONT RACK) (SAND) (PAINT)	1	
11	LH00010178	SCREW ST4.2X13	2	
12	LH00036126	FRONT TURN LIGHT R	1	
13	LH00036031	FRONT COVER (USED FOR NO ASSEMBLE FRONTRACK)	1	
14	LH00027371	BALL JOINT, HEADLIGHT	4	
15	LH00036059	RIGHT HEADLIGHT BRACKET ASSEMBLY	2	
16	LH00025608	RUBBER COVER	6	
17	LH00027373	SPRING	8	
18	LH00027455	HIGH BEAM HEADLIGHT	2	
19	LH00027372	ADJUSTMENT BOLT, HEADLIGHT	8	
20	LH00011088	SCREW ST4.8X16	48	
21	LH00036024	FRONT VENTILATION GRID	1	
23	LH00011195	SCREW ST4.8X13	12	
24	LH00036130	THE FRONT RIGHT RIHANG LAMP	1	
25	LH0360276C	FRONT LOWER RIGHT DECORATIVE COVER (SILVER) (PAINT)	1	
25	LH0360278A	FRONT LOWER RIGHT DECORATIVE COVER (TITANIUM ALLOYS) (PAINT)	1	
25	LH0360274M	FRONT LOWER RIGHT DECORATIVE COVER (SAND) (PAINT)	1	
26	LH0010183W	BOLT M6X16	13	

## M565i

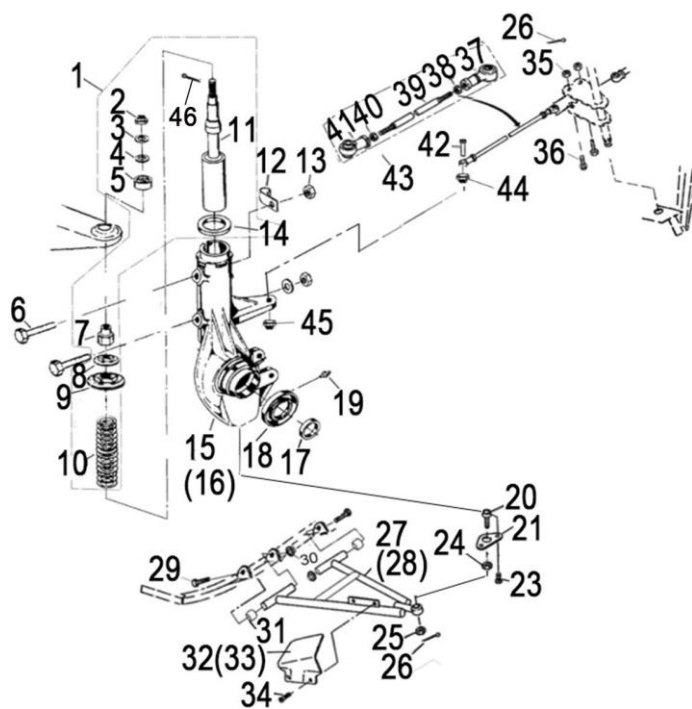
### B5.1 FRONT BODY AND FRAM



Nº	CÓDIGO	DESCRIÇÃO	Qt.	OBSERVAÇÕES
27	LH00036025	TRACTOR COVER PLATE	1	
28	LH0360266C	FRONT LOWER LEFT DECORATIVE COVER (SILVER) (PAINT)	1	
28	LH0360268A	FRONT LOWER LEFT DECORATIVE COVER (TITANIUM ALLOYS) (PAINT)	1	
28	LH0360264M	FRONT LOWER LEFT DECORATIVE COVER (SAND) (PAINT)	1	
29	LH00036129	THE FRONT LEFT RIHANG LAMP	1	
30	LH00036035	FRONT TRIM PANEL	1	
31	LH0360306C	FRONT DECORATIVE COVER (SILVER)	1	
31	LH0036030T	FRONT DECORATIVE COVER (TITANIUM ALLOYS)	1	
31	LH0036030Y	FRONT DECORATIVE COVER (SAND)	1	
33	LH00027456	DIPPED BEAM HEADLIGHT (MARK "HS1 12V 35W/35W ")	2	
34	LH00036058	LEFT HEADLIGHT BRACKET ASSEMBLY	2	
35	LH00036124	FRONT TURN LIGHT L	1	
36	LH0360281H	LEFT FRONT HEADLIGHT FRAME (BLACK)	1	INJECTION MODEL
36	LH0360282G	LEFT FRONT HEADLIGHT FRAME (RED)	1	INJECTION MODEL
36	LH0360286F	LEFT FRONT HEADLIGHT FRAME (WHITE)	1	INJECTION MODEL
36	LH0360284P	LEFT FRONT HEADLIGHT FRAME (SAND)	1	INJECTION MODEL
37	LH00036091	THE FRONT COVER OF THE LEFT SUPPORTING TUBE ASSEMBLY	1	
38	LH0360326C	FRONT LEFT TRIM COVER (FOR NO ASSEMBLE FRONT RACK) (SILVER) (PAINT)	1	
38	LH0360328F	FRONT LEFT TRIM COVER (FOR NO ASSEMBLE FRONT RACK) (TITANIUM ALLOYS) (PAINT)	1	
38	LH0360324M	FRONT LEFT TRIM COVER (FOR NO ASSEMBLE FRONT RACK) (SAND) (PAINT)	1	
38	LH36032A6C	FRONT LEFT TRIM COVER (FOR ASSEMBLE FRONT RACK) (SILVER) (PAINT)	1	
38	LH36032A8F	FRONT LEFT TRIM COVER (FOR ASSEMBLE FRONT RACK) (TITANIUM ALLOYS) (PAINT)	1	
38	LH36032A4M	FRONT LEFT TRIM COVER (FOR ASSEMBLE FRONT RACK) (SAND) (PAINT)	1	
40	LH0360291H	RIGHT FRONT HEADLIGHT FRAME (BLACK)	1	INJECTION MODEL
40	LH0360292G	RIGHT FRONT HEADLIGHT FRAME (RED)	1	INJECTION MODEL
40	LH0360296F	RIGHT FRONT HEADLIGHT FRAME (WHITE)	1	INJECTION MODEL
40	LH0360294P	RIGHT FRONT HEADLIGHT FRAME (SAND)	1	INJECTION MODEL
41	LH00038194	FRONT TOOL COVER RIGHT BUFFER SPONGE	2	
42	LH00038195	FRONT TOOL COVER LEFT BUFFER SPONGE	2	
43	LH00038196	LEFT FRONT BAFFLE	1	
44	LH00038197	RIGHT FRONT BAFFLE	1	
45	LH00038198	FRONT BAFFLE LEFT MOUTING BRACKET	2	
46	LH00073054	LARGE FLAT HEAD SCREW M6X16	8	
47	LH00010913	NUT M6	8	

## M565i

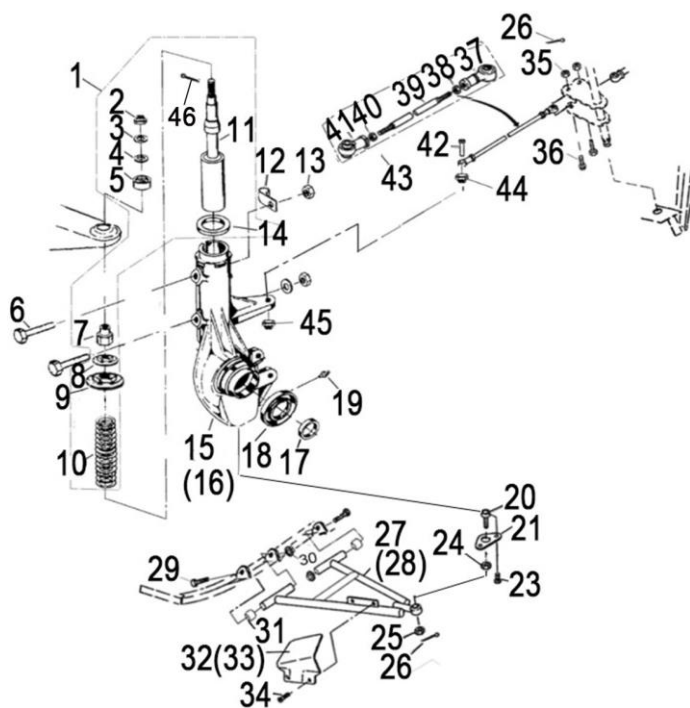
### B6 SHOCK ABSORBER FRONT



Nº	CÓDIGO	DESCRIÇÃO	Qt.	OBSERVAÇÕES
1	LH0036159a	FRONT SHOCK ABSORBER ASSEMBLY (ADD THE COTTER PIN)	2	
2	LH00011196	NUT M14X1.5	2	
3	LH00021802	WASHR 14	2	
4	LH00021803	SPACER RUBBER	2	
5	LH00021804	UPPER PIVOT BALL	2	
6	LH00011540	BOLT M8X55	4	
7	LH00021806	NUT M14X1.5	2	
8	LH00021807	LOWER PIVOT BALL	2	
9	LH00021808	SPRING RETAINER	2	
10	LH00038199	SPRING	2	
11	LH00038203	STRUT BUMPER (PLUS THE COTTER PIN)	2	
12	LH00032104	CLAMP	2	
13	LH00011541	NUT M8	4	
14	LH00021813	SPRING RETAINER	2	
15	LH00035019	STRUT BODY LEFT	1	
16	LH00035016	STRUT BODY RIGHT	1	
17	LH00026912	CIRCLIP	2	
18	LH00026913	BEARING	2	
19	LH00027074	GREASE FITTING	2	
20	LH00020512	BALL JOINT STUD	2	
21	LH00020513	BALL JOINT MOUNTING BRACKET	2	
23	LH00011151	BOLT M6X12	4	
24	LH00011197	WASHER	2	

## M565i

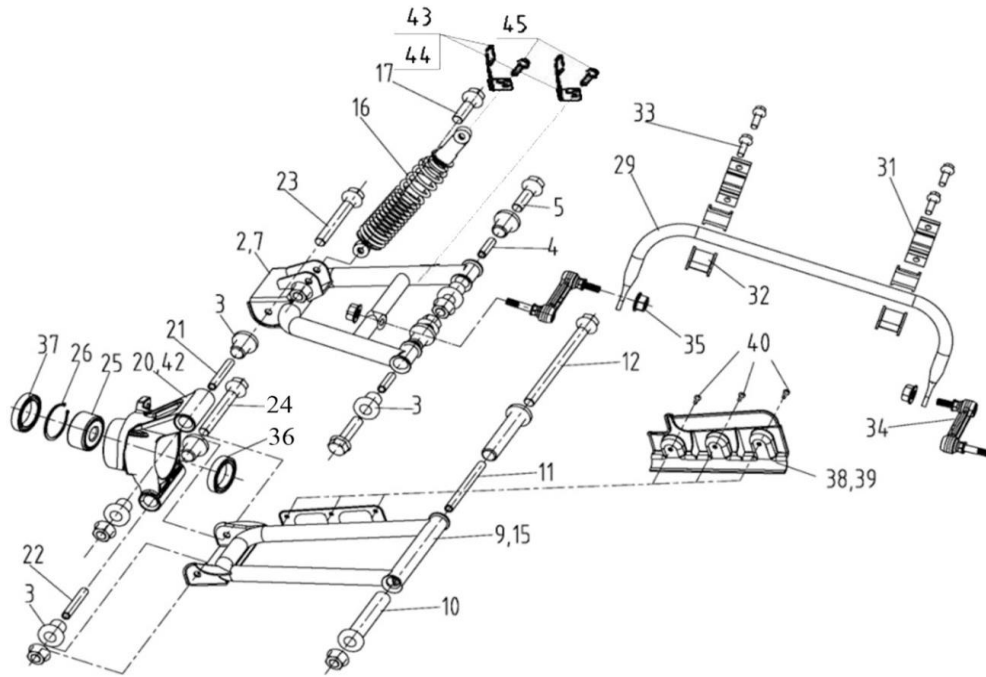
### B6.1 SHOCK ABSORBER FRONT



Nº	CÓDIGO	DESCRIÇÃO	Qt.	OBSERVAÇÕES
25	LH00027067	NUT M10X1.25	2	
26	LH00027215	COTTER PIN 2.5X25	2	
27	LH0020518F	A-ARM LEFT	1	
28	LH0020627F	A-ARM RIGHT	1	
29	LH0020522F	A-ARM PIVOT SHAFT	2	
30	LH00010136	NUT M12X1.25	4	
31	LH0020524F	BUSHING	4	
32	LH00020519	A - ARM SHIELD LEFT	1	
33	LH00020628	A - ARM SHIELD RIGHT	1	
34	LH00011470	SCREW M5X12	4	
35	LH00010015	NUT M10X1.25	2	
36	LH00010016	BOLT M10X1.25X55	2	
37	LH00020503	TIE ROD END A	2	
38	LH00011198	JAM NUT (RIGHT)	2	
39	LH00036147	TIE ROD (NEW MODEL)	2	
40	LH00020506	JAM NUT (LEFT)	2	
41	LH00020507	TIE ROD END B	2	
42	LH00035722	BOLT	2	
43	LH00036146	TIE ROD ASSY (NEW MODEL)	2	
44	LH00035017	FRONT T TYPE	1	
45	LH00035018	DOWN T TYPE	1	
46	LH00010094	COTTER PIN 2X20	2	

# M565i

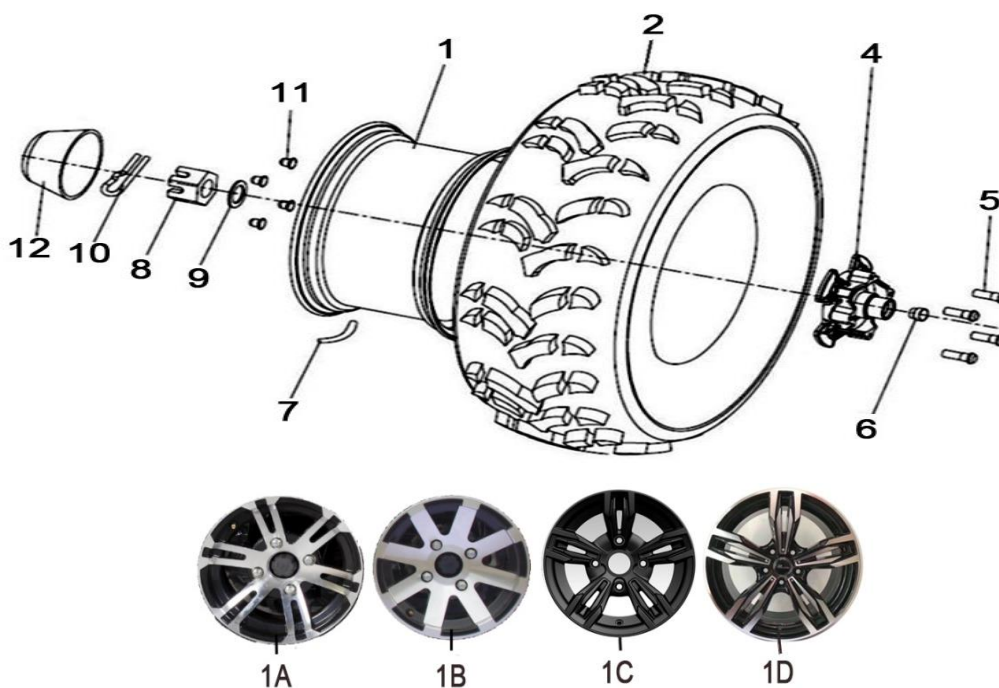
## B7 REAR ARM



Nº	CÓDIGO	DESCRIÇÃO	Qt.	OBSERVAÇÕES
2	LH00072293	ARM , L.RR	1	
3	LH00070682	BUSH 1, ARM, R.RR	16	
4	LH00070683	COLLAR	4	
5	LH00070684	BOLT M10X1.25X80	4	
7	LH00072294	ARM , R.RR	1	
9	LH00027326	ARM SET, L.RR	1	
10	LH00070665	BUSH 2, ARM , R.RR	4	
11	LH00070687	COLLAR, ARM	2	
12	LH00070688	BOLT M10 M1.25M230	2	
15	LH00027327	ARM SET, R.RR	1	
16	LH00036161	SHOCK ABSORBER , RR	2	
17	LH00011071	BOLT M10X1.25X52	4	
20	LH00036136	KNUCKLE, L.RR (CAST STEEL)	1	
21	LH00070692	COLLAR, RR.KNUCKLE, (UPPER)	2	
22	LH00070693	COLLAR, RR.KNUCKLE, (LOWER)	2	
23	LH00070694	BOL, TKNUCKLE, (UPPER)	2	
24	LH00070695	BOL, TKNUCKLE, (LOWER)	2	
25	LH00070674	BEARING AU0712	2	
26	LH00070055	CIRCLIP 58	2	
29	LH00035385	SPRING, RR.STABILIZER	1	
31	LH00035523	HOLDER, STABILIZER BUSH (NEW MODEL)	2	
32	LH00027091	BUSH, RR.STABILIZER (NEW MODEL)	2	
33	LH00011199	BOLT M8X20	4	
34	LH00070699	LINK, RR. STABILIZER	2	
35	LH00011510	NUT M10X1.25	18	
36	LH00070675	SEAL 61.5 43 11	2	
37	LH00070676	SEAL 58 41.2 11	2	
38	LH00070977	ARM PROTECT, L	1	
39	LH00070976	ARM PROTECT, R	1	
40	LH00011062	BOLT M5x12	6	
42	LH00036135	KNUCKLE, R.RR (CAST STEEL)	1	
43	LH00027797	REAR RIGHT DISC BRAKE WIRE NAIL	2	
44	LH00027798	REAR LEFT DISC BRAKE WIRE NAIL	2	
45	LH0010183B	NUT M16X16	4	

## M565i

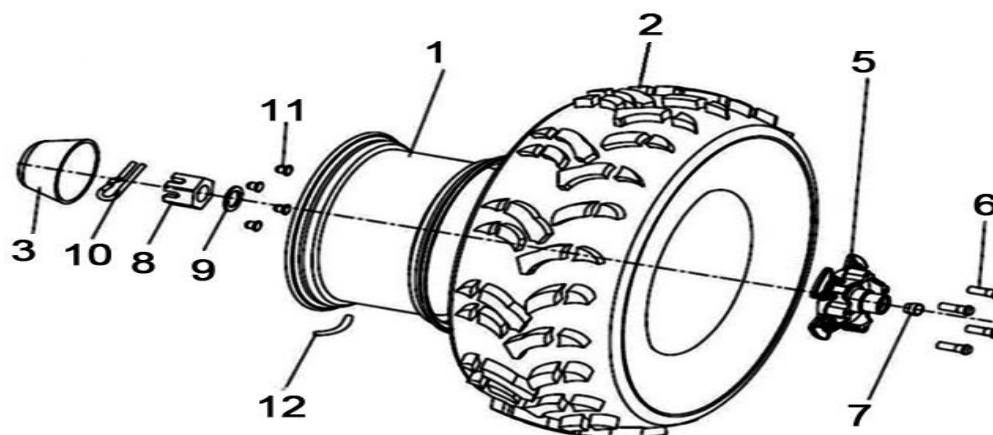
### B8 WHEEL FRONT



Nº	CÓDIGO	DESCRIÇÃO	Qt.	OBSERVAÇÕES
1A	LH00035508	WHEEL, FR (ALUMINIUM) (FRANCE) (Options)	2	
1B	LH00035723	WHEEL, FR (ALUMINIUM) (Options)	2	
1C	LH00036154	WHEEL, FR (ALUMINIUM) (Options)	2	
1D	LH00035881	WHEEL, FR	2	
2	LH00027615	TIRE FRONT AT25X8-12 47F (WANDA) (E4-75R-0008830)	2	
2	LH00038184	TIRE FRONT AT25X8-12 (DURO P350 SPEED CATEGORY:F) (Options)	2	
2	LH00038185	TIRE FRONT AT25X8-12 (DURO P350 SPEED CATEGORY:J) (Options)	2	
2	LH00038186	TIRE FRONT AT25X8-12 (WANDA P350 SPEED CATEGORY:F) (Options)	2	
2	LH00038187	TIRE FRONT AT25X8-12 (WANDA P350 SPEED CATEGORY:J) (Options)	2	
4	LH00027285	HUB ASSY SHRT	2	
5	LH00070714	BOLT M12X1.25	16	
6	LH00070718	SEAL	2	
7	LH0020807a	VALVE, RIM (TR412)	4	
8	LH00070721	BOLT SLOTTED	4	
9	LH00070722	WASHER	2	
10	LH00026267	PIN 4X32	2	
11	LH00027411	NUT, WHEEL	8	
12	LH00036162	CAP, WHEEL SUB-ASSY (OPTIONAL) (MATCH WITH "1C" WHEEL SUB-ASSY, FR)	2	

## M565i

### B9 WHEEL REAR

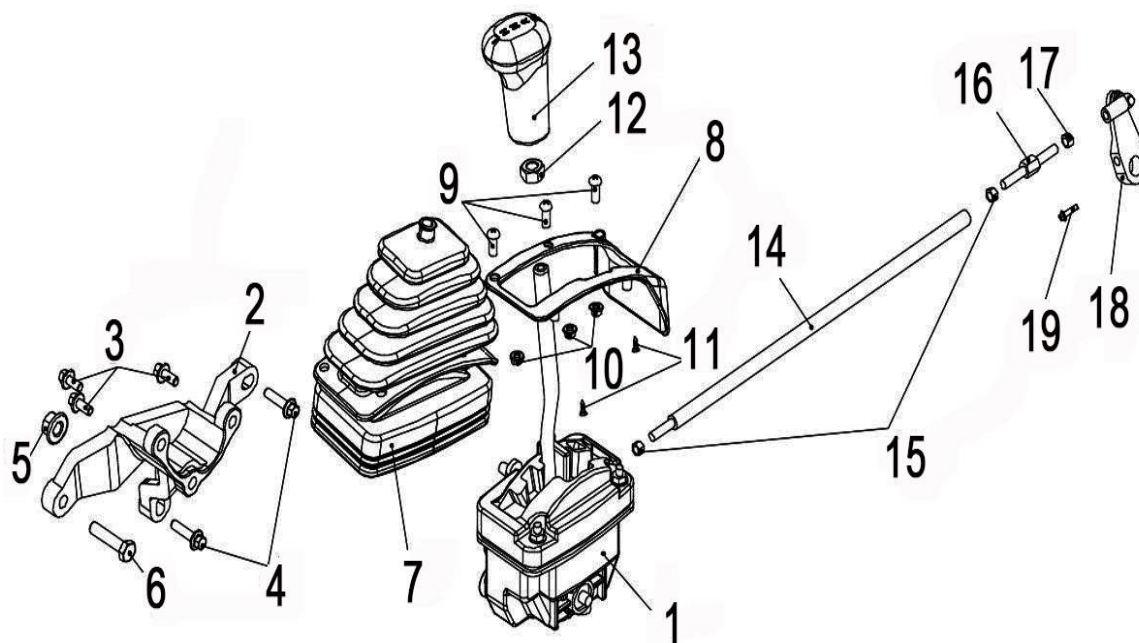


Nº	CÓDIGO	DESCRIÇÃO	Qt.	OBSERVAÇÕES
1A	LH00035510	WHEEL, RR (ALUMINIUM) (FRANCE) (Options)	2	
1B	LH00035717	WHEEL, RR (ALUMINIUM) (Options)	2	
1C	LH00036155	WHEEL, RR (ALUMINIUM) (Options)	2	
1D	LH00035882	WHEEL, RR	2	
2	LH00027618	TIRE, RR AT25X10-12 65F (WANDA) (E4-75R-0008831)	2	
2	LH00038188	TIRE, RR AT25X10-12 (DURO P350 SPEED CATEGORY:F) (Options)	2	
2	LH00038189	TIRE, RR AT25X10-12 (DURO P350 SPEED CATEGORY:J) (Options)	2	
2	LH00038190	TIRE, RR AT25X10-12 (WANDA P350 SPEED CATEGORY:F) (Options)	2	
2	LH00038191	TIRE, RR AT25X10-12 (WANDA P350 SPEED CATEGORY:J) (Options)	2	
3	LH00036162	CAP, WHEEL (OPTIONAL) (MATCH WITH "1C" WHEEL SUB-ASSY, RR)	2	
5	LH00070719	HUB, RR WHEEL	2	
6	LH00070714	BOLT M12X1.25	16	
7	LH00070718	SEAL	4	
8	LH00070721	BOLT SLOTTED	2	
9	LH00070722	WASHER	2	
10	LH00026267	PIN 4X32	2	
11	LH00027411	NUT, WHEEL	8	
12	LH0020807a	VALVE, RIM (TR412)	4	



## M565i

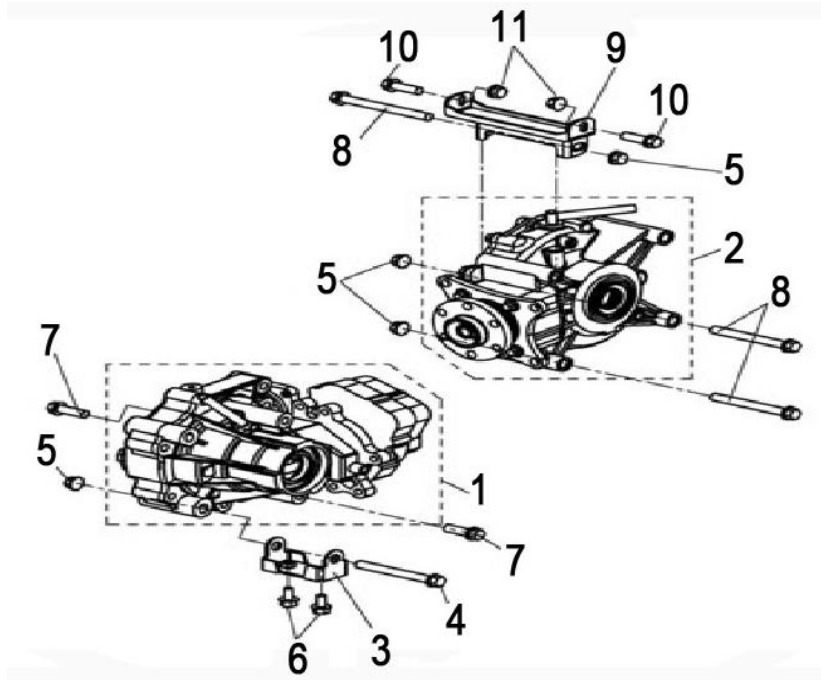
### B10 SHIFT ROD



Nº	CÓDIGO	DESCRIÇÃO	Qt.	OBSERVAÇÕES
1	LH00035883	SHIFTER ASSY MOUNTING	1	
2	LH00035884	SHIFTER MOUNTING BRACKET	1	
3	LH00010783	BOLT M8X20	3	
4	LH00011045	BOLT M8X40	2	
5	LH00011442	NUT M8	1	
6	LH00011070	BOLT M8X70	1	
7	LH00035885	SHIFT DUST JACKET	1	
8	LH00035886	SHIFT COVER PLATE	1	
9	LH00011582	CROSS RECESS PAN HEAD SCREW M6X18	3	
10	LH00011192	NUT M6	3	
11	LH00011222	SCREW ST4.8X12	2	
12	LH00010592	NUT M12X1.75	1	
13	LH00035887	THE SHIFTING HANDLE	1	
14	LH00035888	SHIFTER MOUNTING ROD	1	
15	LH00010090	NUT M6	2	
16	LH00036451	TIE ROD 2	1	
17	LH0010090L	NUT LEFT-HANDED M6	1	
18	LH00035889	SHIFT ROCKER ARM COMPONENTS	1	
19	LH00011539	BOLT M6X1x25	1	

## M565i

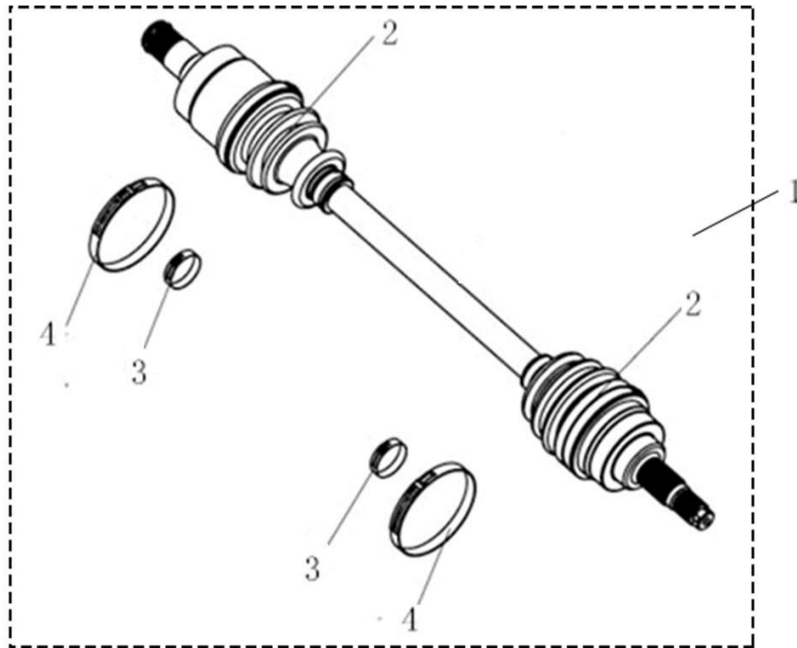
### B11 FRONT AND REAR GEAR-BOX



Nº	CÓDIGO	DESCRIÇÃO	Qt.	OBSERVAÇÕES
1	LH00047162	FRONT GEAR-BOX ASSY	1	
2	LH00047163	REAR GEAR-BOX ASSY	1	
3	LH00035500	BRACKET, FRONT GEAR-BOX ASSY	1	
4	LH00010924	BOLT M10X1.25X90	1	
5	LH00010015	NUT M10X1.25	4	
6	LH00010168	BOLT M8X1.25X16	2	
7	LH00011071	BOLT M10X1.25x25	2	
8	LH00010925	BOLT M10X1.25X110	3	
9	LH00036310	BRACKET, REAR GEAR-BOX ASSY	1	
10	LH00011072	BOLT M8X1.25X20	2	
11	LH00010079	NUT M8X1.25	4	

## M565i

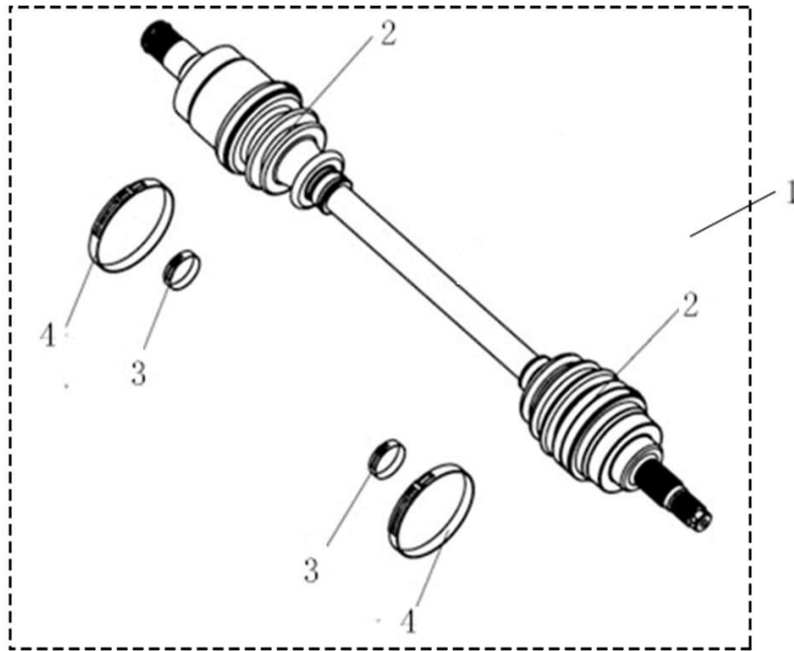
### B12 FRONT LEFT DRIVE AXLE (FOR 4WD)



Nº	CÓDIGO	DESCRIÇÃO	Qt.	OBSERVAÇÕES
1	LH00035030	FRONT LEFT DRIVE AXLE	1	
2	LH00035038	OUTER BOARD BOOT	2	
3	LH00035037	BOOT BAND A	2	
4	LH00035040	BOOT BAND B	2	

# M565i

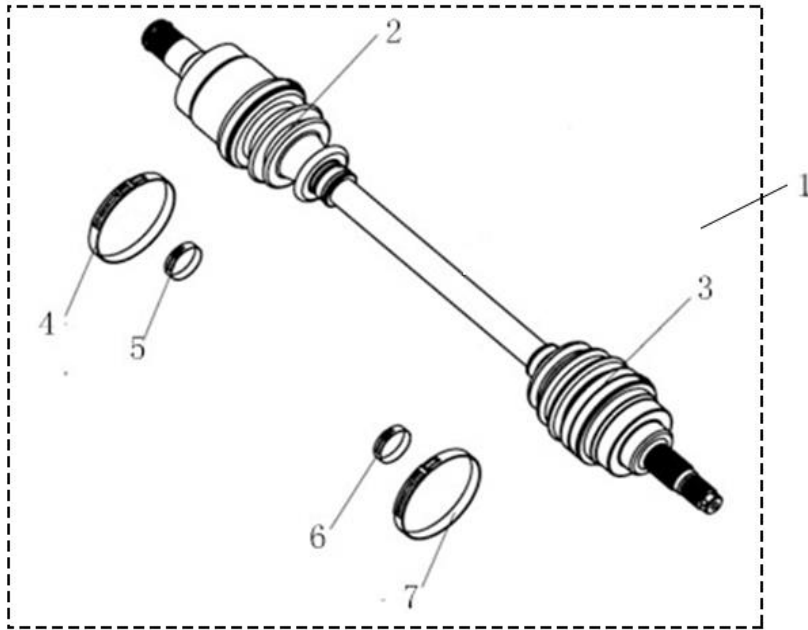
## B13 FRONT RIGHT DRIVE AXLE (FOR 4WD)



Nº	CÓDIGO	DESCRIÇÃO	Qt.	OBSERVAÇÕES
1	LH00035031	FRONT RIGHT DRIVE AXLE	1	
2	LH00035038	OUTER BOARD BOOT	2	
3	LH00035037	BOOT BAND A	2	
4	LH00035040	BOOT BAND B	2	

## M565i

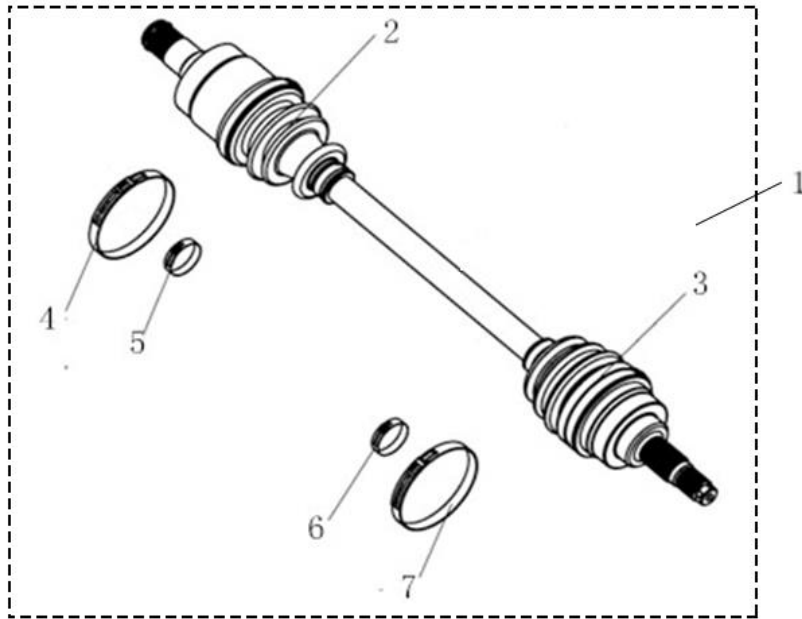
### B14 REAR LEFT DRIVE AXLE (XL)



N°	CÓDIGO	DESCRIÇÃO	Qt.
1	LH00036143	REAR LEFT DRIVE AXLE (MARK "4AV-25351-10 rear left", MATCH WITH NEW MODEL REAL AXL )	1
2	LH00036164	INTER BOARD BOOT	1
3	LH00036165	OUTER BOARD BOOT	1
4	LH00036166	INTER BOOT BAND B	1
5	LH00036167	INTER BOOT BAND A	1
6	LH00036168	OUTER BOOT BAND B	1
7	LH00035920	OUTER BOOT BAND A	1

## M565i

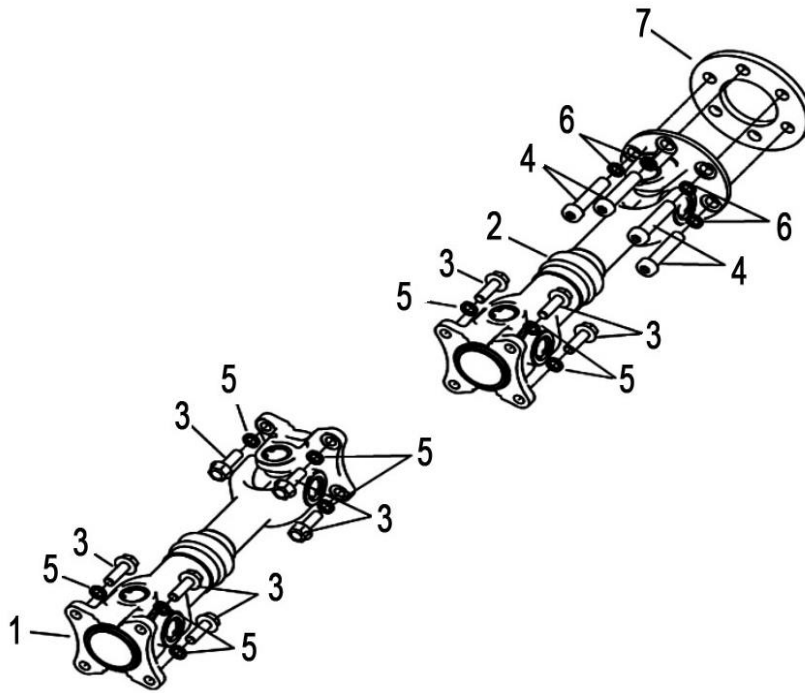
### B15 REAR RIGHT DRIVE AXLE (XL)



Nº	CÓDIGO	DESCRIÇÃO	Qt.	OBSERVAÇÕES
1	LH00036144	REAR RIGHT DRIVE AXLE (MARK " 4AV-25352-10 rear right", MATCH WITH NEW MODEL REAL AXL )	1	
2	LH00036164	INTER BOARD BOOT	1	
3	LH00036165	OUTER BOARD BOOT	1	
4	LH00036166	INTER BOOT BAND B	1	
5	LH00036167	INTER BOOT BAND A	1	
6	LH00036168	OUTER BOOT BAND B	1	
7	LH00035920	OUTER BOOT BAND A	1	

## M565i

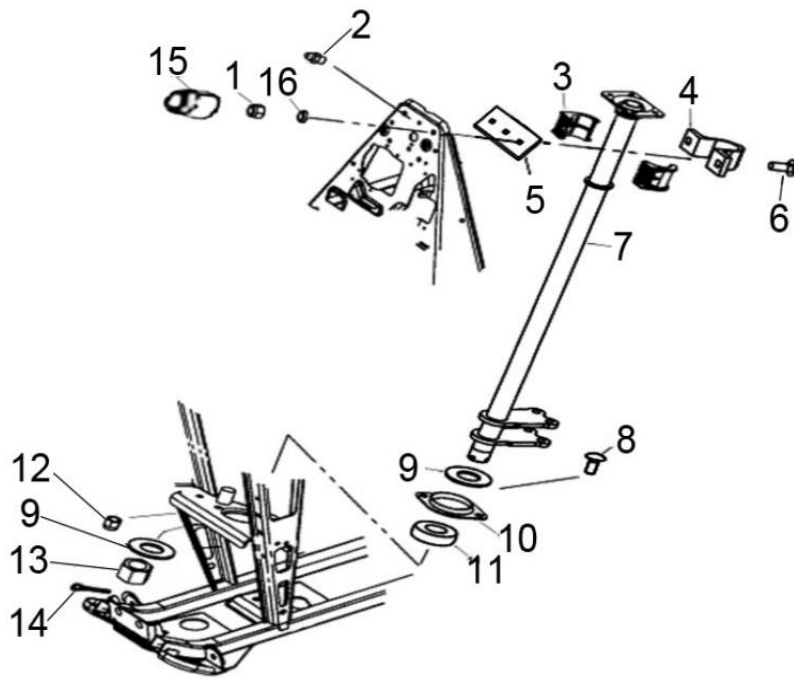
### B16 FRONT AND REAR KNUCKLE ASSY



Nº	CÓDIGO	DESCRIÇÃO	Qt.	OBSERVAÇÕES
1	LH00036488	FRONT KNUCKLE (WITH OIL CUP)	1	
2	LH00036489	REAR KNUCKLE (WITH OIL CUP)	1	
3	LH00010926	BOLT M8X1.0X25	12	
4	LH00010927	BOLT M10X1.25X32	6	
5	LH00010106	SPRING WASHER 8	12	
6	LH00010027	SPRING WASHER 10	6	
7	LH00036275	PARKING DISC	1	

## M565i

### B17 STEERING COLUMN

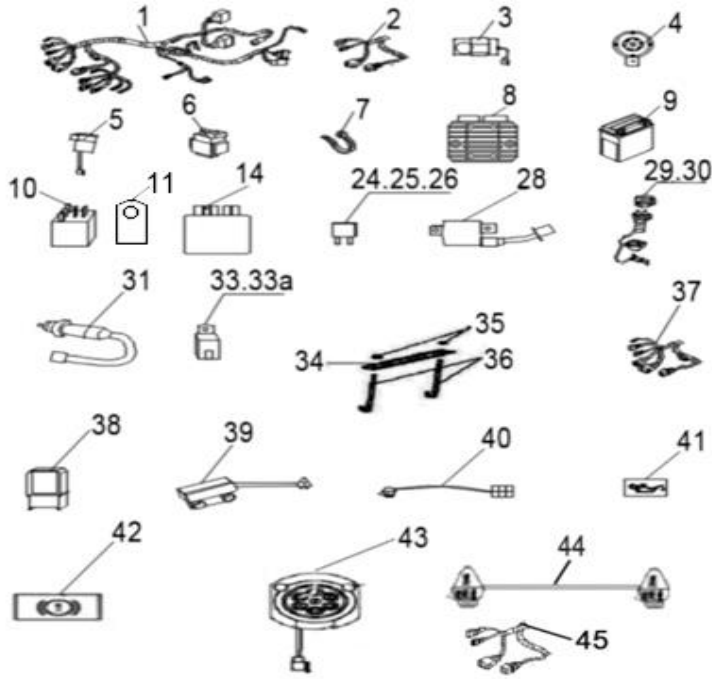


Nº	CÓDIGO	DESCRIÇÃO	Qt.	OBSERVAÇÕES
1	LH00011145	NUT M8	2	
2	LH00010026	GREASE FITTING	1	
3	LH00021903	BUSHING	2	
4	LH00021904	STEERING CLAMP REAR	1	
5	LH00021905	STEERING CLAMP FRONT	1	
6	LH00021906	BOLT	2	
8	LH00021906	BOLT	2	
9	LH00021909	WASHER	2	
10	LH00021910	BEARING RETAINER	1	
11	LH00021911	BEARING	1	
12	LH00011145	NUT M8	2	
13	LH00011575	STEERING COLUMN RETAINER NUT	1	
14	LH00011576	COTTER PIN	1	
15	LH00027256	PROTECT COVER	2	
16	LH00011504	SPRING WASHER	2	



# M565i

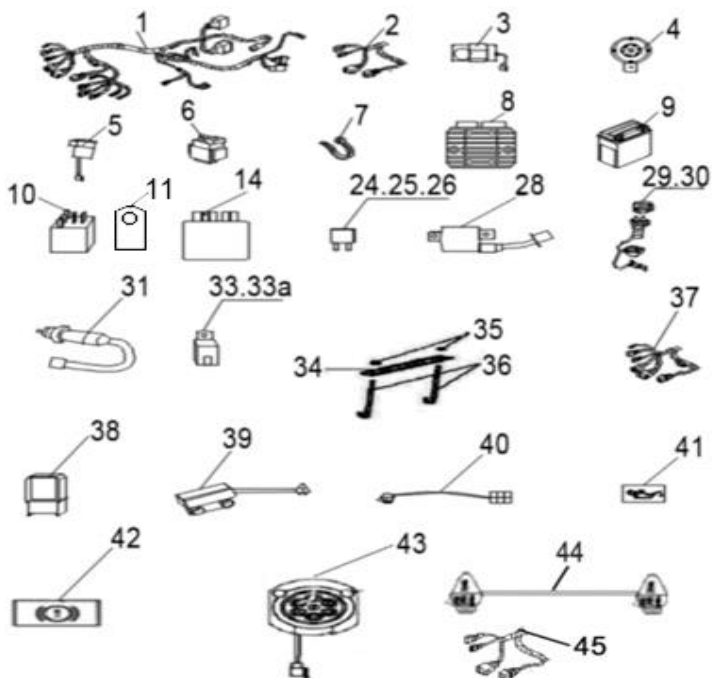
## B18 ELECTRICAL SYSTEM



Nº	CÓDIGO	DESCRIÇÃO	Qt.	OBSERVAÇÕES
1	LH00038160	WIRING HARNESS	1	
2	LH00035891	FRONT LAMP HARNESS	2	
2	LH00038181	FRONT LAMP HARNESS (FOR T3)	1	
2	LH00038182	FRONT LAMP HARNESS ( OPTION FOR EU)	1	
3	LH00071976	REVERSE GEAR WARNING	1	
4	LH00070404	HORN	1	
5	LH00026456	FLASHER RELAY ASSY	1	
6	LH00071602	STARTER RELAY	1	
7	LH00072301	TIE	20	
8	LH00071603	REGULATOR RECTIFIER	1	
9	LH0070407a	BATTERY (12V18A)	1	
10	LH00035083	AUXILIARY RELAY (30A 12VDC)	2	
11	LH00035861	AUXILIARY RELAY (PLATE)	4	
14	LH00038000	ECU	1	
24	LH00022021	5 AMP FUSE	1	
25	LH00022020	15 AMP FUSE	3	
26	LH00084273	10 AMP FUSE	2	
28	LH0070822D	IGNITON COIL AND WIRE	1	
29	LH00071973	ACCESSORY SOCKET ASSY	1	
30	LH00036120	USB OUTPUT SOCKET COMBINATION	1	

## M565i

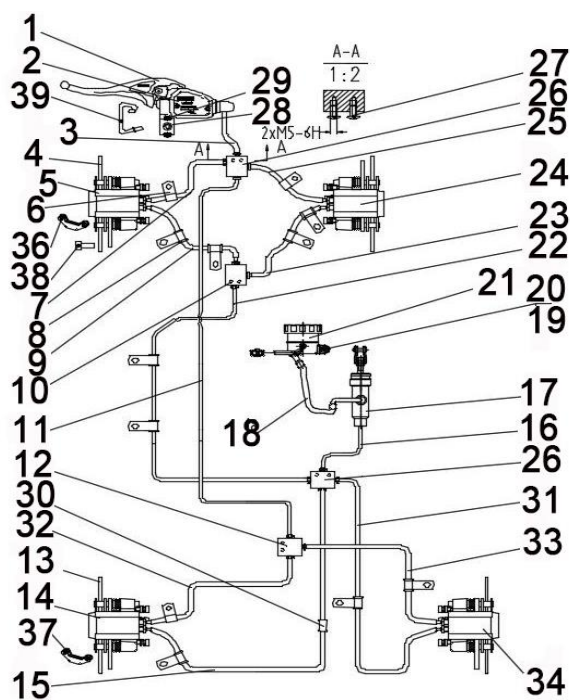
### B18.1 ELECTRICAL SYSTEM



Nº	CÓDIGO	DESCRIÇÃO	Qt.	OBSERVAÇÕES
31	LH0070405a	BRAKE SWITCH (USED FOR WATERPROOF PLUG IN UNIT)	1	
33	LH00050280	START RELAY (CONTROL FAN)	1	
33a	LH00035656	START RELAY (NEW) (CONTROL HIGH BEAM AND DIPPED BEAM)	3	
34	LH00036057	BATTERY CLAMP	1	
35	LH00010079	NUT 8	2	
36	LH00036056	BATTERY FASTENING PULL ROD	2	
37	LH00038161	EFI WIRE	1	
38	LH00071474	EFI RELAY	1	
39	LH00072278	ELECTRICAL DUMPAGE SWITCH	1	
40	LH00072279	ELECTRICAL DUMPAGE SWITCH HARNESS	1	
41	LH00035875	OIL ALARM LAMP	1	
42	LH00025298	BRAKEFLUID INDICATOR	1	
43	LH00084432	TRAILER CONNECTOR	1	
44	LH00072302	REAR LAMP HARNESS (USED FOR OPTION REAR LAMP)	2	
45	LH00038183	REAR LAMP HARNESS (FOR T3)	1	
45	LH00038162	REAR LAMP HARNESS (OPTION FOR EU)	1	

# M565i

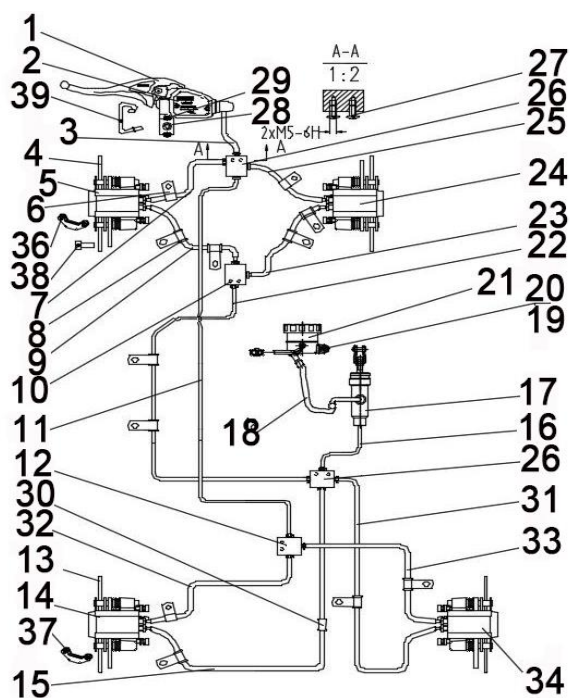
## B19 BRAKING SYSTEM



Nº	CÓDIGO	DESCRIÇÃO	Qt.	OBSERVAÇÕES
1	LH02211120	BRAKE LEVER	1	
2	LH00027320	MASTER CYLINDER WITH BRAKE LEVER	1	
3	LH00022102	HAND BRAKE HOSE	1	
4	LH00027321	FRONT BRAKE DISC	2	
5	LH00027409	BRAKE CALIPER LEFT, FRONT	1	
6	LH00032104	CLAMP	2	
7	LH00022229	FRONT BRAKE HOSE 2	1	
8	LH00032105	RUBBER TUBE1	3	
9	LH00027313	FRONT BRAKE HOSE 1	1	
10	LH00032107	BRAKE LINE COUPLER	1	
11	LH00035879	TUBE DISK BRAKE REAR	1	
12	LH00032107	BRAKE LINE COUPLER	1	
13	LH00070537	REAR BRAKE DISC	2	
14	LH00070520	BRAKE CALIPER LEFT, REAR	1	
15	LH00035070	REAR BRAKE HOSE 2	1	
16	LH00036418	REAR BRAKE HOSE 3	1	
17	LH00035786	FOOT BRAKE CYLINDER	1	
18	LH00027379	RESERVOIR HOSE	1	
19	LH00011563	NUT M5	1	
20	LH00011046	BOLT M5X12	1	

# M565i

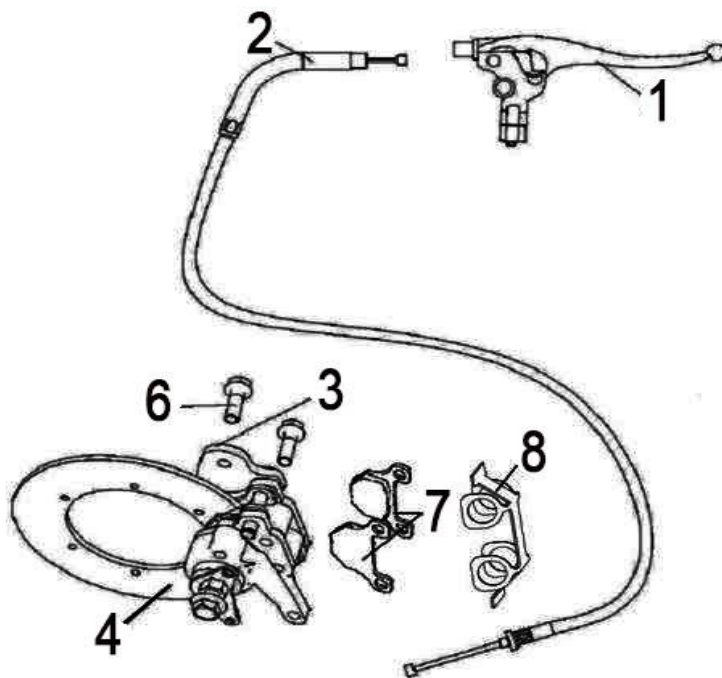
## B19.1 BRAKING SYSTEM



Nº	CÓDIGO	DESCRIÇÃO	Qt.	OBSERVAÇÕES
21	LH00025299	RESERVOIR	1	
22	LH00036420	TUBE DISKBRAKE, FOOT BRAKE	1	
23	LH00032233	FRONT BRAKE HOSE2	1	
24	LH00027410	BRAKE CALIPER RIGHT	1	
25	LH00070483	FRONT BRAKE HOSE3	1	
26	LH00070548	FOUR LINE COUPLER	2	
27	LH00010111	BOLT M5X15	4	
28	LH00027283	BOLT M6X22	2	
29	LH00027277	CAP	1	
30	LH00035534	RUBBER SHEATH	5	
31	LH00035788	REAR BRAKE HOSE 4	1	
32	LH00035789	REAR BRAKE HOSE 5	1	
33	LH00035790	REAR BRAKE HOSE 6	1	
34	LH00035791	BRAKE CALIPER RIGHT, REAR	1	
35	LH00035711	SERVICE KIT	1	
36	LH00022245	INSIDE AND OUTSIDE PAD , FRONT	4	
37	LH00022245	INSIDE AND OUTSIDE PAD, REAR	2	
38	LH00011201	BOLT M8X20	12	
39	LH00022243	STORP SWITCH FRONT	1	

## M565i

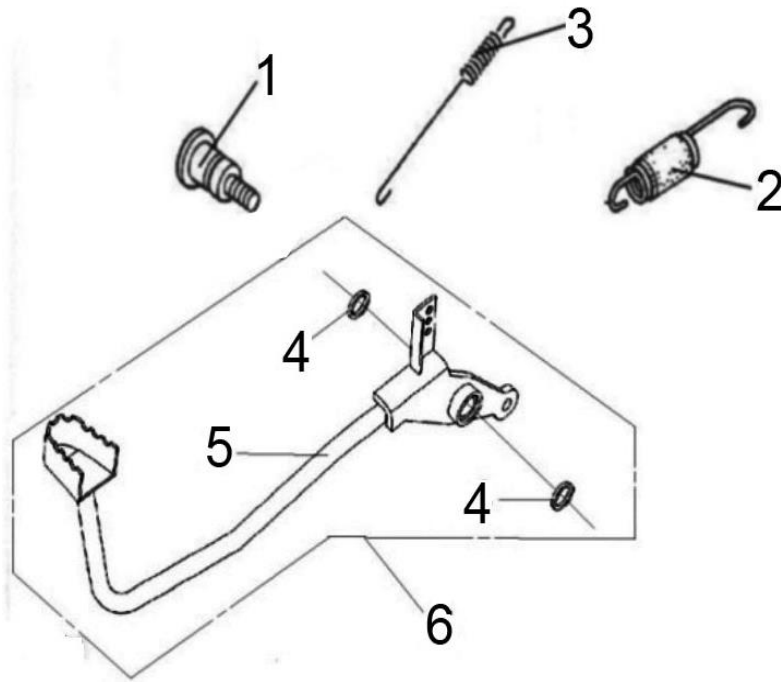
### B20 AUXILIARY BRAKE



Nº	CÓDIGO	DESCRIÇÃO	Qt.	OBSERVAÇÕES
1	LH00070636	MASTER CYLINDER (WITH LEVER)	1	
2	LH00036424	BRACK CABLE	1	
3	LH00035074	BRACK CALIPER	1	
4	LH00035075	DISK BRAKE	1	
6	LH00010218	BOLT M8X40	2	
7	LH00026292	BRAKE PAD	2	
8	LH00035530	LIMIT SPRING PLATE	1	

## M565i

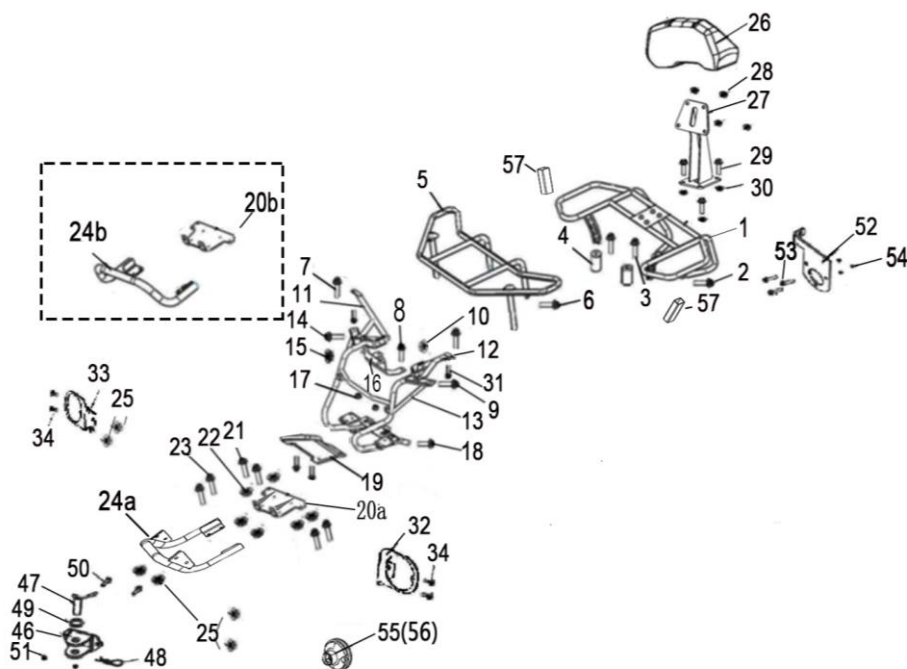
### B21 PEDAL, BRAKE



Nº	CÓDIGO	DESCRIÇÃO	Qt.	OBSERVAÇÕES
1	LH00035607	FOOT BRAKE STEP BOLT	1	
2	LH00070541	SPRING, STOP SWITCH	1	
3	LH00026885	SPRING ASSY (NEW MODEL)	1	
4	LH00070540	DUST SEAL	2	
5	LH00036421	PEDAL BRAKE	1	
6	LH00036422	PEDAL BRAKE ASSY	1	

# M565i

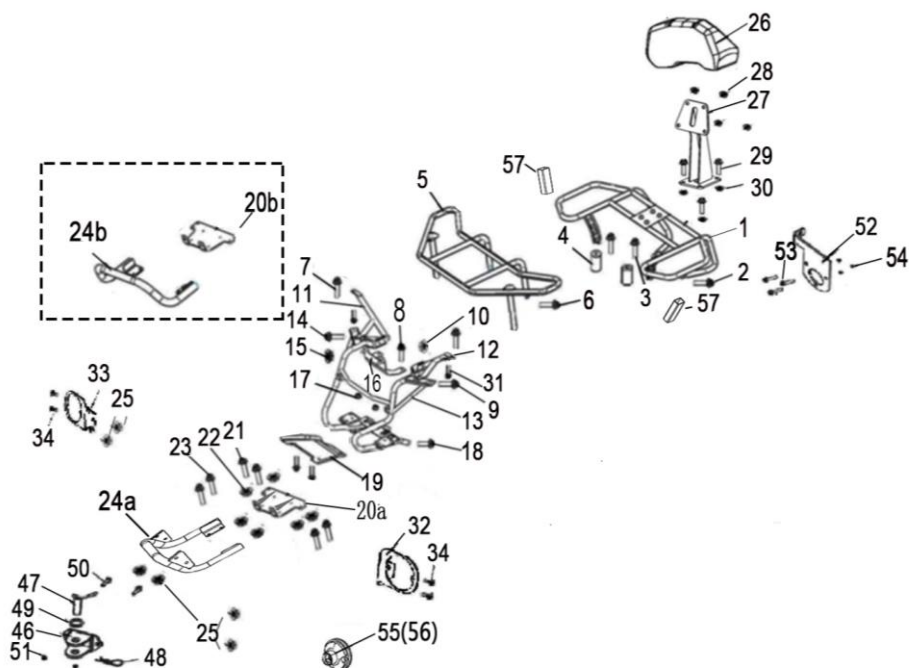
## B22 BUMPER AND RACK



Nº	CÓDIGO	DESCRIÇÃO	Qt.	OBSERVAÇÕES
1	LH00036084	REAR RACK	1	
2	LH00010059	BOLTM8X25	4	
3	LH00029506	BOLTM8X55	2	
4	LH00036085	REAR RACK MOUNTING SPACER	2	
5	LH00036093	FRONT RACK	1	
6	LH00010081	BOLT M8X20	2	
7	LH00010059	BOLT M8X25	2	
8	LH00010081	BOLT M8X20	2	
9	LH00010055	BOLT M8X45	4	
10	LH00010079	NUT M8	4	
11	LH00036112	RIGHT Y SHAPED SUPPORT TUBE	1	
12	LH00036111	LEFT Y SHAPED SUPPORT TUBE	1	
13	LH00072292	FRONT PART SUPPORT ASSEMBLY	1	
14	LH00010059	BOLT M8X25	2	
15	LH00010079	NUT M8	2	
16	LH00036051	MOUNTING PLATE ON WATER TANK	1	
17	LH00036054	SUPPORTING RUBBER RING UNDER WATER TANK	2	
18	LH00010081	BOLT M8X20	2	
19	LH00036113	FRONT BOTTOM GUARD	1	
20	LH00038200	FRONT HOOK MOUNTING PLATE	1	
20b	LH00036119	BRACKET, PULLING (WITH TRACTOR ASSY Options)	1	
21	LH00010081	BOLT M8X20	4	
22	LH00010079	NUT M8	4	
23	LH00010081	BOLT M8X20	4	
24a	LH00036307	FRONT BUMPER (T3 CERTIFIED)	1	
24b	LH00036118	FRONT BUMPER (Options)	1	
25	LH00011455	NUT M8	4	

# M565i

## B22.1 BUMPER AND RACK

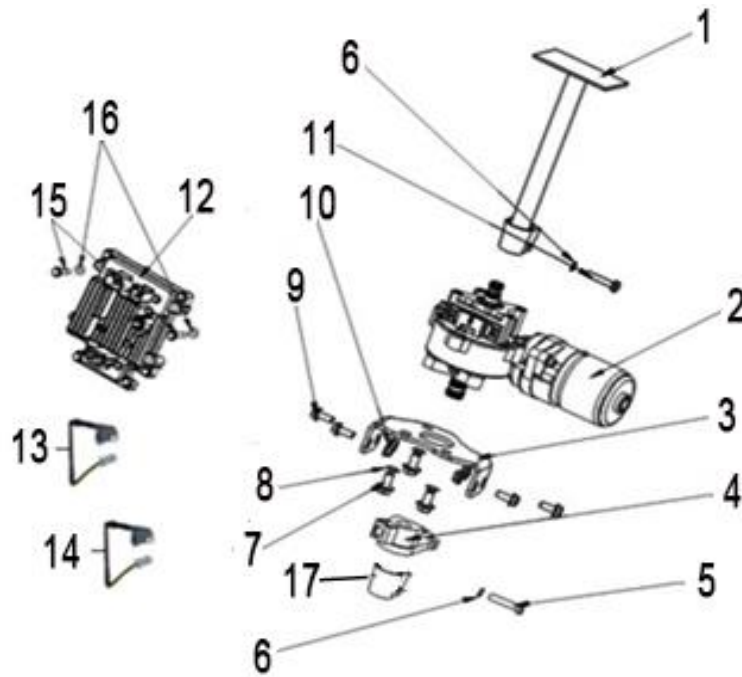


Nº	CÓDIGO	DESCRIÇÃO	Qt.	OBSERVAÇÕES
26	LH00035383	BACKREST	1	
27	LH00035384	REAR BACKREST WELD ASSEMBLY	1	
28	LH00010919	NUT M8	4	
29	LH00010059	BOLT M8X25	4	
30	LH00011455	NUT M8	4	
31	LH00010110	BOLT M6X20	2	
32	LH00036308	FRONT INDICATOR LIGHT BRACKET, L (T3 CERTIFIED)	1	
33	LH00036309	FRONT INDICATOR LIGHT BRACKET, R (T3 CERTIFIED)	1	
34	LH00011452	BOLT M6X16	4	
46	LH00084234	FOTMER DRAG HOOKS	1	
47	LH00084235	EX REACTION PINS	1	
48	LH00010862	R TYPE SPLIT PINS 6X115	1	
49	LH00084231	CUSHION RUBBER, FOTMER DRAG HOOKS	1	
50	LH00010934	SCREW M16X42	2	
51	LH00010874	NUT M16	2	
52	LH00071070	BRACKET, OUTPUT SOCKET	1	
53	LH00010935	SCREW M6X38	3	
54	LH00011454	NUT M6	3	
55	LH00083365	FRONT INDICATOR LIGHT, L	1	
56	LH00083364	FRONT INDICATOR LIGHT, R	1	
57	LH00035880	RUBBER COVER FOR REAR SHELF	2	



## M565i

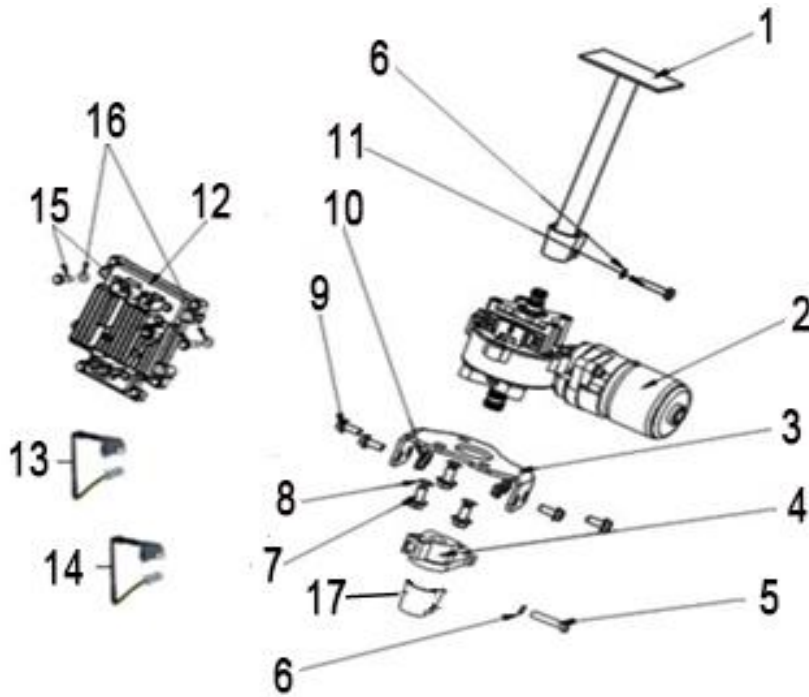
B23 EPS (OPTIONAL) (MARKED "DK")



Nº	CÓDIGO	DESCRIÇÃO	Qt.	OBSERVAÇÕES
1	LH00036254	UPPER STEERING COLUMN	1	
2	LH00036255	EPS ASSY. (MARKED "DK")	1	
3	LH00036256	PLATE EPS ASSY.	1	
4	LH00036257	LOWER STEERING COLUMN	1	
5	LH00036509	BOLT M8X40	1	
6	LH00010106	WASHER 8	4	
7	LH00011020	BOLT M10X1.5X20	3	
8	LH00011021	WASHER 10	3	
9	LH00010783	BOLT M8X20	4	
10	LH00010882	NUT M8	4	
11	LH00036509	BOLT M8X35	2	
12	LH00036258	EPS CONTROLLER (MARKED "DK")	1	
13	LH00036287	EPS POWER WIRE	1	
14	LH00036259	EPS SIGNALING LINE	1	
15	LH00011496	BOLT M6X30	2	
16	LH00011019	WASHER 6	2	
17	LH00036271	BALL BEARING MOUNTING NUT	1	

## M565i

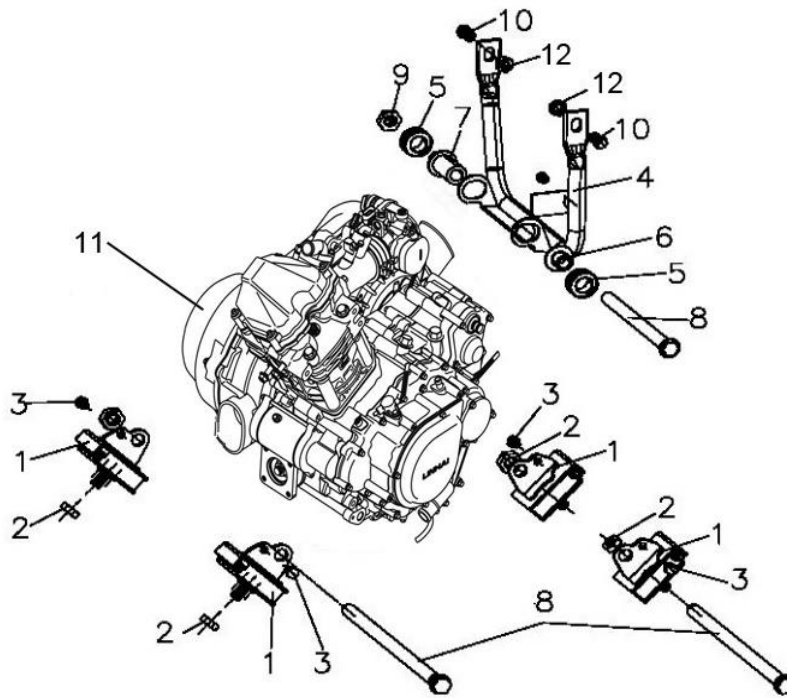
### B23.1 EPS (OPTIONAL) (MARKED "GY")



Nº	CÓDIGO	DESCRIÇÃO	Qt.	OBSERVAÇÕES
1	LH00036507	UPPER STEERING COLUMN (MARKED "GY")		
2	LH00036508	EPS ASSY. (MARKED "GY")	1	
3	LH00036256	PLATE EPS ASSY.	1	
4	LH00036257	LOWER STEERING COLUMN	1	
5	LH00036509	BOLT M8X40	1	
6	LH00010106	WASHER 8	4	
7	LH00011020	BOLT M10X1.5X20	3	
8	LH00011021	WASHER 10	3	
9	LH00010783	BOLT M8X20	4	
10	LH00010882	NUT M8	4	
11	LH00036509	BOLT M8X40	1	
12	LH00036510	EPS CONTROLLER (MARKED "GY")	1	
13	LH00036511	EPS POWER WIRE	1	
14	LH00036512	EPS SIGNALING LINE	1	
15	LH00011496	BOLT M6X30	2	
16	LH00011019	WASHER 6	2	
17	LH00036271	BALL BEARING MOUNTING NUT	1	

# M565i

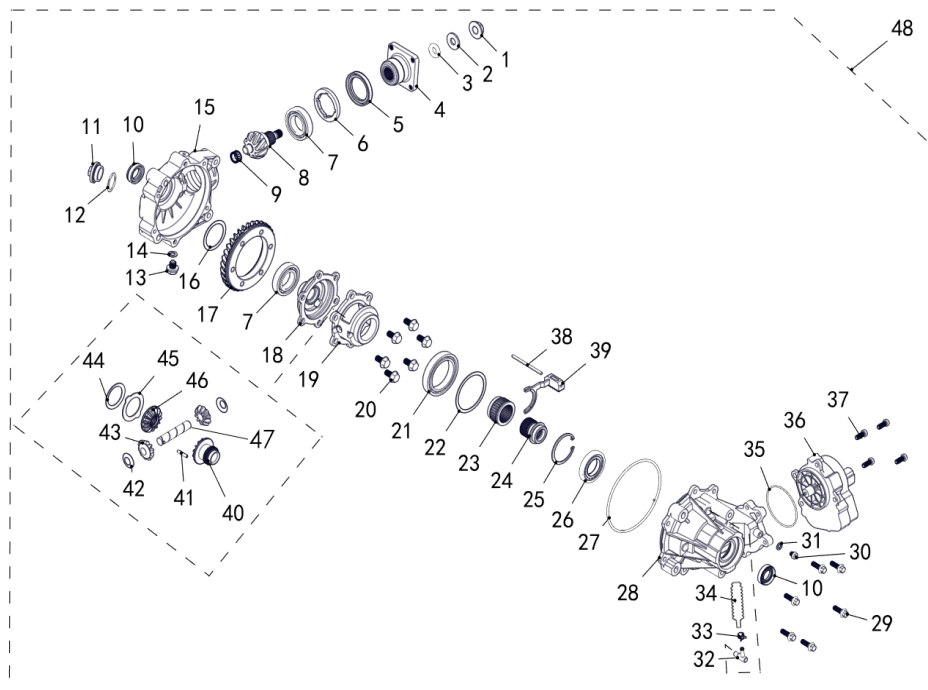
## B24 ENGINE ASSY



Nº	CÓDIGO	DESCRIÇÃO	Qt.	OBSERVAÇÕES
1	LH00035503	BUSHING ENGING BRACKET	4	
2	LH0010015A	NUT M10X1.25	4	
3	LH00010928	BOLT M6X16	4	
4	LH00035892	FRONT ENGINE MOUNT BRACKET	1	
5	LH00035893	RUBBER BUSHING	2	
6	LH00035894	SPACER 1	1	
7	LH00035895	SPACER 2	1	
8	LH00010136	NUT M12X1.25	3	
9	LH00010183	BOLT M8X16	2	
10	LH00035896	BOLT M12X1.25X175	3	
11	LH00038001	ENGING ASSY.	1	
12	LH00010079	NUT M8X1.25	2	

# M565i

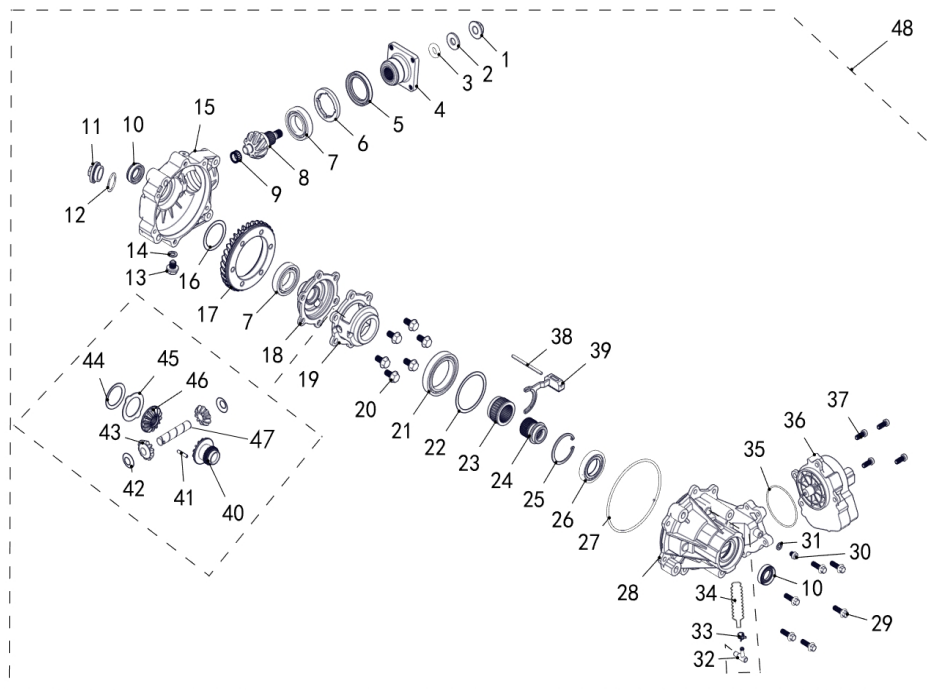
## B25 FRONT GEAR-BOX



Nº	CÓDIGO	DESCRIÇÃO	Qt.	OBSERVAÇÕES
1	LH00026318	NUT	1	
2	LH00026324	NUT WASHER	1	
3	LH00035428	O-RING	1	
4	LH00026330	COUPLER	1	
5	LH00035423	OIL SEAL	1	
6	LH00026317	BEARING RETAINER	1	
7	LH00035424	BEARING 6007	2	
8	LH00026328	BEVEL GEAR-DRIVING	1	
9	LH00035429	NEEDLE BEARING	1	
10	LH00035410	OIL SEAL	2	
11	LH00024305	FILL PLUG	1	
12	LH00050082	O-RING $\Phi 30.5 \times 3$	1	
13	LH00073020	DRAIN BOLT	1	
14	LH00073021	WASHER 10	1	
15	LH00026320	GEAR CASE, FRONT AXLE	1	
16	LH00026323	ADJUST SHIM (61x48)	As needed	
17	LH00026329	BEVEL GEAR -DRIVEN	1	
18	LH00026334	TOP BRACKET, DIFFERENTIAL GEAR	1	
19	LH00026332	BRACKET, DIFFERENTIAL	1	
20	LH00026331	BOLT	6	
21	LH00010959	BEARING 61912	1	
22	LH00026322	ADJUST SHIM (83x71)	As needed	
23	LH00026315	DRIVE CLUTCH	1	
24	LH00026316	DRIVE CLUTCH COVER	1	
25	LH00010047	RETAINER 62	1	

# M565i

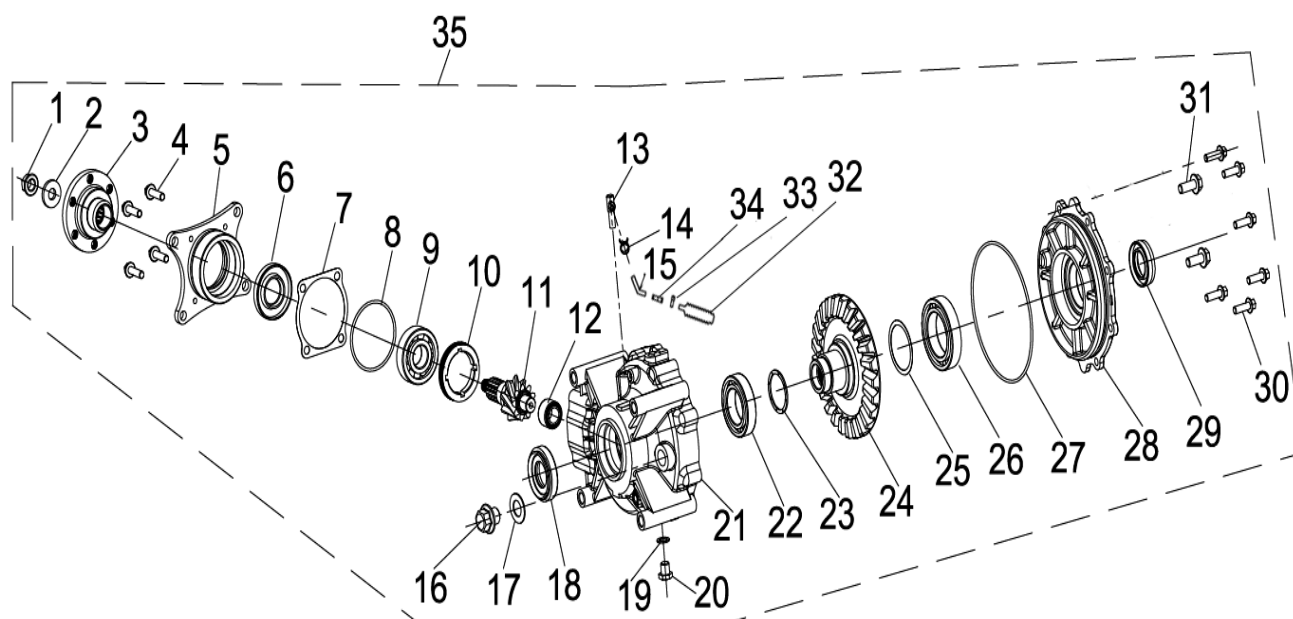
## B25.1 FRONT GEAR-BOX



Nº	CÓDIGO	DESCRIÇÃO	Qt.	OBSERVAÇÕES
26	LH00010960	BEARING 16007	1	
27	LH00035401	O-RING $\Phi 141 \times 2.4$	1	
28	LH00026321	CASE COVER, FRONT AXLE	1	
29	LH00010059	BOLT	6	
30	LH00011075	SCREW	1	
31	LH00035162	WASHER	1	
32	LH00021112	HOSE FITTING	1	
33	LH00022914	Clip	1	
34	LH00035919	Breathing Balloon	1	
35	LH00035389	O-RING $\Phi 81.2 \times 1.9$	1	
36	LH00035388	GEAR MOTOR	1	
37	LH00035391	SCREW	4	
38	LH00010957	PIN SHAFT	1	
39	LH00026314	SHIFT FORK	1	
40	LH00035434	DRIVE GEAR	1	
41	LH00011076	PIN	1	
42	LH00026327	WEARING RING	2	
43	LH00035437	GEAR (CENTER), DIFFERENTIAL	2	
44	LH00026325	WASHER	1	
45	LH00026326	SHIM	1	
46	LH00035440	DRIVEN GEAR	1	
47	LH00026333	GEAR SHAFT (CENTER), DIFFERENTIAL	1	
48	LH00047162	FRONT GEAR-BOX ASSY	1	

## M565i

### B26 REAR GEAR-BOX



Nº	CÓDIGO	DESCRIÇÃO	Qt.	OBSERVAÇÕES
1	LH00035473	NUT M12x1.25	1	
2	LH00026309	WASHER 12.5x30x4	1	
3	LH00035474	COUPLER, REAR AXLE	1	
4	LH00011077	BOLT M8x30	4	
5	LH00026304	BEVEL GEAR BEARING HOUSING	1	
6	LH00035471	OIL SEAL $\Phi 35 \times \Phi 61 \times 9$	1	
7	LH00026308	ADJUST SHIM	as needed	
8	LH00026311	O-RING 69x3	1	
9	LH00035468	BEARING 6305	1	
10	LH00026310	BEARING RETAINER M64x1.5x10	1	
11	LH00026313	ACTIVE BEVEL GEAR ASSEMBLY	1	
12	LH00035465	NEEDLE BEARING	1	
13	LH00021112	VENT NOZZLE	1	
14	LH00025107	CLAMPS	1	
15	LH00021111	VENT PIPE	1	
16	LH00083179	BOLT M18x1.25	1	
17	LH00083180	WASHER 18	1	
18	LH00026303	OIL SEAL 30x60x15	1	
19	LH00083462	WASHER	1	
20	LH00083010	HEXAGON HEAD BOLT	1	
21	LH00026312	REAR GEAR CASE	1	
22	LH00010958	BEARING 6008	1	
23	LH00026305	ADJUST SHIM 48x40.3	as needed	
24	LH00026307	DRIVE BEVEL GEAR ASSEMBLY	1	
25	LH00026306	ADJUST SHIM 60.5x50.3	as needed	
26	LH00010569	BEARING 6010	1	
27	LH00035493	O-RING 151x3	1	
28	LH00026301	REAR GEAR BEARING HOUSING	1	
29	LH00026302	OIL SEAL 30x50x13.5	1	
30	LH00011499	BOLT M8x25	6	
31	LH00035463	BOLT M10x25	2	
32	LH00035919	Breathing Balloon	1	
33	LH00048294	Cable Tie	1	
34	LH00035918	Balloon Connector	1	

### B26 STICKERS

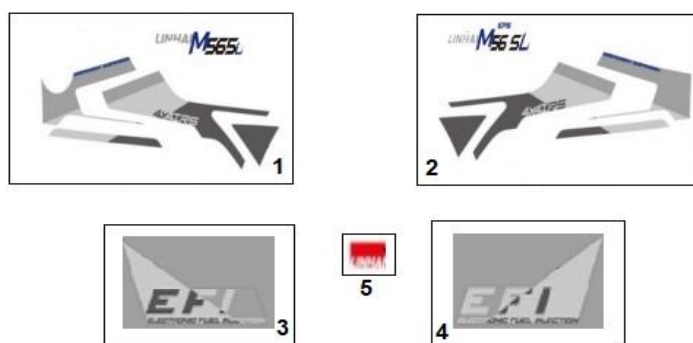
## M565i



Nº	CÓDIGO	DESCRIÇÃO	Qt.	OBSERVAÇÕES
1	LH080407LSS	LEFT SHIELD STICKER SET (FOR M565 BLACK)		
2	LH080407RSS	RIGHT SHIELD STICKER SET (FOR M565 BLACK)		
3	LH00080323	REAR LEFT TRIM COVER STICKER		
4	LH00080324	REAR RIGHT TRIM COVER STICKER		
5	LH00080342	FRONT COVER STICKER (MATCH WITH BLACK PLASTIC)		



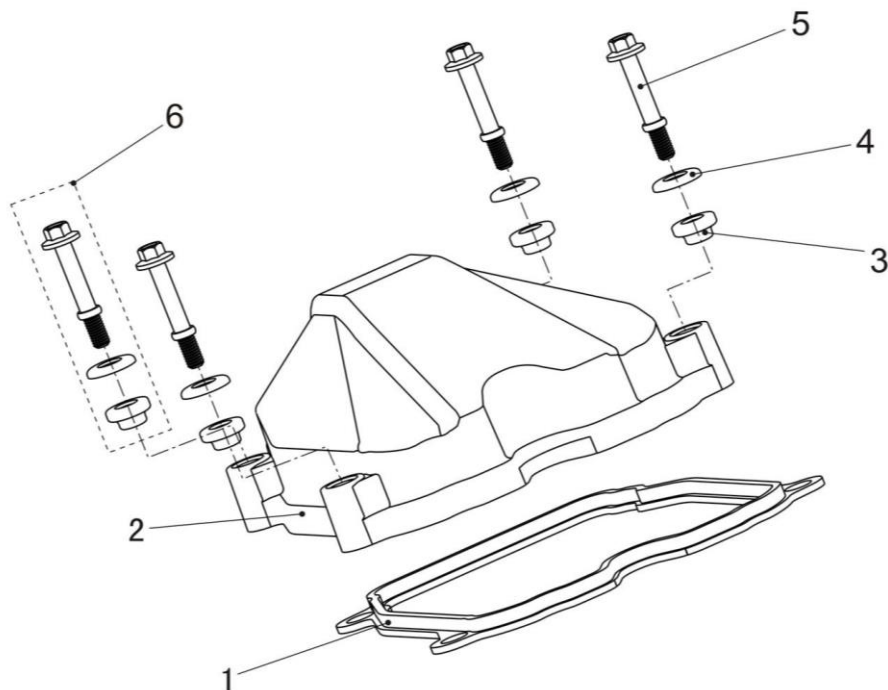
Nº	CÓDIGO	DESCRIÇÃO	Qt.	OBSERVAÇÕES
1	LH080403LSS	LEFT SHIELD STICKER SET (FOR M565 RED)		
2	LH080403RSS	RIGHT SHIELD STICKER SET (FOR M565 RED)		
3	LH00080323	REAR LEFT TRIM COVER STICKER		
4	LH00080324	REAR RIGHT TRIM COVER STICKER		
5	LH00080327	FRONT COVER STICKER (MATCH WITH RED PLASTIC)		



Nº	CÓDIGO	DESCRIÇÃO	Qt.	OBSERVAÇÕES
1	LH080399LSS	LEFT SHIELD STICKER SET (FOR M565 WHITE & SAND)		
2	LH080399RSS	RIGHT SHIELD STICKER SET (FOR M565 WHITE & SAND)		
3	LH00080323	REAR LEFT TRIM COVER STICKER		
4	LH00080324	REAR RIGHT TRIM COVER STICKER		
5	LH00080342	FRONT COVER STICKER (MATCH WITH BLACK PLASTIC)		

# M565i

## E1 CYLINDER HEAD COVER

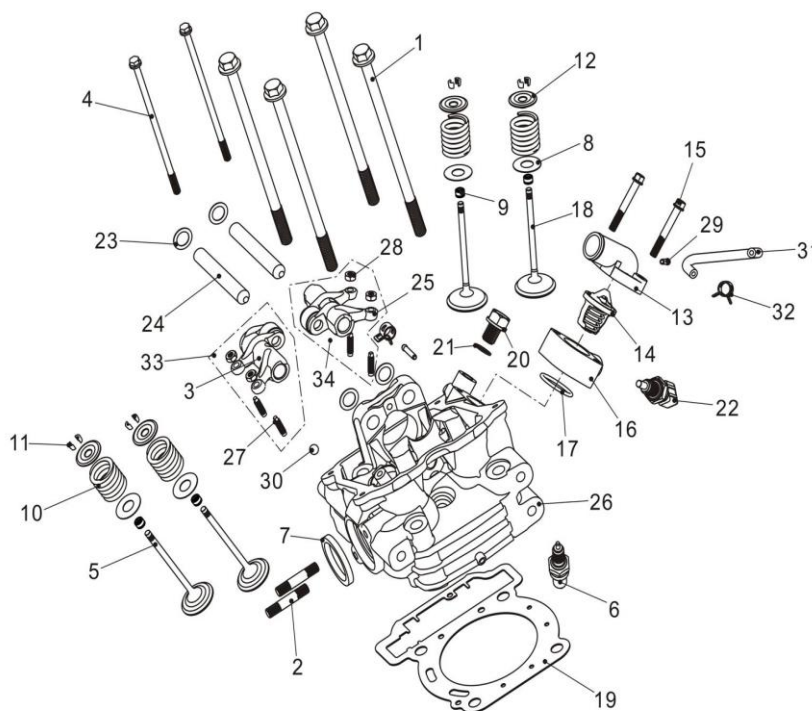


Nº	CÓDIGO	DESCRIÇÃO	Qt.	OBSERVAÇÕES
1	LH00038003	GASKET, CYLINDER HEAD COVER	1	
2	LH00038004	CYLINDER HEAD COVER	1	
3	LH00038005	RUBBER WASHER	4	
4	LH00038006	CAP, RUBBER WASHER	4	
5	LH00038007	BOLT, CYLINDER HEAD COVER	4	
6	LH00038008	BOLT COMP. CYLINDER HEAD COVER	4	



# M565i

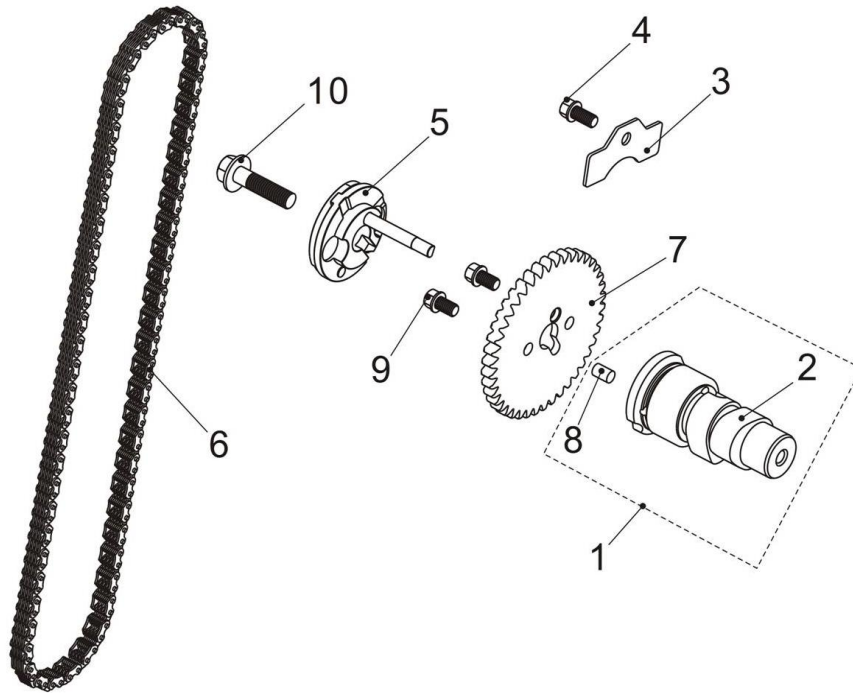
## E2 CYLINDER HEAD



Nº	CÓDIGO	DESCRIÇÃO	Qt.	OBSERVAÇÕES
1	LH00072297	BOLT	4	
2	LH00038009	STUD M8x42	2	
3	LH00038010	ROCKER ARM , EXHAUST	1	
4	LH00038011	BOLT M6X132	2	
5	LH00038012	VALVE, EXHAUST	2	
6	LH00038167	SPARK PLUG - DPR8EA9 (NGK)	1	
7	LH00038013	GASKET, EXHAUST PIPE	1	
8	LH00038014	LOWER SEAT, VALVE SPRING	4	
9	LH00038015	SEAL RING SET, VALVE STEM	4	
10	LH00038016	SPRING, VALVE	4	
11	LH00038017	LOCK CLIP, VALVE	8	
12	LH00038018	UPPER SEAT, VALVE SPRING	4	
13	LH00038019	THERMOSTAT COVER	1	
14	LH00038020	THERMOSTAT	1	
15	LH00011583	BOLT M6x45 TRIVALENT COLOR	2	
16	LH00038021	SEAT, THERMOSTAT	1	
17	LH00011584	O-RING, 28x2.65	1	
18	LH00038022	VALVE, INTAKE	2	
19	LH00038023	GASKET, CYLINDER HEAD	1	
20	LH00050105	DRAIN BOLT, M12x1.5	1	
21	LH00038143	WASHER 14	1	
22	LH0035095e	WATER TEMPERATURE SENSOR	1	
23	LH00038024	WASHER 12.3x18.5x0.5	4	
24	LH00038025	SHAFT, ROCKER ARM	2	
25	LH00038026	ROCKER ARM, INTAKE	1	
26	LH00038027	CYLINDER HEAD COMP	1	
27	LH00038028	ADJUST SCREW, VALVE	4	
28	LH00038029	ADJUST NUT, VALVE	4	
29	LH00035851	WATER CONNECTION	2	
30	LH00011585	FRICTION BALL 5	1	
31	LH00035104	PIPE, CYLINDER HEAD	1	
32	LH00035109	CLIP 7.5	2	
33	LH00038030	EXHAUST ROCKER ARM, ASSEMBLY	1	
34	LH00038031	INTAKE ROCKER ARM, ASSEMBLY	1	

## M565i

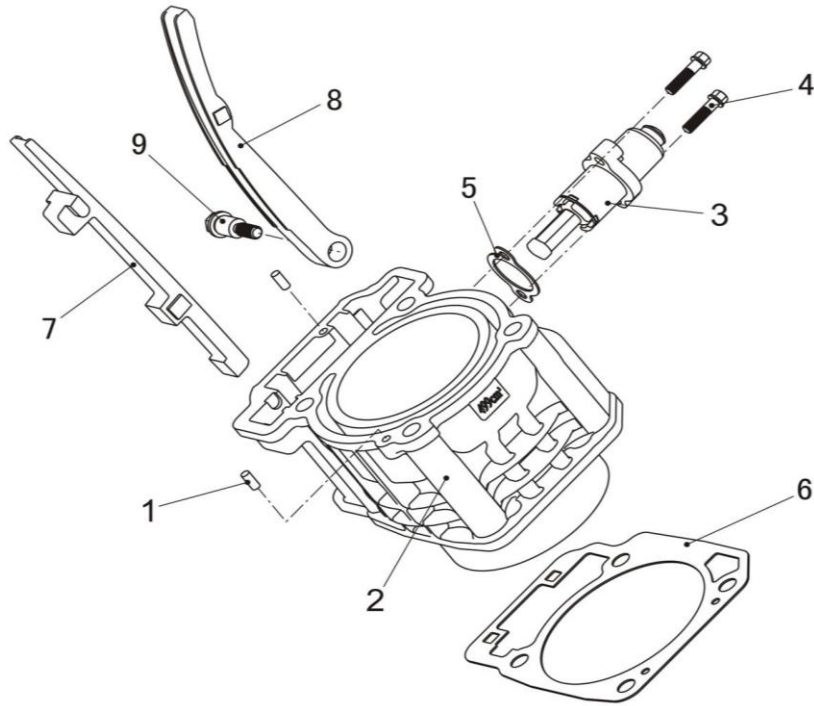
### E3 CAMSHAFT



Nº	CÓDIGO	DESCRIÇÃO	Qt.	OBSERVAÇÕES
1	LH00038032	CAMSHAFT ASSEMBLY	1	
2	LH00038033	CAMSHAFT	1	
3	LH00038034	HOLDING STRIP, CAMSHAFT	1	
4	LH0010140B	BOLT M6X12	1	
5	LH00038035	DECOMPRESSOR, STARTER	1	
6	LH00038036	TIMING CHAIN	1	
7	LH00038037	TIMING SPROCKET	1	
8	LH00038038	DOWEL PIN, TIMING SPROCKET	1	
9	LH00011586	BOLT M6X10-10.9	2	
10	LH00038039	BOLT M8X32-10.9	1	

# M565i

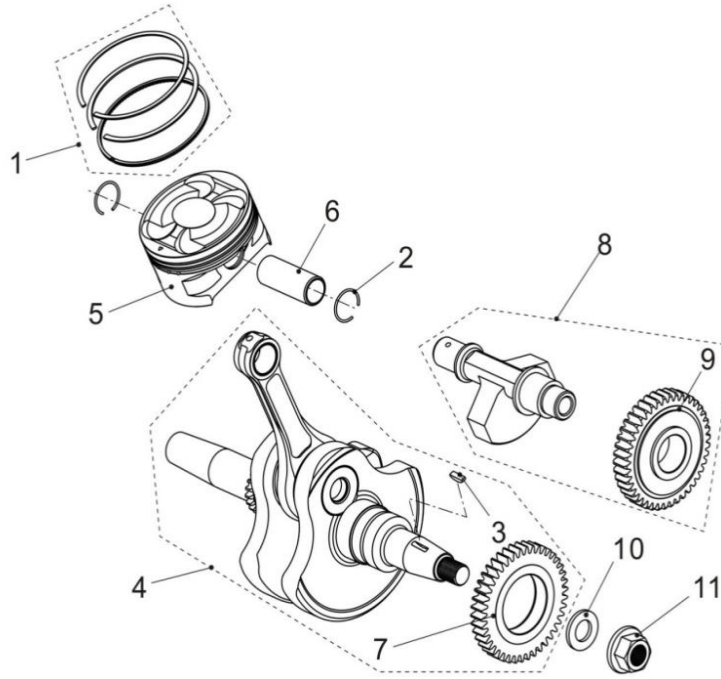
## E4 CYLINDER



N°	CÓDIGO	DESCRIÇÃO	Qt.	OBSERVAÇÕES
1	LH00038040	NEEDLE PIN P 5x11.8	2	
2	LH00038168	CYLINDER BODY (MARK 1)	1	
2	LH00038169	CYLINDER BODY (MARK 2)	1	
3	LH00038042	TENSIONER ASSY	1	
4	LH00011436	BOLT M6x25	2	
5	LH00035158	GASKET, TENSIONER	1	
6	LH00038043	PAPER WASHER CYLINDER BODY	1	
7	LH00038044	UPPER GUIDE, CHAIN	1	
8	LH00038045	TENSIONER, CHAIN	1	
9	LH00038046	PIN SHAFT	1	

# M565i

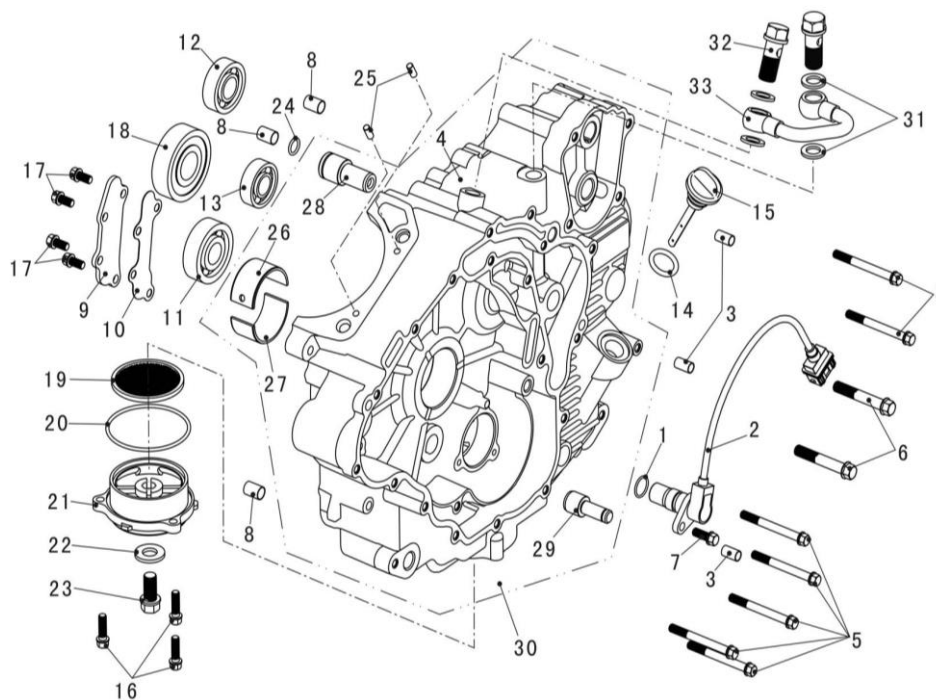
## E5 CRANKSHAFT COMP



Nº	CÓDIGO	DESCRIÇÃO	Qt.	OBSERVAÇÕES
1	LH00038047	PISTON RING ASSY	1	
2	LH00038048	CIRCLIP, PISTON PIN	2	
3	LH00035133	WOODRUFF KEY	1	
4	LH00038049	CRANKSHAFT ASSY	1	
5	LH00038050	PISTON OPTIONAL (small) /Mark I	1	
5	LH00038051	PISTON OPTIONAL (big) /Mark II	1	
6	LH00038052	PISTON PIN	1	
7	LH00038053	DRIVE GEAR, BALANCER SHAFT	1	
8	LH00038054	SHAFT, BALANCER	1	
9	LH00038055	GEAR, BALANCE SHAFT	1	
10	LH00071689	WASHER 16.5	1	
11	LH00071688	NUT M16X1.5	1	

# M565i

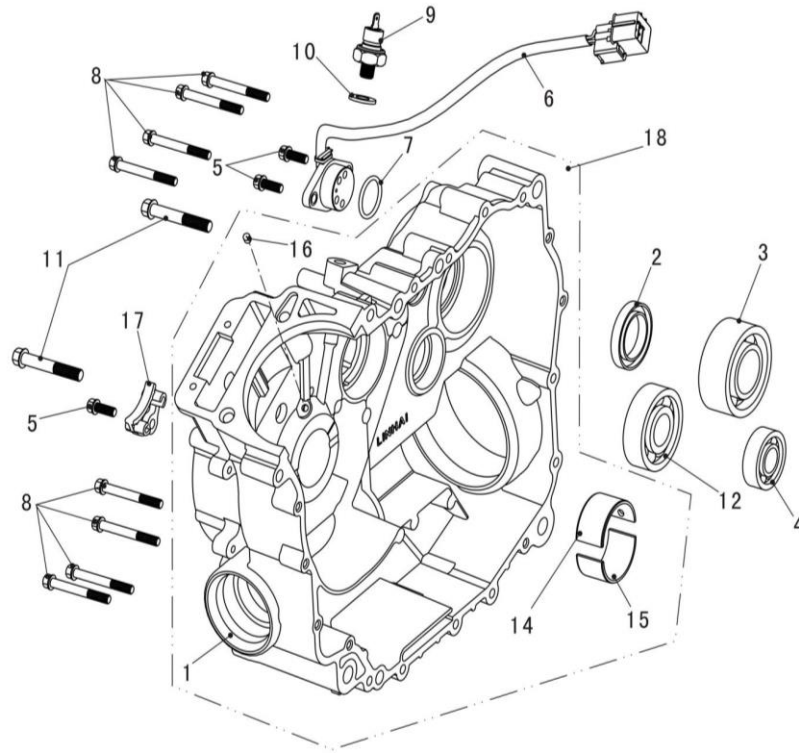
## E6 LEFT CRANKCASE



Nº	CÓDIGO	DESCRIÇÃO	Qt.	OBSERVAÇÕES
1	LH00035225	O-RING 14x1.44	1	
2	LH00035337	SPEED SENSOR	1	
3	LH00050076	DOWEL PIN f8x14	3	
4	LH00038056	LEFT CRANKCASE	1	
5	LH00011587	BOLT M6X60	7	
6	LH00011588	BOLT M8X50	2	
7	LH00011589	BOLT M6X16	1	
8	LH00035094	DOWEL PIN f10x14	3	
9	LH00038057	OIL COVER PLATE	1	
10	LH00038058	PAPER WASHER	1	
11	LH00010846	BEARING 6303	1	
12	LH00010851	BEARING 6203	1	
13	LH00010849	BEARING 6202	1	
14	LH00010844	O-RING 18x3.55	1	
15	LH00038059	DIPSTICK, ENGINE OIL	1	
16	LH00011590	BOLT M6x20	3	
17	LH00011591	BOLT M6x12	4	
18	LH00010848	ROLLING BEARING	1	
19	LH00038060	OIL STRAINER	1	
20	LH00038061	O-RING 63x2.5	1	
21	LH00038148	PLATE, OIL STRAINER	1	
22	LH01309283	WASHER 12	1	
23	LH00050105	DRAIN BOLT, M12x1.5 0180-011500	1	
24	LH00010843	O-RING 10x1.8	1	
25	LH00038040	NEEDLE PIN P 5x11.8	2	
26	LH00038064	BEARING SLEEVE RED II	1	
	LH00038065	BEARING SLEEVE BLUE II	1	
27	LH00038062	BEARING SLEEVE RED I	1	
	LH00038063	BEARING SLEEVE BLUE I	1	
28	LH00038066	INTERMEDIATE GEAR, SHAFT, REVERSE	1	
29	LH00038067	SHAFT, DUAL GEAR, OIL PUMP	1	
30	LH00038068	LEFT CRANKCASE ASSY	1	
31	LH00038143	WASHER 14	4	
32	LH00038142	HINGE BOLT M14x1.5	2	
33	LH00038170	PIPE ASSY.	1	

# M565i

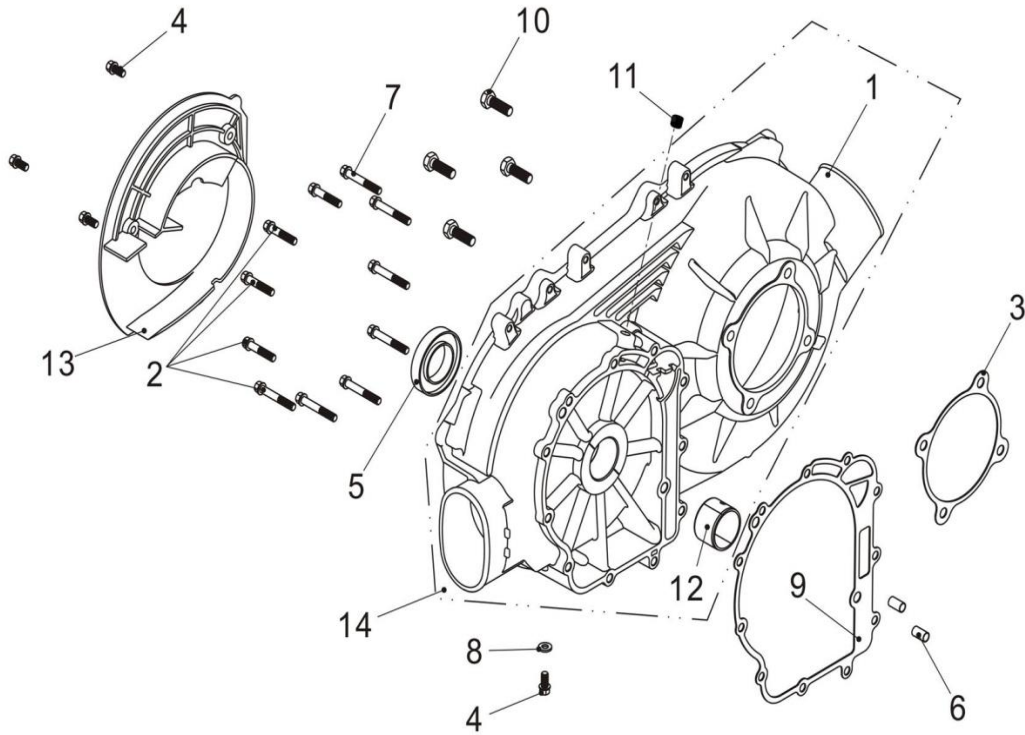
## E7 RIGHT CRANKCASE



Nº	CÓDIGO	DESCRIÇÃO	Qt.	OBSERVAÇÕES
1	LH00038069	RIGHT CRANKCASE	1	
2	LH00035222	OIL SEAL30x45x7	1	
3	LH00010860	BEARING 5206C3	1	
4	LH00010851	BEARING 6203	1	
5	LH00011589	BOLT M6X16	3	
6	LH00038070	GEAR POSITION SENSOR	1	
7	LH00035226	O-RING 26x2.5	1	
8	LH00011593	BOLT M6X50	8	
9	LH00038071	SWITCH, OIL PRESSURE	1	
10	LH00035227	WASHER 10	1	
11	LH00011588	BOLT M8X50	2	
12	LH00010848	ROLLING BEARING	1	
14	LH00038064	BEARING SLEEVE RED II	1	
	LH00038065	BEARING SLEEVE BLUE II	1	
15	LH00038062	BEARING SLEEVE RED I	1	
	LH00038063	BEARING SLEEVE BLUE I	1	
16	LH00038072	PLUG	1	
17	LH00038073	GUIDE, CHAIN	1	
18	LH00038074	RIGHT CRANKCASE ASSY	1	

# M565i

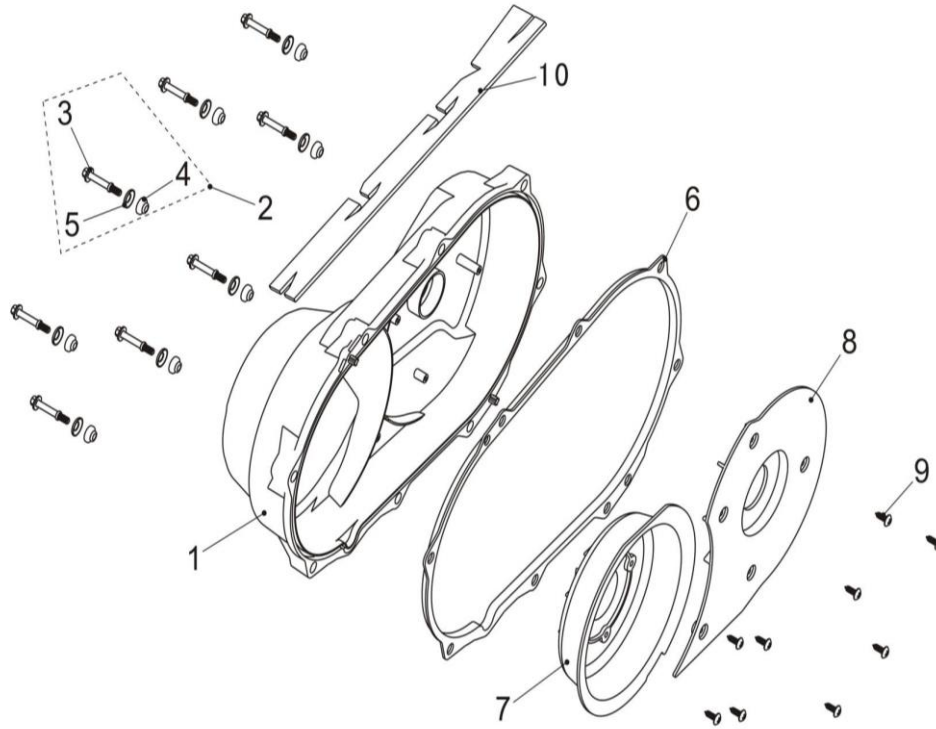
## E8 CVT HOUSING



N°	CÓDIGO	DESCRIÇÃO	Qt.	OBSERVAÇÕES
1	LH00038075	CVT CASE	1	
2	LH00011595	BOLT M6×30	4	
3	LH00038078	PAPER GASKET, CVT CASE 2	1	
4	LH00011596	BOLT M6×12	4	
5	LH00038077	OIL SEAL 32X55X10	1	
6	LH00050076	DOWEL PIN f8x14	2	
7	LH00011597	BOLT M6X40	7	
8	LH00035108	WASHER6	1	
9	LH00038076	PAPER GASKET, CVT CASE 1	1	
10	LH00011598	BOLT M8X25	4	
11	LH00038079	PLUG	1	
12	LH00038080	PLAIN BEARING, CVT CASE RED	2	
	LH00038081	PLAIN BEARING, CVT CASE BLUE	2	
13	LH00038082	PLATE, AIR INTAKE	1	
14	LH00038083	CVT CASE ASSY	1	

# M565i

## E9 CVT COVER

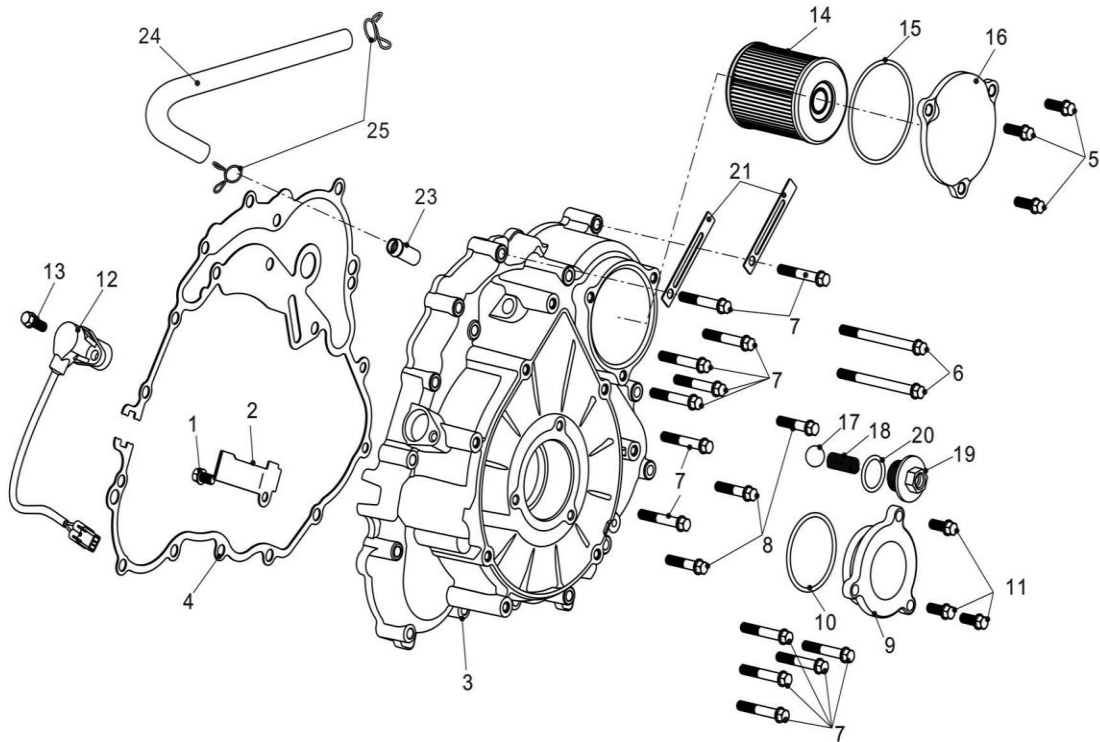


Nº	CÓDIGO	DESCRIÇÃO	Qt.	OBSERVAÇÕES
1	LH00038084	CVT COVER	1	
2	LH00038008	BOLT COMP. CYLINDER HEAD COVER	8	
3	LH00038007	BOLT, CYLINDER HEAD COVER	8	
4	LH00038005	RUBBER WASHER	8	
5	LH00038006	CAP, RUBBER WASHER	8	
6	LH00038146	SEAL RING , CVT COVER	1	
7	LH00038085	FRONT HEAT INSULATION COVER	1	
8	LH00038086	REAR HEAT INSULATION COVER	1	
9	LH00011599	SELF-TAPPING SCREW	9	
10	LH00038149	CVT ADIABATIC PELLICLE	1	



# M565i

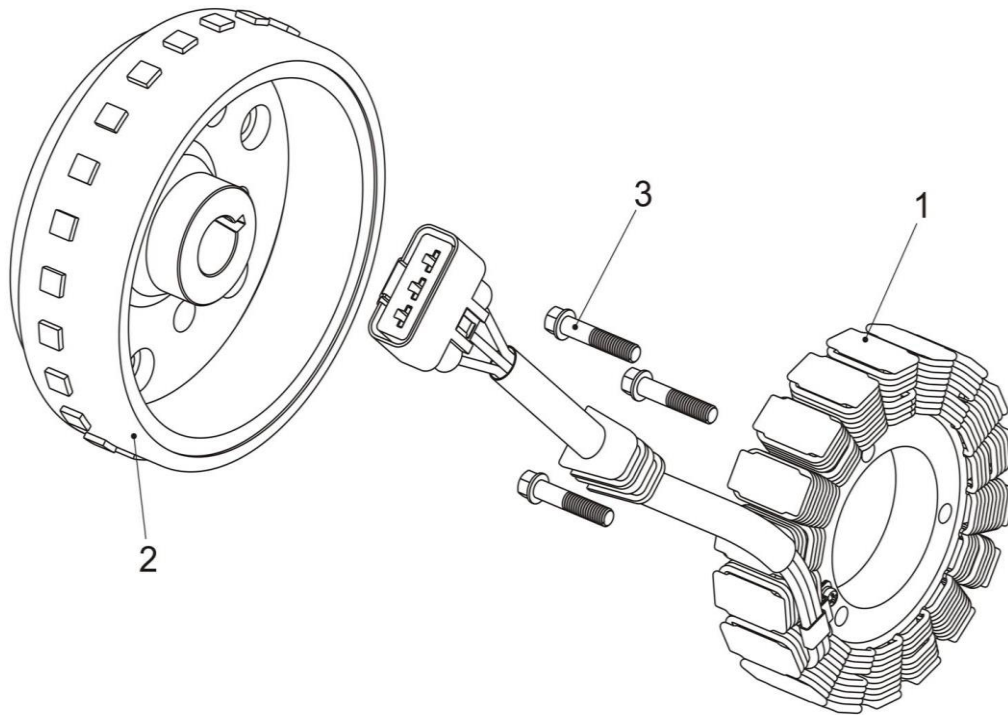
## E10 LEFT CRANKCASE COVER



N°	CÓDIGO	DESCRIÇÃO	Qt.	OBSERVAÇÕES
1	LH00011600	BOLT M6X10	1	
2	LH00038087	PLATE	1	
3	LH00038088	COVER, LEFT CRANKCASE	1	
4	LH00038089	GASKET, LEFT CRANKCASE COVER	1	
5	LH00011591	BOLT M6X18	3	
6	LH00011602	BOLT M6X75	2	
7	LH00011603	BOLT M6X40	13	
8	LH00011604	BOLT M6X30	3	
9	LH00035537	END CAP	1	
10	LH00010039	O-RING46.5x2.65	1	
11	LH00011596	BOLT M6X14	3	
12	LH00038090	RPM SENSOR	1	
13	LH00011589	BOLT M6X16	1	
14	LH00038091	FILTER, ENGINE OIL BB	1	
15	LH00038061	O-RING 63x2.5	1	
16	LH00038147	CAP, OIL FILTER	1	
17	LH00011607	STEEL BALL	1	
18	LH00038092	SPRING, RELIEF VALVE?	1	
19	LH00038093	SCREW PLUG , DECOMPRESSOR	1	
20	LH00038094	O-RING 19x2.5	1	
21	LH00035247	WIRE CLAMP	2	
22	LH00038095	OIL COOLING STENTS	1	
23	LH00035219	JOINT, BREATHER HOSE	1	
24	LH0035220a	BREATHER HOSE	1	
25	LH00010845	CLAMP A12	2	

# M565i

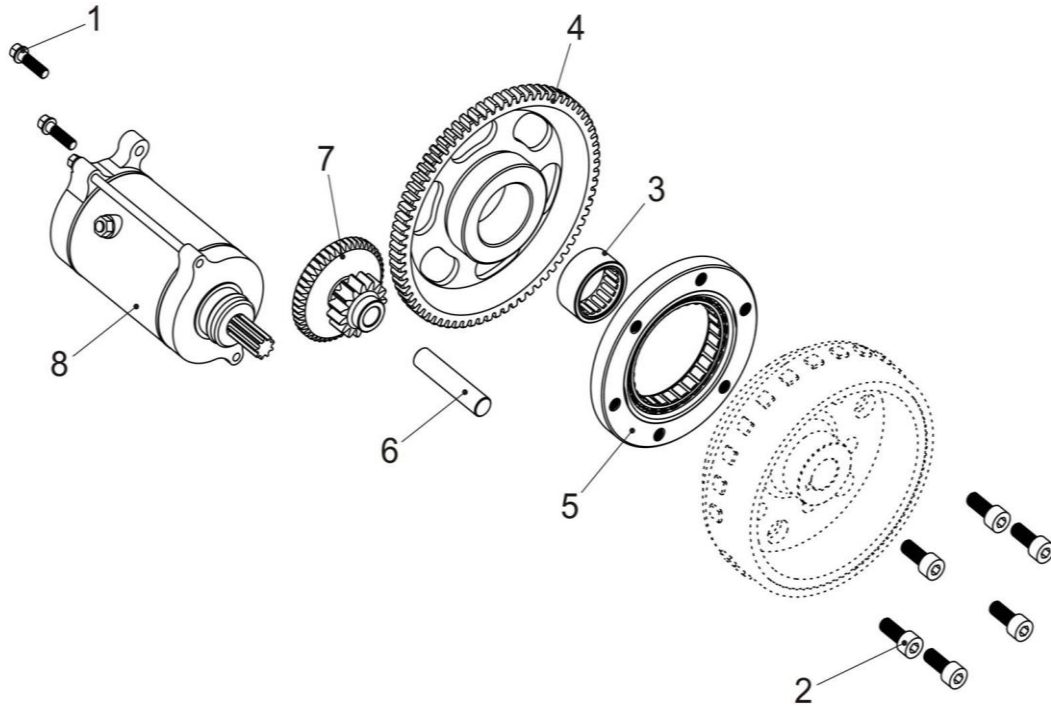
## E11 GENERATOR



N°	CÓDIGO	DESCRIÇÃO	Qt.	OBSERVAÇÕES
1	LH00038096	STATOR ASSY	1	
2	LH00038097	ROTOR ASSY	1	
3	LH00011437	BOLT M6×30	3	

# M565i

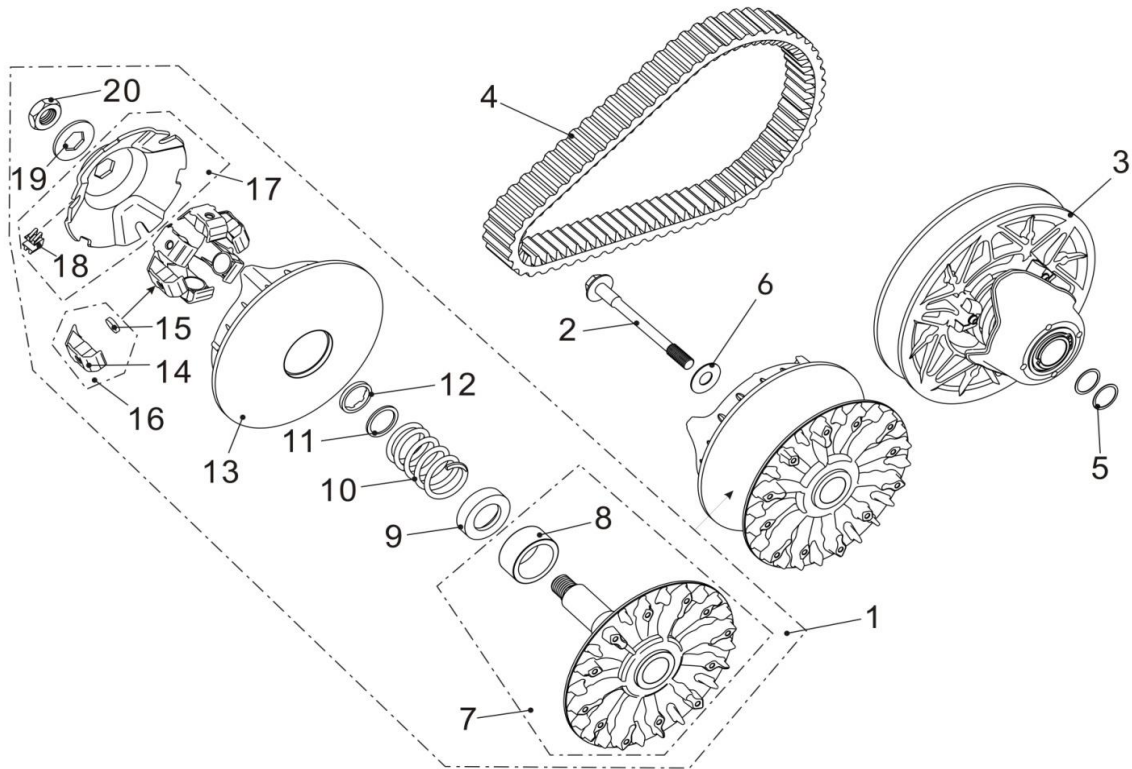
## E12 ELECTRIC STARTER



Nº	CÓDIGO	DESCRIÇÃO	Qt.	OBSERVAÇÕES
1	LH00010278	BOLT M6x22	2	
2	LH00010830	SCREW M8x20	6	
3	LH00010859	NEEDLE BEARING	1	
4	LH00035260	DRIVEN GEAR	1	
5	LH00035265	OVERRIDING CLUTCH	1	
6	LH00035261	AXLE, DUAL GEAR	1	
7	LH00038098	STARTER DUAL GEAR	1	
8	LH00038099	STARTING MOTOR	1	

# M565i

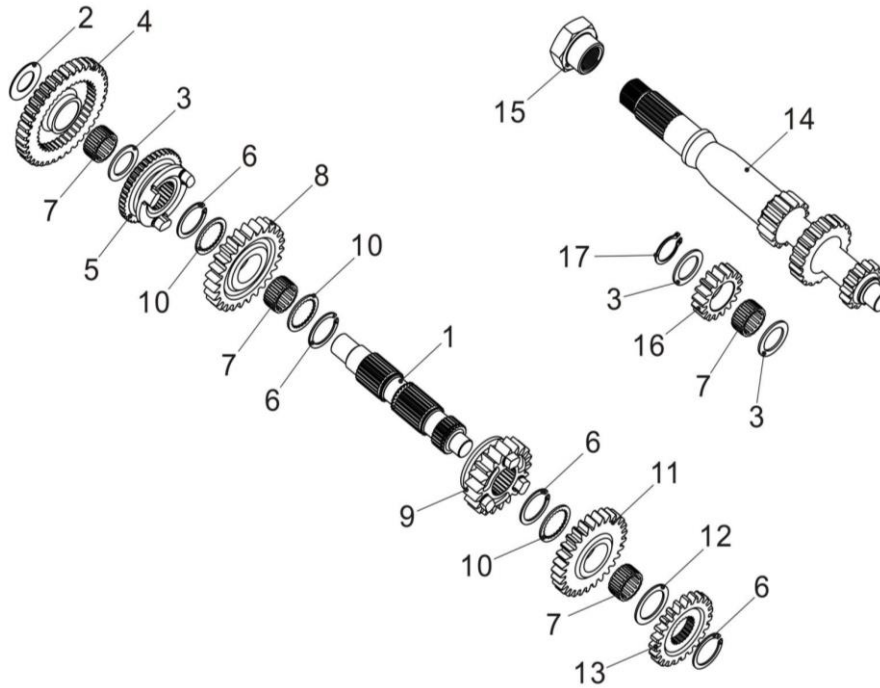
## E13 CLUTCH



N°	CÓDIGO	DESCRIÇÃO	Qt.	OBSERVAÇÕES
1	LH00038100	DRIVE PULLEY	1	
2	LH00038101	BOLT, DRIVE PULLEY	1	
3	LH00038102	PULLEY, DRIVEN	1	
4	LH0038103A	CVT BELT BANDO (GATES POWERLINK 912X35) (USED EXCEPT FOR FRANCE)	1	
5	LH00038104	ADJUSTING WASHER	1	
6	LH00038105	DRIVE PULLEY WASHER	1	
7	LH00038251	FIXED SHEAVE	1	
8	LH00038252	FREEWHEEL	1	
9	LH00038253	SPRING SEAT	1	
10	LH00038254	SPRING (300-900N)	1	
11	LH00038255	SHIM	1	
12	LH00038256	STROKE LIMITER	1	
13	LH00038257	SLIDING SHEAVE	1	
14	LH00038258	BLOCK	6	
15	LH00038259	MASS	6	
16	LH00038260	CENTRIFUGAL MASS	6	
17	LH00038261	CAP	1	
18	LH00038262	CAP SHOE	3	
19	LH00038263	WASHER	1	
20	LH00038264	NUT (LEFT HAND THREADS)	1	

# M565i

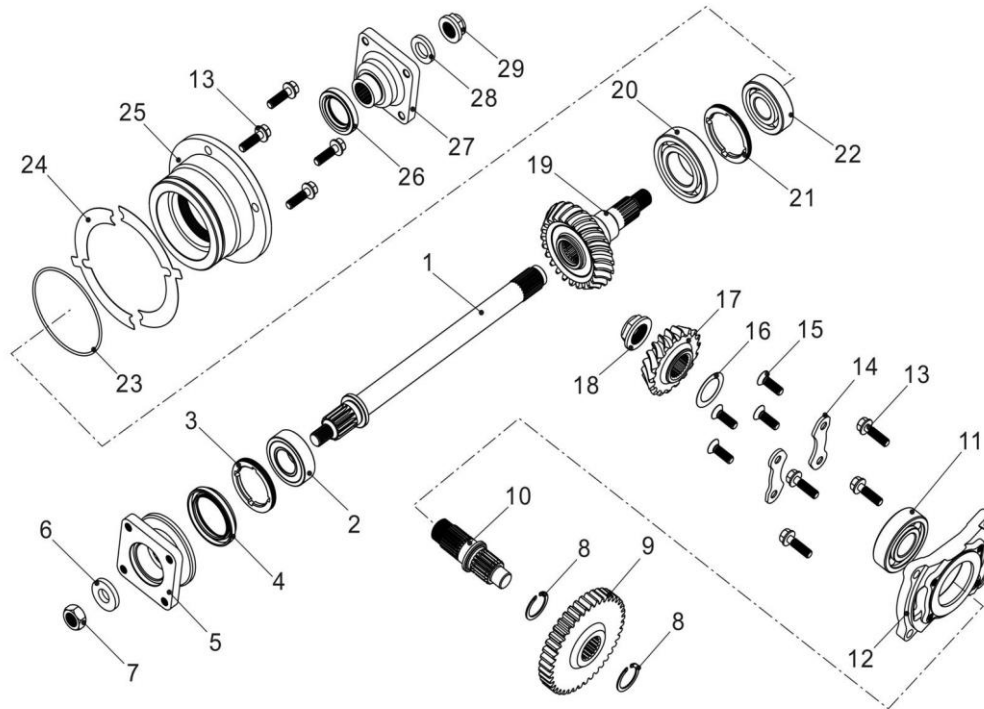
## E14 TRANSMISSION I



N°	CÓDIGO	DESCRIÇÃO	Qt.	OBSERVAÇÕES
1	LH00038106	SECONDARY SHAFT	1	
2	LH00038107	WASHER 17.5x32x1	1	
3	LH00035312	WASHER 20.5x30x1.5	3	
4	LH00038108	DRIVEN GEAR, LOW RANGE	1	
5	LH00038109	SLIDE GEAR	1	
6	LH00035311	RETAINER 25	4	
7	LH00038110	BEARING 20x25x12	4	
8	LH00038111	GEAR, HIGH RANGE	1	
9	LH00038112	DRIVING GEAR, COUNTER	1	
10	LH00038113	WASHER	3	
11	LH00038114	GEAR, REVERSE	1	
12	LH00038115	WASHER 25X34X1.3	1	
13	LH00038116	GEAR, PARKING	1	
14	LH00038117	MAIN SHAFT	1	
15	LH00038118	NUT, MAIN SHAFT	1	
16	LH00038119	INTERMEDIATE GEAR SHAFT, REVERSE	1	
17	LH00024407	RETAINER	1	

# M565i

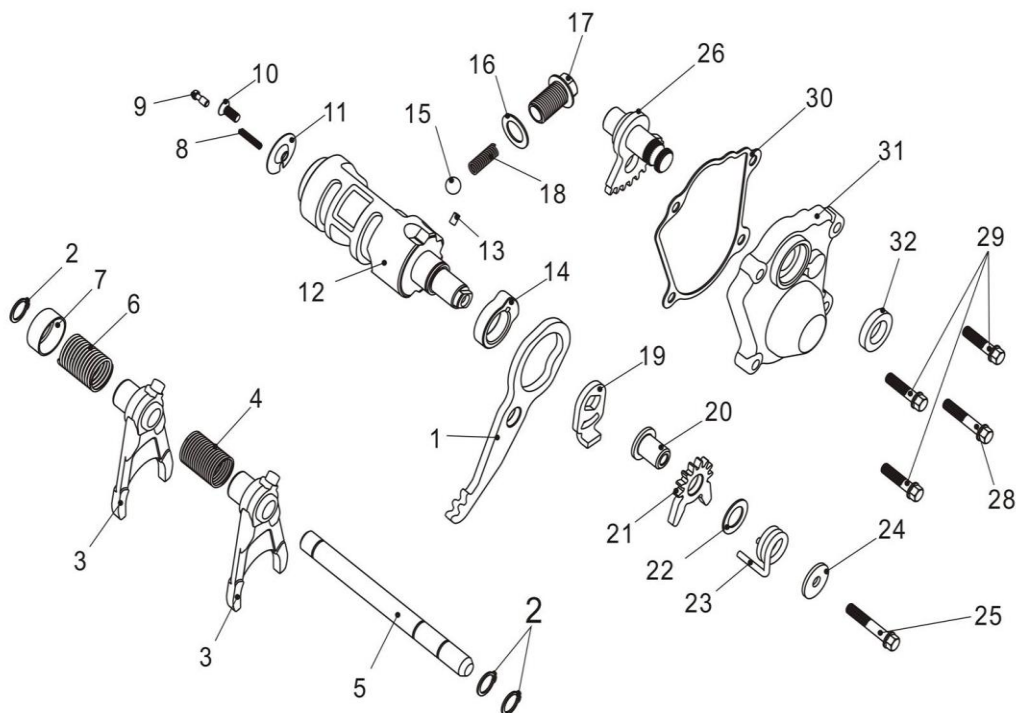
## E15 TRANSMISSION II



Nº	CÓDIGO	DESCRIÇÃO	Qt.	OBSERVAÇÕES
1	LH00035288	FRONT OUTPUT SHAFT	1	
2	LH0010267N	BEARING 6205	1	
3	LH00035291	BEARING RETAINER, FRONT OUTPUT SHAFT	1	
4	LH00035289	OIL SEAL 44×60×6.7/10	1	
5	LH00035290	COUPLER, FRONT TRANSMISSION OUTPUT	1	
6	LH00035292	WASHER, FRONT TRANSMISSION OUTPUT SHAFT NUT	1	
7	LH00010837	NUT M14×1.5-10	1	
8	LH00035311	CIRCLIP 25	2	
9	LH00035271	OUTPUT DRIVEN GEAR	1	
10	LH00035276	DRIVE BEVEL GEAR SHAFT	1	
11	LH00010855	BEARING 6305C3	1	
12	LH00035274	BEARING SEAT, DRIVE BEVEL GEAR	1	
13	LH00035286	BOLT M8×28	4	
14	LH00035287	BEARING LIMIT	2	
15	LH00011517	SCREW M8×25	4	
16	LH00035277	ADJUST WASHER, DRIVE BEVEL GEAR	1	
17	LH00035272	DRIVE BEVEL GEAR	1	
18	LH00035275	LOCKNUT, BEVEL GEAR	1	
19	LH00035273	DRIVEN BEVEL GEAR	1	
20	LH00010856	BEARING 6207/P63	1	
21	LH00035282	BEARING LIMIT NUT	1	
22	LH00010848	BEARING 63/22	1	
23	LH00035279	O-RING 88×2.4	1	
24	LH00035280	ADJUST WASHER, DRIVEN BEVEL GEAR	2	
25	LH00035278	BEARING SEAT, DRIVEN BEVEL GEAR	1	
26	LH00035281	OIL SEAL 30×46×7	1	
27	LH00035283	COUPLER, REAR TRANSMISSION OUTPUT	1	
28	LH00035284	WASHER, REAR OUTPUT SHAFT NUT	1	
29	LH00035285	NUT, REAR OUTPUT SHAFT	1	

## M565i

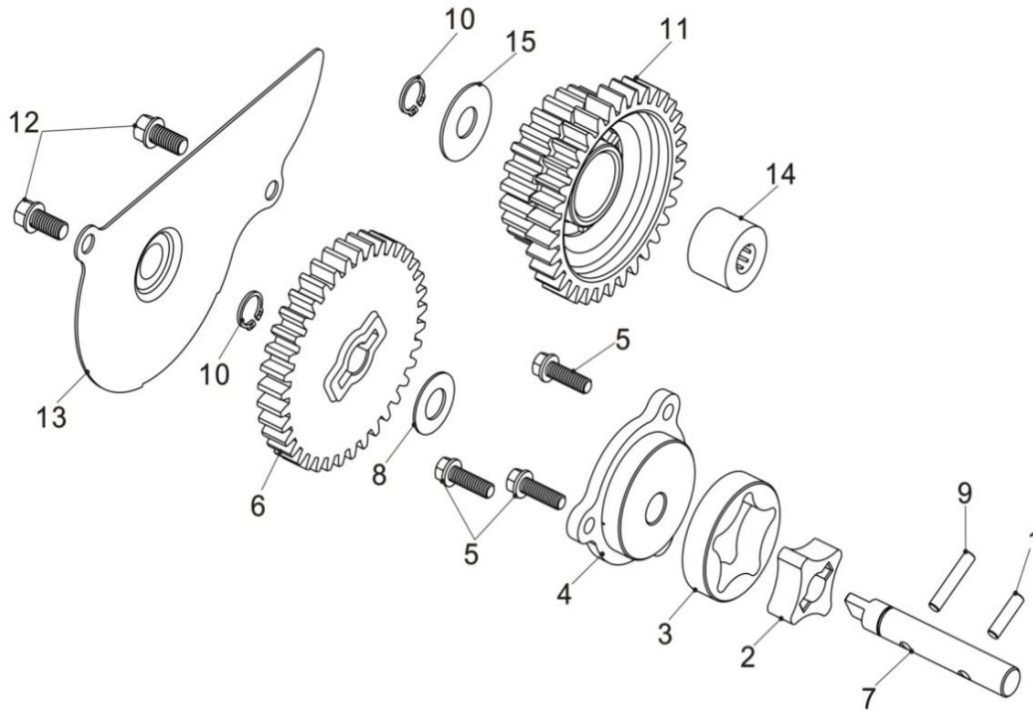
### E16 TRANSMISSION III



Nº	CÓDIGO	DESCRIÇÃO	Qt.	OBSERVAÇÕES
1	LH00038120	ROCKER ARM, PARKING	1	
2	LH00010129	CIRCLIP 12	3	
3	LH00038121	SHIFT FORK	1	
4	LH00035327	SPRING 1, SHIFT FORK	1	
5	LH00035333	GUIDE BAR	1	
6	LH00035328	SPRING 2, SHIFT FORK	1	
7	LH00035326	SPRING SEAT	2	
8	LH00035322	SPRING, GEAR CONTACTOR	1	
9	LH00035321	GEAR CONTACTOR	1	
10	LH00010135	SCREW M5×12	1	
11	LH00035323	LIMIT WASHER	1	
12	LH00038122	SHIFT CAM	1	
13	LH00038123	NEEDLE PIN	1	
14	LH00038124	CAM, PARKING	1	
15	LH00010842	FRICTION BALL 3/8	1	
16	LH00035324	WASHER 14×22×1	1	
17	LH00035325	HOLE BOLT M14×1.5	1	
18	LH00035332	LIMIT SPRING	1	
19	LH00035303	WASHER, DRIVEN SECTOR GEAR	1	
20	LH00035302	SHAFT, DRIVEN SECTOR GEAR	1	
21	LH00035301	DRIVEN SECTOR GEAR	1	
22	LH00035304	WASHER 13.5×22×1	1	
23	LH00035305	TORSION SPRING, DRIVEN SECTOR GEAR	1	
24	LH00035306	WASHER 6.6×20×2	1	
25	LH00011438	BOLT M6×35	1	
26	LH00035300	WELD PART, DRIVE SECTOR GEAR	1	
28	LH00010329	BOLT M6×32	1	
29	LH00010187	BOLT M6×25	3	
30	LH00035241	GASKET, SECTOR GEAR HOUSING	1	
31	LH00035240	COVER, SECTOR GEAR HOUSING	1	
32	LH00035242	OIL SEAL 15×25×5	1	

## M565i

### E17 OIL PUMP

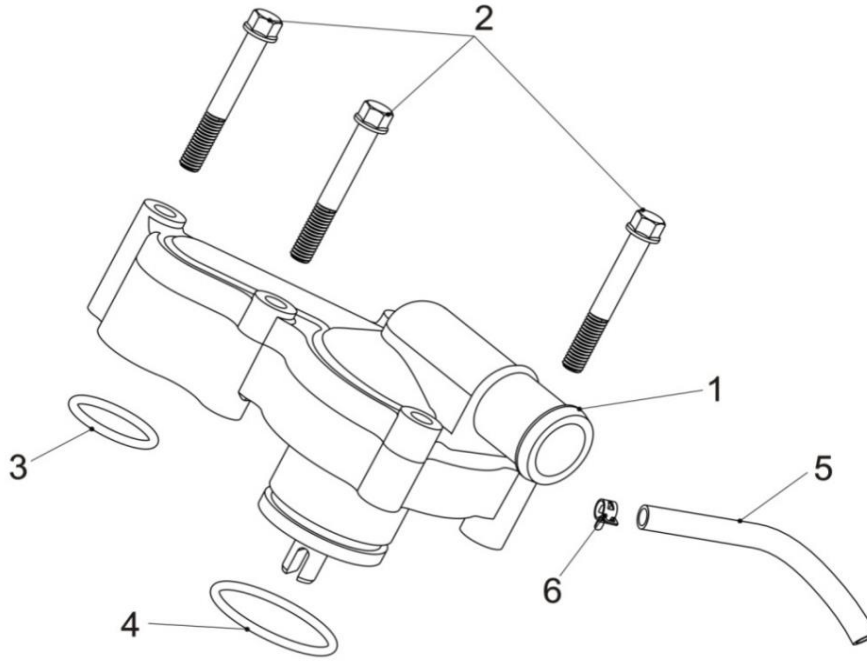


N°	CÓDIGO	DESCRIÇÃO	Qt.	OBSERVAÇÕES
1	LH00011608	NEEDLE PIN P 4x15.8	1	
2	LH00038125	INNER ROTOR, OIL PUMP	1	
3	LH00038126	OUTER ROTOR, OIL PUMP	1	
4	LH00038127	COVER, OIL PUMP	1	
5	LH00011609	BOLT M5x16	3	
6	LH00038128	SOLID GEAR , OIL PUMP	1	
7	LH00038129	SHAFT, OIL PUMP	1	
8	LH00038130	WASHER 10.5x20x1	1	
9	LH00011610	NEEDLE PIN P 4x21.8	1	
10	LH00011611	CIRCLIP 10	2	
11	LH00038131	DUAL GEAR, OIL PUMP	1	
12	LH00011596	BOLT	2	
13	LH00038132	OIL GUARD	1	
14	LH00038133	NEEDLE BEAR HK10x22x16	1	
15	LH00038134	WASHER 10.5x26x1	1	



# M565i

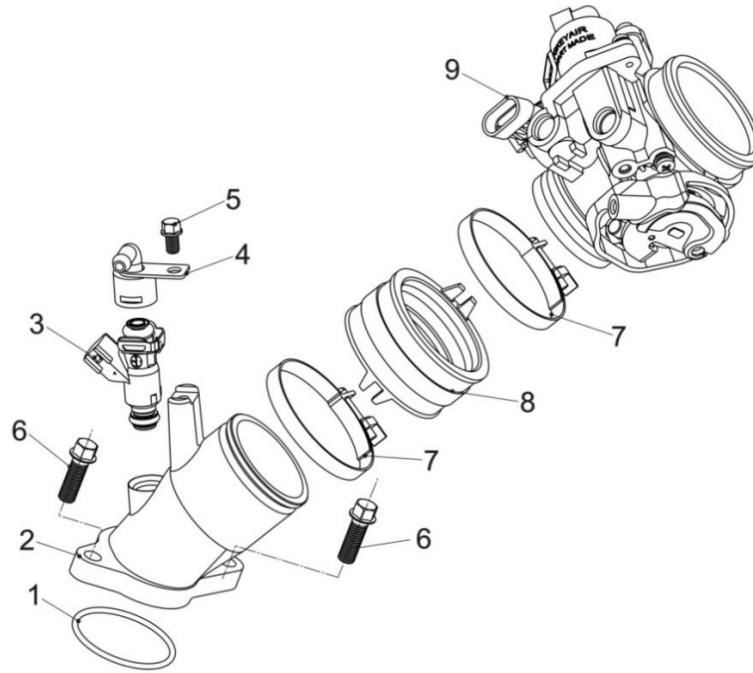
## E18 WATER PUMP



Nº	CÓDIGO	DESCRIÇÃO	Qt.	OBSERVAÇÕES
1	LH00038135	WATER PUMP ASSY	1	
2	LH00011583	BOLT M6x45	3	
3	LH00038136	O-RING22.5x2.5	1	
4	LH00035174	O-RING34x2.5	1	
5	LH00038137	OVERFLOW TUBE	1	
6	LH00011614	CLIP6.5	1	

# M565i

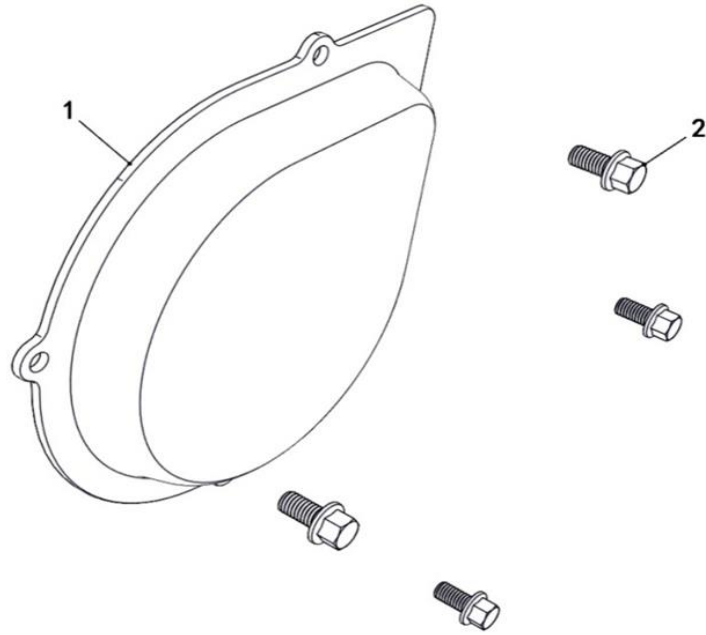
## E19 FUEL INJECTION ASSY



N°	CÓDIGO	DESCRIÇÃO	Qt.	OBSERVAÇÕES
1	LH00038138	SEAL RING, INJECTOR SEAT	1	
2	LH00038139	INJECTOR SEAT	1	
3	LH00035745	INJECTOR	1	
4	LH00073352	INJECTOR CAP	1	
5	LH00010971	BOLT M6X10	1	
6	LH00011016	BOLT M8X25	2	
7	LH00071844	CLIP 64	2	
8	LH00071849	JOINT, FEED HOSE	1	
9	LH00036200	THROTTLE BODY ASSEMBLY (MARK "D46F-1")	1	

# M565i

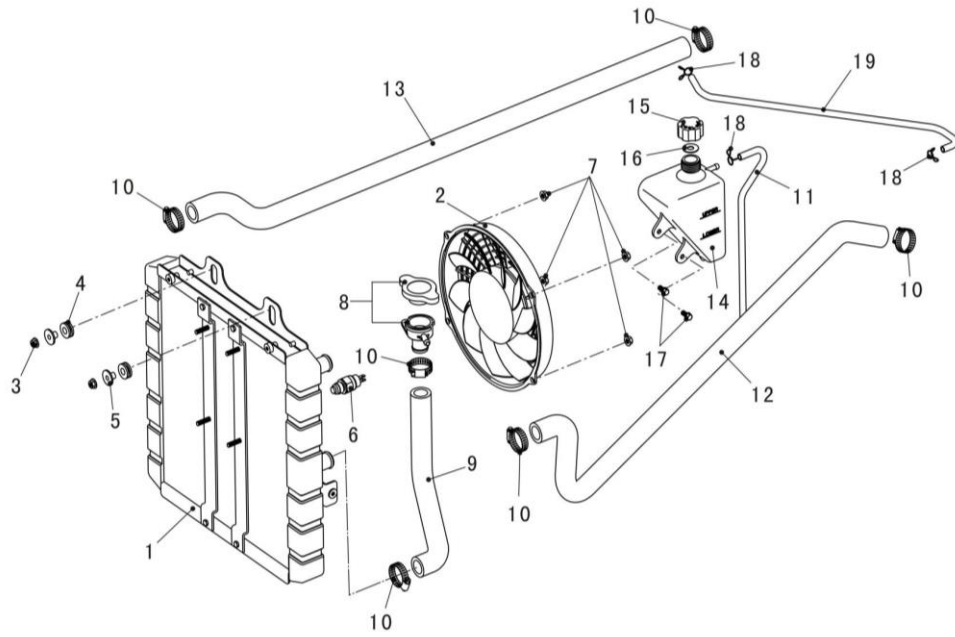
## E20 LEFT SIDE COVER



Nº	CÓDIGO	DESCRIÇÃO	Qt.	OBSERVAÇÕES
1	LH00035270	LEFT SIDE COVER	1	
2	LH00011435	BOLT M6×12	4	

# M565i

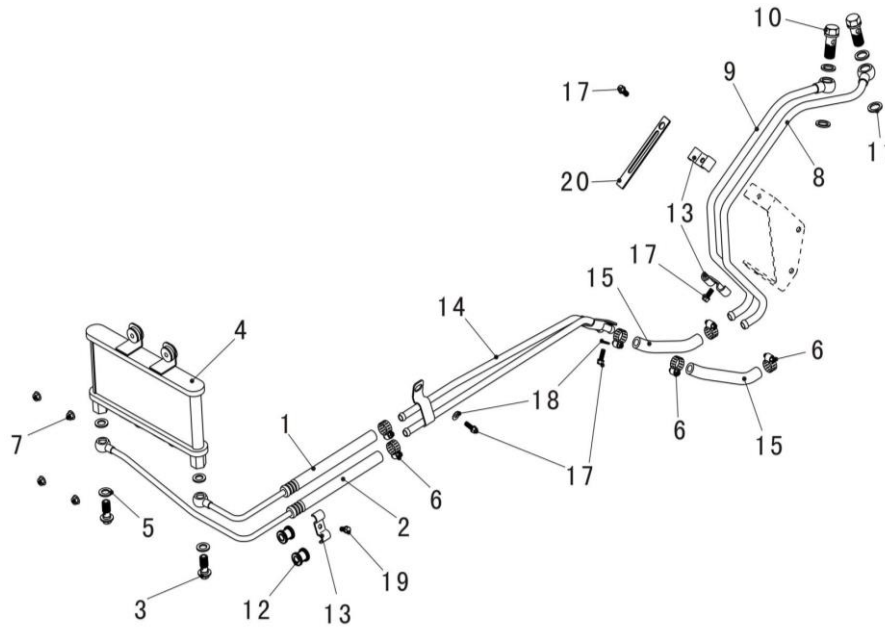
## E21 RADIATOR



N°	CÓDIGO	DESCRIÇÃO	Qt.	OBSERVAÇÕES
1	LH00036008	RADIATOR	1	
2	LH00035354	BLOWER ASSY	1	
3	LH00011615	NUT M6	2	
4	LH00036052	COLLAR	2	
5	LH00036053	RADIATOR SIDE GROMMET	2	
6	LH00022919	THERMOSTAT SWITCH ASSY	1	
7	LH00011616	NUT M6	4	
8	LH0022907a	SAFETY VALVE	1	
9	LH00036009	HOSE, RADIATOR	1	
10	LH00070344	CLAMP 20/32	6	
11	LH00070342	PIPE, TANK RECOVERY	1	
12	LH00038265	HOSE, FEED	1	
13	LH00036497	HOSE, RETURN	1	
14	LH00070340	TANK RECOVERY	1	
15	LH00070338	COVER, TANK RECOVERY	1	
16	LH00070339	WASHER, TANK RECOVERY	1	
17	LH00011435	BOLT M6X12	2	
18	LH00022924	CLIP	3	
19	LH00036055	PIPE, SAFETY VALVE	1	

# M565i

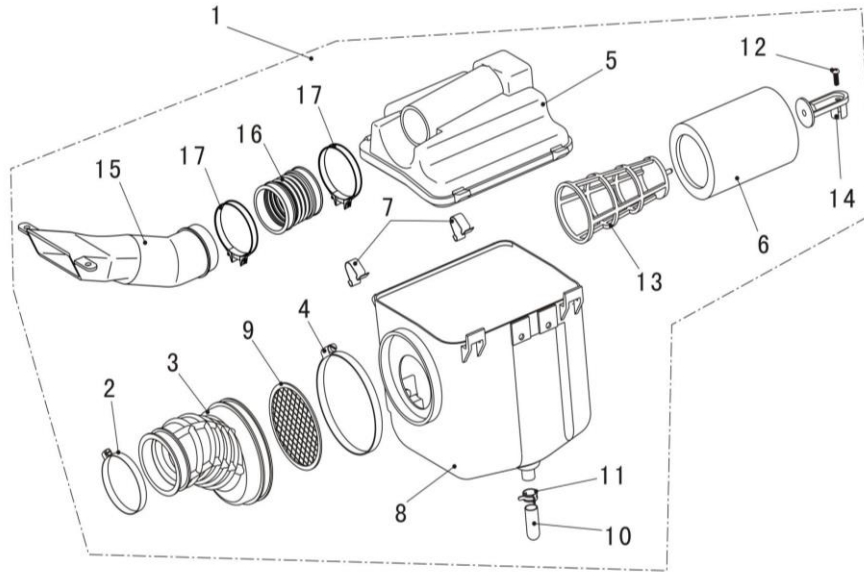
## E22 OIL RADIATOR



Nº	CÓDIGO	DESCRIÇÃO	Qt.	OBSERVAÇÕES
1	LH0036013a	PIPE A (195mm)	1	
2	LH0036012a	PIPE B (195mm)	1	
3	LH00035379	DRAIN PLUG	2	
4	LH00029850	OIL RADIATOR	1	
5	LH00035341	WASHER	4	
6	LH00010774	CLAMP 12/20	6	
7	LH00010836	NUT 6	4	
8	LH00038171	PIPE B (NEW MODEL)	1	
9	LH00038172	PIPE A (NEW MODEL)	1	
10	LH00038142	HINGE BOLT M14×1.5	2	
11	LH00038143	WASHER 14	4	
12	LH00036015	OLD MODEL CUSHION COLLAR	2	
13	LH00036014	OLD MODEL DEAD PLATE	3	
14	LH00036174	Oil cooling pipe	1	
15	LH00036494	PIPE C (180mm)	2	
17	LH0010183W	BOLT M6×16	4	
18	LH00011573	WASHER 6	2	
19	LH00011596	BOLT M6×12	1	
20	LH00035247	WIRE CLAMP	3	

# M565i

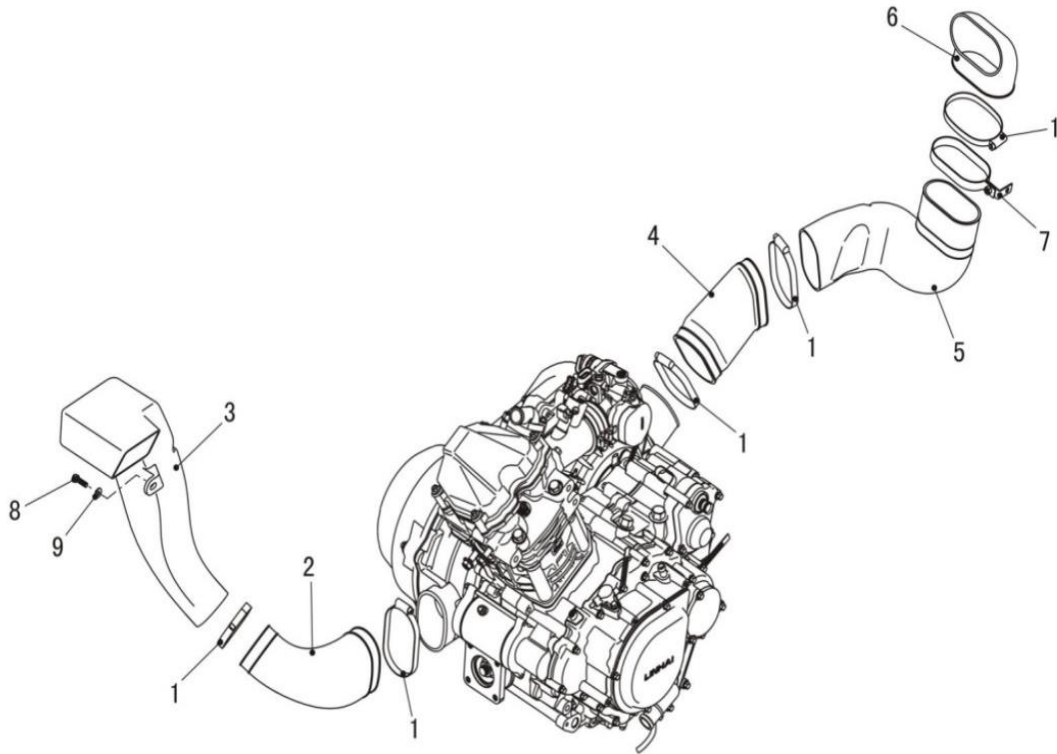
## E23 AIR CLEANER



Nº	CÓDIGO	DESCRIÇÃO	Qt.	OBSERVAÇÕES
1	LH00036262	AIR CLEANER ASSY	1	
2	LH00035747	CLIP 1	1	
3	LH0035358e	FEED HOSE	1	
4	LH00035359	CLIP 2	1	
5	LH00035360	COVER, AIR CLEANER	1	
6	LH00035361	ELEMENT COMP AIR CLEANER	1	
7	LH00035362	CLIP, AIR CLEANER COVER	2	
8	LH00035363	CASE, AIR CLEANER	1	
9	LH00035364	FILTER	1	
10	LH00035365	HOSE 2, AIR CLEANER	1	
11	LH00035366	SPRING CLIP	1	
12	LH00035367	SCREW	1	
13	LH00035551	AIR CLEANER SUPPORT	1	
14	LH00035552	MOUNTING PLATE	1	
15	LH00036263	HOES 4, AIR CLEANER	1	
16	LH00026345	HOES 3, AIR CLEANER	1	
17	LH00026346	CLIP 3	2	

# M565i

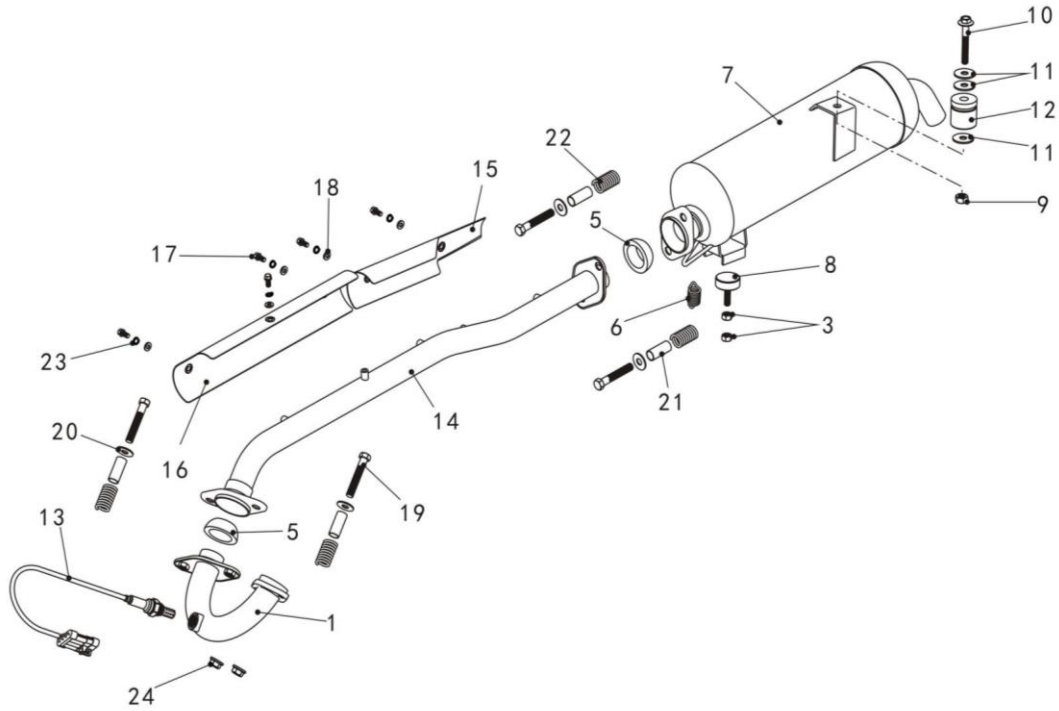
## E24 CVT AIR SHROUD



Nº	CÓDIGO	DESCRIÇÃO	Qt.	OBSERVAÇÕES
1	LH00035670	CLAMP 80	5	
2	LH00036260	RUBBER JOINT AIR SHROUD 1, CVT	1	
3	LH00036261	AIR SHROUD 1, CVT	1	
4	LH00035348	RUBBER JOINT AIR SHROUD 2, CVT	1	
5	LH00036004	AIR SHROUD 2, CVT	1	
6	LH00036007	RUBBER JOINT AIR SHROUD 3, CVT	1	
7	LH00036006	AIR SHROUD 2, CVT CLAMPING BAND	1	
8	LH00011449	BOLT M6X20	1	
9	LH00010011	WASHER PLATE 6	1	

# M565i

## E25 EXHAUST T3

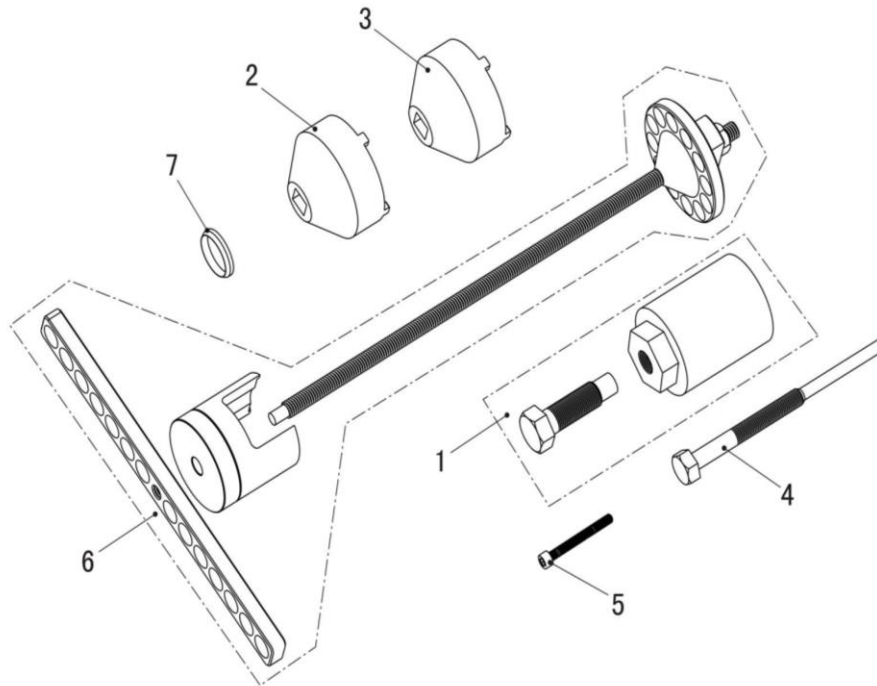


Nº	CÓDIGO	DESCRIÇÃO	Qt.	OBSERVAÇÕES
1	LH00035897	EXHAUST PIPE	1	
3	LH00011618	NUT M8	2	
5	LH00035898	JOINT	2	
6	LH00023408	SPRING	5	
7	LH00035899	MUFFLER	1	
8	LH00035345	MUFFLER SUPPORT BOTTOM	1	
9	LH00011619	NUT M10X1.25	1	
10	LH00011620	BOLT FLANGE M10X1.25X62	1	
11	LH00011621	WASHER PLATE 10	3	
12	LH00035344	MUFFLER SUPPORT	1	
13	LH00070826	SENSOR	1	
14	LH00035900	EXHAUST PIPE	1	
15	LH00035876	SAFETY GUARD 2	1	
16	LH00035877	SAFETY GUARD 1	1	
17	LH0010140W	BOLT M6X12	5	
18	LH00011534	WASHER 6	5	
19	LH00011184	BOLT M10x60	4	
21	LH00038266	SPACER 13x35	4	
22	LH00035935	SPRING	4	
23	LH00011534	WASHER 6	5	
24	LH00010794	NUT M8	2	



## M565i

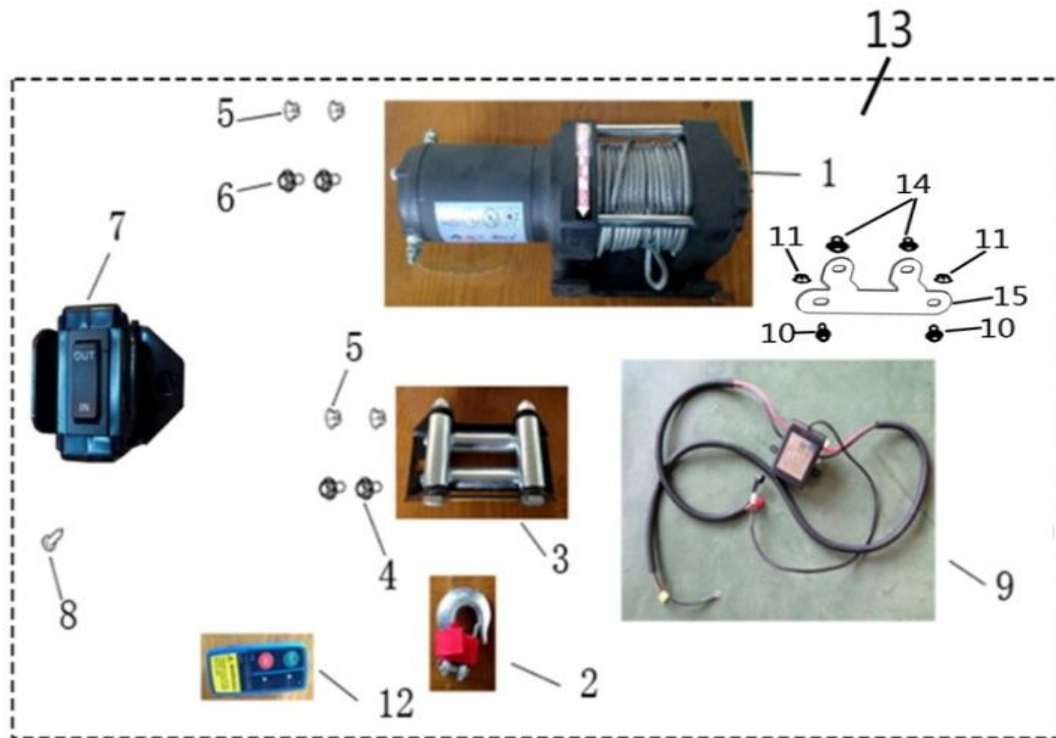
### E26 TOOL



Nº	CÓDIGO	DESCRIÇÃO	Qt.	OBSERVAÇÕES
1	LH00080129	ROTOR ASSY PULLER	1	
2	LH00080130	BEARING RETAINER, FRONT OUTPUT SHAFT, NUT WRENCH	1	
3	LH00080131	BEARING LIMIT NUT, NUT WRENCH	1	
4	LH00038144	DRIVING WHEEL PULLER	1	
5	LH00038177	CVT BELT BANDO PULLER (BOLT M6X55 )	1	
6	LH00072014	DRIVEN PULLEY SPRING COMPRESSOR	1	
7	LH00072038	THE TOOL FOR ONE WAY CLUTCH OF DRIVING WHEEL	1	

# M565i

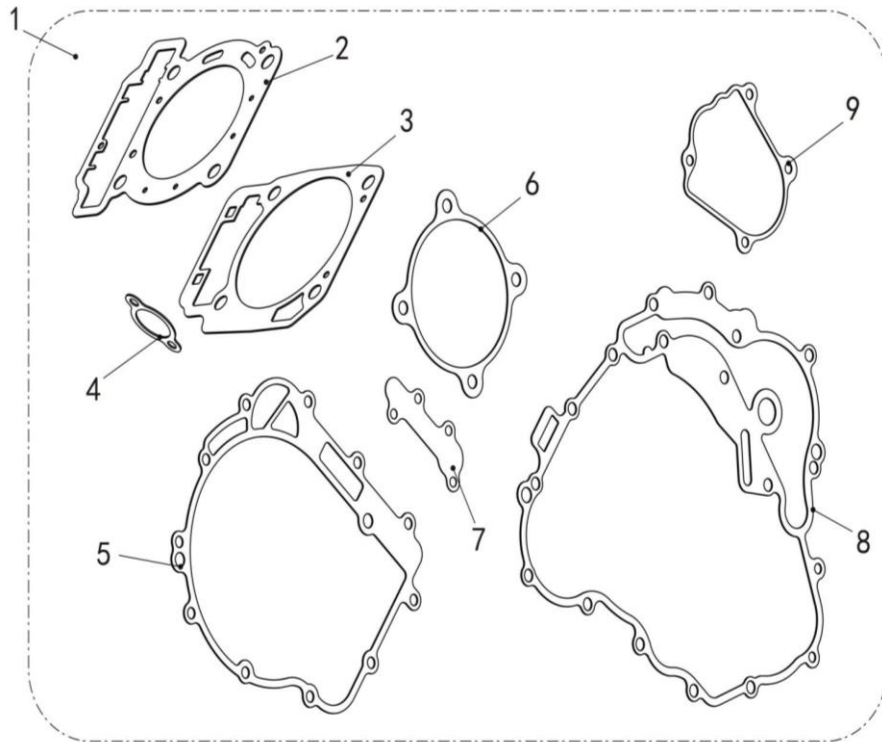
E27 WINCH



Nº	CÓDIGO	DESCRIÇÃO	Qt.	OBSERVAÇÕES
1	LH00073544	TRACTOR	1	
2	LH00073545	TOW HOOK	1	
3	LH00073546	SLIDEWAY	1	
4	LH00011492	HEXAGON FLANGE BOLT M8×20	2	
5	LH00010794	PREVAILING TORQUE TYPE ALL-METAL HEXAGON NUT M8	4	
6	LH00011466	HEXAGON FLANGE BOLT M8×25	2	
7	LH00036492	SWITCH	1	
8	LH00011468	CROSS RECESSED PAN HEAD TAPPING SCREW ST4.8×16	1	
9	LH00036493	CONTROLLER (ORDER WITH REMOTE CONTROL (4CF-77533-00) ) (LENGTH OF THE POSITIVE WIRE CONNECTING THE POWER SUPPLY IS 1180MM)	1	
10	LH00011640	Bolt M5×20	2	
11	LH00011639	Nut 5	2	
12	LH00073549	REMOTE CONTROL (ORDER WITH CONTROLLER (4BB-77532-00))	1	
13	LH00072220	TRACTOR ASSY.	1	
14	LH00011097	Bolt M6×16	2	
15	LH00037126	Controller Bracket	1	

## M565i

### E28 FRAGILE GASKET ASSY.



Nº	CÓDIGO	DESCRIÇÃO	Qt.	OBSERVAÇÕES
1	LH00038192	GASKET, ASSY.		
2	LH00038023	GASKET, CYLINDER HEAD	1	
3	LH00038043	PAPER WASHER CYLINDER BODY	1	
4	LH00035158	GASKET, TENSIONER	1	
5	LH00038076	PAPER GASKET, CVT CASE 1	1	
6	LH00038078	PAPER GASKET, CVT CASE 2	1	
7	LH00038058	PAPER WASHER	1	
8	LH00038089	GASKET, LEFT CRANKCASE COVER	1	
9	LH00035241	GASKET, SECTOR GEAR HOUSING	1	