

PARTS CATALOGUE



SCOOTERS

SC10AS(PT)

SCOUT 50



Release Date : 1899/12/31
Print Date : 2022/08/03

ABOUT THIS PARTS LIST

- This parts list is compiled all service parts for model SC10AS(PT).
- Any difference between color chart and motorcycle will be revised according to motorcycle.
- The Mark:
 1. Marking "***" must add color code in the end before ordering parts.
 2. Marking "#" are parts with modification, Please find the details from e-Parts system.
- When modification or additions to this parts list are made a revised edition at an appropriate time.



CONTENTS

● ABOUT THIS PARTS LIST	1
● COLOR CHART OF SC10AS(PT)	3
● CONTENTS-ENGINE GROUP	7
● CONTENTS-FRAME GROUP	9
● ENGINE PARTS LIST	12
● FRAME PARTS LIST	42
● PART NO. INDEX	108

NO	MODEL			COLOR CHART OF SC10AS(PT)			
	PHOTO NO			NO. 1	NO. 2	NO. 3	NO. 4
	BASIC COLOR			Deep Blue Metallic	Black Blue	Light Green	Bright Silver
	CODE			Deep Blue Metallic	Black Blue	Light Green	Bright Silver
	PARTS NAME	PARTS NO.	VERSION	PB183MA	PB184PA	GG203MA	NH045MA
1	COVER SET FR **KCA-	64301-KACA-335	0	BHA	BJA	GCA	N8A
2	COVER ASSY BODY R	8350A-KXCX-J00	2	BHA	BJA	GCA	N8B
3	COVER ASSY BODY L	8360A-KXCX-J00	0				
4	COVER HANDLE FR	53205-KACA-800	1	BHP	BJP	GCP	N8P
5	COVER FR HANDLE	53205-KXCX-E00	0				
6	FENDER FR **E000-	61110-KEB7-E00	0				
7	COWL UNDER **(2)	64400-KACA-900	3				
8	COVER BATTERY	80151-KCAC-900	2				
9	COVER RR CENTER	83750-KXCX-900	0				
10	MOLD ASSY RR	8375B-KCAC-901	0				
11	WINKER ASSY R FR	33400-KACA-E10	1				
12	BASE COMP R FR	33403-KACA-E00	0				
13	WINKER ASSY L FR	33450-KACA-E10	1				
14	BASE COMP L FR	33453-KACA-E00	0	H8R			
15	COVER RR HANDLE	53206-KACA-900	1				
16	FLOOR PANEL	64310-KACA-900	2				
17	MAT FLOOR	64320-KACA-900	1				
18	LEG SHIELD	81131-KACA-C00	1				
19	LID LEG SHIELD	81132-KKDK-900	1	M3A			
20	LID INNER BOX	81141-KACA-900	1				
21	LEVER R STRG HANDLE	53175-KXBX-E10	3				
22	LEVER L STRG HNDL	53178-KXCX-E90	0				
23	COVER COMP L SIDE	11340-KXCX-900	1		MLA		
24	GRIP COMP THROT	53140-KNBN-960	0		N1R		
25	GRIP L HANDLE	53166-KNBN-911	0				
DATE OF STARTING-SALES							
DATE OF END-SALES							

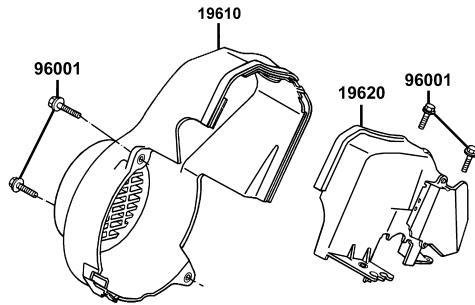
NO	MODEL			COLOR CHART OF SC10AS(PT)			
	PHOTO NO			NO. 5	NO. 6	NO. 7	
	BASIC COLOR			Vivid Red	Copper Red	Light Yellow Green	
	CODE			Vivid Red	Copper Red	Light Yellow Green	
	PARTS NAME	PARTS NO.	VERSION	RR134SA	RR155MA	YG022MA	
1	COVER SET FR **KCA-	64301-KACA-335	0	R8A	RBA	W2B	
2	COVER ASSY BODY R	8350A-KXCX-J00	2				
3	COVER ASSY BODY L	8360A-KXCX-J00	0				
4	COVER HANDLE FR	53205-KACA-800	1	R8P	RBP	W2P	
5	COVER FR HANDLE	53205-KXCX-E00	0				
6	FENDER FR **E000-	61110-KEB7-E00	0				
7	COWL UNDER **(2)	64400-KACA-900	3				
8	COVER BATTERY	80151-KCAC-900	2				
9	COVER RR CENTER	83750-KXCX-900	0				
10	MOLD ASSY RR	8375B-KCAC-901	0				
11	WINKER ASSY R FR	33400-KACA-E10	1				
12	BASE COMP R FR	33403-KACA-E00	0				
13	WINKER ASSY L FR	33450-KACA-E10	1				
14	BASE COMP L FR	33453-KACA-E00	0	H8R			
15	COVER RR HANDLE	53206-KACA-900	1				
16	FLOOR PANEL	64310-KACA-900	2				
17	MAT FLOOR	64320-KACA-900	1				
18	LEG SHIELD	81131-KACA-C00	1				
19	LID LEG SHIELD	81132-KKDK-900	1				
20	LID INNER BOX	81141-KACA-900	1				
21	LEVER R STRG HANDLE	53175-KXBX-E10	3	M3A			
22	LEVER L STRG HNDL	53178-KXCX-E90	0				
23	COVER COMP L SIDE	11340-KXCX-900	1	N1R	MLA		
24	GRIP COMP THROT	53140-KNBN-960	0				
25	GRIP L HANDLE	53166-KNBN-911	0				
DATE OF STARTING-SALES							
DATE OF END-SALES							

NO	MODEL			COLOR CHART OF SC10AS(PT)			
	PHOTO NO			NO. 1	NO. 2	NO. 3	NO. 4
	BASIC COLOR			Deep Blue Metallic	Black Blue	Light Green	Bright Silver
	CODE			Deep Blue Metallic	Black Blue	Light Green	Bright Silver
	PARTS NAME	PARTS NO.	VERSION	PB183MA	PB184PA	GG203MA	NH045MA
26	FENDER RR /NH193 **(5)	80105-KXCX-900	6	N1R			
27	HOOK LUGGAGE	81132-GHAH-001	2				
28	BOX COMP LUGGAGE	81260-KXCX-E00	7	NJA			
29	WHEEL CAST RR	42601-KEB7-E0E	2				
30	WHEEL SET FR	44650-KEB7-315	2	NQA			
31	CALIPER ASSY FR L	45100-KXCX-E00	4				
32	CARRIER ASSY	77300-KXCX-900	1	T01			
33	FORK SET R FR	5140A-KXCX-E00	2				
34	BOTTOM CASE R	51420-KEB7-800	1	T01			
35	FORK SET L FR	5150A-KXCX-E00	3				
36	BOTTOM CASE L	51520-KEB7-800	0	T01			
37	CAUTION INNER BOX	81218-KCAC-P00	0				
38	MARK FR FORK	87170-GLE0-001	4	T01			
39	LABEL TIRE **E20-T01	87505-KXCX-E20	0				
40	CAUTION SIDE STAND	87541-GAR1-E00	2	T01			
41	MARK MAINT CAUTION	87542-GAR1-E00	3				
42	MARK DRIVE CAUTION	87560-GAR1-E00	3	T01			
43	STRIPE BODY COVER	87131-KXCX-J00	0				
44	STRIPE FR COVER	87711-KXCX-J00	0	T01			
45	STRIPE KYMCO	87161-KCAC-920	1				
46	MARK KYMCO	87532-KGAG-V00	7	T01		T02	
47	SEAT ASSY	77200-KXCX-E00	1	T02			
DATE OF STARTING-SALES							
DATE OF END-SALES							

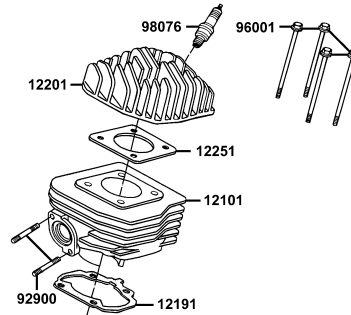
NO	MODEL			COLOR CHART OF SC10AS(PT)			
	PHOTO NO			NO. 5	NO. 6	NO. 7	
	BASIC COLOR			Vivid Red	Copper Red	Light Yellow Green	
	CODE			Vivid Red	Copper Red	Light Yellow Green	
	PARTS NAME	PARTS NO.	VERSION	RR134SA	RR155MA	YG022MA	
26	FENDER RR /NH193 ** (5)	80105-KXCX-900	6	N1R			
27	HOOK LUGGAGE	81132-GHAH-001	2				
28	BOX COMP LUGGAGE	81260-KXCX-E00	7				
29	WHEEL CAST RR	42601-KEB7-E0E	2	NJA			
30	WHEEL SET FR	44650-KEB7-315	2				
31	CALIPER ASSY FR L	45100-KXCX-E00	4				
32	CARRIER ASSY	77300-KXCX-900	1				
33	FORK SET R FR	5140A-KXCX-E00	2				
34	BOTTOM CASE R	51420-KEB7-800	1	NQA			
35	FORK SET L FR	5150A-KXCX-E00	3				
36	BOTTOM CASE L	51520-KEB7-800	0				
37	CAUTION INNER BOX	81218-KCAC-P00	0				
38	MARK FR FORK	87170-GLE0-001	4	T01			
39	LABEL TIRE **E20-T01	87505-KXCX-E20	0				
40	CAUTION SIDE STAND	87541-GAR1-E00	2				
41	MARK MAINT CAUTION	87542-GAR1-E00	3				
42	MARK DRIVE CAUTION	87560-GAR1-E00	3				
43	STRIPE BODY COVER	87131-KXCX-J00	0				
44	STRIPE FR COVER	87711-KXCX-J00	0	T01		T02	
45	STRIPE KYMCO	87161-KCAC-920	1	T01			
46	MARK KYMCO	87532-KGAG-V00	7	T02			
47	SEAT ASSY	77200-KXCX-E00	1				
DATE OF STARTING-SALES							
DATE OF END-SALES							

CONTENTS - ENGINE GROUP

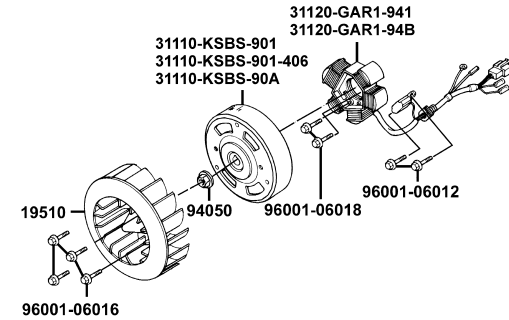
E01 Fan Cover Shroud



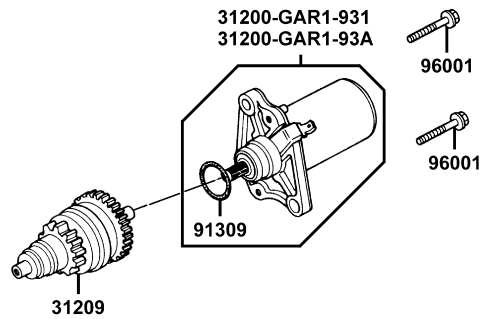
E02 Cylinder Head Cover Cylinder



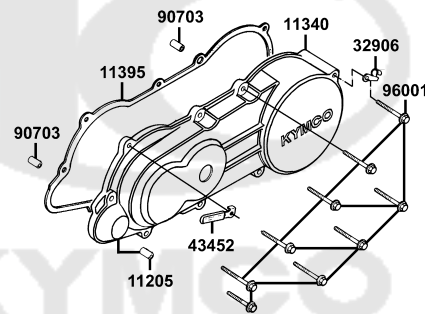
E03 Generator



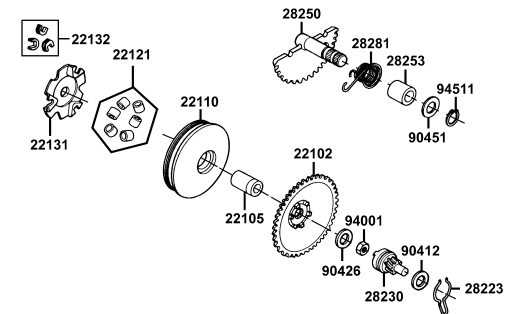
E04 Starting Motor



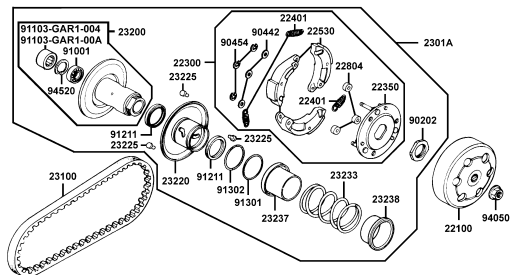
E05 Left Crankcase Cover



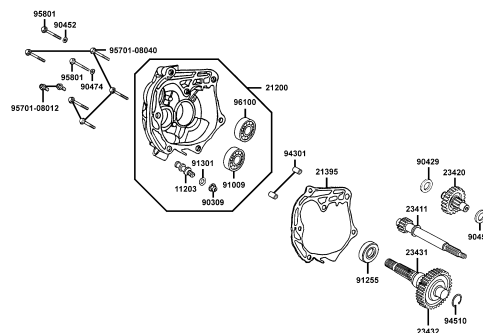
E06 Drive Pulley



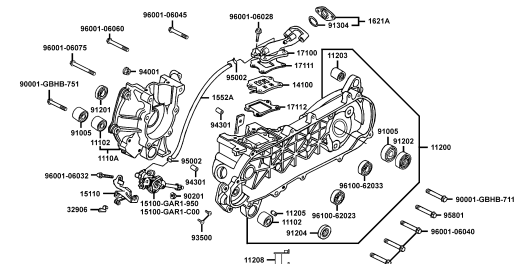
E07 Driven Pulley



E08 Transmission

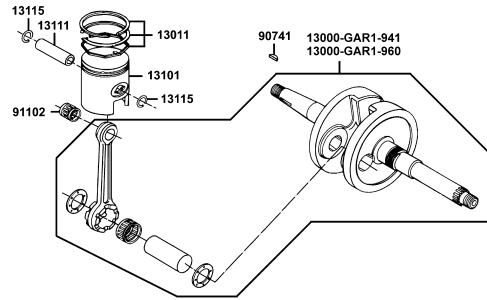


E09 Crankcase Oil Pump

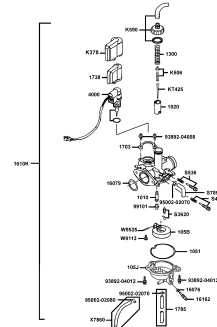


CONTENTS - ENGINE GROUP

E10 CrankshaftPiston

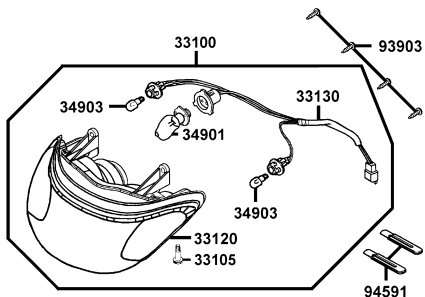


E11 Carburetor

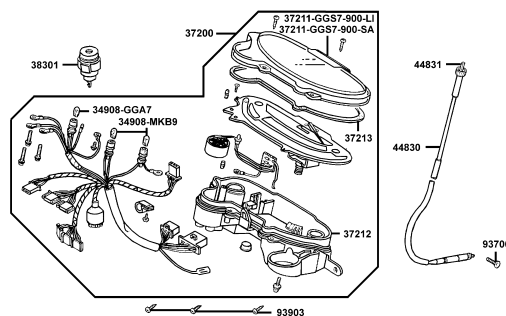


CONTENTS - FRAME GROUP

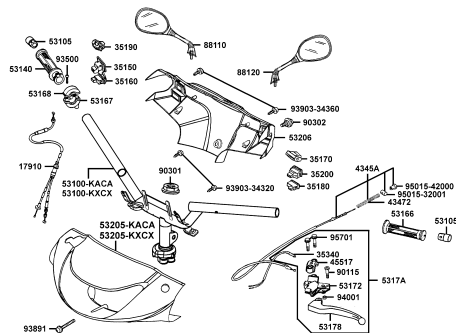
F01 Head Light



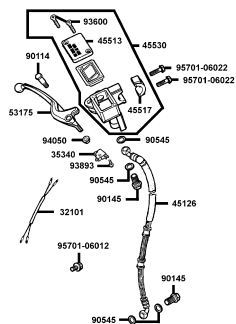
F02 Speedometer



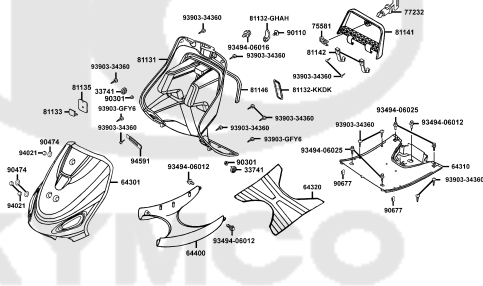
F03 Handle SteeringHandle Cover



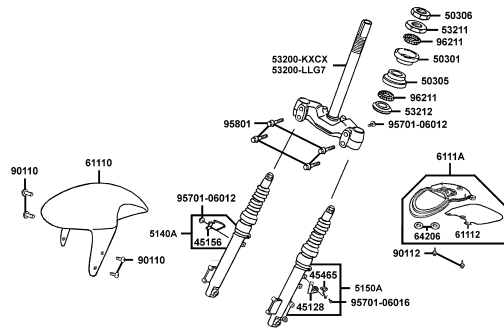
F04 Brake Master Cylinder



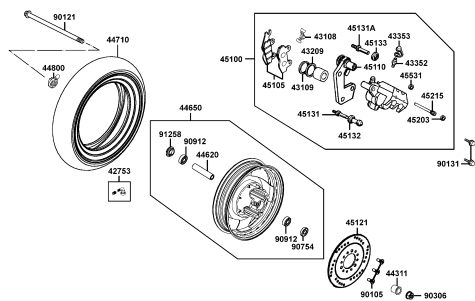
F05 Font CoverStep FloorInner Box



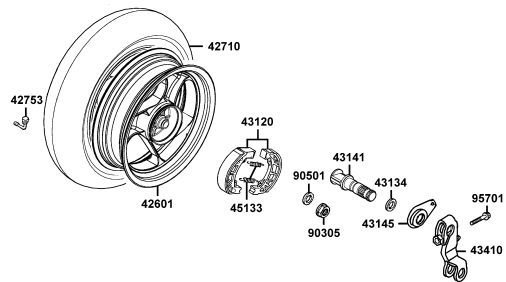
F06 Front Cushion



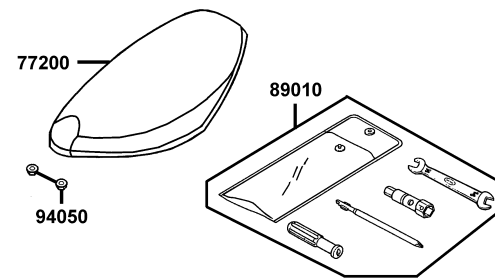
F07 Front Wheel



F08 Rear Wheel

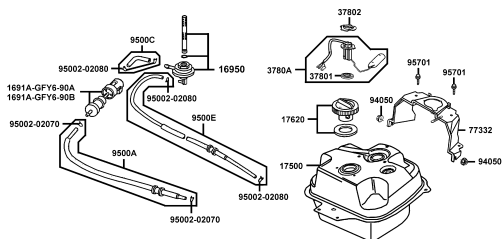


F09 Seat

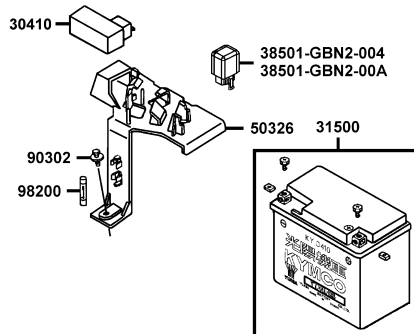


CONTENTS - FRAME GROUP

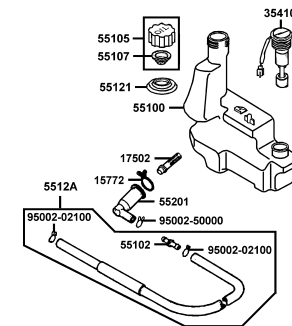
F10 Fuel Tank



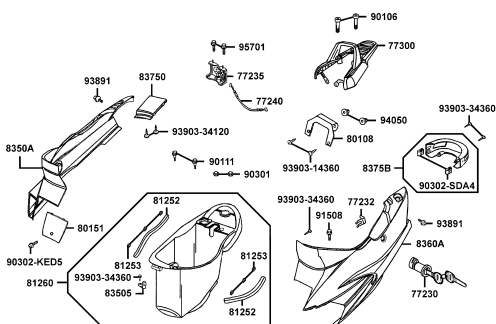
F11 Battery



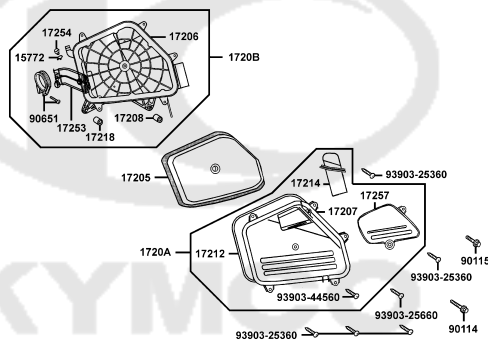
F12 Oil Tank



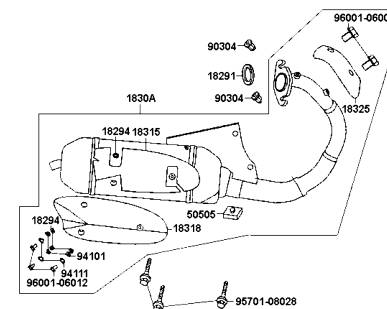
F13 Body Cover Luggage Box



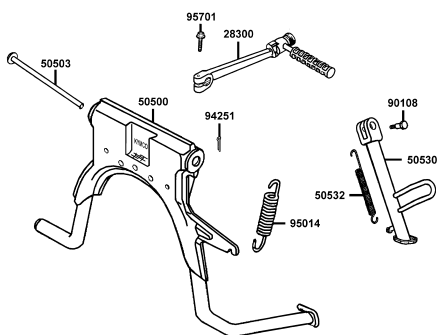
F14 Air Cleaner



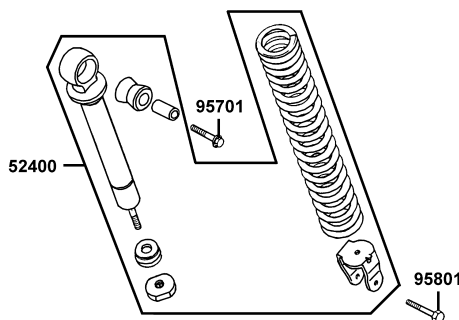
F15 Exhaust Muffler



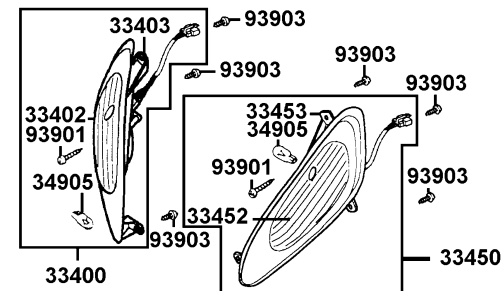
F16 Stand Kick Starter Arm



F17 Rear Cushion

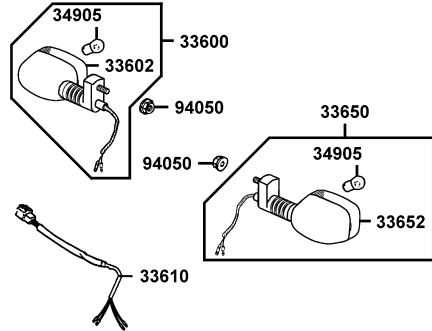


F18 Front Winker

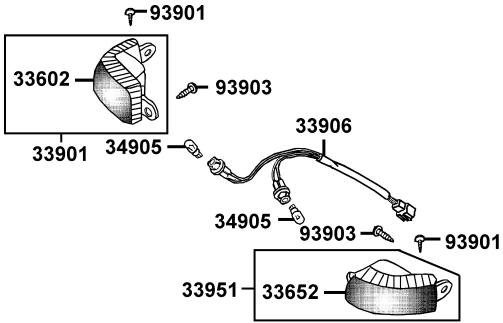


CONTENTS - FRAME GROUP

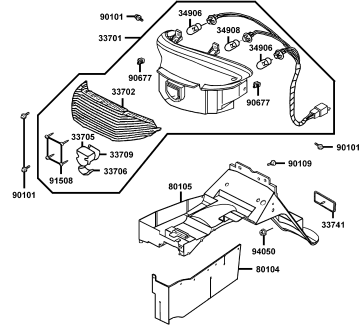
F19 Rear Winker



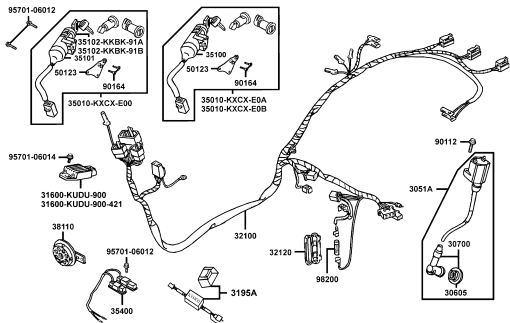
F20 Rear Position Light



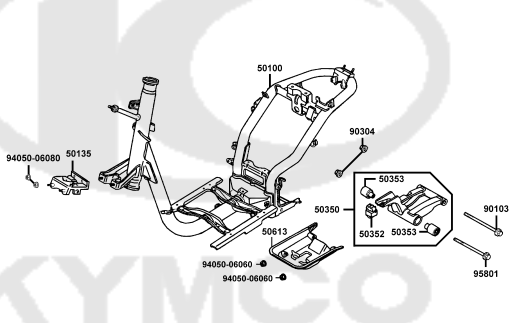
F21 Tail Light



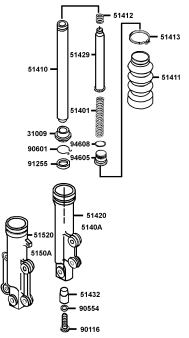
F22 Wire Harness



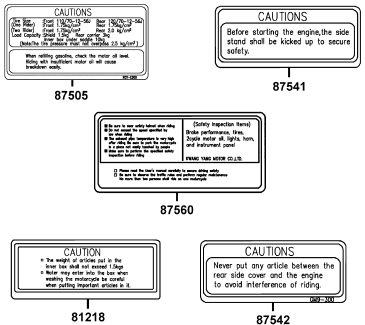
F23 Frame Body



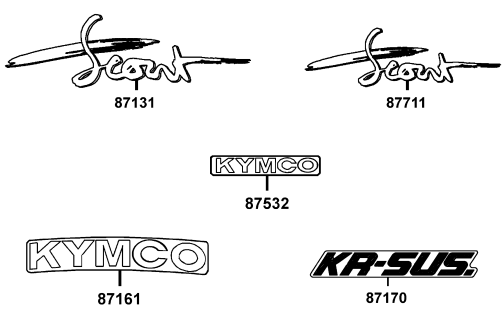
F24 Separated Parts Of Fr Fork



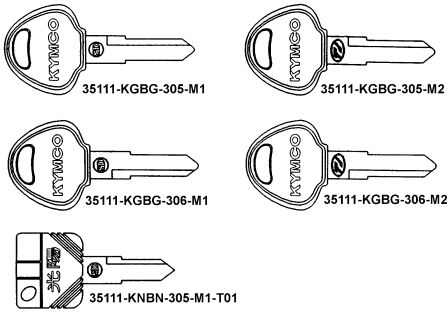
F25 Caution Label



F26 EmblemStripe

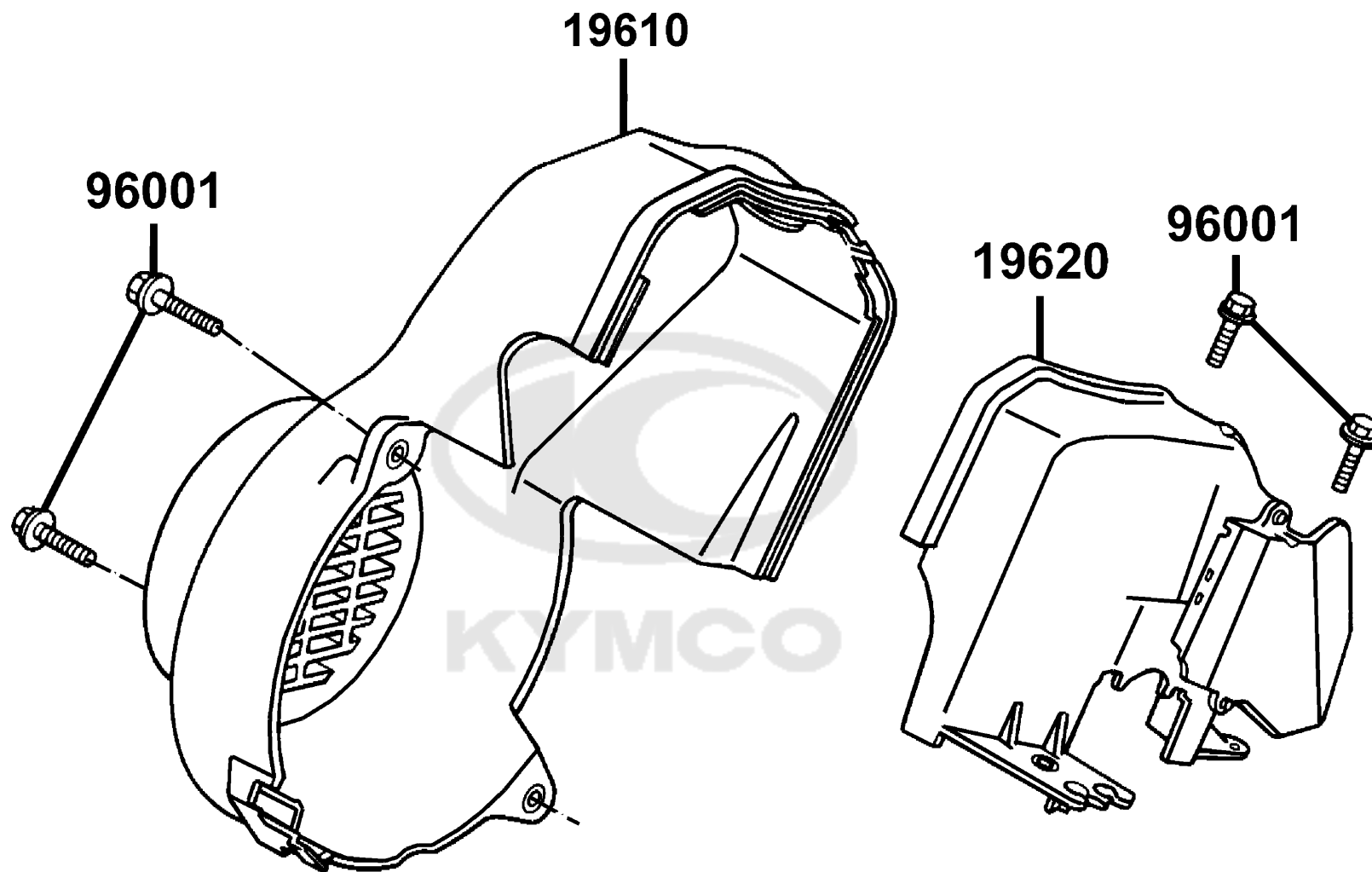


F27 KEY



E01

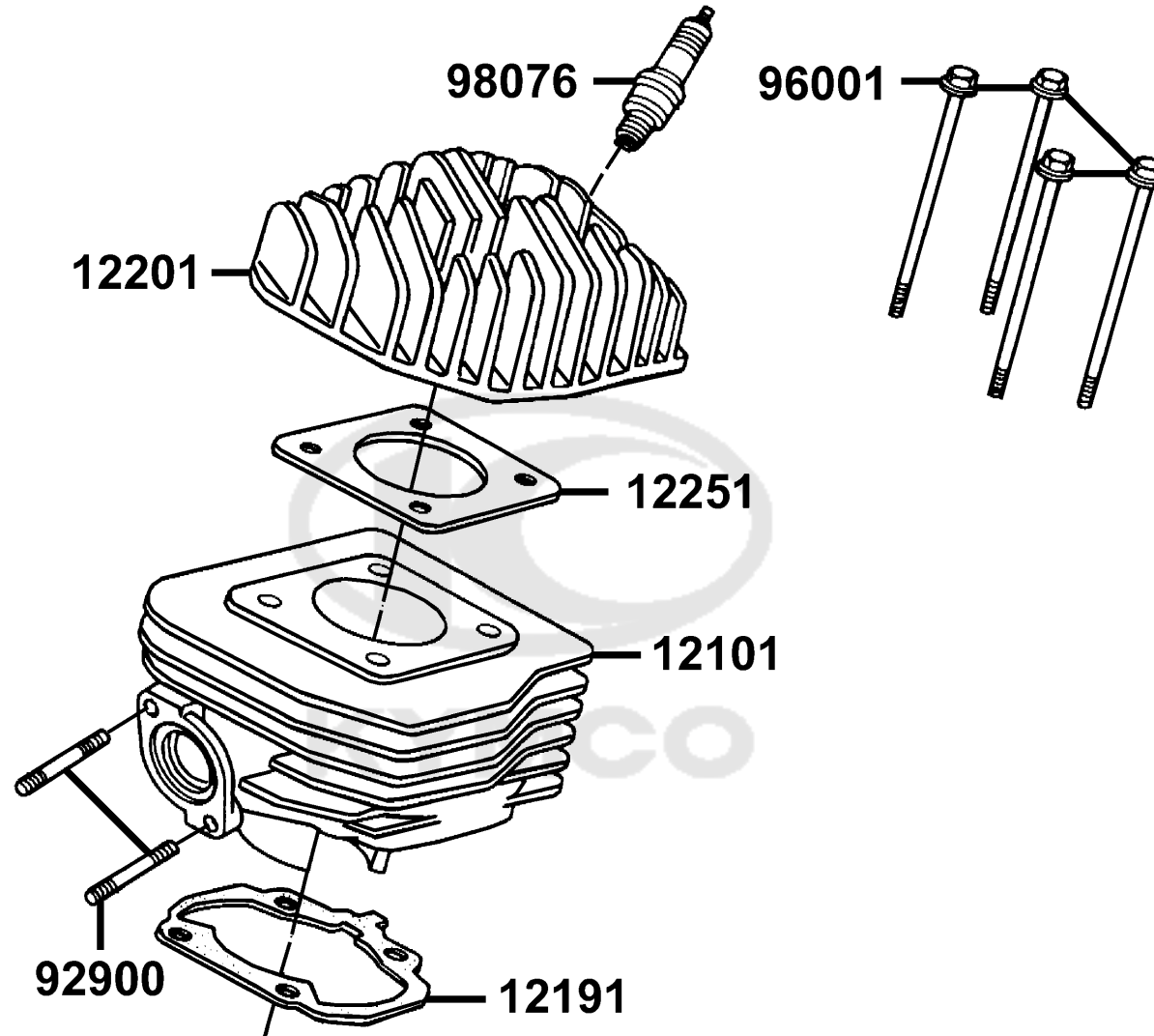
Fan CoverShroud



Sales mark	Ref no	Part no	Description	Reg description	Regd no	E01
------------	--------	---------	-------------	-----------------	---------	------------

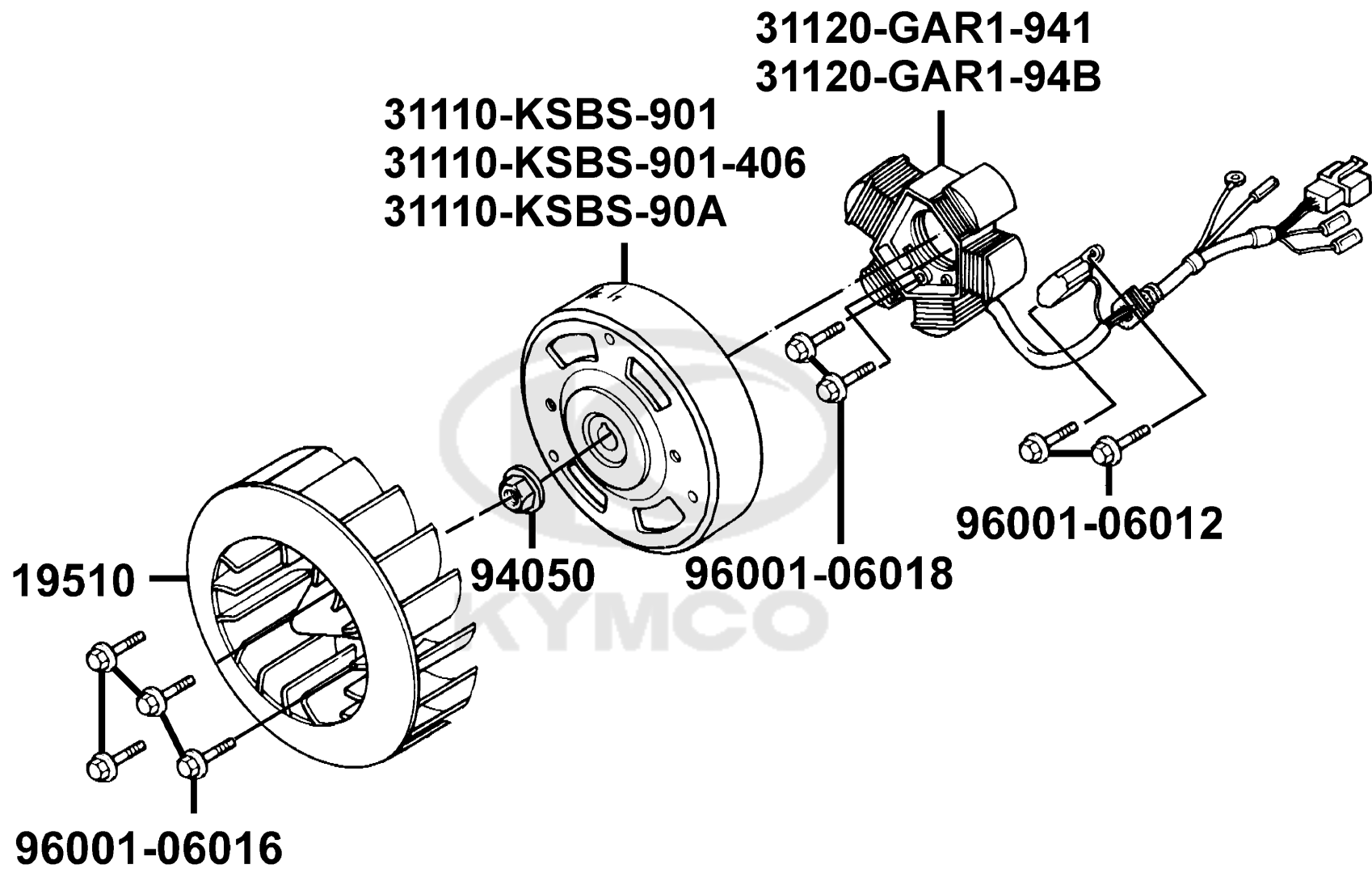
	19610	19610-GLW0-902	FAN COVER COMP	FAN COVER COMP	1	
	19620	19620-GAR1-881	SHROUD COMP	SHROUD COMP	1	
#	96001	96001-06016-06	BOLT FLANGE SH 6X16	BOLT FLANGE SH 6*16	1	



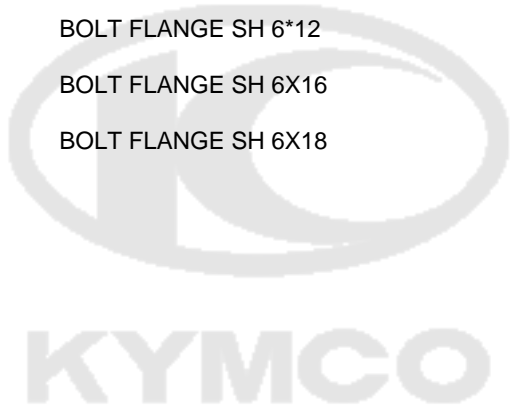


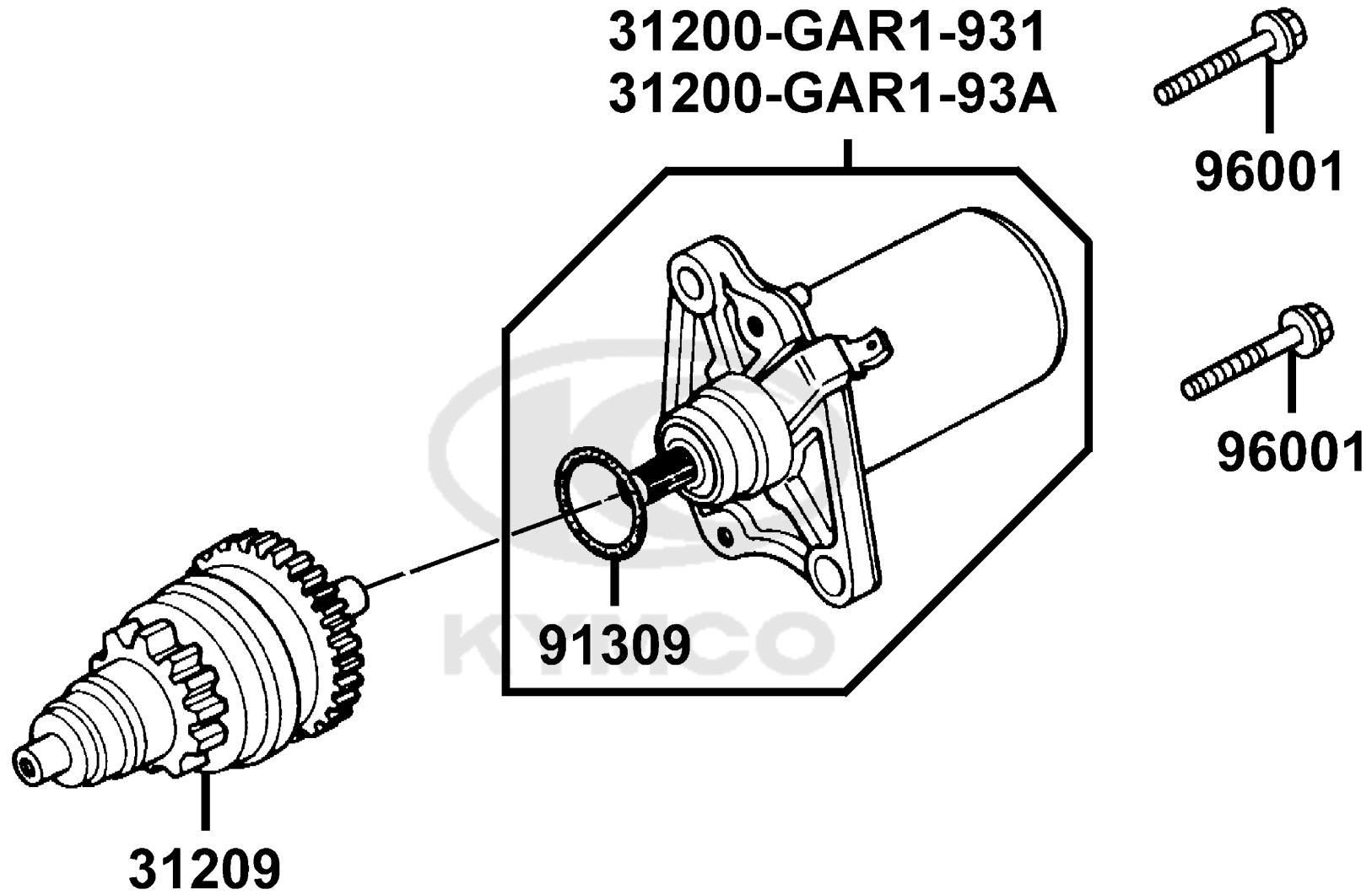
Sales mark	Ref no	Part no	Description	Reg description	Regd no	E02
	12101	12101-GLW0-901	CYLINDER A	CYLINDER A	1	
#	12191	12191-GLW0-980	GASKET CYLINDER @A	GASKET CYLINDER @A	1	
	12201	12201-GAR1-931	HEAD CYLINDER	HEAD CYLINDER	1	
	12251	12251-GLW0-001	GASKET CYLINDER HEAD	GASKET CYLINDER HEAD	1	
	92900	92900-06018-1B	BOLT STUD 6*18	BOLT STUD 6*18	2	
#	96001	96001-06095-06	BOLT FLANGE SH 6*95 **07 C.2005.07.01	BOLT FLANGE SH 6*95 **07 C.2005.07.01	1	
	98076	98076-5871G-00	SPARK PLUG (BR8HSA)	SPARK PLUG (BR8HSA)	1	





Sales mark	Ref no	Part no	Description	Reg description	Regd no	E03
	19510	19510-GLW0-902	FAN COMP COOLING	FAN COMP COOLING	1	
	31110-KSBS-901	31110-KSBS-901	FLYWHEEL COMP (D414)	FLYWHEEL COMP (D414)	1	
	31110-KSBS-901-406	31110-KSBS-901-406	FLYWHEEL COMP (D406)	FLYWHEEL COMP (D406)	1	
	31110-KSBS-90A	31110-KSBS-90A	FLYWHEEL COMP (D402)	FLYWHEEL COMP (D402)	1	
	31120-GAR1-941	31120-GAR1-941	STATOR COMP (D414)	STATOR COMP (D414)	1	
	31120-GAR1-94B	31120-GAR1-94B	STATOR COMP (D406)	STATOR COMP (D406)	1	
	94050	94050-10080	NUT FLANGE 10MM	NUT FLANGE 10MM	1	
#	96001-06012	96001-06012-06	BOLT FLANGE SH 6*12	BOLT FLANGE SH 6*12	1	
#	96001-06016	96001-06016-06	BOLT FLANGE SH 6X16	BOLT FLANGE SH 6*16	1	
#	96001-06018	96001-06018-06	BOLT FLANGE SH 6X18	BOLT FLANGE SH 6*18	1	

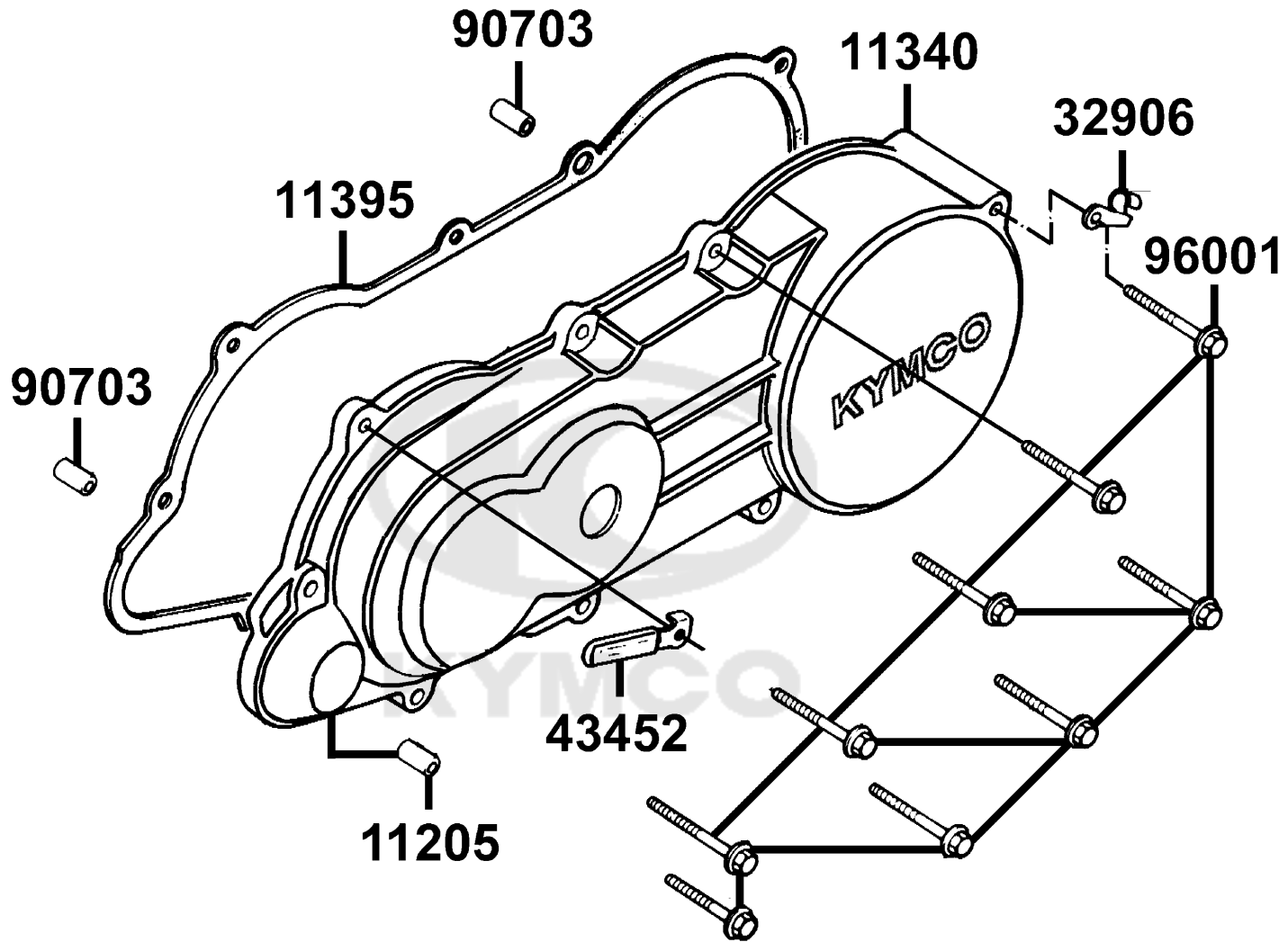




Sales mark	Ref no	Part no	Description	Reg description	Regd no	E04
------------	--------	---------	-------------	-----------------	---------	------------

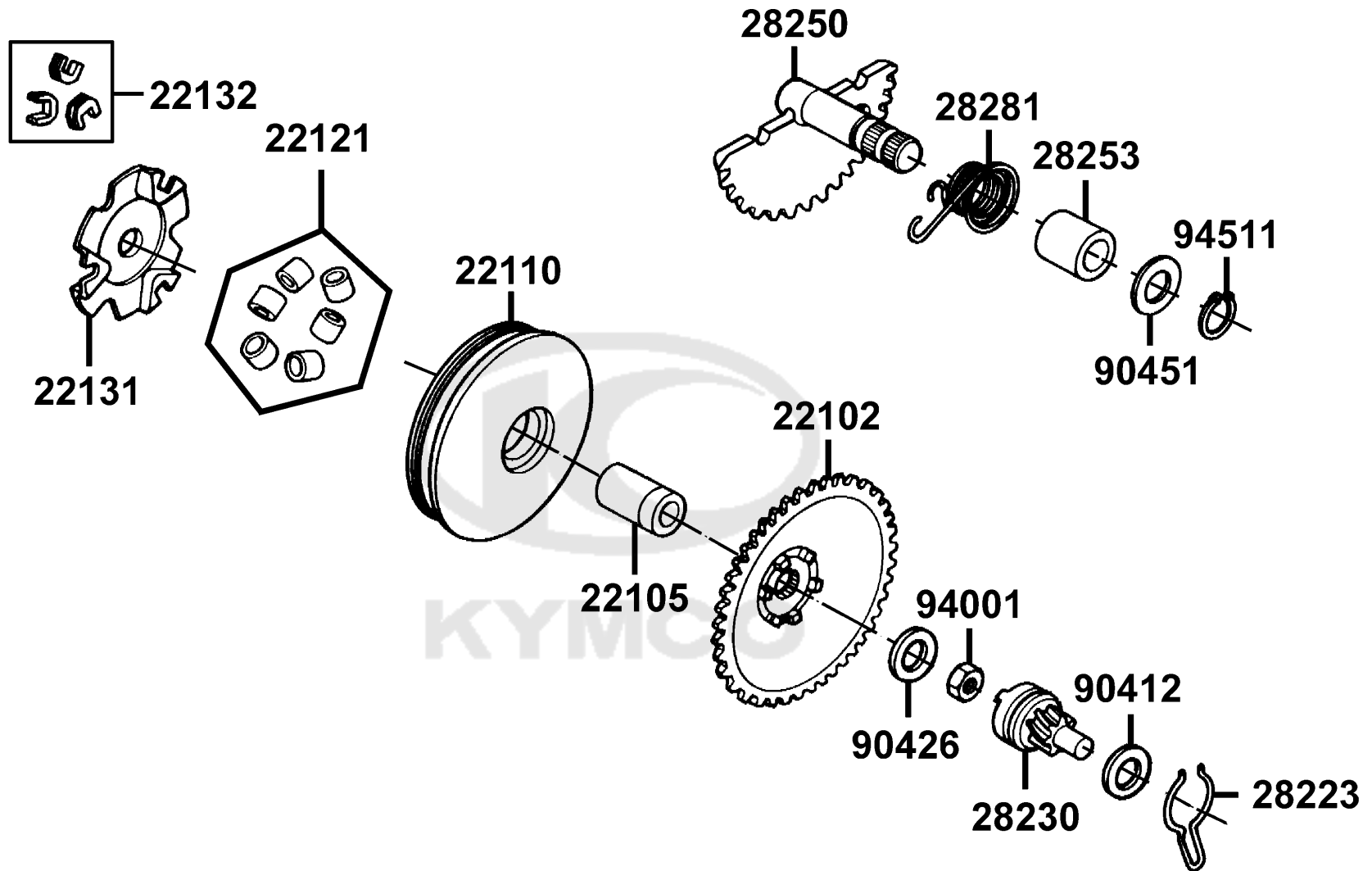
	31200-GAR1-931	31200-GAR1-931	MOTOR ASSY START	MOTOR ASSY START	1	
	31200-GAR1-93A	31200-GAR1-93A	MOTOR ASSY START	MOTOR ASSY START	1	
	31209	31209-GAR1-751	PINION ASSY STARTER	PINION ASSY STARTER	1	
	91309	91309-GLF0-761	O-RING	O-RING	1	
#	96001	96001-06020-06	BOLT FLANGE SH 6*20	BOLT FLANGE SH 6*20	1	





Sales mark	Ref no	Part no	Description	Reg description	Regd no	E05
	11205	11205-GHAH-004	BUSH 8*12*8	BUSH 8*12*8	1	
**	11340	11340-KXCX-900	COVER COMP L SIDE	COVER COMP L SIDE	1	
#	11395	11395-KXCX-980	GASKET L SIDE COVER	GASKET L SIDE COVER	1	
	32906	32906-1G07-001	CLIP HIGH TENSIONER CORD	CLIP HIGH TENSIONER CORD	1	
	43452	43452-GBN2-601	CLAMP BRK CABLE	CLAMP BRK CABLE	1	
	90703	90703-HDC4-001	PIN A DOWEL 10*14	PIN A DOWEL 10*14	2	
#	96001	96001-06032-06	BOLT FLANGE 6*32	BOLT FLANGE 6*32	1	

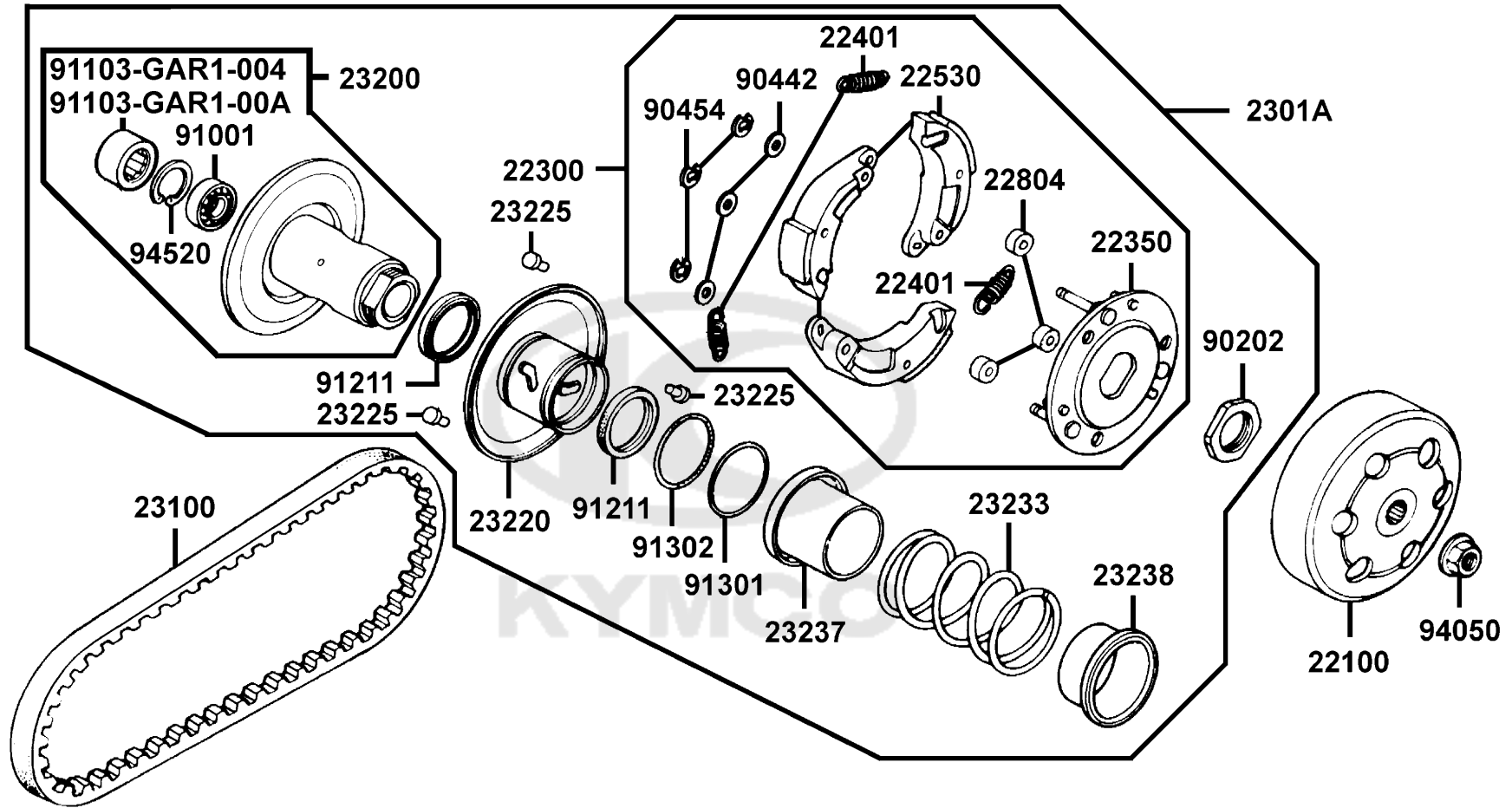




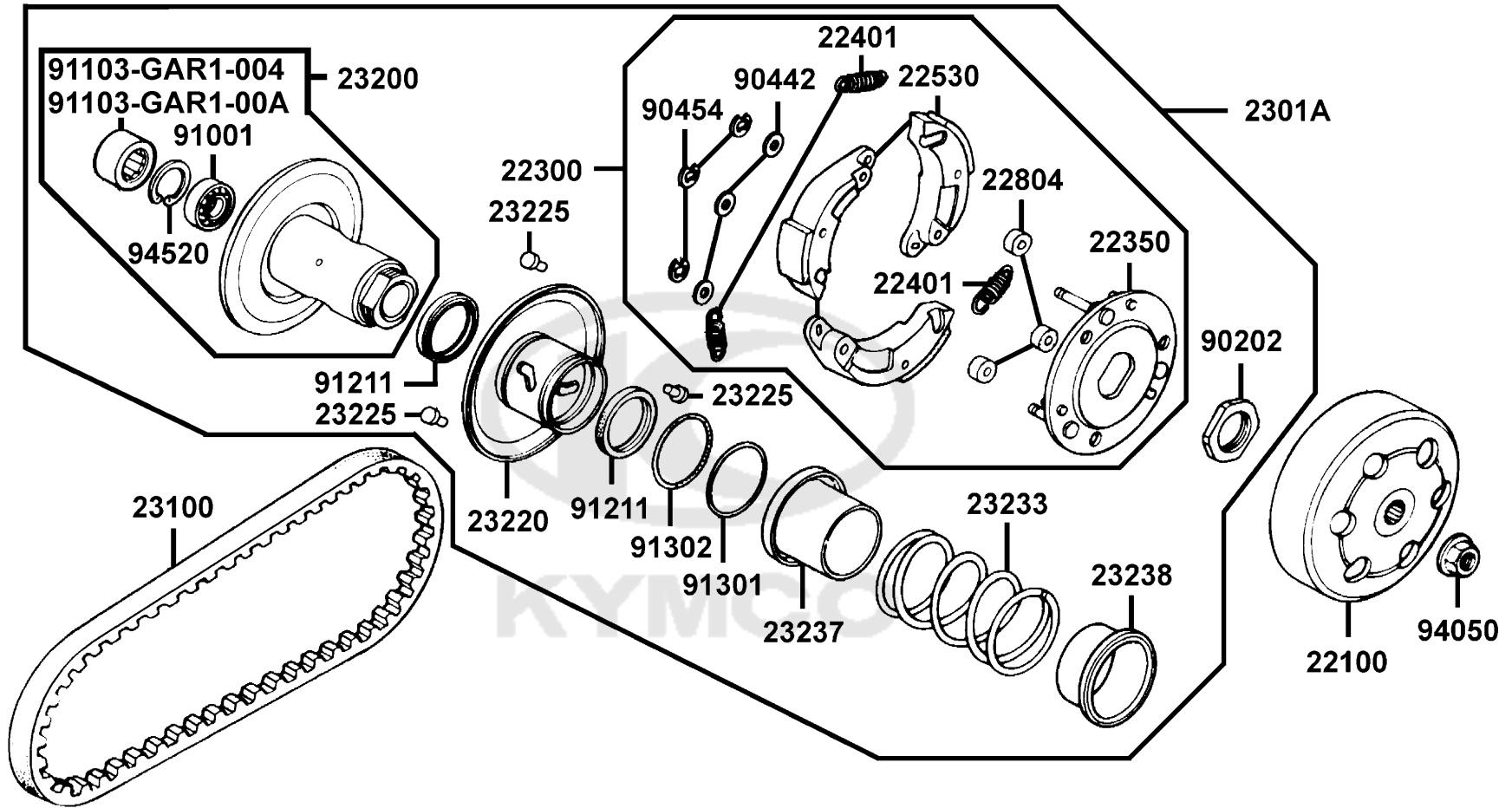
Sales mark	Ref no	Part no	Description	Reg description	Regd no	E06
	22102	22102-GHAH-E10	FACE DRIVE	FACE DRIVE	1	
	22105	22105-KACA-900	BOSS DRIVE FACE **KCA	BOSS DRIVE FACE **KCA	1	
	22110	22110-KFA1-220	FACE COMP MOVABLE DRIVE	FACE COMP MOVABLE DRIVE	1	
#	22121	22121-GLW0-305	ROLLER SET WEIGHT (1SET:6PCS)	ROLLER SET WEIGHT (1SET:6PCS)	1	
	22131	22131-GHAH-E01	PLATE RAMP	PLATE RAMP	1	
#	22132	22132-GLW0-305	PIECE SLIDE(1SET:3PCS)	PIECE SLIDE(1SET:3PCS)	1	
	28223	28223-GHAH-721	SPG FRICTION START GEAR	SPG FRICTION START GEAR	1	
	28230	28230-GHAH-721	GEAR COMP KICK DRIVEN	GEAR COMP KICK DRIVEN	1	
	28250	28250-GBN2-602	SPINDLE COMP KICK STARTER	SPINDLE COMP KICK STARTER	1	
	28253	28253-GBN2-60A	BUSH KICK SPINDLE	BUSH KICK SPINDLE	1	
	28281	28281-GBN2-60A	SPRING KICK RETURN	SPRING KICK RETURN	1	
	90412	90412-3K29-001	WASHER THRUST 10M/M	WASHER THRUST 10M/M	1	
	90426	90426-KNBN-901	WASHER SPECIAL 12MM	WASHER SPECIAL 12MM	1	
	90451	90451-GBN2-601	WASHER KICK SPINDLE	WASHER KICK SPINDLE	1	
	94001	94001-12280-0S	NUT HEX 12MM	NUT HEX 12MM	1	
	94511	94511-14000	CIR CLIP EX 14	CIR CLIP EX 14	1	


E07

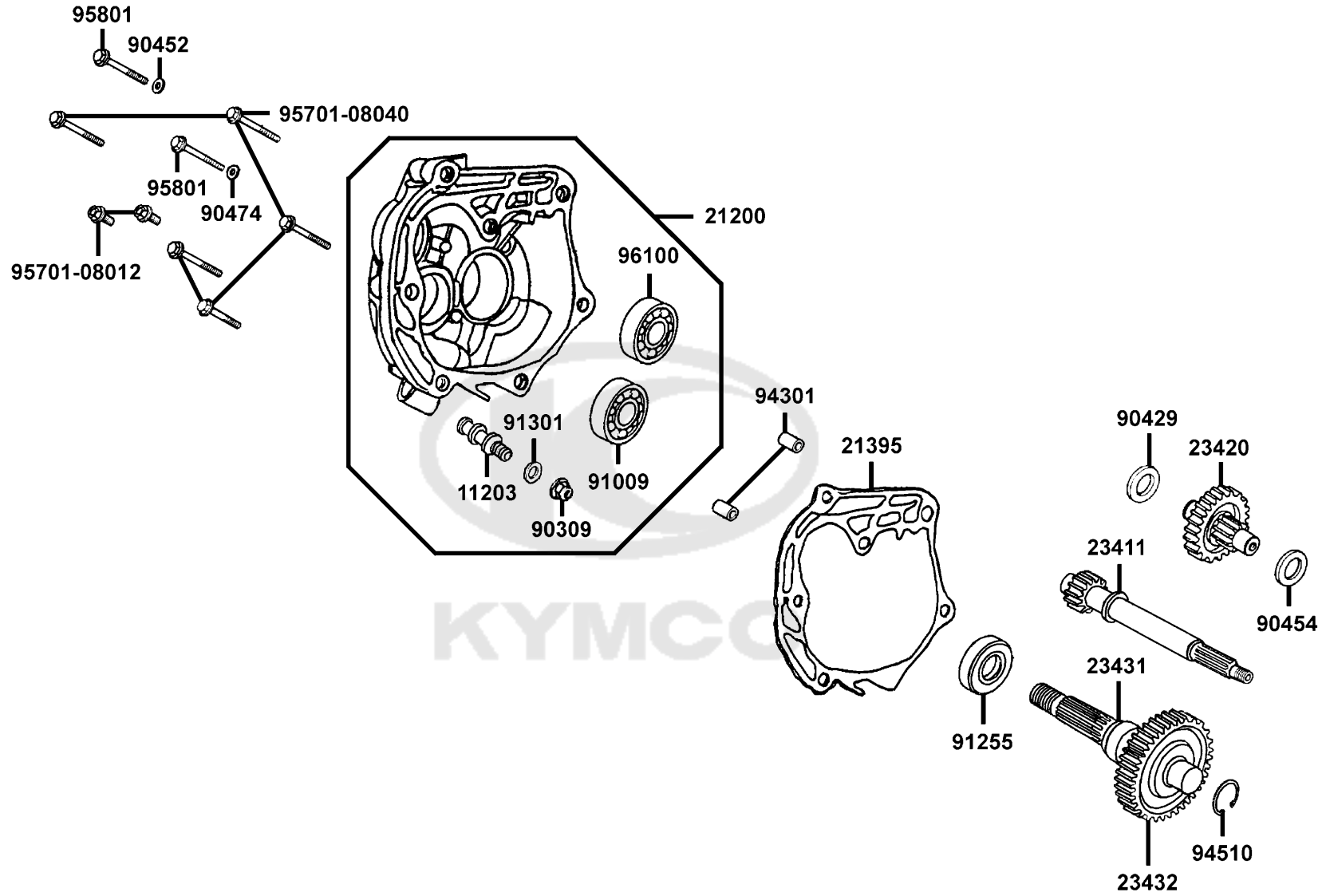
Driven Pulley



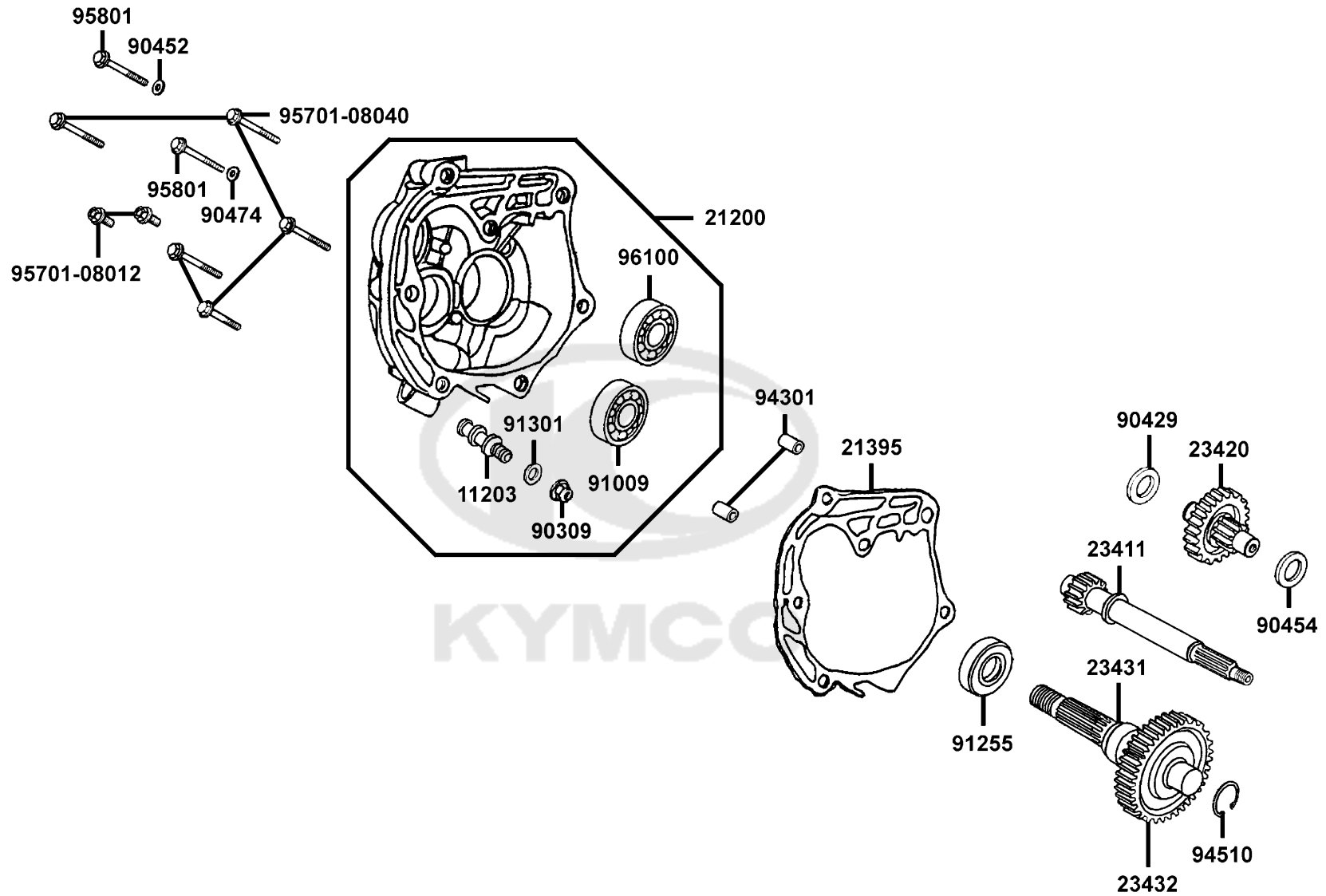
Sales mark	Ref no	Part no	Description	Reg description	Regd no	E07
	22100	22100-GAR1-E00	CLUTCH OUTER	CLUTCH OUTER	1	
	22300	22300-KXCX-900	PLATE ASSY DRIVE	PLATE ASSY DRIVE	1	
	22350	22350-GKAK-930	PLATE COMP DRIVE	PLATE COMP DRIVE	1	
	22401	22401-GBG2-900	SPRING CLUTCH	SPRING CLUTCH	3	
	22530	22530-GKAK-930	WEIGHT CLUTCH	WEIGHT CLUTCH	3	
	22804	22804-1H48-001	RUBBER CLUTCH DUMPER	RUBBER CLUTCH DUMPER	3	
	2301A	2301A-KXCX-900	PULLEY SUB ASSY	PULLEY SUB ASSY	1	
	23100	23100-KXCX-900	BELT DRIVE	BELT DRIVE	1	
	23200	23200-GAR1-E00	FACE ASSY DRIVEN	FACE ASSY DRIVEN	1	
	23220	23220-KXCX-900	FACE COMP MOVBLE DRIVEN	FACE COMP MOVBLE DRIVEN	1	
	23225	23225-GAR1-751	PIN GUIDE	PIN GUIDE	3	
	23233	23233-GHE8-001	SPG DRIVEN FACE	SPG DRIVEN FACE	1	
	23237	23237-GAR1-881	COLLAR SEAL	COLLAR SEAL	1	
	23238	23238-GFY6-941	COLLAR SPG	COLLAR SPG	1	
	90202	90202-1G87-001	NUT SPECIAL 28MM	NUT SPECIAL 28MM	1	
	90442	90442-0D44-001	WASHER THRUST 6M/M	WASHER THRUST 6M/M	3	
	90454	90454-GBB2-001	CIR CLIP 6MM	CIR CLIP 6MM	3	
	91001	91001-GGA7-70A	BRG RADIAL BALL 6901U	BRG RADIAL BALL 6901U	1	
	91103-GAR1-004	91103-GAR1-004	BRG NEEDLE 17*25*18 WS	BRG NEEDLE 17*25*18 WS	1	
	91103-GAR1-00A	91103-GAR1-00A	BRG NEEDLE 17*25*18 WS	BRG NEEDLE 17*25*18 WS	1	



Sales mark	Ref no	Part no	Description	Reg description	Regd no	E07
91211		91211-GHK8-014	OIL SEAL 34*39*3	OIL SEAL 34*39*3	2	
91301		91301-KEA5-742	O-RING 36*1.5	O-RING 36*1.5	1	
91302		91302-PKA9-004	O-RING 39.8*2.2	O-RING 39.8*2.2	1	
94050		94050-10080	NUT FLANGE 10MM	NUT FLANGE 10MM	1	
94520		94520-24000	CIR CLIP IN 24	CIR CLIP IN 24	1	
						



Sales mark	Ref no	Part no	Description	Reg description	Regd no	E08
	11203	11203-KHG8-301	PIN BRAKE SHOE ANCHOR	PIN BRAKE SHOE ANCHOR	1	
	21200	21200-KXCX-305	CASE COMP MISSION	CASE COMP MISSION	1	
#	21395	21395-KXCX-980	GASKET MISSION CASE @A	GASKET MISSION CASE @A	1	
	23411	23411-GLZ0-001	SHAFT DRIVE	SHAFT DRIVE	1	
	23420	23420-GAR1-901	SHAFT COMP COUNTER	SHAFT COMP COUNTER	1	
	23431	23431-KXCX-900	SHAFT FINAL	SHAFT FINAL	1	
	23432	23432-GLW0-901	GEAR FINAL	GEAR FINAL	1	
	90309	90309-4H28-73A	NUT FLANGE 8MM	NUT FLANGE 8MM	1	
	90429	90429-GBN2-004	WASHER SIDE 14MM	WASHER SIDE 14MM	1	
	90452	90452-1G07-001	WASHER THRUST 16.5M/M	WASHER THRUST 16.5M/M	1	
	90454	90454-3L50-001	WASHER THRUST 14MM	WASHER THRUST 14MM	1	
	90474	90474-3C33-001	WASHER 8MM	WASHER 8MM	1	
	91009	91009-GLE0-004	BRG BALL RADIAL 6004 UU	BRG BALL RADIAL 6004 UU	1	
	91255	91255-GLE0-006	OIL SEAL 27*42*7	OIL SEAL 27*42*7	1	
	91301	91301-0C53-001	O RING 7.5*1.5	O RING 7.5*1.5	1	
	94301	94301-10200	DOWEL PIN 10*20	DOWEL PIN 10*20	2	
	94510	94510-20000	CIR CLIP EX 20	CIR CLIP EX 20	1	
#	95701-08012	95701-08012-06	BOLT FLANGE 8*12	BOLT FLANGE 8*12	1	
#	95701-08040	95701-08040-06	BOLT FLANGE 8x40 (G)	BOLT FLANGE 8x40 (G)	1	
#	95801	95801-08035-06	BOLT FLANGE 8*35	BOLT FLANGE 8*35	1	



Sales mark	Ref no	Part no	Description	Reg description	Regd no	E08
------------	--------	---------	-------------	-----------------	---------	------------

96100

96100-62013-00

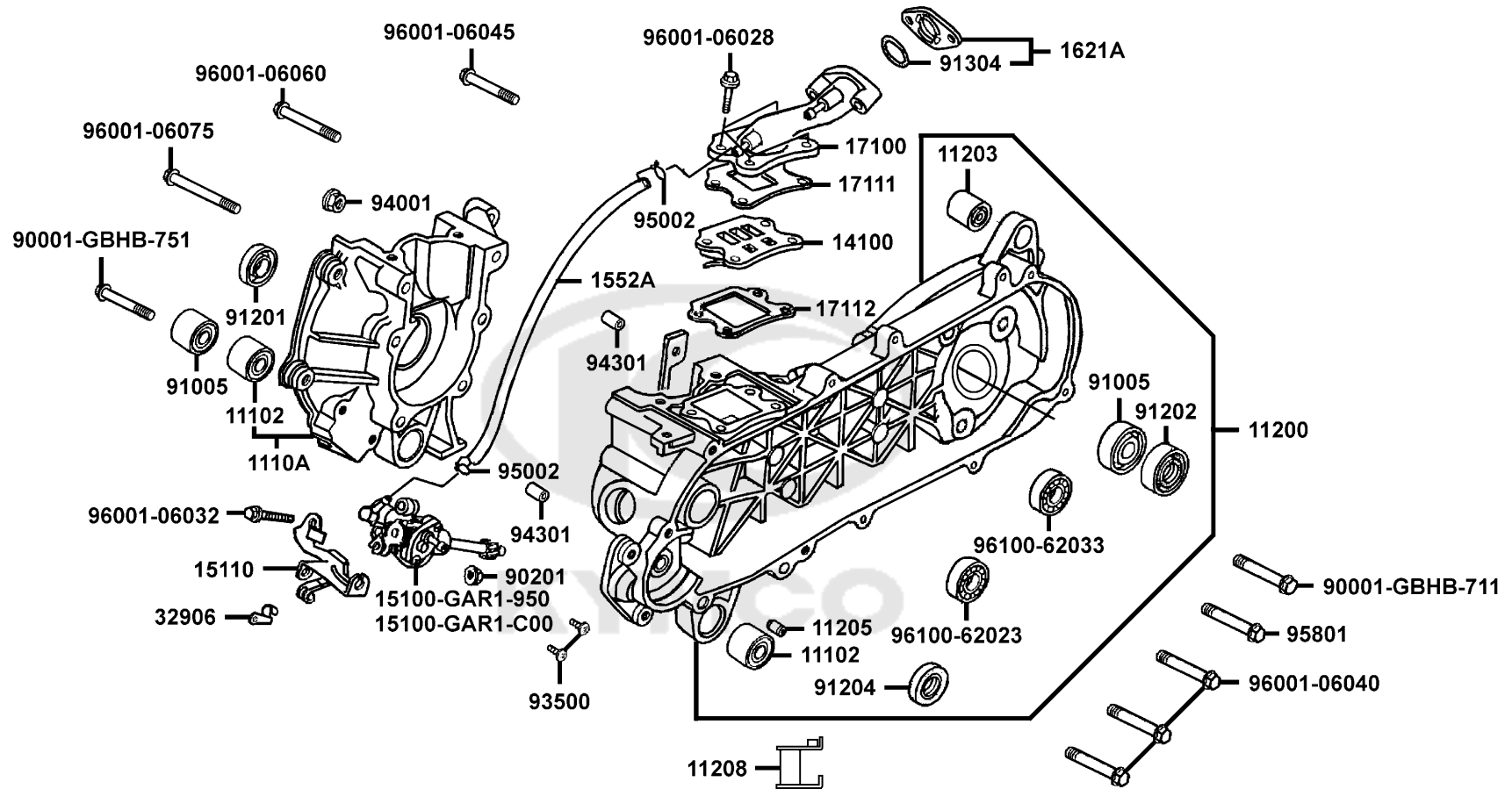
BRG BALL RADIAL 6201

BRG BALL RADIAL 6201

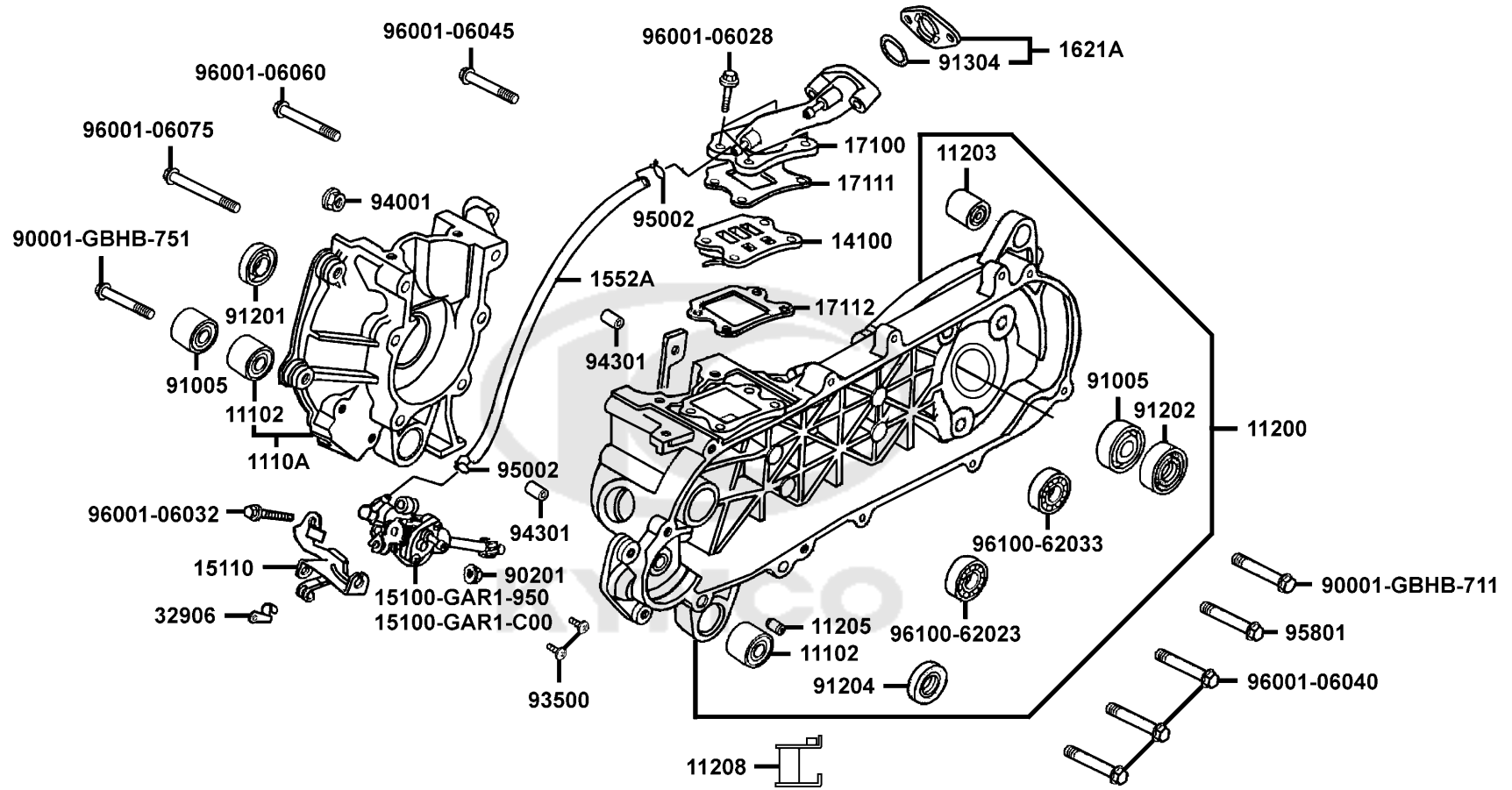
1



CrankcaseOil Pump



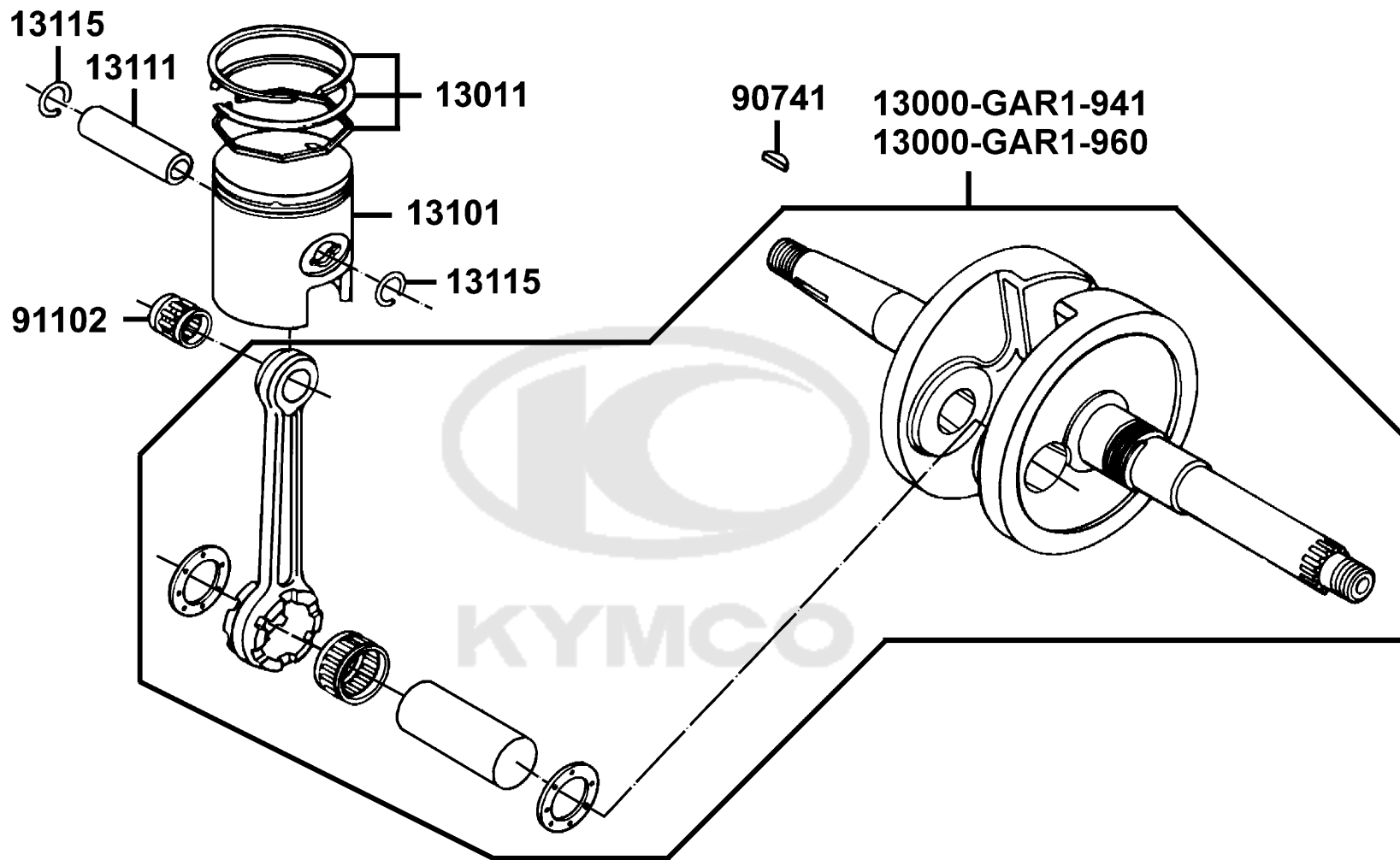
Sales mark	Ref no	Part no	Description	Reg description	Regd no	E09
	11102	11102-GLW0-004	RUBBER BUSH ENG HANGER	RUBBER BUSH ENG HANGER	2	
	1110A	1110A-GAR1-941	CRANK CASE ASSY RIGHT	CRANK CASE ASSY RIGHT	1	
	11200	11200-KXCX-306	CRANK CASE ASSY LEFT	CRANK CASE ASSY LEFT	1	
	11203	11203-GGC7-301	UNDER RUBBER BUSH REAR CUSHION	UNDER RUBBER BUSH REAR CUSHION	1	
	11205	11205-GHAH-004	BUSH 8*12*8	BUSH 8*12*8	1	
	11208	11208-KXCX-901	CLAMP BRAKE WIRE	CLAMP BRAKE WIRE	1	
	14100	14100-GAR1-941	VALVE COMP REED	VALVE COMP REED	1	
	15100-GAR1-950	15100-GAR1-950	PUMP ASSY OIL	PUMP ASSY OIL	1	
	15100-GAR1-C00	15100-GAR1-C00	OIL PUMP ASSY	OIL PUMP ASSY	1	
	15110	15110-GGS7-901	SET PLATE COMP	SET PLATE COMP	1	
	1552A	1552A-GAR1-950	TUBE ASSY OIL PASS	TUBE ASSY OIL PASS	1	
	1621A	1621A-GMAM-000	INSULATOR ASSY CARB	INSULATOR ASSY CARB	1	
	17100	17100-GAR1-931	PIPE COMP INLET **GR1-9310	PIPE COMP INLET **GR1-9310 C.2005.04.27	1	
#	17111	17111-GLW0-980	GASKET INLET PIPE A @A	GASKET INLET PIPE A @A	1	
#	17112	17112-GLW0-980	GASKET INLET PIPE B @A	GASKET INLET PIPE B @A	1	
	32906	32906-GBR2-701	CLIP ACG CORD	CLIP ACG CORD	1	
	90001-GBHB-711	90001-GBHB-711	BOLT FLANGE SHF 6*40	BOLT FLANGE SHF 6*40	1	
	90001-GBHB-751	90001-GBHB-751	BOLT FLANGE SHF 6*45	BOLT FLANGE SHF 6*45	1	
	90201	90201-GBR2-001	NUT SPECIAL 6MM(C)	NUT SPECIAL 6MM(C)	1	
	91005	91005-GCW3-95A	BRG BALL PADIAL 6304 SPL	BRG BALL PADIAL 6304 SPL	2	



Sales mark	Ref no	Part no	Description	Reg description	Regd no	E09
	91201	91201-KNBN-92A	OIL SEAL 15.6*25.5*7	OIL SEAL 15.6*25.5*7	1	
	91202	91202-KNBN-92A	OIL SEAL 20*31*7	OIL SEAL 20*31*7	1	
	91204	91204-GBN2-006	OIL SEAL 17*30*5	OIL SEAL 17*30*5	1	
	91304	91304-GLB0-911	O RING 20.6*1.9	O RING 20.6*1.9	1	
#	93500	93500-05012-0F	SCREW PAN 5X12	SCREW PAN 5X12	1	
	94001	94001-06080-0S	NUT HEX 6MM	NUT HEX 6MM	1	
	94301	94301-08200	PIN DOWEL 8*20	PIN DOWEL 8*20	2	
	95002	95002-02650	CLIP B6.5 TUBE	CLIP B6.5 TUBE	2	
#	95801	95801-06040-06	BOLT FLANGE 6X40	BOLT FLANGE 6*40	1	
#	96001-06028	96001-06028-06	BOLT FLANGE SH 6*28	BOLT FLANGE SH 6*28	1	
#	96001-06032	96001-06032-06	BOLT FLANGE 6*32	BOLT FLANGE 6*32	1	
#	96001-06040	96001-06040-06	BOLT FLANGE SH 6*40	BOLT FLANGE SH 6*40	1	
#	96001-06045	96001-06045-06	BOLT FLANGE 6X45	BOLT FLANGE 6X45	1	
#	96001-06060	96001-06060-06	BOLT FLANGE 6*60	BOLT FLANGE 6*60	1	
#	96001-06075	96001-06075-06	BOLT FLANGE SH 6X75	BOLT FLANGE SH 6X75	1	
	96100-62023	96100-62023-00	BRG BALL RADIAL 6202	BRG BALL RADIAL 6202	1	
	96100-62033	96100-62033-00	BEARING BALL RADIAL 6203	BEARING BALL RADIAL 6203	1	

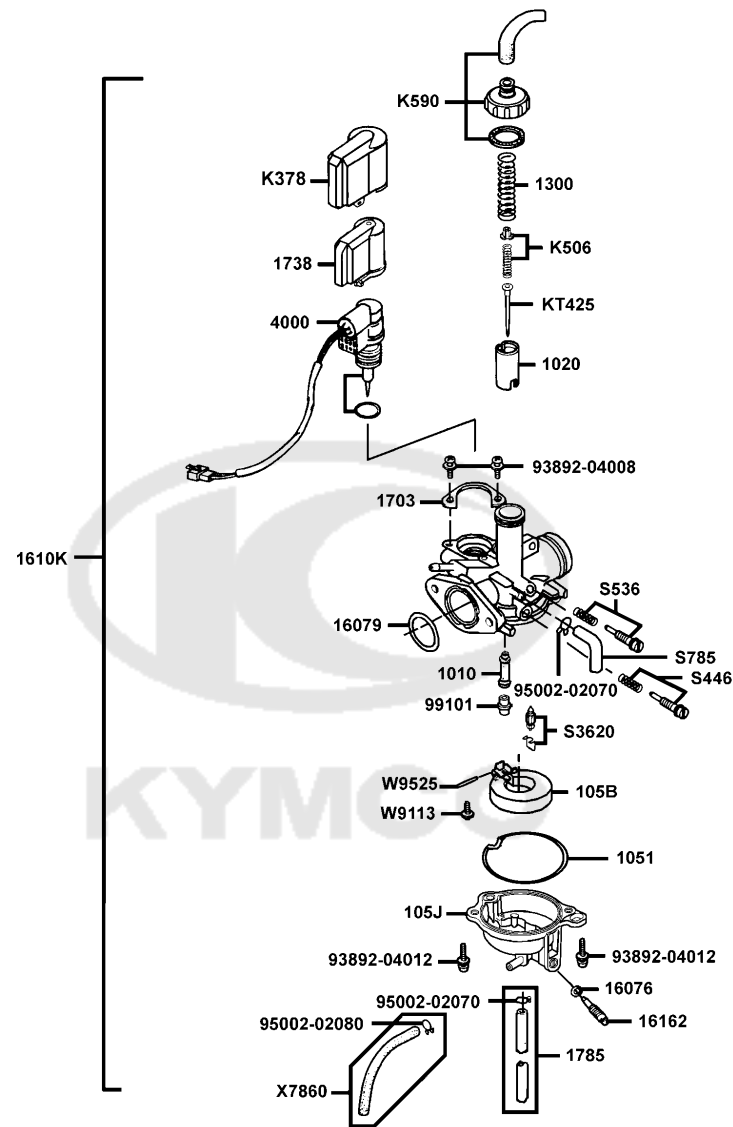
E10

CrankshaftPiston

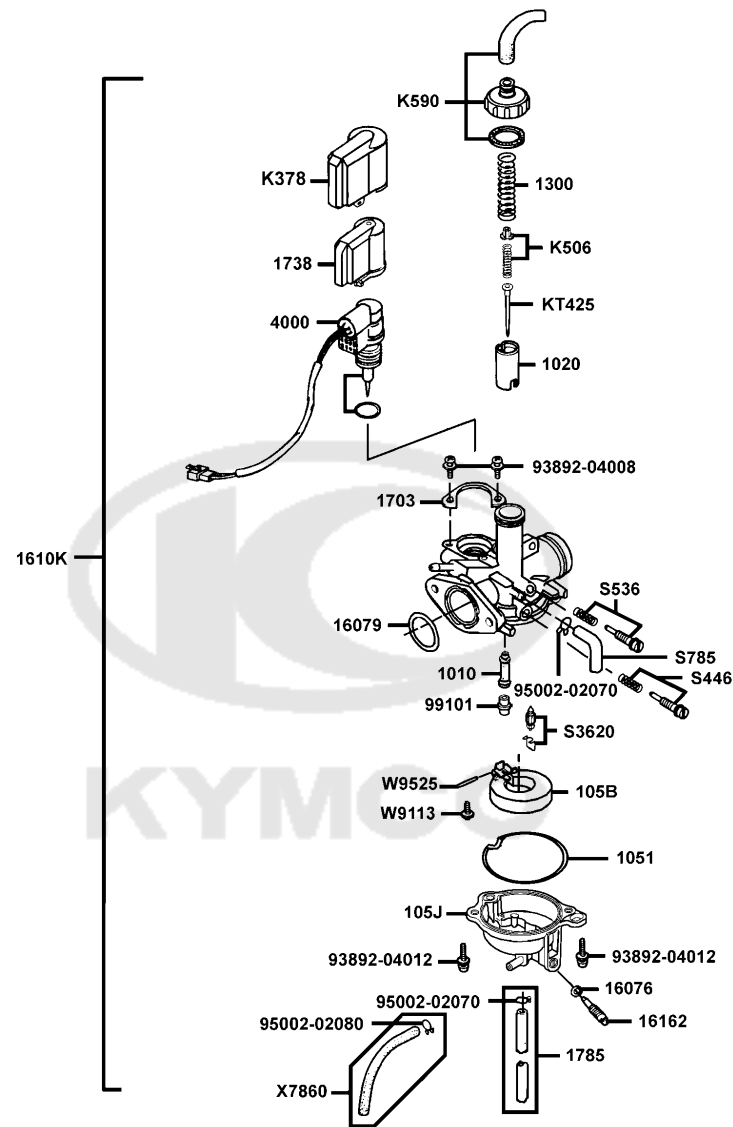


Sales mark	Ref no	Part no	Description	Reg description	Regd no	E10
	13000-GAR1-941	13000-GAR1-941	SHAFT COMP CRANK	SHAFT COMP CRANK	1	
	13000-GAR1-960	13000-GAR1-960	SHAFT COMP CRANK	SHAFT COMP CRANK	1	
	13011	13011-GLW0-90A	RING ASSY PISTON	RING ASSY PISTON	1	
	13101	13101-GLW0-901	PISTON	PISTON	1	
	13111	13111-1F66-001	PIN PISTON	PIN PISTON	1	
	13115	13115-1F56-001	CLIP PISTON PIN 12MM	CLIP PISTON PIN 12MM	2	
	90741	90741-0E35-001	KEY WOODRUFF	KEY WOODRUFF	1	
	91102	91102-GLW0-009	BRG CON-ROD S. E.	BRG CON-ROD S. E.	1	

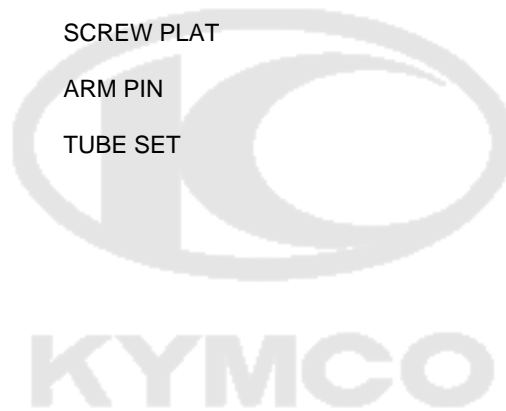




Sales mark	Ref no	Part no	Description	Reg description	Regd no	E11
	1010	1010-OAGH-9900	NEEDLE JET	NEEDLE JET	1	
	1020	1020-GR1H-9310	THROTTLE VALVE	THROTTLE VALVE	1	
	1051	1051-490H-9920	FLOAT CHAMBER GASKET	FLOAT CHAMBER GASKET	1	
	105B	105B-046H-9901	FLOAT COMP	FLOAT COMP	1	
	105J	105J-69AH-9901	FLOAT CHAMER BODY COMP	FLOAT CHAMER BODY COMP	1	
	1300	1300-GR1H-9310	SPG. COMPR **-K C.P.N.	SPG. COMPR **-K C.P.N.	1	
	16076	16076-ND5-0040	O RING	O RING	1	
	16079	16079-NC5-0040	O-RING	O-RING	1	
	1610K	1610K-KXCX-E01	CARBURETOR ASSY/PA-009C	CARBURETOR ASSY/PA-009C	1	
	16162	16162-KG8-9010-M1	DRAIN SCREW PAN	DRAIN SCREW PAN	1	
	1703	1703-GJ2H-0040	SET PLATE	SET PLATE	1	
	1738	1738-GJ2H-0040	HOLDER CAP	HOLDER CAP	1	
	1785	1785-402H-0040-SB0	TUBE SET	TUBE SET	1	
	4000	4000-039-0000	AUTO BY-ST ASSY	AUTO BY-ST ASSY	1	
#	93892-04008	93892-04008-16	SCREW WASHER 4X8	SCREW WASHER 4X8	1	
	93892-04012	93892-04012-18	SCREW WASHER	SCREW WASHER	2	
	95002-02070	95002-02070	CLIP B7 TUBE	CLIP B7 TUBE	2	
	95002-02080	95002-02080	CLIP B8 TUBE	CLIP B8 TUBE	1	
	99101	99101-187-0900	MAIN JET #90	MAIN JET #90	1	
	K378	K378-001	CAP ASSY	CAP ASSY	1	

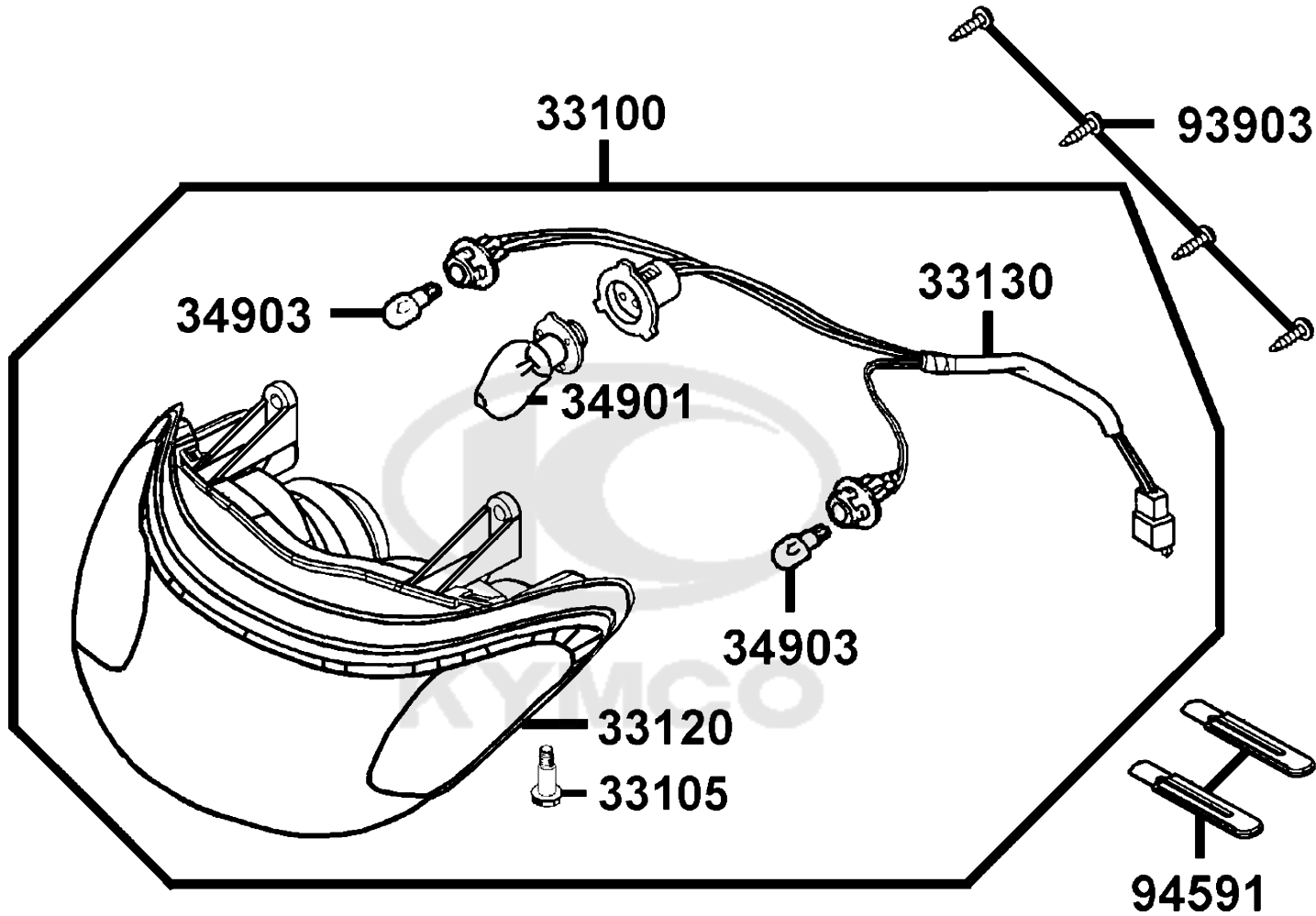


Sales mark	Ref no	Part no	Description	Reg description	Regd no	E11
K506		K506-GW0-0100	VALVE PLATE SET	VALVE PLATE SET	1	
K590		K590-KCA-0100	TOP SET	TOP SET	1	
KT425		KT425-KLE-9000	JET NEEDLE COMP	JET NEEDLE COMP	1	
S3620		S3620-031-B000	FLOAT VALVE SET	FLOAT VALVE SET	1	
S446		S446-1290	SCREW SET (A.S)	SCREW SET (A.S)	1	
S536		S536-1231	SCREW SET	SCREW SET	1	
S785		S785-4310	PIPE RUBBER	PIPE RUBBER	1	
W9113		W9113-04080	SCREW PLAT	SCREW PLAT	1	
W9525		W9525-20180	ARM PIN	ARM PIN	1	
X7860		X7860-129-B001	TUBE SET	TUBE SET	1	



F01

Head Light

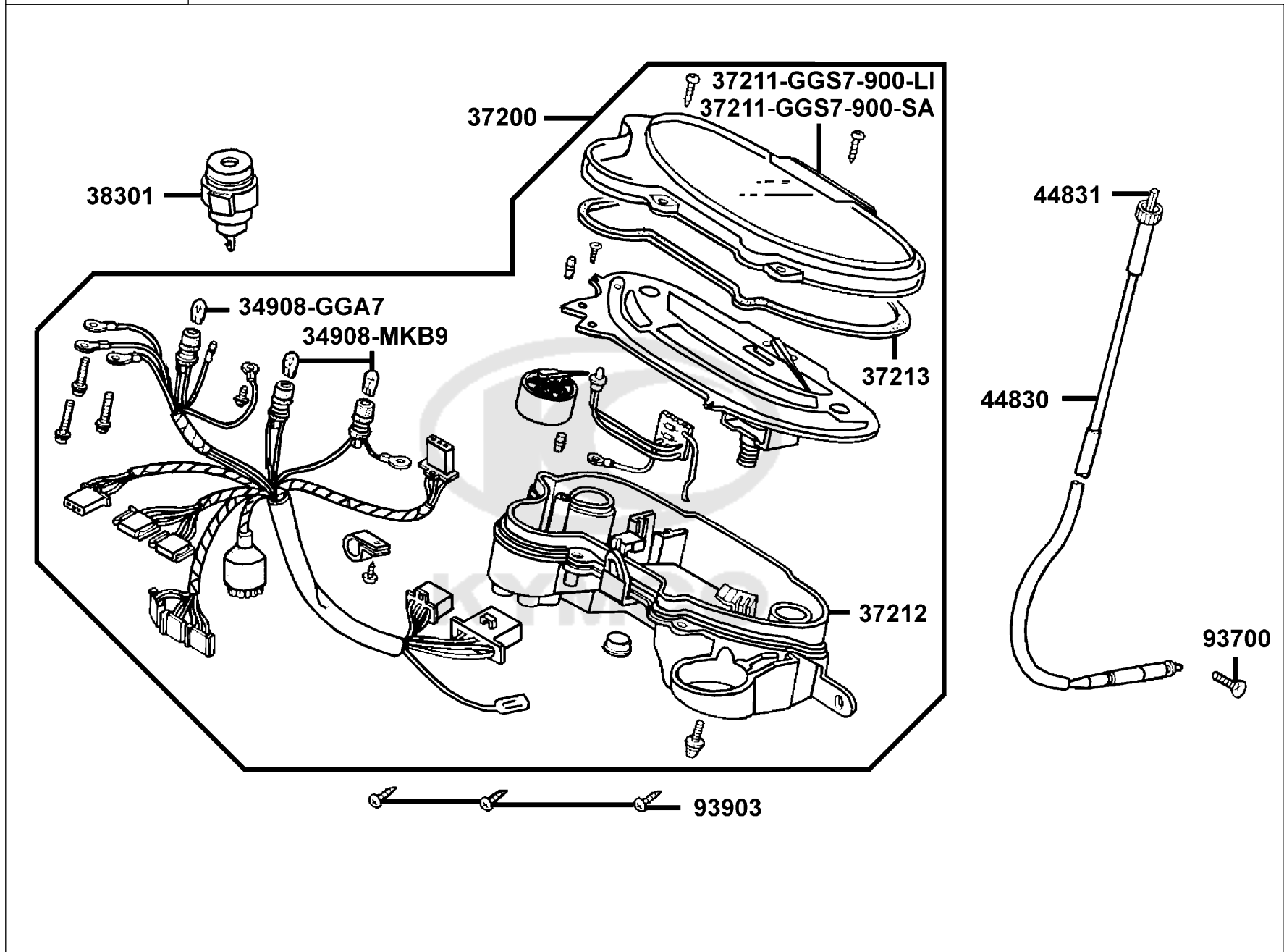


Sales mark	Ref no	Part no	Description	Reg description	Regd no	F01
33100		33100-KKDK-E00	LIGHT ASSY HEAD & POSITION	LIGHT ASSY HEAD & POSITION	1	
33105		33105-KYBY-900	BOLT ADJUST	BOLT ADJUST	1	
33120		33120-KKDK-E00	UNIT HEAD LIGHT	UNIT HEAD LIGHT	1	
33130		33130-KKDK-E00	SOCKET COMP	SOCKET COMP	1	
34901		34901-KBAB-900	BULB HEAD LIGHT	BULB HEAD LIGHT	1	
34903		34903-KPCP-900	BULB POSITION LIGHT 12V5W **KCP-	BULB POSITION LIGHT 12V5W **KCP-9000	2	
93903		93903-34320	SCREW TAPPING 5*16 (C)	SCREW TAPPING 5*16 (C)	4	
94591		94591-25000	CLIP BIND	CLIP BIND	2	



F02

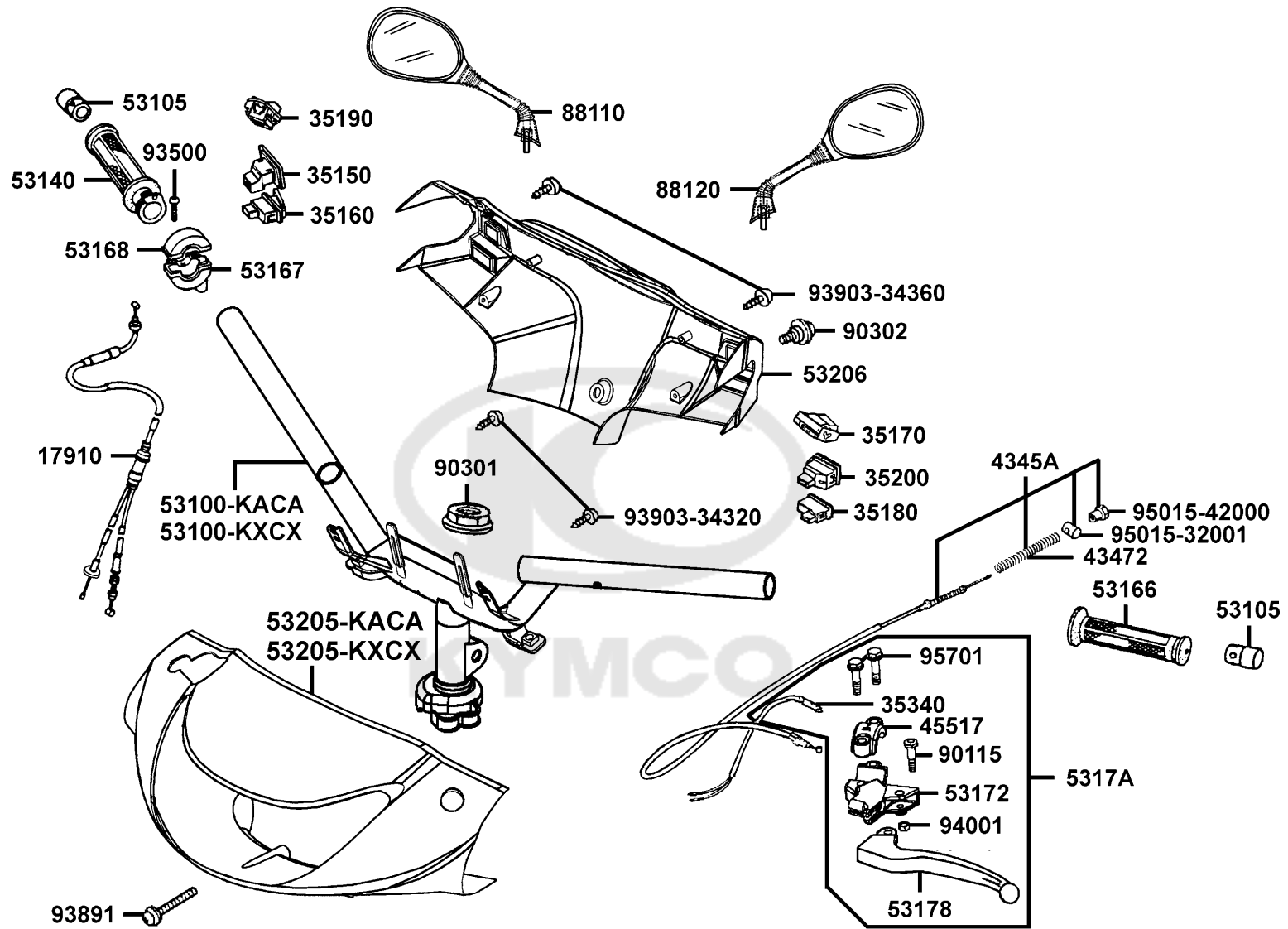
Speedometer



Sales mark	Ref no	Part no	Description	Reg description	Regd no	F02
	34908-GGA7	34908-GGA7-70A	BULB WEDGE BASE 12V*3.4W	BULB WEDGE BASE 12V*3.4W	1	
	34908-MKB9	34908-MKB9-87A	BULB WEDGE BASE T10	BULB WEDGE BASE T10	2	
	37200	37200-KXCX-E20	METER ASSY SPEED	METER ASSY SPEED	1	
	37211-GGS7-900-LI	37211-GGS7-900-LI	LENS	LENS	1	
	37211-GGS7-900-SA	37211-GGS7-900-SA	LENS	LENS	1	
	37212	37212-GGS7-900	CASE ASSY	CASE ASSY	1	
	37213	37213-GGS7-900	PACKING	PACKING	1	
	38301	38301-GGS7-005	RELAY COMP AP WINKER	RELAY COMP AP WINKER	1	
	44830	44830-KXCX-901	CABLE COMP SPDMT	CABLE COMP SPDMT	1	
	44831	44831-KXCX-900	CABLE INNER	CABLE INNER	1	
#	93700	93700-05018-0F	SCREW OVAL 5*18	SCREW OVAL 5X18	1	
#	93903	93903-25360	SCREW TAPPING 5*16	SCREW TAPPING 5*16	1	

F03

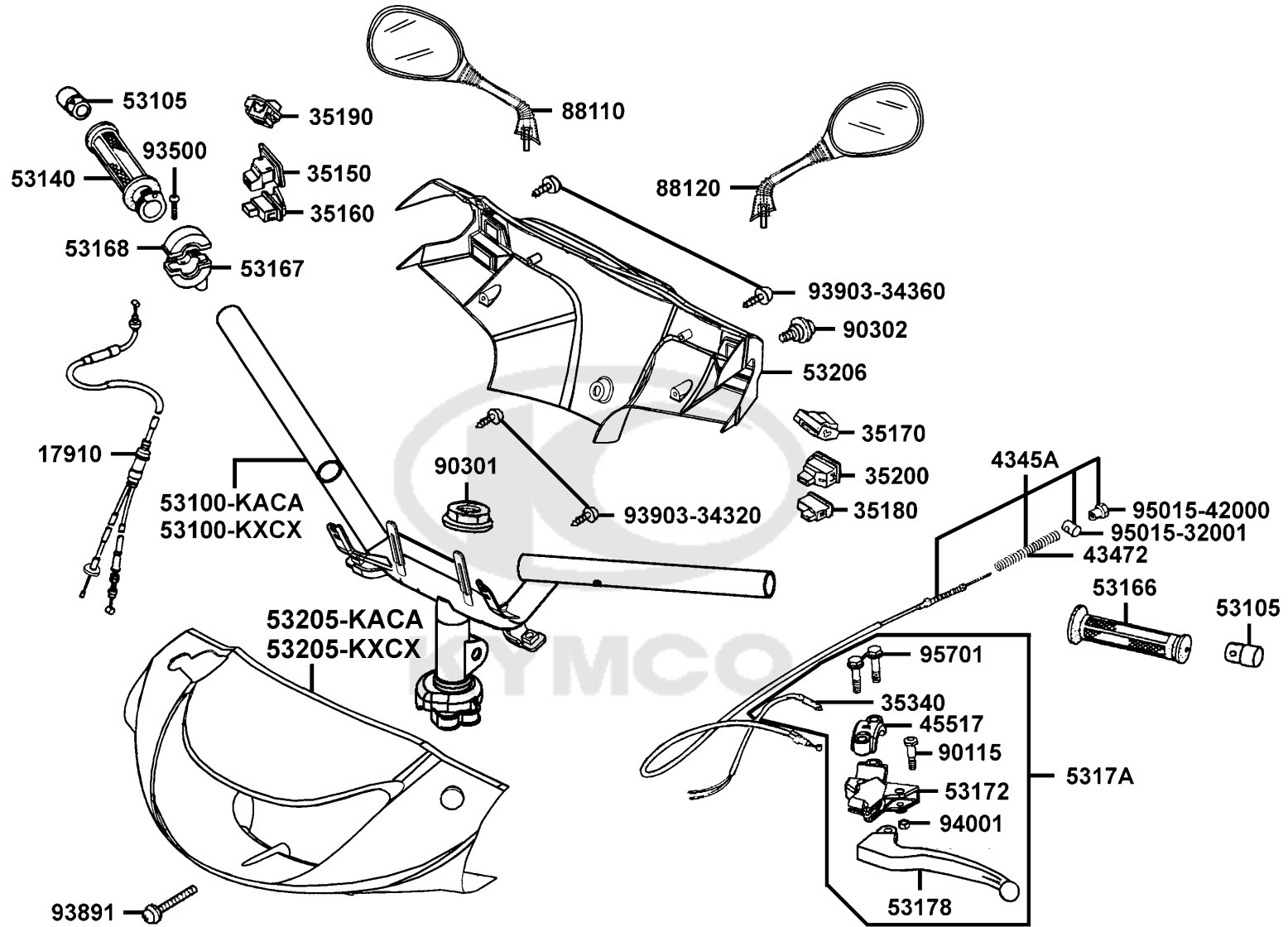
Handle SteeringHandle Cover



Sales mark	Ref no	Part no	Description	Reg description	Regd no	F03
	17910	17910-KSBS-200	CABLE COMP THROT	CABLE COMP THROT	1	
	35150	35150-GFY6-900	SW UNIT LIGHTING	SW UNIT LIGHTING	1	
	35160	35160-GFY6-900	SW UNIT STARTER	SW UNIT STARTER	1	
	35170	35170-KNBN-910	SW UNIT DIMMER **KNBN-9100	SW UNIT DIMMER **KNBN-9100 C.2005.04.13	1	
	35180	35180-GFY6-900	SW UNIT HORN	SW UNIT HORN	1	
	35190	35190-GFY6-900	SW UNIT HAZARD	SW UNIT HAZARD	1	
	35200	35200-GFY6-910	SW UNIT WINKER	SW UNIT WINKER	1	
	35340	35340-GBN2-770	SW ASSY FR STOP	SW ASSY FR STOP	1	
	4345A	4345A-KXCX-901	CABLE ASSY RR BRK	CABLE ASSY RR BRK	1	
	43472	43472-1A61-001	SPG RR BRK ARM	SPG RR BRK ARM	1	
	45517	45517-GFY6-900	HOLDER HNDL BRKT	HOLDER HNDL BRKT	1	
	53100-KACA	53100-KACA-900	HANDLE COMP STRG	HANDLE COMP STRG	1	
	53100-KXCX	53100-KXCX-E00	HANDLE COMP STEERING	HANDLE COMP STEERING	1	
	53105	53105-KNBN-910	END STRG HANDLE	END STRG HANDLE	2	
**	53140	53140-KNBN-960	GRIP COMP THROT	GRIP COMP THROT	1	
**	53166	53166-KNBN-911	GRIP L HANDLE	GRIP L HANDLE	1	
	53167	53167-GBN2-021	HOUSING UNDER THROT	HOUSING UNDER THROT	1	
	53168	53168-GBN2-021	HOUSING UP THROT	HOUSING UP THROT	1	
	53172	53172-KACA-900	BRKT HANDLE	BRKT HANDLE	1	
# **	53178	53178-KXCX-E90	LEVER L STRG HNDL	LEVER L STRG HNDL	1	

F03

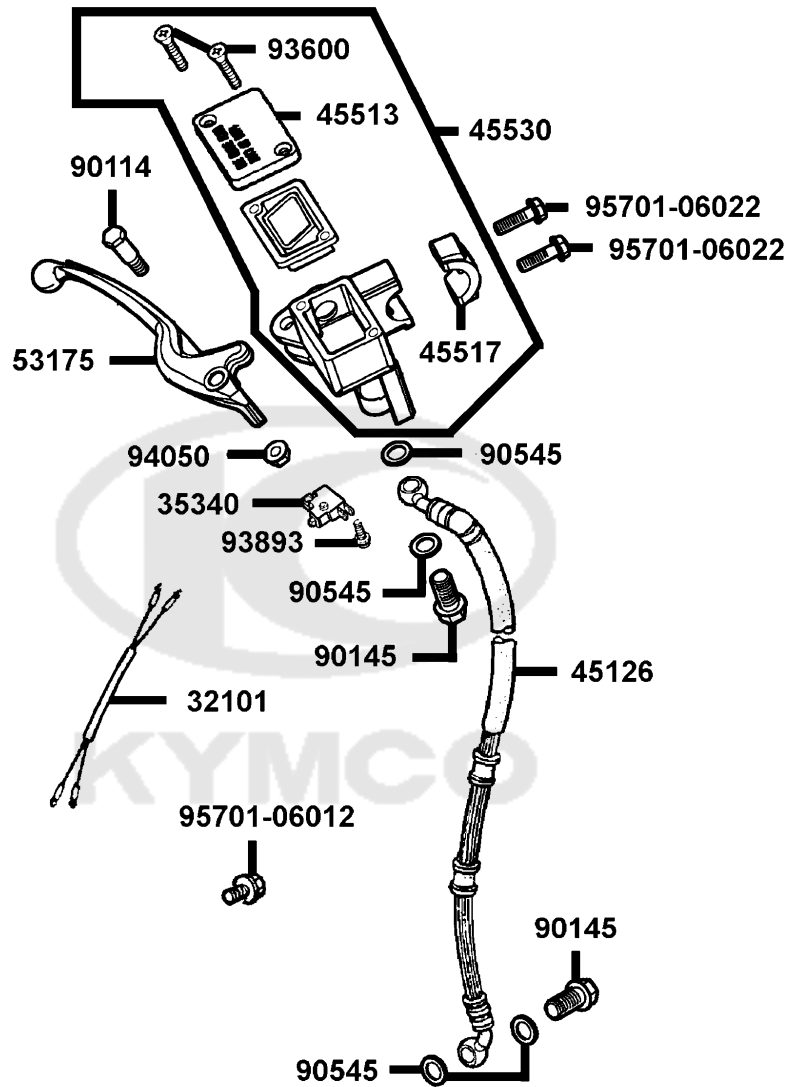
Handle SteeringHandle Cover



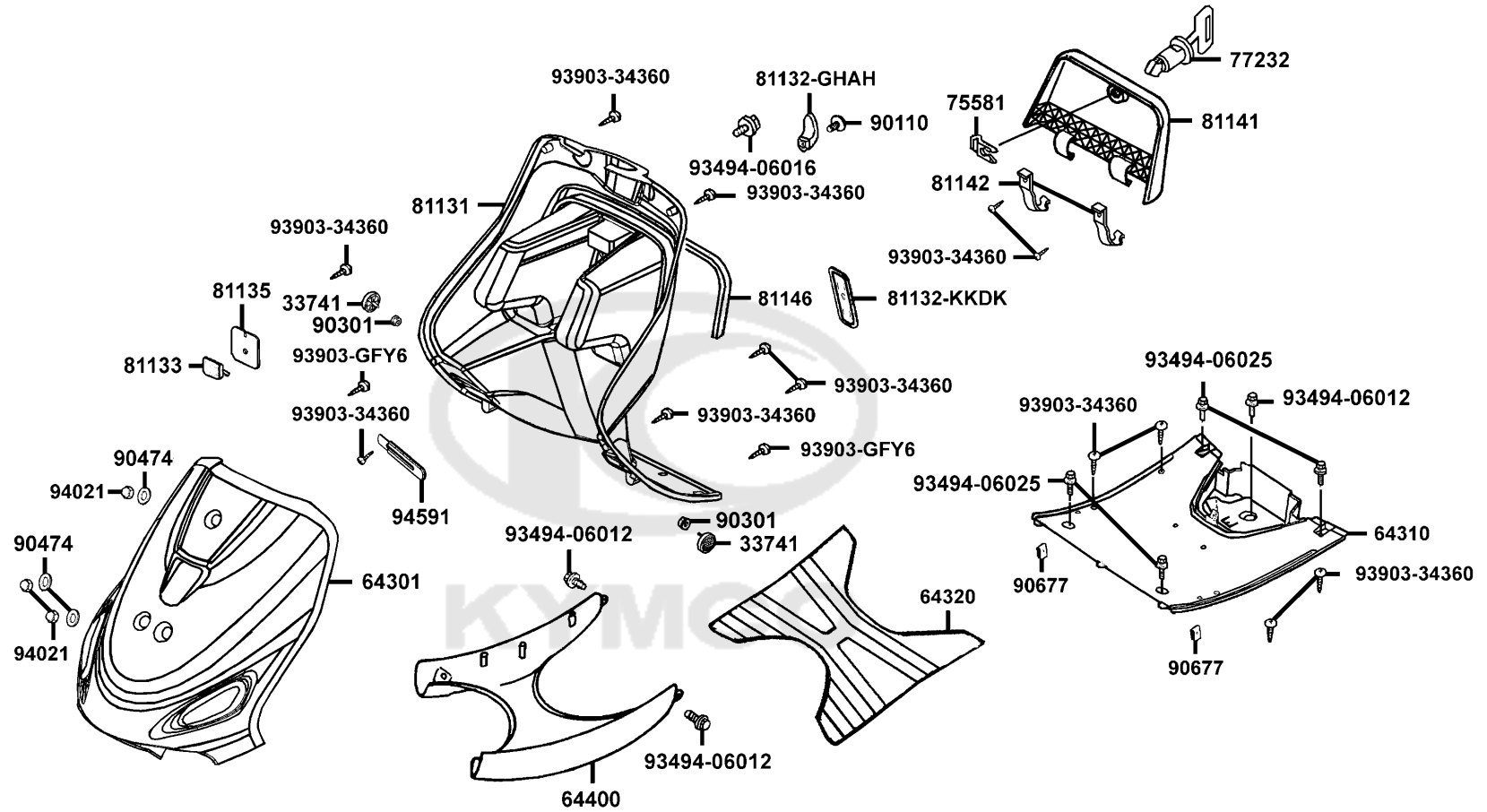
Sales mark	Ref no	Part no	Description	Reg description	Regd no	F03
	5317A	5317A-KXCX-E00	BRKT ASSY HANDLE	BRKT ASSY HANDLE	1	
**	53205-KACA	53205-KACA-800	COVER HANDLE FR **KCA-800-N8P	COVER HANDLE FR **KCA-800-N8P C.2005.08	1	
**	53205-KXCX	53205-KXCX-E00	COVER FR HANDLE	COVER FR HANDLE	1	
**	53206	53206-KACA-900	COVER RR HANDLE	COVER RR HANDLE	1	
	88110	88110-KXCX-E00	MIRROR ASSY R BACK	MIRROR ASSY R BACK	1	
	88120	88120-KXCX-E00	MIRROR ASSY L BACK	MIRROR ASSY L BACK	1	
	90115	90115-1G47-001	SCREW HNDL LEVER PIVOT	SCREW HNDL LEVER PIVOT	1	
	90301	90301-KCAC-900	NUT STRG STEM	NUT STRG STEM	1	
	90302	90302-KNBN-900	BOLT PAN 5*10	BOLT PAN 5*10	1	
#	93500	93500-05022-0F	SCREW PAN 5X22	SCREW PAN 5X22	1	
	93891	93891-05025-06	SCREW WASH 5*25	SCREW WASH 5*25	1	
	93903-34320	93903-34320	SCREW TAPPING 5*16 (C)	SCREW TAPPING 5*16 (C)	2	
	93903-34360	93903-34360	SCREW TAPPING 4X12	SCREW TAPPING 4X12	2	
	94001	94001-05080-0S	NUT HEX 5MM	NUT HEX 5MM	1	
	95015-32001	95015-32001	JOINT B BRAKE ARM	JOINT B BRAKE ARM	1	
	95015-42000	95015-42000	NUT B ADJUST	NUT B ADJUST	1	
#	95701	95701-06028-06	BOLT FLANGE 6X28	BOLT FLANGE 6X28	1	

F04

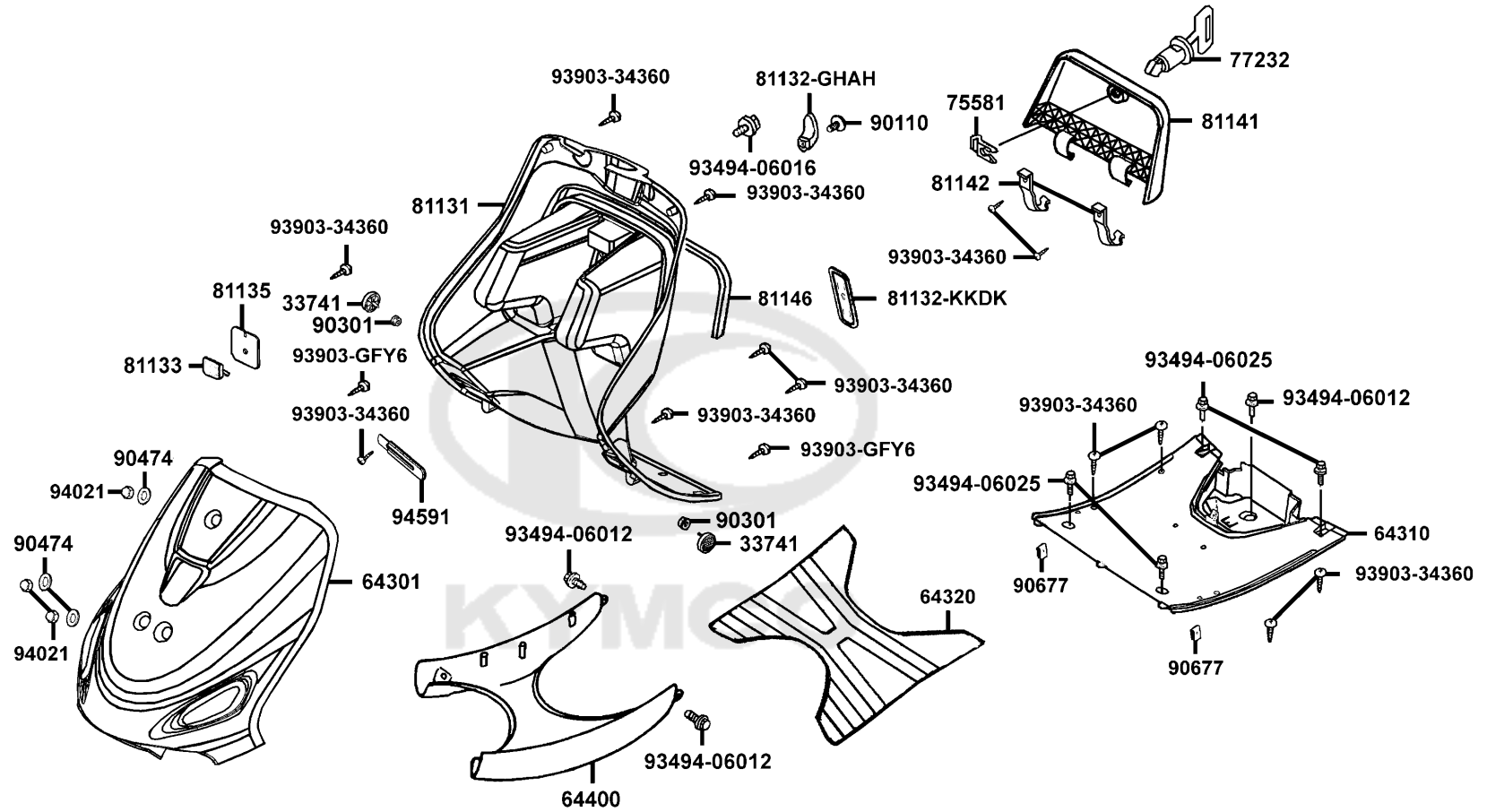
Brake Master Cylinder



Sales mark	Ref no	Part no	Description	Reg description	Regd no	F04
	32101	32101-GFY6-901	SUB CORD R	SUB CORD R	1	
	35340	35340-KNBN-901	SW ASSY FR STOP	SW ASSY FR STOP	1	
	45126	45126-KXCX-E10	HOSE ASSY FR BRK	HOSE ASSY FR BRK	1	
	45513	45513-GLW0-91A	CAP MASTER CYLINDER	CAP MASTER CYLINDER	1	
	45517	45517-KFAF-910	HOLDER M/C	HOLDER M/C	1	
	45530	45530-KXCX-306-US	CYLN SET FR (MASTER)	CYLN SET FR (MASTER)	1	
**	53175	53175-KXBX-E10	LEVER R STRG HANDLE	LEVER R STRG HANDLE	1	
	90114	90114-1F66-007	BOLT HANDLE LEVER	BOLT HANDLE LEVER	1	
#	90145	90145-LEA3-E00	OIL BOLT 10*22	OIL BOLT 10*22	1	
	90545	90545-3L00-001	WASHER OIL BOLT	WASHER OIL BOLT	4	
	93600	93600-04012-1G	SCREW FLAT 4X12	SCREW FLAT 4X12	2	
	93893	93893-04012-18	SCREW WASHER 4*12	SCREW WASHER 4*12	1	
	94050	94050-06060	NUT FLANGE 6MM	NUT FLANGE 6MM	1	
#	95701-06012	95701-06012-06	BOLT FLANGE 6*12 **07 C.2005.07.01	BOLT FLANGE 6*12 **07 C.2005.07.01	1	
	95701-06022	95701-06022-06	BOLT FLANGE 6*22	BOLT FLANGE 6*22	2	



Sales mark	Ref no	Part no	Description	Reg description	Regd no	F05
	33741	33741-GFY6-C30	REFLEX REFLECTOR	REFLEX REFLECTOR	2	
**	64301	64301-KACA-335	COVER SET FR **KCA-3350-PB183A	COVER SET FR **KCA-3350-PB183A C.2005.10	1	
**	64310	64310-KACA-900	FLOOR PANEL	FLOOR PANEL	1	
**	64320	64320-KACA-900	MAT FLOOR	MAT FLOOR	1	
**	64400	64400-KACA-900	COWL UNDER **(2)	COWL UNDER **(2)	1	
	75581	75581-6C73-001	SET SPG LOCK KEY	SET SPG LOCK KEY	1	
	77232	77232-GLW0-315-M2	LOCK SET FUEL LID	LOCK SET FUEL LID	1	
**	81131	81131-KACA-C00	LEG SHIELD	LEG SHIELD	1	
**	81132-GHAH	81132-GHAH-001	HOOK LUGGAGE	HOOK LUGGAGE	1	
**	81132-KKDK	81132-KKDK-900	LID LEG SHIELD	LID LEG SHIELD	1	
	81133	81133-KNBN-901	STOPPER LUGGAGE	STOPPER LUGGAGE	1	
	81135	81135-KGBG-900	STAY LUGGAGE HOOK	STAY LUGGAGE HOOK	1	
**	81141	81141-KACA-900	LID INNER BOX	LID INNER BOX	1	
	81142	81142-KACA-900	STAY INNER BOX LID	STAY INNER BOX LID	2	
	81146	81146-GGS7-001	SEAL INNER BOX	SEAL INNER BOX	1	
	90110	90110-GLW0-001	SCREW SPECIAL 6*14	SCREW SPECIAL 6*14	1	
	90301	90301-6D34-671	NUT FLANGE 6MM	NUT FLANGE 6MM	2	
	90474	90474-7D04-000	WASHER 6*17*23	WASHER 6*17*23	3	
	90677	90677-GAR1-004	NUT CLIP 5MM	NUT CLIP 5MM	2	
	93494-06012	93494-06012-08	BOLT WASHER 6*12	BOLT WASHER 6*12	3	

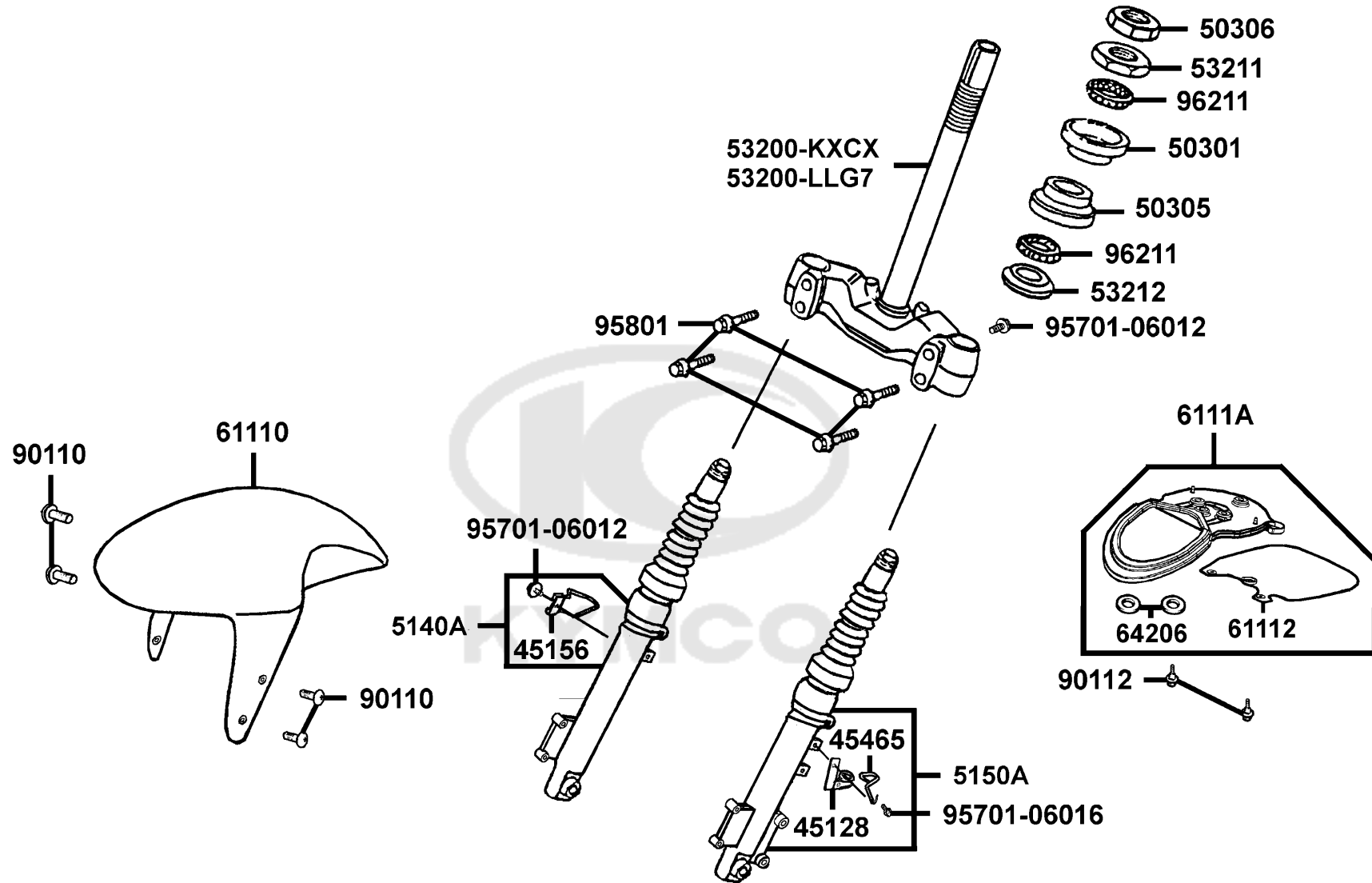


Sales mark	Ref no	Part no	Description	Reg description	Regd no	F05
	93494-06016	93494-06016-08	BOLT WASHER 6*16	BOLT WASHER 6*16	1	
	93494-06025	93494-06025-07	BOLT WASHER 6*25	BOLT WASHER 6*25	4	
	93903-34360	93903-34360	SCREW TAPPING 4X12	SCREW TAPPING 4X12	13	
	93903-GFY6	93903-GFY6-900	SCREW TAPPING 4*14	SCREW TAPPING 4*14	2	
	94021	94021-06020-0S	NUT HEX CAP 6MM	NUT HEX CAP 6MM	3	
	94591	94591-27000	CLIP 2*70	CLIP 2*70	1	



F06

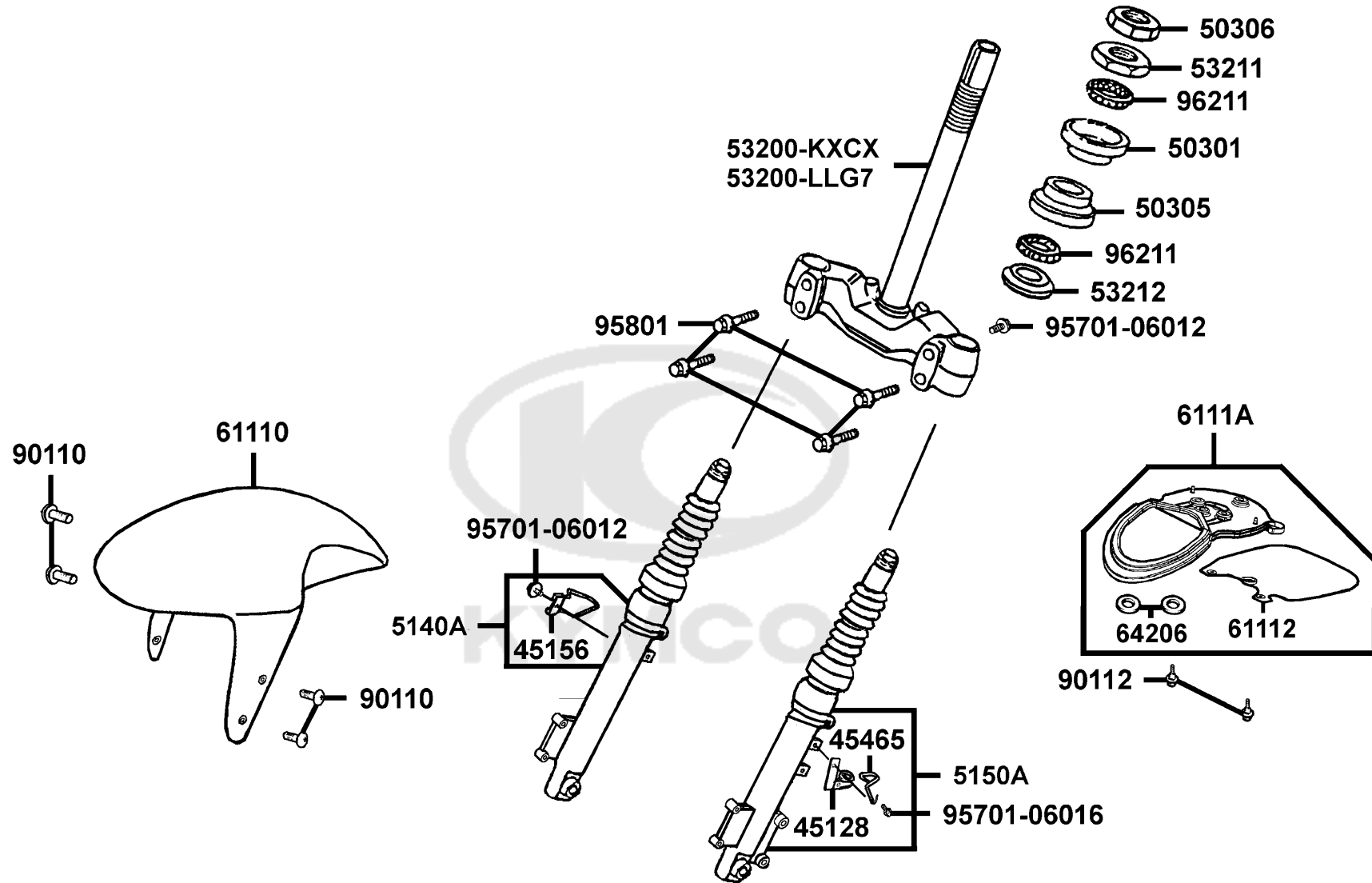
Front Cushion



Sales mark	Ref no	Part no	Description	Reg description	Regd no	F06
	45128	45128-KEB7-900	CLAMPER FR BRAKE HOSE	CLAMPER FR BRAKE HOSE	1	
	45156	45156-KNBN-902	CLAMPER FR BRK HOSE	CLAMPER FR BRK HOSE	1	
	45465	45465-KEB7-E00	GUIDE HOSE BRK FR	GUIDE HOSE BRK FR	1	
	50301	50301-GLM0-001	RACE UP STRG BALL	RACE UP STRG BALL	1	
	50305	50305-GHC8-004	RACE (UNDER STR) BALL	RACE (UNDER STR) BALL	1	
	50306	50306-KCAC-900	NUT STRG STEM LOCK	NUT STRG STEM LOCK	1	
**	5140A	5140A-KXCX-E00	FORK SET R FR	FORK SET R FR	1	
**	5150A	5150A-KXCX-E00	FORK SET L FR	FORK SET L FR	1	
	53200-KXCX	53200-KXCX-E00	STEM COMP STRG	STEM COMP STRG	1	
	53200-LLG7	53200-LLG7-900	STEM COMP STRG	STEM COMP STRG	1	
	53211	53211-GFY6-940	RACE STRG TOP CONE	RACE STRG TOP CONE	1	
	53212	53212-GHC8-004	RACE (STRG BOTTOM) CONE	RACE (STRG BOTTOM) CONE	1	
**	61110	61110-KEB7-E00	FENDER FR INNER	FENDER FR INNER	1	
	61112	61112-LLG7-900	PLATE INNER FENDER SPLASH	PLATE INNER FENDER SPLASH	1	
	6111A	6111A-LLG7-900	FENDER ASSY FR INNER	FENDER ASSY FR INNER	1	
	64206	64206-MLJ0-001	NUT SPEED 4MM	NUT SPEED 4MM	1	
	90110	90110-KEB7-900	SCREW SPECIAL 6*14	SCREW SPECIAL 6*14	4	
	90112	90112-GCC3-001	BOLT SPECIAL 5MM	BOLT SPECIAL 5MM	2	
#	95701-06012	95701-06012-06	BOLT FLANGE 6*12 **07 C.2005.07.01	BOLT FLANGE 6*12 **07 C.2005.07.01	1	
#	95701-06016	95701-06016-06	BOLT FLANGE 6*16 (K)	BOLT FLANGE 6*16 (K)	1	

F06

Front Cushion



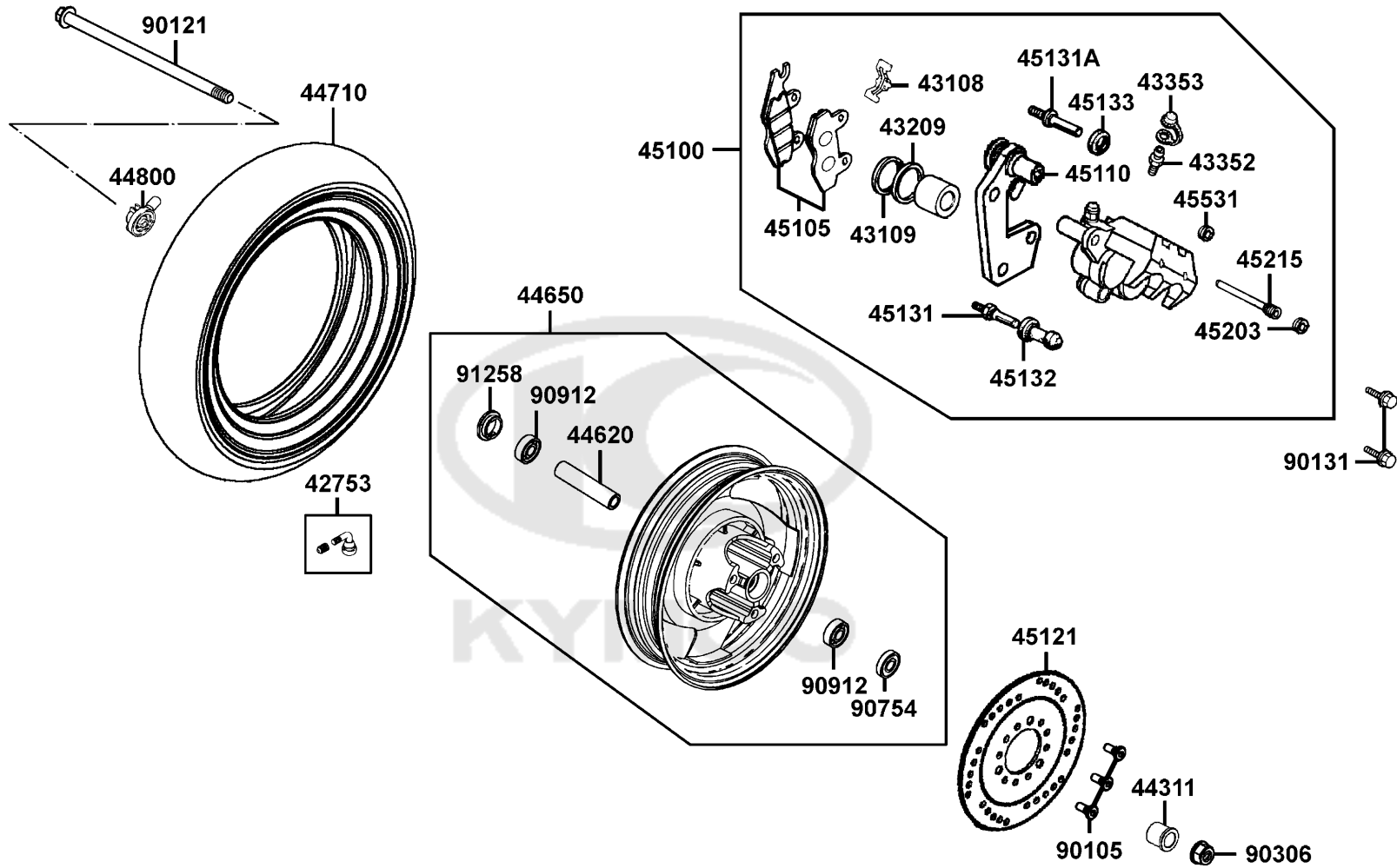
Sales mark	Ref no	Part no	Description	Reg description	Regd no	F06
------------	--------	---------	-------------	-----------------	---------	------------

#	95801	95801-08040-06	BOLT FLANGE 8*40	BOLT FLANGE 8*40	1	
	96211	96211-05000	BALL STEEL #5	BALL STEEL #5	55	



F07

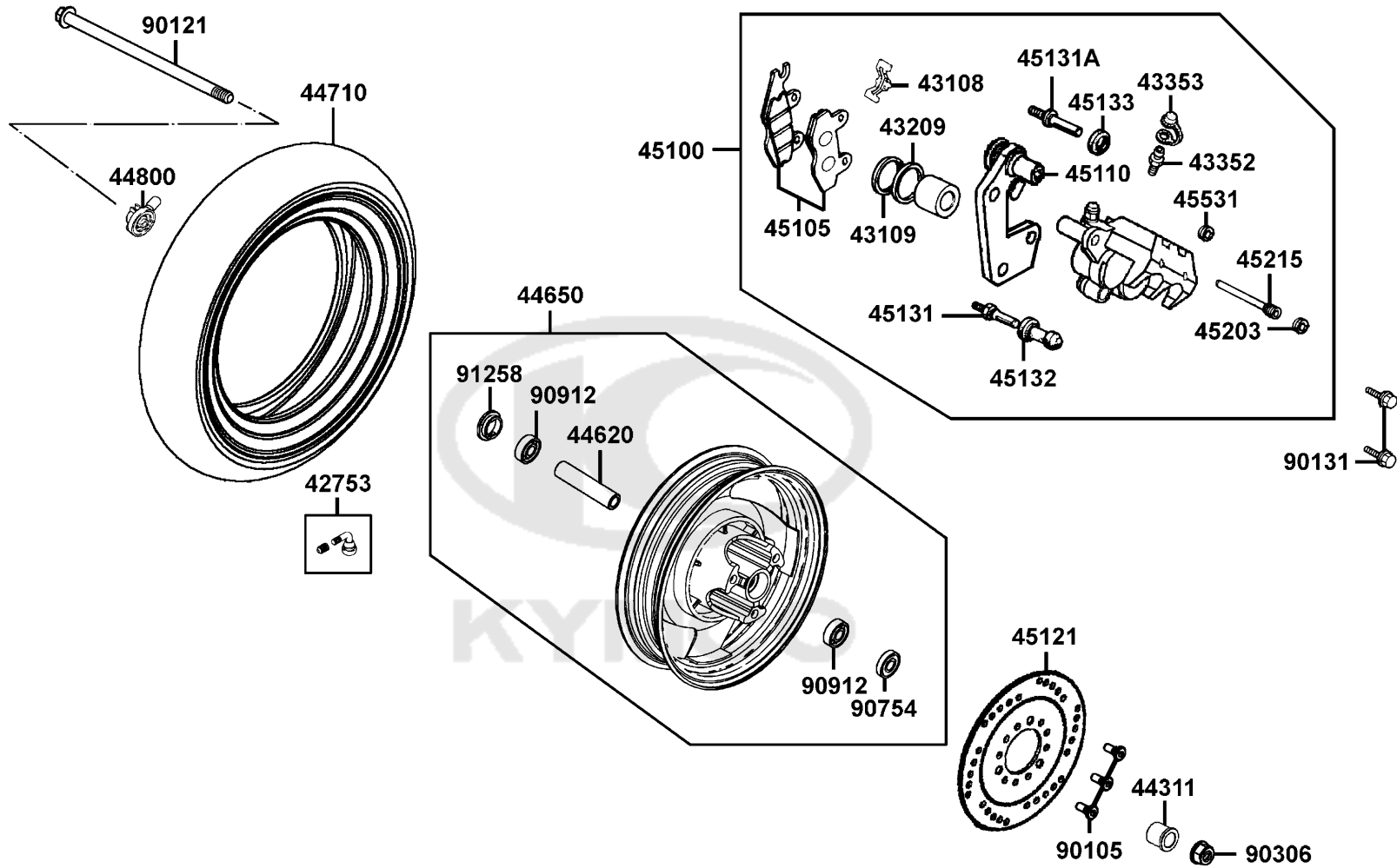
Front Wheel



Sales mark	Ref no	Part no	Description	Reg description	Regd no	F07
	42753	42753-0D04-900	RIM VALVE (PVR 70)	RIM VALVE (PVR 70)	1	
	43108	43108-KFS6-07A	SPRING PAD	SPRING PAD	1	
	43109	43109-MCA3-007	DUST SEAL	DUST SEAL	1	
	43209	43209-MCA3-007	SEAL PISTON	SEAL PISTON	1	
	43352	43352-5H68-004	SCREW BLEEDER	SCREW BLEEDER	1	
	43353	43353-4A61-77A	CAP BLEEDER	CAP BLEEDER	1	
	44311	44311-GLW0-911	COLLAR FR WHEEL SIDE	COLLAR FR WHEEL SIDE	1	
	44620	44620-KEB7-E00	COLLAR FR DIST	COLLAR FR DIST	1	
**	44650	44650-KEB7-315	WHEEL SET FR	WHEEL SET FR	1	
	44710	44710-KFA5-90B	TIRE ASSY FR/110/70-12 56J /CHENG	TIRE ASSY FR/110/70-12 56J /CHENG SHIN	1	
	44800	44800-KXCX-E00	GEAR BOX ASSY SPDMT	GEAR BOX ASSY SPDMT	1	
**	45100	45100-KXCX-E00	CALIPER ASSY FR L	CALIPER ASSY FR L	1	
	45105	45105-KXCX-305-M2	PAD ASSY	PAD ASSY	1	
	45110	45110-KXCX-E00	BRACKET COMP FR CALIPER	BRACKET COMP FR CALIPER	1	
	45121	45121-KECE-900	DISK FR BRK	DISK FR BRK	1	
	45131	45131-1F66-017	PIN BOLT	PIN BOLT	1	
	45131A	45131-HEA5-67A	PIN BOLT A	PIN BOLT A	1	
	45132	45132-1F66-017	BUSH BOOT PIN	BUSH BOOT PIN	1	
	45133	45133-MCA3-007	BOOT B	BOOT B	1	
	45203	45203-MCG3-007	PLUG PIN	PLUG PIN	1	

F07

Front Wheel

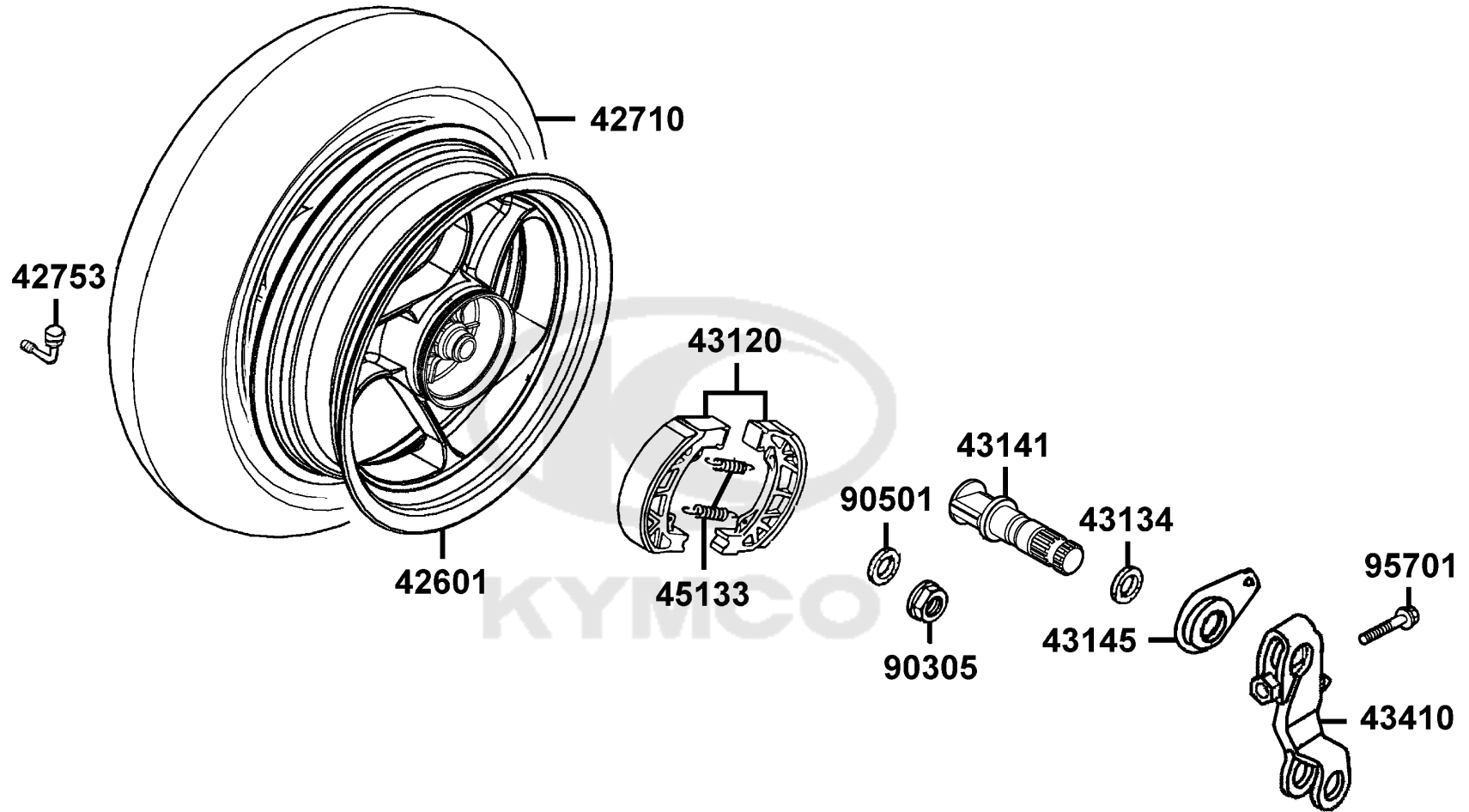


Sales mark	Ref no	Part no	Description	Reg description	Regd no	F07
45215		45215-KCA3-73A	PIN HANGER	PIN HANGER	1	
45531		45531-GAR1-951	PLUG	PLUG	1	
90105		90105-KCR3-001	BOLT FR DISK 8*24	BOLT FR DISK 8*24	3	
90121		90121-KBE2-981	BOLT RR FORK PIVOT M12*255MM	BOLT RR FORK PIVOT M12*255MM	1	
90131		90131-GLW0-911	BOLT FLANGE 8*35	BOLT FLANGE 8*35	2	
90306		90306-GLW0-90A	NUT FLANGE 12MM	NUT FLANGE 12MM	1	
90754		90754-GHC8-00A	SEAL DUST 20*32*5	SEAL DUST 20*32*5	1	
90912		90912-GHC8-00A	BEARING 6201 (U)	BEARING 6201 (U)	2	
90912		90912-GHC8-00D	BEARING	BEARING	2	
91258		91258-KAM1-00A	SEAL SPDMT GEAR BOX	SEAL SPDMT GEAR BOX	1	



F08

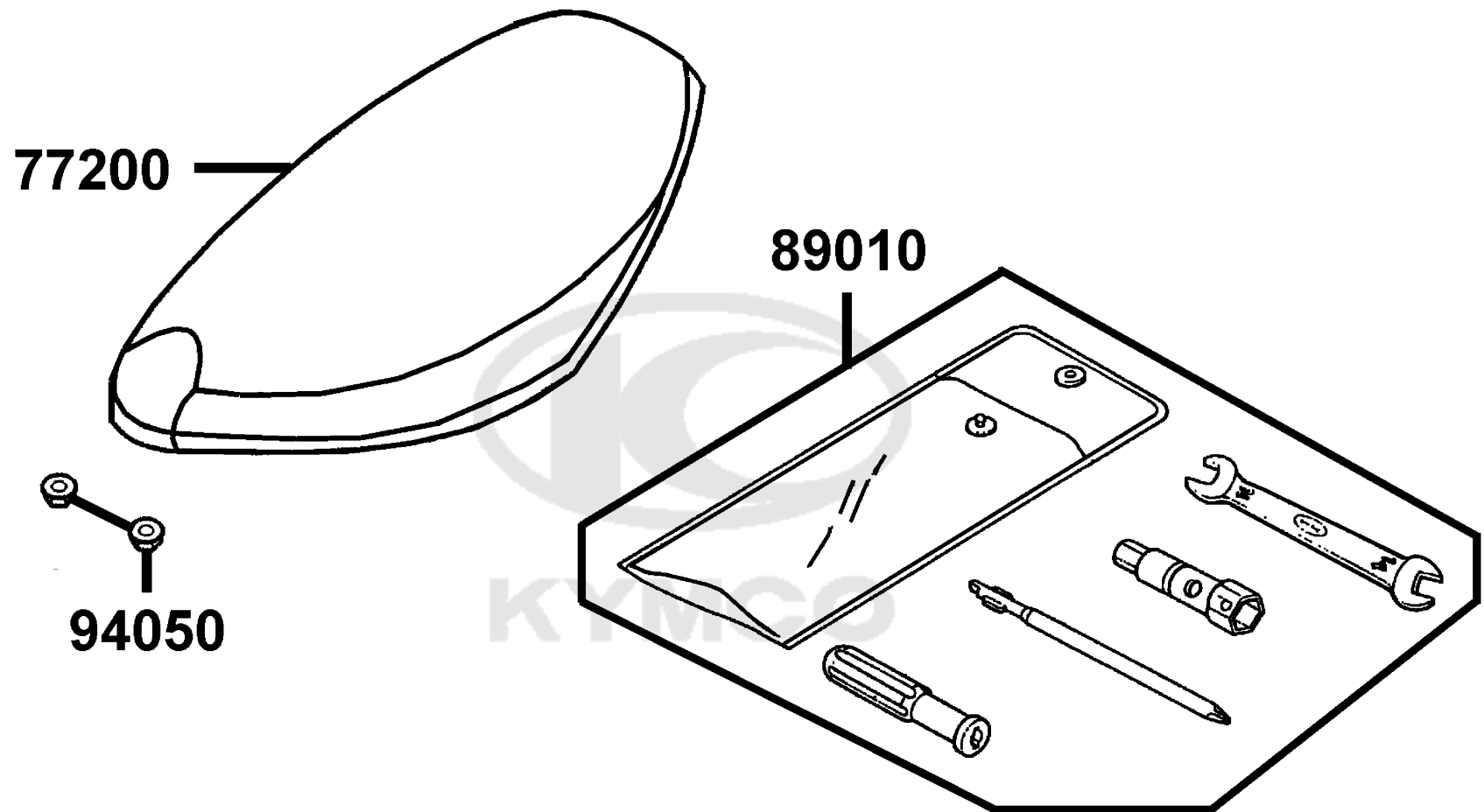
Rear Wheel



Sales mark	Ref no	Part no	Description	Reg description	Regd no	F08
**	42601	42601-KEB7-E0E	WHEEL CAST RR	WHEEL CAST RR	1	
	42710	42710-KXCX-E1B	TIRE ASSY 120/70-12 56J /CHENG SHIN	TIRE ASSY 120/70-12 56J /CHENG SHIN	1	
	42753	42753-KXCX-900	VALVE (PVR-70B) & CAP	VALVE (PVR-70B) & CAP	1	
	43120	4312A-KXCX-900	SHOE ASSY RR BRK	SHOE ASSY RR BRK	1	
	43134	43134-1F96-001	SEAL BRK CAM	SEAL BRK CAM	1	
	43141	43141-GKAK-901	CAM RR BRAKE	CAM RR BRAKE	1	
	43145	43145-GBN2-001	INDICATOR RR BRK	INDICATOR RR BRK	1	
	43410	43410-KFA1-900	ARM COMP RR BRAKE	ARM COMP RR BRAKE	1	
	45133	45133-0H28-001	SPRING BRAKE SHOE	SPRING BRAKE SHOE	2	
	90305	90305-KNBN-90B	NUT U 16MM	NUT U 16MM	1	
	90501	90501-KNBN-901	WASHER 16MM	WASHER 16MM	1	
#	95701	95701-06032-06	BOLT FLANGE 6*32	BOLT FLANGE 6*32	1	

F09

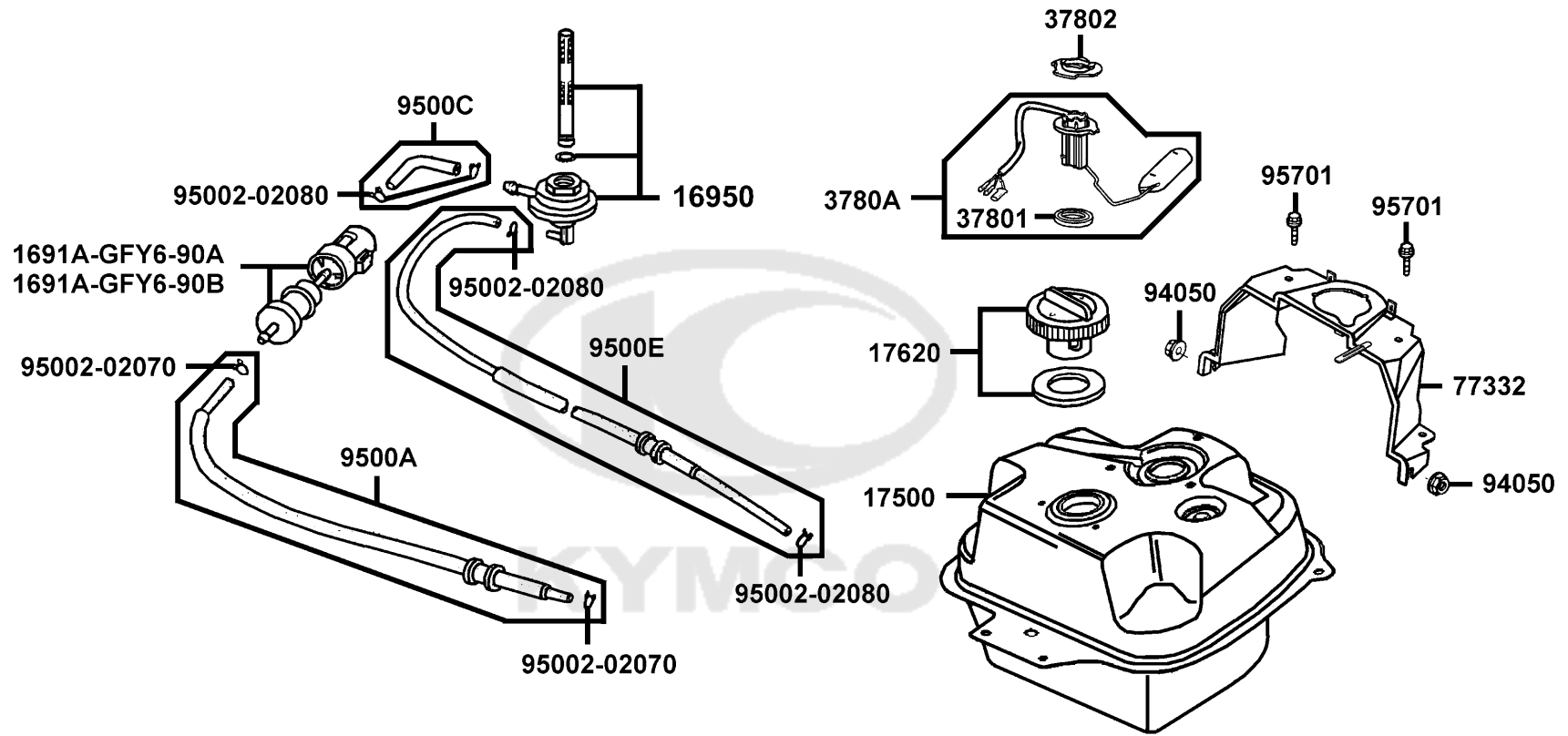
Seat



Sales mark	Ref no	Part no	Description	Reg description	Regd no	F09
------------	--------	---------	-------------	-----------------	---------	------------

**	77200	77200-KXCX-E00	SEAT ASSY	SEAT ASSY	1	
	89010	89010-GGS7-C00	TOOL SET	TOOL SET	1	
	94050	94050-06080	NUT FLANGE 6MM	NUT FLANGE 6MM	2	

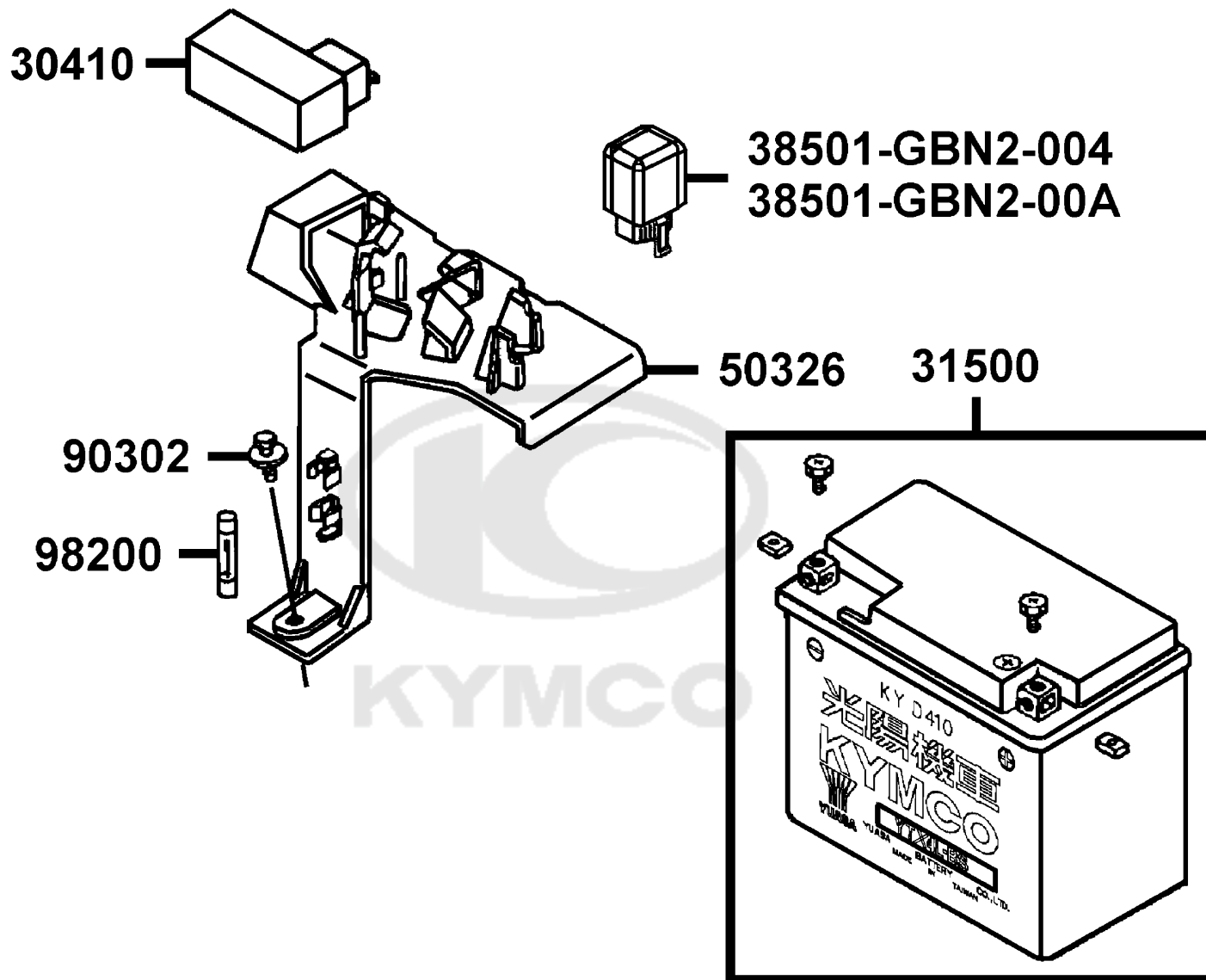





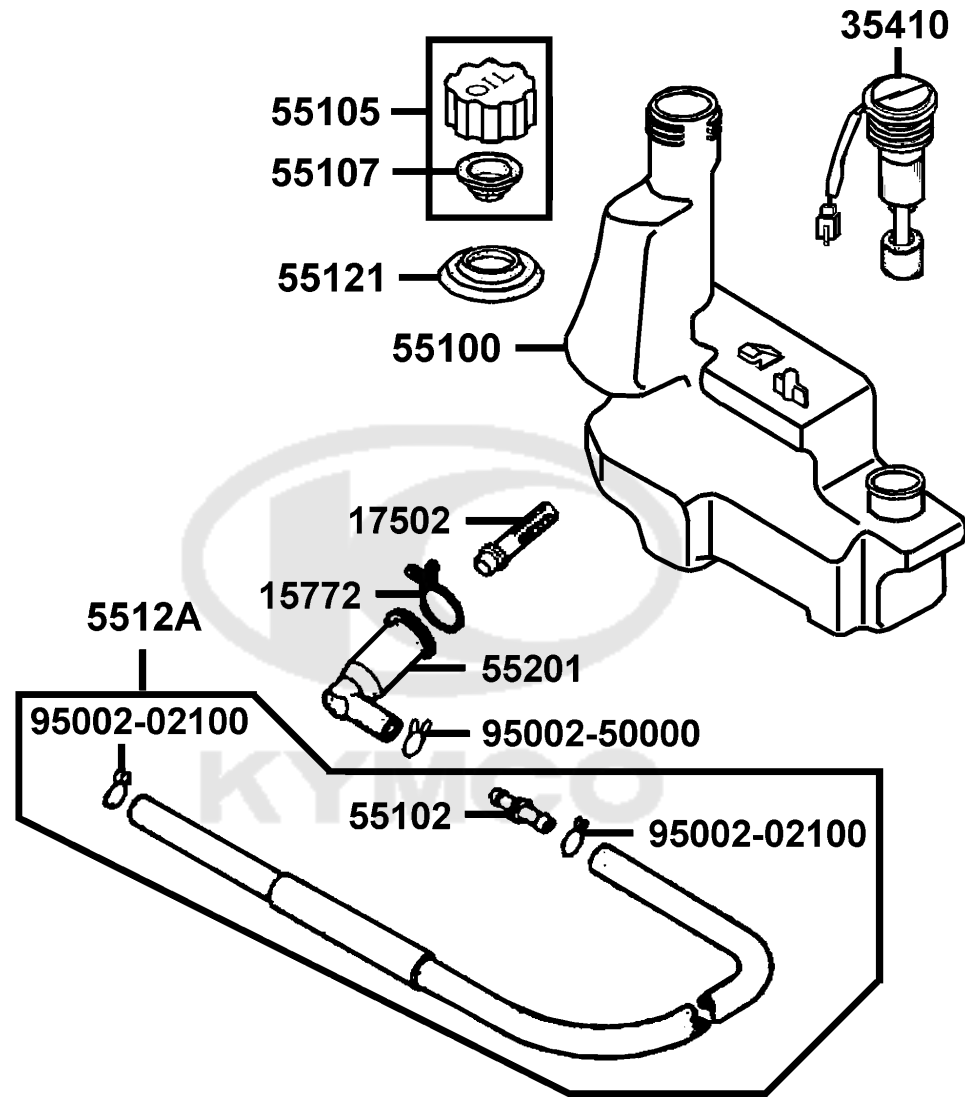
Sales mark	Ref no	Part no	Description	Reg description	Regd no	F10
	1691A-GFY6-90A	1691A-GFY6-90A	STRAINER ASSY FUEL	STRAINER ASSY FUEL	1	
	1691A-GFY6-90B	1691A-GFY6-90B	STRAINER ASSY FUEL	STRAINER ASSY FUEL	1	
	16950	16950-KKJ9-75A	AUTO COCK ASSY FUEL	AUTO COCK ASSY FUEL	1	
	17500	17500-KXCX-E01	TANK COMP FUEL	TANK COMP FUEL	1	
	17620	17620-GGS7-67A	CAP COMP FUEL FILLER	CAP COMP FUEL FILLER	1	
	37801	37801-GGA7-701	PACKING BASE	PACKING BASE	1	
	37802	37802-GGA7-701	RET FUEL UNIT	RET FUEL UNIT	1	
	3780A	3780A-KXCX-900	FUEL ASSY UNIT	FUEL ASSY UNIT	1	
	77332	77332-KPCP-E00	STAY RR GRIP	STAY RR GRIP	1	
	94050	94050-06080	NUT FLANGE 6MM	NUT FLANGE 6MM	2	
	95002-02070	95002-02070	CLIP B7 TUBE	CLIP B7 TUBE	2	
	95002-02080	95002-02080	CLIP B8 TUBE	CLIP B8 TUBE	4	
	9500A	9500A-KXCX-900	TUBE ASSY FUEL	TUBE ASSY FUEL	1	
	9500C	9500C-GGS7-001	TUBE ASSY FUEL	TUBE ASSY FUEL	1	
	9500E	9500E-GGS7-001	TUBE ASSY FUEL	TUBE ASSY FUEL	1	
#	95701	95701-06012-06	BOLT FLANGE 6*12 **07 C.2005.07.01	BOLT FLANGE 6*12 **07 C.2005.07.01	1	

F11

Battery



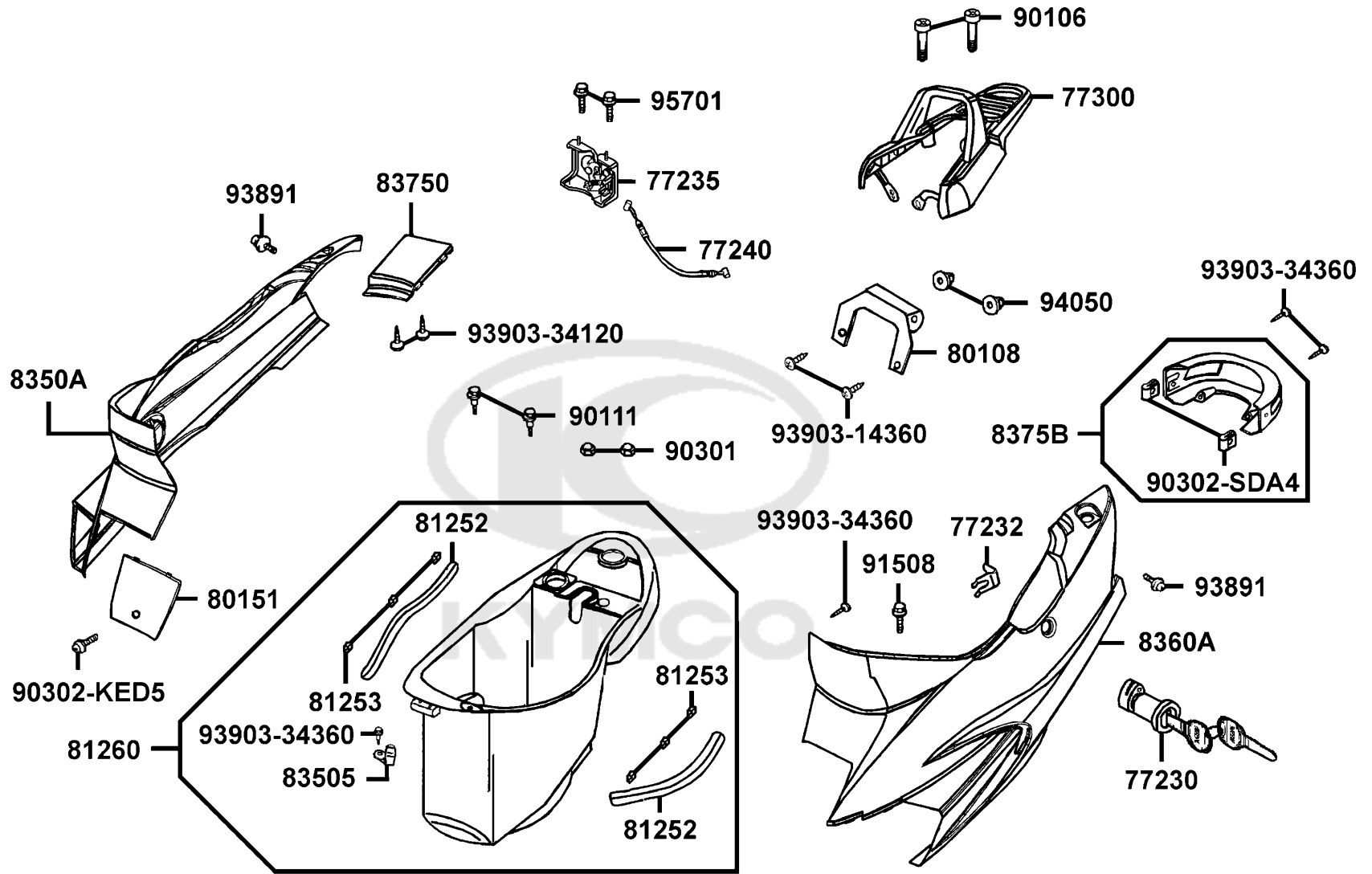
Sales mark	Ref no	Part no	Description	Reg description	Regd no	F11	
	30410	30410-GBW2-901	UNIT COMP CDI	UNIT COMP CDI	1		
	31500	31500-KCAC-90A	BATTERY YTX4L-BS	BATTERY YTX4L-BS	1		
	38501-GBN2-004	38501-GBN2-004	RELAY COMP START (Mark:D421)	RELAY COMP START (Mark:D421)	1		
	38501-GBN2-00A	38501-GBN2-00A	RELAY COMP START (Mark:SEEC)	RELAY COMP START (Mark:SEEC)	1		
	50326	50326-GGS7-001	HOLDER BATTERY	HOLDER BATTERY	1		
	90302	90302-GBR2-001	BOLT WASH 5*16	BOLT WASH 5*16	1		
	98200	98200-10700	FUSE A7	FUSE A7	1		
							



Sales mark	Ref no	Part no	Description	Reg description	Regd no	F12
15772		15772-5A51-001	CLIP BREATHER TUBE	CLIP BREATHER TUBE	1	
17502		17502-1G87-001	OIL STRAINER	OIL STRAINER	1	
35410		35410-GAR1-900	SW COMP OIL LEVEL	SW COMP OIL LEVEL	1	
55100		55100-GGS7-901	TANK ASSY OIL	TANK ASSY OIL	1	
55102		55102-1F66-001	JOINT OIL TUBE	JOINT OIL TUBE	1	
55105		55105-GHK8-001	CAP ASSY OIL	CAP ASSY OIL	1	
55107		55107-GHK8-001	PACKING OIL CAP	PACKING OIL CAP	1	
55121		55121-GGS7-901	RUBBER OIL GUIDE	RUBBER OIL GUIDE	1	
5512A		5512A-GGS7-901	TUBE ASSY OIL	TUBE ASSY OIL	1	
55201		55201-1G87-001	JOINT OIL STRN	JOINT OIL STRN	1	
95002-02100		95002-02100	CLIP B15 TUBE	CLIP B15 TUBE	2	
95002-50000		95002-50000	CLIP C9 TUBE	CLIP C9 TUBE	1	

F13

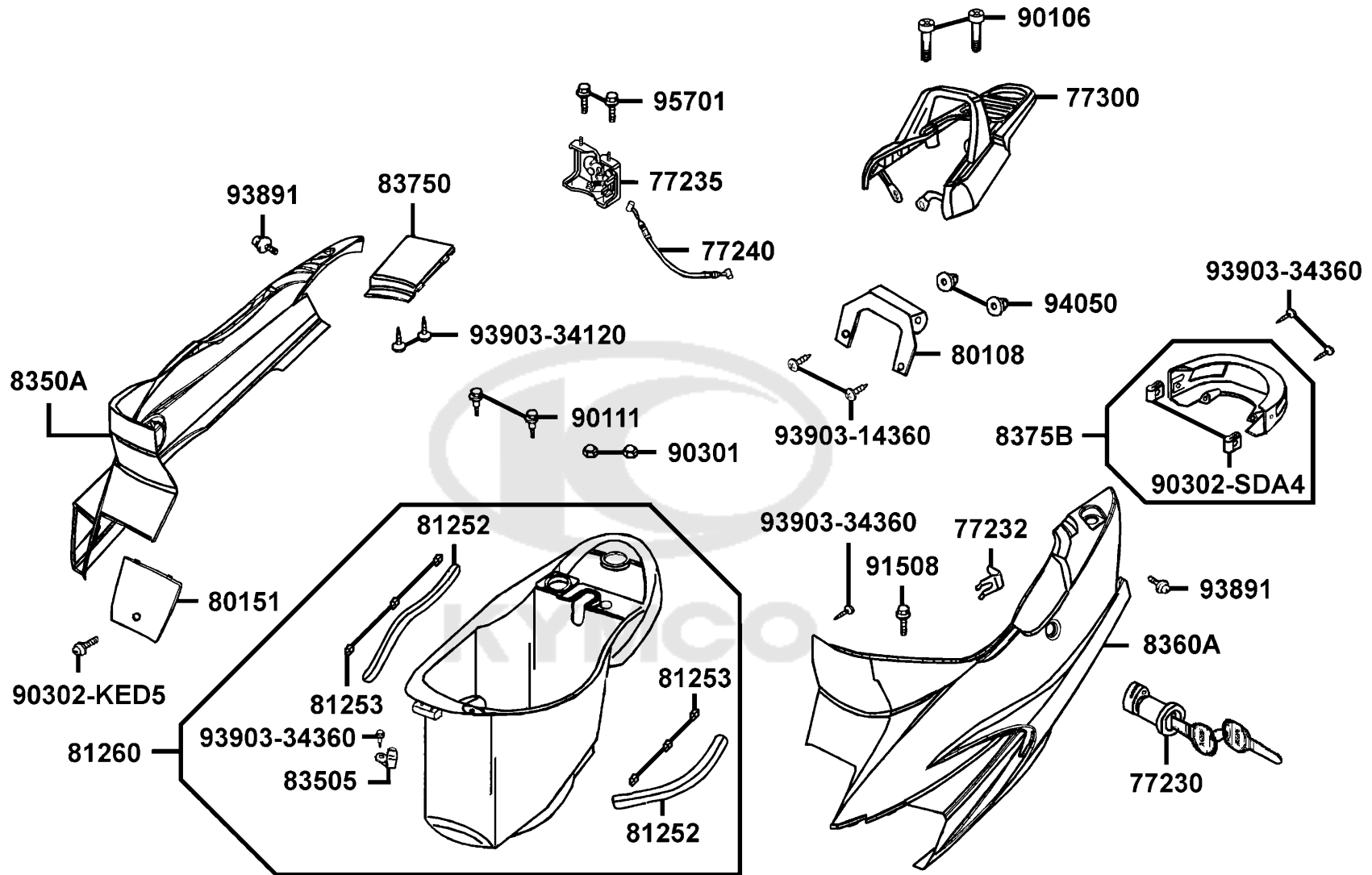
Body Cover Luggage Box



Sales mark	Ref no	Part no	Description	Reg description	Regd no	F13
	77230	77230-KAM1-305	KEY SEAT LOCK SET	KEY SEAT LOCK SET	1	
	77232	77232-KCAC-901	SET SPG SEAT LOCK	SET SPG SEAT LOCK	1	
	77235	77235-GGS7-901	SEAT CATCH COMP	SEAT CATCH COMP	1	
	77240	77240-GGS7-001	CABLE SEAT LOCK	CABLE SEAT LOCK	1	
**	77300	77300-KXCX-900	CARRIER ASSY LUGGAGE	CARRIER ASSY LUGGAGE	1	
	80108	80108-KCAC-900	STAY RR CENTER MOLD	STAY RR CENTER MOLD	1	
**	80151	80151-KCAC-900	COVER BATTERY	COVER BATTERY	1	
	81252	81252-GGS7-001	SEAL LUGGAGE BOX	SEAL LUGGAGE BOX	2	
	81253	81253-GGS7-001	CLIP SEAL RUBBER	CLIP SEAL RUBBER	6	
**	81260	81260-KXCX-E00	BOX COMP LUGGAGE	BOX COMP LUGGAGE	1	
	83505	83505-KCAC-900	STAY BODY COVER (2ND)	STAY BODY COVER (2ND)	1	
**	8350A	8350A-KXCX-J00	COVER ASSY BODY R SIDE **KCX	COVER ASSY BODY R SIDE **KCX C.2005.10	1	
**	8360A	8360A-KXCX-J00	COVER SET L BODY /DEEP BLUE	COVER SET L BODY /DEEP BLUE METALLIC	1	
**	83750	83750-KXCX-900	COVER RR CENTER	COVER RR CENTER	1	
**	8375B	8375B-KCAC-901	MOLD ASSY RR CENTER	MOLD ASSY RR CENTER	1	
	90106	90106-KFAF-900	BOLT SPECIAL	BOLT SPECIAL	2	
#	90111	90111-KKD7-900	BOLT FLANGE 6*17 (G)	BOLT FLANGE 6*17 (G)	1	
	90301	90301-6D34-671	NUT FLANGE 6MM	NUT FLANGE 6MM	2	
	90302-KED5	90302-KED5-900	BOLT PAN 5*11	BOLT PAN 5*11	1	
	90302-SDA4	90302-SDA4-004	NUT SPRING 4MM	NUT SPRING 4MM	2	

F13

Body Cover Luggage Box

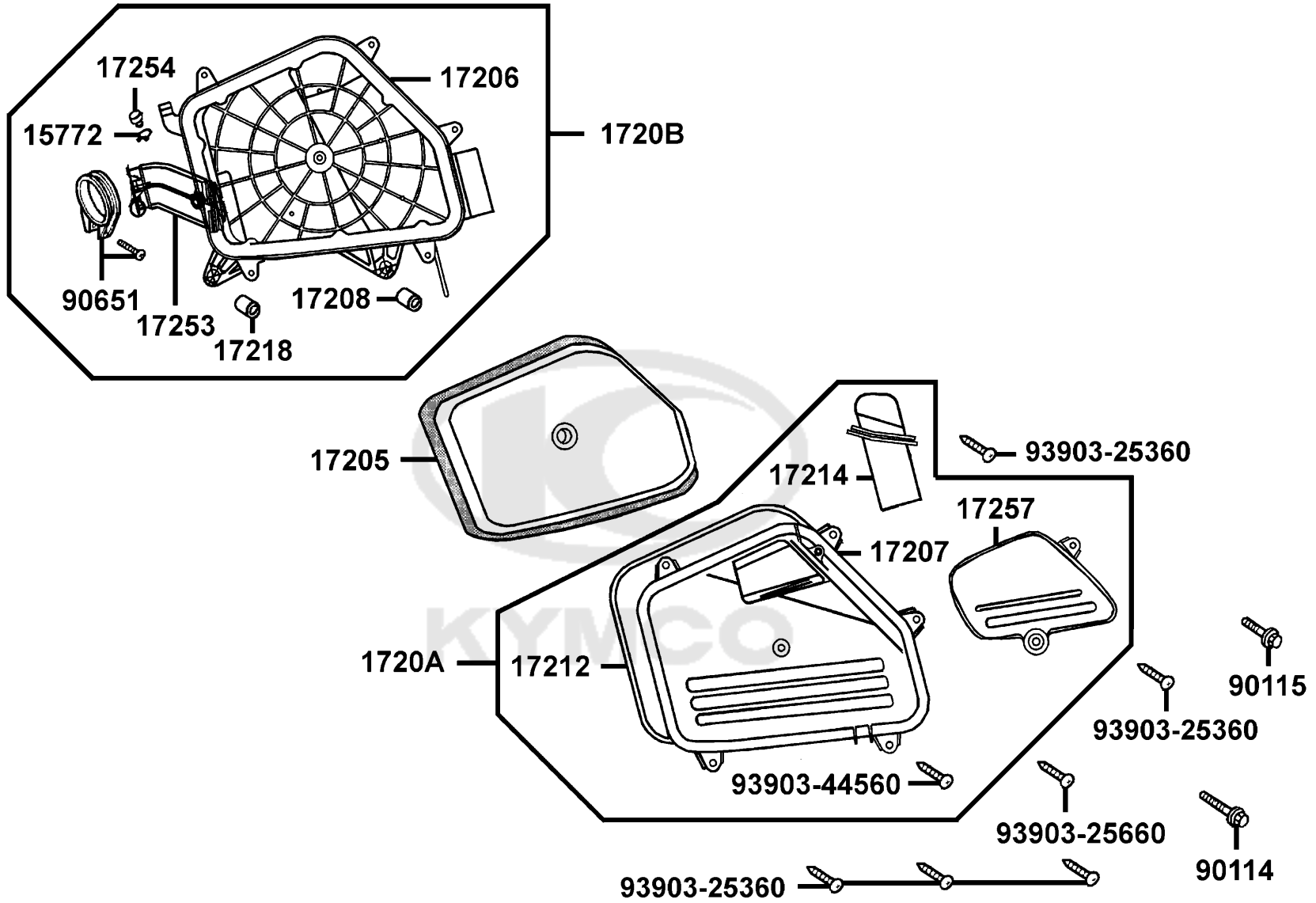


Sales mark	Ref no	Part no	Description	Reg description	Regd no	F13
	91508	91508-KNBN-901	SCREW PAN 5*7	SCREW PAN 5*7	2	
	93891	93891-05012-06	SCREW WASHER 5*12	SCREW WASHER 5*12	2	
	93903-14360	93903-14360	SCREW TAPPING 4*12	SCREW TAPPING 4*12	2	
#	93903-34120	93903-34160	SCREW TAPPING 4X8	SCREW TAPPING 4X8	1	
	93903-34360	93903-34360	SCREW TAPPING 4X12	SCREW TAPPING 4X12	4	
	94050	94050-06080	NUT FLANGE 6MM	NUT FLANGE 6MM	2	
#	95701	95701-06012-06	BOLT FLANGE 6*12 **07 C.2005.07.01	BOLT FLANGE 6*12 **07 C.2005.07.01	1	



F14

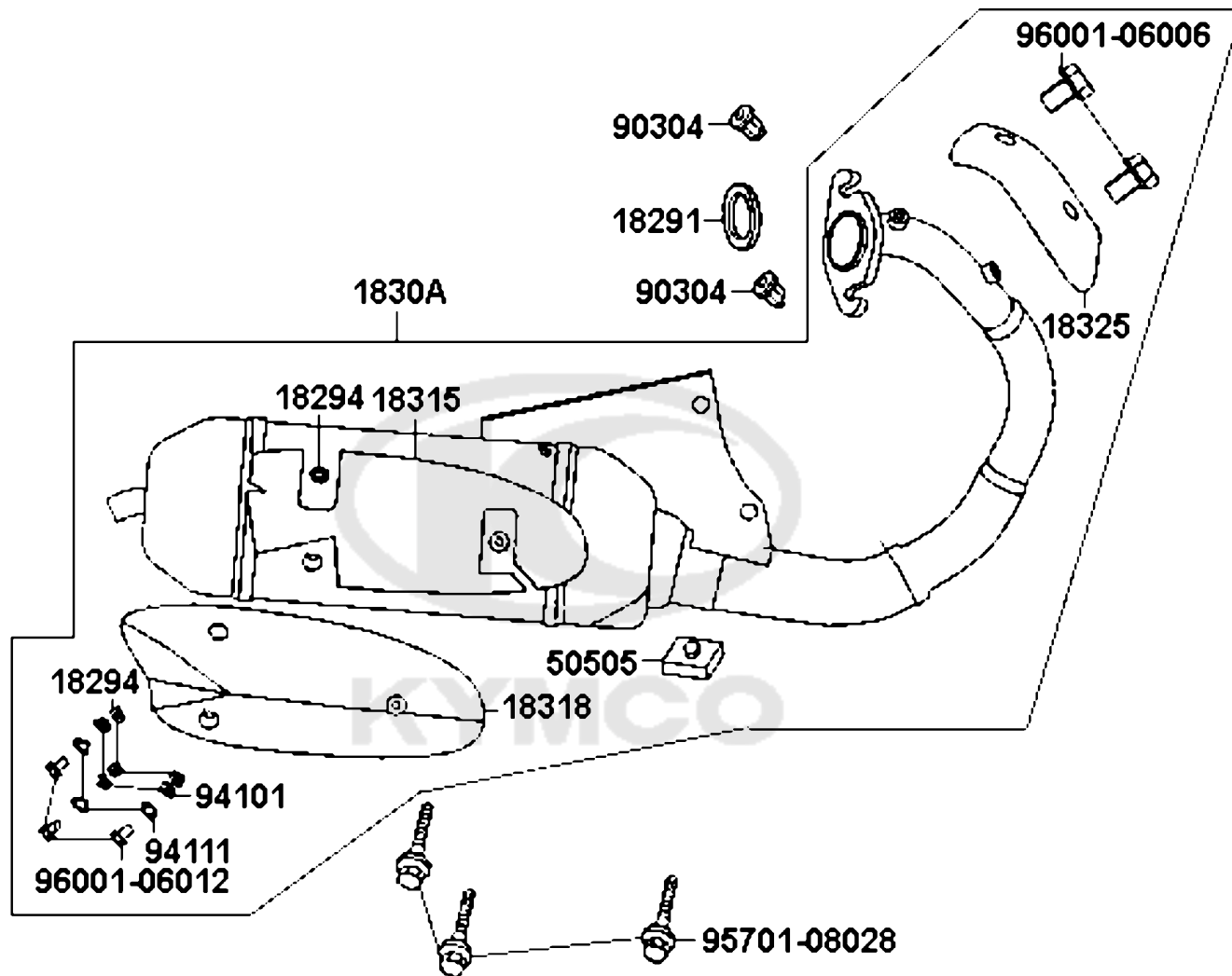
Air Cleaner



Sales mark	Ref no	Part no	Description	Reg description	Regd no	F14
	15772	15772-5L00-013	CLIP B14.5 TUBE	CLIP B14.5 TUBE	1	
	17205	17205-GAR1-751	ELMT A AIR/C	ELMT A AIR/C	1	
	17206	17206-GAR1-931	CASE AIR/C	CASE AIR/C	1	
	17207	17207-GAR1-930	COVER AIR/C CASE	COVER AIR/C CASE	1	
	17208	17208-KXCX-900	COLLAR AIR/C SET	COLLAR AIR/C SET	1	
	1720A	1720A-KXCX-900	COVER ASSY AIR/C	COVER ASSY AIR/C	1	
	1720B	1720B-KXCX-E00	CASE ASSY AIR/C	CASE ASSY AIR/C	1	
	17212	17212-GAR1-751	SEAL AIR/C COVER	SEAL AIR/C COVER	1	
	17214	17214-GAR1-711	DUCT AIR/C	DUCT AIR/C	1	
	17218	17218-KXCX-900	COLLAR AIR/C SET	COLLAR AIR/C SET	1	
	17253	17253-KXCX-E00	TUBE AIR/C CONN	TUBE AIR/C CONN	1	
	17254	17254-KACA-P00	PLUG AIR/C CONN TUBE	PLUG AIR/C CONN TUBE	1	
	17257	17257-KXCX-900	DUCT AIR/C COVER	DUCT AIR/C COVER	1	
	90114	90114-KXCX-900	BOLT FLANGE SH 6X42	BOLT FLANGE SH 6X42	1	
#	90115	90115-LKB9-900	BOLT FLANGE SH 6*32	BOLT FLANGE SH 6*32	1	
	90651	90651-GBHB-601	BAND 34 AIR/C CONN TUBE	BAND 34 AIR/C CONN TUBE	1	
#	93903-25360	93903-25360	SCREW TAPPING 5*16	SCREW TAPPING 5*16	5	
	93903-25660	93903-25660	SCREW TAPPING 5*30	SCREW TAPPING 5*30	1	
	93903-44560	93903-44560	SCREW TAPPING 4*20	SCREW TAPPING 4*20	1	

F15

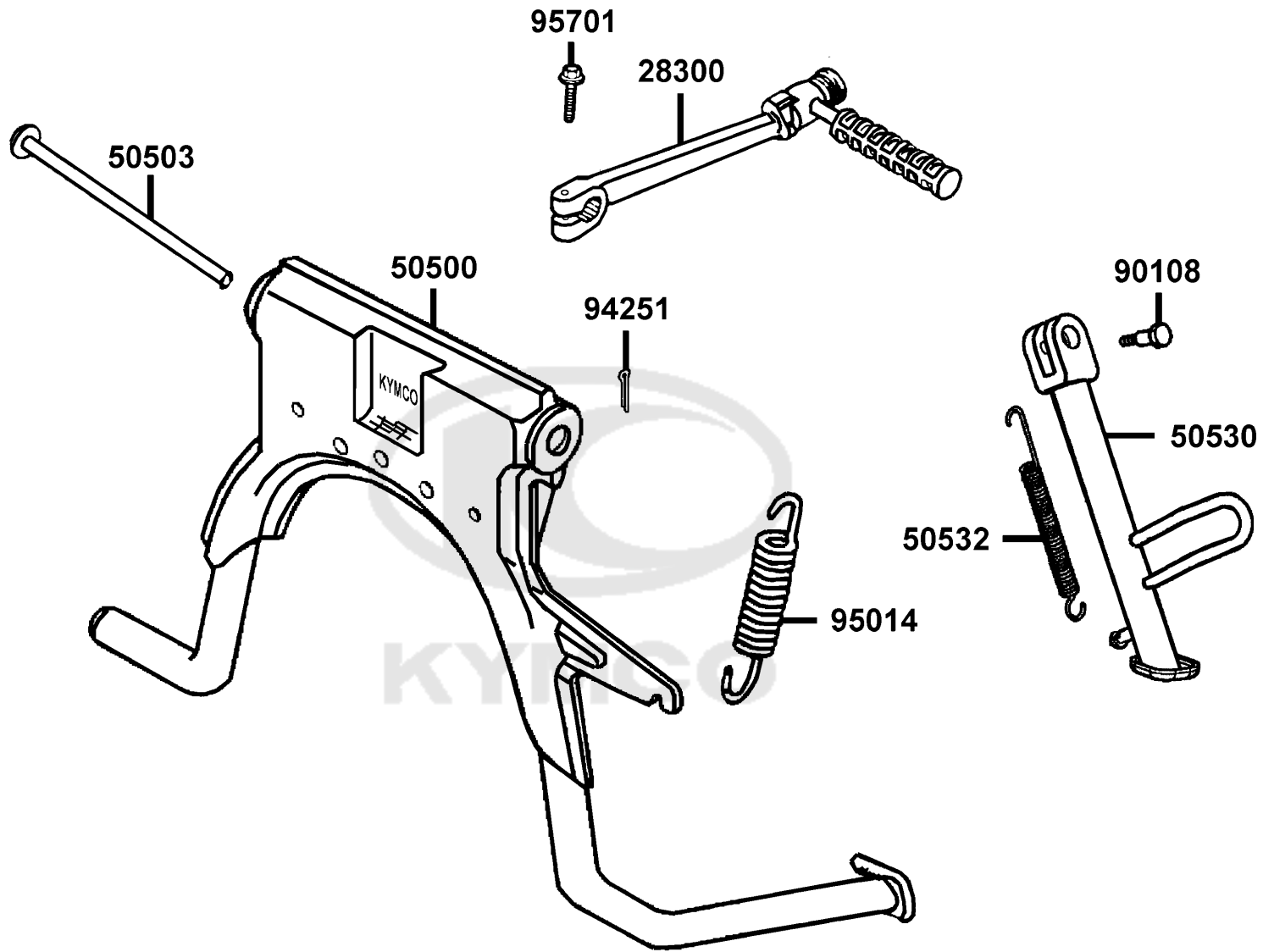
Exhaust Muffler



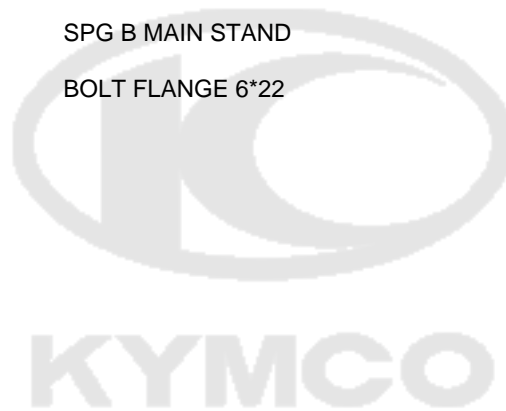
Sales mark	Ref no	Part no	Description	Reg description	Regd no	F15
18291		18291-LEA5-E00	GASKET EXH PIPE	GASKET EXH PIPE	1	
18294		18294-KTCT-900	PACKING PROTECTOR	PACKING PROTECTOR	6	
1830A		1830A-KXCX-N00	MUFFLER ASSY EXH **KCX-N000	MUFFLER ASSY EXH **KCX-N000	1	
18315		18315-KXCX-900	DAMPER PROTECTOR MUFFLER	DAMPER PROTECTOR MUFFLER	1	
18318		18318-KXCX-900	PROTECTOR MUFFLER	PROTECTOR MUFFLER	1	
18325		18325-KLLL-901	PROTECTOR EXE PIPE	PROTECTOR EXE PIPE	1	
50505		50505-GAR1-711	STOPPER RUBBER STAND	STOPPER RUBBER STAND	1	
90304		90304-HCB3-77A	NUT SPECIAL 6MM	NUT SPECIAL 6MM	2	
94101		94101-06800	WASHER PLAIN 6MM	WASHER PLAIN 6MM	3	
94111		94111-06800	WASHER SPRING 6MM	WASHER SPRING 6MM	3	
95701-08028		95701-08028-06	BOLT FLANGE 8*28	BOLT FLANGE 8*28	3	
96001-06006		96001-06006-02	BOLT FLANGE SH 6*6	BOLT FLANGE SH 6*6	2	
96001-06012		96001-06012-02	BOLT FLANGE SH 6*12	BOLT FLANGE SH 6*12	3	

F16

StandKick Starter Arm

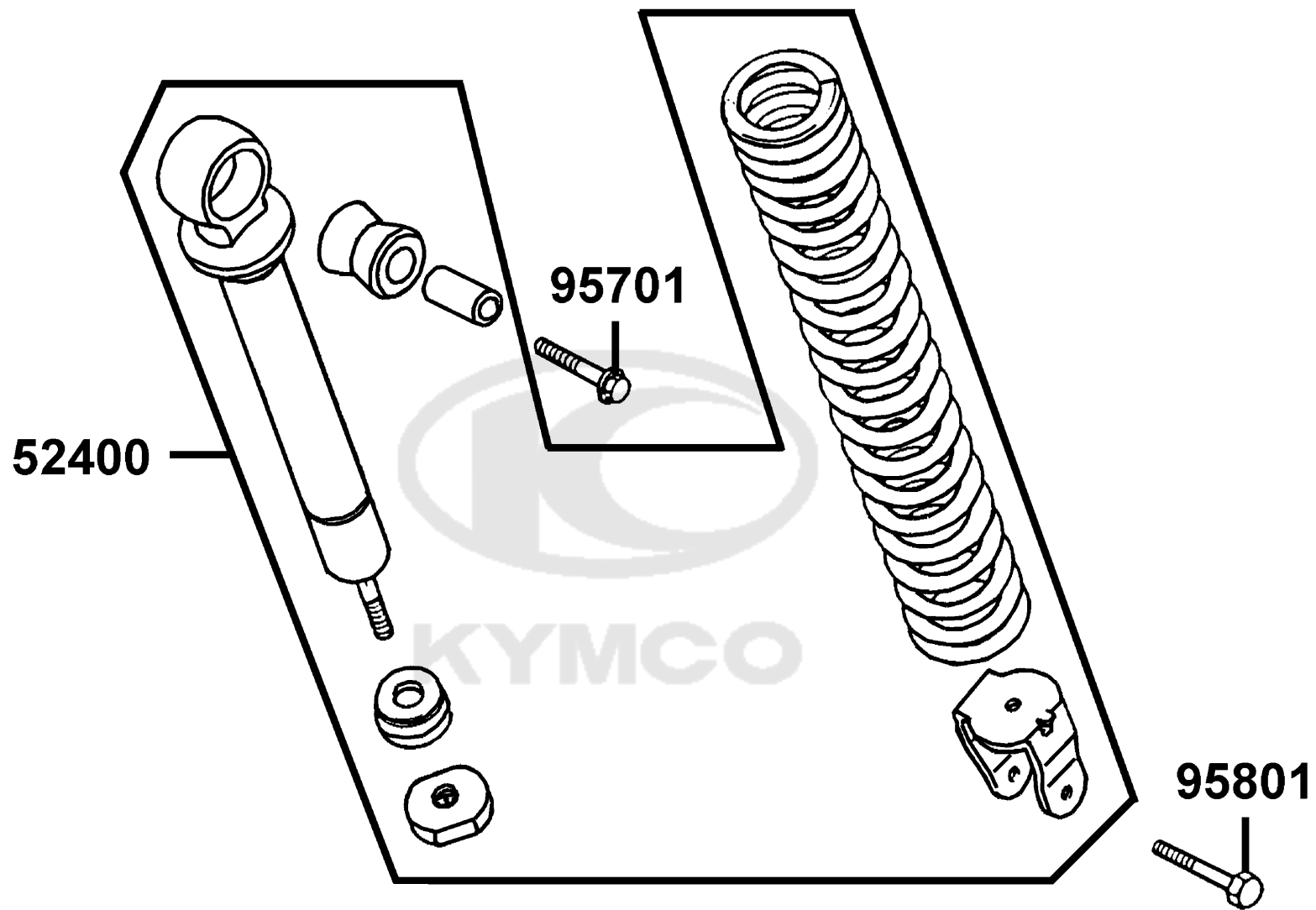


Sales mark	Ref no	Part no	Description	Reg description	Regd no	F16
	28300	28300-GGS7-901	ARM ASSY KICK STARTER	ARM ASSY KICK STARTER	1	
	50500	50500-KXCX-900	STAND COMP MAIN	STAND COMP MAIN	1	
	50503	50503-GAR1-001	SHAFT MAIN STAND	SHAFT MAIN STAND	1	
	50530	50530-KXCX-900	BAR COMP SIDE STAND	BAR COMP SIDE STAND	1	
	50532	50532-KGN7-671	SPG SIDE STAND	SPG SIDE STAND	1	
	90108	90108-GGS7-951	SCREW SIDE STAND PIVOT	SCREW SIDE STAND PIVOT	1	
	94251	94251-08800	PIN LOCK 8MM	PIN LOCK 8MM	1	
	95014	95014-71202	SPG B MAIN STAND	SPG B MAIN STAND	1	
	95701	95701-06022-06	BOLT FLANGE 6*22	BOLT FLANGE 6*22	1	



F17

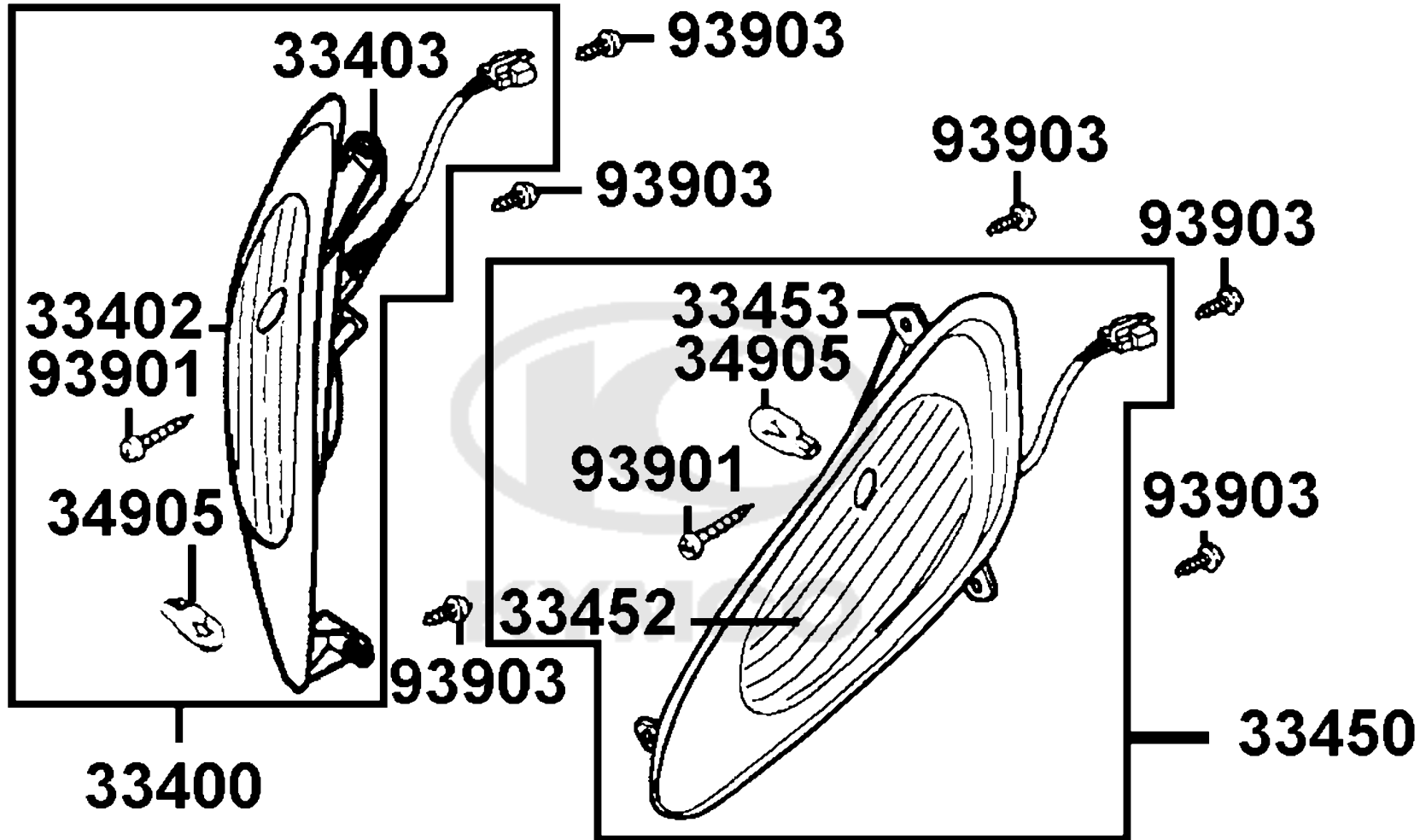
Rear Cushion



Sales mark	Ref no	Part no	Description	Reg description	Regd no	F17
------------	--------	---------	-------------	-----------------	---------	------------

	52400	52400-KXCX-E00	CUSHION ASSY REAR	CUSHION ASSY REAR	1	
#	95701	95701-10040-06	BOLT FLANGE 10*40	BOLT FLANGE 10*40	1	
#	95801	95801-08035-06	BOLT FLANGE 8*35	BOLT FLANGE 8*35	1	



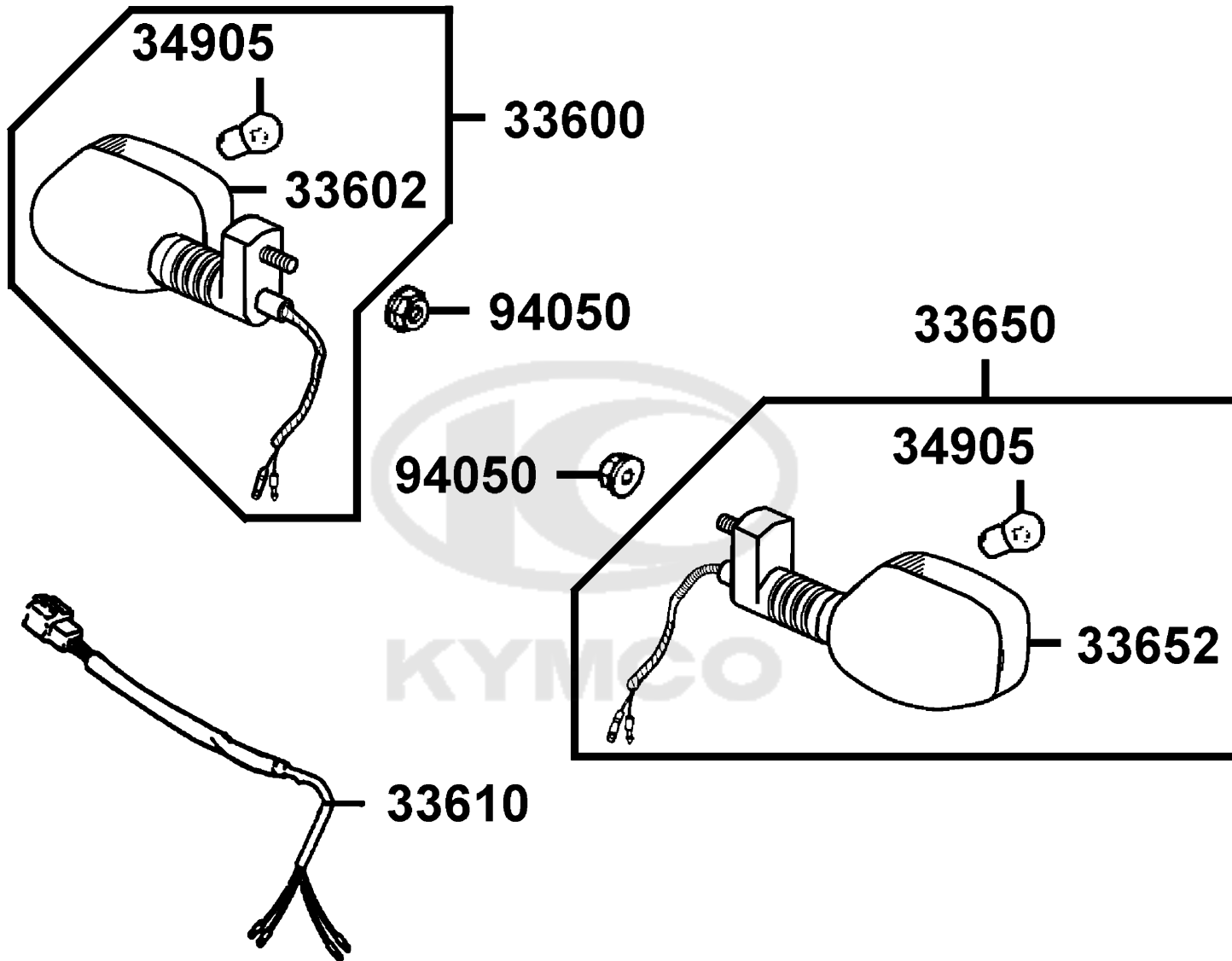



Sales mark	Ref no	Part no	Description	Reg description	Regd no	F18
**	33400	33400-KACA-E10	WINKER ASSY R FR	WINKER ASSY R FR	1	
	33402	33402-KACA-900	LENS R FR WINKER	LENS R FR WINKER	1	
**	33403	33403-KACA-E00	BASE COMP R FR WINKER	BASE COMP R FR WINKER	1	
**	33450	33450-KACA-E10	WINKER ASSY L FR	WINKER ASSY L FR	1	
	33452	33452-KACA-900	LENS L FR WINKER	LENS L FR WINKER	1	
**	33453	33453-KACA-E00	BASE COMP L FR WINKER	BASE COMP L FR WINKER	1	
	34905	34905-KPCP-900	BULB WINKER	BULB WINKER	2	
	93901	93901-32320	SCREW TAPPING 3*12	SCREW TAPPING 3*12	2	
	93903	93903-34360	SCREW TAPPING 4X12	SCREW TAPPING 4X12	6	

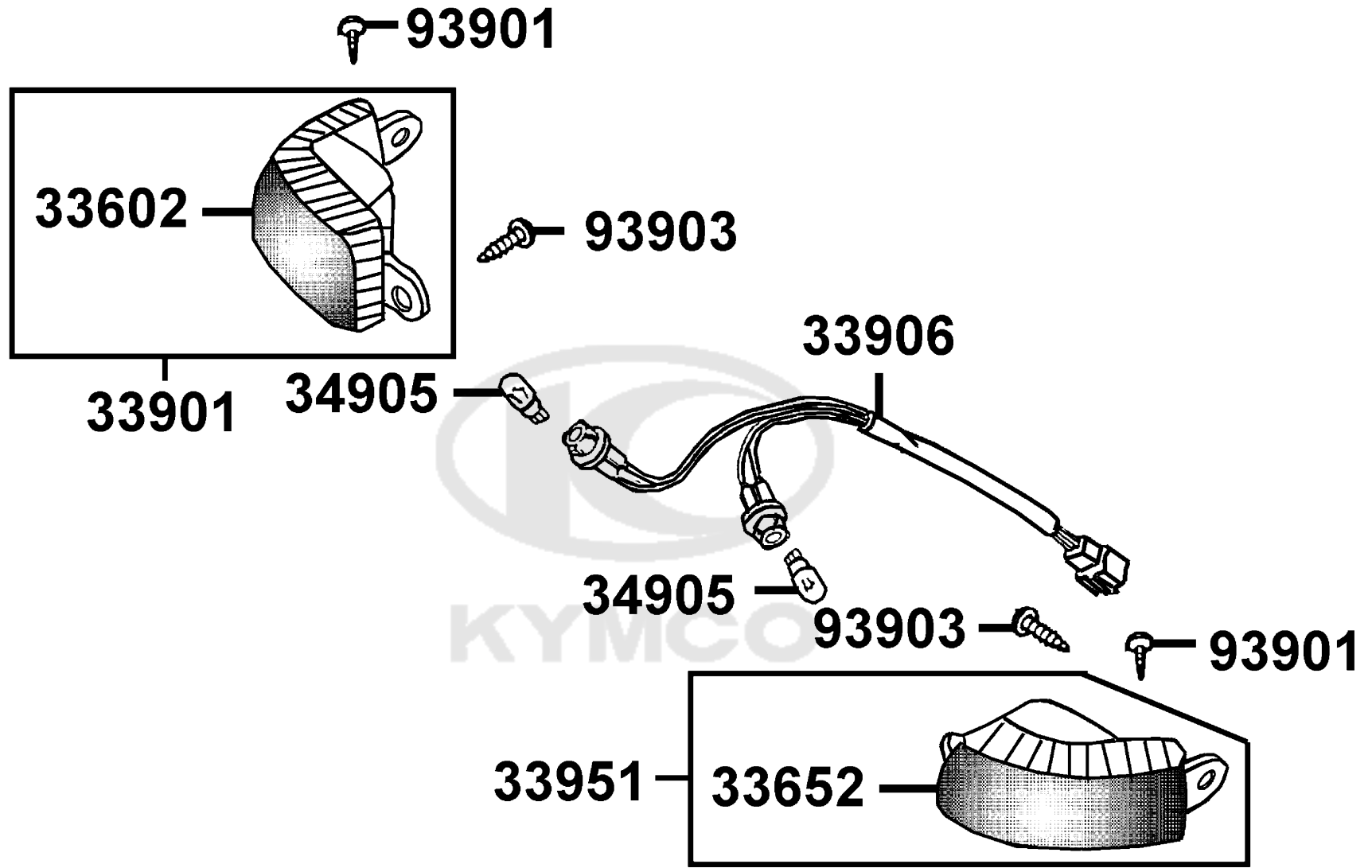


F19

Rear Winker



Sales mark	Ref no	Part no	Description	Reg description	Regd no	F19
33600		33600-KPCP-902	RR WINKER ASSY R	RR WINKER ASSY R	1	
33602		33602-KPCP-900	LENS WINKER R	LENS WINKER R	1	
33610		33610-KPCP-900	SUB CORD RR WINKER	SUB CORD RR WINKER	1	
33650		33650-KPCP-902	RR WINICER ASSY L	RR WINICER ASSY L	1	
33652		33652-KPCP-900	LENS WINKER L	LENS WINKER L	1	
34905		34905-KPCP-900	BULB WINKER	BULB WINKER	2	
94050		94050-05080	NUT FLANGE 5MM	NUT FLANGE 5MM	2	
						

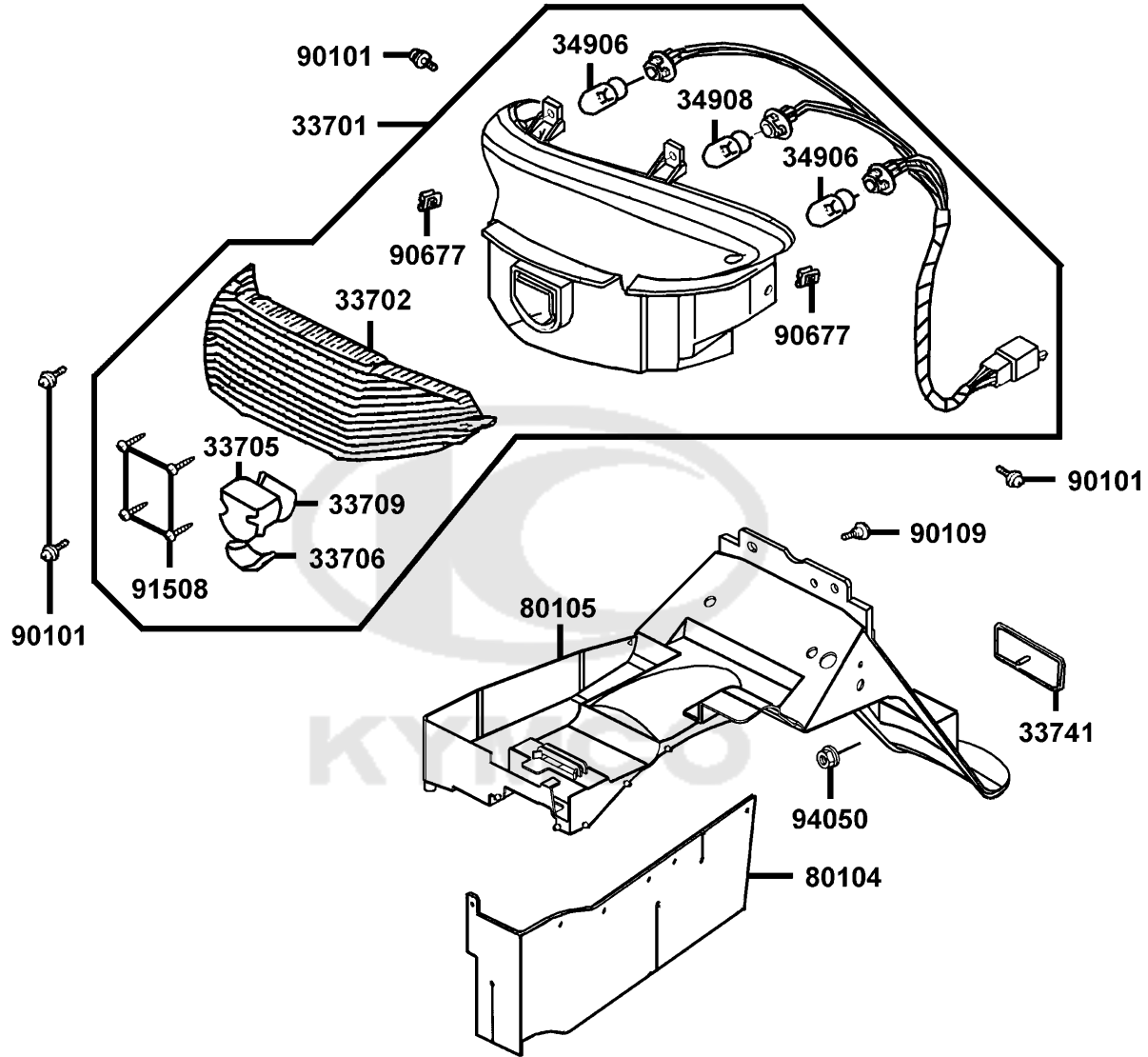


Sales mark	Ref no	Part no	Description	Reg description	Regd no	F20
33602		33602-KXCX-900	LENS R RR WINKER	LENS R RR WINKER	1	
33652		33652-KXCX-900	LENS L RR WINKER	LENS L RR WINKER	1	
33901		33901-KXCX-910	LIGHT SET R RR POSITION	LIGHT SET R RR POSITION	1	
33906		33906-KXCX-900	SOCKET COMP RR POSITION	SOCKET COMP RR POSITION	1	
33951		33951-KXCX-910	LIGHT SET L RR POSITION	LIGHT SET L RR POSITION	1	
34905		34905-GKM9-003	BULB WINKER	BULB WINKER	2	
93901		93901-32320	SCREW TAPPING 3*12	SCREW TAPPING 3*12	2	
93903		93903-34360	SCREW TAPPING 4X12	SCREW TAPPING 4X12	4	



F21

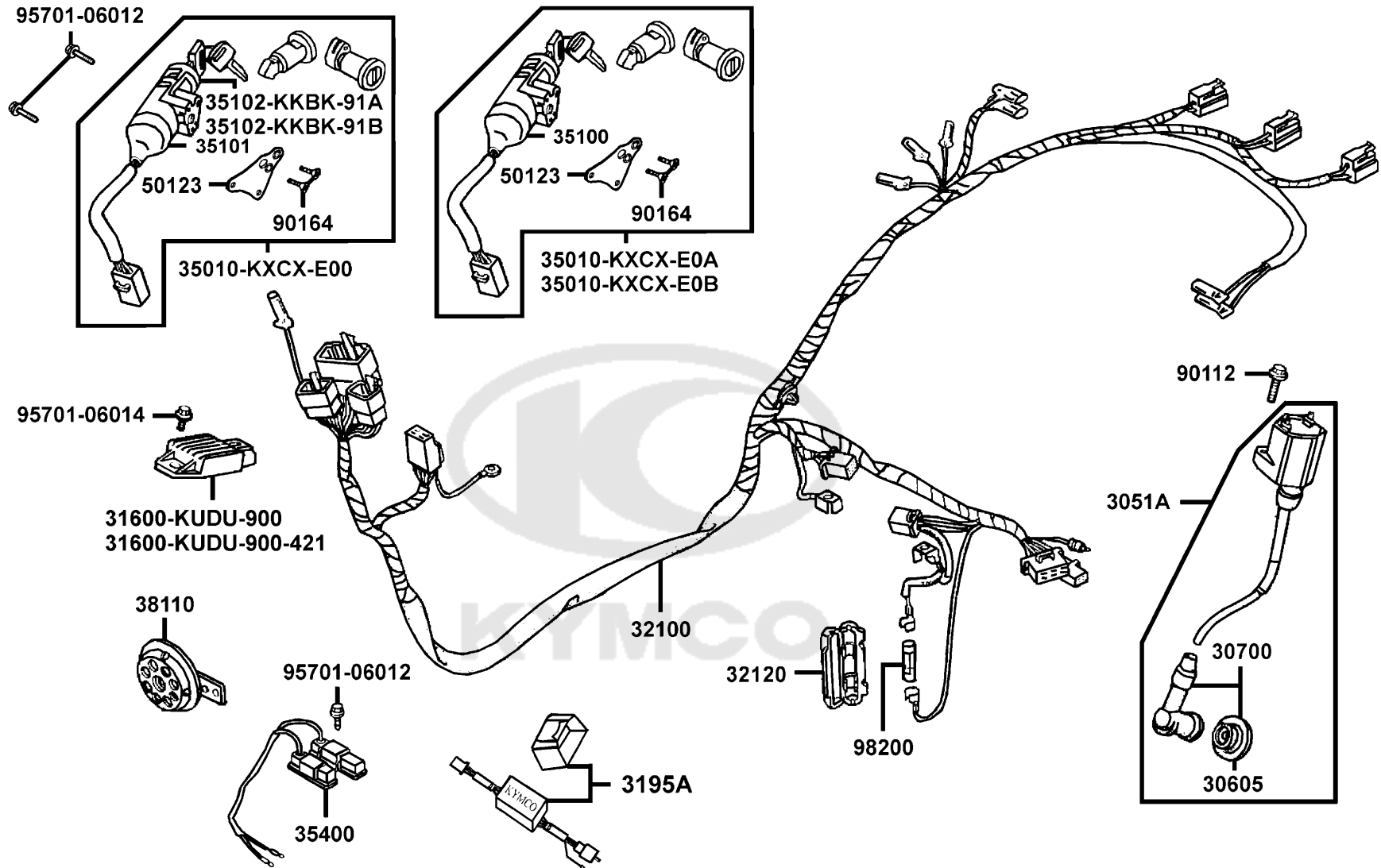
Tail Light



Sales mark	Ref no	Part no	Description	Reg description	Regd no	F21
	33701	33701-KPCP-900	UNIT TAIL LIGHT	UNIT TAIL LIGHT	1	
	33702	33702-KPCP-900	LENS COMP TAIL LIGHT	LENS COMP TAIL LIGHT	1	
	33705	33705-GCN3-67A	LENS LICENSE	LENS LICENSE	1	
	33706	33706-GCN3-67A	COVER LICENSE	COVER LICENSE	1	
	33709	33709-KBAB-003	PACKING LICENSE	PACKING LICENSE	1	
	33741	33741-KABA-900	REFLEX REFLECTOR	REFLEX REFLECTOR	1	
	34906	34906-KPCP-900	BULB TAIL & STOP	BULB TAIL & STOP	2	
	34908	34908-GGA7-70A	BULB WEDGE BASE 12V*3.4W	BULB WEDGE BASE 12V*3.4W	1	
	80104	80104-KXCX-900	PLATE SPLASH GUARD	PLATE SPLASH GUARD	1	
**	80105	80105-KXCX-900	FENDER RR	FENDER RR	1	
	90101	90101-0G87-721	SCREW HEAD LIGHTT SET	SCREW HEAD LIGHTT SET	4	
	90109	90109-KCAC-900	SCREW PAN 5*9	SCREW PAN 5*9	1	
	90677	90677-GAR1-004	NUT CLIP 5MM	NUT CLIP 5MM	2	
	91508	91508-KGV7-67A	SCREW TAPPING 4*14	SCREW TAPPING 4*14	4	
	94050	94050-05080	NUT FLANGE 5MM	NUT FLANGE 5MM	1	

F22

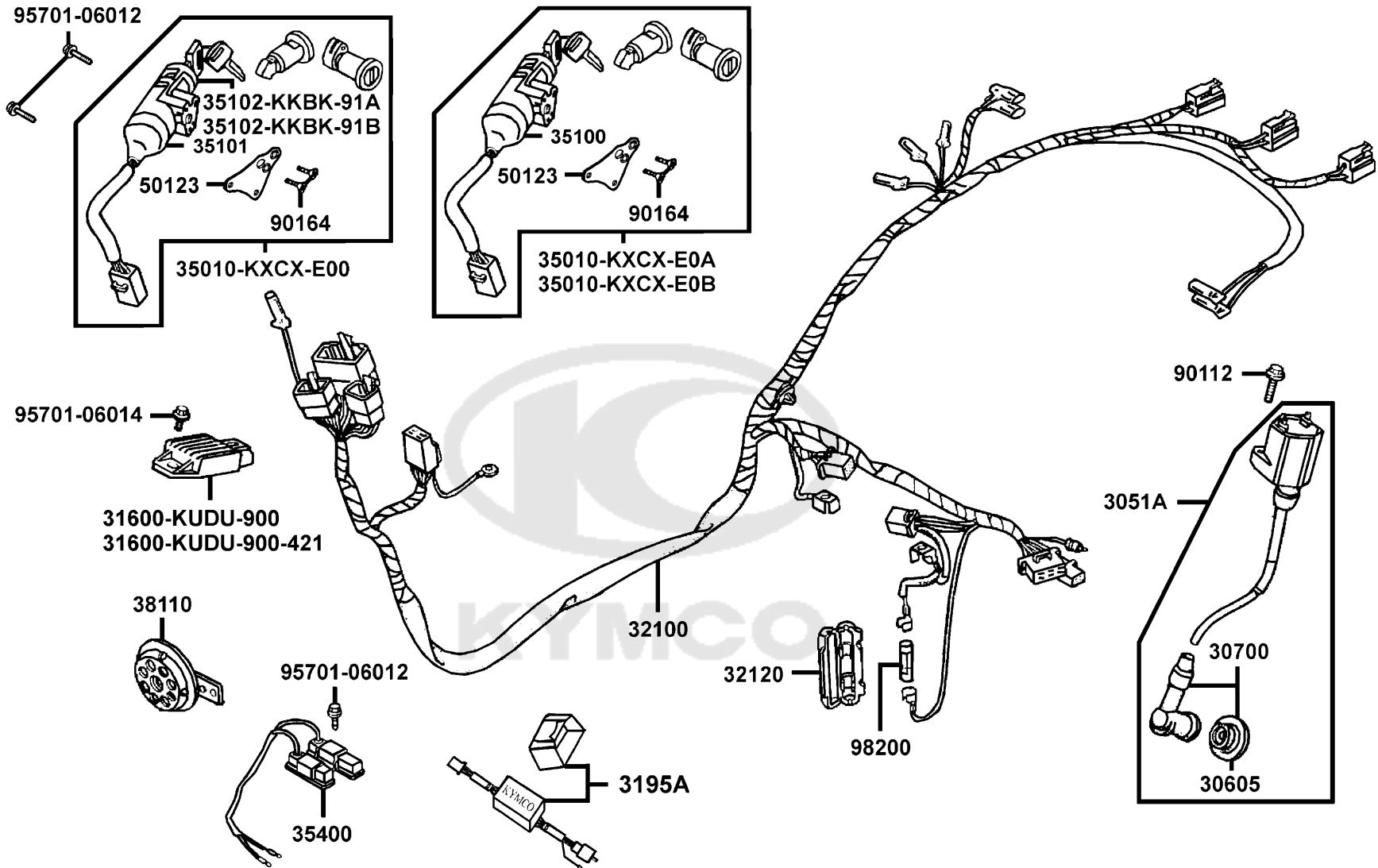
Wire Harness



Sales mark	Ref no	Part no	Description	Reg description	Regd no	F22
	3051A	3051A-KXCX-910	COIL ASSY CDI	COIL ASSY CDI	1	
	30605	30605-GLW0-001	SEAL HIGHTENSION	SEAL HIGHTENSION	1	
	30700	30700-KXCX-910	CAP ASSY HOISE SUPPR	CAP ASSY HOISE SUPPR	1	
	31600-KUDU-900	31600-KUDU-900	REG REC COMP	REG REC COMP	2	
	3195A	3195A-KXCX-E00	HAZARD CNTR ASSY	HAZARD CNTR ASSY	1	
	32100	32100-KACA-J00	HARNES WIRE **KCA-J000	HARNES WIRE **KCA-J000	1	
	32120	32120-1E55-001	CASE FUSE 7A	CASE FUSE 7A	1	
	35010-KXCX-E00	35010-KXCX-E00	KEY SET	KEY SET	1	
	35010-KXCX-E0A	35010-KXCX-E0A	KEY SET	KEY SET	1	
	35010-KXCX-E0B	35010-KXCX-E0B	KEY SET	KEY SET	1	
	35100	35100-KCAC-305-M1	SW SET COMB & LOCK	SW SET COMB & LOCK	1	
	35101	35101-KKBK-315-M1	SW SET COMB & LOCK	SW SET COMB & LOCK	1	
	35102-KKBK-91A	35102-KKBK-91A	COLLAR MAIN SW	COLLAR MAIN SW	1	
	35102-KKBK-91B	35102-KKBK-91B	COLLAR MAIN SW	COLLAR MAIN SW	1	
	35400	35400-KNBN-900	RESISTER COMP	RESISTER COMP	1	
	38110	38110-GGS7-00B	HORN COMP	HORN COMP	1	
	50123	50123-GBN2-000	PLATE HANDLE LOCK	PLATE HANDLE LOCK	1	
	90112	90112-KRDR-900	BOLT FLANGE 5*22	BOLT FLANGE 5*22	1	
	90164	90164-0H28-900	SCREW FLAT U LOCK 6*12	SCREW FLAT U LOCK 6*12	2	
#	95701-06012	95701-06012-06	BOLT FLANGE 6*12 **07 C.2005.07.01	BOLT FLANGE 6*12 **07 C.2005.07.01	1	

F22

Wire Harness



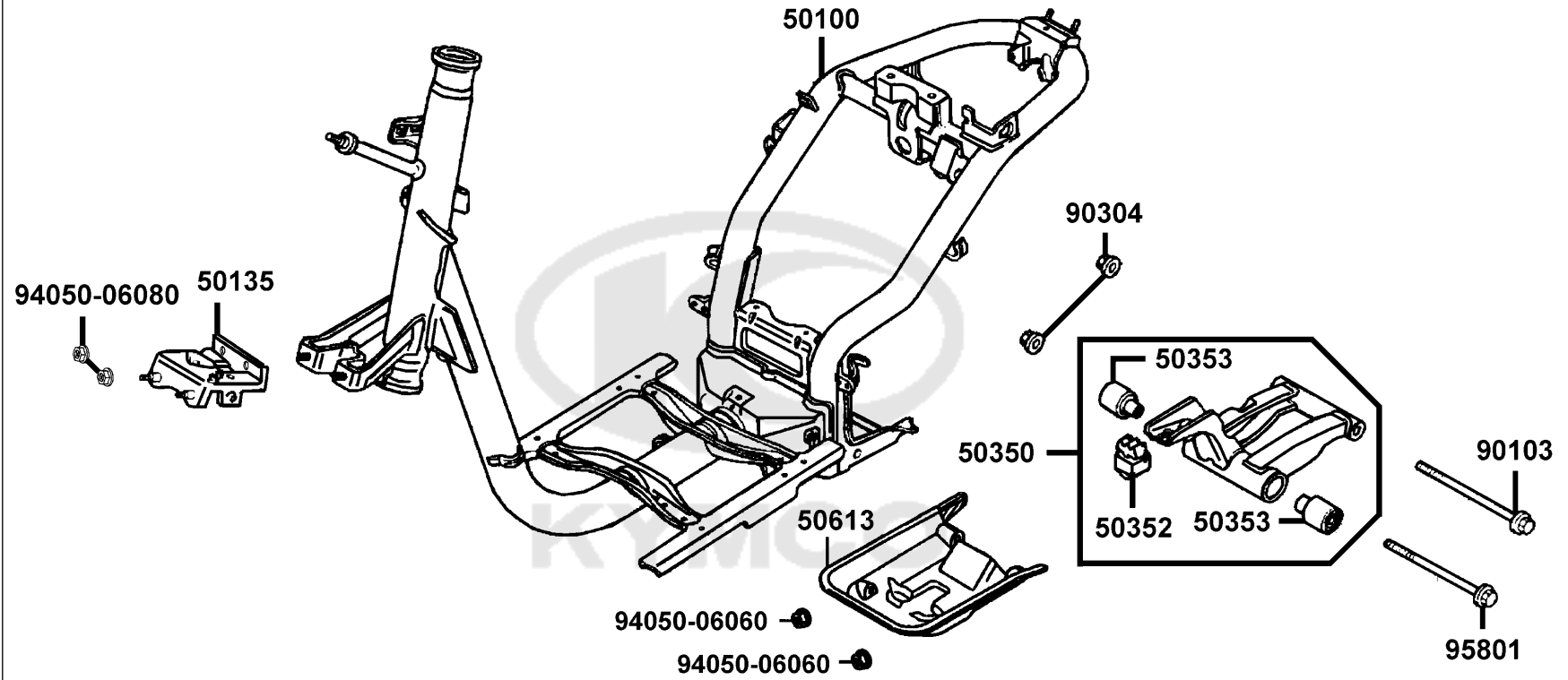
Sales mark	Ref no	Part no	Description	Reg description	Regd no	F22
------------	--------	---------	-------------	-----------------	---------	------------

#	95701-06014	95701-06014-06	BOLT FLANGE 6*14	BOLT FLANGE 6*14	1	
	98200	98200-10700	FUSE A7	FUSE A7	1	

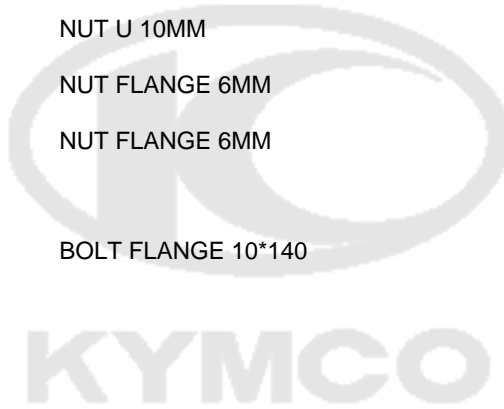


F23

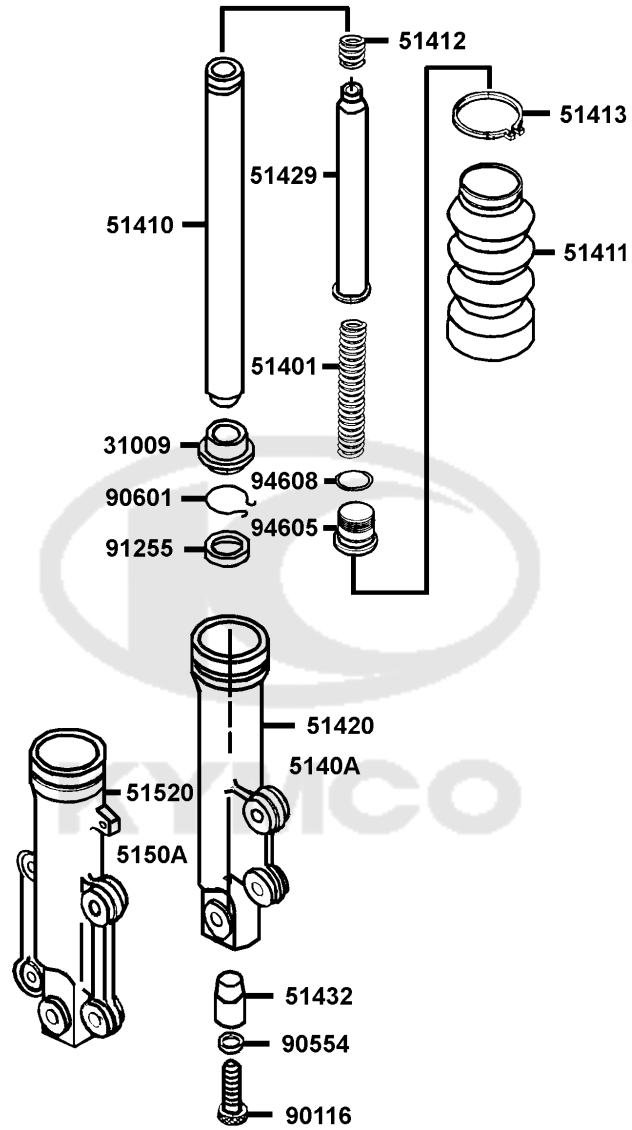
Frame Body



Sales mark	Ref no	Part no	Description	Reg description	Regd no
	50100	50100-KXCX-E10	BODY COMP FRAME	BODY COMP FRAME	1
	50135	50135-KACA-900	STAY FR BUMPER	STAY FR BUMPER	1
	50350	50350-KELE-900	LINK ASSY ENG HANGER	LINK ASSY ENG HANGER	1
	50352	50352-GGS7-001	RUBBER LINK STOPPER	RUBBER LINK STOPPER	1
	50353	50353-GHE8-001	ENGINE HANGER RUBBER BUSH	ENGINE HANGER RUBBER BUSH	2
	50613	50613-KACA-900	COVER UNDER	COVER UNDER	1
	90103	90103-1G47-001	BOLT FLANGE 10*148	BOLT FLANGE 10*148	1
	90304	90304-GHE8-004	NUT U 10MM	NUT U 10MM	2
	94050-06060	94050-06060	NUT FLANGE 6MM	NUT FLANGE 6MM	4
	94050-06080	94050-06080	NUT FLANGE 6MM	NUT FLANGE 6MM	2
#	95801	95801-10140-06	BOLT FLANGE 10*140	BOLT FLANGE 10*140	1



Separated Parts Of Fr Fork



Sales mark	Ref no	Part no	Description	Reg description	Regd no	F24
	31009	31009-3L30-710	DUST SEAL	DUST SEAL	2	
	51401	51401-KXCX-E90	SPRING	SPRING	2	
	51410	51410-KXCX-E90	FORK PIPE COMP	FORK PIPE COMP	2	
	51411	51411-KEB7-900	BOOT	BOOT	2	
	51412	51412-KEB7-900	REBOUND SPRING	REBOUND SPRING	2	
	51413	51413-KEBE-E00	BOOT BAND	BOOT BAND	2	
**	51420	51420-KEB7-800	BOTTOM CASE R	BOTTOM CASE R	1	
	51429	51429-KXCX-E90	PIPE SEAT COMP	PIPE SEAT COMP	2	
	51432	51432-KGM7-911	OIL LOCK PIECE	OIL LOCK PIECE	2	
**	51520	51520-KEB7-800	BOTTOM CASE L	BOTTOM CASE L	1	
	90116	90116-3C83-72A	BOLT	BOLT	2	
	90554	90554-2C83-001	PACKING	PACKING	2	
	90601	90601-3D54-001	RING OIL-SEAL STOPPER	RING OIL-SEAL STOPPER	2	
	91255	91255-4F46-014	SEAL OIL 31X43X10.3	SEAL OIL 31X43X10.3	2	
	94605	94605-KEBE-900	FORK BOLT	FORK BOLT	2	
	94608	94608-30000	O-RING	O-RING	2	

Caution Label

CAUTIONS

Tire Size	:Front 110/70-12-56J	Rear 120/70-12-56J
(One Rider)	:Front 1.75kg/cm ²	Rear 1.75kg/cm ²
(Two Rider)	:Front 1.75kg/cm ²	Rear 2.0 kg/cm ²
Load Capacity	:Shield 1.5kg	Rear carrier 3kg
	Inner box under saddle 10kg	

(Note: The tire pressure must not overpass 2.5 kg/cm²)

When refilling gasoline, check the motor oil level.
Riding with insufficient motor oil will cause breakdown easily.

KDX-E200

87505

CAUTIONS

Before starting the engine, the side stand shall be kicked up to secure safety.

87541

<ul style="list-style-type: none"> ■ Be sure to wear safety helmet when riding ■ Do not exceed the speed specified by law when riding ■ The exhaust pipe temperature is very high after riding. Be sure to park the motorcycle in a place not easily touched by people ■ Make sure to perform the specified safety inspection before riding 	<p style="text-align: center;">(Safety Inspection Items)</p> <p>Brake performance, tires, 2cycle motor oil, lights, horn, and instrument panel</p> <p style="text-align: center;">KWANG YANG MOTOR CO.,LTD.</p>
---	---

Please read the User's manual carefully to secure driving safety
 Be sure to observe the traffic rules and perform regular maintenance
 No more than two persons shall ride on one motorcycle

87560

CAUTION

- The weight of articles put in the inner box shall not exceed 1.5kgs
- Water may enter into the box when washing the motorcycle be careful when putting important articles in it.

81218

CAUTIONS

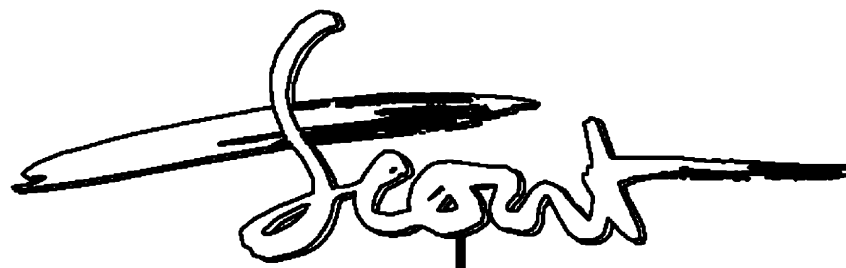
Never put any article between the rear side cover and the engine to avoid interference of riding.

GM9-300

87542

Sales mark	Ref no	Part no	Description	Reg description	Regd no	F25
**	81218	81218-KCAC-P00	LABEL GLOVE BOX	LABEL GLOVE BOX	1	
**	87505	87505-KXCX-E20	LABEL TIRE	LABEL TIRE	1	
**	87541	87541-GAR1-E00	CAUTION SIDE STAND	CAUTION SIDE STAND	1	
**	87542	87542-GAR1-E00	MARK MAINT CAUTION	MARK MAINT CAUTION	1	
**	87560	87560-GAR1-E00	MARK DRIVE CAUTION	MARK DRIVE CAUTION	1	





87131



87711



87532



87161



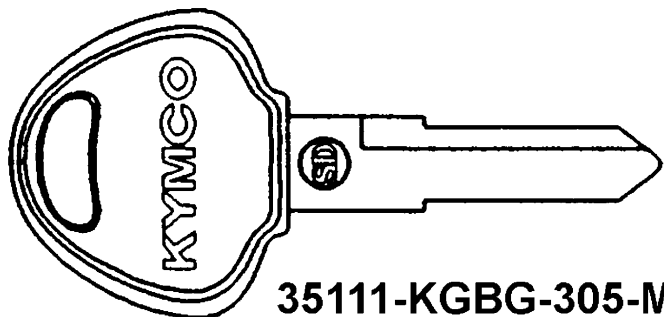
87170

Sales mark	Ref no	Part no	Description	Reg description	Regd no	F26
**	87131	87131-KXCX-J00	STRIPE BODY COVER	STRIPE BODY COVER	2	
**	87161	87161-KCAC-920	STRIPE KYMCO	STRIPE KYMCO	1	
**	87170	87170-GLE0-001	MARK FR FORK	MARK FR FORK	2	
**	87532	87532-KGAG-V00	MARK KYMCO	MARK KYMCO	1	
**	87711	87711-KXCX-J00	STRIPE FR COVER	STRIPE FR COVER	1	

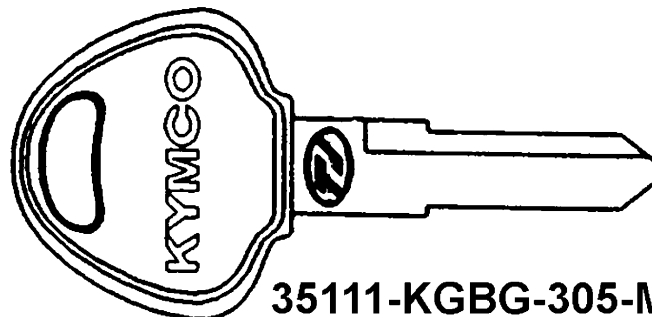


F27

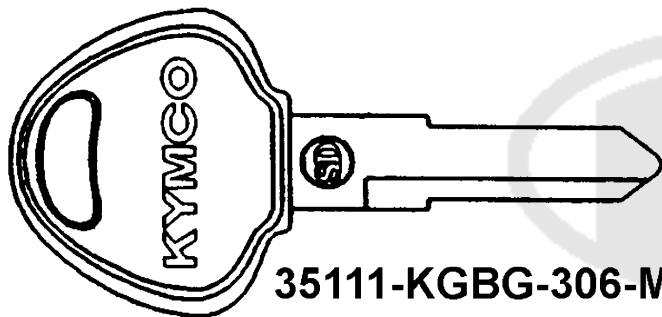
KEY



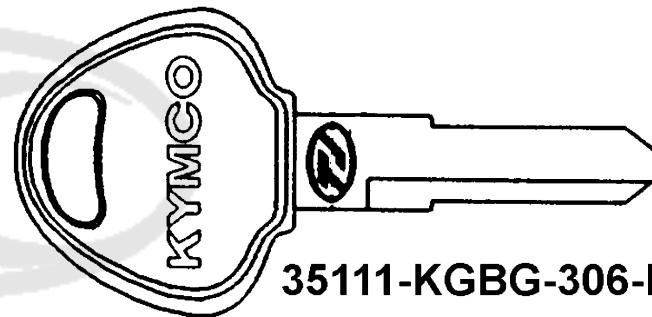
35111-KGBG-305-M1



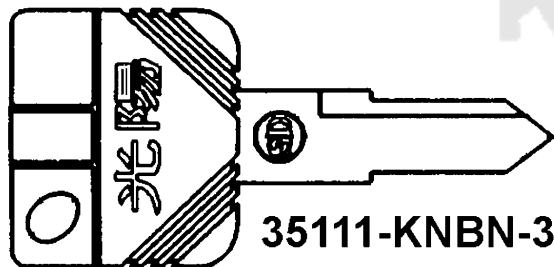
35111-KGBG-305-M2



35111-KGBG-306-M1



35111-KGBG-306-M2



35111-KNBN-305-M1-T01

Sales mark	Ref no	Part no	Description	Reg description	Regd no	F27
	35111-KGBG-305-M1	35111-KGBG-305-M1	KEY COMP	KEY COMP	1	
	35111-KGBG-305-M2	35111-KGBG-305-M2	KEY COMP	KEY COMP	1	
	35111-KGBG-306-M1	35111-KGBG-306-M1	KEY COMP	KEY COMP	1	
	35111-KGBG-306-M2	35111-KGBG-306-M2	KEY COMP	KEY COMP	1	
	35111-KNBN-305-M1	35111-KNBN-305-M1-T01	KEY COMP/SD/R CUT	KEY COMP/SD/R CUT	1	



PART NO. INDEX

PART NO.	VERSION	PAGE	PART NO.	VERSION	PAGE	PART NO.	VERSION	PAGE
1000			11208-KXCX-901	1	E09			
			11340-KXCX-900	1	E05	15000		
			11395-KXCX-980	0	E05			
1010-OAGH-9900	0	E11	12000			15100-GAR1-950	16	E09
1020-GR1H-9310	0	E11				15100-GAR1-C00	0	E09
1051-490H-9920	0	E11	12101-GLW0-901	2	E02	15110-GGS7-901	0	E09
105B-046H-9901	0	E11	12191-GLW0-980	0	E02	1552A-GAR1-950	1	E09
105J-69AH-9901	0	E11	12201-GAR1-931	0	E02	15772-5A51-001	1	F12
1300-GR1H-9310	0	E11	12251-GLW0-001	0	E02	15772-5L00-013	1	F14
1703-GJ2H-0040	0	E11	13000					
1738-GJ2H-0040	0	E11				16000		
1785-402H-0040-SB0	0	E11	13000-GAR1-941	5	E10	16076-ND5-0040	0	E11
4000			13000-GAR1-960	4	E10	16079-NC5-0040	0	E11
4000-039-0000	0	E11	13011-GLW0-90A	4	E10	1610K-KXCX-E01	1	E11
			13101-GLW0-901	2	E10	16162-KG8-9010-M1	0	E11
11000			13111-1F66-001	2	E10	1621A-GMAM-000	0	E09
			13115-1F56-001	0	E10	1691A-GFY6-90A	4	F10
11102-GLW0-004	0	E09	14000			1691A-GFY6-90B	3	F10
1110A-GAR1-941	1	E09				16950-KKJ9-75A	3	F10
11200-KXCX-306	6	E09	14100-GAR1-941	0	E09	17000		
11203-GGC7-301	2	E09				17100-GAR1-931	1	E09
11203-KHG8-301	2	E08				17111-GLW0-980	0	E09
11205-GHAH-004	0	E05				17112-GLW0-980	0	E09
11205-GHAH-004	0	E09						

PART NO. INDEX

PART NO.	VERSION	PAGE	PART NO.	VERSION	PAGE	PART NO.	VERSION	PAGE
17205-GAR1-751	0	F14						
17206-GAR1-931	3	F14	19000			23000		
17207-GAR1-930	4	F14						
17208-KXCX-900	0	F14	19510-GLW0-902	1	E03	2301A-KXCX-900	3	E07
1720A-KXCX-900	0	F14	19610-GLW0-902	1	E01	23100-KXCX-900	0	E07
1720B-KXCX-E00	1	F14	19620-GAR1-881	0	E01	23200-GAR1-E00	1	E07
17212-GAR1-751	0	F14				23220-KXCX-900	0	E07
17214-GAR1-711	0	F14	21000			23225-GAR1-751	0	E07
17218-KXCX-900	0	F14				23233-GHE8-001	2	E07
17253-KXCX-E00	0	F14	21200-KXCX-305	0	E08	23237-GAR1-881	0	E07
17254-KACA-P00	0	F14	21395-KXCX-980	0	E08	23238-GFY6-941	0	E07
17257-KXCX-900	0	F14				23411-GLZ0-001	0	E08
17500-KXCX-E01	7	F10	22000			23420-GAR1-901	0	E08
17502-1G87-001	0	F12				23431-KXCX-900	2	E08
17620-GGS7-67A	5	F10	22100-GAR1-E00	0	E07	23432-GLW0-901	0	E08
17910-KSBS-200	7	F03	22102-GHAH-E10	0	E06			
			22105-KACA-900	1	E06	28000		
18000			22110-KFA1-220	0	E06			
			22121-GLW0-305	0	E06	28223-GHAH-721	0	E06
18291-LEA5-E00	1	F15	22131-GHAH-E01	0	E06	28230-GHAH-721	1	E06
18294-KTCT-900	1	F15	22132-GLW0-305	0	E06	28250-GBN2-602	0	E06
1830A-KXCX-N00	5	F15	22300-KXCX-900	2	E07	28253-GBN2-60A	0	E06
18315-KXCX-900	0	F15	22350-GKAK-930	1	E07	28281-GBN2-60A	1	E06
18318-KXCX-900	1	F15	22401-GBG2-900	0	E07	28300-GGS7-901	2	F16
18325-KLLL-901	0	F15	22530-GKAK-930	1	E07			
			22804-1H48-001	3	E07			

PART NO. INDEX

PART NO.	VERSION	PAGE	PART NO.	VERSION	PAGE	PART NO.	VERSION	PAGE
30000			32101-GFY6-901	1	F04	33705-GCN3-67A	0	F21
30410-GBW2-901	0	F11	32120-1E55-001	0	F22	33706-GCN3-67A	0	F21
3051A-KXCX-910	3	F22	32906-1G07-001	0	E05	33709-KBAB-003	0	F21
30605-GLW0-001	0	F22	32906-GBR2-701	0	E09	33741-GFY6-C30	1	F05
30700-KXCX-910	1	F22	33000			33741-KABA-900	0	F21
31000			33100-KKDK-E00	2	F01	33901-KXCX-910	0	F20
31009-3L30-710	0	F24	33105-KYBY-900	0	F01	33906-KXCX-900	0	F20
31110-KSBS-901	0	E03	33120-KKDK-E00	0	F01	33951-KXCX-910	0	F20
31110-KSBS-901-406	0	E03	33130-KKDK-E00	0	F01	34000		
31110-KSBS-90A	0	E03	33400-KACA-E10	1	F18	34901-KBAB-900	0	F01
31120-GAR1-941	1	E03	33402-KACA-900	2	F18	34903-KPCP-900	0	F01
31120-GAR1-94B	1	E03	33403-KACA-E00	0	F18	34905-GKM9-003	0	F20
31200-GAR1-931	1	E04	33450-KACA-E10	1	F18	34905-KPCP-900	0	F18
31200-GAR1-93A	0	E04	33452-KACA-900	2	F18	34905-KPCP-900	0	F19
31209-GAR1-751	0	E04	33453-KACA-E00	0	F18	34906-KPCP-900	0	F21
31500-KCAC-90A	9	F11	33600-KPCP-902	0	F19	34908-GGA7-70A	1	F02
31600-KUDU-900	2	F22	33602-KPCP-900	1	F19	34908-GGA7-70A	1	F21
3195A-KXCX-E00	0	F22	33602-KXCX-900	0	F20	34908-MKB9-87A	0	F02
32000			33610-KPCP-900	1	F19	35000		
32100-KACA-J00	1	F22	33650-KPCP-902	0	F19	35010-KXCX-E00	1	F22
			33652-KPCP-900	1	F19	35010-KXCX-E0A	3	F22
			33652-KXCX-900	0	F20	35010-KXCX-E0B	2	F22
			33701-KPCP-900	1	F21			
			33702-KPCP-900	0	F21			

PART NO. INDEX

PART NO.	VERSION	PAGE	PART NO.	VERSION	PAGE	PART NO.	VERSION	PAGE
35100-KCAC-305-M1	0	F22	37213-GGS7-900	0	F02	43145-GBN2-001	0	F08
35101-KKBK-315-M1	0	F22	37801-GGA7-701	1	F10	43209-MCA3-007	0	F07
35102-KKBK-91A	0	F22	37802-GGA7-701	3	F10	43352-5H68-004	3	F07
35102-KKBK-91B	0	F22	3780A-KXCX-900	1	F10	43353-4A61-77A	0	F07
35111-KGBG-305-M1	0	F27				43410-KFA1-900	0	F08
35111-KGBG-305-M2	0	F27	38000			43452-GBN2-601	0	E05
35111-KGBG-306-M1	0	F27				4345A-KXCX-901	3	F03
35111-KGBG-306-M2	0	F27	38110-GGS7-00B	7	F22	43472-1A61-001	2	F03
35111-KNBN-305-M1-T01	1	F27	38301-GGS7-005	3	F02			
35150-GFY6-900	4	F03	38501-GBN2-004	1	F11	44000		
35160-GFY6-900	3	F03	38501-GBN2-00A	1	F11			
35170-KNBN-910	1	F03				44311-GLW0-911	0	F07
35180-GFY6-900	2	F03	42000			44620-KEB7-E00	0	F07
35190-GFY6-900	4	F03				44650-KEB7-315	2	F07
35200-GFY6-910	1	F03	42601-KEB7-E0E	2	F08	44710-KFA5-90B	1	F07
35340-GBN2-770	3	F03	42710-KXCX-E1B	6	F08	44800-KXCX-E00	6	F07
35340-KNBN-901	0	F04	42753-0D04-900	1	F07	44830-KXCX-901	6	F02
35400-KNBN-900	0	F22	42753-KXCX-900	1	F08	44831-KXCX-900	0	F02
35410-GAR1-900	1	F12				45000		
37000			43000					
			43108-KFS6-07A	0	F07	45100-KXCX-E00	4	F07
37200-KXCX-E20	2	F02	43109-MCA3-007	0	F07	45105-KXCX-305-M2	0	F07
37211-GGS7-900-LI	0	F02	4312A-KXCX-900	9	F08	45110-KXCX-E00	1	F07
37211-GGS7-900-SA	0	F02	43134-1F96-001	0	F08	45121-KECE-900	1	F07
37212-GGS7-900	0	F02	43141-GKAK-901	3	F08	45126-KXCX-E10	0	F04

PART NO. INDEX

PART NO.	VERSION	PAGE	PART NO.	VERSION	PAGE	PART NO.	VERSION	PAGE	
45128-KEB7-900	0	F06	50352-GGS7-001	0	F23	53000			
45131-1F66-017	0	F07	50353-GHE8-001	0	F23				
45131-HEA5-67A	0	F07	50500-KXCX-900	4	F16				
45132-1F66-017	0	F07	50503-GAR1-001	0	F16		53100-KACA-900	8	F03
45133-0H28-001	1	F08	50505-GAR1-711	0	F15		53100-KXCX-E00	1	F03
45133-MCA3-007	0	F07	50530-KXCX-900	1	F16		53105-KNBN-910	1	F03
45156-KNBN-902	0	F06	50532-KGN7-671	0	F16		53140-KNBN-960	0	F03
45203-MCG3-007	0	F07	50613-KACA-900	0	F23		53166-KNBN-911	0	F03
45215-KCA3-73A	0	F07					53167-GBN2-021	1	F03
45465-KEB7-E00	0	F06	51000				53168-GBN2-021	1	F03
45513-GLW0-91A	0	F04					53172-KACA-900	1	F03
45517-GFY6-900	5	F03	51401-KXCX-E90	0	F24		53175-KXBX-E10	3	F04
45517-KFAF-910	0	F04	5140A-KXCX-E00	2	F06		53178-KXCX-E90	0	F03
45530-KXCX-306-US	0	F04	51410-KXCX-E90	0	F24		5317A-KXCX-E00	1	F03
45531-GAR1-951	0	F07	51411-KEB7-900	0	F24	53200-KXCX-E00	2	F06	
50000			51412-KEB7-900	0	F24	53200-LLG7-900	0	F06	
			51413-KEBE-E00	0	F24	53205-KACA-800	1	F03	
			51420-KEB7-800	1	F24	53205-KXCX-E00	0	F03	
50100-KXCX-E10	2	F23	51429-KXCX-E90	0	F24	53206-KACA-900	1	F03	
50123-GBN2-000	1	F22	51432-KGM7-911	0	F24	53211-GFY6-940	1	F06	
50135-KACA-900	1	F23	5150A-KXCX-E00	3	F06	53212-GHC8-004	1	F06	
50301-GLM0-001	0	F06	51520-KEB7-800	0	F24				
50305-GHC8-004	0	F06				55000			
50306-KCAC-900	1	F06	52000						
50326-GGS7-001	0	F11				55100-GGS7-901	4	F12	
50350-KELE-900	4	F23	52400-KXCX-E00	3	F17	55102-1F66-001	0	F12	

PART NO. INDEX

PART NO.	VERSION	PAGE	PART NO.	VERSION	PAGE	PART NO.	VERSION	PAGE
55105-GHK8-001	0	F12				81141-KACA-900	1	F05
55107-GHK8-001	0	F12	77000			81142-KACA-900	0	F05
55121-GGS7-901	0	F12				81146-GGS7-001	0	F05
5512A-GGS7-901	1	F12	77200-KXCX-E00	1	F09	81218-KCAC-P00	0	F25
55201-1G87-001	0	F12	77230-KAM1-305	0	F13	81252-GGS7-001	0	F13
			77232-GLW0-315-M2	0	F05	81253-GGS7-001	0	F13
61000			77232-KCAC-901	2	F13	81260-KXCX-E00	7	F13
			77235-GGS7-901	0	F13			
61110-KEB7-E00	0	F06	77240-GGS7-001	2	F13	83000		
61112-LLG7-900	0	F06	77300-KXCX-900	1	F13			
6111A-LLG7-900	1	F06	77332-KPCP-E00	0	F10	83505-KCAC-900	0	F13
						8350A-KXCX-J00	2	F13
64000			80000			8360A-KXCX-J00	0	F13
						83750-KXCX-900	0	F13
64206-MLJ0-001	1	F06	80104-KXCX-900	1	F21	8375B-KCAC-901	0	F13
64301-KACA-335	0	F05	80105-KXCX-900	6	F21			
64310-KACA-900	2	F05	80108-KCAC-900	0	F13	87000		
64320-KACA-900	1	F05	80151-KCAC-900	2	F13			
64400-KACA-900	3	F05				87131-KXCX-J00	0	F26
			81000			87161-KCAC-920	1	F26
75000						87170-GLE0-001	4	F26
			81131-KACA-C00	1	F05	87505-KXCX-E20	0	F25
75581-6C73-001	0	F05	81132-GHAH-001	2	F05	87532-KGAG-V00	7	F26
			81132-KKDK-900	1	F05	87541-GAR1-E00	2	F25
			81133-KNBN-901	0	F05	87542-GAR1-E00	3	F25
			81135-KGBG-900	2	F05	87560-GAR1-E00	3	F25

PART NO. INDEX

PART NO.	VERSION	PAGE	PART NO.	VERSION	PAGE	PART NO.	VERSION	PAGE
87711-KXCX-J00	0	F26	90114-1F66-007	2	F04	90442-0D44-001	3	E07
88000			90114-KXCX-900	1	F14	90451-GBN2-601	0	E06
			90115-1G47-001	0	F03	90452-1G07-001	0	E08
			90115-LKB9-900	2	F14	90454-3L50-001	0	E08
88110-KXCX-E00	2	F03	90116-3C83-72A	0	F24	90454-GBB2-001	0	E07
88120-KXCX-E00	2	F03	90121-KBE2-981	6	F07	90474-3C33-001	1	E08
89000			90131-GLW0-911	0	F07	90474-7D04-000	0	F05
			90145-LEA3-E00	1	F04	90501-KNBN-901	0	F08
			90164-0H28-900	2	F22	90545-3L00-001	2	F04
89010-GGS7-C00	6	F09	90201-GBR2-001	1	E09	90554-2C83-001	0	F24
90000			90202-1G87-001	2	E07	90601-3D54-001	0	F24
			90301-6D34-671	1	F05	90651-GBHB-601	0	F14
			90301-6D34-671	1	F13	90677-GAR1-004	2	F05
90001-GBHB-711	3	E09	90301-KCAC-900	0	F03	90677-GAR1-004	2	F21
90001-GBHB-751	1	E09	90302-GBR2-001	2	F11	90703-HDC4-001	1	E05
90101-0G87-721	2	F21	90302-KED5-900	2	F13	90741-0E35-001	1	E10
90103-1G47-001	1	F23	90302-KNBN-900	1	F03	90754-GHC8-00A	1	F07
90105-KCR3-001	1	F07	90302-SDA4-004	3	F13	90912-GHC8-00A	2	F07
90106-KFAF-900	2	F13	90304-GHE8-004	0	F23	90912-GHC8-00D	0	F07
90108-GGS7-951	0	F16	90304-HCB3-77A	1	F15			
90109-KCAC-900	1	F21	90305-KNBN-90B	1	F08	91000		
90110-GLW0-001	0	F05	90306-GLW0-90A	1	F07			
90110-KEB7-900	1	F06	90309-4H28-73A	0	E08	91001-GGA7-70A	2	E07
90111-KKD7-900	2	F13	90412-3K29-001	0	E06	91005-GCW3-95A	5	E09
90112-GCC3-001	1	F06	90426-KNBN-901	0	E06	91009-GLE0-004	1	E08
90112-KRDR-900	1	F22	90429-GBN2-004	0	E08	91102-GLW0-009	0	E10

PART NO. INDEX

PART NO.	VERSION	PAGE	PART NO.	VERSION	PAGE	PART NO.	VERSION	PAGE	
91103-GAR1-004	0	E07	93500-05012-0F	0	E09	94000			
91103-GAR1-00A	0	E07	93500-05022-0F	0	F03				
91201-KNBN-92A	0	E09	93600-04012-1G	0	F04				
91202-KNBN-92A	0	E09	93700-05018-0F	0	F02		94001-05080-0S	0	F03
91204-GBN2-006	0	E09	93891-05012-06	0	F13		94001-06080-0S	0	E09
91211-GHK8-014	1	E07	93891-05025-06	0	F03		94001-12280-0S	0	E06
91255-4F46-014	0	F24	93892-04008-16	0	E11		94021-06020-0S	0	F05
91255-GLE0-006	0	E08	93892-04012-18	0	E11		94050-05080	0	F19
91258-KAM1-00A	1	F07	93893-04012-18	0	F04		94050-05080	0	F21
91301-0C53-001	0	E08	93901-32320	0	F18		94050-06060	1	F04
91301-KEA5-742	0	E07	93901-32320	0	F20		94050-06060	1	F23
91302-PKA9-004	0	E07	93903-14360	0	F13		94050-06080	2	F09
91304-GLB0-911	1	E09	93903-25360	0	F02		94050-06080	2	F10
91309-GLF0-761	0	E04	93903-25360	0	F14		94050-06080	2	F13
91508-KGV7-67A	0	F21	93903-25660	0	F14		94050-06080	2	F23
91508-KNBN-901	1	F13	93903-34160	0	F13	94050-10080	1	E03	
92000			93903-34320	0	F01	94050-10080	1	E07	
			93903-34320	0	F03	94101-06800	0	F15	
			93903-34360	0	F03	94111-06800	0	F15	
92900-06018-1B	0	E02	93903-34360	0	F05	94251-08800	0	F16	
93000			93903-34360	0	F13	94301-08200	0	E09	
			93903-34360	0	F18	94301-10200	2	E08	
			93903-34360	0	F20	94510-20000	1	E08	
93494-06012-08	0	F05	93903-44560	0	F14	94511-14000	1	E06	
93494-06016-08	0	F05	93903-GFY6-900	1	F05	94520-24000	1	E07	
93494-06025-07	0	F05				94591-25000	0	F01	

PART NO. INDEX

PART NO.	VERSION	PAGE	PART NO.	VERSION	PAGE	PART NO.	VERSION	PAGE	
94591-27000	0	F05	95701-06022-06	1	F04	96001-06040-06	0	E09	
94605-KEBE-900	1	F24	95701-06022-06	1	F16	96001-06045-06	0	E09	
94608-30000	0	F24	95701-06028-06	0	F03	96001-06060-06	0	E09	
95000			95701-06032-06	0	F08	96001-06075-06	1	E09	
			95701-08012-06	0	E08	96001-06095-06	0	E02	
			95701-08028-06	1	F15	96100-62013-00	0	E08	
			95701-08040-06	0	E08	96100-62023-00	0	E09	
			95701-10040-06	0	F17	96100-62033-00	0	E09	
95002-02070	2	E11	95801-06040-06	0	E09	96211-05000	26	F06	
95002-02070	2	F10	95801-08035-06	1	E08	98000			
95002-02080	0	E11	95801-08035-06	1	F17				
95002-02080	0	F10	95801-08040-06	0	F06				
95002-02100	0	F12	95801-10140-06	0	F23		98076-5871G-00	0	E02
95002-02650	0	E09	96000				98200-10700	0	F11
95002-50000	0	F12				98200-10700	0	F22	
9500A-KXCX-900	0	F10				99000			
9500C-GGS7-001	1	F10							
9500E-GGS7-001	0	F10							
95014-71202	0	F16	96001-06006-02	0	F15		99101-187-0900	0	E11
95015-32001	0	F03	96001-06012-02	1	F15		K		
95015-42000	0	F03	96001-06012-06	0	E03				
95701-06012-06	1	F04	96001-06016-06	0	E01				
95701-06012-06	1	F06	96001-06016-06	0	E03				
95701-06012-06	1	F10	96001-06018-06	0	E03				
95701-06012-06	1	F13	96001-06020-06	0	E04	K378-001	0	E11	
95701-06012-06	1	F22	96001-06028-06	0	E09	K506-GW0-0100	0	E11	
95701-06014-06	0	F22	96001-06032-06	0	E05	K590-KCA-0100	0	E11	
95701-06016-06	1	F06	96001-06032-06	0	E09	KT425-KLE-9000	0	E11	

PART NO. INDEX

PART NO.	VERSION	PAGE	PART NO.	VERSION	PAGE	PART NO.	VERSION	PAGE
S								
S3620-031-B000	0	E11						
S446-1290	0	E11						
S536-1231	0	E11						
S785-4310	0	E11						
W								
W9113-04080	0	E11						
W9525-20180	0	E11						
X								
X7860-129-B001	0	E11						

