

F-act 125



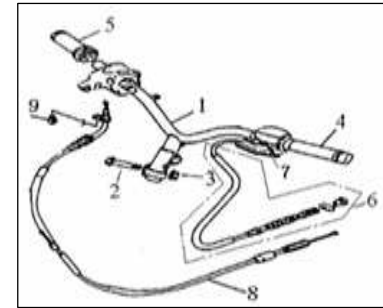
F-act 125

STEERING

NO.	CODE	EN DESCRIPTION	QTY
1	40100BMBT001	HANDLE COMP.	1
2	B01591004565	BOLT M10×1.25×45	1
3	B04171012555	U NUT M10×1.25	1
4	40001J4AT000	L.GRIP	1
5	40212J4AT000	GRIP, THROTTLE	1
6	40270J4FT000	BRAKE CABLE ASSY.	1
7	40008BM0T000	JACKET,RR. BRAKE CABLE	1
8	40300J4FT000	CABLE ASSY. THROTTLE	1
9	B02000501025	PAN HEAD SCREW M5×10	1

NOTE

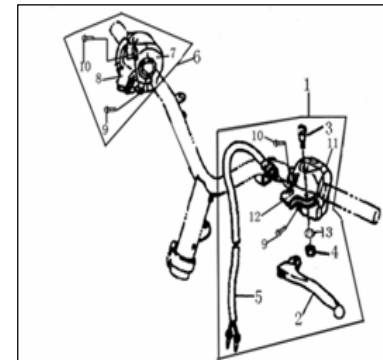
Season



LEVER/HANDLE SWITCH

NO.	CODE	EN DESCRIPTION	QTY.	NOTE
1	40500BM0T000	LEFT HANDLE SWITCH ASSY.	1	
2	40002BM0T000	LEFT LEVER	1	
3	40004BMAT000	LEVER MOUNTING SCREW	1	
4	B04000500065	NUT M5	1	
5	91700BMAT000	STOP SWITCH ASSY.	1	
6	40600BM0T000	RIGHT HANDLE SWITCH ASSY.	1	
7	40610BM0T000	RIGHT HANDLE SWITCH	1	
8	40620BM0T000	R. SWITCH FIXING SEAT	1	
9	B02000502025	PAN HEAD SCREW M5×20	2	
10	B02000502525	PAN HEAD SCREW M5×25	2	
11	40510BM0T000	LEFT HANDLE SWITCH	1	
12	40520BM0T000	L. SWITCH FIXING SEAT	1	
13	B07000000505	SPRING WASHER 5	1	

Season



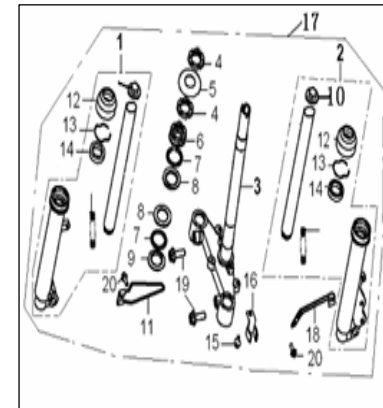
F-act 125

FRONT FORK

NO.	CODE	EN DESCRIPTION	QTY.	NOTE
1	43300J4GT000	FR.R. FORK ASSY.	1	
2	43200J4GT000	FR. L. FORK ASS'Y.	1	
1	43300T39HU00	FR.R. FORK ASSY.	1	
2	43200T39HU00	FR. L. FORK ASSY.	1	
3	43100BMBT003	STEM, STEERING	1	
4	43008BMBT000	NUT	2	
5	43005BMBT001	BALL RACE COVER	1	
6	43001BMBT002	BALL RACE, CONNECTING	1	
7	B06010150000	STEEL BALL ϕ 5	42	unidade
8	43003BMBT000	BALL RACE	2	
9	43004BMBT000	BALL RACE	1	
10	43204BMBT001	CAP BOLT	2	
11	43150BMBT000	CLIP, SPEEDOMETER CABLE	1	
12	43290K00P000	DUST SEAL	2	
13	43207K00P000	CLIP	2	
14	43260K00P000	OIL SEAL	2	
15	B01090601265	BOLT M6 \times 12	1	
16	43035BMBT000	HOLDER, BRAKE HOSE 2	1	
17	43000J4GT000	FRONT FORK ASS'Y.	1	
18	43021BMBT003	HOLDER, BRAKE HOSE 1	1	
19	B01091003065	BOLT M10 \times 1.25 \times 30	2	
20	B01070601665	BOLT M6 \times 16	2	

CZ ESCURO

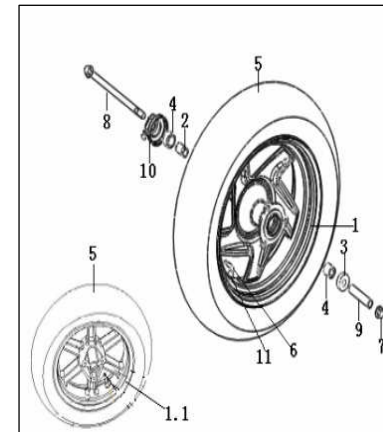
Season
2006-2007
2006-2007
2008
2008



FRONT WHEEL

NO.	CODE	EN DESCRIPTION	QTY.	NOTE
1	44100BM0TENA	FR. RIM COMP. 3.5 \times 12"	1	AZ ALUMÍNIO
	44100BM0TR8A	FR. RIM COMP. 3.5 \times 12"	1	VRM ALUMÍNIO
	44100BM0TBHA	FR. RIM COMP. 3.5 \times 12"	1	PRT E PLATINA ALUMÍNIO
	44100B91BH2A	FR. RIM COMP. 3.5 \times 12"	1	TODOS OS MODELOS ALUMÍNIO
1A	44100BM0TEN0	FR. RIM COMP. 3.5 \times 12"	1	AZ
	44100BM0TR80	FR. RIM COMP. 3.5 \times 12"	1	VRM
	44100BM0TBH0	FR. RIM COMP. 3.5 \times 12"	1	PRT E PLATINA
2	44600BM0T910	DISTANCE COLLAR COMP.	1	
3	44300BM0T000	OIL SEAL 22 \times 35 \times 7	1	
4	B12016020100	BALL BEARING 6201-2RS	2	
5	B140507D12AB	TIRE 120/70-12	1	
6	B1403Z201100	RIM VALVE Z2-01-1	1	
7	B04171212553	U NUT 12 \times 1.25MM	1	
8	44004G4CT000	FR. WHEEL A \times LE M12 \times 1.25 \times 224	1	
9	44005BM0T000	COLLAR	1	
10	44200J5BTBH0	SPEEDOMETER GEAR COMP.	1	PRT E PLATINA
	44200J5BTEN0	SPEEDOMETER GEAR COMP.	1	AZ
	44200J5BTR80	SPEEDOMETER GEAR COMP.	1	VRM
11	B1404Z2011C0	CAP, VALVE	1	

Season
2007
2007
2007
2008
2007
2007
2007

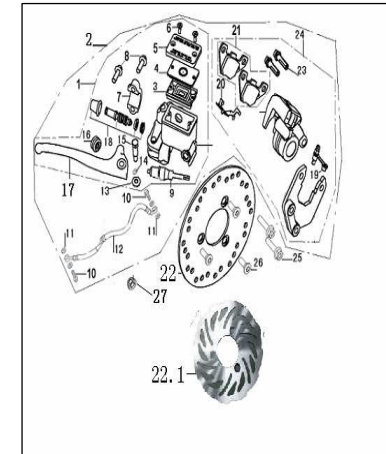


F-act 125

FRONT DISK BRAKE

NO.	CODE	EN DESCRIPTION	QTY.	NOTE
1	45400BMBTB30	CYLINDER COMP.	1	
2	45000J4FTRN2	DISC BRAKEASSY,FR.	1	
3	45011J1DT000	RESERVOIR DIAPHRAGM	1	
4	45013J1DT000	WASHER, CYLINDER	1	
5	45012BMBT000	RESERVOIR CAP	1	
6	B02010401025	FLAT HEAD SCREW M4×10	2	
7	45023J1DT000	MASTERCYLINDER BRACKET	1	
8	B01070602365	BOLT M6×23	2	
9	45300J3AT000	STOP SWITCH ASSY.	1	
10	45037J00P000	UNION BOLT	2	
11	45029J00P000	PLATE WASHER	4	
12	45200BMBT001	FR. BRAKE HOSE	1	
13	B04160600065	NUT M6	1	
14	B07000000605	SPRING WASHER 6	1	
15	45024J1CT000	BOLT M6	1	
16	45057G0KP000	TENSION SPRING,LEVER	1	
17	45022J3AT000	DISC BRAKE LEVER	1	
18	45140J00P000	PISTON ASSY.	1	
19	45021J00P000	BREED SCREW CAP	1	
20	45017G0CP000	PAD SUPPORT	1	
21	45110J4FT000	BRAKE PAD KIT	1 set	JOGO
22	45033BMBTC20	BRAKE DISC	1	
	45033BMBT001	BRAKE DISC	1	
23	45053G0CP000	GUIDE POLE	2	
24	45500J4FTRN0	CALIPER ASSY. (RED)	1	
25	45039J4FT000	BOLT M8×36	2	
26	45036BMAT000	BOLT	3	
27	B04171012553	U NUT M10×1.25	3	

Season

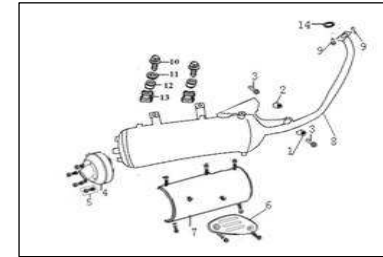


F-act 125

MUFFLER

NO.	CODE	EN DESCRIPTION	QTY.	NOTE
1	47740J0ET000	WASHER ASSY., FIXING	1	
2	47033J4AT000	ORIENTATION BUSH	1	
3	B01090805565	BOLT M8×55	2	
4	47780J4AT000	COVER COMP.,R.	1	
5	B13040601004	SCEW M6×10	10	
6	47023BM0T000	COVER, DECORATION	1	
7	47760BM0T000	COVER ASSY., DECORATING	1	
8	47100J4HT000	MUFFLER JOINTING ASSY.	1	Euro 2
8	47100J4HT005	MUFFLER JOINTING ASSY.	1	Euro 3
9	47006J0ET000	NUT M6	2	
10	B01020602525	BOLT M6×25	2	
11	B07020000605	WASHER 6	2	
12	47312J4FT000	BUSH	2	
13	45726J4FT000	CUSHION RUBBER	2	
14	47800J4AT000	EXHAUST PIPE GASKET	1	

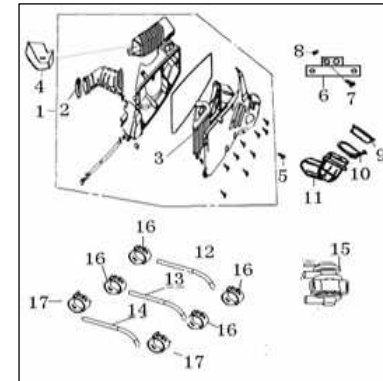
Season



AIR CLEANER

NO.	CODE	EN DESCRIPTION	QTY.	NOTE
1	49100J4FT000	AIR CLEANER COMP.	1	Euro 2
1	49100J4FT001	AIR CLEANER COMP.	1	Euro 3
2	49350J0ET000	CLAMP ASSY., AIR CLEANER	1	
3	49200J4FT000	FILTER ASSY	1	
4	49006J4FT000	SLEEVE, (PP)	1	
5	B01090603065	BOLT M6×30	1	
6	49025J4FT000	BRACKET, AIR CLEANER	1	
7	B01090602565	BOLT M6×25	1	
8	B04070600055	NUT M6	1	
9	62510J4FT000	FILTER ASSY., AIR INTAKE	1	
10	08430J0ET000	CLAMP ASSY., AIR INTAKE PIPE	1	
11	62500J4FT000	PIPE ASSY., AIR INTAKE	1	
12	49802J4HT000	HOSE II 550MM	1	
13	49801T110001	HOSE I 300MM	1	
14	49803J4HT000	HOSE 475MM	1	
15	49800NOJP000	RETAINER VALVE	1	
16	49804J00P000	SPRING □,LOCK φ17.5	4	
17	49806J00P000	SPRING □,LOCK φ16.5	2	

Season



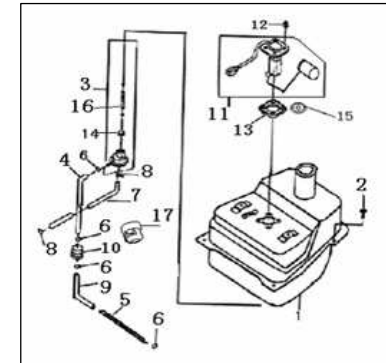
Euro 3

F-act 125

FUEL TANK

NO.	CODE	EN DESCRIPTION	QTY.	NOTE
1	50100J4FT001	FUEL TANK COMP.	1	Euro 3
1	50100BMBT002	FUEL TANK COMP.	1	Euro 2 5,2Lts
2	B01090601665	BOLT M6×16	4	
3	50300BM0T000	FUEL COCK ASSY.	1	
4	50301BM0T000	FUEL HOSE 1 , φ4.5×φ8.5×80	1	
5	50316BMBT000	SPRING(BLACK)	1	
6	50307BM0T000	CLIP φ8	4	
7	50302BM0T000	VACUUM HOSE 1,φ4×φ8×360	1	
8	50306BM0T000	CLIP φ7	2	
9	50303BM0T000	FUEL HOSE 2,φ4.5×φ8.5×250	1	
10	50340J0ET000	FUEL FILTER ASSY.	1	
11	50800J4FT000	SENDER UNIT	1	Euro 3
11	50800BMBT000	SENDER UNIT	1	Euro 2 5,2Lts
12	50801BM0T000	BOLT M5×16	4	
13	50004BMBT000	SENDER UNIT GASKET	1	
14	50312J0ET000	SEAL RING	1	
15	B07020000505	WASHER 5	4	
16	50352BM0T000	FUEL FILTER	1	
17	50391J0ET000	JACKET, STRAINER COMP	1	

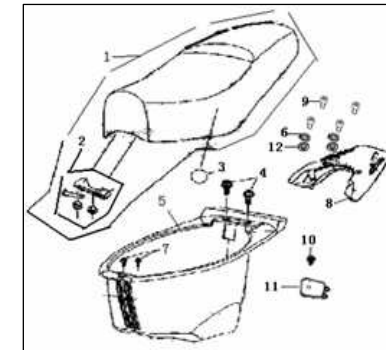
Season



SEAT

NO.	CODE	EN DESCRIPTION	QTY.	NOTE
1	51100BMBT007	SEAT ASSY.	1	
2	51080BMBT001	SEAT HINGE	1	
3	08032BM0T000	O-RING 84.4×3.1	1	
4	08011H60X000	BOLT M6×14	2	
5	51004BMBT000	LUGGAGE BOX	1	
	51004BMBT001	LUGGAGE BOX (enlarged)	1	
6	B07030000805	WASHER 6MM	2	
7	08017J4AT000	BOLT W/WASHER M6×20	2	
8	52011BMKTCL0	RR.. CARRIER COMP	1	PLATINA
	52011BMKTBA0	RR.. CARRIER COMP	1	PRT E VRM
	52011BMKTCE0	RR.. CARRIER COMP	1	AZ
9	B02050804565	SCREW M8×45	4	
10	B05074201305	TAPPING SCREW ST4.2×13	1	
11	51005BMBT000	COVER,LUGGAGE BOX	1	
12	08027J4AT000	WASHER	2	

Season



2007-2008

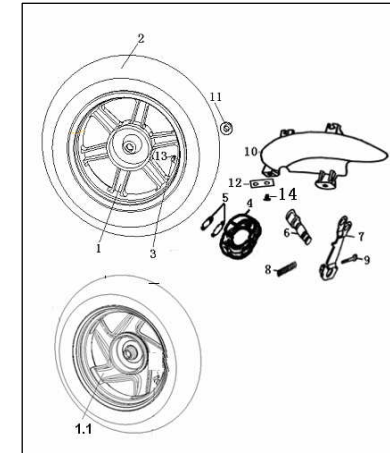
2007-2008

2007-2008

F-act 125

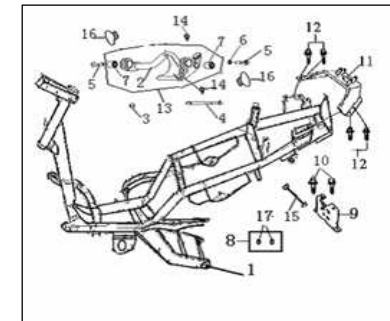
REAR WHEEL

NO.	CODE	EN DESCRIPTION	QTY.	NOTE	Season
1	54100J4FTENA	RR .RIMCOMP.3.5×12"	1	AZ ALUMÍNIO	2007
	54100J4FTR8A	RR .RIMCOMP.3.5×12"	1	VRM ALUMÍNIO	2007
	54100J4FTBHA	RR .RIMCOMP.3.5×12"	1	PRT E PLATINA ALUMÍNIO	2007
	54100T10BH2A	RR .RIMCOMP.3.5×12"	1	TODOS OS MODELOS ALUMÍNIO	2008
1A	54100J4FTR80	RR .RIMCOMP.3.5×12"	1	VRM	2007
	54100J4FTBH0	RR .RIMCOMP.3.5×12"	1	PRT E PLATINA	2007
	54100J4FTENO	RR .RIMCOMP.3.5×12"	1	AZ	2007
2	B140508D12BB	TIRE 130/70-12	1		
3	B1403Z201100	RIM VALVE Z2-01-1	1		
4	54200J4AT000	BRAKE SHOE	1	JOGO	
5	54001J4AT000	SPRING, BRAKE SHOE	2		
6	54003J4AT000	CAM SHAFT	1		
7	54250J4AT002	CAM SHAFT LEVER, ASSY	1		
8	54008J4AT000	TENSION SPRING	1		
9	B01090603565	BOLT M6×35	1		
10	65701J4FT001	REAR FENDER	1		
11	B04171615053	U NUT M16×1.5	1		
12	65771J4FT000	BRKT., RR. FENDER	1		
13	B1404Z2011C0	CAP, VALVE	1		
14	B01090601265	BOLT M6×12	1		



FRAME BODY

NO.	CODE	EN DESCRIPTION	QTY.	NOTE	Season
1	57100J4FT005	FRAME COMP.	1	Euro 3	
1	57100J4FT004	FRAME COMP.	1	Euro 2	
2	58320J4FT000	E/G BRKT. COMP.	1		
3	B04171012555	U NUT M10×1.25	1		
4	58301J0ET000	E/G MOUNTING BOLT,	1		
5	58305J0ET000	BOLT M10×1.25×55	2		
6	58307J0ET000	BUSH, LEFT	1		
7	58351J0ET000	E/G SET, SHAFT	2		
8	57001J4HT000	FRAME BODY NO. PLATE	1	Euro 2	
	57001J4HT001	FRAME BODY NO. PLATE	1	Euro 3	
8A	57002J4HT000	ANTI-TAMPERING PLATE	1	Euro 2	
	57002J4HT001	ANTI-TAMPERING PLATE	1	Euro 3	
9	58800BM0T000	SEAT CATCH COMP.	1		
10	B01090602565	BOLT M6×25	2		
11	57080BMKT000	CARRIER BRACKET	1		
12	B01090601265	BOLT M6×12	5		
13	58360J4FT000	E/G BRKT. COMP.	1		
14	58342J0ET000	BUFFER, RUBBER	2		
15	58900BMBT000	CABLE, SEAT	1		
16	58353J4FT000	CAP, DECORATION	2		
17	B100432007P0	RIVET3.2×7	2		



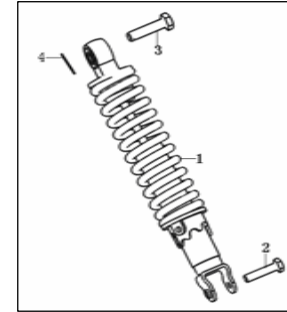
F-act 125

REAR ABSORBER

NO.	CODE	EN DESCRIPTION
1	63100J4FTBH1	RR. ABSORBER COMP.
	63100J4FTEN1	RR. ABSORBER COMP.
	63100J4FTR81	RR. ABSORBER COMP.
	63100J4FTBA1	RR. ABSORBER COMP.
2	63015J0ET000	FLANGE BOLT M8×31
3	B01141004063	BOLT W/HOLE M10×1.25×40
4	63016B0DT000	SPLIT PIN

QTY.	NOTE
1	PLATINA
1	AZ
1	VRM
1	PRT
1	
1	
1	

Season
2007-2008
2007-2008
2007-2008
2007-2008



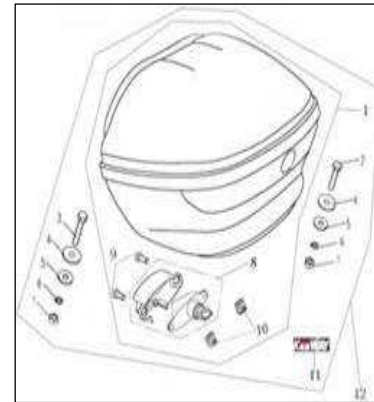
REAR BOX ASSY.

NO.	CODE	EN DESCRIPTION
±	52210BMBTR80	BACK BOX (RED-R8)
±	52210BMBTEH0	BACK BOX (BLUE-EH)
±	52210BMBTEN0	BACK BOX (BLUE-EN)
±	52210BMBTBA0	BACK BOX (BLACK-BA)
±	52210BMBTCL0	BACK BOX (PLATINA-CL)
2	B01010603033	BOLT M6×30
3	B01010603533	BOLT M6×35
4	52221BMBT000	WASHER
5	B07020000603	WASHER 6
6	B07000000603	SPRING WASHER 6
7	B04000600043	NUT M6
8	88600BMBT000	BACK BOX LOCK
9	B01070601663	SCREW M6×16
10	52910BMBT000	NUT, CLIPPING M6
11	05591BMBT000	BACK BOX COVER
12	52200BMBTEN0	BACK BOX ASSY
	52200BMBTBA0	BACK BOX ASSY
	52200BMBTCL0	BACK BOX ASSY

QTY.	NOTE
±	
±	
±	
±	
±	
2	
2	
4	
4	
4	
4	
1	
2	
2	
1	AZ
1	PRT
1	PLATINA

Season

2007-2008
2007-2008
2007-2008

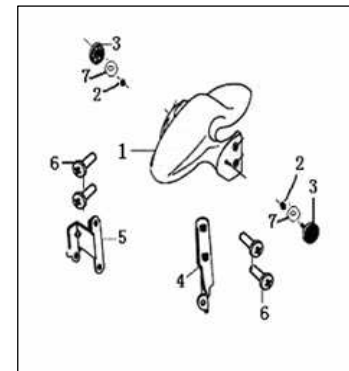


FRONT FENDER

NO.	CODE	EN DESCRIPTION
1	65101BMBTCL0	FRONT FENDER
	65101BMBTBA0	FRONT FENDER
	65101BMBTR80	FRONT FENDER
	65101BMBTCE0	FRONT FENDER
2	B04000500063	NUT M5
3	86300BMMT000	FRONT REFLECTOR
4	65130BMBT000	FRONT FENDER BRACKET, 1
5	65140BMBT000	FRONT FENDER BRACKET, 2
6	65114BMBT000	SCREW W/WASHER M6×16
7	B07030000503	WASHER 5

QTY.	NOTE
1	PLATINA
1	PRT
1	VRM
1	AZ
2	
2	
1	
1	
4	
2	

Season
2007-2008
2007-2008
2007-2008
2007-2008

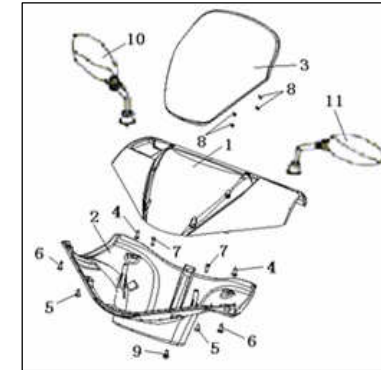


F-act 125

HANDLE COVER

NO.	CODE	EN DESCRIPTION	QTY.	NOTE
1	65201BMBTCE2	HANDLE COVER, 1, (SILVER CE)	1	AZ
	65201BMBTBA2	HANDLE COVER, 1, (BLACK BA)	1	VRM E PRT
	65201BMBTCL2	HANDLE COVER, 1, (PLATINA CL)	1	PLATINA
1A	65201B92001Z	HANDLE COVER, 1, (SILVER CE)	1	AZ C/ AUTOCOLANTES
	65201B92002Z	HANDLE COVER, 1, (BLACK BA)	1	VRM C/ AUTOCOLANTES
	65201B92003Z	HANDLE COVER, 1, (PLATINA CL)	1	PLATINA C/ AUTOCOLANTES
	65201B92004Z	HANDLE COVER, 1, (BLACK BA)	1	PRT C/ AUTOCOLANTES
2	65202BMBT000	HANDLE COVER, 2	1	
3	65203BMBT000	METER VISION ASSY.	1	
4	B05075001605	TAPPING SCREW ST5×16	2	
5	B05075001205	TAPPING SCREW ST5×12	2	
6	B05074001205	TAPPING SCREW ST4 ×12	2	
7	B05074001605	TAPPING SCREW ST4×16	2	
8	B05073001005	TAPPING SCREW ST3×10	4	
9	B13010501405	SCREW M5×14	1	
10	40470BMBT000	REAR VIEW MIRROR ASSY., R	1	
11	40460BMBT000	REAR VIEW MIRROR ASSY., L	1	PRT

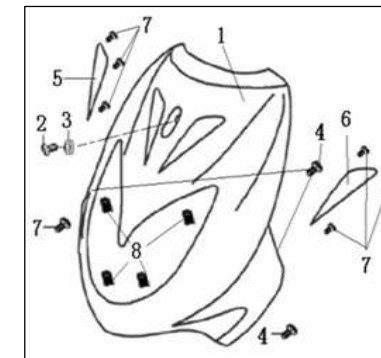
Season
2007-2008
2007-2008
2007-2008
2007-2008
2007-2008
2007-2008
2007-2008



FRONT COVER

NO.	CODE	EN DESCRIPTION	QTY.	NOTE
1	65301BMBTENA	LEG SHIELD, (BLUE EN)	1	AZ
	65301BMBTR8A	LEG SHIELD, (RED R8)	1	VRM
	65301BMBTCLA	LEG SHIELD, (PLATINA CL)	1	PLATINA
	65301BMBTBAA	LEG SHIELD, (BLACK BA)	1	PRT
1A	65301B92010Z	LEG SHIELD, (BLUE EN)	1	AZ C/ AUTOCOLANTES
	65301B92011Z	LEG SHIELD, (RED R8)	1	VRM C/ AUTOCOLANTES
	65301B92012Z	LEG SHIELD, (PLATINA CL)	1	PLATINA C/ AUTOCOLANTES
	65301B92013Z	LEG SHIELD, (BLACK BA)	1	PRT C/ AUTOCOLANTES
2	65314BMBT000	SCREW	1	
3	08027J4AT000	PLASTIC WASHER	1	
4	B05074201605	TAPPING SCREW ST4.2×16	4	
5	65367BMBT000	COVER,R	1	
6	65366BMBT000	COVER,L	1	
7	B05074001205	TAPPING SCREW ST4×12	6	
8	65801BMAT000	SPRING NUT ST4	4	

Season
2007-2008
2007-2008
2007-2008
2007-2008
2007-2008
2007-2008
2007-2008



F-act 125

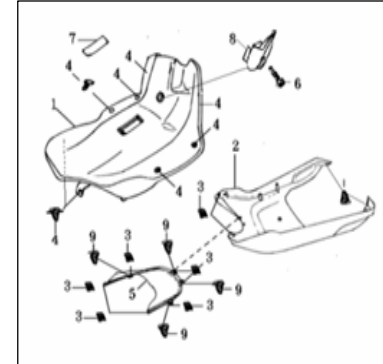
LEG SHIELD

NO.	CODE	EN DESCRIPTION	QTY.
1	65402BMBT000	LEG SHIELD, 2	1
2	65406BMBTBA0	UNDER COVER (BLACK BA), without stickers	1
2A	65406B92006Z	UNDER COVER (BLACK BA), with sticker "KEEWAY"	1
3	65801BMAT000	SPRING NUT ST4	8
4	B05074801605	TAPPING SCREW ST4.8×16	8
5	65407BMKT000	INNER FENDER	1
6	B01090603065	BOLT M6×30	1
7	65403BMBT000	INSPECT COVER	1
8	51011BMBT000	HOOK, HELMET	1
9	B05074201605	TAPPING SCREW ST4.2×16	8

TODOS OS MODELOS
TODOS OS MODELOS C/ AUTOCOLANTES

Season

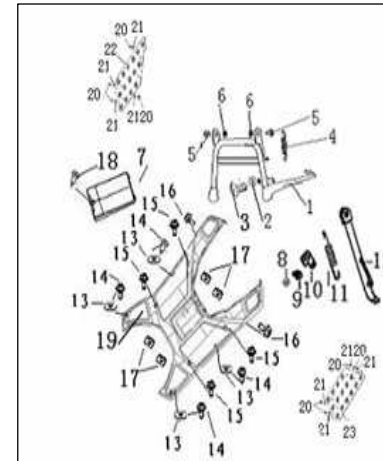
2007-2008
2007-2008



FOOTREST/STAND

NO.	CODE	EN DESCRIPTION	QTY.	NOTE
1	58520J4HT001	MAIN STAND JOINTING ASSY.	1	
2	58507G5FT000	CUSHION, MID STAND	1	
3	08018J5BT000	BOLT	1	
4	58510BM0T000	MAIN STAND SPRING ASSY.	1	
5	B01091002565	BOLT M10×1.25×25	2	
6	58509JA0T000	BUSH	2	
7	65813BMBT000	BATTERY COVER	1	
8	B04070800065	NUT M8	1	
9	57005BMBT000	BOLT, SINGLE STAND	1	
10	57006BM0T000	HOOK SPRING	1	
11	57010BM0T000	SIDE STAND SPRING ASSY.	1	
12	58700J4FT000	SIDE STAND COMP.	1	
13	B07030000505	WASHER 5	4	
14	B05074001605	TAPPING SCREW ST4×16	6	
15	08011H60X000	BOLT M6×14	4	
16	B01090601265	BOLT M6×12	4	
17	65802BMAT000	SPRING NUT ST4.8	6	
18	B05075001605	TAPPING SCREW ST5×16	1	
19	65401BMBT000	FLOOR, BLACK	1	
20	B05004201305	SCREW 4.2×13MM	8	
21	57031BMBT000	WASHER	8	
22	65412BMBT000	FLOOR COVER,R	1	
23	65411BMBT000	FLOOR COVER,L	1	

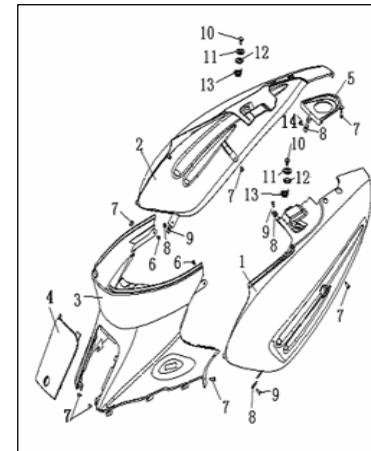
Season



F-act 125

SIDE COVER

NO.	CODE	EN DESCRIPTION	QTY.	NOTE	Season
1	65601BMBTCE0	SIDECOVER,1 (SILVER CE)	1	AZ	2007-2008
	65601BMBTBA0	SIDECOVER,1 (BLACK BA)	1	VRM E PRT	2007-2008
	65601BMBTCL0	SIDECOVER,1 (PLATINA CL)	1	PLATINA	2007-2008
1A	65601B92022Z	SIDECOVER,1 (SILVER CE)	1	AZ C/ AUTOCOLANTE 125CC	2007-2008
	65601B92023Z	SIDECOVER,1 (BLACK BA)	1	VRM C/ AUTOCOLANTE 125CC	2007-2008
	65601B92024Z	SIDECOVER,1 (PLATINA CL)	1	PLATINA C/ AUTOCOLANTE 125CC	2007-2008
	65601B92025Z	SIDECOVER,1 (BLACK BA)	1	PRT C/ AUTOCOLANTE 125CC	2007-2008
1B	65601B92026Z	SIDECOVER,1 (SILVER CE)	1	AZ C/ AUTOCOLANTE 150CC	2007-2008
	65601B92027Z	SIDECOVER,1 (BLACK BA)	1	VRM C/ AUTOCOLANTE 150CC	2007-2008
	65601B92028Z	SIDECOVER,1 (PLATINA CL)	1	PLATINA C/ AUTOCOLANTE 150CC	2007-2008
	65601B92029Z	SIDECOVER,1 (BLACK BA)	1	PRT C/ AUTOCOLANTE 150CC	2007-2008
2	65602BMBTCE0	SIDECOVER,2 (SILVER CE)	1	AZ	2007-2008
	65602BMBTBA0	SIDECOVER,2 (BLACK BA)	1	VRM E PRT	2007-2008
	65602BMBTCL0	SIDECOVER,2 (PLATINA CL)	1	PLATINA	2007-2008
2A	65602B92022Z	SIDECOVER,2 (SILVER CE)	1	AZ C/ AUTOCOLANTE 125CC	2007-2008
	65602B92023Z	SIDECOVER,2 (BLACK BA)	1	VRM C/ AUTOCOLANTE 125CC	2007-2008
	65602B92024Z	SIDECOVER,2 (PLATINA CL)	1	PLATINA C/ AUTOCOLANTE 125CC	2007-2008
	65602B92025Z	SIDECOVER,2 (BLACK BA)	1	PRT C/ AUTOCOLANTE 125CC	2007-2008
2B	65602B92026Z	SIDECOVER,2 (SILVER CE)	1	AZ C/ AUTOCOLANTE 150CC	2007-2008
	65602B92027Z	SIDECOVER,2 (BLACK BA)	1	VRM C/ AUTOCOLANTE 150CC	2007-2008
	65602B92028Z	SIDECOVER,2 (PLATINA CL)	1	PLATINA C/ AUTOCOLANTE 150CC	2007-2008
	65602B92029Z	SIDECOVER,2 (BLACK BA)	1	PRT C/ AUTOCOLANTE 150CC	2007-2008
3	65605BMBT000	SIDE COVER, 3	1		
4	65619BMBT000	SIDE COVER, 4	1		
5	65606BMBTCE0	SIDE COVER,5 (SILVER CE)	1	AZ	2007-2008
	65606BMBTBA0	SIDE COVER,5 (BLACK BA)	1	VRM E PRT	2007-2008
	65606BMBTCL0	SIDE COVER,5 (PLATINA CL)	1	PLATINA	2007-2008
6	B05074001205	TAPPING SCREW ST4×12	2		
7	B05074801605	TAPPING SCREW ST4.8×16	7		
8	65802BMAT000	SPRING NUT ST4.8	4		
9	B05075001205	TAPPING SCREW ST5×12	4		
10	B02000602025	SCREW M6×20	2		
11	08021BMBT000	WASHER	2		
12	65618J00P000	RUBBER WASHER	2		
13	65709BM0T000	BUSH, RR. FENDER	2		
14	B05074801305	TAPPING SCREW ST4.8×13	1		

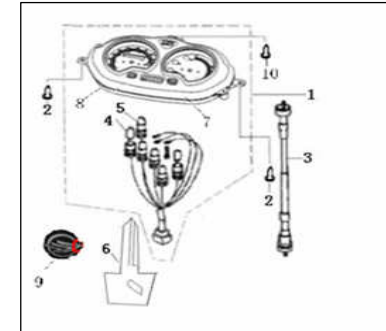


F-act 125

ANALOG SPEEDOMETER.

NO.	CODE	EN DESCRIPTION	QTY.	NOTE
1	70000J4FTW60	SPEEDOMETER COMP.	1	
2	B05074001205	TAPPING SCREW ST4×12	2	
3	72900J4FT000	SPEEDOMETERCABLE COMP.	1	
4	70001BMBT000	BULB 12V-3W	3	
5	70036BMBT000	BULB 12V-2W	3	
6	88900T10000X	KEY NUT RIGHT	2	
7	70003BMBT004	SPEEDOMETER COVER	1	
8	76000BMBT001	DIGITAL WATCH	1	
9	05501J4HT000	STICK	1	
10	B05074001205	TAPPING SCREW 4×12 MM	1	

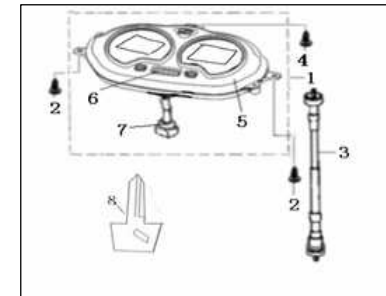
Season



DIGITAL SPEEDOMETER.

NO.	CODE	EN DESCRIPTION	QTY.	NOTE
1	70000J4FT00A	SPEEDOMETER COMP.	1	
2	B05074001205	SCREW 4X12MM	2	
3	72900BMBT000	SPEEDOMETER CABLE COMP.	1	
4	B05074001205	SCREW 4X12	1	
5	70003BMBT002	SPEEDOMETER COVER	1	
6	76000BMBT000	DIGITAL WATCH	1	
7	75000BMBT000	SPEEDOMETER WIRE ASSY	1	
8	88900T10000X	KEY NUT RIGHT	2	

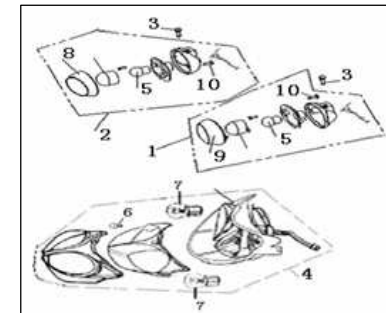
Season



FLASHER LIGHT/HEAD LIGHT

NO.	CODE	EN DESCRIPTION	QTY.	NOTE
1	81100B20T001	FLASHER LIGHT ASSY., L.	1	
2	81300B20T001	FLASHER LIGHT ASSY., R.	1	
3	08005AE0D000	SCREW W/WASHER 5×11.5	2	
4	80000J4AT000	HEAD LIGHT ASSY.	1	
5	81004BMBT000	BULB, 12V/10W	2	
6	70001BMBT000	BULB 12V-3W	2	
7	80002B20T000	BULB (12V35/35W)	2	
8	81302B20T000	LIGHT COVER, R.	1	
9	81102B20T000	LIGHT COVER, L.	1	
10	08011B20T000	SCREW 3×28	2	

Season

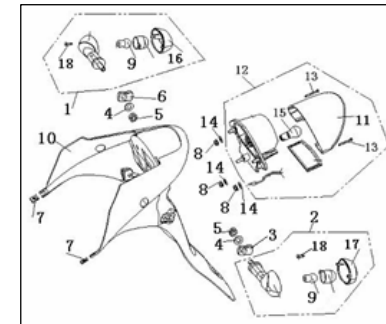


F-act 125

TAIL LIGHT

NO.	CODE	EN DESCRIPTION	QTY.	NOTE
1	81700B20T001	TURN LIGHT,R.R.	1	
2	81500B20T001	TURN LIGHT,R.L.	1	
3	81511BM0T000	FLASHER LIGHT CUSHION,L	1	
4	B07030001005	WASHER 10	2	
5	B04061012555	NUT M10×1.25	2	
6	81708BM0T000	FLASHER LIGHT CUSHION,R	1	
7	65802BM0T000	SPRING NUT	2	
8	B04070600065	NUT M6	3	
9	81004BMBT000	BULB, 12V/10W	2	
10	08202BM0T000	LICENSE BRACKET	1	
11	82008BM0T003	INDICATOR LENS	1	
12	82000BM0T001	TAIL LIGHT ASSY.	1	
13	08009BM0T000	SCREW 4×28	2	
14	82011G00P000	RUBBER WASHER	3	
15	82005B20T000	BULB 12V 21/5W	1	
16	81102B20T000	LIGHT COVER, F.L.	1	
17	81302B20T000	LIGHT COVER,F.R.	1	
18	08011B20T000	SCREW 3×28	2	

Season

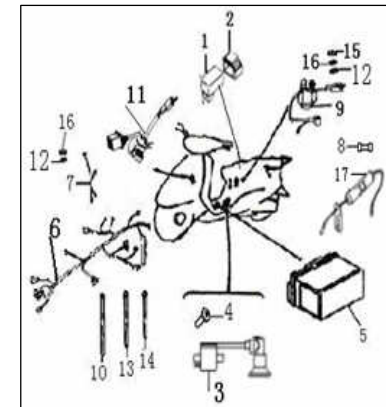


ELECTRICAL EQUIPMENT I

NO.	CODE	EN DESCRIPTION	QTY.	NOTE
1	97701BAAT000	C.D.I. UNIT COMP.	1	
2	96007BAAT000	CUSHION. C.D.I	1	
3	96200J5BT000	IGNITION COIL ASSY	1	
4	B13040602005	SCREW M6×20	2	
5	96100J4FT000	BATTERY	1	YTX7L-BS
6	92000J4FT007	WIRE HARNESS ASSY.	1	PROVA DE ÁGUA
	92000J4FT005	WIRE HARNESS ASSY.	1	
7	96900J4FT000	WIRE HARNESS	1	
8	96810K80T000	FUSE 15A	1	
9	94000BMBT000	STARTER RELAY COMP.	1	
10	96001K00P000	BAND 8×250	3	
11	92100J3AT001	DIODE COMP.	1	
12	B07030000605	WASHER 6	2	
13	96003K00P000	BAND 8×200	3	
14	96002K00P000	BAND 8×150	1	
15	B04000600055	NUT M6	1	
16	B07000000605	SPRING WASHER 6	2	
17	96800K80T000	FUSE COMP	1	

Season

2007-2008
2006



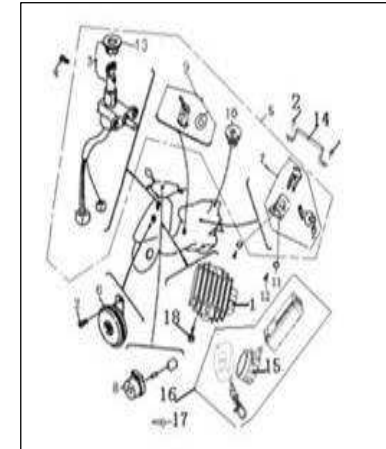
F-act 125

ELECTRICAL EQUIPMENT II

NO.	CODE	EN DESCRIPTION	QTY.	NOTE
1	98801N0FP000	REGULATOR COMP.	1	MODELO ANTIGO
	98801N04FN04	REGULATOR COMP.	1	NOVO MODELO
2	B01090601265	BOLT M6×12	3	
3	88100K80T00A	MAIN SWITCH ASSY.	1	PROVA DE ÁGUA
	88100K80T000	MAIN SWITCH ASSY.	1	
4	08002BMBT000	BOLT M6×12	2	
5	88000J4FT00A	LOCK ASSY.	1	PROVA DE ÁGUA
	88000J4FT001	LOCK ASSY.	1	
6	95000B50T000	HORN (E MARK)	1	
7	88800BMBT000	LOCK ASSY., SEAT	1	
8	96500BM0T00B	FLASH&AUDIO PILOT COMP.	1	
9	88500BMBT000	LOCK, COVER	1	
10	88400BMBT000	LOCK ASSY., FUEL TANK	1	
11	B07030000505	WASHER 5	2	
12	B05074001005	TAPPING SCREW ST4×10	2	
13	88101BMBT000	COVER MAIN SWITCH	1	
14	95701JCCT000	BAKT ALARMSYSTEM	1	
15	95730BMBT002	ALARM SYSTEM HORN	1	
16	95700J4FT000	ALARM ASSY.	1	
17	B05074801305	TAPPING SCREW	1	
18	B01090602065	BOLT M6×20	1	

Season
2006-2007
2008

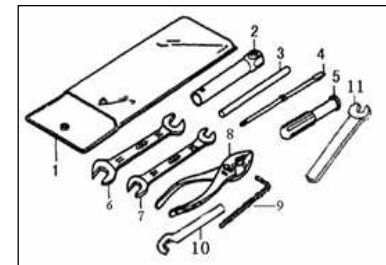
2007-2008
2006
2007-2008
2006



TOOL KIT

NO.	CODE	EN DESCRIPTION	QTY.	NOTE
1	02110G00P000	BAG, TOOL	1	
2	02102G00P000	SOCKET, SPARK PLUG	1	
3	02101G0BP000	HANDLE, SPARK PLUG SOCKET	1	
4	02103G00P000	DRIVER, SCREW	1	
5	02104G00P000	HANDLE	1	
6	B20011301603	SPANNER, 13×16	1	
7	B20011001203	SPANNER, 10×12	1	
8	02112BMBT000	PLIERS	1	
9	B20020800000	SOCKET SPANNER	1	
10	02115BM0T000	RR. ABSORBER ADJUSTER	1	
11	02117BMBT000	WRENCH 35	1	

Season



F-act 125

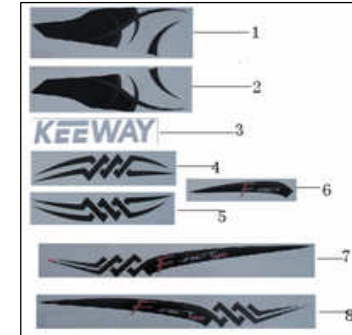
STICKER_USED FOR PLATINUM CL FACT125/150

NO.	CODE	EN DESCRIPTION	QTY.	NOTE
1	05529BMBTCL7	STICKER LOWER FRONT COVER,RH	1	
2	05528BMBTCL7	STICKER LOWER FRONT COVER,LH	1	
3	05541BMBT007	STICKER UNDER COVER	2	
4	05526BMBTCL7	STICKER UPPER FRONT COVER ,RH	1	
5	05527BMBTCL7	STICKER UPPER FRONT COVER ,LH	1	
6	05524BMBTCL2	STICKER,HANDLE COVER	1	
7	05518BMBTCL9	STICKER SIDE COVER , RH	1	
8	05519BMBTCL9	STICKER SIDE COVER , LH	1	

PLATINA

Season

2007
2007
2007
2007
2007
2007
2007
2007



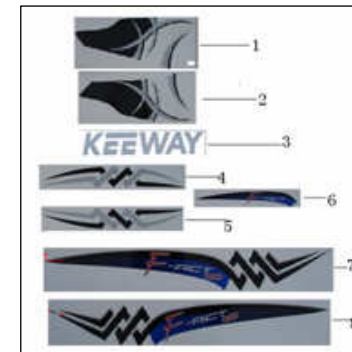
STICKER_USED FOR BLUE EN FACT125/150

NO.	CODE	EN DESCRIPTION	QTY.	NOTE
1	05529BMBTEN7	STICKER LOWER FRONT COVER,RH	1	
2	05528BMBTEN7	STICKER LOWER FRONT COVER,LH	1	
3	05541BMBT007	STICKER UNDER COVER	1	
4	05526BMBTEN7	STICKER UPPER FRONT COVER ,RH	1	
5	05527BMBTEN7	STICKER UPPER FRONT COVER ,LH	1	
6	05524BMBTEN2	STICKER,HANDLE COVER	1	
	05518BMBTEN9	STICKER SIDE COVER , RH	1	
	05519BMBTEN9	STICKER SIDE COVER , LH	1	

AZ

Season

2007
2007
2007
2007
2007
2007
2007
2007



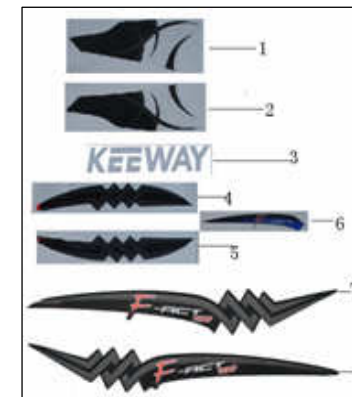
STICKER_USED FOR SATIN-BLACK BA FACT125/150

NO.	CODE	EN DESCRIPTION	QTY.	NOTE
1	05529BMBTBA7	STICKER LOWER FRONT COVER,RH	1	
2	05528BMBTBA7	STICKER LOWER FRONT COVER,LH	1	
3	05541BMBT007	STICKER UNDER COVER	2	
4	05526BMBTBA7	STICKER UPPER FRONT COVER ,RH	1	
5	05527BMBTBA7	STICKER UPPER FRONT COVER ,LH	1	
6	05524BMBTBA2	STICKER,HANDLE COVER	1	
	05518BMBTBA9	STICKER SIDE COVER , RH	1	
	05519BMBTBA9	STICKER SIDE COVER , LH	1	

PRT

Season

2007
2007
2007
2007
2007
2007
2007
2007



F-act 125

STICKER_USDE FOR RED R8 FACT125/150

NO.	CODE	EN DESCRIPTION	QTY.	NOTE
1	05529BMBTEN7	STICKER LOWER FRONT COVER,RH	1	
2	05528BMBTEN7	STICKER LOWER FRONT COVER,LH	1	
3	05541BMBT007	STICKER UNDER COVER	2	
4	05526BMBTEN7	STICKER UPPER FRONT COVER ,RH	1	VRM
5	05527BMBTEN7	STICKER UPPER FRONT COVER ,LH	1	
6	05524BMBTR82	STICKER,HANDLE COVER	1	
	05518BMBTR89	STICKER SIDE COVER , RH	1	
	05519BMBTR89	STICKER SIDE COVER , LH	1	

Season

2007

2007

2007

2007

2007

2007

2007

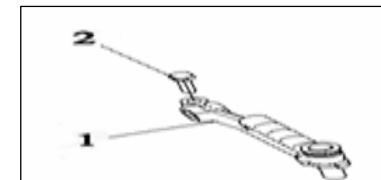
2007



ENGINE ATTACHMENT

NO.	CODE	EN DESCRIPTION	QTY.	NOTE
1	08350J4AT000	STARTING SHAFT COMP.	1	
2	B01020602565	SCREW 6×25MM	1	

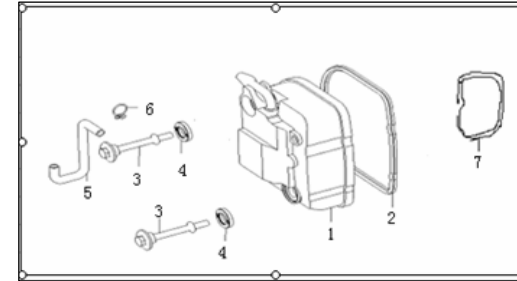
Season



F-act 125

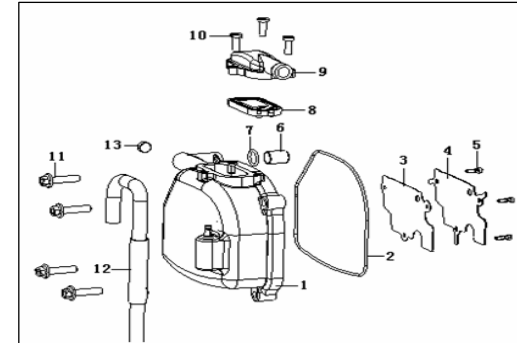
E01/1 COVER CYLINDER HEAD ASSY.

NO	CODE(QJ)		QTY	
1	30700J05F000	COVER ,cylinder head	1	NOTE
2	30704J05F000	GASKET	1	
3	201313.005472	SCREW,cylinder head cover	2	
4	30714N02F000	GASKET	2	Euro 2
5	201110.003000	HOSE,oil	1	
6	201227.002472	CLIP,hose	1	
7	30718J05F000	NUT BUSH,rubber	1	



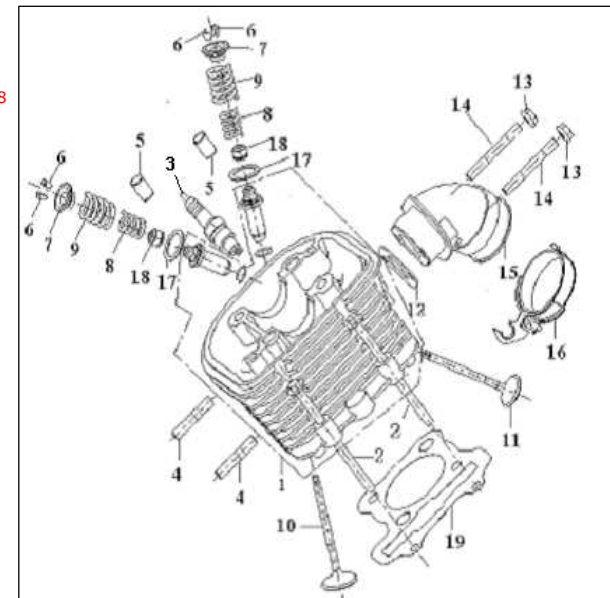
E01/2 COVER CYLINDER HEAD ASSY.

NO	CODE(QJ)		QTY	
1	201300.046000	COVER ,CYLINDER HEAD	1	NOTE
2	201329.021000	MOLD,COWLING	1	
3	201332.012000	GASKET	1	
4	201217.003000	HOLDER	1	
5	302210301062	SCREW M3X10	3	
6	26123G02F000	PIN DOWEL 12X16	1	
7	315112020062	O RING 12X2	1	Euro 3
8	229108.001000	REED VALVE ASSY	1	
9	201302.006000	HOSE,BREATHER	1	
10	302270501462	SCREW M5X14	3	
11	301310602562	BOLT M6X25	4	
12	201110.004000	HOSE,breather	1	
13	201223.010000	STOPPER	1	



E02 CYLINDER HEAD ASSY.

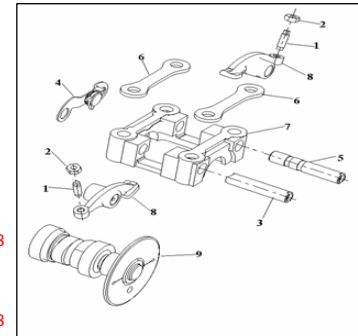
NO	CODE(QJ)		QTY		
1	30501J05F000	CYLINDER HEAD	1	modelo antigo (árvore cames 32mm)	2006
	201100.018000	CYLINDER HEAD	1	modelo novo (árvore cames 33mm)	2007-2008
	201100.072000	CYLINDER HEAD	1	Euro 3	
2	30504H03F000	BOLT	2		
3	201204.014000	SPARK PLUG	1	CR7HSA	
4	201216.002472	STUD BOLT	2		
5	27105H03F000	PIN DOWEL	2		
6	30108J05F000	COTTER, valve	4		
7	30106J05F930	UPPER SEAT, valve spring	2		
8	30102J05F930	SPRING, inner	2		
9	30101J05F930	SPRING, outer	2		
10	30201J05F000	EXHAUST VALVE	1		
11	30103J05F000	INLET VALVE	1		
12	30112J05F000	GASKET, insulator	1		
13	304290600065	NUT (chromeplated)	2		
14	201216.006472	STUD BOLT (chromeplated)	2		
15	202100.001000	INSULATOR, carburetor	1	Euro 2	
	202100.020000	INSULATOR, carburetor	1	Euro 3	
16	202104.002472	CLAMP	1		
17	30208H03F930	WASHER OUT SPRING VALVE	1		
18	30205H03F000	OIL SEAL	2		
19	30503J05F000	GASKET, cylinder head	1		



F-act 125

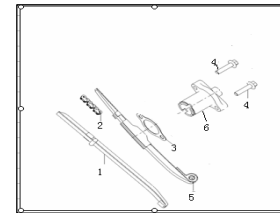
E03 AIR MIX DEVICE

NO	CODE(QJ)		QTY	NOTE	
1	30303H03F000	SCREW,tappet adjusting	2		
2	30302H03F930	NUT,tappet adjusting	2		
3	203306.013063	SHAFT ,EXHAUST ROCKER ARM	1		
4	30600H03F000	PLATE, stopper	1		
5	203102.002063	ARM,inlet rocker arm	1		
6	30310J05F000	GASKET,holder	2		
7	30304J05F000	HOLDER,cam shaft	1	modelo antigo (árvore cames 32mm)	2006
	203406.003000	HOLDER,cam shaft	1	modelo novo (árvore cames 33mm)	2007-2008
8	30301J05F000	ARM,rocker	2		
9	30420J05F000	CAMSHAFT ASSY	1	modelo antigo (árvore cames 32mm)	2006
	203103.004000	CAMSHAFT ASSY	1	modelo novo (árvore cames 33mm)	2007-2008



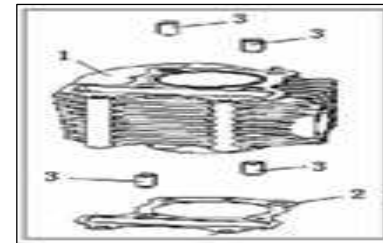
E04 CAM CHAIN & TENSIONER ASSY.

NO	CODE(QJ)		QTY	NOTE
1	27421J05F000	GUIDE CAM CHAIN(←)	1	
2	27327J05F000	CAM CHAIN	1	
3	205300.002000	GASKET,tensioner	1	
4	B01070602563	SCREW	2	
5	27200J05F000	GUIDE ASSY.	1	
6	27300J05F000	TENSIONOR COMP	1	



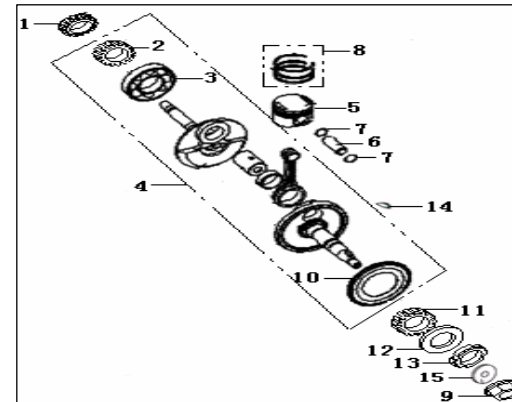
E05 CYLINDER ASSY

NO	CODE(QJ)		QTY	NOTE
1	204200.019000	CYLINDER COMP	1	
2	204204.010000	GASKET,cylinder	1	
3	27105H03F000	PIN DOWEL	4	



E06 CRANKSHAFT & CONNECTING ROD & PISTON ASSY

NO	CODE(QJ)		QTY	NOTE
1	15231J05F000	GEAR,starter driven	1	
2	15232J05F000	SPROCKET,cam chain	1	
3	15210J05F000	ROLLING BEARING	1	
4	15200J05F000	CRANKSHAFT & CONROD ASSY	1	
5	208300.021062	PISTON	1	
6	15105H03F000	PIN,piston	1	
7	208308.004161	CLIP	2	
8	17918305003Z	RING ASSY	1	JOGO
9	15206J05F000	NUT,lock	1	
10	15227J05F000	PLATE,oil reverse	1	
11	15208J05F000	SPROCKET,	1	
12	15209J05F000	WASHER	1	
13	208224.001161	NUT	1	
14	15101J01F000	KEY	1	
15	B07030001200	WASHER	1	

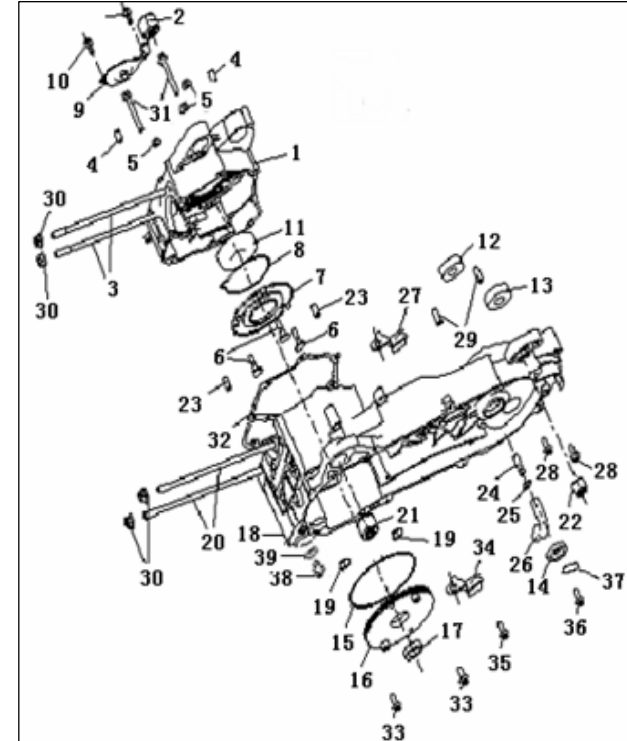


F-act 125

E07 CRANKCASE ASSY

NO	CODE(QJ)		QTY
1	26210J05F000	CRANKCASE ASSY RH	1
2	26501H03F000	BUSH	1
3	26206J05F910	BOLT	2
4	14206J01F000	PIN DOWEL	2
5	B04170000653	NUT	3
6	26313J05F930	SCREW	3
7	26314J05F910	PLATE, strainer	1
8	26209J05F000	O RING	1
9	26311J05F000	CAP, oil pump	1
10	B01090601583	BOLT	2
11	26217J05F000	ROLLER BEARING	1
12	B12016620350	ROLLER BEARING	1
13	B12016620250	ROLLER BEARING	1
14	26106H03F000	OIL SEAL	1
15	26102G03F000	O RING	1
16	26101J05F000	COVER LH, small	1
17	26130J05F000	OIL SEAL	1
18	26110J05F000	CRANKCASE ASSY	1
19	315105719010	O RING 5.7X1.9	2
20	26107J05F910	BOLT	2
21	26501H03F000	BUSH	1
22	26502G02F000	BUSH, ENGINE MOUNTING	1
23	26128J05F000	PIN DOWEL	2
24	26105J05F000	PIPE, breather	1
25	201227.002371	CLIP	1
26	206103.001000	HOSE, breather	1
27	207224.003472	CLIP	1
28	B01090801583	BOLT	2
29	26123G02F000	PIN DOWEL 12X16	2
30	B04070000853	NUT	4
31	B01090605083	BOLT	2
32	206210.001000	GASKET, crankcase	1
33	301310601865	BOLT(chromplate)	2
34	216216.001271	PLATE, stopper	1
35	B01070601463	BOLT	1
36	B01890801563	SCREW	1
37	18105H03F000	WASHER	2
38	206211.002472	BOLT, DRAIN PLUG	1
39	20761K08F000	GASKET, ANTI_OIL	1

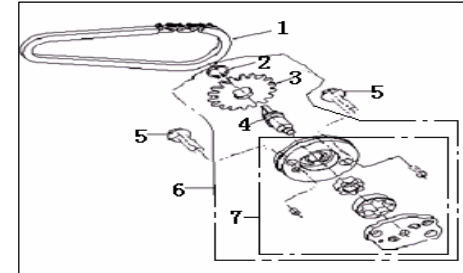
NOTE



F-act 125

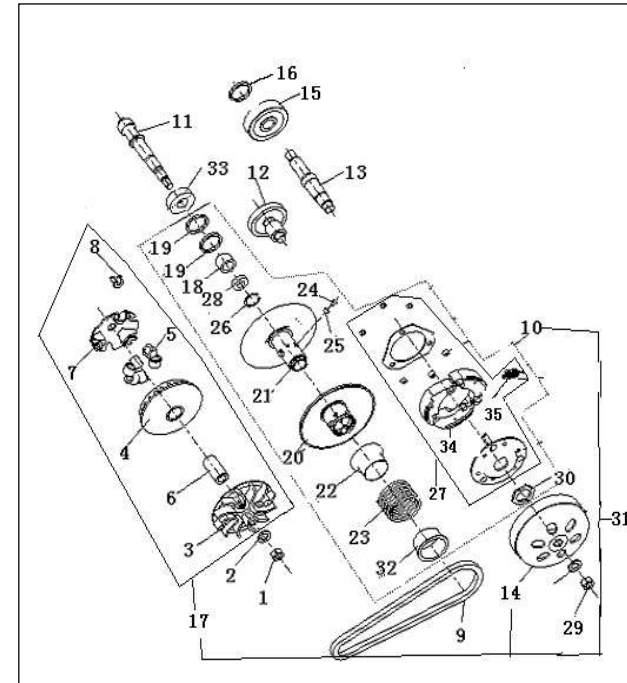
E08 OIL PUMP ASSY

NO	CODE(QJ)		QTY	NOTE
1	19114J05F000	CHAIN OIL PUMP	1	
2	B08010001000	WASHER	1	
3	19110J05F000	SPROCKET,oil pump driven	1	
4	19107J05F000	SHAFT,oil pump	1	
5	301310602565	BOLT M6X25	2	
6	19000J05F000	OLL PUMP ASSY	1	
7	219100.029000	OLL PUMP BODY ASSY	1	



E09 CLUTCH ASSY

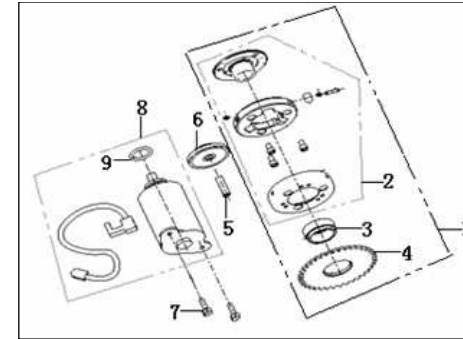
NO	CODE(QJ)		QTY	NOTE
1	15206H03F000	NUT	1	
2	15209H03F000	WASHER	2	
3	24111J05F000	FACE, fixed drive	1	
4	220043060000	FACE COMP, fixed drive	1	
5	24120J05F000	ROLLER(11.5g)	6	unidade
6	24140J05F000	COLLAR	1	
7	24151J05F930	PLATE, movable drive	1	
8	24130J05F000	DAMPER	3	
9	24160J05F000	V BELT, drive	1	
10	24210J05F000	DRIVEN PLATE ASSY	1	
11	214300.003000	SHAFT ,drive	1	16 DENTES
	229043060000	SHAFT ,drive	1	15 DENTES
12	214103.009000	SHAFT ,idle	1	40 DENTES
	229063060000	SHAFT ,idle	1	42 DENTES
13	17201J05F000	SHAFT, rear axle	1	
14	24230H03F000	HOUSING, clutch	1	
15	17217J05F000	GEAR	1	
16	B08010002000	CIRCLIP	1	
17	24100J05F000	DRIVE ASSY	1	
18	24203J05F000	BEARING	1	
19	24216H03F000	OIL SEAL	2	
20	24211H03F000	FACE, movable driven	1	
21	24212J05F000	FACE COMP, fixed driven	1	
22	24213H03F930	SEAT, spring	1	
23	24240H03F000	SPRING	1	
24	24246H03F000	AXLE	3	
25	24217H03F000	BEARING	3	
26	B08000002600	CIRCLIP	1	
27	24220H03F000	PLATE ASSY, driven	1	
28	24245H03F000	BEARING NSE NACHI JAPAN	1	
29	18330H03F930	NUT	1	
30	24242H03F000	NUT	1	
31	24001J05F000	SHIFT ASSY	1	
32	24244H03F000	SEAT, spring	1	
33	B12016620450	BEARING	1	
34	24231H03F000	SHOE, CLUTCH	3	
35	24224H03F000	SPRING, CLUTCH	3	



F-act 125

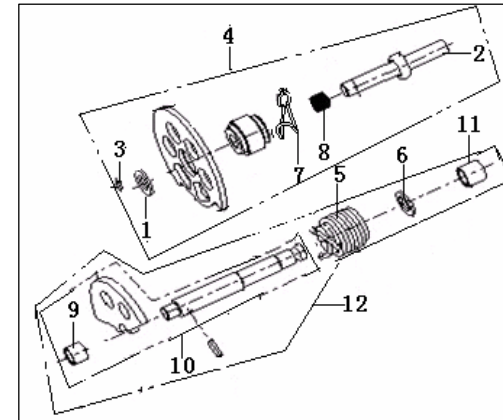
E10 ELECTRIC STARTER ASSY

NO	CODE(QJ)		QTY	NOTE
1	34400J05F000	CLUTCH SET,starter	1	
2	34110J05F000	CLUTCH COMP	1	
3	34124H03F000	BEARING,needle	1	
4	218100.011371	GEAR COMP,starter clutch	1	
5	34146J05F000	SHAFT,shaft starter idle gear	1	
6	34141J05F000	GEAR,starter idle	1	
7	301310601865	BOLT	2	
8	218100.011472	MOTOR ASSY,starting	1	
9	34254J05F000	O RING	1	



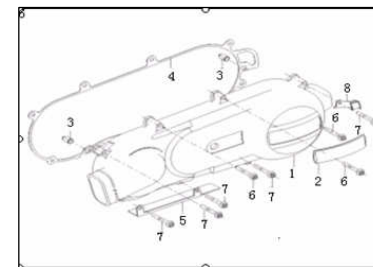
E11 KICK STARTER ASSY

NO	CODE(QJ)		QTY	NOTE
1	17805H03F000	WASHER	1	
2	17811J05F000	GEAR SHAFT	1	
3	B090103008B0	PIN	1	
4	17806J05F000	GEAR ASSY, starter	1	
5	17718J05F930	TWEAK SPRING	1	
6	17402H03F000	PLATE	1	
7	17809H03F000	SPRING	1	
8	17412H03F000	SPRING	1	
9	17433H03F000	BEARING COVER, starter	1	
10	17400J05F000	SHAFT ASSY, starter	1	
11	17434H03F000	BEARING COVER, starter	1	
12	216100.023000	KICK STARTER ASSY	1	



E12 COVER LH ASSY

NO	CODE(QJ)		QTY	NOTE
1	207200.018081	COVER,clutch	1	
2	207236.020472	SIGN CARDS "KEEWAY"	1	
3	27105H03F000	PIN DOWEL	2	
4	207208.007000	GASKET,cankcase LH	1	
5	207225.004472	PLATE,protector	1	
6	301310604565	BOLT	3	
7	301310603565	BOLT	5	
8	222218.003472	CLIP	1	

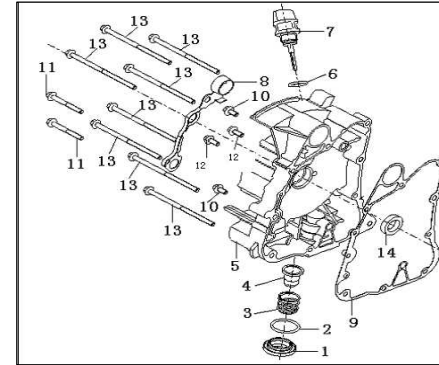


F-act 125

E13 COVERCASE RH ASSY

NO	CODE(QJ)		QTY
1	26306H03F000	PLUG,drain	1
2	26307H03F000	O RING 30.8X3.2	1
3	26305H03F000	SPRING,stainer	1
4	26308J01F000	STRAINER,oil	1
5	14201J05F000	COVER,crankcase RH	1
6	14215J01F000	O RING	1
7	207304.008081	GAUGE,oil level	1
8	14220J05F910	CLIP	1
9	207303.008000	GASKET,crankcase cover RH	1
10	B01090601263	BOLT	2
11	B01080501263	BOLT	2
12	B01070602063	BOLT	2
13	30504H03F000	BOLT	8
14	26130J05F000	OIL SEAL	1

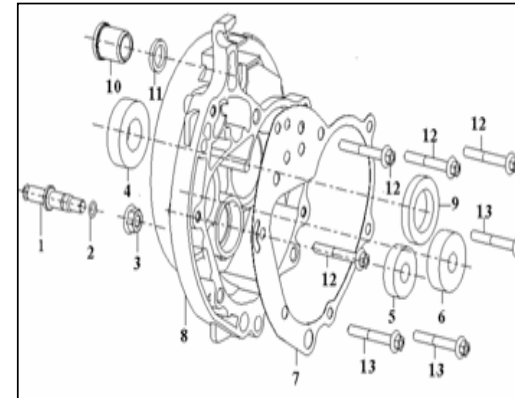
NOTE



E14 COVER GEAR BOX ASSY

NO	CODE(QJ)		QTY
1	18114J05F930	PIN	1
2	18112H03F000	O RING	1
3	B04170000853	NUT M8	1
4	B12016600450	ROLLER BEARING	1
5	B12016620150	ROLLER BEARING	1
6	B12016630150	ROLLER BEARING	1
7	214201.002000	GASKET,gear box	1
8	18101J05F000	COVER,gear box	1
9	18102H03F000	OIL SEAL	1
10	18103J05F000	BUSH	1
11	18106J05F000	OIL SEAL	1
12	301310604565	BOLT	4
13	B01070605561	BOLT	3

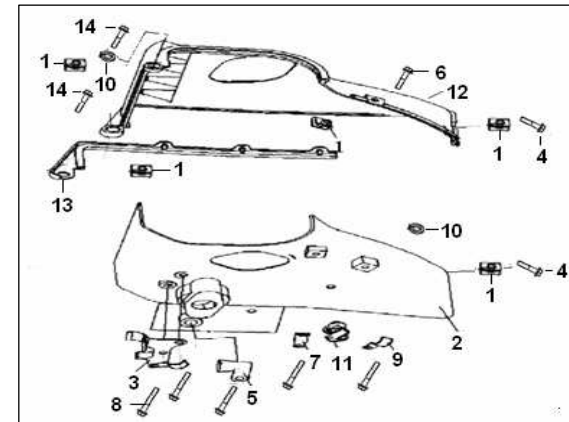
NOTE



F-act 125

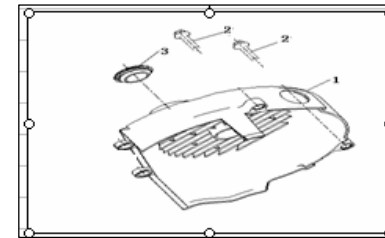
E15 SHROUD ASSY.

NO	CODE(QJ)		QTY	NOTE
1	20312J05F910	CLIP	4	
2	20307J05FT10	SHROUD,upper	1	Euro 2
	222101.005000	SHROUD,upper	1	Euro 3
3	20308J05F000	CLIP ASSY.	1	
4	B01090601663	SCREW	2	
5	222218.002472	CLIP	1	
6	B01090601463	SCREW	1	
7	222218.003472	CLIP	1	
8	B01090602563	SCREW	5	
9	222218.004472	CLIP	1	
10	20327J05F000	DOWEL	2	Euro 2
	222223.002000	DOWEL	2	Euro 3
11	20313J05F000	NENON CLIP	1	
12	20302J05FT10	SHROUD,lower	1	Euro 2
	222102.005000	SHROUD,lower	1	Euro 3
13	20306J05F000	SEAL,lower shroud	1	
14	B01090602063	SCREW	2	



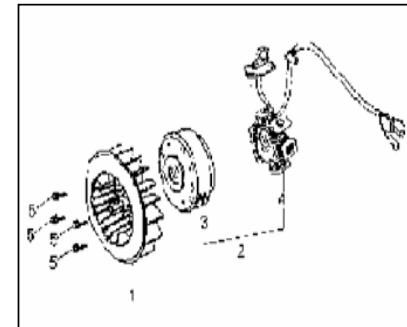
E16 COVER FAN ASSY

NO	CODE(QJ)		QTY	NOTE
1	20201J05FT10	COVER,fan	1	
2	B01890602563	SCREW	2	
3	20204J05F000	CAP,OBSERVE	2	



E17 MAGNETO ASSY

NO	CODE(QJ)		QTY	NOTE
1	20401J05F000	FAN ASSY	1	
2	223100.004000	MAGNETO ASSY	1	12 polos
3	34301J05F000	FLY WHEEL ASSY	1	
4	34310J05F000	COIL ASSY	1	
2A	223100010000	MAGNETO ASSY	1	novo modelo (usado c/ novo rectificador) 2008
3A	223101.036000	FLY WHEEL ASSY	1	novo modelo (usado c/ novo rectificador) 2008
4A	223102.041000	COIL ASSY	1	novo modelo (usado c/ novo rectificador) 2008
5	B01080601863	BOLT	4	



E18 CARBURETOR ASSY

NO	CODE(QJ)		QTY	NOTE
1	32506H03F000	VALVE,PISTON	1	
2	224208.029000	NEEDLE JET (147#)	1	
3	32612H03F000	ENRICH VALVE	1	
4	224202.046000	MAIN JET (179#)	1	
5	32621H03F000	PIN,float	1	
6	32624H03F000	FLOAT	1	
7	32701H03F000	GASKET,float chamber	1	
8	224100.034000	CARBURETOR ASSY	1	
9	224203.038000	IDLE JET (30#)	1	

