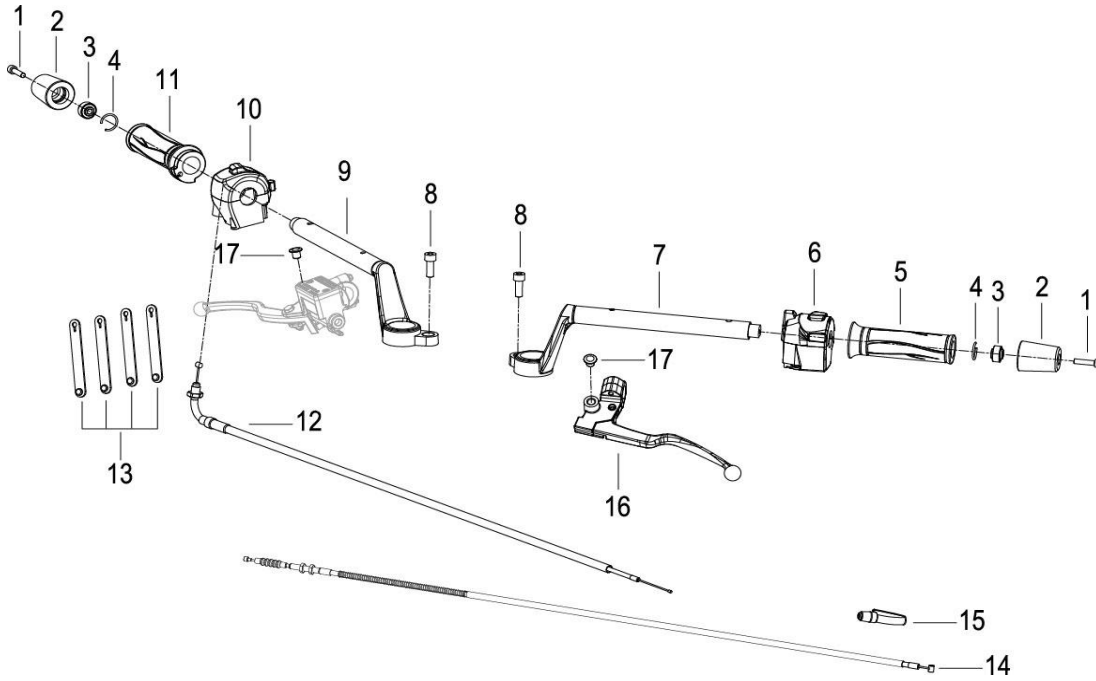


RKR 125

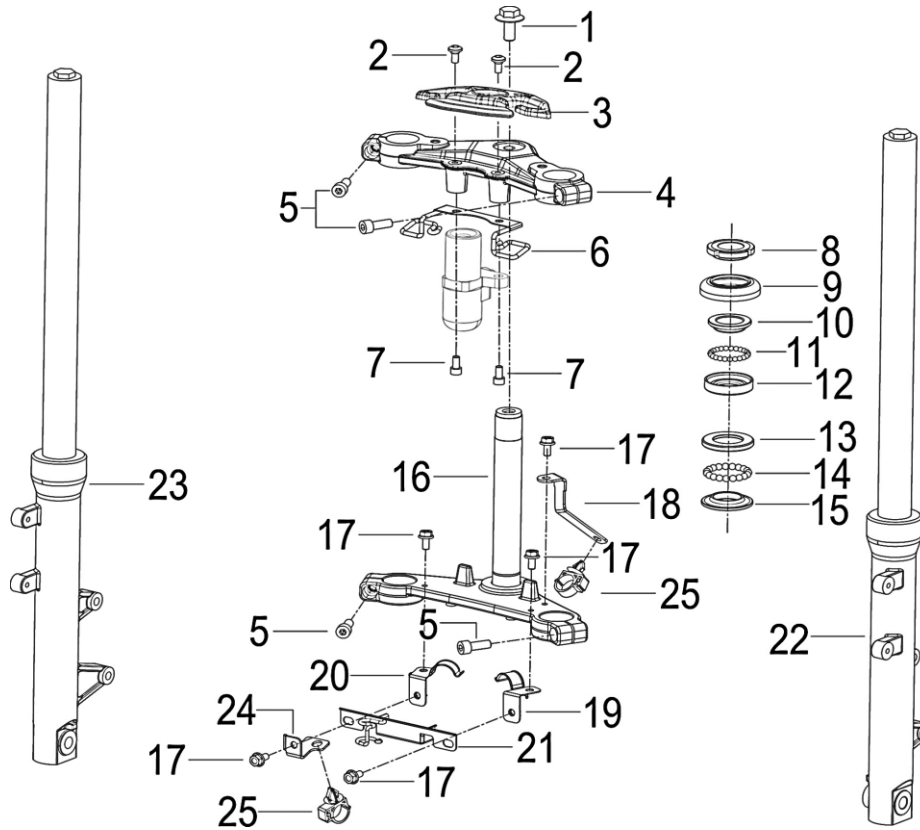


F01 CONTROL ASSY



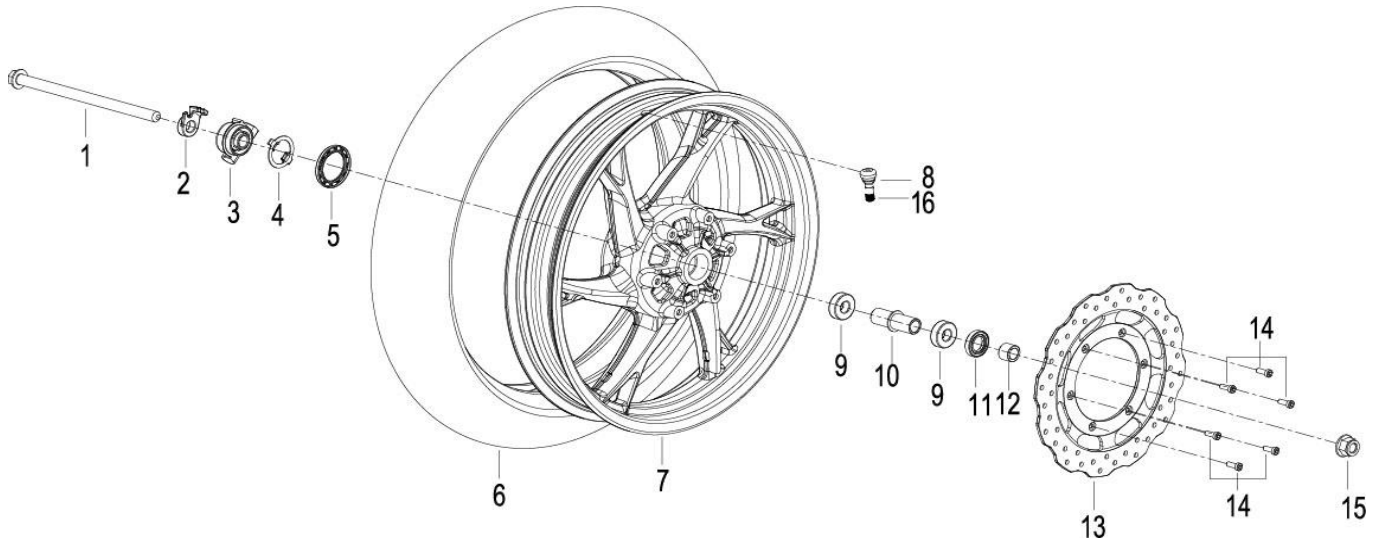
Nº	CÓDIGO	DESCRIÇÃO	Qt.	OBSERVAÇÕES
1	B0205060256A	SCREW M6x25	2	
2	40031P130000	GRIP END	2	
3	40040P130000	BUSH	2	
4	B080000020A1	CIRCLIP	2	
5	40001K740000	LEFT HANDLEBAR GRIP	1	
6	40500M140005	LEFT HANDLEBAR SWITCH	1	
7	40110L340000	LEFT HANDLE BAR ASSY	1	
8	B0205080256K	SCREW M8x25	2	
9	40120L340000	RIGHT HANDLE BAR ASSY	1	
10	40600M140005	RIGHT HANDLEBAR SWITCH	1	
11	40210K740000	RIGHT HANDLEBAR GRIP	1	
12	40300U310000	THROTTLE CABLE ASSY	1	
13	40023P250000	RUBBER CLIP	4	
14	40400V030100	CLUTCH CABLE ASSY	1	
15	40017J010000	CLUTCH CABLE RUBBER COVER	1	
16	40080J040006	CLUTCH LEVER ASSY	1	
17	40012P130000	RUBBER PLUG	2	

F02 FORK ASSY



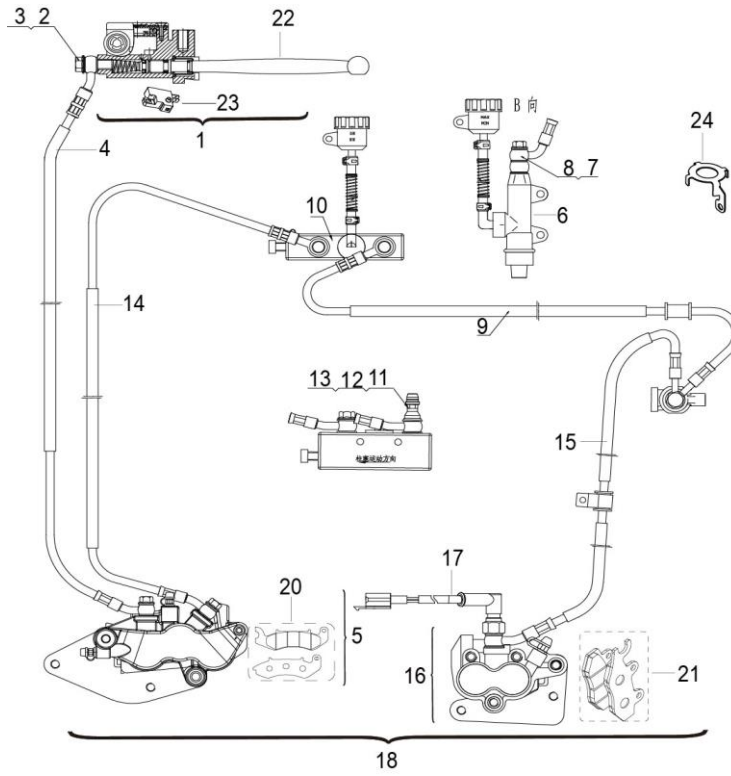
Nº	CÓDIGO	DESCRIÇÃO	Qt.	OBSERVAÇÕES
1	43049J000000	BOLT M10X1.25X23	1	
2	08011P260000	BOLT M6x8	2	
3	43012P160000	UPPER BRACKET DECORATE COVER	1	
4	43011U310000	UPPER BRACKET	1	
5	B0205080226H	SCREW M8x22	4	
6	40060L340000	CLIP	1	
7	B0207060162H	SCREW M6x16	2	
8	43008G130010	NUT	1	
9	43005G130000	DUST COVER	1	
10	43001G130000	RACE,UPPER BEARING,UPPER	1	
11	B06010140000	STEEL BALL 3/16"	23	
12	43002G130000	RACE,UPPER BEARING,LOWER	1	
13	43003N040000	RACE,UPPER,BOTTOM BEARING	1	
14	B06010200000	STEEL BALL 1/4"	40	
15	43004J000000	RACE,LOWER,BOTTOM BEARING	1	
16	43100L340000	CROWN	1	
17	B0109060126H	BOLT M6x12	5	
18	57041U310000	LEFT FIXING PLATE	1	
19	40550L340000	LEFT HANDLEBAR SWITCH CLIP	1	
20	40650L340000	RIGHT HANDLEBAR SWITCH CLIP	1	
21	45360L340000	FRONT BRAKE CLIP	1	
22	43200L340001	FRONT LEFT SHOCK ABSORBER ASSY.	1	
23	43300L340001	FRONT RIGHT SHOCK ABSORBER ASSY.	1	
24	57042U310000	WIRE CLIP FIXING PLATE	1	
25	65833P160000	PIPE CLIP	2	

F03 FRONT WHEEL ASSY



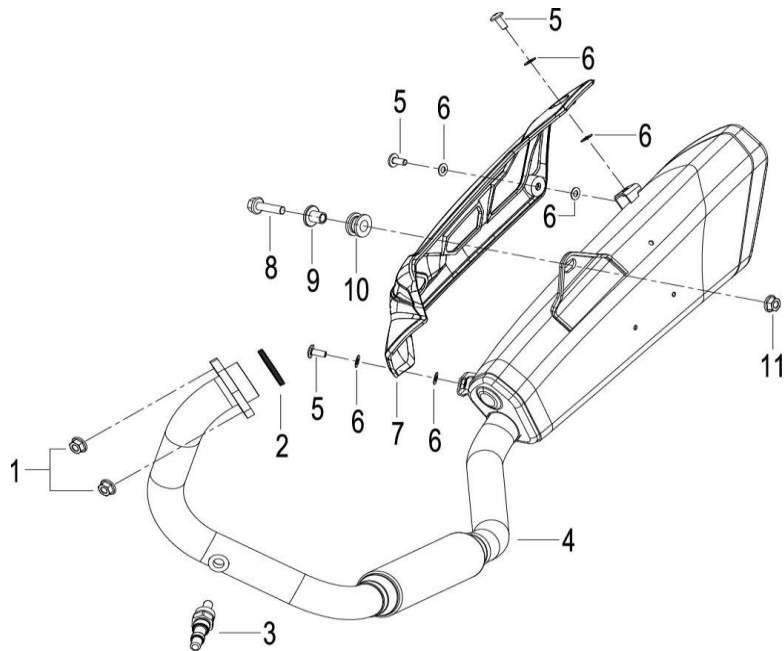
Nº	CÓDIGO	DESCRIÇÃO	Qt.	OBSERVAÇÕES
1	53001J000100	PIVOT SHAFT M14×1.5×230	1	
2	44016U310000	RIGHT COLLAR,FRONT RIM	1	
3	44200K690000	SPEEDOMETER DRIVE ASSY	1	
4	44023J000000	DRIVING PLATE	1	
5	44230J000000	SEAL ASSY	1	
6	B140105E1709	TUBELESS TIRE 100/80-17	1	
7	44101N210000	FRONT RIM	1	
8	B1403Z201100	AIR VALVE/RIM VALVE	1	
9	B12016020200	BALL BEARING 6202-2RS	2	
10	44600N210000	BUSH	1	
11	44300B910000	FRONT RIM OIL SEAL 22×35×7	1	
12	44005U310000	FRONT WHEEL LEFT COLLAR	1	
13	45033U310000	FRONT BRAKE DISC	1	
14	45036D010200	BOLT M6×16	6	
15	B0417121254H	SELF-LOCKING NUT M12×1.25	1	
16	B1404Z2011A0	CAP,VALVE	1	

F04 FRONT DISK BRAKE



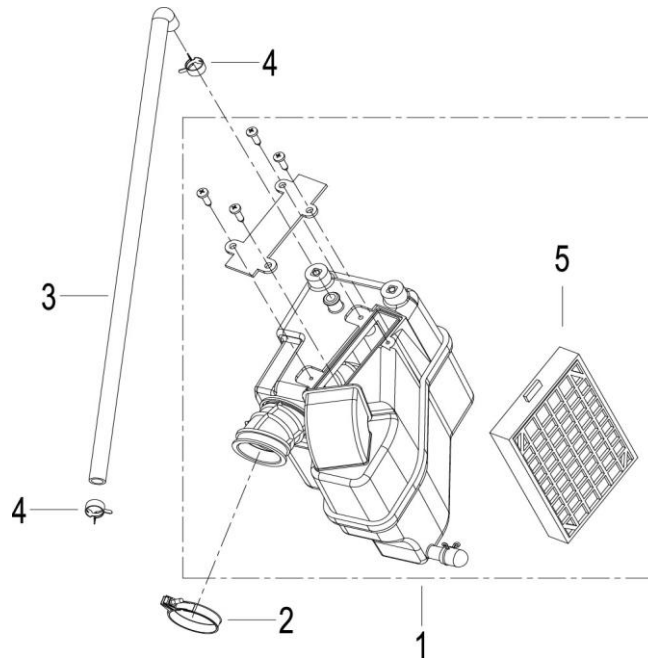
Nº	CÓDIGO	DESCRIÇÃO	Qt.	OBSERVAÇÕES
1	45400J020001	FRONT BRAKE MASTER CYLINDER ASSY.	1	
2	45037J000000	BOLT	4	
3	45180J000000	WASHER	12	
4	45200U31000C	CBS FRONT BRAKE HOSE	1	
5	45500U310001	FRONT LEFT BRAKE CALIPER ASSY.	1	
6	55400J800001	REAR MASTER CYLINDER ASSY	1	
7	45037P150001	BRAKE HOSE BANJO BOLT	1	
8	45180J000000	WASHER	3	
9	55210U31000C	CBS BRAKE HOSE ASSY.I	1	
10	55400J800002	CBS MASTER CYLINDER ASSY.	1	
11	45037P300000	BRAKE HOSE BANJO BOLT	1	
12	45019N100000	BLEED SCREW	1	
13	45021B510000	BLEED SCREW CAP	1	
14	55240U31000C	CBS BRAKE HOSE ASSY.II	1	
15	55270U31000C	CBS BRAKE HOSE ASSY.III	1	
16	55600L430010	REAR BRAKE CALIPER ASSY.BLACK	1	
17	55300V020000	REAR BRAKE SWITCH ASSY.	1	
18	55A00U310000	CBS BRAKE ASSY	1	
20	45110T800000	FRONT BRAKE BADS ASSY	1	
21	45110T400000	FRONT BRAKE BADS ASSY	1	
22	45022J020001	FRONT BRAKE LEVER	1	
23	45300J000000	FRONT BRAKE SWITCH	1	
24	57041V030001	TAMPER BRACKET	1	

F05 MUFFLER ASSY



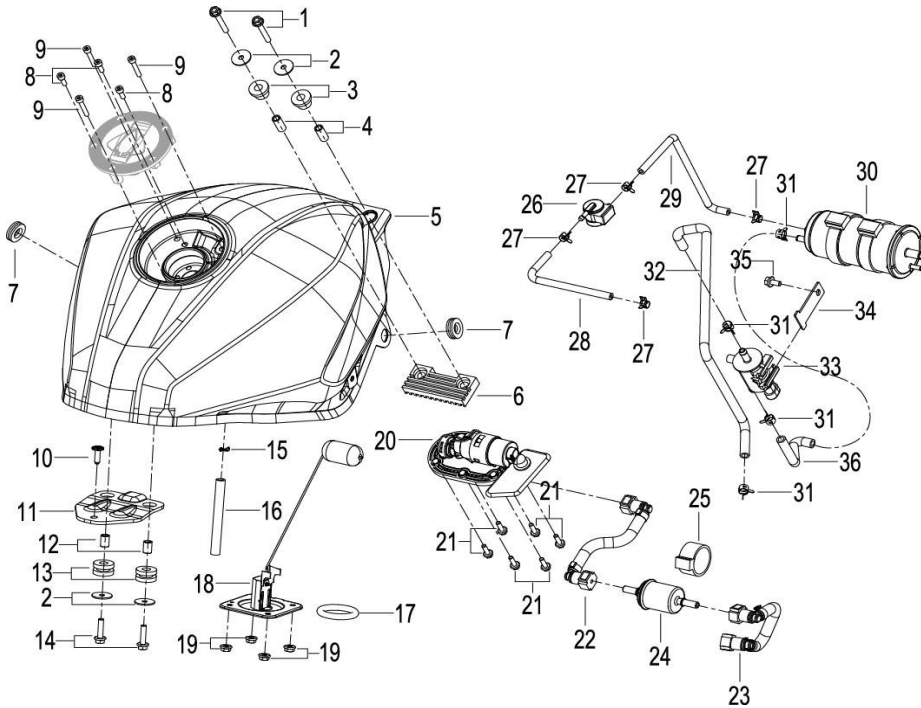
N°	CÓDIGO	DESCRIÇÃO	Qt.	OBSERVAÇÕES
1	B0407080005H	NUT M8	2	
2	47800P250000	EXHAUST PIPE GASKET ASSY	1	
3	280014460000	OXYGEN SENSOR	1	
4	47100U310000	MUFFLER ASSY.	1	
5	B0283060146H	SCREW M6x14	3	
6	08022N050000	HEAT INSULATION WASHER	6	
7	47023V030000	GUARD BOARD, MUFFLER	1	
8	B0109080306H	BOLT M8x30	1	
9	65613P260000	PROTECTOR BUSH	1	
10	65617H010000	RUBBER SLEEVE II	1	
11	B0407080005H	NUT M8	1	

F06 AIR CLEANER ASSY



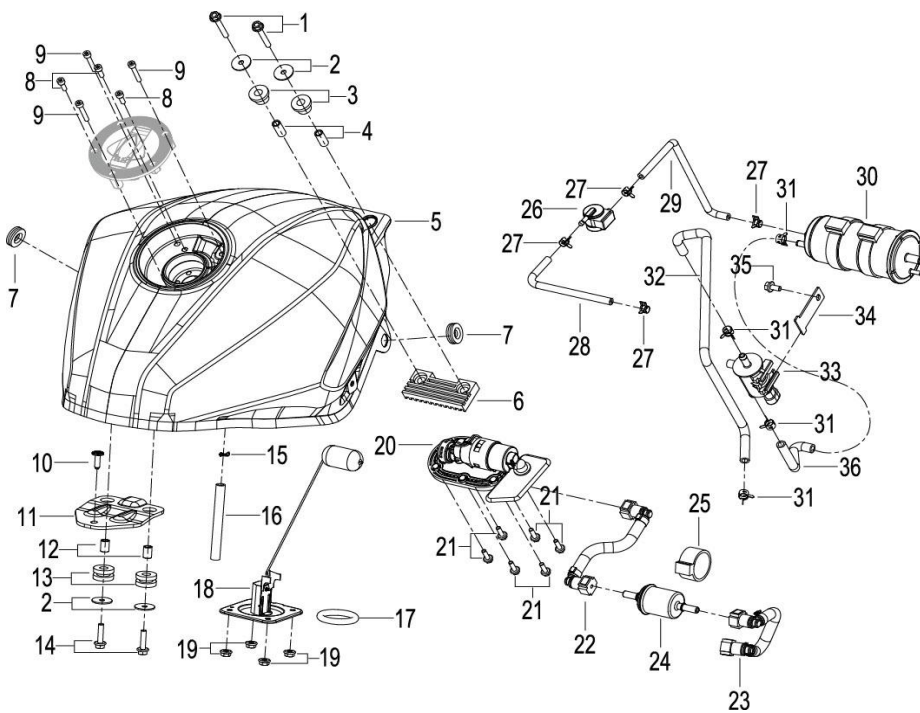
N°	CÓDIGO	DESCRIÇÃO	Qt.	OBSERVAÇÕES
1	49100U310000	AIR FILTER ASSY	1	
2	49350J000010	CLAMP ASSY.	1	
3	49856J300000	PIPE $\Phi 8 \times \Phi 13$	1	
4	49805G120000	CLAMP $\Phi 14.5 \times 12 \times 0.8$	2	
5	49200L340000	FILTER ELEMENT ASSY	1	

F07 FUEL TANK ASSY



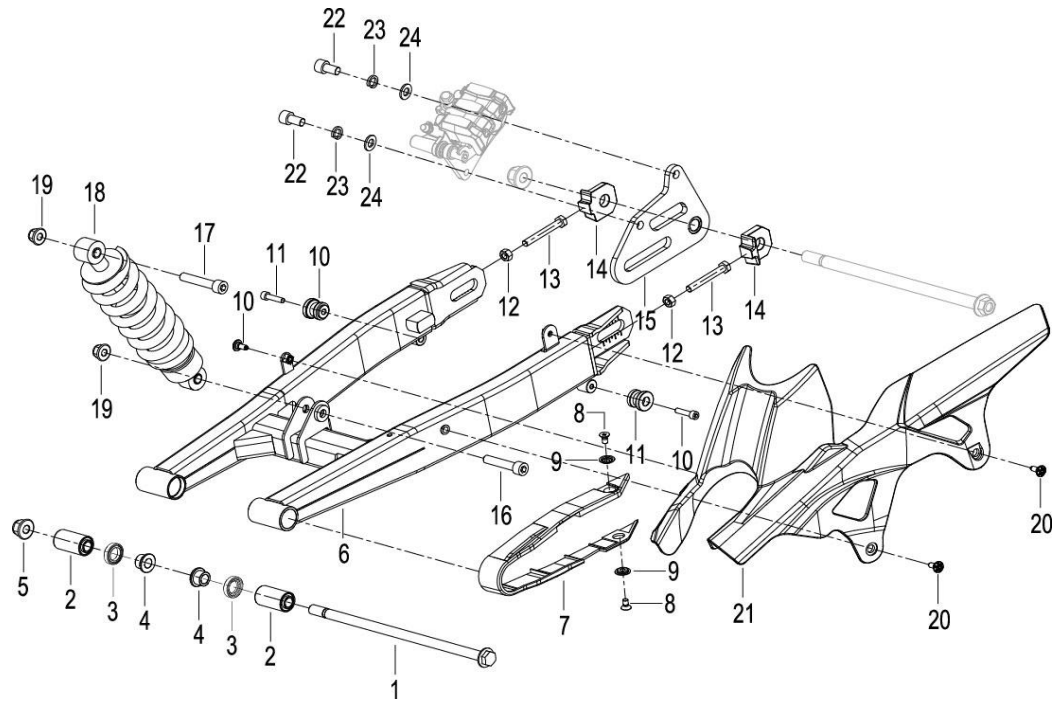
Nº	CÓDIGO	DESCRIÇÃO	Qt.	OBSERVAÇÕES
1	B0284060400A	BOLT M6x40	2	
2	08023J000020	FUEL TANK MOUNTING WASHER	2	
3	50222J000001	RUBBER SLEEVE	2	
4	50221J000001	FUEL TANK MOUNTING COLLAR	2	
5	50100L34005Z	FUEL TANK ASSY,GRAPHITE BLACK BC	1	C/ AUTOCOLANTES
5	50100L34006Z	FUEL TANK ASSY,WHITE WF	1	C/ AUTOCOLANTES
5	50100L34007Z	FUEL TANK ASSY,RED F9	1	C/ AUTOCOLANTES
6	50006J000001	FUEL TANK MOUNTING MAT	1	
7	50018G530000	RUBBER SLEEVE	2	
8	B0280050140A	SCREW M5x14	3	
9	B0280050300A	SCREW M5x30	3	
10	B0284060200A	SCREW M6x20	1	
11	50005L340000	FUEL TANK MOUNTING PLATE	1	
12	50014P250020	RUBBER BUSH	2	
13	50005P250000	RUBBER BUSH	2	
14	B0109060256H	BOLT M6x25	2	
15	B17010105003	CLIP Φ 10.5	1	
16	50012T750000	OVER FLOW PIPE	1	
17	50002K020000	FUEL LEVEL SENSOR RUBBER WASHER	1	
18	50800L340000	FUEL SENSOR ASSY	1	
19	B0407060005H	NUT M6	4	
20	50400U310000	FUEL PUMP ASSY.	1	
21	B0109050166H	BOLT M5x16	6	
22	50380U310000	TUBING I Φ 7.5x3	1	
23	50390U310000	TUBING II Φ 7.5x3	1	
24	50340N070000	FUEL FILTER	1	
25	50391N070000	FUEL FILTER JACKET	1	
26	50260T730000	ROLL OVER SENSOR	1	
27	50306T450010	PLATE CLAMP ϕ 8	4	

F07 FUEL TANK ASSY



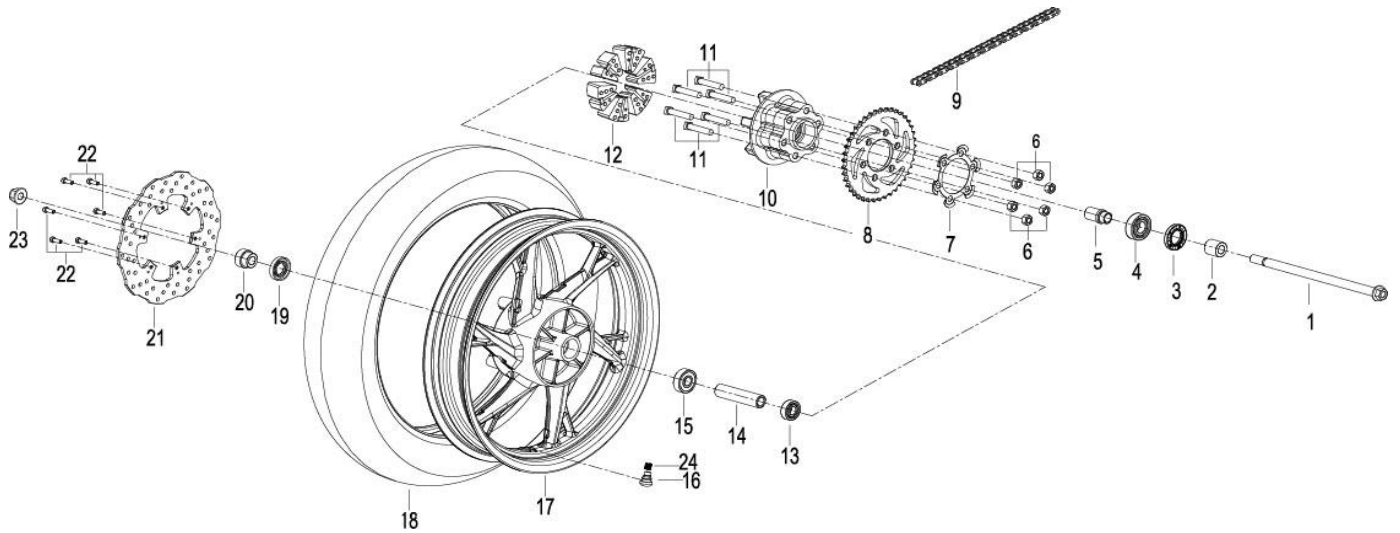
N°	CÓDIGO	DESCRIÇÃO	Qt.	OBSERVAÇÕES
28	B16010C21801	TUBE 4.5x8.5x180	1	
29	49902U310000	TUBE Φ 8.5x2	1	
30	49912K670000	CANISTER ASSY	1	
31	50307J140002	PLATE CLAMP ϕ 10	4	
32	49923P130000	TUBE	1	
33	49710N070000	CANISTER SOLENOID VALVE	1	
34	57055J690000	ELECTROMAGNETIC VALVE BRACKET	1	
35	B0109060126H	BOLT M6x12	1	
36	49922U310000	TUBE Φ 11x2	1	

F08 REAR SWINGING ARM ASSY



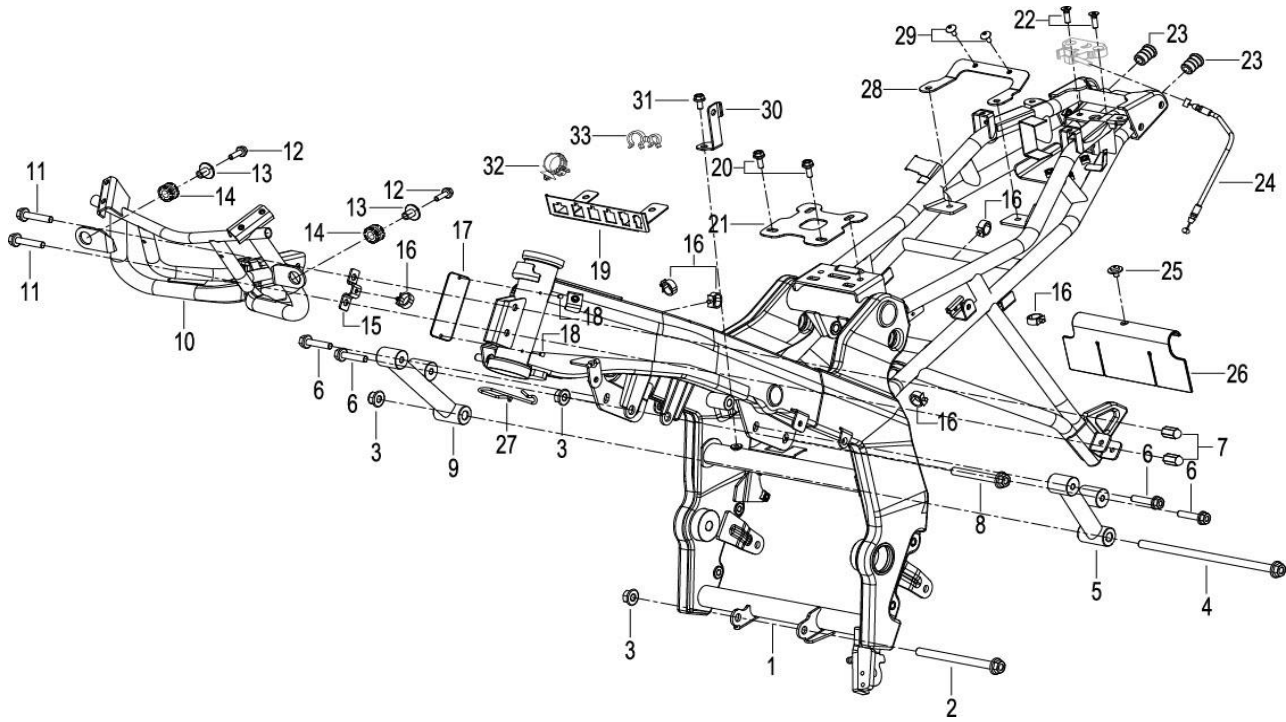
Nº	CÓDIGO	DESCRIÇÃO	Qt.	OBSERVAÇÕES
1	53001J040104	PIVOT SHAFT M12x280	1	
2	53200J040000	SWING ARM BUSH	2	
3	54640L430000	WASHER	2	
4	53006U310000	SWING ARM DUST COVER	2	
5	B0417141504H	SELF-LOCKING NUT M14x1.25	1	
6	53100U310000	SWING ARM ASSY	1	
7	53004J690000	CHAIN SHIELD BLOCK	1	
8	B0201060122H	SCREW M6x12	2	
9	53056D010050	BUSH	2	
10	B0205060256A	SCREW M6x25	2	
11	53021P250000	BUSH	2	
12	B0400080005H	NUT M8	2	
13	B0101080602H	BOLT M8x60	2	
14	53231N210001	CHAIN ADJUSTER	2	
15	55410L430001	REAR BRAKE CALIPER BRACKET ASSY	1	
16	B02051005082	BOLT M10x1.25x50	1	
17	B02051006082	SCREW M10x60	1	
18	63800L340000	REAR SHOCK ABSORBER ASSY	1	
19	B0417100004H	SELF-LOCKING NUT M10x1.25	2	
20	B0284060150A	SCREW M6x15	3	
21	65761L340000	REAR FENDER UNDER PART	1	
22	B0255100186H	SCREW M10x18	2	
23	B0700000100H	SPRING WASHER 10	2	
24	B0703000100H	WASHER 10	2	

F09 REAR WHEEL ASSY



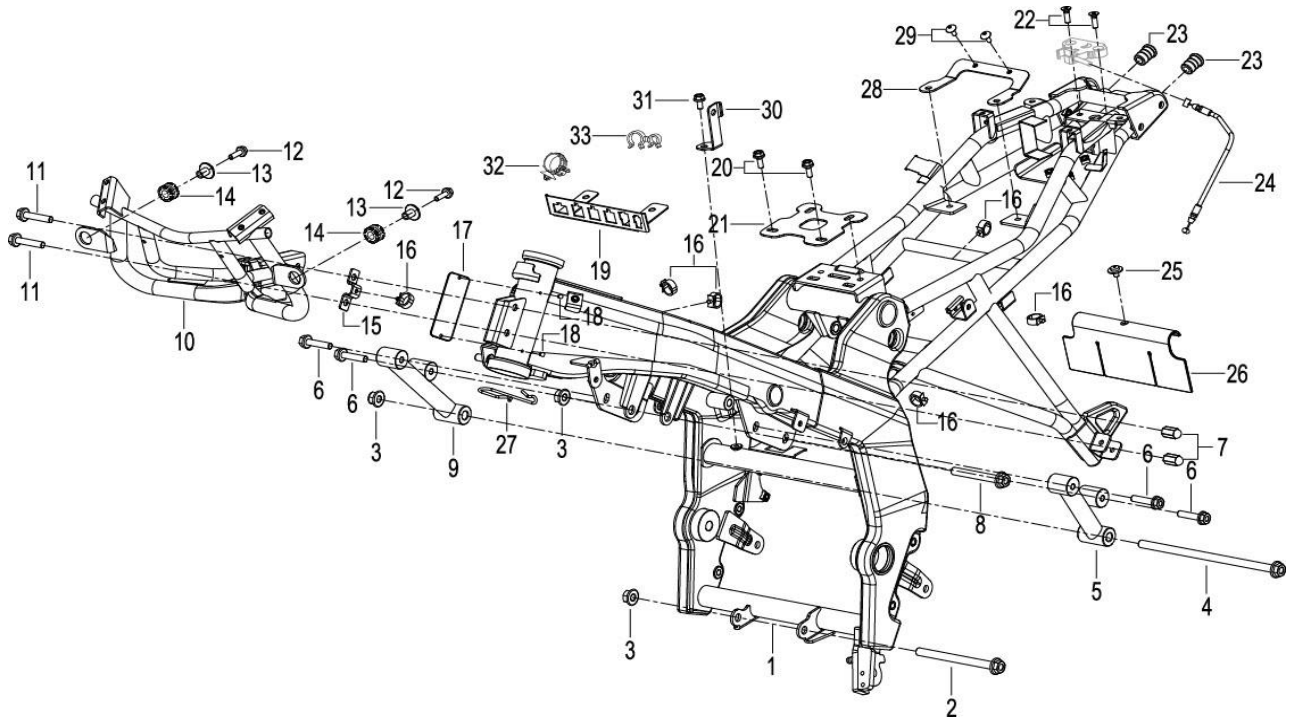
N°	CÓDIGO	DESCRIÇÃO	Qt.	OBSERVAÇÕES
1	54004J040101	REAR WHEEL SHAFT M14x1.5x283	1	
2	54016L430000	REAR WHEEL LEFT COLLAR	1	
3	60200J000001	DUST SEAL ASSY	1	
4	B12016020400	BALL BEARING 6204-2RS	1	
5	60006L430000	REAR WHEEL AXLE SLEEVE	1	
6	B0401101255H	NUT M10x1.25	6	
7	60004N210100	LOOSE-PROOF LOCK SLICE, SPROCKET	1	
8	60002M500001	SPROCKET WHEEL 46 TEETH	1	
9	B1502S1122B0	CHAIN 428HO-1x122	1	ATÉ VIN LBBU31002JB898647
9	B1502S1124B0	CHAIN 428HO-1x124	1	APÓS VIN LBBU31002JB898647
10	60001L430000	REAR WHEEL DRIVE HUB	1	
11	60015L430000	BOLT M10x1.25x55	6	
12	54024N210000	REAR WHEEL DRIVE HUB DAMPER	1	
13	B12016020200	BALL BEARING 6202-2RS	1	
14	54006J800000	REAR WHEEL SPACER	1	
15	B12016030200	BALL BEARING 6302-2RS	1	
16	B1403Z201100	AIR VALVE/RIM VALVE	1	
17	54101N210000	REAR RIM	1	
18	B140108D1708	TUBELESS TIRE 130/70-17	1	
19	44300J040000	FRONT WHEEL RIGHT OIL SEAL ASSY	1	
20	54005L290000	REAR WHEEL RIGHT COLLAR	1	
21	55033L430000	REAR BRAKE DISC, DIAMETER:220MM	1	
22	45036D010200	BOLT M6x16	6	
23	B0417141504H	SELF-LOCKING NUT M14x1.5	1	
24	B1404Z2011A0	CAP, VALVE	1	
	KRKF-TK	KIT TRANSMISSÃO	1	

F10 FRAME BODY ASSY



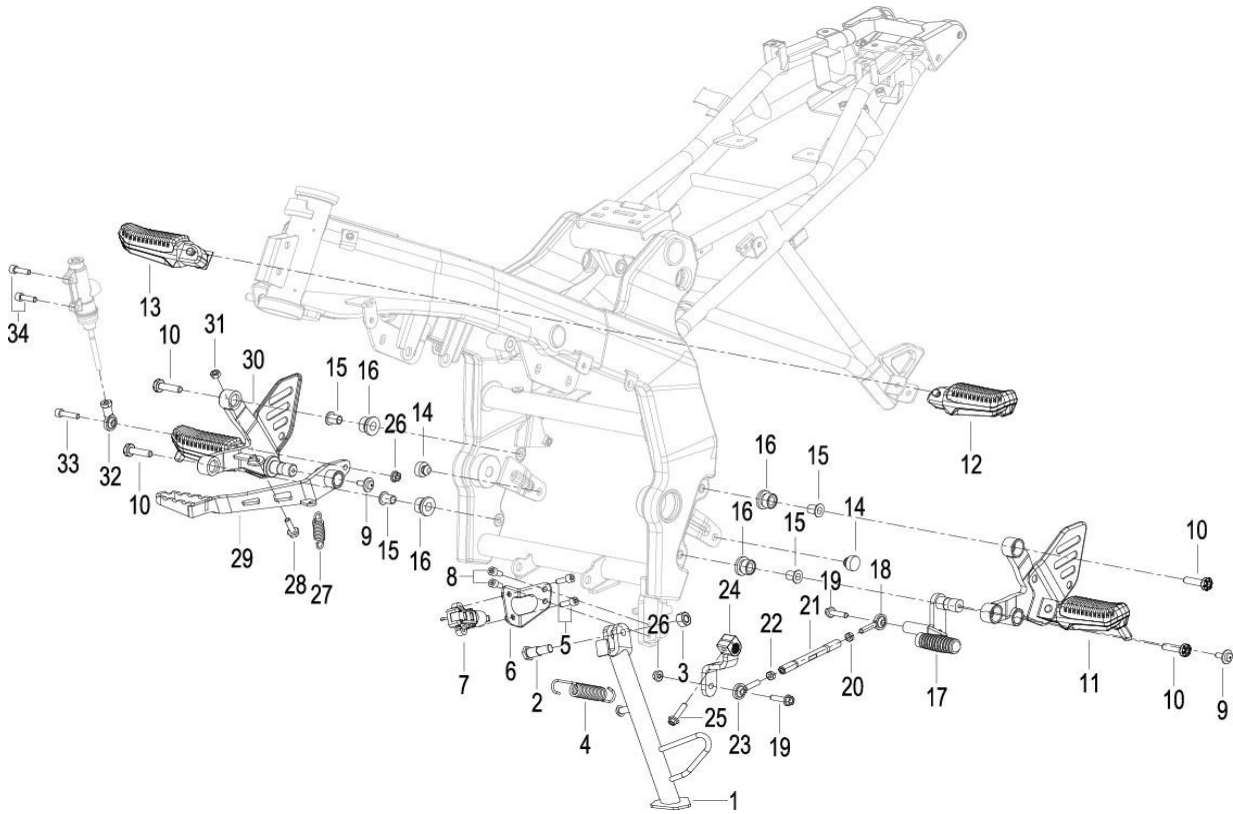
Nº	CÓDIGO	DESCRIÇÃO	Qt.	OBSERVAÇÕES
1	57100U31001Z	FRAME ASSY,MATTE BLACK,WITH STICKER	1	
2	58306V030100	ENGINE MOUNTING SHAFT M10x124	1	
3	B0418101255H	SELF-LOCKING NUT M10x1.25	3	
4	B0159102106H	BOLT M10x1.25x210	1	
5	58360U310000	ENGINE LEFT UPPER BRACKET	1	
6	B0109080306H	BOLT M8x30	4	
7	08051N030100	NUT M8	2	
8	B01591007364	BOLT M10x1.25x73	1	
9	58370U310000	ENGINE RIGHT UPPER BRACKET	1	
10	08330L340000	HEADLIGHT BRACKET	1	
11	B0109080406H	BOLT M8x40	2	
12	B0109060256H	BOLT M6x25	2	
13	08513P250000	T BUSH	2	
14	65821S010000	RUBBER BLOCK	2	
15	57041L340000	WIRE CLIP FIXING PLATE	1	
16	65515D060000	BRAKE WIRE CLIP	6	
17	57001U310000	LABEL PLATE	1	
18	B10000300600	RIVETS 3x6	2	
19	40022U310000	WIRE CLIP	1	
20	B0109060166H	BOLT M6x16	2	
21	57404U310000	AIR FILTER FIXING PLATE	1	
22	B0201060252H	SCREW M6x25	2	
23	52001J000000	PLUG	2	
24	58900V020000	SEAT LOCK CABLE ASSY	1	
25	B1306060120H	SCREW WASHER M6x12	1	
26	65703L340000	REAR FENDER RUBBER	1	
27	43035J780000	WIRE CLIP	1	

F10 FRAME BODY ASSY



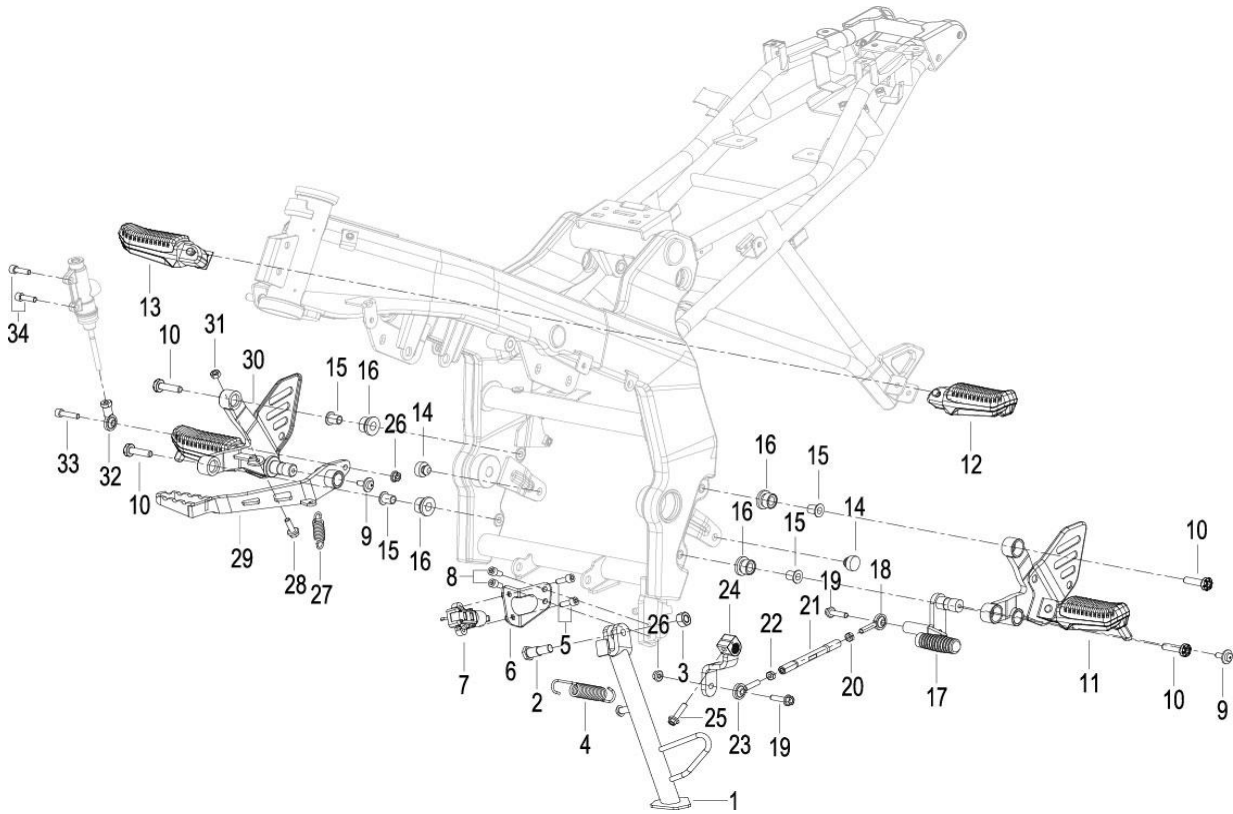
N°	CÓDIGO	DESCRIÇÃO	Qt.	OBSERVAÇÕES
28	57360U310000	SMALL RELAY FIXING BOARD	1	
29	08011P160000	BOLT M5x12	2	
30	49392U310000	AIR FILTER FIXING PLATE I	1	
31	B0109060126H	BOLT M6x12	1	
32	65832P160000	PIPE CLIP	2	
33	65837P160000	PIPE CLIP	1	

F11 FOOTREST ASSY



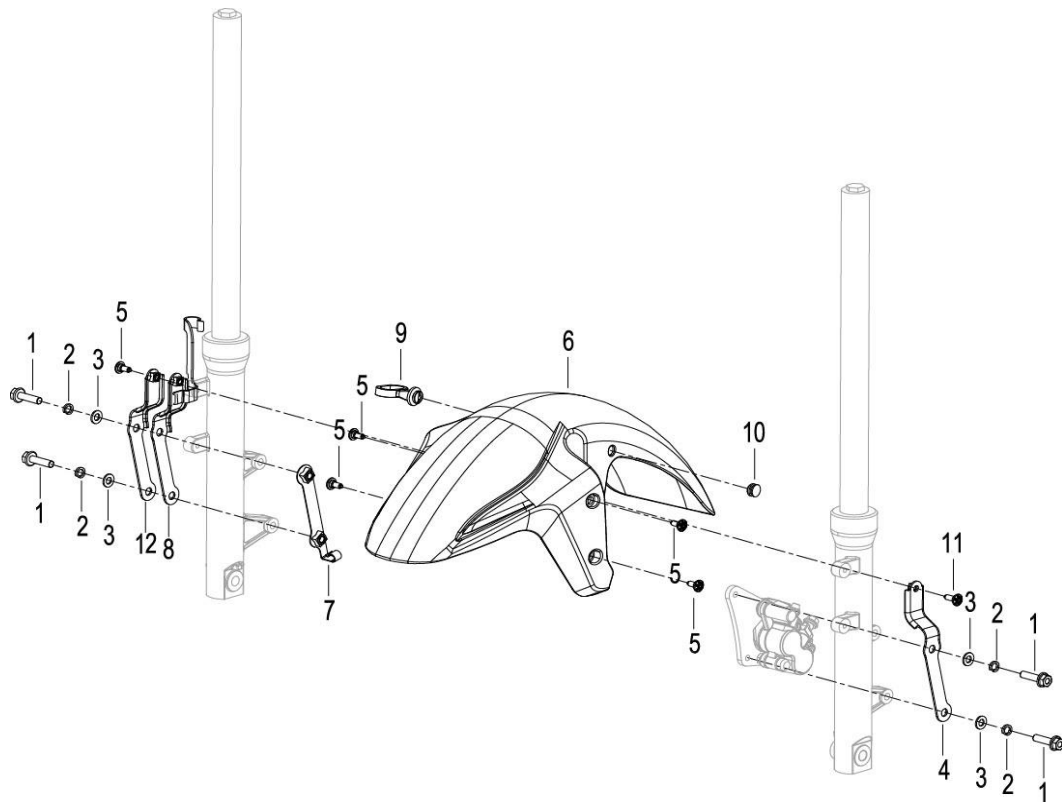
Nº	CÓDIGO	DESCRIÇÃO	Qt.	OBSERVAÇÕES
1	57005J000202	SIDE STAND BOLT	1	
2	58700L340000	SIDE STAND ASSY	1	
3	B0401101255H	NUT M10x1.25	1	
4	57003J040010	SIDE STAND SPRING	1	
5	B0205060126K	SCREW M6x12	2	
6	58720U140000	SIDE STAND SWITCH BRACKET ASSY	1	
7	91170N070001	SIDE STAND SWITCH	1	
8	B0109060126H	BOLT M6x12	2	
9	B1306060160H	SCREW WASHER M6x16	2	
10	08001L340000	SCREW	4	
11	58220U310000	LEFT FRONT FOOTREST ASSY.	1	
12	58220K67000Z	LEFT FRONT FOOTREST ASSY.	1	
13	58240K67000Z	FR.PEDAL ASSY R	1	
14	58207L340000	RUBBER	2	
15	58206L340000	BUSH	4	
16	58205L340000	BUFFER RUBBER	4	
17	08380U310000	GEAR-SHIFT PEDAL LEVER ASSY	1	
18	08375S010000	SECTION HEAD M6	1	
19	B0109060256H	BOLT M6x25	2	
20	08051S040010	NUT M6-LH	1	
21	08371P260000	CONNECTING ROD	1	
22	B04800600052	NUT M6	1	
23	40706S040000	M6 LEFT SECTION HEAD	1	
24	08390U310000	STOPPER LEVER	1	
25	B0107060256H	BOLT M6x25	1	

F11 FOOTREST ASSY



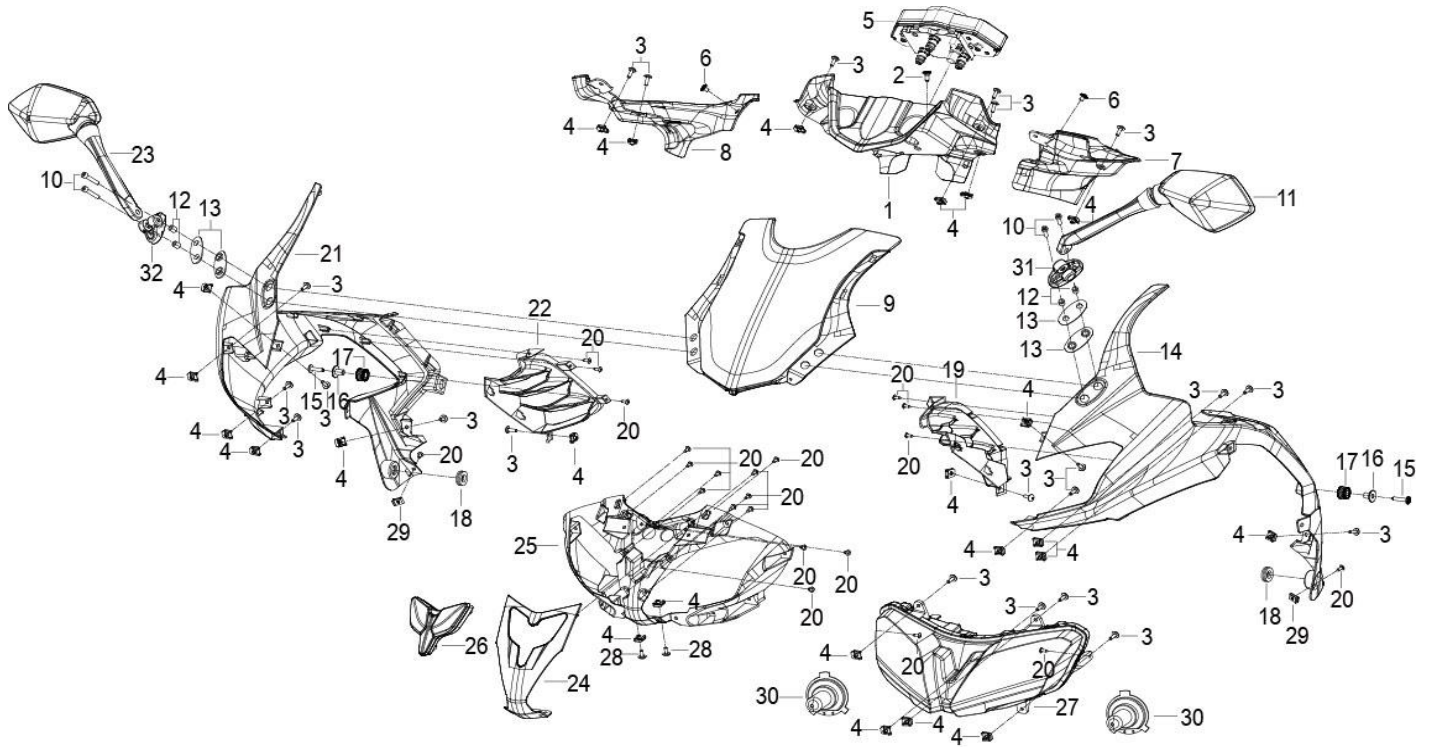
N°	CÓDIGO	DESCRIÇÃO	Qt.	OBSERVAÇÕES
26	B0407060005H	NUT M6	2	
27	40702P100002	REAR BRAKE RETURN SPRING	1	
28	B0109060206H	BOLT M6x20	1	
29	40710U310000	BRAKE PEDAL ASSY	1	
30	58240U310000	RIGHT FRONT PEDAL ASSEMBLY	1	
31	B0400060005H	NUT M6	1	
32	40283S010000	SECTION HEADER	1	
33	B0205060256A	SCREW M6x25	1	
34	B0205060206H	SCREW M6x20	2	

F12 FRONT FENDER ASSY



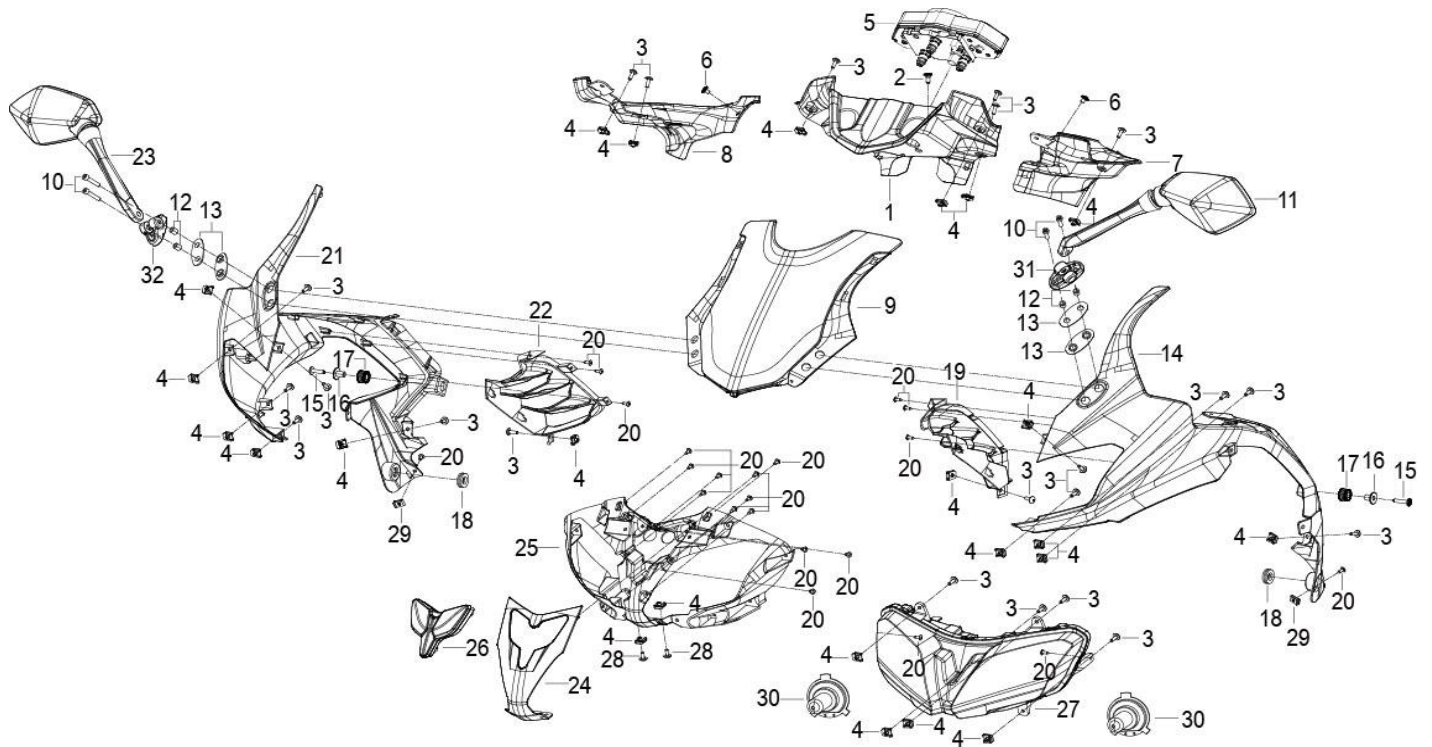
Nº	CÓDIGO	DESCRIÇÃO	Qt.	OBSERVAÇÕES
1	B0109080306H	BOLT M8x30	4	
2	B0700000080H	SPRING WASHER 8	4	
3	B0703000080H	WASHER 8	4	
4	65130L340000	FRONT FENDER LEFT FIXING BRACKET	1	
5	B0284060150A	SCREW M6x15	5	
6	65101L34005Z	FRONT FENDER,GRAPHITE BLACK BC	1	C/ AUTOCOLANTE
6	65101L34006Z	FRONT FENDER,RED F9	1	C/ AUTOCOLANTE
7	43030L340000	SPEEDOMETER GEAR WIRE CLIP	1	
8	45350L340000	UNDER WIRE CLIP	1	
9	65113J000000	RUBBER RING	1	
10	65116J300000	RUBBER PLUG	1	
11	B0284060190A	SCREW M6x19.2	1	
12	65140L340000	FRONT FENDER RIGHT FIXING BRACKET	1	

F13 FRONT COVER ASSY



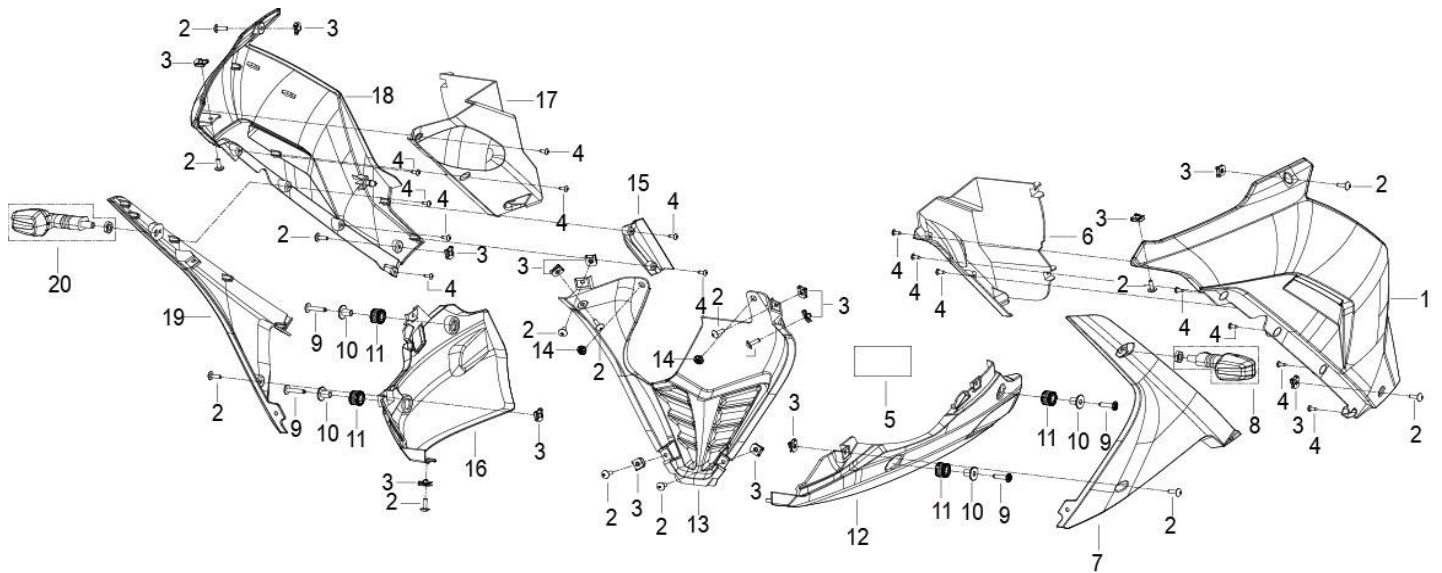
Nº	CÓDIGO	DESCRIÇÃO	Qt.	OBSERVAÇÕES
1	65202L340000	INSTRUMENT COVER	1	
2	B0284060150A	SCREW M6x15.2	1	
3	08012P160000	BOLT M5x16	22	
4	65624P160000	CARD NUT M5	24	
5	70000U310000	METER ASSY	1	
6	08011P260000	WINDSHIELD SCREW M6x8	2	
7	65223L340000	LEFT DECORATIVE BOARD	1	
8	65224L340000	RIGHT DECORATIVE BOARD	1	
9	65503L340000	WINDSHIELD	1	
10	B0205060256A	SCREW M6x25	4	
11	40450L34002Z	LR VIEW MIRROR ASSY	1	
12	08201K020000	BUSH	4	
13	40011L340000	RUBBER MAT	4	
14	65301L34005Z	LEFT FRONT FACEPLATE,GRAP. BLACK BC	1	C/ AUTOCOLANTE
14	65301L34006Z	LEFT FRONT FACEPLATE,WHITE WF	1	C/ AUTOCOLANTE
14	65301L34007Z	LEFT FRONT FACEPLATE,RED F9	1	C/ AUTOCOLANTE
15	B0284060300A	SCREW M6x30	2	
16	08513P250000	T BUSH	2	
17	65821S010000	RUBBER BLOCK	2	
18	50018G530000	RUBBER SLEEVE	2	
19	65408L34BC00	LEFT FRONT PLATE,GRAPHITE BLACK BC	1	
20	B0507420130H	TAPPING SCREW ST4.2x13	22	
21	65302L34005Z	RIGHT FRONT FACEPLATE,GRAP. BLACK BC	1	C/ AUTOCOLANTE
21	65302L34006Z	RIGHT FRONT FACEPLATE,WHITE WF	1	C/ AUTOCOLANTE
21	65302L34007Z	RIGHT FRONT FACEPLATE,RED F9	1	C/ AUTOCOLANTE
22	65409L34BC00	RIGHT FRONT PLATE,GRAPHITE BLACK BC	1	
23	40480L34002Z	RR VIEW MIRROR ASSY	1	

F13 FRONT COVER ASSY



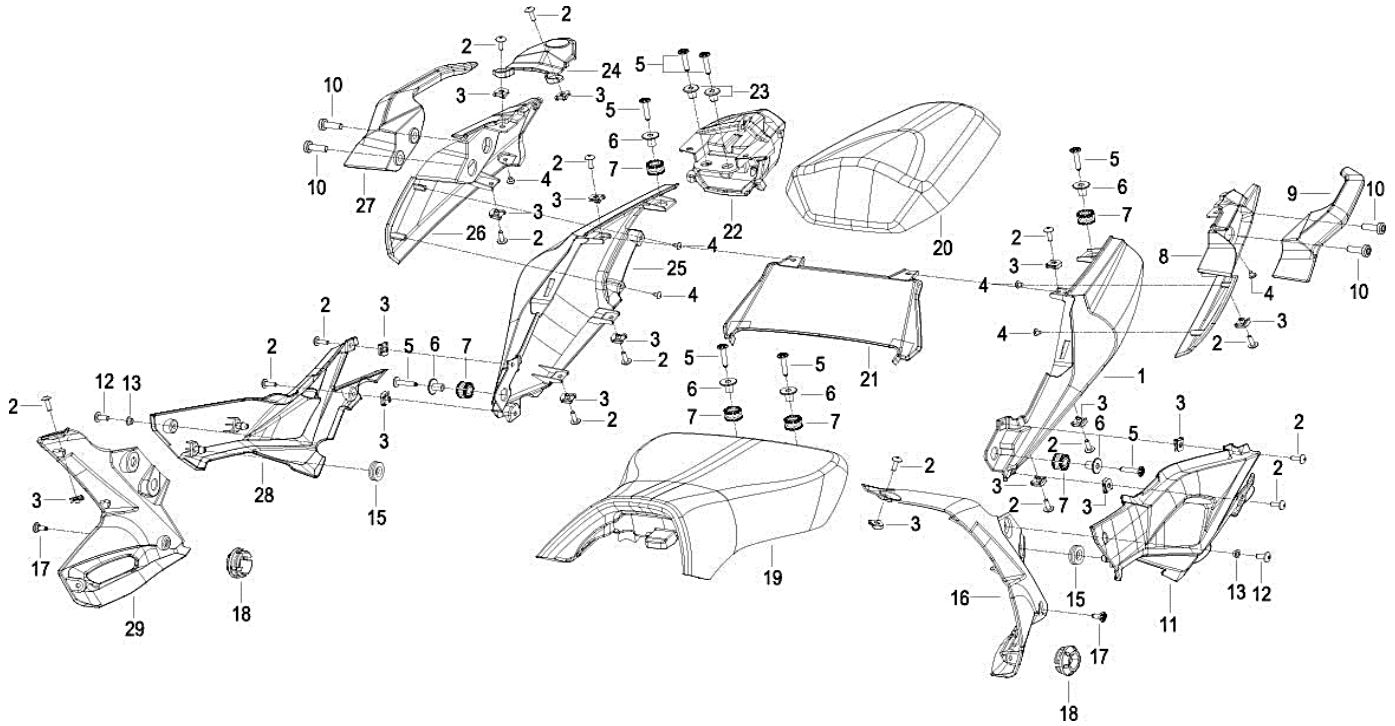
N°	CÓDIGO	DESCRIÇÃO	Qt.	OBSERVAÇÕES
24	65303L34BC00	FRONT DECORATIVE COVER, BLACK BC	1	S/ AUTOCOLANTE
24	65303L34WF00	FRONT DECORATIVE COVER, WHITE WF	1	S/ AUTOCOLANTE
24	65303L34F900	FRONT DECORATIVE COVER, RED F9	1	S/ AUTOCOLANTE
25	65304L340000	INNER BOARD, FRONT FACEPLATE	1	
26	80900L340000	CITY LIGHT	1	
27	80000L340100	HEAD LIGHT	1	
28	08011P160000	BOLT M5x12	2	
29	65801T020201	INSERT ST4.2	2	
30	B240137200F0	BUBL 12V55W-H7	2	
31	40454L340001	LEFT BRACKET	1	
32	40484L340001	RIGHT BRACKET	1	

F14 FOOT PROTECTIVE SHIELD



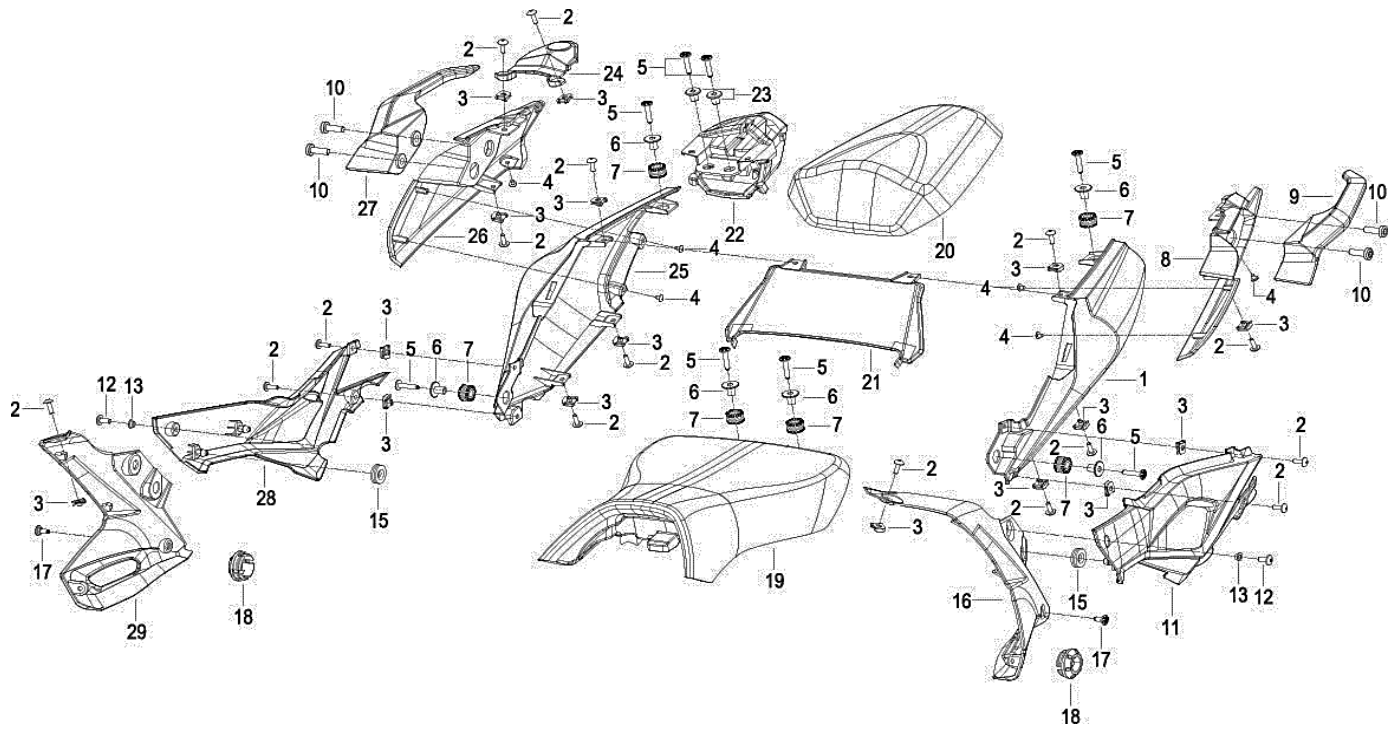
Nº	CÓDIGO	DESCRIÇÃO	Qt.	OBSERVAÇÕES
1	65402L34005Z	LEFT FOOT PROTECTIVE SHIELD, BLACK BC	1	C/ AUTOCOLANTE
1	65402L34006Z	LEFT FOOT PROTECTIVE SHIELD,WHITE WF	1	C/ AUTOCOLANTE
1	65402L34007Z	LEFT FOOT PROTECTIVE SHIELD,RED F9	1	C/ AUTOCOLANTE
2	08012P160000	BOLT M5x16	15	
3	65624P160000	CARD NUT M5	15	
4	B0507420130H	SELF-TAPPING SCREW ST4.2x13	15	
5	65438L340000	ALUMINIUM FOIL	1	
6	65419L340000	INNER PLATE,LEFT FOOT PROTECT. SHIELD	1	
7	65678L34BC00	FRONT LEFT DECORAT. COVER, BLACK BC	1	S/ AUTOCOLANTE
7	65678L34WF00	FRONT LEFT DECORATIVE COVER,WHITE WF	1	S/ AUTOCOLANTE
7	65678L34F900	FRONT LEFT DECORATIVE COVER,RED F9	1	S/ AUTOCOLANTE
8	81100L340000	FRONT LEFT TURN SIGNAL LIGHT	1	
9	B0284060300A	SCREW M6x30	4	
10	08513P250000	T BUSH	4	
11	65821S010000	RUBBER BLOCK	4	
12	65406L340000	LEFT BOTTOM COWLING	1	
13	65436L340000	FRONT COWLING	1	
14	08011P260000	WINDSHIELD SCREW	2	
15	65437L34BC00	ENGINE DECORATIVE COVER,BLACK BC	1	S/ AUTOCOLANTE
15	65437L34WF00	ENGINE DECORATIVE COVER,WHITE WF	1	S/ AUTOCOLANTE
15	65437L34F900	ENGINE DECORATIVE COVER,RED F9	1	S/ AUTOCOLANTE
16	65407L340000	RIGHT BOTTOM COWLING	1	
17	65426L340000	INNER PLATE,RIGHT FOOT PROTECT SHIELD	1	
18	65422L34005Z	RIGHT FOOT PROTECTIVE SHIELD, BLACK BC	1	C/ AUTOCOLANTE
18	65422L34006Z	RIGHT FOOT PROTECTIVE SHIELD,WHITE WF	1	C/ AUTOCOLANTE
18	65422L34007Z	RIGHT FOOT PROTECTIVE SHIELD,RED F9	1	C/ AUTOCOLANTE
19	65679L34BC00	FRONT RIGHT DECOR. COVER, BLACK BC	1	S/ AUTOCOLANTE
19	65679L34WF00	FRONT RIGHT DECOR. COVER,WHITE WF	1	S/ AUTOCOLANTE
19	65679L34F900	FRONT RIGHT DECORATIVE COVER,RED F9	1	S/ AUTOCOLANTE
20	81300L340000	FRONT RIGHT TURN SIGNAL LIGHT	1	

F15 SIDE COVER ASSY



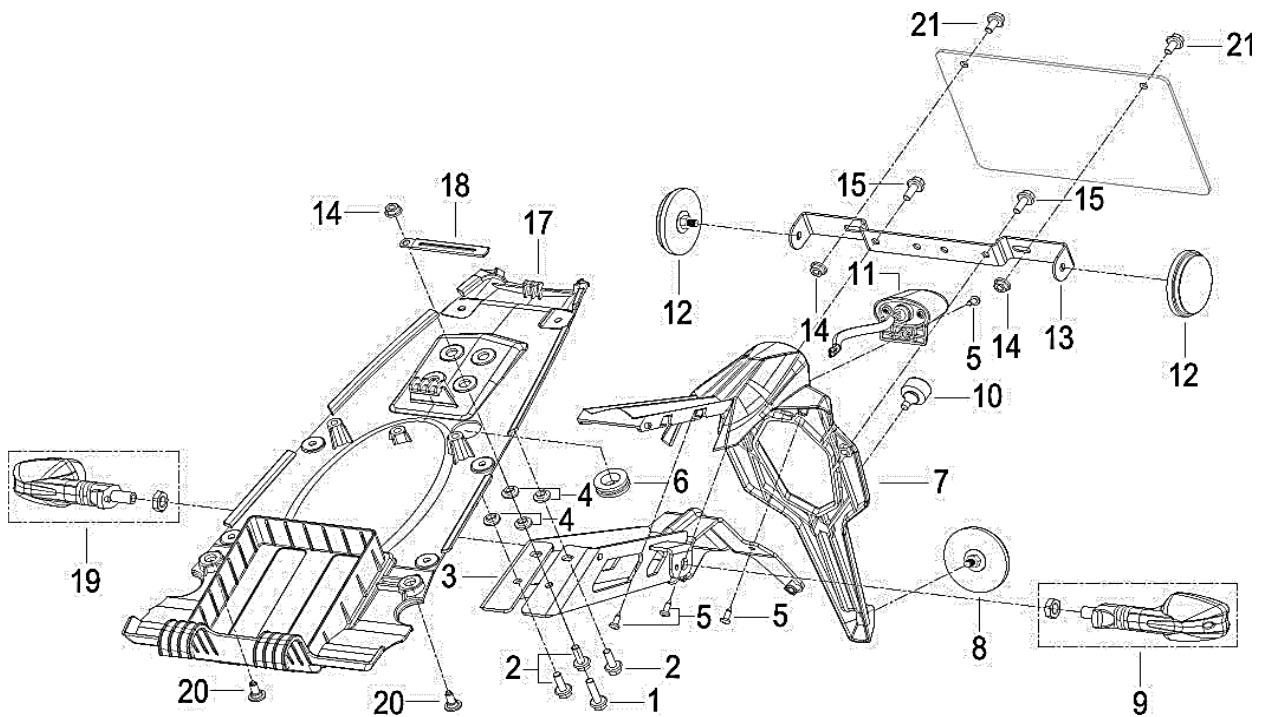
Nº	CÓDIGO	DESCRIÇÃO	Qt.	OBSERVAÇÕES
1	65901L34005Z	LEFT TAIL COVER,UPPER, BLACK BC	1	C/ AUTOCOLANTE
1	65901L34006Z	LEFT TAIL COVER,UPPER,RED F9	1	C/ AUTOCOL. P/ MODELO BRAN
1	65901L34007Z	LEFT TAIL COVER,UPPER,RED F9	1	C/ AUTOCOL. P/ MODELO VERM
2	08012P160000	BOLT M5x16	16	
3	65624P160000	CARD NUT M5	16	
4	B0507420100H	TAPPING SCREW ST4.2x9.5	6	
5	B0284060300A	SCREW M6x30	8	
6	08513P250000	T BUSH	8	
7	65821S010000	RUBBER BLOCK	6	
8	65911L340000	LEFT LOWER REAR COVER	1	
9	52002L34BG00	LEFT REAR GRAB RAIL,MATTE BLACK BG	1	
10	52018J800000	SCERW M8x25	4	
11	65601L340000	LEFT SIDE COVER	1	
12	B0283060146H	SCREW M6x14	2	
13	47128B450000	BUSH	2	
15	50018G530000	RUBBER SLEEVE	2	
16	65621L340000	LEFT DECORATIVE BOARD	1	
17	B0284060150A	SCREW M6x15.2	2	
18	65532K98C900	DECORATING COVER L,SILVER C9	2	
19	51100L340010	FRONT SEAT ASSY	1	
20	51200L340010	REAR SEAT ASSY	1	
21	65605L340000	MIDDLE CONECT BOARD	1	
22	82000P130000	TAIL LIGHT	1	

F15 SIDE COVER ASSY



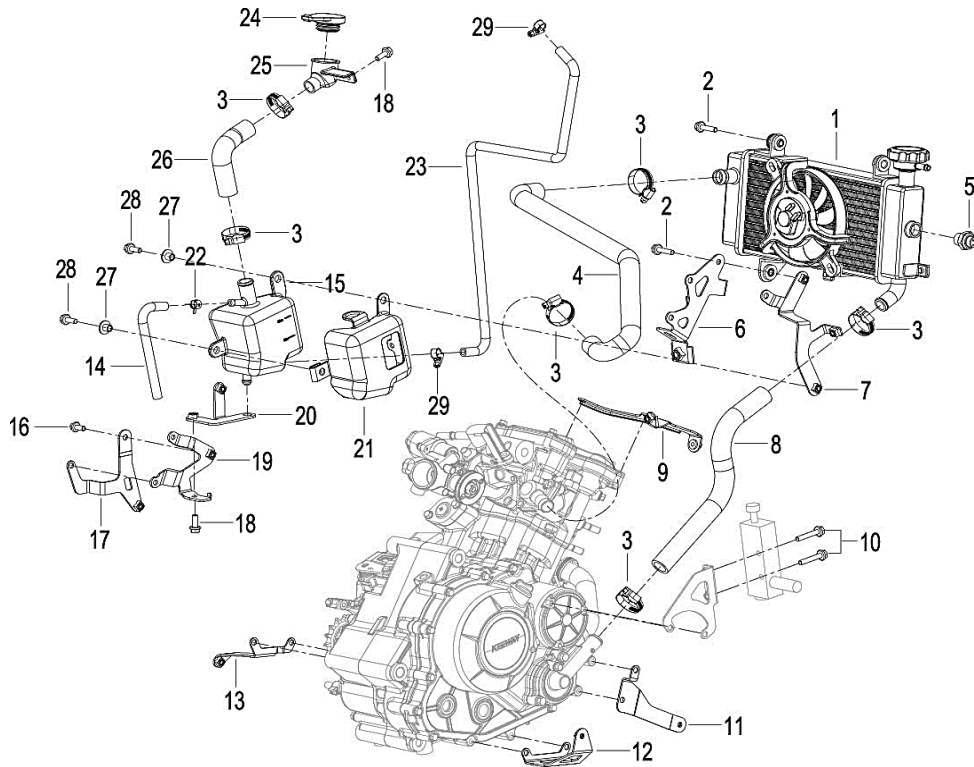
N°	CÓDIGO	DESCRIÇÃO	Qt.	OBSERVAÇÕES
23	14003S040000	BUSH	2	
24	65606L340000	LEFT RIGHT REAR COVER CONNECT BOARD	1	
25	65902L34005Z	RIGHT UPPER REAR COVER, BLACK BC	1	C/ AUTOCOLANTE
25	65902L34006Z	RIGHT UPPER REAR COVER, RED F9	1	C/ AUTOCOL. P/ MODELO BRAN
25	65902L34007Z	RIGHT UPPER REAR COVER, RED F9	1	C/ AUTOCOL. P/ MODELO VERM
26	65912L340000	RIGHT LOWER REAR COVER	1	
27	52011L34BG00	RIGHT REAR GRAB RAIL, MATTE BLACK BG	1	
28	65602L340000	RIGHT SIDE PLATE	1	
29	65622L340000	RIGHT DECORATIVE BOARD	1	

F16 REAR FENDER ASSY



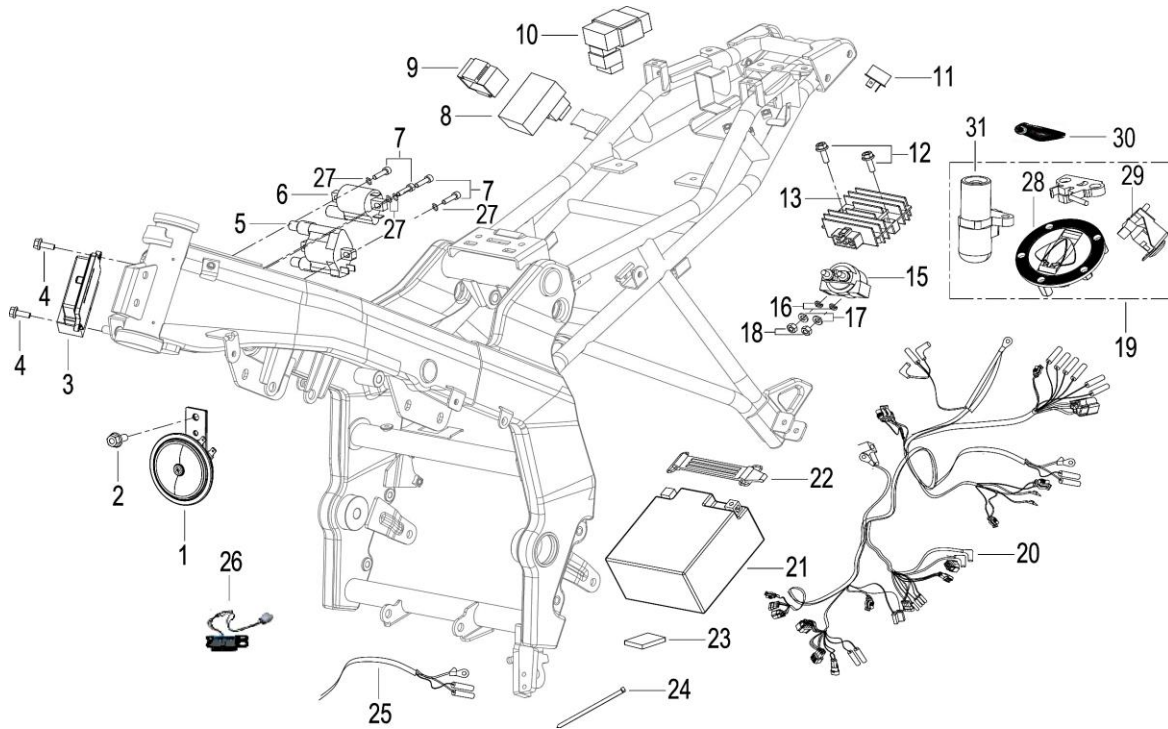
Nº	CÓDIGO	DESCRIÇÃO	Qt.	OBSERVAÇÕES
1	B0109060256H	BOLT M6x25	1	
2	B0109060206H	BOLT M6x20	3	
3	65770L340000	REAR FENDER BRACKET	1	
4	53021J410000	BUSH	4	
5	B0500420130H	TAPPING SCREW ST4.2x13	4	
6	65713H160000	RUBBER SLEEVE I	1	
7	65701V020000	REAR FENDER	1	
8	86500V020000	REAR REFLECTOR	1	
9	81500L340000	REAR LEFT TURN SIGNAL LIGHT	1	
10	58507K670000	BUFFER BLOCK	1	
11	82900B470002	REAR LICENSE PLATE LIGHT	1	
12	86300N060000	SIDE REFLECTOR	2	
13	08252L340000	REAR LICENSE PLATE BRACKET	1	
14	B0407060005H	NUT M6	3	
15	B0109060206H	BOLT M6x20	2	
17	65731L340000	REAR FENDER FORESIDE	1	
18	58430J000000	CLIP	1	
19	81700L340000	REAR RIGHT TURN SIGNAL LIGHT	1	
20	B0284060150A	SCREW M6x15.2	2	
21	B0109060166H	BOLT M6x16	2	

F17 COOLING SYSTEM ASSY



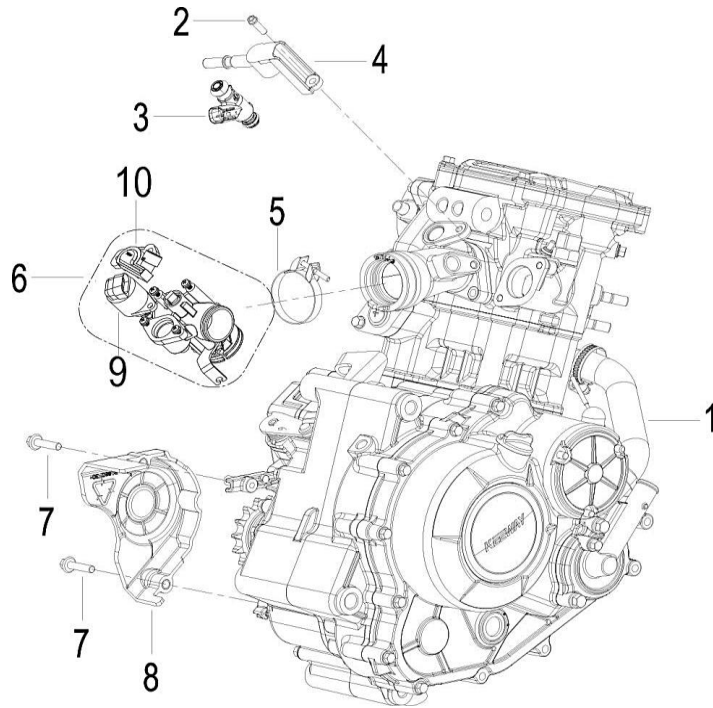
Nº	CÓDIGO	DESCRIÇÃO	Qt.	OBSERVAÇÕES
1	279124460020	RADIATOR ASSY	1	
2	B0109060256H	BOLT M6x25	2	
3	270125060020	CLAMP Φ25	6	
4	06215V030000	OUTLET HOSE	1	
5	279113160010	COOLANT TEMPERATURE SENSOR	1	
6	59440U310000	HORN FIXING BRACKET	1	
7	06150U310000	RESERVE TANK WATER FILLER BRACKET	1	
8	06214U310000	INLET HOSE	1	
9	59430U310000	FRONT DECORAT. COVER FIXING BRACKET	1	
10	B0109060356H	BOLT M6x35	2	
11	59460U310000	COWLING RIGHT FRONT FIXING BRACKET	1	
12	59480U310000	COWLING RIGHT REAR FIXING BRACKET	1	
13	59470U310000	COWLING LEFT REAR FIXING BRACKET	1	
14	06107V030000	COOLANT RESERVE TANK OVER FLOW PIPE	1	
15	06111V030000	INFLATION KETTLE	1	
16	B0107060126H	BOLT M6x12	1	
17	59450U310000	LEFT FIXING PLATE	1	
18	B0109060166H	BOLT M6x16	2	
19	65430V030000	LEFT UNDER BRACKET	1	
20	58160V030000	RESERVE TANK FIXING PLATE	1	
21	06113V030000	COOLANT RESERVE TANK PROT. RUBBER	1	
22	50307J140002	CLIP φ10	1	
23	06223V030000	OVER FLOW PIPE	1	
24	06112T580000	COOLANT RESERVE TANK CAP	1	
25	06106T430007	COOLANT RESERVE TANK WATER FILLER	1	
26	06105U310000	PIPE	1	
27	270975050000	BUSH	2	
28	B0109060206H	BOLT M6x20	2	
29	50376S010000	CLIP φ10	2	

F18 ELECTRICAL EQUIPMENT ASSY



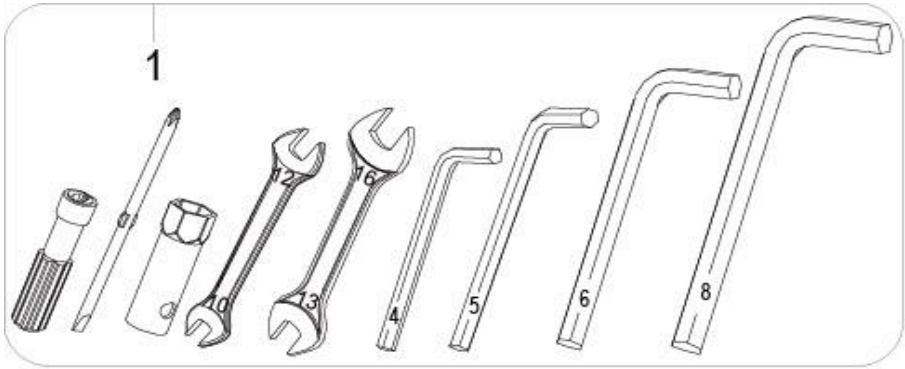
Nº	CÓDIGO	DESCRIÇÃO	Qt.	OBSERVAÇÕES
1	95100K670001	HORN	1	
2	B0109080166H	BOLT M8x16	1	
3	96C00P100G01	ECU	1	
4	B0109060166H	BOLT M6x16	2	
5	96200V030000	IGNITION COIL	1	
6	96200V030001	IGNITION COIL	1	
7	B0205050206H	SCREW M5x20	4	
8	96400H390001	FLASHER	1	
9	96007B720000	JACKET,FLASHER	1	
10	94400T800000	HEADLIGHT RELAY CONTROLLER	1	
11	96700K060000	START DIODE	2	
12	B0109060206H	BOLT M6x20	2	
13	299064540000	RECTIFIER.	1	
15	94100T850000	STARTER RELAY	1	
16	B0700000060H	SPRING WASHER 6	2	
17	B0703000060H	WASHER 6	2	
18	B0400060005H	NUT 6	2	
19	88000U140104	LOCK ASSY,WITH KEEWAY LOGO	1	
20	92000U310000	MAIN WIRE HARNESS	1	
21	96100V030000	BATTERY	1	
22	96020N220000	BAND,BATTERY ASSY	2	
23	58752J00000A	BATTERY SPONGE CUSHION	9	
24	40098B450000	BAND	1	
25	92500L340000	EARTH WIRE	1	
26	92940P100000	OBD WIRE	1	
27	B0721000050H	WASHER 5	4	
28	88400U140004	FUEL TANK LOCK	1	
29	88800U140004	SEAT LOCK	1	
30	88900U14090X	KEY NUT	1	
31	88100U140004	POWER LOCK	1	

F19 ENGINE ATTACHMENT



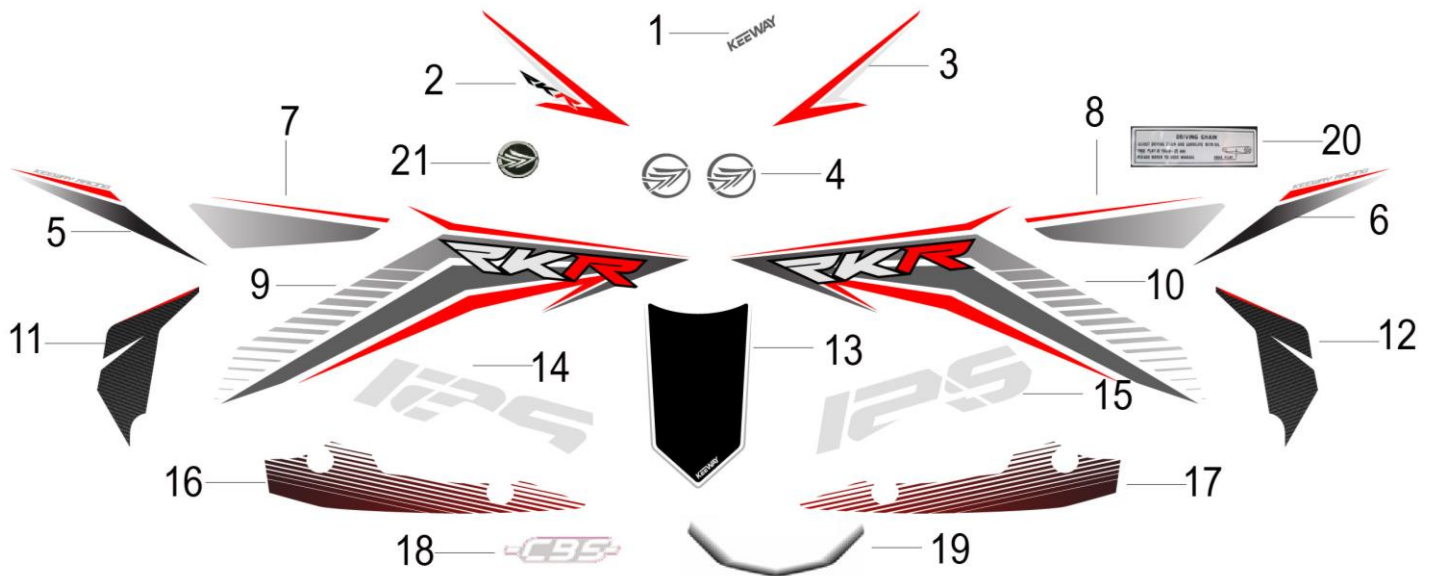
Nº	CÓDIGO	DESCRIÇÃO	Qt.	OBSERVAÇÕES
1	C24540000020	ENGINE ASSY	1	
2	B0109050166H	BOLT M5x16	1	
3	289035210000	FUEL INJECTOR	1	
4	289044460010	INJECTION HOUSING	1	
5	49016N070000	CLAMP Ø50	1	
6	289004320010	THROTTLE BODY ASSY	1	
7	B0107060256H	BOLT M6x25	2	
8	169044410020	LEFT REAR COVER ASSY	1	
9	280024320000	STEPPER MOTOR	1	
10	280756030001	THROTTLE POSITION SENSOR	1	

F20 TOOL KIT ASSY



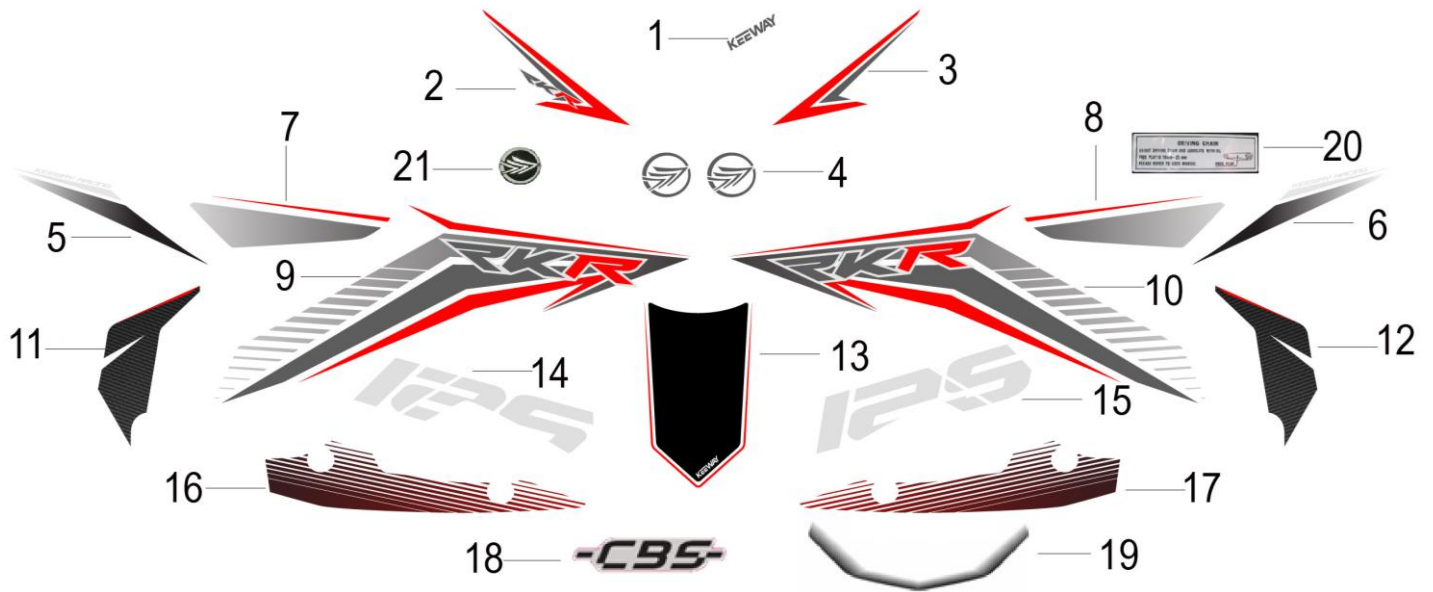
N°	CÓDIGO	DESCRIÇÃO	Qt.	OBSERVAÇÕES
1	02100K670011	TOOL KIT ASSY	1	

F21_1 STICKER ASSY (FOR GRAPHITE BLACK BC)



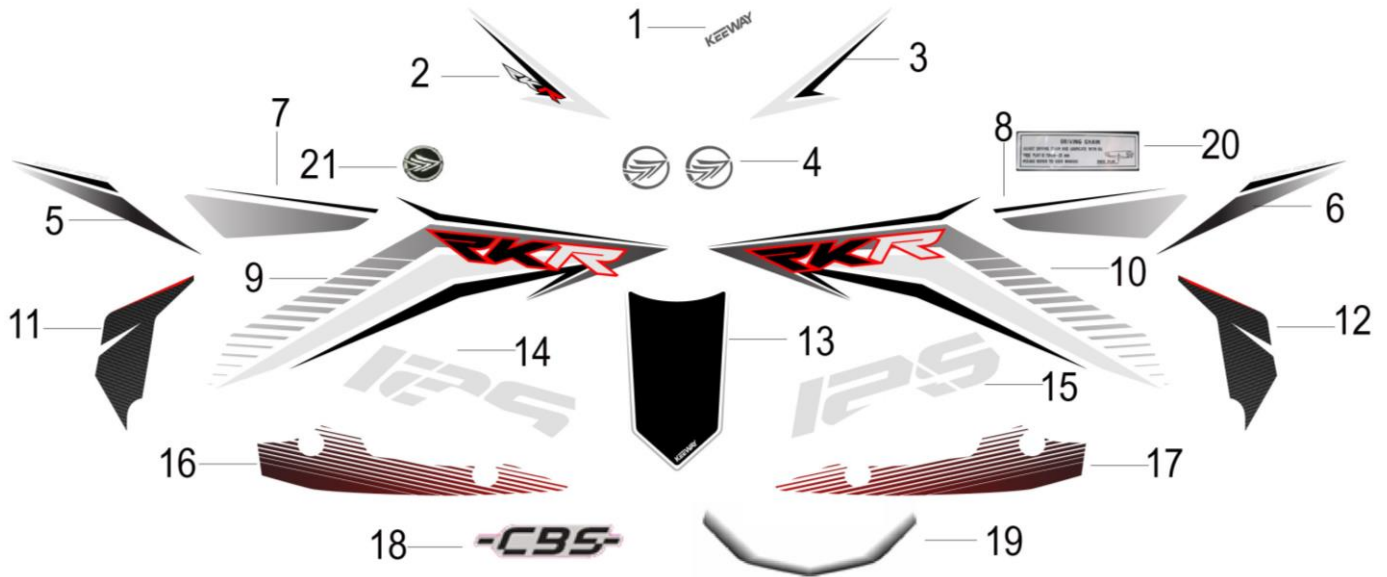
Nº	CÓDIGO	DESCRIÇÃO	Qt.	OBSERVAÇÕES
1	05588U310000	KEEWAY STICKER,WINDSHIELD	1	
2	05522U31BC00	STICKER,RIGHT FRONT FACEPLATE	1	
3	05521U31BC00	STICKER,LEFT FRONT FACEPLATE	1	
4	05534U310000	KEEWAY BIRD STICKER	1	
5	05572U31BC00	STICKER,RIGHT TAIL COVER,UPPER	1	
6	05571U31BC00	STICKER,LEFT TAIL COVER,UPPER	1	
7	05532U31BC00	STICKER,FUEL TANK,RIGHT UNDER	1	
8	05531U31BC00	STICKER,FUEL TANK,LEFT UNDER	1	
9	05524U31BC00	STICKER,RIGHTFOOT PROTECTIVE SHIELD	1	
10	05523U31BC00	STICKER,LEFT FOOT PROTECTIVE SHIELD	1	
11	05503U310000	STICKER,FRAME RIGHT	1	
12	05502U310000	STICKER,FRAME LEFT	1	
13	05533U310000	STICKER,FUEL TANK MIDDLE COVER	1	
14	05526U310000	125 RIGHT STICKER	1	
15	05525U310000	125 LEFT STICKER	1	
16	05542U310000	STICKER,RIGHT BOTTOM COWLING	1	
17	05541U310000	STICKER,LEFT BOTTOM COWLING	1	
18	05503J80BC00	CBS STICKER	1	
19	05588L340000	STICKER,WINDSHIELD	1	
20	05551J000010	ADJUSTING STICKER	1	
21	05501U310000	KEEWAY BIRD LABEL	1	

F21_2 STICKER ASSY (FOR WHITE WF)



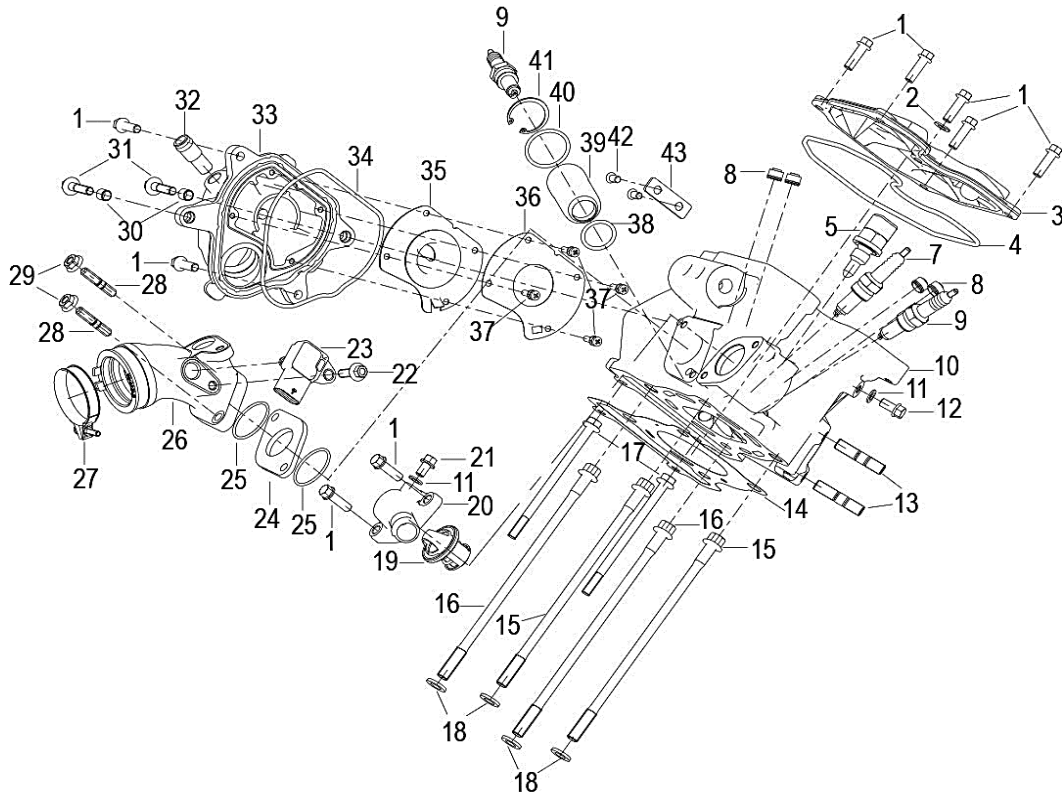
Nº	CÓDIGO	DESCRIÇÃO	Qt.	OBSERVAÇÕES
1	05588U310000	KEEWAY STICKER,WINDSHIELD	1	
2	05522U31WF00	STICKER,RIGHT FRONT FACEPLATE	1	
3	05521U31WF00	STICKER,LEFT FRONT FACEPLATE	1	
4	05534U310000	KEEWAY BIRD STICKER	1	
5	05572U31WF00	STICKER,RIGHT TAIL COVER,UPPER	1	
6	05571U31WF00	STICKER,LEFT TAIL COVER,UPPER	1	
7	05532U31WF00	STICKER,FUEL TANK,RIGHT UNDER	1	
8	05531U31WF00	STICKER,FUEL TANK,LEFT UNDER	1	
9	05524U31WF00	STICKER,RIGHTFOOT PROTECTIVE SHIELD	1	
10	05523U31WF00	STICKER,LEFT FOOT PROTECTIVE SHIELD	1	
11	05503U310000	STICKER,FRAME RIGHT	1	
12	05502U310000	STICKER,FRAME LEFT	1	
13	05533U310000	STICKER,FUEL TANK MIDDLE COVER	1	
14	05526U310000	125 RIGHT STICKER	1	
15	05525U310000	125 LEFT STICKER	1	
16	05542U310000	STICKER,RIGHT BOTTOM COWLING	1	
17	05541U310000	STICKER,LEFT BOTTOM COWLING	1	
18	05503J80WF00	CBS STICKER	1	
19	05588L340000	STICKER,WINDSHIELD	1	
20	05551J000010	ADJUSTING STICKER	1	
21	05501U310000	KEEWAY BIRD LABEL	1	

F21_3 STICKER ASSY (FOR RED F9)



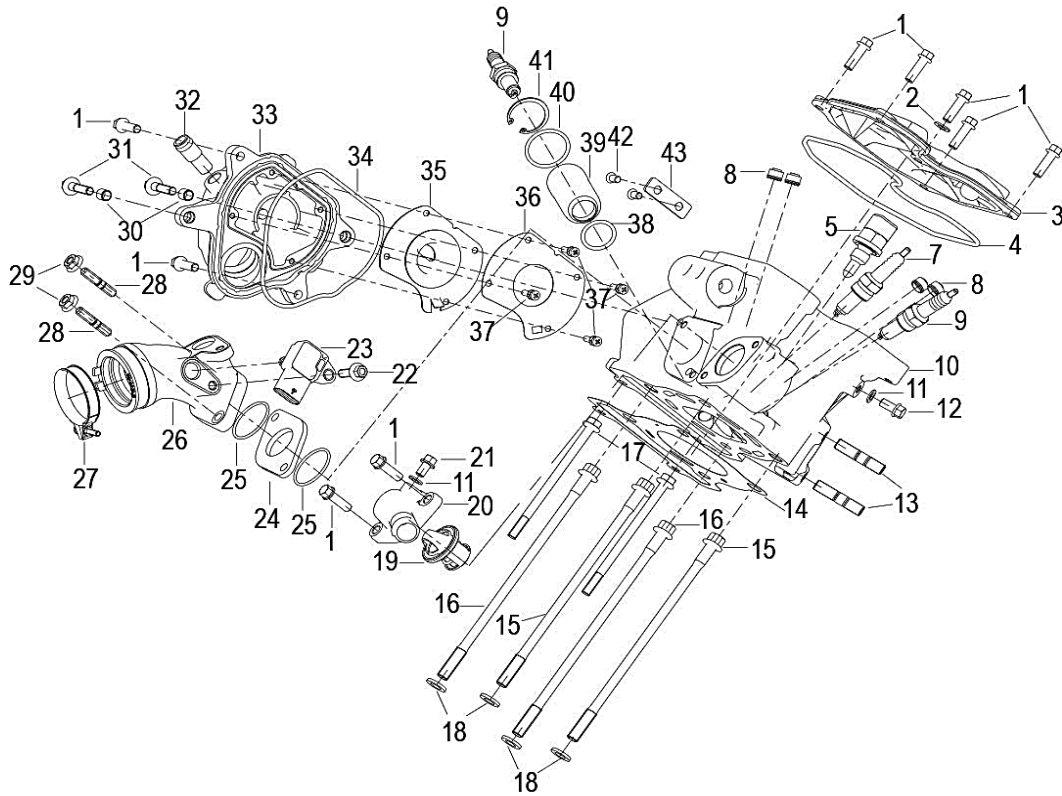
Nº	CÓDIGO	DESCRIÇÃO	Qt.	OBSERVAÇÕES
1	05588U310000	KEEWAY STICKER,WINDSHIELD	1	
2	05522U31F900	STICKER,RIGHT FRONT FACEPLATE	1	
3	05521U31F900	STICKER,LEFT FRONT FACEPLATE	1	
4	05534U310000	KEEWAY BIRD STICKER	1	
5	05572U31F900	STICKER,RIGHT TAIL COVER,UPPER	1	
6	05571U31F900	STICKER,LEFT TAIL COVER,UPPER	1	
7	05532U31F900	STICKER,FUEL TANK,RIGHT UNDER	1	
8	05531U31F900	STICKER,FUEL TANK,LEFT UNDER	1	
9	05524U31F900	STICKER,RIGHTFOOT PROTECTIVE SHIELD	1	
10	05523U31F900	STICKER,LEFT FOOT PROTECTIVE SHIELD	1	
11	05503U310000	STICKER,FRAME RIGHT	1	
12	05502U310000	STICKER,FRAME LEFT	1	
13	05533U310000	STICKER,FUEL TANK MIDDLE COVER	1	
14	05526U310000	125 RIGHT STICKER	1	
15	05525U310000	125 LEFT STICKER	1	
16	05542U310000	STICKER,RIGHT BOTTOM COWLING	1	
17	05541U310000	STICKER,LEFT BOTTOM COWLING	1	
18	05503J80WF00	CBS STICKER	1	
19	05588L340000	STICKER,WINDSHIELD	1	
20	05551J000010	ADJUSTING STICKER	1	
21	05501U310000	KEEWAY BIRD LABEL	1	

E01 CYLINDER HEAD



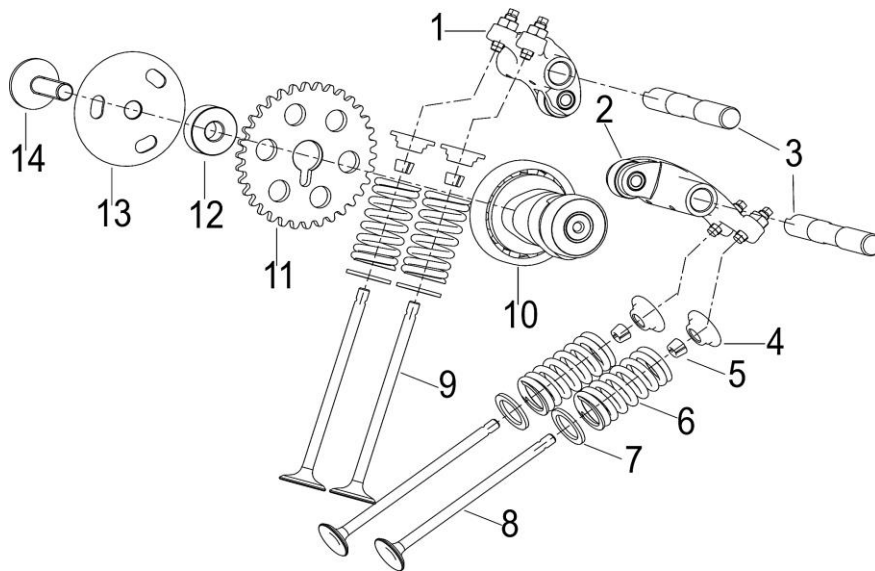
Nº	CÓDIGO	DESCRIÇÃO	Qt.	OBSERVAÇÕES
1	B0107060206H	BOLT M6x20	9	
2	150013070000	WASHER 6	1	
3	109014470010	CYLINDER HEAD COVER COMP,GREY	1	
4	109024460000	RUBBER SEALS	1	
5	280596090000	COOLANT TEMPERATURE SENSOR	1	
7	299074470010	SPARK PLUG	1	
8	120015090000	VALVE STEM SEAL	4	
9	299074470010	SPARK PLUG	2	
10	109054460010	CYLINDER HEAD ASSY,GREY	1	
11	150013070000	WASHER 6	2	
12	B0107060126H	BOLT M6x12	1	
13	B0300080206H	STUDS M8x20	2	
14	109074410000	CYLINDER HEAD GASKET	1	
15	100084460000	CYLINDER HEAD BOLT	2	
16	100014460000	CYLINDER HEAD BOLT	2	
17	B0107061006H	BOLT M6x100	2	
18	100054460000	WASHER 8	4	
19	279165050000	THERMOSTAT ASSY	1	
20	100024410010	THERMOSTAT COVER,GREY	1	
21	B0107060106H	BOLT M6x10	1	
22	B0107060186H	BOLT M6x18	1	
23	290016250000	TEMPERATURE SENSOR,INTAKE	1	
24	109154460000	HEAT INSULATION BODY	1	
25	B190103000A0	O-RING	2	
26	119014460010	INLET AIR DUCT	1	

E01 CYLINDER HEAD



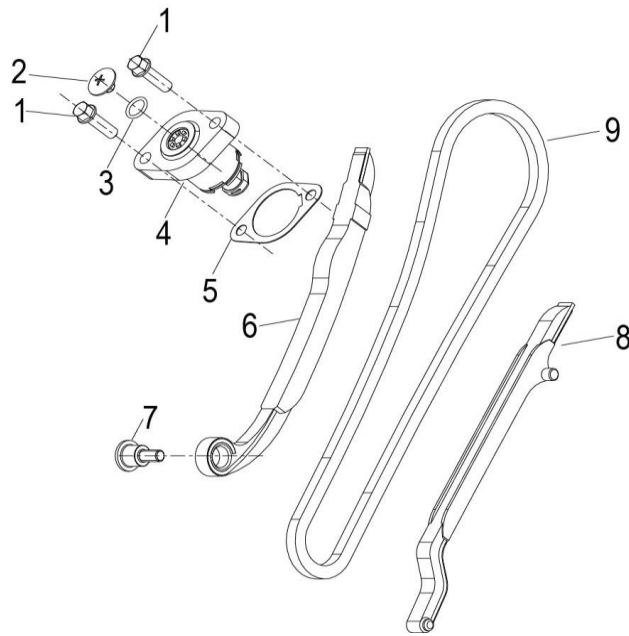
N°	CÓDIGO	DESCRIÇÃO	Qt.	OBSERVAÇÕES
27	110043090004	CLAMP ASSY	1	
28	12007305001X	SHORT STUD	2	
29	B0407060005H	NUT M6	2	
30	200086030000	DOWEL PIN $\Phi 8 \times 8$	2	
31	B0107060256H	BOLT M6x25	2	
32	150084230000	PIPE	1	
33	100024460011	CHAIN WHEEL COVER,GREY	1	
34	100034460000	SEAL RING,CHAIN WHEEL COVER	1	
35	100064460000	BREATHING ROOM COVER	1	
36	100434460000	GASKET	1	
37	B1308040100H	SCREW W/WASHER M4x10	4	
38	150283070000	O-RING	1	
39	100044460000	SPARK PLUG COVER	1	
40	120202140000	O-RING	1	
41	B08000002800	CIRCLIP	1	
42	B0201050106H	SCREW M5x10	2	
43	100074460000	BACK PLATE,ROCKER ARM SHAFT	1	

E02 VALVE MECHANISM SUB-ASSEMBLY



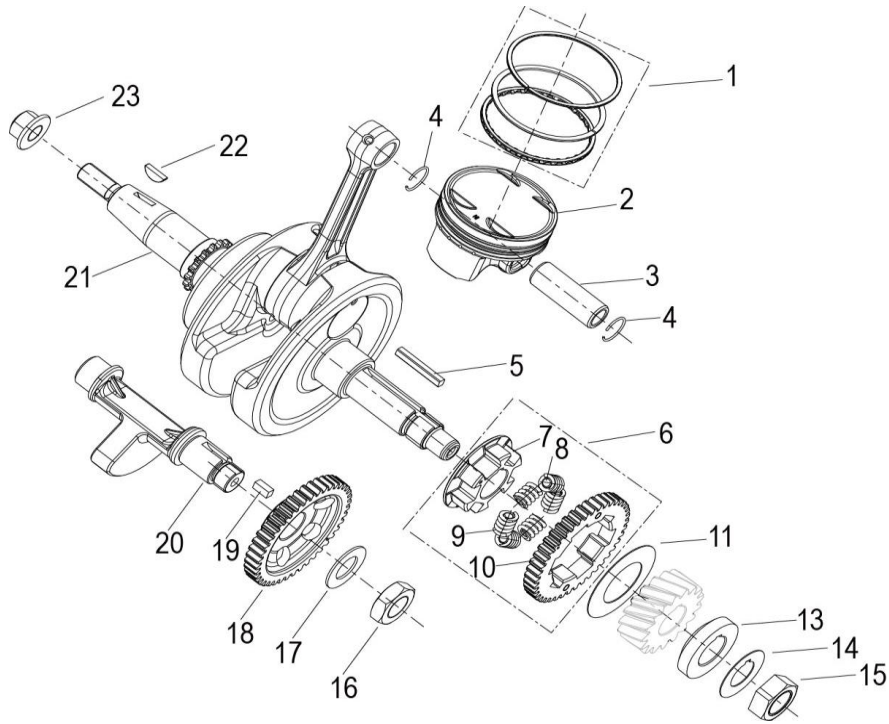
Nº	CÓDIGO	DESCRIÇÃO	Qt.	OBSERVAÇÕES
1	129314460000	INTAKE ROCKER ARM	1	
2	129324460000	EXHAUST ROCKER ARM	1	
3	129164410000	ROCKER ARM SHAFT	2	
4	129202290000	RETAINER, VALVE SPRING	4	
5	129225090000	VALVE COTTER	8	
6	129254410000	VALVE SPRING	4	
7	129212290000	VALVE LOWER SPRING SEAT	4	
8	129194460000	EXHAUST VALVE	2	
9	129184460000	INTAKE VALVE	2	
10	129094540000	CAMSHAFT ASSY.	1	
11	129034410000	SPROCKET	1	
12	100424460000	RUBBER PLUG	1	
13	100414460000	BAFFLE	1	
14	120014410010	BOLT	1	

E03 STRAINER UNIT ASSEMBLY



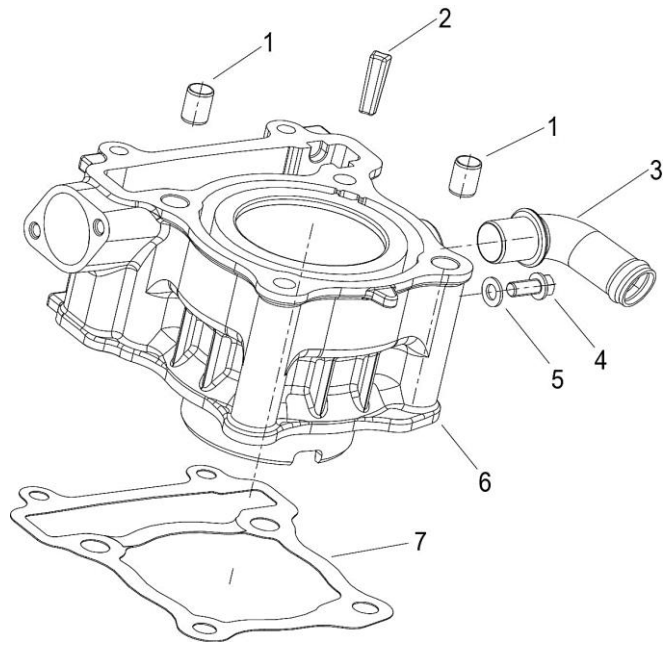
Nº	CÓDIGO	DESCRIÇÃO	Qt.	OBSERVAÇÕES
1	B0107060206H	HEXAGON BOLTS WITH FLANGE	2	
2	14005305001X	TENSIONER BOLT	1	
3	210043050000	O-RING	1	
4	149033140080	TENSIONER ASSY,GREY	1	
5	140013050040	GASKET	1	
6	149014410000	REAR CHAIN GUIDE ASSY.	1	
7	140053630000	PIVOT, CAM CHAIN TENSIONER	1	
8	149024410000	FRONT CHAIN GUIDE	1	
9	140023140010	OIL PUMP DRIVE CHAIN	1	

E04 PISTON,CONNECTING ROD & CRANKSHAFT ASSY



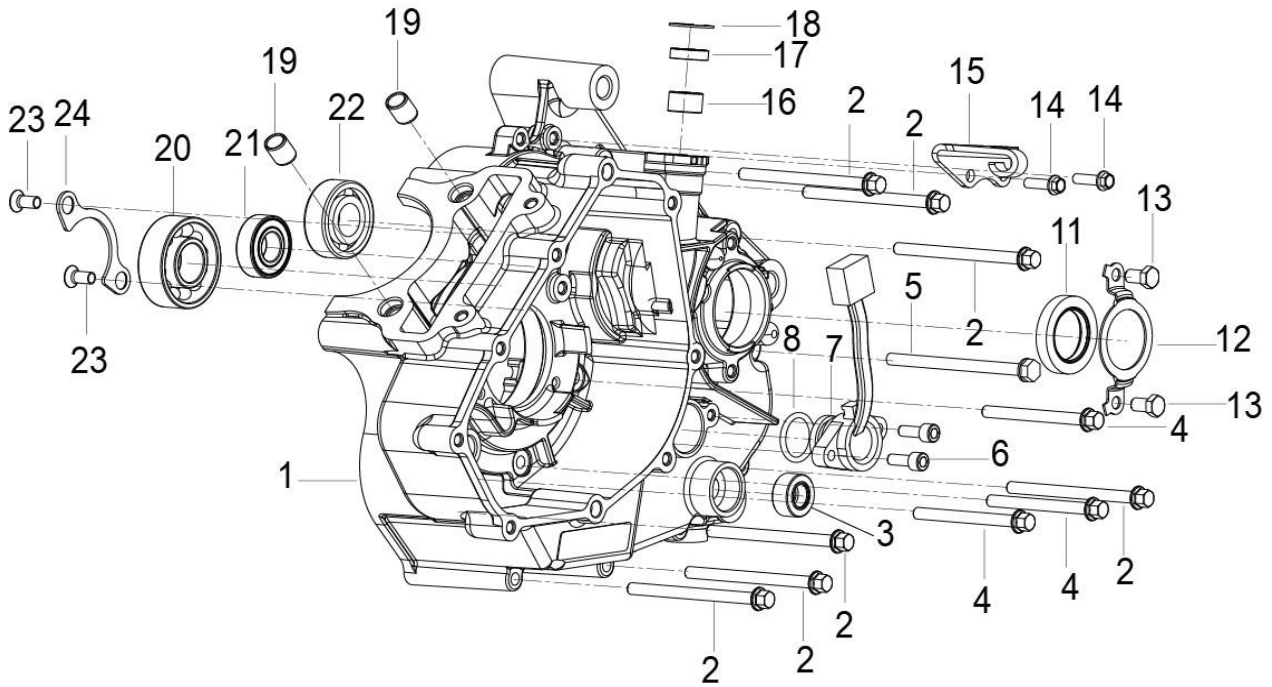
Nº	CÓDIGO	DESCRIÇÃO	Qt.	OBSERVAÇÕES
1	170084320000	PISTON RING	1	
2	179134420000	PISTON	1	
3	149144100000	PISTON PIN	1	
4	179153090000	PISTON PIN CLIP	2	
5	B11120404028	STRAIGHT KEY	1	
6	179274410010	BALANCER GEAR ASSY	1	
7	170034410010	BUSH	1	
8	170204410010	DAMPING BLOCK	6	
9	170194410010	DAMPING SPRING	6	
10	179284410010	BALANCE SHAFT DRIVE GEAR	1	
11	170144410000	DISC SPRING	1	
13	269063090000	OIL PUMP DRIVE GEAR	1	
14	170023090000	LOCK WASHER	1	
15	170013090100	NUT M16X1.5	1	
16	170065150110	NUT M14X1	1	
17	170024320000	CONICAL WASHER	1	
18	179264410000	BALANCE SHAFT GEAR	1	
19	B11130040008	KEY 4x8	1	
20	179254410000	BALANCE SHAFT	1	
21	179013640000	CRANKSHAFT ASSY	1	
22	B11810305013	WOODRUFF KEY	1	
23	260092140100	NUT M10x1.25	1	

E05 CYLINDER ASSY



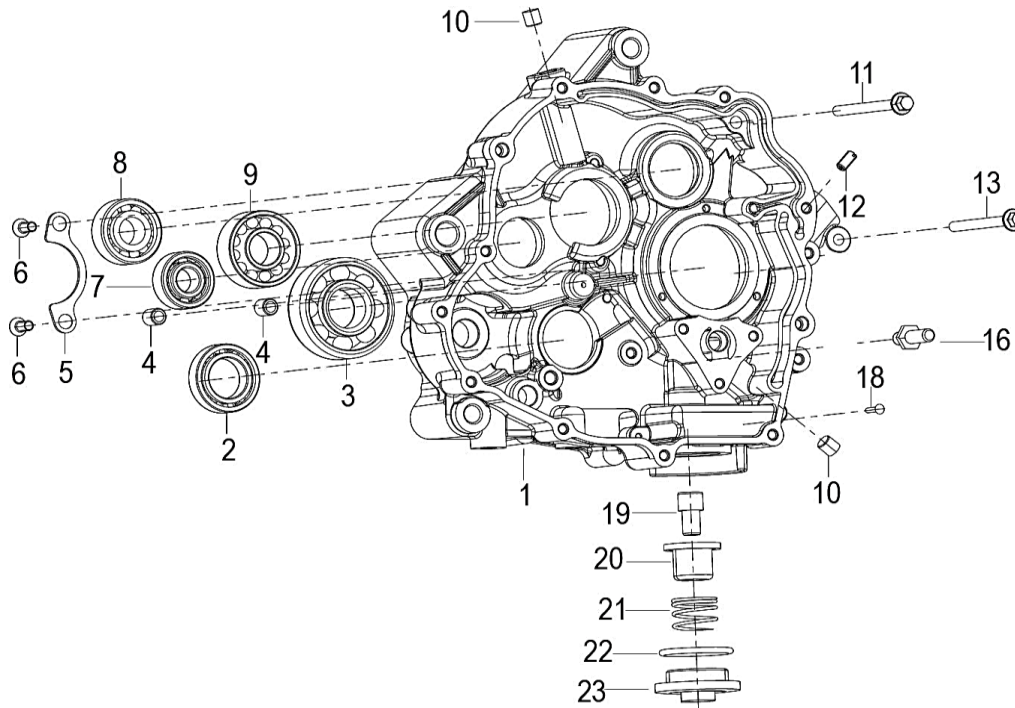
Nº	CÓDIGO	DESCRIÇÃO	Qt.	OBSERVAÇÕES
1	150083070000	DOWEL PIN	2	
2	139054410000	RUBBER PLUG	1	
3	279085150000	INLET HOSE	1	
4	B0107060126H	BOLT M6X12	1	
5	150013070000	WASHER 6	1	
6	139013640010	CYLINDER COMP,GREY	1	
7	139024410010	CYLINDER GASKET	1	

E06 LEFT CRANKCASE ASSY



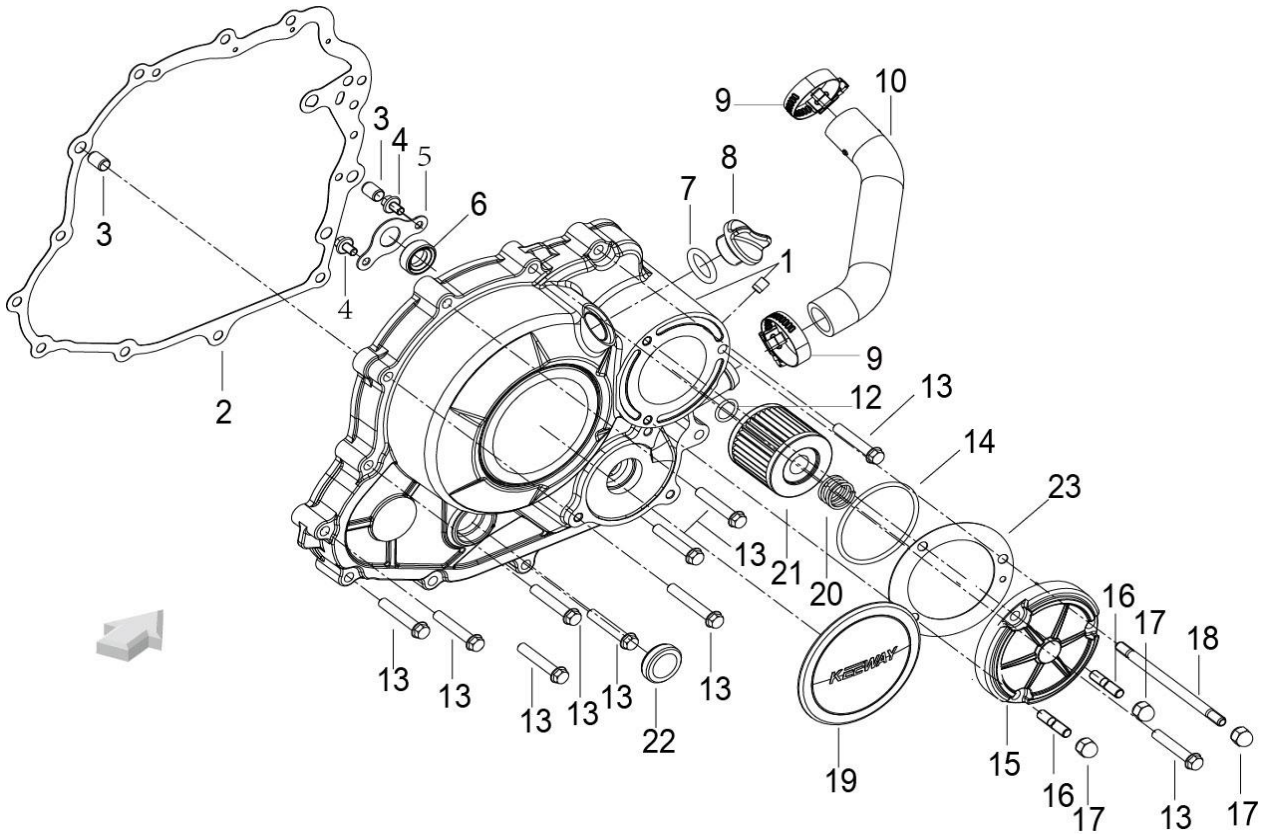
Nº	CÓDIGO	DESCRIÇÃO	Qt.	OBSERVAÇÕES
1	150024410010	LEFT CRANKCASE ASSY,GREY	1	
2	B0107060756H	BOLT M6X75	7	
3	210373090000	OIL SEA 12X22X9	1	
4	B0107060606H	BOLT M6X60	3	
5	B0107060806H	BOLT M6X80	1	
6	B0205050166H	SCREW M5X16	2	
7	96950U310000	GEARSHIFT SENSOR,wire length:600mm	1	
8	B190102030B0	O-RING 20.3X2.65	1	
11	210073090000	OIL SEAL 27X40X6	1	
12	210093090000	OIL SEAL COVER	1	
13	B0103060106H	BOLT M6X10	2	
14	B0107060146H	SCREW M6X14	2	
15	159134410000	CLUTCH WIRE GUIDE BRACKET	1	
16	B1212K121002	NEEDLE ROLLER BEARING 12X16X10	1	
17	200001050000	OIL SEAL	1	
18	B080000020AA	CIRCLIP 20	1	
19	130023090000	PIN	2	
20	B12016020410	BALL BEARING 6204	1	
21	B12016000204	BEARING 6002-Z	1	
22	B12016020314	BALL BEARING 6203	1	
23	B0201060126H	SCREW M6X12	2	
24	150113090000	BLOCK PLATE	1	

E07 RIGHT CRANKCASE ASSY



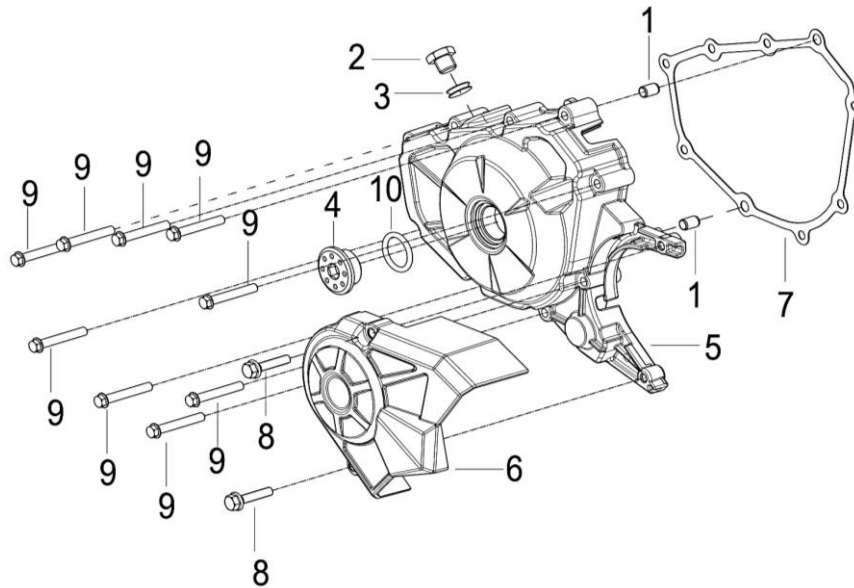
N°	CÓDIGO	DESCRIÇÃO	Qt.	OBSERVAÇÕES
1	150034410010	RIGHT CRANKCASE ASSY,GREY	1	
2	B12016190503	BEARING 61905	1	
3	B12016030501	BALL BEARING	1	
4	150083070000	DOWEL PIN	2	
5	150113090000	BLOCK PLATE	1	
6	B0201060126H	SCREW M6X12	2	
7	B12016020211	BALL BEARING	1	
8	B12016020314	BALL BEARING 6203	1	
9	B12016020410	BALL BEARING 6204	1	
10	150166090000	CONE PLUG M10x1	2	
11	B0107060706H	BOLT M6X70	1	
12	159336190000	PLUG	1	
13	B0107060656H	BOLT M6X65	1	
16	21010405002X	LIMIT BLOCK NAIL	1	
18	150126030100	RIVET 3X13	1	
19	150045050000	HOSE	1	
20	150105050000	SIEVE ASSY	1	
21	150195050000	SPRING	1	
22	150205040000	O RING II	1	
23	150215040000	DRAIN PLUG	1	

E08 RIGHT COVER ASSY



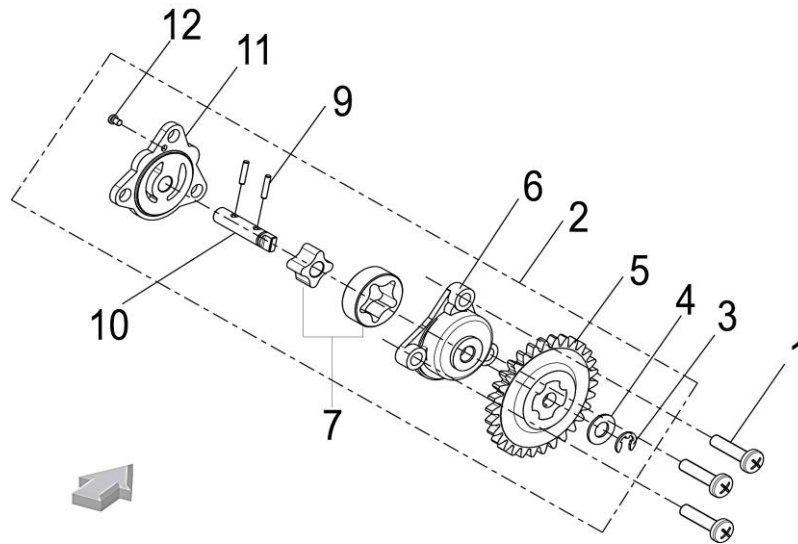
N°	CÓDIGO	DESCRIÇÃO	Qt.	OBSERVAÇÕES
1	16910446HT01	RIGHT COVER,GREY	1	
2	169114410010	RIGHT COVER GASKET	1	
3	160056030000	DOWEL PIN	2	
4	B0107050086H	BOLT M5X8	2	
5	160034410000	SEAL PLATE	1	
6	160023090000	OIL SEAL	1	
7	B190101700C0	O-RING 17X3.55	1	
8	160024460010	OIL FILLER PLUG,GREY	1	
9	08060B450000	CLAMP 16-25	2	
10	279094460000	OUTLET HOSE	1	
12	B190101250A0	O-RING	1	
13	B0107060356H	BOLT M6X35	10	
14	B190105260B0	O-RING	1	
15	160014410010	OIL FILTER COVER,,GREY	1	
16	B0300060126H	STUB BOLT M6X12	2	
17	B0422060003H	NUT M6	3	
18	160024410000	STUB BOLT	1	
19	160123420000	ENGINE SIDE COVER PLATE,MARK:KEEWAY	1	
20	160033090000	SPRING	1	
21	160043090000	FILTER	1	
22	160083090000	OIL LEVEL INDICATOR	1	
23	160373210010	GASKER,FILTER	1	

E09 LEFT COVER ASSY



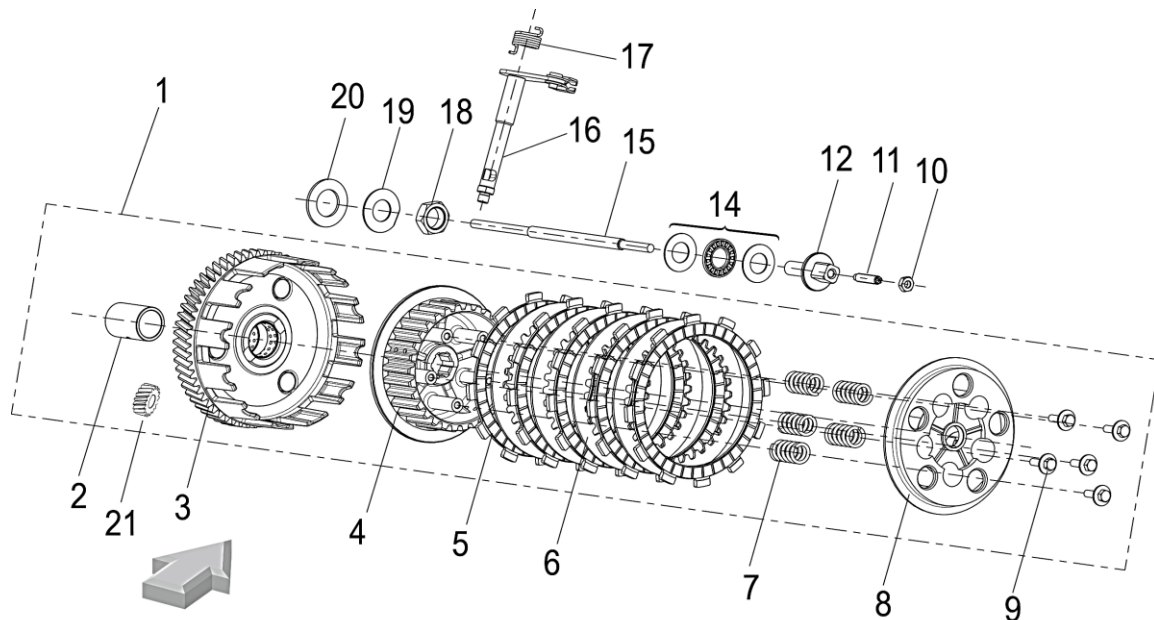
Nº	CÓDIGO	DESCRIÇÃO	Qt.	OBSERVAÇÕES
1	160056030000	DOWEL PIN	2	
2	16020309011X	BOLT PLUG M12x1.25x10	1	
3	160253090000	WASHER	1	
4	160383090020	PLUG,COVER MAGNETO,GREY	1	
5	169024410010	LEFT COVER,GREY	1	
6	169044410020	LEFT REAR LID ASSEMBLY,GREY	1	
7	169074410010	LEFT COVER GASKET	1	
8	B0107060286H	BOLT M6X28	2	
9	B0107060406H	BOLT M6X40	9	
10	B190102240C0	O-RING	1	

E10 OIL PUMP ASSY



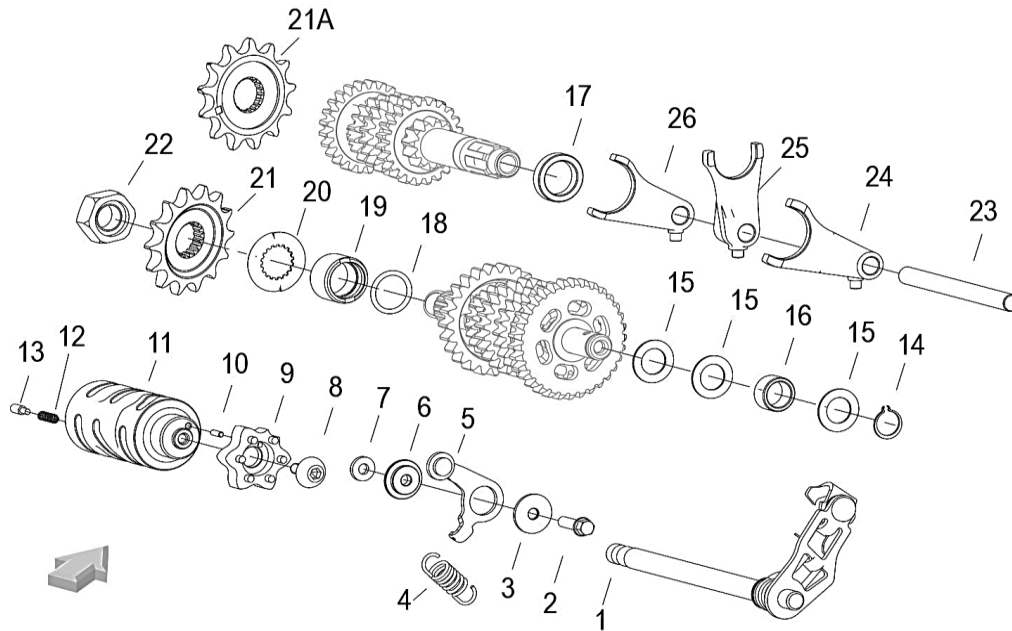
N°	CÓDIGO	DESCRIÇÃO	Qt.	OBSERVAÇÕES
1	B0107060256H	BOLT M6X25	3	
2	269014460020	OIL PUMP ASSY	1	
3	B08030000600	CIRCLIP 6x6	1	
4	260053300000	WASHER	1	
5	269084460020	OIL PUMP GEAR ASSY	1	
6	260043090000	OIL PUMP BODY	1	
7	269043090000	OIL PUMP INNER&OUTER ROTOR	1	
9	B09012501220	PIN B2.5x12	2	
10	260064460020	OIL PUMP SHAFT	1	
11	260013090000	OIL PUMP SEAT	1	
12	B02000300522	SCREW M3X5	1	

E11 CLUTCH ASSY



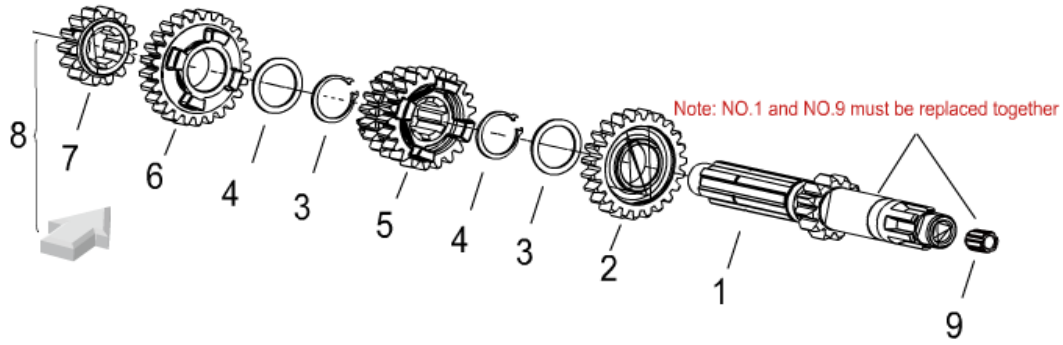
Nº	CÓDIGO	DESCRIÇÃO	Qt.	OBSERVAÇÕES
1	209014410000	CLUTCH ASSY	1	
2	200053090000	SPACER	1	
3	200573090000	CLUTCH HOUSING	1	
4	200073090000	CLUTCH HUB	1	
5	200083090000	FRICION PLATE	5	
6	200093090000	CLUTCH PLATE	4	
7	209144410000	CLUTCH SPRING	5	
8	200103090000	PRESSURE PLATE	1	
9	B13010501605	SCREW W/WASHER M5x16	5	
10	B0402060000H	NUT M6	1	
11	20013309001X	SLOTTED ADJUSTING SCREW	1	
12	200143090000	BEARING SEAT	1	
14	200123090000	NEEDLE BEARING	1	
15	200013210000	PUSH ROD	1	
16	209044410000	RELEASE LEVER ASSEMBLY	1	
17	200024410000	RETURN SPRING	1	
18	200153090000	NUT	1	
19	200163090000	LOCKING WASHER	1	
20	200043090000	THRUST WASHER	1	
21	170014410000	CLUTCH DRIVE GEAR	1	

E12 GEAR SHIFT MECHANISM ASSEMBLY



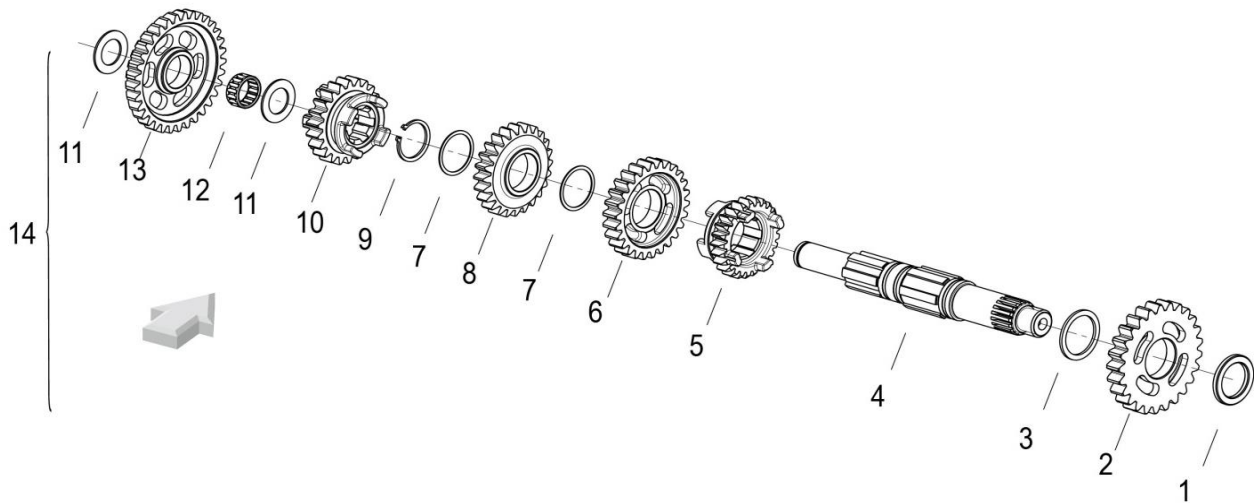
Nº	CÓDIGO	DESCRIÇÃO	Qt.	OBSERVAÇÕES
1	219014410000	SHIFT LEVER ASSEMBLY	1	
2	B0107060206H	FLANGE BOLT M6x20	1	
3	219344410000	WASHER	1	
4	210026030000	STOPPER LEVER SPRING	1	
5	210416030010	STOPPER LEVER	1	
6	219334410000	WASHER	1	
7	120101270000	WASHER 6.2x14x2.2	1	
8	210014410000	BOLT	1	
9	210366030000	PLATE COMP,GEARSHIFT DRUM STOPPER	1	
10	210356030000	DOWEL PIN	1	
11	219054410000	SHIFT DRUM	1	
12	210313090000	PROD SPRING	1	
13	210323090000	SHIFT PROD	1	
14	B080100015A0	CIRCLIPS FOR SHAFT	1	
15	210133090000	THRUST WASHER	3	
16	210034410000	COLLAR	1	
17	210013210000	AXLE SLEEVE,MAIN SHAFT ASSY	1	
18	B190101900B1	O RING	1	
19	210053090000	COLLAR	1	
20	219313090000	WASHER	1	
21	219304410010	DRIVE SPROCKET 14TEETH	1	ATÉ VIN LBBU31002JB898647
21A	219303090000	DRIVE SPROCKET 13TEETH	1	APÓS VIN LBBU31002JB898648
22	210063090100	NUT M16x1.5	1	
23	219093090000	SHIFT FORK SHAFT	1	
24	219124410000	RIGHT SHIFT FORK	1	
25	219114410000	MIDDLE SHIFT FORK	1	
26	219104410000	LEFT SHIFT FORK	1	

E13 PRIMARY SHAFT ASSY



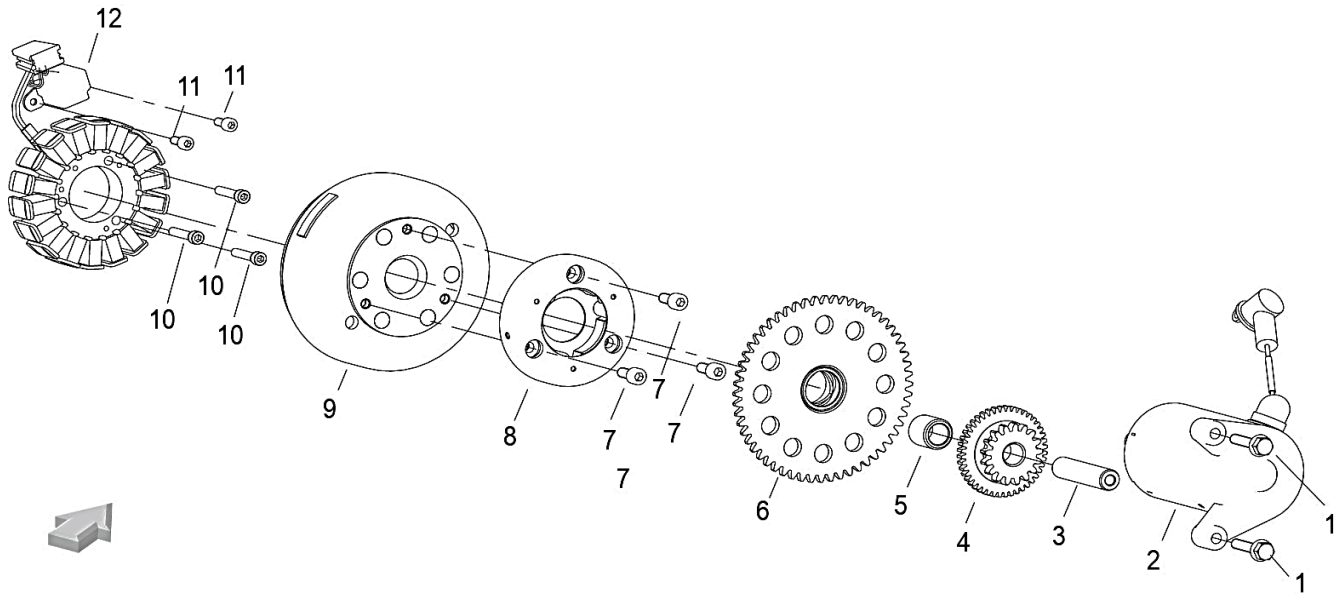
Nº	CÓDIGO	DESCRIÇÃO	Qt.	OBSERVAÇÕES
1	219144410000	MAIN SHAFT (DEVE SER AQUIRIDO C/ A PEÇA Nº 9)	1	
2	219193390000	PRIMARY SHAFT GEAR 5	1	
3	210243090000	WASHER	2	
4	210023070000	CIRCLIP	2	
5	210023390000	PRIMARY SHAFT GEAR 3&4	1	
6	219203390000	PRIMARY SHAFT GEAR 6	1	
7	219163390000	PRIMARY SHAFT GEAR 2	1	
8	219134410000	PRIMARY SHAFT ASSY	1	
9	210043090000	STOPS UP THE COLUMN	1	

E14 COUNTERSHAFT ASSY



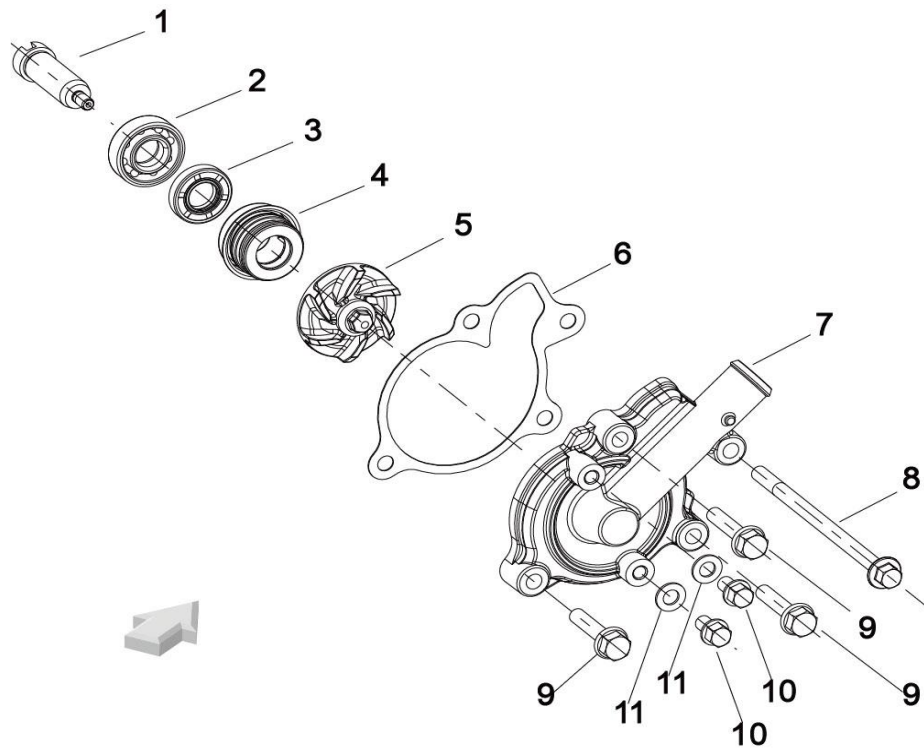
Nº	CÓDIGO	DESCRIÇÃO	Qt.	OBSERVAÇÕES
1	210013390000	WASHER 20	1	
2	219243090000	COUNTERSHAFT GEAR 2	1	
3	210033390000	WASHER 30	1	
4	219224410000	COUNTERSHAFT	1	
5	219283390000	COUNTERSHAFT GEAR 6	1	
6	219253390000	COUNTERSHAFT GEAR 3	1	
7	210043390000	WASHER 22	2	
8	219263390000	COUNTERSHAFT GEAR 4	1	
9	210053390000	CIRCLIP 22	1	
10	219273390000	COUNTERSHAFT GEAR 5	1	
11	210133090000	THRUSH WASHER 15	2	
12	210463090000	NEEDLE BEARING	1	
13	219233090000	COUNTERSHAFT GEAR 1	1	
14	219214410000	COUNTERSHAFT ASSY	1	

E15 ELECTRIC STARTER ASSY



N°	CÓDIGO	DESCRIÇÃO	Qt.	OBSERVAÇÕES
1	B0107060286H	BOLT M6x28	2	
2	249013210010	STARTER MOTOR ASSY	1	
3	240023090000	DOWEL PIN	1	
4	249043090000	GEAR, STARTER IDLER	1	
5	240013090000	SLEEVE	1	
6	240043090020	GEAR, STARTER DRIVEN	1	
7	B0205060146H	SCREW M6x14	3	
8	249093230040	SPROCKET UNIT	1	
9	299024180080	FLY WHEEL ASSY	1	
10	B0205050256H	SCREW M5x25	3	
11	B0205040106H	SCREW M4x10	2	
12	299033090030	COIL ASSY	1	

E16 WATER PUMP ASSY



N°	CÓDIGO	DESCRIÇÃO	Qt.	OBSERVAÇÕES
1	279224460010	IMPELLER SHAFT	1	
2	B12016000100	BEARING 6001	1	
3	270153160000	OIL SEAL 12x24x5	1	
4	160253160000	SEAL COMPONENTS	1	
5	279214460000	IMPELLER	1	
6	279344460000	GASKET	1	
7	279334460010	WATER PUMP COVER,GREY	1	
8	B0107061056H	BOLT M6x105	1	
9	B0107060286H	BOLT M6x28	3	
10	B0107060106H	BOLT M6x105	2	
11	150013070000	WASHER 6	2	