

PARTS CATALOGUE



SCOOTERS

KG10CD(PT)

AGILITY 50



Release Date : 2021/07/05
Print Date : 2022/07/13

ABOUT THIS PARTS LIST

- This parts list is compiled all service parts for model KG10CD(PT).
- Any difference between color chart and motorcycle will be revised according to motorcycle.
- The Mark:
 1. Marking "***" must add color code in the end before ordering parts.
 2. Marking "#" are parts with modification, Please find the details from e-Parts system.
- When modification or additions to this parts list are made a revised edition at an appropriate time.



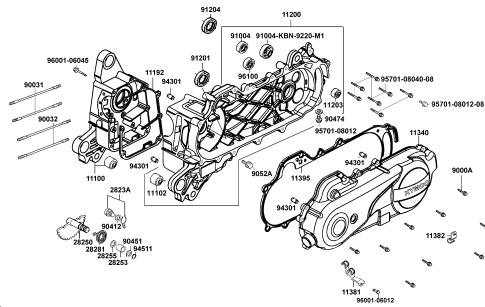
CONTENTS

● ABOUT THIS PARTS LIST	1
● COLOR CHART OF KG10CD(PT)	3
● CONTENTS-ENGINE GROUP	4
● CONTENTS-FRAME GROUP	5
● ENGINE PARTS LIST	8
● FRAME PARTS LIST	32
● PART NO. INDEX	80

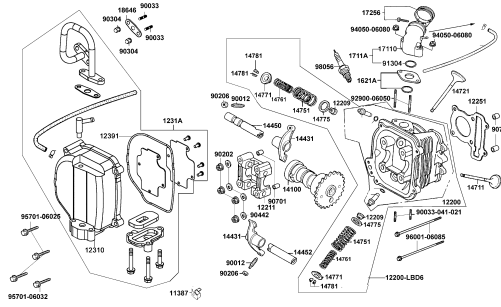
NO	MODEL			COLOR CHART OF KG10CD(PT)			
	PHOTO NO			NO. 1	NO. 2	NO. 3	NO. 4
	BASIC COLOR			Bright Blue	Black	Bright Silver	Ruby Red
	CODE			Bright Blue	Black	Bright Silver	Ruby Red
	PARTS NAME	PARTS NO.	VERSION	PB107CA	NH001SA	NH045MA	RR004CA
1	COVER HANDLE FR	53205-LEB9-B50	0	BAP	N1P	N8P	R1P
2	FENDER FR	61100-LDC8-E10	0				
3	COVER FR	64301-LCB9-C10	0				
4	COVER R BODY	83500-LDF7-E10	0				
5	COVER L BODY	83600-LDF7-E10	0				
6	COVER UNDER	50613-LCB9-C11	0	N1R			
7	COVE RHANDLE RR	53206-LCB9-C10	0				
8	PANEL FLOOR	64310-LCB9-C10	0				
9	FENDER RR TIRE	80100-LDC8-E10	0				
10	FENDER RR	80105-LDC8-E10	0				
11	FENDER RR LOW	80106-LDC8-E10	0				
12	COVER CENTER	80151-LCB9-C10	0				
13	LEG SHIELD	81131-LEC5-C10	0				
14	BOX LUGGAGE	81250-LCB9-C10	2				
15	COVER L SIDE	11340-LBD6-C00	0				
16	FORK ASSY R	51400-LDC8-E10	4				
17	FORK ASSY L FR	51500-LDC8-E10	4	NJA			
18	WHEEL ASSY REAR	42600-KEB7-E10	0				
19	WHEEL COMP RR CAST	42601-KEB7-C00	1				
20	WHEEL ASSY FR	44600-LDC8-E10	0				
21	CALIPER ASSY FR	45200-KKD6-C00	1				
22	WHEEL FR CAST	44601-KEB7-E0E	0	NJ	R8S		
23	CUSHION ASSY RR	52400-LDC8-E10	2				
24	SEAT ASSY	77200-LDF7-E10	0	T01			
DATE OF STARTING-SALES							
DATE OF END-SALES							

CONTENTS - ENGINE GROUP

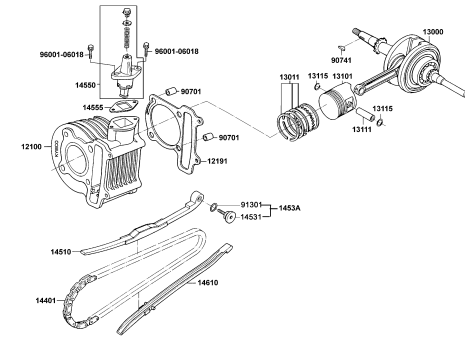
E01 Crank Case



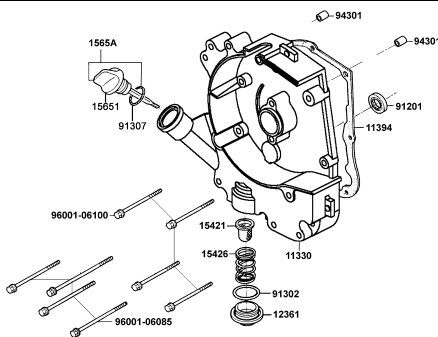
E02 Cylinder Head



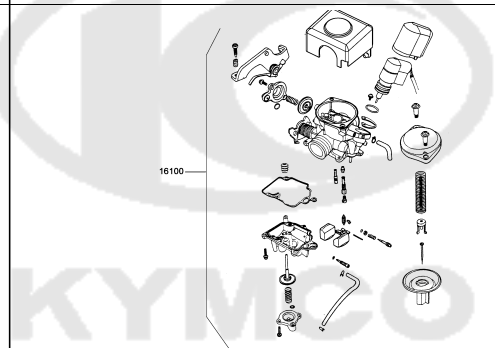
E03 Cylinder Piston Crankshaft



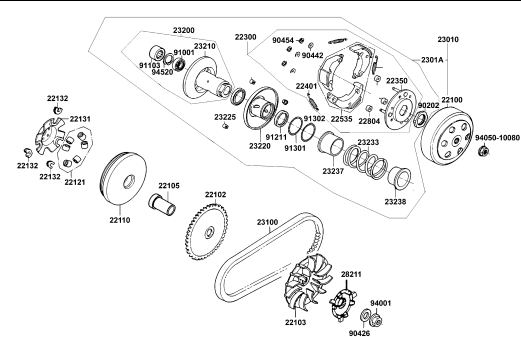
E04 Right Crankcase Cover



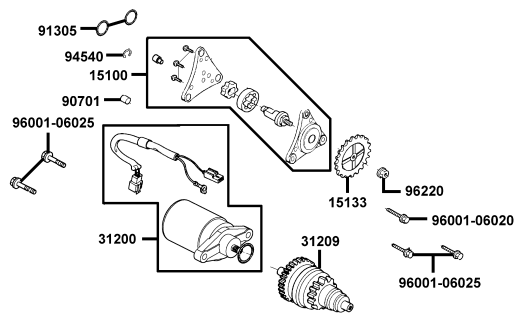
E05 Carburetor



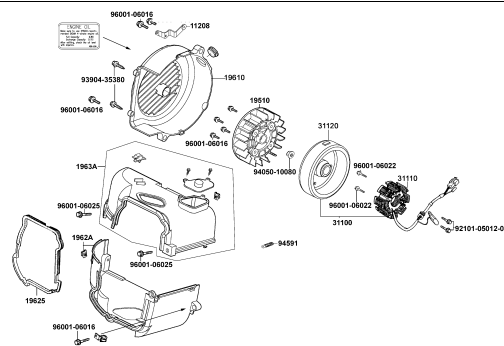
E06 Driven Pulley



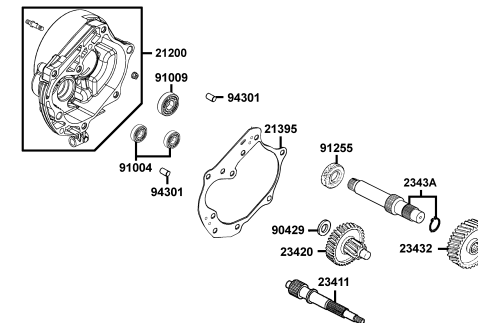
E07 Starting Motor Oil Pump



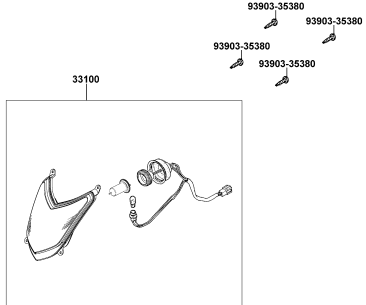
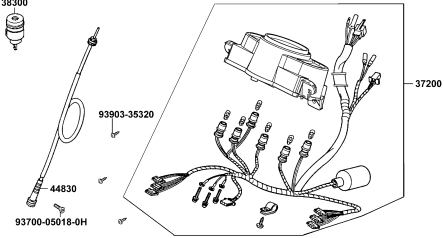
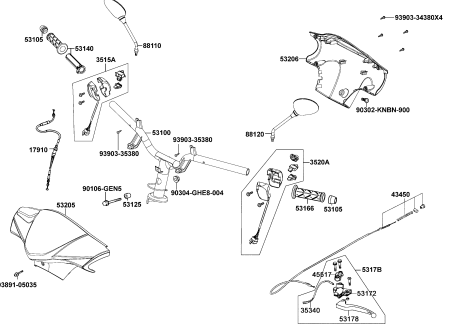
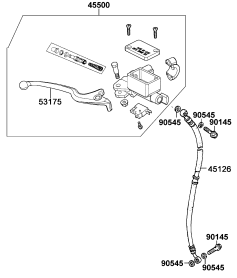
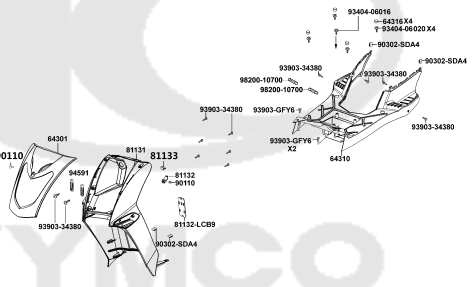
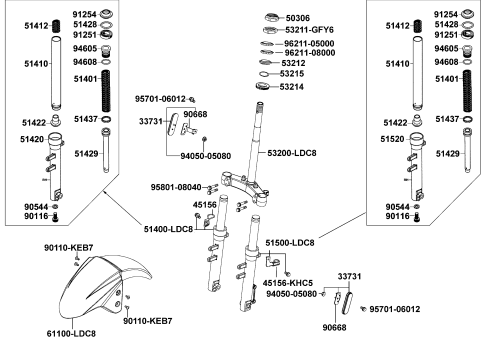
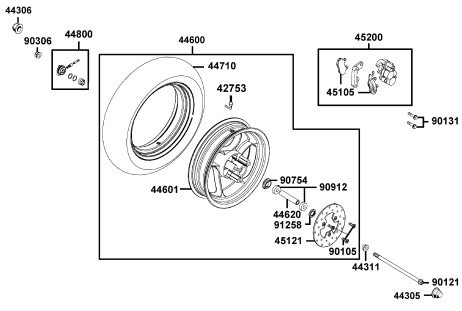
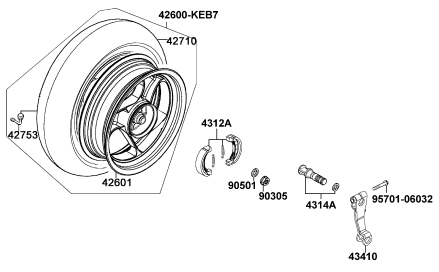
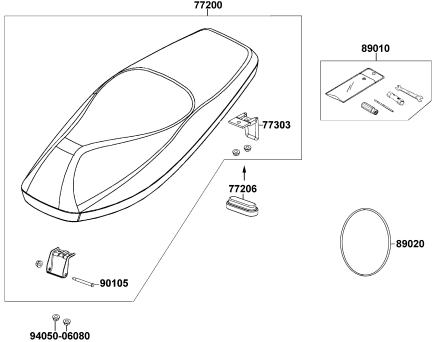
E08 Fan Cover Generator



E09 Transmission

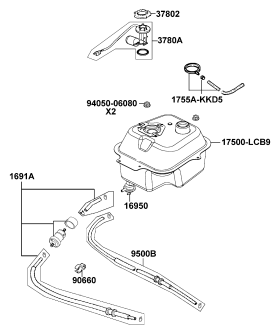


CONTENTS - FRAME GROUP

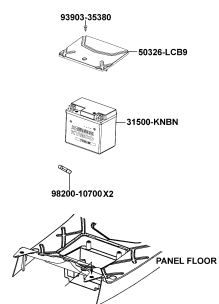
<p>F01 Head Light</p> 	<p>F02 Speedometer</p> 	<p>F03 Handle Steering Handle Cover</p> 
<p>F04 Brake Master Cylinder</p> 	<p>F05 Front Cover Front Fender</p> 	<p>F06 Stem Steering Front Cushion</p> 
<p>F07 Front Wheel</p> 	<p>F08 Rear Wheel</p> 	<p>F09 Seat</p> 

CONTENTS - FRAME GROUP

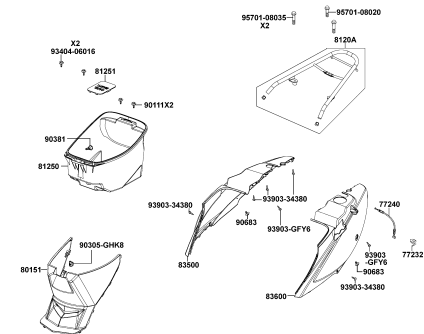
F10 Fuel Tank



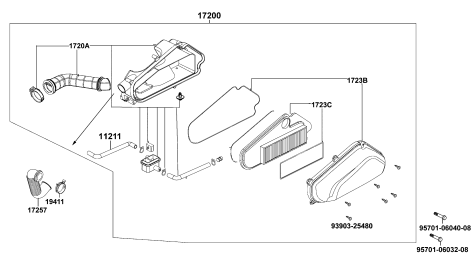
F11 Battery



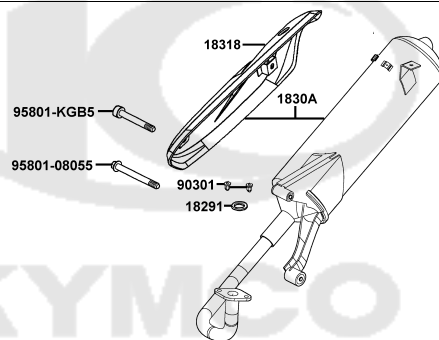
F12 Body Cover Luggage Box



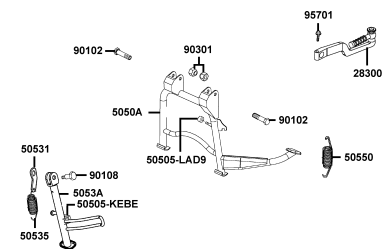
F13 Air Cleaner



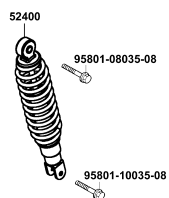
F14 Exhaust Muffler



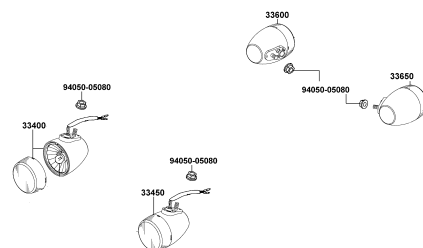
F15 Stand Kick Starter Arm



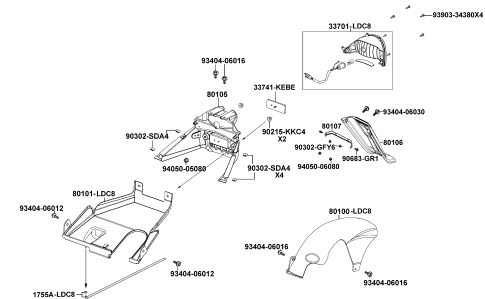
F16 Rear Cushion



F17 Front Winker

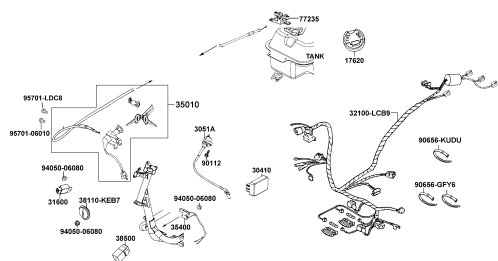


F18 Tail Light

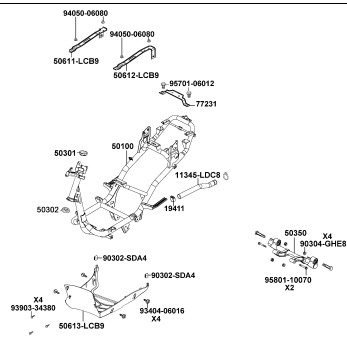


CONTENTS - FRAME GROUP

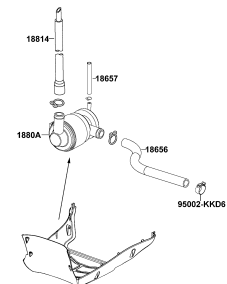
F19 Wire Harness



F20 Frame Body



F21 Air Cleaner Two

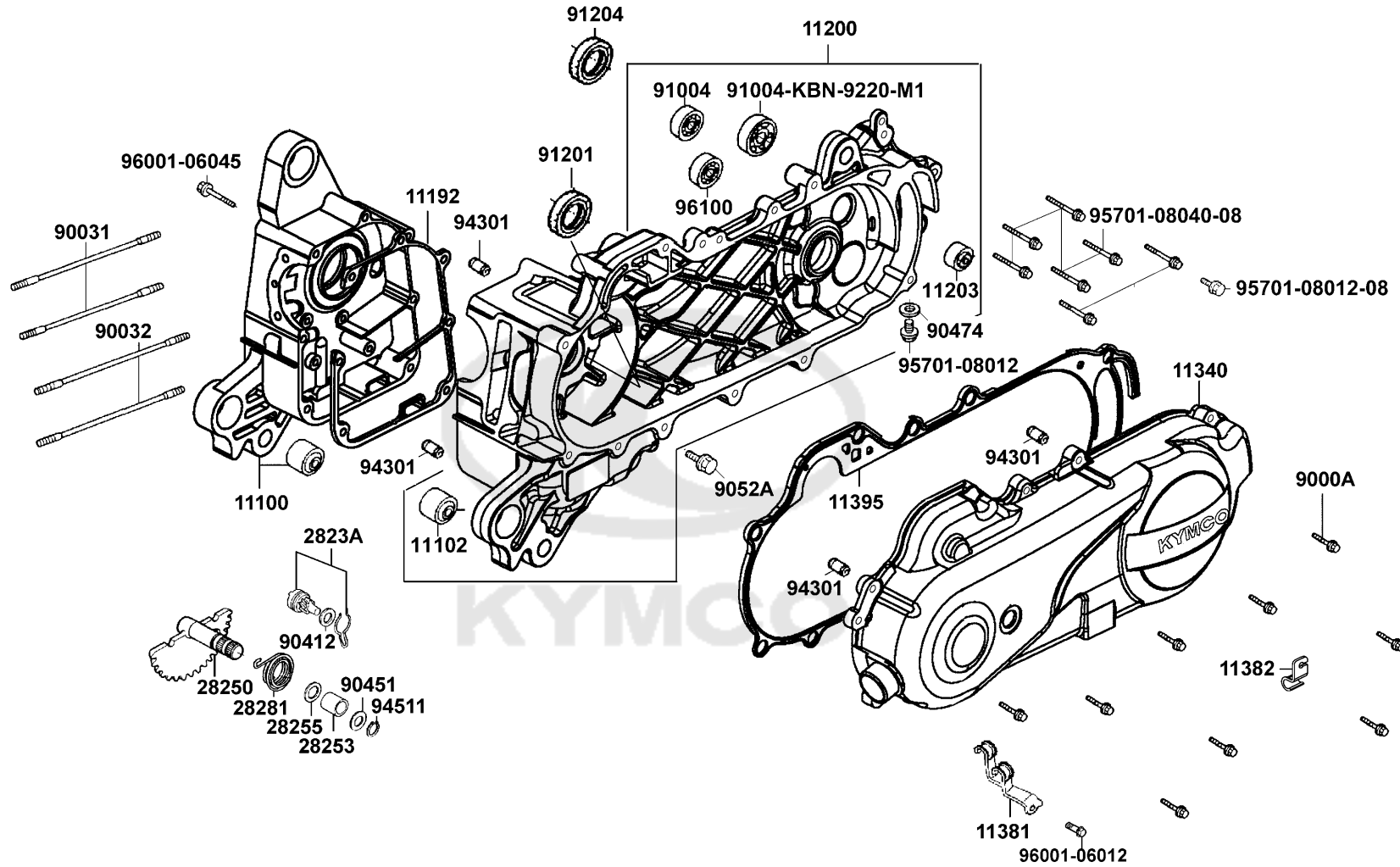


F22 Emblem Stripe



E01

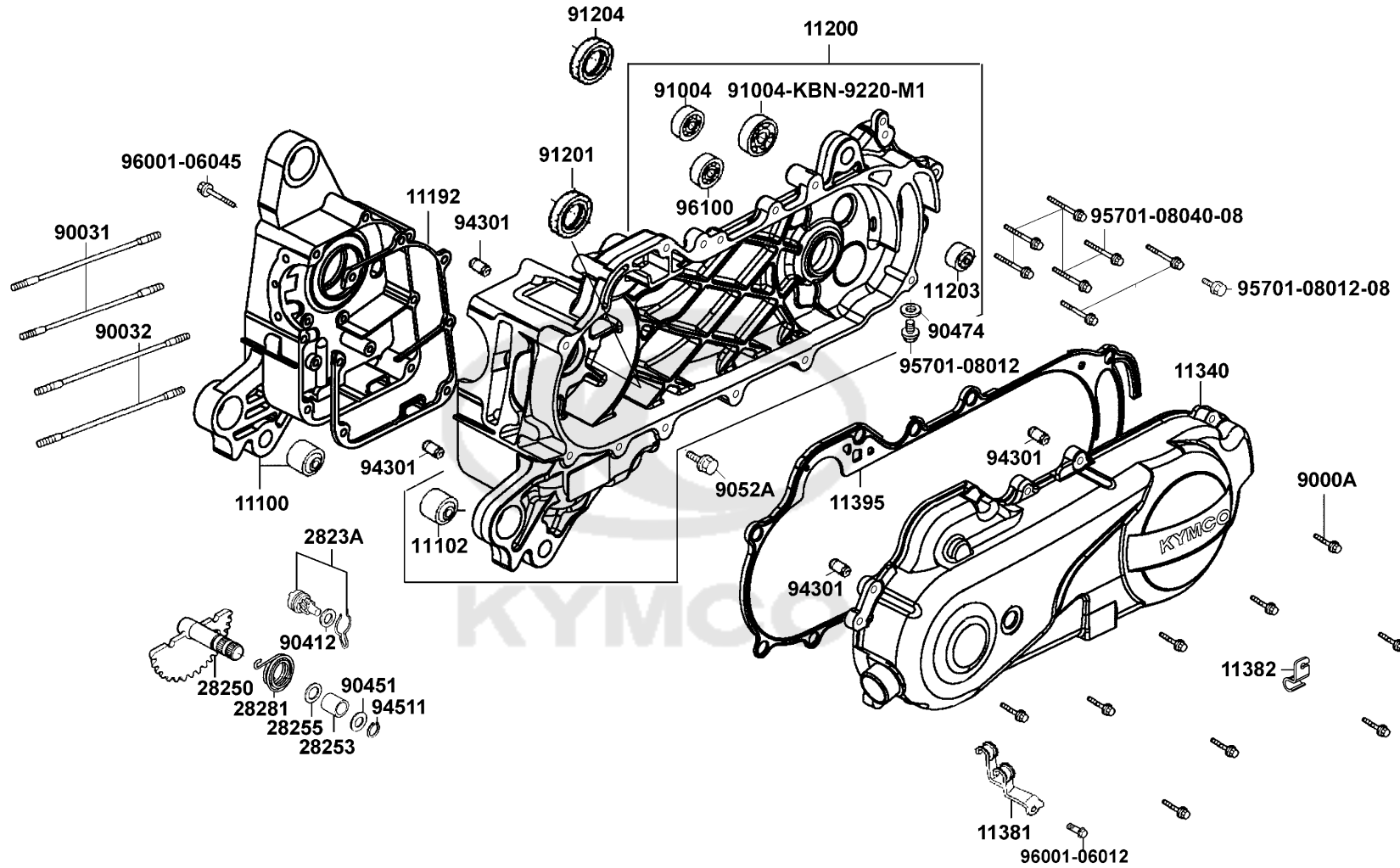
Crank Case



Sales mark	Ref no	Part no	Description	Reg description	Regd no	E01
#	11100	11100-KGBG-C00	CRANK CASE COMP.,R	CRANK CASE COMP RIGHT	1	
	11102	11102-1G87-C00	RUB BUSH ENG HANGER	RUB BUSH ENG HANGER	1	
#	11192	11192-KGBG-E90	GASKET,CRANK CASE@A	GASKET CRANK CASE@A	1	
#	11200	11200-LBD6-C00	CRANK CASE COMP LEFT	CRANK CASE COMP LEFT	1	
	11203	11203-GGC7-W10	UNDER RUBBER BUSH REAR CUSHION	UNDER RUBBER BUSH REAR CUSHION	1	
# **	11340	11340-LBD6-C00	COVER COMP L CRANK CASE	COVER COMP L CRANK CASE	1	
#	11381	11381-KHC4-C00	CLAMPER THROTTLE CABLE	CLAMPER THROTTLE CABLE	1	
#	11382	11382-LBD6-C00	CLAMPER BRAKE CABLE	CLAMPER BRAKE CABLE	1	
#	11395	11395-LBD6-C00	GASKET L COVER	GASKET L COVER	1	
#	2823A	2823A-LBD6-C00	GEAR ASSY KICK DRIVEN	GEAR ASSY KICK DRIVEN	1	
#	28250	28250-GBN2-C00	SPINDLE COMP KICK STARTER	SPINDLE COMP KICK STARTER	1	
#	28253	28253-GBN2-C00	BUSH KICK SPINDLE	BUSH KICK SPDL	1	
#	28255	28255-GFS6-C00	COLLAR KICK BOSS	COLLAR KICK BOSS	1	
#	28281	28281-GBN2-C00	SPRING KICK RETURN	SPRING KICK RETURN	1	
#	9000A	9000A-KTDT-C03	BOLT ASSY SPECIAL 6*29.5(G)	BOLT ASSY SPECIAL 6*29.5	1	
#	90031	90031-KGBG-C00	BOLT A STUD 7x168	BOLT A STUD 7x168	1	
#	90032	90032-KGBG-C00	BOLT B STUD 7*176	BOLT B STUD 7*176	1	
#	90412	90412-3K29-C00	WASHER THRUST 10M/M	WASHER THRUST 10M/M	1	
#	90451	90451-GBN2-C00	WASHER KICK SPINDLE	WASHER KICK SPINDLE	1	
#	90474	90474-3C33-C00	WASHER 8MM (T*2)	WASHER 8MM (T*2)	1	

E01

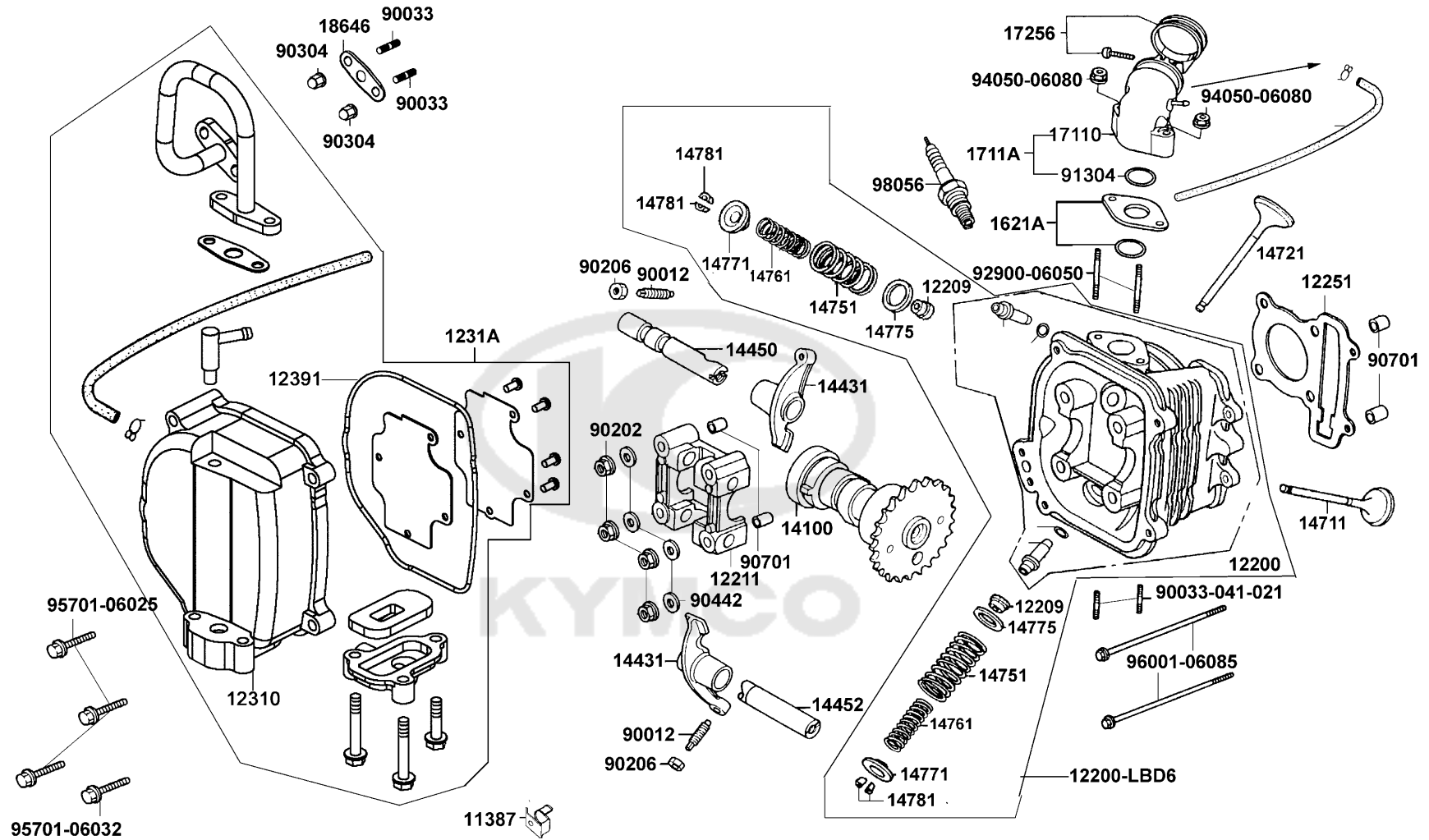
Crank Case



Sales mark	Ref no	Part no	Description	Reg description	Regd no	E01
#	9052A	9052A-GFY6-C00	BOLT ASSY DRAIN PLUG	BOLT ASSY DRAIN PLUG	1	
#	91004-KN2	91004-KBN2-C00	BRG BALL RADIAL 6201	BRG BALL RADIAL 6201	1	
#	91004-KBN	91004-KNBN-C00	BRG BALL RADIAL 6203 SPC	BRG BALL RADIAL 6203 SPC	1	
#	91201	91201-GFY6-C00	OIL SEAL 19.8*30*5	OIL SEAL 19.8*30*5	1	
#	91204	91204-KNBN-C00	OIL SEAL 17*30*6	OIL SEAL 17*30*6	1	
	94301	94301-08140	DOWEL PIN 8*14	DOWEL PIN 8*14	4	
	94511	94511-14000	CIR CLIP EX 14	CIR CLIP EX 14	1	
	95701-08012	95701-08012-08G	BOLT FLANGE 8X12(C)	BOLT FLANGE 8X12(C)	2	
	95701-08040	95701-08040-08	BOLT FLANGE 8*40 (C)	BOLT FLANGE 8*40	5	
	96001-06012	96001-06012-02	BOLT FLANGE SH 6*12	BOLT FLANGE SH 6*12	1	
	96001-06045	96001-06045-08	BOLT FLANGE SH 6*45 (C)	BOLT FLANGE SH 6*45	1	
	96100	96100-62033-00	BEARING BALL RADIAL 6203	BEARING BALL RADIAL 6203	1	

E02

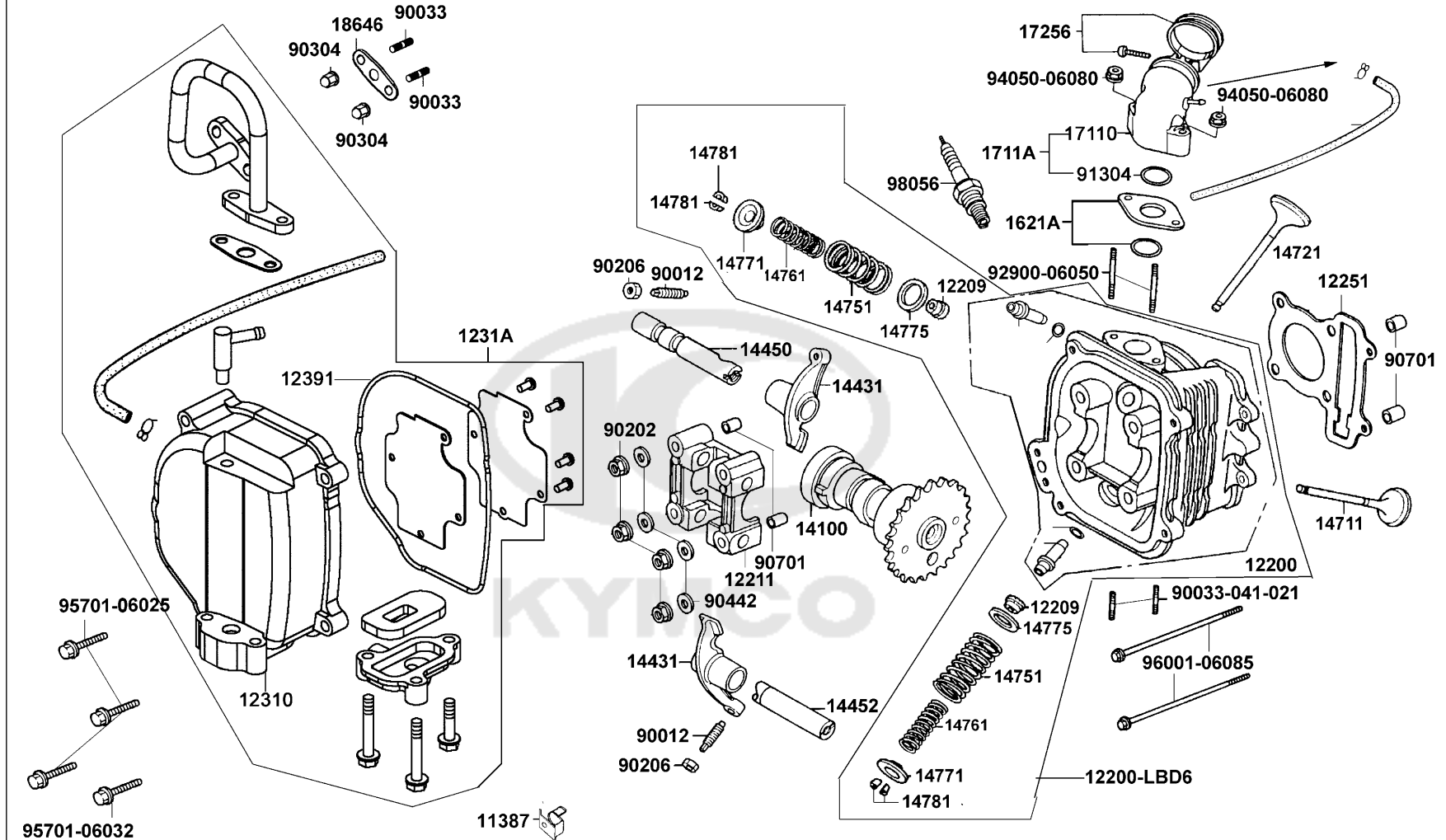
Cylinder Head



Sales mark	Ref no	Part no	Description	Reg description	Regd no	E02
#	11387	11387-KGBG-C00	CLAMPER BREATHER TUBE	CLAMPER BREATHER TUBE	1	
#	12200	12200-KGBG-C10	CYLINDER ASSY	HEAD COMP CYLN	1	
#	12200-LBD6	12200-LBD6-C00	HEAD SET.,CYLN.	"HEAD SET.,CYLN."	1	
	12209	12209-GDB4-C00	SEAL VALVE STEM	SEAL VALVE STEM	1	
#	12211	12211-KGBG-C00	HOLDER,CAM SHAFT	HOLDER CAM SHAFT	1	
#	12251	12251-KGBG-C00	GASKET CYLINDER HEAD	GASKET CYLINDER HEAD	1	
#	12310	12310-KHC5-C00	COVER COMP HEAD	COVER COMP HEAD	1	
#	1231A	1231A-KHC5-C10	COVER ASSY HEAD	COVER ASSY HEAD	1	
#	12391	12391-KEE1-C00	GASKET HEAD COVER	GASKET HEAD COVER	1	
#	14100	14100-KGBG-C00	SHAFT COMP CAM	SHAFT COMP CAM	1	
	14431	14431-KGBG-W10	ARM VALVE ROCKER	ARM VALVE ROCKER	2	
	14450	14450-KGBG-W10	SHAFT COMP IN ROCKER ARM	SHAFT COMP IN ROCKER ARM	1	
	14452	14452-KGBG-W10	SHAFT EXH ROCKER ARM	SHAFT EXH ROCKER ARM	1	
#	14711	14711-KGBG-C00	VALVE INLET	VALVE INLET	1	
#	14721	14721-KGBG-C00	VALVE EXHAUST	VALVE EXHAUST	1	
#	14751	14751-KGBG-C00	SPRING VALVE OUTER	SPRING VALVE OUTER	1	
#	14761	14761-KGBG-C00	SPRING VALVE INNER	SPRING VALVE INNER	1	
#	14771	14771-GDB4-C00	RETAINER VALVE SPRING	RETAINER VALVE SPRING	1	
#	14775	14775-MFA6-C00	SEAT VALVE SPG OUTER	SEAT VALVE SPG OUTER	1	
#	14781	14781-MFA6-C00	COTTER VALVE	COTTER VALVE	1	

E02

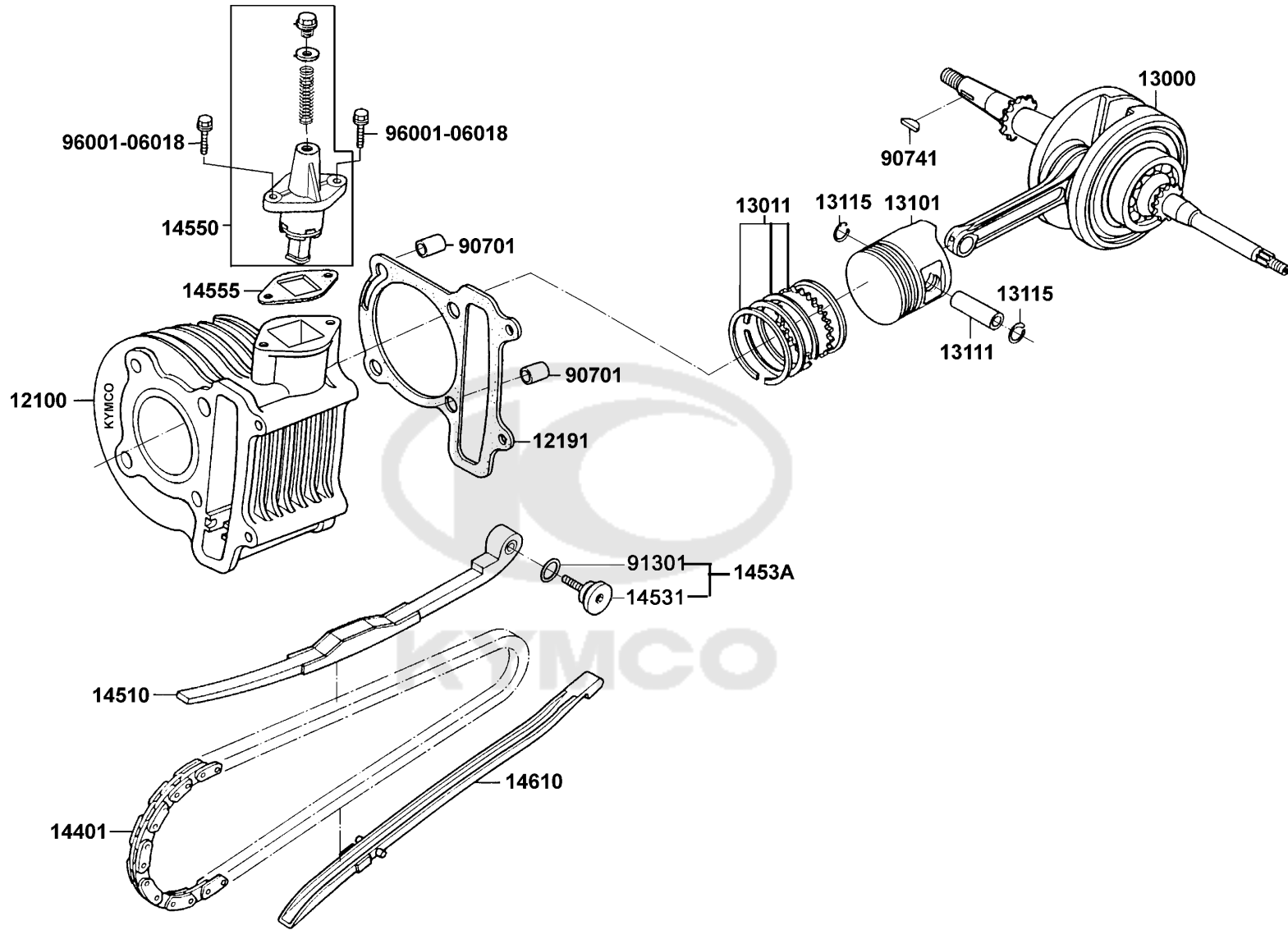
Cylinder Head



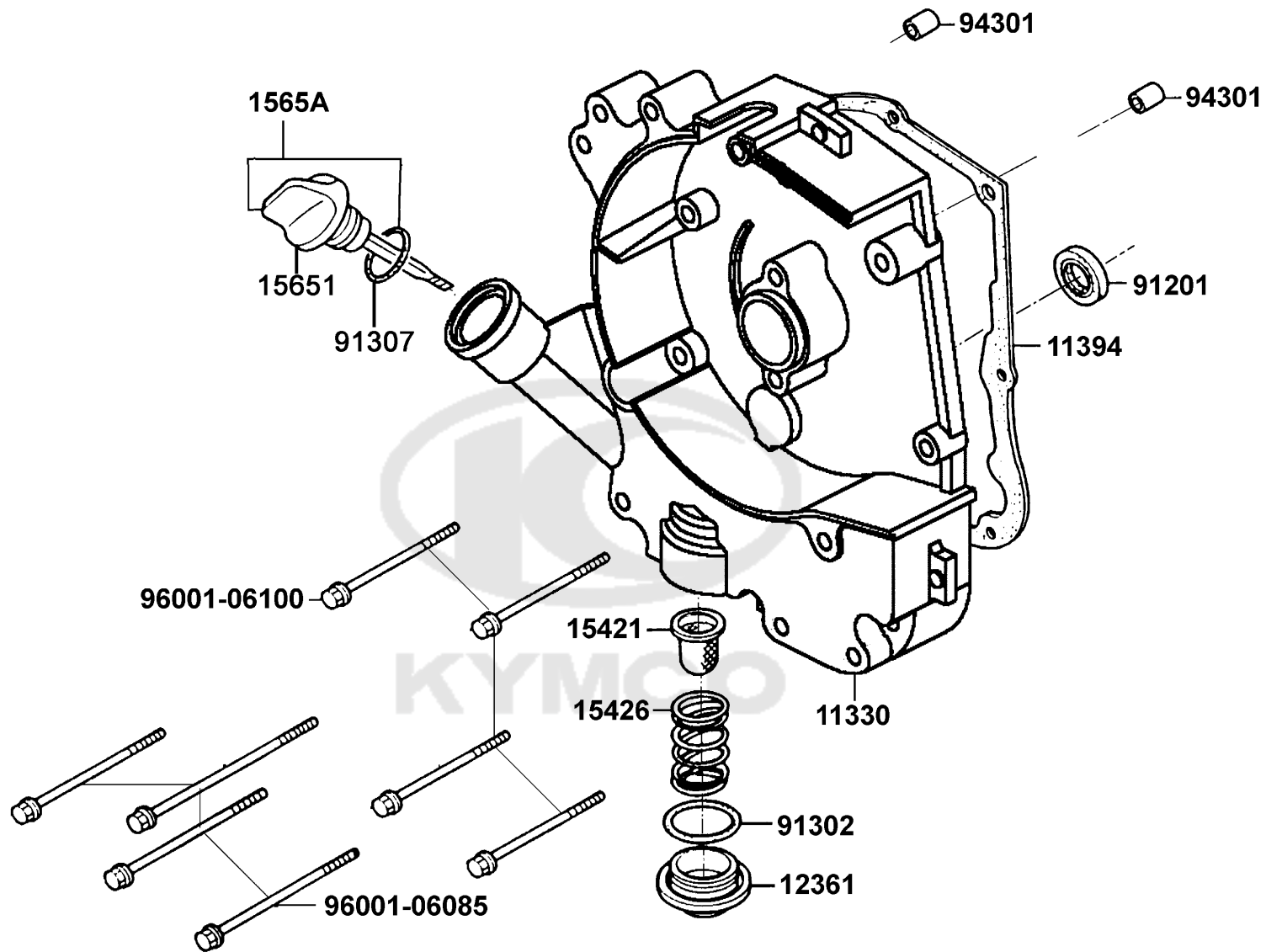
Sales mark	Ref no	Part no	Description	Reg description	Regd no	E02
#	1621A	1621A-KGBG-C00	INSULATOR CARB ASSY	INSULATOR CARB ASSY	1	
#	17110	17110-KGBG-C00	PIPE COMP INLET	PIPE COMP INLET	1	
#	1711A	1711A-LDC8-E11	PIPE ASSY,INLET	"PIPE ASSY,INLET"	1	
#	17256	17256-KGBG-C00	BAND INSULATOR	BAND INSULATOR	1	
	18646	18646-LDC8-E10	GASKET A/I PIPE	GASKET A/I PIPE	1	
#	90012	90012-3C33-C00	SCREW TAPPET ADJUSTING	SCREW TAPPET ADJUSTING	1	
#	90033-041	90033-0A41-C00	BOLT STUD 6*32	BOLT STUD 6*32	1	
#	90033-GFY6	90033-GFY6-C10	BOLT STUD 6*16	BOLT STUD 6*16	1	
	90202	90202-GFF6-011	NUT FLANGE 7MM	NUT FLANGE 7M/M	4	
#	90206	90206-0A01-C00	NUT TAPPET ADJG	NUT TAPPET ADJG	1	
#	90304	90304-4H38-C00	NUT HEX CAP 6MM	NUT HEX CAP 6MM	1	
#	90442	90442-GFF6-C00	WASHER SEALING 7MM	WASHER SEALING 7MM	1	
#	90701	90701-GFF6-C00	PIN DOWEL SPECIAL 8*14	PIN DOWEL SPECIAL 8*14	1	
#	91304	91304-KGBG-C00	O-RING 20.6*2.0	O-RING 20.6*2.0	1	
	92900	92900-06050-0B	BOLT STUD II 6*50	BOLT STUD II 6*50	2	
	94050-06080	94050-06080	NUT FLANGE 6MM	NUT FLANGE 6MM	2	
	95701-06025	95701-06025-08	BOLT FLANGE 6*25	BOLT FLANGE 6*25	3	
	95701-06032	95701-06032-08	BOLT FLANGE 6*32(C)	BOLT FLANGE 6*32	1	
	96001	96001-06085-08	BOLT FLANGE SH 6*85	BOLT FLANGE SH 6*85 (C)	2	
#	98056	98056-5671R-00	SPARK PLUG (CR6HSA)	SPARK PLUG CR6HSA	1	

E03

Cylinder Piston Crankshaft



Sales mark	Ref no	Part no	Description	Reg description	Regd no	E03
#	12100	12100-KGBG-C01	CYLINDER COMP	CYLINDER COMP	1	
#	12191	12191-KGBG-E90	GASKET CYLINDER @A	GASKET CYLINDER @A	1	
#	13000	13000-LDC5-C00	CRANK SHAFT COMP	CRANK SHAFT COMP	1	
#	13011	13011-LBC9-900	RING SET PISTON	RING PISTON ASSY	1	
#	13101	13101-LBC9-900	PISTON	PISTON	1	
#	13111	13111-KGBG-C00	PIN,PISTON	PIN PISTON	1	
#	13115	13115-0A01-C00	PISTON PIN CLIP	PISTON CLIP PIN	1	
#	14401	14401-KGBG-900	CHAIN CAM	CHAIN CAM	1	
#	14510	14510-KGBG-C00	TENSIONER CAM CHAIN	TENSIONER CAM CHAIN	1	
#	14531	14531-GLR0-W10	PIVOT CAM CHAIN TENSIONER	PIVOT CAM CHAIN TENSIONER	1	
	1453A	1453A-GFY6-W10	PIVOT CAM CHAIN TENSIONER	PIVOT CAM CHAIN TENSIONER	1	
#	14550	14550-LDC8-C10	ADJUSTER CAM CHAIN	ADJUSTER CAM CHAIN	1	
#	14555	14555-KKJ9-E90	GASKET CAM SHAIN ADJUSTER	GASKET CAM SHAIN ADJUSTER	1	
#	14610	14610-KGBG-C00	GUIDE COMP CAM CHAIN	GUIDE COMP CAM CHAIN	1	
#	90701	90701-GFF6-C00	PIN DOWEL SPECIAL 8*14	PIN DOWEL SPECIAL 8*14	1	
#	90741	90741-0E35-C00	KEY WOODRUFF	KEY WOODRUFF	1	
#	91301	91301-GLR0-W10	O-RING 15.2*1.5	O-RING 15.2*1.5	1	
	96001	96001-06018-08	BOLT FLANGE SH 6*18	BOLT FLANGE SH 6*18	2	

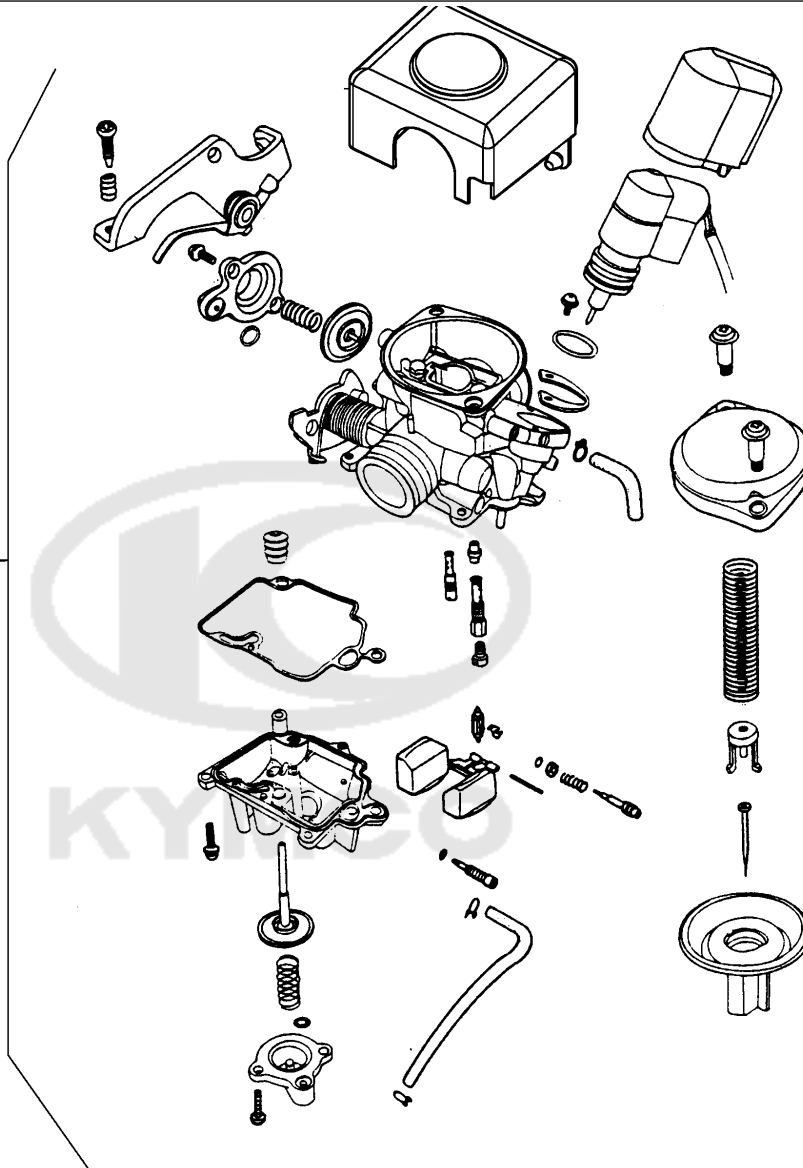


Sales mark	Ref no	Part no	Description	Reg description	Regd no	E04
#	11330	11330-LBD6-C00	COVER COMP R CRANK CASE	COVER COMP R CRANK CASE	1	
#	11394	11394-KGBG-E90	GASKET R COVER@A	GASKET.R COVER	1	
#	12361	12361-GFY6-C00	HOLE CAP TAPPET ADJUSTING	HOLE CAP TAPPET ADJUSTING	1	
#	15421	15421-1G07-C00	SCREEN OIL FILTER	SCREEN OIL FILTER	1	
#	15426	15426-GAE1-C00	SPG OIL FILTER SCREEN	SPG OIL FILTER SCREEN	1	
	15651	15651-LDC8-C10	GAUGE OIL LEVEL	GAUGE OIL LEVEL	1	
#	1565A	1565A-LDC8-C10	GAUGE OIL LEVEL	GAUGE OIL LEVEL	1	
#	91201	91201-KGBG-C00	OIL SEAL 16.4*30*5	OIL SEAL 16.4*30*5	1	
#	91302	91302-0A01-C00	O-RING 30.8MM	O-RING 30.8MM	1	
#	91307	91307-0E35-W10	O-RING 18*3	O-RING 18*3	1	
	94301	94301-08140	DOWEL PIN 8*14	DOWEL PIN 8*14	2	
	96001-06085	96001-06085-08	BOLT FLANGE SH 6*85	BOLT FLANGE SH 6*85 (C)	4	
	96001-06100	96001-06100-08	BOLT FLANGE SH 6*100 (C)	BOLT FLANGE SH 6*100	4	

E05

Carburetor

16100



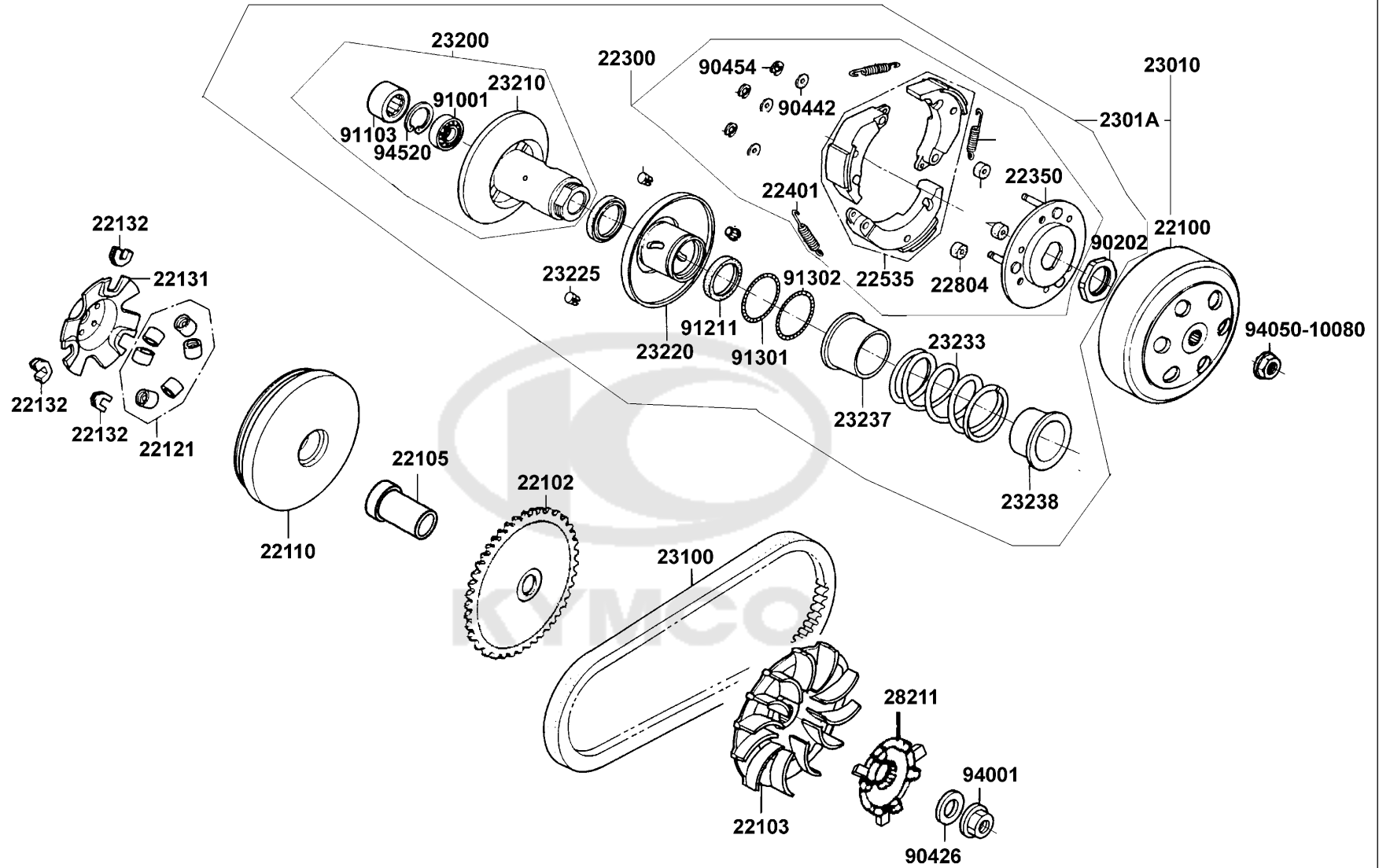
Sales mark	Ref no	Part no	Description	Reg description	Regd no	E05
------------	--------	---------	-------------	-----------------	---------	------------

#	16100	1610K-LDC8-E12	CARBURETOR ASSY	CARBURETOR ASSY	1	
---	-------	----------------	-----------------	-----------------	---	--



E06

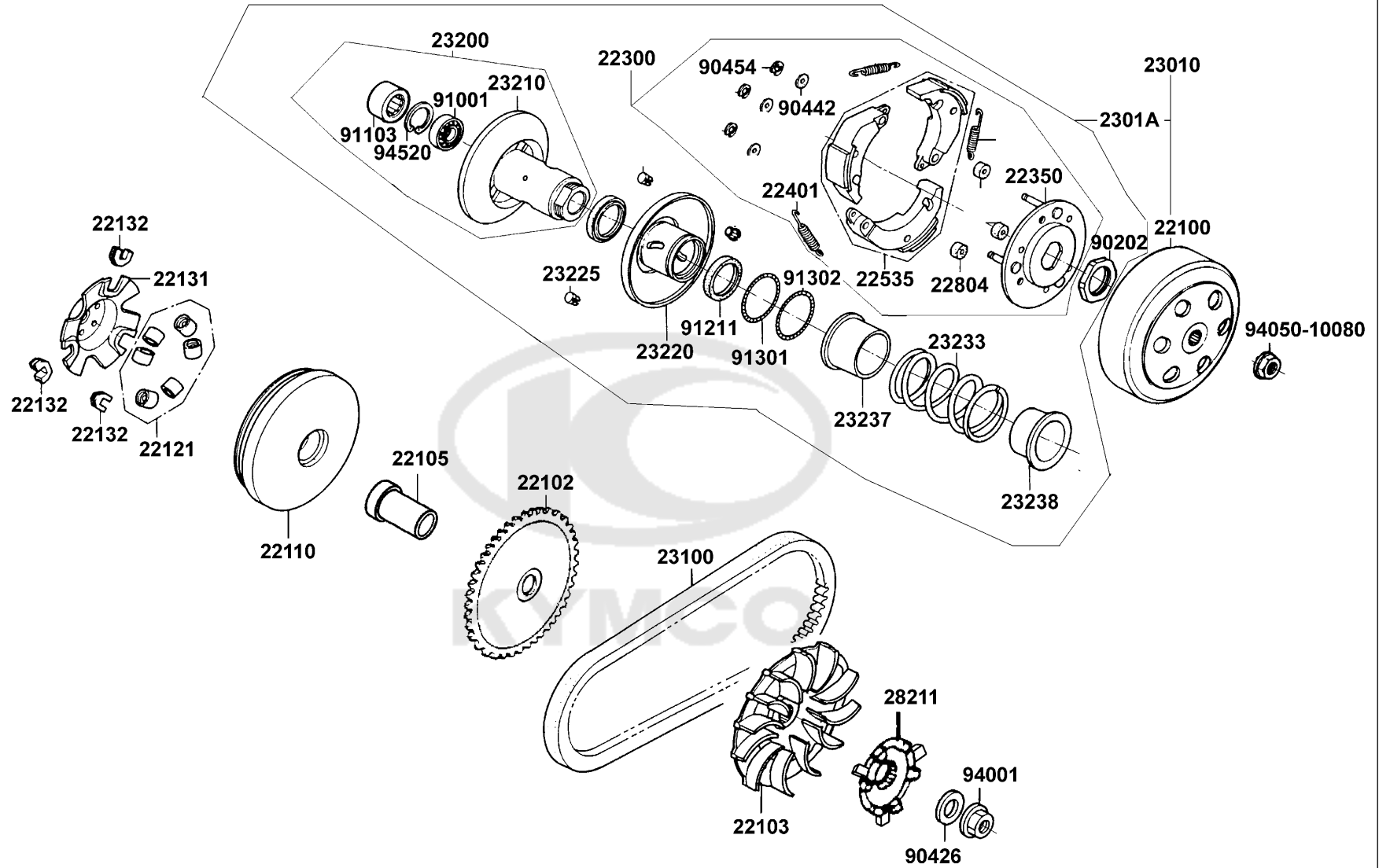
Driven Pulley



Sales mark	Ref no	Part no	Description	Reg description	Regd no	E06
	22100	22100-LDC8-E10	CLUTCH OUTER	CLUTCH OUTER	1	
	22102	22102-LDC8-E10	FACE DRIVE	FACE DRIVE	1	
#	22103	22103-KEB7-C00	FAN CVT COOLING	FACE CVT COOLING	1	
#	22105	22105-LBD6-C00	BOSS DRIVE FACE	BOSS DRIVE FACE	1	
	22110	22110-LDC8-E10	FACE COMP MOVABLE DRIVE	FACE COMP MOVABLE DRIVE	1	
#	22121	22121-LBD6-315	ROLLER SET WEIGHT (1SET:6PCS)	ROLLER SET WEIGHT (1SET:6PCS)	1	
#	22131	22131-GHAH-C00	PLATE RAMP	PLATE RAMP	1	
#	22132	22132-GLW0-315	PIECE SLIDE	PIECE SLIDE	1	
#	22300	22300-GGAG-C00	PLATE ASSY DRIVE	PLATE ASSY DRIVE	1	
#	22350	22350-GKAK-C00	PLATE COMP DRIVE	PLATE COMP DRIVE	1	
#	22401	22401-GBG2-C00	SPRING CLUTCH	SPRING CLUTCH	1	
	22535	22535-KGBG-900	WEIGHT SET CLUTCH	WEIGHT SET CLUTCH	3	
#	22804	22804-1H48-C00	RUBBER CLUTCH DUMPER	RUBBER CLUTCH DUMPER	1	
	23010	23010-LDC8-C10	PULLEY ASSY DRIVEN	PULLEY ASSY DRIVEN	1	
#	2301A	2301A-LDC8-C10	PULLEY SUB ASSY	PULLEY SUB ASSY	1	
#	23100	23100-KEB7-C00	BELT DRIVE	BELT DRIVE	1	
#	23200	23200-GAR1-C00	FACE ASSY DRIVEN	FACE ASSY DRIVEN	1	
#	23210	23210-GAR1-C00	FACE COMP DRIVEN	FACE COMP DRIVEN H1	1	
	23220	23220-LDC8-E10	FACE COMP MOVABLE	FACE COMP MOVABLE	1	
#	23225	23225-GAR1-C00	PIN GUIDE	PIN GUIDE	1	

E06

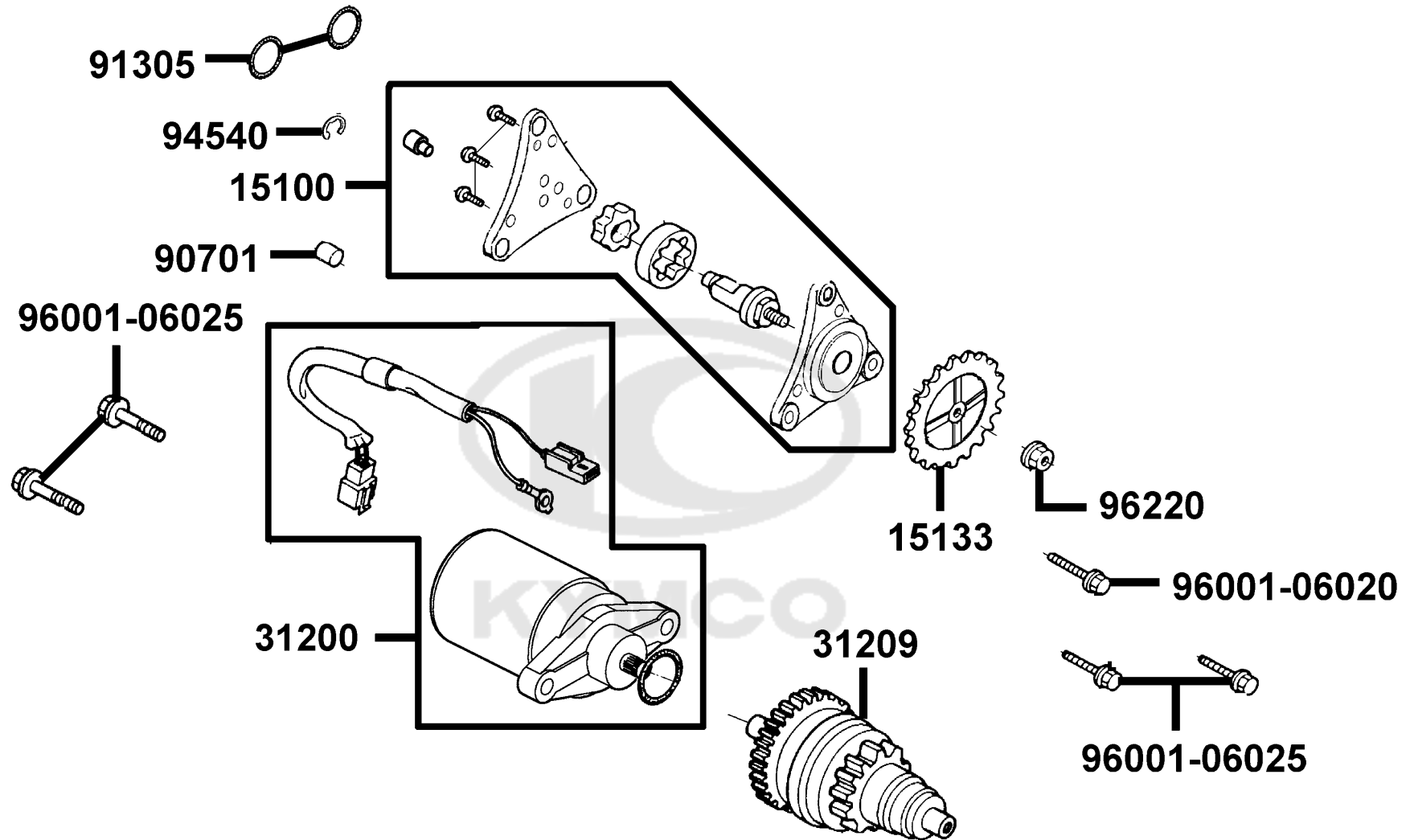
Driven Pulley



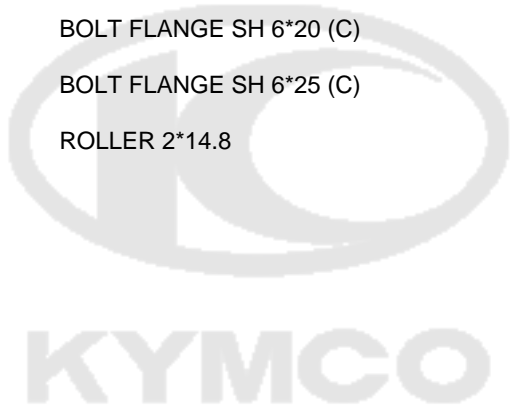
Sales mark	Ref no	Part no	Description	Reg description	Regd no	E06
#	23233	23233-KEE1-C10	SPG DRIVEN FACE	SPG DRIVEN FACE	1	
#	23237	23237-GAR1-C00	COLLAR SEAL	COLLAR SEAL	1	
#	23238	23238-GGS7-C00	COLLAR SPG	COLLAR SPG	1	
	28211	28211-KEB7-W10	RATCHET KICK STARTER	RATCHET KICK STARTER	1	
#	90202	90202-1G87-C00	NUT SPECIAL 28MM	NUT SPECIAL 28MM	1	
#	90426	90426-KNBN-C01	WASHER SPECIAL 12MM	WASHER SPECIAL 12MM	1	
#	90442	90442-0D44-C00	WASHER THRUST 6M/M	WASHER THRUST 6M/M	1	
#	90454	90454-GBB2-C00	CIR CLIP 6MM	CIR CLIP 6MM	1	
#	91001	91001-GGA7-C00	BRG RADIAL BALL 6901U	BRG RADIAL BALL 6901U	1	
#	91103	91103-GAR1-C00	BRG NEEDLE 17*25*18 WS	BRG NEEDLE 17*25*18 WS	1	
#	91211	91211-KEE1-C00	OIL SEAL 34*39*3	OIL SEAL 34*39*3	1	
#	91301	91301-KEE1-C00	O-RING 36*1.5	O-RING 36*1.5	1	
#	91302	91302-KEE1-C00	O-RING 39.8*2.2	O-RING 39.8*2.2	1	
#	94001	94001-12280-0SG	NUT HEX 12MM(C)	NUT HEX 12MM(C)	1	
	94050	94050-10080	NUT FLANGE 10MM	NUT FLANGE 10MM	1	
	94520	94520-24000	CIR CLIP IN 24	CIR CLIP IN 24	1	

E07

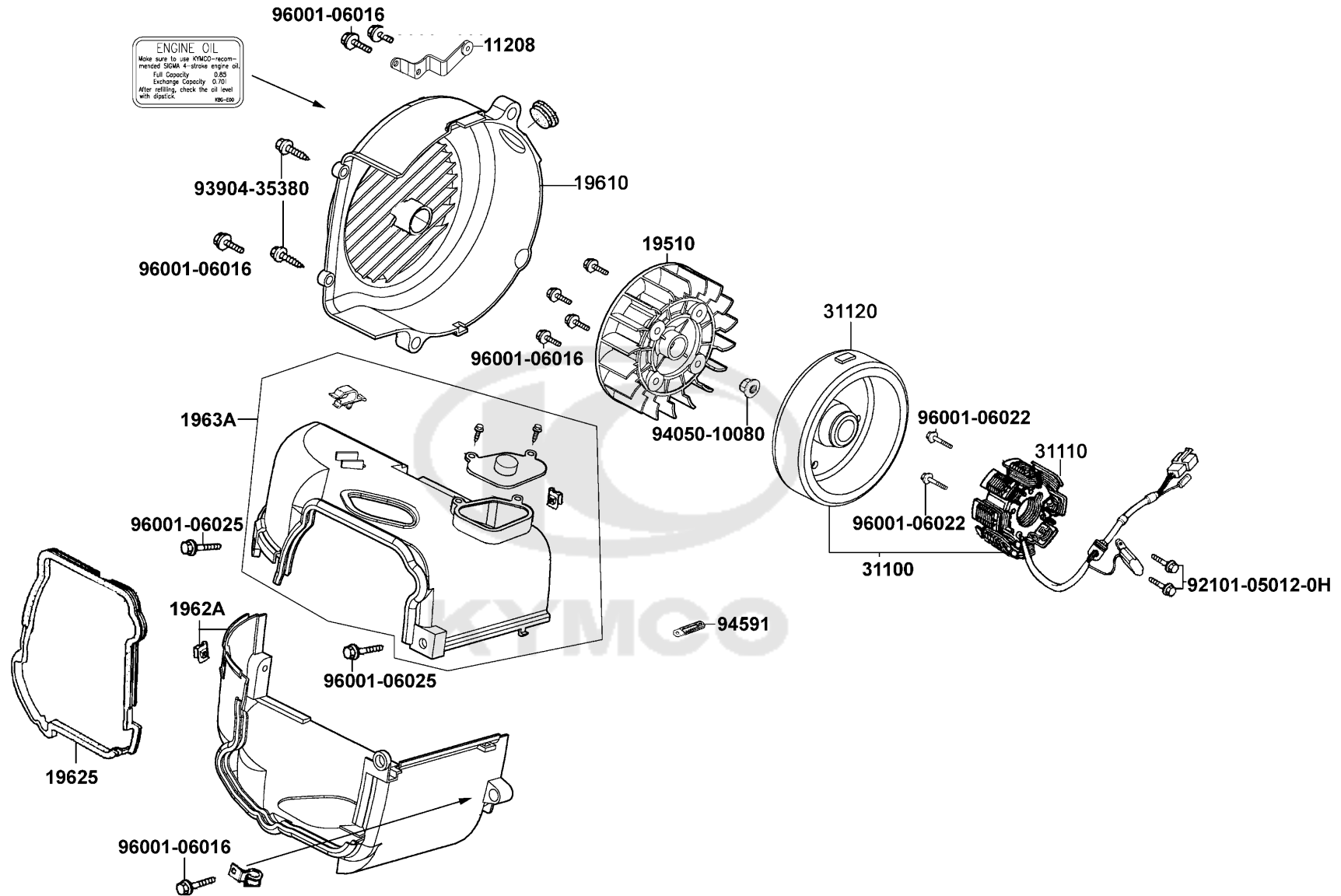
Starting Motor Oil Pump



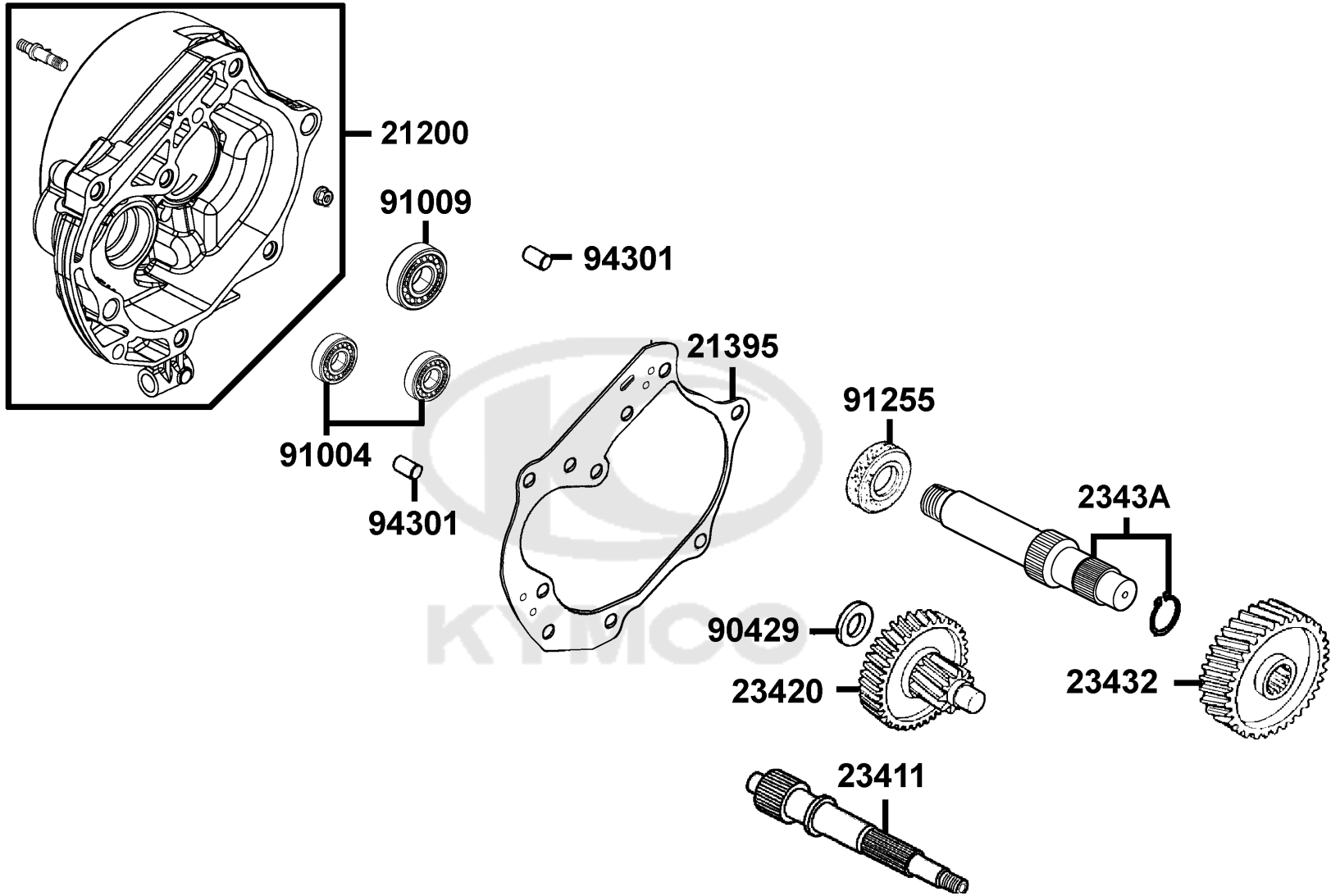
Sales mark	Ref no	Part no	Description	Reg description	Regd no	E07
#	15100	15100-LDC5-C00	PUMP ASSY OIL	PUMP ASSY OIL	1	
#	15133	15133-LDC5-C00	GEAR OIL PUMP DRIVEN	"GEAR, OIL PUMP DRIVEN"	1	
#	31200	31200-LDC8-E10	MOTOR ASSY START	MOTOR ASSY START	1	
#	31209	31209-KEE1-C01	PINION ASSY STARTER	PINION ASSY STARTER	1	
#	90701	90701-HDC4-C00	DOWEL PIN 8*12	DOWEL PIN 8*12	1	
#	91305	91305-0H28-C00	O-RING 9*1.6	O-RING 9*1.6	1	
	94540	94540-06018	E RING 6	E RING 6	1	
	96001-06020	96001-06020-08	BOLT FLANGE SH 6*20 (C)	BOLT FLANGE SH 6*20	2	
	96001-06025	96001-06025-08	BOLT FLANGE SH 6*25 (C)	BOLT FLANGE SH 6*25	3	
#	96220	96220-LDC5-C00	ROLLER 2*14.8	ROLLER 2*14.8	1	



Fan Cover Generator



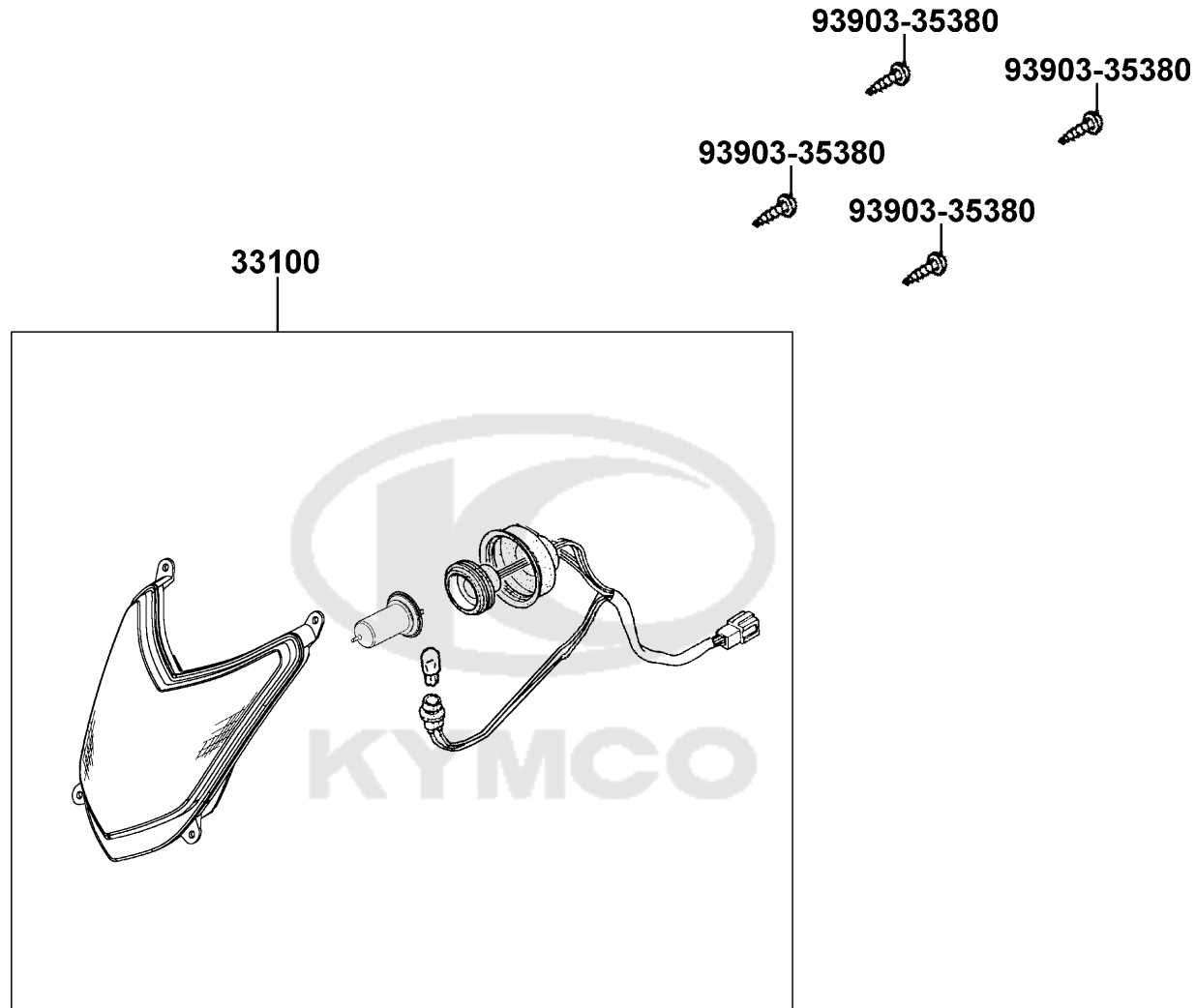
Sales mark	Ref no	Part no	Description	Reg description	Regd no	E08
#	11208	11208-LBD6-C00	STAY RR TIRE FENDER	STAY RR TIRE FENDER	1	
#	19510	19510-LDC5-C00	FAN COMP COOLING	FAN COMP COOLING	1	
#	19610	19610-KGBG-C00	COVER COMP FAN	COVER COMP FAN	1	
#	19625	19625-KEE1-C00	SEAL SHROUD	SEAL SHROUD	1	
#	1962A	1962A-KEE1-C00	SHROCD ASSY A	SHROCD ASSY A	1	
	1963A	1963A-LDC8-E10	SHROUD ASSY B	SHROUD ASSY B	1	
#	31100	31100-LBD6-C00	AC GEN ASSY	AC GEN ASSY	1	
#	31110	31110-LBD6-C00	FLYWHEEL COMP	FLYWHEEL COMP	1	
#	31120	31120-LDC8-E10	STATOR COMP	STATOR COMP	1	
	92101	92101-05012-0H	BOLT HEX 5*12	BOLT HEX 5*12	2	
	93904	93904-35380	SCREW TAPPING 5*16	SCREW TAPPING 5*16	2	
	94050	94050-10080	NUT FLANGE 10MM	NUT FLANGE 10MM	1	
	94591	94591-LDC8-E10	CLIP BIND	CLIP BIND	1	
	96001-06016	96001-06016-08	BOLT FLANGE SH 6*16	BOLT FLANGE SH 6*16	6	
	96001-06022	96001-06022-08	BOLT FLANGE 6*22	BOLT FLANGE SH 6*22	2	
	96001-06025	96001-06025-08	BOLT FLANGE SH 6*25 (C)	BOLT FLANGE SH 6*25	2	



Sales mark	Ref no	Part no	Description	Reg description	Regd no	E09
	21200	21200-KFA1-900	CASE COMP MISSION	CASE COMP MISSION	1	
#	21395	21395-KNBN-E90	GASKET MISSION CASE	GASKET MISSION CASE	1	
#	23411	23411-LBD6-C00	SHAFT DRIVE	SHAFT DRIVE	1	
#	23420	23420-LBD6-C00	SHAFT COMP COUNTER	SHAFT COMP COUNTER	1	
#	23432	23432-LBD6-C00	GEAR FINAL	GEAR FINAL	1	
#	2343A	2343A-KNBN-C00	SHAFT FINAL	SHAFT FINAL	1	
#	90429	90429-KNBN-C00	WASHER SIDE 12MM	WASHER SIDE 12MM	1	
#	91004	91004-KBN2-C00	BRG BALL RADIAL 6201	BRG BALL RADIAL 6201	1	
#	91009	91009-GLE0-C00	BRG BALL RADIAL 6004 UU	BRG BALL RADIAL 6004 UU	1	
	91255	91255-LDC8-E10	OIL SEAL 27*42*7(C?)	OIL SEAL 27*42*7(C?)	1	
	94301	94301-10200-M2	DOWEL PIN 10*20	DOWEL PIN 10*20	2	

F01

Head Light



Sales mark	Ref no	Part no	Description	Reg description	Regd no	F01
------------	--------	---------	-------------	-----------------	---------	------------

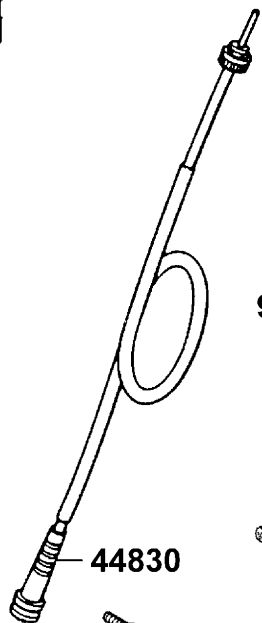
33100		33100-LDC8-E10	LIGHT ASSY HEAD	LIGHT ASSY HEAD	1	
93903		93903-35380	SCREW TAPPING 5*16 (K)	SCREW TAPPING 5*16 (K)	4	



F02

Speedometer

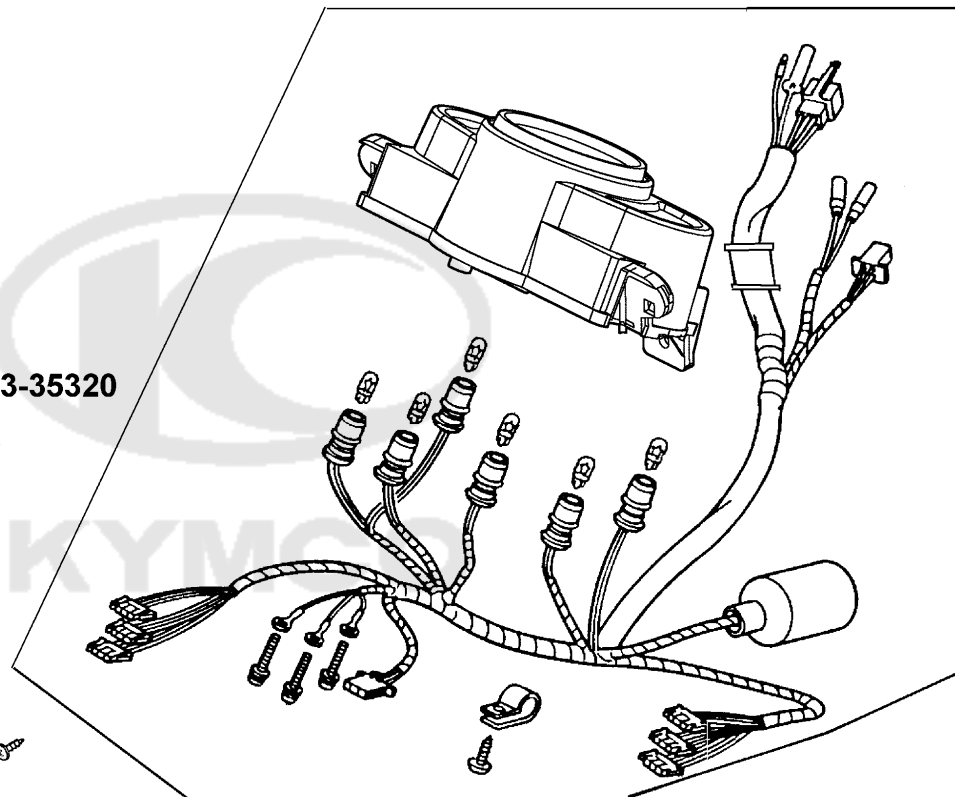
38300



44830

93700-05018-0H

93903-35320



37200

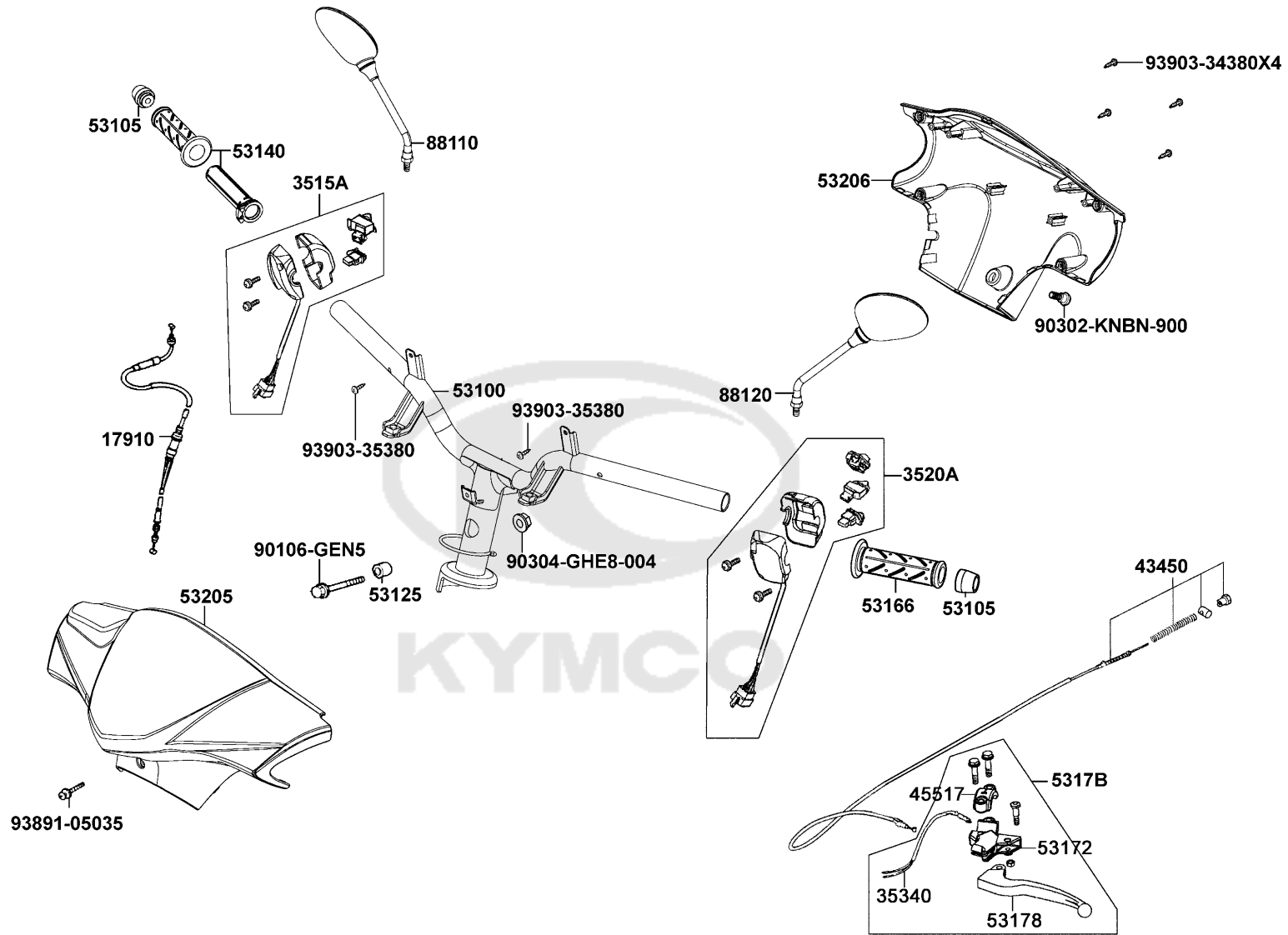
Sales mark	Ref no	Part no	Description	Reg description	Regd no	F02
------------	--------	---------	-------------	-----------------	---------	------------

	37200	37200-LDC8-E40	METER ASSY SPEED	METER ASSY SPEED	1	
#	38300	38300-KECE-W10	RELAY ASSY WINKER	RELAY ASSY WINKER	1	
	44830	44830-LDC8-E10	CABLE COMP SPDMT	CABLE COMP SPDMT	1	
	93700	93700-05018-0H	SCREW OVAL 5*18	SCREW OVAL 5*18	1	
	93903	93903-25220	SCREW TAPPING 5*12	SCREW TAPPING 5*12	4	



F03

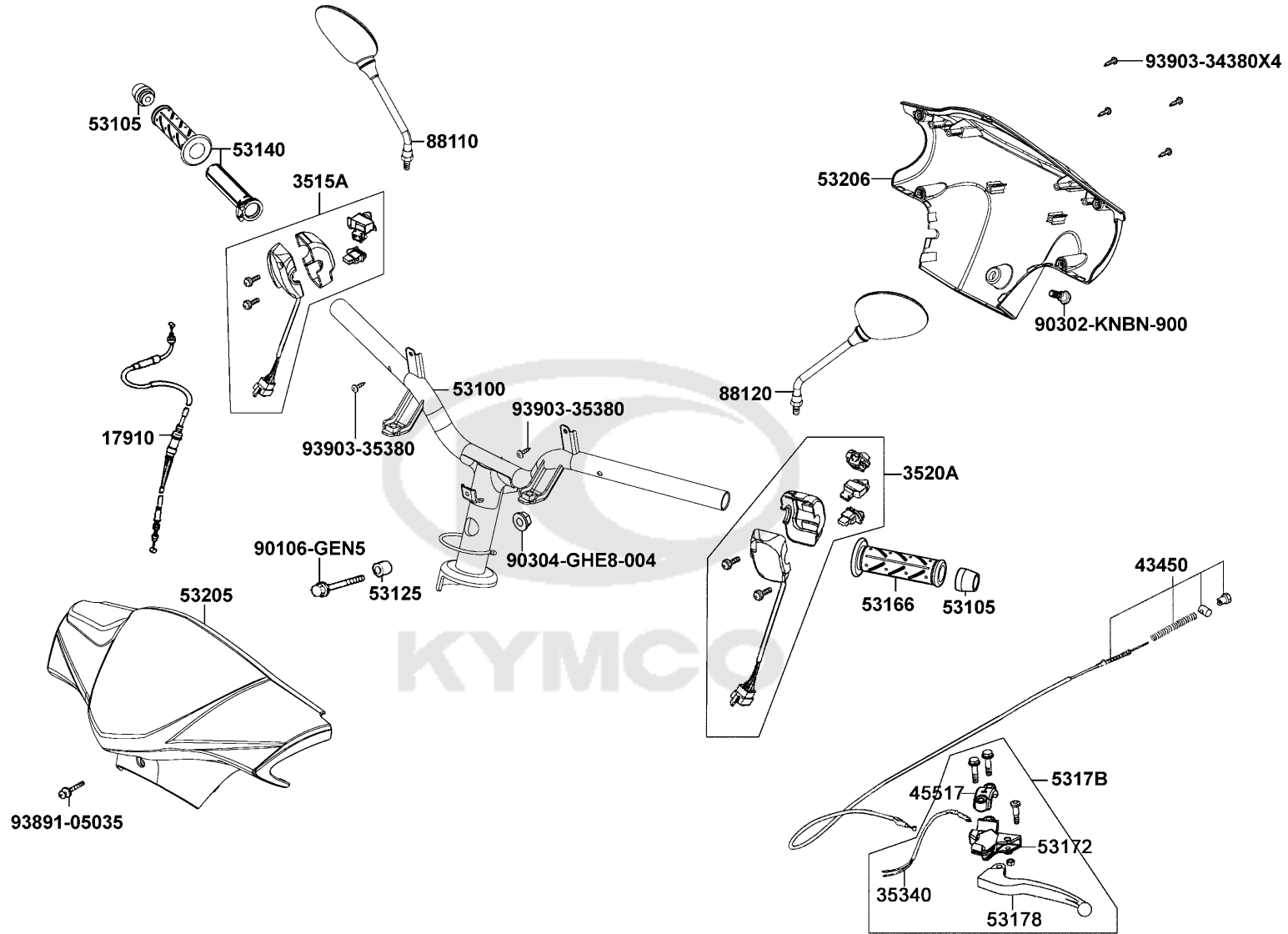
Handle Steering Handle Cover



Sales mark	Ref no	Part no	Description	Reg description	Regd no	F03
	17910	17910-LDC8-E10	CABLE COMP THROT	CABLE COMP THROT	1	
#	3515A	3515A-LGB5-E10	SW ASSY RH HANDLE COMP	SW ASSY RH HANDLE COMP	1	
#	3515A	3515A-LGB5-EV0	SW ASSY RH HANDLE COMP	SW ASSY RH HNDL COMP	1	
	3520A	3520A-LGB5-E11	"SW ASS'Y..LH HANDLE COMP"	"SW ASS'Y..LH HANDLE COMP"	1	
#	35340	35340-KKJ9-C00	SW ASSY FR STOP	SW ASSY FR STOP	1	
#	43450	43450-LDC8-C00	CABLE COMP RR BRK	CABLE COMP RR BRK	1	
#	45517	45517-GFY6-900	HOLDER HNDL BRKT	HOLDER HNDL BRKT	1	
	53100	53100-LCB9-C10	HANDLE COMP STRG	HANDLE COMP STRG	1	
#	53105	53105-KNBN-C00	END STRG HANDLE	END STRG HANDLE	1	
#	53125	53125-GEN5-C00	COLLAR HANDLE SET	COLLAR HANDLE SET	1	
	53140	53140-KNBN-960	GRIP COMP THROT	GRIP COMP THROT	1	
	53166	53166-KNBN-9110	GRIP L HANDLE	GRIP L HANDLE	1	
#	53172	53172-KTCT-C00	BRKT HNDL L	BRKT HNDL L	1	
#	53178	53178-KXCX-C00	LEVER L STRG HANDLE	LEVER L STRG HANDLE	1	
#	5317B	5317B-KFA6-C00	BRKT ASSY HNDL LH	BRKT ASSY HNDL LH	1	
**	53205	53205-LEB9-B50	COVER HANDLE FR (RED)	COVER HANDLE FR (RED)	1	
**	53206	53206-LCB9-C10	COVER HANDLE RR	COVER HANDLE RR	1	
	88110	88110-LCB9-C10	MIRROR ASSY R BACK	MIRROR ASSY R BACK	1	
	88120	88120-LCB9-C10	MIRROR ASSY L BACK	MIRROR ASSY L BACK	1	
	90106	90106-GEN5-901	BOLT FLANGE 10*50	BOLT FLANGE 10*50	1	

F03

Handle Steering Handle Cover



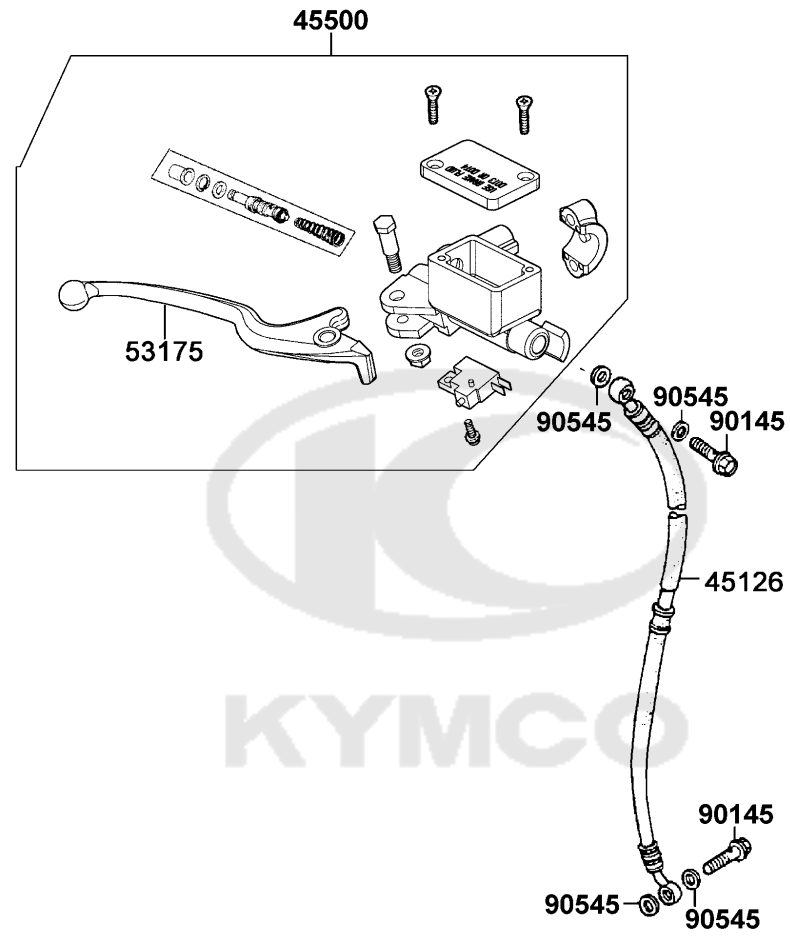
Sales mark	Ref no	Part no	Description	Reg description	Regd no	F03
------------	--------	---------	-------------	-----------------	---------	------------

#	90302	90302-KNBN-C00	BOLT PAN 5*10	BOLT PAN 5*10	1	
#	90304	90304-GHE8-C00	NUT U 10MM (C)	NUT U 10MM (C)	1	
	93891-05035	93891-05035-07	SCREW WASHER 5*35 (K)	SCREW WASHER 5*35 (K)	1	
	93903-34380	93903-34380	SCREW TAPPING 4*12	SCREW TAPPING 4*12 (K)	4	
	93903-35380	93903-35380	SCREW TAPPING 5*16 (K)	SCREW TAPPING 5*16 (K)	2	



F04

Brake Master Cylinder



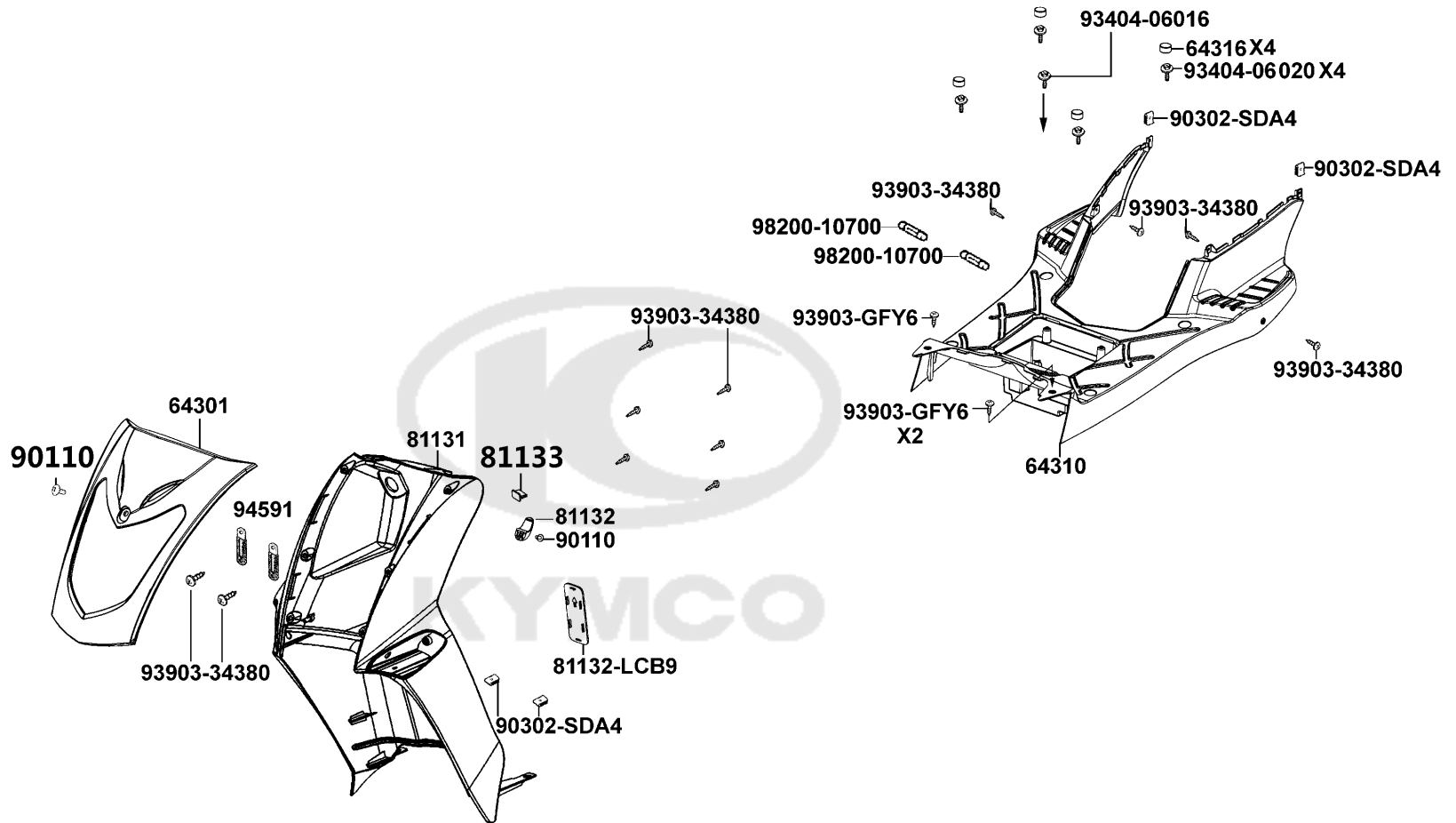
Sales mark	Ref no	Part no	Description	Reg description	Regd no	F04
------------	--------	---------	-------------	-----------------	---------	------------

	45126	45126-LDC8-E10	HOSE ASSY FR BRAKE	HOSE ASSY FR BRAKE	1	
	45500	45500-LDC8-E10	M/C ASSY FR	M/C ASSY FR	1	
	53175	53175-LDC8-E10	LEVER R STRG HNDL	LEVER R STRG HNDL	1	
	90145	90145-MKS9-61A	OIL BOLT 10*22	OIL BOLT 10*22	2	
#	90545	90545-3L00-C00	WASHER OIL BOLT	WASHER OIL BOLT	1	



F05

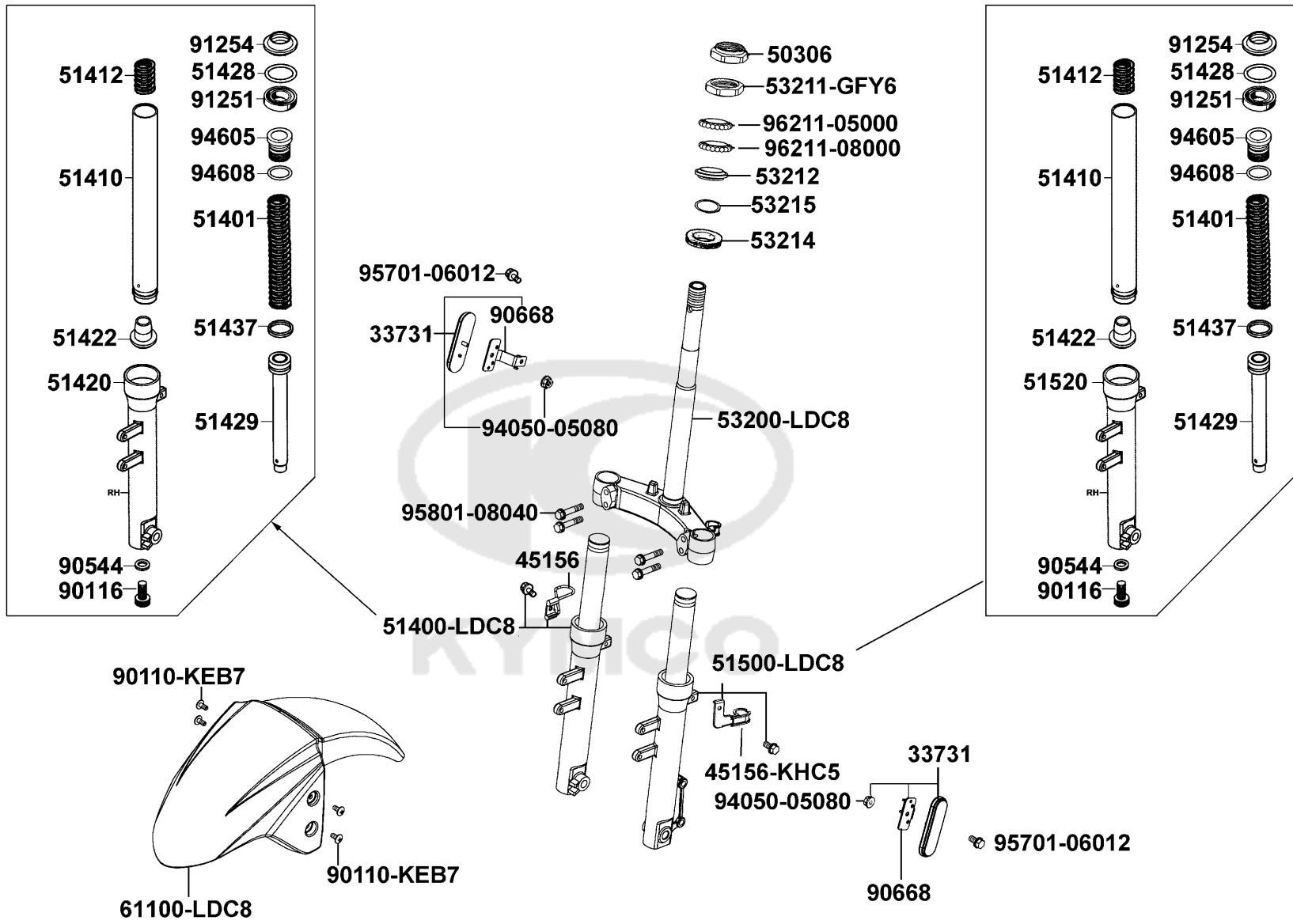
Front Cover Front Fender



Sales mark	Ref no	Part no	Description	Reg description	Regd no	F05
**	64301	64301-LCB9-C10	COVER FR	COVER FR	1	
**	64310	64310-LCB9-C10	PANEL FLOOR	PANEL FLOOR	1	
	64316	64316-LCB9-C10	PLUG FLOOR	PLUG FLOOR	4	
**	81131	81131-LEC5-C10	LEG SHIELD	LEG SHIELD	1	
	81132-LCB9	81132-LCB9-C10	LID LEG SHIELD	LID LEG SHIELD	1	
	81132	81132-LDC8-E10	HOOK LUGGAGE	HOOK LUGGAGE	1	
	81133	81133-KNBN-C00	STOPPER LUGGAGE	STOPPER LUGGAGE	1	
#	90110	90110-GLW0-C00	SCREW SPECIFIED 6*14	SCREW SPECIAL 6*14(CR)	1	
#	90302-SDA4	90302-SDA4-C01	"NUT,SPPING 4MM"	"NUT,SPPING 4MM"	1	
	93404-06016	93404-06016-07	BOTL WASHER 6*16	BOTL WASHER 6*16	1	
	93404-06020	93404-06020-07	BOLT WASHER 6*20 (K)	BOLT WASHER 6*20 (K)	4	
	93903-34380	93903-34380	SCREW TAPPING 4*12	SCREW TAPPING 4*12 (K)	12	
	93903-GFY6	93903-GFY6-C01	SCREW TAPPING 4*14(K)	"SCREW,TAPPING4*14"	1	
	94591	94591-25000	CLIP BIND	CLIP BIND	2	
	98200-10700	98200-10700	FUSE A7	FUSE A7	2	

F06

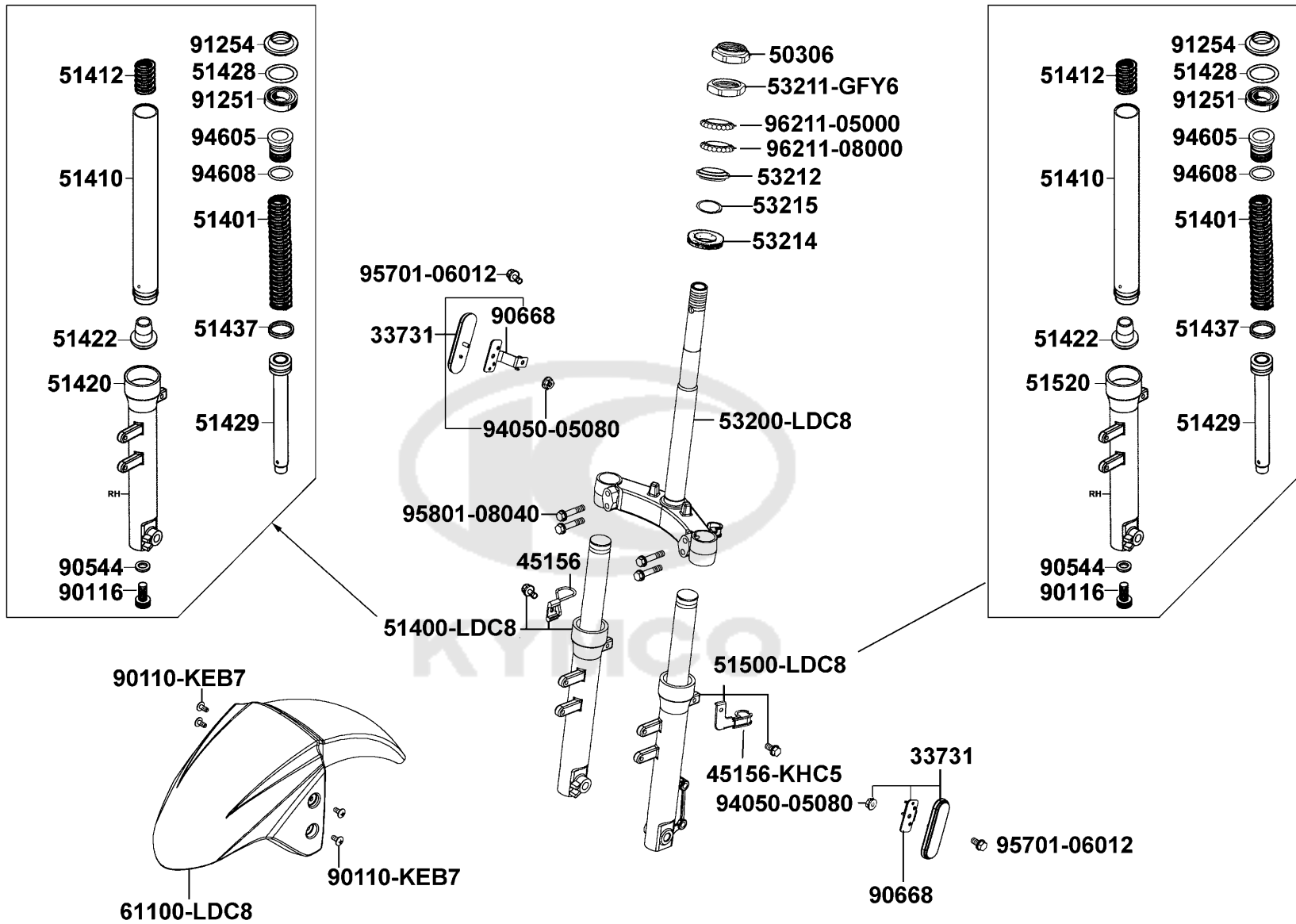
Stem Steering Front Cushion



Sales mark	Ref no	Part no	Description	Reg description	Regd no	F06
#	33731	33731-KGB5-EZ0	REFLEX REFLECTOR SIDE	REFLEX REFLECTOR SIDE	1	
	45156-KHC5	45156-KHC5-E10	CLAMPER FR BRAKE HOSE	CLAMPER FR BRAKE HOSE	1	
	45156	45156-LCB9-B20	CLAMPER FR SPDMT CABLE	CLAMPER FR SPDMT CABLE	1	
#	50306	50306-1F96-C00	NUT STRG STEM LOCK	NUT STRG STEM LOCK	1	
**	51400	51400-LDC8-E10	FORK ASSY R FR	FORK ASSY R FR	1	
	51401	51401-LDC8-E10	SPRING	SPRING	1	
	51410	51410-LDC8-E10	FORK PIPE COMP	FORK PIPE COMP	1	
	51412	51412-LDC8-E10	REBOUND SPRING	REBOUND SPRING	1	
	51420	51420-LDC8-E10	BOTTOM CASE R	BOTTOM CASE R	1	
	51422	51422-LDC8-E10	OIL LOCK PIECE	OIL LOCK PIECE	1	
	51428	51428-LDC8-E10	OIL SEAL STOPPER RING	OIL SEAL STOPPER RING	1	
	51429	51429-LDC8-E10	PIPE SEAT	PIPE SEAT	1	
	51437	51437-LDC8-E10	PIPE SEAT	PISTON RING	1	
**	51500	51500-LDC8-E10	FORK ASSY L FR	FORK ASSY L FR	1	
	51520	51520-LDC8-E10	BOTTOM CASE R	BOTTOM CASE R	1	
	53200	53200-LDC8-E10	STEM COMP STRG	STEM COMP STRG	1	
#	53211	53211-GFY6-C00	RACE STRG. CONE TOP	RACE STRG. CONE TOP	1	
#	53212	53212-2L50-C00	RACE STRG. BOTTOM CONE	RACE STRG. BOTTOM CONE	1	
#	53214	53214-2L50-C00	DUST SEAL STRG HEAD	DUST SEAL STRG. HEAD BOT	1	
#	53215	53215-2L50-C00	WASHER STRG HDL DUST-SEAL	"WASHER,STRG. HEAD DUST SEAL"	1	

F06

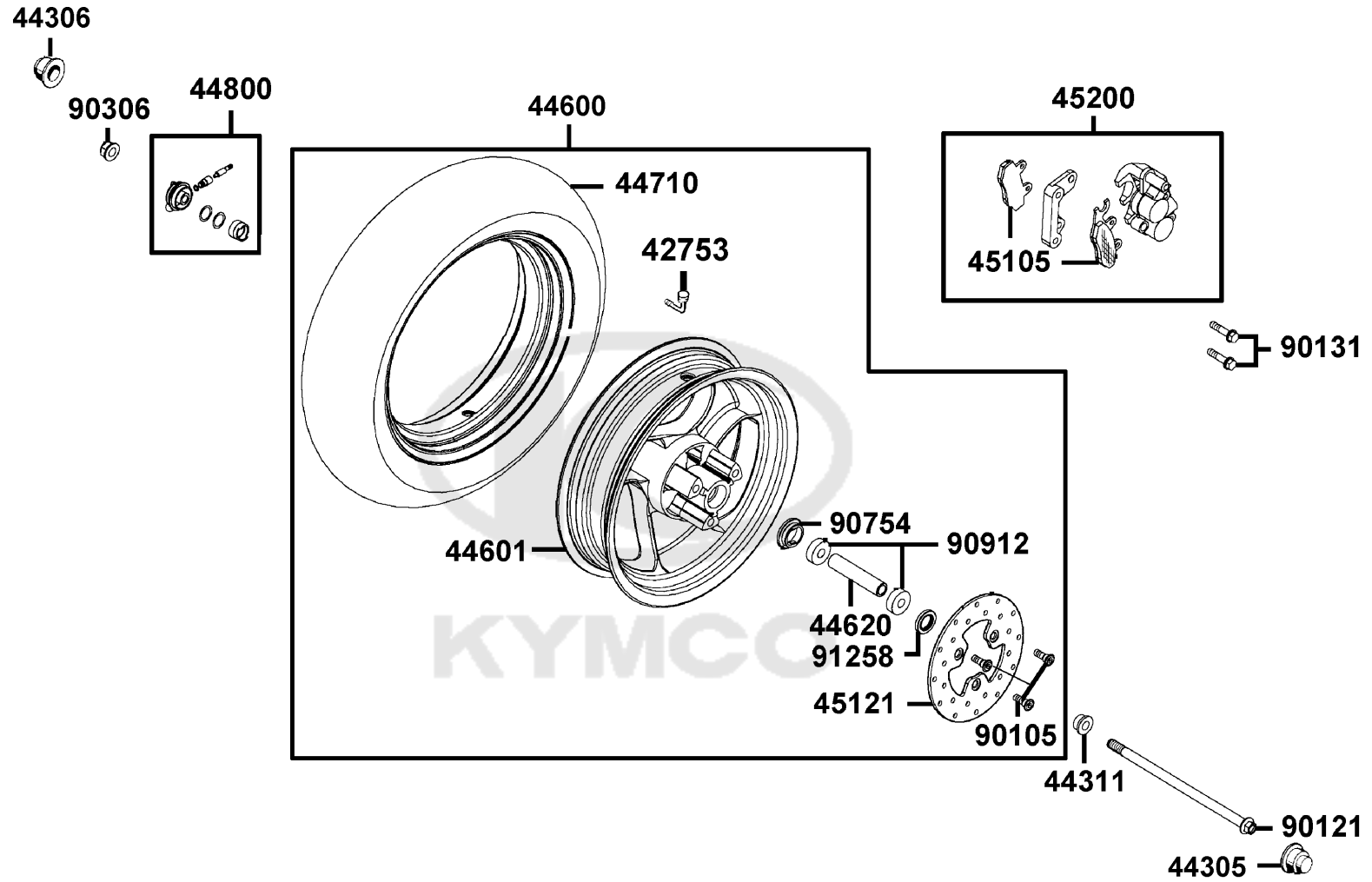
Stem Steering Front Cushion



Sales mark	Ref no	Part no	Description	Reg description	Regd no	F06
**	61100	61100-LDC8-E10	FENDER FR	FENDER FR	1	
#	90110	90110-KEB7-C00	SCREW SPECIAL 6*14	SCREW SPECIAL 6*14	1	
	90116	90116-LDC8-E10	BOLT	BOLT	1	
	90544	90544-LDC8-E10	PACKING (CU)B	PACKING	1	
	90668	90668-LDC8-E10	STAY SIDE REFLECTOR	STAY SIDE REFLECTOR	1	
	91251	91251-LDC8-E10	OIL SEAL	OIL SEAL	1	
	91254	91254-LDC8-E10	DUST SEAL	DUST SEAL	1	
	94050-05080	94050-05080	NUT FLANGE 5MM	NUT FLANGE 5MM	2	
	94605	94605-LDC8-E10	FORK BOLT	FORK BOLT	1	
	94608	94608-LDC8-E10	O-RING B	O-RING	1	
	95701	95701-06012-08	BOLT FLANGE 6*12	BOLT FLANGE 6*12	2	
	95801	95801-08040-08	BOLT FLANGE 8*40 (C)	BOLT FLANGE 8*40	4	
	96211-05000	96211-05000	BALL STEEL #5	BALL STEEL #5	26	
	96211-08000	96211-08000	BALL STEEL #8	BALL STEEL #8	19	

F07

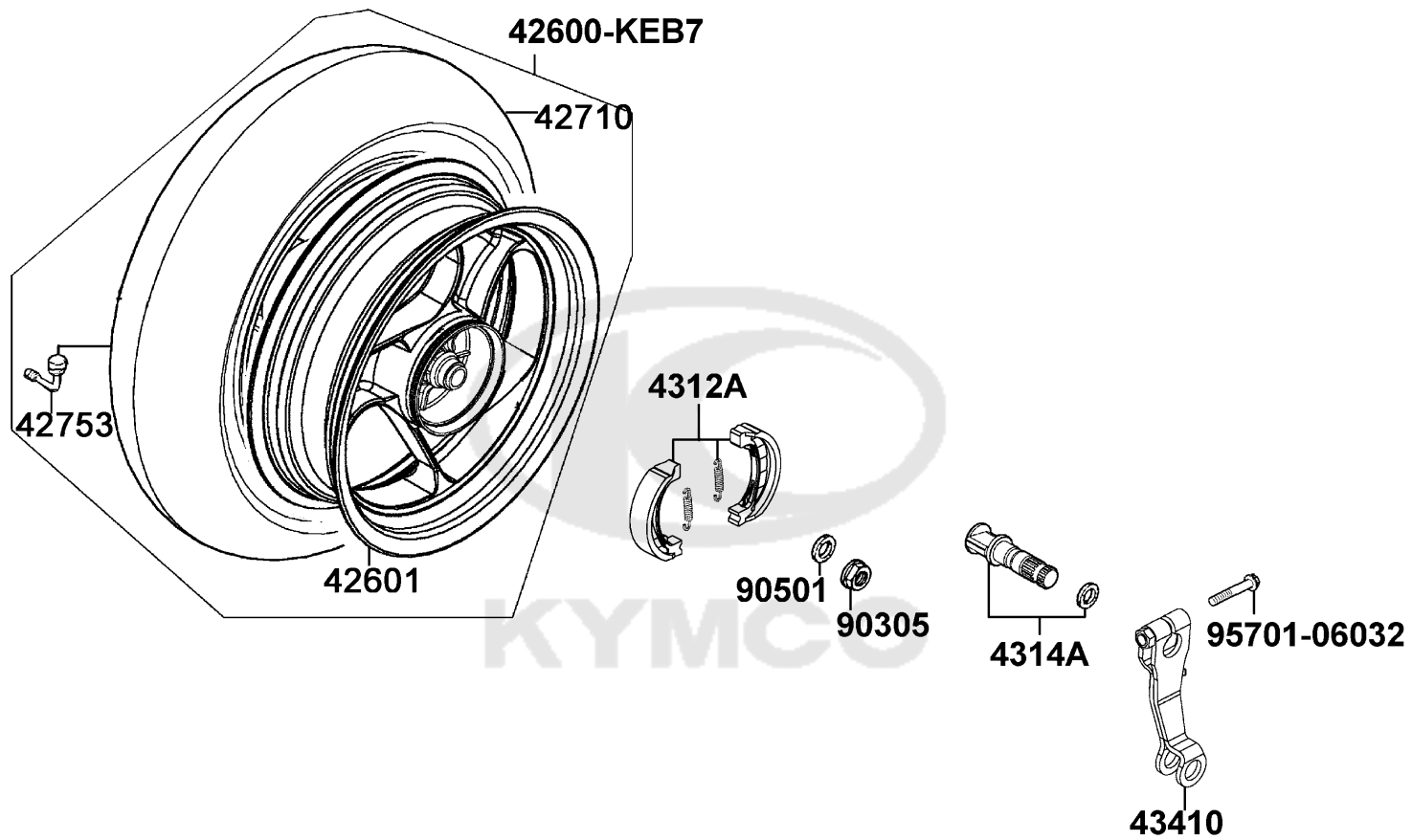
Front Wheel



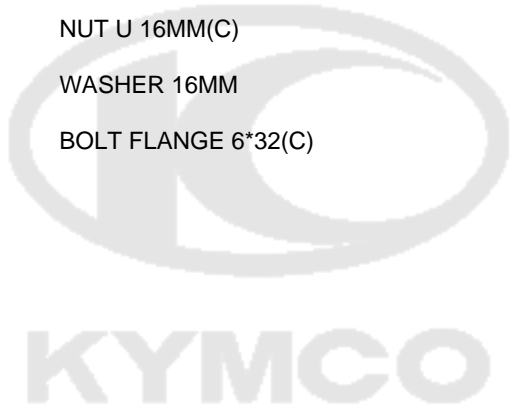
Sales mark	Ref no	Part no	Description	Reg description	Regd no	F07
#	42753	42753-HHJ1-C00	CAP VALVE	CAP VALVE	1	
	44305	44305-KGE2-E00	AXLE PROTECTOR L	AXLE PROTECTOR L	1	
	44306	44306-KGE2-E00	AXLE PROTECTOR R	AXLE PROTECTOR R	1	
	44311	44311-GLW0-W10	COLLAR FR WHEEL SIDE	COLLAR FR WHEEL SIDE	1	
**	44600	44600-LDC8-E10	WHEEL ASSY FR	WHEEL ASSY FR	1	
**	44601	44601-KEB7-E0E	WHEEL FR CAST	WHEEL FR CAST	1	
#	44620	44620-KEB7-C00	COLLAR FR DIST	COLLAR FR DIST	1	
#	44710	44710-LDC8-E10	TIRE ASSY,FR	TIRE ASSY,FR	1	
	44800	44800-LDC8-E10	GEAR BOX ASSY SPDMT	GEAR BOX ASSY SPDMT	1	
#	45105	45105-KKD6-305	PAD COMP A+B	PAD COMP A+B	2	
#	45121	45121-LBD5-C00	DISK FR BRK	DISK FR BRK	1	
# **	45200	45200-KKD6-C00	CALIPER ASSY FR	CALIPER ASSY FR	1	
	90105	90105-KCR3-001	BOLT FR DISK 8*24	BOLT FR DISK 8*24	3	
#	90121	90121-KBE2-C00	BOLT RR FORK PIVOT	BOLT RR FORK PIVOT	1	
#	90131	90131-GLW0-C00	BOLT FLANGE 8*35	BOLT FLANGE 8*35	1	
#	90306	90306-KLF0-C00	NUT FLANGE 12MM	NUT FLANGE 12MM	1	
#	90754	90754-GHC8-C00	DUST SEAL 20*32*5	DUST SEAL 20*32*5	1	
#	90912	90912-GHC8-C00	BEARING 6201 (U)	BEARING 6201 (U)	1	
#	91258	91258-KAM1-C00	SEAL SPDMT GEAR BOX	SEAL SPDMT GEAR BOX	1	

F08

Rear Wheel

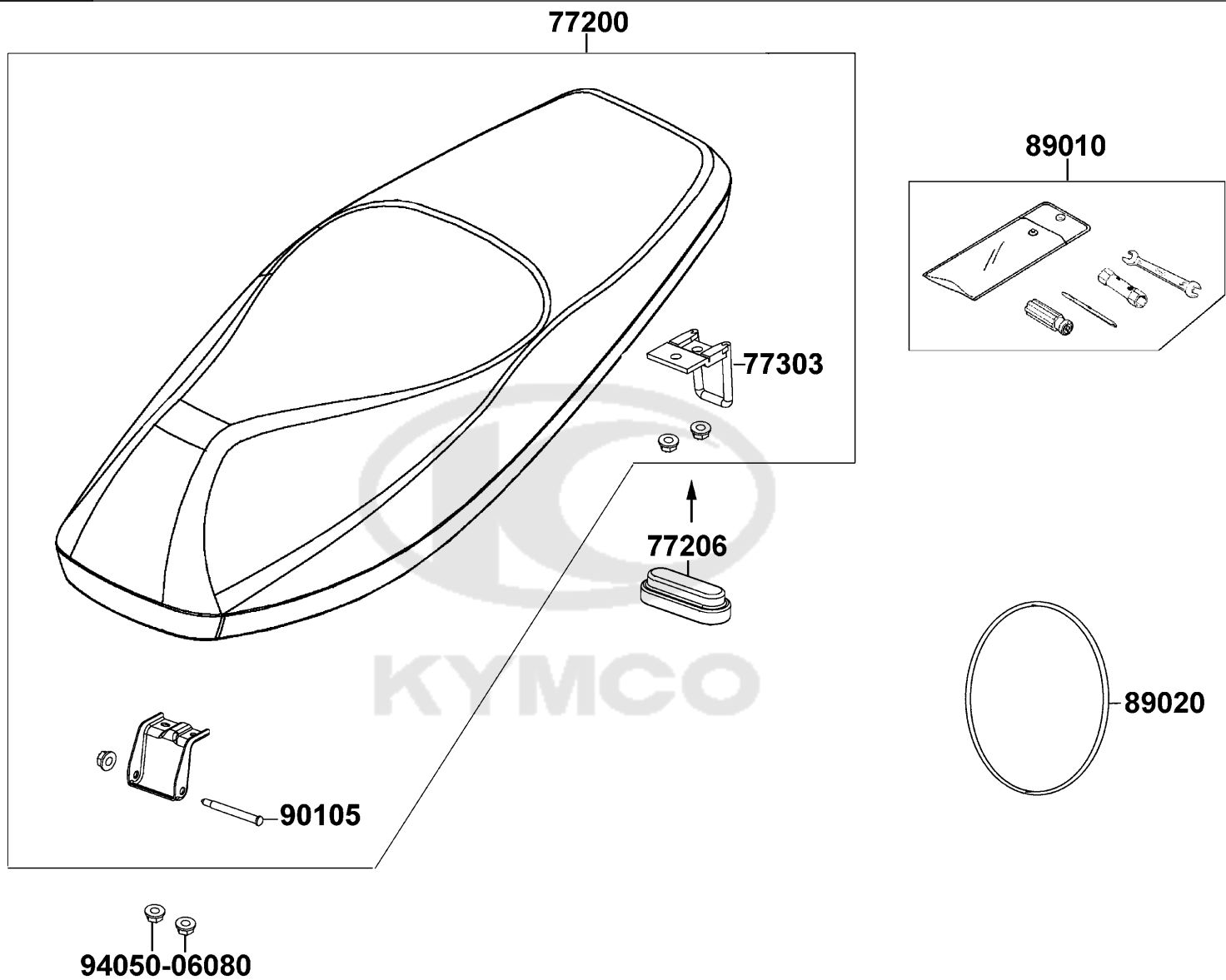


Sales mark	Ref no	Part no	Description	Reg description	Regd no	F08
**	42600	42600-KEB7-E10	WHEEL ASSY REAR	WHEEL ASSY REAR	1	
# **	42601	42601-KEB7-C00	WHEEL COMP RR CAST	RIM WHEEL REAR (SILVER)	1	
#	42710	42710-LDC8-E10	TIRE ASSY RR	TIRE ASSY RR	1	
#	42753	42753-HHJ1-C00	CAP VALVE	CAP VALVE	1	
#	4312A	4312A-KXCX-C00	SHOE ASSY RR BRAKE	SHOE ASSY RR BRAKE	1	
	4314A	4314A-KKD6-E00	CAM ASSY RR BRAKE	CAM ASSY RR BRAKE	1	
#	43410	43410-KFA1-C00	ARM RR BRK	ARM REAR BRAKE	1	
#	90305	90305-KNBN-C00	NUT U 16MM(C)	NUT U 16MM(C)	1	
#	90501	90501-KNBN-C00	WASHER 16MM	WASHER 16MM	1	
	95701	95701-06032-08	BOLT FLANGE 6*32(C)	BOLT FLANGE 6*32	1	



F09

Seat

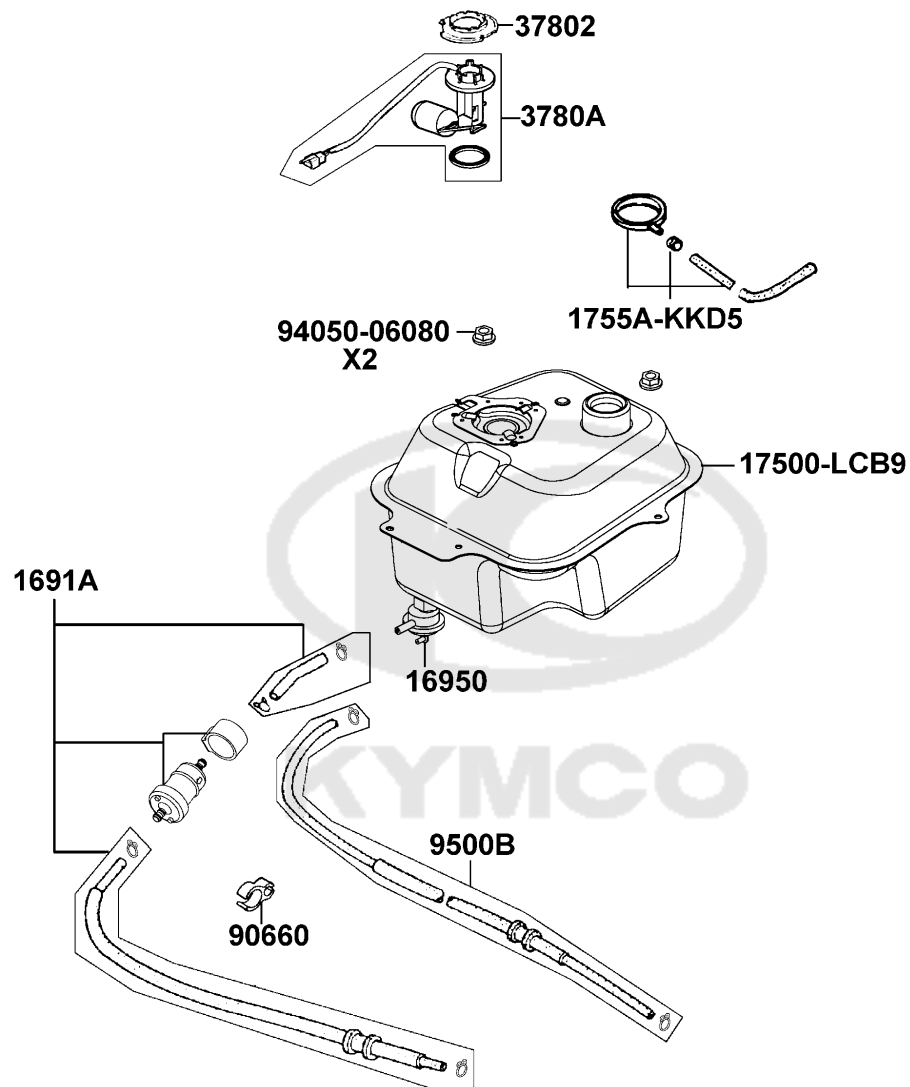


Sales mark	Ref no	Part no	Description	Reg description	Regd no	F09
**	77200	77200-LDF7-E10	SEAT ASSY	SEAT ASSY	1	
	77206	77206-LCB9-C10	RUBBER SEAT CUSHION	RUBBER SEAT CUSHION	1	
	77303	77303-LCB9-C10	HOOK SEAT LOCK	HOOK SEAT LOCK	1	
#	89010	89010-KGBG-C00	TOOL SET	TOOL SET	1	
#	89020	89020-KKC4-C00	BAND TOOL SET	BAND TOOL SET	1	
	90105	90105-LLJ3-E00	BOLT SPECAL 8MM	BOLT SPECAL 8MM	4	
	94050	94050-06080	NUT FLANGE 6MM	NUT FLANGE 6MM	2	

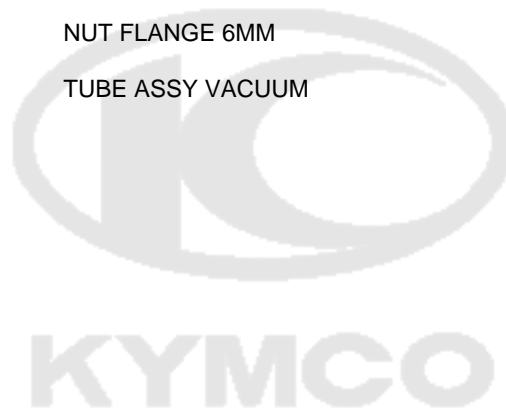


F10

Fuel Tank

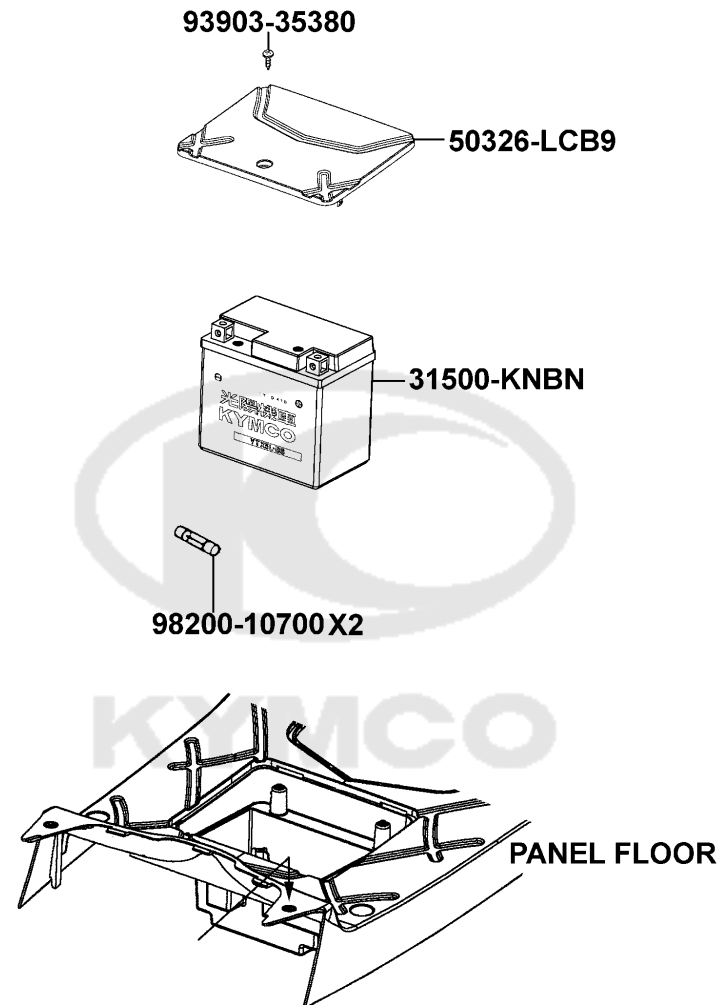



Sales mark	Ref no	Part no	Description	Reg description	Regd no	F10
	1691A	1691A-LDF7-E10	STRAINER ASSY FUEL	STRAINER ASSY FUEL	1	
#	16950	16950-KKJ9-C00	AUTO COCK ASSY FUEL	AUTO COCK ASSY FUEL	1	
	17500	17500-LCB9-C10	TANK COMP THROT	TANK COMP THROT	1	
	1755A	1755A-KKD5-C10	TRAY ASSY FUEL CAP	TRAY ASSY FUEL CAP	1	
#	37802	37802-GGA7-C00	RET FUEL UNIT	RET FUEL UNIT	1	
#	3780A	3780A-LDC8-E10	FUEL UNIT ASSY	FUEL UNIT ASSY	1	
#	90660	90660-KGBG-C00	CLAMPER TUBE	CLAMPER TUBE	1	
	94050	94050-06080	NUT FLANGE 6MM	NUT FLANGE 6MM	2	
	9500B	9500B-LDC8-E10	TUBE ASSY VACUUM	TUBE ASSY VACUUM	1	



F11

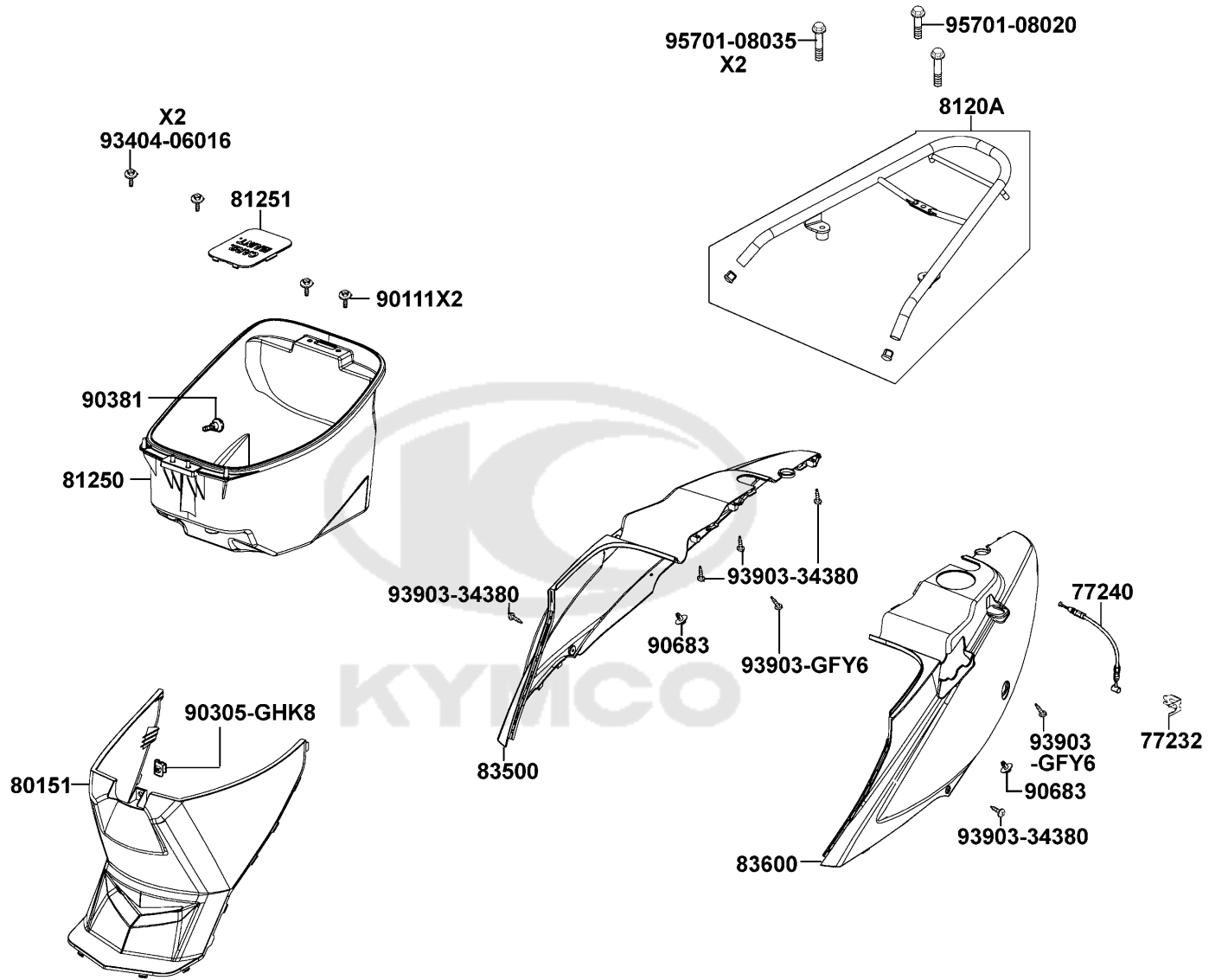
Battery



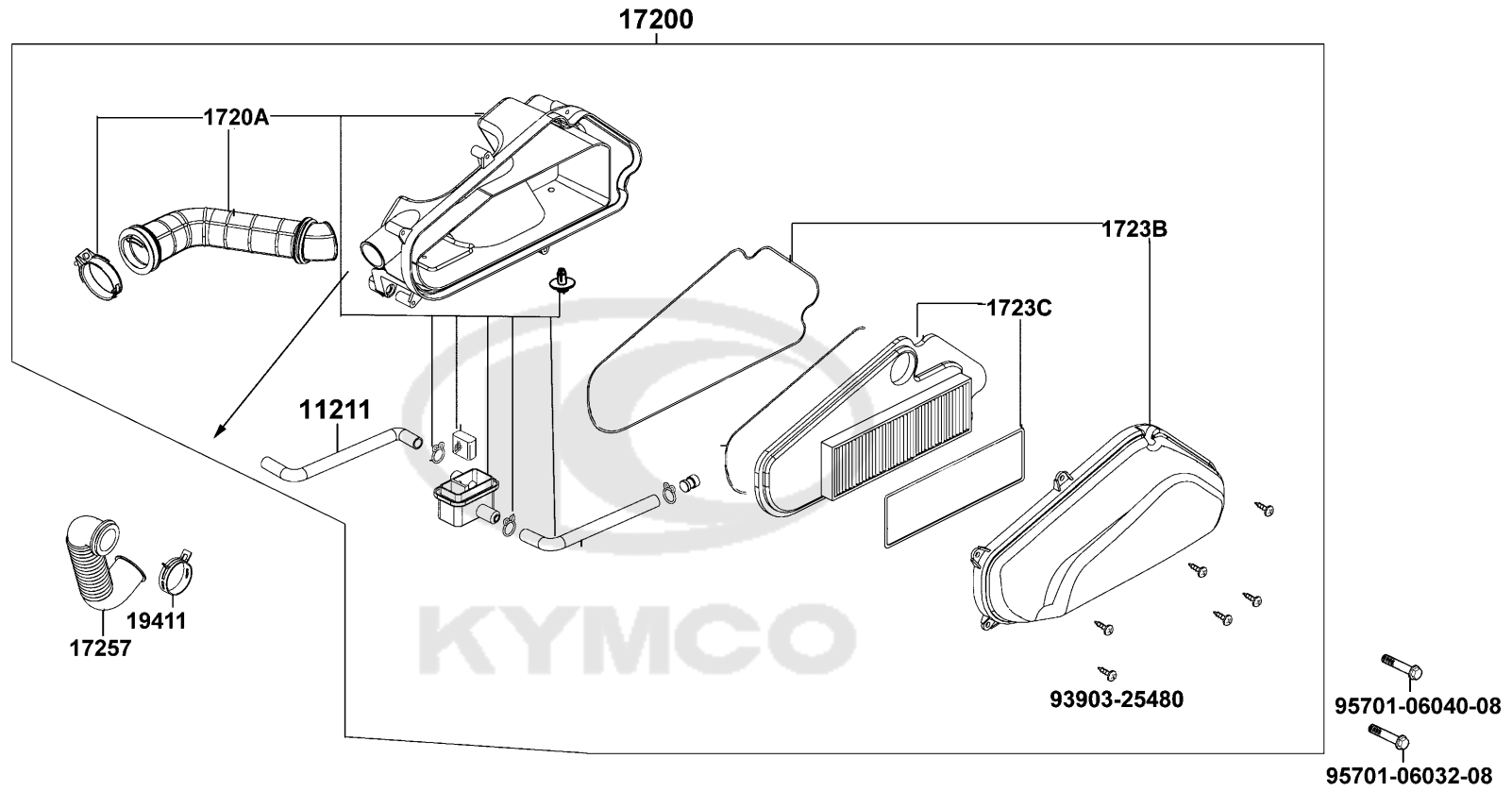
Sales mark	Ref no	Part no	Description	Reg description	Regd no	F11
#	31500	31500-KNBN-C00	BATTERY YTX5L-BS	BATTERY YTX5L-BS	1	
	50326	50326-LCB9-C10	COVER BATTERY	COVER BATTERY	1	
	93903	93903-35380	SCREW TAPPING 5*16 (K)	SCREW TAPPING 5*16 (K)	1	
	98200	98200-10700	FUSE A7	FUSE A7	2	
						

F12

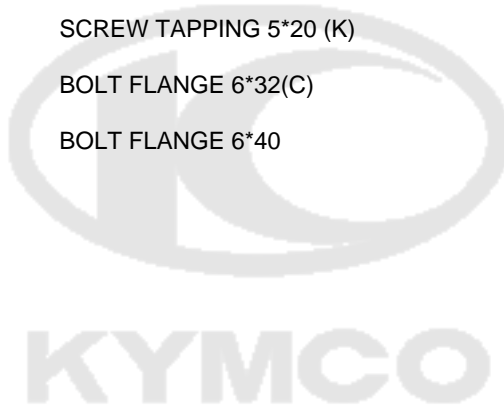
Body Cover Luggage Box



Sales mark	Ref no	Part no	Description	Reg description	Regd no	F12
#	77232	77232-KCAC-C00	SET SPG SEAT LOCK	SET SPG SEAT LOCK	1	
	77240	77240-LDC8-E10	CABLE COMP SEAT LOCK	CABLE COMP SEAT LOCK	1	
**	80151	80151-LCB9-C10	COVER CENTER (BLACK)	COVER CENTER (BLACK)	1	
	8120A	8120A-LCB9-C10	CARRIER ASSY LUGGER	CARRIER ASSY LUGGER	1	
**	81250	81250-LCB9-C10	BOX LUGGAGE (BLACK)	BOX LUGGAGE (BLACK)	1	
	81251	81251-LCB9-C10	LID CARB MAINT	LID CARB MAINT	1	
**	83500	83500-LDF7-E10	COVER R BODY	COVER R BODY	1	
**	83600	83600-LDF7-E10	COVER L BODY	COVER L BODY	1	
#	90111	90111-1G87-C01	BOLT FLANGE 6MM	BOLT FLANGE 6MM	1	
#	90305-GHK8	90305-GHK8-C00	NUT CLIP 6MM	NUT U 16MM(C)	1	
#	90381	90381-GEZ5-C00	SCREW SPECIAL 6*17	SCREW SPECIAL 6*17	1	
#	90683	90683-GAR1-C00	CLIP BODY COVER	CLIP BODY COVER	1	
	93404-06016	93404-06016-07	BOTL WASHER 6*16	BOTL WASHER 6*16	2	
	93903-34380	93903-34380	SCREW TAPPING 4*12	SCREW TAPPING 4*12 (K)	5	
	93903-GFY6	93903-GFY6-C01	SCREW TAPPING 4*14(K)	"SCREW,TAPPING4*14"	1	
	95701-08020	95701-08020-07	BOLT FLANGE 8*20 (K)	BOLT FLANGE 8*20 (K)	1	
	95701-08035	95701-08035-07	BOLT FLANGE 8*35	BOLT FLANGE 8*35	2	

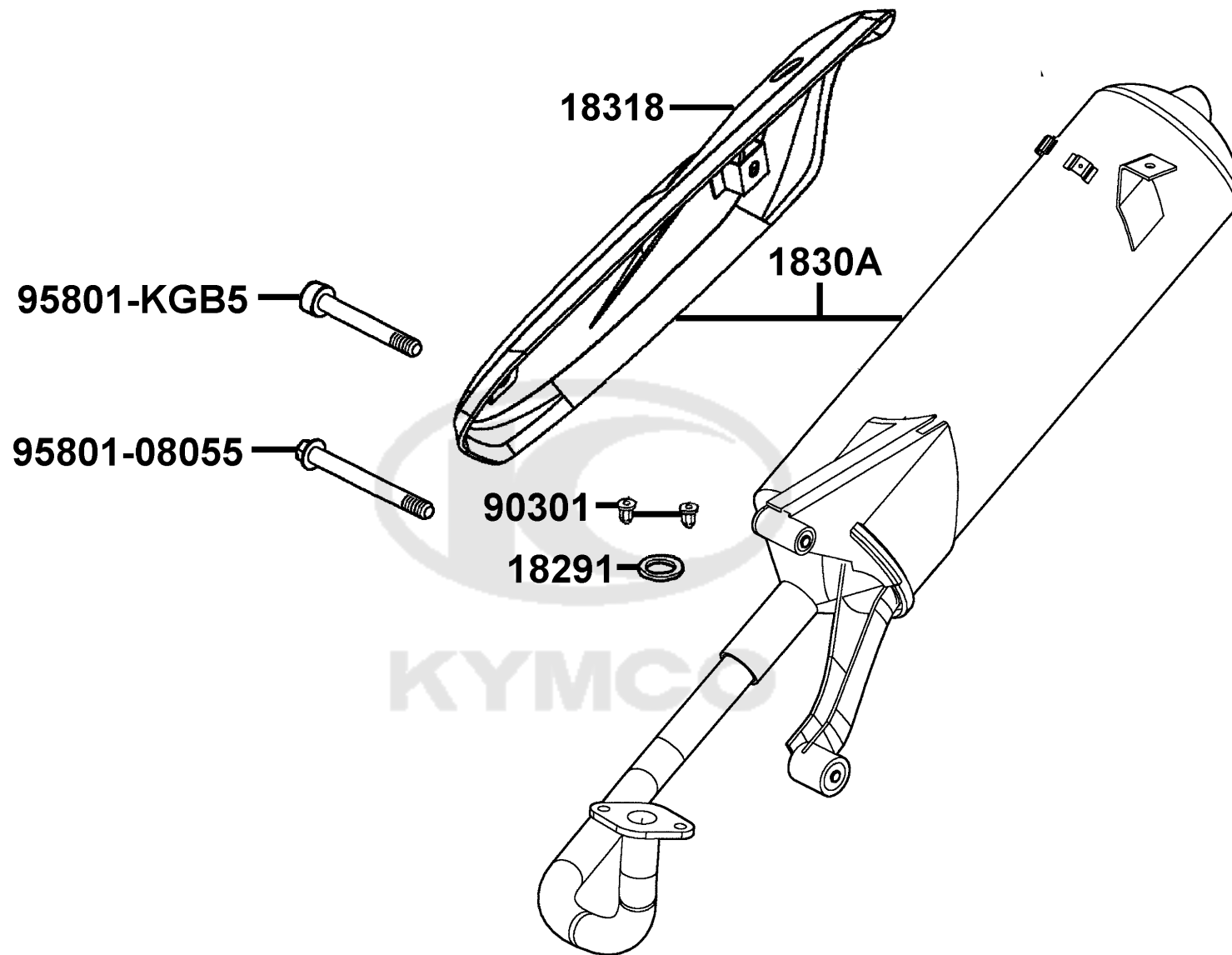


Sales mark	Ref no	Part no	Description	Reg description	Regd no	F13
	11211	11211-LBD6-E00	TUBE BREATHER	TUBE BREATHER	1	
#	17200	17200-LDC8-E10	AIR/C ASSY	AIR/C ASSY	1	
	1720A	1720A-LDC8-E10	CASE ASSY AIR/C	CASE ASSY AIR/C	1	
	1723B	1723B-LBD6-E00	COVER ASSY AIR/C	COVER ASSY AIR/C	2	
	1723C	1723C-LBD6-E00	ELEMENT ASSY AIR/C	ELEMENT ASSY AIR/C	1	
	17257	17257-LDC8-E00	DUCT AIR/C COVER	DUCT AIR/C COVER	1	
#	19411	19411-KNBN-C00	CLIP HOSE	CLIP HOSE	1	
	93903	93903-25480	SCREW TAPPING 5*20 (K)	SCREW TAPPING 5*20 (K)	7	
	95701-06032	95701-06032-08	BOLT FLANGE 6*32(C)	BOLT FLANGE 6*32	1	
	95701-06040	95701-06040-08	BOLT FLANGE 6*40	BOLT FLANGE 6*40	1	



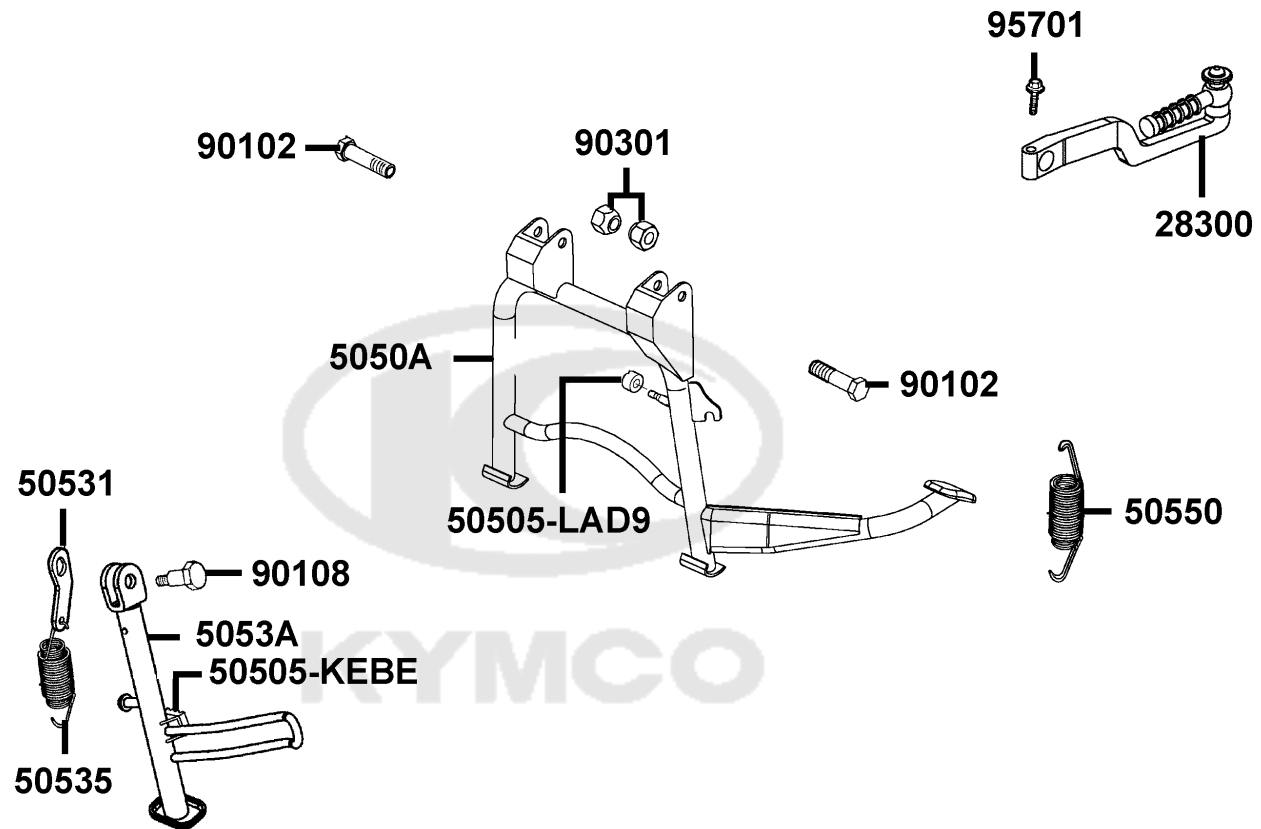
F14

Exhaust Muffler



Sales mark	Ref no	Part no	Description	Reg description	Regd no	F14
#	18291	18291-GGA7-C01	GASKET EXH PIPE	GASKET EXH PIPE	1	
#	1830A	1830A-LDC8-E11	MUFFLER ASSY EXHAUST	MUFFLER ASSY EXHAUST	1	
	18318	18318-LDF7-E10	PROTECTOR MUFFLER	PROTECTOR MUFFLER	1	
#	90301	90301-KGBG-C00	NUT CAP 6MM	NUT CAP 6MM	1	
	95801-08055	95801-08055-07	BOLT FLANGE 8*55 (K)	BOLT FLANGE 8*55 (K)	1	
#	95801-KGB5	95801-KGB5-C00	BOLT TORX M8x60	BOLT TORX M8x60	1	

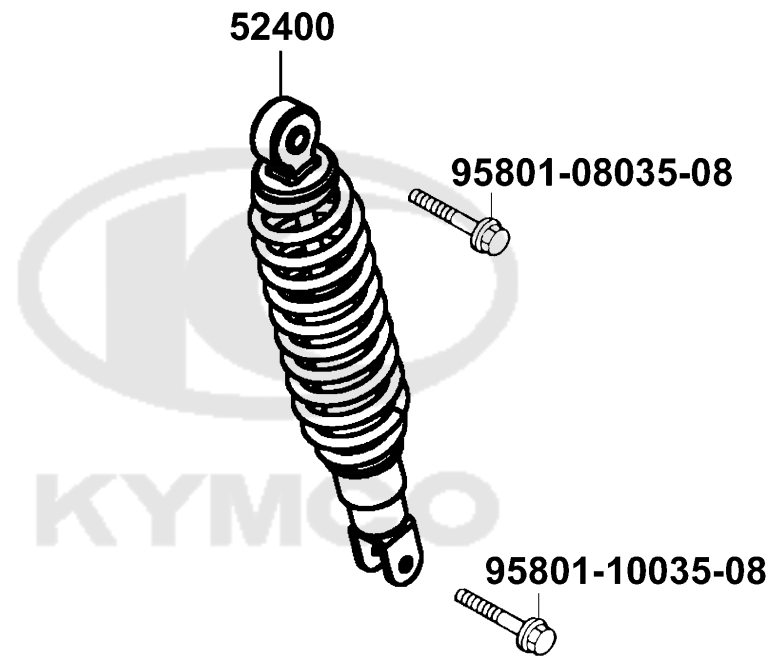




Sales mark	Ref no	Part no	Description	Reg description	Regd no	F15
	28300	28300-KNBN-C00	ARM ASSY KICK STARTER	ARM ASSY KICK STARTER	1	
#	50505-KEBE	50505-KEBE-C00	STOPPER RUBBER	STOPPER RUBBER	1	
#	50505-LAD9	50505-LAD9-C00	STOPPER RUBBER	STOPPER RUBBER	1	
	5050A	5050A-LDC8-E10	STAND COMP MAIN	STAND COMP MAIN	1	
#	50531	50531-KEB7-C00	PLATE SPRING STOPPER	PLATE SPRING STOPPER	1	
	50535	50535-KEB7-W10	SPRING COMP SIDE STAND	SPRING COMP SIDE STAND	1	
	5053A	5053A-LDC8-E10	STAND ASSY SIDE	STAND ASSY SIDE	1	
#	50550	50550-KEB7-C00	SPG MAIN STAND COMP	SPG ASSY MAIN STAND	1	
	90102	90102-GLE0-001	BOLT HINGE PIVOT	BOLT HINGE PIVOT	2	
	90108	90108-KEB7-E00	SCREW SIDE STAND PIVOT	SCREW SIDE STAND PIVOT	1	
#	90301	90301-4C73-C00	NUT U 6MM(C)	NUT U 6MM(C)	1	
	95701	95701-06022-07	BOLT FLANGE 6*22 (K)	BOLT FLANGE 6*22 (K)	1	

F16

Rear Cushion



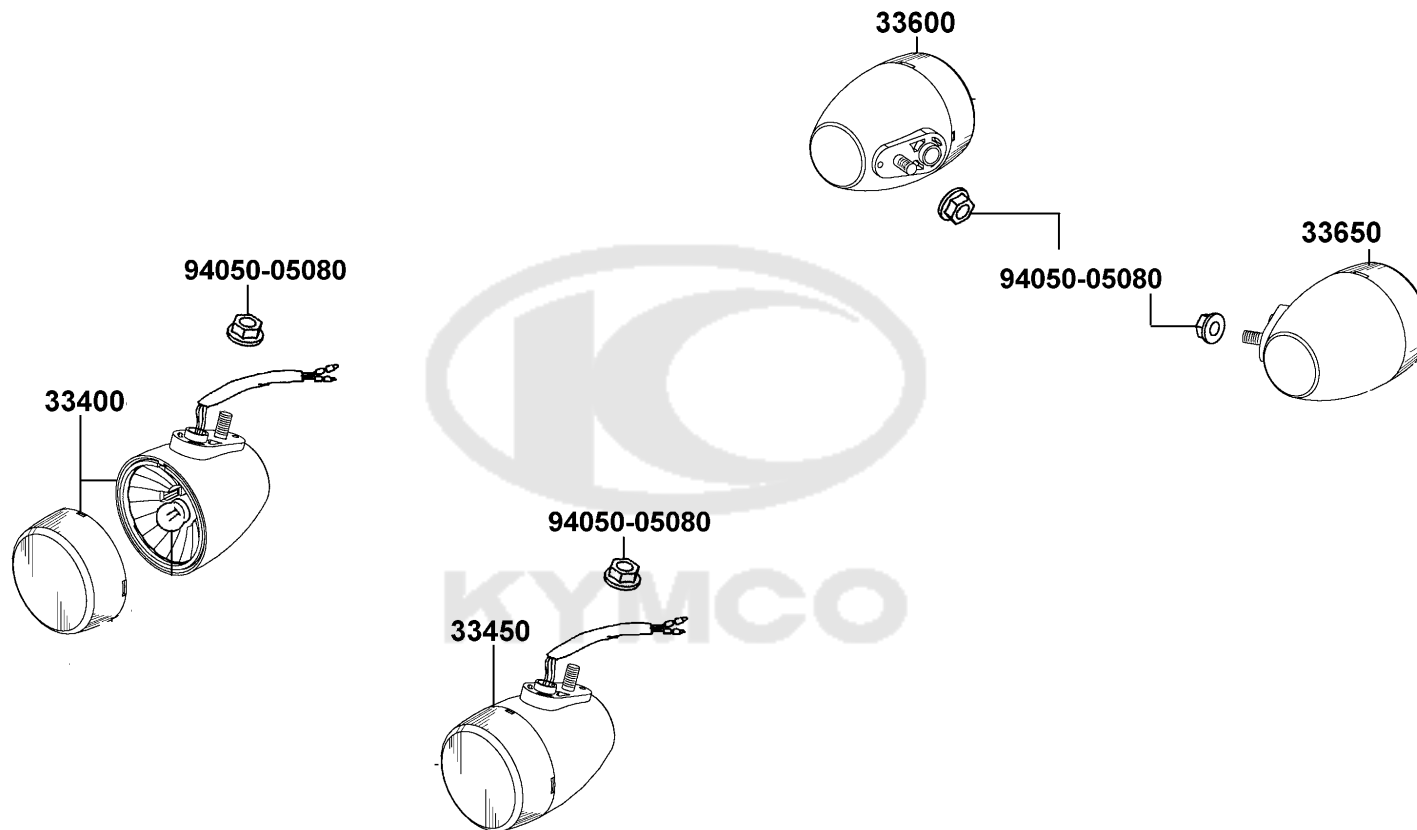
Sales mark	Ref no	Part no	Description	Reg description	Regd no	F16
------------	--------	---------	-------------	-----------------	---------	------------

**	52400	52400-LDC8-E10	CUSHION ASSY RR	CUSHION ASSY RR	1	
	95801-08035	95801-08035-08	BOLT FLANGE 8*35	BOLT FLANGE 8*35	1	
	95801-10035	95801-10035-08	BOLT FLANGE 10*35 (C)	BOLT FLANGE 10*35	1	



F17

Front Winker



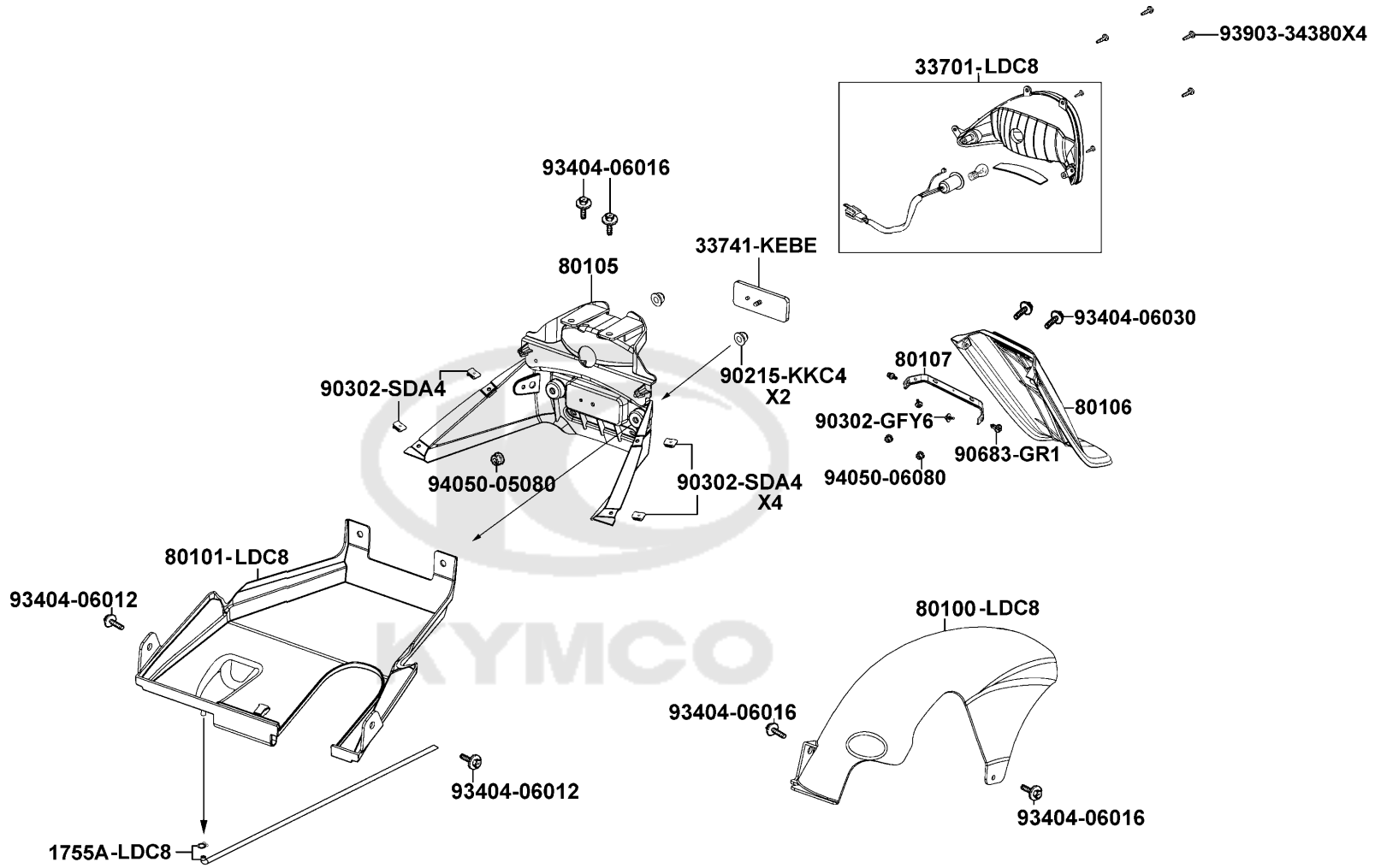
Sales mark	Ref no	Part no	Description	Reg description	Regd no	F17
------------	--------	---------	-------------	-----------------	---------	------------

#	33400	33400-LEC5-B20	WINKER ASSY R FR	WINKER ASSY R FR	1	
#	33450	33450-LEC5-B20	WINKER ASSY L FR	WINKER ASSY L FR	1	
	33600	33600-LDC8-E10	WINKER ASSY RH RR	WINKER ASSY RH RR	1	
	33650	33650-LDC8-E10	WINKER ASSY LH RR	WINKER ASSY LH RR	1	
	94050	94050-05080	NUT FLANGE 5MM	NUT FLANGE 5MM	2	

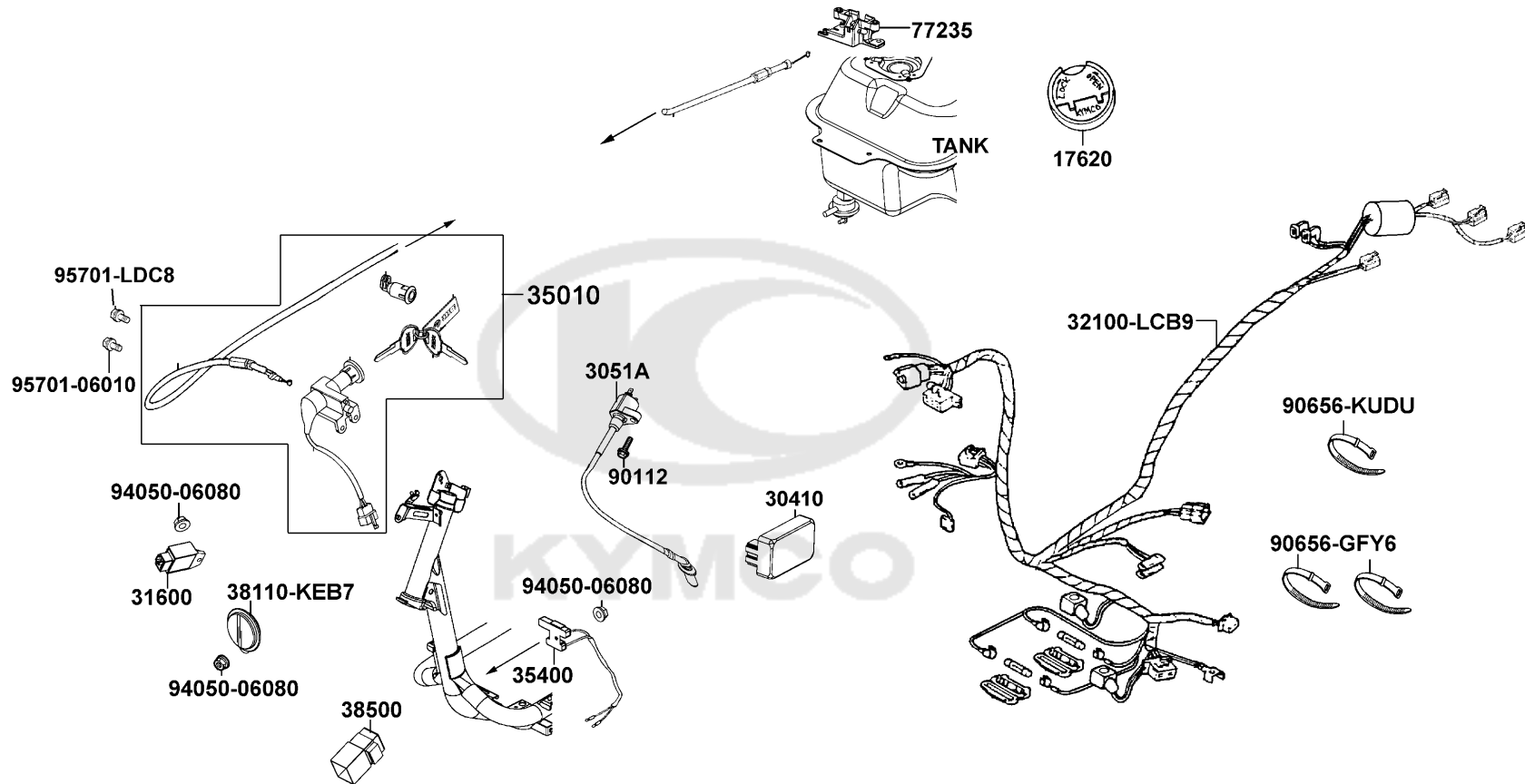


F18

Tail Light



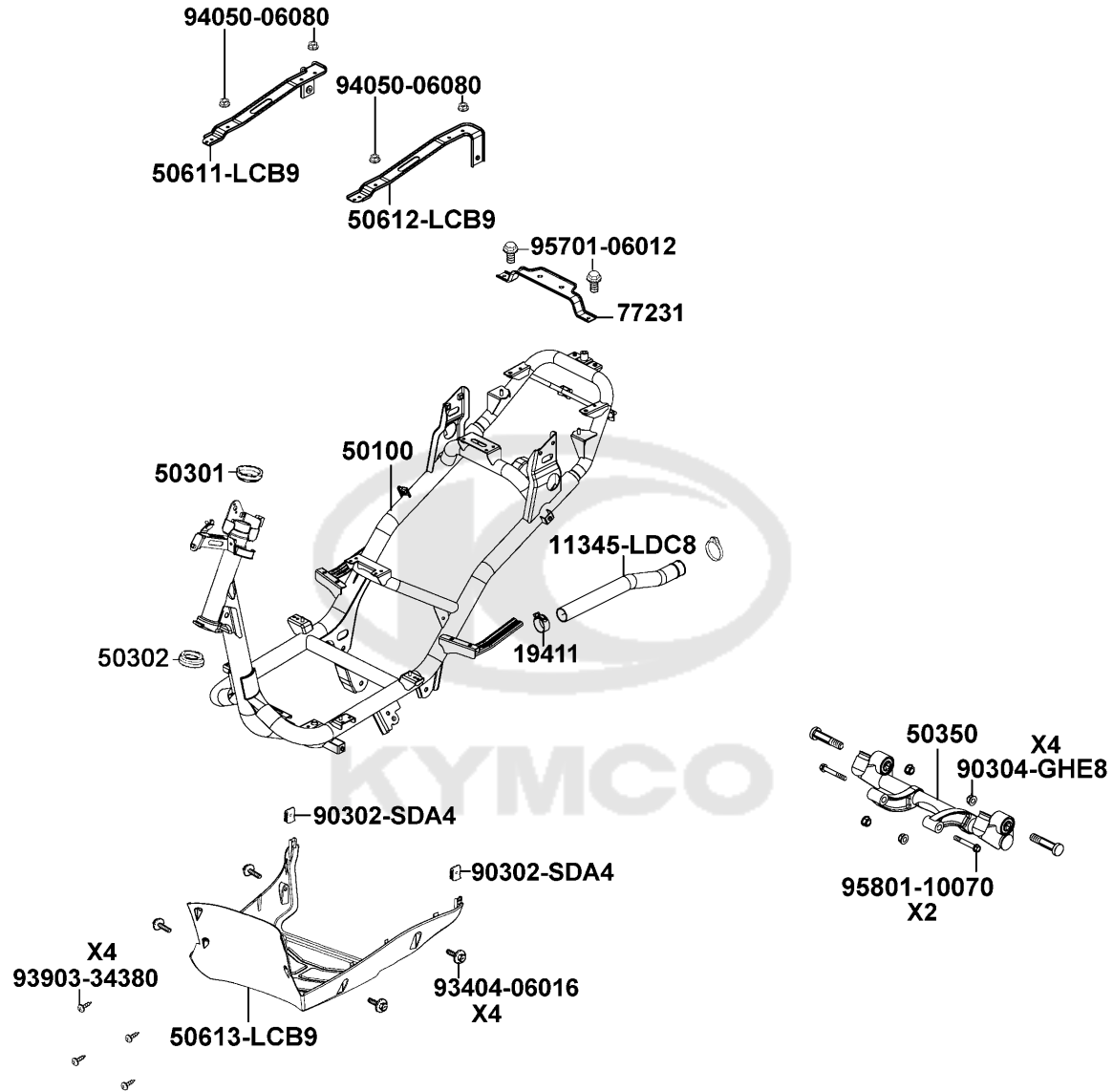
Sales mark	Ref no	Part no	Description	Reg description	Regd no	F18
	1755A	1755A-LDC8-E10	TUBE ASSY FUEL DRAIN	TUBE ASSY FUEL DRAIN	1	
	33701	33701-LDC8-E10	UNIT TAIL LIGHT	UNIT TAIL LIGHT	1	
#	33741	33741-KEBE-C00	REFLEX REFLECTOR	REFLEX REFLECTOR	1	
**	80100-LDC8	80100-LDC8-E10	FENDER RR TIRE	FENDER RR TIRE	1	
	80101	80101-LCB9-C10	FENDER RR INNER	FENDER RR INNER	1	
**	80105	80105-LDC8-E10	FENDER RR	FENDER RR	1	
**		80106-LDC8-E10	FENDER RR LOW	FENDER RR LOW	1	
	80107	80107-LDC8-E10	STAY RR FENDER	STAY RR FENDER	1	
#	90215-KKC4	90215-KKC4-C00	NUT CAP 6MM	NUT CAP 6MM	1	
#	90302-GFY6	90302-GFY6-C10	BOLT-WASH 5*16	BOLT WASHER 5*16	1	
#	90302-SDA4	90302-SDA4-C01	"NUT,SPPING 4MM"	"NUT,SPPING 4MM"	1	
#	90683	90683-GAR1-C00	CLIP BODY COVER	CLIP BODY COVER	1	
	93404-06012	93404-06012-07	BOLT WASH 6*12	BOLT WASH 6*12	2	
	93404-06016	93404-06016-07	BOTL WASHER 6*16	BOTL WASHER 6*16	4	
	93404-06030	93404-06030-07	BOLT WASHER 6*30K	BOLT WASHER 6*30K	2	
	93903-34380	93903-34380	SCREW TAPPING 4*12	SCREW TAPPING 4*12 (K)	4	
	94050-05080	94050-05080	NUT FLANGE 5MM	NUT FLANGE 5MM	1	
	94050-06080	94050-06080	NUT FLANGE 6MM	NUT FLANGE 6MM	2	



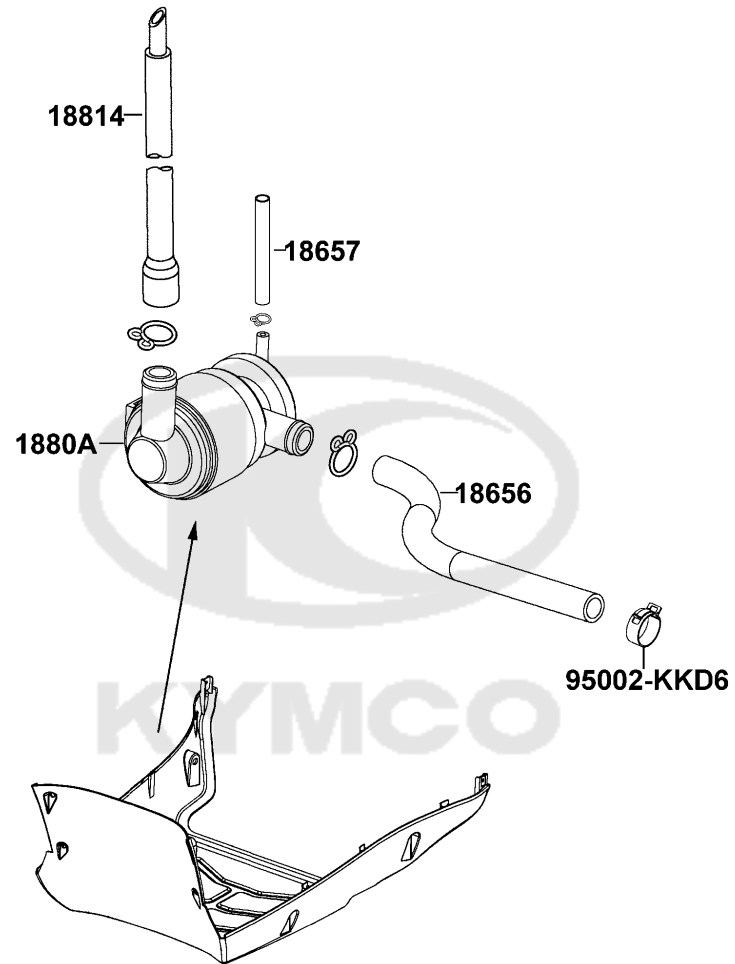
Sales mark	Ref no	Part no	Description	Reg description	Regd no	F19
	17620	17620-LDF7-E10	CAP COMP FUEL FILLER	CAP COMP FUEL FILLER	1	
#	30410	30410-LBD6-C00	UNIT COMP CDI	UNIT COMP CDI	1	
#	3051A	3051A-KHC4-C00	COIL ASSY IGN	COIL ASSY IGN	1	
#	31600	31600-KUDU-C00	REG REC COMPDC	REG REC COMP	1	
	32100	32100-LCB9-C10	HARNESS WIRE	HARNESS WIRE	1	
	35010	35010-LDF7-E10	KEY SET	KEY SET	1	
#	35400	35400-KEE1-W10	RESISTOR COMP	RESISTOR COMP	1	
	38110	38110-KEB7-90A	HORN COMP (supplier:D405)	HORN COMP (supplier:D405)	1	
#	38500	38500-KKDK-C00	RELAY ASSY START	SET START MAG	1	
#	77235	77235-KGC4-C00	SEAT CATCH	SEAT CATCH	1	
#	90112	90112-KRDR-C00	BOLT FLANGE 5*22	BOLT FLANGE 5*22	1	
	90656-GFY6	90656-GFY6-911	BAND HOSE **GFY6-901 C.2005.04.13	BAND HOSE **GFY6-901 C.2005.04.13	2	
	94050	94050-06080	NUT FLANGE 6MM	NUT FLANGE 6MM	2	
	95701-06010	95701-06010-08	BOLT FLANGE 6*10 (C)	BOLT FLANGE 6*10	1	
#	95701-LDC8	95701-LDC8-E11	BOLT TORQUE 6x16	BOLT TORQUE 6x16	1	

F20

Frame Body



Sales mark	Ref no	Part no	Description	Reg description	Regd no	F20
	11345-LDC8	11345-LDC8-C10	DUCT L COVER	DUCT L COVER	1	
#	19411	19411-KNBN-C00	CLIP HOSE	CLIP HOSE	1	
	50100	50100-LDC8-E13	BODY COMP FRAME	BODY COMP FRAME	1	
#	50301	50301-GLM0-C00	RACE UPPER STRG BALL	RACE UPPER STRG BALL	1	
#	50302	50302-2H68-C00	RACE (STRG BOT) BALL	RACE (STRG BOT) BALL	1	
	50350	50350-LDC8-E10	HANGER ASSY ENG	HANGER ASSY ENG	1	
	50611-LCB9	50611-LCB9-C10	RNFCT R FLOOR	RNFCT R FLOOR	1	
	50612-LCB9	50612-LCB9-C10	RNFCT L FLOOR	RNFCT L FLOOR	1	
# **	50613-LCB9	50613-LCB9-C11	COVER UNDER	COVER UNDER	1	
	77231	77231-LCB9-C10	STAY SEAT RUBBER	STAY SEAT RUBBER	1	
#	90302-SDA4	90302-SDA4-C01	"NUT,SPPING 4MM"	"NUT,SPPING 4MM"	1	
#	90304	90304-GHE8-C00	NUT U 10MM (C)	NUT U 10MM (C)	1	
	93404	93404-06016-07	BOTL WASHER 6*16	BOTL WASHER 6*16	4	
	93903	93903-34380	SCREW TAPPING 4*12	SCREW TAPPING 4*12 (K)	4	
	94050-06080	94050-06080	NUT FLANGE 6MM	NUT FLANGE 6MM	4	
	95701-06012	95701-06012-08	BOLT FLANGE 6*12	BOLT FLANGE 6*12	2	
	95801-10070	95801-10070-08	BOLT FLANGE 10*70	BOLT FLANGE 10*70	2	



Sales mark	Ref no	Part no	Description	Reg description	Regd no	F21
------------	--------	---------	-------------	-----------------	---------	------------

	18656	18656-LDC8-E10	DUCT ASSY AICV-REED VALVE	DUCT ASSY AICV-REED VALVE	1	
	18657	18657-LDC8-E10	TUBE ASSY AICV-INNET PIPE	TUBE ASSY AICV-INNET PIPE	1	
	1880A	1880A-LDC8-E10	AI/C-AICV ASSY	AI/C-AICV ASSY	1	
	18814	18814-LDC8-E10	DUCT ASSY AIR-AICV	DUCT ASSY AIR-AICV	1	
#	95002	95002-KKD6-C00	CLAMP D18 TUBE	CLAMP D18 TUBE	1	





86202

CAUTION

Maximum Tire Pressure : Front 2.5kg/cm² Rear 2.5kg/cm²
 (One Rider) : Front 1.5kg/cm² Rear 2.0kg/cm²
 (Two Rider) : Front 1.75kg/cm² Rear 2.25kg/cm²
 Tire Size : Front 90/90-10 50J Rear 90/90-10 50J

Load Capacity : Baggage Hook 3kg
 Inner Box Xref 0.5kg
 Luggage Box 10kg

KBS-EDD

87505

TRADE NAME: KYMCO
 VEHICLE CATEGORY: A

1. LDCB #31
 2. KYMCO
 3. KRG #16
 4. KRG
 5. KRG
 6. KYMCO
 7.
 8. KYMCO LDCB #31
 9. KFB7 #38
 10. KEF1 #118
 11.
 12. KB, 20 front KRG
 LDCB-EDD

87224

CAUTIONS

Never put any article between the rear side cover and the engine to avoid interference of riding.

GM9-300

87542

CAUTIONS

Before starting the engine, the side stand shall be kicked up to secure safety.

87541

- Do not wear a safety helmet when riding.
- Do not exceed the speed specified by law when riding.
- The exhaust muffler temperature is very high after riding. Be sure to park the motorcycle in a place not easily touched by people.
- For riding safety and good performance, do not violate the law to modify the motorcycle.
- Make sure to perform the periodic maintenance and provide inspection.

Provide inspection items

Brake Performance, tires, engine oil level, lights, horn, and instrument panel

KWANG YANG MOTOR CO., LTD.

© Please read the User's Manual carefully to ensure riding safety.

87560

Sales mark	Ref no	Part no	Description	Reg description	Regd no	F22
86202		86202-LDC8-E10	STRIPE BODY COVER	STRIPE BODY COVER	1	
87224		87224-LDC8-E10	CAUTION ANTI TAMPERING	(45KM)	1	
87505		87505-LDC8-E11	LABEL TIRE	LABEL TIRE	1	
87541		87541-GAR1-E01	MARK SIDE STAND	MARK SIDE STAND	1	
87542		87542-GAR1-E01	MARK MAINT CAUTION	MARK MAINT CAUTION	1	
87560		87560-GFY6-E01	MARK DRIVE CAUTION	MARK DRIVE CAUTION	1	



PART NO. INDEX

PART NO.	VERSION	PAGE	PART NO.	VERSION	PAGE	PART NO.	VERSION	PAGE
11000			12211-KGBG-C00	1	E02	14555-KKJ9-E90	1	E03
11100-KGBG-C00	8	E01	12251-KGBG-C00	1	E02	14610-KGBG-C00	1	E03
11102-1G87-C00	3	E01	12310-KHC5-C00	0	E02	14711-KGBG-C00	0	E02
11192-KGBG-E90	1	E01	1231A-KHC5-C10	0	E02	14721-KGBG-C00	0	E02
11200-LBD6-C00	1	E01	12361-GFY6-C00	5	E04	14751-KGBG-C00	0	E02
11203-GGC7-W10	2	E01	12391-KEE1-C00	0	E02	14761-KGBG-C00	1	E02
11208-LBD6-C00	1	E08	13000			14771-GDB4-C00	2	E02
11211-LBD6-E00	2	F13	13000-LDC5-C00	6	E03	14775-MFA6-C00	5	E02
11330-LBD6-C00	1	E04	13011-LBC9-900	1	E03	14781-MFA6-C00	4	E02
11340-LBD6-C00	0	E01	13101-LBC9-900	2	E03	15000		
11345-LDC8-C10	0	F20	13111-KGBG-C00	1	E03	15100-LDC5-C00	3	E07
11381-KHC4-C00	1	E01	13115-0A01-C00	2	E03	15133-LDC5-C00	2	E07
11382-LBD6-C00	1	E01	14000			15421-1G07-C00	1	E04
11387-KGBG-C00	1	E02	14100-KGBG-C00	4	E02	15426-GAE1-C00	1	E04
11394-KGBG-E90	1	E04	14401-KGBG-900	0	E03	15651-LDC8-C10	1	E04
11395-LBD6-C00	1	E01	14431-KGBG-W10	1	E02	1565A-LDC8-C10	0	E04
12000			14450-KGBG-W10	1	E02	16000		
12100-KGBG-C01	3	E03	14452-KGBG-W10	1	E02	1610K-LDC8-E12	0	E05
12191-KGBG-E90	1	E03	14510-KGBG-C00	1	E03	1621A-KGBG-C00	2	E02
12200-KGBG-C10	0	E02	14531-GLR0-W10	1	E03	1691A-LDF7-E10	1	F10
12200-LBD6-C00	0	E02	1453A-GFY6-W10	1	E03	16950-KKJ9-C00	4	F10
12209-GDB4-C00	2	E02	14550-LDC8-C10	1	E03			

PART NO. INDEX

PART NO.	VERSION	PAGE	PART NO.	VERSION	PAGE	PART NO.	VERSION	PAGE
17000			18814-LDC8-E10	1	F21	22132-GLW0-315	0	E06
			19000			22300-GGAG-C00	1	E06
17110-KGBG-C00	0	E02				22350-GKAK-C00	1	E06
1711A-LDC8-E11	2	E02	19411-KNBN-C00	2	F13	22401-GBG2-C00	0	E06
17200-LDC8-E10	1	F13	19411-KNBN-C00	2	F20	22535-KGBG-900	1	E06
1720A-LDC8-E10	0	F13	19510-LDC5-C00	1	E08	22804-1H48-C00	1	E06
1723B-LBD6-E00	1	F13	19610-KGBG-C00	0	E08	23000		
1723C-LBD6-E00	0	F13	19625-KEE1-C00	1	E08	23010-LDC8-C10	1	E06
17256-KGBG-C00	4	E02	1962A-KEE1-C00	1	E08	2301A-LDC8-C10	1	E06
17257-LDC8-E00	1	F13	1963A-LDC8-E10	1	E08	23100-KEB7-C00	1	E06
17500-LCB9-C10	3	F10	21000			23200-GAR1-C00	1	E06
1755A-KKD5-C10	1	F10				23210-GAR1-C00	1	E06
1755A-LDC8-E10	1	F18	21200-KFA1-900	2	E09	23220-LDC8-E10	0	E06
17620-LDF7-E10	0	F19	21395-KNBN-E90	1	E09	23225-GAR1-C00	1	E06
17910-LDC8-E10	1	F03	22000			23233-KEE1-C10	2	E06
18000						23237-GAR1-C00	1	E06
18291-GGA7-C01	1	F14	22100-LDC8-E10	1	E06	23238-GGS7-C00	0	E06
1830A-LDC8-E11	0	F14	22102-LDC8-E10	1	E06	23411-LBD6-C00	1	E09
18318-LDF7-E10	0	F14	22103-KEB7-C00	1	E06	23420-LBD6-C00	3	E09
18646-LDC8-E10	1	E02	22105-LBD6-C00	0	E06	23432-LBD6-C00	2	E09
18656-LDC8-E10	1	F21	22110-LDC8-E10	2	E06	2343A-KNBN-C00	1	E09
18657-LDC8-E10	2	F21	22121-LBD6-315	0	E06			
1880A-LDC8-E10	2	F21	22131-GHAH-C00	1	E06			

PART NO. INDEX

PART NO.	VERSION	PAGE	PART NO.	VERSION	PAGE	PART NO.	VERSION	PAGE
28000			32000			37000		
28211-KEB7-W10	1	E06	32100-LCB9-C10	0	F19	37200-LDC8-E40	0	F02
2823A-LBD6-C00	2	E01				37802-GGA7-C00	1	F10
28250-GBN2-C00	0	E01	33000			3780A-LDC8-E10	0	F10
28253-GBN2-C00	5	E01				38000		
28255-GFS6-C00	5	E01	33100-LDC8-E10	1	F01			
28281-GBN2-C00	1	E01	33400-LEC5-B20	1	F17	38110-KEB7-90A	2	F19
28300-KNBN-C00	3	F15	33450-LEC5-B20	1	F17	38300-KECE-W10	2	F02
			33600-LDC8-E10	3	F17	38500-KKDK-C00	5	F19
30000			33650-LDC8-E10	1	F17			
30410-LBD6-C00	1	F19	33701-LDC8-E10	2	F18	42000		
3051A-KHC4-C00	1	F19	33731-KGB5-EZ0	0	F06			
			33741-KEBE-C00	0	F18	42600-KEB7-E10	0	F08
			35000			42600-KEB7-E10	6	F08
31000						42601-KEB7-C00	1	F08
31100-LBD6-C00	0	E08	35010-LDF7-E10	0	F19	42710-LDC8-E10	3	F08
31110-LBD6-C00	0	E08	3515A-LGB5-E10	3	F03	42753-HHJ1-C00	0	F07
31120-LDC8-E10	2	E08	3515A-LGB5-EV0	0	F03	42753-HHJ1-C00	0	F08
31200-LDC8-E10	1	E07	3520A-LGB5-E11	0	F03			
31209-KEE1-C01	2	E07	35340-KKJ9-C00	0	F03	43000		
31500-KNBN-C00	5	F11	35400-KEE1-W10	1	F19			
31600-KUDU-C00	2	F19				4312A-KXCX-C00	8	F08
						4314A-KKD6-E00	2	F08

PART NO. INDEX

PART NO.	VERSION	PAGE	PART NO.	VERSION	PAGE	PART NO.	VERSION	PAGE
43410-KFA1-C00	8	F08				51420-LDC8-E10	0	F06
43450-LDC8-C00	4	F03	50000			51422-LDC8-E10	0	F06
44000			50100-LDC8-E13	0	F20	51428-LDC8-E10	0	F06
			50301-GLM0-C00	1	F20	51429-LDC8-E10	0	F06
44305-KGE2-E00	9	F07	50302-2H68-C00	2	F20	51437-LDC8-E10	0	F06
44306-KGE2-E00	9	F07	50306-1F96-C00	1	F06	51500-LDC8-E10	0	F06
44311-GLW0-W10	1	F07	50326-LCB9-C10	0	F11	51500-LDC8-E10	4	F06
44600-LDC8-E10	0	F07	50350-LDC8-E10	3	F20	51520-LDC8-E10	0	F06
44601-KEB7-E0E	0	F07	50505-KEBE-C00	0	F15	52000		
44620-KEB7-C00	0	F07	50505-LAD9-C00	1	F15			
44710-LDC8-E10	2	F07	5050A-LDC8-E10	0	F15	52400-LDC8-E10	2	F16
44800-LDC8-E10	1	F07	50531-KEB7-C00	1	F15	53000		
44830-LDC8-E10	3	F02	50535-KEB7-W10	3	F15			
45000			5053A-LDC8-E10	1	F15			
			50550-KEB7-C00	1	F15	53100-LCB9-C10	2	F03
			50611-LCB9-C10	1	F20	53105-KNBN-C00	2	F03
45105-KKD6-305	1	F07	50612-LCB9-C10	1	F20	53125-GEN5-C00	1	F03
45121-LBD5-C00	2	F07	50613-LCB9-C11	0	F20	53140-KNBN-960	0	F03
45126-LDC8-E10	2	F04	51000			53166-KNBN-9110	0	F03
45156-KHC5-E10	0	F06				53172-KTCT-C00	0	F03
45156-LCB9-B20	0	F06				53175-LDC8-E10	1	F04
45200-KKD6-C00	1	F07	51400-LDC8-E10	4	F06	53178-KXCX-C00	1	F03
45500-LDC8-E10	3	F04	51401-LDC8-E10	0	F06	5317B-KFA6-C00	2	F03
45517-GFY6-900	5	F03	51410-LDC8-E10	0	F06	53200-LDC8-E10	6	F06
			51412-LDC8-E10	0	F06	53205-LEB9-B50	0	F03

PART NO. INDEX

PART NO.	VERSION	PAGE	PART NO.	VERSION	PAGE	PART NO.	VERSION	PAGE
53206-LCB9-C10	0	F03						
53211-GFY6-C00	1	F06	80000			86000		
53212-2L50-C00	1	F06						
53214-2L50-C00	5	F06	80100-LDC8-E10	0	F18	86202-LDC8-E10	0	F22
53215-2L50-C00	1	F06	80101-LCB9-C10	0	F18			
61000			80105-LDC8-E10	0	F18	87000		
			80106-LDC8-E10	0	F18			
			80107-LDC8-E10	1	F18	87224-LDC8-E10	2	F22
61100-LDC8-E10	0	F06	80151-LCB9-C10	0	F12	87505-LDC8-E11	0	F22
64000			81000			87541-GAR1-E01	1	F22
						87542-GAR1-E01	2	F22
						87560-GFY6-E01	3	F22
64301-LCB9-C10	0	F05	81131-LEC5-C10	0	F05			
64310-LCB9-C10	0	F05	81132-LCB9-C10	1	F05	88000		
64316-LCB9-C10	5	F05	81132-LDC8-E10	1	F05			
77000			81133-KNBN-C00	1	F05	88110-LCB9-C10	2	F03
			8120A-LCB9-C10	1	F12	88120-LCB9-C10	1	F03
			81250-LCB9-C10	1	F12			
77200-LDF7-E10	0	F09	81250-LCB9-C10	2	F12	89000		
77206-LCB9-C10	0	F09	81251-LCB9-C10	0	F12			
77231-LCB9-C10	0	F20				89010-KGBG-C00	1	F09
77232-KCAC-C00	2	F12	83000			89020-KKC4-C00	1	F09
77235-KGC4-C00	2	F19						
77240-LDC8-E10	1	F12	83500-LDF7-E10	0	F12	90000		
77303-LCB9-C10	0	F09	83600-LDF7-E10	0	F12			
						9000A-KTDT-C03	0	E01

PART NO. INDEX

PART NO.	VERSION	PAGE	PART NO.	VERSION	PAGE	PART NO.	VERSION	PAGE
90012-3C33-C00	1	E02	90302-SDA4-C01	0	F05	90683-GAR1-C00	4	F12
90031-KGBG-C00	0	E01	90302-SDA4-C01	0	F18	90683-GAR1-C00	4	F18
90032-KGBG-C00	0	E01	90302-SDA4-C01	0	F20	90701-GFF6-C00	1	E02
90033-0A41-C00	0	E02	90304-4H38-C00	1	E02	90701-GFF6-C00	1	E03
90033-GFY6-C10	2	E02	90304-GHE8-C00	1	F03	90701-HDC4-C00	1	E07
90102-GLE0-001	0	F15	90304-GHE8-C00	1	F20	90741-0E35-C00	0	E03
90105-KCR3-001	3	F07	90305-GHK8-C00	2	F12	90754-GHC8-C00	1	F07
90105-LLJ3-E00	3	F09	90305-KNBN-C00	1	F08	90912-GHC8-C00	1	F07
90106-GEN5-901	1	F03	90306-KLF0-C00	1	F07			
90108-KEB7-E00	0	F15	90381-GEZ5-C00	1	F12	91000		
90110-GLW0-C00	0	F05	90412-3K29-C00	5	E01			
90110-KEB7-C00	1	F06	90426-KNBN-C01	1	E06	91001-GGA7-C00	1	E06
90111-1G87-C01	1	F12	90429-KNBN-C00	1	E09	91004-KBN2-C00	1	E01
90112-KRDR-C00	1	F19	90442-0D44-C00	1	E06	91004-KBN2-C00	1	E09
90116-LDC8-E10	0	F06	90442-GFF6-C00	1	E02	91004-KNBN-C00	1	E01
90121-KBE2-C00	4	F07	90451-GBN2-C00	10	E01	91009-GLE0-C00	1	E09
90131-GLW0-C00	1	F07	90454-GBB2-C00	1	E06	91103-GAR1-C00	1	E06
90145-MKS9-61A	1	F04	90474-3C33-C00	1	E01	91201-GFY6-C00	1	E01
90202-1G87-C00	1	E06	90501-KNBN-C00	1	F08	91201-KGBG-C00	1	E04
90202-GFF6-011	1	E02	9052A-GFY6-C00	5	E01	91204-KNBN-C00	1	E01
90206-0A01-C00	2	E02	90544-LDC8-E10	0	F06	91211-KEE1-C00	0	E06
90215-KKC4-C00	1	F18	90545-3L00-C00	2	F04	91251-LDC8-E10	0	F06
90301-4C73-C00	0	F15	90656-GFY6-911	1	F19	91254-LDC8-E10	0	F06
90301-KGBG-C00	1	F14	90656-KUDU-900	0	F19	91255-LDC8-E10	5	E09
90302-GFY6-C10	1	F18	90660-KGBG-C00	1	F10	91258-KAM1-C00	1	F07
90302-KNBN-C00	1	F03	90668-LDC8-E10	1	F06	91301-GLR0-W10	1	E03

PART NO. INDEX

PART NO.	VERSION	PAGE	PART NO.	VERSION	PAGE	PART NO.	VERSION	PAGE
91301-KEE1-C00	0	E06	93903-34380	6	F05	94301-08140	4	E04
91302-0A01-C00	10	E04	93903-34380	6	F12	94301-10200-M2	1	E09
91302-KEE1-C00	0	E06	93903-34380	6	F18	94511-14000	10	E01
91304-KGBG-C00	0	E02	93903-34380	6	F20	94520-24000	1	E06
91305-0H28-C00	1	E07	93903-35380	2	F01	94540-06018	2	E07
91307-0E35-W10	1	E04	93903-35380	2	F03	94591-25000	1	F05
			93903-35380	2	F11	94591-LDC8-E10	1	E08
92000			93903-GFY6-C01	1	F05	94605-LDC8-E10	0	F06
			93903-GFY6-C01	1	F12	94608-LDC8-E10	0	F06
92101-05012-0H	2	E08	93904-35380	2	E08			
92900-06050-0B	1	E02				95000		
			94000					
			94001-12280-0SG	1	E06	95002-KKD6-C00	1	F21
			94050-05080	6	F06	9500B-LDC8-E10	3	F10
93404-06012-07	5	F18	94050-05080	6	F17	95701-06010-08	3	F19
93404-06016-07	1	F05	94050-05080	6	F18	95701-06012-08	3	F06
93404-06016-07	1	F12	94050-06080	2	E02	95701-06012-08	3	F20
93404-06016-07	1	F18	94050-06080	2	F09	95701-06022-07	3	F15
93404-06016-07	1	F20	94050-06080	2	F10	95701-06025-08	2	E02
93404-06020-07	4	F05	94050-06080	2	F18	95701-06032-08	1	E02
93404-06030-07	2	F18	94050-06080	2	F19	95701-06032-08	1	F13
93700-05018-0H	1	F02	94050-06080	2	F20	95701-06040-08	0	F13
93891-05035-07	0	F03	94050-10080	1	E06	95701-08012-08G	1	E01
93903-25220	2	F02	94050-10080	1	E08	95701-08020-07	0	F12
93903-25480	1	F13	94301-08140	4	E01	95701-08035-07	0	F12
93903-34380	6	F03						

PART NO. INDEX

PART NO.	VERSION	PAGE	PART NO.	VERSION	PAGE	PART NO.	VERSION	PAGE
95701-08040-08	3	E01						
95701-LDC8-E11	0	F19	98000					
95801-08035-08	0	F16						
95801-08040-08	4	F06	98056-5671R-00	1	E02			
95801-08055-07	1	F14	98200-10700	2	F05			
95801-10035-08	1	F16	98200-10700	2	F11			
95801-10070-08	2	F20						
95801-KGB5-C00	1	F14						
96000								
96001-06012-02	3	E01						
96001-06016-08	6	E08						
96001-06018-08	1	E03						
96001-06020-08	2	E07						
96001-06022-08	2	E08						
96001-06025-08	4	E07						
96001-06025-08	4	E08						
96001-06045-08	1	E01						
96001-06085-08	0	E02						
96001-06085-08	0	E04						
96001-06100-08	2	E04						
96100-62033-00	1	E01						
96211-05000	26	F06						
96211-08000	19	F06						
96220-LDC5-C00	1	E07						