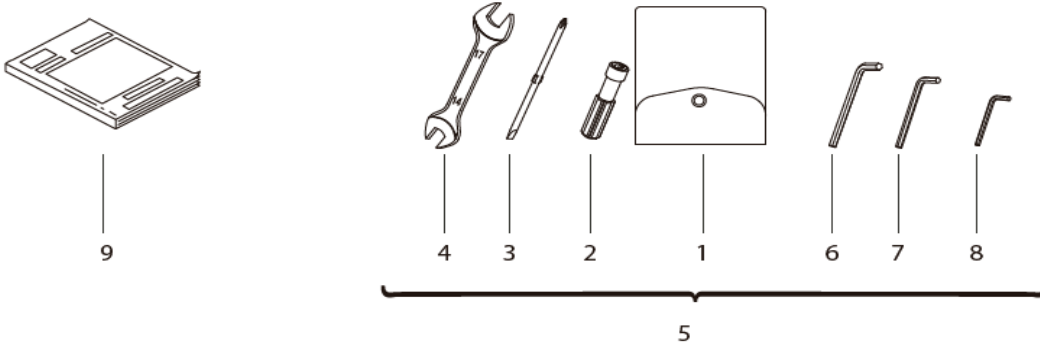
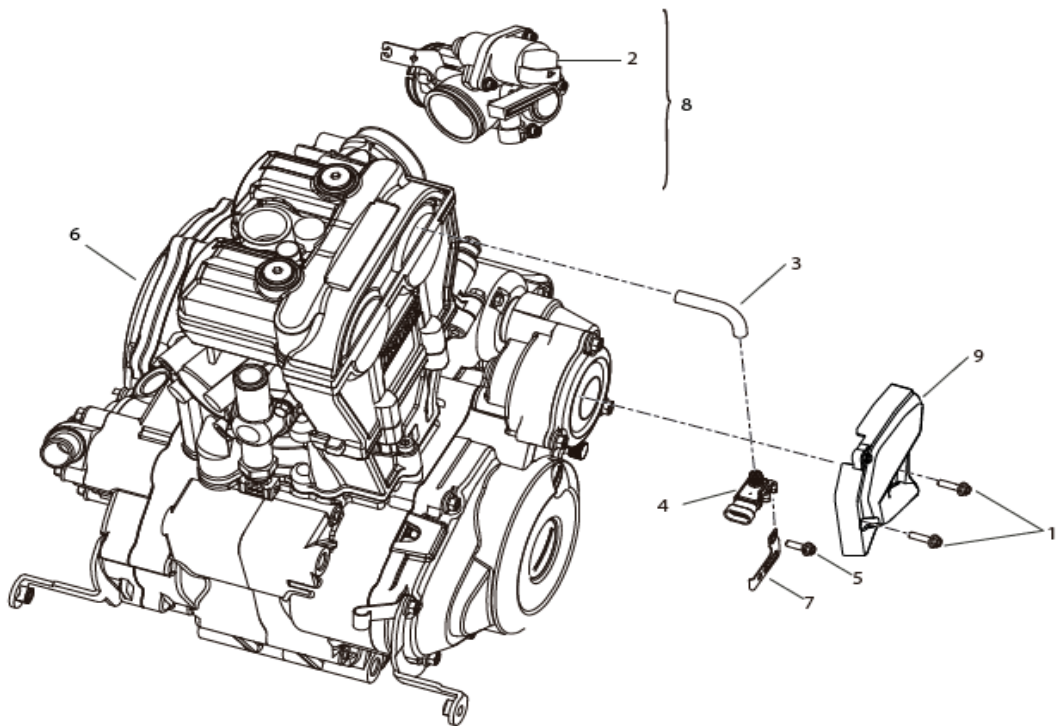


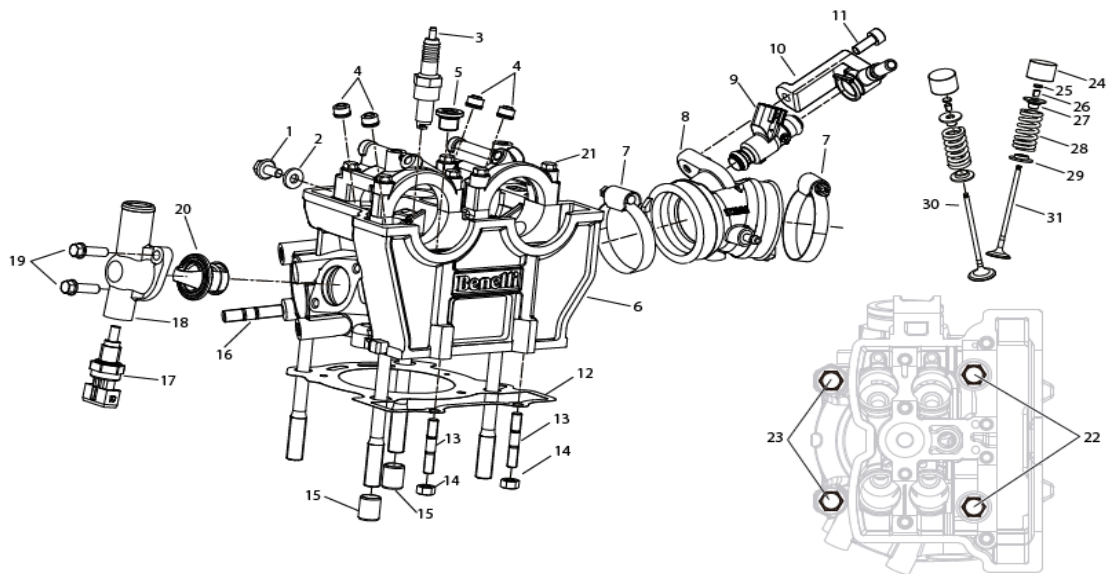
BN 251 ABS



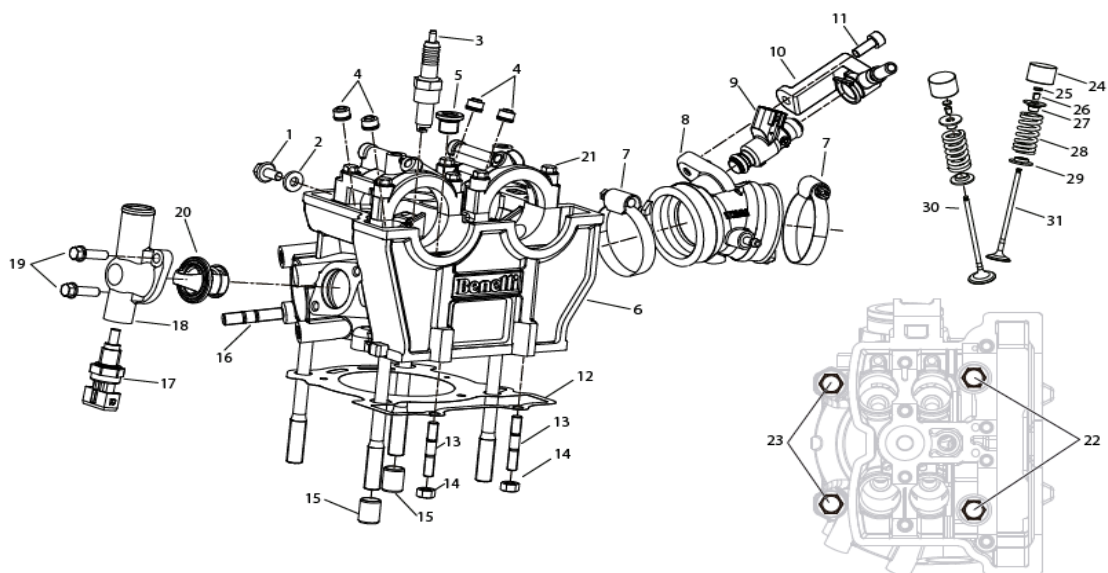
| P | CD.Q.J. | SPECIAL TOOLS | Q.TY.PAK. | Q.TY.TAB. |
|---|--------------|-----------------------------|-----------|-----------|
| 1 | 02110J000000 | TOOLS CASE | 1 | 1 |
| 2 | 02106J000000 | HANDLE SCREWDRIVER | 1 | 1 |
| 3 | 02103J000000 | SCREWDRIVER | 1 | 1 |
| 4 | B20011301603 | WRENCH 13/16 | 1 | 1 |
| 5 | 02100N220001 | COMPLETE TOOLS CASE | 1 | 1 |
| 6 | B20020600003 | ALLEN WRENCH (6) | 1 | 1 |
| 7 | B20020500003 | ALLEN WRENCH (5) | 1 | 1 |
| 8 | B20020400003 | ALLEN WRENCH (4) | 1 | 1 |
| 9 | 02401N220007 | OWNER'S MANUAL (BN 251 ABS) | 1 | 1 |



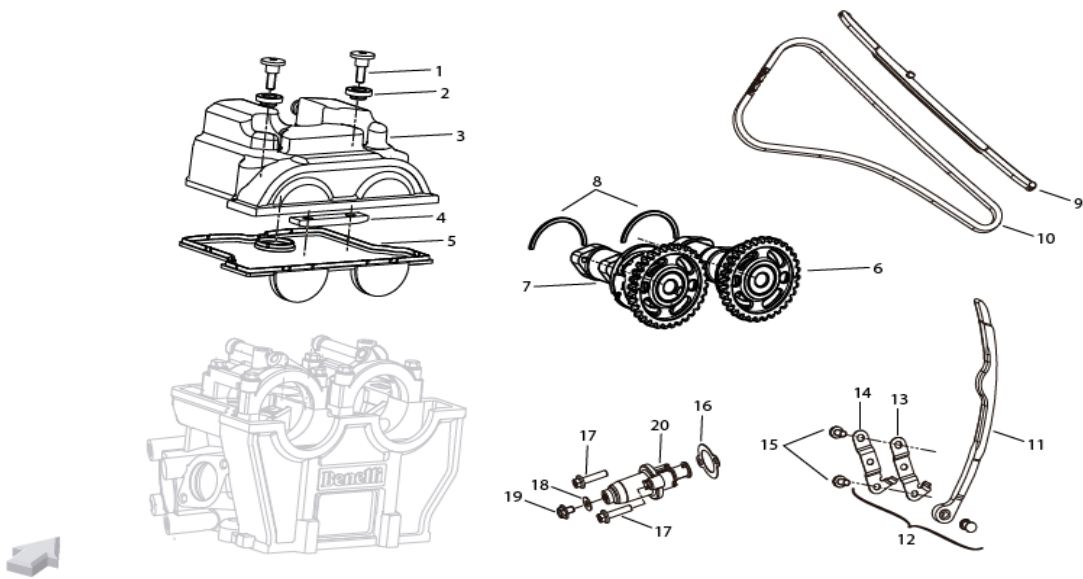
| P | CD.Q.J. | COMPLETE ENGINE | Q.TY.PAK. | Q.TY.TAB. |
|---|--------------|-----------------------------|-----------|-----------|
| 1 | B01070602065 | SCREW (M6X20) | 10 | 2 |
| 2 | 280476030010 | STEPPER MOTOR | 1 | 1 |
| 3 | 110075130010 | TUBE | 1 | 1 |
| 4 | 280106220000 | SENSOR | 1 | 1 |
| 5 | B01090601065 | SCREW (M6X10) | 1 | 1 |
| 6 | C2515012HT00 | COMPLETE ENGINE | 1 | 1 |
| 7 | 96911T740000 | BRACKET | 1 | 1 |
| 8 | 289005150010 | THROTTLE BODY | 1 | 1 |
| 9 | 169045150070 | L.H. REAR ENGINE PROTECTION | 1 | 1 |



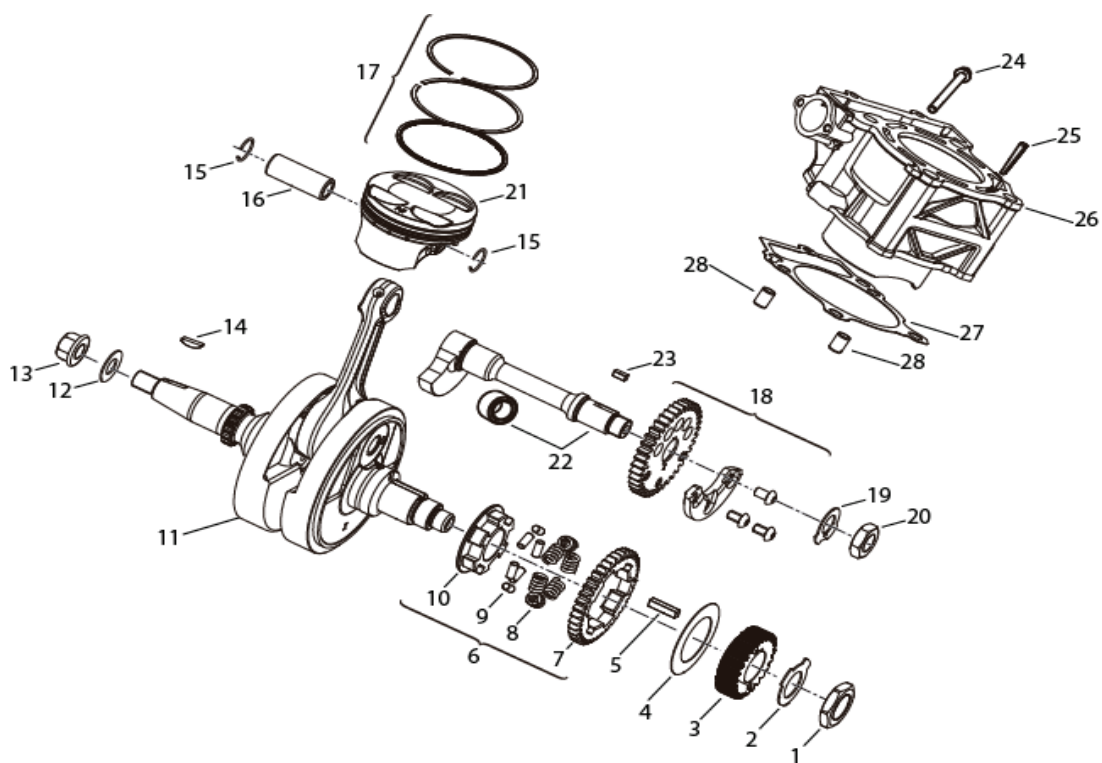
| P | CD.Q.J. | CYLINDER HEAD | Q.TY.PAK. | Q.TY.TAB. |
|----|--------------|--------------------------|-----------|-----------|
| 1 | B0107060126H | SCREW (M6X12) | 1 | 1 |
| 2 | 100071270000 | WASHER | 4 | 1 |
| 3 | 299073160000 | SPARK PLUG | 1 | 1 |
| 4 | 120015090000 | RUBBER PAD VALVE | 1 | 4 |
| 5 | 100325150000 | CAP | 1 | 1 |
| 6 | 109055150050 | CYLINDER HEAD | 1 | 1 |
| 7 | 100355150000 | CLAMP | 1 | 2 |
| 8 | 119015150020 | INTAKE MANIFOLD | 1 | 1 |
| 9 | 289035110010 | INJECTOR | 1 | 1 |
| 10 | 280045140010 | HOLDER INJECTOR | 1 | 1 |
| 11 | B02050601565 | SCREW | 1 | 1 |
| 12 | 100205150011 | HEAD GASKET | 1 | 1 |
| 13 | B03000602565 | STUD BOLT | 1 | 2 |
| 14 | B04000600055 | NUT (M6) | 3 | 2 |
| 15 | 100255150000 | BUSH OF GUIDE | 1 | 2 |
| 16 | B03000802065 | STUD BOLT | 1 | 1 |
| 17 | 270013160002 | WATER TEMPERATURE SENSOR | 1 | 1 |
| 18 | 100265150020 | THERMOSTAT BELLEVILLE | 1 | 1 |
| 19 | B01070602065 | SCREW (M6X20) | 10 | 2 |
| 20 | 279165050000 | THERMOSTAT | 1 | 1 |
| 21 | B0107060406H | SCREW (M6X40) | 2 | 8 |
| 22 | 100155150000 | STUD BOLT | 1 | 2 |
| 23 | 100185150000 | STUD BOLT | 1 | 2 |
| 24 | 120015150000 | VALVE LIFTER BUCKET | 1 | 4 |
| 25 | 120096030000 | VALVE PAD (1600 MM) | 1 | 8 |
| 25 | 120096030020 | VALVE PAD (1.625 MM) | 1 | 8 |
| 25 | 120096030021 | VALVE PAD (1650 MM) | 1 | 8 |
| 25 | 120096030022 | VALVE PAD (1.675 MM) | 1 | 8 |
| 25 | 120096030023 | VALVE PAD (1700 MM) | 1 | 8 |
| 25 | 120096030024 | VALVE PAD (1.725 MM) | 1 | 8 |
| 25 | 120096030025 | VALVE PAD (1.75 MM) | 1 | 8 |
| 25 | 120096030026 | VALVE PAD (1.775 MM) | 1 | 8 |
| 25 | 120096030027 | VALVE PAD (1.80 MM) | 1 | 8 |
| 25 | 120096030028 | VALVE PAD (1.825 MM) | 1 | 8 |
| 25 | 120096030029 | VALVE PAD (1.85 MM) | 1 | 8 |
| 25 | 120096030030 | VALVE PAD (1.875 MM) | 1 | 8 |
| 25 | 120096030031 | VALVE PAD (1.90 MM) | 1 | 8 |
| 25 | 120096030032 | VALVE PAD (1.925 MM) | 1 | 8 |
| 25 | 120096030033 | VALVE PAD (1.95 MM) | 1 | 8 |



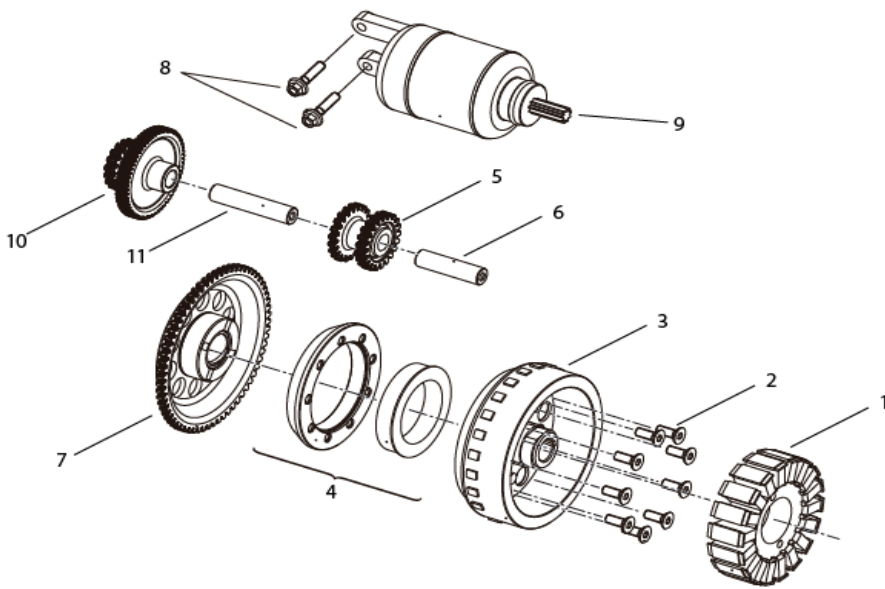
| P | CD.Q.J. | CYLINDER HEAD | Q.TY.PAK. | Q.TY.TAB. |
|----|--------------|----------------------|-----------|-----------|
| 25 | 120096030034 | VALVE PAD (1.975 MM) | 1 | 8 |
| 25 | 120096030035 | VALVE PAD (2.00MM) | 1 | 8 |
| 25 | 120096030036 | VALVE PAD (2.025 MM) | 1 | 8 |
| 25 | 120096030037 | VALVE PAD (2.050 MM) | 1 | 8 |
| 25 | 120096030038 | VALVE PAD (2.075 MM) | 1 | 8 |
| 25 | 120096030039 | VALVE PAD (2.10MM) | 1 | 8 |
| 25 | 120096030040 | VALVE PAD (2.125 MM) | 1 | 8 |
| 25 | 120096030041 | VALVE PAD (2.15 MM) | 1 | 8 |
| 25 | 120096030042 | VALVE PAD (2.175 MM) | 1 | 8 |
| 25 | 120096030043 | VALVE PAD (2.20MM) | 1 | 8 |
| 25 | 120096030044 | VALVE PAD (2.225 MM) | 1 | 8 |
| 25 | 120096030045 | VALVE PAD (2.25MM) | 1 | 8 |
| 25 | 120096030046 | VALVE PAD (2.275 MM) | 1 | 8 |
| 26 | 129225150000 | HALFCONE VALVE | 1 | 8 |
| 27 | 129335150000 | UPPER RETAINER | 1 | 4 |
| 28 | 129255150000 | VALVE SPRING | 1 | 4 |
| 29 | 129215150000 | LOWER RETAINER | 1 | 4 |
| 30 | 129195150000 | EXHAUST VALVE | 1 | 2 |
| 31 | 129185150000 | INTAKE VALVE | 1 | 2 |



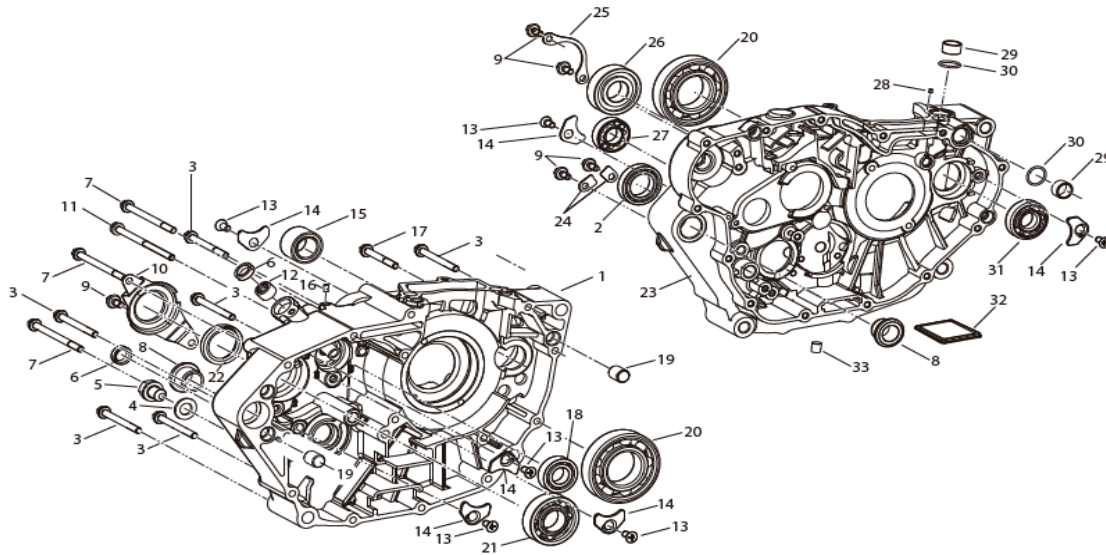
| P | CD.Q.J. | TIMING | Q.TY.PAK. | Q.TY.TAB. |
|----|--------------|-----------------------------------|-----------|-----------|
| 1 | 110026030010 | SCREW | 1 | 2 |
| 2 | 100066030000 | RUBBER PAD | 1 | 2 |
| 3 | 100405150050 | CAMSHAFT COVER | 1 | 1 |
| 4 | 100045150000 | CHAIN SLIDING SHOE | 1 | 1 |
| 5 | 100055150010 | TIMING COVER GASKET | 1 | 1 |
| 6 | 129095150000 | INTAKE CAMSHAFT | 1 | 1 |
| 7 | 129105150000 | EXHAUST CAMSHAFT | 1 | 1 |
| 8 | 120025150000 | BEARING LOCK | 1 | 1 |
| 9 | 149025150000 | UPPER CHAIN SLIDING SHOE | 1 | 1 |
| 10 | 129025150000 | CHAIN DISTRIBUTION | 1 | 1 |
| 11 | 100045150000 | CHAIN SLIDING SHOE | 1 | 1 |
| 12 | 140015150000 | LOWER CHAIN SLIDING SHOE COMPLETE | 1 | 1 |
| 13 | 140055150000 | PLATE | 1 | 1 |
| 14 | 140095150000 | PLATE | 1 | 1 |
| 15 | B01090601465 | SCREW (M6X14) | 1 | 2 |
| 16 | 140176030000 | GASKET | 1 | 1 |
| 17 | B01070602565 | SCREW (M6X25) | 1 | 2 |
| 18 | 140116030000 | WASHER | 1 | 1 |
| 19 | 140106030000 | SCREW | 1 | 1 |
| 20 | 149035150000 | CHAIN TENSIONER | 1 | 1 |



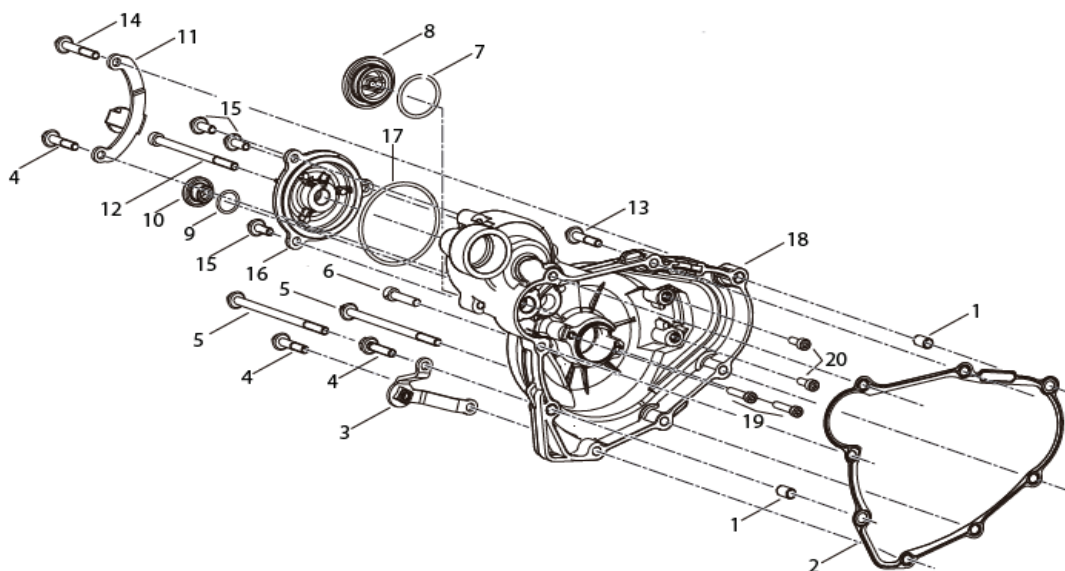
| P | CD.Q.J. | CRANK GEAR ASSEMBLY | Q.TY.PAK. | Q.TY.TAB. |
|----|--------------|--------------------------|-----------|-----------|
| 1 | 170275150000 | NUT | 1 | 1 |
| 2 | 170225150000 | PLATE | 1 | 1 |
| 3 | 170035150000 | GEAR | 1 | 1 |
| 4 | 170355150000 | SHIM | 1 | 1 |
| 5 | B11130505020 | PIN | 1 | 1 |
| 6 | 170235150020 | GEAR | 1 | 1 |
| 7 | 170025150020 | GEAR | 1 | 1 |
| 8 | 170195150010 | SPRING OF CONTRAST | 1 | 6 |
| 9 | 170205150010 | VIBRATION DAMPER | 1 | 6 |
| 10 | 170185150030 | CLUTCH HUB | 1 | 1 |
| 11 | 179015150030 | COMPLETE CRANKSHAFT | 1 | 1 |
| 12 | B07030001203 | WASHER | 1 | 1 |
| 13 | 27002305011X | NUT (M12X1.25) | 1 | 1 |
| 14 | 260023050000 | FLYWHEEL KEY | 1 | 1 |
| 15 | 179155050000 | CIRCLIP PISTON PIN | 2 | 2 |
| 16 | 179145150010 | PISTON PIN | 1 | 1 |
| 17 | 170245150000 | PISTON RINGS SET (125CC) | 1 | 1 |
| 18 | 170345150000 | GEAR,BALANCE SHAFT | 1 | 1 |
| 19 | 170055150000 | PLATE | 1 | 1 |
| 20 | 170065150110 | NUT | 1 | 1 |
| 21 | 179135150020 | PISTON (125CC) | 1 | 1 |
| 22 | 170365150000 | DRIVING GEAR | 1 | 1 |
| 23 | B11130404009 | PIN | 1 | 1 |
| 24 | B01070603565 | SCREW (M6X35) | 1 | 2 |
| 25 | 130015150000 | VIBRATION DAMPER | 1 | 1 |
| 26 | 139015150060 | CYLINDER | 1 | 1 |
| 27 | 139025150060 | CYLINDER BASE GASKET | 1 | 1 |
| 28 | 150083070000 | BUSH OF GUIDE | 1 | 1 |



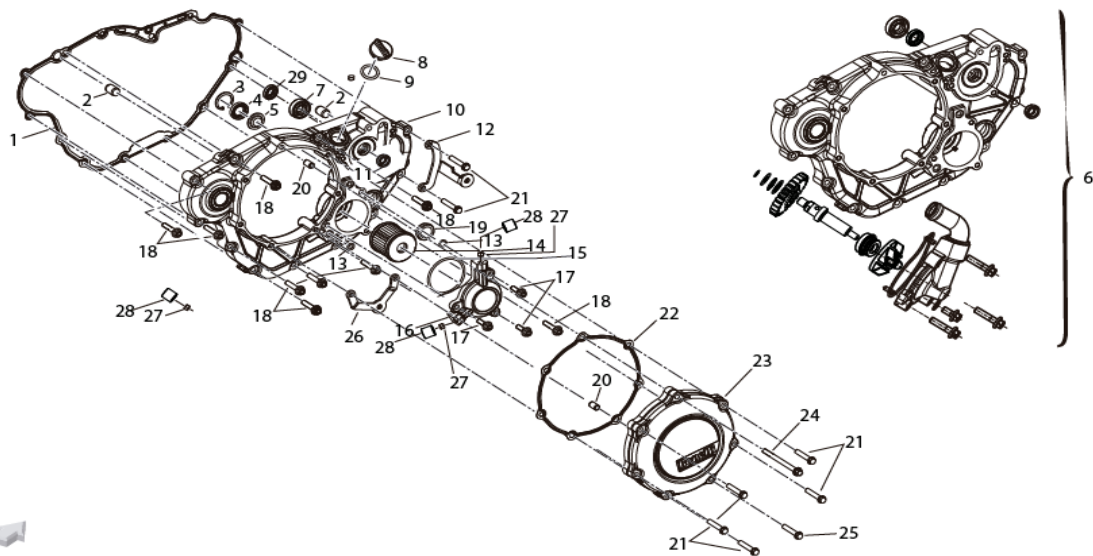
| P | CD.Q.J. | FLYWHEEL | Q.TY.PAK. | Q.TY.TAB. |
|----|--------------|-------------------------|-----------|-----------|
| 1 | 299035150010 | STATOR MAGNETO FLYWHEEL | 1 | 1 |
| 2 | B02170601683 | SCREW (M6X16) | 1 | 9 |
| 3 | 299025150020 | ROTOR MAGNETO FLYWHEEL | 1 | 1 |
| 4 | 249105150000 | COMPLETE STARTER CLUTCH | 1 | 1 |
| 5 | 249045150000 | GEAR, STARTER IDLER | 1 | 1 |
| 6 | 249055150000 | SPINDLE KICK STARTER | 1 | 1 |
| 7 | 240265150000 | ELECTRIC STARTER GEAR | 1 | 1 |
| 8 | B01070602565 | SCREW (M6X25) | 1 | 2 |
| 9 | 249015150000 | STARTING MOTOR | 1 | 1 |
| 10 | 240035150000 | GEAR, STARTER IDLER | 1 | 1 |
| 11 | 240045150000 | SPINDLE KICK STARTER | 1 | 1 |



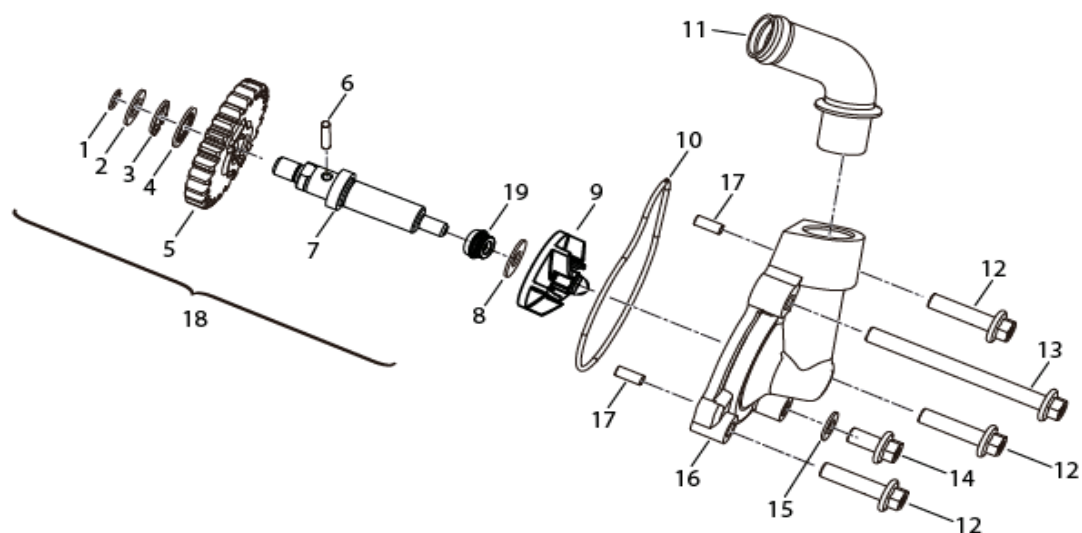
| P | CD.Q.J. | COUPLE CRANKCASE | Q.TY.PAK. | Q.TY.TAB. |
|----|--------------|------------------|-----------|-----------|
| 1 | 159045150040 | L.H. CRANKCASE | 1 | 1 |
| 2 | B12016190503 | BEARING | 1 | 1 |
| 3 | B01070606065 | SCREW (M6X60) | 1 | 6 |
| 4 | 200014130000 | WASHER | 1 | 1 |
| 5 | 15006305002X | PIN | 1 | 1 |
| 6 | 200001050000 | OIL SEAL | 1 | 1 |
| 7 | B01070608065 | SCREW (M6X80) | 1 | 3 |
| 8 | 150045150000 | RUBBER PAD | 1 | 2 |
| 9 | B0107060126H | SCREW (M6X12) | 1 | 5 |
| 10 | 150055150000 | FLANGE | 1 | 1 |
| 11 | B01070609565 | SCREW (M6X95) | 1 | 1 |
| 12 | B1212K121002 | BEARING, NEEDLE | 1 | 1 |
| 13 | B02010601263 | SCREW (M6X12) | 1 | 6 |
| 14 | 150035150000 | PLATE | 1 | 6 |
| 15 | B1210H202001 | BEARING | 1 | 1 |
| 16 | 150124230000 | CAP | 1 | 1 |
| 17 | B01070605065 | SCREW | 1 | 1 |
| 18 | B12016000305 | BEARING | 1 | 1 |
| 19 | 100255150000 | BUSH OF GUIDE | 1 | 2 |
| 20 | 150304230030 | BEARING | 1 | 2 |
| 21 | B12016622206 | BEARING | 1 | 1 |
| 22 | 150235150000 | OIL SEAL | 1 | 1 |
| 23 | 159055150040 | R.H. CRANKCASE | 1 | 1 |
| 23 | 159035150020 | R.H. CRANKCASE | 1 | 1 |
| 24 | 150135150000 | PLATE | 1 | 2 |
| 25 | 150125150000 | PLATE | 1 | 1 |
| 26 | B12016622202 | BEARING | 1 | 1 |
| 27 | B12016000303 | BEARING, NEEDLE | 1 | 1 |
| 28 | 150103300000 | CAP | 1 | 1 |
| 29 | 150155150000 | BUSH | 1 | 2 |
| 30 | B190101700A0 | O-RING | 1 | 2 |
| 31 | B12016020308 | BEARING | 1 | 1 |
| 32 | 150175150000 | FILTER | 1 | 1 |
| 33 | 100066090000 | THREADED CAP | 1 | 1 |



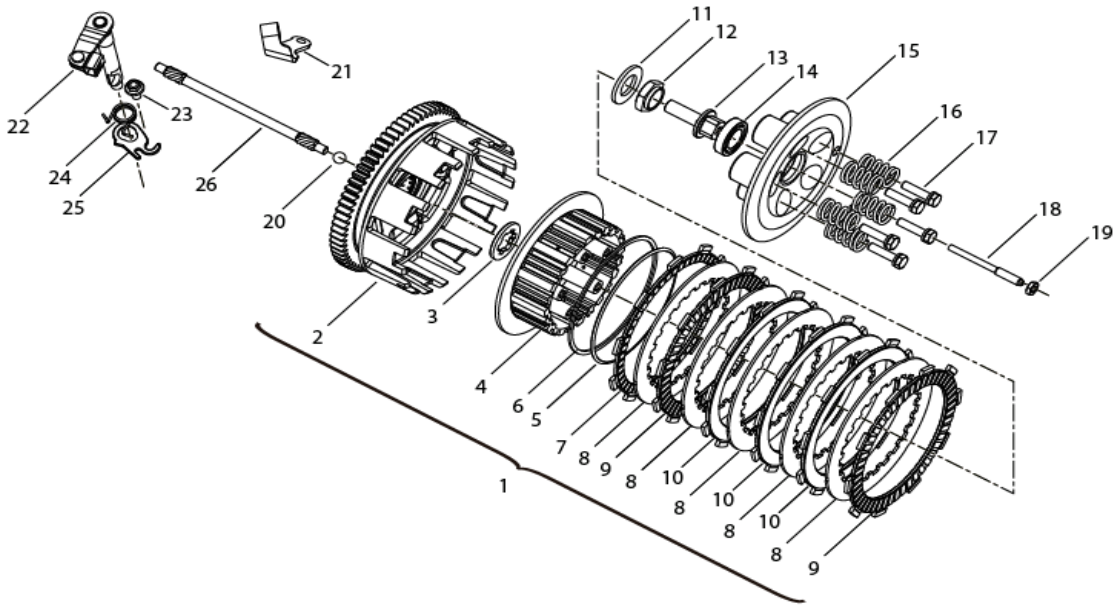
| P | CD.Q.J. | L.H. ENGINE COVER | Q.TY.PAK. | Q.TY.TAB. |
|----|--------------|---------------------------|-----------|-----------|
| 1 | 160073070000 | BUSH | 1 | 2 |
| 2 | 169075150020 | O-RING | 1 | 1 |
| 3 | 260265150000 | PLATE | 1 | 1 |
| 4 | B01070603565 | SCREW (M6X35) | 1 | 3 |
| 5 | B01070611565 | SCREW (M6X115) | 1 | 2 |
| 6 | B02050603065 | SCREW (M6X30) | 1 | 1 |
| 7 | B190103000B0 | O-RING | 1 | 1 |
| 8 | 169085150010 | CAP | 1 | 1 |
| 9 | B190101500A0 | O-RING | 1 | 1 |
| 10 | 169165150010 | MAGNETIC CAP | 1 | 1 |
| 11 | 260255150000 | PLATE | 1 | 1 |
| 12 | B02050610065 | SCREW (M6X100) | 1 | 1 |
| 13 | B01070603265 | SCREW (M6X32) | 1 | 1 |
| 14 | B01070604565 | SCREW (M6X45) | 1 | 1 |
| 15 | B0107060166H | SCREW (M6X16) | 10 | 3 |
| 16 | 169065150020 | COVER STARTER CLUTCH RING | 1 | 1 |
| 17 | B190106200B0 | O-RING | 1 | 1 |
| 18 | 169025150020 | COVER MAGNETO FLYWHEEL | 1 | 1 |
| 19 | B02050502563 | SCREW (M5X25) | 5 | 2 |
| 20 | B01070501263 | SCREW (M5X12) | 10 | 2 |



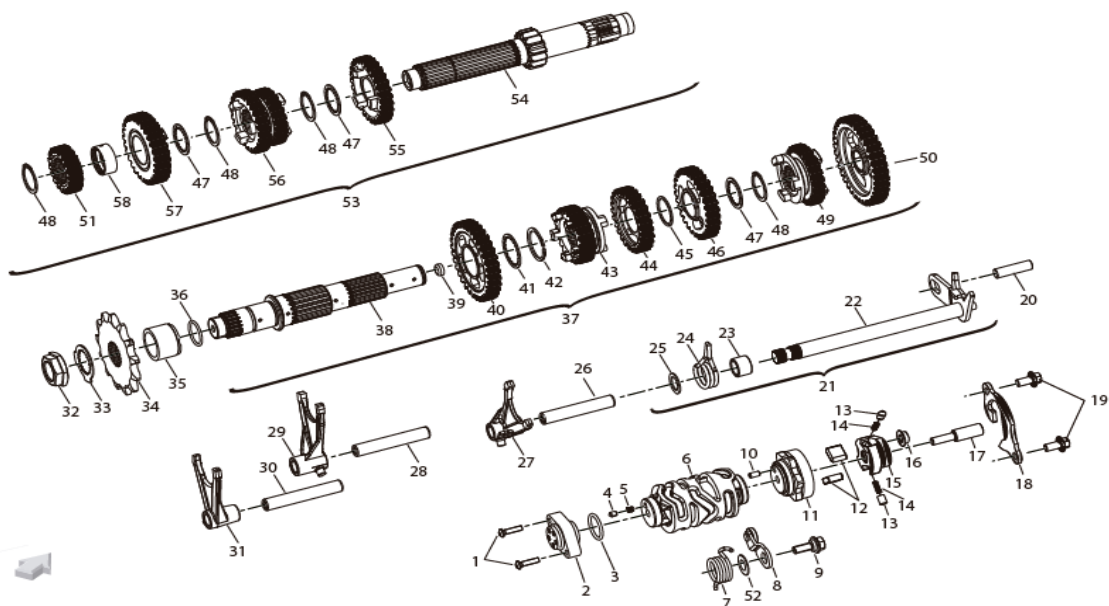
| P | CD.Q.J. | R.H. ENGINE COVERS | Q.TY.PAK. | Q.TY.TAB. |
|----|--------------|-------------------------|-----------|-----------|
| 1 | 169115150020 | GASKET | 1 | 1 |
| 2 | 150042080000 | BUSH OF GUIDE | 5 | 2 |
| 3 | B08000002500 | CIRCLIP | 1 | 1 |
| 4 | 160015040000 | OIL SEAL | 1 | 1 |
| 5 | 160135150000 | LAMELLE | 1 | 1 |
| 6 | 160105150030 | R.H. CRANKCASE COMPLETE | 1 | 1 |
| 7 | B12016000100 | BEARING | 1 | 1 |
| 8 | 160063090070 | OIL LOAD PLUG | 1 | 1 |
| 9 | 160063070000 | O-RING (18X3.5) | 1 | 1 |
| 10 | 169105150120 | R.H. CRANKCASE | 1 | 1 |
| 11 | 270031170000 | OIL SEAL | 1 | 1 |
| 12 | 260305150000 | PLATE | 1 | 1 |
| 13 | B190100710A0 | O-RING | 1 | 2 |
| 14 | 160125150000 | OIL FILTER | 1 | 1 |
| 15 | 160095150000 | O-RING | 1 | 1 |
| 16 | 260135150030 | OIL FILTER COVER | 1 | 1 |
| 17 | B01070602065 | SCREW (M6X20) | 10 | 3 |
| 18 | B01070603265 | SCREW (M6X32) | 1 | 9 |
| 19 | 160083090000 | OIL LEVEL SIGHT GLASS | 1 | 1 |
| 20 | 160073070000 | BUSH | 1 | 2 |
| 21 | B01070603565 | SCREW (M6X35) | 1 | 7 |
| 22 | 169125150020 | GASKET | 1 | 1 |
| 23 | 160085150020 | CLUTCH COVER | 1 | 1 |
| 24 | B01070608065 | SCREW (M6X80) | 1 | 1 |
| 25 | B01070604065 | SCREW (M6X40) | 1 | 1 |
| 26 | 260295150000 | PLATE | 1 | 1 |
| 27 | 150166090000 | PIN | 1 | 1 |
| 28 | 150056090000 | PIN | 3 | 3 |
| 29 | 150025040000 | OIL SEAL | 1 | 1 |



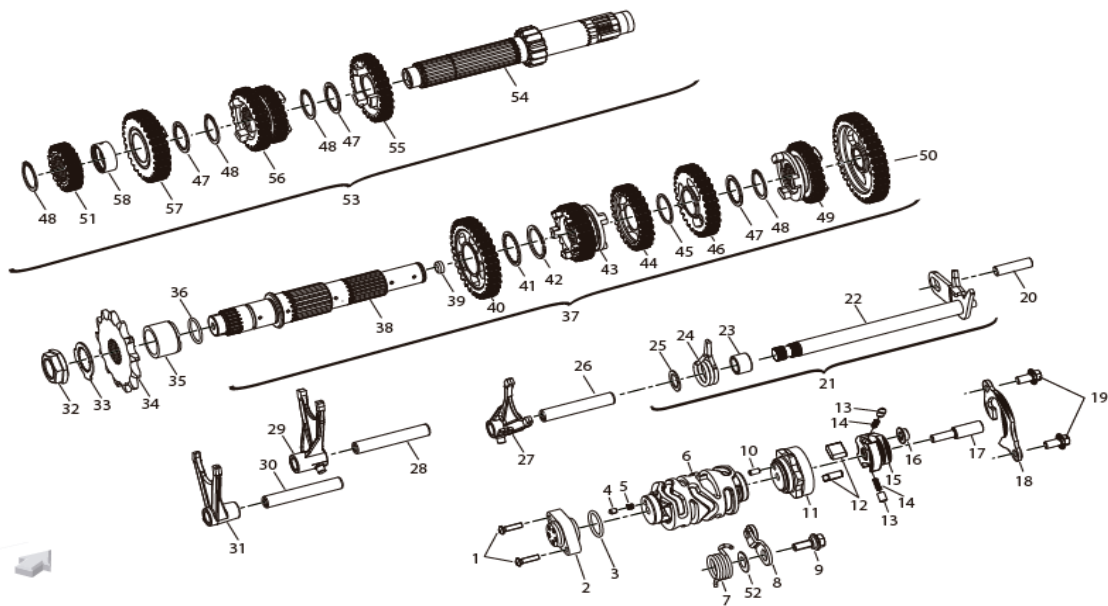
| P | CD.Q.J. | WATER PUMP | Q.TY.PAK. | Q.TY.TAB. |
|----|--------------|---------------------------|-----------|-----------|
| 1 | B08060000801 | SNAP RING | 1 | 1 |
| 2 | 260135050000 | WASHER | 5 | 1 |
| 3 | B08010001201 | CIRCLIP | 1 | 1 |
| 4 | 270065150000 | WASHER | 1 | 1 |
| 5 | 270025150000 | GEAR WATER PUMP | 1 | 1 |
| 6 | B090103022B0 | PIN | 1 | 1 |
| 7 | 279225150020 | WATER PUMP SHAFT | 1 | 1 |
| 8 | 270045150000 | WASHER | 1 | 1 |
| 9 | 279215150020 | WATER PUMP FAN | 1 | 1 |
| 10 | 270055150000 | O-RING | 1 | 1 |
| 11 | 279085150001 | HOSE | 1 | 1 |
| 12 | B01070602565 | SCREW (M6X25) | 1 | 3 |
| 13 | B01070608065 | SCREW (M6X80) | 1 | 1 |
| 14 | B0107060126H | SCREW (M6X12) | 1 | 1 |
| 15 | 130013050000 | STOP WASHER | 10 | 1 |
| 16 | 279335150020 | WATER PUMP COVER | 1 | 1 |
| 17 | B091404010B0 | PIN | 1 | 2 |
| 18 | 279235150030 | COMPLETE WATER PUMP SHAFT | 1 | 1 |
| 19 | 270015050000 | MECHANICAL SEAL | | |



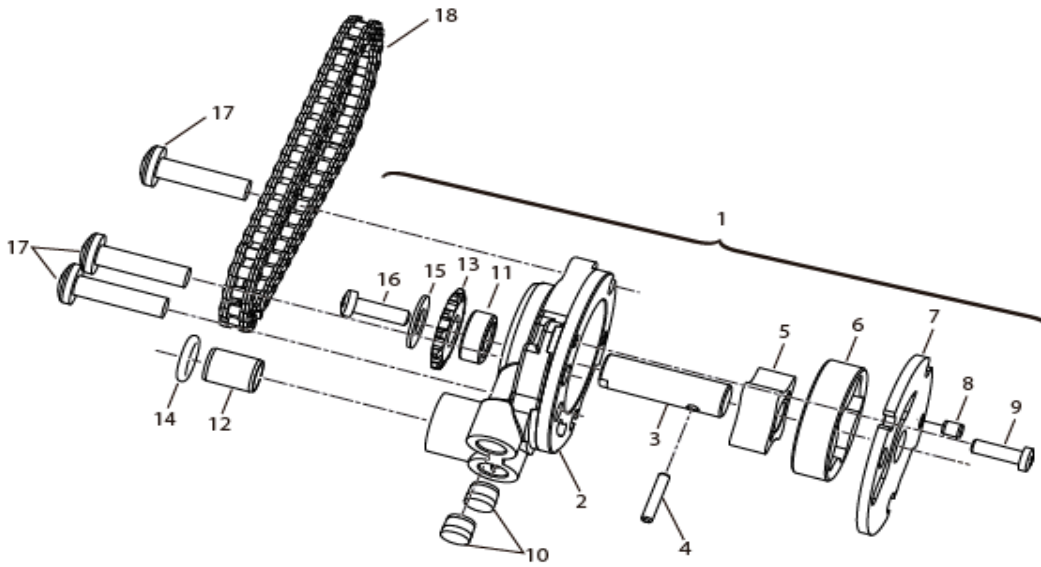
| P | CD.Q.J. | CLUTCH | Q.TY.PAK. | Q.TY.TAB. |
|----|--------------|----------------------------|-----------|-----------|
| 1 | 209255150000 | COMPLETE CLUTCH | 1 | 1 |
| 2 | 209245150000 | CLUTCH HOUSING | 1 | 1 |
| 3 | 200025040000 | WASHER-CROWN | 1 | 1 |
| 4 | 209205150000 | CLUTCH DRUM | 1 | 1 |
| 5 | 200236030001 | GASKET | 1 | 2 |
| 6 | 200226030001 | SPRING WASHER | 1 | 1 |
| 7 | 200375150000 | DRIVEN CLUTCH PLATE | 1 | 1 |
| 8 | 200145150010 | STEEL CLUTCH PLATE | 1 | 5 |
| 9 | 200385150000 | DRIVEN CLUTCH PLATE | 1 | 2 |
| 10 | 200135150010 | DRIVEN CLUTCH PLATE | 1 | 3 |
| 11 | 200175150000 | WASHER | 1 | 1 |
| 12 | 200315150000 | NUT, FLANGE | 1 | 1 |
| 13 | 200355150000 | PRESSURE PLATE PIN | 1 | 1 |
| 14 | B12016190303 | BEARING | 1 | 1 |
| 15 | 200155150000 | DISC PRESSURE PLATE | 1 | 1 |
| 16 | 200165150010 | SPRING | 1 | 5 |
| 17 | B1331060250N | SCREW (M6X25) | 1 | 5 |
| 18 | 200365150000 | PRESSURE PLATE PIN | 1 | 1 |
| 19 | B04020600003 | NUT, FLANGE | 1 | 1 |
| 20 | B06010290000 | BALL | 1 | 1 |
| 21 | 200305150000 | PLATE | 1 | 1 |
| 22 | 200195150000 | DISENGAGEMENT LEVER CLUTCH | 1 | 1 |
| 23 | B0107060126H | SCREW (M6X12) | 1 | 1 |
| 24 | 200225150000 | INNER SPRING | 1 | 1 |
| 25 | 200235150000 | FLANGE | 1 | 1 |
| 26 | 200405150000 | CLUTCH CONTROL ROD | 1 | 1 |



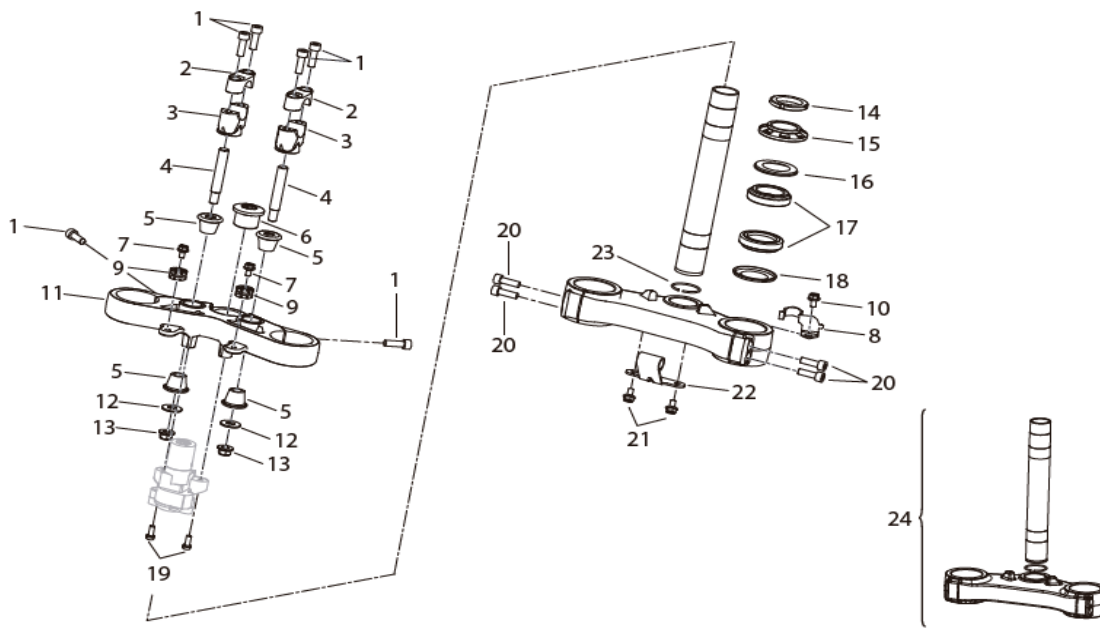
| P | CD.Q.J. | GEAR-BOX | Q.TY.PAK. | Q.TY.TAB. |
|----|--------------|---------------------------------|-----------|-----------|
| 1 | B13050401603 | SCREW (M4X16) | 1 | 2 |
| 2 | 219075150000 | GEAR-BOX SENSOR | 1 | 1 |
| 3 | 210043070000 | O-RING | 1 | 1 |
| 4 | 210343070000 | PIN | 1 | 1 |
| 5 | 210383070000 | SPRING | 1 | 1 |
| 6 | 219055150000 | SHIFT CAM | 1 | 1 |
| 7 | 210415150000 | INNER SPRING | 1 | 1 |
| 8 | 210375150010 | PLATE | 1 | 1 |
| 9 | 210395150000 | SCREW | 1 | 1 |
| 10 | B091404009A1 | PIN | 1 | 1 |
| 11 | 210216060000 | GEARBOX DRUM | 1 | 1 |
| 12 | 210316090000 | LAMELLE | 1 | 2 |
| 13 | 210326090000 | BUSH | 1 | 2 |
| 14 | 210475150000 | SPRING | 1 | 2 |
| 15 | 210265150000 | SHIFT CAM RATCHET | 1 | 1 |
| 16 | 210275150000 | BUSH | 1 | 1 |
| 17 | 210296090000 | PIN | 1 | 1 |
| 18 | 210305150000 | FLANGE | 1 | 1 |
| 19 | B01070601065 | SCREW (M6X10) | 1 | 1 |
| 20 | 150092080000 | SHAFT | 1 | 1 |
| 21 | 210245150000 | COMPLETE SHIFT SHAFT ASSY | 1 | 1 |
| 22 | 210345150000 | SELECTOR SHAFT | 1 | 1 |
| 23 | 210325150000 | RUBBER PAD | 1 | 1 |
| 24 | 210335150000 | INNER SPRING | 1 | 1 |
| 25 | 260025150000 | WASHER | 1 | 1 |
| 26 | 210185150010 | SHAFT GEAR SHIFT 5 ^a | 1 | 1 |
| 27 | 210175150000 | FORK, GEAR SHIFT 5 ^a | 1 | 1 |
| 28 | 210155150010 | SHAFT, GEAR SHIFT | 1 | 1 |
| 29 | 210145150000 | FORK, GEAR SHIFT | 1 | 1 |
| 30 | 210215150010 | SHAFT GEAR SHIFT 6 ^a | 1 | 1 |
| 31 | 210205150010 | FORK, GEAR SHIFT 6 ^a | 1 | 1 |
| 32 | 210455150000 | NUT, FLANGE | 1 | 1 |
| 33 | 210445150000 | PLATE | 1 | 1 |
| 34 | 210435150000 | SPROCKET | 1 | 1 |
| 35 | 210425150000 | BUSH | 1 | 1 |
| 36 | B190101900A0 | O-RING | 1 | 1 |
| 37 | 219215150010 | COMPLETE LAY SHAFT | 1 | 1 |



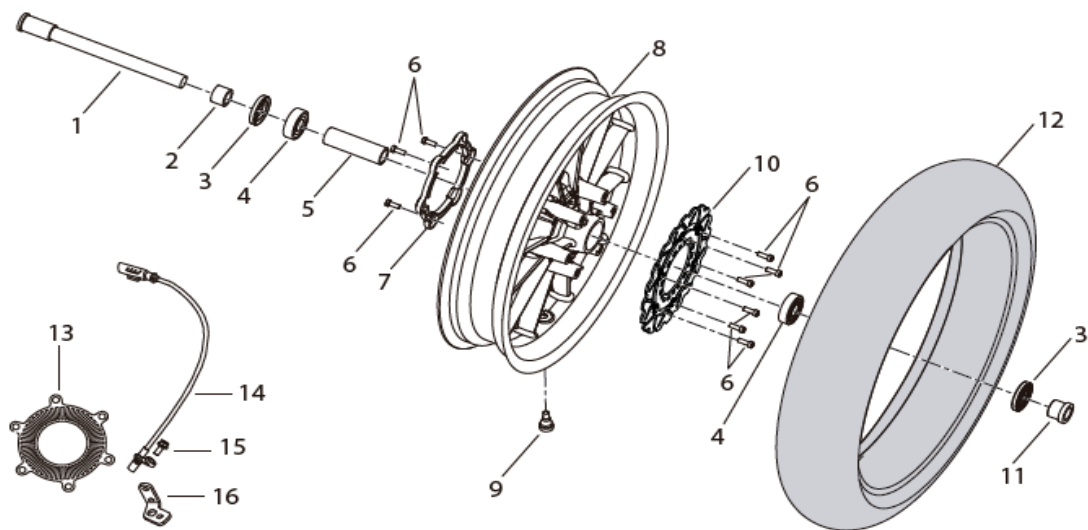
| P | CD.Q.J. | GEAR-BOX | Q.TY.PAK. | Q.TY.TAB. |
|----|--------------|---------------------|-----------|-----------|
| 38 | 219225150010 | LAY SHAFT | 1 | 1 |
| 39 | 210115150000 | CAP | 1 | 1 |
| 40 | 219245150000 | DRIVEN GEAR 2ND | 1 | 1 |
| 41 | 210055150010 | SHIM | 1 | 1 |
| 42 | 210065150000 | CIRCLIP | 1 | 1 |
| 43 | 219285150010 | DRIVEN GEAR 6TH | 1 | 1 |
| 44 | 219265150000 | DRIVEN GEAR 4TH | 1 | 1 |
| 45 | 210125150000 | WASHER | 1 | 1 |
| 46 | 219255150000 | DRIVEN GEAR 3RD | 1 | 1 |
| 47 | 210035150000 | SHIM | 1 | 3 |
| 48 | 210045150000 | CIRCLIP | 1 | 4 |
| 49 | 219275150000 | DRIVEN GEAR 5TH | 1 | 1 |
| 50 | 210095150000 | DRIVEN GEAR 1ST | 1 | 1 |
| 51 | 219165150000 | DRIVEN GEAR 2ND | 1 | 1 |
| 52 | 219494320000 | WASHER | 1 | 1 |
| 53 | 219315150000 | COMPLETE MAIN SHAFT | 1 | 1 |
| 54 | 219305150000 | MAIN SHAFT | 1 | 1 |
| 55 | 219195150000 | DRIVEN GEAR 5TH | 1 | 1 |
| 56 | 210025150000 | DRIVEN GEAR 3RD-4TH | 1 | 1 |
| 57 | 219205150000 | DRIVEN GEAR 6TH | 1 | 1 |
| 58 | 210015150000 | BEARING, NEEDLE | 1 | 1 |



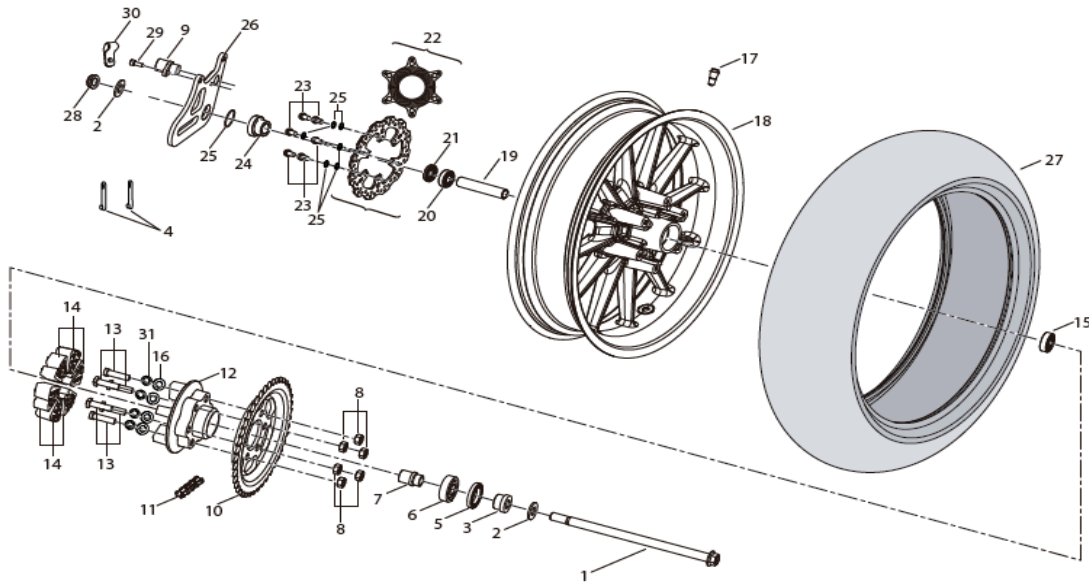
| P | CD.Q.J. | LUBRIFICATION | Q.TY.PAK. | Q.TY.TAB. |
|----|--------------|-------------------|-----------|-----------|
| 1 | 269245150000 | COMPLETE OIL PUMP | 1 | 1 |
| 2 | 269095150001 | OIL PUMP BODY | 1 | 1 |
| 3 | 269235150000 | OIL PUMP SHAFT | 1 | 1 |
| 4 | B090103016B0 | PIN | 1 | 1 |
| 5 | 260115150001 | INNER ROTOR | 1 | 1 |
| 6 | 260105150000 | OUTER ROTOR | 1 | 1 |
| 7 | 269105150000 | OIL PUMP COVER | 1 | 1 |
| 8 | B090104005A0 | PIN | 1 | 1 |
| 9 | B02040401023 | SCREW (M4X10) | 1 | 1 |
| 10 | 260195150000 | CAP | 1 | 2 |
| 11 | 269215150000 | BUSH | 1 | 1 |
| 12 | 150083070000 | BUSH OF GUIDE | 1 | 1 |
| 13 | 269225150000 | OIL PUMP SPROCKET | 1 | 1 |
| 14 | 260113070000 | O-RING | 1 | 1 |
| 15 | 260053300000 | WASHER | 1 | 1 |
| 16 | B01070501063 | SCREW (M5X10) | 1 | 1 |
| 17 | B02040602563 | SCREW (M6X25) | 1 | 3 |
| 18 | 269205150000 | OIL PUMP CHAIN | 1 | 1 |



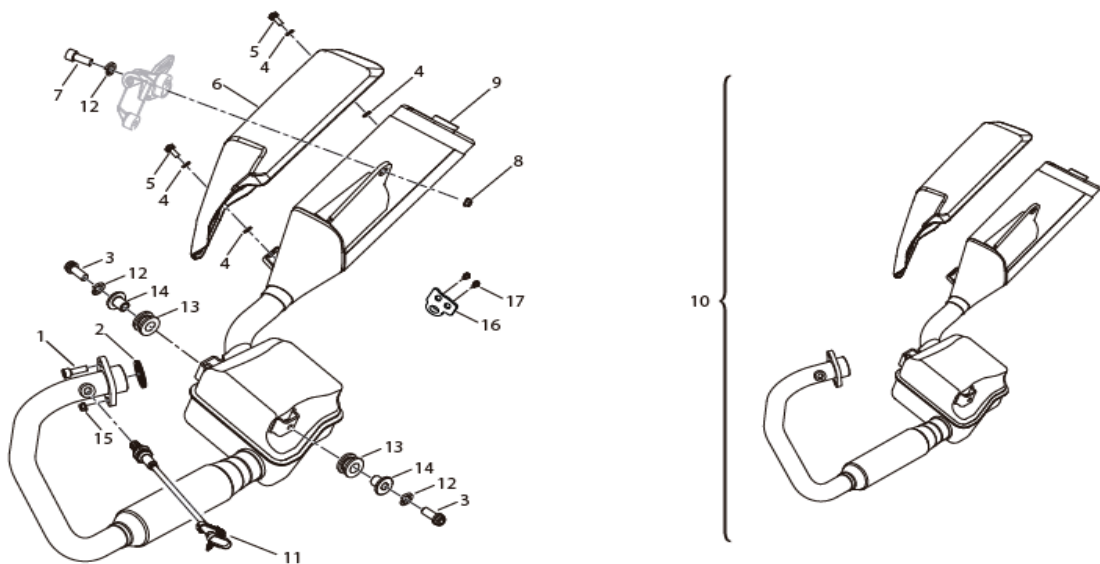
| P | CD.Q.J. | FRONT FORK | Q.TY.PAK. | Q.TY.TAB. |
|----|--------------|--------------------------|-----------|-----------|
| 1 | B0281080256H | SCREW (TCEI M8X25) | 1 | 2 |
| 2 | 43013P010000 | UPPER BRACKET | 1 | 2 |
| 3 | 43014P010000 | LOWER BRACKET | 1 | 2 |
| 4 | 40086P010001 | HANDLEBAR FIXING PIN | 1 | 2 |
| 5 | 47015P010000 | BUSH | 1 | 4 |
| 6 | 43049P250000 | SPECIAL SCREW | 1 | 1 |
| 7 | B0284060250A | SCREW (M6X25) | 1 | 2 |
| 8 | 43036P100000 | FAIRLEAD | 1 | 1 |
| 9 | 65618J820000 | VIBRATION DAMPER PAD | 1 | 2 |
| 10 | B01090601065 | SCREW (M6X10) | 1 | 1 |
| 11 | 43011P100000 | UPPER STEERING HEAD BASE | 1 | 1 |
| 12 | 40089P010000 | WASHER | 1 | 2 |
| 13 | B04821012552 | NUT (M10) | 1 | 2 |
| 14 | 43008S010010 | STEERING RING NUT PIN | 1 | 1 |
| 15 | 43009P260000 | STEERING RING NUT | 1 | 1 |
| 16 | 43005S010000 | RING,PROTECTION DUST | 1 | 1 |
| 17 | 43130S010000 | BEARING | 1 | 2 |
| 18 | 43005S010000 | RING,PROTECTION DUST | 1 | 1 |
| 19 | B02070602022 | SCREW (M6X20) | 1 | 2 |
| 20 | B02810803062 | SCREW (TCEI M8X30) | 1 | 4 |
| 21 | B01090601265 | SCREW (M6X12) | 10 | 2 |
| 22 | 08346N220000 | FAIRLEAD | 1 | 1 |
| 23 | 43103S010000 | CIRCLIP | 1 | 1 |
| 24 | 43100P100000 | LOWER STEERING HEAD BASE | 1 | 1 |



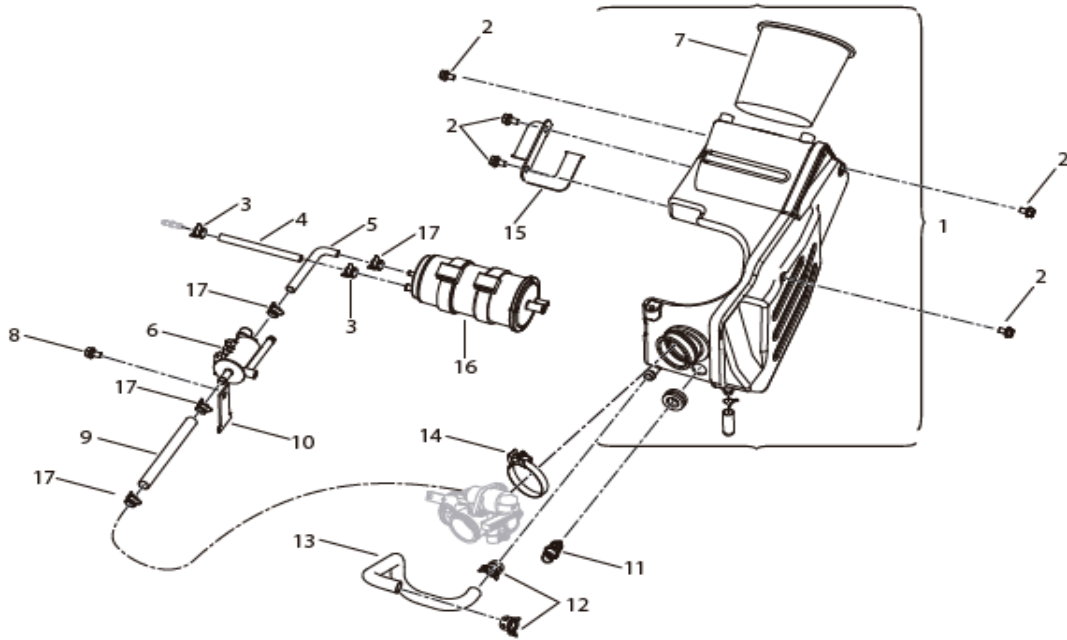
| P | CD.Q.J. | FRONT WHEEL | Q.TY.PAK. | Q.TY.TAB. |
|----|--------------|-------------------------------|-----------|-----------|
| 1 | 44004P100100 | FRONT WHEEL SPINDLE | 1 | 1 |
| 2 | 44016P100000 | SPACER | 1 | 1 |
| 3 | 60200J000001 | OIL SEAL | 1 | 2 |
| 4 | B12016020400 | BEARING | 1 | 2 |
| 5 | 44006P100000 | INNER SPACER | 1 | 1 |
| 6 | B02810802062 | SCREW (M8X1.25X20) | 5 | 9 |
| 7 | 44027N220000 | FLANGE | 1 | 1 |
| 8 | 44101P10HT00 | FRONT WHEEL RIM (GREY) | 1 | 1 |
| 9 | B1403Z201100 | VALVE | 1 | 1 |
| 10 | 45030N220002 | FRONT BRAKE DISC | 1 | 1 |
| 11 | 44005P100000 | L.H. SPACER | 1 | 1 |
| 12 | B140106D1702 | FRONT TYRE 120/70-R17 | 1 | 1 |
| 13 | 45702P100000 | PHASE SENSOR ABS - REAR WHEEL | 1 | 1 |
| 14 | 45710P100000 | REAR WHEEL SPEED SENSOR ABS | 1 | 1 |
| 15 | B02810601262 | SCREW (M6X12) | 1 | 1 |
| 16 | 45094P100000 | BRACKET | 1 | 1 |



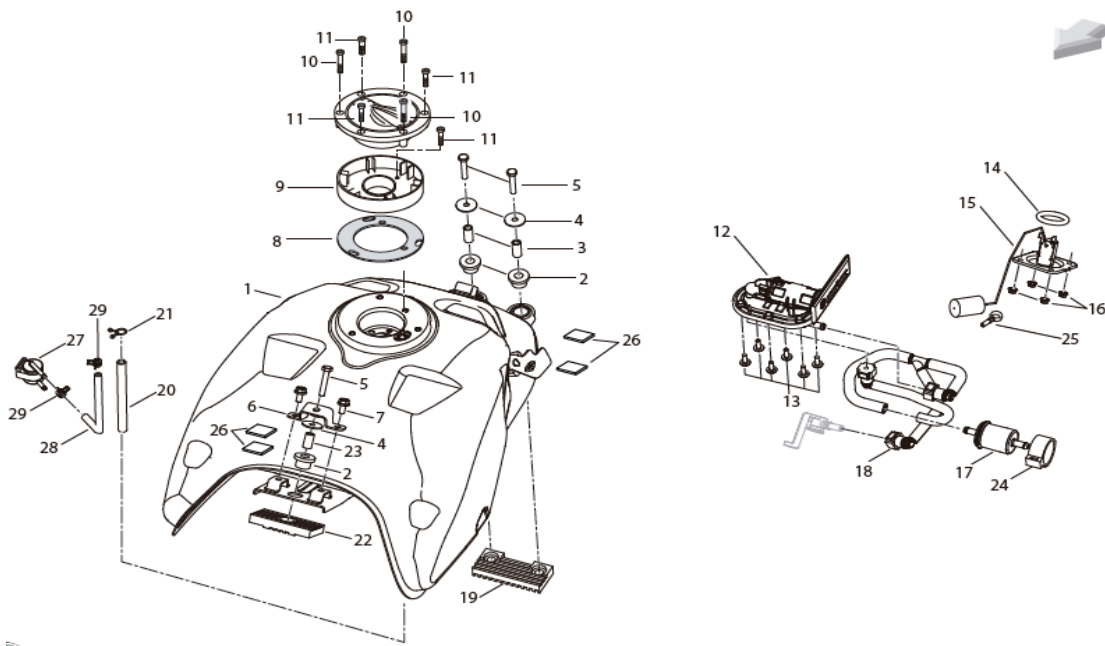
| P | CD.Q.J. | REAR WHEEL | Q.TY.PAK. | Q.TY.TAB. |
|----|--------------|-----------------------------|-----------|-----------|
| 1 | 54004J670000 | REAR WHEEL SPINDLE | 1 | 1 |
| 2 | 08021K670000 | WASHER | 1 | 2 |
| 3 | 54016N220000 | SPACER | 1 | 1 |
| 4 | 96003P250000 | RUBBER HOSE CLAMP | 1 | 2 |
| 5 | 60200J000001 | OIL SEAL | 1 | 1 |
| 6 | B12016020400 | BEARING | 1 | 1 |
| 7 | 60006J000001 | BUSH | 1 | 1 |
| 8 | B04821012552 | NUT (M10) | 1 | 6 |
| 9 | 45710P100000 | REAR WHEEL SPEED SENSOR ABS | 1 | 1 |
| 10 | 60002N220001 | RING GEAR | 1 | 1 |
| 11 | B1502X1108B0 | CHAIN TRANSMISSION | 1 | 1 |
| 12 | 60001N210000 | REAR WHEEL HUB | 1 | 1 |
| 13 | 60015M190000 | SCREW (M10X42) | 1 | 6 |
| 14 | 54024N210000 | SPRING DRIVE RUBBER | 1 | 6 |
| 15 | B12016020200 | BEARING | 1 | 1 |
| 16 | B07030001004 | WASHER | 1 | 6 |
| 17 | B1403Z201100 | VALVE | 1 | 1 |
| 18 | 54101N22HT01 | REAR WHEEL RIM (GREY) | 1 | 1 |
| 19 | 54006J800000 | SPACER | 1 | 1 |
| 20 | B12016030200 | BEARING | 1 | 1 |
| 21 | 44300J040000 | SEAL RING | 1 | 1 |
| 22 | 55030P100002 | REAR BRAKE DISC | 1 | 1 |
| 23 | 45036D010000 | SCREW (M6X16) | 5 | 6 |
| 24 | 55095N220001 | BUSH | 1 | 1 |
| 25 | B0700000060H | ELASTIC WASHER | 1 | 2 |
| 26 | 55410N220003 | CALIPER HOLDER PLATE | 1 | 1 |
| 27 | B140110C1700 | REAR TIRE 160/60-R17 | 1 | 1 |
| 28 | B04171415055 | NUT (M14) | 10 | 1 |
| 29 | B02810601262 | SCREW (M6X12) | 1 | 1 |
| 30 | 43070J670010 | CLAMP | 1 | 1 |
| 31 | B07000001004 | WASHER | 1 | 6 |



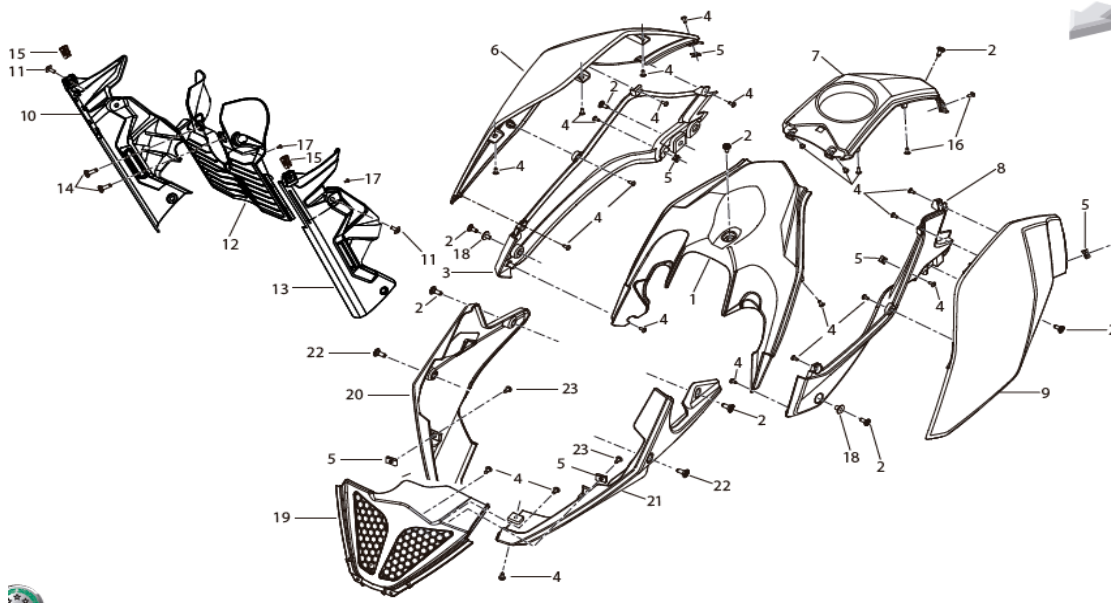
| P | CD.Q.J. | EXHAUST SYSTEM | Q.TY.PAK. | Q.TY.TAB. |
|----|--------------|--------------------|-----------|-----------|
| 1 | B0281080256H | SCREW (TCEI M8X25) | 1 | 1 |
| 2 | 47800J060000 | GASKET | 1 | 1 |
| 3 | B01090802565 | SCREW (M8X25) | 1 | 2 |
| 4 | 08022N050000 | WASHER | 1 | 4 |
| 5 | B13060601605 | SCREW (M6X16) | 10 | 2 |
| 6 | 47023N22HT00 | MUFFLER PROTECTION | 1 | 1 |
| 7 | B02050805564 | SCREW (M8X55) | 1 | 1 |
| 8 | B04000800052 | NUT (M8) | 1 | 1 |
| 9 | 47100N22000E | MUFFLER | 1 | 1 |
| 10 | 47100N2200EZ | COMPLETE SILENCIER | 1 | 1 |
| 11 | 280586030020 | LAMBDA SENSOR | 1 | 1 |
| 12 | B07000000802 | ELASTIC WASHER | 1 | 1 |
| 13 | 65617H010010 | RUBBER PAD | 1 | 2 |
| 14 | 65613P260000 | BUSH | 1 | 2 |
| 15 | B04000800055 | NUT (M8) | 1 | 1 |
| 16 | 47601N220000 | PLATE | 2 | 2 |
| 17 | B01090802065 | SCREW (M8X20) | 1 | 1 |



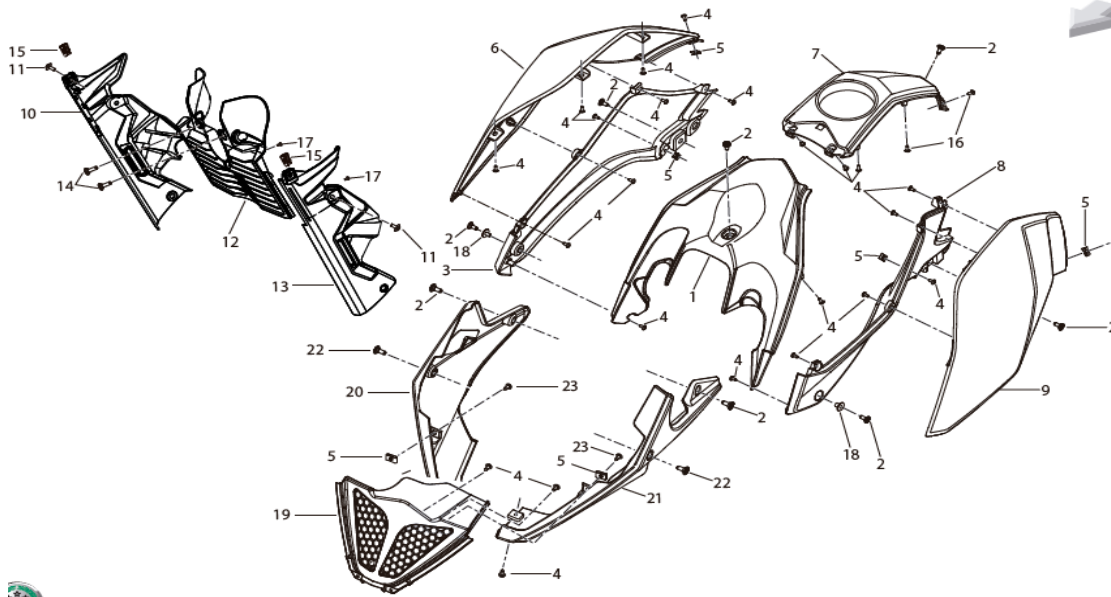
| P | CD.Q.J. | INTAKE | Q.TY.PAK. | Q.TY.TAB. |
|----|--------------|-------------------------|-----------|-----------|
| 1 | 49100N220005 | COMPLETE AIR FILTER BOX | 1 | 1 |
| 2 | B01090601665 | SCREW (M6X16) | 10 | 5 |
| 3 | 49016B350010 | HOSE GUIDE SPRING | 1 | 2 |
| 4 | B16010C22401 | TUBE | 1 | 2 |
| 5 | 49922N220000 | TUBE | 1 | 1 |
| 6 | 49710N070000 | VALVE | 1 | 1 |
| 7 | 49202N220002 | AIR FILTER | 1 | 1 |
| 8 | B01090601065 | SCREW (M6X10) | 1 | 1 |
| 9 | 49923N220000 | TUBE | 1 | 1 |
| 10 | 57055J690000 | PLATE | 1 | 1 |
| 11 | 310015040000 | AIR TEMPERATURE SENSOR | 1 | 2 |
| 12 | 49016N250000 | SPRING | 1 | 2 |
| 13 | 49311N220001 | TUBE | 1 | 1 |
| 14 | 49350J060002 | SCREW HOSE CLAMP | 1 | 1 |
| 15 | 57054N220000 | PLATE | 1 | 1 |
| 16 | 49912K670000 | FILTER CANISTER | 1 | 1 |
| 17 | 50307J140002 | SPRING HOSE CLAMP | 10 | 3 |



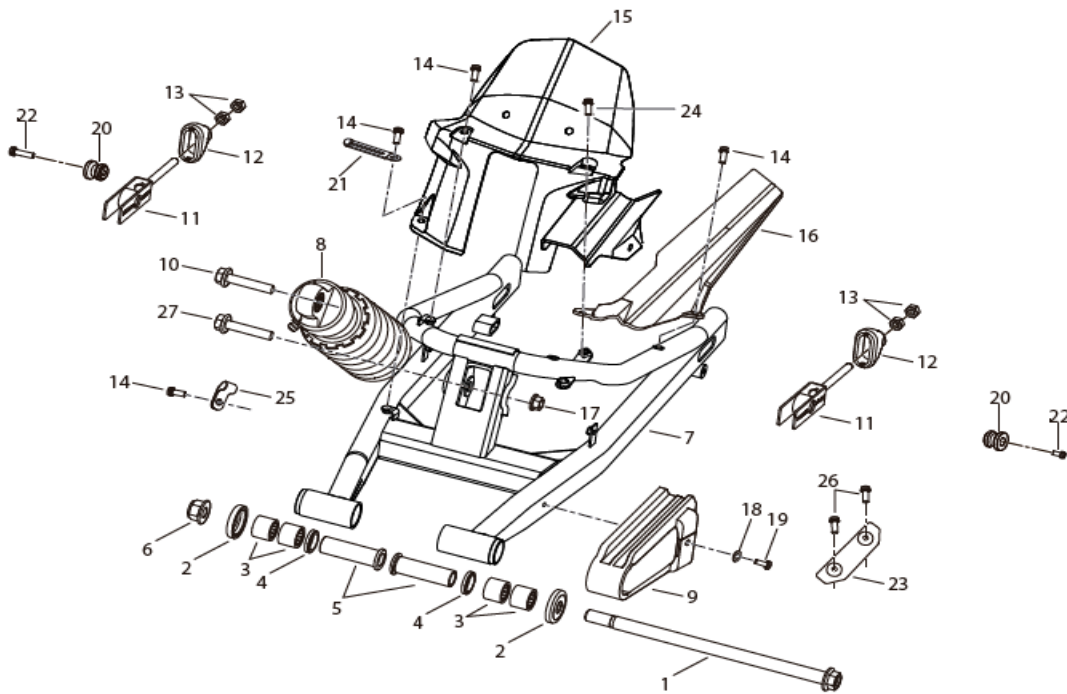
| P | CD.Q.J. | FUEL TANK | Q.TY.PAK. | Q.TY.TAB. |
|----|--------------|----------------------|-----------|-----------|
| 1 | 50100K990001 | FUEL TANK | 1 | 1 |
| 1 | 50100K990005 | FUEL TANK | 1 | 1 |
| 2 | 50222J000001 | BUSH | 1 | 3 |
| 3 | 50221J000001 | BUSH | 1 | 2 |
| 4 | 08023J000020 | WASHER | 1 | 3 |
| 5 | B01090603565 | SCREW (M6X35) | 1 | 3 |
| 6 | 50510K990000 | PLATE | 1 | 1 |
| 7 | B01090601065 | SCREW (M6X10) | 1 | 2 |
| 8 | 50202J800001 | RUBBER GASKET | 1 | 1 |
| 9 | 50210J800000 | UNION PIPE | 1 | 1 |
| 10 | B0280050300A | SCREW (M5X30) | 10 | 3 |
| 11 | B0280050140A | SCREW (M5X14) | 10 | 4 |
| 12 | 50400P100020 | FUEL PUMP | 1 | 1 |
| 13 | B0109050166H | SCREW (M5X16) | 5 | 6 |
| 14 | 50002K020000 | GASKET | 1 | 1 |
| 15 | 50800N220000 | FUEL LEVEL SENSOR | 1 | 1 |
| 16 | B04070600055 | NUT (M6) | 10 | 4 |
| 17 | 50340N100001 | FUEL FILTER | 1 | 1 |
| 18 | 50370N220000 | PIPES | 1 | 1 |
| 19 | 50006J000001 | VIBRATION DAMPER PAD | 1 | 1 |
| 20 | 50012T750000 | TUBE | 1 | 1 |
| 21 | B17010105003 | SPRING | 5 | 1 |
| 22 | 50005N210000 | RUBBER PAD | 1 | 1 |
| 23 | 50221K990000 | BUSH | 1 | 1 |
| 24 | 50391N070000 | HOLDER FILTER | 1 | 1 |
| 25 | 52008P100000 | PIN | 1 | 1 |
| 26 | 58752J00000A | PAD | 1 | 6 |
| 27 | 49930G410000 | ONE-WAY VALVE | | 1 |
| 28 | B16010C22001 | TUBE | | 1 |
| 29 | 49016B350010 | HOSE GUIDE SPRING | 1 | 1 |



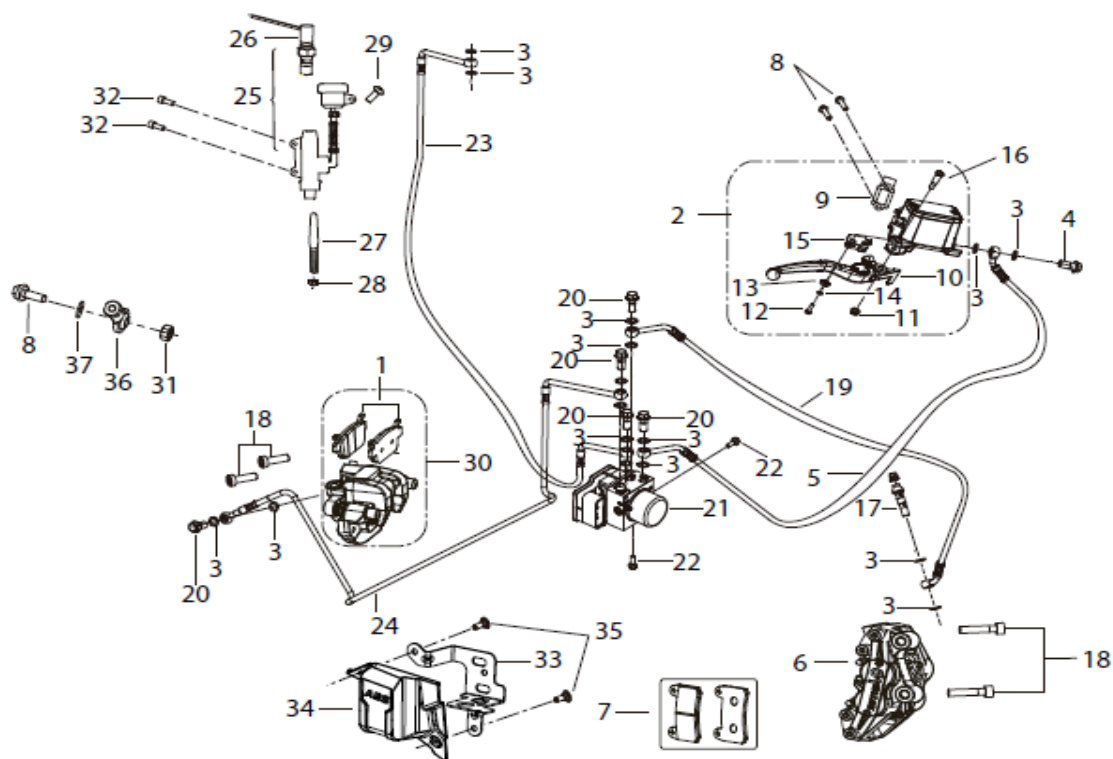
| P | CD.Q.J. | FAIRINGS | Q.TY.PAK. | Q.TY.TAB. |
|----|--------------|--------------------------------|-----------|-----------|
| 1 | 65672K990000 | STEERING LOCK COVER | 1 | 1 |
| 2 | B0284060150A | SCREW (M6X15.2) | 5 | 8 |
| 3 | 65674K990000 | R.H. BODY PANEL FUEL TANK | 1 | 1 |
| 4 | B05074201305 | SCREW (ST4.2X13) | 10 | 22 |
| 5 | 65801T020001 | QUIK FASTENING (M6) | 1 | 6 |
| 6 | 50016K99WF00 | R.H. FUEL TANK CAP (WHITE) | 1 | 1 |
| 6 | 50016K99GT00 | R.H. FUEL TANK CAP (GREEN) | 1 | 1 |
| 6 | 50016K99BC00 | R.H. FUEL TANK CAP (BLACK) | 1 | 1 |
| 6 | 50016K99F900 | R.H. FUEL TANK CAP (RED) | 1 | 1 |
| 6 | 50016K99038Z | R.H. FUEL TANK CAP (WHITE) | 1 | 1 |
| 6 | 50016K99039Z | R.H. FUEL TANK CAP (GREEN) | 1 | 1 |
| 6 | 50016K99040Z | R.H. FUEL TANK CAP (BLACK) | 1 | 1 |
| 6 | 50016K99041Z | R.H. FUEL TANK CAP (RED) | 1 | 1 |
| 7 | 65671K990000 | CENTRAL TANK COVER | 1 | 1 |
| 8 | 65673K990000 | L.H. BODY PANEL FUEL TANK | 1 | 1 |
| 9 | 50015K99WF00 | L.H. FUEL TANK CAP (WHITE) | 1 | 1 |
| 9 | 50015K99GT00 | L.H. FUEL TANK CAP (GREEN) | 1 | 1 |
| 9 | 50015K99BC00 | L.H. FUEL TANK CAP (BLACK) | 1 | 1 |
| 9 | 50015K99F900 | L.H. FUEL TANK CAP (RED) | 1 | 1 |
| 9 | 50015K99038Z | L.H. FUEL TANK CAP (WHITE) | 1 | 1 |
| 9 | 50015K99039Z | L.H. FUEL TANK CAP (GREEN) | 1 | 1 |
| 9 | 50015K99040Z | L.H. FUEL TANK CAP (BLACK) | 1 | 1 |
| 9 | 50015K99041Z | L.H. FUEL TANK CAP (RED) | 1 | 1 |
| 10 | 65677N220000 | R.H. RADIATOR PROTECTION | 1 | 1 |
| 11 | B0284060250A | SCREW (M6X25) | 1 | 2 |
| 12 | 65675K990000 | RADIATOR GRID | 1 | 1 |
| 13 | 65676N220000 | L.H. RADIATOR PROTECTION | 1 | 1 |
| 14 | B0284060250A | SCREW (M6X25) | 1 | 2 |
| 15 | 65625J560000 | QUIK FASTENING (M6) | 1 | 2 |
| 16 | B05074201015 | SCREW (ST4.2X10) | 1 | 2 |
| 17 | B05074201005 | SCREW (ST4.2X9.5) | 1 | 2 |
| 18 | 14003S040000 | UPPER BUSH | 1 | 2 |
| 19 | 65408N250000 | MAIN ENGINE PROTECTION | 1 | 1 |
| 20 | 65407N25WF00 | R.H. ENGINE PROTECTION (WHITE) | 1 | 1 |
| 20 | 65407N25GT00 | R.H. ENGINE PROTECTION (GREEN) | 1 | 1 |
| 20 | 65407N25BC00 | R.H. ENGINE PROTECTION (BLACK) | 1 | 1 |
| 20 | 65407N25F900 | R.H. ENGINE PROTECTION (RED) | 1 | 1 |



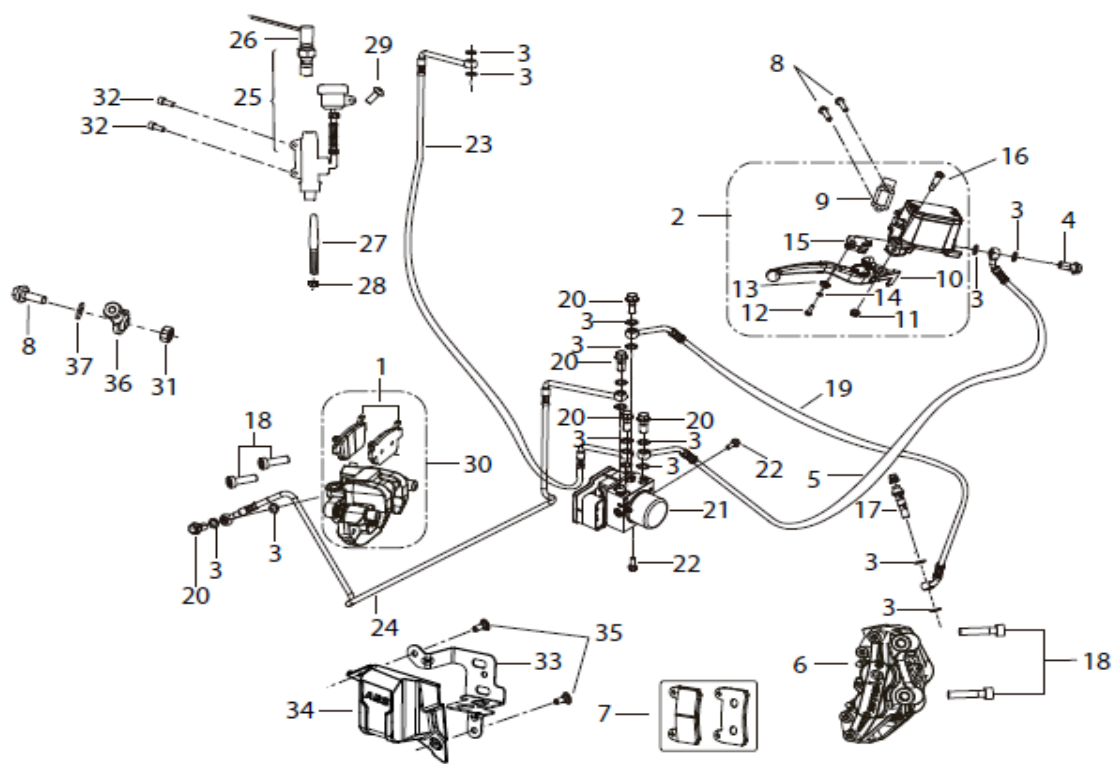
| P | CD.Q.J. | FAIRINGS | Q.TY.PAK. | Q.TY.TAB. |
|----|--------------|--------------------------------|-----------|-----------|
| 20 | 65407N25005Z | R.H. ENGINE PROTECTION (WHITE) | 1 | 1 |
| 20 | 65407N25006Z | R.H. ENGINE PROTECTION (GREEN) | 1 | 1 |
| 20 | 65407N25007Z | R.H. ENGINE PROTECTION (BLACK) | 1 | 1 |
| 20 | 65407N25008Z | R.H. ENGINE PROTECTION (RED) | 1 | 1 |
| 21 | 65406N25WF00 | L.H. ENGINE PROTECTION (WHITE) | 1 | 1 |
| 21 | 65406N25GT00 | L.H. ENGINE PROTECTION (GREEN) | 1 | 1 |
| 21 | 65406N25BC00 | L.H. ENGINE PROTECTION (BLACK) | 1 | 1 |
| 21 | 65406N25F900 | L.H. ENGINE PROTECTION (RED) | 1 | 1 |
| 21 | 65406N25005Z | L.H. ENGINE PROTECTION (WHITE) | 1 | 1 |
| 21 | 65406N25006Z | L.H. ENGINE PROTECTION (GREEN) | 1 | 1 |
| 21 | 65406N25007Z | L.H. ENGINE PROTECTION (BLACK) | 1 | 1 |
| 21 | 65406N25008Z | L.H. ENGINE PROTECTION (RED) | 1 | 1 |
| 22 | B0284060190A | SCREW (M6X19.2) | 1 | 2 |
| 23 | B05074801305 | SCREW (ST4.8X13) | 5 | 2 |



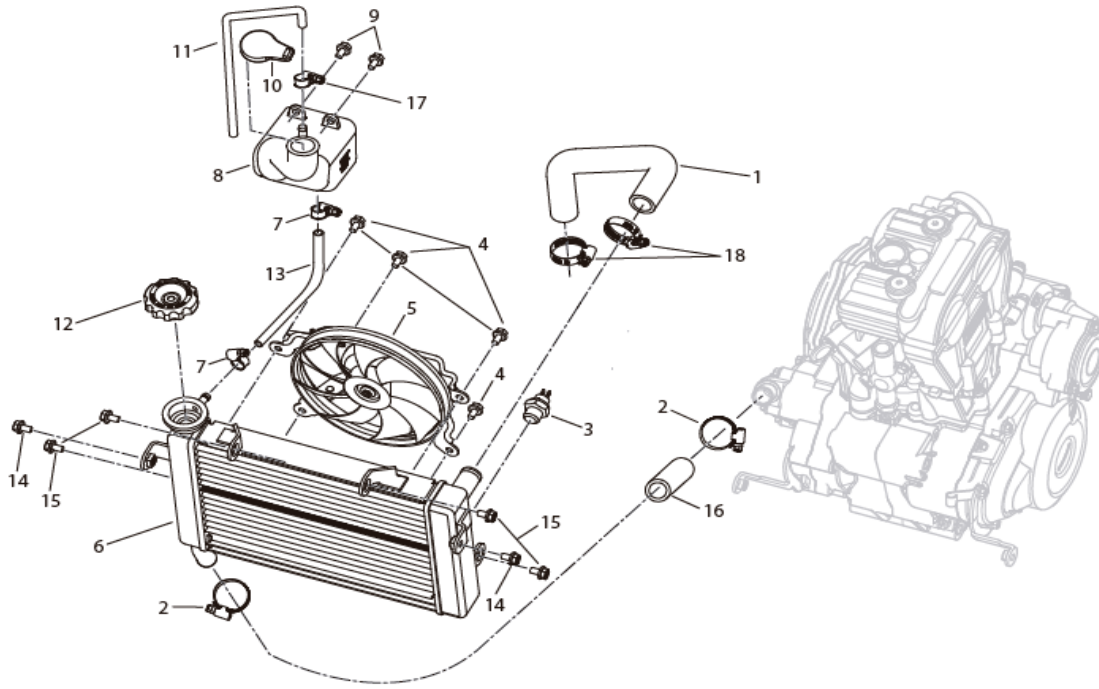
| P | CD.Q.J. | SWINGARM | Q.TY.PAK. | Q.TY.TAB. |
|----|--------------|-----------------------------|-----------|-----------|
| 1 | 53001K990000 | PIN | 1 | 1 |
| 2 | 53220J690000 | DUST COVER | 1 | 2 |
| 3 | B1212K202000 | BEARING | 1 | 4 |
| 4 | 53210J060000 | WASHER | 1 | 2 |
| 5 | 53005N220000 | SPACER | 1 | 2 |
| 6 | B04171415055 | NUT (M14) | 10 | 1 |
| 7 | 53100N220000 | SWINGARM | 1 | 1 |
| 8 | 63800N220110 | REAR SHOCK ABSORBER (BLACK) | 1 | 1 |
| 8 | 63800N220010 | REAR SHOCK ABSORBER (RED) | 1 | 1 |
| 9 | 53004K990000 | CHAIN SLIDING SHOE | 1 | 1 |
| 10 | 08011P100000 | SCREW (M10X45) | 1 | 1 |
| 11 | 53230K980010 | CHAIN TENSIONER | 1 | 2 |
| 12 | 53234K980000 | SPECIAL PLATE | 1 | 2 |
| 13 | B04000800055 | NUT (M8) | 1 | 4 |
| 14 | 08018B910010 | SCREW (M6X14) | 1 | 4 |
| 15 | 65761N220000 | REAR MUDGUARD | 1 | 1 |
| 16 | 60101N220000 | CHAIN GUARD | 1 | 1 |
| 17 | B04821012552 | NUT (M10) | 1 | 1 |
| 18 | B07020000505 | WASHER | 1 | 1 |
| 19 | B02000501625 | SCREW (M5X16) | 1 | 1 |
| 20 | 53021P250000 | BUSH OF GUIDE | 1 | 2 |
| 21 | 58430J670000 | CLAMP | 1 | 1 |
| 22 | B02810603062 | SCREW (M6X30) | 1 | 2 |
| 23 | 53018P100000 | VIBRATION DAMPER PAD | 1 | 1 |
| 24 | 58603J670000 | SCREW (M6X16) | 1 | 1 |
| 25 | 43070J670010 | CLAMP | 1 | 1 |
| 26 | B01090601265 | SCREW (M6X12) | 10 | 2 |
| 27 | 08012P100000 | SCREW (M10X50) | 1 | 1 |



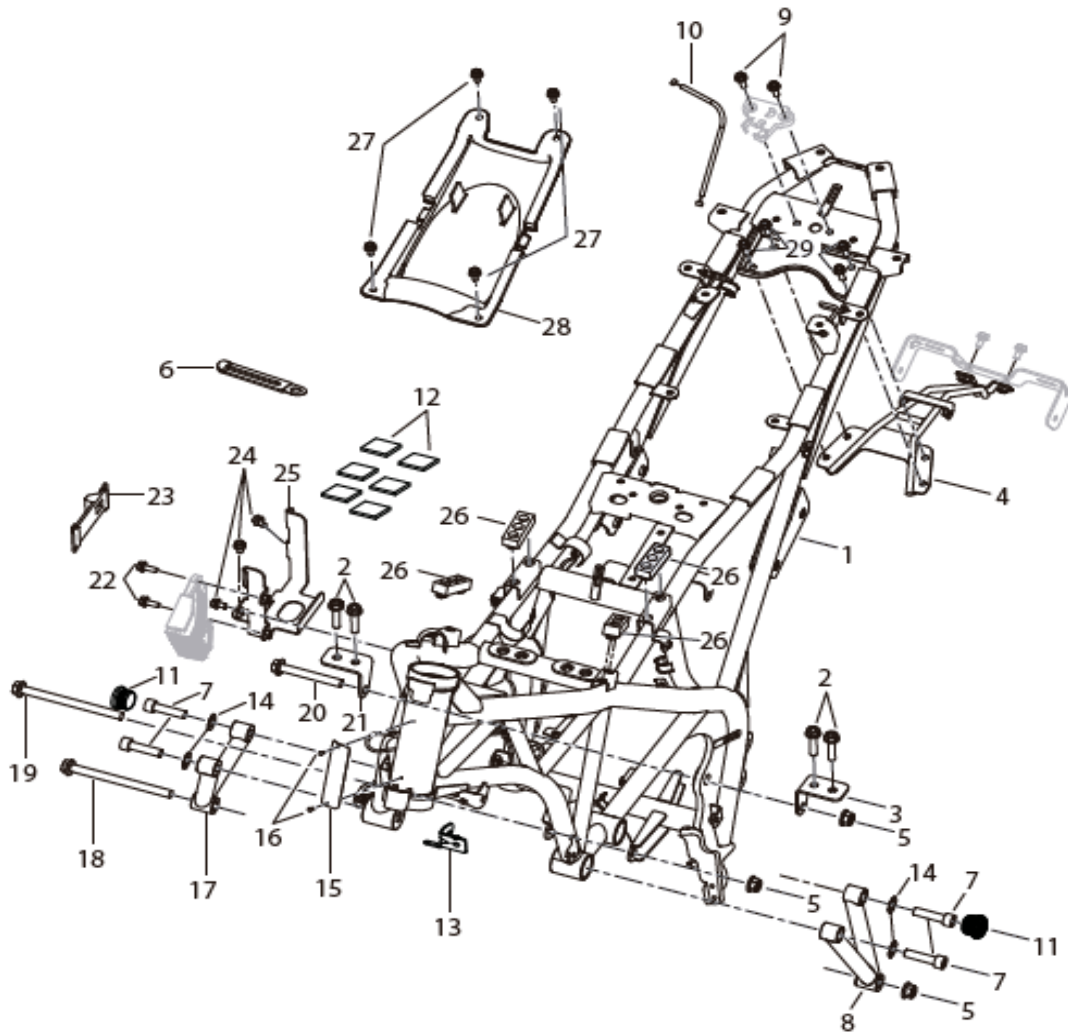
| P | CD.Q.J. | FRONT/REAR BRAKE | Q.TY.PAK. | Q.TY.TAB. |
|----|--------------|---|-----------|-----------|
| 1 | 55120P300001 | BRAKE PADS PAIR (REAR) | 1 | 1 |
| 2 | 45400N220011 | FRONT BRAKE PUMP | 1 | 1 |
| 3 | 45078P300000 | GASKET | 1 | 4 |
| 4 | 45037J000000 | SPECIAL SCREW | 1 | 1 |
| 5 | 45240N220000 | FRONT BRAKE PUMP TUBE - ABS CONTROL UNIT | 1 | 1 |
| 6 | 45500J800302 | L.H. FRONT BRAKE CALIPER | 1 | 1 |
| 7 | 45120P100000 | BRAKE PADS PAIR | 1 | 2 |
| 8 | B02810602562 | SCREW (M6X25) | 1 | 2 |
| 9 | 45023P250010 | BRAKE PUMP HOLDER | 1 | 1 |
| 10 | 45020P300000 | FRONT BRAKE CONTROL LEVER | 1 | 1 |
| 11 | B04170600055 | NUT, SELF - LOCKING | 10 | 1 |
| 12 | B02040401225 | SCREW (M6X12) | 1 | 1 |
| 13 | B07030000405 | WASHER | 1 | 1 |
| 14 | B07060000405 | WASHER | 1 | 1 |
| 15 | 45300J000010 | MICROSWITCH | 1 | 1 |
| 16 | 45024P300000 | SPECIAL SCREW | 1 | 1 |
| 17 | 45037P300000 | SPECIAL SCREW | 1 | 1 |
| 18 | B02551004062 | SCREW (M10X40) | 1 | 2 |
| 19 | 45270N220000 | FRONT BRAKE CALIPER LINE - ABS CONTROL UNIT | 1 | 1 |
| 20 | 55037P300000 | SPECIAL SCREW | 1 | |
| 21 | 45700N220000 | HYDRAULIC UNIT ABS | 1 | 1 |
| 22 | B01090601065 | SCREW (M6X10) | 1 | |
| 23 | 55240N220000 | REAR BRAKE PUMP LINE - ABS CONTROL UNIT | 1 | 1 |
| 24 | 55270N220000 | REAR BRAKE CALIPER LINE - ABS CONTROL UNIT | 1 | 1 |
| 25 | 55400N22000Z | REAR BRAKE PUMP | 1 | 1 |
| 26 | 91700S010000 | REAR HYDROSTOP | 1 | |
| 27 | 55061N220000 | ADJUSTER ROD | 1 | 1 |
| 28 | B04020600018 | NUT (M6) | 1 | 1 |
| 29 | B0284060200A | SCREW (M6X20) | 1 | 1 |
| 30 | 55500P10001Z | REAR BRAKE CALIPER | 1 | 1 |
| 31 | B04170600042 | NUT (M6) | 1 | 1 |
| 32 | B02810602062 | SCREW (M6X20) | 1 | 2 |
| 33 | 57042N220000 | ABS HOLDER | 1 | 1 |



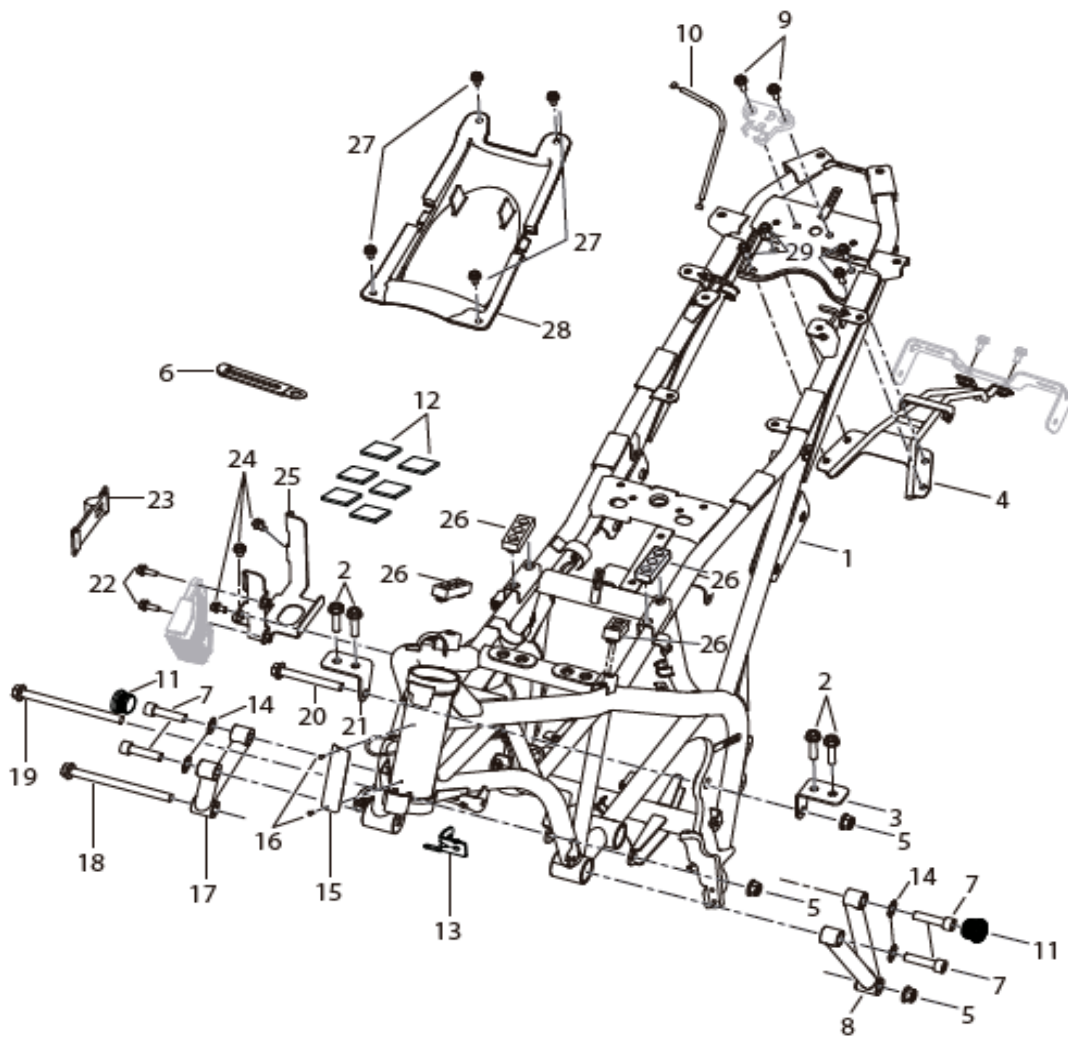
| P | CD.Q.J. | FRONT/REAR BRAKE | Q.TY.PAK. | Q.TY.TAB. |
|----|--------------|------------------|-----------|-----------|
| 34 | 65639N220000 | ABS COVER | 1 | 1 |
| 35 | B0284060150A | SCREW (M6X15.2) | 5 | 2 |
| 36 | 40283S010000 | BALL JOINT | 1 | 1 |
| 37 | B0702000060H | WASHER | 1 | 1 |



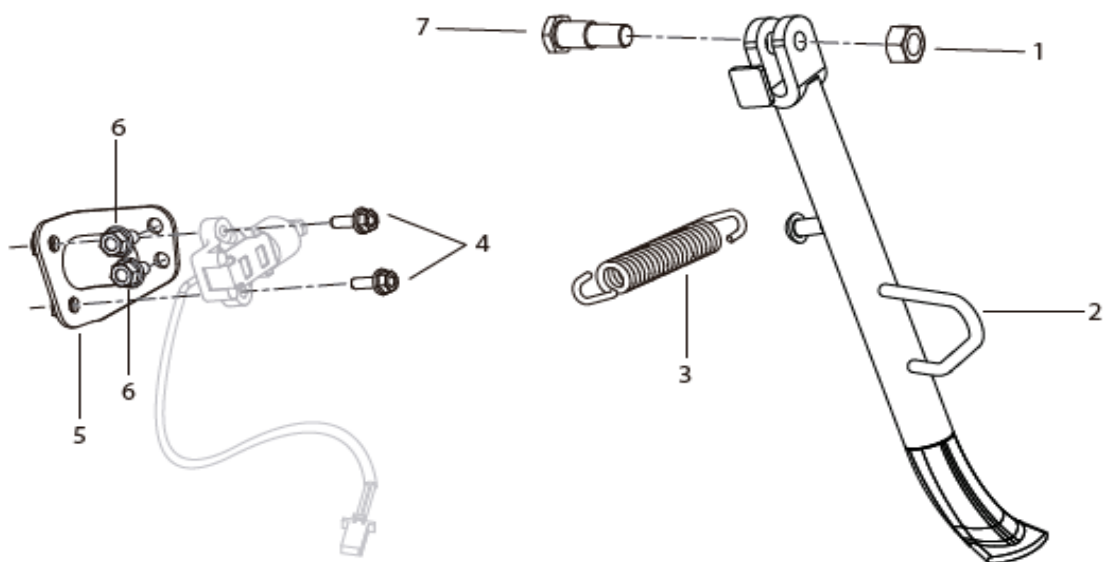
| P | CD.Q.J. | COOLING CIRCUIT | Q.TY.PAK. | Q.TY.TAB. |
|----|--------------|-----------------------|-----------|-----------|
| 1 | 06102N220000 | HOSE | 1 | 1 |
| 2 | 270026110000 | SCREW HOSE CLAMP | 1 | 2 |
| 3 | 279115050000 | THERMOSTATIC SENSOR | 1 | 1 |
| 4 | B01090601265 | SCREW (M6X12) | 10 | 4 |
| 5 | 279026030040 | ELECTRIC FAN | 1 | 1 |
| 6 | 279125150030 | WATER RADIATOR | 1 | 1 |
| 7 | 50376S010000 | CLAMP | 1 | 3 |
| 8 | 06111N220000 | WATER TANK | 1 | 1 |
| 9 | B01090601265 | SCREW (M6X12) | 10 | 2 |
| 10 | 06112J690000 | CAP | 1 | 1 |
| 11 | 06102T430007 | TUBE | 1 | 1 |
| 12 | 279185050000 | RADIATOR CAP | 1 | 1 |
| 13 | 06103N220000 | TUBE | 1 | 1 |
| 14 | B0284060300A | SPECIAL SCREW (M6X30) | 1 | 2 |
| 15 | B0284060200A | SCREW (M6X20) | 1 | 4 |
| 16 | 06101N220000 | HOSE | 1 | 1 |
| 17 | 50307J140002 | SPRING HOSE CLAMP | 10 | 1 |
| 18 | 270125060020 | SCREW HOSE CLAMP | 1 | 2 |



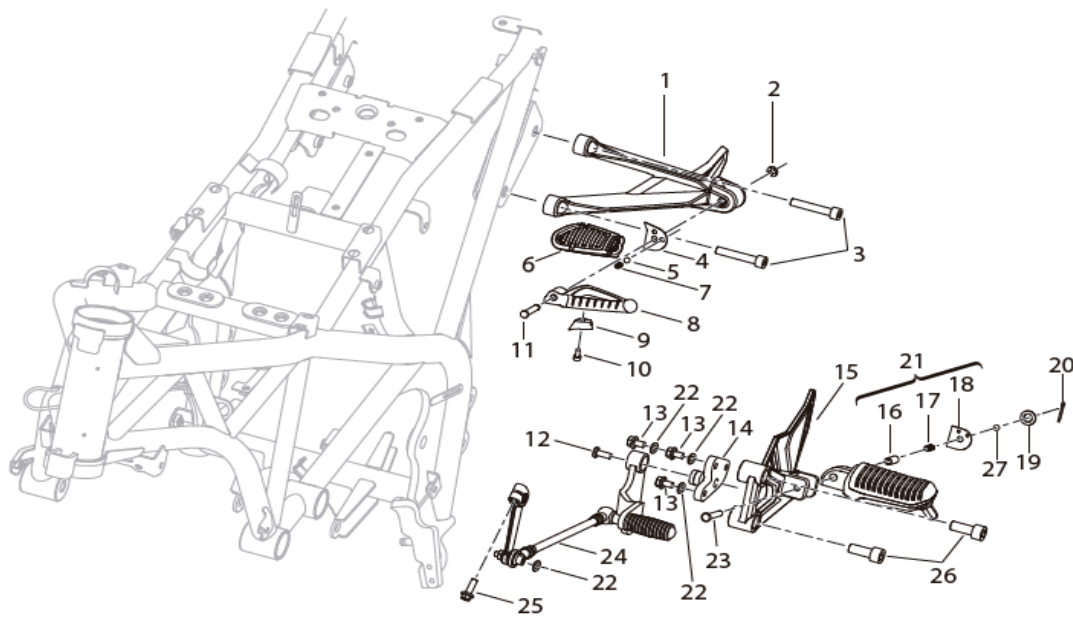
| P | CD.Q.J. | FRAME | Q.TY.PAK. | Q.TY.TAB. |
|----|---------------|---------------------|-----------|-----------|
| 1 | 57100N22TY02 | FRAME (RED) | 1 | 1 |
| 1 | 57100N220102 | FRAME (BLACK) | 1 | 1 |
| 2 | B01090803565 | SCREW (M8X35) | 1 | 4 |
| 3 | 58650N220000 | L.H. PLATE | 1 | 1 |
| 4 | 65770K990000 | NUMBER PLATE HOLDER | 1 | 1 |
| 5 | B04181012555 | NUT (M10) | 1 | 3 |
| 6 | 58430J000000 | FAIRLEAD | 1 | 3 |
| 7 | B02051004062 | SCREW (M10X40) | 1 | 4 |
| 8 | 57020N220000 | L.H. ENGINE MOUNT | 1 | 1 |
| 9 | B02010602525 | SCREW (M6X25) | 1 | 2 |
| 10 | 58900K990000 | CABLE OPENING SEAT | 1 | 1 |
| 11 | 57142N22C900 | CAP | 1 | 2 |
| 12 | 58752J000000A | PAD | 1 | 14 |
| 13 | 59440N220000 | BRACKET | 1 | 1 |
| 14 | B07030001002 | WASHER | 1 | 4 |
| 15 | 57001N220003 | PLATE | 1 | 1 |
| 16 | B100432007P0 | RIVET (3.2X7) | 1 | 2 |
| 17 | 57030N220000 | R.H. ENGINE MOUNT | 1 | 1 |
| 18 | B01591017865 | SCREW (M10X178) | 1 | 1 |
| 19 | B01591013065 | SCREW (M10X130) | 1 | 1 |
| 20 | B01591005065 | SCREW (M10X1.25X50) | 1 | 1 |
| 21 | 58660N220000 | R.H. PLATE | 1 | 1 |
| 22 | B01090601665 | SCREW (M6X16) | 5 | 2 |
| 23 | 96020N220000 | BAND BATTERY | 1 | 1 |



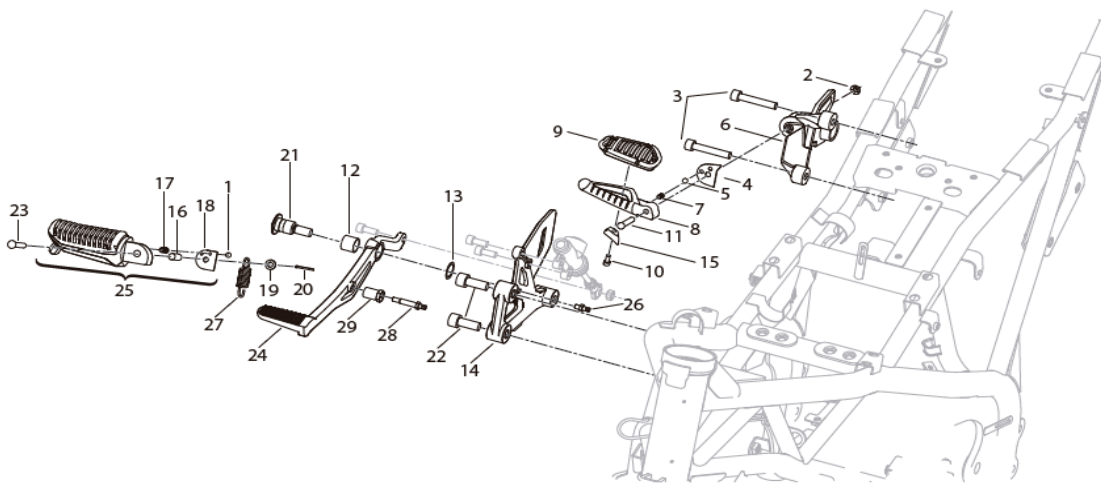
| P | CD.Q.J. | FRAME | Q.TY.PAK. | Q.TY.TAB. |
|----|--------------|--------------------|-----------|-----------|
| 24 | B01090601265 | SCREW (M6X12) | 10 | 3 |
| 25 | 58750N220000 | BATTERY BOX MOUNT | 1 | 1 |
| 26 | 50007K670000 | VIBRATION DAMPER | 1 | 4 |
| 27 | B13060601605 | SCREW (M6X16) | 10 | 4 |
| 28 | 02131K990000 | OBJECT COMPARTMENT | 1 | 1 |
| 29 | 08002H010000 | SCREW (M6X25) | 1 | 4 |



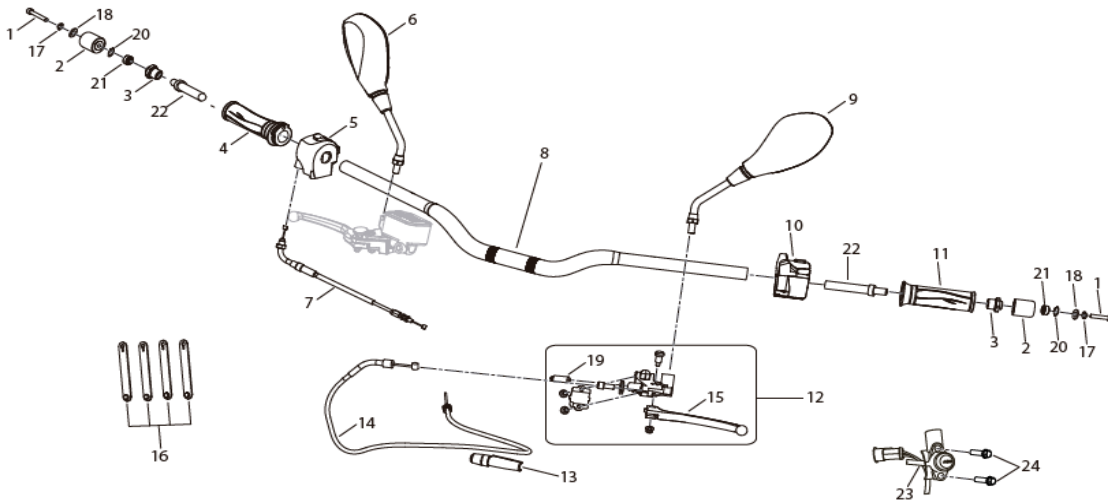
| P | CD.Q.J. | STAND | Q.TY.PAK. | Q.TY.TAB. |
|---|--------------|---------------------|-----------|-----------|
| 1 | B04011012552 | NUT (M10) | 1 | 1 |
| 2 | 58700N220001 | SIDE STAND | 1 | 1 |
| 3 | 57003J000100 | SPRING | 1 | 1 |
| 4 | B02050601664 | SCREW (M6X16) | 1 | 2 |
| 5 | 58720U140000 | PLATE | 1 | 1 |
| 6 | B02810601662 | SCREW (TCEIF M6X16) | 1 | 2 |
| 7 | 57005J000102 | SCREW (M8X25) | 1 | 1 |



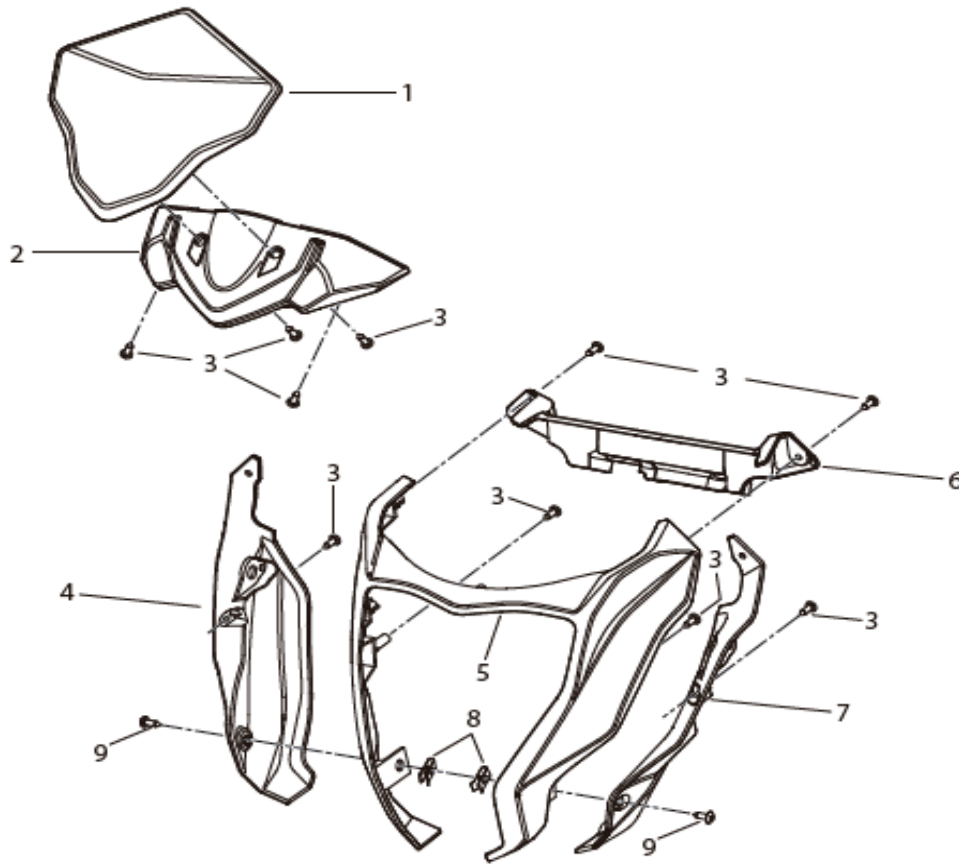
| P | CD.Q.J. | L.H. FOOTPEG | Q.TY.PAK. | Q.TY.TAB. |
|----|--------------|----------------------------|-----------|-----------|
| 1 | 58266P250000 | REAR L.H. FOOT PEG HOLDER | 1 | 1 |
| 2 | B0882000050A | CIRCLIP | 10 | 1 |
| 3 | B02050804062 | SCREW (M8X40) | 1 | 2 |
| 4 | 58451S010000 | PLATE | 1 | 1 |
| 5 | B06000002000 | BALL | 1 | 1 |
| 6 | 08352S020000 | L.H. FOOT PEG RUBBER COVER | 1 | 1 |
| 7 | 58222B930000 | SPRING | 1 | 1 |
| 8 | 58266S010000 | L.H. REAR FOOT PEG | 1 | 1 |
| 9 | 58205S020000 | L.H. FIXED RUBBER | 1 | 1 |
| 10 | B0280040100A | SCREW (M4X10) | 1 | 1 |
| 11 | 58217S010001 | PIN | 1 | 1 |
| 12 | B02000601225 | SCREW (M6X12) | 2 | 1 |
| 13 | B01090601665 | SCREW (M6X16) | 5 | 3 |
| 14 | 08390N220002 | PLATE | 1 | 1 |
| 15 | 58226N220000 | FRONT L.H. FOOT PEG HOLDER | 1 | 1 |
| 16 | 58224J040001 | BUSH | 1 | 1 |
| 17 | 58222J040001 | SPRING | 1 | 1 |
| 18 | 58229J300000 | PLATE | 1 | 1 |
| 19 | B0703000060A | WASHER | 3 | 1 |
| 20 | B090002018AH | SPLIT PIN | 1 | 1 |
| 21 | 58220V020000 | LH. FRONT FOOT PEG | 1 | 1 |
| 22 | | WASHER | 10 | 3 |
| 23 | 58213H010002 | PIN | 1 | 1 |
| 24 | 08370N220001 | GEARCHANGE PEDAL | 1 | 1 |
| 25 | B01030602265 | SCREW (M6X22) | 1 | 1 |
| 26 | B02051004062 | SCREW (M10X40) | 1 | 2 |
| 27 | B06010190000 | BALL | 1 | 1 |



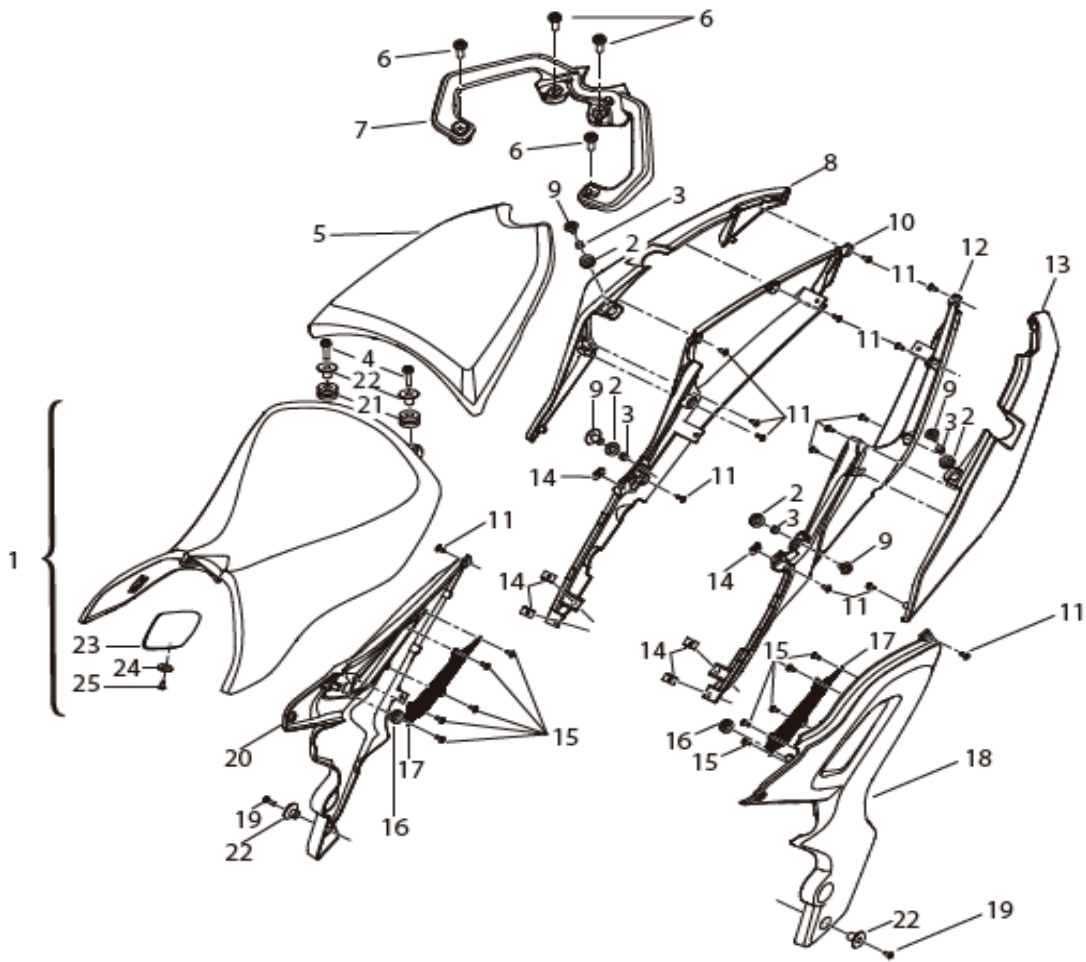
| P | CD.Q.J. | R.H. FOOTPEG | Q.TY.PAK. | Q.TY.TAB. |
|----|--------------|----------------------------|-----------|-----------|
| 1 | B06010190000 | BALL | 1 | 2 |
| 2 | B0882000050A | CIRCLIP | 10 | 2 |
| 3 | B02050804062 | SCREW (M8X40) | 1 | 4 |
| 4 | 58451S010000 | PLATE | 1 | 2 |
| 5 | B06000002000 | BALL | 1 | 2 |
| 6 | 58286P250000 | REAR R.H. FOOT PEG HOLDER | 1 | 1 |
| 7 | 58222B930000 | SPRING | 1 | 2 |
| 8 | 58286S010000 | R.H. REAR FOOT PEG | 1 | 1 |
| 9 | 08372S020000 | R.H. FOOT PEG RUBBER COVER | 1 | 1 |
| 10 | B0280040100A | SCREW (M4X10) | 1 | 2 |
| 11 | 58217S010001 | PIN | 1 | 2 |
| 12 | 58511S010000 | BUSH | 1 | 1 |
| 13 | 58216S010000 | ELASTIC WASHER | 1 | 1 |
| 14 | 58246N220000 | FRONT R.H. FOOT PEG HOLDER | 1 | 1 |
| 15 | 58405S020000 | R.H. FIXED RUBBER | 1 | 1 |
| 16 | 58224J040001 | BUSH | 1 | 2 |
| 17 | 58222J040001 | SPRING | 1 | 2 |
| 18 | 58229J300000 | PLATE | 1 | 2 |
| 19 | B0703000060A | WASHER | 3 | 2 |
| 20 | B090002018AH | SPLIT PIN | 1 | 2 |
| 21 | 40706P250001 | SCREW | 1 | 1 |
| 22 | B02051003062 | SCREW (M10X30) | 1 | 2 |
| 23 | 58213H010002 | PIN | 1 | 2 |
| 24 | 40712P250001 | BRAKE CONTROL PEDAL | 1 | 1 |
| 25 | 58240V020000 | RH. FRONT FOOT PEG (BLACK) | 1 | 1 |
| 26 | 40273P250000 | THREADED PIN | 1 | 1 |
| 27 | 40702N220010 | SPRING | 1 | 1 |
| 28 | 40717P250000 | THREADED PIN | 1 | 1 |
| 29 | 40705P250000 | ECCENTRIC | 1 | 1 |



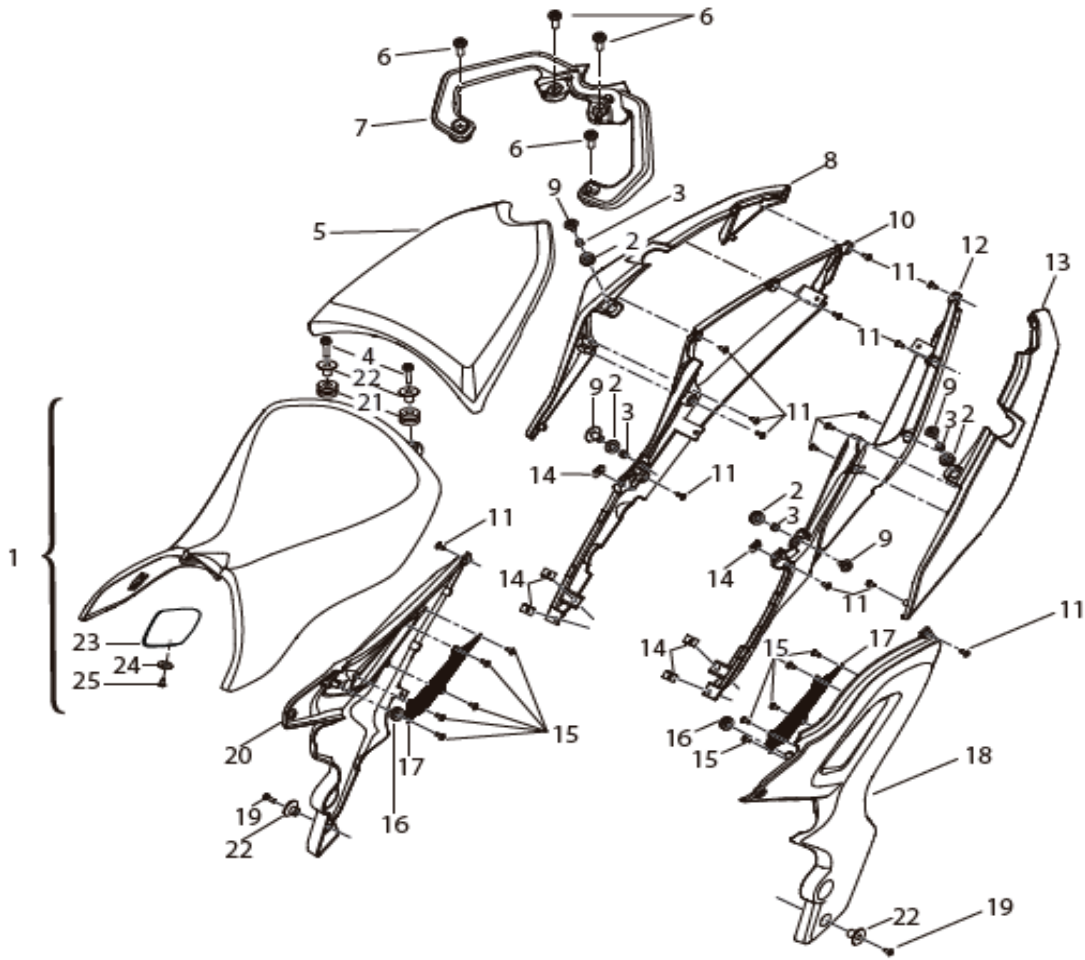
| P | CD.Q.J. | HANDLEBAR AND CONTROLS | Q.TY.PAK. | Q.TY.TAB. |
|----|--------------|------------------------|-----------|-----------|
| 1 | B02050602565 | SCREW (M6X25) | 1 | 2 |
| 1 | B02050603565 | SCREW (M6X35) | 1 | 2 |
| 2 | 40031P250000 | ROCKER | 1 | 2 |
| 2 | 40031P130000 | ROCKER | 1 | 2 |
| 3 | 40032P250000 | HANDLE GRIP CAP | 1 | 2 |
| 4 | 40210K740000 | THROTTLE CONTROL PIPE | 1 | 1 |
| 5 | 40600M140000 | R.H. LIGHTS SWITCH | 1 | 1 |
| 6 | 40480N220001 | R.H. REAR-VIEW MIRROR | 1 | 1 |
| 7 | 40300N220000 | THROTTLE CABLE | 1 | 1 |
| 8 | 40101K740100 | HANDLEBAR | 1 | 1 |
| 9 | 40450N220001 | L.H. REAR-VIEW MIRROR | 1 | 1 |
| 10 | 40500N220000 | L.H. LIGHTS SWITCH | 1 | 1 |
| 11 | 40001K740000 | LEFT GRIP | 1 | 1 |
| 12 | 40080S01012Z | CLUTCH CONTROL | 1 | 1 |
| 13 | 40017J130000 | RUBBER CAP | 1 | 1 |
| 14 | 40400N220002 | CLUTCH CABLE | 1 | 1 |
| 15 | 40084S010000 | CLUTCH CONTROL LEVER | 1 | 1 |
| 16 | 49371T620000 | TUBE GUIDE | 1 | 4 |
| 17 | B07000000605 | WASHER | 4 | 2 |
| 18 | B07030000605 | WASHER | 10 | 2 |
| 19 | 40088S010000 | CLUTCH SWITCH | 1 | 1 |
| 20 | B080000020A1 | CIRCLIP | 1 | 2 |
| 21 | 40040P130000 | BUSH | 1 | 2 |
| 22 | 40031S010000 | HAND GRIP TERMINAL | 1 | 1 |
| 23 | 91190P25000Z | ABS SWITCH | 1 | 1 |
| 24 | B02810602562 | SCREW (M6X25) | 1 | 2 |



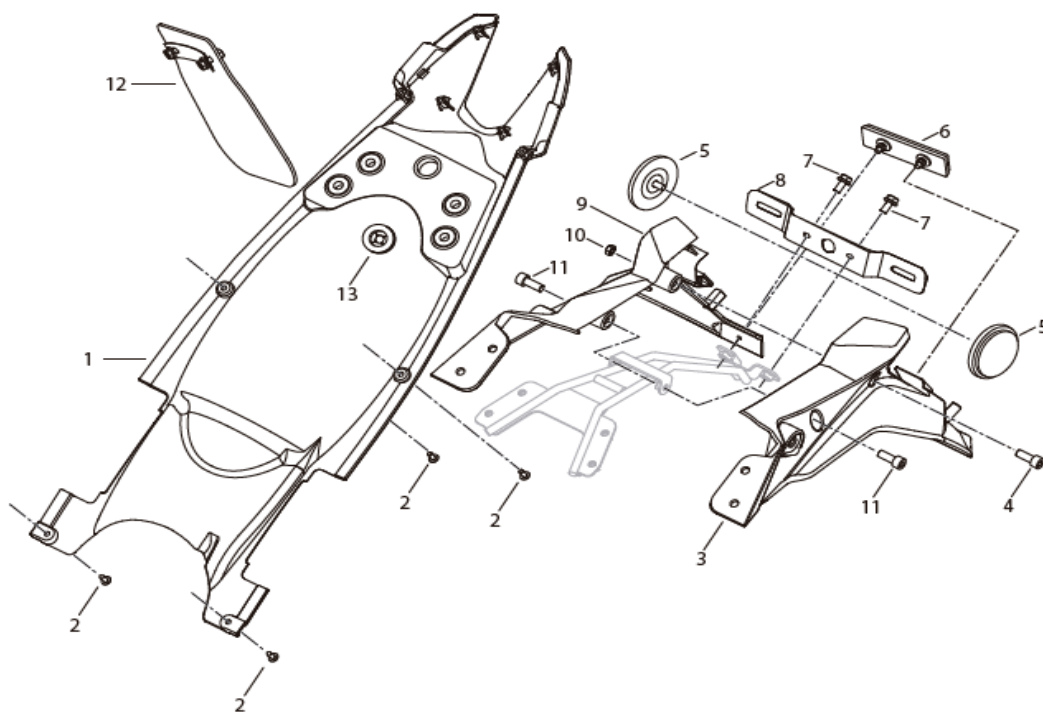
| P | CD.Q.J. | HEANDLIGHT FAIRING | Q.TY.PAK. | Q.TY.TAB. |
|---|--------------|----------------------------------|-----------|-----------|
| 1 | 65203P100000 | HEADLIGHT FAIRING | 1 | 1 |
| 2 | 70004P100000 | INSTRUMENT HOLDER (WHITE) | 1 | 1 |
| 3 | B05074201305 | SCREW (ST4.2X13) | 10 | 9 |
| 4 | 65551P100000 | R.H. BODY PANEL (DOME) | 1 | 1 |
| 5 | 65501P10WF00 | HEADLIGHT FAIRING HOLDER (WHITE) | 1 | 1 |
| 5 | 65501P10GT00 | HEADLIGHT FAIRING HOLDER (GREEN) | 1 | 1 |
| 5 | 65501P10BC00 | HEADLIGHT FAIRING HOLDER (BLACK) | 1 | 1 |
| 5 | 65501P10F900 | HEADLIGHT FAIRING HOLDER (RED) | 1 | 1 |
| 5 | 65501P10015Z | HEADLIGHT FAIRING HOLDER (WHITE) | 1 | 1 |
| 5 | 65501P10016Z | HEADLIGHT FAIRING HOLDER (GREEN) | 1 | 1 |
| 5 | 65501P10017Z | HEADLIGHT FAIRING HOLDER (BLACK) | 1 | 1 |
| 5 | 65501P10018Z | HEADLIGHT FAIRING HOLDER (RED) | 1 | 1 |
| 6 | 65541M140000 | CENTRAL PANEL | 1 | 1 |
| 7 | 65541P100000 | L.H. BODY PANEL (DOME) | 1 | 1 |
| 8 | 65801T020001 | QUIK FASTENING (M6) | 1 | 2 |
| 9 | B05074201605 | SCREW (ST4.2X16) | 10 | 2 |



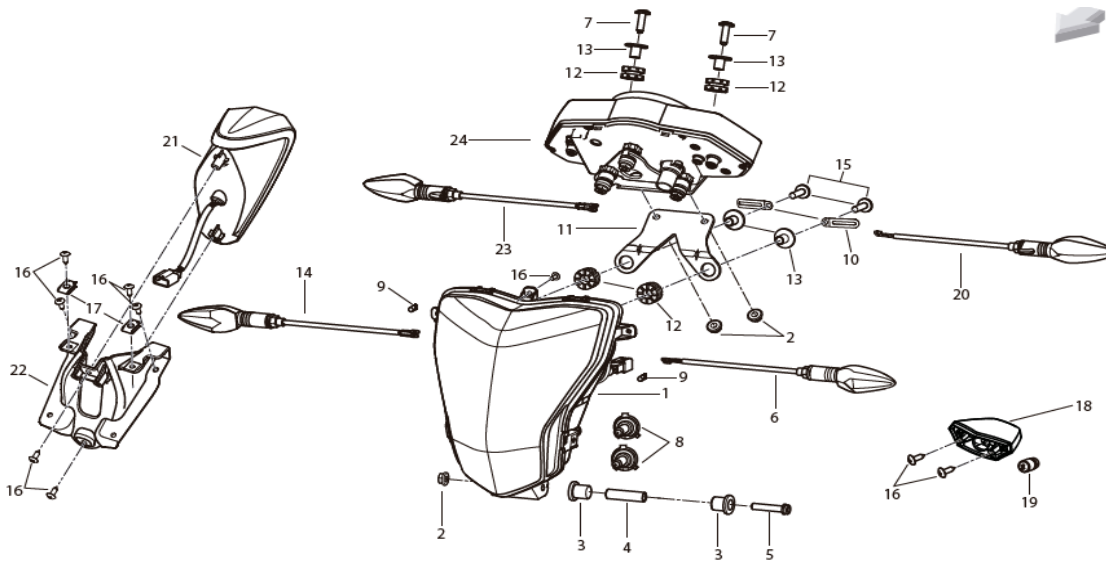
| P | CD.Q.J. | TAIL GUARD | Q.TY.PAK. | Q.TY.TAB. |
|----|--------------|------------------------------|-----------|-----------|
| 1 | 51100K990010 | SEAT | 1 | 1 |
| 2 | 47028G220000 | RUBBER PAD | 10 | 4 |
| 3 | 08061K670000 | BUSH | 1 | 4 |
| 4 | 08002H010000 | SCREW (M6X25) | 1 | 2 |
| 5 | 51200K990001 | PILLION RIDER SEAT | 1 | 1 |
| 6 | 52018J800000 | SCREW (M8X25) | 1 | 4 |
| 7 | 52002K99BG00 | REAR HANDLE | 1 | 1 |
| 8 | 65901K99WF00 | R.H. REAR BODY PANEL (WHITE) | 1 | 1 |
| 8 | 65901K99GT00 | R.H. REAR BODY PANEL (GREEN) | 1 | 1 |
| 8 | 65901K99BC00 | R.H. REAR BODY PANEL (BLACK) | 1 | 1 |
| 8 | 65901K99F900 | R.H. REAR BODY PANEL (RED) | 1 | 1 |
| 8 | 65901K99040Z | R.H. REAR BODY PANEL (WHITE) | 1 | 1 |
| 8 | 65901K99041Z | R.H. REAR BODY PANEL (GREEN) | 1 | 1 |
| 8 | 65901K99042Z | R.H. REAR BODY PANEL (BLACK) | 1 | 1 |
| 8 | 65901K99043Z | R.H. REAR BODY PANEL (RED) | 1 | 1 |
| 9 | B13060601605 | SCREW (M6X16) | 10 | 4 |
| 10 | 65911K990000 | R.H. LOWER BODY PANEL | 1 | 1 |
| 11 | B05074201305 | SCREW (ST4.2X13) | 10 | 15 |
| 12 | 65912K990000 | L.H. LOWER BODY PANEL | 1 | 1 |
| 13 | 65902K99WF00 | L.H. REAR BODY PANEL (WHITE) | 1 | 1 |
| 13 | 65902K99GT00 | L.H. REAR BODY PANEL (GREEN) | 1 | 1 |
| 13 | 65902K99BC00 | L.H. REAR BODY PANEL (BLACK) | 1 | 1 |
| 13 | 65902K99F900 | L.H. REAR BODY PANEL (RED) | 1 | 1 |
| 13 | 65902K99040Z | L.H. REAR BODY PANEL (WHITE) | 1 | 1 |
| 13 | 65902K99041Z | L.H. REAR BODY PANEL (GREEN) | 1 | 1 |
| 13 | 65902K99042Z | L.H. REAR BODY PANEL (BLACK) | 1 | 1 |



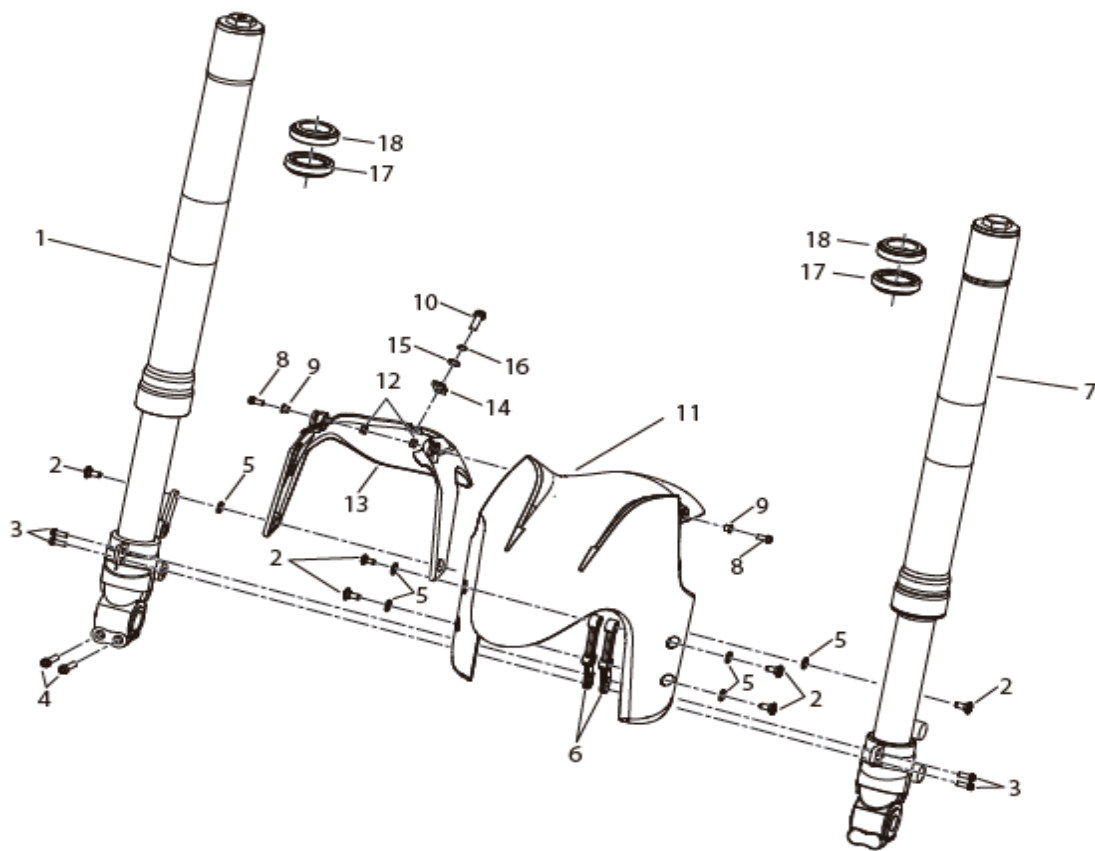
| P | CD.Q.J. | TAIL GUARD | Q.TY.PAK. | Q.TY.TAB. |
|----|--------------|----------------------------|-----------|-----------|
| 13 | 65902K99043Z | L.H. REAR BODY PANEL (RED) | 1 | 1 |
| 14 | 65801T020001 | QUIK FASTENING (M6) | 1 | 6 |
| 15 | B05074201005 | SCREW (ST4.2X9.5) | 1 | 10 |
| 16 | 50018G530000 | RUBBER PAD | 1 | 2 |
| 17 | 65305K990000 | NET | 1 | 2 |
| 18 | 65601K99BG00 | L.H. FRAME PROTECTION | 1 | 1 |
| 19 | B0284060150A | SCREW (M6X15.2) | 5 | 2 |
| 20 | 65602K99BG00 | R.H. FRAME PROTECTION | 1 | 1 |
| 21 | 65618J820000 | VIBRATION DAMPER PAD | 1 | 2 |
| 22 | 51076J410000 | BUSH (M20) | 1 | 4 |
| 23 | 51102K990000 | COVER | 1 | 1 |
| 24 | B07030000603 | WASHER | 1 | 1 |
| 25 | B05005001423 | SCREW (M5X14) | 1 | 1 |



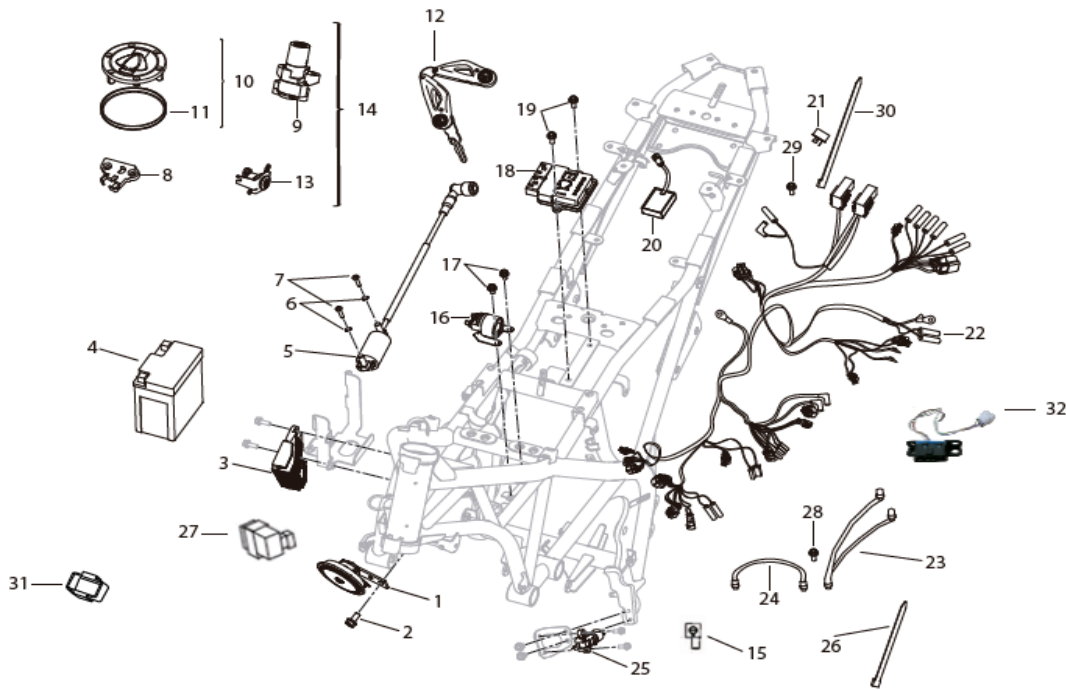
| P | CD.Q.J. | NUMBER PLATE HOLDER | Q.TY.PAK. | Q.TY.TAB. |
|----|--------------|--------------------------|-----------|-----------|
| 1 | 65731K990000 | REAR PANEL | 1 | 1 |
| 2 | B05074201305 | SCREW (ST4.2X13) | 10 | 4 |
| 3 | 65701K990000 | L.H. NUMBER PLATE HOLDER | 1 | 1 |
| 4 | B02810602562 | SCREW (M6X25) | 1 | 1 |
| 5 | 86300N060000 | REFLECTOR | 1 | 2 |
| 6 | 86500B720001 | REFLECTOR | 1 | 1 |
| 7 | B01090601665 | SCREW (M6X16) | 1 | 2 |
| 8 | 08252N210000 | NUMBER PLATE HOLDER | 1 | 1 |
| 9 | 65709K990000 | R.H. NUMBER PLATE HOLDER | 1 | 1 |
| 10 | B04000600054 | NUT (M6) | 1 | 1 |
| 11 | B02810601662 | SCREW (TCEIF M6X16) | 1 | 2 |
| 12 | 65160J570000 | DIAPHRAGM | 1 | 1 |
| 13 | 65713H160000 | RUBBER PAD | 1 | 1 |



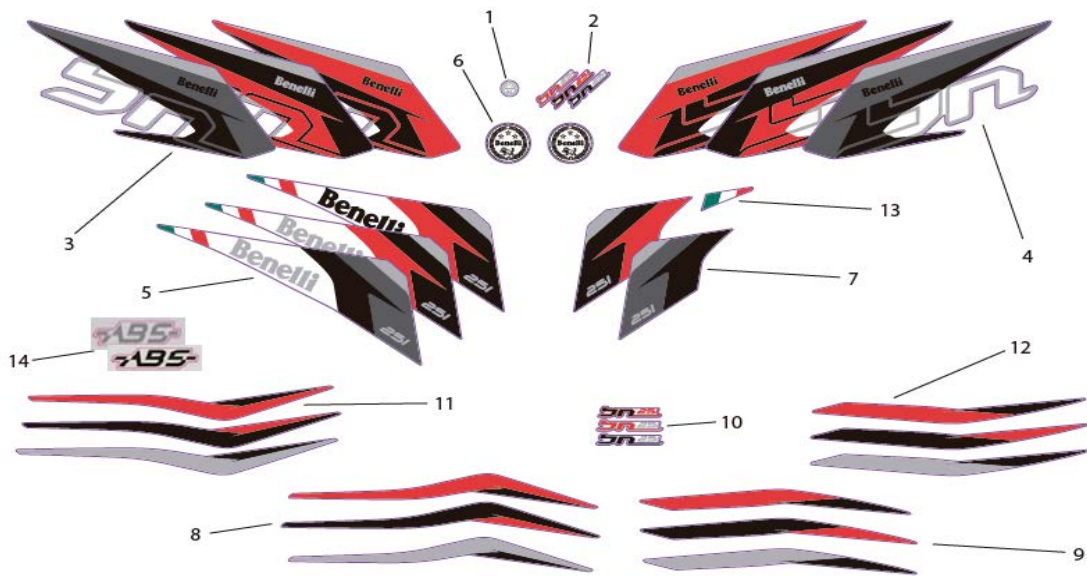
| P | CD.Q.J. | HEAD-LIGHTS AND INSTRUMENTATION | Q.TY.PAK. | Q.TY.TAB. |
|----|--------------|--------------------------------------|-----------|-----------|
| 1 | 8000P100000 | FRONT HEADLIGHT | 1 | 1 |
| 2 | B04070600055 | NUT (M6) | 10 | 3 |
| 3 | 08524P250000 | BUSH | 1 | 2 |
| 4 | 08523P250000 | SPACER | 1 | 1 |
| 5 | B01090606065 | SCREW (M6X60) | 1 | 1 |
| 6 | 81100K980000 | COMPLETE TURN INDICATOR (FRONT L.H.) | 1 | 1 |
| 7 | B0284060250A | SCREW (M6X25) | 1 | 2 |
| 8 | B240137200F0 | BULB (12V55W-H7) | 1 | 2 |
| 9 | B24013120000 | BULB (12V5W) | 1 | 2 |
| 10 | 58430J670000 | CLAMP | 1 | 2 |
| 11 | 08345N220000 | PLATE | 1 | 1 |
| 12 | 65618J820000 | VIBRATION DAMPER PAD | 1 | 4 |
| 13 | 51076J410000 | BUSH (M20) | 1 | 4 |
| 14 | 81300K980000 | COMPLETE TURN INDICATOR (FRONT R.H.) | 1 | 1 |
| 15 | 08002H010000 | SCREW (M6X25) | 1 | 2 |
| 16 | B05074201305 | SCREW (ST4.2X13) | 10 | 9 |
| 17 | B05074801305 | SCREW (ST4.8X13) | 1 | 2 |
| 18 | 82900N210000 | NUMBER PLATE LIGHT | 1 | 1 |
| 19 | B24013120000 | BULB (12V5W) | 1 | 1 |
| 20 | 81500K980000 | TURN INDICATOR (REAR R.H.) | 1 | 1 |
| 21 | 82000J800000 | REAR HEADLIGHT | 1 | 1 |
| 22 | 57294K990000 | REAR HEADLIGHT HOLDER | 1 | 1 |
| 23 | 81700K980000 | TURN INDICATOR (REAR R.H.) | 1 | 1 |
| 24 | 70000N220009 | COMPLETE INSTRUMENT PANEL | 1 | 1 |



| P | CD.Q.J. | FRONT MUDGUARD | Q.TY.PAK. | Q.TY.TAB. |
|----|--------------|------------------------|-----------|-----------|
| 1 | 43300N220020 | R.H. FORK LEG ASSEMBLY | 1 | 1 |
| 2 | B0284060150A | SCREW (M6X15.2) | 5 | 6 |
| 3 | B02810601462 | SCREW (M6X14) | 5 | 4 |
| 4 | B02810603062 | SCREW (M6X30) | 1 | 2 |
| 5 | 47936S010000 | WASHER NYLON | 5 | 6 |
| 6 | 65141S010000 | MUDGUARD SUPPORT PLATE | 1 | 2 |
| 7 | 43200N220002 | L.H. FORK LEG ASSEMBLY | 1 | 1 |
| 8 | B02810501462 | SCREW (M5X0.8X14) | 5 | 2 |
| 9 | 65105S040000 | BUSH "T" | 1 | 2 |
| 10 | B02180501262 | SCREW (M5X12) | 1 | 1 |
| 11 | 65101P10WF00 | FRONT MUDGUARD (WHITE) | 1 | 1 |
| 11 | 65101P10GT00 | FRONT MUDGUARD (GREEN) | 1 | 1 |
| 11 | 65101P10BC00 | FRONT MUDGUARD (BLACK) | 1 | 1 |
| 11 | 65101P10F900 | FRONT MUDGUARD (RED) | 1 | 1 |
| 11 | 65101P10018Z | FRONT MUDGUARD (WHITE) | 1 | 1 |
| 11 | 65101P10019Z | FRONT MUDGUARD (GREEN) | 1 | 1 |
| 11 | 65101P10020Z | FRONT MUDGUARD (BLACK) | 1 | 1 |
| 11 | 65101P10021Z | FRONT MUDGUARD (RED) | 1 | 1 |
| 12 | B04000500052 | NUT (M5) | 1 | 2 |
| 13 | 65102N220000 | INFERIOR MUDGUARD | 1 | 1 |
| 14 | 08053G120000 | QUIK FASTENING (M5) | 1 | 1 |
| 15 | B0703000050A | WASHER | 1 | 1 |
| 16 | B0700000050L | ELASTIC WASHER | 1 | 1 |
| 17 | 43260N220010 | OIL SEAL | 1 | 2 |
| 18 | 43290N220001 | SEAL, DUST | 1 | 2 |



| P | CD.Q.J. | ELECTRIC SYSTEM | Q.TY.PAK. | Q.TY.TAB. |
|----|--------------|-------------------------|-----------|-----------|
| 1 | 95100J820000 | HORN | 1 | 1 |
| 2 | B01090801665 | SCREW (M8X16) | 1 | 1 |
| 3 | 299066080000 | VOLTAGE REGULATOR | 1 | 1 |
| 4 | 96100T100000 | BATTERY | 1 | 1 |
| 5 | 96200N220001 | COIL | 1 | 1 |
| 6 | B07210000501 | WASHER | 1 | 2 |
| 7 | B02000501225 | SCREW (M5X12) | 10 | 3 |
| 8 | 58800P250000 | SEAT LOCK | 1 | 1 |
| 9 | 88100P100000 | IGNITION BLOCK | 1 | 1 |
| 10 | 88400P260000 | FUEL TANK LOCK CAP | 1 | 1 |
| 10 | 88400J820005 | FUEL TANK CAP WITH LOCK | 1 | 1 |
| 11 | 88415S010000 | GASKET | 1 | 1 |
| 12 | 88910S01090X | KEY BLANK | 1 | 1 |
| 13 | 88800P250000 | SEAT LOCK | 1 | 1 |
| 14 | 88000N220000 | LOCKS KIT | 1 | 1 |
| 14 | 88000N220005 | LOCKS KIT | 1 | 1 |
| 15 | 94118B910000 | CAP | 1 | 1 |
| 16 | 94100J000002 | RELAY START | 1 | 1 |
| 17 | B01090601065 | SCREW (M6X10) | 1 | 2 |
| 18 | 96C00N220001 | ELECTRONIC CONTROL UNIT | 1 | 1 |
| 19 | B01090601665 | SCREW (M6X16) | 5 | 2 |
| 20 | 96400H390001 | FLASHER | 1 | 1 |
| 21 | 96700K060000 | DIODE | 1 | 1 |
| 22 | 92000N220005 | WIRING | 1 | 1 |
| 23 | 92500N220000 | GROUNDING CABLE | 1 | 1 |
| 24 | 92200G120000 | BATTERY WIRING | 1 | 1 |
| 25 | 91170N070000 | SIDE STAND SENSOR | 1 | 1 |
| 26 | 40098B450000 | CLAMP | 1 | 10 |
| 27 | 94400N140000 | RELAY BULB | 1 | 1 |
| 28 | B01090601265 | SCREW (M6X12) | 10 | 2 |
| 29 | B01090501265 | SCREW (M5X12) | 1 | 1 |
| 30 | 96003J000000 | CLAMP | 5 | 1 |
| 31 | 96007B720001 | FLASHER HOLDER | 1 | 1 |
| 32 | 92940P100000 | JACK OBD | 1 | 1 |



| P | CD.Q.J. | STICKERS | Q.TY.PAK. | Q.TY.TAB. |
|----|--------------|-------------------------------------|-----------|-----------|
| 1 | 05501N22WF05 | STICKER (BENELLI) LOGO | 1 | 1 |
| 2 | 05521N22WF05 | STICKER (BN251) | 1 | 1 |
| 2 | 05521N22BC05 | STICKER (BN251) | 1 | 1 |
| 2 | 05521N22GT05 | STICKER (BN251) | 1 | 1 |
| 3 | 05532N22WF05 | R.H. STICKER FUEL TANK | 1 | 1 |
| 3 | 05532N22BC05 | R.H. STICKER FUEL TANK | 1 | 1 |
| 3 | 05532N22GT05 | R.H. STICKER FUEL TANK | 1 | 1 |
| 4 | 05531N22WF05 | L.H. STICKER FUEL TANK | 1 | 1 |
| 4 | 05531N22BC05 | L.H. STICKER FUEL TANK | 1 | 1 |
| 4 | 05531N22GT05 | L.H. STICKER FUEL TANK | 1 | 1 |
| 5 | 05542N22WF05 | STICKER R.H. ENGINE PROTECTION | 1 | 1 |
| 5 | 05542N22BC05 | R.H. STICKER FUEL TANK | 1 | 1 |
| 5 | 05542N22GT05 | R.H. STICKER FUEL TANK | 1 | 1 |
| 6 | 05535P10WF06 | STICKER BENELLI (BLACK) | 1 | 1 |
| 6 | 05535P10GT06 | STICKER BENELLI (WHITE) | 1 | 1 |
| 7 | 05541N22WF05 | L.H. STICKER ENGINE PROTECTION | 1 | 1 |
| 7 | 05541N22GT05 | L.H. STICKER ENGINE PROTECTION | 1 | 1 |
| 8 | 05571N22WF05 | STICKER REAR FAIRING L.H. | 1 | 1 |
| 8 | 05571N22BC05 | STICKER REAR FAIRING L.H. | 1 | 1 |
| 8 | 05571N22GT05 | STICKER REAR FAIRING L.H. | 1 | 1 |
| 9 | 05534N22WF05 | L.H. STICKER UPPER FUEL TANK | 1 | 1 |
| 9 | 05534N22BC05 | L.H. STICKER UPPER FUEL TANK | 1 | 1 |
| 9 | 05534N22GT05 | L.H. STICKER UPPER FUEL TANK | 1 | 1 |
| 10 | 05573N22WF05 | STICKER (BN251) | 1 | 1 |
| 10 | 05573N22BC05 | STICKER (BN251) | 1 | 2 |
| 10 | 05573N22GT05 | STICKER (BN251) | 1 | 2 |
| 11 | 05572N22WF05 | STICKER REAR FAIRING R.H. | 1 | 2 |
| 11 | 05572N22BC05 | STICKER REAR FAIRING R.H. | 1 | 1 |
| 11 | 05572N22GT05 | STICKER REAR FAIRING R.H. | 1 | 1 |
| 12 | 05533N22WF05 | R.H. STICKER UPPER FUEL TANK | 1 | 1 |
| 12 | 05533N22BC05 | R.H. STICKER UPPER FUEL TANK | 1 | 1 |
| 12 | 05533N22GT05 | R.H. STICKER UPPER FUEL TANK | 1 | 1 |
| 13 | 05545N220005 | L.H. STICKER REAR ENGINE PROTECTION | 1 | 1 |
| 14 | 05503P10WF0D | STICKER (ABS) | 1 | 1 |
| 14 | 05503P10GT0D | STICKER (ABS) | 1 | 1 |