

PARTS CATALOGUE



SCOOTERS

KL25BF(PT)

AGILITY CITY 125



Release Date : 2019/11/04
Print Date : 2022/10/14

ABOUT THIS PARTS LIST

- This parts list is compiled all service parts for model KL25BF(PT).
- Any difference between color chart and motorcycle will be revised according to motorcycle.
- The Mark:
 1. Marking "***" must add color code in the end before ordering parts.
 2. Marking "#" are parts with modification, Please find the details from e-Parts system.
- When modification or additions to this parts list are made a revised edition at an appropriate time.



CONTENTS

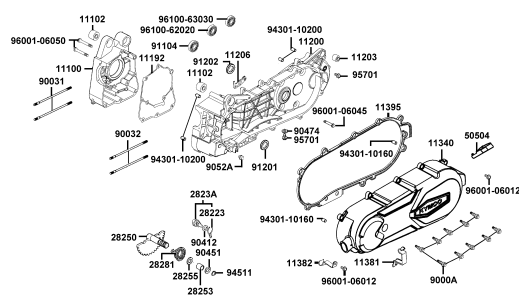
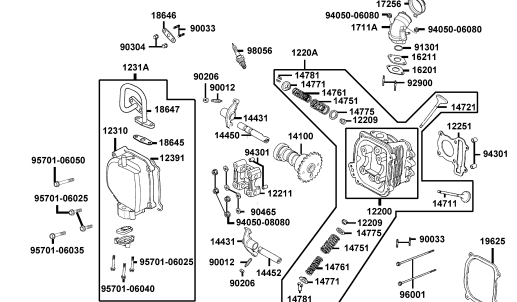
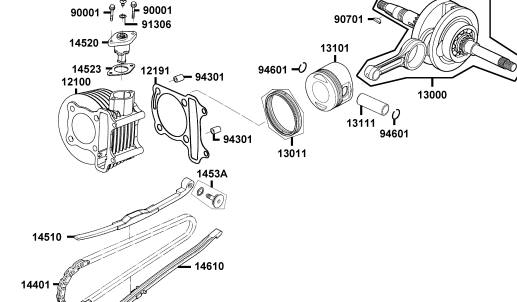
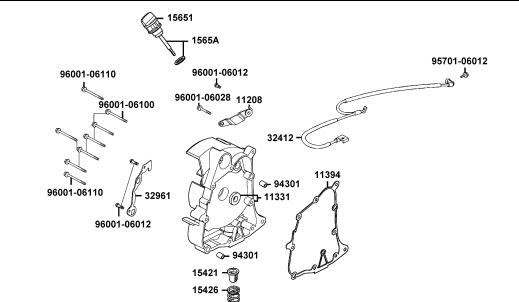
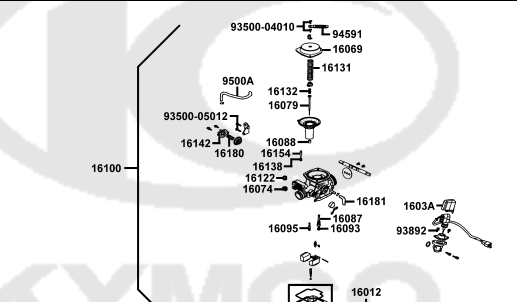
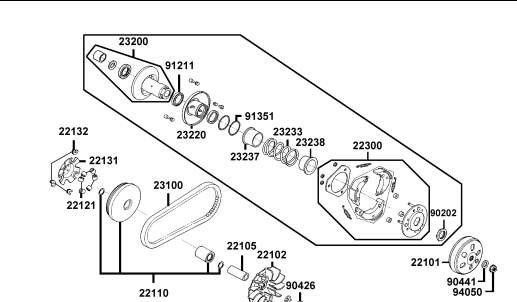
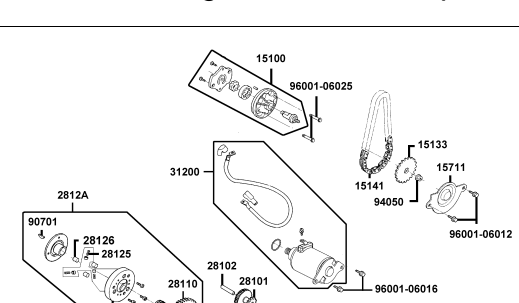
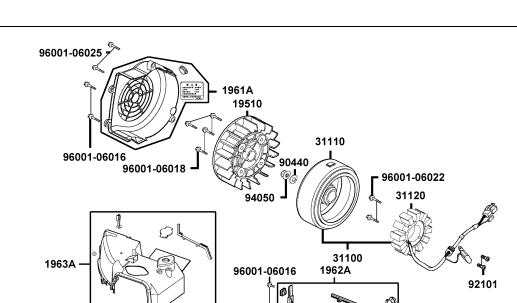
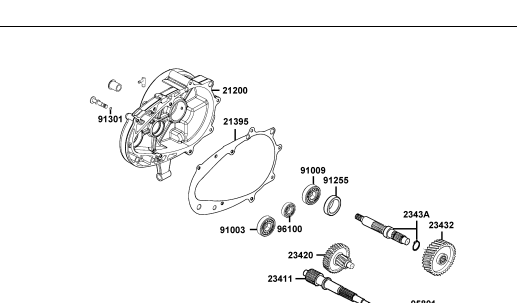
● ABOUT THIS PARTS LIST	1
● COLOR CHART OF KL25BF(PT)	3
● CONTENTS-ENGINE GROUP	6
● CONTENTS-FRAME GROUP	7
● ENGINE PARTS LIST	10
● FRAME PARTS LIST	38
● PART NO. INDEX	94

NO	MODEL			COLOR CHART OF KL25BF(PT)			
	PHOTO NO			NO. 1	NO. 2	NO. 3	NO. 4
	BASIC COLOR			Dark Gray Metallic	Black	Pearly White	Ruby Red
	CODE			Dark Gray Metallic	Black	Pearly White	Ruby Red
	PARTS NAME	PARTS NO.	VERSION	NH230MA	NH001SA	NH193PA	RR004CA
1	LEVER L STRG HANDLE	53178-KNBN-C00	0	M3A			
2	REAR BOX LOW	81520-LGR5-E10	0	N1P			
3	COVER HANDLE FR	53205-LFC2-E10	1	HKP	N1P	NVP	R1P
4	FENDER FR	61100-LFC2-E10	1				
5	"COVER, FRONT"	64301-LFC2-E10	2				
6	CAP FR COVER	64303-LFC2-E10	1				
7	REAR BOX UP	81510-LFC2-E10	0				
8	COVER R BODY	83500-LFC2-E10	1				
9	COVER L BODY	83600-LFC2-E10	1				
10	COVER RR CENTER	83750-LFC2-E10	1				
11	COVER BATTERY	50326-LFC2-E10	1				
12	COVER UNDER	50613-LFC2-E10	1				
13	COVER METER	53204-LFC2-E10	1	N1R			
14	COVER HANDLE RR	53206-LFC2-E10	1				
15	MOLD FRONT	64302-LFC2-E10	1				
16	SKIRT R SIDE	64305-LFC2-E10	1				
17	SKIRT L SIDE	64306-LFC2-E10	1				
18	GRILLE R FR MOLDING	64307-LFC2-E10	1				
19	GRILLE L FR MOLDING	64308-LFC2-E10	1				
20	FLOOR PANEL	64310-LFC2-E11	0				
21	PLUG FLOOR	64316-LCB9-C10	5				
22	COVER R STEP	64350-LFC2-E11	0				
23	COVER L STEP	64360-LFC2-E11	0				
24	FENDER RR TIRE	80100-LFC3-E10	1				
25	FENDER RR INNER	80101-LFC3-E10	0				
DATE OF STARTING-SALES							
DATE OF END-SALES							

NO	MODEL			COLOR CHART OF KL25BF(PT)							
	PHOTO NO			NO. 1	NO. 2	NO. 3	NO. 4				
	BASIC COLOR			Dark Gray Metallic	Black	Pearly White	Ruby Red				
	CODE			Dark Gray Metallic	Black	Pearly White	Ruby Red				
	PARTS NAME	PARTS NO.	VERSION	NH230MA	NH001SA	NH193PA	RR004CA				
26	FENDER REAR	80105-LFC2-E10	1	N1R							
27	COVER CENTER	80151-LFC2-E10	1								
28	LEG SHIELD	81131-LFC2-E10	1								
29	LID LEG SHIELD	81132-LCB9-C10	1								
30	CAP LEG SHIELD UP	81132-LFC2-E10	1								
31	PLATE INNER BOX	81134-LFC2-E10	1								
32	LID INNER BOX	81141-LFC2-E10	1								
33	BOX LUGGAGE	81250-LFC2-E10	0								
34	LID CARB MAINT	81251-LEJ3-E10	0								
35	GRILL R SIDE	83510-LFC2-E10	1					N1S			
36	GRILL L SIDE	83610-LFC2-E10	1								
37	CUSHION ASSY RR	52400-LKD2-E10	0								
38	CATCH COMP UP	81507-LFD6-C50	1	N8P							
39	CATCH COMP DOWN	81508-LFD6-C50	1								
40	"COVER, LEFT"	11340-LEJ3-E11	0	NEA							
41	MIRROR ASSY R BACK	88110-LEB5-C11	2								
42	MIRROR ASSY L BACK	88120-LEB5-C11	2	NEP							
43	FORK ASSY RH FR	51400-LFC3-E10	0								
44	FORK ASSY L FR	51500-LFC3-E10	0	NGA							
45	WHEEL COMP RR CAST	42601-LFC3-E10	1								
46	WHEEL CAST FR	44601-LFC2-E10	2	NJA							
47	CARRIER RR	81200-LFC2-E10	1								
48	SEAT ASSY	77200-LFC3-E12	0	T01							
49	MARK KYMCO	86102-LEJ2-E00	2								
50	CAUTION ANTI	87224-LEJ3-EZ0	1								
DATE OF STARTING-SALES											
DATE OF END-SALES											

NO	MODEL			COLOR CHART OF KL25BF(PT)			
	PHOTO NO			NO. 1	NO. 2	NO. 3	NO. 4
	BASIC COLOR			Dark Gray Metallic	Black	Pearly White	Ruby Red
	CODE			Dark Gray Metallic	Black	Pearly White	Ruby Red
	PARTS NAME	PARTS NO.	VERSION	NH230MA	NH001SA	NH193PA	RR004CA
51	LABEL TIRE	87505-LFC2-E10	2	T01			
52	CAUTION SIDE STAND	87541-GAR1-C01	1				
53	LABEL OIL CAP	87541-KUDU-E00	1				
54	MARK MAINT CAUTION	87542-GAR1-C01	2				
55	MARK DRIVE CAUTION	87560-GFY6-E11	3	T02			
56	EMB BODY COVER	86202-LFC3-E10	1				
DATE OF STARTING-SALES							
DATE OF END-SALES							

CONTENTS - ENGINE GROUP

<p>E01 Crank Case</p> 	<p>E02 Cylinder Head</p> 	<p>E03 Cylinder Piston Crankshaft</p> 
<p>E04 Right Crankcase Cover</p> 	<p>E05 Carburetor</p> 	<p>E06 Driven Pulley</p> 
<p>E07 Starting Motor Oil Pump</p> 	<p>E08 Fan Cover Generator</p> 	<p>E09 Transmission</p> 

CONTENTS - FRAME GROUP

<p>F01 Head Light</p>	<p>F02 Speedometer</p>	<p>F03 Handle Steering Handle Cover</p>
<p>F04 Brake Master Cylinder</p>	<p>F05 Front Cover Front Fender</p>	<p>F06 Stem Steering Front Cushion</p>
<p>F07 Front Wheel</p>	<p>F08 Rear Wheel</p>	<p>F09 Seat</p>

CONTENTS - FRAME GROUP

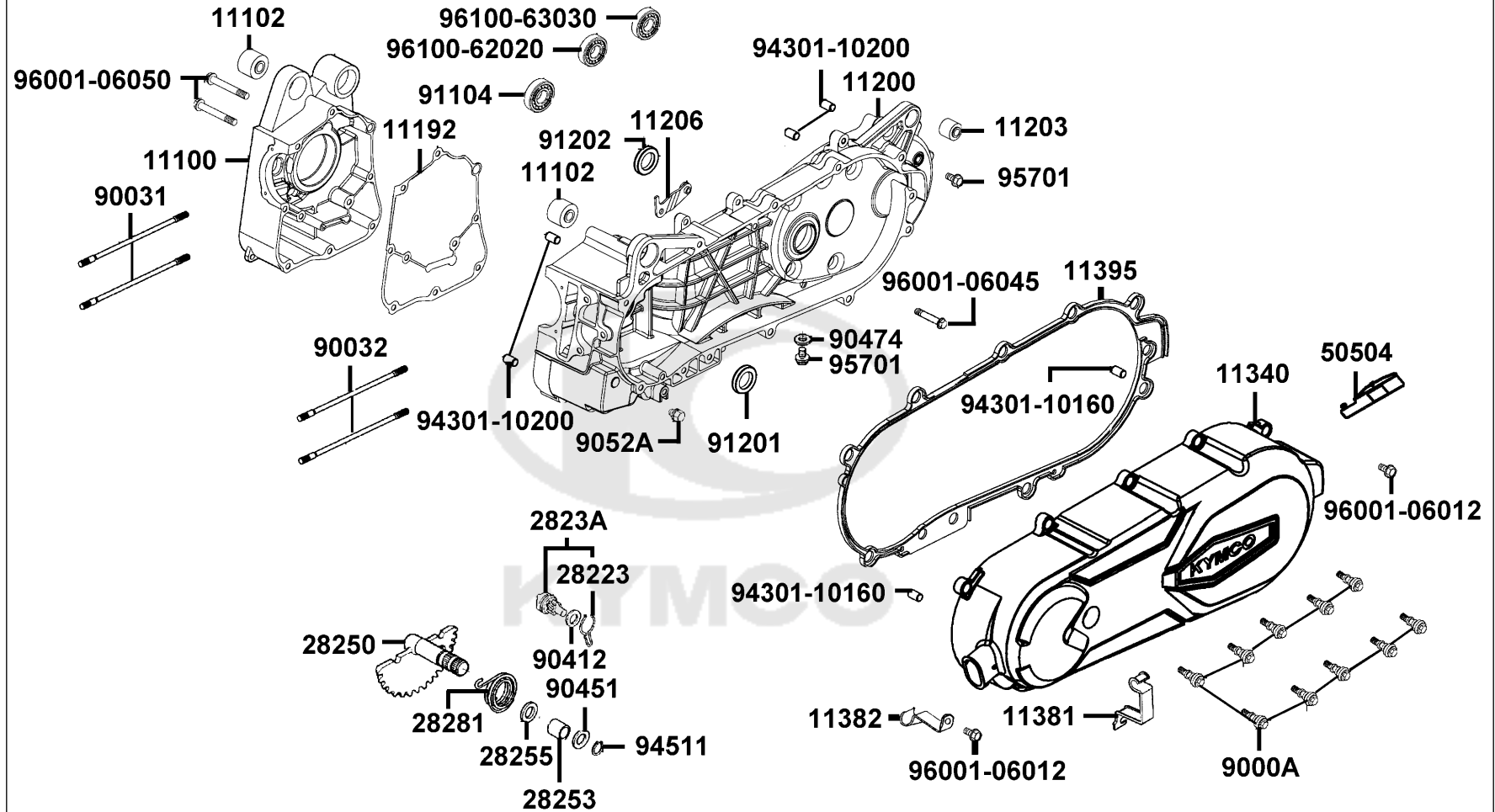
F10 Fuel Tank	F11 Battery	F12 Body Cover Luggage Box
F13 Air Cleaner	F14 Exhaust Muffler	F15 Stand Kick Starter Arm
F16 Rear Cushion	F17 Front Winker	F18 Tail Light

CONTENTS - FRAME GROUP

F19 Wire Harness	F20 Frame Body	F21 Air Cleaner Two
F22 Emblem Stripe	F23 RR BOX	

E01

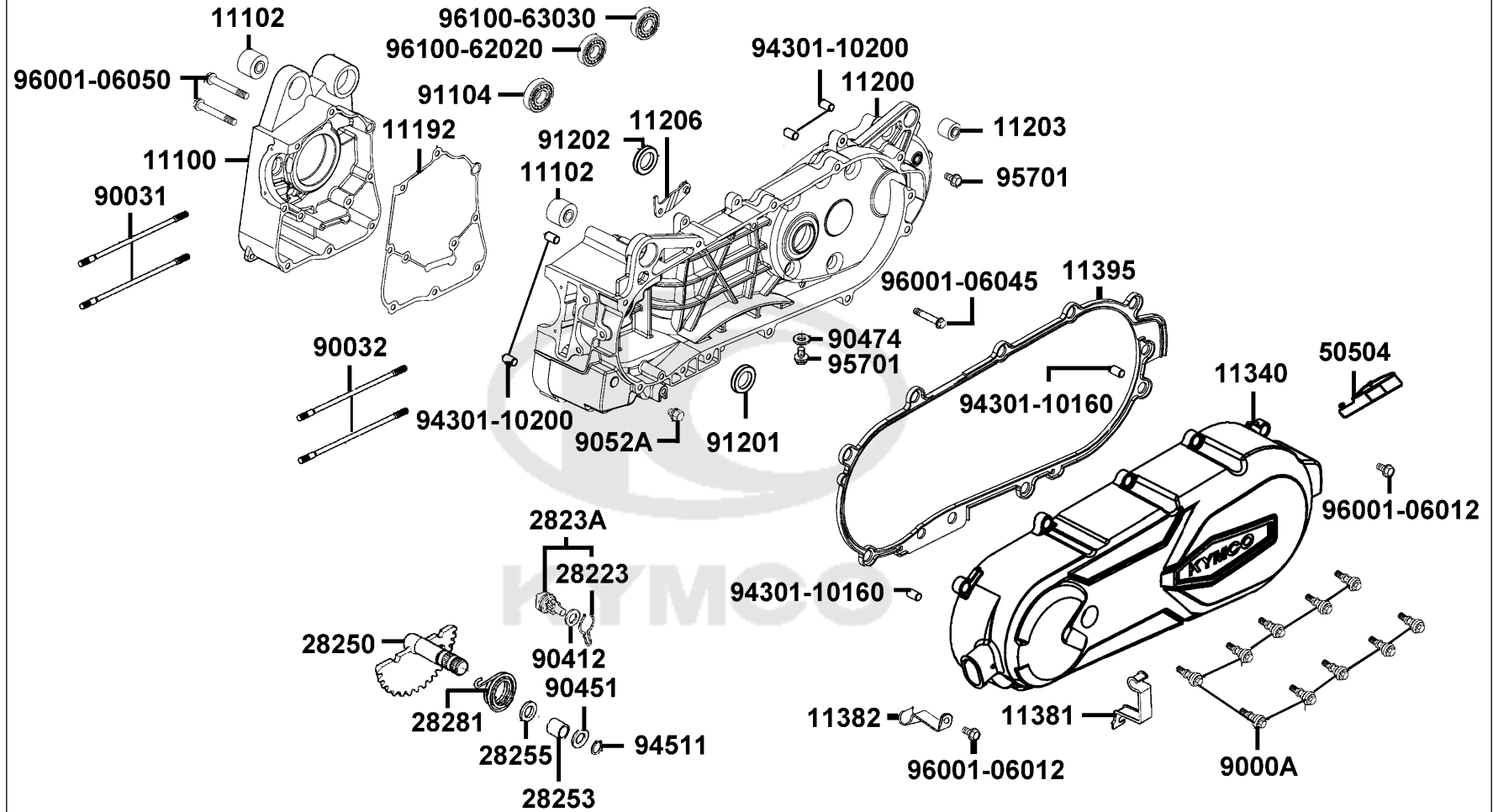
Crank Case



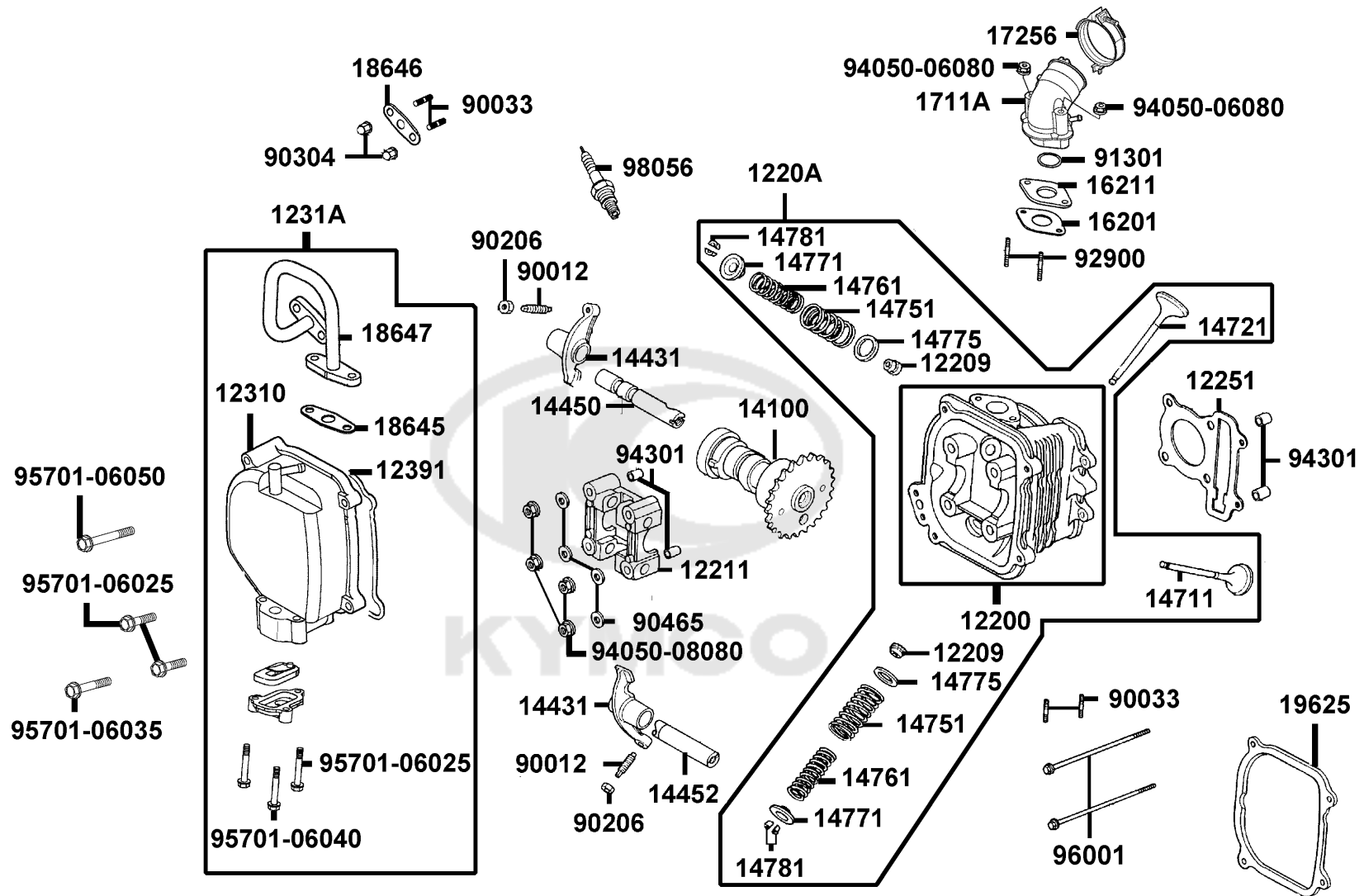
Sales mark	Ref no	Part no	Description	Reg description	Regd no	E01
	11100	11100-KUDU-C00	CASE COMP R CRANK	CASE COMP R CRANK	1	
	11102	11102-1G87-C00	RUB BUSH ENG HANGER	RUB BUSH ENG HANGER	1	
#	11192	11192-KUDU-E90	GASKET CRANK CASE @ A	GASKET CRANK CASE @ A	1	
	11200	11200-LCD3-C00	CRANK CASE COMP L	CRANK CASE COMP L	1	
	11203	11203-GGC7-W10	UNDER RUBBER BUSH REAR CUSHION	UNDER RUBBER BUSH REAR CUSHION	1	
	11206	11206-LCD3-C00	STAY A RR FENDER	STAY A RR FENDER	1	
**	11340	11340-LEJ3-E11	COVER LEFT	COVER LEFT	1	
	11381	11381-KHB4-C00	CLAMPER THROTTLE CABLE	"CLAMPER,THROTTLE CABLE"	1	
	11382	11382-LEJ3-E10	CLAMPER BRAKE CRABLE	CLAMPER BRAKE CRABLE	1	
	11395	11395-KHB4-C00	GASKET L COVER @A	GASKET L COVER @A	1	
	28223	28223-KNBN-C00	SPG KICK DRIVEN GEAR	SPG KICK DRIVEN GEAR	1	
	2823A	2823A-KNBN-C00	GEAR ASSY KICK DRIVEN	SPINDLE COMP KICK STARTER	1	
	28250	28250-LEJ3-E10	SPINDLE COMP KICK SYARYER	SPINDLE COMP KICK SYARYER	1	
	28253	28253-GBN2-C00	BUSH KICK SPINDLE	BUSH KICK SPDL	1	
	28255	28255-GFS6-C00	COLLAR KICK BOSS	COLLAR KICK BOSS	1	
	28281	28281-GBN2-C00	SPRING KICK RETURN	SPRING KICK RETURN	1	
	50504	50504-LEJ3-E11	STAND MAIN STOPPER	STAND MAIN STOPPER	1	
#	9000A	9000A-KTDT-C03	BOLT ASSY SPECIAL 6*29.5(G)	BOLT ASSY SPECIAL 6*29.5	10	
#	90031	90031-KUDU-C01	BOLT A STUD 8*200.5	BOLT A STUD 8*200.5	1	
	90032	90032-KUDU-C00	BOLT B STUD 8*208.5	BOLT B STUD 8*208.5	1	

E01

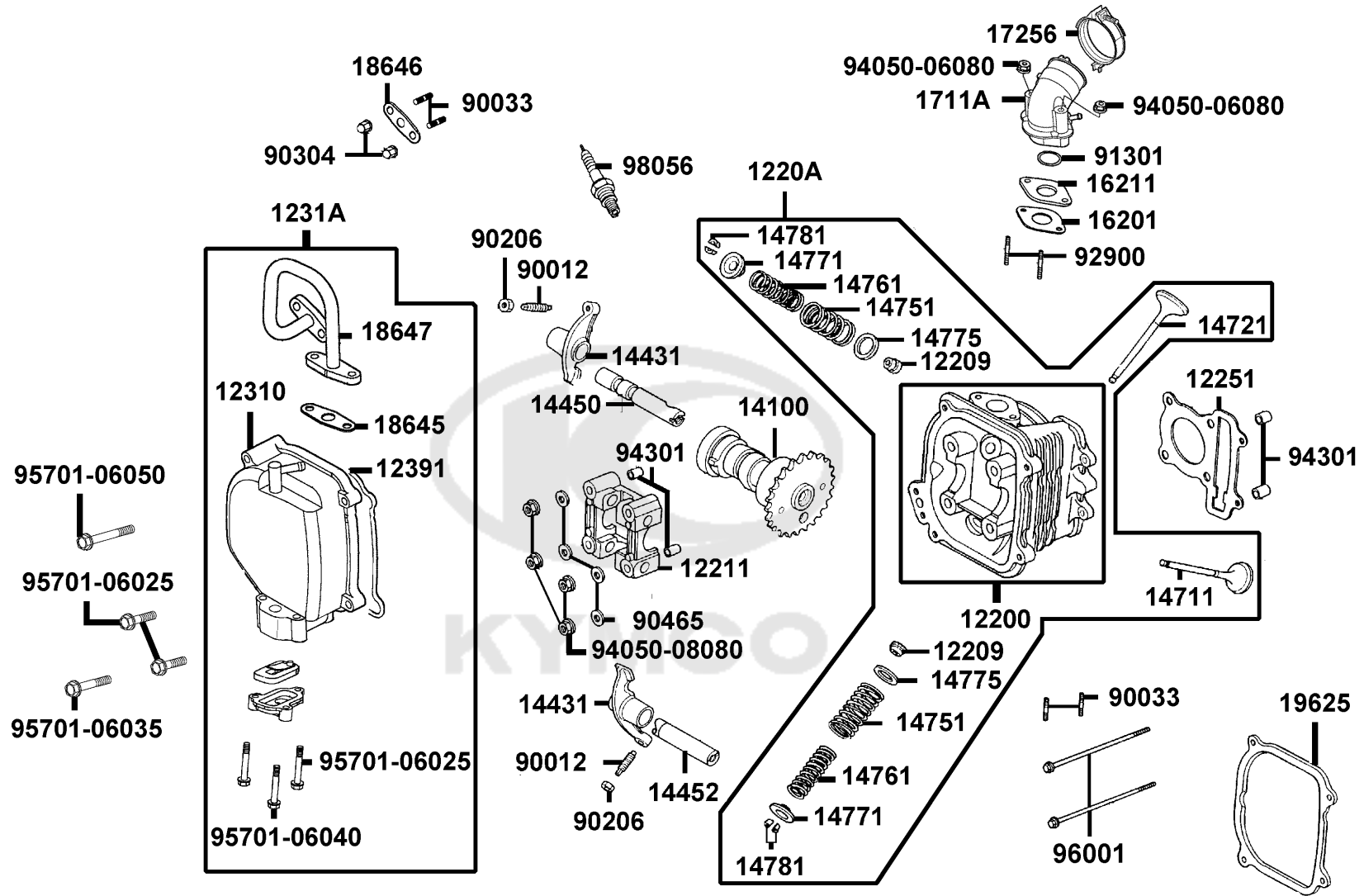
Crank Case



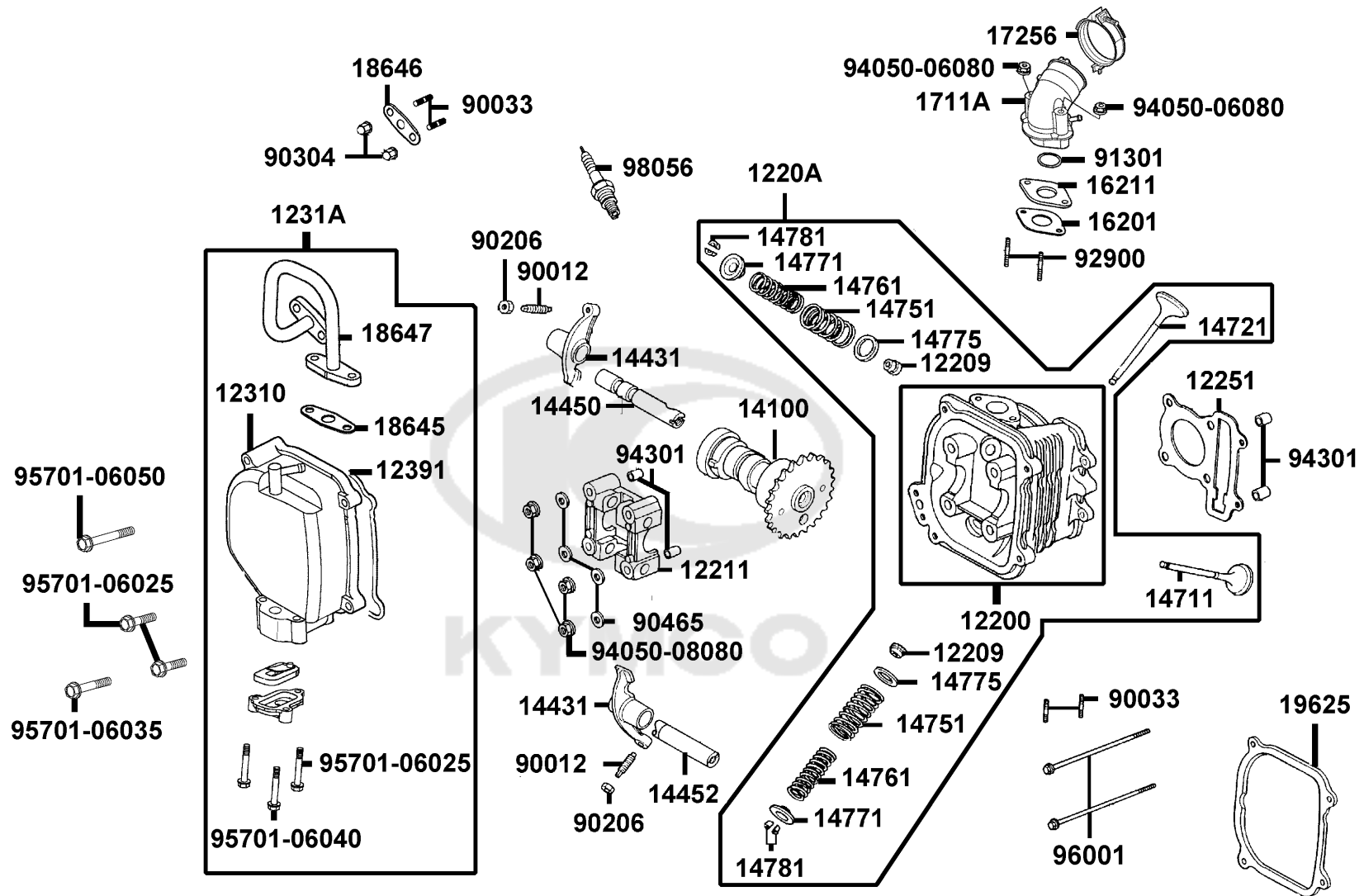
Sales mark	Ref no	Part no	Description	Reg description	Regd no	E01
90412		90412-3K29-C00	WASHER THRUST 10M/M	WASHER THRUST 10M/M	1	
90451		90451-GBN2-C00	WASHER KICK SPINDLE	WASHER KICK SPINDLE	1	
90474		90474-3C33-C00	WASHER 8MM (T*2)	WASHER 8MM (T*2)	1	
9052A		9052A-GFY6-C00	BOLT ASSY DRAIN PLUG	BOLT ASSY DRAIN PLUG	1	
91104		91104-KGN7-671	BRG BALL RADIAL 6204	BRG BALL RADIAL 6204	1	
91201		91201-GFY6-C00	OIL SEAL 19.8*30*5	OIL SEAL 19.8*30*5	1	
91202		91202-KKJ9-C00	OIL SEAL 20*32*6	OIL SEAL 20*32*6	1	
94301-10160		94301-10160	DOWEL PIN 10*16	DOWEL PIN 10*16	4	
94301-10200		94301-10200	DOWEL PIN 10*20	DOWEL PIN 10*20	1	
94511		94511-14000	CIR CLIP EX 14	CIR CLIP EX 14	1	
95701		95701-08012-08G	BOLT FLANGE 8X12(C)	BOLT FLANGE 8X12(C)	2	
96001-06012		96001-06012-08G	BOLT FLANGE SH 6X12 (C)	BOLT FLANGE SH 6X12 (C)	2	
96001-06045		96001-06045-08	BOLT FLANGE SH 6*45 (C)	BOLT FLANGE SH 6*45	10	
96001-06050		96001-06050-08	BOLT FLANGE 6*50	BOLT FLANGE 6*50	2	
96100-62020		96100-62020-00	BEARING BALL RADIAL 6202	BEARING BALL RADIAL 6202	1	
96100-63030		96100-63030-00	BEARING BALL RADIAL 6303	BEARING BALL RADIAL 6303	1	



Sales mark	Ref no	Part no	Description	Reg description	Regd no	E02
	12200	12200-KUDU-C10	HEAD COMP CYLN	HEAD COMP CYLN	1	
	12209	12209-GDB4-C00	SEAL VALVE STEM	SEAL VALVE STEM	1	
	1220A	1220A-KUDU-C00	HEAD ASSY CYLN	HEAD ASSY CYLN	1	
	12211	12211-KUDU-W10	HOLDER CAM SHAFT	HOLDER CAM SHAFT	1	
	12251	12251-GFY6-C00	GASKET CYLINDER HEAD	GASKET CYLINDER HEAD	1	
	12310	12310-KHC4-C11	COVER COMP HEAD	COVER COMP HEAD	1	
	1231A	1231A-KHC4-C11	COVER ASSY HEAD	COVER ASSY HEAD	1	
#	12391	12391-GFY6-C00	GASKET CYLINDER HEAD COVER	GASKET HEAD COVER	1	
	14100	14100-LGS6-E10	SHAFT COMP CAM	SHAFT COMP CAM	1	
	14431	14431-KUDU-W10	ARM VALVE ROCKER	ARM VALVE ROCKER	2	
	14450	14450-GFY6-W10	SHAFT COMP IN ROCKER ARM	SHAFT COMP IN ROCKER ARM	1	
	14452	14452-GFY6-W10	SHAFT EXH ROCKER ARM	SHAFT EXH ROCKER ARM	1	
	14711	14711-KUDU-C00	VALVE INLET	VALVE INLET	1	
	14721	14721-KUDU-C00	VALVE EXHAUST	VALVE EXHAUST	1	
	14751	14751-KUDU-C10	SPRING VALVE OUTER	SPRING VALVE OUTER	2	
	14761	14761-KUDU-C10	SPG VALVE INNER	SPG VALVE INNER	2	
	14771	14771-GDB4-C00	RETAINER VALVE SPRING	RETAINER VALVE SPRING	1	
	14775	14775-MFA6-C00	SEAT VALVE SPG OUTER	SEAT VALVE SPG OUTER	1	
	14781	14781-MFA6-C00	COTTER VALVE	COTTER VALVE	1	
#	16201	16201-GFY6-E90	GASKET CARBURETOR INSULATOR	GASKET CARB INSULATOR	1	



Sales mark	Ref no	Part no	Description	Reg description	Regd no	E02
16211		16211-GFY6-W10	INSULATOR	INSULATOR	1	
1711A		1711A-LEJ3-E10	PIPE ASSY,INLET	PIPE ASSY,INLET	1	
17256		17256-GFY6-C00	BAND INSULATOR	BAND INSULATOR	1	
18645		18645-GFY6-C00	GASKET A/I PIPE	GASKET A/I PIPE	1	
18646		18646-LDC8-E10	GASKET A/I PIPE	GASKET A/I PIPE	1	
18647		18647-GFY6-C00	PIPE COMP AIR	PIPE COMP AIR	1	
19625		19625-KUDU-C00	SEAL SHROUD	SEAL SHROUD	1	
90012		90012-3C33-C00	SCREW TAPPET ADJUSTING	SCREW TAPPET ADJUSTING	1	
90033		90033-GFY6-C00	BOLT STUD 8*32	BOLT 8*32	1	
90033		90033-GFY6-C10	BOLT STUD 6*16	BOLT STUD 6*16	1	
90206		90206-0A01-C00	NUT TAPPET ADJG	NUT TAPPET ADJG	1	
90304		90304-4H38-C00	NUT HEX CAP 6MM	NUT HEX CAP 6MM	1	
90465		90465-MDC4-C00	WASHER 8MM	WASHER 8MM	1	
91301		91301-0H28-C00	O-RING 27*2	O-RING 27*2	1	
92900		92900-06060-0B	BOLT STUD 6*60	BOLT STUD 6*60	2	
94050-06080		94050-06080	NUT FLANGE 6MM	NUT FLANGE 6MM	2	
94050-08080		94050-08080	NUT FLANGE 8MM	NUT FLANGE 8MM	4	
94301		94301-10160	DOWEL PIN 10*16	DOWEL PIN 10*16	4	
95701-06025		95701-06025-00	BOLT FLANGE 6*25 (B)	BOLT FLANGE 6*25	1	
95701-06025		95701-06025-08	BOLT FLANGE 6*25	BOLT FLANGE 6*25	2	



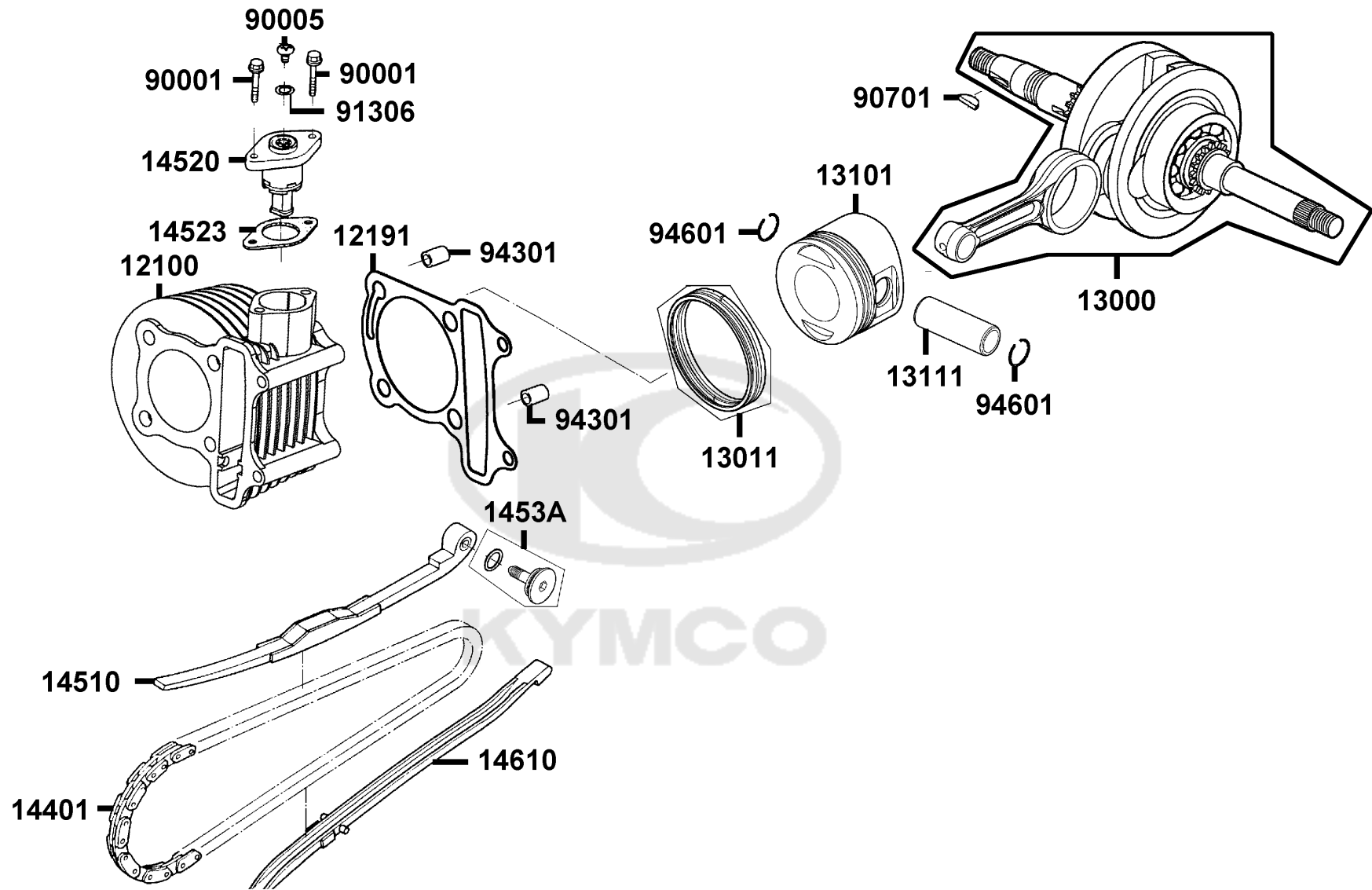
Sales mark	Ref no	Part no	Description	Reg description	Regd no	E02
------------	--------	---------	-------------	-----------------	---------	------------

95701-06035	95701-06035-08	95701-06035-08	BOLT FLANGE 6*35 (C)	BOLT FLANGE 6*35	1	
95701-06040	95701-06040-00	95701-06040-00	BOLT FLANGE 6*40	BOLT FLANGE 6*40	2	
95701-06050	95701-06050-08	95701-06050-08	BOLT FLANGE 6X50	BOLT FLANGE 6*50 (C)	1	
96001	96001-06100-08	96001-06100-08	BOLT FLANGE SH 6*100 (C)	BOLT FLANGE SH 6*100	2	
98056	98056-5771R-00	98056-5771R-00	SPARK PLUG (CR7HSA)	SPARK PLUG (CR7HSA)	1	



E03

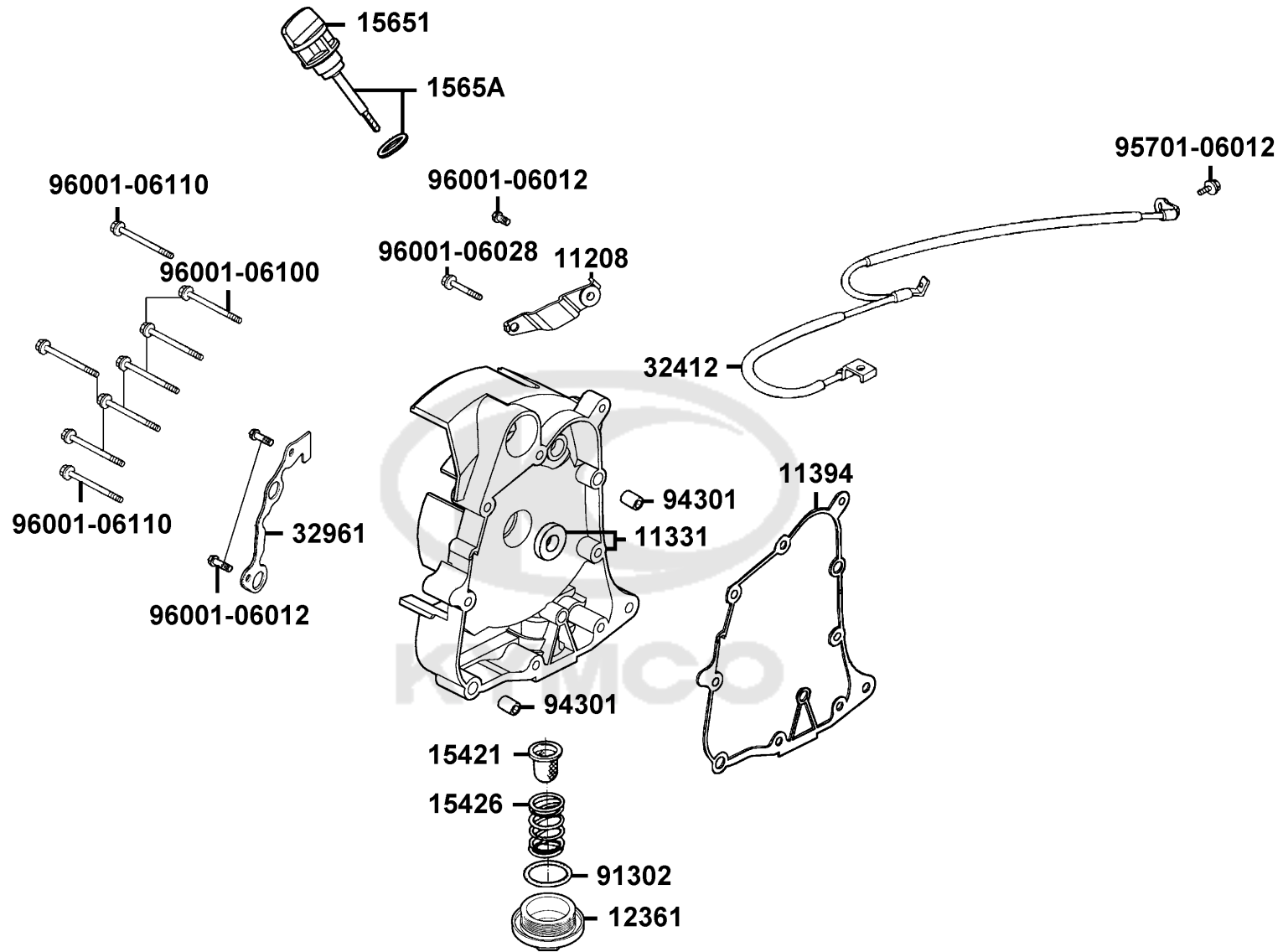
Cylinder Piston Crankshaft



Sales mark	Ref no	Part no	Description	Reg description	Regd no	E03
	12100	12100-GFY6-C00	CYLINDER COMP	CYLINDER COMP	1	
#	12191	12191-GFY6-E90	GASKET CRANK CASE @ A	GASKET CRANK CASE @ A	1	
	13000	13000-KUDU-C00	CRANK SHAFT COMP	CRANK SHAFT COMP	1	
	13011	13011-GFY6-C00	RING ASSY PISTON	RING ASSY PISTON	1	
	13101	13101-KUDU-C00	PISTON	PISTON A	1	
	13111	13111-3D84-C00	PIN,PISTON	PIN PISTON	1	
	14401	14401-KUDU-C00	CHAIN CAM	CHAIN CAM	1	
#	14510	14510-KUDU-C0B	TENSIONER CAM CHAIN	TENSIONER CAM CHAIN	1	
	14520	14520-GFY6-C00	LIFTER ASSY TENSIONER	LIFTER ASSY TENSIONER	1	
#	14523	14523-GFY6-E90	GASKET TENSIONER LIFTER @A	GASKET TENSIONER LIFTER@A	1	
	1453A	1453A-GFY6-W10	PIVOT CAM CHAIN TENSIONER	PIVOT CAM CHAIN TENSIONER	1	
#	14610	14610-KUDU-C0B	GUIDE COMP CAM CHAIN	GUIDE COMP CAM CHAIN	1	
#	90001	90001-GBHB-C05	BOLT FLANGE SHF 6*22 (B)	BOLT FLANGE SHF 6*22 (B)	1	
	90005	90005-KAW1-901	SCREW PAN 6X6	SCREW PAN 6X6	1	
	90701	90701-HFB6-C00	KEY WOODRUFF 25*14*4	KEY WOODRUFF 25X14X4	1	
	91306	91306-1E05-C00	O-RING 1.5*9.5	O-RING 1.5*9.5	1	
	94301	94301-10160	DOWEL PIN 10*16	DOWEL PIN 10*16	2	
	94601	94601-15000	CLIP PISTON PIN 15MM	CLIP PISTON PIN 15MM	2	

E04

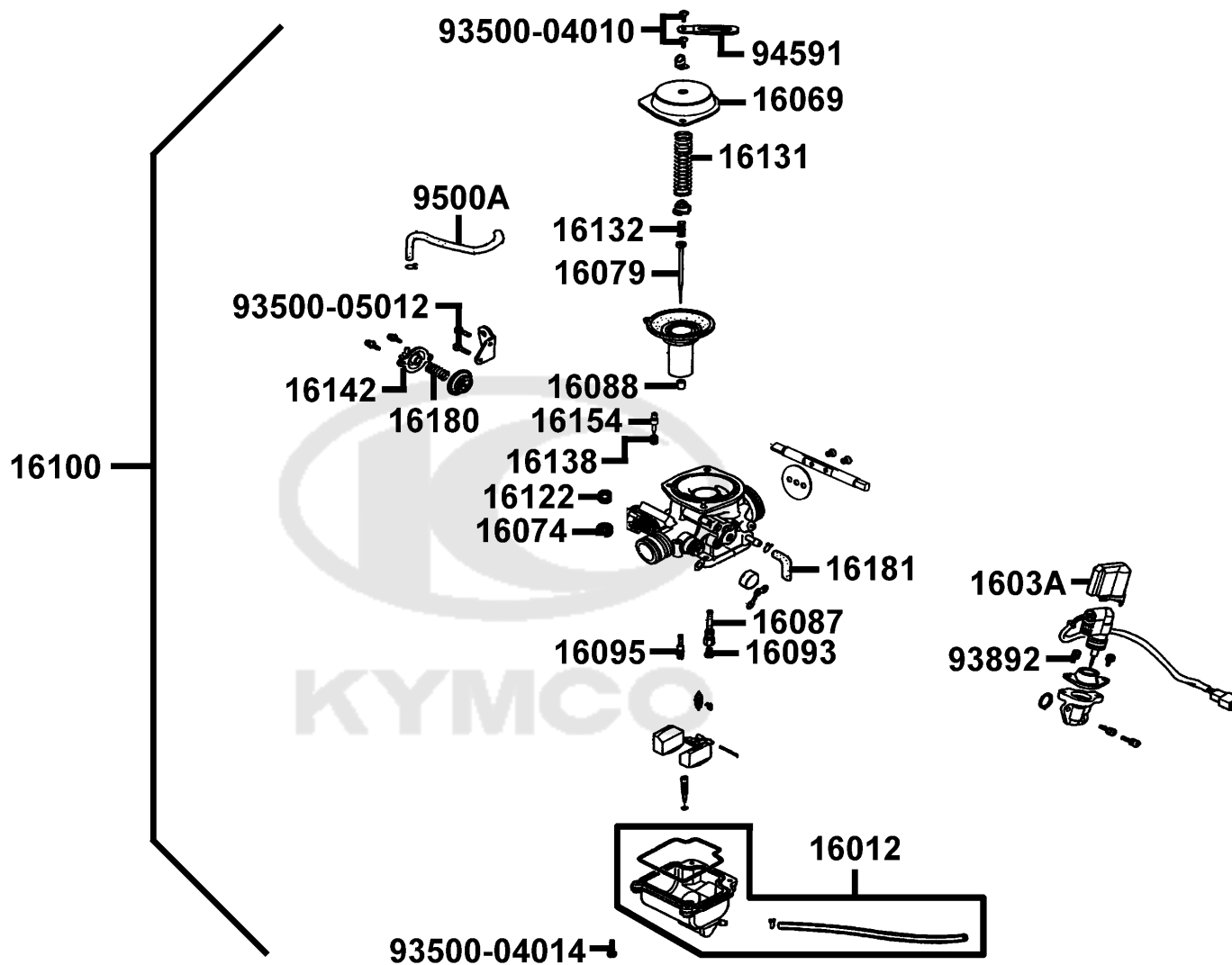
Right Crankcase Cover



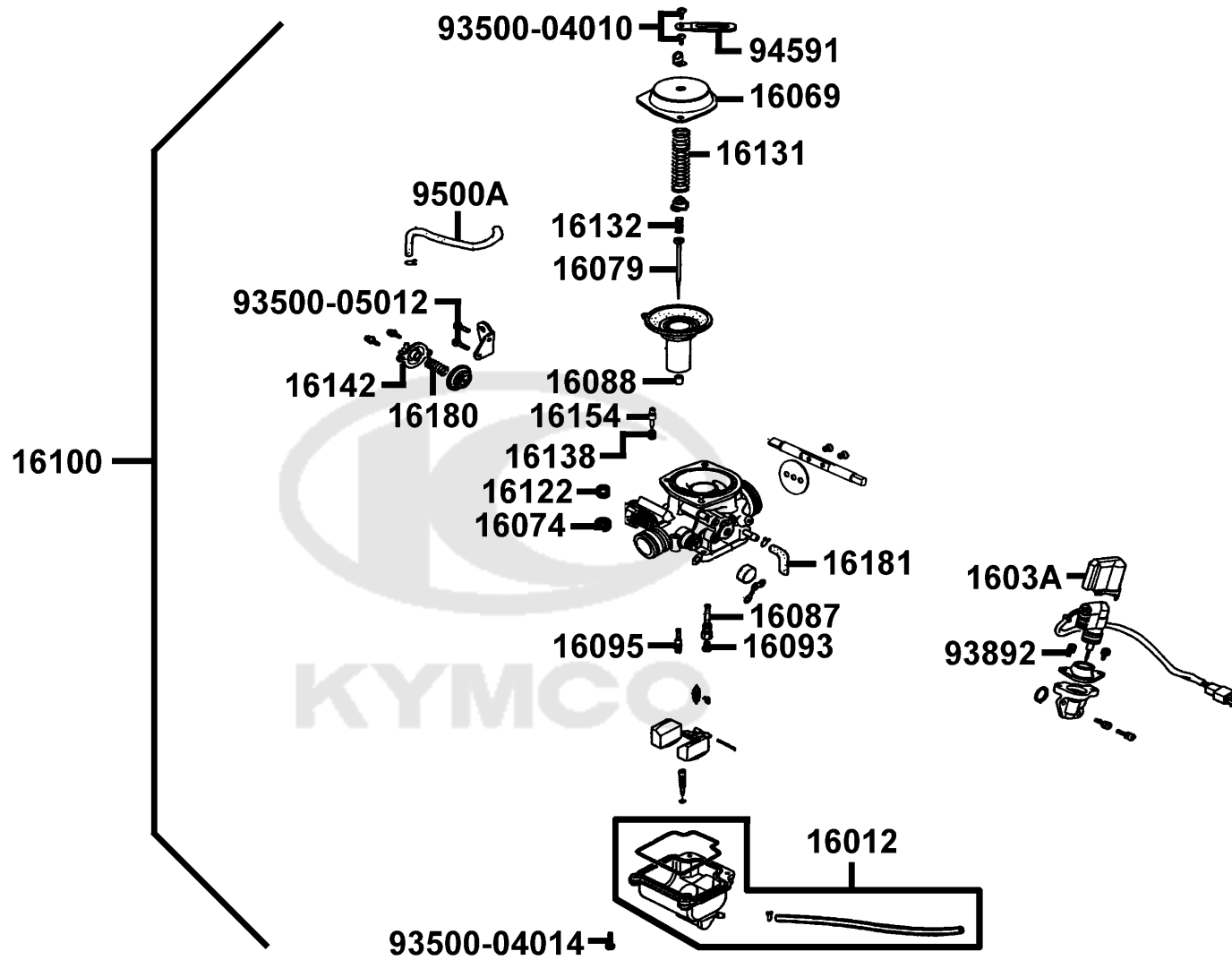
Sales mark	Ref no	Part no	Description	Reg description	Regd no	E04
	11208	11208-LCD3-E00	CLAMP BRAKE WIRE	STAY RR TIRE FENDER	1	
	11331	11331-LCD3-E00	COVER R CRANK CASE	COVER R CRANK CASE	1	
#	11394	11394-KUDU-E90	GASKET.R COVER	GASKET R COVER	1	
	12361	12361-GFY6-C00	HOLE CAP TAPPET ADJUSTING	HOLE CAP TAPPET ADJUSTING	1	
#	15421	15421-1G07-C00	SCREEN OIL FILTER	SCREEN OIL FILTER	1	
	15426	15426-GAE1-C00	SPG OIL FILTER SCREEN	SPG OIL FILTER SCREEN	1	
	15651	15651-KUDU-W10	GUAGE OIL LEVEL	GUAGE OIL LEVEL	1	
	1565A	1565A-KUDU-W10	GAUGE OIL LEVEL ASSY	GAUGE OIL LEVEL ASSY	1	
	32412	32412-LEH3-C10	CABLE EARTH	CABLE EARTH	1	
	32961	32961-KUDU-C00	CLAMPER ACG CORD	CLAMPER ACG CORD	1	
	91302	91302-0A01-C00	O-RING 30.8MM	O-RING 30.8MM	1	
	94301	94301-10160	DOWEL PIN 10*16	DOWEL PIN 10*16	2	
	95701-06012	95701-06012-08	BOLT FLANGE 6*12	BOLT FLANGE 6*12	1	
	96001-06012	96001-06012-08G	BOLT FLANGE SH 6X12 (C)	BOLT FLANGE SH 6X12 (C)	3	
	96001-06028	96001-06028-08	BOLT FLANGE SH 6*28	BOLT FLANGE SH 6*28	1	
	96001-06100	96001-06100-08	BOLT FLANGE SH 6*100 (C)	BOLT FLANGE SH 6*100	6	
	96001-06110	96001-06110-08	BOLT FLANGE SH 6*110	BOLT FLANGE SH 6*110	2	

E05

Carburetor

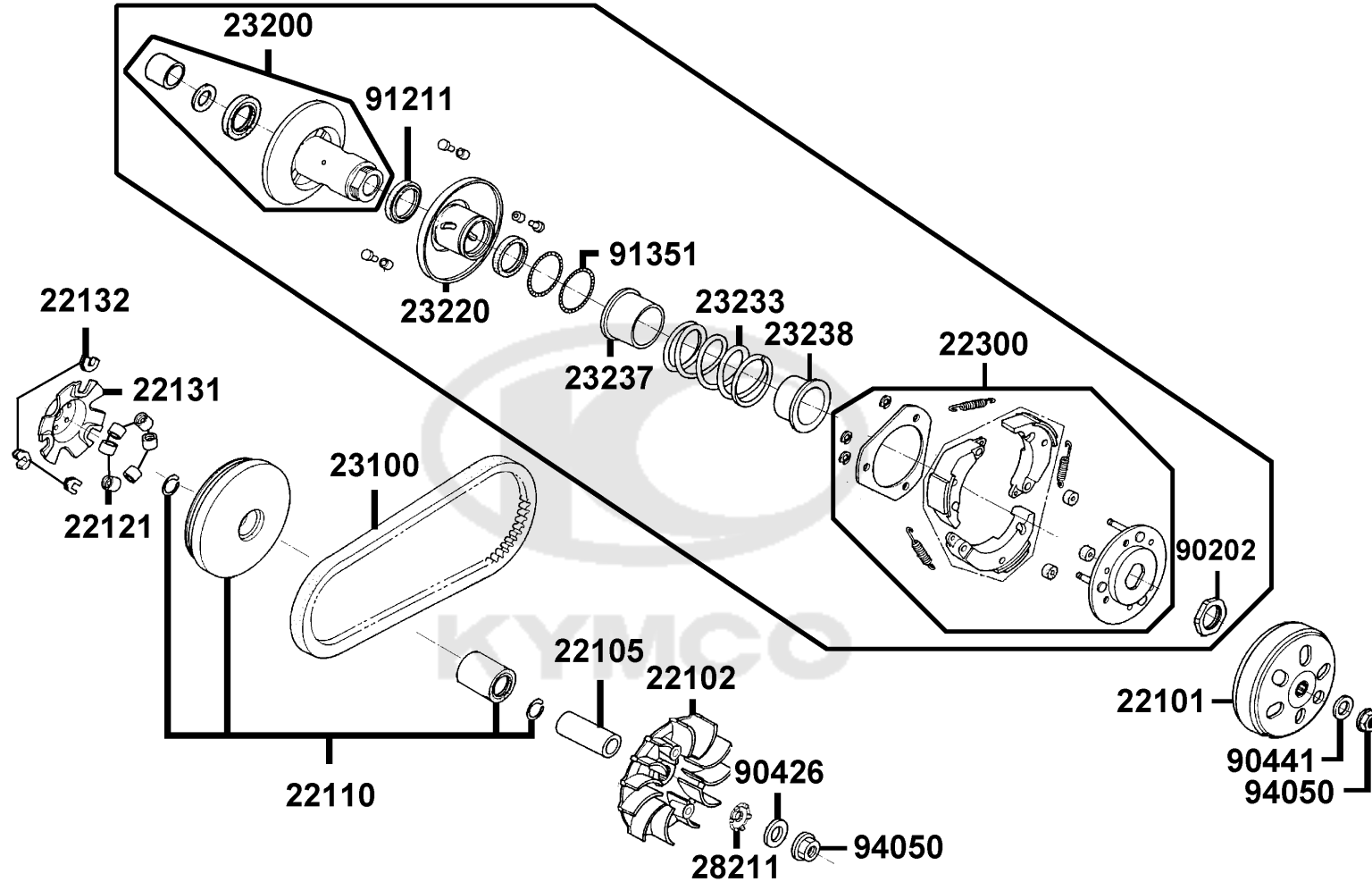


Sales mark	Ref no	Part no	Description	Reg description	Regd no	E05
	16012	16012-KEC3-800	CHAMBER COMP FLOAT	CHAMBER COMP FLOAT	1	
	1603A	1603A-LFC3-E10	UNIT BY-ST ASSY	UNIT BY-ST ASSY	1	
	16069	16069-KEC3-900	COVER PISTON VALVE DIAPHRAGM	COVER PISTON VALVE DIAPHRAGM	1	
	16074	16074-KEC3-900	WASHER IDLE SCREW	WASHER IDLE SCREW	1	
	16079	16079-LGB6-900	JET NEEDLE	JET NEEDLE	1	
	16087	16087-KEC3-900	TUBE MAIN EMULSION	TUBE EMULSION (NEEDLE JET HOLDER)	1	
	16088	16088-KEC3-900	JET NEEDLE	JET NEEDLE	1	
	16093	16093-5102-E10	JET MAIN	JET MAIN	1	
	16095	16095-KEC3-900	JET SLOW	JET SLOW	1	
#	16100	16100-LFC3-E11	CARBURETOR ASSY	CARBURETOR ASSY	1	
	16122	16122-KEC3-900	O-RING IDLE SCREW	O-RING IDLE SCREW	1	
	16131	16131-KEC3-900	SPG PISTON VALVE RETURN	SPRING VACUUM PISTON	1	
	16132	16132-KEC3-900	SPG JET NEEDLE	SPG JET NEEDLE	1	
	16138	16138-KGC5-900	SPRING IDLE ADJUST SCREW	SPRING IDLE ADJUST SCREW	1	
	16142	16142-KEC3-900	COVER ACV	COVER ACV	1	
	16154	16154-KEC3-900	SCREW IDLE ADJUST	SCREW IDLE ADJUST	1	
	16180	16180-KEC3-900	SPRING ACV	SPRING ACV	1	
	16181	16181-KEC3-900	TUBE AIR VENT	TUBE AIR VENT	1	
	93500-04010	93500-04010-08	SCREW PAN 4*10	SCREW PAN 4*10	1	
	93500-04014	93500-04014-1A	SCREW PAN 4*14(B)	SCREW PAN 4*14(B)	1	

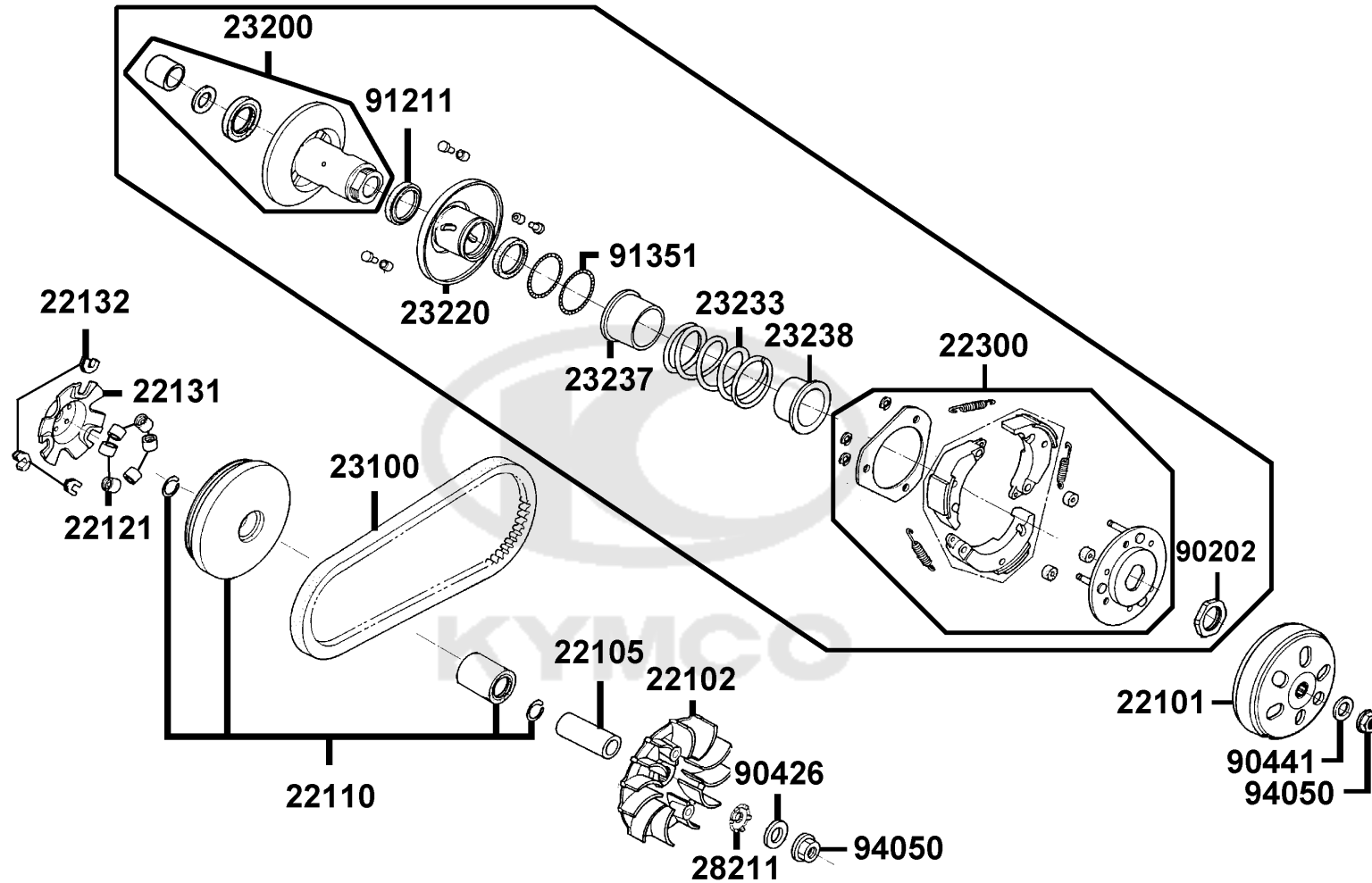


Sales mark	Ref no	Part no	Description	Reg description	Regd no	E05
	93500-05012	93500-05012-08	SCREW PAN 5*12	SCREW PAN 5*12	1	
	93892	93892-04008-18	SCREW WASHER 4*8	SCREW WASHER 4*8	1	
	94591	94591-25000	CLIP BIND	CLIP BIND	1	
	9500A	9500A-35250-20	TUBE JOINT ASSY 3 WAY,ACV	TUBE JOINT ASSY 3 WAY,ACV	1	





Sales mark	Ref no	Part no	Description	Reg description	Regd no	E06
	22101	22101-LCD3-C00	OUTER CLUTCH	OUTER CLUTCH	1	
	22102	22102-KUDU-E80	FACE DRIVE	FACE DRIVE	1	
	22105	22105-GFY6-C10	BOSS DRIVE FACE	BOSS DRIVE FACE	1	
	22110	22110-KUDU-E80	FACE MOVABLE DRIVE	FACE COMP MOVABLE DRIVE	1	
#	22121	22121-GFY6-345	ROLLER COMP WEIGHT 13G*6	ROLLER COMP WEIGHT 13G*6	1	
	22131	22131-GFY6-C00	PLATE RAMP	PLATE RAMP	1	
#	22132	22132-KBN2-315	PIECE SLIDE COMP	PIECE SLIDE	1	
	22300	22300-LCD3-C00	PLATE ASSY DRIVE	PLATE ASSY DRIVE	1	
#	23100	23100-KEC4-C0E	BELT DRIVE	BELT DRIVE	1	
	23200	23200-LEJ3-E10	"FACE ASSY.,CRIVEN"	"FACE ASSY.,CRIVEN"	1	
	23220	23220-GFY6-C00	FACE COMP DRIVEN H1	FACE COMP DRIVEN H1	1	
	23233	23233-LEJ3-E10	"BOSS,DRIVE FACE"	"BOSS,DRIVE FACE"	1	
	23237	23237-GFY6-C00	COLLAR SEAL	COLLAR SEAL	1	
	23238	23238-GFY6-C00	COLLAR SPG	COLLAR SPG	1	
	28211	28211-KUDU-W10	RATCHET KICK STARTER	RATCHET KICK STARTER	1	
	90202	90202-1G87-C00	NUT SPECIAL 28MM	NUT SPECIAL 28MM	1	
#	90426	90426-KNBN-C01	WASHER SPECIAL 12MM	WASHER SPECIAL 12MM	1	
	90441	90441-GFY6-C00	WASHER 12.2*29*2.5	WASHER 12.2*29*2.5	1	
	91211	91211-KEBE-C00	SEAL DRIVEN FACE 34*41*4	SEAL DRIVEN FACE 34*41*4	1	
	91351	91351-6B42-C00	O-RING PINION CAP	O-RING PINION CAP	1	



Sales mark	Ref no	Part no	Description	Reg description	Regd no	E06
------------	--------	---------	-------------	-----------------	---------	------------

94050

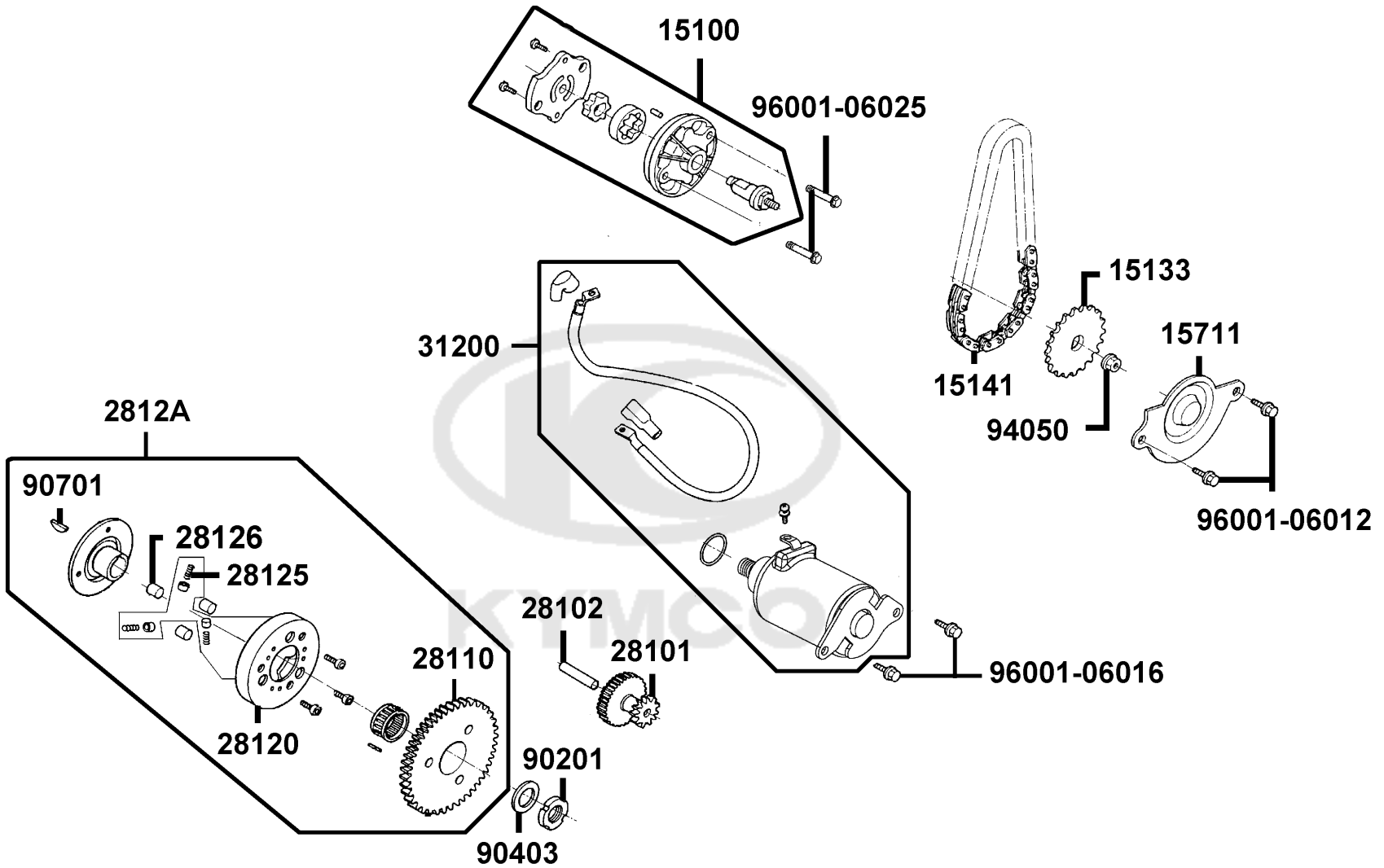
94050-12080

NUT FLANGE 12MM

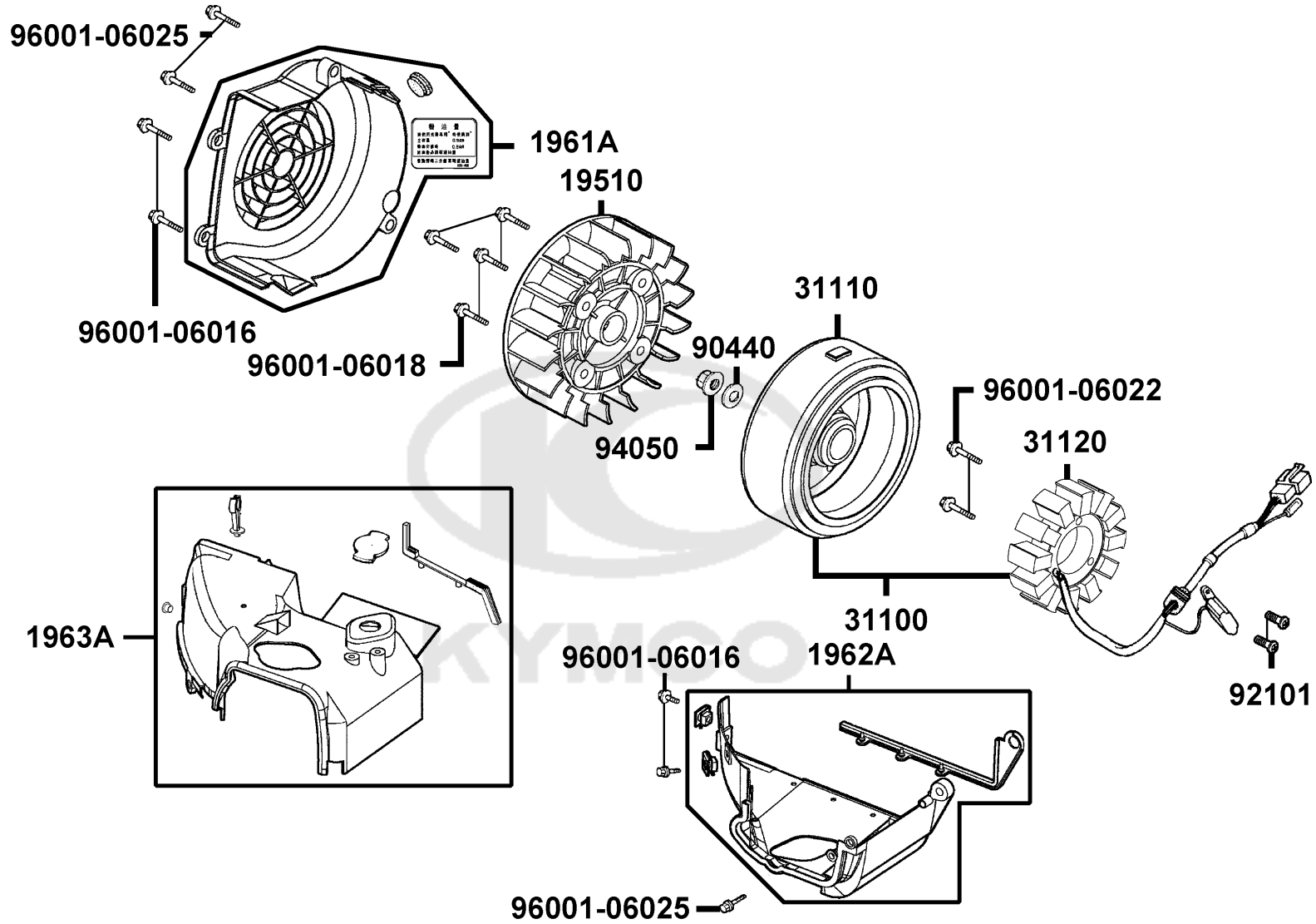
NUT FLANGE 12MM

1

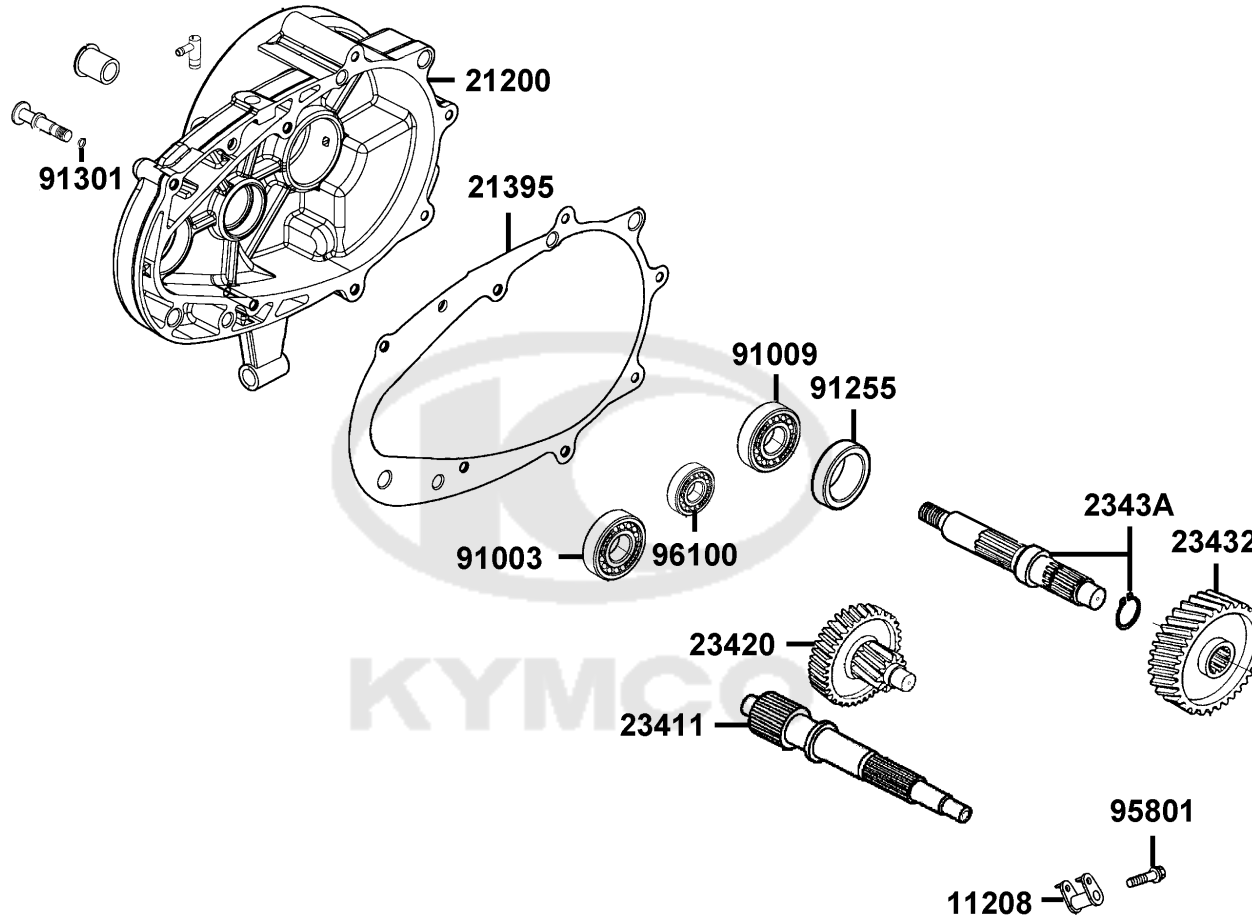




Sales mark	Ref no	Part no	Description	Reg description	Regd no	E07
	15100	15100-KFB7-C00	OIL PUMP ASSY	PUMP ASSY OIL	1	
	15133	15133-GFY6-W10	SPROCKET OIL PUMP DRIVE	SPROCKET OIL PUMP DRIVE	1	
	15141	15141-GFY6-C00	CHAIN OIL PUMP	CHAIN OIL PUMP	1	
	15711	15711-KUDU-C00	SEPARATER OIL	SEPARATER OIL	1	
	28101	28101-GFY6-C00	GEAR STARTER REDUCTION	GEAR STARTER REDUCTION	1	
	28102	28102-GFY6-C00	SHAFT STARTER REDUCTION GEAR	SHAFT STARTER REDUCTION GEAR	1	
	28110	28110-GFY6-C10	OUTER ASSY START CLUTCH	OUTER ASSY START CLUTCH	1	
	28120	28120-GFY6-C10	OUTER COMP STARTING CLUTCH	OUTER COMP STARTING CLUTCH	1	
	28125	28125-4F26-C00	SPRING ROLLER STARTER CLUTCH	SPRING ROLLER STARTER CLUTCH	1	
	28126	28126-GFY6-C10	CAP STARTING ROLLER SPRING	FLANGE STARTING CLUTCH	1	
	2812A	2812A-GFY6-C10	OUTER ASSY START CLUTCH	OUTER ASSY START CLUTCH	1	
	31200	31200-KUDU-C00	MOTOR ASSY START	MOTOR ASSY START	1	
	90201	90201-GFY6-901	NUT LOCK 22MM	NUT LOCK 22MM	1	
	90403	90403-KUDU-900	WASHER THRUST 22.2*39*2.5	WASHER THRUST 22.2*39*2.5	1	
	90701	90701-HFB6-C00	KEY WOODRUFF 25*14*4	KEY WOODRUFF 25X14X4	1	
	94050	94050-06080	NUT FLANGE 6MM	NUT FLANGE 6MM	1	
	96001-06012	96001-06012-08G	BOLT FLANGE SH 6X12 (C)	BOLT FLANGE SH 6X12 (C)	2	
	96001-06016	96001-06016-08	BOLT FLANGE SH 6*16	BOLT FLANGE SH 6*16	2	
	96001-06025	96001-06025-08	BOLT FLANGE SH 6*25 (C)	BOLT FLANGE SH 6*25	2	



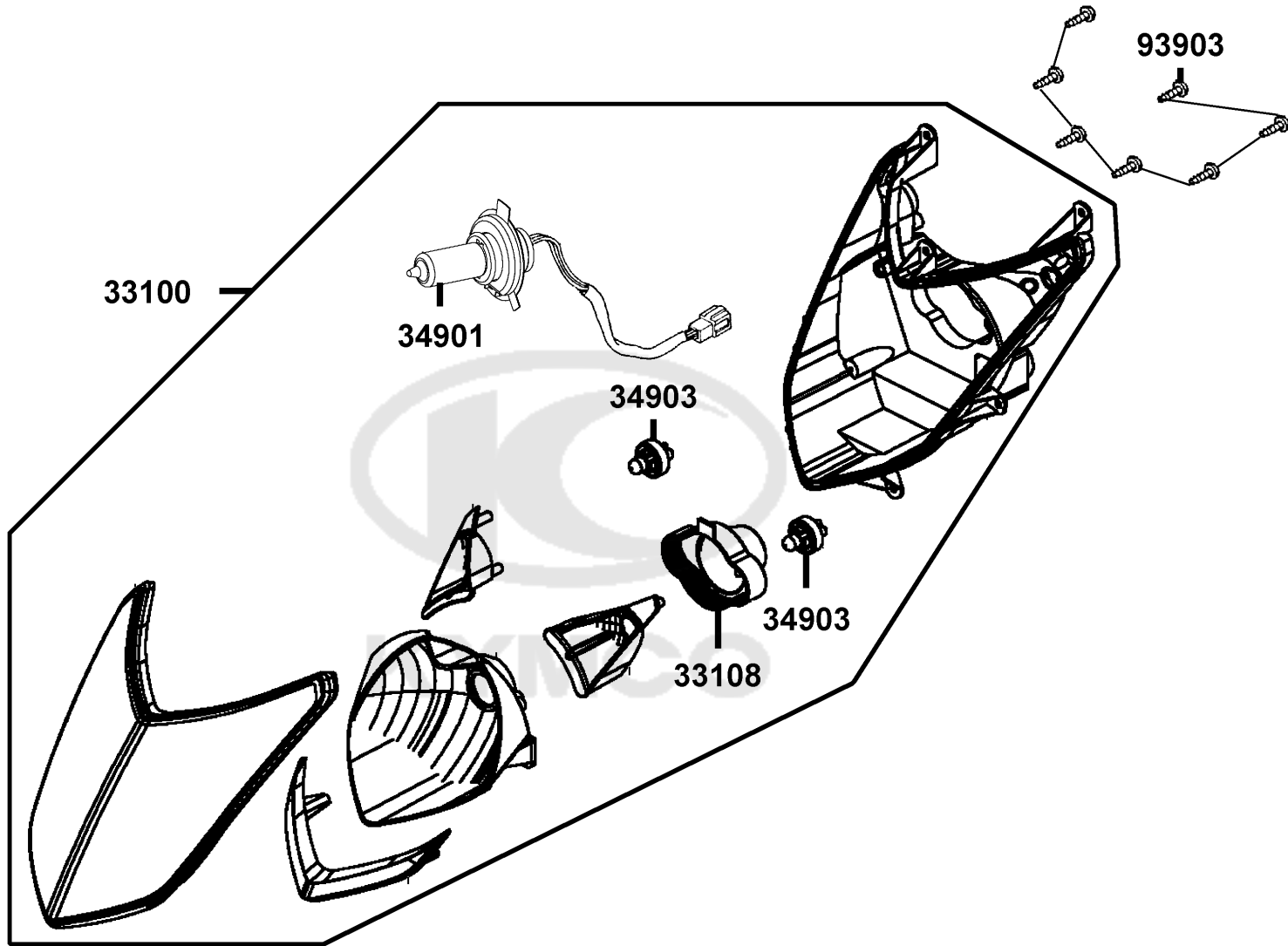
Sales mark	Ref no	Part no	Description	Reg description	Regd no	E08
	19510	19510-KFB7-C00	FAN COMP COOLING	FAN COMP COOLING	1	
	1961A	1961A-KUDU-E10	COVER ASSY FAN	COVER ASSY FAN	1	
	1962A	1962A-KKE3-C00	SHROUD ASSY A	SHROUD ASSY A	1	
	1963A	1963A-LDF7-E10	SHROUD ASSY B	SHROUD ASSY B	1	
#	31100	31100-LHA2-M30	AC GEN ASSY	AC GEN ASSY	1	
	31110	31110-LAD9-C00	FLYWHEEL COMP	FLYWHEEL COMP	1	
	31120	31120-LFC3-E10	STATOR COMP	STATOR COMP	1	
	90440	90440-1F66-C00	WASHER PLAIN 12MM	WASHER PLAIN 12MM	1	
	92101	92101-05012-0H	BOLT HEX 5*12	BOLT HEX 5*12	2	
	94050	94050-12080	NUT FLANGE 12MM	NUT FLANGE 12MM	1	
	96001-06016	96001-06016-08	BOLT FLANGE SH 6*16	BOLT FLANGE SH 6*16	4	
	96001-06018	96001-06018-08	BOLT FLANGE SH 6*18	BOLT FLANGE SH 6*18	4	
	96001-06022	96001-06022-08	BOLT FLANGE SH 6*22	BOLT FLANGE SH 6*22	2	
	96001-06025	96001-06025-08	BOLT FLANGE SH 6*25 (C)	BOLT FLANGE SH 6*25	3	




Sales mark	Ref no	Part no	Description	Reg description	Regd no	E09
	11208	11208-KXCX-C00	CLAMP BRAKE WIRE	CLAMP BRAKE WIRE	1	
	21200	21200-LEJ8-C00	CASE COMP MISSION	CASE COMP MISSION	1	
#	21395	21395-LCD3-E90	GASKET MISSION CASE@A	GASKET MISSION CASE@A	1	
	23411	23411-KHB4-C00	SHAFT DRIVE	SHAFT DRIVE	1	
	23420	23420-LCD3-C00	SHAFT COMP COUNTER	SHAFT COMP COUNTER	1	
	23432	23432-LEJ3-E10	GEAR, FINAL	GEAR, FINAL	1	
	2343A	2343A-KHB4-C00	SHAFT FINAL ASSY	SHAFT FINAL	1	
	91003	91003-KDS4-C00	BRG BALL RADIAL 6301TMB	BRG BALL RADIAL 6301TMB	1	
	91009	91009-GLE0-C00	BRG BALL RADIAL 6004 UU	BRG BALL RADIAL 6004 UU	1	
	91255	91255-LDC8-E10	OIL SEAL 27*42*7(C?)	OIL SEAL 27*42*7(C?)	1	
	91301	91301-0C53-W10	O RING 7.5*1.5	O RING 7.5*1.5	1	
	95801	95801-06040-08	BOLT FLANGE 6*40	BOLT FLANGE 6*40	1	
	96100	96100-60020-00	BRG BALL RADIAL 6002	BRG BALL RADIAL 6002	1	

F01

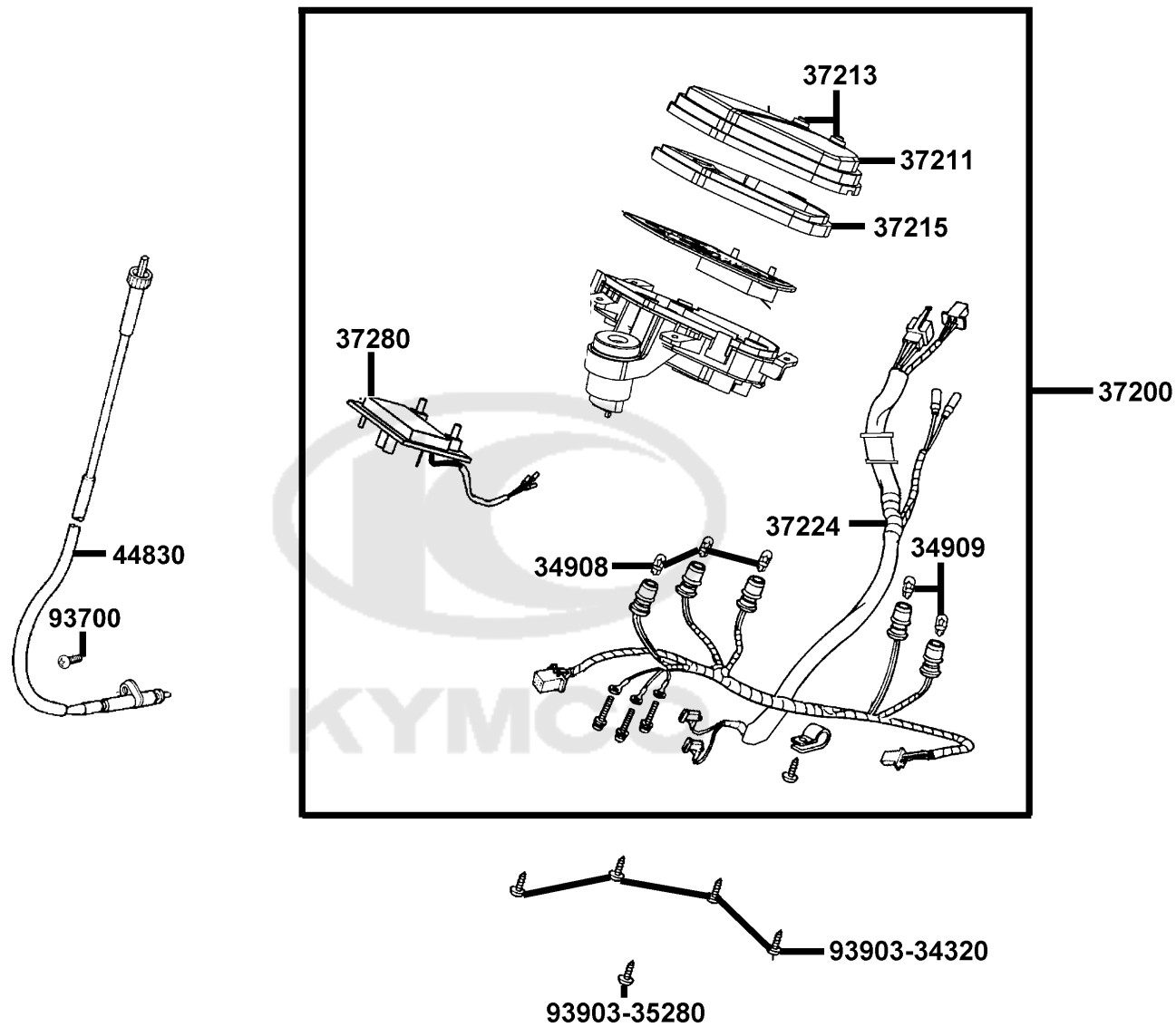
Head Light



Sales mark	Ref no	Part no	Description	Reg description	Regd no	F01
	33100	33100-LFC3-E12	LIGHT ASSY HEAD	LIGHT ASSY HEAD	1	
	33108	33108-LFC2-E10	SOCKET COMP HEAD LIGHT	SOCKET COMP HEAD LIGHT	1	
	34901	34901-LDC8-E10	BULB HEAD LIGHT	BULB HEAD LIGHT	1	
	34903	34903-LDC8-E10	BULB POSITION	BULB POSITION	1	
	93903	93903-35220	SCREW TAPPING 5*12	SCREW TAPPING 5*12	7	
						

F02

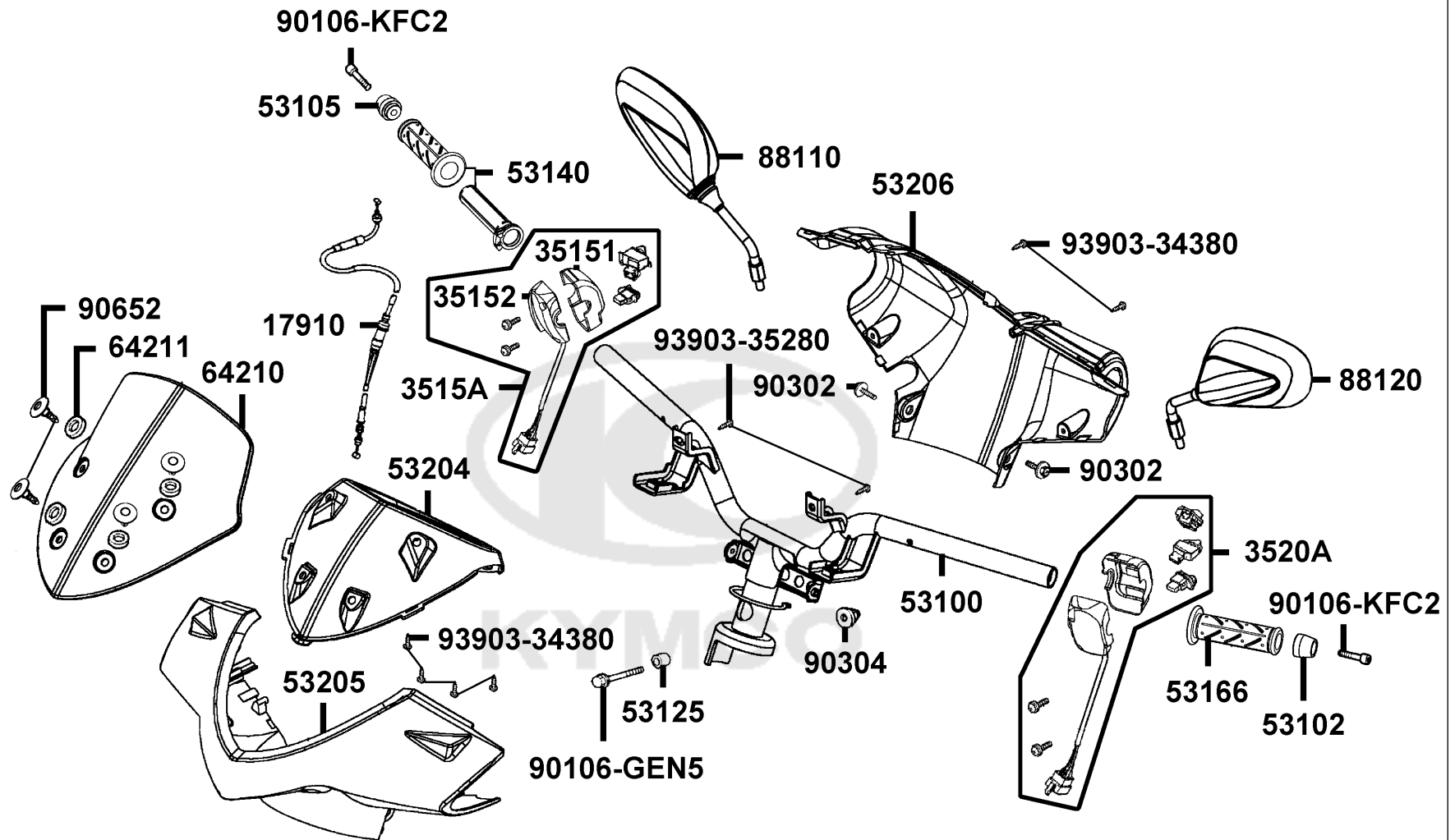
Speedometer



Sales mark	Ref no	Part no	Description	Reg description	Regd no	F02
	34908	34908-LEJ2-E00	BULB WEDGE BASE T10	BULB WEDGE BASE T10	3	
	34909	34909-LEJ2-E00	BULB WEDGE BASE T10	BULB WEDGE BASE T10	2	
	37200	37200-LFC3-E12	METER ASSY SPEED	METER ASSY SPEED	1	
	37211	37211-LFC2-E10	LENS COMP METER	LENS COMP METER	1	
	37213	37213-LFC2-E10	BUTTON ADJUST	BUTTON ADJUST	2	
	37215	37215-LFC2-E10	PLATE COSMETIC	PLATE COSMETIC	1	
	37224	37224-LFC2-E10	SOCKET COMP METER	SOCKET COMP METER	1	
	37280	37280-LEJ2-E0A	LCD ASSY (LOCK)	LCD ASSY (LOCK)/XD	1	
	44830	44830-LCD3-C00	CABLE COMP SPDMT	CABLE COMP SPDMT	1	
	93700	93700-05018-0H	SCREW OVAL 5*18	SCREW OVAL 5*18	1	
	93903-34320	93903-34320	SCREW TAPPING 4*12	SCREW TAPPING 4*12	4	
#	93903-35280	93903-35280-G	SCREW TAPPING 5*12 (K)	SCREW TAPPING 5*12 (KG)	1	

F03

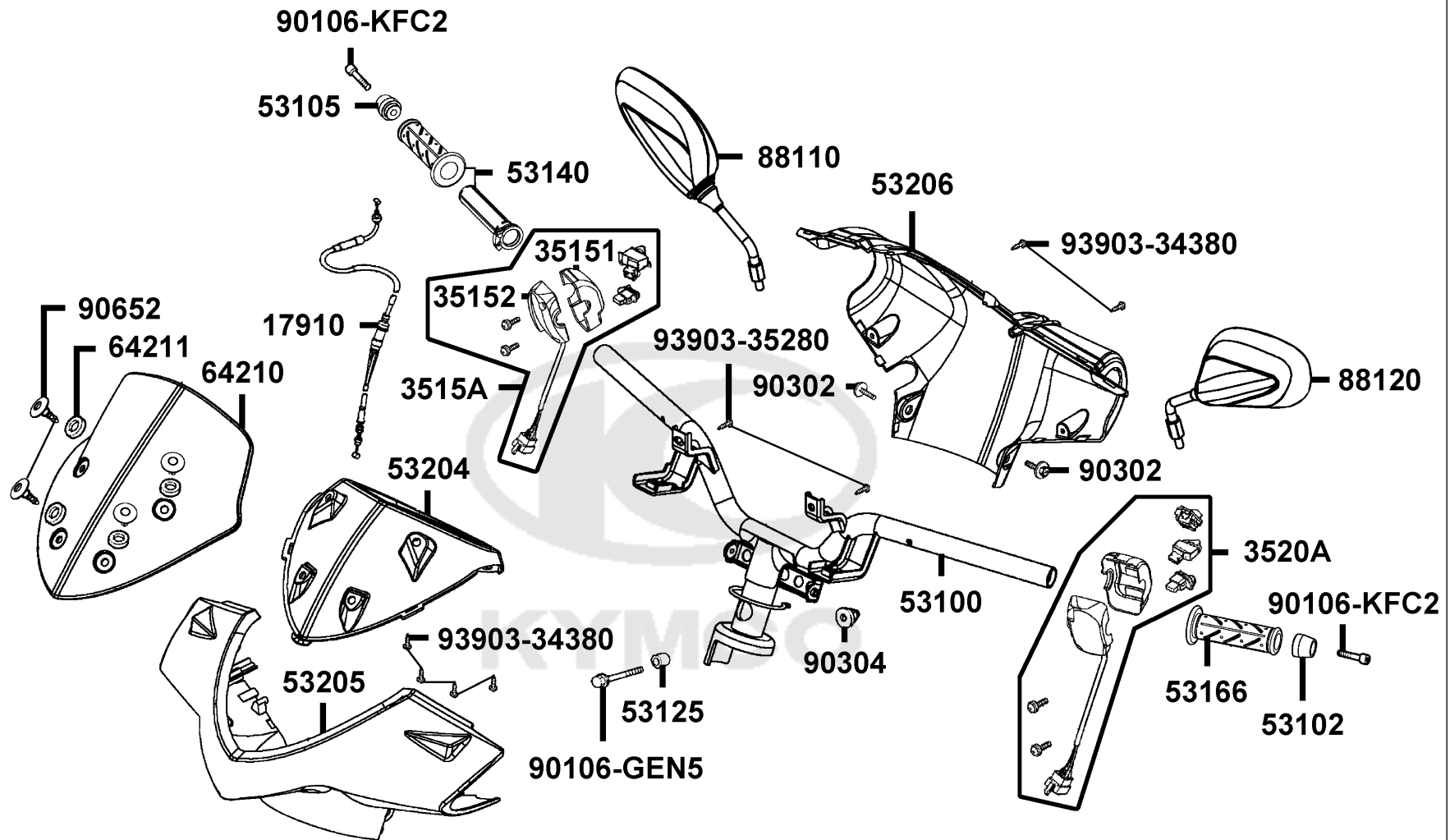
Handle Steering Handle Cover



Sales mark	Ref no	Part no	Description	Reg description	Regd no	F03
	17910	17910-KHD8-C00	CABLE COMP THROT	CABLE COMP THROT	1	
	35151	35151-KGBG-C00	FR CASE RH HNDL COMP SW	FR CASE RH HNDL COMP SW	1	
	35152	35152-LGB5-E10	RR CASE RH HNDL COMP SW	RR CASE RH HNDL COMP SW	1	
	3515A	3515A-LGB5-E10	SW ASSY RH HANDLE COMP	SW ASSY RH HANDLE COMP	1	
#	3515A	3515A-LGB5-EV0	SW ASSY RH HANDLE COMP	SW ASSY RH HNDL COMP	1	
	3520A	3520A-LGB5-E11	"SW ASS'Y..LH HANDLE COMP"	"SW ASS'Y..LH HANDLE COMP"	1	
	53100	53100-LFC3-E10	HANDLE COMP STRG	HANDLE COMP STRG	1	
	53102	53102-LEJ2-E10	END HANDLE	END HANDLE	1	
#	53105	53102-LEJ2-E1A	END R HANDLE	END R HANDLE	1	
	53125	53125-GEN5-C00	COLLAR HANDLE SET	COLLAR HANDLE SET	1	
	53140	53140-LEJ2-E10	GRIP COMP THROT	GRIP COMP THROT	1	
	53166	53166-LEJ2-E10	GRIP L HANDLE	GRIP L HANDLE	1	
**	53204	53204-LFC2-E10	COVER METER	COVER METER	1	
**	53205	53205-LFC2-E10	COVER HANDLE FR	COVER HANDLE FR	1	
**	53206	53206-LFC2-E10	COVER HANDLE RR	COVER HANDLE RR	1	
	64210	64210-LFC2-E10	ASSY METER VISOR	ASSY METER VISOR	1	
	64211	64211-LFC2-E10	SPONGE VISOR	SPONGE VISOR	4	
# **	88110	88110-LEB5-C11	MIRROR ASSY R BACK	MIRROR ASSY R BACK	1	
# **	88120	88120-LEB5-C11	MIRROR ASSY L BACK	MIRROR ASSY L BACK	1	
	90106-GEN5	90106-GEN5-901	BOLT FLANGE 10*50	BOLT FLANGE 10*50	1	

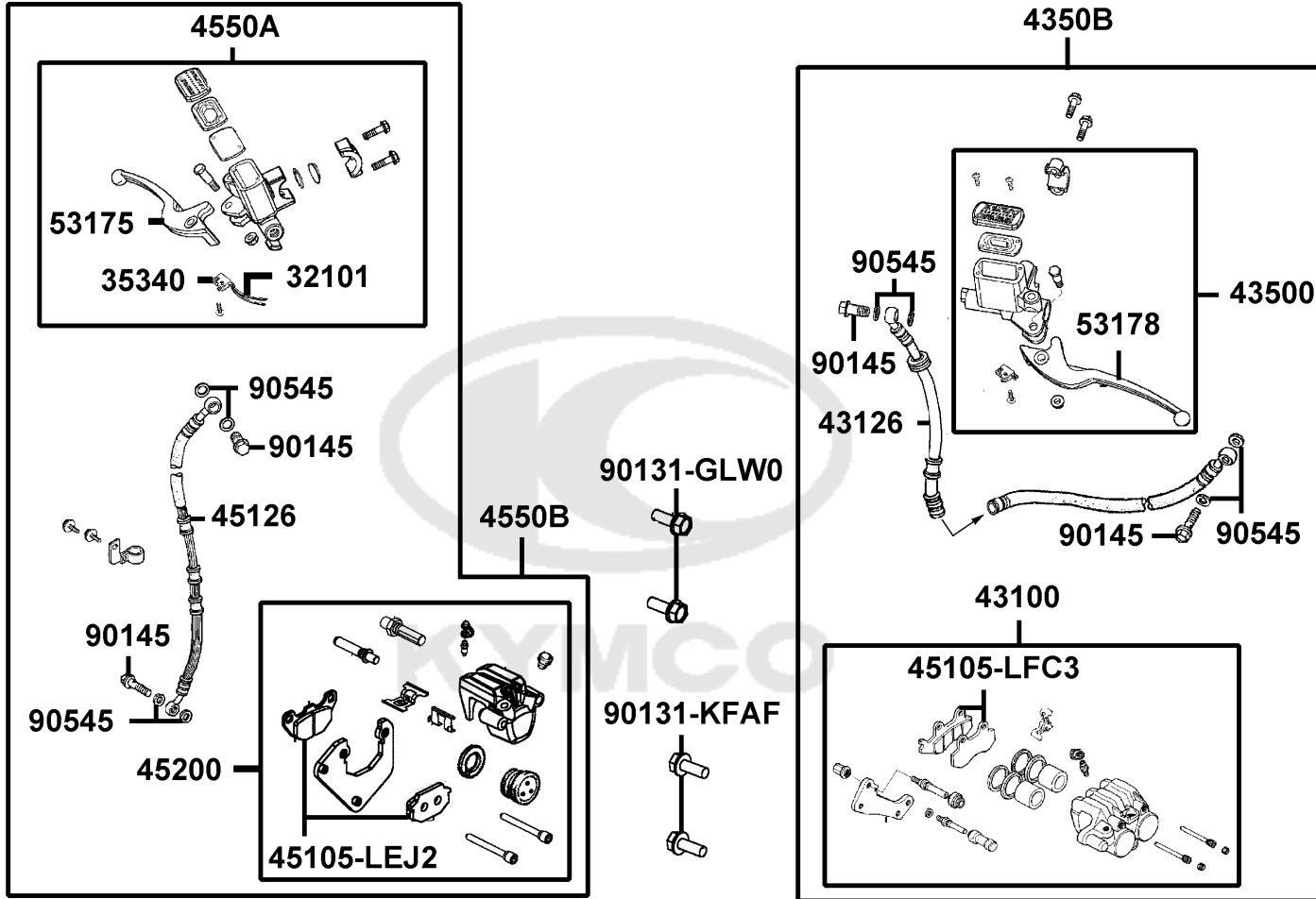
F03

Handle Steering Handle Cover



Sales mark	Ref no	Part no	Description	Reg description	Regd no	F03
	90106-KFC2	90106-KFC2-900	BOLT SPECIAL 8MM	BOLT SPECIAL 8MM	2	
#	90302	90302-LLB1-C01	BOLT-WASH 5*12	"BOLT-WASHER,5*12"	1	
	90304	90304-GHE8-C00	NUT U 10MM (C)	NUT U 10MM (C)	1	
	90652	90652-LCA4-C10	CLIP MUDGUARD	CLIP MUDGUARD	1	
	93903-34380	93903-34380	SCREW TAPPING 4*12	SCREW TAPPING 4*12 (K)	6	
#	93903-35280	93903-35280-G	SCREW TAPPING 5*12 (K)	SCREW TAPPING 5*12 (KG)	2	

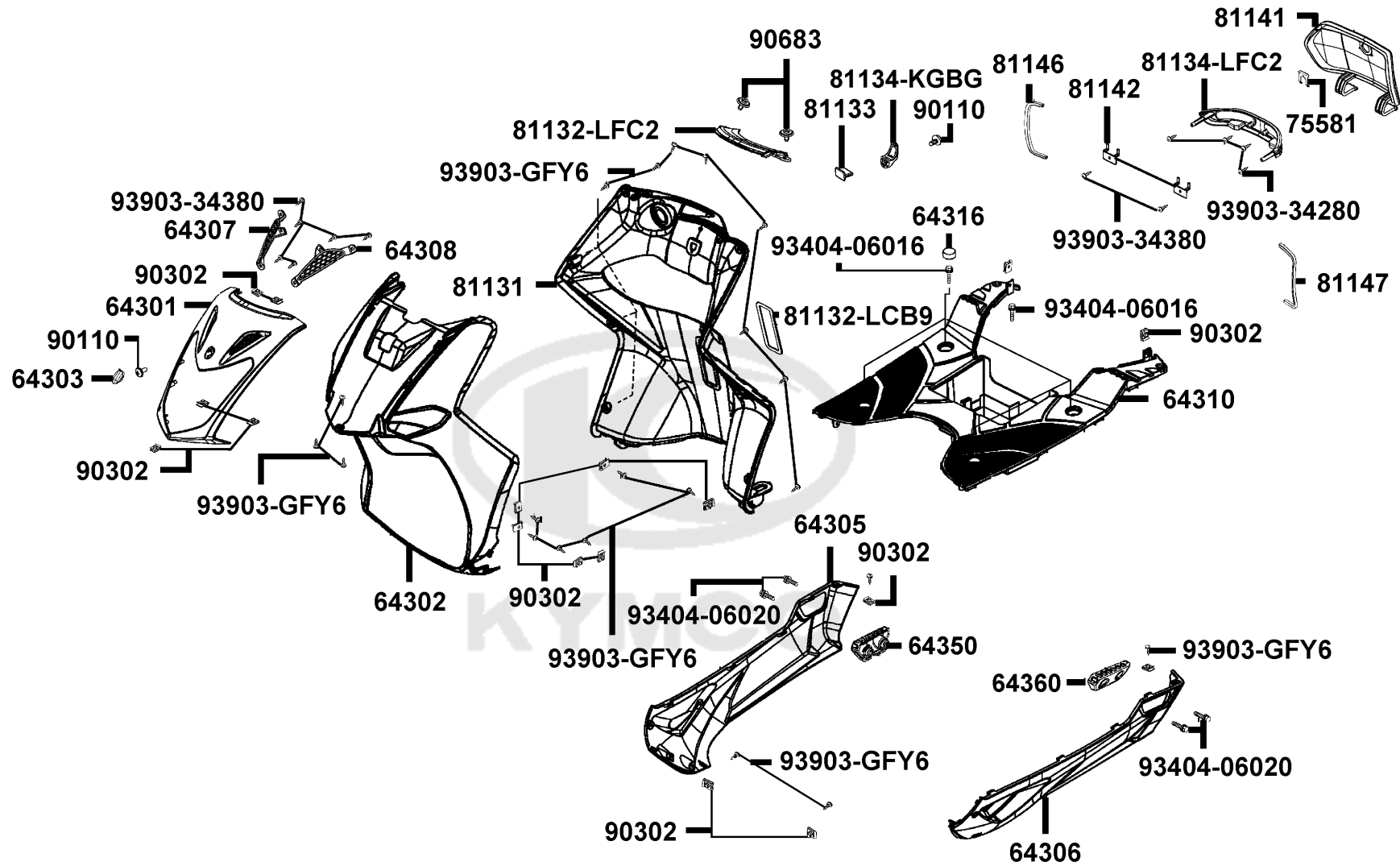




Sales mark	Ref no	Part no	Description	Reg description	Regd no	F04
	32101	32101-GFY6-C00	SUB CORD R	SUB CORD R/L	1	
	35340	35340-KNBN-901	SW ASSY FR STOP	SW ASSY FR STOP	1	
	43126	43126-LFC3-E1A	HOSE ASSY RR BRK	HOSE ASSY RR BRK	1	
	43500	43500-LFC3-E10	M/C ASY FR BRK	M/C ASY FR BRK	1	
	43500	43500-LFC3-E12	M/C ASSY RR	M/C ASSY RR	1	
	4350B	4350B-LFC3-E12	SUB ASSY RR BRK	SUB ASSY RR BRK	1	
#	45105-LEJ2	45105-LEJ2-306	PAD COMP A+B	PAD COMP A AND B	1	
	45105-LFC3	45105-LFC3-305	PAD COMP A+B	PAD COMP A+B	1	
	45126	45126-LFC2-E10	HOSE ASSY FR BRK	HOSE ASSY FR BRK	1	
	45200	45200-LFC2-E80	CALIPER ASSY FR LH	CALIPER ASSY FR BRK	1	
	4550A	4550A-LFC2-E16	CYLINDER ASSY FR	CYLINDER ASSY FR	1	
	4550B	4550B-LFC2-E16	SUB ASSY FR BRK	SUB ASSY FR BRK	1	
	53175	53175-KTCT-C01	LEVER R STRG HNDL	LEVER R STRG HNDL	1	
**	53178	53178-KNBN-C00	LEVER L STRG HANDLE	LEVER L STRG HANDLE	1	
	90131-GLW0	90131-GLW0-C00	BOLT FLANGE 8*35	BOLT FLANGE 8*35	1	
	90131-KFAF	90131-KFAF-C00	BOLT FLANGE 8*42	BOLT FLANGE 8*42	1	
	90145	90145-9A61-C00	OIL BOLT 10*22	OIL BOLT 10*22	1	
	90545	90545-3L00-C00	WASHER OIL BOLT	WASHER OIL BOLT	1	

F05

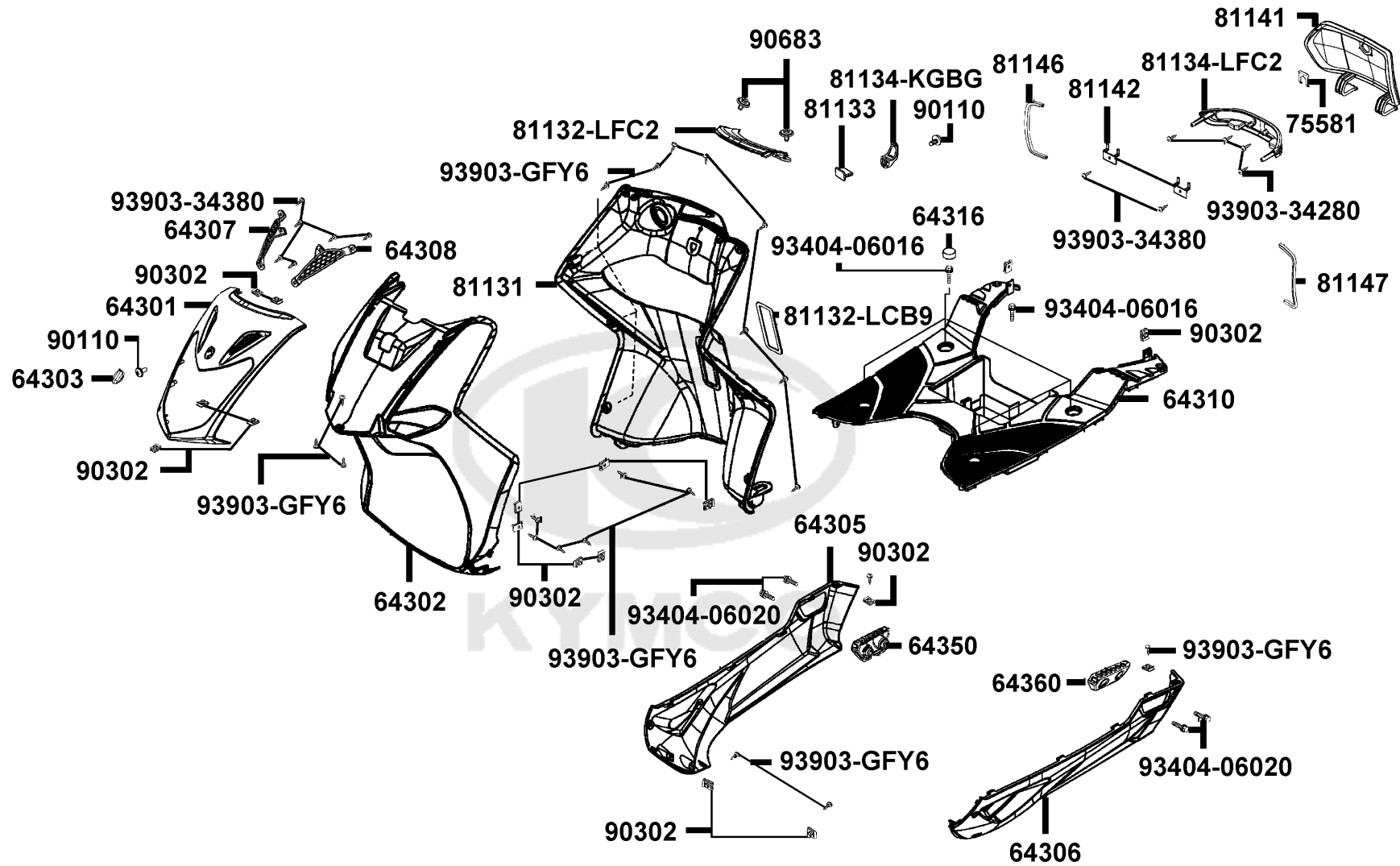
Front Cover Front Fender



Sales mark	Ref no	Part no	Description	Reg description	Regd no	F05
**	64301	64301-LFC2-E10	COVER FR	COVER FR	1	
**	64302	64302-LFC2-E10	MOLD FRONT	MOLD FRONT	1	
**	64303	64303-LFC2-E10	CAP FR COVER	CAP FR COVER	1	
**	64305	64305-LFC2-E10	SKIRT R SIDE	SKIRT R SIDE	1	
**	64306	64306-LFC2-E10	SKIRT L SIDE	SKIRT L SIDE	1	
**	64307	64307-LFC2-E10	GRILLE R FR MOLDING	GRILLE R FR MOLDING	1	
**	64308	64308-LFC2-E10	GRILLE L FR MOLDING	GRILLE L FR MOLDING	1	
**	64310	64310-LFC2-E11	FLOOR PANEL	FLOOR PANEL	1	
**	64316	64316-LCB9-C10	PLUG FLOOR	PLUG FLOOR	4	
**	64350	64350-LFC2-E11	COVER R STEP	COVER R STEP	1	
**	64360	64360-LFC2-E11	COVER L STEP	COVER L STEP	1	
	75581	75581-6C73-C00	SET SPG LOCK KET(43°C)	SET SPG LOCK KET(43°C)	1	
**	81131	81131-LFC2-E10	LEG SHIELD	LEG SHIELD	1	
**	81132-LCB9	81132-LCB9-C10	LID LEG SHIELD	LID LEG SHIELD	1	
**	81132-LFC2	81132-LFC2-E10	CAP LEG SHIELD UP	CAP LEG SHIELD UP	1	
	81133	81133-KNBN-C00	STOPPER LUGGAGE	STOPPER LUGGAGE	1	
	81134-KGBG	81134-KGBG-C00	HOOK LUGGAGE	HOOK LUGGAGE	1	
**	81134-LFC2	81134-LFC2-E10	PLATE INNER BOX	PLATE INNER BOX	1	
**	81141	81141-LFC2-E10	LID INNER BOX	LID INNER BOX	1	
	81142	81142-KFA6-C00	STAY LID INNER BOX	STAY LID INNER BOX	1	

F05

Front Cover Front Fender

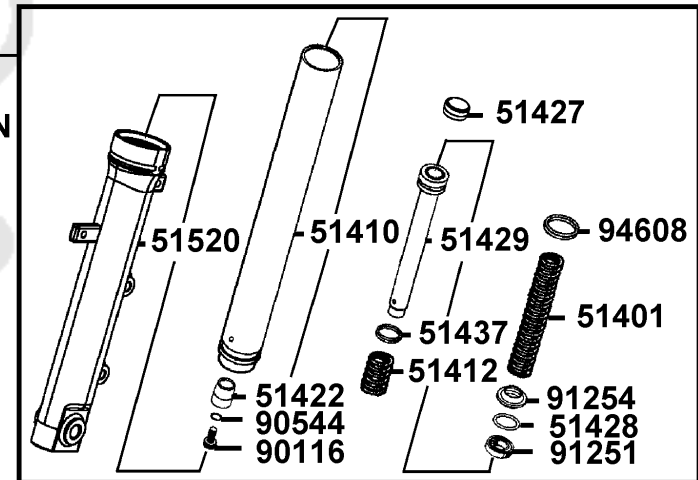
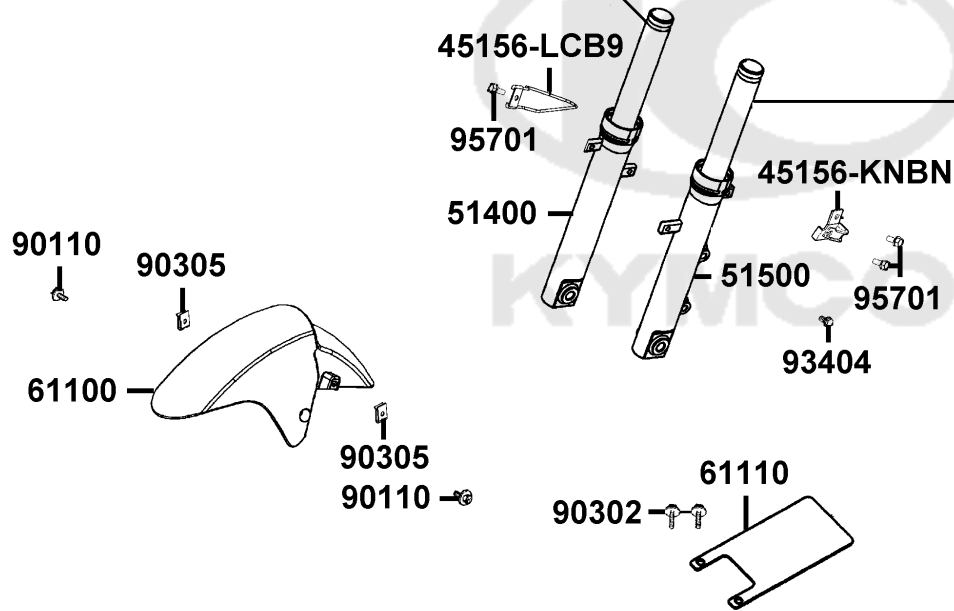
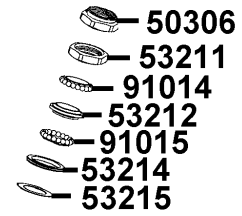
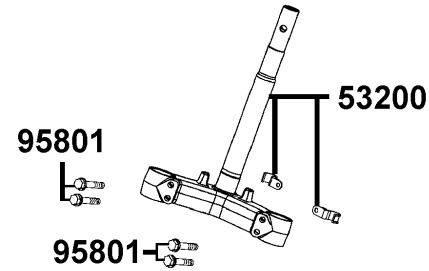
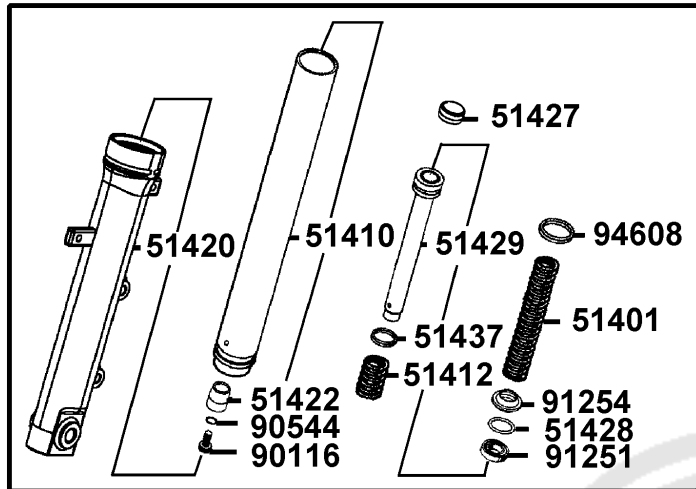


Sales mark	Ref no	Part no	Description	Reg description	Regd no	F05
	81146	81146-LFC2-E10	SEAL A LID INNER BOX	SEAL A LID INNER BOX	1	
	81147	81147-LFC2-E10	SEAL B LID INNER BOX	SEAL B LID INNER BOX	1	
	90110	90110-GLW0-C00	SCREW SPECIFIED 6*14	SCREW SPECIAL 6*14(CR)	1	
#	90302	90302-SDA4-C01	"NUT,SPPING 4MM"	"NUT,SPPING 4MM"	1	
	90683	90683-GAR1-C00	CLIP BODY COVER	CLIP BODY COVER	1	
	93404-06016	93404-06016-07	BOTL WASHER 6*16	BOTL WASHER 6*16	1	
	93404-06020	93404-06020-07	BOLT WASHER 6*20 (K)	BOLT WASHER 6*20 (K)	8	
	93903-34280	93903-34280	SCREW TAPPING 4*10 (K)	SCREW TAPPING 4*10 (K)	4	
	93903-34380	93903-34380	SCREW TAPPING 4*12	SCREW TAPPING 4*12 (K)	16	
	93903-GFY6	93903-GFY6-C01	SCREW TAPPING 4*14(K)	"SCREW,TAPPING4*14"	1	



F06

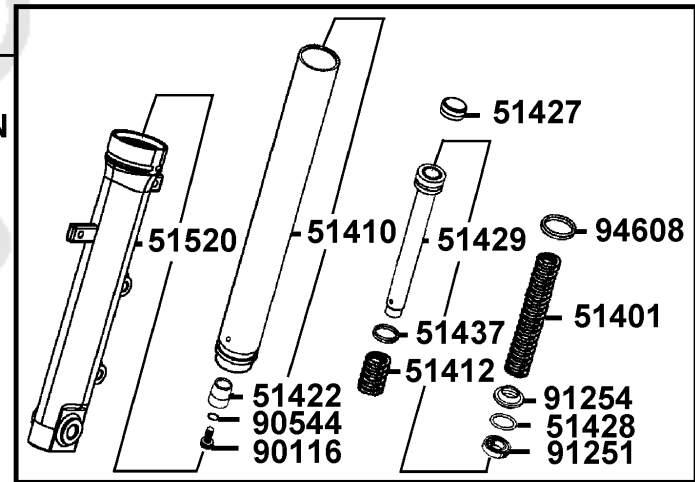
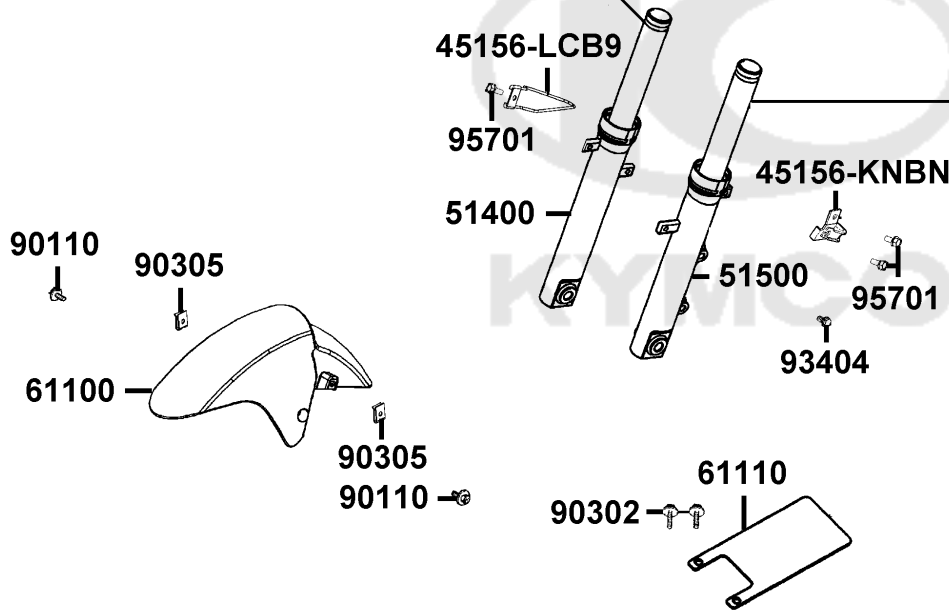
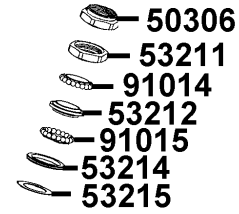
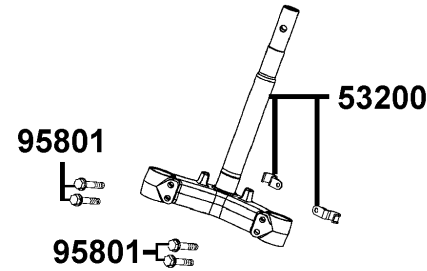
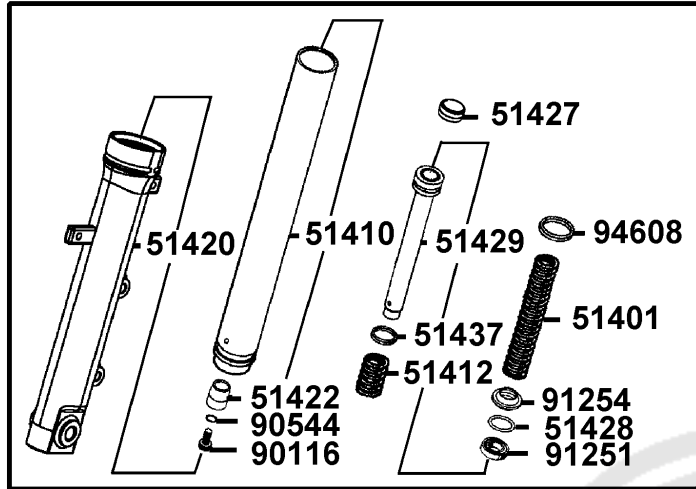
Stem Steering Front Cushion



Sales mark	Ref no	Part no	Description	Reg description	Regd no	F06
	45156-KNBN	45156-KNBN-C00	CLAMPER FR BRAKE HOSE	CLAMPER FR BRAKE HOSE	1	
	45156-LCB9	45156-LCB9-B20	CLAMPER FR SPDMT CABLE	CLAMPER FR SPDMT CABLE	1	
	50306	50306-1F96-C00	NUT STRG STEM LOCK	NUT STRG STEM LOCK	1	
	51400	51400-LFC3-E10	FORK ASSY R FR	FORK ASSY RH FR	1	
**	51400	51400-LFC3-E10	FORK ASSY R FR	FORK ASSY R FR	1	
	51401	51401-LEJ2-E10	SPRING	SPRING	2	
	51410	51410-LEJ2-E10	FORK PIPE COMP	FORK PIPE COMP	2	
	51412	51412-LEJ2-E10	REBOUND SPRING	REBOUND SPRING	2	
	51422	51422-LEJ2-E10	OIL LOCK PIECE	OIL LOCK PIECE	2	
	51427	51427-LEJ2-E10	FORK BOLT	FORK BOLT	2	
	51428	51428-LEJ2-E10	OIL SEAL STOP RING	OIL SEAL STOP RING	2	
	51429	51429-LEJ2-E10	PIPE SEAT	PIPE SEAT	2	
	51437	51437-LEJ2-E10	PISTON RING	PISTON RING	2	
**	51500	51500-LFC3-E10	FORK ASSY L FR	FORK ASSY L FR	1	
	53200	53200-LFC2-E10	STEM ASSY STRG	STEM ASSY STRG	1	
	53211	53211-GFY6-C00	RACE STRG. CONE TOP	RACE STRG. CONE TOP	1	
	53212	53212-2L50-C00	RACE STRG. BOTTOM CONE	RACE STRG. BOTTOM CONE	1	
	53214	53214-2L50-C00	DUST SEAL STRG HEAD	DUST SEAL STRG. HEAD BOT	1	
	53215	53215-2L50-C00	WASHER STRG HDL DUST-SEAL	"WASHER,STRG. HEAD DUST SEAL"	1	
**	61100	61100-LFC2-E10	FENDER FR	FENDER FR	1	

F06

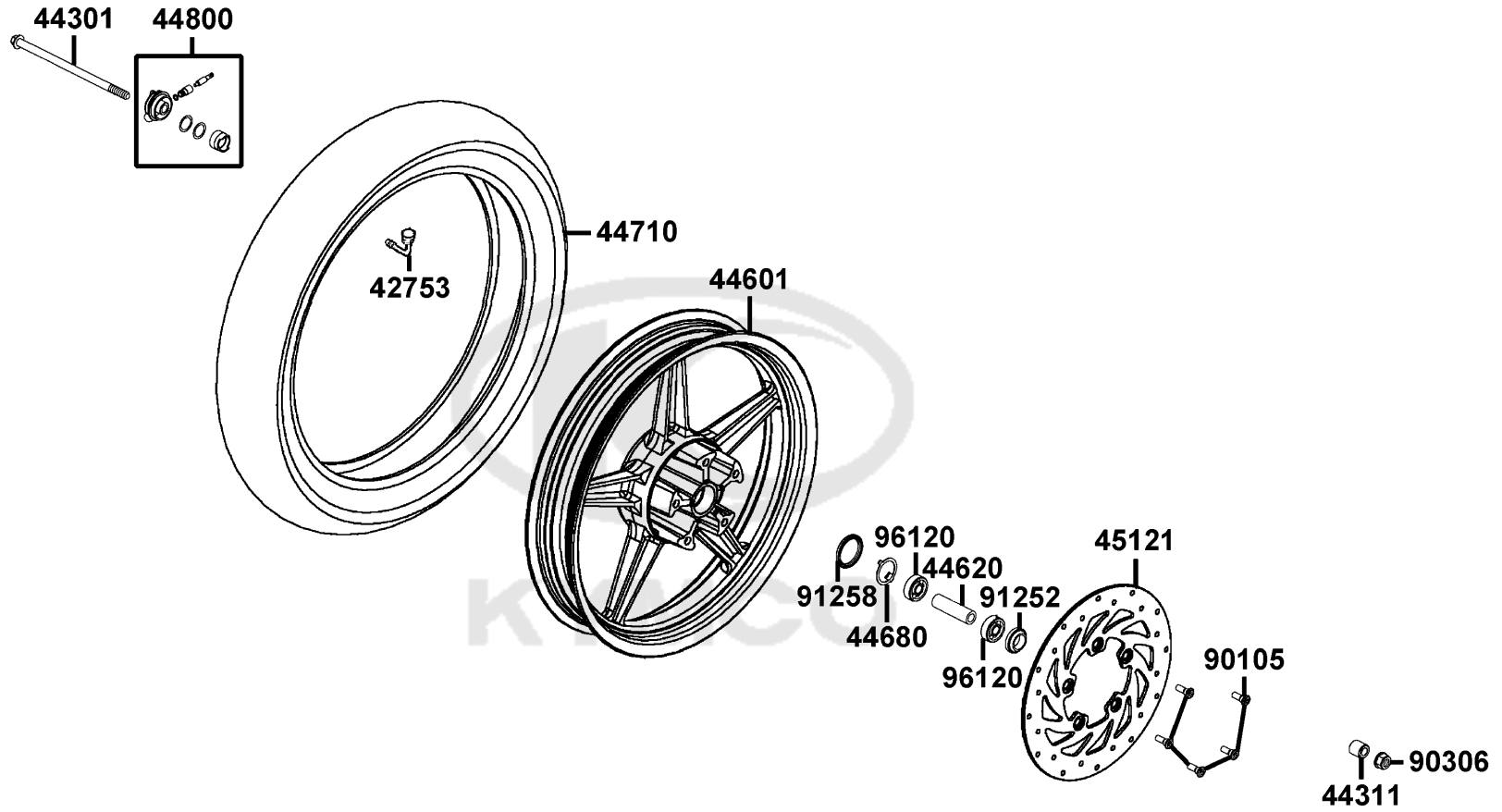
Stem Steering Front Cushion



Sales mark	Ref no	Part no	Description	Reg description	Regd no	F06
61110		61110-LFC2-E10	PLATE,INNER FENDER SPLASH GUARD	"PLATE,INNER FENDER SPLASH GUARD"	1	
90110		90110-KEB7-C00	SCREW SPECIAL 6*14	SCREW SPECIAL 6*14	1	
90116		90116-LEJ2-E10	BOLT	BOLT	2	
90302		90302-KNBN-C00	BOLT PAN 5*10	BOLT PAN 5*10	1	
90305		90305-GHK8-C00	NUT CLIP 6MM	NUT U 16MM(C)	1	
90544		90544-LEJ2-E10	PACKINGCUB	PACKINGCUB	1	
91014		91014-LLJ3-C00	CAGE STRG TOPP	CAGE STRG TOPP	1	
91015		91015-LLJ3-C00	CAGE STRG BOT	CAGE STRG BOT	1	
91251		91251-LEJ2-E10	OIL SEAL	OIL SEAL	1	
91254		91254-LEJ2-E10	DUST SEAL	DUST SEAL	1	
93404		93404-06022-07	BOLT WASHER 6*22 (K)	BOLT WASHER 6*22 (K)	2	
94608		94608-LEJ2-E10	O-RING 23X2.4	O-RING 23X2.4	1	
95701		95701-06012-08	BOLT FLANGE 6*12	BOLT FLANGE 6*12	3	
95801		95801-08040-08	BOLT FLANGE 8*40 (C)	BOLT FLANGE 8*40	4	

F07

Front Wheel



Sales mark	Ref no	Part no	Description	Reg description	Regd no	F07
	42753	42753-0A01-C00	VALVE (TR 412) & CAP (C)	VALVE (TR 412) & CAP (C)	1	
#	44301	44301-LEJ2-E12	AXLE FR WHEEL 12*243(K)	AXLE FR WHEEL 12*243(C)	1	
	44311	44311-LFC2-E10	COLLAR FR WHEEL SIDE	COLLAR FR WHEEL SIDE	1	
**	44601	44601-LFC2-E10	WHEEL CAST FR	WHEEL CAST FR	1	
	44620	44620-KFLF-C00	COLLAR FR DIST	COLLAR FR DIST	1	
	44680	44680-4L10-C00	RETAINER GEAR BOX	RETAINER GEAR BOX	1	
	44710	44710-LFC2-E10	TIRE ASSY FR	TIRE ASSY FR	1	
	44800	44800-LKD1-E10	GEAR BOX ASSY SPDMT	GEAR BOX ASSY SPDMT	1	
	45121	45121-LFC2-E80	DISK FR BRK	DISK FR BRK	1	
	90105	90105-KCR3-001	BOLT FR DISK 8*24	BOLT FR DISK 8*24	5	
	90306	90306-KLF0-C00	NUT FLANGE 12MM	NUT FLANGE 12MM	1	
#	91252	91252-0L30-C00	OIL SEAL 23*37*7	OIL SEAL 23*37*7	1	
	91258	91258-4L10-007	DUST SEAL 40*50*5	DUST SEAL 40*50*5	1	
	96120	96120-63010-10	BEARING BALL RADIAL 6301	BEARING BALL RADIAL 6301	2	

F08

Rear Wheel

90305

90501

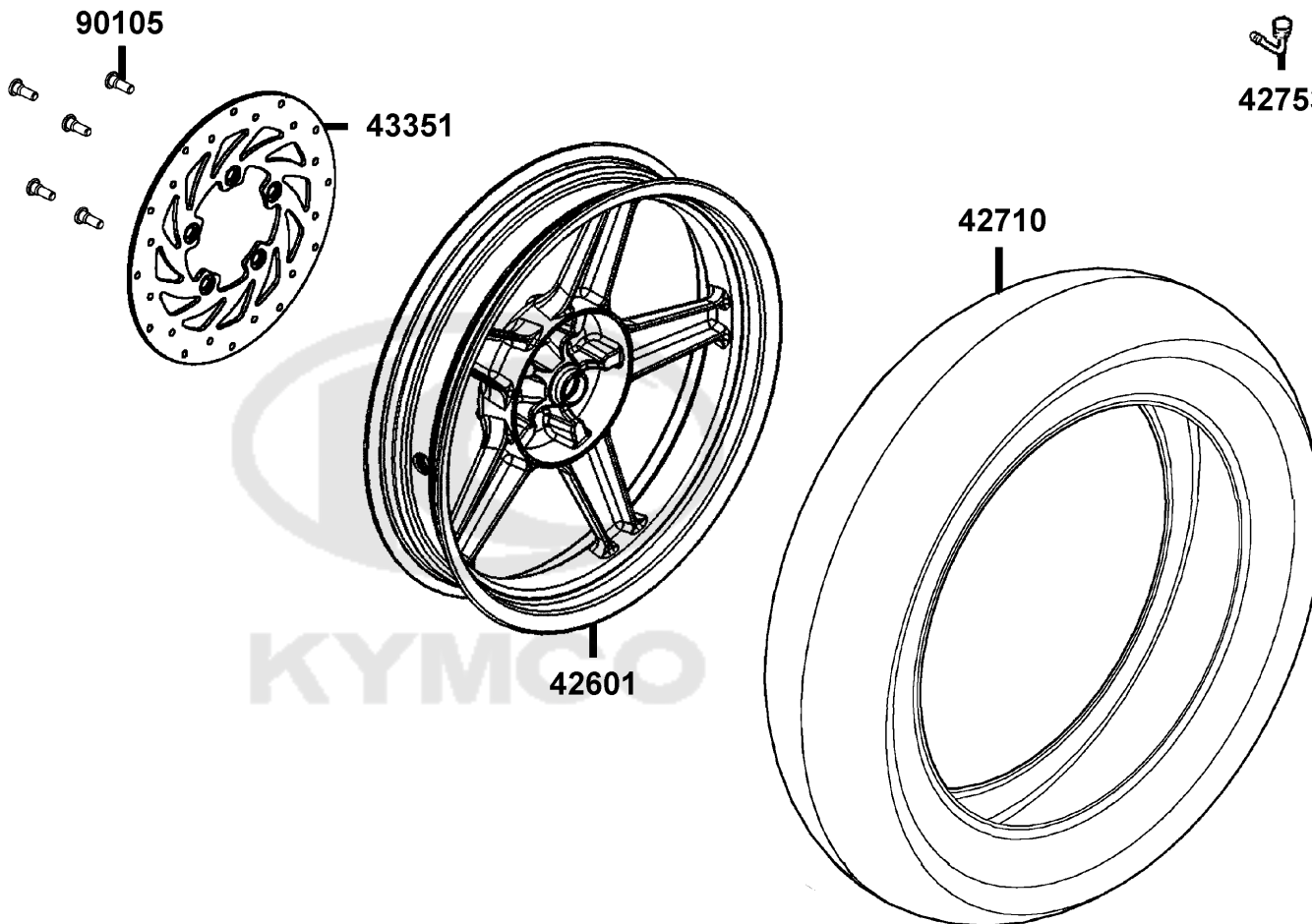
90105

43351

42753

42710

42601

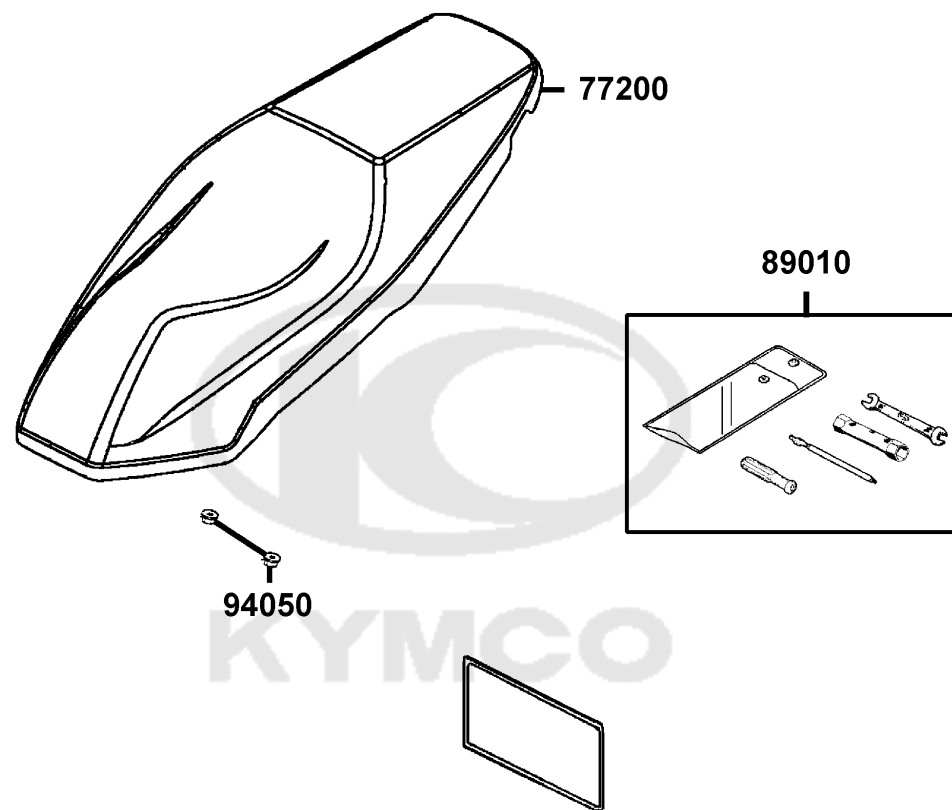


Sales mark	Ref no	Part no	Description	Reg description	Regd no	F08
**	42601	42601-LFC3-E10	WHEEL COMP RR CAST	WHEEL COMP RR CAST	1	
	42710	42710-LFC4-E91	TIRE RR	TIRE ASSY RR	1	
	42753	42753-0A01-C00	VALVE (TR 412) & CAP (C)	VALVE (TR 412) & CAP (C)	1	
	43351	43351-LFC3-E80	DISK RR BRK	DISK FR BRK	1	
	90105	90105-KCR3-001	BOLT FR DISK 8*24	BOLT FR DISK 8*24	1	
	90305	90305-KNBN-C00	NUT U 16MM(C)	NUT U 16MM(C)	1	
	90501	90501-KNBN-C00	WASHER 16MM	WASHER 16MM	1	



F09

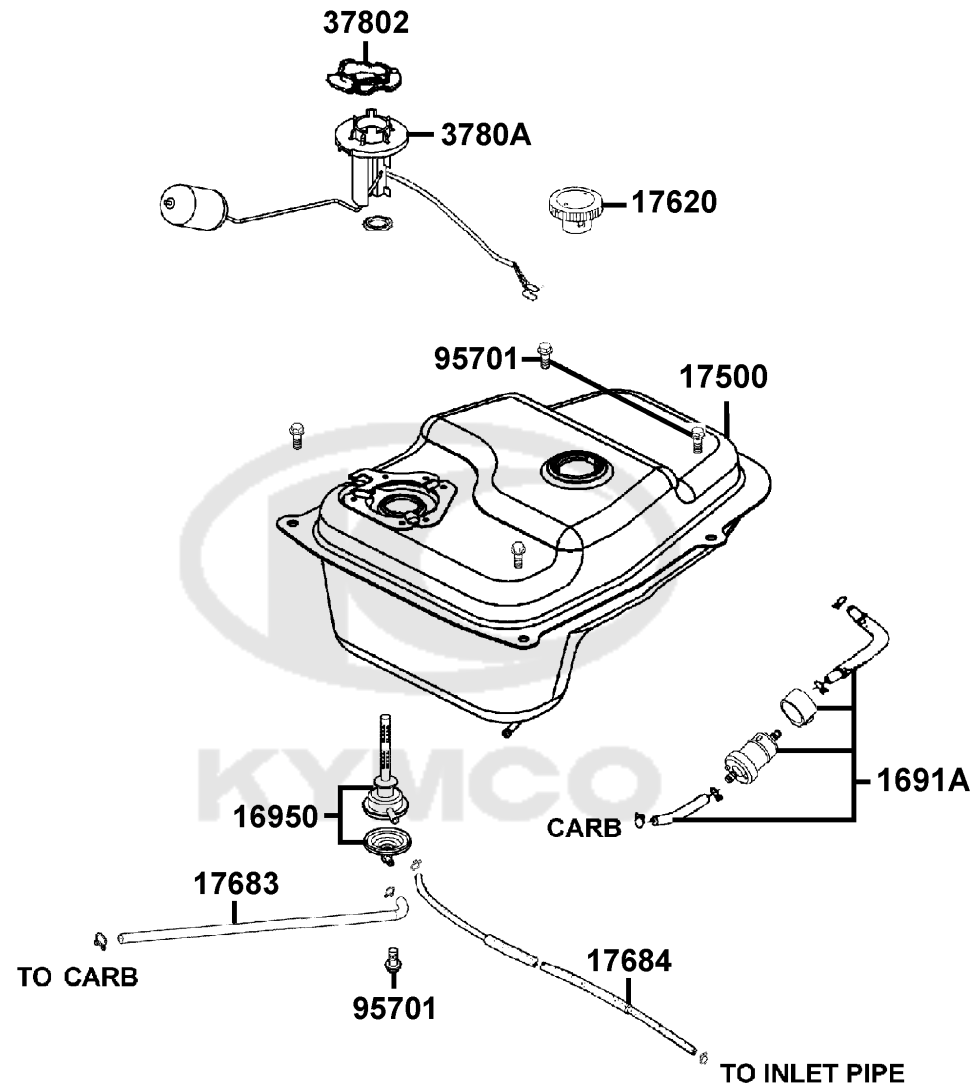
Seat



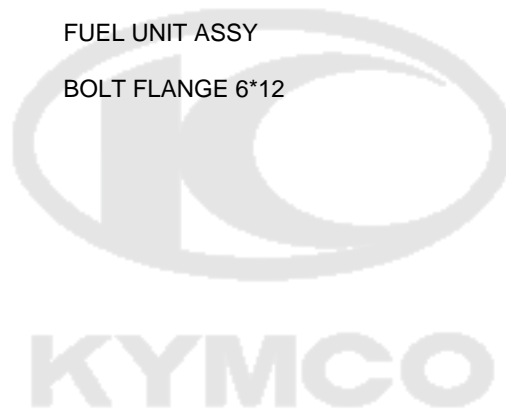
Sales mark	Ref no	Part no	Description	Reg description	Regd no	F09
------------	--------	---------	-------------	-----------------	---------	------------

**	77200	77200-LFC3-E12	SEAT ASSY	SEAT ASSY	1	
	89010	89010-KGBG-C00	TOOL SET	TOOL SET	1	
	94050	94050-06080	NUT FLANGE 6MM	NUT FLANGE 6MM	2	





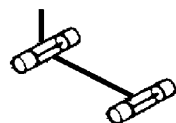
Sales mark	Ref no	Part no	Description	Reg description	Regd no	F10
	1691A	1691A-LEJ2-E10	STRAINER ASSY FUEL	STRAINER ASSY FUEL	1	
#	16950	16950-LKL5-E30	AUTO COCK ASSY FUEL	AUTO COCK ASSY FUEL	1	
	17500	17500-LEJ2-E10	TANK COMP FUEL	TANK COMP FUEL	1	
	17620	17620-LBA8-C10	CAP FUEL FILLER	CAP FUEL FILLER	1	
	17683	17683-LFC3-E10	TUBE ASSY COCK-CARB	TUBE ASSY COCK-CARB	1	
	17684	17684-LFC3-E10	TUBE ASSY COCK-INLET PIPE	TUBE ASSY COCK-INLET PIPE	1	
	37802	37802-GGA7-C00	RET FUEL UNIT	RET FUEL UNIT	1	
	3780A	3780A-LEJ2-E10	FUEL UNIT ASSY	FUEL UNIT ASSY	1	
	95701	95701-06012-08	BOLT FLANGE 6*12	BOLT FLANGE 6*12	5	



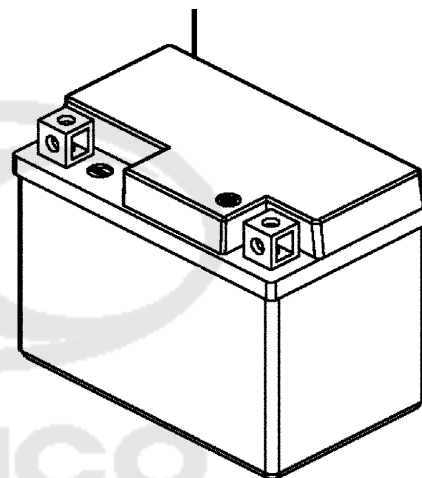
F11

Battery

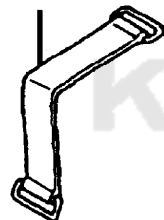
98200



31500



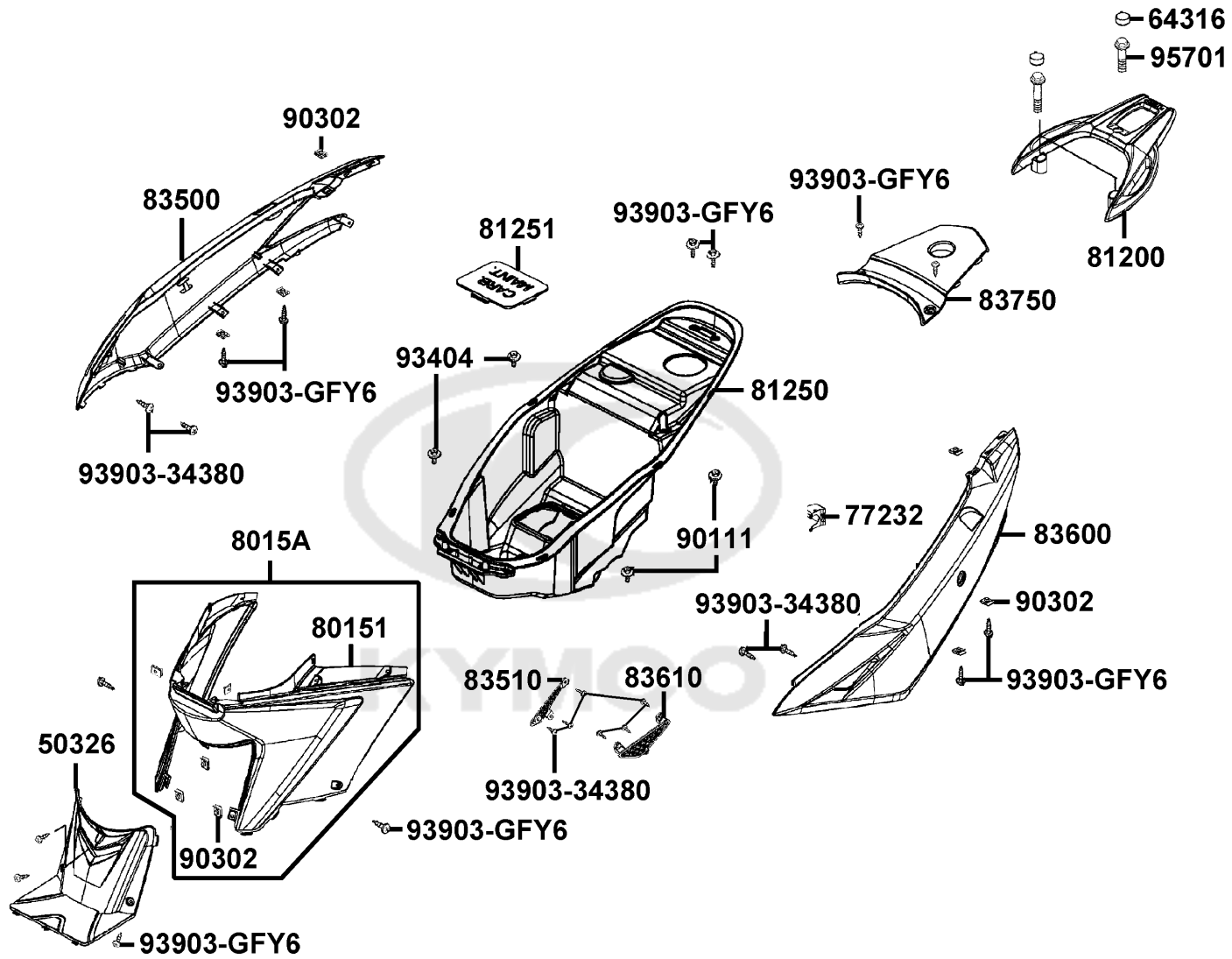
95012



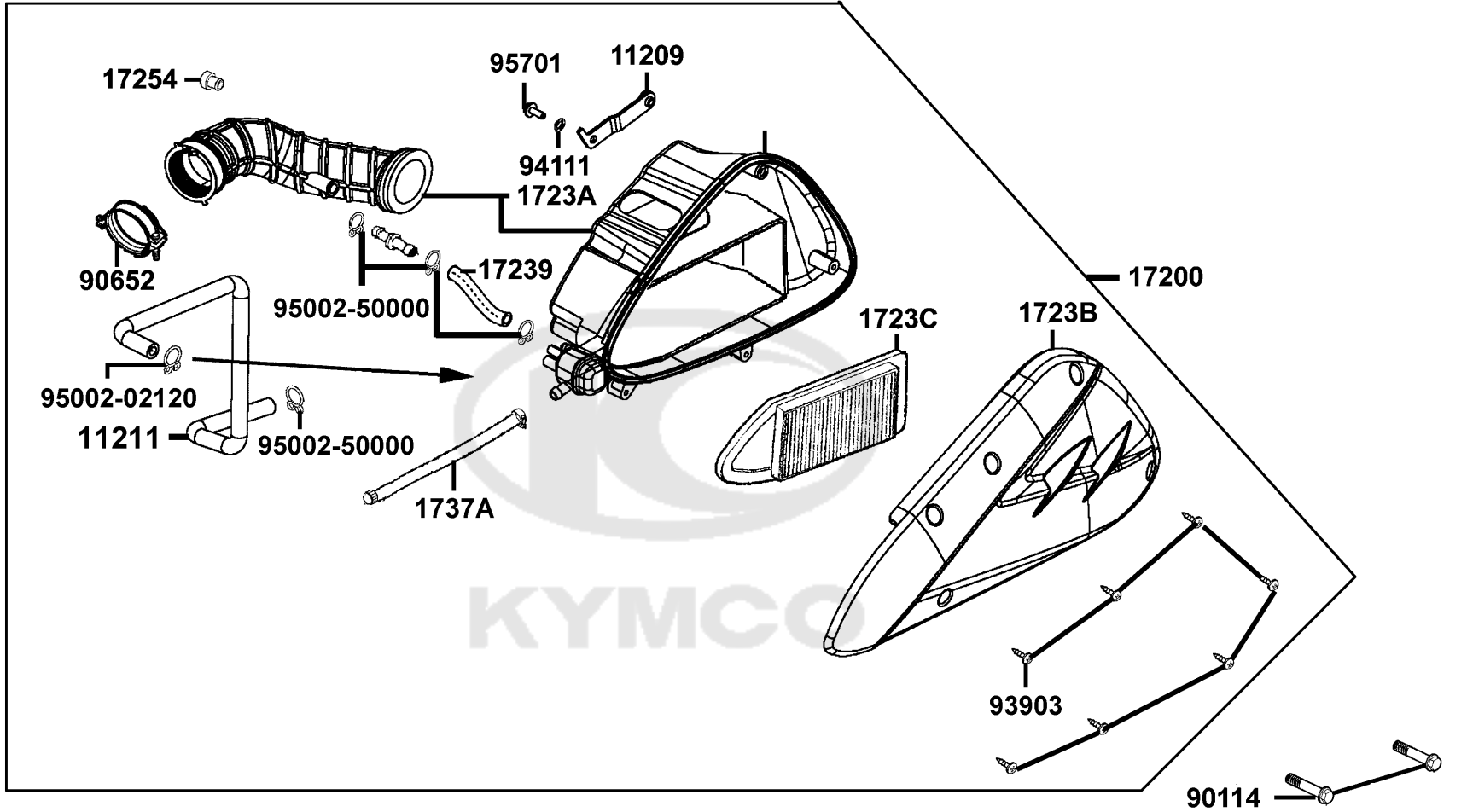
Sales mark	Ref no	Part no	Description	Reg description	Regd no	F11
------------	--------	---------	-------------	-----------------	---------	------------

31500		31500-GFY6-C00	BATTERY YTX7A-BS	BATTERY GTX7A-BS	1	
95012		95012-LEJ2-E10	BAND BATTERY	BAND BATTERY	1	
98200		98200-10700	FUSE A7	FUSE A7	2	





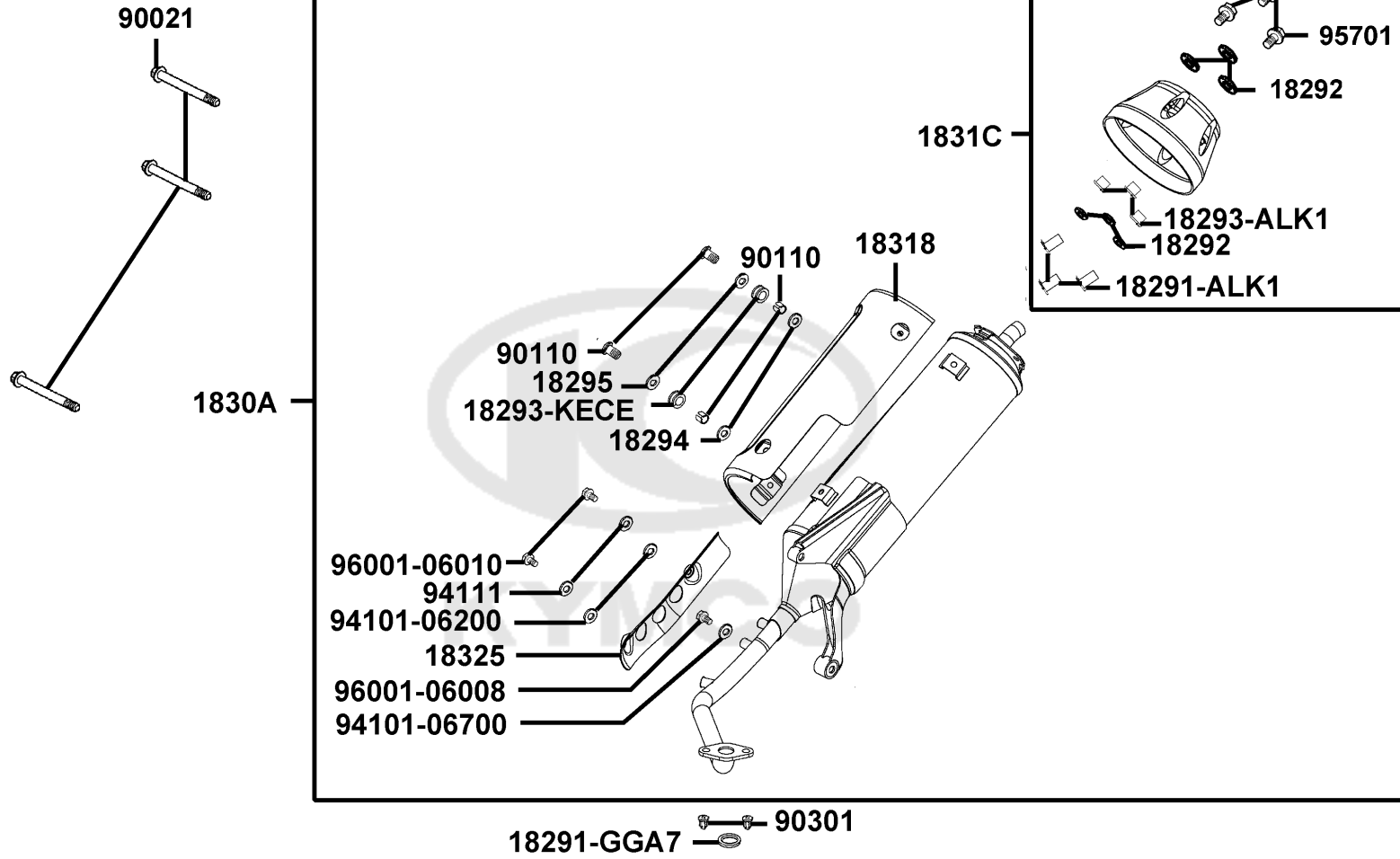
Sales mark	Ref no	Part no	Description	Reg description	Regd no	F12
**	50326	50326-LFC2-E10	COVER BATTERY	COVER BATTERY	1	
**	64316	64316-LCB9-C10	PLUG FLOOR	PLUG FLOOR	3	
	77232	77232-KCAC-C00	SET SPG SEAT LOCK	SET SPG SEAT LOCK	1	
# **	80151	80151-LFC2-E10	COVER CENTER	COVER CENTER	2	
**	81200	81200-LFC2-E10	CARRIER RR	CARRIER RR	1	
**	81250	81250-LFC2-E10	BOX LUGGAGE	BOX LUGGAGE	1	
**	81251	81251-LEJ3-E10	COVER CARB. MAINT	COVER CARB. MAINT	1	
**	83500	83500-LFC2-E10	COVER R BODY	COVER R BODY	1	
**	83510	83510-LFC2-E10	GRILL R SIDE	GRILL R SIDE	1	
**	83600	83600-LFC2-E10	COVER L BODY	COVER L BODY	1	
**	83610	83610-LFC2-E10	GRILL L SIDE	GRILL L SIDE	1	
**	83750	83750-LFC2-E10	COVER RR CENTER	COVER RR CENTER	1	
#	90111	90111-1G87-C01	BOLT FLANGE 6MM	BOLT FLANGE 6MM	1	
#	90302	90302-SDA4-C01	"NUT,SPPING 4MM"	"NUT,SPPING 4MM"	1	
	93404	93404-06012-07	BOLT WASH 6*12	BOLT WASH 6*12	4	
	93903-34380	93903-34380	SCREW TAPPING 4*12	SCREW TAPPING 4*12 (K)	10	
	93903-GFY6	93903-GFY6-C01	SCREW TAPPING 4*14(K)	"SCREW,TAPPING4*14"	1	
	95701	95701-08040-08	BOLT FLANGE 8*40 (C)	BOLT FLANGE 8*40	3	



Sales mark	Ref no	Part no	Description	Reg description	Regd no	F13
	11209	11209-LCD3-E00	STAY B RR FENDER	STAY B RR FENDER	1	
	11211	11211-KHB4-C00	TUBE BREATHER	TUBE BREATHER	1	
	17200	17200-LFC4-E10	AIR/C ASSY.	AIR/C ASSY.	1	
	17239	17239-KHB4-C00	TUBE AIR/C BLOW BY	TUBE AIR/C BLOW BY	1	
	1723A	1723A-LFC4-E10	CASE ASSY,AIR/C	"CASE ASSY,AIR/C"	1	
	1723B	1723B-LFC4-E10	COVER COMP AIR/C	COVER COMP AIR/C	1	
	1723C	1723C-LEJ3-E10	ELEMENT ASSY AIR/C	ELEMENT COMP AIR/C	2	
	17254	17254-KACA-P00	PLUG AIR/C CONN TUBE	PLUG AIR/C CONN TUBE	1	
#	1737A	1737A-LCD3-E00	V TUBE ASSY	V TUBE ASSY	1	
	90114	90114-GDM4-C00	BOLT M6*28	BOLT M6*28	1	
	90652	90652-GFY6-C00	BAND 49 AIR/C CONNECTING TUBE	BAND 49 AIR/C CONNECTING TUBE	1	
	93903	93903-25480	SCREW TAPPING 5*20 (K)	SCREW TAPPING 5*20 (K)	1	
	94111	94111-06800	WASHER SPRING 6MM	WASHER SPRING 6MM	1	
	95002-02120	95002-02120	CLIP B12 TUBE	CLIP B12 TUBE	1	
	95002-50000	95002-50000	CLIP C9 TUBE	CLIP C9 TUBE	1	
	95701	95701-06008-08	BOLT FLANGE 6*8	BOLT FLANGE 6*8	1	

F14

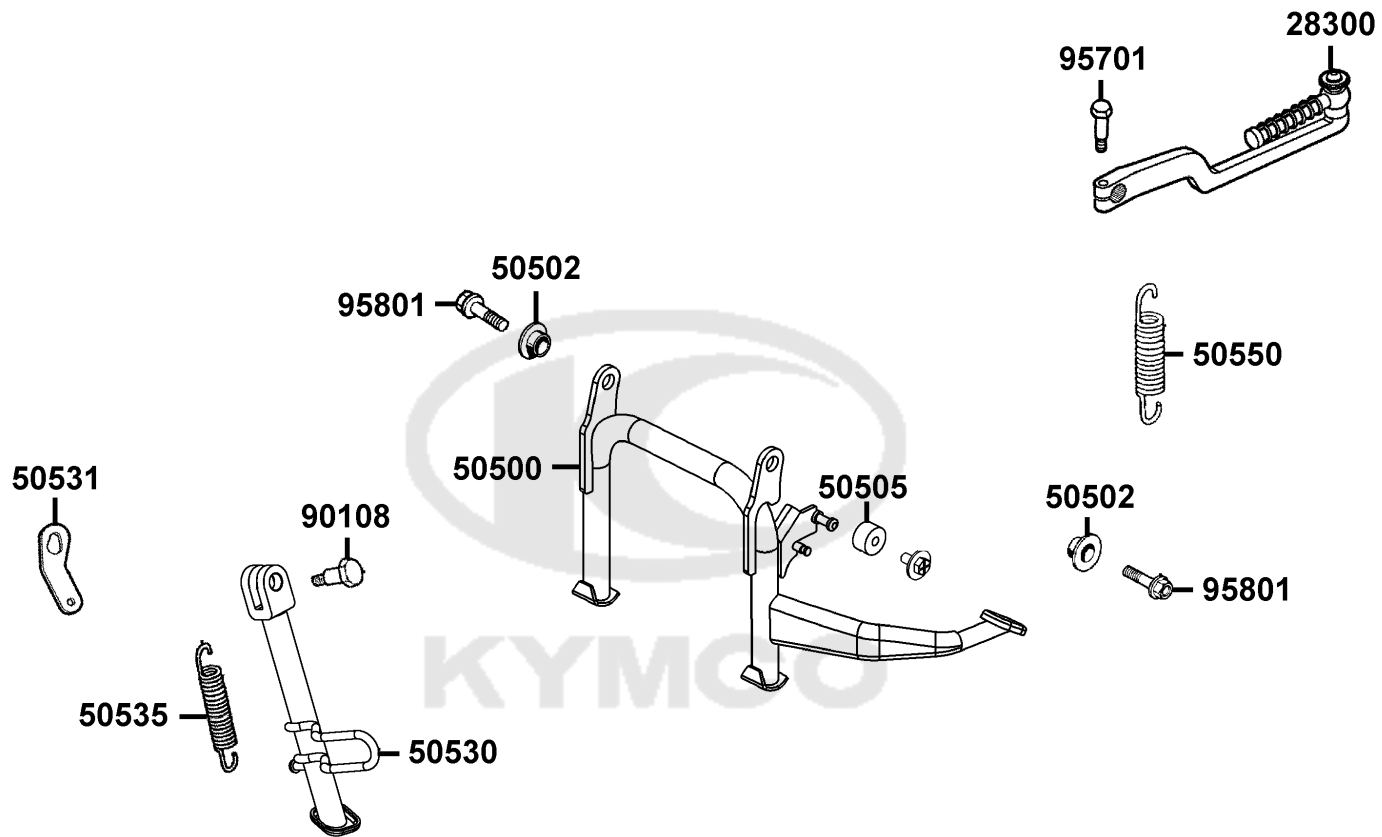
Exhaust Muffler



Sales mark	Ref no	Part no	Description	Reg description	Regd no	F14
	18291-ALK1	18291-ALK1-E10	COLLAR	COLLAR	1	
#	18291-GGA7	18291-GGA7-C01	GASKET EXH PIPE	GASKET EXH PIPE	1	
	18292	18292-KEBE-C00	PACKING PROTECTOR	PACKING PROTECTOR	1	
	18293-ALK1	18293-ALK1-E10	"RUBBER,PKG PROTR"	"RUBBER,PKG PROTR"	1	
	18293-KECE	18293-KECE-C00	RUBBER A PROTR	RUBBER A PROTR	1	
#	18294	18294-PUA3-B50	PACKING PTOTECTOR	PACKING PROTECTOR	1	
	18295	18295-KECE-C00	COLLAR 6MM	COLLAR 6MM	1	
	1831C	1831C-ALK1-E90	ASSY C.MUFFLER	ASSY C.MUFFLER	1	
#	90021	90021-GFY6-C11	BOLT WASHER COMP	BOLT WASHER COMP	3	
	90110	90110-LCD4-E00	SCREW SPECIAL 6X20	SCREW SPECIAL 6*16	4	
#	90301	90301-GFY6-C01	NUT (HEX) CAP 8MM	NUT (HEX) CAP 8MM	1	
	94101-06200	94101-06200	WASHER PLAIN 6MM	WASHER PLAIN 6MM	2	
	94101-06700	94101-06700	WASHER PLAIN 6MM	WASHER PLAIN 6MM	1	
	94111	94111-06800	WASHER SPRING 6MM	WASHER SPRING 6MM	1	
	95701	95701-LGR5-E10	BOLT FLANGE SH 6*25	BOLT FLANGE SH 6*25	1	
	96001-06008	96001-06008-07	BOLT FLANGE SH 6*8	BOLT FLANGE SH 6*8	1	
	96001-06010	96001-06010-02	BOLT FLANGE SH 6*10	BOLT FLANGE SH 6*10	2	

F15

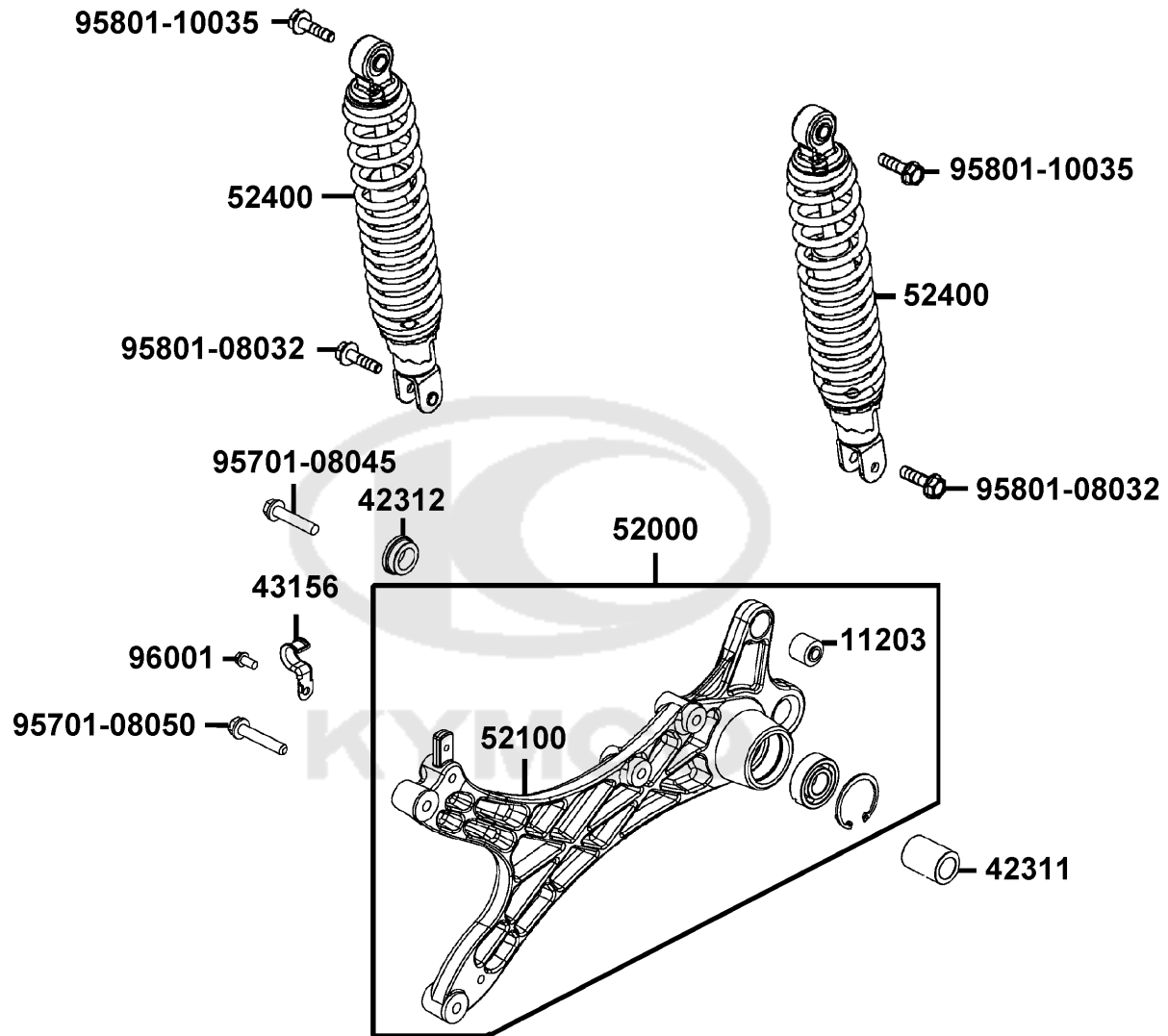
Stand Kick Starter Arm



Sales mark	Ref no	Part no	Description	Reg description	Regd no	F15
28300		28300-LEJ3-E10	ARM ASSY KICK STARTER	ARM ASSY KICK STARTER	1	
50500		50500-LFC4-E10	STAND COMP MAIN	STAND COMP MAIN	1	
50502		50502-LDF7-C00	COLLAR,MAIN STAND	COLLAR MAIN STAND	1	
50505		50505-LAD9-C00	STOPPER RUBBER	STOPPER RUBBER	1	
50530		50530-LFC2-E10	BAR SIDE STAND	BAR SIDE STAND	1	
50531		50531-KEB7-C00	PLATE SPRING STOPPER	PLATE SPRING STOPPER	1	
50535		50535-KEB7-W10	SPRING COMP SIDE STAND	SPRING COMP SIDE STAND	1	
50550		50550-KEB7-C00	SPG MAIN STAND COMP	SPG ASSY MAIN STAND	1	
90108		90108-KFA6-E00	SCREW SIDE STAND	SCREW SIDE STAND PIVOT	1	
95701		95701-06022-07	BOLT FLANGE 6*22 (K)	BOLT FLANGE 6*22 (K)	1	
95801		95801-10025-08	BOLT FLANGE 10*25	BOLT FLANGE 10*25	2	

F16

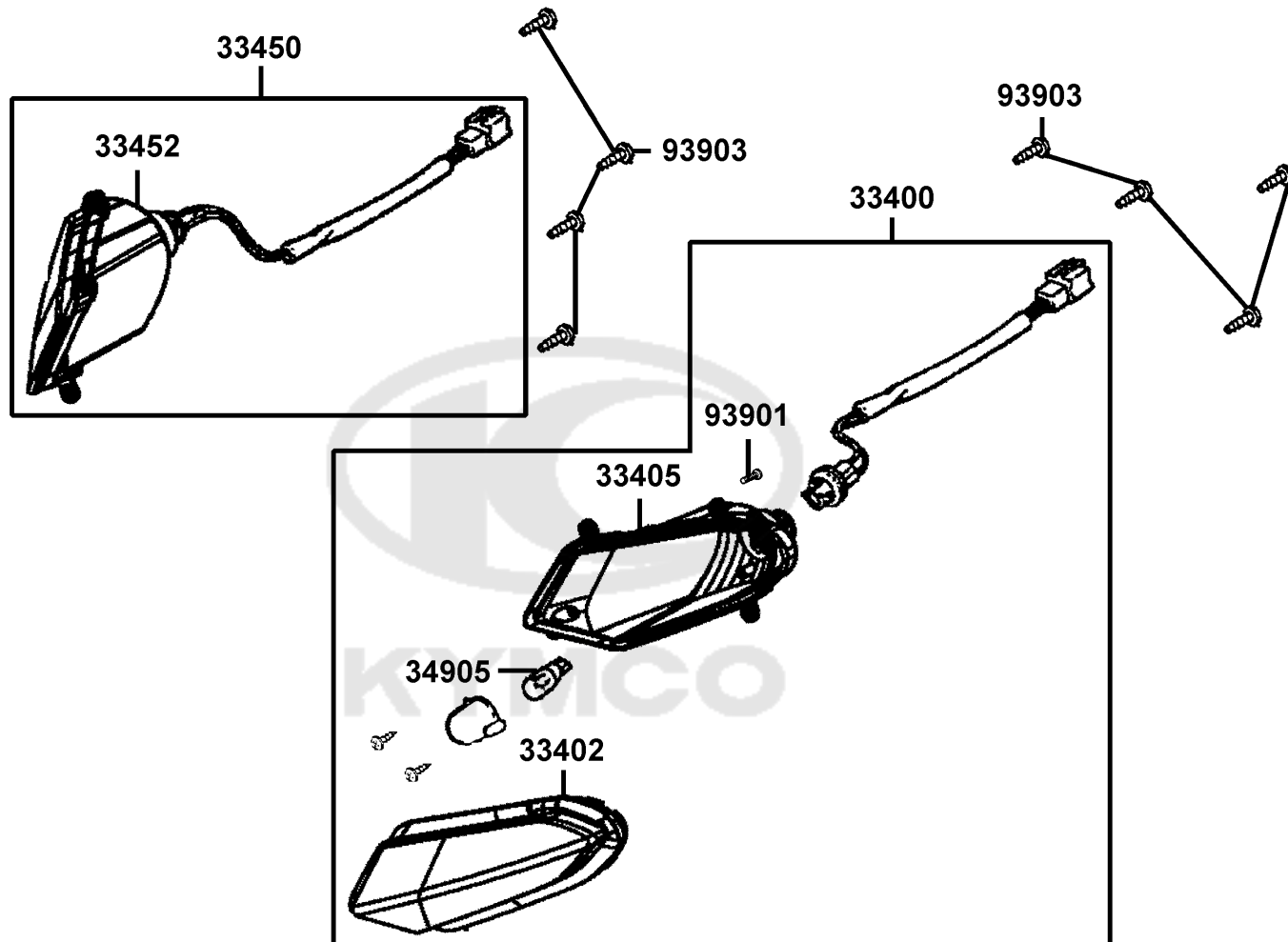
Rear Cushion



Sales mark	Ref no	Part no	Description	Reg description	Regd no	F16
	11203	11203-GGC7-W10	UNDER RUBBER BUSH REAR CUSHION	UNDER RUBBER BUSH REAR CUSHION	1	
	42311	42311-KHB4-C00	COLLAR RR AXLE A	COLLAR RR AXLE A	1	
	42312	42312-LEJ2-E10	COLLAR RR AXLE SIDE	COLLAR RR AXLE SIDE	1	
	43156	43156-LFC3-E10	CLAMPER HOSE RR	CLAMPER HOSE RR	1	
	52000	52000-LFC3-E10	FORK ASSY RR	FORK ASSY RR	1	
	52100	52100-LFC3-E10	FORK COMP RR	FORK COMP RR	1	
**	52400	52400-LKD2-E10	CUSHION ASSY RR	CUSHION ASSY RR	1	
	95701-08045	95701-08045-08	BOLT FLANGE 8*45 (C)	BOLT FLANGE 8*45	1	
	95701-08050	95701-08050-08	BOLT FLANGE 8*50	BOLT FLANGE 8*50	1	
	95801-08032	95801-08032-08	BOLT FLANGE 8*32(C)	BOLT FLANGE 8*32(C)	2	
	95801-10035	95801-10035-08	BOLT FLANGE 10*35 (C)	BOLT FLANGE 10*35	2	
	96001	96001-06012-08G	BOLT FLANGE SH 6X12 (C)	BOLT FLANGE SH 6X12 (C)	3	

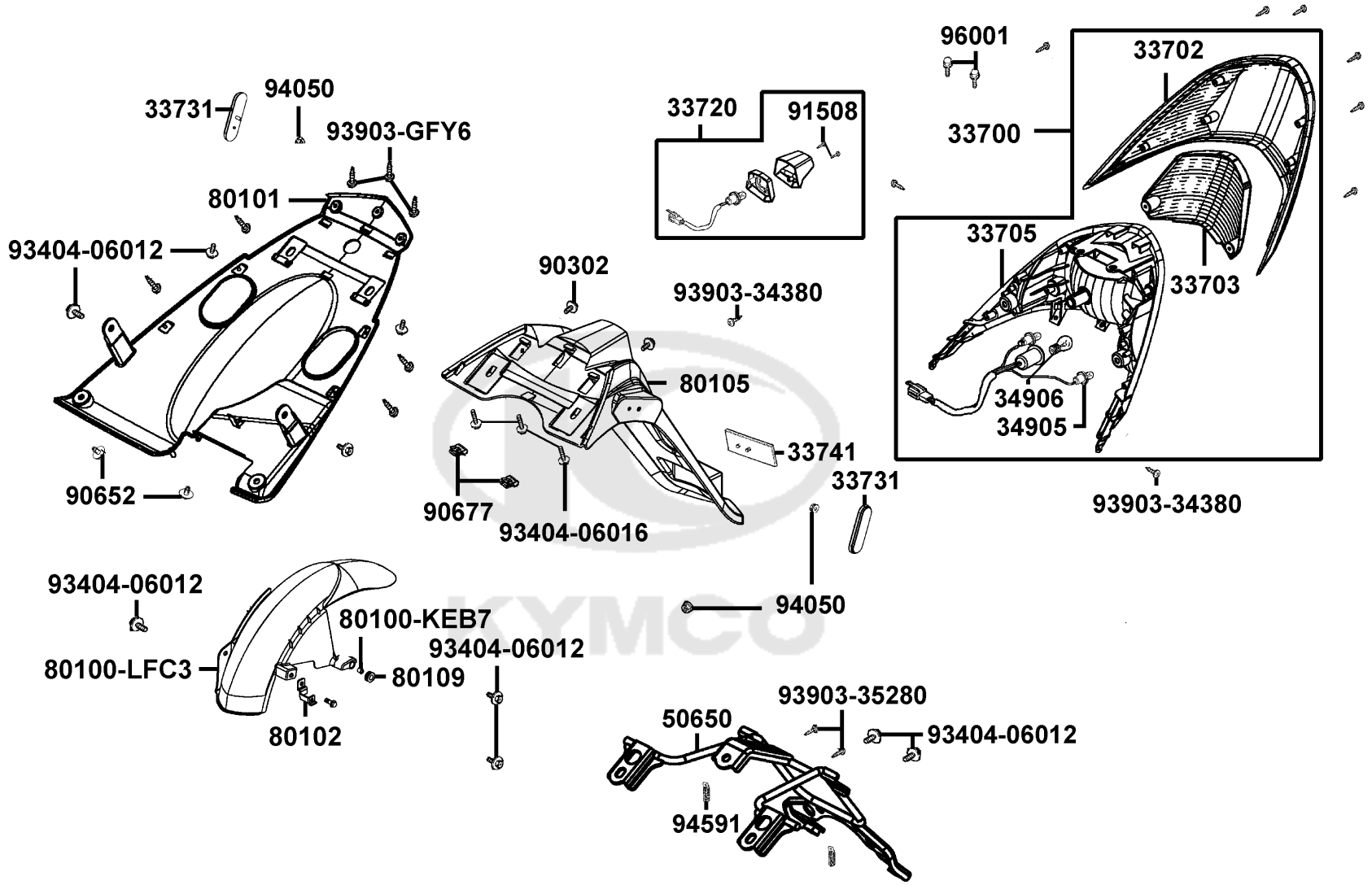
F17

Front Winker

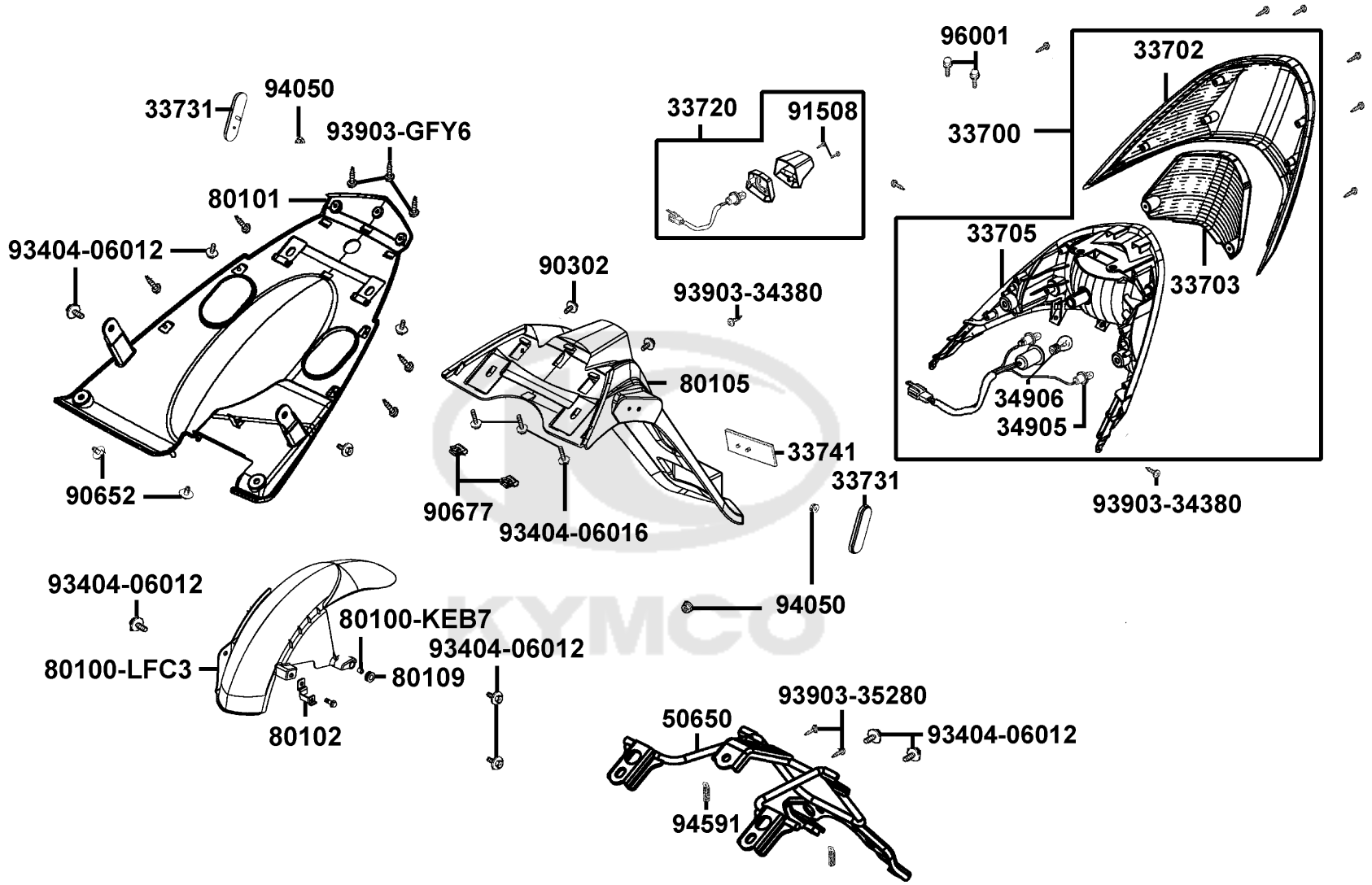


Sales mark	Ref no	Part no	Description	Reg description	Regd no	F17
	33400	33400-LFC3-E12	WINKER ASSY RH FR	WINKER ASSY RH FR	1	
	33402	33402-LFC2-E10	LENS R FR WINKER	LENS R FR WINKER	1	
	33405	33405-LFC2-E10	BASE R FR WINKER	BASE R FR WINKER	1	
	33450	33450-LFC3-E12	WINKER ASSY LH FR	WINKER ASSY LH FR	1	
	33452	33452-LFC2-E10	LENS L FR WINKER	LENS L FR WINKER	1	
	34905	34905-LBA8-E80	BULB WINKER	BULB WINKER	1	
	93901	93901-34220	SCREW TAPPING 4*10	SCREW TAPPING 4*10	1	
	93903	93903-34380	SCREW TAPPING 4*12	SCREW TAPPING 4*12 (K)	8	





Sales mark	Ref no	Part no	Description	Reg description	Regd no	F18
	33700	33700-LFC3-E12	LIGHT ASSY RR COMB	LIGHT ASSY RR COMB	1	
	33702	33702-LFC2-E10	LENS TAIL LIGHT	LENS TAIL LIGHT	1	
	33703	33703-LFC2-E10	LENS TAIL LIGHTRED	LENS TAIL LIGHTRED	1	
	33705	33705-LFC2-E10	BASE RR COMP	BASE RR COMP	1	
	33720	33720-LEJ2-E10	LIGHT ASSY LICENSE	LIGHT ASSY LICENSE	1	
#	33731	33731-KGB5-EZ0	REFLEX REFLECTOR SIDE	REFLEX REFLECTOR SIDE	1	
	33741	33741-KEBE-C00	REFLEX REFLECTOR	REFLEX REFLECTOR	1	
	34905	34905-KPCP-C00	BULB WINKER	BULB WINKER	1	
	34906	34906-KPCP-900	BULB TAIL & STOP	BULB TAIL & STOP	1	
	50650	50650-LFC2-E10	STAY RR. FENDER	STAY RR. FENDER	1	
	80100-KEB7	80100-KEB7-C00	COLLAR IN RUBBER	COLLAR IN RUBBER	1	
**	80100-LFC3	80100-LFC3-E10	FENDER RR TIRE	FENDER RR TIRE	1	
**	80101	80101-LFC3-E10	FENDER RR INNER	FENDER RR INNER	1	
	80102	80102-LCD2-C00	STAY RR TIRE FENDER	STAY RR TIRE FENDER	1	
**	80105	80105-LFC2-E10	FENDER REAR	FENDER REAR	1	
	80109	80109-KEB7-C00	RUBBER RR FENDER B	RUBBER RR FENDER B	1	
	90302	90302-GFY6-C10	BOLT-WASH 5*16	BOLT WASHER 5*16	1	
	90652	90652-LCA4-C10	CLIP MUDGUARD	CLIP MUDGUARD	1	
#	90677	90677-GAR1-C01	NUT CLIP 5MM	NUT CLIP 5MM	1	
	91508	91508-KGV7-C00	SCREW TAPPING 4*14	SCREW TAPPING 4*14	1	

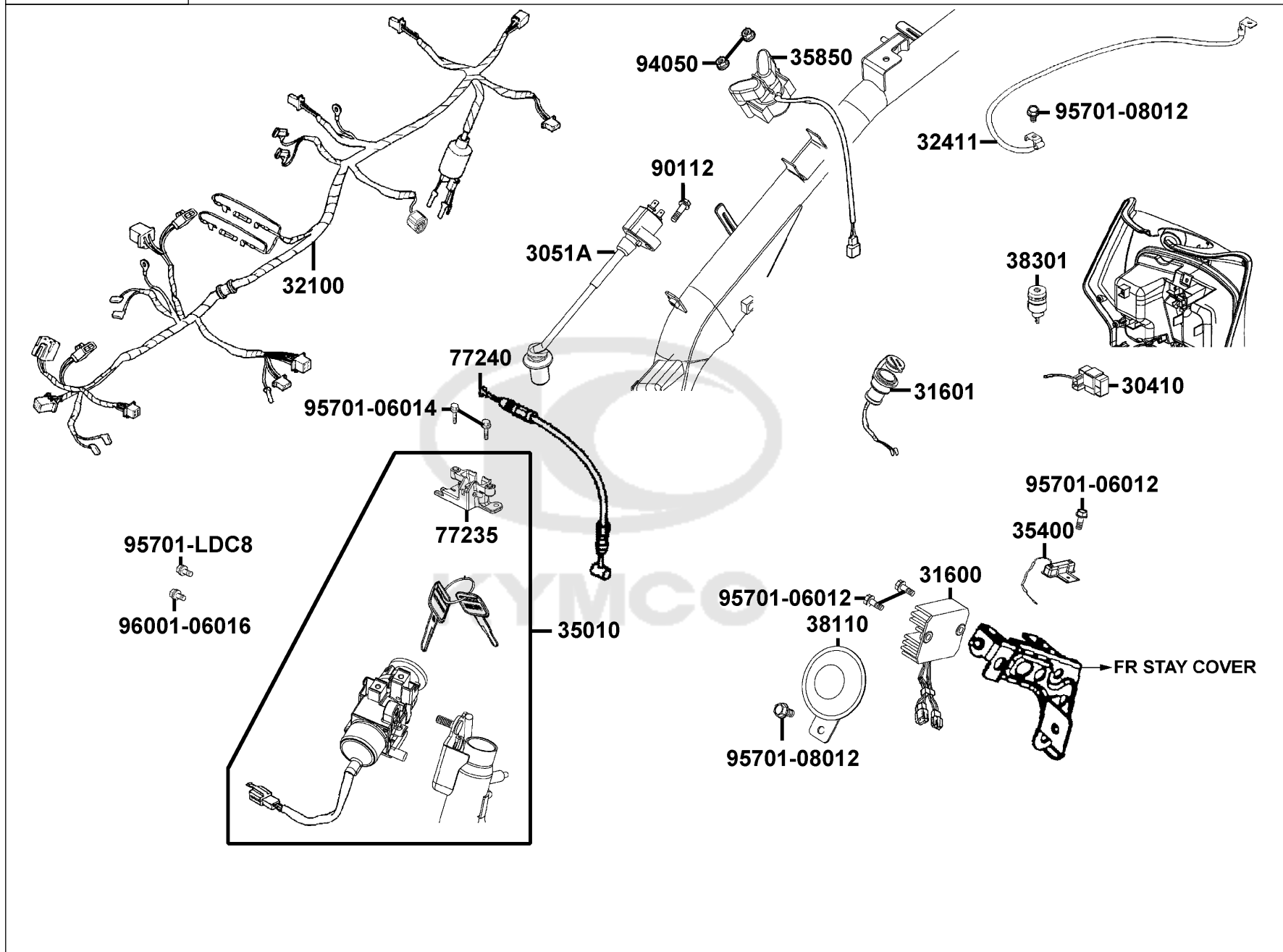


Sales mark	Ref no	Part no	Description	Reg description	Regd no	F18
	93404-06012	93404-06012-07	BOLT WASH 6*12	BOLT WASH 6*12	7	
	93404-06016	93404-06016-07	BOTL WASHER 6*16	BOTL WASHER 6*16	5	
	93903-34380	93903-34380	SCREW TAPPING 4*12	SCREW TAPPING 4*12 (K)	9	
#	93903-35280	93903-35280-G	SCREW TAPPING 5*12 (K)	SCREW TAPPING 5*12 (KG)	2	
	93903-GFY6	93903-GFY6-C01	SCREW TAPPING 4*14(K)	"SCREW,TAPPING4*14"	1	
	94050	94050-05080	NUT FLANGE 5MM	NUT FLANGE 5MM	3	
	94591	94591-25000	CLIP BIND	CLIP BIND	2	
	96001	96001-06012-08G	BOLT FLANGE SH 6X12 (C)	BOLT FLANGE SH 6X12 (C)	1	



F19

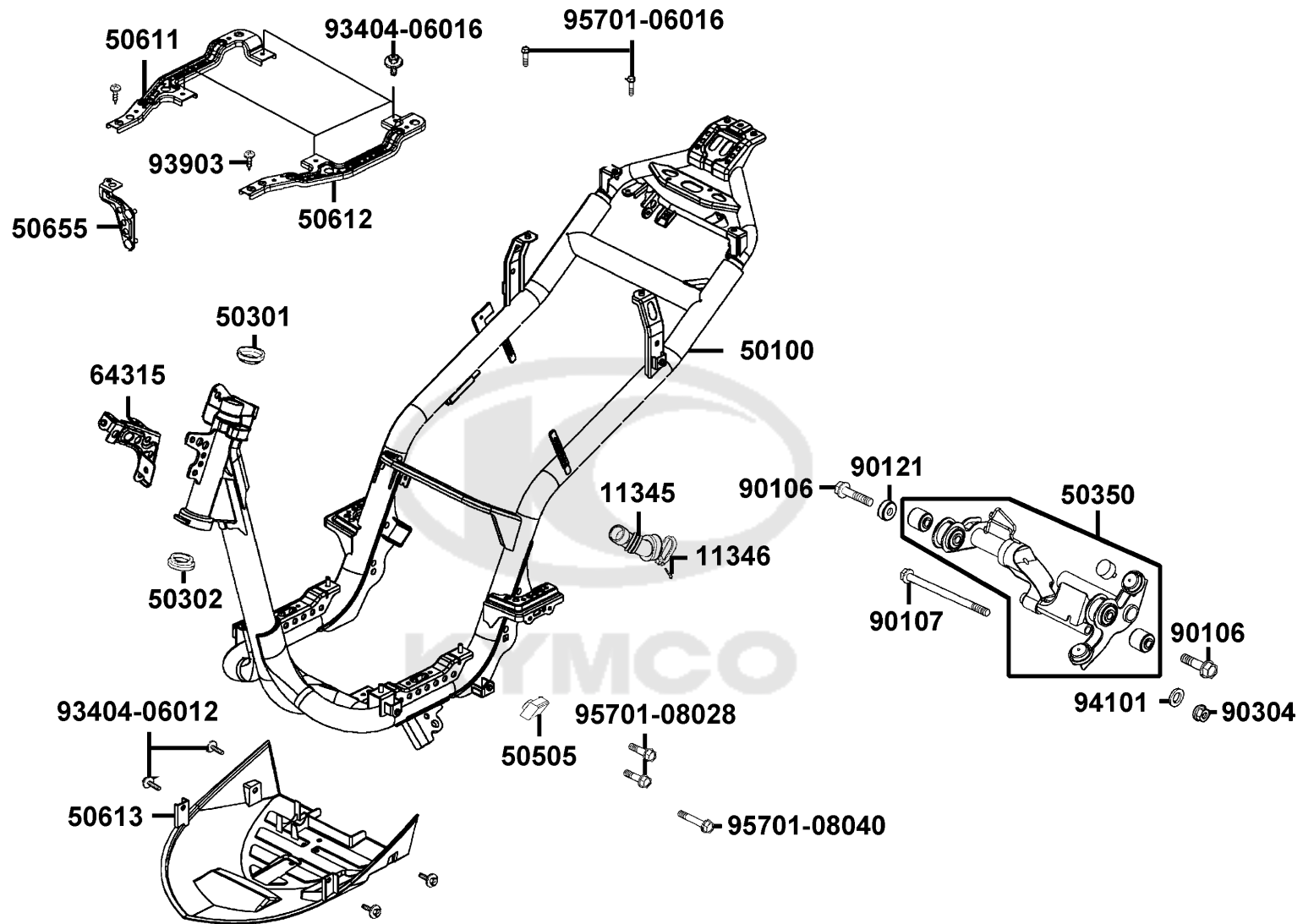
Wire Harness



Sales mark	Ref no	Part no	Description	Reg description	Regd no	F19
	30410	30410-LEJ3-E10	UNIT COMP CDI	UNIT COMP CDI	1	
	3051A	3051A-LLF5-C00	COIL ASSY IGN	COIL ASSY IGN	1	
#	31600	31600-LFC2-E11	REG REC COMP DC	REG REC COMP DC	1	
	31601	31601-LFC2-E10	SOCKET COMP DC 12V	SOCKET COMP DC 12V	1	
	32100	32100-LFC3-E10	HARNESS WIRE	HARNESS WIRE	1	
	32411	32411-LEJ3-E11	CABLE BAT	CABLE BAT	1	
	35010	35010-LFC2-E13	KEY SET	KEY SET	1	
	35400	35400-LEJ3-E10	RESISTOR COMP	RESISTOR COMP	1	
	35850	35850-KHD8-C00	RELAY ASSY START	SET START MAG	1	
	38110	38110-KHB4-E0A	HORN COMP (D405)	HORN COMP (D405)	1	
	38301	38301-GGS7-C00	RELAY ASSY WINKER	RELAY ASSY WINKER	1	
	77235	77235-KGC4-C00	SEAT CATCH	SEAT CATCH	1	
	77240	77240-LFC2-E10	CABLE SEAT LOCK	"CABLE,SEAT LOCK"	1	
	90112	90112-KRDR-C00	BOLT FLANGE 5*22	BOLT FLANGE 5*22	1	
	94050	94050-06080	NUT FLANGE 6MM	NUT FLANGE 6MM	2	
	95701-06012	95701-06012-08	BOLT FLANGE 6*12	BOLT FLANGE 6*12	3	
	95701-06014	95701-06014-08	BOLT FLANGE 6*14	BOLT FLANGE 6*14	2	
	95701-08012	95701-08012-08G	BOLT FLANGE 8X12(C)	BOLT FLANGE 8X12(C)	1	
#	95701-LDC8	95701-LDC8-E11	BOLT TORQUE 6x16	BOLT TORQUE 6x16	1	
	96001-06016	96001-06016-08	BOLT FLANGE SH 6*16	BOLT FLANGE SH 6*16	1	

F20

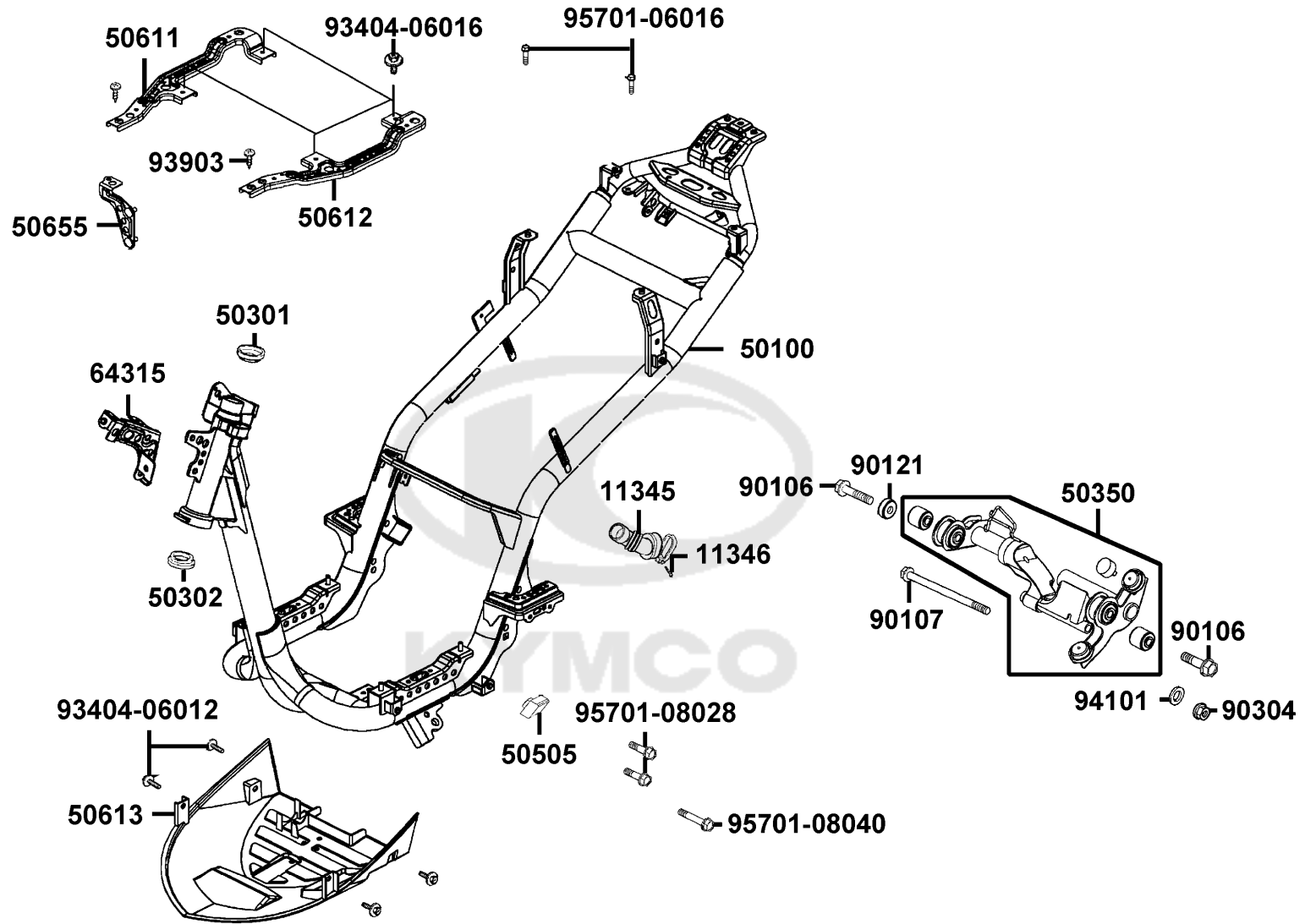
Frame Body



Sales mark	Ref no	Part no	Description	Reg description	Regd no	F20
	11345	11345-LEJ3-E10	DUCT,L COVER	DUCT,L COVER	1	
	11346	11346-KEBE-C00	BAND L COVER DUCT	BAND L COVER DUCT	1	
	50100	50100-LFC4-E10	BODY COMP FRAME	BODY COMP FRAME	1	
	50301	50301-KGN7-C00	RACE UPPER STRG BALL	RACE UP STRG BALL	1	
	50302	50302-2H68-C00	RACE (STRG BOT) BALL	RACE (STRG BOT) BALL	1	
	50350	50350-LFC3-B40	ENG HANGER COMP	ENG HANGER COMP	1	
	50505	50505-LDC8-E10	STOPPER RUBBER	STOPPER RUBBER	1	
	50611	50611-LFC2-E10	RNFCT R FLOOR	RNFCT R FLOOR	1	
	50612	50612-LFC2-E10	RNFCT L FLOOR	RNFCT L FLOOR	1	
**	50613	50613-LFC2-E10	COVER UNDER	COVER UNDER	1	
	50655	50655-LFC2-E10	STAY REG REC	STAY REG REC	1	
	64315	64315-LFC2-E10	STAY FR COVER	STAY FR COVER	1	
	90106	90106-GFY6-901	BOLT FLANGE 10*55	BOLT FLANGE 10*55	2	
	90107	90107-KUDU-900	BOLT FLANGE 10*188	BOLT FLANGE 10*188	1	
	90121	90121-GFY6-C00	COLLAR DISTANCE	COLLAR DISTANCE	1	
	90304	90304-GHE8-C00	NUT U 10MM (C)	NUT U 10MM (C)	1	
	93404-06012	93404-06012-07	BOLT WASH 6*12	BOLT WASH 6*12	4	
	93404-06016	93404-06016-07	BOTL WASHER 6*16	BOTL WASHER 6*16	4	
#	93903	93903-35280-G	SCREW TAPPING 5*12 (K)	SCREW TAPPING 5*12 (KG)	2	
	94101	94101-10800	WASHER PLAIN 10*22*1.6	WASHER PLAIN 10*22*1.6	1	

F20

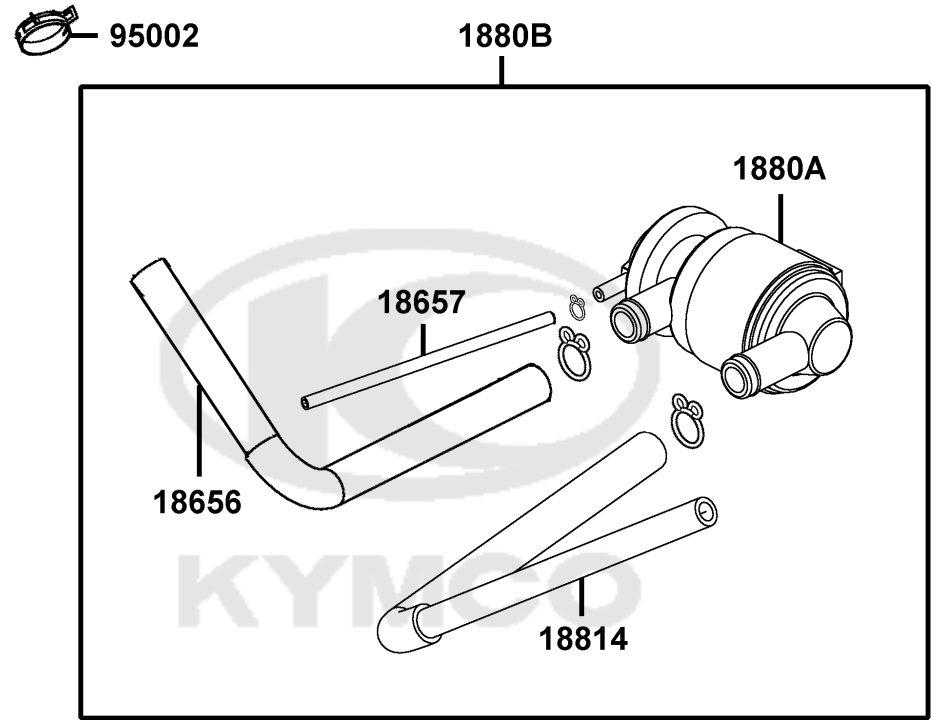
Frame Body



Sales mark	Ref no	Part no	Description	Reg description	Regd no	F20
------------	--------	---------	-------------	-----------------	---------	------------

95701-06016		95701-06016-08	BOLT FLANGE 6*16 (C)	BOLT FLANGE 6*16	2	
95701-08028		95701-08028-08	BOLT FLANGE 8*28	BOLT FLANGE 8*28	2	
95701-08040		95701-08040-08	BOLT FLANGE 8*40 (C)	BOLT FLANGE 8*40	1	





Sales mark	Ref no	Part no	Description	Reg description	Regd no	F21
	18656	18656-LEJ3-E10	DUCT,AICV-REED VALVE	DUCT,AICV-REED VALVE	1	
	18657	18657-LEJ3-E10	TUBE AICV-INLET PIPE	TUBE AICV-INLET PIPE	1	
	1880A	1880A-LEJ3-E10	AI/C AICV ASSY	AI/C AICV ASSY	1	
	1880B	1880B-LEJ3-E10	AI/C-AICV SET	AI/C-AICV SET	1	
	18814	18814-LEJ2-E10	DUCT AIR-AICV	DUCT AIR-AICV	1	
	95002	95002-KKD6-C00	CLAMP D18 TUBE	CLAMP D18 TUBE	1	



• Be sure to wear a safety helmet when riding.
 • Do not exceed the speed specified by law when riding.
 • The ambient weather temperature is very high after riding. Be sure to park the motorcycle in a place not easily touched by people.
 • For riding safety and good performance, do not violate the law to modify the motorcycle.
 • Please read the user's manual carefully to ensure riding safety.

• Make sure to perform the periodic maintenance and periodic inspection.
Periodic Inspection Items
 Brake Performance, tires, engine oil level, lights, horn, and instrument panel.
 KWANG YANG MOTOR CO., LTD.

87560

CAUTIONS

Tire Size : Front 100/80-16 Rear 120/80-16
 (One Rider) : Front 1.50kg/cm² Rear 1.75kg/cm²
 (Two Rider) : Front 2.00kg/cm² Rear 2.25kg/cm²
 Load Capacity : Shield 1.5kg Rear carrier 3kg
 inner box under saddle 10kg
 (Note: The tire pressure must not overpass 2.30kg/cm²)

• Check the motor oil level with the dipstick after refilling motor oil.

87505-1F02-510

87505

CAUTIONS

Before starting the engine, the side stand shall be kicked up to secure safety.

87541-GAR1

Engine Oil Capacity

Make sure to use KYMCO recommended "SIGMA" engine oil.

Full Capacity 0.9L
 At Change 0.8L

Check the oil level after oil is filled.

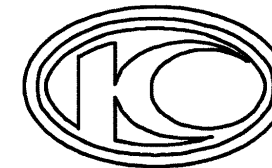
Idle the engine for 3 minutes and check the oil level again.

KDU-E000

87541-KUDU

AGILITY 125

86202



86102

CAUTIONS

Never put any article between the rear side cover and the engine to avoid interference of riding.

GM9-300

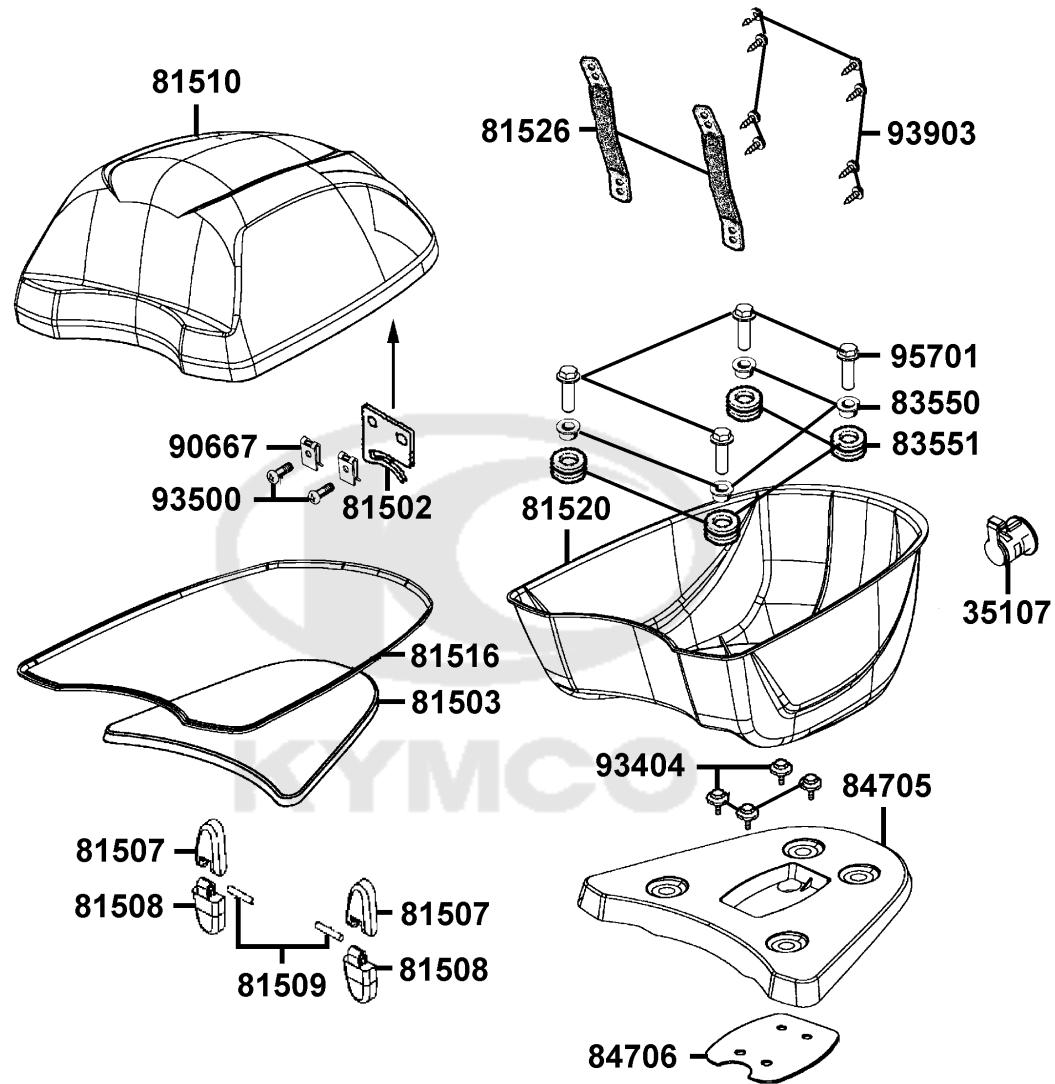
87542

TRADE NAME: KYMCO	1. KYMCO LE-J3 53
VEHICLE CATEGORY: B	2. LE-J3-III
3. KDU	
4. GY6	
5. KDU-B	
6. LCD3	
7. _____	
8. KYMCO LE3-III 53	
9. KDU #115	
10. GY6 #142	
11. LE-J3	
12. 289mm ² KDU	

87224

Sales mark	Ref no	Part no	Description	Reg description	Regd no	F22
**	86102	86102-LEJ2-E00	STRIPE K-LOGO 22MM	STRIPE K-LOGO 22MM	1	
**	86202	86202-LFC3-E10	EMB BODY COVER	EMB BODY COVER	2	
**	87224	87224-LEJ3-EZ0	CAUTION ANTI TAMPERRING	CAUTION ANTI TAMPERING	1	
**	87505	87505-LFC2-E10	LABEL TIRE	LABEL TIRE	1	
**	87541-GAR1	87541-GAR1-C01	CAUTION SIDE STAND	CAUTION SIDE STAND	1	
**	87541-KUDU	87541-KUDU-E00	LABEL OIL CAP	LABEL OIL CAP	1	
**	87542	87542-GAR1-C01	MARK MAINT CAUTION R	MARK MAINT CAUTION R	1	
**	87560	87560-GFY6-E11	MARK DRIVE CAUTION	MARK DRIVE CAUTION	1	





Sales mark	Ref no	Part no	Description	Reg description	Regd no	F23
	35107	35107-LFC2-E13	PACKING RR BOX LOCK	PACKING RR BOX LOCK	1	
	81502	81502-LGA5-C10	BOTTOM UP THE HOOK	BOTTOM UP THE HOOK	1	
	81503	81503-LGR5-E10	RUBBER RR WASHER	RUBBER RR WASHER	1	
**	81507	81507-LFD6-C50	CATCH COMP UP	CATCH COMP UP	2	
**	81508	81508-LFD6-C50	CATCH COMP DOWN	CATCH COMP DOWN	2	
	81509	81509-LDD9-C50	PIN LOCK	PIN LOCK	2	
**	81510	81510-LFC2-E10	REAR BOX UP WHITE	REAR BOX UP WHITE	1	
**	81520	81520-LGR5-E10	REAR BOX LOW	REAR BOX LOW	1	
	81526	81526-LGR5-E10	LINK STRIP	LINK STRIP	2	
	83550	83550-KEC8-C00	COLLAR SET METER	COLLAR	1	
	83551	83551-KEC8-C10	GROMMET COVER	GROMMET COVER	1	
	84705	84705-LFC2-E10	PLANT REAR BOX	PLANT REAR BOX	1	
	84706	84706-LFC2-E10	STAY REAR BOX	STAY REAR BOX	1	
	90667	90667-GAR1-004	NUT CLIP 5MM	NUT CLIP 5MM	2	
	93404	93404-06022-07	BOLT WASHER 6*22 (K)	BOLT WASHER 6*22 (K)	1	
	93500	93500-05016-0H	SCREW PAN 5*16	SCREW PAN 5*16	2	
	93903	93903-25480	SCREW TAPPING 5*20 (K)	SCREW TAPPING 5*20 (K)	8	
	95701	95701-08020-08	BOLT FLANGE 8*20 (C)	BOLT FLANGE 8*20 (C)	1	

PART NO. INDEX

PART NO.	VERSION	PAGE	PART NO.	VERSION	PAGE	PART NO.	VERSION	PAGE
			12191-GFY6-E90	1	E03	14520-GFY6-C00	1	E03
			12200-KUDU-C10	1	E02	14523-GFY6-E90	1	E03
			12209-GDB4-C00	2	E02	1453A-GFY6-W10	1	E03
11000			1220A-KUDU-C00	9	E02	14610-KUDU-C0B	0	E03
11100-KUDU-C00	6	E01	12211-KUDU-W10	4	E02	14711-KUDU-C00	1	E02
11102-1G87-C00	3	E01	12251-GFY6-C00	1	E02	14721-KUDU-C00	1	E02
11192-KUDU-E90	1	E01	12310-KHC4-C11	0	E02	14751-KUDU-C10	2	E02
11200-LCD3-C00	2	E01	1231A-KHC4-C11	0	E02	14761-KUDU-C10	2	E02
11203-GGC7-W10	2	E01	12361-GFY6-C00	5	E04	14771-GDB4-C00	2	E02
11203-GGC7-W10	2	F16	12391-GFY6-C00	5	E02	14775-MFA6-C00	5	E02
11206-LCD3-C00	0	E01				14781-MFA6-C00	4	E02
11208-KXCX-C00	0	E09						
11208-LCD3-E00	2	E04	13000			15000		
11209-LCD3-E00	3	F13						
11211-KHB4-C00	0	F13	13000-KUDU-C00	9	E03			
11331-LCD3-E00	5	E04	13011-GFY6-C00	1	E03	15100-KFB7-C00	1	E07
11340-LEJ3-E11	0	E01	13101-KUDU-C00	1	E03	15133-GFY6-W10	1	E07
11345-LEJ3-E10	1	F20	13111-3D84-C00	1	E03	15141-GFY6-C00	1	E07
11346-KEBE-C00	1	F20				15421-1G07-C00	1	E04
11381-KHB4-C00	0	E01	14000			15426-GAE1-C00	1	E04
11382-LEJ3-E10	0	E01				15651-KUDU-W10	5	E04
11394-KUDU-E90	1	E04	14100-LGS6-E10	1	E02	1565A-KUDU-W10	1	E04
11395-KHB4-C00	0	E01	14401-KUDU-C00	1	E03	15711-KUDU-C00	1	E07
			14431-KUDU-W10	4	E02			
12000			14450-GFY6-W10	1	E02	16000		
			14452-GFY6-W10	1	E02			
12100-GFY6-C00	6	E03	14510-KUDU-C0B	0	E03	16012-KEC3-800	4	E05

PART NO. INDEX

PART NO.	VERSION	PAGE	PART NO.	VERSION	PAGE	PART NO.	VERSION	PAGE
1603A-LFC3-E10	0	E05	17239-KHB4-C00	0	F13	18645-GFY6-C00	1	E02
16069-KEC3-900	0	E05	1723A-LFC4-E10	2	F13	18646-LDC8-E10	1	E02
16074-KEC3-900	4	E05	1723B-LFC4-E10	0	F13	18647-GFY6-C00	1	E02
16079-LGB6-900	0	E05	1723C-LEJ3-E10	0	F13	18656-LEJ3-E10	0	F21
16087-KEC3-900	3	E05	17254-KACA-P00	1	F13	18657-LEJ3-E10	1	F21
16088-KEC3-900	1	E05	17256-GFY6-C00	4	E02	1880A-LEJ3-E10	2	F21
16093-5102-E10	0	E05	1737A-LCD3-E00	0	F13	1880B-LEJ3-E10	3	F21
16095-KEC3-900	2	E05	17500-LEJ2-E10	5	F10	18814-LEJ2-E10	0	F21
16100-LFC3-E11	0	E05	17620-LBA8-C10	0	F10			
16122-KEC3-900	1	E05	17683-LFC3-E10	1	F10	19000		
16131-KEC3-900	0	E05	17684-LFC3-E10	1	F10			
16132-KEC3-900	0	E05	17910-KHD8-C00	0	F03	19510-KFB7-C00	0	E08
16138-KGC5-900	0	E05				1961A-KUDU-E10	2	E08
16142-KEC3-900	1	E05	18000			19625-KUDU-C00	1	E02
16154-KEC3-900	0	E05				1962A-KKE3-C00	0	E08
16180-KEC3-900	0	E05	18291-ALK1-E10	0	F14	1963A-LDF7-E10	1	E08
16181-KEC3-900	1	E05	18291-GGA7-C01	1	F14			
16201-GFY6-E90	0	E02	18292-KEBE-C00	0	F14	21000		
16211-GFY6-W10	1	E02	18293-ALK1-E10	0	F14			
1691A-LEJ2-E10	0	F10	18293-KECE-C00	0	F14	21200-LEJ8-C00	2	E09
16950-LKL5-E30	0	F10	18294-PUA3-B50	1	F14	21395-LCD3-E90	0	E09
			18295-KECE-C00	0	F14			
17000			1830A-LFC3-E10	3	F14	22000		
			18318-LCD3-E10	5	F14			
1711A-LEJ3-E10	2	E02	1831C-ALK1-E90	0	F14	22101-LCD3-C00	3	E06
17200-LFC4-E10	3	F13	18325-LFC3-E10	2	F14	22102-KUDU-E80	1	E06

PART NO. INDEX

PART NO.	VERSION	PAGE	PART NO.	VERSION	PAGE	PART NO.	VERSION	PAGE
22105-GFY6-C10	1	E06	28125-4F26-C00	1	E07			
22110-KUDU-E80	0	E06	28126-GFY6-C10	1	E07	32000		
22121-GFY6-345	0	E06	2812A-GFY6-C10	2	E07			
22131-GFY6-C00	3	E06	28211-KUDU-W10	4	E06	32100-LFC3-E10	1	F19
22132-KBN2-315	0	E06	28223-KNBN-C00	0	E01	32101-GFY6-C00	1	F04
22300-LCD3-C00	0	E06	2823A-KNBN-C00	1	E01	32411-LEJ3-E11	0	F19
23000			28250-LEJ3-E10	1	E01	32412-LEH3-C10	1	E04
			28253-GBN2-C00	5	E01	32961-KUDU-C00	5	E04
			28255-GFS6-C00	5	E01			
23100-KEC4-C0E	0	E06	28281-GBN2-C00	1	E01	33000		
23200-LEJ3-E10	3	E06	28300-LEJ3-E10	0	F15			
23220-GFY6-C00	0	E06	30000			33100-LFC3-E12	1	F01
23233-LEJ3-E10	0	E06				33108-LFC2-E10	0	F01
23237-GFY6-C00	1	E06				33400-LFC3-E12	1	F17
23238-GFY6-C00	1	E06	30410-LEJ3-E10	1	F19	33402-LFC2-E10	1	F17
23411-KHB4-C00	0	E09	3051A-LLF5-C00	1	F19	33405-LFC2-E10	0	F17
23420-LCD3-C00	0	E09	31000			33450-LFC3-E12	1	F17
23432-LEJ3-E10	0	E09				33452-LFC2-E10	0	F17
2343A-KHB4-C00	0	E09				33700-LFC3-E12	1	F18
28000			31100-LHA2-M30	3	E08	33702-LFC2-E10	1	F18
			31110-LAD9-C00	0	E08	33703-LFC2-E10	1	F18
			31120-LFC3-E10	0	E08	33705-LFC2-E10	1	F18
28101-GFY6-C00	1	E07	31200-KUDU-C00	4	E07	33720-LEJ2-E10	0	F18
28102-GFY6-C00	1	E07	31500-GFY6-C00	1	F11	33731-KGB5-EZ0	0	F18
28110-GFY6-C10	1	E07	31600-LFC2-E11	0	F19	33741-KEBE-C00	0	F18
28120-GFY6-C10	1	E07	31601-LFC2-E10	1	F19			

PART NO. INDEX

PART NO.	VERSION	PAGE	PART NO.	VERSION	PAGE	PART NO.	VERSION	PAGE
34000			37000			43000		
34901-LDC8-E10	1	F01	37200-LFC3-E12	0	F02	43100-LFC3-E80	0	F04
34903-LDC8-E10	1	F01	37211-LFC2-E10	1	F02	43126-LFC3-E1A	0	F04
34905-KPCP-C00	1	F18	37213-LFC2-E10	0	F02	43156-LFC3-E10	2	F16
34905-LBA8-E80	1	F17	37215-LFC2-E10	0	F02	43351-LFC3-E80	2	F08
34906-KPCP-900	0	F18	37224-LFC2-E10	1	F02	43500-LFC3-E10	0	F04
34908-LEJ2-E00	0	F02	37280-LEJ2-E0A	0	F02	43500-LFC3-E12	0	F04
34909-LEJ2-E00	0	F02	37802-GGA7-C00	1	F10	4350B-LFC3-E12	0	F04
			3780A-LEJ2-E10	0	F10			
35000			38000			44000		
35010-LFC2-E13	0	F19				44301-LEJ2-E12	1	F07
35107-LFC2-E13	0	F23	38110-KHB4-E0A	2	F19	44311-LFC2-E10	2	F07
35151-KGBG-C00	0	F03	38301-GGS7-C00	3	F19	44601-LFC2-E10	2	F07
35152-LGB5-E10	0	F03				44620-KFLF-C00	1	F07
3515A-LGB5-E10	3	F03	42000			44680-4L10-C00	1	F07
3515A-LGB5-EV0	0	F03				44710-LFC2-E10	1	F07
3520A-LGB5-E11	0	F03	42311-KHB4-C00	0	F16	44800-LKD1-E10	2	F07
35340-KNBN-901	1	F04	42312-LEJ2-E10	1	F16	44830-LCD3-C00	0	F02
35400-LEJ3-E10	1	F19	42601-LFC3-E10	1	F08			
35850-KHD8-C00	1	F19	42710-LFC4-E91	1	F08	45000		
			42753-0A01-C00	1	F07			
			42753-0A01-C00	1	F08	45105-LEJ2-306	0	F04
						45105-LFC3-305	0	F04

PART NO. INDEX

PART NO.	VERSION	PAGE	PART NO.	VERSION	PAGE	PART NO.	VERSION	PAGE	
45121-LFC2-E80	1	F07	50612-LFC2-E10	1	F20	53000			
45126-LFC2-E10	1	F04	50613-LFC2-E10	1	F20				
45156-KNBN-C00	1	F06	50650-LFC2-E10	3	F18				
45156-LCB9-B20	0	F06	50655-LFC2-E10	2	F20		53100-LFC3-E10	3	F03
45200-LFC2-E80	1	F04					53102-LEJ2-E10	2	F03
4550A-LFC2-E16	0	F04	51000				53102-LEJ2-E1A	0	F03
4550B-LFC2-E16	0	F04					53125-GEN5-C00	1	F03
50000			51400-LFC3-E10	0	F06		53140-LEJ2-E10	0	F03
			51401-LEJ2-E10	0	F06		53166-LEJ2-E10	0	F03
			51410-LEJ2-E10	0	F06		53175-KTCT-C01	0	F04
50100-LFC4-E10	0	F20	51412-LEJ2-E10	0	F06	53178-KNBN-C00	0	F04	
50301-KGN7-C00	2	F20	51420-LFC2-E10	1	F06	53200-LFC2-E10	1	F06	
50302-2H68-C00	2	F20	51422-LEJ2-E10	0	F06	53204-LFC2-E10	1	F03	
50306-1F96-C00	1	F06	51427-LEJ2-E10	0	F06	53205-LFC2-E10	1	F03	
50326-LFC2-E10	1	F12	51428-LEJ2-E10	0	F06	53206-LFC2-E10	1	F03	
50350-LFC3-B40	1	F20	51429-LEJ2-E10	0	F06	53211-GFY6-C00	1	F06	
50500-LFC4-E10	3	F15	51437-LEJ2-E10	0	F06	53212-2L50-C00	1	F06	
50502-LDF7-C00	1	F15	51500-LFC3-E10	0	F06	53214-2L50-C00	5	F06	
50504-LEJ3-E11	1	E01	51520-LFC2-E10	0	F06	53215-2L50-C00	1	F06	
50505-LAD9-C00	1	F15				61000			
50505-LDC8-E10	2	F20	52000						
50530-LFC2-E10	3	F15							
50531-KEB7-C00	1	F15	52000-LFC3-E10	3	F16	61100-LFC2-E10	1	F06	
50535-KEB7-W10	3	F15	52100-LFC3-E10	0	F16	61110-LFC2-E10	0	F06	
50550-KEB7-C00	1	F15	52400-LKD2-E10	0	F16				
50611-LFC2-E10	2	F20							

PART NO. INDEX

PART NO.	VERSION	PAGE	PART NO.	VERSION	PAGE	PART NO.	VERSION	PAGE	
64000			77232-KCAC-C00	2	F12	81147-LFC2-E10	1	F05	
			77235-KGC4-C00	2	F19	81200-LFC2-E10	1	F12	
			77240-LFC2-E10	5	F19	81250-LFC2-E10	0	F12	
64210-LFC2-E10	1	F03	80000			81251-LEJ3-E10	0	F12	
64211-LFC2-E10	1	F03		81502-LGA5-C10	0	F23			
64301-LFC2-E10	2	F05		81503-LGR5-E10	0	F23			
64302-LFC2-E10	1	F05	80100-KEB7-C00	0	F18	81507-LFD6-C50	1	F23	
64303-LFC2-E10	1	F05	80100-LFC3-E10	1	F18	81508-LFD6-C50	1	F23	
64305-LFC2-E10	1	F05	80101-LFC3-E10	0	F18	81509-LDD9-C50	0	F23	
64306-LFC2-E10	1	F05	80101-LFC3-E10	1	F18	81510-LFC2-E10	0	F23	
64307-LFC2-E10	1	F05	80102-LCD2-C00	0	F18	81516-LGR5-E10	0	F23	
64308-LFC2-E10	1	F05	80105-LFC2-E10	1	F18	81520-LGR5-E10	0	F23	
64310-LFC2-E11	0	F05	80109-KEB7-C00	0	F18	81526-LGR5-E10	0	F23	
64315-LFC2-E10	3	F20	80151-LFC2-E10	1	F12	83000			
64316-LCB9-C10	5	F05	81000				83500-LFC2-E10	1	F12
64316-LCB9-C10	5	F12		81131-LFC2-E10	1		F05	83510-LFC2-E10	1
64350-LFC2-E11	0	F05		81132-LCB9-C10	1	F05	83550-KEC8-C00	4	F23
64360-LFC2-E11	0	F05	81132-LFC2-E10	1	F05	83551-KEC8-C10	4	F23	
75000			81133-KNBN-C00	1	F05	83600-LFC2-E10	1	F12	
	75581-6C73-C00	1	81134-KGBG-C00	2	F05	83610-LFC2-E10	1	F12	
			81134-LFC2-E10	1	F05	83750-LFC2-E10	1	F12	
77000			81141-LFC2-E10	1	F05				
			81142-KFA6-C00	1	F05				
	77200-LFC3-E12	0	F09	81146-LFC2-E10	1	F05			

PART NO. INDEX

PART NO.	VERSION	PAGE	PART NO.	VERSION	PAGE	PART NO.	VERSION	PAGE
84000			89000			90111-1G87-C01	1	F12
84705-LFC2-E10	0	F23	89010-KGBG-C00	1	F09	90112-KRDR-C00	1	F19
84706-LFC2-E10	0	F23				90114-GDM4-C00	0	F13
86000			90000			90116-LEJ2-E10	0	F06
86102-LEJ2-E00	2	F22	90001-GBHB-C05	0	E03	90121-GFY6-C00	1	F20
86202-LFC3-E10	1	F22	90005-KAW1-901	1	E03	90131-GLW0-C00	1	F04
			9000A-KTDT-C03	0	E01	90131-KFAF-C00	0	F04
87000			90012-3C33-C00	1	E02	90145-9A61-C00	1	F04
87224-LEJ3-EZ0	0	F22	90021-GFY6-C11	0	F14	90201-GFY6-901	1	E07
87224-LEJ3-EZ0	1	F22	90031-KUDU-C01	0	E01	90202-1G87-C00	1	E06
87505-LFC2-E10	2	F22	90032-KUDU-C00	5	E01	90206-0A01-C00	2	E02
87541-GAR1-C01	1	F22	90033-GFY6-C00	2	E02	90301-GFY6-C01	0	F14
87541-KUDU-E00	1	F22	90033-GFY6-C10	2	E02	90302-GFY6-C10	1	F18
87542-GAR1-C01	2	F22	90105-KCR3-001	3	F07	90302-KNBN-C00	1	F06
87560-GFY6-E11	3	F22	90105-KCR3-001	3	F08	90302-LLB1-C01	1	F03
			90106-GEN5-901	1	F03	90302-SDA4-C01	0	F05
88000			90106-GFY6-901	1	F20	90302-SDA4-C01	0	F12
88110-LEB5-C11	2	F03	90106-KFC2-900	2	F03	90304-4H38-C00	1	E02
88120-LEB5-C11	2	F03	90107-KUDU-900	5	F20	90304-GHE8-C00	1	F03
			90108-KFA6-E00	1	F15	90304-GHE8-C00	1	F20
			90110-GLW0-C00	0	F05	90305-GHK8-C00	2	F06
			90110-KEB7-C00	1	F06	90305-KNBN-C00	1	F08
			90110-LCD4-E00	1	F14	90306-KLF0-C00	1	F07
						90403-KUDU-900	1	E07
						90412-3K29-C00	5	E01
						90426-KNBN-C01	1	E06

PART NO. INDEX

PART NO.	VERSION	PAGE	PART NO.	VERSION	PAGE	PART NO.	VERSION	PAGE
90440-1F66-C00	1	E08	91202-KKJ9-C00	5	E01	93404-06016-07	1	F20
90441-GFY6-C00	1	E06	91211-KEBE-C00	1	E06	93404-06020-07	4	F05
90451-GBN2-C00	10	E01	91251-LEJ2-E10	0	F06	93404-06022-07	0	F06
90465-MDC4-C00	1	E02	91252-0L30-C00	0	F07	93404-06022-07	0	F23
90474-3C33-C00	1	E01	91254-LEJ2-E10	0	F06	93500-04010-08	0	E05
90501-KNBN-C00	1	F08	91255-LDC8-E10	5	E09	93500-04014-1A	0	E05
9052A-GFY6-C00	5	E01	91258-4L10-007	1	F07	93500-05012-08	0	E05
90544-LEJ2-E10	0	F06	91301-0C53-W10	0	E09	93500-05016-0H	0	F23
90545-3L00-C00	2	F04	91301-0H28-C00	1	E02	93700-05018-0H	1	F02
90652-GFY6-C00	1	F13	91302-0A01-C00	10	E04	93892-04008-18	0	E05
90652-LCA4-C10	6	F03	91306-1E05-C00	1	E03	93901-34220	0	F17
90652-LCA4-C10	6	F18	91351-6B42-C00	1	E06	93903-25480	1	F13
90667-GAR1-004	0	F23	91508-KGV7-C00	0	F18	93903-25480	1	F23
90677-GAR1-C01	1	F18				93903-34280	0	F05
90683-GAR1-C00	4	F05	92000			93903-34320	0	F02
90701-HFB6-C00	0	E03				93903-34380	6	F03
90701-HFB6-C00	0	E07	92101-05012-0H	2	E08	93903-34380	6	F05
			92900-06060-0B	2	E02	93903-34380	6	F12
91000			93000			93903-34380	6	F17
						93903-34380	6	F18
91003-KDS4-C00	1	E09				93903-35220	4	F01
91009-GLE0-C00	1	E09	93404-06012-07	5	F12	93903-35280-G	1	F02
91014-LLJ3-C00	1	F06	93404-06012-07	5	F18	93903-35280-G	1	F03
91015-LLJ3-C00	1	F06	93404-06012-07	5	F20	93903-35280-G	1	F18
91104-KGN7-671	0	E01	93404-06016-07	1	F05	93903-35280-G	1	F20
91201-GFY6-C00	1	E01	93404-06016-07	1	F18	93903-GFY6-C01	1	F05

PART NO. INDEX

PART NO.	VERSION	PAGE	PART NO.	VERSION	PAGE	PART NO.	VERSION	PAGE
93903-GFY6-C01	1	F12	94601-15000	10	E03	95701-08028-08	0	F20
93903-GFY6-C01	1	F18	94608-LEJ2-E10	0	F06	95701-08040-08	3	F12
94000			95000			95701-08040-08	3	F20
94050-05080	6	F18	95002-02120	1	F13	95701-08045-08	1	F16
94050-06080	2	E02	95002-50000	1	F13	95701-08050-08	1	F16
94050-06080	2	E07	95002-KKD6-C00	1	F21	95701-LDC8-E11	0	F19
94050-06080	2	F09	9500A-35250-20	0	E05	95701-LGR5-E10	1	F14
94050-06080	2	F19	95012-LEJ2-E10	0	F11	95801-06040-08	0	E09
94050-08080	4	E02	95701-06008-08	0	F13	95801-08032-08	1	F16
94050-12080	1	E06	95701-06012-08	3	E04	95801-08040-08	4	F06
94050-12080	1	E08	95701-06012-08	3	F06	95801-10025-08	0	F15
94101-06200	1	F14	95701-06012-08	3	F10	95801-10035-08	1	F16
94101-06700	1	F14	95701-06012-08	3	F19	96000		
94101-10800	1	F20	95701-06014-08	0	F19	96001-06008-07	1	F14
94111-06800	1	F13	95701-06016-08	1	F20	96001-06010-02	1	F14
94111-06800	1	F14	95701-06022-07	3	F15	96001-06012-08G	1	E01
94301-10160	4	E01	95701-06025-00	1	E02	96001-06012-08G	1	E04
94301-10160	4	E02	95701-06025-08	2	E02	96001-06012-08G	1	E07
94301-10160	4	E03	95701-06035-08	1	E02	96001-06012-08G	1	F16
94301-10160	4	E04	95701-06040-00	1	E02	96001-06012-08G	1	F18
94301-10200	4	E01	95701-06050-08	1	E02	96001-06016-08	6	E07
94511-14000	10	E01	95701-08012-08G	1	E01	96001-06016-08	6	E08
94591-25000	1	E05	95701-08012-08G	1	F19	96001-06016-08	6	F19
94591-25000	1	F18	95701-08020-08	1	F23	96001-06018-08	1	E08

PART NO. INDEX

PART NO.	VERSION	PAGE	PART NO.	VERSION	PAGE	PART NO.	VERSION	PAGE
96001-06022-08	2	E08						
96001-06025-08	4	E07						
96001-06025-08	4	E08						
96001-06028-08	1	E04						
96001-06045-08	1	E01						
96001-06050-08	1	E01						
96001-06100-08	2	E02						
96001-06100-08	2	E04						
96001-06110-08	1	E04						
96100-60020-00	1	E09						
96100-62020-00	1	E01						
96100-63030-00	1	E01						
96120-63010-10	0	F07						
98000								
98056-5771R-00	1	E02						
98200-10700	2	F11						