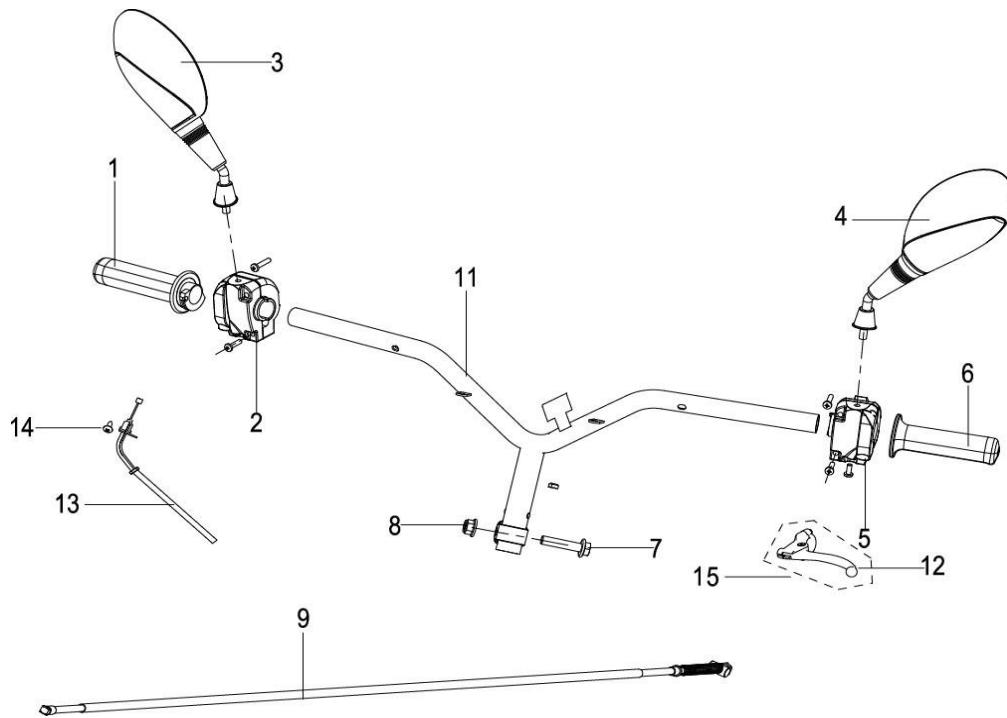


F-ACT EVO 50 E4



F-ACT EVO 50 E4

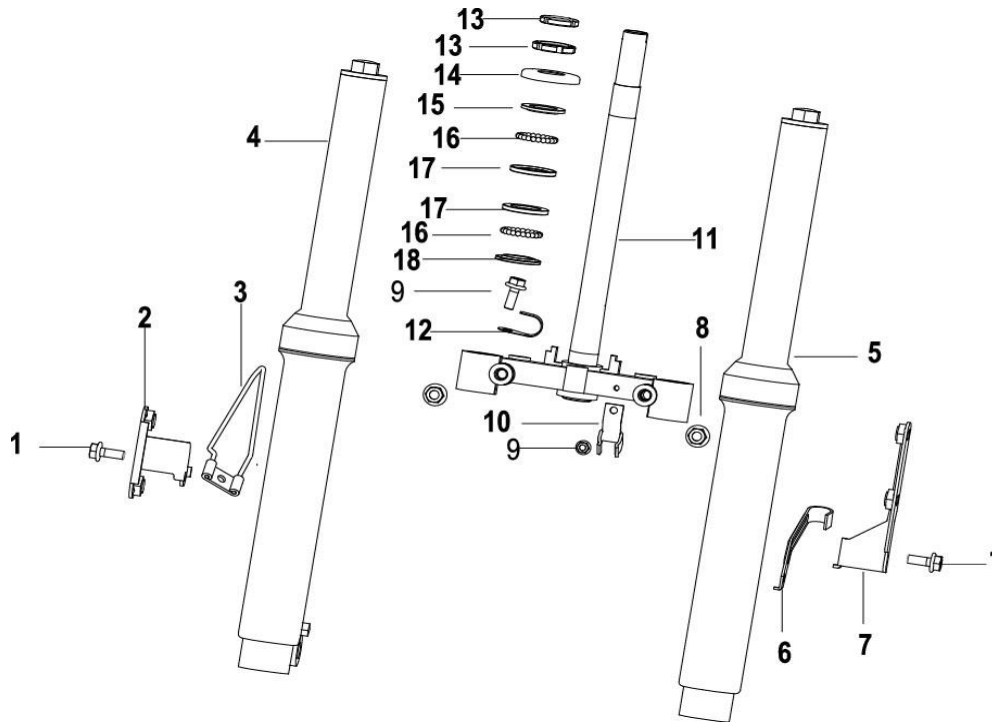
F01 CONTROL ASSY



N°	CÓDIGO	DESCRIÇÃO	Qt.	OBSERVAÇÕES
1	40210T090003	GRIP ASSY.,HANDLE,R.	1	
2	40600B590001	RIGHT HANDLEBAR SWITCH,AHO	1	
3	40480B590000	MIRROR ASSY.,RR VIEW,R.	1	
4	40450B590000	MIRROR ASSY.,RR VIEW,L.	1	
5	40500B590000	LEFT HANDLEBAR SWITCH,AHO	1	
6	40001T090003	BUSHING, STEERING HANDLE,L	1	
7	B0159100456H	BOLT M10x1.25x45	1	
8	B0417101254H	NUT M10x1.25	1	
9	40270B590000	CABLE, REAR BRAKE	1	
11	40100B590000	HANDLE BAR ASSY	1	
12	40002B550000	LEVER.,L.	1	
13	40300B590004	CABLE ASSY.,THROTTLE	1	
14	B0200050102H	SCREW M5x10	1	
15	40080B550000	LEVER ASSY,LEFT	1	

F-ACT EVO 50 E4

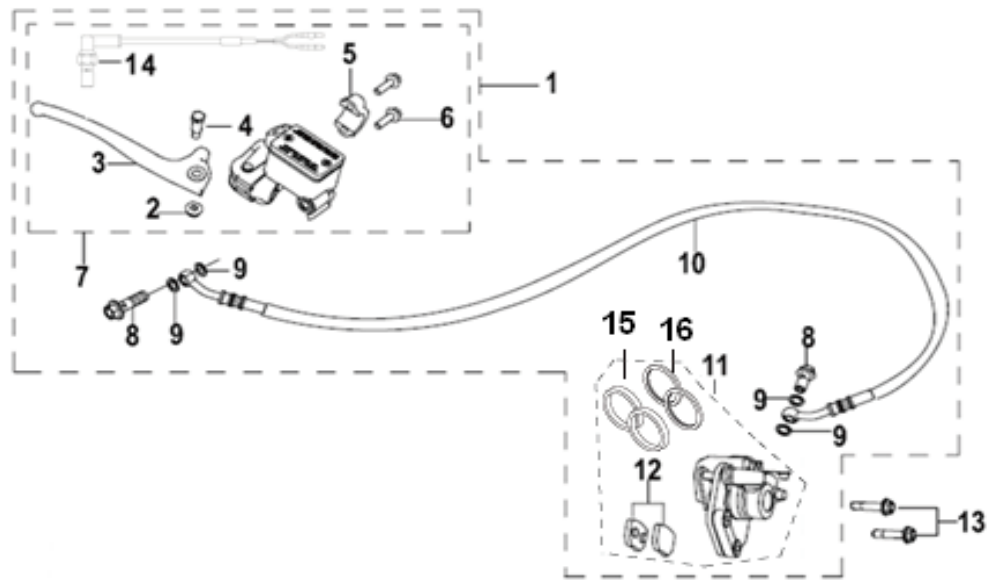
F02 FORK ASSY



Nº	CÓDIGO	DESCRIÇÃO	Qt.	OBSERVAÇÕES
1	B0109060166H	BOLT M6x16	2	
2	65140B470000	MOUNTING PLATE,FRONT FENDER,R.	1	
3	43150B310000	WIRE CLIP DSSY.	1	
4	43300B59BA00	FRONT RIGHT SHOCK ABSORBER ASSY	1	
5	43200B59BA00	FRONT LEFT SHOCK ABSORBER ASSY	1	
6	43021B590000	CLIP (PIPE,DISC BRAKE)	1	
7	65130B470000	MOUNTING PLATE,FRONT FENDER,L.	1	
8	B0159100306H	BOLT M10x1.25x30	2	
9	B0109060126H	BOLT M6x12	2	
10	43035B590000	CLIP (PIPE,DISC BRAKE)	1	
11	43100B590000	UNDER BRACKET COMP.	1	
12	57012H070000	CLIP	1	
13	80136B910000	NUT,LOWER	2	
14	44021B910000	SEAL WASHER	1	
15	43001B920002	BALL RACE, CONNECTING	1	
16	B06010150000	STEEL BALL Ø5(1 SET OF 44)	44	
17	43003B920000	RACE,UPPER,BOTTOM BEARING	2	
18	43004B920000	RACE,LOWER,BOTTOM BEARING	1	

F-ACT EVO 50 E4

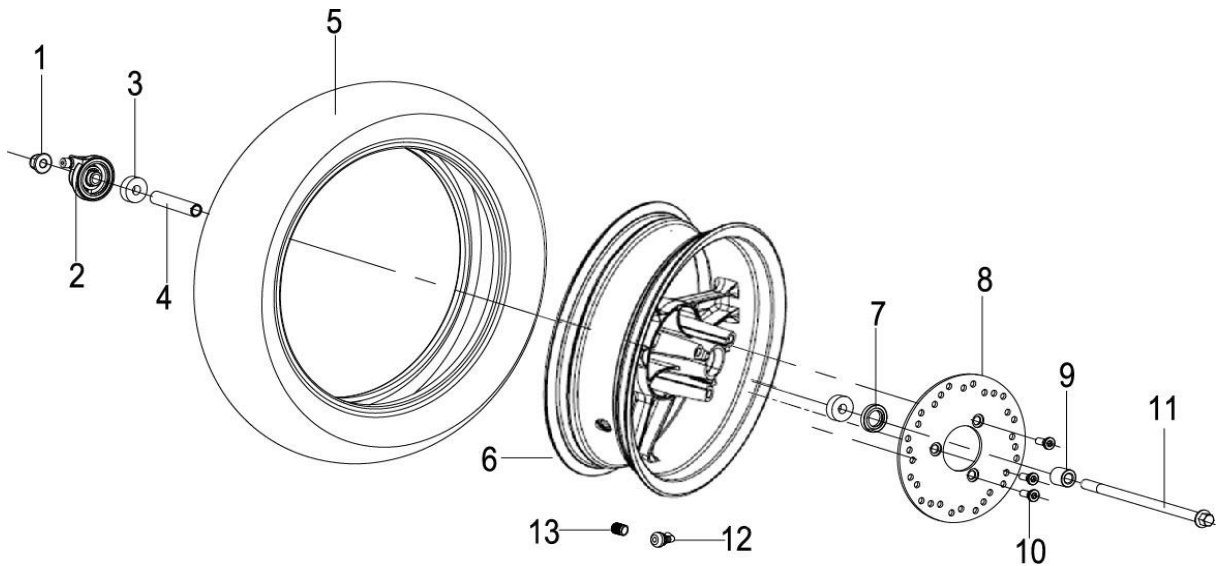
F03 DISC BRAKE ASSY



Nº	CÓDIGO	DESCRIÇÃO	Qt.	OBSERVAÇÕES
1	45900B590000	FRONT BRAKE ASSY	1	
2	B04170600055	NUT M6	1	
3	45022B590000	FRONT BRAKE LEVER	1	
4	45024T400000	BRAKE LEVER PIVOT SCREW	1	
5	45023T010000	BRAKE MASTER CYLINDER HOLDER	1	
6	B01070602065	BOLT M6x20	2	
7	45400B590000	FRONT MASTER CYLINDER	1	
8	45037J000000	BOLT	2	
9	45180J000000	WASHER	4	
10	45200B590000	FRONT BRAKE HOSE	1	
11	45500T100000	FRONT BRAKE CALIPER	1	
12	45120T100000	FRONT BRAKE PADS	1	
13	08011B910104	BOLT M8x36	2	
14	45300B590001	FRONT BRAKE SWITCH	1	
15	45042J000000	SEAL,SQUARE ϕ 34	2	
16	55007T030000	DUST COVER ϕ 34	2	

F-ACT EVO 50 E4

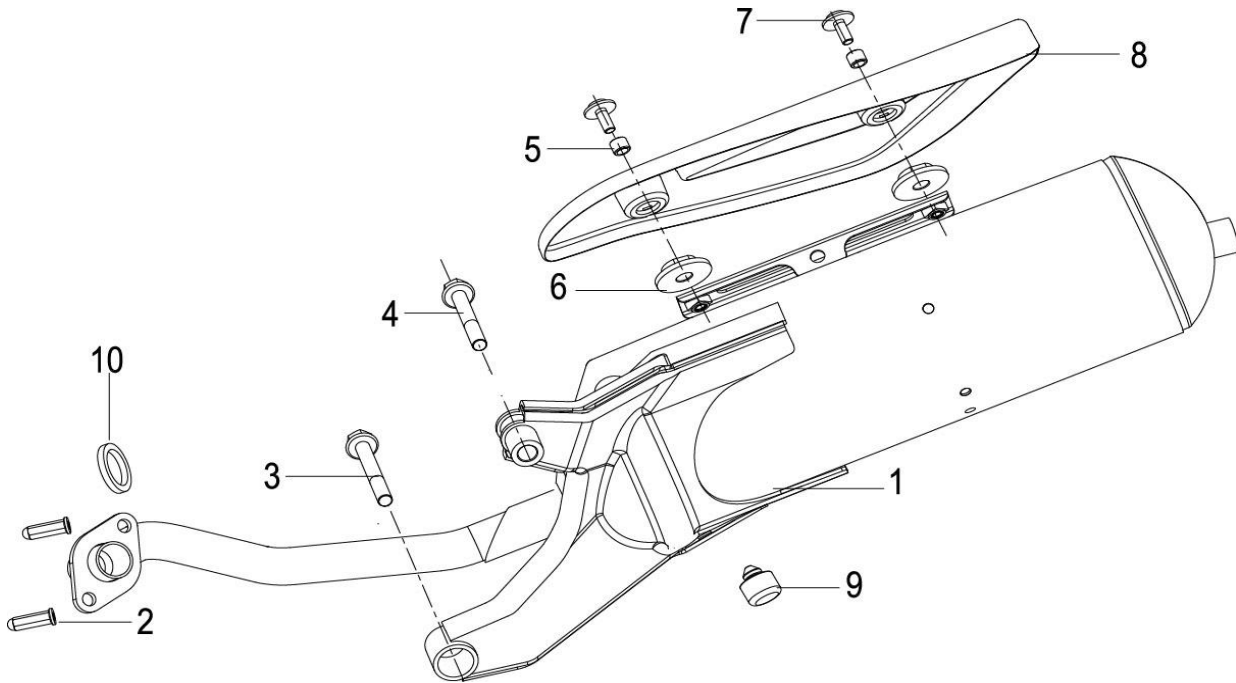
F04 FRONT WHEEL ASSY



Nº	CÓDIGO	DESCRIÇÃO	Qt.	OBSERVAÇÕES
1	B0417121254H	NUT 10X1.25MM	1	
2	44200B91BH00	SEAT ASSY.,GEAR WHEEL,BLACK BH	1	
3	B12016020100	BEARING 6201-2RS	2	
4	44600B910010	SPACER	1	
5	B140507D1214	TUBE 120/70-12	1	
6	44101B91BH11	FRONT WHEEL Black BH	1	
7	44300B910000	OIL SEAL ASSY,FRONT WHEEL	1	
8	45033B920000	FRONT BRAKE DISC	1	
9	44005B910010	SPACER	1	
10	08001B030200	BOLT M8x20	3	
11	44004G250100	AXLE,FRONT WHEEL	1	
12	B1403Z201120	VALVE	1	
13	B1404Z2011A0	VDLVE CAP	1	

F-ACT EVO 50 E4

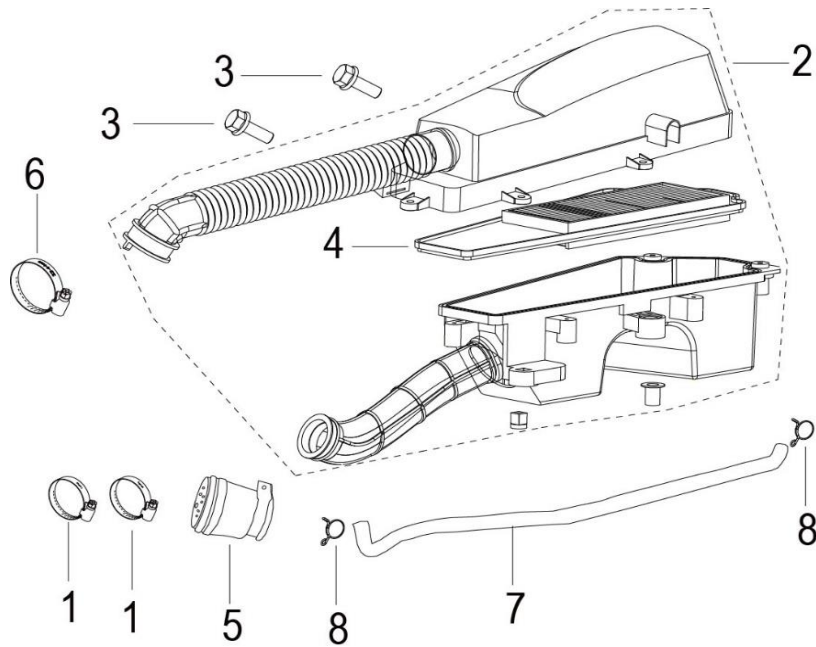
F05 MUFFLER



N°	CÓDIGO	DESCRIÇÃO	Qt.	OBSERVAÇÕES
1	47100B230008	MUFFLER ASSY.with catalyzer, 45km/h	1	
2	08054T020000	NUT M6	2	
3	B0159100656H	BOLT M10x1.25x65	1	
4	B0159100556H	BOLT M10x1.25x55	1	
5	47033T430000	SPACER	2	
6	47028T430000	RUBBER SLEEVE	1	
7	B1306060200H	SCREW W/WSHER M6x20	2	
8	47023B580000	GUARD BOARD, MUFFLER	1	
9	47026J000000	RUBBER BUFFER	1	
10	47800T090000	GASKET ASSY, EXHAUST PIPE	1	

F-ACT EVO 50 E4

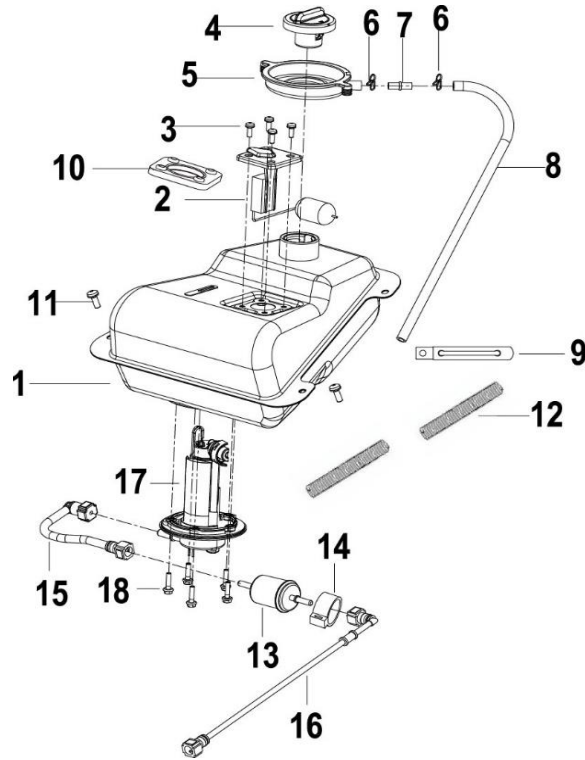
F06 AIR CLEANER



N°	CÓDIGO	DESCRIÇÃO	Qt.	OBSERVAÇÕES
1	49350J890000	CLAMP ASSY	2	
2	49100B700002	AIR CLEANER	1	
3	B0109060206H	BOLT M6x20	2	
4	49103B700000	FILTER ASSY	1	
5	08400A010000	BLAST PIPE,ENGINE	1	
6	49350T800000	CLAMP 32-44	1	
7	49025N120000	VAT AIR BACK	1	
8	B17010150003	CLIP 15	2	

F-ACT EVO 50 E4

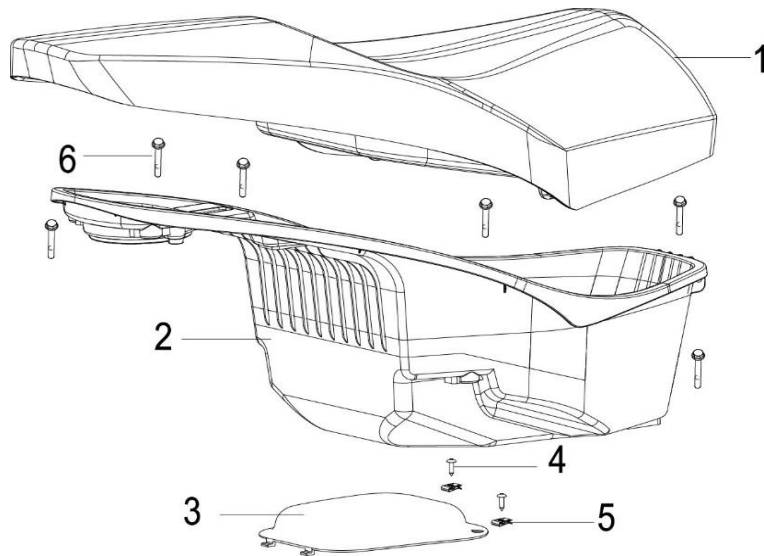
F07 FUEL TANK



Nº	CÓDIGO	DESCRIÇÃO	Qt.	OBSERVAÇÕES
1	50100B590001	TANK,FUEL	1	
2	50810B590000	OIL LEVEL INDICDTOR	1	
3	08016B920200	SCREW M5x14	4	
4	50200T850000	COVER.,FUEL TANK	1	
5	50114T430000	JACKET,FUEL TANK PORT	1	
6	B17010105003	CLIP Φ 10.5	2	
7	64008G220000	PIPE,ENGAGE,WATERPROOF	1	
8	B16010723001	HOSE I,FUEL Φ 7x11x300	1	
9	58430J000000	CLIP ASSY.	1	
10	50004B590000	CUSHION RUBBER	1	
11	B0109060126H	BOLT M6x12	2	
12	49029B230000	SPRING	2	
13	50340T820000	FUEL FILTER ASSY.	1	
14	50391N070000	FUEL FILTER JACKET	1	
15	50370B590000	PIPE	1	
16	50380B590000	PIPE II	1	
17	50400V020000	FUEL PUMP ASSY.	1	
18	B0109050206H	BOLT M5x20	5	

F-ACT EVO 50 E4

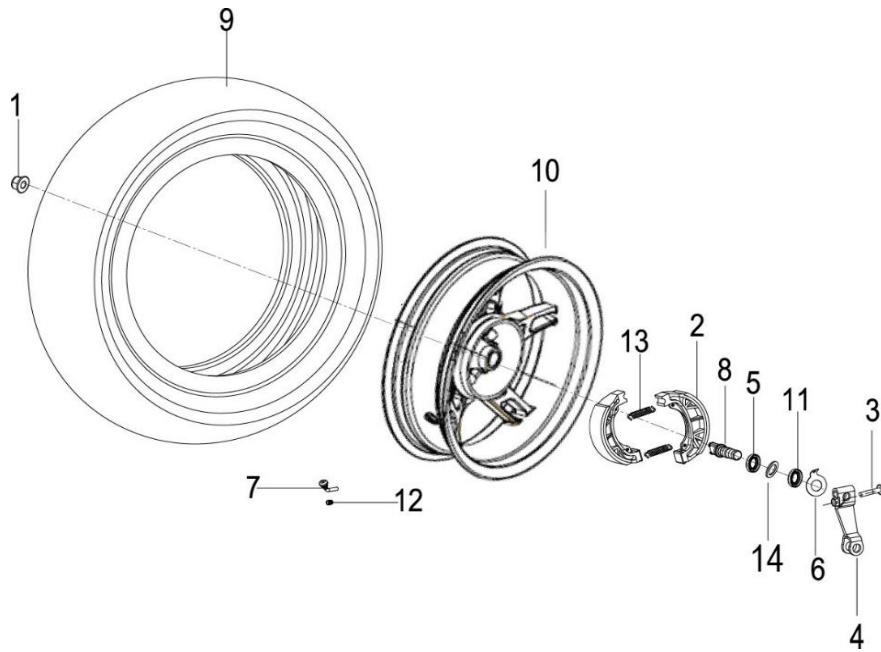
F08 SEAT ASSY



N°	CÓDIGO	DESCRIÇÃO	Qt.	OBSERVAÇÕES
1	51100B590000	SEAT ASSY	1	
2	51004B590001	HELMET BOX	1	
3	51005B590001	COVER,LUGGAGE BOX	1	
4	B0507420130H	SCREW SELF-TAPPING ST4.2x13	2	
5	65801T020001	INSERT ST4.2	2	
6	B0107060166H	BOLT M6x16	6	

F-ACT EVO 50 E4

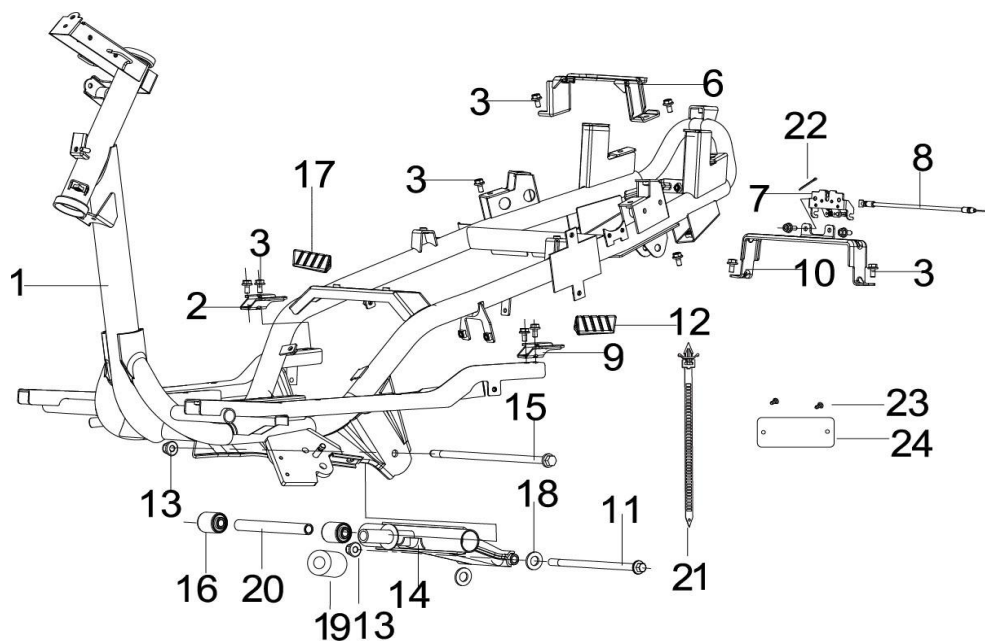
F09 REAR WHEEL



Nº	CÓDIGO	DESCRIÇÃO	Qt.	OBSERVAÇÕES
1	B0417161504H	NUT M16x1.5	1	
2	54200T020010	BRAKE SHOES	2	
3	B0109060326H	BOLT M6x32	1	
4	54250B700000	BRAKE ROCKER ARM ASSY.	1	
5	54640T030000	SEAL RING $\Phi 1.3 \times \Phi 13.2$	1	
6	44002J040030	INDICATOR	1	
7	B1403Z201120	VALVE	1	
8	54003J000030	CAMSHAFT, BRAKE, REAR	1	
9	B140508D1213	TIRE 130/70-12	1	
10	54100B59BH00	REAR RIM ASSY.ALLOY	1	
11	54640T030001	SEAL RING $\Phi 1 \times \Phi 11.2$	1	
12	B1404Z2011A0	VALVE CAP	1	
13	54001T020000	SPRING, BRAKE SHOE	2	
14	08022J000000	WASHER	1	

F-ACT EVO 50 E4

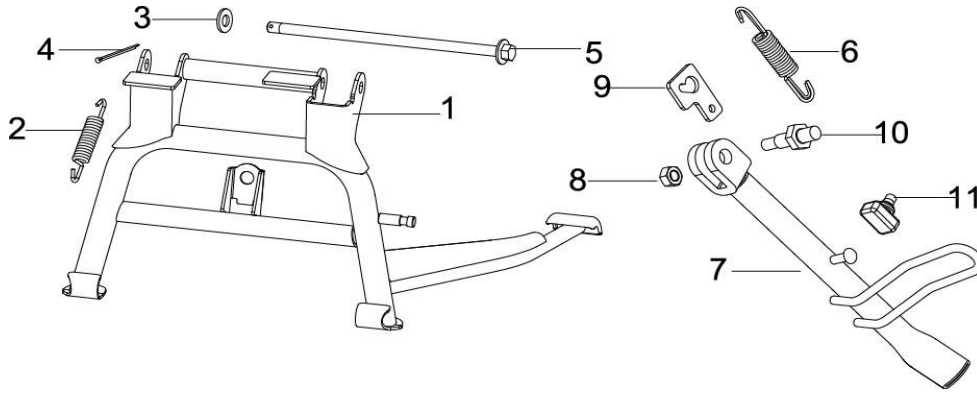
F10 RAME BODY



Nº	CÓDIGO	DESCRIÇÃO	Qt.	OBSERVAÇÕES
1	57100B590004	WELDING ASSY, FRAME	1	
2	57625B590000	SUPPORT PLATE,RIGHT.	1	
3	B0109060126H	BOLT M6x12	10	
6	57691B590000	MOUNTING PLATE,HELMET SEAT	1	
7	58800B410000	SEAT LOCK ASSY.	1	
8	58900B410000	CABLE,STEEL	1	
9	57615B590000	SUPPORT PLATE,LEFT.	1	
10	58071B590000	MOUNTING BOARD,SEAT LOCK	1	
11	53001B230100	SHAFT, FIX, RR.SWING ARM /M10x1.25x232	1	
12	58260B590000	KICK-PEDAL ASSY.,L.H.,RR	1	
13	B0417101254H	NUT M10x1.25	2	
14	58320B590000	ENGINE HOLDER	1	
15	58303B590100	SHAFT, FIXING, ENGINE	1	
16	58340T030000	CUSHION BUSHING	2	
17	58280B590000	KICK-PEDAL ASSY.,R.H.,RR.	1	
18	08022K020010	WASHER	2	
19	58342B990010	BUSH	1	
20	58350B700000	SPACER	1	
21	96001T750000	BAND	1	
22	B090002018AH	PIN 2x18	1	
23	B100432007P0	RIVET 3.2x7	2	
24	57001B590009	FRAME LABEL	1	

F-ACT EVO 50 E4

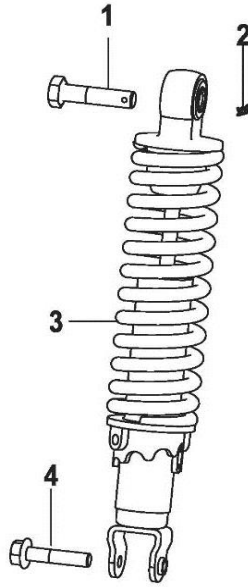
F11 MAIN STAND



N°	CÓDIGO	DESCRIÇÃO	Qt.	OBSERVAÇÕES
1	58520B590002	MAIN STAND ASSY	1	
2	58510K020000	SPRING ASSY.,MAIN STAND	1	
3	B0703000080H	WASHER 8MM	1	
4	B090002018AH	PIN 2x18	1	
5	58501A010100	SHAFT $\varnothing 8 \times 176$,MAIN STAND	1	
6	57010B910000	SPRING ASSY,SIDE STAND	1	
7	58700B590010	SIDE STAND COMP.	1	
8	B0400080005H	NUT M8	1	
9	57006B910000	POTHOOK,SPRING	1	
10	57005B360100	BOLT,SIDE STAND M8x48.5	1	
11	57215N100000	CUSHION,SIDE STAND	1	

F-ACT EVO 50 E4

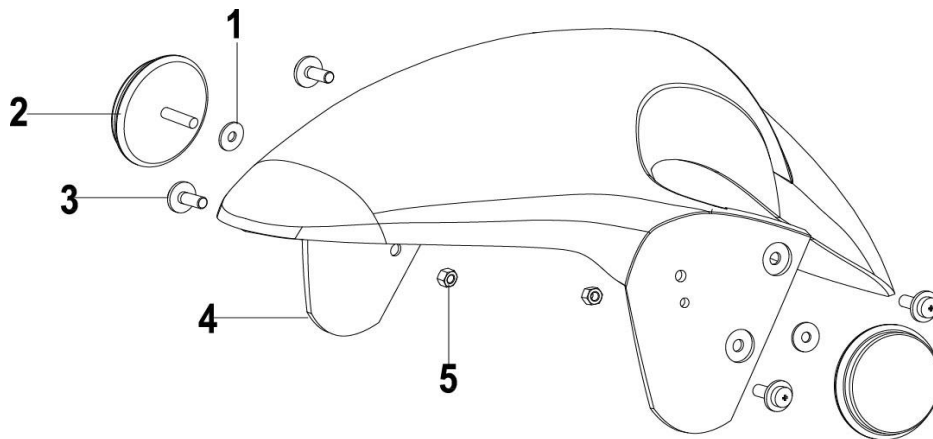
F12 REAR ABSORBER



N°	CÓDIGO	DESCRIÇÃO	Qt.	OBSERVAÇÕES
1	B0114100406H	BOLT M10x1.25x40	1	
2	08382B000000	COTTER PIN	1	
3	63800B590001	REDR ABSORBER COMP.	1	
4	08002T020100	BOLT M8x31	1	

F-ACT EVO 50 E4

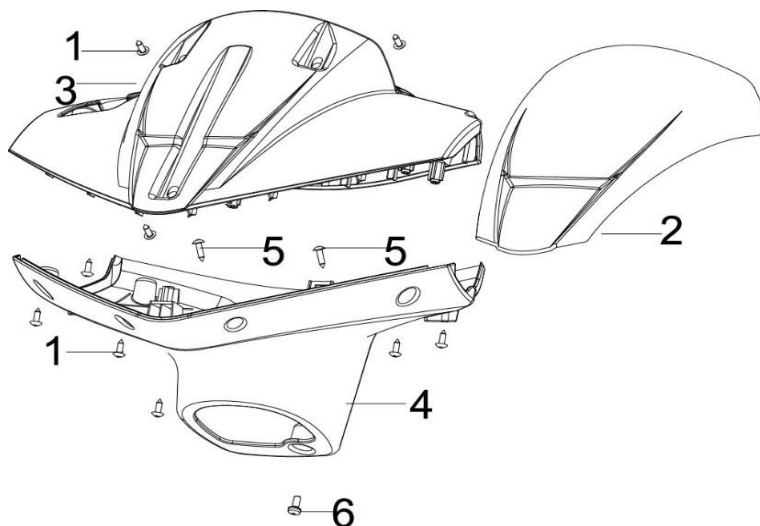
F13 FRONT FENDER



N°	CÓDIGO	DESCRIÇÃO	Qt.	OBSERVAÇÕES
1	B0702000050H	WASHER 5MM	2	
2	86300J000002	SIDE REFLECTOR DSSY	2	
3	08011B920100	BOLT M6x16	4	
4	65101B47BA00	FRONT FENDER,SATIN BLACK BA	1	
5	B0400050005H	NUT M5	2	

F-ACT EVO 50 E4

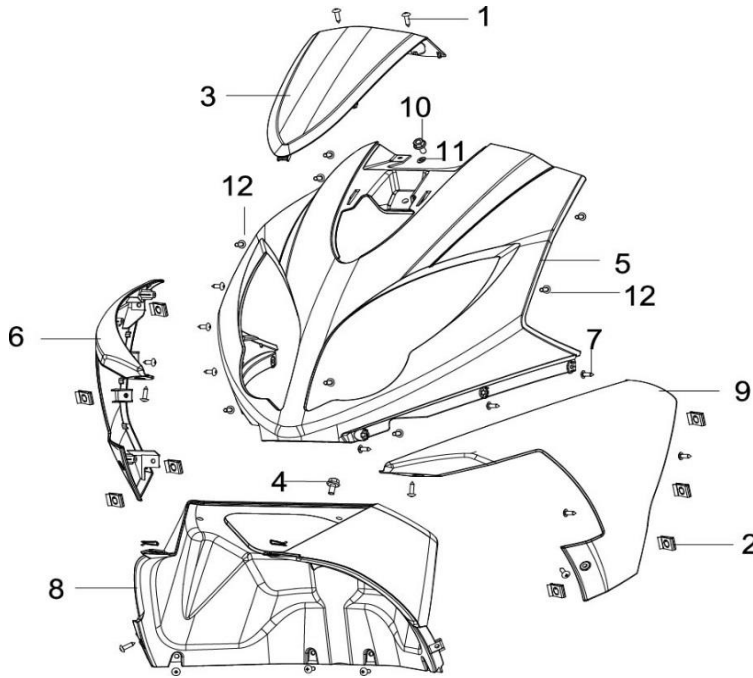
F14 HANDLE COVER



N°	CÓDIGO	DESCRIÇÃO	Qt.	OBSERVAÇÕES
1	B0507420130H	SCREW SELF-TAPPING ST4.2x13	9	
2	65203B59B200	HANDLE COVER,REAR, BLACK B2	1	
3	65201B59BA01	HANDLE COVER,FRONT,SATIN BLACK BA	1	
4	65202B59BA00	REAR SHIELD,STOP COCK,SATIN BLACK BA	1	
5	B0507420160H	SCREW SELF-TAPPING ST4.2x16	2	
6	B1301050140H	SCREW W/WASHER M5x14	1	

F-ACT EVO 50 E4

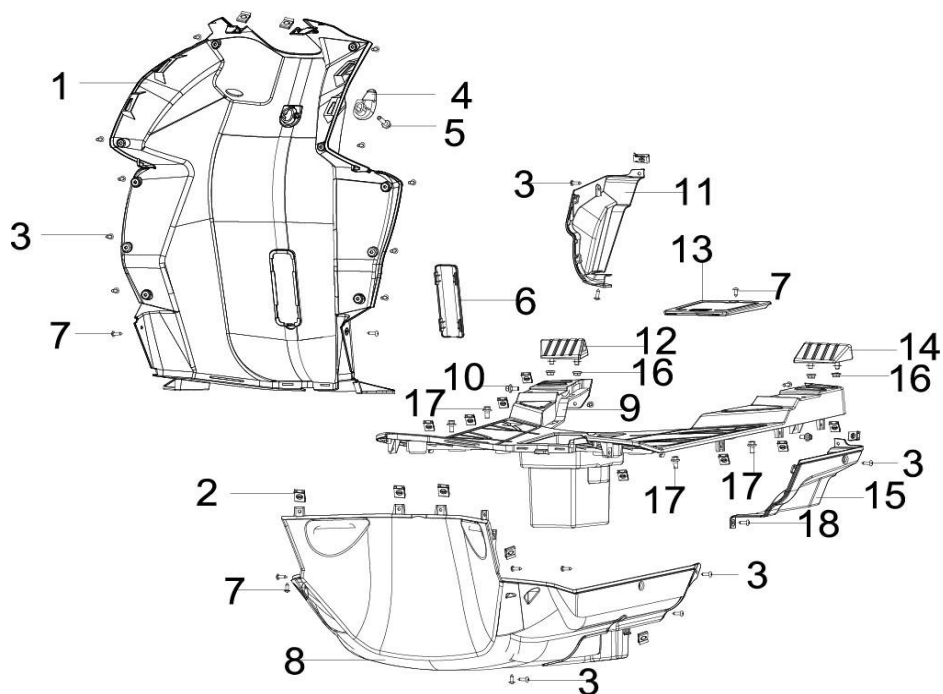
F15 FRONT COVER



Nº	CÓDIGO	DESCRIÇÃO	Qt.	OBSERVAÇÕES
1	B0507420160H	SCREW SELF-TAPPING ST4.2x16	10	
2	65801T020001	INSERT ST4.2	10	
3	65303B59B200	DECORATIVE BOARD COVER, BLACK B2	1	
4	B0109060126H	BOLT M6x12	1	
5	65301B59WF00	FACEPLATE, FRONT COVER, WHITE WF	1	S/ AUTOCOLANTE
5	65301B59B200	FACEPLATE, FRONT COVER, BLACK B2	1	S/ AUTOCOLANTE
5	65301B59J900	FACEPLATE, FRONT COVER, GRAY J9	1	S/ AUTOCOLANTE
6	65317B59WF00	RH.CONNCT BOARE, WHITE WF	1	S/ AUTOCOLANTE
6	65317B59B200	RH.CONNCT BOARE, BLACK B2	1	S/ AUTOCOLANTE
6	65317B59J900	RH.CONNCT BOARE, GRAY J9	1	S/ AUTOCOLANTE
7	B0507420130H	SCREW SELF-TAPPING ST4.2x13	4	
8	65302B590000	BOTTOM PLATE, FRONT COVER	1	
9	65316B59WF00	LH.CONNCT BOARE, WHITE WF	1	S/ AUTOCOLANTE
9	65316B59B200	LH.CONNCT BOARE, BLACK B2	1	S/ AUTOCOLANTE
9	65316B59J900	LH.CONNCT BOARE, GRAY J9	1	S/ AUTOCOLANTE
10	B0101060162H	BOLT M6x16	1	
11	08021H170000	WASHER 6MM	1	
12	B0507400120H	SCREW SELF-TAPPING ST4x12	2	

F-ACT EVO 50 E4

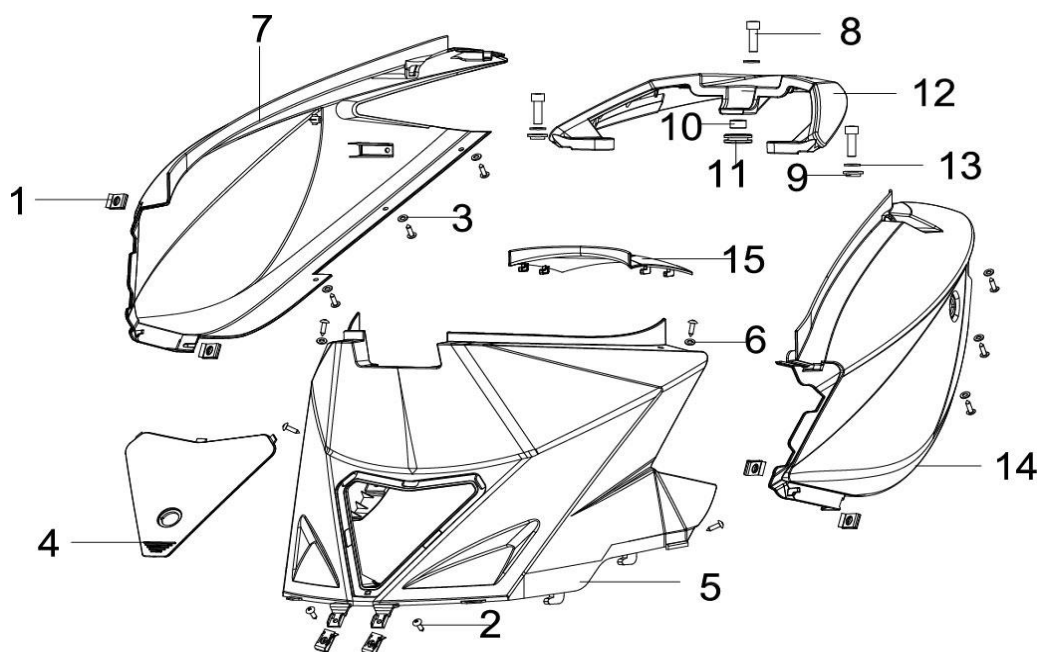
F16 LEG SHIELD



Nº	CÓDIGO	DESCRIÇÃO	Qt.	OBSERVAÇÕES
1	65402B590000	LEG SHIELD	1	
2	65801T020001	INSERT ST4.2	20	
3	B0507420160H	SCREW SELF-TAPPING ST4.2x16	23	
4	51011B920000	POTHOOK,HELMET	1	
5	B0109060256H	BOLT M6x25	1	
6	65403B590000	COVER PLATE,FRAME NUMBEI	1	
7	B0507420130H	SCREW SELF-TAPPING ST4.2x13	5	
8	65406B59BA00	UNDER COVER,SATIN BLACK BA	1	S/ AUTOCOLANTE
9	65401B590000	PEDAL	1	
10	B0109060126H	BOLT M6x12	2	
11	65408B590000	DECORATING PLATE,GUARD BOARD,R.	1	
12	58280B590000	KICK-PEDAL ASSY.,R.H.,RR.	1	
13	65813B590000	COVER,BATTERY CASE	1	
14	58260B590000	KICK-PEDAL ASSY.,L.H.,RR	1	
15	65407B590000	DECORATING PLATE,GUARD BOARD,L.	1	
16	B0407060005H	NUT M6	4	
17	08011H010200	BOLT M6x14	4	
18	B0507420101H	SCREW SELF-TAPPING ST4.2x10	1	

F-ACT EVO 50 E4

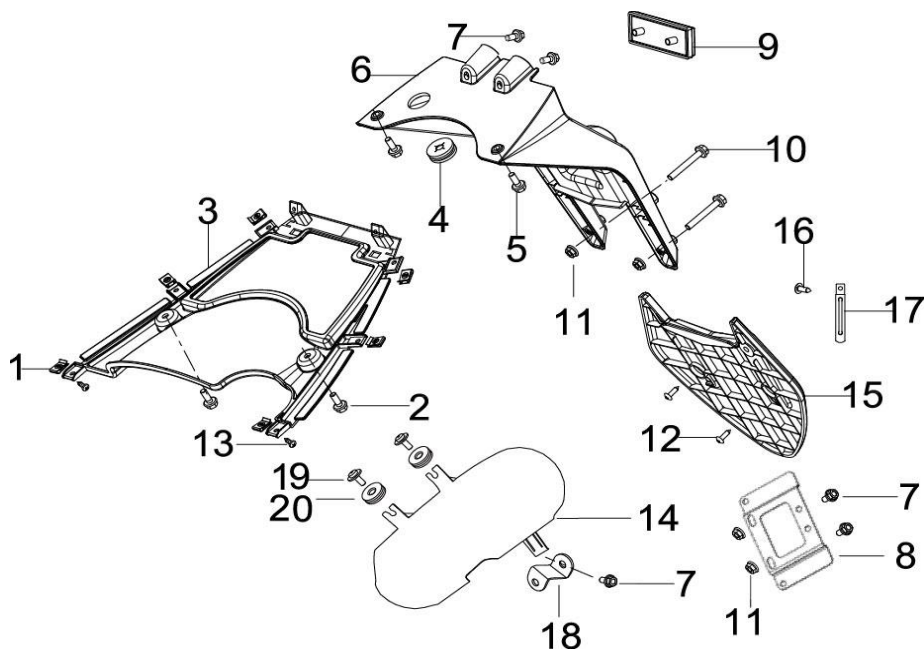
F17 FRONT COVER



N°	CÓDIGO	DESCRIÇÃO	Qt.	OBSERVAÇÕES
1	65801T020001	INSERT ST4.2	6	
2	B0507420160H	SCREW SELF-TAPPING ST4.2x16	10	
3	B0703000050H	WASHER 5MM	6	
4	65417B590000	CAP, SPARK PLUG	1	
5	65605B590000	CONNECTING BORAD, SIDE COVER	1	
6	B0702000050H	WASHER 5MM	2	
7	65602B59WF00	RIGHT SIDE COVER, WHITE WF	1	S/ AUTOCOLANTE
7	65602B59B200	RIGHT SIDE COVER, BLACK B2	1	S/ AUTOCOLANTE
7	65602B59J900	RIGHT SIDE COVER, GRAY J9	1	S/ AUTOCOLANTE
8	B0205080256H	SCREW M8x25	3	
9	52004B490000	SLEEVE, RR. ARM REST	2	
10	52018B590000	BUSH, MOUNTING, BRACKET, RR.	1	
11	65552N140000	DUSTPROOF MAT	1	
12	52002B59BA00	RR. ARM REST, SATIN BLACK BA	1	
13	B0703000080H	WASHER 8MM	3	
14	65601B59WF00	LEFT SIDE COVER, WHITE WF	1	S/ AUTOCOLANTE
14	65601B59B200	LEFT SIDE COVER, BLACK B2	1	S/ AUTOCOLANTE
14	65601B59J900	LEFT SIDE COVER, GRAY J9	1	S/ AUTOCOLANTE
15	65606B59WF00	SIDE COVER CONNECT BOARD, WHITE WF	1	
15	65606B59B200	SIDE COVER CONNECT BOARD, BLACK B2	1	
15	65606B59J900	SIDE COVER CONNECT BOARD, GRAY J9	1	

F-ACT EVO 50 E4

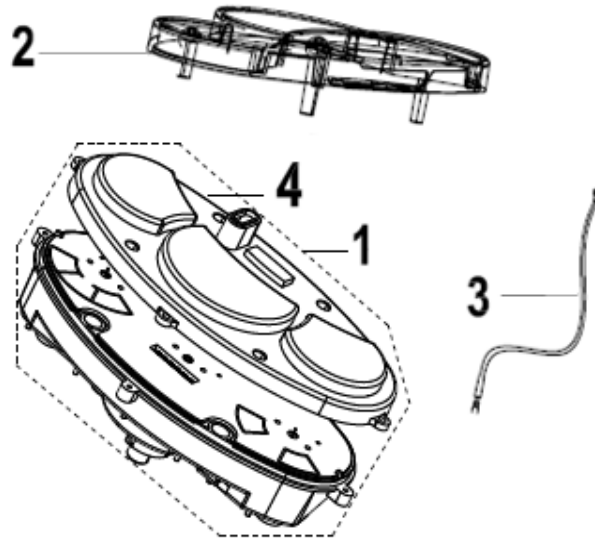
F18 REAR FENDER



N°	CÓDIGO	DESCRIÇÃO	Qt.	OBSERVAÇÕES
1	65801T020001	INSERT ST4.2	6	
2	B0109060166H	BOLT M6x16	2	
3	65761B590000	MUDGUARD,REAR	1	
4	65714H160000	RUBBER CUSHION II	1	
5	B0109050206H	BOLT M6x20	2	
6	65701B590000	REAR FENDER	2	
7	B0109060126H	BOLT M6x12	5	
8	08252B590000	BRACKET,LICENCE	1	
9	86500B590000	REFLECTO ASSY.	1	
10	B0109060406H	BOLT M6x40	2	
11	B0407060005H	NUT M6	4	
12	B0507420160H	SCREW SELF-TAPPING ST4.2x16	2	
13	B0507400120H	SCREW SELF-TAPPING ST4x12	2	
14	65700B220000	REAR FENDER ASSY	1	
15	65702B590000	TAIL,REAR FENDER	1	
16	B0507420130H	SCREW SELF-TAPPING ST4.2x13	1	
17	58430J000000	CLIP ASSY.	1	
18	57861B220030	FIXING BOARD	1	
19	B1330060250H	BOLT WASHER M6x25	2	
20	63406T100000	CUSHION	2	

F-ACT EVO 50 E4

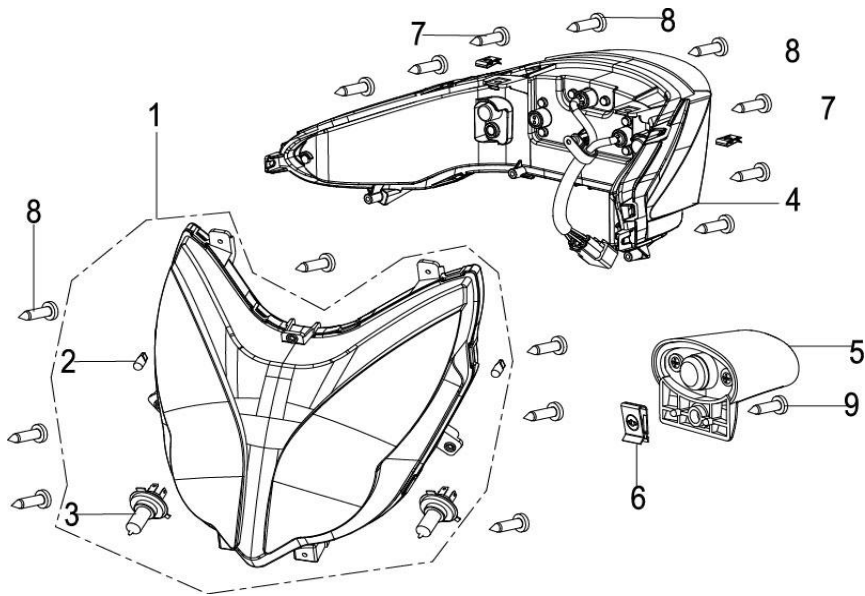
F19 SPEEDOMETER



N°	CÓDIGO	DESCRIÇÃO	Qt.	OBSERVAÇÕES
1	70000B590006	SPEEDOMETER ASSY	1	
2	65212N14BG00	DECORATIVE COVER,SPEEDOMETER	1	
3	72900T100001	SPEEDOMETER CABLE COMP.	1	
4	70001N140000	COVER,SPEEDOMETER	1	

F-ACT EVO 50 E4

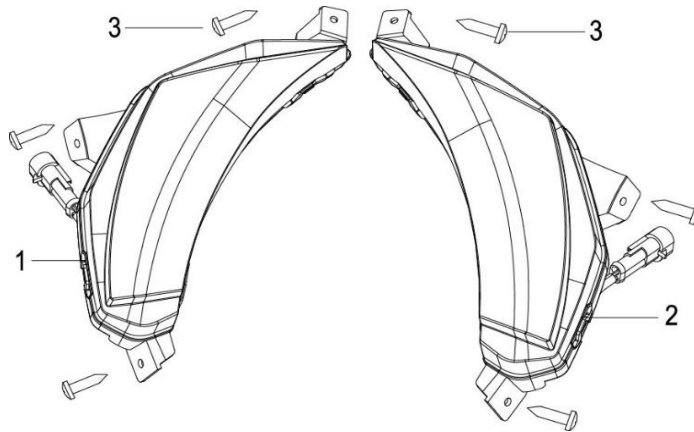
F20 HEADLIGHT



N°	CÓDIGO	DESCRIÇÃO	Qt.	OBSERVAÇÕES
1	80000B590000	HEAD LIGHT	1	
2	B24010321180	BULB 12V3W	2	
3	B240103200F0	BULB HEAD LAMP12V/35/35W	2	
4	82000B590000	REAR LAMP	1	
5	82900B590000	LICENSE PLATE LAMP	1	
6	65801T020001	INSERT ST4.2	1	
7	B0507420130H	SCREW SELF-TAPPING ST4.2x13	6	
8	B0507420160H	SCREW SELF-TAPPING ST4.2x16	9	
9	B0500420160H	SCREW SELF-TAPPING ST4.2x16	1	

F-ACT EVO 50 E4

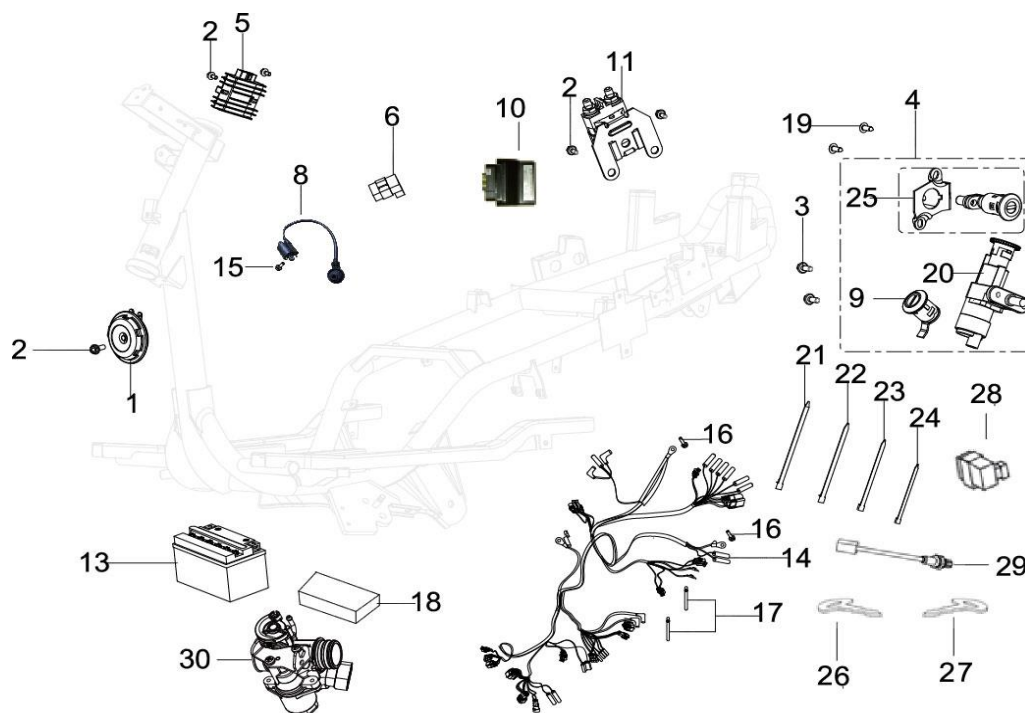
F21 FLASHER LIGHT



N°	CÓDIGO	DESCRIÇÃO	Qt.	OBSERVAÇÕES
1	81300B590000	TURN SIGNAL,FR.,R.	1	
2	81100B590000	TURN SIGNAL,FR.,L.	1	
3	B0507420160H	SCREW SELF-TAPPING ST4.2x16	6	

F-ACT EVO 50 E4

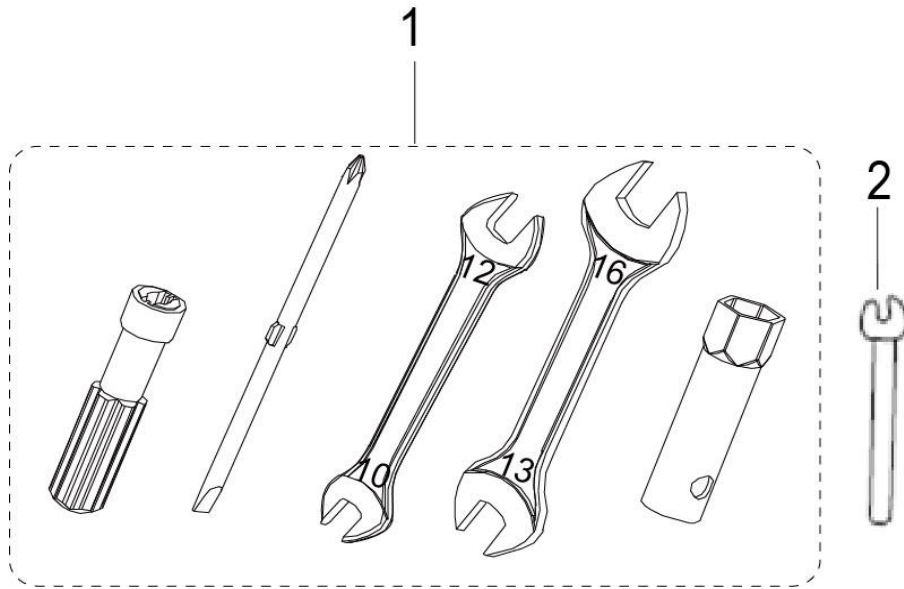
F22 ELECTRICAL EQUIPMENT



Nº	CÓDIGO	DESCRIÇÃO	Qt.	OBSERVAÇÕES
1	95100B980000	HORN	1	
2	B0109060126H	BOLT M6x12	5	
3	B0207060162H	SCREW M6x16	2	
4	88000B590000	MAIN SWITCH ASSY.	1	
5	299064010000	RECTIFIER.	1	
6	96400B590000	FLASH APPARATUS	1	
8	96200T960000	COIL.,IGNITION	1	
9	88500B910001	LOCK,COVER	1	
10	96C00N120C02	ECU	1	
11	94100J000002	START-UP RELAY	1	
13	96100B470100	BATTERY	1	
14	92000B590005	CABLE ASSY	1	
15	B0109060166H	BOLT M6x16	2	
16	B0109060126H	BOLT M6x12	1	
17	65708J000001	CLIP	2	
18	65812B920001	BATTERY MAT	2	
19	B0507400100H	SCREW SELF-TAPPING ST4.0x10	2	
20	88100B92000A	MDIN SWITCH ASSY.	1	
21	96004J000000	BAND 300MM	1	
22	96003J000000	BAND 250MM	2	
23	96002J000000	BAND 200MM	7	
24	96001J000000	BAND 150MM	2	
25	88800B920000	LOCK ASSY.,SEAT	1	
26	88900B92000X	KEY NUT (LEFT)	1	
27	88900B92001X	KEY NUT(RIGHT)	1	
28	94400N140000	HEADLIGHT RELAY CONTROLLER	1	
29	280023320000	OXYGEN SENSOR	1	
30	289006320000	THROTTLE ASSY	1	

F-ACT EVO 50 E4

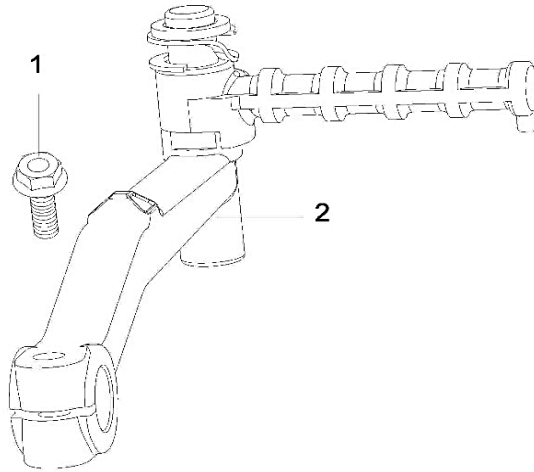
F23 TOOL KIT



N°	CÓDIGO	DESCRIÇÃO	Qt.	OBSERVAÇÕES
1	02100G120001	TOOL KIT	1	
2	02117B910000	WRENCH	1	

F-ACT EVO 50 E4

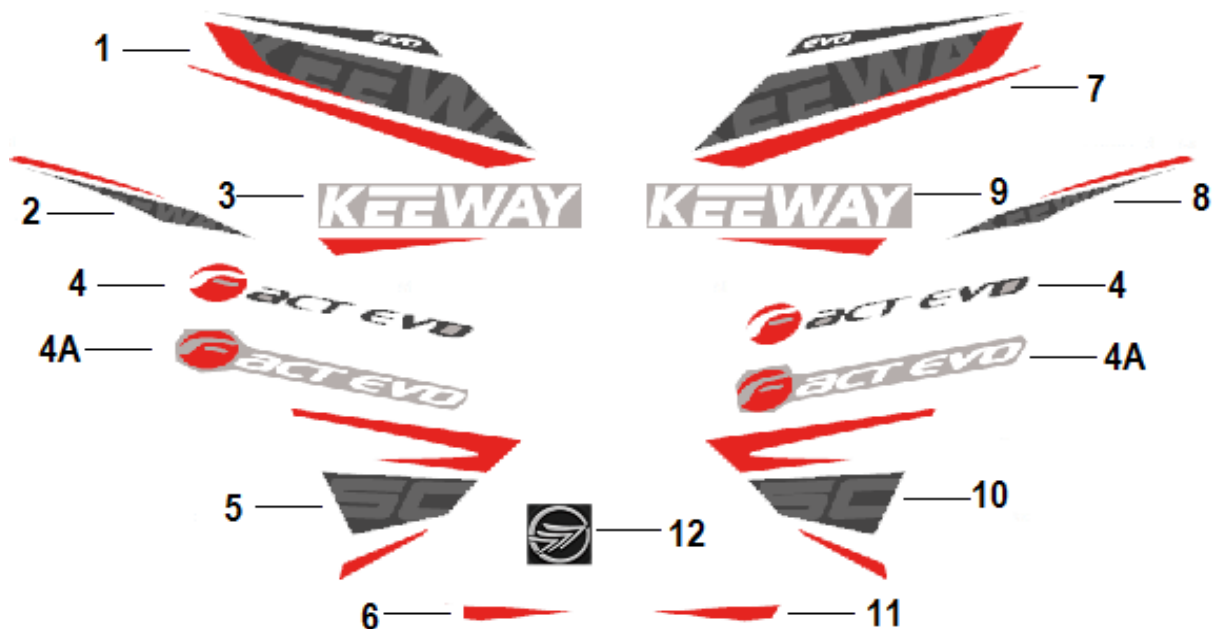
F24 ENGINE ATTACHMENT



N°	CÓDIGO	DESCRIÇÃO	Qt.	OBSERVAÇÕES
1	08350G510000	KICK STARTER	1	
2	B0109060256H	SCREW M6x25	1	

F-ACT EVO 50 E4

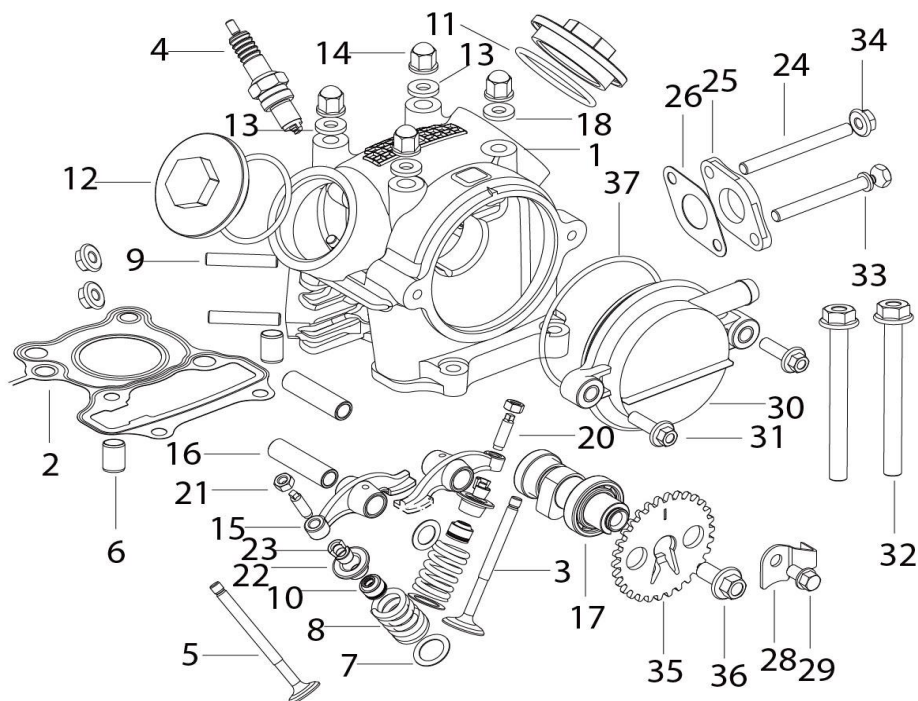
F25 STICKER



Nº	CÓDIGO	DESCRIÇÃO	Qt.	OBSERVAÇÕES
1	05512B59WF05	RIGHT SIDE COVER STICKER	1	P/ TODOS OS MODELOS
2	05522B59WF05	FRONT FACEPLATE RIGHT STICKER	1	P/ TODOS OS MODELOS
3	05542B59WF05	UNDER COVER RIGHT KEEWAY STICKER	1	P/ TODOS OS MODELOS
4	05523B59WF05	LEFT UPPER FACT EVO STICKER	1	P/ MODELO BRANCO
4A	05523B59B205	LEFT UPPER FACT EVO STICKER	1	P/ MODELOS PRETO E CINZA
5	05526B59WF05	RIGHT UNDER STICKER	1	P/ TODOS OS MODELOS
6	05502B59WF05	FRONT FENDER RIGHT STICKER	1	P/ TODOS OS MODELOS
7	05511B59WF05	LEFT SIDE COVER STICKER	1	P/ TODOS OS MODELOS
8	05521B59WF05	FRONT FACEPLATE LEFT STICKER	1	P/ TODOS OS MODELOS
9	05541B59WF05	UNDER COVER LEFT KEEWAY STICKER	1	P/ TODOS OS MODELOS
10	05525B59WF05	LEFT UNDER STICKER	1	P/ TODOS OS MODELOS
11	05501B59WF05	FRONT FENDER LEFT STICKER	1	P/ TODOS OS MODELOS
12	05521K690000	KEEWAY LOGO	1	P/ TODOS OS MODELOS

F-ACT EVO 50 E4

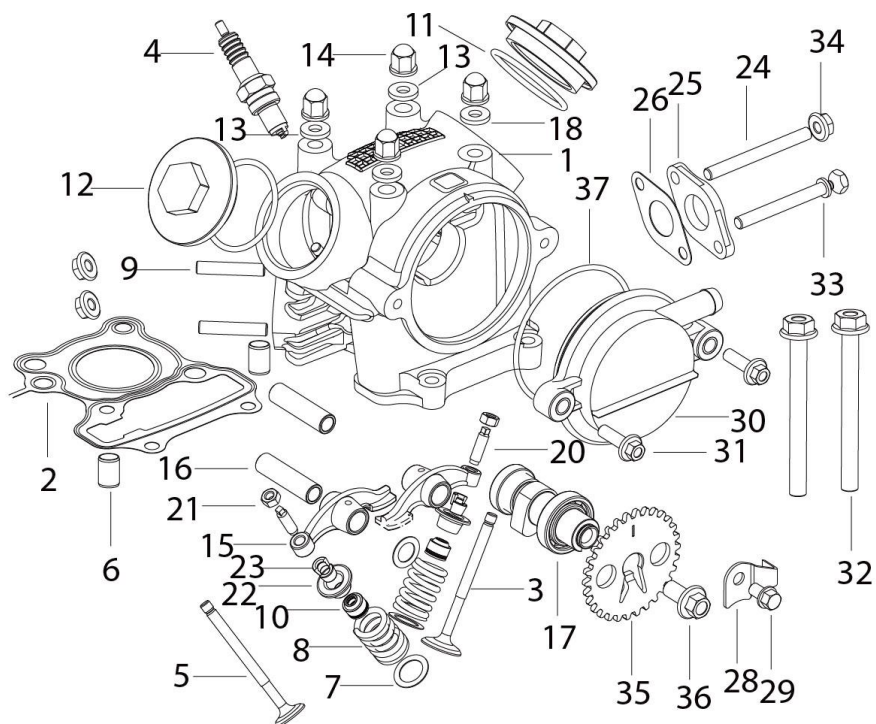
E01 CYLINDER COVER ASSY



Nº	CÓDIGO	DESCRIÇÃO	Qt.	OBSERVAÇÕES
1	100031270000	CYLINDER HEAD	1	
2	109071270000	GASKET, CYLINDER HEAD	1	
3	129181270000	INLET VALVE	1	
4	299075040001	SPARK PLUG	1	
5	129191270000	EXHAUST VALVE	1	
6	150083070000	PINA,DOWEL (Φ10×14)	2	
7	129211270000	SEAT,VALESPRING	2	
8	129252270010	SPRING,VALVE Φ2.7	2	
9	120131270000	DOUBLE END STUD,EXHAUST	2	
10	120013050000	SEAL RING,VALVE STEM	2	
11	120031270000	O-RING(40X2.65)	2	
12	120021270000	VALVE COVER	2	
13	100071270000	WASHER,CUPREOUS	2	
14	120111270H00	ACORN NUT M6×14	4	
15	129131270000	ROCKER ARM, EXHAUST VALVE	2	
16	120011270000	SHAFT, ROCKER ARM	2	
17	129091270000	SHAFT,ROCKET VALVE	1	
18	120101270000	GASKET	2	
20	129231270000	SCREW, TAPPET ADJUSTING	2	
21	129241270000	NUT, TAPPET ADJUSTING	2	
22	129331270000	UPPER SEAT,VALVE SPRING	2	
23	129221270000	COTTER,VALVE	4	
24	100075040010	DOUBLE END STUD,INLET	1	
25	110011270001	INSULATOR CARBURETOR	1	
26	119071270020	PAPER PAD, INSULATOR CARBURETOR	1	
28	120041270000	PLATE	1	
29	B0107060106H	BOLT M6×10	1	

F-ACT EVO 50 E4

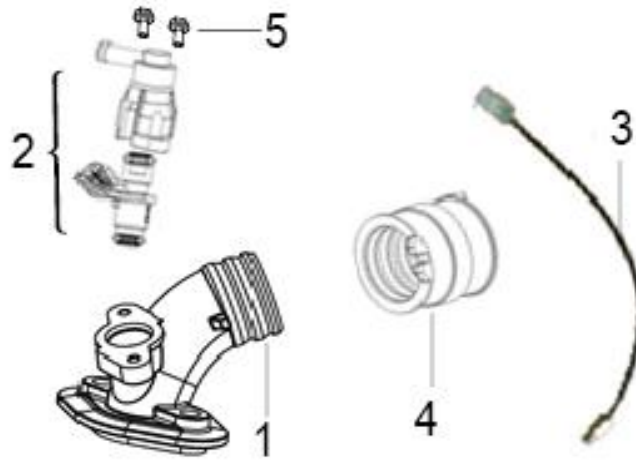
E01 CYLINDER COVER ASSY



Nº	CÓDIGO	DESCRIÇÃO	Qt.	OBSERVAÇÕES
30	100012270000	SPROCKET COVER ASSEMBLY	1	
31	B0107060256H	BOLT M6x25	2	
32	B0107060806H	BOLT M6x80	2	
33	110011290001	BOLT M6x36	1	
34	B0407060005H	NUT,FLANGE(M6)	3	
35	120071270000	CAMSHAFT SPROCKET	1	
36	109002270110	BOLT M8x16	1	
37	100061270000	O-RING(68X2.5)	1	

F-ACT EVO 50 E4

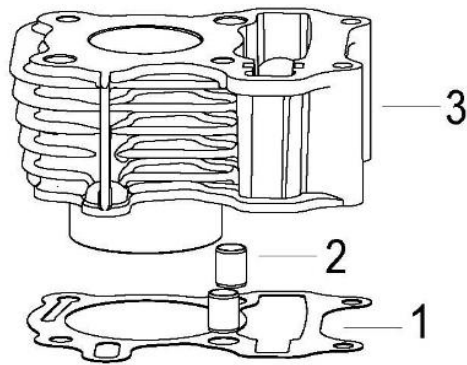
E02 AIR INTAKE SYSTEM



Nº	CÓDIGO	DESCRIÇÃO	Qt.	OBSERVAÇÕES
1	119121290010	PIPE, INTAKE	1	
2	280011290000	INJECTOR	1	
3	280013320000	TEMPRETURE SENSOR	1	
4	110013600000	CONNECT PIPE	1	
5	B1308040160H	SCREW WASHER M4x16	2	

F-ACT EVO 50 E4

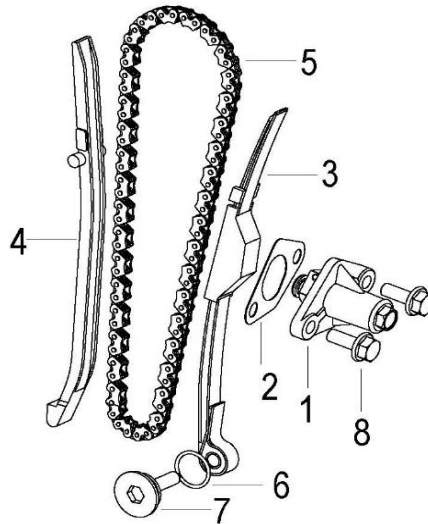
E03 CYLINDER ASSY



N°	CÓDIGO	DESCRIÇÃO	Qt.	OBSERVAÇÕES
1	139021270020	GASKET,CYLINDER	1	
2	150083070000	DOWEL PIN	2	
3	13903127005X	CYLINDER	1	

F-ACT EVO 50 E4

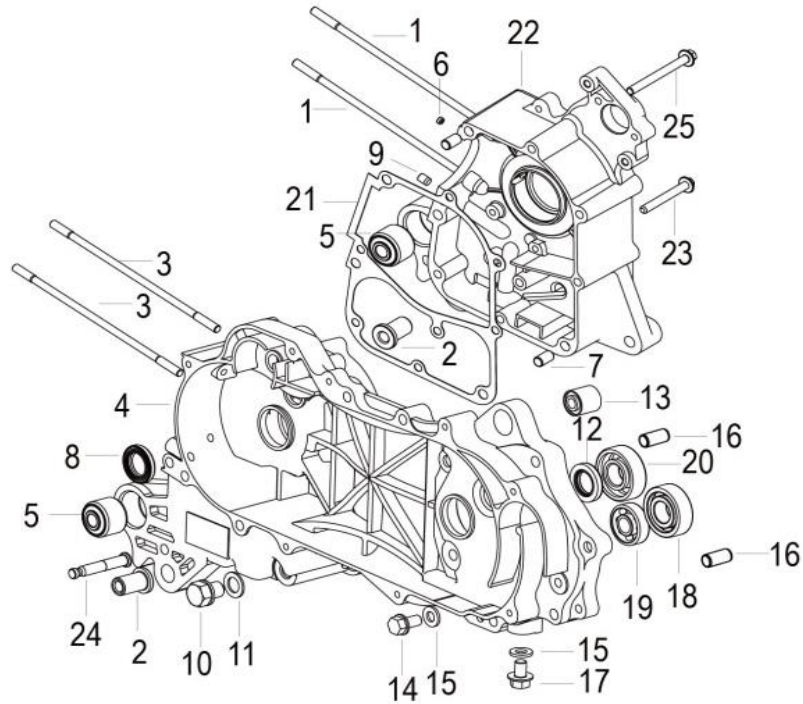
E04 TENSIONER ASSY



Nº	CÓDIGO	DESCRIÇÃO	Qt.	OBSERVAÇÕES
1	149035040010	TENSIONER	1	
2	140035090010	WASHER	1	
3	140011270000	GUAID CHAIN PLATE	1	
4	140021270000	SUB-GUAID CHAIN PLATE	1	
5	140041270000	CHAIN 78	1	
6	140023050000	O RING	1	
7	14004305011X	SCREW	1	
8	B0107060186H	BOLT M6x18	2	

F-ACT EVO 50 E4

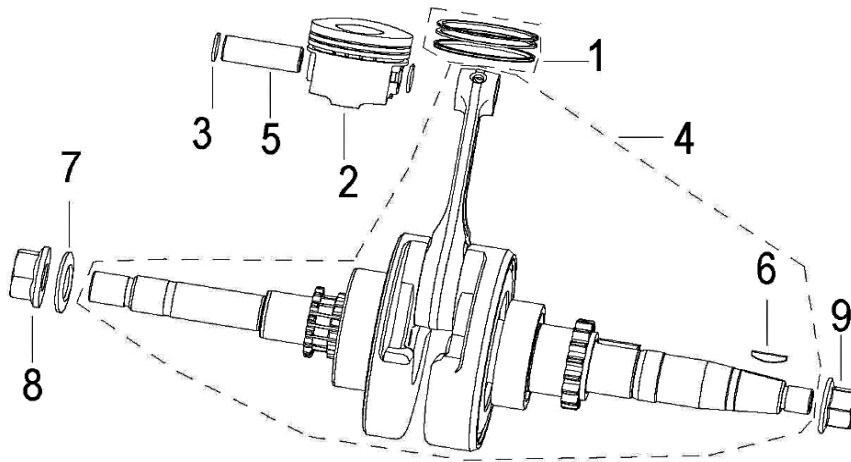
E05 CRANKCASE ASSY, LEFT & RIGHT



N°	CÓDIGO	DESCRIÇÃO	Qt.	OBSERVAÇÕES
1	159111270000	STUD BOLT (B)	2	
2	270121140000	COLLOR	2	
3	159101270000	STUD BOLT (A)	2	
4	15904127056X	CRANKCASE,LEFT	1	
5	150123050000	BUSH, ENGINE HANGER	2	
6	150011290000	PLUG	1	
7	150043050000	PIN,DOWEL	6	
8	240052140000	OIL SEAL 18.9X30X5	1	
9	150103070000	PLUG	1	
10	15006305002X	DRAIN PLUG SCREW	1	
11	210382140030	WASHER	1	
12	150011210000	OIL SEAL 17x30x5	1	
13	150012080000	BUSH	1	
14	B0107080126H	BOLT M8x12	1	
15	210013050000	WASHER	2	
16	130023070000	DOWEL PIN 10x20	2	
17	B0107080126H	FLANGE BOLT M8x12	1	
18	B12016020303	BEATRING 6203/P6	1	
19	B12016020101	BEARING 6201/P6	1	
20	150031140000	BEARING	1	
21	150071270000	GASKET	1	
22	15903127003X	CRANKCASE ASSY,RIGHT	1	
23	B0107060506H	FLANGE BOLT M6x50	1	
24	150051270000	HOLD THE SPRING IN A FIXED AXIS.	1	
25	B0107060656H	FLANGE BOLT M6x65	1	

F-ACT EVO 50 E4

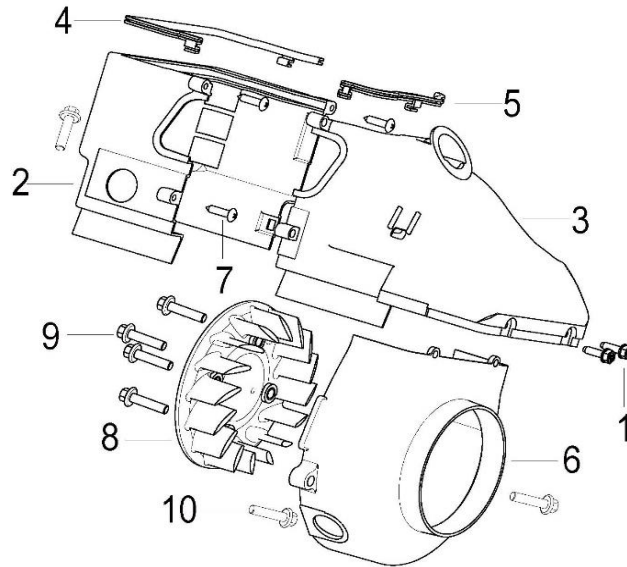
E06 CONNECTING ROD & PISTON ASSY



N°	CÓDIGO	DESCRIÇÃO	Qt.	OBSERVAÇÕES
1	159111270000	STUD BOLT (B)	2	
2	270121140000	COLLOR	2	
3	159101270000	STUD BOLT (A)	2	
4	15904127056X	CRANKCASE,LEFT	1	
5	150123050000	BUSH, ENGINE HANGER	2	
6	150011290000	PLUG	1	
7	150043050000	PIN,DOWEL	6	
8	240052140000	OIL SEAL 18.9X30X5	1	
9	150103070000	PLUG	1	
10	15006305002X	DRAIN PLUG SCREW	1	
11	210382140030	WASHER	1	
12	150011210000	OIL SEAL 17x30x5	1	
13	150012080000	BUSH	1	
14	B0107080126H	BOLT M8x12	1	
15	210013050000	WASHER	2	
16	130023070000	DOWEL PIN 10x20	2	
17	B0107080126H	FLANGE BOLT M8x12	1	
18	B12016020303	BEATRING 6203/P6	1	
19	B12016020101	BEARING 6201/P6	1	
20	150031140000	BEARING	1	
21	150071270000	GASKET	1	
22	15903127003X	CRANKCASE ASSY,RIGHT	1	
23	B0107060506H	FLANGE BOLT M6x50	1	
24	150051270000	HOLD THE SPRING IN A FIXED AXIS.	1	
25	B0107060656H	FLANGE BOLT M6x65	1	

F-ACT EVO 50 E4

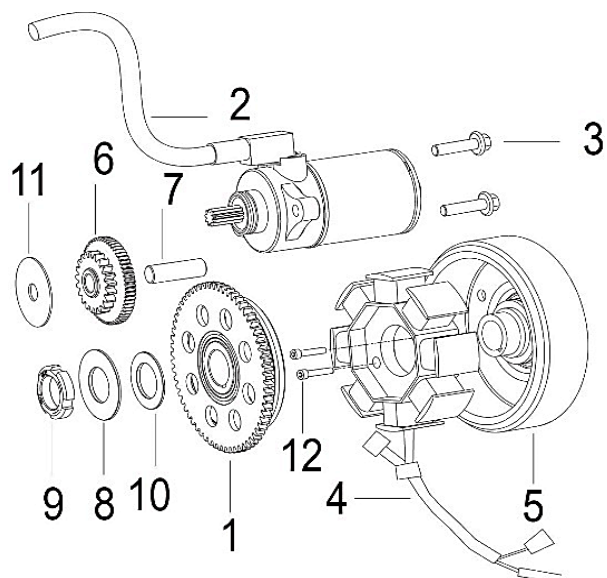
E07 WIND SCOOPER



N°	CÓDIGO	DESCRIÇÃO	Qt.	OBSERVAÇÕES
1	B0514480160H	SCREW ST4.8x16	2	
2	270011270010	SHROUD,UPPER	1	
3	279041270010	SHROUD,LOWER	1	
4	270041270000	SEAL SHROUD,UPPER	1	
5	270051270000	SEAL SHROUD,LOWER	1	
6	279071140000	COVER,FAN ASSY	1	
7	B0507480200H	SCREW ST4.8X20	3	
8	270141140000	FAN ASSEMBLY	1	
9	B0107060166H	BOLT M6x16	4	
10	B0107060256H	BOLT M6x25	3	

F-ACT EVO 50 E4

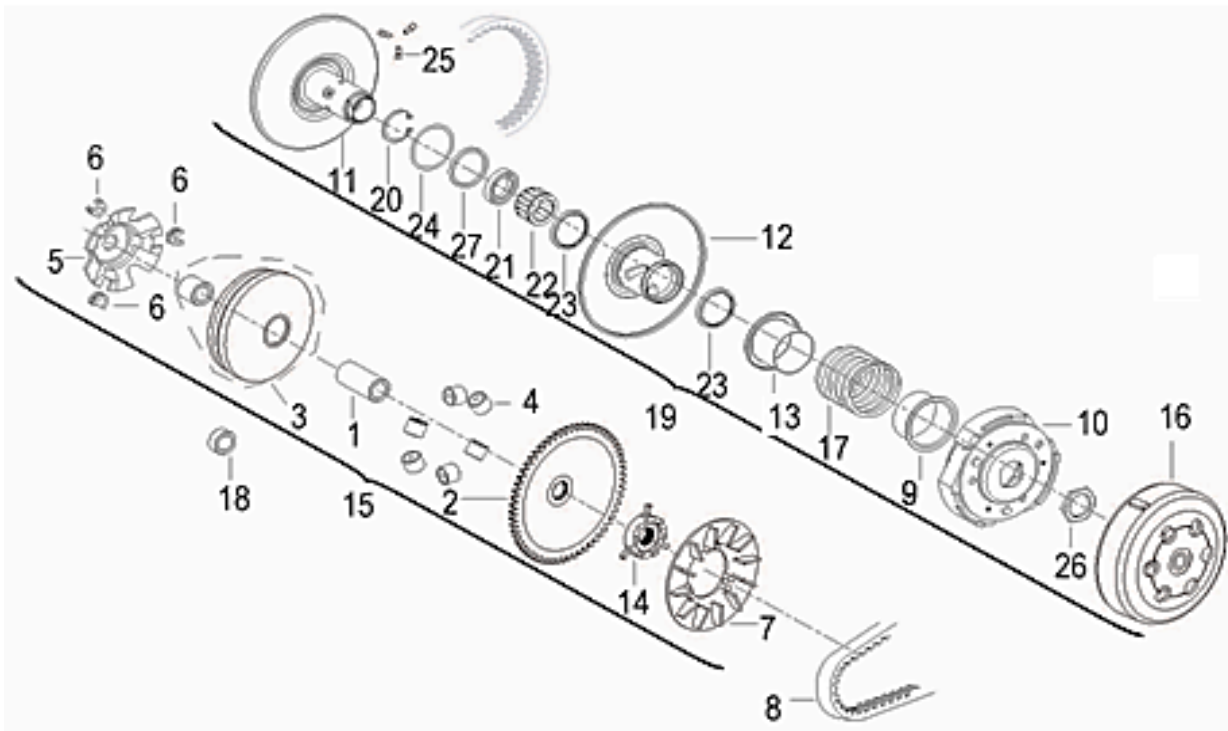
E08 STARTER MOTOR ASSY



N°	CÓDIGO	DESCRIÇÃO	Qt.	OBSERVAÇÕES
1	249101270010	STARTER ADAPTER ASSEMBLY	1	
2	249011240000	STARTER MOTOR ASSEMBLY	1	
3	B0107060256H	BOLT M6x25	2	
4	299031290000	COIL ASSEMBLY	1	
5	299021290030	FLY WHEEL ASSY	1	
6	249041240000	IDLE GEAR	1	
7	249051240000	SHAFT, IDLE	1	
8	170021240000	WASHER φ20x40	1	
9	170051240000	NUT M20x1	1	
10	200101290000	WASHER φ20x30	1	
11	240011290000	WASHER φ10x49	1	
12	B0205060286H	SCREW M6x28	2	

F-ACT EVO 50 E4

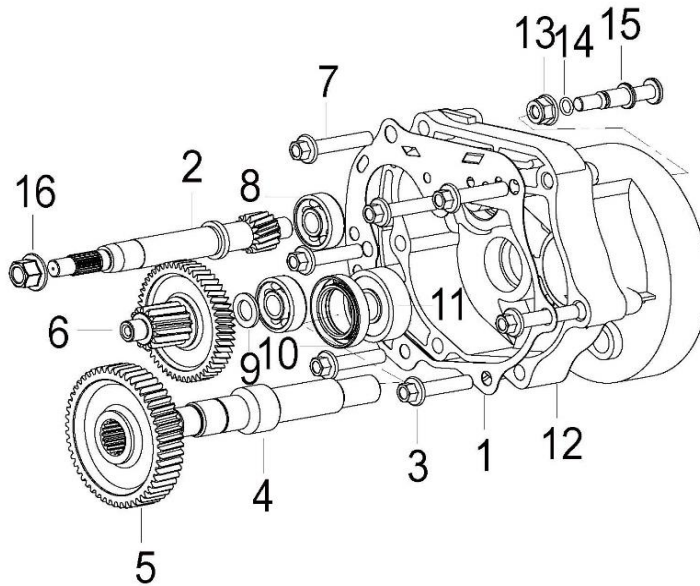
E09 CLUTCH ASSY



Nº	CÓDIGO	DESCRIÇÃO	Qt.	OBSERVAÇÕES
1	200081140000	COLLAR	1	
2	200071140000	MAIN FIXED-GEAR	1	
3	200121140000	FACE, MOVABLE DRIVE	1	
4	200141140000	ROLLER	6	
5	220031210000	CHUCK	1	
6	220041210000	SLIDER	3	
7	200061140000	FAN ASSY	1	
8	229011140000	V BELT, DRIVE	1	
9	220151210000	LEFT SPRING SEAT	1	
10	220111210000	SHOE COMPONENTS	1	
11	220141210000	DRIVEN WHEEL FIXED HALF ASSEMBLY	1	
12	220121210000	DRIVEN WHEELS MOVE HALF	1	
13	220161210000	RIGHT SPRING SEAT	1	
14	200051140000	STARTER SEAT	1	
15	20003114000Z	BEFORE THE CLUTCH ASSEMBLY	1	
16	220041140010	CLUTCH OUTER	1	
17	220191210000	SPRING	1	
18	220101270001	SPEED RING 5.5MMM	1	
19	209001140000	AFTER THE CLUTCH ASSEMBLY	1	
20	B08000002402	CIRCLIP 24	1	
21	B12016190101	ROLLER, GUIDE	1	
22	B1212K171801	BEARING	1	
23	220181210000	OIL SEAL	2	
24	200111140000	O-RING	1	
25	220211210000	PIN, ROLLER GUIDE	3	
26	220201210000	NUT, SPECIAL	1	
27	220131210000	O-RING	1	

F-ACT EVO 50 E4

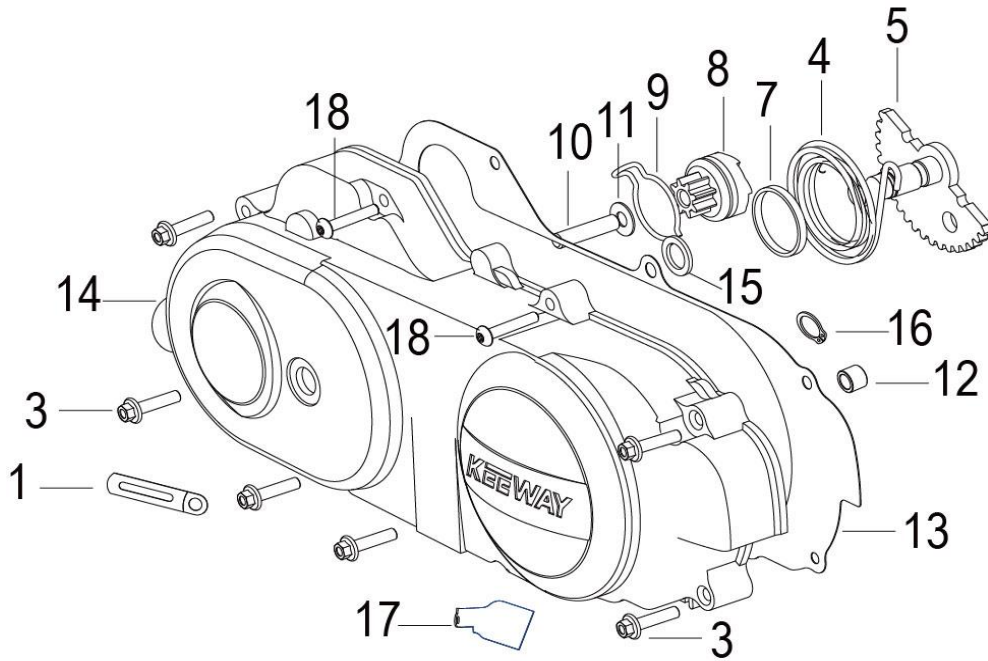
E10 GEAR CHAMBER CAP



N°	CÓDIGO	DESCRIÇÃO	Qt.	OBSERVAÇÕES
1	240011270000	GASKET,GEAR CHAMBER COVER	1	
2	229041290000	INPUT DRIVE SHAFT	1	
3	B0107080356H	FLANGE BOLT M8x35	5	
4	229081140000	OUTPUT DRIVE SHAFT	1	
5	229091270000	GEAR, OUTPUT DRIVE SHAFT	1	
6	220061270000	GEAR ASSY MIDDLE (42 TOOTH)	1	
7	B0107080406H	FLANGE BOLT M8x40	2	
8	B12016020101	BEARING 6201/P6	2	
9	220031140000	WASHER 12	1	
10	150113050000	SEAL RING	1	
11	B12016000400	BEARING	1	
12	22910114002X	GEAR CHAMBER COVER	1	
13	B04170800052	FLANGE NUT,LOCK	1	
14	150073050000	O RING	1	
15	240031140000	PIN	1	
16	260092140100	NUT	1	

F-ACT EVO 50 E4

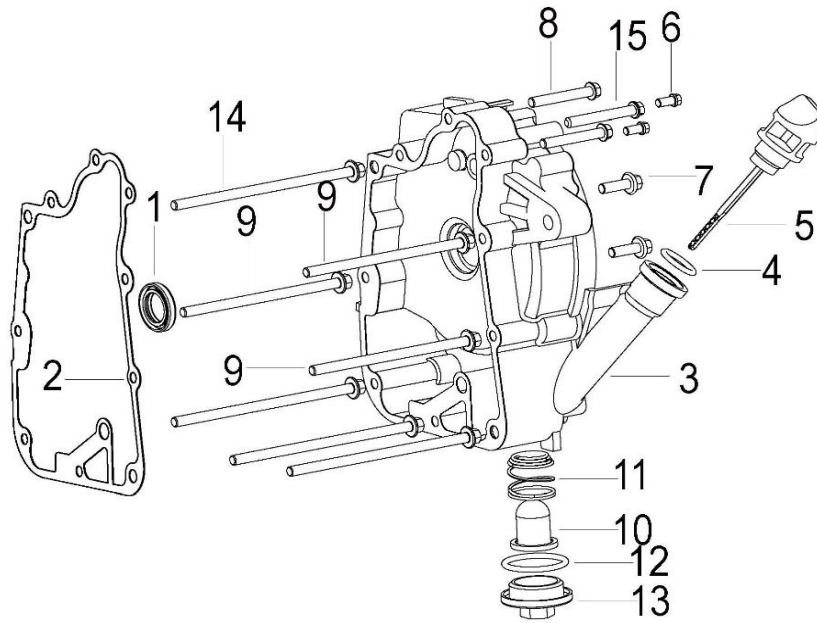
E11 CLUTCH COVER ASSY



N°	CÓDIGO	DESCRIÇÃO	Qt.	OBSERVAÇÕES
1	160121170000	CLIP	1	
3	B0107060356H	FLANGE BOLT M6x35	6	
4	160121140010	SPRING	1	
5	160161140000	FAN GEAR COMPONENTS	1	
7	160131140000	FRICTION PAD	1	
8	160151140000	STARTER RATCHET WELDING COMPONENT	1	
9	160111140000	CLIP	1	
10	160091140000	PIN	1	
11	160101140000	CIRCLIP	1	
12	160021210000	STARTER BEARING	1	
13	169071270030	GASKET,CLUTCH COVER,LH	1	
14	16902114BA01	COVER,CLUTCH,LH,MARK:KEEWAY	1	
15	160171140000	CIRCLIP 14	1	
16	B080100014A1	CIRCLIP	1	
17	16003305002X	CLAMP,BRAKE CABLE	1	
18	160011290000	BOLT M6x35	2	

F-ACT EVO 50 E4

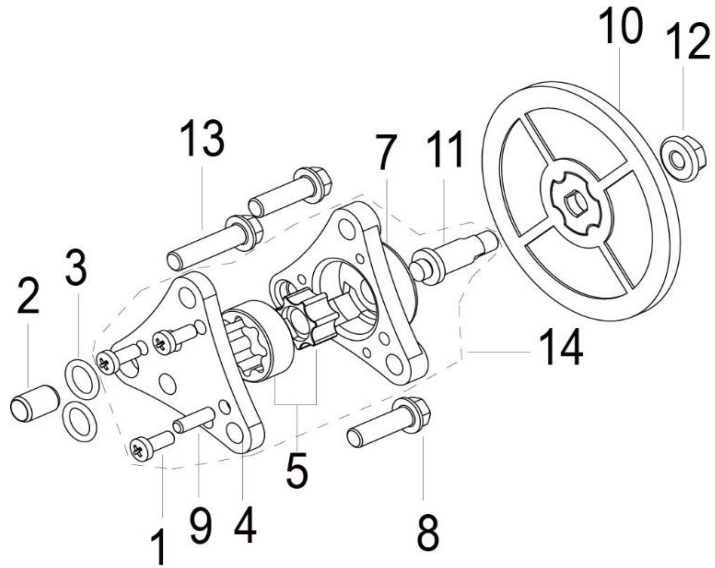
E12 COVER, RIGHT CRANKCASE



N°	CÓDIGO	DESCRIÇÃO	Qt.	OBSERVAÇÕES
1	240052140000	OIL SEAL 18.9X30X5	1	
2	169111270010	PAD, COVER, R.CRANKCASE	1	
3	16910127056X	COVER, R.CRANKCASE	1	
4	160063070000	O RING 18X3.5	1	
5	169183050000	GAUGE,OIL LEVEL	1	
6	B0107050106H	FLANGE BOLT M5x10	2	
7	B0107060186H	FLANGE BOLT M6x18	2	
8	B0107060406H	BOLT M6x40	2	
9	B0107061056H	FLANGE BOLT M6x105	3	
10	150093070000	STRAINER,OIL	1	
11	160013050000	SPRING,STAINER	1	
12	160023050000	O RING	1	
13	16004305001X	PLUG,DRAIN	1	
14	B0107061206H	FLANGE BOLT M6x120	4	
15	B0107060406H	BOLT M6x40	1	

F-ACT EVO 50 E4

E13 OIL PUMP ASSY



Nº	CÓDIGO	DESCRIÇÃO	Qt.	OBSERVAÇÕES
1	B02040400963	SCREW M4x9	3	
2	150022140000	PIN,DOWEL,Ø7XØ8X12	1	
3	B190100860A0	O RING 8.6x1.9	2	
4	260051140000	SEAT, OIL PUMP	1	
5	269041140000	OIL PUMP INNER&OUTER ROTER	1	
7	269091140000	BODY,OIL PUMP	1	
8	B0107060256H	FLANGE BOLT M6x25	2	
9	260041140000	PIN	1	
10	260011140000	GEAR,OIL PUMP DRIVEN	1	
11	269081140000	SHAFT,OIL PUMP	1	
12	B0407060005H	FLANGE NUT M6	1	
13	B0107060256H	FLANGE BOLT M6x25	1	
14	26900114001Z	OIL PUMP ASSY	1	