

# T-BOSS 570 T3



## ÍNDICE

ESQ	QUADRO	PAG
B01	STEERING ASSY	5
B02	FUEL TANK	6
B03	SEAT ASSY	7
B04	FRAME	8
B05	FENDER	9
B05.1	FENDER	10
B05.2	FENDER	11
B05.3	FENDER	12
B05.4	FENDER	13
B05.5	FENDER (FOR UTV WITH REAR PLASTIC CARGO)	14
B05.6	FENDER (FOR UTV WITH REAR PLASTIC CARGO)	15
B05.7	FENDER	16
B05.8	FENDER	17
B05.9	FENDER	18
B06	SHOCK ABSORBER FRONT	19
B07	SHOCK ABSORBER REAR	20
B07.1	SHOCK ABSORBER REAR	21
B08	WHEEL FRONT	22
B09	WHEEL REAR	23
B10	SHIFT ROD	24
B11	FRAME ROOF	25
B12	FRONT AND REAR KNUCKLE ASSY	26
B13	ELECTRICAL SYSTEM (FRONT LIGHTS)	27
B13.1	ELECTRICAL SYSTEM (REAR LIGHTS)	28
B13.2	ELECTRICAL SYSTEM	29
B13.3	ELECTRICAL SYSTEM	30
B13.3	ELECTRICAL SYSTEM	31
B14	BRAKING SYSTEM	32
B15	AUXILIARY BRAKE	33
B16	PEDAL	34
B17	BUMPER (WITHOUT FRONT TOWING HOOK)	35
B18	ENGINE ASSY	36
B19	FRONT GEAR-BOX	37
B19.1	FRONT GEAR-BOX	38
B20	REAR DIFF. GEAR-BOX	39
B20.1	REAR DIFF. GEAR-BOX	40
B21	BOX ASSY	41
B22	FRONT GEAR-BOX	42
B23	LICENCE LAMP MOUNTING PLATE	43
B23.1	REAR REFLECTOR	44
B24	LICENCE LAMP MOUNTING PLATE	45

## ÍNDICE

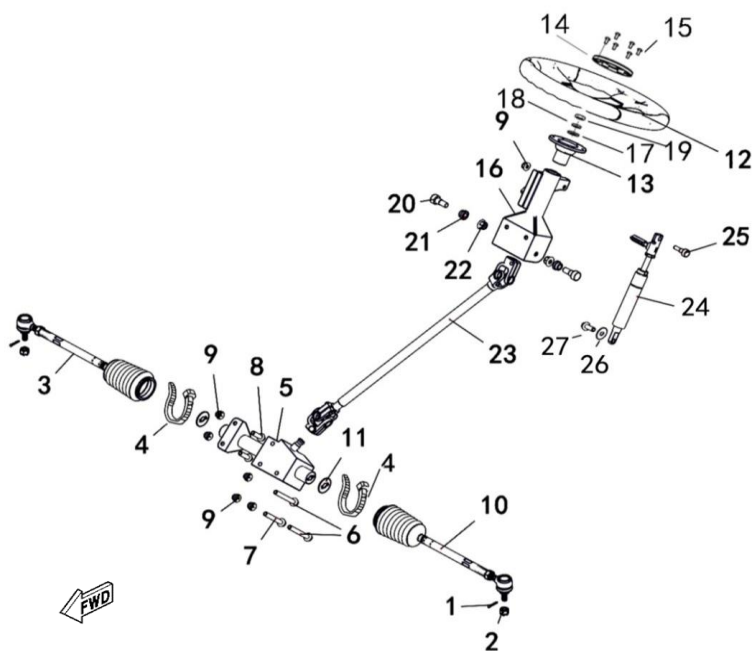
ESQ	MOTOR	PAG
E01	CYLINDER HEAD COVER	46
E02	CYLINDER HEAD	47
E03	CAMSHAFT	48
E04	CYLINDER	49
E05	CRANKSHAFT COMP	50
E06	LEFT CRANKCASE	51
E06.1	LEFT CRANKCASE	52
E07	RIGHT CRANKCASE	53
E08	CVT HOUSING	54
E09	CVT COVER	55
E010	LEFT CRANKCASE COVER	56
E011	GENERATOR	57
E012	ELECTRIC STARTER	58
E013	CLUTCH	59
E014	TRANSMISSION I	60
E15	TRANSMISSION II	61
E16	TRANSMISSION III	62
E17	OIL PUMP	63
E18	WATER PUMP	64
E19	FUEL INJECTION ASSY	65
E20	LEFT SIDE COVER	66
E21	RADIATOR	67
E22	AIR CLEANER	68
E23	CVT AIR SHROUD	69
E24	EXHAUST	70
E25	TOOL	71
E26	TOOL	72

## ÍNDICE

ESQ	EQUIPAMENTO OPCIONAL	PAG
V1	BODY, SIDE NETS (OPTIONAL)	74
V2	PASSENGER ARMREST, TOOL BOX (OPTIONAL)	75
V3	EPS (OPTIONAL)	76
V4	WINCH (OPTIONAL)	77
V5	REAR VIEW MIRROR (OPTIONAL)	78
V6	TRAILER HITCH (OPTIONAL)	79
V7	FRONT WINDSHIELD (OPTIONAL)	80

## T-BOSS 570 T3

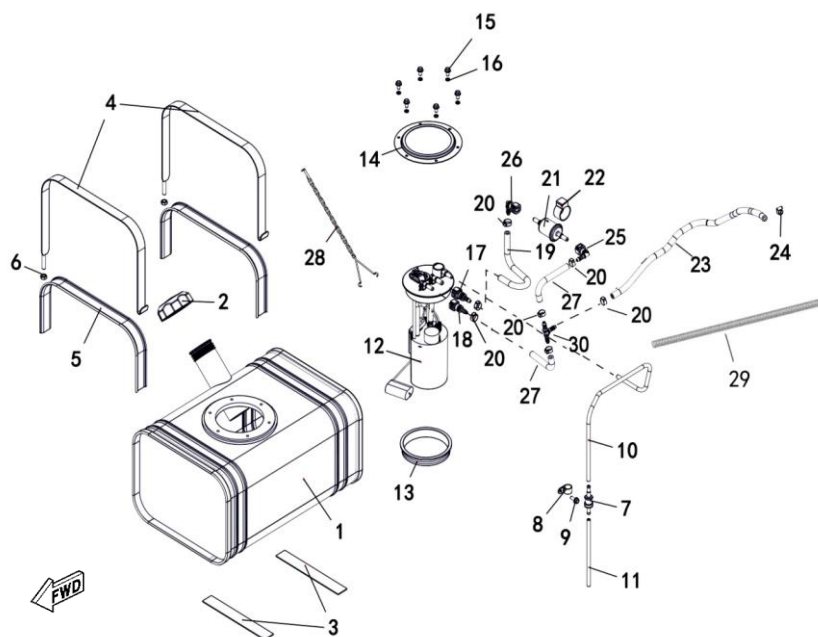
### B01 STEERING ASSY



Nº	CÓDIGO	DESCRIÇÃO	Qt.
1	LH00010501	PIN 2.5×25	2
2	LH00027067	NUT M10X1.25	2
3	LH00048102	STEERING TIE-ROD, RH	1
4	LH00048326	TIE	2
5	LH00048098	STEERING MOTOR	1
6	LH00011161	BOLT M8X90	2
7	LH00011244	BOLT M8×80	1
8	LH00010783	BOLT M8X20	2
9	LH00011145	NUT M8	6
10	LH00048103	STEERING TIE-ROD, LH	1
11	LH00048104	STEERING MOTOR SHEET	2
12	LH00026925	STEERING WHEEL	1
13	LH00026932	STEERING WHEEL HOLDER	1
14	LH00026934	STEERING COVER	1
15	LH00073072	SCREW M5X10	6
16	LH00048097	STEERING COLUMN ASSY.	1
17	LH00011488	WASHER 12	1
18	LH00010054	WASHER SPRING 12	1
19	LH00026257	NUT M12	1
20	LH00073143	SHOULDER BOLT M10×1.25×30	2
21	LH00073125	BUSHING FOR ADJUSTABLE STEERING WHEEL	2
22	LH00010795	NUT M10	2
23	LH00048194	SHAFT STEERING	1
24	LH00048354	ADJUSTMENT CYLINDER, NEW	1
25	LH00073119	SHOULDER BOLT M8×1.25×30	1
26	LH00011246	WASHER 6	1
27	LH0010140B	BOLT M6X12	1

# T-BOSS 570 T3

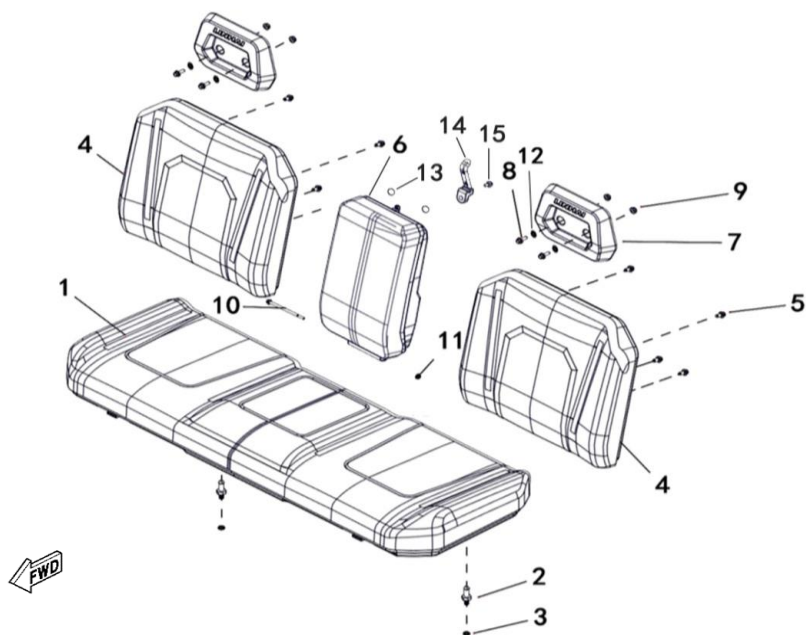
## B02 FUEL TANK



Nº	CÓDIGO	DESCRIÇÃO	Qt.
1	LH00048120	FUEL TANK COMP STEEL	1
2	LH00071972	CAP FUEL TANK	1
3	LH00073051	RUBBER DAMPER	2
4	LH00048121	STRAP FOR STEEL FUEL TANK MOUNTING	2
5	LH00073052	RUBBER STRAP	2
6	LH00011145	NUT M8	2
7	LH00025037	ROLLOVER VALVE	1
8	LH00025351	BRACKET, ROLLOVER VALVE	1
9	LH00011495	BOLT M6X16	1
10	LH00048032	HOSE 1	1
11	LH00048033	HOSE 2	1
12	LH00048124	FUEL PUMP	1
13	LH00073154	SEALING FOR FUEL PUMP_STEEL TANK	1
14	LH00073149	BRACKET FOR FUEL PUMP	1
15	LH00010087	BOLT M6X10	6
16	LH00011019	WASHER SPRING 6	6
17	LH00073145	QUICK FITTING ASSY 9.49	1
18	LH00073146	QUICK FITTING ASSY 7.89	1
19	LH00048029	FUEL LINE 1	1
20	LH00048122	CLIP 14.6	7
21	LH00048318	FUEL FILER	1
22	LH00048415	FUEL FILER SUPPORT	1
23	LH00048582	FUEL LINE 2	1
24	LH00011657	CLAMP 8/14	1
25	LH00048004	QUICK FITTING ASSY 7.89, B13	1
26	LH00048319	QUICK FITTING ASSY 7.89, B13	1
27	LH00048583	FUEL RETURN LINE	2
28	LH00048123	CHAIN	1
29	LH00048349	SPRING	1
30	LH00048584	TEE-JUNCTION	1

# T-BOSS 570 T3

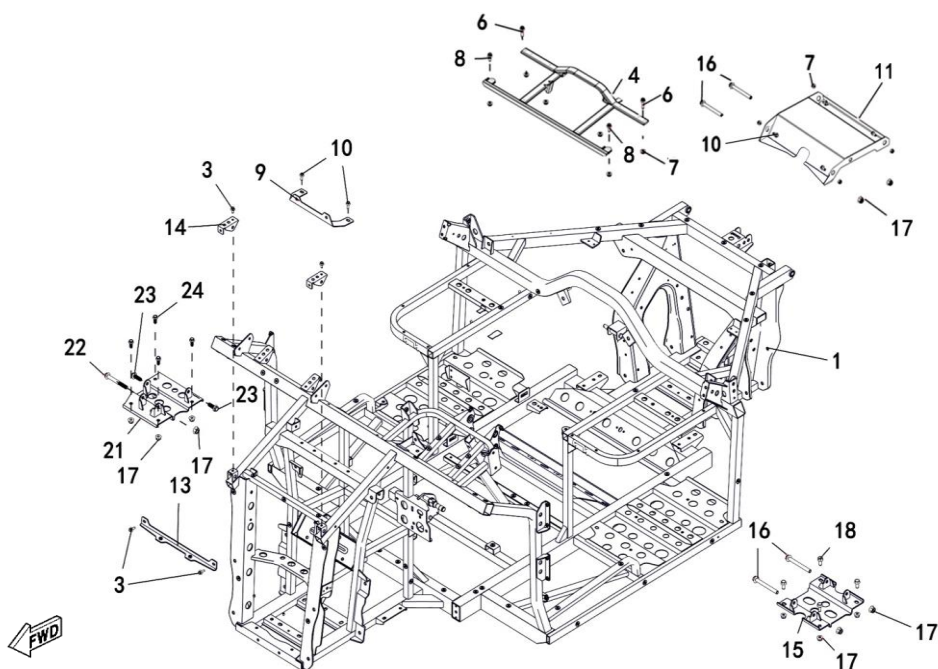
B03 SEAT ASSY



Nº	CÓDIGO	DESCRIÇÃO	Qt.
1	LH00048126	INTEGRAL SEAT ASSEMBLY	1
2	LH00048125	PIN, FIX	2
3	LH00011165	WASHER SPRING 10	2
4	LH00048129	SIDE BACKREST	2
5	LH00010783	BOLT M8X20	8
6	LH00048564	MIDDLE BACKREST	1
7	LH00048128	HEAD REST	2
8	LH00010783	BOLT M8X20	4
9	LH00011145	NUT M8	4
10	LH00048085	BOLT	1
11	LH00011233	NUT M6	1
12	LH00010089	WASHER 10	4
13	LH00048565	RUBBER DAMPERE (Φ20X4)	2
14	LH00048566	RUBBER LOCK	1
15	LH0010140B	BOLT M6X12	1

# T-BOSS 570 T3

## B04 FRAME

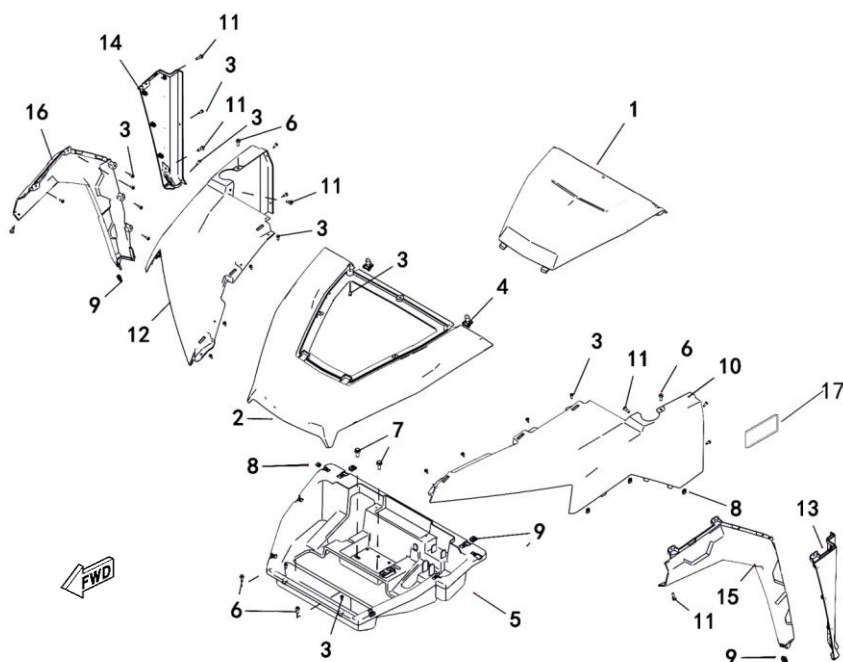


Nº	CÓDIGO	DESCRIÇÃO	Qt.
1	LH00048055	FRAME	1
3	LH00010140B	BOLT M6X12	4
4	LH00073710	CUSHION SUPPORT COMPONENT	1
6	LH00010078	BOLT M8X30	2
7	LH00011145	NUT M8	4
8	LH00010783	BOLT M8X20	2
9	LH00048086	BRACKET, RADIATOR	1
10	LH00011236	BOLT M8X16	6
11	LH00048585	UPPER PLATE, REAR AXLE	1
13	LH00048061	BRACKET, FIXED HOOD	1
14	LH00048062	BRACKET, INSTRUMENT PANEL	2
15	LH00048056	BRACKET, REAR AXLE	1
16	LH00011050	BOLT M10x1.25x110	4
17	LH00010795	NUT M10	13
18	LH00011237	BOLT M10x1.25x20	4
21	LH00048057	BRACKET, FRONT AXLE	1
22	LH00011146	BOLT M10x1.25x90	1
23	LH00010541	BOLT M10x1.25x30	2
24	LH00011237	BOLT M10x1.25x20	4



# T-BOSS 570 T3

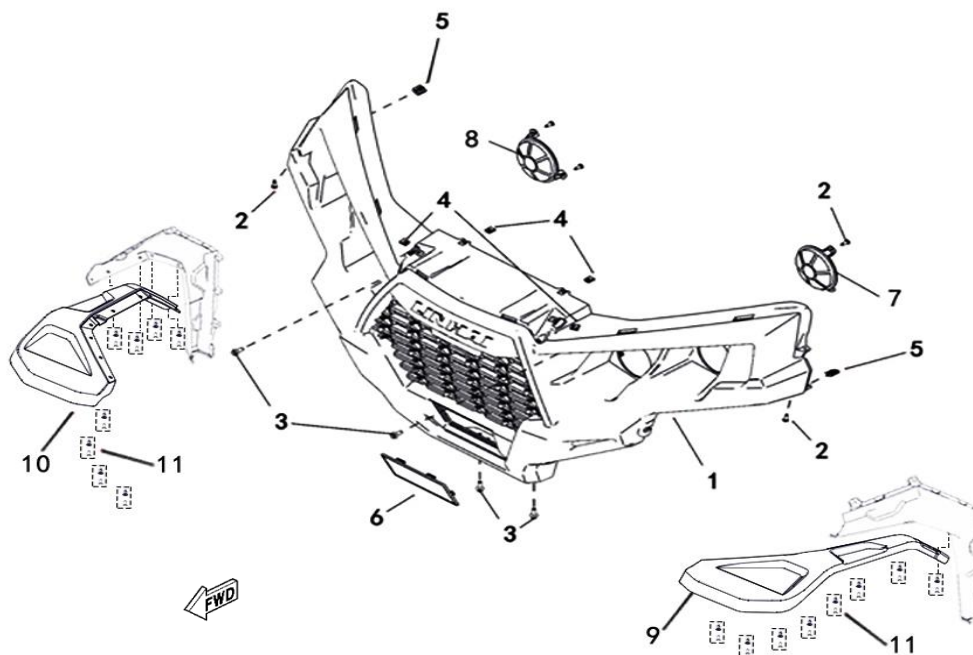
## B05 FENDER



Nº	CÓDIGO	DESCRIÇÃO	Qt.
1	LH00048204	REMOVABLE HOOD	1
2	LH0482056g	FIXED HOOD, WHITE	1
2	LH0482053l	FIXED HOOD, BLUE	1
2	LH0482052h	FIXED HOOD, RED	1
3	LH00048316	TAPPING SCREW M5 ×16	33
4	LH00048253	FAST DISASSEMBLED SCREW	2
5	LH00048206	BATTERY BOX	1
6	LH00048269	BOLT M6X16	4
7	LH00010783	BOLT M8X20	2
8	LH00048314	SPRING NUT M5	12
9	LH00070960	SPRING NUT M6	4
10	LH0482076g	FENDER FRONT, LH, WHITE	1
10	LH0482073l	FENDER FRONT, LH, BLUE	1
10	LH0482072h	FENDER FRONT, LH, RED	1
12	LH0482086g	FENDER FRONT, RH, WHITE	1
12	LH0482083l	FENDER FRONT, RH, BLUE	1
12	LH0482082h	FENDER FRONT, RH, RED	1
13	LH0482116g	LH LOWER FRONT MUDGUARDS, WHITE	1
13	LH0482113L	LH LOWER FRONT MUDGUARDS, BLUE	1
13	LH0482112h	LH LOWER FRONT MUDGUARDS, RED	1
14	LH0482126g	RH LOWER FRONT MUDGUARDS, WHITE	1
14	LH0482123L	RH LOWER FRONT MUDGUARDS, BLUE	1
14	LH0482122h	RH LOWER FRONT MUDGUARDS, RED	1
15	LH00048209	LH UPPER FRONT MUDGUARDS	1
16	LH00048210	RH UPPER FRONT MUDGUARDS	1
17	LH00071959	FRONT REFLECTOR YELLOW	2

# T-BOSS 570 T3

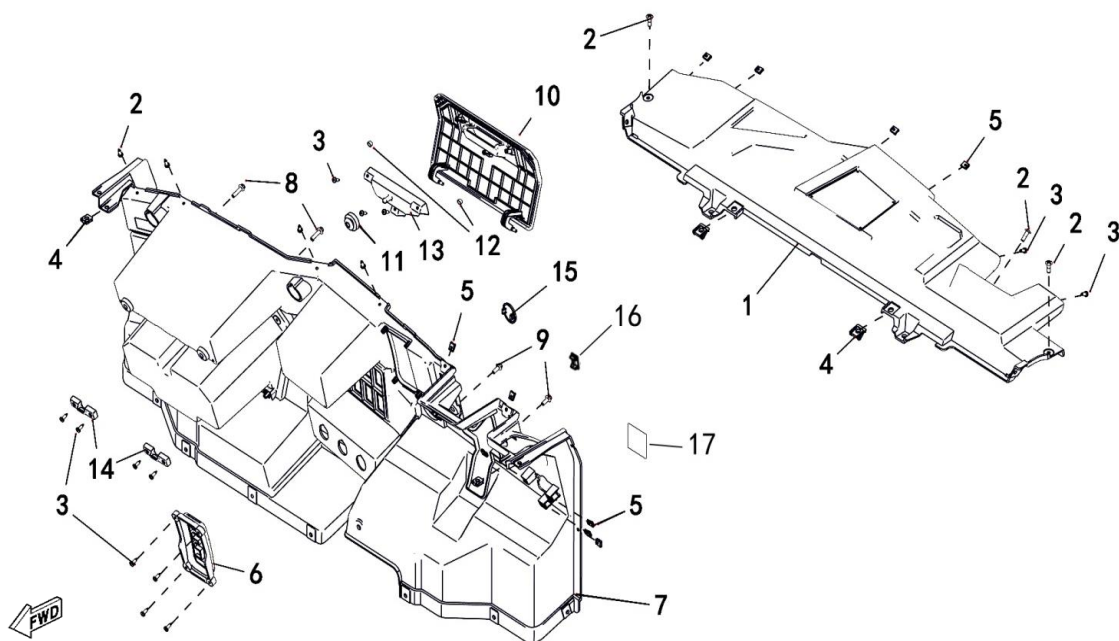
## B05.1 FENDER



Nº	CÓDIGO	DESCRIÇÃO	Qt.
1	LH00048200	GRILL, FRONT (LINHAI LOGO)	1
1	LH00048333	GRILL, FRONT (NO LINHAI LOGO)	1
2	LH00048316	TAPPING SCREW M5 x16	8
3	LH00048269	BOLT M6X16	4
4	LH00048314	SPRING NUT M5	4
5	LH00070960	SPRING NUT M6	2
6	LH00048201	COVER, TRACTOR	1
7	LH00048258	LH HEADLIGHT COVER	1
8	LH00048259	RH HEADLIGHT COVER	1
9	LH00048592	LH FRONT WHEEL COVER (ONLY USED OF LOF MODEL)	1
10	LH00048593	RH FRONT WHEEL COVER (ONLY USED OF LOF MODEL)	1
11	LH00047627	EXPANSION SCREW (ONLY USED OF LOF MODEL)	16

## T-BOSS 570 T3

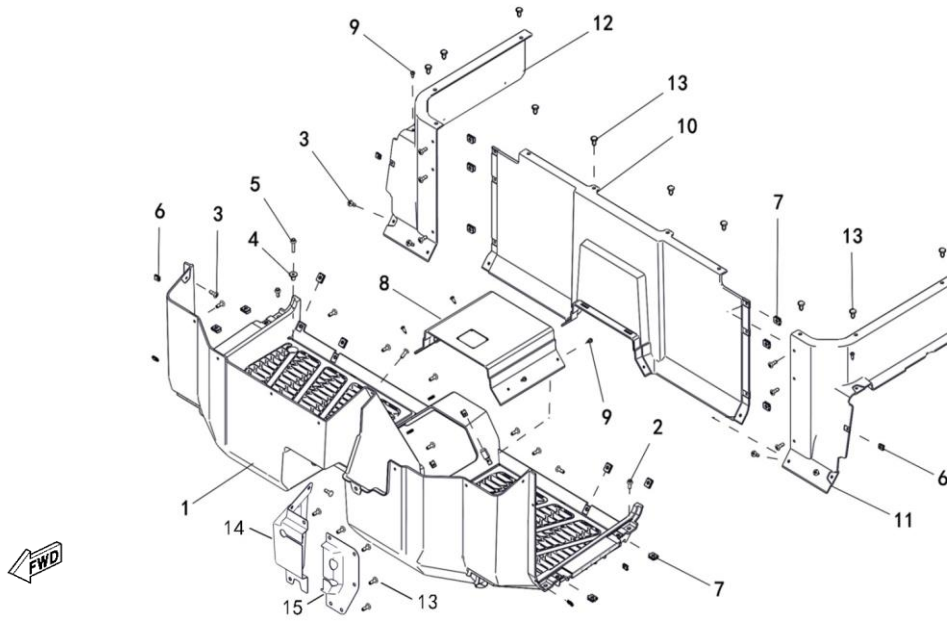
### B05.2 FENDER



Nº	CÓDIGO	DESCRIÇÃO	Qt.
1	LH00048213	UPPER PANEL, INSTRUMENT	1
2	LH00048270	SCREW M6×20	15
3	LH00048316	TAPPING SCREW M5 ×16	13
4	LH00070960	SPRING NUT M6	7
5	LH00048314	SPRING NUT M5	10
6	LH00048591	COVER, SHIFT LEVER	1
7	LH00048216	PANEL, INSTRUMENT	1
8	LH00048268	BOLT M6X25	2
9	LH00048269	BOLT M6X16	2
10	LH00048217	LID, GLOVEBOX	1
11	LH00048218	GROMMET RUBBER, MOUNT	1
12	LH00048219	CUSHION RUBBER	2
13	LH00048220	FIXED SUPPORT, GLOVEBOX LID	1
14	LH00048221	RETAINER, GLOVEBOX LID	2
15	LH00048264	CAP, USB	1
16	LH00073048	CAP, ELECTRICAL SWITCH	5
17	LH00048289	COVER, 2WD/4WD SWITCH	1

## T-BOSS 570 T3

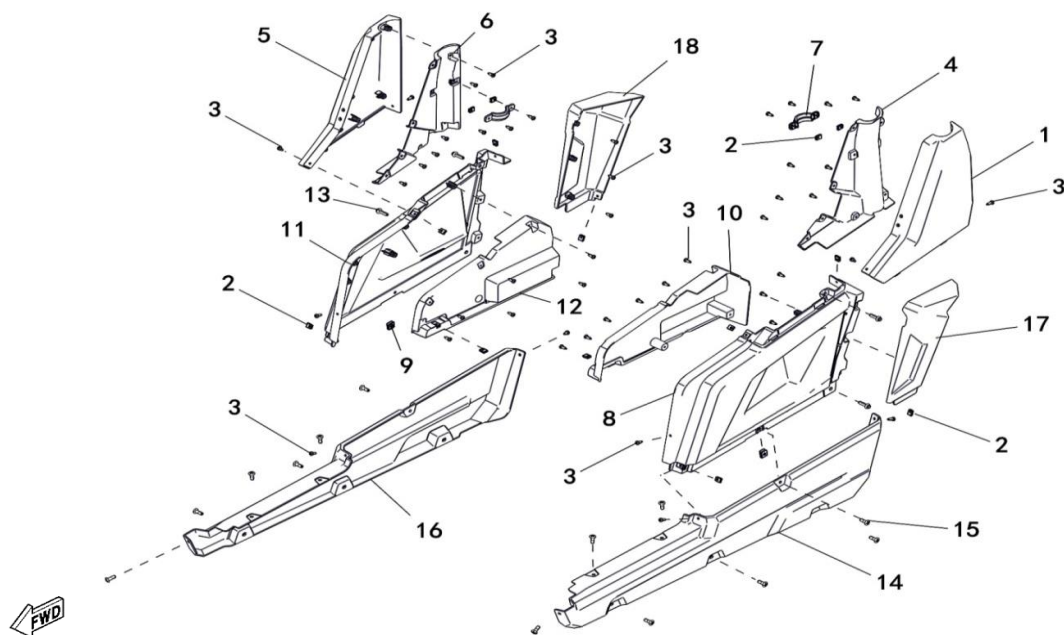
### B05.3 FENDER



Nº	CÓDIGO	DESCRIÇÃO	Qt.
1	LH00048225	LOWER FLOOR	1
2	LH00048269	HEXAGON FLANGE BOLT M6×16	4
3	LH00048270	SCREW M6×20	20
4	LH00048256	T - SHAPED LINER BUSHING	8
5	LH00011241	HEXAGON FLANGE BOLT M6×30	8
6	LH00048314	SPRING NUT M5	10
7	LH00070960	SPRING NUT M6	14
8	LH00048226	LOWER FLOOR COVER, FOOTREST	1
9	LH00048316	TAPPING SCREW M5 ×16	6
10	LH00048227	SEAT, FRONT COVER PLATE	1
11	LH00048228	SEAT, COVER PLATE, L	1
12	LH00048229	SEAT, COVER PLATE, R	1
13	LH00048252	PLASTIC SCREW	21
14	LH00048378	COVER, BRAKE PEDAL	1
15	LH00048379	COVER, ACCELERATE PEDAL	1

## T-BOSS 570 T3

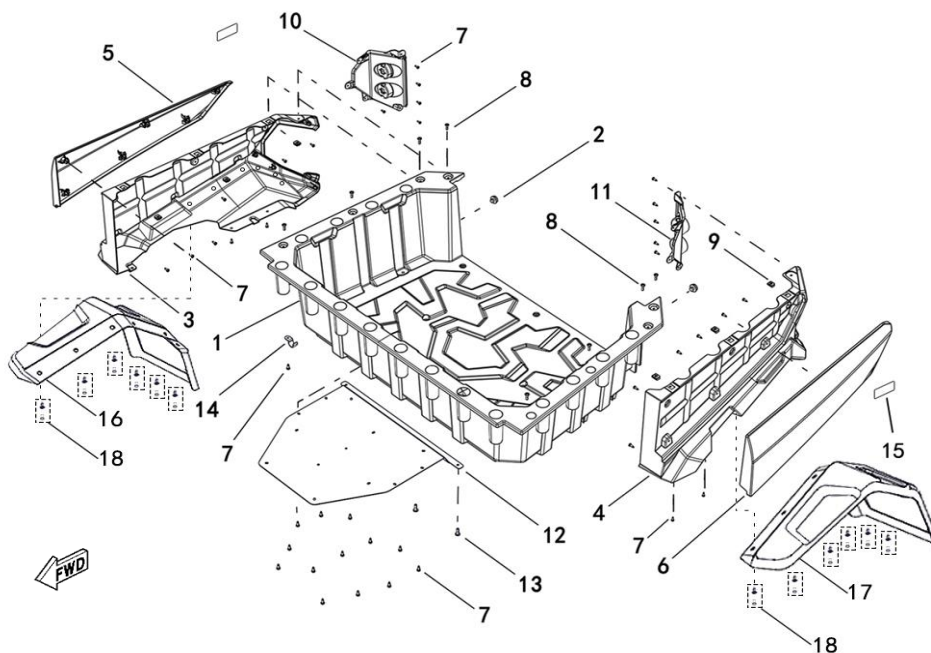
### B05.4 FENDER



Nº	CÓDIGO	DESCRIÇÃO	Qt.
1	LH0482306g	LH UPPER PANEL, WHITE	1
1	LH0482303L	LH UPPER PANEL, BLUE	1
1	LH0482302h	LH UPPER PANEL, RED	1
2	LH00048314	SPRING NUT M5	14
3	LH00048316	TAPPING SCREW M5 x16	46
4	LH00048249	LH UPPER PANEL, LINER PANEL	1
5	LH0482316g	RH UPPER PANEL, WHITE	1
5	LH0482313L	RH UPPER PANEL, BLUE	1
5	LH0482312h	RH UPPER PANEL, RED	1
6	LH00048250	RH UPPER PANEL, LINER PANEL	1
7	LH00048222	SIDE PANEL MOUNTING BUTTON	2
8	LH0482326g	LH LOWER PANEL, WHITE (WITHOUT A HOLE)	1
8	LH0482323L	LH LOWER PANEL, BLUE (WITHOUT A HOLE)	1
8	LH0482322h	LH LOWER PANEL, RED (WITHOUT A HOLE)	1
9	LH00070960	SPRING NUT M6	2
10	LH00048223	LH LOWER PANEL, LINER PANEL	1
11	LH0485526G	RH LOWER PANEL, WHITE (WITH HOLE)	1
11	LH0485523L	RH LOWER PANEL, BLUE (WITH HOLE)	1
11	LH0485522H	RH LOWER PANEL, RED (WITH HOLE)	1
12	LH00048224	RH LOWER PANEL, LINER PANEL	1
13	LH00048268	HEXAGON FLANGE BOLT M6x25	4
14	LH00048234	LH SIDE FENDER	1
15	LH00048270	SCREW M6x20	14
16	LH00048235	RH SIDE FENDER	1
17	LH00048236	LH PANEL DECORATIVE SHEET	1
18	LH00048237	RH PANEL DECORATIVE SHEET	1

## T-BOSS 570 T3

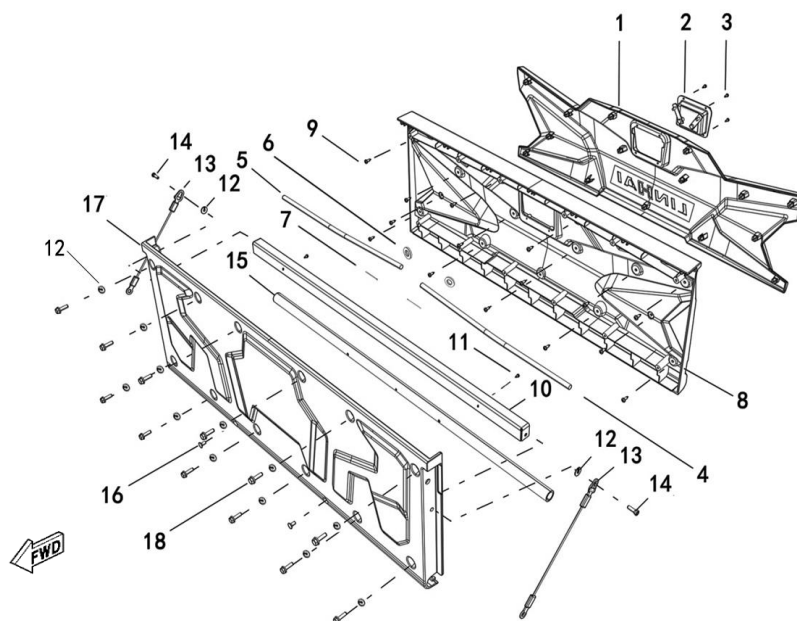
### B05.5 FENDER (FOR UTV WITH REAR PLASTIC CARGO)



Nº	CÓDIGO	DESCRIÇÃO	Qt.
1	LH00048242	BOX FLOOR COVER	1
2	LH00048145	BOX REAR PANEL RUBBER STOPPER	2
3	LH00048241	BOX COVER, R	1
4	LH00048240	BOX COVER, L	1
5	LH0482396g	BOX COVER, R COVER CAP, WHITE	1
5	LH0482393L	BOX COVER, R COVER CAP, BLUE	1
5	LH0482392h	BOX COVER, R COVER CAP, RED	1
6	LH0482386g	BOX COVER, L COVER CAP, WHITE	1
6	LH0482383L	BOX COVER, L COVER CAP, BLUE	1
6	LH0482382h	BOX COVER, L COVER CAP, RED	1
7	LH00048316	TAPPING SCREW M5 ×16	40
8	LH00048270	SCREW M6×20	8
9	LH00070960	SPRING NUT M6	6
10	LH00048244	REAR LIGHT COVER, R	1
11	LH00048243	REAR LIGHT COVER, L	1
12	LH00048146	BOX THERMAL BAFFLE	1
13	LH00048269	HEXAGON FLANGE BOLT M6×16	2
14	LH00048312	BOX REAR LIGHT WIRE NAIL	1
15	LH00071960	REAR REFLECTOR RED (ONLY FOR USA MARKET)	2
16	LH00048589	RH REAR WHEEL COVER (ONLY USED FOR LOF MODEL)	1
17	LH00048590	LH REAR WHEEL COVER (ONLY USED FOR LOF MODEL)	1
18	LH00047627	EXPANSION SCREW (ONLY USED FOR LOF MODEL)	12

## T-BOSS 570 T3

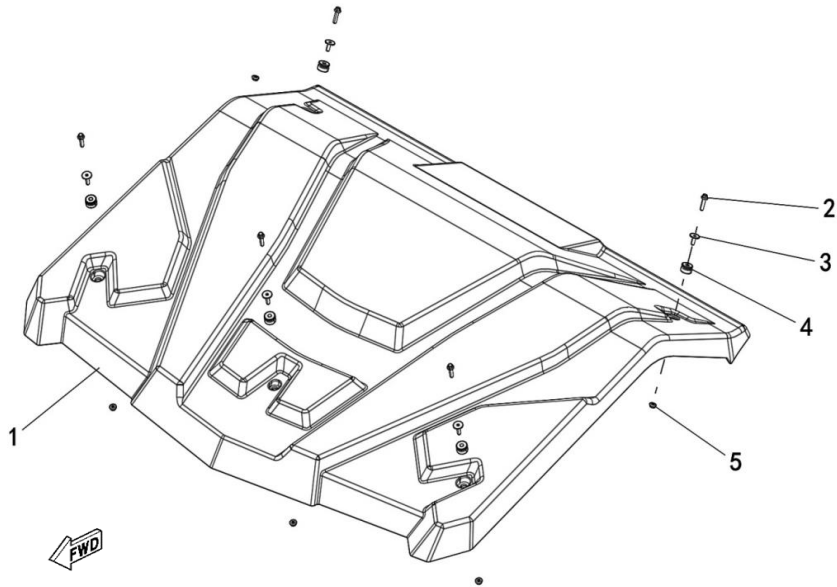
### B05.6 FENDER (FOR UTV WITH REAR PLASTIC CARGO)



Nº	CÓDIGO	DESCRIÇÃO	Qt.
1	LH0483346g	BOX REAR PANEL COVER CAP, WHITE (NO LINHAI LOGO)	1
1	LH0483343L	BOX REAR PANEL COVER CAP, BLUE (NO LINHAI LOGO)	1
1	LH0483342h	BOX REAR PANEL COVER CAP, RED (NO LINHAI LOGO)	1
2	LH00048137	BOX REAR PANEL HANDLE	1
3	LH00011242	TAPPING SCREW ST4.2×13	4
4	LH00048140	BOX REAR PANEL LOCK PIN, L	1
5	LH00048141	BOX REAR PANEL LOCK PIN, R	1
6	LH00048150	HANDLE ADJUST WASHER	2
7	LH00048149	HANDLE COTTER PIN	2
8	LH00048246	BOX REAR PANEL	1
9	LH00048316	TAPPING SCREW M5 ×16	15
10	LH00048138	BOX REAR PANEL MOUNTING PLATE	1
11	LH00011243	TAPPING SCREW ST4.8×10	2
12	LH00010308	SPRING LOCK WASHER 6	14
13	LH00048148	UPPER RETAINER CABLE	2
14	LH00048147	INNER HEXAGONAL FLAT HEAD STEP BOLT M6×20	2
15	LH00048144	BOX REAR PANEL AXIS	1
16	LH00011151	CROSS RECESSED COUNTERSUNK HEAD SCREW M6×12	2
17	LH00048245	BOX INNER PANEL	1
18	LH00048269	HEXAGON FLANGE BOLT M6×16	12

# T-BOSS 570 T3

## B05.7 FENDER

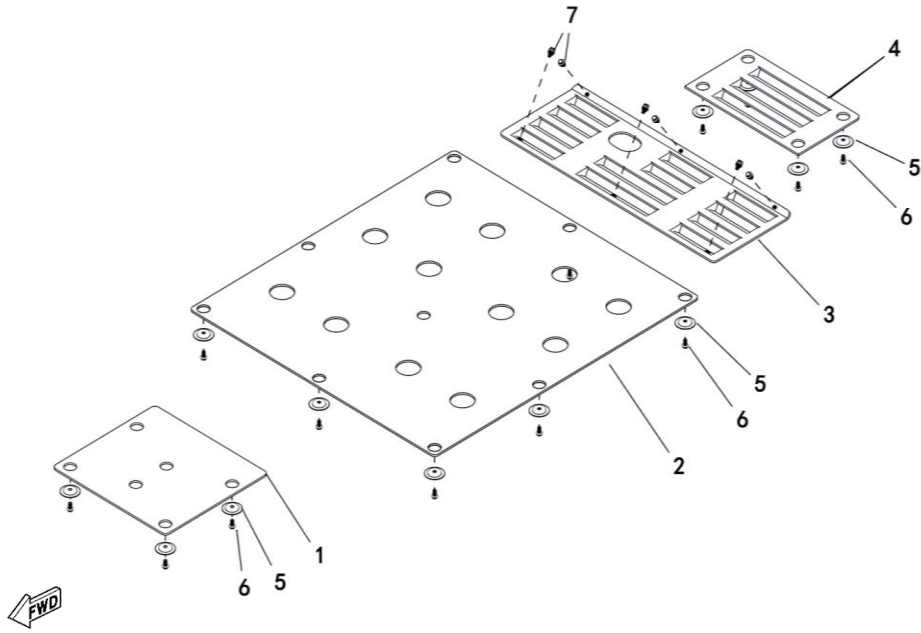


Nº	CÓDIGO	DESCRIÇÃO	Qt.
1	LH00048248	ROOF PANEL	1
2	LH00048268	HEXAGON FLANGE BOLT M6x25	5
3	LH00048256	T - SHAPED LINER BUSHING	5
4	LH00048257	I - SHAPED RUBBER DAMPER	5
5	LH00011233	NUT M6	5



# T-BOSS 570 T3

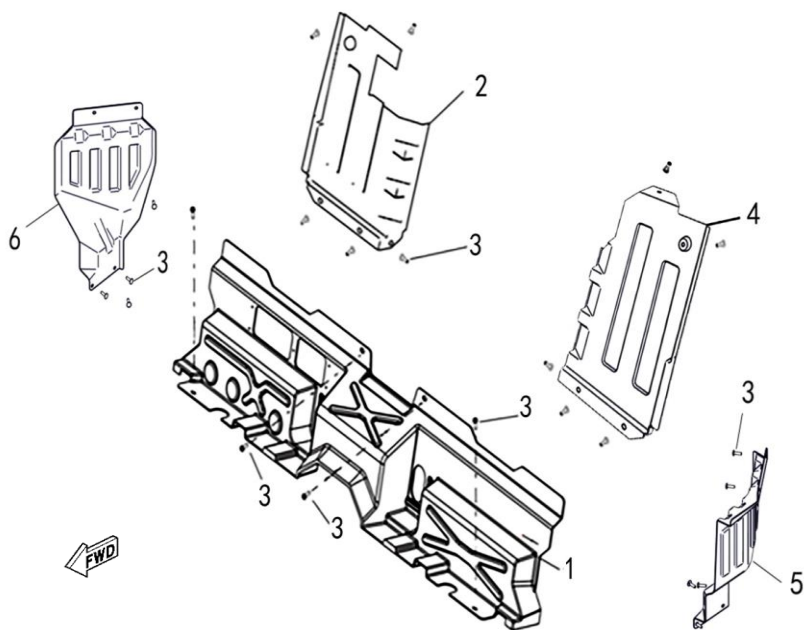
## B05.8 FENDER



Nº	CÓDIGO	DESCRIÇÃO	Qt.
1	LH00048277	PLATE, FRONT	1
2	LH00048278	PLATE, MIDDLE	1
3	LH00048280	PLATE, POSTMEDIAN	1
4	LH00048279	PLATE, REAR	1
5	LH00020331	WASHER	17
6	LH00011495	BOLT M6×16	17
7	LH0010140B	BOLT M6×12	6

## T-BOSS 570 T3

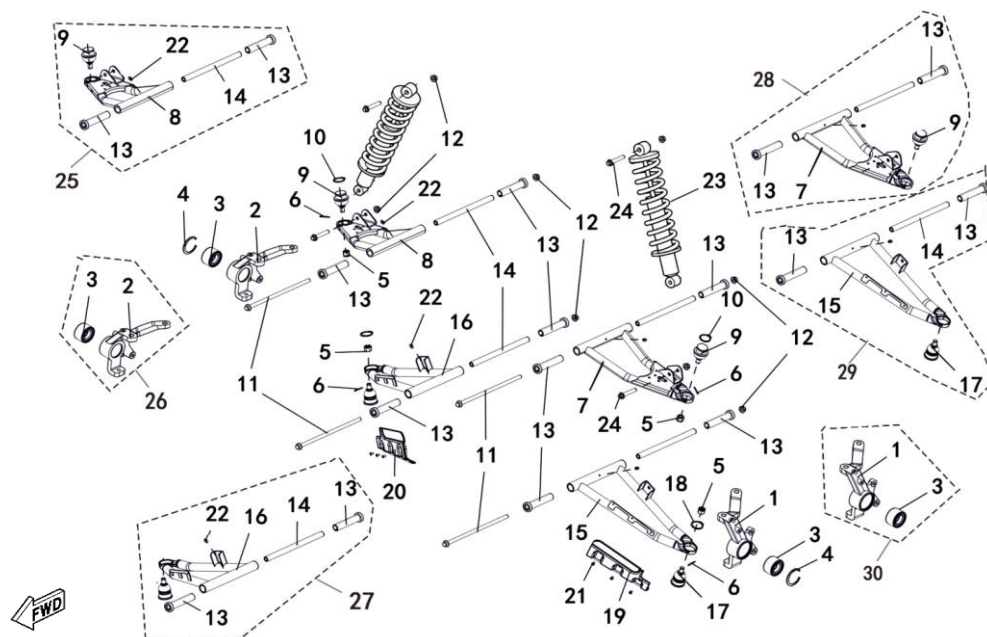
### B05.9 FENDER



Nº	CÓDIGO	DESCRIÇÃO	Qt.
1	LH00048254	HEAT PROTECTION PLATE, SEAT	1
2	LH00073736	PLATE, FUEL TANK	1
3	LH00048270	BOLT M6x20	22
4	LH00048586	PLATE, FUEL TANK	1
5	LH00048587	PLATE, L	1
6	LH00048588	PLATE, R	1

# T-BOSS 570 T3

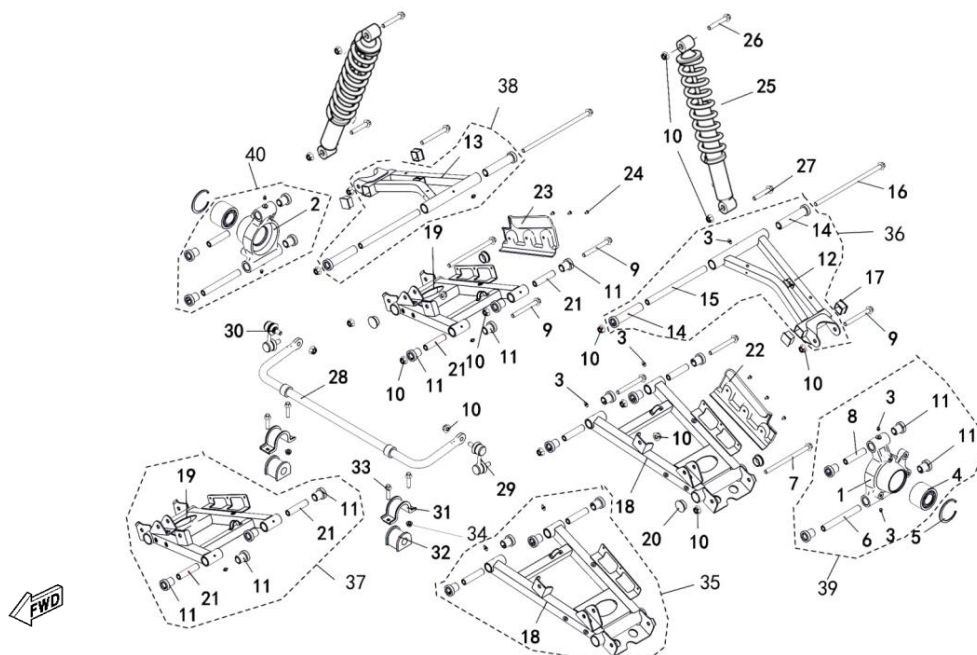
## B06 SHOCK ABSORBER FRONT



Nº	CÓDIGO	DESCRIÇÃO	Qt.
1	LH00048091	CARRIER BEARING, FRONT, LH	1
2	LH00048094	CARRIER BEARING, FRONT, RH	1
3	LH00048092	BEARING	2
4	LH00011204	CIRCLIP 55	2
5	LH00070679	NUT M12x1.25	4
6	LH00010792	PIN 3.2x22	4
7	LH00048109	ARM UPPER FRT LH	1
8	LH00048110	ARM UPPER FRT RH	1
9	LH00048090	BALL JOINT, UPPER	2
10	LH00011152	CIRCLIP 32	2
11	LH00048107	SCR HXFL, FRT ARM	4
12	LH00010795	NUT M10	8
13	LH00048106	BUSHING, LONG	8
14	LH00048105	SHAFT PIVOT	4
15	LH00048108	ARM LWR FRT LH	1
16	LH00048111	ARM LWR FRT RH	1
17	LH00048089	BALL JOINT, LWR	2
18	LH00070046	CIRCLIP 34	2
19	LH00084251	COVER, ARM LWR FRT LH	1
20	LH00084252	COVER, ARM LWR FRT RH	1
21	LH00011153	SCREW M5X10	6
22	LH00027074	GREASE FITTING M6	4
23	LH00048093	FRONT SHOCK ABSORBER ASSY	2
24	LH00011238	BOLT M10X1.25X57	4
25	LH00048335	ARM UPPER FRT RH ASSY	1
26	LH00048336	CARRIER BEARING WHEEL RH ASSY	1
27	LH00048337	ARM LWR FRT RH ASSY	1
28	LH00048338	ARM UPPER FRT LH ASSY	1
29	LH00048339	ARM LWR FRT LH ASSY	1
30	LH00048340	CARRIER BEARING WHEEL LH ASSY	1

# T-BOSS 570 T3

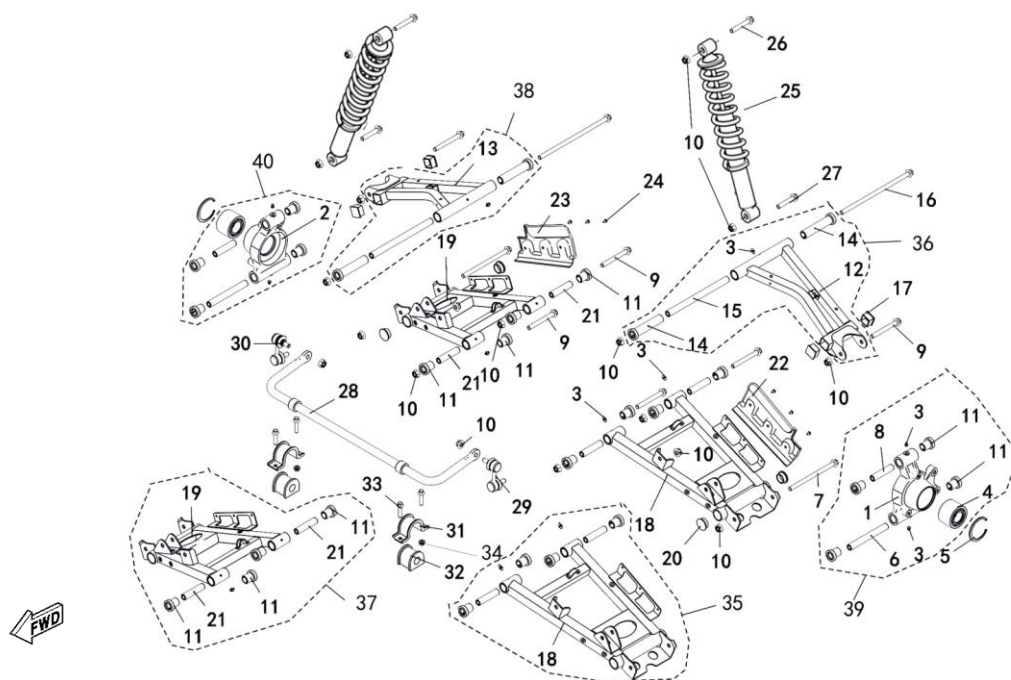
## B07 SHOCK ABSORBER REAR



Nº	CÓDIGO	DESCRIÇÃO	Qt.
1	LH00048164	CARRIER BEARING WHEEL REAR LH	1
2	LH00048165	CARRIER BEARING WHEEL REAR RH	1
3	LH00027074	GREASE FITTING M6	10
4	LH00048077	BEARING	2
5	LH00011155	CIRCLIP 63	2
6	LH00048161	SHAFT PIVOT, LWR	2
7	LH00048162	SCR HXFL, REAR ARM, LWR	2
8	LH00048160	SHAFT PIVOT, UPPER	2
9	LH00011146	BOLT M10X1.25X90	6
10	LH00010795	NUT M10	18
11	LH00048070	BUSHING, SHORT	16
12	LH00048074	ARM UPPER REAR LH	1
13	LH00048075	ARM UPPER REAR RH	1
14	LH00048106	BUSHING, LONG	4
15	LH00048068	SHAFT, REAR UPPER ARM	2
16	LH00048071	SCR HXFL, REAR UPPER ARM	2
17	LH00070287	SQUARE RUBBER PLUG	4
18	LH00048072	ARM LWR REAR LH	1
19	LH00048076	ARM LWR REAR RH	1
20	LH00048073	PLUG	4

# T-BOSS 570 T3

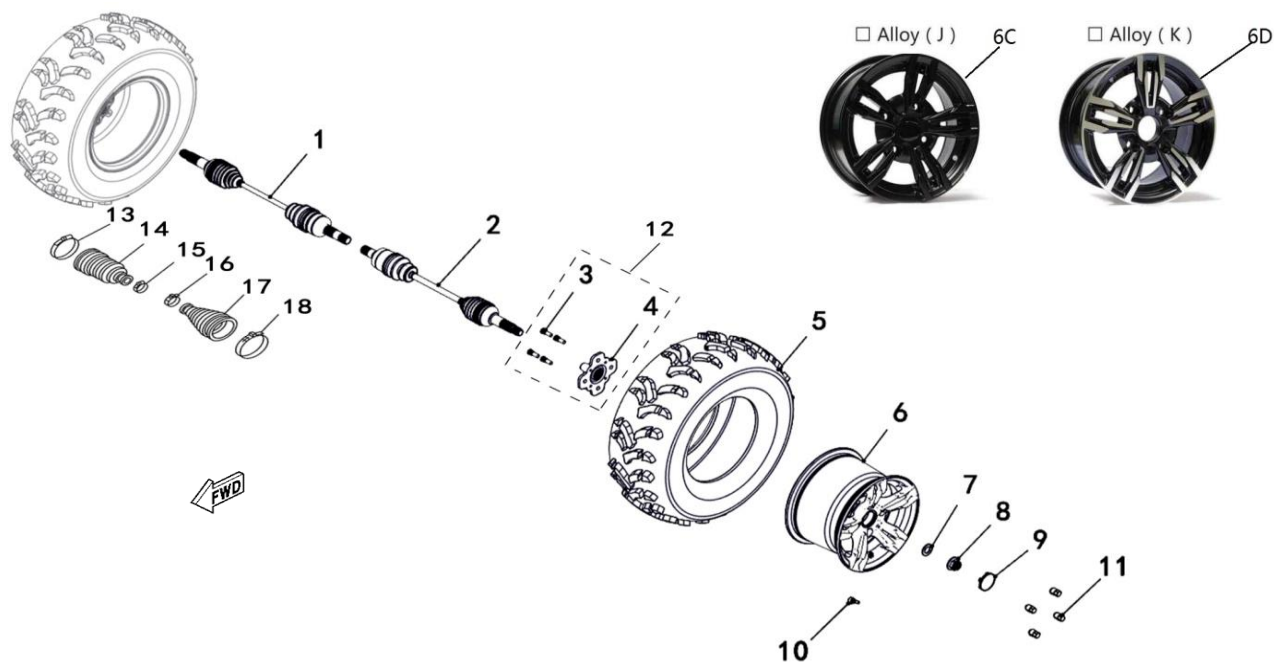
## B07.1 SHOCK ABSORBER REAR



Nº	CÓDIGO	DESCRIÇÃO	Qt.
21	LH00048069	SHAFT, REAR LWR ARM	4
22	LH00084251	COVER, ARM LWR REAR LH	1
23	LH00084252	COVER, ARM LWR REAR RH	1
24	LH00011153	SCREW M5X10	6
25	LH00048083	REAR SHOCK ABSORBER ASSY	2
26	LH0010120d	BOLT M10X1.25X62	2
27	LH00011238	BOLT M10X1.25X57	2
28	LH00048079	STABILIZER BAR	1
29	LH00048081	BALL PIN, LH	1
30	LH00048080	BALL PIN, RH	1
31	LH00027090	BRACKET STABILIZER	2
32	LH00027091	BUSHING STABILIZER	2
33	LH00010783	BOLT M8X20	4
34	LH00011145	NUT M8	2
35	LH00048341	ARM LWR REAR LH ASSY	1
36	LH00048342	ARM UPPER REAR LH ASSY	1
37	LH00048343	ARM LWR REAR RH ASSY	1
38	LH00048344	ARM UPPER REAR RH ASSY	1
39	LH00048345	CARRIER BEARING WHEEL REAR LH ASSY	1
40	LH00048346	CARRIER BEARING WHEEL REAR RH ASSY	1

# T-BOSS 570 T3

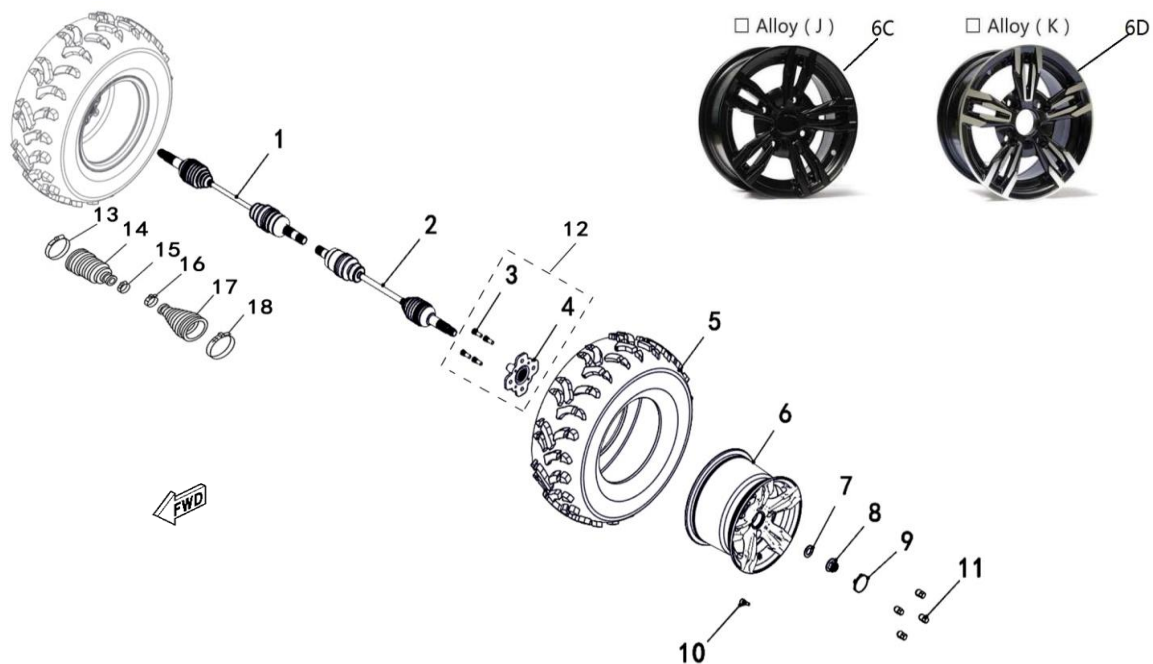
## B08 WHEEL FRONT



Nº	CÓDIGO	DESCRIÇÃO	Qt.
1	LH00048355	FRONT RIGHT DRIVE AXLE	1
2	LH00048356	FRONT LEFT DRIVE AXLE	1
3	LH00048155	BOLT M10X1.25	8
4	LH00048156	HUB ASSY SHRT	2
5	LH00048594	TIRE FRONT	2
6D	LH00048655	WHEEL SUB-ASSY, FRONT	2
7	LH00048163	WASHER 24	2
8	LH00048157	NUT M24, WHEEL	2
9	LH00036162	CAP, WHEEL SUB-ASSY	2
10	LH0020807a	VALVE, RIM (TR412)	2
11	LH00048154	NUT M10×1.25, WHEEL	8
12	LH00048347	HUB FOR STEEL WHEEL ASSY	2
13	LH00048570	CLIP 1	2
14	LH00048571	BOOT (OUTSIDE)	2
15	LH00048572	CLIP 2	2
16	LH00048573	CLIP 3	2
17	LH00048574	BOOT (INNER SIDE)	2
18	LH00048575	CLIP 4	2

## T-BOSS 570 T3

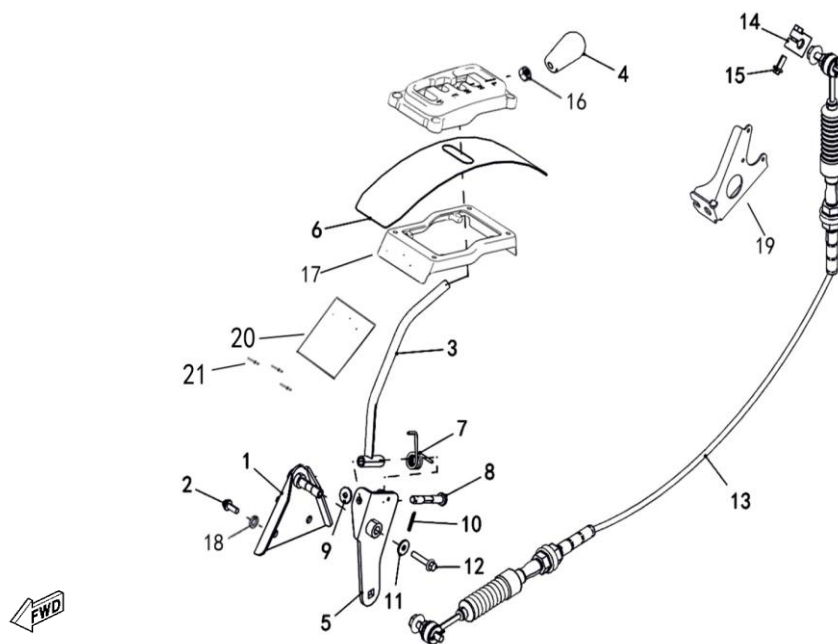
### B09 WHEEL REAR



Nº	CÓDIGO	DESCRIÇÃO	Qt.
1	LH00048167	REAR RIGHT DRIVE AXLE	1
2	LH00048166	REAR LEFT DRIVE AXLE	1
3	LH00048155	BOLT M10X1.25	8
4	LH00048156	HUB ASSY SHRT	2
5	LH00048596	TIRE REAR	2
6D	LH00048656	WHEEL SUB-ASSY, REAR	2
7	LH00048163	WASHER 24	2
8	LH00048157	NUT M24, WHEEL	2
9	LH00036162	CAP, WHEEL SUB-ASSY	2
10	LH0020807a	VALVE, RIM (TR412)	2
11	LH00048154	NUT M10x1.25, WHEEL	8
12	LH00048347	HUB FOR STEEL WHEEL ASSY	2
13	LH00048570	CLIP 1	2
14	LH00048571	BOOT (OUTSIDE)	2
15	LH00048572	CLIP 2	2
16	LH00048573	CLIP 3	2
17	LH00048574	BOOT (INNER SIDE)	2
18	LH00048575	CLIP 4	2

## T-BOSS 570 T3

### B10 SHIFT ROD

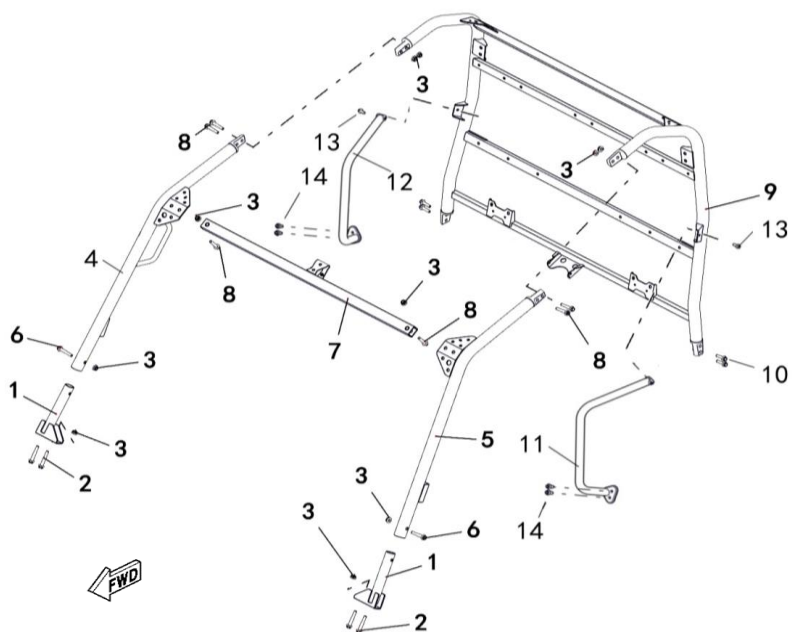


Nº	CÓDIGO	DESCRIÇÃO	Qt.
1	LH00048442	SHIFT MOUNTING PLATE ASSEMBLY	1
2	LH00010783	BOLT M6×25	2
3	LH00073705	SHIFT BOARD	1
4	LH00048045	KNOB SHIFTER	1
5	LH00048598	FRONT SHIFT ROCKER ARM	1
6	LH00048599	COVER, DUST	1
7	LH00048047	SPRING, SHIFTING	1
8	LH00048046	PIN, GEARSHIFTER	1
9	LH00011168	WASHR 8	1
10	LH00010685	COTTER PIN 2X16	1
11	LH00011246	SPRING RETAINER 6	1
12	LH0010140B	BOLT M6×12	1
13	LH00048443	CABLE, SHIFTER	1
14	LH00048600	ROCKER	1
15	LH00011539	BOLT M6×25	1
16	LH00010657	NUT M10	1
17	LH00048601	SHIFT GUARD PLATE SUPPORT PLATE	1
18	LH00010106	WASHER SPRING 8	2
19	LH00048602	BRACKET	1
20	LH00048558	COVER	1
21	LH00011709	CORE PULLING RIVETS 3.2X13	3



## T-BOSS 570 T3

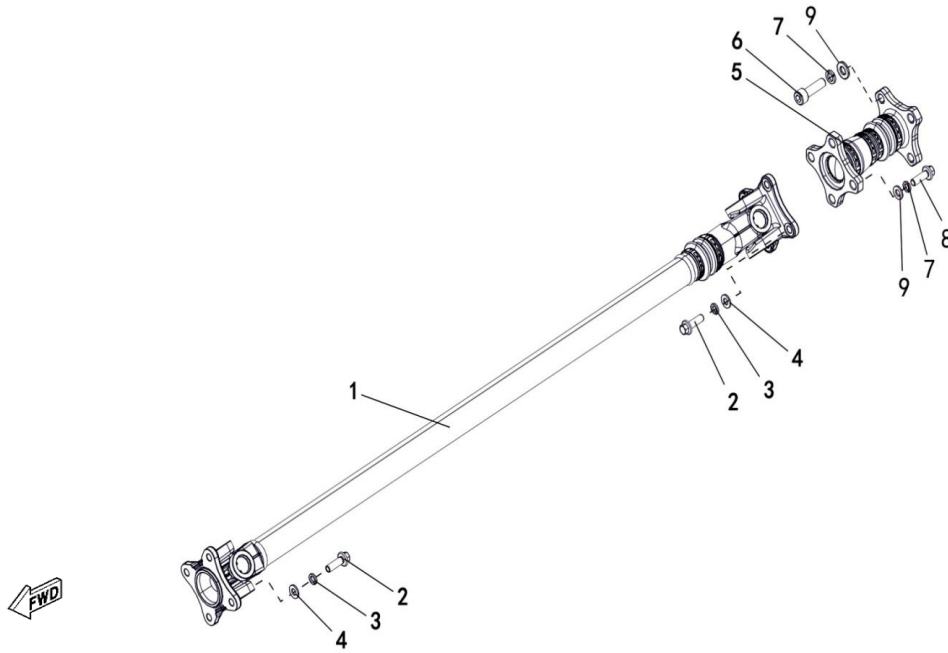
### B11 FRAME ROOF



Nº	CÓDIGO	DESCRIÇÃO	Qt.
1	LH00048329	MEMBER, ROOF FRAME, FRONT LOWER	2
2	LH00010120	BOLT M10X62	4
3	LH00010795	NUT M10	10
4	LH00048330	MEMBER, ROOF FRAME, FRONT RH	1
5	LH00048331	MEMBER, ROOF FRAME, FRONT LH	1
6	LH00011238	BOLT M10X57	2
7	LH00048332	MEMBER, ROOF FRAME, FRONT	1
8	LH00011239	BOLT M10X50	6
9	LH00048087	MEMBER, ROOF FRAME, REAR	1
10	LH00011240	BOLT M10X1.25X35	4
11	LH00048291	HANDREST PIPE, LH	1
12	LH00048292	HANDREST PIPE, RH	1
13	LH00010059	BOLT M8X25	2
14	LH00010783	BOLT M8X20	4

# T-BOSS 570 T3

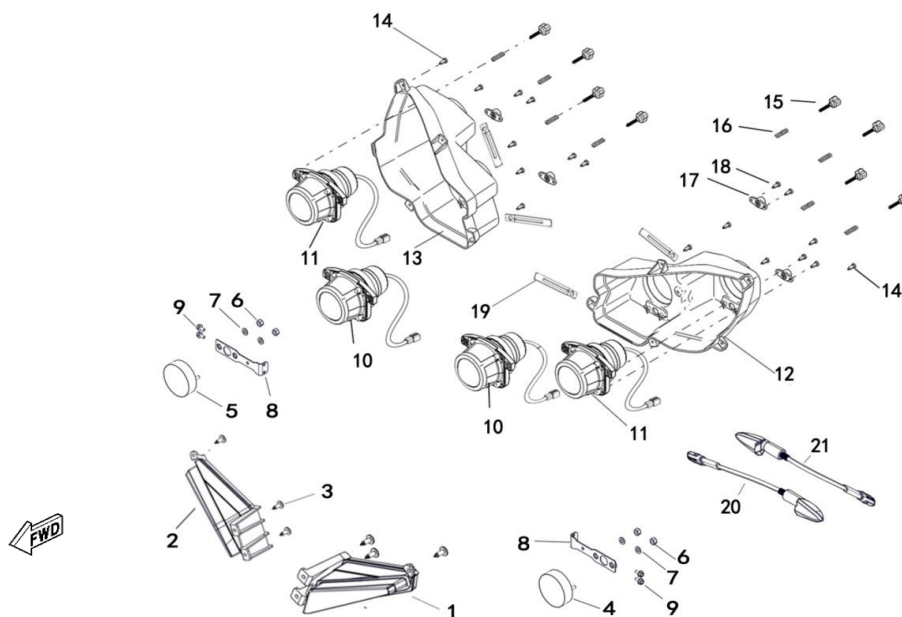
## B12 FRONT AND REAR KNUCKLE ASSY



Nº	CÓDIGO	DESCRIÇÃO	Qt.
1	LH00048281	FRONT PROP SHAFT	1
2	LH00011249	BOLT M8X1.0X25	8
3	LH00010106	WASHER SPRING 8	8
4	LH00010068	WASHER 8	8
5	LH00048282	REAR PROP SHAFT	1
6	LH00011169	BOLT M10X1.25X32	4
7	LH00011165	WASHER SPRING 10	8
8	LH00011257	BOLT M10X1.25X30	4
9	LH00010089	WASHER 10	8

## T-BOSS 570 T3

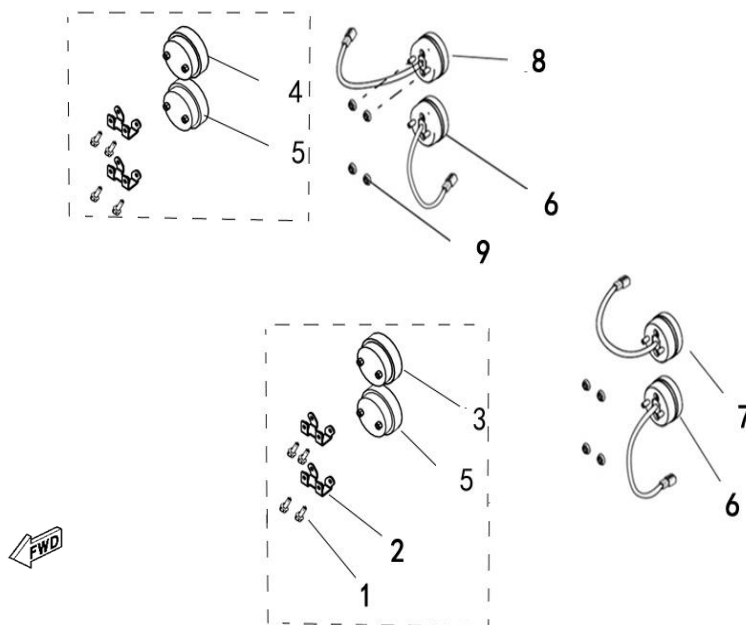
### B13 ELECTRICAL SYSTEM (FRONT LIGHTS)



Nº	CÓDIGO	DESCRIÇÃO	Qt.
1	LH00048400	LED DECORATIVE LIGHT, L	1
2	LH00048401	LED DECORATIVE LIGHT, R	1
3	LH00048316	TAPPING SCREW M5 x16	6
9	LH0010140B	BOLT M6X12	4
10	LH00048657	HIGH BEAM HEADLIGHT	2
11	LH00048658	LOW BEAM HEADLIGHT	2
12	LH00048202	HEAD LIGHT COVER, L	1
13	LH00048203	HEAD LIGHT COVER, R	1
14	LH00048316	TAPPING SCREW M5 x16	10
15	LH00048001	HEAD LIGHT ADJUSTING BOLT	8
16	LH00027373	SPRING	8
17	LH00048366	HEAD LIGHT MOUNTING PLATE	4
18	LH00011242	TAPPING SCREW ST4.2x13	8
19	LH00035247	CLIP	4
20	LH00027494	TURN INDICATE LIGHT, L, Fr (TRIANGULAR) (OPTIONAL, EURO 4 HOMOLOGATED)	1
21	LH00027495	TURN INDICATE LIGHT, R, Fr (TRIANGULAR) (OPTIONAL, EURO 4 HOMOLOGATED)	1

# T-BOSS 570 T3

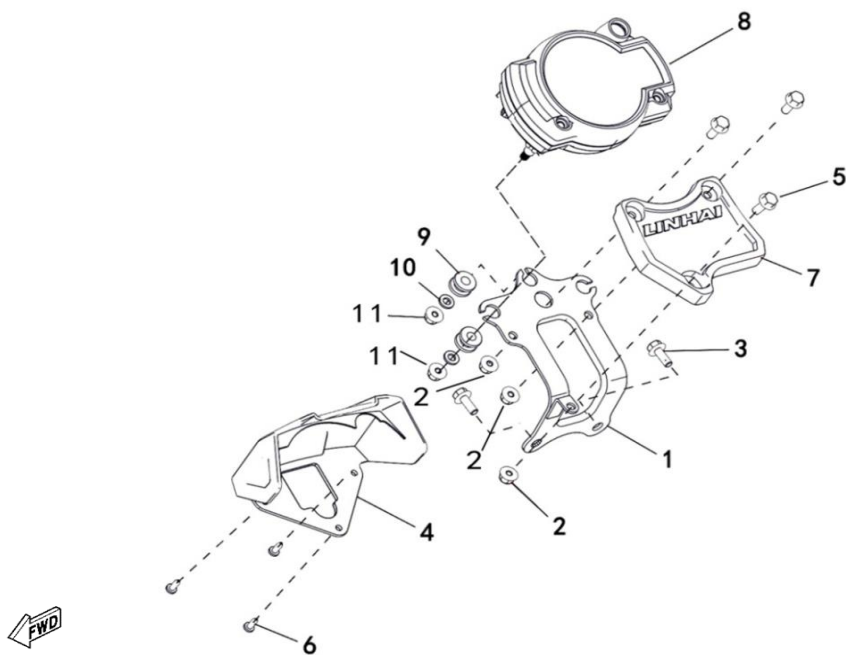
## B13.1 ELECTRICAL SYSTEM (REAR LIGHTS)



Nº	CÓDIGO	DESCRIÇÃO	Qt.
6	LH00048398	TAIL LIGHT (OPTIONAL, EURO 4 HOMOLOGATED)	2
7	LH00048306	TURN INDICATE LIGHT, L, Rr (OPTIONAL, EURO 4 HOMOLOGATED)	1
8	LH00048307	TURN INDICATE LIGHT, R, Rr (OPTIONAL, EURO 4 HOMOLOGATED)	1
9	LH00010797	NUT M5	8

## T-BOSS 570 T3

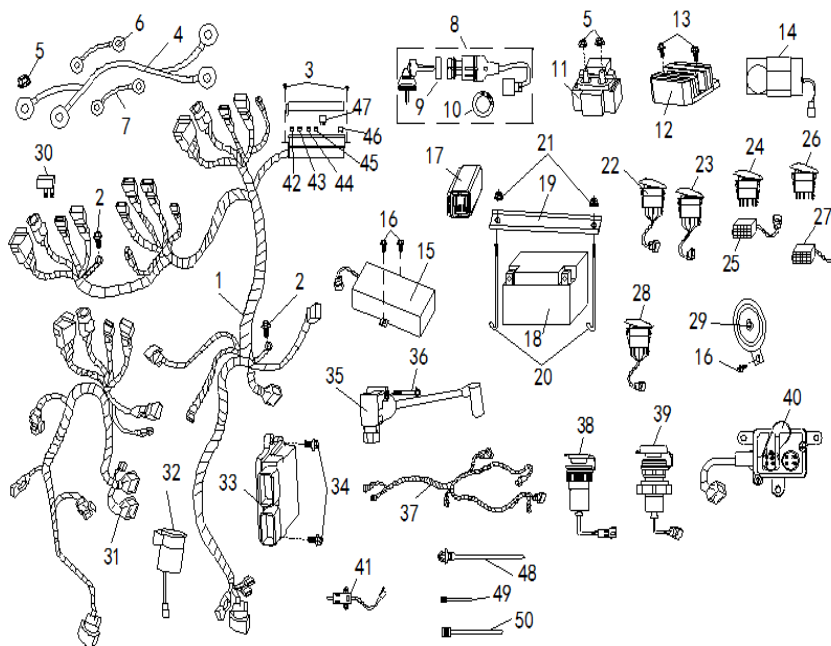
### B13.2 ELECTRICAL SYSTEM



Nº	CÓDIGO	DESCRIÇÃO	Qt.
1	LH00048058	BRACKET, METER	1
2	LH00011233	NUT M6	3
3	LH00011495	BOLT M6X16	2
4	LH00048214	COVER, METER	1
5	LH00048269	BOLT M6X16, WHITE	3
6	LH00048316	SCREW M5X16	3
7	LH00048251	COVER, METER BRACKET	1
8	LH00048663	LCD METER	1
9	LH00048309	RUBBER, METER	3
10	LH00011245	WASHER 6	3
11	LH00011319	Nut M6	3

## T-BOSS 570 T3

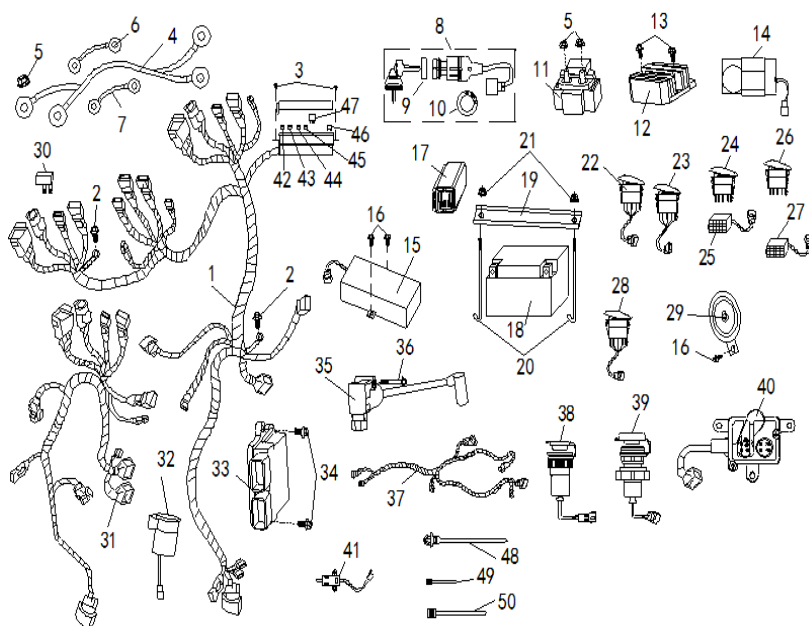
### B13.3 ELECTRICAL SYSTEM



Nº	CÓDIGO	DESCRIÇÃO	Qt.
1	LH00048603	WIRING HARNESS	1
2	LH00011495	BOLT M6×16	2
3	LH00048316	TAPPING SCREW M5 ×16	5
4	LH00048604	CABLE OF STARTING 1	1
5	LH00011520	NUT M6	1
6	LH00048604	CABLE OF STARTING 2	1
7	LH00048605	CABLE OF STARTING 3	1
8	LH00048606	LOCK ASSY	1
9	LH00048607	LOCK	1
10	LH00048608	LOCK DECAL	1
11	LH00071602	STARTING RELAY	1
12	LH00071603	RECTIFIER REGULATOR	1
13	LH00011496	BOLT M6×30	2
14	LH00071976	REVERSING BUZZER	1
15	LH00048305	SOLENOID VALVE CONTROLLER	1
16	LH00011495	BOLT M6×16	1
17	LH00071474	EFI RELAY	1
19	LH00048327	PLATE FOR BATTERY	1
20	LH00048610	FASTENING ROD OF BATTERY	2
21	LH00011145	NUT M8	2
22	LH00073436	HIGH/LOW BEAM SWITCH	1
23	LH00048611	REAR DIFF SWITCH	1
24	LH0073075C	EMERGENCY SWITCH	1
25	LH00048402	TRANSITION LINE OF EMERGENCY SWITCH	1

# T-BOSS 570 T3

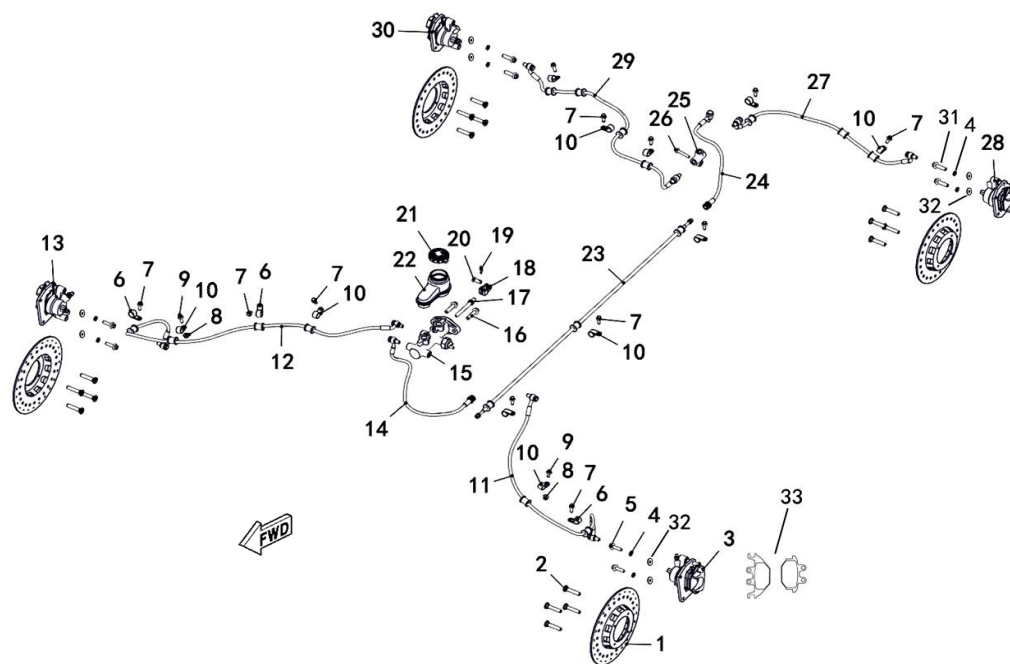
## B13.3 ELECTRICAL SYSTEM



Nº	CÓDIGO	DESCRIÇÃO	Qt.
26	LH00047072	TURNING LIGHTS SWITCH	1
27	LH00073439	WIRE, TURNING LIGHTS SWITCH	1
28	LH00048298	HORN SWITCH	1
29	LH00070404	HORN	1
30	LH00026272	PROTECTOR	2
31	LH00048612	WIRING HARNESS FOR EFI	1
32	LH00073326	FLASHER RELAY ASSY	1
33	LH00048665	ECU (SPEED LIMIT 60km/h)	1
34	LH00011449	BOLT M6x25	2
35	LH0070822D	IGNITION COIL	1
36	LH00011260	BOLT M6x40	1
37	LH00048613	TAILLIGHT TRANSITION LINE	1
38	LH00036120	ACCESSORY SOCKET ASSY FOR USB	1
39	LH00070400	ACCESSORY SOCKET ASSY	1
40	LH00048614	4WD SWITCH	1
41	LH00048293	PARKING SWITCH	1
42	LH00048360	5 AMP FUSE	1
43	LH00048361	10 AMP FUSE	1
44	LH00048362	15 AMP FUSE	4
45	LH00048363	20 AMP FUSE	1
46	LH00084275	30 AMP FUSE	1
47	LH00035083	AUXILIARY RELAY	7
48	LH00048294	TIE	24
49	LH00011334	TIE	7
50	LH00055016	TIE	14

# T-BOSS 570 T3

## B14 BRAKING SYSTEM

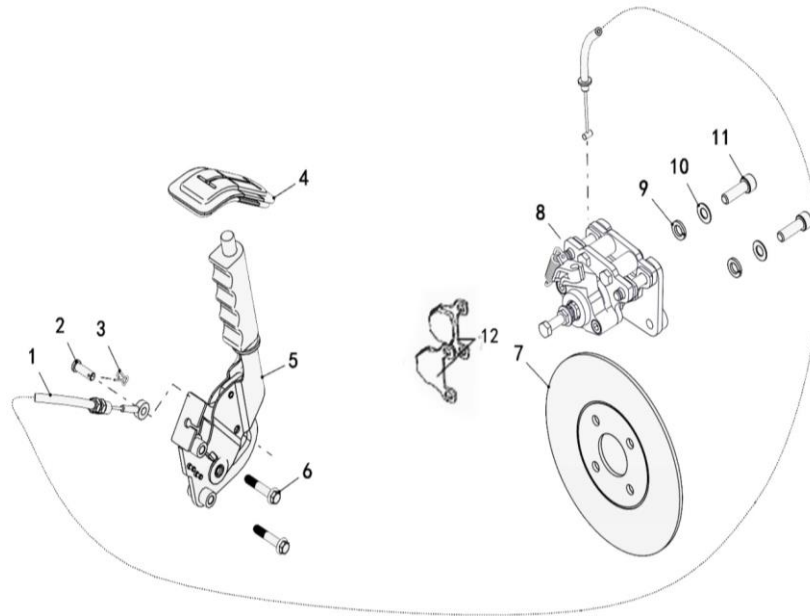


Nº	CÓDIGO	DESCRIÇÃO	Qt.
1	LH00048181	BRAKE ROTOR, DRIVER	4
2	LH00048000	BOLT, BRAKE ROTOR	16
3	LH00048173	BRAKE CALIPER, LEFT, FRONT	1
4	LH00010106	SPRING 8	8
5	LH00011466	BOLT M8×25 (10.9)	4
6	LH00048182	CLAMP 1	3
7	LH00011495	BOLT M6X16	12
8	LH00011233	NUT M6	2
9	LH00011459	BOLT M6×20	2
10	LH00048183	CLAMP 2	11
11	LH00048180	HOSE 1	1
12	LH00048184	HOSE 2	1
13	LH00048174	BRAKE CALIPER, RIGHT, FRONT	1
14	LH00048185	HOSE 3	1
15	LH00048175	MASTER CYLINDER	1
16	LH00010059	BOLT M8×25	2
17	LH00047705	PUSH ROD	1
18	LH00073090	CLEVIS	1
19	LH00010094	COTTER PIN 2X20	1
20	LH00073091	CLEVIS PIN	1
21	LH00048179	BRAKE RESRVOIR, COVER	1
22	LH00048178	BRAKE RESRVOIR	1
23	LH00048190	TUBE	1
24	LH00048186	HOSE 4	1
25	LH00048187	FITTING, TEE	1
26	LH00011105	BOLT M6×35	1
27	LH00048188	HOSE 5	1
28	LH00048176	BRAKE CALIPER, LEFT, RARE	1
29	LH00048189	HOSE 6	1
30	LH00048177	BRAKE CALIPER, RIGHT, RARE	1
31	LH00010060	BOLT M8×28	4
32	LH00010068	WASHER 8	8
33	LH00048414	BRAKE PADS	4



## T-BOSS 570 T3

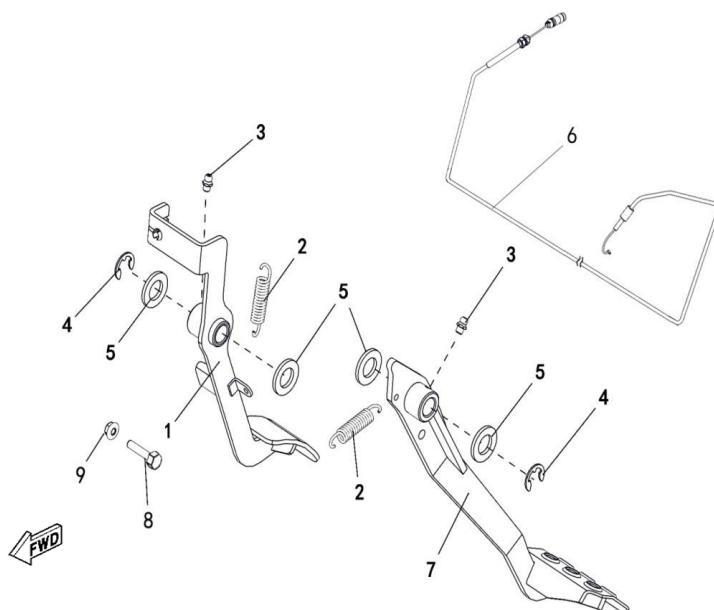
### B15 AUXILIARY BRAKE



Nº	CÓDIGO	DESCRIÇÃO	Qt.
1	LH00048197	PARK BRAKE CABLE (INTERCHANGEABLE WITH 48615)	1
1	LH00048615	PARK BRAKE CABLE (INTERCHANGEABLE WITH 48197)	1
2	LH00048171	PIN AXLE	1
3	LH00048172	PIN, R	1
4	LH00048170	RUBBER, PARK BRAKE	1
5	LH00048169	PARK BRAKE LEVER	1
6	LH00011045	BOLT M8x40	2
7	LH00048168	PARK BRAKE DISC	1
8	LH00048616	BRAKE (ALIPER)	1
9	LH00010027	SPRING WASHER 10	2
10	LH00010089	WASHER 10	2
11	LH00011715	BOLT M10X1.25X40	2
12	LH00048617	PARKING PADS (INCLUDED IN 4CZ-26220-00)	2

# T-BOSS 570 T3

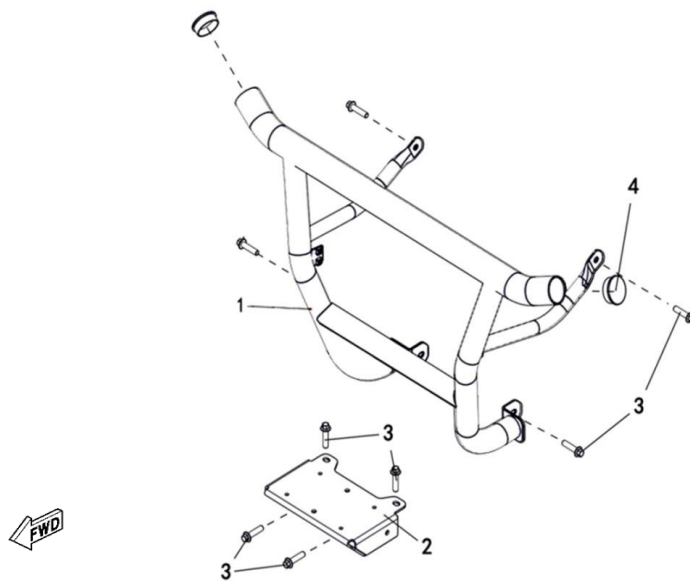
## B16 PEDAL



Nº	CÓDIGO	DESCRIÇÃO	Qt.
1	LH00048199	ACCELERATE PEDAL ASSY	1
2	LH00073204	PEDAL SPRING	2
3	LH00027074	GREASE FITTING M6	2
4	LH00010811	LOCK WASHER 12 FOR SHAFTS	2
5	LH00011247	WASHER 16	6
6	LH00048196	THROTTLE CABLE	1
7	LH00048198	BRAKE PEDAL ASSY	1
8	LH00011248	BOLT M6X25	1
9	LH00011192	NUT M6	1

# T-BOSS 570 T3

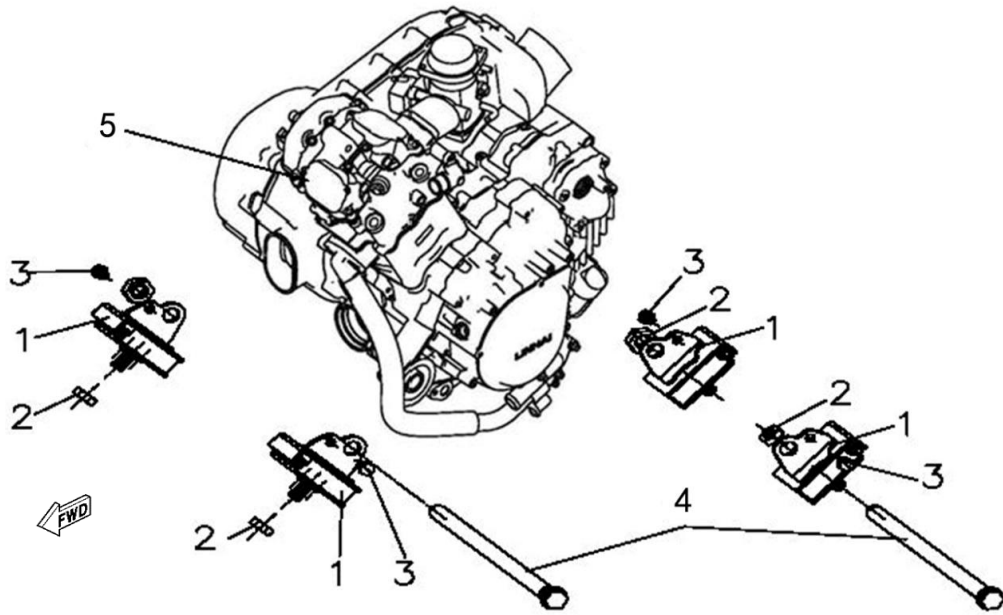
## B17 BUMPER (WITHOUT FRONT TOWING HOOK)



Nº	CÓDIGO	DESCRIÇÃO	Qt.
1	LH00048272	FRONT BUMPER	1
2	LH00048271	BRACKET	1
3	LH00010783	BOLT M8X20	8
4	LH00026763	PLUG	2

# T-BOSS 570 T3

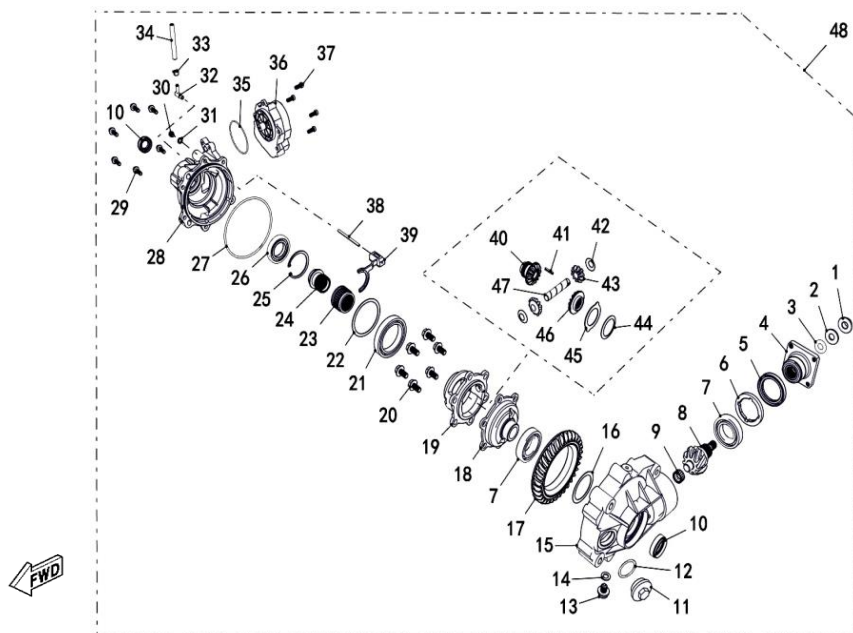
B18 ENGINE ASSY



Nº	CÓDIGO	DESCRIÇÃO	Qt.
1	LH00035503	BUSHING ENGING BRACKET	4
2	LH0010015A	NUT M10X1.25	4
3	LH00010928	BOLT M6X16	4
4	LH00035896	BOLT M12X1.25X175	2
5	LH00048667	ENGING ASSY.	1

# T-BOSS 570 T3

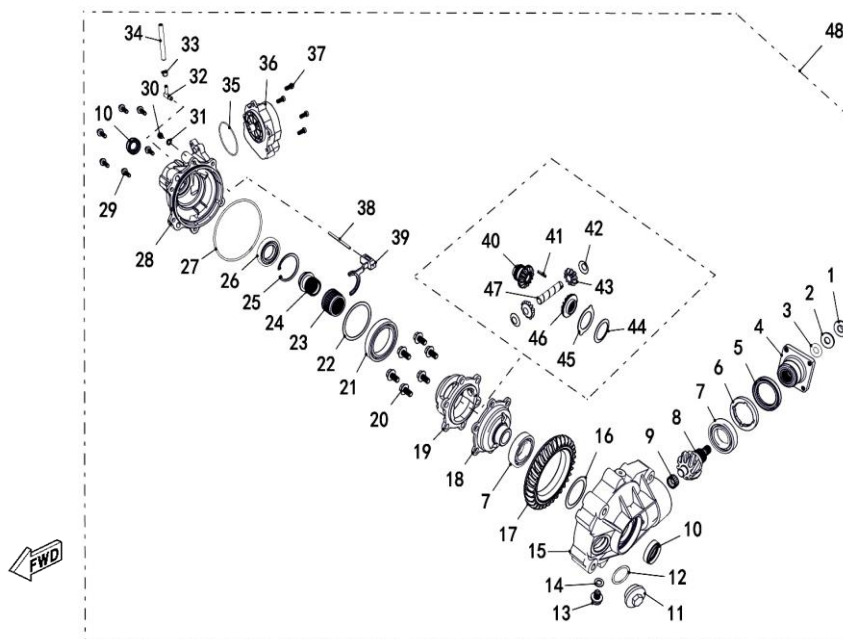
## B19 FRONT GEAR-BOX



Nº	CÓDIGO	DESCRIÇÃO	Qt.
1	LH00026318	NUT, FRONT OUTPUT SHAFT	1
2	LH00026324	WASHER, FRONT OUTPUT SHAFT NUT	1
3	LH00035428	O-RING	1
4	LH00026330	COUPLER, FRONT AXLE	1
5	LH00035423	OIL SEAL 48×65×9	1
6	LH00026317	BEARING RETAINER	1
7	LH00035424	BEARING 6007	2
8	LH00048286	BEVEL GEAR -DRIVING	1
9	LH00035429	NEEDLE BEARING	1
10	LH00035410	OIL SEAL 24×38×8	2
11	LH00024305	FILL PLUG	1
12	LH00050082	O-RING 30.5×3	1
13	LH00073020	DRAIN BOLT	1
14	LH00073021	WASHER 10	1
15	LH00048285	FRONT AXLE BOX COVER	1
16	LH00026323	ADJUSTING SHIM (61×48)	as needed
17	LH00048287	BEVEL GEAR -DRIVEN	1
18	LH00026334	TOP BRACKET, DIFFERENTIAL GEAR	1
19	LH00026332	BRACKET, DIFFERENTIAL	1
20	LH00026331	BOLT M10×1.25×20	6
21	LH00010959	BEARING 61912	1
22	LH00026322	ADJUSTING SHIM (83×71)	as needed
23	LH00026315	DRIVE CLUTCH	1
24	LH00026316	DRIVE CLUTCH COVER	1
25	LH00010047	CIRCLIP 62	1

# T-BOSS 570 T3

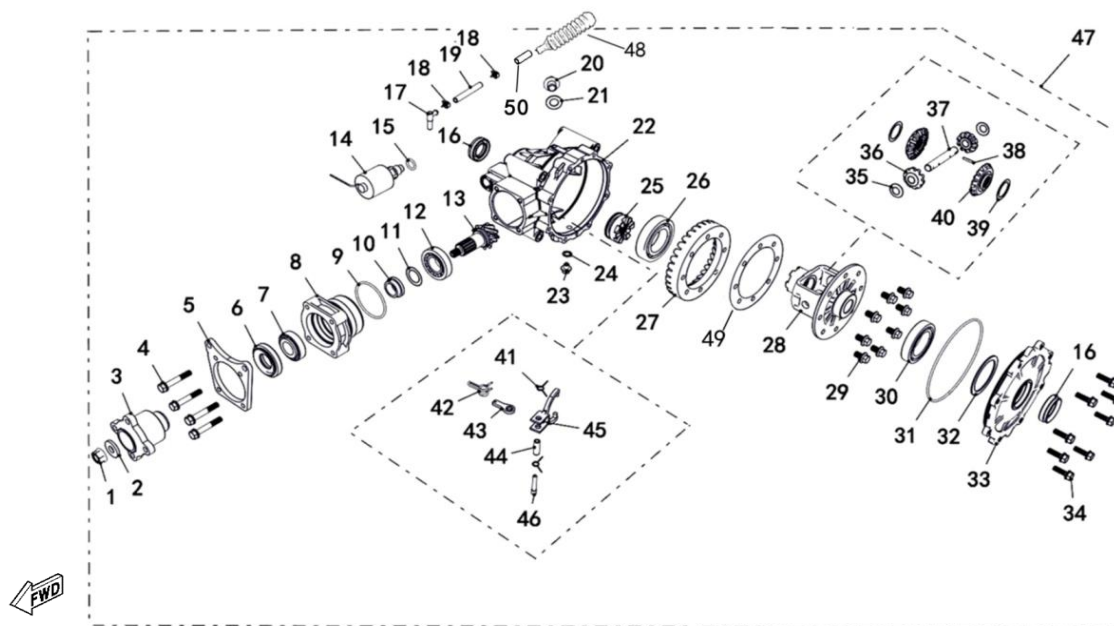
## B19.1 FRONT GEAR-BOX



Nº	CÓDIGO	DESCRIÇÃO	Qt.
26	LH00010960	BEARING 16007	1
27	LH00035401	O-RING 141×2.4	1
28	LH00048284	GEAR CASE, FRONT AXLE	1
29	LH00010059	BOLT M8×25	6
30	LH00011075	SCREW M8×8	1
31	LH00035162	WASHER 8	1
32	LH00047717	VENT NOZZLE	1
33	LH00025107	CLIP	1
34	LH00048288	VENT PIPE	1
35	LH00035389	O-RING 81.2×1.9	1
36	LH00035388	GEAR MOTOR	1
37	LH00035391	SCREW M8×20	4
38	LH00010957	PIN SHAFT	1
39	LH00026314	SHIFT FORK	1
40	LH00035434	DRIVE GEAR	1
41	LH00011076	PIN 5×25	1
42	LH00026327	WEARING RING	2
43	LH00035437	GEAR (CENTER) , DIFFERENTIAL	2
44	LH00026325	WASHER	1
45	LH00026326	SHIM	1
46	LH00035440	DRIVEN GEAR	1
47	LH00026333	GEAR SHAFT	1
48	LH00048283	FRONT AXLE	1

# T-BOSS 570 T3

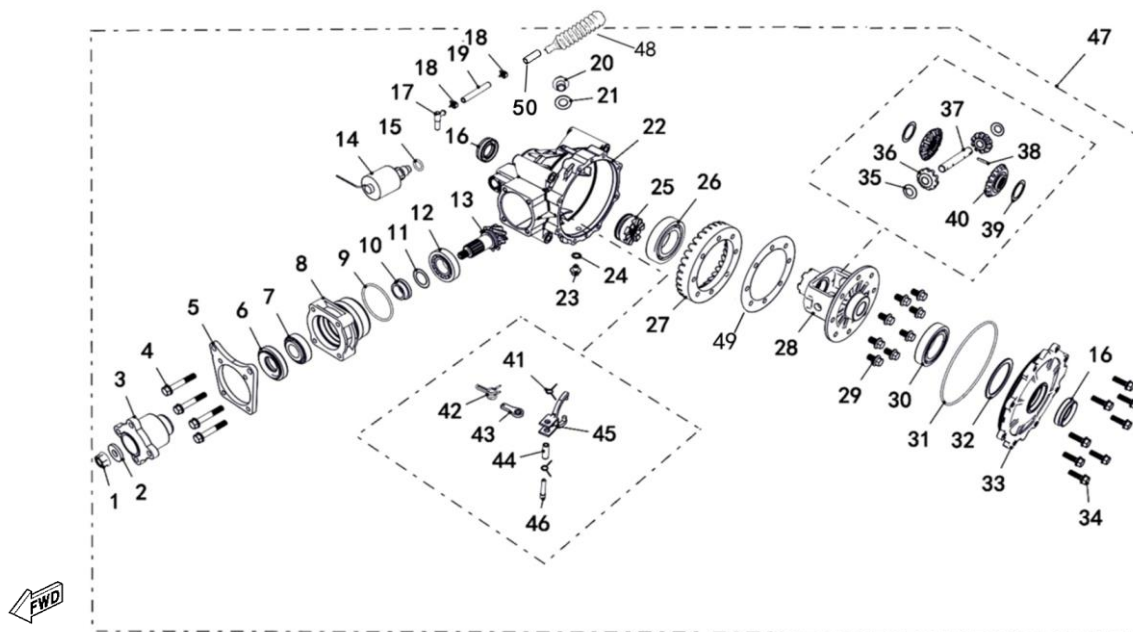
## B20 REAR DIFF. GEAR-BOX



Nº	CÓDIGO	DESCRIÇÃO	Qt.
1	LH00035285	NUT, REAR OUTPUT SHAFT	1
2	LH00035284	WASHER, REAR OUTPUT SHAFT NUT	1
3	LH00048115	COUPLER, REAR AXLE	1
4	LH00011022	BOLT M8×50	4
5	LH00048623	MOUNT BRACKET-PARKING BRAKING	1
6	LH00035471	OIL SEAL 35×61×9	1
7	LH00011012	BEARING 30205	1
8	LH00027583	BEVEL GEAR BEARING HOUSING	1
9	LH00026311	O-RING 69×3	1
10	LH00027581	BEARING SLEEVE	1
11	LH00035277	ADJUSTING SHIM, BEVEL GEAR -DRIVING	as needed
12	LH00011013	BEARING 30206	1
13	LH00048116	BEVEL GEAR -DRIVING	1
14	LH00048112	DIFF SOLENOID	1
15	LH00073013	O-RING 17×3	1
16	LH00026302	OIL SEAL 30×50×13.5	2
17	LH00047717	VENT NOZZLE	1
18	LH00025107	CLIP	2
19	LH00048376	VENT PIPE	1
20	LH00083179	BOLT M18×1.25	1
21	LH00083180	WASHER 18	1
22	LH00048114	GEAR CASE, REAR AXLE	1
23	LH00073020	DRAIN BOLT	1
24	LH00073021	WASHER	1
25	LH00073030	CLUTCH GEAR	1

# T-BOSS 570 T3

## B20.1 REAR DIFF. GEAR-BOX

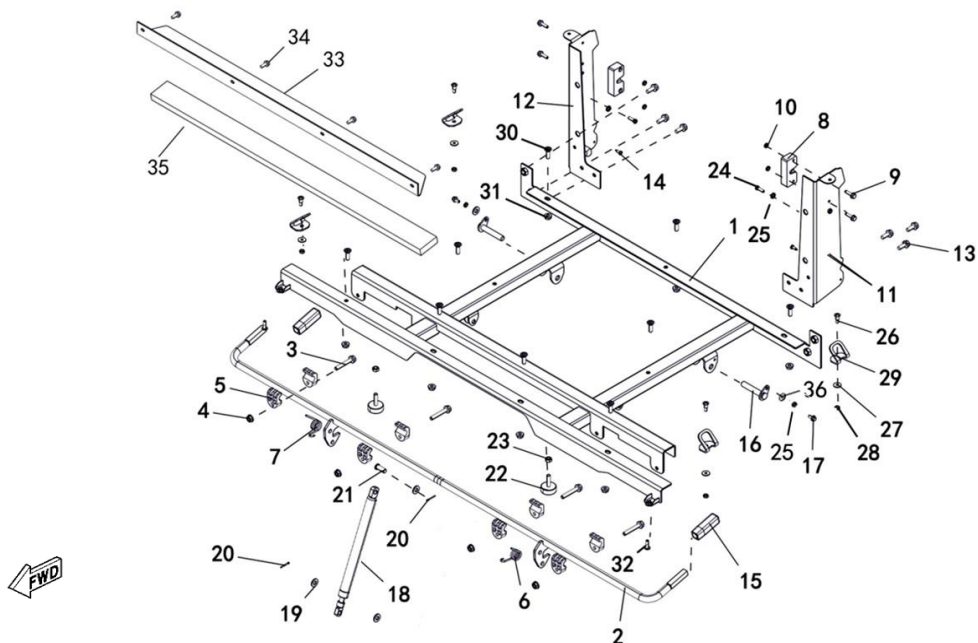


Nº	CÓDIGO	DESCRIÇÃO	Qt.
26	LH00011023	BEARING 6210	1
27	LH00048117	BEVEL GEAR -DRIVEN	1
28	LH00027587	DIFF CASE	1
29	LH00027588	HEXAGON FLANGE BOLT M10×1.25×16	8
30	LH00010056	BEARING 110	1
31	LH00035493	O-RING 151×3	1
32	LH00021106	ADJUSTING SHIM	as needed
33	LH00027589	REAR AXLE BOX COVER	1
34	LH00010059	BOLT M8×25	8
35	LH00073036	WEARING RING	2
36	LH00073035	PLANETARY GEAR	2
37	LH00073032	GEAR SHAFT	1
38	LH00011024	PIN 4×30	1
39	LH00073034	SIDE GEAR THRUST-WASHER	2
40	LH00073031	DIFF SIDE GEAR	2
41	LH00073040	SHIFT RETURN SPRING	2
42	LH00073038	SHIFT LEVER SPRING	1
43	LH00027592	SHIFT LEVER	1
44	LH00027591	SHIFT BAR	1
45	LH00073041	SHIFT YOKE	1
46	LH00027590	SHIFT PIN	1
47	LH00048113	REAR AXLE	1
48	LH00035919	BREATHING AIR	1
49	LH00048434	GASKET, BEVEL GEAR -DRIVEN	as needed
50	LH00035918	LINK, BREATHING AIR	1



## T-BOSS 570 T3

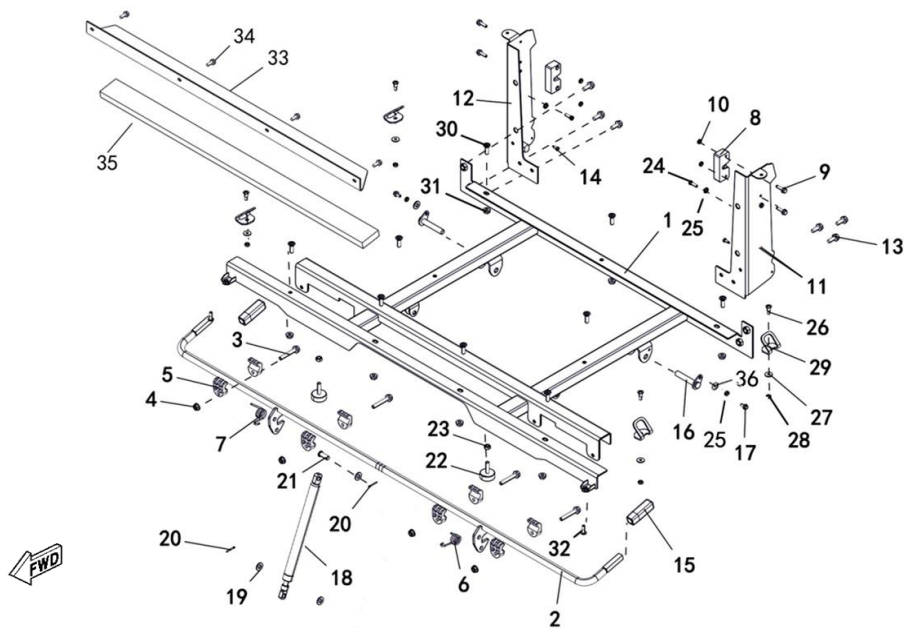
### B21 BOX ASSY



Nº	CÓDIGO	DESCRIÇÃO	Qt.
1	LH00048132	BOX FLOOR COVER	1
2	LH00048133	CARGO HANDLE ASS'Y	1
3	LH00011101	BOLT M8X45	4
4	LH00011145	NUT M8	4
5	LH00048134	RUBBER SHEATH	8
6	LH00048135	PEDAL SPRING, L	1
7	LH00048136	PEDAL SPRING, R	1
8	LH00048139	LOCK SEAT, REAR TRUNK	2
9	LH00011444	BOLT M6X22	4
10	LH00010104	NUT M6	4
11	LH00048142	REAR SIDE PROTECTING PLATE, LH	1
12	LH00048143	REAR SIDE PROTECTING PLATE, RH	1
13	LH00010783	BOLT M8X20	6
14	LH00048316	TAPPING SCREW M5 ×16	2
15	LH00055053	CAP, PROTECTOR END	2
16	LH00048313	PIN SHAFT, ROTATION	2
17	LH00010140B	BOLT M6X12	2
18	LH00026784	DAMPER	1
19	LH00010089	WASHER 10	3
20	LH00010021	PIN 2.5×20	2

# T-BOSS 570 T3

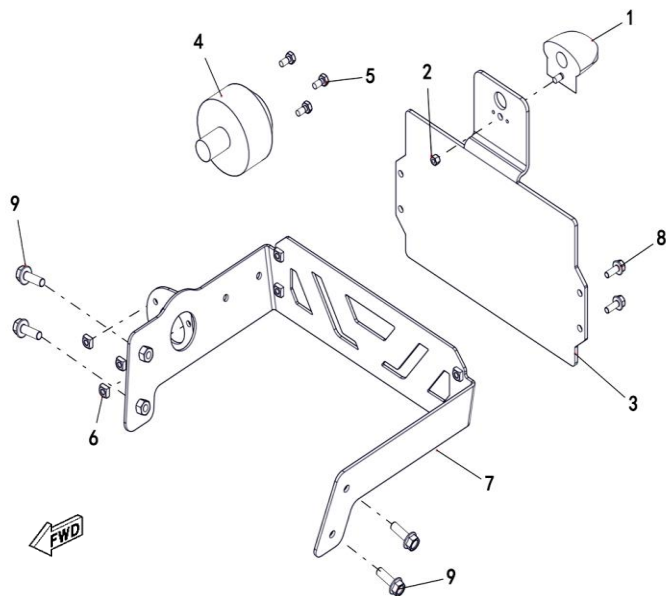
## B22 FRONT GEAR-BOX



Nº	CÓDIGO	DESCRIÇÃO	Qt.
21	LH00073161	PIN AXLE	1
22	LH00048151	DAMPER, CARGO BOX ADJUSTING	2
23	LH00011483	NUT M8	2
24	LH00048147	BOLT	2
25	LH00011019	WASHER SPRING 6	4
26	LH00048270	BOLT M6X20	4
27	LH00011246	WASHER 6	4
28	LH00011233	NUT M6	4
29	LH00048153	HOOK	4
30	LH00048359	BOLT, BRAKE ROTOR	9
31	LH00011145	NUT M8	9
32	LH00048270	SCREW M6x20	2
33	LH00048351	PLATE, BOX	1
34	LH00048270	BOLT M6X20	4
35	LH00048352	SPONGE	1
36	LH00011245	WASHER 6	2

## T-BOSS 570 T3

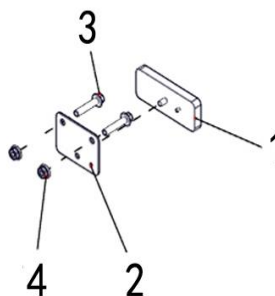
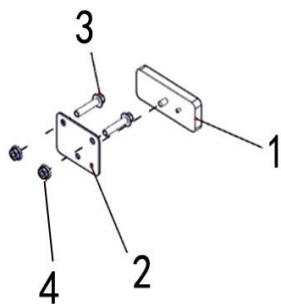
### B23 LICENCE LAMP MOUNTING PLATE



Nº	CÓDIGO	DESCRIÇÃO	Qt.
1	LH00083459	REAR RIGISTRATION PLATE LAMP	1
2	LH00011717	NUT M5	1
3	LH00048624	LICENCE LAMP MOUNTING PLATE	1
4	LH00048625	TRAILER POWER SOCKET	1
5	LH00010935	SCREW M6X38	3
6	LH00011454	NUT M6	3
7	LH00048626	BRACKET	1
8	LH00011495	BOLT M6×16	4
9	LH00010783	BOLT M8X20	4

# T-BOSS 570 T3

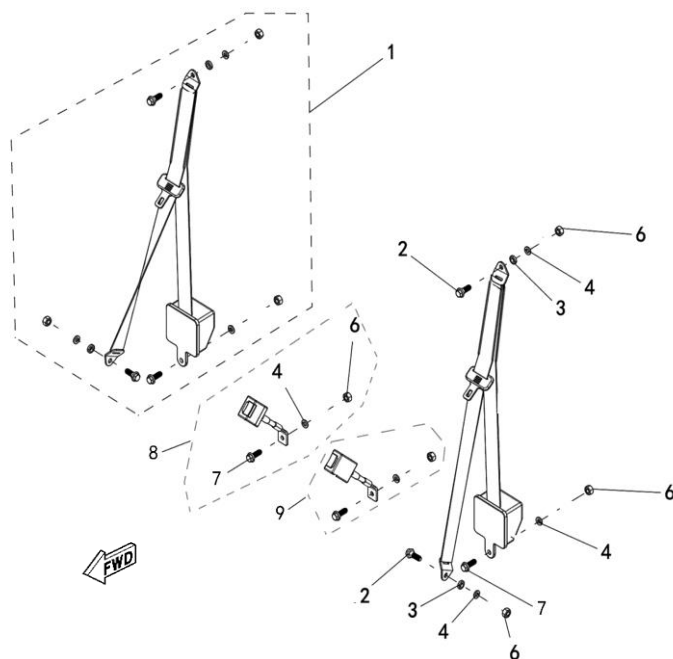
## B23.1 REAR REFLECTOR



Nº	CÓDIGO	DESCRIÇÃO	Qt.
1	LH00048627	REAR REFLECTOR	2
2	LH00048408	REFLECTOR BRACKET	2
3	LH00011459	BOLT M6×20	6
4	LH00011233	NUT M6	6

# T-BOSS 570 T3

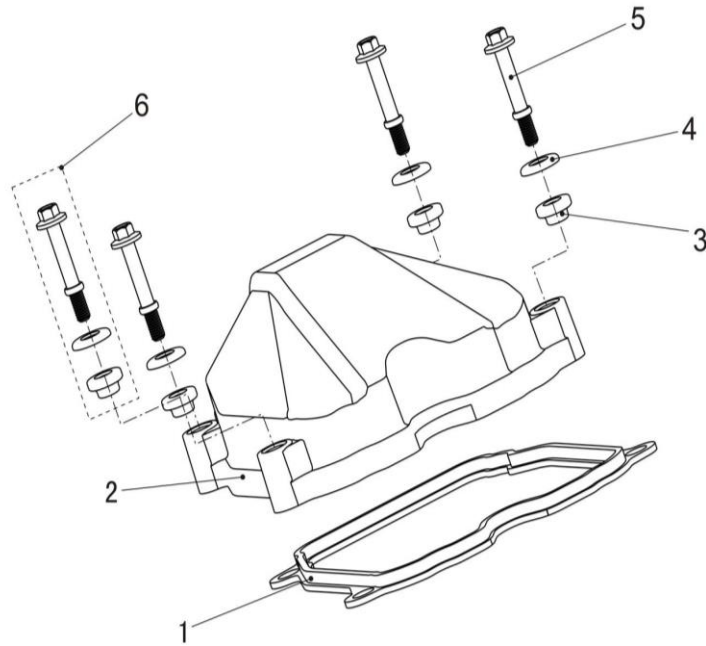
## B24 LICENCE LAMP MOUNTING PLATE



Nº	CÓDIGO	DESCRIÇÃO	Qt.
1	LH00048399	SEAT BELT ASSY (T1 HOMOLOGATED, WITHOUT RUBBER COVER)	2
2	LH00048381	Bolt 1	4
3	LH00026917	WASHER 1	4
4	LH00010805	Spring Washer 12	8
6	LH00026919	Nut	8
7	LH00048386	Bolt 2	4
8	LH00048387	Belt Receiver Assy, R	1
9	LH00048388	Belt Receiver Assy, L	1

## T-BOSS 570 T3

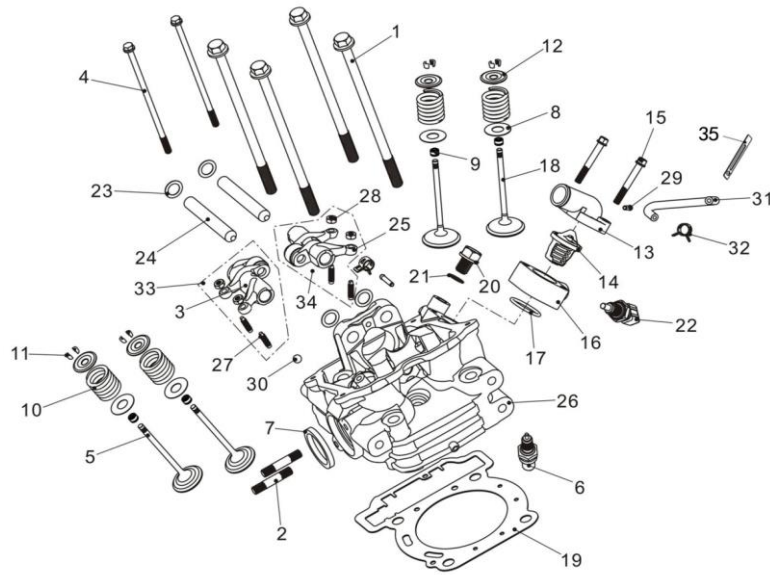
### E01 CYLINDER HEAD COVER



Nº	CÓDIGO	DESCRIÇÃO	Qt.
1	LH00038003	GASKET, CYLINDER HEAD COVER	1
2	LH00038004	CYLINDER HEAD COVER	1
3	LH00038005	RUBBER WASHER	4
4	LH00038006	CAP, RUBBER WASHER	4
5	LH00038007	BOLT, CYLINDER HEAD COVER	4
6	LH00038008	BOLT COMP. CYLINDER HEAD COVER	4

## T-BOSS 570 T3

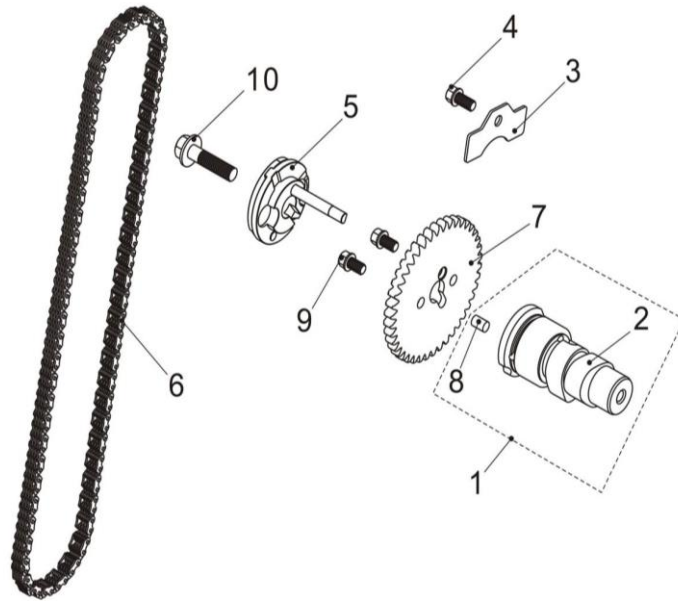
### E02 CYLINDER HEAD



Nº	CÓDIGO	DESCRIÇÃO	Qt.
1	LH00072297	BOLT	4
2	LH00038009	STUD M8x42	2
3	LH00038010	ROCKER ARM, EXHAUST	1
4	LH00038011	BOLT M6X132	2
5	LH00038012	VALVE, EXHAUST	2
6	LH00038151	SPARK PLUG	1
7	LH00038013	GASKET, EXHAUST PIPE	1
8	LH00038014	LOWER SEAT, VALVE SPRING	4
9	LH00038015	SEAL RING SET, VALVE STEM	4
10	LH00038016	SPRING, VALVE	4
11	LH00038017	LOCK CLIP, VALVE	8
12	LH00038018	UPPER SEAT, VALVE SPRING	4
13	LH00038019	THERMOSTAT COVER	1
14	LH00038020	THERMOSTAT	1
15	LH00011583	BOLT M6x45 TRIVALENT COLOR	2
16	LH00048635	SEAT, THERMOSTAT	1
17	LH00011584	O-RING, 28x2.65	1
18	LH00038022	VALVE, INTAKE	2
19	LH00038023	GASKET, CYLINDER HEAD	1
20	LH00050105	DRAIN BOLT, M12x1.5	1
21	LH00038143	WASHER 14	1
22	LH0035095e	WATER TEMPERATURE SENSOR	1
23	LH00038024	WASHER 12.3x18.5x0.5	4
24	LH00038025	SHAFT, ROCKER ARM	2
25	LH00038026	ROCKER ARM, INTAKE	1
26	LH00038027	CYLINDER HEAD COMP	1
27	LH00038028	ADJUST SCREW, VALVE	4
28	LH00038029	ADJUST NUT, VALVE	4
29	LH00035851	WATER CONNECTION	2
30	LH00011585	FRICTION BALL 5	1
31	LH00048636	PIPE, CYLINDER HEAD	1
32	LH00035109	CLIP 7.5	2
33	LH00038030	EXHAUST ROCKER ARM, ASSEMBLY	1
34	LH00038031	INTAKE ROCKER ARM, ASSEMBLY	1
35	LH00035247	WIRE CLAMP	1

## T-BOSS 570 T3

### E03 CAMSHAFT

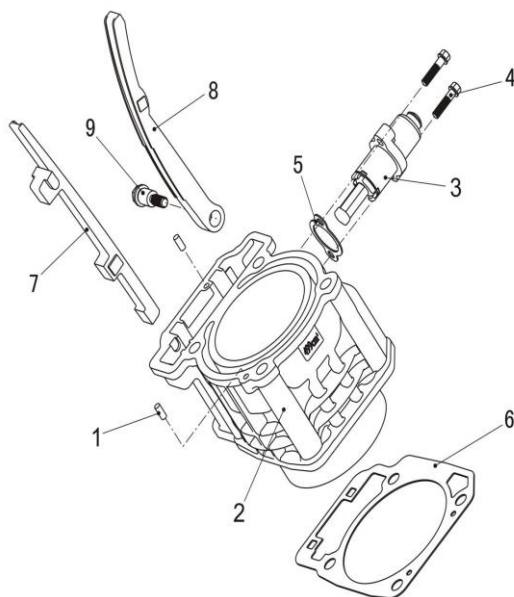


Nº	CÓDIGO	DESCRIÇÃO	Qt.
1	LH00038032	CAMSHAFT ASSEMBLY	1
2	LH00038033	CAMSHAFT	1
3	LH00038034	HOLDING STRIP, CAMSHAFT	1
4	LH0010140B	BOLT M6X12	1
5	LH00038035	DECOMPRESSOR, STARTER	1
6	LH00038036	TIMING CHAIN	1
7	LH00038037	TIMING SPROCKET	1
8	LH00038038	DOWEL PIN, TIMING SPROCKET	1
9	LH00011586	BOLT M6X10-10.9	2
10	LH00038039	BOLT M8X32-10.9	1



## T-BOSS 570 T3

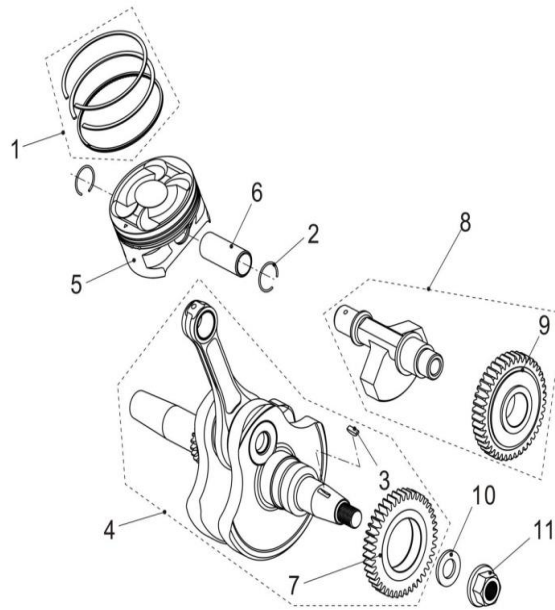
### E04 CYLINDER



Nº	CÓDIGO	DESCRIÇÃO	Qt.
1	LH00038040	NEEDLE PIN P 5x11.8	2
2	LH00038168	CYLINDER BODY MARKED 1 (MATCH PISTON MARKED I)	1
2	LH00038169	CYLINDER BODY MARKED 2 (MATCH PISTON MARKED II)	1
3	LH00038042	TENSIONER ASSY	1
4	LH00011436	BOLT M6x25	2
5	LH00035158	GASKET, TENSIONER	1
6	LH00038043	PAPER WASHER CYLINDER BODY	1
7	LH00038044	UPPER GUIDE, CHAIN	1
8	LH00038045	TENSIONER, CHAIN	1
9	LH00038046	PIN SHAFT	1

## T-BOSS 570 T3

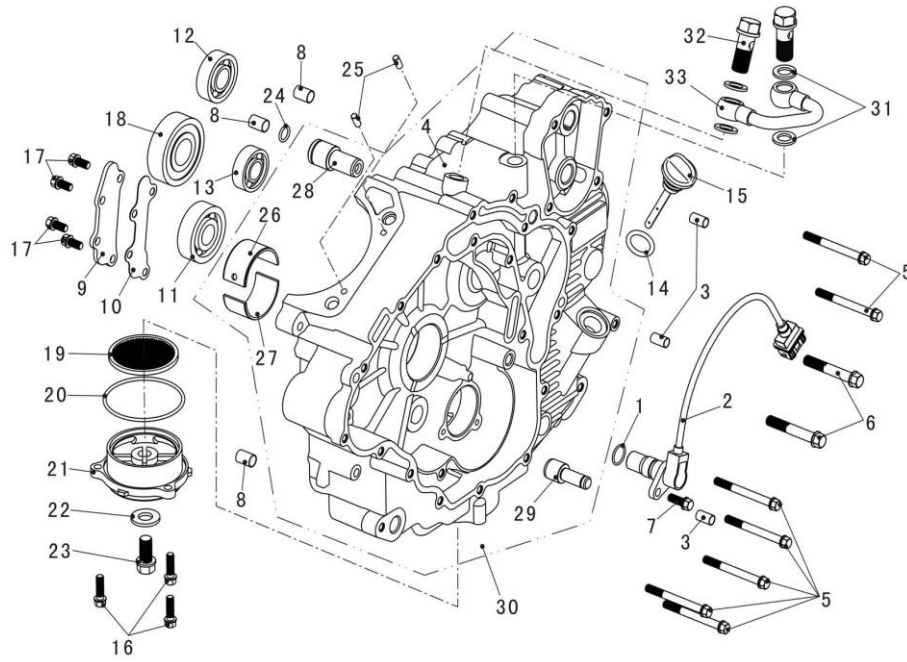
### E05 CRANKSHAFT COMP



Nº	CÓDIGO	DESCRIÇÃO	Qt.
1	LH00038047	PISTON RING ASSY	1
2	LH00038048	CIRCLIP, PISTON PIN	2
3	LH00035133	WOODRUFF KEY	1
4	LH00038049	CRANKSHAFT ASSY	1
5	LH00038050	PISTON OPTIONAL MARKED I (SMALL) (MATCH CYLINDER BODY MARKED 1)	1
5	LH00038051	PISTON OPTIONAL MARKED II (BIG) (MATCH CYLINDER BODY MARKED 2)	1
6	LH00038052	PISTON PIN	1
7	LH00038053	DRIVE GEAR, BALANCER SHAFT	1
8	LH00038054	SHAFT, BALANCER	1
9	LH00038055	GEAR, BALANCE SHAFT	1
10	LH00071689	WASHER 16.5	1
11	LH00071688	NUT M16X1.5	1

## T-BOSS 570 T3

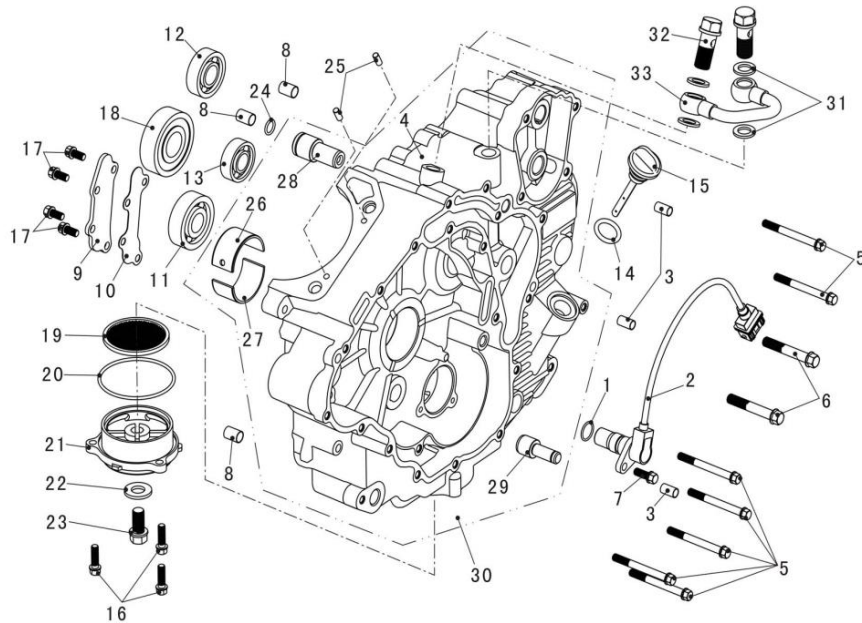
### E06 LEFT CRANKCASE



Nº	CÓDIGO	DESCRIÇÃO	Qt.
1	LH00035225	O-RING 14x1.44	1
2	LH00035337	SPEED SENSOR	1
3	LH00050076	DOWEL PIN 8x14	3
4	LH00038056	LEFT CRANKCASE	1
5	LH00011587	BOLT M6X60	7
6	LH00011588	BOLT M8X50	2
7	LH00011589	BOLT M6X16	1
8	LH00035094	DOWEL PIN f10x14	3
9	LH00038057	OIL COVER PLATE	1
10	LH00038058	PAPER WASHER	1
11	LH00010846	BEARING 6303	1
12	LH00010851	BEARING 6203	1
13	LH00010849	BEARING 6202	1
14	LH00010844	O-RING 18x3.55	1
15	LH00038059	DIPSTICK, ENGINE OIL	1
16	LH00011590	BOLT M6x20	3
17	LH00011591	BOLT M6x12	4
18	LH00010848	ROLLING BEARING	1
19	LH00038060	OIL STRAINER	1
20	LH00038061	O-RING 63x2.5	1

## T-BOSS 570 T3

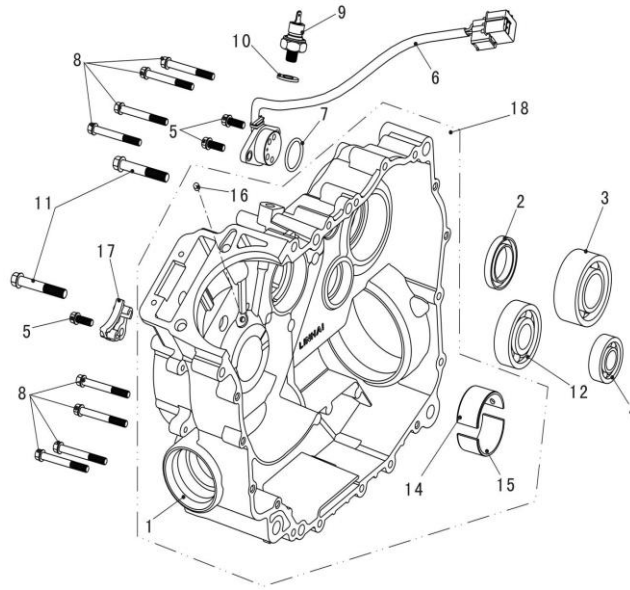
### E06.1 LEFT CRANKCASE



Nº	CÓDIGO	DESCRIÇÃO	Qt.
21	LH00038148	PLATE, OIL STRAINER	1
22	LH01309283	WASHER 12	1
23	LH00050105	DRAIN BOLT, M12x1.5 0180-011500	1
24	LH00010843	O-RING 10x1.8	1
25	LH00038040	NEEDLE PIN P 5x11.8	2
26	LH00038064	BEARING SLEEVE RED II (MATCH LEFT CRANKCASE MARKED A)	1
26	LH00038065	BEARING SLEEVE BLUE II (MATCH LEFT CRANKCASE MARKED B)	1
27	LH00038062	BEARING SLEEVE RED I (MATCH LEFT CRANKCASE MARKED A)	1
27	LH00038063	BEARING SLEEVE BLUE I (MATCH LEFT CRANKCASE MARKED B)	1
28	LH00038066	INTERMEDIATE GEAR, SHAFT, REVERSE	1
29	LH00038067	SHAFT, DUAL GEAR, OIL PUMP	1
30	LH00038068	LEFT CRANKCASE ASSY	1
31	LH00038143	WASHER 14	4
32	LH00038142	HINGE BOLT M14x1.5	2
33	LH00038170	PIPE ASSY.	1

## T-BOSS 570 T3

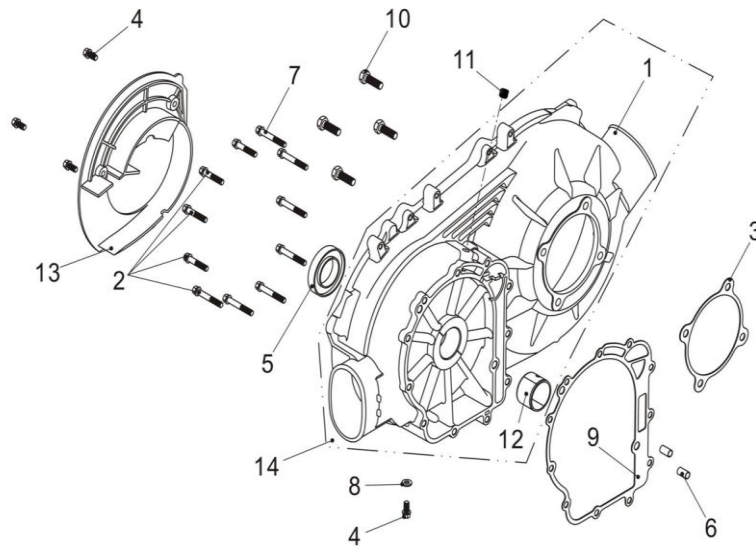
### E07 RIGHT CRANKCASE



Nº	CÓDIGO	DESCRIÇÃO	Qt.
1	LH00038069	RIGHT CRANKCASE	1
2	LH00035222	OIL SEAL30x45x7	1
3	LH00010860	BEARING 5206C3	1
4	LH00010851	BEARING 6203	1
5	LH00011589	BOLT M6X16	3
6	LH00038070	GEAR POSITION SENSOR	1
7	LH00035226	O-RING 26x2.5	1
8	LH00011593	BOLT M6X50	8
9	LH00038071	SWITCH, OIL PRESSURE	1
10	LH00035227	WASHER 10	1
11	LH00011588	BOLT M8X50	2
12	LH00010848	ROLLING BEARING	1
14	LH00038064	BEARING SLEEVE RED II (MATCH RIGHT CRANKCASE MARKED A)	1
14	LH00038065	BEARING SLEEVE BLUE II (MATCH RIGHT CRANKCASE MARKED B)	1
15	LH00038062	BEARING SLEEVE RED I (MATCH RIGHT CRANKCASE MARKED A)	1
15	LH00038063	BEARING SLEEVE BLUE I (MATCH RIGHT CRANKCASE MARKED B)	1
16	LH00038072	PLUG	1
17	LH00038073	GUIDE, CHAIN	1
18	LH00038074	RIGHT CRANKCASE ASSY	1

## T-BOSS 570 T3

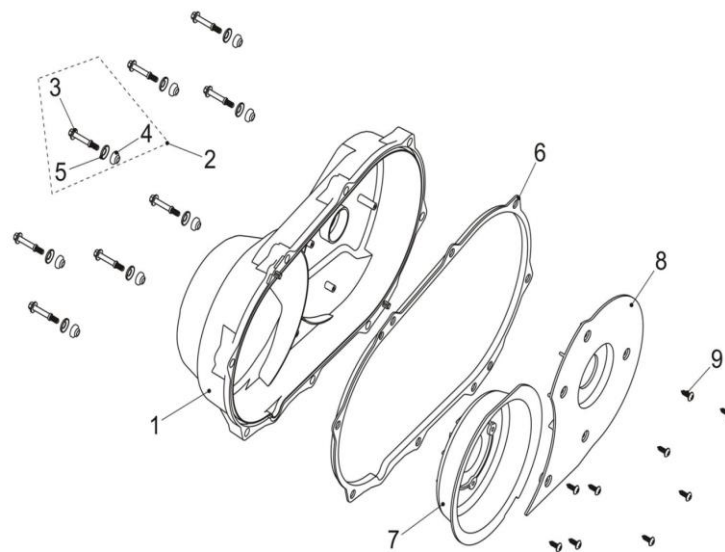
### E08 CVT HOUSING



N°	CÓDIGO	DESCRIÇÃO	Qt.
1	LH00038075	CVT CASE	1
2	LH00011595	BOLT M6x30	4
3	LH00038078	PAPER GASKET, CVT CASE 2	1
4	LH00011596	BOLT M6x12	4
5	LH00038077	OIL SEAL 32X55X10	1
6	LH00050076	DOWEL PIN 8x14	2
7	LH00011597	BOLT M6X40	7
8	LH00035108	WASHER6	1
9	LH00038076	PAPER GASKET, CVT CASE 1	1
10	LH00011598	BOLT M8X25	4
11	LH00038079	PLUG	1
12	LH00038080	PLAIN BEARING, CVT CASE RED (MATCH CVT CASE MAKRED A)	2
	LH00038081	PLAIN BEARING, CVT CASE BLUE (MATCH CVT CASE MAKRED B)	2
13	LH00038082	PLATE, AIR INTAKE	1
14	LH00038083	CVT CASE ASSY	1

## T-BOSS 570 T3

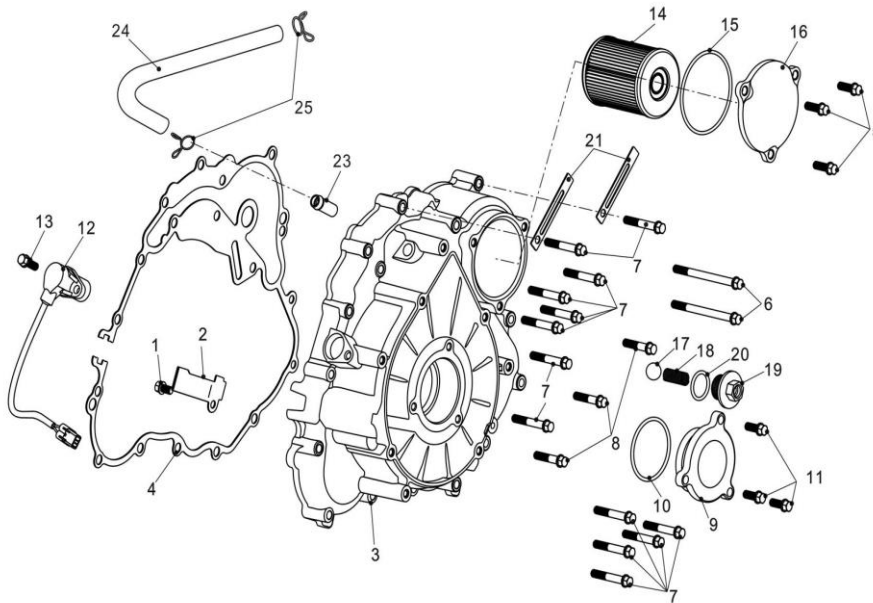
### E09 CVT COVER



Nº	CÓDIGO	DESCRIÇÃO	Qt.
1	LH00038084	CVT COVER	1
2	LH00038008	BOLT COMP. CYLINDER HEAD COVER	8
3	LH00038007	BOLT, CYLINDER HEAD COVER	8
4	LH00038005	RUBBER WASHER	8
5	LH00038006	CAP, RUBBER WASHER	8
6	LH00038146	SEAL RING, CVT COVER	1
7	LH00038085	FRONT HEAT INSULATION COVER	1
8	LH00038086	REAR HEAT INSULATION COVER	1
9	LH00011599	SELF-TAPPING SCREW	9

## T-BOSS 570 T3

### E10 LEFT CRANKCASE COVER

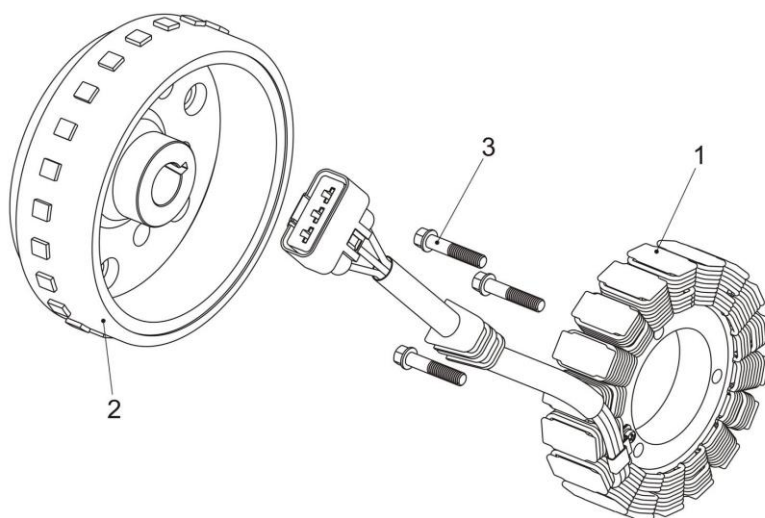


Nº	CÓDIGO	DESCRIÇÃO	Qt.
1	LH00011600	BOLT M6X10	1
2	LH00038087	PLATE	1
3	LH00038088	COVER, LEFT CRANKCASE	1
4	LH00038089	GASKET, LEFT CRANKCASE COVER	1
5	LH00011591	BOLT M6X18	3
6	LH00011602	BOLT M6X75	2
7	LH00011603	BOLT M6X40	13
8	LH00011604	BOLT M6X30	3
9	LH00035537	END CAP	1
10	LH00010039	O-RING46.5x2.65	1
11	LH00011596	BOLT M6X14	3
12	LH00038090	RPM SENSOR	1
13	LH00011589	BOLT M6X16	1
14	LH00038091	FILTER, ENGINE OIL BB	1
15	LH00038061	O-RING 63x2.5	1
16	LH00038147	CAP, OIL FILTER	1
17	LH00011607	STEEL BALL	1
18	LH00038092	SPRING, RELIEF VALVE?	1
19	LH00038093	SCREW PLUG, DECOMPRESSOR	1
20	LH00038094	O-RING 19x2.5	1
21	LH00035247	WIRE CLAMP	2
23	LH00035219	JOINT, BREATHER HOSE	1
24	LH0035220a	BREATHER HOSE	1
25	LH00010845	CLAMP A12	2



## T-BOSS 570 T3

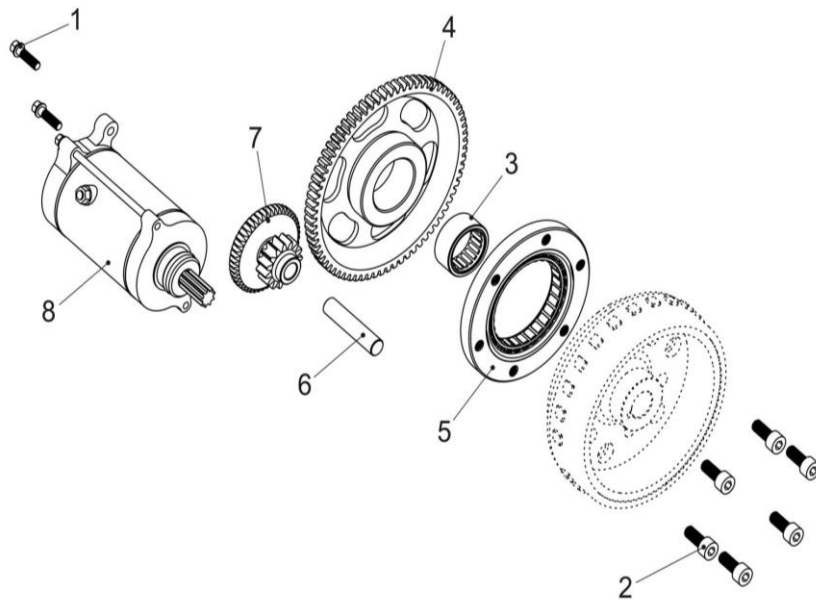
### E11 GENERATOR



N°	CÓDIGO	DESCRIÇÃO	Qt.
1	LH00038096	STATOR ASSY	1
2	LH00038097	ROTOR ASSY	1
3	LH00011437	BOLT M6x30	3

## T-BOSS 570 T3

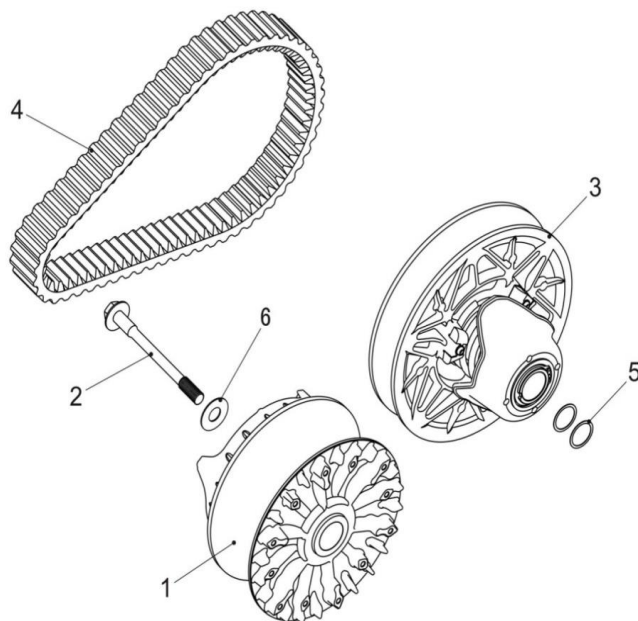
### E12 ELECTRIC STARTER



Nº	CÓDIGO	DESCRIÇÃO	Qt.
1	LH00010278	BOLT M6x22	2
2	LH00010830	SCREW M8x20	6
3	LH00010859	NEEDLE BEARING	1
4	LH00035260	DRIVEN GEAR	1
5	LH00035265	OVERRIDING CLUTCH	1
6	LH00035261	AXLE, DUAL GEAR	1
7	LH00038098	STARTER DUAL GEAR	1
8	LH00038099	STARTING MOTOR	1

## T-BOSS 570 T3

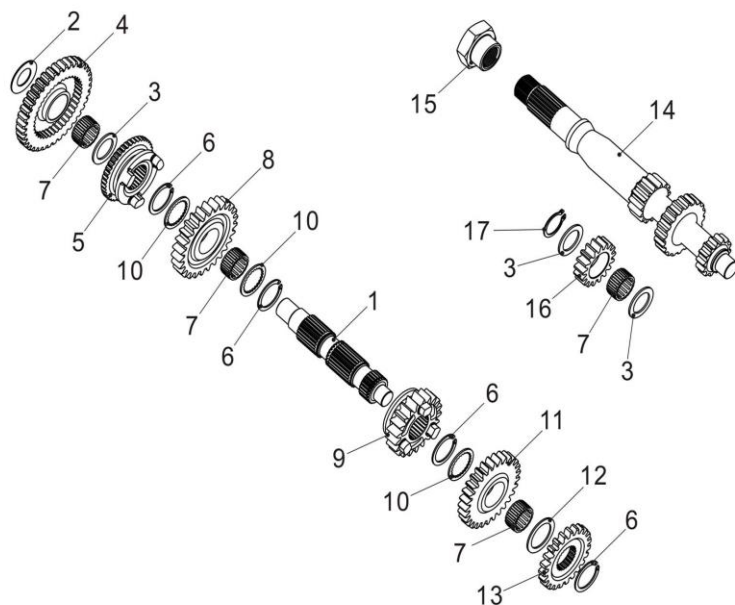
### E13 CLUTCH



N°	CÓDIGO	DESCRIÇÃO	Qt.
1	LH00048637	DRIVE PULLEY	1
2	LH00038101	BOLT, DRIVE PULLEY	1
3	LH00038102	PULLEY, DRIVEN	1
4	LH00038103	CVT BELT BANDO (MITSUBOSHI 35.9X939) (ONLY USED FOR FRANCE)	1
4	LH0038103a	CVT BELT BANDO (GATES POWERLINK 912X35) (USED EXCEPT FOR FRANCE)	1
5	LH00038104	ADJUSTING WASHER	1
6	LH00038105	DRIVE PULLEY WASHER	1

## T-BOSS 570 T3

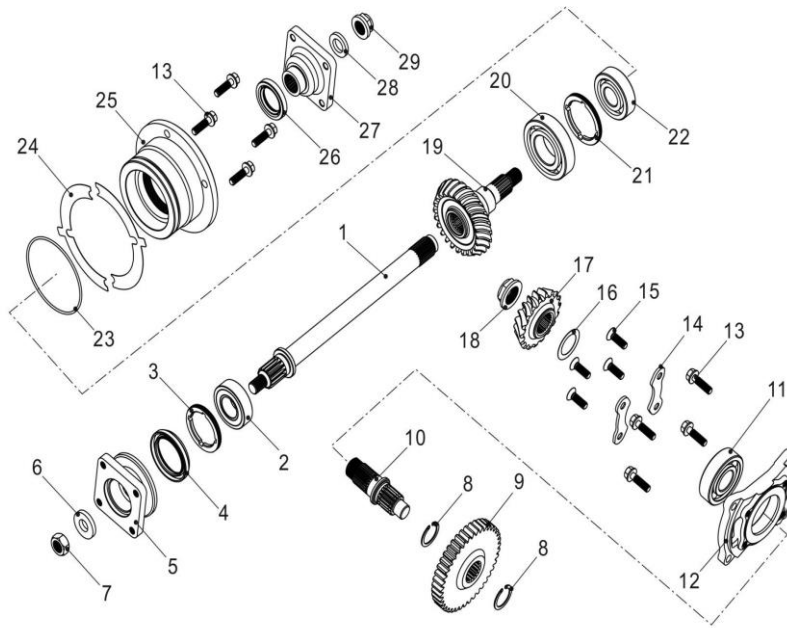
E14 TRANSMISSION I



N°	CÓDIGO	DESCRIÇÃO	Qt.
1	LH00038106	SECONDARY SHAFT	1
2	LH00038107	WASHER 17.5x32x1	1
3	LH00035312	WASHER 20.5x30x1.5	3
4	LH00038108	DRIVEN GEAR, LOW RANGE	1
5	LH00038109	SLIDE GEAR	1
6	LH00035311	RETAINER 25	4
7	LH00038110	BEARING 20x25x12	4
8	LH00038111	GEAR, HIGH RANGE	1
9	LH00038112	DRIVING GEAR, COUNTER	1
10	LH00038113	WASHER	3
11	LH00038114	GEAR, REVERSE	1
12	LH00038115	WASHER 25X34X1.3	1
13	LH00038116	GEAR, PARKING	1
14	LH00038117	MAIN SHAFT	1
15	LH00038118	NUT, MAIN SHAFT	1
16	LH00038119	INTERMEDIATE GEAR SHAFT, REVERSE	1
17	LH00024407	RETAINER	1

## T-BOSS 570 T3

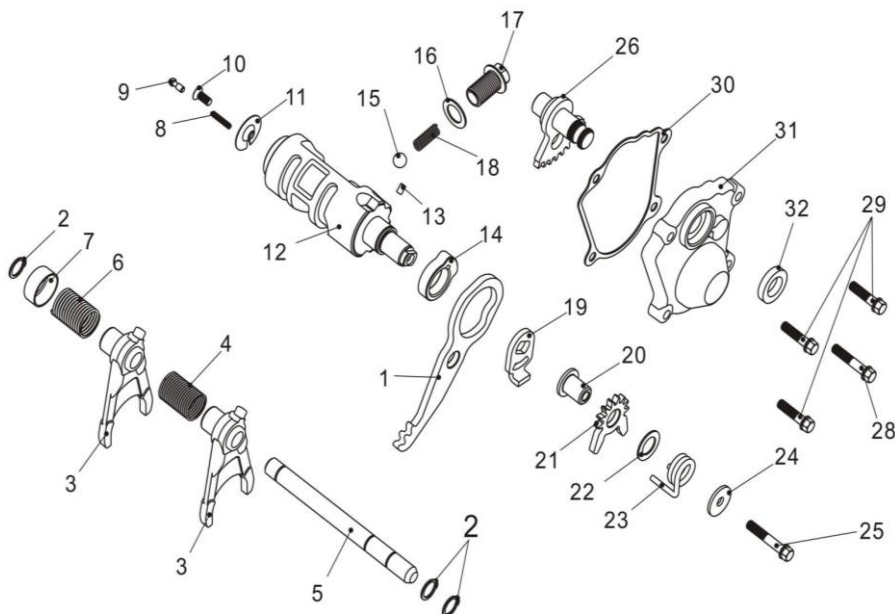
### E15 TRANSMISSION II



Nº	CÓDIGO	DESCRIÇÃO	Qt.
1	LH00035288	FRONT OUTPUT SHAFT	1
2	LH0010267N	BEARING 6205	1
3	LH00035291	BEARING RETAINER, FRONT OUTPUT SHAFT	1
4	LH00035289	OIL SEAL 44×60×6.7/10	1
5	LH00048430	COUPLER, FRONT TRANSMISSION OUTPUT	1
6	LH00035292	WASHER, FRONT TRANSMISSION OUTPUT SHAFT NUT	1
7	LH00010837	NUT M14×1.5-10	1
8	LH00035311	CIRCLIP 25	2
9	LH00035271	OUTPUT DRIVEN GEAR	1
10	LH00035276	DRIVE BEVEL GEAR SHAFT	1
11	LH00010855	BEARING 6305C3	1
12	LH00035274	BEARING SEAT, DRIVE BEVEL GEAR	1
13	LH00035286	BOLT M8×28	4
14	LH00035287	BEARING LIMIT	2
15	LH00011517	SCREW M8×25	4
16	LH00035277	ADJUST WASHER, DRIVE BEVEL GEAR	1
17	LH00035272	DRIVE BEVEL GEAR	1
18	LH00035275	LOCKNUT, BEVEL GEAR	1
19	LH00035273	DRIVEN BEVEL GEAR	1
20	LH00010856	BEARING 6207/P63	1
21	LH00035282	BEARING LIMIT NUT	1
22	LH00010848	BEARING 63/22	1
23	LH00035279	O-RING 88×2.4	1
24	LH00035280	ADJUST WASHER, DRIVEN BEVEL GEAR	2
25	LH00035278	BEARING SEAT, DRIVEN BEVEL GEAR	1
26	LH00035281	OIL SEAL 30×46×7	1
27	LH00035283	COUPLER, REAR TRANSMISSION OUTPUT	1
28	LH00035284	WASHER, REAR OUTPUT SHAFT NUT	1
29	LH00035285	NUT, REAR OUTPUT SHAFT	1

## T-BOSS 570 T3

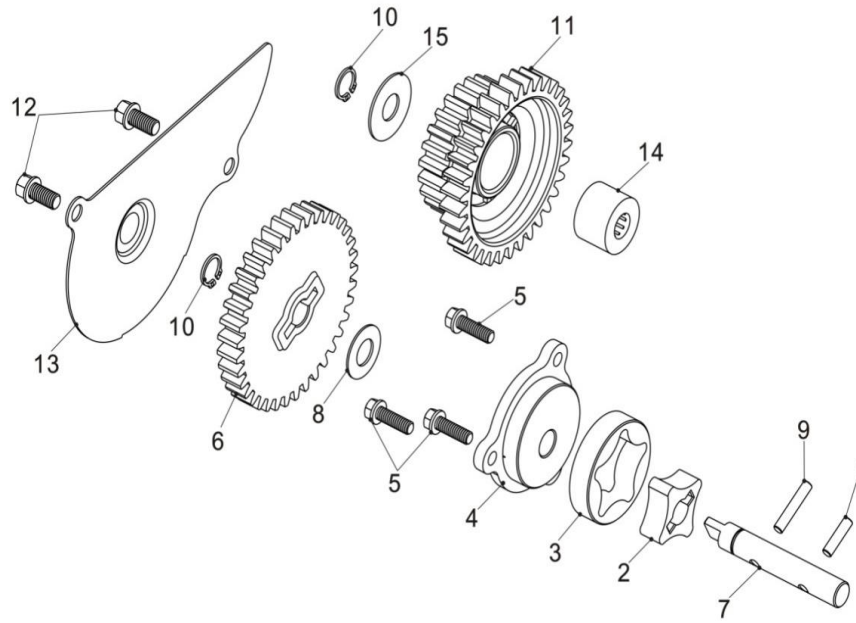
### E16 TRANSMISSION III



Nº	CÓDIGO	DESCRIÇÃO	Qt.
1	LH00038120	ROCKER ARM, PARKING	1
2	LH00010129	CIRCLIP 12	3
3	LH00038121	SHIFT FORK	1
4	LH00035327	SPRING 1, SHIFT FORK	1
5	LH00035333	GUIDE BAR	1
6	LH00035328	SPRING 2, SHIFT FORK	1
7	LH00035326	SPRING SEAT	2
8	LH00035322	SPRING, GEAR CONTACTOR	1
9	LH00035321	GEAR CONTACTOR	1
10	LH00010135	SCREW M5×12	1
11	LH00035323	LIMIT WASHER	1
12	LH00038122	SHIFT CAM	1
13	LH00038123	NEEDLE PIN	1
14	LH00038124	CAM, PARKING	1
15	LH00010842	FRICTION BALL 3/8	1
16	LH00035324	WASHER 14×22×1	1
17	LH00035325	HOLE BOLT M14×1.5	1
18	LH00035332	LIMIT SPRING	1
19	LH00035303	WASHER, DRIVEN SECTOR GEAR	1
20	LH00035302	SHAFT, DRIVEN SECTOR GEAR	1
21	LH00035301	DRIVEN SECTOR GEAR	1
22	LH00035304	WASHER 13.5×22×1	1
23	LH00035305	TORSION SPRING, DRIVEN SECTOR GEAR	1
24	LH00035306	WASHER 6.6×20×2	1
25	LH00011438	BOLT M6×35	1
26	LH00035300	WELD PART, DRIVE SECTOR GEAR	1
28	LH00010329	BOLT M6×32	1
29	LH00010187	BOLT M6×25	3
30	LH00035241	GASKET, SECTOR GEAR HOUSING	1
31	LH00035240	COVER, SECTOR GEAR HOUSING	1
32	LH00035242	OIL SEAL 15×25×5	1

## T-BOSS 570 T3

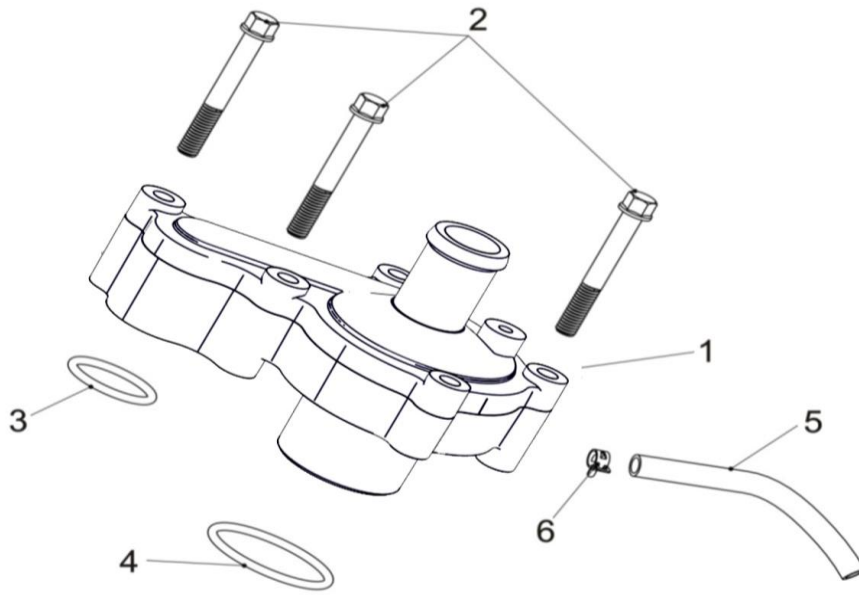
### E17 OIL PUMP



N°	CÓDIGO	DESCRIÇÃO	Qt.
1	LH00011608	NEEDLE PIN P 4x15.8	1
2	LH00038125	INNER ROTOR, OIL PUMP	1
3	LH00038126	OUTER ROTOR, OIL PUMP	1
4	LH00038127	COVER, OIL PUMP	1
5	LH00011609	BOLT M5x16	3
6	LH00038128	SOLID GEAR, OIL PUMP	1
7	LH00038129	SHAFT, OIL PUMP	1
8	LH00038130	WASHER 10.5x20x1	1
9	LH00011610	NEEDLE PIN P 4x21.8	1
10	LH00011611	CIRCLIP 10	2
11	LH00038131	DUAL GEAR, OIL PUMP	1
12	LH00011596	BOLT	2
13	LH00038132	OIL GUARD	1
14	LH00038133	NEEDLE BEAR HK10x22x16	1
15	LH00038134	WASHER 10.5x26x1	1

## T-BOSS 570 T3

### E18 WATER PUMP

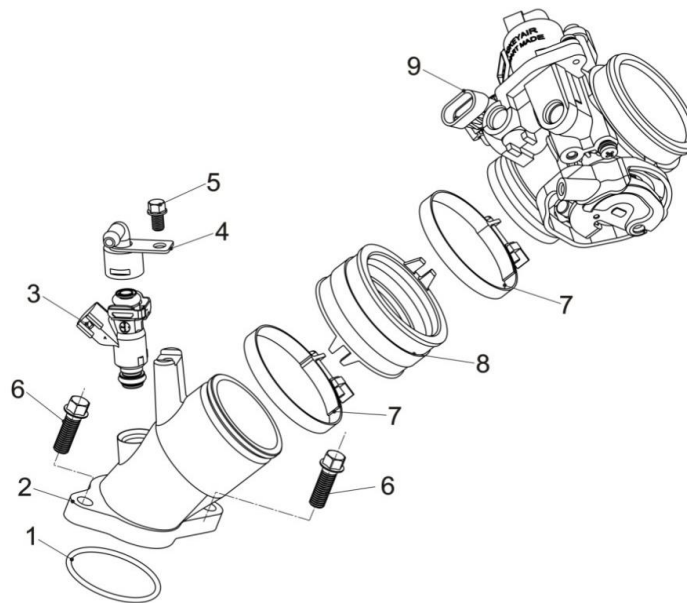


N°	CÓDIGO	DESCRIÇÃO	Qt.
1	LH00048638	WATER PUMP ASSY	1
2	LH00011583	BOLT M6x45	3
3	LH00038136	O-RING22.5x2.5	1
4	LH00035174	O-RING34x2.5	1
5	LH00038137	OVERFLOW TUBE	1
6	LH00011614	CLIP6.5	1



## T-BOSS 570 T3

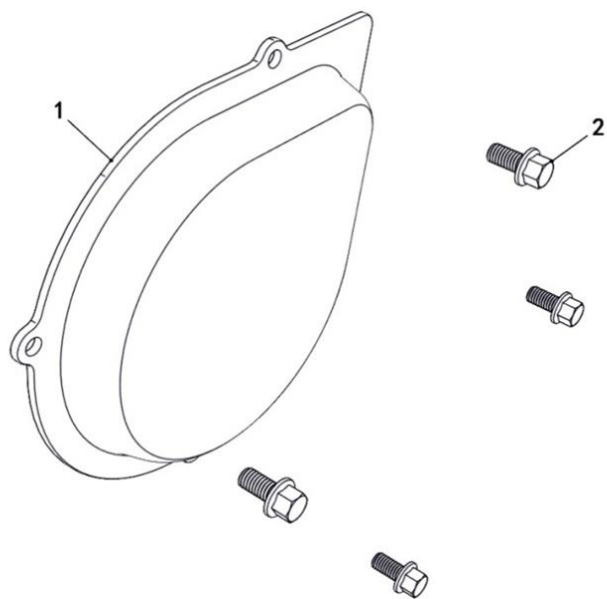
### E19 FUEL INJECTION ASSY



Nº	CÓDIGO	DESCRIÇÃO	Qt.
1	LH00038138	SEAL RING, INJECTOR SEAT	1
2	LH00038139	INJECTOR SEAT	1
3	LH00035745	INJECTOR	1
4	LH00071850	INJECTOR CAP	1
5	LH00010971	BOLT M6X10	1
6	LH00011016	BOLT M8X25	2
7	LH00071844	CLIP 64	2
8	LH00071849	JOINT, FEED HOSE	1
9	LH00036201	THROTTLE BODY ASSEMBLY	1

## T-BOSS 570 T3

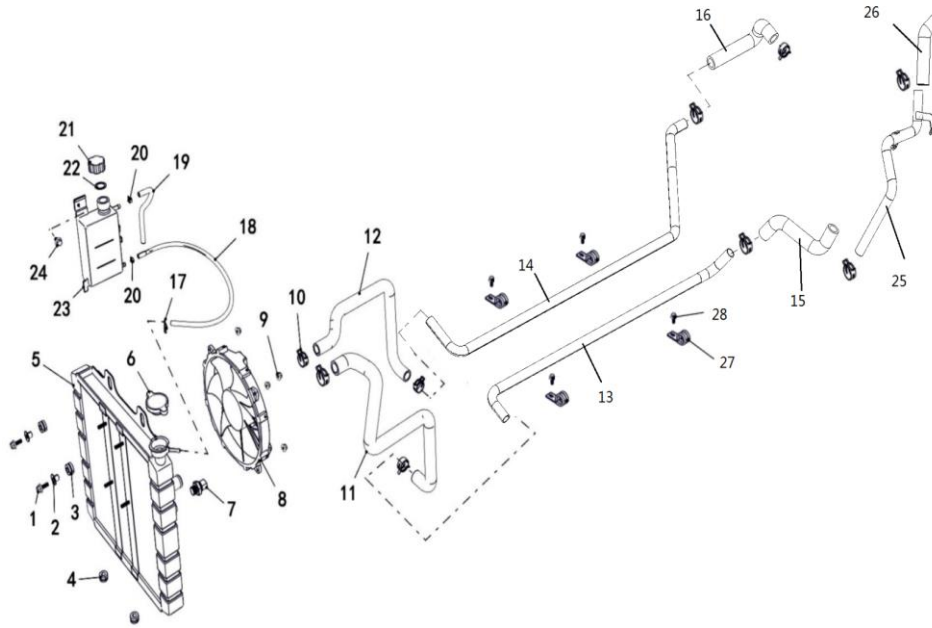
### E20 LEFT SIDE COVER



Nº	CÓDIGO	DESCRIÇÃO	Qt.
1	LH00035270	LEFT SIDE COVER	1
2	LH00011435	BOLT M6×12	4

## T-BOSS 570 T3

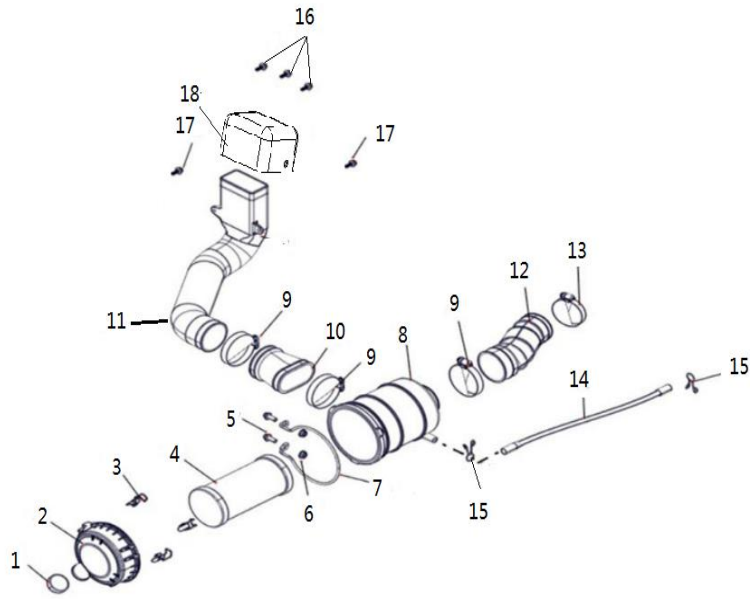
### E21 RADIATOR



Nº	CÓDIGO	DESCRIÇÃO	Qt.
1	LH00010183B	BOLT M6×16	4
2	LH00036052	COLLAR	2
3	LH00036053	RADIATOR SIDE GROMMET, UP	2
4	LH00036054	RADIATOR SIDE GROMMET, DOWN	2
5	LH00048013	RADIATOR	1
6	LH0022907a	SAFETY VALVE	1
7	LH00048020	THERMOSTAT SWITCH ASSY	1
8	LH00035354	BLOWER ASSY	1
9	LH00011475	NUT M6	4
10	LH00011203	CLIP 28	9
11	LH00048017	HOSE, FEED	1
12	LH00048016	HOSE, RETURN	1
13	LH00048639	BRACKET 2	1
14	LH00048640	BRACKET 1	1
15	LH00048641	RETURN HOSE 2, CYLINDER	1
16	LH00048642	FEED HOSE, VALVE	1
17	LH00048014	CLIP 8	1
18	LH00048066	PIPE, SAFETY VALVE	1
19	LH00048325	PIPE, TANK RECOVERY	1
20	LH00047763	CLIP	2
21	LH00070338	COVER, TANK RECOVERY	1
22	LH00070339	WASHER, TANK RECOVERY	1
23	LH00083456	TANK RECOVERY	1
24	LH00010140B	BOLT M6×12	1
25	LH00048643	BRACKET 3	1
26	LH00048644	RETURN HOSE 1, CYLINDER	1
27	LH00048645	FIXED CLAMP ASSEMBLY	4
28	LH0010183B	BOLT M6×16	4

## T-BOSS 570 T3

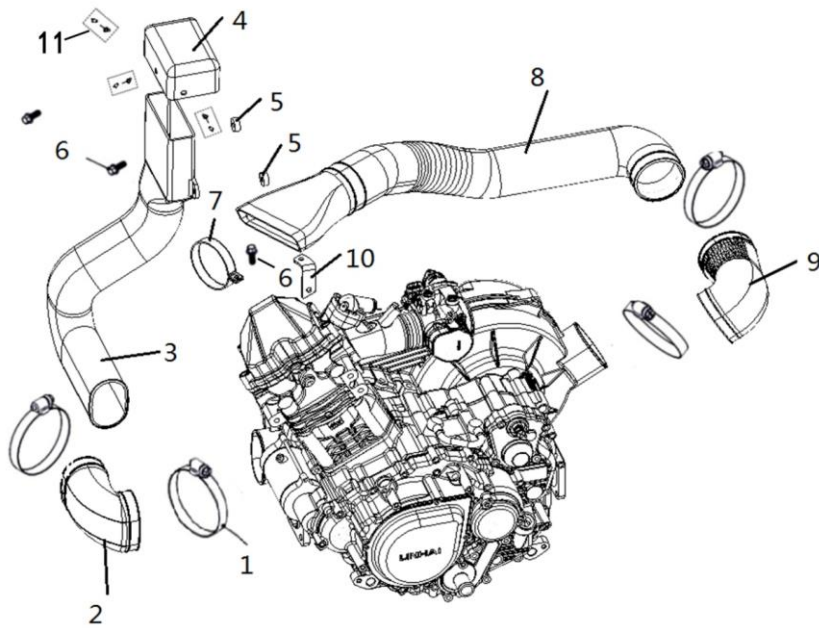
### E22 AIR CLEANER



Nº	CÓDIGO	DESCRIÇÃO	Qt.
1	LH00073835	OIL CAP	1
2	LH00073823	COVER, AIR CLEANER	1
3	LH00073825	WIRE SPRING FASTENER	3
4	LH00073824	ELEMENT COMP AIR CLEANER	1
5	LH00011492	BOLT M8×20	2
6	LH00011455	NUT M8	2
7	LH00073842	AIR CLEANER MOUNTING CLAMP	1
8	LH00073826	CASE, AIR CLEANER	1
9	LH00035670	CLIP 80	3
10	LH00073829	AIR CLEANER INTAKE PIPE	1
11	LH00073834	AIR CLEANER INLET CONNECTION PIPE	1
12	LH00048646	AIR CLEANER CONNECTING PIPE	1
13	LH00035747	CLIP 52/76	1
14	LH00047756	PIPE BREATHER1	1
15	LH00073752	HOOP 2	2
16	LH00048252	PLASTIC SCREW	3
17	LH0010183B	BOLT M6×16	2
18	LH00048647	INTAKE HOSE COVER	1

## T-BOSS 570 T3

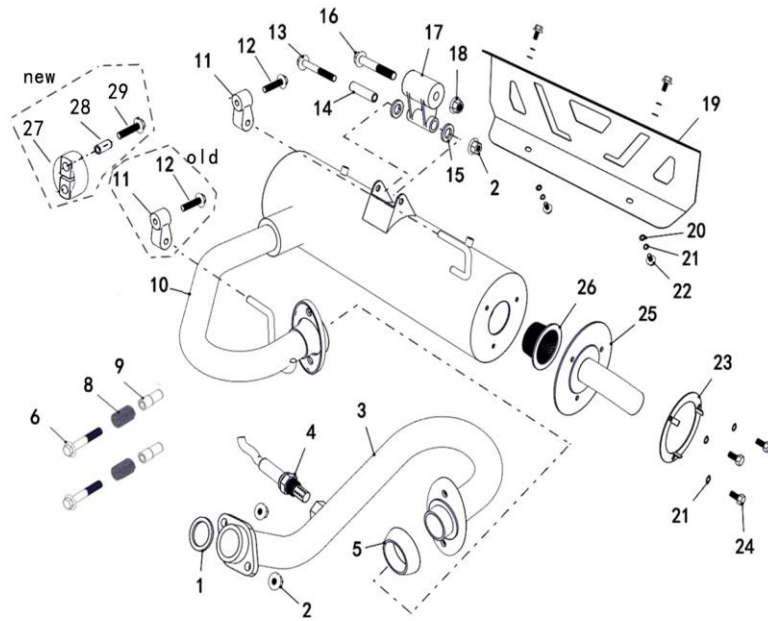
### E23 CVT AIR SHROUD



Nº	CÓDIGO	DESCRIÇÃO	Qt.
1	LH00035670	CLAMP 80	4
2	LH00048648	RUBBER JOINT AIR SHROUD 1, CVT	1
3	LH00048649	AIR SHROUD 1, CVT	1
4	LH00048650	INTAKE HOSE COVER	1
5	LH00024217	THE RIGHT WASHER	2
6	LH0010187B	BOLT M6×25	3
7	LH00048011	CLAMP AIR SHROUD 2, CVT	1
8	LH00048651	AIR SHROUD 2, CVT	1
9	LH00026339	RUBBER JOINT AIR SHROUD 2, CVT	1
10	LH00048652	BRACKET	1
11	LH00048252	PLASTIC SCREW	3

## T-BOSS 570 T3

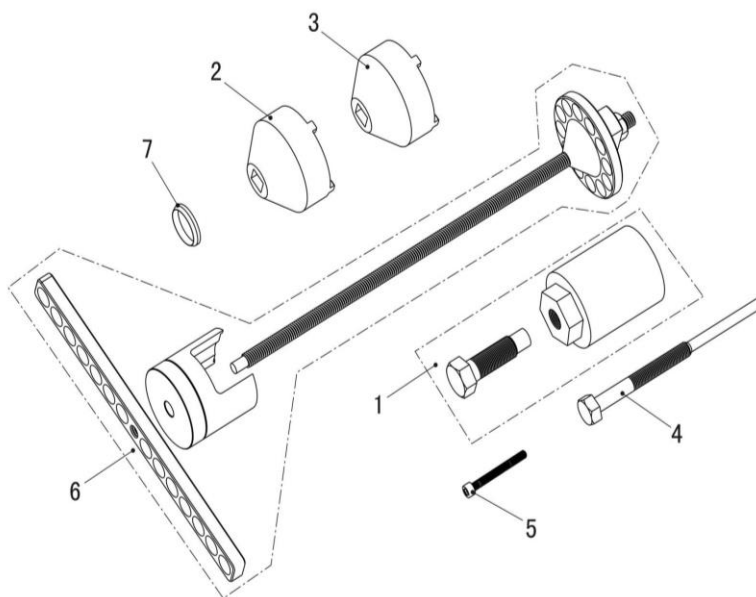
### E24 EXHAUST



Nº	CÓDIGO	DESCRIÇÃO	Qt.
1	LH00038013	GASKET, EXHAUST PIPE	1
2	LH00011455	NUT M8	3
3	LH00048653	PIPE, EXHAUST	1
4	LH00070826	OXYGEN SENSOR	1
5	LH00035370	JOUNT	1
6	LH00011184	BOLT M10×60	2
8	LH00047076	SPRING	2
9	LH00046107	T SPACER	2
10	LH00048654	MUFFLER	1
11	LH00048040	SOFT RUBBER CONNECTION	2
12	LH00011185	BOLT M8×35	2
13	LH00011261	BOLT M8×68	1
14	LH00048042	SPACER 11.7×46	1
15	LH00048043	WIRE WASHER	2
16	LH00010154	BOLT M10×1.25×70	1
17	LH00048041	CONNECTION BLOCK	1
18	LH00010795	NUT M10	1
19	LH00048039	COVER, MUFFLER	1
20	LH00011090	WASHER 6	4
21	LH00011019	WASHER 6	7
22	LH00011345	BOLT M6×16	4
23	LH00026364	WASHER, MUFFLER	1
24	LH00011320	BOLT M6×16	3
25	LH00026458	TAIL PIPE	1
26	LH00026363	FIRE PROTECTION NETWORK	1
27	LH00073838	PIPE HANGER	1
28	LH00073839	SEPTUM, PIPE HANGER	1
29	LH00011465	BOLT M8×40	1

## T-BOSS 570 T3

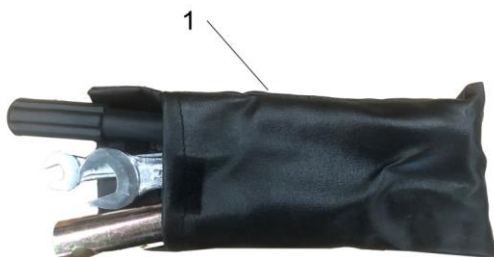
E25 TOOL



Nº	CÓDIGO	DESCRIÇÃO	Qt.
1	LH00080129	ROTOR ASSY PULLER	1
2	LH00080130	BEARING RETAINER, FRONT OUTPUT SHAFT, NUT WRENCH	1
3	LH00080131	BEARING LIMIT NUT, NUT WRENCH	1
4	LH00038144	DRIVING PULLEY PULLER	1
5	LH00038177	CVT BELT BANDO PULLER (BOLT M6X55)	1
6	LH00072014	DRIVEN PULLEY SPRING COMPRESSOR	1
7	LH00072015	THE TOOL FOR ONE WAY CLUTCH OF DRIVING WHEEL	1

# T-BOSS 570 T3

E26 TOOL



Nº	CÓDIGO	DESCRIÇÃO	Qt.
1	LH00080393	TOOLS	1



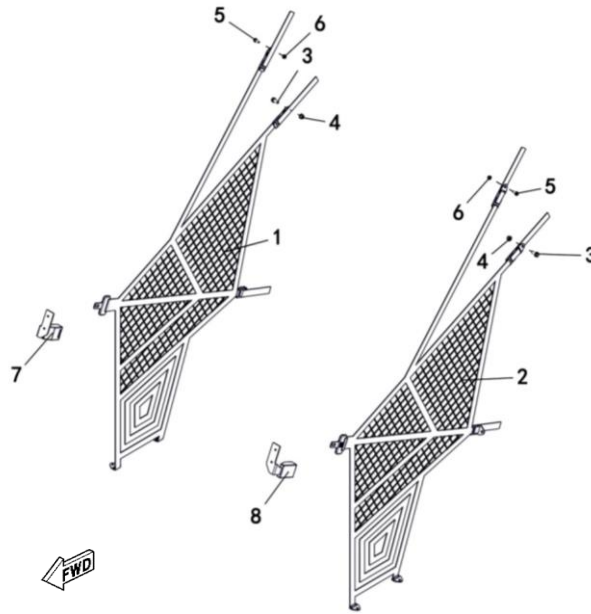
## T-BOSS 570 T3

### EQUIPAMENTO OPCIONAL



## LH800D EURO 4

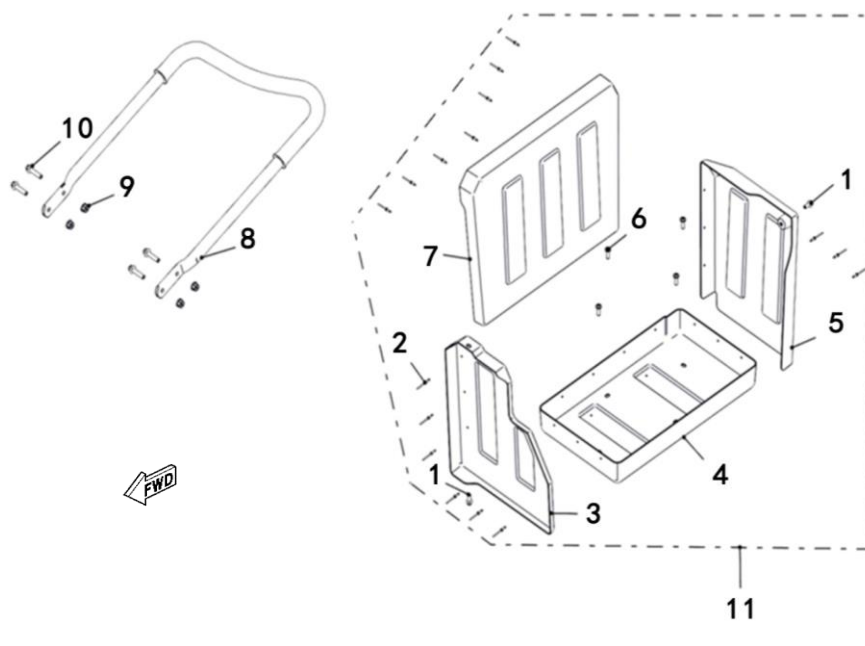
### V1 BODY, SIDE NETS (OPTIONAL)



Nº	CÓDIGO	DESCRIÇÃO	Qt.
1	LH00048275	NET, SIDE, R	1
2	LH00048276	NET, SIDE, L	1
3	LH00010783	BOLT M8X20	2
4	LH00011145	NUT M8	2
5	LH00011495	BOLT M6X16	2
6	LH00011233	NUT M6	2
7	LH00048273	ASM., CLIP, NET, R	1
8	LH00048274	ASM., CLIP, NET, L	1

## LH800D EURO 4

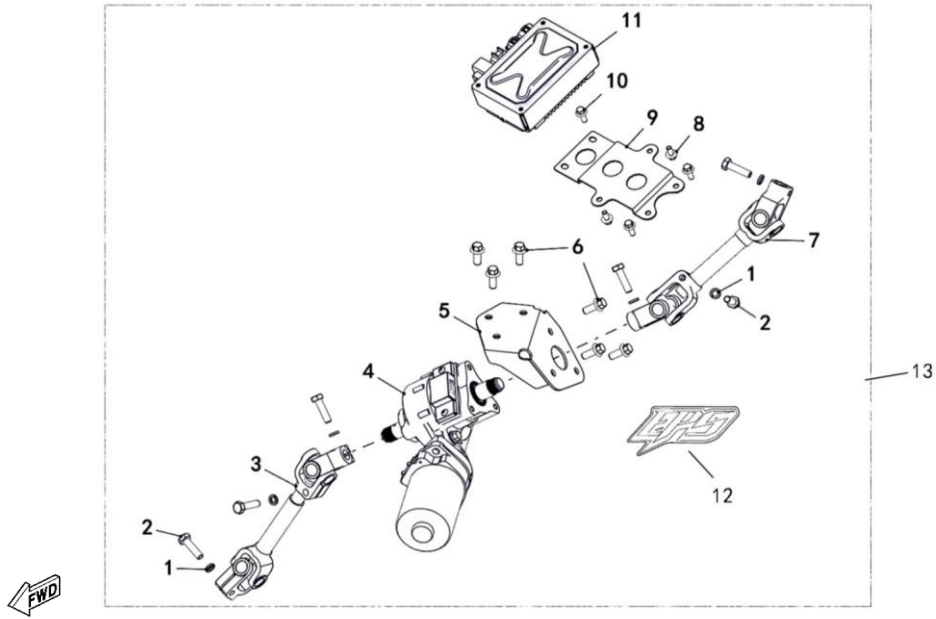
### V2 PASSENGER ARMREST, TOOL BOX (OPTIONAL)



Nº	CÓDIGO	DESCRIÇÃO	Qt.
1	LH00048269	BOLT M6×16	2
2	LH00011256	CORE PULLING RIVETS 3X10	16
3	LH00048261	TOOL BOX, BEFORE THE BAFFLE	1
4	LH00048255	TOOL BOX, FLOOR	1
5	LH00048262	TOOL BOX, TAILGATE	1
6	LH00048270	SCREW M6×20	4
7	LH00048260	TOOL BOX, THE SIDE PANEL	1
8	LH00048290	ASSIST GRIP ASSY	1
9	LH00011145	NUT M8	4
10	LH00010783	BOLT M8×20	4
11	LH00048265	TOOL BOX, ASSEMBLY	1

## LH800D EURO 4

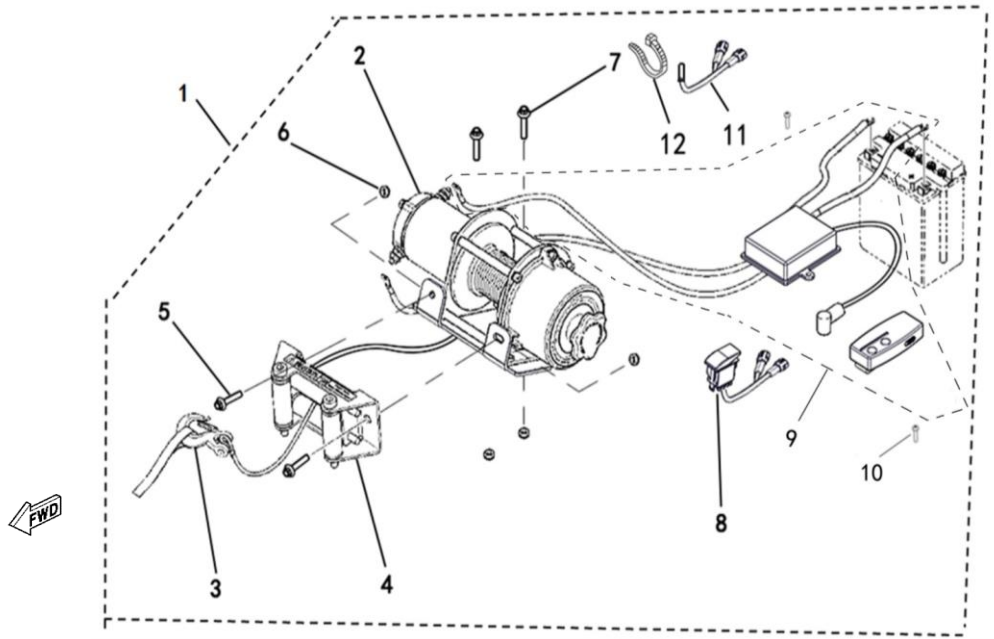
V3 EPS (OPTIONAL)



Nº	CÓDIGO	DESCRIÇÃO	Qt.
1	LH00010106	SPRING 8	6
2	LH00010653	BOLT M8×30	6
3	LH00048100	EPS OUTPUT UNIVERSAL AXIS.	1
4	LH00048099	EPS POWER ASSEMBLY	1
5	LH00048084	PLATE EPS ASSY	1
6	LH00010783	BOLT M8×20	6
7	LH00048096	EPS OUTIN UNIVERSAL AXIS.	1
8	LH00010140B	BOLT M6×12	2
9	LH00048095	PLATE, EPS CONTROLLER	1
10	LH00073054	SCREW M6×16	3
11	LH00048101	EPS CONTROLLER	1
12	LH00048389	EPS MARK	2
13	LH00048628	EPS ASSEMBLY (INCLUDING PACKAGING)	1

## LH800D EURO 4

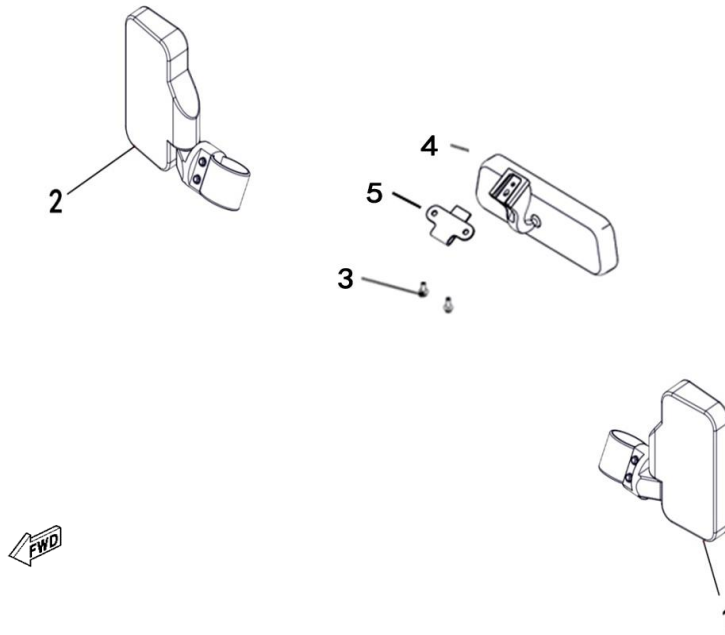
### V4 WINCH (OPTIONAL)



Nº	CÓDIGO	DESCRIÇÃO	Qt.
1	LH00048629	WINCH ASSY (3000LBS)	1
2	LH00073544	WINCH (3000LBS\1360kg)	1
3	LH00073545	TOW HOOK	1
4	LH00073546	SLIDEWAY	1
5	LH00010783	BOLT M8×20	2
6	LH00011145	NUT M8	4
7	LH00010783	HEXAGON FLANGE BOLT M8×20	2
8	LH00073547	SWITCH	1
9	LH00048668	CONTROLLER AND REMOTE CONTROL	1
10	LH00011529	SCREW M5X16	2
11	LH00048369	TEMPERATURE SENSOR	1
12	LH00011334	TIE	1

## LH800D EURO 4

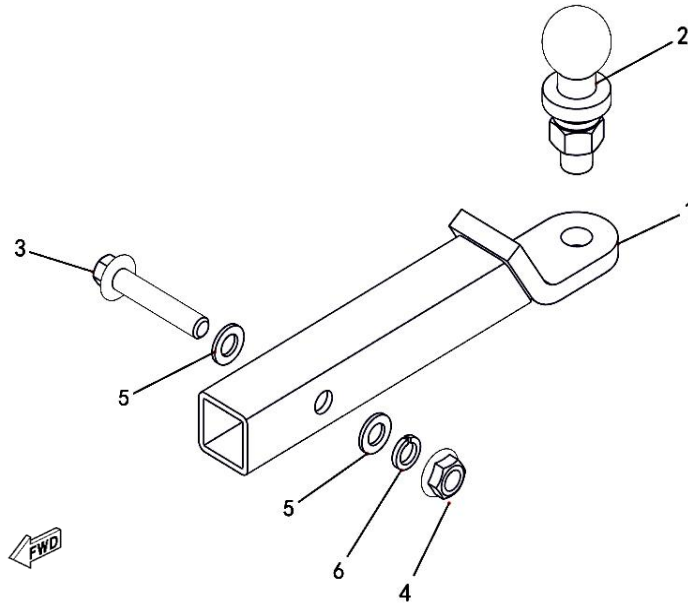
### V5 REAR VIEW MIRROR (OPTIONAL)



Nº	CÓDIGO	DESCRIÇÃO	Qt.
1	LH00048633	REAR VIEW MIRROR, L (T1 homologated)	1
2	LH00048634	REAR VIEW MIRROR, R (T1 homologated)	1
3	LH00011495	BOLT M6×16	2
4	LH00048545	CENTER MIRROR KIT	1
5	LH00048546	BRACKET, CENTER MIRROR KIT	1

## LH800D EURO 4

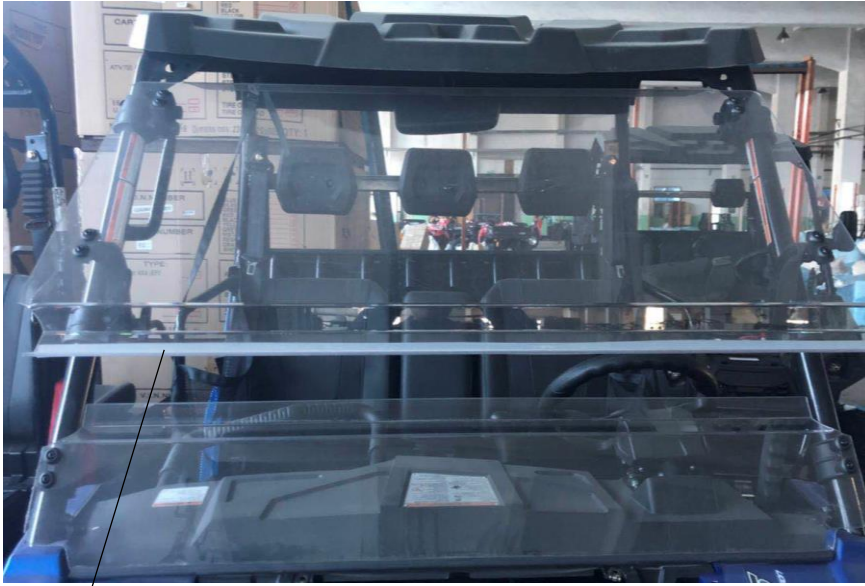
### V6 TRAILER HITCH (OPTIONAL)



Nº	CÓDIGO	DESCRIÇÃO	Qt.
1	LH00048556	BRACKET, TRACTOR	1
2	LH00048557	BALL, TRACTOR	1
3	LH00010964	BOLT M16X95	1
4	LH00010658	NUT M16	1
5	LH00010037	WASHER1 6	2
6	LH00027050	WASHER SPRING 16	1

# LH800D EURO 4

## V7 FRONT WINDSHIELD (OPTIONAL)



Nº	CÓDIGO	DESCRIÇÃO	Qt.
1	LH00048550	Windshield assembly	1
2	LH00047502	Windshield mounting accessories	1