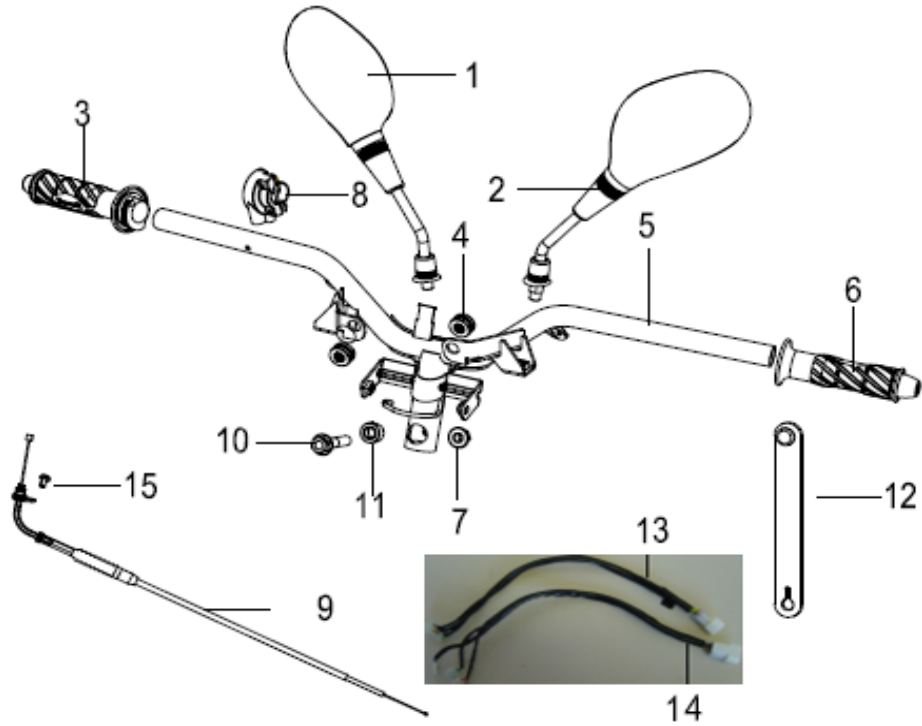


LOGIK 125 Euro4

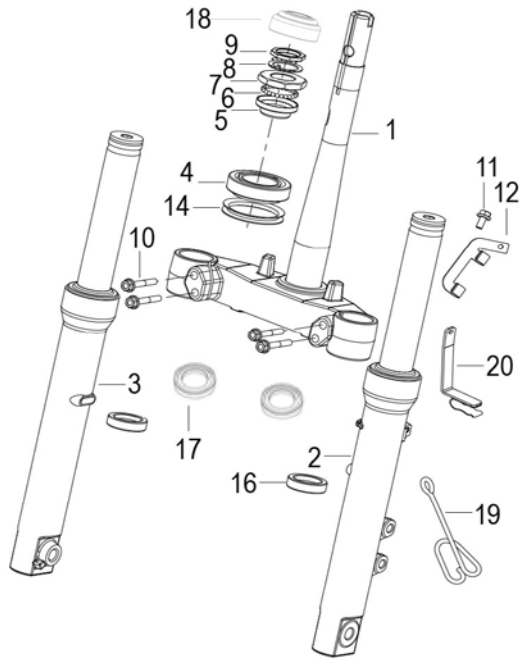
F01 CONTROL ASSY.



NO.	Position No.	CODE	EN DESCRIPTION	Qty/ Unit	Qty/ Pack	start year
1	F01	40480T430007	MIRROR ASSY.,RR VIEW, R.IGHT	1		2016
2	F01	40450T430007	MIRROR ASSY.,RR VIEW, LEFT	1		2016
3	F01	40210T090003	GRIP ASSY., HANDLE, R.	1		2016
4	F01	65313T430007	RUBBER CUSHION	2		2016
5	F01	40100T430007	HANDLE BAR ASSY	1		2016
6	F01	40001T090003	BUSHING, STEERING HANDLE,L	1		2016
7	F01	B04171012544	NUT M10×1.25	1		2016
8	F01	40320T430007	CABLE THROTTLE MOUNTING SEAT	1		2016
9	F01	40300T430008	EFI CABLE ASSY., THROTTLE	1		2016
10	F01	40131G510100	BOLT	1		2016
11	F01	40031T030000	PRESS BLOCK	1		2016
12	F01	49371T620000	CLIP,RUBBER	1		2016
13	F01	70140T430000	WIRE,HADLE SWITCH LEFT	1		2016
14	F01	70150T580001	WIRE,HADLE SWITCH RIGHT,AHO	1		2016
15	F01	B0200050102H	SCREW M5×10MM	1		2016

LOGIK 125 Euro4

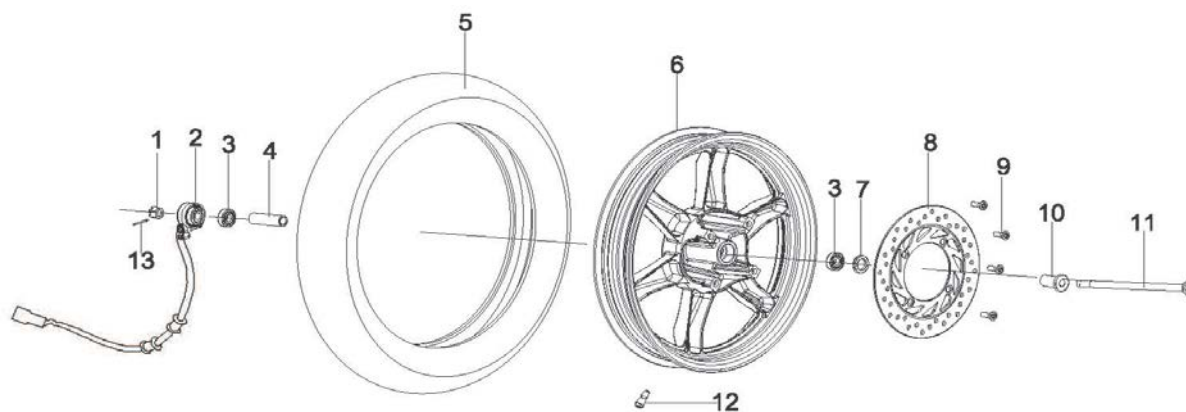
F02 FORK ASSY.



NO.	Position No.	CODE	EN DESCRIPTION	Qty/ Unit	Qty/ Pack	start year
1	F02	43100T430000	UNDER BRACKET COMP.	1		2016
2	F02	43200T430000	F.L. FORK ASSY.	1		2016
3	F02	43300T430000	F.R. FORK ASSY.	1		2016
4	F02	43004T180000	BEARING 32007	1		2016
5	F02	43002T020000	RACE,LOWER TOP BEARING	1		2016
6	F02	B06010110000	BALL,UPPER 5/32"	25		2016
7	F02	43001T020000	RACE,UPPER TOP BEARING	1		2016
8	F02	96800B030001	WASHER	1		2016
9	F02	08052T020000	NUT	1		2016
10	F02	B0109080456H	BOLT 8×45MM	4		2016
11	F02	B0109060126H	BOLT 6×12MM	1		2016
12	F02	45044T430008	HOLDER, CABLE	1		2016
14	F02	43006T430000	DUSTPROOF RING, LOWER CUP	1		2016
16	F02	43260G070000	OIL SEAL	2		2016
17	F02	43290T430000	DUST SEAL	2		2016
18	F02	43005T750000	COVER, DUSTPROOF	1		2016
19	F02	45351T430000	STEEL CLIP	1		2017
20	F02	45050T430000	HOLDER, CABLE	1		2017

LOGIK 125 Euro4

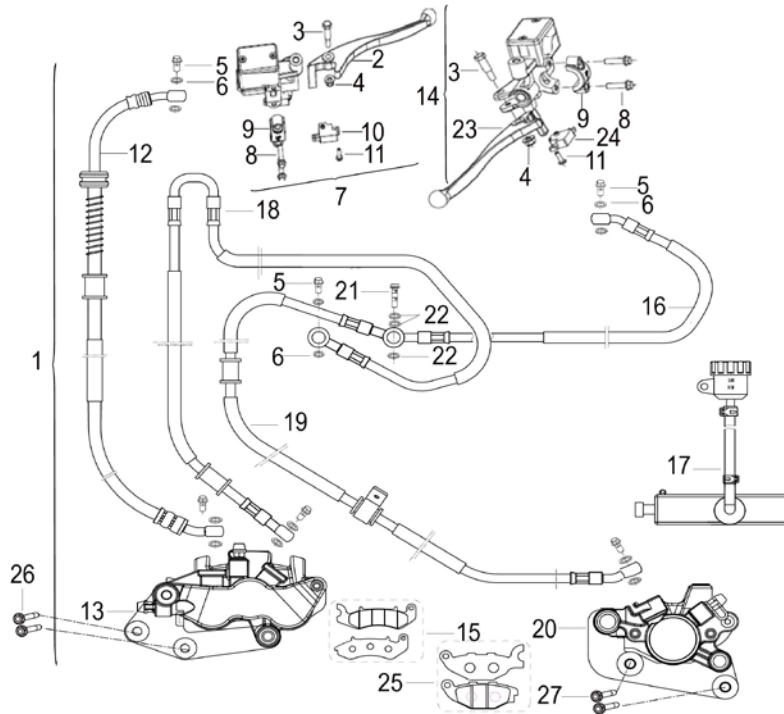
F03 FRONT WHEEL ASSY.



NO.	Position No.	CODE	EN DESCRIPTION	Qty/ Unit	Qty/ Pack	start year
1	F03	B04251212554	NUT M12×1.25	1		2016
2	F03	44200T42CA00	SPEED SENSOR ASSY	1		2016
3	F03	B12016020100	BEARING	2		2016
4	F03	44601T430001	INTERMEDIATE SHAFT SLEEVE,FRONT WHEEL ASSY	1		2016
5	F03	B140505E1622	TYRE 100/80-16,E-mark:E4 75R 0002452	1		2016
6	F03	44101T430000	FRONT WHEEL	1		2016
7	F03	54027T030000	COVER,DUSTPROOF	1		2016
8	F03	45033T430001	BRAKE DISK	1		2016
9	F03	45036K010000	BOLT M8×24	4		2016
10	F03	44005T430001	LEFT SHAFT SLEEVE,FRONT WHEEL	1		2016
11	F03	44004T430000	AXLE,FRONT WHEEL	1		2016
12	F03	B1403Z201100	VALVE INSIDE	1		2016
13	F03	B090003025A4	OPEN-END PIN 3×25	1		2016

LOGIK 125 Euro4

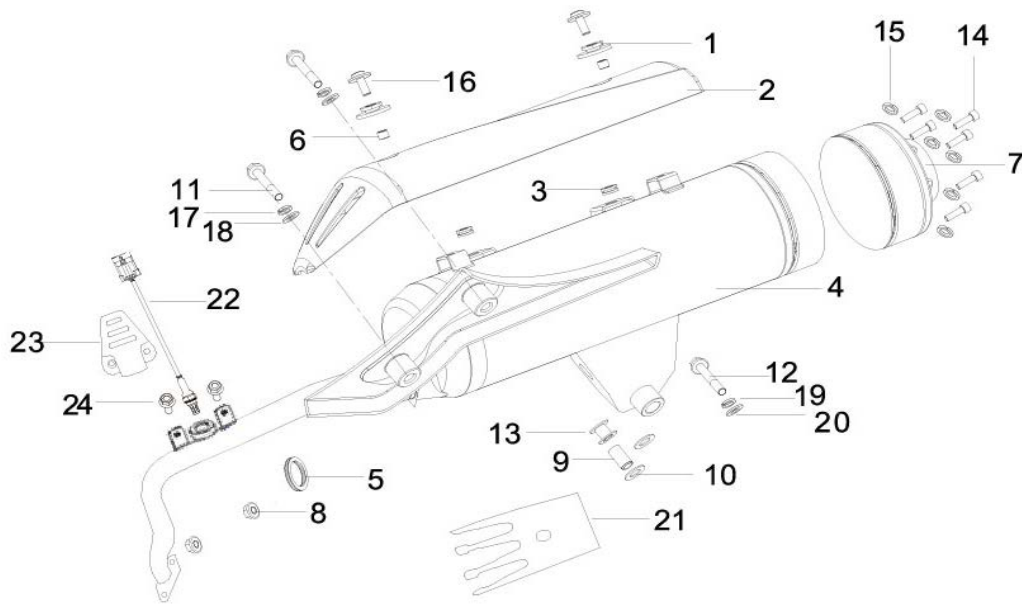
F04 FRONT DISK BRAKE.



NO.	Position No.	CODE	EN DESCRIPTION	Qty/ Unit	Qty/ Pack	start year
1	F04	55A00T430000	DISK BRAKE ASSY	1		2016
2	F04	45022T750000	FRONT BRAKE LEVER	1		2016
3	F04	45024T400000	BRAKE LEVER PIVOT SCREW 6×30MM	2		2016
4	F04	B04170600065	NUT 6MM	2		2016
5	F04	45037J000000	BRAKE HOSE BANJO BOLT	6		2016
6	F04	45180J000000	AIRPROOF UNDERLAY	12		2016
7	F04	45400T430007	FRONT MASTER CYLINDER ASSY	1		2016
8	F04	B01070602365	BOLT 6×23MM	4		2016
9	F04	45023T010000	MASTER CYLINDER BRACKET	2		2016
10	F04	45300J000000	FRONT BRAKE SWITCH ASSY	1		2016
11	F04	B02000401225	BOLT 4×12MM	2		2016
12	F04	45200T43000C	FRONT BRAKE HOSE	1		2016
13	F04	45500T430001	FRONT LEFT CALIPER ASSY.	1		2016
14	F04	55400T430017	REAR MASTER CYLINDER ASSY.	1		2016
15	F04	45110T800000	FRONT BRAKE PADS	1	2	2016
16	F04	55210T43000C	REAR BRAKE HOSE I	1		2016
17	F04	55400T800002	CBS MASTER CYLINDER ASSY.	1		2016
18	F04	55240T43000C	REAR BRAKE HOSE II	1		2016
19	F04	55270T43000C	REAR BRAKE HOSE III	1		2016
20	F04	55500T430002	REAR CALIPER ASSY.	1		2016
21	F04	45037P150001	BRAKE HOSE BANJO BOLT	1		2016
22	F04	45180P300000	WASHER	3		2016
23	F04	55022T430000	REAR BRAKE LEVER	1		2016
24	F04	55300T430010	REAR BRAKE SWITCH ASSY	1		2016
25	F04	55110T430002	REAR BRAKE PADS	1	2	2016
26	F04	B01090803564	BOLT M8×35MM	2		2016
27	F04	45039J070100	BOLT M8×41	2		2016

LOGIK 125 Euro4

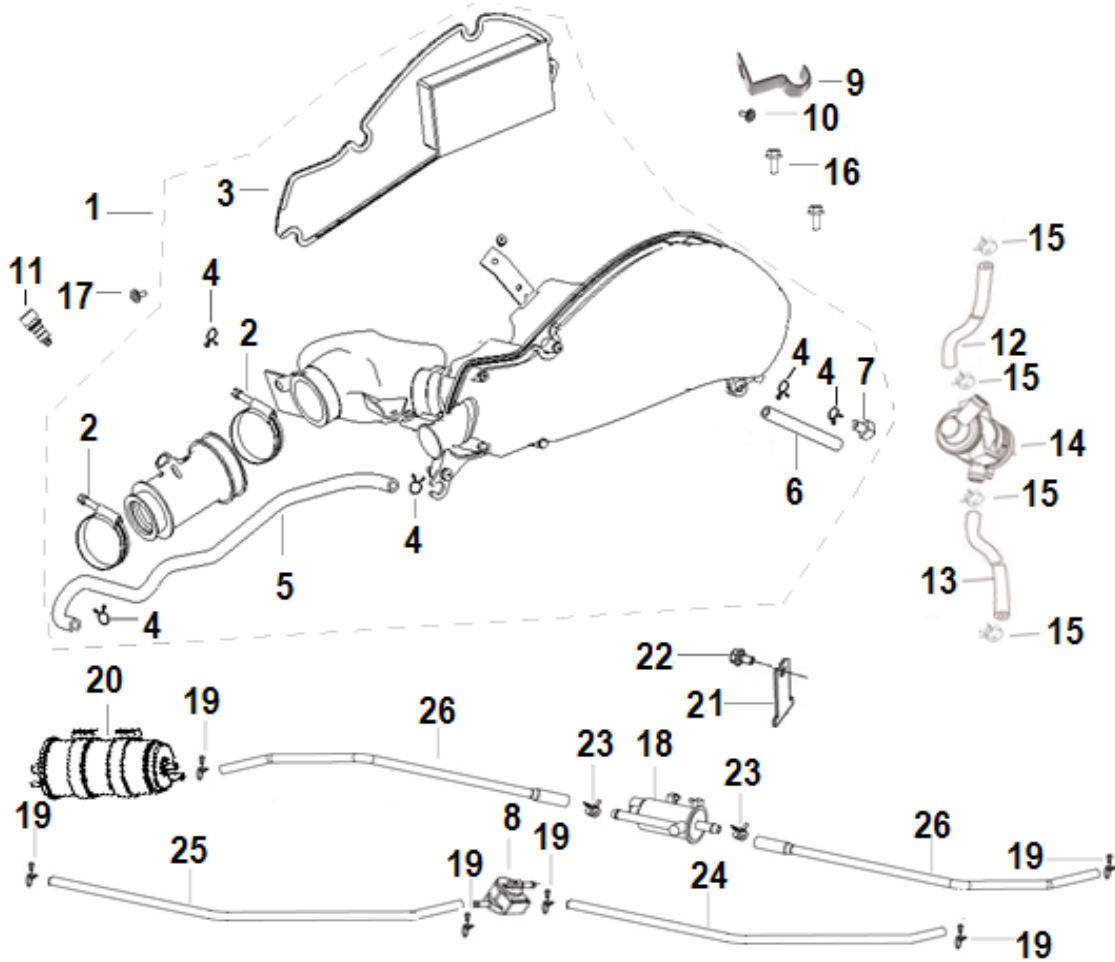
F06 MUFFLER ASSY.



NO.	Position No.	CODE	EN DESCRIPTION	Qty/ Unit	Qty/ Pack	start year
1	F06	47028T430000	RUBBER SLEEVE	2		2016
2	F06	47023T43BC00	MUFFLER GUARD BOARD,GRAPHITE BLACK BC	1		2016
3	F06	47142T430000	RUBBER SLEEVE	2		2016
4	F06	47100T43000C	MUFFLER COMP.with double catalyzer	1		2016
5	F06	47035B910000	BUSH ASSY	2		2016
6	F06	47033T430000	SLEEVE GASKET	1		2016
7	F06	47038T43HT00	MUFFLER COVER,GREY HT	1		2016
8	F06	47006T430000	NUT M7	2		2016
9	F06	47026T430000	RUBBER SLEEVE	1		2016
10	F06	B0703000100H	WASHER 10	1		2016
11	F06	B0109080556H	BOLT M8×55	2		2016
12	F06	B0109100456H	BOLT M10×45	1		2016
13	F06	47040T100000	BUSH	1		2016
14	F06	B02050601664	SCREW 6×16MM	6		2016
15	F06	B07000000604	SPRING WASHER 6	6		2016
16	F06	B1306060200H	SCREW 6×20MM	2		2016
17	F06	B0700000080H	SPRING WASHER 8MM	2		2016
18	F06	B0703000080H	WASHER 8MM	2		2016
19	F06	B0700000100H	SPRING WASHER 10MM	1		2016
20	F06	B0703000100H	WASHER 10MM	1		2016
21	F06	47013T430000	HEAT REFLECT PAPER	1		2016
22	F06	310023160000	OXYGEN SENSOR	1		2016
23	F06	47011T430011	SHIELD,OXYGEN SENSOR	1		2016
24	F06	B0109060166H	BOLT M6×16	2		2016

LOGIK 125 Euro4

F07 AIR CLEANER ASSY.



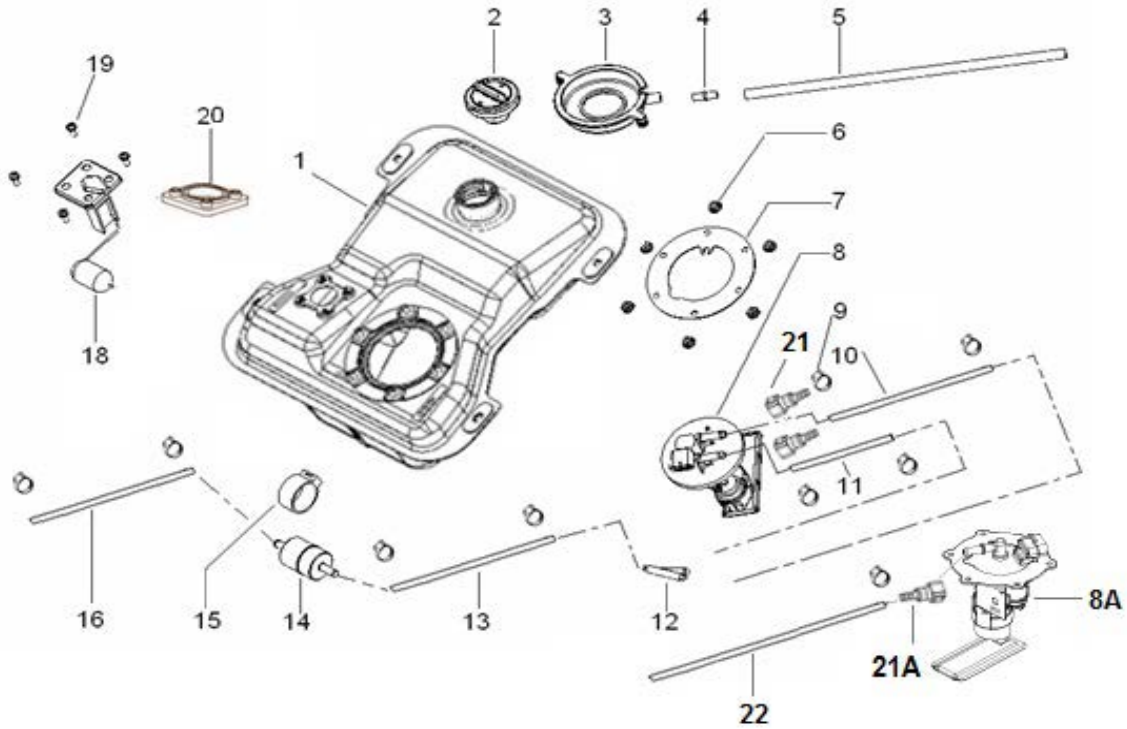
NO.	Position No.	CODE	EN DESCRIPTION	Qty/ Unit	Qty/ Pack	start year
1	F07	49100T43000C	AIR CLEANER COMP.mark:e9 QJ AFTGK6	1		2016
2	F07	49350T430000	CLAMP ASSY	2		2016
3	F07	49200T430000	FILTER ASSY	1		2016
4	F07	B17010110003	CLIP	5		2016
5	F07	49802T430000	VAT AIR BACK	1		2016
6	F07	49009T410000	OIL DRAIN	1		2016
7	F07	49011T020000	OIL TUCK	1		2016
8	F07	50260T730000	Dump valve	1		2016
9	F07	49032T430000	HOLDER	1		2016
10	F07	B13140501405	SCREW W/WASHER M5×14	1		2016
11	F07	310015040000	TEMPERATURE SENSOR	1		2016
12	F07	49801T430000	PIPE 2	1		2016
13	F07	49803T430000	PIPE 1	1		2016
14	F07	120063160000	VALVE ASSY,AIR INJECTION CONTROL	1		2016
15	F07	49804J000000	CLIP Φ17.5×10×1	4		2016
16	F07	B0109060256H	BOLT M6X25MM	2		2016
17	F07	B1306050160H	SCREW W/WASHER M5×16	1		2016
18	F07	49710N070000	CANISTER ELECTROMAGNETIC VALVE	1		2016
19	F07	49806J000000	CLIP Φ7×7×0.6	5		2016

LOGIK 125 Euro4

20	F07	49910T760000	CANISTER COMBINATION	1	2016
21	F07	57055J690000	ELECTROMAGNETIC VALVE MOUNTING BRACKET	1	2016
22	F07	B0109060126H	BOLT M6×12	1	2016
23	F07	B17010105003	CLIP ϕ 10.5	2	2016
24	F07	B16010C23301	HOSE ϕ 4.5×8.5×330	1	2016
25	F07	B16010C24001	HOSE ϕ 4.5×8.5×400	1	2016
26	F07	50301W020000	PIPE 4.5×10×330	2	2016

LOGIK 125 Euro4

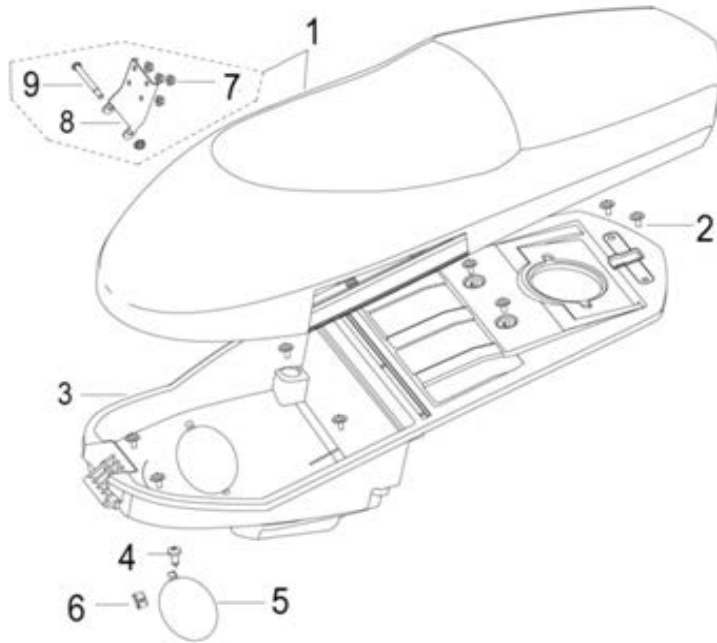
F08 FUEL TANK



NO.	Position No.	CODE	EN DESCRIPTION	Qty/ Unit	Qty/ Pack	start year
1	F08	50100T430009	FULE TANK COMP	1		2016
2	F08	50200T850011	CAP,FUEL TANK	1		2016
3	F08	50114T430000	PROTECTOR FULE TANK	1		2016
4	F08	64008G220000	HOSE	1		2016
5	F08	50012G220000	HOUSE FUEL $\Phi 11 \times \Phi 7 \times 600$	1		2016
6	F08	B0407060005H	NUT M6	6		2016
7	F08	50118T430001	PLATE,EFI	1		2016
8	F08	50400T430001	FUEL PUMP ASSY	1		2016
8A	F08	50400T430004	FUEL PUMP ASSY	1		2017
9	F08	B1701016000A	CLIP 16	8		2016
9	F08	B1701016000A	CLIP 16	4		2017
10	F08	B16010832201	HOSE $\Phi 8 \times 3 \times 220$ mm	1		2016
11	F08	B16010832001	HOSE $\Phi 8 \times 3 \times 200$ mm	1		2016
12	F08	3316801K0000	THREE JOINTS	1		2016
13	F08	B16010832801	HOSE $\Phi 8 \times 3 \times 280$ mm	1		2016
14	F08	50340N100001	FITER ASSY	1		2016
15	F08	50391T430001	DUST COVER	1		2016
16	F08	B16010834401	HOSE $\Phi 8 \times 3 \times 440$ mm	1		2016
18	F08	50810T430007	SENSOR,FUEL TANK	1		2016
19	F08	B1306050160H	SCREW W/WASHER M5x16	4		2016
20	F08	50004B590000	CUSHION,RUBBER	1		2016
21	F08	50087N070000	TUBE CONNECTOR	2		2016
21A	F08	50087N070000	TUBE CONNECTOR	1		2017
22	F08	50070T430001	HOSE $\Phi 8 \times 14 \times 435$ mm	1		2017
		50412T430004	FUEL PUMP SEAL RING	1		2017

LOGIK 125 Euro4

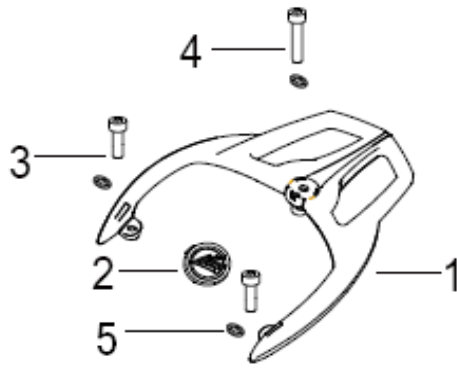
F09 SEAT ASSY.



NO.	Position No.	CODE	EN DESCRIPTION	Qty/ Unit	Qty/ Pack	start year
1	F09	51100T43000A	SEAT	1		2016
2	F09	B1306060160H	BOLTM6X16MM	8		2016
3	F09	51004T430001	HELMET BOX	1		2016
4	F09	B0507420130H	TAPPING SCREW	1		2016
5	F09	51005B400000	LOWER COVER, HELMET BOX	1		2016
6	F09	65801T020001	NUT, CLIP	1		2016
7	F09	B0407060005H	NUT 6MM	5		2016
8	F09	51081T430000	SEAT HINGE	1		2016
9	F09	51001T430000	INSTALLATION SHAFT,SEAT	1		2016

LOGIK 125 Euro4

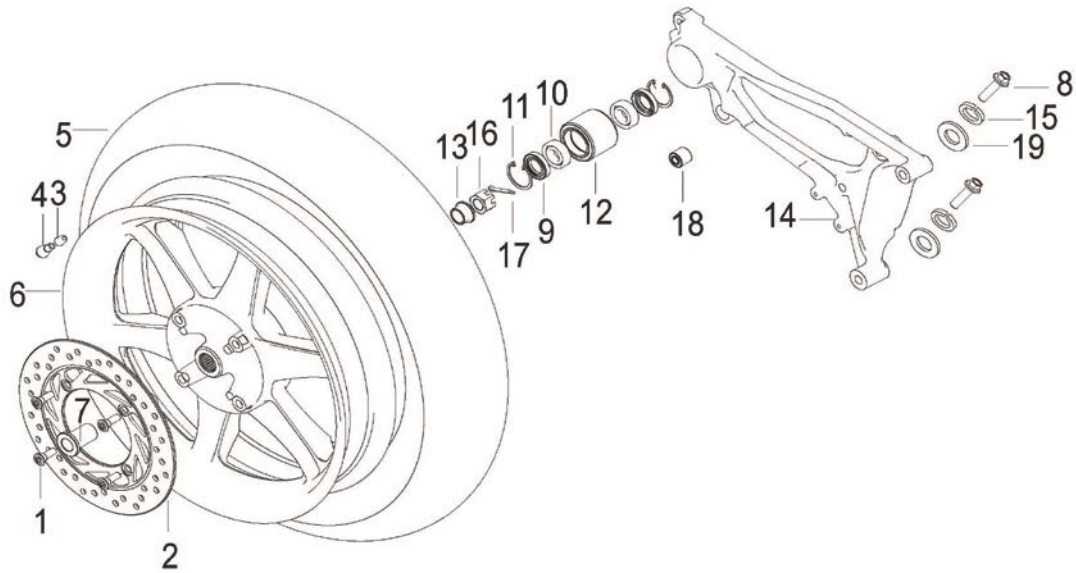
F10 REAR HANDLE ASSY.



NO.	Position No.	CODE	EN DESCRIPTION	Qty/ Unit	Qty/ Pack	start year
1	F10	52002T43H800	REAR CARRIER GREY H8	1		2016
2	F10	52003T43H800	REAR CARRIER LOGO, GREY H8	1		2016
3	F10	B0205080256H	SCREW M8×25	2		2016
4	F10	B0205080656H	BOLT 8×65MM	1		2016
5	F10	B0703000080H	SPRING WASHER 8MM	3		2016

LOGIK 125 Euro4

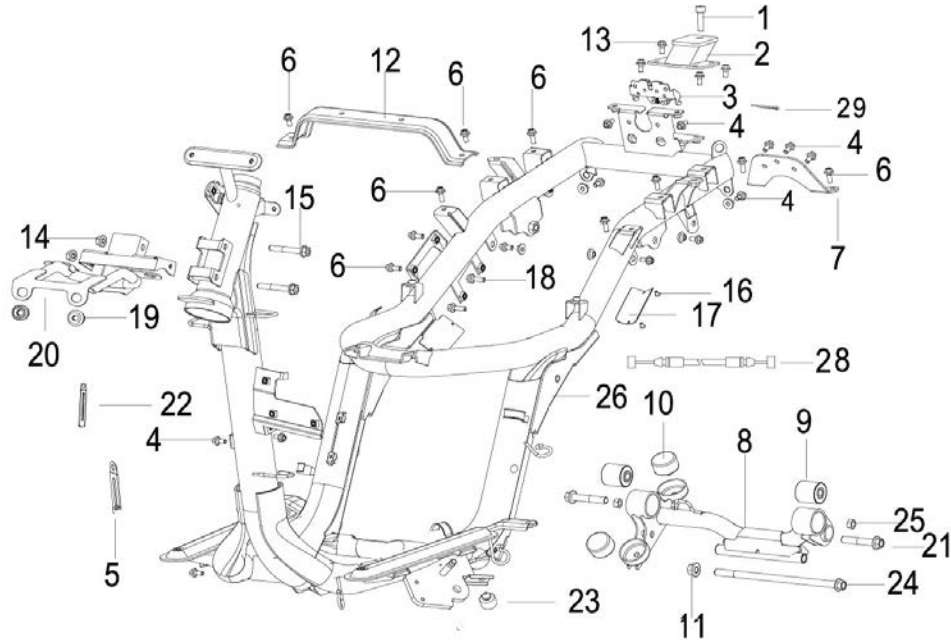
F11 REAR WHEEL ASSY.



NO.	Position No.	CODE	EN DESCRIPTION	Qty/ Unit	Qty/ Pack	start year
1	F11	45036K010000	BOLT	4		2016
2	F11	55033T430000	BRAKE DISC	1		2016
3	F11	B1404Z2011A0	CAP VALVE	1		2016
4	F11	B1403Z201100	RIM VALVE	1		2016
5	F11	B140507E1622	TIRE 120/80-16 E4 75R 0005164	1		2016
6	F11	54100T430000	BA. WHEEL RIM COMP (SILVER CJ)	1		2016
7	F11	54005T430001	BA.WHEEL L.COLLAR	1		2016
8	F11	B0159100556H	BOLT M10X1.25X55MM	2		2016
9	F11	44300B910000	OIL SEAL 22×35×7	2		2016
10	F11	B12016000300	SPACER	2		2016
11	F11	B08000003501	WASHER 35	2		2016
12	F11	54620T430000	FIXED BUSH ASSY	1		2016
13	F11	54016T430001	BA.WHEEL R.COLLAR	1		2016
14	F11	54611T43CR10	BOARD ASSY,SILVER WHITE	1		2016
15	F11	B0700000100H	SPRING WASHER 10MM	2		2016
16	F11	B04111615014	GROOVE NUT 16×1.5MM	1		2016
17	F11	B090004036AH	PIN 4×36	1		2016
18	F11	54630T430000	FIXED BUSH ASSY	1		2016
19	F11	B0703000100H	WAHSER 10MM	2		2016

LOGIK 125 Euro4

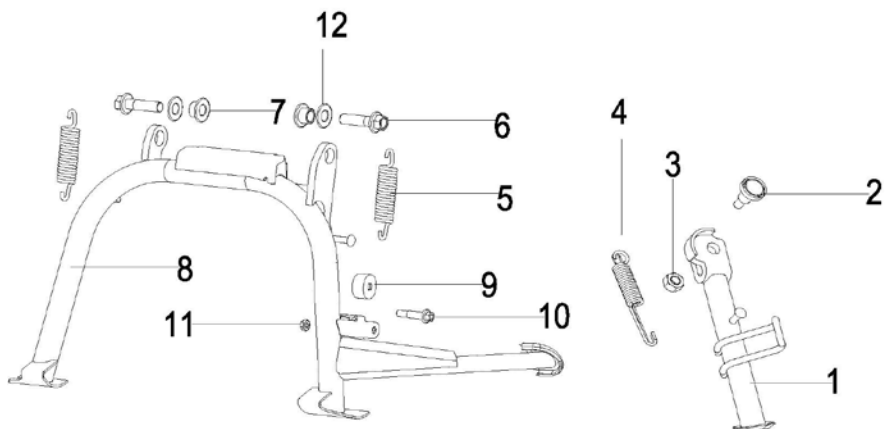
F12 FRAME BODY



NO.	Position No.	CODE	EN DESCRIPTION	Qty/ Unit	Qty/ Pack	start year
1	F12	B0205080656H	SCREW M8×65	1		2016
2	F12	57770T430000	RR. ARM REST BRACKET	1		2016
3	F12	58800B410000	LOCK SEAT	1		2016
4	F12	B0109060126H	BOLT M6×12	17		2016
5	F12	58430J670000	CLIP II	2		2016
6	F12	B0109060166H	BOLT M6×16	10		2016
7	F12	57433T430000	CONNECTING BOARD,	1		2016
8	F12	58320T430010	WELD, ASSY, HANGER, POWER	1		2016
9	F12	58350T430000	SPACER ASSY	2		2016
10	F12	58302T430000	BUFFER BLOCK	2		2016
11	F12	B0417101254H	NUT M10×1.25	1		2016
12	F12	57080T430007	PRESS PLATE ASSY., FUEL TANK	1		2016
13	F12	B0109060166H	BOLT M6×16	4		2016
14	F12	B0417080004H	NUT M8	2		2016
15	F12	B0109080556H	BOLT M8×55	2		2016
16	F12	B100432007P0	RIVET 3.2×7	2		2016
17	F12	57001T430009	LABEL, FRAME	1		2016
18	F12	B0109060206H	BOLT M6×20	2		2016
19	F12	65618J130000	RUBBER CUSHION, GUARD BOARD	2		2016
20	F12	59400T430007	FRONT COVER BRACKET ASSY.	1		2016
21	F12	B0159100556H	BOLT M10×1.25×55	2		2016
22	F12	58430J000000	CLIP,81MM	6		2016
23	F12	58507H170000	BUFFER RUBBER	1		2016
24	F12	58303T430000	SHAFT, FIXING, ENGINE	1		2016
25	F12	B0417101254H	NUT M10×1.25	2		2016
26	F12	57100T43000B	WELDING ASSY, FRAME	1		2016
28	F12	58800T430000	CABLE ASSY	1		2016
29	F12	B0900160161H	PIN 1.6×16	1		2016

LOGIK 125 Euro4

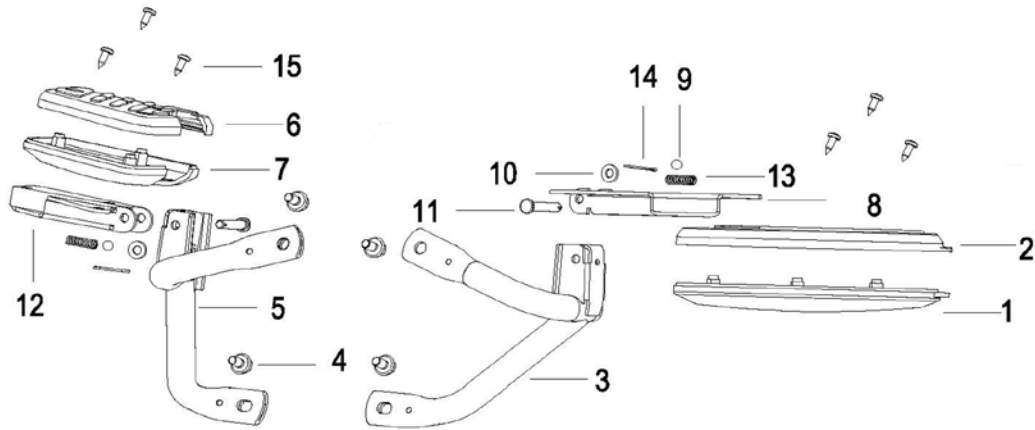
F13 MAIN STAND ASSY



NO.	Position No.	CODE	EN DESCRIPTION	Qty/ Unit	Qty/ Pack	start year
1	F13	58700T430016	SIDE STAND COMP	1		2016
2	F13	57005B410101	FIXING BOLT,SIDE STAND 8×35.5	1		2016
3	F13	B0407080005H	NUT M8	1		2016
4	F13	57010N100000	SPRING,SIDE STAND	1		2016
5	F13	58502T430000	SPRING,MID STAND	2		2016
6	F13	B0159100356H	BOLT M10×1.25×35	2		2016
7	F13	58511T430000	BUSH	2		2016
8	F13	58520T430050	MID STAND COMP	1		2016
9	F13	58507T030000	BUFFER BLOCK,MAIN STAND	1		2016
10	F13	08011T410100	BOLT M6×30	1		2016
11	F13	B0407060005H	NUT M6	1		2016
12	F13	B0700000100H	SPRING WASHER 10MM	2		2016

LOGIK 125 Euro4

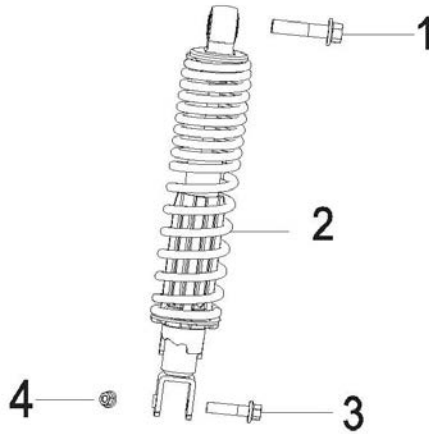
F14 Pedaling assembly



NO.	Position No.	CODE	EN DESCRIPTION	Qty/ Unit	Qty/ Pack	start year
1	F14	65438T43BA07	DECORATE PART II,LEFT,SATIN BLACK BA	1		2016
2	F14	65436T430007	DECORATE PART I,LEFT	1		2016
3	F14	58250T430007	BRACKET ASSY,LEFT	1		2016
4	F14	B0109080166H	BOLT M8×16	4		2016
5	F14	58460T430007	BRACKET ASSY,RIGHT	1		2016
6	F14	65437T430007	DECORATE PART I,RIGHT	1		2016
7	F14	65439T43BA07	DECORATE PART II,RIGHT,SATIN BLACK BA	1		2016
8	F14	58260T430007	SUPPORT FOOTREST ASSY,LEFT	1		2016
9	F14	B06010200000	STEEL BALL	2		2016
10	F14	B0703000060H	WASHER 6	2		2016
11	F14	B090406032BH	PIN SHAFT	2		2016
12	F14	58480T430007	SUPPORT FOOTREST ASSY,RIGHT	1		2016
13	F14	58482T430000	COMPRESS SPRING	2		2016
14	F14	B0900160161H	OPEN-END PIN 1.6×16	2		2016
15	F14	B0507420160H	SCREW ST4.2×16	6		2016

LOGIK 125 Euro4

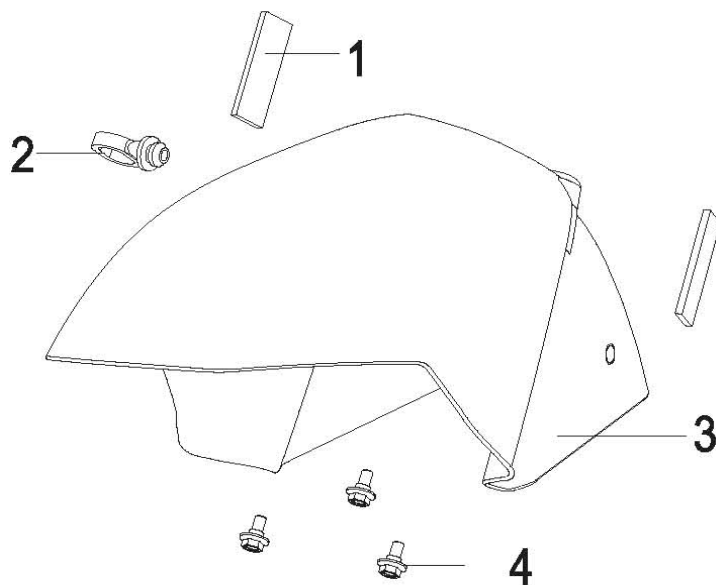
F15 REAR ABSORBER



NO.	Position No.	CODE	EN DESCRIPTION	Qty/ Unit	Qty/ Pack	start year
1	F15	B0159100406H	BOLT M10×1.25×40	2		2016
2	F15	63800T43BH00	REAR ABSORBER COMP.,spring in extra black	2		2016
3	F15	B0109080456H	BOLT M8×45	2		2016
4	F15	B0407080005H	NUT M8	1		2016

LOGIK 125 Euro4

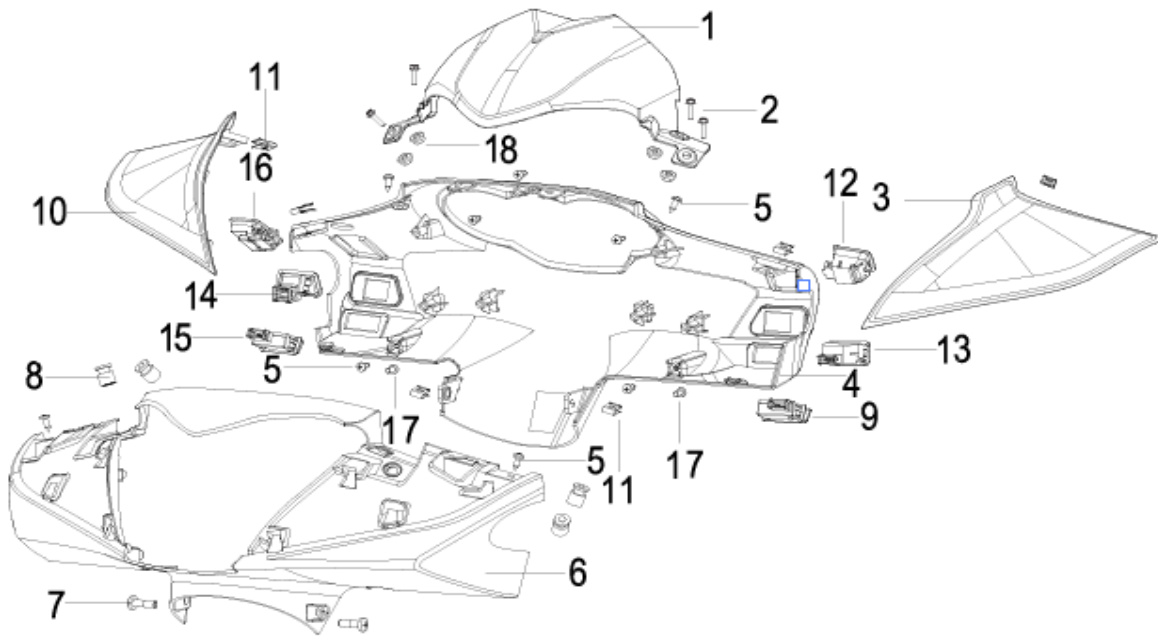
F16 FRONT FENDER ASSY.



NO.	Position No.	CODE	EN DESCRIPTION	Qty/ Unit	Qty/ Pack	start year
1	F16	65109T430000	CUSHION	2		2016
2	F16	65111T180000	HOLDER	1		2016
3	F16	65101T43WF00	FRONT FENDER,WHITE WF,WITHOUT STICKER	1		2016
3	F16	65101T43B500	FRONT FENDER,BLACK B5,WITHOUT STICKER	1		2016
3	F16	65101T43CB00	FRONT FENDER,GREY CB,WITHOUT STICKER	1		2016
3	F16	65101T43EF00	FRONT FENDER,BLUE EF,WITHOUT STICKER	1		2016
3	F16	65101T43K400	FRONT FENDER,BLUE K4,WITHOUT STICKER	1		2017
3	F16	65101T43010Z	FRONT FENDER,WHITE WF,WITH STICKER	1		2016
3	F16	65101T43012Z	FRONT FENDER,BLACK B5,WITH STICKER	1		2016
3	F16	65101T43011Z	FRONT FENDER,GREY CB,WITH STICKER	1		2016
3	F16	65101T43013Z	FRONT FENDER,BLUE EF,WITH STICKER	1		2016
3	F16	65101T43014Z	FRONT FENDER,WHITE WF,WITH CBS&KEEWAY STICKER	1		2017
3	F16	65101T43015Z	FRONT FENDER,BLACK B5,WITH CBS&KEEWAY STICKER	1		2017
3	F16	65101T43016Z	FRONT FENDER,BLUE K4,WITH CBS&KEEWAY STICKER	1		2017
4	F16	08011H010200	BOLT M6×14	3		2016

LOGIK 125 Euro4

F17 FRONT SHIELD ASSY.



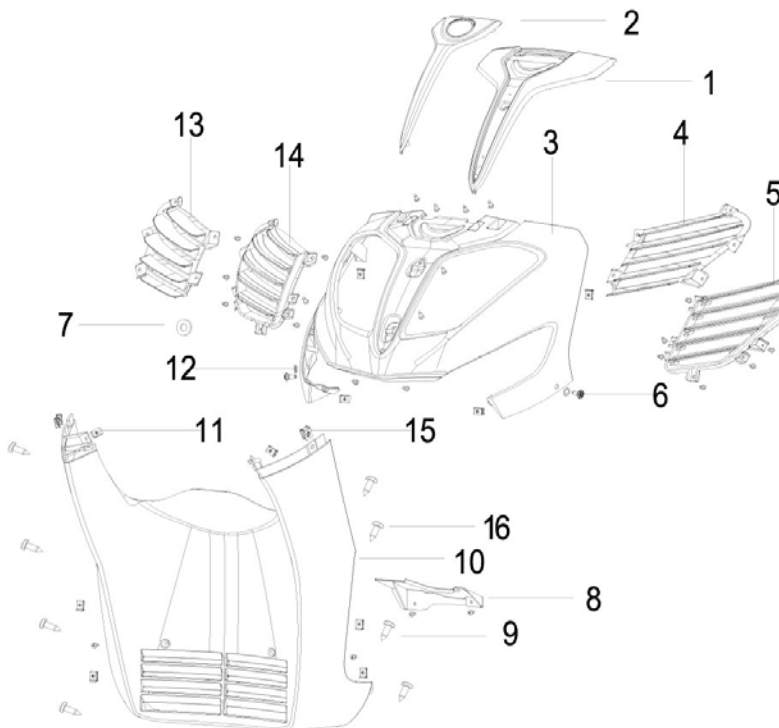
NO.	Position No.	CODE	EN DESCRIPTION	Qty/ Unit	Qty/ Pack	start year
1	F17	65203T43BA07	SUNSHADE BOARD, SPEEDOMETER,SATIN BLACK BA	1		2016
2	F17	B0109060206H	BOLT M6×20	4		2016
3	F17	65215T43WF07	DECORATING BOARD LH.,WHITE WF	1		2016
3	F17	65215T43B507	DECORATING BOARD LH.,BLACK B5	1		2016
3	F17	65215T43CB07	DECORATING BOARD LH.,GREY CB	1		2016
3	F17	65215T43EF07	DECORATING BOARD LH.BLUE BF	1		2016
3	F17	65215T43K407	DECORATING BOARD LH.BLUE K4,without sticker	1		2017
4	F17	65202T430017	REAR SHIELD, STOP COCK	1		2016
5	F17	B0507420130H	SCREW ST4.2×13	11		2016
6	F17	65201T430017	FRONT SHIELD	1		2016
7	F17	B1306060160H	SCREW W/WASHER M6×16	2		2016
8	F17	65560T580000	RUBBER SLEEVE	4		2016
9	F17	91110G240000	HORN SWITCH	1		2016
10	F17	65216T43WF07	DECORATING BOARD RH.,WHITE WF,without sticker	1		2016
10	F17	65216T43B507	DECORATING BOARD RH.,BLACK B5,without sticker	1		2016
10	F17	65216T43CB07	DECORATING BOARD RH.,GREY CB,without sticker	1		2016
10	F17	65216T43EF07	DECORATING BOARD RH.BLUE EF,without sticker	1		2016
10	F17	65216T43K407	DECORATING BOARD RH.BLUE K4,without sticker	1		2017
11	F17	65801T020001	INSERT CLIP ST4.2	6		2016
12	F17	91130G240000	SWITCH,CHANGING LIGHT	1		2016
13	F17	91120T620000	SWITCH,TURNING	1		2016
14	F17	91160G240000	WARNING SWITCH,for automatic head lamp on	1		2016
15	F17	91140G240000	SWITCH,STARUP	1		2016

LOGIK 125 Euro4

16	F17	91170T580000	SWITCH,TURN OFF	1	2016
17	F17	B0507420160H	SCREW ST4.2×16	2	2016
18	F17	65560T580000	RUBBER	4	2016

LOGIK 125 Euro4

F18 FACEPLATE ASSY.



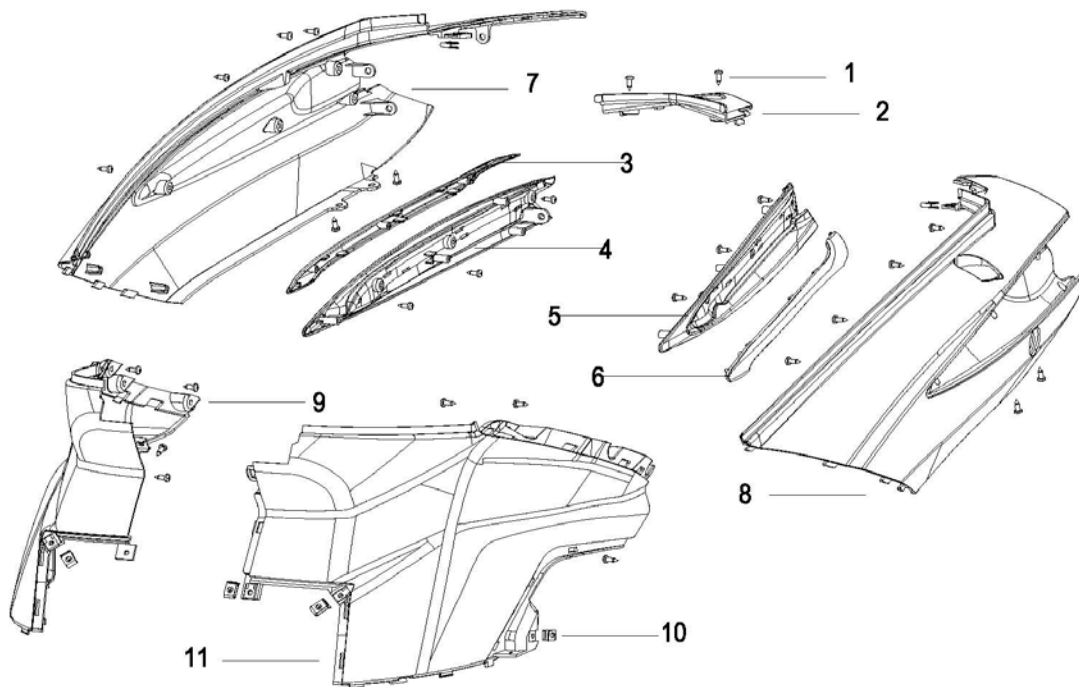
NO.	Position No.	CODE	EN DESCRIPTION	Qty/ Unit	Qty/ Pack	start year
1	F18	65305T43BA07	DECORATIVE BOARD,SMALL,FRONT FACEPLATE,SATIN BLACK BA	1		2016
2	F18	65309T430007	DECORATIVE BOARD, FRONT FACEPLATE	1		2016
3	F18	65301T43WF07	FRONT FACEPLATE,WHITE WF	1		2016
3	F18	65301T43B507	FRONT FACEPLATE,BLACK B5	1		2016
3	F18	65301T43CB07	FRONT FACEPLATE,GREY CB	1		2016
3	F18	65301T43EF07	FRONT FACEPLATE,BLUE EF	1		2016
3	F18	65301T43K407	FRONT FACEPLATE,BLUE K4	1		2017
4	F18	65303T430007	DECORATING STRIP LEFT	1		2016
5	F18	65307T430007	RASTER	1		2016
6	F18	B0284060190A	SCREW M6×19.2	2		2016
7	F18	65313B920000	WASHER,RUBBER	1		2016
8	F18	65317T430000	BAFFLE PLATE	1		2016
9	F18	B0507420130H	SCREW ST4.2×13	24		2016
10	F18	65302T43WF00	FRONT FENDRR,INNER,WHITE WF,WITHOUT STICKER	1		2016
10	F18	65302T43B500	FRONT FENDRR,INNER,BLACK B5,WITHOUT STICKER	1		2016
10	F18	65302T43CB00	FRONT FENDRR,INNER,GREY CB,WITHOUT STICKER	1		2016
10	F18	65302T43EF00	FRONT FENDRR,INNER,BLUE EF,WITHOUT STICKER	1		2016
10	F18	65302T43K400	FRONT FENDRR,INNER,BLUE K4,WITHOUT STICKER	1		2017
10	F18	65302T43031Z	FRONT FENDRR,INNER,WHITE WF,WITH 125I STICKER	1		2016
10	F18	65302T43033Z	FRONT FENDRR,INNER,BLACK B5,WITH 125I STICKER	1		2016
10	F18	65302T43032Z	FRONT FENDRR,INNER,GREY CB,WITH 125I STICKER	1		2016

LOGIK 125 Euro4

10	F18	65302T43034Z	FRONT FENDRR,INNER,BLUE EF,WITH 125I STICKER	1	2016
10	F18	65302T43036Z	FRONT FENDRR,INNER,WHITE WF,WITH NEW 125 STICKER	1	2017
10	F18	65302T43037Z	FRONT FENDRR,INNER,BLACK B5,WITH NEW 125 STICKER	1	2017
10	F18	65302T43038Z	FRONT FENDRR,INNER,BLUE K4,WITH NEW 125 STICKER	1	2017
11	F18	65801T020001	INSERT	10	2016
12	F18	65313T430000	WASHER	2	2016
13	F18	65304T430007	DECORATING STRIP RIGHT	1	2016
14	F18	65306T430007	RASTER	1	2016
15	F18	65625J560000	NUT	2	2016
16	F18	B0507420160H	SCREW ST4.2×16	8	2016

LOGIK 125 Euro4

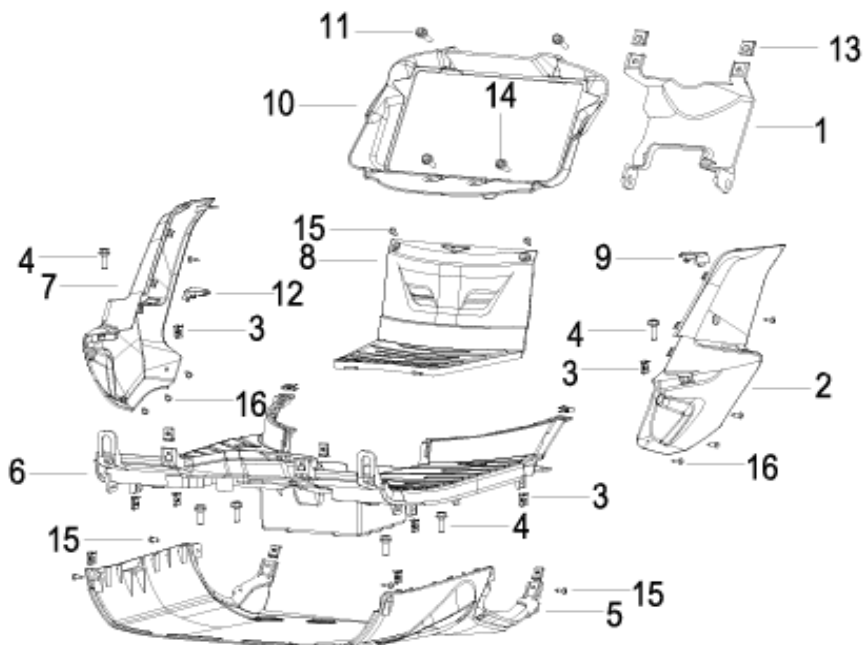
F19 SODE COVER ASSY.



NO.	Position No.	CODE	EN DESCRIPTION	Qty/ Unit	Qty/ Pack	start year
1	F19	B0507420130H	SCREW ST4.2×13	30		2016
2	F19	65605T43WF00	CONNECTING BOARD,WHITE WF	1		2016
2	F19	65605T43B500	CONNECTING BOARD,BLACK B5	1		2016
2	F19	65605T43CB00	CONNECTING BOARD,GREY CB	1		2016
2	F19	65605T43EF00	CONNECTING BOARD,BLUE EF	1		2016
2	F19	65605T43K400	CONNECTING BOARD,BLUE K4	1		2017
3	F19	65622T430007	DECORATING BOARD II,RIGHT	1		2016
4	F19	65661T43BA07	DECORATING BOARD I,RH.,SATIN BLACK BA	1		2016
5	F19	65651T43BA07	DECORATING BOARD I,LEFT,SATIN BLACK BA	1		2016
6	F19	65621T430007	DECORATING BOARD II,LEFT	1		2016
7	F19	65604T43WF00	SIDE COVER, RH,WHITE WF	1		2016
7	F19	65604T43B500	SIDE COVER, RH,BLACK B5	1		2016
7	F19	65604T43CB00	SIDE COVER, RH,GREY CB	1		2016
7	F19	65604T43EF00	SIDE COVER, RH,BLUE EF	1		2016
7	F19	65604T43K400	SIDE COVER, RH,BLUE K4	1		2017
8	F19	65603T43WF00	SIDE COVER, LEFT,WHITE WF	1		2016
8	F19	65603T43B500	SIDE COVER, LEFT,BLACK B5	1		2016
8	F19	65603T43CB00	SIDE COVER, LEFT,GREY CB	1		2016
8	F19	65603T43EF00	SIDE COVER, LEFT,BLUE EF	1		2016
8	F19	65603T43K400	SIDE COVER, LEFT,BLUE K4	1		2017
9	F19	65604T430007	FRONT SIDE COVER,R	1		2016
10	F19	65801T020001	INSERT CLIP ST4.2	10		2016
11	F19	65603T430007	FRONT SIDE COVER,L	1		2016

LOGIK 125 Euro4

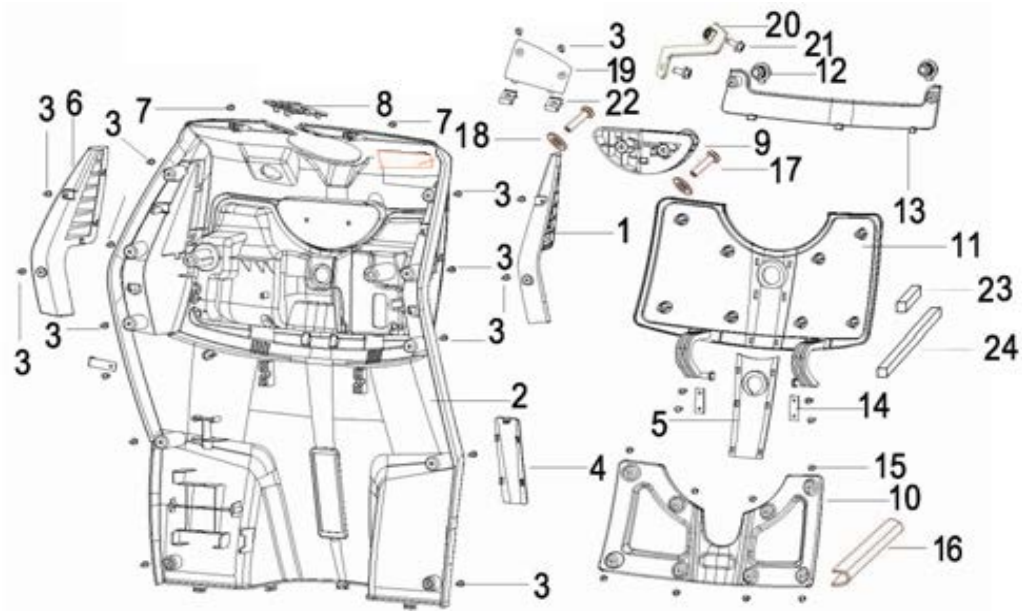
F20 FOOTREST STRETCHER ASSY.



NO.	Position No.	CODE	EN DESCRIPTION	Qty/ Unit	Qty/ Pack	start year
1	F20	65409T430007	COWLING REAR	1		2016
2	F20	65411T43BA07	PROTECTIVE BOARD,LEFT,SATIN BLACK BA	1		2016
3	F20	65801T020001	INSERT ST4.2	16		2016
4	F20	B0109060166H	BOLT M6×16	6		2016
5	F20	65406T43WF00	MUDGUARD,BOTTOM,WHITE WF	1		2016
5	F20	65406T43B500	MUDGUARD,BOTTOM,BLACK B5	1		2016
5	F20	65406T43CB00	MUDGUARD,BOTTOM,GREY CB	1		2016
5	F20	65406T43EF00	MUDGUARD,BOTTOM,BLUE EF	1		2016
5	F20	65406T43K400	MUDGUARD,BOTTOM,BLUE K4	1		2017
6	F20	65405T430000	FOOTREST BOARD	1		2016
7	F20	65412T43BA07	GUARD BOARD,RIGHT,SATIN BLACK BA	1		2016
8	F20	65813T430000	BATTERY COVER	1		2016
9	F20	65418T430007	RUBBER	1		2016
10	F20	65408T430007	COWLING FRONT	1		2016
11	F20	B0109060206H	BOLT M6×20	2		2016
12	F20	65419T430007	RUBBER	1		2016
13	F20	65625J560000	NUT M6	2		2016
14	F20	B0109060166H	BOLT M6×16	2		2016
15	F20	B0507420160H	SCREW ST4.2×16	6		2016
16	F20	B0507420130H	SCREW ST4.2×13	8		2016

LOGIK 125 Euro4

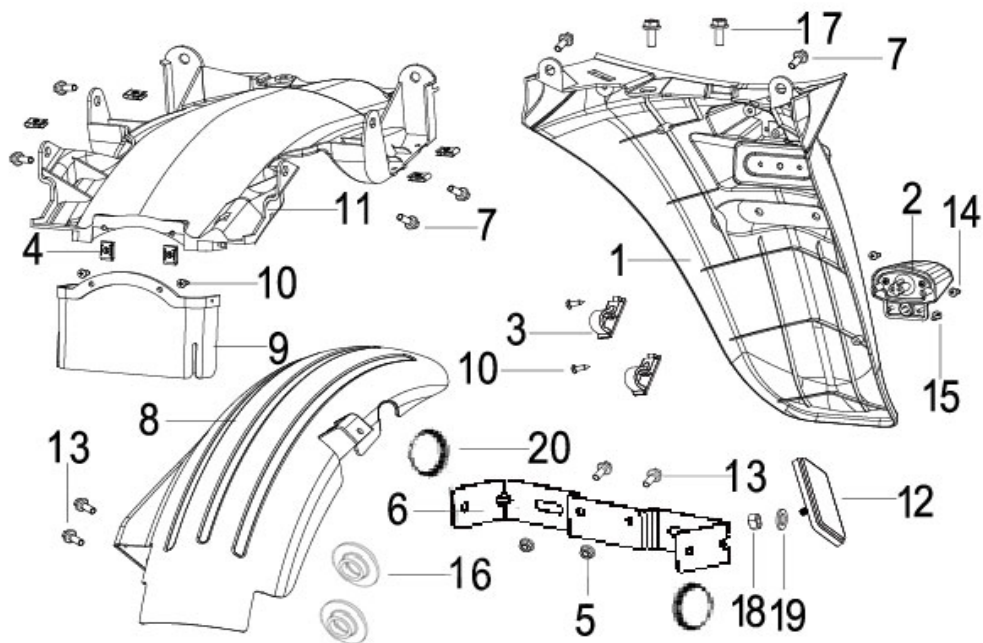
F21 FOOT PROTECTIVE SHIELD



NO.	Position No.	CODE	EN DESCRIPTION	Qty/ Unit	Qty/ Pack	start year
1	F21	65501T43BH00	RASTER,LEFT,EXTRA BLACK BH	1		2016
2	F21	65422T430002	FOOT PROTECTIVE SHIELD	1		2016
3	F21	B0507420130H	SCREW ST4.2×13	23		2016
4	F21	65403T430000	COVER PLATE, FRAME NUMBER	1		2016
5	F21	65424T43H800	DECORATE BOARD,STORAGE BOX COVER,GRAY HT	1		2016
6	F21	65502T43BH00	RASTER,RIGHT,EXTRA BLACK BH	1		2016
7	F21	B1301050140H	SCREW W/WASHER M5×14	2		2016
8	F21	65485T430000	FRONT COVER COVER	1		2016
9	F21	65340T430000	POTHOOK ASSY, HELMET	1		2016
10	F21	65326T430000	SCALEBOARD	1		2016
11	F21	65404T430000	STORAGE BOX COVER	1		2016
12	F21	65427T430000	STORAGE BOX END CAP	2		2016
13	F21	65425T430000	FRONT STORAGE BOX	1		2016
14	F21	65327T430000	PRESSER	2		2016
15	F21	B0500420101H	SCREW ST4.2×9.5	8		2016
16	F21	65323T430001	BOX COVER AIRPROOF BAR	1		2016
17	F21	B02020502024	SCREW M5×20	2		2016
18	F21	B0702000050H	WASHER 5	2		2016
19	F21	65442T430000	COVER	1		2016
20	F21	59460T430000	BRACKET	1		2016
21	F21	B0109060166H	BOLT M6×16	2		2016
22	F21	65801T020001	INSERT	2		2016

LOGIK 125 Euro4

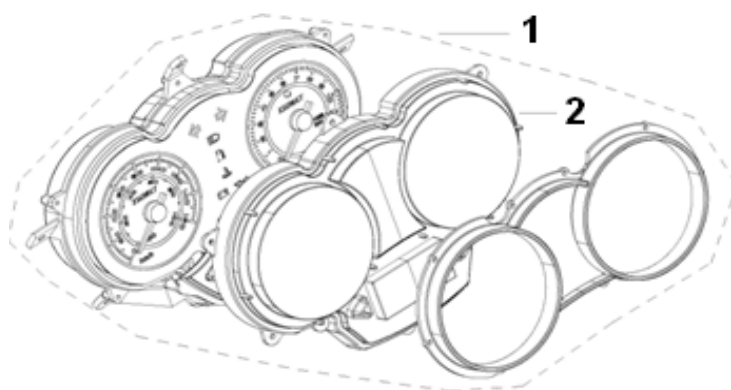
F22 REAR FENDER



NO.	Position No.	CODE	EN DESCRIPTION	Qty/ Unit	Qty/ Pack	start year
1	F22	65709T430000	REAR FENDER	1		2016
2	F22	82900T430000	LAMP,LICENCE	1		2016
3	F22	43070J670010	HOLDER, CABLE	2		2016
4	F22	65801T020001	INSERT	6		2016
5	F22	B0407060005H	NUT M6	2		2016
6	F22	08252N120000	BRACKET, LICENCE PLATE	1		2016
7	F22	B0109060126H	BOLT M6×12	6		2016
8	F22	65701T430000	MUDGUARD REAR&BOTTOM	1		2016
9	F22	65703T430000	RUBBER	1		2016
10	F22	B0507420130H	SCREW ST4.2×13	4		2016
11	F22	65731T430000	REAR IN FENDER	1		2016
12	F22	86500T030001	REFLECTER ASSY	1		2016
13	F22	B0109060166H	BOLT M6×16	4		2016
14	F22	B0507420130H	SCREW ST4.2×13	2		2016
15	F22	B0507420130H	SCREW ST4.2×13	1		2016
16	F22	08305G120050	BUSH	2		2016
17	F22	B0109060206H	BOLT M6×20	2		2016
18	F22	B04000500053	NUT M5	1		2016
19	F22	B0702000050H	WASHER 5	1		2016
20	F22	86300N060000	REAR SIDE REFLECTOR	2		2016

LOGIK 125 Euro4

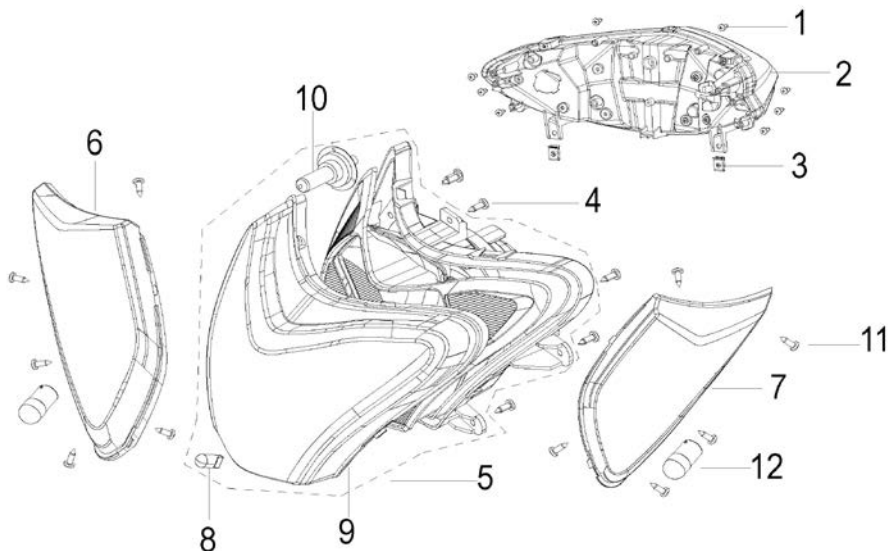
F23 SPEEDOMETER ASSY



NO.	Position No.	CODE	EN DESCRIPTION	Qty/ Unit	Qty/ Pack	start year
1	F23	7000T430008	SPEEDOMETER ASSY.	1		2016
2	F23	70001N120001	COVER	1		2016

LOGIK 125 Euro4

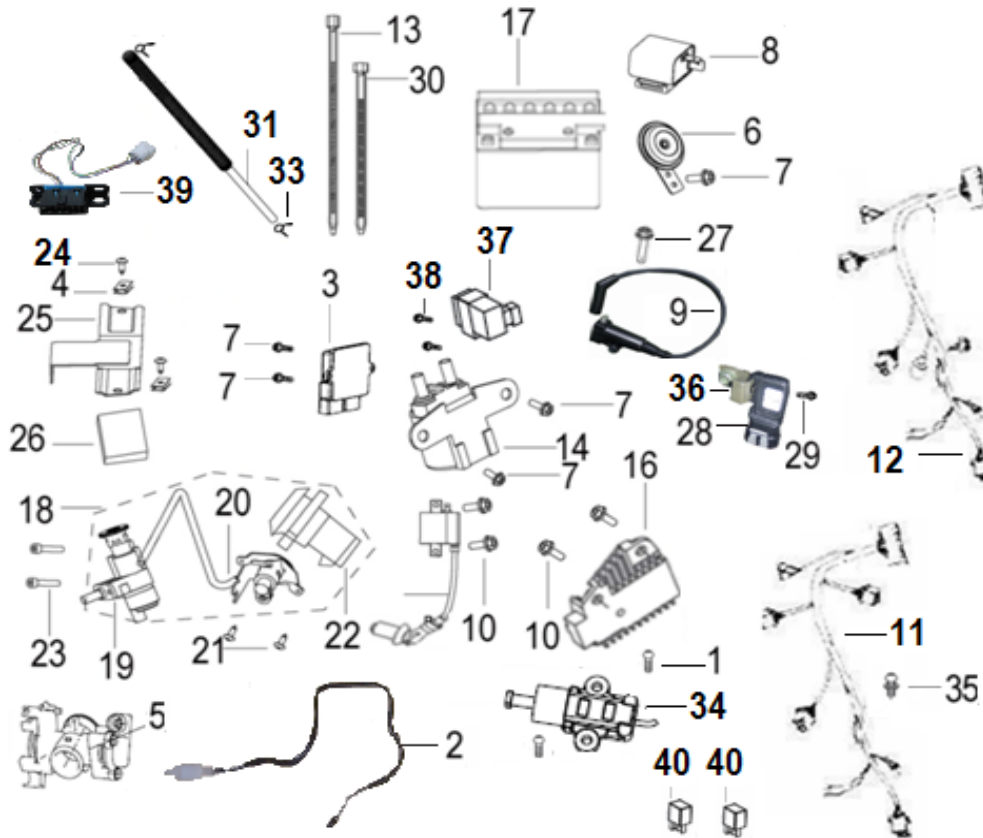
F24 LIGHT ASSY.



NO.	Position No.	CODE	EN DESCRIPTION	Qty/ Unit	Qty/ Pack	start year
1	F24	B0507420130H	SCREW ST4.2×13	8		2016
2	F24	82000T430007	REAR LAMP	1		2016
3	F24	65801T020001	INSERT ST4.2	2		2016
4	F24	B0507420130H	SCREW ST4.2×13	9		2016
5	F24	80000T430007	HEAD LIGHT	1		2016
6	F24	81300T430007	TURN SIGNAL,FR.,RH.	1		2016
7	F24	81100T430007	TURN SIGNAL,FR.,LH.	1		2016
8	F24	B24013120000	BULB 12V5W	1		2016
9	F24	80002T430007	LENS,HEAD LIGHT	1		2016
10	F24	B24010320000	BULB 12V35/35W	1		2016
11	F24	B0507400100H	SCREW ST4×10	10		2016
12	F24	B240221212F2	BULB 12V21W	2		2016

LOGIK 125 Euro4

F25 ELECTRICAL EQUIPMENT ASSY.



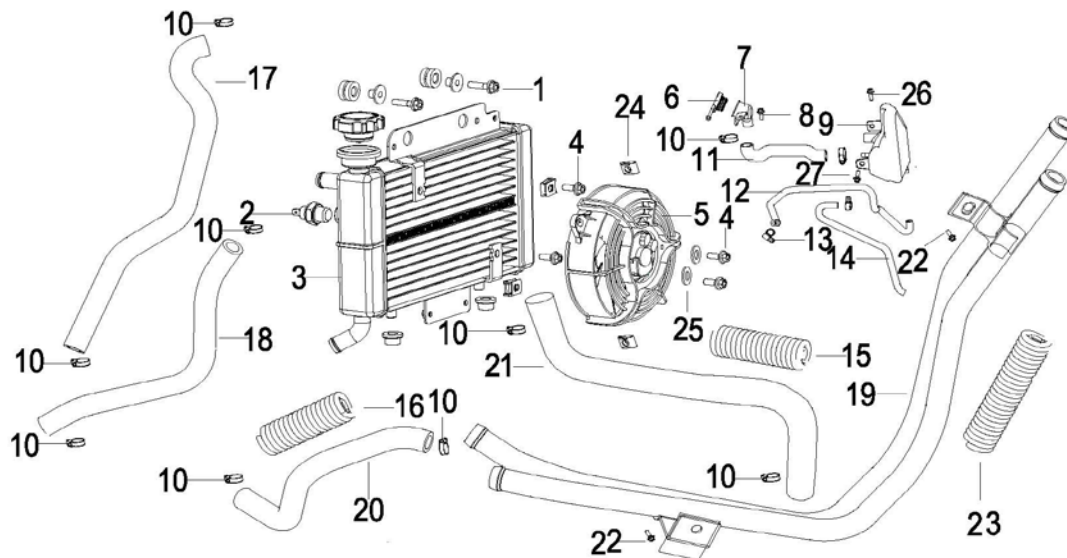
NO.	Position No.	CODE	EN DESCRIPTION	Qty/ Unit	Qty/ Pack	start year
1	F25	B0200050162H	SCREW M5×16	2		2016
2	F25	49011S010000	CABLE,SENSOR	1		2016
3	F25	96C00T430003	ECU(125cc)	1		2016
4	F25	65801T020001	SPRING NUT ST4.2	2		2016
5	F25	289063310000	THROTTLE BODY ASSY	1		2016
6	F25	95100T020000	HORN ASSY	1		2016
7	F25	B0109060166H	BOLT 6×16MM	5		2016
8	F25	96400T430007	FLASHING AMBER	1		2016
9	F25	96200N120000	IGNITION COIL ASSY	1		2016
10	F25	B0109060166H	SCREW 6×16MM	8		2016
11	F25	92070T43000A	EFI HARNESS,WIRING	1		2016
12	F25	92050T43000A	MAIN HARNESS,WIRING	1		2016
13	F25	96003J000000	COLLIGATION 8×250	3		2016
14	F25	94100B400000	RELAY ASSY,starting motor	1		2016
16	F25	299085040010	RECTIFIER ASSY	1		2016
17	F25	96100V030000	BATTERY	1		2016
18	F25	88000T430000	LOOK ASSY	1		2016
19	F25	88100T430000	LOCK ASSY., POWER	1		2016
20	F25	88500T430000	LOCK,BREAST BOARD	1		2016
21	F25	B0507420130H	SCREW4.2×13MM	2		2016
22	F25	88200T430000	LOCK,FRONT LUGGAGE BOX	1		2016
23	F25	B0207060162H	SCREW M6X16MM	2		2016

LOGIK 125 Euro4

24	F25	B0507420130H	BOLT 4.2X13MM	2	2016
25	F25	65430T430000	BATTERY BOARD ASSY	1	2016
26	F25	65435T430000	BATTERY BOARD SPONGE	1	2016
27	F25	B0109060356H	SCREW 6×35MM	1	2016
28	F25	280106220000	MANIFOLD PRESSURE SENSOR	1	2016
29	F25	B0109060126H	SCREW 6×12MM	1	2016
30	F25	96001J000000	COLLIGATION 8×150	2	2016
31	F25	110075130000	PIPE,MAP	1	2016
33	F25	B17010090003	CLIP 9	2	2016
34	F25	91170N070000	SINGLE HOLD FLAMEOUT SWITCH	1	2016
35	F25	B1317060120H	SCREW W/WASHER M6×12	1	2016
36	F25	96911T430000	SENSOR MOUNTING BRACKET	1	2016
37	F25	94400N140000	CONTROLLER,mark:250T-4	1	2016
38	F25	B0109050166H	BOLT M5×16	2	2016
39	F25	92940P100000	OBD CABLE	1	2016
40	F25	94100J800000	FUEL PUMP RELAY	2	2016

LOGIK 125 Euro4

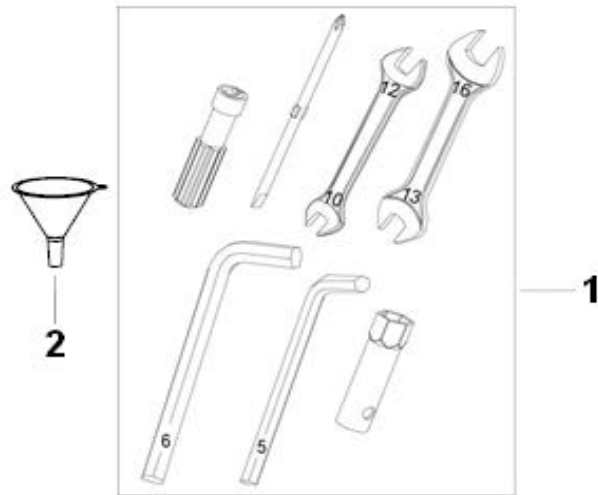
F26 COOL SYSTEM



NO.	Position No.	CODE	EN DESCRIPTION	Qty/ Unit	Qty/ Pack	start year
1	F26	B0109060256H	BOLT M6×25	2		2016
2	F26	279113160001	SWITCH,WATER TEMPERATURE 96°	1		2016
3	F26	279124100000	WATER TANK	1		2016
4	F26	B0109060166H	BOLT M6×16	2		2016
5	F26	279023160000	FAN	1		2016
6	F26	06112T580000	EXPANSION WATER KETTLE COVER	1		2016
7	F26	06106T430007	EXPANSION WATER KETTLE PORE	1		2016
8	F26	B0109060166H	BOLT M6×16	1		2016
9	F26	06111T430007	EXPANSION WATER KETTLE	1		2016
10	F26	270125060020	CLIP Ø16-25	10		2016
11	F26	06101T430008	INLET PIPE, EXPANSION WATER KETTLE	1		2016
12	F26	06102T430007	OUTLET PIPE, EXPANSION WATER KETTLE	1		2016
13	F26	B1701016000A	CLIP	3		2016
14	F26	06103T430007	PIPE	1		2016
15	F26	08461T430000	SPRING	2		2016
16	F26	08462T430000	SPRING	1		2016
17	F26	06211T430007	PIPE,INTER	1		2016
18	F26	06251T430007	PIPE,OUTER	1		2016
19	F26	59710T430007	PIPE ASSY.	1		2016
20	F26	59463T430000	PIPE 2,OUTER	1		2016
21	F26	59464T430007	PIPE 2,INTER	1		2016
22	F26	B0109060126H	BOLT M6×12	2		2016
23	F26	08461T430007	SPRING	1		2016
24	F26	342342150010	CLIP	2		2016
25	F26	B0702000060H	WASHER 6	2		2016
26	F26	08012H010100	BOLT M6×20	1		2016
27	F26	08011H010200	BOLT M6×14	1		2016

LOGIK 125 Euro4

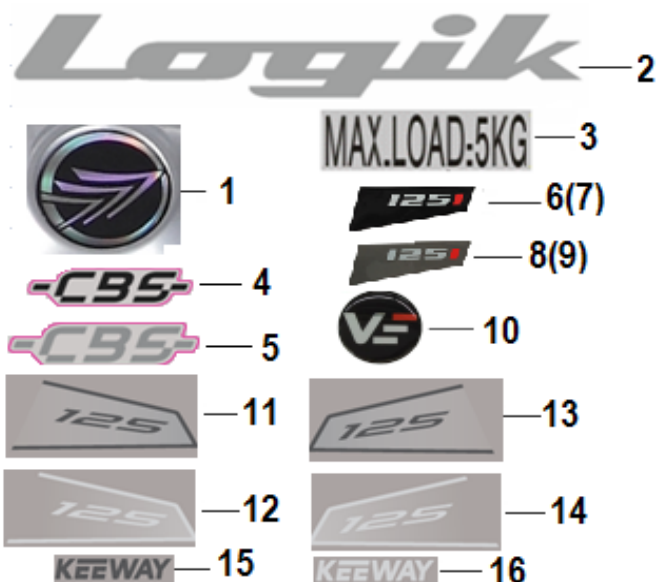
F27 TOOL KIT ASSY.



NO.	Position No.	CODE	EN DESCRIPTION	Qty/ Unit	Qty/ Pack	start year
1	F27	02100T430001	TOOL KIT	1		2016
2	F27	02114B910000	TUNDISH	1		2016

LOGIK 125 Euro4

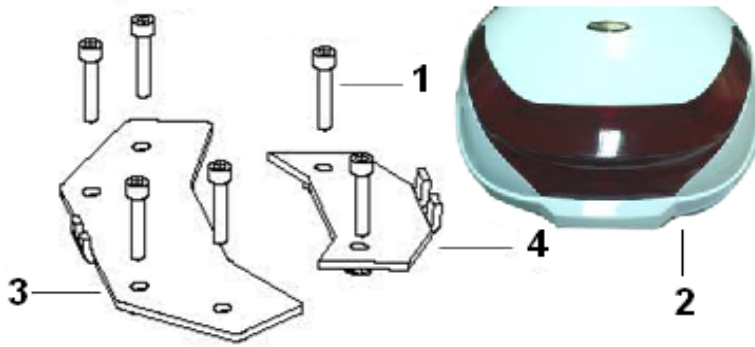
F28 STICKER



NO.	Position No.	CODE	EN DESCRIPTION	Qty/ Unit	Qty/ Pack	start year
1	F28	05525B92B410	KEEWAY LABEL	1		2016
2	F28	05512T430007	LABEL,LOGIK	2		2016
3	F28	05592T430000	STICKER REAR CARRIER	1		2016
4	F28	05503J80CJ00	BLACK CBS STICKER	2		2016
5	F28	05503J80BC00	GREY CBS STICKER	2		2016
6	F28	05522T43WF08	RIGHT 125I STICKER	1		2016
7	F28	05521T43WF08	LEFT 125I STICKER	1		2016
8	F28	05522T43CB08	RIGHT 125I STICKER	1		2016
9	F28	05521T43CB08	LEFT 125I STICKER	1		2016
11	F28	05502T43WF09	RIGHT 125 STICKER	1		2017
12	F28	05502T43K409	RIGHT 125 STICKER	1		2017
13	F28	05501T43WF09	LEFT 125 STICKER	1		2017
14	F28	05501T43K409	LEFT 125 STICKER	1		2017
15	F28	05503T43WF09	KEEWAY STICKER	1		2017
16	F28	05503T43K409	KEEWAY STICKER	1		2017

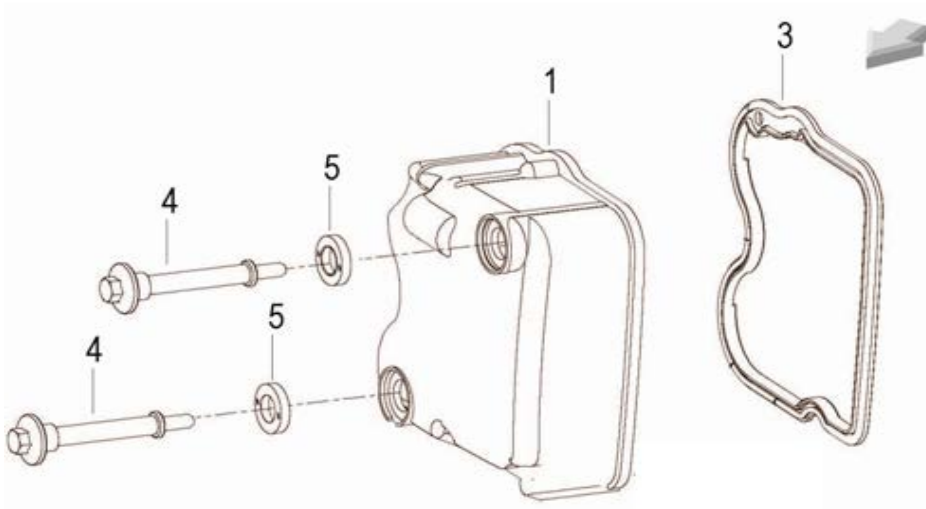
LOGIK 125 Euro4

F29 REAR BOX



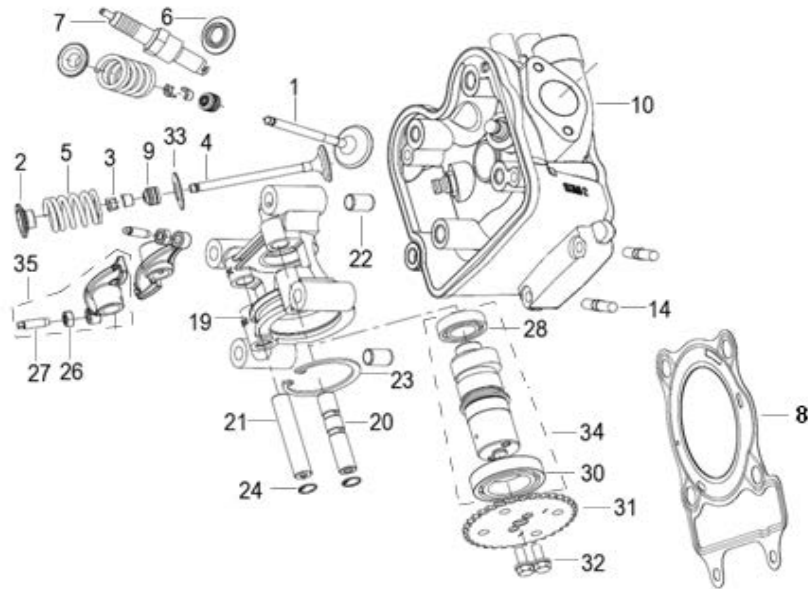
NO.	Position No.	CODE	EN DESCRIPTION	Qty/ Unit	Qty/ Pack	start year
1	F29	B02050605564	BOLT 6×55MM	6		2016
2	F29	52200T43CB11	REAR BOX (GREY CB)	1		2016
2	F29	52200T43B511	REAR BOX (BLACK/B5)	1		2016
2	F29	52200T43WF11	REAR BOX (WF)	1		2016
2	F29	52200T43EF11	REAR BOX (BLUE EF)	1		2016
3	F29	52190T430000	BOARD ASSY II	1		2016
4	F29	52180T430000	BOARD ASSY I	1		2016

E01.COVER CYLINDER HEAD ASSY



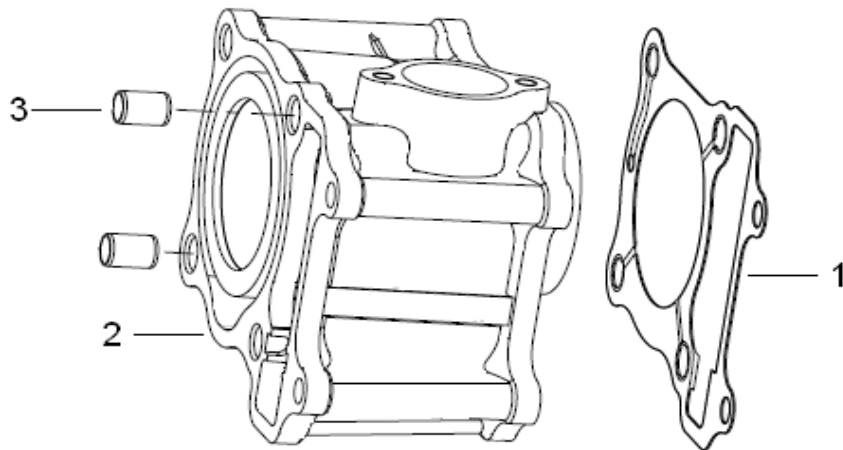
NO.	Position No.	CODE	EN DESCRIPTION	Qty/ Unit	Qty/ Pack	start year
1	E01-1	109014100000	COVER,CYLINDER HEAD	1		2016
3	E01-3	109023160000	GASKET,CYLINDER HEAD COVER	1		2016
4	E01-4	100013160000	BOLT,FLANGE	2		2016
5	E01-5	100035010000	WASHER,RUBBER	2		2016

E02. COVER CYLINDER ASSY



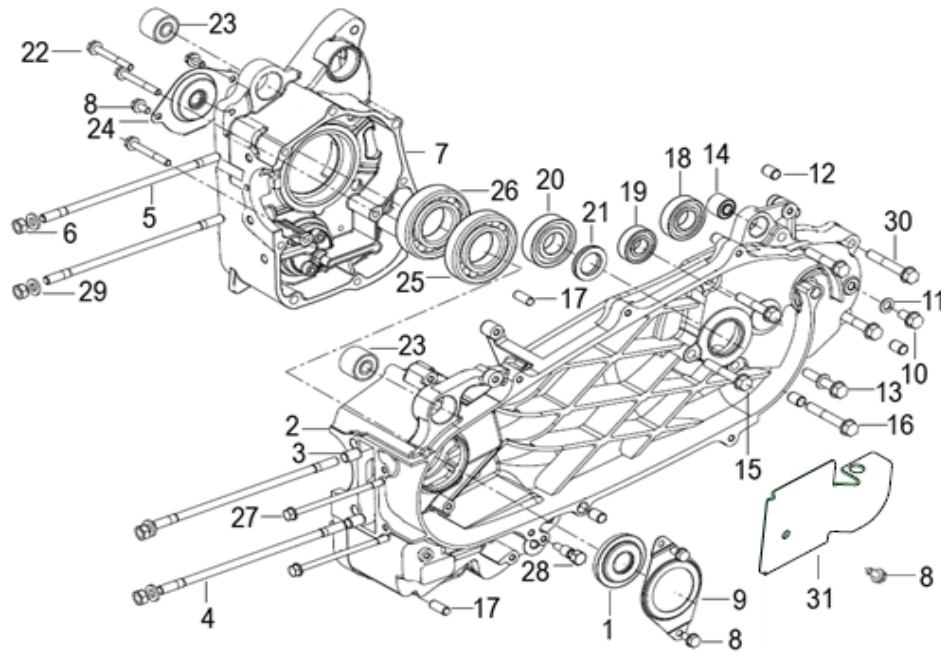
NO.	Position No.	CODE	EN DESCRIPTION	Qty/Unit	Qty/Package	start year
1	E02-1	129183060000	VALVE,IN	1		2016
2	E02-2	120013160000	RETAINER,VALESRING	2		2016
3	E02-3	129223230000	COTTER,VALVE	4		2016
4	E02-4	129193060000	VALVE,EX	1		2016
5	E02-5	129253160000	SPRING,VALVE	2		2016
6	E02-6	100133160000	WASHER,VALESRING	1		2016
7	E02-7	299073160000	SPARK PLUG	1		2016
8	E02-8	100413160000	GASKET,CYLINDER HEAD	1		2016
9	E02-9	120013050000	SEAL,VALVE STEM	2		2016
10	E02-10	109053160020	CYLINDER HEAD	1		2016
14	E02-14	100093160000	BOLT, STUD	2		2016
19	E02-19	120033160000	SEAT,CAMSHAFT	1		2016
20	E02-20	129163160000	SHAFT,IN ROCKER ARM	1		2016
21	E02-21	129173160000	SHAFT,EX. ROCKER ARM	1		2016
22	E02-22	150093050000	PIN,DOWEL	2		2016
23	E02-23	B08000004200	CIRCLIP 42	1		2016
24	E02-24	B08000001000	CIRCLIP 10	2		2016
26	E02-26	129243120000	NUT(M5X0.5)	2		2016
27	E02-27	129233120000	SCREW	2		2016
28	E02-28	B12016190202	BEARING 61902	1		2016
30	E02-30	B12016190501	BEARING 61905	1		2016
31	E02-31	129033160000	SPROCKET	1		2016
32	E02-32	B0107050126H	BOLT(M5X12)	2		2016
33	E02-33	100403160000	WASHER,EXHAUST	1		2016
34	E02-34	129093160010	CAMSHAFT ASSY	1		2016
35	E02-35	120243060000	ARM ASSY,VALVE ROCKER	2		2016

E03 CYLINDER_FOR OUTLOOK FOR 150CC



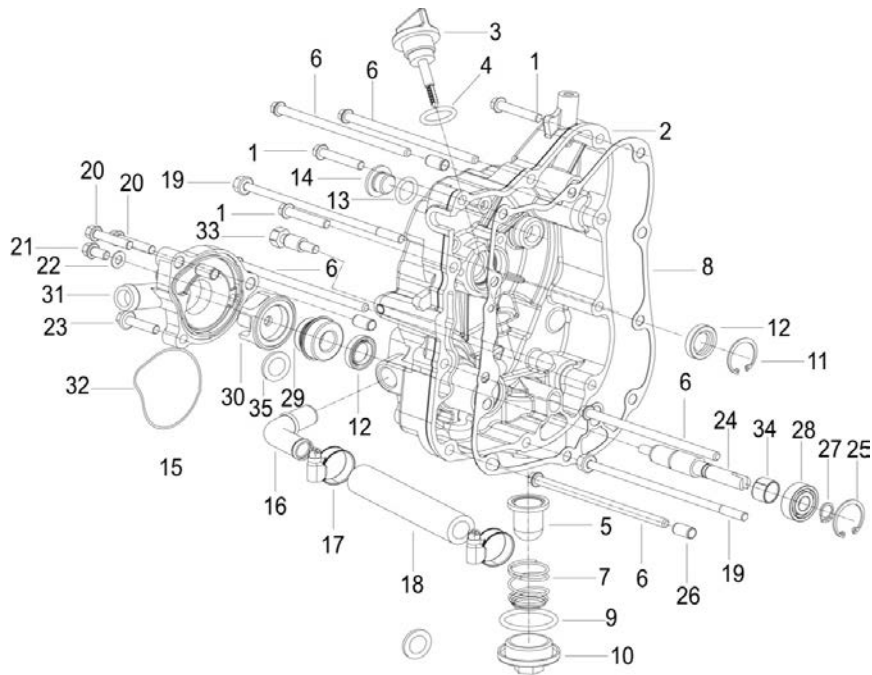
NO.	Position No.	CODE	EN DESCRIPTION	Qty/Unit	Qty/Package	start year
1	E03-1	139023160030	GASKER CYLINDER	1		2016
2	E03-2	139013160000	CYLINDER	1		2016
3	E03-3	150093050000	PIN,DOWEL	2		2016

E04.CRANKCASE ASSY.



NO.	Position No.	CODE	EN DESCRIPTION	Qty/Unit	Qty/Package	start year
1	E04-1	150013160000	SEAL	1		2016
2	E04-2	159023160000	CRANKCASE,LEFT	1		2016
3	E04-3	150093050000	PIN,DOWEL	2		2016
4	E04-4	15910316001X	GUIDE	2		2016
5	E04-5	15911316001X	GUIDE	2		2016
6	E04-6	B0400080005H	NUT(M8)	4		2016
7	E04-7	159033160000	CRANKCASE,RIGHT	1		2016
8	E04-8	B0107060126H	BOLT(M6X12)	5		2016
9	E04-9	150023160000	HUB,CLUTCHSLEEVE SEAL	1		2016
10	E04-10	22007208002X	BOLT(M8X16)	1		2016
11	E04-11	210013050000	WASHER	2		2016
12	E04-12	150083070000	PIN,DOWEL	4		2016
13	E04-13	B01070804564	BOLT(M8X45)	4		2016
14	E04-14	150093160000	BUSH,SHOCK ABSORBER	1		2016
15	E04-15	B0107080506H	BOLT(M8X50)	1		2016
16	E04-16	B0107080556H	BOLT(M8X55)	1		2016
17	E04-17	150103060010	PIN,DOWEL	2		2016
18	E04-18	B12016000405	BEARING 6004	1		2016
19	E04-19	B12016020204	BEARING 6202	1		2016
20	E04-20	B12016622202	BEARING 62/22D2/P6/C3	1		2016
21	E04-21	150033160000	SEAL 22X35X5	1		2016
22	E04-22	B01070605063	BOLT(M6X50)	3		2016
23	E04-23	150123050000	BUSH,ENGINE HANGER	2		2016
24	E04-24	150043160000	HUB,CLUTCHSLEEVE OIL PUMP	1		2016
25	E04-25	B12016020701	BEARING 6207	1		2016
26	E04-26	170133060000	BEARING 72X35X15	1		2016
27	E04-27	17001305011X	BOLT(M6X100)	2		2016
28	E04-28	15012316001X	BOLT	1		2016
29	E04-29	24004208011X	WASHER 8	4		2016
30	E04-30	B01070805564	螺栓M8X55	1		2016
31	E04-31	160243160000	BOARD,PROTECT	1		2016

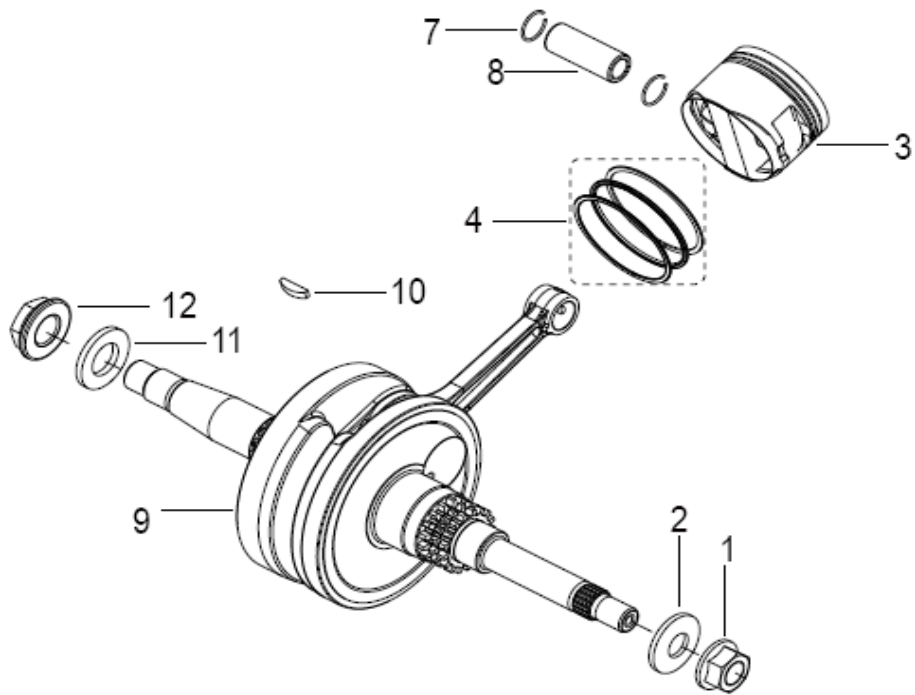
E05.COVERCASE RH ASSY



NO.	Position No.	CODE	EN DESCRIPTION	Qty/Unit	Qty/Package	start year
1	E05-1	B01070603564	BOLT(M6X35)	3		2016
2	E05-2	169103160000	COVER, RIGHT,silver	1		2016
3	E05-3	169183160000	DIPSTICK,OIL	1		2016
4	E05-4	160063070000	O-RING(18X3.5)	1		2016
5	E05-5	150093070000	OIL FILTER	1		2016
6	E05-6	B01070611564	BOLT(M6X115)	5		2016
7	E05-7	160013050000	SPRING	1		2016
8	E05-8	169113160040	PAD,COVER,R.CRANKCASE	1		2016
9	E05-9	160023050000	O-RING	1		2016
10	E05-10	16004305001X	CAP,VALVE ADJ	1		2016
11	E05-11	B08000002402	CIRCLIP 24	1		2016
12	E05-12	160022140000	SEAL	1		2016
13	E05-13	220042080000	O-RING(14X2.65)	1		2016
14	E05-14	16005307002X	CAP	1		2016
16	E05-16	27909316001X	WATER OUTLET	1		2016
17	E05-17	08060B450000	CLIP16-25	2		2016
18	E05-18	270253160000	WATER OUTLET	1		2016
19	E05-19	B01070613964	BOLT(M6X139)	2		2016
20	E05-20	B0205060306H	BOLT(M6X30)	2		2016
21	E05-21	B0107060126H	BOLT(M6X12)	1		2016
22	E05-22	130013050000	WASHER	1		2016
23	E05-23	B0107060206H	BOLT(M6X20)	1		2016
24	E05-24	279223160000	WATER PUMP SHAFT	1		2016
25	E05-25	B08000002600	CIRCLIP 26	1		2016
26	E05-26	160073070000	PIN,DOWEL	4		2016
27	E05-27	B08000001000	CIRCLIP 10	1		2016
28	E05-28	B12016000002	BEARING 6000	1		2016
29	E05-29	160253160000	SEAL MECHANICAL	1		2016
30	E05-30	279213160000	IMPELLER	1		2016

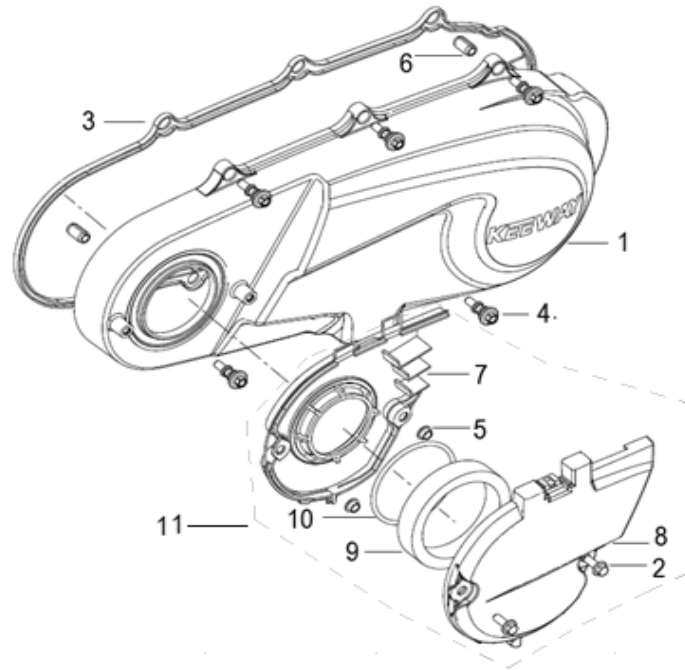
31	E05-31	270123160000	COVER,WATER PUMP,SILVER	1	2016
32	E05-32	270033160000	SEAL RING,COVERWATER PUMP	1	2016
33	E05-33	15012316001X	BOLT	1	2016
34	E05-34	270283160000	BUSH	1	2016
35	E05-35	A99316000011	WASHER	1	2016

E06.CRANKSHAFT & CONNECTING ROD & PISTON ASSY



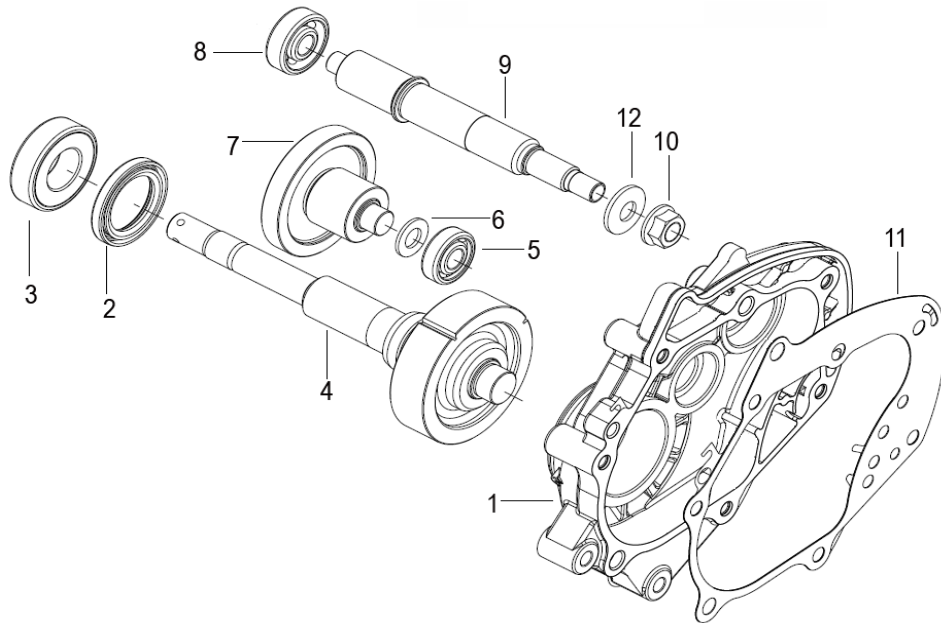
NO.	Position No.	CODE	EN DESCRIPTION	Qty/Unit	Qty/Package	start year
1	E06-1	27002305011X	NUT (M12X1.25)	1		2016
2	E06-2	25005305001X	WASHER	1		2016
3	E06-3	179133160000	PISTON	1		2016
4	E06-4	179183160010	PISTON ASSY	1		2016
7	E06-7	179153090000	CIRCLIP	2		2016
8	E06-8	179143160000	PIN,PISTON	1		2016
9	E06-9	179013160000	CRANKSHAFT	1		2016
10	E06-10	260093070000	KEY,WOODRUFF	1		2016
11	E06-11	170064050000	WASHER	1		2016
12	E06-12	17007405011X	NUT	1		2016

E07.COVERCASE LH ASSY



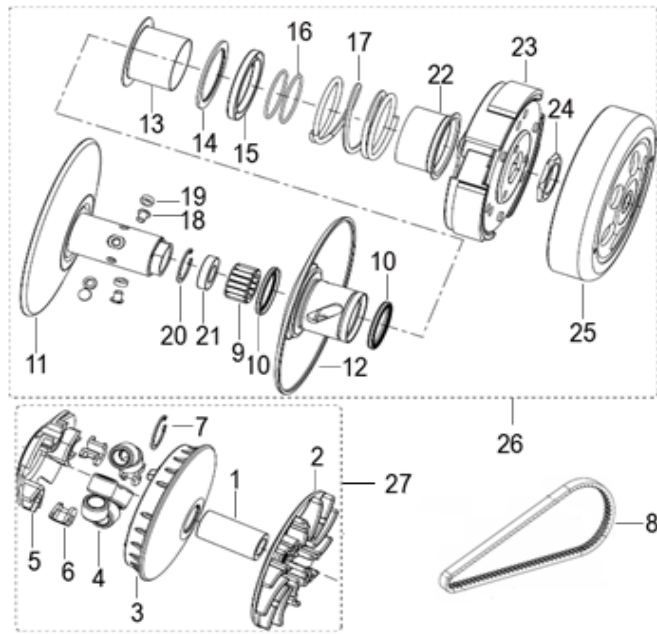
NO.	Position No.	CODE	EN DESCRIPTION	Qty/Unit	Qty/Package	start year
1	E07-1	169023160910	LEFT CRANKCASE COVER GREY MARK-KEEWAY	1		2016
2	E07-2	B01070601664	BOLT(M6X16)	2		2016
3	E07-3	160013160000	GASKET,L.COVER	1		2016
4	E07-4	16008316002X	BOLT,L.CRANKCASE COVER	5		2016
5	E07-5	160073160000	BUSH	2		2016
6	E07-6	160113160000	PIN,DOWEL	2		2016
7	E07-7	160033160000	DUCT,BELT COVER	1		2016
8	E07-8	160043160000	CAP,DUCT COVER	1		2016
9	E07-9	160053160000	ELEMENT,BELTCOVER DUCT	1		2016
10	E07-10	160063160000	O-RING(72X3.5)	1		2016
11	E07-11	160023160000	AIR CLEANER	1		2016

E08.TRANSMISSION ASSY.



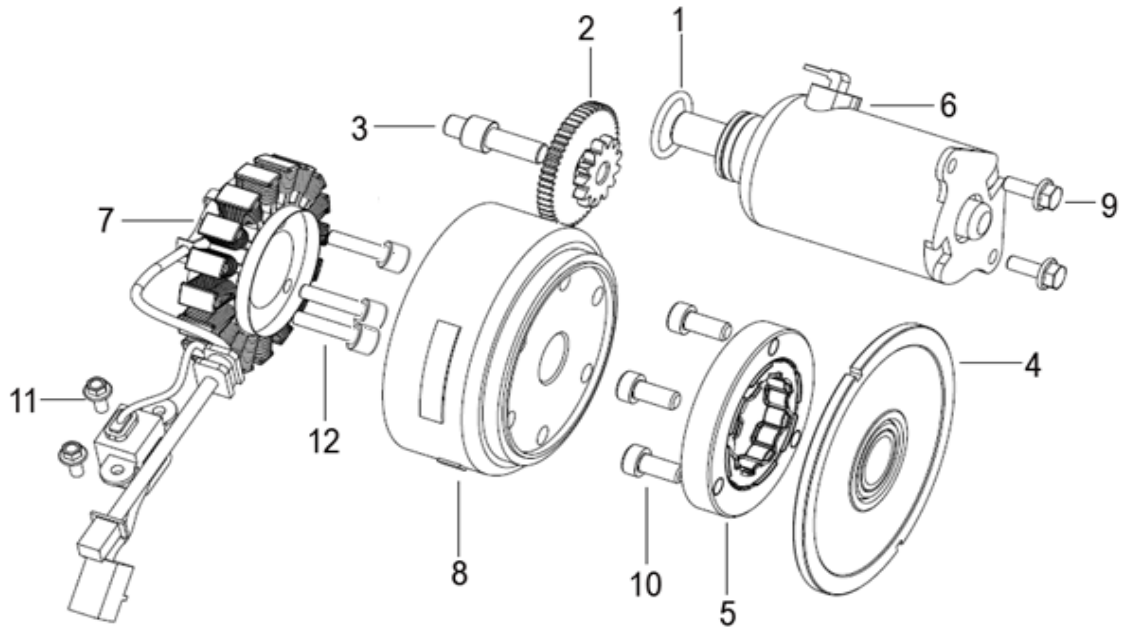
NO.	Position No.	CODE	EN DESCRIPTION	Qty/Unit	Qty/Package	start year
1	E08-1	229113160001	COVER,TRANSMISSION	1		2016
2	E08-2	170054050000	OIL SEAL(35X52X7)	1		2016
3	E08-3	B12016020506	BEARING 6205-2RS	1		2016
4	E08-4	220053160001	GEAR SHAFT ASSY	1		2016
5	E08-5	B12016020101	BEARING 6201	1		2016
6	E08-6	220033160000	WASHER(23X12.2X2)	1		2016
7	E08-7	220063160000	COUNTERSHAFT	1		2016
8	E08-8	B12016030101	BEARING 6301	1		2016
9	E08-9	229043160001	DRIVE SHAFT	1		2016
10	E08-10	220023170000	NUT (M12X1.25)	1		2016
11	E08-11	220013160030	GASKET,TRANSMISSION COVER	1		2016
12	E08-12	25005305001X	WASHER	1		2016

E09.CLUTCH ASSY.



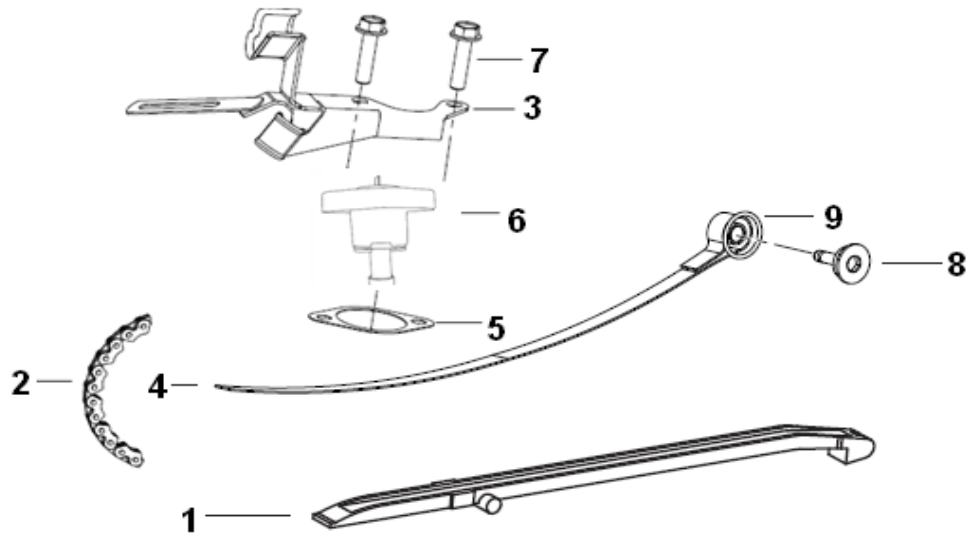
NO.	Position No.	CODE	EN DESCRIPTION	Qty/Unit	Qty/Package	start year
1	E09-1	200023160000	BOSS B,DRIVE FACE	1		2016
2	E09-2	200033160000	FACE,DRIVE	1		2016
3	E09-3	200053160000	FACE,MOVABLE DRIVE	1		2016
4	E09-4	200153060000	ROLLER,WEIGHT,11g	6		2016
5	E09-5	200013060000	PLATE,RAMP	1		2016
6	E09-6	200413160000	PIECE,SLIDE	3		2016
7	E09-7	200013120000	CIRCLIP	1		2016
8	E09-8	200013160000	BELT,DRIVE	1		2016
9	E09-9	B1212K221801	BEARING	1		2016
10	E09-10	200643120000	SEAL,DRIVEN FACE	2		2016
11	E09-11	200133160000	FACE SET,DRIVEN	1		2016
12	E09-12	200173160000	FACE SET,MOVABLE DRIVEN	1		2016
13	E09-13	200093160000	COLLAR,SEAL	1		2016
14	E09-14	200103160000	WASHER,COLLAR,SEAL	1		2016
15	E09-15	200113160000	SEAT,DRIVEN SPRING	1		2016
16	E09-16	200043120000	O-RING	2		2016
17	E09-17	200053120000	SPRING,DRIVEN FACE	1		2016
18	E09-18	200033120000	PIN,ROLLER GUIDE	3		2016
19	E09-19	200023120000	ROLLER,GUIDE	3		2016
20	E09-20	B080000028A1	CIRCLIP	1		2016
21	E09-21	B12016190201	BEARING	1		2016
22	E09-22	200123160000	COLLAR,SPRING	1		2016
23	E09-23	200183160000	WEIGHT SET, CLUTCH, FCC	1		2016
24	E09-24	200063120000	NUT,SPECIAL	1		2016
25	E09-25	200093120000	CLUTCH OUTER	1		2016
26	E09-26	209003160030	CLUTCH ASSY,REAR	1		2016
27	E09-27	209003160000	CLUTCH ASSY,FRONT	1		2016

E10.STARTER ASSY.



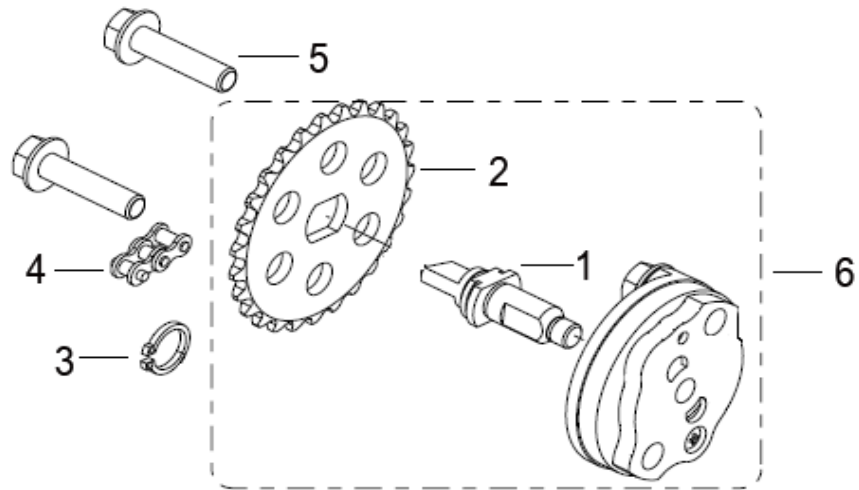
NO.	Position No.	CODE	EN DESCRIPTION	Qty/Unit	Qty/Package	start year
1	E10-1	240013060000	O-RING	1		2016
2	E10-2	249043060000	GEAR,STARTER REDUCTION	1		2016
3	E10-3	249053160000	SHAFT,STARTER REDUCTION	1		2016
4	E10-4	240033160000	CLUTCH ASSY.	1		2016
5	E10-5	240063160000	FLY WHEEL CLUTCH	1		2016
6	E10-6	240043160000	STARTER MOTOR	1		2016
7	E10-7	299033310000	STATOR	1		2016
8	E10-8	299023310001	FLYWHEEL	1		2016
9	E10-9	B0107060166H	BOLT,SOCKET(M6X16)	2		2016
10	E10-10	29001307001X	BOLT,SOCKET(M8X18)	3		2016
11	E10-11	B0107050126H	BOLT,SOCKET(M5X12)	2		2016
12	E10-12	B0205060306H	BOLT,SOCKET(M6X30)	3		2016

E11. CHAIN ASSY.



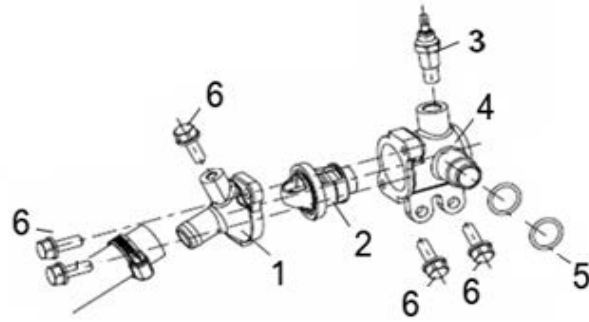
NO.	Position No.	CODE	EN DESCRIPTION	Qty/Unit	Qty/Package	start year
1	E11-1	149023050000	GUIDE,CAMCHAIN	1		2016
2	E11-2	210043060010	CHAIN,CAM	1		2016
3	E11-3	140013160000	CLAMP,HOSE	1		2016
4	E11-4	149013160000	TENSIONER,CAMCHAIN	1		2016
5	E11-5	140013050040	GASKET,CAM CHAIN ADJUSTER	1		2016
6	E11-6	149033140010	BODY,ADJUSTER	1		2016
7	E11-7	B0107060256H	BOLT(M6X25)	2		2016
8	E11-8	14004305011X	BOLT	1		2016
9	E11-9	140023050000	O-RING	1		2016

E12.FUEL PUMP ASSY.



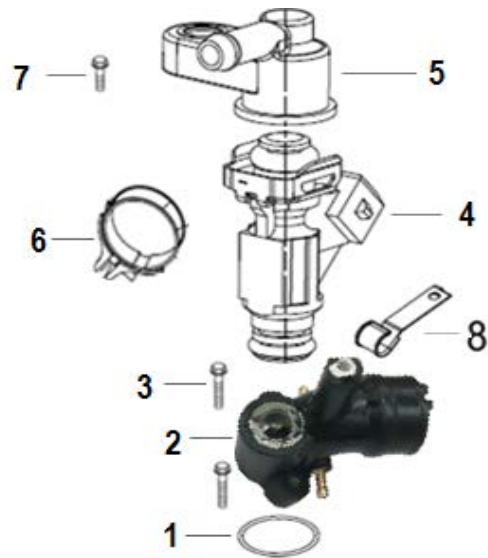
NO.	Position No.	CODE	EN DESCRIPTION	Qty/Unit	Qty/Package	start year
1	E12-1	260033060000	SHAFT,OIL PUMP	1		2016
2	E12-2	269113160000	SPROCKET,OIL PUMP	1		2016
3	E12-3	B08010001000	CIRCLIP 10	1		2016
4	E12-4	269053160000	CHAIN,OIL PUMP	1		2016
5	E12-5	B0107060256H	BOLT(M6X25)	2		2016
6	E12-6	260023160000	OIL PUMP,ASSY	1		2016

E13.THERMOSTAT ASSY



NO.	Position No.	CODE	EN DESCRIPTION	Qty/Unit	Qty/Package	start year
1	E13-1	270073160000	CAP,THERMOSTAT	1		2016
2	E13-2	279165050000	THERMOSTAT	1		2016
3	E13-3	270013160002	THERMOSTAT,MARK A	1		2016
4	E13-4	270083160002	BODY,THERMOSTAT	1		2016
5	E13-5	270093160000	O-RING(14.8X1.9)	2		2016
6	E13-6	B0107060166H	BOLT(M6X16)	5		2016

E14 INJECTOR ASSY



NO.	Position No.	CODE	EN DESCRIPTION	Qty/Unit	Qty/Package	start year
1	E14-1	B190103000A0	O RING 30×1.8	1		2016
2	E14-2	119013160011	PIPE ASSY	1		2016
3	E14-3	B0107060256H	BOLT M6X25	2		2016
4	E14-4	289033310000	INJECTOR	1		2016
5	E14-5	289043070000	BASE,INJECTOR	1		2016
6	E14-6	11002305002X	CLIP ASSY	1		2016
7	E14-7	B01070601664	BOLT M6X16	1		2016
8	E14-8	100103160000	CLAMP,THERMOSTAT TUBE	1		