

## LH550 PRO MAX 4X4



# LH550 PRO MAX 4X4

## ÍNDICE

<b>ESQ</b>	<b>QUADRO</b>	<b>PAG</b>
<b>F01</b>	<b>HANDLEBAR</b>	<b>4</b>
<b>F02</b>	<b>FUEL TANK</b>	<b>5</b>
<b>F03</b>	<b>REAR FENDER AND FRAME</b>	<b>6</b>
<b>F03.1</b>	<b>REAR FENDER AND FRAME</b>	<b>7</b>
<b>F04</b>	<b>FRONT BODY</b>	<b>8</b>
<b>F04.1</b>	<b>FRONT BODY</b>	<b>9</b>
<b>F05</b>	<b>FRONT SHOCK ABSORBER</b>	<b>10</b>
<b>F05.1</b>	<b>FRONT SHOCK ABSORBER</b>	<b>11</b>
<b>F06</b>	<b>REAR ARM</b>	<b>12</b>
<b>F07</b>	<b>FRONT WHEEL</b>	<b>13</b>
<b>F08</b>	<b>REAR WHEEL</b>	<b>14</b>
<b>F09</b>	<b>SHIFT ROD</b>	<b>15</b>
<b>F10</b>	<b>FRONT AND REAR GEARBOX</b>	<b>16</b>
<b>F11</b>	<b>FRONT LEFT DRIVE AXLE</b>	<b>17</b>
<b>F12</b>	<b>FRONT RIGHT DRIVE AXLE</b>	<b>18</b>
<b>F13</b>	<b>REAR LEFT DRIVE AXLE</b>	<b>19</b>
<b>F14</b>	<b>REAR RIGHT DRIVE AXLE</b>	<b>20</b>
<b>F15</b>	<b>FRONT AND REAR KNUCKLE ASSY</b>	<b>21</b>
<b>F16</b>	<b>STEERING COLUMN</b>	<b>22</b>
<b>F17</b>	<b>ELECTRICAL SYSTEM</b>	<b>23</b>
<b>F18</b>	<b>BRAKING SYSTEM</b>	<b>24</b>
<b>F19</b>	<b>AUXILIARY BRAKE</b>	<b>25</b>
<b>F20</b>	<b>BRAKE PEDAL</b>	<b>26</b>
<b>F21</b>	<b>BUMPER AND RACK</b>	<b>27</b>
<b>F21.1</b>	<b>BUMPER AND RACK</b>	<b>28</b>
<b>F22</b>	<b>ENGINE ASSY</b>	<b>29</b>
<b>F23</b>	<b>FRONT GEARBOX</b>	<b>30</b>
<b>F23.1</b>	<b>FRONT GEARBOX</b>	<b>31</b>
<b>F24</b>	<b>REAR GEARBOX</b>	<b>32</b>
<b>F25</b>	<b>STICKERS</b>	<b>33</b>

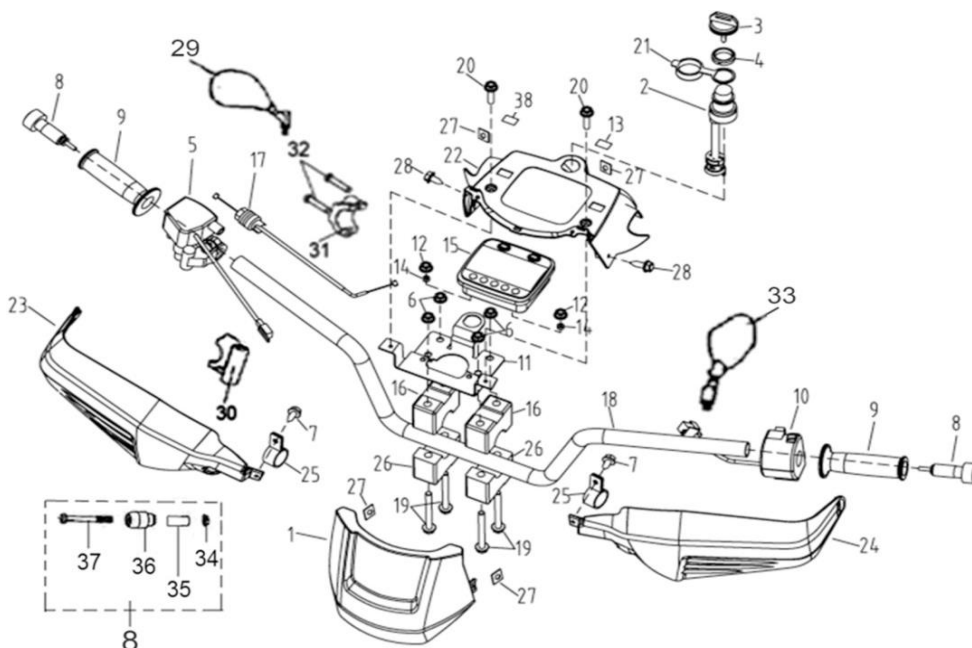
# LH550 PRO MAX 4X4

## ÍNDICE

<b>ESQ</b>	<b>MOTOR</b>	<b>PAG</b>
E01	CYLINDER HEAD COVER	34
E02	CYLINDER HEAD	35
E03	CAMSHAFT	36
E04	CYLINDER	37
E05	CRANKSHAFT	38
E06	LEFT CRANKCASE	39
E07	RIGHT CRANKCASE	40
E08	CVT HOUSING	41
E09	CVT COVER	42
E10	LEFT CRANKCASE COVER	43
E11	GENERATOR	44
E12	ELECTRIC STARTER	45
E13	CLUTCH	46
E14	TRANSMISSION I	47
E15	TRANSMISSION II	48
E16	TRANSMISSION III	49
E17	OIL PUMP	50
E18	WATER PUMP	51
E19	FUEL INJECTION ASSY	52
E20	LEFT SIDE COVER	53
E21	RADIATOR	54
E22	AIR CLEANER	55
E23	CVT AIR SHROUD	56
E24	EXHAUST	57
E25	TOOLS	58
E26	WINCH (3000LBS)	59
E27	FRAGILE GASKET ASSY	60

## LH550 PRO MAX 4X4

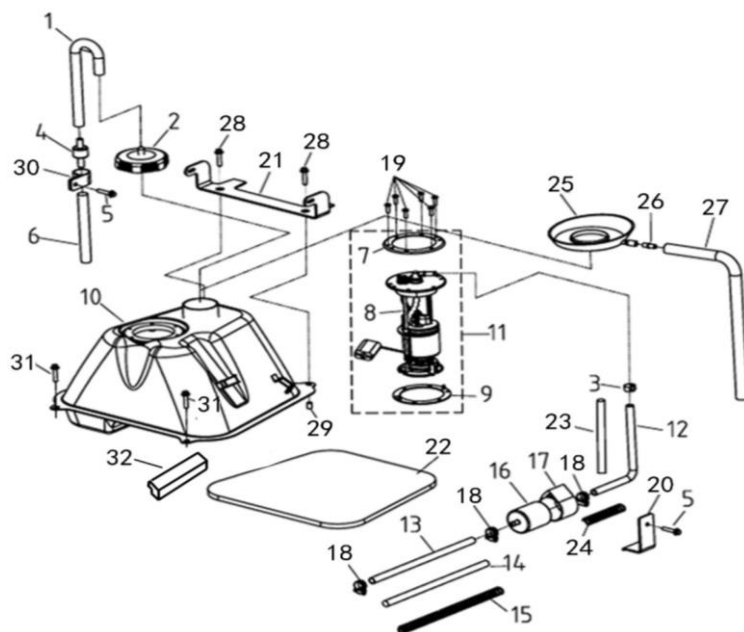
### F01 HANDLEBAR



Nº	CÓDIGO	DESCRIÇÃO	Qt.	OBSERVAÇÕES
1	LH00027415	FRONT SPEEDOMETER COVER	1	
2	LH00027601	IGNITION SWITCH WITH KEY (USED FOR WATERPROOF)	1	
3	LH00025003	KEY BLANK	1	
4	LH00025004	THREADED NUT	1	
5	LH00035734	THROTTLE CONTROL (WITH 2WD/4WD SWITCH) (WITHIN DIFF-LOCK)	1	
6	LH00011455	NUT M8	4	
7	LH00011053	SCREW ST4.8X12	2	
8	LH00072037	NEW GUARD, HANDLEBAR END ASSY. (MATCH WITH NEW HANDLEBAR)	2	
9	LH00035727	GRIP	2	
10	LH00072212	SWITCH ASSY	1	
11	LH00025008	SPEEDOMETER BRACKET	1	
12	LH00011454	NUT M6	2	
13	LH00025298	BRAKE FLUID INDICATOR	1	
14	LH00070447	RUBBER WASHER	2	
15	LH00035910	LCD SPEEDOMETER	1	
16	LH0020112A	HANDLEBAR CLAMP	2	
17	LH00036485	THROTTLE CABLE	1	
18	LH0027385a	HANDLEBAR	1	
19	LH00011068	BOLT M8X80	4	
20	LH00010201	SCREW M5X16	2	
21	LH00027257	IGNITION SWITCH COVER	1	
22	LH00027416	REAR SPEEDOMETER COVER	1	
23	LH00027417	HANDLEBAR COVER RIGHT	1	
24	LH00027418	HANDLEBAR COVER LEFT	1	
25	LH00027419	HANDLE COVER INSTALLATION BELT	2	
26	LH00036437	HANDLEBAR DOWN CLAMP	2	
27	LH00022346	NUT ST4.8	4	
28	LH00010520	SCREW ST4.8X12	4	
29	LH00036149	REAR VIEW MIRROR RIGHT	1	
32	LH00010008	BOLT M6X20	2	
33	LH00036148	REAR VIEW MIRROR LEFT	1	
34	LH00010913	NUT M6	2	
35	LH00072035	TENSIONING BLOCK	2	
36	LH00072036	BALANCE WEIGHT	2	
37	LH00010940	SCREW M6X70	2	
38	LH00035875	OIL ALARM LAMP	1	

## LH550 PRO MAX 4X4

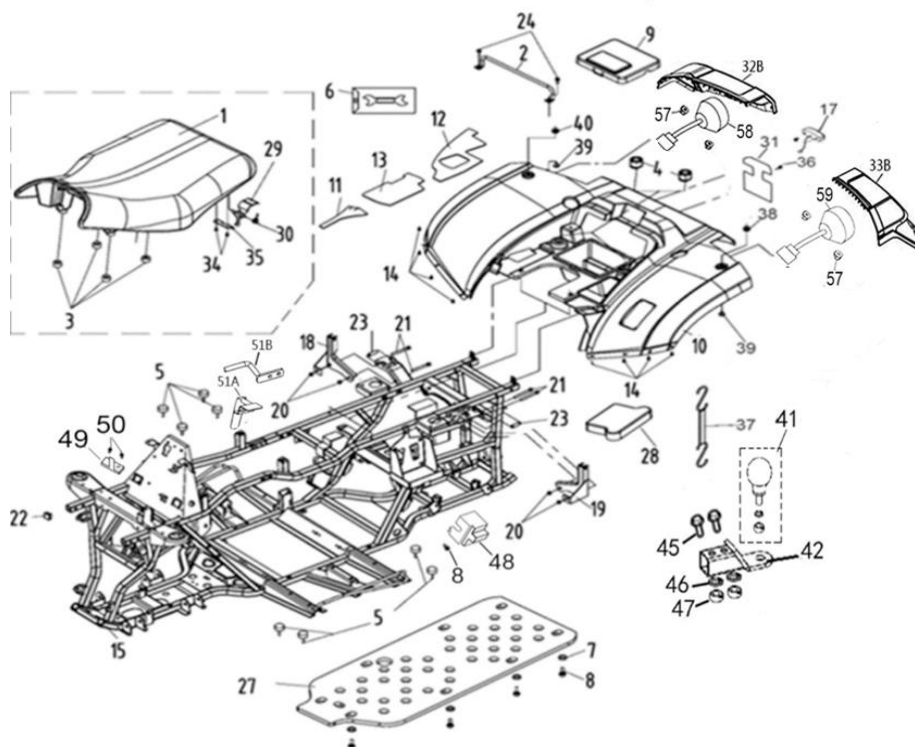
### F02 FUEL TANK



Nº	CÓDIGO	DESCRIÇÃO	Qt.	OBSERVAÇÕES
1	LH00035501	BREATHER PIPE (φ5Xφ9X450)	1	
2	LH00070725	FUEL CAP	1	
3	LH00084428	SINGLE EAR CLAMP (φ4.5)	1	
4	LH00025037	DUMPING VALVE	1	
5	LH00010971	BOLT M6X10	2	
6	LH00070734	TUBE	1	
9	LH00036440	RUBBER WASHER	1	
10	LH00035828	FUEL TANK	1	
11	LH00035912	VALVE, TANK, FUEL (27W)	1	
12	LH00035829	FUEL HOSE 1	1	
13	LH00036069	FUEL HOSE 2	1	
14	LH00036073	FUEL LINE ADIABATIC PELLICLE	1	
15	LH00036077	FUEL LINE SPRING	1	
16	LH00070842	FUEL FILTER	1	
17	LH00070845	FUEL FILTER INSTALLATION	1	
18	LH00071658	HOSE CLAMPS 8/14	3	
19	LH00010201	SCREW M5X16	6	
20	LH00036142	PLATE, FUEL FILTER	1	
21	LH00035913	MOUNTING BRACKET, SEAT	1	
22	LH00035831	FUEL TANK ADIABATIC PELLICLE	1	
23	LH00035832	FUEL LINE ADIABATIC PELLICLE	1	
24	LH00035521	FUEL LINE SPRING	1	
25	LH00036078	FLUID SPILL PAN	1	
26	LH00060210	JOINT	1	
27	LH00028095	TUBE, FUEL CAP BREATHER	1	
28	LH00011069	BOLT M6X35	2	
29	LH00035834	FUEL TANK INSTALLATION	2	
30	LH00025351	DUMP VALVE FIXING PLATE	1	
31	LH00011080	BOLT M6X20	2	
32	LH00027846	FUEL TANK RUBBER PROTECTIVE STRIP	1	

## LH550 PRO MAX 4X4

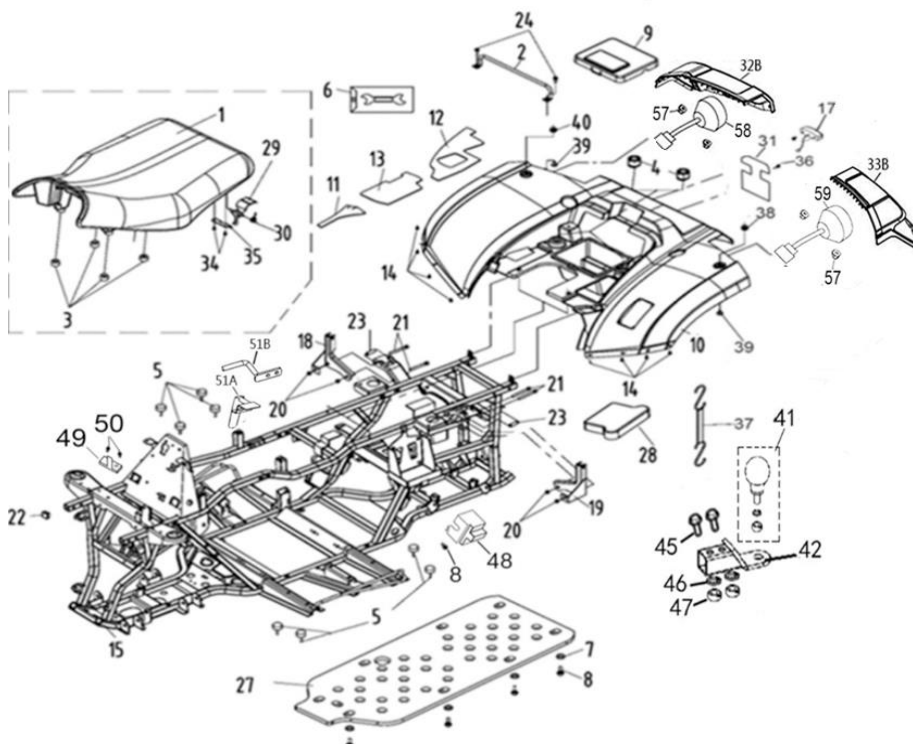
### F03 REAR FENDER AND FRAME



Nº	CÓDIGO	DESCRIÇÃO	Qt.	OBSERVAÇÕES
1	LH00035835	SEAT	1	
2	LH00035836	LATCH ASSEMBLY	1	
3	LH00025042	RUBBER, SEAT SETTING 1	6	
4	LH00070445	RUBBER, SEAT SETTING 2	2	
5	LH00020316	RUBBER PAD	8	
6	LH00025044	TOOL	1	
7	LH00020331	WASHER 6	8	
8	LH00010628	BOLT M6X18	10	
9	LH0025045A	TOOL BOX CAP	1	
10	LH0357562G	REAR FENDER (RED)	1	
10	LH0357569B	REAR FENDER (GREY)	1	
10	LH0357561F	REAR FENDER (BLACK)	1	
11	LH00027567	ADIABATIC PELLICLE	1	
12	LH00035001	REAR MUD ADIABATIC PELLICLE 1	1	
13	LH00035002	REAR MUD ADIABATIC PELLICLE 2	1	
14	LH00026370	SCREW M6X16	8	
15	LH00035914	FRAME ASSY. (MATCH REAR GEAR-BOX 47163, WITHOUT EPS)	1	
16	LH00011099	SCREW M6X20	6	
17	LH00083459	LENS, LICENSE LIGHT	1	
18	LH00025054	TRESTLE RIGHT	1	
19	LH00025055	TRESTLE LEFT	1	
20	LH00010628	BOLT M8X70	2	
21	LH00010776	NUT 8	4	
22	LH00070287	RUBBER COVER	4	
23	LH00035838	SPACER	4	
24	LH00010140	BOLT M6X12	2	
25	LH00010004	NUT	2	
26	LH00010002	WASHER 6	16	
27	LH00035497	PLASTIC PLANT	1	
28	LH00035078	BATTERY 18 Ah COVER	1	
28	LH00035839	BATTERY 30 Ah COVER	1	
29	LH00070788	HOOK BRACKET, SEAT LOCK	1	

## LH550 PRO MAX 4X4

### F03.1 REAR FENDER AND FRAME

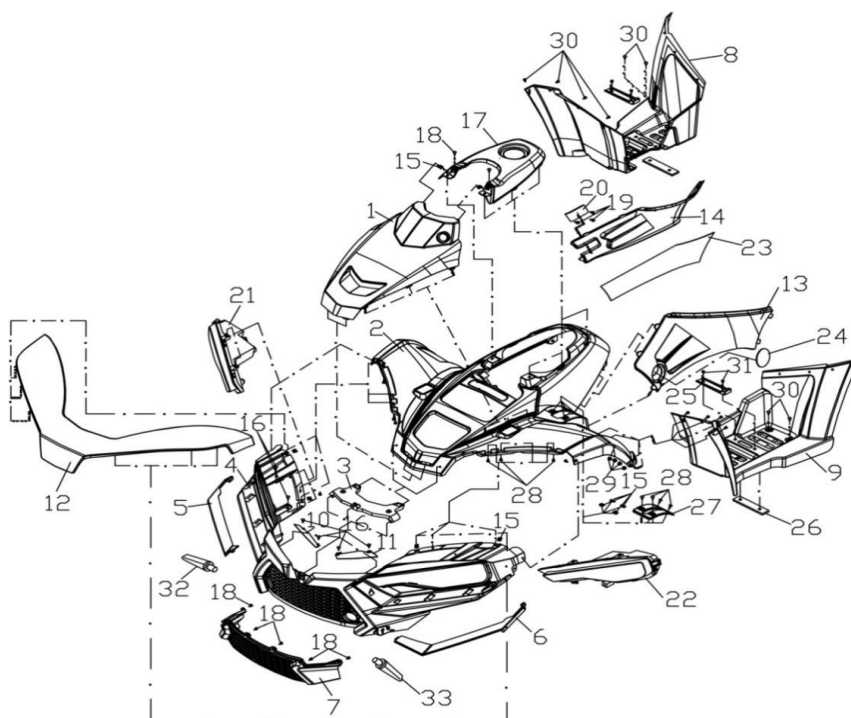


Nº	CÓDIGO	DESCRIÇÃO	Qt.	OBSERVAÇÕES
30	LH00070802	SPRING	1	
31	LH00027606	BRACKET, LENS, LICENSE LIGHT	1	
32B	LH00025369	TAILLIGHT COVER, R (MATCH 25376)	1	
33B	LH00025371	TAILLIGHT COVER, L (MATCH 25377)	1	
35	LH00070803	BAFFLE.SEAT	1	
36	LH00026370	SCREW M6X16	2	
37	LH00022018	BATTERY BELT (USED FOR 18 Ah)	1	
38	LH00070449	COVER BUFFER	2	
39	LH00070543	SPACER, COVER BUFFER	2	
40	LH00025376	RIGHT REAR COMBINATION LAMP (EFI T3 HOMOLOGATED)	1	
40	LH00025377	LEFT REAR COMBINATION LAMP (EFI T3 HOMOLOGATED)	1	
41	LH00025294	PULL THE BALL (E13 55R-014154)	1	
42	LH00025295	THE TRACTION BALL WELDING COMPONENTS	1	
45	LH00010947	BOLT 16X95	2	
46	LH00011060	WASHER 16	2	
47	LH00010874	NUT M16	2	
48	LH00035907	STARTER RELAY SHIELD	1	
49	LH00072305	ELECTRONIC DUMP SWITCH CONNECTION PLATE	1	
50	LH00010753	SCREW M4X16	2	
51B	LH0038208A	MUFFLER ELBOW BAFFLE (NEW)	1	
52	LH00025372	TAILLIGHT COVER, R	1	
53	LH00025373	TAILLIGHT COVER BUSHING, R	1	
54	LH00011222	SCREW ST4.2X13	6	
55	LH00025374	TAILLIGHT COVER BUSHING, L	1	
56	LH00025375	TAILLIGHT COVER, L	1	
57	LH00011221	NUT	2	
58	LH00025376	RIGHT REAR COMBINATION LAMP (EFI T3 HOMOLOGATED)	1	
59	LH00025377	LEFT REAR COMBINATION LAMP (EFI T3 HOMOLOGATED)	1	



## LH550 PRO MAX 4X4

### F04 FRONT BODY

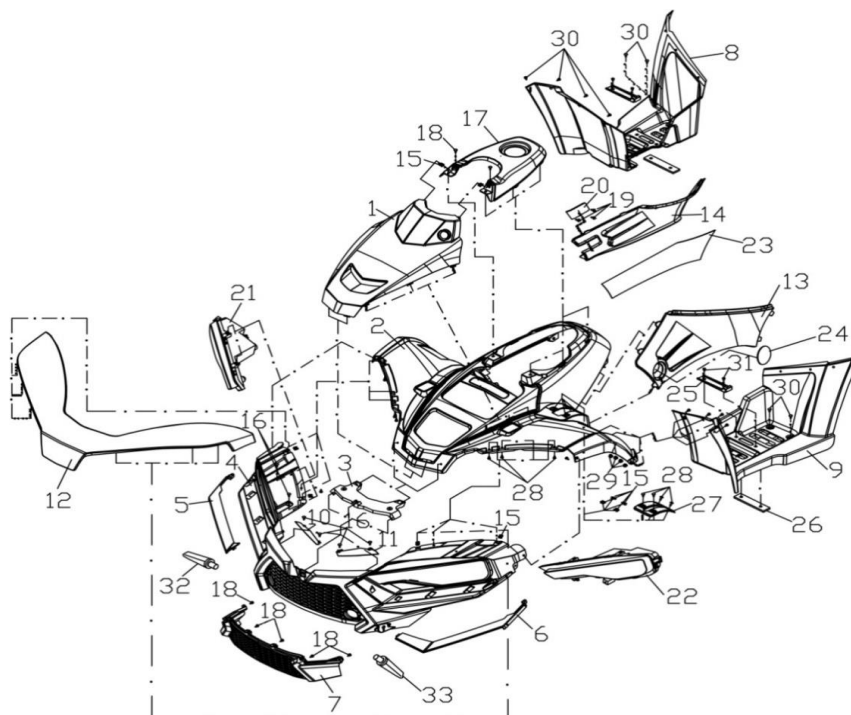


Nº	CÓDIGO	DESCRIÇÃO	Qt.	OBSERVAÇÕES
1	LH00025064	FRONT COVER	1	
2	LH0382162G	FRONT BODY (RED)	1	
2	LH0382169B	FRONT BODY (GREY)	1	
2	LH0382161F	FRONT BODY (BLACK)	1	
3	LH00038217	CONNECTING BRACKET	1	
4	LH00038218	PLASTIC BUMPER	1	
5	LH0382192G	RIGHT TRIM BAR (RED)	1	
5	LH0382199B	RIGHT TRIM BAR (GREY)	1	
5	LH0382191F	RIGHT TRIM BAR (BLACK)	1	
6	LH0382202G	LEFT TRIM BAR (RED)	1	
6	LH0382209B	LEFT TRIM BAR (GREY)	1	
6	LH0382201F	LEFT TRIM BAR (BLACK)	1	
8	LH00035076	FOOTREST RIGHT	1	
9	LH00035077	FOOTREST LEFT	1	
10	LH00038222	RIGHT BAFFLE PLATE	1	
11	LH00038223	LEFT BAFFLE PLATE	1	
12	LH00038221	HEAD LAMP CASE	1	
13	LH00025077	SIDE COVER L	1	
14	LH00025076	SIDE COVER R	1	
15	LH00022346	NUT ST4.8	16	
16	LH00010178	SCREW ST4.2×13	12	
17	LH00035841	COVER, FUEL TANK TOP	1	
18	LH00010009	SCREW ST4.8×16	18	
19	LH00010178	SCREW ST4.2×13	20	



## LH550 PRO MAX 4X4

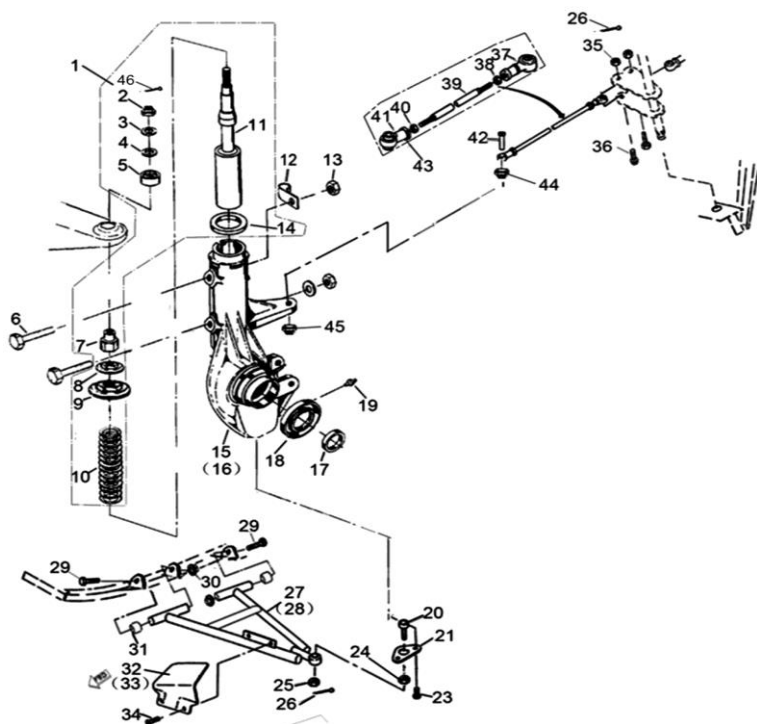
### F04.1 FRONT BODY



Nº	CÓDIGO	DESCRIÇÃO	Qt.	OBSERVAÇÕES
20	LH00035515	CAP, SIDE COVER R	1	
21	LH00038224	LED LIGHT, FR	1	
22	LH00038225	LED LIGHT, FL	1	
23	LH00038206	SIDE COVER R, ADIABATIC PELLICLE	1	
24	LH00035843	LEFT SIDE COVER	1	
25	LH00070336	STEP (SHORT)	2	
26	LH00070300	RUBBER WASHER	2	
27	LH00038228	SHIFT COVER (BLACK)	1	
28	LH00010520	SCREW ST4.8X12	4	
29	LH00011064	NUT M6	8	
30	LH00026370	SCREW M6X16	16	
31	LH00046193	SCREW M6X20	4	
32	LH00038232	FRONT INDICATOR LIGHT R	1	
33	LH00038233	FRONT INDICATOR LIGHT L	1	

## LH550 PRO MAX 4X4

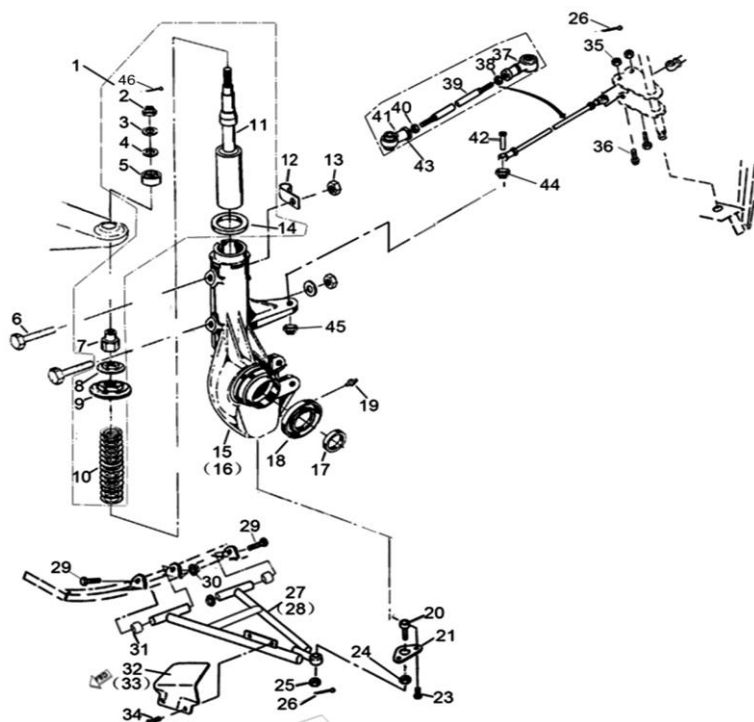
### F05 FRONT SHOCK ABSORBER



Nº	CÓDIGO	DESCRIÇÃO	Qt.	OBSERVAÇÕES
1	LH0027848A	FRONT SHOCK ABSORBER ASSEMBLY (ADD THE COTTER PIN)	2	
2	LH00011638	NUT M14X1.5	2	
3	LH00021802	WASHR 14	2	
4	LH00021803	SPACER RUBBER	2	
5	LH00021804	UPPER PIVOT BALL	2	
6	LH00010093	BOLT M8X55	4	
7	LH00021806	NUT M14X1.5	2	
8	LH00021807	LOWER PIVOT BALL	2	
9	LH00021808	SPRING RETAINER	2	
10	LH00027849	SPRING	2	
11	LH00038203	STRUT BUMPER (ADD THE COTTER PIN)	2	
12	LH00032104	CLAMP	2	
13	LH00010079	NUT M8	4	
14	LH00021813	SPRING RETAINER	2	
15	LH00035019	STRUT BODY LEFT	1	
16	LH00035016	STRUT BODY RIGHT	1	
17	LH00026912	CIRCLIP	2	
18	LH00026913	BEARING	2	
19	LH00027074	GREASE FITTING	2	
20	LH00020512	BALL JOINT STUD	2	
21	LH00020513	BALL JOINT MOUNTING BRACKET	2	
23	LH00010022	BOLT M6X12	4	
24	LH00010019	WASHER	2	
25	LH00027067	NUT M10X1.25	2	
26	LH00010501	COTTER PIN 2.5X25	2	
27	LH0020518F	A-ARM LEFT	1	
28	LH0020627F	A-ARM RIGHT	1	
29	LH00027077	A-ARM PIVOT SHAFT	2	

# LH550 PRO MAX 4X4

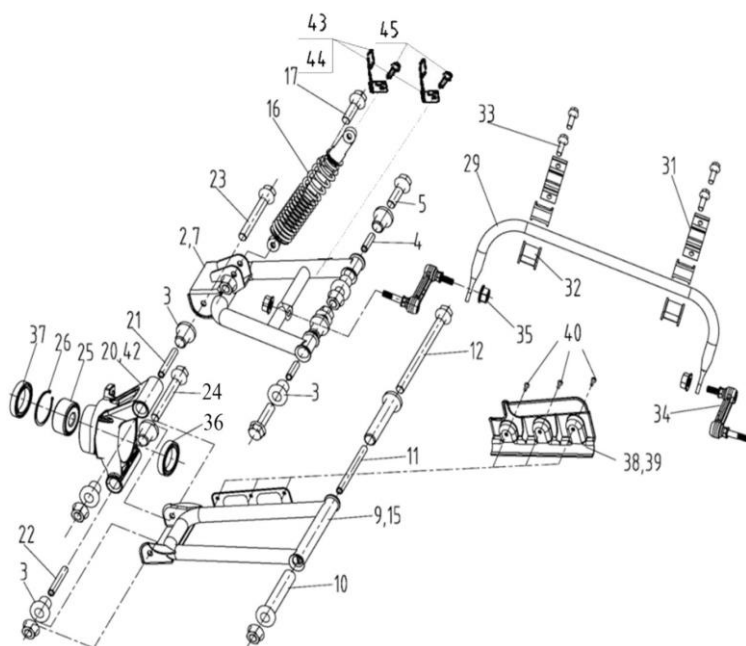
## F05.1 FRONT SHOCK ABSORBER



Nº	CÓDIGO	DESCRIÇÃO	Qt.	OBSERVAÇÕES
30	LH00010136	NUT M12X1.25	4	
31	LH0020524F	BUSHING	4	
32	LH00020519	A - ARM SHIELD LEFT	1	
33	LH00020628	A - ARM SHIELD RIGHT	1	
34	LH00010001	SCREW M5X12	4	
35	LH00010015	NUT M10X1.25	2	
36	LH00027794	BOLT M10X1.25X57	2	
37	LH00020503	TIE ROD END A	2	
38	LH00010017	JAM NUT (RIGHT)	2	
39	LH00036147	TIE ROD (NEW MODEL)	2	
40	LH00020506	JAM NUT (LEFT)	2	
41	LH00020507	TIE ROD END B	2	
42	LH00035722	BOLT	2	
43	LH00036146	TIE ROD ASSY (NEW MODEL)	2	
44	LH00035017	FRONT T TYPE	1	
45	LH00035018	DOWN T TYPE	1	
46	LH00010094	COTTER PIN 2X20	2	

## LH550 PRO MAX 4X4

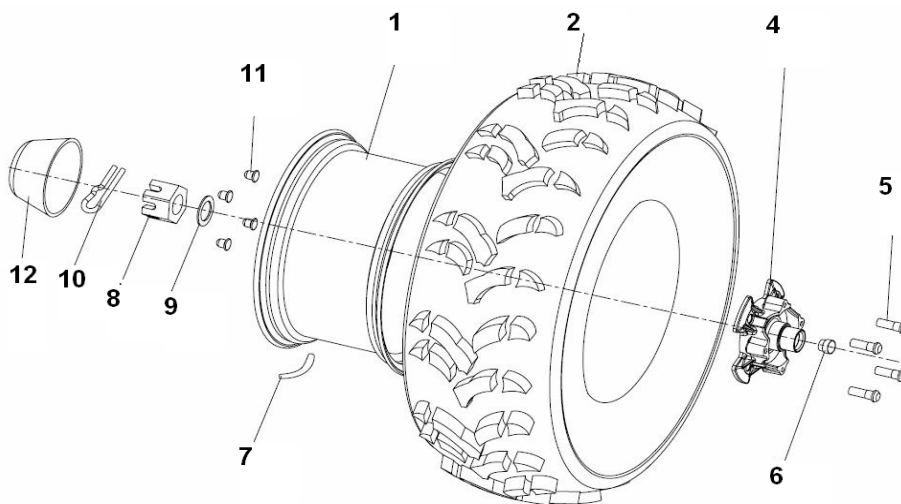
### F06 REAR ARM



Nº	CÓDIGO	DESCRIÇÃO	Qt.	OBSERVAÇÕES
2	LH00072293	ARM, L.RR	1	
3	LH00070682	BUSH 1, ARM, R.RR	16	
4	LH00070683	COLLAR	4	
5	LH00070684	BOLT M10X1.25X80	4	
7	LH00072294	ARM, R.RR	1	
9	LH00027326	ARM SET, L.RR	1	
10	LH00070665	BUSH 2, ARM, R.RR	4	
11	LH00070687	COLLAR, ARM	2	
12	LH00070688	BOLT M10M1.25M230	2	
15	LH00027327	ARM SET, R.RR	1	
16	LH00027394	SHOCK ABSORBER, RR	2	
17	LH00011071	BOLT M10X1.25X52	4	
20	LH00036136	KNUCKLE, L.RR (CAST STEEL)	1	
21	LH00070692	COLLAR, RR.KNUCKLE, (UPPER)	2	
22	LH00070693	COLLAR, RR.KNUCKLE, (LOWER)	2	
23	LH00070694	BOL, TKNUCKLE, (UPPER)	2	
24	LH00070695	BOL, TKNUCKLE, (LOWER)	2	
25	LH00070674	BEARING AU0712	2	
26	LH00070055	CIRCLIP 58	2	
29	LH00035385	SPRING, RR.STABILIZER	1	
31	LH00035523	HOLDER, STABILIZER BUSH (NEW MODEL)	2	
32	LH00027091	BUSH, RR.STABILIZER (NEW MODEL)	2	
33	LH00011199	BOLT M8X20	4	
34	LH00070699	LINK, RR. STABILIZER	2	
35	LH00011510	NUT M10X1.25	18	
36	LH00070675	SEAL 61.5 43 11	2	
37	LH00070676	SEAL 58 41.2 11	2	
38	LH00070977	ARM PROTECT, L	1	
39	LH00070976	ARM PROTECT, R	1	
40	LH00011062	BOLT M5x12	6	
42	LH00036135	KNUCKLE, R.RR (CAST STEEL)	1	
43	LH00027797	REAR RIGHT DISC BRAKE WIRE NAIL	2	
44	LH00027798	REAR LEFT DISC BRAKE WIRE NAIL	2	
45	LH0010183B	NUT M16X16	4	

## LH550 PRO MAX 4X4

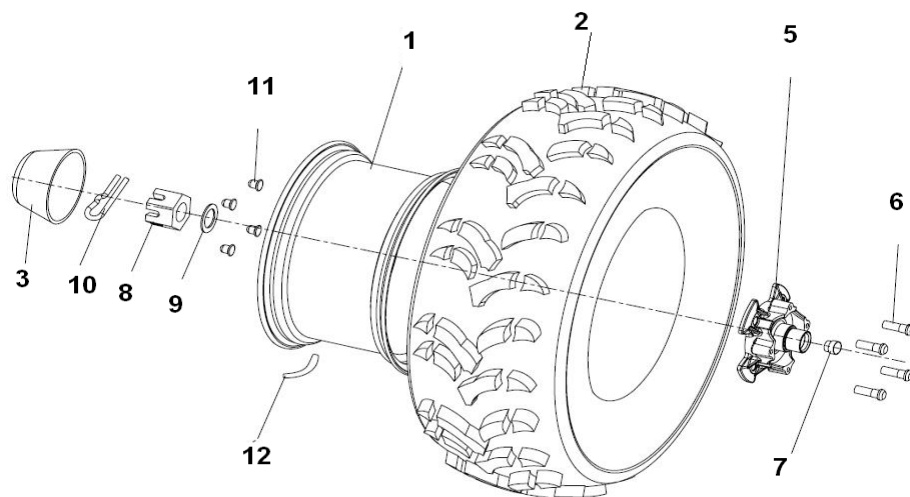
### F07 FRONT WHEEL



Nº	CÓDIGO	DESCRIÇÃO	Qt.	OBSERVAÇÕES
1	LH00035881	WHEEL SUB-ASSY, FR (ALUMINIUM)	2	
2	LH00038185	TIRE FRONT AT25X8-12 (DURO P350 SPEED CATEGORY:J) (Options)	2	
4	LH00027285	HUB ASSY SHRT	2	
5	LH00070714	BOLT M12X1.25	16	
6	LH00070718	SEAL	2	
7	LH0020807A	VALVE, RIM (TR412)	4	
8	LH00070721	BOLT SLOTTED	4	
9	LH00070722	WASHER	2	
10	LH00026267	PIN 4X32	2	
11	LH00027411	NUT, WHEEL	8	
12	LH00070717	CAP, WHEEL CENTER	2	

## LH550 PRO MAX 4X4

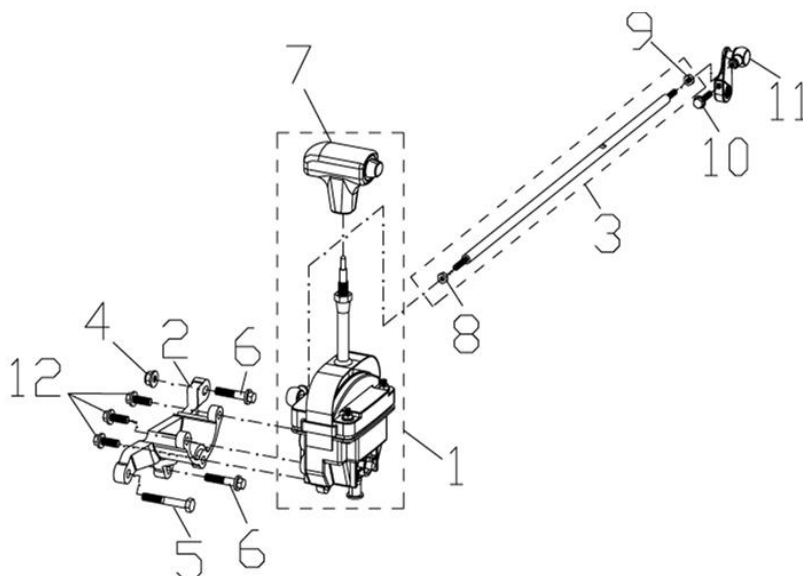
### F08 REAR WHEEL



Nº	CÓDIGO	DESCRIÇÃO	Qt.	OBSERVAÇÕES
1	LH00035882	WHEEL SUB-ASSY, RR (ALUMINIUM) (OPTION)	2	
2	LH00038189	TIRE, RR AT25X10-12 (DURO P350 SPEED CATEGORY:J) (Options)	2	
3	LH00070717	CAP, WHEEL CENTER	2	
5	LH00070719	HUB, RR WHEEL	2	
6	LH00070714	BOLT M12X1.25	16	
7	LH00070718	SEAL	4	
8	LH00070721	BOLT SLOTTED	2	
9	LH00070722	WASHER	2	
10	LH00026267	PIN 4X32	2	
11	LH00027411	NUT, WHEEL	8	
12	LH0020807A	VALVE, RIM (TR412)	4	

## LH550 PRO MAX 4X4

### F09 SHIFT ROD

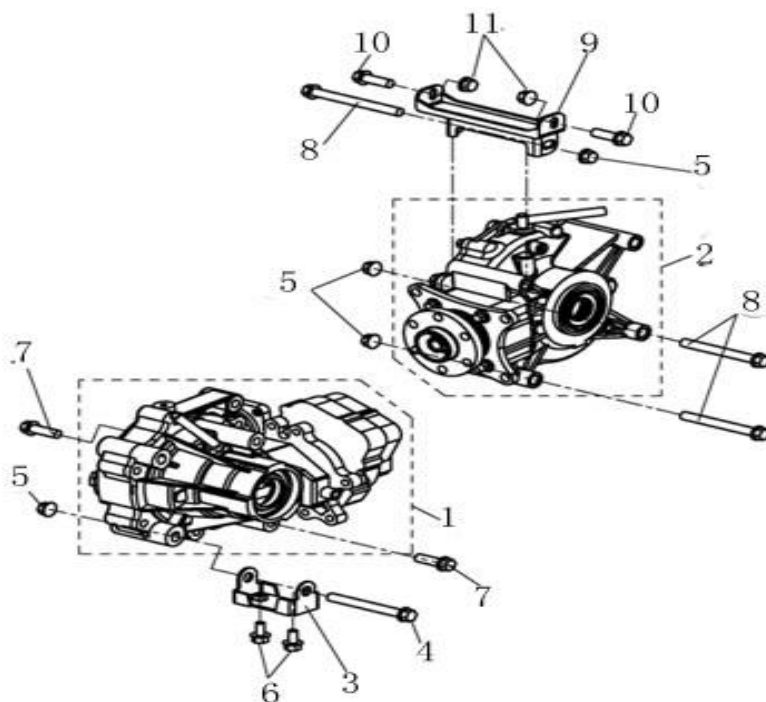


N°	CÓDIGO	DESCRIÇÃO	Qt.	OBSERVAÇÕES
1	LH00038226	SHIFTER ASSY MOUNTING	1	
2	LH00035010	SHIFTER MOUNTING BRACKET	1	
3	LH00038227	SHIFTER MOUNTING ROD	1	
4	LH00011442	NUT M8	2	
5	LH00025056	BOLT M8X70	1	
6	LH00011045	BOLT M8X40	2	
7	LH00038294	HANDLE SHIFTER	1	
8	LH00010090	NUT M6	1	
9	LH0010090L	LEFT-HAND NUT M6	1	
10	LH00011539	BOLT M6X1×25	1	
11	LH00035889	SHIFT ROCKER ARM COMPONENTS	1	
12	LH00010783	BOLT M8X20	3	



## LH550 PRO MAX 4X4

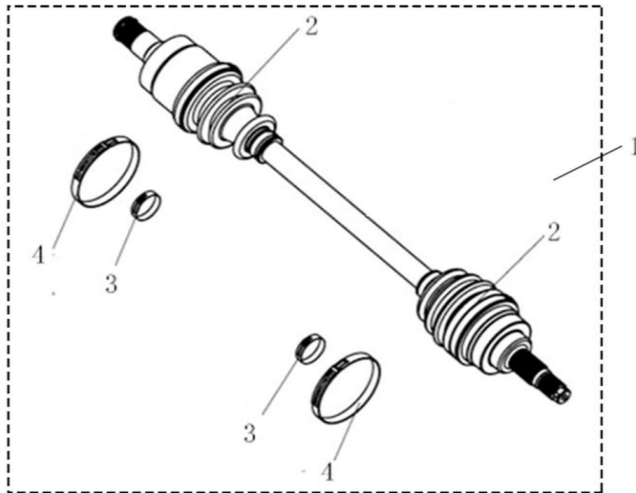
### F10 FRONT AND REAR GEARBOX



Nº	CÓDIGO	DESCRIÇÃO	Qt.	OBSERVAÇÕES
1	LH00047162	FRONT GEAR-BOX ASSY	1	
2	LH00047163	REAR GEAR-BOX ASSY	1	
3	LH00035500	BRACKET, FRONT GEAR-BOX ASSY	1	
4	LH00010924	BOLT M10X1.25X90	1	
5	LH00010015	NUT M10X1.25	4	
6	LH00010168	BOLT M8X1.25X16	2	
7	LH00011190	BOLT M10X1.25X30	2	
8	LH00010925	BOLT M10X1.25X110	3	
9	LH00036310	BRACKET, REAR GEAR-BOX ASSY	1	
10	LH00011072	BOLT M8X1.25X20	2	
11	LH00010079	NUT M8X1.25	4	

## LH550 PRO MAX 4X4

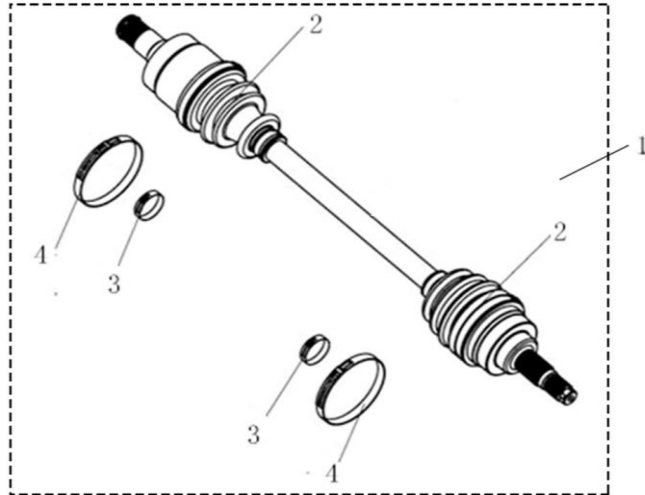
### F11 FRONT LEFT DRIVE AXLE



N°	CÓDIGO	DESCRIÇÃO	Qt.	OBSERVAÇÕES
1	LH00035030	FRONT LEFT DRIVE AXLE	1	
2	LH00035038	OUTER BOARD BOOT	2	
3	LH00035037	BOOT BAND A	2	
4	LH00035040	BOOT BAND B	2	

## LH550 PRO MAX 4X4

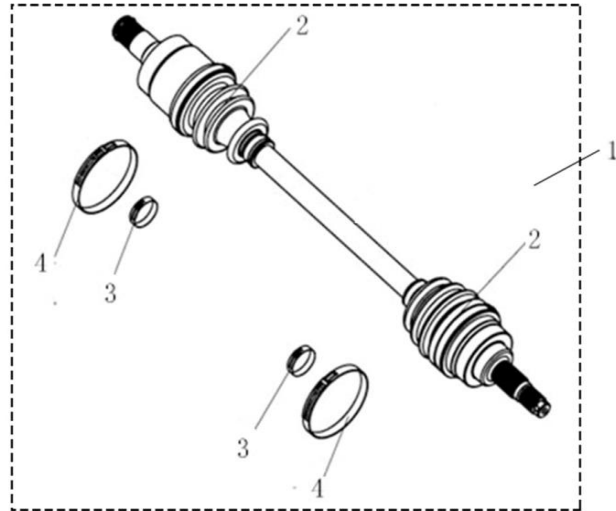
### F12 FRONT RIGHT DRIVE AXLE



N°	CÓDIGO	DESCRIÇÃO	Qt.	OBSERVAÇÕES
1	LH00035031	FRONT RIGHT DRIVE AXLE	1	
2	LH00035038	OUTER BOARD BOOT	2	
3	LH00035037	BOOT BAND A	2	
4	LH00035040	BOOT BAND B	2	

## LH550 PRO MAX 4X4

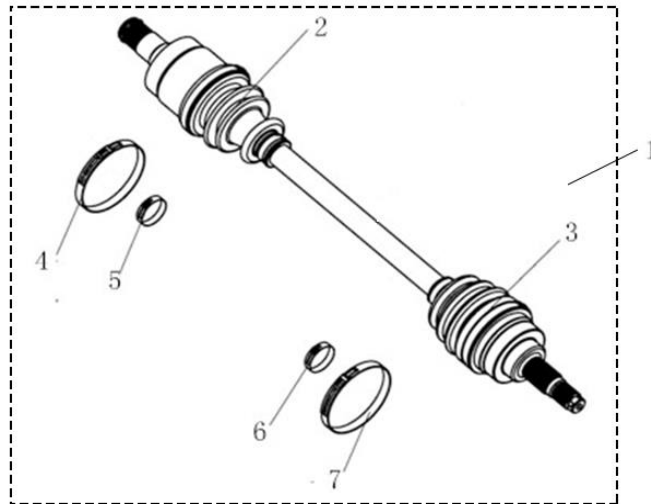
### F13 REAR LEFT DRIVE AXLE



Nº	CÓDIGO	DESCRIÇÃO	Qt.	OBSERVAÇÕES
1	LH00036143	REAR LEFT DRIVE AXLE	1	
2	LH00036164	INTER BOARD BOOT	1	
3	LH00036165	OUTER BOARD BOOT	1	
4	LH00036166	INTER BOOT BAND B	1	
5	LH00036167	INTER BOOT BAND A	1	
6	LH00036168	OUTER BOOT BAND B	1	
7	LH00035920	OUTER BOOT BAND A	1	

## LH550 PRO MAX 4X4

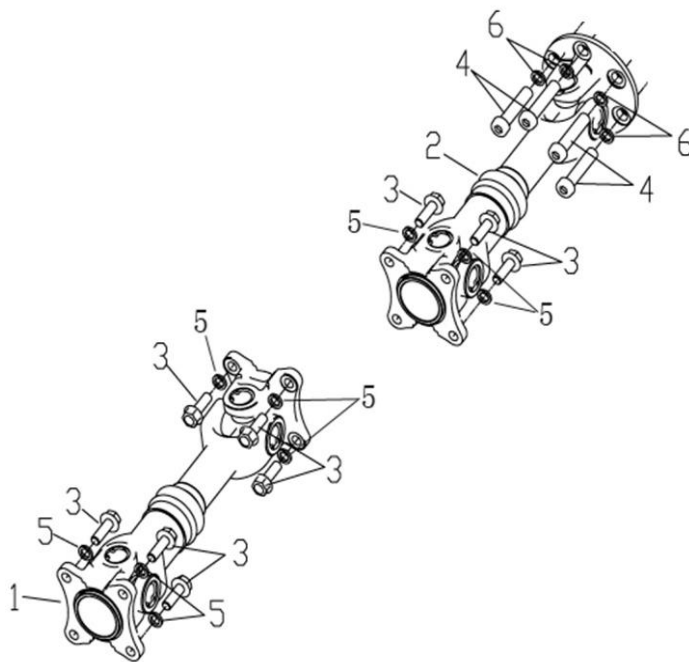
### F14 REAR RIGHT DRIVE AXLE



Nº	CÓDIGO	DESCRIÇÃO	Qt.	OBSERVAÇÕES
1	LH00036144	REAR RIGHT DRIVE AXLE	1	
2	LH00036164	INTER BOARD BOOT	1	
3	LH00036165	OUTER BOARD BOOT	1	
4	LH00036166	INTER BOOT BAND B	1	
5	LH00036167	INTER BOOT BAND A	1	
6	LH00036168	OUTER BOOT BAND B	1	
7	LH00035920	OUTER BOOT BAND A	1	

## LH550 PRO MAX 4X4

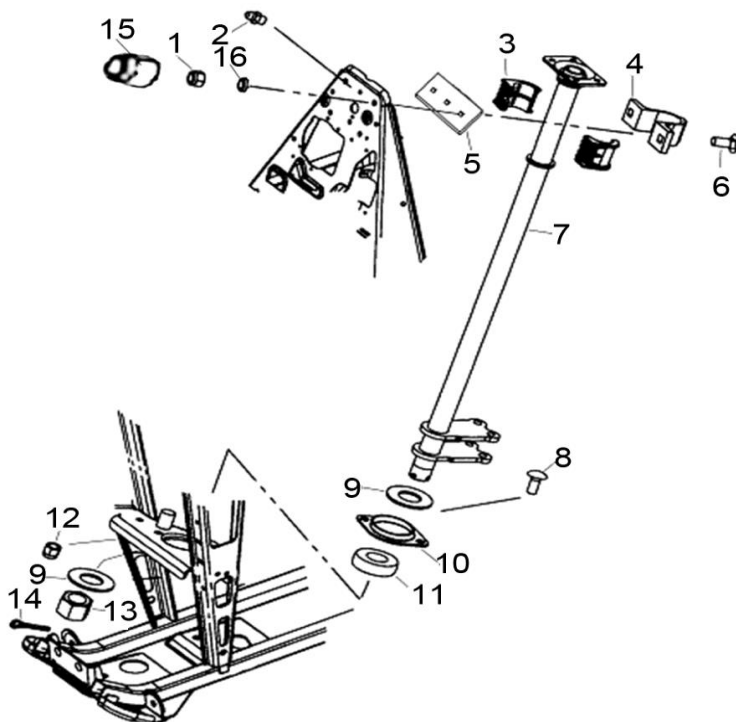
### F15 FRONT AND REAR KNUCKLE ASSY



Nº	CÓDIGO	DESCRIÇÃO	Qt.	OBSERVAÇÕES
1	LH00036150	FRONT KNUCKLE (MARK "4AV-4611A-10")	1	
2	LH00036151	REAR KNUCKLE (MARK "4AV-4611B-10")	1	
3	LH00011315	BOLT M8X1.0X25	12	
4	LH00010927	BOLT M10X1.25X32	6	
5	LH00010106	SPRING WASHER 8	12	
6	LH00010027	SPRING WASHER 10	6	

## LH550 PRO MAX 4X4

### F16 STEERING COLUMN

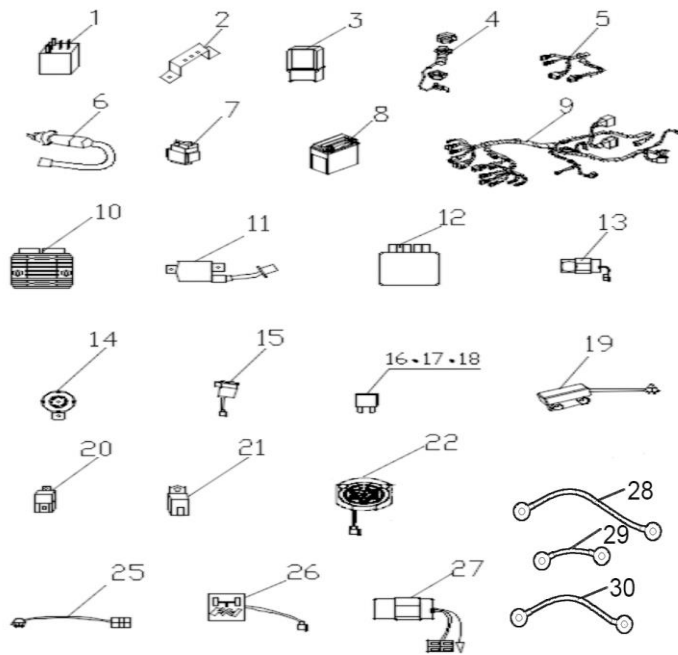


Nº	CÓDIGO	DESCRIÇÃO	Qt.	OBSERVAÇÕES
1	LH00010079	NUT M8	2	
2	LH00010026	GREASE FITTING	1	
3	LH00021903	BUSHING	2	
4	LH00021904	STEERING CLAMP REAR	1	
5	LH00021905	STEERING CLAMP FRONT	1	
6	LH00021906	BOLT	2	
7	LH0035020A	STEERING COLUMN (ONLY USED FOR ATV WITHOUT EPS)	1	
8	LH00021906	BOLT	2	
9	LH00021909	WASHER	2	
10	LH00021910	BEARING RETAINER	1	
11	LH00021911	BEARING	1	
12	LH00010079	NUT M8	2	
13	LH00010100	STEERING COLUMN RETAINER NUT	1	
14	LH00010101	COTTER PIN	1	
15	LH00027256	PROTECT COVER	2	
16	LH00010106	SPRING WASHER	2	



## LH550 PRO MAX 4X4

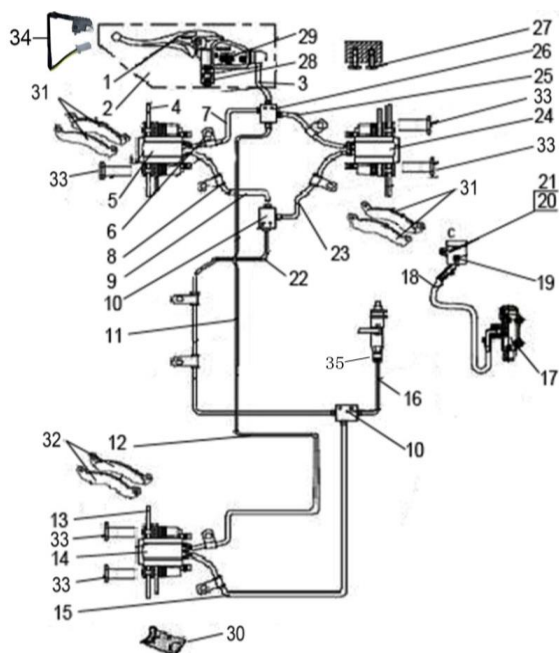
### F17 ELECTRICAL SYSTEM



Nº	CÓDIGO	DESCRIÇÃO	Qt.	OBSERVAÇÕES
1	LH00035083	AUXILIARY RELAY	2	
2	LH00035532	AUXILIARY RELAY BRACKET	1	
3	LH00071474	EFI RELAY	1	
4	LH00071973	ACCESSORY SOCKET ASSY	1	
5	LH00035921	EFI WIRE	1	
6	LH0070405A	BRAKE SWITCH (USED FOR WATERPROOF PLUG IN UNIT)	1	
7	LH00071602	STARTER RELAY	1	
8		BATTERY	1	TX20L-BS
9	LH00035922	WIRING HARNESS (FOR HOMOGENEIZED T3 LIGHTS AND NORMAL REAR GEAR-BOX)	1	
10	LH00071603	REGULATOR RECTIFIER	1	
11	LH0070822D	IGNITION COIL	1	
12	LH00038244	ECU (MARKED "28561520", SPEED LIMIT 60km/h)	1	
13	LH00071976	REVERSE GEAR WARNING	1	
14	LH00032029	HORN	1	
15	LH00027438	FLASHER RELAY ASSY (USED FOR EURO 4 FRONT AND REAR TURN INDICATE LIGHT)	1	
16	LH00022020	15 AMP FUSE	3	
17	LH00022021	5 AMP FUSE	2	
18	LH00084273	10 AMP FUSE	3	
19	LH00072278	ELECTRICAL DUMPAGE SWITCH (MATCH ECU MARKED "28561520")	1	
20	LH00035656	START RELAY (NEW) (CONTROL HIGH BEAM AND DIPPED BEAM AND BRAKE START)	3	
21	LH00050280	START RELAY (NEW) (CONTROL FAN MOTER)	1	
22	LH00084432	TRAILER CONNECTOR	1	
25	LH00072279	ELECTRICAL DUMPAGE SWITCH HARNESS	1	
28	LH00038269	STARTING MOTOR POSITIVE WIRE (1250MM)	1	
29	LH00038270	BATTERY POSITIVE WIRE (220MM)	1	
30	38271	BATTERY NEGATIVE WIRE (750MM)	1	

## LH550 PRO MAX 4X4

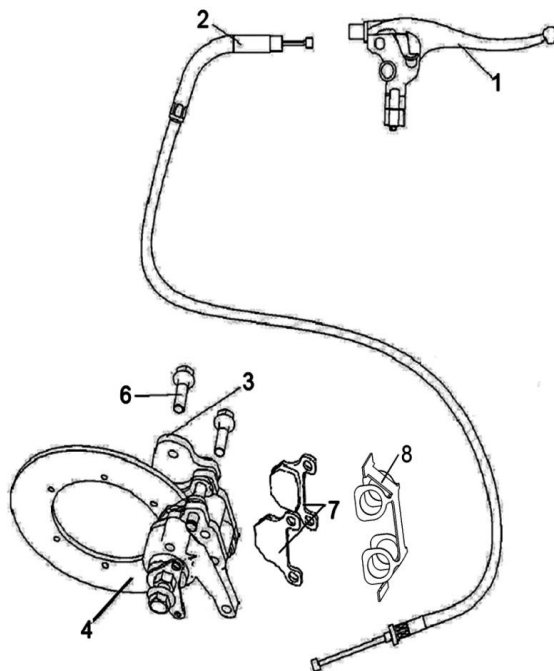
### F18 BRAKING SYSTEM



Nº	CÓDIGO	DESCRIÇÃO	Qt.	OBSERVAÇÕES
1	LH02211120	BRAKE LEVER	1	
2	LH00027320	MASTER CYLINDER WITH BRAKE LEVER	1	
3	LH00022102	HAND BRAKE HOSE	1	
4	LH00027321	FRONT BRAKE DISC	2	
5	LH00027409	BRAKE CALIPER LEFT, FRONT	1	
6	LH00032104	CLAMP	2	
7	LH00022229	FRONT BRAKE HOSE 2	1	
8	LH00032105	RUBBER TUBE1	3	
9	LH00027313	FRONT BRAKE HOSE 1	1	
10	LH00032107	BRAKE LINE COUPLER	1	
11	LH00035068	TUBE DISKBRAKE REAR	1	
12	LH00035069	REAR BRAKE HOSE 1	1	
13	LH00070537	REAR BRAKE DISC	2	
14	LH00070520	BRAKE CALIPER LEFT, REAR	1	
15	LH00035070	REAR BRAKE HOSE 2	1	
16	LH00027377	REAR BRAKE HOSE 3	1	
17	LH00027378	FOOT BRAKE CYLINDER	1	
18	LH00027379	RESERVOIR HOSE	1	
19	LH00025299	RESERVOIR	1	
20	LH00011563	NUT M5	1	
21	LH00011046	BOLT M5X12	1	
22	LH00035071	TUBE DISKBRAKE, FOOT BRAKE	1	
23	LH00032233	FRONT BRAKE HOSE2	1	
24	LH00027410	BRAKE CALIPER RIGHT	1	
25	LH00070483	FRONT BRAKE HOSE3	1	
26	LH00070548	FOUR LINE COUPLER	1	
27	LH00010111	BOLT M5X15	4	
28	LH00027283	BOLT M6X22	2	
29	LH00027277	CAP	1	
30	LH00035711	SERVICE KIT	1	
31	LH00022245	INSIDE AND OUTSIDE PAD, FRONT	4	
32	LH00022245	INSIDE AND OUTSIDE PAD, REAR	2	
33	LH00011201	BOLT M8X20	12	
34	LH00022243	STORP SWITCH FRONT	1	
35	LH00035868	FOOT BRAKE PUMP CONNECTION BOLT	1	

## LH550 PRO MAX 4X4

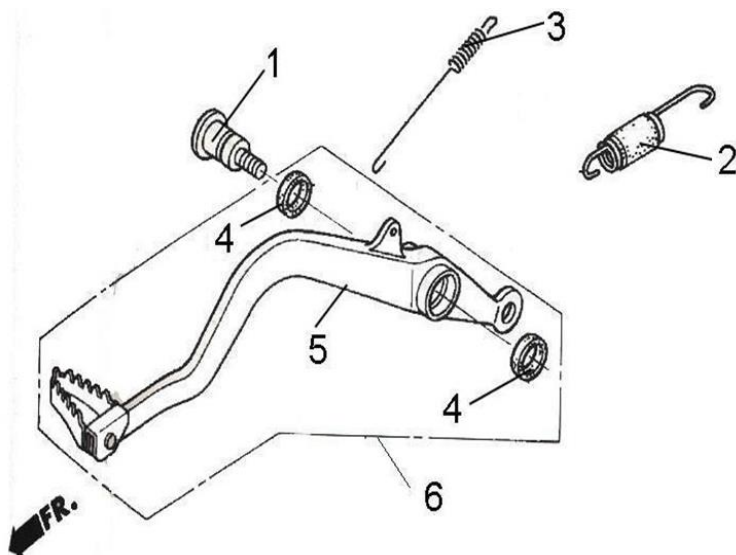
### F19 AUXILIARY BRAKE



Nº	CÓDIGO	DESCRIÇÃO	Qt.	OBSERVAÇÕES
1	LH00070636	MASTER CYLINDER (WITH LEVER)	1	
2	LH00070637	BRACK CABLE	1	
3	LH00035074	BRACK CALIPER	1	
4	LH00035075	DISK BRAKE	1	
6	LH00010218	BOLT M8X40	2	
7	LH00026292	BRAKE PAD	2	
8	LH00035530	LIMIT SPRING PLATE	1	

## LH550 PRO MAX 4X4

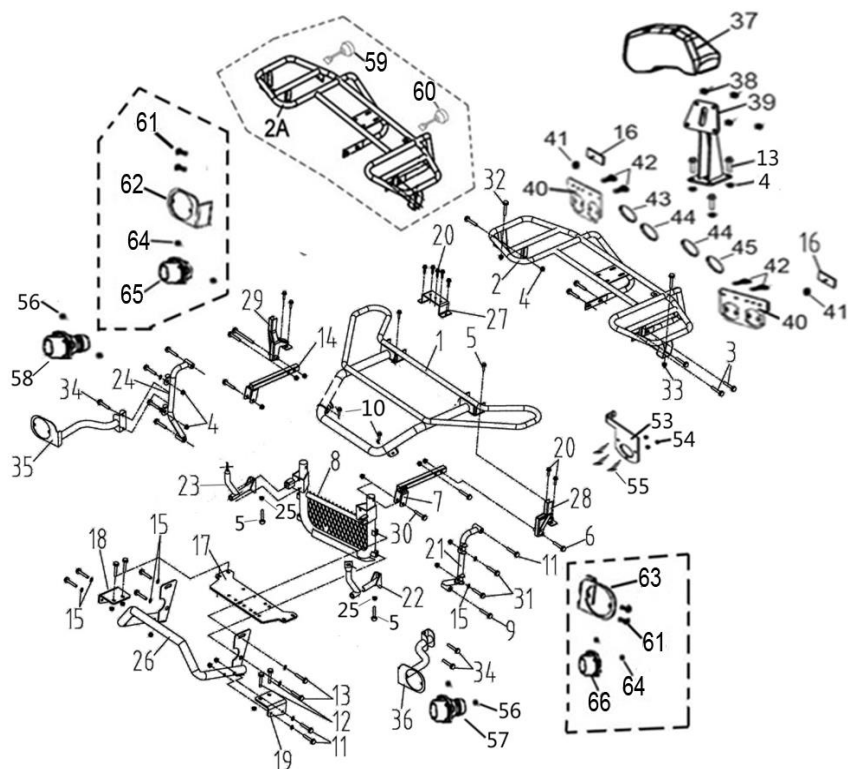
### F20 BRAKE PEDAL



N°	CÓDIGO	DESCRIÇÃO	Qt.	OBSERVAÇÕES
1	LH00070542	SHAFT, BRAKE PIVOT	1	
2	LH00070541	SPRING, STOP SWITCH	1	
3	LH00035502	SPRING ASSY (NEW MODEL)	1	
4	LH00070540	DUST SEAL	2	
5	LH00035821	PEDAL BRAKE	1	
6	LH00035822	PEDAL BRAKE ASSY	1	

## LH550 PRO MAX 4X4

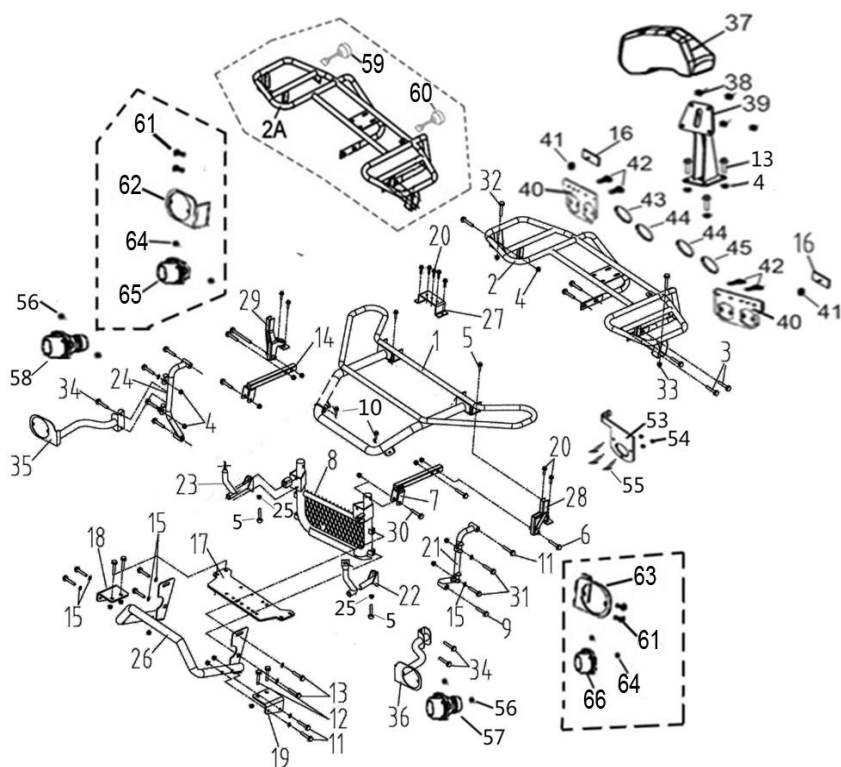
### F21 BUMPER AND RACK



Nº	CÓDIGO	DESCRIÇÃO	Qt.	OBSERVAÇÕES
1	LH00038210	FRONT RACK	1	
2	LH00025300	REAR RACK (WITH MOUNTING POINTS FOR T3 HOMOLOGATED REAR SIGNAL LIGHTS AND REAR LAMPS) (MATCH LH00073319, LH00073320 AND LH00073324)	1	
2A	LH00025654	REAR RACK (WITHOUT MOUNTING POINTS FOR T3 HOMOLOGATED REAR SIGNAL LIGHTS AND REAR LAMPS) (MATCH LH00025376 AND LH00025377)	1	
3	LH00011101	BOLTM8X45	4	
4	LH00010882	NUT M8	18	
5	LH00011102	BOLT M8X25	4	
6	LH00011103	BOLT M8X85	2	
7	LH00038213	TRESTLE 1 LEFT	1	
8	LH00038215	BUMPER BRACKET	1	
9	LH00025056	BOLT M8X70	2	
10	LH00010783	BOLT M8X20	2	
11	LH00010780	BOLT M8X55	6	
12	LH00010783	BOLT M8X20	4	
13	LH00010059	BOLT M8X25	6	
14	LH00038214	TRESTLE 1 RIGHT	1	
15	LH00026009	WASHER 8	8	
16	LH00035705	REAR REFLECTER	2	
17	LH00035848	BRACKET, PULLING	1	
18	LH00027387	HOLDER, R.PULLIN BRACKET	1	
19	LH00027386	HOLDER, L.PULLIN BRACKET	1	
20	LH0010140B	BOLT M6X12	9	
21	LH00035012	LEFT BRACKET RADIATOR	1	
22	LH00038211	FRONT RACK SUPPORT TUBE, L	1	
23	LH00038212	FRONT RACK SUPPORT TUBE, R	1	
24	LH00035013	RIGHT BRACKET RADIATOR	1	

## LH550 PRO MAX 4X4

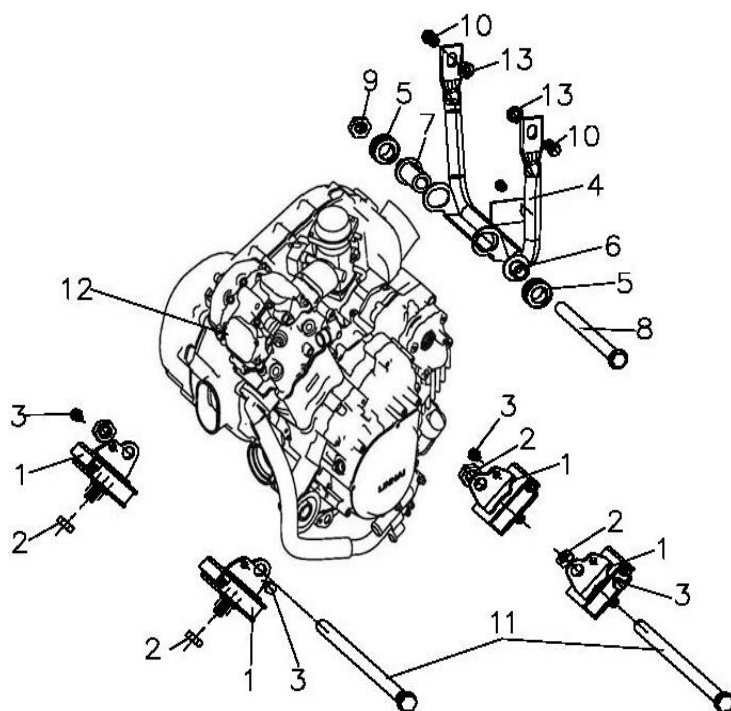
### F21.1 BUMPER AND RACK



Nº	CÓDIGO	DESCRIÇÃO	Qt.	OBSERVAÇÕES
25	LH00026919	WASHER 8	2	
26	LH00027443	FRONT BUMPER	1	
27	LH00035532	AUXILIARY RELAY BRACKET	1	
28	LH00035028	TRESTLE L	1	
29	LH00035029	TRESTLE R	1	
30	LH00010403	BOLT M8X50	2	
31	LH00011539	BOLT M6X25	4	
32	LH00011105	BOLT M6X35	2	
33	LH00011064	NUT M6	2	
34	LH00071070	BRACKET, OUTPUT SOCKET	1	
35	LH00010109	NUT M5	3	
36	LH00010427	SCREW M5X35	3	
37	LH00035721	BACKREST (SKIN TYPE)	1	
38	LH00010919	NUT M8	4	
39	LH00035384	REAR BACKREST WELD ASSEMBLY	1	
59	LH00025376	RIGHT REAR COMBINATION LAMP (EFI T3 HOMOLOGATED)	1	
60	LH00025377	LEFT REAR COMBINATION LAMP (EFI T3 HOMOLOGATED)	1	

## LH550 PRO MAX 4X4

### F22 ENGINE ASSY

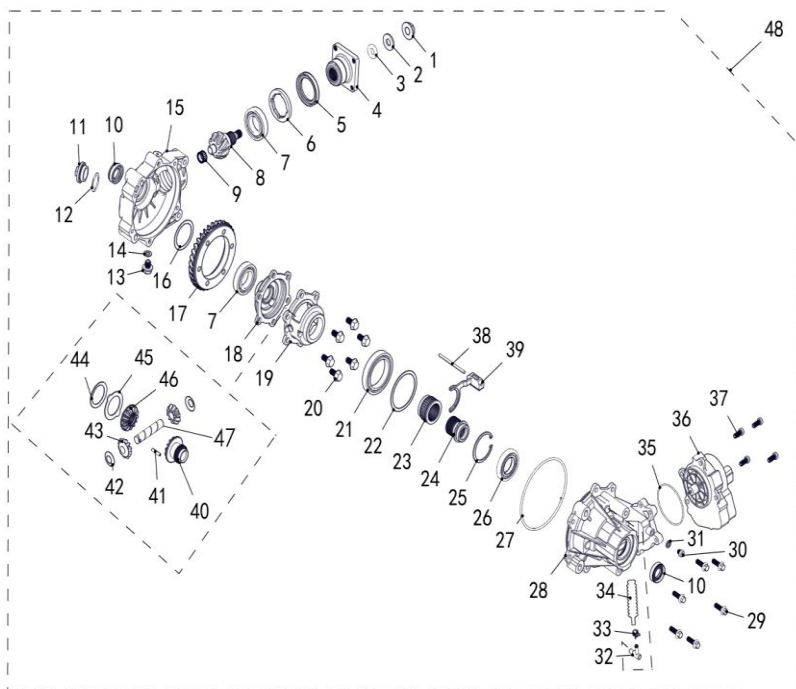


N°	CÓDIGO	DESCRIÇÃO	Qt.	OBSERVAÇÕES
1	LH00035503	BUSHING ENGING BRACKET	4	
2	LH0010015A	NUT M10X1.25	4	
3	LH00010928	BOLT M6X16	4	
4	LH00035892	FRONT ENGINE MOUNT BRACKET	1	
5	LH00035893	RUBBER BUSHING	2	
6	LH00035894	SPACER 1	1	
7	LH00035895	SPACER 2	1	
8	LH00035896	BOLT M12X1.25X175	1	
9	LH00010136	NUT M12X1.25	3	
10	LH00010183	BOLT M8X16	2	
11	LH00035896	BOLT M12X1.25X175	2	
12	LH00038241	ENGING ASSY. (T3b)	1	
13	LH00010079	NUT M8X1.25	2	



## LH550 PRO MAX 4X4

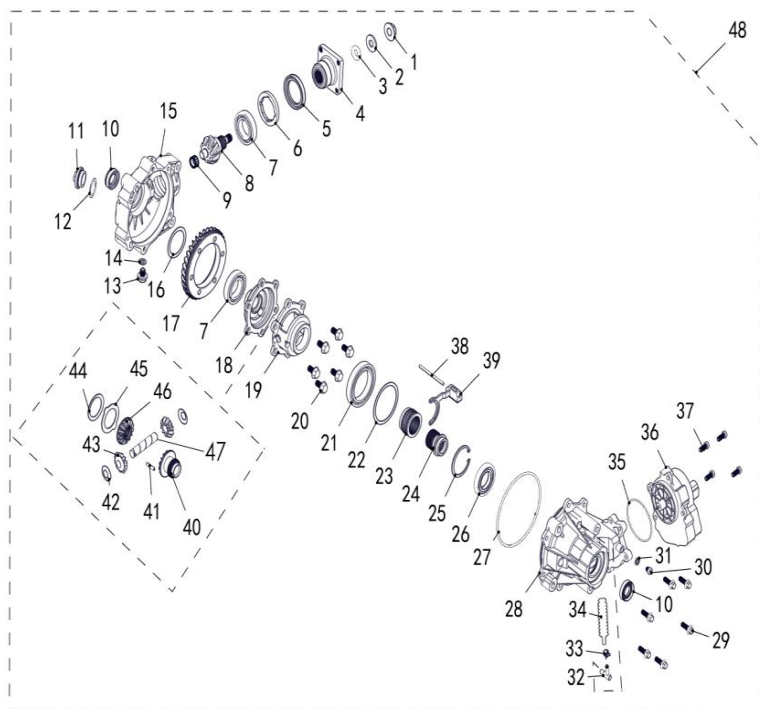
### F23 FRONT GEARBOX



Nº	CÓDIGO	DESCRIÇÃO	Qt.	OBSERVAÇÕES
1	LH00026318	NUT	1	
2	LH00026324	NUT WASHER	1	
3	LH00035428	O-RING	1	
4	LH00026330	COUPLER	1	
5	LH00035423	OIL SEAL	1	
6	LH00026317	BEARING RETAINER	1	
7	LH00035424	BEARING 6007	2	
8	LH00026328	BEVEL GEAR -DRIVING	1	
9	LH00035429	NEEDLE BEARING	1	
10	LH00035410	OIL SEAL	2	
11	LH00024305	FILL PLUG	1	
12	LH00050082	O-RING $\Phi 30.5 \times 3$	1	
13	LH00073020	DRAIN BOLT	1	
14	LH00073021	WASHER 10	1	
15	LH00026320	GEAR CASE, FRONT AXLE	1	
16	LH00026323	ADJUST SHIM (61x48)	1	
17	LH00026329	BEVEL GEAR -DRIVEN	1	
18	LH00026334	TOP BRACKET, DIFFERENTIAL GEAR	1	
19	LH00026332	BRACKET, DIFFERENTIAL	1	
20	LH00026331	BOLT	6	
21	LH00010959	BEARING 61912	1	
22	LH00026322	ADJUST SHIM (83x71)	1	
23	LH00026315	DRIVE CLUTCH	1	
24	LH00026316	DRIVE CLUTCH COVER	1	
25	LH00010047	RETAINER 62	1	
26	LH00010960	BEARING 16007	1	
27	LH00035401	O-RING $\Phi 141 \times 2.4$	1	
28	LH00026321	CASE COVER, FRONT AXLE	1	
29	LH00010059	BOLT	6	

## LH550 PRO MAX 4X4

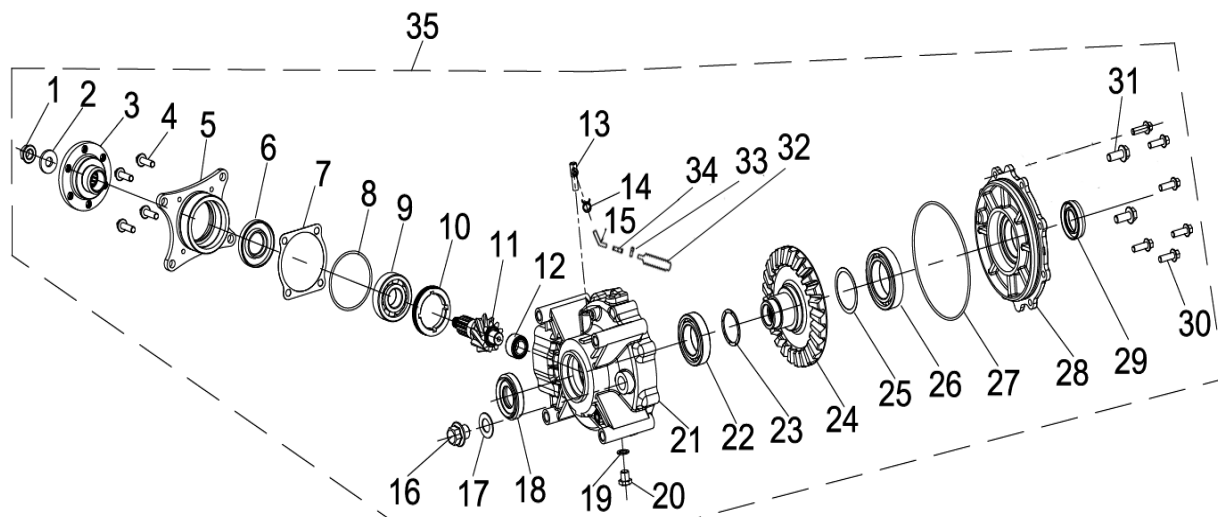
### F23.1 FRONT GEARBOX



Nº	CÓDIGO	DESCRIÇÃO	Qt.	OBSERVAÇÕES
30	LH00011075	SCREW	1	
31	LH00035162	WASHER	1	
32	LH00047717	HOSE FITTING	1	
33	LH00022914	Clip	1	
34	LH00035919	Breathing Balloon	1	
35	LH00035389	O-RING $\Phi 81.2 \times 1.9$	1	
36	LH00035388	GEAR MOTOR	1	
37	LH00035391	SCREW	4	
38	LH00010957	PIN SHAFT	1	
39	LH00026314	SHIFT FORK	1	
40	LH00035434	DRIVE GEAR	1	
41	LH00011076	PIN	1	
42	LH00026327	WEARING RING	2	
43	LH00035437	GEAR (CENTER) , DIFFERENTIAL	2	
44	LH00026325	WASHER	1	
45	LH00026326	SHIM	1	
46	LH00035440	DRIVEN GEAR	1	
47	LH00026333	GEAR SHAFT (CENTER) , DIFFERENTIAL	1	
48	LH00047162	FRONT GEAR-BOX ASSY	1	

## LH550 PRO MAX 4X4

### F24 REAR GEARBOX



Nº	CÓDIGO	DESCRIÇÃO	Qt.	OBSERVAÇÕES
1	LH00035473	NUT M12x1.25	1	
2	LH00026309	WASHER 12.5x30x4	1	
3	LH00035474	COUPLER, REAR AXLE	1	
4	LH00011077	BOLT M8x30	4	
5	LH00026304	BEVEL GEAR BEARING HOUSING	1	
6	LH00035471	OIL SEAL $\Phi 35 \times \Phi 61 \times 9$	1	
7	LH00026308	ADJUST SHIM	1	
8	LH00026311	O-RING 69x3	1	
9	LH00035468	BEARING 6305	1	
10	LH00026310	BEARING RETAINERM64x1.5x10	1	
11	LH00026313	ACTIVE BEVEL GEAR ASSEMBLY	1	
12	LH00035465	NEEDLE BEARING	1	
13	LH00047717	VENT NOZZLE	1	
14	LH00025107	CLAMPS	1	
15	LH00021111	VENT PIPE	1	
16	LH00083179	BOLT M18x1.25	1	
17	LH00083180	WASHER 18	1	
18	LH00026303	OIL SEAL 30x60x15	1	
19	LH00083462	WASHER	1	
20	LH00083010	HEXAGON HEAD BOLT	1	
21	LH00026312	REAR GEAR CASE	1	
22	LH00010958	BEARING 6008	1	
23	LH00026305	ADJUST SHIM 48x40.3	1	
24	LH00026307	DRIVE BEVEL GEAR ASSEMBLY	1	
25	LH00026306	ADJUST SHIM 60.5x50.3	1	
26	LH00010569	BEARING 6010	1	
27	LH00035493	O-RING 151x3	1	
28	LH00026301	REAR GEAR BEARING HOUSING	1	
29	LH00026302	OIL SEAL 30x50x13.5	1	
30	LH00011499	BOLT M8x25	6	
31	LH00035463	BOLT M10x25	2	
32	LH00035919	Breathing Balloon	1	
33	LH00048294	Cable Tie	1	
34	LH00035918	Balloon Connector	1	
35	LH00047163	REAR AXLE ASSEMBLY	1	LH00026300

## LH550 PRO MAX 4X4

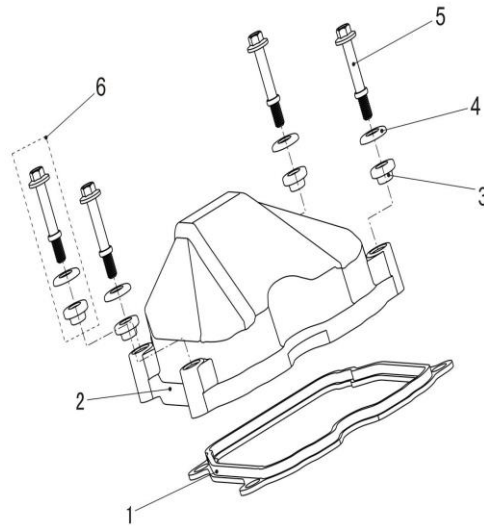
### F25 STICKERS



Nº	CÓDIGO	DESCRIÇÃO	Qt.	OBSERVAÇÕES
1	LH80500CL	Autocolante Carenagem Central Esquerda(ATV550 PROMAX)	1	
2	LH80500CR	Autocolante Carenagem Central Direita(ATV550 PROMAX)	1	
3	LH80500CVTS	Autocolante Logotipo LINHAI CVT (ATV550 PROMAX)	1	
4	LH80500FFC	Autocolante Carenagem Dianteira Central (ATV550 PROMAX)	1	
5	LH80500FT	Autocolante Carenagem Dianteira/Depósito (ATV550PROMAX)	1	
6	LH80500HBC	Autocolante Carenagem Guiador Central(ATV550 PROMAX)	1	
7	LH80500HGL	Autocolante Proteção Guiador Esquerdo(ATV550 PROMAX)	1	
8	LH80500HGR	Autocolante Proteção Guiador Direito(ATV550 PROMAX)	1	
9	LH80500HLI	Autocolante Farol Dianteiro (ATV550 PROMAX)	1	
10	LH80500RF	Autocolante Carenagem Traseira (ATV550 PROMAX)	1	

## LH550 PRO MAX 4X4

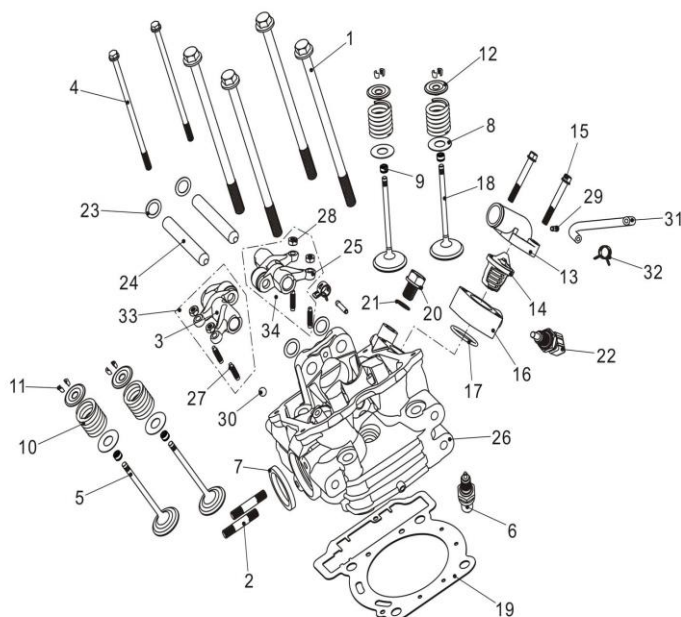
### E01 CYLINDER HEAD COVER



Nº	CÓDIGO	DESCRIÇÃO	Qt.	OBSERVAÇÕES
1	LH00038003	GASKET, CYLINDER HEAD COVER	1	
2	LH00038004	CYLINDER HEAD COVER	1	
3	LH00038005	RUBBER WASHER	4	
4	LH00038006	CAP, RUBBER WASHER	4	
5	LH00038007	BOLT, CYLINDER HEAD COVER	4	
6	LH00038008	BOLT COMP. CYLINDER HEAD COVER	4	

## LH550 PRO MAX 4X4

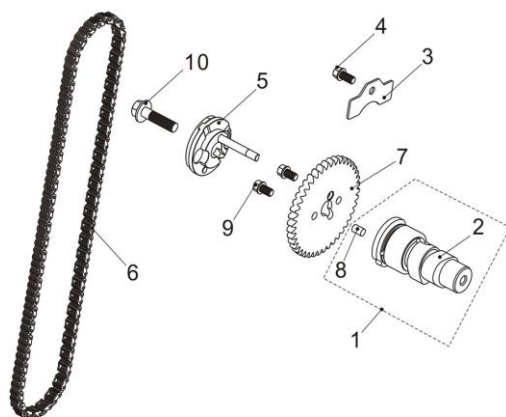
### E02 CYLINDER HEAD



Nº	CÓDIGO	DESCRIÇÃO	Qt.	OBSERVAÇÕES
1	LH00072297	BOLT	4	
2	LH00038009	STUD M8x42	2	
3	LH00038010	ROCKER ARM, EXHAUST	1	
4	LH00038011	BOLT M6X132	2	
5	LH00038012	VALVE, EXHAUST	2	
6	LH00038167	SPARK PLUG	1	
7	LH00038013	GASKET, EXHAUST PIPE	1	
8	LH00038014	LOWER SEAT, VALVE SPRING	4	
9	LH00038015	SEAL RING SET, VALVE STEM	4	
10	LH00038016	SPRING, VALVE	4	
11	LH00038017	LOCK CLIP, VALVE	8	
12	LH00038018	UPPER SEAT, VALVE SPRING	4	
13	LH00038019	THERMOSTAT COVER	1	
14	LH00038020	THERMOSTAT	1	
15	LH00011583	BOLT M6x45 TRIVALENT COLOR	2	
16	LH00038021	SEAT, THERMOSTAT	1	
17	LH00011584	O-RING, 28x2.65	1	
18	LH00038022	VALVE, INTAKE	2	
19	LH00038023	GASKET, CYLINDER HEAD	1	
20	LH00050105	DRAIN BOLT, M12x1.5	1	
21	LH00038143	WASHER 14	1	
22	LH0035095E	WATER TEMPERATURE SENSOR	1	
23	LH00038024	WASHER 12.3x18.5x0.5	4	
24	LH00038025	SHAFT, ROCKER ARM	2	
25	LH00038026	ROCKER ARM, INTAKE	1	
26	LH00038027	CYLINDER HEAD COMP	1	
27	LH00038028	ADJUST SCREW, VALVE	4	
28	LH00038029	ADJUST NUT, VALVE	4	
29	LH00035851	WATER CONNECTION	2	
30	LH00011585	FRICTION BALL 5	1	
31	LH00035104	PIPE, CYLINDER HEAD	1	
32	LH00035109	CLIP 7.5	2	
33	LH00038030	EXHAUST ROCKER ARM, ASSEMBLY	1	
34	LH00038031	INTAKE ROCKER ARM, ASSEMBLY	1	

## LH550 PRO MAX 4X4

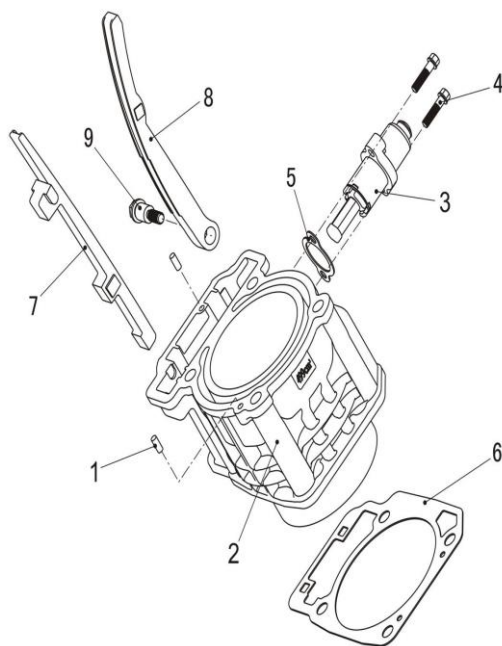
### E03 CAMSHAFT



Nº	CÓDIGO	DESCRIÇÃO	Qt.	OBSERVAÇÕES
1	LH00038032	CAMSHAFT ASSEMBLY	1	
2	LH00038033	CAMSHAFT	1	
3	LH00038034	HOLDING STRIP, CAMSHAFT	1	
4	LH0010140B	BOLT M6X12	1	
5	LH00038035	DECOMPRESSOR, STARTER	1	
6	LH00038036	TIMING CHAIN	1	
7	LH00038037	TIMING SPROCKET	1	
8	LH00038038	DOWEL PIN, TIMING SPROCKET	1	
9	LH00011586	BOLT M6X10-10.9	2	
10	LH00038039	BOLT M8X32-10.9	1	

## LH550 PRO MAX 4X4

### E04 CYLINDER

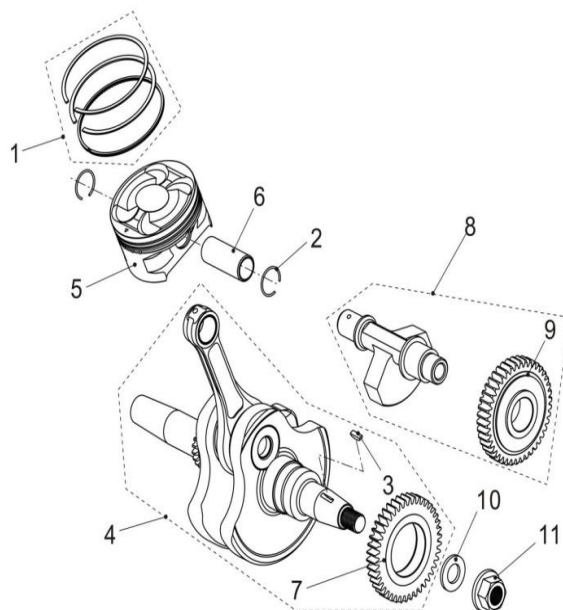


Nº	CÓDIGO	DESCRIÇÃO	Qt.	OBSERVAÇÕES
1	LH00038040	NEEDLE PIN P 5x11.8	2	
2	LH00038168	CYLINDER BODY MARKED 1 (MATCH PISTON MARKED I)	1	
2	LH00038169	CYLINDER BODY MARKED 2 (MATCH PISTON MARKED II)	1	
3	LH00038042	TENSIONER ASSY	1	
4	LH00011436	BOLT M6x25	2	
5	LH00035158	GASKET, TENSIONER	1	
6	LH00038043	PAPER WASHER CYLINDER BODY	1	
7	LH00038044	UPPER GUIDE, CHAIN	1	
8	LH00038045	TENSIONER, CHAIN	1	
9	LH00038046	PIN SHAFT	1	



## LH550 PRO MAX 4X4

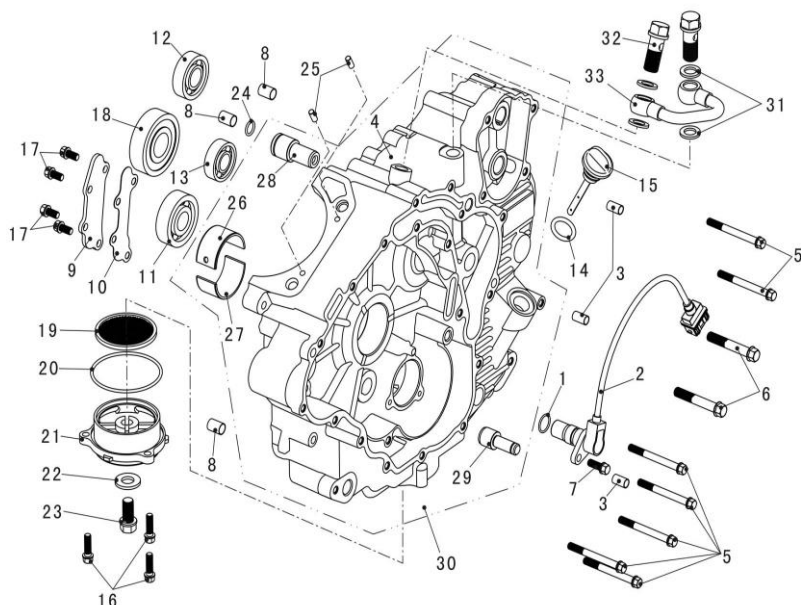
### E05 CRANKSHAFT



Nº	CÓDIGO	DESCRIÇÃO	Qt.	OBSERVAÇÕES
1	LH00038047	PISTON RING ASSY	1	
2	LH00038048	CIRCLIP, PISTON PIN	2	
3	LH00035133	WOODRUFF KEY	1	
4	LH00038049	CRANKSHAFT ASSY	1	
5	LH00038050	PISTON OPTIONAL MARKED I (SMALL) (MATCH CYLINDER BODY MARKED 1)	1	
5	LH00038051	PISTON OPTIONAL MARKED II (BIG) (MATCH CYLINDER BODY MARKED 2)	1	
6	LH00038052	PISTON PIN	1	
7	LH00038053	DRIVE GEAR, BALANCER SHAFT	1	
8	LH00038054	SHAFT, BALANCER	1	
9	LH00038055	GEAR, BALANCE SHAFT	1	
10	LH00071689	WASHER 16.5	1	
11	LH00071688	NUT M16X1.5	1	

## LH550 PRO MAX 4X4

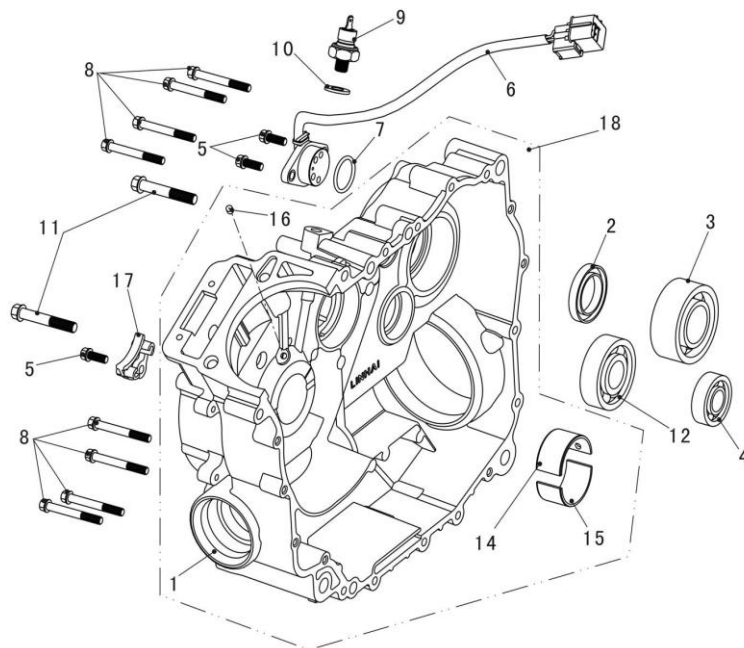
### E06 LEFT CRANKCASE



Nº	CÓDIGO	DESCRIÇÃO	Qt.	OBSERVAÇÕES
1	LH00035225	O-RING 14x1.44	1	
2	LH00035337	SPEED SENSOR	1	
3	LH00050076	DOWEL PIN f8x14	3	
4	LH00038056	LEFT CRANKCASE	1	
5	LH00011587	BOLT M6X60	7	
6	LH00011588	BOLT M8X50	2	
7	LH00011589	BOLT M6X16	1	
8	LH00035094	DOWEL PIN f10x14	3	
9	LH00038057	OIL COVER PLATE	1	
10	LH00038058	PAPER WASHER	1	
11	LH00010846	BEARING 6303	1	
12	LH00010851	BEARING 6203	1	
13	LH00010849	BEARING 6202	1	
14	LH00010844	O-RING 18x3.55	1	
15	LH00038059	DIPSTICK, ENGINE OIL	1	
16	LH00011590	BOLT M6x20	3	
17	LH00011591	BOLT M6x12	4	
18	LH00010848	ROLLING BEARING	1	
19	LH00038060	OIL STRAINER	1	
20	LH00038061	O-RING 63x2.5	1	
21	LH00038148	PLATE, OIL STRAINER	1	
22	LH01309283	WASHER 12	1	
23	LH00050105	DRAIN BOLT, M12x1.5 0180-011500	1	
24	LH00010843	O-RING 10x1.8	1	
25	LH00038040	NEEDLE PIN P 5x11.8	2	
26	LH00038064	BEARING SLEEVE RED II (MATCH LEFT CRANKCASE MARKED A)	1	
26	LH00038065	BEARING SLEEVE BLUE II (MATCH LEFT CRANKCASE MARKED B)	1	
27	LH00038062	BEARING SLEEVE RED I (MATCH LEFT CRANKCASE MARKED A)	1	
27	LH00038063	BEARING SLEEVE BLUE I (MATCH LEFT CRANKCASE MARKED B)	1	
28	LH00038066	INTERMEDIATE GEAR, SHAFT, REVERSE	1	
29	LH00038067	SHAFT, DUAL GEAR, OIL PUMP	1	
30	LH00038068	LEFT CRANKCASE ASSY	1	
31	LH00038143	WASHER 14	4	
32	LH00038142	HINGE BOLT M14x1.5	2	
33	LH00038170	PIPE ASSY.	1	

## LH550 PRO MAX 4X4

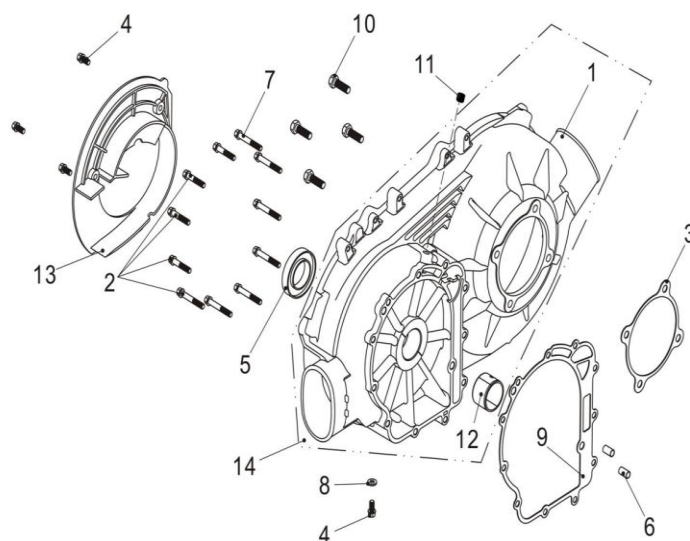
### E07 RIGHT CRANKCASE



Nº	CÓDIGO	DESCRIÇÃO	Qt.	OBSERVAÇÕES
1	LH00038069	RIGHT CRANKCASE	1	
2	LH00035222	OIL SEAL30x45x7	1	
3	LH00010860	BEARING 5206C3	1	
4	LH00010851	BEARING 6203	1	
5	LH00011589	BOLT M6X16	3	
6	LH00038070	GEAR POSITION SENSOR	1	
7	LH00035226	O-RING 26x2.5	1	
8	LH00011593	BOLT M6X50	8	
9	LH00038071	SWITCH, OIL PRESSURE	1	
10	LH00035227	WASHER 10	1	
11	LH00011588	BOLT M8X50	2	
12	LH00010848	ROLLING BEARING	1	
14	LH00038064	BEARING SLEEVE RED II (MATCH LEFT CRANKCASE MARKED A)	1	
14	LH00038065	BEARING SLEEVE BLUE II (MATCH LEFT CRANKCASE MARKED B)	1	
15	LH00038062	BEARING SLEEVE RED I (MATCH LEFT CRANKCASE MARKED A)	1	
15	LH00038063	BEARING SLEEVE BLUE I (MATCH LEFT CRANKCASE MARKED B)	1	
16	LH00038072	PLUG	1	
17	LH00038073	GUIDE, CHAIN	1	
18	LH00038074	RIGHT CRANKCASE ASSY	1	

## LH550 PRO MAX 4X4

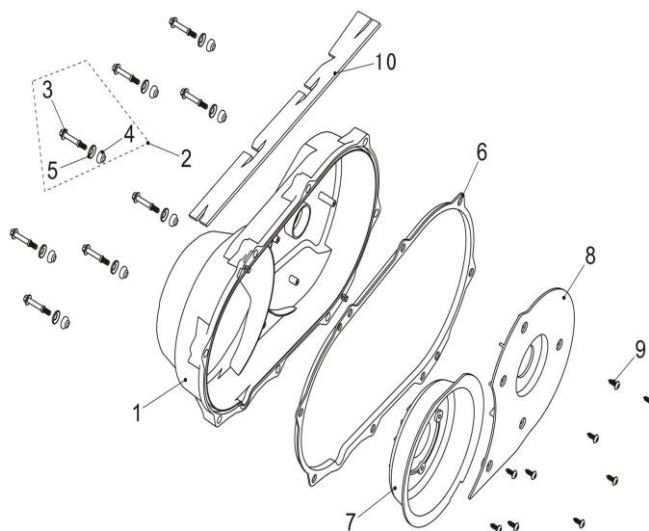
### E08 CVT HOUSING



Nº	CÓDIGO	DESCRIÇÃO	Qt.	OBSERVAÇÕES
1	LH00038075	CVT CASE	1	
2	LH00011595	BOLT M6×30	4	
3	LH00038078	PAPER GASKET, CVT CASE 2	1	
4	LH00011596	BOLT M6×12	4	
5	LH00038077	OIL SEAL 32X55X10	1	
6	LH00050076	DOWEL PIN f8x14	2	
7	LH00011597	BOLT M6X40	7	
8	LH00035108	WASHER6	1	
9	LH00038076	PAPER GASKET, CVT CASE 1	1	
10	LH00011598	BOLT M8X25	4	
11	LH00038079	PLUG	1	
12	LH00038080	PLAIN BEARING, CVT CASE RED (MATCH CVT CASE MARKED A)	2	
12	LH00038081	PLAIN BEARING, CVT CASE BLUE (MATCH CVT CASE MARKED B)	2	
13	LH00038082	PLATE, AIR INTAKE	1	
14	LH00038083	CVT CASE ASSY	1	

## LH550 PRO MAX 4X4

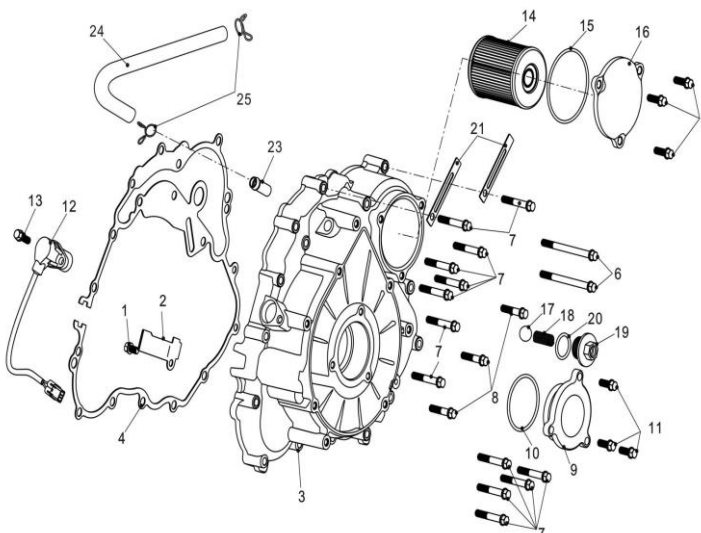
### E09 CVT COVER



Nº	CÓDIGO	DESCRIÇÃO	Qt.	OBSERVAÇÕES
1	LH00038084	CVT COVER	1	
2	LH00038008	BOLT COMP. CYLINDER HEAD COVER	8	
3	LH00038007	BOLT, CYLINDER HEAD COVER	8	
4	LH00038005	RUBBER WASHER	8	
5	LH00038006	CAP, RUBBER WASHER	8	
6	LH00038146	SEAL RING, CVT COVER	1	
7	LH00038085	FRONT HEAT INSULATION COVER	1	
8	LH00038086	REAR HEAT INSULATION COVER	1	
9	LH00011599	SELF-TAPPING SCREW ST4.8x16	9	
10	LH00038149	CVT ADIABATIC PELLICLE	1	

## LH550 PRO MAX 4X4

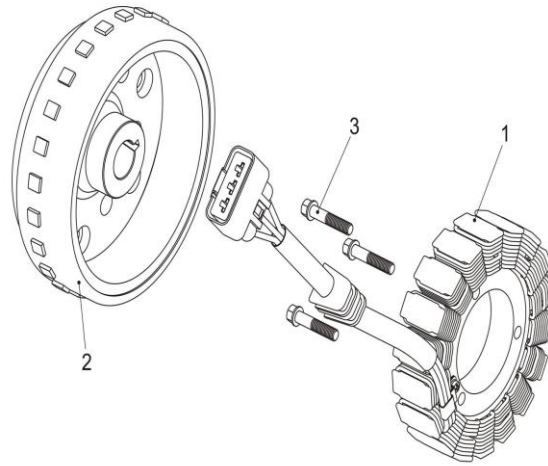
### E10 LEFT CRANKCASE COVER



Nº	CÓDIGO	DESCRIÇÃO	Qt.	OBSERVAÇÕES
1	LH00011600	BOLT M6X10	1	
2	LH00038087	PLATE	1	
3	LH00038088	COVER, LEFT CRANKCASE	1	
4	LH00038089	GASKET, LEFT CRANKCASE COVER	1	
5	LH00011591	BOLT M6X18	3	
6	LH00011602	BOLT M6X75	2	
7	LH00011603	BOLT M6X40	13	
8	LH00011604	BOLT M6X30	3	
9	LH00035537	END CAP	1	
10	LH00010039	O-RING 46.5x2.65	1	
11	LH00011596	BOLT M6X14	3	
12	LH00038090	RPM SENSOR	1	
13	LH00011589	BOLT M6X16	1	
14	LH00038091	FILTER, ENGINE OIL BB	1	
15	LH00038061	O-RING 63x2.5	1	
16	LH00038147	CAP, OIL FILTER	1	
17	LH00011607	STEEL BALL	1	
18	LH00038092	SPRING, RELIEF VALVE	1	
19	LH00038093	SCREW PLUG, DECOMPRESSOR	1	
20	LH00038094	O-RING 19x2.5	1	
21	LH00035247	WIRE CLAMP	2	
23	LH00035219	JOINT, BREATHER HOSE	1	
24	LH0035220A	BREATHER HOSE	1	
25	LH00010845	CLAMP A12	2	

# LH550 PRO MAX 4X4

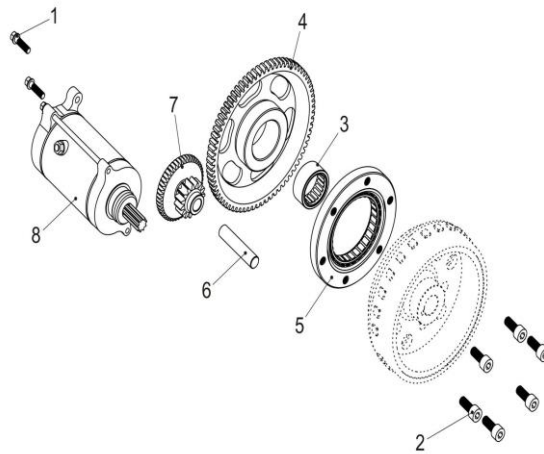
## E11 GENERATOR



Nº	CÓDIGO	DESCRIÇÃO	Qt.	OBSERVAÇÕES
1	LH00038096	STATOR ASSY	1	
2	LH00038097	ROTOR ASSY	1	
3	LH00011437	BOLT M6×30	3	

## LH550 PRO MAX 4X4

### E12 ELECTRIC STARTER

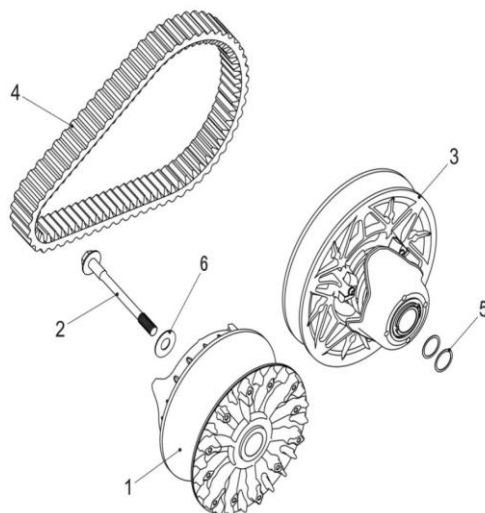


Nº	CÓDIGO	DESCRIÇÃO	Qt.	OBSERVAÇÕES
1	LH00010278	BOLT M6x22	2	
2	LH00010830	SCREW M8x20	6	
3	LH00010859	NEEDLE BEARING	1	
4	LH00035260	DRIVEN GEAR	1	
5	LH00035265	OVERRIDING CLUTCH	1	
6	LH00035261	AXLE, DUAL GEAR	1	
7	LH00038098	STARTER DUAL GEAR	1	
8	LH00038099	STARTING MOTOR	1	



## LH550 PRO MAX 4X4

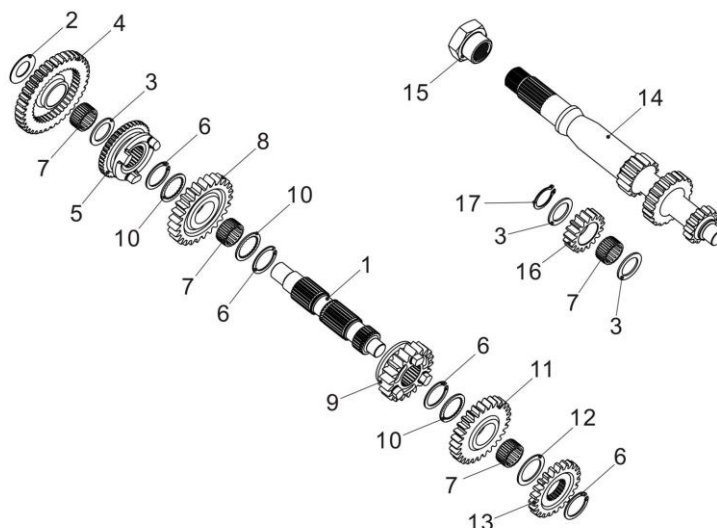
### E13 CLUTCH



Nº	CÓDIGO	DESCRIÇÃO	Qt.	OBSERVAÇÕES
1	LH00038100	DRIVE PULLEY	1	
2	LH00038101	BOLT, DRIVE PULLEY	1	
3	LH00038102	PULLEY, DRIVEN	1	
4	LH0038103A	CVT BELT BANDO (GATES POWERLINK 912X35)	1	
5	LH00038104	ADJUSTING WASHER	1	
6	LH00038105	DRIVE PULLEY WASHER	1	

## LH550 PRO MAX 4X4

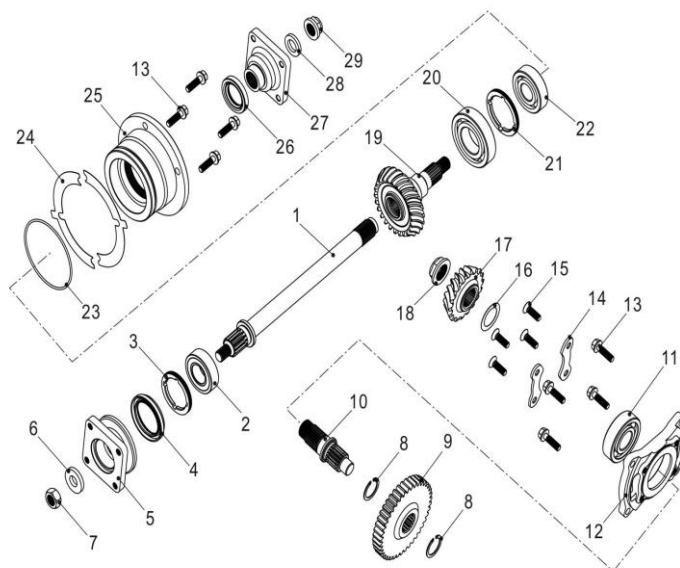
### E14 TRANSMISSION I



Nº	CÓDIGO	DESCRIÇÃO	Qt.	OBSERVAÇÕES
1	LH00038106	SECONDARY SHAFT	1	
2	LH00038107	WASHER 17.5x32x1	1	
3	LH00035312	WASHER 20.5x30x1.5	3	
4	LH00038108	DRIVEN GEAR, LOW RANGE	1	
5	LH00038109	SLIDE GEAR	1	
6	LH00035311	RETAINER 25	4	
7	LH00038110	BEARING 20x25x12	4	
8	LH00038111	GEAR, HIGH RANGE	1	
9	LH00038112	DRIVING GEAR, COUNTER	1	
10	LH00038113	WASHER	3	
11	LH00038114	GEAR, REVERSE	1	
12	LH00038115	WASHER 25X34X1.3	1	
13	LH00038116	GEAR, PARKING	1	
14	LH00038117	MAIN SHAFT	1	
15	LH00038118	NUT, MAIN SHAFT	1	
16	LH00038119	INTERMEDIATE GEAR SHAFT, REVERSE	1	
17	LH00024407	RETAINER	1	

## LH550 PRO MAX 4X4

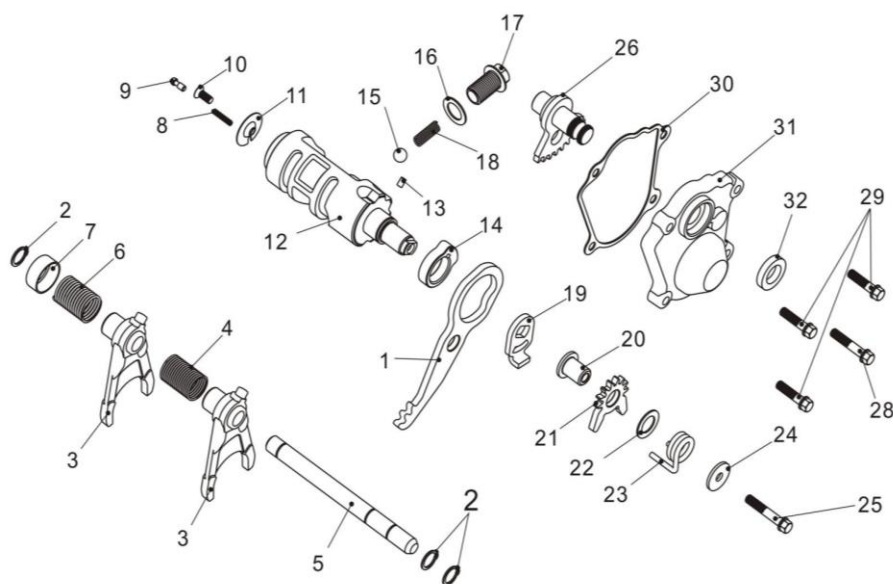
### E15 TRANSMISSION II



Nº	CÓDIGO	DESCRIÇÃO	Qt.	OBSERVAÇÕES
1	LH00035288	FRONT OUTPUT SHAFT	1	
2	LH0010267N	BEARING 6205	1	
3	LH00035291	BEARING RETAINER, FRONT OUTPUT SHAFT	1	
4	LH00035289	OIL SEAL 44×60×6.7/10	1	
5	LH00035290	COUPLER, FRONT TRANSMISSION OUTPUT	1	
6	LH00035292	WASHER, FRONT TRANSMISSION OUTPUT SHAFT NUT	1	
7	LH00010837	NUT M14×1.5-10	1	
8	LH00035311	CIRCLIP 25	2	
9	LH00035271	OUTPUT DRIVEN GEAR	1	
10	LH00035276	DRIVE BEVEL GEAR SHAFT	1	
11	LH00010855	BEARING 6305C3	1	
12	LH00035274	BEARING SEAT, DRIVE BEVEL GEAR	1	
13	LH00035286	BOLT M8×28	4	
14	LH00035287	BEARING LIMIT	2	
15	LH00011517	SCREW M8×25	4	
16	LH00035277	ADJUST WASHER, DRIVE BEVEL GEAR	1	
17	LH00035272	DRIVE BEVEL GEAR	1	
18	LH00035275	LOCKNUT, BEVEL GEAR	1	
19	LH00035273	DRIVEN BEVEL GEAR	1	
20	LH00010856	BEARING 6207/P63	1	
21	LH00035282	BEARING LIMIT NUT	1	
22	LH00010848	BEARING 63/22	1	
23	LH00035279	O-RING 88×2.4	1	
24	LH00035280	ADJUST WASHER, DRIVEN BEVEL GEAR	2	
25	LH00035278	BEARING SEAT, DRIVEN BEVEL GEAR	1	
26	LH00035281	OIL SEAL 30×46×7	1	
27	LH00035283	COUPLER, REAR TRANSMISSION OUTPUT	1	
28	LH00035284	WASHER, REAR OUTPUT SHAFT NUT	1	
29	LH00035285	NUT, REAR OUTPUT SHAFT	1	

## LH550 PRO MAX 4X4

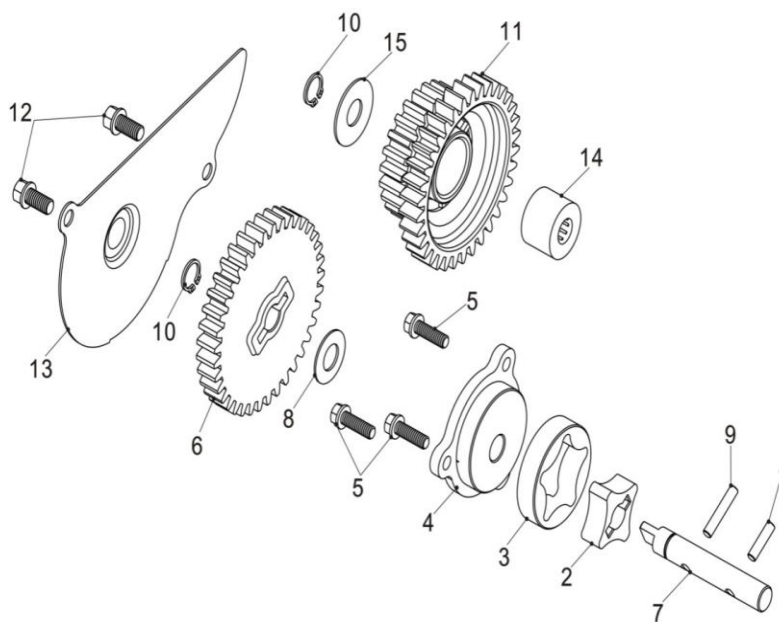
### E16 TRANSMISSION III



Nº	CÓDIGO	DESCRIÇÃO	Qt.	OBSERVAÇÕES
1	LH00038120	ROCKER ARM, PARKING	1	
2	LH00010129	CIRCLIP 12	3	
3	LH00038121	SHIFT FORK	1	
4	LH00035327	SPRING 1, SHIFT FORK	1	
5	LH00035333	GUIDE BAR	1	
6	LH00035328	SPRING 2, SHIFT FORK	1	
7	LH00035326	SPRING SEAT	2	
8	LH00035322	SPRING, GEAR CONTACTOR	1	
9	LH00035321	GEAR CONTACTOR	1	
10	LH00010135	SCREW M5x12	1	
11	LH00035323	LIMIT WASHER	1	
12	LH00038122	SHIFT CAM	1	
13	LH00038123	NEEDLE PIN	1	
14	LH00038124	CAM, PARKING	1	
15	LH00010842	FRICTION BALL 3/8	1	
16	LH00035324	WASHER 14x22x1	1	
17	LH00035325	HOLE BOLT M14x1.5	1	
18	LH00035332	LIMIT SPRING	1	
19	LH00035303	WASHER, DRIVEN SECTOR GEAR	1	
20	LH00035302	SHAFT, DRIVEN SECTOR GEAR	1	
21	LH00035301	DRIVEN SECTOR GEAR	1	
22	LH00035304	WASHER 13.5x22x1	1	
23	LH00035305	TORSION SPRING, DRIVEN SECTOR GEAR	1	
24	LH00035306	WASHER 6.6x20x2	1	
25	LH00011438	BOLT M6x35	1	
26	LH00035300	WELD PART, DRIVE SECTOR GEAR	1	
28	LH00010329	BOLT M6x32	1	
29	LH00010187	BOLT M6x25	3	
30	LH00035241	GASKET, SECTOR GEAR HOUSING	1	
31	LH00035240	COVER, SECTOR GEAR HOUSING	1	
32	LH00035242	OIL SEAL 15x25x5	1	

## LH550 PRO MAX 4X4

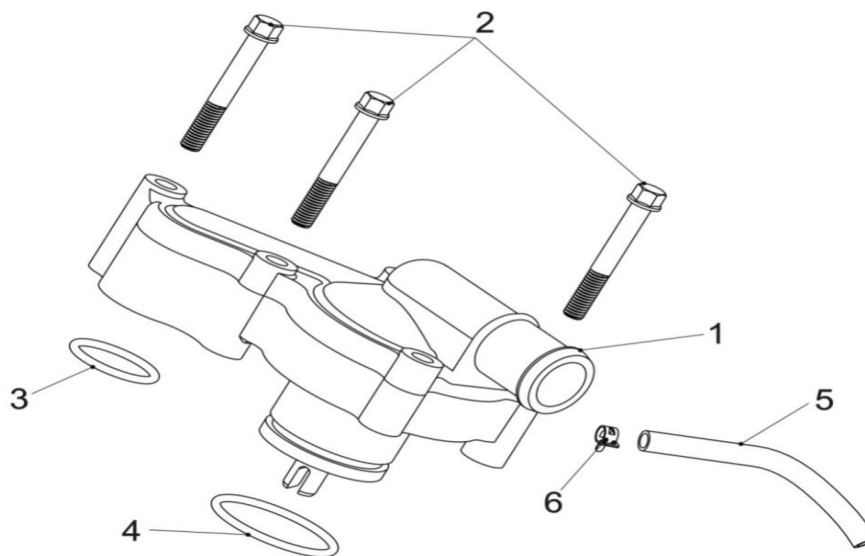
### E17 OIL PUMP



Nº	CÓDIGO	DESCRIÇÃO	Qt.	OBSERVAÇÕES
1	LH00011608	NEEDLE PIN P 4x15.8	1	
2	LH00038125	INNER ROTOR, OIL PUMP	1	
3	LH00038126	OUTER ROTOR, OIL PUMP	1	
4	LH00038127	COVER, OIL PUMP	1	
5	LH00011609	BOLT M5x16	3	
6	LH00038128	SOLID GEAR, OIL PUMP	1	
7	LH00038129	SHAFT, OIL PUMP	1	
8	LH00038130	WASHER 10.5x20x1	1	
9	LH00011610	NEEDLE PIN P 4x21.8	1	
10	LH00011611	CIRCLIP 10	2	
11	LH00038131	DUAL GEAR, OIL PUMP	1	
12	LH00011596	BOLT	2	
13	LH00038132	OIL GUARD	1	
14	LH00038133	NEEDLE BEAR HK10x22x16	1	
15	LH00038134	WASHER 10.5x26x1	1	

## LH550 PRO MAX 4X4

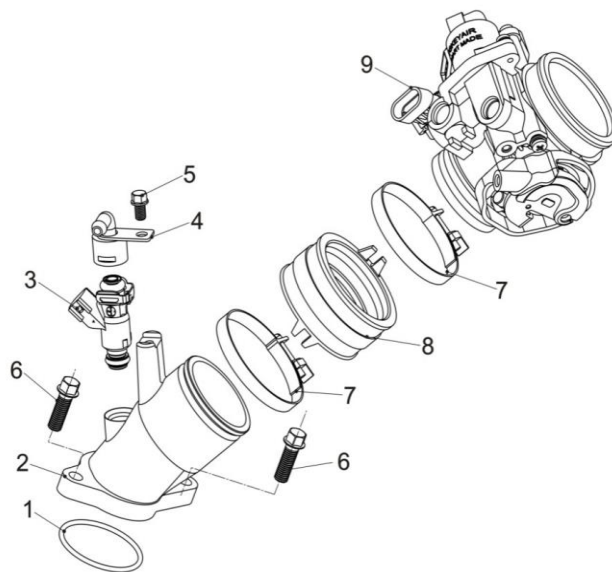
### E18 WATER PUMP



Nº	CÓDIGO	DESCRIÇÃO	Qt.	OBSERVAÇÕES
1	LH00038135	WATER PUMP ASSY	1	
2	LH00011583	BOLT M6x45	3	
3	LH00038136	O-RING22.5x2.5	1	
4	LH00035174	O-RING34x2.5	1	
5	LH00038137	OVERFLOW TUBE	1	
6	LH00011614	CLIP6.5	1	

## LH550 PRO MAX 4X4

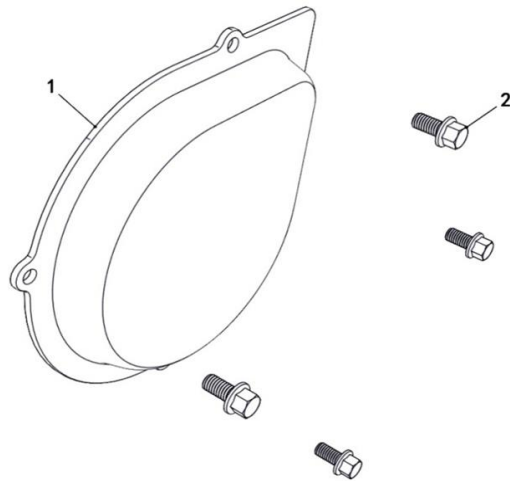
### E19 FUEL INJECTION ASSY



Nº	CÓDIGO	DESCRIÇÃO	Qt.	OBSERVAÇÕES
1	LH00038138	SEAL RING, INJECTOR SEAT	1	
2	LH00038139	INJECTOR SEAT	1	
3	LH00035745	INJECTOR	1	
4	LH00073352	INJECTOR CAP	1	
5	LH00010971	BOLT M6X10	1	
6	LH00011016	BOLT M8X25	2	
7	LH00071844	CLIP 64	2	
8	LH00071849	JOINT, FEED HOSE	1	
9	LH00036200	THROTTLE BODY ASSEMBLY (MARK "D46F-1")	1	

## LH550 PRO MAX 4X4

### E20 LEFT SIDE COVER

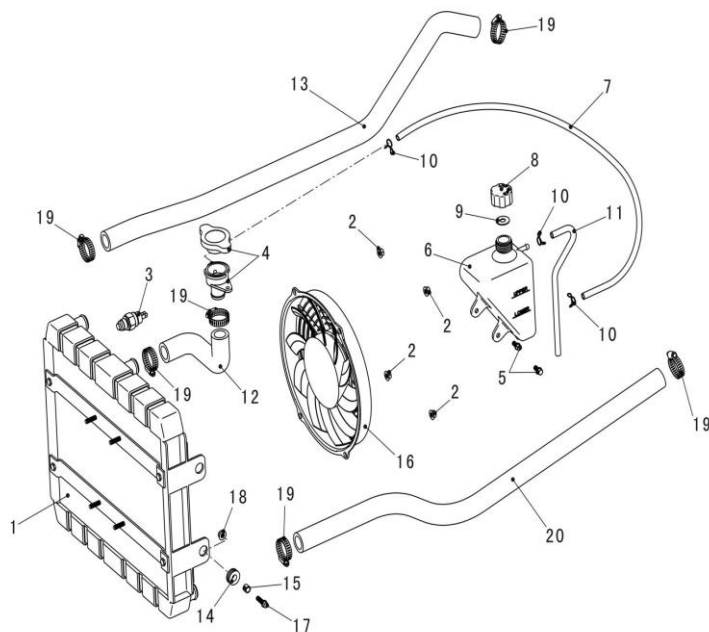


Nº	CÓDIGO	DESCRIÇÃO	Qt.	OBSERVAÇÕES
1	LH00035270	LEFT SIDE COVER	1	
2	LH00011435	BOLT M6×12	4	



## LH550 PRO MAX 4X4

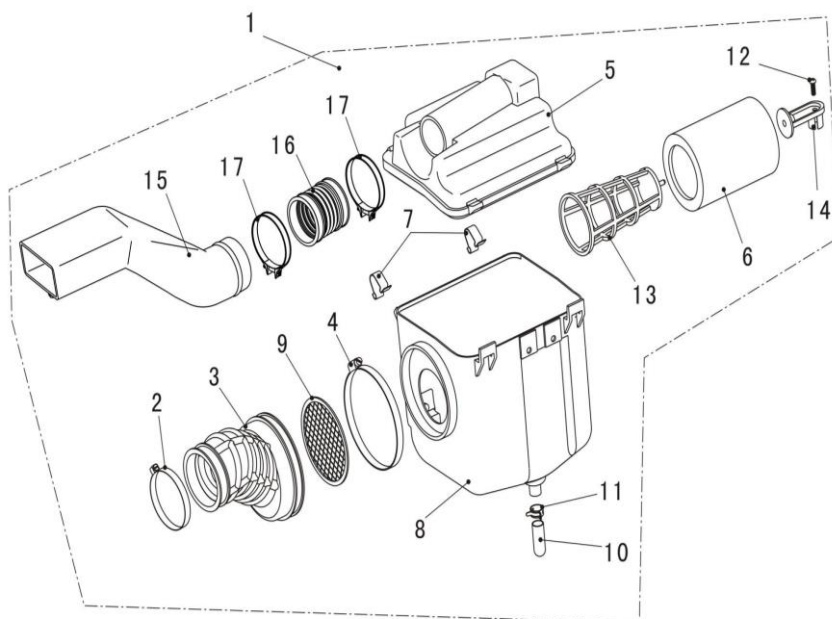
### E21 RADIATOR



Nº	CÓDIGO	DESCRIÇÃO	Qt.	OBSERVAÇÕES
1	LH00035351	RADIATOR	1	
2	LH00011616	NUT M6	4	
3	LH00027694	THERMOSTAT SWITCH ASSY	1	
4	LH0022907A	SAFETY VALVE	1	
5	LH00011435	BOLT M6X12	2	
6	LH00070340	TANK RECOVERY	1	
7	LH00035353	PIPE, SAFETY VALVE	1	
8	LH00070338	COVER, TANK RECOVERY	1	
9	LH00070339	WASHER, TANK RECOVERY	1	
10	LH00022924	CLIP	3	
11	LH00070342	PIPE, TANK RECOVERY	1	
12	LH00036009	HOSE, RADIATOR	1	
13	LH00038240	HOSE, RETURN	1	
14	LH00022917	RADIATOR SIDE GROMMET	4	
15	LH00022918	COLLAR	4	
16	LH00035354	BLOWER ASSY	1	
17	LH00010110	BOLT M6X20	4	
18	LH00011615	NUT M6	4	
19	LH00070344	CLAMP 20/32	6	
20	LH00070347	HOSE, FEED	1	

## LH550 PRO MAX 4X4

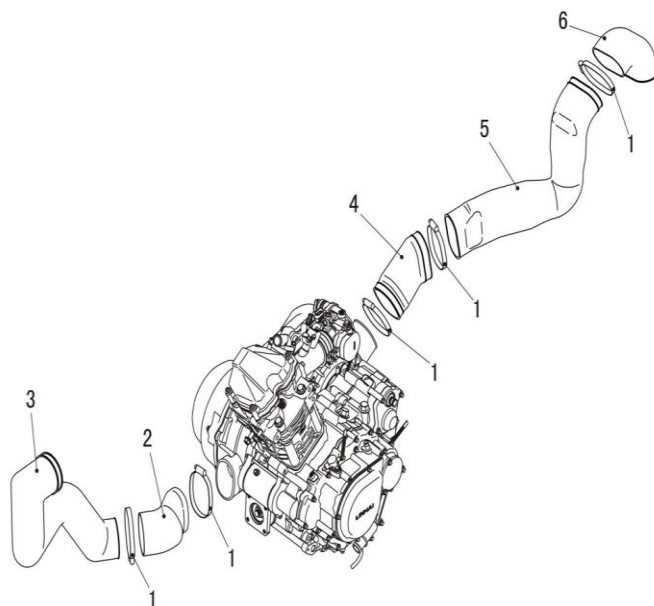
### E22 AIR CLEANER



Nº	CÓDIGO	DESCRIÇÃO	Qt.	OBSERVAÇÕES
1	LH00035797	AIR CLEANER ASSY	1	
2	LH00035747	CLIP 1	1	
3	LH0035358E	FEED HOSE	1	
4	LH00035359	CLIP 2	1	
5	LH00035360	COVER, AIR CLEANER	1	
6	LH00035361	ELEMENT COMP AIR CLEANER	1	
7	LH00035362	CLIP, AIR CLEANER COVER	2	
8	LH00035363	CASE, AIR CLEANER	1	
9	LH00035364	FILTER	1	
10	LH00035365	HOSE 2, AIR CLEANER	1	
11	LH00035366	SPRING CLIP	1	
12	LH00035367	SCREW	1	
13	LH00035551	AIR CLEANER SUPPORT	1	
14	LH00035552	MOUNTING PLATE	1	
15	LH00035798	HOSE4, AIR CLEANER	1	
16	LH00026345	HOSE3, AIR CLEANER	1	
17	LH00026346	CLIP 3	2	

## LH550 PRO MAX 4X4

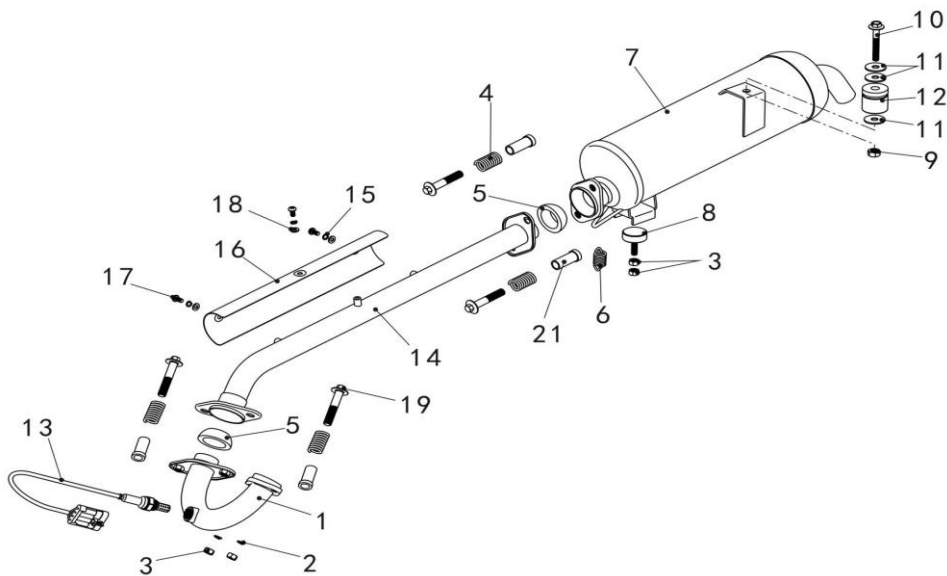
### E23 CVT AIR SHROUD



Nº	CÓDIGO	DESCRIÇÃO	Qt.	OBSERVAÇÕES
1	LH00035670	CLAMP 80	5	
2	LH00035346	RUBBER JOINT AIR SHROUD 1, CVT	1	
3	LH00035347	AIR SHROUD 1, CVT	1	
4	LH00035348	RUBBER JOINT AIR SHROUD 2, CVT	1	
5	LH00035349	AIR SHROUD 2, CVT	1	
6	LH00035350	RUBBER JOINT AIR SHROUD 3, CVT	1	

# LH550 PRO MAX 4X4

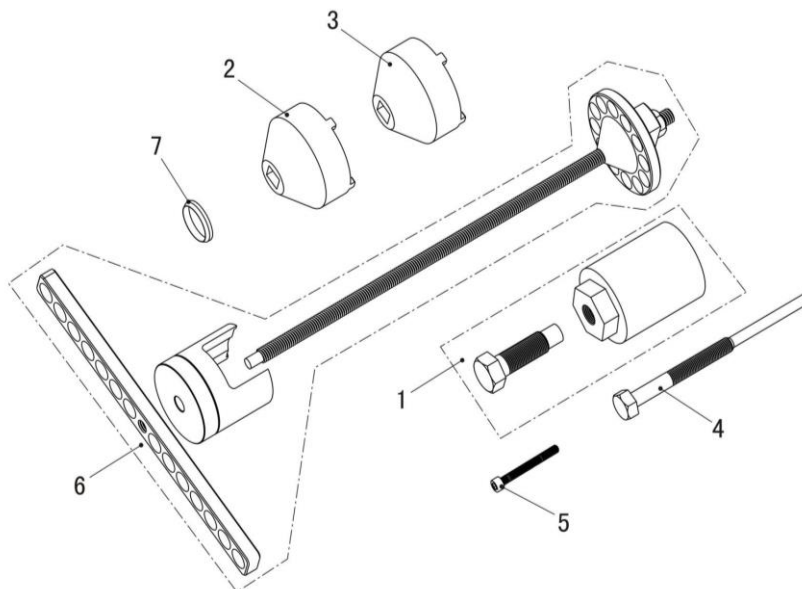
## E24 EXHAUST



Nº	CÓDIGO	DESCRIÇÃO	Qt.	OBSERVAÇÕES
1	LH00035897	EXHAUST PIPE	1	
3	LH00011618	NUT M8	2	
4	LH00038245	Spring	4	
5	LH00035898	JOINT	2	
6	LH00023408	SPRING	1	
7	LH00035899	MUFFLER	1	
8	LH00035345	MUFFLER SUPPORT BOTTOM	1	
9	LH00011619	NUT M10X1.25	1	
10	LH00011620	BOLT FLANGE M10X1.25X62	1	
11	LH00011621	WASHER PLATE 10	3	
12	LH00035344	MUFFLER SUPPORT	1	
13	LH00070826	SENSOR	1	
14	LH00035926	EXHAUST PIPE	1	
15	LH00011534	WASHER 6	3	
16	LH00035536	SAFETY GUARD 1	1	
17	LH0010140W	BOLT M6X12	3	
18	LH00011573	WASHER 6	3	
19	LH00035934	Bolt M10×60	4	
21	LH00035936	Spacer	4	
22	LH00010794	NUT M8	2	

## LH550 PRO MAX 4X4

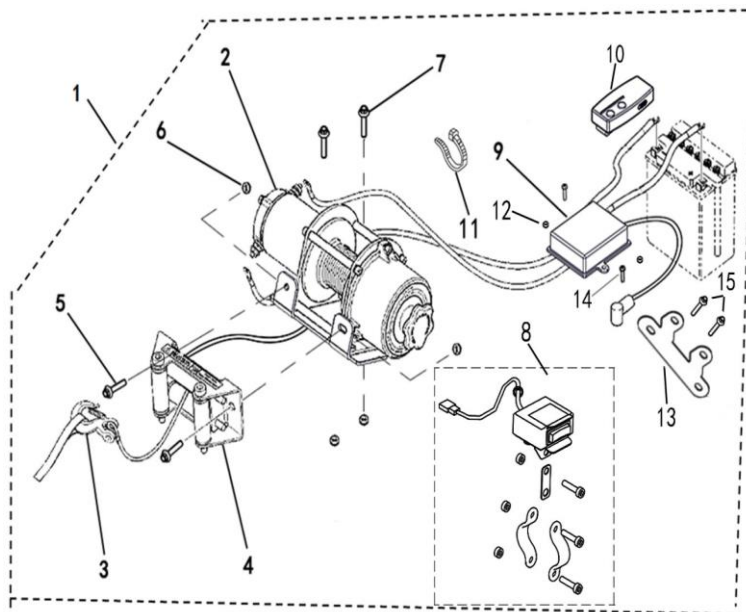
### E25 TOOLS



Nº	CÓDIGO	DESCRIÇÃO	Qt.	OBSERVAÇÕES
1	LH00080129	ROTOR ASSY PULLER	1	
2	LH00080130	BEARING RETAINER, FRONT OUTPUT SHAFT, NUT WRENCH	1	
3	LH00080131	BEARING LIMIT NUT, NUT WRENCH	1	
4	LH00038144	DRIVING PULLEY PULLER	1	
5	LH00038177	CVT BELT BANDO PULLER (BOLT M6X55)	1	
6	LH00072014	DRIVEN PULLEY SPRING COMPRESSOR	1	
7	LH00072015	THE TOOL FOR ONE WAY CLUTCH OF DRIVING WHEEL	1	

## LH550 PRO MAX 4X4

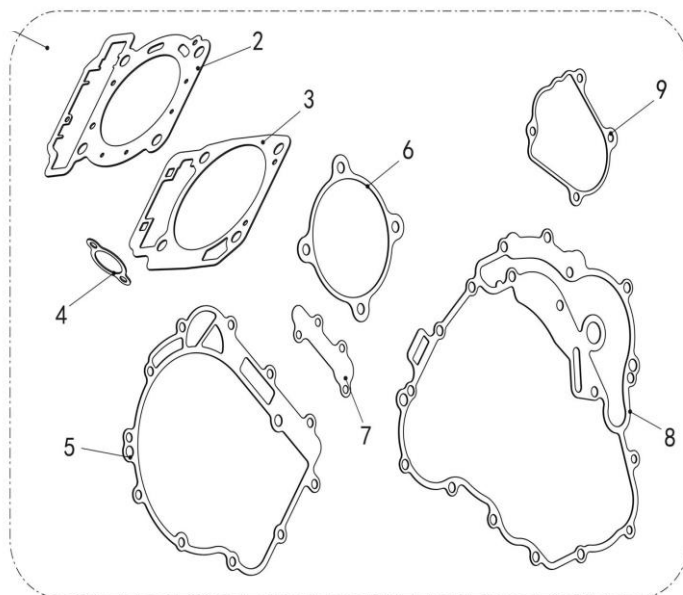
E26 WINCH (3000LBS)



Nº	CÓDIGO	DESCRIÇÃO	Qt.	OBSERVAÇÕES
1	LH00073543	Tractor Assy	1	
2	LH00073544	Tractor	1	
3	LH00073545	Tow Hook	1	
4	LH00073546	Slideway	1	
5	LH00011492	Hexagon Flange Bolt M8×20	2	
6	LH00010794	Prevailing Torque Type All-metal Hexagon Nut M8	4	
7	LH00011466	Hexagon Flange Bolt M8×25	2	
8	LH00036492	Switch	1	
9	LH00035856	Controller (Order with Remote Control (4CF-77533-00) ) (Length of the positive wi	1	
10	LH00073549	Remote Control (Order with Controller (AV-77532-00)	1	
11	LH00011334	Tie	1	
12	LH00011639	Nut 5	2	
13	LH00037126	Controller Bracket	1	
14	LH00011640	Bolt M5×25	2	
15	LH00011097	Bolt M6×16	2	

## LH550 PRO MAX 4X4

### E27 FRAGILE GASKET ASSY.



Nº	CÓDIGO	DESCRIÇÃO	Qt.	OBSERVAÇÕES
2	LH00038023	GASKET, CYLINDER HEAD	1	
3	LH00038043	PAPER WASHER CYLINDER BODY	1	
4	LH00035158	GASKET, TENSIONER	1	
5	LH00038076	PAPER GASKET, CVT CASE 1	1	
6	LH00038078	PAPER GASKET, CVT CASE 2	1	
7	LH00038058	PAPER WASHER	1	
8	LH00038089	GASKET, LEFT CRANKCASE COVER	1	
9	LH00035241	GASKET, SECTOR GEAR HOUSING	1	