

PARTS CATALOGUE



MOTORCYCLES

RF25AA(PT)

ZING 125



Release Date : 1899/12/31
Print Date : 2022/10/19

ABOUT THIS PARTS LIST

- This parts list is compiled all service parts for model RF25AA(PT).
- Any difference between color chart and motorcycle will be revised according to motorcycle.
- The Mark:
 1. Marking "***" must add color code in the end before ordering parts.
 2. Marking "#" are parts with modification, Please find the details from e-Parts system.
- When modification or additions to this parts list are made a revised edition at an appropriate time.



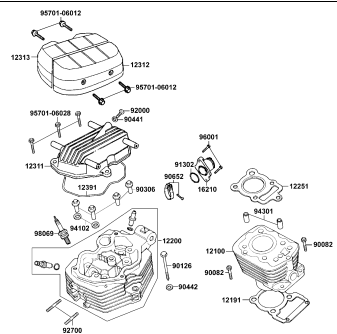
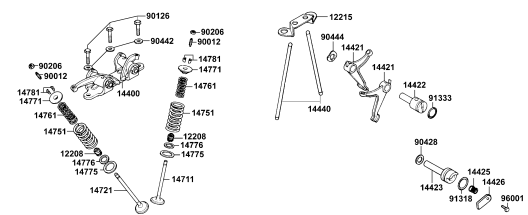
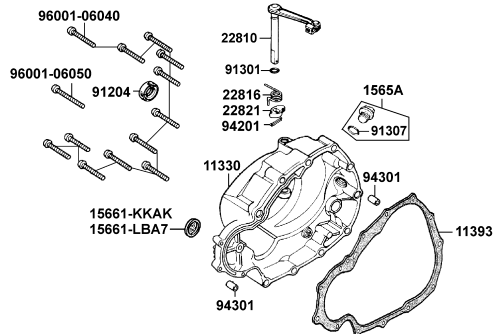
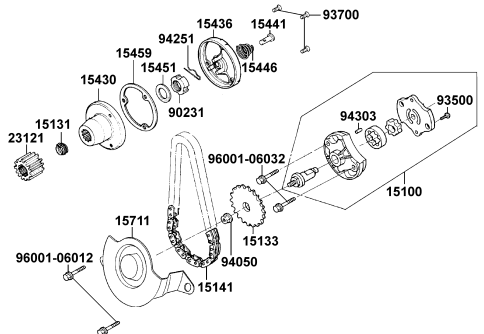
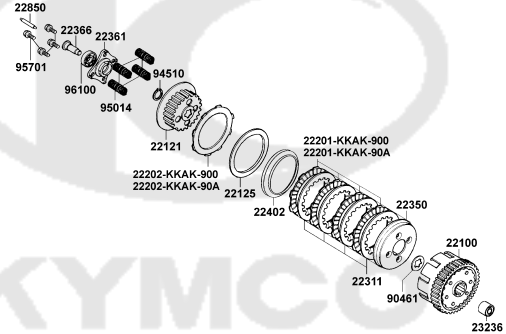
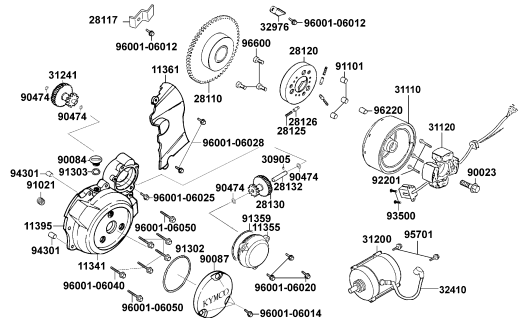
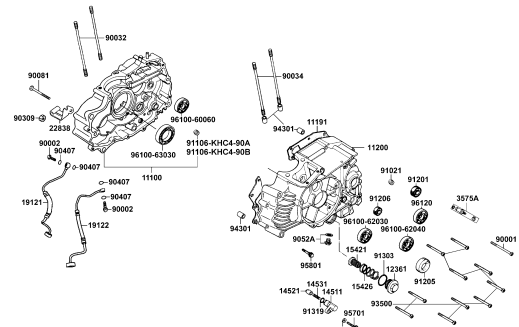
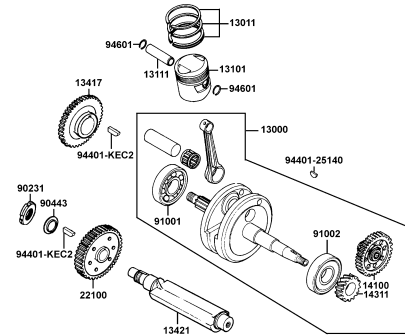
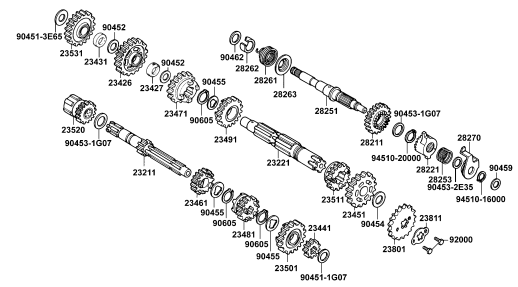
CONTENTS

● ABOUT THIS PARTS LIST	1
● COLOR CHART OF RF25AA(PT)	3
● CONTENTS-ENGINE GROUP	5
● CONTENTS-FRAME GROUP	7
● ENGINE PARTS LIST	10
● FRAME PARTS LIST	46
● PART NO. INDEX	118

NO	MODEL			COLOR CHART OF RF25AA(PT)			
	PHOTO NO			NO. 1	NO. 2	NO. 3	NO. 4
	BASIC COLOR			Black Blue	Bright Silver	Purple Metallic	Dark Red
	CODE			Black Blue	Bright Silver	Purple Metallic	Dark Red
	PARTS NAME	PARTS NO.	VERSION	PB184PA	NH045MA	PP303MA	RR132CA
1	HOLDER RR R STEP	50711-KKAK-900	2	F1A			
2	HOLDER RR L STEP	50712-KKAK-900	2				
3	COVER TANK	17700-KKAK-910	2	F1P			
4	COVER ASSY R HORN	6110C-KEC2-900	1				
5	COVER ASSY L	6110D-KEC2-900	1				
6	COVER R RR CUSHION	80103-KKAK-900	2				
7	COVER L RR CUSHION	80104-KKAK-900	2				
8	COVER CHAIN	40510-KKAK-900	6	F1S			
9	CUSHION ASSY REAR	52400-KEC2-E00	2				
10	CAP HANDLE GRIP **(0)	53143-KKAK-900	1				
11	COVER B R SIDE	83541-LGH3-E00	1				
12	COVER B L SIDE	83641-LGH3-E00	1	M2S			
13	FORK COMP REAR	52110-KKAK-901	2				
14	TANK SET FUEL	17510-KKAK-325	0	BJA	N8A	PHA	R7B
15	COVER SET R SIDE	83540-KED7-305	0	BJA	N8E	PHD	R7B
16	COVER SET L SIDE	83640-KED7-305	0				
17	COVER R HEAD PIPE	61102-KEC2-900	0	BJP	N8P	PHP	R7P
18	COVER L HEAD PIPE	61103-KEC2-900	0				
19	FENDER A REAR	80100-KKAK-900	1	NJA			
20	COVER COMP R CRANK	11330-KEC2-900	2				
21	COVER LEFT CRANK	11341-KEC2-900	5				
22	HUB SET RR WHEEL	42600-KEC2-305	1				
23	HUB COMP REAR	42601-KEC2-900	0				
24	PANEL ASSY REAR	43000-KKAK-901	4				
25	PANEL COMP REAR	43100-KGG7-832	1				
DATE OF STARTING-SALES							
DATE OF END-SALES							

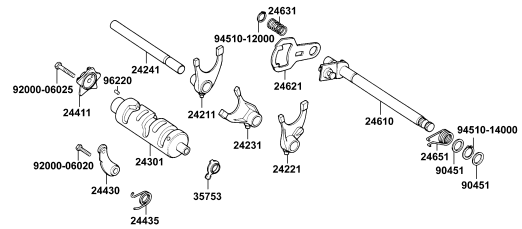
NO	MODEL			COLOR CHART OF RF25AA(PT)			
	PHOTO NO			NO. 1	NO. 2	NO. 3	NO. 4
	BASIC COLOR			Black Blue	Bright Silver	Purple Metallic	Dark Red
	CODE			Black Blue	Bright Silver	Purple Metallic	Dark Red
	PARTS NAME	PARTS NO.	VERSION	PB184PA	NH045MA	PP303MA	RR132CA
26	CALIPER ASSY FR	45200-KKAK-900	7	NJA			
27	FORK ASSY R FR/MAT	51400-KEC2-E00	2				
28	FORK ASSY L FRONT	51500-KEC2-E00	2				
29	LEVER R STRG HNDL	53175-KKAK-900	3				
30	LEVER L STRG HNDL	53178-KEC2-E00	1				
31	SEAT ASSY (REACH)	77200-KKAK-900	2	T01			
32	SEAT COMP BACK	77210-KKAK-900	0				
33	MARK E/M & RADIO	87223-KED7-E00	0				
34	EMB R FUEL TANK	87311-KKAK-900	1				
35	ENB L FUEL TANK	87312-KKAK-900	1				
36	MARK TIRE CAUTION	87505-KKAK-Q00	0				
37	MARK AIR CLEANER	87508-KGG7-E00	1				
38	LABEL HELMET	87511-KKAK-Q00	1				
39	MARK KYMCO	87531-KKAK-900	2				
40	STRIPE SIDE COVER	87411-KED7-E00	2				
DATE OF STARTING-SALES							
DATE OF END-SALES							

CONTENTS - ENGINE GROUP

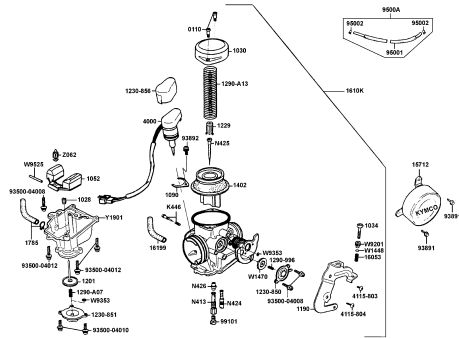
<p>E01 Cylinder HeadCylinder</p> 	<p>E02 Valve</p> 	<p>E03 Right Crankcase cover</p> 
<p>E04 Oil Pump</p> 	<p>E05 Clutch</p> 	<p>E06 GeneratorStarting Motor</p> 
<p>E07 Crankcase</p> 	<p>E08 CrankshaftPistonShaft</p> 	<p>E09 TransmissionKick Starter</p> 

CONTENTS - ENGINE GROUP

E10 Gearshift Drum Gearshift

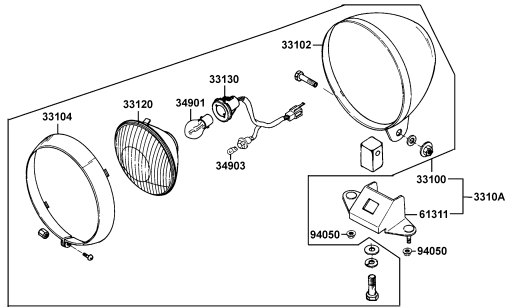


E11 Carburetor

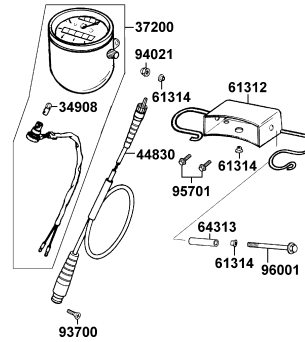


CONTENTS - FRAME GROUP

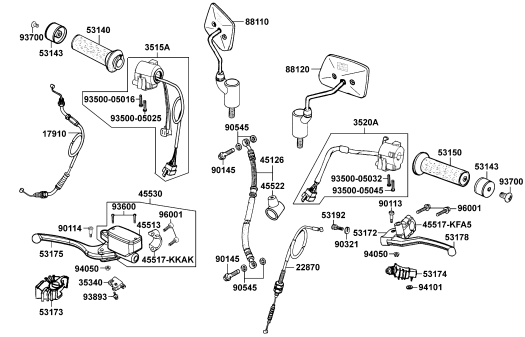
F01 Head Light



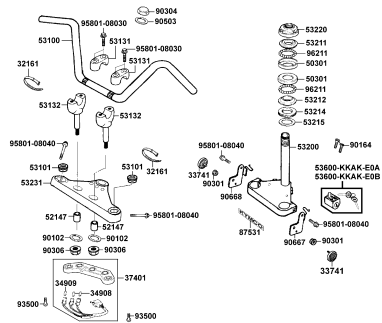
F02 Speedometer



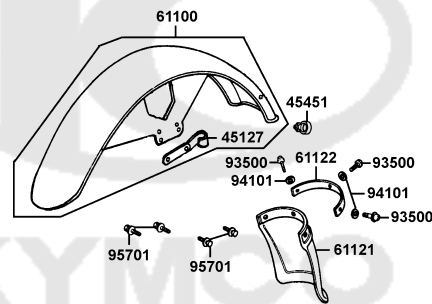
F03 CableSwitchMaster Cylinder



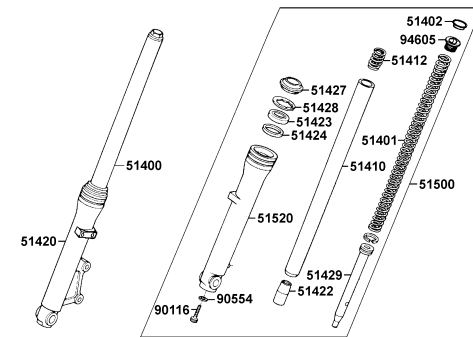
F04 Steering HandleStem



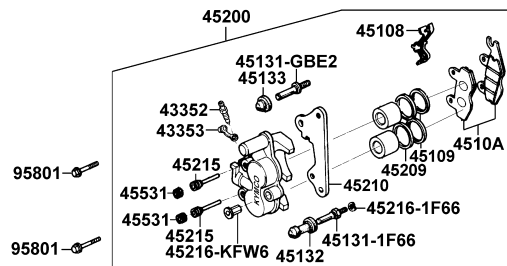
F05 Front Fender



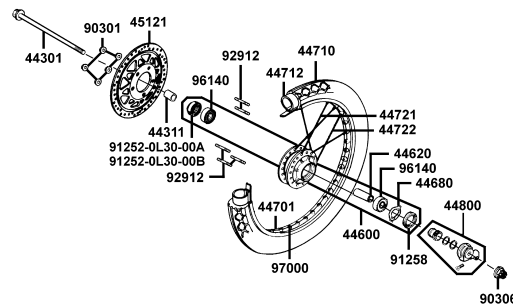
F06 Front Fork



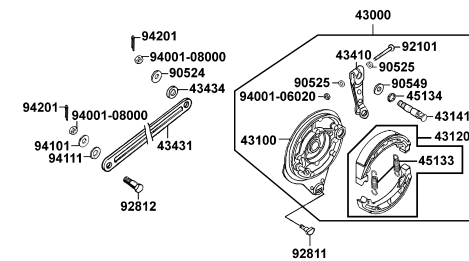
F07 Front Caliper



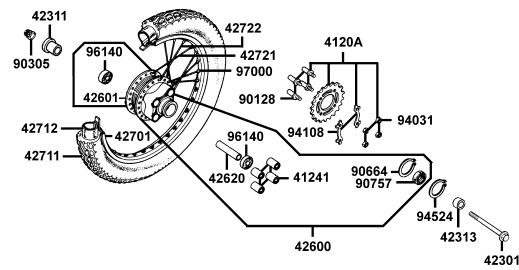
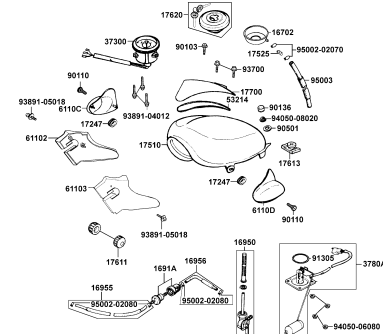
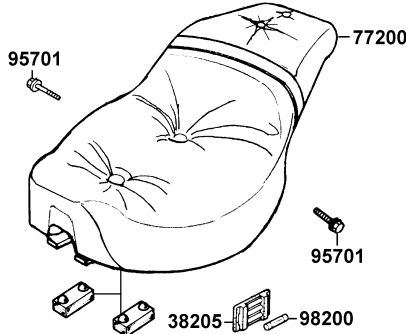
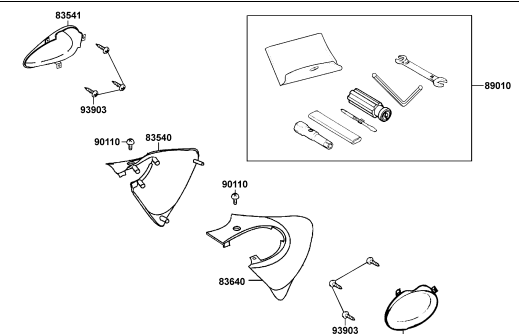
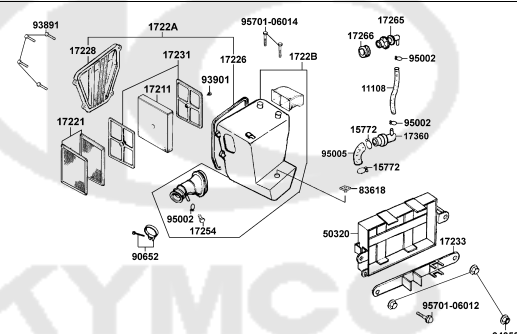
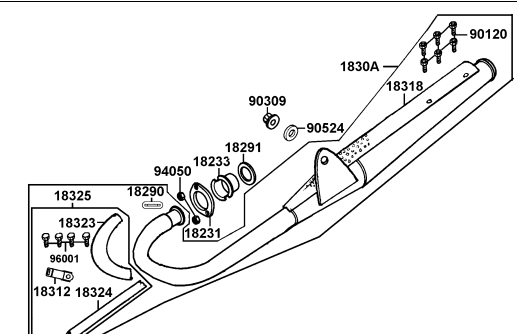
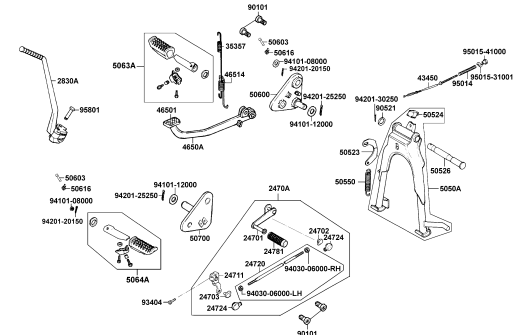
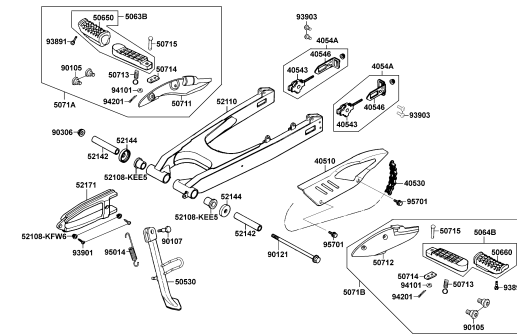
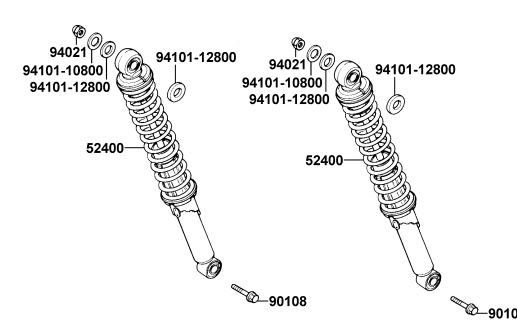
F08 Front Wheel



F09 Rear Brake Panel

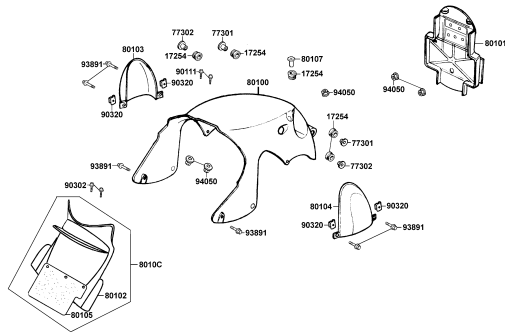


CONTENTS - FRAME GROUP

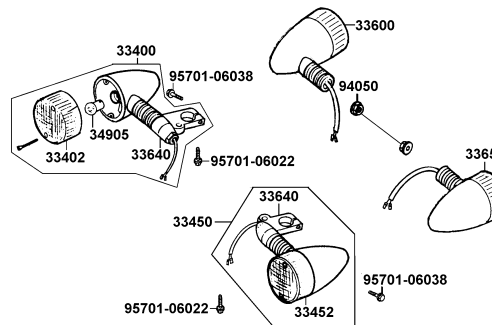
<p>F10 Rear Wheel</p> 	<p>F11 Fuel TankFuel Meter</p> 	<p>F12 Seat</p> 
<p>F13 Side CoverTool Set</p> 	<p>F14 Air Cleaner</p> 	<p>F15 Exhaust Muffler</p> 
<p>F16 PedalStand</p> 	<p>F17 Rear ForkStepChain Case</p> 	<p>F18 Rear Cushion</p> 

CONTENTS - FRAME GROUP

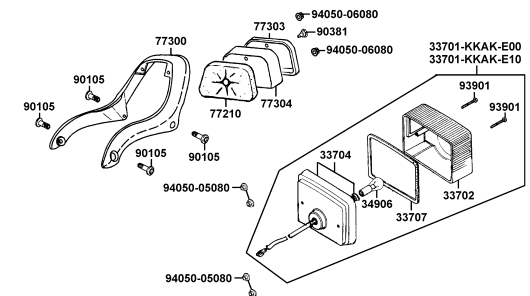
F19 Rear Fender



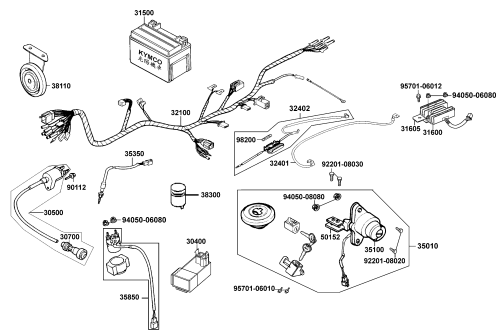
F20 Winker



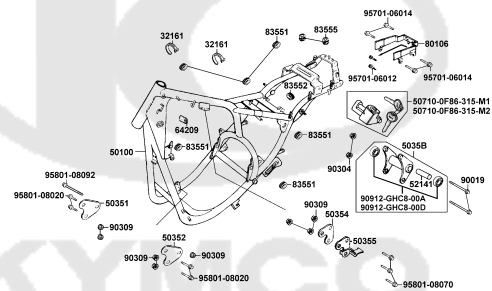
F21 Tail Light



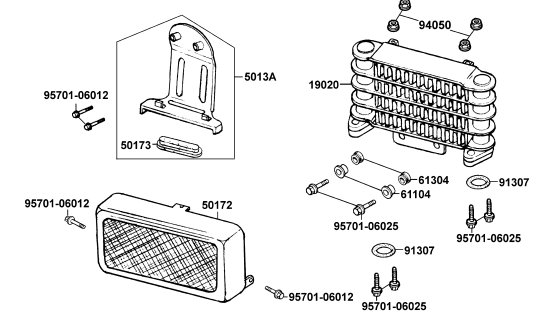
F22 Wire Harness



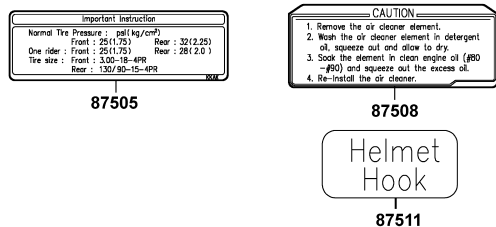
F23 Frame Body



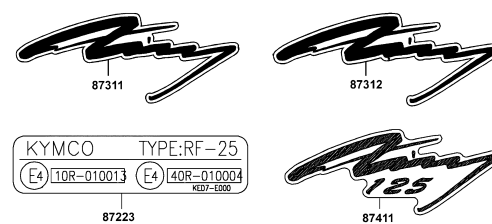
F24 Oil Cooler



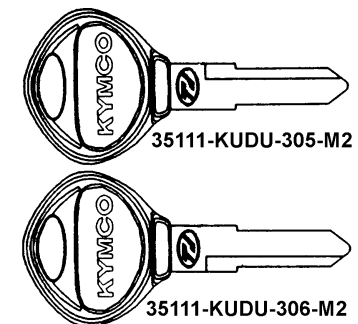
F25 Caution Label



F26 Emblem Stripe

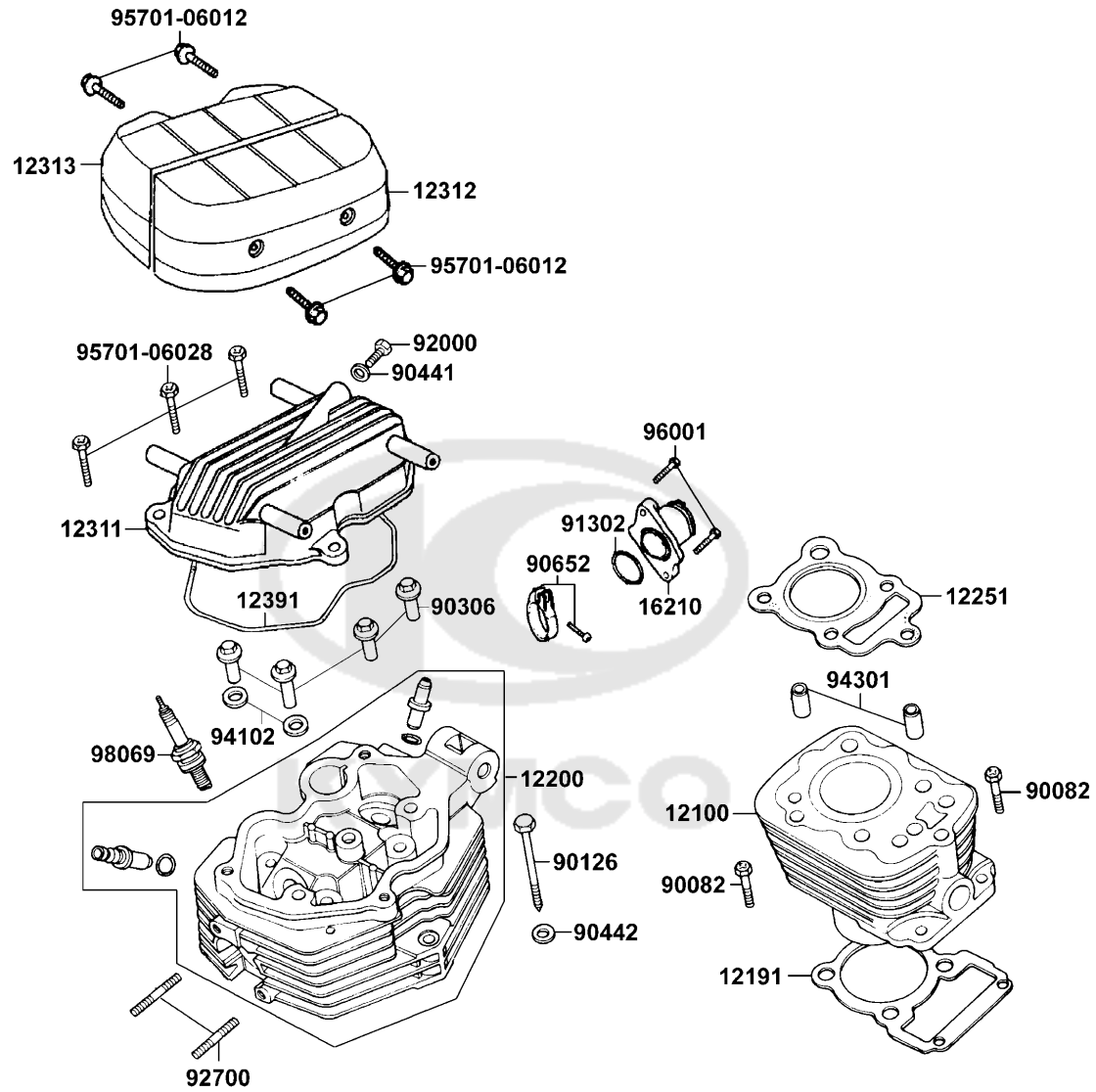


F27 KEY



E01

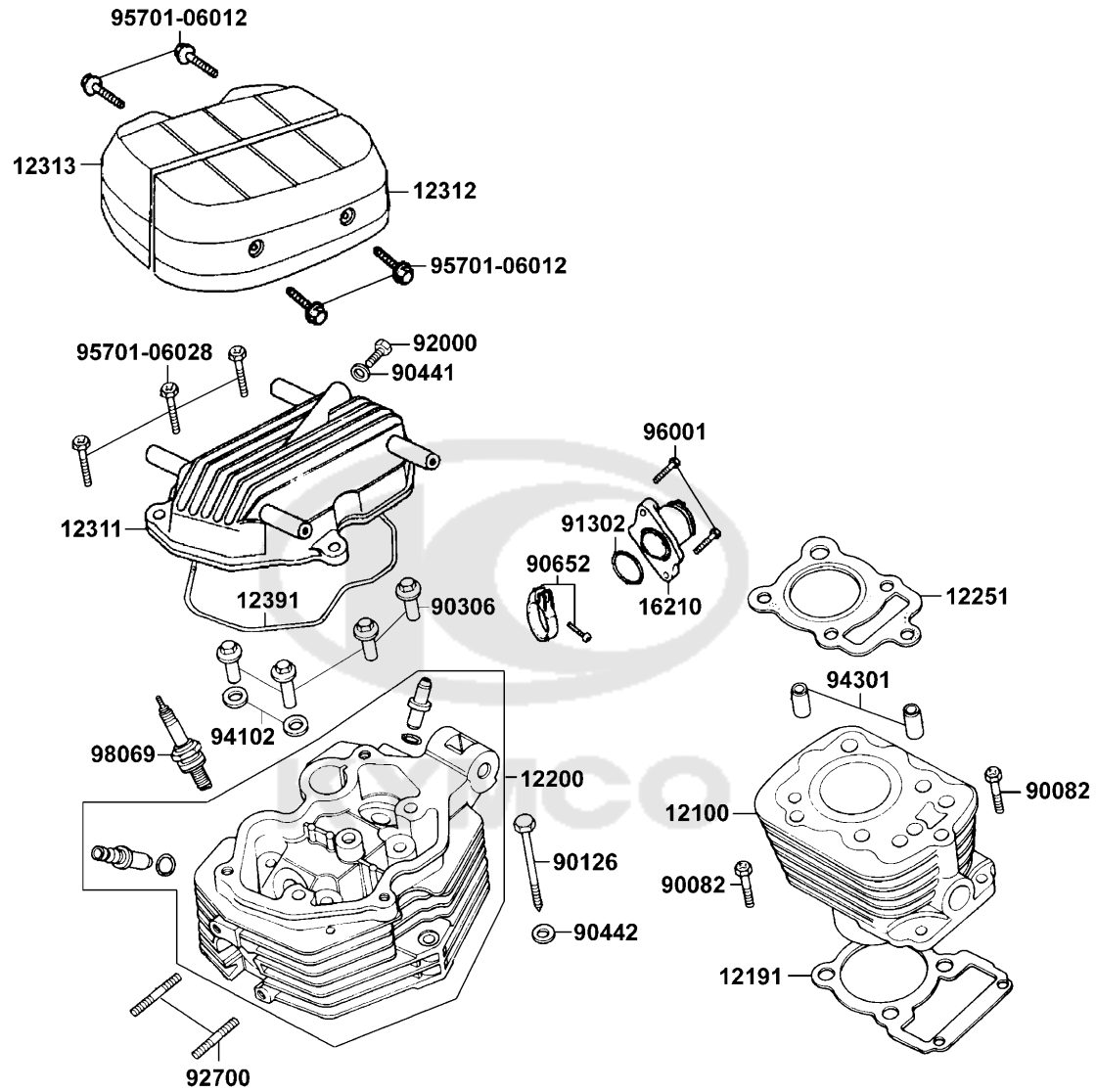
Cylinder HeadCylinder



Sales mark	Ref no	Part no	Description	Reg description	Regd no	E01
	12100	12100-KLAL-C10	CYLINDER COMP	CYLINDER COMP	1	
#	12191	12191-3G97-980	GASKET CYLINDER	GASKET CYLINDER	1	
	12200	12200-KLAL-C10	HEAD COMP CYLINDER	HEAD COMP CYLINDER	1	
	12251	12251-KLAL-90A	GASKET CYLINDER HEAD	GASKET CYLINDER HEAD	1	
	12311	12311-KKAK-900	COVER CYLINDER HEAD	COVER CYLINDER HEAD	1	
	12312	12312-KKAK-900	COVER L CYLINDER HEAD	COVER L CYLINDER HEAD	1	
	12313	12313-KKAK-900	COVER R CYLINDER HEAD	COVER R CYLINDER HEAD	1	
	12391	12391-3G97-010	PACKING CYLINDER HEAD	PACKING CYLINDER HEAD	1	
	16210	16210-KEC2-E00	INSULATOR COMP CARB	INSULATOR COMP CARB	1	
	90082	90082-KKAK-900	BOLT HS 6MM	BOLT HS 6MM	2	
	90126	90126-KKAK-900	BOLT HEX 8*79	BOLT HEX 8*79	1	
	90306	90306-3G97-001	NUT CYLINDER HEAD	NUT CYLINDER HEAD	4	
	90441	90441-0H28-011	WASHER 6MM	WASHER 6MM	1	
	90442	90442-KKAK-900	WASHER SEALING 8MM	WASHER SEALING 8MM	1	
	90652	90652-GBHB-641	BAND 42 AIR/C CONNECTING TUBE	BAND 42 AIR/C CONNECTING TUBE	1	
	91302	91302-2L00-001	O-RING 33.5*3	O-RING 33.5*3	1	
	92700	92700-06035-3E	BOLT STUD ? 6X35	BOLT STUD ? 6X35	2	
	94102	94102-12800	WASHER PLAIN 12MM	WASHER PLAIN 12MM	2	
	94301	94301-10200	DOWEL PIN 10*20	DOWEL PIN 10*20	2	
	95701-06012	95701-06012-02	BOLT FLANGE 6*12	BOLT FLANGE 6*12	4	

E01

Cylinder HeadCylinder

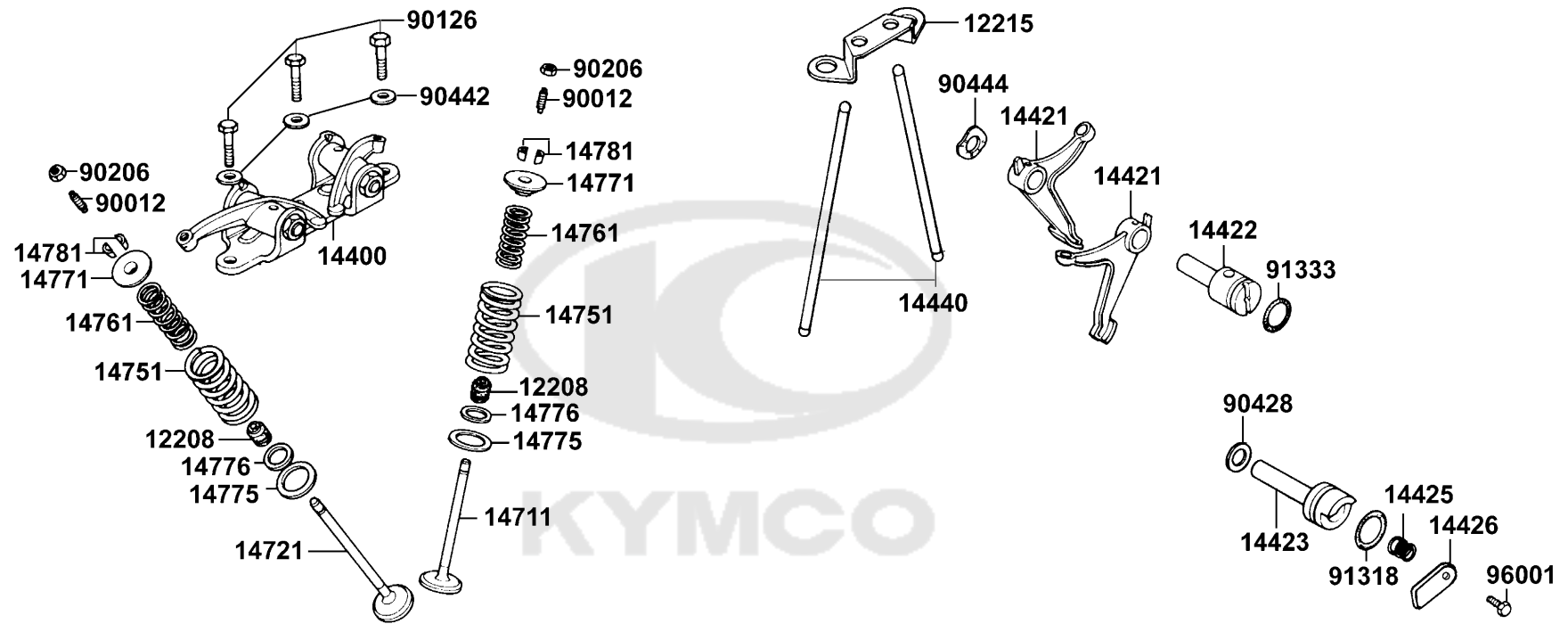


Sales mark	Ref no	Part no	Description	Reg description	Regd no	E01
#	92000	95701-06012-06	BOLT FLANGE 6*12 **07 C.2005.07.01	BOLT FLANGE 6*12 **07 C.2005.07.01	1	
#	95701-06028	95701-06028-06	BOLT FLANGE 6X28	BOLT FLANGE 6X28	1	
	96001-06016	96001-06016-02	BOLT FLANGE SH 6*16	BOLT FLANGE SH 6*16	2	
	98069	98069-5771R	SPARK PLUG (DR-8EA)	SPARK PLUG (DR-8EA)	1	



E02

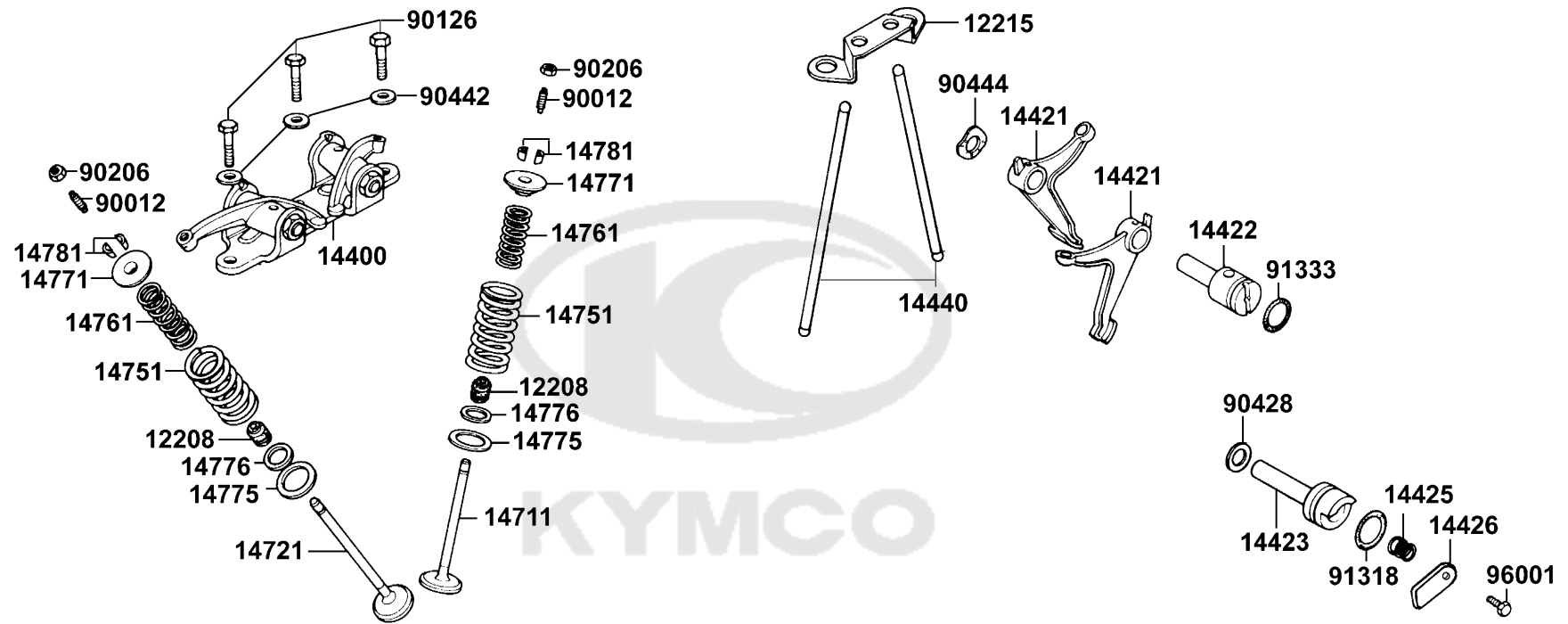
Valve



Sales mark	Ref no	Part no	Description	Reg description	Regd no	E02
	12208	12208-4C13-004	SEAL VALVE STEM	SEAL VALVE STEM	2	
	12215	12215-3G97-021	GUIDE PUSH ROD	GUIDE PUSH ROD	1	
	14400	14400-3G97-021	HOLDER COMP RKR	HOLDER COMP RKR	1	
	14421	14421-3G97-001	FOLLOWER CAM	FOLLOWER CAM	2	
	14422	14422-KGAG-901	SHAFT CAM FOLLOWER	SHAFT CAM FOLLOWER	1	
	14425	14425-KGG7-001	SPRING CAM SHAFT	SPRING CAM SHAFT	1	
	14426	14426-KBE2-981	PLATE SPG STOPPER	PLATE SPG STOPPER	1	
	14711	14711-3C83-001	VALVE INLET	VALVE INLET	1	
	14721	14721-3C83-001	VALVE EXHAUST	VALVE EXHAUST	1	
	14751	14751-3D24-001	SPRING VALVE OUTER	SPRING VALVE OUTER	2	
	14761	14761-3D24-001	SPRING VALVE INNER	SPRING VALVE INNER	2	
	14771	14771-1G07-021	RETAINER VALVE SPRING	RETAINER VALVE SPRING	2	
	14775	14775-1G07-001	SEAT VALVE SPG OUTER	SEAT VALVE SPG OUTER	2	
	14776	14776-1G07-011	SEAT VALVE SPRING INNER	SEAT VALVE SPRING INNER	2	
	14781	14781-1G07-021	COTTER VALVE	COTTER VALVE	4	
	90012	90012-4E15-001	SCREW TAPPING ADJUSTING	SCREW TAPPING ADJUSTING	2	
	90126	90126-2B92-001	BOLT FRONT BRAKE STOPER ARM	BOLT FRONT BRAKE STOPER ARM	3	
	90206	90206-2L50-001	NUT TAPPET ADJUSTING	NUT TAPPET ADJUSTING	2	
	90428	90428-9H58-001	WASHER THRUST 14MM B	WASHER THRUST 14MM B	1	
	90442	90442-0H28-001	WASHER SEALING 8M/M	WASHER SEALING 8M/M	3	

E02

Valve



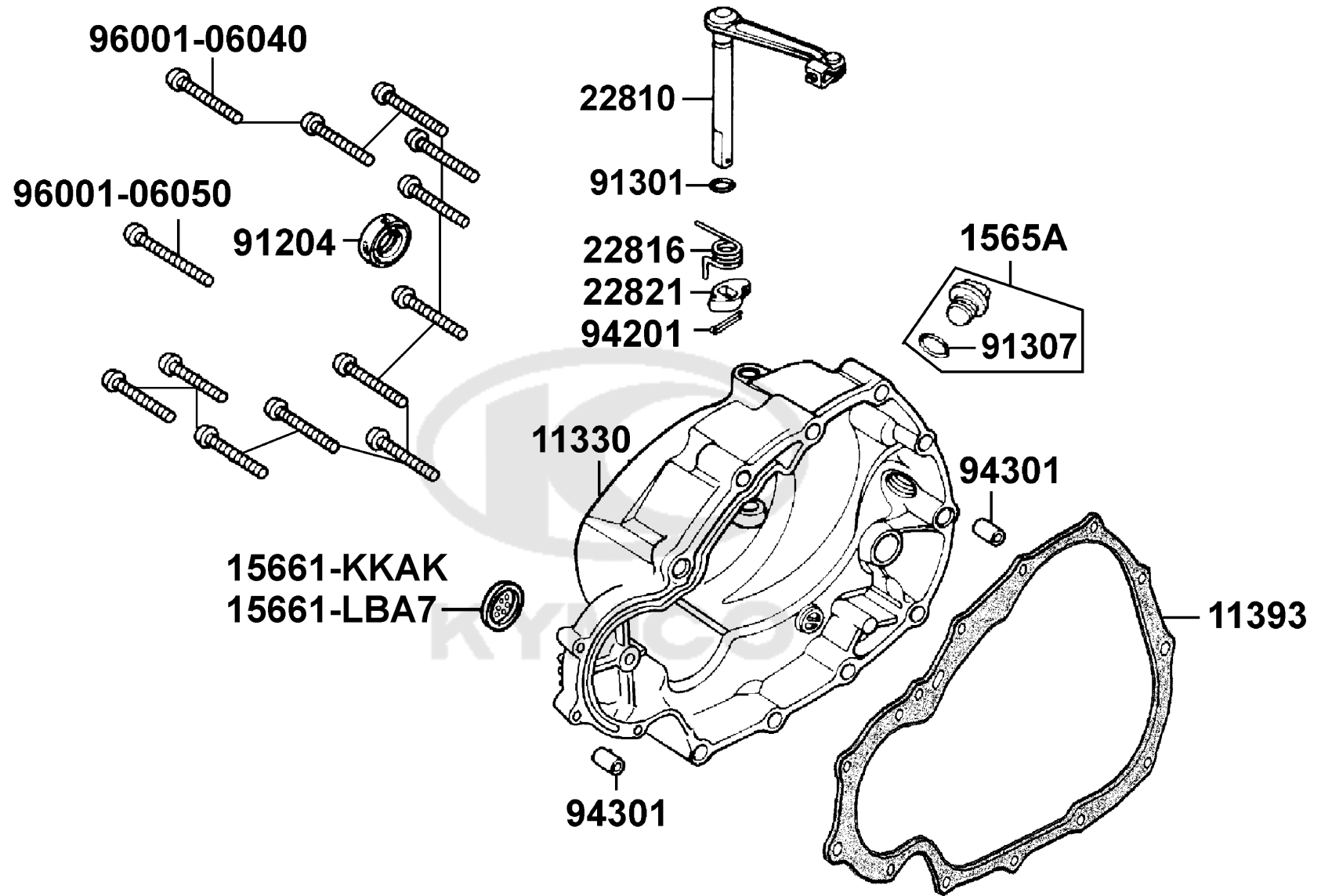
Sales mark	Ref no	Part no	Description	Reg description	Regd no	E02
------------	--------	---------	-------------	-----------------	---------	------------

	90444	90444-3G97-001	WASHER WAVE 12MM	WASHER WAVE 12MM	1	
	91318	91318-5L90-001	O-RING 2.5*20 **590-0010 C.2005.04.01	O-RING 2.5*20 **590-0010 C.2005.04.01	1	
	91333	91333-5G67-011	O-RING 17*2.5	O-RING 17*2.5	1	
#	96001	96001-06012-06	BOLT FLANGE SH 6*12	BOLT FLANGE SH 6*12	1	



E03

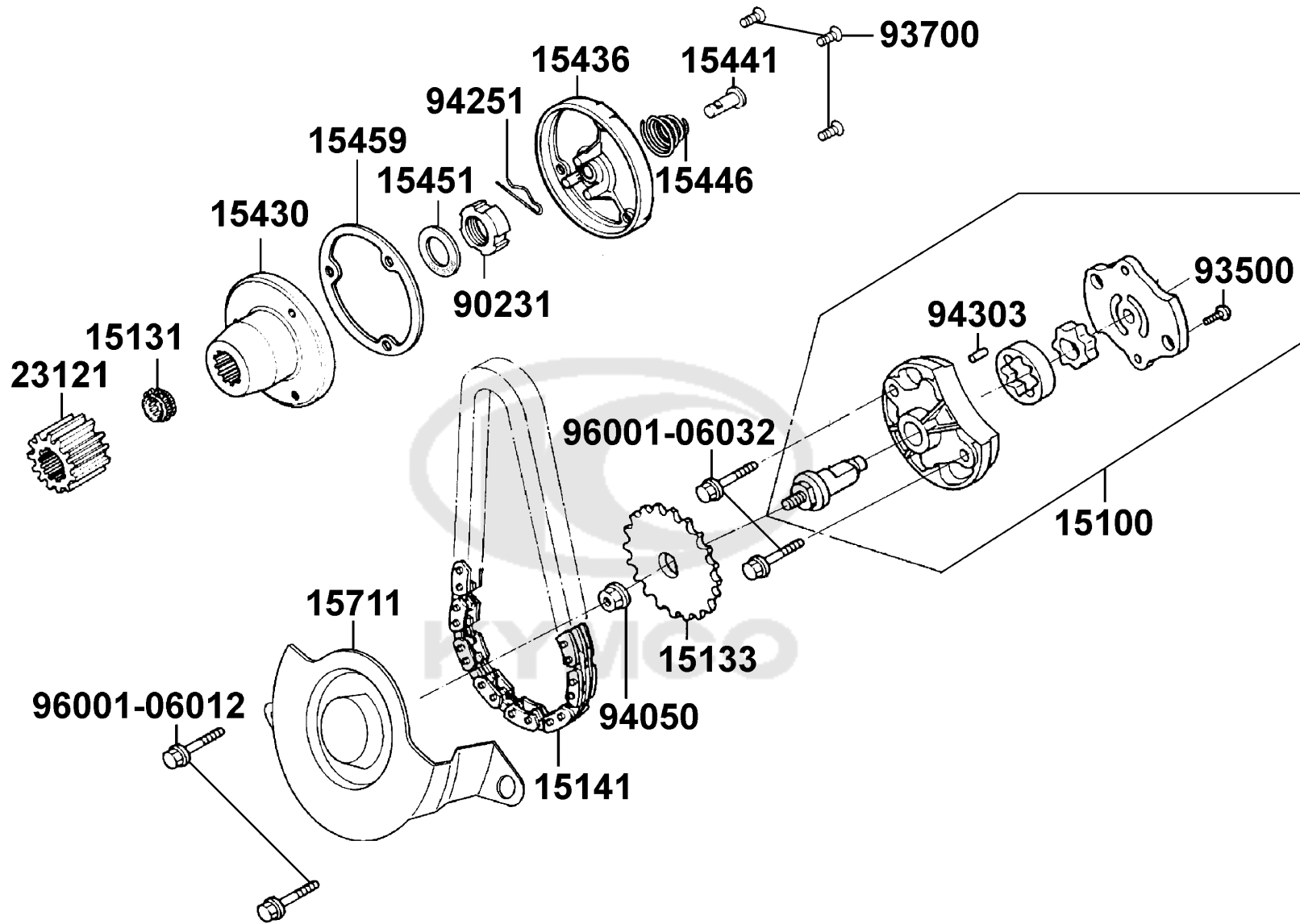
Right Crankcase cover



Sales mark	Ref no	Part no	Description	Reg description	Regd no	E03
**	11330	11330-KEC2-900	COVER COMP R CRANK CASE	COVER COMP R CRANK CASE	1	
#	11393	11393-KEC2-980	GASKET R CRANK CASE	GASKET R CRANK CASE	2	
	1565A	1565A-KKAK-900	GAUGE OIL LEVEL ASSY	GAUGE OIL LEVEL ASSY	1	
#	15661-LBA7	15661-LBA7-900	FINDER OIL LEVEL	FINDER OIL LEVEL	2	
	22810	22810-KEC2-900	LEVER COMP CLUTCH	LEVER COMP CLUTCH	1	
	22816	22816-3E55-001	SPRING CLUTCH LEVER	SPRING CLUTCH LEVER	1	
	22821	22821-3E55-001	CAM CLUTCH LIFTER	CAM CLUTCH LIFTER	1	
	91204	91204-2K59-004	OIL SEAL 16*28*7	OIL SEAL 16*28*7	1	
	91301	91301-KBE2-710	O-RING 6.8*1.9	O-RING 6.8*1.9	1	
	91307	91307-0E35-001	O RING 18*3	O RING 18*3	1	
	94201	94201-20150	PIN SPLIT 2*15	PIN SPLIT 2*15	1	
	94301	94301-08140	DOWEL PIN 8*14	DOWEL PIN 8*14	2	
	96001-06040	96001-06040-02	BOLT FLANGE SH 6*40	BOLT FLANGE SH 6*40	12	
	96001-06050	96001-06050-02	BOLT FLANGE SH 6*50	BOLT FLANGE SH 6*50	1	

E04

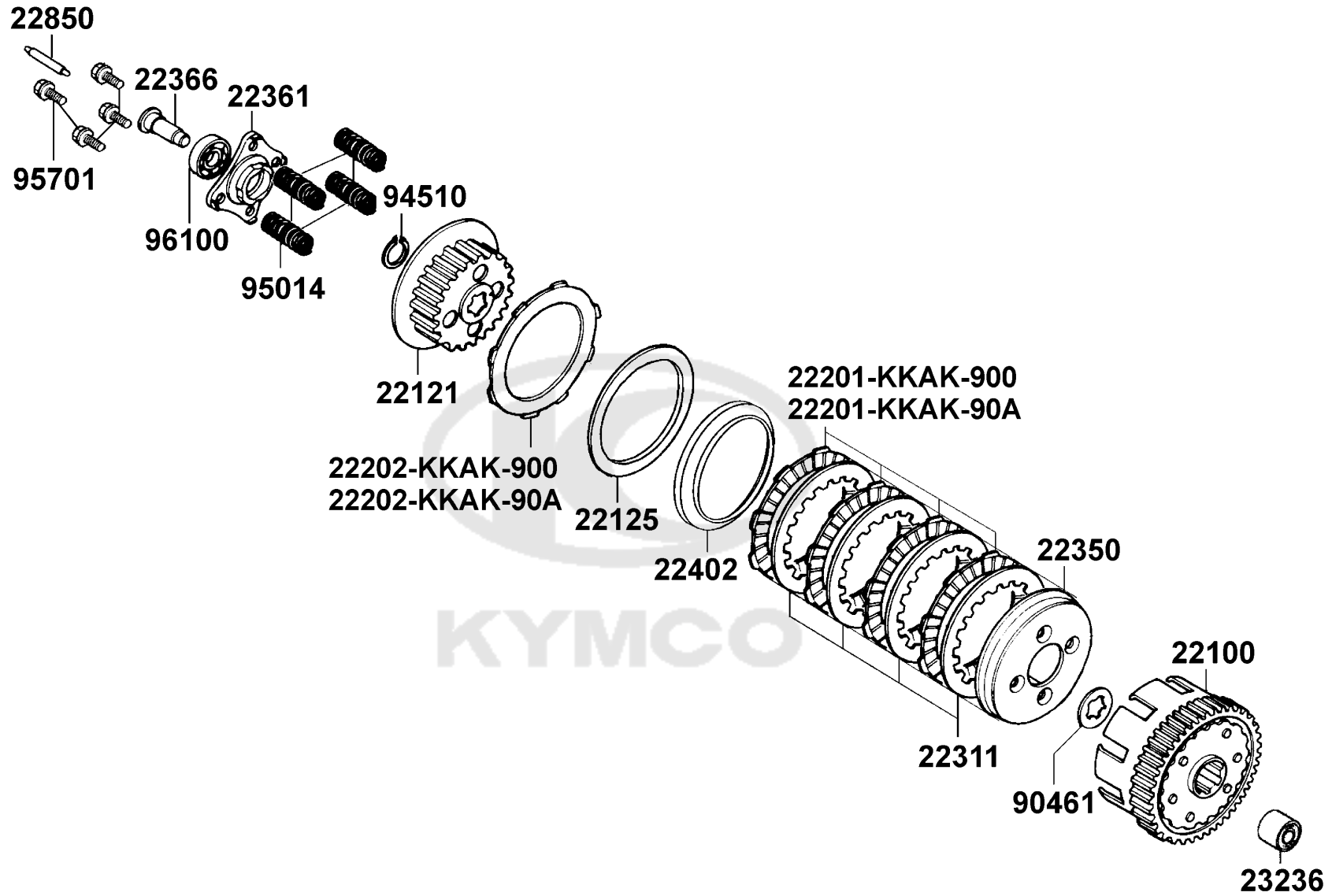
Oil Pump



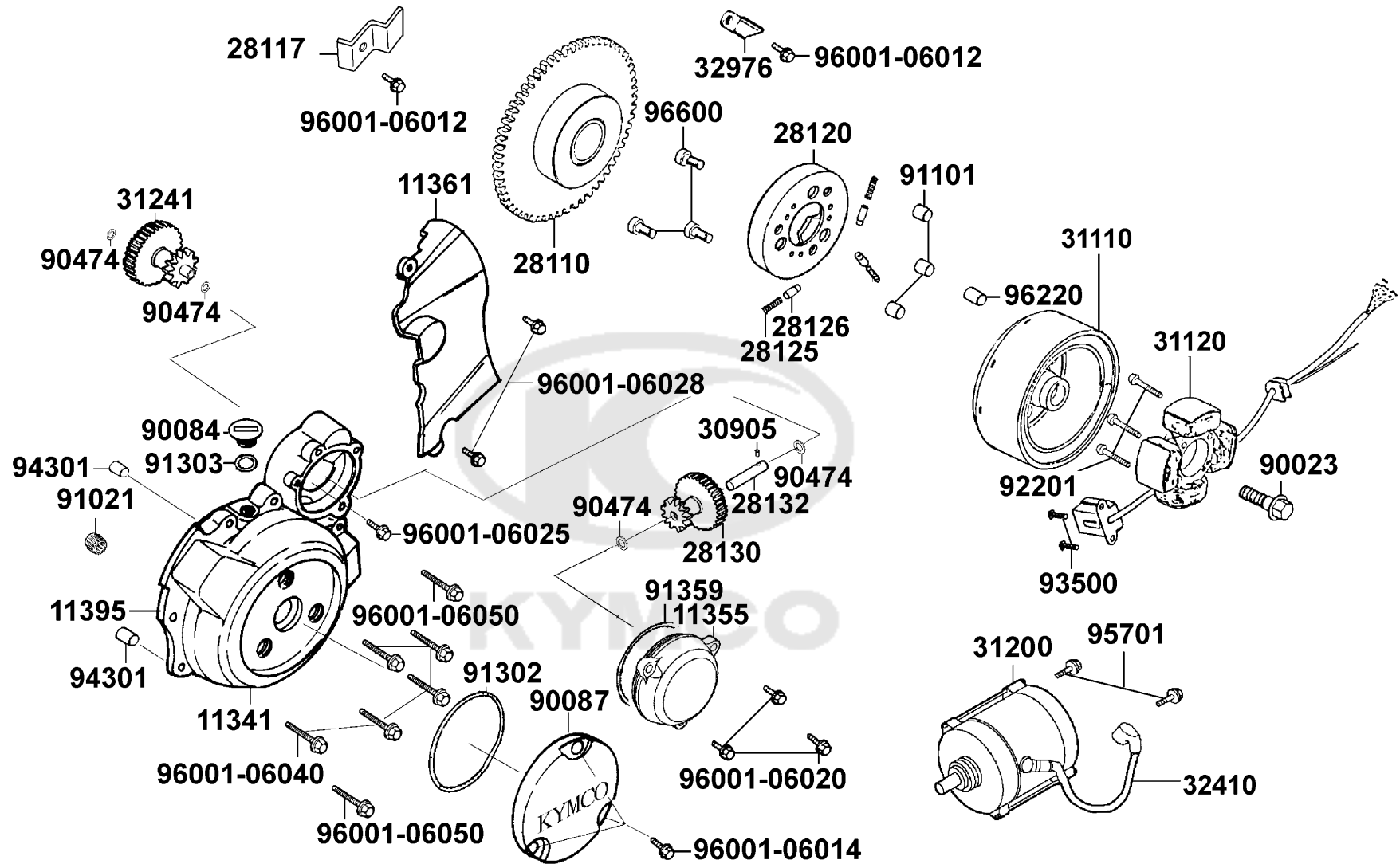
Sales mark	Ref no	Part no	Description	Reg description	Regd no	E04
	15100	15100-LBE8-900	OIL PUMP ASSY	OIL PUMP ASSY	1	
	15131	15131-KEC2-900	SPROCKET OIL PUMP DRIVE	SPROCKET OIL PUMP DRIVE	1	
	15133	15133-GFY6-901	SPRKT OIL PUMP DRIVEN	SPRKT OIL PUMP DRIVEN	1	
	15141	15141-KEC2-900	CHAIN OIL PUMP	CHAIN OIL PUMP	1	
	15430	15430-KKAK-910	ROTER COMP OIL FILTER	ROTER COMP OIL FILTER	1	
	15436	15436-1G07-001	CAP OIL FILTER ROTOR	CAP OIL FILTER ROTOR	1	
	15441	15441-1G07-001	OIL THROUGH	OIL THROUGH	1	
	15446	15446-1G07-001	SPRING OIL THROUGH	SPRING OIL THROUGH	1	
	15451	15451-1G07-001	WASHER LOCK OIL FILTER ROTOR	WASHER LOCK OIL FILTER ROTOR	1	
#	15459	15459-1G07-980	GASKET OIL FILTER ROTOR CAP	GASKET OIL FILTER ROTOR CAP	2	
	15711	15711-KEC2-900	SEPARATER OIL	SEPARATER OIL	1	
	23121	23121-KEC2-900	GEAR PRIMARY DRIVE	GEAR PRIMARY DRIVE	1	
	90231	90231-2L00-011	NUT LOCK 16MM	NUT LOCK 16MM	1	
	93500	93500-03012-02	SCREW PAN 3*12	SCREW PAN 3*12	1	
#	93700	93700-05012-0F	SCREW OVAL 5*12	SCREW OVAL 5*12	1	
	94050	94050-06080	NUT FLANGE 6MM	NUT FLANGE 6MM	1	
	94251	94251-08400	PIN LOCK 8MM	PIN LOCK 8MM	1	
	94303	94303-04065	DOWEL PIN 4*6.5	DOWEL PIN 4*6.5	1	
#	96001-06012	96001-06012-06	BOLT FLANGE SH 6*12	BOLT FLANGE SH 6*12	1	
#	96001-06032	96001-06032-06	BOLT FLANGE 6*32	BOLT FLANGE 6*32	1	

E05

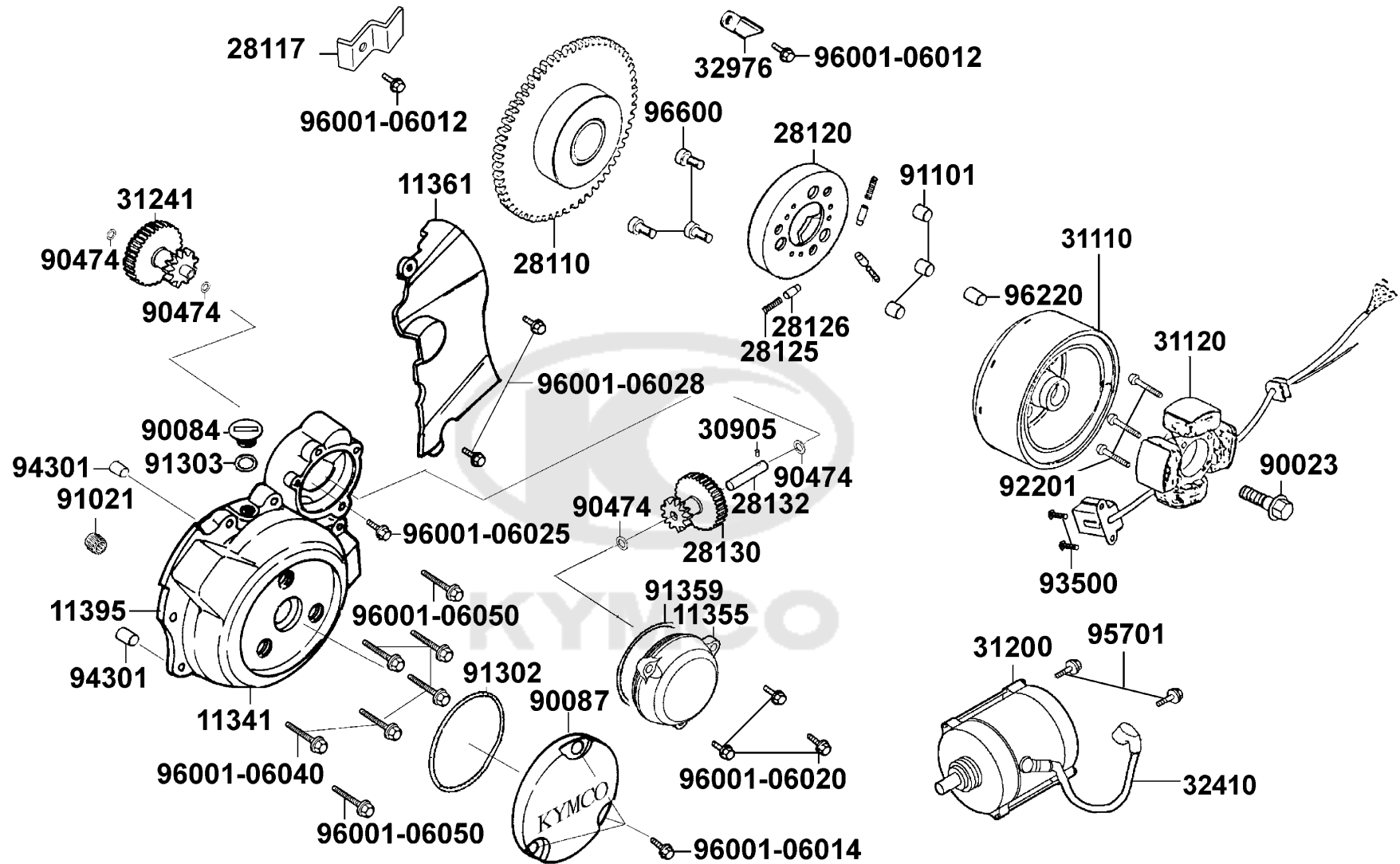
Clutch



Sales mark	Ref no	Part no	Description	Reg description	Regd no	E05
	22100	22100-3D24-001	OUTER COMP CLUTCH	OUTER COMP CLUTCH	1	
	22121	22121-1G07-011	CENTER CLUTCH	CENTER CLUTCH	1	
	22125	22125-KKAK-900	SEAT ADJUSTER SPG	SEAT ADJUSTER SPG	1	
	22201-KKAK-900	22201-KKAK-900	DISK CLUTCH FRICTION	DISK CLUTCH FRICTION	4	
	22201-KKAK-90A	22201-KKAK-90A	DISK CLUTCH FRICTON	DISK CLUTCH FRICTON	4	
	22202-KKAK-900	22202-KKAK-900	DISK CLUTCH FRICTION	DISK CLUTCH FRICTION	1	
	22202-KKAK-90A	22202-KKAK-90A	DISK CLUTCH FRICTION	DISK CLUTCH FRICTION	1	
	22311	22311-1G07-001	PLATE CLUTCH	PLATE CLUTCH	4	
	22350	22350-1G07-012	PLATE CLUTCH PRESSURE	PLATE CLUTCH PRESSURE	1	
	22361	22361-1G07-001	PLATE CLUTCH LIFTER	PLATE CLUTCH LIFTER	1	
	22366	22366-3C83-001	GUIDE PIN CLUTCH LIFTER	GUIDE PIN CLUTCH LIFTER	1	
	22402	22402-KKAK-900	SPR ADJUSTER	SPR ADJUSTER	1	
	22850	22850-3E55-001	ROD CLUTCH LIFTER	ROD CLUTCH LIFTER	1	
	23236	23236-KEC2-900	COOLAR CLUTCH	COOLAR CLUTCH	1	
#	90461	90461-ALH3-900	WASHER SPLINE 20MM	WASHER SPLINE 20MM	1	
	94510	94510-20000	CIR CLIP EX 20	CIR CLIP EX 20	1	
	95014	95014-75110	SPRING CLUTCH	SPRING CLUTCH	4	
#	95701	95701-06022-06	BOLT FLANGE 6*22	BOLT FLANGE 6*22	1	
	96100	96100-60010-00	BEARING RADIAL BALL 6001	BEARING RADIAL BALL 6001	1	



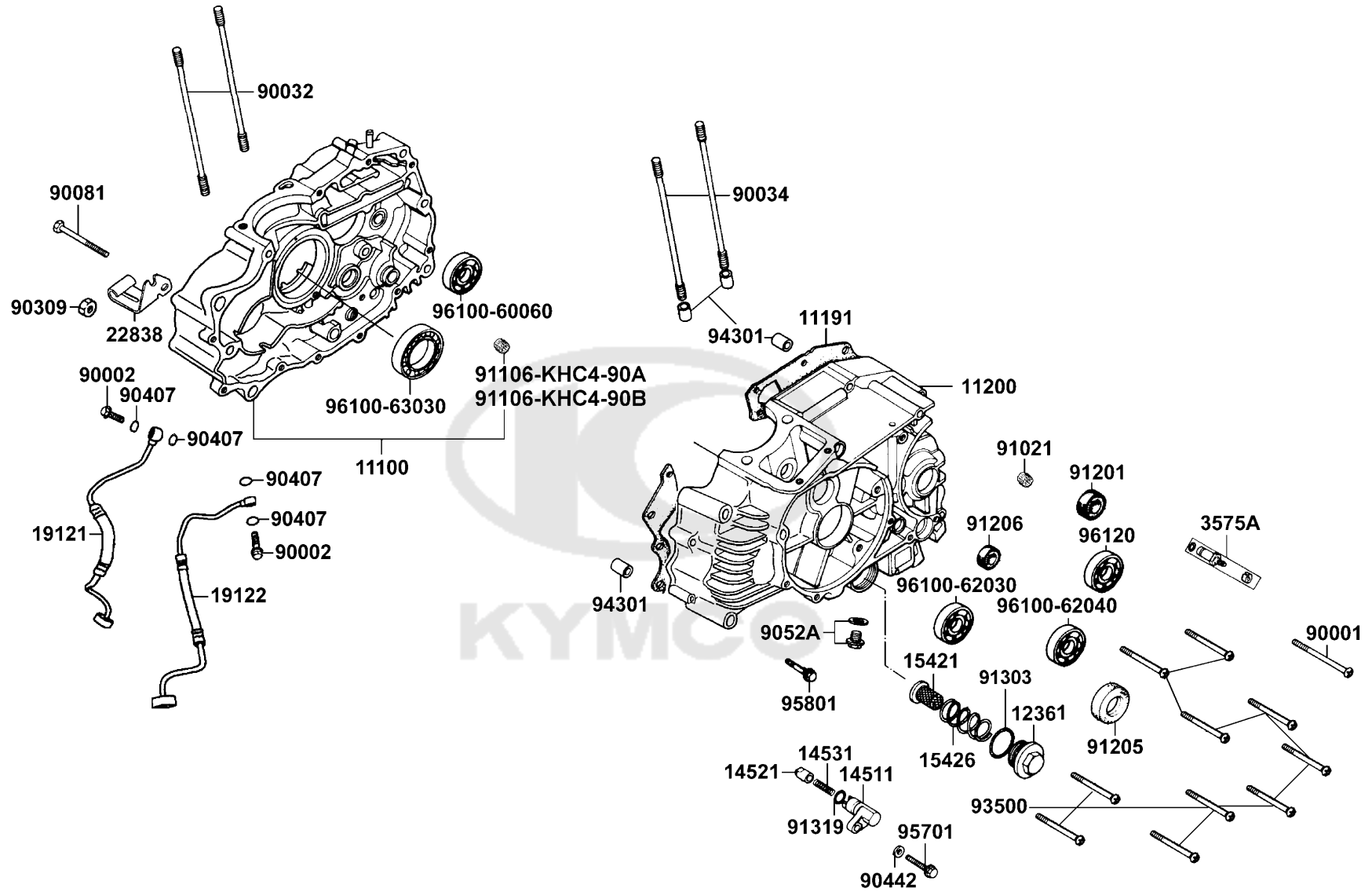
Sales mark	Ref no	Part no	Description	Reg description	Regd no	E06
**	11341	11341-KEC2-900	COVER LEFT CRANK CASE	COVER LEFT CRANK CASE	1	
	11355	11355-KKAK-900	COVER REDUCTION GEAR	COVER REDUCTION GEAR	1	
	11361	11361-KKAK-900	COVER LEFT REAR CRANK CASE	COVER LEFT REAR CRANK CASE	1	
#	11395	11395-KEC2-980	GASKET LEFT CRANK CASE	GASKET LEFT CRANK CASE	2	
	28110	28110-KBE2-970	GEAR COMP STARTING DRIVEN	GEAR COMP STARTING DRIVEN	1	
	28117	28117-KBE2-981	PLATE SET GEAR	PLATE SET GEAR	1	
	28120	28120-GFY6-315	OUTER COMP STARTING CLUTCH	OUTER COMP STARTING CLUTCH	1	
	28125	28125-4F26-001	SPRING ROLLER STARTER CLUTCH	SPRING ROLLER STARTER CLUTCH	3	
	28126	28126-KUDU-900	CAP STARTING ROLLER SPRING	CAP STARTING ROLLER SPRING	3	
	28130	28130-KBE2-981	GEAR COMP REDUCTION	GEAR COMP REDUCTION	1	
	28132	28132-KGG7-001	SHAFT REDUCTION GEAR	SHAFT REDUCTION GEAR	1	
	30905	30905-2F16-001	KNOCK PIN 3*5.2	KNOCK PIN 3*5.2	1	
	31110	31110-KBE2-97A	FLYWHEEL COMP (D406)	FLYWHEEL COMP (D406)	1	
	31120	31120-KHBH-900	STATOR COMP (D406)	STATOR COMP (D406)	1	
	31200	31200-KKAK-900	MOTOR ASSY STARTER	MOTOR ASSY STARTER	1	
	31241	31241-KBE2-981	SHAFT STARTER GEAR	SHAFT STARTER GEAR	1	
	32410	32410-KKAK-900	CABLE START MOTOR	CABLE START MOTOR	1	
	32976	32976-1G07-001	CLAMPER WIRE HARNESS	CLAMPER WIRE HARNESS	1	
	90023	90023-KGG7-001	BOLT ROTOR SETTING	BOLT ROTOR SETTING	1	
	90084	90084-KKAK-900	CAP AC GENERATOR	CAP AC GENERATOR	1	



Sales mark	Ref no	Part no	Description	Reg description	Regd no	E06
	90087	90087-KKAK-900	CAP	CAP	1	
	90474	90474-1G47-001	WASHER 10.5MM	WASHER 10.5MM	4	
	91021	91021-1H48-005	BEARING NEEDLE 1010	BEARING NEEDLE 1010	1	
	91101	91101-1K79-711	ROLLER 10*10	ROLLER 10*10	3	
	91302	91302-5G67-004	O-RING 27.4*2.4	O-RING 27.4*2.4	1	
	91303	91303-3G77-001	O-RING 13.8*2.5	O-RING 13.8*2.5	1	
	91359	91359-3A71-004	O-RING 63*3.0	O-RING 63*3.0	1	
#	92201	92201-05025-0G	BOLT HEX 5*25	BOLT HEX 5*25	1	
#	93500	93500-05016-0F	SCREW PAN 5*16	SCREW PAN 5*16	1	
	94301	94301-10140	DOWEL PIN 10*14	DOWEL PIN 10*14	2	
	95701	95701-06028-02	BOLT FLANGE 6*28	BOLT FLANGE 6*28	2	
#	96001-06012	96001-06012-06	BOLT FLANGE SH 6*12	BOLT FLANGE SH 6*12	1	
	96001-06014	96001-06014-02	BOLT FLANGE 6*14	BOLT FLANGE 6*14	3	
	96001-06020	96001-06020-02	BOLT FLANGE SH 6*20	BOLT FLANGE SH 6*20	3	
#	96001-06025	96001-06025-06	BOLT FLANGE SH 6*25	BOLT FLANGE SH 6*25	1	
	96001-06028	96001-06028-02	BOLT FLANGE SH 6*28	BOLT FLANGE SH 6*28	2	
	96001-06040	96001-06040-02	BOLT FLANGE SH 6*40	BOLT FLANGE SH 6*40	5	
	96001-06050	96001-06050-02	BOLT FLANGE SH 6*50	BOLT FLANGE SH 6*50	2	
	96220	96220-60100	ROLLER 6X10	ROLLER 6X10	1	
#	96600	96600-08015-16	SOCKET BOLT 8X15	SOCKET BOLT 8*15	1	

E07

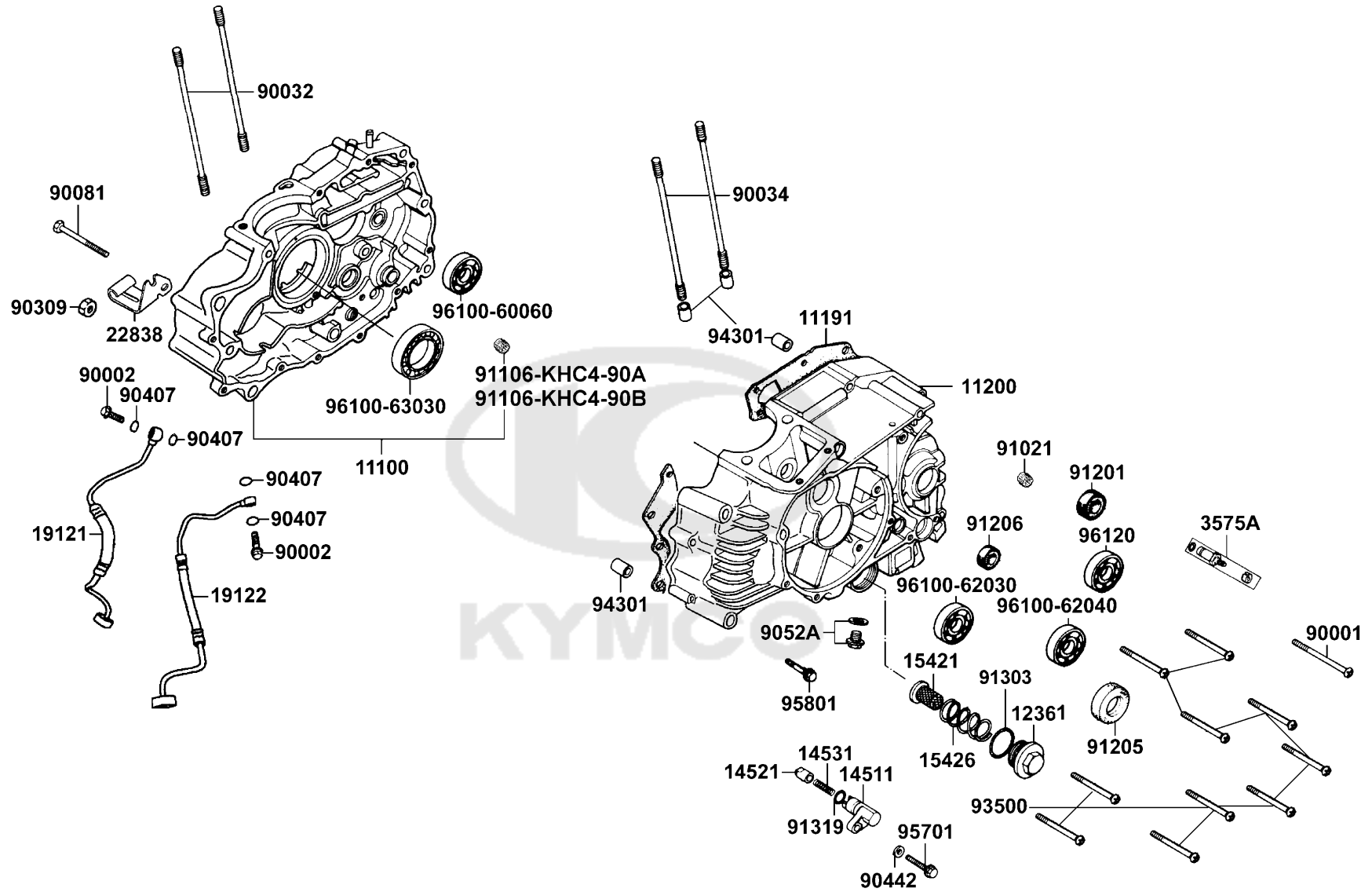
Crankcase



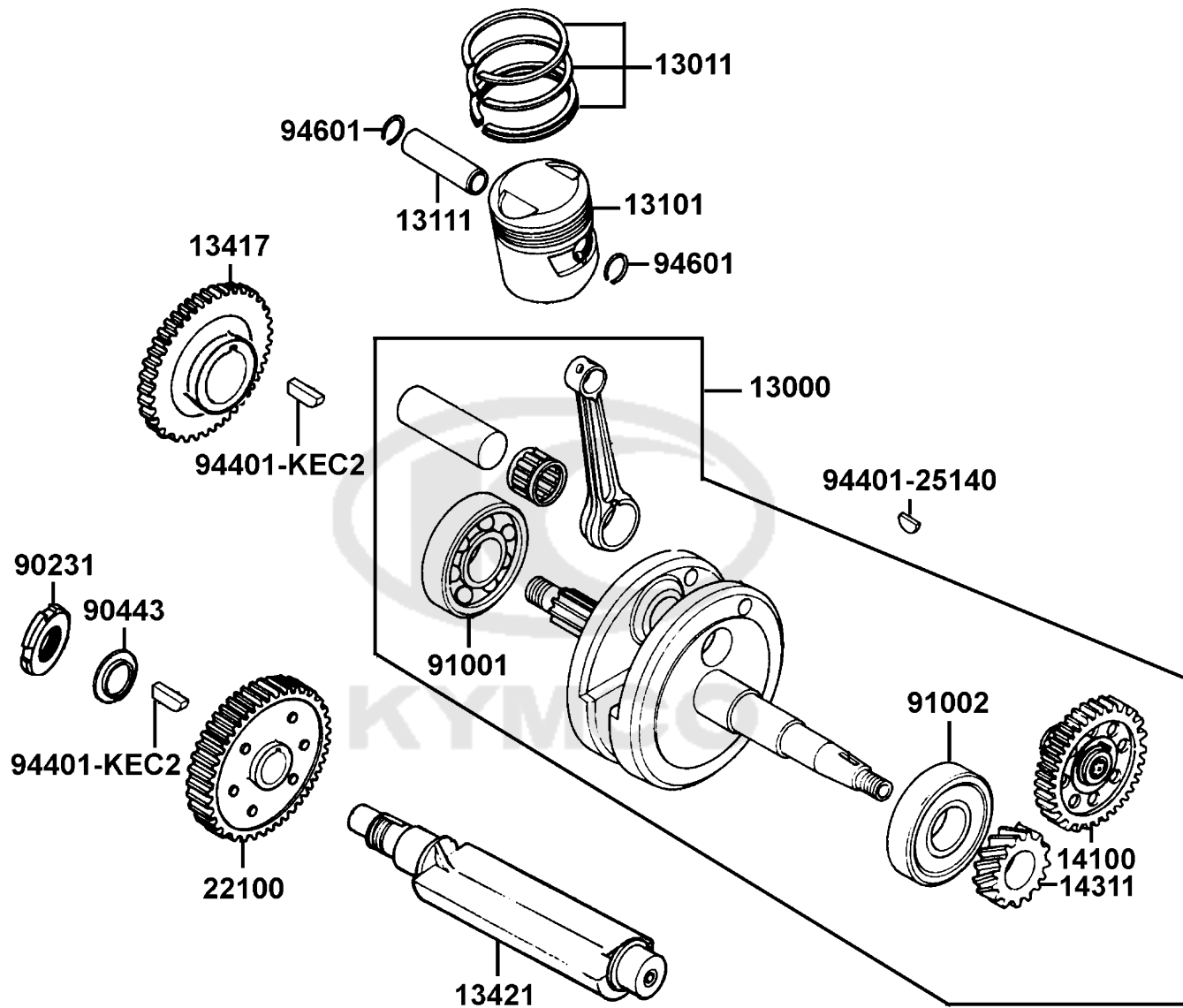
Sales mark	Ref no	Part no	Description	Reg description	Regd no	E07
	11100	11100-KED7-E00	CRANK CASE COMP R	CRANK CASE COMP R	1	
	11191	11191-KED7-E00	GASKET CRANK CASE	GASKET CRANK CASE	1	
	11200	11200-KED7-E00	CRANK CASE COMP L	CRANK CASE COMP L	1	
	12361	12361-1G07-001	HOLE CAP TAPPET ADJUSTING	HOLE CAP TAPPET ADJUSTING	1	
	14511	14511-3G97-001	HOLDER PUSH PLUG	HOLDER PUSH PLUG	1	
	14521	14521-3G97-001	PLUG BRG PUSH	PLUG BRG PUSH	1	
	15421	15421-1G07-001	SCREEN OIL FILTER	SCREEN OIL FILTER	1	
	15426	15426-1G07-001	SPRING OIL FILTER SCREEN	SPRING OIL FILTER SCREEN	1	
	19121	19121-KEC2-900	HOSE ASSY OIL COOLER INLET	HOSE ASSY OIL COOLER INLET	1	
	19122	19122-KEC2-900	HOSE ASSY OIL COOLER OUTLET	HOSE ASSY OIL COOLER OUTLET	1	
	22838	22838-KEC2-900	HOLDER CLUTCH WIRE	HOLDER CLUTCH WIRE	1	
	3575A	3575A-0A01-021	CONTACT SET NEUTRA	CONTACT SET NEUTRA	1	
	90001	90001-KKAK-900	SCREW PAN 6*95	SCREW PAN 6*95	1	
	90002	90002-KKAK-900	BOLT B OIL PASS	BOLT B OIL PASS	2	
	90032	90032-3G77-011	STUD B CYLINDER 8x122	STUD B CYLINDER 8x122	2	
	90034	90034-3G97-011	BOLT STUD CYLINDER B	BOLT STUD CYLINDER B	2	
	90081	90081-KKAK-900	BOLT HS 6*55	BOLT HS 6*55	1	
#	90309	90309-KLF0-004	NUT FLANGE 8MM	NUT FLANGE 8MM	1	
	90407	90407-KAM1-001	SEALING WASHER B OIL PIPE JOIN	SEALING WASHER B OIL PIPE JOIN	4	
	90442	90442-3G97-001	WASHER SEALING 6MM	WASHER SEALING 6MM	1	

E07

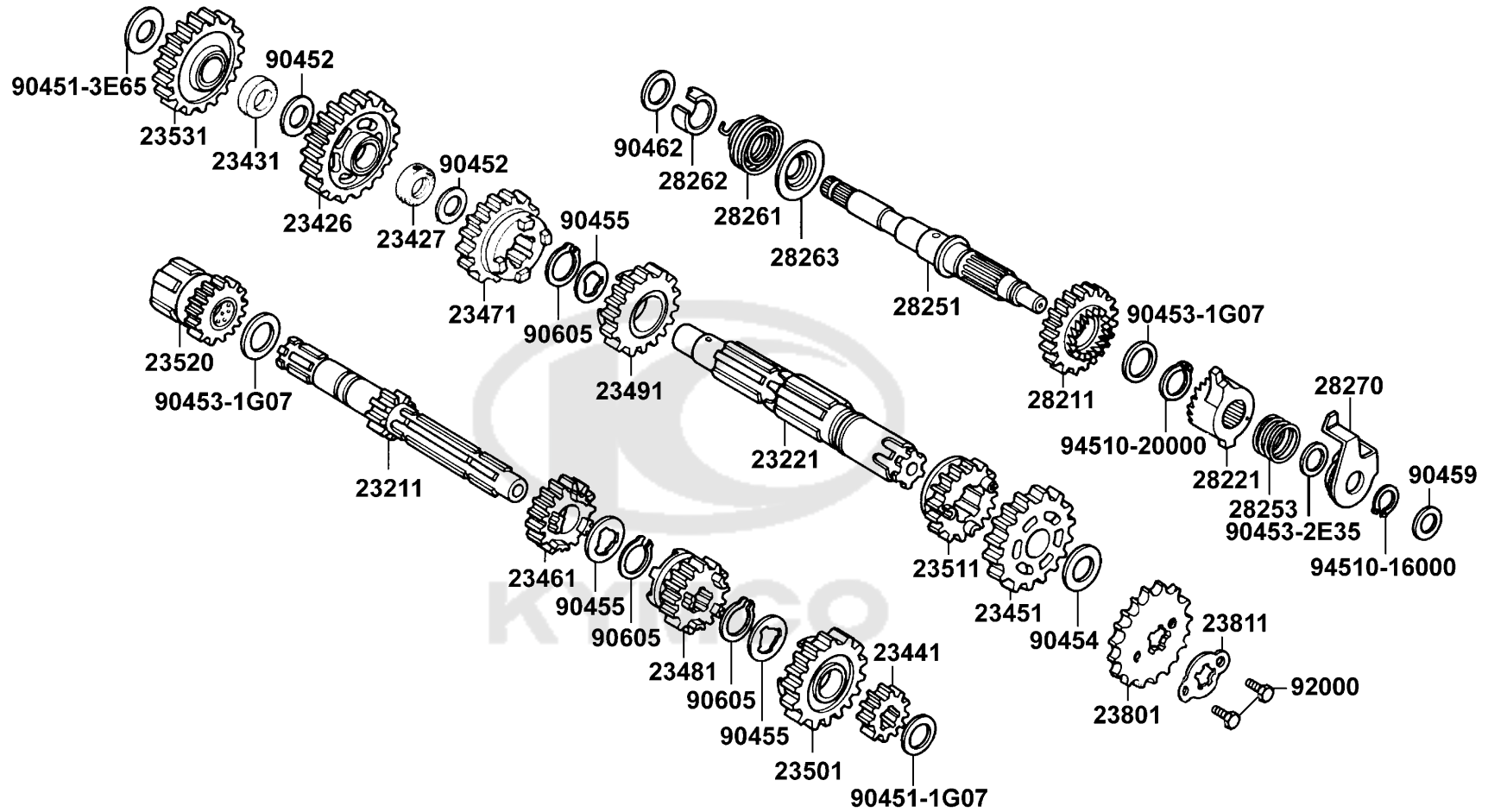
Crankcase



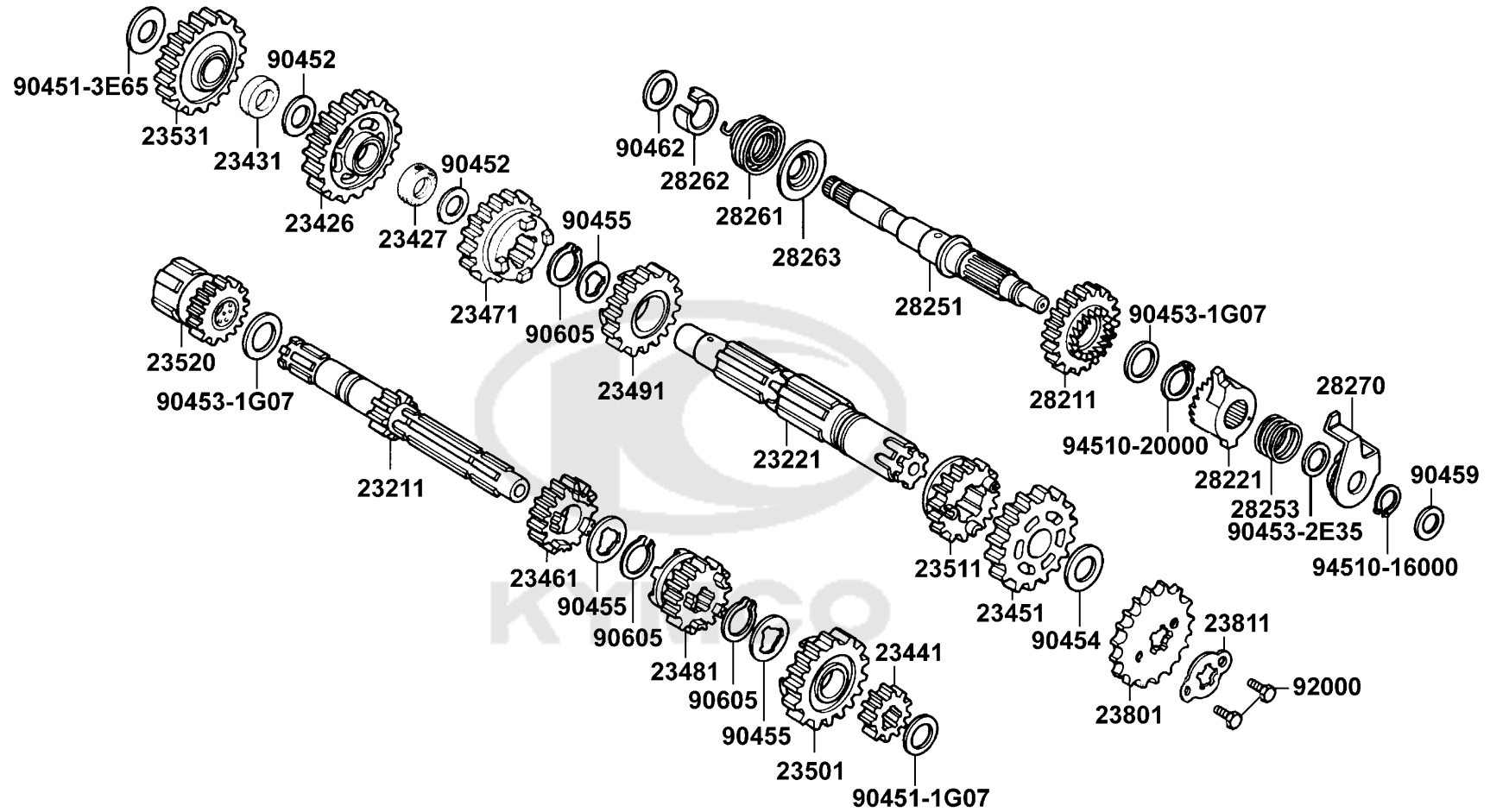
Sales mark	Ref no	Part no	Description	Reg description	Regd no	E07
	9052A	9052A-GFY6-950	BOLT ASSY DRAIN PLUG	BOLT ASSY DRAIN PLUG	1	
	91021	91021-1H48-005	BEARING NEEDLE 1010	BEARING NEEDLE 1010	1	
	91106-KHC4-90A	91106-KHC4-90A	BRG NEEDLE 15MM	BRG NEEDLE 15MM	1	
	91106-KHC4-90B	91106-KHC4-90B	BEARING NEEPLE 15MM **KHC4-9000-M2	BEARING NEEPLE 15MM **KHC4-9000-M2	1	
	91201	91201-0L30-034	OIL SEAL 20*34*7	OIL SEAL 20*34*7	1	
	91205	91205-3C93-004	OIL SEAL 34*50*7	OIL SEAL 34*50*7	1	
	91206	91206-2F86-014	OIL SEAL 14*28*7	OIL SEAL 14*28*7	1	
	91303	91303-1G07-001	O-RING 35*3.0	O-RING 35*3.0	1	
	91319	91319-3L00-001	O-RING 13*2.5	O-RING 13*2.5	1	
#	93500	93500-06050-0F	SCREW PAN 6*50	SCREW PAN 6*50	1	
	94301	94301-10140	DOWEL PIN 10*14	DOWEL PIN 10*14	4	
#	95701	95701-06025-06	BOLT FLANGE 6*25	BOLT FLANGE 6*25	1	
	95801	95801-08085-02	BOLT FLANGE 8X85	BOLT FLANGE 8X85	1	
	96100-60060	96100-60060-00	BEARING BALL RADIAL 6006	BEARING BALL RADIAL 6006	1	
	96100-62030	96100-62030-00	BRG BALL RADIAL 6203	BRG BALL RADIAL 6203	1	
	96100-62040	96100-62040-00	BEARING BALL RADIAL 6204	BEARING BALL RADIAL 6204	1	
	96100-63030	96100-63030-00	BEARING BALL RADIAL 6303	BEARING BALL RADIAL 6303	1	
	96120	96120-62020-00	BRG RADIAL BALL 6202	BRG RADIAL BALL 6202	1	



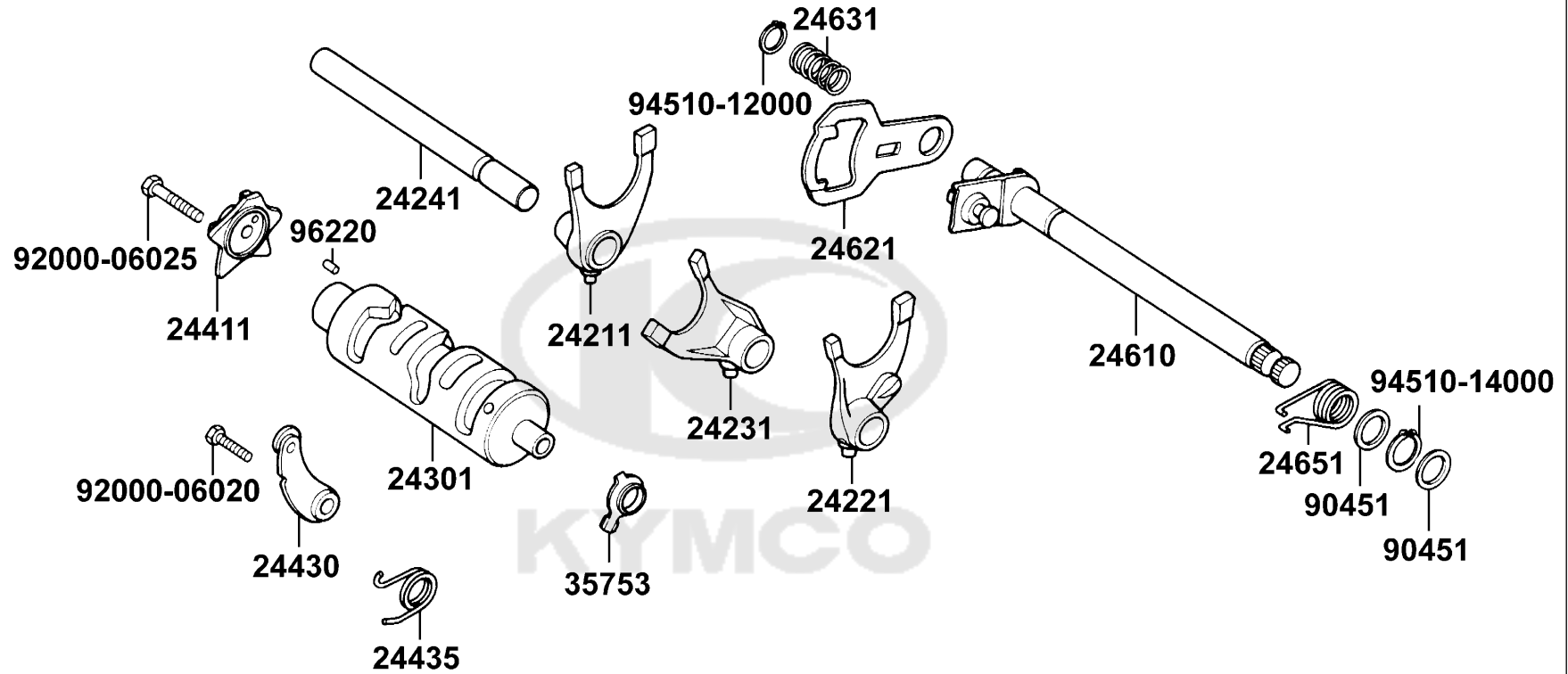
Sales mark	Ref no	Part no	Description	Reg description	Regd no	E08
13000		13000-KEC2-305	CRANK SHAFT COMP	CRANK SHAFT COMP	1	
13011		13011-3C83-62B	RING SET PISTON	RING SET PISTON	1	
13101		13101-3C83-500	PISTON	PISTON	1	
13111		13111-4L40-001	PIN PISTON	PIN PISTON	1	
13417		13417-KEC2-900	GEAR BALANCER DRIVE	GEAR BALANCER DRIVE	1	
13421		13421-KEC2-900	SHAFT BALANCER	SHAFT BALANCER	1	
14100		14100-KBE2-220	CAM SHAFT COMP	CAM SHAFT COMP	1	
14311		14311-3G97-311	GEAR TIMING DRIVE	GEAR TIMING DRIVE	1	
22100		22100-KEC2-900	GEAR COMP BALANCER	GEAR COMP BALANCER	1	
90231		90231-KEC2-900	NUT LOCK 16MM	NUT LOCK 16MM	1	
90443		90443-KEC2-900	WASHER GEAR BAL	WASHER GEAR BAL	1	
91001		91001-4L40-004	BRG BALL RAD V2 6328J	BRG BALL RAD V2 6328J	1	
91002		91002-KEB5-00A	BRG BALL RADIAL 6328U	BRG BALL RADIAL 6328U	1	
94401-25140		94401-25140	WOODRUFF KEY 25*14	WOODRUFF KEY 25*14	1	
94401-KEC2		94401-KEC2-900	KEY WOODRUFF 16*13	KEY WOODRUFF 16*13	2	
94601		94601-15000	CLIP PISTON PIN 15MM	CLIP PISTON PIN 15MM	2	



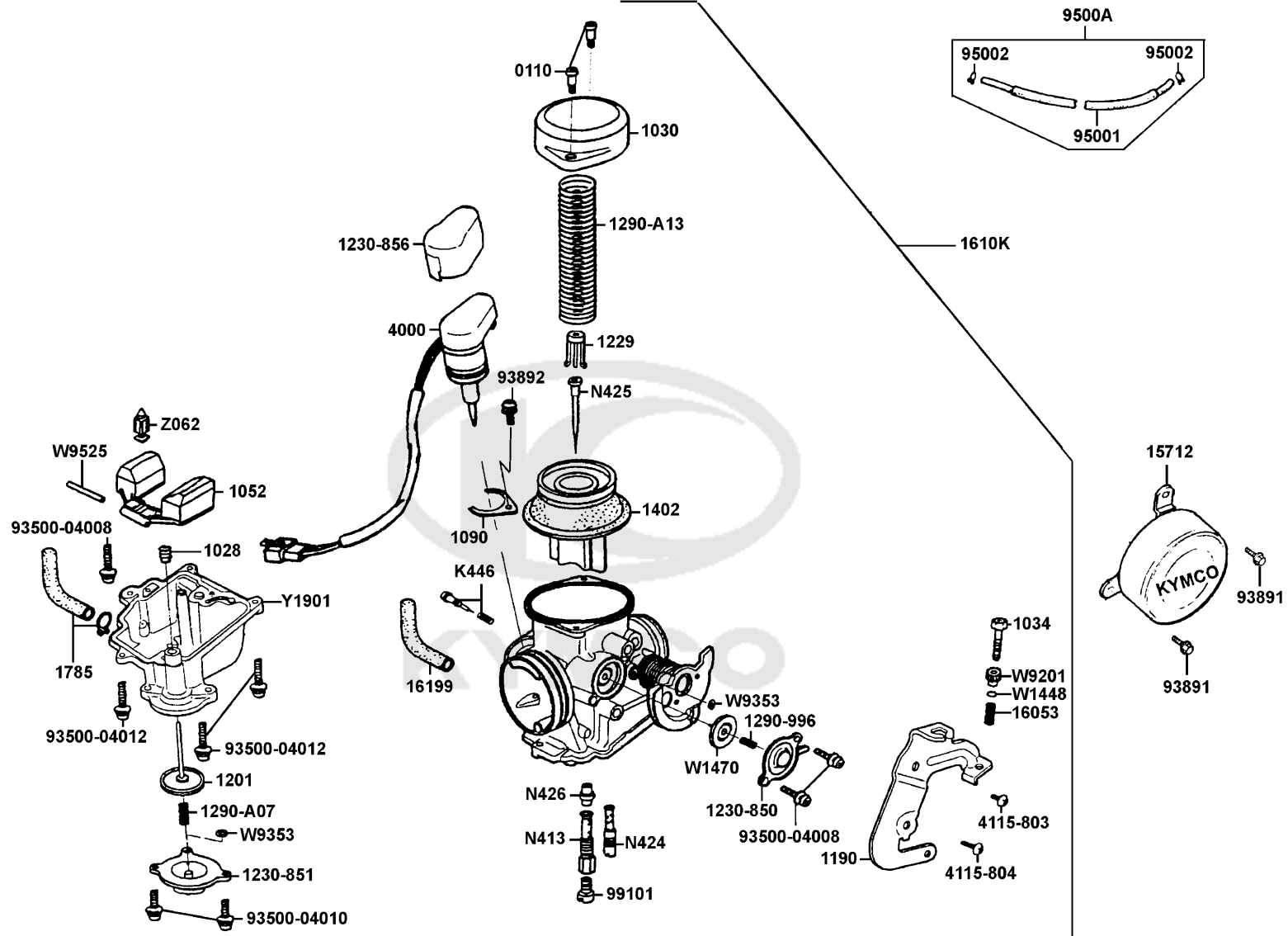
Sales mark	Ref no	Part no	Description	Reg description	Regd no	E09
23211		23211-KEC2-900	SHAFT MAIN TRANSMISSION	SHAFT MAIN TRANSMISSION	1	
23221		23221-KKAK-900	SHAFT COUNTER TRANSMISSION	SHAFT COUNTER TRANSMISSION	1	
23426		23426-KKAK-900	GEAR COUNTER SHAFT LOW	GEAR COUNTER SHAFT LOW	1	
23427		23427-4K39-001	COLLAR COUNTER SHAFT LOW GEAR	COLLAR COUNTER SHAFT LOW GEAR	1	
23431		23431-4K39-001	COLLAR IDLE STARTER GEAR	COLLAR IDLE STARTER GEAR	1	
23441		23441-KKAK-900	GEAR M-2	GEAR M-2	1	
23451		23451-KKAK-900	GEAR C2	GEAR C2	1	
23461		23461-4K39-001	GEAR M-3 (20T)	GEAR M-3 (20T)	1	
23471		23471-4K39-001	GEAR C-3 (28T)	GEAR C-3 (28T)	1	
23481		23481-4K39-001	GEAR M-4 (23T)	GEAR M-4 (23T)	1	
23491		23491-4K39-001	GEAR C-4 (26T)	GEAR C-4 (26T)	1	
23501		23501-KHBH-E00	MAIN SHAFT FIFTH	MAIN SHAFT FIFTH	1	
23511		23511-KHBH-E00	GEAR C-5	GEAR C-5	1	
23520		23520-KEC2-900	GEAR COMP STARTER	GEAR COMP STARTER	1	
23531		23531-4K39-001	GEAR ONLY IDLE STARTER	GEAR ONLY IDLE STARTER	1	
23801		23801-KKAK-900	SPROCKET DRIVE	SPROCKET DRIVE	1	
23811		23811-KCR3-601	PLATE A2 FIXING	PLATE A2 FIXING	1	
28211		28211-3G97-011	PINION KICK STARTER	PINION KICK STARTER	1	
28221		28221-3G97-021	RATCHET KICK STARTER	RATCHET KICK STARTER	1	
28251		28251-3G97-011	SPINDLE KICK STARTER	SPINDLE KICK STARTER	1	



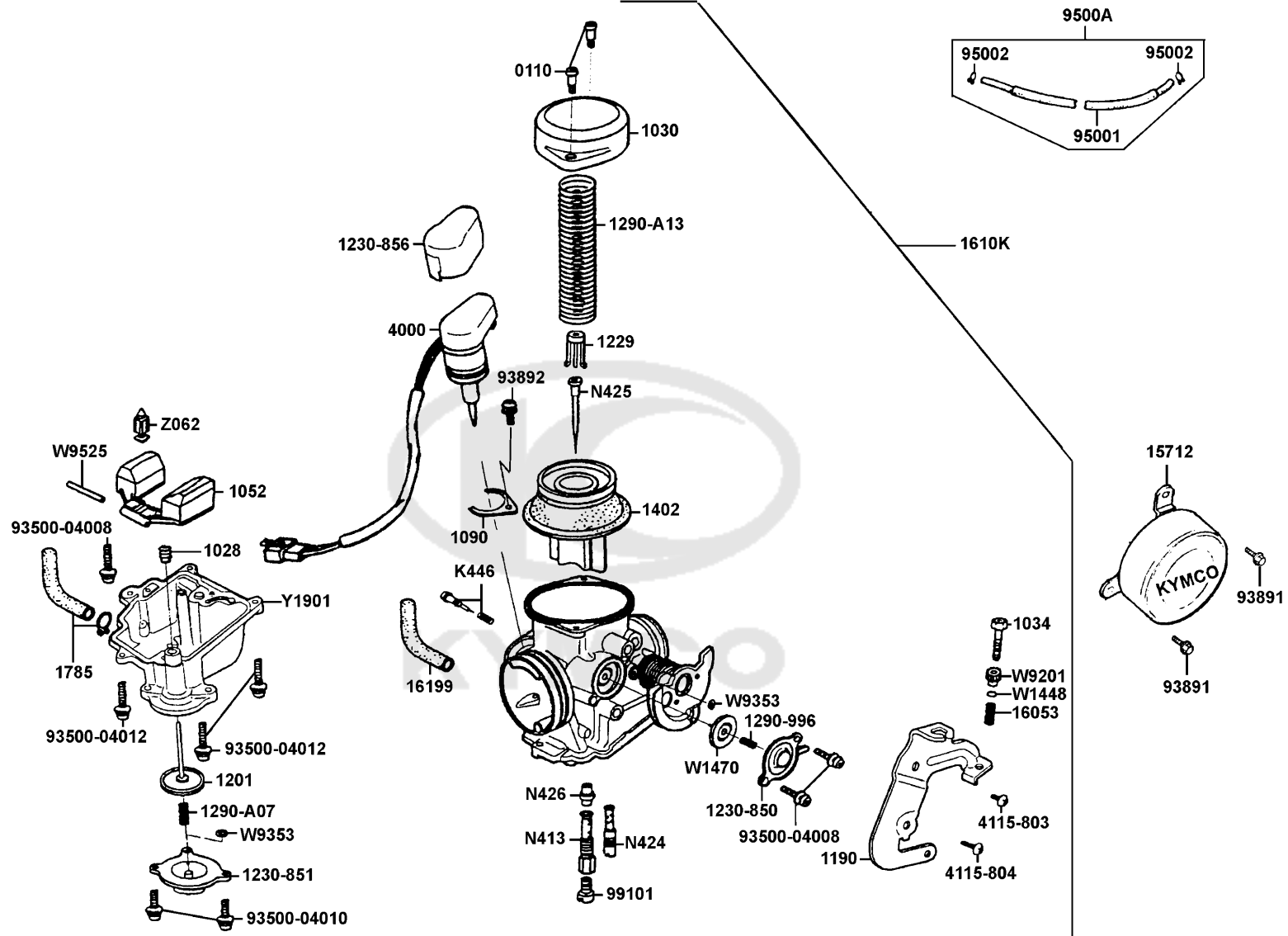
Sales mark	Ref no	Part no	Description	Reg description	Regd no	E09
	28253	28253-3G97-001	SPRING KICK STARTER RATCHET	SPRING KICK STARTER RATCHET	1	
	28261	28261-3G97-001	SPRING KICK STARTER	SPRING KICK STARTER	1	
	28262	28262-3G97-001	COLLAR KICK SPINDLE	COLLAR KICK SPINDLE	1	
	28263	28263-3G97-001	RETAINER STARTER SPRING	RETAINER STARTER SPRING	1	
	28270	28270-3G97-021	PLATE COMP RATCHET GUIDE	PLATE COMP RATCHET GUIDE	1	
	90451-1G07	90451-1G07-001	WASHER THRUST 15MM	WASHER THRUST 15MM	1	
	90451-3E65	90451-3E65-001	WASHER THRUST 15M/M	WASHER THRUST 15M/M	1	
	90452	90452-1G07-001	WASHER THRUST 16.5M/M	WASHER THRUST 16.5M/M	2	
	90453-1G07	90453-1G07-001	WASHER THRUST 20M/M	WASHER THRUST 20M/M	2	
	90453-2E35	90453-2E35-001	WASHER THRUST 16MM	WASHER THRUST 16MM	1	
	90454	90454-1G07-001	WASHER THRUST 20MM B	WASHER THRUST 20MM B	1	
	90455	90455-1G07-001	WASHER SPLINE 20M/M A	WASHER SPLINE 20M/M A	3	
	90459	90459-1G07-001	WASHER THRUST 12M/M	WASHER THRUST 12M/M	1	
	90462	90462-1G07-001	WASHER THRUST 16M/M	WASHER THRUST 16M/M	1	
	90605	90605-2L00-001	SET RING 20MM	SET RING 20MM	3	
#	92000	92000-06010-0G	BOLT HEX 6X10	BOLT HEX 6*10 (G)	1	
	94510-16000	94510-16000	CIR CLIP EXTERNAL	CIR CLIP EXTERNAL	1	
	94510-20000	94510-20000	CIR CLIP EX 20	CIR CLIP EX 20	1	



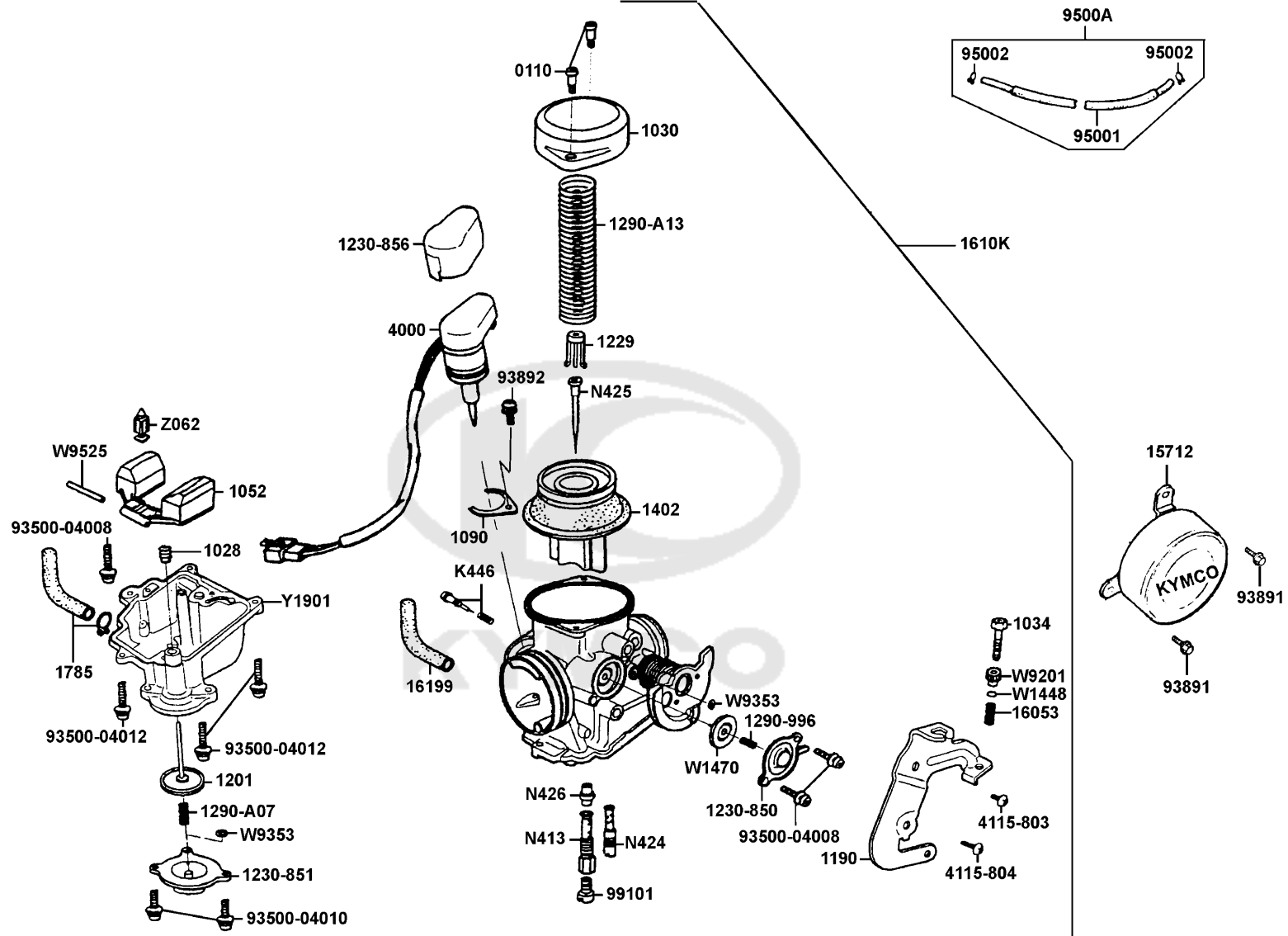
Sales mark	Ref no	Part no	Description	Reg description	Regd no	E10
	24211	24211-1G07-002	FORK RIGHT GEAR SHIFT	FORK RIGHT GEAR SHIFT	1	
	24221	24221-3E55-002	FORK LEFT GEAR SHIFT	FORK LEFT GEAR SHIFT	1	
	24231	24231-1G07-011	FORK CENTER GEAR SHIFT	FORK CENTER GEAR SHIFT	1	
	24241	24241-1G07-001	SHAFT GEAR SHIFT FORK GUIDE	SHAFT GEAR SHIFT FORK GUIDE	1	
	24301	24301-KKAK-900	DRUM GEAR SHIFT	DRUM GEAR SHIFT	1	
	24411	24411-KKAK-900	CAM GEAR SHIFT	CAM GEAR SHIFT	1	
	24430	24430-3D24-001	STOPPER COMP GEAR SHIFT DRUM	STOPPER COMP GEAR SHIFT DRUM	1	
	24435	24435-KKAK-900	SPG SHIFT DRUM STOPPER	SPG SHIFT DRUM STOPPER	1	
	24610	24610-KFC6-001	SPINDLE COMP GEAR SHIFT	SPINDLE COMP GEAR SHIFT	1	
	24621	24621-1G07-761	PLATE GEAR SHIFT	PLATE GEAR SHIFT	1	
	24631	24631-1G07-001	SPRING GEAR SHIFT PLATE	SPRING GEAR SHIFT PLATE	1	
	24651	24651-3H98-941	SPRING GEAR SHIFT RETURN	SPRING GEAR SHIFT RETURN	1	
	35753	35753-KEC2-900	ROTOR NEUTROL SWITCH	ROTOR NEUTROL SWITCH	1	
	90451	90451-0A01-001	WASHER THRUST 14M/M	WASHER THRUST 14M/M	2	
#	92000-06020	92000-06020-0G	BOLT HEX 6*20(G)	BOLT HEX 6*20(G)	1	
#	92000-06025	92000-06025-0G	BOLT HEX 6X25	BOLT HEX 6X25	1	
	94510-12000	94510-12000	CIR CLIP EXTERNAL 12	CIR CLIP EXTERNAL 12	1	
	94510-14000	94510-14000	CIR CLIP EXTERNAL 14	CIR CLIP EXTERNAL 14	1	
	96220	96220-40100	ROLLER 4*10	ROLLER 4*10	1	



Sales mark	Ref no	Part no	Description	Reg description	Regd no	E11
	0110	0110-803-1100	SCREW PAN	SCREW PAN	2	
	1028	1028-054-7000	RUBBER CAP	RUBBER CAP	1	
	1030	1030-873-7003	TOP SET	TOP SET	1	
	1034	1034-869-2001	SCREW SET	SCREW SET	1	
	1052	1052-862-2101	FLOAT COMP	FLOAT COMP	1	
	1090	1090-873-2001	SET PLATE	SET PLATE	1	
	1190	1190-A92-2103	STAY PLATE SET	STAY PLATE SET	1	
	1201	1201-830-2201	DIAPHRAGM COMP	DIAPHRAGM COMP	1	
	1229	1229-805-7000	SPG SET	SPG SET	1	
	1230-850	1230-850-2000	COVER (ACV)	COVER (ACV)	1	
	1230-851	1230-851-2001	COVER (ACCP)	COVER (ACCP)	1	
	1230-856	1230-856-7001	COVER	COVER	1	
#	1290-996	1290-996-2000-3	SPG COMPR	SPG COMPR	1	
	1290-A07	1290-A07-2000	SPG COMPR	SPG COMPR	1	
	1290-A13	1290-A13-2000	SPG COMPR	SPG COMPR	1	
	1402	1402-912-2201	VACUUM PISTON COMP	VACUUM PISTON COMP	1	
	15712	15712-KEC2-900	COVER CARBURETOR	COVER CARBURETOR	1	
	16053	16053-KT7-0030	SPG	SPG	1	
	1610K	1610K-KEC2-E00	CARBURETOR ASSY	CARBURETOR ASSY	1	
	16199	16199-GFY6-900	TUBE SET	TUBE SET	1	



Sales mark	Ref no	Part no	Description	Reg description	Regd no	E11
	1785	1785-402H-0040-SB0	TUBE SET	TUBE SET	1	
	4000	4000-069-0004	AUTO BYSTARTER SET	AUTO BYSTARTER SET	1	
	4115-803	4115-803-1100	SCREW PAN	SCREW PAN	1	
	4115-804	4115-804-1100	SCREW PAN	SCREW PAN	1	
	93500-04008	93500-04008-1H-3	SCREW PAN	SCREW PAN	3	
	93500-04010	93500-04010-1H-3	SCREW	SCREW	1	
	93500-04012	93500-04012-1H-3	SCREW PAN	SCREW PAN	3	
	93891	93891-05006-02	PAN SCREW 5*6	PAN SCREW 5*6	2	
#	93892	93892-04008-16	SCREW WASHER 4X8	SCREW WASHER 4X8	1	
	95001	95001-35100-40	TUBE FUEL 3.5*100	TUBE FUEL 3.5*100	1	
	95002	95002-02070	CLIP B7 TUBE	CLIP B7 TUBE	2	
	9500A	9500A-KEC2-800	TUBE ASSY FUEL	TUBE ASSY FUEL	1	
	99101	99101-116-1120	MAIN JET#110	MAIN JET#110	1	
	K446	K446-A31-0100	SCREW SET	SCREW SET	1	
	N413	N413-18C00	NEEDLE JET HOLDER	NEEDLE JET HOLDER	1	
	N424	N424-45A35	SLOW JET	SLOW JET	1	
	N425	N425-4HLKJ	JET NEEDLE COMP	JET NEEDLE COMP	1	
	N426	N426-33B00	NEEDLE JET	NEEDLE JET	1	
	W1448	W1448-006-9900	ADJUST HOLDER	ADJUST HOLDER	1	
	W1470	W1470-MW0-7500	DIAPHRAGM COMP	DIAPHRAGM COMP	1	

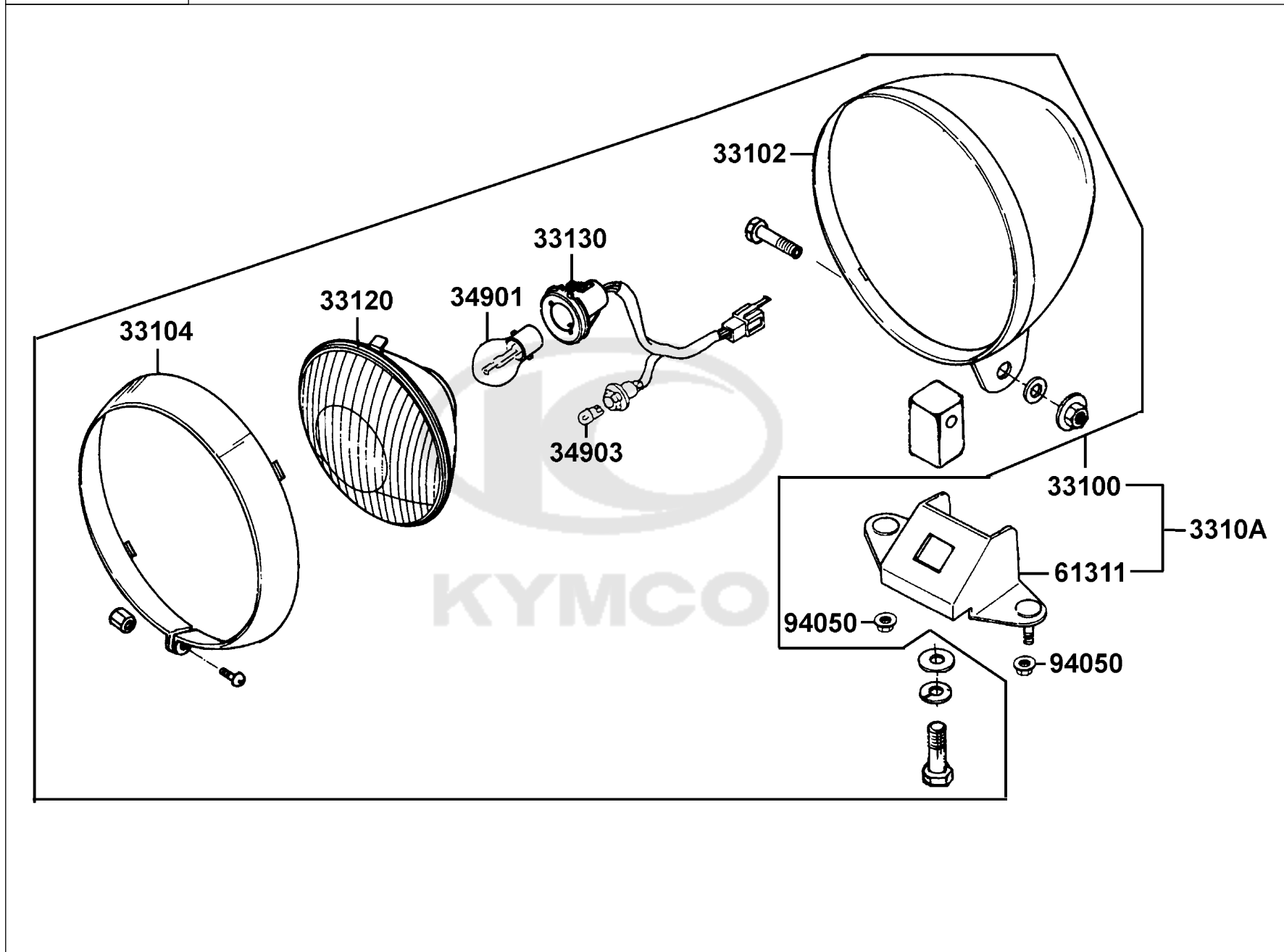


Sales mark	Ref no	Part no	Description	Reg description	Regd no	E11
	W9201	W9201-04090	WASHER	WASHER	1	
	W9353	W9353-36000	U RING	U RING	2	
	W9525	W9525-25250	ARM PIN	ARM PIN	1	
	Y1901	Y1901-001-2400	FLOAT CHAMBER SET	FLOAT CHAMBER SET	1	
#	Z062	Z062-0061	FLOAT VALVE SET	FLOAT VALVE SET	1	

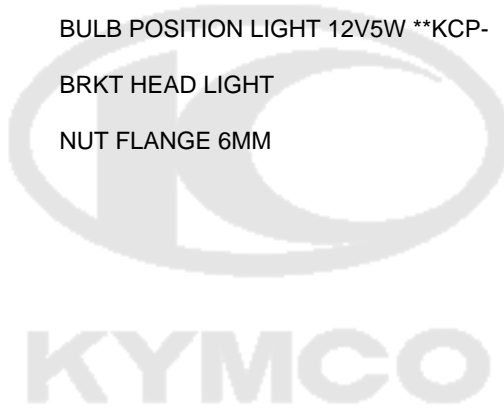


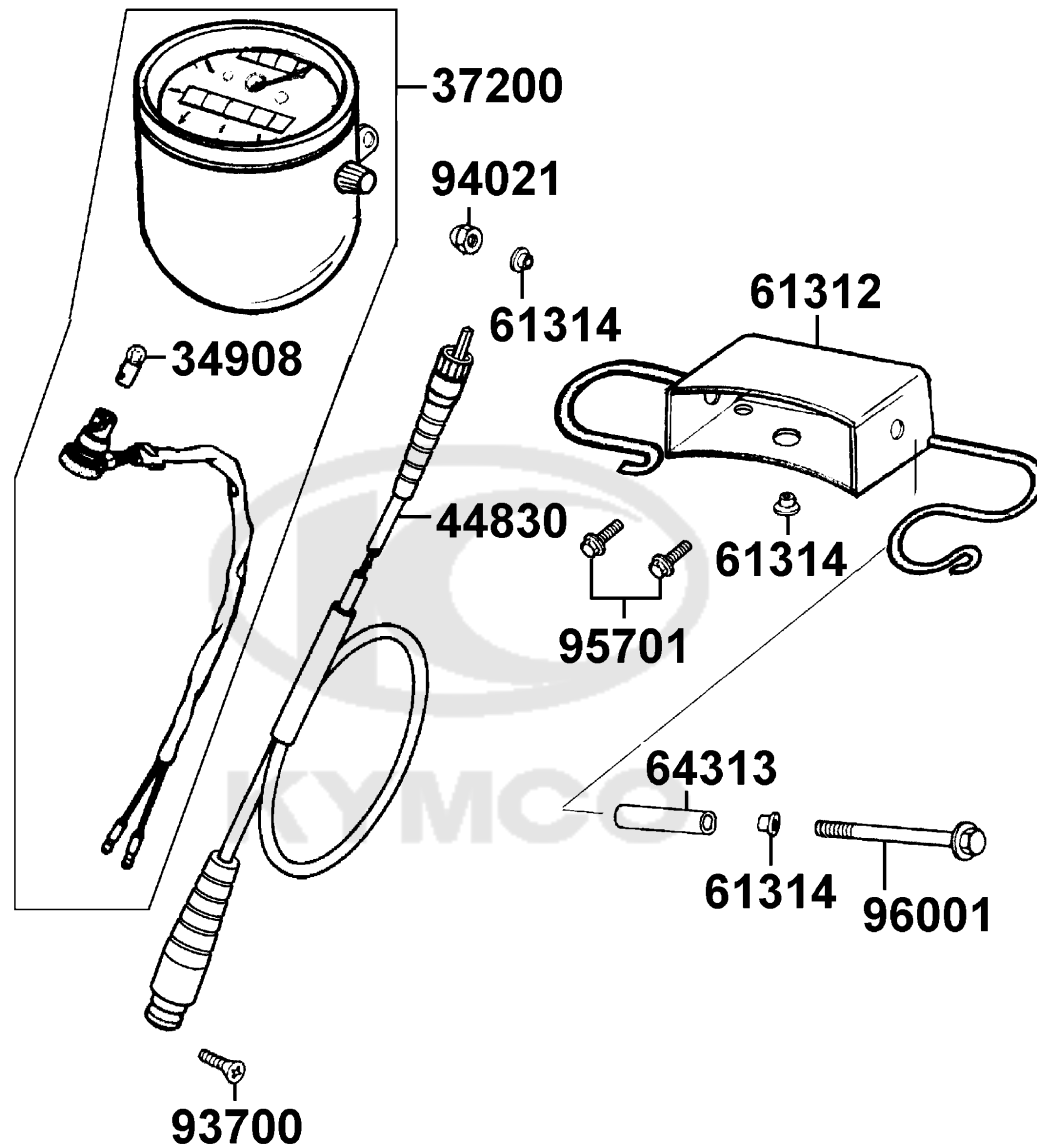
F01

Head Light

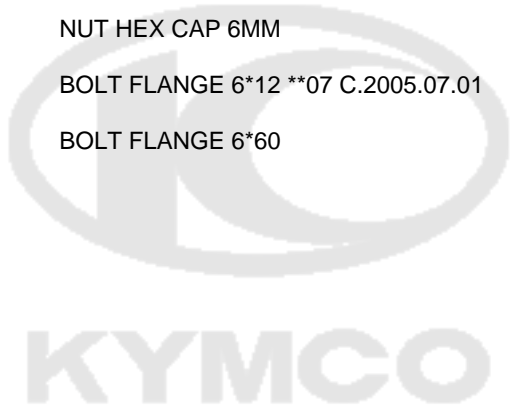


Sales mark	Ref no	Part no	Description	Reg description	Regd no	F01
33100		33100-KKAK-E00	LIGHT ASSY HEAD	LIGHT ASSY HEAD	1	
33102		33102-KKAK-900	BASE HEAD LIGHT COMB	BASE HEAD LIGHT COMB	1	
33104		33104-KKAK-E00	RIM HEAD LIGHT COMB	RIM HEAD LIGHT COMB	1	
3310A		3310A-KKAK-E00	HEAD LIGHT SET	HEAD LIGHT SET	1	
33120		33120-KKAK-E00	UNIT HEAD LIGHT	UNIT HEAD LIGHT	1	
33130		33130-KKAK-E00	SOCKET COMP	SOCKET COMP	1	
34901		34901-KBAB-900	BULB HEAD LIGHT	BULB HEAD LIGHT	1	
34903		34903-KPCP-900	BULB POSITION LIGHT 12V5W **KCP-	BULB POSITION LIGHT 12V5W **KCP-9000	1	
61311		61311-KKAK-900	BRKT HEAD LIGHT	BRKT HEAD LIGHT	1	
94050		94050-06080	NUT FLANGE 6MM	NUT FLANGE 6MM	2	



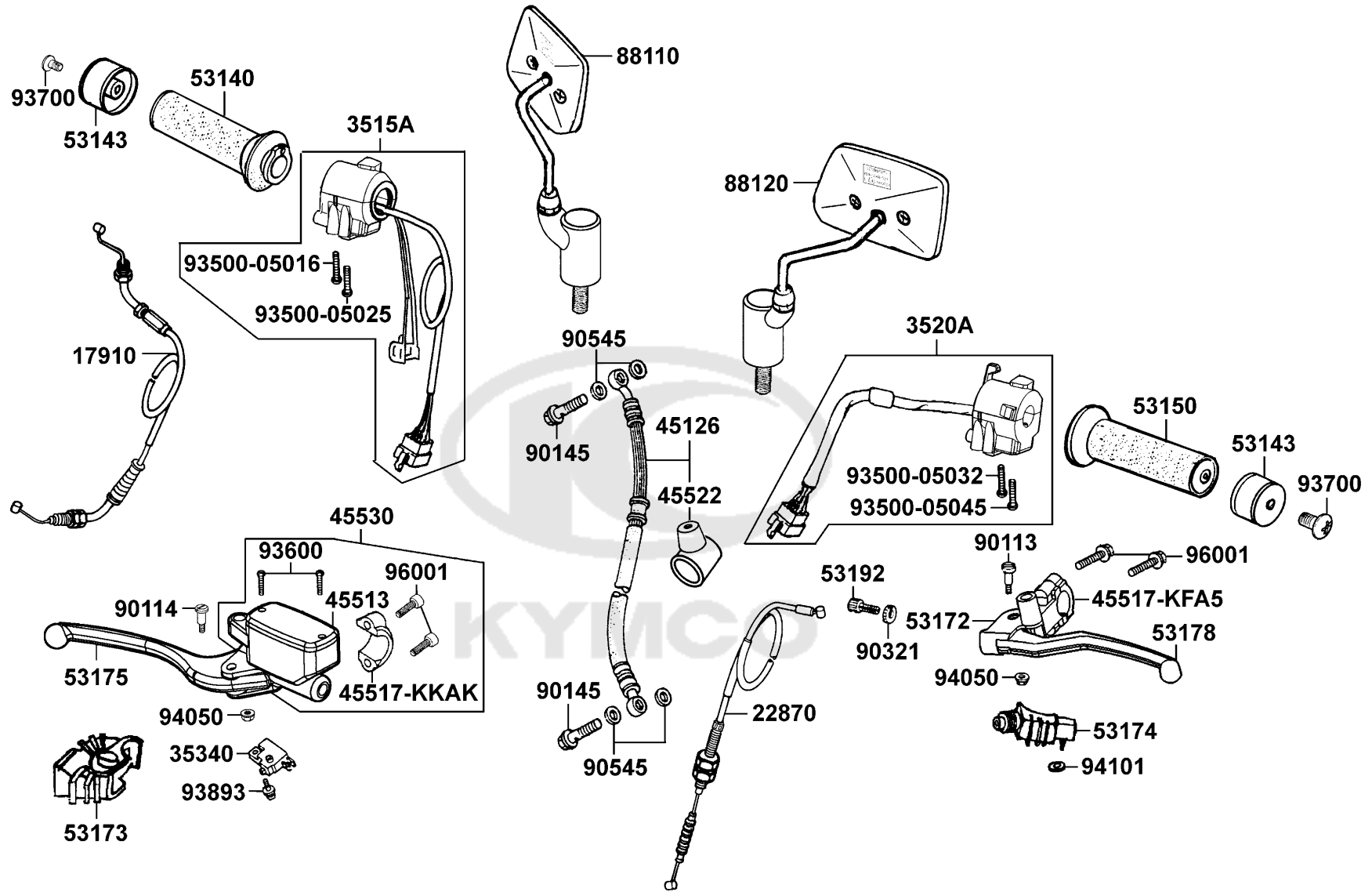


Sales mark	Ref no	Part no	Description	Reg description	Regd no	F02
	34908	34908-MKB9-87A	BULB WEDGE BASE T10	BULB WEDGE BASE T10	1	
	37200	37200-KKAK-900	METER ASSY SPEED	METER ASSY SPEED	1	
	44830	44830-KKAK-900	CABLE ASSY SPEEDOMETER	CABLE ASSY SPEEDOMETER	1	
	61312	61312-KKAK-900	STAY SPEEDOMETER	STAY SPEEDOMETER	1	
	61314	61314-KKAK-900	GROMMET SPDMT	GROMMET SPDMT	3	
	64313	64313-KKAK-900	COLLAR SPDMT	COLLAR SPDMT	1	
	93700	93700-05016-0H	SCREW OVAL 5*16 (C)	SCREW OVAL 5*16 (C)	1	
	94021	94021-06020-0S	NUT HEX CAP 6MM	NUT HEX CAP 6MM	1	
#	95701	95701-06012-06	BOLT FLANGE 6*12 **07 C.2005.07.01	BOLT FLANGE 6*12 **07 C.2005.07.01	1	
	96001	96001-06060-02	BOLT FLANGE 6*60	BOLT FLANGE 6*60	1	



F03

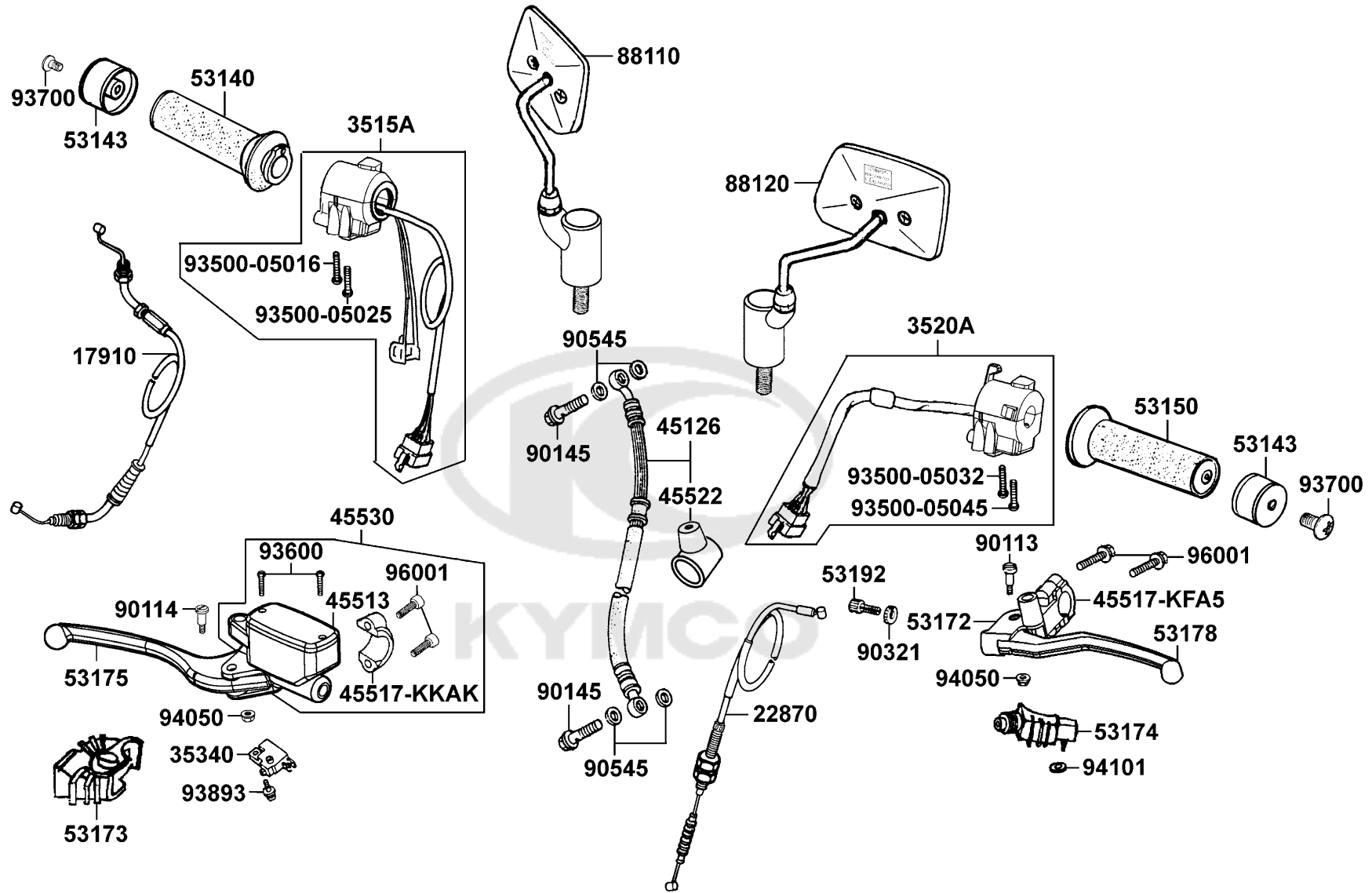
CableSwitchMaster Cylinder



Sales mark	Ref no	Part no	Description	Reg description	Regd no	F03
	17910	17910-KEC2-700	CABLE COMP THROT	CABLE COMP THROT	1	
	22870	22870-KEE4-900	CABLE COMP CLUTCH	CABLE COMP CLUTCH	1	
	3515A	3515A-KEE4-900	SW ASSY RH HANDLE COMP	SW ASSY RH HANDLE COMP	1	
	3520A	3520A-KEC2-700	SW ASSY LH HANDLE COMP	SW ASSY LH HANDLE COMP	1	
	35340	35340-KNBN-901	SW ASSY FR STOP	SW ASSY FR STOP	1	
	45126	45126-KEE4-900	HOSE ASSY FR BRK	HOSE ASSY FR BRK	1	
	45513	45513-KEE4-900	CAP M/C	CAP M/C	1	
	45517-KFA5	45517-KFA5-E00	BRKT HANDLE BAND/SILVER	HOLDER HNDL BRKT	1	
	45517-KKAK	45517-KKAK-900	HOLDER M/C	HOLDER M/C	1	
	45522	45522-4B22-010	BOOT MASTER CYLINDER	BOOT MASTER CYLINDER	1	
	45530	45530-KEE4-306	CYLINDER SET FR MASTER	CYLINDER SET FR MASTER	1	
	53140	53140-KKAK-900	GRIP COMP TUROT	GRIP COMP TUROT	1	
**	53143	53143-KKAK-900	CAP HANDLE GRIP	CAP HANDLE GRIP	1	
	53150	53150-KKAK-900	GRIP COMP L HANDLE	GRIP COMP L HANDLE	1	
	53172	53172-KKAK-900	BRKT HANDLE L	BRKT HANDLE L	1	
	53173	53173-KGG7-901	COVER R HANDLE LEVER	COVER R HANDLE LEVER	1	
	53174	53174-KKAK-900	COVER L HNDL LEVER	COVER L HNDL LEVER	1	
**	53175	53175-KKAK-900	LEVER R STRG HNDL	LEVER R STRG HNDL	1	
**	53178	53178-KEC2-E00	LEVER L STRG HNDL	LEVER L STRG HNDL	1	
	53192	53192-KKAK-900	BOLT WIRE ADJUST	BOLT WIRE ADJUST	1	

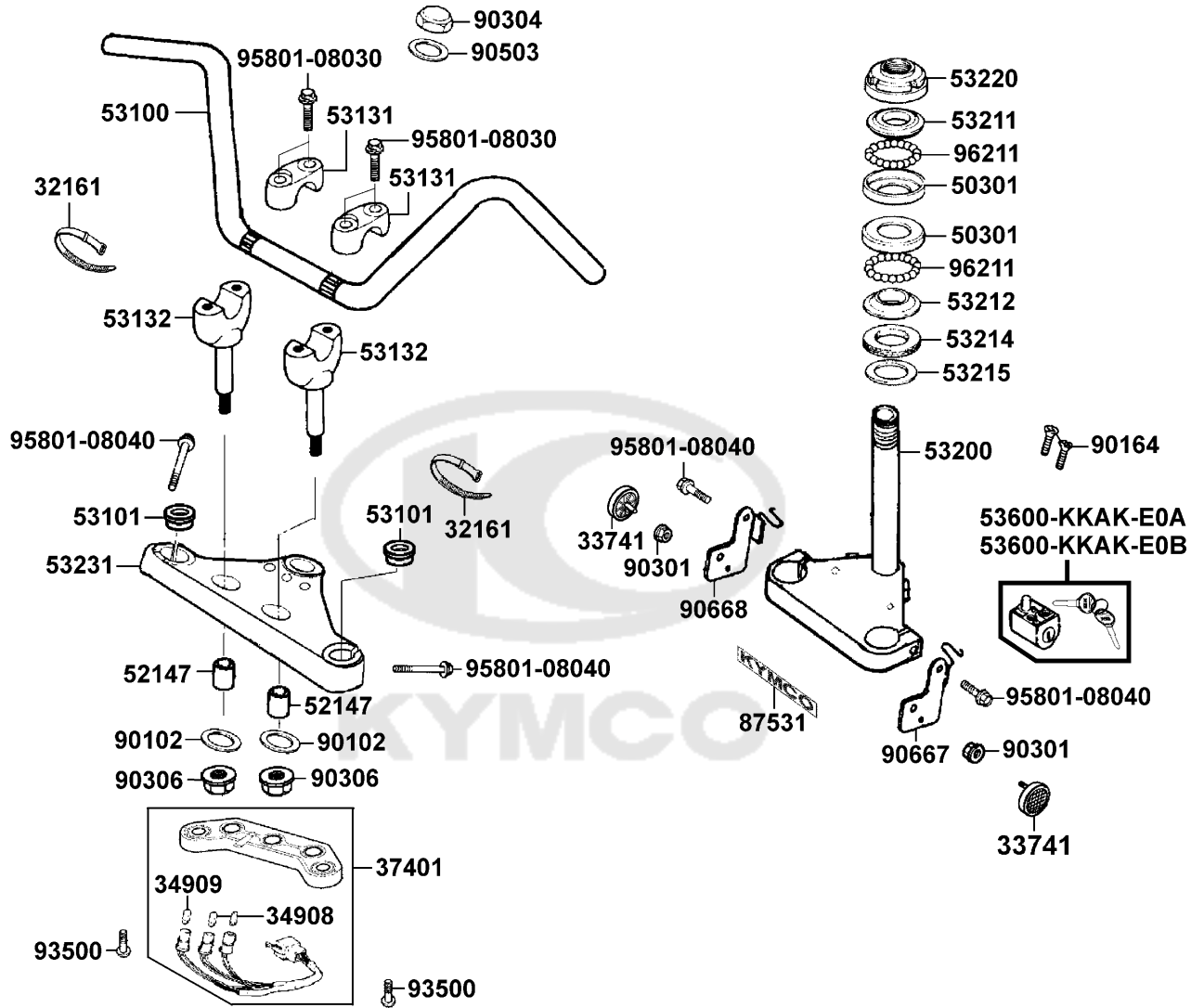
F03

CableSwitchMaster Cylinder



Sales mark	Ref no	Part no	Description	Reg description	Regd no	F03
	88110	88110-KEE4-E00	MIRROR ASSY R BACK	MIRROR ASSY R BACK	1	
	88120	88120-KEE4-E00	MIRROR ASSY L BACK	MIRROR ASSY L BACK	1	
	90113	90113-4B22-001	BOLT L STRG HNDL LEVER PIVOT	BOLT L STRG HNDL LEVER PIVOT	1	
	90114	90114-KKAK-900	BOLT HANDLE LEVER	BOLT HANDLE LEVER	1	
#	90145	90145-LEA3-E00	OIL BOLT 10*22	OIL BOLT 10*22	1	
	90321	90321-KKAK-900	NUT FIXING	NUT FIXING	1	
	90545	90545-3L00-001	WASHER OIL BOLT	WASHER OIL BOLT	4	
	93500-05016	93500-05016-1B	SCREW PAN 5*16	SCREW PAN 5*16	1	
	93500-05025	93500-05025-1B	SCREW PAN 5*25	SCREW PAN 5*25	1	
	93500-05032	93500-05032-1B	SCREW PAN 5*32	SCREW PAN 5*32	1	
	93500-05045	93500-05045-1B	SCREW PAN 5*45	SCREW PAN 5*45	1	
	93600	93600-04012-1G	SCREW FLAT 4X12	SCREW FLAT 4X12	2	
	93700	93700-05025-1B	SCREW OVAL 5*25	SCREW OVAL 5*25	2	
	93893	93893-04012-18	SCREW WASHER 4*12	SCREW WASHER 4*12	1	
	94050	94050-06080	NUT FLANGE 6MM	NUT FLANGE 6MM	2	
	94101	94101-05700	WASH PLAIN 5MM	WASH PLAIN 5MM	1	
	96001	96001-06020-02	BOLT FLANGE SH 6*20	BOLT FLANGE SH 6*20	4	

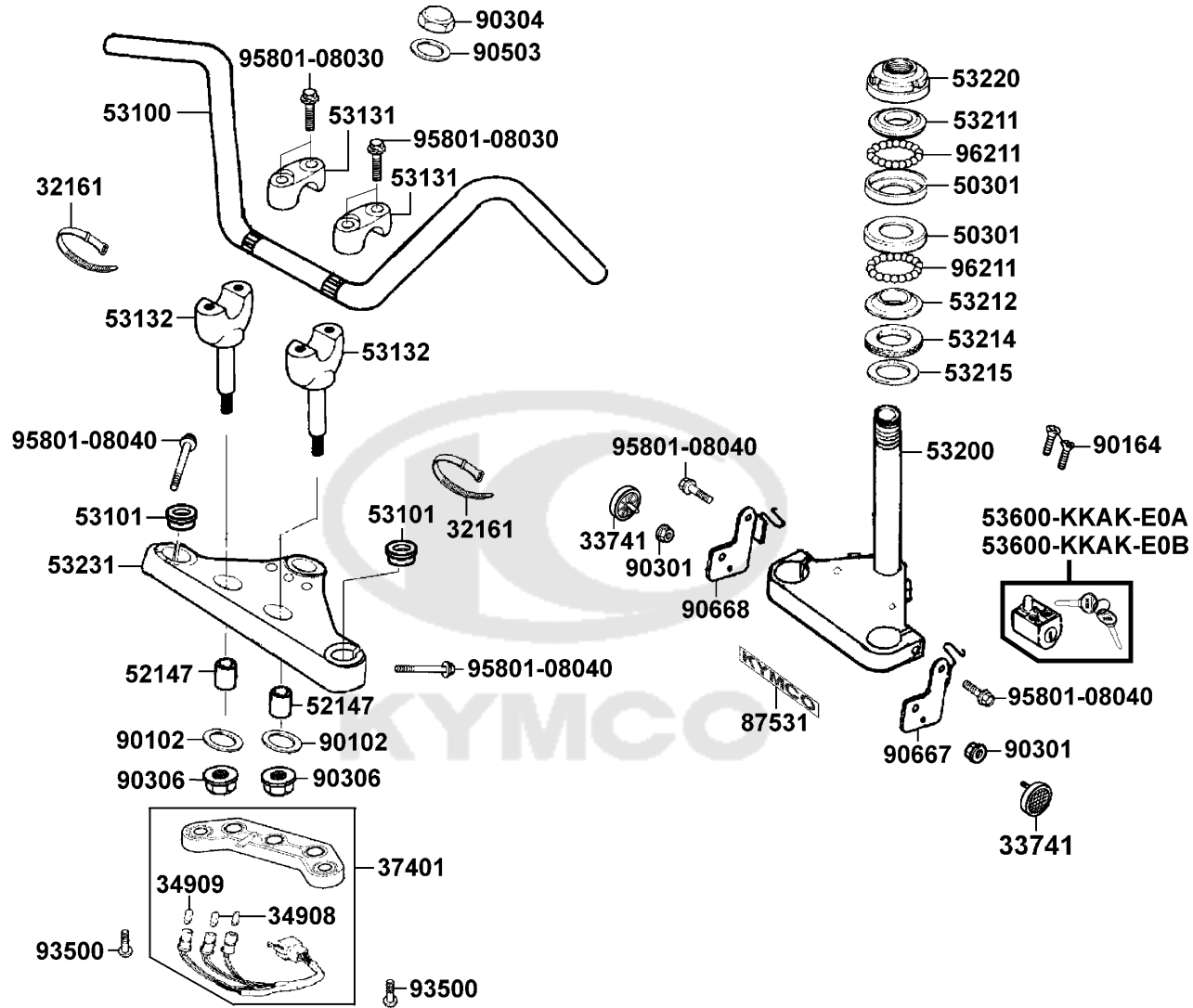
Steering HandleStem



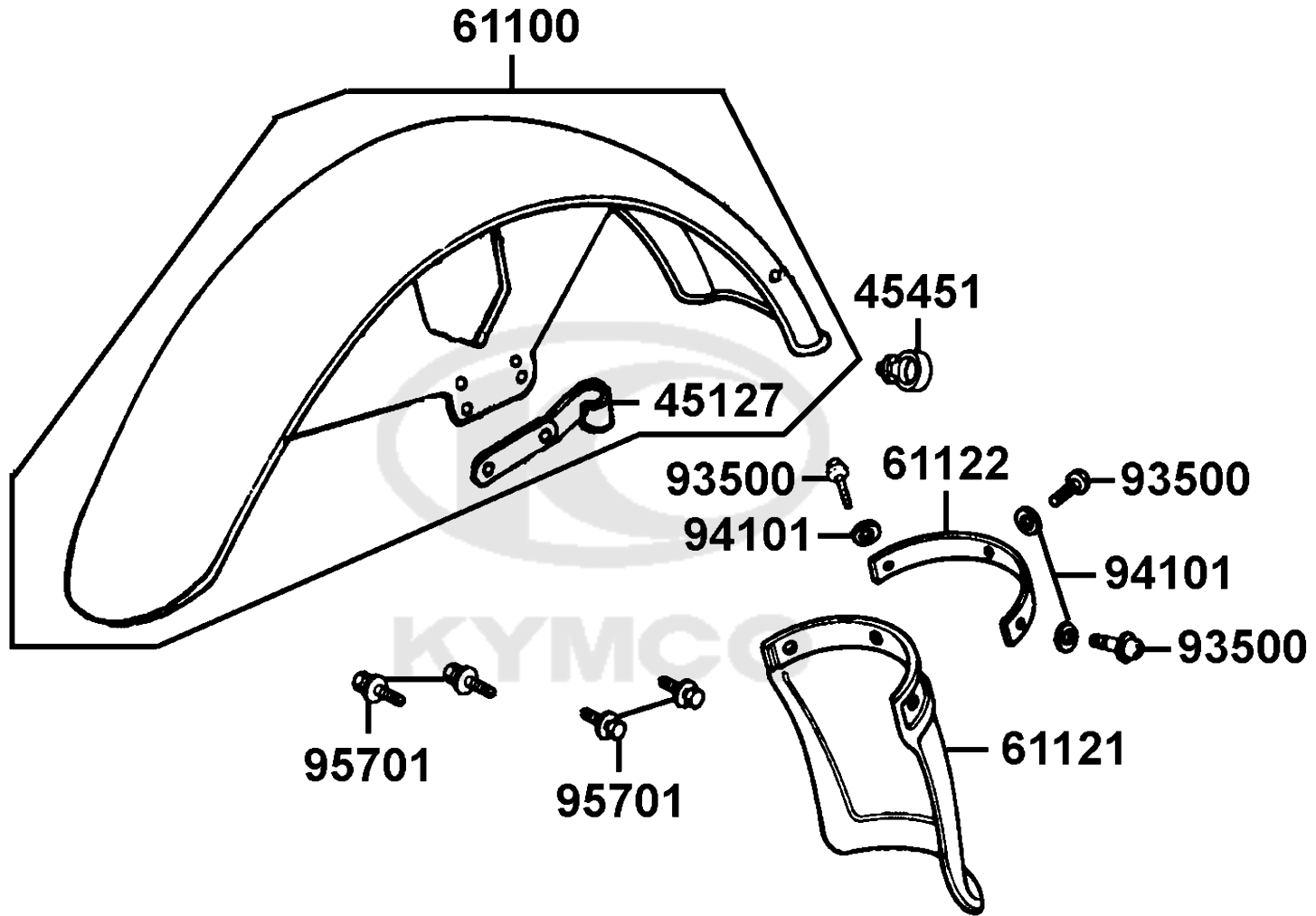
Sales mark	Ref no	Part no	Description	Reg description	Regd no	F04
32161		32161-4D04-001	BAND BI WIRE	BAND BI WIRE	2	
33741		33741-GFY6-C30	REFLEX REFLECTOR	REFLEX REFLECTOR	2	
34908		34908-KKAK-900	BULB WEDGE BASE T6.5	BULB WEDGE BASE T6.5	2	
34909		34909-KEBE-900	BULB WEDGE BASE	BULB WEDGE BASE	1	
37401		37401-KEC2-800	PILOT LAMP COMP	PILOT LAMP COMP	1	
50301		50301-0A41-011	RACE STEERING BALL	RACE STEERING BALL	2	
52147		52147-0H28-301	RUBBER BUSH REAR FORK PIVOT	RUBBER BUSH REAR FORK PIVOT	2	
53100		53100-KEC2-810	HANDLE COMP STRG	HANDLE COMP STRG	1	
53101		53101-KKAK-900	RUBBER HANDLE	RUBBER HANDLE	2	
53131		53131-KEE4-900	HOLDER UPPER HANL PIPE	HOLDER UPPER HANL PIPE	2	
53132		53132-KEE4-900	HOLDER UPPER HANL PIPE	HOLDER UPPER HANL PIPE	2	
53200		53200-KEC2-E00	STEM COMP STRG	STEM COMP STRG/CROMIUM PLATED	1	
53211		53211-0H28-011	RACE STRG TOP CONE	RACE STRG TOP CONE	1	
53212		53212-0L30-011	RACE STRG BOTTOM CONE	RACE STRG BOTTOM CONE	1	
53214		53214-0A01-011	DUST SEAL STRG HEAD	DUST SEAL STRG HEAD	1	
53215		53215-0A01-001	WASH STRG HDL DUST-SEAL	WASH STRG HDL DUST-SEAL	1	
53220		53220-KKAK-900	THREAD COMP STRG HD TOP	THREAD COMP STRG HD TOP	1	
53231		53231-KKAK-900	BRIDGE FORK TOP	BRIDGE FORK TOP	1	
53600-KKAK-E0A		53600-KKAK-E0A	LOCK STEERING HNDL	LOCK STEERING HNDL	1	
53600-KKAK-E0B		53600-KKAK-E0B	LOCK SET STRG HANDLE	LOCK SET STRG HANDLE	1	

F04

Steering HandleStem

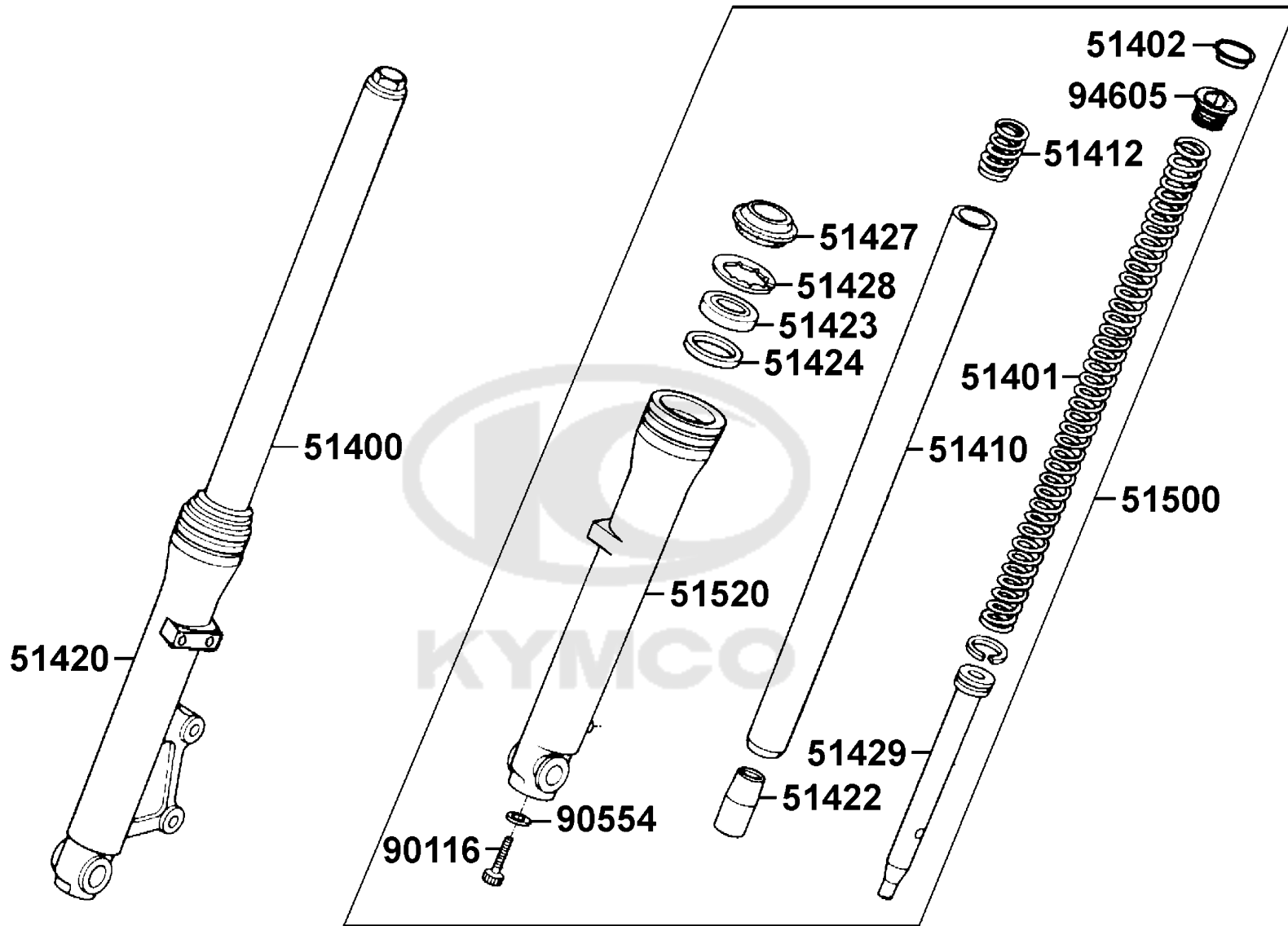


Sales mark	Ref no	Part no	Description	Reg description	Regd no	F04
**	87531	87531-KKAK-900	MARK KYMCO	MARK KYMCO	1	
	90102	90102-KKAK-900	WASHER HANDLE	WASHER HANDLE	2	
	90164	90164-0H28-900	SCREW FLAT U LOCK 6*12	SCREW FLAT U LOCK 6*12	2	
	90301	90301-6D34-671	NUT FLANGE 6MM	NUT FLANGE 6MM	2	
	90304	90304-KKAK-900	NUT STRG STEM	NUT STRG STEM	1	
	90306	90306-GLW0-90A	NUT FLANGE 12MM	NUT FLANGE 12MM	2	
	90503	90503-0A51-870	WASHER STEERING STEM NUT	WASHER STEERING STEM NUT	1	
	90667	90667-KKAK-C00	GUIDE METER CABLE	GUIDE METER CABLE	1	
	90668	90668-KKAK-C00	GUIDE FR BRAKE HOSE	GUIDE FR BRAKE HOSE	1	
	93500	93500-04014-1G	SCREW PAN 4*14	SCREW PAN 4*14	2	
#	95801-08030	95801-08030-06	BOLT FLANGE 8*30	BOLT FLANGE 8*30	1	
#	95801-08040	95801-08040-06	BOLT FLANGE 8*40	BOLT FLANGE 8*40	1	
	96211	96211-06000	BALL STEEL #6	BALL STEEL #6	42	

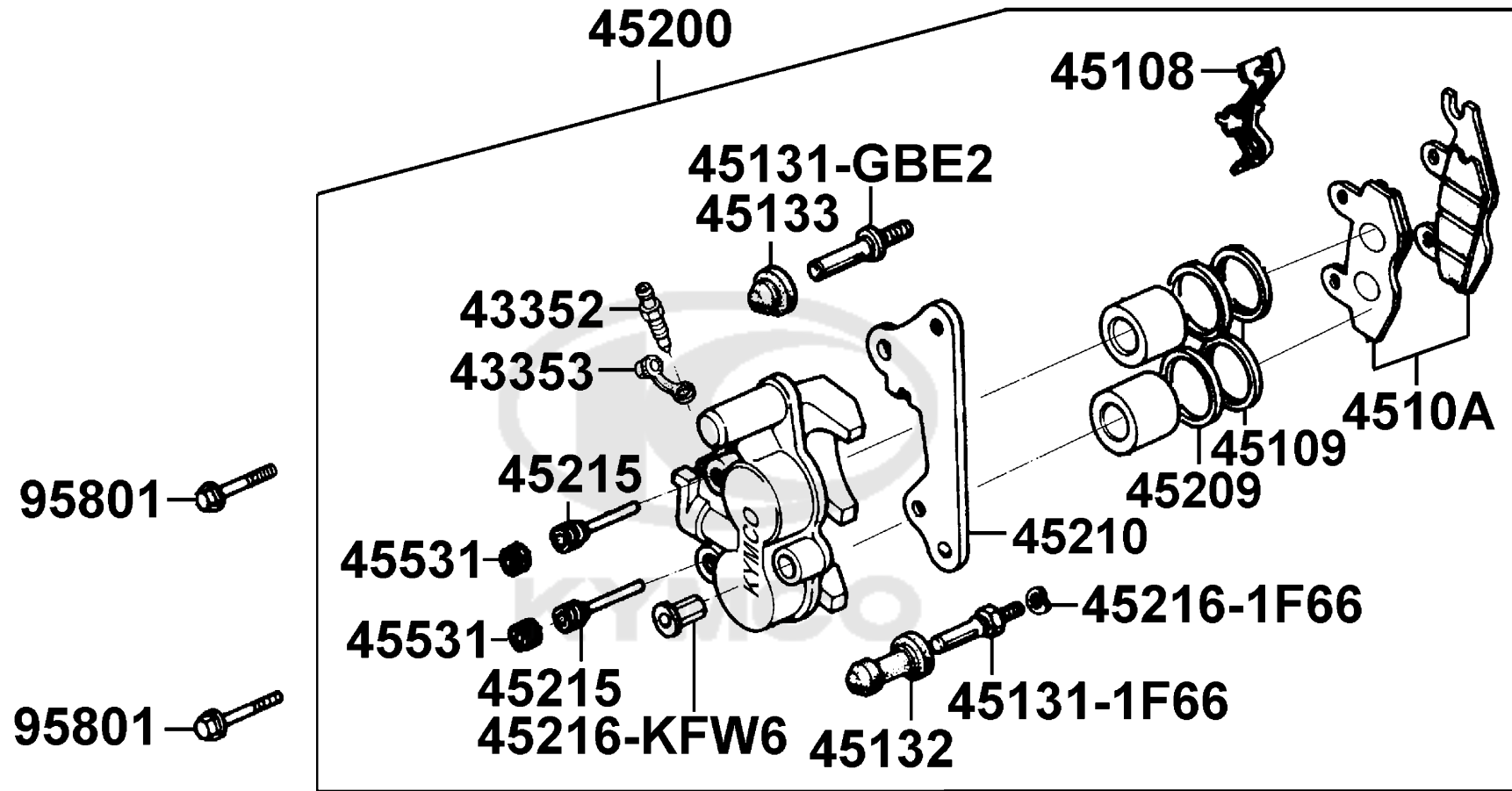


Sales mark	Ref no	Part no	Description	Reg description	Regd no	F05
	45127	45127-KKAK-900	CLAMPER BRK HOSE	CLAMPER BRK HOSE	1	
	45451	45451-4A71-001	GROMMET WIRE	GROMMET WIRE	1	
	61100	61100-KKAK-900	FENDER COMP FR	FENDER COMP FR	1	
	61121	61121-KGG7-001	MUDGUARD FR FENDER	MUDGUARD FR FENDER	1	
	61122	61122-KGG7-001	STAY MUDGUARD	STAY MUDGUARD	1	
#	93500	93500-06014-0F	SCREW PAN 6*14 (G)	SCREW PAN 6*14 (G)	1	
	94101	94101-06200	WASHER PLAIN 6MM	WASHER PLAIN 6MM	3	
	95701	95701-06016-02	BOLT FLANGE 6*16	BOLT FLANGE 6*16	4	





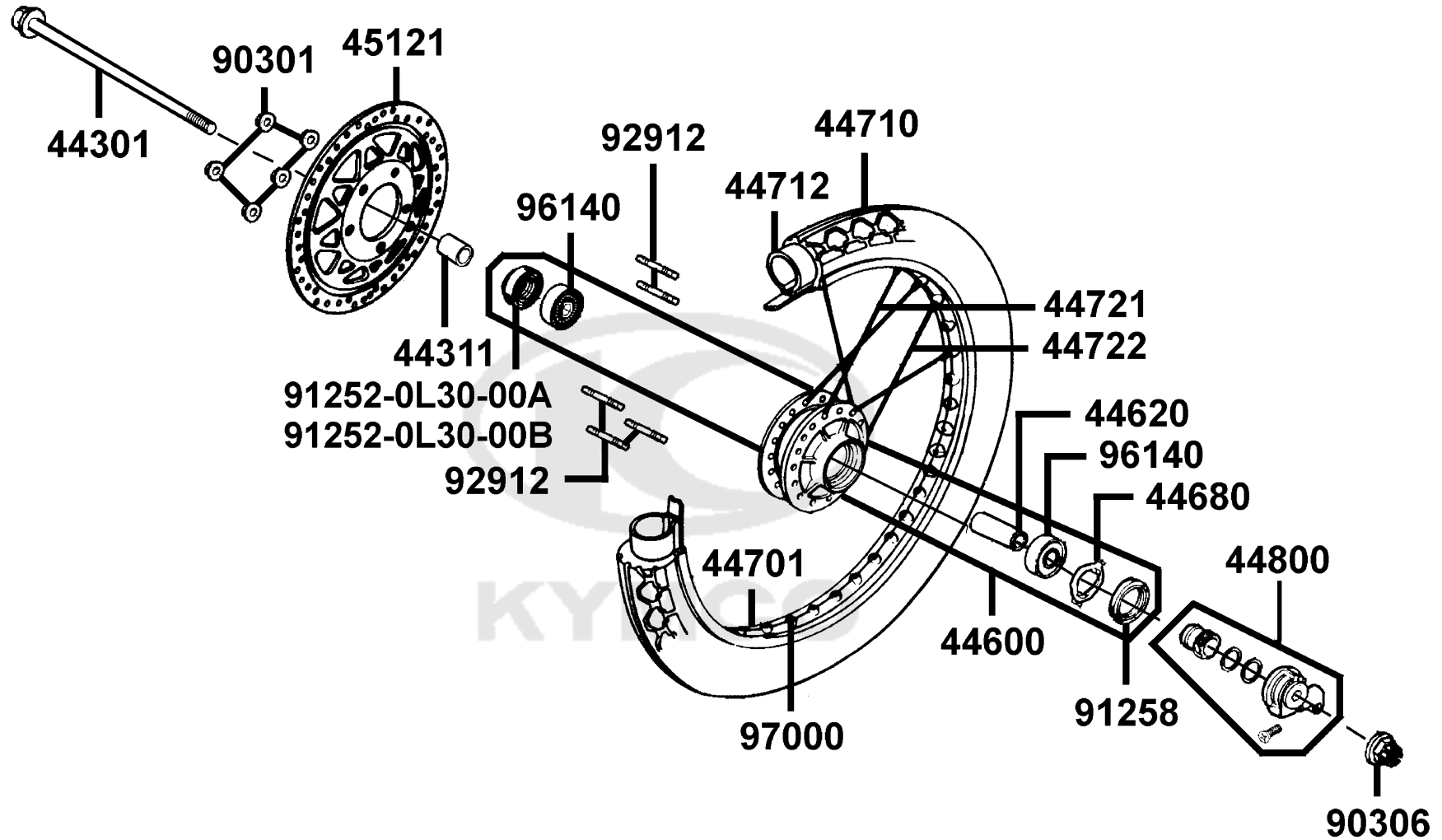
Sales mark	Ref no	Part no	Description	Reg description	Regd no	F06
**	51400	51400-KEC2-E00	FORK ASSY R FR/MAT BLACK	FORK ASSY R FR/MAT BLACK	1	
	51401	51401-KKAK-900	SPRING	SPRING	2	
	51402	51402-KKAK-900	FORK BOLT CAP	FORK BOLT CAP	2	
	51410	51410-KKAK-900	FORK PIPE COMP	FORK PIPE COMP	2	
	51412	51412-KKAK-900	REBOUND SPRING	REBOUND SPRING	2	
	51420	51420-KKAK-900	BOTTOM CASE COMP RH	BOTTOM CASE COMP RH/SILVER	1	
	51422	51422-KKAK-900	OIL LUCK PIECE	OIL LUCK PIECE	2	
	51423	51423-KKAK-900	OIL SEAL	OIL SEAL	2	
	51424	51424-KKAK-900	SPACER	SPACER	2	
	51427	51427-KKAK-900	DUST SEAL	DUST SEAL	2	
	51428	51428-KKAK-900	RING OIL SEAL STOPPER	RING OIL SEAL STOPPER	2	
	51429	51429-KKAK-900	PIPE SEAT COMP	PIPE SEAT COMP	2	
	**	51500	51500-KEC2-E00	FORK ASSY L FRONT	1	
	51520	51520-KKAK-900	BOTTOM CASE COMP LH	BOTTOM CASE COMP LH/SILVER	1	
	90116	90116-3C83-72A	BOLT	BOLT	2	
	90554	90554-2C83-001	PACKING	PACKING	2	
	94605	94605-KKAK-900	FORK BOLT	FORK BOLT	2	



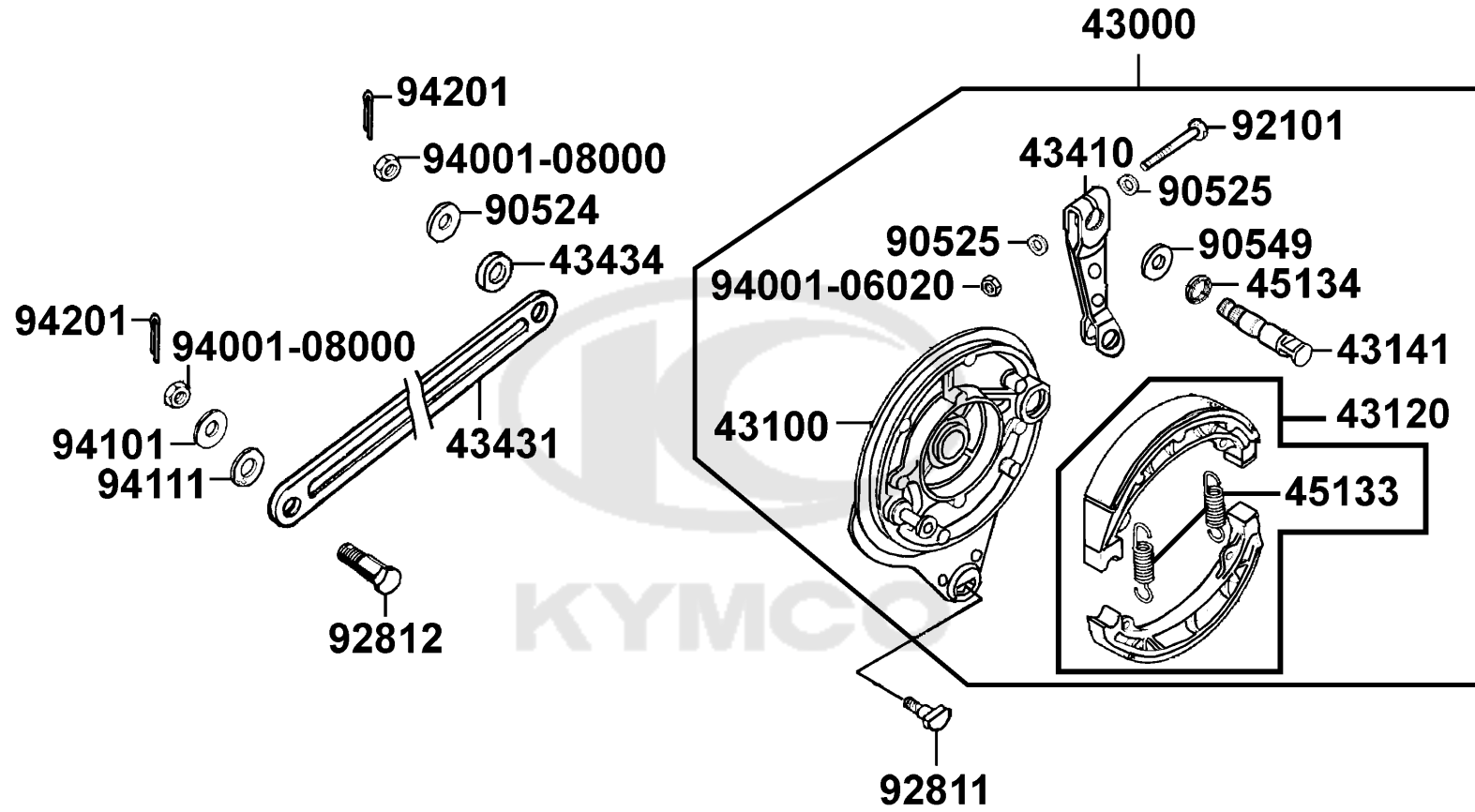
Sales mark	Ref no	Part no	Description	Reg description	Regd no	F07
	43352	43352-5H68-004	SCREW BLEEDER	SCREW BLEEDER	1	
	43353	43353-4A61-77A	CAP BLEEDER	CAP BLEEDER	1	
	45108	45108-MDL4-007	PAD SPG	PAD SPG	1	
	45109	45109-GBE2-007	DUST SEAL	DUST SEAL	2	
	4510A	4510A-KFW6-900	PAD SET	PAD SET	1	
	45131-1F66	45131-1F66-017	PIN BOLT	PIN BOLT	1	
	45131-GBE2	45131-GBE2-007	PIN BOLT A	PIN BOLT A	1	
	45132	45132-1F66-017	BUSH BOOT PIN	BUSH BOOT PIN	1	
	45133	45133-MCA3-007	BOOT B	BOOT B	1	
**	45200	45200-KKAK-900	CALIPER ASSY FR	CALIPER ASSY FR	1	
	45209	45209-GBE2-007	SEAL PISTON	SEAL PISTON	2	
	45210	45210-KKAK-305	BRACKET FR	BRACKET FR	1	
	45215	45215-KECE-900	PIN HANGER	PIN HANGER	2	
	45216-1F66	45216-1F66-007	WASHER WAVE	WASHER WAVE	1	
	45216-KFW6	45216-KFW6-90A	TORQUE NUT	TORQUE NUT	1	
	45531	45531-GAR1-951	PLUG	PLUG	2	
#	95801	95801-08025-06	BOLT FLANGE 8*25	BOLT FLANGE 8*25	1	

F08

Front Wheel



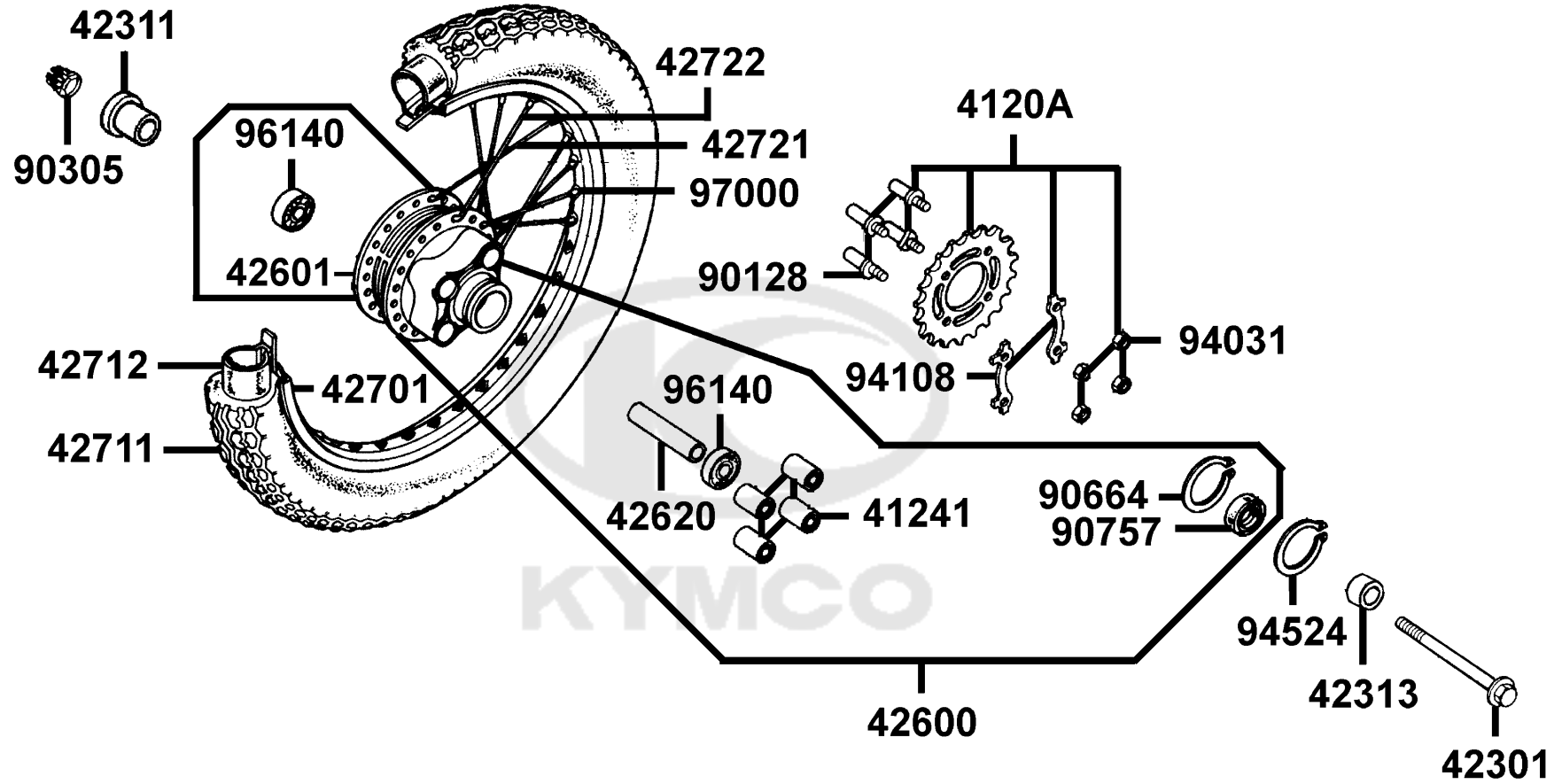
Sales mark	Ref no	Part no	Description	Reg description	Regd no	F08
	44301	44301-KKC5-E00	AXLE FR WHEEL M12*226MM	AXLE FR WHEEL M12*226MM	1	
	44311	44311-KKAK-900	COLLAR FR SIDE WHEEL	COLLAR FR SIDE WHEEL	1	
	44600	44600-KGG7-306	WHEEL SET FR	WHEEL SET FR	1	
	44620	44620-4L00-001	COLLAR FR DIST	COLLAR FR DIST	1	
	44680	44680-4L10-001	RETAINER GEAR BOX	RETAINER GEAR BOX	1	
	44701	44701-KLAL-900	RIM FR WHEEL	RIM FR WHEEL	1	
	44710	44710-KGAG-V00	TIRE ASSY FR 3.00-18 4PR /CHENG SHIN	TIRE ASSY FR 3.00-18 4PR /CHENG SHIN	1	
	44712	44712-KGAG-V00	TUBE WHEEL FR	TUBE WHEEL FR	1	
	44721	44721-KKAK-900	SPOKE A FR	SPOKE A FR	18	
	44722	44722-KKAK-900	SPOKE B FR	SPOKE B FR	18	
	44800	44800-KKAK-900	GEAR BOX ASSY SPDMT	GEAR BOX ASSY SPDMT	1	
	45121	45121-KFW6-901	DISK FRONT BRAKE	DISK FRONT BRAKE	1	
	90301	90301-4C73-004	NUT U 6MM	NUT U 6MM	5	
	90306	90306-GLW0-90A	NUT FLANGE 12MM	NUT FLANGE 12MM	1	
	91252-0L30-00A	91252-0L30-00A	OIL SEAL WHEEL 23*37*7	OIL SEAL WHEEL 23*37*7	1	
	91252-0L30-00B	91252-0L30-00B	OIL SEAL WHEEL 23*37*7	OIL SEAL WHEEL 23*37*7	1	
	91258	91258-4L10-00B	DUST SEAL 40*50*5	DUST SEAL 40*50*5	1	
	92912	92912-06018-0E	BOLT STUD 6*18	BOLT STUD 6*18	5	
	96140	96140-63010-10	BEARING BALL RADIAL 6301 U	BEARING BALL RADIAL 6301 U	2	
	97000	97000-KLAL-910	NIPPLE SPOKE 10#	NIPPLE SPOKE 10#	36	



Sales mark	Ref no	Part no	Description	Reg description	Regd no	F09
**	43000	43000-KKAK-901	PANEL ASSY REAR BRAKE	PANEL ASSY REAR BRAKE	1	
**	43100	43100-KGG7-832	PANEL COMP REAR BRAKE	PANEL COMP REAR BRAKE	1	
#	43120	43120-KGG7-305	SHOE SET	SHOE SET	1	
	43141	43141-KKAK-900	CAM REAR BRAKE	CAM REAR BRAKE	1	
	43410	43410-KKAK-900	ARM REAR BRAKE	ARM REAR BRAKE	1	
	43431	43431-KKAK-901	ARM REAR BRAKE STOPPER	ARM REAR BRAKE STOPPER	1	
	43434	43434-2F86-001	RUBBER STOPPER ARM CUSHION	RUBBER STOPPER ARM CUSHION	1	
	45133	45133-2L40-001	SPRING FRONT BRAKE SHOE	SPRING FRONT BRAKE SHOE	2	
	45134	45134-2L50-001	BRAKE CAM DUST SEAL	BRAKE CAM DUST SEAL	1	
	90524	90524-KKAK-900	WASHER STOPPER ARM	WASHER STOPPER ARM	1	
	90525	90525-0A01-001	BRAKE ARM WASHER	BRAKE ARM WASHER	2	
	90549	90549-1A21-001	WASHER PLAIN 14M/M	WASHER PLAIN 14M/M	1	
	92101	92101-06036-0B	BOLT HEX 6*36	BOLT HEX 6*36	1	
	92811	92811-KKAK-900	BOLT B STPR ARM	BOLT B STPR ARM	1	
	92812	92812-KKAK-901	BOLT RR BRAKE STOPPER ARM	BOLT RR BRAKE STOPPER ARM	1	
	94001-06020	94001-06020-0S	NUT HEX 6MM	NUT HEX 6MM	1	
	94001-08080	94001-08080-0S	NUT HEX 8MM	NUT HEX 8MM	2	
	94101	94101-08800	WASHER PLAIN 8MM	WASHER PLAIN 8MM	1	
	94111	94111-08800	WASHER SPG 8MM	WASHER SPG 8MM	1	
	94201	94201-20150	PIN SPLIT 2*15	PIN SPLIT 2*15	2	

F10

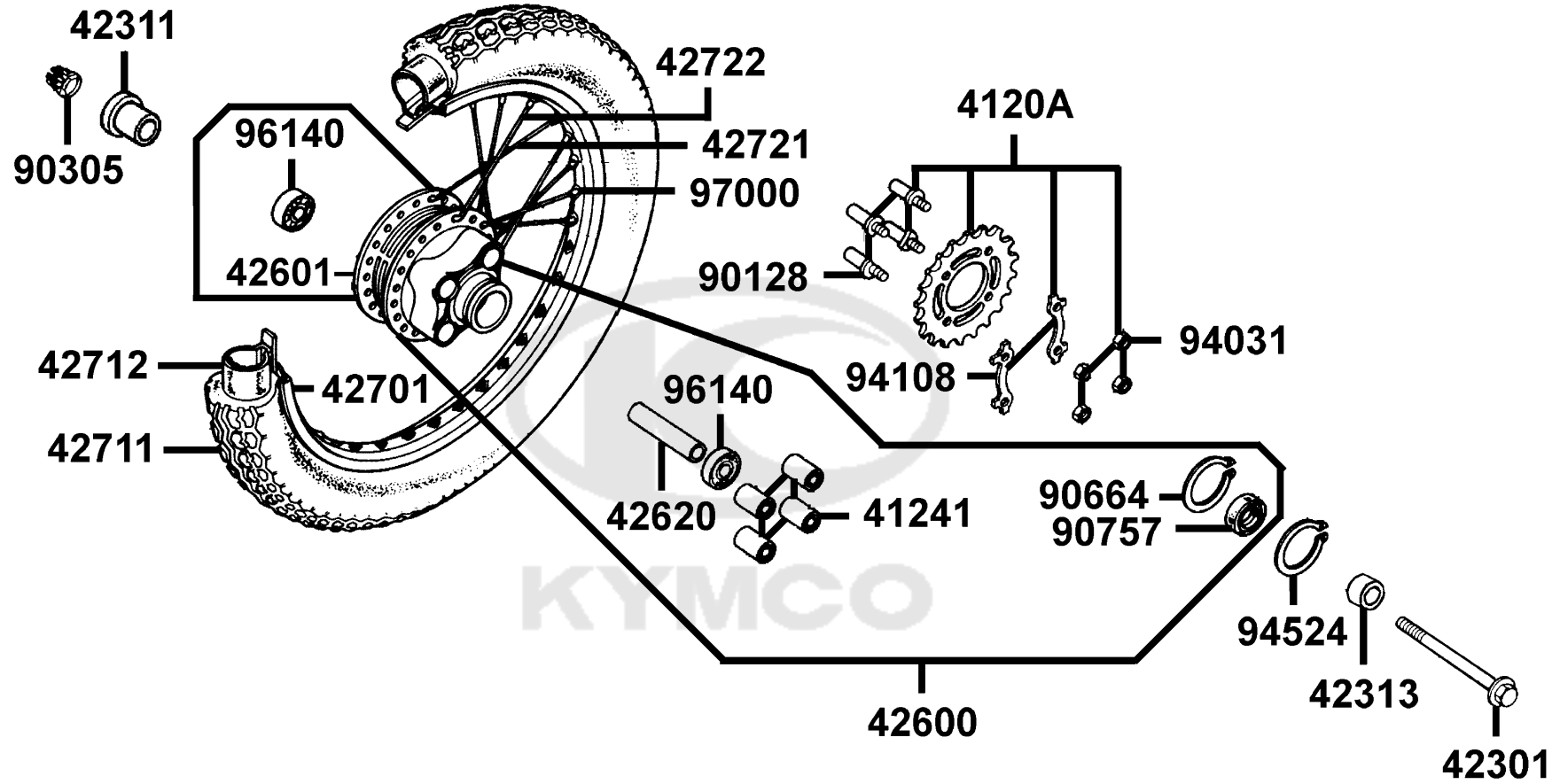
Rear Wheel



Sales mark	Ref no	Part no	Description	Reg description	Regd no	F10
	4120A	4120A-KEC2-900	SPROCKET ASSY	SPROCKET ASSY	1	
	41241	41241-3G07-011	BUSH RR WHEEL DAMPER	BUSH RR WHEEL DAMPER	4	
	42301	42301-KKAK-900	AXLE REAR WHEEL M16*309MM	AXLE REAR WHEEL M16*309MM	1	
	42311	42311-KKAK-C10	COLLAR RR BRAKE PANEL SIDE	COLLAR RR BRAKE PANEL SIDE	1	
	42313	42313-KKAK-900	COLLAR REAR HUB SIDE	COLLAR REAR HUB SIDE	1	
**	42600	42600-KEC2-305	HUB SET RR WHEEL	HUB SET RR WHEEL	1	
**	42601	42601-KEC2-900	HUB COMP REAR WHEEL	HUB COMP REAR WHEEL	1	
	42620	42620-KEC2-900	COLLAR REAR AXLE DISTANCE	COLLAR REAR AXLE DISTANCE	1	
	42701	42701-KKAK-90A	RIM REAR WHEEL	RIM REAR WHEEL	1	
	42711	42711-KKAK-900	TIRE REAR	TIRE REAR	1	
	42712	42712-KKAK-900	TUBE TIRE	TUBE TIRE	1	
	42721	42721-KKAK-900	SPOKE A RR 8X120	SPOKE A RR 8X120	18	
	42722	42722-KKAK-900	SPOKE B RR 8X119	SPOKE B RR 8X119	18	
	90128	90128-KEC8-900	BOLT DRIVE SPROCKET SETTING	BOLT DRIVE SPROCKET SETTING	4	
	90305	90305-KFW6-900	NUT U FLANGE 16MM	NUT U FLANGE 16MM (B)	1	
	90664	90664-2F16-901	CIR CLIP 58MM	CIR CLIP 58MM	1	
	90757	90757-4K39-931	DUST SEAL REAR WHEEL	DUST SEAL REAR WHEEL	1	
	94031	94031-10000	NUT HEX 10MM	NUT HEX 10MM	4	
	94108	94108-KEC8-900	WASHER TONQUED 10MM	WASHER TONQUED 10MM	2	
	94524	94524-47000	CIR CLIP EX 47MM	CIR CLIP EX 47MM	1	

F10

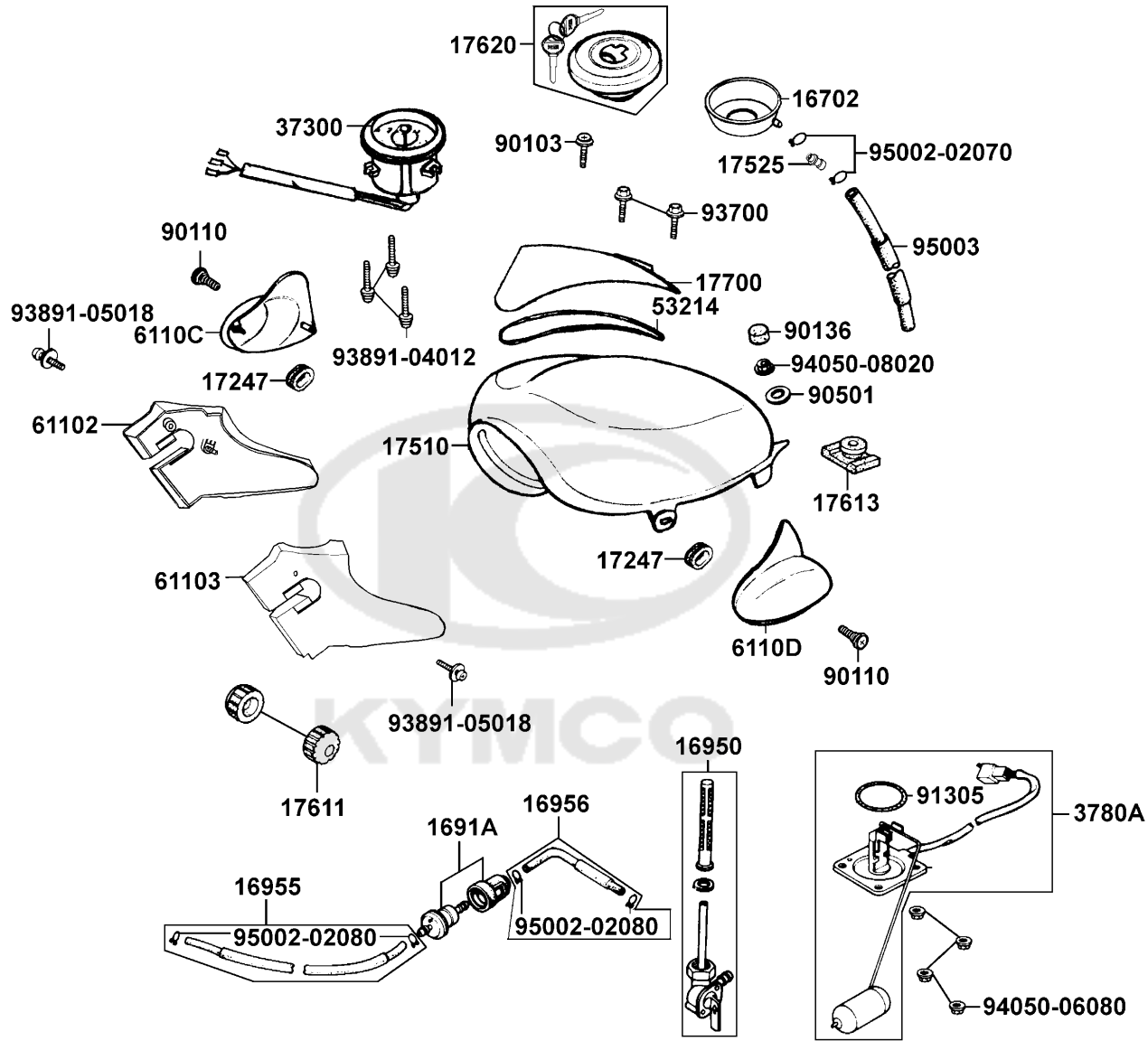
Rear Wheel



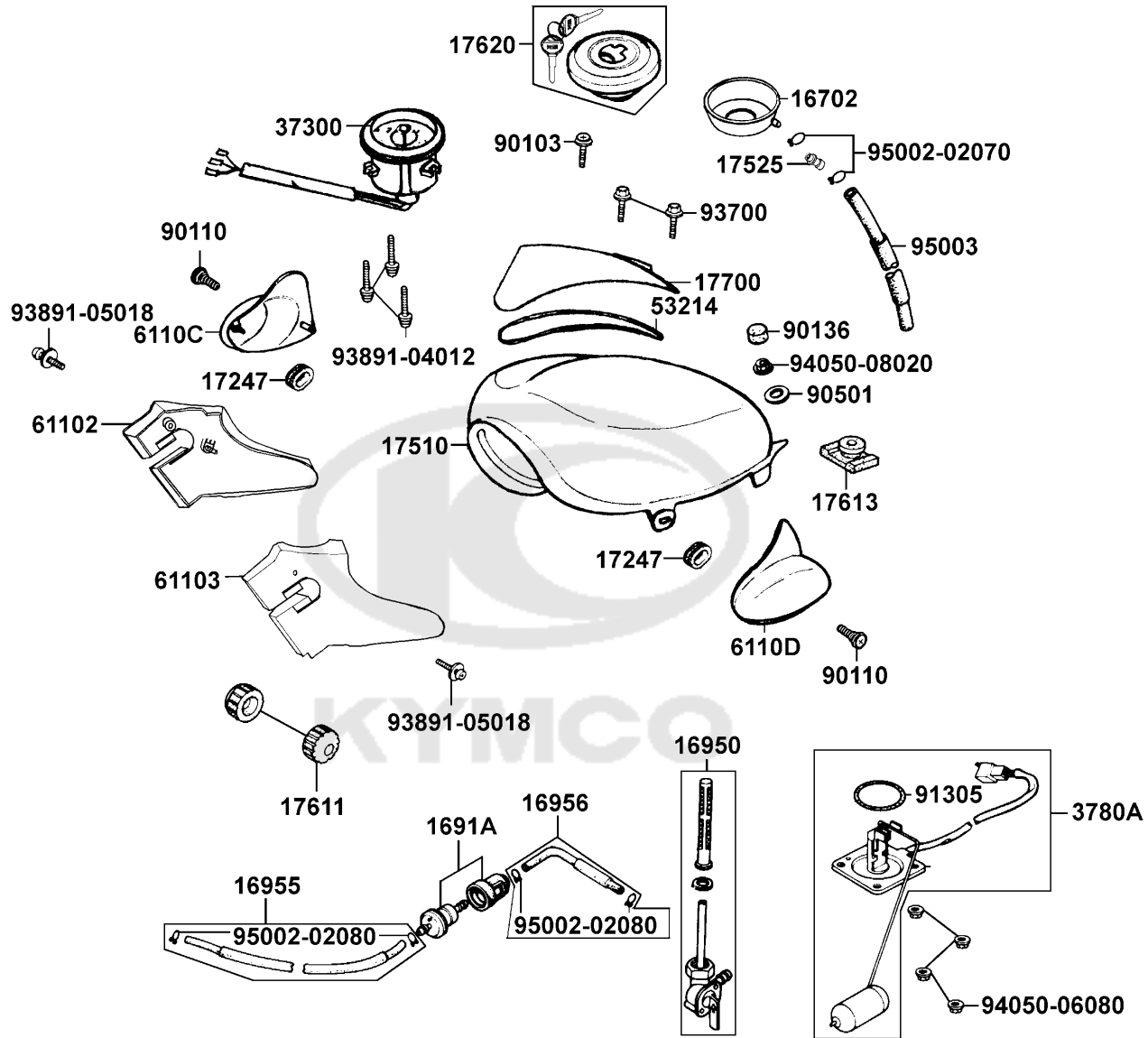
Sales mark	Ref no	Part no	Description	Reg description	Regd no	F10
------------	--------	---------	-------------	-----------------	---------	------------

96140		96140-63030-10	BEARING BALL RADIAL 6303U	BEARING BALL RADIAL 6303U	2	
97000		97000-KGG7-910	NIPPLE SPOKE 10	NIPPLE SPOKE 10	36	





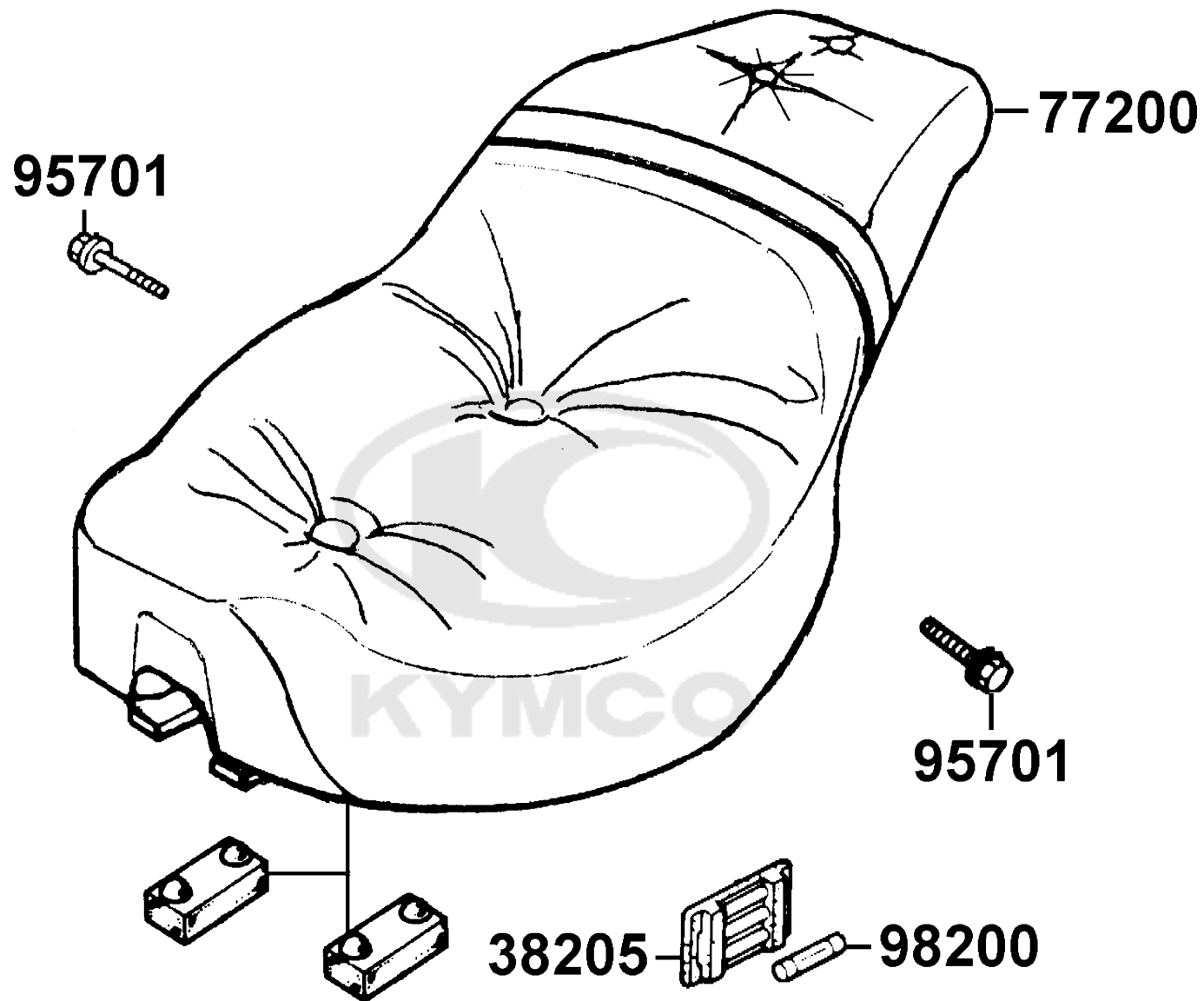
Sales mark	Ref no	Part no	Description	Reg description	Regd no	F11
	16702	16702-KKAK-900	TRAY FUEL CAP	TRAY FUEL CAP	1	
	1691A	1691A-KEC2-E00	STRAINER ASSY FUEL	STRAINER ASSY FUEL	1	
	16950	16950-KEC2-80A	AUTO COCK ASSY FUEL	AUTO COCK ASSY FUEL	1	
	16955	16955-KEC2-800	TUBE COMP FUEL	TUBE COMP FUEL	1	
	16956	16956-KEC2-800	TUBE ASSY FUEL	TUBE ASSY FUEL	1	
	17247	17247-3C03-001	GROMMET A AIR CLEANER CASE	GROMMET A AIR CLEANER CASE	2	
**	17510	17510-KKAK-325	TANK SET FUEL	TANK SET FUEL	1	
	17525	17525-KKAK-900	JOINT FUEL TUBE	JOINT FUEL TUBE	1	
	17611	17611-2F86-001	CUSHION FRONT FUEL TANK	CUSHION FRONT FUEL TANK	2	
	17613	17613-KFW6-911	CUSH FUEL TANK RR	CUSH FUEL TANK RR	1	
	17620	17620-KKAK-315-M2	CAP SET FUEL FILLER	CAP SET FUEL FILLER	1	
**	17700	17700-KKAK-910	COVER FUEL TANK	COVER FUEL TANK	1	
	37300	37300-KKAK-900	FUEL METER ASSY	FUEL METER ASSY	1	
	3780A	3780A-KKAK-900	FUEL UNIT ASSY	FUEL UNIT ASSY	1	
	53214	53214-KKAK-900	SEAL FUEL TANK COVER	SEAL FUEL TANK COVER	1	
**	61102	61102-KEC2-900	COVER R HEAD PIPE	COVER R HEAD PIPE	1	
**	61103	61103-KEC2-900	COVER L HEAD PIPE	COVER L HEAD PIPE	1	
**	6110C	6110C-KEC2-900	COVER ASSY R HORN	COVER ASSY R HORN	1	
**	6110D	6110D-KEC2-900	COVER ASSY L HORN	COVER ASSY L HORN	1	
	90103	90103-KKAK-900	SCREW SPECIAL	SCREW SPECIAL	1	



Sales mark	Ref no	Part no	Description	Reg description	Regd no	F11
	90110	90110-GLW0-001	SCREW SPECIAL 6*14	SCREW SPECIAL 6*14	2	
	90136	90136-KFW6-901	CAP BOLT TANK	CAP BOLT TANK	1	
	90501	90501-GDT4-001	WASHER 8.5*32	WASHER 8.5*32	1	
	91305	91305-MGC7-001	O-RING 39.5*5	O-RING 39.5*5	1	
#	93700	93700-05018-0F	SCREW OVAL 5*18	SCREW OVAL 5X18	1	
	93891-04012	93891-04012-06	SCREW WASH 4*12	SCREW WASH 4*12	3	
	93891-05018	93891-05018-06	SCREW WASHER 5*18	SCREW WASHER 5*18	2	
	94050-06080	94050-06080	NUT FLANGE 6MM	NUT FLANGE 6MM	4	
	94050-08020	94050-08020	NUT FLANGE 8MM	NUT FLANGE 8MM	1	
	95002-02070	95002-02070	CLIP B7 TUBE	CLIP B7 TUBE	2	
	95002-02080	95002-02080	CLIP B8 TUBE	CLIP B8 TUBE	4	
	95003	95003-07090-31	V TUBE 4*7*900	V TUBE 4*7*900	1	

F12

Seat



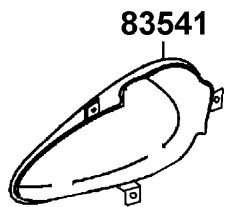
Sales mark	Ref no	Part no	Description	Reg description	Regd no	F12
------------	--------	---------	-------------	-----------------	---------	------------

	38205	38205-1E15-001	CASE FUSE	CASE FUSE	1	
**	77200	77200-KKAK-900	SEAT ASSY (REACH)	SEAT ASSY (REACH)	1	
#	95701	95701-06016-06	BOLT FLANGE 6*16 (K)	BOLT FLANGE 6*16 (K)	1	
	98200	98200-11500	FUSE A15	FUSE A15	1	

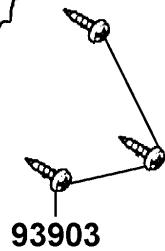


F13

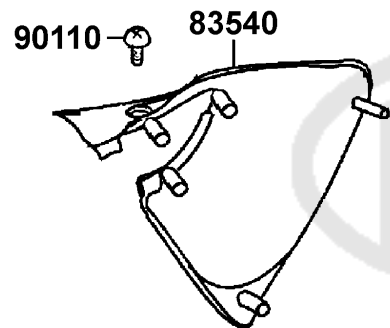
Side Cover Tool Set



83541



93903

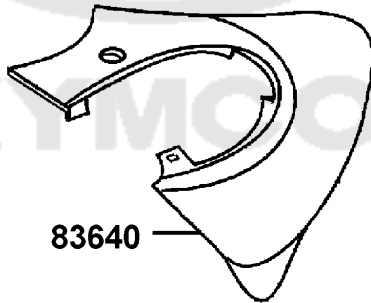


90110

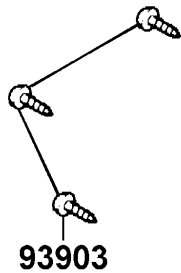
83540



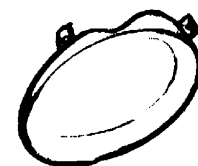
90110



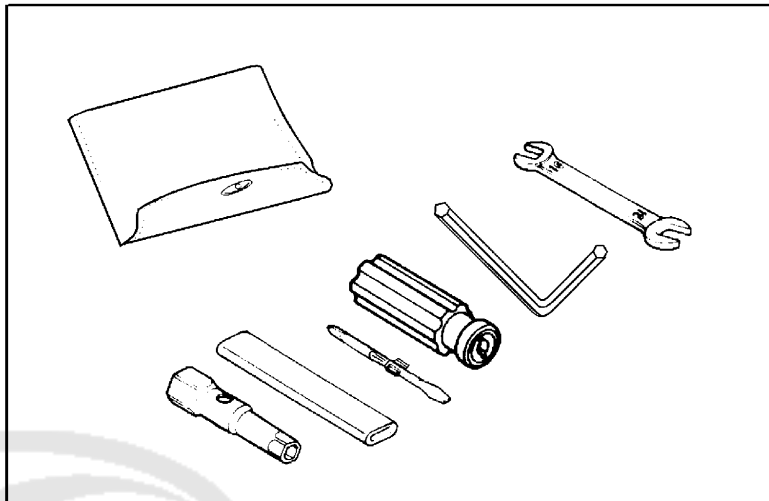
83640




93903



83641

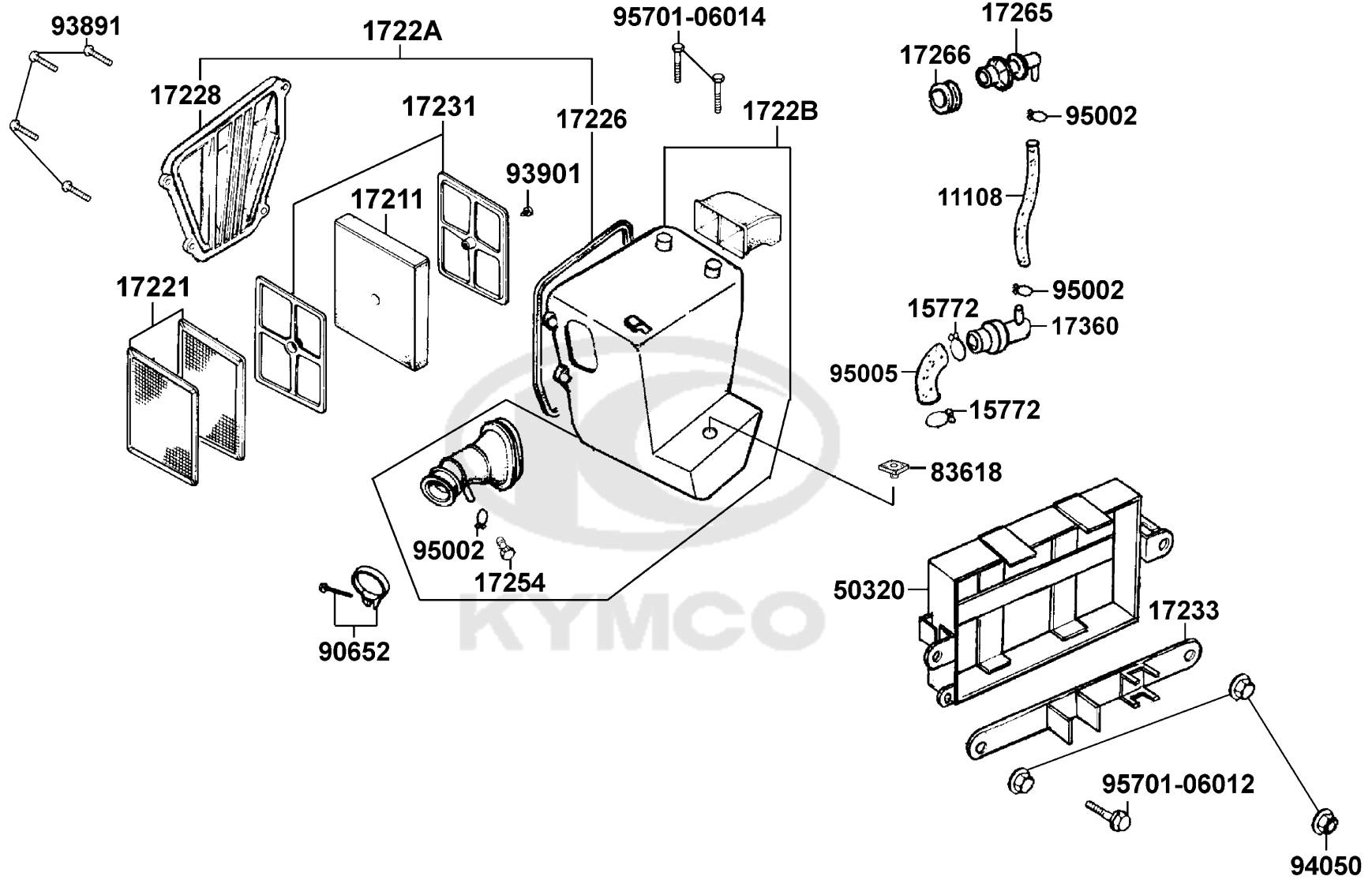


89010

Sales mark	Ref no	Part no	Description	Reg description	Regd no	F13
**	83540	83540-KED7-305	COVER SET R SIDE	COVER SET R SIDE	1	
**	83541	83541-LGH3-E00	COVER B R SIDE	COVER B R SIDE	1	
**	83640	83640-KED7-305	COVER SET L SIDE	COVER SET L SIDE	1	
**	83641	83641-LGH3-E00	COVER B L SIDE	COVER B L SIDE	1	
	89010	89010-KKAK-900	TOOL SET	TOOL SET	1	
	90110	90110-GLW0-001	SCREW SPECIAL 6*14	SCREW SPECIAL 6*14	2	
	93903	93903-34260	SCREW TAPPING 4*10	SCREW TAPPING 4*10	6	
						

F14

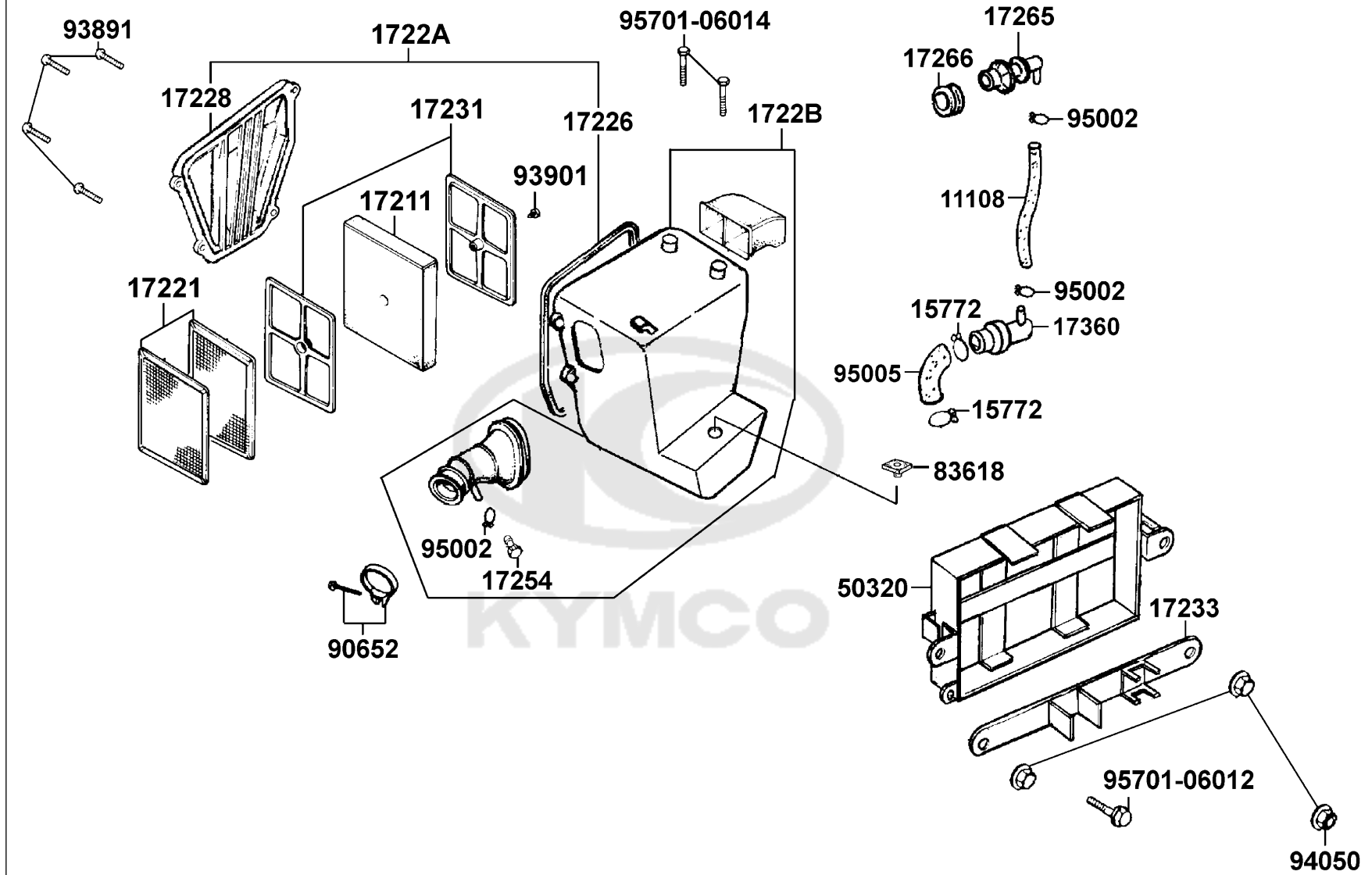
Air Cleaner



Sales mark	Ref no	Part no	Description	Reg description	Regd no	F14
	11108	11108-KGG7-901	TUBE B	TUBE B	1	
	15772	15772-2B92-011	CLIP BREATHER TUBE	CLIP BREATHER TUBE	2	
	17211	17211-4K39-001	ELMENT AIR/C	ELMENT AIR/C	1	
	17221	17221-KGG7-001	TRAP COMP	TRAP COMP	2	
	17226	17226-KGG7-001	SEAL AIR/C	SEAL AIR/C	1	
	17228	17228-KKAK-900	COVER AIR/C CASE	COVER AIR/C CASE	1	
	1722A	1722A-KKAK-900	COVER ASSY AIR/C CASE	COVER ASSY AIR/C CASE	1	
	1722B	1722B-KEC2-E00	CASE COMP AIR/C	CASE COMP AIR/C	1	
	17231	17231-4K39-001	PLATE ELEMENT SET	PLATE ELEMENT SET	2	
	17233	17233-KKAK-900	HINGE BATTERY BOX	HINGE BATTERY BOX	1	
	17254	17254-KACA-P00	PLUG AIR/C CONN TUBE	PLUG AIR/C CONN TUBE	1	
	17265	17265-KGG7-001	JOINT BLOW BY	JOINT BLOW BY	1	
	17266	17266-KGG7-001	PACKING ACV JOINT	PACKING ACV JOINT	1	
	17360	17360-GAE1-901	CATCH TANK ASSY	CATCH TANK ASSY	1	
	50320	50320-KKAK-C00	CASE COMP BATTERY	CASE COMP BATTERY	1	
	83618	83618-KGG7-001	RUBBER BATTERY BOX	RUBBER BATTERY BOX	1	
	90652	90652-GFY6-901	BAND 49 AIR/C CONNECTING TUBE	BAND 49 AIR/C CONNECTING TUBE	1	
#	93891	93891-05016-06	SCREW WASHER 5* 16	SCREW WASHER 5* 16	1	
#	93901	93901-14060	SCREW TAPPING 4*6	SCREW TAPPING 4*6	1	
	94050	94050-06080	NUT FLANGE 6MM	NUT FLANGE 6MM	3	

F14

Air Cleaner



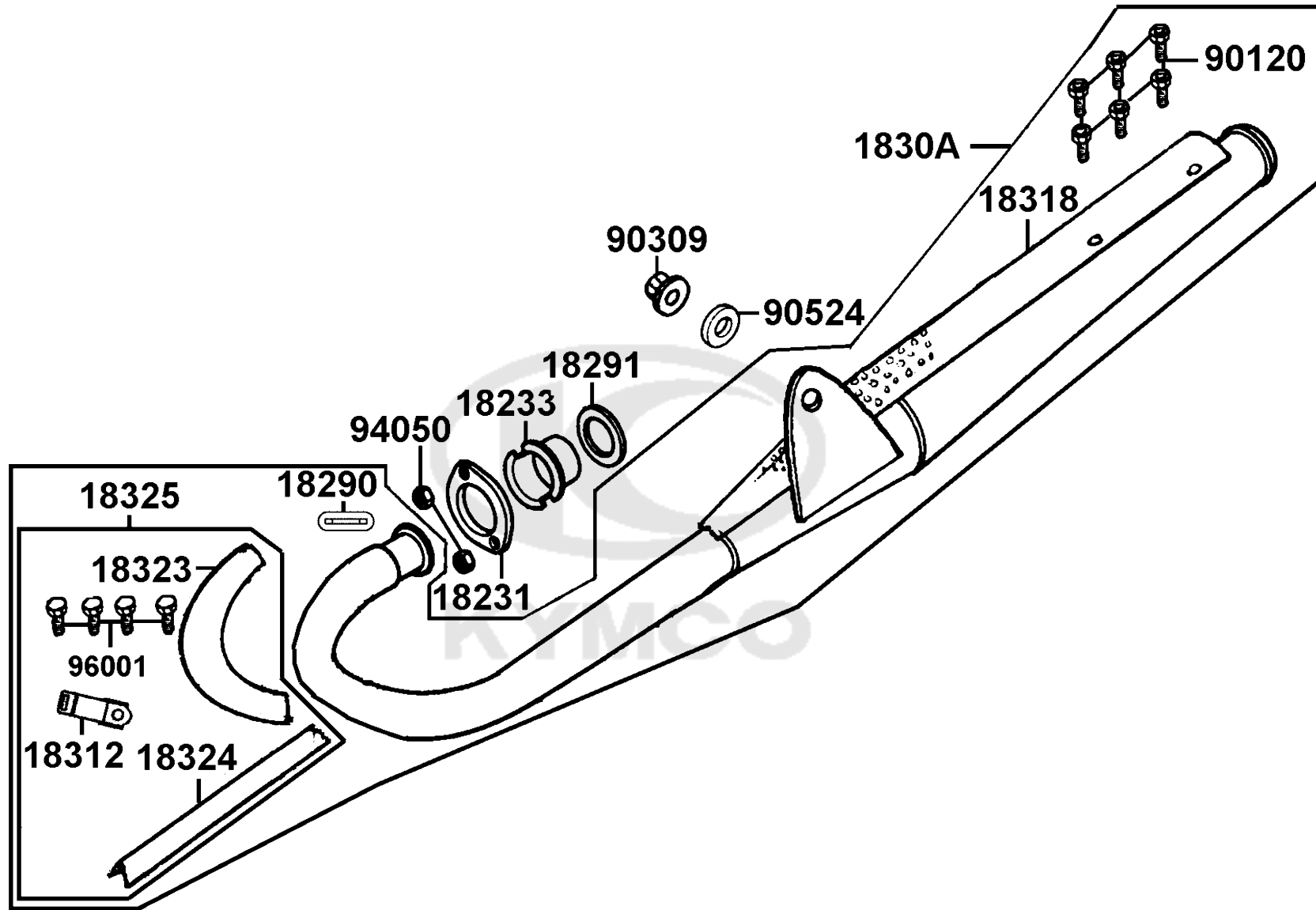
Sales mark	Ref no	Part no	Description	Reg description	Regd no	F14
------------	--------	---------	-------------	-----------------	---------	------------

	95002	95002-02120	CLIP B12 TUBE	CLIP B12 TUBE	3	
	95005	95005-KGG7-901	TUBE A	TUBE A	1	
#	95701-06012	95701-06012-06	BOLT FLANGE 6*12 **07 C.2005.07.01	BOLT FLANGE 6*12 **07 C.2005.07.01	1	
#	95701-06014	95701-06014-06	BOLT FLANGE 6*14	BOLT FLANGE 6*14	1	



F15

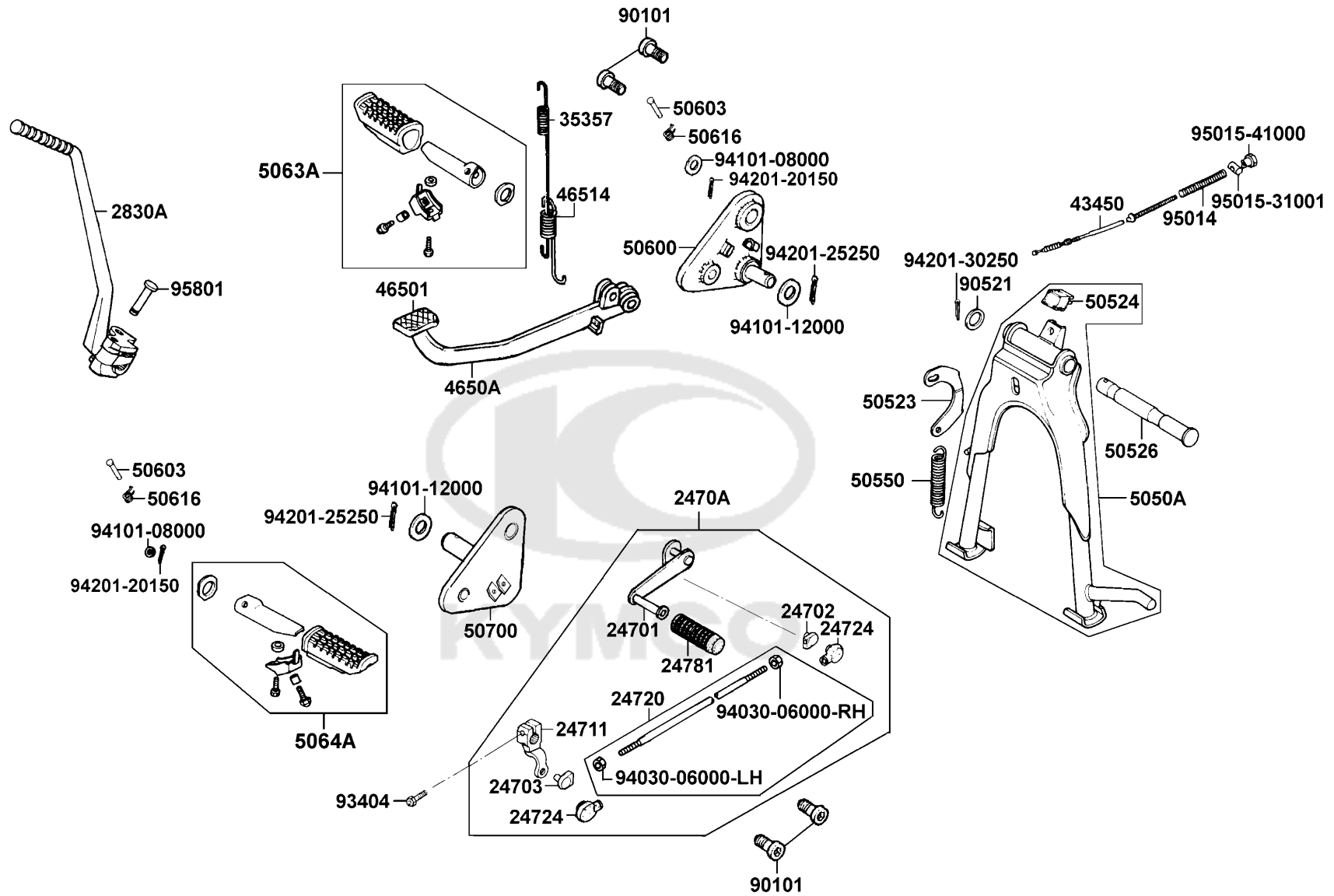
Exhaust Muffler



Sales mark	Ref no	Part no	Description	Reg description	Regd no	F15
	18231	18231-3E65-671	JOINT EXH PIPE	JOINT EXH PIPE	1	
	18233	18233-3L30-001	COLLAR EXHAUST PIPE JOINT	COLLAR EXHAUST PIPE JOINT	2	
	18290	18290-KKAK-900	RUBBER STAY	RUBBER STAY	3	
#	18291	18291-LLB1-900	GASKET EXH PIPE	GASKET EXH PIPE	1	
	1830A	1830A-KEC2-E00	MUFFLER COMP ASSY	MUFFLER COMP ASSY	1	
	18312	18312-KKAK-900	STAY	STAY	4	
	18318	18318-KEC2-E00	PROTECTOR MUFFLER	PROTECTOR MUFFLER	1	
	18323	18323-KEC2-900	PROTECTOR EXHAUST PIPE A	PROTECTOR EXHAUST PIPE A	1	
	18324	18324-KEC2-900	PROTECTOR EXH PIPE B	PROTECTOR EXH PIPE B	1	
	18325	18325-KEC2-900	PROTECTOR EXH PIPE	PROTECTOR EXH PIPE	1	
	90120	90120-KKAK-900	SOCKET BOLT SPECIAL 6*10	SOCKET BOLT SPECIAL 6*10	6	
	90309	90309-GLW0-90A	NUT U FLANGE 8MM	NUT U FLANGE 8MM	1	
	90524	90524-0L30-001	WASHER A/B HANDLE HOLDER	WASHER A/B HANDLE HOLDER	1	
	94050	94050-06080	NUT FLANGE 6MM	NUT FLANGE 6MM	2	
	96001	96001-06018-02	BOLT FLANGE SH 6*18	BOLT FLANGE SH 6*18	4	

F16

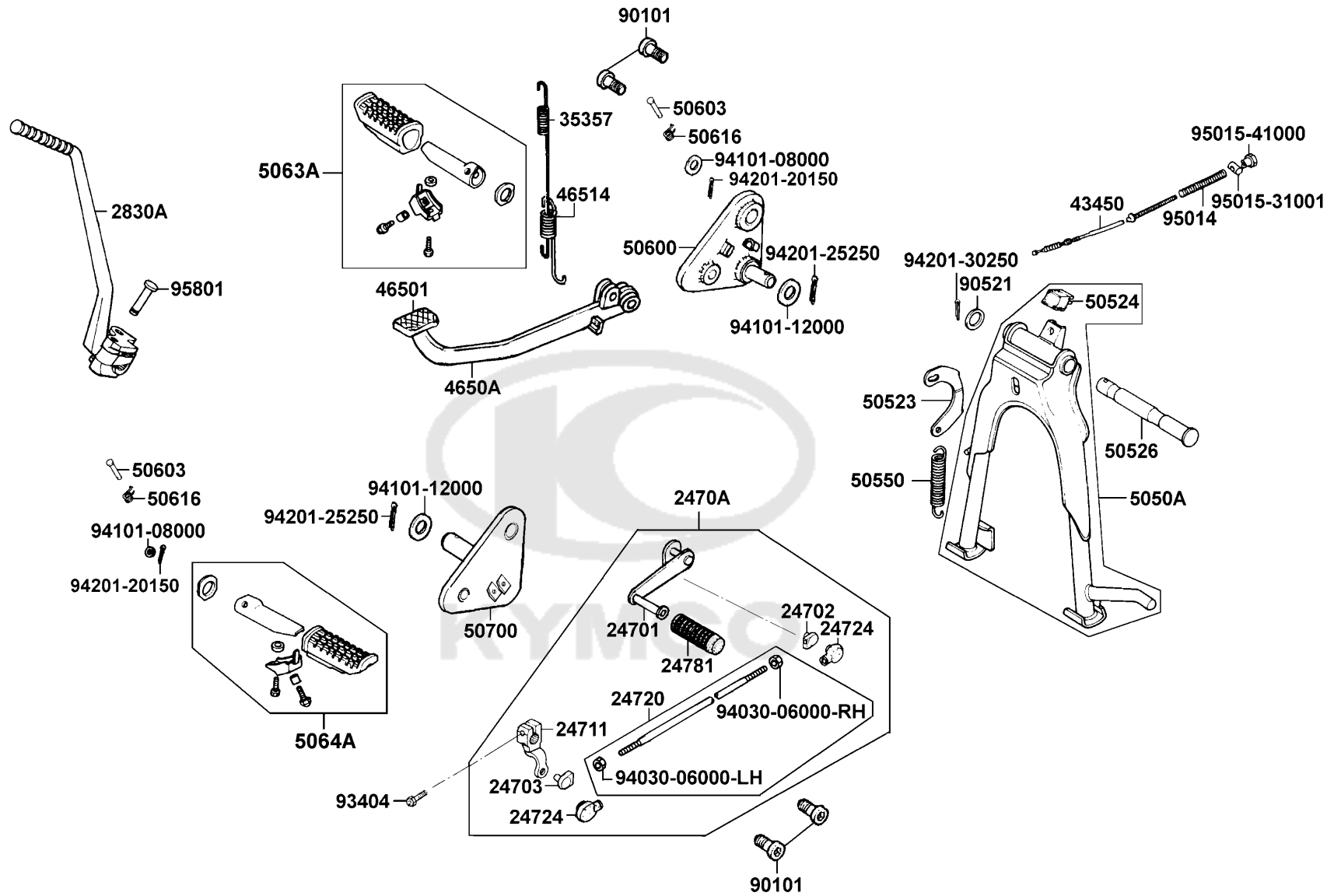
PedalStand



Sales mark	Ref no	Part no	Description	Reg description	Regd no	F16
24701		24701-KKAK-900	PEDAL COMP GEAR CHANGE	PEDAL COMP GEAR CHANGE	1	
24702		24702-KKAK-900	TIE ROD A	TIE ROD A	1	
24703		24703-KKAK-900	TIE ROD B	TIE ROD B	1	
2470A		2470A-KEC2-900	PEDAL ASSY CHANGE	PEDAL ASSY CHANGE	1	
24711		24711-KKAK-900	ARM GEAR CHANGE	ARM GEAR CHANGE	1	
24720		24720-KEC2-900	ROD TIE	ROD TIE	1	
24724		24724-4B22-000	COVER DUST	COVER DUST	2	
24781		24781-KFW6-900	RUBBER PEDAL CHANGE	RUBBER PEDAL CHANGE	1	
2830A		2830A-KEC2-800	ARM ASSY KICK	ARM ASSY KICK	1	
35357		35357-KKAK-900	SPRING STOP SWITCH	SPRING STOP SWITCH	1	
43450		43450-KEC2-800	CABLE COMP RR BRK	CABLE COMP RR BRK	1	
46501		46501-KGG7-001	RUBBER BRAKE PEDAL	RUBBER BRAKE PEDAL	1	
4650A		4650A-KEC2-900	PEDAL ASSY BRAKE	PEDAL ASSY BRAKE	1	
46514		46514-KKAK-900	SPRING BRAKE PEDAL	SPRING BRAKE PEDAL	1	
5050A		5050A-KKAK-900	STAND ASSY MAIN	STAND ASSY MAIN	1	
50523		50523-KEC2-E00	HOOK MAIN STAND SPRING	HOOK MAIN STAND SPRING	1	
50524		50524-3G97-001	RUB STAND STOPPER	RUB STAND STOPPER	1	
50526		50526-KKAK-900	SHAFT MAIN STAND PIVOT	SHAFT MAIN STAND PIVOT	1	
50550		50550-KEC2-E00	SPRING ASSY MAIN STAND	SPRING ASSY MAIN STAND	1	
50600		50600-KEC2-810	HOLDER R MAIN STEP	HOLDER R MAIN STEP	1	

F16

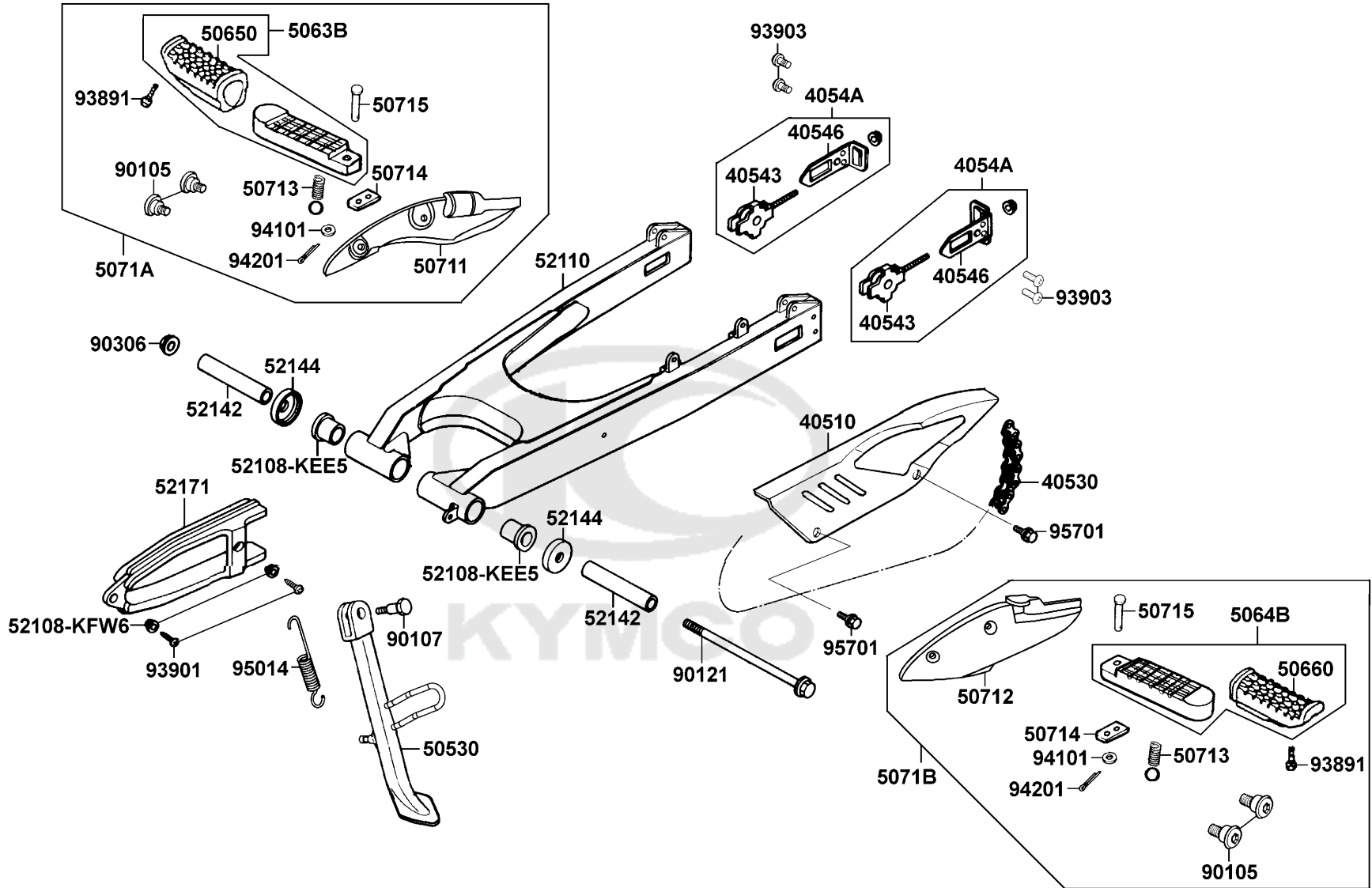
PedalStand



Sales mark	Ref no	Part no	Description	Reg description	Regd no	F16
	50603	50603-KEC2-810	PIN STEP RUBBER JOINT	PIN STEP RUBBER JOINT	2	
	50616	50616-KEC2-810	SPRING STEP RETURN	SPRING STEP RETURN	2	
	5063A	5063A-KEC2-810	BAR ASSY R FR STEP	BAR ASSY R FR STEP	1	
	5064A	5064A-KEC2-810	BAR ASSY L FR STEP	BAR ASSY L FR STEP	1	
	50700	50700-KEC2-810	HOLDER L MAIN STEP	HOLDER L MAIN STEP	1	
	90101	90101-KKAK-900	BOLT FR STEP	BOLT FR STEP	4	
	90521	90521-0H28-001	DIA WASHER 17*22	DIA WASHER 17*22	1	
#	93404	93404-06020-06	BOLT WASHER 6*20 (G)	BOLT WASHER 6*20 (G)	1	
	94030-06000-LH	94030-06000-LH	NUT HEX 6MM	NUT HEX 6MM	1	
	94030-06000-RH	94030-06000-RH	NUT HEX 6MM	NUT HEX 6MM	1	
	94101-08000	94101-08000	WASHER PLAIN 8MM	WASHER PLAIN 8MM	2	
	94101-12000	94101-12000	WASHER PLAIN 12 MM	WASHER PLAIN 12 MM	2	
	94201-20150	94201-20150	PIN SPLIT 2*15	PIN SPLIT 2*15	2	
	94201-25250	94201-25250	PIN SPLIT 2.5*25	PIN SPLIT 2.5*25	2	
	94201-30250	94201-30250	PIN SPLIT 3.0*25	PIN SPLIT 3.0*25	1	
	95014	95014-KKAK-920	SPRING BRAKE ROD	SPRING BRAKE ROD	1	
	95015-31001	95015-31001	JOINT A BRAKE ARM	JOINT A BRAKE ARM	1	
	95015-41000	95015-41000	NUT A ADJUST	NUT A ADJUST	1	
	95801	95801-08032-06	BOLT FLANGE 8*32	BOLT FLANGE 8*32	1	

F17

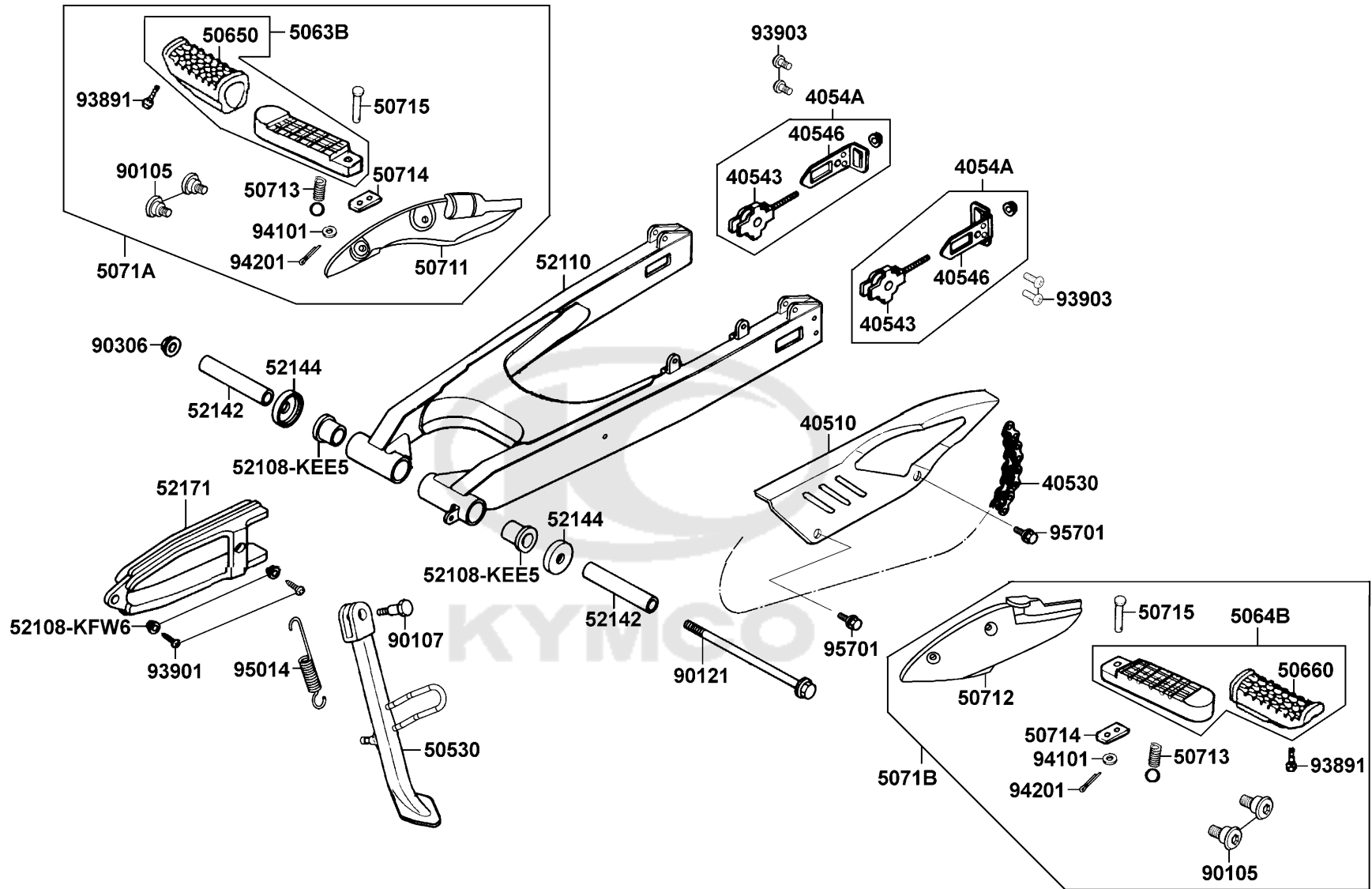
Rear ForkStepChain Case



Sales mark	Ref no	Part no	Description	Reg description	Regd no	F17
**	40510	40510-KKAK-900	COVER CHAIN	COVER CHAIN	1	
	40530	40530-KKAK-900	CHAIN ASSY DRIVE	CHAIN ASSY DRIVE	1	
	40543	40543-KFW6-901	ADJUSTER CHAIN	ADJUSTER CHAIN	2	
	40546	40546-KFW6-901	CAP REAR FORK END	CAP REAR FORK END	2	
	4054A	4054A-KKAK-900	ADJUSTER CHAIN ASSY	ADJUSTER CHAIN ASSY	2	
	50530	50530-KKAK-E00	BAR SIDE STAND	BAR SIDE STAND	1	
	5063B	5063B-KKAK-900	BAR COMP R STEP	BAR COMP R STEP	1	
	5064B	5064B-KKAK-900	BAR COMP L STEP	BAR COMP L STEP	1	
	50650	50650-KKAK-900	RUBBER R RR STEP BAR	RUBBER R RR STEP BAR	1	
	50660	50660-KKAK-900	RUBBER L RR STEP BAR	RUBBER L RR STEP BAR	1	
**	50711	50711-KKAK-900	HOLDER RR L STEP	HOLDER RR L STEP	1	
**	50712	50712-KKAK-900	HOLDER RR R STEP	HOLDER RR R STEP	1	
	50713	50713-KKAK-900	SPRING	SPRING	2	
	50714	50714-KKAK-900	WASHER	WASHER	2	
	50715	50715-KKAK-900	PIN RR STEP	PIN RR STEP	2	
	5071A	5071A-KKAK-900	STEP ASSY R RR	STEP ASSY R RR	1	
	5071B	5071B-KKAK-900	STEP ASSY L RR	STEP ASSY L RR	1	
	52108-KEE5	52108-KEE5-004	BUSH RR FORK	BUSH RR FORK	2	
	52108-KFW6	52108-KFW6-901	COLLAR CHAIN SLIDER	COLLAR CHAIN SLIDER	2	
**	52110	52110-KKAK-901	FORK COMP REAR	FORK COMP REAR	1	

F17

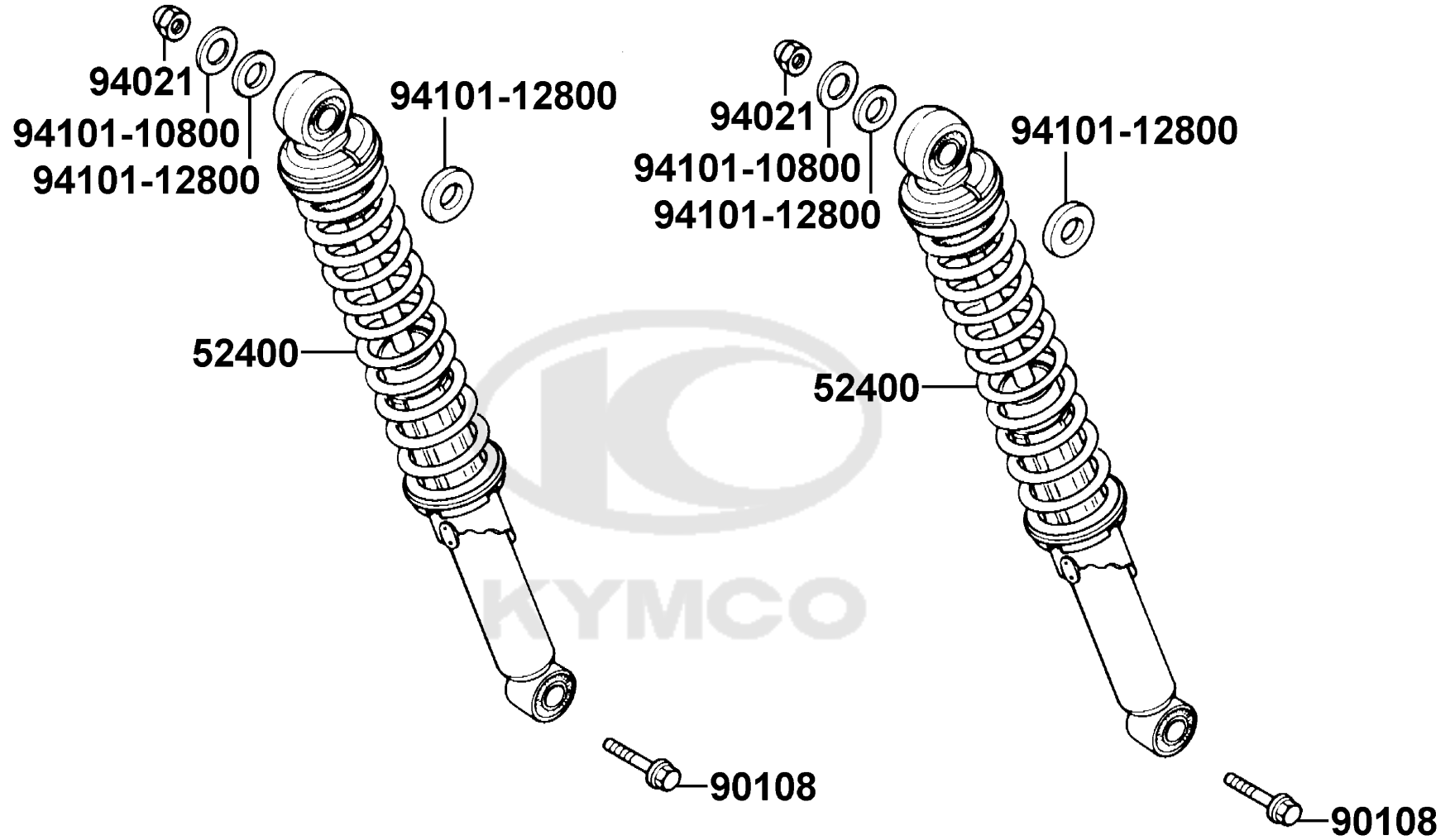
Rear ForkStepChain Case



Sales mark	Ref no	Part no	Description	Reg description	Regd no	F17
	52142	52142-KKAK-900	COLLAR COMP RR FORK	COLLAR COMP RR FORK	2	
	52144	52144-LBA7-900	CAP RR FORK DUST SEAL	CAP RR FORK DUST SEAL	2	
	52171	52171-KKAK-900	SLIDER CHAIN	SLIDER CHAIN	1	
	90105	90105-MLL0-731	BOLT STEP HOLDER 8*24	BOLT STEP HOLDER 8*24	4	
	90107	90107-KKAK-E00	SCREW SIDE STAND PIVOT	SCREW SIDE STAND PIVOT	1	
	90121	90121-KKAK-900	BOLT RR FORK PIVOT M12*270MM	BOLT RR FORK PIVOT M12*270MM	1	
	90306	90306-GLW0-90A	NUT FLANGE 12MM	NUT FLANGE 12MM	1	
	93891	93891-05020-06	SCREW WASHER M 5*20	SCREW WASHER M 5*20	2	
#	93901	93901-26160	SCREW TAPPING 6*12	SCREW TAPPING 6*12	3	
	93903	93903-24280-02	SCREW TAPPING 4*10	SCREW TAPPING 4*10	4	
	94101	94101-06000	WASHER PLAIN 6MM	WASHER PLAIN 6MM	2	
	94201	94201-16120	PIN SPLIT 1.6*1.2	PIN SPLIT 1.6*1.2	2	
	95014	95014-KKAK-E00	SPRING COMP SIDE STAND	SPRING COMP SIDE STAND	1	
#	95701	95701-06006-06	BOLT FLANGE 6*6 (G)	BOLT FLANGE 6*6 (G)	1	

F18

Rear Cushion



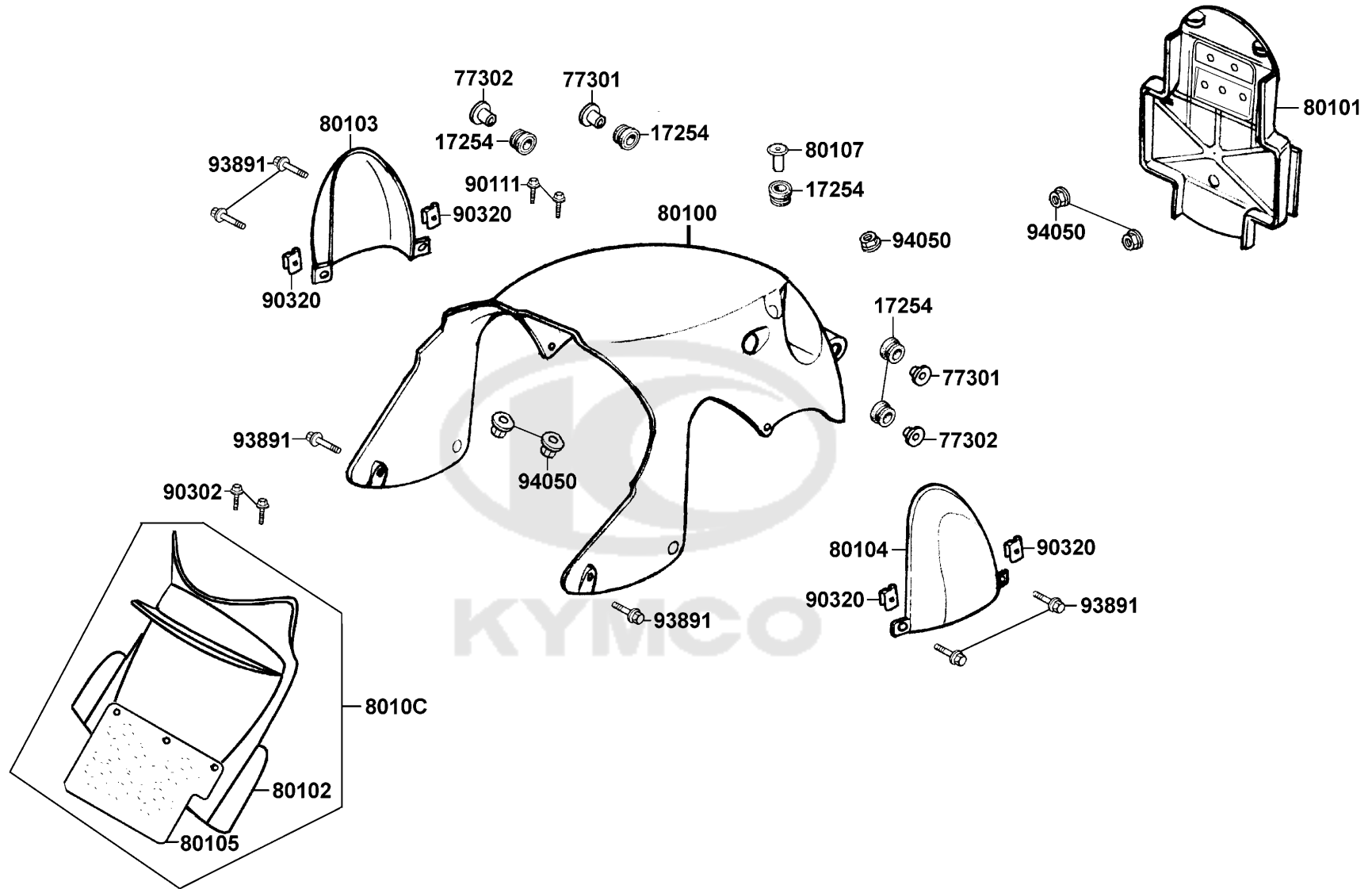
Sales mark	Ref no	Part no	Description	Reg description	Regd no	F18
------------	--------	---------	-------------	-----------------	---------	------------

**	52400	52400-KEC2-E00	CUSHION ASSY REAR	CUSHION ASSY REAR	2	
	90108	90108-KKAK-900	BOLT RR CUSH UND	BOLT RR CUSH UND	2	
	94021	94021-10020-0S	NUT HEX CAP 10MM	NUT HEX CAP 10MM	2	
	94101-10800	94101-10800	WASHER PLAIN 10*22*1.6	WASHER PLAIN 10*22*1.6	2	
	94101-12800	94101-12800	WASHER PLAIN 12MM	WASHER PLAIN 12MM	4	



F19

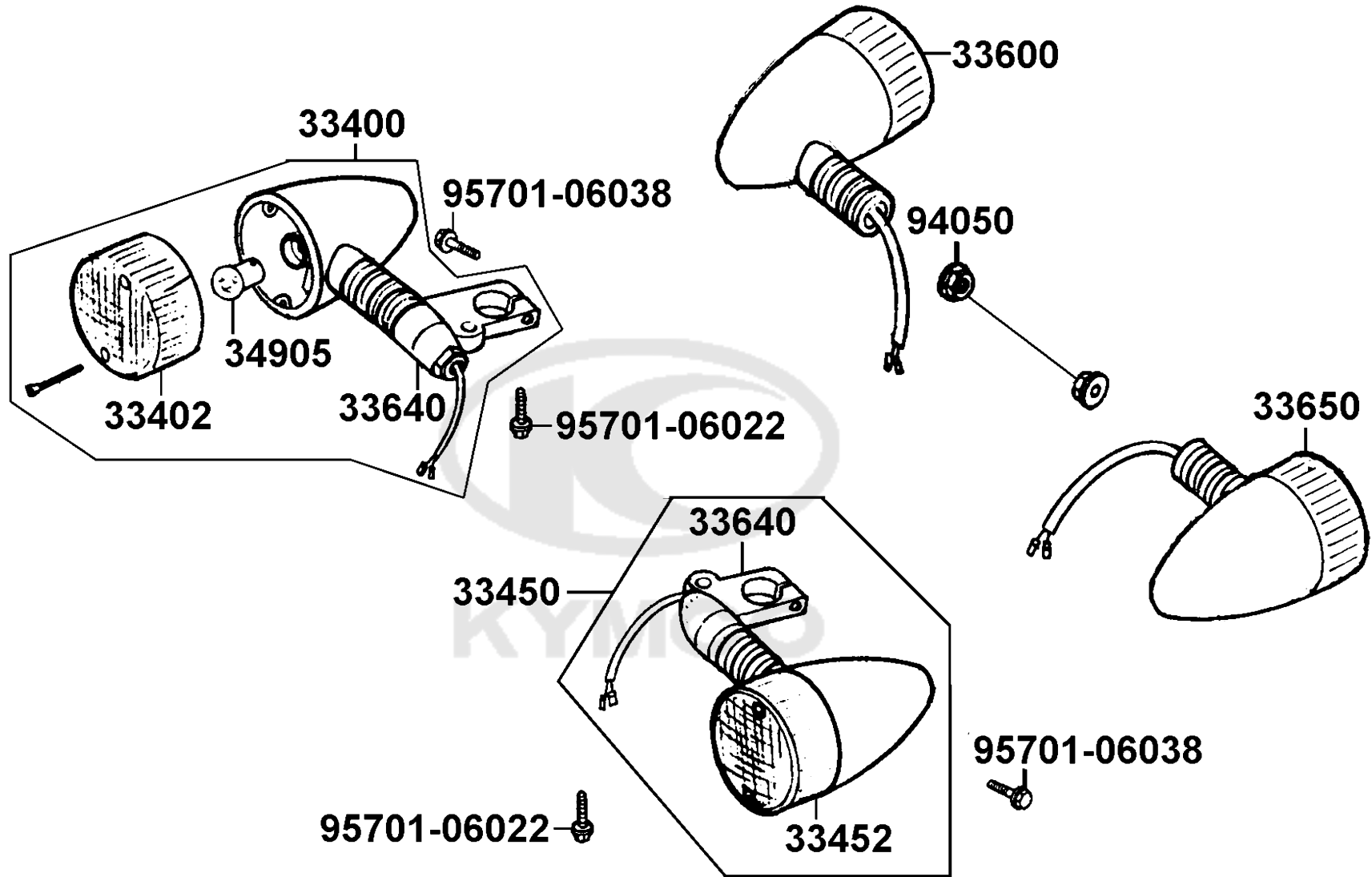
Rear Fender



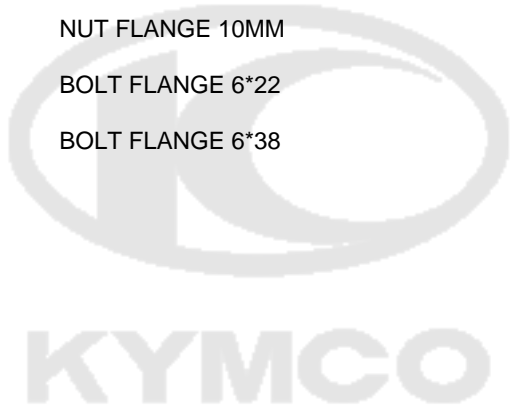
Sales mark	Ref no	Part no	Description	Reg description	Regd no	F19
	17254	17254-KKAK-900	RUBBER REAR GRIP	RUBBER REAR GRIP	5	
	77301	77301-KKAK-900	COLLAR REAR GRIP	COLLAR REAR GRIP	2	
	77302	77302-KKAK-900	COLLAR B REAR GRIP	COLLAR B REAR GRIP	2	
**	80100	80100-KKAK-900	FENDER A REAR	FENDER A REAR	1	
	80101	80101-KKAK-900	FENDER B REAR	FENDER B REAR	1	
	80102	80102-KKAK-900	FENDER C REAR	FENDER C REAR	1	
**	80103	80103-KKAK-900	COVER R RR CUSHION	COVER R RR CUSHION	1	
**	80104	80104-KKAK-900	COVER L RR CUSHION	COVER L RR CUSHION	1	
	80105	80105-KKAK-900	PLATE SPLASH GUARD	PLATE SPLASH GUARD	1	
	80107	80107-KKAK-900	COLLAR RR FENDER	COLLAR RR FENDER	1	
	8010C	8010C-KKAK-900	FENDER C ASSY REAR	FENDER C ASSY REAR	1	
#	90111	90111-LEB1-900	BOLT FLANGE 6MM	BOLT FLANGE 6MM	2	
	90302	90302-GFY6-940	BOLT-WASH 5*16	BOLT-WASH 5*16	2	
	90320	90320-GCC3-001	NUT SPRING M5	NUT SPRING M5	4	
	93891	93891-05016-02	SCREW WASHER 5*16	SCREW WASHER 5*16	6	
	94050	94050-06080	NUT FLANGE 6MM	NUT FLANGE 6MM	5	

F20

Winker

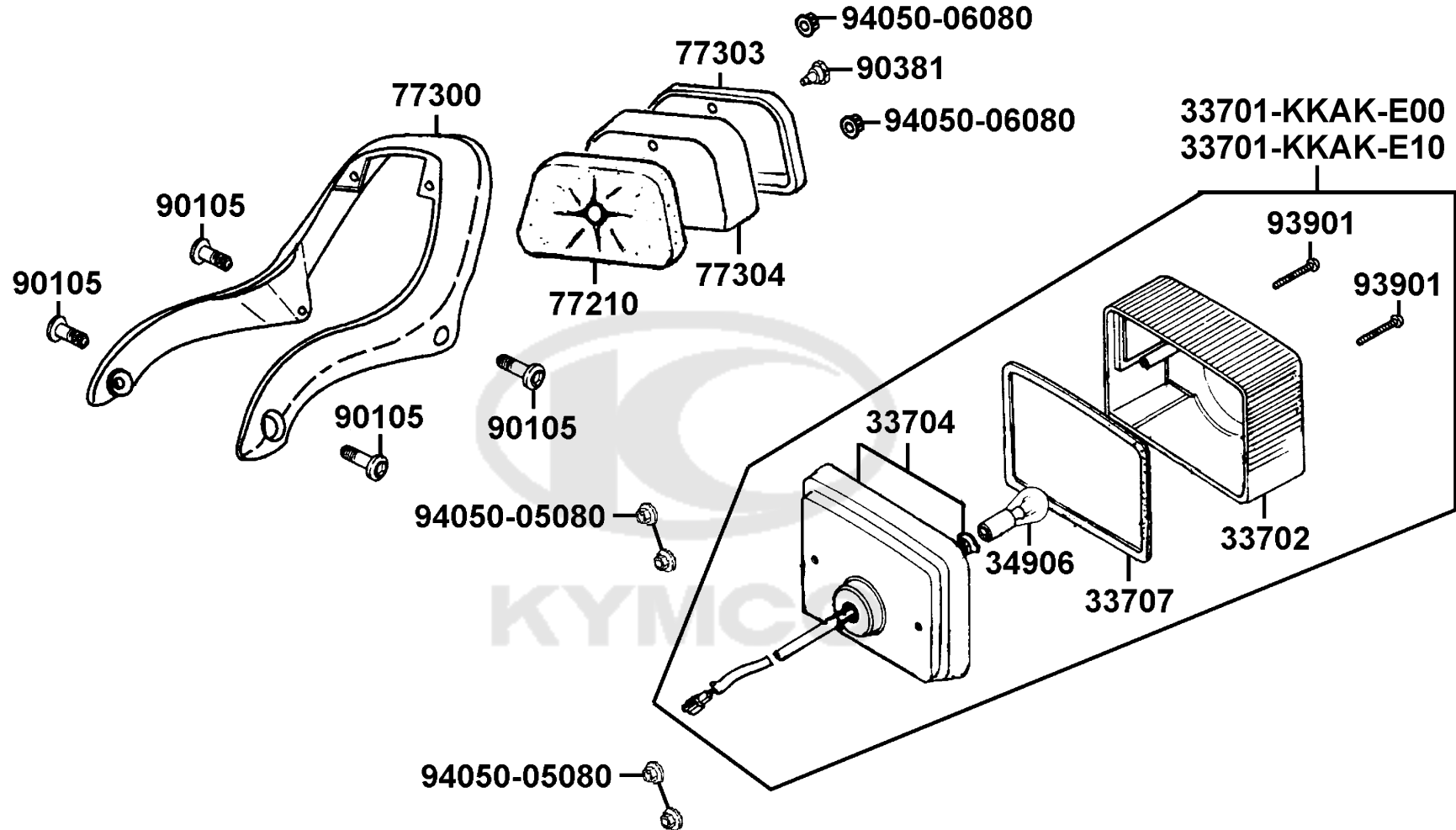


Sales mark	Ref no	Part no	Description	Reg description	Regd no	F20
	33400	33400-KKAK-E00	WINKER ASSY R FR	WINKER ASSY R FR	1	
	33402	33402-KKAK-E00	LENS WINKER	LENS WINKER	4	
	33450	33450-KKAK-E00	WINKER ASSY L FR	WINKER ASSY L FR	1	
	33600	33600-KKAK-E00	WINKER ASSY R RR	WINKER ASSY R RR	1	
	33640	33640-KKAK-900	STAY JOINT CUSHION	STAY JOINT CUSHION	2	
	33650	33650-KKAK-E00	WINKER ASSY L RR	WINKER ASSY L RR	1	
	34905	34905-KPCP-900	BULB WINKER	BULB WINKER	4	
	94050	94050-10080	NUT FLANGE 10MM	NUT FLANGE 10MM	2	
	95701	95701-06022-02	BOLT FLANGE 6*22	BOLT FLANGE 6*22	2	
	95701A	95701-06038-02	BOLT FLANGE 6*38	BOLT FLANGE 6*38	2	

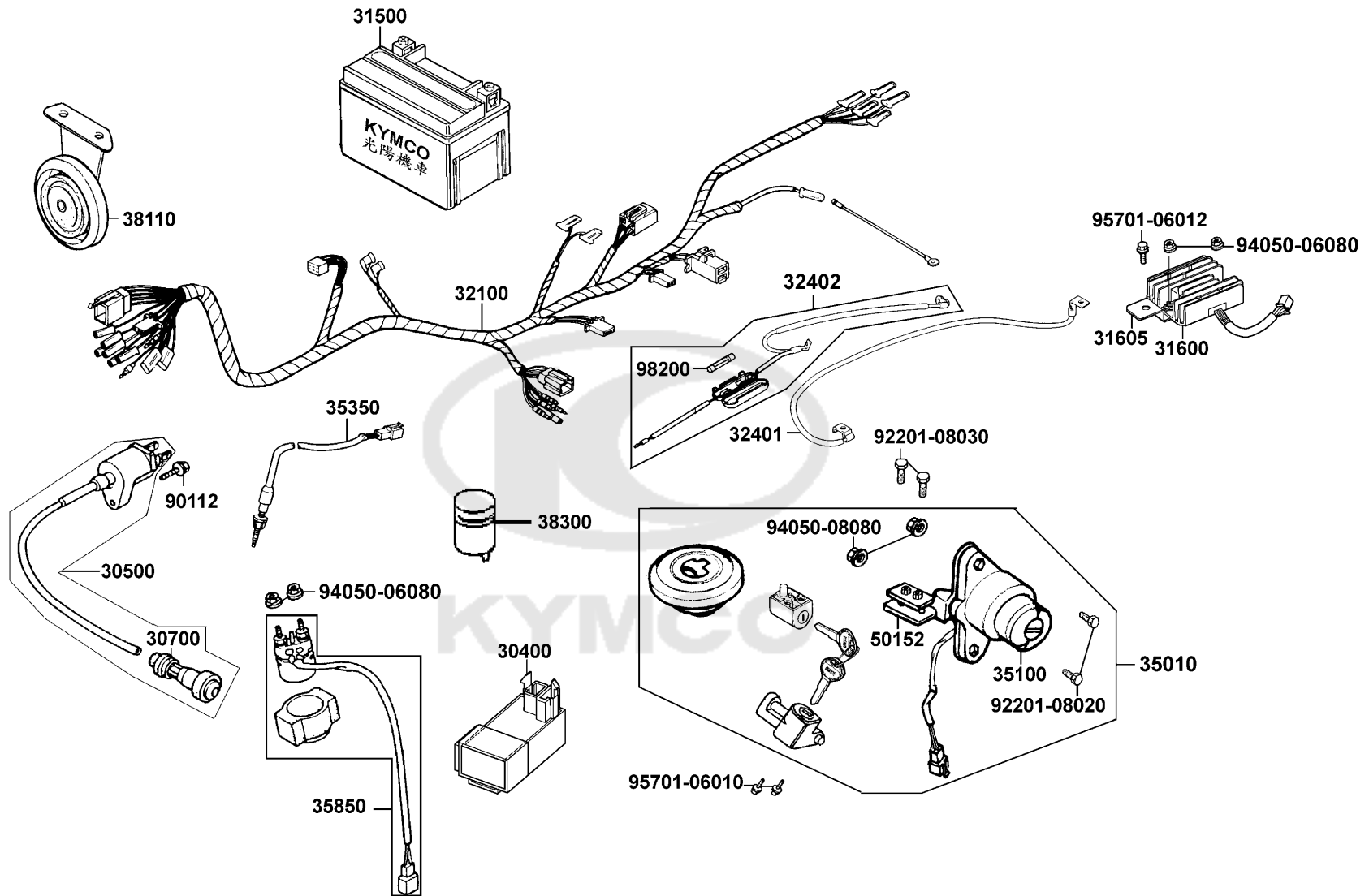


F21

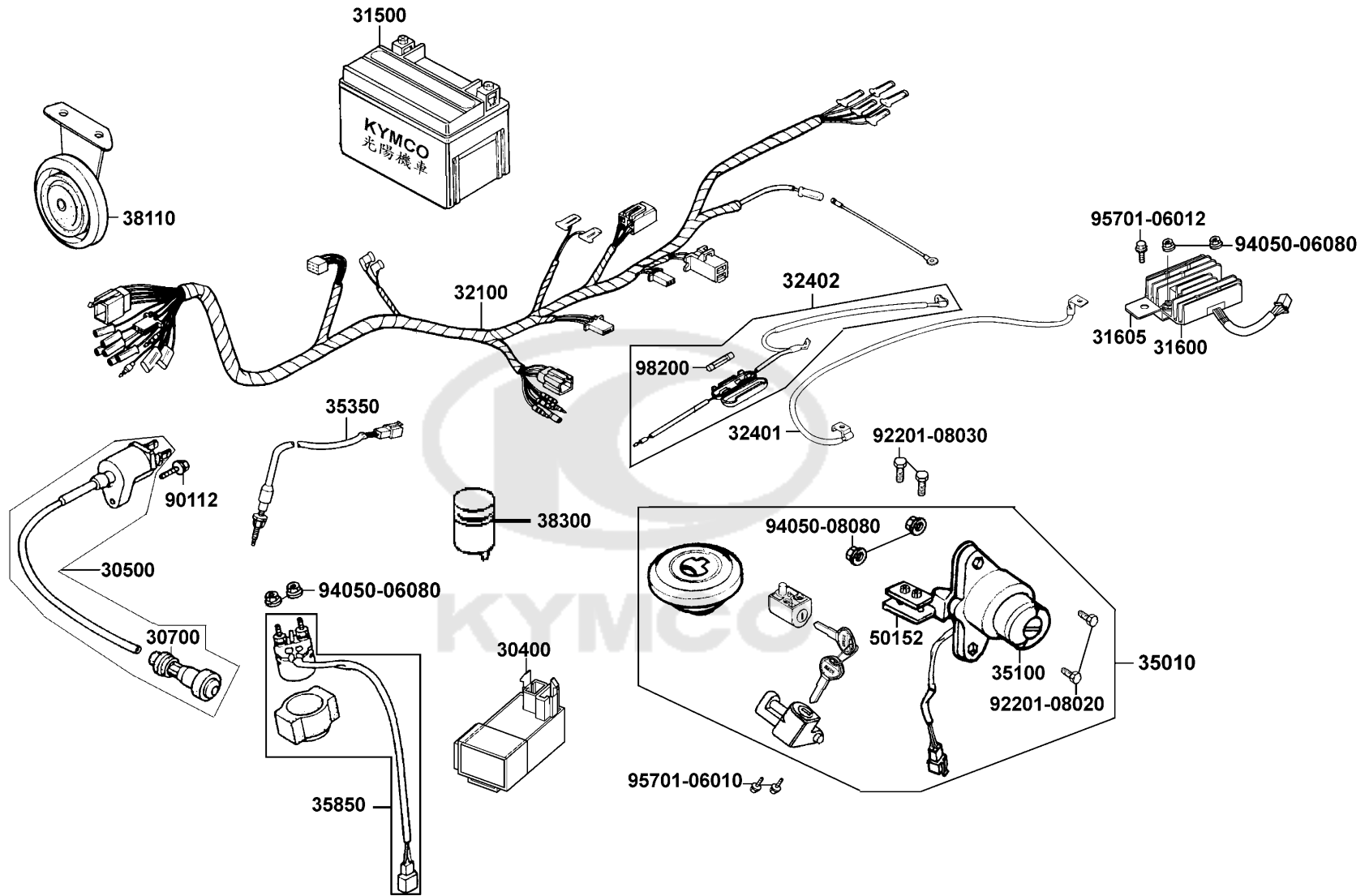
Tail Light



Sales mark	Ref no	Part no	Description	Reg description	Regd no	F21
	33701-KKAK-E00	33701-KKAK-E00	UNIT TAIL LIGHT (old)	UNIT TAIL LIGHT (old)	1	
	33701-KKAK-E10	33701-KKAK-E10	UNIT TAIL LIGHT	UNIT TAIL LIGHT	1	
	33702	33702-KKAK-E00	LENS COMP TAIL LIGHT	LENS COMP TAIL LIGHT	1	
	33704	33704-KKAK-E10	BASE COMP TAIL LIGHT	BASE COMP TAIL LIGHT	1	
	33707	33707-KKAK-900	PACKING TAIL LIGHT	PACKING TAIL LIGHT	1	
	34906	34906-KPCP-900	BULB TAIL & STOP	BULB TAIL & STOP	1	
**	77210	77210-KKAK-900	SEAT COMP BACK (REACH)	SEAT COMP BACK (REACH)	1	
	77300	77300-KKAK-900	GRIP REAR	GRIP REAR	1	
	77303	77303-KKAK-900	COVER TOOL BOX	COVER TOOL BOX	1	
	77304	77304-KKAK-900	BOX TOOL	BOX TOOL	1	
	90105	90105-KKAK-900	BOLT SPECIAL 8*38	BOLT SPECIAL 8*38	4	
	90381	90381-KKAK-900	SCREW SPECIAL	SCREW SPECIAL	1	
	93901	93901-34420	SCREW TAPPING 4*16	SCREW TAPPING 4*16	2	
	94050-05080	94050-05080	NUT FLANGE 5MM	NUT FLANGE 5MM	4	
	94050-06080	94050-06080	NUT FLANGE 6MM	NUT FLANGE 6MM	2	

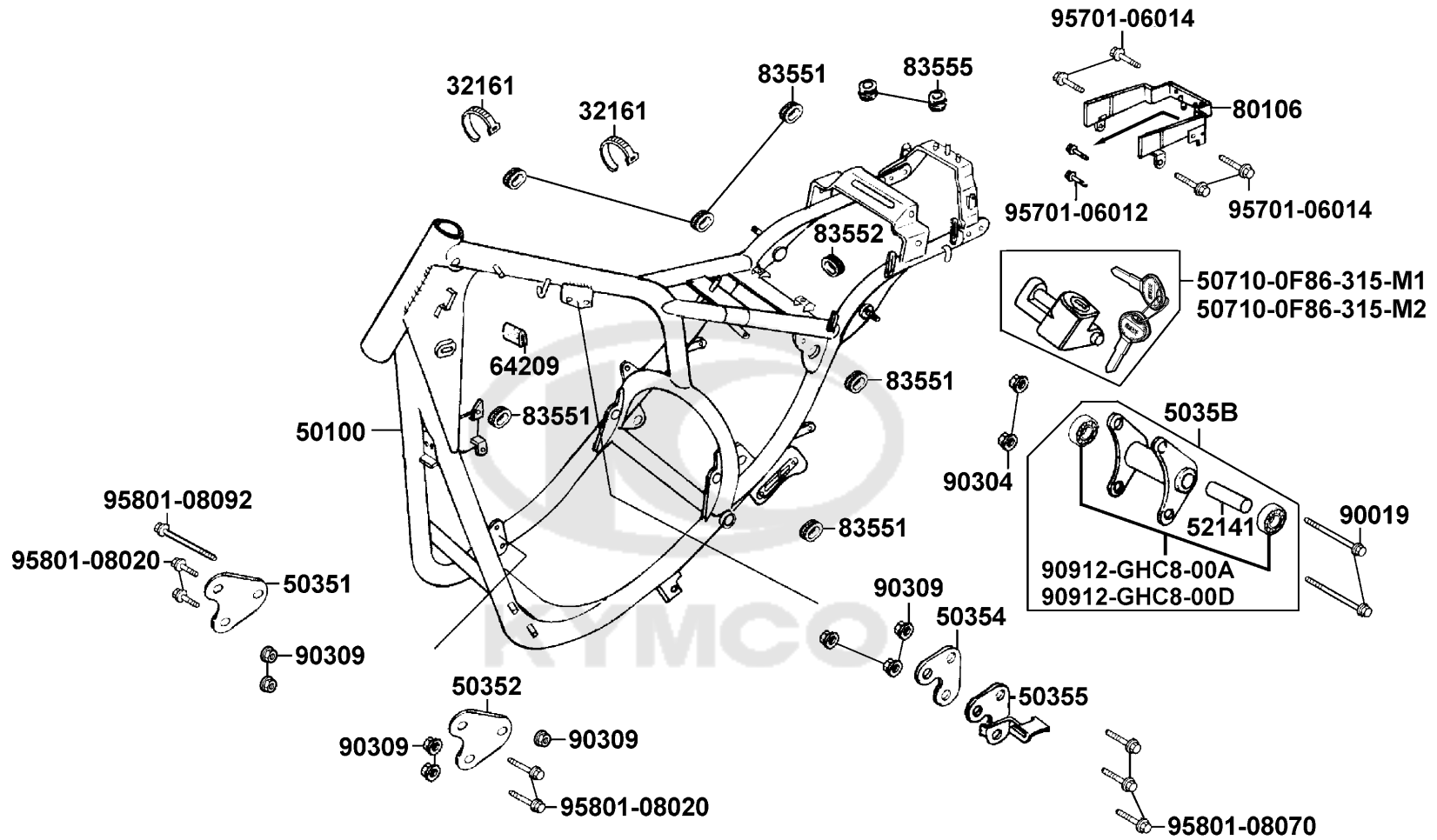


Sales mark	Ref no	Part no	Description	Reg description	Regd no	F22
	30400	30400-KKAK-900	UNIT ASSY CDI	UNIT ASSY CDI	1	
	30500	30500-KKAK-900	IGN COIL & PLUG CAP ASSY	IGN COIL & PLUG CAP ASSY	1	
	30700	30700-KGN7-671	CAP ASSY NOISE SUPPRESSOR	CAP ASSY NOISE SUPPRESSOR	1	
	31500	31500-GFY6-94A	BATTERY YTX7A-BS	BATTERY YTX7A-BS	1	
	31600	31600-KGG7-001	REG REC COMP	REG REC COMP	1	
	31605	31605-KKAK-900	STAY REG REC COMP	STAY REG REC COMP	1	
	32100	32100-KEC2-800	HARNESS WIRE	HARNESS WIRE	1	
	32401	32401-KKAK-900	CORD EARTH	CORD EARTH	1	
	32402	32402-KKAK-900	CABLE RELAY BATTERY	CABLE RELAY BATTERY	1	
	35010	35010-KKAK-E0B	KEY SET (D106)	KEY SET	1	
	35100	35100-KKAK-315-M2	SW ASSY COMB	SW ASSY COMB	1	
	35350	35350-KKAK-900	REAR STOP SW	REAR STOP SW	1	
	35850	35850-KKAK-900	SET START MAG	SET START MAG	1	
	38110	38110-KKAK-E0A	HORN ASSY	HORN ASSY	1	
	38300	38300-GLW0-C11	RELAY ASSY WINKER	RELAY ASSY WINKER	1	
	50152	50152-KKA8-900	BRKT MAIN SWITCH	BRKT MAIN SWITCH	1	
	90112	90112-KRDR-900	BOLT FLANGE 5*22	BOLT FLANGE 5*22	1	
	92201-08020	92201-08020-02	BOLT HEX 8*20	BOLT HEX 8*20	2	
	92201-08030	92201-08030-0B	BOLT HEX 8*30	BOLT HEX 8*30	2	
	94050-06080	94050-06080	NUT FLANGE 6MM	NUT FLANGE 6MM	4	

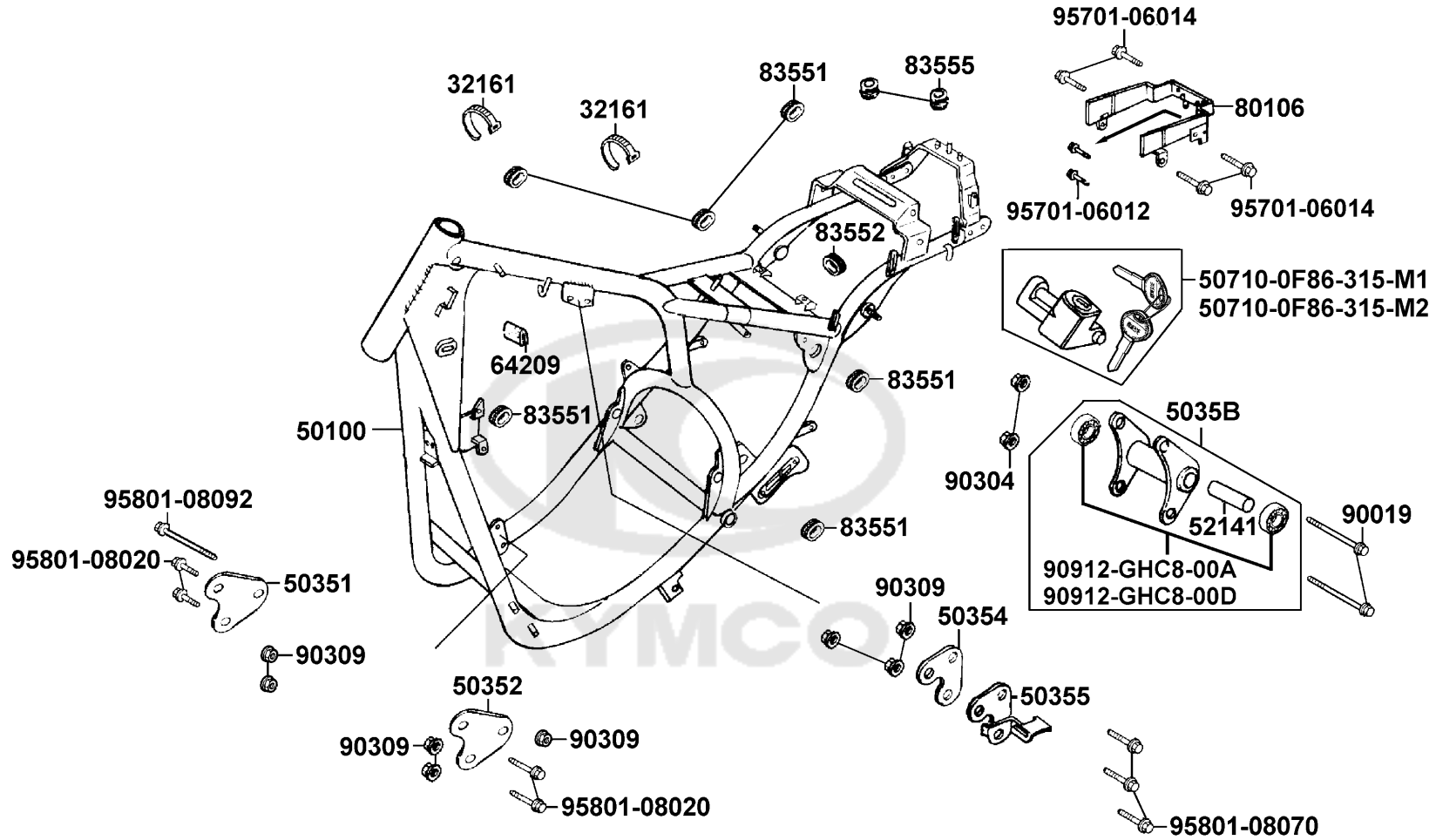



Sales mark	Ref no	Part no	Description	Reg description	Regd no	F22
	94050-08080	94050-08080	NUT FLANGE 8MM	NUT FLANGE 8MM	2	
#	95701-06010	95701-06010-06	BOLT FLANGE 6*10	BOLT FLANGE 6*10	1	
#	95701-06012	95701-06012-06	BOLT FLANGE 6*12 **07 C.2005.07.01	BOLT FLANGE 6*12 **07 C.2005.07.01	1	
	98200	98200-11500	FUSE A15	FUSE A15	1	





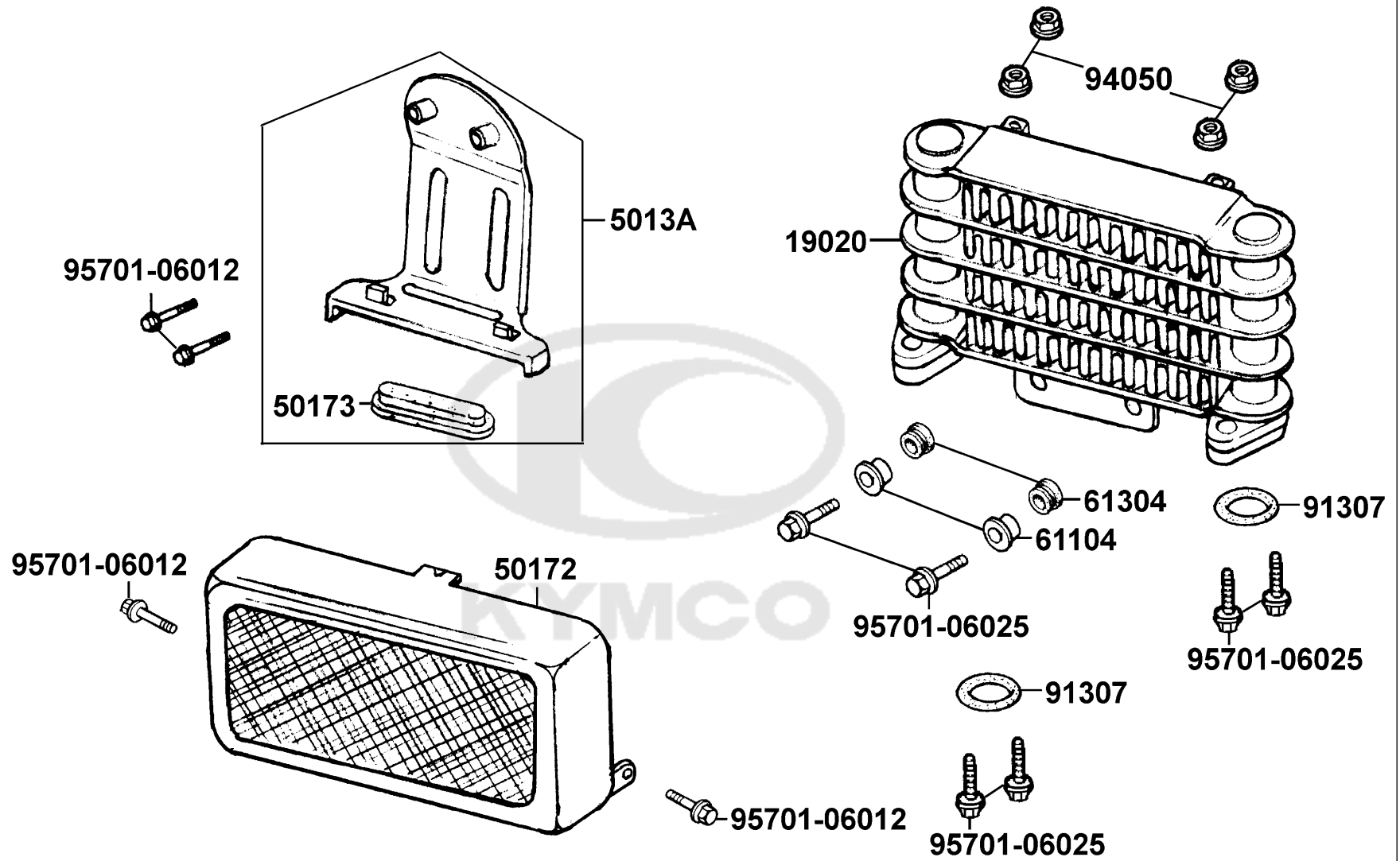
Sales mark	Ref no	Part no	Description	Reg description	Regd no	F23
	32161	32161-4D04-001	BAND BI WIRE	BAND BI WIRE	2	
	50100	50100-KEC2-E00	BODY COMP FRAME	BODY COMP FRAME	1	
	50351	50351-KEC2-900	HANGER R FR ENG	HANGER R FR ENG	1	
	50352	50352-KEC2-900	HANGER L FR ENG	HANGER L FR ENG	1	
	50354	50354-KKAK-900	PLATE R UPPER ENG HANGER	PLATE R UPPER ENG HANGER	1	
	50355	50355-KKAK-900	PLATE L UPPER ENG HANGER	PLATE L UPPER ENG HANGER	1	
	5035B	5035B-KKAK-900	ENG HANGER ASSY REAR	ENG HANGER ASSY REAR	1	
	50710-0F86-315-M1	50710-0F86-315-M1	HOLDER HELMET ASSY	HOLDER HELMET ASSY	1	
	50710-0F86-315-M2	50710-0F86-315-M2	HOLDER HELMET SET	HOLDER HELMET SET	1	
	52141	52141-KKAK-900	COLLAR ENG HANGER	COLLAR ENG HANGER	1	
	64209	64209-KKAK-900	MOULDING WIND	MOULDING WIND	1	
	80106	80106-KKAK-910	STAY REAR FENDER	STAY REAR FENDER	1	
	83551	83551-KKAK-900	GROMMET AIR CLEANER CASE	GROMMET AIR CLEANER CASE	6	
	83552	83552-KKAK-900	RUBBER AIR/C CASE	RUBBER AIR/C CASE	1	
	83555	83555-KKAK-900	RUBBER SEAT	RUBBER SEAT	2	
	90019	90019-KKAK-900	BOLT FLANGE 10*113	BOLT FLANGE 10*113	2	
	90304	90304-GHE8-004	NUT U 10MM	NUT U 10MM	2	
#	90309	90309-KLF0-004	NUT FLANGE 8MM	NUT FLANGE 8MM	1	
	90912-GHC8-00A	90912-GHC8-00A	BEARING 6201 (U)	BEARING 6201 (U)	2	
	90912-GHC8-00D	90912-GHC8-00D	BEARING	BEARING	2	



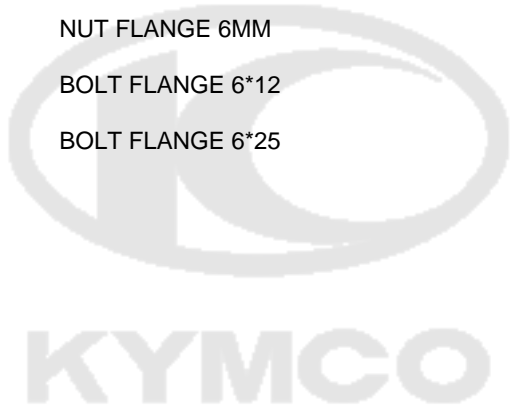
Sales mark	Ref no	Part no	Description	Reg description	Regd no	F23
#	95701-06012	95701-06012-06	BOLT FLANGE 6*12 **07 C.2005.07.01	BOLT FLANGE 6*12 **07 C.2005.07.01	1	
#	95701-06014	95701-06014-06	BOLT FLANGE 6*14	BOLT FLANGE 6*14	1	
#	95801-08020	95801-08020-06	BOLT FLANGE 8*20(G)	BOLT FLANGE 8*20(G)	1	
#	95801-08070	95801-08070-06	BOLT FLANGE 8X70	BOLT FLANGE 8X70	1	
#	95801-08092	95801-08092-06	BOLT FLANGE 8*92	BOLT FLANGE 8*92	1	
						

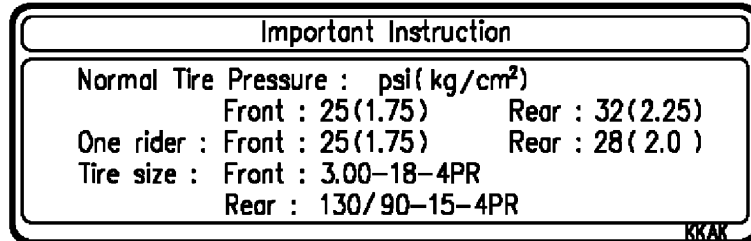
F24

Oil Cooler

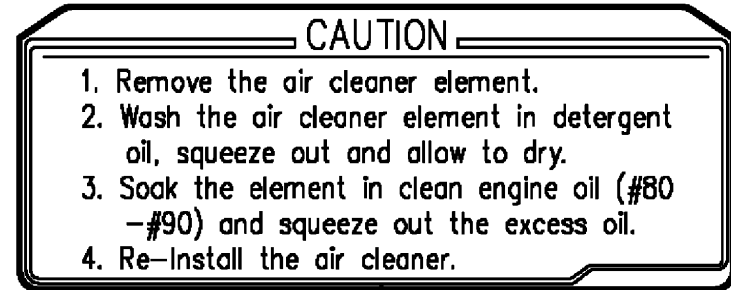


Sales mark	Ref no	Part no	Description	Reg description	Regd no	F24
	19020	19020-KFBF-910	COOLER OIL	COOLER OIL	1	
	5013A	5013A-KEC2-E00	OIL COOLER BRKT ASSY	OIL COOLER BRKT ASSY	1	
	50172	50172-KKAK-900	COVER OIL COOLER	COVER OIL COOLER	1	
	50173	50173-KKAK-900	RUBBER OIL COOLER BRKT	RUBBER OIL COOLER BRKT	1	
	61104	61104-4B22-001	COLLAR SETTING	COLLAR SETTING	2	
	61304	61304-KKBK-900	RUBBER OIL COOLER	RUBBER OIL COOLER	2	
	91307	91307-KFBF-901	O-RING OIL COOLER	O-RING OIL COOLER	2	
	94050	94050-06080	NUT FLANGE 6MM	NUT FLANGE 6MM	4	
	95701-06012	95701-06012-02	BOLT FLANGE 6*12	BOLT FLANGE 6*12	4	
#	95701-06025	95701-06025-06	BOLT FLANGE 6*25	BOLT FLANGE 6*25	1	





87505



87508

Helmet
Hook

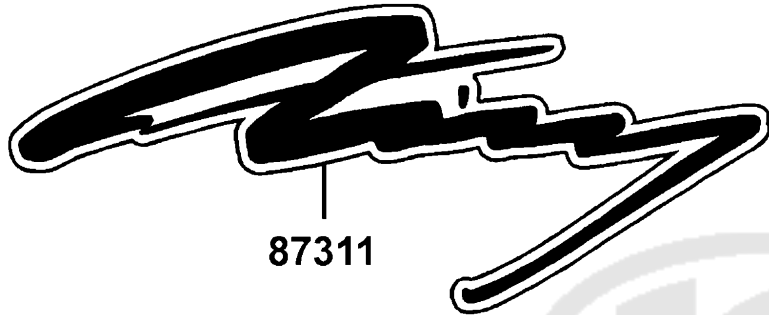
87511



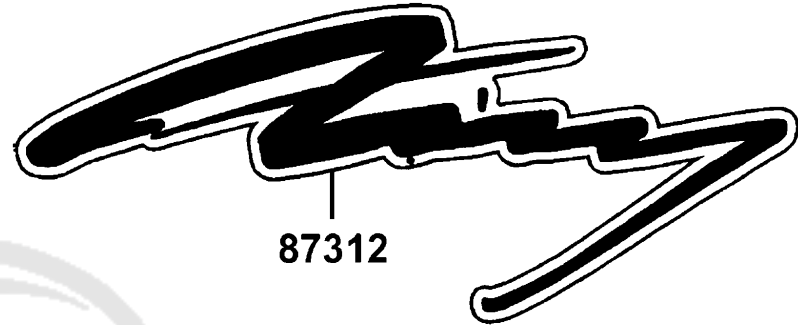
Sales mark	Ref no	Part no	Description	Reg description	Regd no	F25
------------	--------	---------	-------------	-----------------	---------	------------

**	87505	87505-KKAK-Q00	MARK TIRE CAUTION	MARK TIRE CAUTION	1	
**	87508	87508-KGG7-E00	MARK AIR CLEANER CAUTION	MARK AIR CLEANER CAUTION	1	
**	87511	87511-KKAK-Q00	LABEL HELMET HOLDER	LABEL HELMET HOLDER	1	

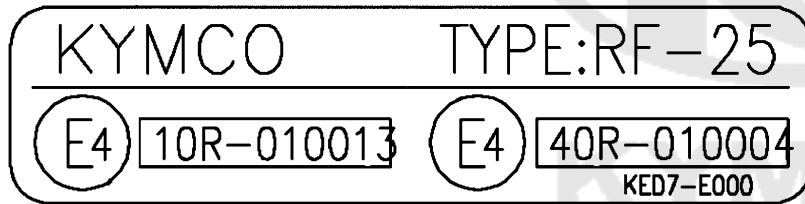




87311



87312



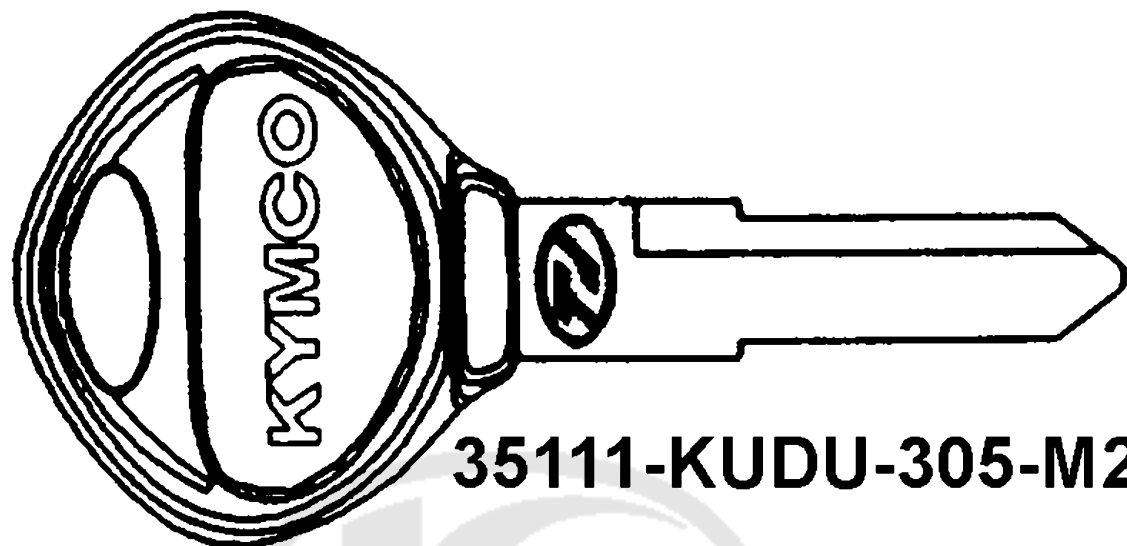
87223



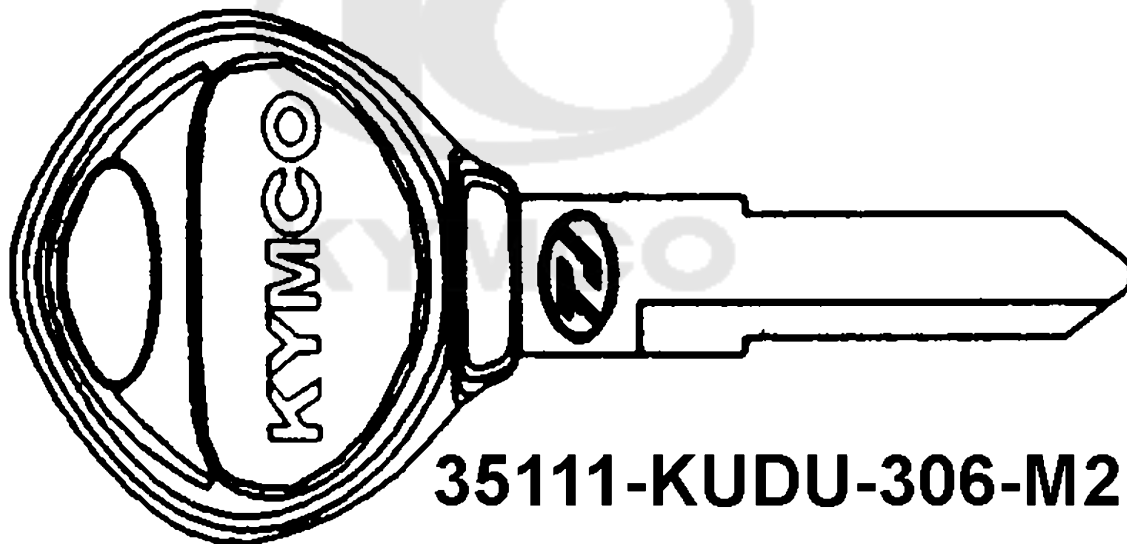
87411

Sales mark	Ref no	Part no	Description	Reg description	Regd no	F26
**	87223	87223-KED7-E00	MARK E/M & RADIO NOISE	MARK E/M & RADIO NOISE	1	
**	87311	87311-KKAK-900	EMB R FUEL TANK	EMB R FUEL TANK	1	
**	87312	87312-KKAK-900	ENB L FUEL TANK	ENB L FUEL TANK	1	
**	87411	87411-KED7-E00	STRIPE SIDE COVER	STRIPE SIDE COVER	2	





35111-KUDU-305-M2



35111-KUDU-306-M2

Sales mark	Ref no	Part no	Description	Reg description	Regd no	F27
------------	--------	---------	-------------	-----------------	---------	------------

35111-KUDU-305-M2	35111-KUDU-305-M2	KEY COMP (R TANGENT PLANE TJ)	KEY COMP (R TANGENT PLANE TJ)	1	
35111-KUDU-306-M2	35111-KUDU-306-M2	KEY COMP(L TANGENT PLANE TJ)	KEY COMP(L TANGENT PLANE TJ)	1	



PART NO. INDEX

PART NO.	VERSION	PAGE	PART NO.	VERSION	PAGE	PART NO.	VERSION	PAGE
0000			4000			12215-3G97-021	0	E02
0110-803-1100	0	E11	4000-069-0004	0	E11	12251-KLAL-90A	0	E01
			4115-803-1100	0	E11	12311-KKAK-900	0	E01
1000			4115-804-1100	0	E11	12312-KKAK-900	2	E01
1028-054-7000	0	E11				12313-KKAK-900	2	E01
1030-873-7003	0	E11	11000			12361-1G07-001	0	E07
1034-869-2001	0	E11	11100-KED7-E00	3	E07	12391-3G97-010	2	E01
1052-862-2101	0	E11	11108-KGG7-901	1	F14	13000		
1090-873-2001	0	E11	11191-KED7-E00	0	E07	13000-KEC2-305	1	E08
1190-A92-2103	0	E11	11200-KED7-E00	0	E07	13011-3C83-62B	1	E08
1201-830-2201	0	E11	11330-KEC2-900	2	E03	13101-3C83-500	1	E08
1229-805-7000	0	E11	11341-KEC2-900	5	E06	13111-4L40-001	1	E08
1230-850-2000	0	E11	11355-KKAK-900	0	E06	13417-KEC2-900	2	E08
1230-851-2001	0	E11	11361-KKAK-900	3	E06	13421-KEC2-900	0	E08
1230-856-7001	0	E11	11393-KEC2-980	2	E03	14000		
1290-996-2000-3	0	E11	11395-KEC2-980	2	E06	14100-KBE2-220	0	E08
1290-A07-2000	0	E11				14311-3G97-311	3	E08
1290-A13-2000	0	E11	12000			14400-3G97-021	4	E02
1402-912-2201	0	E11	12100-KLAL-C10	0	E01	14421-3G97-001	1	E02
1785-402H-0040-SB0	0	E11	12191-3G97-980	0	E01	14422-KGAG-901	0	E02
			12200-KLAL-C10	5	E01	14423-KBE2-982	1	E02
			12208-4C13-004	0	E02	14425-KGG7-001	0	E02

PART NO. INDEX

PART NO.	VERSION	PAGE	PART NO.	VERSION	PAGE	PART NO.	VERSION	PAGE
14426-KBE2-981	0	E02	15451-1G07-001	0	E04	1722A-KKAK-900	2	F14
14440-3G97-000	3	E02	15459-1G07-980	2	E04	1722B-KEC2-E00	3	F14
14511-3G97-001	0	E07	1565A-KKAK-900	0	E03	17231-4K39-001	0	F14
14521-3G97-001	2	E07	15661-LBA7-900	1	E03	17233-KKAK-900	0	F14
14531-3G97-001	0	E07	15711-KEC2-900	2	E04	17247-3C03-001	0	F11
14711-3C83-001	0	E02	15712-KEC2-900	0	E11	17254-KACA-P00	0	F14
14721-3C83-001	0	E02	15772-2B92-011	0	F14	17254-KKAK-900	0	F19
14751-3D24-001	0	E02				17265-KGG7-001	0	F14
14761-3D24-001	0	E02	16000			17266-KGG7-001	0	F14
14771-1G07-021	0	E02				17360-GAE1-901	2	F14
14775-1G07-001	0	E02	16053-KT7-0030	0	E11	17510-KKAK-325	0	F11
14776-1G07-011	0	E02	1610K-KEC2-E00	6	E11	17525-KKAK-900	0	F11
14781-1G07-021	2	E02	16199-GFY6-900	0	E11	17611-2F86-001	0	F11
			16210-KEC2-E00	0	E01	17613-KFW6-911	0	F11
15000			16702-KKAK-900	0	F11	17620-KKAK-315-M2	0	F11
			1691A-KEC2-E00	0	F11	17700-KKAK-910	2	F11
15100-LBE8-900	0	E04	16950-KEC2-80A	2	F11	17910-KEC2-700	3	F03
15131-KEC2-900	0	E04	16955-KEC2-800	0	F11			
15133-GFY6-901	0	E04	16956-KEC2-800	0	F11	18000		
15141-KEC2-900	0	E04						
15421-1G07-001	1	E07	17000			18231-3E65-671	0	F15
15426-1G07-001	0	E07				18233-3L30-001	0	F15
15430-KKAK-910	2	E04	17211-4K39-001	0	F14	18290-KKAK-900	0	F15
15436-1G07-001	1	E04	17221-KGG7-001	0	F14	18291-LLB1-900	1	F15
15441-1G07-001	0	E04	17226-KGG7-001	0	F14	1830A-KEC2-E00	5	F15
15446-1G07-001	0	E04	17228-KKAK-900	2	F14	18312-KKAK-900	0	F15

PART NO. INDEX

PART NO.	VERSION	PAGE	PART NO.	VERSION	PAGE	PART NO.	VERSION	PAGE
18318-KEC2-E00	0	F15	22810-KEC2-900	0	E03	23801-KKAK-900	0	E09
18323-KEC2-900	0	F15	22816-3E55-001	1	E03	23811-KCR3-601	0	E09
18324-KEC2-900	0	F15	22821-3E55-001	0	E03			
18325-KEC2-900	0	F15	22838-KEC2-900	1	E07	24000		
19000			22850-3E55-001	0	E05			
			22870-KEE4-900	4	F03	24211-1G07-002	3	E10
			23000			24221-3E55-002	3	E10
19020-KFBF-910	2	F24				24231-1G07-011	2	E10
19121-KEC2-900	1	E07				24241-1G07-001	0	E10
19122-KEC2-900	1	E07	23121-KEC2-900	1	E04	24301-KKAK-900	3	E10
22000			23211-KEC2-900	0	E09	24411-KKAK-900	2	E10
			23221-KKAK-900	0	E09	24430-3D24-001	1	E10
			23236-KEC2-900	1	E05	24435-KKAK-900	0	E10
22100-3D24-001	4	E05	23426-KKAK-900	0	E09	24610-KFC6-001	3	E10
22100-KEC2-900	4	E08	23427-4K39-001	1	E09	24621-1G07-761	0	E10
22121-1G07-011	2	E05	23431-4K39-001	0	E09	24631-1G07-001	0	E10
22125-KKAK-900	1	E05	23441-KKAK-900	0	E09	24651-3H98-941	1	E10
22201-KKAK-900	0	E05	23451-KKAK-900	0	E09	24701-KKAK-900	0	F16
22201-KKAK-90A	0	E05	23461-4K39-001	3	E09	24702-KKAK-900	1	F16
22202-KKAK-900	0	E05	23471-4K39-001	1	E09	24703-KKAK-900	1	F16
22202-KKAK-90A	0	E05	23481-4K39-001	1	E09	2470A-KEC2-900	1	F16
22311-1G07-001	0	E05	23491-4K39-001	0	E09	24711-KKAK-900	0	F16
22350-1G07-012	4	E05	23501-KHBH-E00	3	E09	24720-KEC2-900	0	F16
22361-1G07-001	0	E05	23511-KHBH-E00	4	E09	24724-4B22-000	0	F16
22366-3C83-001	0	E05	23520-KEC2-900	0	E09	24781-KFW6-900	1	F16
22402-KKAK-900	1	E05	23531-4K39-001	0	E09			

PART NO. INDEX

PART NO.	VERSION	PAGE	PART NO.	VERSION	PAGE	PART NO.	VERSION	PAGE
28000			31000			3310A-KKAK-E00	3	F01
28110-KBE2-970	2	E06	31110-KBE2-97A	0	E06	33120-KKAK-E00	0	F01
28117-KBE2-981	0	E06	31120-KHBH-900	0	E06	33130-KKAK-E00	1	F01
28120-GFY6-315	6	E06	31200-KKAK-900	0	E06	33400-KKAK-E00	1	F20
28125-4F26-001	0	E06	31241-KBE2-981	1	E06	33402-KKAK-E00	0	F20
28126-KUDU-900	1	E06	31500-GFY6-94A	9	F22	33450-KKAK-E00	1	F20
28130-KBE2-981	1	E06	31600-KGG7-001	3	F22	33600-KKAK-E00	0	F20
28132-KGG7-001	0	E06	31605-KKAK-900	2	F22	33640-KKAK-900	0	F20
28211-3G97-011	0	E09				33650-KKAK-E00	0	F20
28221-3G97-021	0	E09	32000			33701-KKAK-E00	1	F21
28251-3G97-011	1	E09				33701-KKAK-E10	0	F21
28253-3G97-001	0	E09	32100-KEC2-800	1	F22	33702-KKAK-E00	0	F21
28261-3G97-001	2	E09	32161-4D04-001	2	F04	33704-KKAK-E10	0	F21
28262-3G97-001	0	E09	32161-4D04-001	2	F23	33707-KKAK-900	0	F21
28263-3G97-001	0	E09	32401-KKAK-900	0	F22	33741-GFY6-C30	1	F04
28270-3G97-021	1	E09	32402-KKAK-900	3	F22	34000		
2830A-KEC2-800	2	F16	32410-KKAK-900	0	E06	34901-KBAB-900	0	F01
			32976-1G07-001	1	E06	34903-KPCP-900	0	F01
30000			33000			34905-KPCP-900	0	F20
30400-KKAK-900	1	F22				34906-KPCP-900	0	F21
30500-KKAK-900	4	F22	33100-KKAK-E00	2	F01	34908-KKAK-900	0	F04
30700-KGN7-671	2	F22	33102-KKAK-900	0	F01	34908-MKB9-87A	0	F02
30905-2F16-001	0	E06	33104-KKAK-E00	0	F01	34909-KEBE-900	0	F04

PART NO. INDEX

PART NO.	VERSION	PAGE	PART NO.	VERSION	PAGE	PART NO.	VERSION	PAGE
35000			38205-1E15-001	0	F12	42712-KKAK-900	0	F10
			38300-GLW0-C11	2	F22	42721-KKAK-900	1	F10
						42722-KKAK-900	2	F10
35010-KKAK-E0B	0	F22	40000			43000		
35100-KKAK-315-M2	0	F22						
35111-KUDU-305-M2	0	F27	40510-KKAK-900	6	F17			
35111-KUDU-306-M2	0	F27	40530-KKAK-900	0	F17	43000-KKAK-901	4	F09
3515A-KEE4-900	4	F03	40543-KFW6-901	0	F17	43100-KGG7-832	1	F09
3520A-KEC2-700	1	F03	40546-KFW6-901	0	F17	43120-KGG7-305	0	F09
35340-KNBN-901	0	F03	4054A-KKAK-900	0	F17	43141-KKAK-900	1	F09
35350-KKAK-900	0	F22				43352-5H68-004	3	F07
35357-KKAK-900	0	F16	41000			43353-4A61-77A	0	F07
35753-KEC2-900	0	E10				43410-KKAK-900	3	F09
3575A-0A01-021	1	E07	4120A-KEC2-900	2	F10	43431-KKAK-901	0	F09
35850-KKAK-900	1	F22	41241-3G07-011	0	F10	43434-2F86-001	0	F09
37000			42000			43450-KEC2-800	3	F16
						44000		
37200-KKAK-900	1	F02	42301-KKAK-900	4	F10			
37300-KKAK-900	2	F11	42311-KKAK-C10	0	F10	44301-KKC5-E00	3	F08
37401-KEC2-800	2	F04	42313-KKAK-900	0	F10	44311-KKAK-900	0	F08
3780A-KKAK-900	1	F11	42600-KEC2-305	1	F10	44600-KGG7-306	0	F08
			42601-KEC2-900	0	F10	44620-4L00-001	0	F08
38000			42620-KEC2-900	0	F10	44680-4L10-001	0	F08
			42701-KKAK-90A	1	F10	44701-KLAL-900	0	F08
38110-KKAK-E0A	0	F22	42711-KKAK-900	0	F10	44710-KGAG-V00	0	F08

PART NO. INDEX

PART NO.	VERSION	PAGE	PART NO.	VERSION	PAGE	PART NO.	VERSION	PAGE
44712-KGAG-V00	0	F08	45451-4A71-001	1	F05	50355-KKAK-900	2	F23
44721-KKAK-900	1	F08	45513-KEE4-900	0	F03	5035B-KKAK-900	1	F23
44722-KKAK-900	1	F08	45517-KFA5-E00	0	F03	5050A-KKAK-900	6	F16
44800-KKAK-900	3	F08	45517-KKAK-900	0	F03	50523-KEC2-E00	2	F16
44830-KKAK-900	3	F02	45522-4B22-010	0	F03	50524-3G97-001	1	F16
			45530-KEE4-306	0	F03	50526-KKAK-900	1	F16
45000			45531-GAR1-951	0	F07	50530-KKAK-E00	0	F17
						50550-KEC2-E00	2	F16
45108-MDL4-007	2	F07	46000			50600-KEC2-810	0	F16
45109-GBE2-007	0	F07				50603-KEC2-810	0	F16
4510A-KFW6-900	2	F07	46501-KGG7-001	0	F16	50616-KEC2-810	0	F16
45121-KFW6-901	2	F08	4650A-KEC2-900	3	F16	5063A-KEC2-810	1	F16
45126-KEE4-900	0	F03	46514-KKAK-900	0	F16	5063B-KKAK-900	0	F17
45127-KKAK-900	0	F05				5064A-KEC2-810	1	F16
45131-1F66-017	0	F07	50000			5064B-KKAK-900	0	F17
45131-GBE2-007	1	F07				50650-KKAK-900	0	F17
45132-1F66-017	0	F07	50100-KEC2-E00	8	F23	50660-KKAK-900	0	F17
45133-2L40-001	1	F09	5013A-KEC2-E00	0	F24	50700-KEC2-810	0	F16
45133-MCA3-007	0	F07	50152-KKA8-900	0	F22	50710-0F86-315-M1	0	F23
45134-2L50-001	1	F09	50172-KKAK-900	1	F24	50710-0F86-315-M2	0	F23
45200-KKAK-900	7	F07	50173-KKAK-900	0	F24	50711-KKAK-900	2	F17
45209-GBE2-007	0	F07	50301-0A41-011	3	F04	50712-KKAK-900	2	F17
45210-KKAK-305	0	F07	50320-KKAK-C00	0	F14	50713-KKAK-900	0	F17
45215-KECE-900	0	F07	50351-KEC2-900	1	F23	50714-KKAK-900	0	F17
45216-1F66-007	0	F07	50352-KEC2-900	1	F23	50715-KKAK-900	0	F17
45216-KFW6-90A	0	F07	50354-KKAK-900	0	F23	5071A-KKAK-900	0	F17

PART NO. INDEX

PART NO.	VERSION	PAGE	PART NO.	VERSION	PAGE	PART NO.	VERSION	PAGE
5071B-KKAK-900	0	F17	52141-KKAK-900	0	F23	53214-KKAK-900	0	F11
51000			52142-KKAK-900	0	F17	53215-0A01-001	0	F04
			52144-LBA7-900	1	F17	53220-KKAK-900	0	F04
			52147-0H28-301	2	F04	53231-KKAK-900	2	F04
			52171-KKAK-900	0	F17	53600-KKAK-E0A	1	F04
51400-KEC2-E00	1	F06	52400-KEC2-E00	2	F18	53600-KKAK-E0B	1	F04
51400-KEC2-E00	2	F06						
51401-KKAK-900	0	F06						
51402-KKAK-900	0	F06	53000			61000		
51410-KKAK-900	0	F06						
51412-KKAK-900	0	F06	53100-KEC2-810	0	F04	61100-KKAK-900	3	F05
51420-KKAK-900	0	F06	53101-KKAK-900	1	F04	61102-KEC2-900	0	F11
51422-KKAK-900	0	F06	53131-KEE4-900	3	F04	61103-KEC2-900	0	F11
51423-KKAK-900	0	F06	53132-KEE4-900	5	F04	61104-4B22-001	0	F24
51424-KKAK-900	0	F06	53140-KKAK-900	1	F03	6110C-KEC2-900	1	F11
51427-KKAK-900	0	F06	53143-KKAK-900	1	F03	6110D-KEC2-900	1	F11
51428-KKAK-900	0	F06	53150-KKAK-900	1	F03	61121-KGG7-001	0	F05
51429-KKAK-900	0	F06	53172-KKAK-900	1	F03	61122-KGG7-001	0	F05
51500-KEC2-E00	1	F06	53173-KGG7-901	1	F03	61304-KKBK-900	1	F24
51500-KEC2-E00	2	F06	53174-KKAK-900	0	F03	61311-KKAK-900	1	F01
51520-KKAK-900	0	F06	53175-KKAK-900	3	F03	61312-KKAK-900	2	F02
52000			53178-KEC2-E00	1	F03	61314-KKAK-900	0	F02
			53192-KKAK-900	0	F03			
			53200-KEC2-E00	3	F04	64000		
			53211-0H28-011	2	F04			
			53212-0L30-011	1	F04	64209-KKAK-900	0	F23
52108-KEE5-004	2	F17	53214-0A01-011	0	F04	64313-KKAK-900	0	F02
52108-KFW6-901	1	F17						
52110-KKAK-901	2	F17						

PART NO. INDEX

PART NO.	VERSION	PAGE	PART NO.	VERSION	PAGE	PART NO.	VERSION	PAGE
77000			83541-LGH3-E00	1	F13			
			83551-KKAK-900	0	F23	89000		
			83552-KKAK-900	0	F23			
77200-KKAK-900	2	F12	83555-KKAK-900	0	F23	89010-KKAK-900	2	F13
77210-KKAK-900	0	F21	83618-KGG7-001	0	F14			
77300-KKAK-900	0	F21	83640-KED7-305	0	F13	90000		
77301-KKAK-900	0	F19	83641-LGH3-E00	1	F13			
77302-KKAK-900	0	F19				90001-KKAK-900	0	E07
77303-KKAK-900	0	F21	87000			90002-KKAK-900	0	E07
77304-KKAK-900	0	F21				90012-4E15-001	0	E02
			87223-KED7-E00	0	F26	90019-KKAK-900	1	F23
80000			87311-KKAK-900	1	F26	90023-KGG7-001	1	E06
			87312-KKAK-900	1	F26	90032-3G77-011	1	E07
80100-KKAK-900	1	F19	87411-KED7-E00	2	F26	90034-3G97-011	1	E07
80101-KKAK-900	2	F19	87505-KKAK-Q00	0	F25	90081-KKAK-900	0	E07
80102-KKAK-900	0	F19	87508-KGG7-E00	1	F25	90082-KKAK-900	0	E01
80103-KKAK-900	2	F19	87511-KKAK-Q00	1	F25	90084-KKAK-900	0	E06
80104-KKAK-900	2	F19	87531-KKAK-900	2	F04	90087-KKAK-900	1	E06
80105-KKAK-900	0	F19				90101-KKAK-900	2	F16
80106-KKAK-910	1	F23	88000			90102-KKAK-900	0	F04
80107-KKAK-900	2	F19				90103-KKAK-900	0	F11
8010C-KKAK-900	0	F19	88110-KEE4-E00	1	F03	90105-KKAK-900	2	F21
			88120-KEE4-E00	1	F03	90105-MLL0-731	1	F17
83000						90107-KKAK-E00	0	F17
						90108-KKAK-900	2	F18
83540-KED7-305	0	F13				90110-GLW0-001	0	F11

PART NO. INDEX

PART NO.	VERSION	PAGE	PART NO.	VERSION	PAGE	PART NO.	VERSION	PAGE
90110-GLW0-001	0	F13	90306-GLW0-90A	1	F17	90474-1G47-001	0	E06
90111-LEB1-900	1	F19	90309-GLW0-90A	1	F15	90501-GDT4-001	0	F11
90112-KRDR-900	1	F22	90309-KLF0-004	1	E07	90503-0A51-870	0	F04
90113-4B22-001	0	F03	90309-KLF0-004	1	F23	90521-0H28-001	0	F16
90114-KKAK-900	0	F03	90320-GCC3-001	1	F19	90524-0L30-001	0	F15
90116-3C83-72A	0	F06	90321-KKAK-900	0	F03	90524-KKAK-900	0	F09
90120-KKAK-900	0	F15	90381-KKAK-900	0	F21	90525-0A01-001	0	F09
90121-KKAK-900	4	F17	90407-KAM1-001	0	E07	9052A-GFY6-950	4	E07
90126-2B92-001	1	E02	90428-9H58-001	0	E02	90545-3L00-001	2	F03
90126-KKAK-900	0	E01	90441-0H28-011	1	E01	90549-1A21-001	0	F09
90128-KEC8-900	2	F10	90442-0H28-001	0	E02	90554-2C83-001	0	F06
90136-KFW6-901	0	F11	90442-3G97-001	0	E07	90605-2L00-001	0	E09
90145-LEA3-E00	1	F03	90442-KKAK-900	0	E01	90652-GBHB-641	0	E01
90164-0H28-900	2	F04	90443-KEC2-900	0	E08	90652-GFY6-901	1	F14
90206-2L50-001	0	E02	90444-3G97-001	0	E02	90664-2F16-901	0	F10
90231-2L00-011	1	E04	90451-0A01-001	1	E10	90667-KKAK-C00	1	F04
90231-KEC2-900	1	E08	90451-1G07-001	1	E09	90668-KKAK-C00	1	F04
90301-4C73-004	0	F08	90451-3E65-001	0	E09	90757-4K39-931	0	F10
90301-6D34-671	1	F04	90452-1G07-001	0	E09	90912-GHC8-00A	2	F23
90302-GFY6-940	2	F19	90453-1G07-001	0	E09	90912-GHC8-00D	0	F23
90304-GHE8-004	0	F23	90453-2E35-001	0	E09			
90304-KKAK-900	1	F04	90454-1G07-001	0	E09	91000		
90305-KFW6-900	1	F10	90455-1G07-001	0	E09			
90306-3G97-001	0	E01	90459-1G07-001	0	E09	91001-4L40-004	0	E08
90306-GLW0-90A	1	F04	90461-ALH3-900	1	E05	91002-KEB5-00A	0	E08
90306-GLW0-90A	1	F08	90462-1G07-001	0	E09	91021-1H48-005	0	E06

PART NO. INDEX

PART NO.	VERSION	PAGE	PART NO.	VERSION	PAGE	PART NO.	VERSION	PAGE
91021-1H48-005	0	E07				93500-05032-1B	0	F03
91101-1K79-711	1	E06	92000			93500-05045-1B	0	F03
91106-KHC4-90A	0	E07				93500-06014-0F	0	F05
91106-KHC4-90B	0	E07	92000-06010-0G	0	E09	93500-06050-0F	0	E07
91201-0L30-034	0	E07	92000-06020-0G	1	E10	93600-04012-1G	0	F03
91204-2K59-004	1	E03	92000-06025-0G	0	E10	93700-05012-0F	0	E04
91205-3C93-004	0	E07	92101-06036-0B	0	F09	93700-05016-0H	0	F02
91206-2F86-014	0	E07	92201-05025-0G	0	E06	93700-05018-0F	0	F11
91252-0L30-00A	0	F08	92201-08020-02	0	F22	93700-05025-1B	0	F03
91252-0L30-00B	0	F08	92201-08030-0B	0	F22	93891-04012-06	0	F11
91258-4L10-00B	1	F08	92700-06035-3E	1	E01	93891-05006-02	0	E11
91301-KBE2-710	0	E03	92811-KKAK-900	2	F09	93891-05016-02	0	F19
91302-2L00-001	0	E01	92812-KKAK-901	0	F09	93891-05016-06	0	F14
91302-5G67-004	0	E06	92912-06018-0E	0	F08	93891-05018-06	0	F11
91303-1G07-001	1	E07				93891-05020-06	0	F17
91303-3G77-001	0	E06	93000			93892-04008-16	0	E11
91305-MGC7-001	0	F11				93893-04012-18	0	F03
91307-0E35-001	1	E03	93404-06020-06	1	F16	93901-14060	0	F14
91307-KFBF-901	0	F24	93500-03012-02	0	E04	93901-26160	0	F17
91318-5L90-001	0	E02	93500-04008-1H-3	0	E11	93901-34420	0	F21
91319-3L00-001	1	E07	93500-04010-1H-3	0	E11	93903-24280-02	0	F17
91333-5G67-011	0	E02	93500-04012-1H-3	0	E11	93903-34260	0	F13
91359-3A71-004	0	E06	93500-04014-1G	0	F04			
			93500-05016-0F	0	E06	94000		
			93500-05016-1B	0	F03			
			93500-05025-1B	0	F03	94001-06020-0S	0	F09

PART NO. INDEX

PART NO.	VERSION	PAGE	PART NO.	VERSION	PAGE	PART NO.	VERSION	PAGE
94001-08080-0S	0	F09	94101-12000	0	F16	94605-KKAK-900	0	F06
94021-06020-0S	0	F02	94101-12800	0	F18			
94021-10020-0S	0	F18	94102-12800	0	E01	95000		
94030-06000-LH	0	F16	94108-KEC8-900	1	F10			
94030-06000-RH	0	F16	94111-08800	0	F09	95001-35100-40	0	E11
94031-10000	0	F10	94201-16120	0	F17	95002-02070	2	E11
94050-05080	0	F21	94201-20150	0	E03	95002-02070	2	F11
94050-06080	2	E04	94201-20150	0	F09	95002-02080	0	F11
94050-06080	2	F01	94201-20150	0	F16	95002-02120	1	F14
94050-06080	2	F03	94201-25250	0	F16	95003-07090-31	0	F11
94050-06080	2	F11	94201-30250	0	F16	95005-KGG7-901	1	F14
94050-06080	2	F14	94251-08400	0	E04	9500A-KEC2-800	0	E11
94050-06080	2	F15	94301-08140	4	E03	95014-75110	0	E05
94050-06080	2	F19	94301-10140	0	E06	95014-KKAK-920	1	F16
94050-06080	2	F21	94301-10140	0	E07	95014-KKAK-E00	1	F17
94050-06080	2	F22	94301-10200	2	E01	95015-31001	0	F16
94050-06080	2	F24	94303-04065	0	E04	95015-41000	0	F16
94050-08020	0	F11	94401-25140	4	E08	95701-06006-06	0	F17
94050-08080	0	F22	94401-KEC2-900	0	E08	95701-06010-06	1	F22
94050-10080	1	F20	94510-12000	0	E10	95701-06012-02	0	E01
94101-05700	0	F03	94510-14000	0	E10	95701-06012-02	0	F24
94101-06000	0	F17	94510-16000	0	E09	95701-06012-06	1	E01
94101-06200	1	F05	94510-20000	1	E05	95701-06012-06	1	F02
94101-08000	0	F16	94510-20000	1	E09	95701-06012-06	1	F14
94101-08800	0	F09	94524-47000	0	F10	95701-06012-06	1	F22
94101-10800	0	F18	94601-15000	0	E08	95701-06012-06	1	F23

PART NO. INDEX

PART NO.	VERSION	PAGE	PART NO.	VERSION	PAGE	PART NO.	VERSION	PAGE
95701-06014-06	0	F14	96001-06016-02	0	E01			
95701-06014-06	0	F23	96001-06018-02	0	F15	97000		
95701-06016-02	0	F05	96001-06020-02	0	E06			
95701-06016-06	1	F12	96001-06020-02	0	F03	97000-KGG7-910	1	F10
95701-06022-02	0	F20	96001-06025-06	0	E06	97000-KLAL-910	1	F08
95701-06022-06	1	E05	96001-06028-02	0	E06			
95701-06025-06	2	E07	96001-06032-06	0	E04	98000		
95701-06025-06	2	F24	96001-06040-02	0	E03			
95701-06028-02	0	E06	96001-06040-02	0	E06	98069-5771R	0	E01
95701-06028-06	0	E01	96001-06050-02	0	E03	98200-11500	0	F12
95701-06038-02	0	F20	96001-06050-02	0	E06	98200-11500	0	F22
95801-08020-06	0	F23	96001-06060-02	0	F02			
95801-08025-06	0	F07	96100-60010-00	0	E05	99000		
95801-08030-06	0	F04	96100-60060-00	0	E07			
95801-08032-06	1	F16	96100-62030-00	0	E07	99101-116-1120	0	E11
95801-08040-06	0	F04	96100-62040-00	0	E07			
95801-08070-06	0	F23	96100-63030-00	0	E07	K		
95801-08085-02	0	E07	96120-62020-00	0	E07			
95801-08092-06	0	F23	96140-63010-10	0	F08	K446-A31-0100	0	E11
			96140-63030-10	0	F10			
96000			96211-06000	0	F04	N		
			96220-40100	0	E10			
96001-06012-06	0	E02	96220-60100	0	E06	N413-18C00	0	E11
96001-06012-06	0	E04	96600-08015-16	0	E06	N424-45A35	0	E11
96001-06012-06	0	E06				N425-4HLKJ	0	E11
96001-06014-02	0	E06				N426-33B00	0	E11

PART NO. INDEX

PART NO.	VERSION	PAGE	PART NO.	VERSION	PAGE	PART NO.	VERSION	PAGE
W								
W1448-006-9900	0	E11						
W1470-MW0-7500	0	E11						
W9201-04090	0	E11						
W9353-36000	0	E11						
W9525-25250	0	E11						
Y								
Y1901-001-2400	0	E11						
Z								
Z062-0061	0	E11						

