

PARTS CATALOGUE



SCOOTERS

SK60AB(PT)

DOWNTOWN 300i



Release Date : 2018/11/20
Print Date : 2022/08/03

ABOUT THIS PARTS LIST

- This parts list is compiled all service parts for model SK60AB(PT).
- Any difference between color chart and motorcycle will be revised according to motorcycle.
- The Mark:
 1. Marking "***" must add color code in the end before ordering parts.
 2. Marking "#" are parts with modification, Please find the details from e-Parts system.
- When modification or additions to this parts list are made a revised edition at an appropriate time.



CONTENTS

● ABOUT THIS PARTS LIST	1
● COLOR CHART OF SK60AB(PT)	3
● CONTENTS-ENGINE GROUP	11
● CONTENTS-FRAME GROUP	12
● ENGINE PARTS LIST	15
● FRAME PARTS LIST	47
● PART NO. INDEX	123

NO	MODEL			COLOR CHART OF SK60AB(PT)			
	PHOTO NO			NO. 1	NO. 2	NO. 3	NO. 4
	BASIC COLOR			Bright Silver	Dark Gray Metallic	Dark Gray Metallic	Pearly White
	CODE			Bright Silver	Dark Gray Metallic	Dark Gray Metallic	Pearly White
	PARTS NAME	PARTS NO.	VERSION	NH045MA	NH124MA	NH230MA	NH193PA
1	FENDER FR	61100-LEA7-E00	4	D0C	D0M	D1J	D1S
2	L COVER COVER COMP	1134A-LEA7-E00	9	D2G			
3	L COVER COVER COMP	1134A-LEA7-E02	1				
4	COVER COMP L SIDE	1134B-LEA7-E00	0				
5	COVER COMP L SIDE	1134B-LEA7-E02	0				
6	COSMETIC METER	37216-LEA7-E00	1				
7	WIND SCREEN	64220-LEA7-E00	7	L9R			
8	LEVER R STRG HANDLE	53175-KKE5-E00	0	M3A			
9	LEVER L STRG HANDLE	53178-KKE5-E00	0	MLA			
10	COVER COMP RIGHT	11330-LEA7-305	4				
11	COVER COMP RIGHT	11330-LEA7-E00	19				
12	LID FR COVER	64307-LEA7-E00	4				
13	MESH UNDER COWL	64401-LEA7-E00	4				
14	TUNNEL LEG SHIELD	81141-LEA7-E00	3	N1P			
15	MIRROR ASSY R BACK	88110-LEA7-E01	1	N1R			
16	MIRROR ASSY L BACK	88120-LEA7-E01	1				
17	COVER UNDER	50613-LEA7-E00	7				
18	GRIP R HANDLE	53140-LEA7-E00	6				
19	GRIP L HANDLE	53150-LEA6-900	6				
20	COVER METER FR	53203-LEA7-E00	5				
21	COVER METER RR	53204-LEA7-E00	9				
22	COVER HANDLE UP	53205-LEA7-E00	5				
23	COVER HANDLE LOW	53206-LEA7-E00	4				
24	FENDER FR INNER	61101-LEA7-E00	3				
25	PLUG WIND SCREEN	64223-LEA7-E00	5				
DATE OF STARTING-SALES							
DATE OF END-SALES							

NO	MODEL			COLOR CHART OF SK60AB(PT)			
	PHOTO NO			NO. 5	NO. 6		
	BASIC COLOR			Ivory White	Dark Reddish Brown		
	CODE			Ivory White	Dark Reddish Brown		
	PARTS NAME	PARTS NO.	VERSION	NH190PA	RR174MA		
1	FENDER FR	61100-LEA7-E00	4	D1Y	DDS		
2	L COVER COVER COMP	1134A-LEA7-E00	9	D2G			
3	L COVER COVER COMP	1134A-LEA7-E02	1				
4	COVER COMP L SIDE	1134B-LEA7-E00	0				
5	COVER COMP L SIDE	1134B-LEA7-E02	0				
6	COSMETIC METER	37216-LEA7-E00	1				
7	WIND SCREEN	64220-LEA7-E00	7	L9R			
8	LEVER R STRG HANDLE	53175-KKE5-E00	0	M3A			
9	LEVER L STRG HANDLE	53178-KKE5-E00	0				
10	COVER COMP RIGHT	11330-LEA7-305	4	MLA			
11	COVER COMP RIGHT	11330-LEA7-E00	19				
12	LID FR COVER	64307-LEA7-E00	4				
13	MESH UNDER COWL	64401-LEA7-E00	4	N1P			
14	TUNNEL LEG SHIELD	81141-LEA7-E00	3				
15	MIRROR ASSY R BACK	88110-LEA7-E01	1				
16	MIRROR ASSY L BACK	88120-LEA7-E01	1				
17	COVER UNDER	50613-LEA7-E00	7	N1R			
18	GRIP R HANDLE	53140-LEA7-E00	6				
19	GRIP L HANDLE	53150-LEA6-900	6				
20	COVER METER FR	53203-LEA7-E00	5				
21	COVER METER RR	53204-LEA7-E00	9				
22	COVER HANDLE UP	53205-LEA7-E00	5				
23	COVER HANDLE LOW	53206-LEA7-E00	4				
24	FENDER FR INNER	61101-LEA7-E00	3				
25	PLUG WIND SCREEN	64223-LEA7-E00	5				
DATE OF STARTING-SALES							
DATE OF END-SALES							

NO	MODEL			COLOR CHART OF SK60AB(PT)							
	PHOTO NO			NO. 1	NO. 2	NO. 3	NO. 4				
	BASIC COLOR			Bright Silver	Dark Gray Metallic	Dark Gray Metallic	Pearly White				
	CODE			Bright Silver	Dark Gray Metallic	Dark Gray Metallic	Pearly White				
	PARTS NAME	PARTS NO.	VERSION	NH045MA	NH124MA	NH230MA	NH193PA				
26	FLOOR PANEL R	64310-LEA7-E00	5	N1R							
27	LID RESERVE TANK	64311-LEA7-E00	3								
28	BOARD R PANEL FLOOR	64312-LEA7-E00	6								
29	BOARD L PANEL FLOOR	64313-LEA7-E00	6								
30	MAT R FLOOR	64320-LEA7-E00	3								
31	FLOOR PANEL L	64330-LEA7-E00	5								
32	MAT L FLOOR	64340-LEA7-E00	3								
33	MAT R LEG SHIELD	64350-LEA7-E00	5								
34	MAT L LEG SHIELD	64360-LEA7-E00	3								
35	COWL UNDER	64400-LEA7-E00	6								
36	UNDER COWL LOW	64500-LEA7-E00	4								
37	FENDER RR TIRE	80100-LEA7-E00	6								
38	FENDER RR INNER	80101-LEA7-E00	4								
39	FENDER RR	80105-LEA7-E00	4								
40	FENDER LOW RR	80106-LEA7-E00	3								
41	COVER LICENSE LIGHT	80107-LEA7-E00	3								
42	COVER CENTER	80151-LEA7-E00	4								
43	COVER PLUG MAINT	80152-LEA7-E00	7								
44	LEG SHIELD	81131-LEA7-E00	8								
45	LID L/H FR INNER BOX	81132-LEA7-E00	8								
46	BOX L/H FR INNER	81134-LEA7-E00	6								
47	FR INNER BOX ASSY	8113A-LEA7-E00	9								
48	END R HANDLE	53105-LEA7-E00	4					N1S			
49	COVER FR	64301-LEA7-E00	2					N8P	NFP	HKP	NVP
50	COVER R BODY	83500-LEA7-E00	3								
DATE OF STARTING-SALES											
DATE OF END-SALES											

NO	MODEL			COLOR CHART OF SK60AB(PT)							
	PHOTO NO			NO. 5	NO. 6						
	BASIC COLOR			Ivory White	Dark Reddish Brown						
	CODE			Ivory White	Dark Reddish Brown						
	PARTS NAME	PARTS NO.	VERSION	NH190PA	RR174MA						
26	FLOOR PANEL R	64310-LEA7-E00	5	N1R							
27	LID RESERVE TANK	64311-LEA7-E00	3								
28	BOARD R PANEL FLOOR	64312-LEA7-E00	6								
29	BOARD L PANEL FLOOR	64313-LEA7-E00	6								
30	MAT R FLOOR	64320-LEA7-E00	3								
31	FLOOR PANEL L	64330-LEA7-E00	5								
32	MAT L FLOOR	64340-LEA7-E00	3								
33	MAT R LEG SHIELD	64350-LEA7-E00	5								
34	MAT L LEG SHIELD	64360-LEA7-E00	3								
35	COWL UNDER	64400-LEA7-E00	6								
36	UNDER COWL LOW	64500-LEA7-E00	4								
37	FENDER RR TIRE	80100-LEA7-E00	6								
38	FENDER RR INNER	80101-LEA7-E00	4								
39	FENDER RR	80105-LEA7-E00	4								
40	FENDER LOW RR	80106-LEA7-E00	3								
41	COVER LICENSE LIGHT	80107-LEA7-E00	3								
42	COVER CENTER	80151-LEA7-E00	4								
43	COVER PLUG MAINT	80152-LEA7-E00	7								
44	LEG SHIELD	81131-LEA7-E00	8								
45	LID L/H FR INNER BOX	81132-LEA7-E00	8								
46	BOX L/H FR INNER	81134-LEA7-E00	6								
47	FR INNER BOX ASSY	8113A-LEA7-E00	9								
48	END R HANDLE	53105-LEA7-E00	4					N1S			
49	COVER FR	64301-LEA7-E00	2					HXP	EFP		
50	COVER R BODY	83500-LEA7-E00	3								
DATE OF STARTING-SALES											
DATE OF END-SALES											

NO	MODEL			COLOR CHART OF SK60AB(PT)							
	PHOTO NO			NO. 1	NO. 2	NO. 3	NO. 4				
	BASIC COLOR			Bright Silver	Dark Gray Metallic	Dark Gray Metallic	Pearly White				
	CODE			Bright Silver	Dark Gray Metallic	Dark Gray Metallic	Pearly White				
	PARTS NAME	PARTS NO.	VERSION	NH045MA	NH124MA	NH230MA	NH193PA				
51	COVER L BODY	83600-LEA7-E00	3	N8P	NFP	HKP	NVP				
52	COVER RR CENTER	83750-LEA7-E00	2								
53	COVER WATER PUMP	19221-LEA7-E00	3	NEA							
54	WHEEL COMP RR	42601-LEA7-E00	7								
55	CALIPER ASSY RR	43100-LEA7-E01	2								
56	WHEEL ASSY FR	44600-LEA7-305	0								
57	CALIPER ASSY FR	45200-LEA7-E01	3								
58	FORK ASSY. FR R	5140A-LEA7-E01	2								
59	BOTTOM CASE R	51420-LEA7-E00	0								
60	FORK ASSY. FR L	5150A-LEA7-E01	2								
61	BOTTOM CASE L	51520-LEA7-E00	0								
62	FORK ASSY RR	52000-LEA7-900	4								
63	CAP ACG	90084-KKF9-901	0								
64	CAP ASSY 30MM	9008A-KBE2-900	0								
65	BOARD R FR COVER	64303-LEA7-E00	3					NEP			
66	BOARD L FR COVER	64304-LEA7-E00	3								
67	SKIRT R SIDE	64305-LEA7-E00	3								
68	SKIRT L SIDE	64306-LEA7-E00	3								
69	MOLDING RR CENTER	83751-LEA7-E00	2								
70	CUSHION ASSY RR	52400-LEA7-E00	6	NES							
71	SEAT ASSY (REACH)	77200-LEA7-305	0								
72	EMB K-LOGO 28mm	86102-LEA5-E00	2	T01							
73	EMB BODY COVER	86202-LEA7-E01	3								
74	STRIPE MARK ABS	86404-LFH1-E00	1								
75	EMB MARK 300i	87140-LEA7-E00	3								
DATE OF STARTING-SALES											
DATE OF END-SALES											

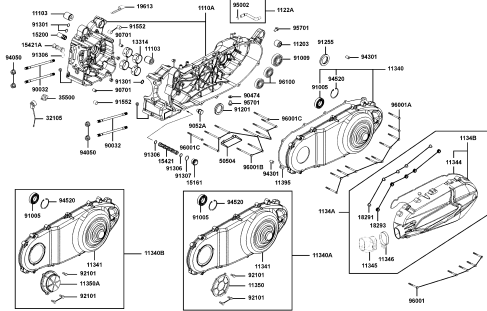
NO	MODEL			COLOR CHART OF SK60AB(PT)							
	PHOTO NO			NO. 5	NO. 6						
	BASIC COLOR			Ivory White	Dark Reddish Brown						
	CODE			Ivory White	Dark Reddish Brown						
	PARTS NAME	PARTS NO.	VERSION	NH190PA	RR174MA						
51	COVER L BODY	83600-LEA7-E00	3	HXP	EFP						
52	COVER RR CENTER	83750-LEA7-E00	2								
53	COVER WATER PUMP	19221-LEA7-E00	3	NEA							
54	WHEEL COMP RR	42601-LEA7-E00	7								
55	CALIPER ASSY RR	43100-LEA7-E01	2								
56	WHEEL ASSY FR	44600-LEA7-305	0								
57	CALIPER ASSY FR	45200-LEA7-E01	3								
58	FORK ASSY. FR R	5140A-LEA7-E01	2								
59	BOTTOM CASE R	51420-LEA7-E00	0								
60	FORK ASSY. FR L	5150A-LEA7-E01	2								
61	BOTTOM CASE L	51520-LEA7-E00	0								
62	FORK ASSY RR	52000-LEA7-900	4								
63	CAP ACG	90084-KKF9-901	0								
64	CAP ASSY 30MM	9008A-KBE2-900	0								
65	BOARD R FR COVER	64303-LEA7-E00	3					NEP			
66	BOARD L FR COVER	64304-LEA7-E00	3								
67	SKIRT R SIDE	64305-LEA7-E00	3								
68	SKIRT L SIDE	64306-LEA7-E00	3	NES							
69	MOLDING RR CENTER	83751-LEA7-E00	2								
70	CUSHION ASSY RR	52400-LEA7-E00	6	T01							
71	SEAT ASSY (REACH)	77200-LEA7-305	0								
72	EMB K-LOGO 28mm	86102-LEA5-E00	2								
73	EMB BODY COVER	86202-LEA7-E01	3								
74	STRIPE MARK ABS	86404-LFH1-E00	1								
75	EMB MARK 300i	87140-LEA7-E00	3								
DATE OF STARTING-SALES											
DATE OF END-SALES											

NO	MODEL			COLOR CHART OF SK60AB(PT)			
	PHOTO NO			NO. 1	NO. 2	NO. 3	NO. 4
	BASIC COLOR			Bright Silver	Dark Gray Metallic	Dark Gray Metallic	Pearly White
	CODE			Bright Silver	Dark Gray Metallic	Dark Gray Metallic	Pearly White
	PARTS NAME	PARTS NO.	VERSION	NH045MA	NH124MA	NH230MA	NH193PA
76	LABEL TIRE	87505-LEA7-E01	1	T01			
77	LABEL CLEANNESS	87508-KKC4-E00	2				
78	CAUTION FILTER	87512-KEBE-E00	1				
79	CAUTION SIDE STAND	87541-GAR1-E00	2				
80	CAUTION MOBILE	87541-KKC2-E00	2				
81	MARK MAINT CAUTION	87542-GAR1-E00	3				
82	MARK DRIVE CAUTION	87560-LEA7-E00	1				
83	MUFFLER ASSY EXH	1830A-LEA7-E00	11	YYA			
84	TAIL CAP MUFFLER	18306-LEA7-E00	4	YYP			
85	PROTECTOR MUFFLER	18318-LEA7-E00	3				
86	COMP RR CARRIER	81200-LEA7-E00	7				
87	PLUG RR CARRIER	81210-LEA7-E00	2				
88	PLUG L/H RR CARRIER	81220-LEA7-E00	2				
89	COVER. R SIDE	83520-LEA7-E00	4				
90	COVER L SIDE	83620-LEA7-E00	4				
91	PROTECTOR EXHAUST	18325-LEA7-E00	4				
DATE OF STARTING-SALES							
DATE OF END-SALES							

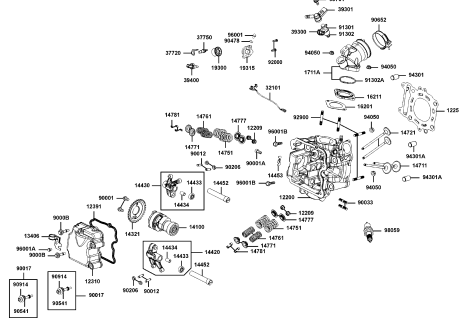
NO	MODEL			COLOR CHART OF SK60AB(PT)			
	PHOTO NO			NO. 5	NO. 6		
	BASIC COLOR			Ivory White	Dark Reddish Brown		
	CODE			Ivory White	Dark Reddish Brown		
	PARTS NAME	PARTS NO.	VERSION	NH190PA	RR174MA		
76	LABEL TIRE	87505-LEA7-E01	1	T01			
77	LABEL CLEANNESS	87508-KKC4-E00	2				
78	CAUTION FILTER	87512-KEBE-E00	1				
79	CAUTION SIDE STAND	87541-GAR1-E00	2				
80	CAUTION MOBILE	87541-KKC2-E00	2				
81	MARK MAINT CAUTION	87542-GAR1-E00	3				
82	MARK DRIVE CAUTION	87560-LEA7-E00	1				
83	MUFFLER ASSY EXH	1830A-LEA7-E00	11	YYA			
84	TAIL CAP MUFFLER	18306-LEA7-E00	4	YYP			
85	PROTECTOR MUFFLER	18318-LEA7-E00	3				
86	COMP RR CARRIER	81200-LEA7-E00	7				
87	PLUG RR CARRIER	81210-LEA7-E00	2				
88	PLUG L/H RR CARRIER	81220-LEA7-E00	2				
89	COVER. R SIDE	83520-LEA7-E00	4				
90	COVER L SIDE	83620-LEA7-E00	4				
91	PROTECTOR EXHAUST	18325-LEA7-E00	4	YYs			
DATE OF STARTING-SALES							
DATE OF END-SALES							

CONTENTS - ENGINE GROUP

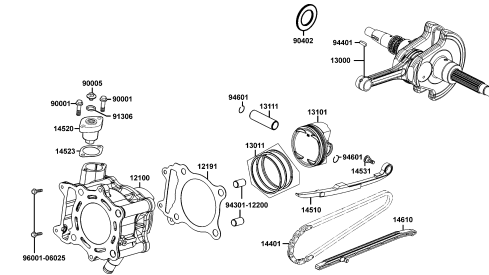
E01 Crank Case



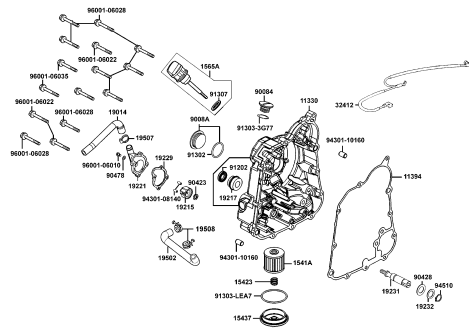
E02 Cylinder Head Cover Cylinder



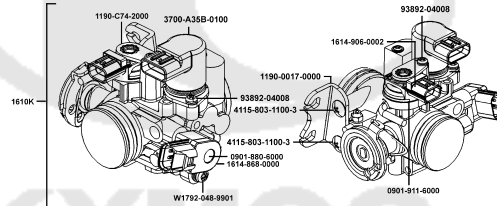
E03 Cylinder Piston Crankshaft



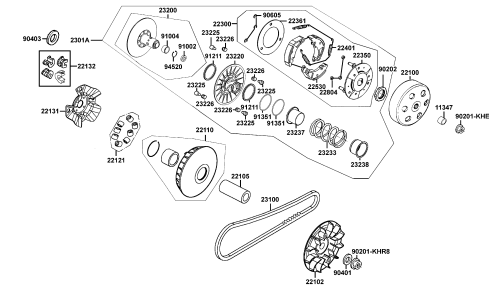
E04 Right Crankcase Cover Water



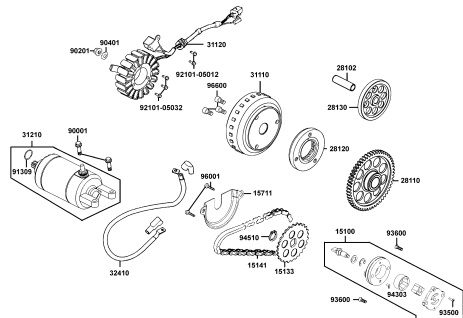
E05 Throttle Body Assy



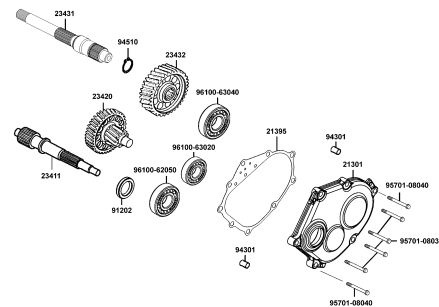
E06 Drive Pulley



E07 Starting Motor Generator

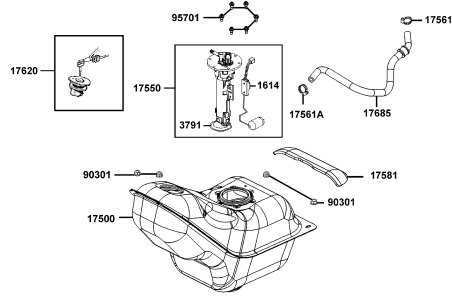


E08 Shaft Reduction

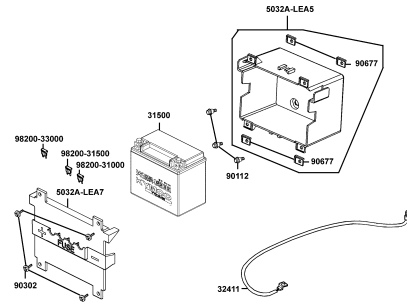


CONTENTS - FRAME GROUP

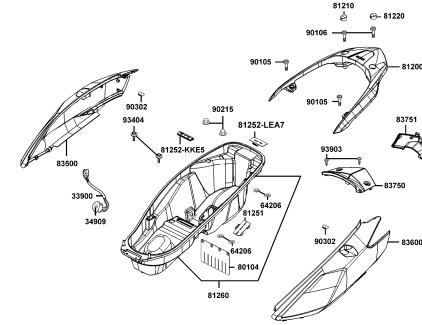
F10 Fuel Tank



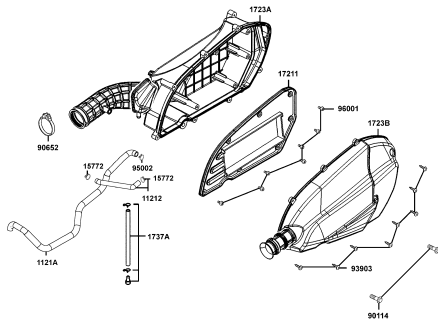
F11 Battery



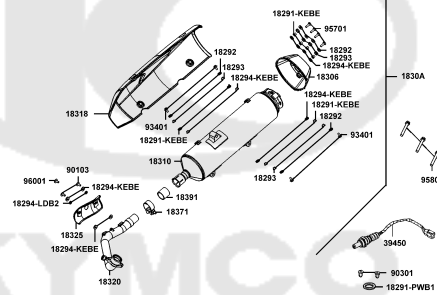
F12 Body Cover Luggage Box



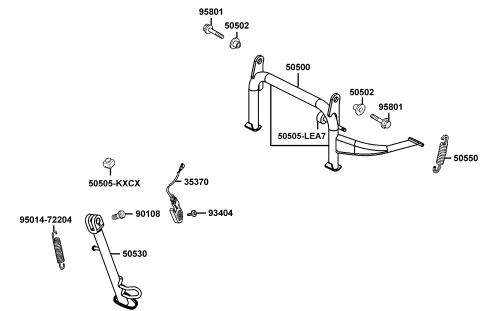
F13 Air Cleaner



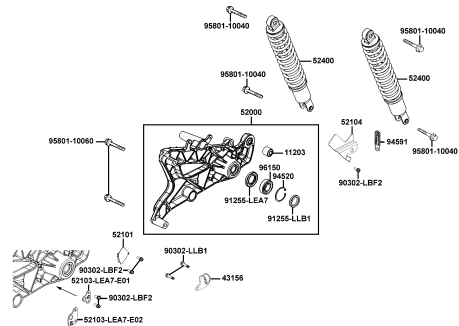
F14 Exhaust Muffler



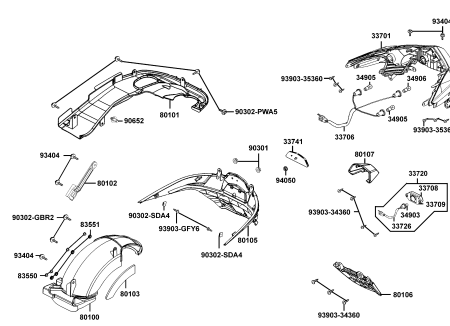
F15 Stand



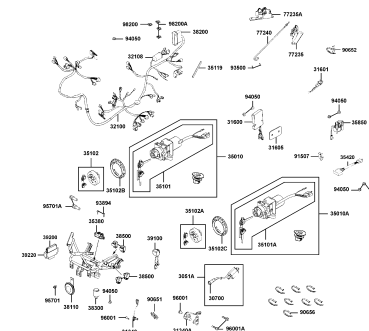
F16 Rr Cushion



F17 Light Tail

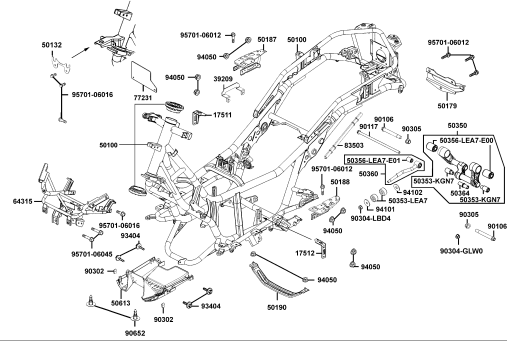


F18 Harness Wire

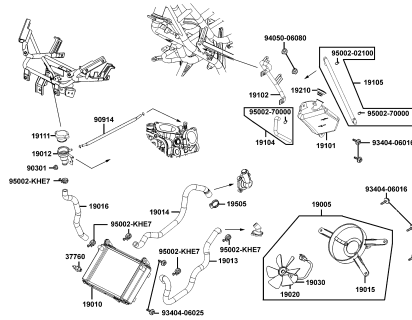


CONTENTS - FRAME GROUP

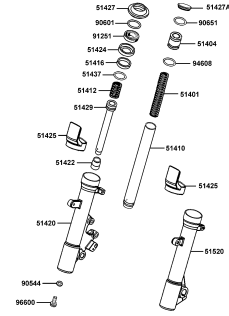
F19 Frame Body



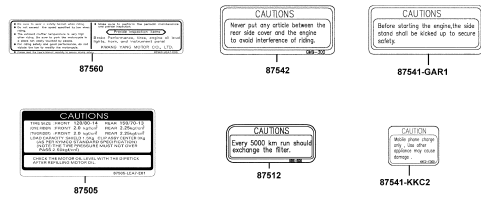
F20 Radiator



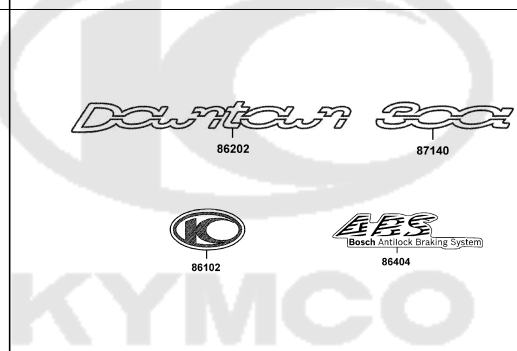
F21 Separated Parts Of Fr Fork



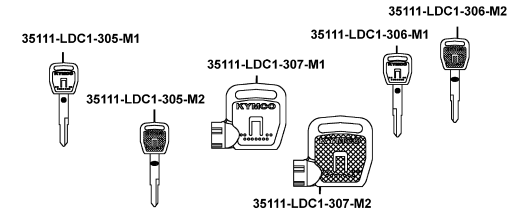
F22 Caution Label



F23 Emblem Stripe

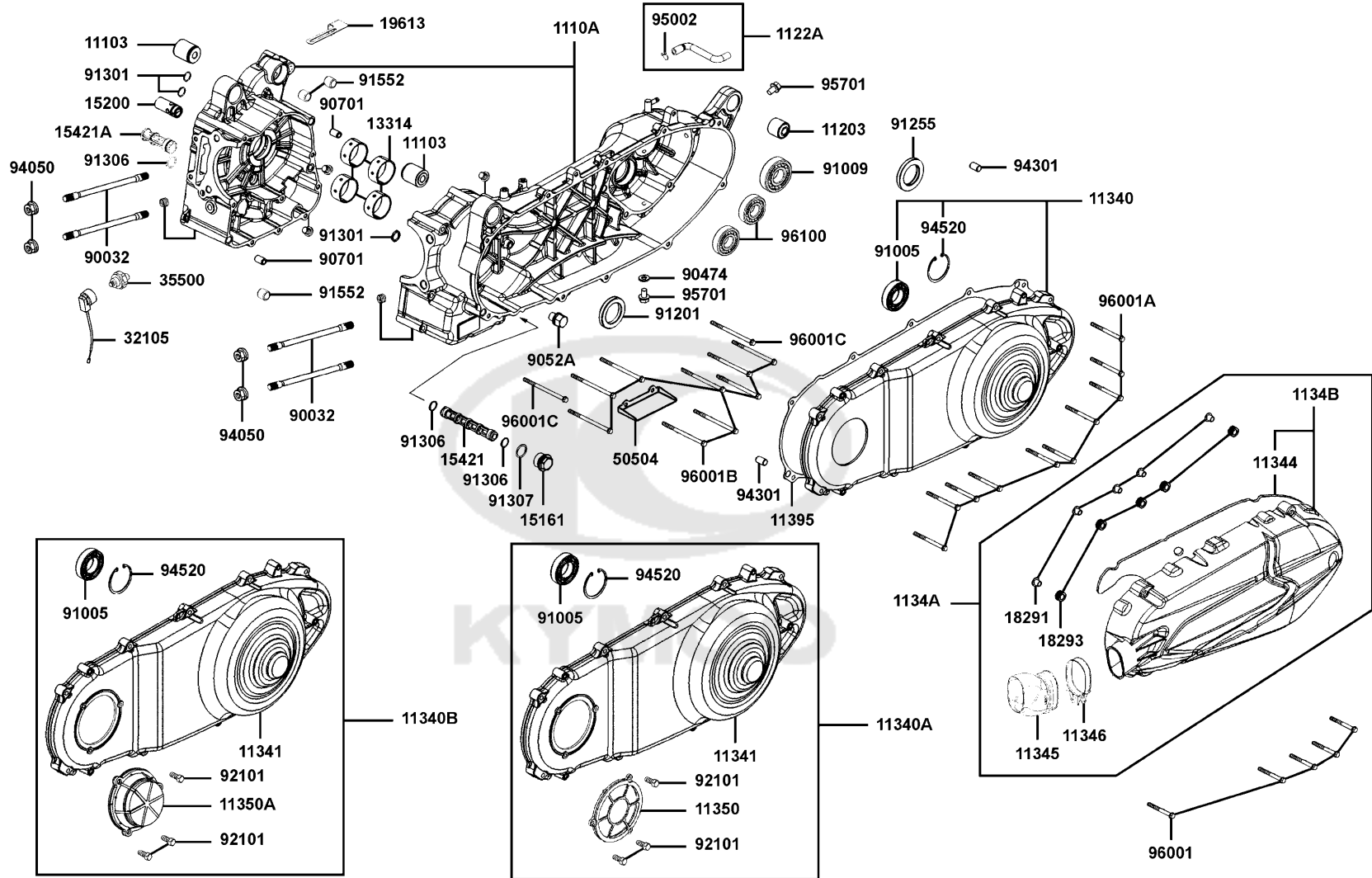


F24 KEY



E01

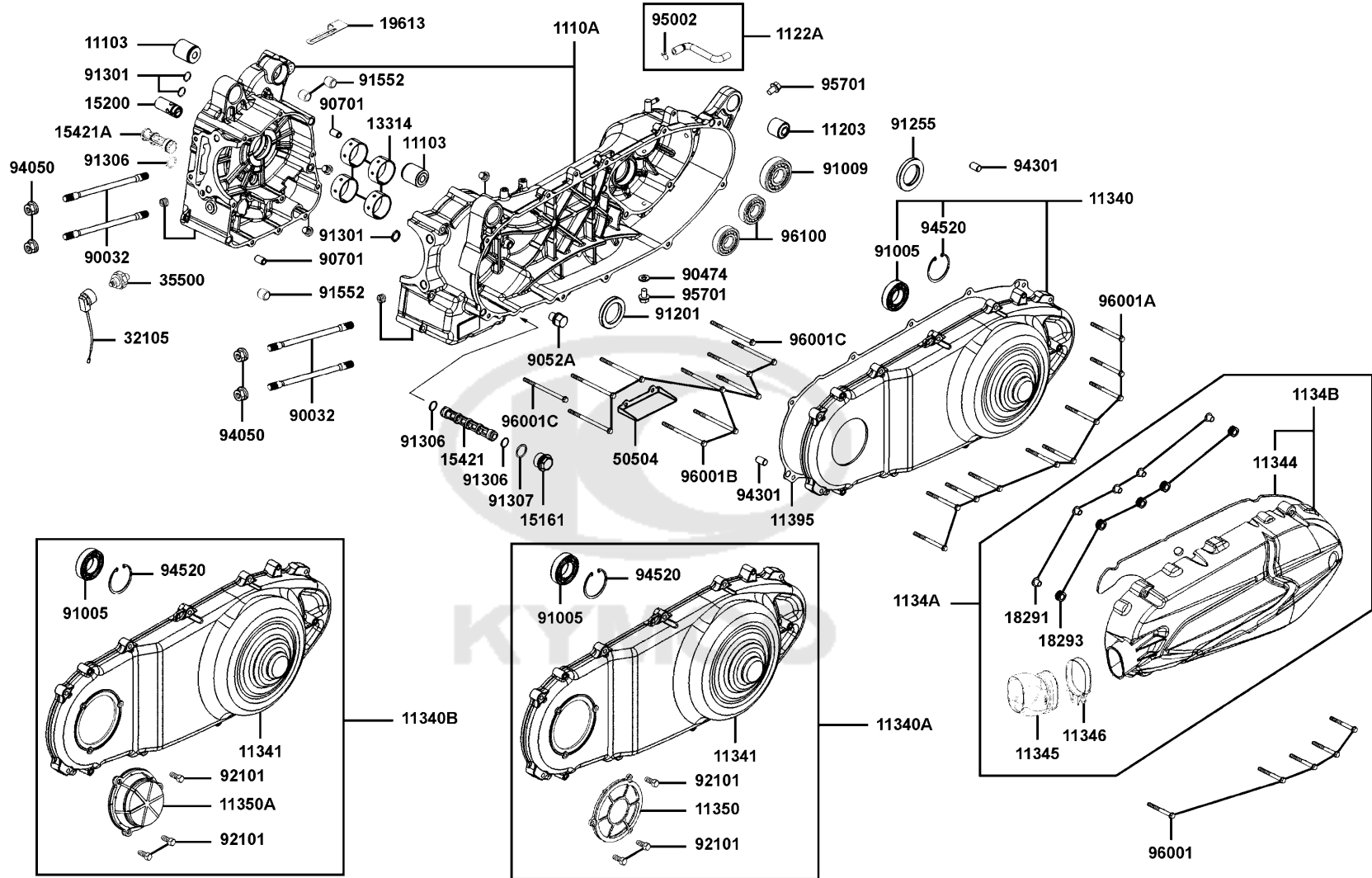
Crank Case



Sales mark	Ref no	Part no	Description	Reg description	Regd no	E01
#	11103	11103-KHE7-90A	RUB BUSH ENG HANGER	RUB BUSH ENG HANGER	2	
	1110A	1110A-LEA7-E00	CRANK CASE R/L ASSY	CRANK CASE R/L ASSY	1	
#	1110A	1110A-LEA7-E05	CRANK CASE R/L ASSY	CRANK CASE R/L ASSY	1	
	11203	11203-LBA2-E00	RUB BUSH L CASE	RUB BUSH L CASE	1	
	1122A	1122A-LEA7-E00	TUBE ASSY BREATHER	TUBE ASSY BREATHER	1	
	11340	11340-LEA7-E00	COVER L SIDE	COVER L SIDE	1	
#	11340A	11340-LEA7-E01	COVER COMP L SIDE	COVER COMP L SIDE	1	
#	11340B	11340-LEA7-E02	COVER COMP L SIDE	COVER COMP., L SIDE	1	
#	11341	11341-LEA7-E01	COVER L CRANK CASE	COVER. L. CRANK CASE	1	
	11344	11344-LEA7-E00	FOAM TEXTURE	FOAM TEXTURE	1	
#	11344	11344-LEA7-E02	FOAM TEXTURE	FOAM TEXTURE	1	
	11345	11345-LEA7-E00	DUCT L COVER	DUCT L COVER	1	
	11346	11346-GFY6-901	BAND L COVER DUCT	BAND L COVER DUCT	1	
**	1134A	1134A-LEA7-E00	L COVER COVER COMP	L COVER COVER COMP	1	
# **	1134A	1134A-LEA7-E02	L COVER COVER COMP	L COVER COVER COMP	1	
**	1134B	1134B-LEA7-E00	L COVER COVER	L COVER COVER	1	
# **	1134B	1134B-LEA7-E02	L COVER COVER	L COVER COVER	1	
#	11350	11350-LEA7-E00	ELEMENT COMP L COVER	ELEMENT COMP L COVER	1	
#	11350A	11350-LEA7-E02	ELEMENT ASSY L COVER	ELEMENT ASSY L COVER	1	
	11395	11395-LEA7-E00	GASKET L COVER @A	GASKETL COVER	1	

E01

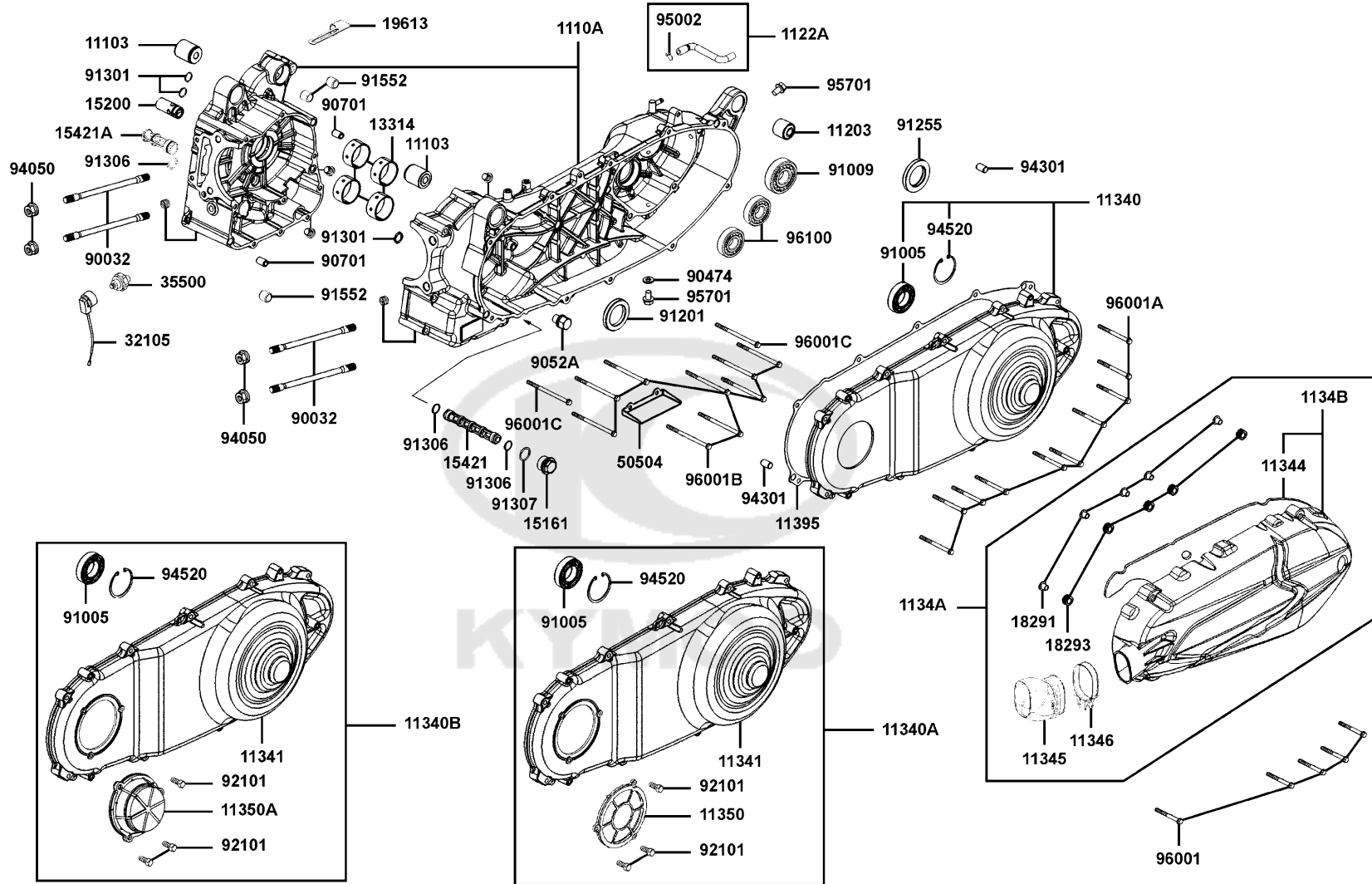
Crank Case



Sales mark	Ref no	Part no	Description	Reg description	Regd no	E01
	13314	13314-LEA7-E0A	BEARING CRANK SHAFT A	BEARING CRANK SHAFT A (RED/1.995~1.998)	1	
	13314	13314-LEA7-E0B	BEARING CRANK SHAFT A	BEARING CRANK SHAFT A	1	
	13314	13314-LEA7-E0C	BEARING CRANK SHAFT A	BEARING CRANK SHAFT A	1	
	15161	15161-PUA5-E00	PLUG SCREW SECTION FILTER	PLUG SCREW SECTION FILTER	1	
	15200	15200-KED9-900	OIL RELIEF VALVE ASSY	OIL RELIEF VALVE ASSY	1	
#	15421	15421-LEA7-305	SCREEN OIL FILTER	SCREEN OIL FILTER	1	
	15421	15421-LEA7-E00	SCREEN OIL FILTER	SCREEN OIL FILTER	1	
#	15421A	15421-LEA7-E05	SCREEN OIL FILTER	SCREEN OIL FILTER	1	
	18291	18291-KKC4-900	COLLAR	COLLAR	5	
	18293	18293-KKC4-900	RUBBER	RUBBER	5	
	19613	19613-LEA7-E00	CLAMPER STARTER MOTOR CORD	CLAMPER STARTER MOTOR CORD	1	
	32105	32105-LLJ3-E00	SUB HARNESS	SUB HARNESS	1	
	35500	35500-KED9-900	SW ASSY OIL PRESSURE	SW ASSY OIL PRESSURE	1	
	50504	50504-LEA7-E00	STAY MAIN STAND COMP	STAY MAIN STAND COMP	1	
	90032	90032-LEA7-E00	BOLT B STUD 10*180	BOLT B STUD 10*180	4	
	90474	90474-3C33-001	WASHER 8MM	WASHER 8MM	1	
	9052A	9052A-LEB1-900	BOLT ASSY DRAIN PLUG	BOLT ASSY DRAIN PLUG	1	
	90701	90701-9E65-001	PIN DOWEL 10*16	PIN DOWEL 10*16	2	
	91005	91005-LBA7-900	BRG BALL RADIAL 6005LLU	BRG BALL RADIAL 6005LLU	1	
	91009	91009-KHE7-900	BRG BALL RADIAL 6205LLU	BRG BALL RADIAL 6205LLU	1	

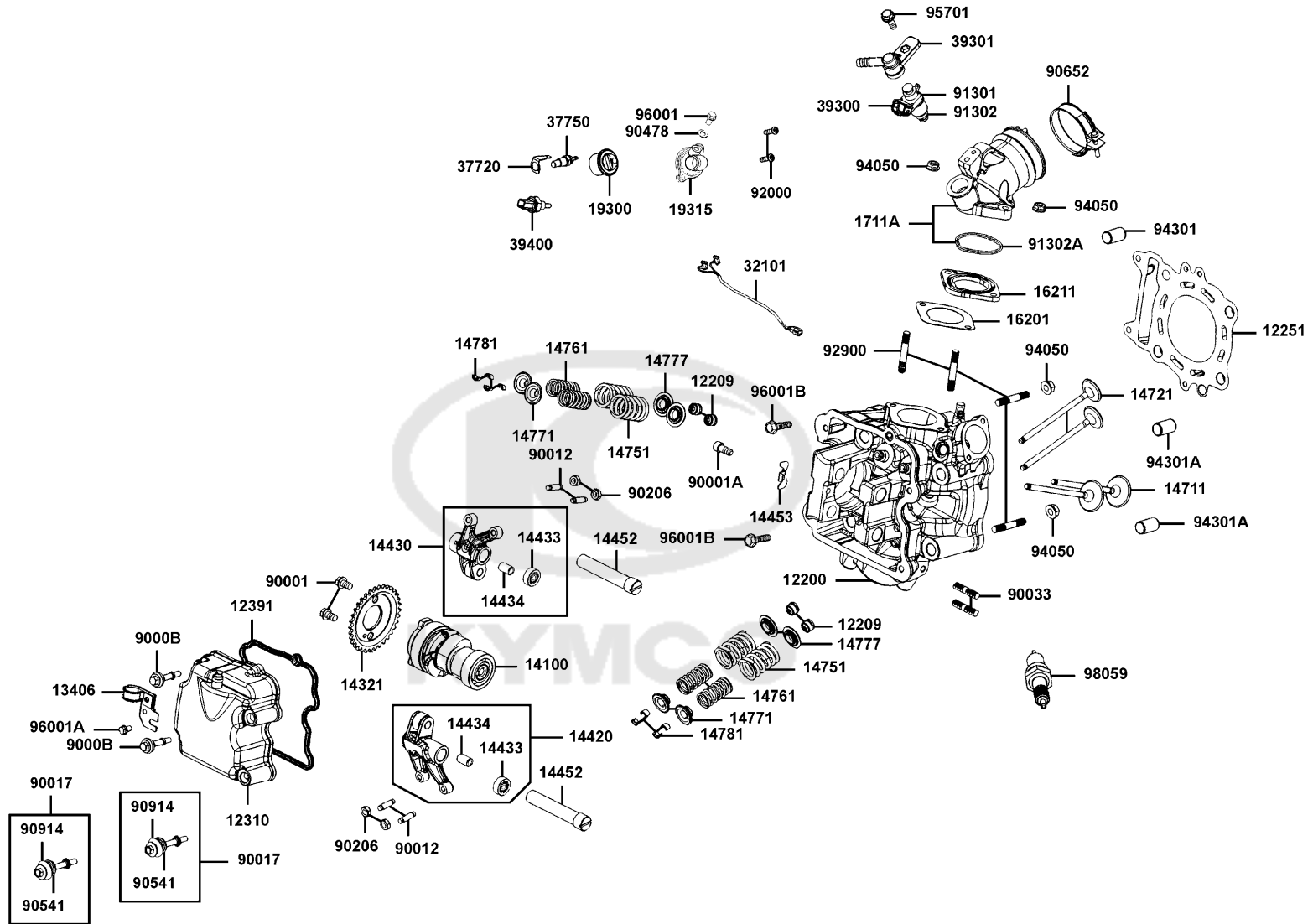
E01

Crank Case

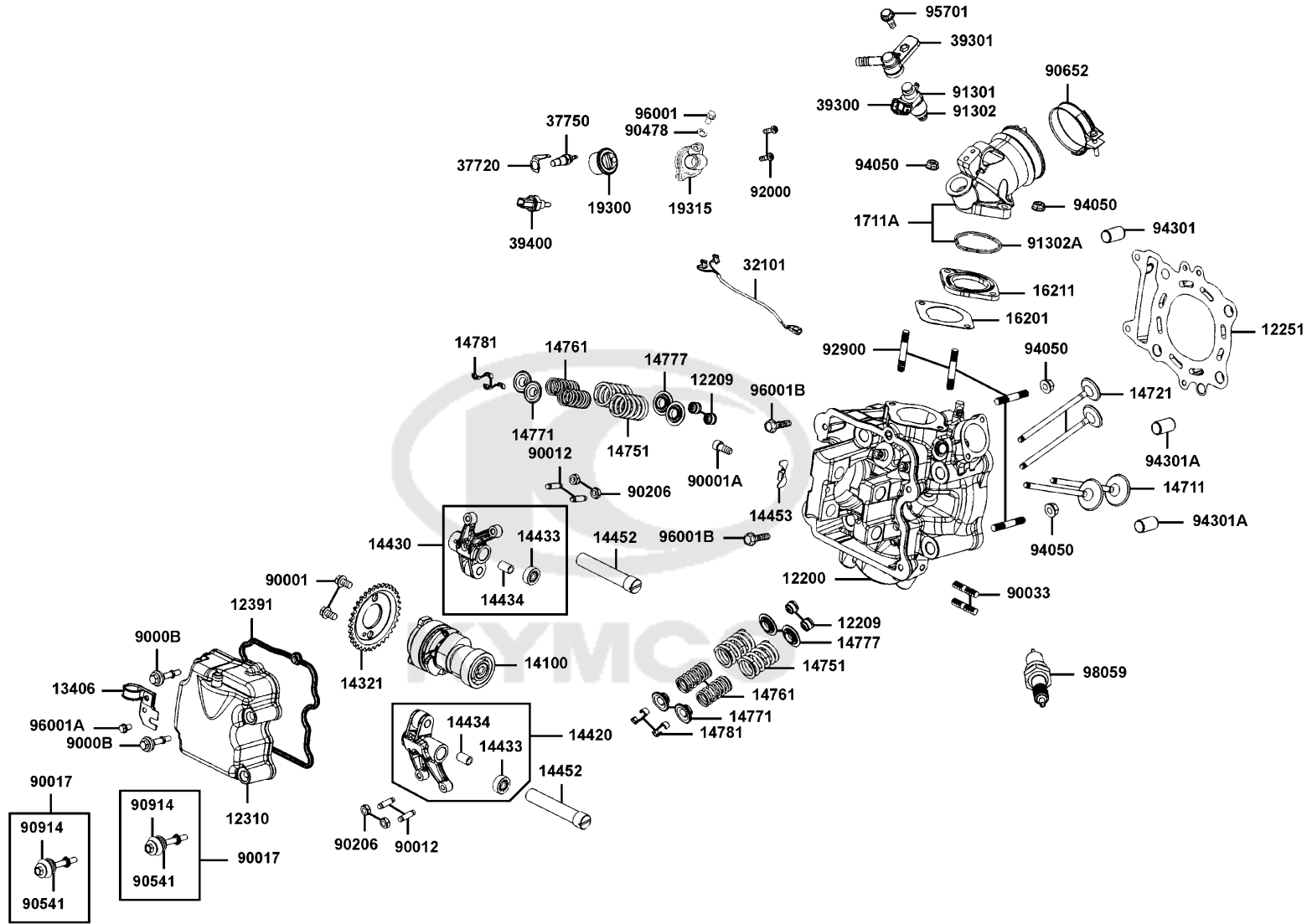


Sales mark	Ref no	Part no	Description	Reg description	Regd no	E01
	91201	91201-LEA7-E00	OIL SEAL 35*50*7	OIL SEAL 35*50*7	1	
	91255	91255-KHE7-900	OIL SEAL 34*52*7	OIL SEAL 34*52*7	1	
#	91255	91255-KHE7-90A	OIL SEAL 34*52*7	OIL SEAL 34*52*7	1	
	91301	91301-2L00-001	O-RING 10*1.6	O-RING 10*1.6	3	
	91306	91306-PUA5-E00	O-RING 13*1.5	O-RING 13*1.5	2	
	91307	91307-PUA5-E00	O-RING 18*2	O-RING 18*2	1	
	91552	91552-LEA7-E00	COLLAR.10.5MM	COLLAR.10.5MM	3	
#	92101	92101-05012-0G	BOLT HEX 5X12	BOLT HEX 5*12	3	
	94050	94050-10060	NUT FLANGE 10MM	NUT FLANGE 10MM	4	
	94301	94301-10160	DOWEL PIN 10*16	DOWEL PIN 10*16	2	
	94520	94520-47000	CIR CLIP IN 47	CIR CLIP IN 47	1	
	95002	95002-50000	CLIP C9 TUBE	CLIP C9 TUBE	1	
#	95701	95701-08012-06	BOLT FLANGE 8*12	BOLT FLANGE 8*12	1	
#	96001	96001-06020-06	BOLT FLANGE SH 6*20	BOLT FLANGE SH 6*20	5	
#	96001A	96001-06030-06	BOLT FLANGE SH 6X30	BOLT FLANGE SH 6X30	1	
#	96001B	96001-06070-06	BOLT FLANGE SH 6*70	BOLT FLANGE SH 6*70	1	
#	96001C	96001-06080-06	BOLT FLANGE SH 6X80	BOLT FLANGE SH 6X80	1	
	96100	96100-63020-00	BRG BALL RADIAL 6302	BRG BALL RADIAL 6302	2	

Cylinder Head Cover Cylinder Head



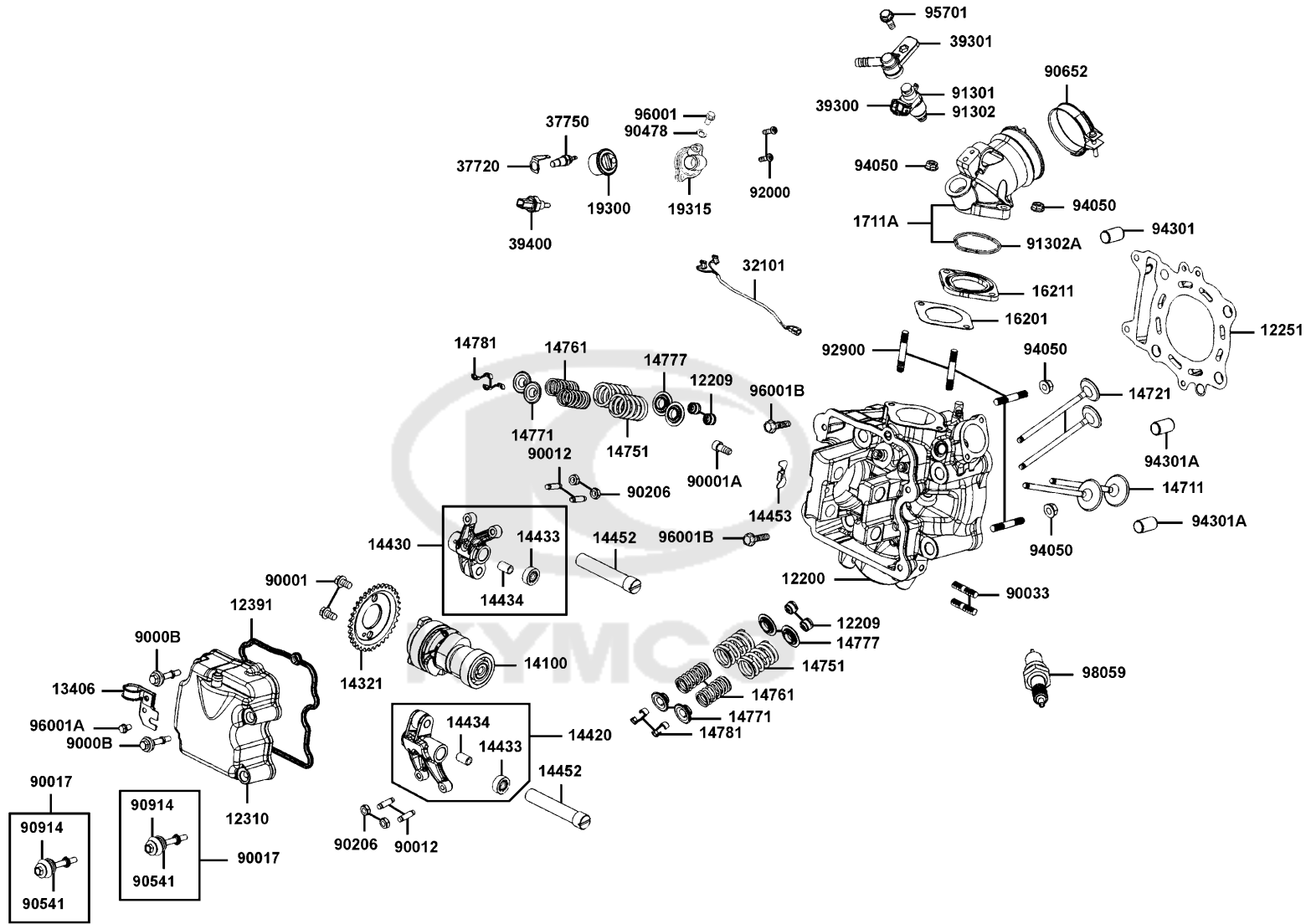
Sales mark	Ref no	Part no	Description	Reg description	Regd no	E02
12200		12200-LEA7-E00	HEAD COMP CYLINDER	HEAD COMP.CYLN	1	
12209		12209-GDB4-68B	SEAL VALVE STEM	SEAL VALVE STEM	1	
12251		12251-LEA7-E00	GASKET CYLINDER HEAD	GASKET CYLINDER HEAD	1	
12310		12310-LEA7-E00	COVER COMP CYLN HEAD	COVER COMP CYLN HEAD	1	
12391		12391-LEA7-E00	GASKET HEAD COVER	GASKET HEAD COVER	1	
13406		13406-LEA7-E00	PLATE FUEL INJECTOR	PLATE FUEL INJECTOR	1	
14100		14100-LEA7-E00	SHAFT COMP CAM	SHAFT COMP CAM	1	
14321		14321-LEA7-E00	SPROCKET CAMSHAFT	SPROCKET CAMSHAFT	1	
14420		14420-LEA7-E00	ARM COMP EXH VALVE ROCKER	ARM COMP EXH VALVE ROCKER	1	
14430		14430-LEA7-E00	ARM COMP IN VALVE ROCKER	ARM COMP IN VALVE ROCKER	1	
14433		14433-PTA1-900	ROCKER ASSY ROCKER ARM	ROCKER ASSY ROCKER ARM	2	
14434		14434-PTA1-900	PIN ROCKER ARM	PIN ROCKER ARM	2	
14452		14452-LEA7-E00	SHAFT EX ROCKER ARM	SHAFT EX ROCKER ARM	2	
14453		14453-LEA7-E00	SET PLATE ROCKER ARM SHAFT	SET PLATE ROCKER ARM SHAFT	1	
14711		14711-LEA7-E00	VALVA INLET	VALVA INLET	2	
14721		14721-LEA7-E00	VALVE EXHAUST	VALVE EXHAUST	2	
14751		14751-LEA7-E00	SPRING VALVE OUTER	SPRING VALVE OUTER	4	
14761		14761-LEA7-E00	SPRING VALVE INNER	SPRING VALVE INNER	4	
14771		14771-GDB4-680	RETAINER VALVE SPRING	RETAINER VALVE SPRING	4	
14777		14777-LBA2-E00	SEAT VALVE SPG	SEAT VALVE SPG	4	



Sales mark	Ref no	Part no	Description	Reg description	Regd no	E02
	14781	14781-MFA6-001	COTTER VALVE	COTTER VALVE	8	
	16201	16201-LEA7-E00	GASKET CARB INSULATOR @A	GASKETCARB INSULATOR A	1	
	16211	16211-LEA7-E00	INSULATOR CARB	INSULATOR CARB	1	
	1711A	1711A-LEA7-E00	PIPE ASSY INLET	PIPE ASSY INLET	1	
#	19300	19300-LFA7-E0A	THERMOSTAT ASSY.	THERMOSTAT ASSY.	1	
#	19300	19300-LFA7-E0B	THERMOSTAT ASSY.	THERMOSTAT ASSY.	1	
	19315	19315-LFA7-E00	COVER THERMOSTAT	COVER THERMOSTAT	1	
	32101	32101-LEA7-E00	SUB HARNESS THERMO UNIT	SUB HARNESS THERMO UNIT	1	
	37720	37720-KGB5-900	EARTH TERMINAL THERMO	EARTH TERMINAL THERMO	1	
	37750	37750-PAC1-005	THERMO UNIT ASSY	THERMO UNIT ASSY	1	
	39300	39300-LDF2-800	INJECTOR UNIT FUEL	INJECTOR UNIT FUEL	1	
	39301	39301-LDF2-900	CUP COMP FUEL INJECTOR	CUP COMP FUEL INJECTOR	1	
	39400	39400-LDF2-800	WATER TEMP SENSOR	WATER TEMP SENSOR	1	
	90001	90001-GFY6-901	SOCKET BOLT 6*10 (B)	SOCKET BOLT 6*10 (B)	1	
	90001A	90001-LEA7-E00	SOCKET BOLT	SOCKET BOLT	1	
	9000B	9000B-KHD6-900	BOLT ASSY SPECIAL 6*41.5	BOLT ASSY SPECIAL 6*41.5	2	
	90012	90012-3C33-001	SCREW TAPPET ADJUSTING	SCREW TAPPET ADJUSTING	4	
	90017	90017-KKE5-E00	BOLT ASSY HEAD COVER	BOLT ASSY HEAD COVER	2	
	90033	90033-KGB4-C00	BOLT STUD M8X40 (C)	BOLT STUD M8X40 (C)	2	
	90206	90206-0A01-001	NUT TAPPET ADJG	NUT TAPPET ADJG	4	

E02

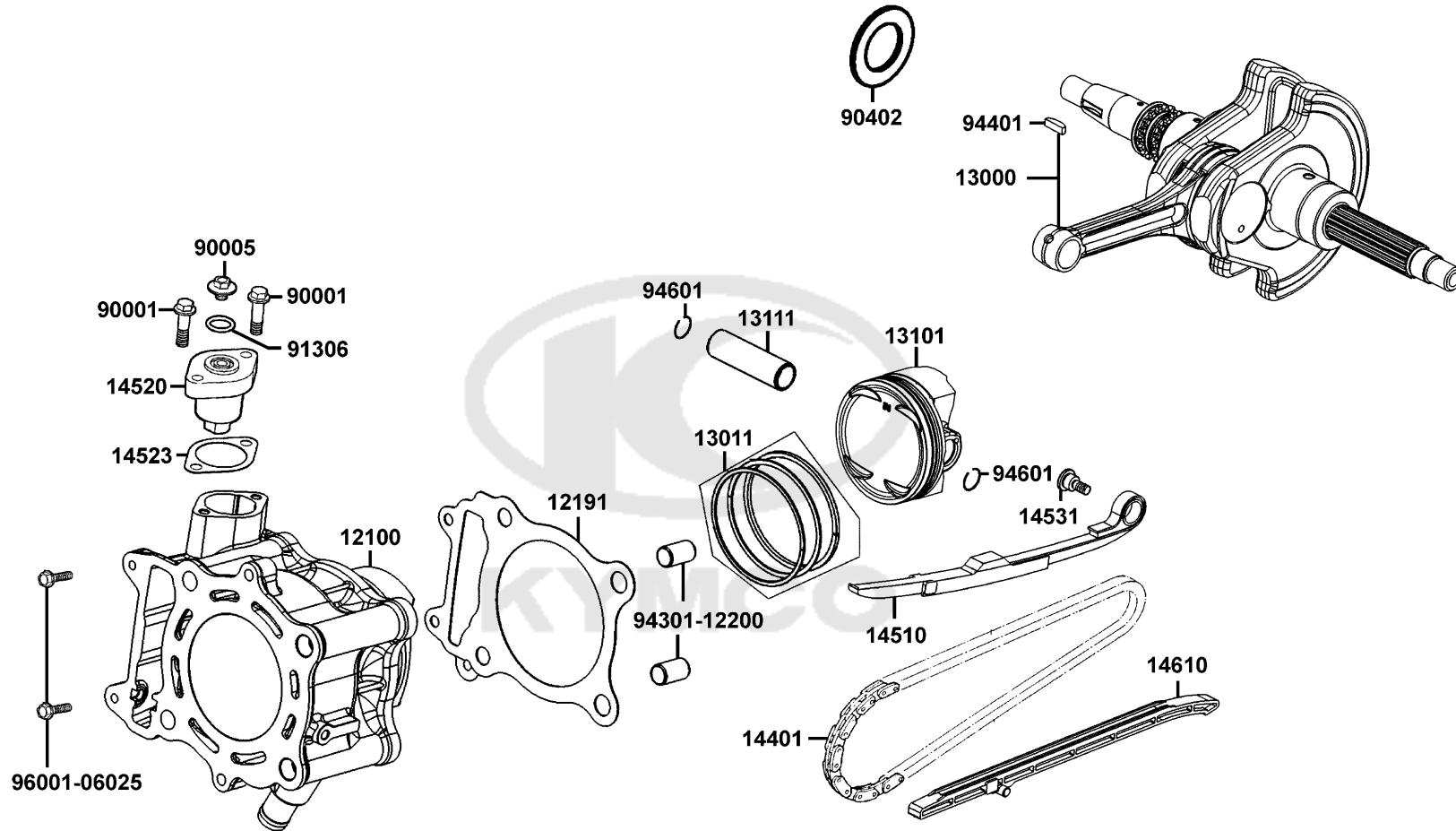
Cylinder Head Cover Cylinder Head



Sales mark	Ref no	Part no	Description	Reg description	Regd no	E02
	90478	90478-7L00-001	WASHER A 6MM	WASHER A 6MM	1	
#	90541	90541-KED9-900	RUBBER MOUNTING	RUBBER MOUNTING	2	
	90652	90652-LDG7-900	C-HOPE 50~70	C-HOPE 50~70	1	
#	90914	90914-KED9-900	WASHER HEAD COVER BOLT	WASHER HEAD COVER BOLT	2	
	91301	91301-LDF2-800	O-RING 7.47*3.6	O-RING 7.47*3.6	1	
	91302	91302-LDF2-800	SEAL RING	SEAL RING	1	
	91302A	91302-LEA7-E00	O-RING	O-RING	1	
#	92000	92000-05016-0G	BOLT HEX 5X16	BOLT HEX 5X16	1	
	92900	92900-06040-0E	BOLT STUD 6*40	BOLT STUD 6*40	4	
	94050	94050-06080	NUT FLANGE 6MM	NUT FLANGE 6MM	4	
	94301	94301-08100	DOWEL PIN 8*10	DOWEL PIN 8*10	1	
	94301A	94301-12200	DOWEL PIN 12*20	DOWEL PIN 12*20	2	
#	95701	95701-06016-06	BOLT FLANGE 6*16 (K)	BOLT FLANGE 6*16 (K)	1	
	96001	96001-06010-00	BOLT FLANGE SH 6X10	BOLT FLANGE SH 6X10	1	
	96001A	96001-06010-06	BOLT FLANGE 6*10	BOLT FLANGE 6*10	3	
	96001B	96001-06025-06	BOLT FLANGE SH 6*25	BOLT FLANGE SH 6*25	2	
	98059	98059-57916-00	SPARK PLUG (CR7E)	SPARK PLUG (CR7E)	1	

E03

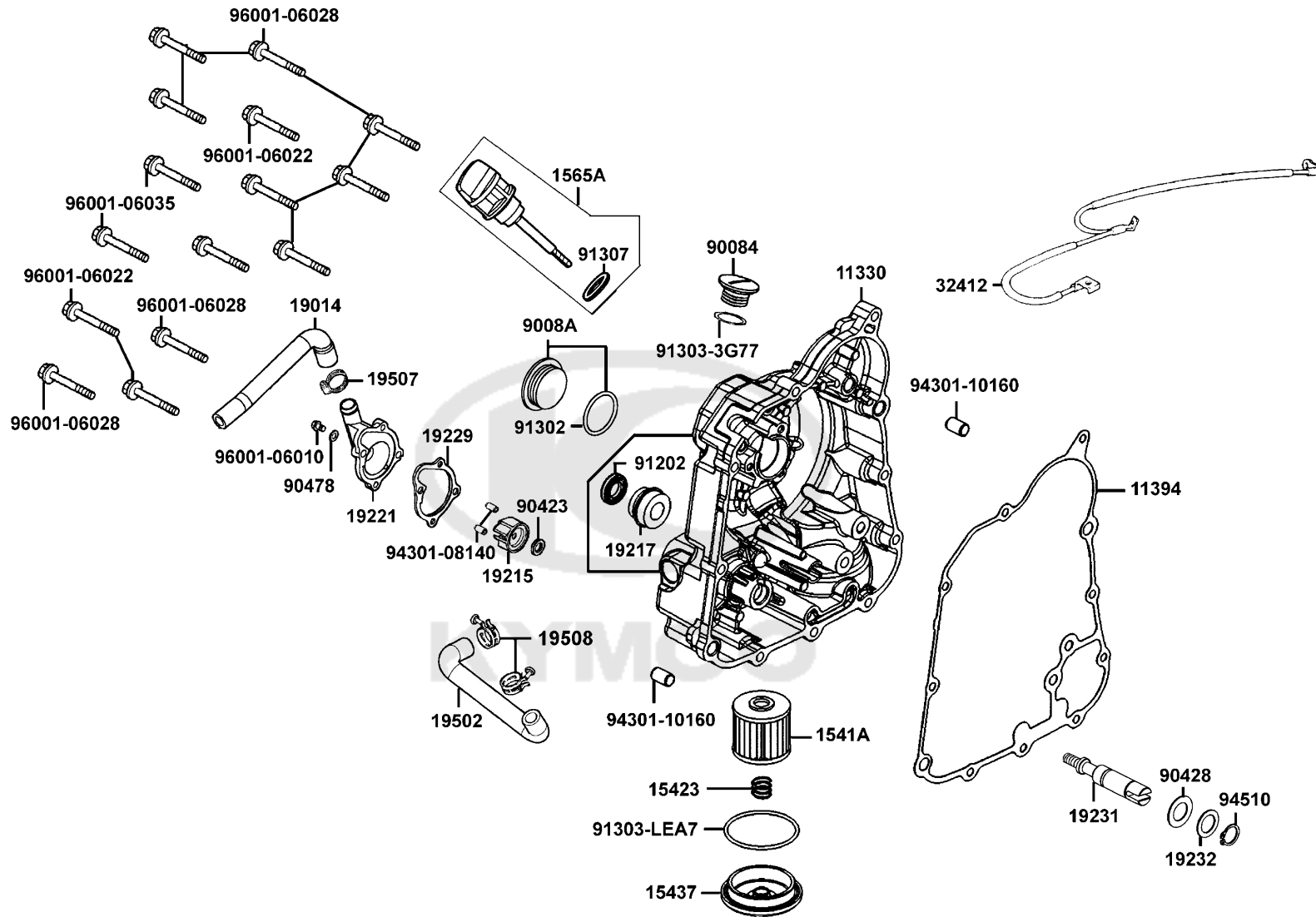
Cylinder Piston Crankshaft



Sales mark	Ref no	Part no	Description	Reg description	Regd no	E03
	12100	12100-LEA7-E00	CYLINDER COMP (A)	CYLINDER COMP (A)	1	
	12191	12191-LEA7-E00	GASKET CYLINDER @A	GASKET CYLINDER @A	1	
	13000	13000-LEA7-E00	CRANK SHAFT COMP	CRANK SHAFT COMP	1	
	13011	13011-LEA7-E00	RING SET PISTON	RING SET PISTON	1	
	13101	13101-LEA7-E00	PISTON	PISTON	1	
	13111	13111-LEA7-E00	PIN PISTON	PIN PISTON	1	
	14401	14401-PWB1-900	CHAIN CAM	CHAIN CAM	1	
	14510	14510-LEA7-E00	TENSIONER CAM CHAIN	TENSIONER CAM CHAIN	1	
	14520	14520-KED9-900	LIFTER ASSY TENSIONER	LIFTER ASSY TENSIONER	1	
#	14523	14523-KED9-920	GASKET TENSIONER LIFTER @A	GASKET TENSIONER LIFTER @A	1	
	14531	14531-KHE7-900	PIVOT CAM CHAIN TENSIONER	PIVOT CAM CHAIN TENSIONER	1	
	14610	14610-LEA7-E00	GUIDE COMP CAM CHAIN	GUIDE COMP CAM CHAIN	1	
	90001	90001-GBHB-661	BOLT FLANGE SH 6*22	BOLT FLANGE SH 6*22	2	
#	90005	90005-KED9-900	BOLT SPECIAL 6*6	BOLT SPECIAL 6*6	1	
	90402	90402-LEA7-E00	THRUST WASHER 36X60X3	THRUST WASHER 36X60X3	1	
	91306	91306-1E05-691	O-RING 1.5*9.5	O-RING 1.5*9.5	1	
	94301	94301-12200	DOWEL PIN 12*20	DOWEL PIN 12*20	2	
	94401	94401-25140	WOODRUFF KEY 25*14	WOODRUFF KEY 25*14	1	
	94601	94601-17000	CLIP PISTON PIN 17MM	CLIP PISTON PIN 17MM	2	
	96001	96001-06025-06	BOLT FLANGE SH 6*25	BOLT FLANGE SH 6*25	2	

E04

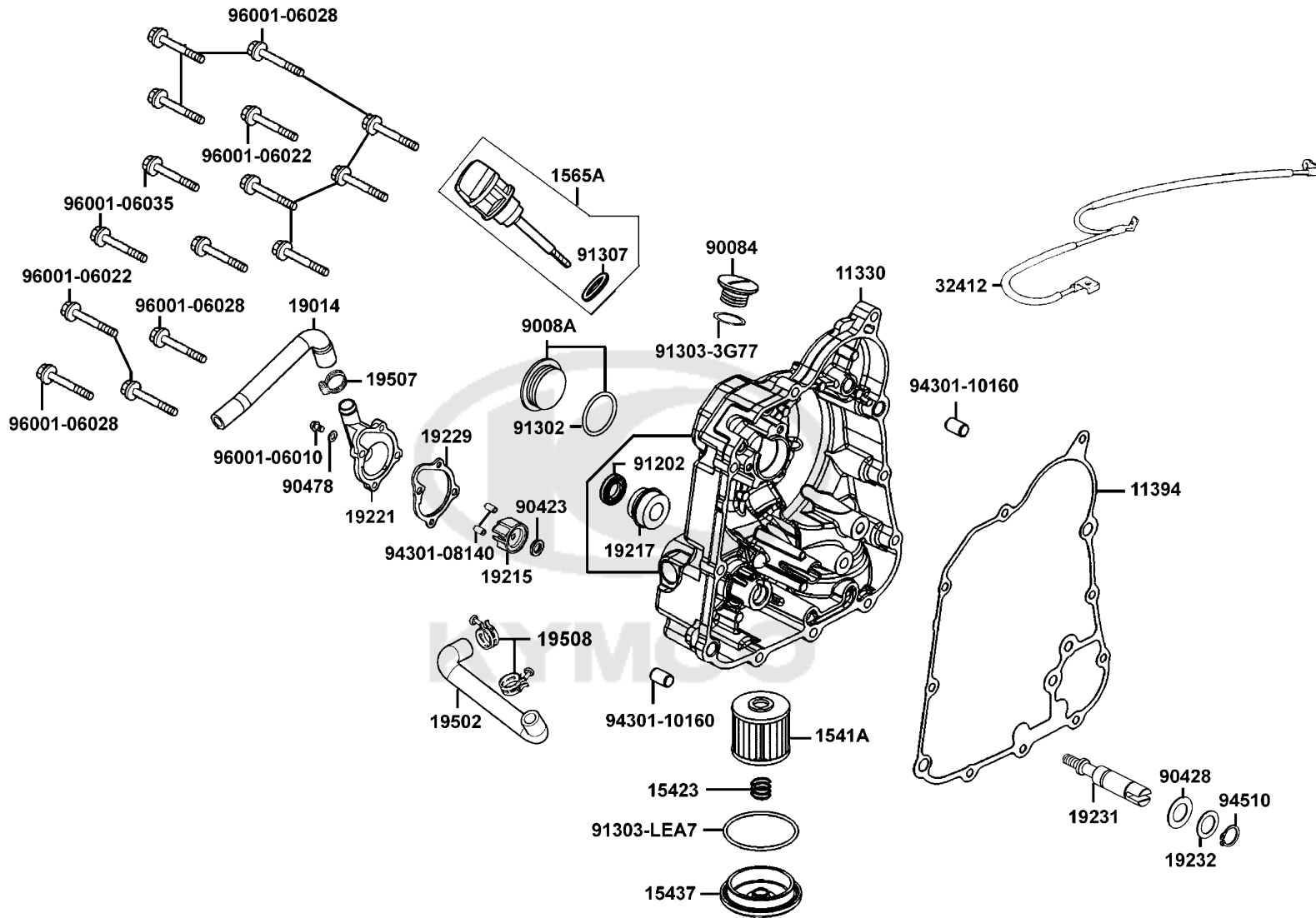
Right Crankcase Cover Water Pump



Sales mark	Ref no	Part no	Description	Reg description	Regd no	E04
# **	11330	11330-LEA7-305	COVER COMP RIGHT CRANK CASE	COVER COMP RIGHT CRANK CASE	2	
**	11330	11330-LEA7-E00	COVER COMP RIGHT CRANK CASE	COVER COMP RIGHT CRANK CASE	1	
#	11394	11394-LEA7-305	GASKET R COVER	GASKET R COVER	1	
	11394	11394-LEA7-E00	GASKET R COVER @A	GASKET R COVER @A	1	
	1541A	1541A-LEA7-E00	ELEMENT ASSY OIL FILTER	ELEMENT ASSY OIL FILTER	1	
	15423	15423-KKC3-900	SPRING CAP OIL	SPRING CAP OIL	1	
	15437	15437-LEA7-E00	CAP OIL FILTER	CAP OIL FILTER	1	
#	1565A	1565A-LGF9-E00	GUIDE OIL LEVEL ASSY	GUIDE OIL LEVEL ASSY	1	
	19014	19014-LEA7-E00	HOSE WATER OUTLET	HOSE WATER OUTLET	1	
	19215	19215-LEA7-E00	IMPELLER WATER PUMP	IMPELLER WATER PUMP	1	
#	19217	19217-ZPA3-E00	SEAL MECHANICAL	SEAL MECHANICAL	1	
**	19221	19221-LEA7-E00	COVER WATER PUMP	COVER WATER PUMP	1	
	19229	19229-LEA7-E00	GASKET WATER PUMP	GASKET WATER PUMP	1	
	19231	19231-LEA7-E00	SHAFT WATER PUMP	SHAFT WATER PUMP	1	
	19232	19232-LBA2-E00	WASHER 21*13.8*1.5	WASHER 21*13.8*1.5	1	
	19502	19502-LEA7-E00	HOSE B WATER	HOSE B WATER	1	
#	19507	19507-LDB5-E00	CLAMP D 28	CLAMP D 28	1	
	19508	19508-LBA2-E00	CLAMP WATER HOSE	CLAMP WATER HOSE	2	
	32412	32412-LEA7-E00	CABLE EARTH	CABLE EARTH	1	
**	90084	90084-KKF9-901	CAP AC GENERATOR (Mat Black)	CAP AC GENERATOR (Mat Black)	1	

E04

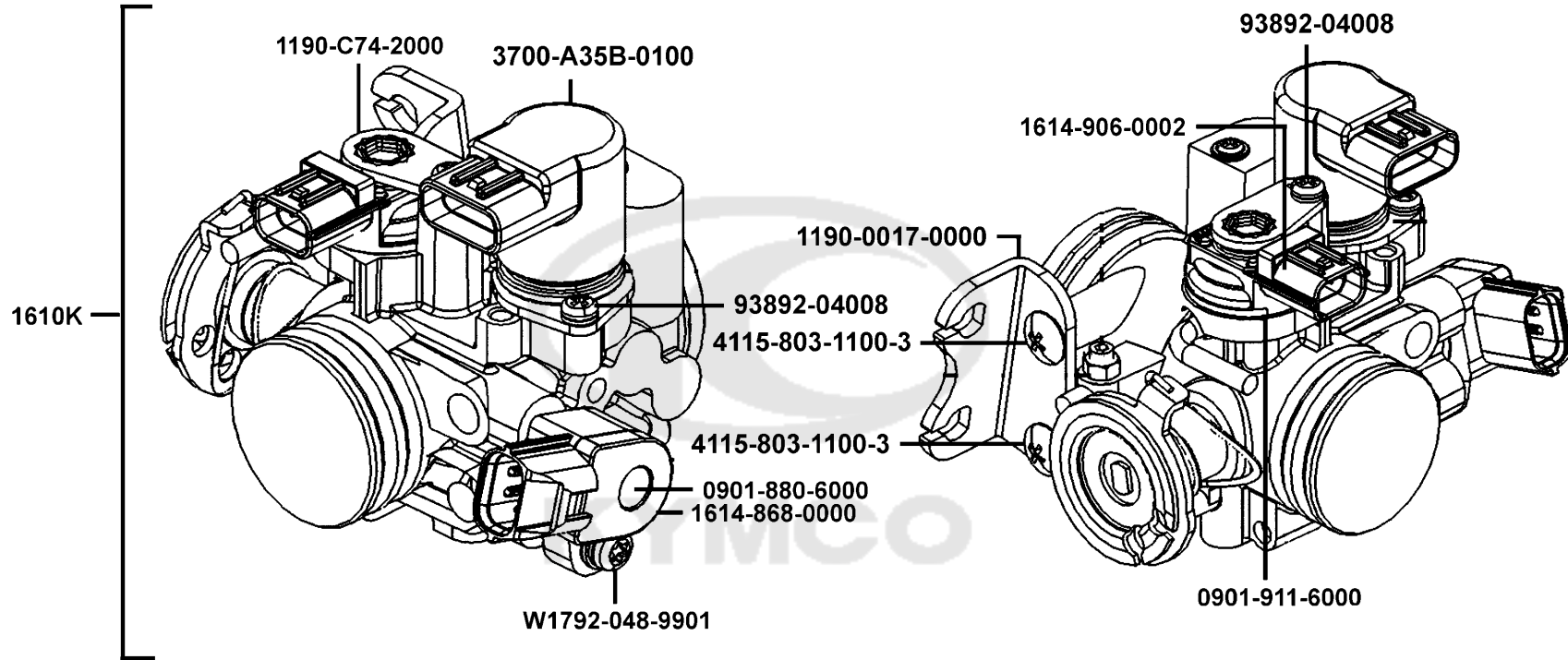
Right Crankcase Cover Water Pump



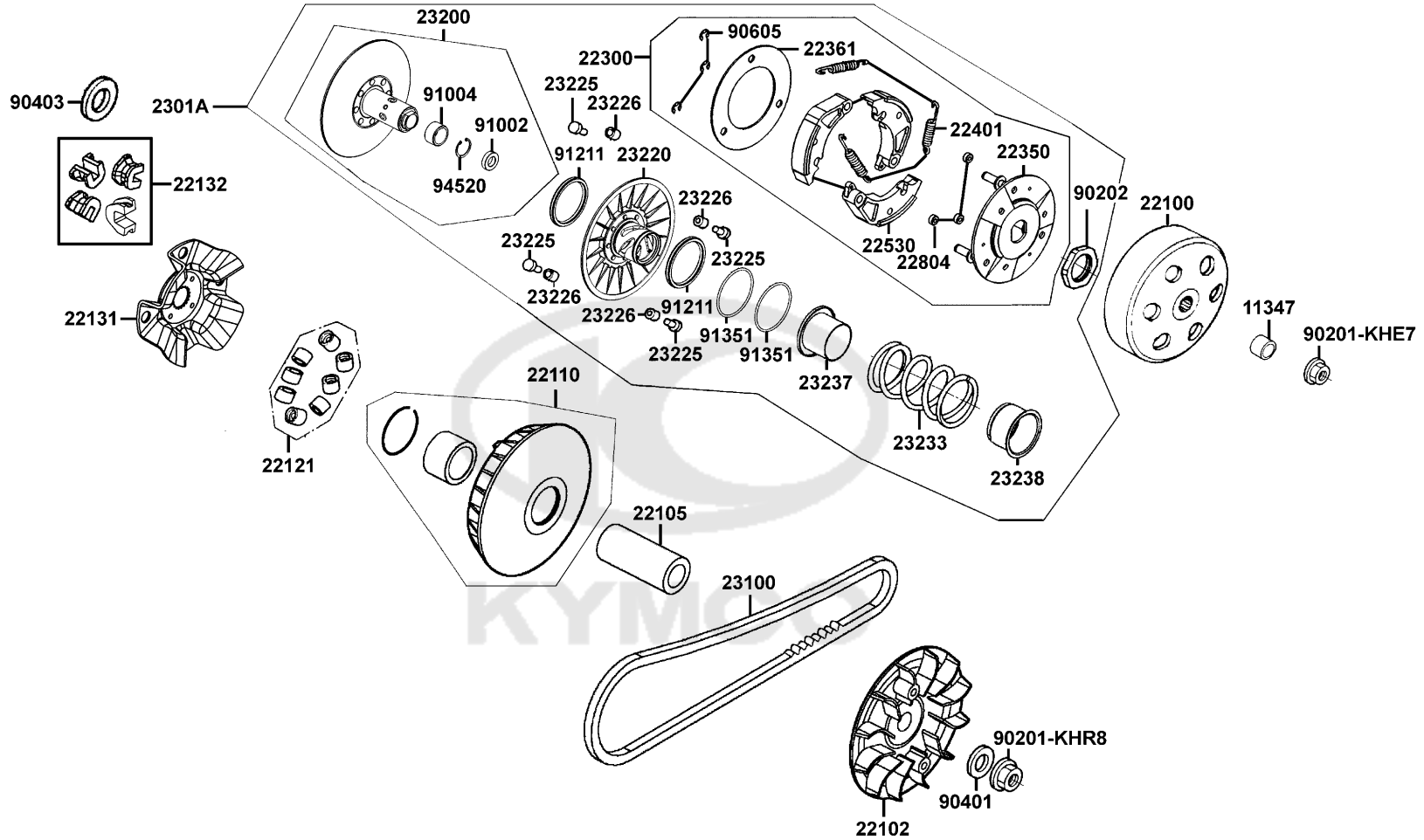
Sales mark	Ref no	Part no	Description	Reg description	Regd no	E04
**	9008A	9008A-KBE2-900	CAP ASSY 30MM	CAP ASSY 30MM	1	
	90423	90423-KKJ9-001	WASHER 7.2*13*1.2	WASHER 7.2*13*1.2	1	
	90428	90428-9H58-001	WASHER THRUST 14MM B	WASHER THRUST 14MM B	1	
	90478	90478-7L00-001	WASHER A 6MM	WASHER A 6MM	1	
#	91202	91202-LKG2-900	OIL SEAL 13.7*24*5	OIL SEAL 13.7*24*5	1	
	91302	91302-5G67-004	O-RING 27.4*2.4	O-RING 27.4*2.4	1	
	91303-3G77	91303-3G77-001	O-RING 13.8*2.5	O-RING 13.8*2.5	1	
	91303-LEA7	91303-LEA7-E00	O-RING 52.5x2.5	O-RING 52.5x2.5	1	
	91307	91307-0E35-001	O RING 18*3	O RING 18*3	1	
	94301-08140	94301-08140	DOWEL PIN 8*14	DOWEL PIN 8*14	2	
	94301-10160	94301-10160	DOWEL PIN 10*16	DOWEL PIN 10*16	2	
	94510	94510-14000	CIR CLIP EXTERNAL 14	CIR CLIP EXTERNAL 14	1	
	96001-06010	96001-06010-00	BOLT FLANGE SH 6X10	BOLT FLANGE SH 6X10	1	
#	96001-06022	96001-06022-06	BOLT FLANGE SH 6*22 (G)	BOLT FLANGE SH 6*22 (G)	1	
#	96001-06028	96001-06028-06	BOLT FLANGE SH 6*28	BOLT FLANGE SH 6*28	1	
#	96001-06035	96001-06035-06	BOLT FLANGE SH 6*35	BOLT FLANGE SH 6*35	1	

E05

Throttle Body Assy



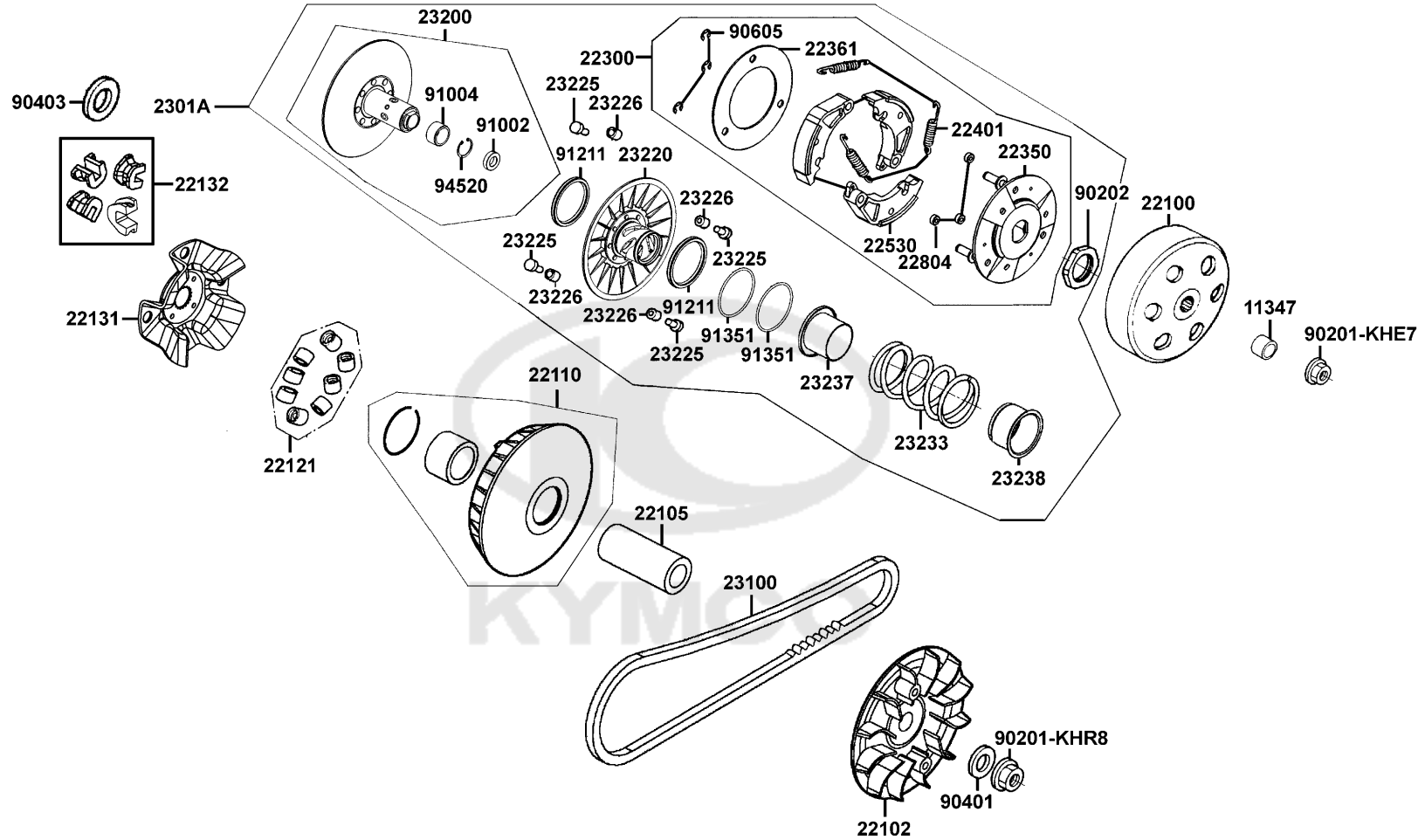
Sales mark	Ref no	Part no	Description	Reg description	Regd no	E05
	0901-880-6000	0901-880-6000	O-RING/TPS	O-RING/TPS	1	
	0901-911-6000	0901-911-6000	O-RING	O-RING	1	
	1190-0017-0000	1190-0017-0000	BRACKET/THROTTLE CABLE	BRACKET/THROTTLE CABLE	1	
	1190-C74-2000	1190-C74-2000	STAY PLATE	STAY PLATE	1	
	1610K	1610K-LEA7-E00	THROTTLE BODY ASSY	THROTTLE BODY ASSY	1	
	1614-868-0000	1614-868-0000-S	THROTTLE POSITION SENSER	THROTTLE POSITION SENSER	1	
	1614-906-0002	1614-906-0002	MAP SENSOR	MAP SENSOR	1	
#	3700-A35B-0100	3700-A35B-0110	ISC VALVE	ISC VALVE	1	
	4115-803-1100-3	4115-803-1100-3	SCREW PAN	SCREW PAN	2	
#	93892-04008	93892-04008-16	SCREW WASHER 4X8	SCREW WASHER 4X8	1	
	W1792-048-9901	W1792-048-9901	SCREW TORX M5*0.8/TPS	SCREW TORX M5*0.8/TPS	1	



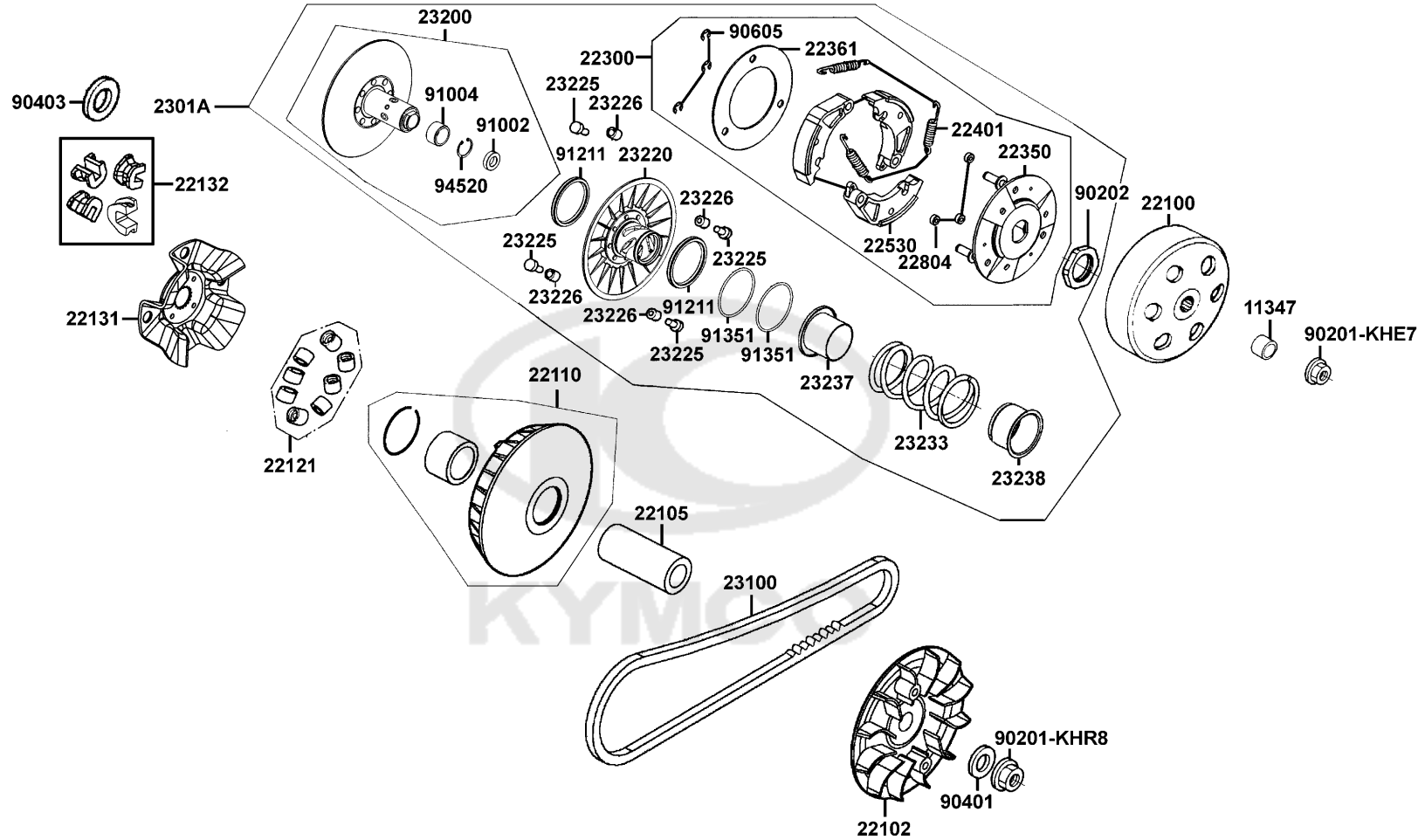
Sales mark	Ref no	Part no	Description	Reg description	Regd no	E06
	11347	11347-LEA7-E00	BOSS DRIVE SHAFT	BOSS DRIVE SHAFT	1	
	22100	22100-LEA7-E00	OUTER COMP CLUTCH	OUTER COMP CLUTCH	1	
#	22100	22100-LKG7-E00	OUTER COMP CLUTCH	OUTER COMP CLUTCH	1	
	22102	22102-LEA7-E00	FACE DRIVE	FACE DRIVE	1	
	22105	22105-LEA7-E00	BOSS DRIVE FACE	BOSS DRIVE FACE	1	
#	22105	22105-LGF9-E00	BOSS DRIVE FACE	BOSS DRIVE FACE	1	
	22110	22110-LEA7-E00	FACE COMP MOVABLE DRIVE	FACE COMP MOVABLE DRIVE	1	
#	22110	22110-LGE5-E00	FACE COMP MOVABLE DRIVE	FACE COMP MOVABLE DRIVE	1	
#	22121	22121-LEA7-305	ROLLER SET WEIGHT (1SET:8PCS)	ROLLER SET WEIGHT (1SET:8PCS)	1	
	22131	22131-LEA7-E00	PLATE RAMP	PLATE RAMP	1	
#	22131	22131-LGE5-E00	PLATE RAMP	PLATE RAMP	1	
#	22132	22132-PWB1-305	PIECE SLIDE SET (1SET:4PCS)	PIECE SLIDE SET (1SET:4PCS)	1	
	22300	22300-LEA7-E00	PLATE ASSY DRIVE	PLATE ASSY DRIVE	1	
#	22300	22300-LGE5-E00	PLATE ASSY DRIVE	PLATE ASSY DRIVE	1	
#	22300	22300-LKG7-E00	PLATE ASSY DRIVE	PLATE ASSY DRIVE	1	
	22350	22350-KHE7-900	PLATE COMP DRIVE	PLATE COMP DRIVE	1	
	22361	22361-LEA7-E00	PLATE CLUTCH SIDE	PLATE CLUTCH SIDE	1	
	22401	22401-KHE7-900	SPRING CLUTCH	SPRING CLUTCH	3	
#	22401	22401-LFG2-E80	SPRING CLUTCH	SPRING CLUTCH	3	
	22530	22530-LEA7-E00	WEIGHT CLUTCH	WEIGHT CLUTCH	3	


E06

Drive Pulley

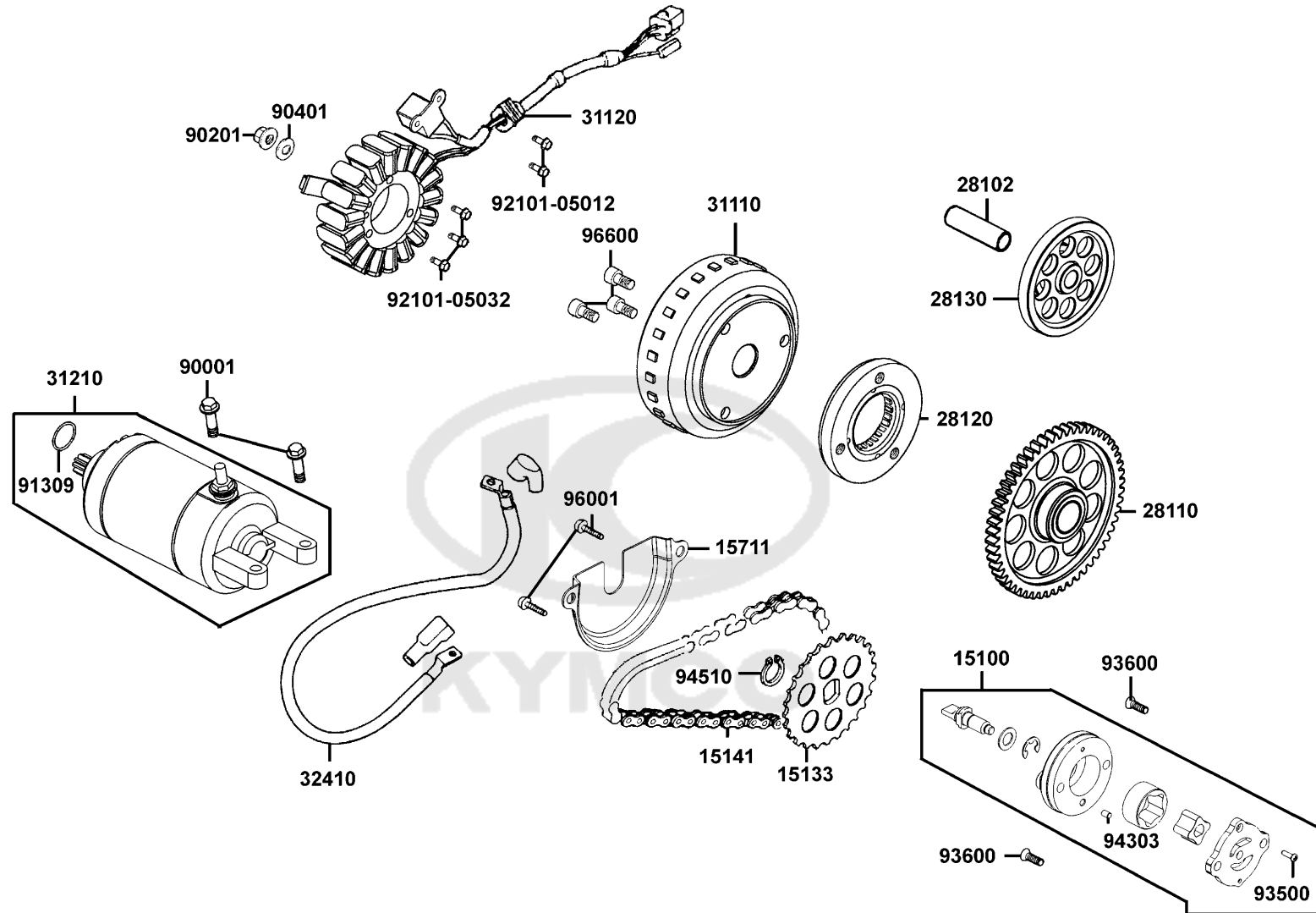


Sales mark	Ref no	Part no	Description	Reg description	Regd no	E06
#	22530	22530-LGE5-E00	WEIGHT CLUTCH	WEIGHT CLUTCH	3	
#	22530	22530-LKG7-E00	WEIGHT CLUTCH	WEIGHT CLUTCH	3	
	22804	22804-GBB2-001	RUBBER CLUTCH DAMPER	RUBBER CLUTCH DAMPER	3	
#	2301A	2301A-LEA7-E01	PULLEY SUB.ASSY	PULLEY SUB.ASSY	1	
#	2301A	2301A-LGE5-E00	PULLEY SUB. ASSY	PULLEY SUB. ASSY	1	
#	2301A	2301A-LKG7-E00	PULLEY SUB ASSY DRIVEN	PULLEY SUB ASSY DRIVEN	1	
#	23100	23100-LEA7-E01	BELT DRIVE (N-5U)	BELT DRIVE (N-5U)	1	
	23200	23200-LEA7-E01	FACE ASSY DRIVEN	FACE ASSY DRIVEN	1	
#	23200	23200-LGE5-E00	FACE ASSY DRIVEN	FACE ASSY DRIVEN	1	
	23220	23220-LEA7-E01	FACE COMP MOVIEABLE DRIVE	FACE COMP MOVIEABLE DRIVE	1	
	23225	23225-LEA7-E00	PIN. ROLLER GUIDE	PIN. ROLLER GUIDE	4	
	23226	23226-LEA7-E00	ROLLER GUIDE	ROLLER GUIDE	4	
	23233	23233-LEA7-E00	SPG DRIVEN FACE	SPG DRIVEN FACE	1	
	23237	23237-KHE7-900	COLLAR SEAL	COLLAR SEAL	1	
	23238	23238-KHE7-900	COLLAR SPG	COLLAR SPG	1	
	90201-KHE7	90201-KHE7-900	NUT C FLANGE M12	NUT C FLANGE M12	1	
	90201-KHR8	90201-KHR8-75A	NUT FLANGE 14MM	NUT FLANGE 14MM	1	
	90202	90202-LEA7-E00	NUT SPECIAL 28mm	NUT SPECIAL 28mm	1	
	90401	90401-LEA7-E00	WASHER THRUST 14*28*2	WASHER THRUST 14*28*2	1	
	90403	90403-LEA7-E00	THRUST WASHER 20.2X35X2.35	THRUST WASHER 20.2X35X2.35	1	



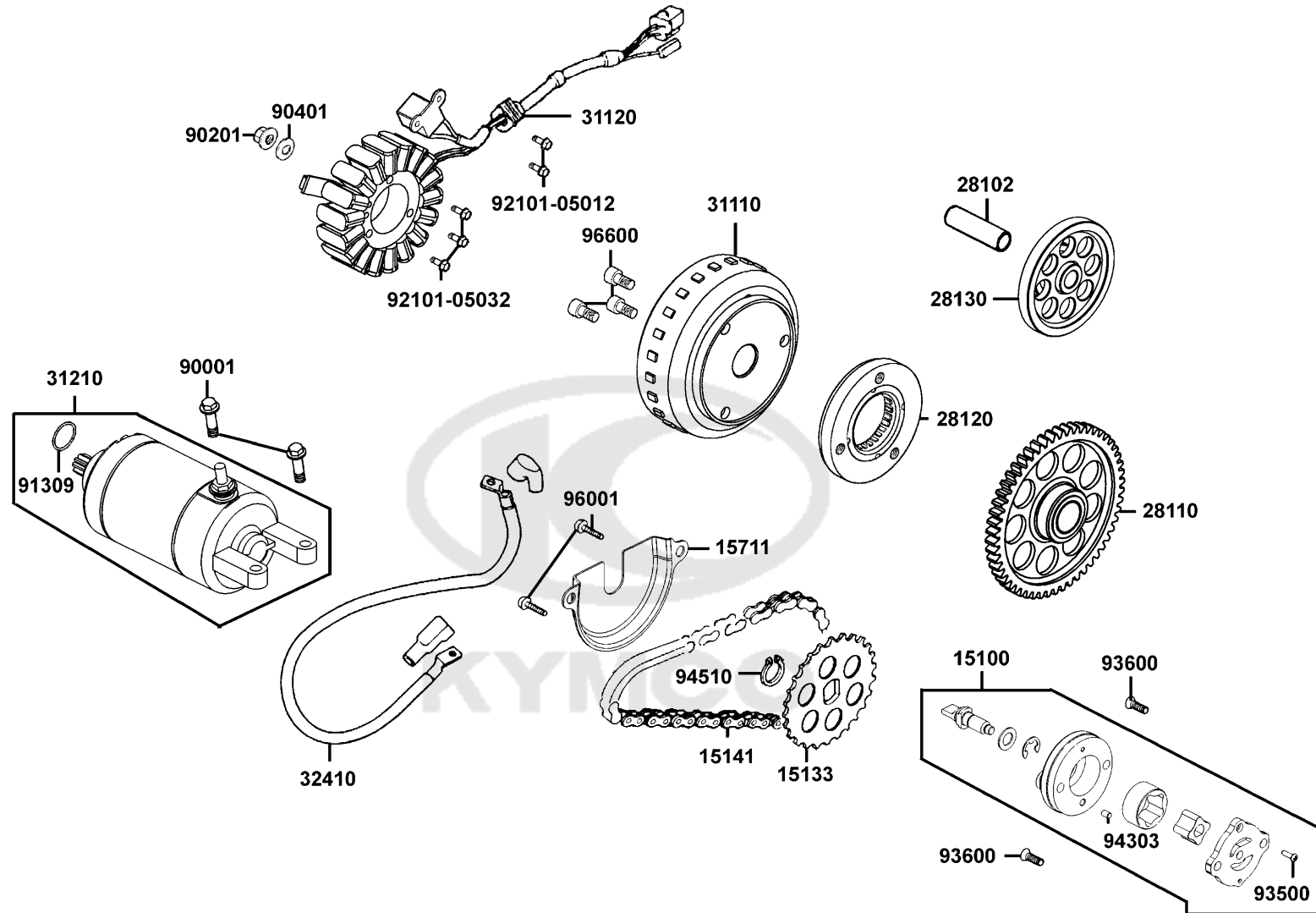
Sales mark	Ref no	Part no	Description	Reg description	Regd no	E06
	90605	90605-1F66-721	CIR CLIP 7MM	CIR CLIP 7MM	3	
	91002	91002-GGA7-70A	BRG BALL RADIAL 6902U	BRG BALL RADIAL 6902U	1	
	91004	91004-LEA7-E00	BRG.NEEDLE 25X32X14	BRG.NEEDLE 25X32X14	1	
	91211	91211-KHE7-900	SEAL DRIVEN FACE	SEAL DRIVEN FACE	2	
	91351	91351-KHE7-900	O-RING PINION CAP	O-RING PINION CAP	2	
	94520	94520-28000	CIR CLIP IN 28	CIR CLIP IN 28	1	
						

Starting Motor Generator



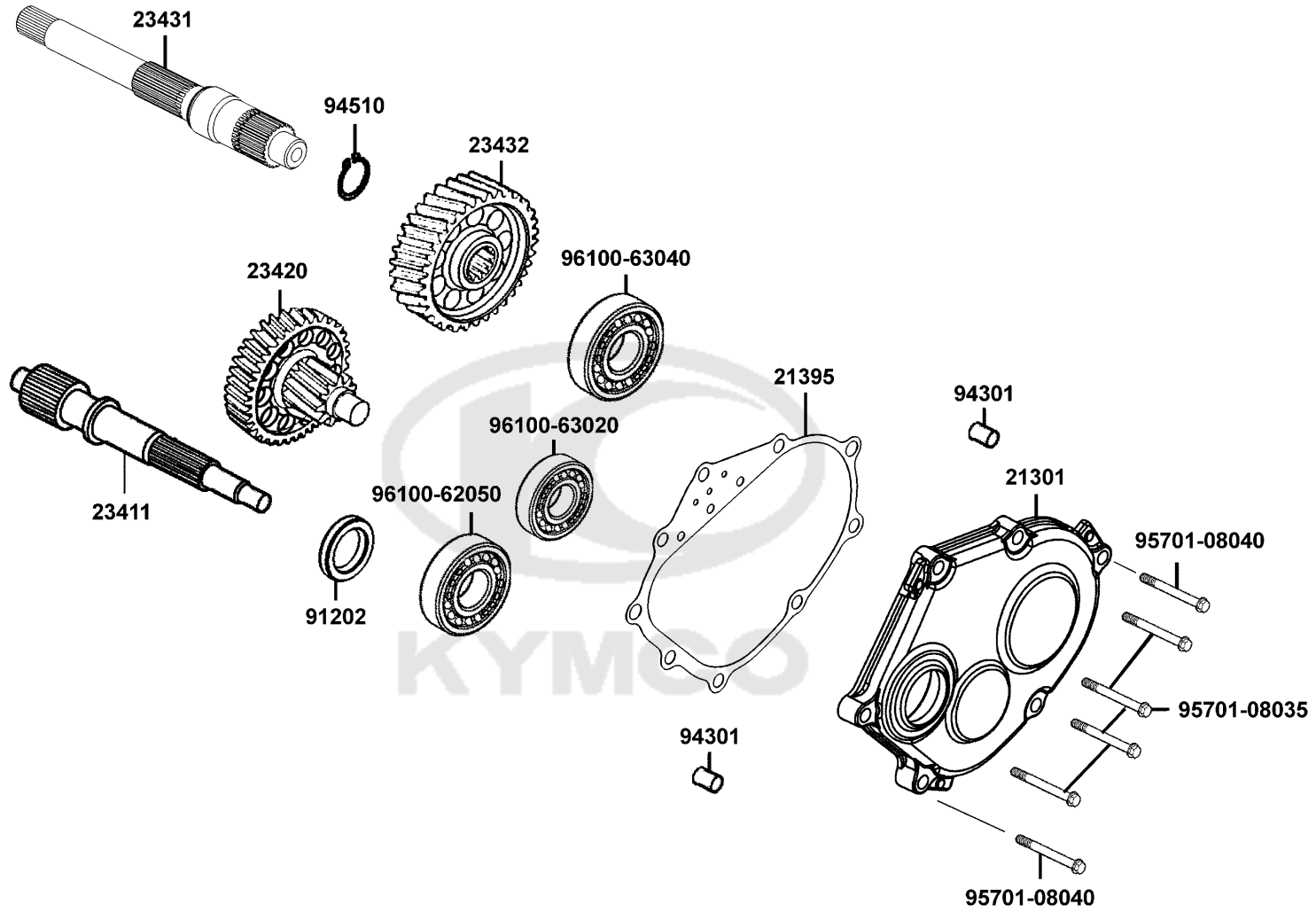
Sales mark	Ref no	Part no	Description	Reg description	Regd no	E07
	15100	15100-LEA7-E00	PUMP ASSY OIL	PUMP ASSY OIL	1	
	15133	15133-LEA7-E00	SPROCKET OIL PUMP DRIVEN	SPROCKET OIL PUMP DRIVEN	1	
#	15133	15133-LGF9-E00	SPROCKET OIL PUMP	SPROCKET OIL PUMP	1	
	15141	15141-LEA7-E00	CHAIN OIL PUMP	CHAIN OIL PUMP	1	
#	15141	15141-LGF9-E00	CHAIN OIL PUMP	CHAIN OIL PUMP	1	
	15711	15711-LEA7-E00	SEPARATOR OIL	SEPARATOR OIL	1	
	28102	28102-LEA7-E00	SHAFT STARTER REDUCTION	SHAFT STARTER REDUCTION	1	
	28110	28110-LEA7-E00	GEAR COMP STARTING CLUTCH	GEAR COMP STARTING CLUTCH	1	
	28120	28120-LDB2-E00	ONE WAY CLUTCH	ONE WAY CLUTCH	1	
	28130	28130-LEA7-E00	GEAR STARTER REDUCTION	GEAR STARTER REDUCTION	1	
	31110	31110-LEA7-E0B	FLYWHEEL COMP (D402)	FLYWHEEL COMP (D402)	1	
	31120	31120-LEA7-E0B	STATOR COMP (D402)	STATOR COMP (D402)	1	
	31210	31210-LEA7-E00	MOTOR UNIT..STARTER	MOTOR UNIT..STARTER	1	
	32410	32410-LEA7-E00	CABLE START MOTOR	CABLE START MOTOR	1	
	90001	90001-GBHB-661	BOLT FLANGE SH 6*22	BOLT FLANGE SH 6*22	2	
	90201	90201-KHR8-75A	NUT FLANGE 14MM	NUT FLANGE 14MM	1	
	90401	90401-KKJ9-001	WASHER THRUST 14*28*2	WASHER THRUST 14*28*2	1	
	91309	91309-4E25-004	O-RING 24.4*3.1	O-RING 24.4*3.1	1	
#	92101-05012	92101-05012-0G	BOLT HEX 5X12	BOLT HEX 5*12	1	
#	92101-05032	92101-05032-0G	BOLT HEX 5*32	BOLT HEX 5*32	1	

Starting Motor Generator



Sales mark	Ref no	Part no	Description	Reg description	Regd no	E07
#	93500	93500-03010-0F	SCREW PAN 3X10	SCREW PAN 3X10	1	
#	93600	93600-06032-0F	SCREW FLAT 6*32	SCREW FLAT 6*32	1	
	94303	94303-04065	DOWEL PIN 4*6.5	DOWEL PIN 4*6.5	1	
	94510	94510-10000	CIR CLIP EX 10MM	CIR CLIP EX 10MM	1	
#	96001	96001-06012-06	BOLT FLANGE SH 6*12	BOLT FLANGE SH 6*12	1	
#	96600	96600-08015-16	SOCKET BOLT 8X15	SOCKET BOLT 8*15	1	

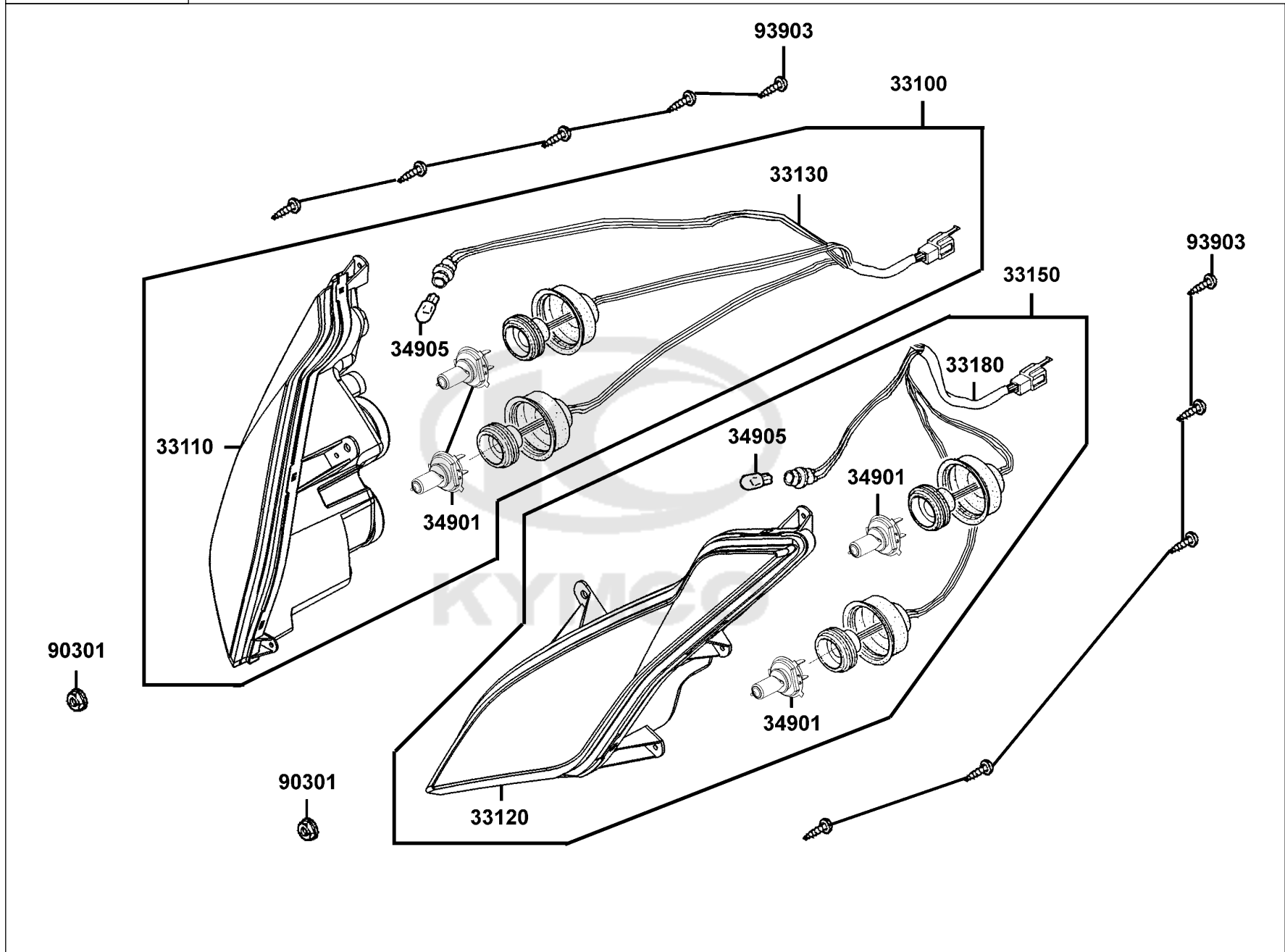




Sales mark	Ref no	Part no	Description	Reg description	Regd no	E08
	21301	21301-LEA7-E00	COVER MISSION	COVER MISSION	1	
	21395	21395-LEA7-E00	GASKET MISSION COVER	GASKET MISSION COVER	1	
	23411	23411-LEA7-E00	SHAFT DRIVE	SHAFT DRIVE	1	
	23420	23420-LEA7-E00	SHAFT COMP COUNTER	SHAFT COMPCOUNTER	1	
	23431	23431-LEA7-E00	SHAFT FINAL	SHAFT FINAL	1	
	23432	23432-LEA7-E00	GEAR FINAL	GEAR FINAL	1	
	91202	91202-LEA7-E00	OIL SEAL 25*35*6	OIL SEAL 25X35X6	1	
#	91202	91202-LEA7-E0A	OIL SEAL 25*35*6	OIL SEAL 25*35*6	1	
	94301	94301-10160	DOWEL PIN 10*16	DOWEL PIN 10*16	2	
	94510	94510-25000	CIR CLIP EXTERNAL 25	CIR CLIP EXTERNAL 25	1	
#	95701-08035	95701-08035-06	BOLT FLANGE 8*28	BOLT FLANGE 8*28	1	
#	95701-08040	95701-08040-06	BOLT FLANGE 8x40 (G)	BOLT FLANGE 8x40 (G)	1	
	96100-62050	96100-62050-00	BEARING BALL RADIAL 6205	BEARING BALL RADIAL 6205	1	
	96100-63020	96100-63020-00	BRG BALL RADIAL 6302	BRG BALL RADIAL 6302	1	
	96100-63040	96100-63040-00	BRG BALL RADIAL 6304	BRG BALL RADIAL 6304	1	

F01

Head Light

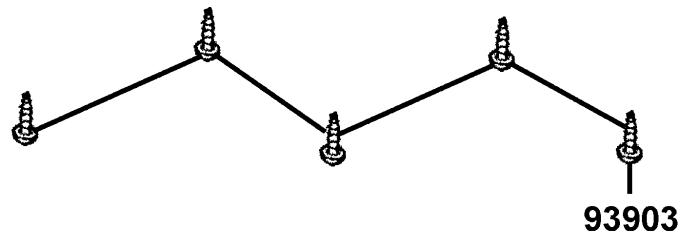
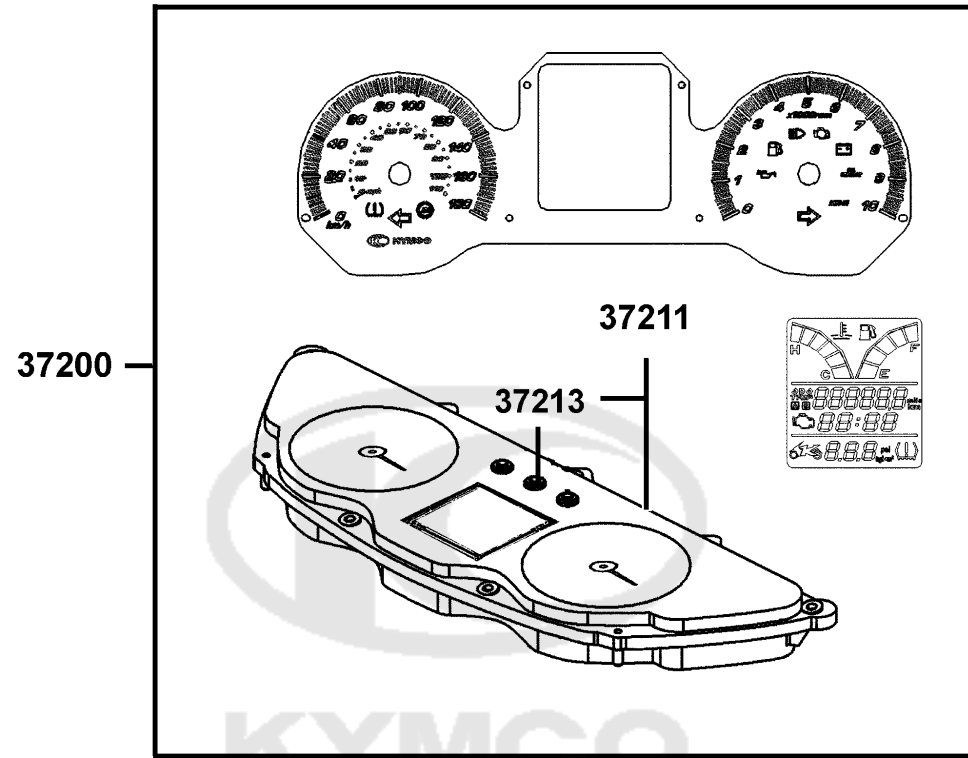


Sales mark	Ref no	Part no	Description	Reg description	Regd no	F01
	33100	33100-LEA7-E00	LIGHT ASSY.. RH. HEAD	LIGHT ASSY.. RH. HEAD	1	
	33110	33110-LEA7-E00	UNIT HEAD LIGHTR R	UNIT HEAD LIGHTR R	1	
	33120	33120-LEA7-E00	UNIT HEAD LIGHTR R	UNIT HEAD LIGHTR R	1	
	33130	33130-LEA7-E00	SOCKET COMP	SOCKET COMP	1	
	33150	33150-LEA7-E00	LIGHT ASSY..LH. HEAD	LIGHT ASSY..LH. HEAD	1	
	33180	33180-LEA7-E00	SOCKET COMP	SOCKET COMP	1	
	34901	34901-KGB5-M30	BULB HEAD LIGHT	BULB HEAD LIGHT	2	
	34905	34905-LEA7-E00	BULB WINKER 12V 21W	BULB WINKER 12V 21W	2	
	90301	90301-6D34-671	NUT FLANGE 6MM	NUT FLANGE 6MM	2	
#	93903	93903-35360	SCREW TAPPING 5*16	SCREW TAPPING 5*16	1	



F02

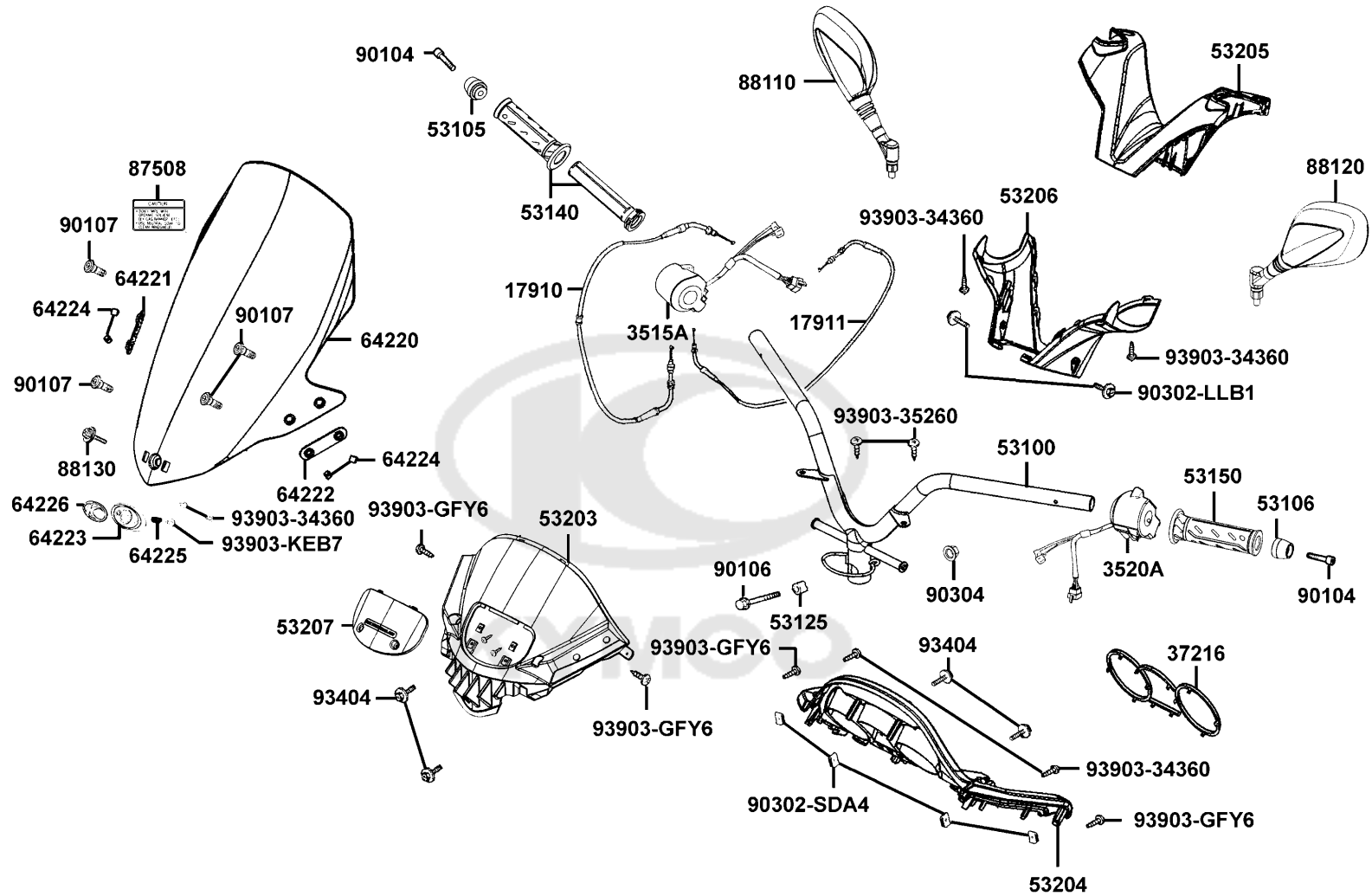
Speed meter



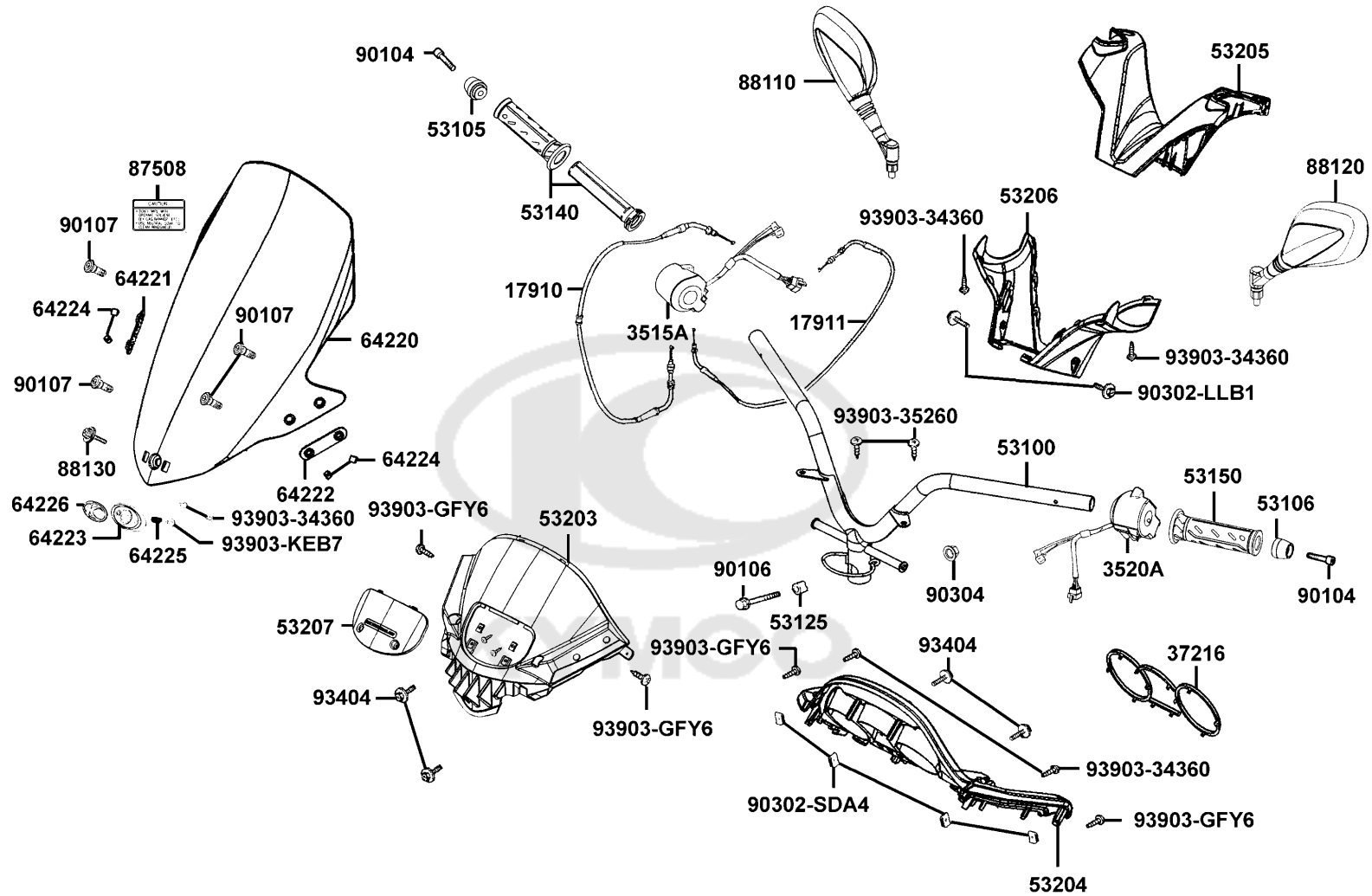
Sales mark	Ref no	Part no	Description	Reg description	Regd no	F02
------------	--------	---------	-------------	-----------------	---------	------------

	37200	37200-LEA7-E30	METER ASSY SPEED	METER ASSY SPEED	1	
#	37211	37211-LEA7-E00	LENS ASSY	LENS ASSY	1	
	37213	37213-KKE5-E00	BUTTON	BUTTON	3	
#	93903	93903-35360	SCREW TAPPING 5*16	SCREW TAPPING 5*16	1	



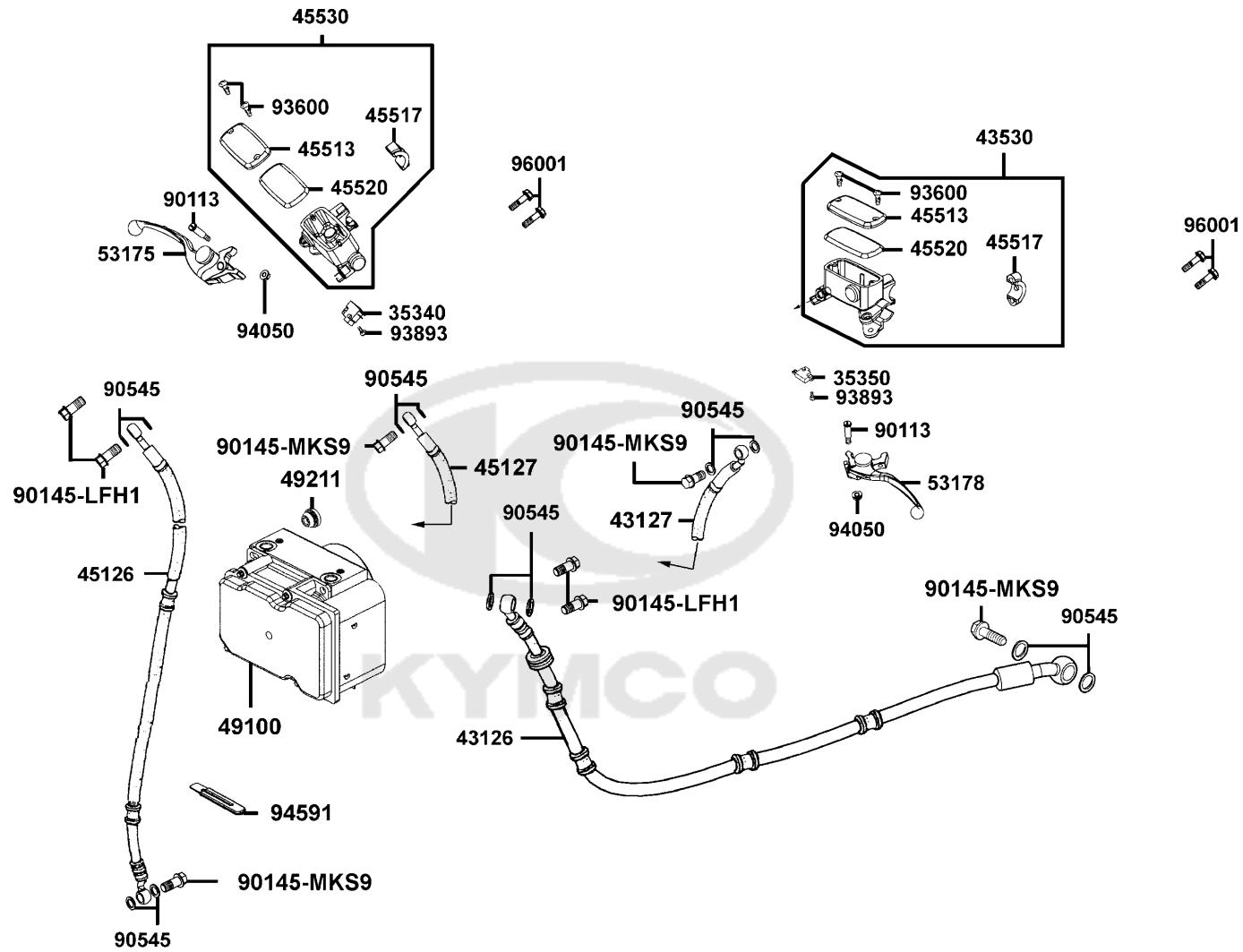


Sales mark	Ref no	Part no	Description	Reg description	Regd no	F03
	17910	17910-LEA7-E00	CABLE COMP A THROT	CABLE COMP A THROT	1	
	17911	17911-LEA7-E00	CABLE BTHROT	CABLE B THROT	1	
	3515A	3515A-LEA7-E00	SW ASSY RH HANDLE COMP	SW ASSY RH HANDLE COMP	1	
	3520A	3520A-KEBE-900	SW ASSY L HNDL COMP	SW ASSY L HNDL COMP	1	
**	37216	37216-LEA7-E00	COSMETIC METER COVER	COSMETIC METER COVER	1	
	53100	53100-LEA7-E00	HANDLE COMP STEERING	HANDLE COMP STEERING	1	
**	53105	53105-LEA7-E00	END R HANDLE	END R HANDLE	1	
	53125	53125-LEA7-E00	COLLAR HANDLE SET	COLLAR	1	
**	53140	53140-LEA7-E00	GRIP COMP THROT	GRIP R HANDLE	1	
**	53150	53150-LEA6-900	GRIP COMP L HANDLE	GRIP L HANDLE	1	
**	53203	53203-LEA7-E00	COVER METER FR	COVER METER FR	1	
**	53204	53204-LEA7-E00	COVER METER RR	COVER METER RR	1	
**	53205	53205-LEA7-E00	COVER HANDLE UP	COVER HANDLE UP	1	
**	53206	53206-LEA7-E00	COVER HANDLE LOW	COVER HANDLE LOW	1	
	53207	53207-LEA7-E00	LID RADIATOR COOLANT	LID RADIATOR COOLANT	1	
**	64220	64220-LEA7-E00	WIND SCREEN	WIND SCREEN	1	
	64221	64221-LEA7-E00	RUBBER R WIND SCREEN	RUBBER R WIND SCREEN	1	
	64222	64222-LEA7-E00	RUBBER L WIND SCREEN	RUBBER L WIND SCREEN	1	
**	64223	64223-LEA7-E00	PLUG WIND SCREEN	PLUG WIND SCREEN	1	
	64224	64224-LEA7-E00	COLLAR WIND SCREEN	COLLAR WIND SCREEN	4	



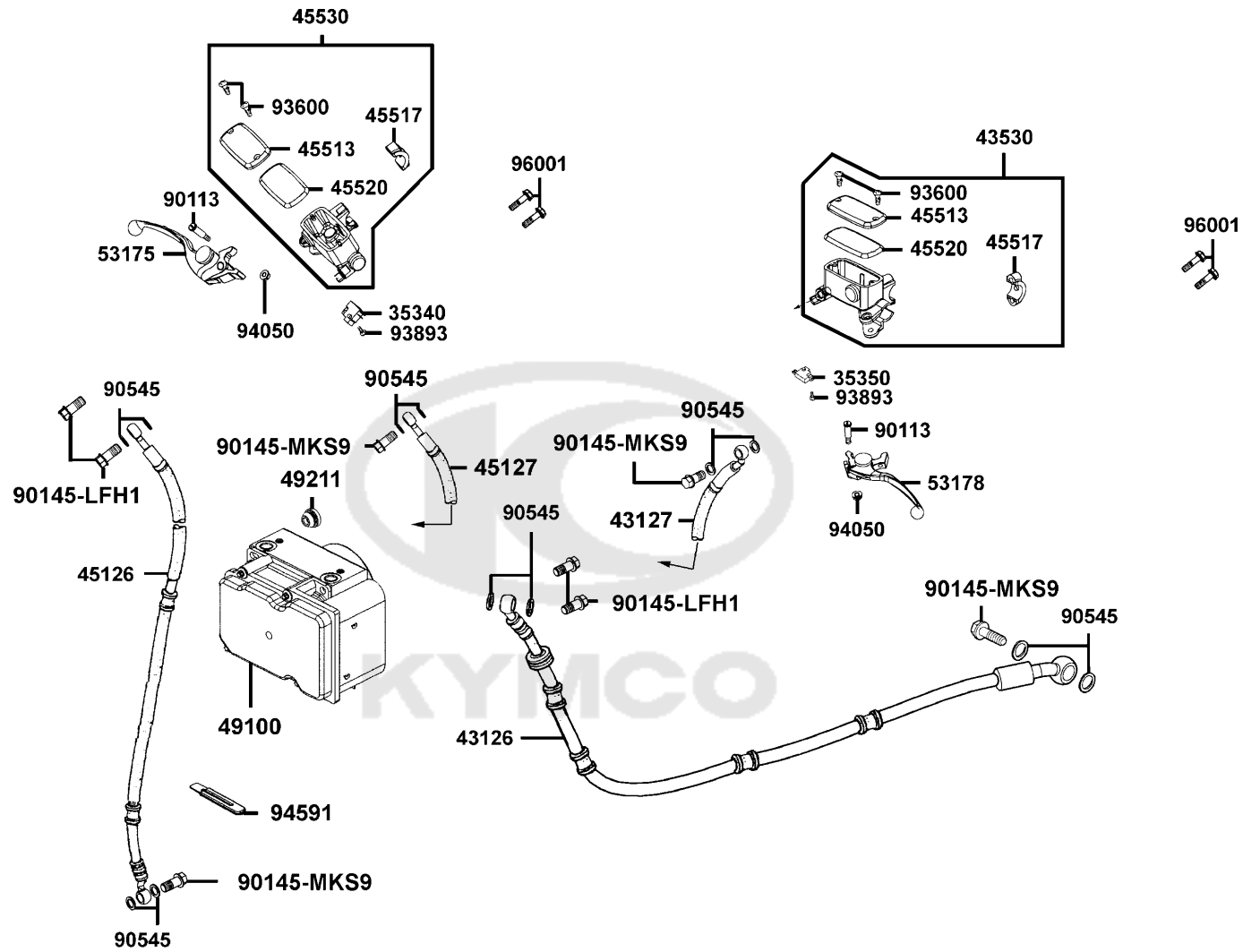
Sales mark	Ref no	Part no	Description	Reg description	Regd no	F03
	64225	64225-LEA7-E00	SPRING COSMETIC K-LOGO	SPRING COSMETIC K-LOGO	1	
	64226	64226-LEA7-E00	COSMETIC K-LOGO	COSMETIC K-LOGO	1	
**	87508	87508-KKC4-E00	LABEL CLEANNESS CAUTION	LABEL CLEANNESS CAUTION	1	
# **	88110	88110-LEA7-E01	MIRROR ASSY R BACK	MIRROR ASSY R BACK	1	
# **	88120	88120-LEA7-E01	MIRROR ASSY L BACK	MIRROR ASSY L BACK	1	
#	88130	88130-KEBE-900	BOLT SPECIAL	BOLT SPECIAL	1	
	90104	90104-LEA7-E00	BOLT WASH M8*60	BOLT WASH M8*60	2	
	90106	90106-GEN5-901	BOLT FLANGE 10*50	BOLT FLANGE 10*50	1	
	90107	90107-LEA7-E00	BOLT SPECIAL 8MM	BOLT SPECIAL 8MM	4	
	90302-LLB1	90302-LLB1-E00	BOLT-WASHER 5*12	BOLT-WASHER 5*12	2	
	90302-SDA4	90302-SDA4-004	NUT SPRING 4MM	NUT SPRING 4MM	6	
#	90304	90304-GHE8-004	NUT U 10MM	NUT U 10MM	1	
	93404	93404-06016-06	BOLT WASHER 6*16	BOLT WASHER 6*16	4	
	93903-34360	93903-34360	SCREW TAPPING 4X12	SCREW TAPPING 4X12	6	
	93903-35260	93903-35260	SCREW TAPPING 5*12	SCREW TAPPING 5*12	2	
	93903-GFY6	93903-GFY6-900	SCREW TAPPING 4*14	SCREW TAPPING 4*14	2	
	93903-KEB7	93903-KEB7-900-06	SCREW WASHER 4*12 (G)	SCREW WASHER 4*12 (G)	1	

Master Cylinder



Sales mark	Ref no	Part no	Description	Reg description	Regd no	F04
#	35340	35340-LKF5-E01	SW ASSY FR STOP	SW ASSY FR STOP	1	
#	35350	35350-LKF5-E01	SW ASSY RR STOP	SW ASSY RR STOP	1	
	43126	43126-LEA7-E01	HOSE ASSYC/P RR BRK(ABS)	HOSE ASSYC/P RR BRK(ABS)	1	
	43127	43127-LEA7-E01	HOSE ASSY M/C BRK LH(ABS)	HOSE ASSY M/C BRK LH(ABS)	1	
	43530	43530-LEA7-305	CYLINDER SET MASTER	CYLINDER SET RR MASTER	1	
	45126	45126-LEA7-E01	HOSE ASSY FR BRK(ABS)	HOSE ASSY FR BRK(ABS)	1	
	45127	45127-LEA7-E01	HOSE ASSY M/C BRK RH(ABS)	HOSE ASSY M/C BRK RH(ABS)	1	
	45513	45513-LEA7-E00	CAP MASTER CYLINDER	CAP MASTER CYLINDER	1	
	45517	45517-LBA2-E00	HOLDER M/C	HOLDER M/C	2	
	45520	45520-KKA8-900	DIAPHRAGM	DIAPHRAGM	2	
	45530	45530-LBA2-308	CYLINDER SET FR MASTER	CYLINDER SET FR MASTER	1	
	49100	49100-LEA7-E01	MODULATOR ASSY ABS	MODULATOR ASSY ABS	1	
	49211	49211-LFH1-E00	RUBBER BUSH	RUBBER BUSH	1	
**	53175	53175-KKE5-E00	LEVER R STRG HANDLE	LEVER R STRG HANDLE	1	
**	53178	53178-KKE5-E00	LEVER L STRG HANDLE	LEVER L STRG HANDLE	1	
	90113	90113-KKA8-900	BOLT L STEERING HANDLE	BOLT L STEERING HANDLE	2	
#	90145-MKS9	90145-LEA3-E00	OIL BOLT 10*22	OIL BOLT 10*22	1	
	90145-LFH1	90145-LFH1-E00	OIL BOLT 10x22	OIL BOLT 10X22	4	
	90545	90545-3L00-001	WASHER OIL BOLT	WASHER OIL BOLT	8	
	93600	93600-04012-1G	SCREW FLAT 4X12	SCREW FLAT 4X12	4	

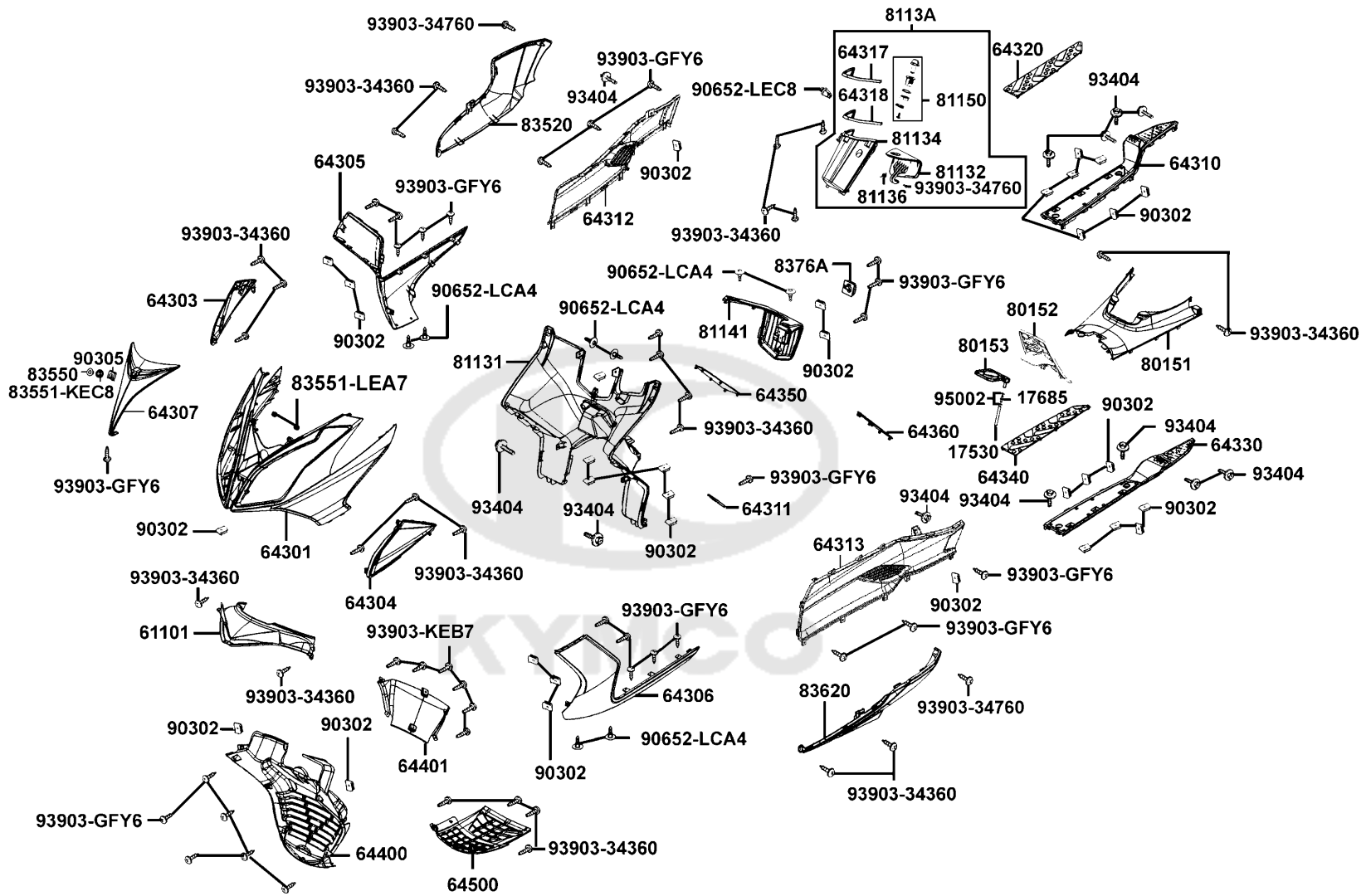
Master Cylinder



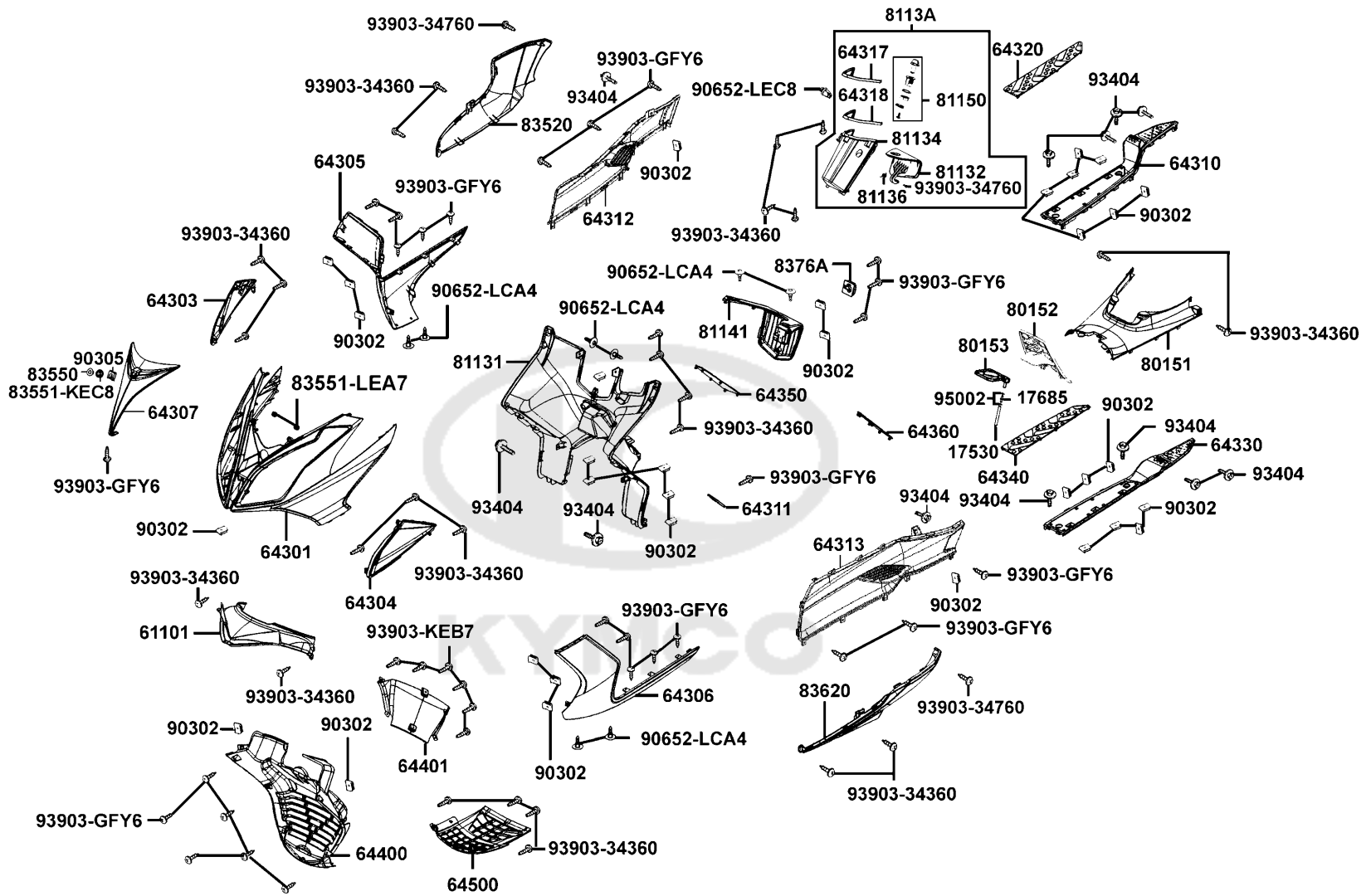
Sales mark	Ref no	Part no	Description	Reg description	Regd no	F04
------------	--------	---------	-------------	-----------------	---------	------------

	93893	93893-04012-18	SCREW WASHER 4*12	SCREW WASHER 4*12	2	
	94050	94050-06060	NUT FLANGE 6MM	NUT FLANGE 6MM	2	
	94591	94591-LEA7-E01	CLIP 2X150	CLIP2X150	1	
#	96001	96001-06028-06	BOLT FLANGE SH 6*28	BOLT FLANGE SH 6*28	4	

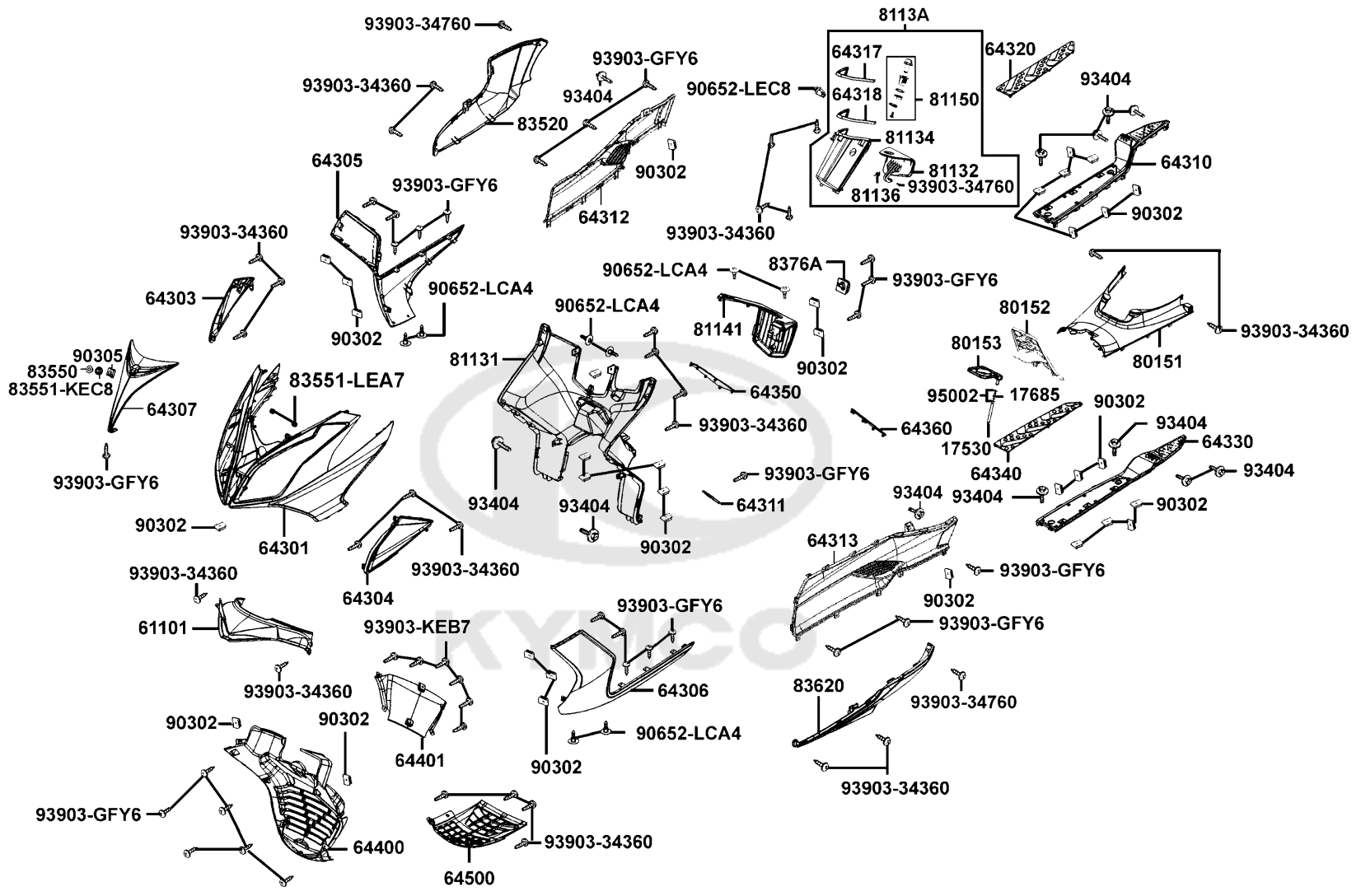




Sales mark	Ref no	Part no	Description	Reg description	Regd no	F05
	17530	17530-KGB5-900	TUBE ASSY DRAIN	TUBE ASSY DRAIN	1	
	17685	17685-KZCZ-900	JOINT TUBE	JOINT TUBE	1	
**	61101	61101-LEA7-E00	FENDER FR INNER	FENDER FR INNER	1	
**	64301	64301-LEA7-E00	COVER FR	COVER FR	1	
**	64303	64303-LEA7-E00	BOARD R FR COVER	BOARD R FR COVER	1	
**	64304	64304-LEA7-E00	BOARD L FR COVER	BOARD L FR COVER	1	
**	64305	64305-LEA7-E00	SKIRT R SIDE	SKIRT R SIDE	1	
**	64306	64306-LEA7-E00	SKIRT L SIDE	SKIRT L SIDE	1	
**	64307	64307-LEA7-E00	LID FR COVER	LID FR COVER	1	
**	64310	64310-LEA7-E00	FLOOR PANEL R	FLOOR PANEL R	1	
**	64311	64311-LEA7-E00	LID RESERVE TANK	LID RESERVE TANK	1	
**	64312	64312-LEA7-E00	BOARD R PANEL FLOOR	BOARD R PANEL FLOOR	1	
**	64313	64313-LEA7-E00	BOARD L PANEL FLOOR	BOARD L PANEL FLOOR	1	
	64317	64317-LEA7-E00	SPONGE FR INNER BOX	SPONGE FR INNER BOX	1	
	64318	64318-LEA7-E00	SEAL FR INNER BOX	SEAL FR INNER BOX	1	
**	64320	64320-LEA7-E00	MAT R FLOOR	MAT R FLOOR	1	
**	64330	64330-LEA7-E00	FLOOR PANEL L	FLOOR PANEL L	1	
**	64340	64340-LEA7-E00	MAT L FLOOR	MAT L FLOOR	1	
**	64350	64350-LEA7-E00	MAT R LEG SHIELD	MAT R LEG SHIELD	1	
**	64360	64360-LEA7-E00	MAT L LEG SHIELD	MAT L LEG SHIELD	1	

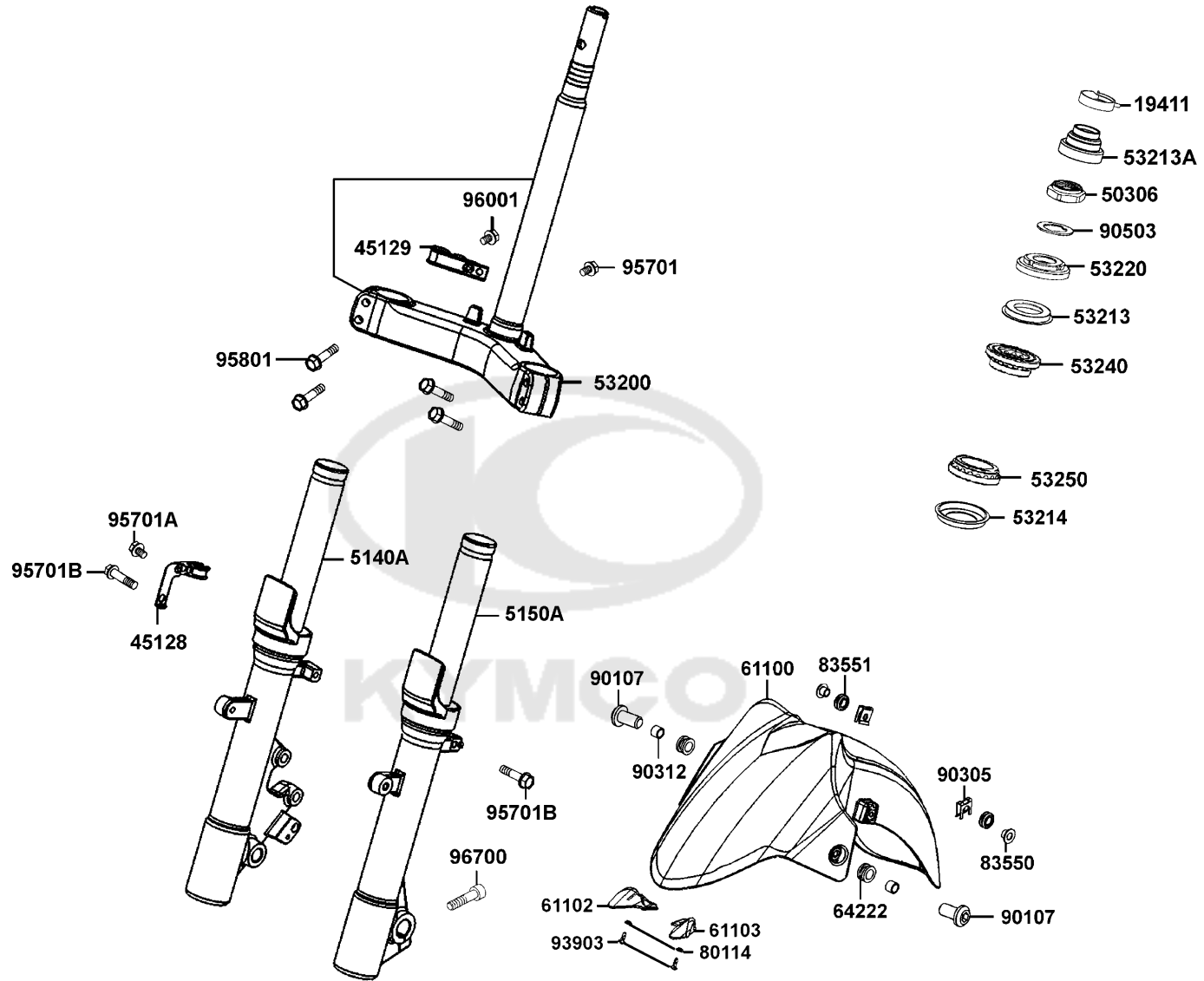


Sales mark	Ref no	Part no	Description	Reg description	Regd no	F05
**	64400	64400-LEA7-E00	COWL UNDER	COWL UNDER	1	
**	64401	64401-LEA7-E00	MESH UNDER COWL	MESH UNDER COWL	1	
**	64500	64500-LEA7-E00	UNDER COWL LOW	UNDER COWL LOW	1	
**	80151	80151-LEA7-E00	COVER CENTER	COVER CENTER	1	
**	80152	80152-LEA7-E00	COVER PLUG MAINT	COVER PLUG MAINT	1	
	80153	80153-LEA7-E00	RUBBER FUEL CAP	RUBBER FUEL CAP	1	
**	81131	81131-LEA7-E00	LEG SHIELD	LEG SHIELD	1	
**	81132	81132-LEA7-E00	LID L/H FR INNER BOX	LID L/H FR INNER BOX	1	
**	81134	81134-LEA7-E00	BOX L/H FR INNER	BOX L/H FR INNER	1	
	81136	81136-LEA7-E00	SPRING FR INNER BOX L	SPRING FR INNER BOX L	1	
**	8113A	8113A-LEA7-E00	FR INNER BOX ASSY	FR INNER BOX ASSY	1	
**	81141	81141-LEA7-E00	TUNNEL LEG SHIELD	TUNNEL LEG SHIELD	1	
	81150	81150-LEA7-E00	LOCKLESS ASSY	LOCKLESS ASSY	1	
**	83520	83520-LEA7-E00	COVER. R SIDE	COVER. R SIDE	1	
	83550	83550-KEC8-900	COLLAR	COLLAR	1	
	83551-KEC8	83551-KEC8-900	GROMMET COVER **KEC8-9000	GROMMET COVER **KEC8-9000 C.2005.09.01	1	
	83551-LEA7	83551-LEA7-E00	GROMMET FRONT COVER	GROMMET FRONT COVER	2	
**	83620	83620-LEA7-E00	COVER. L SIDE	COVER. L SIDE	1	
	8376A	8376A-KEBE-900	CLIP ASSY CENTER	CLIP ASSY CENTER	1	
	90302	90302-SDA4-004	NUT SPRING 4MM	NUT SPRING 4MM	33	

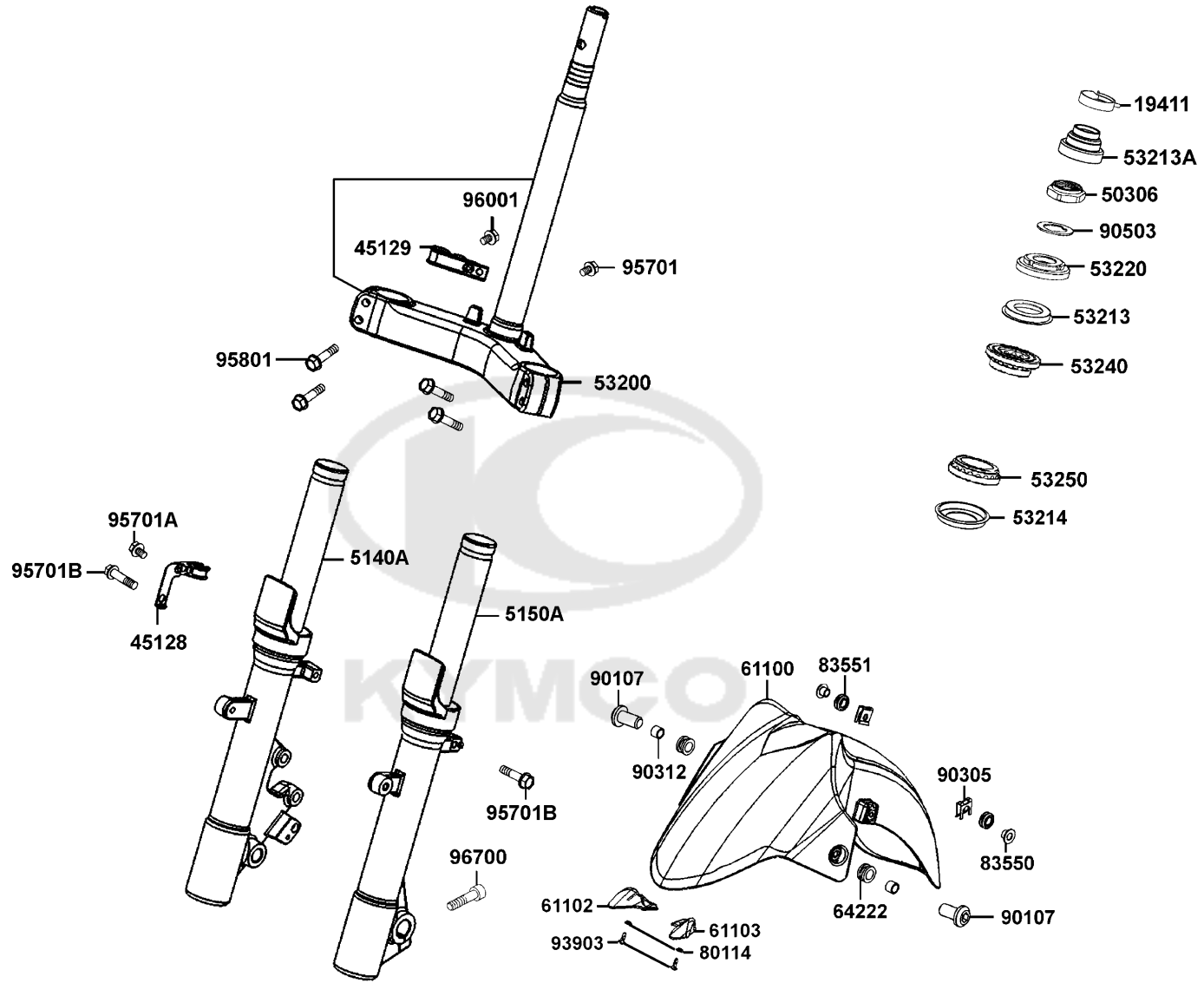


Sales mark	Ref no	Part no	Description	Reg description	Regd no	F05
	90305	90305-LBA2-E00	NUT CLIP 6MM	NUT CLIP 6MM	1	
	90652-LCA4	90652-LCA4-E00	CLIP MUDGUARD	CLIP MUDGUARD	8	
	90652-LEC8	90652-LEC8-E00	CLIP MUDGUARD	CLIP MUDGUARD	1	
	93404	93404-06016-06	BOLT WASHER 6*16	BOLT WASHER 6*16	10	
	93903-34360	93903-34360	SCREW TAPPING 4X12	SCREW TAPPING 4X12	26	
#	93903-34760	93903-34760	SCREW TAPPING 4*30	SCREW TAPPING 4*30	2	
	93903-GFY6	93903-GFY6-900	SCREW TAPPING 4*14	SCREW TAPPING 4*14	27	
	93903-KEB7	93903-KEB7-900-06	SCREW WASHER 4*12 (G)	SCREW WASHER 4*12 (G)	1	
	95002	95002-02080	CLIP B8 TUBE	CLIP B8 TUBE	2	





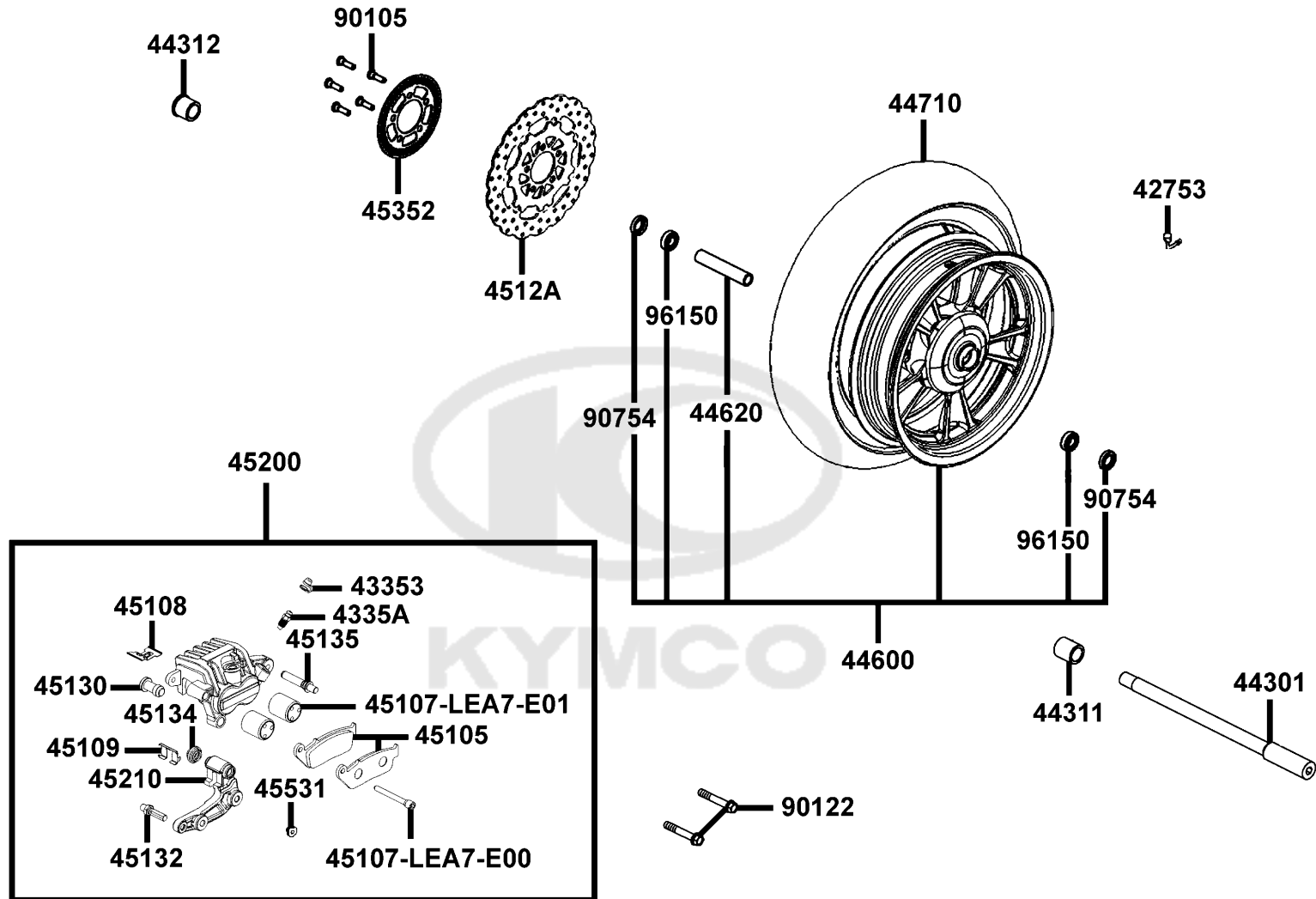
Sales mark	Ref no	Part no	Description	Reg description	Regd no	F06
#	19411	19411-LFG2-E00	CLIP ASSY AIR/C DUCT	CLIP ASSY AIR/C DUCT	1	
	45128	45128-LBA2-920	CLAMPER FR BRK HOSE	CLAMPER FR BRK HOSE	1	
	45129	45129-LBA2-900	CLAMPER FR BRK HOSE	CLAMPER FR BRK HOSE	1	
	50306	50306-1F96-001	NUT STRG STEM LOCK	NUT STRG STEM LOCK	1	
**	5140A	5140A-LEA7-E01	FORK ASSY. FR R	FORK ASSY. FR R	1	
**	5150A	5150A-LEA7-E01	FORK ASSY. FR L	FORK ASSY. FR L	1	
	53200	53200-LEA7-E00	STEM COMP STRG	STEM COMP., STRG	1	
	53213	53213-LBA2-E00	DUST SEAL STRG HEAD TOP	DUST SEAL STRG HEAD TOP	1	
#	53213A	53213-LEA7-E00	DUST SEAL. STRG	DUST SEAL STRG	1	
	53214	53214-LBA2-E00	DUST SEAL STRG (HEAD)	DUST SEAL STRG HEAD BOT	1	
	53220	53220-LBA2-E00	THREAD COMP STRG HEAD TOP	THREAD COMP STRG HEAD TOP	1	
#	53240	53240-LEA7-90A	BEARING TOP STRG (mark:TP1)	BEARING TOP STRG	1	
#	53250	53250-LEA7-90A	BEARING BOT STRG (mark:TP1)	BEARING BOT STRG	1	
**	61100	61100-LEA7-E00	FENDER ASSY FR	FENDER ASSY FR	1	
	61102	61102-LEA7-E00	RUBBER FR FENDER R	RUBBER FR FENDER R	1	
	61103	61103-LEA7-E00	RUBBER FR FENDER L	RUBBER FR FENDER L	1	
	64222	64222-LLJ3-E00	RUBBER WIND SCREEN	RUBBER WIND SCREEN	2	
	80114	80114-KGG7-001	COLLAR RR FENDER	COLLAR RR FENDER	2	
	83550	83550-KEC8-900	COLLAR	COLLAR	2	
	83551	83551-KEC8-900	GROMMET COVER **KEC8-9000	GROMMET COVER **KEC8-9000 C.2005.09.01	2	



Sales mark	Ref no	Part no	Description	Reg description	Regd no	F06
	90107	90107-LEA7-E00	BOLT SPECIAL 8MM	BOLT SPECIAL 8MM	2	
	90305	90305-LBA2-E00	NUT CLIP 6MM	NUT CLIP 6MM	2	
	90312	90312-LLJ3-E01	COLLAR WIND SCREEN	COLLAR WIND SCREEN	2	
	90503	90503-LEA7-E00	WASHER STRG STEM NUT	WASHER STRG STEM NUT	1	
#	93903	93903-35360	SCREW TAPPING 5*16	SCREW TAPPING 5*16	2	
	95701	95701-06008-06	BOLT FLANGE 6*8	BOLT FLANGE 6*8	1	
#	95701A	95701-06012-06	BOLT FLANGE 6*12 **07 C.2005.07.01	BOLT FLANGE 6*12 **07 C.2005.07.01	1	
#	95701B	95701-06045-06	BOLT FLANGE 6*45	BOLT FLANGE 6*45	2	
#	95801	95801-08040-06	BOLT FLANGE 8*40	BOLT FLANGE 8*40	1	
#	96001	96001-06012-06	BOLT FLANGE SH 6*12	BOLT FLANGE SH 6*12	1	
	96700	96700-KED9-900	BOLT SOCKET 8*30	BOLT SOCKET 8*30	1	

F07

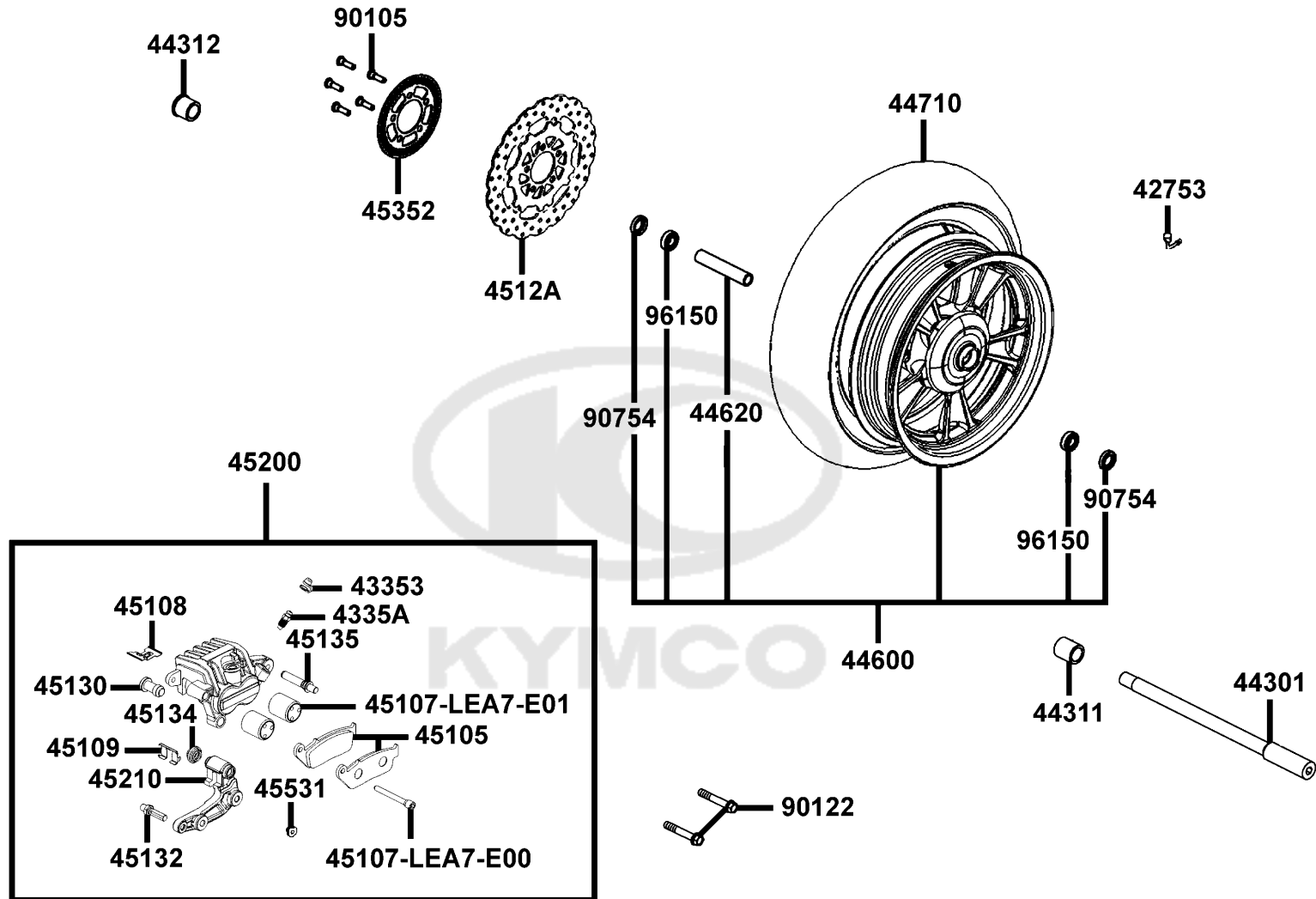
Front Wheel



Sales mark	Ref no	Part no	Description	Reg description	Regd no	F07
	42753	42753-KNBN-90B	VALAE RIM (TR412)	VALAE RIM (TR412)	1	
	43353	43353-KED9-900	CAP BLEEDER	CAP BLEEDER	1	
#	4335A	4335A-LBA2-E01	BLEEDER ASSY	SCREW BLEEDER	1	
	44301	44301-LEA7-E00	AXLE FR WHEEL M14*282MM	AXLE FR WHEEL 14*282	1	
	44311	44311-LEA7-E00	COLLAR FR WHEEL SIDE	COLLAR FR WHEEL SIDE	1	
	44312	44312-LEA7-E00	COLLAR FR WHEEL SIDE	COLLAR FR WHEEL SIDE	1	
**	44600	44600-LEA7-305	WHEEL ASSY FR	WHEEL ASSY FR	1	
	44620	44620-LEA7-E00	COLLAR FR WHEEL DISTANCE	COLLAR FR WHEEL DIST	1	
	44710	44710-LEA7-E0A	TIRE ASSY FR 120/80-14 58S/MAXXIX	TIRE ASSY FR 120/80-14 58S/MAXXIX	1	
	44710	44710-LEA7-E0B	TIRE ASSY FR 120/80-14 TL /KENDA	TIRE ASSY FR 120/80-14 TL /KENDA	1	
	45105	45105-LFH1-305	PAD ASSY	PAD ASSY	1	
	45107-LEA7-E00	45107-LEA7-E00	PIN HANGER	PIN HANGER	1	
	45107-LEA7-E01	45107-LEA7-E01	PISTON C/P	PISTON C/P	2	
	45108	45108-LEA7-E00	SPRING PAD	SPRING PAD	1	
	45109	45109-KED9-900	SLIDE PAD	SLIDE PAD	1	
	4512A	4512A-LEA7-E01	DISK COMP FR BRAKE	DISK COMP FR BRAKE	1	
	45130	45130-KED9-900	BUSH PIN	BUSH PIN	1	
	45132	45132-KED9-900	PIN BOLT	PIN BOLT	1	
	45134	45134-KED9-900	BOOT B	BOOT B	1	
	45135	45135-KED9-900	PIN BOLT A	PIN BOLT A	1	

F07

Front Wheel

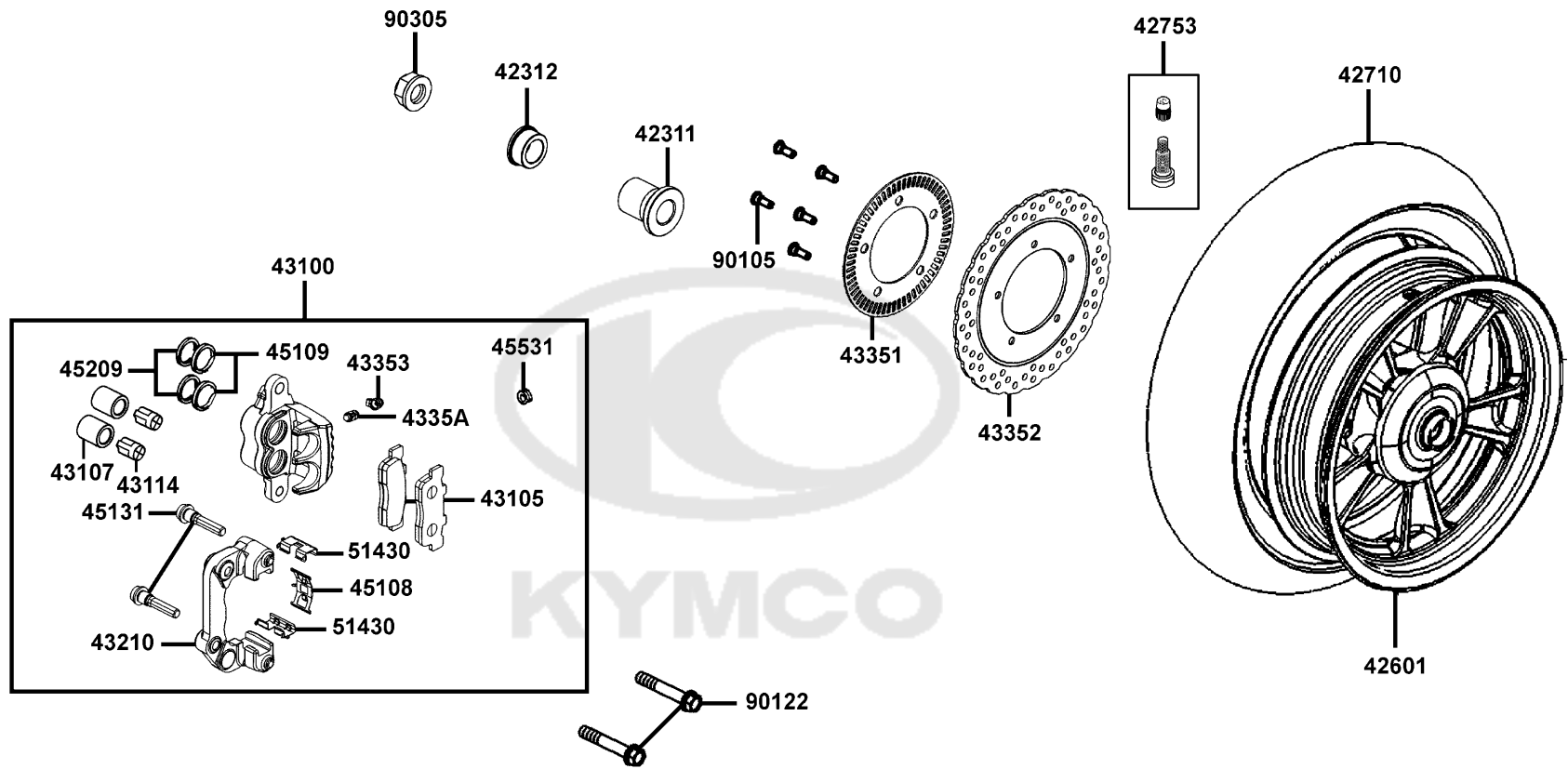


Sales mark	Ref no	Part no	Description	Reg description	Regd no	F07
**	45200	45200-LEA7-E01	CALIPER ASSY FR	CALIPER ASSY FR	1	
	45210	45210-LEA7-305	BRACKET FR SET	BRACKET FR	1	
	45352	45352-LEA7-E00	TOOTHED RING SENSOR	TOOTHED RING SENSOR	1	
	45531	45531-KED9-900	PLUG	PLUG	1	
	90105	90105-LEA7-E00	BOLT FR DISK 8x30	BOLT FR DISK 8X30	5	
	90122	90122-LEA7-E00	BOLT FLANGE 10X42	BOLT FLANGE 10X42	2	
	90754	90754-LLJ3-E00	DUST SEAL	DUST SEAL	2	
	96150	96150-60020-10	BEARING BALL RADIAL 6002	BEARING BALL RADIAL 6002	2	



F08

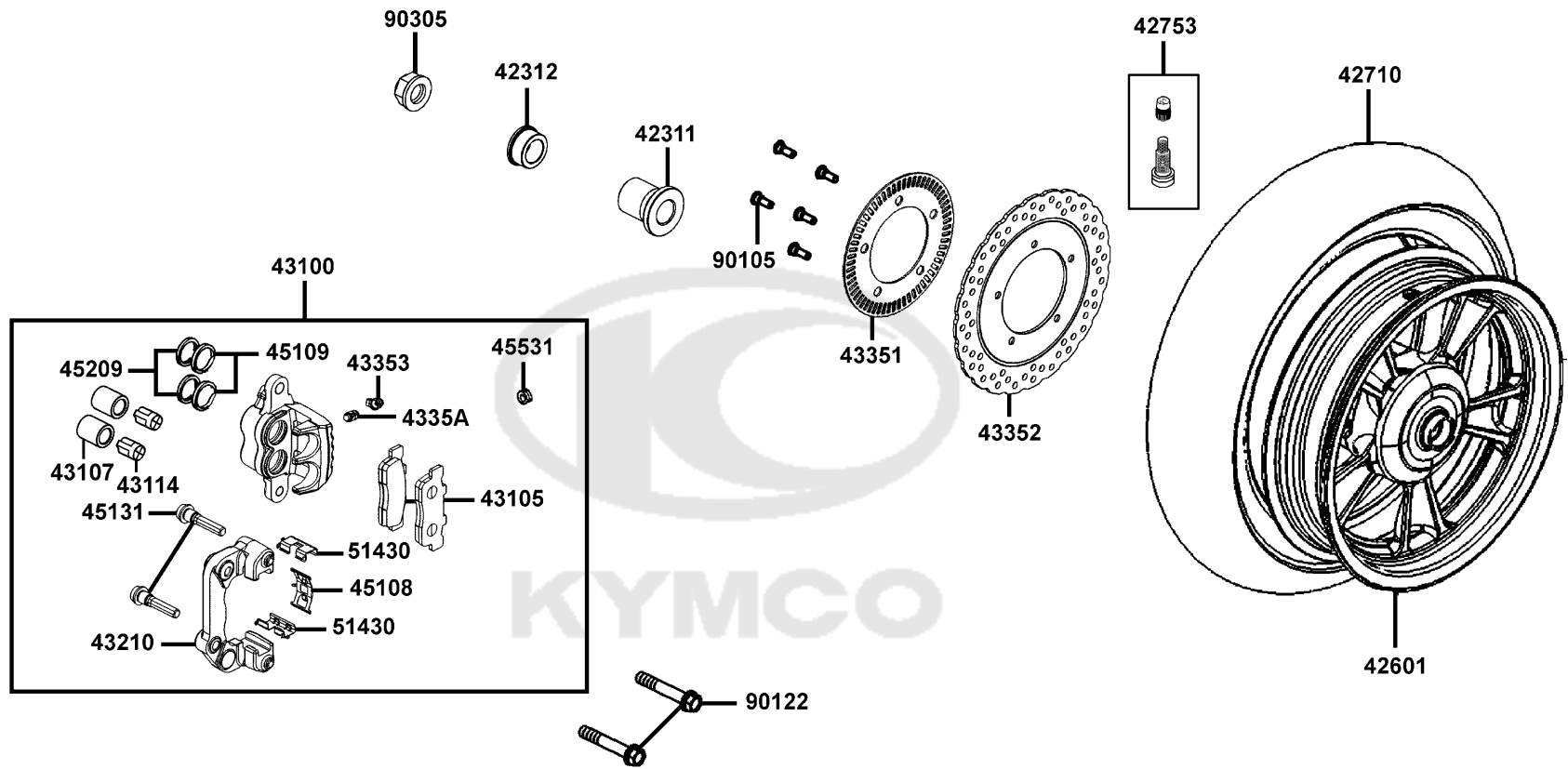
Rear Wheel



Sales mark	Ref no	Part no	Description	Reg description	Regd no	F08
	42311	42311-LEA7-E00	COLLAR RR AXLE SIDE A	COLLAR RR AXLE SIDE A	1	
	42312	42312-LEA7-E00	COLLAR RR AXLE SIDE	COLLAR RR AXLE SIDE	1	
**	42601	42601-LEA7-E00	WHEEL COMP RR	WHEEL COMP RR	1	
	42710	42710-LEA7-E0A	TIRE ASSY RR 150/70-13 64S/MAXXIS	TIRE ASSY RR 150/70-13 64S/MAXXIS	1	
	42710	42710-LEA7-E0B	TIRE ASSY RR 150/70-13 TL/KENDA	TIRE ASSY RR 150/70-13 TL/KENDA	1	
	42753	42753-KNBN-90B	VALAE RIM (TR412)	VALAE RIM (TR412)	1	
**	43100	43100-LEA7-E01	CALIPER ASSY RR	CALIPER ASSY RR	1	
	43105	43105-LEA7-306	PAD COMP	PAD COMP	1	
	43107	43107-LEA7-E00	PISTON C/P	PISTON C/P	2	
#	43114	43114-LEA7-E00	INSULATOR HEAT	INSULATOR HEAT	2	
	43210	43210-LEA7-E00	BRACKET	BRACKET	1	
	43351	43351-LEA7-E01	DISK RR BRAKE	DISK RR BRAKE	1	
	43352	43352-LEA7-E01	TOOTHED RING SENSOR	READ PLATE RR	1	
	43353	43353-4A61-77A	CAP BLEEDER	CAP BLEEDER	1	
#	4335A	4335A-LBA2-E01	BLEEDER ASSY	SCREW BLEEDER	1	
	45108	45108-LDH1-E00	SPRING PAD	SPRING PAD	1	
	45109	45109-GBE2-007	DUST SEAL	DUST SEAL	1	
	45131	45131-LDH1-E00	PIN BOLT	PIN BOLT	2	
	45209	45209-GBE2-007	SEAL PISTON	SEAL PISTON	1	
	45531	45531-GAR1-951	PLUG	PLUG	1	

F08

Rear Wheel



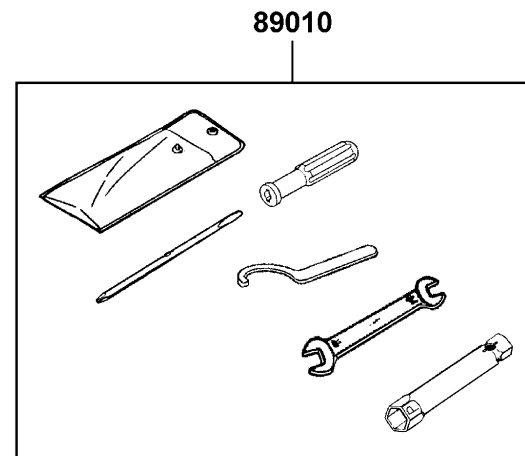
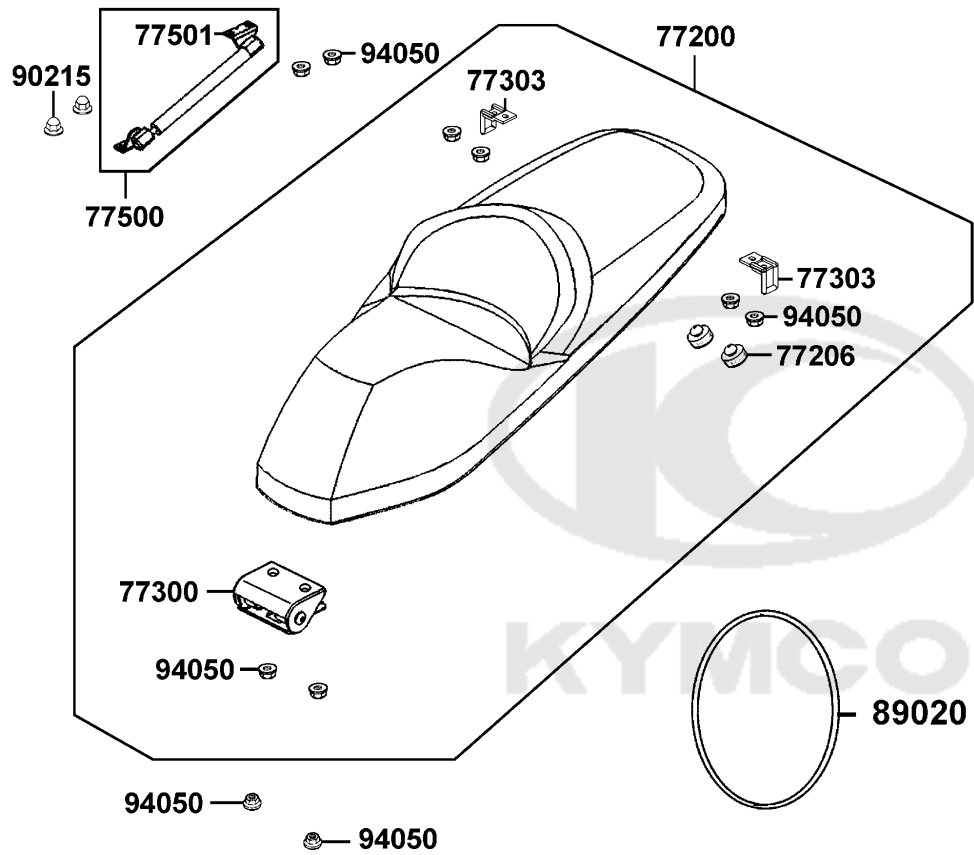
Sales mark	Ref no	Part no	Description	Reg description	Regd no	F08
------------	--------	---------	-------------	-----------------	---------	------------

51430		51430-LEA7-E00	SLIDE PAD	SLIDE PAD	2	
90105		90105-LEA7-E00	BOLT FR DISK 8x30	BOLT FR DISK 8X30	5	
90122		90122-LEA7-E00	BOLT FLANGE 10X42	BOLT FLANGE 10X42	2	
90305		90305-KKAK-900	NUT U 16MM	NUT U 16MM	1	



F09

Seat

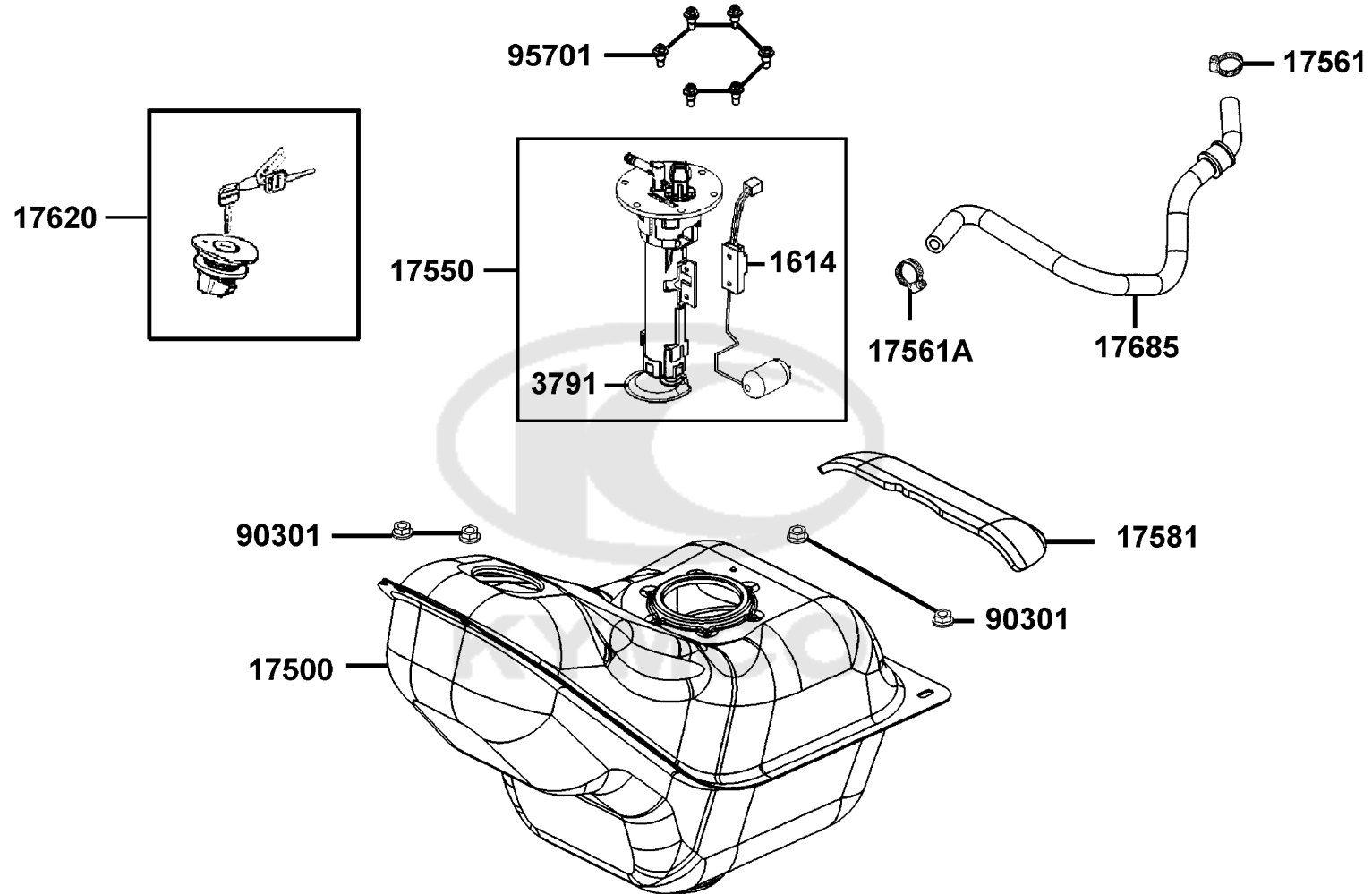


Sales mark	Ref no	Part no	Description	Reg description	Regd no	F09
**	77200	77200-LEA7-305	SEAT ASSY (REACH)	SEAT ASSY (REACH)	1	
	77206	77206-KEB7-900	RUBBER SEAT CUSH	RUBBER SEAT CUSH	2	
	77300	77300-LEA7-E00	HINGE COMP SEAT	HINGE COMP SEAT	1	
	77303	77303-LEA7-E00	HOOK SEAT LOCK	HOOK SEAT LOCK	2	
	77500	77500-LEA7-E00	DAMPER CAS	DAMPER CAS	1	
#	77501	77501-LBA2-E00	STAY GAS DAMPER	STAY GAS DAMPER	2	
#	89010	89010-LEA7-E00	TOOL SET	TOOL SET	1	
	89020	89020-KKC4-900	BAND TOOL SET	BAND TOOL SET	1	
	90215	90215-KKC4-900	NUT CAP 6MM	NUT CAP 6MM	2	
	94050	94050-06080	NUT FLANGE 6MM	NUT FLANGE 6MM	8	

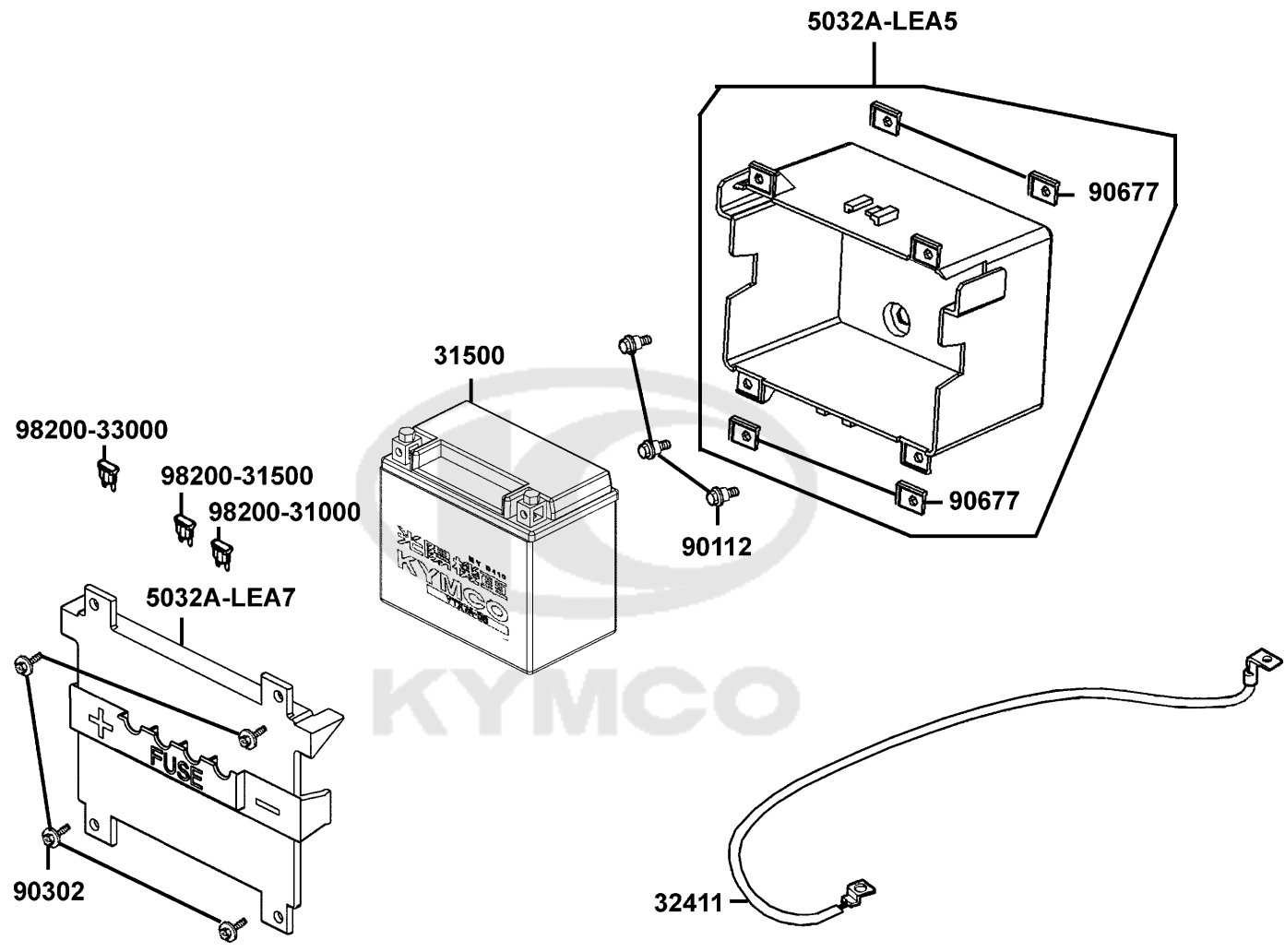


F10

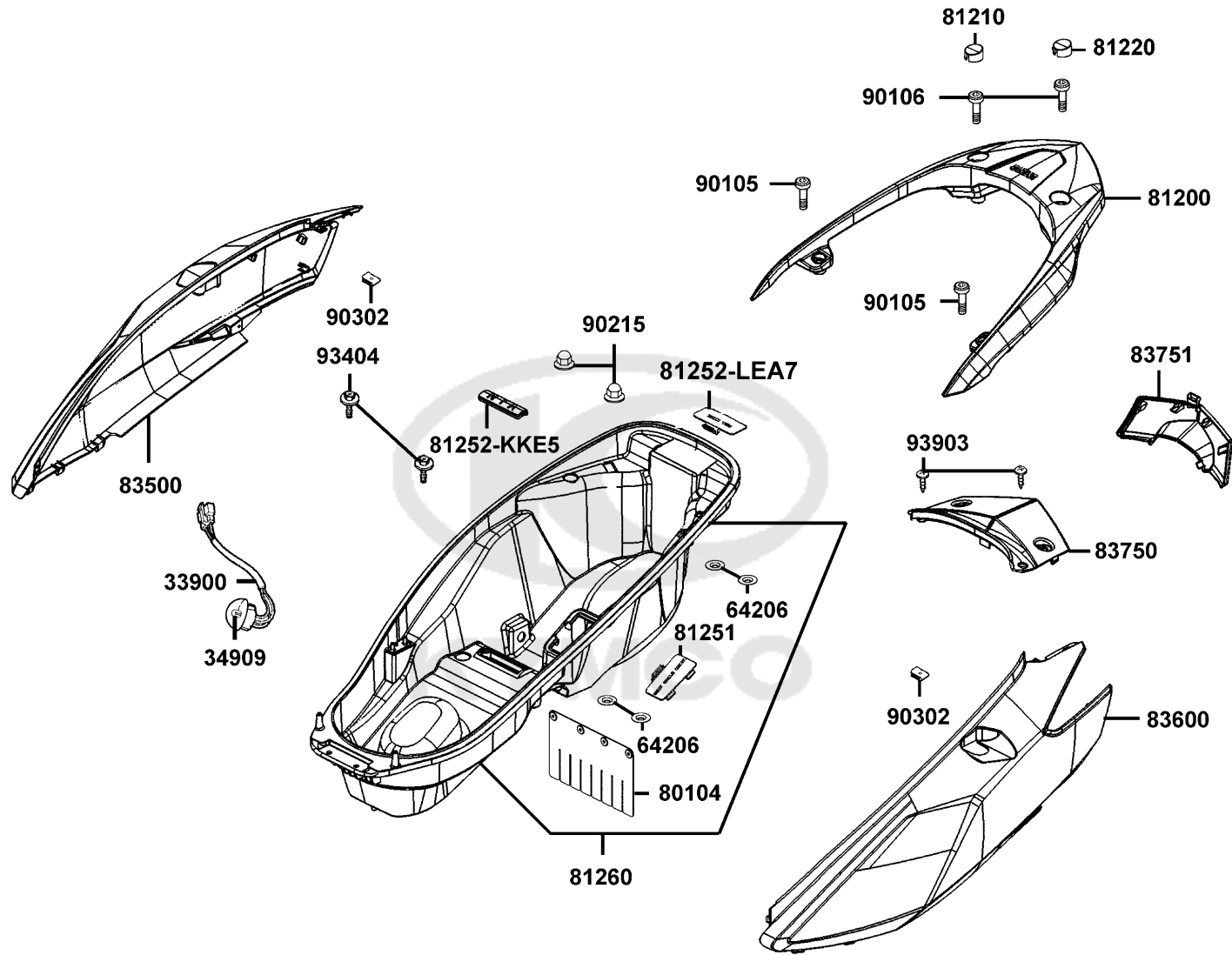
Fuel Tank



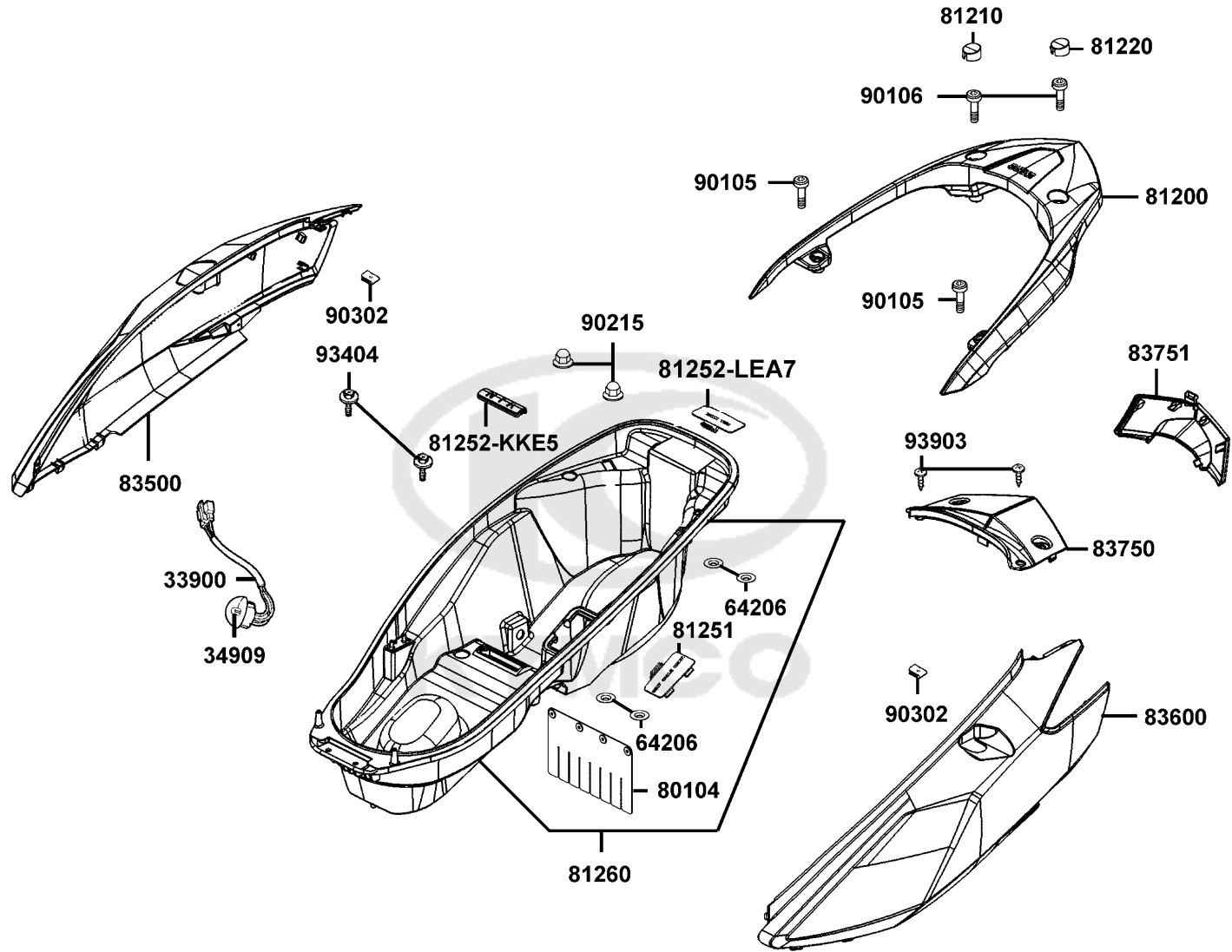
Sales mark	Ref no	Part no	Description	Reg description	Regd no	F10
#	1614	1614-A22C-0000-Y	FUEL LEVER SENSOR COMP	FUEL LEVER SENSOR COMP	1	
	17500	17500-LEA7-E00	TANK COMP. FUEL	TANK COMP. FUEL	1	
	17550	17550-LEA7-800	FUEL PUMP MODULE ASSY	FUEL PUMP ASSY	1	
	17561	17561-LGK8-900	CLIP 12.0	CLIP 12.0	1	
#	17561A	17561-LKB9-900	CLIP 12.5	CLIP 12.5	1	
	17581	17581-LEA7-E00	SPONGE FUEL TANK	SPONGE FUEL TANK	1	
	17620	17620-LEA7-315-M1	CAP COMP FUEL FILLER	CAP COMP FUEL FILLER	1	
	17620	17620-LEA7-315-M2	CAP COMP FUEL FILLER	CAP COMP FUEL FILLER	1	
	17685	17685-LEA7-E00	TUBE FUEL PUMP	TUBE FUEL PUMP	1	
	3791	3791-HN80-0000	FILTER COMP	FILTER COMP	1	
	90301	90301-6D34-671	NUT FLANGE 6MM	NUT FLANGE 6MM	4	
	95701	95701-LDF2-800	BOLT FLANGE 5*6.5	BOLT FLANGE 5*6.5	6	



Sales mark	Ref no	Part no	Description	Reg description	Regd no	F11
#	31500	31500-LEA6-900	BATTERY YT12A-BS	BATTERY YT12A-BS	1	
#	31500	31500-LEA6-90B	BATTERY GT12A-BS	BATTERY GT12A-BS	1	
	32411	32411-LEA7-E00	CABLE BATTERY	CABLE BATTERY	1	
	5032A-LEA5	5032A-LEA5-E00	CASE ASSY BATTERY	CASE ASSY BATTERY	1	
	5032A-LEA7	5032A-LEA7-E00	COVER ASSY BATTERY	COVER ASSY BATTERY	1	
	90112	90112-KNBN-901	BOLT FLANGE 6MM	BOLT FLANGE 6MM	3	
	90302	90302-GFY6-940	BOLT-WASH 5*16	BOLT-WASH 5*16	4	
	90677	90677-GAR1-004	NUT CLIP 5MM	NUT CLIP 5MM	1	
	98200-31000	98200-31000	BLADE FUSE 10A **(0) C.2005.03.01	BLADE FUSE 10A **(0) C.2005.03.01	1	
	98200-31500	98200-31500	FUSE A15	FUSE A15	1	
	98200-33000	98200-33000	BLADE FUSE 30A	BLADE FUSE 30A	1	



Sales mark	Ref no	Part no	Description	Reg description	Regd no	F12
	33900	33900-KKE5-E00	LIGHT ASSY LUGGAGE BOX	LIGHT ASSY LUGGAGE BOX	1	
	34909	34909-KKE5-E00	BULB WEDGE BASE	BULB WEDGE BASE	1	
	64206	64206-MLJ0-001	NUT SPEED 4MM	NUT SPEED 4MM	4	
	80104	80104-LBA2-E00	PLATE C SPLASH GUARD	PLATE C SPLASH GUARD	1	
**	81200	81200-LEA7-E00	COMP RR CARRIER	COMP RR CARRIER	1	
**	81210	81210-LEA7-E00	PLUG RR CARRIER	PLUG RR CARRIER	2	
**	81220	81220-LEA7-E00	PLUG L/H RR CARRIER	PLUG L/H RR CARRIER	1	
	81251	81251-LEA7-E00	COVER SEAT CABLE MAINT.	COVER SEAT CABLE MAINT.	1	
	81252-KKE5	81252-KKE5-E00	PLUG LUGGAGE BOX	PLUG LUGGAGE BOX	1	
	81252-LEA7	81252-LEA7-E00	COVER P.D.A. MAINT	COVER P.D.A. MAINT	1	
	81260	81260-LEA7-E00	BOX ASSYLUGGAGE	BOX ASSY LUGGAGE	1	
**	83500	83500-LEA7-E00	COVER R BODY	COVER R BODY	1	
**	83600	83600-LEA7-E00	COVER L BODY	COVER L BODY	1	
**	83750	83750-LEA7-E00	COVER RR CENTER	COVER RR CENTER	1	
**	83751	83751-LEA7-E00	MOLDING RR CENTER	MOLDING RR CENTER	1	
	90105	90105-KFC2-900	BOLT WASH 8*32	BOLT WASH 8*32	2	
	90106	90106-KFA6-900	BOLT WASH 8MM	BOLT WASH 8MM	2	
	90215	90215-KKC4-900	NUT CAP 6MM	NUT CAP 6MM	2	
	90302	90302-SDA4-004	NUT SPRING 4MM	NUT SPRING 4MM	2	
	93404	93404-06016-06	BOLT WASHER 6*16	BOLT WASHER 6*16	2	



Sales mark	Ref no	Part no	Description	Reg description	Regd no	F12
------------	--------	---------	-------------	-----------------	---------	------------

93903

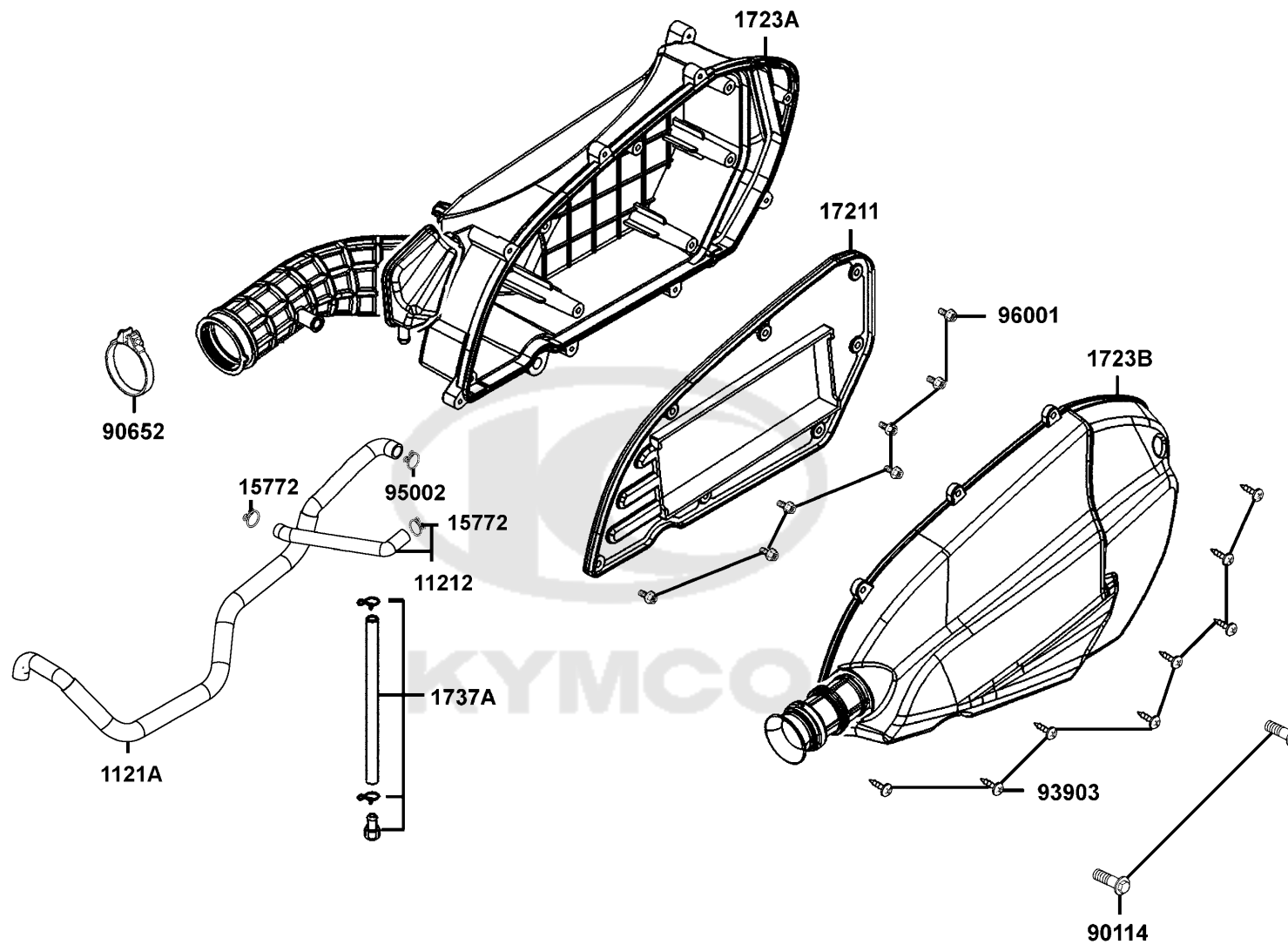
93903-GFY6-900

SCREW TAPPING 4*14

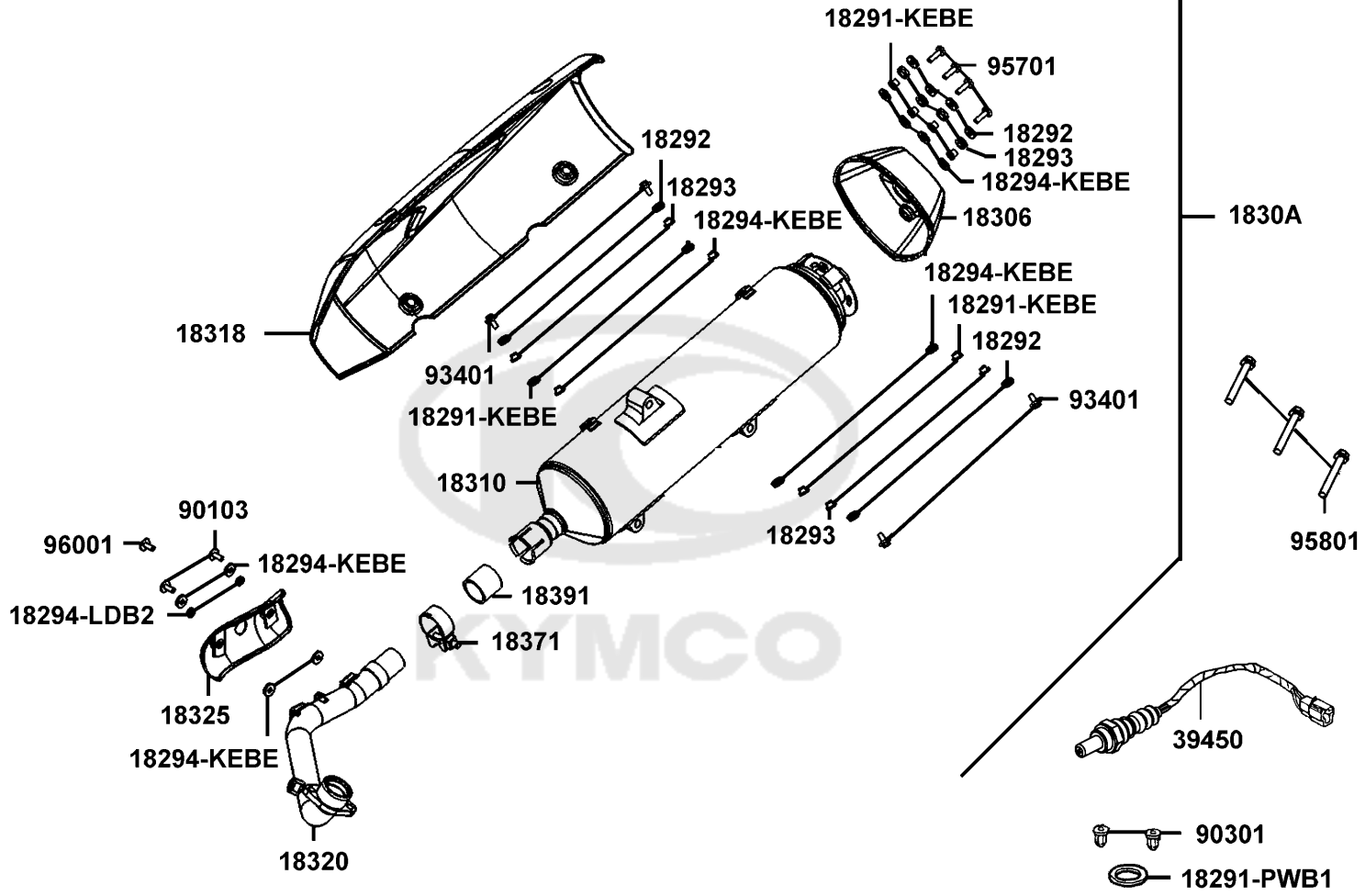
SCREW TAPPING 4*14

2

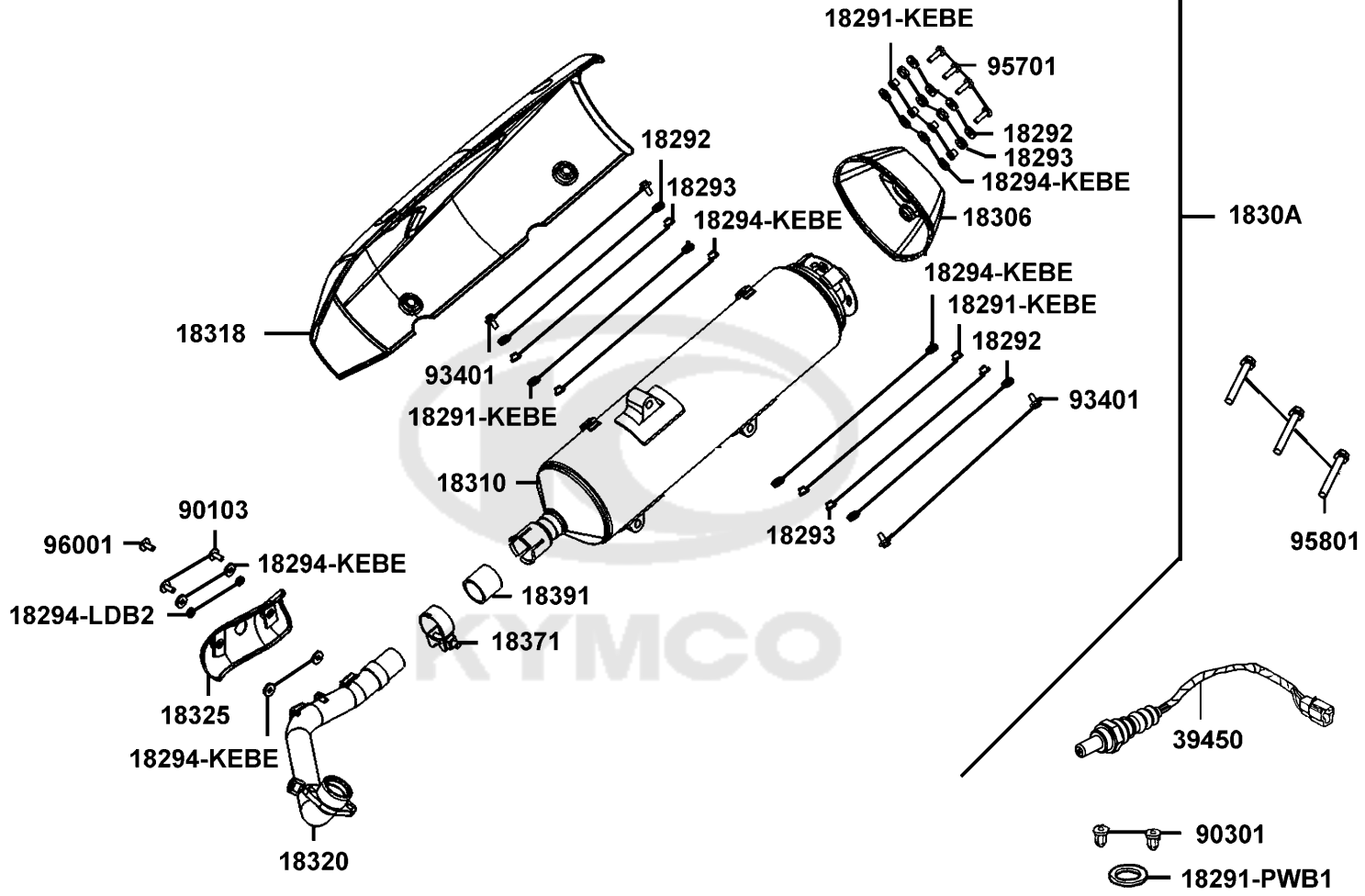




Sales mark	Ref no	Part no	Description	Reg description	Regd no	F13
	11212	11212-LEA7-E00	TUBE AIR/C BLOW BY	TUBE AIR/C BLOW BY	1	
	1121A	1121A-LEA7-E00	TUBE BREATHER	TUBE BREATHER	1	
	15772	15772-5L00-013	CLIP B14.5 TUBE	CLIP B14.5 TUBE	2	
	17211	17211-LEA7-E00	ELEMENT AIR/C	ELEMENT AIR/C	1	
	1723A	1723A-LEA7-E00	CASE ASSY AIR/C	CASE ASSY AIR/C	1	
	1723B	1723B-LEA7-E00	COVER COMP AIR/C	COVER COMP AIR/C	1	
	1737A	1737A-KUDU-900	V TUBE ASSY	V TUBE ASSY	1	
#	90114	90001-GBHB-681	BOLT FLANGE SHF 6*28	BOLT FLANGE SHF 6*28	1	
	90652	90652-KHE7-900	BAND CONNECTING TUBE	BAND CONNECTING TUBE	1	
	93903	93903-25460	SCREW TAPPING 5*20 **93903-25480	SCREW TAPPING 5*20 **93903-25480 C.2005	8	
	95002	95002-02150	CLIP B14.5 TUBE	CLIP B14.5 TUBE	2	
	96001	96001-GFY6-900	BOLT SPECIAL 5X10	BOLT SPECIAL 5X10	7	



Sales mark	Ref no	Part no	Description	Reg description	Regd no	F14
	18291-KEBE	18291-KEBE-900	COLLAR	COLLAR	6	
	18291-PWB1	18291-PWB1-900	SEAL EXHAUST PIPE	SEAL EXHAUST PIPE	1	
	18292	18292-KEBE-900	PACKING PROTECTOR	PACKING PROTECTOR	8	
	18293	18293-KEBE-900	RUBBER PKG PROTR	RUBBER PKG PROTR	8	
	18294-KEBE	18294-KEBE-900	PACKING PROTECTOR	PACKING PROTECTOR	10	
	18294-LDB2	18294-LDB2-900	PACKING INNER PROTECTOR	PACKING INNER PROTECTOR	2	
**	18306	18306-LEA7-E00	TAIL CAP MUFFLER	TAIL CAP MUFFLER	1	
**	1830A	1830A-LEA7-E00	MUFFLER ASSY EXH	MUFFLER ASSY EXH	1	
	18310	18310-LEA7-E00	MUFFLER COMP	MUFFLER COMP	1	
**	18318	18318-LEA7-E00	PROTECTOR MUFFLER	PROTECTOR MUFFLER	1	
	18320	18320-LEA7-E00	PIPE EXHAUST	PIPE EXHAUST	1	
**	18325	18325-LEA7-E00	PROTECTOR EXHAUST	PROTECTOR EXHAUST	1	
	18371	18371-LEA7-E00	BAND MUFFLER	BAND MUFFLER	1	
	18391	18391-LEA7-E00	GASKET	GASKET	1	
	39450	39450-LDF2-800	O2 SENSOR	O2 SENSOR	1	
#	96001	90101-LEA7-E00	BOLT FLANGE SH 6X8	BOLT FLANGE SH 6X8	1	
#	90103	90103-LEA7-E00	BOLT FLANGE SH 6X16	BOLT FLANGE SH 6X16	2	
	90301	90301-GFY6-901	NUT CAP 8MM **(1) C.2008.10.28	NUT CAP 8MM **(1) C.2008.10.28	2	
	93401	93401-06020-07	BOLT WASHER 6*20	BOLT WASHER 6*20	4	
	95701	95701-06022-06	BOLT FLANGE 6*22	BOLT FLANGE 6*22	4	



Sales mark	Ref no	Part no	Description	Reg description	Regd no	F14
------------	--------	---------	-------------	-----------------	---------	------------

95801

95801-10060-06

BOLT FLANGE 10*60

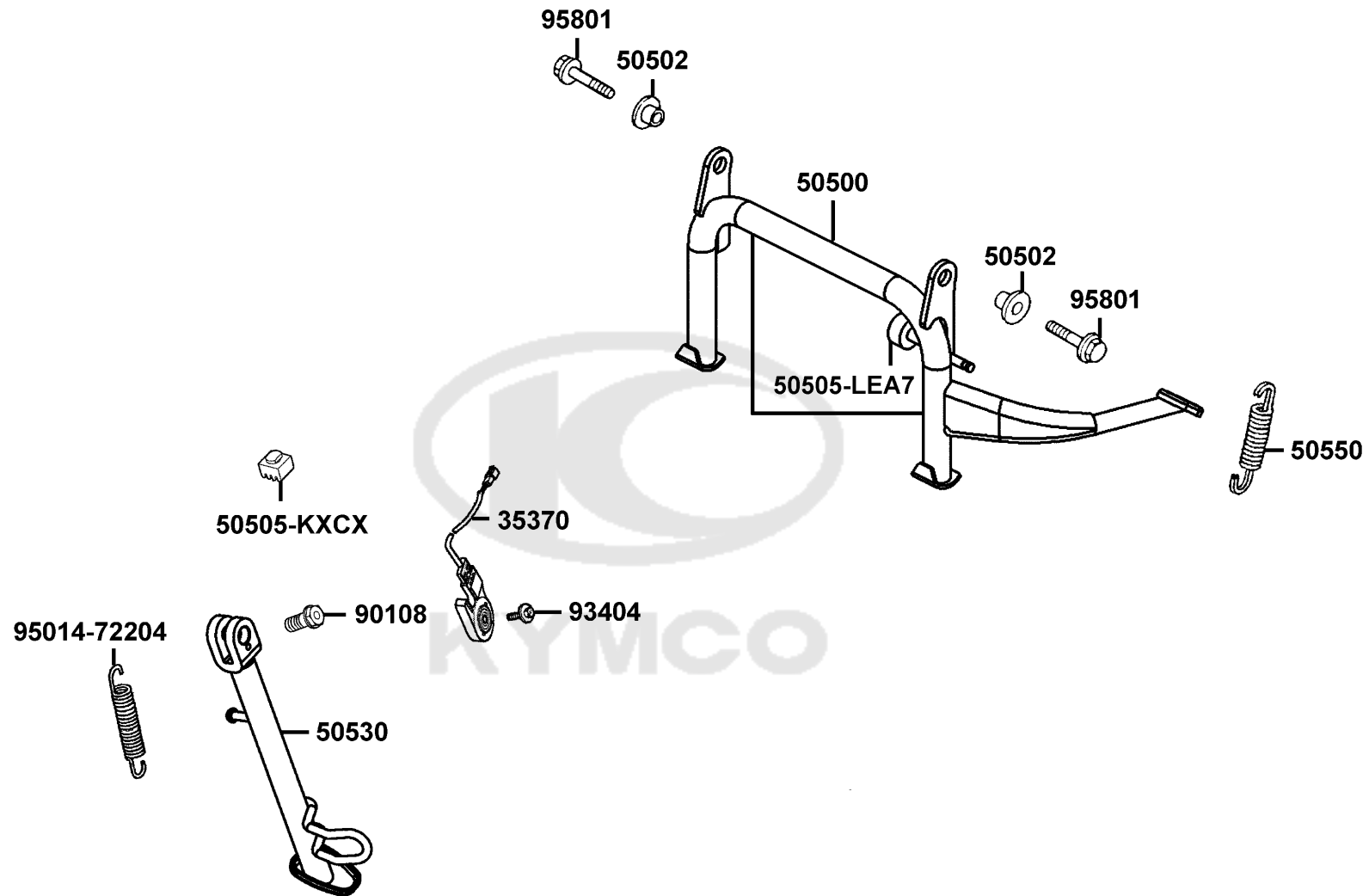
BOLT FLANGE 10*60

3



F15

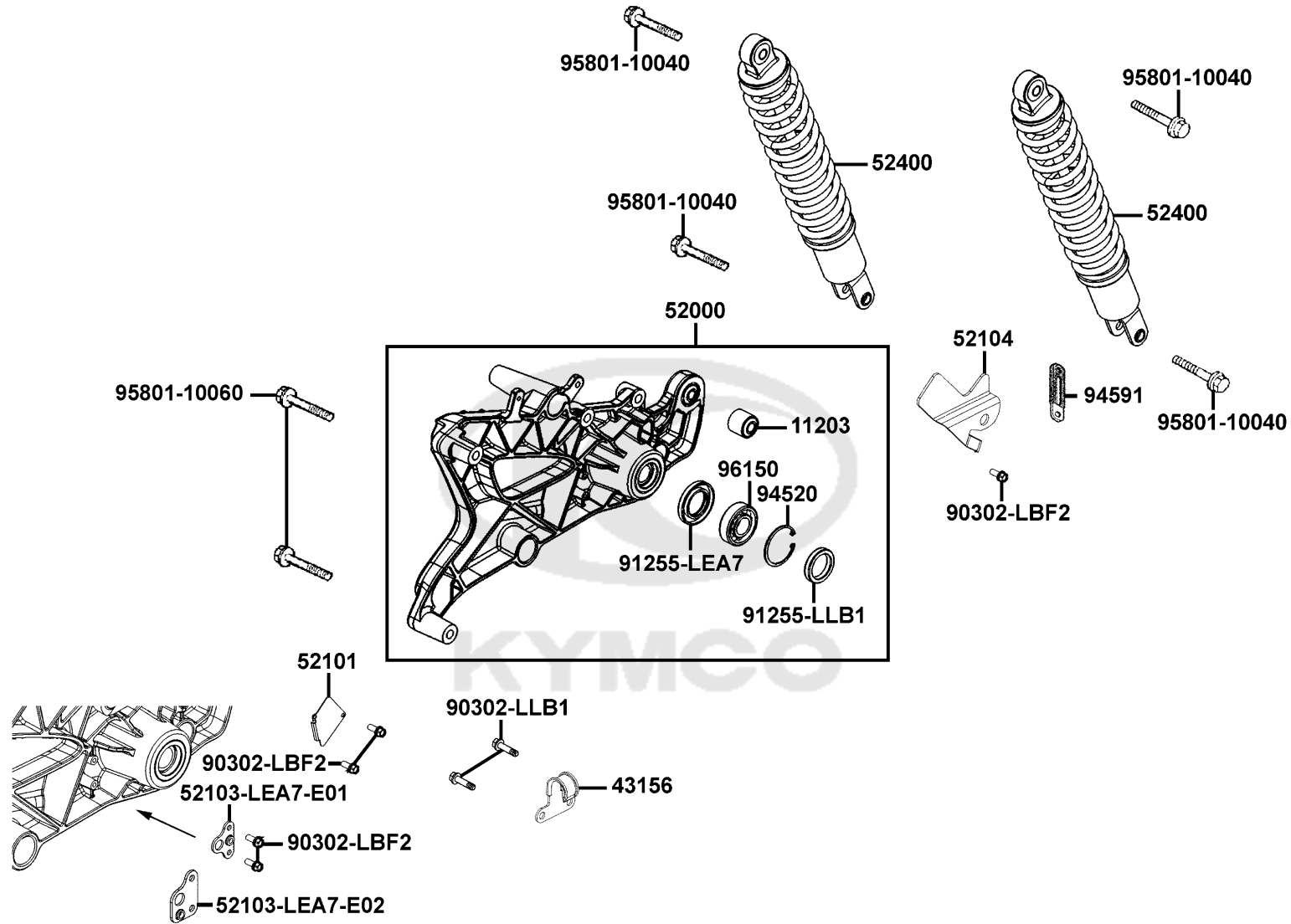
Stand



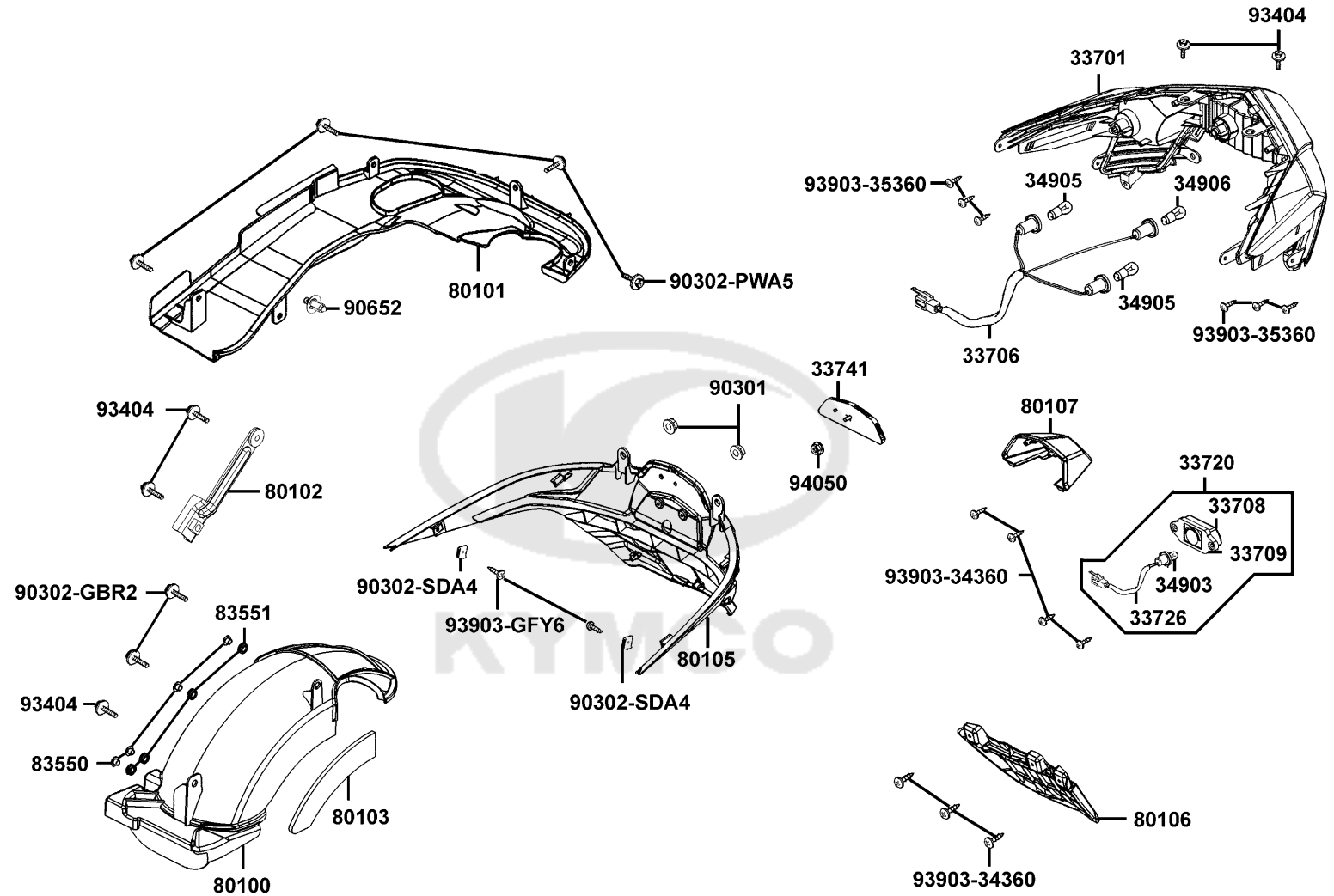
Sales mark	Ref no	Part no	Description	Reg description	Regd no	F15
35370		35370-LLJ3-E00	SW UNIT SIDE STAND	SW UNIT SIDE STAND	1	
50500		50500-LEA7-E00	STAND COMP MAIN	STAND COMP MAIN	1	
50502		50502-LDF7-E10	COLLAR MAIN STAND	COLLAR MAIN STAND	2	
50505-KXCX		50505-KXCX-900	STOPPER RUBBER STAND	STOPPER RUBBER STAND	1	
50505-LEA7		50505-LEA7-E00	STOPPER RUBBER	STOPPER RUBBER	1	
50530		50530-LEA7-E00	BAR. SIDE STAND	BAR. SIDE STAND	1	
50550		50550-KKC2-E00	SPG ASSY MAIN STAND	SPG ASSY MAIN STAND	1	
90108		90108-KKC4-900	SCREW SIDE STAND PIVOT	SCREW SIDE STAND PIVOT	1	
93404		93404-06016-06	BOLT WASHER 6*16	BOLT WASHER 6*16	1	
95014		95014-72204	SPG B1 SIDE STAND	SPG B1 SIDE STAND	1	
95801		95801-10030-06	BOLT FLANGE 10X30	BOLT FLANGE 10X30	2	

F16

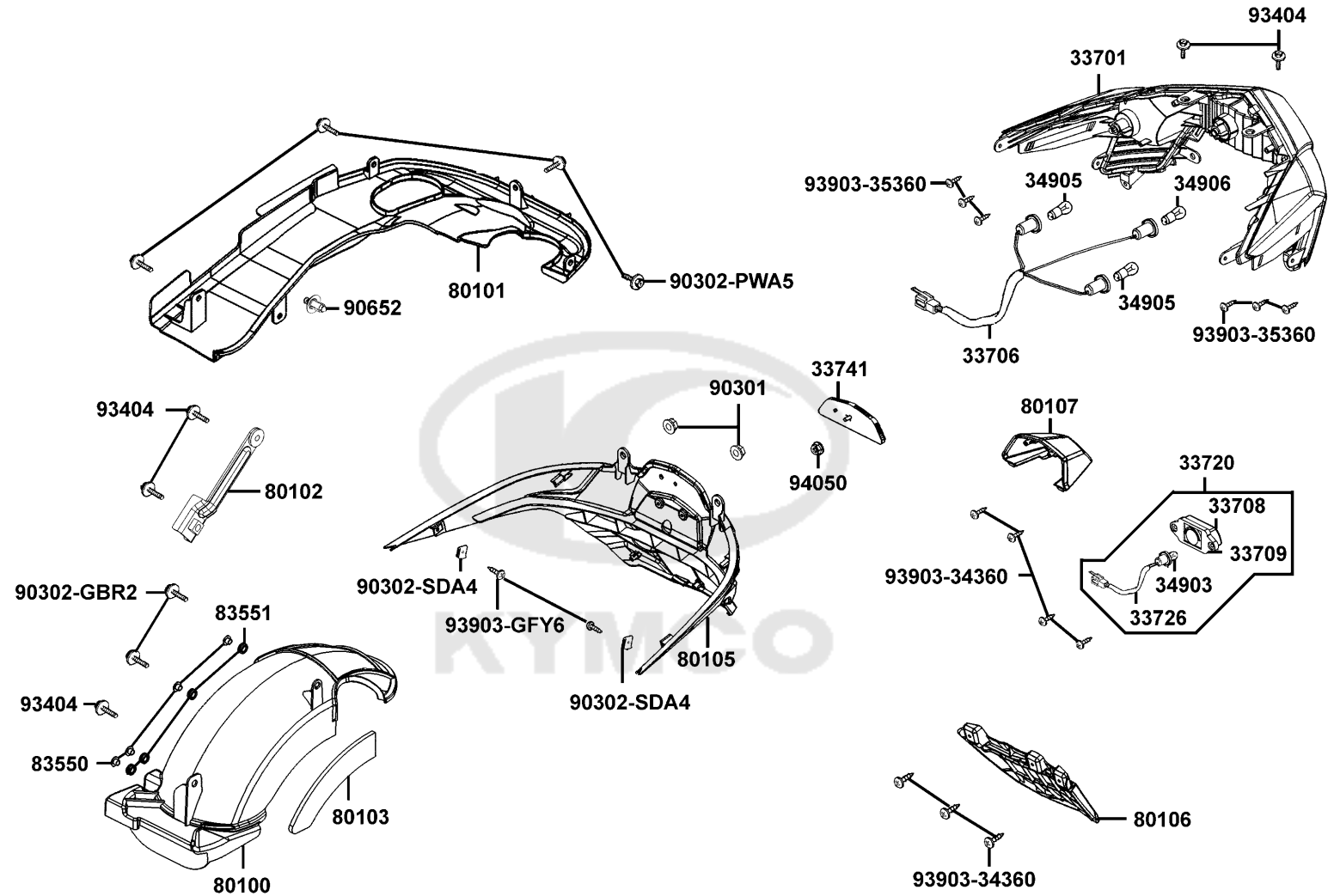
Rr Cushion



Sales mark	Ref no	Part no	Description	Reg description	Regd no	F16
	11203	11203-LBA2-E00	RUB BUSH L CASE	RUB BUSH L CASE	1	
	43156	43156-LEA7-E00	CLAMPER HOSE RR	CLAMPER HOSE RR	1	
**	52000	52000-LEA7-900	FORK ASSY, RR	FORK ASSY, RR	1	
	52101	52101-LEA7-900	STAY RR SPEED SENSOR	STAY RR SPEED SENSOR	1	
	52103-LEA7-E01	52103-LEA7-E01	STAY ABS SENSOR	STAY ABS SENSOR	1	
#	52103-LEA7-E02	52103-LEA7-E02	STAY ABS SENSOR	STAY ABS SENSOR	1	
	52104	52104-LEA7-900	STAY A RR SENSOR	STAY A RR SENSOR	1	
**	52400	52400-LEA7-E00	CUSHION ASSY RR	CUSHION ASSY RR	2	
	90302-LBF2	90302-LBF2-900	BOLT-WASH M5X10	BOLT-WASH M5X10	1	
	90302-LLB1	90302-LLB1-E00	BOLT-WASHER 5*12	BOLT-WASHER 5*12	2	
	91255-LEA7	91255-LEA7-E00	OIL SEAL 30*50*7	OIL SEAL 30*50*7	1	
	91255-LLB1	91255-LLB1-900	OIL SEAL 30*40*7	OIL SEAL 30*40*7	1	
	94520	94520-47000	CIR CLIP IN 47	CIR CLIP IN 47	1	
#	94591	94591-KFBF-900	CLIP 2*70	CLIP 2*70	1	
	95801-10040	95801-10040-02	BOLT FLANGE 10*40	BOLT FLANGE 10*40	4	
	95801-10060	95801-10060-06	BOLT FLANGE 10*60	BOLT FLANGE 10*60	2	
	96150	96150-62040-10	BEARING BALL RADIAL 6204	BEARING BALL RADIAL 6204	1	

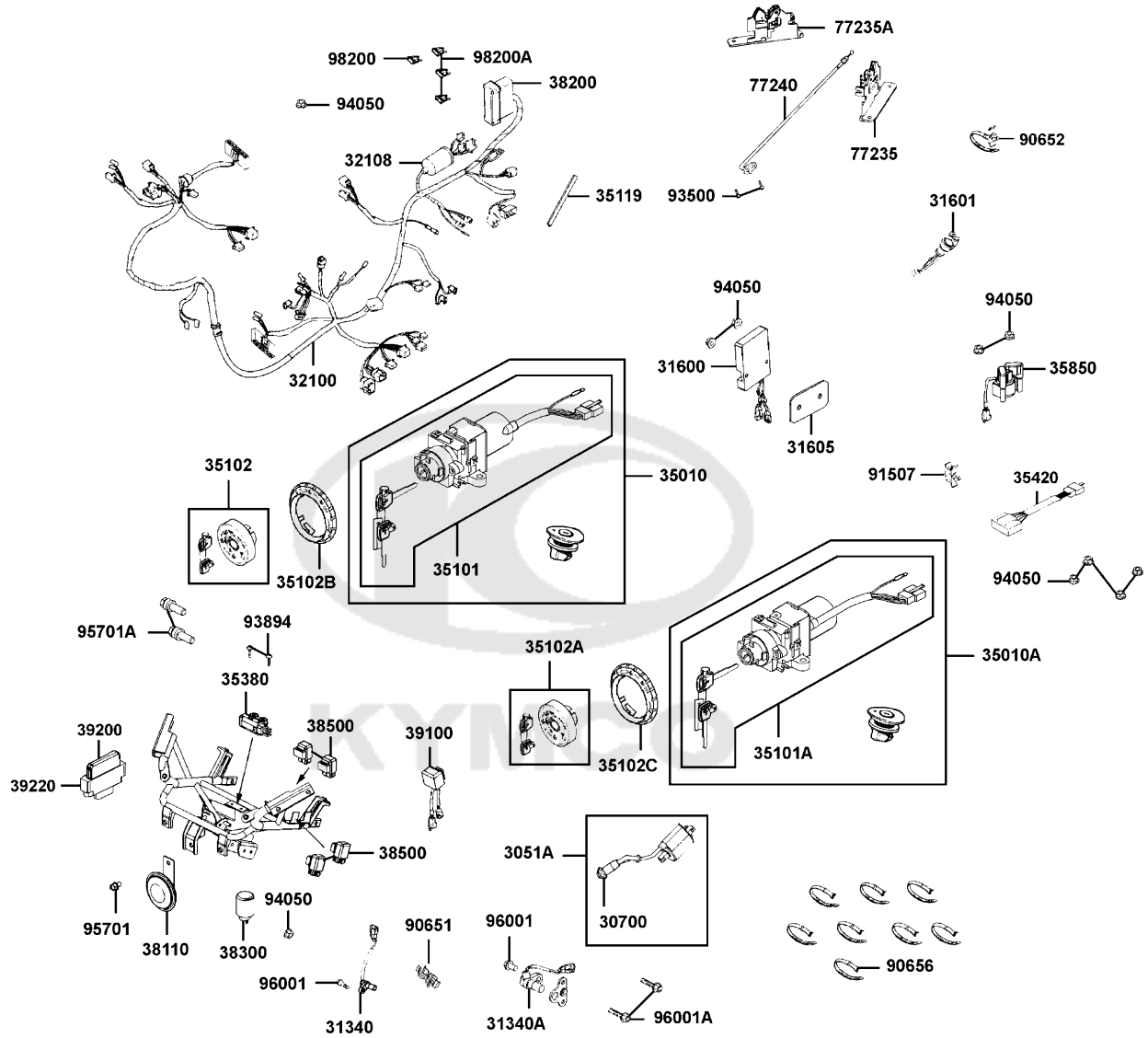


Sales mark	Ref no	Part no	Description	Reg description	Regd no	F17
	33701	33701-LEA7-E00	UNIT TAIL LIGHT	UNIT TAIL LIGHT	1	
	33706	33706-LEA7-E00	SOCKET COMP TAIL LIGHT	SOCKET COMP TAIL LIGHT	1	
	33708	33708-KHE7-E00	LENS LICENSE	LENS LICENSE	1	
	33709	33709-KHE7-E00	BASE LICENSE	BASE LICENSE	1	
	33720	33720-LBB5-E00	LIGHT ASSY LICENSE	LIGHT ASSY LICENSE	1	
	33726	33726-LBB5-E00	SCOKET COMP	SCOKET COMP	1	
	33741	33741-LEA7-E00	REFLEX REFLECTOR	REFLEX REFLECTOR	1	
	34903	34903-KPCP-900	BULB POSITION LIGHT 12V5W **KCP-	BULB POSITION LIGHT 12V5W **KCP-9000	1	
	34905	34905-LCA5-E00	BULB WINKER (12V 10W)	BULB WINKER (12V 10W)	2	
	34906	34906-KPCP-900	BULB TAIL & STOP	BULB TAIL & STOP	1	
**	80100	80100-LEA7-E00	FENDER RR TIRE	FENDER RR TIRE	1	
**	80101	80101-LEA7-E00	FENDER RR INNER	FENDER RR INNER	1	
	80102	80102-LEA7-E00	STAY RR TIRE FENDER	STAY RR TIRE FENDER	1	
	80103	80103-LEA7-E00	SPONGE TAPE FENDER	SPONGE TAPE FENDER	1	
**	80105	80105-LEA7-E00	FENDER RR	FENDER RR	1	
**	80106	80106-LEA7-E00	FENDER LOW RR	FENDER LOW RR	1	
**	80107	80107-LEA7-E00	COVER LICENSE LIGHT	COVER LICENSE LIGHT	1	
	83550	83550-KEC8-900	COLLAR	COLLAR	4	
	83551	83551-KEC8-900	GROMMET COVER **KEC8-9000	GROMMET COVER **KEC8-9000 C.2005.09.01	4	
	90301	90301-6D34-671	NUT FLANGE 6MM	NUT FLANGE 6MM	2	

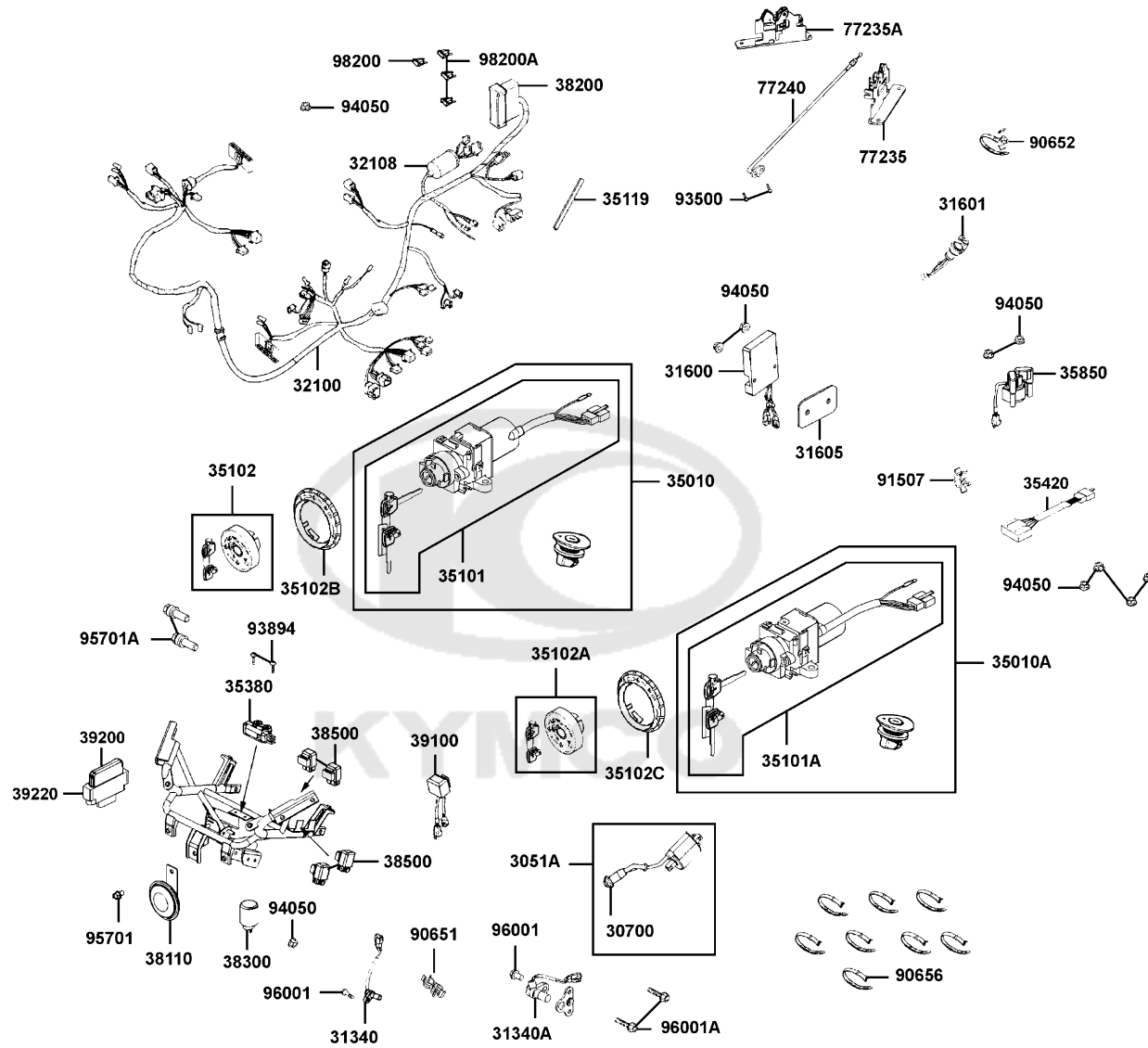


Sales mark	Ref no	Part no	Description	Reg description	Regd no	F17
	90302-GBR2	90302-GBR2-001	BOLT WASH 5*16	BOLT WASH 5*16	2	
	90302-PWA5	90302-PWA5-900	BOLT-WASH 5*12	BOLT-WASH 5*12	4	
	90302-SDA4	90302-SDA4-004	NUT SPRING 4MM	NUT SPRING 4MM	2	
	90652	90652-LCA4-E00	CLIP MUDGUARD	CLIP MUDGUARD	1	
	93404	93404-06016-06	BOLT WASHER 6*16	BOLT WASHER 6*16	5	
	93903-34360	93903-34360	SCREW TAPPING 4X12	SCREW TAPPING 4X12	7	
#	93903-35360	93903-35360	SCREW TAPPING 5*16	SCREW TAPPING 5*16	8	
	93903-GFY6	93903-GFY6-900	SCREW TAPPING 4*14	SCREW TAPPING 4*14	2	
	94050	94050-05080	NUT FLANGE 5MM	NUT FLANGE 5MM	1	

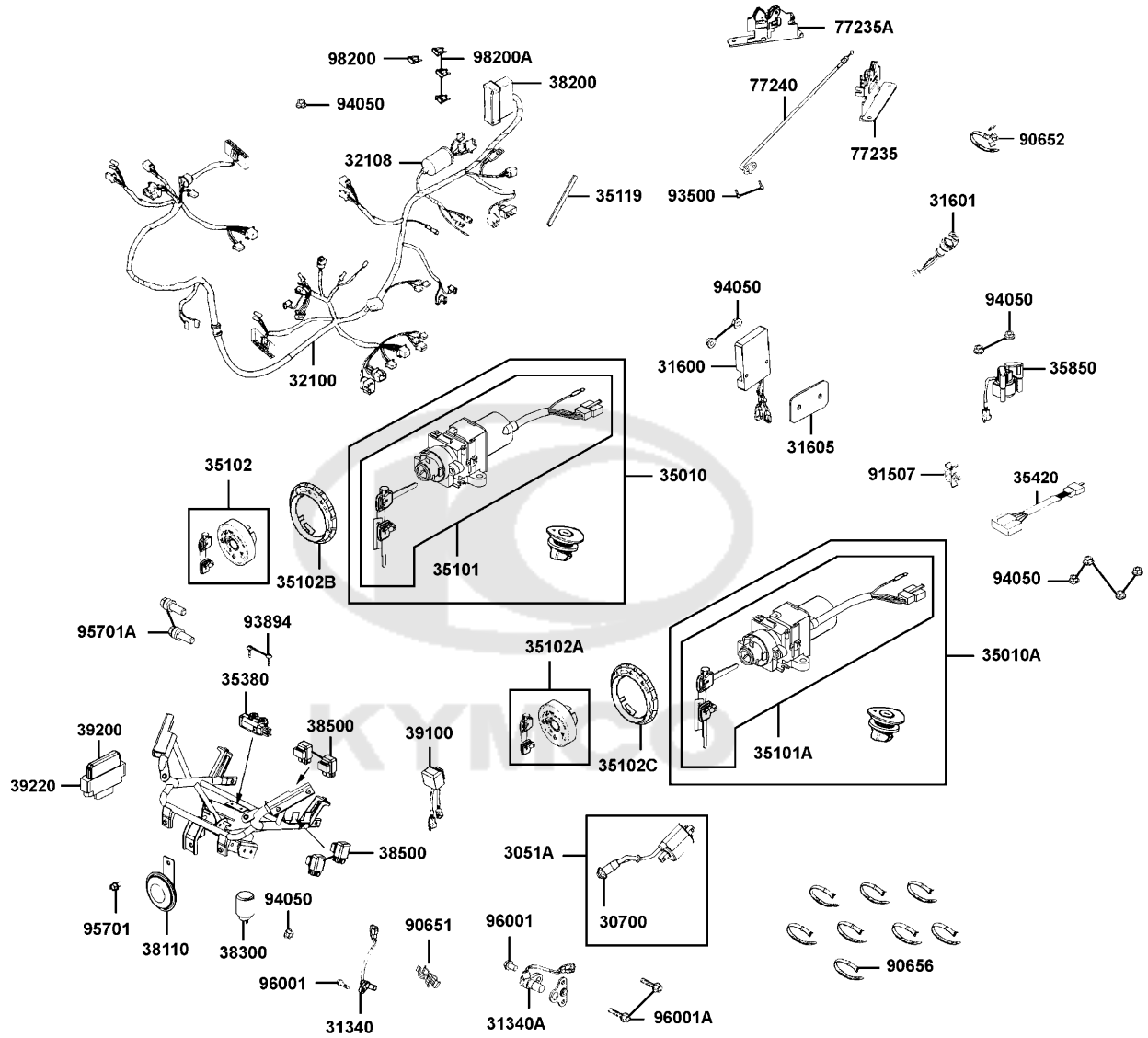




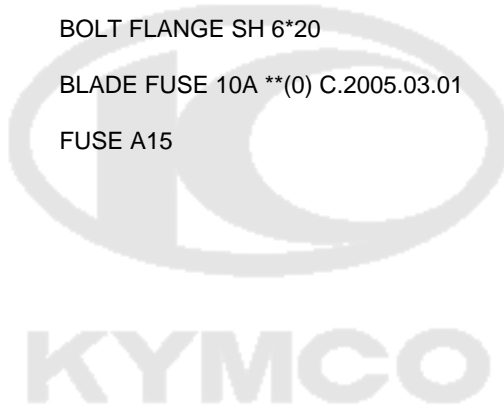
Sales mark	Ref no	Part no	Description	Reg description	Regd no	F18
	3051A	3051A-LDF2-900	COIL ASSY IGNITION	COIL ASSY IGNITION	1	
	30700	30700-KFC8-E0H	CAP ASSY NOISE SUPPR	CAP ASSY NOISE SUPPR	1	
#	31340	31340-LEA7-E00	SENSOR FR WHEEL SPEED	SENSOR FR WHEEL SPEED	1	
	31340A	31340-LFH1-E00	SENSOR RR WHEEL SPEED	SENSOR RR WHEEL SPEED	2	
#	31600	31600-KED9-910	REG REC COMP	REG REC COMP	1	
	31601	31601-LEA7-E00	SOCKET COMP DC 12V	SOCKET COMP DC 12V	1	
	31605	31605-KKE5-E00	STAY REG REC COMP	STAY REG REC COMP	1	
	32100	32100-LEA7-E01	HARNESS WIRE	HARNESS WIRE	1	
#	32100	32100-LEA7-E03	HARNESS WIRE	HARNESS WIRE	1	
	32108	32108-KXCX-E00	COVER COUPLER 6P F	COVER COUPLER 6P F	1	
#	35010	35010-LEA7-324-M1	KEY SET COMB (D206)	KEY SET COMB (D206)	1	
#	35010A	35010-LEA7-324-M2	KEY SET COMB (D106)	KEY SET COMB (D106)	1	
#	35101	35101-LEA7-314-M1	KEY SET LOCK & COMB	KEY SET LOCK & COMB	1	
#	35101A	35101-LEA7-314-M2	KEY SET LOCK & COMB	KEY SET LOCK & COMB	1	
	35102	35102-KFB7-305-M1	SHUTTER MAGNETIC LOCK SET	SHUTTER MAGNETIC LOCK SET	1	
	35102A	35102-KFB7-305-M2	SHUTTER MAGNETIC LOCK SET	SHUTTER MAGNETIC LOCK SET	1	
	35102B	35102-LEB1-90A	COLLAR MAIN SW	COLLAR MAIN SW	1	
	35102C	35102-LEB1-90B	COLLAR MAIN SW	COLLAR MAIN SW	1	
	35119	35119-LEB1-90A	COVER SEAT CABLE	COVER SEAT CABLE	1	
	35119	35119-LEB1-90B	COVER SEAT CABLE	COVER SEAT CABLE	1	



Sales mark	Ref no	Part no	Description	Reg description	Regd no	F18
	35380	35380-LDF2-900	SENSOR ANGLE DETECT	SENSOR ANGLE DETECT	1	
#	35420	35420-LEA7-E00	CONTROLLER,OIL LAMP	CONTROLLER OIL LAMP	1	
	35850	35850-KHB4-90A	SET START MAG (D402)	SET START MAG (D402)	1	
	35850	35850-KHB4-90B	SET START MAG (D406)	SET START MAG (D406)	1	
	38110	38110-LDA7-90A	HORN COMP (D405)	HORN COMP (D405)	1	
	38110	38110-LDA7-90B	HORN COMP	HORN COMP	1	
	38200	38200-KHE7-900	BOX COMP FUSE	BOX COMP FUSE	1	
	38300	38300-LEA7-E00	RELAY COMP WINKER	RELAY COMP.WINKER	1	
#	38500	38500-LGL3-90A	RELAY ASSY LIGHT	RELAY ASSY LIGHT	2	
	39100	39100-LEA7-E00	EMI FILTER FAN MOTOR	EMI FILTER FAN MOTOR	1	
	39200	39200-LEA7-E00	ECU M1 4 STROKE-P1	ECU M1 4 STROKE-P1	1	
	39220	39220-LDF2-900	CUSHION CASE ECU	CUSHION CASE ECU	1	
	77235	77235-LEA7-E0A	SEAT CATCH	SEAT CATCH	1	
	77235	77235-LEA7-E0B	SEAT CATCH	SEAT CATCH	1	
	77235A	77235-LEA7-E1A	SEAT CATCH	SEAT CATCH	1	
	77235A	77235-LEA7-E1B	SEAT CATCH	SEAT CATCH	1	
#	77240	77240-LEA7-E30	CABLE ASSY SEAT LOCK	CABLE ASSY SEAT LOCK	1	
#	90651	90651-LKG7-E00	CLIP WIRE HARN	CLIP WIRE HARN	1	
	90652	90652-LGL7-E00	CLIP 8*120	CLIP 8*120	1	
	90656	90656-KCBC-900	BAND OIL HANDLE 8X146	BAND OIL HANDLE 8X146	9	

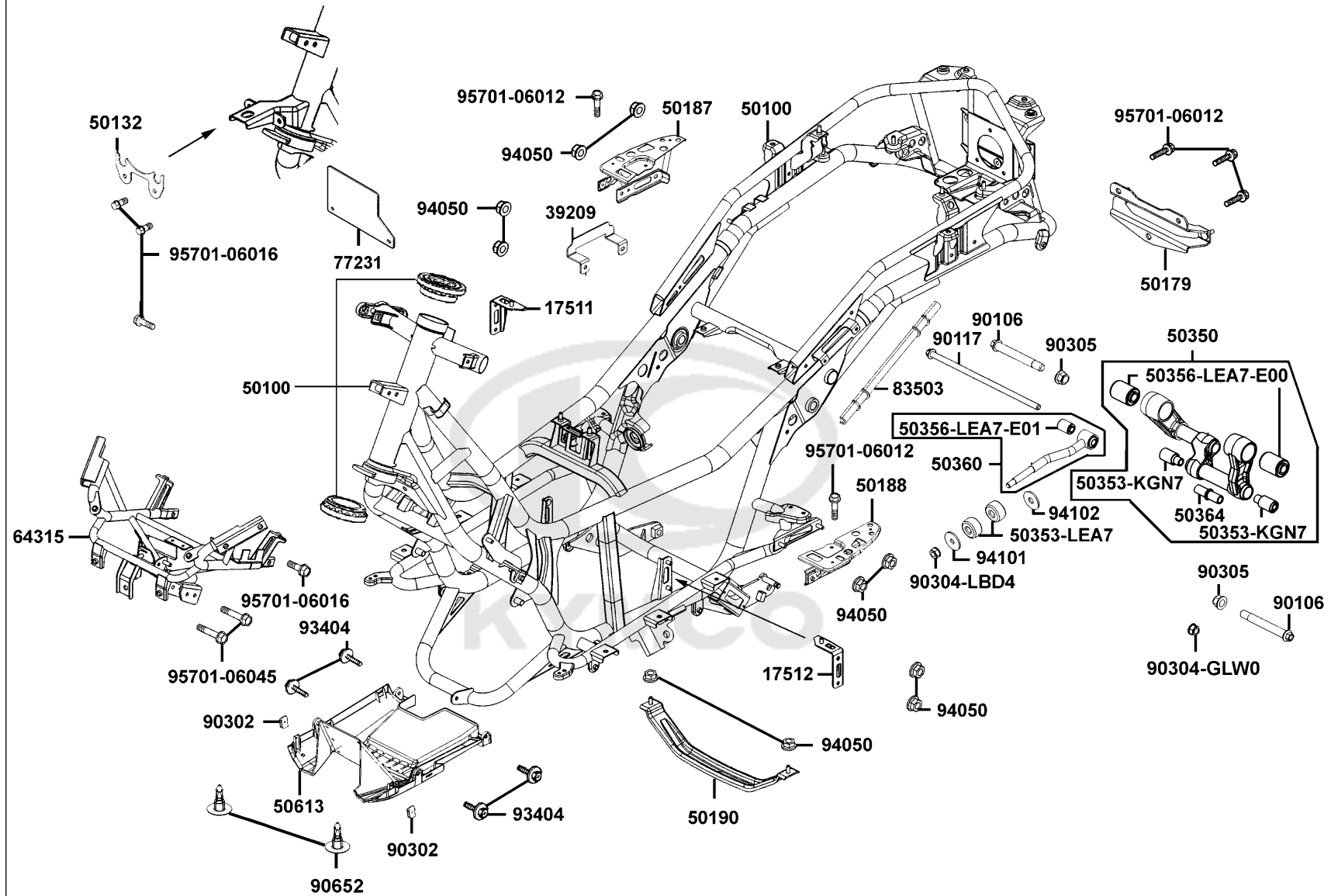


Sales mark	Ref no	Part no	Description	Reg description	Regd no	F18
	91507	91507-LEA7-E00	CLIP	CLIP	1	
	93500	93500-KHC4-90A	SCREW PAN 5*10	SCREW PAN 5*10	2	
#	93894	93894-04022-06	SCREW WASHER 4X22	SCREW WASHER 4X22	1	
	94050	94050-06080	NUT FLANGE 6MM	NUT FLANGE 6MM	10	
#	95701	95701-08012-06	BOLT FLANGE 8*12	BOLT FLANGE 8*12	1	
	95701A	95701-LEA5-E00	BOLT TORQUE 8*25 **(0) C.2007.01.22	BOLT TORQUE 8*25 **(0) C.2007.01.22	2	
#	96001	96001-06012-06	BOLT FLANGE SH 6*12	BOLT FLANGE SH 6*12	2	
#	96001A	96001-06020-06	BOLT FLANGE SH 6*20	BOLT FLANGE SH 6*20	1	
	98200	98200-31000	BLADE FUSE 10A **(0) C.2005.03.01	BLADE FUSE 10A **(0) C.2005.03.01	1	
	98200A	98200-31500	FUSE A15	FUSE A15	3	



F19

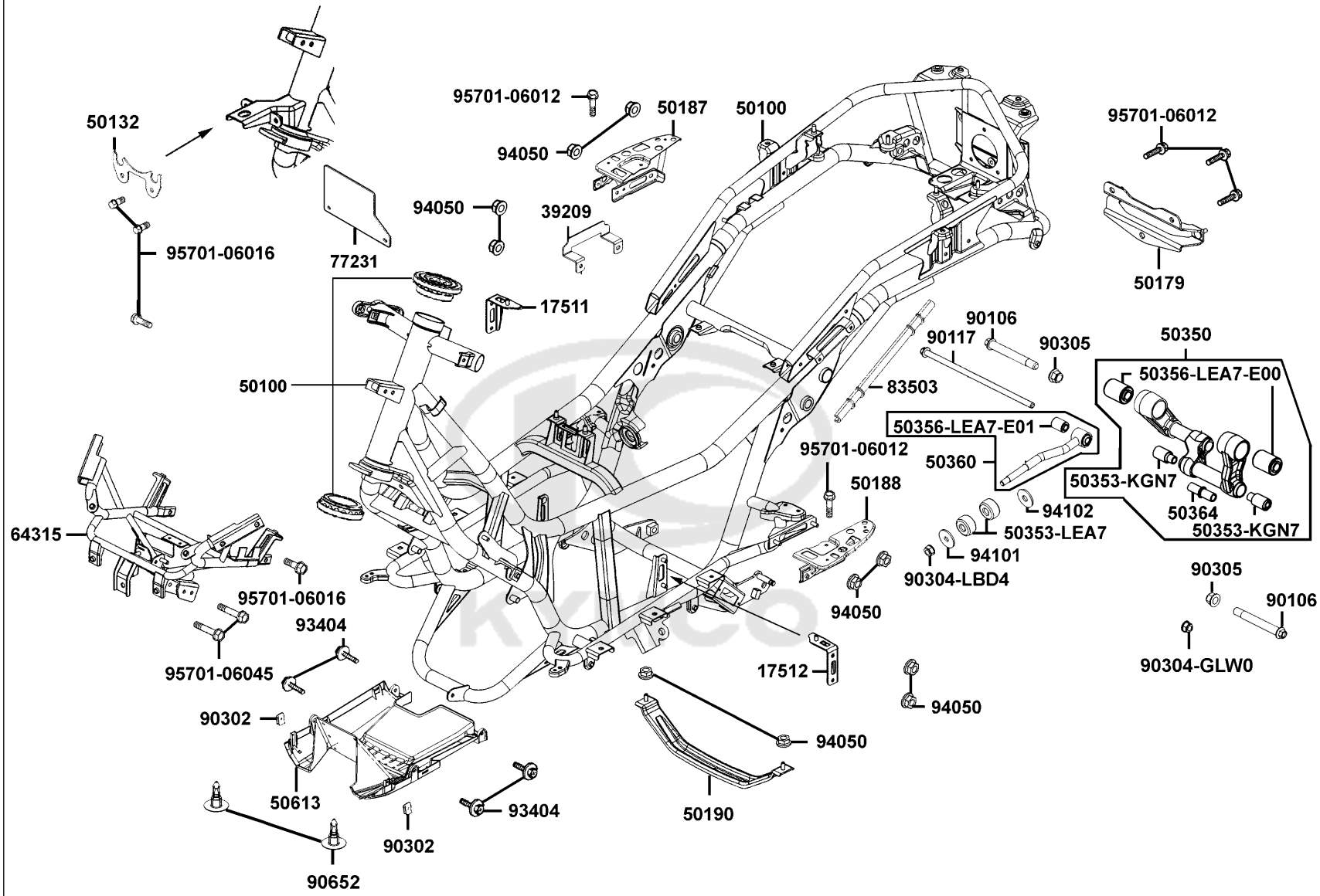
Frame Body



Sales mark	Ref no	Part no	Description	Reg description	Regd no	F19
	17511	17511-LEA7-E00	STAY R FUEL TANK	STAY R FUEL TANK	1	
	17512	17512-LEA7-E00	STAY L FUEL TANK	STAY L FUEL TANK	1	
	39209	39209-LEA7-E00	STAY ECU	STAY ECU	1	
#	50100	50100-LEA7-325	BODY ASSY FRAME (E01)	BODY ASSY FRAME (E01)	1	
	50132	50132-KKE5-E01	STAY.ABS	STAY.ABS	1	
	50179	50179-LEA7-E00	STAY RR FENDER UP	STAY RR FENDER UP	1	
	50187	50187-LEA7-E00	STAY R RR STEP	STAY R RR STEP	1	
	50188	50188-LEA7-E00	STAY L RR STEP	STAY L RR STEP	1	
	50190	50190-LEA7-E00	PROTECTOR UNDER COVER	PROTECTOR UNDER COVER	1	
	50350	50350-LEA7-E00	HANGER ASSY ENG	HANGER ASSY ENG	1	
	50353-KGN7	50353-KGN7-901	BUSH A ENG HANGER	BUSH A ENG HANGER	2	
	50353-LEA7	50353-LEA7-E00	RUBBER STOPPER	RUBBER STOPPER	1	
	50356-LEA7-E00	50356-LEA7-E00	RUB BUSH ENG HANGER	RUB BUSH ENG HANGER	2	
	50356-LEA7-E01	50356-LEA7-E01	RUB BUSH ENG HANGER	RUB BUSH ENG HANGER	1	
	50360	50360-LEA7-E00	TIE ROD ASSY ENG HANGER	TIE ROD ASSY ENG HANGER	1	
	50364	50364-KHE7-E00	COLLAR B ENG HANGER	COLLAR B ENG HANGER	1	
**	50613	50613-LEA7-E00	COVER UNDER	COVER UNDER	1	
	64315	64315-LEA7-E03	BRKT.,FR COVER	BRKT. FR COVER	1	
	77231	77231-LEA7-E00	STAY SEAT CATCH	STAY SEAT CATCH	1	
	83503	83503-KHD6-900	COVER PROTECT SEAT WIRE FR	COVER PROTECT SEAT WIRE FR	1	

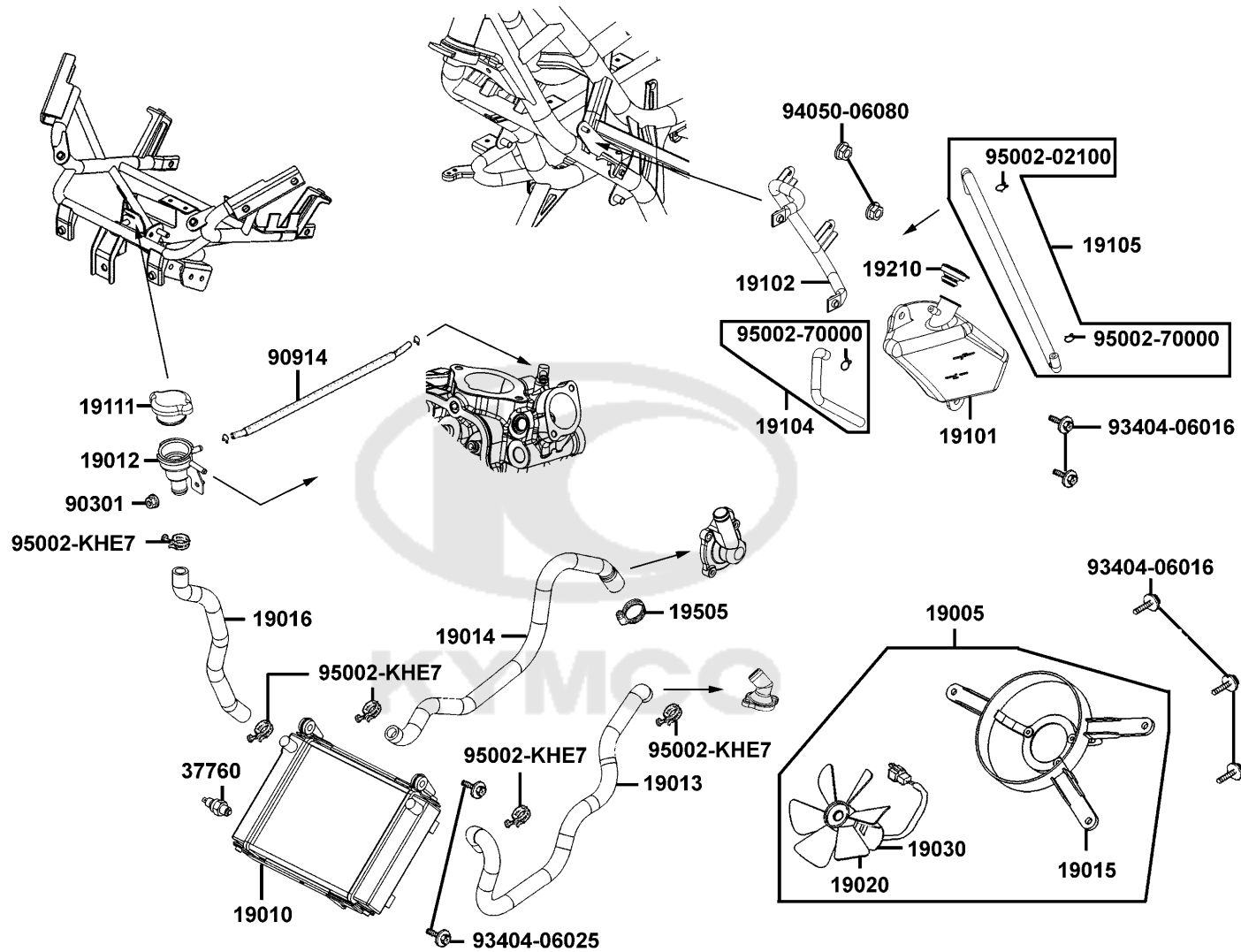
F19

Frame Body

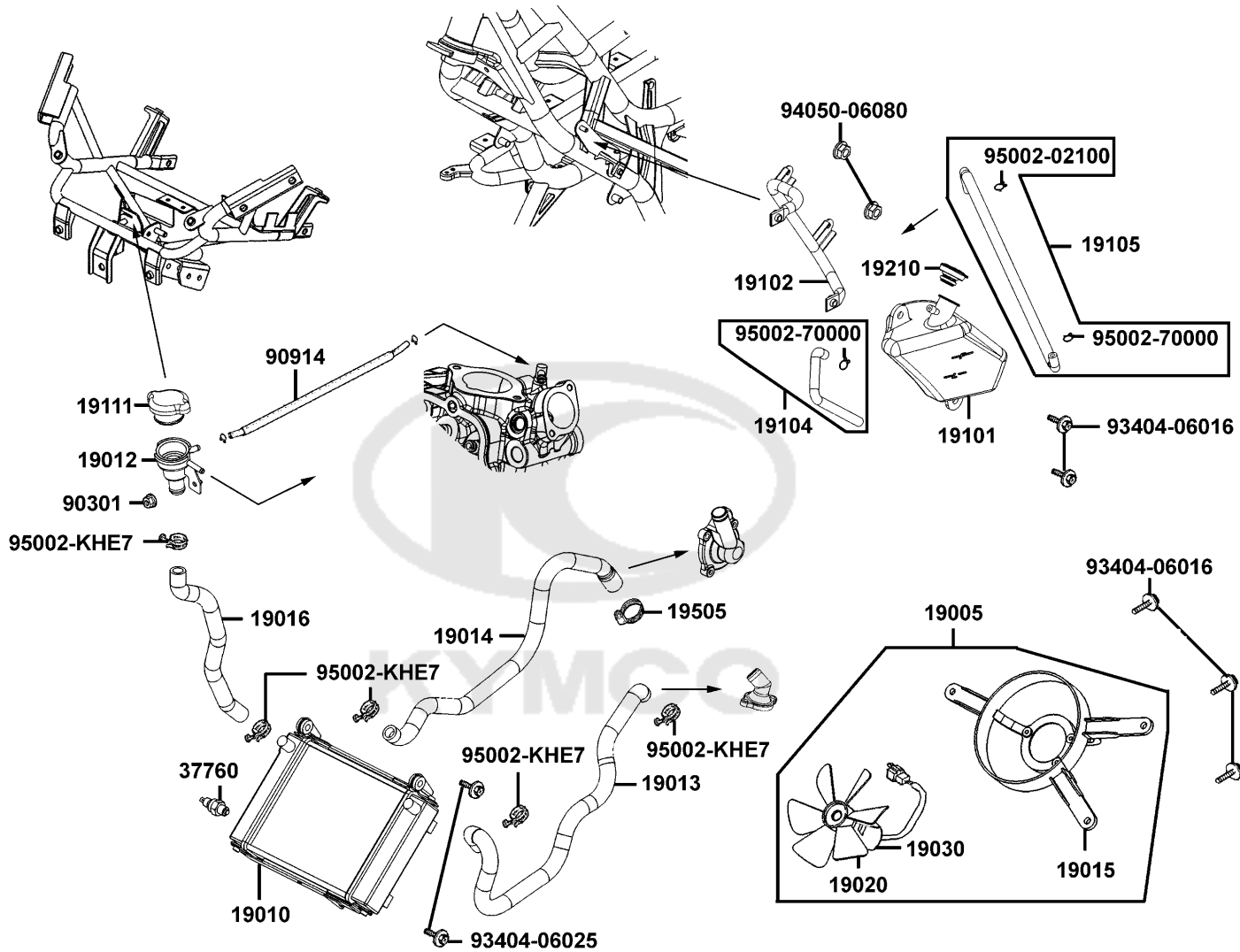



Sales mark	Ref no	Part no	Description	Reg description	Regd no	F19
	90106	90106-LEA7-E00	BOLT FLANGE 15*118	BOLT FLANGE 15X118	2	
#	90117	90117-KED9-950	BOLT FLANGER 10*265	BOLT FLANGER 10X265	1	
	90302	90302-SDA4-004	NUT SPRING 4MM	NUT SPRING 4MM	2	
#	90304-GLW0	90304-GHE8-004	NUT U 10MM	NUT U 10MM	1	
	90304-LBD4	90304-LBD4-900	NUT U FLANGE 10MM	NUT U FLANGE 10MM	1	
	90305	90305-LBD4-900	NUT U 14MM	NUT U 14MM	2	
	90652	90652-LCA4-E00	CLIP MUDGUARD	CLIP MUDGUARD	1	
	93404	93404-06016-06	BOLT WASHER 6*16	BOLT WASHER 6*16	4	
	94050	94050-06080	NUT FLANGE 6MM	NUT FLANGE 6MM	10	
	94101	94101-LBA2-E00	WASHER PLATE 10.5*38*3.0	WASHER PLATE 10.5*38*3.0	1	
	94102	94102-LBA2-E00	WASHER PLAIN 38*12.5*3	WASHER PLAIN 38*12.5*3	1	
#	95701-06012	95701-06012-06	BOLT FLANGE 6*12 **07 C.2005.07.01	BOLT FLANGE 6*12 **07 C.2005.07.01	1	
#	95701-06016	95701-06016-06	BOLT FLANGE 6*16 (K)	BOLT FLANGE 6*16 (K)	4	
#	95701-06045	95701-06045-06	BOLT FLANGE 6*45	BOLT FLANGE 6*45	1	

Radiator

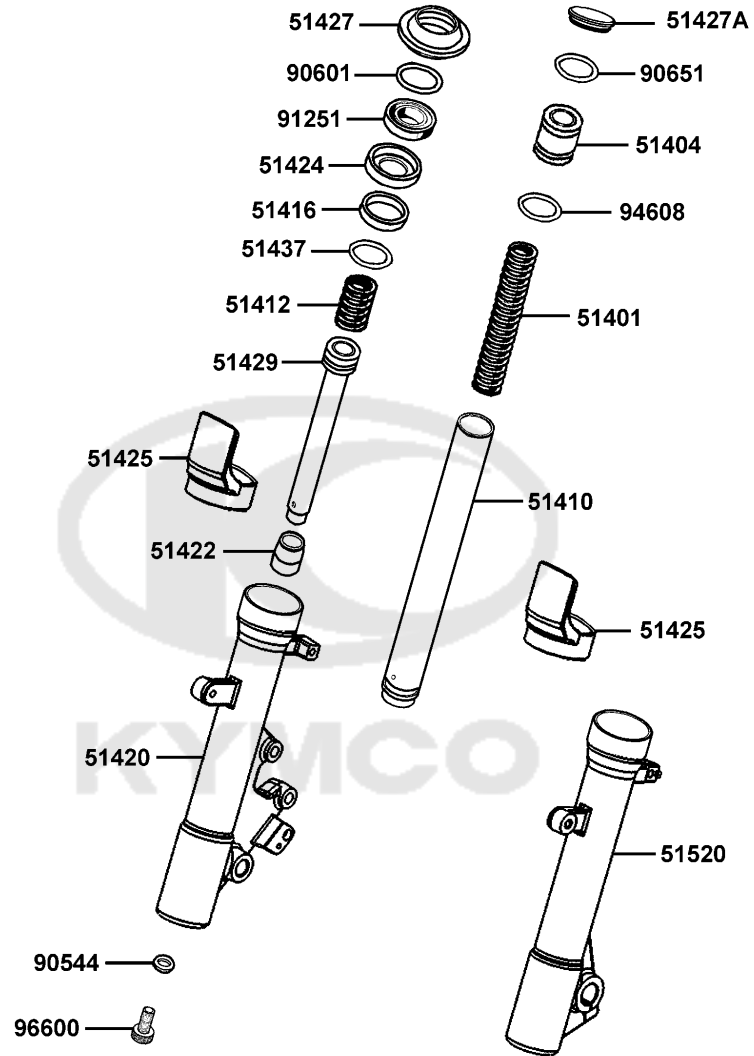


Sales mark	Ref no	Part no	Description	Reg description	Regd no	F20
	19005	19005-LFA7-E00	SHROUD ASSY	SHROUD ASSY	1	
	19010	19010-LFA7-E00	RADIATOR COMP	RADIATOR COMP	1	
	19012	19012-KHD8-900	UNIT RADIATOR	UNIT RADIATOR	1	
	19013	19013-LEA7-E00	HOSE,WATER INLET	HOSE WATER INLET	1	
	19014	19014-LEA7-E00	HOSE WATER OUTLET	HOSE WATER OUTLET	1	
	19015	19015-LEA5-E00	SHROUD COMP	SHROUD COMP	1	
	19016	19016-LEA7-E01	HOSEWATER-UNIT CAP	HOSE WATER-UNIT CAP	1	
	19020	19020-KED9-900	FAN COOLING	FAN COOLING	1	
	19030	19030-KHD8-900	MOTOR	MOTOR	1	
	19101	19101-LEA7-E00	TANK RESERVE	TANK RESERVE	1	
	19102	19102-LEA7-E00	STAY TANK REVERSE	STAY TANK REVERSE	1	
	19104	19104-LBA2-E00	HOSE ASSY DRAIN	HOSE ASSY DRAIN	1	
	19105	19105-LEA7-E00	HOSE ASSY RESERVE	HOSE ASSY RESERVE	1	
	19111	19111-GBE2-004	CAP COMP	CAP COMP	1	
	19210	19210-KKC4-900	CAP RESERVE TANK	CAP RESERVE TANK	1	
	19505	19505-LBA2-E00	CLAMP WATER HOSE	CLAMP WATER HOSE	1	
	37760	37760-KHD8-900	SW ASSY THERMO	SW ASSY THERMO	1	
	90301	90301-6D34-671	NUT FLANGE 6MM	NUT FLANGE 6MM	1	
	90914	90914-LEA7-E00	TUBE ASSY WATER	TUBE ASSY WATER	1	
	93404-06016	93404-06016-06	BOLT WASHER 6*16	BOLT WASHER 6*16	5	



Sales mark	Ref no	Part no	Description	Reg description	Regd no	F20
	93404-06025	93404-06025-06	BOLT WASHER 6*25	BOLT WASHER 6*25	2	
	94050	94050-06080	NUT FLANGE 6MM	NUT FLANGE 6MM	2	
	95002-02100	95002-02100	CLIP B15 TUBE	CLIP B15 TUBE	1	
	95002-70000	95002-70000	CLIP C11 TUBE	CLIP C11 TUBE	2	
	95002-KHE7	95002-KHE7-900	CLIP WATER HOSE	CLIP WATER HOSE	5	
						

Separated Parts Of Fr Fork



Sales mark	Ref no	Part no	Description	Reg description	Regd no	F21
	51401	51401-LDH1-E00	SPRING	SPRING	1	
	51404	51404-LDH1-E00	SPRING COLLAR	SPRING COLLAR	1	
	51410	51410-LEA7-E00	FORK PIPE COMP	FORK PIPE COMP	1	
	51412	51412-LLJ3-E00	REBOUND SPRING	REBOUND SPRING	1	
	51416	51416-LDH1-E00	GUIDE BUSH	GUIDE BUSH	1	
**	51420	51420-LEA7-E00	BOTTOM CASE R	BOTTOM CASE R	1	
	51422	51422-KED9-900	OIL LOCK PIECE	OIL LOCK PIECE	1	
	51424	51424-LDH1-E00	SPACER	SPACER	1	
	51425	51425-LEA7-E00	FORK FENDER	FORK FENDER	1	
	51427	51427-LDH1-E00	DUST SEAL	DUST SEAL	1	
	51427A	51427-LLJ3-E00	FORK BOLT CAP	FORK BOLT CAP	1	
	51429	51429-LEA7-E00	PIPE SEAT COMP	PIPE SEAT COMP	1	
	51437	51437-LDH1-E00	PISTON RING	PISTON RING	1	
**	51520	51520-LEA7-E00	BOTTOM CASE L	BOTTOM CASE L	1	
	90544	90544-KEC8-900	PACKING	PACKING	1	
	90601	90601-LLJ3-E00	OIL SEAL STOPPER RING	OIL SEAL STOPPER RING	1	
	90651	90651-LLJ3-E00	STOPPER RING	STOPPER RING	1	
	91251	91251-LLJ3-E00	OIL SEAL	OIL SEAL	1	
	94608	94608-LLJ3-E00	O-RING	O-RING	1	
	96600	96600-LBA2-E00	SOCKET BOLT	SOCKET BOLT	1	

• Be sure to wear a safety helmet when riding.
 • Do not exceed the speed specified by law when riding.
 • The exhaust muffler temperature is very high after riding. Be sure to park the motorcycle in a place not easily touched by people.
 • For riding safety and good performance, do not violate the law to modify the motorcycle.
 • Please read the User's Manual carefully to secure driving safety.

• Make sure to perform the periodic maintenance and pre-ride inspection.
 Pre-ride Inspection Items
 Brake Performance, tires, engine oil level, lights, horn, and instrument panel.
 KWANG YANG MOTOR CO., LTD.
 87560-LEA7-100

87560

CAUTIONS
 Never put any article between the rear side cover and the engine to avoid interference of riding.
 GM9-300

87542

CAUTIONS
 Before starting the engine, the side stand shall be kicked up to secure safety.

87541-GAR1

CAUTIONS
 TIRE SIZE :FRONT 120/80-14 REAR 150/70-13
 (ONE RIDER) :FRONT 2.0 kgf/cm² REAR 2.25kgf/cm²
 (TWO RIDER) :FRONT 2.0 kgf/cm² REAR 2.25kgf/cm²
 LOAD CAPACITY :SHIELD 1.5Kg CLIP ASSY CENTER 3Kg
 (AS PER KYMCO STANDARD SPECIFICATION)
 (NOTE:THE TIRE PRESSURE MUST NOT OVER PASS 2.50kgf/cm²)
 CHECK THE MOTOR OIL LEVEL WITH THE DIPSTICK AFTER REFILLING MOTOR OIL.
 87505-LEA7-E01

87505

CAUTIONS
 Every 5000 km run should exchange the filter.
 KBE-E00

87512

CAUTION
 Mobile phone charge only, Use other appliance may cause damage.
 KKC2-E000

87541-KKC2

Sales mark	Ref no	Part no	Description	Reg description	Regd no	F22
**	87505	87505-LEA7-E01	LABEL TIRE	LABEL TIRE	1	
**	87512	87512-KEBE-E00	CAUTION FILTER	CAUTION FILTER	1	
**	87541-GAR1	87541-GAR1-E00	CAUTION SIDE STAND	CAUTION SIDE STAND	1	
**	87541-KKC2	87541-KKC2-E00	CAUTION MOBILE PHONE	CAUTION MOBILE PHONE	1	
**	87542	87542-GAR1-E00	MARK MAINT CAUTION	MARK MAINT CAUTION	1	
**	87560	87560-LEA7-E00	MARK DRIVE CAUTION	MARK DRIVE CAUTION	1	





86202



87140



86102



86404

Sales mark	Ref no	Part no	Description	Reg description	Regd no	F23
**	86102	86102-LEA5-E00	EMB K-LOGO 30MM	EMB K-LOGO 30MM	1	
**	86202	86202-LEA7-E01	EMB BODY COVER	EMB BODY COVER	2	
**	86404	86404-LFH1-E00	STRIPE MARK ABS	STRIPE MARK ABS	2	
**	87140	87140-LEA7-E00	EMB MARK 300i	EMB MARK 300i	2	



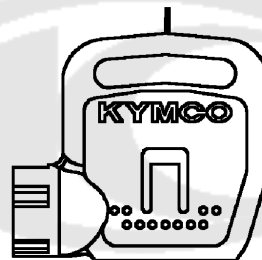
35111-LDC1-305-M1



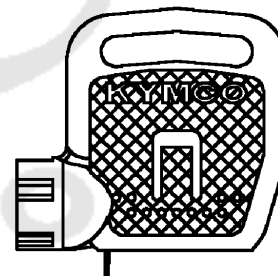
35111-LDC1-305-M2



35111-LDC1-307-M1



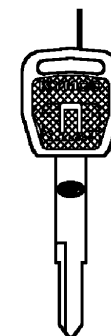
35111-LDC1-307-M2



35111-LDC1-306-M1



35111-LDC1-306-M2



Sales mark	Ref no	Part no	Description	Reg description	Regd no	F24
	35111-LDC1-305-M1	35111-LDC1-305-M1	KEY COMP (R TANGENT PLANE/SD)	KEY COMP (R TANGENT PLANE/SD)	1	
	35111-LDC1-305-M2	35111-LDC1-305-M2	KEY COMP (R TANGENT PLANE/TJ)	KEY COMP (R TANGENT PLANE/TJ)	1	
	35111-LDC1-306-M1	35111-LDC1-306-M1	KEY COMP (L TANGENT PLANE/SD)	KEY COMP (L TANGENT PLANE/SD)	1	
	35111-LDC1-306-M2	35111-LDC1-306-M2	KEY COMP (L TANGENT PLANE/TJ)	KEY COMP (L TANGENT PLANE/TJ)	1	
	35111-LDC1-307-M1	35111-LDC1-307-M1	KEY COMP SHUTTER MAGNETIC (SD)	KEY COMP SHUTTER MAGNETIC (SD) **not	1	
	35111-LDC1-307-M2	35111-LDC1-307-M2	KEY COMP SHUTTER MAGNETIC	KEY COMP SHUTTER MAGNETIC (supplier:TJ)	1	



PART NO. INDEX

PART NO.	VERSION	PAGE	PART NO.	VERSION	PAGE	PART NO.	VERSION	PAGE
			1110A-LEA7-E00	8	E01	11395-LEA7-E00	3	E01
			1110A-LEA7-E05	11	E01			
			11203-LBA2-E00	2	E01	12000		
0901-880-6000	0	E05	11203-LBA2-E00	2	F16			
0901-911-6000	0	E05	11212-LEA7-E00	5	F13	12100-LEA7-E00	8	E03
			1121A-LEA7-E00	8	F13	12191-LEA7-E00	2	E03
1000			1122A-LEA7-E00	2	E01	12200-LEA7-E00	18	E02
			11330-LEA7-305	4	E04	12209-GDB4-68B	0	E02
1190-0017-0000	0	E05	11330-LEA7-E00	19	E04	12251-LEA7-E00	4	E02
1190-C74-2000	0	E05	11340-LEA7-E00	0	E01	12310-LEA7-E00	7	E02
1614-868-0000-S	0	E05	11340-LEA7-E01	2	E01	12391-LEA7-E00	5	E02
1614-906-0002	0	E05	11340-LEA7-E02	7	E01			
1614-A22C-0000-Y	0	F10	11341-LEA7-E01	3	E01	13000		
			11344-LEA7-E00	0	E01			
3000			11344-LEA7-E02	0	E01	13000-LEA7-E00	25	E03
			11345-LEA7-E00	1	E01	13011-LEA7-E00	2	E03
3700-A35B-0110	0	E05	11346-GFY6-901	0	E01	13101-LEA7-E00	9	E03
3791-HN80-0000	0	F10	11347-LEA7-E00	3	E06	13111-LEA7-E00	2	E03
			1134A-LEA7-E00	9	E01	13314-LEA7-E0A	3	E01
4000			1134A-LEA7-E02	1	E01	13314-LEA7-E0B	3	E01
			1134B-LEA7-E00	0	E01	13314-LEA7-E0C	3	E01
4115-803-1100-3	0	E05	1134B-LEA7-E02	0	E01	13406-LEA7-E00	2	E02
			11350-LEA7-E00	2	E01			
11000			11350-LEA7-E02	4	E01	14000		
			11394-LEA7-305	3	E04			
11103-KHE7-90A	1	E01	11394-LEA7-E00	9	E04	14100-LEA7-E00	13	E02

PART NO. INDEX

PART NO.	VERSION	PAGE	PART NO.	VERSION	PAGE	PART NO.	VERSION	PAGE
14321-LEA7-E00	8	E02	15141-LEA7-E00	1	E07	1737A-KUDU-900	0	F13
14401-PWB1-900	2	E03	15141-LGF9-E00	1	E07	17500-LEA7-E00	9	F10
14420-LEA7-E00	2	E02	15161-PUA5-E00	5	E01	17511-LEA7-E00	2	F19
14430-LEA7-E00	2	E02	15200-KED9-900	7	E01	17512-LEA7-E00	2	F19
14433-PTA1-900	3	E02	1541A-LEA7-E00	6	E04	17530-KGB5-900	1	F05
14434-PTA1-900	2	E02	15421-LEA7-305	1	E01	17550-LEA7-800	5	F10
14452-LEA7-E00	4	E02	15421-LEA7-E00	0	E01	17561-LGK8-900	1	F10
14453-LEA7-E00	5	E02	15421-LEA7-E05	5	E01	17561-LKB9-900	1	F10
14510-LEA7-E00	5	E03	15423-KKC3-900	1	E04	17581-LEA7-E00	1	F10
14520-KED9-900	1	E03	15437-LEA7-E00	1	E04	17620-LEA7-315-M1	0	F10
14523-KED9-920	1	E03	1565A-LGF9-E00	1	E04	17620-LEA7-315-M2	0	F10
14531-KHE7-900	1	E03	15711-LEA7-E00	1	E07	17685-KZCZ-900	0	F05
14610-LEA7-E00	2	E03	15772-5L00-013	1	F13	17685-LEA7-E00	6	F10
14711-LEA7-E00	5	E02				17910-LEA7-E00	6	F03
14721-LEA7-E00	5	E02	16000			17911-LEA7-E00	7	F03
14751-LEA7-E00	6	E02				18000		
14761-LEA7-E00	3	E02	1610K-LEA7-E00	1	E05			
14771-GDB4-680	0	E02	16201-LEA7-E00	2	E02			
14777-LBA2-E00	4	E02	16211-LEA7-E00	4	E02	18291-KEBE-900	1	F14
14781-MFA6-001	0	E02				18291-KKC4-900	1	E01
15000			17000			18291-PWB1-900	4	F14
			1711A-LEA7-E00	0	E02	18292-KEBE-900	1	F14
15100-LEA7-E00	7	E07	17211-LEA7-E00	1	F13	18293-KEBE-900	1	F14
15133-LEA7-E00	3	E07	1723A-LEA7-E00	0	F13	18293-KKC4-900	0	E01
15133-LGF9-E00	1	E07	1723B-LEA7-E00	0	F13	18294-KEBE-900	1	F14
						18294-LDB2-900	0	F14

PART NO. INDEX

PART NO.	VERSION	PAGE	PART NO.	VERSION	PAGE	PART NO.	VERSION	PAGE
18306-LEA7-E00	4	F14	19210-KKC4-900	0	F20	22102-LEA7-E00	4	E06
1830A-LEA7-E00	11	F14	19215-LEA7-E00	1	E04	22105-LEA7-E00	6	E06
18310-LEA7-E00	8	F14	19217-ZPA3-E00	2	E04	22105-LGF9-E00	2	E06
18318-LEA7-E00	3	F14	19221-LEA7-E00	3	E04	22110-LEA7-E00	2	E06
18320-LEA7-E00	5	F14	19229-LEA7-E00	3	E04	22110-LGE5-E00	2	E06
18325-LEA7-E00	4	F14	19231-LEA7-E00	5	E04	22121-LEA7-305	0	E06
18371-LEA7-E00	1	F14	19232-LBA2-E00	2	E04	22131-LEA7-E00	7	E06
18391-LEA7-E00	2	F14	19300-LFA7-E0A	1	E02	22131-LGE5-E00	1	E06
			19300-LFA7-E0B	2	E02	22132-PWB1-305	0	E06
19000			19315-LFA7-E00	6	E02	22300-LEA7-E00	5	E06
			19411-LFG2-E00	1	F06	22300-LGE5-E00	3	E06
19005-LFA7-E00	2	F20	19502-LEA7-E00	3	E04	22300-LKG7-E00	0	E06
19010-LFA7-E00	0	F20	19505-LBA2-E00	4	F20	22350-KHE7-900	1	E06
19012-KHD8-900	4	F20	19507-LDB5-E00	1	E04	22361-LEA7-E00	1	E06
19013-LEA7-E00	7	F20	19508-LBA2-E00	0	E04	22401-KHE7-900	2	E06
19014-LEA7-E00	7	E04	19613-LEA7-E00	1	E01	22401-LFG2-E80	1	E06
19014-LEA7-E00	7	F20				22530-LEA7-E00	5	E06
19015-LEA5-E00	1	F20	21000			22530-LGE5-E00	2	E06
19016-LEA7-E01	4	F20				22530-LKG7-E00	0	E06
19020-KED9-900	1	F20	21301-LEA7-E00	3	E08	22804-GBB2-001	0	E06
19030-KHD8-900	2	F20	21395-LEA7-E00	2	E08			
19101-LEA7-E00	3	F20				23000		
19102-LEA7-E00	2	F20	22000					
19104-LBA2-E00	1	F20				2301A-LEA7-E01	1	E06
19105-LEA7-E00	2	F20	22100-LEA7-E00	5	E06	2301A-LGE5-E00	5	E06
19111-GBE2-004	1	F20	22100-LKG7-E00	1	E06	2301A-LKG7-E00	7	E06

PART NO. INDEX

PART NO.	VERSION	PAGE	PART NO.	VERSION	PAGE	PART NO.	VERSION	PAGE
23100-LEA7-E01	2	E06						
23200-LEA7-E01	1	E06	31000			33000		
23200-LGE5-E00	2	E06						
23220-LEA7-E01	1	E06	31110-LEA7-E0B	2	E07	33100-LEA7-E00	0	F01
23225-LEA7-E00	1	E06	31120-LEA7-E0B	8	E07	33110-LEA7-E00	2	F01
23226-LEA7-E00	1	E06	31210-LEA7-E00	3	E07	33120-LEA7-E00	0	F01
23233-LEA7-E00	5	E06	31340-LEA7-E00	3	F18	33130-LEA7-E00	0	F01
23237-KHE7-900	0	E06	31340-LFH1-E00	1	F18	33150-LEA7-E00	0	F01
23238-KHE7-900	0	E06	31500-LEA6-900	7	F11	33180-LEA7-E00	0	F01
23411-LEA7-E00	9	E08	31500-LEA6-90B	4	F11	33701-LEA7-E00	0	F17
23420-LEA7-E00	5	E08	31600-KED9-910	3	F18	33706-LEA7-E00	0	F17
23431-LEA7-E00	5	E08	31601-LEA7-E00	2	F18	33708-KHE7-E00	0	F17
23432-LEA7-E00	2	E08	31605-KKE5-E00	4	F18	33709-KHE7-E00	0	F17
28000			32000			33720-LBB5-E00	3	F17
28102-LEA7-E00	3	E07	32100-LEA7-E01	8	F18	33726-LBB5-E00	1	F17
28110-LEA7-E00	3	E07	32100-LEA7-E03	1	F18	33741-LEA7-E00	2	F17
28120-LDB2-E00	0	E07	32101-LEA7-E00	1	E02	33900-KKE5-E00	2	F12
28130-LEA7-E00	4	E07	32105-LLJ3-E00	2	E01	34000		
30000			32108-KXCX-E00	0	F18	34901-KGB5-M30	0	F01
3051A-LDF2-900	7	F18	32410-LEA7-E00	2	E07	34903-KPCP-900	0	F17
30700-KFC8-E0H	1	F18	32411-LEA7-E00	3	F11	34905-LCA5-E00	0	F17
			32412-LEA7-E00	2	E04	34905-LEA7-E00	0	F01
						34906-KPCP-900	0	F17
						34909-KKE5-E00	0	F12

PART NO. INDEX

PART NO.	VERSION	PAGE	PART NO.	VERSION	PAGE	PART NO.	VERSION	PAGE
35000			35500-KED9-900	7	E01	39209-LEA7-E00	3	F19
			35850-KHB4-90A	5	F18	39220-LDF2-900	1	F18
			35850-KHB4-90B	4	F18	39300-LDF2-800	2	E02
35010-LEA7-324-M1	0	F18	37000			39301-LDF2-900	2	E02
35010-LEA7-324-M2	0	F18		39400-LDF2-800	3	E02		
35101-LEA7-314-M1	0	F18		39450-LDF2-800	4	F14		
35101-LEA7-314-M2	0	F18	37200-LEA7-E30	3	F02	42000		
35102-KFB7-305-M1	0	F18	37211-LEA7-E00	0	F02			
35102-KFB7-305-M2	0	F18	37213-KKE5-E00	0	F02			
35102-LEB1-90A	0	F18	37216-LEA7-E00	1	F03	42311-LEA7-E00	3	F08
35102-LEB1-90B	0	F18	37720-KGB5-900	0	E02	42312-LEA7-E00	1	F08
35111-LDC1-305-M1	0	F24	37750-PAC1-005	0	E02	42601-LEA7-E00	7	F08
35111-LDC1-305-M2	0	F24	37760-KHD8-900	1	F20	42710-LEA7-E0A	3	F08
35111-LDC1-306-M1	0	F24	38000			42710-LEA7-E0B	5	F08
35111-LDC1-306-M2	0	F24		42753-KNBN-90B	1	F07		
35111-LDC1-307-M1	0	F24		42753-KNBN-90B	1	F08		
35111-LDC1-307-M2	0	F24	38110-LDA7-90A	0	F18	43000		
35119-LEB1-90A	0	F18	38110-LDA7-90B	2	F18			
35119-LEB1-90B	0	F18	38200-KHE7-900	0	F18			
3515A-LEA7-E00	2	F03	38300-LEA7-E00	3	F18	43100-LEA7-E01	2	F08
3520A-KEBE-900	3	F03	38500-LGL3-90A	5	F18	43105-LEA7-306	0	F08
35340-LKF5-E01	2	F04	39000			43107-LEA7-E00	0	F08
35350-LKF5-E01	1	F04		43114-LEA7-E00	0	F08		
35370-LLJ3-E00	5	F15		43126-LEA7-E01	7	F04		
35380-LDF2-900	2	F18	39100-LEA7-E00	2	F18	43127-LEA7-E01	4	F04
35420-LEA7-E00	5	F18	39200-LEA7-E00	1	F18	43156-LEA7-E00	2	F16

PART NO. INDEX

PART NO.	VERSION	PAGE	PART NO.	VERSION	PAGE	PART NO.	VERSION	PAGE
43210-LEA7-E00	0	F08	45109-GBE2-007	0	F08	49211-LFH1-E00	1	F04
43351-LEA7-E01	0	F08	45109-KED9-900	0	F07			
43352-LEA7-E01	4	F08	45126-LEA7-E01	6	F04	50000		
43353-4A61-77A	0	F08	45127-LEA7-E01	3	F04			
43353-KED9-900	0	F07	45128-LBA2-920	3	F06	50100-LEA7-325	0	F19
4335A-LBA2-E01	2	F07	45129-LBA2-900	2	F06	50132-KKE5-E01	1	F19
4335A-LBA2-E01	2	F08	4512A-LEA7-E01	3	F07	50179-LEA7-E00	2	F19
43530-LEA7-305	1	F04	45130-KED9-900	0	F07	50187-LEA7-E00	2	F19
44000			45131-LDH1-E00	0	F08	50188-LEA7-E00	2	F19
			45132-KED9-900	0	F07	50190-LEA7-E00	2	F19
			45134-KED9-900	0	F07	50306-1F96-001	0	F06
44301-LEA7-E00	3	F07	45135-KED9-900	0	F07	5032A-LEA5-E00	3	F11
44311-LEA7-E00	2	F07	45200-LEA7-E01	3	F07	5032A-LEA7-E00	2	F11
44312-LEA7-E00	4	F07	45209-GBE2-007	0	F08	50350-LEA7-E00	8	F19
44600-LEA7-305	0	F07	45210-LEA7-305	0	F07	50353-KGN7-901	0	F19
44620-LEA7-E00	3	F07	45352-LEA7-E00	4	F07	50353-LEA7-E00	1	F19
44710-LEA7-E0A	3	F07	45513-LEA7-E00	1	F04	50356-LEA7-E00	1	F19
44710-LEA7-E0B	5	F07	45517-LBA2-E00	2	F04	50356-LEA7-E01	1	F19
45000			45520-KKA8-900	0	F04	50360-LEA7-E00	4	F19
			45530-LBA2-308	0	F04	50364-KHE7-E00	4	F19
			45531-GAR1-951	0	F08	50500-LEA7-E00	6	F15
45105-LFH1-305	0	F07	45531-KED9-900	0	F07	50502-LDF7-E10	0	F15
45107-LEA7-E00	0	F07				50504-LEA7-E00	0	E01
45107-LEA7-E01	0	F07	49000			50505-KXCX-900	0	F15
45108-LDH1-E00	0	F08				50505-LEA7-E00	1	F15
45108-LEA7-E00	0	F07	49100-LEA7-E01	1	F04	50530-LEA7-E00	5	F15

PART NO. INDEX

PART NO.	VERSION	PAGE	PART NO.	VERSION	PAGE	PART NO.	VERSION	PAGE
50550-KKC2-E00	0	F15	52101-LEA7-900	2	F16	53240-LEA7-90A	2	F06
50613-LEA7-E00	7	F19	52103-LEA7-E01	0	F16	53250-LEA7-90A	2	F06
51000			52103-LEA7-E02	2	F16	61000		
			52104-LEA7-900	1	F16			
			52400-LEA7-E00	6	F16			
51401-LDH1-E00	0	F21	53000			61100-LEA7-E00	4	F06
51404-LDH1-E00	0	F21				61101-LEA7-E00	3	F05
5140A-LEA7-E01	2	F06				61102-LEA7-E00	1	F06
51410-LEA7-E00	0	F21		53100-LEA7-E00	9	F03	61103-LEA7-E00	1
51412-LLJ3-E00	0	F21	53105-LEA7-E00	4	F03	64000		
51416-LDH1-E00	0	F21	53106-LEA7-E00	4	F03			
51420-LEA7-E00	0	F21	53125-LEA7-E00	2	F03			
51422-KED9-900	0	F21	53140-LEA7-E00	6	F03		64206-MLJ0-001	1
51424-LDH1-E00	0	F21	53150-LEA6-900	6	F03	64220-LEA7-E00	7	F03
51425-LEA7-E00	2	F21	53175-KKE5-E00	0	F04	64221-LEA7-E00	2	F03
51427-LDH1-E00	0	F21	53178-KKE5-E00	0	F04	64222-LEA7-E00	2	F03
51427-LLJ3-E00	0	F21	53200-LEA7-E00	5	F06	64222-LLJ3-E00	1	F06
51429-LEA7-E00	0	F21	53203-LEA7-E00	5	F03	64223-LEA7-E00	5	F03
51430-LEA7-E00	0	F08	53204-LEA7-E00	9	F03	64224-LEA7-E00	1	F03
51437-LDH1-E00	0	F21	53205-LEA7-E00	5	F03	64225-LEA7-E00	2	F03
5150A-LEA7-E01	2	F06	53206-LEA7-E00	4	F03	64226-LEA7-E00	2	F03
51520-LEA7-E00	0	F21	53207-LEA7-E00	2	F03	64301-LEA7-E00	2	F05
52000			53213-LBA2-E00	2	F06	64303-LEA7-E00	3	F05
			53213-LEA7-E00	1	F06	64304-LEA7-E00	3	F05
			53214-LBA2-E00	2	F06	64305-LEA7-E00	3	F05
			53220-LBA2-E00	4	F06	64306-LEA7-E00	3	F05
52000-LEA7-900	4	F16						

PART NO. INDEX

PART NO.	VERSION	PAGE	PART NO.	VERSION	PAGE	PART NO.	VERSION	PAGE
64307-LEA7-E00	4	F05	77240-LEA7-E30	3	F18	81136-LEA7-E00	2	F05
64310-LEA7-E00	5	F05	77300-LEA7-E00	1	F09	8113A-LEA7-E00	9	F05
64311-LEA7-E00	3	F05	77303-LEA7-E00	1	F09	81141-LEA7-E00	3	F05
64312-LEA7-E00	6	F05	77500-LEA7-E00	2	F09	81150-LEA7-E00	6	F05
64313-LEA7-E00	6	F05	77501-LBA2-E00	1	F09	81200-LEA7-E00	7	F12
64315-LEA7-E03	1	F19				81210-LEA7-E00	2	F12
64317-LEA7-E00	3	F05	80000			81220-LEA7-E00	2	F12
64318-LEA7-E00	2	F05				81251-LEA7-E00	1	F12
64320-LEA7-E00	3	F05	80100-LEA7-E00	6	F17	81252-KKE5-E00	2	F12
64330-LEA7-E00	5	F05	80101-LEA7-E00	4	F17	81252-LEA7-E00	1	F12
64340-LEA7-E00	3	F05	80102-LEA7-E00	4	F17	81260-LEA7-E00	6	F12
64350-LEA7-E00	5	F05	80103-LEA7-E00	2	F17			
64360-LEA7-E00	3	F05	80104-LBA2-E00	1	F12	83000		
64400-LEA7-E00	6	F05	80105-LEA7-E00	4	F17			
64401-LEA7-E00	4	F05	80106-LEA7-E00	3	F17	83500-LEA7-E00	3	F12
64500-LEA7-E00	4	F05	80107-LEA7-E00	3	F17	83503-KHD6-900	2	F19
			80114-KGG7-001	0	F06	83520-LEA7-E00	4	F05
77000			80151-LEA7-E00	4	F05	83550-KEC8-900	4	F05
			80152-LEA7-E00	7	F05	83550-KEC8-900	4	F06
77200-LEA7-305	0	F09	80153-LEA7-E00	3	F05	83550-KEC8-900	4	F17
77206-KEB7-900	0	F09				83551-KEC8-900	4	F05
77231-LEA7-E00	2	F19	81000			83551-KEC8-900	4	F06
77235-LEA7-E0A	5	F18				83551-KEC8-900	4	F17
77235-LEA7-E0B	6	F18	81131-LEA7-E00	8	F05	83551-LEA7-E00	1	F05
77235-LEA7-E1A	6	F18	81132-LEA7-E00	8	F05	83600-LEA7-E00	3	F12
77235-LEA7-E1B	6	F18	81134-LEA7-E00	6	F05	83620-LEA7-E00	4	F05

PART NO. INDEX

PART NO.	VERSION	PAGE	PART NO.	VERSION	PAGE	PART NO.	VERSION	PAGE
83750-LEA7-E00	2	F12				90105-LEA7-E00	1	F08
83751-LEA7-E00	2	F12	89000			90106-GEN5-901	1	F03
8376A-KEBE-900	4	F05				90106-KFA6-900	0	F12
86000			89010-LEA7-E00	4	F09	90106-LEA7-E00	1	F19
			89020-KKC4-900	1	F09	90107-LEA7-E00	4	F03
			90000			90107-LEA7-E00	4	F06
86102-LEA5-E00	2	F23				90108-KKC4-900	1	F15
86202-LEA7-E01	3	F23				90112-KNBN-901	1	F11
86404-LFH1-E00	1	F23	90001-GBHB-661	3	E03	90113-KKA8-900	0	F04
87000			90001-GBHB-661	3	E07	90117-KED9-950	1	F19
			90001-GBHB-681	3	F13	90122-LEA7-E00	2	F07
			90001-GFY6-901	5	E02	90122-LEA7-E00	2	F08
87140-LEA7-E00	3	F23	90001-LEA7-E00	2	E02	90145-LEA3-E00	1	F04
87505-LEA7-E01	1	F22	90005-KED9-900	2	E03	90145-LFH1-E00	1	F04
87508-KKC4-E00	2	F03	9000B-KHD6-900	2	E02	90201-KHE7-900	1	E06
87512-KEBE-E00	1	F22	90012-3C33-001	1	E02	90201-KHR8-75A	1	E06
87541-GAR1-E00	2	F22	90017-KKE5-E00	4	E02	90201-KHR8-75A	1	E07
87541-KKC2-E00	2	F22	90032-LEA7-E00	2	E01	90202-LEA7-E00	3	E06
87542-GAR1-E00	3	F22	90033-KGB4-C00	2	E02	90206-0A01-001	4	E02
87560-LEA7-E00	1	F22	90084-KKF9-901	0	E04	90215-KKC4-900	2	F09
88000			9008A-KBE2-900	0	E04	90215-KKC4-900	2	F12
			90101-LEA7-E00	1	F14	90301-6D34-671	1	F01
			90103-LEA7-E00	1	F14	90301-6D34-671	1	F10
88110-LEA7-E01	1	F03	90104-LEA7-E00	3	F03	90301-6D34-671	1	F17
88120-LEA7-E01	1	F03	90105-KFC2-900	0	F12	90301-6D34-671	1	F20
88130-KEBE-900	1	F03	90105-LEA7-E00	1	F07	90301-GFY6-901	2	F14

PART NO. INDEX

PART NO.	VERSION	PAGE	PART NO.	VERSION	PAGE	PART NO.	VERSION	PAGE	
90302-GBR2-001	2	F17	90478-7L00-001	0	E02	91000			
90302-GFY6-940	2	F11	90478-7L00-001	0	E04				
90302-LBF2-900	2	F16	90503-LEA7-E00	2	F06				
90302-LLB1-E00	2	F03	9052A-LEB1-900	2	E01		91002-GGA7-70A	0	E06
90302-LLB1-E00	2	F16	90541-KED9-900	1	E02		91004-LEA7-E00	1	E06
90302-PWA5-900	1	F17	90544-KEC8-900	0	F21		91005-LBA7-900	1	E01
90302-SDA4-004	3	F03	90545-3L00-001	2	F04		91009-KHE7-900	0	E01
90302-SDA4-004	3	F05	90601-LLJ3-E00	0	F21		91201-LEA7-E00	1	E01
90302-SDA4-004	3	F12	90605-1F66-721	0	E06		91202-LEA7-E00	4	E08
90302-SDA4-004	3	F17	90651-LKG7-E00	1	F18		91202-LEA7-E0A	4	E08
90302-SDA4-004	3	F19	90651-LLJ3-E00	0	F21		91202-LKG2-900	1	E04
90304-GHE8-004	0	F03	90652-KHE7-900	0	F13		91211-KHE7-900	0	E06
90304-GHE8-004	0	F19	90652-LCA4-E00	6	F05		91251-LLJ3-E00	0	F21
90304-LBD4-900	2	F19	90652-LCA4-E00	6	F17		91255-KHE7-900	2	E01
90305-KKAK-900	0	F08	90652-LCA4-E00	6	F19		91255-KHE7-90A	2	E01
90305-LBA2-E00	1	F05	90652-LDG7-900	1	E02		91255-LEA7-E00	1	F16
90305-LBA2-E00	1	F06	90652-LEC8-E00	1	F05		91255-LLB1-900	2	F16
90305-LBD4-900	1	F19	90652-LGL7-E00	1	F18	91301-2L00-001	0	E01	
90312-LLJ3-E01	0	F06	90656-KCBC-900	0	F18	91301-LDF2-800	1	E02	
90401-KKJ9-001	0	E07	90677-GAR1-004	2	F11	91302-5G67-004	0	E04	
90401-LEA7-E00	1	E06	90701-9E65-001	0	E01	91302-LDF2-800	2	E02	
90402-LEA7-E00	4	E03	90754-LLJ3-E00	1	F07	91302-LEA7-E00	1	E02	
90403-LEA7-E00	1	E06	90914-KED9-900	3	E02	91303-3G77-001	0	E04	
90423-KKJ9-001	0	E04	90914-LEA7-E00	1	F20	91303-LEA7-E00	1	E04	
90428-9H58-001	0	E04				91306-1E05-691	0	E03	
90474-3C33-001	1	E01				91306-PUA5-E00	3	E01	

PART NO. INDEX

PART NO.	VERSION	PAGE	PART NO.	VERSION	PAGE	PART NO.	VERSION	PAGE
91307-0E35-001	1	E04	93500-03010-0F	0	E07			
91307-PUA5-E00	3	E01	93500-KHC4-90A	0	F18	94000		
91309-4E25-004	0	E07	93600-04012-1G	0	F04			
91351-KHE7-900	0	E06	93600-06032-0F	0	E07	94050-05080	0	F17
91507-LEA7-E00	1	F18	93892-04008-16	0	E05	94050-06060	1	F04
91552-LEA7-E00	1	E01	93893-04012-18	0	F04	94050-06080	2	E02
			93894-04022-06	1	F18	94050-06080	2	F09
92000			93903-25460	0	F13	94050-06080	2	F18
			93903-34360	0	F03	94050-06080	2	F19
92000-05016-0G	0	E02	93903-34360	0	F05	94050-06080	2	F20
92101-05012-0G	0	E01	93903-34360	0	F17	94050-10060	0	E01
92101-05012-0G	0	E07	93903-34760	0	F05	94101-LBA2-E00	1	F19
92101-05032-0G	0	E07	93903-35260	0	F03	94102-LBA2-E00	1	F19
92900-06040-0E	2	E02	93903-35360	0	F01	94301-08100	1	E02
			93903-35360	0	F02	94301-08140	4	E04
93000			93903-35360	0	F06	94301-10160	0	E01
			93903-35360	0	F17	94301-10160	0	E04
93401-06020-07	0	F14	93903-GFY6-900	1	F03	94301-10160	0	E08
93404-06016-06	1	F03	93903-GFY6-900	1	F05	94301-12200	1	E02
93404-06016-06	1	F05	93903-GFY6-900	1	F12	94301-12200	1	E03
93404-06016-06	1	F12	93903-GFY6-900	1	F17	94303-04065	0	E07
93404-06016-06	1	F15	93903-KEB7-900-06	1	F03	94401-25140	4	E03
93404-06016-06	1	F17	93903-KEB7-900-06	1	F05	94510-10000	0	E07
93404-06016-06	1	F19				94510-14000	0	E04
93404-06016-06	1	F20				94510-25000	0	E08
93404-06025-06	0	F20				94520-28000	0	E06

PART NO. INDEX

PART NO.	VERSION	PAGE	PART NO.	VERSION	PAGE	PART NO.	VERSION	PAGE
94520-47000	0	E01	95701-08035-06	1	E08	96001-06035-06	0	E04
94520-47000	0	F16	95701-08040-06	0	E08	96001-06070-06	0	E01
94591-KFBF-900	2	F16	95701-LDF2-800	2	F10	96001-06080-06	1	E01
94591-LEA7-E01	2	F04	95701-LEA5-E00	1	F18	96001-GFY6-900	2	F13
94601-17000	0	E03	95801-08040-06	0	F06	96100-62050-00	2	E08
94608-LLJ3-E00	0	F21	95801-10030-06	0	F15	96100-63020-00	0	E01
			95801-10040-02	0	F16	96100-63020-00	0	E08
95000			95801-10060-06	0	F14	96100-63040-00	1	E08
			95801-10060-06	0	F16	96150-60020-10	0	F07
95002-02080	0	F05				96150-62040-10	0	F16
95002-02100	0	F20	96000			96600-08015-16	0	E07
95002-02150	0	F13				96600-LBA2-E00	0	F21
95002-50000	0	E01	96001-06010-00	0	E02	96700-KED9-900	3	F06
95002-70000	0	F20	96001-06010-00	0	E04			
95002-KHE7-900	0	F20	96001-06010-06	0	E02	98000		
95014-72204	0	F15	96001-06012-06	0	E07			
95701-06008-06	1	F06	96001-06012-06	0	F06	98059-57916-00	2	E02
95701-06012-06	1	F06	96001-06012-06	0	F18	98200-31000	1	F11
95701-06012-06	1	F19	96001-06020-06	0	E01	98200-31000	1	F18
95701-06016-06	1	E02	96001-06020-06	0	F18	98200-31500	1	F11
95701-06016-06	1	F19	96001-06022-06	1	E04	98200-31500	1	F18
95701-06022-06	1	F14	96001-06025-06	0	E02	98200-33000	0	F11
95701-06045-06	0	F06	96001-06025-06	0	E03			
95701-06045-06	0	F19	96001-06028-06	0	E04	W		
95701-08012-06	0	E01	96001-06028-06	0	F04			
95701-08012-06	0	F18	96001-06030-06	0	E01	W1792-048-9901	0	E05