

PARTS CATALOGUE



MOTORCYCLES

KE25RQ(PT)

PULSAR 125(2009)



Release Date : 1899/12/31
Print Date : 2022/08/03

ABOUT THIS PARTS LIST

- This parts list is compiled all service parts for model KE25RQ(PT).
- Any difference between color chart and motorcycle will be revised according to motorcycle.
- The Mark:
 1. Marking "***" must add color code in the end before ordering parts.
 2. Marking "#" are parts with modification, Please find the details from e-Parts system.
- When modification or additions to this parts list are made a revised edition at an appropriate time.



CONTENTS

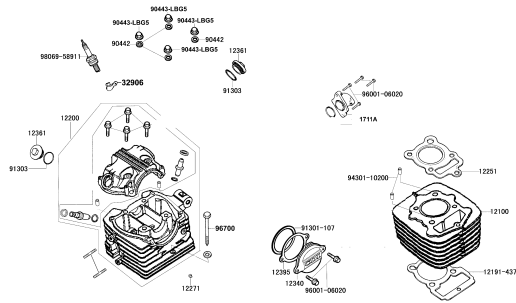
● ABOUT THIS PARTS LIST	1
● COLOR CHART OF KE25RQ(PT)	3
● CONTENTS-ENGINE GROUP	5
● CONTENTS-FRAME GROUP	7
● ENGINE PARTS LIST	10
● FRAME PARTS LIST	40
● PART NO. INDEX	94

NO	MODEL			COLOR CHART OF KE25RQ(PT)			
	PHOTO NO			NO. 1	NO. 2	NO. 3	
	BASIC COLOR			Diamond Red	Pearly Blue	Black	
	CODE			Diamond Red	Pearly Blue	Black	
	PARTS NAME	PARTS NO.	VERSION	CR610CA	CB621PA	NH001SA	
1	TANK COMP FUEL	1750A-LEF1-305	0	03P	15P	N1P	
2	"FENDER , FR."	61100-LEF1-C10	2				
3	BODY L COVER	83500-LEF1-305	0				
4	BODY L COVER	83500-LEF1-C10	0				
5	SIDE R COVER	83510-LEF1-305	0				
6	SIDE R COVER	83510-LEF1-C10	0				
7	BODY L COVER	83600-LEF1-305	0				
8	BODY L COVER	83600-LEF1-C10	0				
9	SIDE L COVER	83610-LEF1-305	0				
10	SIDE L COVER	83610-LEF1-C10	0				
11	FENDER INNER RR	80101-LEF1-C10	1	N1R			
12	FENDER REAR	80105-LEF1-C10	1	N8A			
13	CAP ACG	90084-KGG7-C10	0	NEP			
14	CAP 30MM	90087-4H28-E80	0	NJA			
15	HORN COVER R	64250-LEF1-305	0				
16	HORN COVER L	64260-LEF1-305	0				
17	CRANKCASE COMP. R	11100-LBG5-C10	0				
18	CRANKCASE COMP. L	11200-LBG5-C10	0				
19	COVER R CRANKCASE	11330-LEF1-C10	0				
20	COVER L CRANKCASE	11341-LEF1-C10	0				
21	COVER REDUCTION	11355-LEF1-C10	0				
22	COVER L RR	11361-LEF1-C10	0				
23	CYLINDER COMP.	12100-LEF1-C10	0				
24	HEAD ASSY. CYLINDER	12200-LEF1-C10	0				
25	COVER PUISE	12340-LEF1-C10	0				
DATE OF STARTING-SALES							
DATE OF END-SALES							

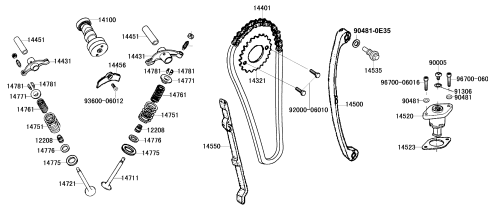
NO	MODEL			COLOR CHART OF KE25RQ(PT)							
	PHOTO NO			NO. 1	NO. 2	NO. 3					
	BASIC COLOR			Diamond Red	Pearly Blue	Black					
	CODE			Diamond Red	Pearly Blue	Black					
	PARTS NAME	PARTS NO.	VERSION	CR610CA	CB621PA	NH001SA					
26	HOLDER CAP TAPPET	12361-1G07-001	0	NJA							
27	MOTOR ASSY START	31200-LFD8-C10	0								
28	WHEEL COMP RR CAST	42601-LGA9-C10	0								
29	WHEEL COMP FR CAST	44601-LGA9-C10	0								
30	SEAT ASSY	77200-LEF1-C10	0								
31	STRIPE LOGO A	86203-LEF1-E10	0	T01							
32	STRIPE R FUEL TANK	86223-LEF1-E10	0								
33	STRIPE L FUEL TANK	86233-LEF1-E10	0								
34	STRIPE R BODY COVER	86423-LEF1-E10	0								
35	STRIPE L BODY COVER	86433-LEF1-E10	0								
36	STRIPE ANTI-	87224-LEF1-EY0	0								
37	MARK TIRE CAUTION	87505-LEF1-E00	0								
38	STRIPE GRAB RR	87556-LEJ2-E00	2								
39	STRIPE R SIDE COVER	86323-LEF1-E10	0					T01		T02	
40	STRIPE L SIDE COVER	86333-LEF1-E10	0								
DATE OF STARTING-SALES											
DATE OF END-SALES											

CONTENTS - ENGINE GROUP

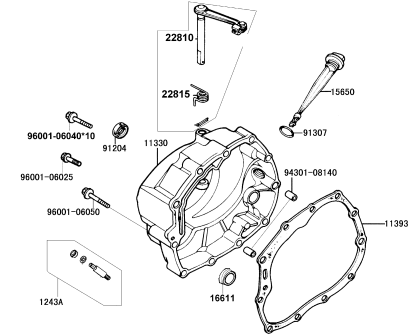
E01 Cylinder Head Cylinder



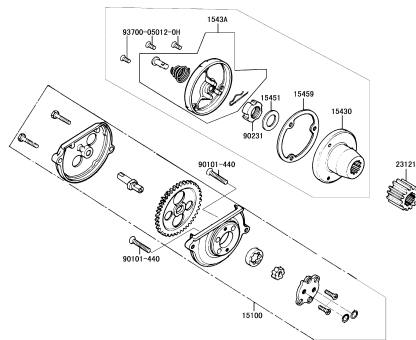
E02 Camshaft Cam Chain



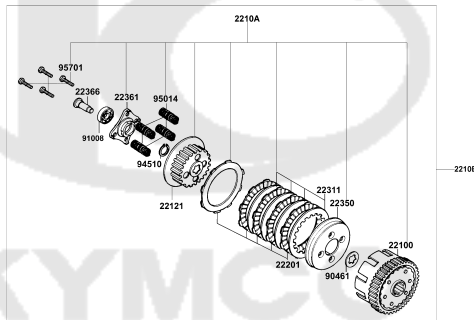
E03 Right Crankcase cove



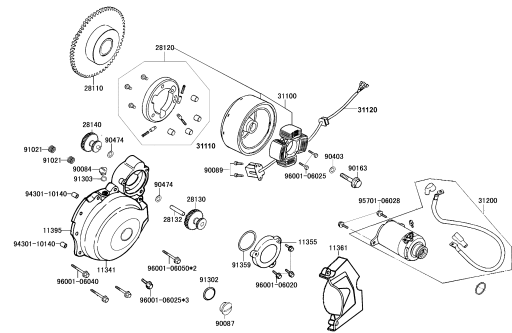
E04 Oil Pump



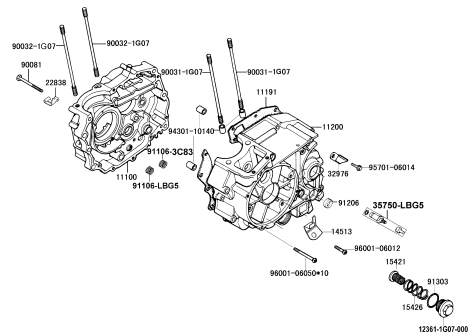
E05 Clutch



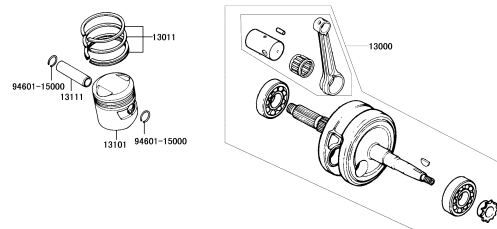
E06 Generator Starting Motor



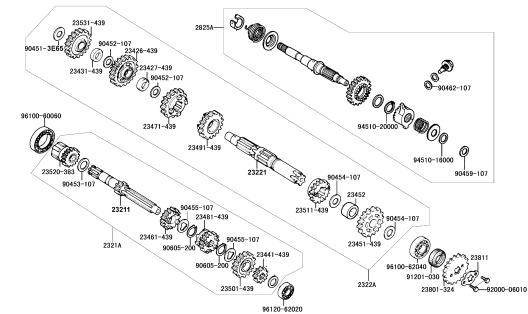
E07 Crankcase



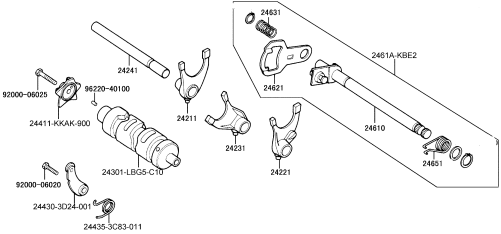
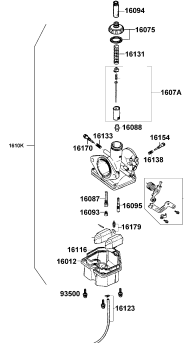

E08 Crankshaft Piston



E09 Transmission Kick Starter

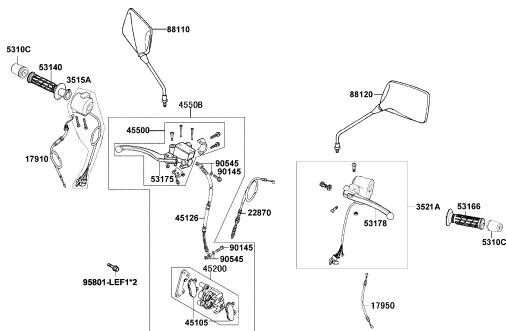


CONTENTS - ENGINE GROUP

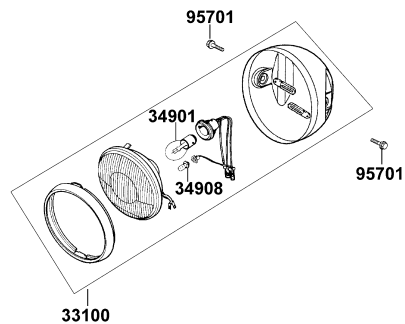
E10 Gearshif	E11 Carburetor	
		
		

CONTENTS - FRAME GROUP

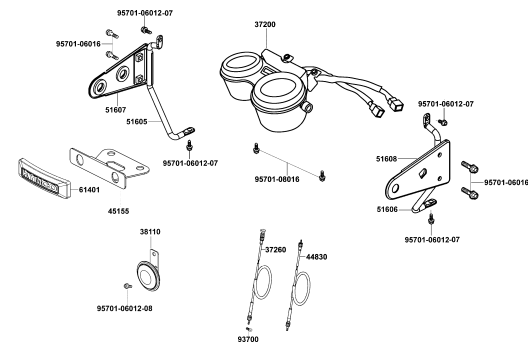
F01 Cable Switch



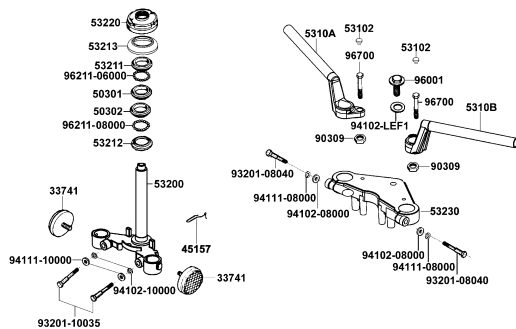
F02 Head Light



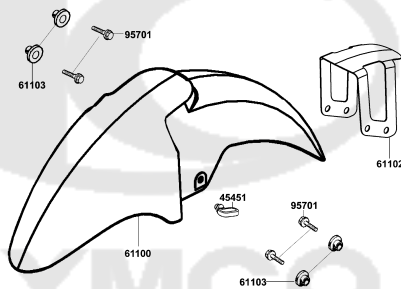
F03 Speedometer



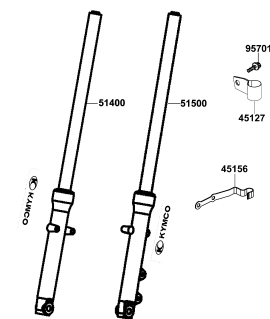
F04 Steering Handl



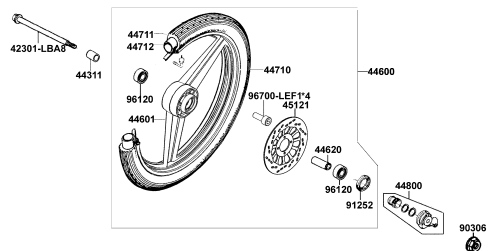
F05 Front Fende



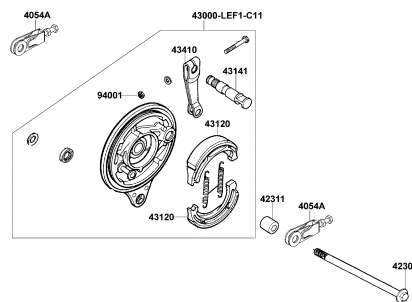
F06 Front Fork



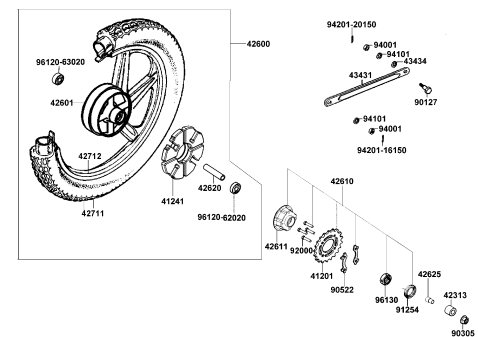
F07 Front Whee



F08 Rear Brake Pane

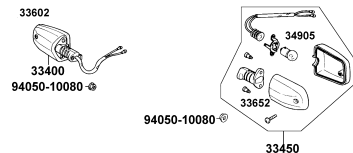


F09 Rear Whee

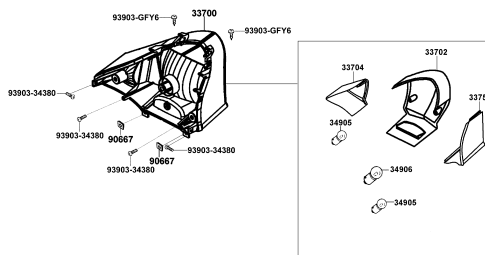


CONTENTS - FRAME GROUP

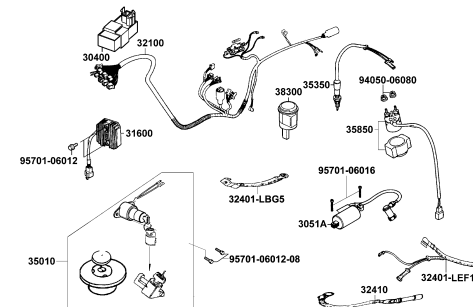
F19 Winker



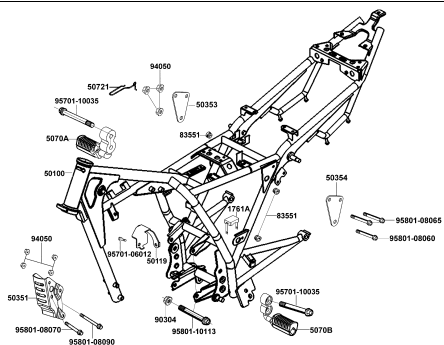
F20 Tail Light



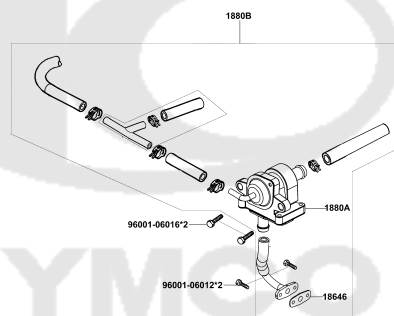
F21 Wire Harness



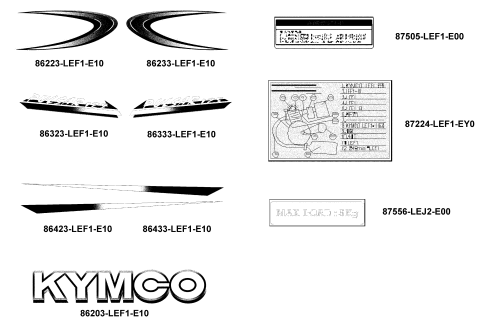
F22 Frame Body



F23 Air Injection Control Valve

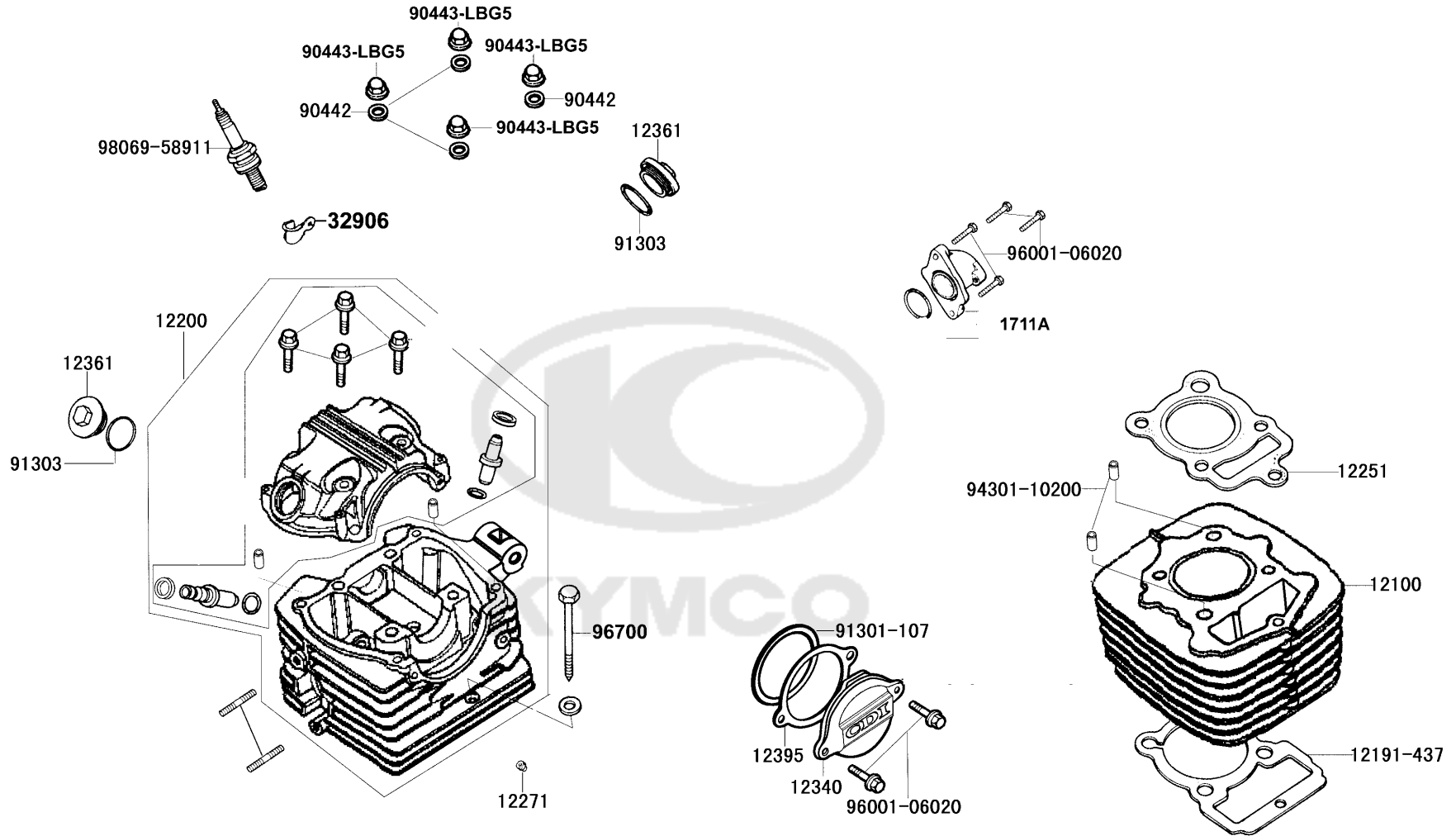


F24 Emblem Stripe



E01

Cylinder Head Cylinder



Sales mark	Ref no	Part no	Description	Reg description	Regd no	E01
**	12100	12100-LEF1-C10	CYLINDER COMP	CYLINDER COMP	1	
#	12191	12191-LEF1-E90	GASKET CYLINDER	GASKET CYLINDER	1	
**	12200	12200-LEF1-C10	HEAD ASSY. CYLINDER	HEAD ASSY. CYLINDER	1	
	12251	12251-LEF1-C10	GASKET CYLINDER HEAD	GASKET CYLINDER HEAD	1	
	12271	12271-LBG5-C10	RUBBER OIL SEAL	RUBBER OIL SEAL	1	
**	12340	12340-LEF1-C10	COVER PUISE CENERATOR	COVER PUISE CENERATOR	1	
**	12361	12361-1G07-001	HOLE CAP TAPPET ADJUSTING	HOLDER CAP TAPPET ADJUSTING	2	
	12395	12395-LBG5-C10	GASKET PULSE GENERATOR BASE	GASKET PULSE GENERATOR BASE	1	
	1711A	1711A-LEF1-C10	INLET PIPE	INLET PIPE	1	
	32906	32906-1G07-001	CLIP HIGH TENSIONER CORD	CLIP HIGH TENSIONER CORD	1	
#	90442	90442-0H28-C00	WASHER SEALING 8M/M	WASHER SEALING 8M/M	1	
	90443	90443-LBG5-C10	NUT CAP 8MM(G)	NUT CAP 8MM(G)	4	
#	91301	91301-1G07-C00	O-RING 75*2.5	O-RING 75*2.5	1	
#	91303	91303-1G07-C00	O-RING35*3	O-RING35*3	1	
	94301	94301-10200-M2	DOWEL PIN 10*20	DOWEL PIN 10*20	3	
	96001-06020	96001-06020-06	BOLT FLANGE SH 6*20	BOLT FLANGE SH 6*20	6	
	96700	96700-06110-06	BOLT HEX. 6X110(G)	BOLT HEX. 6X110(G)	1	
	98069	98069-58911	PLUG SPARK(P-RA7C)	PLUG SPARK(P-RA7C)	1	

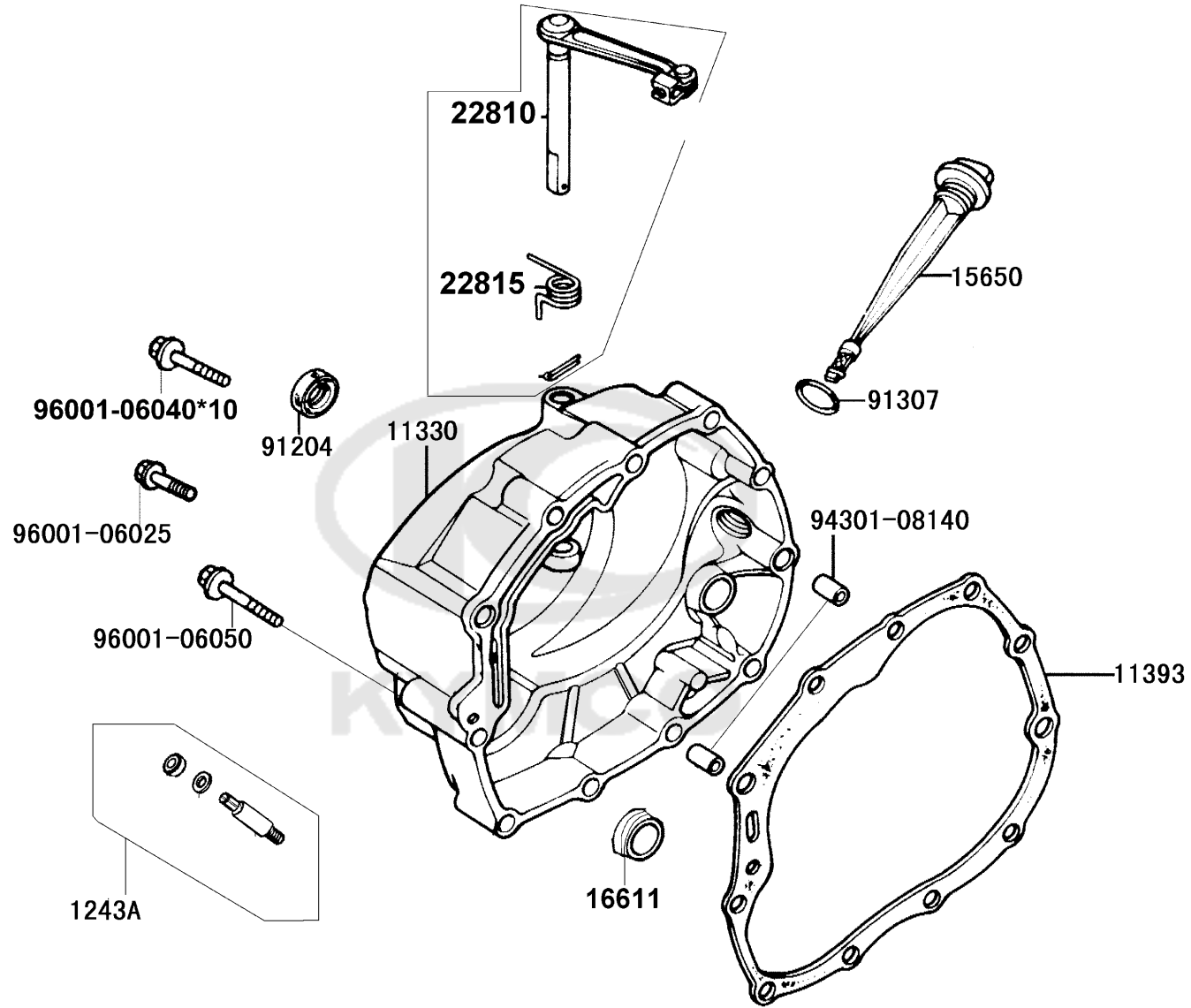
Sales mark	Ref no	Part no	Description	Reg description	Regd no	E02
#	12208	12208-4C13-C00	SEAL VALVE STEM	SEAL VALVE STEM	1	
	14100	14100-LEF1-C10	CAMSHAFT COMP	CAMSHAFT COMP	1	
	14321	14321-LBG5-C10	SPROCKET CAM(34T)	SPROCKET CAM(34T)	1	
	14401	14401-LBG5-C10	CHAIN CAM(100L)	CHAIN CAM(100L)	1	
	14431	14431-LBG5-C10	ARM VALVE ROCKER	ARM VALVE ROCKER	2	
	14451	14451-LBG5-C10	SHAFT VALVE ROCKER ARM	SHAFT VALVE ROCKER ARM	2	
	14456	14456-LBG5-C10	PLATE VALVE ROCKER ARM SHAFT	PLATE VALVE ROCKER ARM SHAFT SETTING	1	
	14500	14500-LEF1-C10	TENSIONER CAM CHAIN	TENSIONER CAM CHAIN	1	
	14520	14520-LBG5-C10	LIFTER ASSY TENSIONER	LIFTER ASSY TENSIONER	1	
#	14523	14523-LBG5-E90	GASKET TENSIONER LIFTER	GASKET TENSIONER LIFTER	1	
#	14535	14535-4G37-C00	BLOT CAM CHAIN TENSIONER PIVOT(G)	BLOT CAM CHAIN TENSIONER PIVOT(G)	1	
	14550	14550-LEF1-C10	GUIDE CAM CHAIN	GUIDE CAM CHAIN	1	
	14711	14711-LBG5-C10	VALVE IN	VALVE IN	1	
	14721	14721-LBG5-C10	VALVE EX	VALVE EX	1	
	14751	14751-3C83-005	SPRING VALVE OUTER (NIPPON)	SPRING VALVE OUTER (NIPPON)	1	
#	14761	14761-3C83-C00	SPRING VALVE INNER (NIPPON)	SPRING VALVE INNER (NIPPON)	1	
#	14771	14771-1G07-C00	RETAINER VLV SPG	RETAINER VLV SPG	1	
#	14775	14775-1G07-C00	SEAT VALVE SPRING OUTER	SEAT VALVE SPRING OUTER	1	
#	14776	14776-1G07-C00	SEAT VALVE SPRING INNER	SEAT VALVE SPRING INNER	1	
	14781	14781-MDB4-000	COTTER VALVE	COTTER VALVE	4	

Sales mark	Ref no	Part no	Description	Reg description	Regd no	E02
	90005	90005-KAW1-901	SCREW PAN 6X6	SCREW PAN 6X6	1	
#	90481-0E35	90481-0E35-C00	WASHER 8MM 8.2*15*1.6	CARBURETOR ASSY	1	
#	91306	91306-1E05-C00	O-RING 1.5*9.5	O-RING 1.5*9.5	1	
	92000	92000-06010-0H	BOLT HEX 6*10	BOLT HEX 6*10	2	
	93600	93600-06012-0A	SCREW FLAT 6X12	SCREW FLAT 6X12	1	
	96700	96700-06016-08	SOCKET BOLT 6*16 (C)	SOCKET BOLT 6*16 (C)	2	



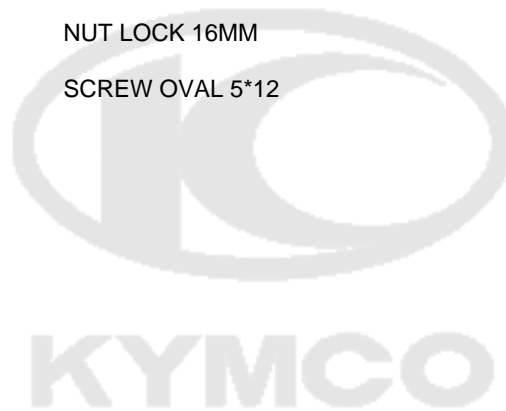
E03

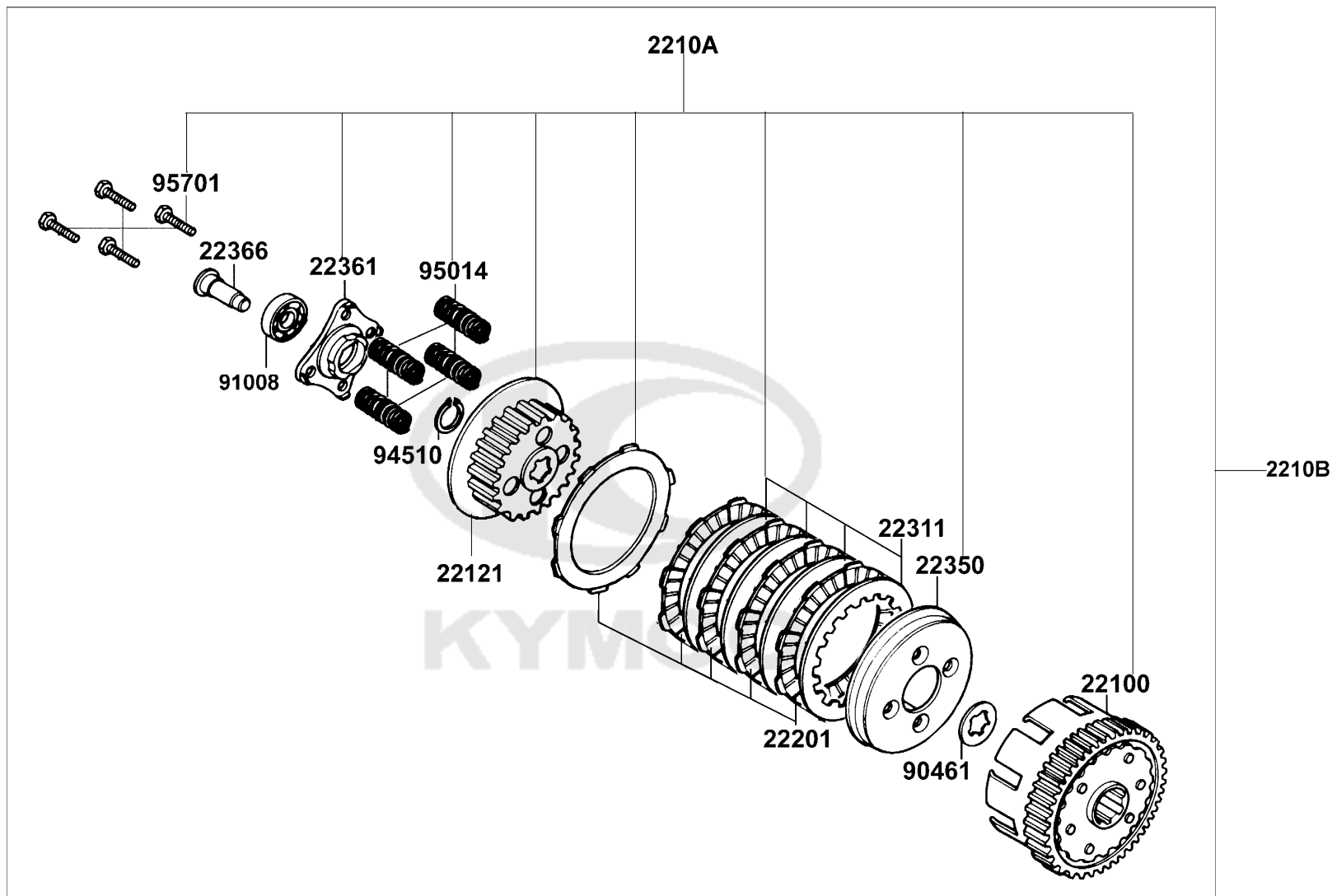
Right Crankcase cove



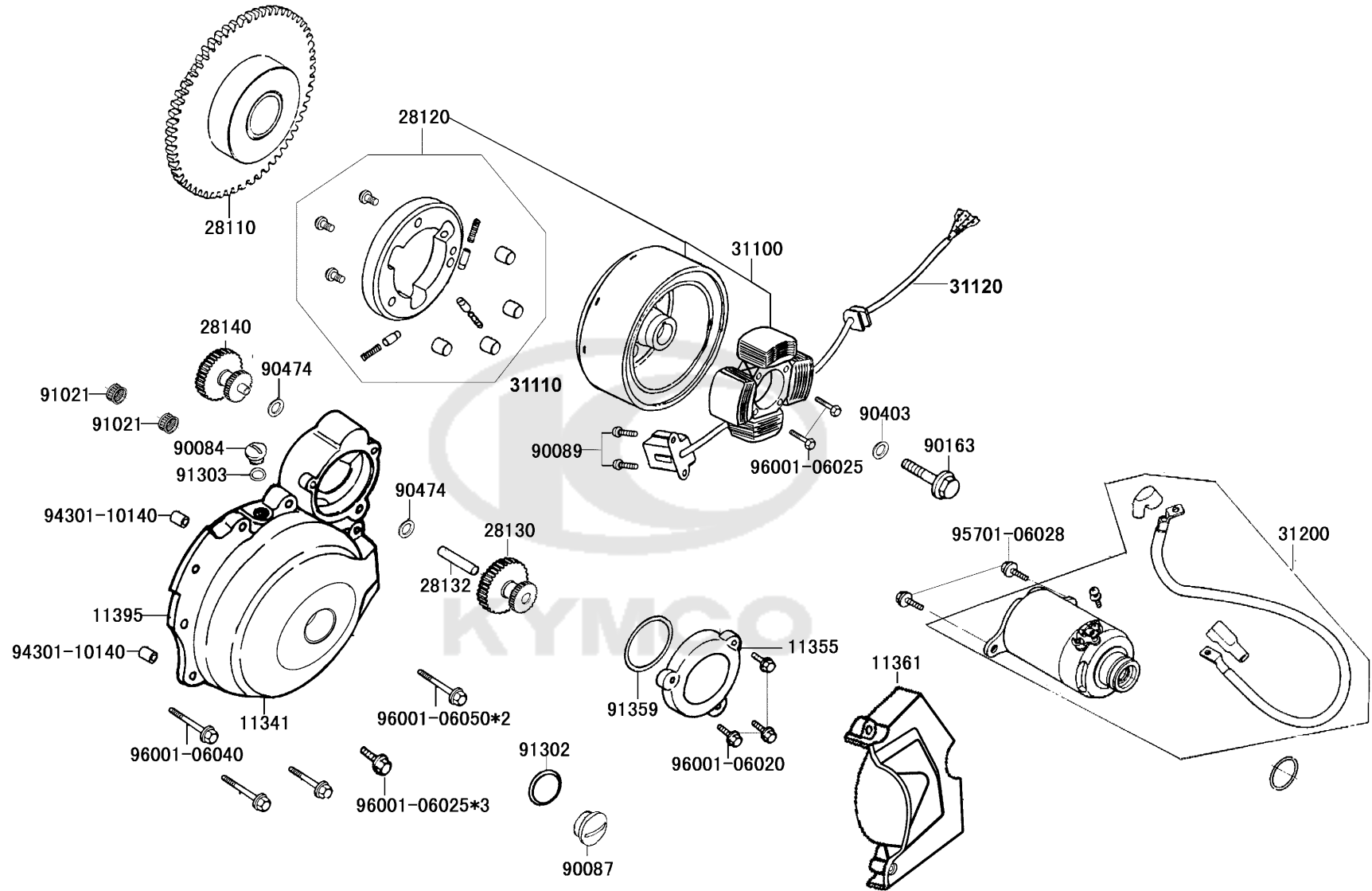
Sales mark	Ref no	Part no	Description	Reg description	Regd no	E03
**	11330	11330-LEF1-C10	COVER R. CRANKCASE	COVER R. CRANKCASE	1	
	11393	11393-LBG5-E90	GASKET RIGHT CRANK CASE	GASKET RIGHT CRANK CASE	1	
#	1243A	1243A-KBE2-C00	GEAR ASSY TACHO METER	GEAR ASSY TACHOMETER	1	
#	15650	15650-3C83-C00	GAUGE OIL LEVEL	GAUGE OIL LEVEL	1	
	16611	16611-KGE2-C11	OIL WINDOW	OIL WINDOW	1	
	22810	22810-LEF2-C10	LEVER COMP CLUTCH	LEVER COMP CLUTCH	1	
	22815	22815-LBG5-C10	SPRING CLUTCH LEVER	SPRING CLUTCH LEVER	1	
#	91204	91204-2K59-C00	OIL SEAL 16*28*7	OIL SEAL 16*28*7	1	
	91307	91307-0E35-W10	O-RING 18*3	O-RING 18*3	1	
	94301	94301-08140	DOWEL PIN 8*14	DOWEL PIN 8*14	2	
	96001-06025	96001-06025-06	BOLT FLANGE SH 6*25	BOLT FLANGE SH 6*25	1	
	96001-06040	96001-06040-06	BOLT FLANGE SH 6*40	BOLT FLANGE SH 6*40	10	
	96001-06050	96001-06050-07	BOLT FLANGE SH 6*50 (C)	BOLT FLANGE SH 6*50 (C)	1	

Sales mark	Ref no	Part no	Description	Reg description	Regd no	E04
#	15100	15100-3E65-C00	OIL PUMP ASSY	OIL PUMP ASSY	1	
#	15430	15430-4L40-C00	ROTER COMP OIL FILTER	ROTER COMP OIL FILTER	1	
#	1543A	1543A-KGG7-C00	CAP SET OIL FILTER ROTOR	CAP SET OIL FILTER ROTOR	1	
#	15451	15451-1G07-C00	WASHER LOCK OIL FILTER ROTOR	WASHER LOCK OIL FILTER	1	
#	15459	15459-1G07-C00	GASKET OIL FILTER ROTOR CAP	GASKET OIL FILTER ROTOR CAP	1	
#	23121	23121-3C83-C00	GEAR PRIMARY DRIVE	GEAR PRIMARY DRIVE	1	
	90101	90101-4L40-001	SCREW FLAT 6*30	SCREW FLAT 6*30	2	
#	90231	90231-2L00-C00	NUT LOCK 16MM	NUT LOCK 16MM	1	
	93700	93700-05012-0H	SCREW OVAL 5*12	SCREW OVAL 5*12	3	





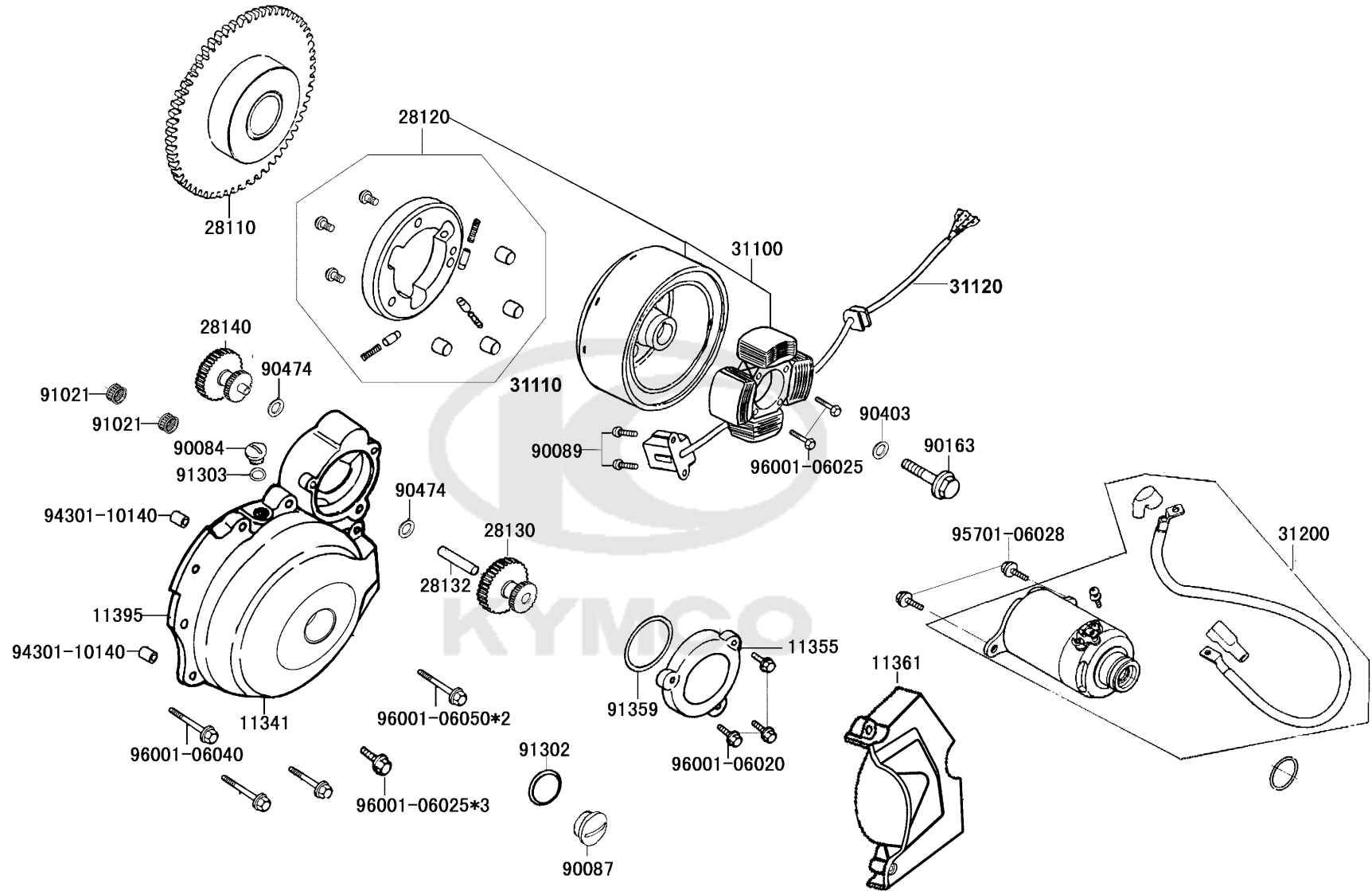
Sales mark	Ref no	Part no	Description	Reg description	Regd no	E05
#	22100	22100-3D24-C00	OUTER COMP CLUTCH	OUTER COMP. CLUTCH	1	
	2210A	2210A-LBG5-C00	CLUTCH ASSY	CLUTCH ASSY	1	
#	2210B	2210B-LEF1-C10-S01	CLUTCH ASSY	CLUTCH ASSY	1	
#	22121	22121-1G07-C00	CENTER CLUTCH	CENTER COMP. CLUCH	1	
#	22201	22201-KKAK-C00	DISK CLUTCH FRICTION	DISK CLUTCH FRICTION	1	
#	22311	22311-1G07-C00	PLALTE CLUTCH	PLATE CLUTCH	1	
#	22350	22350-1G07-C00	PLATE CLUTCH PRESSURE	PLATE CLUTCH PRESSURE	1	
#	22361	22361-4G37-C00	PLATE CLUTCH LIFTER	PLATE CLUTCH LIFTER	1	
	22366	22366-LEF1-C10	BOD CLUTCH LIFTER	ROD CLUTCH LIFTER	1	
#	90461	90461-1G07-C00	WASHER SPLINE 20MM	WASHER SPLINE 20MM	1	
#	91008	91008-KFK6-C00	BEARING RADIAL BALL 16003	BEARING RADIAL BALL 16003	1	
	94510	94510-20000	CIR CLIP EX 20	CIR CLIP EX 20	1	
	95014	95014-75110	SPRING CLUTCH	SPRING CLUTCH	4	
	95701	95701-06022-08	BOLT FLANGE 6*22 **06 C.P.N	BOLT FLANGE 6*22 **06 C.P.N	4	



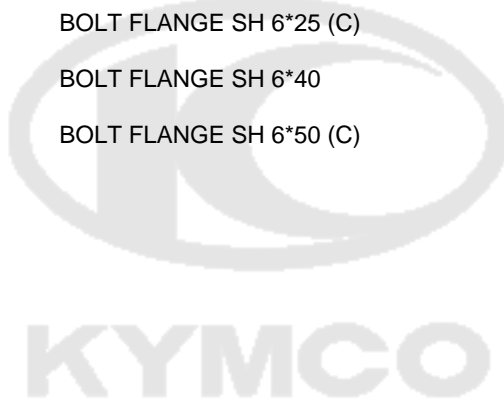
Sales mark	Ref no	Part no	Description	Reg description	Regd no	E06
**	11341	11341-LEF1-C10	COVER L. CRANKCASE	COVER L. CRANKCASE	1	
**	11355	11355-LEF1-C10	COVER REDUCTION GEAR	COVER REDUCTION GEAR	1	
**	11361	11361-LEF1-C10	COVER L. RR. CRANKCASE	COVER L. RR. CRANKCASE	1	
#	11395	11395-LBG5-E90	GASKET LEFT CRANK CASE	GASKET LEFT CRANK CASE	1	
	28110	28110-LBG5-C10	GEAR COMP STARTING DRIVEN	GEAR COMP STARTING DRIVEN	1	
	28120	28120-LBG5-C10	CLUTCH COMP STARTING ONE WAY	CLUTCH COMP STARTING ONE WAY	1	
	28130	28130-LBG5-C10	GEAR REUCTION(61T/21T)	GEAR REUCTION(61T/21T)	1	
	28132	28132-LBG5-C10	SHAFT REDUCTION GEAR	SHAFT REDUCTION GEAR	1	
	28140	28140-LBG5-C10	GEAR IDLE(15T/17T)	GEAR IDLE(15T/17T)	1	
	31100	31100-LFD8-C10	A.C. GENERATOR	A.C. GENERATOR	1	
	31110	31110-LFD8-C10	FLYWHEEL COMP	FLYWHEEL COMP	1	
	31120	31120-LFD8-C10	STATOR COMP.	STATOR COMP.	1	
**	31200	31200-LFD8-C10	MOTOR ASSY START	MOTOR ASSY START	1	
# **	90084	90084-KGG7-C10	CAP ACG	CAP ACG	1	
# **	90087	90087-4H28-E80	CAP 30MM	CAP 30MM	1	
#	90089	90089-KSAS-C00	BOLT FLANGE 5*14	BOLT FLANGE 5*14	1	
#	90163	90163-KNCN-C00	BOLT UBS 8*35	BOLT UBS 8*35	1	
#	90403	90403-KFN6-C00	WASHER THRUST 8.5*24*2	WASHER 8X24	1	
#	90474	90474-1G47-C00	WASHER 10.5MM	WASHER 10.5MM	1	
#	91021	91021-1H48-C00	BRG BALL RADIAL10*10	CARBURETOR ASSY	1	

E06

Generator Starting Motor

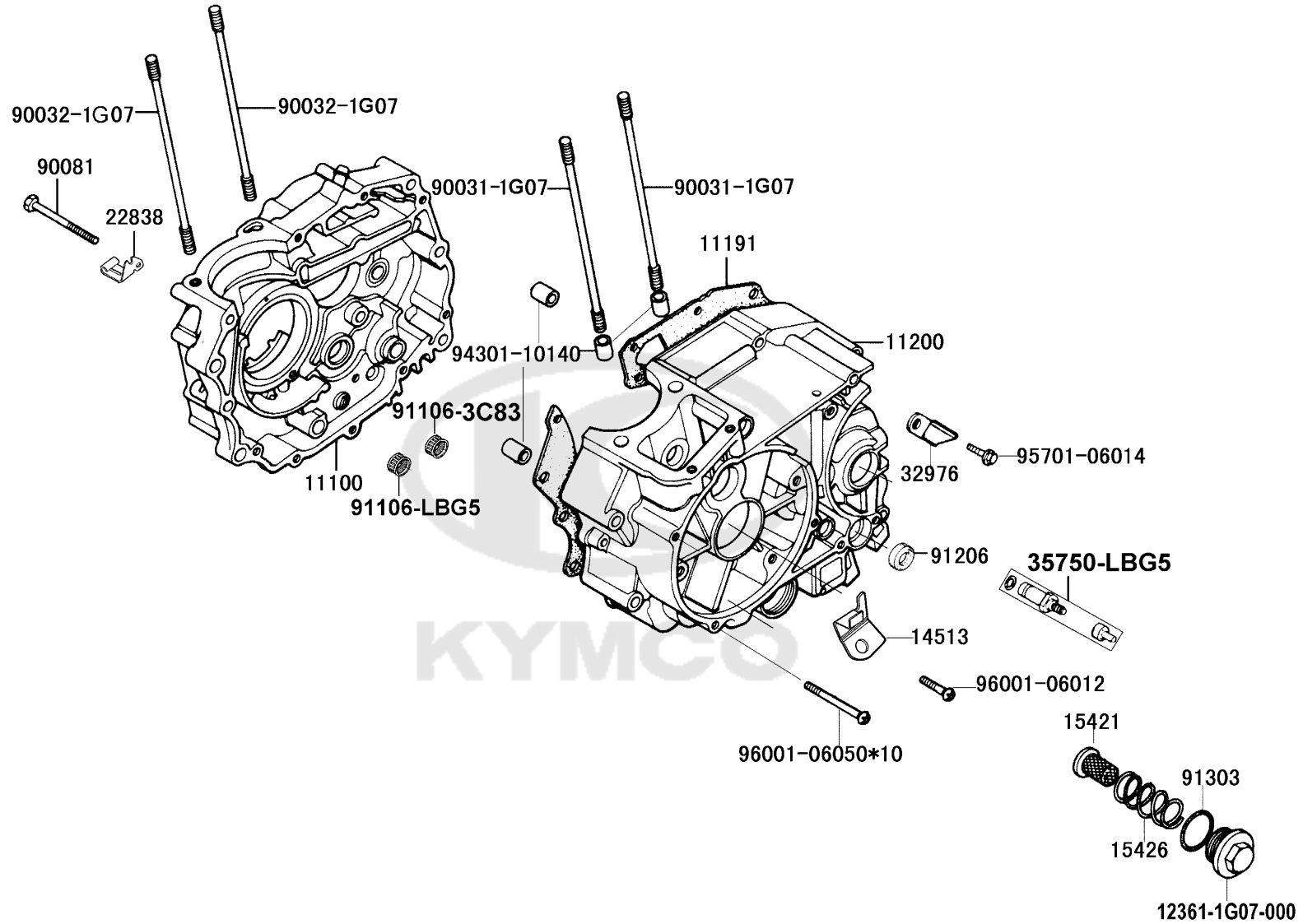


Sales mark	Ref no	Part no	Description	Reg description	Regd no	E06
#	91302	91302-5G67-C00	O-RING 27.4*2.4	O-RING 27.4*2.4	1	
#	91303	91303-3G77-C00	O-RING 13.8*2.5	O-RING 13.8*2.5	1	
#	91359	91359-3A71-C00	O-RING 63*3	O-RING 63*3.0	1	
	94301	94301-10140	DOWEL PIN 10*14	DOWEL PIN 10*14	6	
	95701	95701-06028-07	BOLT WASHER 6*28	BOLT WASHER 6*28	2	
	96001-06020	96001-06020-06	BOLT FLANGE SH 6*20	BOLT FLANGE SH 6*20	3	
	96001-06025-06	96001-06025-06	BOLT FLANGE SH 6*25	BOLT FLANGE SH 6*25	3	
	96001-06025-08	96001-06025-08	BOLT FLANGE SH 6*25 (C)	BOLT FLANGE SH 6*25	2	
	96001-06040	96001-06040-06	BOLT FLANGE SH 6*40	BOLT FLANGE SH 6*40	1	
	96001-06050	96001-06050-07	BOLT FLANGE SH 6*50 (C)	BOLT FLANGE SH 6*50 (C)	2	



E07

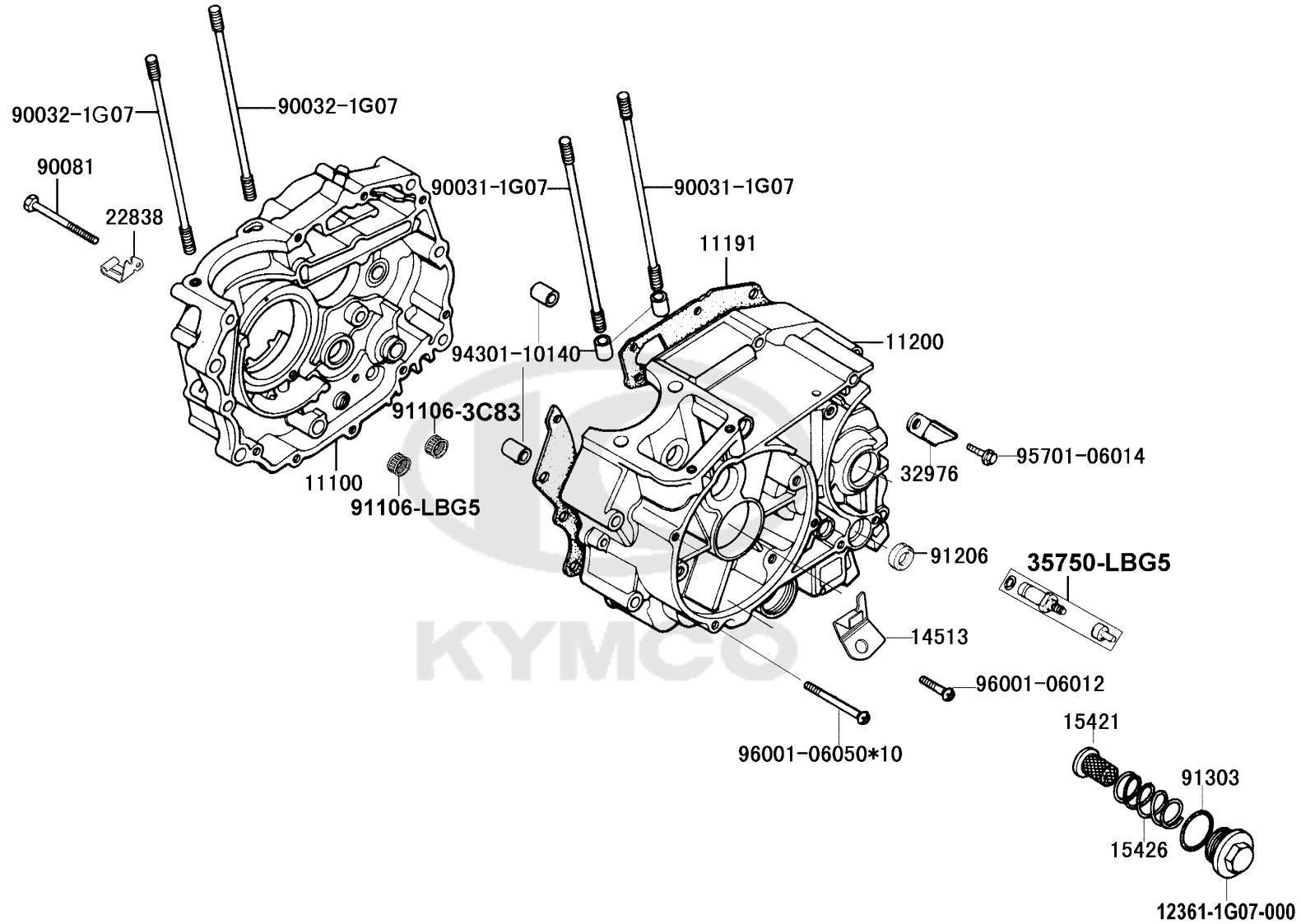
Crankcase



Sales mark	Ref no	Part no	Description	Reg description	Regd no	E07
**	11100	11100-LBG5-C10	CRANKCASE COMP. R	CRANKCASE COMP. R	1	
#	11191	11191-LBG5-E90	GASKET CRANKCASE	GASKET CRANKCASE	1	
**	11200	11200-LBG5-C10	CRANKCASE COMP. L	CRANKCASE COMP. L	1	
	12361	12361-1G07-000	CAP TAPPET ADJUSTING HOLE	HOLE CAP TAPPET ADJUSTING	1	
	14513	14513-LBG5-C10	PLATE CAM CHAIN SETTING	PLATE CAM CHAIN SETTING	1	
#	15421	15421-1G07-C00	SCREEN OIL FILTER	SCREEN OIL FILTER	1	
#	15426	15426-1G07-C00	SPRING OIL FILTER SCREEN	SPRING OIL FILTER SCREEN	1	
#	22838	22838-3E55-C00	HOLDER CLUTCH WIRE	HOLDER CLUTCH WIRE	1	
	32976	32976-LBG5-C10	CLAMPER WIRE HARNESS	CLAMPER WIRE HARNESS	1	
#	35750	35750-LEF1-C10	CONTACT NEUTRAL SWITCH	CONTACT NEUTRAL SWITCH	1	
#	90031	90031-1G07-C00	BOLT A STUD 8*227	BOLT A STUD 8*227	1	
#	90032	90032-1G07-C00	BOLT B STUD 8*214	BOLT B STUD 8*214	1	
#	90081	90081-3E55-C12	BOLT HS 6*55	BOLT HEX 6*55	1	
#	91106-3C83	91106-3C83-C00	BRG NEEDLE 15MM	BRG NEEDLE 15MM	1	
	91106-LBG5	91106-LBG5-C10	BEARING NEEDLE HK2110	BEARING NEEDLE HK2110	1	
#	91206	91206-2F86-C00	OIL SEAL 14*28*7	OIL SEAL 14*28*7	1	
#	91303	91303-1G07-C00	O-RING35*3	O-RING35*3	1	
	94301	94301-10140	DOWEL PIN 10*14	DOWEL PIN 10*14	4	
	95701	95701-06014-08	BOLT FLANGE 6*14	BOLT FLANGE 6*14	1	
	96001-06012	96001-06012-00	BOLT FLANGE SH 6*12	BOLT FLANGE SH 6*12	1	

E07

Crankcase



Sales mark	Ref no	Part no	Description	Reg description	Regd no	E07
------------	--------	---------	-------------	-----------------	---------	------------

96001-06050

96001-06050-00

BOLT FLANGE 6X50

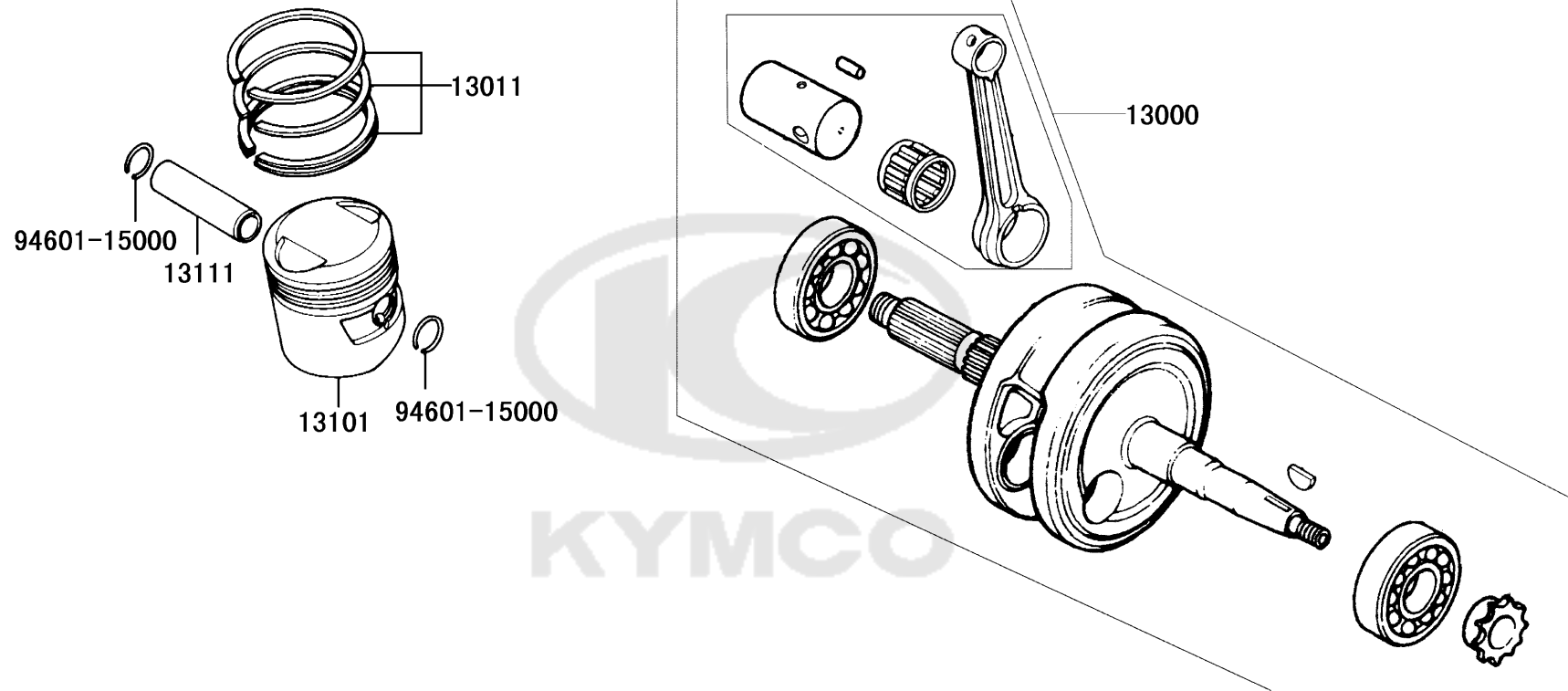
BOLT FLANGE 6X50

10



E08

Crankshaft Piston

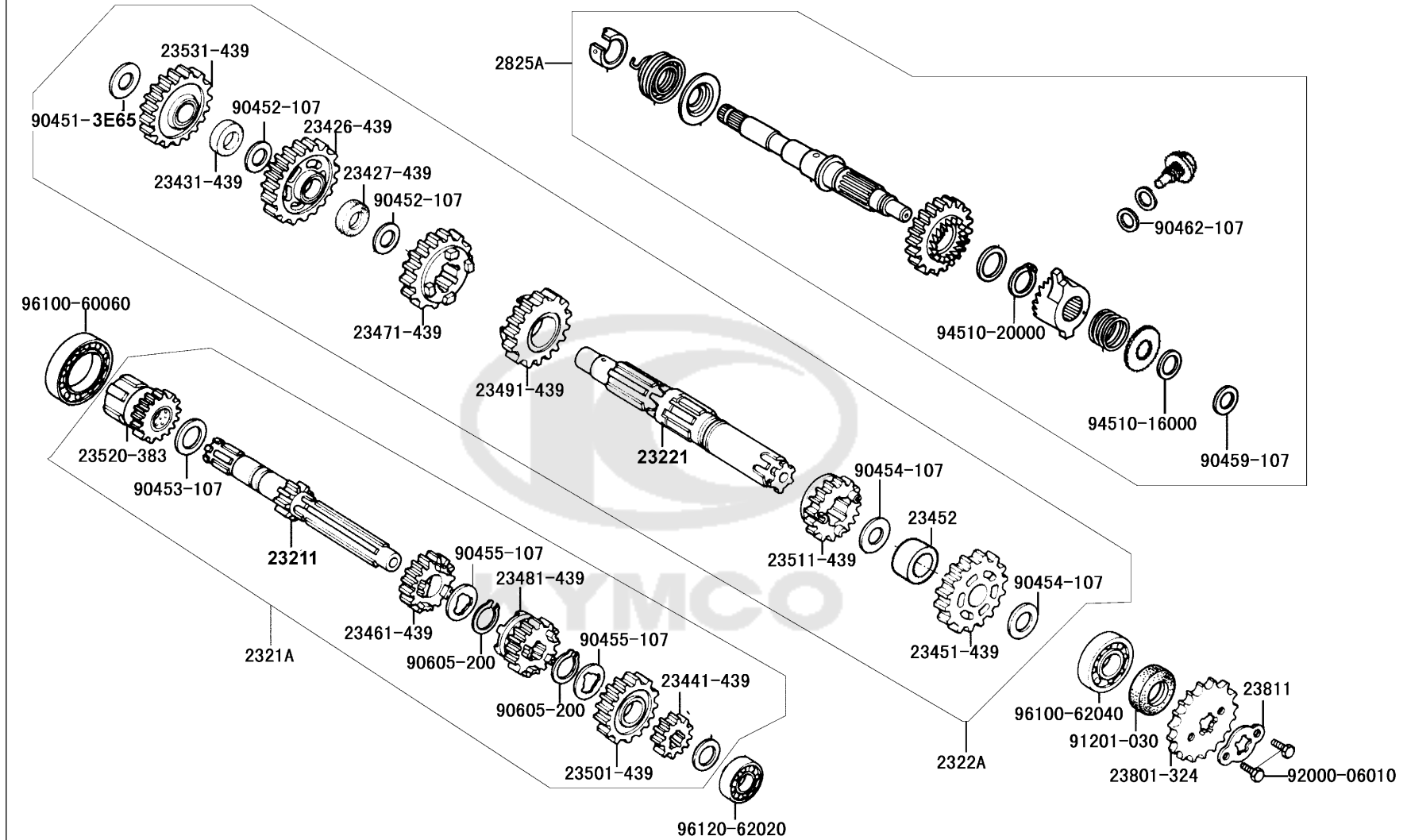


Sales mark	Ref no	Part no	Description	Reg description	Regd no	E08
	13000	13000-LEF1-C10	SHAFT COMP CRANK	SHAFT COMP CRANK	1	
	13011	13011-LEF1-C10	"RING SET,PISTON"	"RING SET,PISTON"	1	
	13101	13101-LEF1-C10	PISTON	PISTON	1	
#	13111	13111-4L40-C00	PIN PISTON	PIN PISTON	1	
	94601	94601-15000	CLIP PISTON PIN 15MM	CLIP PISTON PIN 15MM	2	



E09

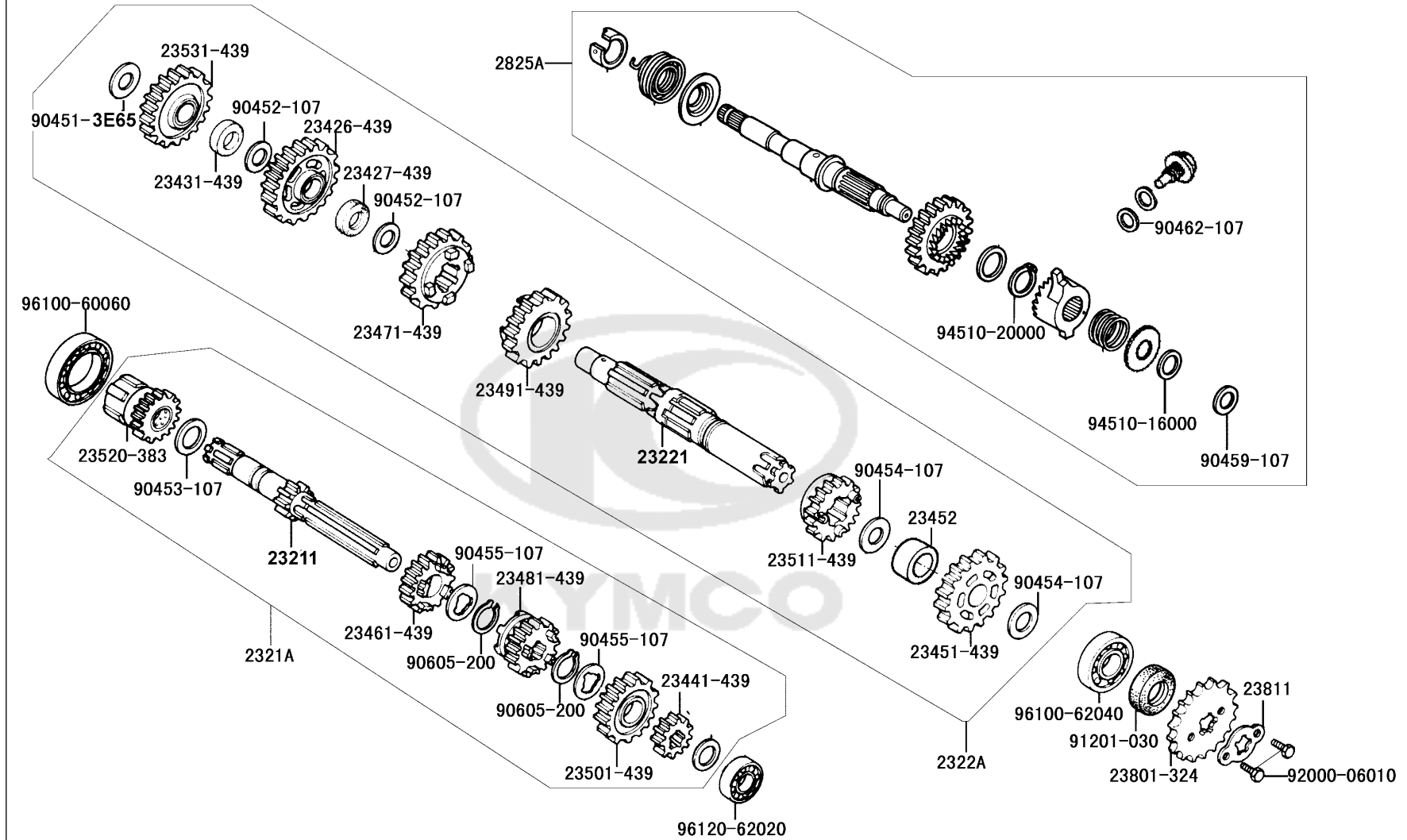
Transmission Kick Starter



Sales mark	Ref no	Part no	Description	Reg description	Regd no	E09
#	23211	23211-3C83-C00	SHAFT MAIN TRANSMISSION	SHAFT MAIN TRANSMISSION	1	
	2321A	2321A-3C83-0010	SHAFT MAIN TRANSMISSION ASSY	SHAFT MAIN TRANSMISSION ASSY	1	
#	23221	23221-1G07-C00	COUNTERSHAFT TRANSMISSION	COUNTERSHAFT TRANSMISSION	1	
	2322A	2322A-1G07-0210	COUNTERSHAFT TRANSMISSION ASSY	COUNTERSHAFT TRANSMISSION ASSY	1	
#	23426	23426-4K39-C00	GEAR COUNTER SHAFT LOW	GEAR COUNTER SHAFT LOW	1	
#	23427	23427-4K39-C00	COLLAR COUTERSHAFT LOW GEAR	COLLAR COUTERSHAFT LOW GEAR	1	
#	23431	23431-4K39-C00	COLLAR IDLE STARTER GEAR	COLLAR IDLE STARTER GEAR	1	
#	23441	23441-4K39-C00	GEAR M-2	GEAR M-2	1	
#	23451	23451-4K39-C00	GEAR C-2	GEAR C-2	1	
	23452	23452-KW1-900	BUSH 20X23X9	BUSH 20X23X9	1	
#	23461	23461-4K39-C00	GEAR M-3	GEAR M-3	1	
#	23471	23471-4K39-C00	GEAR C-3	GEAR C-3	1	
#	23481	23481-4K39-C00	GEAR M-4	GEAR M-4	1	
#	23491	23491-4K39-C00	GEAR C-4	GEAR C-4	1	
	23501	23501-4K39-0010	GEAR MAIN SHAFT FIFTH (25T)	GEAR MAIN SHAFT FIFTH (25T)	1	
#	23511	23511-4K39-C00	GEAR C-5	GEAR C-5	1	
#	23520	23520-3C83-C00	GEAR COMP STARTER	GEAR COMP STARTER	1	
#	23531	23531-4K39-C00	GEAR ONLY IDLE STARTER	GEAR COMP STARTING DRIVEN	1	
#	23801	23801-KYCY-C00	SPROCKET DRIVE	SPROCKET DRIVE	1	
#	23811	23811-KCR3-C00	PLATE A2 FIXING	PLATE A2 FIXING	1	

E09

Transmission Kick Starter

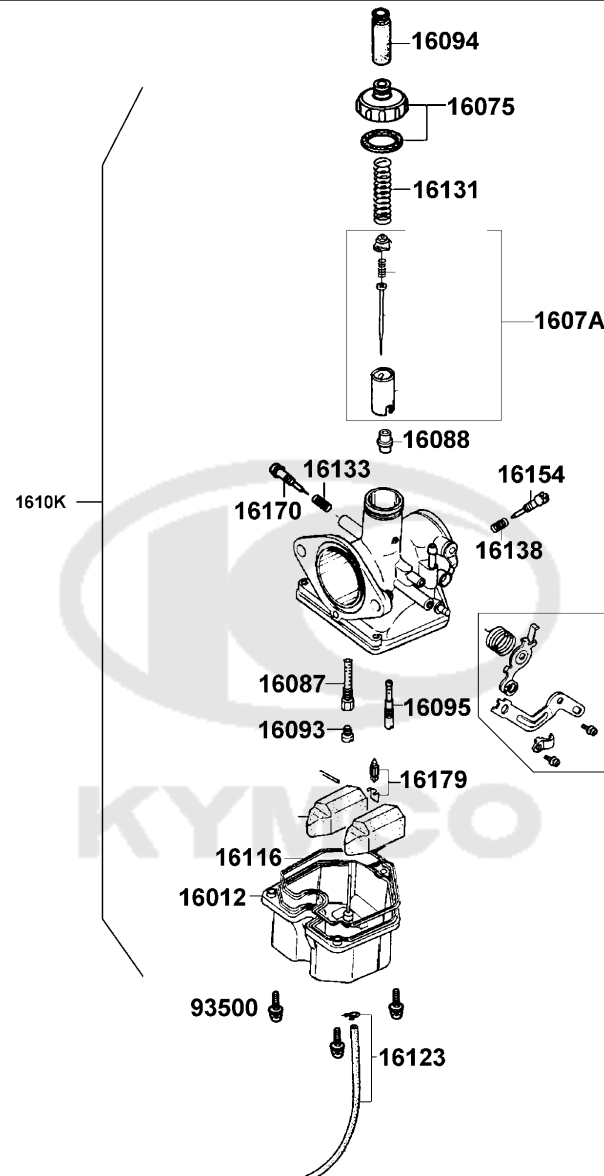


Sales mark	Ref no	Part no	Description	Reg description	Regd no	E09
	2825A	2825A-LEF1-C10	SPINDLE KICK STARTER ASSY	SPINDLE KICK STARTER ASSY	1	
#	90451-3E65	90451-3E65-C00	WASHER THRUST 15MM	WASHER THRUST 15MM	1	
#	90452	90452-1G07-C00	WASHER THRUST 16.5MM	WASHER THRUST 16.5MM	1	
#	90453	90453-1G07-C00	WASHER THRUST 20MM	WASHER THRUST 20MM	1	
#	90454	90454-1G07-C00	WASHER THRUST 20MM B	WASHER THRUST 20MM B	1	
#	90455	90455-1G07-C00	WASHER SPLINE 20MM A	WASHER SPLINE 20MM A	1	
#	90459	90459-1G07-C00	WASHER THRUST 12MM	WASHER 12MM	1	
	90462	90462-1G07-001	WASHER THRUST 16M/M	WASHER THRUST 16M/M	1	
#	90605	90605-2L00-C00	SET RING 20MM	SET RING 20MM	1	
#	91201	91201-0L30-C10	OIL SEAL S 20*34*7	OIL SEAL S 20*34*7	1	
	92000	92000-06010-0H	BOLT HEX 6*10	BOLT HEX 6*10	2	
	94510-16000	94510-16000	CIR CLIP EXTERNAL	CIR CLIP EXTERNAL	1	
	94510-20000	94510-20000	CIR KYM EX 20	CIR CLIP EX 20	1	
	96100-60060	96100-60060-00	BEARING BALL RADIAL 6006	BEARING BALL RADIAL 6006	1	
	96100-62040	96100-62040-00	BEARING BALL RADIAL 6204	BEARING BALL RADIAL 6204	1	
	96120	96120-62020-00	BRG RADIAL BALL 6202	BRG RADIAL BALL 6202	1	

Sales mark	Ref no	Part no	Description	Reg description	Regd no	E10
#	24211	24211-1G07-C00	FORK R GEARSHIFT	FORK RIGHT GEAR SHIFT	1	
#	24221	24221-3E55-C00	FORK LEFT GEAR SHIFT	FORK LEFT GEAR SHIET	1	
#	24231	24231-1G07-C00	FORK CENTER GEARSHIFT	FORK CENTER GEAR SHIFT	1	
#	24241	24241-1G07-C00	FOLLOWER CAM	FOLLOWER CAM	1	
	24301	24301-LBG5-C10	DRUM GEARSHIFT	DRUM GEARSHIFT	1	
#	24411	24411-KKAK-C00	CAM GEAR SHIFT	CAM GEAR SHIFT	1	
#	24430	24430-3D24-C00	STOPPER COMP GEAR SHIFT DRUM	STOPPER COMP GEAR SHIFT DRUN	1	
#	24435	24435-3C83-C00	SPG SHIFT DRUM STOPPER	SPRING SHIFT DRUM STOPPER	1	
	24610	24610-KBE2-C30	SPINDLE COMP GEAT SHIFT	SPINDLE COMP GEAT SHIFT	1	
	2461A	2461A-KBE2-C30	SPINDLE SET GEAR SHIFT	SPINDLE SET GEAR SHIFT	1	
#	24621	24621-1G07-C00	PLATE GEAR SHIFT	PLATE GEAR SHIFT	1	
#	24631	24631-1G07-C00	SPRING GEAR SHIFT PLATE	SPRING GEAR SHIFT BPLATE	1	
#	24651	24651-3H98-C00	SPRING GEAR SHIFT RETURN	SPRING GEAR SHIFT RETURN	1	
	92000-06025	92000-06025-0H	BOLT HEX 6*25	BOLT HEX 6*25	1	
#	92000-06020	92000-LKF3-C00	BOLT HEX 6*20 (C)	BOLT HEX 6*20 (C)	1	
	96220	96220-40100	ROLLER 4*10	ROLLER 4*10	1	

E11

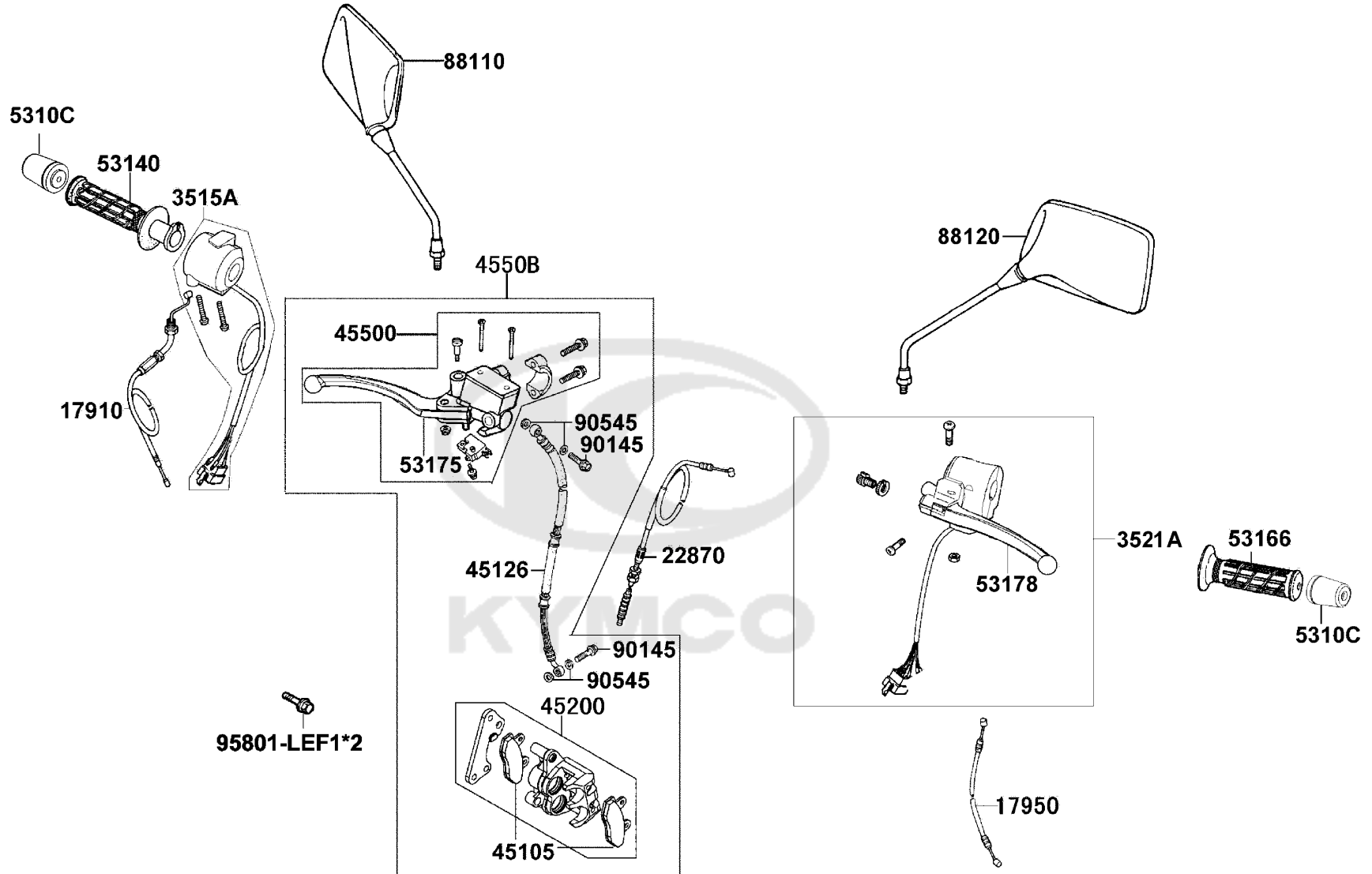
Carburetor



Sales mark	Ref no	Part no	Description	Reg description	Regd no	E11
16012		16012-LEF1-E00	CHAMBER COMPL FLOAT	CHAMBER COMPL FLOAT	1	
16075		16075-LEF1-E00	CAP COMP TOP	CAP COMP TOP	1	
1607A		1607A-LEF1-E00	NEEDLE ASSY JET	NEEDLE ASSY JET	1	
16087		16087-LEF1-E00	TUBE EMULSION	TUBE EMULSION	1	
16088		16088-KEC3-900	JET NEEDLE	JET NEEDLE	1	
16093		16093-LEF2-900	JET MAIN(#0.92)	JET MAIN(#0.92)	1	
16094		16094-LEF1-E00	BOOT DUCT	BOOT DUCT	1	
16095		16095-LEF1-E00	JET SLOW(#0.4)	JET SLOW(#0.4)	1	
1610K		1610K-LEF1-C10	CARBURETOR	CARBURETOR	1	
16116		16116-LEF1-E00	PACKING FLOAT CHAMBER	PACKING FLOAT CHAMBER	1	
16123		16123-LEF1-E00	TUBE FUEL ASSY	TUBE FUEL ASSY	1	
16131		16131-LEF1-E00	SPRING PISTON VALVE RETURN	SPRING PISTON VALVE RETURN	1	
16133		16133-LEF1-E00	SPRING THROTTLE ADJUST SCREW	SPRING THROTTLE ADJUST SCREW	1	
16138		16138-LEF1-E00	SPRING IDLE SCREW	SPRING IDLE SCREW	1	
16154		16154-LEF2-900	SPRING IDLE ADJUST(0.85*6)	SPRING IDLE ADJUST(0.85*6)	1	
16170		16170-LEF1-E00	SCREW THROTTLE ADJUST	SCREW THROTTLE ADJUST	1	
16179		16179-LEF1-E00	NEEDLE ASSY JET	NEEDLE ASSY JET	1	
93500		93500-LEF1-E00	SCREW PAN	SCREW PAN	3	

F01

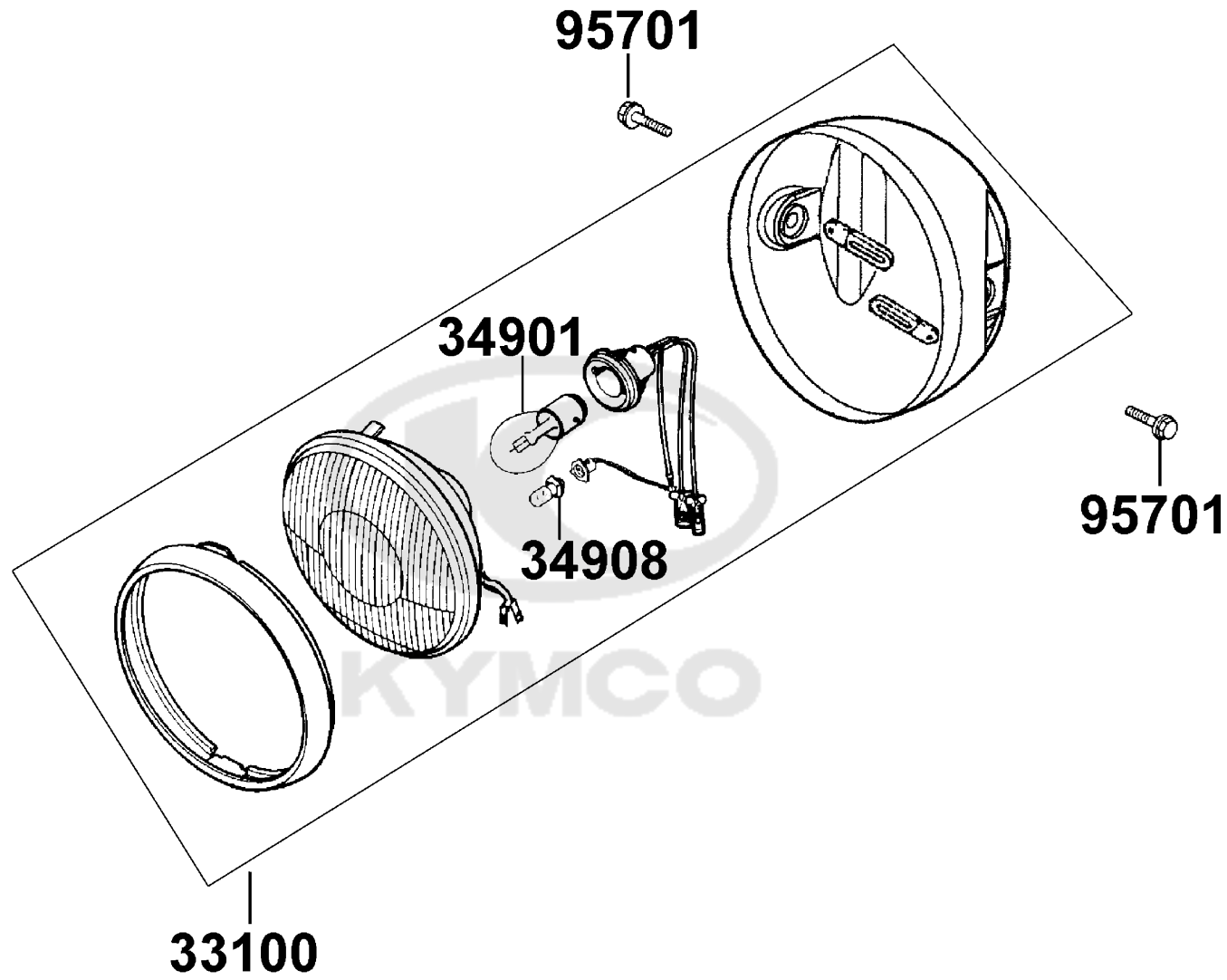
Cable Switch



Sales mark	Ref no	Part no	Description	Reg description	Regd no	F01
	17910	17910-LEF1-C10	CABLE COMP THROT	CABLE COMP THROT	1	
	17950	17950-LEF1-C10	CABLE COMP CHOCK	CABLE COMP CHOCK	1	
	22870	22870-LEF1-C10	CABLE COMP CLUTCH	CABLE COMP CLUTCH	1	
	3515A	3515A-LEF1-C10	SW ASSY HNDL COMP RH	SW ASSY HNDL COMP RH	1	
	3521A	3521A-LEF1-C10	SW SET WINKER SW & L LEVER SET	SW SET WINKER SW & L LEVER SET	1	
#	45105	45105-LEF1-305	PAD COMP A&B	PAD COMP A+B	1	
	45126	45126-LEF1-C10	HOSE ASSY FR BRK	HOSE ASSY FR BRK	1	
	45200	45200-LEF1-C10	CALIPER ASSY FR	CALIPER ASSY FR	1	
	45500	45500-LEF1-C10	CYLINDER COMP FR(MASTER)	CYLINDER COMP FR(MASTER)	1	
	4550B	4550B-LEF1-C10	CYLINDER ASSY FR(MASTER)	CYLINDER ASSY FR(MASTER)	1	
	5310C	5310C-LEF1-C10	END STRG HANDLE COMP	END STRG HANDLE COMP	2	
	53140	53140-LCF7-C10	COMP THROT GRIP	COMP THROT GRIP	1	
	53166	53166-LCF7-C10	GRIP L HANDLE	GRIP L HANDLE	1	
	53175	53175-LEF1-C10	LEVER HANDLE	LEVER HANDLE	1	
	53178	53178-LEF1-C10	LEVER L , STRG HANDL	LEVER STEERING HANDLE	1	
	88110	88110-LGA9-E00	MIRROR ASSY R BACK	MIRROR ASSY R BACK	1	
	88120	88120-LGA9-E00	MIRROR A SSY L BACK	MIRROR A SSY L BACK	1	
#	90145	90145-9A61-C00	OIL BOLT 10*22	OIL BOLT 10*22	1	
#	90545	90545-3L00-C00	WASHER OIL BOLT	WASHER OIL BOLT	1	
	95801	95801-LEF1-C10	BOLT FLANGE	BOLT FLANGE 8*30	1	

F02

Head Light



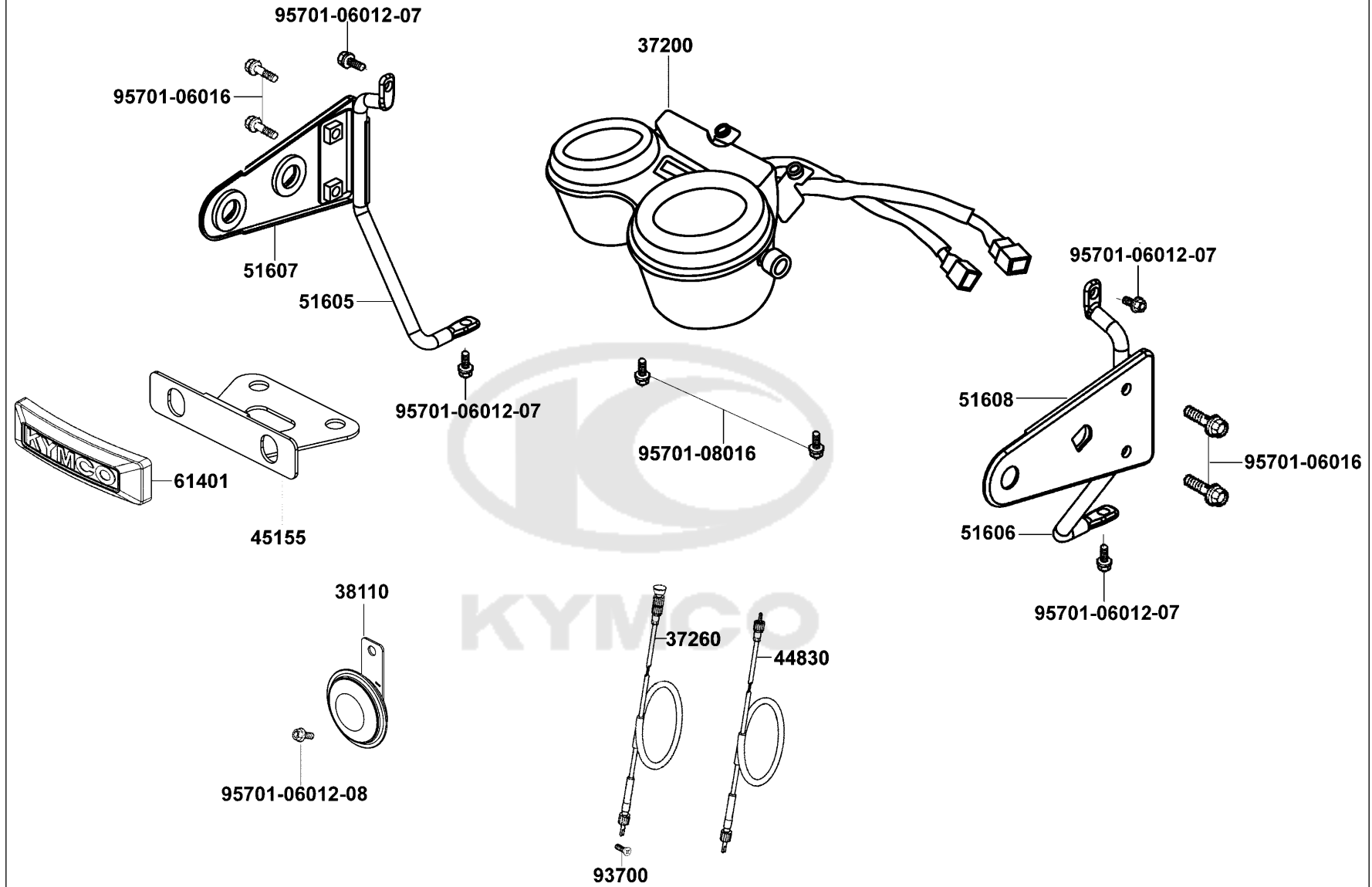
Sales mark	Ref no	Part no	Description	Reg description	Regd no	F02
------------	--------	---------	-------------	-----------------	---------	------------

	33100	33100-LGA9-C10	LIGHT ASSY HEAD	LIGHT ASSY HEAD	1	
#	34901	34901-LBA8-E80	BULB HEAD LIGHT	BULB HEAD LIGHT	1	
	34908	34908-LDD8-C50	BULB POSITION LIGHT	BULB POSITION LIGHT	1	
	95701	95701-10020-07	BOLT FLANGE 10*20	BOLT FLANGE 10*20 (K)	2	



F03

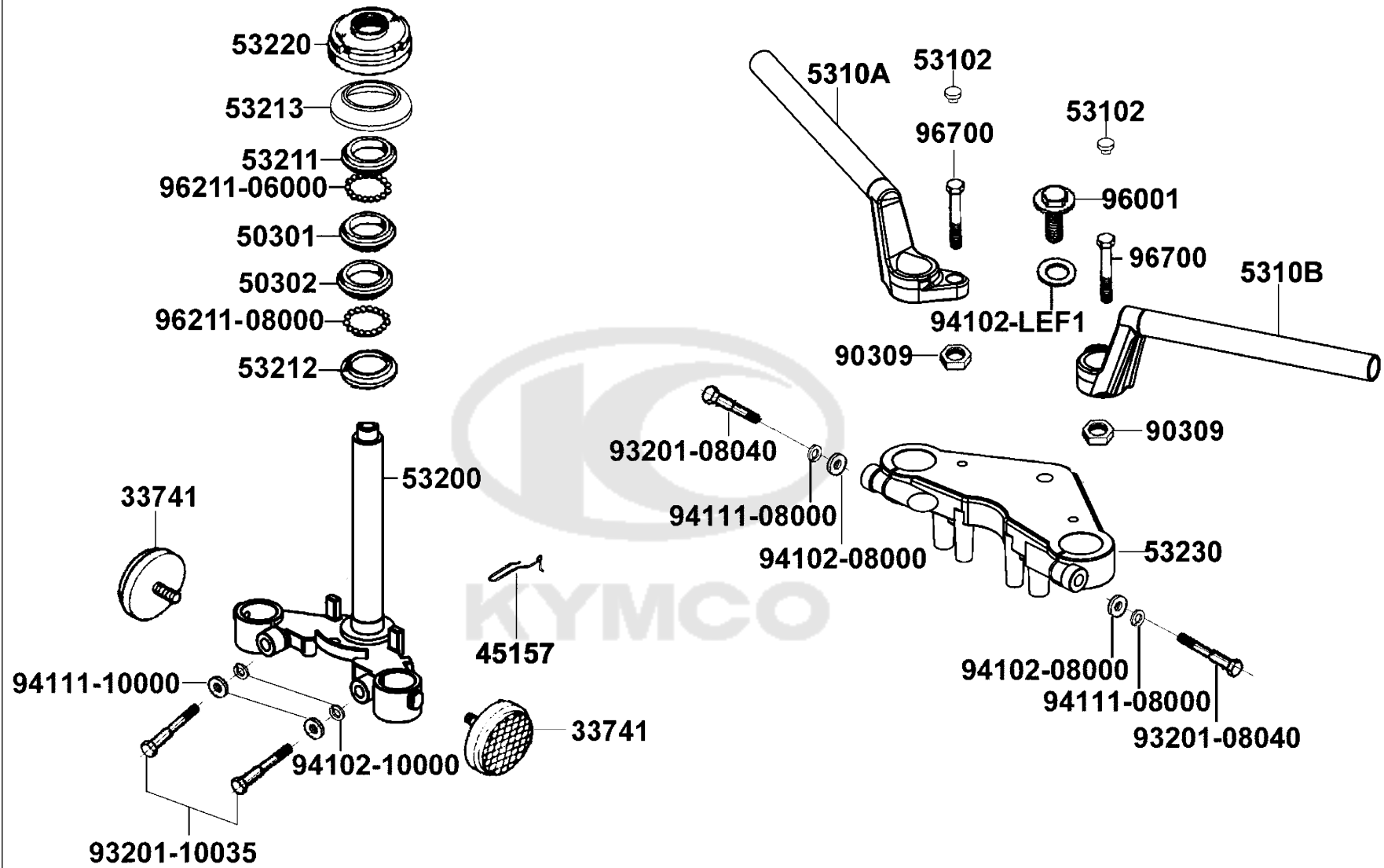
Speedometer



Sales mark	Ref no	Part no	Description	Reg description	Regd no	F03
	37200	37200-LGA9-C10	METER ASSY SPEED	METER ASSY SPEED	1	
	37260	37260-LEF1-C10	CABLE ASSY.,TACHO.	CABLE ASSY TACHO	1	
	38110	38110-KHB4-E0B	HORN COMP (D203)	HORN COMP (D203)	1	
	44830	44830-LEF1-C10	CABLE ASSY SPEEDOMETER	CABLE ASSY SPEEDOMETER	1	
	45155	45155-LGA9-C10	HORN STAY	HORN STAY	1	
	51605	51605-LGA9-C10	STAY R,HEAD LIGHT	STAY R,HEAD LIGHT	1	
	51606	51606-LGA9-C10	STAY L,HEAD LIGHT	STAY L,HEAD LIGHT	1	
	51607	51607-LGA9-C10	PLATE R HEAD LIGHT	PLATE R HEAD LIGHT	1	
	51608	51608-LGA9-C10	PLATE L HEAD LIGHT	PLATE L HEAD LIGHT	1	
	61401	61401-LAC4-C12	COVER FR	"COVER,FR"	1	
	93700	93700-05025-06	SCREW OVAL 5*25	SCREW OVAL 5*25	1	
	95701-06012-07	95701-06012-07	BOLT FLANGE 6*12(K)	BOLT FLANGE 6*12(K)	4	
	95701-06012-08	95701-06012-08	BOLT FLANGE 6*12	BOLT FLANGE 6*12	1	
	95701-06016	95701-06016-07	BOLT FLANGE 6*16	BOLT FLANGE 6*16(K)	4	
	95701-08016	95701-08016-08	BOLT FLANGE 8X16	BOLT FLANGE 8*16 (C)	2	

F04

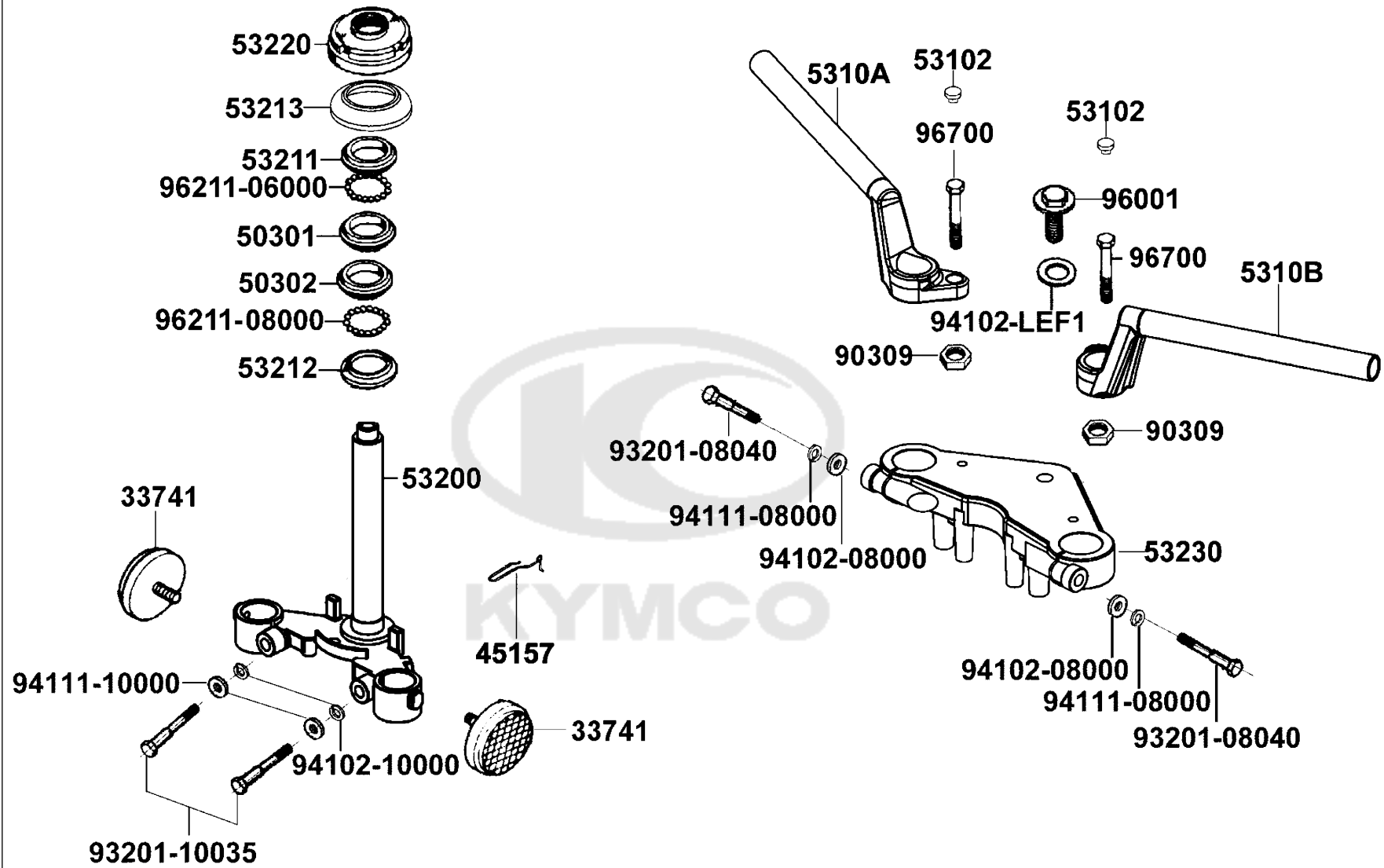
Steering Handl



Sales mark	Ref no	Part no	Description	Reg description	Regd no	F04
#	33741	33741-GFY6-C00	REFLEX REFLECTOR	REFLEX REFLECTOR	1	
	45157	45157-LEF1-C10	CLAMPER SPDMT CABLE	CLAMPER SPDMT CABLE	1	
	50301	50301-LEF1-C1A	RACE UP STRG BALL	RACE UP STRG BALL	1	
	50302	50302-LEF1-C1A	RACE (STRG BOT) BALL	RACE (STRG BOT) BALL	1	
	53102	53102-LEF1-C10	DECK BUTTON	DECK BUTTON	2	
	5310A	5310A-LEF1-C10	STEERING HANDLE A	STEERING HANDLE A	1	
	5310B	5310B-LEF1-C10	STEERING HANDLE B	STEERING HANDLE B	1	
	53200	53200-LEF1-C10	STEM COMP STEERING	STEM COMP STEERING	1	
	53211	53211-LEF1-C10	RACE STRG TOP CONE	RACE STRG TOP CONE	1	
	53212	53212-LEF1-C10	RACE STRG BOTTOM CONE	RACE STRG BOTTOM CONE	1	
	53213	53213-LEF1-C10	DUST SEAL,STRG TOP	DUST SEAL,STRG TOP	1	
	53220	53220-LEF1-C10	THREAD COMP STRG HD TOP	THREAD COMP STRG HD TOP	1	
	53230	53230-LEF1-C10	BRIDGE FORK TOP	BRIDGE FORK TOP	1	
	90309	90309-4H28-73A	NUT FLANGE 8MM	NUT FLANGE 8MM	2	
	93201-08040	93201-08040-CR	BOLT HEX 8*40Cr	BOLT HEX 8*40Cr	2	
	93201-10035	93201-10035-CR	BOLT HEX 10*35 Cr	BOLT HEX 10*35 Cr	2	
	94102-08000	94102-08000	WASHER PLAIN 8MM	WASHER PLAIN 8MM	2	
	94102-10000	94102-10000	WASHER PLAIN 10MM (B)	WASHER PLAIN 10MM (B)	2	
	94102-LEF1	94102-LEF1-C10	WASHER PLAIN	WASHER PLAIN	1	
	94111-08000	94111-08000	WASHER SPRING 8MM	WASHER SPRING 8MM	2	

F04

Steering Handl



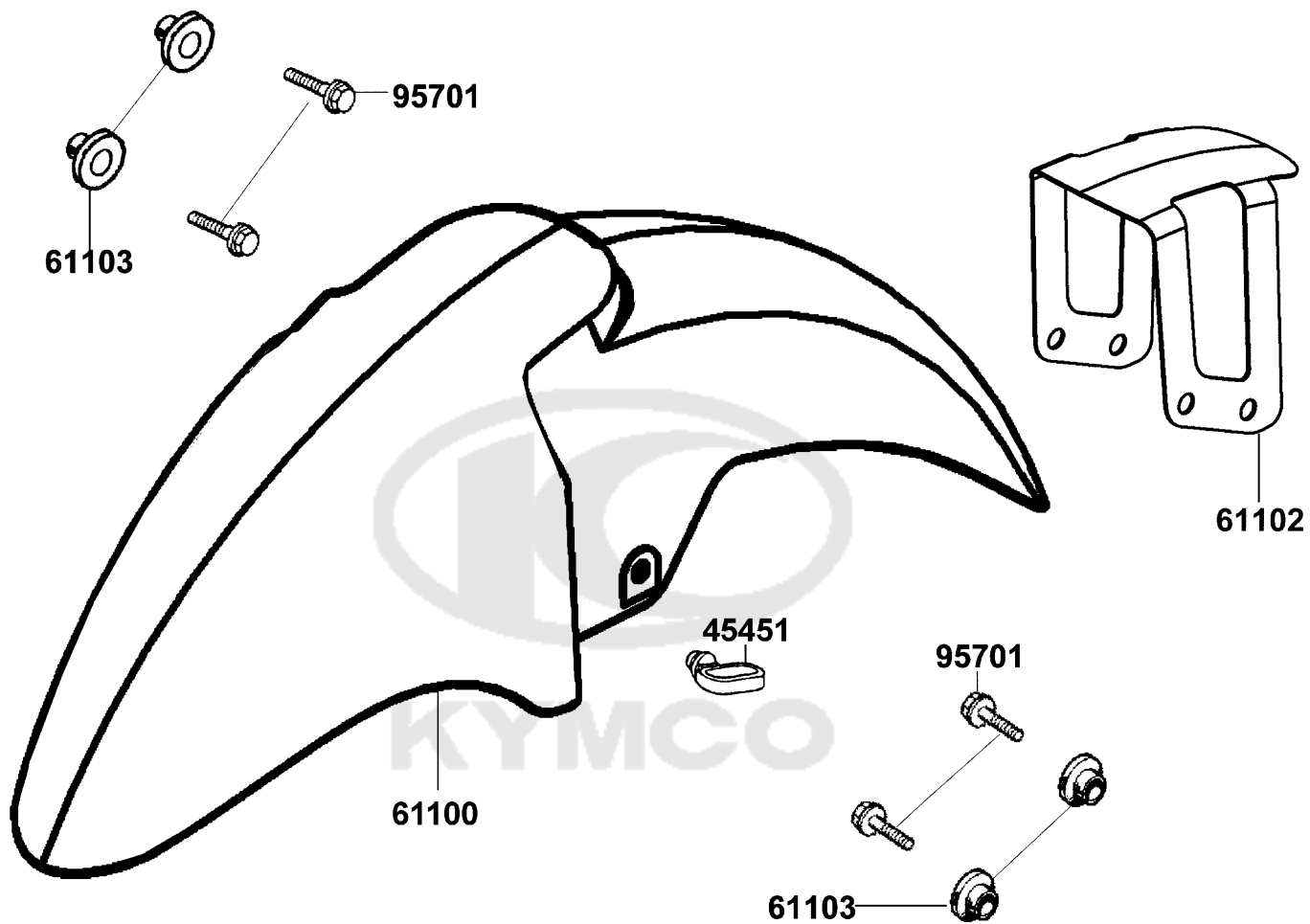
Sales mark	Ref no	Part no	Description	Reg description	Regd no	F04
------------	--------	---------	-------------	-----------------	---------	------------

94111-10000		94111-10000	WASHER SPG 10MM	WASHER SPG 10MM	2	
96001		96001-LEF1-C10	BOLT SPECIAL M10*1.5*23	BOLT SPECIAL M10*1.5*23	1	
96211-06000		96211-06000	BALL STEEL #6	BALL STEEL #6	23	
96211-08000		96211-08000	BALL STEEL #8	BALL STEEL #8	19	
96700		96700-08035-02	"SOCKET BOLT,8*35"	"SOCKET BOLT,8*35"	2	



F05

Front Fende

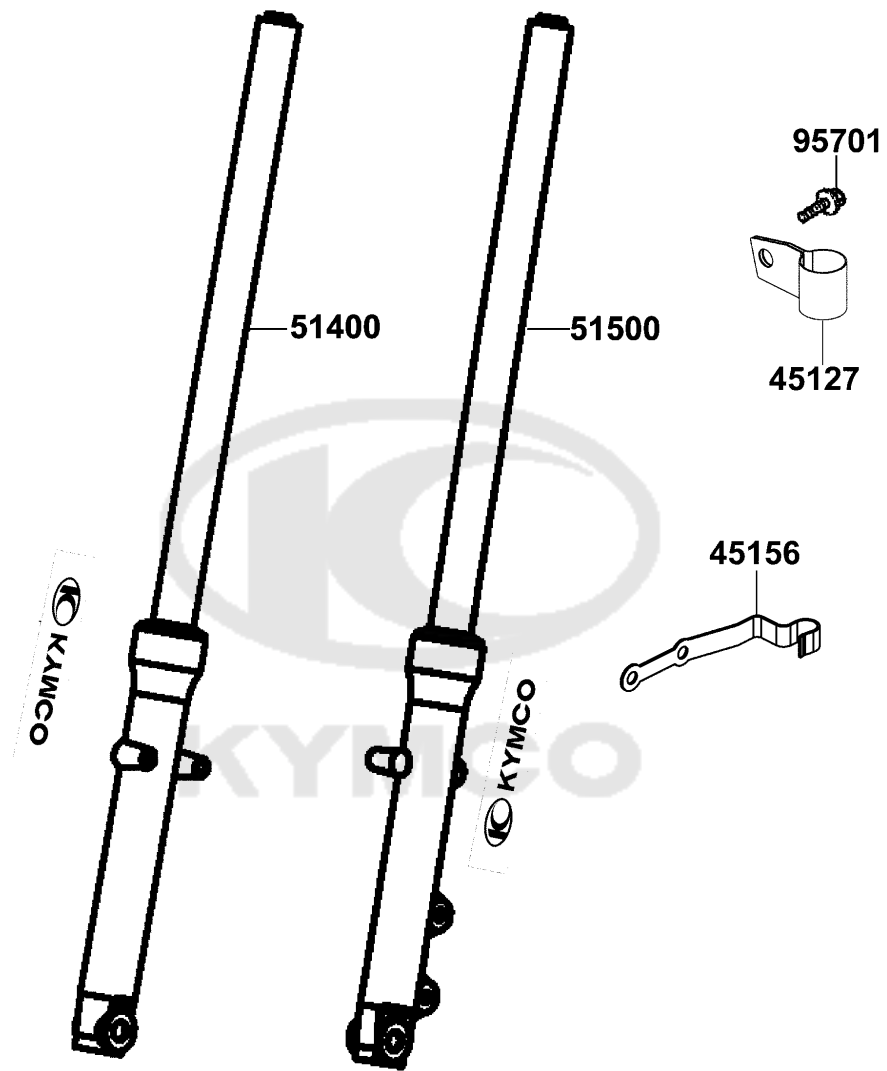


Sales mark	Ref no	Part no	Description	Reg description	Regd no	F05
#	45451	45451-4A71-C00	GROMMET WIRE	GROMMET WIRE	1	
**	61100	61100-LEF1-C10	"FENDER , FR."	"FENDER , FR."	1	
	61102	61102-LEF1-C10	FENDER FRONT BRACKET	FENDER FRONT BRACKET	1	
	61103	61103-LEF1-C10	COLLAR	COLLAR	4	
	95701	95701-08016-08	BOLT FLANGE 8X16	BOLT FLANGE 8*16 (C)	4	



F06

Front Fork



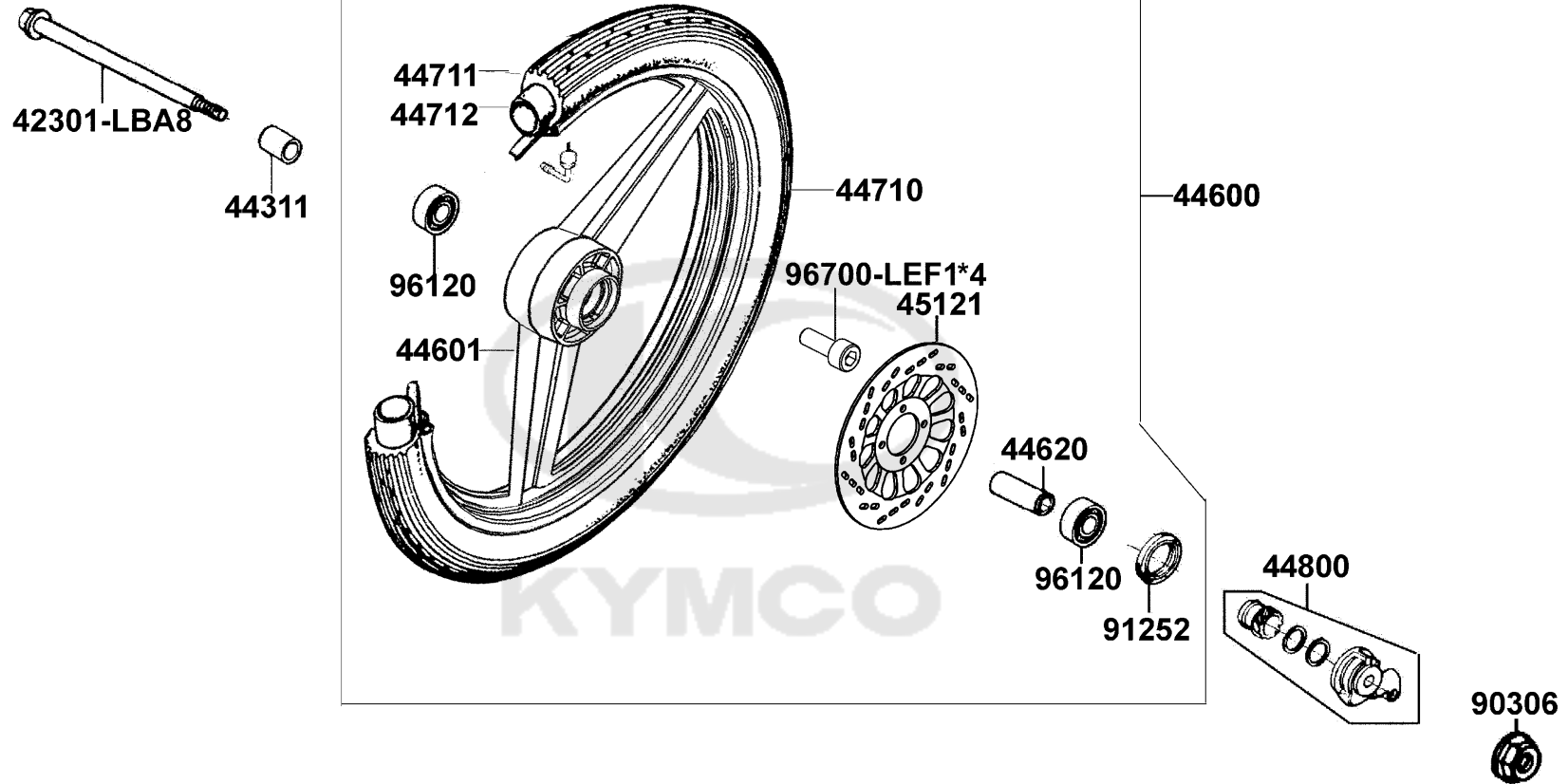
Sales mark	Ref no	Part no	Description	Reg description	Regd no	F06
------------	--------	---------	-------------	-----------------	---------	------------

45127		45127-LEF1-C10	CLAMPER FR BRK HOSE	CLAMPER FR BRK HOSE	1	
45156		45156-LEF1-C10	CLAMPER HOSE FR	CLAMPER HOSE FR	1	
51400		51400-LEF1-C1A	FORK ASSY FR R	FORK ASSY FR R	1	
51500		51500-LEF1-C1A	FORK ASSY FR L	FORK ASSY FR L	1	
95701		95701-06012-08	BOLT FLANGE 6*12	BOLT FLANGE 6*12	1	



F07

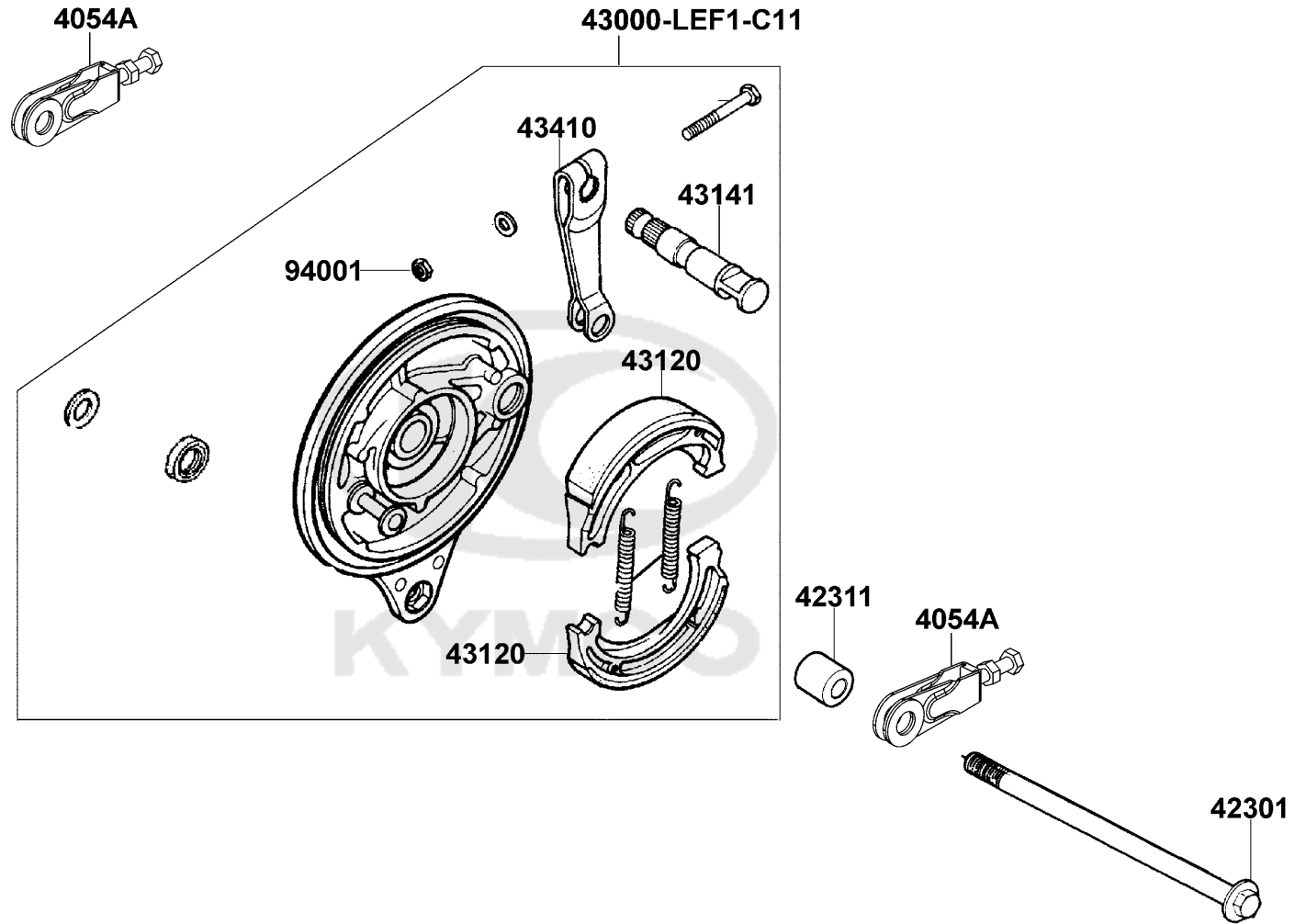
Front Whee



Sales mark	Ref no	Part no	Description	Reg description	Regd no	F07
#	42301	42301-LBA8-C11	AXLE FR WHEEL 207mm	AXLE FR WHEEL 207mm	1	
#	44311	44311-LBA8-C11	COLLAR FR WHEEL SIDE	COLLAR FR WHEEL SIDE	1	
	44600	44600-LGA9-C10	WHEEL ASSY FR	WHEEL ASSY FR	1	
**	44601	44601-LGA9-C10	WHEEL COMP FR CAST	WHEEL COMP FR CAST	1	
	44620	44620-LEF1-C10	COLLAR FR DIST	COLLAR FR DIST	1	
	44710	44710-LGA9-C10	TIRE ASSY RR	TIRE ASSY RR	1	
	44711	44711-LGA9-C10	TIRE	TIRE	1	
	44712	44712-LGA9-C10	INNER TUBE	INNER TUBE	1	
	44800	44800-LEF1-C10	GEAR BOX ASSY SPDMT	GEAR BOX ASSY SPDMT	1	
	45121	45121-LEF1-C10	DISK FR BRAKE	DISK FR BRAKE	1	
#	90306	90306-GLW0-C00	WASHER SEALING	NUT U FLANGE 12MM	1	
	91252	91252-LBA8-C11	OIL SEAL 20*37*7	O-RING 20*37*7	1	
	96120	96120-63010-10	BEARING BALL RADIAL 6301	BEARING BALL RADIAL 6301	2	
	96700	96700-LEF1-C10	SOCKET BOLT 8*30	SOCKET BOLT 8*30	4	

F08

Rear Brake Pane

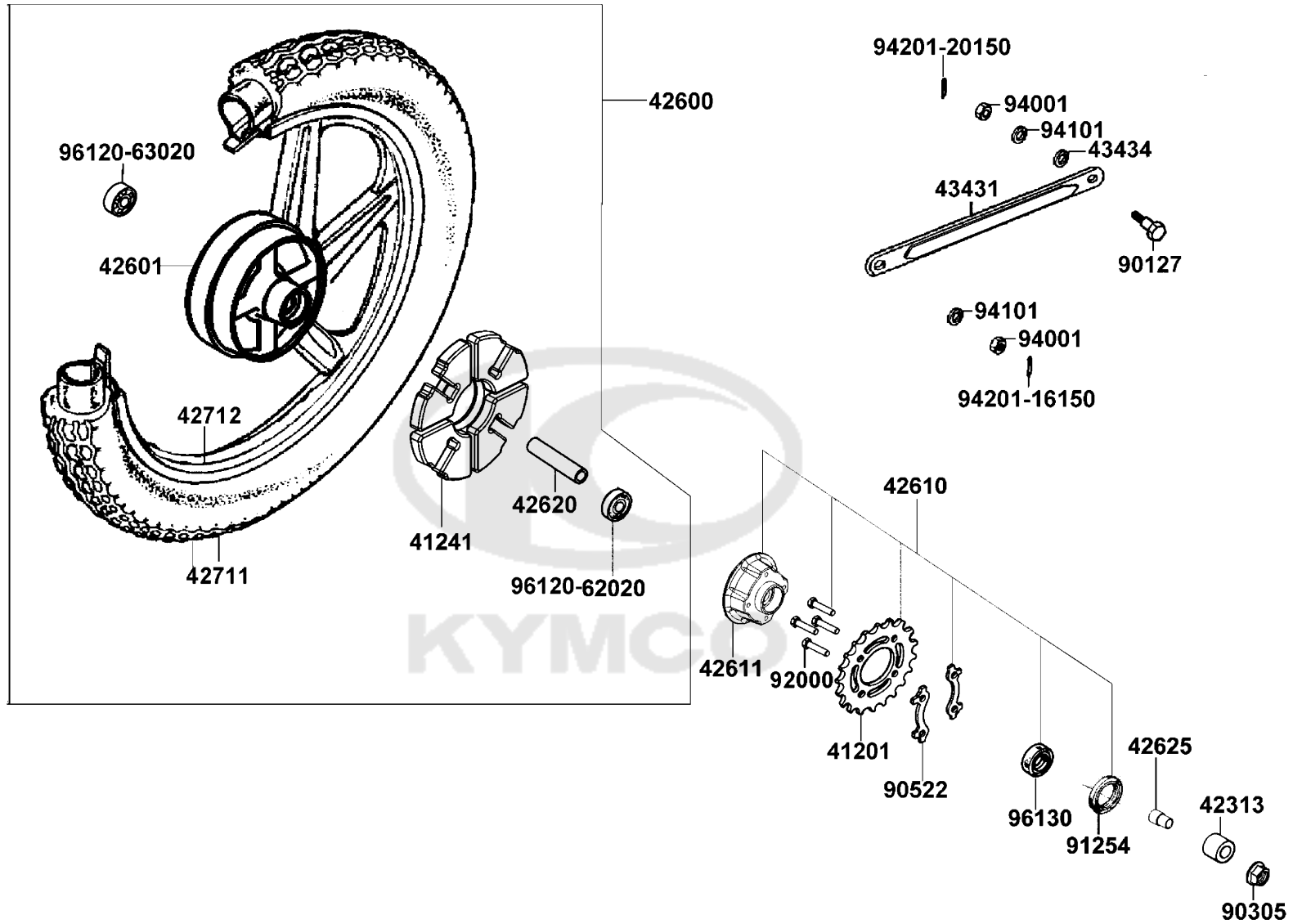


Sales mark	Ref no	Part no	Description	Reg description	Regd no	F08
#	4054A	4054A-LAC1-C00	ADJUSTING ASSY DRIVE CHAIN	ADJUSTING ASSY DRIVE CHAIN	1	
	42301	42301-LEF1-C10	AXLE RR WHEEL(M14*258)	AXLE RR WHEEL(M14*258)	1	
	42311	42311-LEF1-C10	COLLAR RR BRAKE PANEL SIDE	COLLAR RR BRAKE PANEL SIDE	1	
	43000	43000-LEF1-C11	PANEL ASSY REAR BRAKE	PANEL ASSY REAR BRAKE	1	
	43120	43120-LEF1-C11	SHOE COMP FR BRK	SHOE COMP FR BRK	1	
	43141	43141-LEF1-C10	CAM RR BRAKE	CAM RR BRAKE	1	
	43410	43410-LEF1-C10	ARM COMP RR BRAKE	ARM COMP RR BRAKE	1	
	94001	94001-08080-0S	NUT HEX 8MM	NUT HEX 8MM	1	



F09

Rear Wheel



Sales mark	Ref no	Part no	Description	Reg description	Regd no	F09
	41201	41201-LEF1-C10	SPROCKET FINAL 41T	SPROCKET FINAL 41T	1	
	41241	41241-LEF1-C10	BUSH RR WHEEL DAMPER	BUSH RR WHEEL DAMPER	1	
	42313	42313-LEF1-C10	COLLAR REAR HUB SIDE	COLLAR REAR HUB SIDE	1	
	42600	42600-LGA9-C10	WHEEL ASSY RR	WHEEL ASSY RR	1	
**	42601	42601-LGA9-C10	WHEEL COMP RR CAST	WHEEL COMP RR CAST	1	
	42610	42610-LEF1-C10	SPRKT HUB ASSY	SPRKT HUB ASSY	1	
	42620	42620-LEF1-C10	COLLAR REAR AXLE DISTANCE	COLLAR REAR AXLE DISTANCE	1	
	42625	42625-LEF1-C10	SLEEVE SPRKT HUB	SLEEVE SPRKT HUB	1	
	42711	42711-LGA9-C10	TIRE	TIRE	1	
	42712	42712-LGA9-C10	INNER TUBE	INNER TUBE	1	
	43431	43431-LEF1-C11	ARM RR BRK STOPPER	ARM REAR BRAKE STOPPER	1	
#	43434	43434-2F86-C00	RUBBER STOPPER ARM CUSHION	RUBBER STOPPER ARM CUSHION	1	
	90127	90127-LEF1-C10	BOLT RR BRAKE STPR ARM	BOLT RR BRAKE STPR ARM	1	
	90305	90305-LEF1-C10	NUT U 14mm	NUT U 14mm	1	
#	90522	90522-2B22-C00	WASHER TONGUDE 8MM	WASHER TONGUDE 8MM	1	
	91254	91254-LEF1-C10	DUST SEAL 47*30*7	DUST SEAL 47*30*7	1	
	92000	92000-08032-08	BOLT HEX 8*32 C	BOLT HEX 8*32 C	4	
	94001	94001-08080-0S	NUT HEX 8MM	NUT HEX 8MM	2	
	94101	94101-08800	WASHER PLAIN 8MM	WASHER PLAIN 8MM	2	
	94201-16150	94201-16150	PIN SPLIT 1.6*15	PIN SPLIT 1.6*15	1	

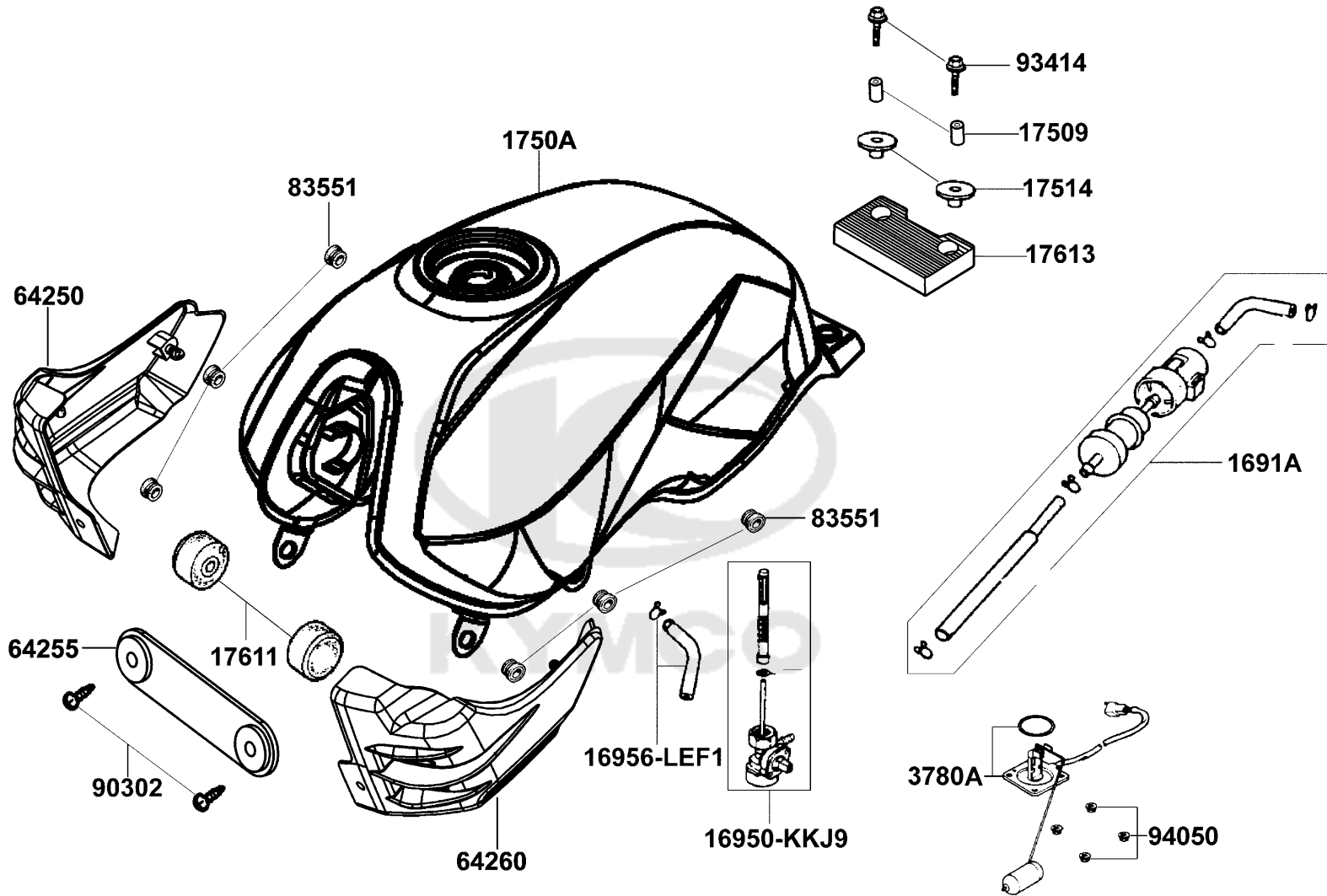
Sales mark	Ref no	Part no	Description	Reg description	Regd no	F09
------------	--------	---------	-------------	-----------------	---------	------------

94201-20150	94201-20150	94201-20150	PIN SPLIT 2*15	PIN SPLIT 2*15	1	
96120-62020	96120-62020-00	96120-62020-00	BRG RADIAL BALL 6202	BRG RADIAL BALL 6202	1	
96120-63020	96120-63020-10	96120-63020-10	BEARING BALL RADIAL 6302	BEARING BALL RADIAL 6302	1	
96130	96130-62040-10	96130-62040-10	BEARING BALL RADIAL 6204	BEARING BALL RADIAL 6204	1	

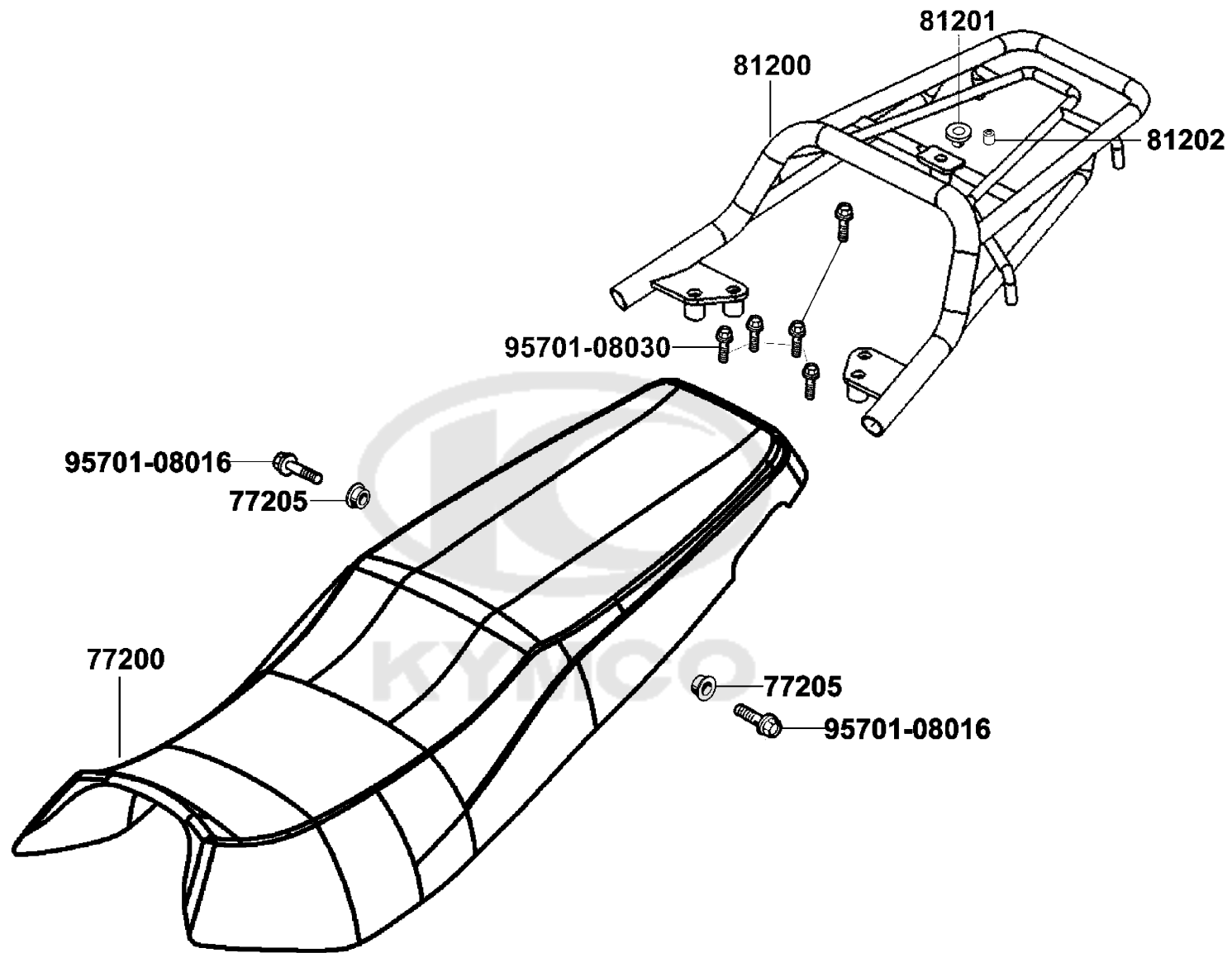


F10

Fuel Tan

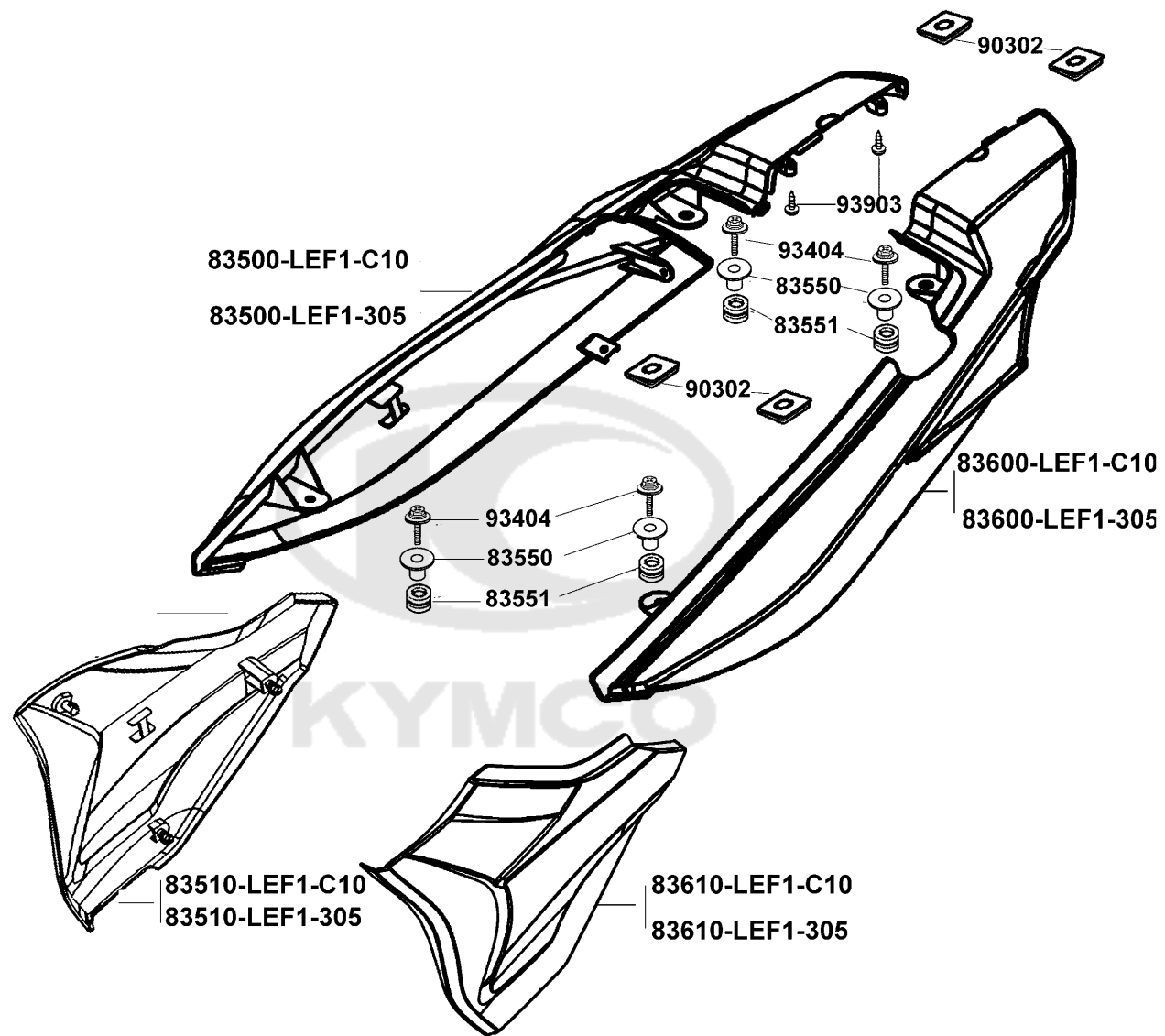


Sales mark	Ref no	Part no	Description	Reg description	Regd no	F10
	1691A	1691A-LEF1-C10	STRAINER ASSY.,FUEL	"STRAINER ASSY.,FUEL"	1	
#	16950	16950-KKJ9-C00	AUTO COCK ASSY FUEL	AUTO COCK ASSY FUEL	1	
	16956	16956-LEF1-C10	TUBE COMP FUEL 10.3*670	TUBE COMP FUEL 10.3*670	1	
	17509	17509-LEF1-C10	TANK COLLAR	TANK COLLAR	2	
**	1750A	1750A-LEF1-305	TANK COMP FUEL	TANK COMP FUEL	1	
	17514	17514-LEF1-C10	CUSH FUEL TANK RR B	CUSH FUEL TANK RR B	2	
	17611	17611-LEF1-C10	CUSHION FRONT FUEL TANK	CUSHION FRONT FUEL TANK	2	
	17613	17613-LEF1-C10	CUSH FUEL TANK RR	CUSH FUEL TANK RR	1	
	3780A	3780A-LEF1-C10	FUEL UNIT	FUEL UNIT	1	
**	64250	64250-LEF1-305	HORN COVER	HORN COVER	1	
	64255	64255-LEF1-C10	STAY HORN COVER	STAY HORN COVER	1	
**	64260	64260-LEF1-305	HORN COVER L	HORN COVER L	1	
	83551	83551-LEF1-C10	RUBBER	RUBBER	6	
#	90302	90302-GFY6-C10	BOLT-WASH 5*16	BOLT WASHER 5*16	1	
	93414	93414-06035-08	BOLT WASHER 6*35	BOLT WASHER 6*35	2	
	94050	94050-06080	NUT FLANGE 6MM	NUT FLANGE 6MM	4	



Sales mark	Ref no	Part no	Description	Reg description	Regd no	F11
**	77200	77200-LEF1-C10	SEAT ASSY	SEAT ASSY	1	
	77205	77205-LEF1-C10	COLLAR	COLLAR	1	
	81200	81200-LEF1-C11	GRIP RR	RR CARRIER	1	
	81201	81201-LEF1-C10	RUBBER CARRIER RR	RUBBER CARRIER RR	1	
	81202	81202-LEF1-C10	COLLAR	COLLAR	1	
	95701-08016	95701-08016-08	BOLT FLANGE 8X16	BOLT FLANGE 8*16 (C)	2	
	95701-08030	95701-08030-08	BOLT FLANGE 8*30	BOLT FLANGE 8*30	4	

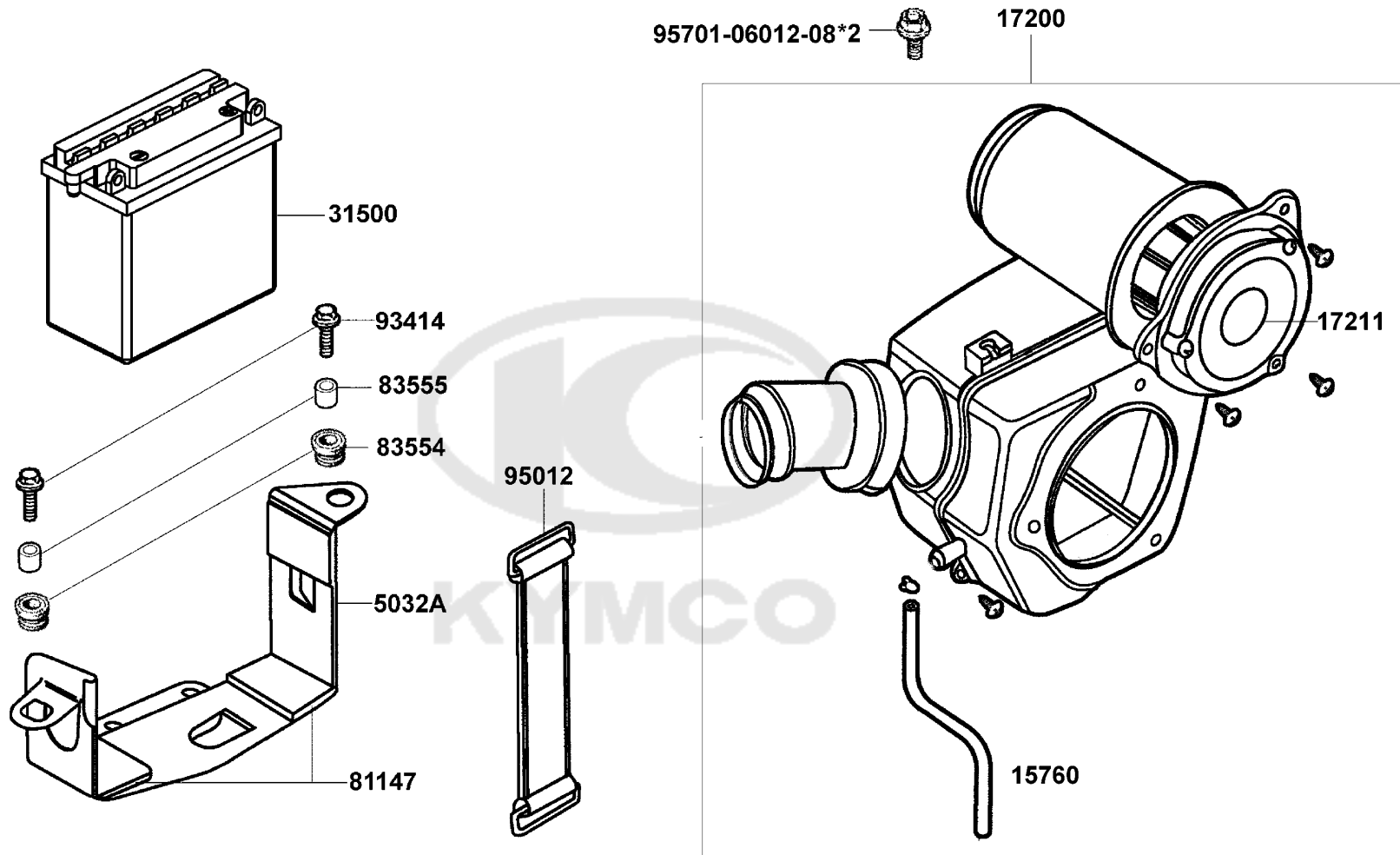




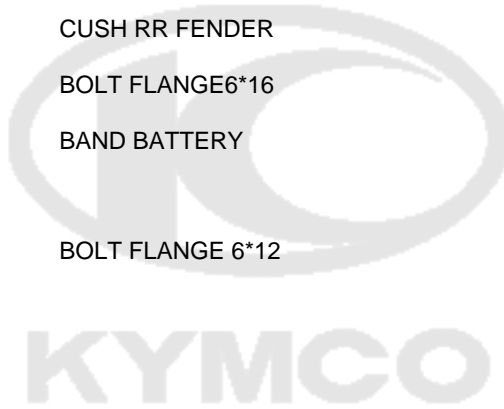
Sales mark	Ref no	Part no	Description	Reg description	Regd no	F12
**	83500-LEF1-305	83500-LEF1-305	BODY R, COVER	BODY R, COVER	1	
**	83500-LEF1-C10	83500-LEF1-C10	BODY L COVER	BODY L COVER	1	
**	83510-LEF1-305	83510-LEF1-305	SIDE R COVER	SIDE R COVER	1	
**	83510-LEF1-C10	83510-LEF1-C10	SIDE R,COVER	SIDE R,COVER	1	
#	83550	83550-KEC8-C00	COLLAR SET METER	COLLAR	1	
#	83551	83551-KEC8-C10	GROMMET COVER	GROMMET COVER	1	
**	83600-LEF1-305	83600-LEF1-305	BODY L COVER	BODY L COVER	1	
**	83600-LEF1-C10	83600-LEF1-C10	BODY L COVER	BODY L COVER	1	
**	83610-LEF1-305	83610-LEF1-305	SIDE L COVER	SIDE L COVER	1	
**	83610-LEF1-C10	83610-LEF1-C10	SIDE L COVER	SIDE L COVER	1	
#	90302	90302-SDA4-C01	"NUT,SPPING 4MM"	"NUT,SPPING 4MM"	1	
	93404	93404-06012-08	BOLT WASHER 6*12	BOLT WASHER 6*12	4	
	93903	93903-34380	SCREW TAPPING 4*12	SCREW TAPPING 4*12 (K)	2	

F13

Air Cleaner

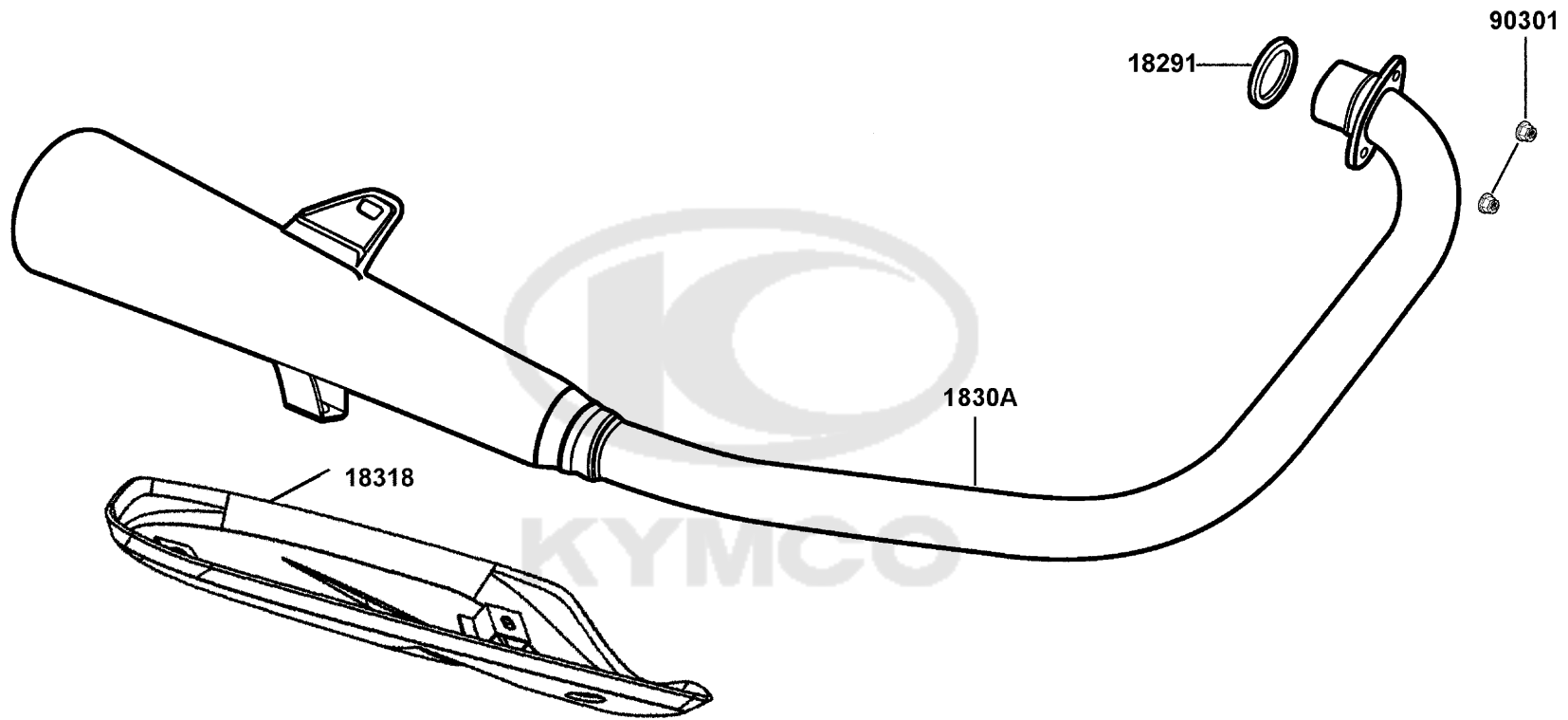



Sales mark	Ref no	Part no	Description	Reg description	Regd no	F13
	15760	15760-LEF2-C10	TUBE,BEATHER	TUBE,BEATHER	1	
	17200	17200-LEF1-C10	AIR/C ASSY	AIR/C ASSY	1	
	17211	17211-LEF1-C10	ELEMENT COMP AIR/C	ELEMENT COMP AIR/C	1	
#	31500	31500-LBG5-C1B	BATTERY 12N7-4B	BATTERY 12N7-4B	1	
	5032A	5032A-LEF1-C10	BOX ASSY BATTERY	BOX ASSY BATTERY	1	
	81147	81147-LAC1-C00	PAD BATTERY CASE	PAD BATTERY CASE	2	
	83554	83554-LAC1-C00	CUSH BATTER	CUSH BATTER	2	
	83555	83555-LAC1-C00	CUSH RR FENDER	CUSH RR FENDER	2	
	93414	93414-06016-08	BOLT FLANGE6*16	BOLT FLANGE6*16	2	
	95012	95012-LEJ2-E10	BAND BATTERY	BAND BATTERY	1	
	95701	95701-06012-08	BOLT FLANGE 6*12	BOLT FLANGE 6*12	2	



F14

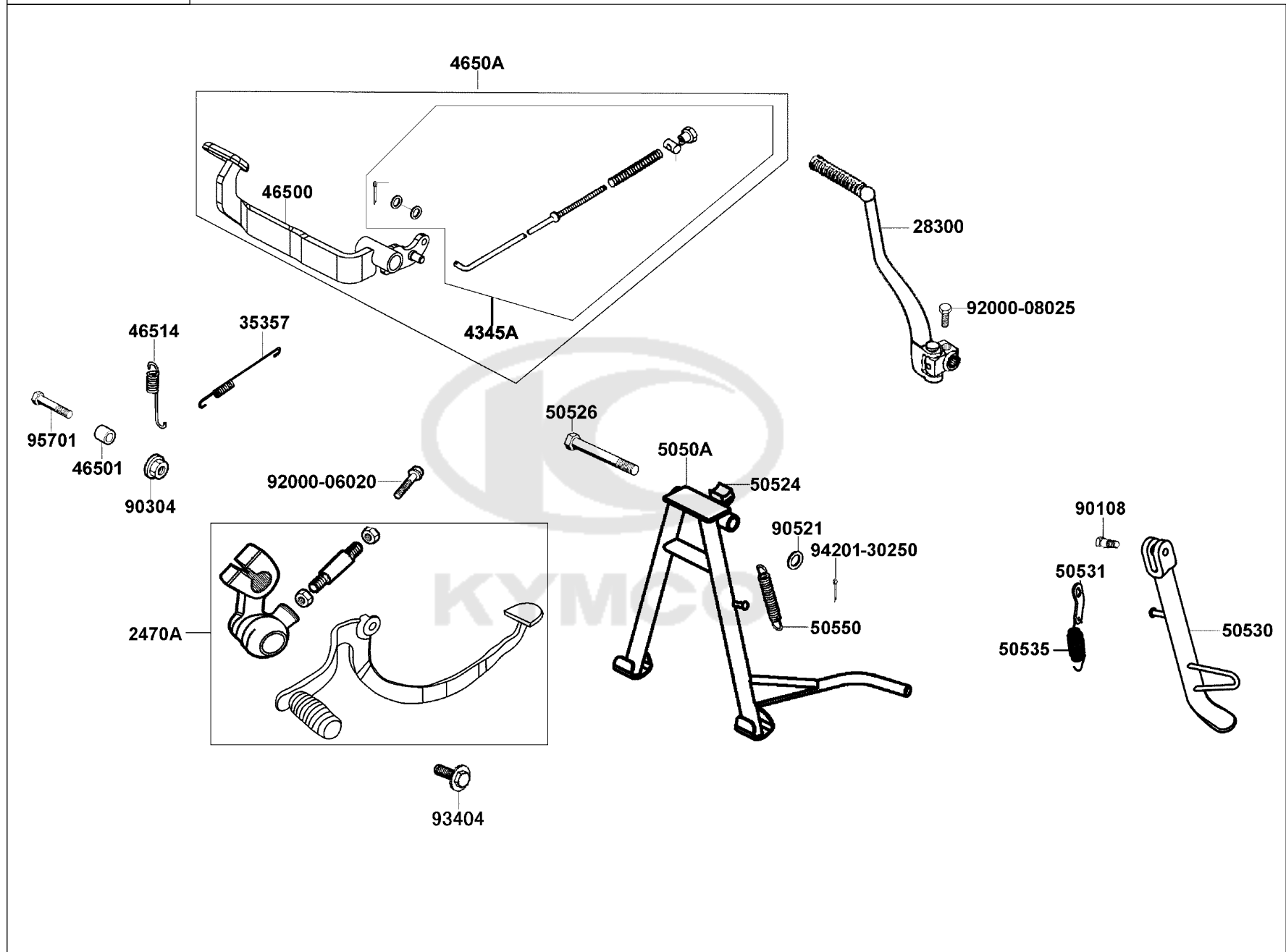
Exhaust Muffler



Sales mark	Ref no	Part no	Description	Reg description	Regd no	F14
	18291	18291-2F16-000	GASKET EXH PIPE	GASKET EXH PIPE	1	
	1830A	1830A-LEF1-E11	MUFFLER ASSY EXHAUST	MUFFLER ASSY EXHAUST	1	
	18318	18318-LEF1-C11	PROTECTOR MUFFLER	PROTECTOR MUFFLER	1	
	90301	90301-LEF1-C11	NUT (HEX) CAP 8mm	NUT (HEX) CAP 8mm	2	
						

F15

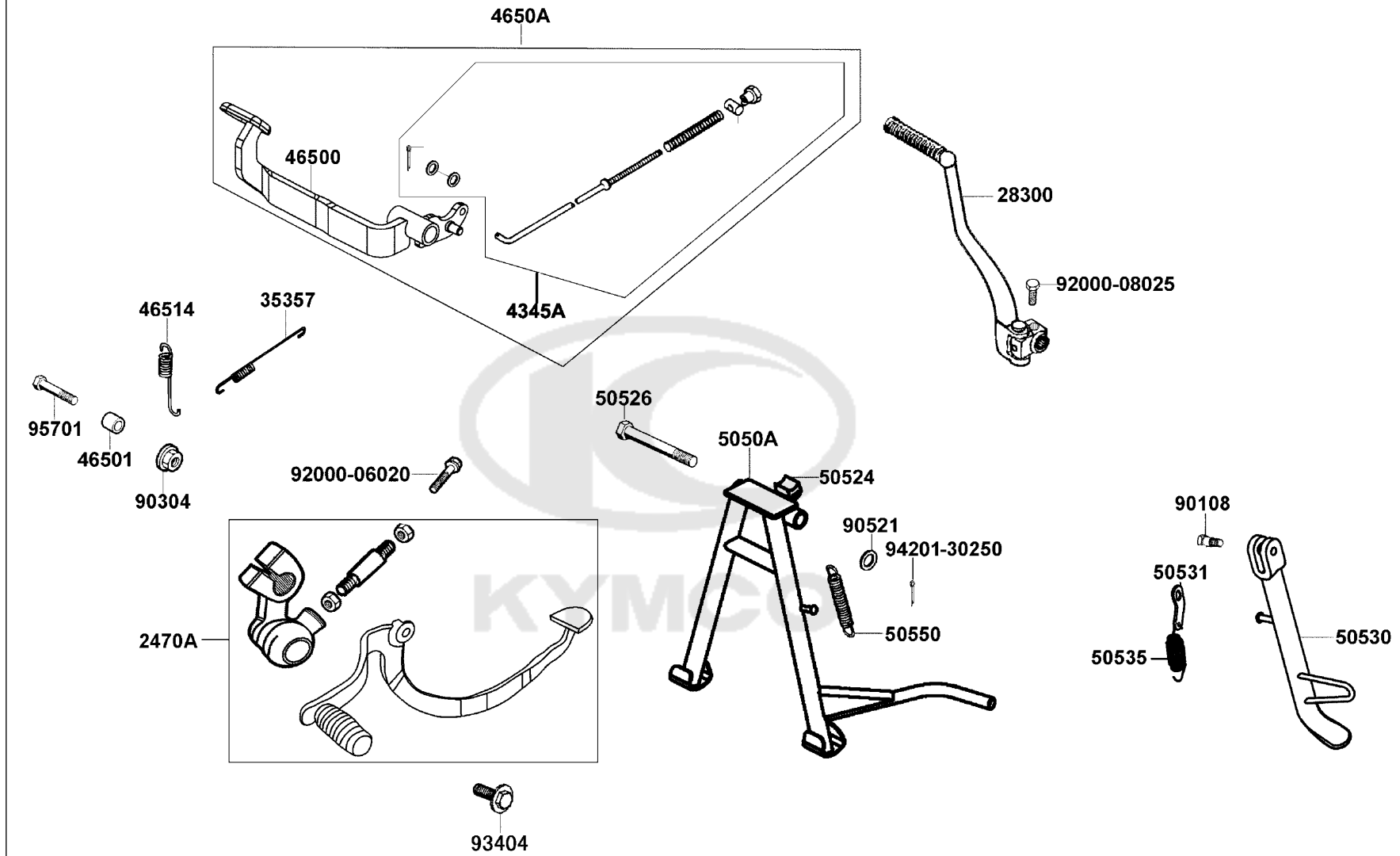
Pedal Stand



Sales mark	Ref no	Part no	Description	Reg description	Regd no	F15
	2470A	2470A-LEF1-C10	PEDAL ASSY CHANGE	PEDAL ASSY CHANGE	1	
	28300	28300-LEF1-C10	ARM ASSY KICK STARTER	ARM ASSY KICK STARTER	1	
	35357	35357-LEF1-C11	SPRING STOP SWITCH	SPRING STOP SWITCH	1	
	4345A-LEF1-C11	4345A-LEF1-C11	ROD ASSY RR BRAKE	ROD ASSY RR BRAKE	1	
	46500-LEF1-C11	46500-LEF1-C11	PEDAL RR BRAKE	PEDAL RR BRAKE	1	
	46501	46501-LEF1-C11	COLLAR RR BRK PEDAL	COLLAR RR BRK PEDAL	1	
	4650A-LEF1-C11	4650A-LEF1-C11	PEDAL ASSY RR BRAKE	PEDAL ASSY RR BRAKE	1	
	46514	46514-LEF1-C11	SPRING BRAKE PEDAL	SPRING BRAKE PEDAL	1	
	5050A	5050A-LEF1-C10	STAND ASSY MAIN	STAND ASSY MAIN	1	
	50524	50524-LEF1-C10	RUB STAND STOPPER	RUB STAND STOPPER	1	
#	50526	50526-LAC1-C00	SHAFT MAIN STAND PIVOT	SHAFT MAIN STAND PIVOT	1	
	50530	50530-LEF1-E00	BAR COMP SIDE STAND	BAR COMP SIDE STAND	1	
	50531	50531-LBA8-E80	PLATE SPG STOPPER	PLATE SPG STOPPER	1	
	50535	50535-KKB1-E00	SPG A SIDE STAND	SPG A SIDE STAND	1	
	50550	50550-LEF1-E00	SPRING MAIN STAND	SPRING MAIN STAND	1	
	90108	90108-KUDU-E00	SCREW SIDE STAND PIVOT	SCREW SIDE STAND PIVOT	1	
#	90304	90304-GHE8-C00	NUT U 10MM (C)	NUT U 10MM (C)	1	
#	90521	90521-0H28-C00	DIA WASHER 17*22*1.6 C	DIA WASHER 17*22*1.6 C	1	
	92000-08025	92000-08025-0H	BOLT HEX 8*25	BOLT HEX 8*25	1	
#	92000-06020	92000-LKF3-C00	BOLT HEX 6*20 (C)	BOLT HEX 6*20 (C)	1	

F15

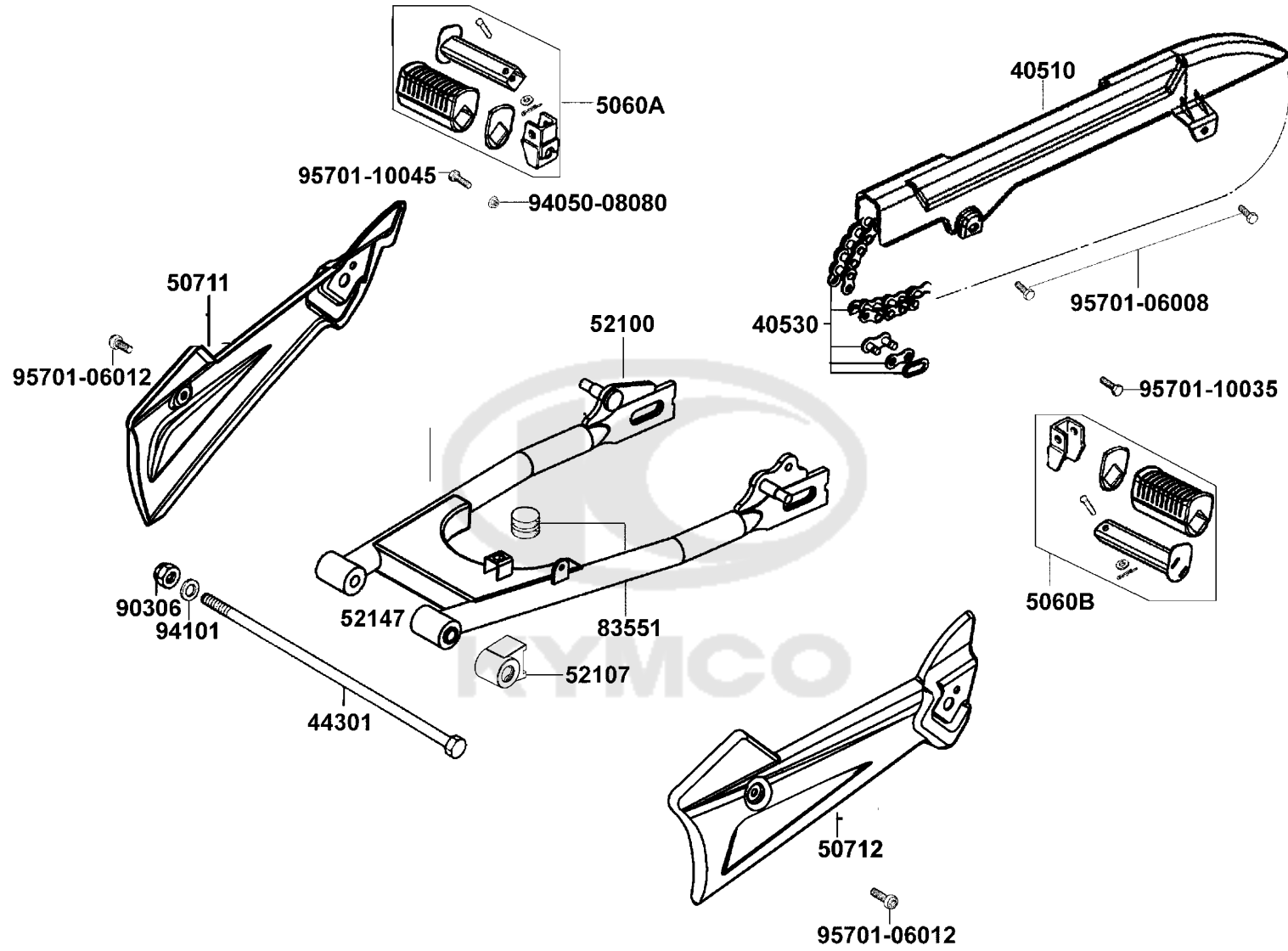
Pedal Stand



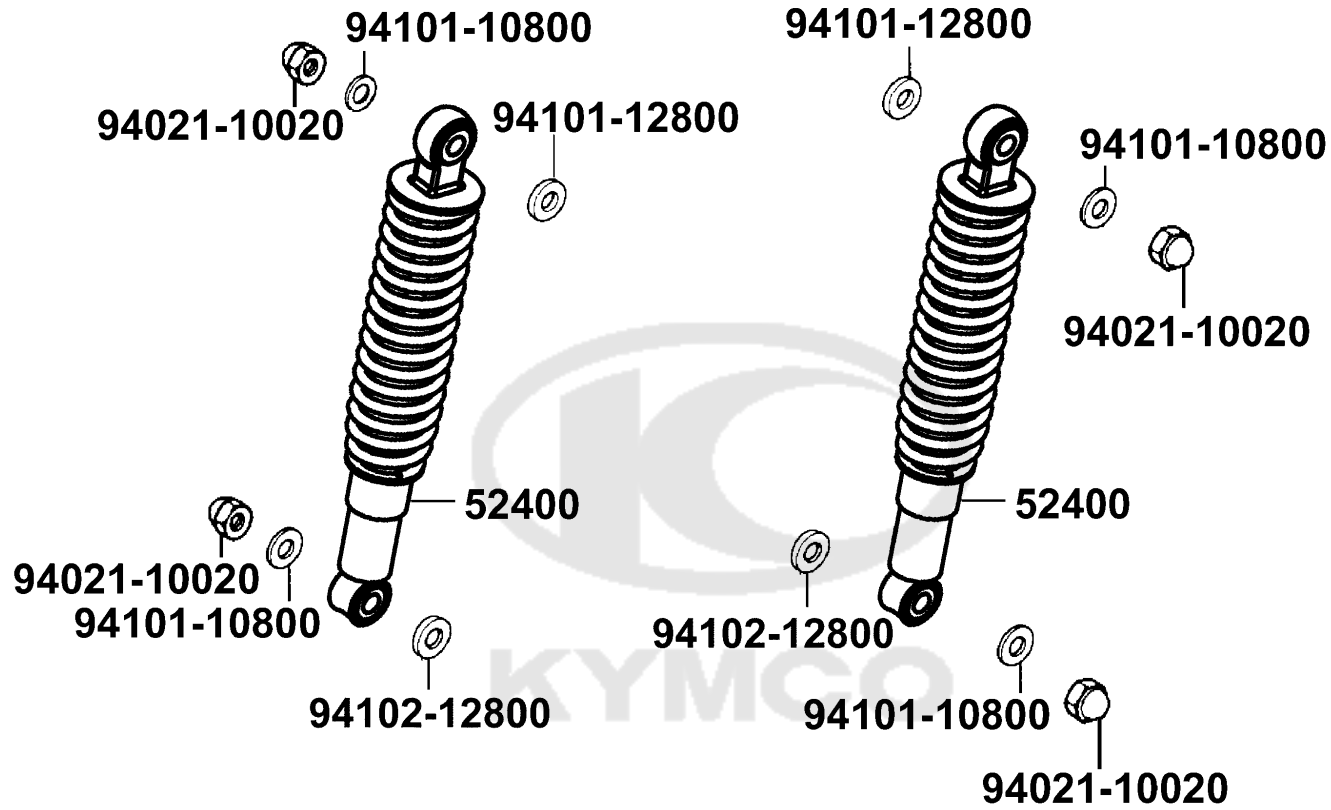
Sales mark	Ref no	Part no	Description	Reg description	Regd no	F15
------------	--------	---------	-------------	-----------------	---------	------------

93404		93404-06012-07	BOLT WASH 6*12	BOLT WASH 6*12	1	
94201-30250		94201-30250	PIN SPLIT 3.0*25	PIN SPLIT 3.0*25	1	
95701		95701-10065-08	BOLT FLANGE 10*65 ?	BOLT FLANGE 10*65 ?	1	





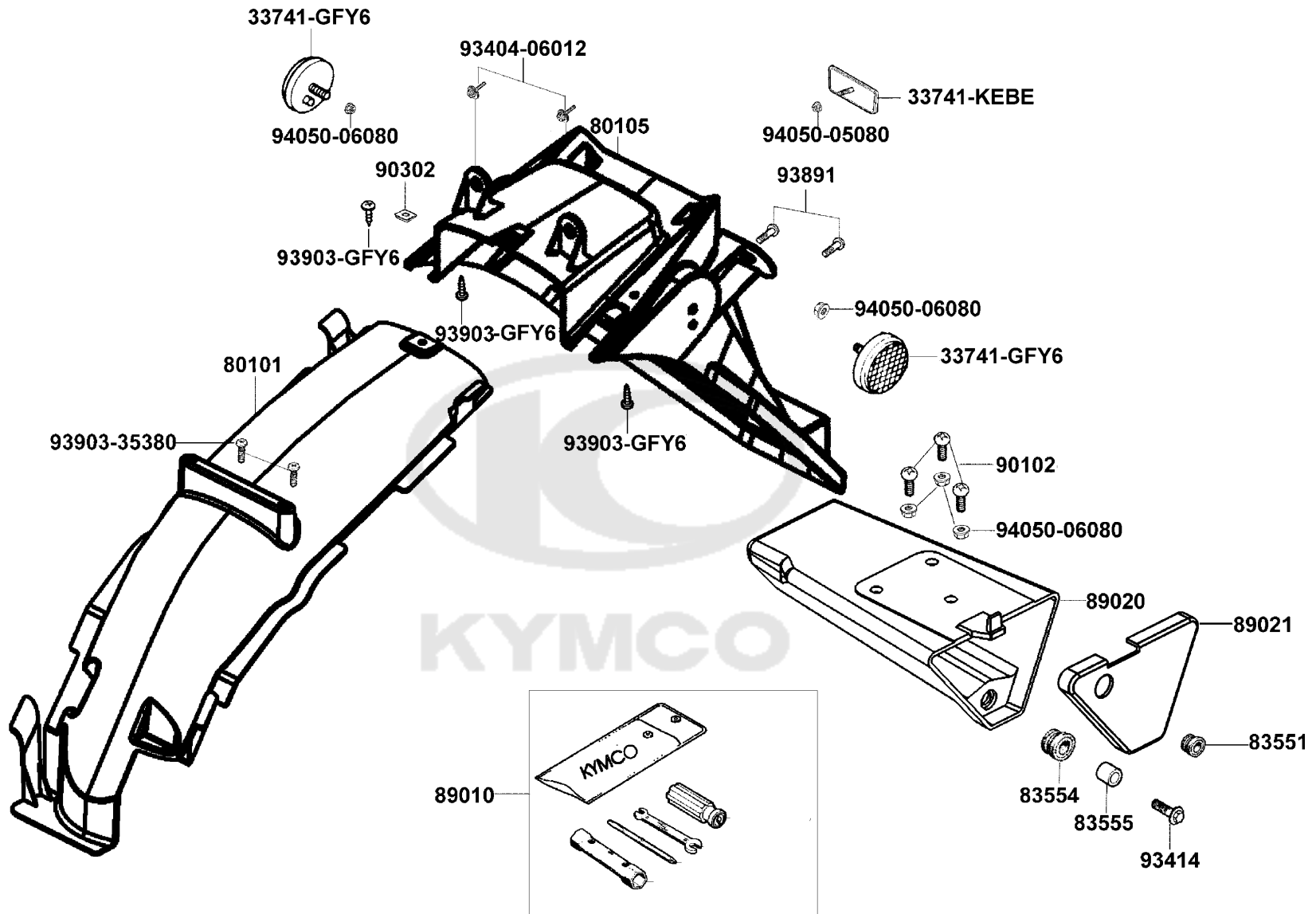
Sales mark	Ref no	Part no	Description	Reg description	Regd no	F16
	40510	40510-LEF1-C10	CASE DRIVE CHAIN	CASE DRIVE CHAIN	1	
	40530	40530-LEF1-C10	CHAIN DRIVE 428H-116	CHAIN DRIVE 428H-116	1	
#	44301	44301-KECE-C00	BOLT RR RORK	AXLE FR WHEEL M12*220(C)	1	
	5060A	5060A-LEF1-C10	BAR STER R	BAR STER R	1	
	5060B	5060B-LEF1-C10	BAR STER L	BAR STER L	1	
	50711	50711-LEF1-C11	COVER STEP COMP RH	COVER STEP R	1	
	50712	50712-LEF1-C11	COVER STEP COMP LH	COVER STEP L	1	
	52100	52100-LEF1-C11	FORK ASSY REAR	FORK ASSY REAR	1	
#	52107	52107-LAC1-C00	SLIDER CHAIN	SLIDER CHAIN	1	
#	52147	52147-KGB4-C10	RUBBER BUSH REAR FORK PIVOT	RUBBER BUSH REAR FORK PIVOT	1	
#	83551	83551-KEC8-C10	GROMMET COVER	GROMMET COVER	1	
#	90306	90306-GLW0-C00	WASHER SEALING	NUT U FLANGE 12MM	1	
	94050	94050-08080	NUT FLANGE 8MM	NUT FLANGE 8MM	1	
	94101	94101-12800	WASHER PLAIN 12MM	WASHER PLAIN 12MM	1	
	95701-06008	95701-06008-08	BOLT FLANGE 6*8	BOLT FLANGE 6*8	2	
	95701-06012	95701-06012-08	BOLT FLANGE 6*12	BOLT FLANGE 6*12	2	
	95701-10035	95701-10035-08	BOLT FLANGE 10*35	BOLT FLANGE 10*35	1	
	95701-10045	95701-10045-08	BOLT FLANGE 10*45(C)	BOLT FLANGE 10*45(C)	1	



Sales mark	Ref no	Part no	Description	Reg description	Regd no	F17
------------	--------	---------	-------------	-----------------	---------	------------

52400		52400-LEF1-C1A	CUSHION ASSY RR	CUSHION ASSY RR	2	
94021		94021-10020-0S	NUT HEX CAP 10MM	NUT HEX CAP 10MM	4	
94101-10800		94101-10800	WASHER PLAIN 10*22*1.6	WASHER PLAIN 10*22*1.6	4	
94101-12800		94101-12800	WASHER PLAIN 12MM	WASHER PLAIN 12MM	2	
94102		94102-12800	WASHER PLAIN 12MM	WASHER PLAIN 12MM	2	

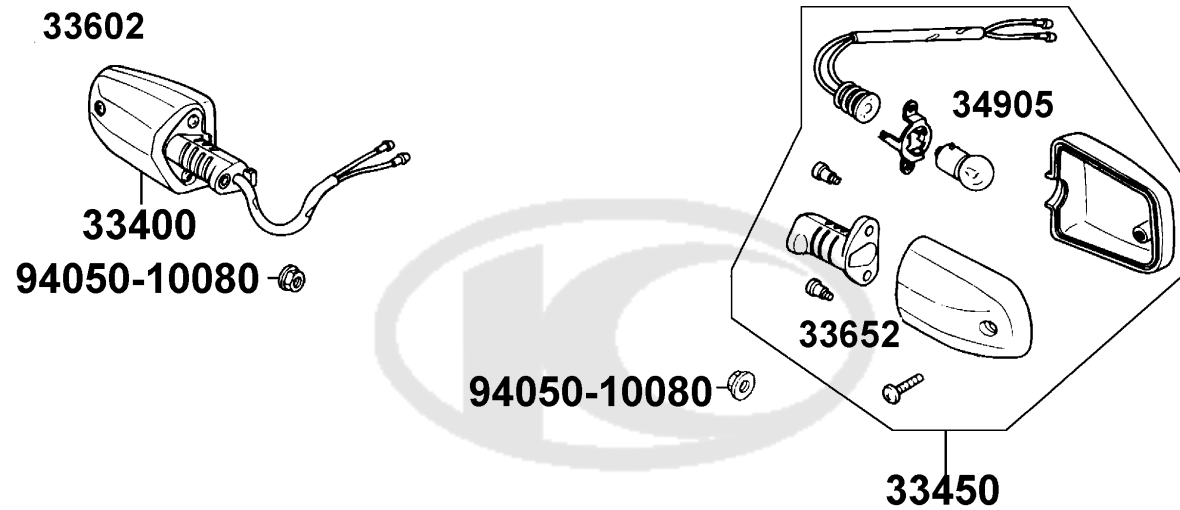




Sales mark	Ref no	Part no	Description	Reg description	Regd no	F18
#	33741-GFY6	33741-GFY6-C00	REFLEX REFLECTOR	REFLEX REFLECTOR	1	
#	33741-KEBE	33741-KEBE-C00	REFLEX REFLECTOR	REFLEX REFLECTOR	1	
**	80101	80101-LEF1-C10	FENDER RR INNER	FENDER RR INNER	1	
**	80105	80105-LEF1-C10	FENDER REAR INNER	FENDER REAR INNER	1	
	83551	83551-KKAK-C00	GROMMET AIR CLEANER C	GROMMET AIR CLEANER CASE	1	
	83554	83554-LAC1-C00	CUSH BATTER	CUSH BATTER	1	
	83555	83555-LAC1-C00	CUSH RR FENDER	CUSH RR FENDER	1	
	89010	89010-KBE2-C00	TOOL SET	TOOL SET	1	
#	89020	89020-LAC1-C10	TOOL BOX	TOOL BOX	1	
	89021	89021-LEF1-C10	"TOOL BOX ,COVER"	"TOOL BOX ,COVER"	1	
	90102	90102-06016-0G	SCREW SPECIAL 6*16?	SCREW SPECIAL 6*16?	3	
#	90302	90302-SDA4-C01	"NUT,SPPING 4MM"	"NUT,SPPING 4MM"	1	
	93404	93404-06012-07	BOLT WASH 6*12	BOLT WASH 6*12	4	
	93414	93414-06016-08	BOLT FLANGE6*16	BOLT FLANGE6*16	1	
	93891	93891-05016-07	SCREW WASHER 5*16 (K)	SCREW WASHER 5*16 (K)	2	
	93903-35380	93903-35380	SCREW TAPPING 5*16 (K)	SCREW TAPPING 5*16 (K)	2	
	93903-GFY6	93903-GFY6-C01	SCREW TAPPING 4*14(K)	"SCREW,TAPPING4*14"	1	
	94050-05080	94050-05080	NUT FLANGE 5MM	NUT FLANGE 5MM	1	
	94050-06080	94050-06080	NUT FLANGE 6MM	NUT FLANGE 6MM	5	

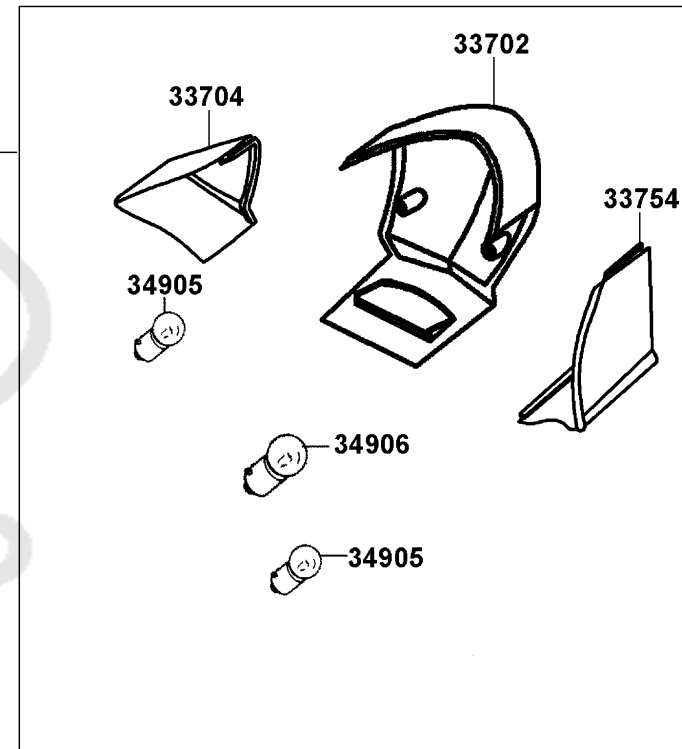
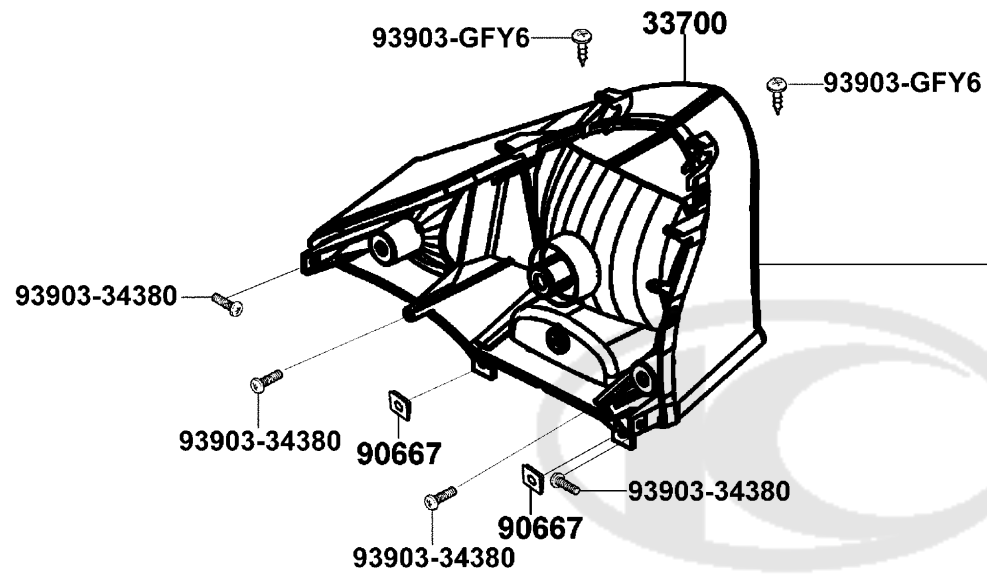
F19

Winker



Sales mark	Ref no	Part no	Description	Reg description	Regd no	F19
	33400	33400-LEF1-C10	WINKER ASSY R FR	WINKER ASSY R FR	1	
	33450	33450-LEF1-C10	WINKER ASSY L FR	WINKER ASSY L FR	1	
	33602	33602-LEF1-C10	LENS,R RR., WINKER	"LENS,R RR., WINKER"	1	
	33652	33652-LEF1-C10	LENS,L RR., WINKER	"LENS,L RR., WINKER"	1	
#	34905	34905-KHC4-C00	BULB WINKER	BULB WINKER	1	
	94050	94050-10080	NUT FLANGE 10MM	NUT FLANGE 10MM	2	





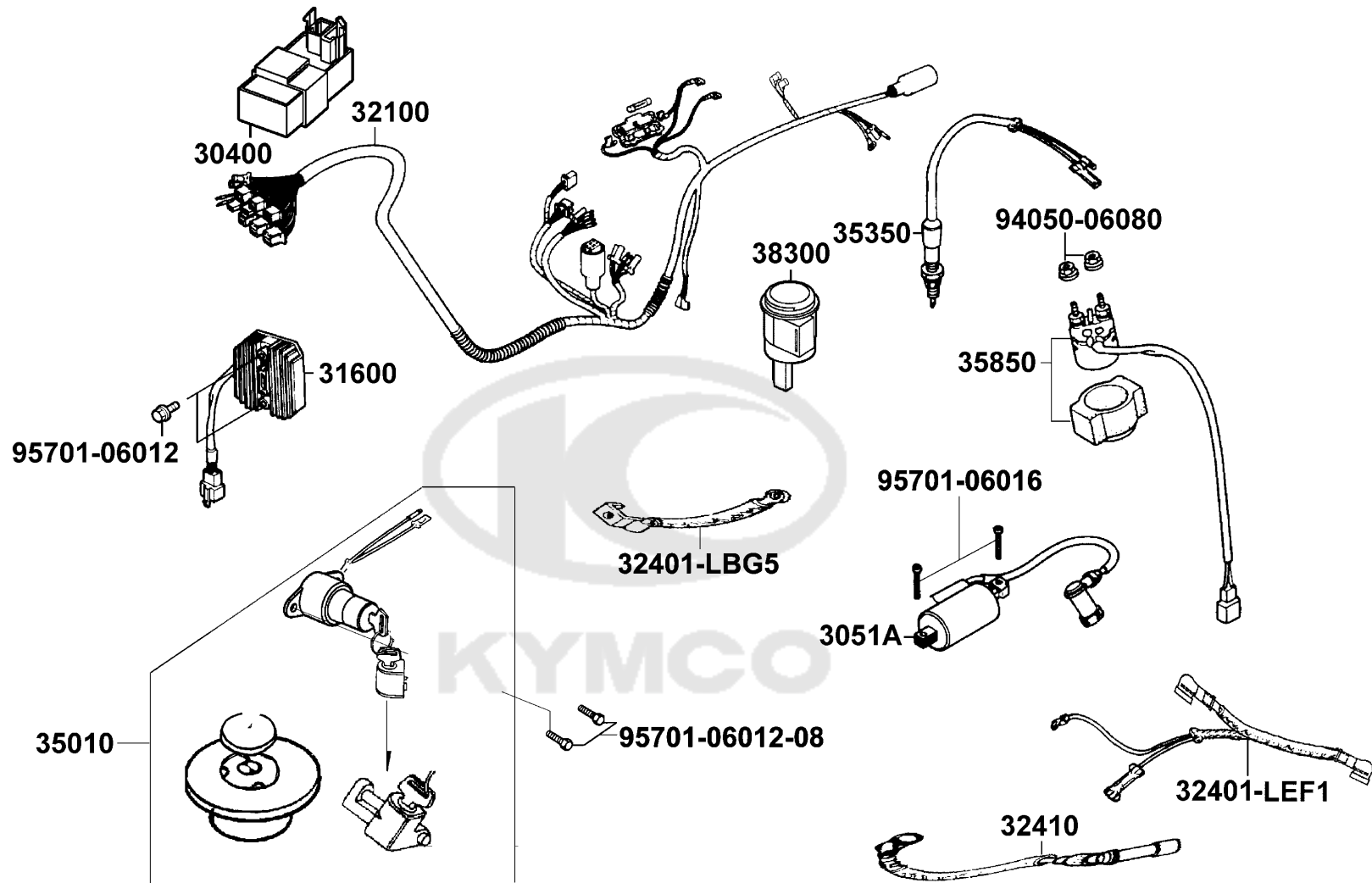
KYMCO

Sales mark	Ref no	Part no	Description	Reg description	Regd no	F20
	33700	33700-LEF1-C10	LIGHT ASSY RR COMB	LIGHT ASSY RR COMB	1	
	33702	33702-LEF1-C10	LENS, RR.COMB	"LENS, RR.COMB"	1	
	33704	33704-LEF1-C10	"LENS,R RR.WINKER"	"LENS,R RR.WINKER"	1	
	33754	33754-LEF1-C10	"LENS,L RR.WINKER"	"LENS,L RR.WINKER"	1	
#	34905	34905-KHC4-C00	BULB WINKER	BULB WINKER	1	
	34906	34906-LBA8-E80	BULB TAIL & STOP	BULB TAIL & STOP	1	
#	90677	90677-GAR1-C00	NUT CLIP 5MM	NUT CLIP 5MM	1	
	93903	93903-34380	SCREW TAPPING 4*12	SCREW TAPPING 4*12 (K)	4	
	93903-GFY6	93903-GFY6-C01	SCREW TAPPING 4*14(K)	"SCREW,TAPPING4*14"	1	

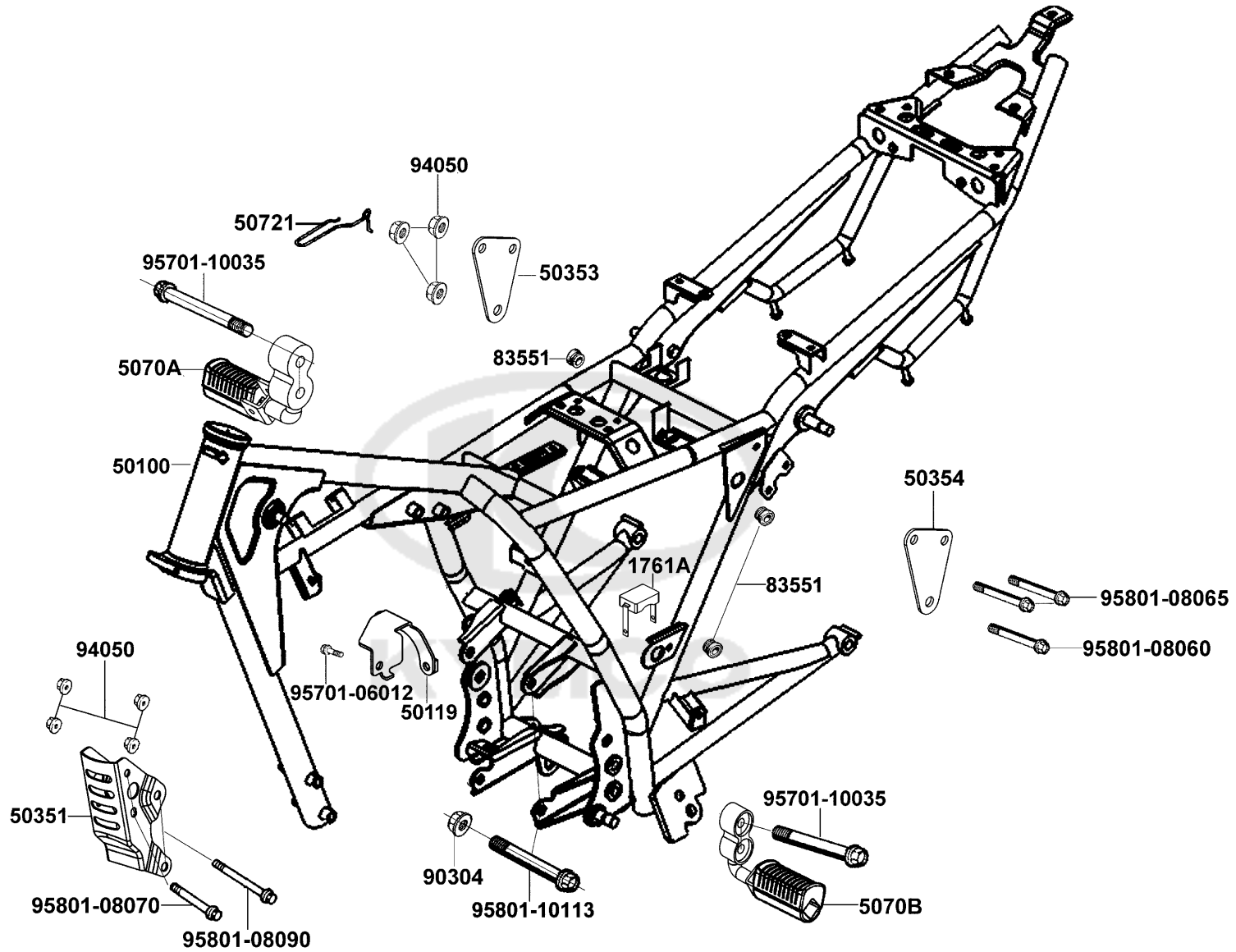


F21

Wire Harness



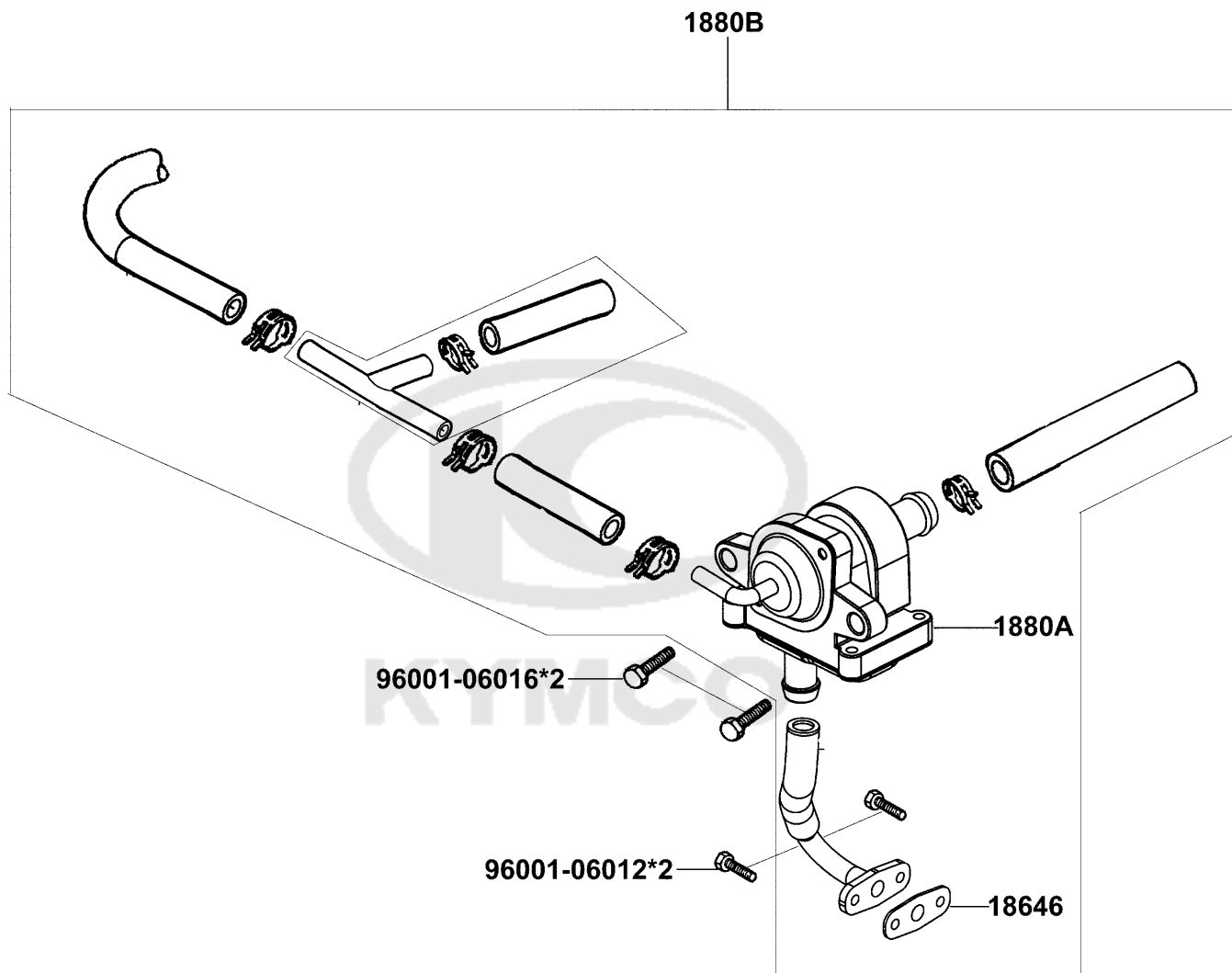
Sales mark	Ref no	Part no	Description	Reg description	Regd no	F21
	30400	30400-LFD8-C10	UNIT ASSY CDI	UNIT ASSY CDI	1	
#	3051A	3051A-KGE2-M90	IGN ASSY	IGN ASSY	1	
#	31600	31600-KAR1-C00	"RECTIFIER COMP.,REGULATOR"	"RECTIFIER COMP.,REGULATOR"	1	
	32100	32100-LGA9-C10	HRANES WIRE	HARNES WIRE	1	
	32401-LBG5	32401-LBG5-C10	CORD EARTH	CORD EARTH	1	
	32401-LEF1	32401-LEF1-C10	CABLE RELAY BATT	CABLE RELAY BATT	1	
	32410	32410-LEF1-C10	CABLE START MOTOR	CABLE START MOTOR	1	
	35010	35010-LEF1-C10	KEY SET	KEY SET	1	
	35350	35350-LEF1-C10	SWITCH RR STOP	SWITCH RR STOP	1	
	35850	35850-LCA3-B50	SET START MAG	SET START MAG	1	
#	38300	38300-LFC8-C10	RELAY ASSY WINKER	RELAY ASSY WINKER	1	
	94050	94050-06080	NUT FLANGE 6MM	NUT FLANGE 6MM	2	
	95701-06012	95701-06012-08	BOLT FLANGE 6*12	BOLT FLANGE 6*12	2	
	95701-06016	95701-06016-08	BOLT FLANGE 6*16 (C)	BOLT FLANGE 6*16	2	



Sales mark	Ref no	Part no	Description	Reg description	Regd no	F22
	1761A	1761A-LEF1-C10	"RUBBER COMP,OBSTRUCT CHAIN"	"RUBBER COMP,OBSTRUCT CHAIN"	1	
	50100	50100-LEF1-C11	BODY COMP FRAME	BODY COMP FRAME	1	
	50119	50119-LEF1-C10	STAY AICV	STAY AICV	1	
	50351	50351-LEF1-C10	PLATE FRONT ENGINE HANGER	PLATE FRONT ENGINE HANGER	1	
	50353	50353-LEF2-C10	PLATE R ENG UP HANGER	PLATE R ENG UP HANGER	1	
	50354	50354-LEF2-C10	PLATE L ENG UP HANGER	PLATE L ENG UP HANGER	1	
	5070A	5070A-LEF1-C10	BAR R P STEP ASSY	BAR R P STEP ASSY	1	
	5070B	5070B-LEF1-C10	BAR L P STEP ASSY	BAR L P STEP ASSY	1	
#	50721	50721-3B82-C00	GUIDE CLUTCH CABLE	GUIDE CLUTCH CABLE	1	
	83551	83551-LEF1-C10	RUBBER	RUBBER	3	
#	90304-GHE8	90304-GHE8-C00	NUT U 10MM (C)	NUT U 10MM (C)	1	
	94050	94050-08080	NUT FLANGE 8MM	NUT FLANGE 8MM	7	
	95701-06012	95701-06012-08	BOLT FLANGE 6*12	BOLT FLANGE 6*12	1	
	95701-10035	95701-10035-08	BOLT FLANGE 10*35	BOLT FLANGE 10*35	4	
	95801-08060	95801-08060-08	BOLT FLANGE 8*60 (C)	BOLT FLANGE 8*60 (C)	1	
	95801-08065	95801-08065-08	BOLT FLANGE 8*65	BOLT FLANGE 8*65	2	
	95801-08070	95801-08070-08	BOLT FLANGE 8*70	BOLT FLANGE 8*70 (C)	2	
	95801-08090	95801-08090-08	BOLT FLANGE 8*90	BOLT FLANGE 8*90	1	
	95801-10113	95801-10113-08	BOLT FLANGE 10*113	BOLT FLANGE 10*113	1	

F23

Air Injection Control Valve



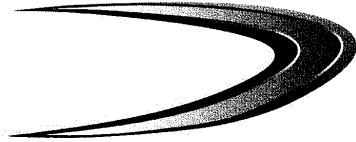
Sales mark	Ref no	Part no	Description	Reg description	Regd no	F23
------------	--------	---------	-------------	-----------------	---------	------------

18646	18646-LAC4-C12	18646-LAC4-C12	GASKET A/I PIPE	GASKET A/I PIPE	1	
1880A	1880A-LEF1-C10	1880A-LEF1-C10	A/I/C-AICV ASSY	A/I/C-AICV ASSY	1	
1880B	1880B-LEF1-C11	1880B-LEF1-C11	A/I/C-AICV,SET	A/I/C-AICV SET	1	
96001-06012	96001-06012-08G	96001-06012-08G	BOLT FLANGE SH 6X12 (C)	BOLT FLANGE SH 6X12 (C)	2	
96001-06016	96001-06016-08	96001-06016-08	BOLT FLANGE SH 6*16	BOLT FLANGE SH 6*16	2	

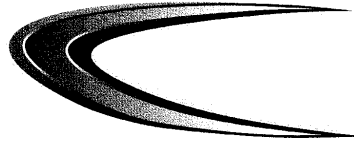


F24

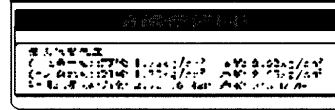
Emblem Stripe



86223-LEF1-E10



86233-LEF1-E10



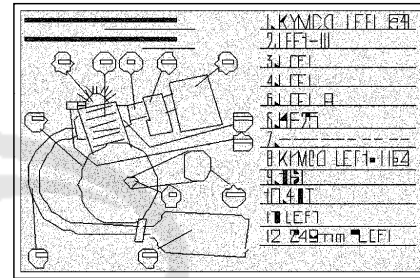
87505-LEF1-E00



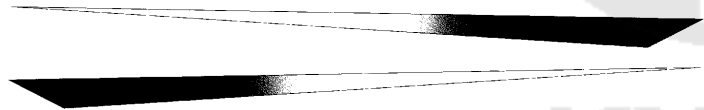
86323-LEF1-E10



86333-LEF1-E10



87224-LEF1-EY0



86423-LEF1-E10

86433-LEF1-E10



87556-LEJ2-E00



86203-LEF1-E10

Sales mark	Ref no	Part no	Description	Reg description	Regd no	F24
**	86203-LEF1-E10	86203-LEF1-E10	STRIPE LOGO A	STRIPE LOGO A	2	
**	86223-LEF1-E10	86223-LEF1-E10	STRIPE R FUEL TANK	STRIPE R FUEL TANK	1	
**	86233-LEF1-E10	86233-LEF1-E10	STRIPE L FUEL TANK	STRIPE L FUEL TANK	1	
**	86323-LEF1-E10	86323-LEF1-E10	STRIPE R SIDE COVER	STRIPE R SIDE COVER	1	
**	86333-LEF1-E10	86333-LEF1-E10	STRIPE L SIDE COVER	STRIPE L SIDE COVER	1	
**	86423-LEF1-E10	86423-LEF1-E10	STRIPE R BODY COVER	STRIPE R BODY COVER	1	
**	86433-LEF1-E10	86433-LEF1-E10	STRIPE L BODY COVER	STRIPE L BODY COVER	1	
**	87224-LEF1-EY0	87224-LEF1-EY0	STRIPE ANTI-TAMPERING	STRIPE ANTI-TAMPERING	1	
**	87505-LEF1-E00	87505-LEF1-E00	MARK TIRE CAUTION	MARK TIRE CAUTION	1	
**	87556-LEJ2-E00	87556-LEJ2-E00	STRIPE GRAB RR	STRIPE GRAB RR	1	



PART NO. INDEX

PART NO.	VERSION	PAGE	PART NO.	VERSION	PAGE	PART NO.	VERSION	PAGE
11000			13000			14771-1G07-C00	0	E02
11100-LBG5-C10	0	E07	13000-LEF1-C10	0	E08	14775-1G07-C00	0	E02
11191-LBG5-E90	0	E07	13011-LEF1-C10	1	E08	14776-1G07-C00	0	E02
11200-LBG5-C10	0	E07	13101-LEF1-C10	0	E08	14781-MDB4-000	0	E02
11330-LEF1-C10	0	E03	13111-4L40-C00	0	E08	15000		
11341-LEF1-C10	0	E06				15100-3E65-C00	0	E04
11355-LEF1-C10	0	E06	14000			15421-1G07-C00	1	E07
11361-LEF1-C10	0	E06				15426-1G07-C00	0	E07
11393-LBG5-E90	0	E03	14100-LEF1-C10	0	E02	15430-4L40-C00	0	E04
11395-LBG5-E90	0	E06	14321-LBG5-C10	0	E02	1543A-KGG7-C00	0	E04
			14401-LBG5-C10	0	E02	15451-1G07-C00	0	E04
12000			14431-LBG5-C10	0	E02	15459-1G07-C00	0	E04
12100-LEF1-C10	0	E01	14451-LBG5-C10	0	E02	15650-3C83-C00	1	E03
12191-LEF1-E90	0	E01	14456-LBG5-C10	0	E02	15760-LEF2-C10	1	F13
12200-LEF1-C10	0	E01	14500-LEF1-C10	0	E02	16000		
12208-4C13-C00	0	E02	14513-LBG5-C10	0	E07			
12251-LEF1-C10	0	E01	14520-LBG5-C10	0	E02	16012-LEF1-E00	0	E11
12271-LBG5-C10	0	E01	14523-LBG5-E90	0	E02	16075-LEF1-E00	0	E11
12340-LEF1-C10	0	E01	14535-4G37-C00	0	E02	1607A-LEF1-E00	0	E11
12361-1G07-000	0	E07	14550-LEF1-C10	0	E02	16087-LEF1-E00	0	E11
12361-1G07-001	0	E01	14711-LBG5-C10	0	E02	16088-KEC3-900	1	E11
12395-LBG5-C10	0	E01	14721-LBG5-C10	0	E02	16093-LEF2-900	0	E11
1243A-KBE2-C00	0	E03	14751-3C83-005	0	E02	16094-LEF1-E00	0	E11
			14761-3C83-C00	0	E02			

PART NO. INDEX

PART NO.	VERSION	PAGE	PART NO.	VERSION	PAGE	PART NO.	VERSION	PAGE
16095-LEF1-E00	0	E11	17910-LEF1-C10	0	F01	22870-LEF1-C10	0	F01
1610K-LEF1-C10	0	E11	17950-LEF1-C10	1	F01			
16116-LEF1-E00	0	E11				23000		
16123-LEF1-E00	0	E11	18000					
16131-LEF1-E00	0	E11				23121-3C83-C00	0	E04
16133-LEF1-E00	0	E11	18291-2F16-000	0	F14	23211-3C83-C00	0	E09
16138-LEF1-E00	0	E11	1830A-LEF1-E11	0	F14	2321A-3C83-0010	0	E09
16154-LEF2-900	0	E11	18318-LEF1-C11	0	F14	23221-1G07-C00	0	E09
16170-LEF1-E00	0	E11	18646-LAC4-C12	1	F23	2322A-1G07-0210	0	E09
16179-LEF1-E00	0	E11	1880A-LEF1-C10	1	F23	23426-4K39-C00	0	E09
16611-KGE2-C11	0	E03	1880B-LEF1-C11	0	F23	23427-4K39-C00	0	E09
1691A-LEF1-C10	0	F10				23431-4K39-C00	1	E09
16950-KKJ9-C00	4	F10	22000			23441-4K39-C00	0	E09
16956-LEF1-C10	0	F10				23451-4K39-C00	0	E09
			22100-3D24-C00	4	E05	23452-KW1-900	0	E09
17000			2210A-LBG5-C00	0	E05	23461-4K39-C00	3	E09
			2210B-LEF1-C10-S01	0	E05	23471-4K39-C00	1	E09
1711A-LEF1-C10	0	E01	22121-1G07-C00	2	E05	23481-4K39-C00	1	E09
17200-LEF1-C10	0	F13	22201-KKAK-C00	0	E05	23491-4K39-C00	0	E09
17211-LEF1-C10	0	F13	22311-1G07-C00	0	E05	23501-4K39-0010	1	E09
17509-LEF1-C10	1	F10	22350-1G07-C00	0	E05	23511-4K39-C00	1	E09
1750A-LEF1-305	0	F10	22361-4G37-C00	0	E05	23520-3C83-C00	0	E09
17514-LEF1-C10	0	F10	22366-LEF1-C10	0	E05	23531-4K39-C00	0	E09
17611-LEF1-C10	0	F10	22810-LEF2-C10	0	E03	23801-KYCY-C00	0	E09
17613-LEF1-C10	0	F10	22815-LBG5-C10	0	E03	23811-KCR3-C00	0	E09
1761A-LEF1-C10	0	F22	22838-3E55-C00	1	E07			

PART NO. INDEX

PART NO.	VERSION	PAGE	PART NO.	VERSION	PAGE	PART NO.	VERSION	PAGE
24000			28300-LEF1-C10	0	F15	33000		
24211-1G07-C00	2	E10	30000			33100-LGA9-C10	0	F02
24221-3E55-C00	1	E10	30400-LFD8-C10	0	F21	33400-LEF1-C10	1	F19
24231-1G07-C00	1	E10	3051A-KGE2-M90	2	F21	33450-LEF1-C10	0	F19
24241-1G07-C00	0	E10	31000			33602-LEF1-C10	0	F19
24301-LBG5-C10	0	E10	31100-LFD8-C10	0	E06	33652-LEF1-C10	0	F19
24411-KKAK-C00	0	E10	31110-LFD8-C10	0	E06	33700-LEF1-C10	2	F20
24430-3D24-C00	0	E10	31120-LFD8-C10	0	E06	33702-LEF1-C10	0	F20
24435-3C83-C00	0	E10	31200-LFD8-C10	0	E06	33704-LEF1-C10	0	F20
24610-KBE2-C30	1	E10	31500-LBG5-C1B	0	F13	33741-GFY6-C00	0	F04
2461A-KBE2-C30	1	E10	31600-KAR1-C00	2	F21	33741-GFY6-C00	0	F18
24621-1G07-C00	0	E10	32000			33741-KEBE-C00	0	F18
24631-1G07-C00	0	E10	32100-LGA9-C10	4	F21	33754-LEF1-C10	0	F20
24651-3H98-C00	0	E10	32401-LBG5-C10	0	F21	34000		
2470A-LEF1-C10	0	F15	32401-LEF1-C10	3	F21	34901-LBA8-E80	0	F02
28000			32410-LEF1-C10	2	F21	34905-KHC4-C00	0	F19
28110-LBG5-C10	0	E06	32906-1G07-001	1	E01	34905-KHC4-C00	0	F20
28120-LBG5-C10	0	E06	32976-LBG5-C10	0	E07	34906-LBA8-E80	1	F20
28130-LBG5-C10	0	E06				34908-LDD8-C50	0	F02
28132-LBG5-C10	0	E06						
28140-LBG5-C10	0	E06						
2825A-LEF1-C10	0	E09						

PART NO. INDEX

PART NO.	VERSION	PAGE	PART NO.	VERSION	PAGE	PART NO.	VERSION	PAGE
35000			4054A-LAC1-C00	0	F08	43141-LEF1-C10	0	F08
			41000			43410-LEF1-C10	0	F08
35010-LEF1-C10	0	F21				43431-LEF1-C11	0	F09
3515A-LEF1-C10	0	F01	41201-LEF1-C10	1	F09	43434-2F86-C00	0	F09
3521A-LEF1-C10	1	F01	41241-LEF1-C10	1	F09	4345A-LEF1-C11	0	F15
35350-LEF1-C10	4	F21				44000		
35357-LEF1-C11	0	F15	42000					
35750-LEF1-C10	0	E07				44301-KECE-C00	2	F16
35850-LCA3-B50	0	F21	42301-LBA8-C11	3	F07	44311-LBA8-C11	5	F07
			42301-LEF1-C10	2	F08	44600-LGA9-C10	0	F07
37000			42311-LEF1-C10	3	F08	44601-LGA9-C10	0	F07
			42313-LEF1-C10	1	F09	44620-LEF1-C10	0	F07
37200-LGA9-C10	0	F03	42600-LGA9-C10	0	F09	44710-LGA9-C10	0	F07
37260-LEF1-C10	0	F03	42601-LGA9-C10	0	F09	44711-LGA9-C10	0	F07
3780A-LEF1-C10	1	F10	42610-LEF1-C10	2	F09	44712-LGA9-C10	0	F07
			42611-LEF1-C10	0	F09	44800-LEF1-C10	1	F07
38000			42620-LEF1-C10	1	F09	44830-LEF1-C10	1	F03
			42625-LEF1-C10	0	F09			
38110-KHB4-E0B	1	F03	42711-LGA9-C10	0	F09	45000		
38300-LFC8-C10	2	F21	42712-LGA9-C10	0	F09			
						45105-LEF1-305	0	F01
40000			43000			45121-LEF1-C10	1	F07
						45126-LEF1-C10	1	F01
40510-LEF1-C10	0	F16	43000-LEF1-C11	0	F08	45127-LEF1-C10	0	F06
40530-LEF1-C10	1	F16	43120-LEF1-C11	2	F08	45155-LGA9-C10	0	F03

PART NO. INDEX

PART NO.	VERSION	PAGE	PART NO.	VERSION	PAGE	PART NO.	VERSION	PAGE
45156-LEF1-C10	2	F06	50526-LAC1-C00	0	F15	52147-KGB4-C10	0	F16
45157-LEF1-C10	0	F04	50530-LEF1-E00	1	F15	52400-LEF1-C1A	0	F17
45200-LEF1-C10	1	F01	50531-LBA8-E80	0	F15			
45451-4A71-C00	1	F05	50535-KKB1-E00	1	F15	53000		
45500-LEF1-C10	2	F01	50550-LEF1-E00	0	F15			
4550B-LEF1-C10	0	F01	5060A-LEF1-C10	1	F16	53102-LEF1-C10	0	F04
46000			5060B-LEF1-C10	1	F16	5310A-LEF1-C10	0	F04
			5070A-LEF1-C10	1	F22	5310B-LEF1-C10	0	F04
			5070B-LEF1-C10	1	F22	5310C-LEF1-C10	0	F01
46500-LEF1-C11	0	F15	50711-LEF1-C11	0	F16	53140-LCF7-C10	0	F01
46501-LEF1-C11	1	F15	50712-LEF1-C11	0	F16	53166-LCF7-C10	0	F01
4650A-LEF1-C11	0	F15	50721-3B82-C00	0	F22	53175-LEF1-C10	0	F01
46514-LEF1-C11	0	F15	51000			53178-LEF1-C10	0	F01
50000						53200-LEF1-C10	0	F04
						53211-LEF1-C10	0	F04
			51400-LEF1-C1A	0	F06	53212-LEF1-C10	0	F04
50100-LEF1-C11	7	F22	51500-LEF1-C1A	0	F06	53213-LEF1-C10	1	F04
50119-LEF1-C10	2	F22	51605-LGA9-C10	0	F03	53220-LEF1-C10	1	F04
50301-LEF1-C1A	0	F04	51606-LGA9-C10	0	F03	53230-LEF1-C10	0	F04
50302-LEF1-C1A	0	F04	51607-LGA9-C10	2	F03			
5032A-LEF1-C10	0	F13	51608-LGA9-C10	1	F03	61000		
50351-LEF1-C10	4	F22						
50353-LEF2-C10	4	F22	52000			61100-LEF1-C10	2	F05
50354-LEF2-C10	4	F22				61102-LEF1-C10	1	F05
5050A-LEF1-C10	3	F15	52100-LEF1-C11	0	F16	61103-LEF1-C10	1	F05
50524-LEF1-C10	0	F15	52107-LAC1-C00	0	F16	61401-LAC4-C12	0	F03

PART NO. INDEX

PART NO.	VERSION	PAGE	PART NO.	VERSION	PAGE	PART NO.	VERSION	PAGE
64000			83000			86233-LEF1-E10	0	F24
64250-LEF1-305	0	F10	83500-LEF1-305	0	F12	86323-LEF1-E10	0	F24
64255-LEF1-C10	1	F10	83500-LEF1-C10	0	F12	86333-LEF1-E10	0	F24
64260-LEF1-305	0	F10	83510-LEF1-305	0	F12	86423-LEF1-E10	0	F24
			83510-LEF1-C10	0	F12	86433-LEF1-E10	0	F24
77000			83550-KEC8-C00	4	F12	87000		
77200-LEF1-C10	0	F11	83551-KEC8-C10	4	F12	87224-LEF1-EY0	0	F24
77205-LEF1-C10	1	F11	83551-KEC8-C10	4	F16	87505-LEF1-E00	0	F24
			83551-KKAK-C00	0	F18	87556-LEJ2-E00	2	F24
			83551-LEF1-C10	1	F10			
80000			83551-LEF1-C10	1	F22	88000		
80101-LEF1-C10	0	F18	83554-LAC1-C00	0	F13	88110-LGA9-E00	0	F01
80101-LEF1-C10	1	F18	83554-LAC1-C00	0	F18	88120-LGA9-E00	0	F01
80105-LEF1-C10	0	F18	83555-LAC1-C00	0	F13			
80105-LEF1-C10	1	F18	83555-LAC1-C00	0	F18	89000		
			83600-LEF1-305	0	F12	89010-KBE2-C00	0	F18
			83600-LEF1-C10	0	F12	89020-LAC1-C10	0	F18
81000			83610-LEF1-305	0	F12	89021-LEF1-C10	0	F18
81147-LAC1-C00	0	F13	83610-LEF1-C10	0	F12			
81200-LEF1-C11	0	F11	86000			90000		
81201-LEF1-C10	2	F11	86203-LEF1-E10	0	F24	90005-KAW1-901	1	E02
81202-LEF1-C10	1	F11	86223-LEF1-E10	0	F24			

PART NO. INDEX

PART NO.	VERSION	PAGE	PART NO.	VERSION	PAGE	PART NO.	VERSION	PAGE
90031-1G07-C00	0	E07	90451-3E65-C00	1	E09	91254-LEF1-C10	1	F09
90032-1G07-C00	0	E07	90452-1G07-C00	1	E09	91301-1G07-C00	0	E01
90081-3E55-C12	0	E07	90453-1G07-C00	1	E09	91302-5G67-C00	0	E06
90084-KGG7-C10	0	E06	90454-1G07-C00	1	E09	91303-1G07-C00	0	E01
90087-4H28-E80	0	E06	90455-1G07-C00	1	E09	91303-1G07-C00	0	E07
90089-KSAS-C00	0	E06	90459-1G07-C00	0	E09	91303-3G77-C00	0	E06
90101-4L40-001	0	E04	90461-1G07-C00	0	E05	91306-1E05-C00	1	E02
90102-06016-0G	0	F18	90462-1G07-001	0	E09	91307-0E35-W10	1	E03
90108-KUDU-E00	1	F15	90474-1G47-C00	1	E06	91359-3A71-C00	0	E06
90127-LEF1-C10	2	F09	90481-0E35-C00	0	E02			
90145-9A61-C00	1	F01	90521-0H28-C00	0	F15	92000		
90163-KNCN-C00	0	E06	90522-2B22-C00	0	F09			
90231-2L00-C00	1	E04	90545-3L00-C00	2	F01	92000-06010-0H	0	E02
90301-LEF1-C11	0	F14	90605-2L00-C00	1	E09	92000-06010-0H	0	E09
90302-GFY6-C10	1	F10	90677-GAR1-C00	1	F20	92000-06025-0H	0	E10
90302-SDA4-C01	0	F12				92000-08025-0H	0	F15
90302-SDA4-C01	0	F18	91000			92000-08032-08	0	F09
90304-GHE8-C00	1	F15				92000-LKF3-C00	0	E10
90304-GHE8-C00	1	F22	91008-KFK6-C00	0	E05	92000-LKF3-C00	0	F15
90305-LEF1-C10	0	F09	91021-1H48-C00	0	E06			
90306-GLW0-C00	0	F07	91106-3C83-C00	1	E07	93000		
90306-GLW0-C00	0	F16	91106-LBG5-C10	0	E07			
90309-4H28-73A	0	F04	91201-0L30-C10	0	E09	93201-08040-CR	0	F04
90403-KFN6-C00	0	E06	91204-2K59-C00	0	E03	93201-10035-CR	0	F04
90442-0H28-C00	0	E01	91206-2F86-C00	0	E07	93404-06012-07	5	F15
90443-LBG5-C10	0	E01	91252-LBA8-C11	1	F07	93404-06012-07	5	F18

PART NO. INDEX

PART NO.	VERSION	PAGE	PART NO.	VERSION	PAGE	PART NO.	VERSION	PAGE
93404-06012-08	0	F12	94050-10080	1	F19	95014-75110	0	E05
93414-06016-08	0	F13	94101-08800	0	F09	95701-06008-08	0	F16
93414-06016-08	0	F18	94101-10800	1	F17	95701-06012-07	3	F03
93414-06035-08	0	F10	94101-12800	0	F16	95701-06012-08	3	F03
93500-LEF1-E00	0	E11	94101-12800	0	F17	95701-06012-08	3	F06
93600-06012-0A	0	E02	94102-08000	5	F04	95701-06012-08	3	F13
93700-05012-0H	0	E04	94102-10000	0	F04	95701-06012-08	3	F16
93700-05025-06	0	F03	94102-12800	0	F17	95701-06012-08	3	F21
93891-05016-07	0	F18	94102-LEF1-C10	0	F04	95701-06012-08	3	F22
93903-34380	6	F12	94111-08000	0	F04	95701-06014-08	0	E07
93903-34380	6	F20	94111-10000	0	F04	95701-06016-07	3	F03
93903-35380	2	F18	94201-16150	0	F09	95701-06016-08	1	F21
93903-GFY6-C01	1	F18	94201-20150	0	F09	95701-06022-08	0	E05
93903-GFY6-C01	1	F20	94201-30250	0	F15	95701-06028-07	1	E06
			94301-08140	4	E03	95701-08016-08	1	F03
94000			94301-10140	0	E06	95701-08016-08	1	F05
			94301-10140	0	E07	95701-08016-08	1	F11
94001-08080-0S	0	F08	94301-10200-M2	1	E01	95701-08030-08	0	F11
94001-08080-0S	0	F09	94510-16000	0	E09	95701-10020-07	0	F02
94021-10020-0S	0	F17	94510-20000	1	E05	95701-10035-08	0	F16
94050-05080	6	F18	94510-20000	1	E09	95701-10035-08	0	F22
94050-06080	2	F10	94601-15000	10	E08	95701-10045-08	0	F16
94050-06080	2	F18				95701-10065-08	0	F15
94050-06080	2	F21	95000			95801-08060-08	0	F22
94050-08080	4	F16				95801-08065-08	0	F22
94050-08080	4	F22	95012-LEJ2-E10	0	F13	95801-08070-08	0	F22

PART NO. INDEX

PART NO.	VERSION	PAGE	PART NO.	VERSION	PAGE	PART NO.	VERSION	PAGE
95801-08090-08	0	F22	96130-62040-10	0	F09			
95801-10113-08	0	F22	96211-06000	0	F04			
95801-LEF1-C10	1	F01	96211-08000	19	F04			
96000			96220-40100	0	E10			
			96700-06016-08	0	E02			
			96700-06110-06	0	E01			
96001-06012-00	0	E07	96700-08035-02	0	F04			
96001-06012-08G	1	F23	96700-LEF1-C10	1	F07			
96001-06016-08	6	F23						
96001-06020-06	0	E01	98000					
96001-06020-06	0	E06						
96001-06025-06	1	E03	98069-58911	0	E01			
96001-06025-06	1	E06						
96001-06025-08	4	E06						
96001-06040-06	1	E03						
96001-06040-06	1	E06						
96001-06050-00	0	E07						
96001-06050-07	0	E03						
96001-06050-07	0	E06						
96001-LEF1-C10	0	F04						
96100-60060-00	0	E09						
96100-62040-00	0	E09						
96120-62020-00	0	E09						
96120-62020-00	0	F09						
96120-63010-10	0	F07						
96120-63020-10	0	F09						