

# PARTS CATALOGUE



## SCOOTERS

SK25AA(PT)

DOWNTOWN 125i 2009Y



Release Date : 2019/02/20  
Print Date : 2022/10/14

## ABOUT THIS PARTS LIST

- This parts list is compiled all service parts for model SK25AA(PT).
- Any difference between color chart and motorcycle will be revised according to motorcycle.
- The Mark:
  1. Marking "\*\*\*" must add color code in the end before ordering parts.
  2. Marking "#" are parts with modification, Please find the details from e-Parts system.
- When modification or additions to this parts list are made a revised edition at an appropriate time.



# CONTENTS

● ABOUT THIS PARTS LIST .....	1
● COLOR CHART OF SK25AA(PT) .....	3
● CONTENTS-ENGINE GROUP .....	7
● CONTENTS-FRAME GROUP .....	8
● ENGINE PARTS LIST .....	11
● FRAME PARTS LIST .....	43
● PART NO. INDEX .....	113

NO	MODEL			COLOR CHART OF SK25AA(PT)			
	PHOTO NO			NO. 1	NO. 2	NO. 3	
	BASIC COLOR			Dark Gray Metallic	Dark Gray Metallic	Ivory White	
	CODE			Dark Gray Metallic	Dark Gray Metallic	Ivory White	
	PARTS NAME	PARTS NO.	VERSION	NH124MA	NH230MA	NH190PA	
1	FENDER FR	61100-LEA7-E00	4	D0M	D1J	D1Y	
2	COSMETIC METER	37216-LEA7-E00	1		HZP		
3	WIND SCREEN	64220-LEA7-E00	7		L9R		
4	LEVER R STRG HANDLE	53175-KKE5-E00	0		M3A		
5	LEVER L STRG HANDLE	53178-KKE5-E00	0				
6	COVER COMP R CRANK	11330-LFA7-E00	9		MLA		
7	LID FR COVER	64307-LEA7-E00	4				
8	MESH UNDER COWL	64401-LEA7-E00	4				
9	TUNNEL LEG SHIELD	81141-LEA7-E00	3		N1P		
10	MIRROR ASSY R BACK	88110-LEA7-E01	1				
11	MIRROR ASSY L BACK	88120-LEA7-E01	1				
12	COVER COMP L SIDE	11340-LFA7-E00	4				
13	UNDER COVER.ASSY.	5061A-LEA7-E00	4				
14	GRIP R HANDLE	53140-LEA7-E00	6				
15	GRIP L HANDLE	53150-LEA6-900	6				
16	COVER METER FR	53203-LEA7-E00	5				
17	COVER METER RR	53204-LEA7-E00	9				
18	COVER HANDLE UP	53205-LEA7-E00	5		N1R		
19	COVER HANDLE LOW	53206-LEA7-E00	4				
20	FENDER FR INNER	61101-LEA7-E00	3				
21	PLUG WIND SCREEN	64223-LEA7-E00	5				
22	FLOOR PANEL R	64310-LEA7-E00	5				
23	LID RESERVE TANK	64311-LEA7-E00	3				
24	BOARD R PANEL FLOOR	64312-LEA7-E00	6				
25	BOARD L PANEL FLOOR	64313-LEA7-E00	6				
DATE OF STARTING-SALES							
DATE OF END-SALES							

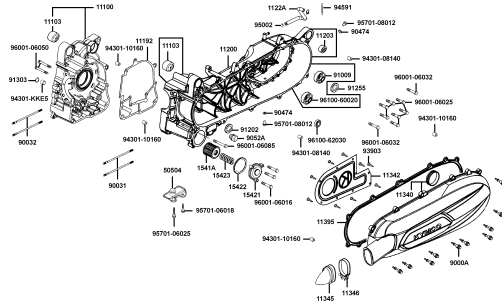
NO	MODEL			COLOR CHART OF SK25AA(PT)			
	PHOTO NO			NO. 1	NO. 2	NO. 3	
	BASIC COLOR			Dark Gray Metallic	Dark Gray Metallic	Ivory White	
	CODE			Dark Gray Metallic	Dark Gray Metallic	Ivory White	
	PARTS NAME	PARTS NO.	VERSION	NH124MA	NH230MA	NH190PA	
26	MAT R FLOOR	64320-LEA7-E00	3	N1R			
27	FLOOR PANEL L	64330-LEA7-E00	5				
28	MAT L FLOOR	64340-LEA7-E00	3				
29	MAT R LEG SHIELD	64350-LEA7-E00	5				
30	MAT L LEG SHIELD	64360-LEA7-E00	3				
31	COWL UNDER	64400-LEA7-E00	6				
32	UNDER COWL LOW	64500-LEA7-E00	4				
33	FENDER RR TIRE	80100-LEA7-E00	6				
34	FENDER RR INNER	80101-LEA7-E00	4				
35	FENDER RR	80105-LEA7-E00	4				
36	FENDER LOW RR	80106-LEA7-E00	3				
37	COVER LICENSE LIGHT	80107-LEA7-E00	3				
38	COVER CENTER	80151-LEA7-E00	4				
39	COVER PLUG MAINT	80152-LEA7-E00	7				
40	LEG SHIELD	81131-LEA7-E00	8				
41	LID L/H FR INNER BOX	81132-LEA7-E00	8				
42	BOX L/H FR INNER	81134-LEA7-E00	6				
43	FR INNER BOX ASSY	8113A-LEA7-E00	9				
44	CAP MIRROR BRKT	88115-LBA2-E02	1				
45	END R HANDLE	53105-LEA7-E00	4				N1S
46	COVERWATER PUMP	19221-LFA7-E00	3	NEA			
47	WHEEL COMP RR	42601-LEA7-E00	7				
48	CALIPER ASSY RR	43100-LEA7-E00	7				
49	WHEEL ASSY FR	44600-LEA7-305	0				
50	CALIPER ASSY. FR	45200-LEA7-E00	8				
DATE OF STARTING-SALES							
DATE OF END-SALES							

NO	MODEL			COLOR CHART OF SK25AA(PT)			
	PHOTO NO			NO. 1	NO. 2	NO. 3	
	BASIC COLOR			Dark Gray Metallic	Dark Gray Metallic	Ivory White	
	CODE			Dark Gray Metallic	Dark Gray Metallic	Ivory White	
	PARTS NAME	PARTS NO.	VERSION	NH124MA	NH230MA	NH190PA	
51	FORK ASSY R FR	51400-LEA7-E00	6	NEA			
52	BOTTOM CASE R	51420-LEA7-E00	0				
53	FORK ASSY L FR	51500-LEA7-E00	6				
54	BOTTOM CASE L	51520-LEA7-E00	0				
55	FORK ASSY. RR	52000-LFA7-E00	6				
56	CAP ACG	90084-KKF9-901	0				
57	CAP ASSY 30MM	9008A-KBE2-900	0				
58	BOARD R FR COVER	64303-LEA7-E00	3	NEP			
59	BOARD L FR COVER	64304-LEA7-E00	3				
60	SKIRT R SIDE	64305-LEA7-E00	3				
61	SKIRT L SIDE	64306-LEA7-E00	3				
62	MOLDING RR CENTER	83751-LEA7-E00	2				
63	CUSHION ASSY RR	52400-LFA7-E00	3	NES			
64	COVER FR	64301-LEA7-E00	2	NFP	HKP	HXP	
65	COVER R BODY	83500-LEA7-E00	3				
66	COVER L BODY	83600-LEA7-E00	3				
67	COVER RR CENTER	83750-LEA7-E00	2	T01			
68	SEAT ASSY (REACH)	77200-LEA7-305	0				
69	EMB K-LOGO 28mm	86102-LEA5-E00	2				
70	EMB BODY COVER	86202-LEA7-E01	3				
71	EMB MARK 125i	87140-LFA7-E00	4				
72	CAUTION ANTI	87224-LFA7-EY0	1				
73	STRIPE MARK EURO 3	87311-LCD3-E00	1				
74	LABEL TIRE	87505-LEA7-E01	1				
75	LABEL CLEANNESS	87508-KKC4-E00	2				
DATE OF STARTING-SALES							
DATE OF END-SALES							

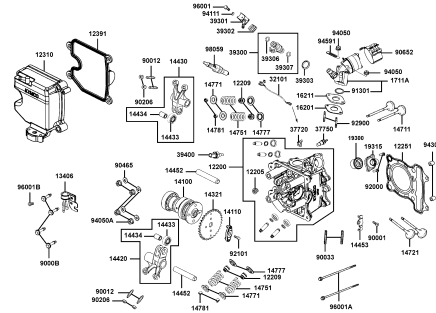


# CONTENTS - ENGINE GROUP

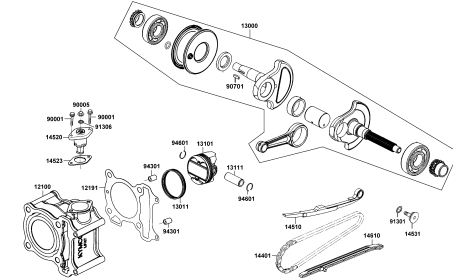
## E01 Crank Case



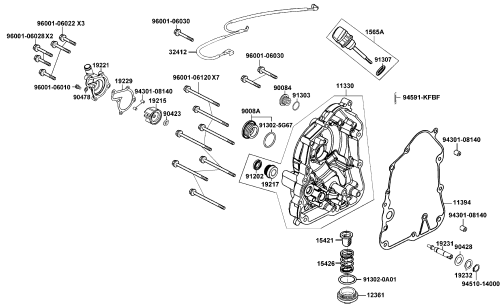
## E02 Cylinder Head Cover Cylinder



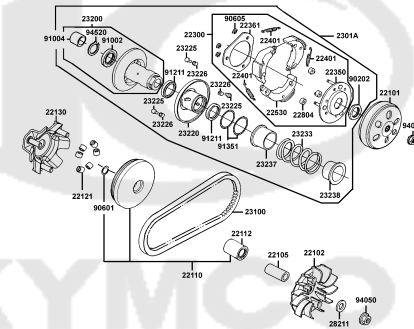
## E03 Cylinder Piston Crankshaft



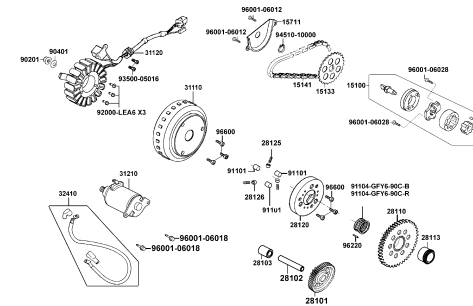
## E04 Right Crankcase Cover



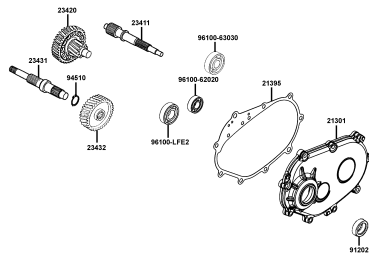
## E05 Pulley



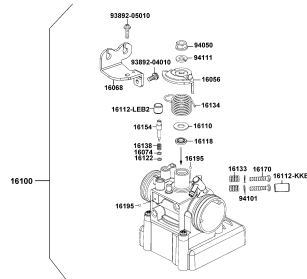
## E06 Starting Motor Oil



## E07 Transmission



## E08 Throttle Body Assy





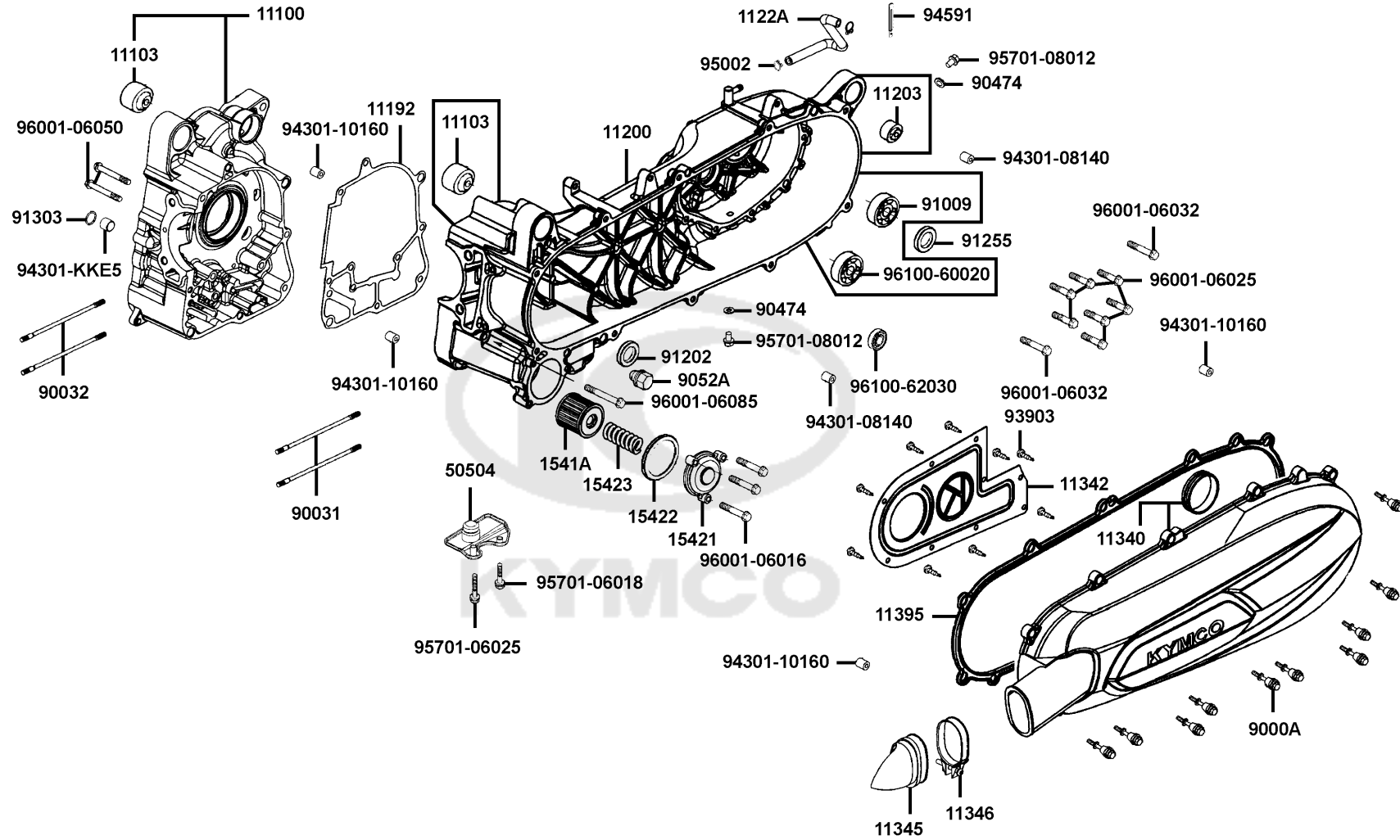






E01

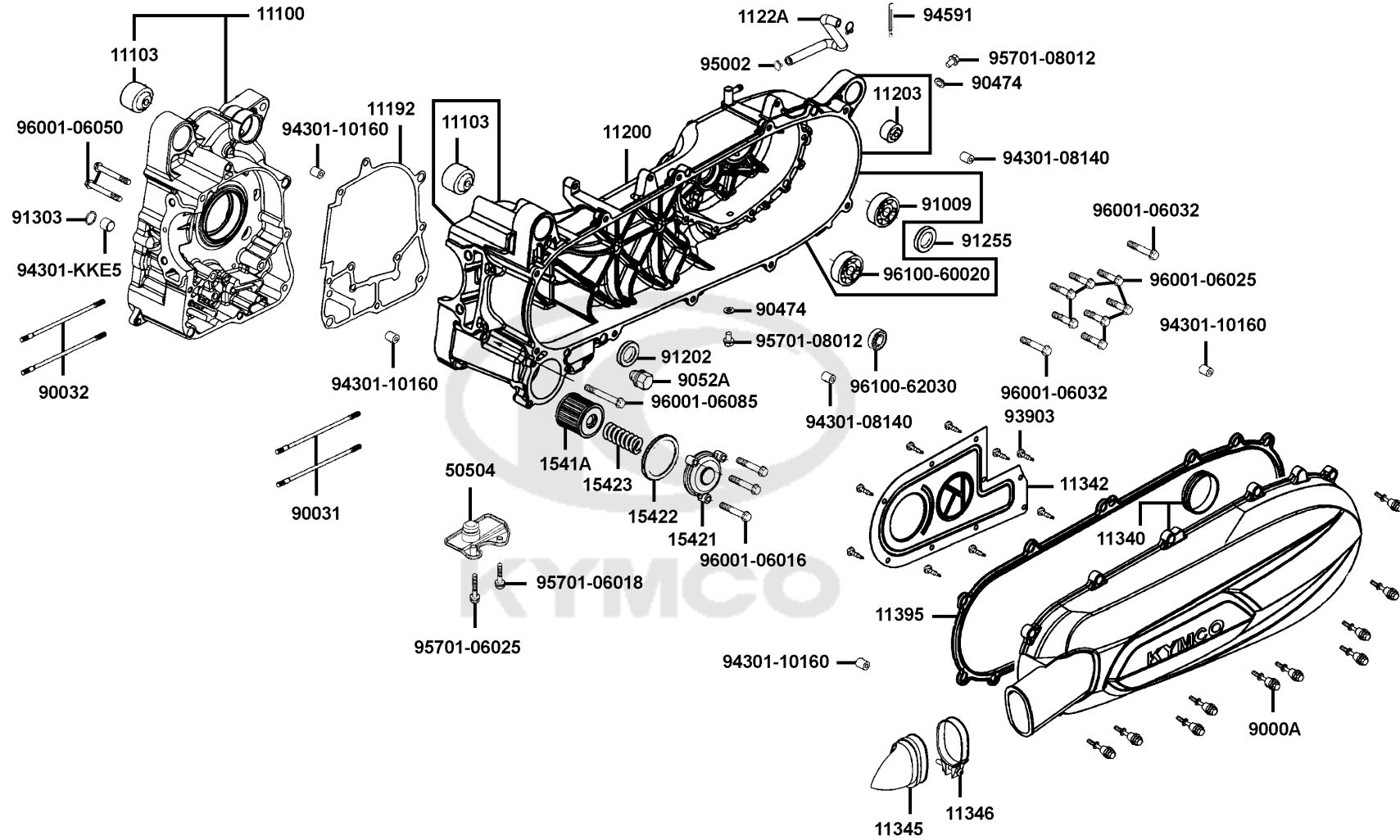
# Crank Case



Sales mark	Ref no	Part no	Description	Reg description	Regd no	E01
	11100	11100-LFA7-305	CRANK CASR SET RIGHT	CRANK CASR SET RIGHT	1	
	11103	11103-KHE7-900	RUB BUSH ENG HANGER	RUB BUSH ENG HANGER	2	
	11192	11192-LFA7-E00	GASKET CRANK CASE @A	GASKET CRANK CASE @A	1	
	11200	11200-LFA7-305	CRANK CASE ASSY LEFT	CRANK CASE ASSY LEFT	1	
	11203	11203-LBA2-E00	RUB BUSH L CASE	RUB BUSH L CASE	2	
	1122A	1122A-LEB1-900	TUBE ASSY BREATHER	TUBE ASSY BREATHER	1	
**	11340	11340-LFA7-E00	COVER COMP L SIDE	COVER COMP L SIDE	1	
#	11342	11342-LFA7-900	PLATE L COVER	PLATE L COVER	1	
	11342	11342-LFA7-E00	PLATE L COVER	PLATE L COVER	1	
	11345	11345-LEA7-E00	DUCT L COVER	DUCT L COVER	1	
	11346	11346-GFY6-901	BAND L COVER DUCT	BAND L COVER DUCT	1	
	11395	11395-LFA7-E00	GASKET L COVER	GASKET L COVER	1	
	1541A	1541A-LEA7-E00	ELEMENT ASSY OIL FILTER	ELEMENT ASSY OIL FILTER	1	
	15421	15421-KKC3-900	CAP OIL FILTER	CAP OIL FILTER	1	
	15422	15422-KKC3-900	O RING 53.65*2.62	O RING 53.65*2.62	1	
	15423	15423-KKC3-900	SPRING CAP OIL	SPRING CAP OIL	1	
	50504	50504-LFA7-E00	STAY MAIN STAND COMP.	STAY MAIN STAND COMP.	1	
	9000A	9000A-KTDT-900	BOLT ASSY SPECIAL 6X29.5	BOLT ASSY SPECIAL 6X29.5	10	
	90031	90031-KHD6-900	BOLT A STUD 8*218	BOLT A STUD 8*218	2	
	90032	90032-KHD6-900	BOLT B STUD 8*210	BOLT B STUD 8*210	2	

E01

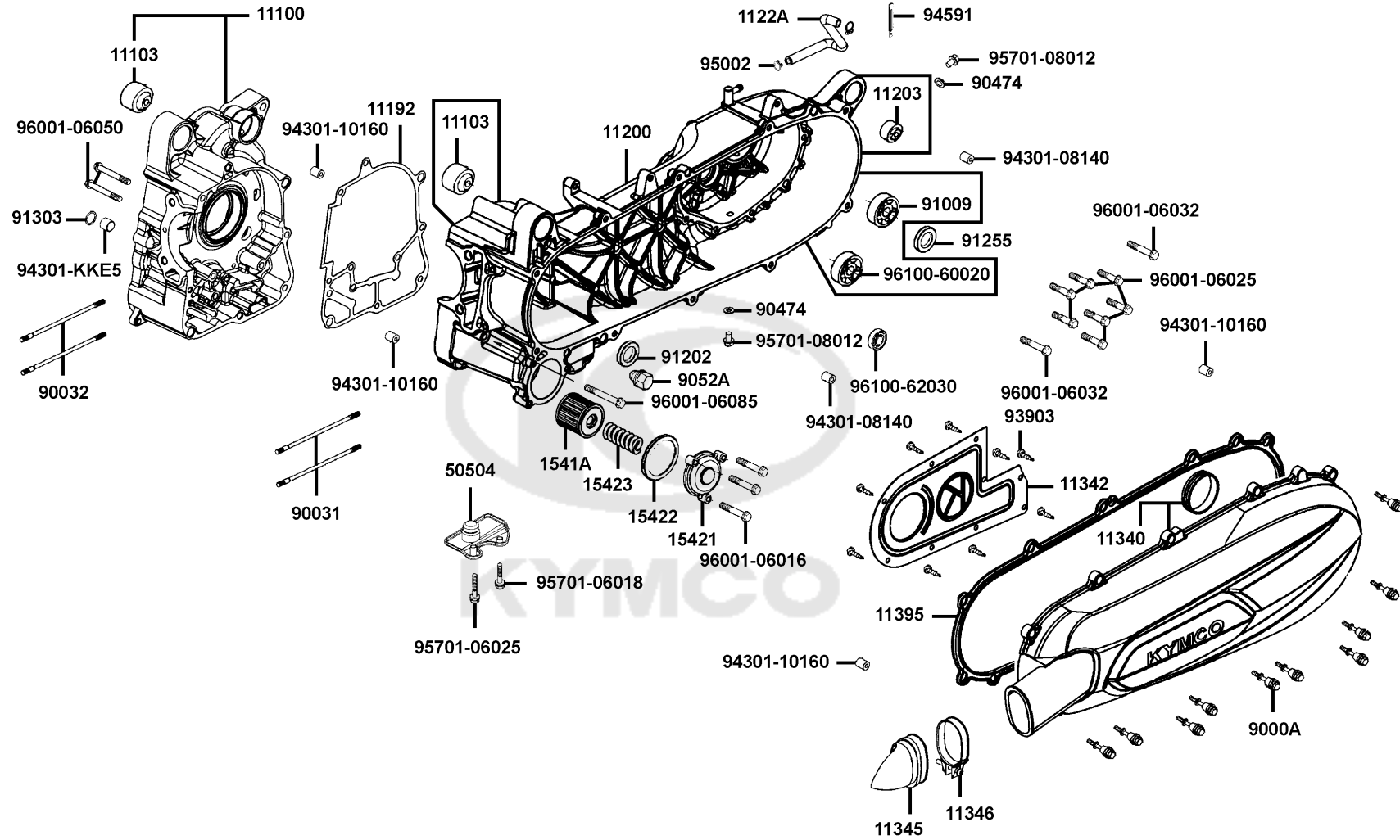
# Crank Case



Sales mark	Ref no	Part no	Description	Reg description	Regd no	E01
	90474	90474-3C33-001	WASHER 8MM	WASHER 8MM	2	
	9052A	9052A-LEB1-900	BOLT ASSY DRAIN PLUG	BOLT ASSY DRAIN PLUG	1	
	91009	91009-KHE7-900	BRG BALL RADIAL 6205LLU	BRG BALL RADIAL 6205LLU	1	
	91202	91202-LEB1-900	OIL SEAL 25*35*5	OIL SEAL 25*35*5	1	
	91255	91255-KHE7-900	OIL SEAL 34*52*7	OIL SEAL 34*52*7	1	
#	91255	91255-KHE7-90A	OIL SEAL 34*52*7	OIL SEAL 34*52*7	1	
	91303	91303-KKE5-E00	O-RING 14.8x2.4	O-RING 14.8x2.4	1	
#	93903	93903-35360	SCREW TAPPING 5*16	SCREW TAPPING 5*16	9	
	94301-08140	94301-08140	DOWEL PIN 8*14	DOWEL PIN 8*14	2	
	94301-10160	94301-10160	DOWEL PIN 10*16	DOWEL PIN 10*16	4	
	94301-KKE5	94301-KKE5-E00	DOWEL PIN 15x10	DOWEL PIN 15x10	1	
	94591	94591-LEE8-E00	CLIP 2*100	CLIP 2*100	1	
	95002	95002-50000	CLIP C9 TUBE	CLIP C9 TUBE	1	
#	95701-06018	95701-06018-06	BOLT FLANGE 6X18	BOLT FLANGE 6X18	1	
#	95701-06025	95701-06025-06	BOLT FLANGE 6*25	BOLT FLANGE 6*25	1	
#	95701-08012	95701-08012-06	BOLT FLANGE 8*12	BOLT FLANGE 8*12	1	
#	96001-06016	96001-06016-06	BOLT FLANGE SH 6X16	BOLT FLANGE SH 6*16	1	
#	96001-06025	96001-06025-06	BOLT FLANGE SH 6*25	BOLT FLANGE SH 6*25	1	
#	96001-06032	96001-06032-06	BOLT FLANGE 6*32	BOLT FLANGE 6*32	1	
#	96001-06050	96001-06050-06	BOLT FLANGE SH 6*50	BOLT FLANGE SH 6*50	1	

E01

# Crank Case



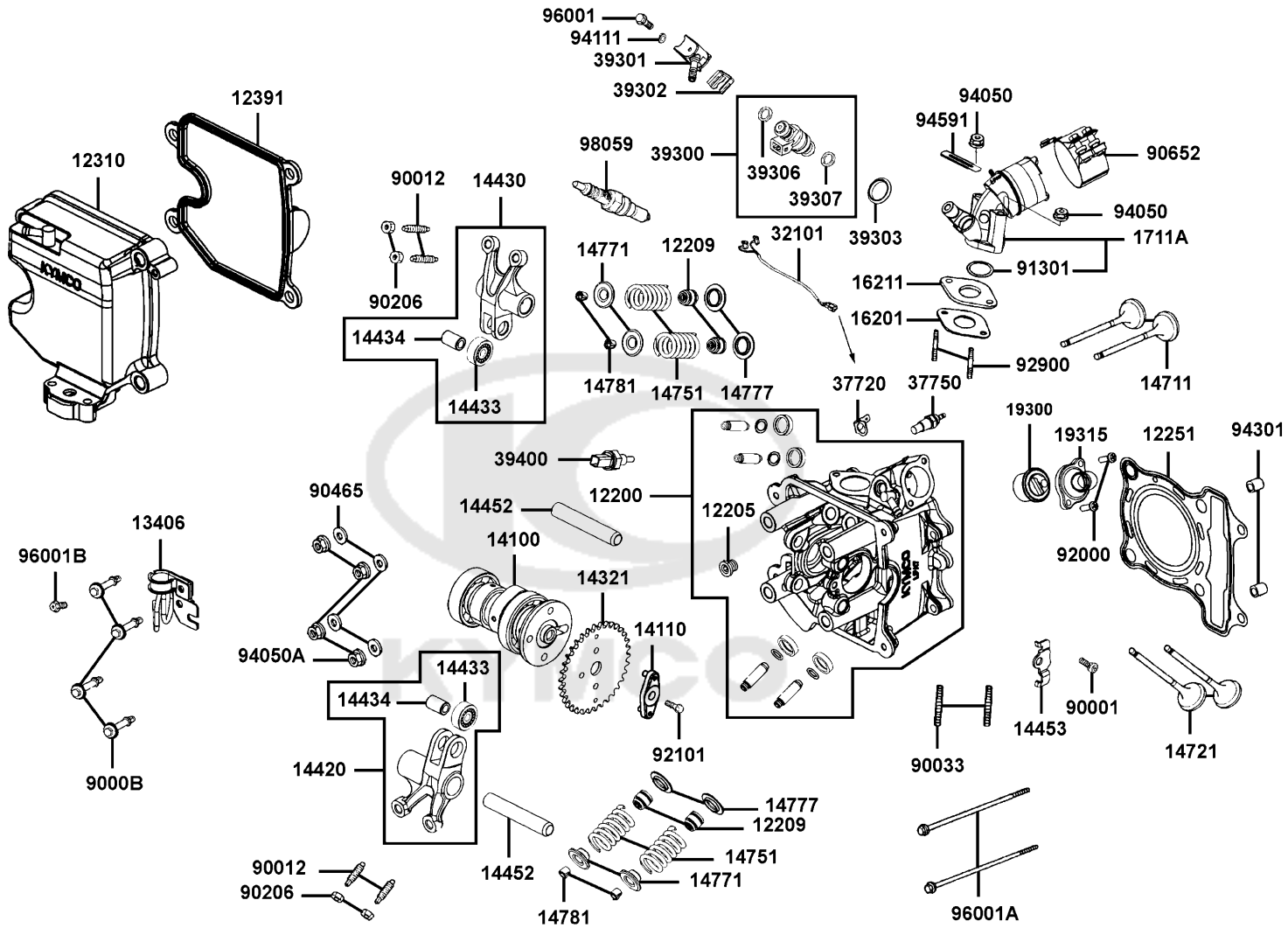


Sales mark	Ref no	Part no	Description	Reg description	Regd no	<b>E01</b>
------------	--------	---------	-------------	-----------------	---------	------------

#	96001-06085	96001-06085-06	BOLT FLANGE 6*85	BOLT FLANGE 6*85	1	
	96100-60020	96100-60020-00	BRG BALL RADIAL 6002	BRG BALL RADIAL 6002	1	
	96100-62030	96100-62030-00	BRG BALL RADIAL 6203	BRG BALL RADIAL 6203	1	



# Cylinder Head Cover Cylinder Head



Sales mark	Ref no	Part no	Description	Reg description	Regd no	E02
12200		12200-LFA7-E00	HEAD COMP CYLINDER	HEAD COMP CYLINDER	1	
12205		12205-KHE8-301	BOLT SEALING 12MM	BOLT SEALING 12MM	1	
12209		12209-LEA2-90A	SEAL VALVE STEM	SEAL VALVE STEM	4	
12251		12251-LFA7-E00	GASKET CYLINDER HEAD	GASKET CYLINDER HEAD	1	
12310		12310-LFA7-E00	COVER COMP HEAD	COVER COMP HEAD	1	
12391		12391-LFA7-E00	GASKET HEAD COVER	GASKET HEAD COVER	1	
13406		13406-LFA7-E00	STAY.FUEL HOSE	STAY.FUEL HOSE	1	
14100		14100-LFA7-E00	SHAFT COMP CAM	SHAFT COMP CAM	1	
14110		14110-LEB1-900	FIXTURE CAMSHAFT	FIXTURE CAMSHAFT	1	
14321		14321-LEB1-900	SPROCKET CAM	SPROCKET CAM	1	
14420		14420-LEB1-900	ARM COMP EXH VALVE ROCKER	ARM COMP EXH VALVE ROCKER	1	
14430		14430-LEB1-900	ARM COMP IN VALVE ROCKER	ARM COMP IN VALVE ROCKER	1	
14433		14433-LEB1-900	ROLLER ASSY ROCKER ARM	ROLLER ASSY ROCKER ARM	1	
14434		14434-LEB1-900	PIN ROCKER ARM	PIN ROCKER ARM	1	
14452		14452-LFA7-E00	SHAFT ROCKER ARM	SHAFT ROCKER ARM	1	
14453		14453-LFA7-E00	PLATE STOPPER	PLATE STOPPER	1	
14711		14711-LFA7-E00	VALVE INLET	VALVE INLET	2	
14721		14721-LFA7-E00	VALVE EXHAUST	VALVE EXHAUST	2	
14751		14751-KHD6-900	SPG VALVE OUTER	SPG VALVE OUTER	4	
14771		14771-LEA2-900	RETAINER UPPER SPRING	RETAINER UPPER SPRING	4	



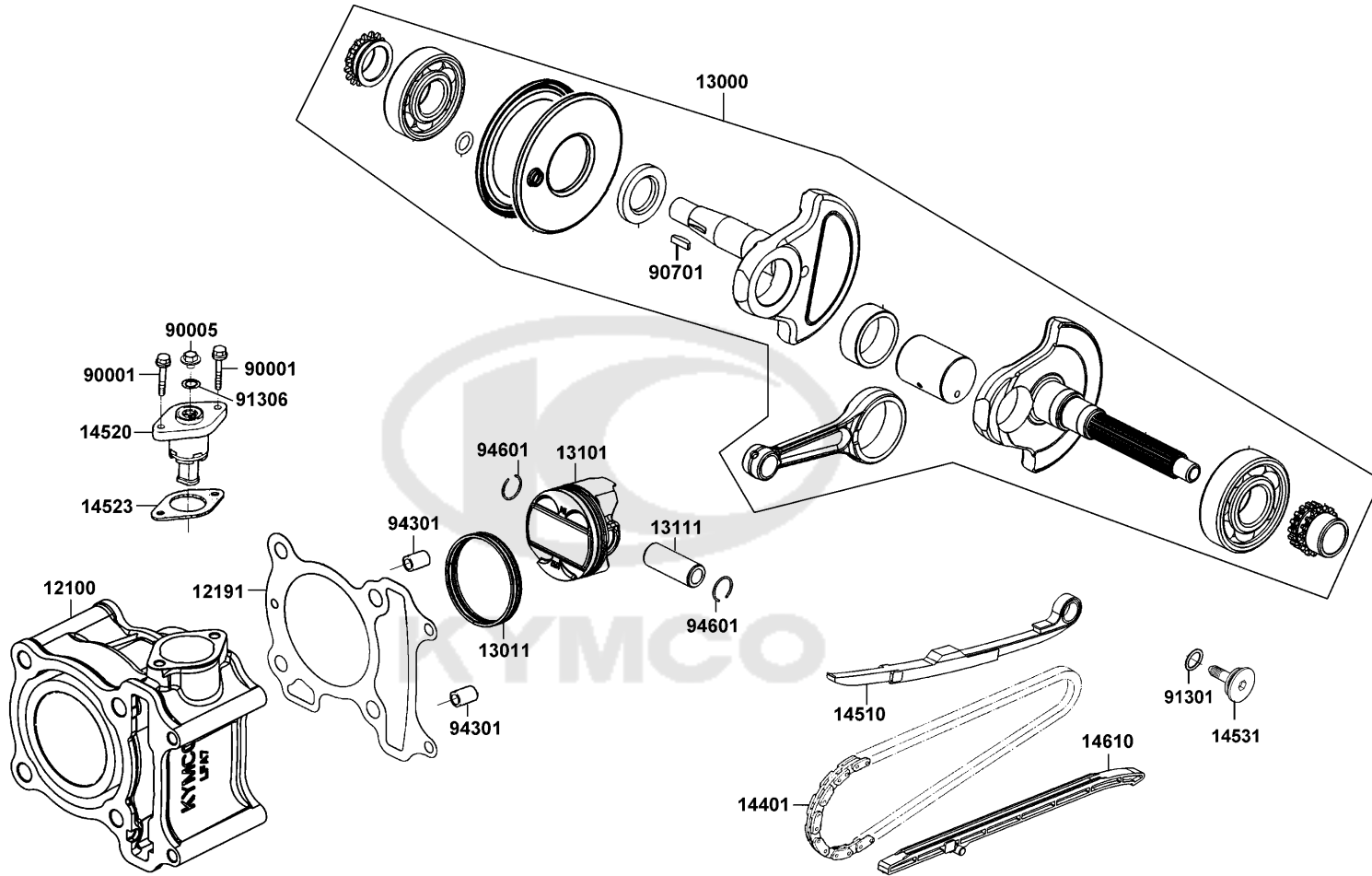
Sales mark	Ref no	Part no	Description	Reg description	Regd no	E02
	14777	14777-LFA7-E00	SEAT VALVE SPG	SEAT VALVE SPRING	4	
	14781	14781-KKE5-E00	COTTER VALVE	COTTER VALVE	8	
	16201	16201-LFE2-900	GASKET CARB INSULATOR A	GASKET CARB INSULATOR A	1	
	16211	16211-LFE2-900	INSULATOR CARB	INSULATOR CARB	1	
	1711A	1711A-LFA7-E00	INLET PIPE ASSY	INLET PIPE ASSY	1	
#	19300	19300-LFA7-E0A	THERMOSTAT ASSY.	THERMOSTAT ASSY.	1	
#	19300	19300-LFA7-E0B	THERMOSTAT ASSY.	THERMOSTAT ASSY.	1	
	19315	19315-LFA7-E00	COVER THERMOSTAT	COVER THERMOSTAT	1	
	32101	32101-LEA7-E00	SUB HARNESS THERMO UNIT	SUB HARNESS THERMO UNIT	1	
	37720	37720-KGB5-900	EARTH TERMINAL THERMO	EARTH TERMINAL THERMO	1	
	37750	37750-PAC1-005	THERMO UNIT ASSY	THERMO UNIT ASSY	1	
	39300	39300-LEB2-800	FUEL INJECTOR	FUEL INJECTOR	1	
#	39301	39301-LEB2-910	HOLDER ASSY FUEL INJECTOR	HOLDER ASSY FUEL INJECTOR	1	
	39302	39302-KKE3-900	CLIP SPRING FUEL INJECTOR	CLIP SPRING FUEL INJECTOR	1	
	39303	39303-LEB2-900	SEAL HIGH TENSION FUEL INJECT	SEAL HIGH TENSION FUEL INJECT	1	
	39306	39306-LEB2-305	O-RING A INJECTOR /BLACK	O-RING A INJECTOR /BLACK	1	
	39307	39307-LEB2-305	O-RING B INJECTOR /GREEN	O-RING B INJECTOR /GREEN	1	
	39400	39400-LDF2-800	WATER TEMP SENSOR	WATER TEMP SENSOR	1	
	90001	90001-GFY6-901	SOCKET BOLT 6*10 (B)	SOCKET BOLT 6*10 (B)	1	
	9000B	9000B-KHD6-900	BOLT ASSY SPECIAL 6*41.5	BOLT ASSY SPECIAL 6*41.5	4	



Sales mark	Ref no	Part no	Description	Reg description	Regd no	E02
	90012	90012-3C33-001	SCREW TAPPET ADJUSTING	SCREW TAPPET ADJUSTING	2	
	90033	90033-GFY6-900	BOLT STUD 8*32	BOLT STUD 8*32	2	
	90206	90206-0A01-001	NUT TAPPET ADJG	NUT TAPPET ADJG	2	
	90465	90465-MDC4-001	WASHER 8MM	WASHER 8MM	4	
	90652	90652-LGJ9-900	BAND 48. INLET-PIPE	BAND 48 INLET-PIPE	1	
	91301	91301-LEB1-900	O-RING 30*2	O-RING 30*2	1	
#	92000	92000-05016-0G	BOLT HEX 5X16	BOLT HEX 5X16	1	
#	92101	92101-06014-0G	BOLT HEX 6*14	BOLT HEX 6*14	1	
	92900	92900-06060-0B	BOLT STUD 6*60	BOLT STUD 6*60	2	
	94050	94050-06080	NUT FLANGE 6MM	NUT FLANGE 6MM	2	
	94050A	94050-08080	NUT FLANGE 8MM	NUT FLANGE 8MM	4	
	94111	94111-06800	WASHER SPRING 6MM	WASHER SPRING 6MM	1	
	94301	94301-10160	DOWEL PIN 10*16	DOWEL PIN 10*16	2	
	94591	94591-KFBF-900	CLIP 2*70	CLIP 2*70	1	
#	96001	96001-06014-06	BOLT FLANGE SH 6X14	BOLT FLANGE SH 6X14	1	
#	96001A	96001-06100-06	BOLT FLANGE SH 6*100	BOLT FLANGE SH 6*100	1	
	96001B	96001-LAB4-900	BOLT SPECIAL M5X16	BOLT SPECIAL M5X16	1	
	98059	98059-57916-00	SPARK PLUG (CR7E)	SPARK PLUG (CR7E)	1	

E03

# Cylinder Piston Crankshaft

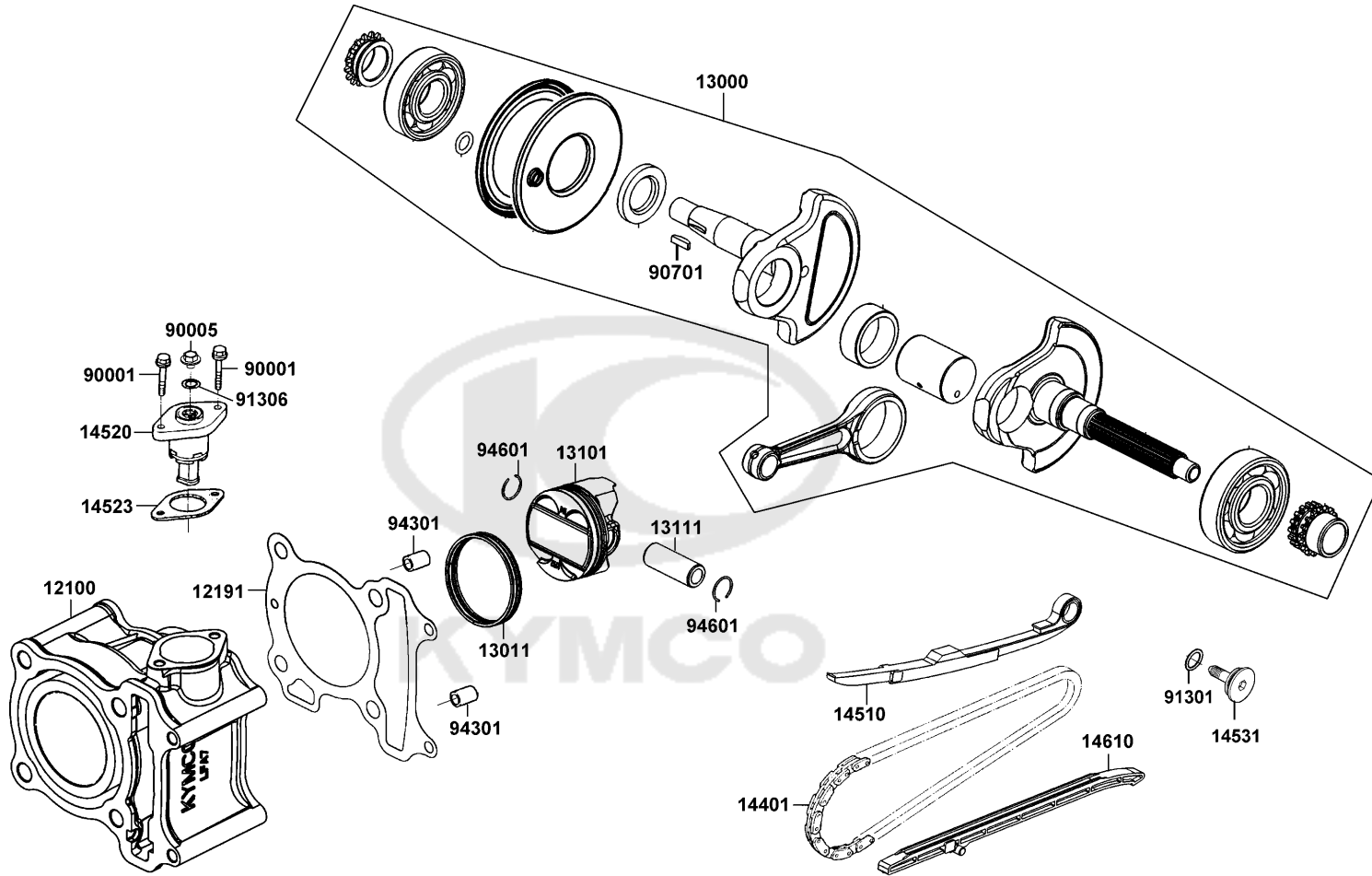




Sales mark	Ref no	Part no	Description	Reg description	Regd no	E03
	12100	12100-LFA7-E00	CYLINDE COMP (A)	CYLINDE COMP (A)	1	
	12191	12191-LFA7-E00	GASKET CYLINDER	GASKET CYLINDER	1	
	13000	13000-LFA7-E00	CRANK SHAFT COMP	CRANK SHAFT COMP	1	
	13011	13011-LEB1-90A	RING ASSY PISTON	RING ASSY PISTON	1	
#	13011	13011-LEB1-90B	RING SET PISTON	RING SET PISTON	1	
	13101	13101-LFA7-E00	PISTON	PISTON	1	
	13111	13111-LFA7-E00	PIN PISTON	PIN PISTON	1	
	14401	14401-LFA7-E00	CHAIN CAM	CHAINCAM	1	
	14510	14510-LEB1-900	TENSIONER CAM CHAIN	TENSIONER CAM CHAIN	1	
#	14510	14510-LEB1-90B	TENSIONER CAM CHAIN	TENSIONER CAM CHAIN	1	
#	14520	14520-LFA7-E00	LIFTER ASSY TENSIONER	LIFTER ASSY TENSIONER	1	
#	14523	14523-KED9-920	GASKET TENSIONER LIFTER @A	GASKET TENSIONER LIFTER @A	1	
	14531	14531-GLR0-001	PIVOT CAM CHAIN TENSIONER	PIVOT CAM CHAIN TENSIONER	1	
	14610	14610-LEB1-900	GUIDE COMP CAM CHAIN	GUIDE COMP CAM CHAIN	1	
#	14610	14610-LEB1-90B	GUIDE CAM CHAIN	GUIDE CAM CHAIN	1	
	90001	90001-GBHB-661	BOLT FLANGE SH 6*22	BOLT FLANGE SH 6*22	2	
#	90005	90005-KED9-900	BOLT SPECIAL 6*6	BOLT SPECIAL 6*6	1	
	90701	90701-HFB6-011	KEY WOODRUFF 25*14*4	KEY WOODRUFF 25*14*4	1	
	91301	91301-GLR0-005	O-RING 15.2*1.5	O-RING 15.2*1.5	1	
	91306	91306-1E05-691	O-RING 1.5*9.5	O-RING 1.5*9.5	1	

E03

# Cylinder Piston Crankshaft



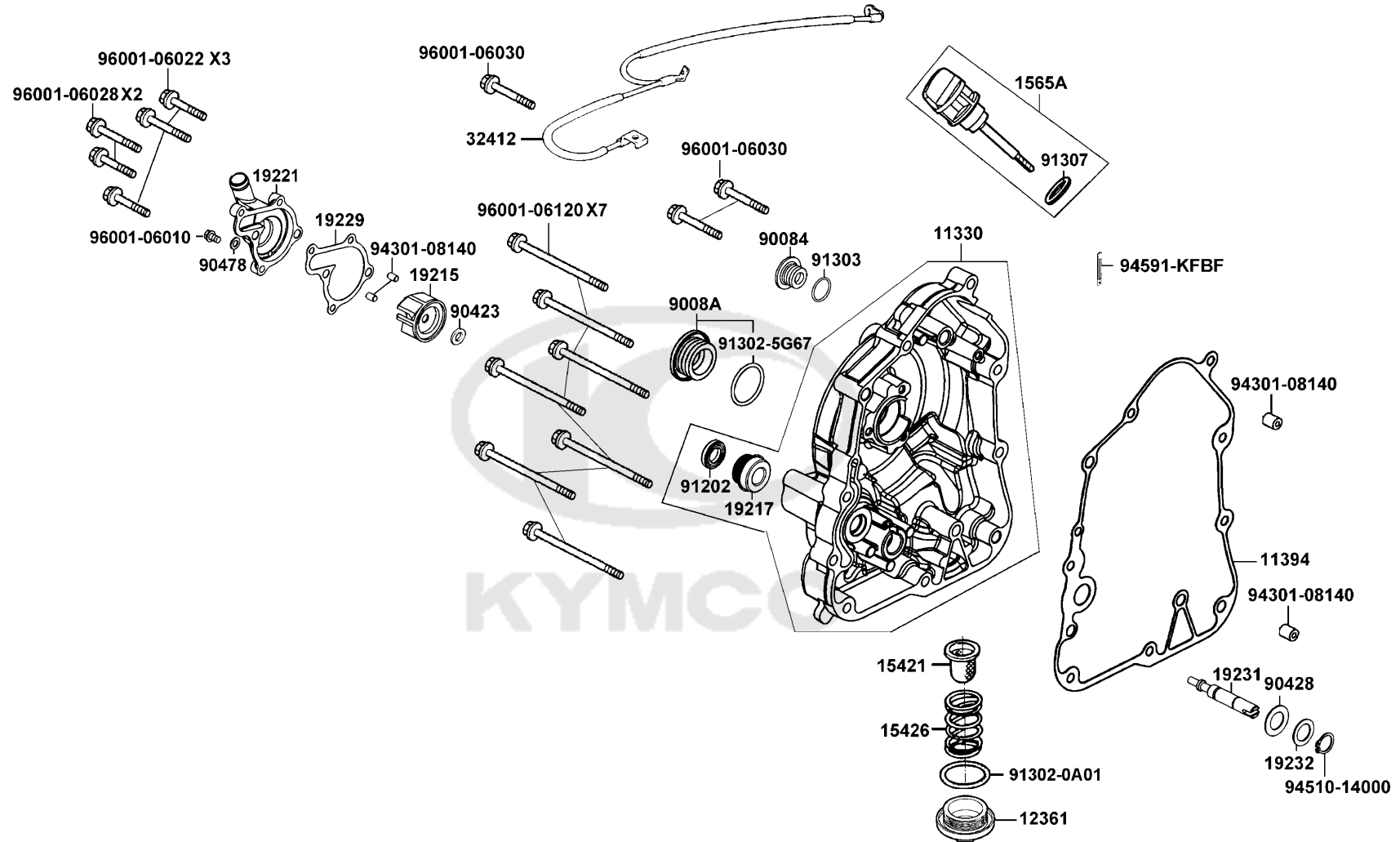
Sales mark	Ref no	Part no	Description	Reg description	Regd no	<b>E03</b>
------------	--------	---------	-------------	-----------------	---------	------------

	94301	94301-10160	DOWEL PIN 10*16	DOWEL PIN 10*16	2	
	94601	94601-14000	CLIP PISTON PIN 12MM	CLIP PISTON PIN 12MM	2	



E04

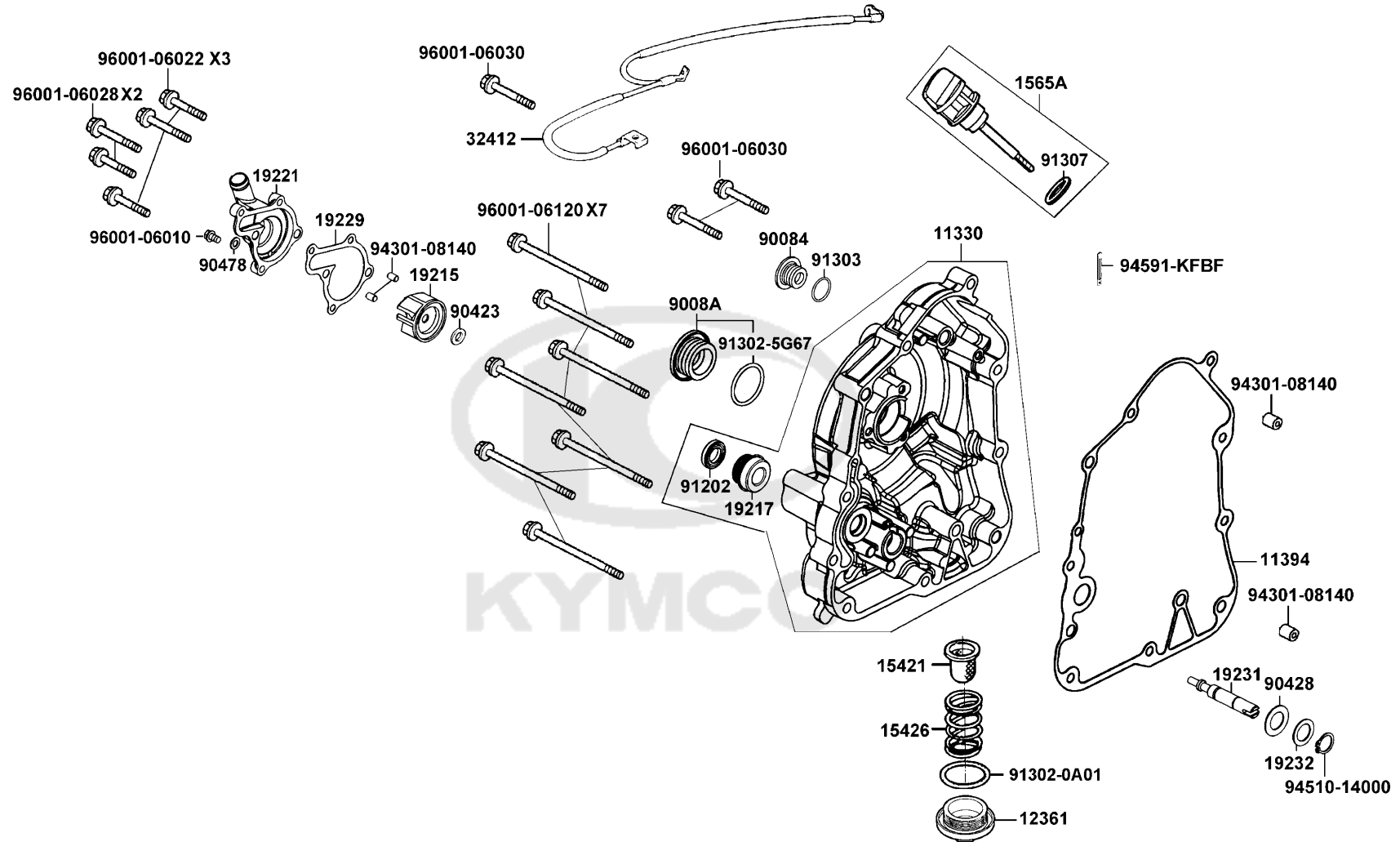
# Right Crankcase Cover



Sales mark	Ref no	Part no	Description	Reg description	Regd no	E04
**	11330	11330-LFA7-E00	COVER COMP R CRANK CASE	COVER COMP R CRANK CASE	1	
	11394	11394-LFA7-E00	GASKET R COVER@A	GASKETR. COVER A	1	
	12361	12361-GFY6-901	HOLE CAP TAPPET ADJUSTING	HOLE CAP TAPPET ADJUSTING	1	
	15421	15421-1G07-001	SCREEN OIL FILTER	SCREEN OIL FILTER	1	
	15426	15426-GAE1-921	SPG OIL FILTER SCREEN	SPG OIL FILTER SCREEN	1	
	1565A	1565A-KUDU-900	GAUGE OIL LEVEL ASSY	GAUGE OIL LEVEL ASSY	1	
	19215	19215-KHE7-900	IMPELLER WATER PUMP	IMPELLER WATER PUMP	1	
#	19217	19217-ZPA3-E00	SEAL MECHANICAL	SEAL MECHANICAL	1	
**	19221	19221-LFA7-E00	COVER WATER PUMP	COVERWATER PUMP	1	
	19229	19229-LFA7-E00	GASKET WATER PUMP	GASKET WATER PUMP	1	
	19231	19231-LFA7-E00	SHAFT WATER PUMP	SHAFTWATER PUMP	1	
	19232	19232-LBA2-E00	WASHER 21*13.8*1.5	WASHER 21*13.8*1.5	1	
	32412	32412-LEA7-E00	CABLE EARTH	CABLE EARTH	1	
**	90084	90084-KKF9-901	CAP AC GENERATOR (Mat Black)	CAP AC GENERATOR (Mat Black)	1	
**	9008A	9008A-KBE2-900	CAP ASSY 30MM	CAP ASSY 30MM	1	
	90423	90423-KKJ9-001	WASHER 7.2*13*1.2	WASHER 7.2*13*1.2	1	
	90428	90428-9H58-001	WASHER THRUST 14MM B	WASHER THRUST 14MM B	1	
	90478	90478-7L00-001	WASHER A 6MM	WASHER A 6MM	1	
#	91202	91202-LKG2-900	OIL SEAL 13.7*24*5	OIL SEAL 13.7*24*5	1	
	91302-0A01	91302-0A01-021	O-RING 30.8M/M	O-RING 30.8M/M	1	

E04

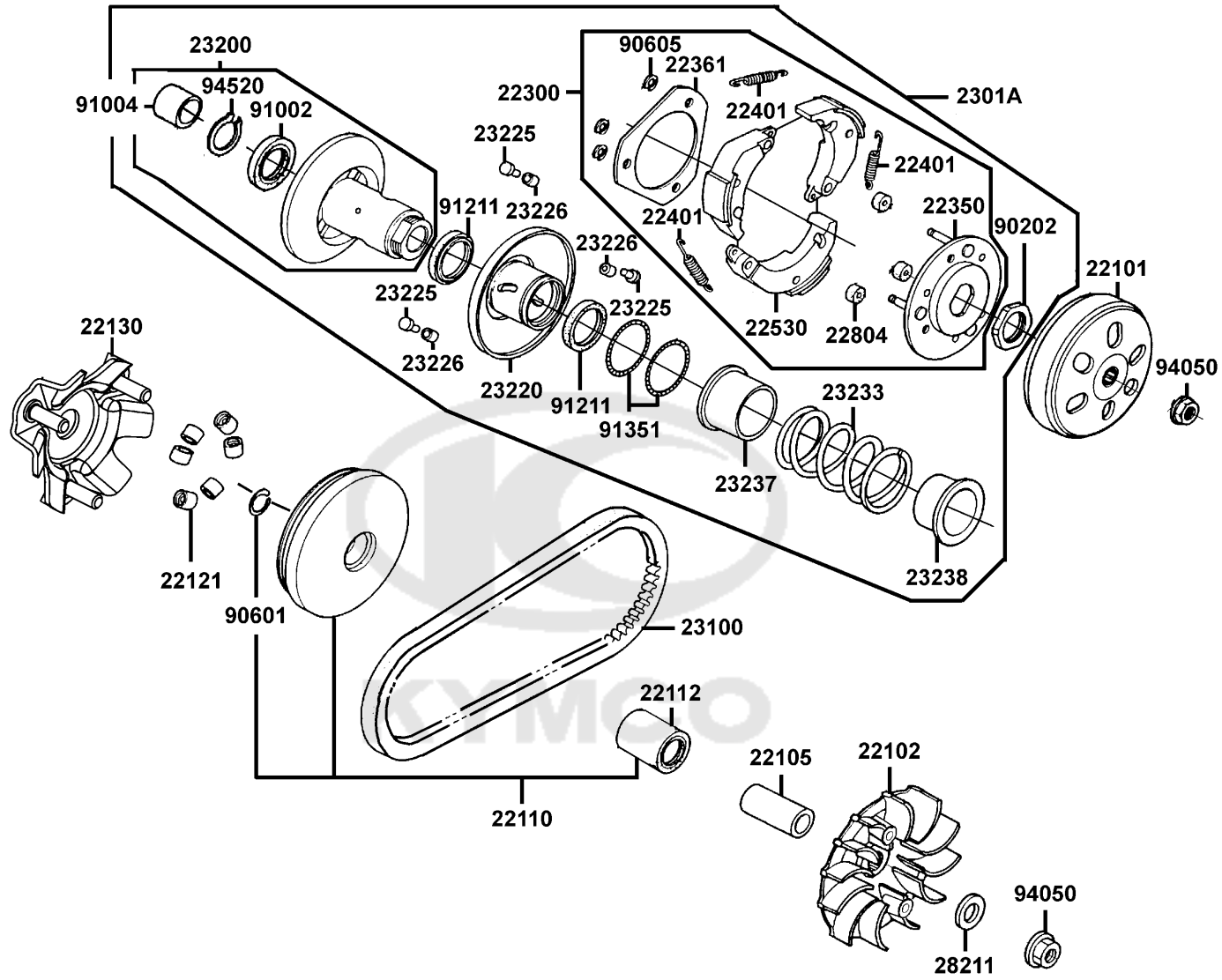
# Right Crankcase Cover



Sales mark	Ref no	Part no	Description	Reg description	Regd no	<b>E04</b>
	91302-5G67	91302-5G67-004	O-RING 27.4*2.4	O-RING 27.4*2.4	1	
	91303	91303-3G77-001	O-RING 13.8*2.5	O-RING 13.8*2.5	1	
	91307	91307-0E35-001	O RING 18*3	O RING 18*3	1	
	94301	94301-08140	DOWEL PIN 8*14	DOWEL PIN 8*14	4	
	94510	94510-14000	CIR CLIP EXTERNAL 14	CIR CLIP EXTERNAL 14	1	
	94591	94591-KFBF-900	CLIP 2*70	CLIP 2*70	1	
	96001-06010	96001-06010-00	BOLT FLANGE SH 6X10	BOLT FLANGE SH 6X10	1	
#	96001-06022	96001-06022-06	BOLT FLANGE SH 6*22 (G)	BOLT FLANGE SH 6*22 (G)	1	
#	96001-06028	96001-06028-06	BOLT FLANGE SH 6*28	BOLT FLANGE SH 6*28	1	
#	96001-06030	96001-06030-06	BOLT FLANGE SH 6X30	BOLT FLANGE SH 6X30	1	
#	96001-06120	96001-06120-06	BOLT FLANGE SH 6*120	BOLT FLANGE SH 6*120	1	

E05

# Pulley

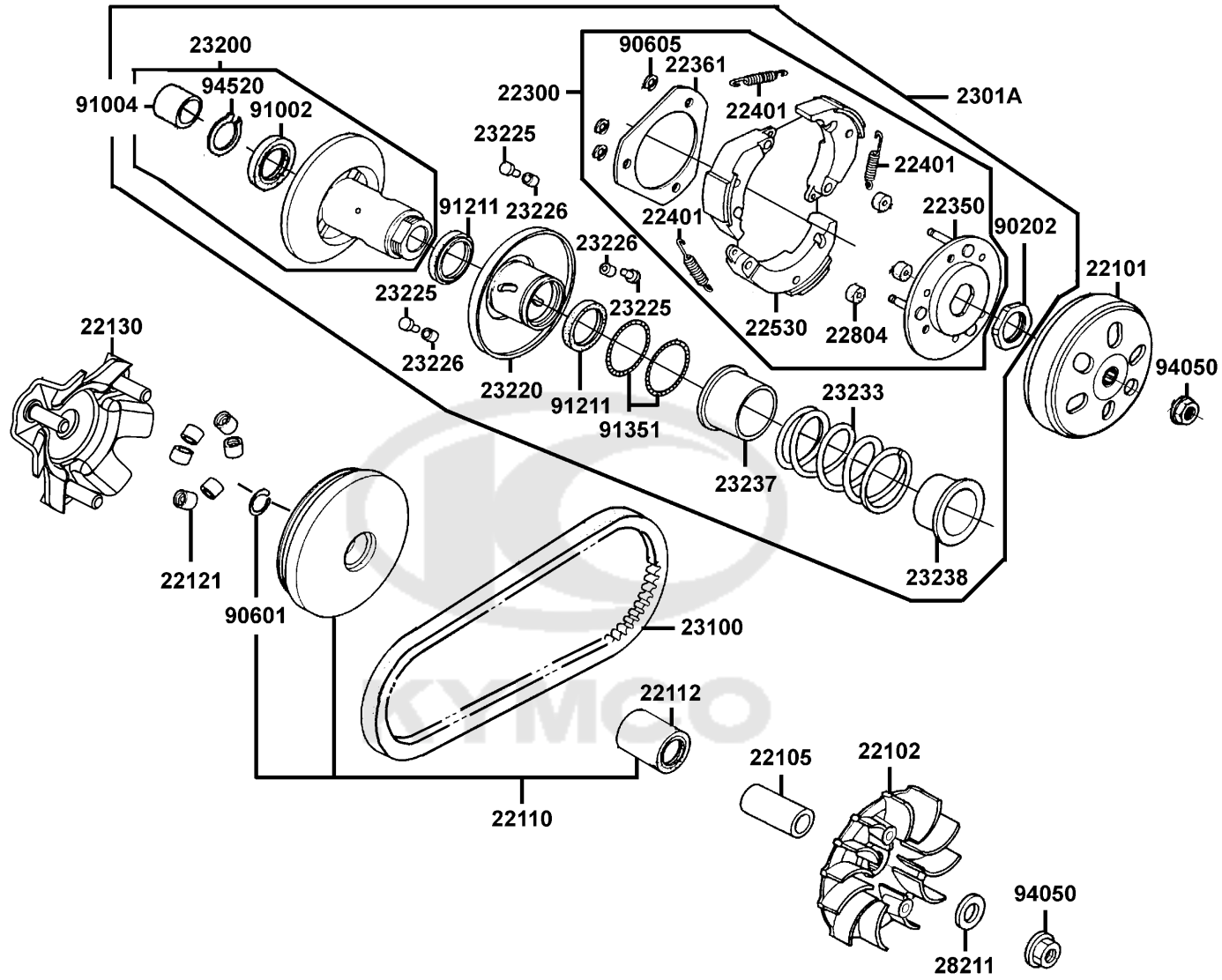




Sales mark	Ref no	Part no	Description	Reg description	Regd no	E05
#	22101	22101-GFY6-941	OUTER CLUTCH	OUTER CLUTCH	1	
	22101	22101-KEBE-900	OUTER CLUTCH	OUTER CLUTCH	1	
	22102	22102-LEB1-900	FACE DRIVE	FACE DRIVE	1	
	22105	22105-LFB5-900	BOSS.DRIVE FACE	BOSS.DRIVE FACE	1	
	22110	22110-LEB1-800	FACE COMP MOVABLE DRIVE	FACE COMP MOVABLE DRIVE	1	
	22112	22112-GFY6-90A	BUSH 24*28*30	BUSH 24*28*30	1	
#	22121	22121-GFY6-325	ROLLER SET WEIGHT (1SET:6PCS)	ROLLER SET WEIGHT (1SET:6PCS)	1	
	22130	22130-LEB1-800	PLATE RAMP	PLATE RAMP	1	
	22300	22300-LFA7-E00	PLATE ASSY DRIVE	PLATE ASSY DRIVE	1	
#	22300	22300-LHJ3-900	PLATE ASSY DRIVE	PLATE ASSY DRIVE	1	
	22350	22350-KGN7-671	PLATE COMP DRIVE	PLATE COMP DRIVE	1	
#	22350	22350-LHJ3-900	PLATE COMP DRIVE	PLATE COMP DRIVE	1	
	22361	22361-KGN7-671	PLATE CLUTCH SIDE	PLATE CLUTCH SIDE	1	
#	22361	22361-LHJ3-900	PLATE CLUTCH SIDE	PLATE CLUTCH SIDE	1	
	22401	22401-GFY6-94A	SPRING CLUTCH	SPRING CLUTCH	3	
#	22401	22401-LHJ3-900	SPRING CLUTCH	SPRING CLUTCH	3	
#	22530	22530-LHJ3-900	WEIGHT CLUTCH	WEIGHT CLUTCH	3	
#	22530	22530-LKE7-900	WEIGHT CLUTCH	WEIGHT CLUTCH	3	
	22804	22804-GBB2-001	RUBBER CLUTCH DAMPER	RUBBER CLUTCH DAMPER	3	
	2301A	2301A-LFA7-E00	PULLEY SUB ASSY	PULLEY SUB ASSY	1	

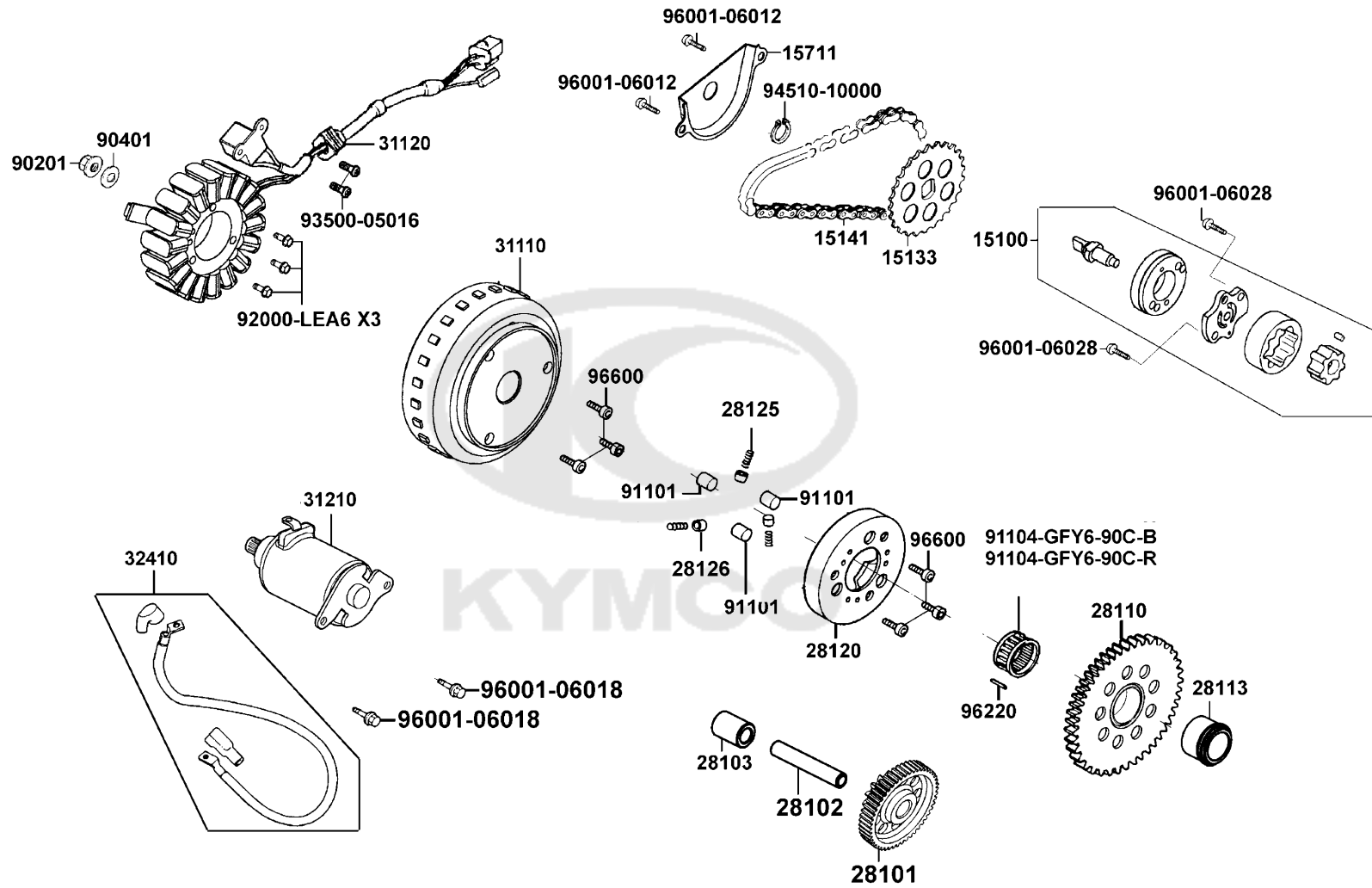
E05

# Pulley

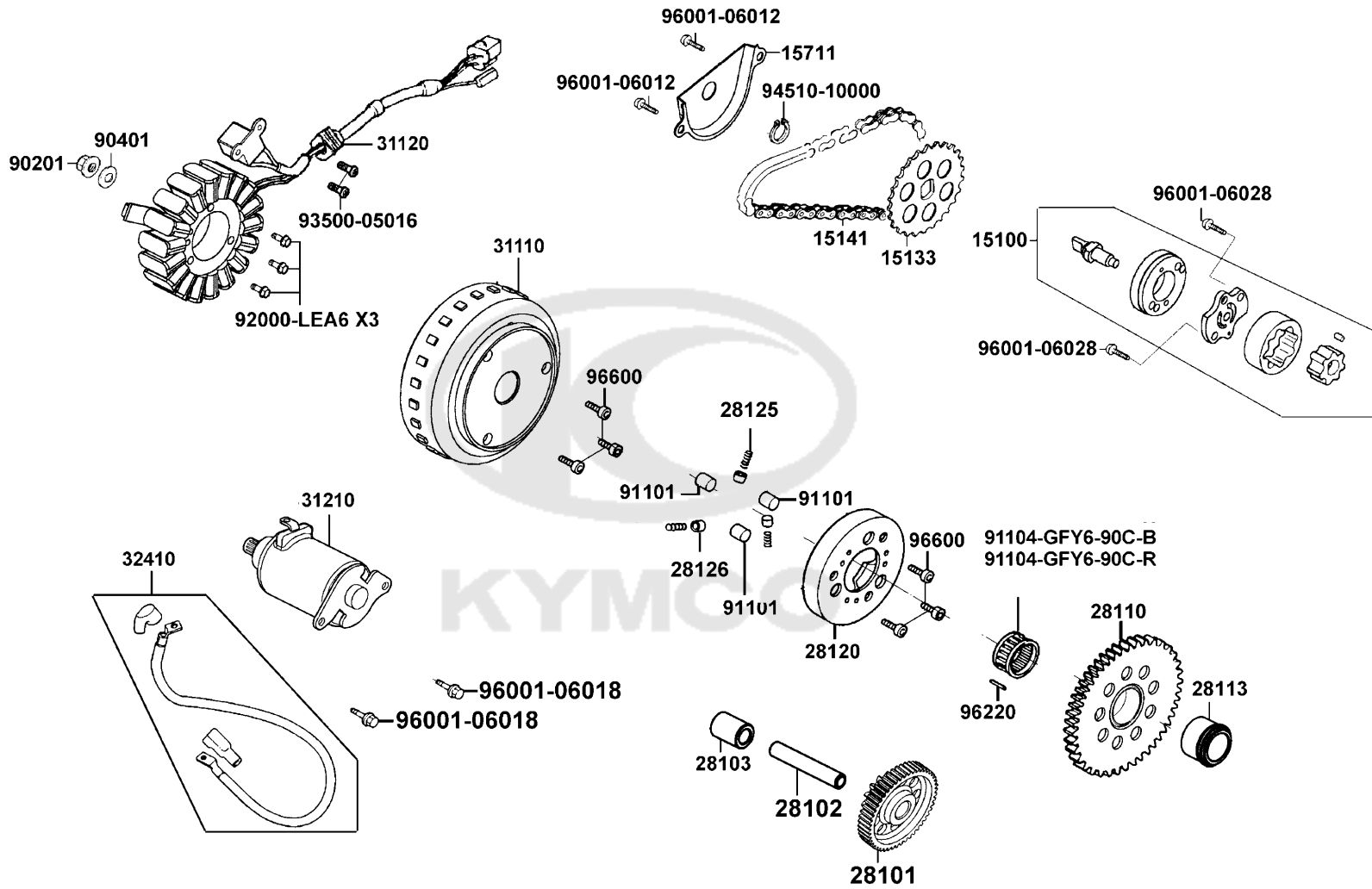


Sales mark	Ref no	Part no	Description	Reg description	Regd no	E05
#	2301A	2301A-LFA7-E01	PULLEY SUB ASSY	PULLEY SUB ASSY	1	
	23100	23100-LFA7-E0A	BELET DRIVE	BELET DRIVE	1	
	23200	23200-LFE2-900	FACE ASSY DRIVEN(2007.04.04~)	FACE ASSY DRIVEN(2007.04.04~)	1	
	23220	23220-GFY6-921	FACE COMP MOVABLE DRIVEN	FACE COMP MOVABLE DRIVEN	1	
	23225	23225-GHC8-004	PIN ROLLER GUIDE	PIN ROLLER GUIDE	3	
	23226	23226-GHC8-004	ROLLER GUIDE	ROLLER GUIDE	3	
	23233	23233-LFA7-E00	SPG DRIVEN FACE	SPG DRIVEN FACE	1	
	23237	23237-GFY6-941	COLLAR SEAL	COLLAR SEAL	1	
#	23238	23238-LEB1-910	COLLAR SPRING	COLLAR.SPRING	1	
#	23238	23238-LKE7-900	COLLAR SPG	COLLAR SPG	1	
	28211	28211-LFA7-E00	WASHER 16.6*24*5	WASHER 16.6*24*5	1	
	90202	90202-1G87-001	NUT SPECIAL 28MM	NUT SPECIAL 28MM	1	
	90601	90601-GFY6-901	CLIP 28MM	CLIP 28MM	1	
	90605	90605-1F66-721	CIR CLIP 7MM	CIR CLIP 7MM	3	
	91002	91002-GGA7-70A	BRG BALL RADIAL 6902U	BRG BALL RADIAL 6902U	1	
	91004	91004-KHE7-900	BRG NDL 22*29*18	BRG NDL 22*29*18	1	
	91211	91211-KEBE-900	SEAL DRIVEN FACE 34*41*4	SEAL DRIVEN FACE 34*41*4	2	
	91351	91351-6B42-000	O-RING PINION CAP	O-RING PINION CAP	2	
	94050	94050-12080	NUT FLANGE 12MM	NUT FLANGE 12MM	2	
	94520	94520-28000	CIR CLIP IN 28	CIR CLIP IN 28	1	

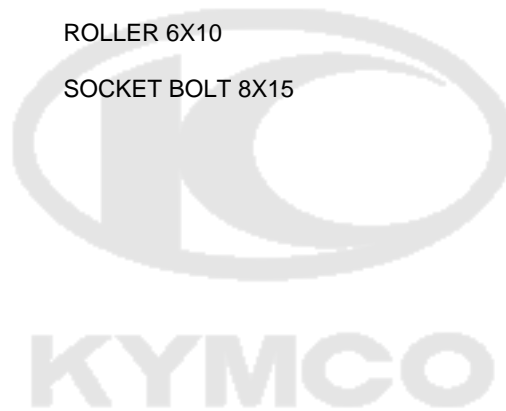
# Starting Motor Oil PumpGenerator

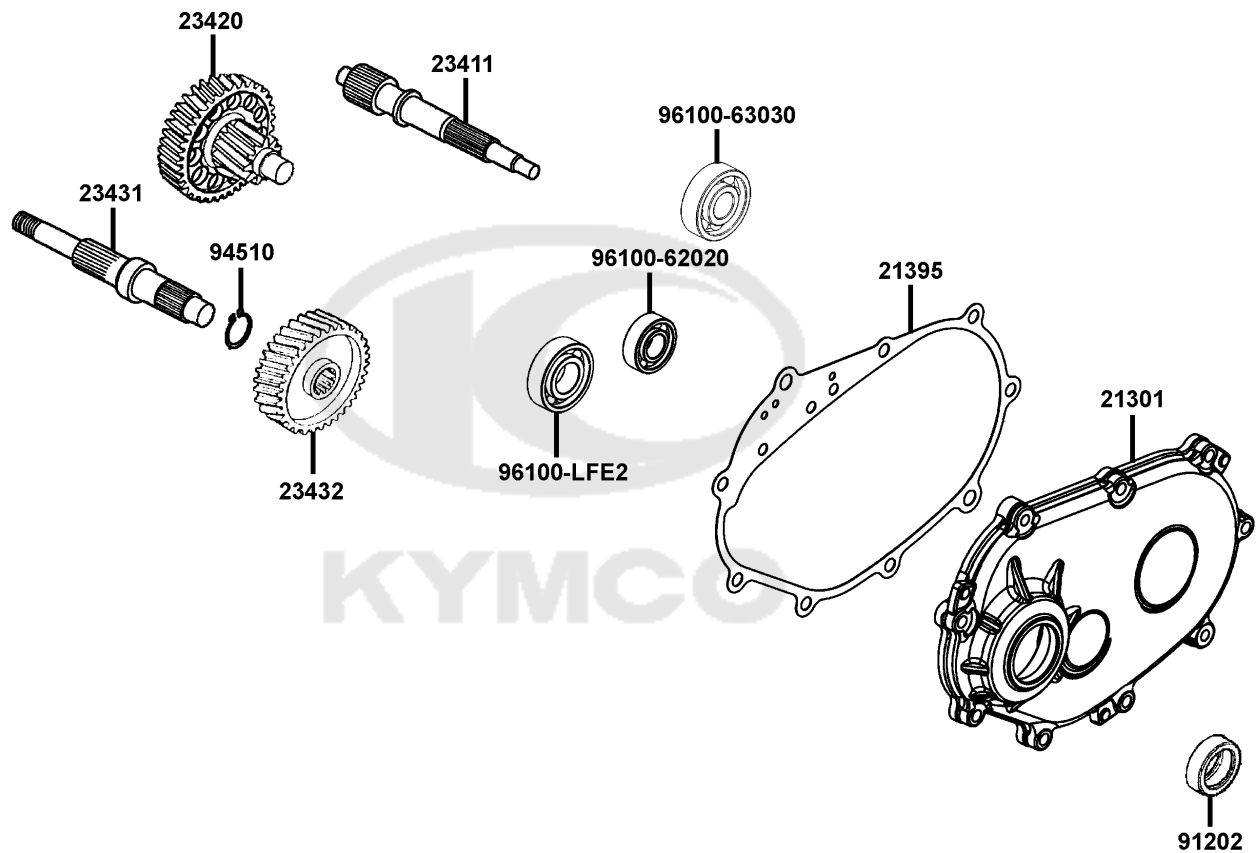


Sales mark	Ref no	Part no	Description	Reg description	Regd no	E06
	15100	15100-KEBE-900	PUMP ASSY OIL	PUMP ASSY OIL	1	
	15133	15133-KAM1-001	SPROCKET OIL PUMP DRIVE	SPROCKET OIL PUMP DRIVE	1	
	15141	15141-KKJ9-004	CHAIN OIL PUMP	CHAIN OIL PUMP	1	
	15711	15711-LFA7-E00	SEPARATER OIL	SEPARATER OIL	1	
	28101	28101-KKJ9-011	GEAR STARTER REDUCTION	GEAR STARTER REDUCTION	1	
	28102	28102-LFA7-E00	SHAFT STARTER REDUCTION GEAR	SHAFT STARTER REDUCTION GEAR	1	
	28103	28103-LFA7-E00	COLLAR 9x15.5x21.1	COLLAR 9x15.5x21.1	1	
	28110	28110-LFA7-E00	GEAR COMP STARTING CLUTCH	GEAR COMP STARTING CLUTCH	1	
	28113	28113-LFA7-E00	BUSH STARTING GEAR	BUSH STARTING GEAR	1	
	28120	28120-KEBE-305	OUTER COMP STARTING CLUTCH	OUTER COMP STARTING CLUTCH	1	
	28125	28125-4F26-001	SPRING ROLLER STARTER CLUTCH	SPRING ROLLER STARTER CLUTCH	3	
	28126	28126-KUDU-900	CAP STARTING ROLLER SPRING	CAP STARTING ROLLER SPRING	3	
	31110	31110-LFA7-E0B	FLYWHEEL COMP (D402)	FLYWHEEL COMP (D402)	1	
	31120	31120-LFA7-E0B	STATOR COMP (D402)	STATOR COMP (D402)	1	
	31210	31210-LEB1-90A	MOTOR UNIT START	MOTOR UNIT START	1	
	32410	32410-LLB1-900	CABLE START MOTOR	CABLE START MOTOR	1	
	90201	90201-KHR8-75A	NUT FLANGE 14MM	NUT FLANGE 14MM	1	
	90401	90401-KKJ9-001	WASHER THRUST 14*28*2	WASHER THRUST 14*28*2	1	
	91101	91101-1K79-711	ROLLER 10*10	ROLLER 10*10	3	
	91104-GFY6-90C-B	91104-GFY6-90C-B	BRG NEEDLE/28*32*17/0.002~0.004	BRG NEEDLE/28*32*17/0.002~0.004	1	



Sales mark	Ref no	Part no	Description	Reg description	Regd no	<b>E06</b>
	91104-GFY6-90C-R	91104-GFY6-90C-R	BRG NEEDLE 28*32*17	BRG NEEDLE 28*32*17	1	
#	93500-05016	92000-05016-0G	BOLT HEX 5X16	BOLT HEX 5X16	1	
	92000-LEA6	92000-LEA6-900	BOLT HEX 5*40	BOLT HEX 5*40	3	
	94510-10000	94510-10000	CIR CLIP EX 10MM	CIR CLIP EX 10MM	1	
#	96001-06012	96001-06012-06	BOLT FLANGE SH 6*12	BOLT FLANGE SH 6*12	1	
#	96001-06018	96001-06018-06	BOLT FLANGE SH 6X18	BOLT FLANGE SH 6*18	1	
#	96001-06028	96001-06028-06	BOLT FLANGE SH 6*28	BOLT FLANGE SH 6*28	1	
	96220	96220-60100	ROLLER 6X10	ROLLER 6X10	1	
#	96600	96600-08015-16	SOCKET BOLT 8X15	SOCKET BOLT 8*15	1	



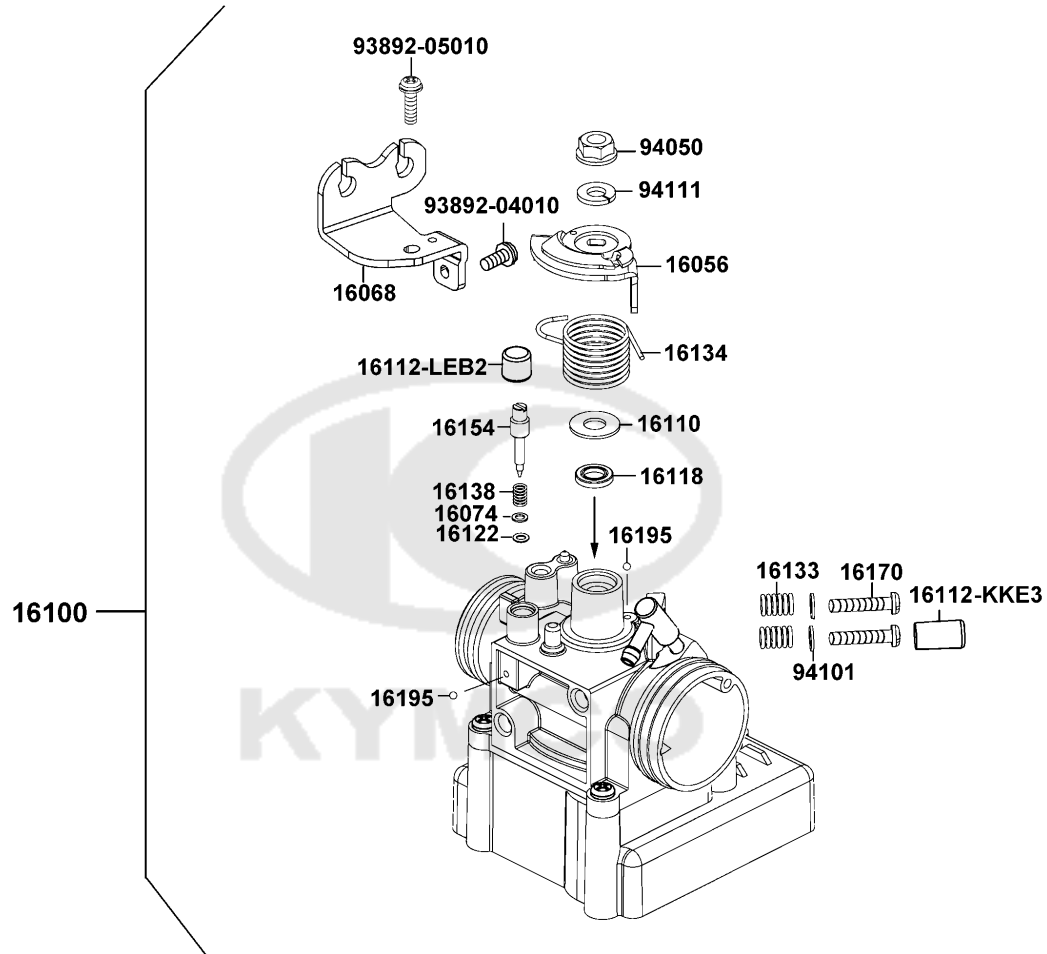




Sales mark	Ref no	Part no	Description	Reg description	Regd no	<b>E07</b>
	21301	21301-LFA7-E00	COVER MISSION	COVER MISSION	1	
	21395	21395-LFA7-E00	GASKET MISSION COVER	GASKET MISSION COVER	1	
	23411	23411-LFA7-E00	SHAFT.DRIVE	SHAFT.DRIVE	1	
#	23411	23411-LFA7-E01	SHAFT DRIVE	SHAFT DRIVE	1	
	23420	23420-LFA7-E00	SHAFT COMP.COUNTER	SHAFT COMP.COUNTER	1	
	23431	23431-LFA7-E00	SHAFT FINAL	SHAFT FINAL	1	
	23432	23432-LFA7-E00	GEAR.FINAL	GEAR.FINAL	1	
#	91202	91202-LFE2-90A	OIL SEAL 22*32*5	OIL SEAL 22*32*5	2	
	94510	94510-25000	CIR CLIP EXTERNAL 25	CIR CLIP EXTERNAL 25	1	
	96100-62020	96100-62020-00	BEARING BALL RADIAL 6202	BEARING BALL RADIAL 6202	1	
	96100-63030	96100-63030-00	BEARING BALL RADIAL 6303	BEARING BALL RADIAL 6303	1	
	96100-LFE2	96100-LFE2-900	BRG BALL RADIAL TMB2/22CC4	BRG BALL RADIAL TMB2/22CC4	1	

E08

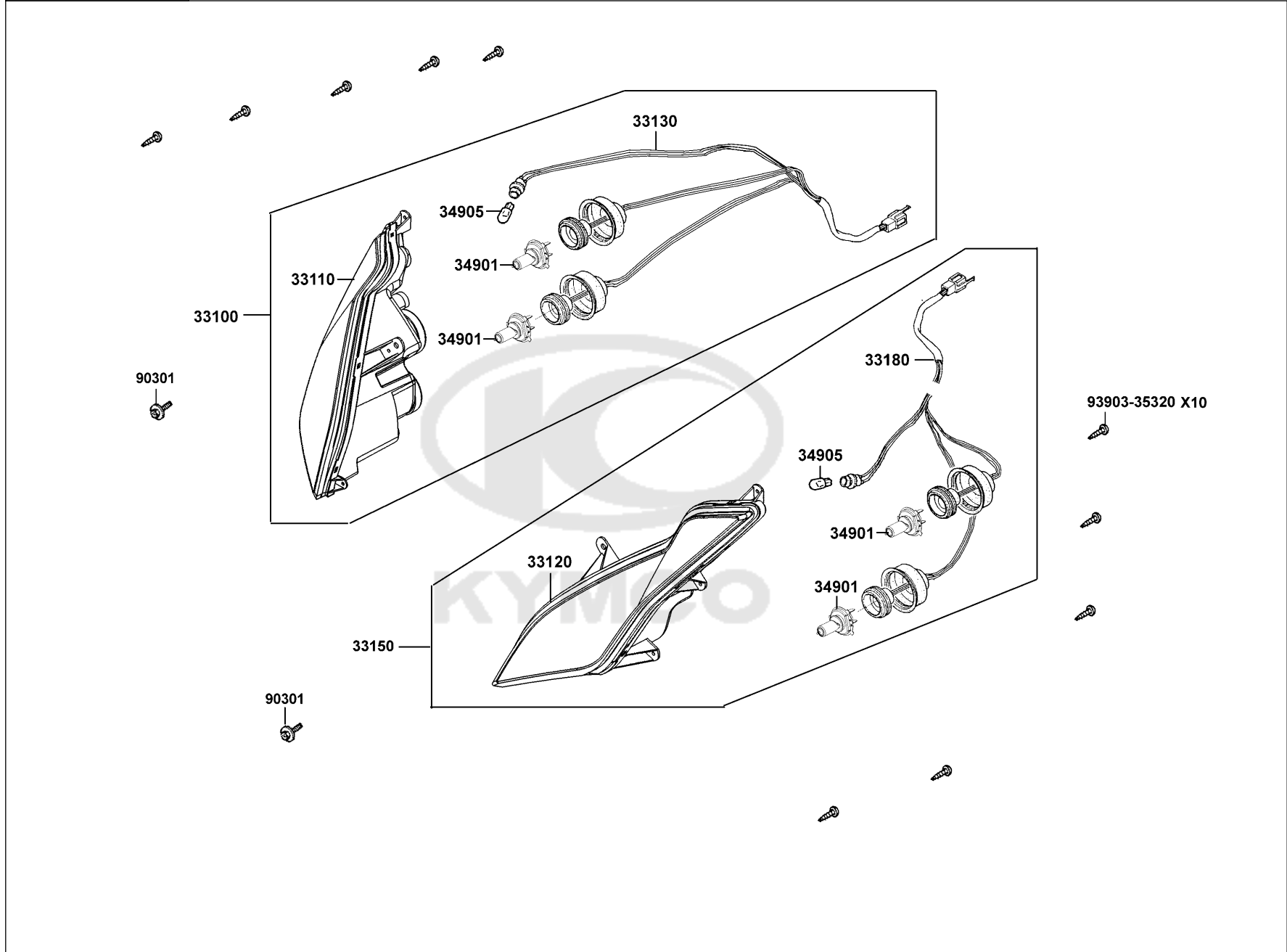
# Throttle Body Assy



Sales mark	Ref no	Part no	Description	Reg description	Regd no	E08
	16056	16056-LFA7-E00	LEVER ASSY THROTTLE	LEVER ASSY THROTTLE	1	
#	16068	16068-LFA7-E01	PLATE WIRE FIXED	PLATE WIRE FIXED	1	
	16074	16074-KEC3-900	WASHER IDLE SCREW	WASHER IDLE SCREW	1	
	16100	16100-LFA7-E00	THROTTLE BODY ASSY	THROTTLE BODY ASSY	1	
	16110	16110-LFA7-E00	WASHER THROTTLE BODY	WASHER THROTTLE BODY	1	
	16112-KKE3	16112-KKE3-900	COVER IDLE SCREW	COVER IDLE SCREW	1	
	16112-LEB2	16112-LEB2-900	COVER IDLE BYPASS	COVER IDLE BYPASS	1	
	16118	16118-KEC3-900	SEAL THROTTLE SHAFT	SEAL THROTTLE SHAFT	1	
	16122	16122-KEC3-900	O-RING IDLE SCREW	O-RING IDLE SCREW	1	
	16133	16133-KEC3-900	SPG THROTTLE ADJ SCREW	SPG THROTTLE ADJ SCREW	2	
	16134	16134-LFA7-E00	SPG THROTTLE SHAFT	SPG THROTTLE SHAFT	1	
	16138	16138-KEC3-900	SPG IDLE SCREW	SPG IDLE SCREW	1	
	16154	16154-KKE3-900	SCREW IDLE ADJUST	SCREW IDLE ADJUST	1	
	16170	16170-KEC3-900	SCREW THROTTLE ADJUST	SCREW THROTTLE ADJUST	2	
	16195	16195-KEC3-900	BALL 2.1	BALL 2.1	3	
#	93892-04010	93892-04010-06	SCREW WASHER 4X10	SCREW WASHER 4X10	1	
#	93892-05010	93892-05010-06	SCREW WASHER 5X10	SCREW WASHER 5X10	1	
	94050	94050-06080	NUT FLANGE 6MM	NUT FLANGE 6MM	1	
	94101	94101-KKE3-900	WASHER PLAIN 4MM	WASHER PLAIN 4MM	2	
	94111	94111-06800	WASHER SPRING 6MM	WASHER SPRING 6MM	1	

F01

# Head Light

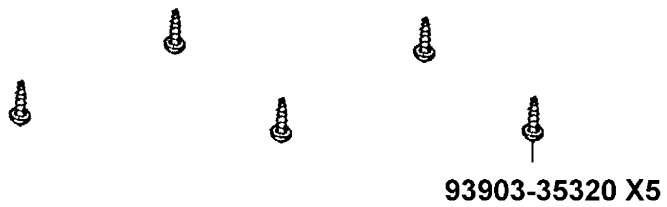
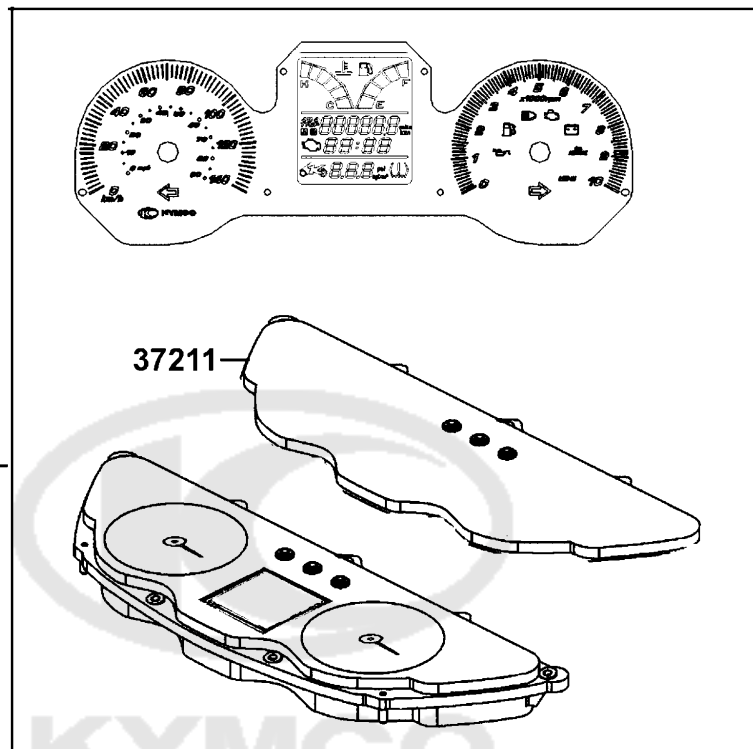


Sales mark	Ref no	Part no	Description	Reg description	Regd no	F01
	33100	33100-LEA7-E00	LIGHT ASSY.. RH. HEAD	LIGHT ASSY.. RH. HEAD	1	
	33110	33110-LEA7-E00	UNIT HEAD LIGHTR R	UNIT HEAD LIGHTR R	1	
	33120	33120-LEA7-E00	UNIT HEAD LIGHTR R	UNIT HEAD LIGHTR R	1	
	33130	33130-LEA7-E00	SOCKET COMP	SOCKET COMP	1	
	33150	33150-LEA7-E00	LIGHT ASSY..LH. HEAD	LIGHT ASSY..LH. HEAD	1	
	33180	33180-LEA7-E00	SOCKET COMP	SOCKET COMP	1	
	34901	34901-KGB5-M30	BULB HEAD LIGHT	BULB HEAD LIGHT	1	
	34905	34905-LEA7-E00	BULB WINKER 12V 21W	BULB WINKER 12V 21W	1	
	90301	90301-6D34-671	NUT FLANGE 6MM	NUT FLANGE 6MM	2	
#	93903	93903-35360	SCREW TAPPING 5*16	SCREW TAPPING 5*16	1	



F02

# Speedometer



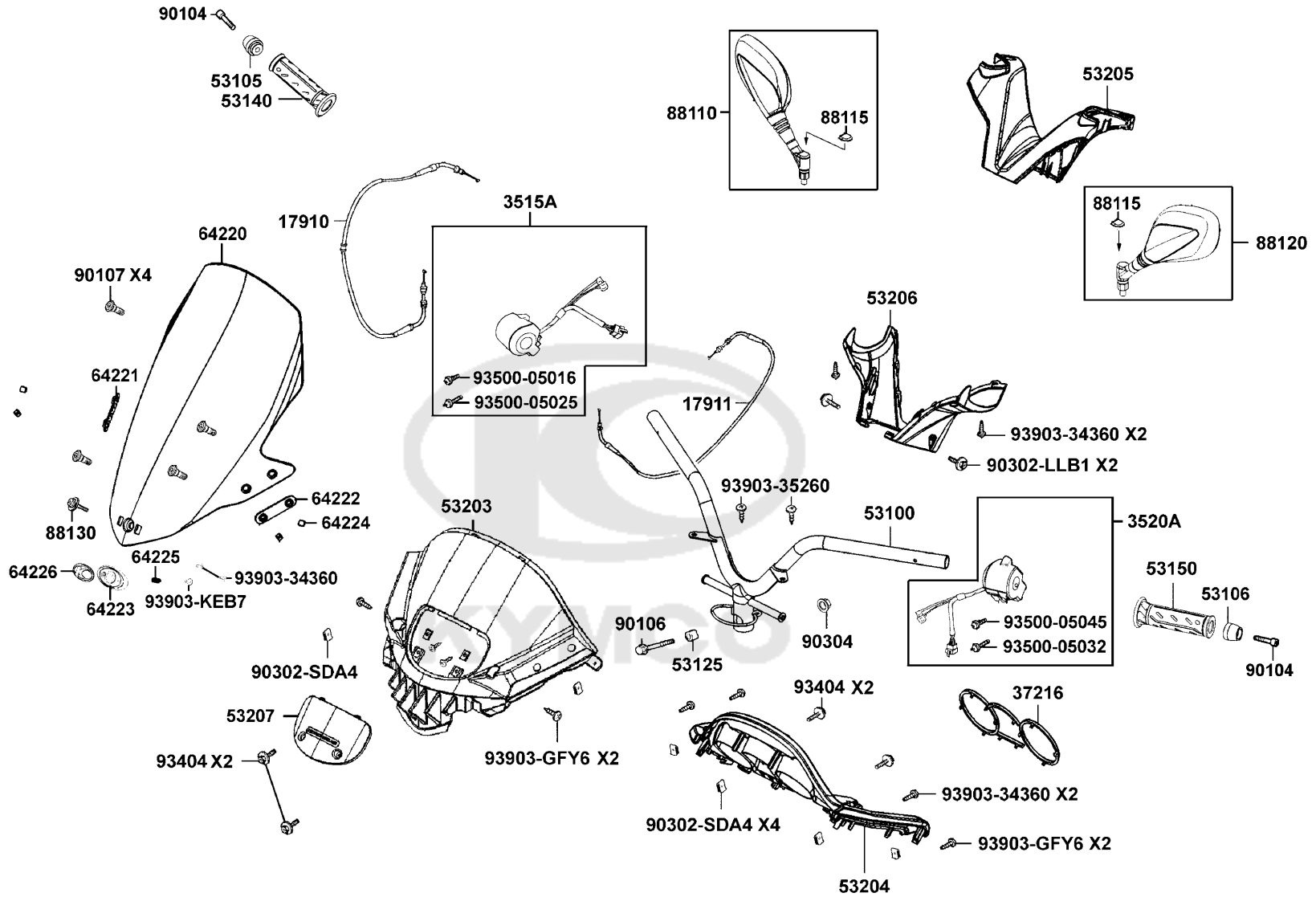
Sales mark	Ref no	Part no	Description	Reg description	Regd no	<b>F02</b>
------------	--------	---------	-------------	-----------------	---------	------------

	37200	37200-LFA7-E30	METER ASSY SPEED	METER ASSY SPEED	1	
#	37211	37211-LEA7-E00	LENS ASSY	LENS ASSY	1	
#	93903-35320	93903-35360	SCREW TAPPING 5*16	SCREW TAPPING 5*16	1	



F03

# Handle SteeringHandle Cover

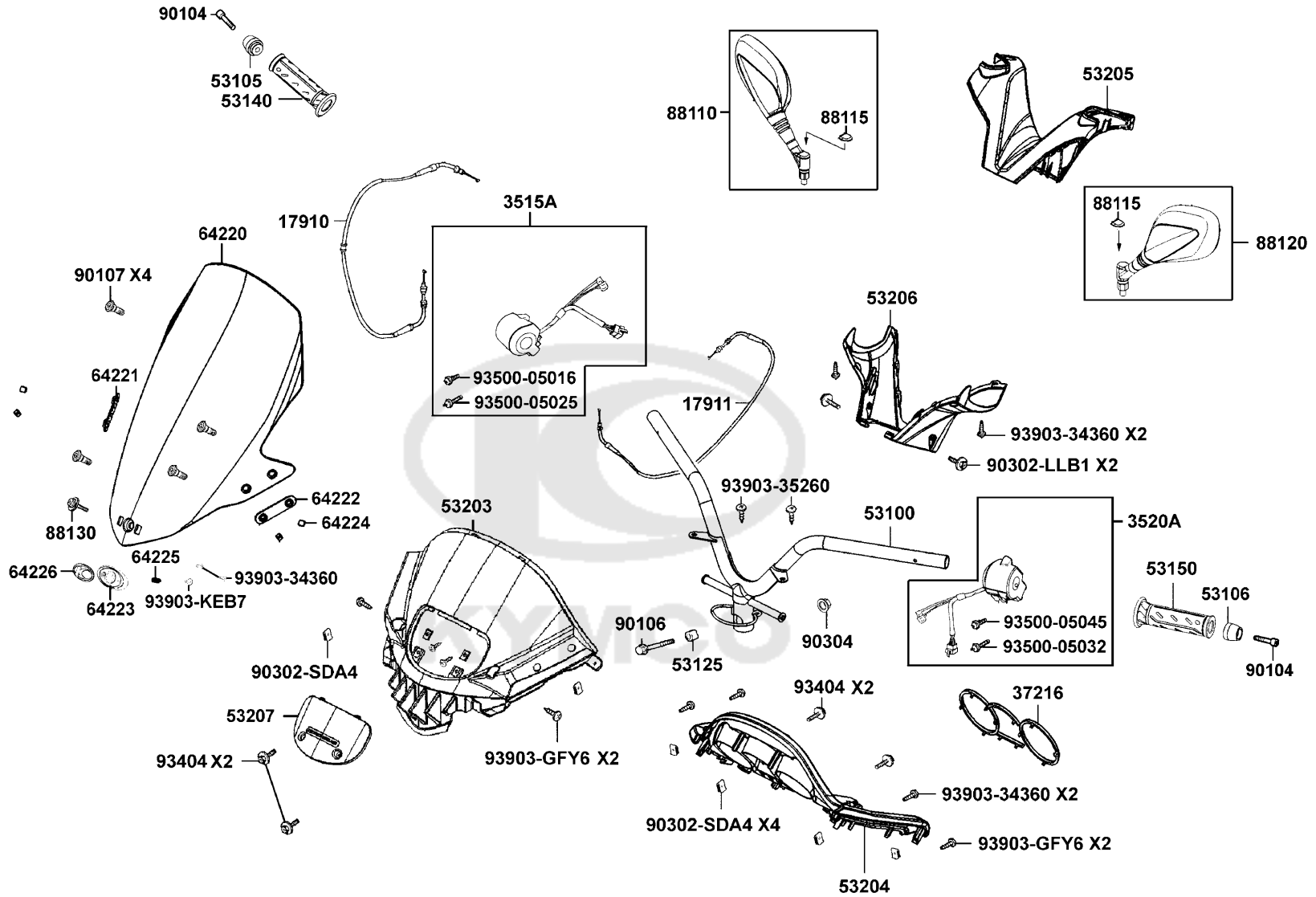




Sales mark	Ref no	Part no	Description	Reg description	Regd no	F03
	17910	17910-LFA7-E00	CABLE A.THROT	CABLE A.THROT	1	
	17911	17911-LFA7-E00	CABLE BTHROT	CABLE B THROT	1	
	3515A	3515A-LEA7-E00	SW ASSY RH HANDLE COMP	SW ASSY RH HANDLE COMP	1	
#	3515A	3515A-LFA7-B80	SW ASSY RH HANDLE (A.H.C.)	SW ASSY RH HANDLE (A.H.C.)	1	
	3520A	3520A-KEBE-900	SW ASSY L HNDL COMP	SW ASSY L HNDL COMP	1	
**	37216	37216-LEA7-E00	COSMETIC METER COVER	COSMETIC METER COVER	1	
	53100	53100-LEA7-E00	HANDLE COMP STEERING	HANDLE COMP STEERING	1	
**	53105	53105-LEA7-E00	END R HANDLE	END R HANDLE	1	
	53125	53125-LEA7-E00	COLLAR HANDLE SET	COLLAR	1	
**	53203	53203-LEA7-E00	COVER METER FR	COVER METER FR	1	
**	53204	53204-LEA7-E00	COVER METER RR	COVER METER RR	1	
**	53205	53205-LEA7-E00	COVER HANDLE UP	COVER HANDLE UP	1	
**	53206	53206-LEA7-E00	COVER HANDLE LOW	COVER HANDLE LOW	1	
	53207	53207-LEA7-E00	LID RADIATOR COOLANT	LID RADIATOR COOLANT	1	
**	64220	64220-LEA7-E00	WIND SCREEN	WIND SCREEN	1	
	64221	64221-LEA7-E00	RUBBER R WIND SCREEN	RUBBER R WIND SCREEN	1	
	64222	64222-LEA7-E00	RUBBER L WIND SCREEN	RUBBER L WIND SCREEN	1	
**	64223	64223-LEA7-E00	PLUG WIND SCREEN	PLUG WIND SCREEN	1	
	64224	64224-LEA7-E00	COLLAR WIND SCREEN	COLLAR WIND SCREEN	4	
	64225	64225-LEA7-E00	SPRING COSMETIC K-LOGO	SPRING COSMETIC K-LOGO	1	

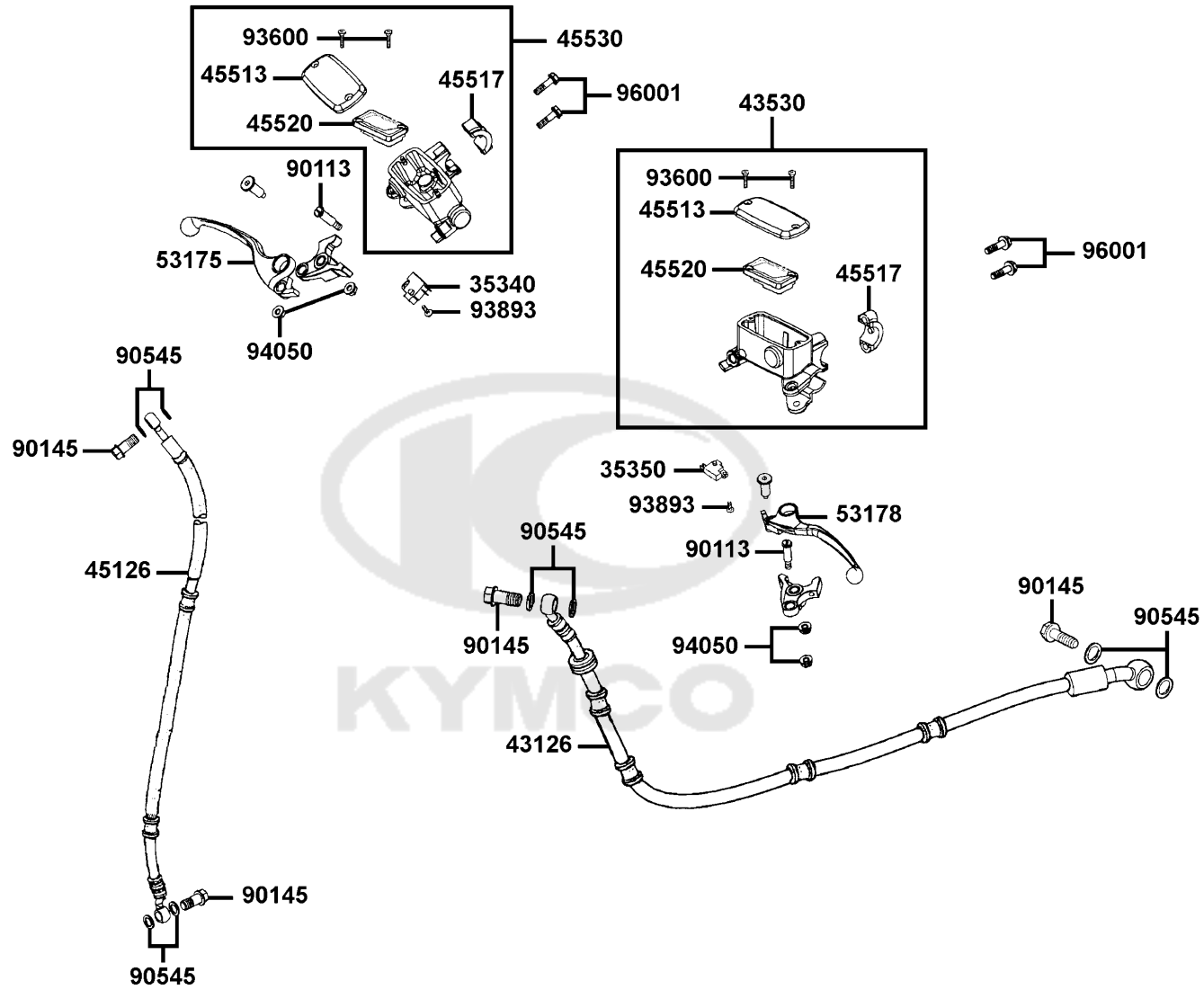
F03

# Handle SteeringHandle Cover



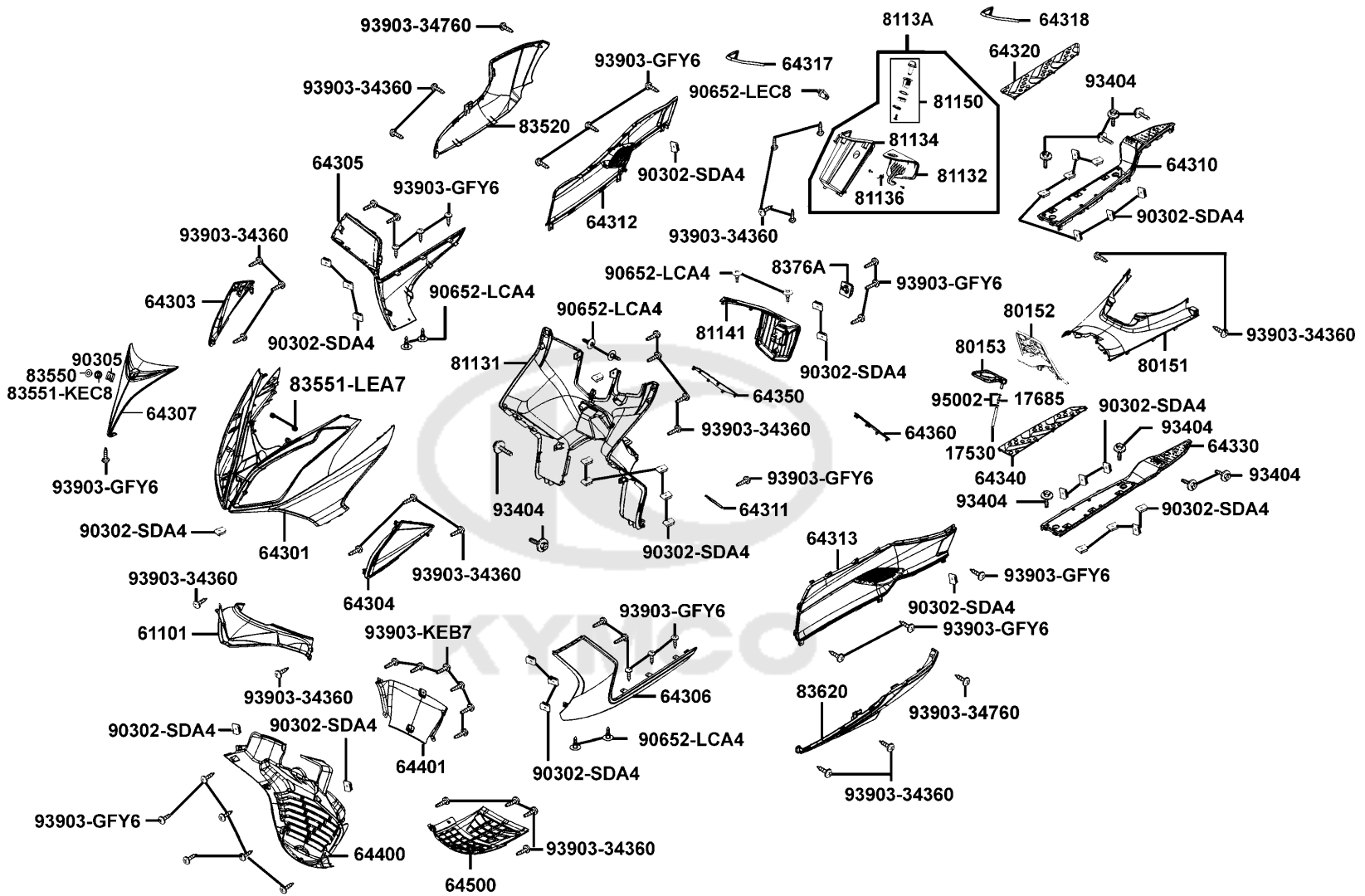
Sales mark	Ref no	Part no	Description	Reg description	Regd no	F03
	64226	64226-LEA7-E00	COSMETIC K-LOGO	COSMETIC K-LOGO	1	
# **	88110	88110-LEA7-E01	MIRROR ASSY R BACK	MIRROR ASSY R BACK	1	
**	88115	88115-LBA2-E02	CAP MIRROR BRKT	CAP MIRROR BRKT	1	
# **	88120	88120-LEA7-E01	MIRROR ASSY L BACK	MIRROR ASSY L BACK	1	
#	88130	88130-KEBE-900	BOLT SPECIAL	BOLT SPECIAL	1	
	90104	90104-LEA7-E00	BOLT WASH M8*60	BOLT WASH M8*60	2	
	90106	90106-GEN5-901	BOLT FLANGE 10*50	BOLT FLANGE 10*50	1	
	90107	90107-LEA7-E00	BOLT SPECIAL 8MM	BOLT SPECIAL 8MM	4	
	90302-LLB1	90302-LLB1-E00	BOLT-WASHER 5*12	BOLT-WASHER 5*12	2	
	90302-SDA4	90302-SDA4-004	NUT SPRING 4MM	NUT SPRING 4MM	4	
	90304	90304-GHE8-004-SW	NUT U FLANGE 10MM	NUT U FLANGE 10MM	1	
#	93404	93404-06016-06	BOLT WASHER 6*16	BOLT WASHER 6*16	4	
	93500-05016	93500-05016-1B	SCREW PAN 5*16	SCREW PAN 5*16	1	
	93500-05025	93500-05025-1B	SCREW PAN 5*25	SCREW PAN 5*25	1	
	93500-05032	93500-05032-1B	SCREW PAN 5*32	SCREW PAN 5*32	1	
	93500-05045	93500-05045-1B	SCREW PAN 5*45	SCREW PAN 5*45	1	
	93903-34360	93903-34360	SCREW TAPPING 4X12	SCREW TAPPING 4X12	4	
	93903-35260	93903-35260	SCREW TAPPING 5*12	SCREW TAPPING 5*12	2	
	93903-GFY6	93903-GFY6-900	SCREW TAPPING 4*14	SCREW TAPPING 4*14	4	
	93903-KEB7	93903-KEB7-900-06	SCREW WASHER 4*12 (G)	SCREW WASHER 4*12 (G)	1	

Brake Master Cylinder



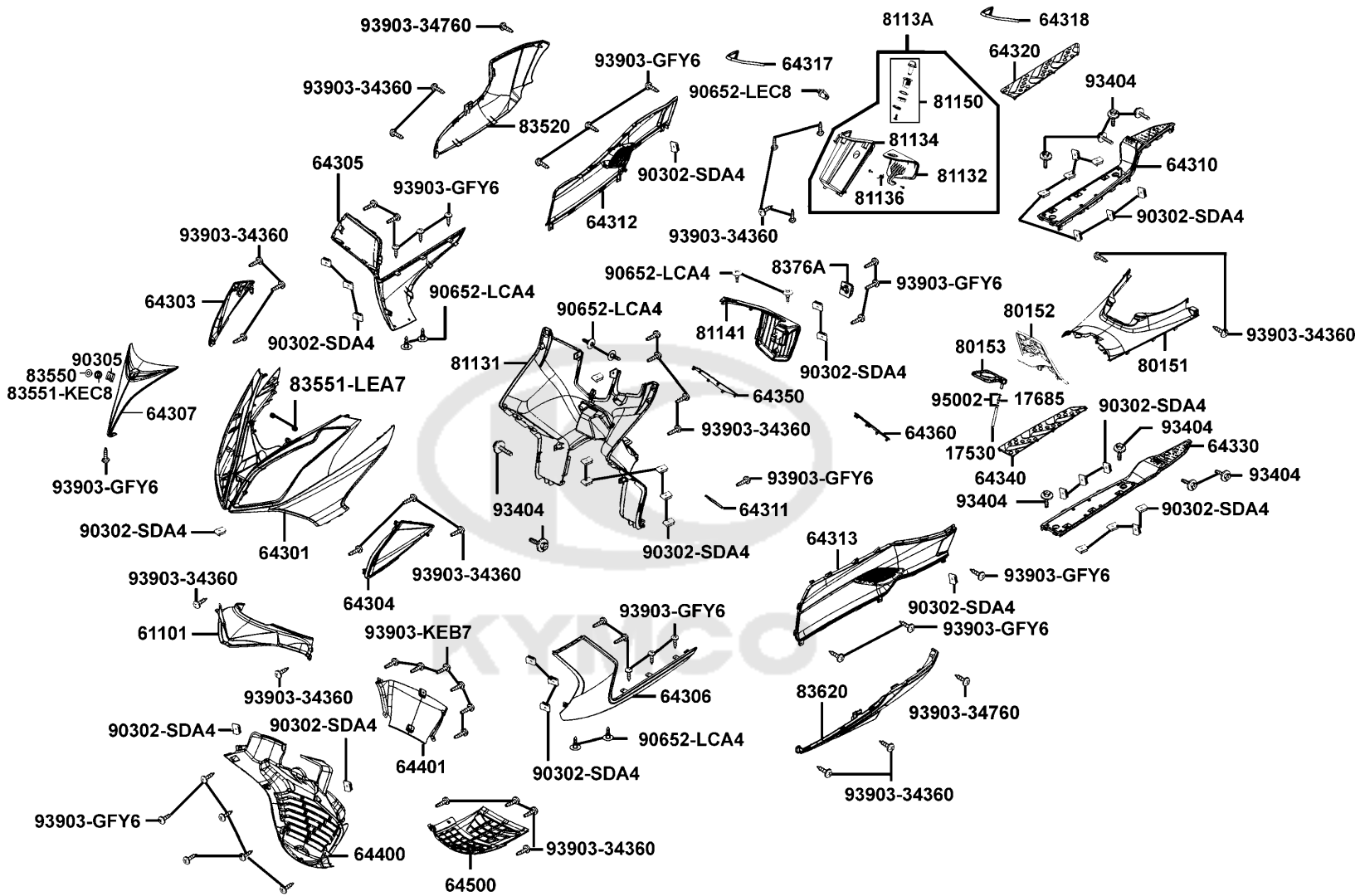
Sales mark	Ref no	Part no	Description	Reg description	Regd no	F04
#	35340	35340-LKF5-E01	SW ASSY FR STOP	SW ASSY FR STOP	1	
#	35350	35350-LKF5-E01	SW ASSY RR STOP	SW ASSY RR STOP	1	
	43126	43126-LEA7-E00	HOSE ASSY RR BRK	HOSE ASSY RR BRK	1	
	43530	43530-LEA7-305	CYLINDER SET MASTER	CYLINDER SET RR MASTER	1	
	45126	45126-LEA7-E00	HOSE ASSY FR BRK	HOSE ASSY FR BRK	1	
	45513	45513-LEA7-E00	CAP MASTER CYLINDER	CAP MASTER CYLINDER	1	
	45517	45517-LBA2-E00	HOLDER M/C	HOLDER M/C	1	
	45520	45520-KKA8-900	DIAPHRAGM	DIAPHRAGM	1	
	45530	45530-LBA2-308	CYLINDER SET FR MASTER	CYLINDER SET FR MASTER	1	
**	53175	53175-KKE5-E00	LEVER R STRG HANDLE	LEVER R STRG HANDLE	1	
**	53178	53178-KKE5-E00	LEVER L STRG HANDLE	LEVER L STRG HANDLE	1	
	90113	90113-KKA8-900	BOLT L STEERING HANDLE	BOLT L STEERING HANDLE	1	
#	90145	90145-LEA3-E00	OIL BOLT 10*22	OIL BOLT 10*22	1	
	90545	90545-3L00-001	WASHER OIL BOLT	WASHER OIL BOLT	8	
	93600	93600-04012-1G	SCREW FLAT 4X12	SCREW FLAT 4X12	4	
	93893	93893-04012-18	SCREW WASHER 4*12	SCREW WASHER 4*12	1	
	94050	94050-06060	NUT FLANGE 6MM	NUT FLANGE 6MM	1	
#	96001	96001-06028-06	BOLT FLANGE SH 6*28	BOLT FLANGE SH 6*28	4	

Front CoverFloor Panel



Sales mark	Ref no	Part no	Description	Reg description	Regd no	F05
	17530	17530-KGB5-900	TUBE ASSY DRAIN	TUBE ASSY DRAIN	1	
	17685	17685-KZCZ-900	JOINT TUBE	JOINT TUBE	1	
**	61101	61101-LEA7-E00	FENDER FR INNER	FENDER FR INNER	1	
**	64301	64301-LEA7-E00	COVER FR	COVER FR	1	
**	64303	64303-LEA7-E00	BOARD R FR COVER	BOARD R FR COVER	1	
**	64304	64304-LEA7-E00	BOARD L FR COVER	BOARD L FR COVER	1	
**	64305	64305-LEA7-E00	SKIRT R SIDE	SKIRT R SIDE	1	
**	64306	64306-LEA7-E00	SKIRT L SIDE	SKIRT L SIDE	1	
**	64307	64307-LEA7-E00	LID FR COVER	LID FR COVER	1	
**	64310	64310-LEA7-E00	FLOOR PANEL R	FLOOR PANEL R	1	
**	64311	64311-LEA7-E00	LID RESERVE TANK	LID RESERVE TANK	1	
**	64312	64312-LEA7-E00	BOARD R PANEL FLOOR	BOARD R PANEL FLOOR	1	
**	64313	64313-LEA7-E00	BOARD L PANEL FLOOR	BOARD L PANEL FLOOR	1	
	64317	64317-LEA7-E00	SPONGE FR INNER BOX	SPONGE FR INNER BOX	1	
	64318	64318-LEA7-E00	SEAL FR INNER BOX	SEAL FR INNER BOX	1	
**	64320	64320-LEA7-E00	MAT R FLOOR	MAT R FLOOR	1	
**	64330	64330-LEA7-E00	FLOOR PANEL L	FLOOR PANEL L	1	
**	64340	64340-LEA7-E00	MAT L FLOOR	MAT L FLOOR	1	
**	64350	64350-LEA7-E00	MAT R LEG SHIELD	MAT R LEG SHIELD	1	
**	64360	64360-LEA7-E00	MAT L LEG SHIELD	MAT L LEG SHIELD	1	

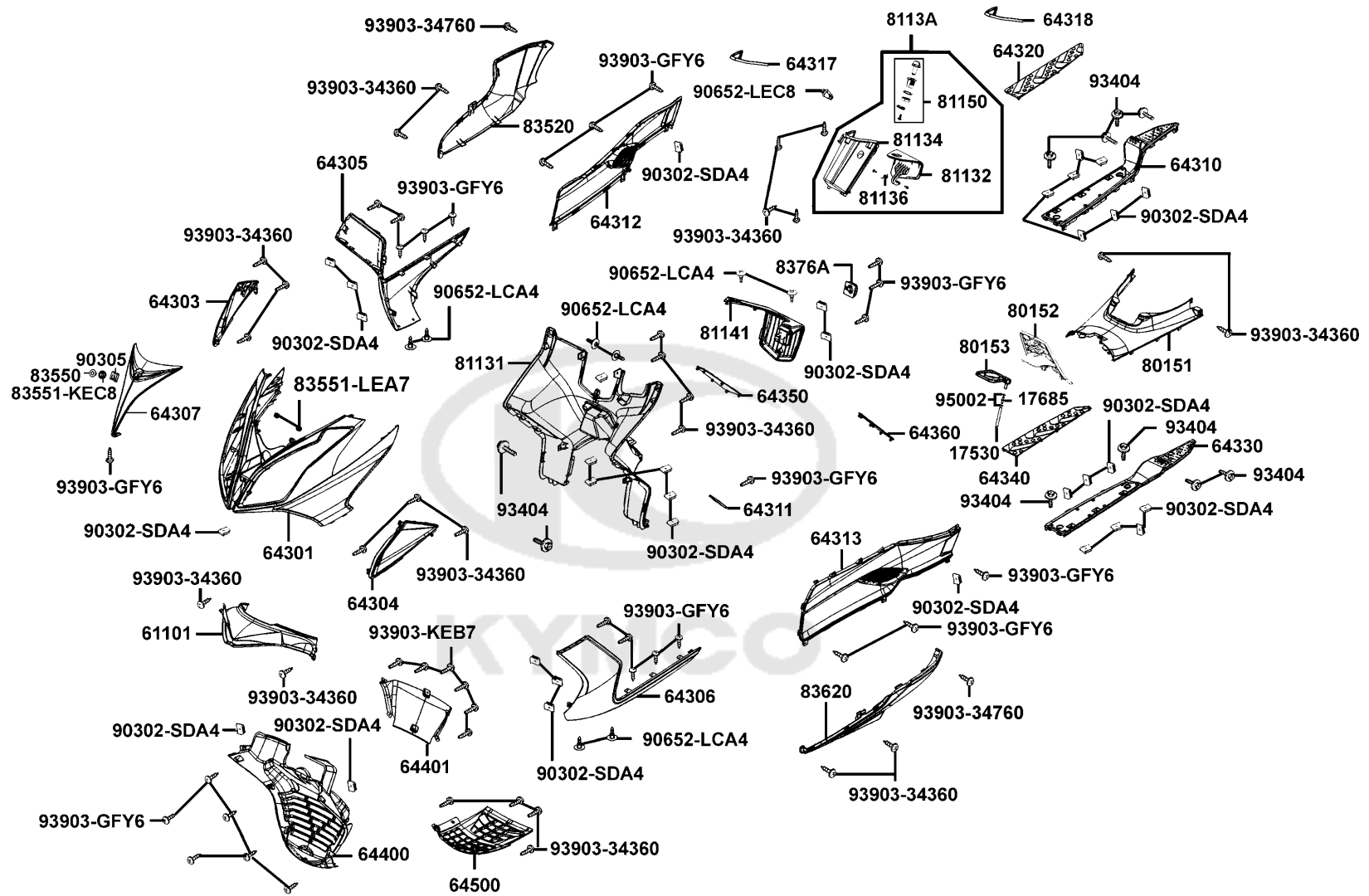
Front Cover/Floor Panel





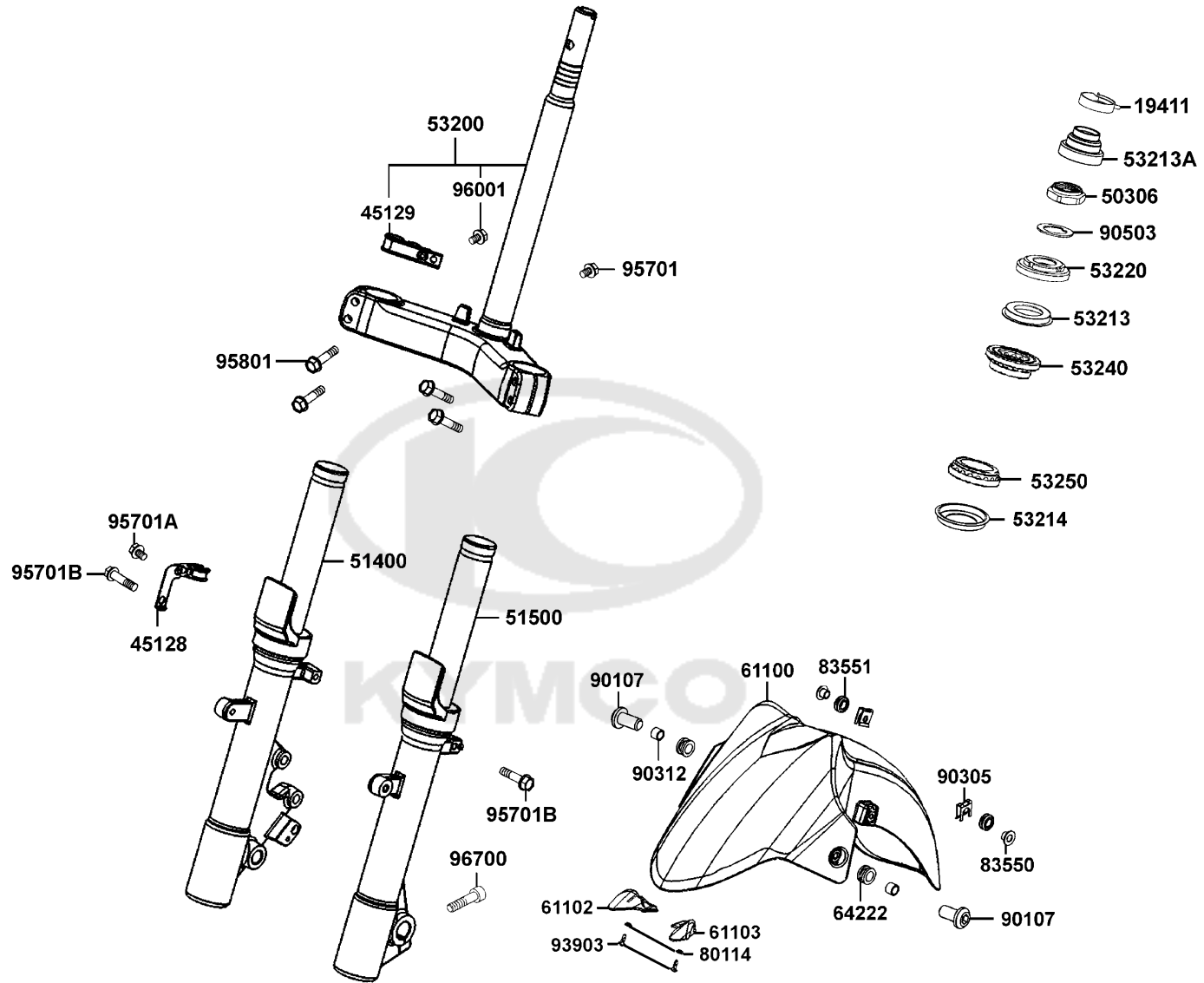
Sales mark	Ref no	Part no	Description	Reg description	Regd no	F05
**	64400	64400-LEA7-E00	COWL UNDER	COWL UNDER	1	
**	64401	64401-LEA7-E00	MESH UNDER COWL	MESH UNDER COWL	1	
**	64500	64500-LEA7-E00	UNDER COWL LOW	UNDER COWL LOW	1	
**	80151	80151-LEA7-E00	COVER CENTER	COVER CENTER	1	
**	80152	80152-LEA7-E00	COVER PLUG MAINT	COVER PLUG MAINT	1	
	80153	80153-LEA7-E00	RUBBER FUEL CAP	RUBBER FUEL CAP	1	
**	81131	81131-LEA7-E00	LEG SHIELD	LEG SHIELD	1	
**	81132	81132-LEA7-E00	LID L/H FR INNER BOX	LID L/H FR INNER BOX	1	
**	81134	81134-LEA7-E00	BOX L/H FR INNER	BOX L/H FR INNER	1	
	81136	81136-LEA7-E00	SPRING FR INNER BOX L	SPRING FR INNER BOX L	1	
**	8113A	8113A-LEA7-E00	FR INNER BOX ASSY	FR INNER BOX ASSY	1	
**	81141	81141-LEA7-E00	TUNNEL LEG SHIELD	TUNNEL LEG SHIELD	1	
	81150	81150-LEA7-E00	LOCKLESS ASSY	LOCKLESS ASSY	1	
**	83520	83520-LEA7-E00	COVER. R SIDE	COVER. R SIDE	1	
	83550	83550-KEC8-900	COLLAR	COLLAR	1	
	83551-KEC8	83551-KEC8-900	GROMMET COVER **KEC8-9000	GROMMET COVER **KEC8-9000 C.2005.09.01	1	
	83551-LEA7	83551-LEA7-E00	GROMMET FRONT COVER	GROMMET FRONT COVER	2	
**	83620	83620-LEA7-E00	COVER. L SIDE	COVER. L SIDE	1	
	8376A	8376A-KEBE-900	CLIP ASSY CENTER	CLIP ASSY CENTER	1	
	90302-SDA4	90302-SDA4-004	NUT SPRING 4MM	NUT SPRING 4MM	33	

Front Cover/Floor Panel

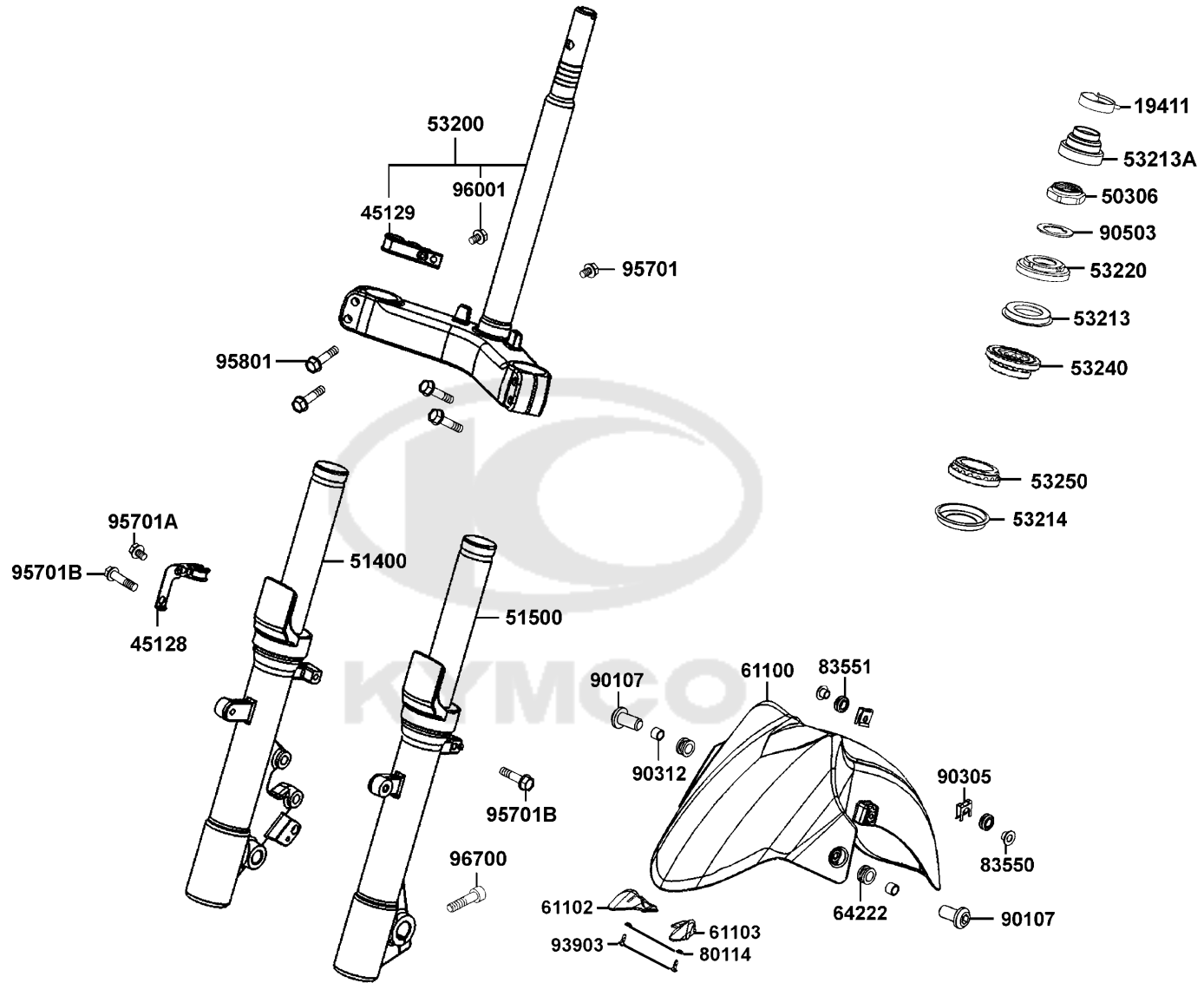


Sales mark	Ref no	Part no	Description	Reg description	Regd no	<b>F05</b>
	90305	90305-LBA2-E00	NUT CLIP 6MM	NUT CLIP 6MM	1	
	90652-LCA4	90652-LCA4-E00	CLIP MUDGUARD	CLIP MUDGUARD	8	
	90652-LEC8	90652-LEC8-E00	CLIP MUDGUARD	CLIP MUDGUARD	1	
#	93404	93404-06016-06	BOLT WASHER 6*16	BOLT WASHER 6*16	10	
	93903-34360	93903-34360	SCREW TAPPING 4X12	SCREW TAPPING 4X12	26	
	93903-34760	93903-34760	SCREW TAPPING 4*30	SCREW TAPPING 4*30	3	
	93903-GFY6	93903-GFY6-900	SCREW TAPPING 4*14	SCREW TAPPING 4*14	27	
	93903-KEB7	93903-KEB7-900-06	SCREW WASHER 4*12 (G)	SCREW WASHER 4*12 (G)	6	
	95002	95002-02080	CLIP B8 TUBE	CLIP B8 TUBE	2	





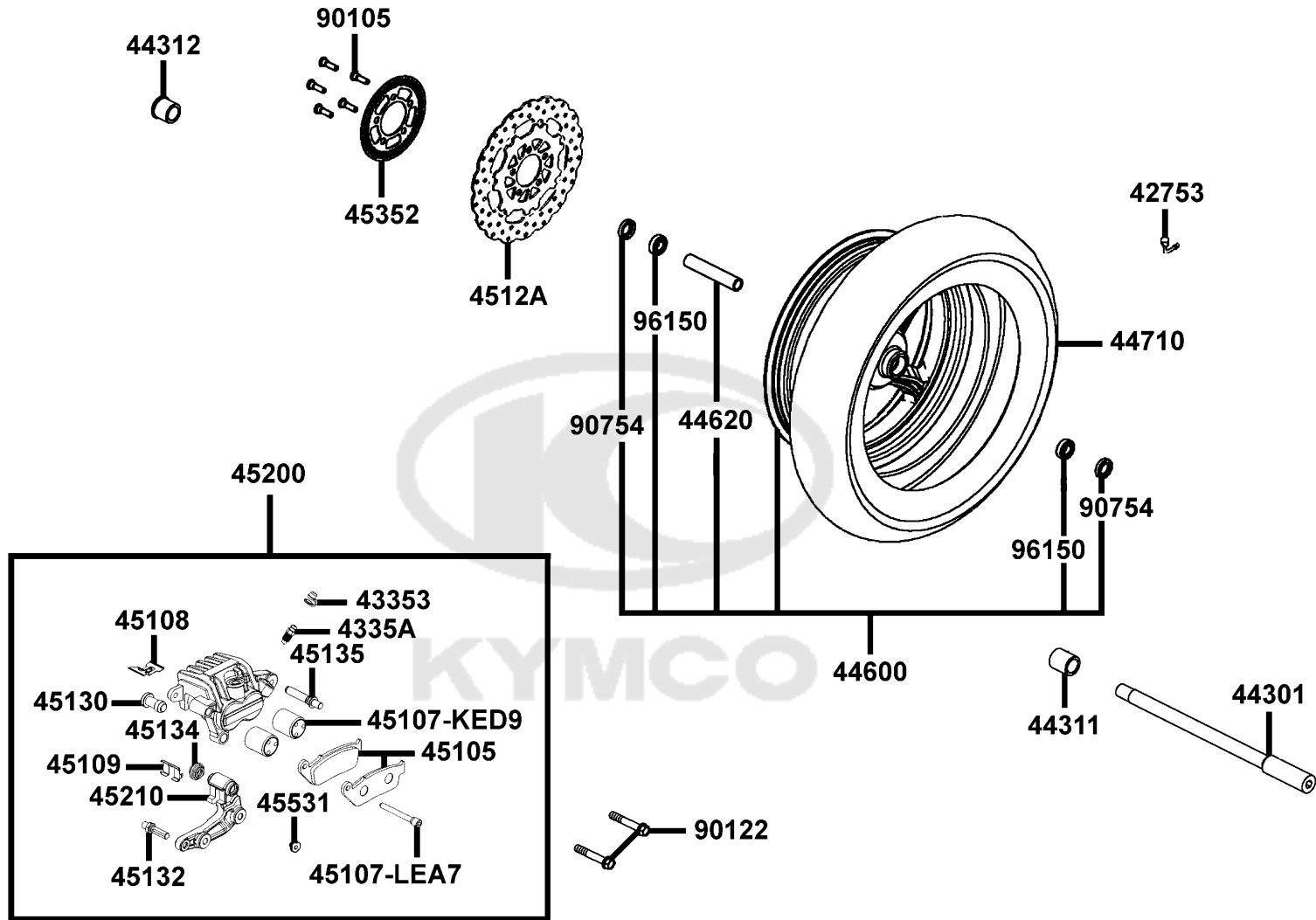
Sales mark	Ref no	Part no	Description	Reg description	Regd no	F06
#	19411	19411-LFG2-E00	CLIP ASSY AIR/C DUCT	CLIP ASSY AIR/C DUCT	1	
	45128	45128-LBA2-920	CLAMPER FR BRK HOSE	CLAMPER FR BRK HOSE	1	
	45129	45129-LBA2-900	CLAMPER FR BRK HOSE	CLAMPER FR BRK HOSE	1	
	50306	50306-1F96-001	NUT STRG STEM LOCK	NUT STRG STEM LOCK	1	
**	51400	51400-LEA7-E00	FORK ASSY R FR	FORK ASSY R FR	1	
**	51500	51500-LEA7-E00	FORK ASSY L FR	FORK ASSY L FR	1	
	53200	53200-LEA7-E00	STEM COMP STRG	STEM COMP., STRG	1	
	53213	53213-LBA2-E00	DUST SEAL STRG HEAD TOP	DUST SEAL STRG HEAD TOP	1	
#	53213A	53213-LEA7-E00	DUST SEAL. STRG	DUST SEAL STRG	1	
	53214	53214-LBA2-E00	DUST SEAL STRG (HEAD)	DUST SEAL STRG HEAD BOT	1	
	53220	53220-LBA2-E00	THREAD COMP STRG HEAD TOP	THREAD COMP STRG HEAD TOP	1	
#	53240	53240-LEA7-90A	BEARING TOP STRG (mark:TP1)	BEARING TOP STRG	1	
#	53250	53250-LEA7-90A	BEARING BOT STRG (mark:TP1)	BEARING BOT STRG	1	
**	61100	61100-LEA7-E00	FENDER ASSY FR	FENDER ASSY FR	1	
	61102	61102-LEA7-E00	RUBBER FR FENDER R	RUBBER FR FENDER R	1	
	61103	61103-LEA7-E00	RUBBER FR FENDER L	RUBBER FR FENDER L	1	
	64222	64222-LLJ3-E00	RUBBER WIND SCREEN	RUBBER WIND SCREEN	2	
	80114	80114-KGG7-001	COLLAR RR FENDER	COLLAR RR FENDER	2	
	83550	83550-KEC8-900	COLLAR	COLLAR	2	
	83551	83551-KEC8-900	GROMMET COVER **KEC8-9000	GROMMET COVER **KEC8-9000 C.2005.09.01	2	



Sales mark	Ref no	Part no	Description	Reg description	Regd no	F06
	90107	90107-LEA7-E00	BOLT SPECIAL 8MM	BOLT SPECIAL 8MM	2	
	90305	90305-LBA2-E00	NUT CLIP 6MM	NUT CLIP 6MM	2	
	90312	90312-LLJ3-E01	COLLAR WIND SCREEN	COLLAR WIND SCREEN	2	
	90503	90503-LEA7-E00	WASHER STRG STEM NUT	WASHER STRG STEM NUT	1	
#	93903	93903-35360	SCREW TAPPING 5*16	SCREW TAPPING 5*16	2	
	95701	95701-06008-06	BOLT FLANGE 6*8	BOLT FLANGE 6*8	1	
#	95701A	95701-06012-06	BOLT FLANGE 6*12 **07 C.2005.07.01	BOLT FLANGE 6*12 **07 C.2005.07.01	1	
#	95701B	95701-06045-06	BOLT FLANGE 6*45	BOLT FLANGE 6*45	2	
#	95801	95801-08040-06	BOLT FLANGE 8*40	BOLT FLANGE 8*40	1	
#	96001	96001-06012-06	BOLT FLANGE SH 6*12	BOLT FLANGE SH 6*12	1	
	96700	96700-KED9-900	BOLT SOCKET 8*30	BOLT SOCKET 8*30	1	

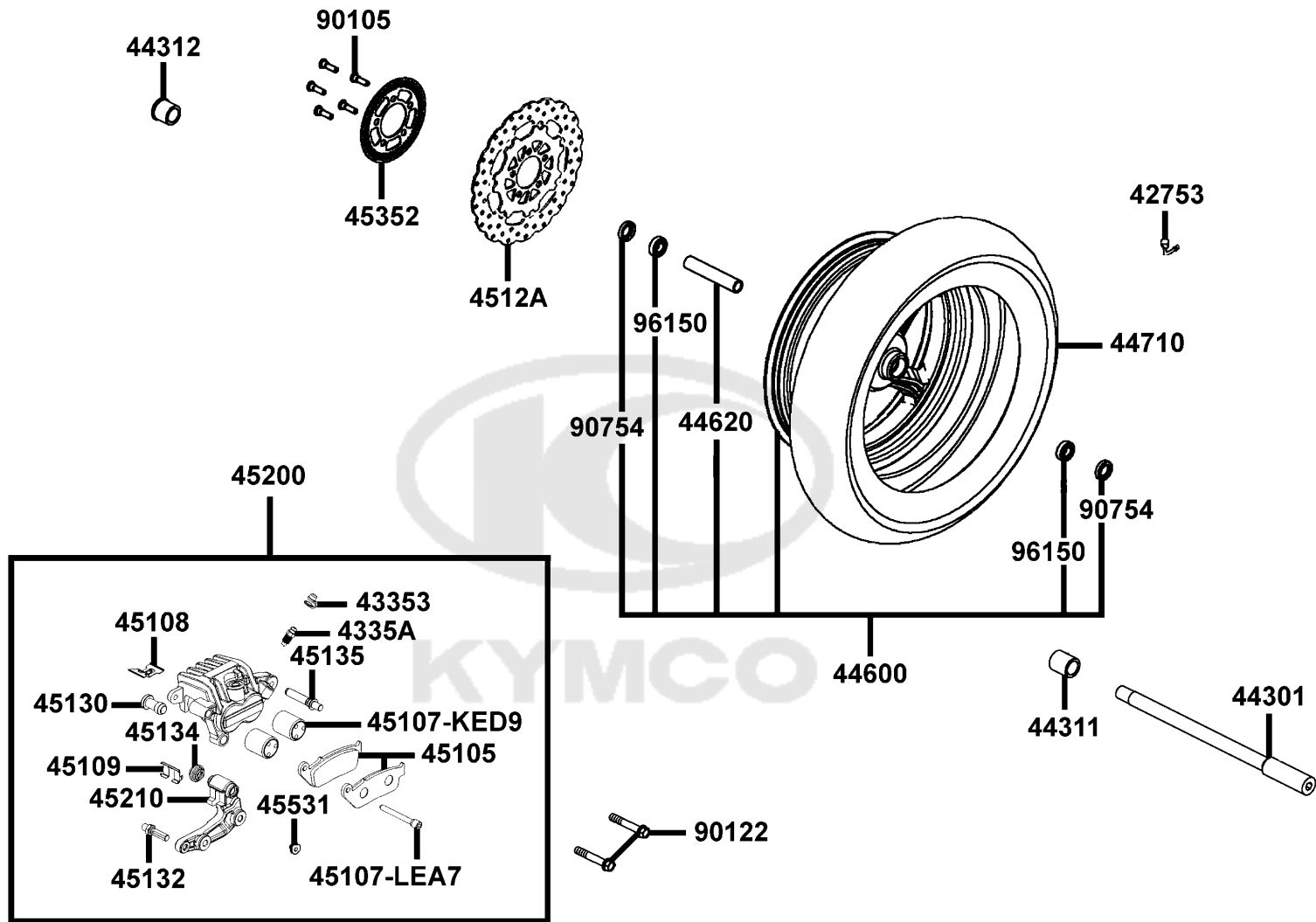
F07

Front Wheel





Sales mark	Ref no	Part no	Description	Reg description	Regd no	F07
	42753	42753-KNBN-90B	VALAE RIM (TR412)	VALAE RIM (TR412)	1	
	43353	43353-KED9-900	CAP BLEEDER	CAP BLEEDER	1	
#	4335A	4335A-LBA2-E01	BLEEDER ASSY	SCREW BLEEDER	1	
	44301	44301-LEA7-E00	AXLE FR WHEEL M14*282MM	AXLE FR WHEEL 14*282	1	
	44311	44311-LEA7-E00	COLLAR FR WHEEL SIDE	COLLAR FR WHEEL SIDE	1	
	44312	44312-LEA7-E00	COLLAR FR WHEEL SIDE	COLLAR FR WHEEL SIDE	1	
**	44600	44600-LEA7-305	WHEEL ASSY FR	WHEEL ASSY FR	1	
	44620	44620-LEA7-E00	COLLAR FR WHEEL DISTANCE	COLLAR FR WHEEL DIST	1	
	44710	44710-LEA7-E0A	TIRE ASSY FR 120/80-14 58S/MAXXIX	TIRE ASSY FR 120/80-14 58S/MAXXIX	1	
	44710	44710-LEA7-E0B	TIRE ASSY FR 120/80-14 TL /KENDA	TIRE ASSY FR 120/80-14 TL /KENDA	1	
	45105	45105-LEA7-305	PAD SET	PAD SET	1	
	45107-KED9	45107-KED9-900	PISTON	PISTON	2	
	45107-LEA7	45107-LEA7-E00	PIN HANGER	PIN HANGER	1	
	45108	45108-LEA7-E00	SPRING PAD	SPRING PAD	1	
	45109	45109-KED9-900	SLIDE PAD	SLIDE PAD	1	
	4512A	4512A-LEA7-E00	DISK COMP FR BRAKE	DISK COMP FR BRAKE	1	
	45130	45130-KED9-900	BUSH PIN	BUSH PIN	1	
	45132	45132-KED9-900	PIN BOLT	PIN BOLT	1	
	45134	45134-KED9-900	BOOT B	BOOT B	1	
	45135	45135-KED9-900	PIN BOLT A	PIN BOLT A	1	

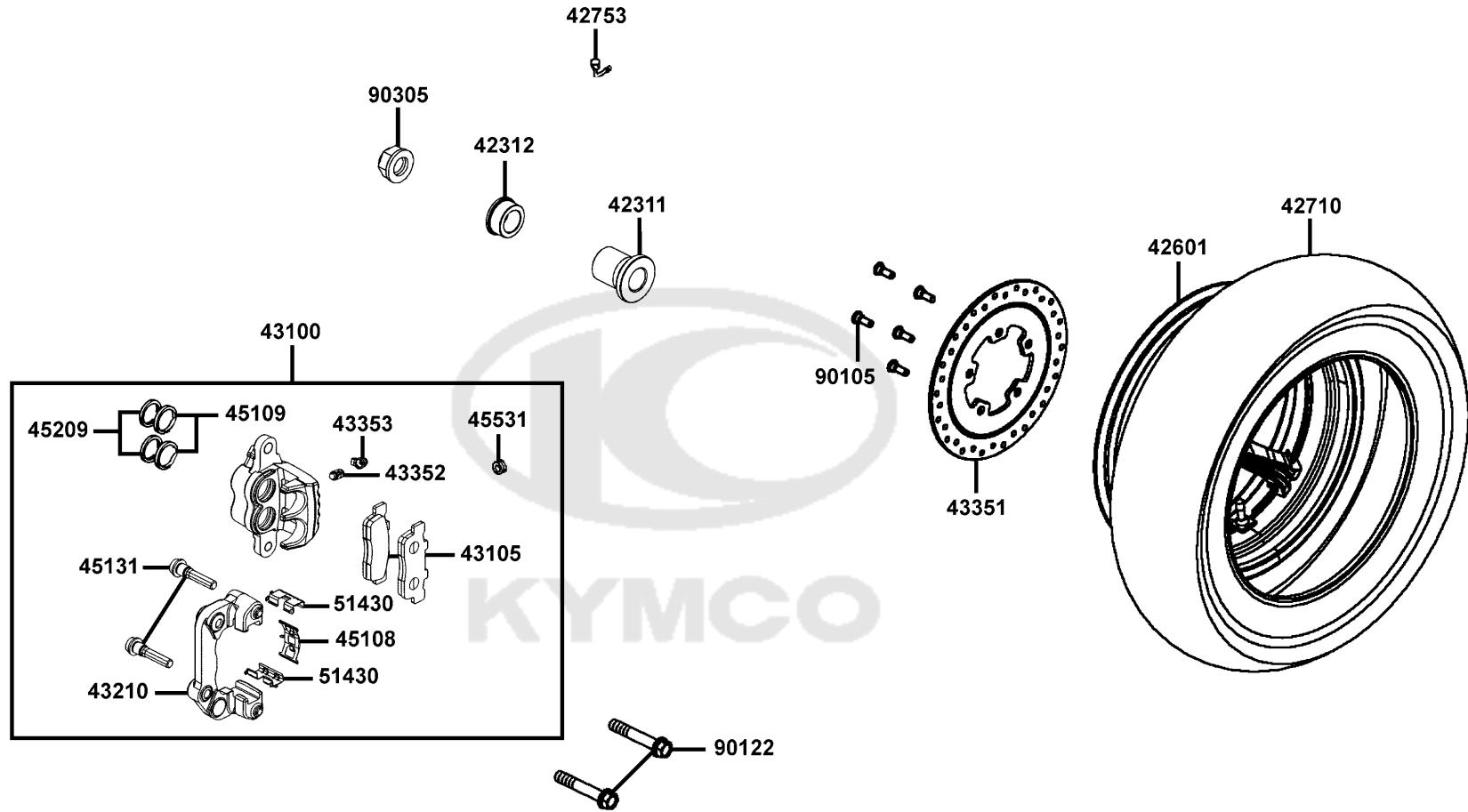


Sales mark	Ref no	Part no	Description	Reg description	Regd no	<b>F07</b>
**	45200	45200-LEA7-E00	CALIPER ASSY FR	CALIPER ASSY FR	1	
	45210	45210-LEA7-305	BRACKET FR SET	BRACKET FR	1	
	45352	45352-LEA7-E00	TOOTHED RING SENSOR	TOOTHED RING SENSOR	1	
	45531	45531-KED9-900	PLUG	PLUG	1	
	90105	90105-LEA7-E00	BOLT FR DISK 8x30	BOLT FR DISK 8X30	5	
	90122	90122-LEA7-E00	BOLT FLANGE 10X42	BOLT FLANGE 10X42	2	
	90754	90754-LLJ3-E00	DUST SEAL	DUST SEAL	2	
	96150	96150-60020-10	BEARING BALL RADIAL 6002	BEARING BALL RADIAL 6002	2	



F08

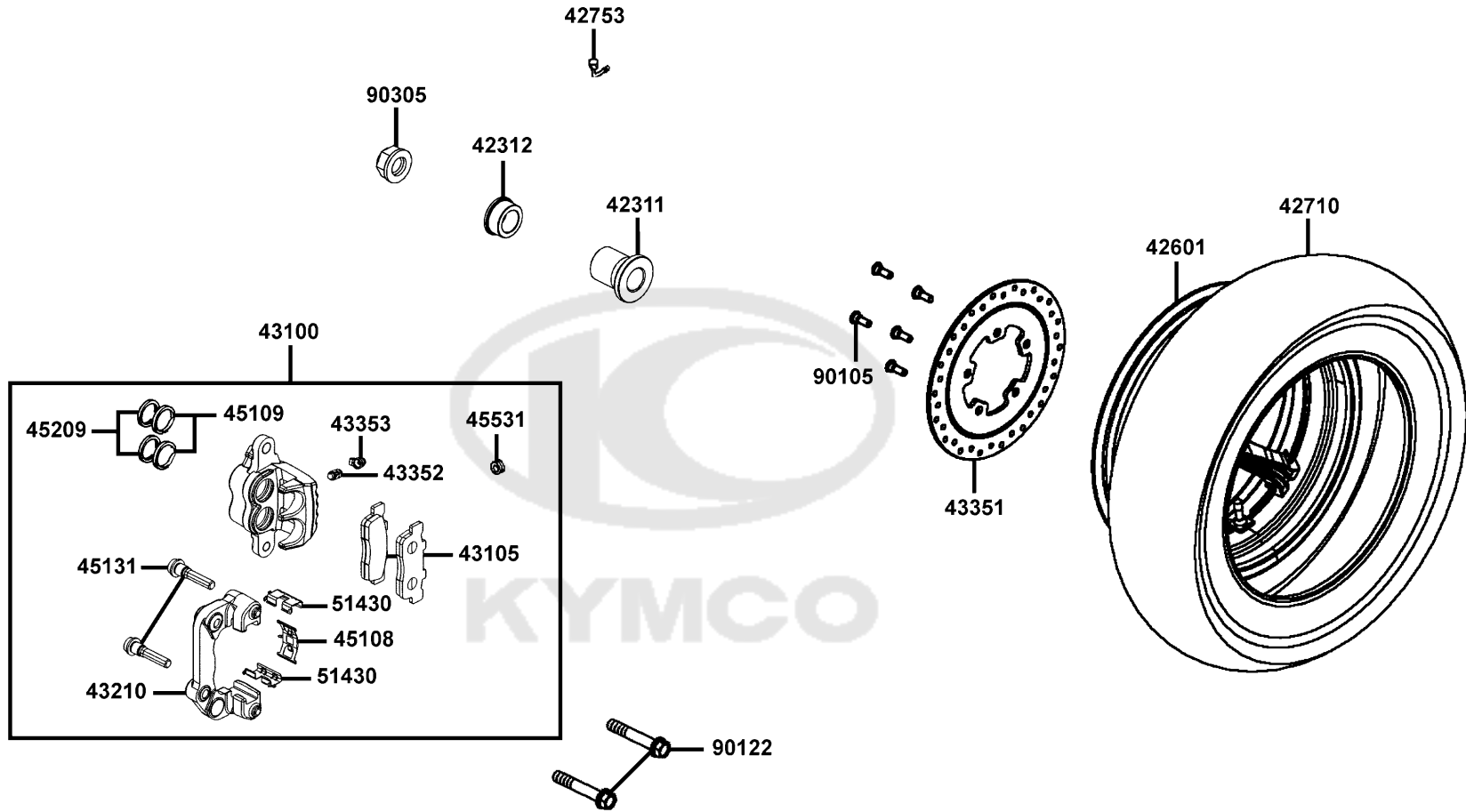
Rear Wheel



Sales mark	Ref no	Part no	Description	Reg description	Regd no	F08
#	42311	42311-LEA7-E00	COLLAR RR AXLE SIDE A	COLLAR RR AXLE SIDE A	1	
	42312	42312-LEA7-E00	COLLAR RR AXLE SIDE	COLLAR RR AXLE SIDE	1	
**	42601	42601-LEA7-E00	WHEEL COMP RR	WHEEL COMP RR	1	
	42710	42710-LEA7-E0A	TIRE ASSY RR 150/70-13 64S/MAXXIS	TIRE ASSY RR 150/70-13 64S/MAXXIS	1	
	42710	42710-LEA7-E0B	TIRE ASSY RR 150/70-13 TL/KENDA	TIRE ASSY RR 150/70-13 TL/KENDA	1	
	42753	42753-KNBN-90B	VALAE RIM (TR412)	VALAE RIM (TR412)	1	
**	43100	43100-LEA7-E00	CALIPER ASSY RR	CALIPER ASSY RR	1	
	43105	43105-LEA7-305	PAD ASSY	PAD ASSY	2	
	43210	43210-LEA7-E00	BRACKET	BRACKET	1	
	43351	43351-LEA7-E00	DISK RR BRAKE	DISK RR BRAKE	1	
	43352	43352-KKD6-E90	SCREW BLEEDER	SCREW BLEEDER	1	
	43353	43353-4A61-77A	CAP BLEEDER	CAP BLEEDER	1	
	45108	45108-LDH1-E00	SPRING PAD	SPRING PAD	1	
	45109	45109-GBE2-007	DUST SEAL	DUST SEAL	2	
	45131	45131-LDH1-E00	PIN BOLT	PIN BOLT	2	
	45209	45209-GBE2-007	SEAL PISTON	SEAL PISTON	2	
	45531	45531-GAR1-951	PLUG	PLUG	1	
	51430	51430-LEA7-E00	SLIDE PAD	SLIDE PAD	2	
	90105	90105-KCR3-001	BOLT FR DISK 8*24	BOLT FR DISK 8*24	5	
	90122	90122-LEA7-E00	BOLT FLANGE 10X42	BOLT FLANGE 10X42	2	

F08

Rear Wheel



Sales mark	Ref no	Part no	Description	Reg description	Regd no	<b>F08</b>
------------	--------	---------	-------------	-----------------	---------	------------

90305

90305-KKAK-900

NUT U 16MM

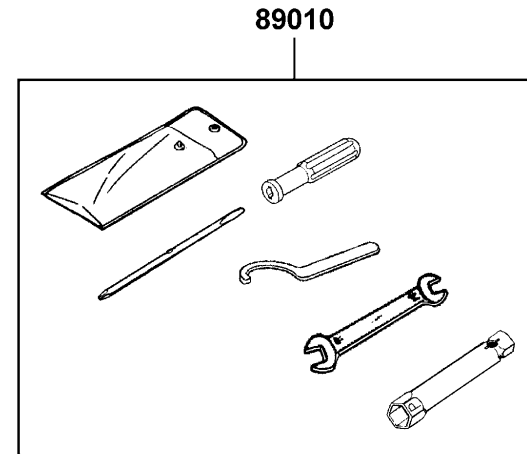
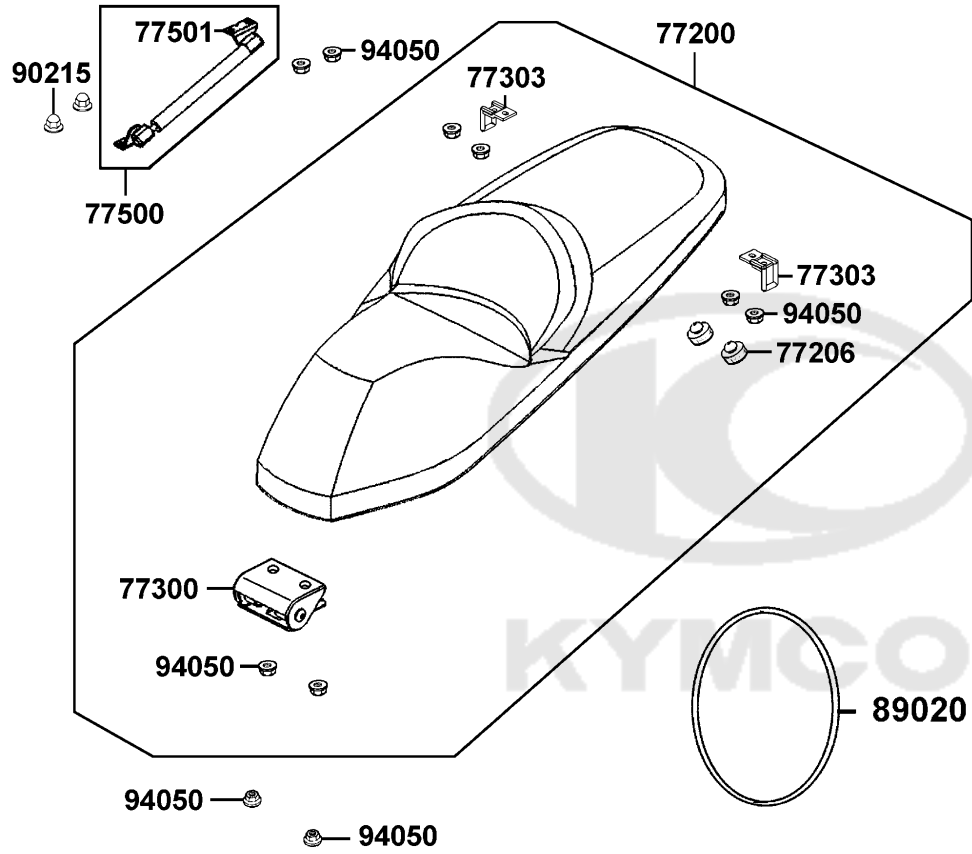
NUT U 16MM

1



F09

Seat



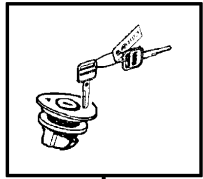


Sales mark	Ref no	Part no	Description	Reg description	Regd no	<b>F09</b>
**	77200	77200-LEA7-305	SEAT ASSY (REACH)	SEAT ASSY (REACH)	1	
	77206	77206-KEB7-900	RUBBER SEAT CUSH	RUBBER SEAT CUSH	2	
	77300	77300-LEA7-E00	HINGE COMP SEAT	HINGE COMP SEAT	1	
	77303	77303-LEA7-E00	HOOK SEAT LOCK	HOOK SEAT LOCK	2	
	77500	77500-LEA7-E00	DAMPER CAS	DAMPER CAS	1	
#	77501	77501-LBA2-E00	STAY GAS DAMPER	STAY GAS DAMPER	2	
#	89010	89010-LEA7-E00	TOOL SET	TOOL SET	1	
	89020	89020-KKC4-900	BAND TOOL SET	BAND TOOL SET	1	
	90215	90215-KKC4-900	NUT CAP 6MM	NUT CAP 6MM	2	
	94050	94050-06080	NUT FLANGE 6MM	NUT FLANGE 6MM	2	

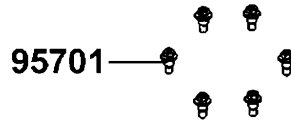


F10

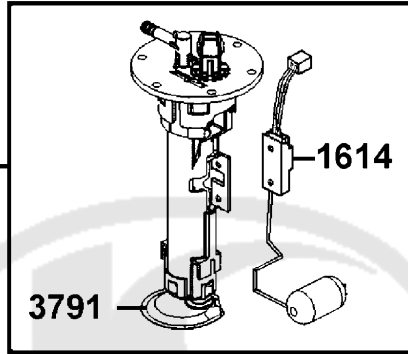
Fuel Tank



17620



95701



17550

1614

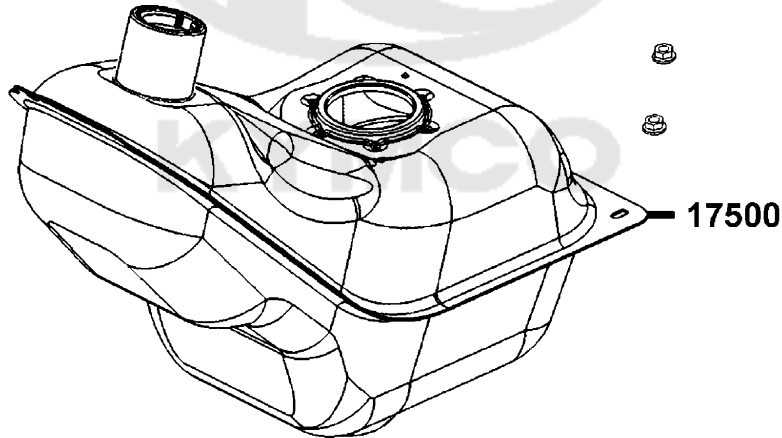
3791

17561-LGK8

17561-LKB9

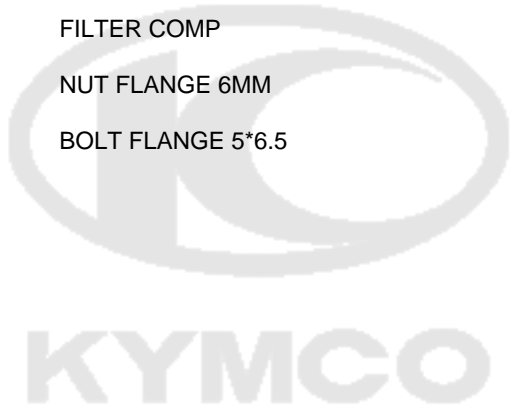
17685

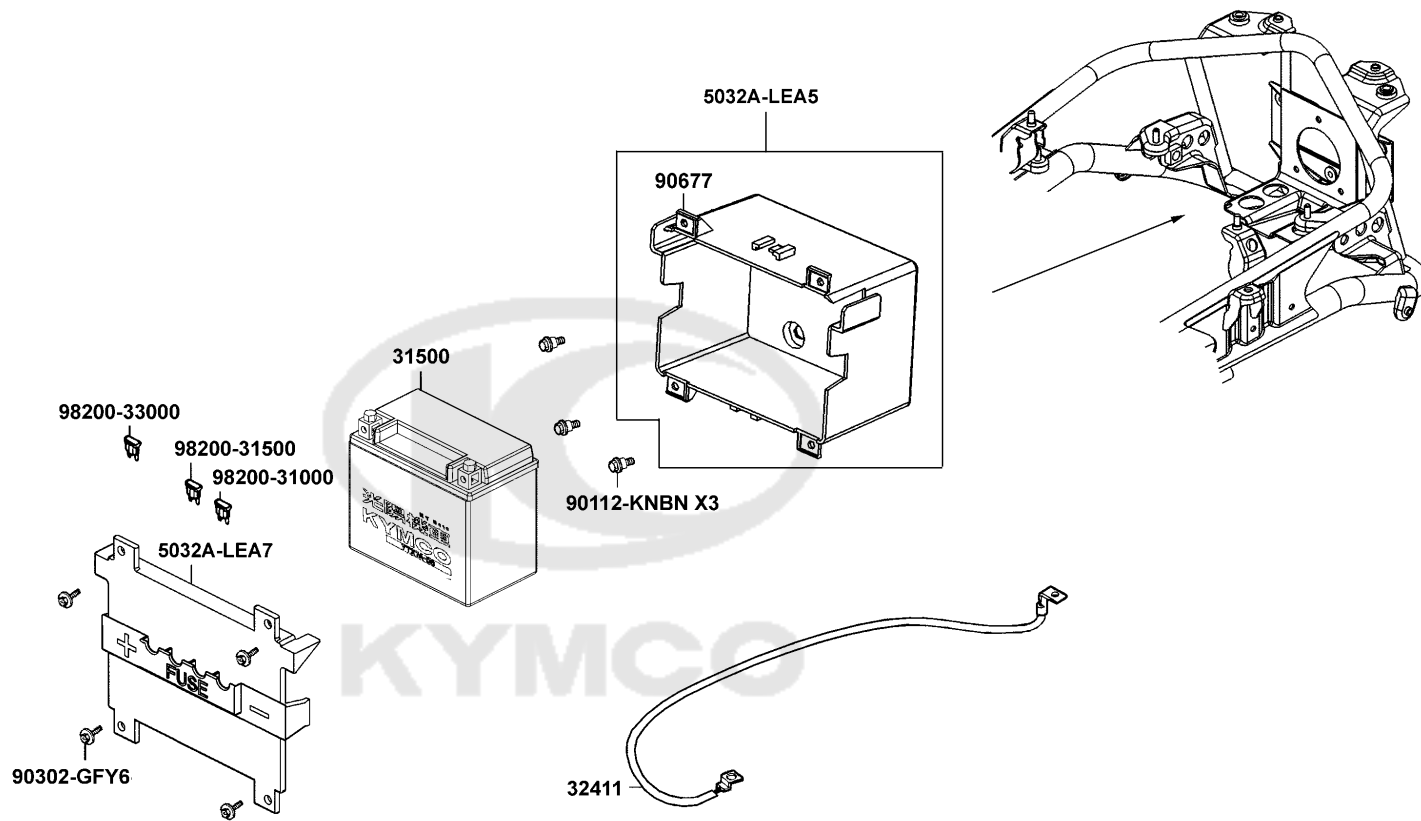
90301



17500

Sales mark	Ref no	Part no	Description	Reg description	Regd no	<b>F10</b>
#	1614	1614-A22C-0000-Y	FUEL LEVER SENSOR COMP	FUEL LEVER SENSOR COMP	1	
	17500	17500-LEA7-E00	TANK COMP. FUEL	TANK COMP. FUEL	1	
	17550	17550-LEA7-800	FUEL PUMP MODULE ASSY	FUEL PUMP ASSY	1	
#	17561-LKB9	17561-LKB9-900	CLIP 12.5	CLIP 12.5	2	
	17620	17620-LEA7-315-M1	CAP COMP FUEL FILLER	CAP COMP FUEL FILLER	1	
	17620	17620-LEA7-315-M2	CAP COMP FUEL FILLER	CAP COMP FUEL FILLER	1	
	17685	17685-LFA7-E00	TUBEFUEL PUMP	TUBE FUEL PUMP	1	
	3791	3791-HN80-0000	FILTER COMP	FILTER COMP	1	
	90301	90301-6D34-671	NUT FLANGE 6MM	NUT FLANGE 6MM	4	
	95701	95701-LDF2-800	BOLT FLANGE 5*6.5	BOLT FLANGE 5*6.5	6	

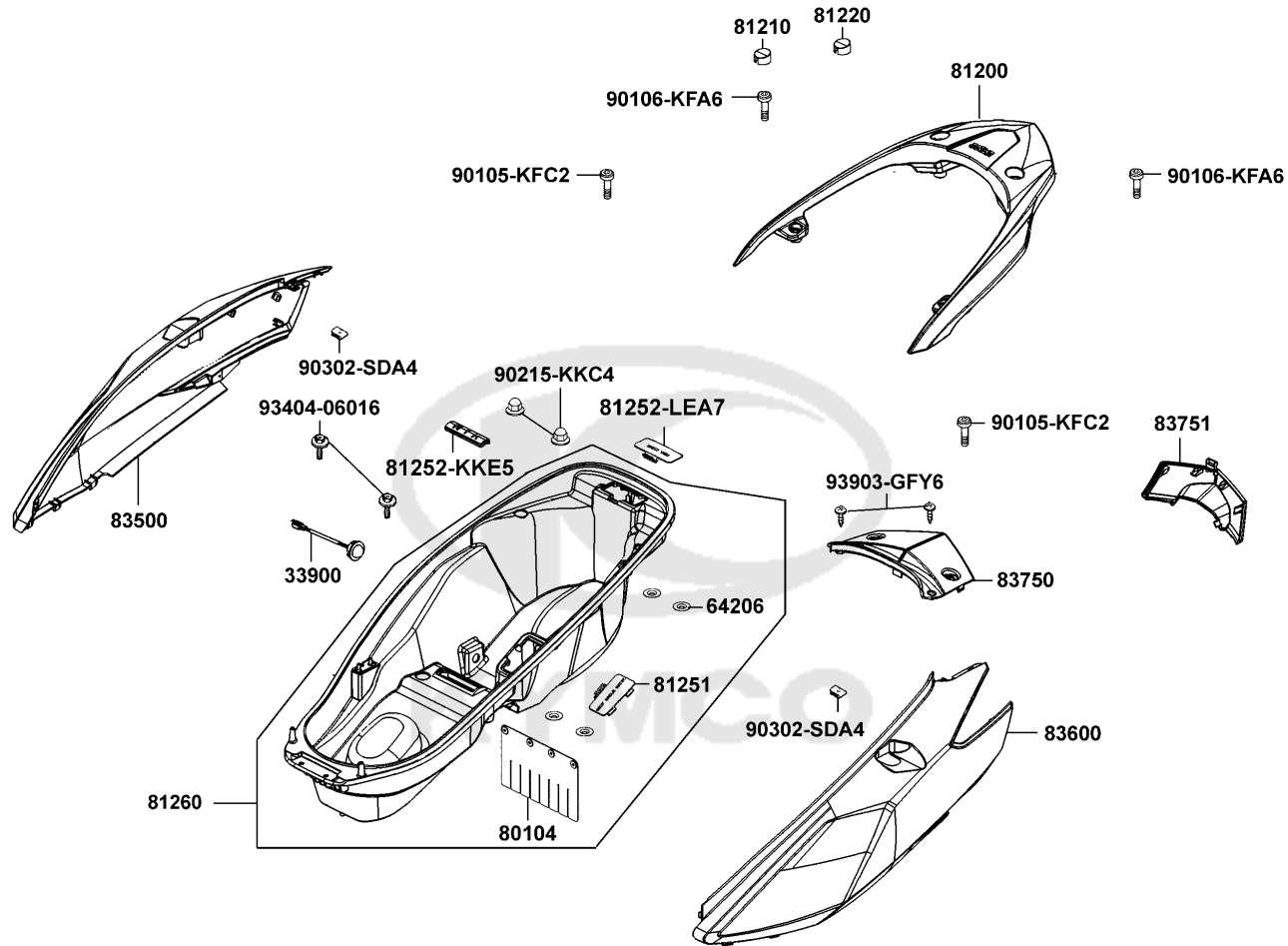




Sales mark	Ref no	Part no	Description	Reg description	Regd no	F11
#	31500	31500-LEA6-900	BATTERY YT12A-BS	BATTERY YT12A-BS	1	
#	31500	31500-LEA6-90B	BATTERY GT12A-BS	BATTERY GT12A-BS	1	
	32411	32411-LEA7-E00	CABLE BATTERY	CABLE BATTERY	1	
	5032A-LEA5	5032A-LEA5-E00	CASE ASSY BATTERY	CASE ASSY BATTERY	1	
	5032A-LEA7	5032A-LEA7-E00	COVER ASSY BATTERY	COVER ASSY BATTERY	1	
	90112-KNBN	90112-KNBN-901	BOLT FLANGE 6MM	BOLT FLANGE 6MM	3	
#	90302-GFY6	90302-GFY6-940	BOLT-WASH 5*16	BOLT-WASH 5*16	4	
	90677	90677-GAR1-004	NUT CLIP 5MM	NUT CLIP 5MM	4	
	98200-31000	98200-31000	BLADE FUSE 10A **(0) C.2005.03.01	BLADE FUSE 10A **(0) C.2005.03.01	1	
	98200-31500	98200-31500	FUSE A15	FUSE A15	1	
	98200-33000	98200-33000	BLADE FUSE 30A	BLADE FUSE 30A	1	

F12

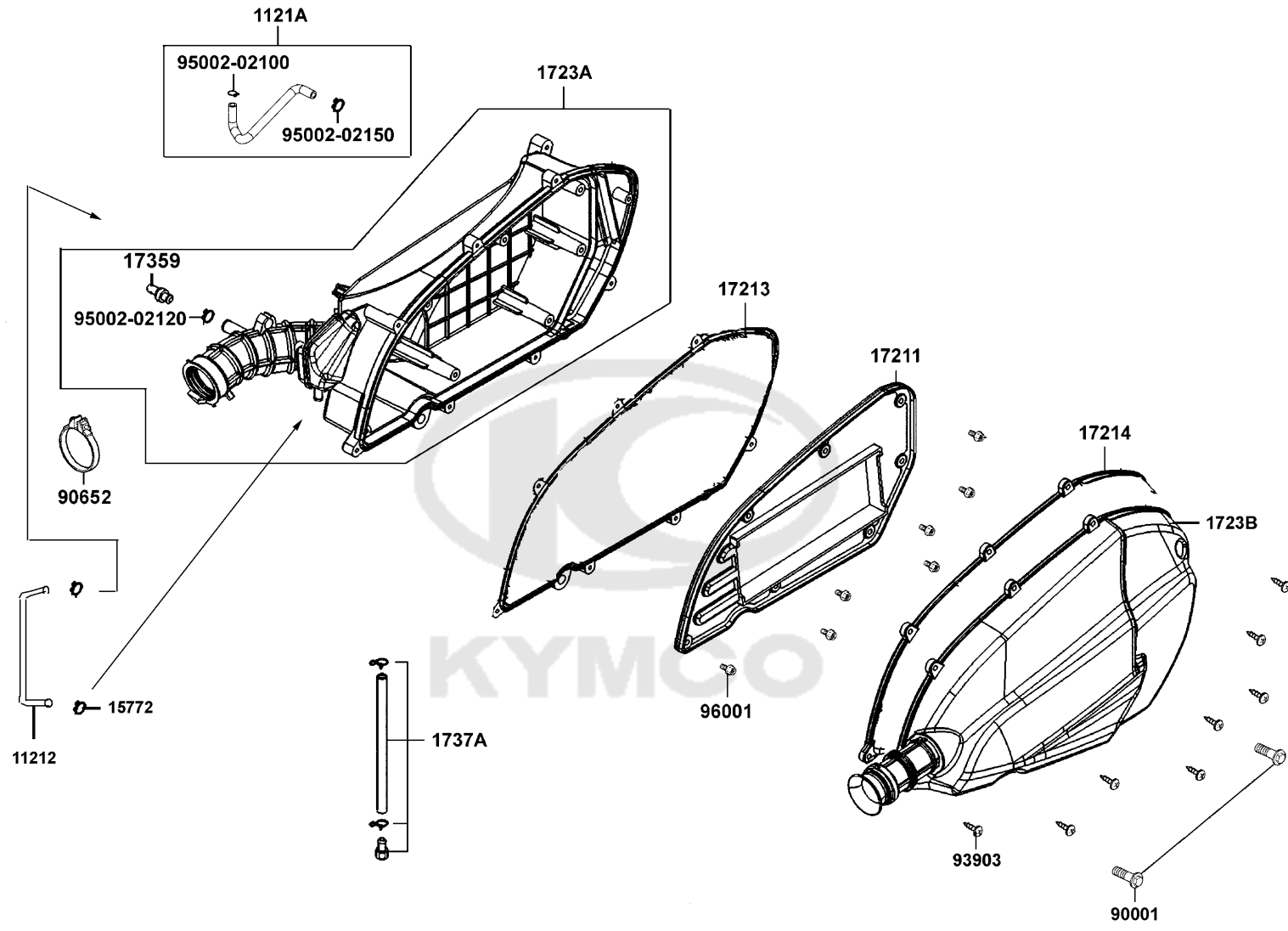
# Body Cover Luggage Box



Sales mark	Ref no	Part no	Description	Reg description	Regd no	F12
	33900	33900-KKE5-E00	LIGHT ASSY LUGGAGE BOX	LIGHT ASSY LUGGAGE BOX	1	
	64206	64206-MLJ0-001	NUT SPEED 4MM	NUT SPEED 4MM	1	
	80104	80104-LBA2-E00	PLATE C SPLASH GUARD	PLATE C SPLASH GUARD	1	
**	81200	81200-LEA7-E00	COMP RR CARRIER	COMP RR CARRIER	1	
**	81210	81210-LEA7-E00	PLUG RR CARRIER	PLUG RR CARRIER	1	
**	81220	81220-LEA7-E00	PLUG L/H RR CARRIER	PLUG L/H RR CARRIER	1	
	81251	81251-LEA7-E00	COVER SEAT CABLE MAINT.	COVER SEAT CABLE MAINT.	1	
	81252-KKE5	81252-KKE5-E00	PLUG LUGGAGE BOX	PLUG LUGGAGE BOX	1	
	81252-LEA7	81252-LEA7-E00	COVER P.D.A. MAINT	COVER P.D.A. MAINT	1	
	81260	81260-LEA7-E00	BOX ASSYLUGGAGE	BOX ASSY LUGGAGE	1	
**	83500	83500-LEA7-E00	COVER R BODY	COVER R BODY	1	
**	83600	83600-LEA7-E00	COVER L BODY	COVER L BODY	1	
**	83750	83750-LEA7-E00	COVER RR CENTER	COVER RR CENTER	1	
**	83751	83751-LEA7-E00	MOLDING RR CENTER	MOLDING RR CENTER	1	
	90105-KFC2	90105-KFC2-900	BOLT WASH 8*32	BOLT WASH 8*32	2	
	90106-KFA6	90106-KFA6-900	BOLT WASH 8MM	BOLT WASH 8MM	2	
	90215-KKC4	90215-KKC4-900	NUT CAP 6MM	NUT CAP 6MM	2	
	90302-SDA4	90302-SDA4-004	NUT SPRING 4MM	NUT SPRING 4MM	2	
#	93404-06016	93404-06016-06	BOLT WASHER 6*16	BOLT WASHER 6*16	2	
	93903-GFY6	93903-GFY6-900	SCREW TAPPING 4*14	SCREW TAPPING 4*14	2	

F13

Air Cleaner

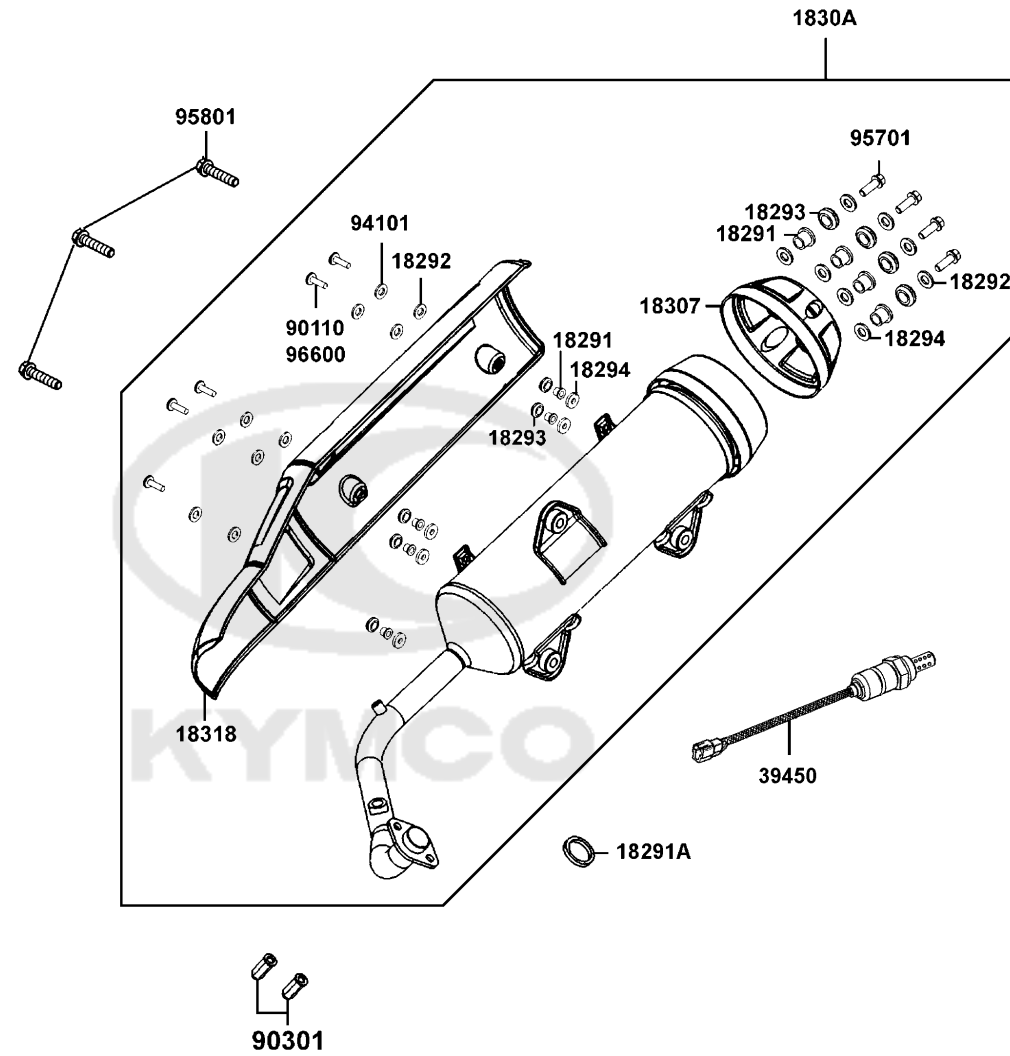




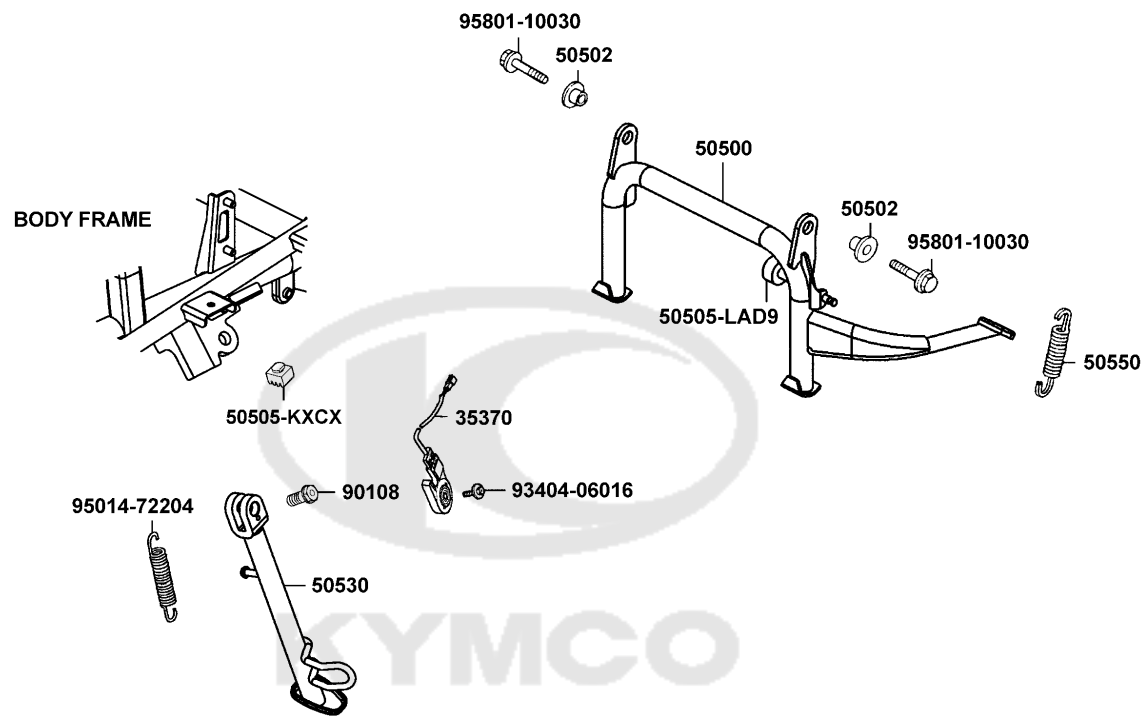
Sales mark	Ref no	Part no	Description	Reg description	Regd no	F13
	11212	11212-LFA7-E00	TUBE AIR/C BLOW-BY	TUBE AIR/C BLOW-BY	1	
	1121A	1121A-LFA7-E00	TUBE. BREATHER	TUBE. BREATHER	1	
	15772	15772-5L00-013	CLIP B14.5 TUBE	CLIP B14.5 TUBE	2	
	17211	17211-LFA7-E00	ELEMENT. AIR/C	ELEMENT. AIR/C	1	
	17213	17213-LEA7-E00	SEAL ELEMENT AIR/C	SEAL ELEMENT AIR/C	1	
	17214	17214-LEA7-E00	SEAL CASE AIR/C	SEAL CASE AIR/C	1	
	1723A	1723A-LFA7-E00	CASE ASSY,AIR/C	CASE ASS YAIR/C	1	
	1723B	1723B-LFA7-E00	COVER ASSY AIR/C	COVER ASSY AIR/C	1	
	17359	17359-4K19-671	JOINT BREATHER TUBE	JOINT BREATHER TUBE	1	
	1737A	1737A-KUDU-900	V TUBE ASSY	V TUBE ASSY	1	
#	90001	90001-GBHB-681	BOLT FLANGE SHF 6*28	BOLT FLANGE SHF 6*28	1	
#	90652	90652-GFY6-901	BAND 49 AIR/C CONNECTING TUBE	BAND 49 AIR/C CONNECTING TUBE	1	
	93903	93903-25460	SCREW TAPPING 5*20 **93903-25480	SCREW TAPPING 5*20 **93903-25480 C.2005	8	
	95002-02100	95002-02100	CLIP B15 TUBE	CLIP B15 TUBE	1	
	95002-02120	95002-02120	CLIP B12 TUBE	CLIP B12 TUBE	1	
	95002-02150	95002-02150	CLIP B14.5 TUBE	CLIP B14.5 TUBE	1	
	96001	96001-GFY6-900	BOLT SPECIAL 5X10	BOLT SPECIAL 5X10	7	

F14

Exhaust Muffler



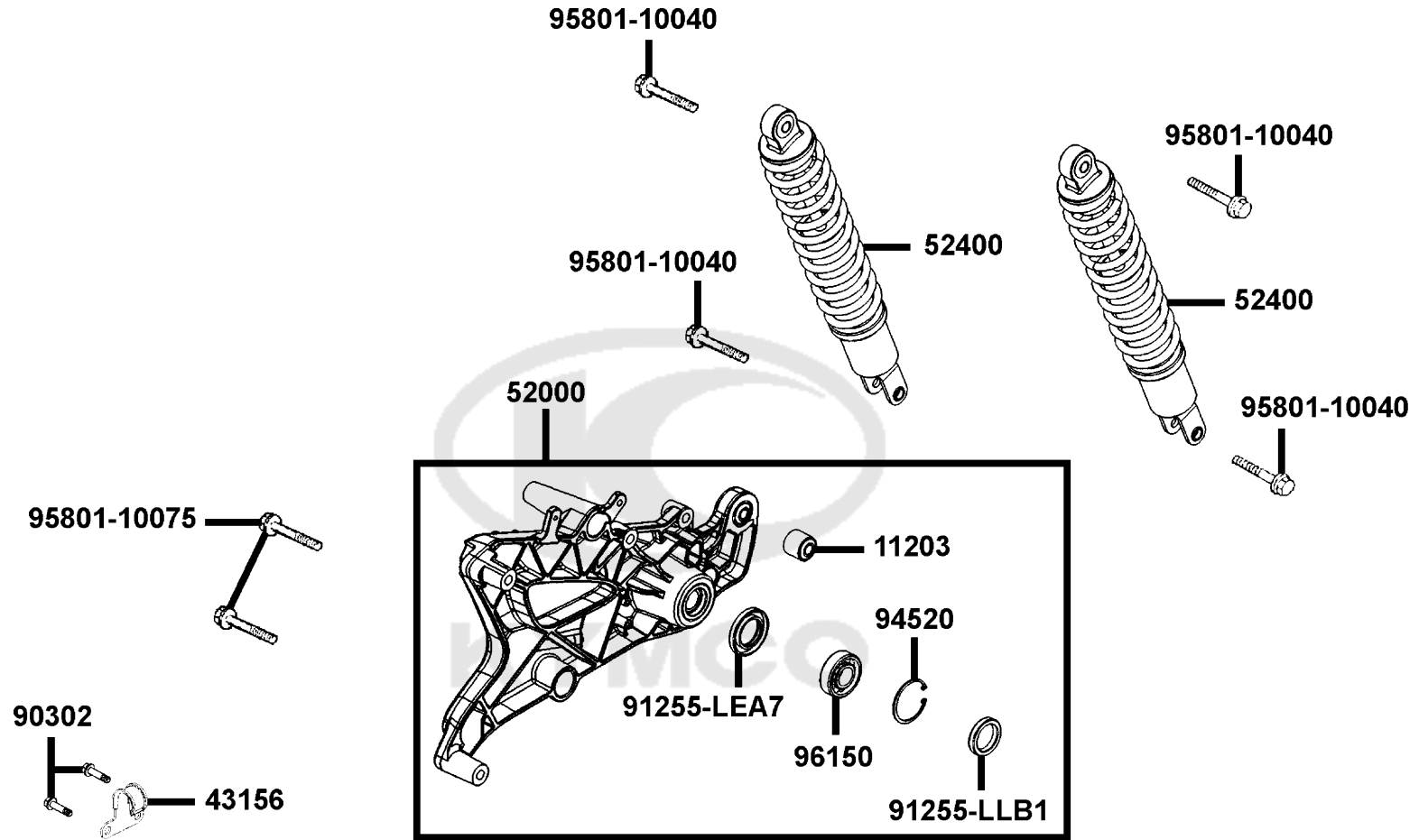
Sales mark	Ref no	Part no	Description	Reg description	Regd no	<b>F14</b>
	18291	18291-KEBE-900	COLLAR	COLLAR	9	
	18291A	18291-LBA7-900	GASKET EXH PIPE	GASKET EXH PIPE	1	
	18292	18292-KEBE-900	PACKING PROTECTOR	PACKING PROTECTOR	9	
	18293	18293-KEBE-900	RUBBER PKG PROTR	RUBBER PKG PROTR	9	
	18294	18294-KEBE-900	PACKING PROTECTOR	PACKING PROTECTOR	18	
**	18307	18307-LFA7-E00	TAIL CAP MUFFLER	TAIL CAP MUFFLER	1	
**	1830A	1830A-LFA7-E0A	MUFFLER ASSY EXH (MAT BROWN)	MUFFLER ASSY EXH (MAT BROWN)	1	
**	18318	18318-LFA7-E00	PROTECTOR MUFFLER	PROTECTOR MUFFLER	1	
	39450	39450-LEA6-800	O2 SENSOR	O2 SENSOR	1	
	90110	90110-KHD8-900	SCREW SPECIAL 6*20	SCREW SPECIAL 6*20	5	
	90301	90301-GFY6-901	NUT CAP 8MM **(1) C.2008.10.28	NUT CAP 8MM **(1) C.2008.10.28	2	
#	94101	94101-KEBE-900	WASHER PLAIN 6MM	WASHER PLAIN 6MM	5	
#	95701	95701-06025-06	BOLT FLANGE 6*25	BOLT FLANGE 6*25	1	
	95801	95801-10045-06	BOLT FLANGE 10*45	BOLT FLANGE 10*45	3	
#	96600	96600-LKG5-E00	SOCKET BOLT 6X20	SOCKET BOLT 6X20	1	



Sales mark	Ref no	Part no	Description	Reg description	Regd no	<b>F15</b>
	35370	35370-LLJ3-E00	SW UNIT SIDE STAND	SW UNIT SIDE STAND	1	
	50500	50500-LFA7-E00	STAND COMP..MAIN	STAND COMP..MAIN	1	
	50502	50502-LDF7-E10	COLLAR MAIN STAND	COLLAR MAIN STAND	2	
	50505-KXCX	50505-KXCX-900	STOPPER RUBBER STAND	STOPPER RUBBER STAND	1	
	50505-LAD9	50505-LAD9-900	STOPPER RUBBER	STOPPER RUBBER	1	
	50530	50530-LEA7-E00	BAR. SIDE STAND	BAR. SIDE STAND	1	
	50550	50550-KKC2-E00	SPG ASSY MAIN STAND	SPG ASSY MAIN STAND	1	
	90108	90108-KKC4-900	SCREW SIDE STAND PIVOT	SCREW SIDE STAND PIVOT	1	
#	93404-06016	93404-06016-06	BOLT WASHER 6*16	BOLT WASHER 6*16	1	
	95014-72204	95014-72204	SPG B1 SIDE STAND	SPG B1 SIDE STAND	1	
	95801-10030	95801-10030-06	BOLT FLANGE 10X30	BOLT FLANGE 10X30	2	

F16

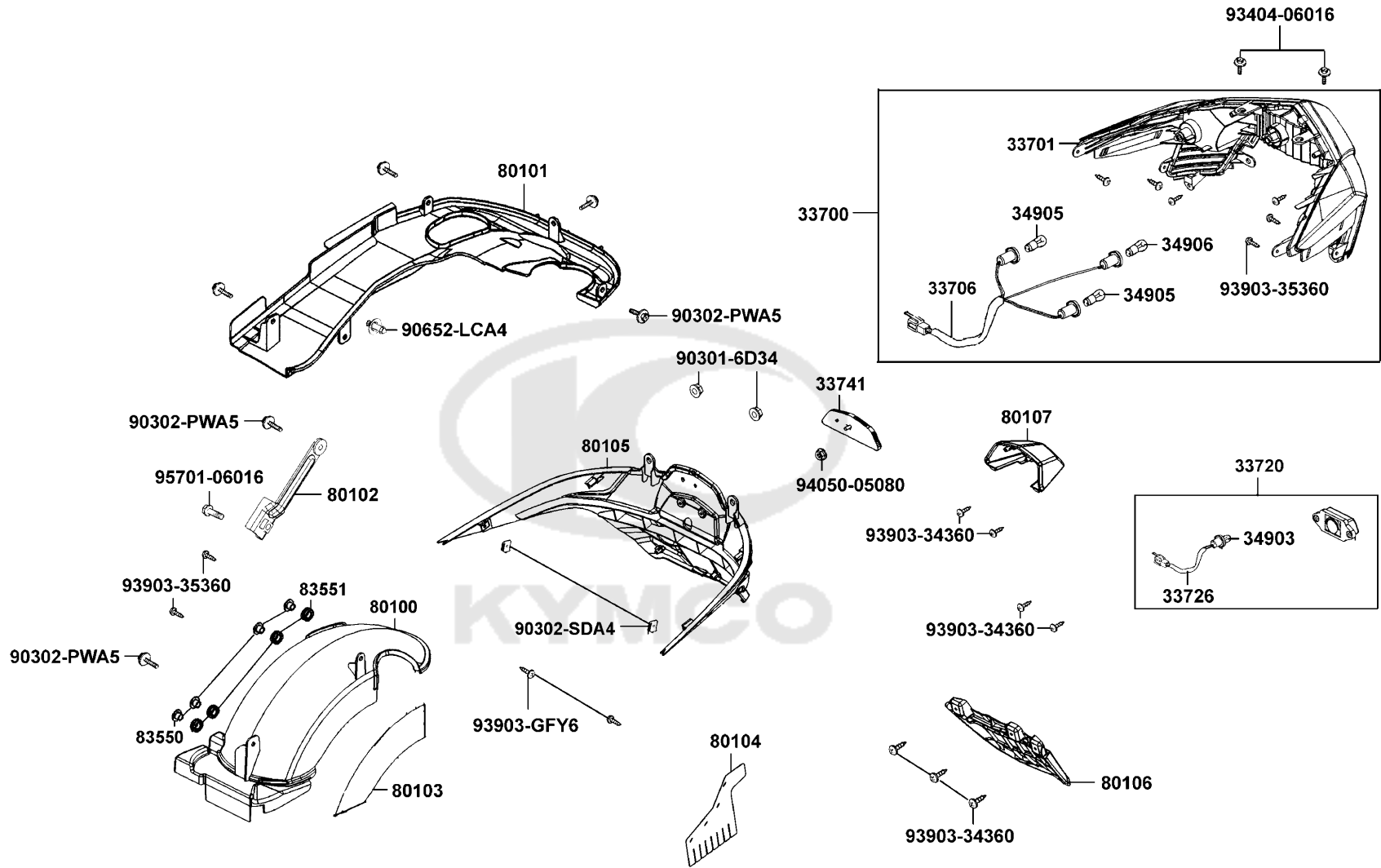
Rear Cushion



Sales mark	Ref no	Part no	Description	Reg description	Regd no	F16
	11203	11203-LBA2-E00	RUB BUSH L CASE	RUB BUSH L CASE	1	
	43156	43156-LEA7-E00	CLAMPER HOSE RR	CLAMPER HOSE RR	1	
**	52000	52000-LFA7-E00	FORK ASSY. RR	FORK ASSY. RR	1	
**	52400	52400-LFA7-E00	CUSHION ASSY RR	CUSHION ASSY RR	2	
	90302	90302-LLB1-E00	BOLT-WASHER 5*12	BOLT-WASHER 5*12	2	
	91255-LEA7	91255-LEA7-E00	OIL SEAL 30*50*7	OIL SEAL 30*50*7	1	
	91255-LLB1	91255-LLB1-900	OIL SEAL 30*40*7	OIL SEAL 30*40*7	1	
	94520	94520-47000	CIR CLIP IN 47	CIR CLIP IN 47	1	
	95801-10040	95801-10040-02	BOLT FLANGE 10*40	BOLT FLANGE 10*40	4	
	95801-10075	95801-10075-06	BOLT FLANGE 10x75 (G)	BOLT FLANGE 10x75	2	
	96150	96150-62040-10	BEARING BALL RADIAL 6204	BEARING BALL RADIAL 6204	1	

F17

Rear Light Rear Fender

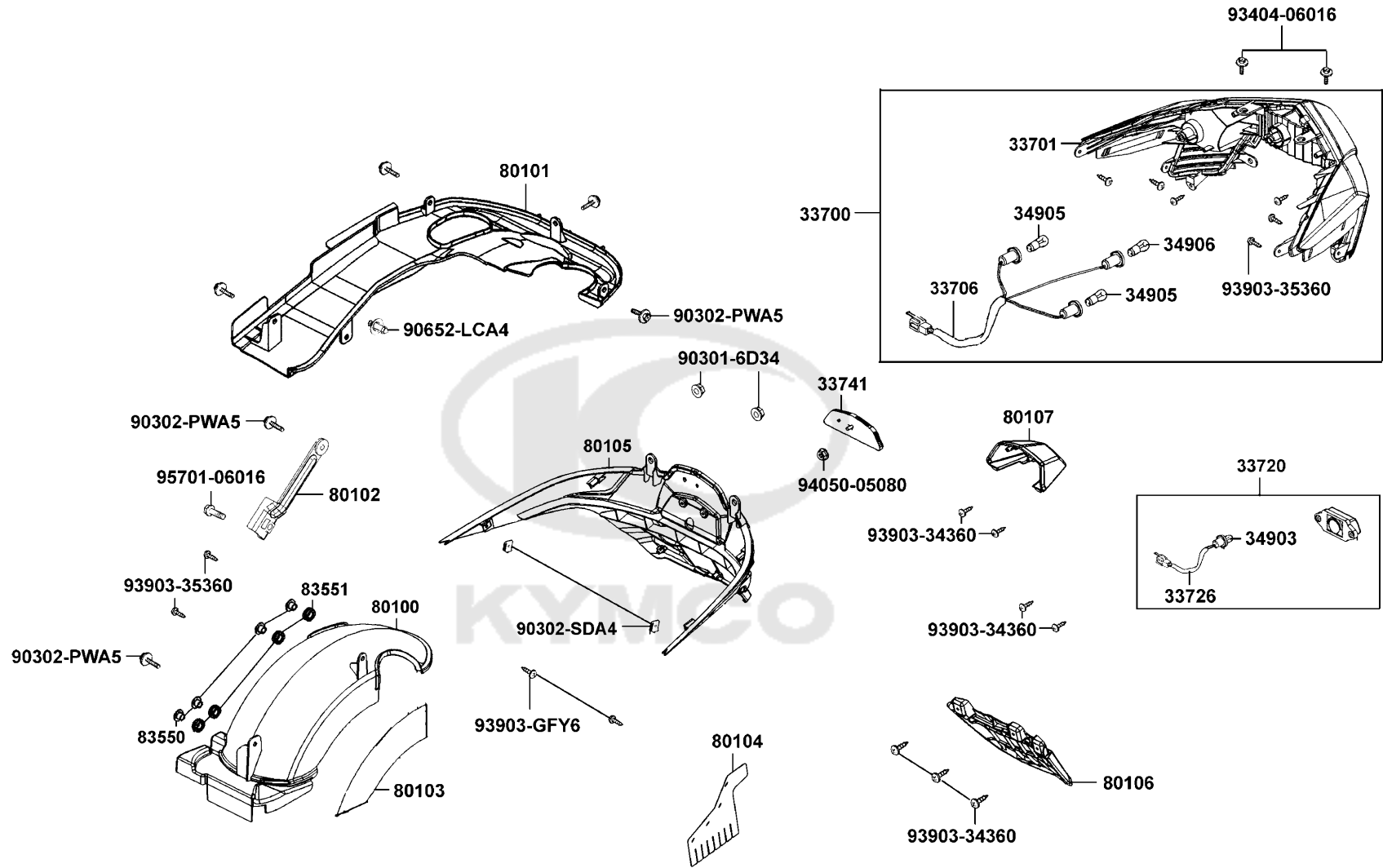




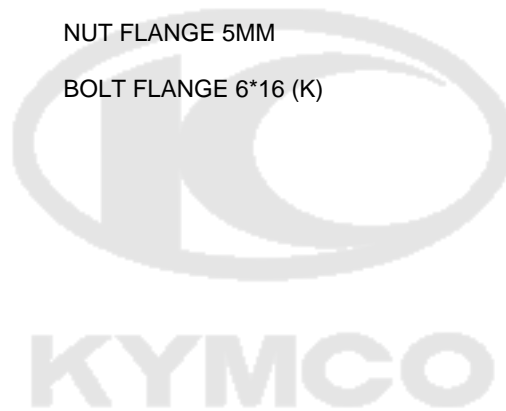
Sales mark	Ref no	Part no	Description	Reg description	Regd no	F17
	33700	33700-LEA7-E00	LIGHT ASSY RR COMB.	LIGHT ASSY RR COMB.	1	
	33701	33701-LEA7-E00	UNIT TAIL LIGHT	UNIT TAIL LIGHT	1	
	33706	33706-LEA7-E00	SOCKET COMP TAIL LIGHT	SOCKET COMP TAIL LIGHT	1	
	33720	33720-LBB5-E00	LIGHT ASSY LICENSE	LIGHT ASSY LICENSE	1	
	33726	33726-LBB5-E00	SCOKET COMP	SCOKET COMP	1	
	33741	33741-LEA7-E00	REFLEX REFLECTOR	REFLEX REFLECTOR	1	
	34903	34903-KPCP-900	BULB POSITION LIGHT 12V5W **KCP-	BULB POSITION LIGHT 12V5W **KCP-9000	1	
	34905	34905-LCA5-E00	BULB WINKER (12V 10W)	BULB WINKER (12V 10W)	2	
	34906	34906-KPCP-900	BULB TAIL & STOP	BULB TAIL & STOP	1	
**	80100	80100-LEA7-E00	FENDER RR TIRE	FENDER RR TIRE	1	
**	80101	80101-LEA7-E00	FENDER RR INNER	FENDER RR INNER	1	
	80102	80102-LEA7-E00	STAY RR TIRE FENDER	STAY RR TIRE FENDER	1	
	80103	80103-LEA7-E00	SPONGE TAPE FENDER	SPONGE TAPE FENDER	1	
	80104	80104-LFA7-E00	PLATE SPLASH GUARD	PLATE SPLASH GUARD	1	
**	80105	80105-LEA7-E00	FENDER RR	FENDER RR	1	
**	80106	80106-LEA7-E00	FENDER LOW RR	FENDER LOW RR	1	
**	80107	80107-LEA7-E00	COVER LICENSE LIGHT	COVER LICENSE LIGHT	1	
	83550	83550-KEC8-900	COLLAR	COLLAR	4	
	83551	83551-KEC8-900	GROMMET COVER **KEC8-9000	GROMMET COVER **KEC8-9000 C.2005.09.01	4	
	90301-6D34	90301-6D34-671	NUT FLANGE 6MM	NUT FLANGE 6MM	2	

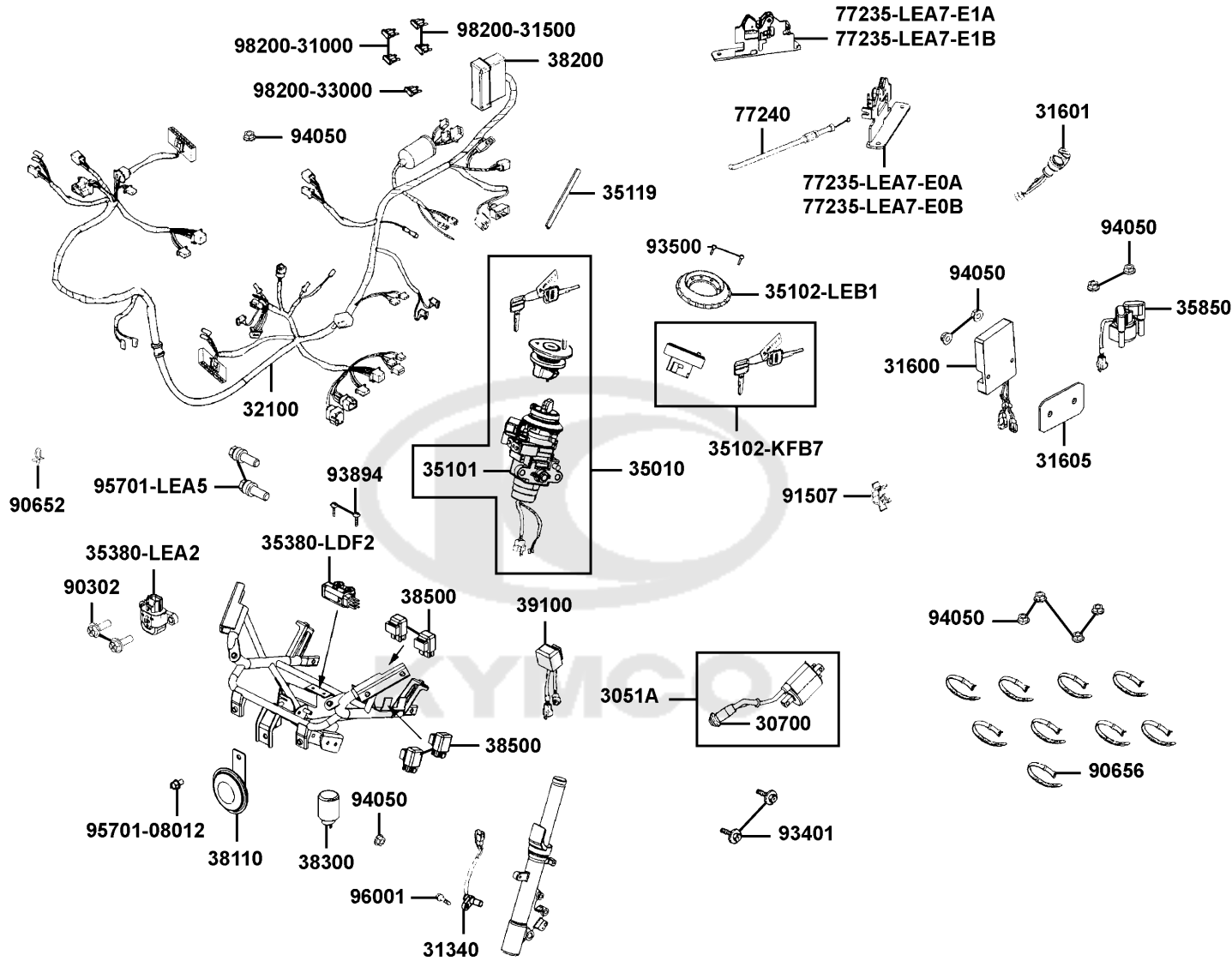
F17

Rear Light Rear Fender

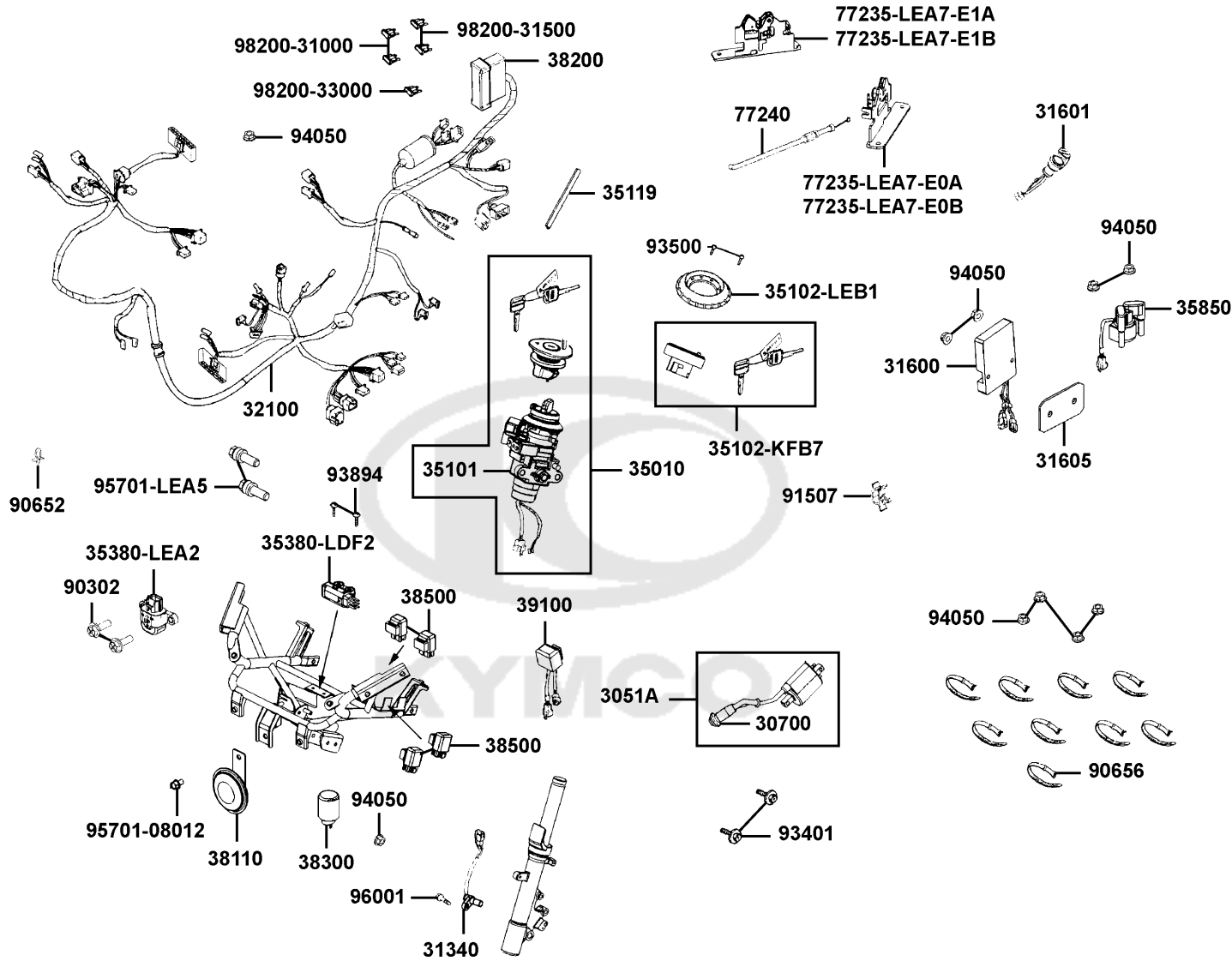


Sales mark	Ref no	Part no	Description	Reg description	Regd no	F17
	90302-PWA5	90302-PWA5-900	BOLT-WASH 5*12	BOLT-WASH 5*12	6	
	90302-SDA4	90302-SDA4-004	NUT SPRING 4MM	NUT SPRING 4MM	2	
	90652-LCA4	90652-LCA4-E00	CLIP MUDGUARD	CLIP MUDGUARD	1	
#	93404-06016	93404-06016-06	BOLT WASHER 6*16	BOLT WASHER 6*16	2	
	93903-34360	93903-34360	SCREW TAPPING 4X12	SCREW TAPPING 4X12	7	
#	93903-35360	93903-35360	SCREW TAPPING 5*16	SCREW TAPPING 5*16	8	
	93903-GFY6	93903-GFY6-900	SCREW TAPPING 4*14	SCREW TAPPING 4*14	2	
	94050	94050-05080	NUT FLANGE 5MM	NUT FLANGE 5MM	1	
#	95701-06016	95701-06016-06	BOLT FLANGE 6*16 (K)	BOLT FLANGE 6*16 (K)	1	

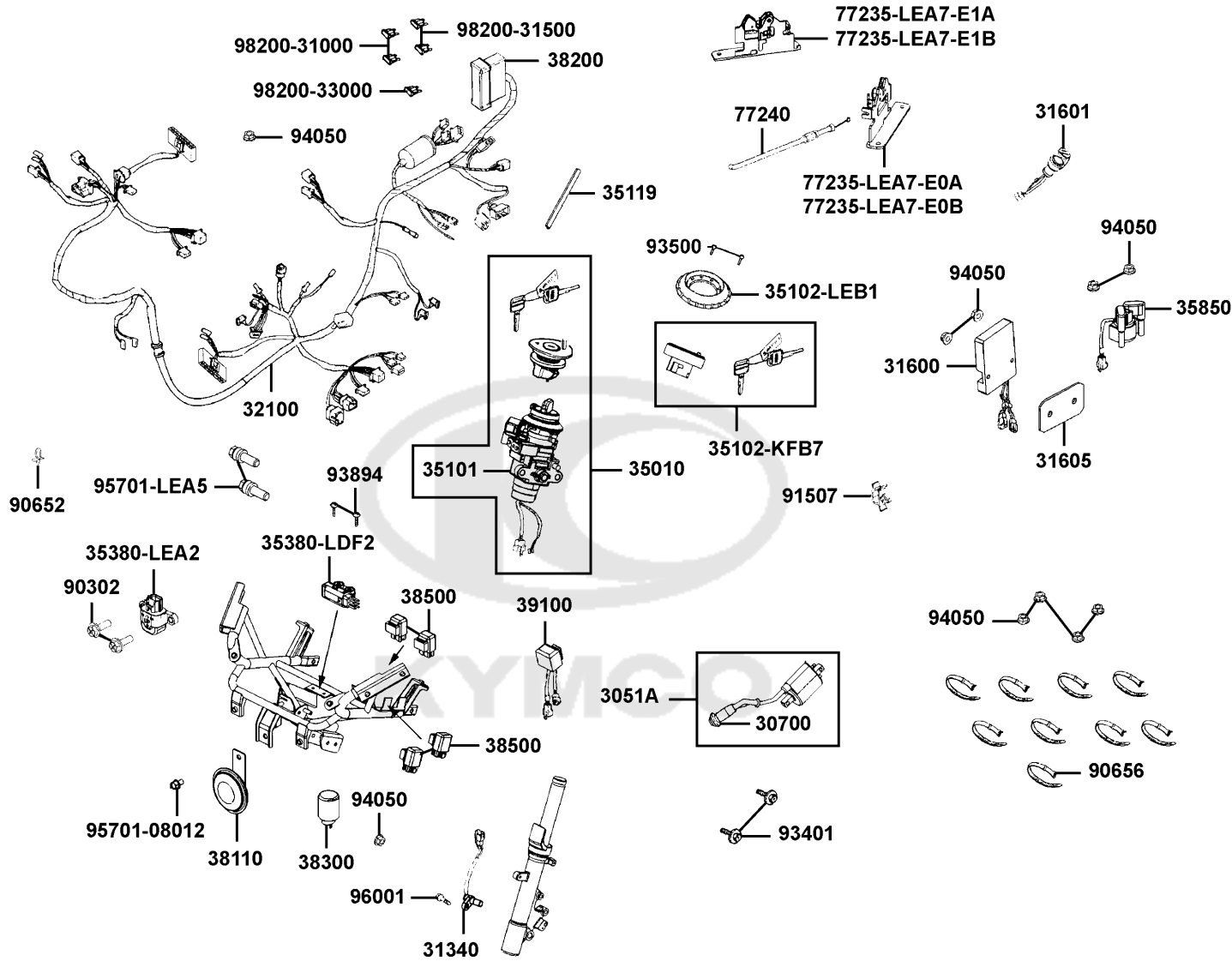




Sales mark	Ref no	Part no	Description	Reg description	Regd no	F18
	3051A	3051A-LFA7-E00	COIL ASS'Y IGNITION	COIL ASSY IGNITION	1	
	30700	30700-LGM5-900	CAP ASSY NOISE SUPPERSOR	CAP ASSY NOISE SUPPRESOR	1	
#	31340	31340-LEA7-E00	SENSOR FR WHEEL SPEED	SENSOR FR WHEEL SPEED	1	
	31600	31600-KED9-900	REG REC COMP	REG REC COMP	1	
	31601	31601-LEA7-E00	SOCKET COMP DC 12V	SOCKET COMP DC 12V	1	
	31605	31605-KKE5-E00	STAY REG REC COMP	STAY REG REC COMP	1	
	32100	32100-LFA7-E00	HARNESS WIRE	HARNESS WIRE	1	
#	32100	32100-LFA7-E01	HARNESS WIRE	HARNESS WIRE	1	
#	35010	35010-LEA7-324-M1	KEY SET COMB (D206)	KEY SET COMB (D206)	1	
#	35010	35010-LEA7-324-M2	KEY SET COMB (D106)	KEY SET COMB (D106)	1	
#	35101	35101-LEA7-314-M1	KEY SET LOCK & COMB	KEY SET LOCK & COMB	1	
#	35101	35101-LEA7-314-M2	KEY SET LOCK & COMB	KEY SET LOCK & COMB	1	
	35102-KFB7	35102-KFB7-305-M1	SHUTTER MAGNETIC LOCK SET	SHUTTER MAGNETIC LOCK SET	1	
	35102-KFB7	35102-KFB7-305-M2	SHUTTER MAGNETIC LOCK SET	SHUTTER MAGNETIC LOCK SET	1	
	35102-LEB1	35102-LEB1-90A	COLLAR MAIN SW	COLLAR MAIN SW	1	
	35102-LEB1	35102-LEB1-90B	COLLAR MAIN SW	COLLAR MAIN SW	1	
	35119	35119-LEB1-90A	COVER SEAT CABLE	COVER SEAT CABLE	1	
	35119	35119-LEB1-90B	COVER SEAT CABLE	COVER SEAT CABLE	1	
#	35380-LDF2	35380-LDF2-900	SENSOR ANGLE DETECT	SENSOR ANGLE DETECT	1	
#	35380-LEA2	35380-LEA2-900	SENSOR ANGLE DETECT	SENSOR ANGLE DETECT	1	



Sales mark	Ref no	Part no	Description	Reg description	Regd no	F18
	35850	35850-KHB4-90A	SET START MAG (D402)	SET START MAG (D402)	1	
#	38110	38110-KKC3-90B	HORN COMP	HORN COMP	2	
	38200	38200-KHE7-900	BOX COMP FUSE	BOX COMP FUSE	1	
	38300	38300-LEA7-E00	RELAY COMP WINKER	RELAY COMP.WINKER	1	
	38500	38500-LGL3-90A	RELAY ASSY LIGHT	RELAY ASSY LIGHT	1	
	39100	39100-LEA7-E00	EMI FILTER FAN MOTOR	EMI FILTER FAN MOTOR	1	
	77235-LEA7-E0A	77235-LEA7-E0A	SEAT CATCH	SEAT CATCH	1	
	77235-LEA7-E0B	77235-LEA7-E0B	SEAT CATCH	SEAT CATCH	1	
	77235-LEA7-E1A	77235-LEA7-E1A	SEAT CATCH	SEAT CATCH	1	
	77235-LEA7-E1B	77235-LEA7-E1B	SEAT CATCH	SEAT CATCH	1	
#	77240	77240-LEA7-E30	CABLE ASSY SEAT LOCK	CABLE ASSY SEAT LOCK	1	
#	90302	90302-GFY6-940	BOLT-WASH 5*16	BOLT-WASH 5*16	2	
	90652	90652-LGL7-E00	CLIP 8*120	CLIP 8*120	1	
	90656	90656-KCBC-900	BAND OIL HANDLE 8X146	BAND OIL HANDLE 8X146	9	
	91507	91507-LEA7-E00	CLIP	CLIP	1	
#	93401	93401-04025-06	BOLT WASHER 4X25	BOLT WASHER 4*25	1	
	93500	93500-KHC4-90A	SCREW PAN 5*10	SCREW PAN 5*10	2	
#	93894	93894-04022-06	SCREW WASHER 4X22	SCREW WASHER 4X22	1	
	94050	94050-06080	NUT FLANGE 6MM	NUT FLANGE 6MM	10	
#	95701-08012	95701-08012-06	BOLT FLANGE 8*12	BOLT FLANGE 8*12	1	





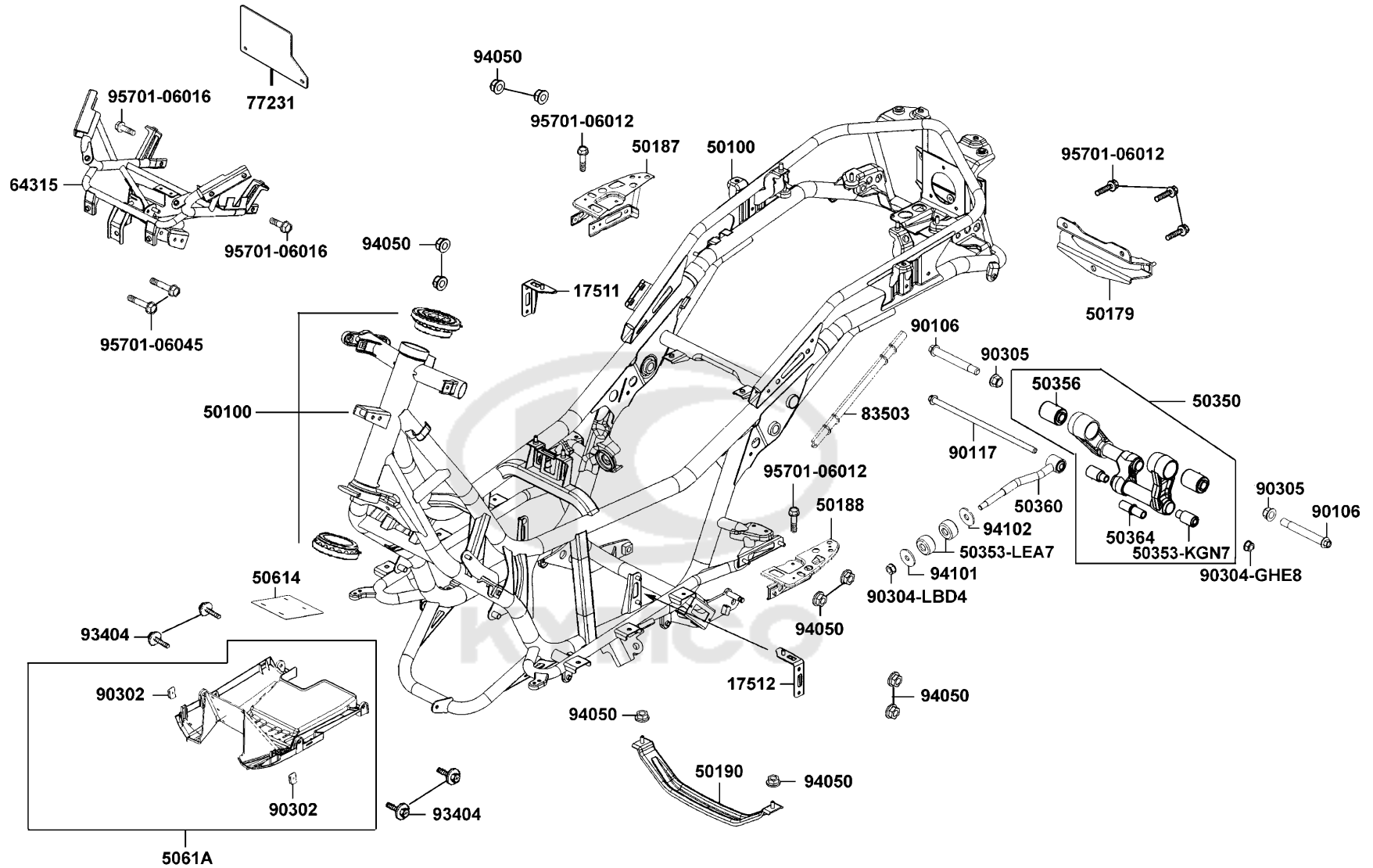
Sales mark	Ref no	Part no	Description	Reg description	Regd no	<b>F18</b>
------------	--------	---------	-------------	-----------------	---------	------------

	95701-LEA5	95701-LEA5-E00	BOLT TORQUE 8*25 **(0) C.2007.01.22	BOLT TORQUE 8*25 **(0) C.2007.01.22	2	
#	96001	96001-06012-06	BOLT FLANGE SH 6*12	BOLT FLANGE SH 6*12	1	
	98200-31000	98200-31000	BLADE FUSE 10A **(0) C.2005.03.01	BLADE FUSE 10A **(0) C.2005.03.01	2	
	98200-31500	98200-31500	FUSE A15	FUSE A15	2	
	98200-33000	98200-33000	BLADE FUSE 30A	BLADE FUSE 30A	1	



F19

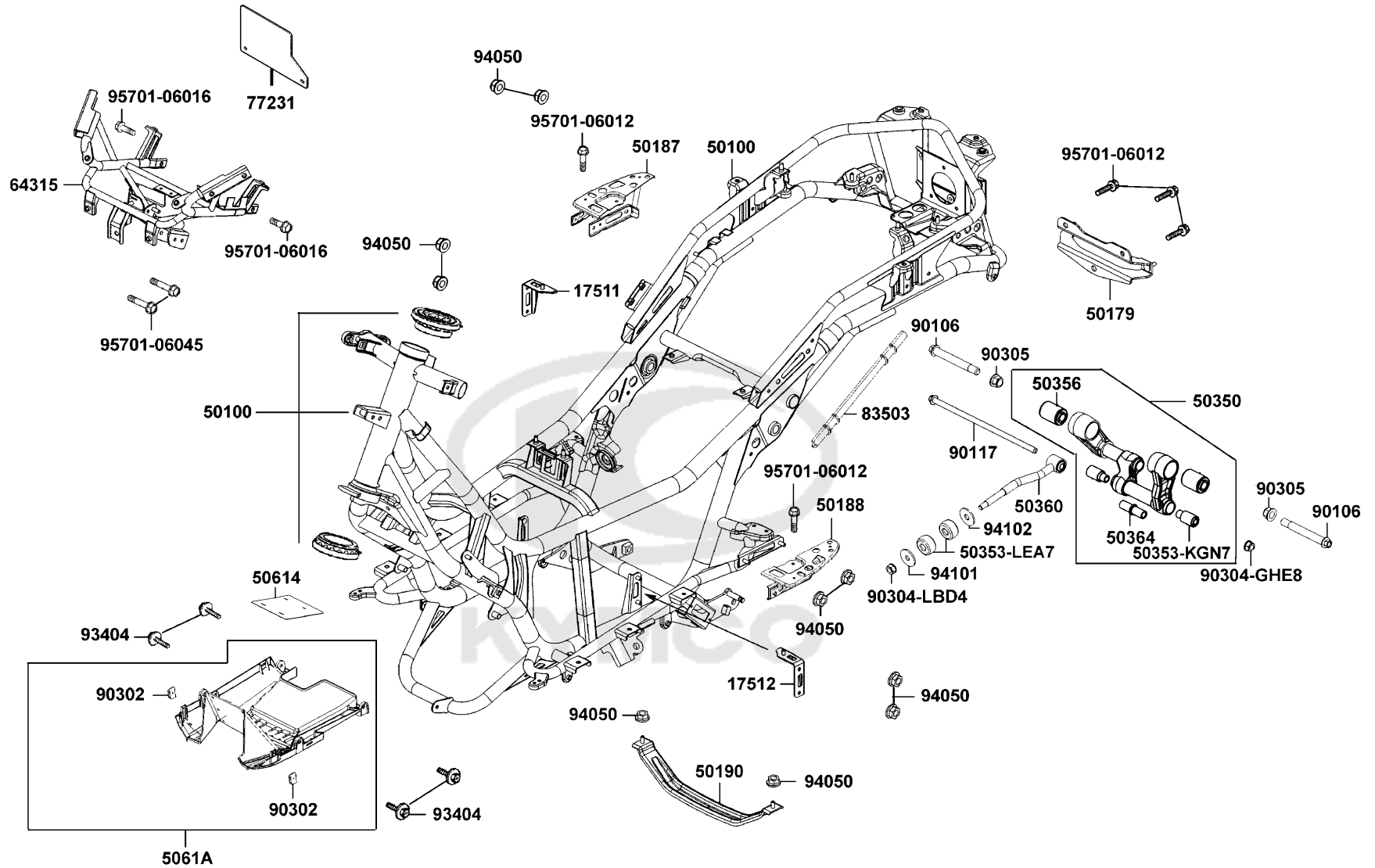
Frame Body



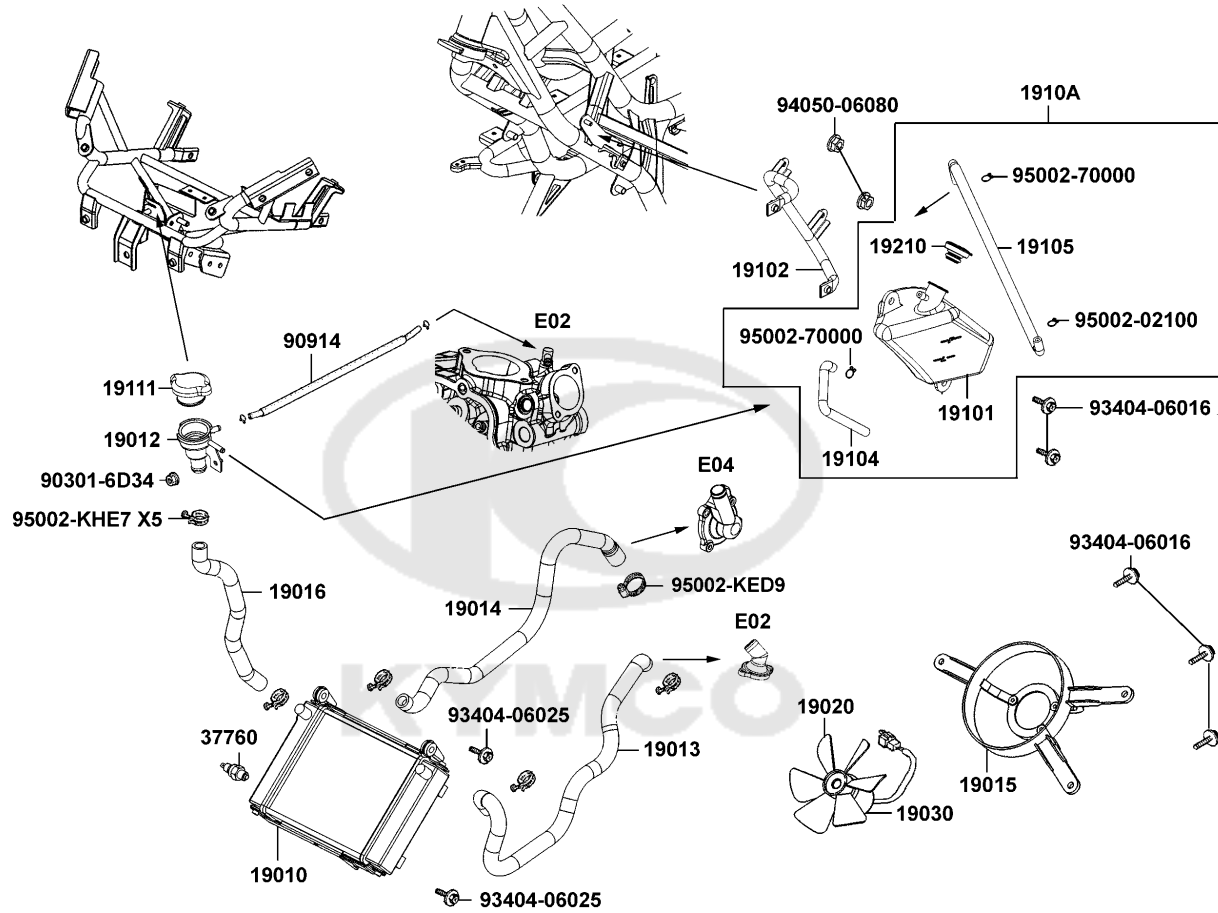
Sales mark	Ref no	Part no	Description	Reg description	Regd no	F19
	17511	17511-LEA7-E00	STAY R FUEL TANK	STAY R FUEL TANK	1	
	17512	17512-LEA7-E00	STAY L FUEL TANK	STAY L FUEL TANK	1	
#	50100	50100-LFA7-305	BODY ASSY FRAME	BODY ASSY FRAME	1	
	50179	50179-LEA7-E00	STAY RR FENDER UP	STAY RR FENDER UP	1	
	50187	50187-LEA7-E00	STAY R RR STEP	STAY R RR STEP	1	
	50188	50188-LEA7-E00	STAY L RR STEP	STAY L RR STEP	1	
	50190	50190-LEA7-E00	PROTECTOR UNDER COVER	PROTECTOR UNDER COVER	1	
	50350	50350-LFA7-E00	HANGER ASSY. ENG	HANGER ASSY. ENG	1	
	50353-KGN7	50353-KGN7-901	BUSH A ENG HANGER	BUSH A ENG HANGER	2	
	50353-LEA7	50353-LEA7-E00	RUBBER STOPPER	RUBBER STOPPER	2	
	50356	50356-LEA7-E01	RUB BUSH ENG HANGER	RUB BUSH ENG HANGER	2	
	50360	50360-LFA7-E00	TIE ROD ASSY. ENG HANGER	TIE ROD ASSY. ENG HANGER	1	
	50364	50364-KEBE-900	COLLAR B ENG HANGER	COLLAR B ENG HANGER	1	
	50614	50614-LFA7-E00	PLATE UNDER COVER	PLATE UNDER COVER	1	
**	5061A	5061A-LEA7-E00	UNDER COVER.ASSY.	UNDER COVER.ASSY.	1	
#	64315	64315-LEA7-E00	BRKT,FR COVER	BRKT FR COVER	1	
#	64315	64315-LEA7-E02	BRKT FR COVER	BRKT FR COVER	1	
#	77231	77231-LEA7-E00	STAY SEAT CATCH	STAY SEAT CATCH	1	
	83503	83503-KHD6-900	COVER PROTECT SEAT WIRE FR	COVER PROTECT SEAT WIRE FR	1	
	90106	90106-LEA7-E00	BOLT FLANGE 15*118	BOLT FLANGE 15X118	2	

F19

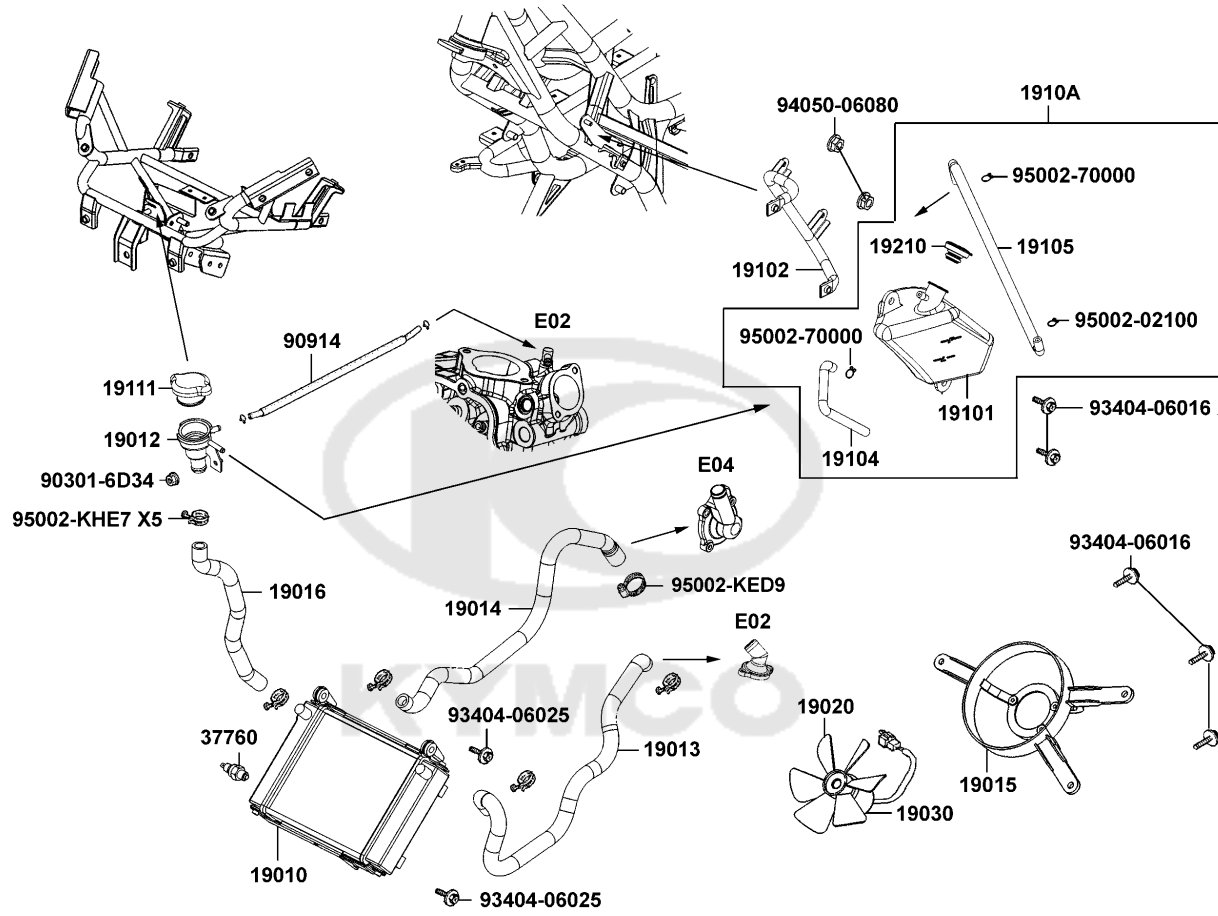
Frame Body



Sales mark	Ref no	Part no	Description	Reg description	Regd no	<b>F19</b>
#	90117	90117-KED9-950	BOLT FLANGER 10*265	BOLT FLANGER 10X265	1	
	90302	90302-SDA4-004	NUT SPRING 4MM	NUT SPRING 4MM	2	
	90304-GHE8	90304-GHE8-004-SW	NUT U FLANGE 10MM	NUT U FLANGE 10MM	1	
	90304-LBD4	90304-LBD4-900	NUT U FLANGE 10MM	NUT U FLANGE 10MM	1	
	90305	90305-LBD4-900	NUT U 14MM	NUT U 14MM	2	
#	93404	93404-06016-06	BOLT WASHER 6*16	BOLT WASHER 6*16	1	
	94050	94050-06080	NUT FLANGE 6MM	NUT FLANGE 6MM	10	
	94101	94101-LBA2-E00	WASHER PLATE 10.5*38*3.0	WASHER PLATE 10.5*38*3.0	1	
	94102	94102-LBA2-E00	WASHER PLAIN 38*12.5*3	WASHER PLAIN 38*12.5*3	1	
#	95701-06012	95701-06012-06	BOLT FLANGE 6*12 **07 C.2005.07.01	BOLT FLANGE 6*12 **07 C.2005.07.01	1	
#	95701-06016	95701-06016-06	BOLT FLANGE 6*16 (K)	BOLT FLANGE 6*16 (K)	1	
#	95701-06045	95701-06045-06	BOLT FLANGE 6*45	BOLT FLANGE 6*45	1	



Sales mark	Ref no	Part no	Description	Reg description	Regd no	<b>F20</b>
	19010	19010-LFA7-E00	RADIATOR COMP	RADIATOR COMP	1	
	19012	19012-KHD8-900	UNIT RADIATOR	UNIT RADIATOR	1	
	19013	19013-LFA7-E00	HOSE WATER INLET	HOSE WATER INLET	1	
	19014	19014-LFA7-E00	HOSE WATER OUTLET	HOSE WATER OUTLET	1	
	19015	19015-LEA5-E00	SHROUD COMP	SHROUD COMP	1	
	19016	19016-LEA7-E00	HOSE.WATER-UNIT CAP	HOSE.WATER-UNIT CAP	1	
	19020	19020-KED9-900	FAN COOLING	FAN COOLING	1	
	19030	19030-KHD8-900	MOTOR	MOTOR	1	
	19101	19101-LEA7-E00	TANK RESERVE	TANK RESERVE	1	
	19102	19102-LEA7-E00	STAY TANK REVERSE	STAY TANK REVERSE	1	
	19104	19104-LBA2-E00	HOSE ASSY DRAIN	HOSE ASSY DRAIN	1	
	19105	19105-LEA7-E00	HOSE ASSY RESERVE	HOSE ASSY RESERVE	1	
	1910A	1910A-LEA7-E00	TANK RESERVE ASSY	TANK RESERVE ASSY	1	
	19111	19111-GBE2-004	CAP COMP	CAP COMP	1	
	19210	19210-KKC4-900	CAP RESERVE TANK	CAP RESERVE TANK	1	
	37760	37760-KHD8-900	SW ASSY THERMO	SW ASSY THERMO	1	
	90301-6D34	90301-6D34-671	NUT FLANGE 6MM	NUT FLANGE 6MM	1	
	90914	90914-LFA7-E00	TUBE ASSY WATER	TUBE ASSY WATER	1	
#	93404-06016	93404-06016-06	BOLT WASHER 6*16	BOLT WASHER 6*16	1	
	93404-06025	93404-06025-06	BOLT WASHER 6*25	BOLT WASHER 6*25	2	





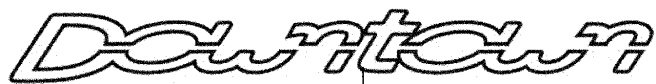
Sales mark	Ref no	Part no	Description	Reg description	Regd no	<b>F20</b>
	94050-06080	94050-06080	NUT FLANGE 6MM	NUT FLANGE 6MM	2	
	95002-02100	95002-02100	CLIP B15 TUBE	CLIP B15 TUBE	1	
	95002-70000	95002-70000	CLIP C11 TUBE	CLIP C11 TUBE	2	
	95002-KED9	95002-KED9-900	CLIP HOSE	CLIP HOSE	1	
	95002-KHE7	95002-KHE7-900	CLIP WATER HOSE	CLIP WATER HOSE	5	





Sales mark	Ref no	Part no	Description	Reg description	Regd no	<b>F21</b>
**	87224	87224-LFA7-EY0	CAUTION ANTI TAMPERING	CAUTION ANTI TAMPERING	1	
**	87505-LEA7-E01	87505-LEA7-E01	LABEL TIRE	LABEL TIRE	1	
**	87508	87508-KKC4-E00	LABEL CLEANNESS CAUTION	LABEL CLEANNESS CAUTION	1	
**	87512-KEBE-E00	87512-KEBE-E00	CAUTION FILTER	CAUTION FILTER	1	
**	87541-GAR1-E00	87541-GAR1-E00	CAUTION SIDE STAND	CAUTION SIDE STAND	1	
**	87541-KKC2-E00	87541-KKC2-E00	CAUTION MOBILE PHONE	CAUTION MOBILE PHONE	1	
**	87542-GAR1-E00	87542-GAR1-E00	MARK MAINT CAUTION	MARK MAINT CAUTION	1	
**	87560-LEA7-E00	87560-LEA7-E00	MARK DRIVE CAUTION	MARK DRIVE CAUTION	1	





86202



87140



86102



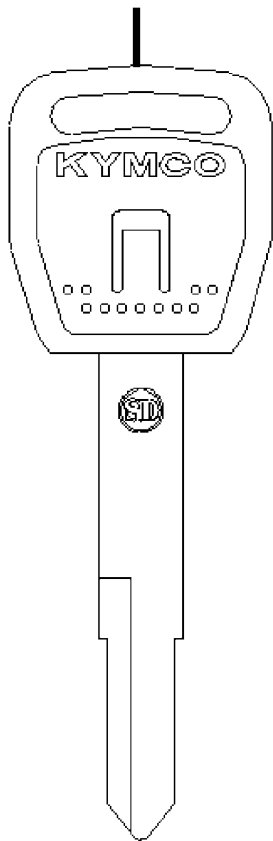
87311



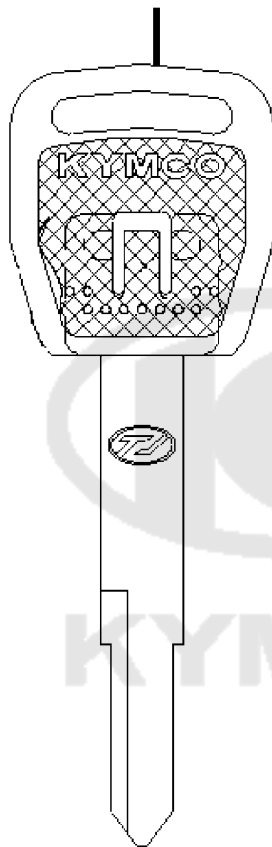
Sales mark	Ref no	Part no	Description	Reg description	Regd no	<b>F22</b>
**	86102	86102-LEA5-E00	EMB K-LOGO 30MM	EMB K-LOGO 30MM	1	
**	86202	86202-LEA7-E01	EMB BODY COVER	EMB BODY COVER	2	
**	87140	87140-LFA7-E00	EMB MARK 125i	EMB MARK 125i	2	
**	87311	87311-LCD3-E00	STRIPE MARK EURO 3	STRIPE MARK EURO 3	1	



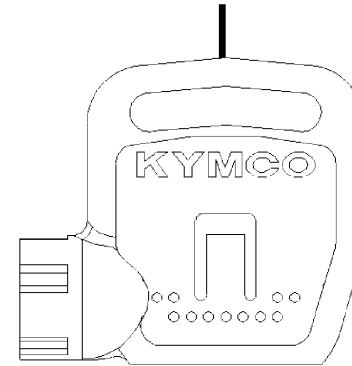
35111-LDC1-306-M1



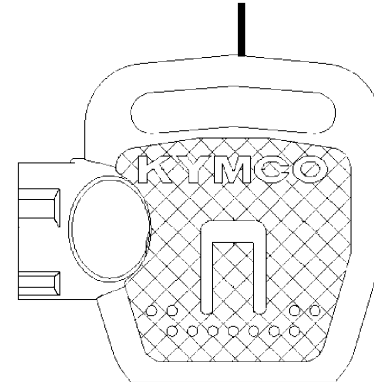
35111-LDC1-306-M2



35111-LDC1-307-M1



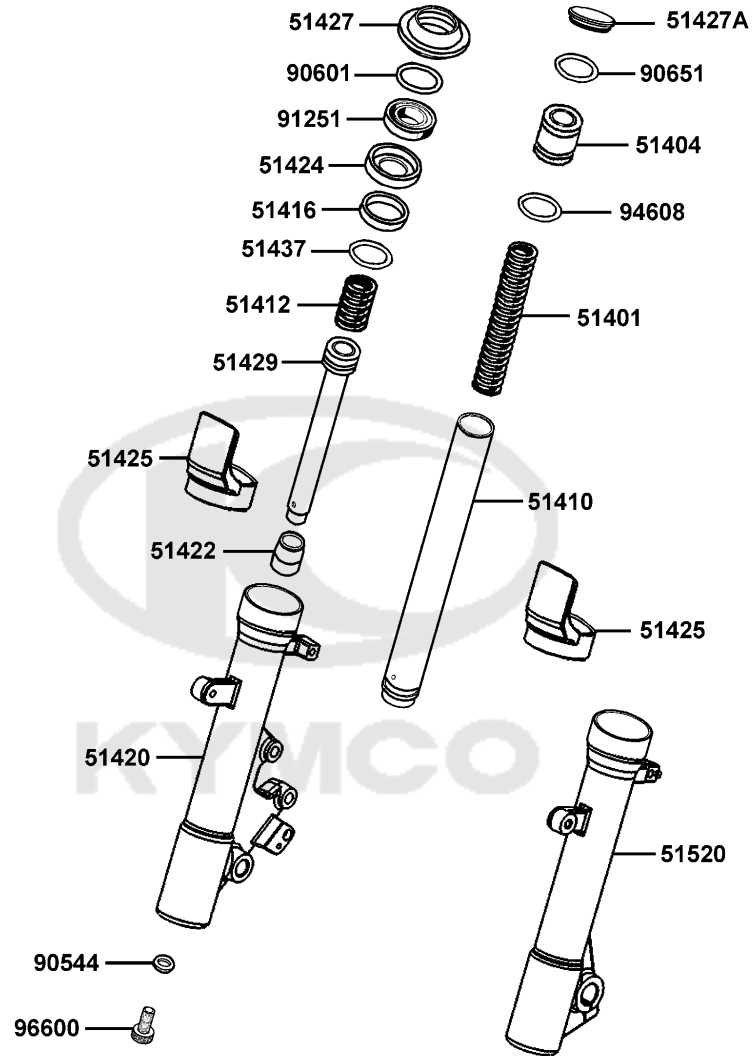
35111-LDC1-307-M2



Sales mark	Ref no	Part no	Description	Reg description	Regd no	<b>F23</b>
	35111-LDC1-306-M1	35111-LDC1-306-M1	KEY COMP (L TANGENT PLANE/SD)	KEY COMP (L TANGENT PLANE/SD)	1	
	35111-LDC1-306-M2	35111-LDC1-306-M2	KEY COMP (L TANGENT PLANE/TJ)	KEY COMP (L TANGENT PLANE/TJ)	1	
	35111-LDC1-307-M1	35111-LDC1-307-M1	KEY COMP SHUTTER MAGNETIC (SD)	KEY COMP SHUTTER MAGNETIC (SD) **not	1	
	35111-LDC1-307-M2	35111-LDC1-307-M2	KEY COMP SHUTTER MAGNETIC	KEY COMP SHUTTER MAGNETIC (supplier:TJ)	1	



Separated Parts Of Fr Fork





Sales mark	Ref no	Part no	Description	Reg description	Regd no	F24
	51401	51401-LDH1-E00	SPRING	SPRING	2	
	51404	51404-LDH1-E00	SPRING COLLAR	SPRING COLLAR	1	
	51410	51410-LEA7-E00	FORK PIPE COMP	FORK PIPE COMP	2	
	51412	51412-LLJ3-E00	REBOUND SPRING	REBOUND SPRING	2	
	51416	51416-LDH1-E00	GUIDE BUSH	GUIDE BUSH	1	
**	51420	51420-LEA7-E00	BOTTOM CASE R	BOTTOM CASE R	1	
	51422	51422-KED9-900	OIL LOCK PIECE	OIL LOCK PIECE	2	
	51424	51424-LDH1-E00	SPACER	SPACER	1	
	51425	51425-LEA7-E00	FORK FENDER	FORK FENDER	1	
	51427	51427-LDH1-E00	DUST SEAL	DUST SEAL	2	
	51427A	51427-LLJ3-E00	FORK BOLT CAP	FORK BOLT CAP	1	
	51429	51429-LEA7-E00	PIPE SEAT COMP	PIPE SEAT COMP	2	
	51437	51437-LDH1-E00	PISTON RING	PISTON RING	1	
**	51520	51520-LEA7-E00	BOTTOM CASE L	BOTTOM CASE L	1	
	90544	90544-KEC8-900	PACKING	PACKING	1	
	90601	90601-LLJ3-E00	OIL SEAL STOPPER RING	OIL SEAL STOPPER RING	2	
	90651	90651-LLJ3-E00	STOPPER RING	STOPPER RING	1	
	91251	91251-LLJ3-E00	OIL SEAL	OIL SEAL	2	
	94608	94608-LLJ3-E00	O-RING	O-RING	2	
	96600	96600-LBA2-E00	SOCKET BOLT	SOCKET BOLT	2	

## PART NO. INDEX

PART NO.	VERSION	PAGE	PART NO.	VERSION	PAGE	PART NO.	VERSION	PAGE
<b>1000</b>			11394-LFA7-E00	6	E04	<b>14000</b>		
			11395-LFA7-E00	3	E01			
1614-A22C-0000-Y	0	F10	<b>12000</b>			14100-LFA7-E00	6	E02
<b>3000</b>			12100-LFA7-E00	7	E03	14110-LEB1-900	3	E02
			12191-LFA7-E00	1	E03	14321-LEB1-900	4	E02
3791-HN80-0000	0	F10	12200-LFA7-E00	9	E02	14401-LFA7-E00	6	E03
<b>11000</b>			12205-KHE8-301	5	E02	14420-LEB1-900	4	E02
			12209-LEA2-90A	2	E02	14430-LEB1-900	4	E02
11100-LFA7-305	0	E01	12251-LFA7-E00	3	E02	14433-LEB1-900	2	E02
11103-KHE7-900	2	E01	12310-LFA7-E00	6	E02	14434-LEB1-900	1	E02
11192-LFA7-E00	4	E01	12361-GFY6-901	1	E04	14452-LFA7-E00	3	E02
11200-LFA7-305	0	E01	12391-LFA7-E00	2	E02	14453-LFA7-E00	5	E02
11203-LBA2-E00	2	E01	<b>13000</b>			14510-LEB1-900	2	E03
11203-LBA2-E00	2	F16	13000-LFA7-E00	15	E03	14510-LEB1-90B	1	E03
11212-LFA7-E00	1	F13	13011-LEB1-90A	2	E03	14520-LFA7-E00	1	E03
1121A-LFA7-E00	1	F13	13011-LEB1-90B	0	E03	14523-KED9-920	1	E03
1122A-LEB1-900	6	E01	13101-LFA7-E00	9	E03	14531-GLR0-001	1	E03
11330-LFA7-E00	9	E04	13111-LFA7-E00	3	E03	14610-LEB1-900	1	E03
11340-LFA7-E00	4	E01	13406-LFA7-E00	4	E02	14610-LEB1-90B	2	E03
11342-LFA7-900	1	E01				14711-LFA7-E00	3	E02
11342-LFA7-E00	1	E01				14721-LFA7-E00	3	E02
11345-LEA7-E00	1	E01				14751-KHD6-900	2	E02
11346-GFY6-901	0	E01				14771-LEA2-900	2	E02
						14777-LFA7-E00	2	E02
						14781-KKE5-E00	2	E02

## PART NO. INDEX

PART NO.	VERSION	PAGE	PART NO.	VERSION	PAGE	PART NO.	VERSION	PAGE	
<b>15000</b>			16122-KEC3-900	1	E08	17620-LEA7-315-M1	0	F10	
			16133-KEC3-900	1	E08	17620-LEA7-315-M2	0	F10	
			16134-LFA7-E00	4	E08	17685-KZCZ-900	0	F05	
	15100-KEBE-900	0	E06	16138-KEC3-900	1	E08	17685-LFA7-E00	6	F10
	15133-KAM1-001	1	E06	16154-KKE3-900	4	E08	17910-LFA7-E00	5	F03
	15141-KKJ9-004	0	E06	16170-KEC3-900	0	E08	17911-LFA7-E00	6	F03
	1541A-LEA7-E00	6	E01	16195-KEC3-900	0	E08			
	15421-1G07-001	1	E04	16201-LFE2-900	3	E02	<b>18000</b>		
	15421-KKC3-900	1	E01	16211-LFE2-900	3	E02			
	15422-KKC3-900	3	E01				18291-KEBE-900	1	F14
	15423-KKC3-900	1	E01	<b>17000</b>			18291-LBA7-900	2	F14
	15426-GAE1-921	0	E04				18292-KEBE-900	1	F14
1565A-KUDU-900	0	E04	1711A-LFA7-E00	9	E02	18293-KEBE-900	1	F14	
15711-LFA7-E00	2	E06	17211-LFA7-E00	1	F13	18294-KEBE-900	1	F14	
15772-5L00-013	1	F13	17213-LEA7-E00	2	F13	18307-LFA7-E00	0	F14	
<b>16000</b>			17214-LEA7-E00	2	F13	1830A-LFA7-E0A	6	F14	
			1723A-LFA7-E00	7	F13	18318-LFA7-E00	2	F14	
			1723B-LFA7-E00	2	F13				
	16056-LFA7-E00	5	E08	17359-4K19-671	0	F13	<b>19000</b>		
	16068-LFA7-E01	1	E08	1737A-KUDU-900	0	F13			
	16074-KEC3-900	4	E08	17500-LEA7-E00	9	F10	19010-LFA7-E00	0	F20
	16100-LFA7-E00	5	E08	17511-LEA7-E00	2	F19	19012-KHD8-900	4	F20
	16110-LFA7-E00	4	E08	17512-LEA7-E00	2	F19	19013-LFA7-E00	6	F20
	16112-KKE3-900	1	E08	17530-KGB5-900	1	F05	19014-LFA7-E00	1	F20
	16112-LEB2-900	1	E08	17550-LEA7-800	5	F10	19015-LEA5-E00	1	F20
	16118-KEC3-900	0	E08	17561-LKB9-900	1	F10	19016-LEA7-E00	7	F20

## PART NO. INDEX

PART NO.	VERSION	PAGE	PART NO.	VERSION	PAGE	PART NO.	VERSION	PAGE
19020-KED9-900	1	F20				2301A-LFA7-E01	3	E05
19030-KHD8-900	2	F20	<b>22000</b>			23100-LFA7-E0A	0	E05
19101-LEA7-E00	3	F20				23200-LFE2-900	5	E05
19102-LEA7-E00	2	F20	22101-GFY6-941	3	E05	23220-GFY6-921	1	E05
19104-LBA2-E00	1	F20	22101-KEBE-900	1	E05	23225-GHC8-004	0	E05
19105-LEA7-E00	2	F20	22102-LEB1-900	2	E05	23226-GHC8-004	0	E05
1910A-LEA7-E00	2	F20	22105-LFB5-900	1	E05	23233-LFA7-E00	3	E05
19111-GBE2-004	1	F20	22110-LEB1-800	8	E05	23237-GFY6-941	0	E05
19210-KKC4-900	0	F20	22112-GFY6-90A	0	E05	23238-LEB1-910	0	E05
19215-KHE7-900	0	E04	22121-GFY6-325	0	E05	23238-LKE7-900	1	E05
19217-ZPA3-E00	2	E04	22130-LEB1-800	6	E05	23411-LFA7-E00	9	E07
19221-LFA7-E00	3	E04	22300-LFA7-E00	2	E05	23411-LFA7-E01	2	E07
19229-LFA7-E00	1	E04	22300-LHJ3-900	5	E05	23420-LFA7-E00	2	E07
19231-LFA7-E00	3	E04	22350-KGN7-671	1	E05	23431-LFA7-E00	6	E07
19232-LBA2-E00	2	E04	22350-LHJ3-900	1	E05	23432-LFA7-E00	3	E07
19300-LFA7-E0A	1	E02	22361-KGN7-671	1	E05			
19300-LFA7-E0B	2	E02	22361-LHJ3-900	1	E05	<b>28000</b>		
19315-LFA7-E00	6	E02	22401-GFY6-94A	0	E05			
19411-LFG2-E00	1	F06	22401-LHJ3-900	1	E05	28101-KKJ9-011	0	E06
<b>21000</b>			22530-LHJ3-900	4	E05	28102-LFA7-E00	1	E06
			22530-LKE7-900	1	E05	28103-LFA7-E00	2	E06
			22804-GBB2-001	0	E05	28110-LFA7-E00	4	E06
21301-LFA7-E00	2	E07				28113-LFA7-E00	6	E06
21395-LFA7-E00	2	E07	<b>23000</b>			28120-KEBE-305	0	E06
						28125-4F26-001	0	E06
			2301A-LFA7-E00	6	E05	28126-KUDU-900	1	E06

## PART NO. INDEX

PART NO.	VERSION	PAGE	PART NO.	VERSION	PAGE	PART NO.	VERSION	PAGE
28211-LFA7-E00	5	E05	32412-LEA7-E00	2	E04	<b>35000</b>		
<b>30000</b>			<b>33000</b>					
3051A-LFA7-E00	6	F18	33100-LEA7-E00	0	F01	35010-LEA7-324-M1	0	F18
30700-LGM5-900	3	F18	33110-LEA7-E00	2	F01	35010-LEA7-324-M2	0	F18
<b>31000</b>			33120-LEA7-E00	0	F01	35101-LEA7-314-M1	0	F18
31110-LFA7-E0B	3	E06	33130-LEA7-E00	0	F01	35101-LEA7-314-M2	0	F18
31120-LFA7-E0B	4	E06	33150-LEA7-E00	0	F01	35102-KFB7-305-M1	0	F18
31210-LEB1-90A	4	E06	33180-LEA7-E00	0	F01	35102-KFB7-305-M2	0	F18
31340-LEA7-E00	3	F18	33700-LEA7-E00	2	F17	35102-LEB1-90A	0	F18
31500-LEA6-900	7	F11	33701-LEA7-E00	0	F17	35102-LEB1-90B	0	F18
31500-LEA6-90B	4	F11	33706-LEA7-E00	0	F17	35111-LDC1-306-M1	0	F23
31600-KED9-900	4	F18	33720-LBB5-E00	4	F17	35111-LDC1-306-M2	0	F23
31601-LEA7-E00	2	F18	33726-LBB5-E00	1	F17	35111-LDC1-307-M1	0	F23
31605-KKE5-E00	4	F18	33741-LEA7-E00	2	F17	35111-LDC1-307-M2	0	F23
<b>32000</b>			33900-KKE5-E00	2	F12	35119-LEB1-90A	0	F18
			<b>34000</b>			35119-LEB1-90B	0	F18
			34901-KGB5-M30	0	F01	3515A-LEA7-E00	2	F03
32100-LFA7-E00	8	F18	34903-KPCP-900	0	F17	3515A-LFA7-B80	2	F03
32100-LFA7-E01	9	F18	34905-LCA5-E00	0	F17	3520A-KEBE-900	3	F03
32101-LEA7-E00	1	E02	34905-LEA7-E00	0	F01	35340-LKF5-E01	2	F04
32410-LLB1-900	2	E06	34906-KPCP-900	0	F17	35350-LKF5-E01	1	F04
32411-LEA7-E00	3	F11				35370-LLJ3-E00	5	F15
						35380-LDF2-900	2	F18
						35380-LEA2-900	2	F18
						35850-KHB4-90A	5	F18

## PART NO. INDEX

PART NO.	VERSION	PAGE	PART NO.	VERSION	PAGE	PART NO.	VERSION	PAGE
<b>37000</b>			39400-LDF2-800	3	E02	<b>44000</b>		
			39450-LEA6-800	5	F14			
37200-LFA7-E30	1	F02	<b>42000</b>			44301-LEA7-E00	3	F07
37211-LEA7-E00	0	F02				44311-LEA7-E00	2	F07
37216-LEA7-E00	1	F03	42311-LEA7-E00	3	F08	44312-LEA7-E00	4	F07
37720-KGB5-900	0	E02	42312-LEA7-E00	1	F08	44600-LEA7-305	0	F07
37750-PAC1-005	0	E02	42601-LEA7-E00	7	F08	44620-LEA7-E00	3	F07
37760-KHD8-900	1	F20	42710-LEA7-E0A	3	F08	44710-LEA7-E0A	3	F07
			42710-LEA7-E0B	5	F08	44710-LEA7-E0B	5	F07
<b>38000</b>			42753-KNBN-90B	1	F07			
			42753-KNBN-90B	1	F08	<b>45000</b>		
38110-KKC3-90B	4	F18				45105-LEA7-305	0	F07
38200-KHE7-900	0	F18	<b>43000</b>			45107-KED9-900	0	F07
38300-LEA7-E00	3	F18				45107-LEA7-E00	0	F07
38500-LGL3-90A	5	F18	43100-LEA7-E00	7	F08	45108-LDH1-E00	0	F08
			43105-LEA7-305	0	F08	45108-LEA7-E00	0	F07
<b>39000</b>			43126-LEA7-E00	4	F04	45109-GBE2-007	0	F08
			43156-LEA7-E00	2	F16	45109-KED9-900	0	F07
39100-LEA7-E00	2	F18	43210-LEA7-E00	0	F08	45126-LEA7-E00	5	F04
39300-LEB2-800	1	E02	43351-LEA7-E00	6	F08	45128-LBA2-920	3	F06
39301-LEB2-910	4	E02	43352-KKD6-E90	1	F08	45129-LBA2-900	2	F06
39302-KKE3-900	2	E02	43353-4A61-77A	0	F08	4512A-LEA7-E00	7	F07
39303-LEB2-900	2	E02	43353-KED9-900	0	F07	45130-KED9-900	0	F07
39306-LEB2-305	0	E02	4335A-LBA2-E01	2	F07	45131-LDH1-E00	0	F08
39307-LEB2-305	0	E02	43530-LEA7-305	1	F04			

## PART NO. INDEX

PART NO.	VERSION	PAGE	PART NO.	VERSION	PAGE	PART NO.	VERSION	PAGE
45132-KED9-900	0	F07	50353-LEA7-E00	1	F19	51427-LDH1-E00	0	F24
45134-KED9-900	0	F07	50356-LEA7-E01	1	F19	51427-LLJ3-E00	0	F24
45135-KED9-900	0	F07	50360-LFA7-E00	1	F19	51429-LEA7-E00	0	F24
45200-LEA7-E00	8	F07	50364-KEBE-900	1	F19	51430-LEA7-E00	0	F08
45209-GBE2-007	0	F08	50500-LFA7-E00	4	F15	51437-LDH1-E00	0	F24
45210-LEA7-305	0	F07	50502-LDF7-E10	0	F15	51500-LEA7-E00	6	F06
45352-LEA7-E00	4	F07	50504-LFA7-E00	3	E01	51520-LEA7-E00	0	F24
45513-LEA7-E00	1	F04	50505-KXCX-900	0	F15			
45517-LBA2-E00	2	F04	50505-LAD9-900	3	F15	<b>52000</b>		
45520-KKA8-900	0	F04	50530-LEA7-E00	5	F15			
45530-LBA2-308	0	F04	50550-KKC2-E00	0	F15	52000-LFA7-E00	6	F16
45531-GAR1-951	0	F08	50614-LFA7-E00	1	F19	52400-LFA7-E00	3	F16
45531-KED9-900	0	F07	5061A-LEA7-E00	4	F19			
<b>50000</b>			<b>51000</b>			<b>53000</b>		
50100-LFA7-305	0	F19	51400-LEA7-E00	6	F06	53100-LEA7-E00	9	F03
50179-LEA7-E00	2	F19	51401-LDH1-E00	0	F24	53105-LEA7-E00	4	F03
50187-LEA7-E00	2	F19	51404-LDH1-E00	0	F24	53106-LEA7-E00	4	F03
50188-LEA7-E00	2	F19	51410-LEA7-E00	0	F24	53125-LEA7-E00	2	F03
50190-LEA7-E00	2	F19	51412-LLJ3-E00	0	F24	53140-LEA7-E00	6	F03
50306-1F96-001	0	F06	51416-LDH1-E00	0	F24	53150-LEA6-900	6	F03
5032A-LEA5-E00	3	F11	51420-LEA7-E00	0	F24	53175-KKE5-E00	0	F04
5032A-LEA7-E00	2	F11	51422-KED9-900	0	F24	53178-KKE5-E00	0	F04
50350-LFA7-E00	0	F19	51424-LDH1-E00	0	F24	53200-LEA7-E00	5	F06
50353-KGN7-901	0	F19	51425-LEA7-E00	2	F24	53203-LEA7-E00	5	F03
						53204-LEA7-E00	9	F03

## PART NO. INDEX

PART NO.	VERSION	PAGE	PART NO.	VERSION	PAGE	PART NO.	VERSION	PAGE	
53205-LEA7-E00	5	F03	64225-LEA7-E00	2	F03	<b>77000</b>			
53206-LEA7-E00	4	F03	64226-LEA7-E00	2	F03				
53207-LEA7-E00	2	F03	64301-LEA7-E00	2	F05				
53213-LBA2-E00	2	F06	64303-LEA7-E00	3	F05		77200-LEA7-305	0	F09
53213-LEA7-E00	1	F06	64304-LEA7-E00	3	F05		77206-KEB7-900	0	F09
53214-LBA2-E00	2	F06	64305-LEA7-E00	3	F05		77231-LEA7-E00	2	F19
53220-LBA2-E00	4	F06	64306-LEA7-E00	3	F05		77235-LEA7-E0A	5	F18
53240-LEA7-90A	2	F06	64307-LEA7-E00	4	F05		77235-LEA7-E0B	6	F18
53250-LEA7-90A	2	F06	64310-LEA7-E00	5	F05		77235-LEA7-E1A	6	F18
<b>61000</b>			64311-LEA7-E00	3	F05	77235-LEA7-E1B	6	F18	
			64312-LEA7-E00	6	F05	77240-LEA7-E30	3	F18	
			64313-LEA7-E00	6	F05	77300-LEA7-E00	1	F09	
61100-LEA7-E00	4	F06	64315-LEA7-E00	8	F19	77303-LEA7-E00	1	F09	
61101-LEA7-E00	3	F05	64315-LEA7-E02	1	F19	77500-LEA7-E00	2	F09	
61102-LEA7-E00	1	F06	64317-LEA7-E00	3	F05	77501-LBA2-E00	1	F09	
61103-LEA7-E00	1	F06	64318-LEA7-E00	2	F05	<b>80000</b>			
<b>64000</b>			64320-LEA7-E00	3	F05				
			64330-LEA7-E00	5	F05				
			64340-LEA7-E00	3	F05		80100-LEA7-E00	6	F17
			64350-LEA7-E00	5	F05		80101-LEA7-E00	4	F17
64206-MLJ0-001	1	F12	64360-LEA7-E00	3	F05	80102-LEA7-E00	4	F17	
64220-LEA7-E00	7	F03	64400-LEA7-E00	6	F05	80103-LEA7-E00	2	F17	
64221-LEA7-E00	2	F03	64401-LEA7-E00	4	F05	80104-LBA2-E00	1	F12	
64222-LEA7-E00	2	F03	64500-LEA7-E00	4	F05	80104-LFA7-E00	1	F17	
64222-LLJ3-E00	1	F06				80105-LEA7-E00	4	F17	
64223-LEA7-E00	5	F03				80106-LEA7-E00	3	F17	
64224-LEA7-E00	1	F03							



## PART NO. INDEX

PART NO.	VERSION	PAGE	PART NO.	VERSION	PAGE	PART NO.	VERSION	PAGE
80107-LEA7-E00	3	F17	83503-KHD6-900	2	F19	87508-KKC4-E00	2	F21
80114-KGG7-001	0	F06	83520-LEA7-E00	4	F05	87512-KEBE-E00	1	F21
80151-LEA7-E00	4	F05	83550-KEC8-900	4	F05	87541-GAR1-E00	2	F21
80152-LEA7-E00	7	F05	83550-KEC8-900	4	F06	87541-KKC2-E00	2	F21
80153-LEA7-E00	3	F05	83550-KEC8-900	4	F17	87542-GAR1-E00	3	F21
			83551-KEC8-900	4	F05	87560-LEA7-E00	1	F21
			83551-KEC8-900	4	F06			
			83551-KEC8-900	4	F17	<b>88000</b>		
81131-LEA7-E00	8	F05	83551-LEA7-E00	1	F05			
81132-LEA7-E00	8	F05	83600-LEA7-E00	3	F12	88110-LEA7-E01	1	F03
81134-LEA7-E00	6	F05	83620-LEA7-E00	4	F05	88115-LBA2-E02	1	F03
81136-LEA7-E00	2	F05	83750-LEA7-E00	2	F12	88120-LEA7-E01	1	F03
8113A-LEA7-E00	9	F05	83751-LEA7-E00	2	F12	88130-KEBE-900	1	F03
81141-LEA7-E00	3	F05	8376A-KEBE-900	4	F05			
81150-LEA7-E00	6	F05				<b>89000</b>		
81200-LEA7-E00	7	F12	<b>86000</b>					
81210-LEA7-E00	2	F12				89010-LEA7-E00	4	F09
81220-LEA7-E00	2	F12	86102-LEA5-E00	2	F22	89020-KKC4-900	1	F09
81251-LEA7-E00	1	F12	86202-LEA7-E01	3	F22			
81252-KKE5-E00	2	F12				<b>90000</b>		
81252-LEA7-E00	1	F12	<b>87000</b>					
81260-LEA7-E00	6	F12				90001-GBHB-661	3	E03
			87140-LFA7-E00	4	F22	90001-GBHB-681	3	F13
			87224-LFA7-EY0	1	F21	90001-GFY6-901	5	E02
			87311-LCD3-E00	1	F22	90005-KED9-900	2	E03
83500-LEA7-E00	3	F12	87505-LEA7-E01	1	F21	9000A-KTDT-900	1	E01

## PART NO. INDEX

PART NO.	VERSION	PAGE	PART NO.	VERSION	PAGE	PART NO.	VERSION	PAGE
9000B-KHD6-900	2	E02	90206-0A01-001	4	E02	90401-KKJ9-001	0	E06
90012-3C33-001	1	E02	90215-KKC4-900	2	F09	90423-KKJ9-001	0	E04
90031-KHD6-900	2	E01	90215-KKC4-900	2	F12	90428-9H58-001	0	E04
90032-KHD6-900	2	E01	90301-6D34-671	1	F01	90465-MDC4-001	0	E02
90033-GFY6-900	1	E02	90301-6D34-671	1	F10	90474-3C33-001	1	E01
90084-KKF9-901	0	E04	90301-6D34-671	1	F17	90478-7L00-001	0	E04
9008A-KBE2-900	0	E04	90301-6D34-671	1	F20	90503-LEA7-E00	2	F06
90104-LEA7-E00	3	F03	90301-GFY6-901	2	F14	9052A-LEB1-900	2	E01
90105-KCR3-001	1	F08	90302-GFY6-940	2	F11	90544-KEC8-900	0	F24
90105-KFC2-900	0	F12	90302-GFY6-940	2	F18	90545-3L00-001	2	F04
90105-LEA7-E00	1	F07	90302-LLB1-E00	2	F03	90601-GFY6-901	0	E05
90106-GEN5-901	1	F03	90302-LLB1-E00	2	F16	90601-LLJ3-E00	0	F24
90106-KFA6-900	0	F12	90302-PWA5-900	1	F17	90605-1F66-721	0	E05
90106-LEA7-E00	1	F19	90302-SDA4-004	3	F03	90651-LLJ3-E00	0	F24
90107-LEA7-E00	4	F03	90302-SDA4-004	3	F05	90652-GFY6-901	1	F13
90107-LEA7-E00	4	F06	90302-SDA4-004	3	F12	90652-LCA4-E00	6	F05
90108-KKC4-900	1	F15	90302-SDA4-004	3	F17	90652-LCA4-E00	6	F17
90110-KHD8-900	0	F14	90302-SDA4-004	3	F19	90652-LEC8-E00	1	F05
90112-KNBN-901	1	F11	90304-GHE8-004-SW	0	F03	90652-LGJ9-900	2	E02
90113-KKA8-900	0	F04	90304-GHE8-004-SW	0	F19	90652-LGL7-E00	1	F18
90117-KED9-950	1	F19	90304-LBD4-900	2	F19	90656-KCBC-900	0	F18
90122-LEA7-E00	2	F07	90305-KKAK-900	0	F08	90677-GAR1-004	2	F11
90122-LEA7-E00	2	F08	90305-LBA2-E00	1	F05	90701-HFB6-011	2	E03
90145-LEA3-E00	1	F04	90305-LBA2-E00	1	F06	90754-LLJ3-E00	1	F07
90201-KHR8-75A	1	E06	90305-LBD4-900	1	F19	90914-LFA7-E00	1	F20
90202-1G87-001	2	E05	90312-LLJ3-E01	0	F06			

## PART NO. INDEX

PART NO.	VERSION	PAGE	PART NO.	VERSION	PAGE	PART NO.	VERSION	PAGE
<b>91000</b>			91351-6B42-000	0	E05	93500-KHC4-90A	0	F18
			91507-LEA7-E00	1	F18	93600-04012-1G	0	F04
			<b>92000</b>			93892-04010-06	0	E08
91002-GGA7-70A	0	E05				93892-05010-06	0	E08
91004-KHE7-900	1	E05				93893-04012-18	0	F04
91009-KHE7-900	0	E01	92000-05016-0G	0	E02	93894-04022-06	1	F18
91101-1K79-711	1	E06	92000-05016-0G	0	E06	93903-25460	0	F13
91104-GFY6-90C-B	0	E06	92000-LEA6-900	2	E06	93903-34360	0	F03
91104-GFY6-90C-R	0	E06	92101-06014-0G	0	E02	93903-34360	0	F05
91202-LEB1-900	2	E01	92900-06060-0B	0	E02	93903-34360	0	F17
91202-LFE2-90A	4	E07				93903-34760	0	F05
91202-LKG2-900	1	E04	<b>93000</b>			93903-35260	0	F03
91211-KEBE-900	0	E05				93903-35360	0	E01
91251-LLJ3-E00	0	F24	93401-04025-06	0	F18	93903-35360	0	F01
91255-KHE7-900	2	E01	93404-06016-06	1	F03	93903-35360	0	F02
91255-KHE7-90A	2	E01	93404-06016-06	1	F05	93903-35360	0	F06
91255-LEA7-E00	1	F16	93404-06016-06	1	F12	93903-35360	0	F17
91255-LLB1-900	2	F16	93404-06016-06	1	F15	93903-GFY6-900	1	F03
91301-GLR0-005	1	E03	93404-06016-06	1	F17	93903-GFY6-900	1	F05
91301-LEB1-900	1	E02	93404-06016-06	1	F19	93903-GFY6-900	1	F12
91302-0A01-021	0	E04	93404-06016-06	1	F20	93903-GFY6-900	1	F17
91302-5G67-004	0	E04	93404-06025-06	0	F20	93903-KEB7-900-06	1	F03
91303-3G77-001	0	E04	93500-05016-1B	0	F03	93903-KEB7-900-06	1	F05
91303-KKE5-E00	2	E01	93500-05025-1B	0	F03			
91306-1E05-691	0	E03	93500-05032-1B	0	F03			
91307-0E35-001	1	E04	93500-05045-1B	0	F03			

## PART NO. INDEX

PART NO.	VERSION	PAGE	PART NO.	VERSION	PAGE	PART NO.	VERSION	PAGE	
<b>94000</b>			94510-14000	0	E04	95701-06016-06	1	F19	
			94510-25000	0	E07	95701-06018-06	0	E01	
			94520-28000	0	E05	95701-06025-06	2	E01	
	94050-05080	0	F17	94520-47000	0	F16	95701-06025-06	2	F14
	94050-06060	1	F04	94591-KFBF-900	2	E02	95701-06045-06	0	F06
	94050-06080	2	E02	94591-KFBF-900	2	E04	95701-06045-06	0	F19
	94050-06080	2	E08	94591-LEE8-E00	1	E01	95701-08012-06	0	E01
	94050-06080	2	F09	94601-14000	0	E03	95701-08012-06	0	F18
	94050-06080	2	F18	94608-LLJ3-E00	0	F24	95701-LDF2-800	2	F10
	94050-06080	2	F19				95701-LEA5-E00	1	F18
94050-06080	2	F20	<b>95000</b>			95801-08040-06	0	F06	
94050-08080	0	E02				95801-10030-06	0	F15	
94050-12080	0	E05	95002-02080	0	F05	95801-10040-02	0	F16	
94101-KEBE-900	0	F14	95002-02100	0	F13	95801-10045-06	2	F14	
94101-KKE3-900	1	E08	95002-02100	0	F20	95801-10075-06	0	F16	
94101-LBA2-E00	1	F19	95002-02120	1	F13				
94102-LBA2-E00	1	F19	95002-02150	0	F13	<b>96000</b>			
94111-06800	0	E02	95002-50000	0	E01				
94111-06800	0	E08	95002-70000	0	F20	96001-06010-00	0	E04	
94301-08140	4	E01	95002-KED9-900	2	F20	96001-06012-06	0	E06	
94301-08140	4	E04	95002-KHE7-900	0	F20	96001-06012-06	0	F06	
94301-10160	0	E01	95014-72204	0	F15	96001-06012-06	0	F18	
94301-10160	0	E02	95701-06008-06	1	F06	96001-06014-06	0	E02	
94301-10160	0	E03	95701-06012-06	1	F06	96001-06016-06	0	E01	
94301-KKE5-E00	3	E01	95701-06012-06	1	F19	96001-06018-06	0	E06	
94510-10000	0	E06	95701-06016-06	1	F17	96001-06022-06	1	E04	

## PART NO. INDEX

PART NO.	VERSION	PAGE	PART NO.	VERSION	PAGE	PART NO.	VERSION	PAGE
96001-06025-06	0	E01						
96001-06028-06	0	E04	<b>98000</b>					
96001-06028-06	0	E06						
96001-06028-06	0	F04	98059-57916-00	2	E02			
96001-06030-06	0	E04	98200-31000	1	F11			
96001-06032-06	0	E01	98200-31000	1	F18			
96001-06050-06	0	E01	98200-31500	1	F11			
96001-06085-06	1	E01	98200-31500	1	F18			
96001-06100-06	0	E02	98200-33000	0	F11			
96001-06120-06	1	E04	98200-33000	0	F18			
96001-GFY6-900	2	F13						
96001-LAB4-900	3	E02						
96100-60020-00	0	E01						
96100-62020-00	0	E07						
96100-62030-00	0	E01						
96100-63030-00	0	E07						
96100-LFE2-900	1	E07						
96150-60020-10	0	F07						
96150-62040-10	0	F16						
96220-60100	0	E06						
96600-08015-16	0	E06						
96600-LBA2-E00	0	F24						
96600-LKG5-E00	1	F14						
96700-KED9-900	3	F06						