

# PARTS CATALOGUE



## SCOOTERS

SK25BA(PT)

K-XCT 125i



Release Date : 2019/02/22  
Print Date : 2022/06/29

## ABOUT THIS PARTS LIST

- This parts list is compiled all service parts for model SK25BA(PT).
- Any difference between color chart and motorcycle will be revised according to motorcycle.
- The Mark:
  1. Marking "\*\*\*" must add color code in the end before ordering parts.
  2. Marking "#" are parts with modification, Please find the details from e-Parts system.
- When modification or additions to this parts list are made a revised edition at an appropriate time.



# CONTENTS

● ABOUT THIS PARTS LIST .....	1
● COLOR CHART OF SK25BA(PT) .....	3
● CONTENTS-ENGINE GROUP .....	8
● CONTENTS-FRAME GROUP .....	9
● ENGINE PARTS LIST .....	12
● FRAME PARTS LIST .....	44
● PART NO. INDEX .....	118

NO	MODEL			COLOR CHART OF SK25BA(PT)			
	PHOTO NO			NO. 1	NO. 2	NO. 3	
	BASIC COLOR			Mat Blue	Mat White	Mat Black	
	CODE			Mat Blue	Mat White	Mat Black	
	PARTS NAME	PARTS NO.	VERSION	PB128FA	NH265FA	NH294FA	
1	FENDER FR (A:EV/B:NE)	61100-LKG7-E00	0	DHG	D2V	D36	
2	MOLDING R/H A SIDE	64302-LKG7-E00	0	CFP	J8P	JBP	
3	MOLDING L/H A SIDE	64303-LKG7-E00	1				
4	SKIRT R/H SIDE	64305-LKG7-E00	0				
5	SKIRT L/H SIDE	64306-LKG7-E00	0				
6	COVER R BODY	83500-LKG7-E00	3				
7	COVER L BODY	83600-LKG7-E00	3				
8	COVER RR CENTER	83750-LKG7-E00	4				
9	MOLDING RR CENTER	83751-LKG7-E00	0				
10	LEVER R STRG HANDLE	53175-LKF5-E00	0				
11	LEVER L STRG HANDLE	53178-LKF5-E00	0	MLA			
12	COVER COMP R CRANK	11330-LFA7-E00	9	N1A			
13	FORK ASSY FR R	51400-LKG7-E00	1				
14	BOTTOM CASE R	51420-LEA7-E00	0				
15	FORK ASSY FR L	51500-LKG7-E00	0				
16	BOTTOM CASE L	51520-LEA7-E00	0				
17	FORK ASSY RR	52000-LKG5-E00	5				
18	FORK A RR CAST	52110-LKG5-E00	1	N1P			
19	TUNNEL LEG SHIELD	53204-LKG7-E00	0				
20	FR COVER	64301-LKG7-E00	1				
21	COVER R/H SIDE SKIRT	64335-LKG7-E00	1				
22	COVER L/H SIDE SKIRT	64345-LKG7-E00	1				
23	COVER CENTER	80151-LKG7-E00	0				
24	COVER CENTER UP	80152-LKG7-E00	0				
25	LID FUEL CAP MAINT	80153-LKG7-E00	1				
DATE OF STARTING-SALES							
DATE OF END-SALES							

NO	MODEL			COLOR CHART OF SK25BA(PT)			
	PHOTO NO			NO. 1	NO. 2	NO. 3	
	BASIC COLOR			Mat Blue	Mat White	Mat Black	
	CODE			Mat Blue	Mat White	Mat Black	
	PARTS NAME	PARTS NO.	VERSION	PB128FA	NH265FA	NH294FA	
26	LEG SHIELD	81131-LKG7-E00	1	N1P			
27	OUTER LID FR INNER	81132-LKG7-E00	0				
28	COVER SIDE R/H	83510-LKG7-E00	0				
29	COVER SIDE L/H	83610-LKG7-E00	0				
30	MIRROR ASSY R BACK	88110-LEA7-E01	1				
31	MIRROR ASSY L BACK	88120-LEA7-E01	1	N1R			
32	COVER COMP L SIDE	11340-LFA7-E00	4				
33	COVER RADIATOR	19025-LKG7-E00	0				
34	COVER BATTERY	50326-LKG7-E00	0				
35	CASE ASSY BATTERY	5032A-LKF5-E00	0				
36	COVER. UNDER	50613-LKG7-E00	0				
37	GRIP R HANDLE	53140-LEA7-E00	6				
38	GRIP L HANDLE	53150-LEA6-900	6				
39	COVER METER FR	53202-LKG7-E00	0				
40	COVER METER RR	53203-LKG7-E00	0				
41	COVER HANDLE UP	53205-LEA7-E00	5				
42	COVER HANDLE LOW	53206-LEA7-E00	4				
43	COVER RADIATOR	53207-LKG7-E00	0				
44	COVER INNER FR	61110-LKG7-E00	0				
45	PLUG WIND SCREEN	64223-LEA7-E00	5				
46	PANEL FLOOR R/H	64310-LKG7-E00	1				
47	LID RESERVE TANK	64311-LKG7-E00	0				
48	GRILL R H FR COVER	64318-LKG7-E00	0				
49	GRILL L H FR COVER	64319-LKG7-E00	0				
50	MAT R H FLOOR	64320-LKG7-E00	4				
DATE OF STARTING-SALES							
DATE OF END-SALES							

NO	MODEL			COLOR CHART OF SK25BA(PT)			
	PHOTO NO			NO. 1	NO. 2	NO. 3	
	BASIC COLOR			Mat Blue	Mat White	Mat Black	
	CODE			Mat Blue	Mat White	Mat Black	
	PARTS NAME	PARTS NO.	VERSION	PB128FA	NH265FA	NH294FA	
51	PANEL FLOOR L/H	64330-LKG7-E00	0	N1R			
52	MAT L H FLOOR	64340-LKG7-E00	4				
53	COWL UNDER	64400-LKG7-E00	0				
54	FENDER RR TIRE	80100-LKG7-E00	0				
55	FENDER RR UP	80101-LKG7-E00	0				
56	FENDER RR	80105-LKG7-E00	0				
57	RR FENDER LOW	80106-LKF5-E00	0				
58	COVER LICENSE LIGHT	80107-LKF5-E00	0				
59	CASE FR INNER BOX	81133-LKG7-E00	0				
60	COVER INNER CAP BLID	81134-LKG7-E00	0				
61	RETAIN PLATE INNER	81135-LKG7-E00	0				
62	ASSY FR INNER BOX	8113A-LKG7-E00	5				
63	LEG SHIELD R/H LOW	81141-LKG7-E00	0				
64	LEG SHIELD L/H LOW	81142-LKG7-E00	0				
65	LUGGAGE BOX ASSY	81260-LKG7-E00	0				
66	BOARD A SIDE R/H	83530-LKG7-E00	0				
67	GRILL R SIDE	83535-LKG7-E00	0				
68	GRILL L SIDE	83536-LKG7-E00	0				
69	BOARD A SIDE L/H	83630-LKG7-E00	0				
70	CUSHION ASSY RR R/H	52400-LKG7-E00	0				N1S
71	CUSHION ASSY RR L/H	52500-LKG7-E00	2				
72	END R HANDLE	53105-LEA7-E00	4				
73	COVERWATER PUMP	19221-LFA7-E00	3	NEA			
74	CAP ACG	90084-KKF9-901	0				
75	CAP ASSY 30MM	9008A-KBE2-900	0				
DATE OF STARTING-SALES							
DATE OF END-SALES							

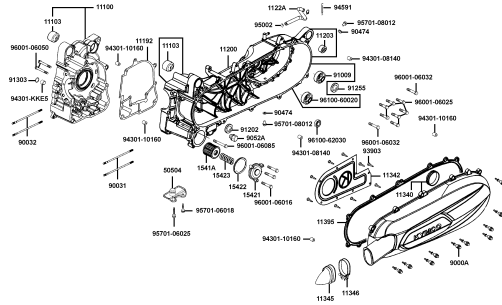
NO	MODEL			COLOR CHART OF SK25BA(PT)			
	PHOTO NO			NO. 1	NO. 2	NO. 3	
	BASIC COLOR			Mat Blue	Mat White	Mat Black	
	CODE			Mat Blue	Mat White	Mat Black	
	PARTS NAME	PARTS NO.	VERSION	PB128FA	NH265FA	NH294FA	
76	TAIL CAP MUFFLER	18307-LFA7-E00	0	NEP			
77	TOP COVER FR	64304-LKG7-E00	0				
78	SEAT ASSY.	77200-LKG7-E00	9	T01			
79	BACK SEAT ASSY	77210-LKG7-E00	4				
80	EMB BODY COVER	86202-LKG7-E10	0				
81	EMB MARK 125i	87140-LKG5-E10	0				
82	CAUTION ANTI	87224-LKG5-EY0	0				
83	LABEL TIRE	87505-LKG7-E00	0				
84	LABEL CLEANNESS	87508-KKC4-E00	2				
85	CAUTION FILTER	87512-KEBE-E00	1				
86	CAUTION SIDE STAND	87541-GAR1-E00	2				
87	CAUTION MOBILE	87541-KKC2-E00	2				
88	MARK MAINT CAUTION	87542-GAR1-E00	3	T02			
89	MARK DRIVE CAUTION	87560-GFY6-E00	5				
90	WIND SCREW	64220-LKG7-E00	0	X5A			
91	WHEEL COMP RR	42601-LEA7-E00	7				
92	WHEEL ASSY FR	44600-LEA7-305	0	YYA			
93	MUFFLER ASSY	1830A-LKG5-E00	6				
94	CALIPER ASSY RR	43100-LKG7-E00	0				
95	BRACKET	43210-LKG7-E00	0				
96	CALIPER ASSY. FR	45200-LEA7-E00	8				
97	BRACKET FR	45210-LEA7-305	0				
98	BAR ASSY R STEP	5070A-LKG7-E00	2				
99	BAR ASSY L RR STEP	5070B-LKG7-E00	2				
100	BAR R RR STEP	50710-LKG7-E00	7				
DATE OF STARTING-SALES							
DATE OF END-SALES							



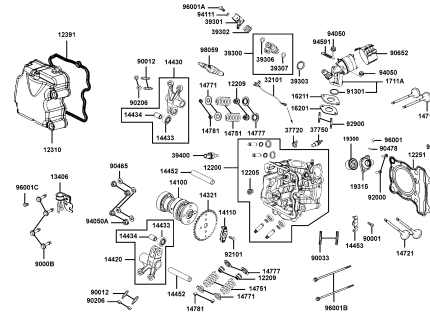


# CONTENTS - ENGINE GROUP

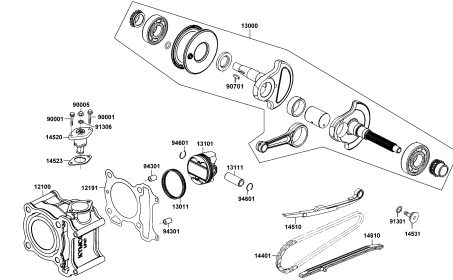
## E01 Crank Case



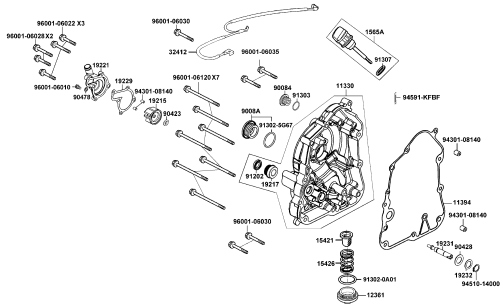
## E02 Cylinder Head Cover Cylinder



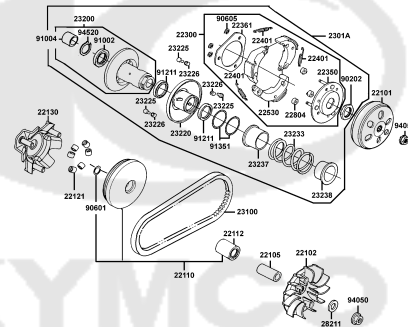
## E03 Cylinder Piston Crankshaft



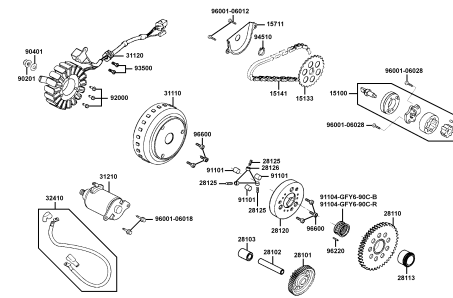
## E04 Right Crankcase Cover



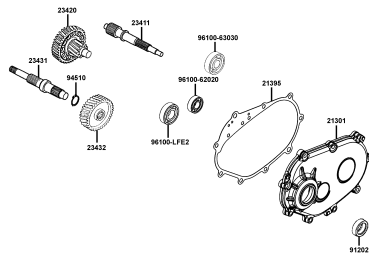
## E05 Pulley



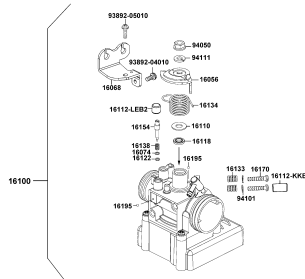
## E06 Starting Motor Oil



## E07 Transmission

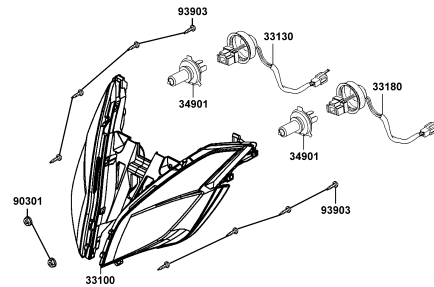


## E08 Throttle Body Assy

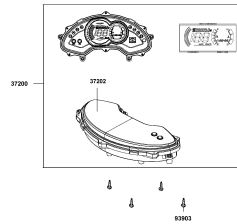


# CONTENTS - FRAME GROUP

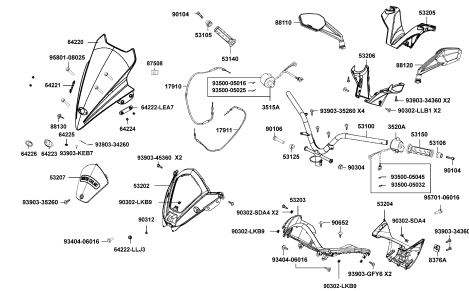
## F01 Head Light



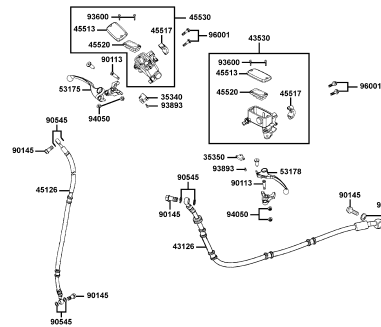
## F02 Speedometer



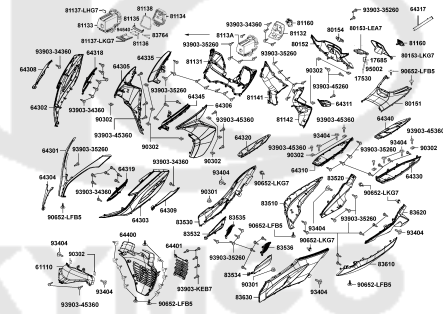
## F03 Handle SteeringHandle Cover



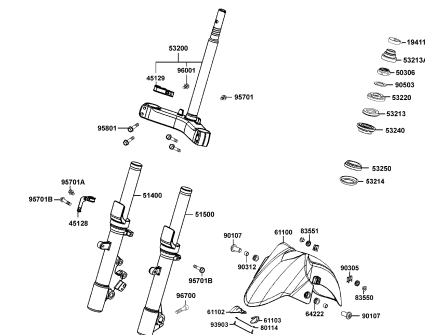
## F04 Brake Master Cylinder



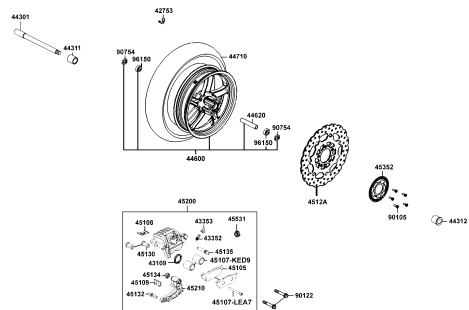
## F05 Front CoverFloor Panel



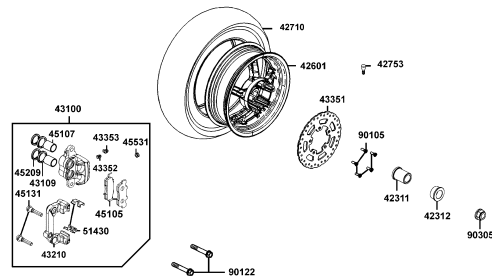
## F06 Front Cushion



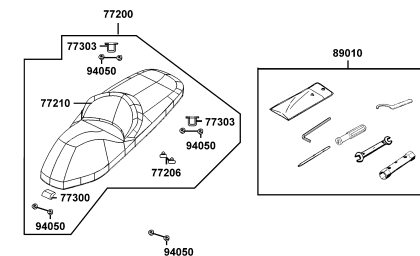
## F07 Front Wheel



## F08 Rear Wheel

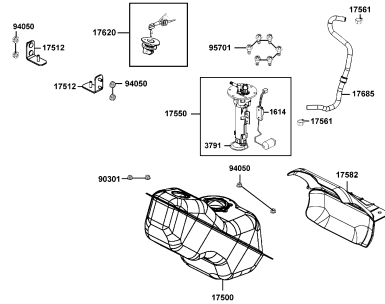


## F09 Seat

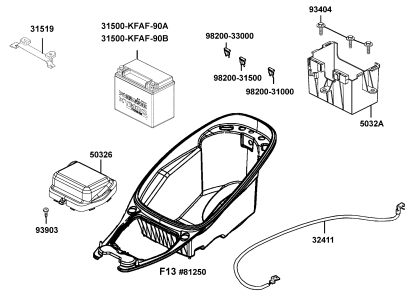


# CONTENTS - FRAME GROUP

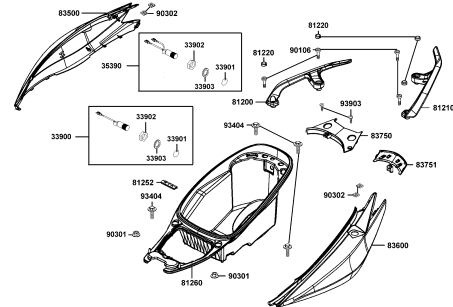
## F10 Fuel Tank



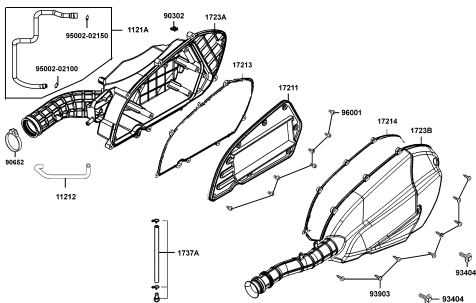
## F11 Battery



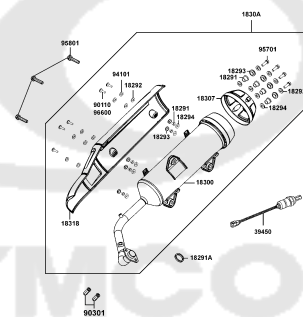
## F12 Body Cover/Luggage Box



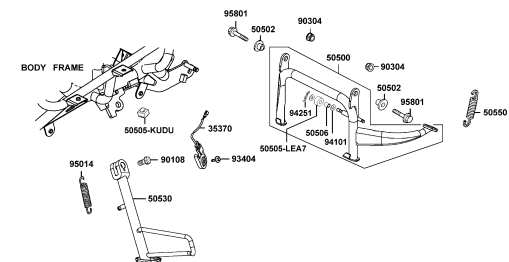
## F13 Air Cleaner



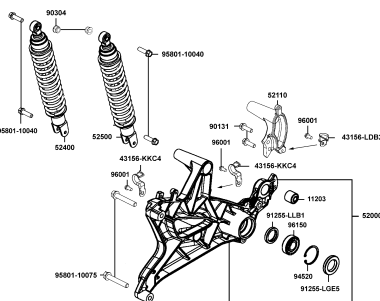
## F14 Exhaust Muffler



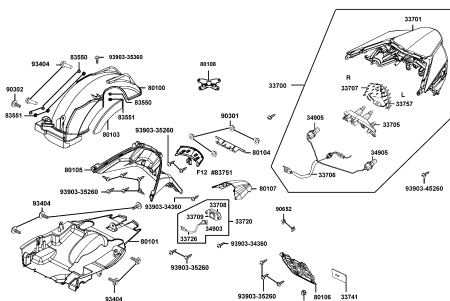
## F15 Stand



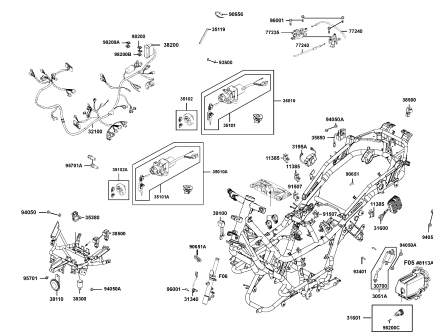
## F16 Rear Cushion



## F17 Rear Light/Rear Fender

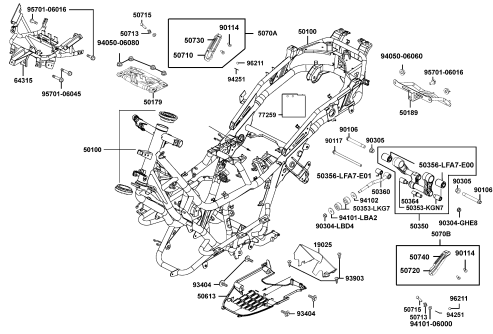


## F18 Wire Harness

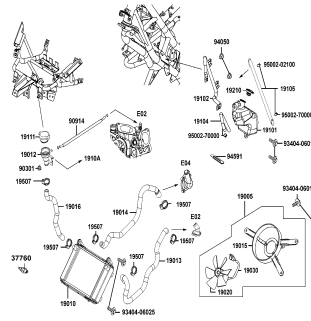


# CONTENTS - FRAME GROUP

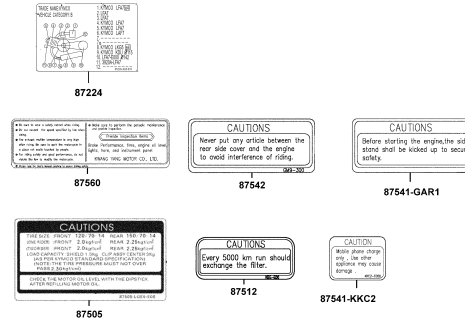
## F19 Frame Body



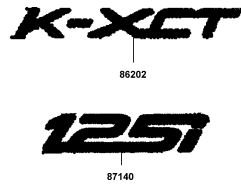
## F20 Radiator



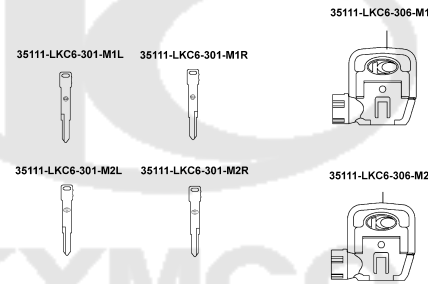
## F21 Caution Label



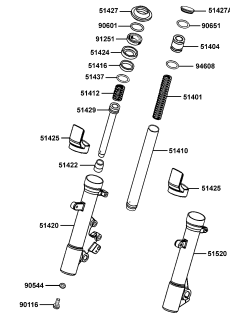
## F22 EmblemStripe



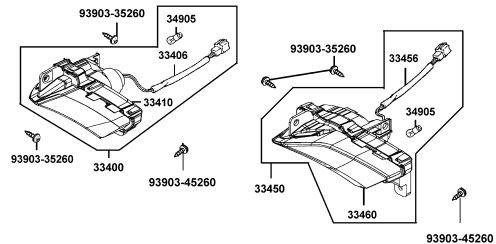
## F23 Key Comp



## F24 Separated Parts Of Fr Fork

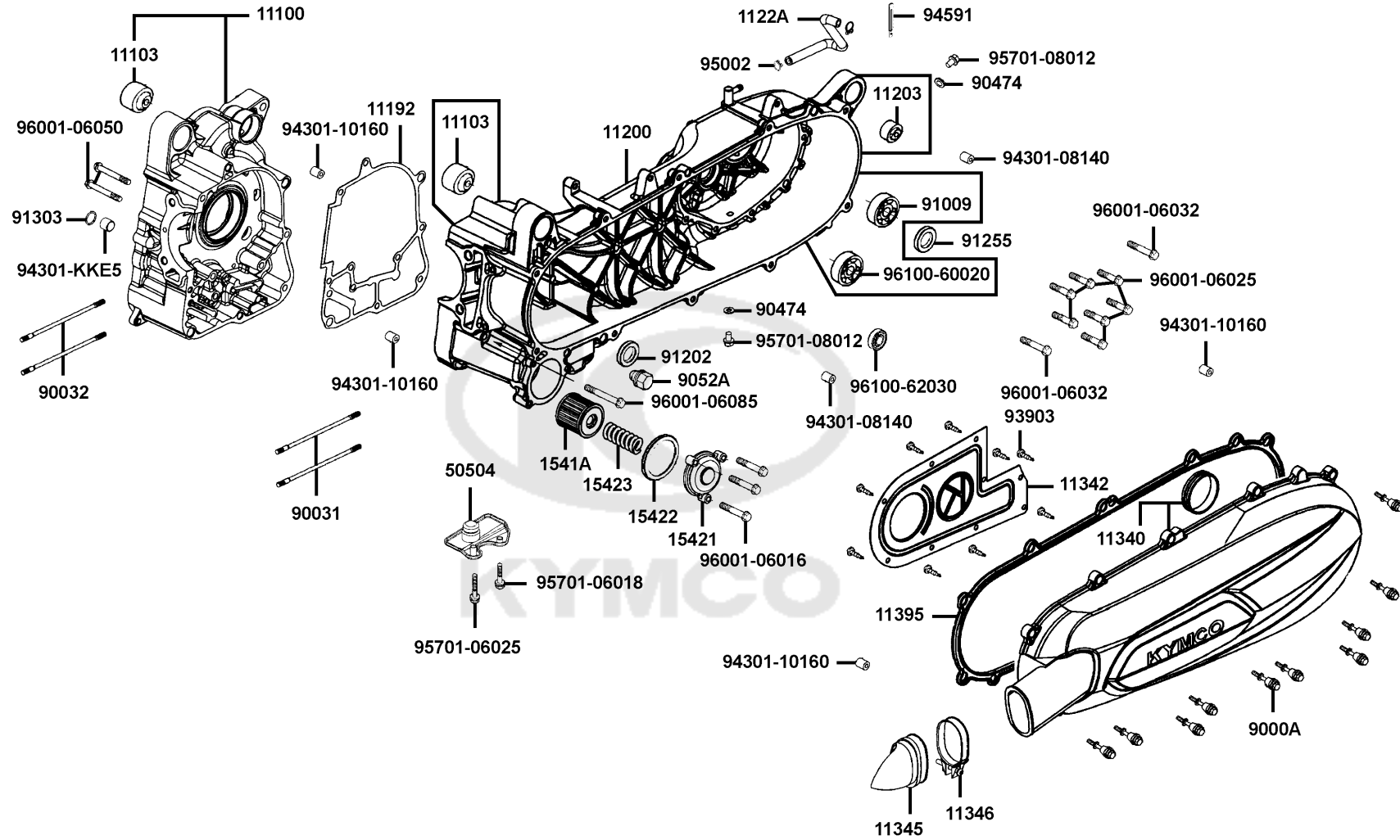


## F25 Winker Assy Fr



E01

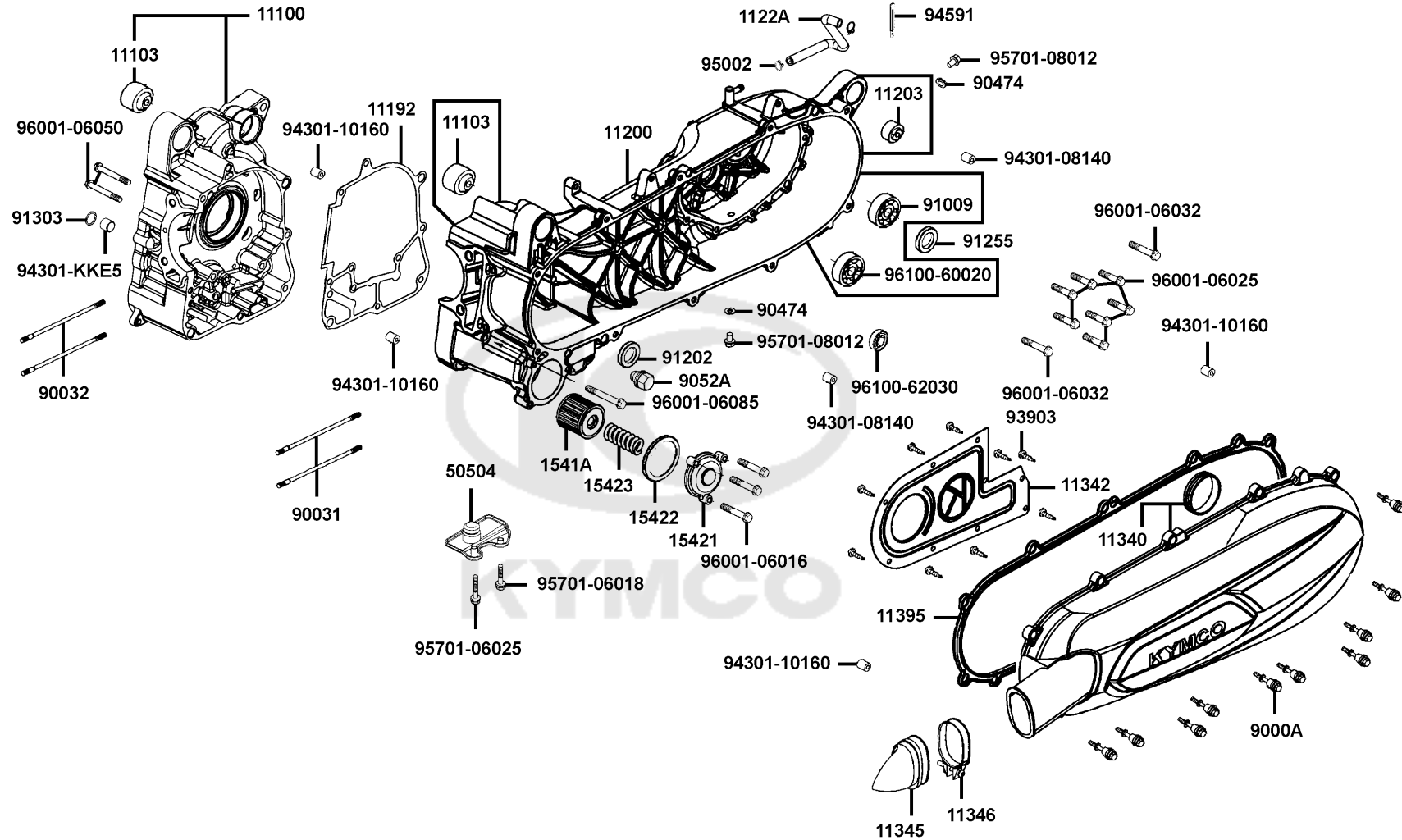
# Crank Case



Sales mark	Ref no	Part no	Description	Reg description	Regd no	<b>E01</b>
	11100	11100-LFA7-305	CRANK CASR SET RIGHT	CRANK CASR SET RIGHT	1	
#	11103	11103-KHE7-90A	RUB BUSH ENG HANGER	RUB BUSH ENG HANGER	2	
	11192	11192-LFA7-E00	GASKET CRANK CASE @A	GASKET CRANK CASE @A	1	
	11200	11200-LFA7-305	CRANK CASE ASSY LEFT	CRANK CASE ASSY LEFT	1	
	11203	11203-LBA2-E00	RUB BUSH L CASE	RUB BUSH L CASE	2	
	1122A	1122A-LEB1-900	TUBE ASSY BREATHER	TUBE ASSY BREATHER	1	
	11342	11342-LFA7-900	PLATE L COVER	PLATE L COVER	1	
	11345	11345-LEA7-E00	DUCT L COVER	DUCT L COVER	1	
	11346	11346-GFY6-901	BAND L COVER DUCT	BAND L COVER DUCT	1	
	11395	11395-LFA7-E00	GASKET L COVER	GASKET L COVER	1	
	1541A	1541A-LEA7-E00	ELEMENT ASSY OIL FILTER	ELEMENT ASSY OIL FILTER	1	
	15421	15421-KKC3-900	CAP OIL FILTER	CAP OIL FILTER	1	
	15422	15422-KKC3-900	O RING 53.65*2.62	O RING 53.65*2.62	1	
	15423	15423-KKC3-900	SPRING CAP OIL	SPRING CAP OIL	1	
	50504	50504-LFA7-E00	STAY MAIN STAND COMP.	STAY MAIN STAND COMP.	1	
	9000A	9000A-KTDT-900	BOLT ASSY SPECIAL 6X29.5	BOLT ASSY SPECIAL 6X29.5	10	
	90031	90031-KHD6-900	BOLT A STUD 8*218	BOLT A STUD 8*218	2	
	90032	90032-KHD6-900	BOLT B STUD 8*210	BOLT B STUD 8*210	2	
	90474	90474-3C33-001	WASHER 8MM	WASHER 8MM	2	
	9052A	9052A-LEB1-900	BOLT ASSY DRAIN PLUG	BOLT ASSY DRAIN PLUG	1	

E01

# Crank Case

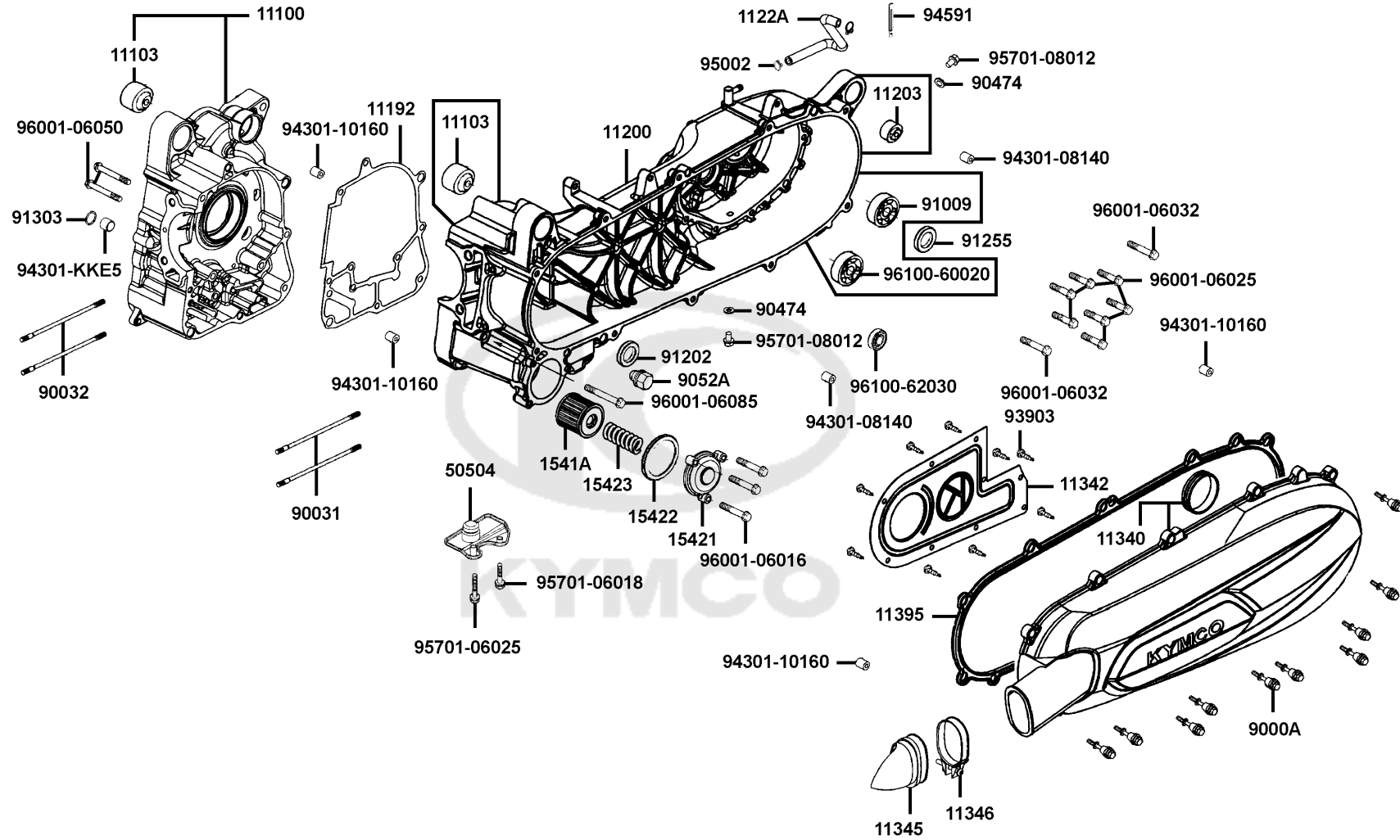


Sales mark	Ref no	Part no	Description	Reg description	Regd no	E01
	91009	91009-KHE7-900	BRG BALL RADIAL 6205LLU	BRG BALL RADIAL 6205LLU	1	
	91202	91202-LEB1-900	OIL SEAL 25*35*5	OIL SEAL 25*35*5	1	
	91255	91255-KHE7-900	OIL SEAL 34*52*7	OIL SEAL 34*52*7	1	
#	91255	91255-KHE7-90A	OIL SEAL 34*52*7	OIL SEAL 34*52*7	1	
	91303	91303-KKE5-E00	O-RING 14.8x2.4	O-RING 14.8x2.4	1	
#	93903	93903-35360	SCREW TAPPING 5*16	SCREW TAPPING 5*16	9	
	94301-08140	94301-08140	DOWEL PIN 8*14	DOWEL PIN 8*14	2	
	94301-10160	94301-10160	DOWEL PIN 10*16	DOWEL PIN 10*16	4	
	94301-KKE5	94301-KKE5-E00	DOWEL PIN 15x10	DOWEL PIN 15x10	1	
	94591	94591-LEE8-E00	CLIP 2*100	CLIP 2*100	1	
	95002	95002-50000	CLIP C9 TUBE	CLIP C9 TUBE	1	
#	95701-06018	95701-06018-06	BOLT FLANGE 6X18	BOLT FLANGE 6X18	1	
#	95701-06025	95701-06025-06	BOLT FLANGE 6*25	BOLT FLANGE 6*25	1	
#	95701-08012	95701-08012-06	BOLT FLANGE 8*12	BOLT FLANGE 8*12	1	
#	96001-06016	96001-06016-06	BOLT FLANGE SH 6X16	BOLT FLANGE SH 6*16	1	
#	96001-06025	96001-06025-06	BOLT FLANGE SH 6*25	BOLT FLANGE SH 6*25	1	
#	96001-06032	96001-06032-06	BOLT FLANGE 6*32	BOLT FLANGE 6*32	1	
#	96001-06050	96001-06050-06	BOLT FLANGE SH 6*50	BOLT FLANGE SH 6*50	1	
#	96001-06085	96001-06085-06	BOLT FLANGE 6*85	BOLT FLANGE 6*85	1	
	96100-60020	96100-60020-00	BRG BALL RADIAL 6002	BRG BALL RADIAL 6002	1	



E01

# Crank Case



Sales mark	Ref no	Part no	Description	Reg description	Regd no	<b>E01</b>
------------	--------	---------	-------------	-----------------	---------	------------

96100-62030

96100-62030-00

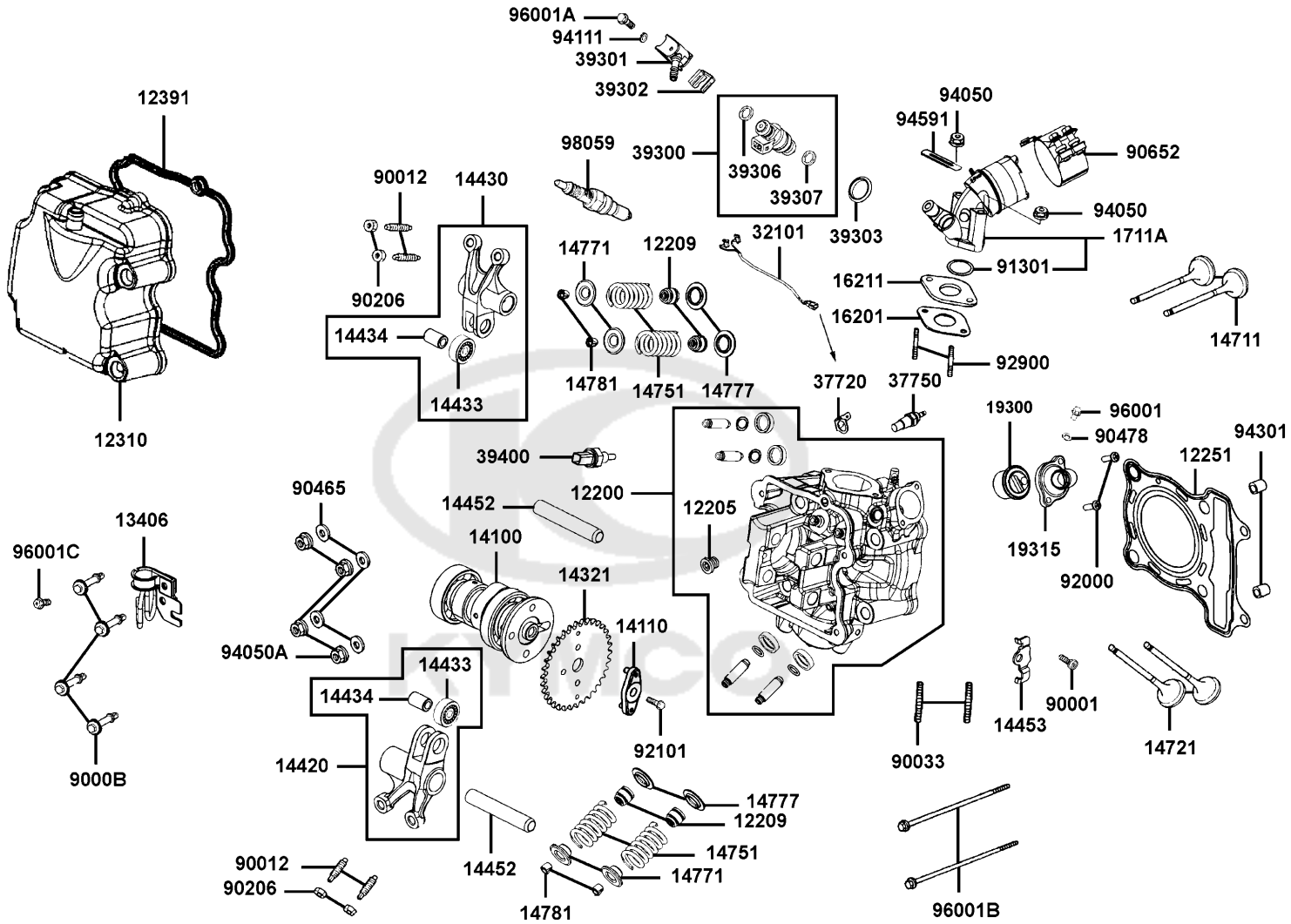
BRG BALL RADIAL 6203

BRG BALL RADIAL 6203

1

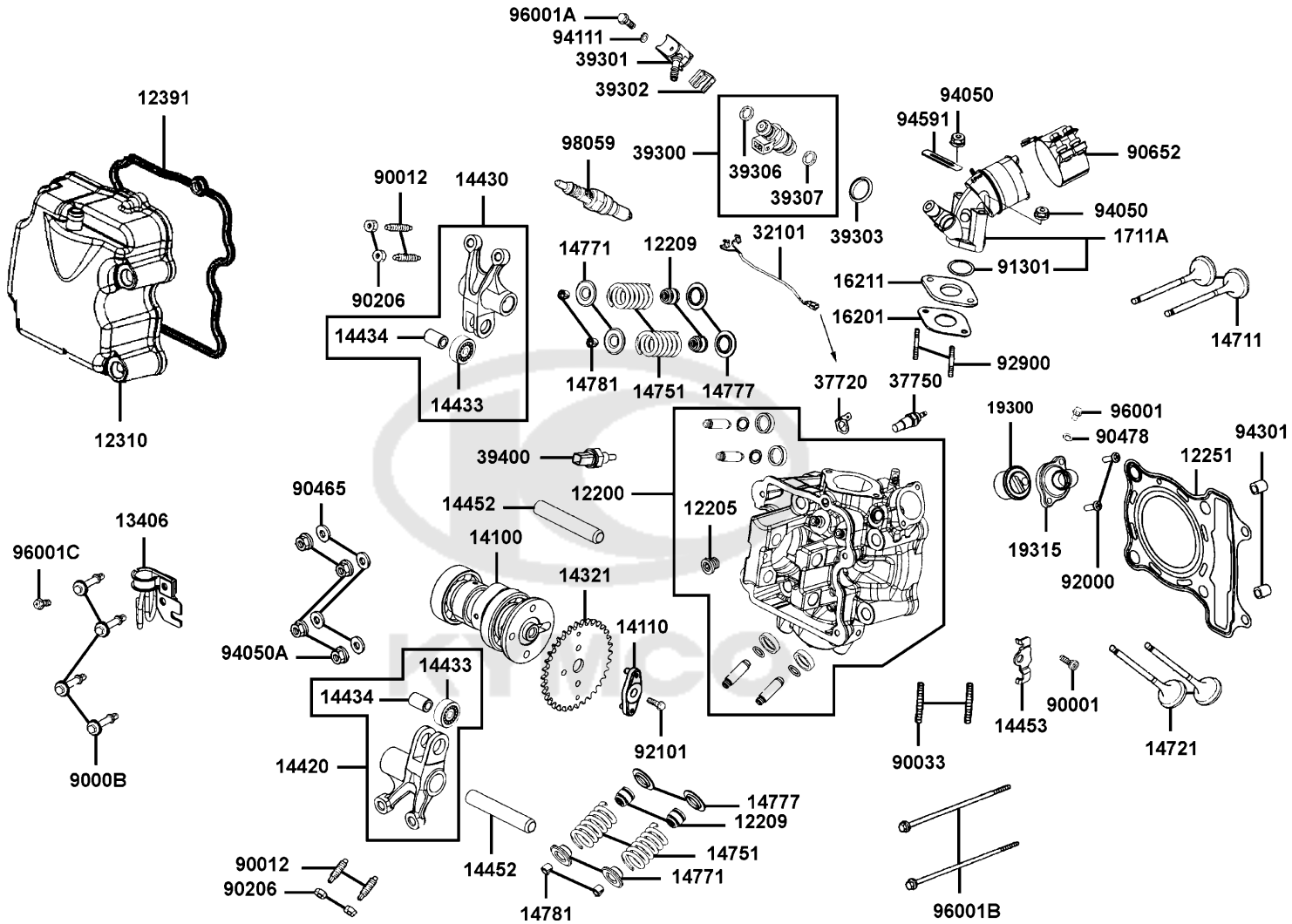


# Cylinder Head Cover Cylinder Head



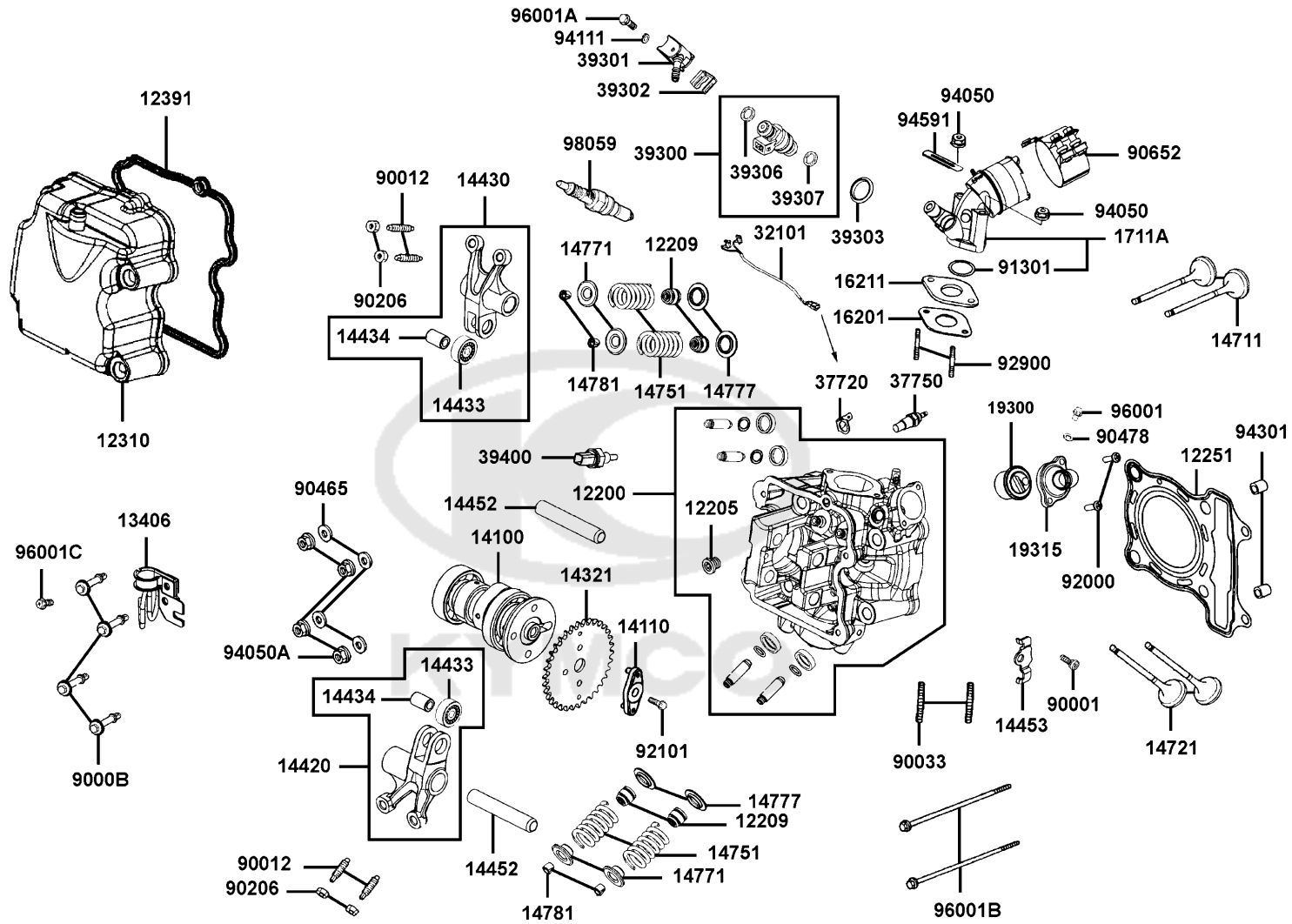
Sales mark	Ref no	Part no	Description	Reg description	Regd no	<b>E02</b>
12200		12200-LFA7-E00	HEAD COMP CYLINDER	HEAD COMP CYLINDER	1	
12205		12205-KHE8-301	BOLT SEALING 12MM	BOLT SEALING 12MM	1	
12209		12209-LEA2-90A	SEAL VALVE STEM	SEAL VALVE STEM	4	
12251		12251-LFA7-E00	GASKET CYLINDER HEAD	GASKET CYLINDER HEAD	1	
12310		12310-LFA7-E00	COVER COMP HEAD	COVER COMP HEAD	1	
12391		12391-LFA7-E00	GASKET HEAD COVER	GASKET HEAD COVER	1	
13406		13406-LGE7-E00	STAY FUEL HOSE	STAY FUEL HOSE	1	
14100		14100-LFA7-E00	SHAFT COMP CAM	SHAFT COMP CAM	1	
14110		14110-LEB1-900	FIXTURE CAMSHAFT	FIXTURE CAMSHAFT	1	
14321		14321-LEB1-900	SPROCKET CAM	SPROCKET CAM	1	
14420		14420-LEB1-900	ARM COMP EXH VALVE ROCKER	ARM COMP EXH VALVE ROCKER	1	
14430		14430-LEB1-900	ARM COMP IN VALVE ROCKER	ARM COMP IN VALVE ROCKER	1	
14433		14433-LEB1-900	ROLLER ASSY ROCKER ARM	ROLLER ASSY ROCKER ARM	1	
14434		14434-LEB1-900	PIN ROCKER ARM	PIN ROCKER ARM	1	
14452		14452-LFA7-E00	SHAFT ROCKER ARM	SHAFT ROCKER ARM	1	
14453		14453-LFA7-E00	PLATE STOPPER	PLATE STOPPER	1	
14711		14711-LFA7-E00	VALVE INLET	VALVE INLET	2	
14721		14721-LFA7-E00	VALVE EXHAUST	VALVE EXHAUST	2	
14751		14751-KHD6-900	SPG VALVE OUTER	SPG VALVE OUTER	4	
14771		14771-LEA2-900	RETAINER UPPER SPRING	RETAINER UPPER SPRING	4	

# Cylinder Head Cover Cylinder Head



Sales mark	Ref no	Part no	Description	Reg description	Regd no	<b>E02</b>
	14777	14777-LFA7-E00	SEAT VALVE SPG	SEAT VALVE SPRING	4	
	14781	14781-KKE5-E00	COTTER VALVE	COTTER VALVE	8	
	16201	16201-LFE2-900	GASKET CARB INSULATOR A	GASKET CARB INSULATOR A	1	
	16211	16211-LFE2-900	INSULATOR CARB	INSULATOR CARB	1	
	1711A	1711A-LFA7-E00	INLET PIPE ASSY	INLET PIPE ASSY	1	
	19300	19300-LFA7-E0A	THERMOSTAT ASSY.	THERMOSTAT ASSY.	1	
	19300	19300-LFA7-E0B	THERMOSTAT ASSY.	THERMOSTAT ASSY.	1	
	19315	19315-LFA7-E00	COVER THERMOSTAT	COVER THERMOSTAT	1	
	32101	32101-LEA7-E00	SUB HARNESS THERMO UNIT	SUB HARNESS THERMO UNIT	1	
	37720	37720-KGB5-900	EARTH TERMINAL THERMO	EARTH TERMINAL THERMO	1	
	37750	37750-PAC1-005	THERMO UNIT ASSY	THERMO UNIT ASSY	1	
	39300	39300-LEB2-800	FUEL INJECTOR	FUEL INJECTOR	1	
#	39301	39301-LEB2-910	HOLDER ASSY FUEL INJECTOR	HOLDER ASSY FUEL INJECTOR	1	
	39302	39302-KKE3-900	CLIP SPRING FUEL INJECTOR	CLIP SPRING FUEL INJECTOR	1	
	39303	39303-LEB2-900	SEAL HIGH TENSION FUEL INJECT	SEAL HIGH TENSION FUEL INJECT	1	
	39306	39306-LEB2-305	O-RING A INJECTOR /BLACK	O-RING A INJECTOR /BLACK	1	
	39307	39307-LEB2-305	O-RING B INJECTOR /GREEN	O-RING B INJECTOR /GREEN	1	
	39400	39400-LDF2-800	WATER TEMP SENSOR	WATER TEMP SENSOR	1	
	90001	90001-GFY6-901	SOCKET BOLT 6*10 (B)	SOCKET BOLT 6*10 (B)	1	
	9000B	9000B-KHD6-900	BOLT ASSY SPECIAL 6*41.5	BOLT ASSY SPECIAL 6*41.5	4	

Cylinder Head Cover Cylinder Head

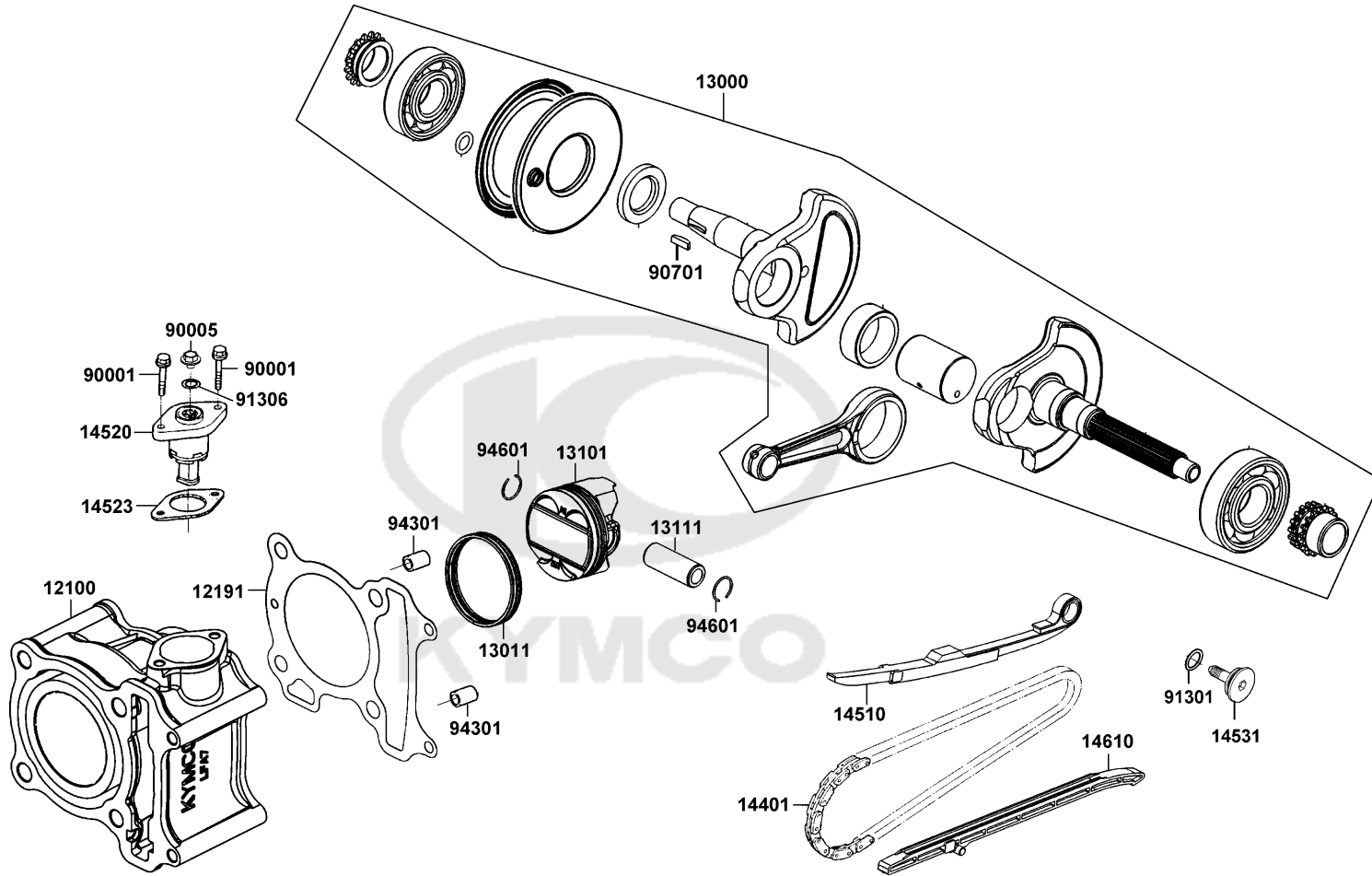


Sales mark	Ref no	Part no	Description	Reg description	Regd no	E02
	90012	90012-3C33-001	SCREW TAPPET ADJUSTING	SCREW TAPPET ADJUSTING	2	
	90033	90033-GFY6-900	BOLT STUD 8*32	BOLT STUD 8*32	2	
	90206	90206-0A01-001	NUT TAPPET ADJG	NUT TAPPET ADJG	2	
	90465	90465-MDC4-001	WASHER 8MM	WASHER 8MM	4	
	90478	90478-7L00-001	WASHER A 6MM	WASHER A 6MM	1	
	90652	90652-LGJ9-900	BAND 48. INLET-PIPE	BAND 48 INLET-PIPE	1	
	91301	91301-LEB1-900	O-RING 30*2	O-RING 30*2	1	
#	92000	92000-05016-0G	BOLT HEX 5X16	BOLT HEX 5X16	1	
#	92101	92101-06014-0G	BOLT HEX 6*14	BOLT HEX 6*14	1	
	92900	92900-06060-0B	BOLT STUD 6*60	BOLT STUD 6*60	2	
	94050	94050-06080	NUT FLANGE 6MM	NUT FLANGE 6MM	2	
	94050A	94050-08080	NUT FLANGE 8MM	NUT FLANGE 8MM	4	
	94111	94111-06800	WASHER SPRING 6MM	WASHER SPRING 6MM	1	
	94301	94301-10160	DOWEL PIN 10*16	DOWEL PIN 10*16	2	
	94591	94591-KFBF-900	CLIP 2*70	CLIP 2*70	1	
	96001	96001-06010-00	BOLT FLANGE SH 6X10	BOLT FLANGE SH 6X10	1	
#	96001A	96001-06014-06	BOLT FLANGE SH 6X14	BOLT FLANGE SH 6X14	1	
#	96001B	96001-06100-06	BOLT FLANGE SH 6*100	BOLT FLANGE SH 6*100	1	
	96001C	96001-LAB4-900	BOLT SPECIAL M5X16	BOLT SPECIAL M5X16	1	
	98059	98059-57916-00	SPARK PLUG (CR7E)	SPARK PLUG (CR7E)	1	



E03

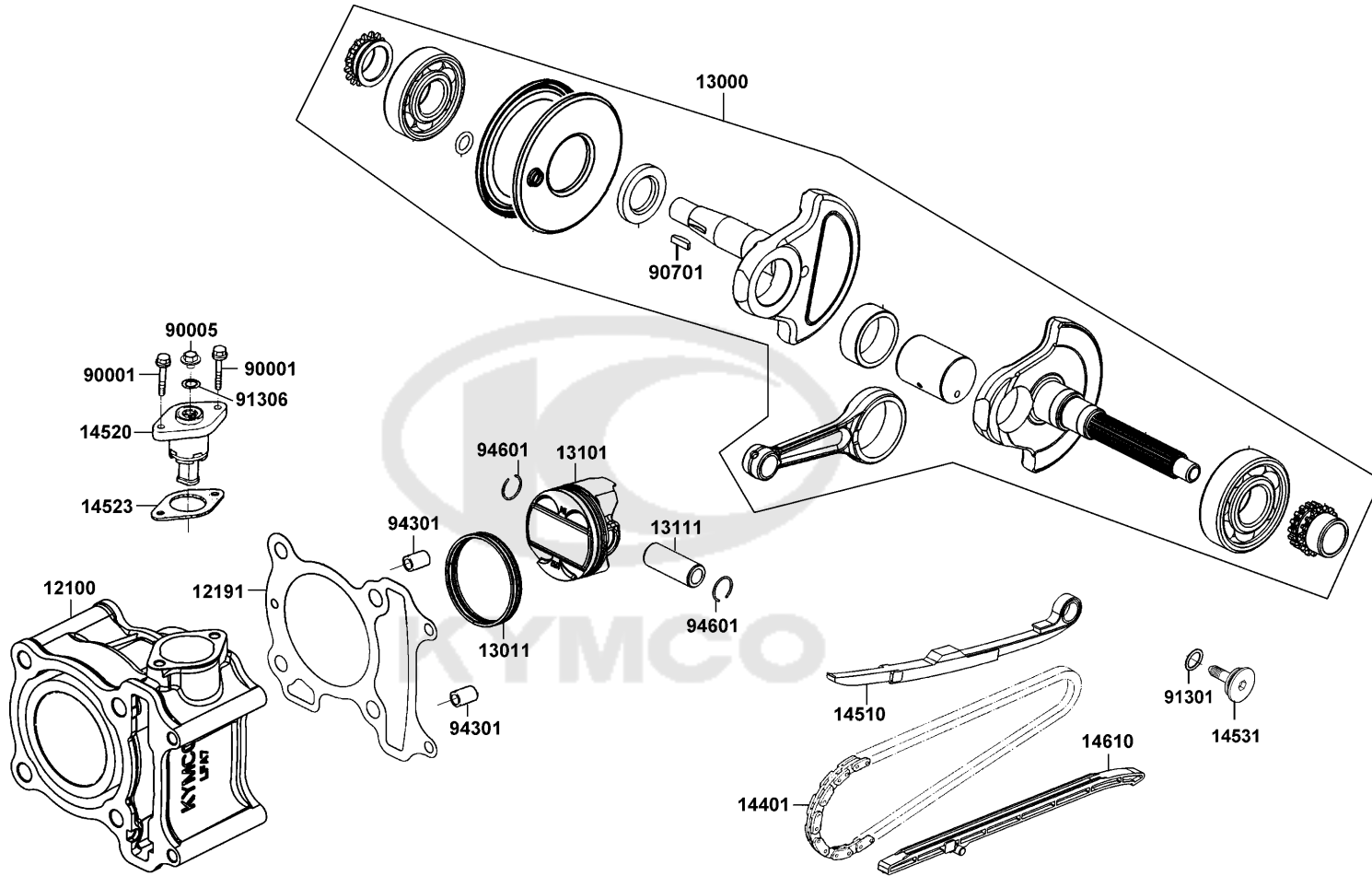
# Cylinder Piston Crankshaft



Sales mark	Ref no	Part no	Description	Reg description	Regd no	E03
	12100	12100-LFA7-E00	CYLINDE COMP (A)	CYLINDE COMP (A)	1	
	12191	12191-LFA7-E00	GASKET CYLINDER	GASKET CYLINDER	1	
	13000	13000-LFA7-E00	CRANK SHAFT COMP	CRANK SHAFT COMP	1	
	13011	13011-LEB1-90A	RING ASSY PISTON	RING ASSY PISTON	1	
	13011	13011-LEB1-90B	RING SET PISTON	RING SET PISTON	1	
	13101	13101-LFA7-E00	PISTON	PISTON	1	
	13111	13111-LFA7-E00	PIN PISTON	PIN PISTON	1	
	14401	14401-LFA7-E00	CHAIN CAM	CHAINCAM	1	
	14510	14510-LEB1-900	TENSIONER CAM CHAIN	TENSIONER CAM CHAIN	1	
#	14510	14510-LEB1-90B	TENSIONER CAM CHAIN	TENSIONER CAM CHAIN	1	
	14520	14520-LFA7-E00	LIFTER ASSY TENSIONER	LIFTER ASSY TENSIONER	1	
#	14523	14523-KED9-920	GASKET TENSIONER LIFTER @A	GASKET TENSIONER LIFTER @A	1	
	14531	14531-GLR0-001	PIVOT CAM CHAIN TENSIONER	PIVOT CAM CHAIN TENSIONER	1	
	14610	14610-LEB1-900	GUIDE COMP CAM CHAIN	GUIDE COMP CAM CHAIN	1	
#	14610	14610-LEB1-90B	GUIDE CAM CHAIN	GUIDE CAM CHAIN	1	
	90001	90001-GBHB-661	BOLT FLANGE SH 6*22	BOLT FLANGE SH 6*22	2	
#	90005	90005-KED9-900	BOLT SPECIAL 6*6	BOLT SPECIAL 6*6	1	
	90701	90701-HFB6-011	KEY WOODRUFF 25*14*4	KEY WOODRUFF 25*14*4	1	
	91301	91301-GLR0-005	O-RING 15.2*1.5	O-RING 15.2*1.5	1	
	91306	91306-1E05-691	O-RING 1.5*9.5	O-RING 1.5*9.5	1	

E03

# Cylinder Piston Crankshaft



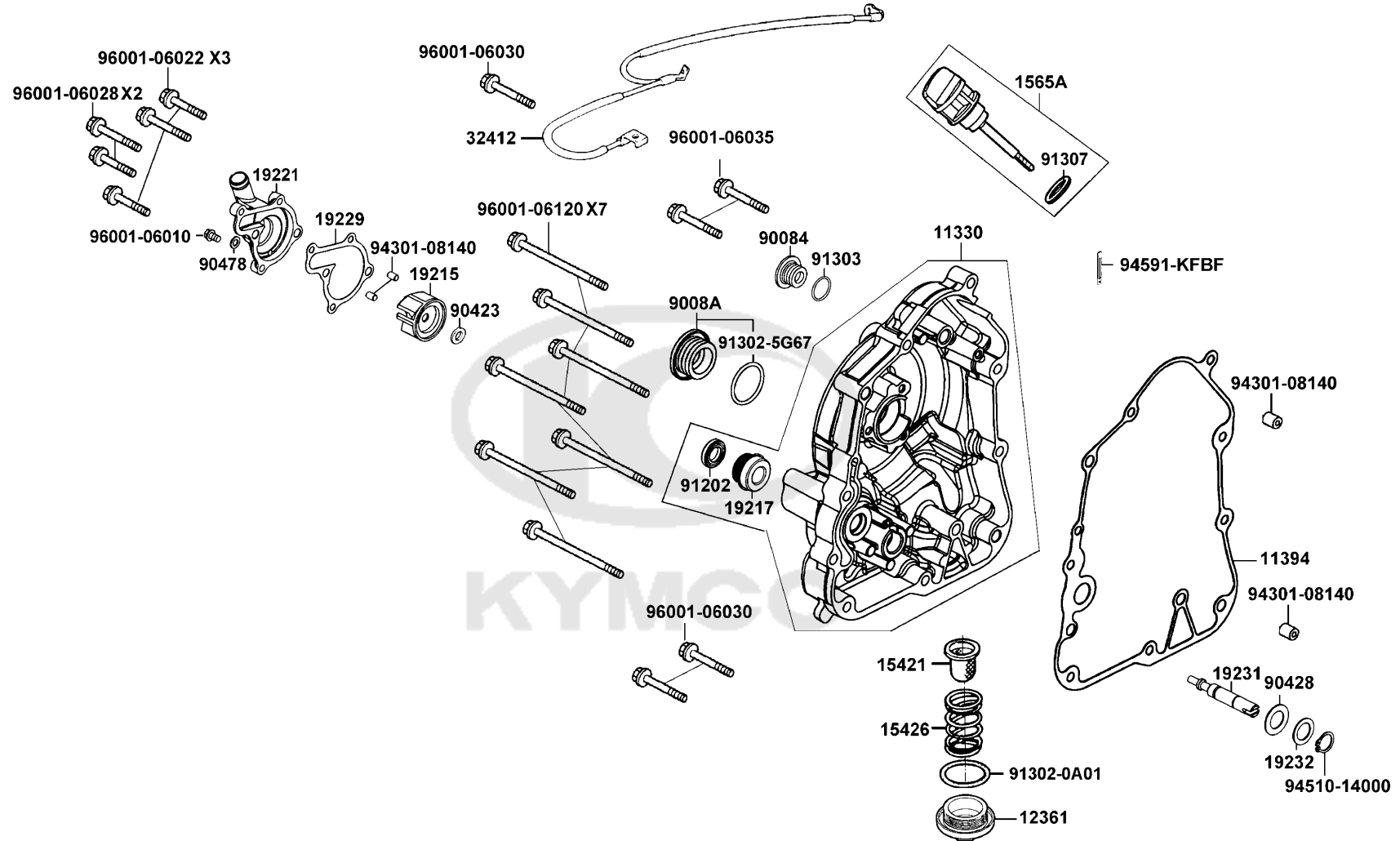
Sales mark	Ref no	Part no	Description	Reg description	Regd no	<b>E03</b>
------------	--------	---------	-------------	-----------------	---------	------------

94301		94301-10160	DOWEL PIN 10*16	DOWEL PIN 10*16	2	
94601		94601-14000	CLIP PISTON PIN 12MM	CLIP PISTON PIN 12MM	2	



E04

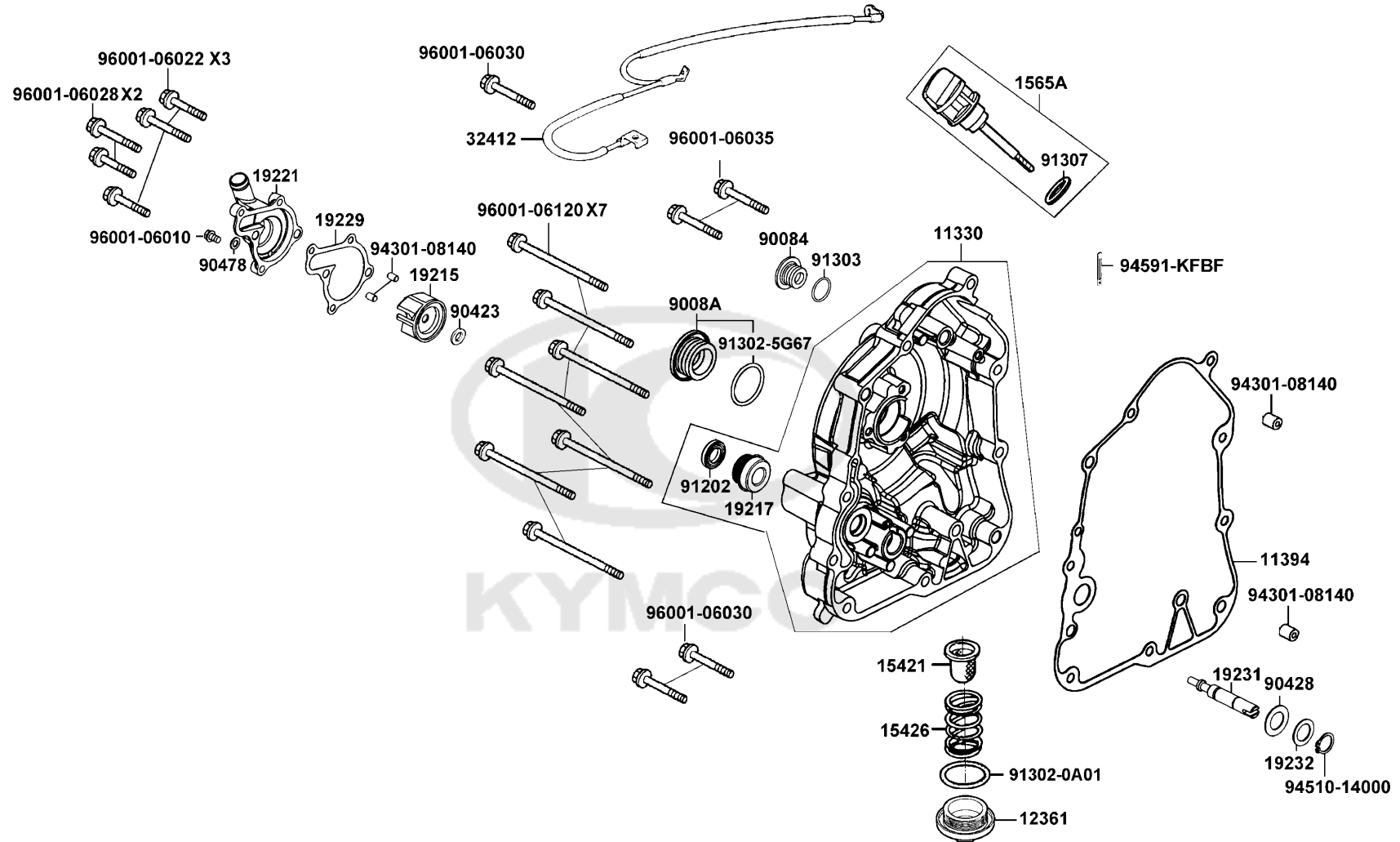
# Right Crankcase Cover



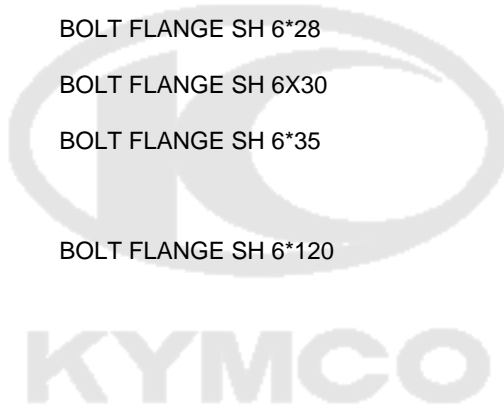
Sales mark	Ref no	Part no	Description	Reg description	Regd no	E04
**	11330	11330-LFA7-E00	COVER COMP R CRANK CASE	COVER COMP R CRANK CASE	1	
	11394	11394-LFA7-E00	GASKET R COVER@A	GASKETR. COVER A	1	
	12361	12361-GFY6-901	HOLE CAP TAPPET ADJUSTING	HOLE CAP TAPPET ADJUSTING	1	
	15421	15421-1G07-001	SCREEN OIL FILTER	SCREEN OIL FILTER	1	
	15426	15426-GAE1-921	SPG OIL FILTER SCREEN	SPG OIL FILTER SCREEN	1	
	1565A	1565A-KUDU-900	GAUGE OIL LEVEL ASSY	GAUGE OIL LEVEL ASSY	1	
	19215	19215-KHE7-900	IMPELLER WATER PUMP	IMPELLER WATER PUMP	1	
#	19217	19217-ZPA3-E00	SEAL MECHANICAL	SEAL MECHANICAL	1	
	19229	19229-LFA7-E00	GASKET WATER PUMP	GASKET WATER PUMP	1	
	19231	19231-LFA7-E00	SHAFT WATER PUMP	SHAFTWATER PUMP	1	
	19232	19232-LBA2-E00	WASHER 21*13.8*1.5	WASHER 21*13.8*1.5	1	
	32412	32412-LKG7-E00	CABLE. EARTH	CABLE. EARTH	1	
**	90084	90084-KKF9-901	CAP AC GENERATOR (Mat Black)	CAP AC GENERATOR (Mat Black)	1	
**	9008A	9008A-KBE2-900	CAP ASSY 30MM	CAP ASSY 30MM	1	
	90423	90423-KKJ9-001	WASHER 7.2*13*1.2	WASHER 7.2*13*1.2	1	
	90428	90428-9H58-001	WASHER THRUST 14MM B	WASHER THRUST 14MM B	1	
	90478	90478-7L00-001	WASHER A 6MM	WASHER A 6MM	1	
#	91202	91202-LKG2-900	OIL SEAL 13.7*24*5	OIL SEAL 13.7*24*5	1	
	91302-0A01	91302-0A01-021	O-RING 30.8M/M	O-RING 30.8M/M	1	
	91302-5G67	91302-5G67-004	O-RING 27.4*2.4	O-RING 27.4*2.4	1	

E04

# Right Crankcase Cover



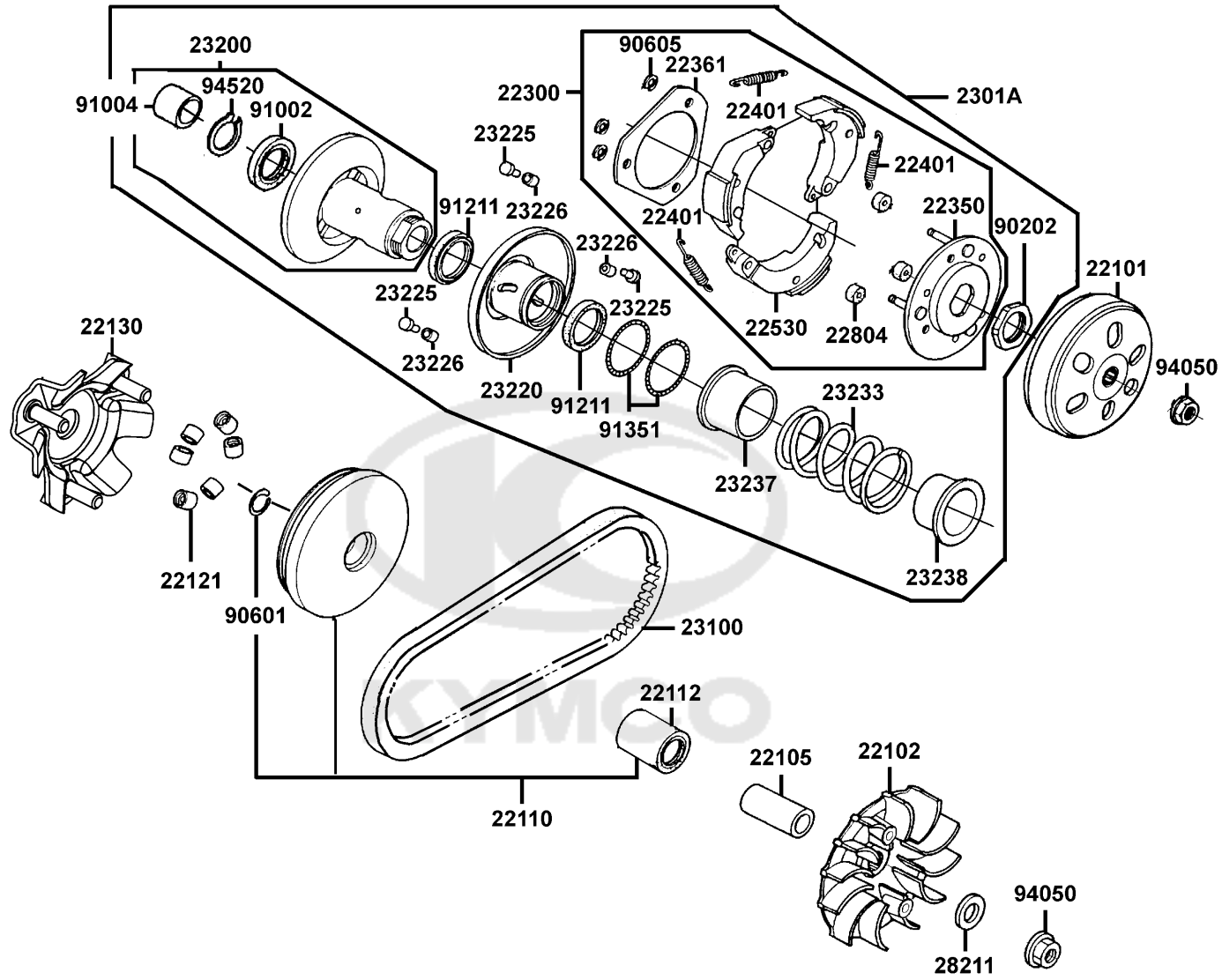
Sales mark	Ref no	Part no	Description	Reg description	Regd no	<b>E04</b>
	91303	91303-3G77-001	O-RING 13.8*2.5	O-RING 13.8*2.5	1	
	91307	91307-0E35-001	O RING 18*3	O RING 18*3	1	
	94301-08140	94301-08140	DOWEL PIN 8*14	DOWEL PIN 8*14	4	
	94510-14000	94510-14000	CIR CLIP EXTERNAL 14	CIR CLIP EXTERNAL 14	1	
	94591-KFBF	94591-KFBF-900	CLIP 2*70	CLIP 2*70	1	
	96001-06010	96001-06010-00	BOLT FLANGE SH 6X10	BOLT FLANGE SH 6X10	1	
	96001-06022	96001-06022-06	BOLT FLANGE SH 6*22 (G)	BOLT FLANGE SH 6*22 (G)	3	
#	96001-06028	96001-06028-06	BOLT FLANGE SH 6*28	BOLT FLANGE SH 6*28	2	
	96001-06030	96001-06030-06	BOLT FLANGE SH 6X30	BOLT FLANGE SH 6X30	2	
	96001-06035	96001-06035-06	BOLT FLANGE SH 6*35	BOLT FLANGE SH 6*35	2	
	96001-06120	96001-06120-06	BOLT FLANGE SH 6*120	BOLT FLANGE SH 6*120	7	





E05

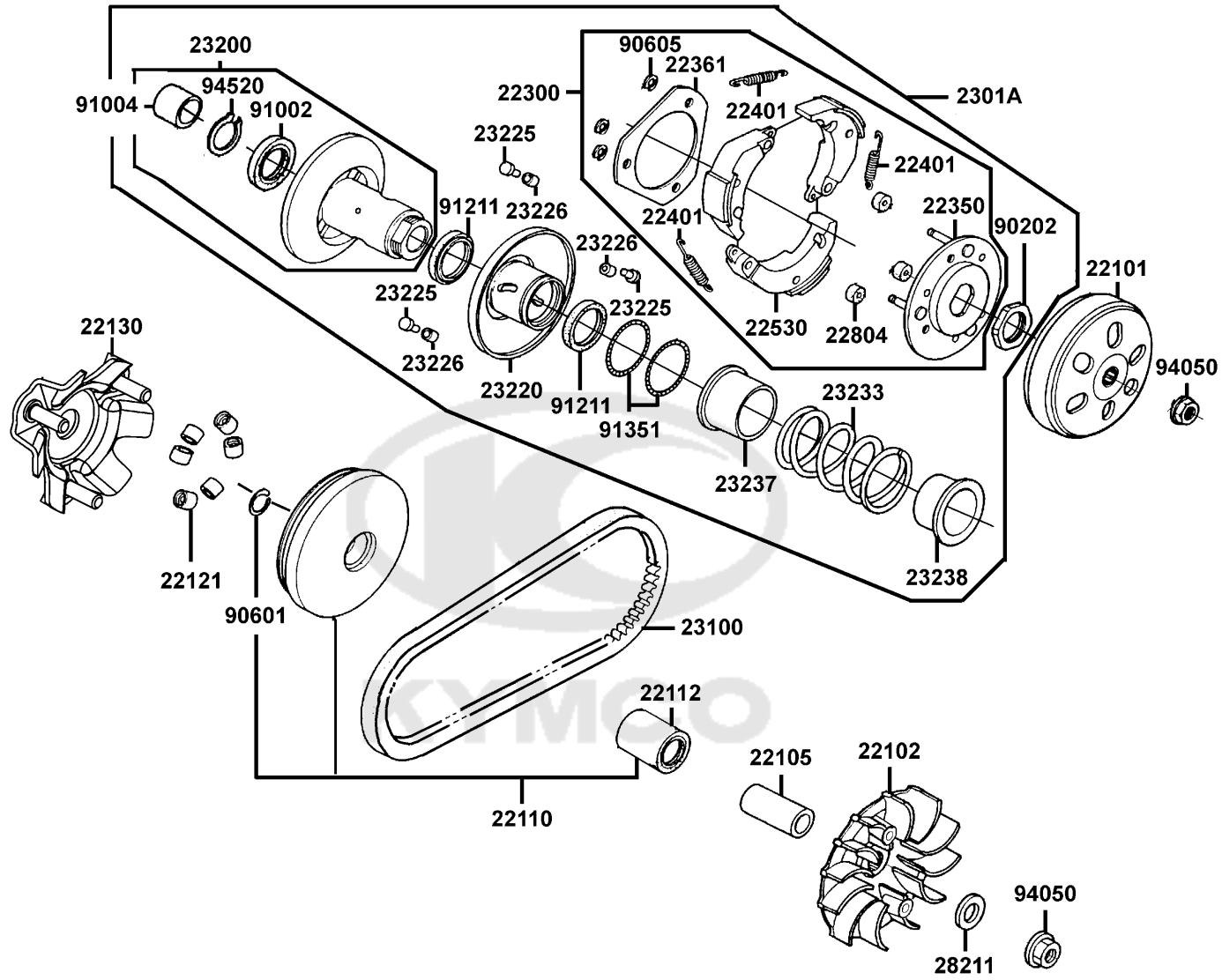
# Pulley



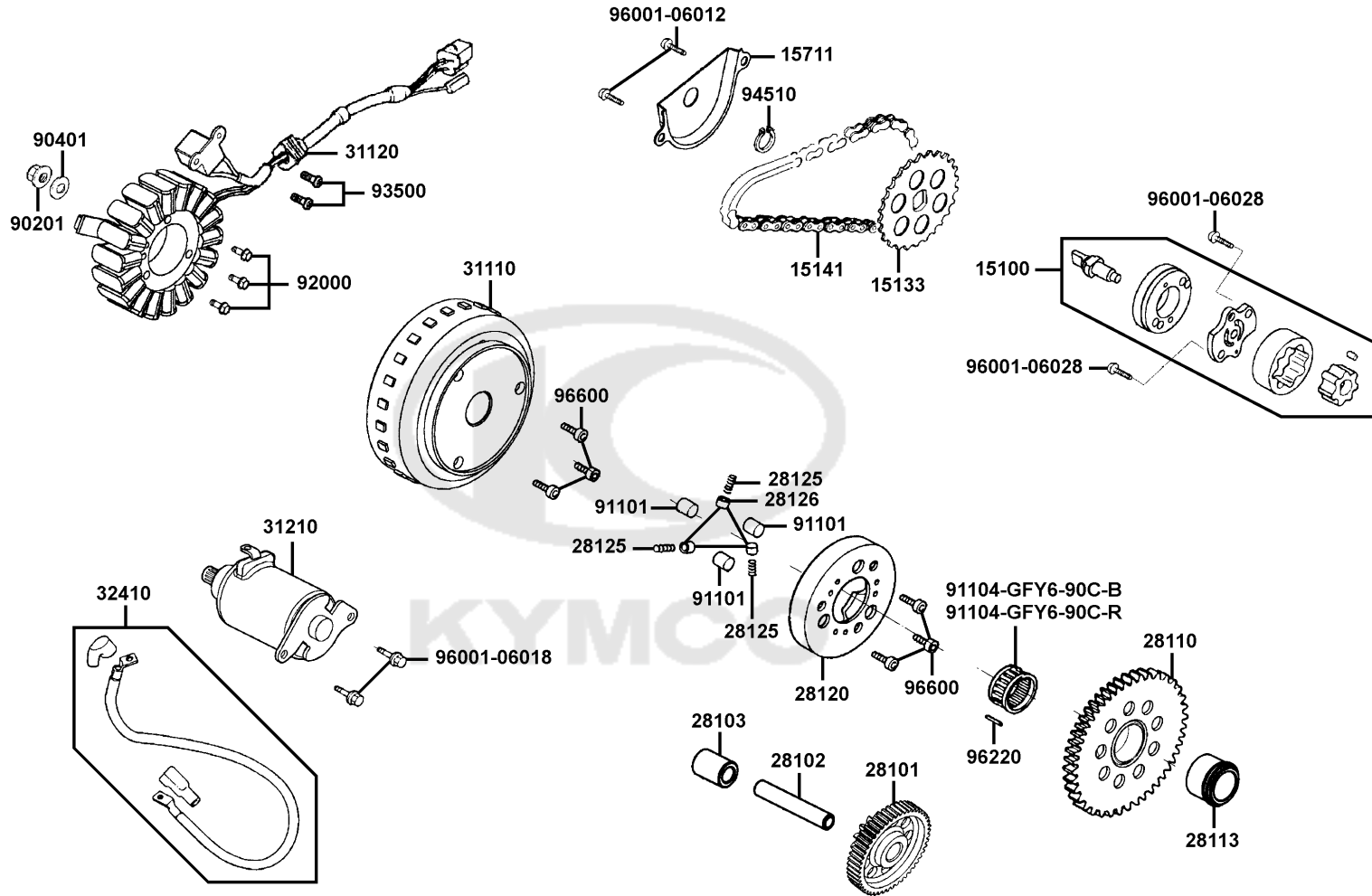
Sales mark	Ref no	Part no	Description	Reg description	Regd no	E05
	22101	22101-GFY6-941	OUTER CLUTCH	OUTER CLUTCH	1	
	22102	22102-LEB1-900	FACE DRIVE	FACE DRIVE	1	
	22105	22105-LFB5-900	BOSS.DRIVE FACE	BOSS.DRIVE FACE	1	
	22110	22110-LEB1-800	FACE COMP MOVABLE DRIVE	FACE COMP MOVABLE DRIVE	1	
	22112	22112-GFY6-90A	BUSH 24*28*30	BUSH 24*28*30	1	
#	22121	22121-GFY6-325	ROLLER SET WEIGHT (1SET:6PCS)	ROLLER SET WEIGHT (1SET:6PCS)	1	
	22130	22130-LEB1-800	PLATE RAMP	PLATE RAMP	1	
	22300	22300-LHJ3-900	PLATE ASSY DRIVE	PLATE ASSY DRIVE	1	
	22350	22350-LHJ3-900	PLATE COMP DRIVE	PLATE COMP DRIVE	1	
	22361	22361-LHJ3-900	PLATE CLUTCH SIDE	PLATE CLUTCH SIDE	1	
	22401	22401-LHJ3-900	SPRING CLUTCH	SPRING CLUTCH	3	
	22530	22530-LHJ3-900	WEIGHT CLUTCH	WEIGHT CLUTCH	3	
	22804	22804-GBB2-001	RUBBER CLUTCH DAMPER	RUBBER CLUTCH DAMPER	3	
	2301A	2301A-LFA7-E01	PULLEY SUB ASSY	PULLEY SUB ASSY	1	
	23100	23100-LFA7-E0A	BELET DRIVE	BELET DRIVE	1	
	23200	23200-LFE2-900	FACE ASSY DRIVEN(2007.04.04~)	FACE ASSY DRIVEN(2007.04.04~)	1	
	23220	23220-GFY6-921	FACE COMP MOVABLE DRIVEN	FACE COMP MOVABLE DRIVEN	1	
	23225	23225-GHC8-004	PIN ROLLER GUIDE	PIN ROLLER GUIDE	3	
	23226	23226-GHC8-004	ROLLER GUIDE	ROLLER GUIDE	3	
	23233	23233-LFA7-E00	SPG DRIVEN FACE	SPG DRIVEN FACE	1	

E05

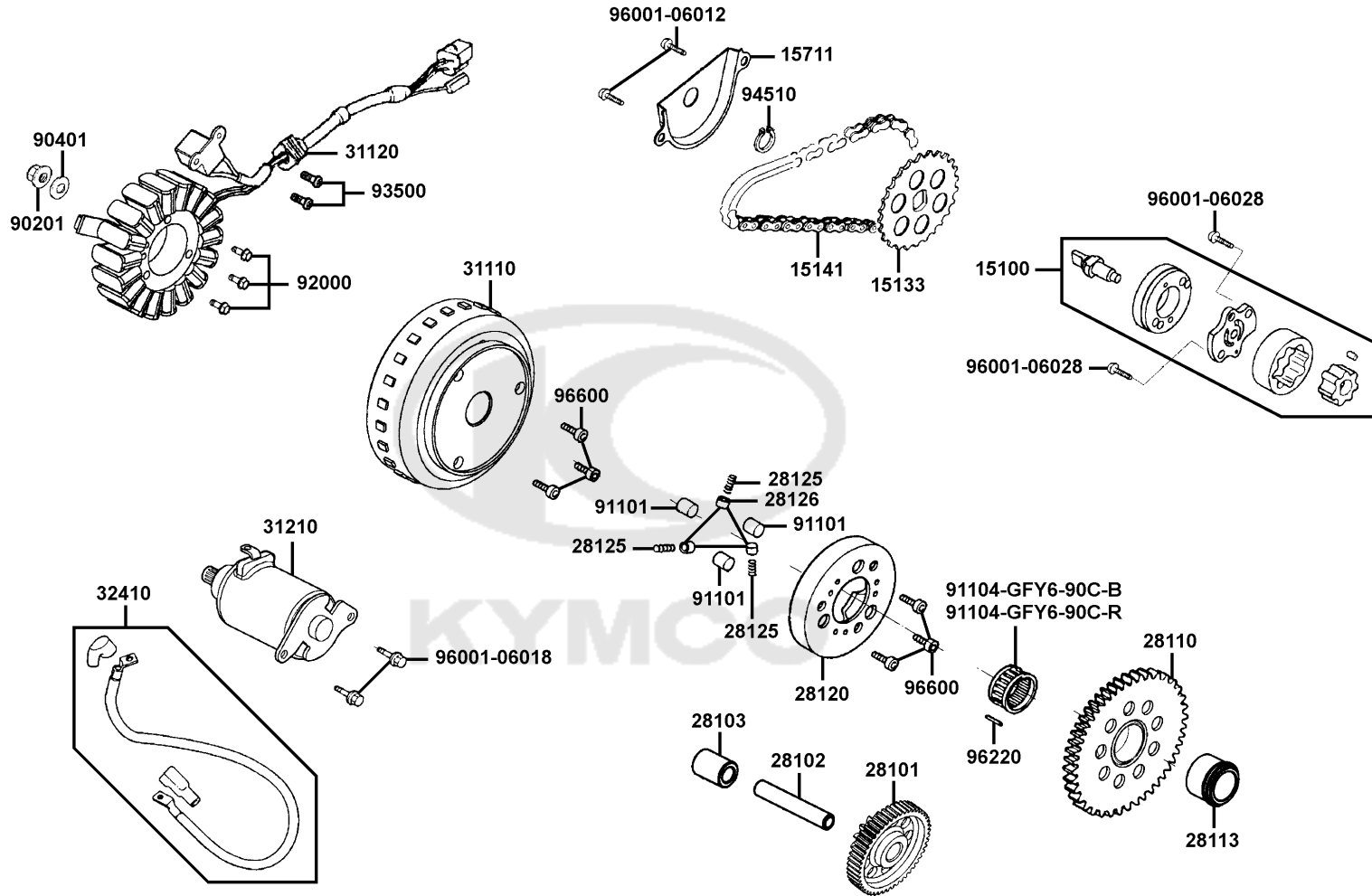
# Pulley



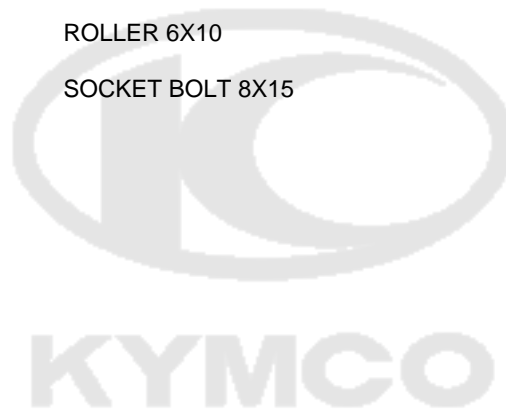
Sales mark	Ref no	Part no	Description	Reg description	Regd no	<b>E05</b>
23237		23237-GFY6-941	COLLAR SEAL	COLLAR SEAL	1	
23238		23238-LEB1-910	COLLAR SPRING	COLLAR.SPRING	1	
28211		28211-LFA7-E00	WASHER 16.6*24*5	WASHER 16.6*24*5	1	
90202		90202-1G87-001	NUT SPECIAL 28MM	NUT SPECIAL 28MM	1	
90601		90601-GFY6-901	CLIP 28MM	CLIP 28MM	1	
90605		90605-1F66-721	CIR CLIP 7MM	CIR CLIP 7MM	3	
91002		91002-GGA7-70A	BRG BALL RADIAL 6902U	BRG BALL RADIAL 6902U	1	
91004		91004-KHE7-900	BRG NDL 22*29*18	BRG NDL 22*29*18	1	
91211		91211-KEBE-900	SEAL DRIVEN FACE 34*41*4	SEAL DRIVEN FACE 34*41*4	2	
91351		91351-6B42-000	O-RING PINION CAP	O-RING PINION CAP	2	
94050		94050-12080	NUT FLANGE 12MM	NUT FLANGE 12MM	2	
94520		94520-28000	CIR CLIP IN 28	CIR CLIP IN 28	1	



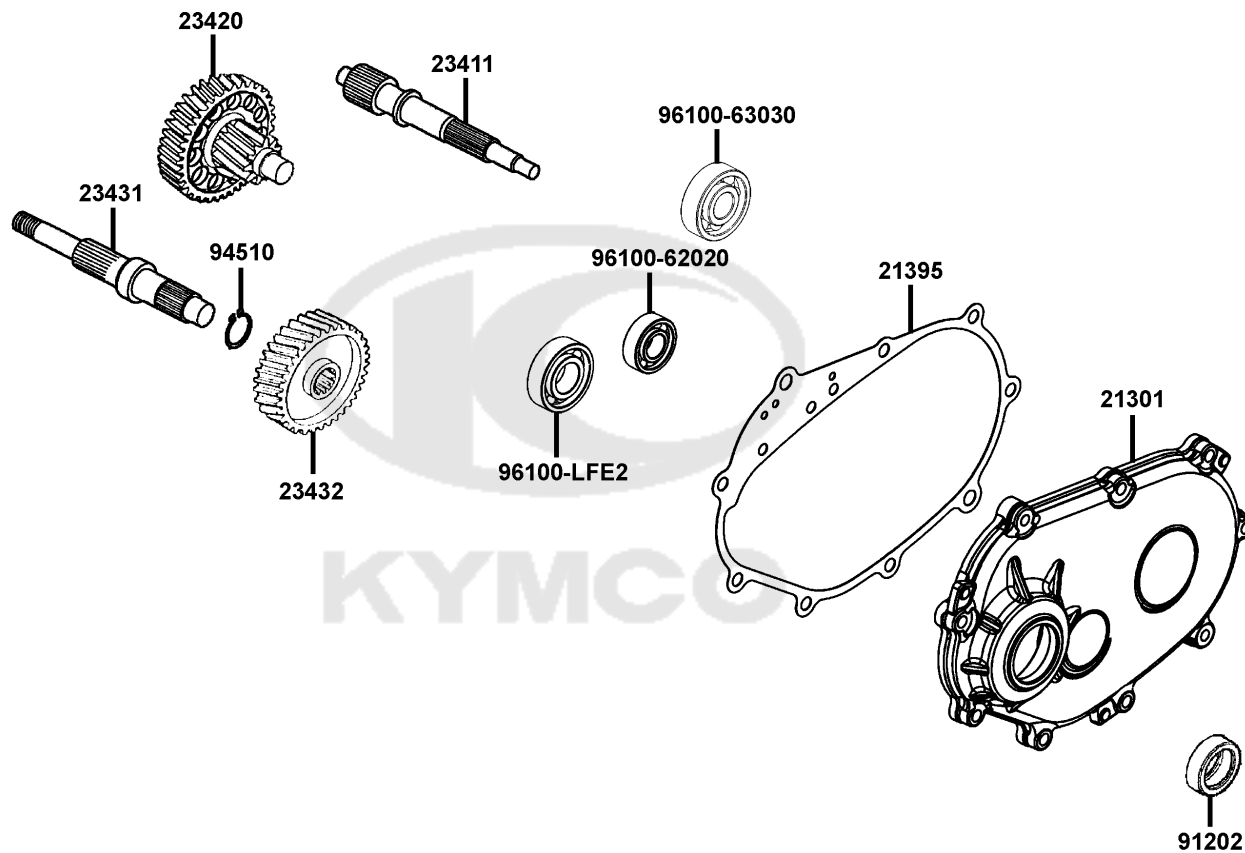
Sales mark	Ref no	Part no	Description	Reg description	Regd no	E06
	15100	15100-KEBE-900	PUMP ASSY OIL	PUMP ASSY OIL	1	
	15133	15133-KAM1-001	SPROCKET OIL PUMP DRIVE	SPROCKET OIL PUMP DRIVE	1	
	15141	15141-KKJ9-004	CHAIN OIL PUMP	CHAIN OIL PUMP	1	
	15711	15711-LFA7-E00	SEPARATER OIL	SEPARATER OIL	1	
	28101	28101-KKJ9-011	GEAR STARTER REDUCTION	GEAR STARTER REDUCTION	1	
	28102	28102-LFA7-E00	SHAFT STARTER REDUCTION GEAR	SHAFT STARTER REDUCTION GEAR	1	
	28103	28103-LFA7-E00	COLLAR 9x15.5x21.1	COLLAR 9x15.5x21.1	1	
	28110	28110-LFA7-E00	GEAR COMP STARTING CLUTCH	GEAR COMP STARTING CLUTCH	1	
	28113	28113-LFA7-E00	BUSH STARTING GEAR	BUSH STARTING GEAR	1	
	28120	28120-KEBE-305	OUTER COMP STARTING CLUTCH	OUTER COMP STARTING CLUTCH	1	
	28125	28125-4F26-001	SPRING ROLLER STARTER CLUTCH	SPRING ROLLER STARTER CLUTCH	3	
	28126	28126-KUDU-900	CAP STARTING ROLLER SPRING	CAP STARTING ROLLER SPRING	3	
	31110	31110-LFA7-E0B	FLYWHEEL COMP (D402)	FLYWHEEL COMP (D402)	1	
	31120	31120-LFA7-E0B	STATOR COMP (D402)	STATOR COMP (D402)	1	
	31210	31210-LEB1-90A	MOTOR UNIT START	MOTOR UNIT START	1	
	32410	32410-LLB1-900	CABLE START MOTOR	CABLE START MOTOR	1	
	90201	90201-KHR8-75A	NUT FLANGE 14MM	NUT FLANGE 14MM	1	
	90401	90401-KKJ9-001	WASHER THRUST 14*28*2	WASHER THRUST 14*28*2	1	
	91101	91101-1K79-711	ROLLER 10*10	ROLLER 10*10	3	
	91104-GFY6-90C-B	91104-GFY6-90C-B	BRG NEEDLE/28*32*17/0.002~0.004	BRG NEEDLE/28*32*17/0.002~0.004	1	



Sales mark	Ref no	Part no	Description	Reg description	Regd no	<b>E06</b>
	91104-GFY6-90C-R	91104-GFY6-90C-R	BRG NEEDLE 28*32*17	BRG NEEDLE 28*32*17	1	
	92000	92000-LEA6-900	BOLT HEX 5*40	BOLT HEX 5*40	3	
#	93500	93500-05016-0F	SCREW PAN 5*16	SCREW PAN 5*16	1	
	94510	94510-10000	CIR CLIP EX 10MM	CIR CLIP EX 10MM	1	
#	96001-06012	96001-06012-06	BOLT FLANGE SH 6*12	BOLT FLANGE SH 6*12	1	
#	96001-06018	96001-06018-06	BOLT FLANGE SH 6X18	BOLT FLANGE SH 6*18	1	
#	96001-06028	96001-06028-06	BOLT FLANGE SH 6*28	BOLT FLANGE SH 6*28	1	
	96220	96220-60100	ROLLER 6X10	ROLLER 6X10	1	
#	96600	96600-08015-16	SOCKET BOLT 8X15	SOCKET BOLT 8*15	1	



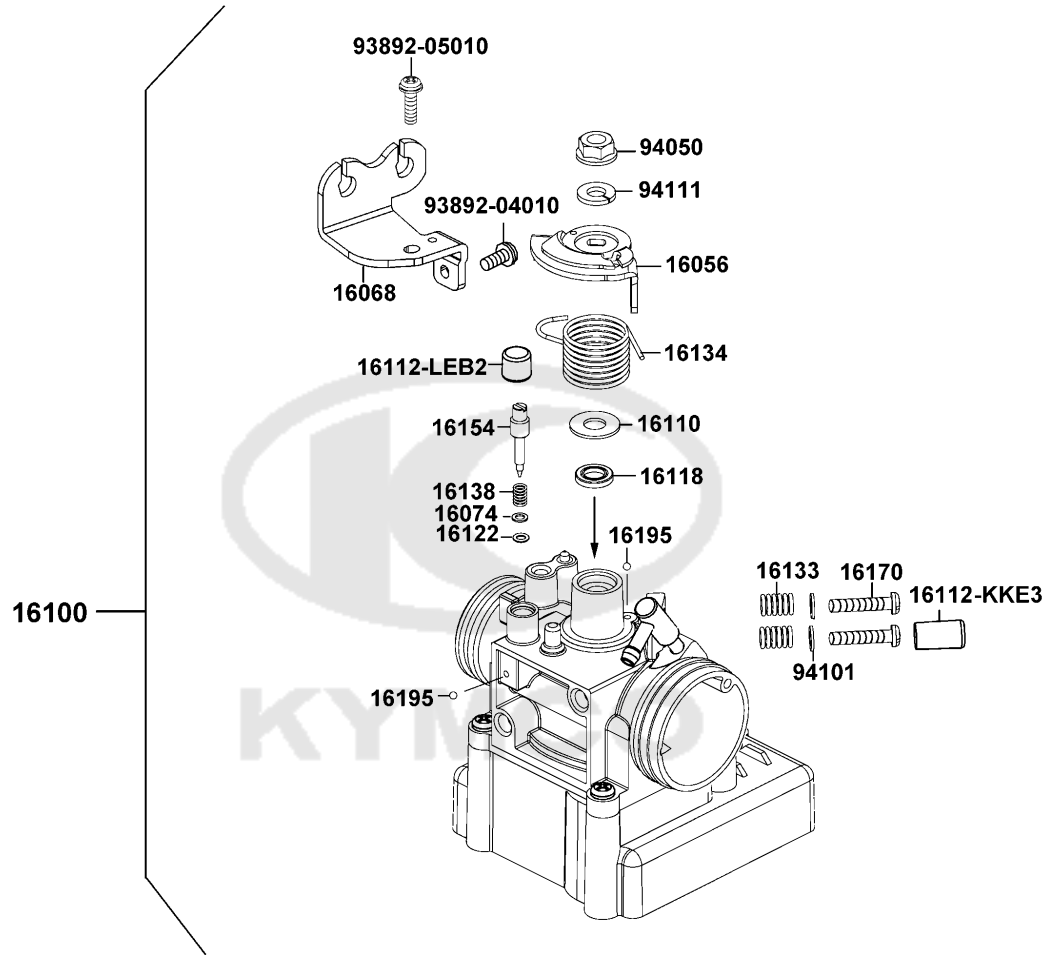




Sales mark	Ref no	Part no	Description	Reg description	Regd no	<b>E07</b>
21301		21301-LFA7-E00	COVER MISSION	COVER MISSION	1	
21395		21395-LFA7-E00	GASKET MISSION COVER	GASKET MISSION COVER	1	
23411		23411-LFA7-E01	SHAFT DRIVE	SHAFT DRIVE	1	
23420		23420-LFA7-E00	SHAFT COMP.COUNTER	SHAFT COMP.COUNTER	1	
23431		23431-LFA7-E00	SHAFT FINAL	SHAFT FINAL	1	
23432		23432-LFA7-E00	GEAR.FINAL	GEAR.FINAL	1	
91202		91202-LFE2-90A	OIL SEAL 22*32*5	OIL SEAL 22*32*5	2	
94510		94510-25000	CIR CLIP EXTERNAL 25	CIR CLIP EXTERNAL 25	1	
96100-62020		96100-62020-00	BEARING BALL RADIAL 6202	BEARING BALL RADIAL 6202	1	
96100-63030		96100-63030-00	BEARING BALL RADIAL 6303	BEARING BALL RADIAL 6303	1	
96100-LFE2		96100-LFE2-900	BRG BALL RADIAL TMB2/22CC4	BRG BALL RADIAL TMB2/22CC4	1	

E08

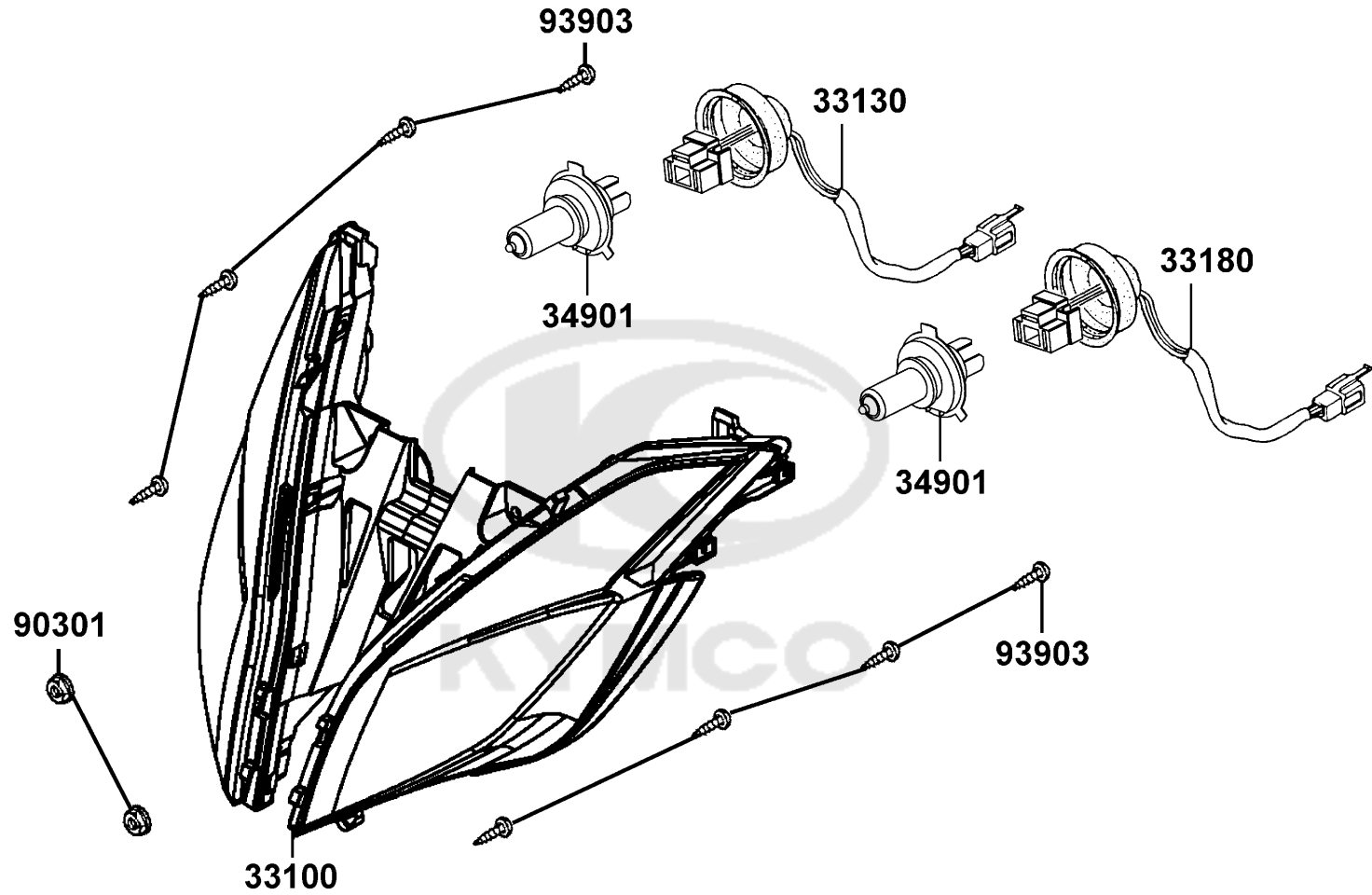
# Throttle Body Assy



Sales mark	Ref no	Part no	Description	Reg description	Regd no	<b>E08</b>
	16056	16056-LFA7-E00	LEVER ASSY THROTTLE	LEVER ASSY THROTTLE	1	
#	16068	16068-LFA7-E01	PLATE WIRE FIXED	PLATE WIRE FIXED	1	
	16074	16074-KEC3-900	WASHER IDLE SCREW	WASHER IDLE SCREW	1	
	16100	16100-LKG5-E00	THROTTLE BODY ASSY	THROTTLE BODY ASSY	1	
	16110	16110-LFA7-E00	WASHER THROTTLE BODY	WASHER THROTTLE BODY	1	
	16112-KKE3	16112-KKE3-900	COVER IDLE SCREW	COVER IDLE SCREW	1	
	16112-LEB2	16112-LEB2-900	COVER IDLE BYPASS	COVER IDLE BYPASS	1	
	16118	16118-KEC3-900	SEAL THROTTLE SHAFT	SEAL THROTTLE SHAFT	1	
	16122	16122-KEC3-900	O-RING IDLE SCREW	O-RING IDLE SCREW	1	
	16133	16133-KEC3-900	SPG THROTTLE ADJ SCREW	SPG THROTTLE ADJ SCREW	2	
	16134	16134-LFA7-E00	SPG THROTTLE SHAFT	SPG THROTTLE SHAFT	1	
	16138	16138-KEC3-900	SPG IDLE SCREW	SPG IDLE SCREW	1	
	16154	16154-KKE3-900	SCREW IDLE ADJUST	SCREW IDLE ADJUST	1	
	16170	16170-KEC3-900	SCREW THROTTLE ADJUST	SCREW THROTTLE ADJUST	2	
	16195	16195-KEC3-900	BALL 2.1	BALL 2.1	3	
#	93892-04010	93892-04010-06	SCREW WASHER 4X10	SCREW WASHER 4X10	1	
#	93892-05010	93892-05010-06	SCREW WASHER 5X10	SCREW WASHER 5X10	1	
	94050	94050-06080	NUT FLANGE 6MM	NUT FLANGE 6MM	1	
	94101	94101-KKE3-900	WASHER PLAIN 4MM	WASHER PLAIN 4MM	2	
	94111	94111-06800	WASHER SPRING 6MM	WASHER SPRING 6MM	1	

F01

Head Light

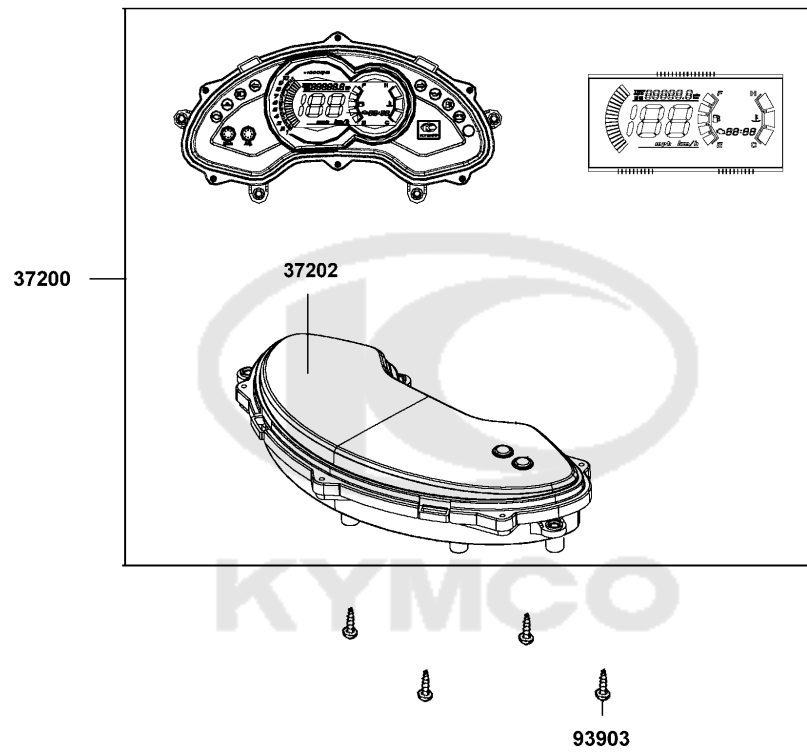


Sales mark	Ref no	Part no	Description	Reg description	Regd no	<b>F01</b>
#	33100	33100-LKG7-315	LIGHT SET HEAD	LIGHT SET HEAD	1	
	33130	33130-LKG7-E00	SOCKET COMP R RUBBER	SOCKET COMP R RUBBER	1	
	33180	33180-LKG7-E00	SOCKET COMP L RUBBER	SOCKET COMP L RUBBER	1	
	34901	34901-LEC8-E00	BULB HEAD LIGHT (12V 55W)	BULB HEAD LIGHT (12V 55W)	1	
	90301	90301-6D34-671	NUT FLANGE 6MM	NUT FLANGE 6MM	2	
	93903	93903-35260	SCREW TAPPING 5*12	SCREW TAPPING 5*12	8	



F02

# Speedometer



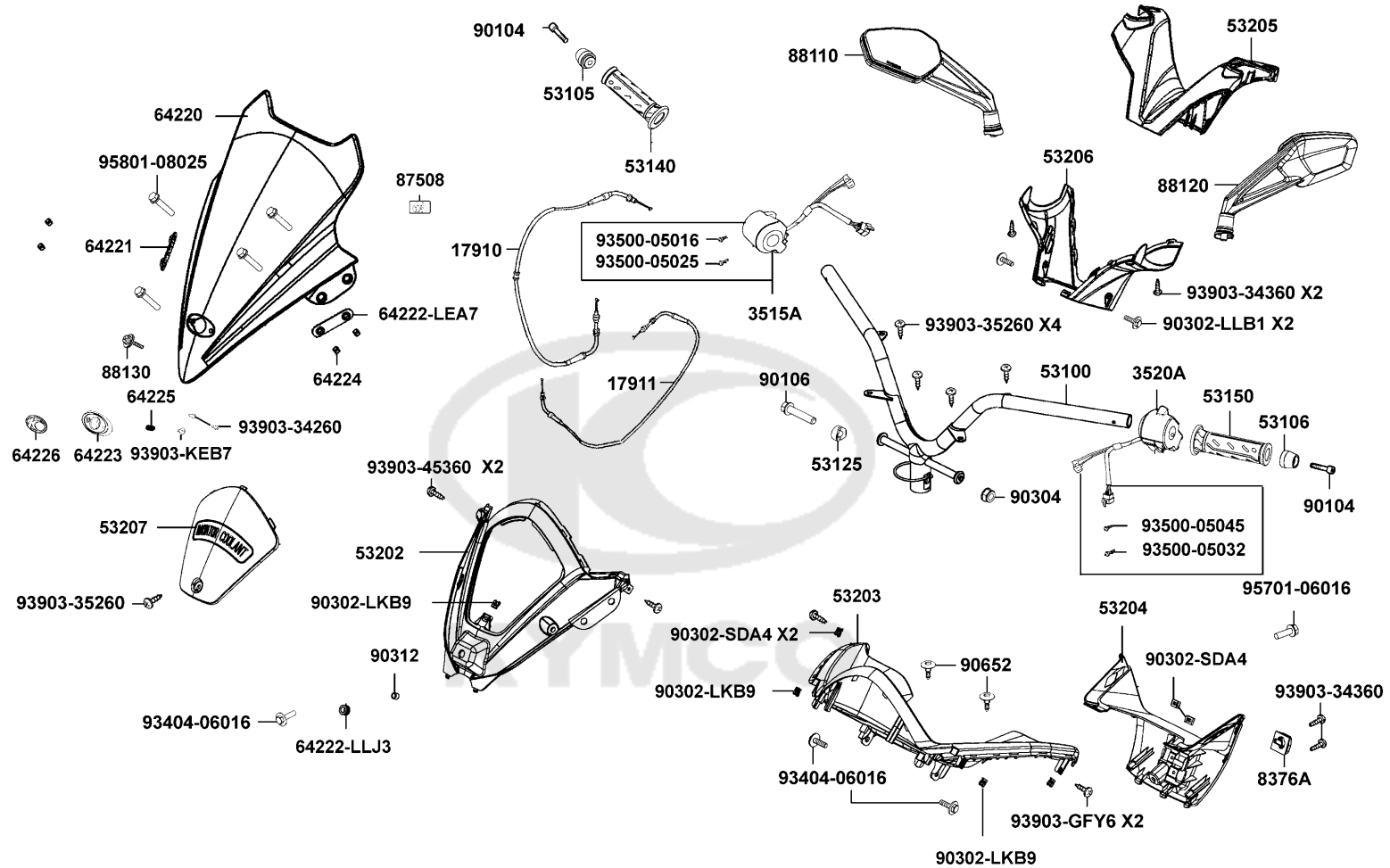
Sales mark	Ref no	Part no	Description	Reg description	Regd no	<b>F02</b>
------------	--------	---------	-------------	-----------------	---------	------------

	37200	37200-LKG5-E00	METER ASSY SPEED	METER ASSY SPEED	1	
	37202	37202-LKG7-E00	LENS ASSY	LENS ASSY	1	
#	93903	93903-35360	SCREW TAPPING 5*16	SCREW TAPPING 5*16	1	





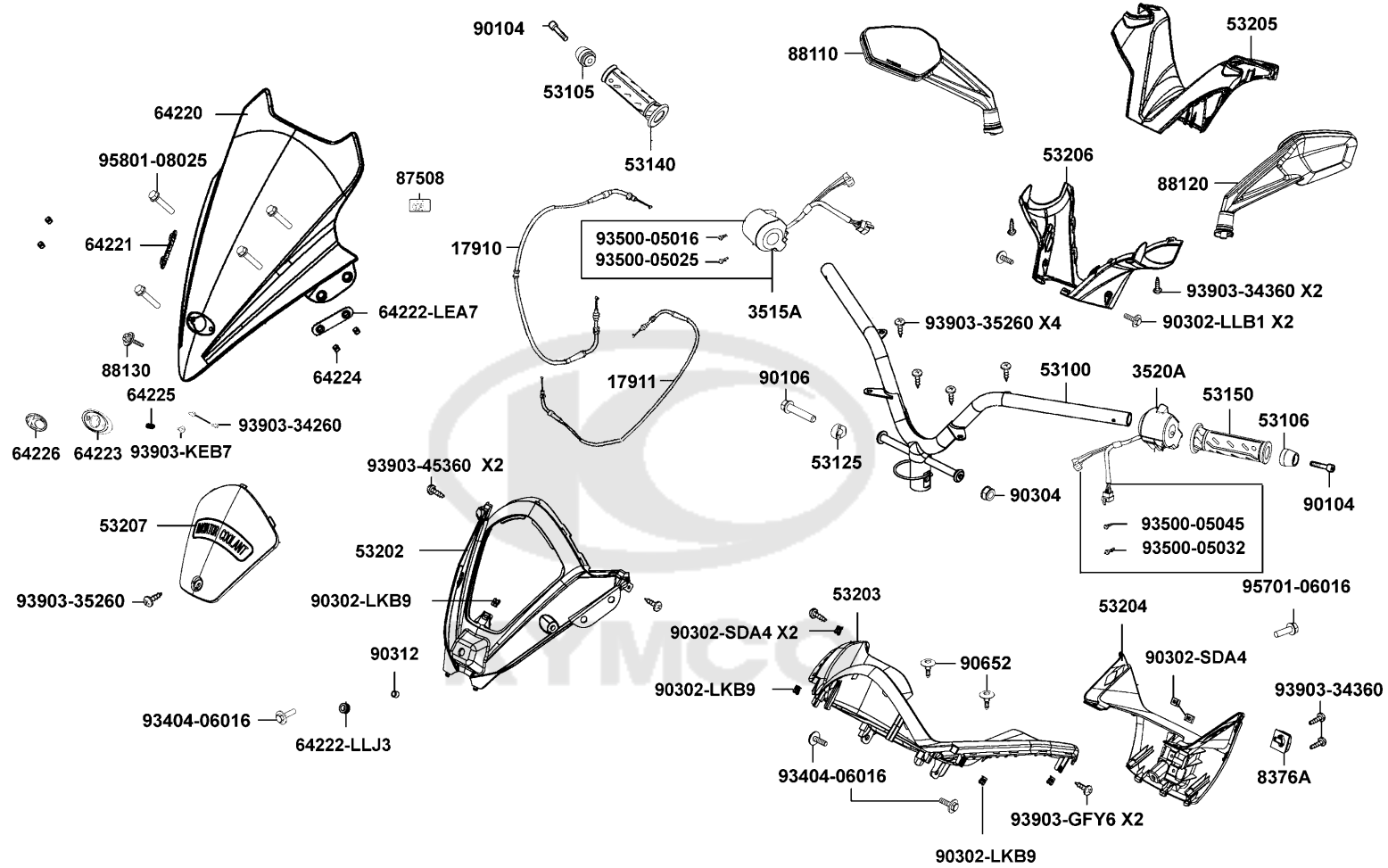
Handle SteeringHandle Cover



Sales mark	Ref no	Part no	Description	Reg description	Regd no	F03
	17910	17910-LKG5-E00	CABLE A THROT	CABLE A THROT	1	
	17911	17911-LKG5-E00	CABLE BTHROT	CABLE B THROT	1	
#	3515A	3515A-LDB2-B80	SW ASSY RH HNDL COM(A.H.C.)	SW ASSY RH HNDL COM(A.H.C.)	1	
	3515A	3515A-LKG7-E00	SW ASSY RH HANDLE COMP	SW ASSY RH HANDLE COMP	1	
	3520A	3520A-KEBE-900	SW ASSY L HNDL COMP	SW ASSY L HNDL COMP	1	
	53100	53100-LKG7-E00	HANDLE COMP STRG	HANDLE COMP STRG	1	
**	53105	53105-LEA7-E00	END R HANDLE	END R HANDLE	1	
	53125	53125-LEA7-E00	COLLAR HANDLE SET	COLLAR	1	
**	53202	53202-LKG7-E00	COVER METER FR (Black)	COVER METER FR (Black)	1	
**	53203	53203-LKG7-E00	COVER METER RR (Black)	COVER METER RR (Black)	1	
**	53204	53204-LKG7-E00	TUNNEL LEG SHIELD (Black)	TUNNEL LEG SHIELD (Black)	1	
**	53205	53205-LEA7-E00	COVER HANDLE UP	COVER HANDLE UP	1	
**	53206	53206-LEA7-E00	COVER HANDLE LOW	COVER HANDLE LOW	1	
**	53207	53207-LKG7-E00	COVER RADIATOR MAINT (Black)	COVER RADIATOR MAINT (Black)	1	
**	64220	64220-LKG7-E00	WIND SCREEW	WIND SCREEW	1	
	64221	64221-LEA7-E00	RUBBER R WIND SCREEN	RUBBER R WIND SCREEN	1	
	64222-LEA7	64222-LEA7-E00	RUBBER L WIND SCREEN	RUBBER L WIND SCREEN	1	
	64222-LLJ3	64222-LLJ3-E00	RUBBER WIND SCREEN	RUBBER WIND SCREEN	1	
**	64223	64223-LEA7-E00	PLUG WIND SCREEN	PLUG WIND SCREEN	1	
	64224	64224-LEA7-E00	COLLAR WIND SCREEN	COLLAR WIND SCREEN	4	

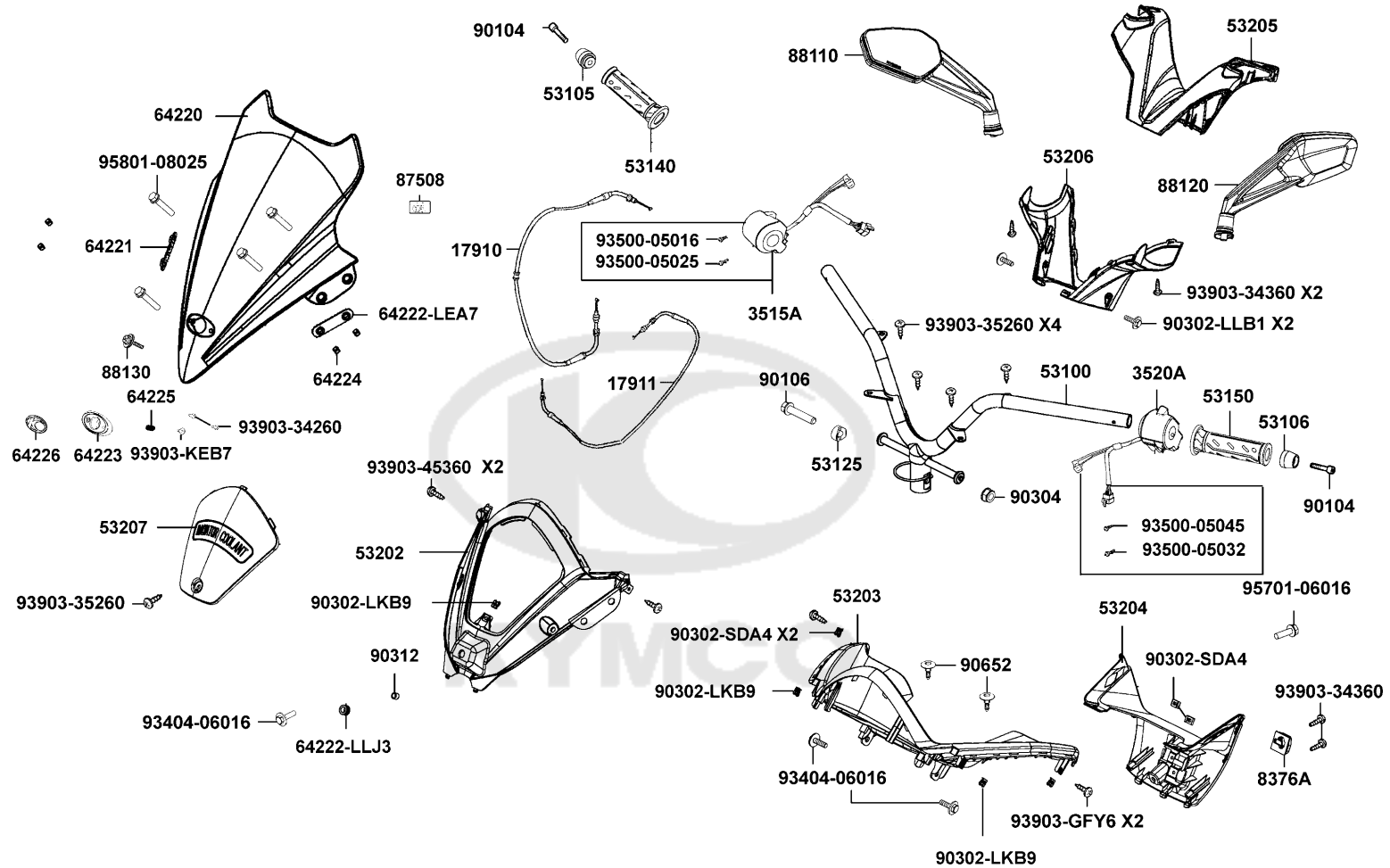
F03

# Handle SteeringHandle Cover



Sales mark	Ref no	Part no	Description	Reg description	Regd no	F03
	64225	64225-LEA7-E00	SPRING COSMETIC K-LOGO	SPRING COSMETIC K-LOGO	1	
	64226	64226-LEA7-E00	COSMETIC K-LOGO	COSMETIC K-LOGO	1	
	8376A	8376A-KEBE-900	CLIP ASSY CENTER	CLIP ASSY CENTER	1	
**	87508	87508-KKC4-E00	LABEL CLEANNESS CAUTION	LABEL CLEANNESS CAUTION	1	
# **	88110	88110-LEA7-E01	MIRROR ASSY R BACK	MIRROR ASSY R BACK	1	
# **	88120	88120-LEA7-E01	MIRROR ASSY L BACK	MIRROR ASSY L BACK	1	
	88130	88130-KEBE-900	BOLT SPECIAL	BOLT SPECIAL	1	
	90104	90104-LEA7-E00	BOLT WASH M8*60	BOLT WASH M8*60	2	
	90106	90106-GEN5-901	BOLT FLANGE 10*50	BOLT FLANGE 10*50	1	
	90302-LKB9	90302-LKB9-910	NUT SPRING 5MM	NUT SPRING 5MM	3	
	90302-LLB1	90302-LLB1-E00	BOLT-WASHER 5*12	BOLT-WASHER 5*12	2	
	90302-SDA4	90302-SDA4-004	NUT SPRING 4MM	NUT SPRING 4MM	4	
	90304	90304-GHE8-004	NUT U 10MM	NUT U 10MM	1	
	90312	90312-LLJ3-E00	COLLAR WIND SCREEN	COLLAR WIND SCREEN	1	
	90652	90652-LFB5-900	CLIP MUDGUARD	CLIP MUDGUARD	2	
	93404-06016	93404-06016-06	BOLT WASHER 6*16	BOLT WASHER 6*16	3	
	93500-05016	93500-05016-1B	SCREW PAN 5*16	SCREW PAN 5*16	1	
	93500-05025	93500-05025-1B	SCREW PAN 5*25	SCREW PAN 5*25	1	
	93500-05032	93500-05032-1B	SCREW PAN 5*32	SCREW PAN 5*32	1	
	93500-05045	93500-05045-1B	SCREW PAN 5*45	SCREW PAN 5*45	1	

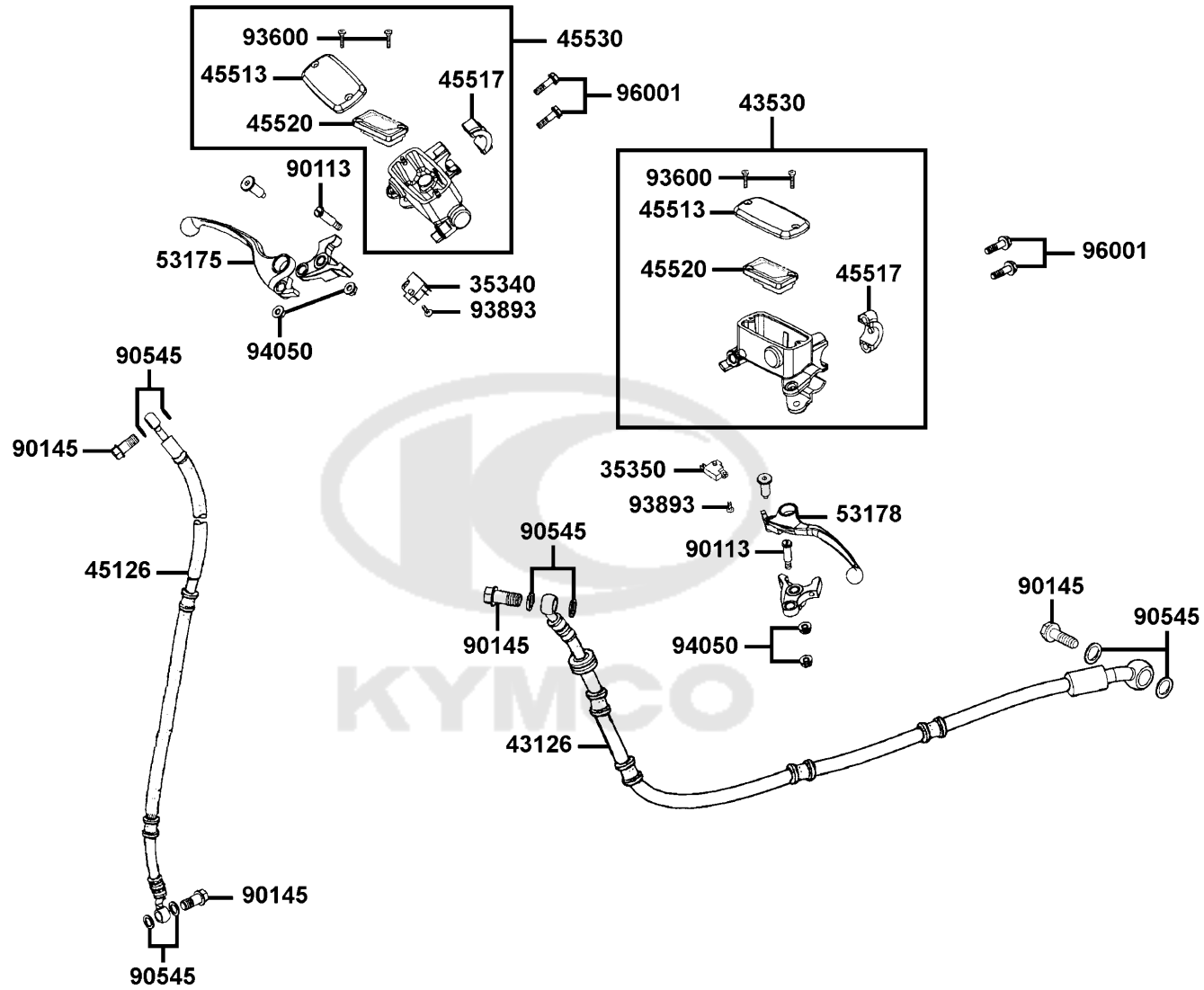
# Handle SteeringHandle Cover



Sales mark	Ref no	Part no	Description	Reg description	Regd no	<b>F03</b>
	93903-34260	93903-34260	SCREW TAPPING 4*10	SCREW TAPPING 4*10	2	
	93903-34360	93903-34360	SCREW TAPPING 4X12	SCREW TAPPING 4X12	4	
	93903-35260	93903-35260	SCREW TAPPING 5*12	SCREW TAPPING 5*12	5	
	93903-45360	93903-45360	SCREW TAPPING 5*16	SCREW TAPPING 5*16	2	
	93903-GFY6	93903-GFY6-900	SCREW TAPPING 4*14	SCREW TAPPING 4*14	4	
	93903-KEB7	93903-KEB7-900-06	SCREW WASHER 4*12 (G)	SCREW WASHER 4*12 (G)	1	
	95701-06016	95701-06016-06	BOLT FLANGE 6*16 (K)	BOLT FLANGE 6*16 (K)	1	
	95801-08025	95801-08025-06	BOLT FLANGE 8*25	BOLT FLANGE 8*25	4	



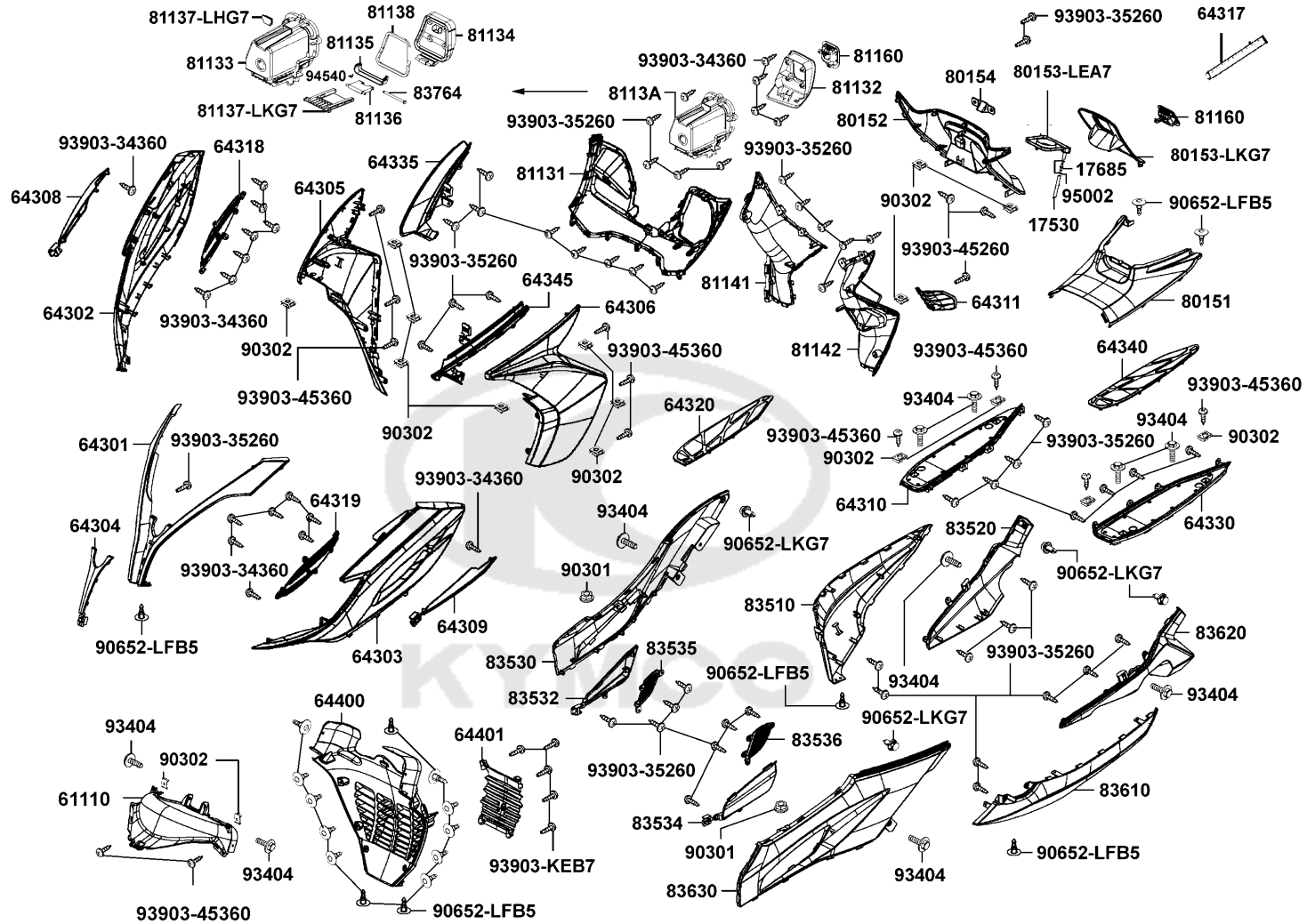
Brake Master Cylinder



Sales mark	Ref no	Part no	Description	Reg description	Regd no	F04
#	35340	35340-LKF5-E01	SW ASSY FR STOP	SW ASSY FR STOP	1	
#	35350	35350-LKF5-E01	SW ASSY RR STOP	SW ASSY RR STOP	1	
	43126	43126-LKG5-E00	HOSE ASSY RR BRK	HOSE ASSY RR BRK	1	
	43530	43530-LEA7-305	CYLINDER SET MASTER	CYLINDER SET RR MASTER	1	
	45126	45126-LKG7-E00	HOSE ASSY FR BRAKE	HOSE ASSY FR BRAKE	1	
	45513	45513-LEA7-E00	CAP MASTER CYLINDER	CAP MASTER CYLINDER	1	
	45517	45517-LBA2-E00	HOLDER M/C	HOLDER M/C	1	
	45520	45520-KKA8-900	DIAPHRAGM	DIAPHRAGM	1	
	45530	45530-LBA2-308	CYLINDER SET FR MASTER	CYLINDER SET FR MASTER	1	
**	53175	53175-LKF5-E00	LEVER R STRG HANDLE	LEVER R STRG HANDLE	1	
**	53178	53178-LKF5-E00	LEVER L STRG HANDLE	LEVER L STRG HANDLE	1	
	90113	90113-KKA8-900	BOLT L STEERING HANDLE	BOLT L STEERING HANDLE	1	
#	90145	90145-LEA3-E00	OIL BOLT 10*22	OIL BOLT 10*22	1	
	90545	90545-3L00-001	WASHER OIL BOLT	WASHER OIL BOLT	8	
	93600	93600-04012-1G	SCREW FLAT 4X12	SCREW FLAT 4X12	4	
	93893	93893-04012-18	SCREW WASHER 4*12	SCREW WASHER 4*12	1	
	94050	94050-06060	NUT FLANGE 6MM	NUT FLANGE 6MM	1	
#	96001	96001-06028-06	BOLT FLANGE SH 6*28	BOLT FLANGE SH 6*28	4	

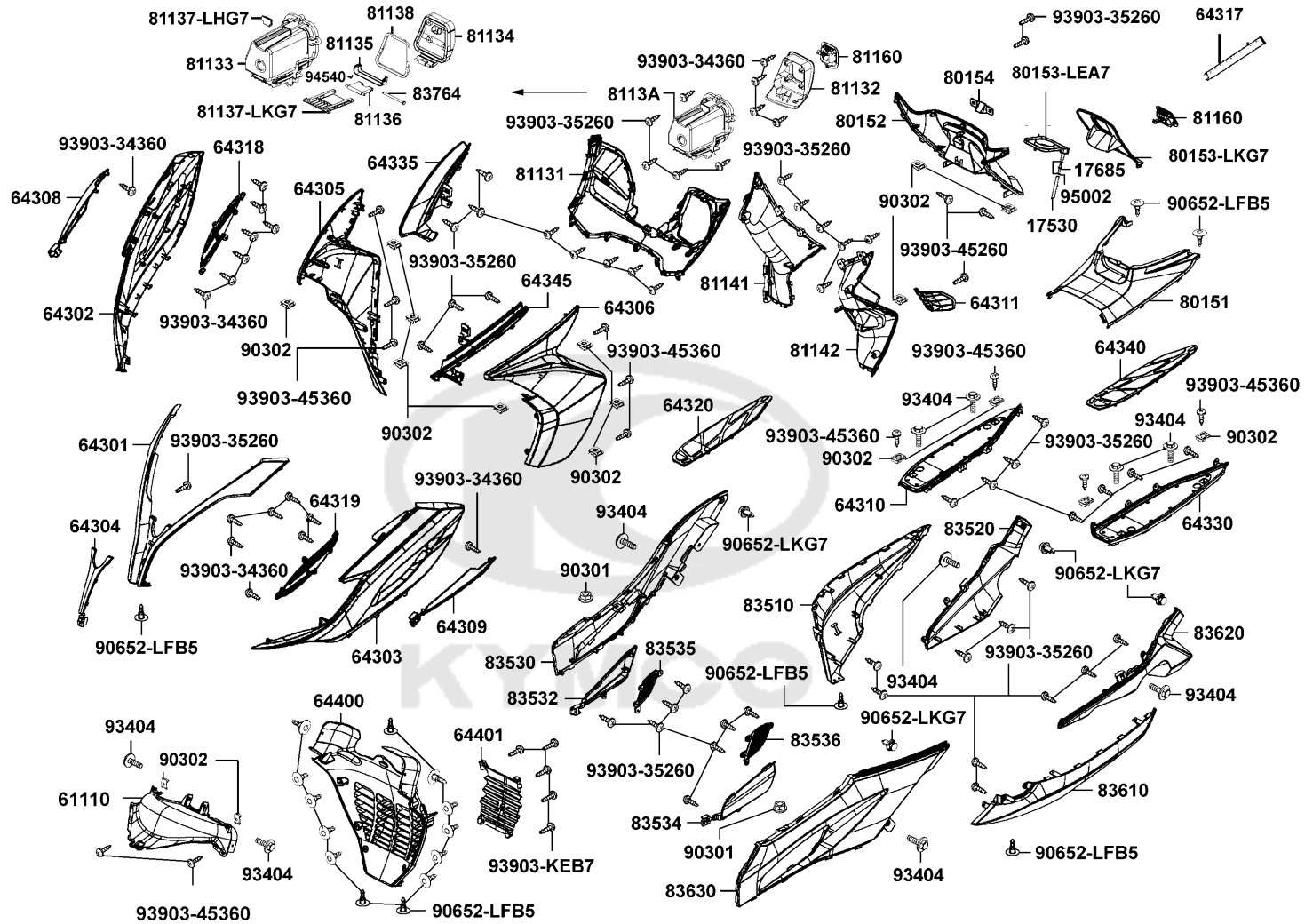


Front CoverFloor Panel



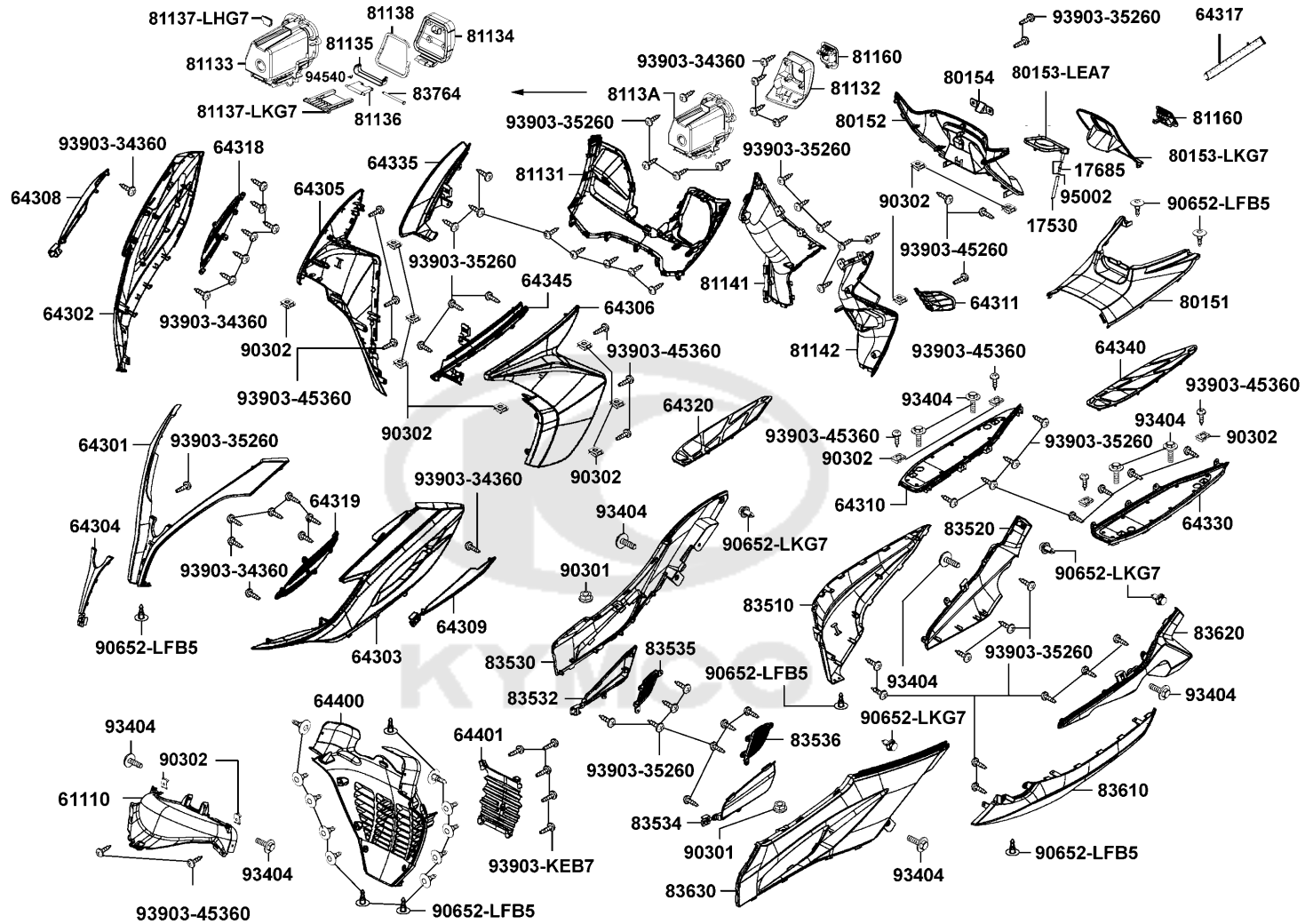
Sales mark	Ref no	Part no	Description	Reg description	Regd no	F05
	17530	17530-KGB5-900	TUBE ASSY DRAIN	TUBE ASSY DRAIN	1	
	17685	17685-KZCZ-900	JOINT TUBE	JOINT TUBE	1	
**	61110	61110-LKG7-E00	COVER INNER FR COVER (Black)	COVER INNER FR COVER (Black)	1	
**	64301	64301-LKG7-E00	FR COVER (Black)	FR COVER (Black)	1	
**	64302	64302-LKG7-E00	MOLDING R/H A SIDE (Mat Black)	MOLDING R/H A SIDE (Mat Black)	1	
**	64303	64303-LKG7-E00	MOLDING L/H A SIDE (Mat Black)	MOLDING L/H A SIDE (Mat Black)	1	
**	64304	64304-LKG7-E00	TOP COVER FR (Mat Black)	TOP COVER FR (Mat Black)	1	
**	64305	64305-LKG7-E00	SKIRT R/H SIDE (Mat Black)	SKIRT R/H SIDE (Mat Black)	1	
**	64306	64306-LKG7-E00	SKIRT L/H SIDE (Mat Black)	SKIRT L/H SIDE (Mat Black)	1	
**	64308	64308-LKG7-E00	BOARDR H FR COVER (Mat Brown)	BOARDR H FR COVER (Mat Brown)	1	
**	64309	64309-LKG7-E00	BOARD L H FR COVER (Mat Brown)	BOARD L H FR COVER (Mat Brown)	1	
**	64310	64310-LKG7-E00	PANEL FLOOR R/H (Black)	PANEL FLOOR R/H (Black)	1	
**	64311	64311-LKG7-E00	LID RESERVE TANK (Black)	LID RESERVE TANK (Black)	1	
**	64317	64317-LKG7-E00	SPONGE FR INNER BOX OUTER LID	SPONGE FR INNER BOX OUTER LID	1	
**	64318	64318-LKG7-E00	GRILL R H FR COVER (Black)	GRILL R H FR COVER (Black)	1	
**	64319	64319-LKG7-E00	GRILL L H FR COVER (Black)	GRILL L H FR COVER (Black)	1	
**	64320	64320-LKG7-E00	MAT R H FLOOR (Black)	MAT R H FLOOR (Black)	1	
**	64330	64330-LKG7-E00	PANEL FLOOR L/H (Black)	PANEL FLOOR L/H (Black)	1	
**	64335	64335-LKG7-E00	COVER R/H SIDE SKIRT (Black)	COVER R/H SIDE SKIRT (Black)	1	
**	64340	64340-LKG7-E00	MAT L H FLOOR (Black)	MAT L H FLOOR (Black)	1	

Front CoverFloor Panel



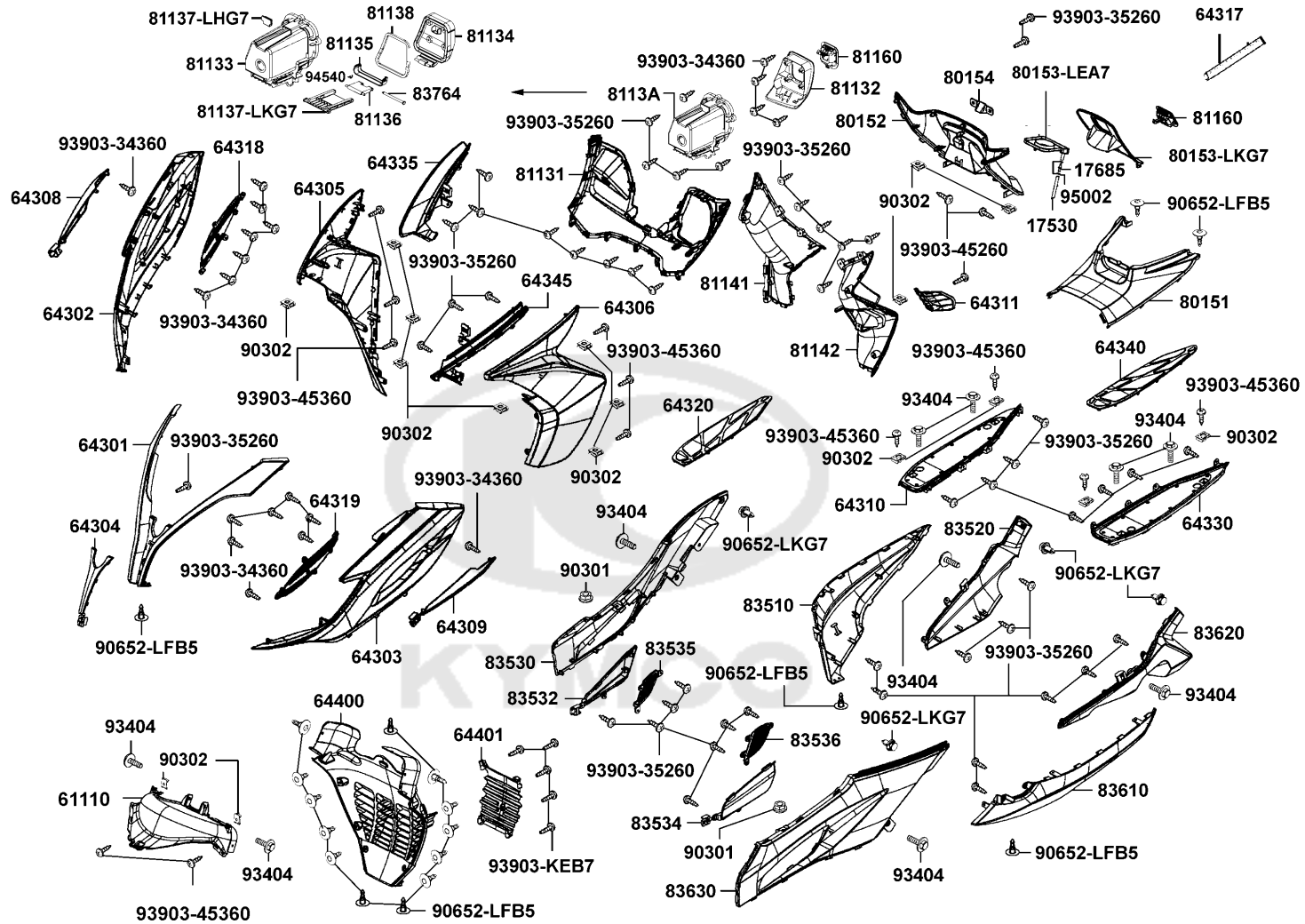
Sales mark	Ref no	Part no	Description	Reg description	Regd no	F05
**	64345	64345-LKG7-E00	COVER L/H SIDE SKIRT (Black)	COVER L/H SIDE SKIRT (Black)	1	
**	64400	64400-LKG7-E00	COWL UNDER (Black)	COWL UNDER (Black)	1	
	64401	64401-LKG7-E00	MESH UNDER COWL	MESH UNDER COWL	1	
**	80151	80151-LKG7-E00	COVER CENTER (Black)	COVER CENTER (Black)	1	
**	80152	80152-LKG7-E00	COVER CENTER UP (Black)	COVER CENTER UP (Black)	1	
	80153-LEA7	80153-LEA7-E00	RUBBER FUEL CAP	RUBBER FUEL CAP	1	
**	80153-LKG7	80153-LKG7-E00	LID FUEL CAP MAINT (Black)	LID FUEL CAP MAINT (Black)	1	
	80154	80154-LKG7-E00	LOCK STAY FUEL CAP MAINT	LOCK STAY FUEL CAP MAINT	1	
**	81131	81131-LKG7-E00	LEG SHIELD (Black)	LEG SHIELD (Black)	1	
**	81132	81132-LKG7-E00	OUTER LID FR INNER BOX (Black)	OUTER LID FR INNER BOX (Black)	1	
**	81133	81133-LKG7-E00	CASE FR INNER BOX (Black)	CASE FR INNER BOX (Black)	1	
**	81134	81134-LKG7-E00	COVER INNER CAP BLID (Black)	COVER INNER CAP BLID (Black)	1	
**	81135	81135-LKG7-E00	RETAIN PLATE INNER BOX (Black)	RETAIN PLATE INNER BOX (Black)	1	
	81136	81136-LKG7-E00	SLIDE A INNER BOX	SLIDE A INNER BOX	1	
	81137-LHG7	81137-LHG7-E00	PLUG INNER BOX	PLUG INNER BOX	1	
	81137-LKG7	81137-LKG7-E00	SLIDE B INNER BOX	SLIDE B INNER BOX	1	
	81138	81138-LKG7-E00	SPONGE INNER BOX	SPONGE INNER BOX	1	
**	8113A	8113A-LKG7-E00	ASSY FR INNER BOX (Black)	ASSY FR INNER BOX (Black)	1	
**	81141	81141-LKG7-E00	LEG SHIELD R/H LOW (Black)	LEG SHIELD R/H LOW (Black)	1	
**	81142	81142-LKG7-E00	LEG SHIELD L/H LOW (Black)	LEG SHIELD L/H LOW (Black)	1	


Front CoverFloor Panel



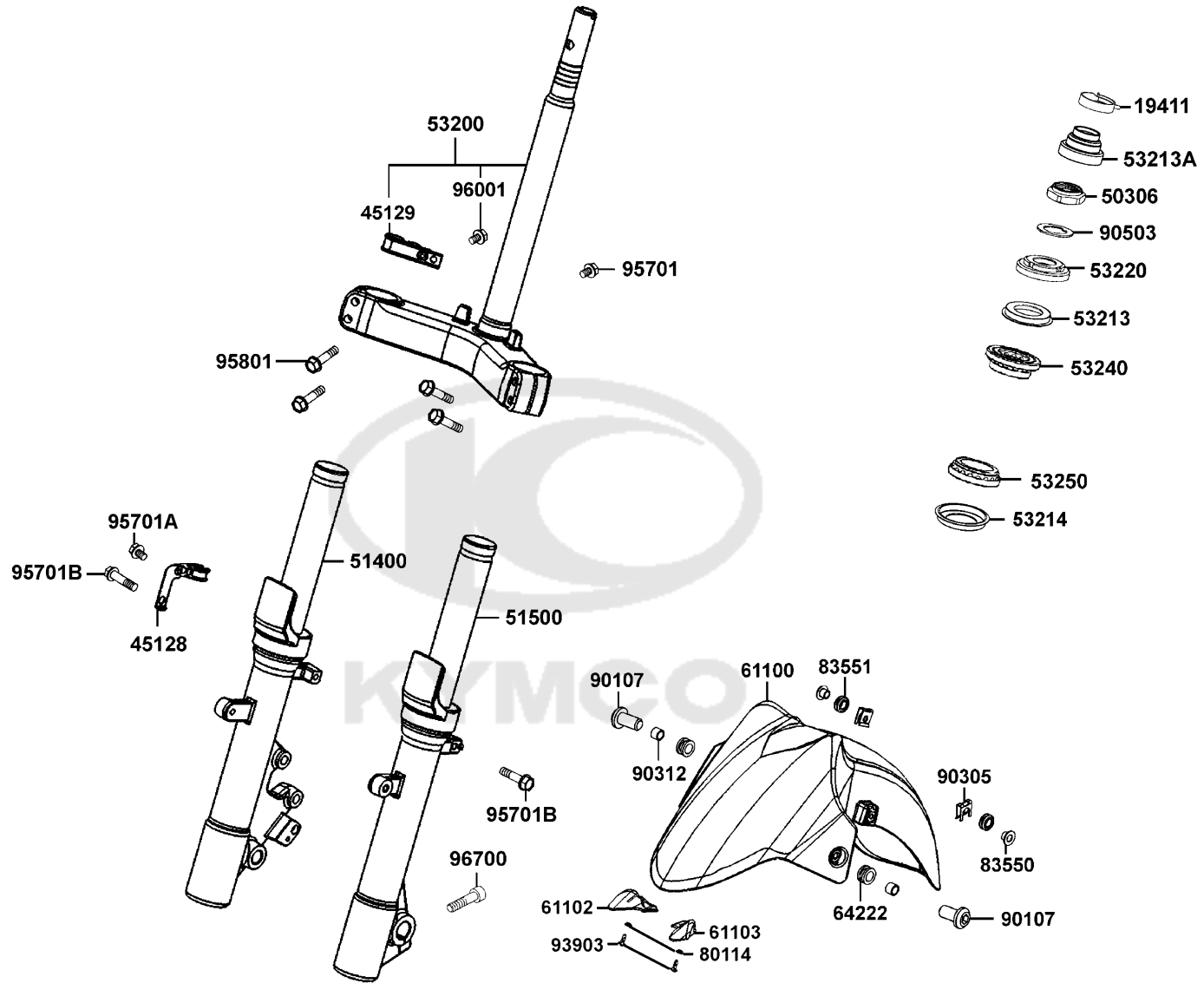
Sales mark	Ref no	Part no	Description	Reg description	Regd no	F05
	81160	81160-LKG7-E00	LOCK ASSY FR INNER BOX	LOCK ASSY FR INNER BOX	2	
**	83510	83510-LKG7-E00	COVER SIDE R/H (Black)	COVER SIDE R/H (Black)	1	
**	83520	83520-LKG7-E00	MOLD R/H SIDE (Mat Brown)	MOLD R/H SIDE (Mat Brown)	1	
**	83530	83530-LKG7-E00	BOARD A SIDE R/H (Black)	BOARD A SIDE R/H (Black)	1	
**	83532	83532-LKG7-E00	BOARD B R SIDE (Mat Brown)	BOARD B R SIDE (Mat Brown)	1	
**	83534	83534-LKG7-E00	BOARD B L SIDE (Mat Brown)	BOARD B L SIDE (Mat Brown)	1	
**	83535	83535-LKG7-E00	GRILL R SIDE (Black)	GRILL R SIDE (Black)	1	
**	83536	83536-LKG7-E00	GRILL L SIDE (Black)	GRILL L SIDE (Black)	1	
**	83610	83610-LKG7-E00	COVER SIDE L/H (Black)	COVER SIDE L/H (Black)	1	
**	83620	83620-LKG7-E00	MOLD L/H SIDE (Mat Brown)	MOLD L/H SIDE (Mat Brown)	1	
**	83630	83630-LKG7-E00	BOARD A SIDE L/H (Black)	BOARD A SIDE L/H (Black)	1	
	83764	83764-LKG7-E00	PIN INNER BOX	PIN INNER BOX	1	
	90301	90301-6D34-671	NUT FLANGE 6MM	NUT FLANGE 6MM	2	
	90302	90302-LKB9-900	NUT SPRING 5MM	NUT SPRING 5MM	17	
	90652-LFB5	90652-LFB5-900	CLIP MUDGUARD	CLIP MUDGUARD	18	
	90652-LKG7	90652-LKG7-E00	CILP SIDE COVER	CILP SIDE COVER	5	
	93404	93404-06016-06	BOLT WASHER 6*16	BOLT WASHER 6*16	10	
	93903-34360	93903-34360	SCREW TAPPING 4X12	SCREW TAPPING 4X12	20	
	93903-35260	93903-35260	SCREW TAPPING 5*12	SCREW TAPPING 5*12	51	
	93903-45260	93903-45260	SCREW TAPPING 5*12	SCREW TAPPING 5*12	3	

Front CoverFloor Panel

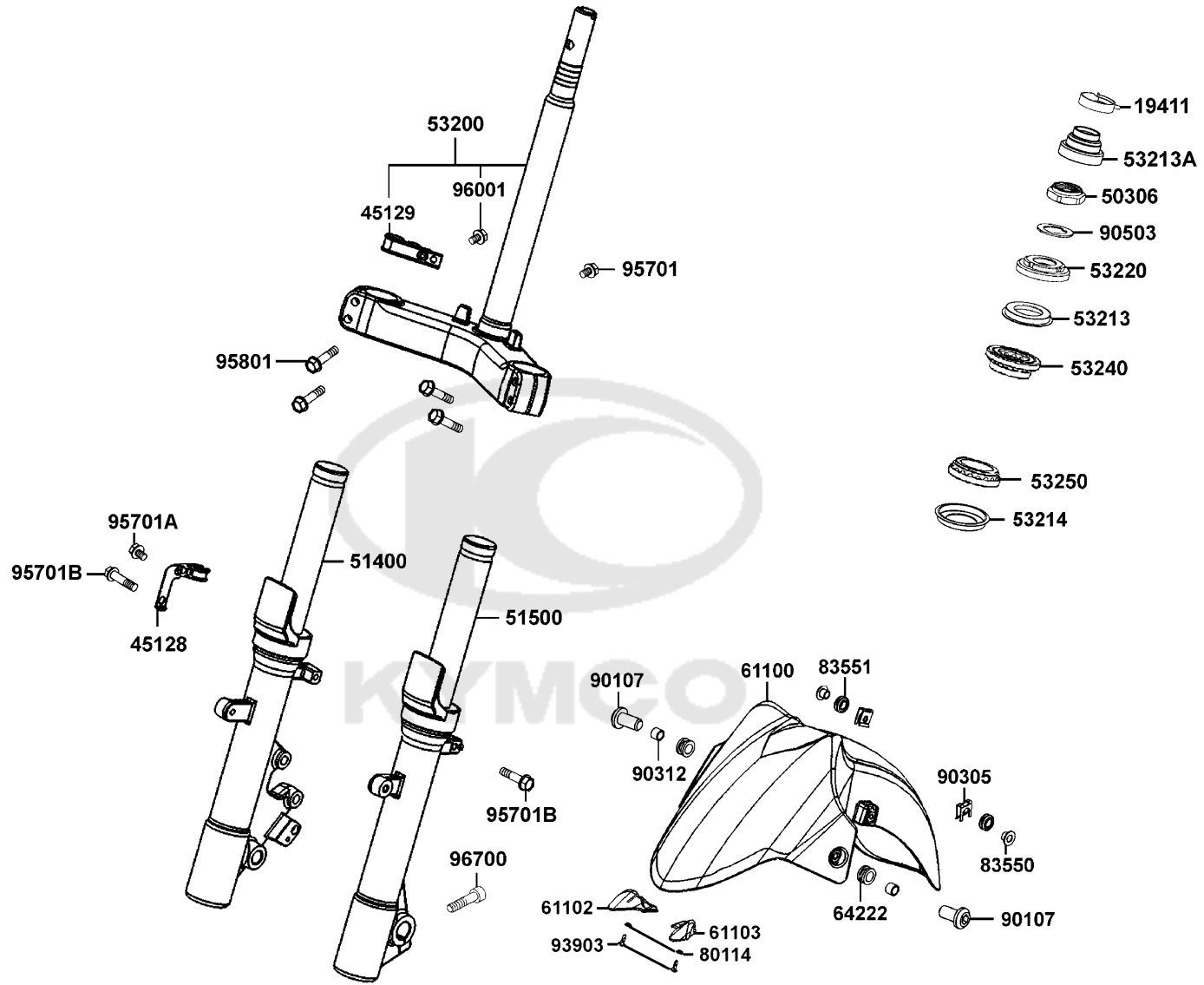


Sales mark	Ref no	Part no	Description	Reg description	Regd no	<b>F05</b>
	93903-45360	93903-45360	SCREW TAPPING 5*16	SCREW TAPPING 5*16	12	
	93903-KEB7	93903-KEB7-900-06	SCREW WASHER 4*12 (G)	SCREW WASHER 4*12 (G)	5	
	94540	94540-05018	E RING 5	E RING 5	1	
	95002	95002-02080	CLIP B8 TUBE	CLIP B8 TUBE	2	
						





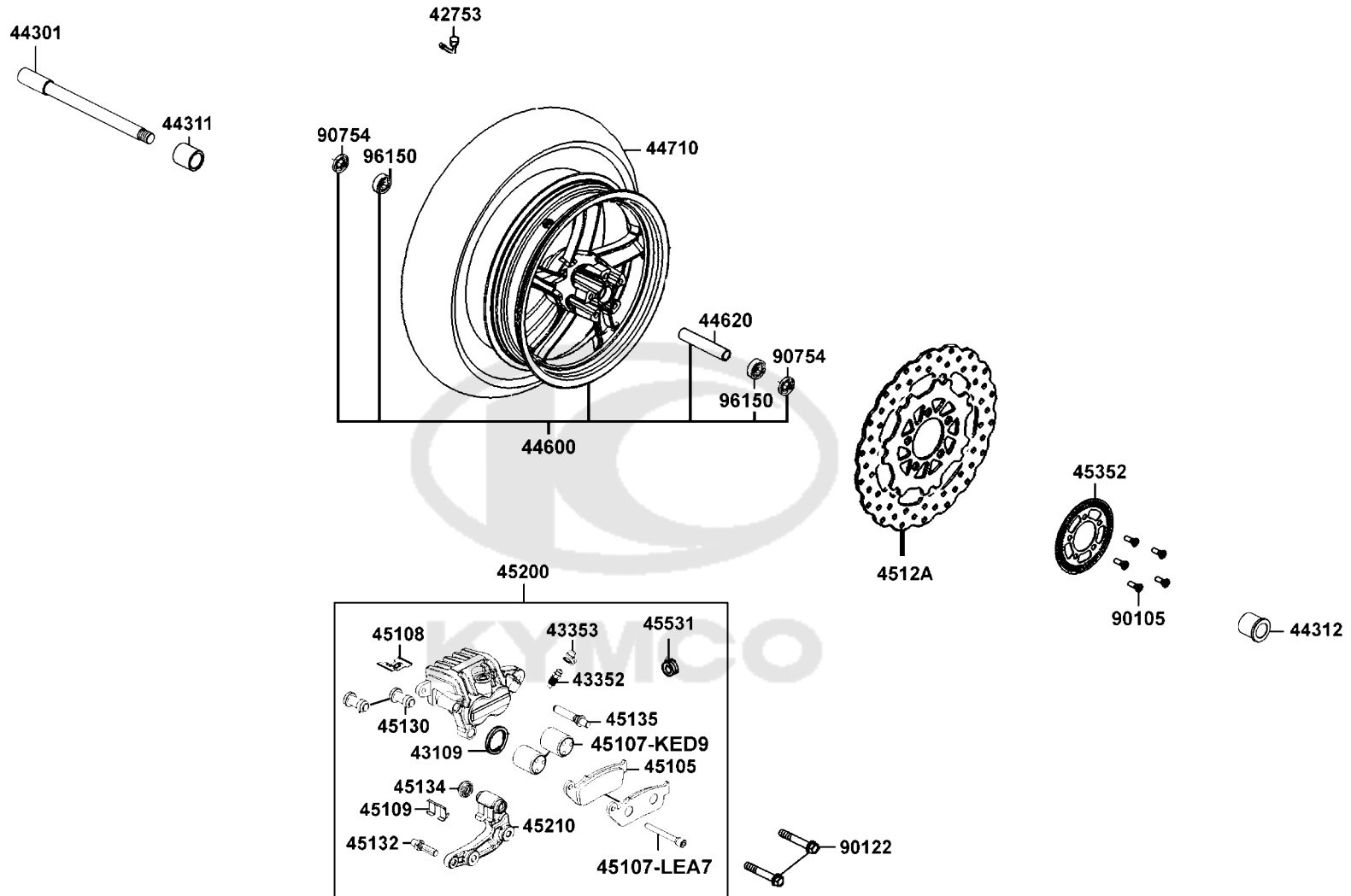
Sales mark	Ref no	Part no	Description	Reg description	Regd no	F06
#	19411	19411-LFG2-E00	CLIP ASSY AIR/C DUCT	CLIP ASSY AIR/C DUCT	1	
	45128	45128-LBA2-920	CLAMPER FR BRK HOSE	CLAMPER FR BRK HOSE	1	
	45129	45129-LBA2-900	CLAMPER FR BRK HOSE	CLAMPER FR BRK HOSE	1	
	50306	50306-1F96-001	NUT STRG STEM LOCK	NUT STRG STEM LOCK	1	
**	51400	51400-LKG7-E00	FORK ASSY FR R (Black)	FORK ASSY FR R (Black)	1	
**	51500	51500-LKG7-E00	FORK ASSY FR L (Black)	FORK ASSY FR L (Black)	1	
	53200	53200-LKG7-E00	STEM COMP STRG	STEM COMP., STRG	1	
	53213	53213-LBA2-E00	DUST SEAL STRG HEAD TOP	DUST SEAL STRG HEAD TOP	1	
#	53213A	53213-LEA7-E00	DUST SEAL. STRG	DUST SEAL STRG	1	
	53214	53214-LBA2-E00	DUST SEAL STRG (HEAD)	DUST SEAL STRG HEAD BOT	1	
	53220	53220-LBA2-E00	THREAD COMP STRG HEAD TOP	THREAD COMP STRG HEAD TOP	1	
	53240	53240-LBA2-E00	BEARING TOT STRG (mark:PX1)	BEARING TOT STRG (mark:PX1)	1	
	53250	53250-LBA2-E00	BEARING BOT STRG (mark:PX1)	BEARING BOT STRG (mark:PX1)	1	
**	61100	61100-LKG7-E00	FENDER FR (A:EV/B:NE) (Mat Black-Mat	FENDER FR (A:EV/B:NE) (Mat Black-Mat Black)	1	
	61102	61102-LEA7-E00	RUBBER FR FENDER R	RUBBER FR FENDER R	1	
	61103	61103-LEA7-E00	RUBBER FR FENDER L	RUBBER FR FENDER L	1	
	64222	64222-LLJ3-E00	RUBBER WIND SCREEN	RUBBER WIND SCREEN	2	
	80114	80114-KGG7-001	COLLAR RR FENDER	COLLAR RR FENDER	2	
	83550	83550-KEC8-900	COLLAR	COLLAR	2	
	83551	83551-KEC8-900	GROMMET COVER **KEC8-9000	GROMMET COVER **KEC8-9000 C.2005.09.01	2	



Sales mark	Ref no	Part no	Description	Reg description	Regd no	F06
	90107	90107-LEA7-E00	BOLT SPECIAL 8MM	BOLT SPECIAL 8MM	2	
	90305	90305-LBA2-E00	NUT CLIP 6MM	NUT CLIP 6MM	2	
	90312	90312-LLJ3-E01	COLLAR WIND SCREEN	COLLAR WIND SCREEN	2	
	90503	90503-LEA7-E00	WASHER STRG STEM NUT	WASHER STRG STEM NUT	1	
#	93903	93903-35360	SCREW TAPPING 5*16	SCREW TAPPING 5*16	2	
	95701	95701-06008-06	BOLT FLANGE 6*8	BOLT FLANGE 6*8	1	
	95701A	95701-06012-06	BOLT FLANGE 6*12 **07 C.2005.07.01	BOLT FLANGE 6*12 **07 C.2005.07.01	1	
	95701B	95701-06045-06	BOLT FLANGE 6*45	BOLT FLANGE 6*45	2	
#	95801	95801-08040-06	BOLT FLANGE 8*40	BOLT FLANGE 8*40	1	
#	96001	96001-06012-06	BOLT FLANGE SH 6*12	BOLT FLANGE SH 6*12	1	
	96700	96700-KED9-900	BOLT SOCKET 8*30	BOLT SOCKET 8*30	1	

F07

Front Wheel



Sales mark	Ref no	Part no	Description	Reg description	Regd no	F07
	42753	42753-KNBN-90B	VALAE RIM (TR412)	VALAE RIM (TR412)	1	
	43109	43109-MCA3-007	DUST SEAL	DUST SEAL	1	
	43352	43352-KED9-900	BLEEDER	BLEEDER	1	
	43353	43353-KED9-900	CAP BLEEDER	CAP BLEEDER	1	
	44301	44301-LEA7-E00	AXLE FR WHEEL M14*282MM	AXLE FR WHEEL 14*282	1	
	44311	44311-LEA7-E00	COLLAR FR WHEEL SIDE	COLLAR FR WHEEL SIDE	1	
	44312	44312-LEA7-E00	COLLAR FR WHEEL SIDE	COLLAR FR WHEEL SIDE	1	
**	44600	44600-LEA7-305	WHEEL ASSY FR	WHEEL ASSY FR	1	
	44620	44620-LEA7-E00	COLLAR FR WHEEL DISTANCE	COLLAR FR WHEEL DIST	1	
	44710	44710-LKG7-E00	TIRE ASSY FR 120/70-14 55S	TIRE ASSY FR 120/70-14 55S	1	
	45105	45105-LEA7-305	PAD SET	PAD SET	1	
	45107-KED9	45107-KED9-900	PISTON	PISTON	2	
	45107-LEA7	45107-LEA7-E00	PIN HANGER	PIN HANGER	1	
	45108	45108-LEA7-E00	SPRING PAD	SPRING PAD	1	
	45109	45109-KED9-900	SLIDE PAD	SLIDE PAD	1	
	4512A	4512A-LEA7-E00	DISK COMP FR BRAKE	DISK COMP FR BRAKE	1	
	45130	45130-KED9-900	BUSH PIN	BUSH PIN	1	
	45132	45132-KED9-900	PIN BOLT	PIN BOLT	1	
	45134	45134-KED9-900	BOOT B	BOOT B	1	
	45135	45135-KED9-900	PIN BOLT A	PIN BOLT A	1	



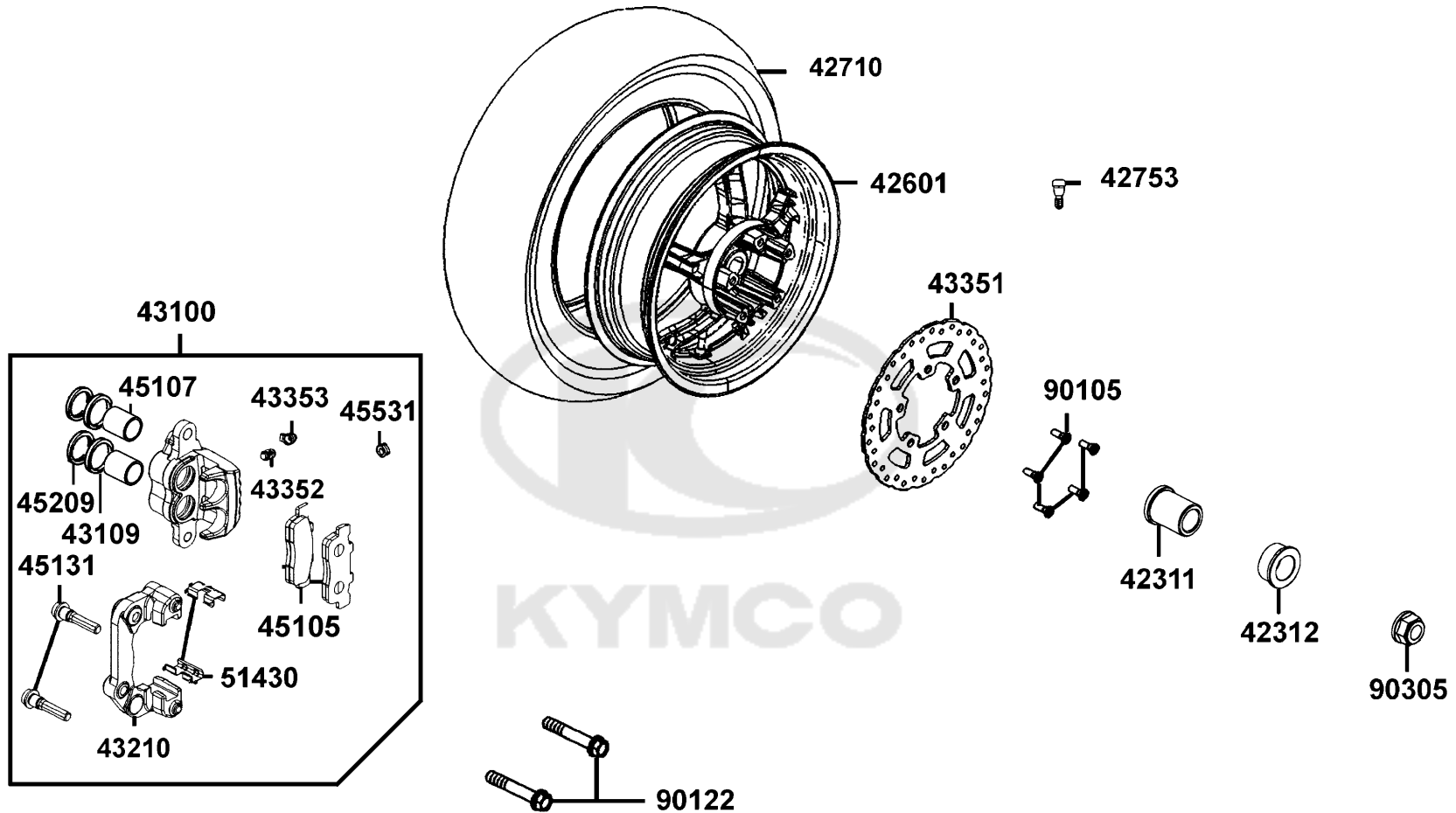
Sales mark	Ref no	Part no	Description	Reg description	Regd no	<b>F07</b>
**	45200	45200-LEA7-E00	CALIPER ASSY FR	CALIPER ASSY FR	1	
**	45210	45210-LEA7-305	BRACKET FR SET	BRACKET FR SET	1	
	45352	45352-LEA7-E00	TOOTHED RING SENSOR	TOOTHED RING SENSOR	1	
	45531	45531-KED9-900	PLUG	PLUG	1	
	90105	90105-LEA7-E00	BOLT FR DISK 8x30	BOLT FR DISK 8X30	5	
	90122	90122-LEA7-E00	BOLT FLANGE 10X42	BOLT FLANGE 10X42	2	
	90754	90754-LLJ3-E00	DUST SEAL	DUST SEAL	2	
	96150	96150-60020-10	BEARING BALL RADIAL 6002	BEARING BALL RADIAL 6002	2	





F08

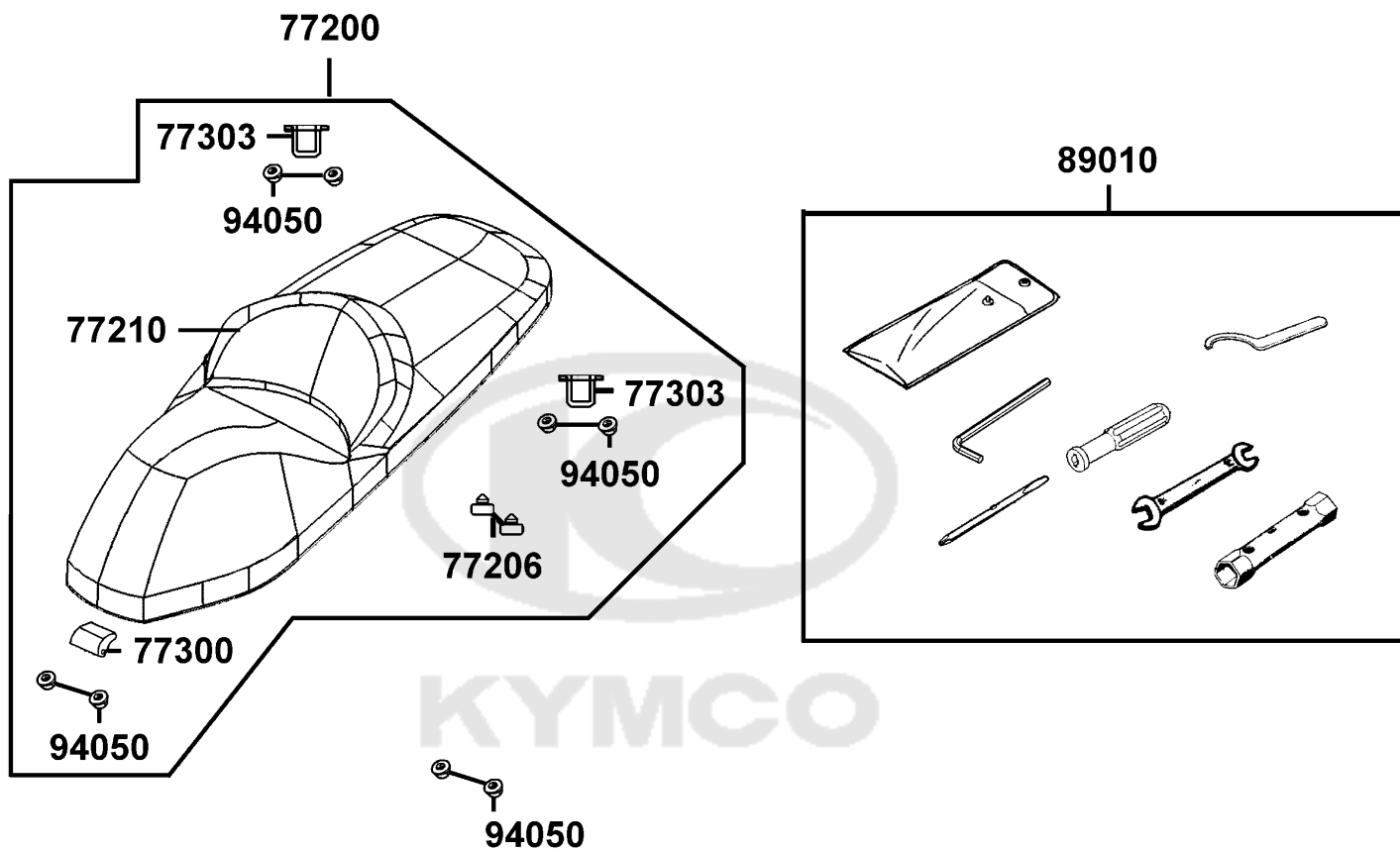
Rear Wheel



Sales mark	Ref no	Part no	Description	Reg description	Regd no	F08
	42311	42311-LKG7-E00	COLLAR RR AXLE SIDE A 30x37	COLLAR, RR AXLE SIDE A	1	
	42312	42312-LKG7-E00	COLLAR RR AXLE SIDE	COLLAR RR AXLE SIDE	1	
**	42601	42601-LEA7-E00	WHEEL COMP RR	WHEEL COMP RR	1	
	42710	42710-LKG7-E00	TIRE ASSY RR 150/70-13 64S	TIRE ASSY RR 150/70-13 64S	1	
	42753	42753-KNBN-90B	VALAE RIM (TR412)	VALAE RIM (TR412)	1	
**	43100	43100-LKG7-E00	CALIPER ASSY RR (Mat Brown)	CALIPER ASSY RR (Mat Brown)	1	
	43109	43109-MCA3-007	DUST SEAL	DUST SEAL	2	
**	43210	43210-LKG7-E00	BRACKET (Mat Brown)	BRACKET (Mat Brown)	1	
	43351	43351-LKG7-E00	DISK RR BRAKE	DISK RR BRAKE	1	
	43352	43352-KKD6-E90	SCREW BLEEDER	SCREW BLEEDER	1	
	43353	43353-4A61-77A	CAP BLEEDER	CAP BLEEDER	1	
	45105	45105-LHG7-305	PAD SET	PAD SET	1	
	45107	45107-LLJ3-E00	PISTON	PISTON	2	
	45131	45131-LFB5-910	PIN BOLT	PIN BOLT	2	
	45209	45209-KED9-900	SEAL PISTON	SEAL PISTON	2	
	45531	45531-GAR1-951	PLUG	PLUG	1	
	51430	51430-LGE5-E02	SLIDE PAD	SLIDE PAD	2	
	90105	90105-KCR3-001	BOLT FR DISK 8*24	BOLT FR DISK 8*24	5	
	90122	90122-LEA7-E00	BOLT FLANGE 10X42	BOLT FLANGE 10X42	2	
	90305	90305-KKAK-900	NUT U 16MM	NUT U 16MM	1	

F09

Seat

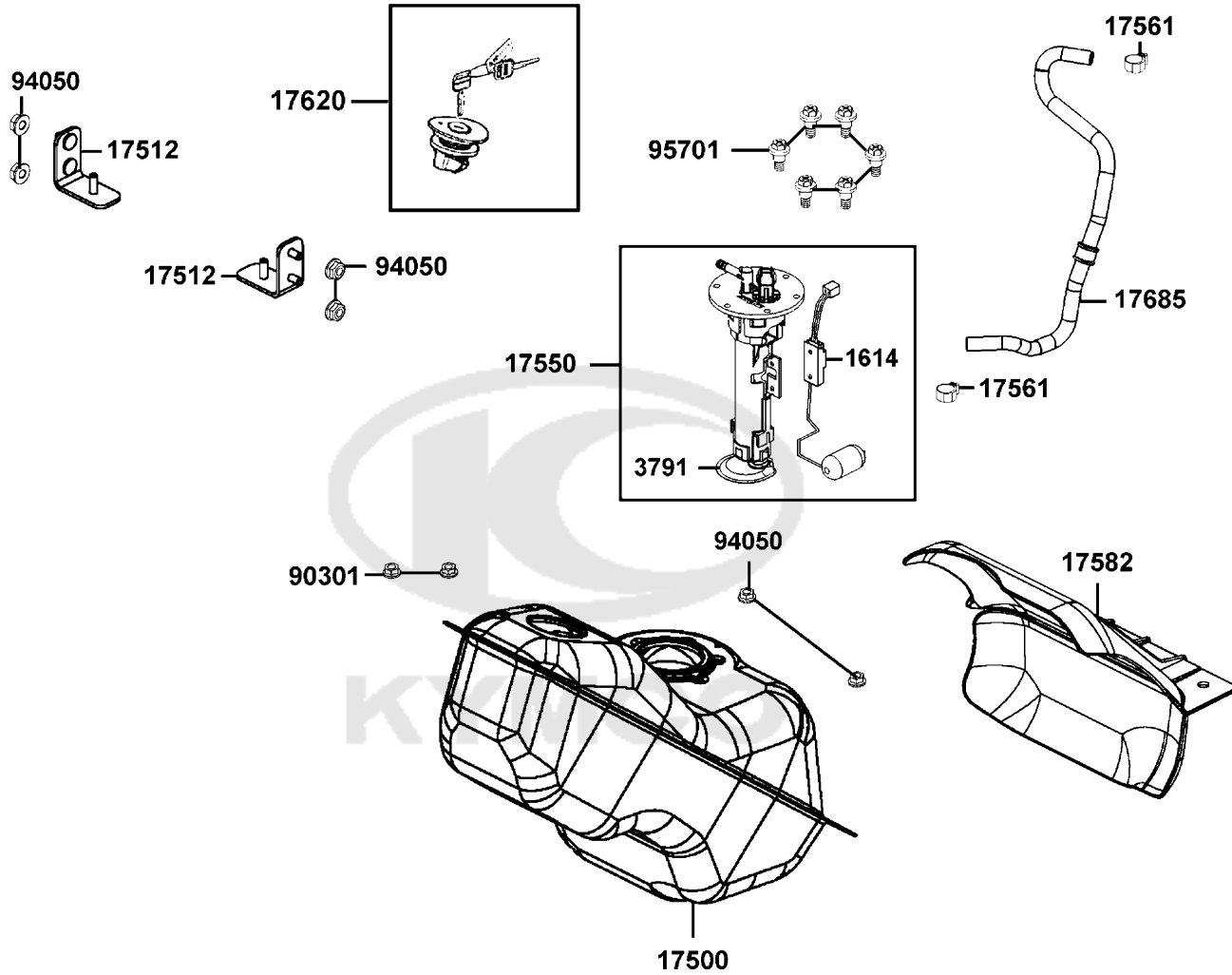


Sales mark	Ref no	Part no	Description	Reg description	Regd no	<b>F09</b>
# **	77200	77200-LKG7-E00	SEAT ASSY (REACH)	SEAT ASSY (REACH)	1	
	77206	77206-KEB7-900	RUBBER SEAT CUSH	RUBBER SEAT CUSH	2	
**	77210	77210-LKG7-E00	BACK SEAT ASSY (REACH)	BACK SEAT ASSY (REACH)	1	
#	77300	77300-LHG7-E00	HINGE ASSY SEAT	HINGE ASSY SEAT	1	
	77300	77300-LHG8-E00	HINGE ASSY SEAT	HINGE ASSY SEAT	1	
#	77303	77303-LEA7-E00	HOOK SEAT LOCK	HOOK SEAT LOCK	1	
	89010	89010-LKF5-E00	TOOL SET	TOOL SET	1	
	94050	94050-06080	NUT FLANGE 6MM	NUT FLANGE 6MM	8	



F10

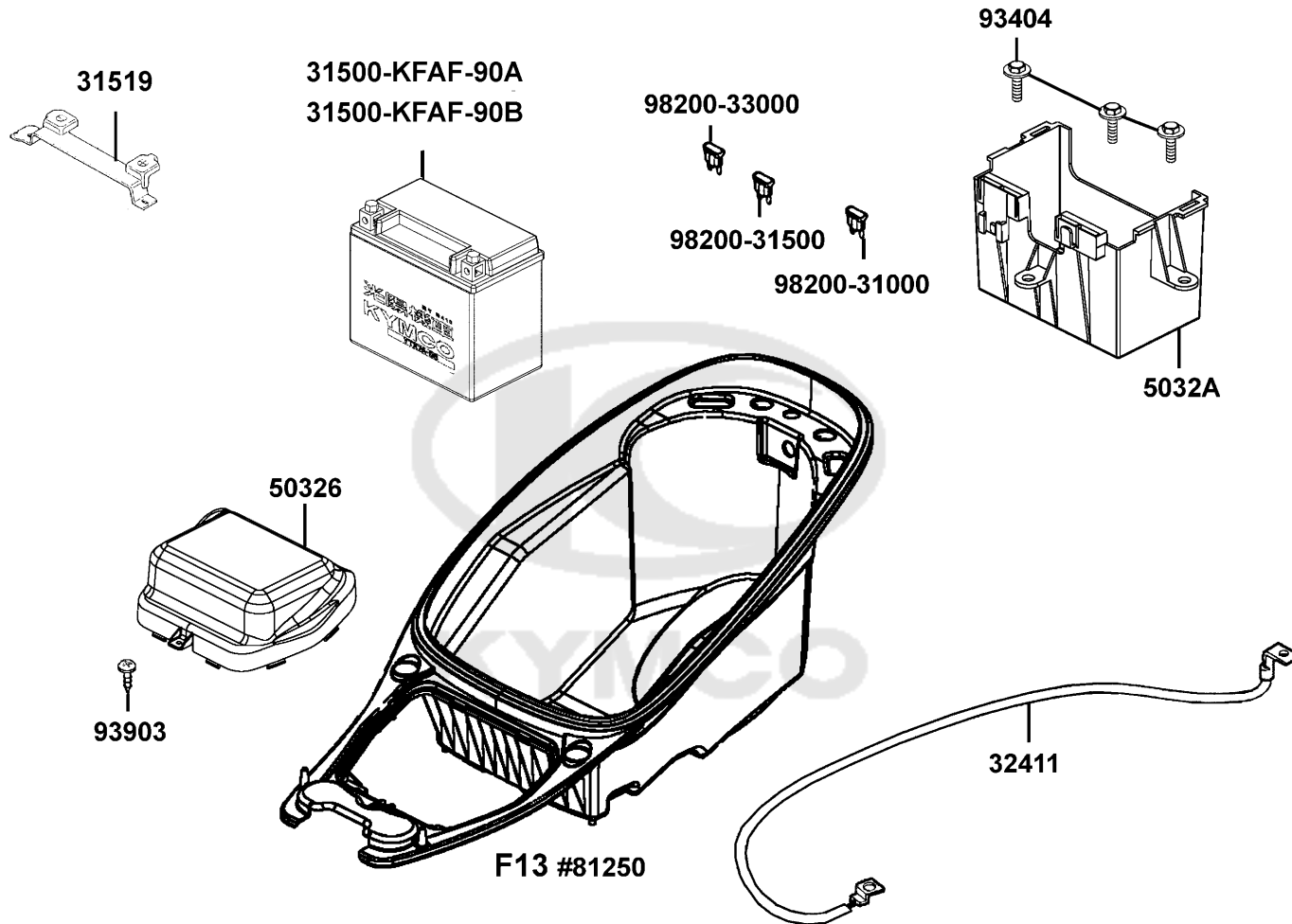
Fuel Tank



Sales mark	Ref no	Part no	Description	Reg description	Regd no	<b>F10</b>
#	1614	1614-A22C-0000-Y	FUEL LEVER SENSOR COMP	FUEL LEVER SENSOR COMP	1	
	17500	17500-LKG7-E00	TANK COPM FUEL	TANK COPM FUEL	1	
	17512	17512-LKG7-E00	STAY FUEL TANK	STAY FUEL TANK	2	
	17550	17550-LEA7-800	FUEL PUMP MODULE ASSY	FUEL PUMP ASSY	1	
	17561	17561-LGE5-E00	CLIP 13.5	CLIP 13.5	2	
	17582	17582-LKG7-E00	HEAT GUARD COVER	HEAT GUARD COVER	1	
	17620	17620-LEA7-315-M1	CAP COMP FUEL FILLER	CAP COMP FUEL FILLER	1	
	17620	17620-LEA7-315-M2	CAP COMP FUEL FILLER	CAP COMP FUEL FILLER	1	
	17685	17685-LKG5-E00	TUBE FUEL PUMP	TUBE FUEL PUMP	1	
	3791	3791-HN80-0000	FILTER COMP	FILTER COMP	1	
	90301	90301-6D34-671	NUT FLANGE 6MM	NUT FLANGE 6MM	4	
	94050	94050-06060	NUT FLANGE 6MM	NUT FLANGE 6MM	4	
	95701	95701-LDF2-800	BOLT FLANGE 5*6.5	BOLT FLANGE 5*6.5	6	

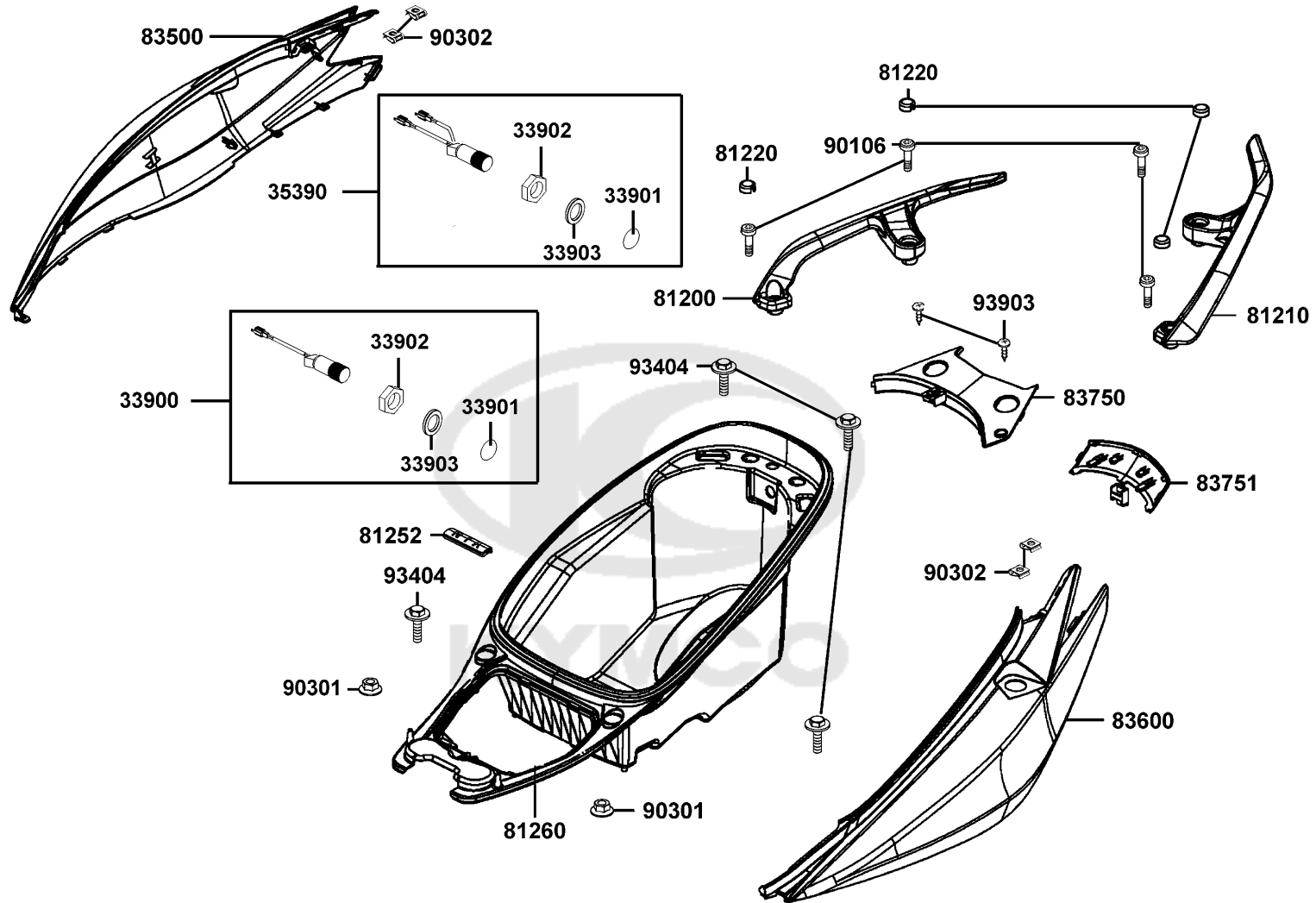
F11

Battery



Sales mark	Ref no	Part no	Description	Reg description	Regd no	F11
#	31500-KFAF-90A	31500-KFAF-90A	BATTERY YTX9-BS	BATTERY YTX9-BS	1	
#	31500-KFAF-90B	31500-KFAF-90B	BATTERY GTX9-BS	BATTERY GTX9-BS	1	
	31519	31519-LKG7-E00	FIX STAY BATTERY	FIX STAY BATTERY	1	
	32411	32411-LKG7-E00	CABLE BAT	CABLE BAT	1	
**	50326	50326-LKG7-E00	COVER BATTERY (Black)	COVER BATTERY (Black)	1	
**	5032A	5032A-LKF5-E00	CASE ASSY BATTERY	CASE ASSY BATTERY	1	
	93404	93404-06012-06	BOLT WASHER 6X12	BOLT WASHER 6X12	3	
	93903	93903-45360	SCREW TAPPING 5*16	SCREW TAPPING 5*16	1	
	98200-31000	98200-31000	BLADE FUSE 10A **(0) C.2005.03.01	BLADE FUSE 10A **(0) C.2005.03.01	1	
	98200-31500	98200-31500	FUSE A15	FUSE A15	1	
	98200-33000	98200-33000	BLADE FUSE 30A	BLADE FUSE 30A	1	

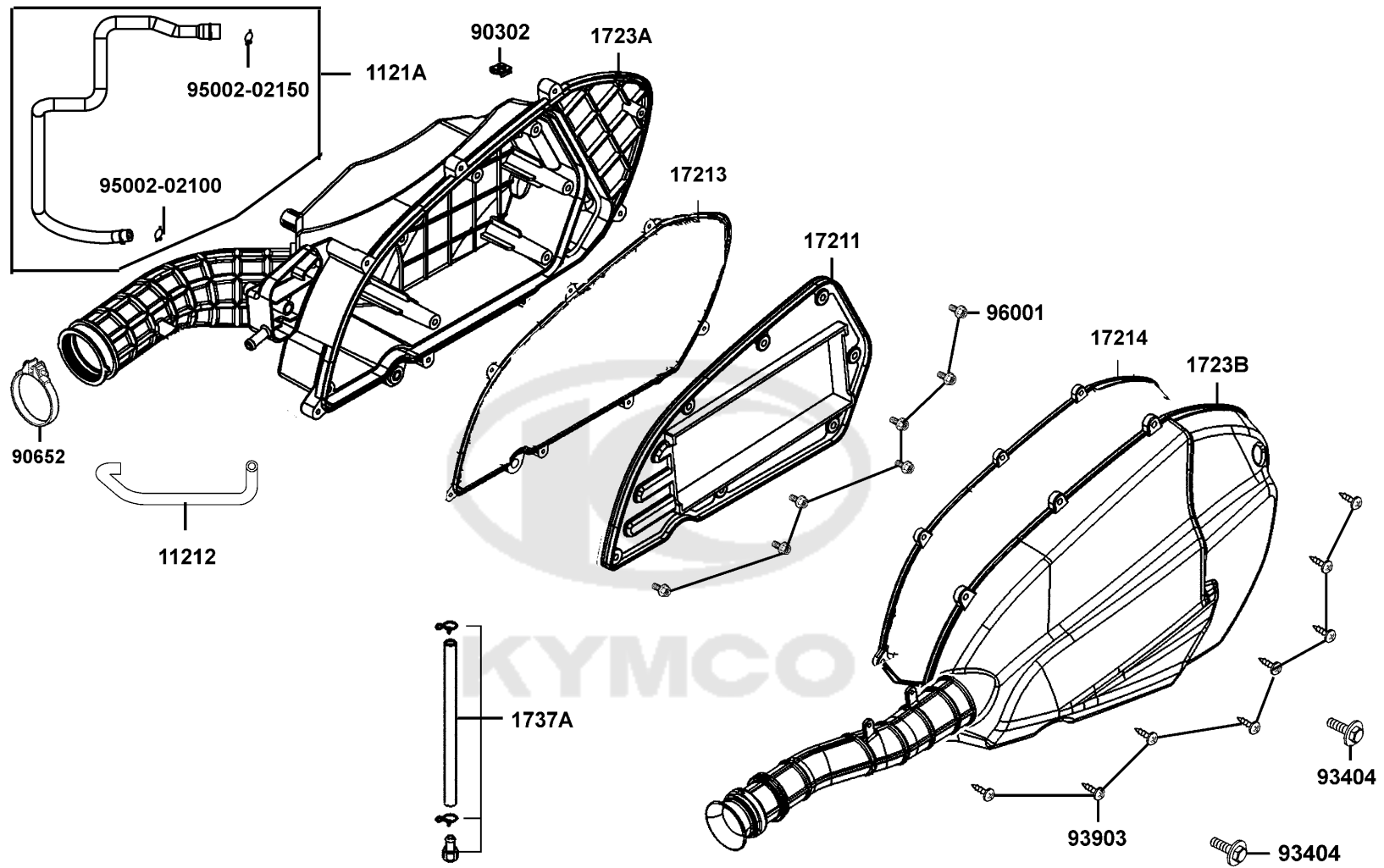




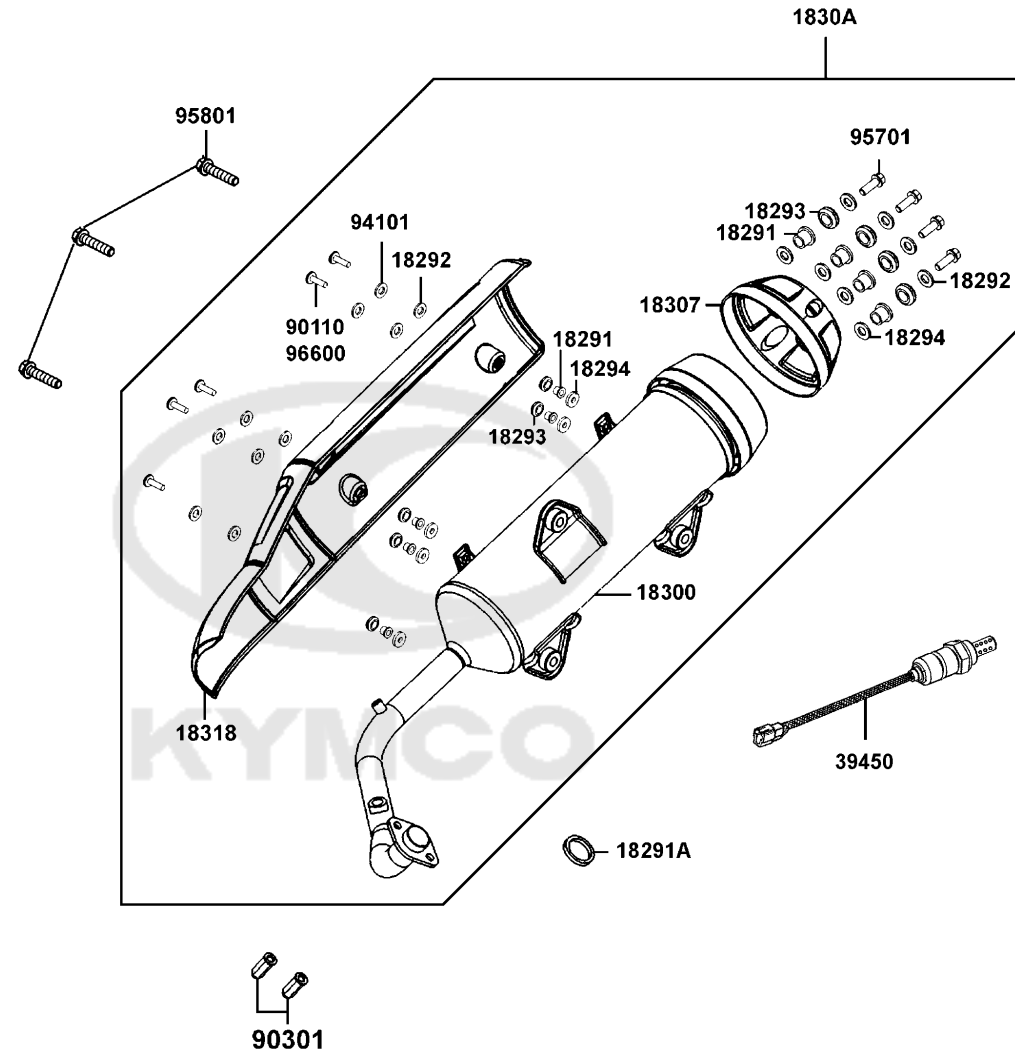
Sales mark	Ref no	Part no	Description	Reg description	Regd no	F12
	33900	33900-LKF5-E00	LIGHT ASSY LUGGAGE BOX	LIGHT ASSY LUGGAGE BOX	1	
	33901	33901-LHG7-E00	LENS	LENS	2	
	33902	33902-LHG7-E00	NUT SCREW	NUT SCREW	2	
	33903	33903-LHG7-E00	PACKING	PACKING	2	
	35390	35390-LKF5-E00	SENSOR LUGGAGE BOX LIGHT	SENSOR LUGGAGE BOX LIGHT	1	
**	81200	81200-LKG7-E00	REAR GRIP R (Mat Brown)	REAR GRIP R (Mat Brown)	1	
**	81210	81210-LKG7-E00	REAR GRIP L (Mat Brown)	REAR GRIP L (Mat Brown)	1	
**	81220	81220-LKG7-E00	CAP RR GRIP	CAP RR GRIP	4	
	81252	81252-KKE5-E00	PLUG LUGGAGE BOX	PLUG LUGGAGE BOX	1	
**	81260	81260-LKG7-E00	LUGGAGE BOX ASSY (Black)	LUGGAGE BOX ASSY (Black)	1	
**	83500	83500-LKG7-E00	COVER R BODY (Mat Black)	COVER R BODY (Mat Black)	1	
**	83600	83600-LKG7-E00	COVER L BODY (Mat Black)	COVER L BODY (Mat Black)	1	
**	83750	83750-LKG7-E00	COVER RR CENTER (Mat Black)	COVER RR CENTER (Mat Black)	1	
**	83751	83751-LKG7-E00	MOLDING RR CENTER (Mat Black)	MOLDING RR CENTER (Mat Black)	1	
	90106	90106-KFC2-900	BOLT SPECIAL 8MM	BOLT SPECIAL 8MM	4	
	90301	90301-6D34-671	NUT FLANGE 6MM	NUT FLANGE 6MM	2	
	90302	90302-LKB9-900	NUT SPRING 5MM	NUT SPRING 5MM	4	
	93404	93404-06016-06	BOLT WASHER 6*16	BOLT WASHER 6*16	4	
	93903	93903-45360	SCREW TAPPING 5*16	SCREW TAPPING 5*16	2	

F13

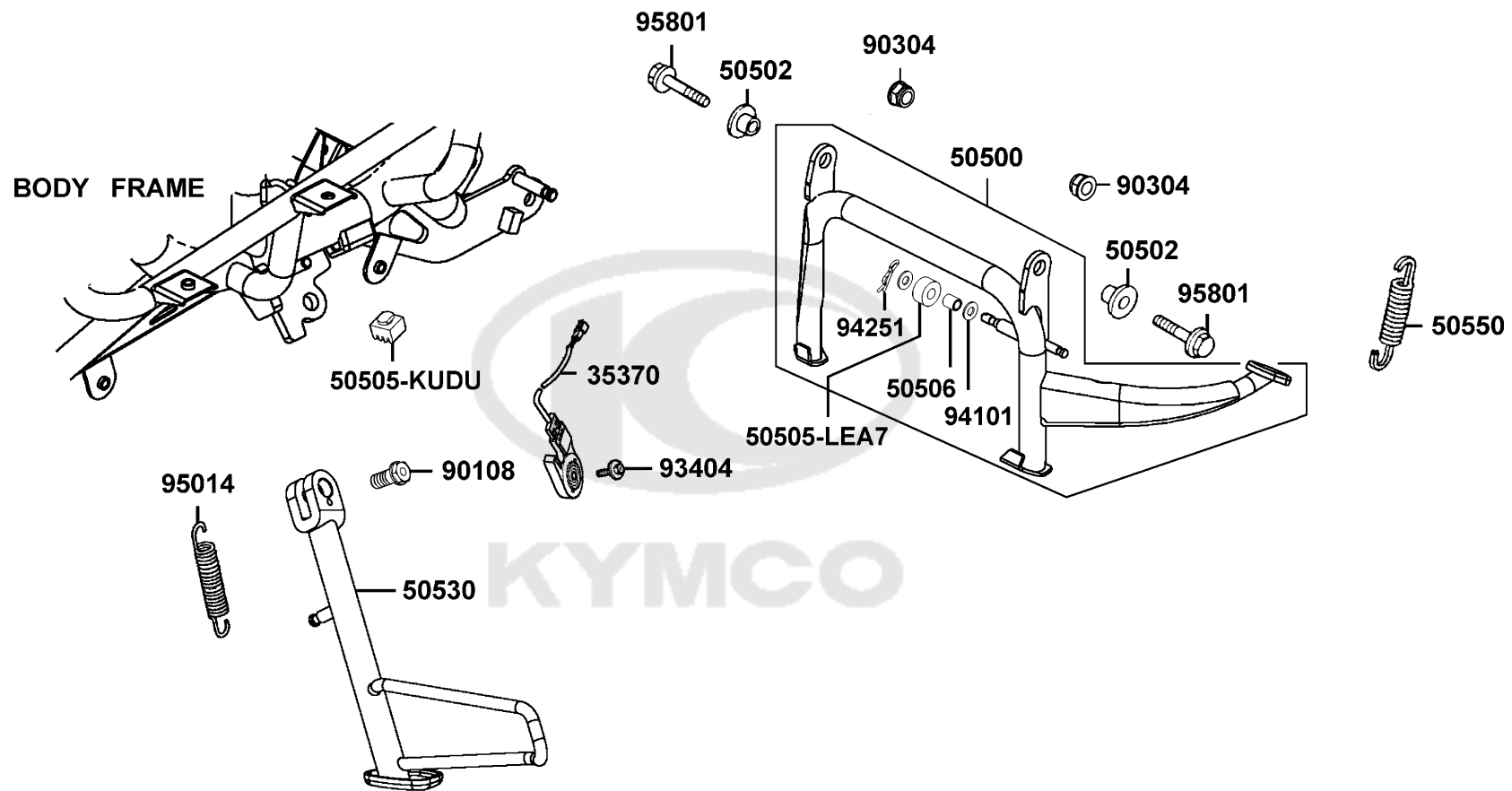
Air Cleaner



Sales mark	Ref no	Part no	Description	Reg description	Regd no	<b>F13</b>
	11212	11212-LFA7-E00	TUBE AIR/C BLOW-BY	TUBE AIR/C BLOW-BY	1	
	1121A	1121A-LFA7-E00	TUBE. BREATHER	TUBE. BREATHER	1	
	17211	17211-LKG7-E00	ELEMENT AIR/C	ELEMENT AIR/C	1	
	17213	17213-LKG7-E00	SEAL ELEMENT AIR/C	SEAL ELEMENT AIR/C	1	
	17214	17214-LEA7-E00	SEAL CASE AIR/C	SEAL CASE AIR/C	1	
	1723A	1723A-LKG5-E00	CASE AIR/C COMP	CASE AIR/C COMP	1	
	1723B	1723B-LKG7-E00	COVER COMP AIR/C	COVER COMP AIR/C	1	
	1737A	1737A-KUDU-900	V TUBE ASSY	V TUBE ASSY	1	
	90302	90302-LKB9-900	NUT SPRING 5MM	NUT SPRING 5MM	1	
#	90652	90652-GFY6-901	BAND 49 AIR/C CONNECTING TUBE	BAND 49 AIR/C CONNECTING TUBE	1	
	93404	93404-06035-06	BOLT WASHER 6*35	BOLT WASHER 6*35	2	
	93903	93903-25460	SCREW TAPPING 5*20 **93903-25480	SCREW TAPPING 5*20 **93903-25480 C.2005	8	
	95002-02100	95002-02100	CLIP B15 TUBE	CLIP B15 TUBE	1	
	95002-02150	95002-02150	CLIP B14.5 TUBE	CLIP B14.5 TUBE	1	
	96001	96001-GFY6-900	BOLT SPECIAL 5X10	BOLT SPECIAL 5X10	7	



Sales mark	Ref no	Part no	Description	Reg description	Regd no	F14
	18291	18291-KEBE-900	COLLAR	COLLAR	9	
	18291A	18291-LBA7-900	GASKET EXH PIPE	GASKET EXH PIPE	1	
	18292	18292-KEBE-900	PACKING PROTECTOR	PACKING PROTECTOR	9	
	18293	18293-KEBE-900	RUBBER PKG PROTR	RUBBER PKG PROTR	9	
	18294	18294-KEBE-900	PACKING PROTECTOR	PACKING PROTECTOR	18	
	18300	18300-LKG5-E00	MUFFLER COMP EXH	MUFFLER COMP EXH	1	
**	18307	18307-LFA7-E00	TAIL CAP MUFFLER BLACK	TAIL CAP MUFFLER BLACK	1	
**	1830A	1830A-LKG5-E00	MUFFLER ASSY EXHAUST	MUFFLER ASSY EXHAUST	1	
**	18318	18318-LFA7-E00	PROTECTOR MUFFLER	PROTECTOR MUFFLER	1	
	39450	39450-LEA6-800	O2 SENSOR	O2 SENSOR	1	
	90110	90110-KHD8-900	SCREW SPECIAL 6*20	SCREW SPECIAL 6*20	5	
	90301	90301-GFY6-901	NUT CAP 8MM **(1) C.2008.10.28	NUT CAP 8MM **(1) C.2008.10.28	2	
#	94101	94101-KEBE-900	WASHER PLAIN 6MM	WASHER PLAIN 6MM	5	
#	95701	95701-06025-06	BOLT FLANGE 6*25	BOLT FLANGE 6*25	4	
	95801	95801-10045-06	BOLT FLANGE 10*45	BOLT FLANGE 10*45	3	
#	96600	96600-LKG5-E00	SOCKET BOLT 6X20	SOCKET BOLT 6X20	1	

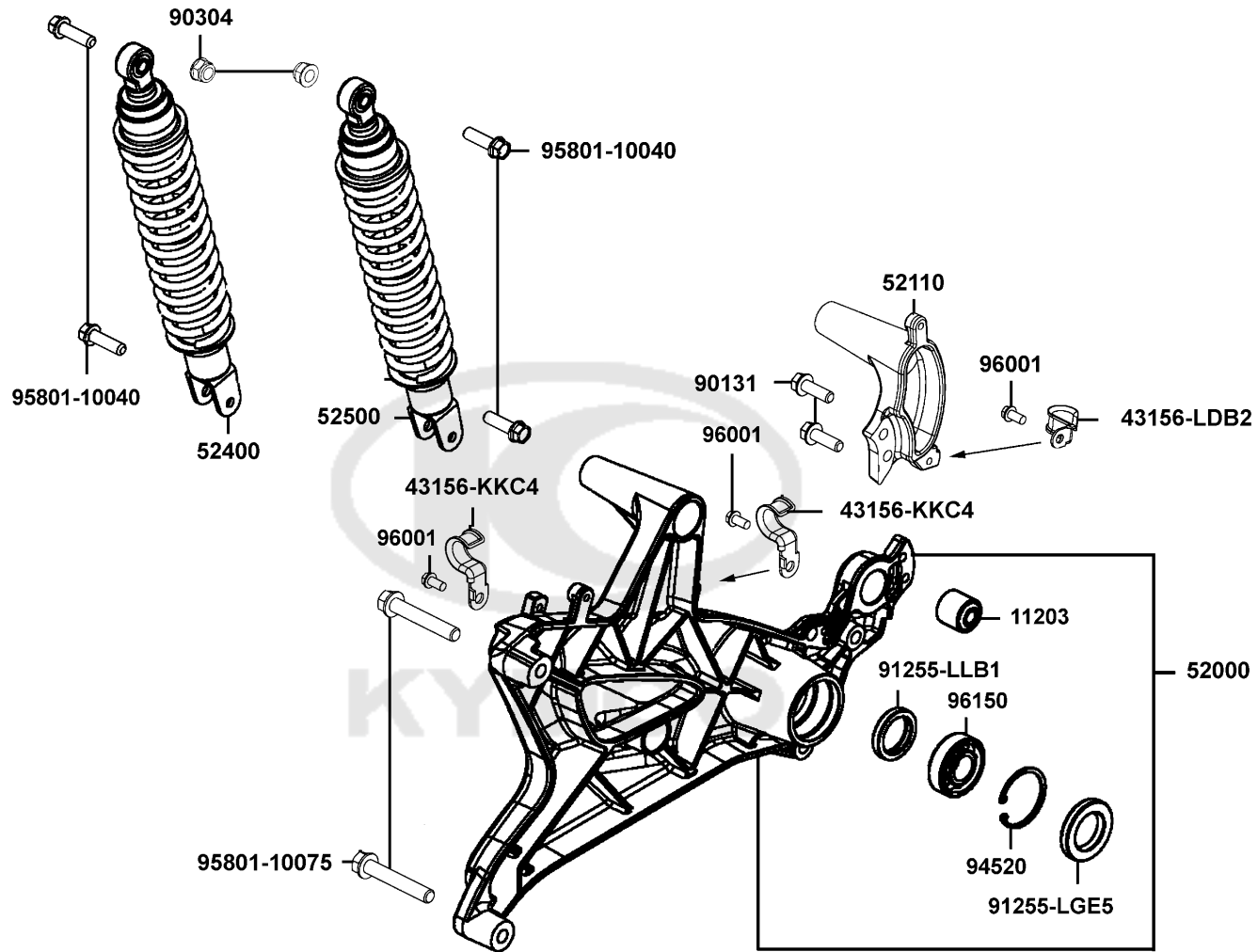


Sales mark	Ref no	Part no	Description	Reg description	Regd no	F15
35370		35370-LKG7-E00	SW UNIT SIDE STAND	SW UNIT SIDE STAND	1	
50500		50500-LKG5-E00	STAND COMP MAIN	STAND COMP MAIN	1	
50502		50502-LDF7-E10	COLLAR MAIN STAND	COLLAR MAIN STAND	2	
50505-KUDU		50505-KUDU-900	STOPPER RUBBER STAND	STOPPER RUBBER STAND	1	
50505-LEA7		50505-LEA7-E00	STOPPER RUBBER	STOPPER RUBBER	1	
50506		50506-KHE7-E00	COLLAR STOPPER RUBBER	COLLAR STOPPER RUBBER	1	
50530		50530-LKG7-E00	STAND COMP SIDE	STAND COMP SIDE	1	
50550		50550-KKC2-E00	SPG ASSY MAIN STAND	SPG ASSY MAIN STAND	1	
90108		90108-KKC4-900	SCREW SIDE STAND PIVOT	SCREW SIDE STAND PIVOT	1	
90304		90304-LEA1-900	NUT U FLANGE 10MM	NUT U 10MM	2	
93404		93404-06016-06	BOLT WASHER 6*16	BOLT WASHER 6*16	1	
94101		94101-08600	WASH PLAIN 8MM	WASH PLAIN 8MM	2	
94251		94251-08400	PIN LOCK 8MM	PIN LOCK 8MM	1	
95014		95014-72204	SPG B1 SIDE STAND	SPG B1 SIDE STAND	1	
95801		95801-10030-06	BOLT FLANGE 10X30	BOLT FLANGE 10X30	2	



F16

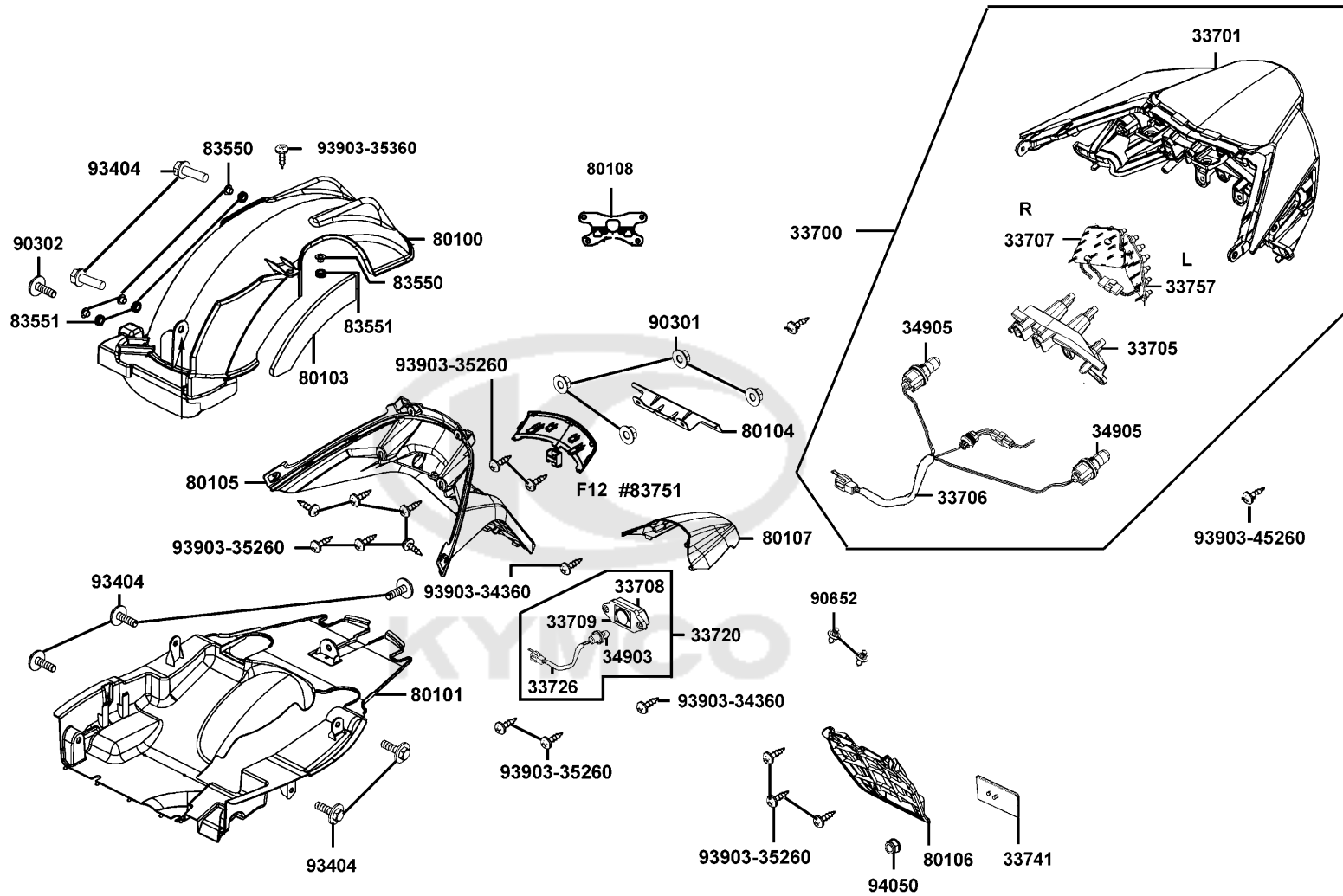
Rear Cushion



Sales mark	Ref no	Part no	Description	Reg description	Regd no	F16
	11203	11203-LBA2-E00	RUB BUSH L CASE	RUB BUSH L CASE	1	
	43156-KKC4	43156-KKC4-900	CLAMPER HOSE RR	CLAMPER HOSE RR	2	
	43156-LDB2	43156-LDB2-900	CLAMPER HOSE RR	CLAMPER HOSE RR	1	
**	52000	52000-LKG5-E00	FORK ASSY RR	FORK ASSY RR	1	
**	52110	52110-LKG5-E00	FORK A RR CAST	FORK A RR CAST	1	
**	52400	52400-LKG7-E00	CUSHION ASSY RR R/H (Black)	CUSHION ASSY RR R/H (Black)	1	
**	52500	52500-LKG7-E00	CUSHION ASSY RR L/H (Black)	CUSHION ASSY RR L/H (Black)	1	
	90131	90131-KEBE-900	BOLT FLANGE 8*24	BOLT FLANGE 8*24	2	
	90304	90304-GHE8-004	NUT U 10MM	NUT U 10MM	2	
	91255-LGE5	91255-LGE5-E00	OIL SEAL 30*48*7	OIL SEAL 30*48*7	1	
	91255-LLB1	91255-LLB1-900	OIL SEAL 30*40*7	OIL SEAL 30*40*7	1	
	94520	94520-47000	CIR CLIP IN 47	CIR CLIP IN 47	1	
	95801-10040	95801-10040-02	BOLT FLANGE 10*40	BOLT FLANGE 10*40	4	
	95801-10075	95801-10075-06	BOLT FLANGE 10x75 (G)	BOLT FLANGE 10x75	2	
#	96001	96001-06012-06	BOLT FLANGE SH 6*12	BOLT FLANGE SH 6*12	3	
	96150	96150-62040-10	BEARING BALL RADIAL 6204	BEARING BALL RADIAL 6204	1	

F17

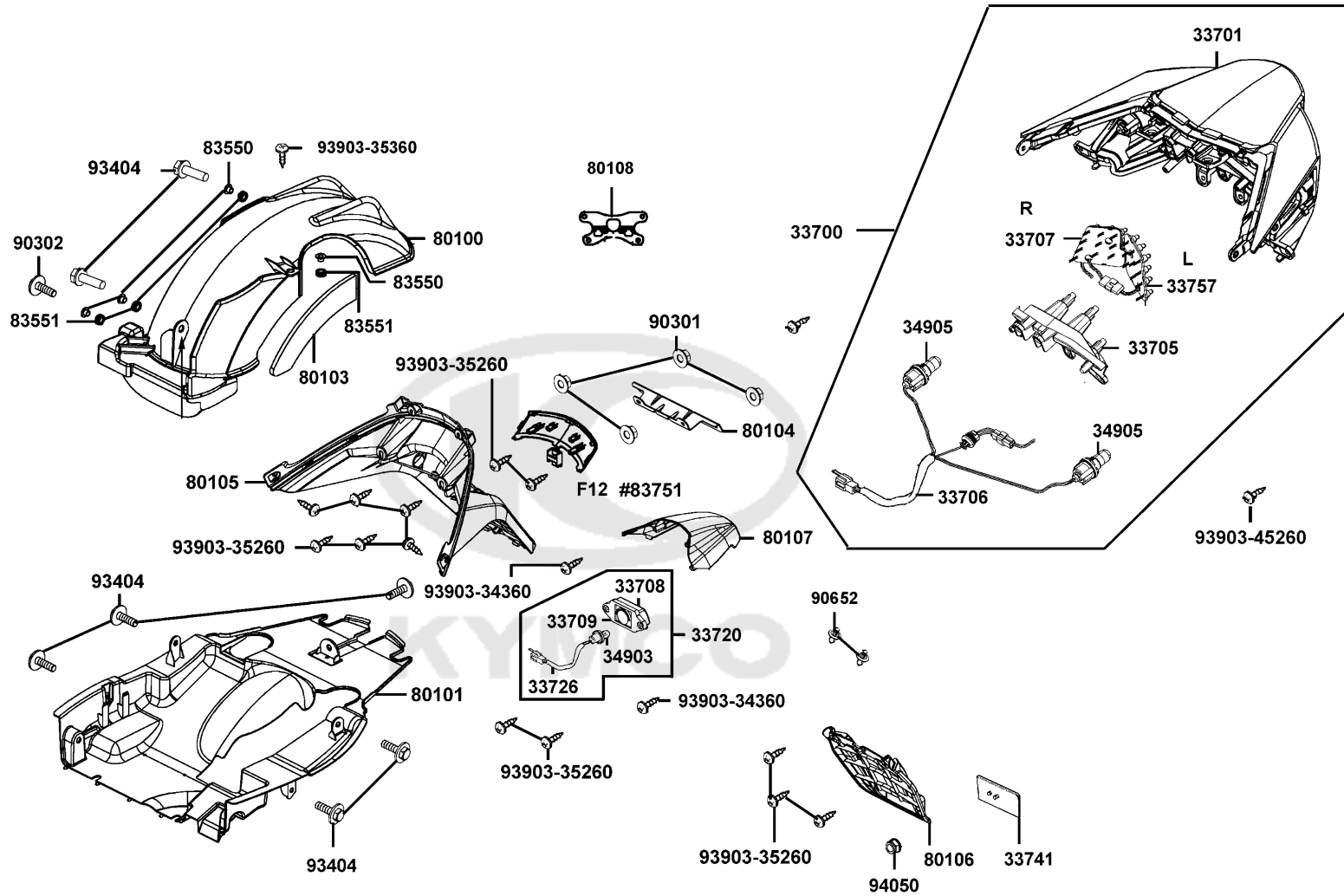
Rear LightRear Fender



Sales mark	Ref no	Part no	Description	Reg description	Regd no	F17
	33700	33700-LKG7-E00	LIGHT ASSY RR COMB	LIGHT ASSY RR COMB	1	
	33701	33701-LKG7-E00	UNIT TAIL LIGHT	UNIT TAIL LIGHT	1	
	33705	33705-LKG7-E00	BACK COVER	BACK COVER	1	
	33706	33706-LKG7-E00	SOCKET COMP TAIL LIGHT	SOCKET COMP TAIL LIGHT	1	
	33707	33707-LKG7-E00	LED COMP R	LED COMP R	1	
	33708	33708-KHE7-E00	LENS LICENSE	LENS LICENSE	1	
	33709	33709-KHE7-E00	BASE LICENSE	BASE LICENSE	1	
	33720	33720-LBB5-E00	LIGHT ASSY LICENSE	LIGHT ASSY LICENSE	1	
	33726	33726-LBB5-E00	SCOKET COMP	SCOKET COMP	1	
	33741	33741-KHC5-M00	REFLEX REFLECTOR	REFLEX REFLECTOR	1	
	33757	33757-LKG7-E00	LED COMP L	LED COMP L	1	
	34903	34903-KPCP-900	BULB POSITION LIGHT 12V5W **KCP-	BULB POSITION LIGHT 12V5W **KCP-9000	1	
	34905	34905-LCA5-E00	BULB WINKER (12V 10W)	BULB WINKER (12V 10W)	2	
**	80100	80100-LKG7-E00	FENDER RR TIRE (Black)	FENDER RR TIRE (Black)	1	
**	80101	80101-LKG7-E00	FENDER RR UP (Black)	FENDER RR UP (Black)	1	
	80103	80103-LKG7-E00	SPONGE TAPE FENDER	SPONGE TAPE FENDER	1	
	80104	80104-LKG7-E00	STAY NO. PLATE	STAY NO. PLATE	1	
**	80105	80105-LKG7-E00	FENDER RR	FENDER RR	1	
**	80106	80106-LKF5-E00	RR FENDER LOW	RR FENDER LOW	1	
**	80107	80107-LKF5-E00	COVER LICENSE LIGHT	COVER LICENSE LIGHT	1	

F17

Rear LightRear Fender



Sales mark	Ref no	Part no	Description	Reg description	Regd no	F17
	80108	80108-LKG7-E00	STAY RR FENDER	STAY RR FENDER	1	
	83550	83550-KEC8-900	COLLAR	COLLAR	4	
	83551	83551-KEC8-900	GROMMET COVER **KEC8-9000	GROMMET COVER **KEC8-9000 C.2005.09.01	4	
	90301	90301-6C93-001	NUT 6MM OPENSTAY	NUT 6MM OPENSTAY	4	
	90302	90302-GBR2-001	BOLT WASH 5*16	BOLT WASH 5*16	1	
	90652	90652-LCA4-E00	CLIP MUDGUARD	CLIP MUDGUARD	2	
	93404	93404-06016-06	BOLT WASHER 6*16	BOLT WASHER 6*16	7	
	93903-34360	93903-34360	SCREW TAPPING 4X12	SCREW TAPPING 4X12	2	
	93903-35260	93903-35260	SCREW TAPPING 5*12	SCREW TAPPING 5*12	13	
#	93903-35360	93903-35360	SCREW TAPPING 5*16	SCREW TAPPING 5*16	1	
	93903-45260	93903-45260	SCREW TAPPING 5*12	SCREW TAPPING 5*12	2	
	94050	94050-05080	NUT FLANGE 5MM	NUT FLANGE 5MM	1	

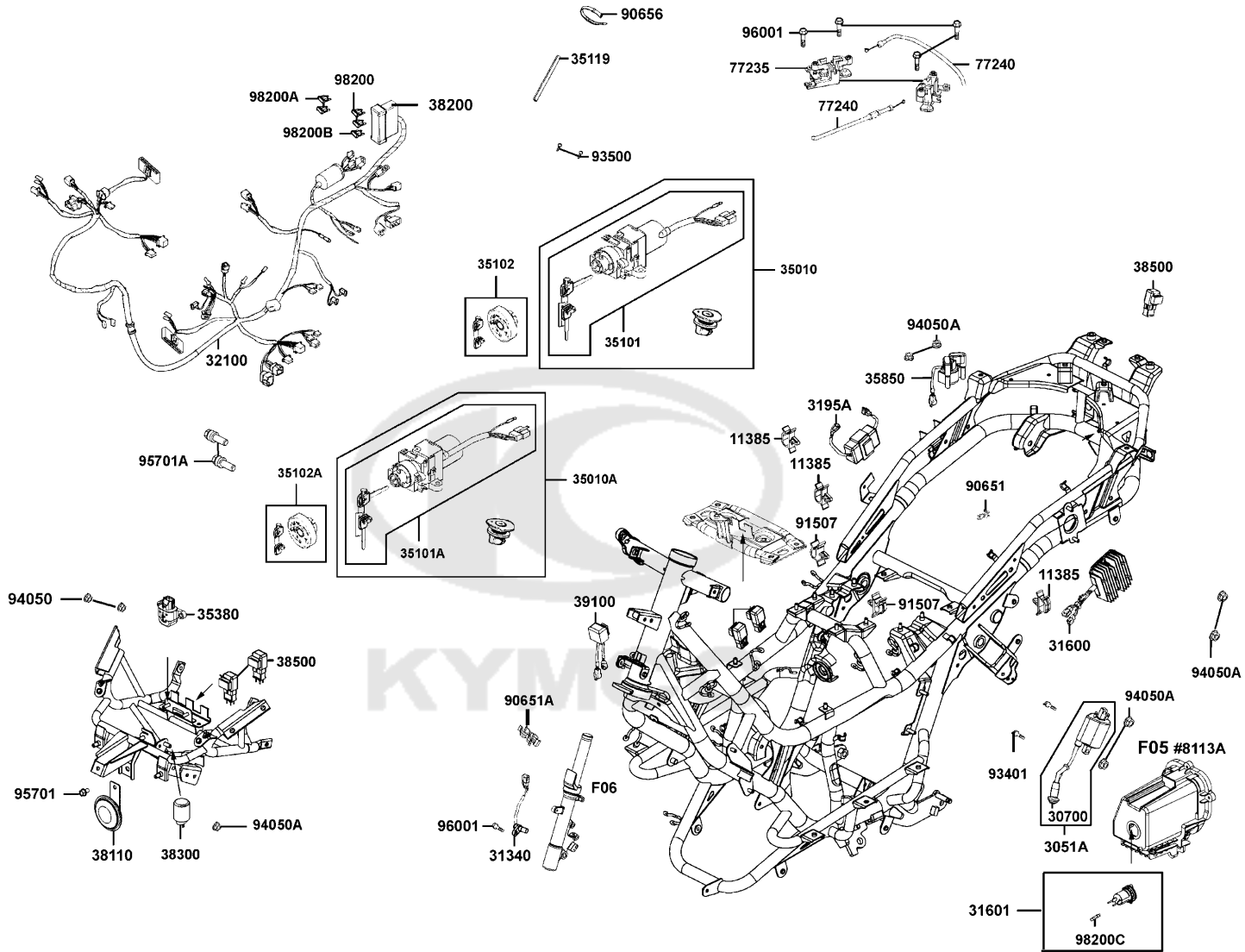


Sales mark	Ref no	Part no	Description	Reg description	Regd no	F18
11385		11385-KGBG-900	CLIP VACUUM TUBE	CLIP VACUUM TUBE	3	
3051A		3051A-LKG5-E00	COIL ASSY IGN	COIL ASSY IGN	1	
30700		30700-LGM5-900	CAP ASSY NOISE SUPPERSOR	CAP ASSY NOISE SUPPRESOR	1	
31340		31340-LFH1-E00	SENSOR RR WHEEL SPEED	SENSOR RR WHEEL SPEED	1	
31600		31600-LKF5-E00	REG REC COMP	REG REC COMP	1	
31601		31601-LEA7-E00	SOCKET COMP DC 12V	SOCKET COMP DC 12V	1	
3195A		3195A-LBA2-E00	HAZARD CONTROL ASSY	HAZARD CONTROL ASSY	1	
32100		32100-LKG5-E00	HARNES WIRE	HARNES WIRE	1	
35010		35010-LKG7-315-M1	KEY SET FOR SERVICE/D206 (D206)	KEY SET FOR SERVICE/D206 (D206)	1	
35010A		35010-LKG7-315-M2	KEY SET FOR SERVICE/D106 (D106)	KEY SET FOR SERVICE/D106 (D106)	1	
35101		35101-LKG7-315-M1	SW SET COMB LOCK/D206	SW SET COMB LOCK/D206	1	
35101A		35101-LKG7-315-M2	SW SET COMB LOCK/D106	SW SET COMB LOCK/D106	1	
35102		35102-KFB7-315-M1	SHUTTER MAGNETIC LOCK SET	SHUTTER MAGNETIC LOCK SET	1	
35102A		35102-KFB7-315-M2	SHUTTER MAGNETIC LOCK SET	SHUTTER MAGNETIC LOCK SET	1	
35119		35119-LEB1-90A	COVER SEAT CABLE	COVER SEAT CABLE	1	
35119		35119-LEB1-90B	COVER SEAT CABLE	COVER SEAT CABLE	1	
35380		35380-LKG2-900	SENSOR ANGLE DETECT	SENSOR ANGLE DETECT	1	
35850		35850-KHB4-90A	SET START MAG (D402)	SET START MAG (D402)	1	
35850		35850-KHB4-90B	SET START MAG (D406)	SET START MAG (D406)	1	
38110		38110-KKC3-90B	HORN COMP	HORN COMP	2	





Sales mark	Ref no	Part no	Description	Reg description	Regd no	F18
	38200	38200-KHE7-900	BOX COMP FUSE	BOX COMP FUSE	1	
	38300	38300-LEA7-E00	RELAY COMP WINKER	RELAY COMP.WINKER	1	
	38500	38500-LGL3-90A	RELAY ASSY LIGHT	RELAY ASSY LIGHT	2	
	39100	39100-LEA7-E00	EMI FILTER FAN MOTOR	EMI FILTER FAN MOTOR	1	
	77235	77235-KGC4-E0A	SEAT CATCH	SEAT CATCH	1	
	77235	77235-KGC4-E0B	SEAT CATCH	SEAT CATCH	1	
	77240	77240-LKG7-E00	CABLE.SEAT LOCK	CABLE.SEAT LOCK	1	
	90651	90651-LHG7-E00	CLIP WIRE HARN	CLIP WIRE HARN	1	
	90651A	90651-LKG7-E00	CLIP WIRE HARN	CLIP WIRE HARN	1	
	90656	90656-KCBC-900	BAND OIL HANDLE 8X146	BAND OIL HANDLE 8X146	1	
	91507	91507-LEA7-E00	CLIP	CLIP	2	
#	93401	93401-04025-06	BOLT WASHER 4X25	BOLT WASHER 4*25	1	
	93500	93500-KHC4-90A	SCREW PAN 5*10	SCREW PAN 5*10	2	
	94050	94050-05080	NUT FLANGE 5MM	NUT FLANGE 5MM	2	
	94050A	94050-06080	NUT FLANGE 6MM	NUT FLANGE 6MM	5	
#	95701	95701-08012-06	BOLT FLANGE 8*12	BOLT FLANGE 8*12	1	
	95701A	95701-LEA5-E00	BOLT TORQUE 8*25 **(0) C.2007.01.22	BOLT TORQUE 8*25 **(0) C.2007.01.22	2	
#	96001	96001-06012-06	BOLT FLANGE SH 6*12	BOLT FLANGE SH 6*12	5	
	98200	98200-31000	BLADE FUSE 10A **(0) C.2005.03.01	BLADE FUSE 10A **(0) C.2005.03.01	2	
	98200A	98200-31500	FUSE A15	FUSE A15	2	



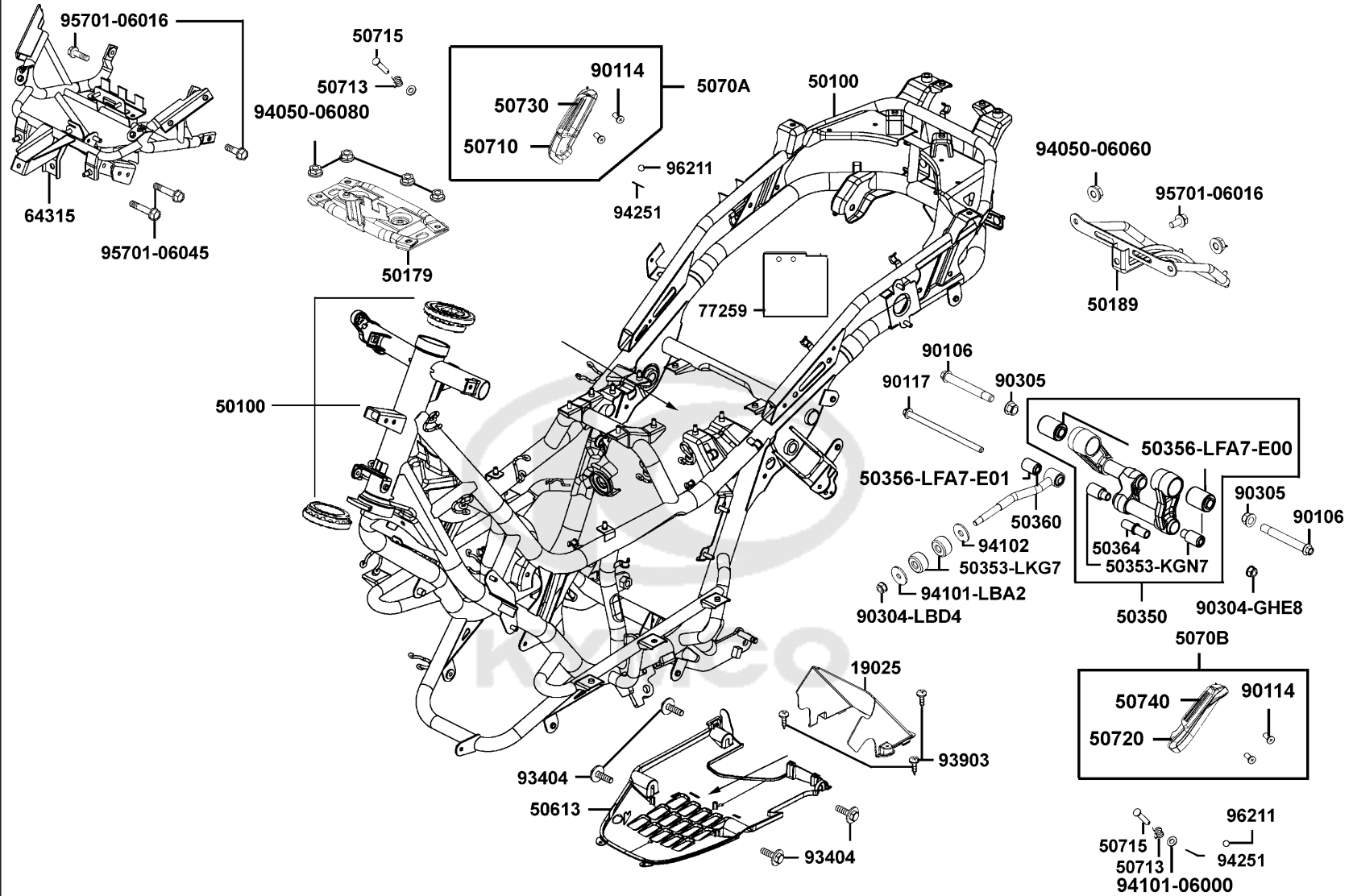
Sales mark	Ref no	Part no	Description	Reg description	Regd no	<b>F18</b>
------------	--------	---------	-------------	-----------------	---------	------------

98200B		98200-33000	BLADE FUSE 30A	BLADE FUSE 30A	1	
98200C		98200-LKF5-E00	FUSE 1.25 A	FUSE 1.25 A	1	



F19

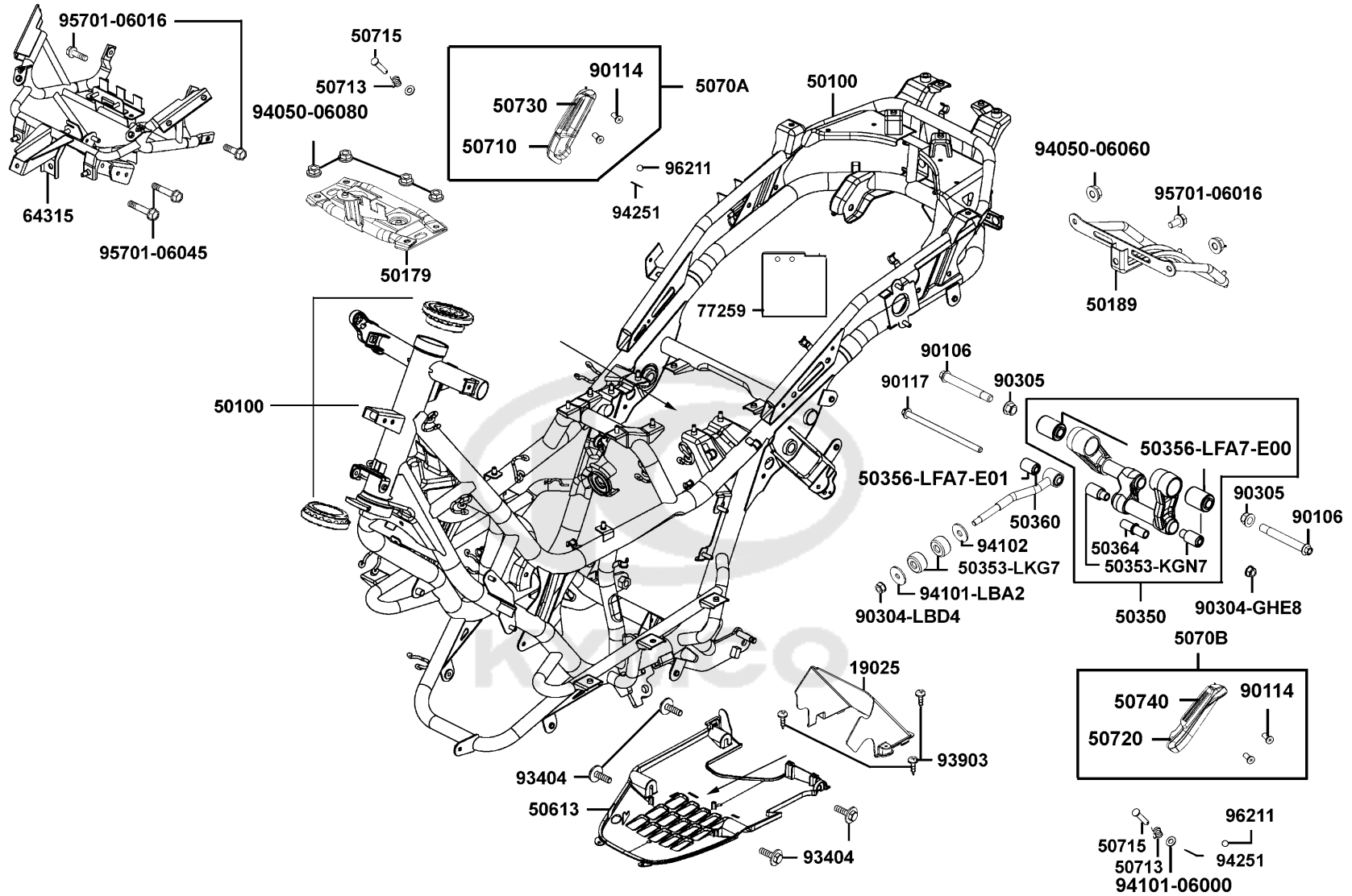
Frame Body



Sales mark	Ref no	Part no	Description	Reg description	Regd no	F19
**	19025	19025-LKG7-E00	COVER RADIATOR (Black)	COVER RADIATOR (Black)	1	
#	50100	50100-LKG5-315	BODY ASSY FRAME	BODY ASSY FRAME	1	
	50179	50179-LKG7-E00	BRKT.,BATTERY	BRKT. BATTERY	1	
	50189	50189-LKG7-E00	STAY RR FENDER	STAY RR FENDER	1	
	50350	50350-LFA7-E00	HANGER ASSY. ENG	HANGER ASSY. ENG	1	
	50353-KGN7	50353-KGN7-901	BUSH A ENG HANGER	BUSH A ENG HANGER	2	
	50353-LKG7	50353-LKG7-E00	RUBBER STOPPER	RUBBER STOPPER	2	
	50356-LFA7-E00	50356-LFA7-E00	RUB BUSH ENG HANGER	RUB BUSH ENG HANGER	2	
	50356-LFA7-E01	50356-LFA7-E01	RUB BUSH TIE ROD	RUB BUSH TIE ROD	1	
	50360	50360-LFA7-E00	TIE ROD ASSY. ENG HANGER	TIE ROD ASSY. ENG HANGER	1	
	50364	50364-KEBE-900	COLLAR B ENG HANGER	COLLAR B ENG HANGER	1	
**	50613	50613-LKG7-E00	COVER. UNDER (Black)	COVER. UNDER (Black)	1	
**	5070A	5070A-LKG7-E00	BAR ASSY R STEP (Mat Brown)	BAR ASSY R STEP (Mat Brown)	1	
**	5070B	5070B-LKG7-E00	BAR ASSY L RR STEP (Mat Brown)	BAR ASSY L RR STEP (Mat Brown)	1	
**	50710	50710-LKG7-E00	BAR R RR STEP (Mat Brown)	BAR R RR STEP (Mat Brown)	1	
	50713	50713-KEB7-900	SPRING	SPRING	2	
	50715	50715-KEB7-900	PIN RR STEP	PIN RR STEP	2	
**	50720	50720-LKG7-E00	BAR L RR STEP (Mat Brown)	BAR L RR STEP (Mat Brown)	1	
	50730	50730-LKG7-E00	RUEEER COMP R RR STEP	RUEEER COMP R RR STEP	1	
	50740	50740-LKG7-E00	RUBBER COMP L RR STEP	RUBBER COMP L RR STEP	1	

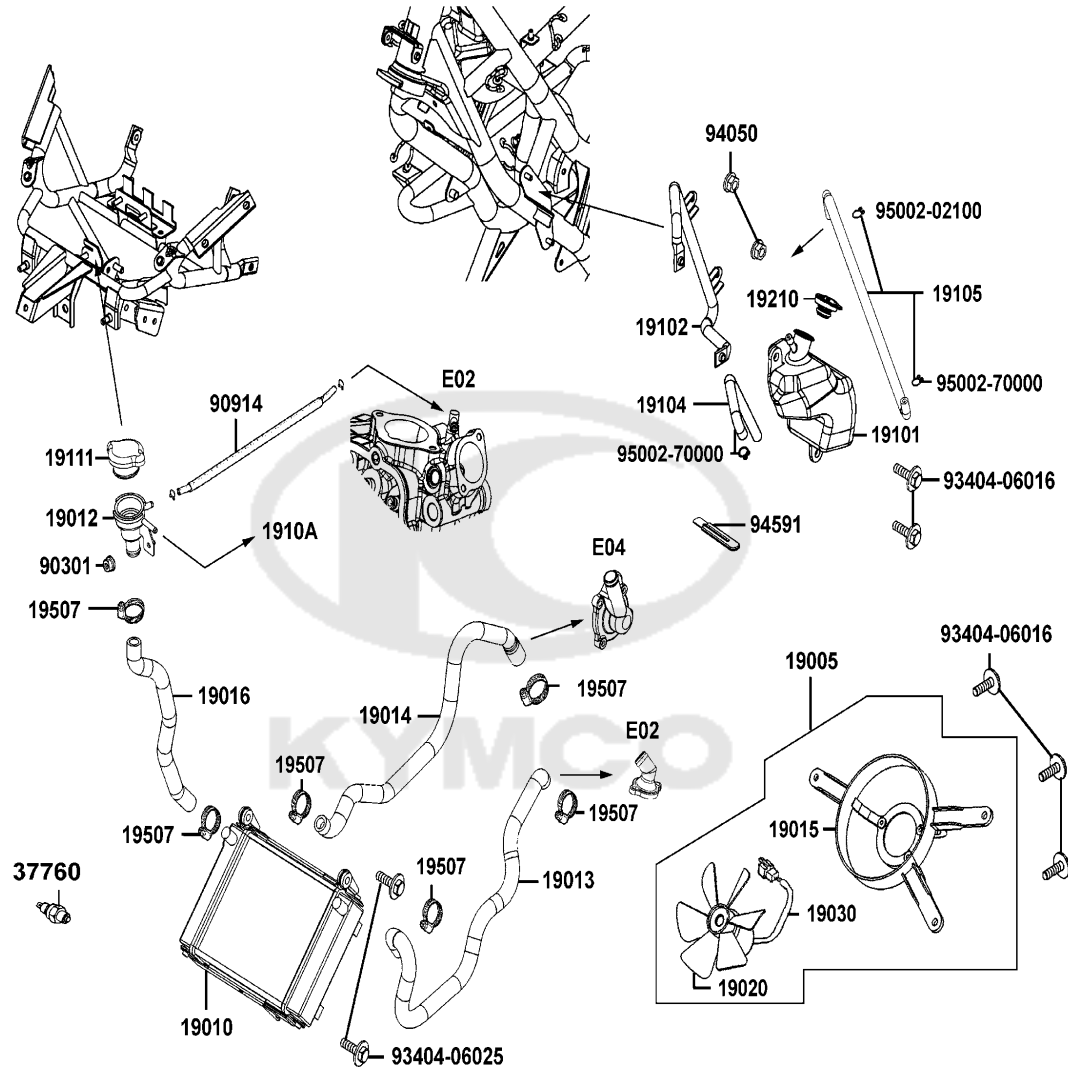
F19

Frame Body

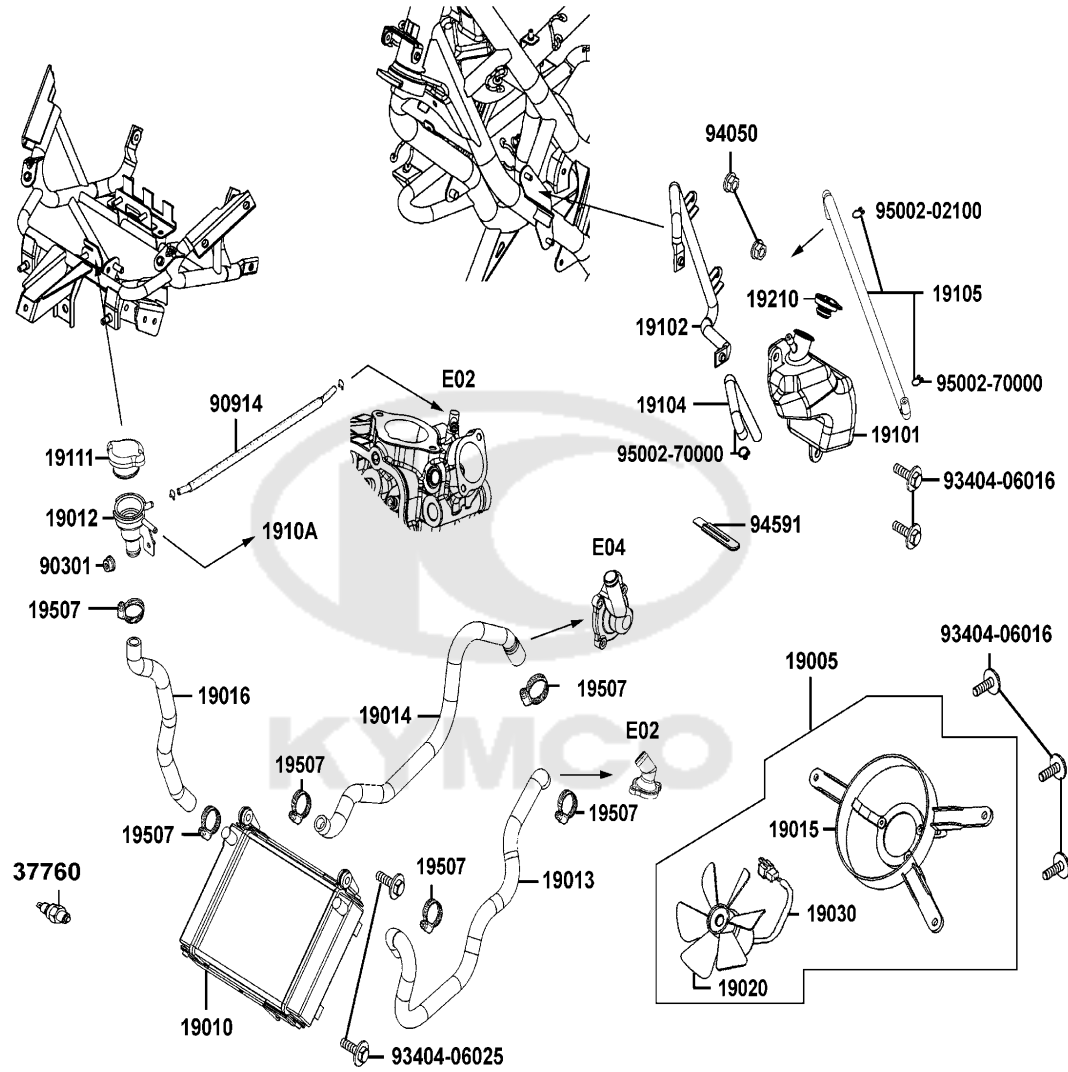



Sales mark	Ref no	Part no	Description	Reg description	Regd no	F19
64315		64315-LKG7-E00	BRKT,FR COVER	BRKT FR COVER	1	
77259		77259-LKG7-E00	PLATE ANTI THIEF	PLATE ANTI THIEF	1	
90106		90106-LEA7-E00	BOLT FLANGE 15*118	BOLT FLANGE 15X118	2	
90114		90114-KED9-900	SCREW PAN 6*12	SCREW PAN 6*12	2	
90117		90117-KED9-950	BOLT FLANGER 10*265	BOLT FLANGER 10X265	1	
90304-GHE8		90304-GHE8-004	NUT U 10MM	NUT U 10MM	1	
90304-LBD4		90304-LBD4-900	NUT U FLANGE 10MM	NUT U FLANGE 10MM	1	
90305		90305-LBD4-900	NUT U 14MM	NUT U 14MM	2	
93404		93404-06016-06	BOLT WASHER 6*16	BOLT WASHER 6*16	7	
93903		93903-35260	SCREW TAPPING 5*12	SCREW TAPPING 5*12	3	
94050-06060		94050-06060	NUT FLANGE 6MM	NUT FLANGE 6MM	2	
94050-06080		94050-06080	NUT FLANGE 6MM	NUT FLANGE 6MM	4	
94101-06000		94101-06000	WASHER PLAIN 6MM	WASHER PLAIN 6MM	2	
94101-LBA2		94101-LBA2-E00	WASHER PLATE 10.5*38*3.0	WASHER PLATE 10.5*38*3.0	1	
94102		94102-LBA2-E00	WASHER PLAIN 38*12.5*3	WASHER PLAIN 38*12.5*3	1	
94251		94251-08400	PIN LOCK 8MM	PIN LOCK 8MM	2	
95701-06016		95701-06016-06	BOLT FLANGE 6*16 (K)	BOLT FLANGE 6*16 (K)	3	
95701-06045		95701-06045-06	BOLT FLANGE 6*45	BOLT FLANGE 6*45	3	
96211		96211-08000	BALL STEEL #8	BALL STEEL #8	2	





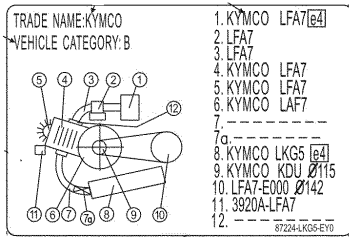
Sales mark	Ref no	Part no	Description	Reg description	Regd no	F20
	19005	19005-LFA7-E00	SHROUD ASSY	SHROUD ASSY	1	
	19010	19010-LFA7-E00	RADIATOR COMP	RADIATOR COMP	1	
	19012	19012-KHD8-900	UNIT RADIATOR	UNIT RADIATOR	1	
	19013	19013-LKG5-E00	HOSE WATER INLET	HOSE WATER INLET	1	
	19014	19014-LKG5-E00	HOSE WATER OUTLET	HOSE WATER OUTLET	1	
	19015	19015-LEA5-E00	SHROUD COMP	SHROUD COMP	1	
	19016	19016-LKG7-E00	HOSE WATER-UNIT CAP	HOSE WATER-UNIT CAP	1	
	19020	19020-KED9-900	FAN COOLING	FAN COOLING	1	
	19030	19030-KHD8-900	MOTOR	MOTOR	1	
	19101	19101-LKG7-E00	TANK RESERVE	TANK RESERVE	1	
	19102	19102-LKG7-E00	STAY TANK REVERSE	STAY TANK REVERSE	1	
	19104	19104-LBA2-E00	HOSE ASSY DRAIN	HOSE ASSY DRAIN	1	
	19105	19105-LEA7-E00	HOSE ASSY RESERVE	HOSE ASSY RESERVE	1	
	19111	19111-PRB3-900	CAP COMP RADIATOR	CAP COMP RADIATOR	1	
	19210	19210-KKC4-900	CAP RESERVE TANK	CAP RESERVE TANK	1	
	19507	19507-LDB5-E00	CLAMP D 28	CLAMP D 28	6	
	37760	37760-KHD8-900	SW ASSY THERMO	SW ASSY THERMO	1	
	90301	90301-6D34-671	NUT FLANGE 6MM	NUT FLANGE 6MM	1	
	90914	90914-LKG5-E00	TUBE ASSY WATER	TUBE ASSY WATER	1	
	93404-06016	93404-06016-06	BOLT WASHER 6*16	BOLT WASHER 6*16	5	



Sales mark	Ref no	Part no	Description	Reg description	Regd no	<b>F20</b>
	93404-06025	93404-06025-06	BOLT WASHER 6*25	BOLT WASHER 6*25	2	
	94050	94050-06080	NUT FLANGE 6MM	NUT FLANGE 6MM	2	
	94591	94591-KFBF-900	CLIP 2*70	CLIP 2*70	1	
	95002-02100	95002-02100	CLIP B15 TUBE	CLIP B15 TUBE	1	
	95002-70000	95002-70000	CLIP C11 TUBE	CLIP C11 TUBE	2	
						

F21

### Caution Label



87224

● Be sure to wear a safety helmet when riding.  
● Do not exceed the speed specified by law when riding.  
● The exhaust muffler temperature is very high after riding. Be sure to park the motorcycle in a place not easily touched by people.  
● For riding safety and good performance, do not violate the law to modify the motorcycle.

● Make sure to perform the periodic maintenance and provide inspection.

Periodic Inspection Items

Brake Performance, tires, engine oil level, lights, horn, and instrument panel

KWANG YANG MOTOR CO., LTD.

© Photo from the User's Manual conclude to secure driving safety.

87560

**CAUTIONS**

Never put any article between the rear side cover and the engine to avoid interference of riding.

GMS-300

87542

**CAUTIONS**

Before starting the engine, the side stand shall be kicked up to secure safety.

87541-GAR1

**CAUTIONS**

TIRE SIZE : FRONT 120/70-14 REAR 150/70-14  
(ONE RIDER) : FRONT 2.0kg/cm<sup>2</sup> REAR 2.25kg/cm<sup>2</sup>  
(TWO RIDER) : FRONT 2.0kg/cm<sup>2</sup> REAR 2.25kg/cm<sup>2</sup>  
LOAD CAPACITY : SHIELD 1.5kg CLIP ASSY CENTER 3kg  
(AS PER KYMCO STANDARD SPECIFICATION)  
(NOTE: THE TIRE PRESSURE MUST NOT OVER PASS 2.30kg/cm<sup>2</sup>)

CHECK THE MOTOR OIL LEVEL WITH THE DIPSTICK AFTER REFILLING MOTOR OIL.

87505-LGES-E00

87505

**CAUTIONS**

Every 5000 km run should exchange the filter.

KBE-E00

87512

**CAUTION**

Mobile phone charge only. Use other appliance may cause damage.

KKC2-E000

87541-KKC2

Sales mark	Ref no	Part no	Description	Reg description	Regd no	<b>F21</b>
**	87224	87224-LKG5-EY0	CAUTION ANTI TAMPERING	CAUTION ANTI TAMPERING	1	
**	87505	87505-LKG7-E00	LABEL TIRE	LABEL TIRE	1	
**	87512	87512-KEBE-E00	CAUTION FILTER	CAUTION FILTER	1	
**	87541-GAR1	87541-GAR1-E00	CAUTION SIDE STAND	CAUTION SIDE STAND	1	
**	87541-KKC2	87541-KKC2-E00	CAUTION MOBILE PHONE	CAUTION MOBILE PHONE	1	
**	87542	87542-GAR1-E00	MARK MAINT CAUTION	MARK MAINT CAUTION	1	
**	87560	87560-GFY6-E00	MARK DRIVE CAUTION	MARK DRIVE CAUTION	1	



**K-XGT**

86202

**125i**

87140

KYMCO

Sales mark	Ref no	Part no	Description	Reg description	Regd no	<b>F22</b>
------------	--------	---------	-------------	-----------------	---------	------------

**	86202	86202-LKG7-E10	EMB BODY COVER	EMB BODY COVER	1	
**	87140	87140-LKG5-E10	EMB MARK 125I	EMB MARK 125I	1	





35111-LKC6-301-M1L



35111-LKC6-301-M1R



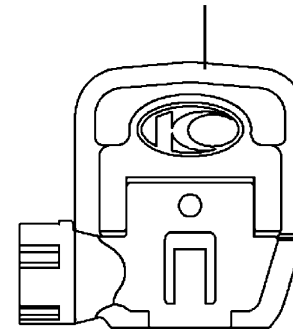
35111-LKC6-301-M2L



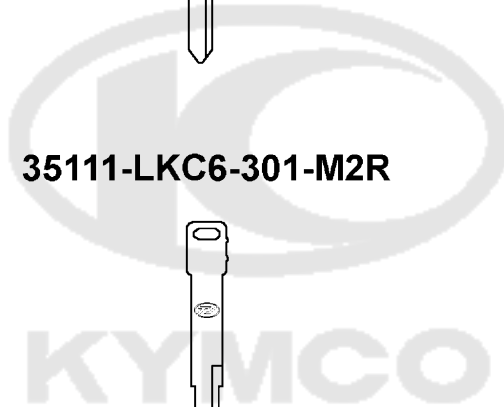
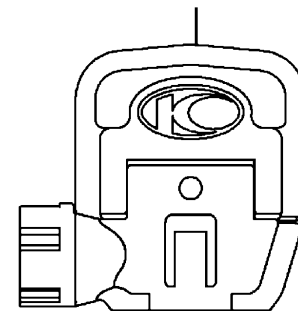
35111-LKC6-301-M2R



35111-LKC6-306-M1



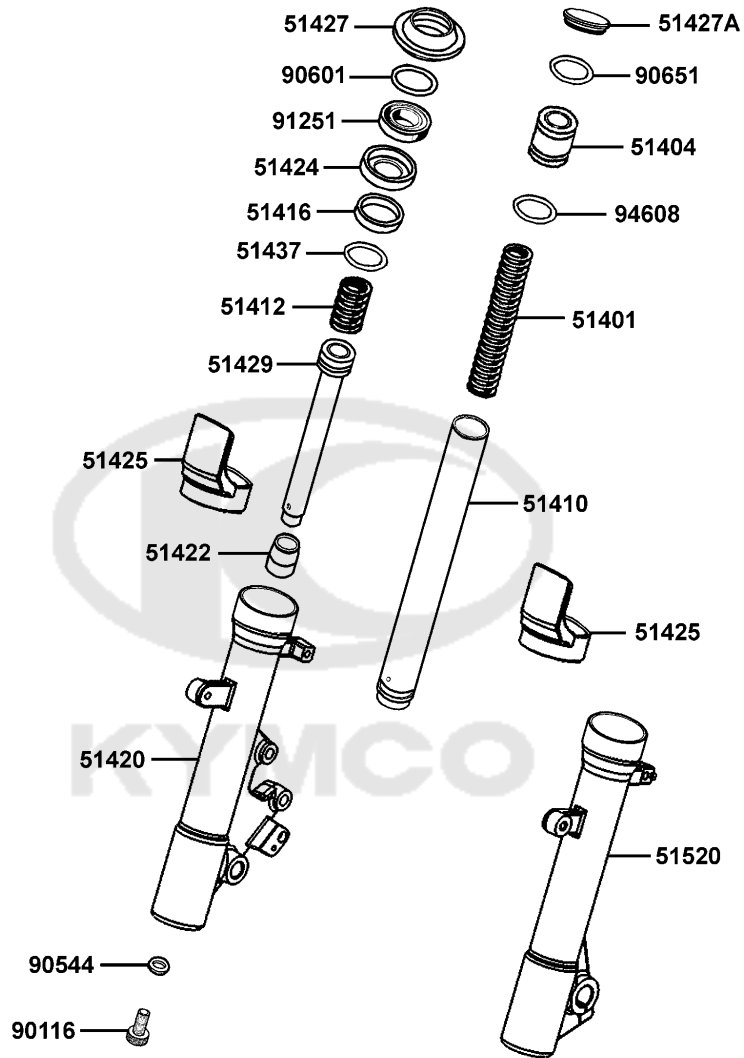
35111-LKC6-306-M2



Sales mark	Ref no	Part no	Description	Reg description	Regd no	<b>F23</b>
	35111-LKC6-301-	35111-LKC6-301-M1L	KEY COMP (L TANGENT PLANE/SD)	KEY COMP (L TANGENT PLANE/SD)	1	
	35111-LKC6-301-	35111-LKC6-301-M1R	KEY COMP (R TANGENT PLANE/SD)	KEY COMP (R TANGENT PLANE/SD)	1	
	35111-LKC6-301-	35111-LKC6-301-M2L	KEY COMP (L TANGENT PLANE/TJ)	KEY COMP (L TANGENT PLANE/TJ)	1	
	35111-LKC6-301-	35111-LKC6-301-M2R	KEY COMP (R TANGENT PLANE/TJ)	KEY COMP (R TANGENT PLANE/TJ)	1	
	35111-LKC6-306-M1	35111-LKC6-306-M1	KEY COMP SHOTTER MAGNETIC (SD)	KEY COMP HOLD (SD)	1	
	35111-LKC6-306-M2	35111-LKC6-306-M2	KEY COMP SHOTTER MAGNETIC (TJ)	KEY COMP SHOTTER MAGNETIC (TJ)	1	



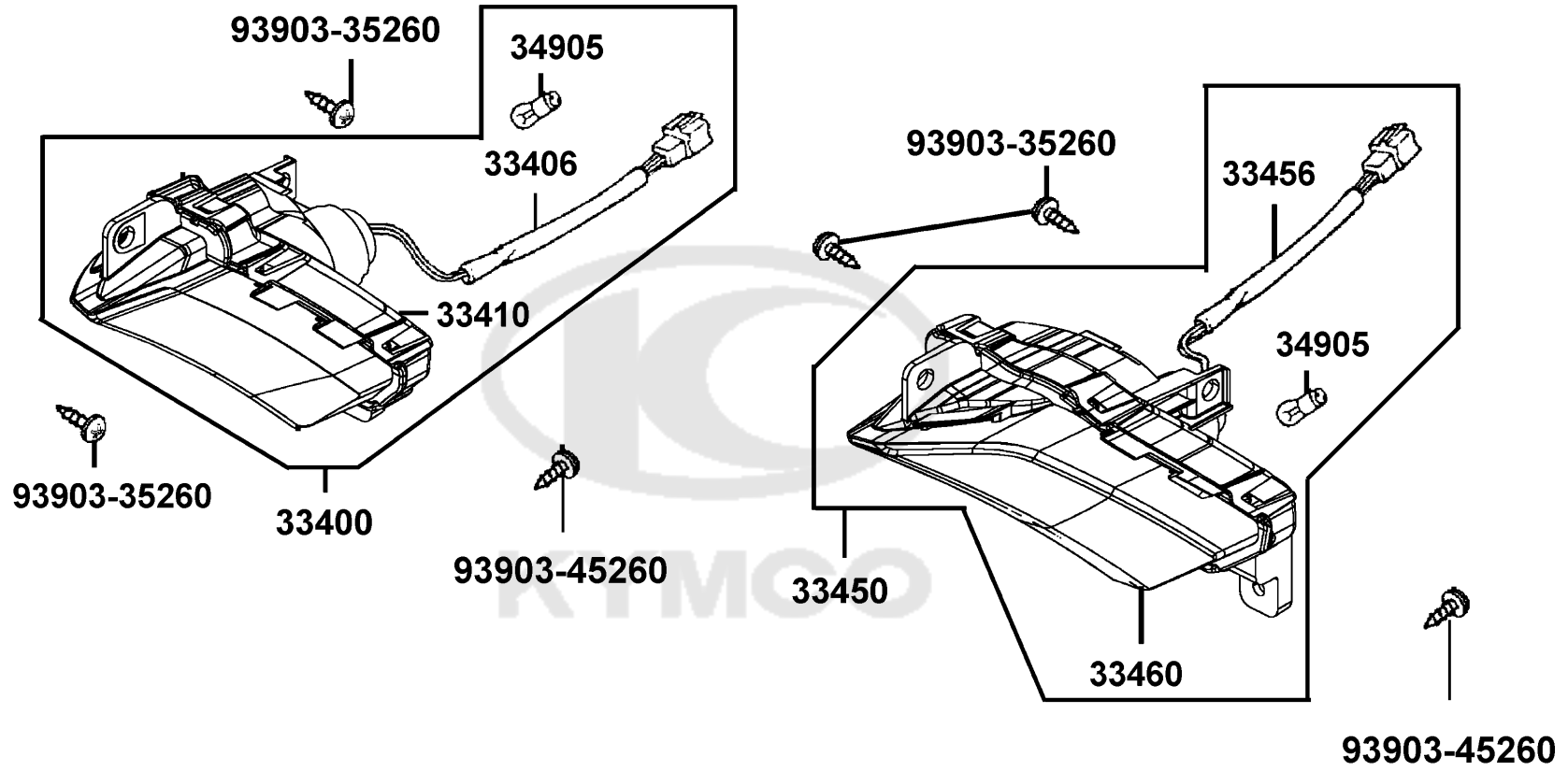
Separated Parts Of Fr Fork



Sales mark	Ref no	Part no	Description	Reg description	Regd no	F24
	51401	51401-LKG7-E00	SPRING	SPRING	1	
	51404	51404-LDH1-E00	SPRING COLLAR	SPRING COLLAR	1	
	51410	51410-LKG7-E00	FORK PIPE COMP	FORK PIPE COMP	1	
	51412	51412-LEA7-E00	REBOUND SPRING	REBOUND SPRING	1	
	51416	51416-LDH1-E00	GUIDE BUSH	GUIDE BUSH	1	
**	51420	51420-LEA7-E00	BOTTOM CASE R (Black)	BOTTOM CASE R (Black)	1	
	51422	51422-KED9-900	OIL LOCK PIECE	OIL LOCK PIECE	1	
	51424	51424-LDH1-E00	SPACER	SPACER	1	
	51425	51425-LKG7-E00	FENDER FR FORK	FENDER FR FORK	1	
	51427	51427-LDH1-E00	DUST SEAL	DUST SEAL	1	
	51427A	51427-LLJ3-E00	FORK BOLT CAP	FORK BOLT CAP	1	
	51429	51429-LEA7-E00	PIPE SEAT COMP	PIPE SEAT COMP	1	
	51437	51437-LDH1-E00	PISTON RING	PISTON RING	1	
**	51520	51520-LEA7-E00	BOTTOM CASE L (Black)	BOTTOM CASE L (Black)	1	
	90116	90116-LHG7-E00	SOCKET BOLT	SOCKET BOLT	1	
	90544	90544-KEC8-900	PACKING	PACKING	1	
	90601	90601-LLJ3-E00	OIL SEAL STOPPER RING	OIL SEAL STOPPER RING	1	
	90651	90651-LLJ3-E00	STOPPER RING	STOPPER RING	1	
	91251	91251-LLJ3-E00	OIL SEAL	OIL SEAL	1	
	94608	94608-LLJ3-E00	O-RING	O-RING	1	

F25

Winker Assy Fr



Sales mark	Ref no	Part no	Description	Reg description	Regd no	F25
	33400	33400-LKG7-E00	WINKER ASSY R FR	WINKER ASSY R FR	1	
	33406	33406-LKG7-E00	SOCKET COMP R FR WINKER	SOCKET COMP R FR WINKER	1	
	33410	33410-LKG7-E00	UNIT R FR WINKER	UNIT R FR WINKER	1	
	33450	33450-LKG7-E00	WINKER ASSY L FR	WINKER ASSY L FR	1	
	33456	33456-LKG7-E00	SOCKET COMP L FR WINKER	SOCKET COMP L FR WINKER	1	
	33460	33460-LKG7-E00	UNIT L FR WINKER	UNIT L FR WINKER	1	
	34905	34905-LKG7-E00	BULB WINKER 12V WY21W	BULB WINKER 12V WY21W	2	
	93903-35260	93903-35260	SCREW TAPPING 5*12	SCREW TAPPING 5*12	4	
	93903-45260	93903-45260	SCREW TAPPING 5*12	SCREW TAPPING 5*12	2	



## PART NO. INDEX

PART NO.	VERSION	PAGE	PART NO.	VERSION	PAGE	PART NO.	VERSION	PAGE
<b>1000</b>			11394-LFA7-E00	6	E04	<b>14000</b>		
			11395-LFA7-E00	3	E01			
1614-A22C-0000-Y	0	F10	<b>12000</b>			14100-LFA7-E00	6	E02
<b>3000</b>			12100-LFA7-E00	7	E03	14110-LEB1-900	3	E02
			12191-LFA7-E00	1	E03	14321-LEB1-900	4	E02
3791-HN80-0000	0	F10	12200-LFA7-E00	9	E02	14401-LFA7-E00	6	E03
<b>11000</b>			12205-KHE8-301	5	E02	14420-LEB1-900	4	E02
			12209-LEA2-90A	2	E02	14430-LEB1-900	4	E02
11100-LFA7-305	0	E01	12251-LFA7-E00	2	E02	14433-LEB1-900	2	E02
11103-KHE7-90A	1	E01	12310-LFA7-E00	6	E02	14434-LEB1-900	1	E02
11192-LFA7-E00	4	E01	12361-GFY6-901	1	E04	14452-LFA7-E00	3	E02
11200-LFA7-305	0	E01	12391-LFA7-E00	2	E02	14453-LFA7-E00	5	E02
11203-LBA2-E00	2	E01				14510-LEB1-900	2	E03
11203-LBA2-E00	2	F16	<b>13000</b>			14510-LEB1-90B	1	E03
11212-LFA7-E00	1	F13	13000-LFA7-E00	15	E03	14520-LFA7-E00	1	E03
1121A-LFA7-E00	1	F13	13011-LEB1-90A	2	E03	14523-KED9-920	1	E03
1122A-LEB1-900	6	E01	13011-LEB1-90B	0	E03	14531-GLR0-001	1	E03
11330-LFA7-E00	9	E04	13101-LFA7-E00	9	E03	14610-LEB1-900	1	E03
11340-LFA7-E00	4	E01	13111-LFA7-E00	3	E03	14610-LEB1-90B	2	E03
11342-LFA7-900	1	E01	13406-LGE7-E00	1	E02	14711-LFA7-E00	3	E02
11345-LEA7-E00	1	E01				14721-LFA7-E00	3	E02
11346-GFY6-901	0	E01				14751-KHD6-900	2	E02
11385-KGBG-900	0	F18				14771-LEA2-900	2	E02
						14777-LFA7-E00	2	E02
						14781-KKE5-E00	2	E02

## PART NO. INDEX

PART NO.	VERSION	PAGE	PART NO.	VERSION	PAGE	PART NO.	VERSION	PAGE	
<b>15000</b>			16133-KEC3-900	1	E08	17685-KZCZ-900	0	F05	
			16134-LFA7-E00	4	E08	17685-LKG5-E00	3	F10	
			16138-KEC3-900	1	E08	17910-LKG5-E00	6	F03	
	15100-KEBE-900	0	E06	16154-KKE3-900	4	E08	17911-LKG5-E00	5	F03
	15133-KAM1-001	1	E06	16170-KEC3-900	0	E08			
	15141-KKJ9-004	0	E06	16195-KEC3-900	0	E08	<b>18000</b>		
	1541A-LEA7-E00	6	E01	16201-LFE2-900	3	E02			
	15421-1G07-001	1	E04	16211-LFE2-900	3	E02	18291-KEBE-900	1	F14
	15421-KKC3-900	1	E01				18291-LBA7-900	2	F14
	15422-KKC3-900	3	E01	<b>17000</b>			18292-KEBE-900	1	F14
	15423-KKC3-900	1	E01				18293-KEBE-900	1	F14
	15426-GAE1-921	0	E04	1711A-LFA7-E00	9	E02	18294-KEBE-900	1	F14
	1565A-KUDU-900	0	E04	17211-LKG7-E00	0	F13	18300-LKG5-E00	2	F14
	15711-LFA7-E00	2	E06	17213-LKG7-E00	0	F13	18307-LFA7-E00	0	F14
<b>16000</b>			17214-LEA7-E00	2	F13	1830A-LKG5-E00	6	F14	
			1723A-LKG5-E00	0	F13	18318-LFA7-E00	2	F14	
			1723B-LKG7-E00	0	F13				
	16056-LFA7-E00	5	E08	1737A-KUDU-900	0	F13	<b>19000</b>		
	16068-LFA7-E01	1	E08	17500-LKG7-E00	6	F10			
	16074-KEC3-900	4	E08	17512-LKG7-E00	0	F10	19005-LFA7-E00	2	F20
	16100-LKG5-E00	5	E08	17530-KGB5-900	1	F05	19010-LFA7-E00	0	F20
	16110-LFA7-E00	4	E08	17550-LEA7-800	5	F10	19012-KHD8-900	4	F20
	16112-KKE3-900	1	E08	17561-LGE5-E00	1	F10	19013-LKG5-E00	1	F20
	16112-LEB2-900	1	E08	17582-LKG7-E00	0	F10	19014-LKG5-E00	0	F20
	16118-KEC3-900	0	E08	17620-LEA7-315-M1	0	F10	19015-LEA5-E00	1	F20
	16122-KEC3-900	1	E08	17620-LEA7-315-M2	0	F10	19016-LKG7-E00	0	F20



## PART NO. INDEX

PART NO.	VERSION	PAGE	PART NO.	VERSION	PAGE	PART NO.	VERSION	PAGE
19020-KED9-900	1	F20				23237-GFY6-941	0	E05
19025-LKG7-E00	0	F19	<b>22000</b>			23238-LEB1-910	0	E05
19030-KHD8-900	2	F20				23411-LFA7-E01	2	E07
19101-LKG7-E00	2	F20	22101-GFY6-941	3	E05	23420-LFA7-E00	2	E07
19102-LKG7-E00	0	F20	22102-LEB1-900	2	E05	23431-LFA7-E00	6	E07
19104-LBA2-E00	1	F20	22105-LFB5-900	1	E05	23432-LFA7-E00	3	E07
19105-LEA7-E00	2	F20	22110-LEB1-800	8	E05			
19111-PRB3-900	2	F20	22112-GFY6-90A	0	E05	<b>28000</b>		
19210-KKC4-900	0	F20	22121-GFY6-325	0	E05			
19215-KHE7-900	0	E04	22130-LEB1-800	6	E05	28101-KKJ9-011	0	E06
19217-ZPA3-E00	2	E04	22300-LHJ3-900	5	E05	28102-LFA7-E00	1	E06
19221-LFA7-E00	3	E04	22350-LHJ3-900	1	E05	28103-LFA7-E00	2	E06
19229-LFA7-E00	1	E04	22361-LHJ3-900	1	E05	28110-LFA7-E00	4	E06
19231-LFA7-E00	3	E04	22401-LHJ3-900	1	E05	28113-LFA7-E00	6	E06
19232-LBA2-E00	2	E04	22530-LHJ3-900	4	E05	28120-KEBE-305	0	E06
19300-LFA7-E0A	1	E02	22804-GBB2-001	0	E05	28125-4F26-001	0	E06
19300-LFA7-E0B	2	E02				28126-KUDU-900	1	E06
19315-LFA7-E00	6	E02	<b>23000</b>			28211-LFA7-E00	5	E05
19411-LFG2-E00	1	F06						
19507-LDB5-E00	1	F20	2301A-LFA7-E01	1	E05	<b>30000</b>		
			23100-LFA7-E0A	0	E05			
<b>21000</b>			23200-LFE2-900	2	E05	3051A-LKG5-E00	4	F18
			23220-GFY6-921	1	E05	30700-LGM5-900	3	F18
21301-LFA7-E00	2	E07	23225-GHC8-004	0	E05			
21395-LFA7-E00	2	E07	23226-GHC8-004	0	E05			
			23233-LFA7-E00	3	E05			

## PART NO. INDEX

PART NO.	VERSION	PAGE	PART NO.	VERSION	PAGE	PART NO.	VERSION	PAGE
			33180-LKG7-E00	0	F01	34903-KPCP-900	0	F17
			33400-LKG7-E00	3	F25	34905-LCA5-E00	0	F17
			33406-LKG7-E00	0	F25	34905-LKG7-E00	0	F25
			33410-LKG7-E00	0	F25			
			33450-LKG7-E00	3	F25	<b>35000</b>		
			33456-LKG7-E00	0	F25			
31110-LFA7-E0B	3	E06	33460-LKG7-E00	0	F25	35010-LKG7-315-M1	0	F18
31120-LFA7-E0B	4	E06	33700-LKG7-E00	1	F17	35010-LKG7-315-M2	0	F18
31210-LEB1-90A	4	E06	33701-LKG7-E00	0	F17	35101-LKG7-315-M1	0	F18
31340-LFH1-E00	1	F18	33705-LKG7-E00	0	F17	35101-LKG7-315-M2	0	F18
31500-KFAF-90A	9	F11	33706-LKG7-E00	0	F17	35102-KFB7-315-M1	0	F18
31500-KFAF-90B	9	F11	33707-LKG7-E00	0	F17	35102-KFB7-315-M2	0	F18
31519-LKG7-E00	0	F11	33708-KHE7-E00	0	F17	35111-LKC6-301-M1L	0	F23
31600-LKF5-E00	0	F18	33709-KHE7-E00	0	F17	35111-LKC6-301-M1R	0	F23
31601-LEA7-E00	2	F18	33720-LBB5-E00	3	F17	35111-LKC6-301-M2L	0	F23
3195A-LBA2-E00	1	F18	33726-LBB5-E00	1	F17	35111-LKC6-301-M2R	0	F23
			33741-KHC5-M00	1	F17	35111-LKC6-306-M1	0	F23
<b>32000</b>			33757-LKG7-E00	0	F17	35111-LKC6-306-M2	0	F23
32100-LKG5-E00	6	F18	33900-LKF5-E00	3	F12	35119-LEB1-90A	0	F18
32101-LEA7-E00	1	E02	33901-LHG7-E00	0	F12	35119-LEB1-90B	0	F18
32410-LLB1-900	2	E06	33902-LHG7-E00	0	F12	3515A-LDB2-B80	0	F03
32411-LKG7-E00	0	F11	33903-LHG7-E00	0	F12	3515A-LKG7-E00	0	F03
32412-LKG7-E00	0	E04				3520A-KEBE-900	3	F03
			<b>34000</b>			35340-LKF5-E01	2	F04
						35350-LKF5-E01	1	F04
<b>33000</b>						35370-LKG7-E00	0	F15
33100-LKG7-315	0	F01						
33130-LKG7-E00	0	F01	34901-LEC8-E00	0	F01			

## PART NO. INDEX

PART NO.	VERSION	PAGE	PART NO.	VERSION	PAGE	PART NO.	VERSION	PAGE
35380-LKG2-900	1	F18	39303-LEB2-900	2	E02	43352-KKD6-E90	1	F08
35390-LKF5-E00	4	F12	39306-LEB2-305	0	E02	43353-4A61-77A	0	F08
35850-KHB4-90A	5	F18	39307-LEB2-305	0	E02	43353-KED9-900	0	F07
35850-KHB4-90B	4	F18	39400-LDF2-800	3	E02	43530-LEA7-305	1	F04
<b>37000</b>			39450-LEA6-800	5	F14	<b>44000</b>		
			<b>42000</b>					
37200-LKG5-E00	3	F02				44301-LEA7-E00	3	F07
37202-LKG7-E00	0	F02	42311-LKG7-E00	1	F08	44311-LEA7-E00	2	F07
37720-KGB5-900	0	E02	42312-LKG7-E00	0	F08	44312-LEA7-E00	4	F07
37750-PAC1-005	0	E02	42601-LEA7-E00	7	F08	44600-LEA7-305	0	F07
37760-KHD8-900	1	F20	42710-LKG7-E00	0	F08	44620-LEA7-E00	3	F07
<b>38000</b>			42753-KNBN-90B	1	F07	44710-LKG7-E00	1	F07
			42753-KNBN-90B	1	F08	<b>45000</b>		
			<b>43000</b>					
38110-KKC3-90B	4	F18				45105-LEA7-305	0	F07
38200-KHE7-900	0	F18				45105-LHG7-305	0	F08
38300-LEA7-E00	3	F18	43100-LKG7-E00	0	F08	45107-KED9-900	0	F07
38500-LGL3-90A	5	F18	43109-MCA3-007	0	F07	45107-LEA7-E00	0	F07
<b>39000</b>			43109-MCA3-007	0	F08	45107-LLJ3-E00	0	F08
			43126-LKG5-E00	0	F04	45108-LEA7-E00	0	F07
			43156-KKC4-900	2	F16	45109-KED9-900	0	F07
39100-LEA7-E00	2	F18	43156-LDB2-900	2	F16	45126-LKG7-E00	0	F04
39300-LEB2-800	1	E02	43210-LKG7-E00	0	F08	45128-LBA2-920	3	F06
39301-LEB2-910	4	E02	43351-LKG7-E00	0	F08	45129-LBA2-900	2	F06
39302-KKE3-900	2	E02	43352-KED9-900	0	F07			

## PART NO. INDEX

PART NO.	VERSION	PAGE	PART NO.	VERSION	PAGE	PART NO.	VERSION	PAGE	
4512A-LEA7-E00	7	F07	50353-KGN7-901	0	F19	<b>51000</b>			
45130-KED9-900	0	F07	50353-LKG7-E00	1	F19				
45131-LFB5-910	0	F08	50356-LFA7-E00	1	F19				
45132-KED9-900	0	F07	50356-LFA7-E01	1	F19		51400-LKG7-E00	1	F06
45134-KED9-900	0	F07	50360-LFA7-E00	1	F19		51401-LKG7-E00	0	F24
45135-KED9-900	0	F07	50364-KEBE-900	1	F19		51404-LDH1-E00	0	F24
45200-LEA7-E00	8	F07	50500-LKG5-E00	0	F15		51410-LKG7-E00	0	F24
45209-KED9-900	0	F08	50502-LDF7-E10	0	F15		51412-LEA7-E00	0	F24
45210-LEA7-305	0	F07	50504-LFA7-E00	3	E01		51416-LDH1-E00	0	F24
45352-LEA7-E00	4	F07	50505-KUDU-900	1	F15		51420-LEA7-E00	0	F24
45513-LEA7-E00	1	F04	50505-LEA7-E00	1	F15		51422-KED9-900	0	F24
45517-LBA2-E00	2	F04	50506-KHE7-E00	0	F15		51424-LDH1-E00	0	F24
45520-KKA8-900	0	F04	50530-LKG7-E00	0	F15		51425-LKG7-E00	0	F24
45530-LBA2-308	0	F04	50550-KKC2-E00	0	F15		51427-LDH1-E00	0	F24
45531-GAR1-951	0	F08	50613-LKG7-E00	0	F19	51427-LLJ3-E00	0	F24	
45531-KED9-900	0	F07	5070A-LKG7-E00	2	F19	51429-LEA7-E00	0	F24	
<b>50000</b>			5070B-LKG7-E00	2	F19	51430-LGE5-E02	0	F08	
			50710-LKG7-E00	7	F19	51437-LDH1-E00	0	F24	
			50713-KEB7-900	0	F19	51500-LKG7-E00	0	F06	
			50715-KEB7-900	0	F19	51520-LEA7-E00	0	F24	
50100-LKG5-315	0	F19	50720-LKG7-E00	7	F19	<b>52000</b>			
50179-LKG7-E00	3	F19	50730-LKG7-E00	0	F19				
50189-LKG7-E00	1	F19	50740-LKG7-E00	0	F19				
50306-1F96-001	0	F06							
50326-LKG7-E00	0	F11					52000-LKG5-E00	5	F16
5032A-LKF5-E00	0	F11					52110-LKG5-E00	1	F16
50350-LFA7-E00	0	F19				52400-LKG7-E00	0	F16	

## PART NO. INDEX

PART NO.	VERSION	PAGE	PART NO.	VERSION	PAGE	PART NO.	VERSION	PAGE
52500-LKG7-E00	2	F16				64309-LKG7-E00	2	F05
			<b>61000</b>			64310-LKG7-E00	1	F05
<b>53000</b>						64311-LKG7-E00	0	F05
			61100-LKG7-E00	0	F06	64315-LKG7-E00	7	F19
53100-LKG7-E00	3	F03	61102-LEA7-E00	1	F06	64317-LKG7-E00	0	F05
53105-LEA7-E00	4	F03	61103-LEA7-E00	1	F06	64318-LKG7-E00	0	F05
53106-LEA7-E00	4	F03	61110-LKG7-E00	0	F05	64319-LKG7-E00	0	F05
53125-LEA7-E00	2	F03				64320-LKG7-E00	4	F05
53140-LEA7-E00	6	F03	<b>64000</b>			64330-LKG7-E00	0	F05
53150-LEA6-900	6	F03				64335-LKG7-E00	1	F05
53175-LKF5-E00	0	F04	64220-LKG7-E00	0	F03	64340-LKG7-E00	4	F05
53178-LKF5-E00	0	F04	64221-LEA7-E00	2	F03	64345-LKG7-E00	1	F05
53200-LKG7-E00	5	F06	64222-LEA7-E00	2	F03	64400-LKG7-E00	0	F05
53202-LKG7-E00	0	F03	64222-LLJ3-E00	1	F03	64401-LKG7-E00	0	F05
53203-LKG7-E00	0	F03	64222-LLJ3-E00	1	F06			
53204-LKG7-E00	0	F03	64223-LEA7-E00	5	F03	<b>77000</b>		
53205-LEA7-E00	5	F03	64224-LEA7-E00	1	F03			
53206-LEA7-E00	4	F03	64225-LEA7-E00	2	F03	77200-LKG7-E00	9	F09
53207-LKG7-E00	0	F03	64226-LEA7-E00	2	F03	77206-KEB7-900	0	F09
53213-LBA2-E00	2	F06	64301-LKG7-E00	1	F05	77210-LKG7-E00	4	F09
53213-LEA7-E00	1	F06	64302-LKG7-E00	0	F05	77235-KGC4-E0A	2	F18
53214-LBA2-E00	2	F06	64303-LKG7-E00	1	F05	77235-KGC4-E0B	2	F18
53220-LBA2-E00	4	F06	64304-LKG7-E00	0	F05	77240-LKG7-E00	0	F18
53240-LBA2-E00	2	F06	64305-LKG7-E00	0	F05	77259-LKG7-E00	1	F19
53250-LBA2-E00	2	F06	64306-LKG7-E00	0	F05	77300-LHG7-E00	6	F09
			64308-LKG7-E00	2	F05	77300-LHG8-E00	3	F09

## PART NO. INDEX

PART NO.	VERSION	PAGE	PART NO.	VERSION	PAGE	PART NO.	VERSION	PAGE
77303-LEA7-E00	1	F09	81136-LKG7-E00	5	F05	83551-KEC8-900	4	F06
<b>80000</b>			81137-LHG7-E00	1	F05	83551-KEC8-900	4	F17
			81137-LKG7-E00	4	F05	83600-LKG7-E00	3	F12
			81138-LKG7-E00	0	F05	83610-LKG7-E00	0	F05
			8113A-LKG7-E00	5	F05	83620-LKG7-E00	0	F05
80100-LKG7-E00	0	F17	81141-LKG7-E00	0	F05	83630-LKG7-E00	0	F05
80101-LKG7-E00	0	F17	81142-LKG7-E00	0	F05	83750-LKG7-E00	4	F12
80103-LKG7-E00	0	F17	81160-LKG7-E00	2	F05	83751-LKG7-E00	0	F12
80104-LKG7-E00	0	F17	81200-LKG7-E00	3	F12	83764-LKG7-E00	0	F05
80105-LKG7-E00	0	F17	81210-LKG7-E00	3	F12	8376A-KEBE-900	4	F03
80106-LKF5-E00	0	F17	81220-LKG7-E00	0	F12	<b>86000</b>		
80107-LKF5-E00	0	F17	81252-KKE5-E00	2	F12			
80108-LKG7-E00	0	F17	81260-LKG7-E00	0	F12			
80114-KGG7-001	0	F06						
80151-LKG7-E00	0	F05	<b>83000</b>			86202-LKG7-E10	0	F22
80152-LKG7-E00	0	F05						
80153-LEA7-E00	3	F05				<b>87000</b>		
80153-LKG7-E00	1	F05		83500-LKG7-E00	3		F12	
80154-LKG7-E00	0	F05	83510-LKG7-E00	0	F05	87140-LKG5-E10	0	F22
<b>81000</b>			83520-LKG7-E00	0	F05	87224-LKG5-EY0	0	F21
			83530-LKG7-E00	0	F05	87505-LKG7-E00	0	F21
			83532-LKG7-E00	0	F05	87508-KKC4-E00	2	F03
			83534-LKG7-E00	0	F05	87512-KEBE-E00	1	F21
			83535-LKG7-E00	0	F05	87541-GAR1-E00	2	F21
81131-LKG7-E00	1	F05	83536-LKG7-E00	0	F05	87541-KKC2-E00	2	F21
81132-LKG7-E00	0	F05	83550-KEC8-900	4	F06	87542-GAR1-E00	3	F21
81133-LKG7-E00	0	F05	83550-KEC8-900	4	F17	87560-GFY6-E00	5	F21
81134-LKG7-E00	0	F05						
81135-LKG7-E00	0	F05						

## PART NO. INDEX

PART NO.	VERSION	PAGE	PART NO.	VERSION	PAGE	PART NO.	VERSION	PAGE
<b>88000</b>			90105-LEA7-E00	1	F07	90302-LKB9-900	4	F05
			90106-GEN5-901	1	F03	90302-LKB9-900	4	F12
			90106-KFC2-900	2	F12	90302-LKB9-900	4	F13
88110-LEA7-E01	1	F03	90106-LEA7-E00	1	F19	90302-LKB9-910	1	F03
88120-LEA7-E01	1	F03	90107-LEA7-E00	4	F06	90302-LLB1-E00	2	F03
88130-KEBE-900	1	F03	90108-KKC4-900	1	F15	90302-SDA4-004	3	F03
<b>89000</b>			90110-KHD8-900	0	F14	90304-GHE8-004	0	F03
			90113-KKA8-900	0	F04	90304-GHE8-004	0	F16
			90114-KED9-900	3	F19	90304-GHE8-004	0	F19
89010-LKF5-E00	3	F09	90116-LHG7-E00	0	F24	90304-LBD4-900	2	F19
<b>90000</b>			90117-KED9-950	1	F19	90304-LEA1-900	1	F15
			90122-LEA7-E00	2	F07	90305-KKAK-900	0	F08
			90122-LEA7-E00	2	F08	90305-LBA2-E00	1	F06
90001-GBHB-661	3	E03	90131-KEBE-900	2	F16	90305-LBD4-900	1	F19
90001-GFY6-901	5	E02	90145-LEA3-E00	1	F04	90312-LLJ3-E00	1	F03
90005-KED9-900	2	E03	90201-KHR8-75A	1	E06	90312-LLJ3-E01	0	F06
9000A-KTDT-900	1	E01	90202-1G87-001	2	E05	90401-KKJ9-001	0	E06
9000B-KHD6-900	2	E02	90206-0A01-001	4	E02	90423-KKJ9-001	0	E04
90012-3C33-001	1	E02	90301-6C93-001	2	F17	90428-9H58-001	0	E04
90031-KHD6-900	2	E01	90301-6D34-671	1	F01	90465-MDC4-001	0	E02
90032-KHD6-900	2	E01	90301-6D34-671	1	F05	90474-3C33-001	1	E01
90033-GFY6-900	1	E02	90301-6D34-671	1	F10	90478-7L00-001	0	E02
90084-KKF9-901	0	E04	90301-6D34-671	1	F12	90478-7L00-001	0	E04
9008A-KBE2-900	0	E04	90301-6D34-671	1	F20	90503-LEA7-E00	2	F06
90104-LEA7-E00	3	F03	90301-GFY6-901	2	F14	9052A-LEB1-900	2	E01
90105-KCR3-001	1	F08	90302-GBR2-001	2	F17	90544-KEC8-900	0	F24

## PART NO. INDEX

PART NO.	VERSION	PAGE	PART NO.	VERSION	PAGE	PART NO.	VERSION	PAGE	
90545-3L00-001	2	F04	91202-LEB1-900	2	E01	<b>93000</b>			
90601-GFY6-901	0	E05	91202-LFE2-90A	3	E07				
90601-LLJ3-E00	0	F24	91202-LKG2-900	1	E04				
90605-1F66-721	0	E05	91211-KEBE-900	0	E05		93401-04025-06	0	F18
90651-LHG7-E00	1	F18	91251-LLJ3-E00	0	F24		93404-06012-06	1	F11
90651-LKG7-E00	1	F18	91255-KHE7-900	2	E01		93404-06016-06	1	F03
90651-LLJ3-E00	0	F24	91255-KHE7-90A	2	E01		93404-06016-06	1	F05
90652-GFY6-901	1	F13	91255-LGE5-E00	1	F16		93404-06016-06	1	F12
90652-LCA4-E00	6	F17	91255-LLB1-900	2	F16		93404-06016-06	1	F15
90652-LFB5-900	3	F03	91301-GLR0-005	1	E03		93404-06016-06	1	F17
90652-LFB5-900	3	F05	91301-LEB1-900	1	E02		93404-06016-06	1	F19
90652-LGJ9-900	2	E02	91302-0A01-021	0	E04		93404-06016-06	1	F20
90652-LKG7-E00	0	F05	91302-5G67-004	0	E04		93404-06025-06	0	F20
90656-KCBC-900	0	F18	91303-3G77-001	0	E04		93404-06035-06	0	F13
90701-HFB6-011	2	E03	91303-KKE5-E00	2	E01		93500-05016-0F	0	E06
90754-LLJ3-E00	1	F07	91306-1E05-691	0	E03	93500-05016-1B	0	F03	
90914-LKG5-E00	2	F20	91307-0E35-001	1	E04	93500-05025-1B	0	F03	
<b>91000</b>			91351-6B42-000	0	E05	93500-05032-1B	0	F03	
			91507-LEA7-E00	1	F18	93500-05045-1B	0	F03	
						93500-KHC4-90A	0	F18	
91002-GGA7-70A	0	E05	<b>92000</b>			93600-04012-1G	0	F04	
91004-KHE7-900	1	E05				93892-04010-06	0	E08	
91009-KHE7-900	0	E01		92000-05016-0G	0	E02	93892-05010-06	0	E08
91101-1K79-711	1	E06		92000-LEA6-900	2	E06	93893-04012-18	0	F04
91104-GFY6-90C-B	0	E06		92101-06014-0G	0	E02	93903-25460	0	F13
91104-GFY6-90C-R	0	E06		92900-06060-0B	0	E02	93903-34260	0	F03



## PART NO. INDEX

PART NO.	VERSION	PAGE	PART NO.	VERSION	PAGE	PART NO.	VERSION	PAGE
93903-34360	0	F03				94301-08140	4	E01
93903-34360	0	F05	<b>94000</b>			94301-08140	4	E04
93903-34360	0	F17				94301-10160	0	E01
93903-35260	0	F01	94050-05080	0	F17	94301-10160	0	E02
93903-35260	0	F03	94050-05080	0	F18	94301-10160	0	E03
93903-35260	0	F05	94050-06060	1	F04	94301-KKE5-E00	3	E01
93903-35260	0	F17	94050-06060	1	F10	94510-10000	0	E06
93903-35260	0	F19	94050-06060	1	F19	94510-14000	0	E04
93903-35260	0	F25	94050-06080	2	E02	94510-25000	0	E07
93903-35360	0	E01	94050-06080	2	E08	94520-28000	0	E05
93903-35360	0	F02	94050-06080	2	F09	94520-47000	0	F16
93903-35360	0	F06	94050-06080	2	F18	94540-05018	0	F05
93903-35360	0	F17	94050-06080	2	F19	94591-KFBF-900	2	E02
93903-45260	0	F05	94050-06080	2	F20	94591-KFBF-900	2	E04
93903-45260	0	F17	94050-08080	0	E02	94591-KFBF-900	2	F20
93903-45260	0	F25	94050-12080	0	E05	94591-LEE8-E00	1	E01
93903-45360	0	F03	94101-06000	0	F19	94601-14000	0	E03
93903-45360	0	F05	94101-08600	0	F15	94608-LLJ3-E00	0	F24
93903-45360	0	F11	94101-KEBE-900	0	F14			
93903-45360	0	F12	94101-KKE3-900	1	E08	<b>95000</b>		
93903-GFY6-900	1	F03	94101-LBA2-E00	1	F19			
93903-KEB7-900-06	1	F03	94102-LBA2-E00	1	F19	95002-02080	0	F05
93903-KEB7-900-06	1	F05	94111-06800	0	E02	95002-02100	0	F13
			94111-06800	0	E08	95002-02100	0	F20
			94251-08400	0	F15	95002-02150	0	F13
			94251-08400	0	F19	95002-50000	0	E01

## PART NO. INDEX

PART NO.	VERSION	PAGE	PART NO.	VERSION	PAGE	PART NO.	VERSION	PAGE
95002-70000	0	F20	96001-06012-06	0	E06	96150-60020-10	0	F07
95014-72204	0	F15	96001-06012-06	0	F06	96150-62040-10	0	F16
95701-06008-06	1	F06	96001-06012-06	0	F16	96211-08000	19	F19
95701-06012-06	1	F06	96001-06012-06	0	F18	96220-60100	0	E06
95701-06016-06	1	F03	96001-06014-06	0	E02	96600-08015-16	0	E06
95701-06016-06	1	F19	96001-06016-06	0	E01	96600-LKG5-E00	1	F14
95701-06018-06	0	E01	96001-06018-06	0	E06	96700-KED9-900	3	F06
95701-06025-06	2	E01	96001-06022-06	1	E04			
95701-06025-06	2	F14	96001-06025-06	0	E01	<b>98000</b>		
95701-06045-06	0	F06	96001-06028-06	0	E04			
95701-06045-06	0	F19	96001-06028-06	0	E06	98059-57916-00	2	E02
95701-08012-06	0	E01	96001-06028-06	0	F04	98200-31000	1	F11
95701-08012-06	0	F18	96001-06030-06	0	E04	98200-31000	1	F18
95701-LDF2-800	2	F10	96001-06032-06	0	E01	98200-31500	1	F11
95701-LEA5-E00	1	F18	96001-06035-06	0	E04	98200-31500	1	F18
95801-08025-06	0	F03	96001-06050-06	0	E01	98200-33000	0	F11
95801-08040-06	0	F06	96001-06085-06	1	E01	98200-33000	0	F18
95801-10030-06	0	F15	96001-06100-06	0	E02	98200-LKF5-E00	0	F18
95801-10040-02	0	F16	96001-06120-06	1	E04			
95801-10045-06	2	F14	96001-GFY6-900	2	F13			
95801-10075-06	0	F16	96001-LAB4-900	3	E02			
			96100-60020-00	0	E01			
<b>96000</b>			96100-62020-00	0	E07			
			96100-62030-00	0	E01			
96001-06010-00	0	E02	96100-63030-00	0	E07			
96001-06010-00	0	E04	96100-LFE2-900	1	E07			