

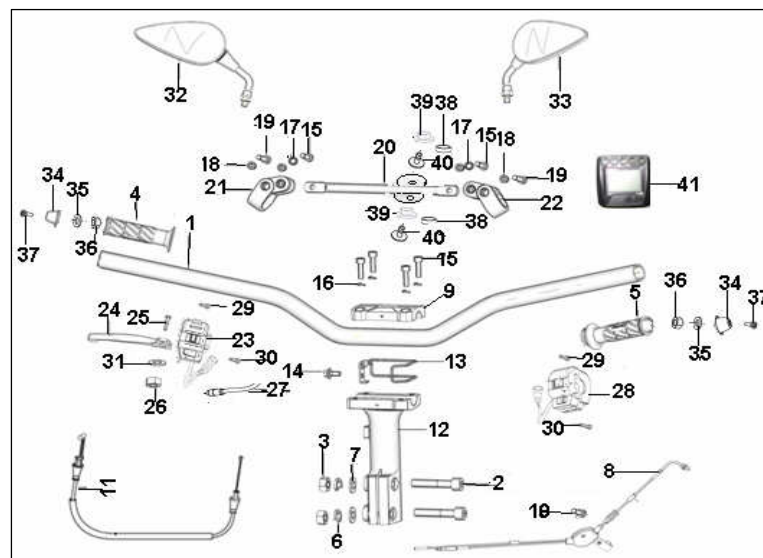
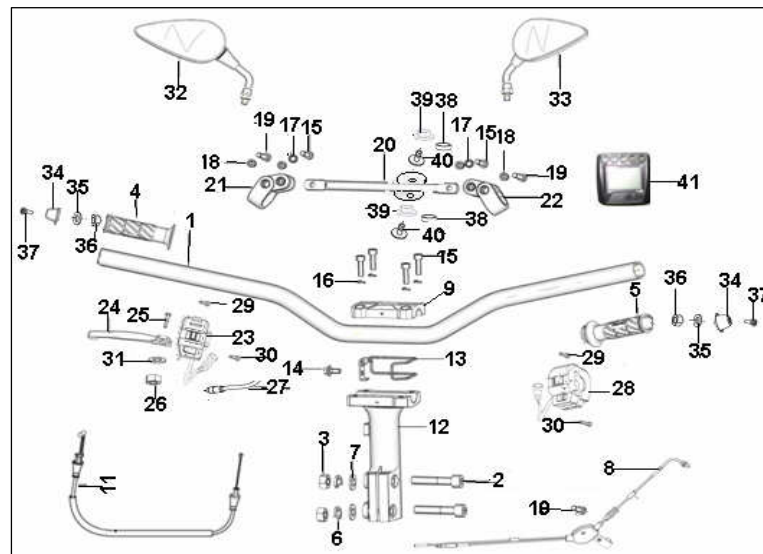
## F-act 50 NKD



## F-act 50 NKD

### F01 STEERING & SPEEDOMETER

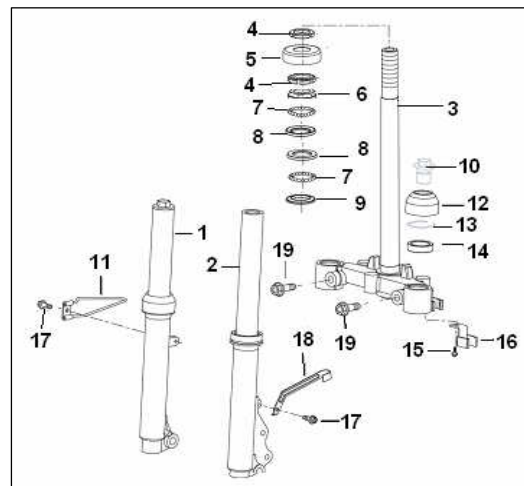
NO.	CODE	DESCRIPTION	QTY	
1	40101BWDT000	HANDLE COMP.	1	
2	B02551005065	BOLT 10X1.25X45MM	2	
3	B04011012555	U NUT 10X1.25MM	2	
4	40001B540000	L. GRIP	1	
5	40210B540000	GRIP ASSY.	1	
6	B07000001005	WASHER 10MM	2	
7	B07030001005	WASHER 10MM	2	
8	40310B540000	CABLE ASSY. THROTTLE	1	
9	40183B47E600	FIXED BUSH , DIRECTING POLE BLUE	1	AZ/BRA
	40183B47R800	FIXED BUSH , DIRECTING POLE RED	1	VRM/PRT
10	B02000501025	PAN HEAD SCREW 5X10MM	1	
11	40270B540000	BRAKE CABLE ASSY.	1	
12	40181B47E600	LOW FIXED BASE , HANDLE PIPE BLUE	1	AZ/BRA
	40181B47R800	LOW FIXED BASE , HANDLE PIPE RED	1	VRM/PRT
13	40060BWDT000	CLIP COMPONENT	1	
14	B01070601264	BOLT 6×12MM	1	
15	B02050602064	SCREW 6×20MM	6	
16	B07000000604	WASHER6MM	4	
17	40047BWDT000	BUSH	2	
18	40046BWDT000	BUSH	2	
19	B02050602564	SCREW 6×25MM	2	
20	40150B540000	BRACKET	1	
21	40041BWDT000	installing base of fender rod (LH)	1	
22	40042BWDT000	installing base of fender rod (RH)	1	
23	40500B540000	LEFT HANDLE SWITCH ASSY.	1	
24	40002BM0T000	LEFT LEVER	1	
25	40004BMAT000	LEVER MOUNTING SCREW	1	
26	B04000500055	NUT 5MM	1	
27	91700BMAT000	STOP SWITCH ASSY.	1	
28	40600BNAT000	RIGHT HANDLE SWITCH ASSY.	1	
29	B02000502025	PAN HEAD SCREW 5X20MM	2	
30	B02000502525	PAN HEAD SCREW 5X25MM	2	
31	B07000000505	SPRING WASHER 5MM	1	
32	40450B540010	BACK MIRROR ASSY., LH.RED/BLACK	1	VRM/PRT
	40450B540020	BACK MIRROR ASSY., LH.BLUE/BLACK	1	AZ/BRA
33	40480B540010	BACK MIRROR ASSY., RH.RED /BLACK	1	VRM/PRT
	40480B540020	BACK MIRROR ASSY., RH.BLUE/BLACK	1	AZ/BRA
34	40031B540010	BALANCER ASSY.BLUE	2	VRM/PRT
	40031B540020	BALANCER ASSY.RED	2	AZ/BRA
35	40033H010000	SLEEVE RUBBER	2	
36	B04070600055	NUT 6MM	2	
37	B02010606525	SCREW 6X65MM	2	
38	40013B540000	WASHER RUBBER	2	
39	40028B540000	BUSH	2	
40	B13060502005	SCREW 5X20MM	2	
41	70000B540000	SPEEDOMETER ASSY	1	



## F-act 50 NKD

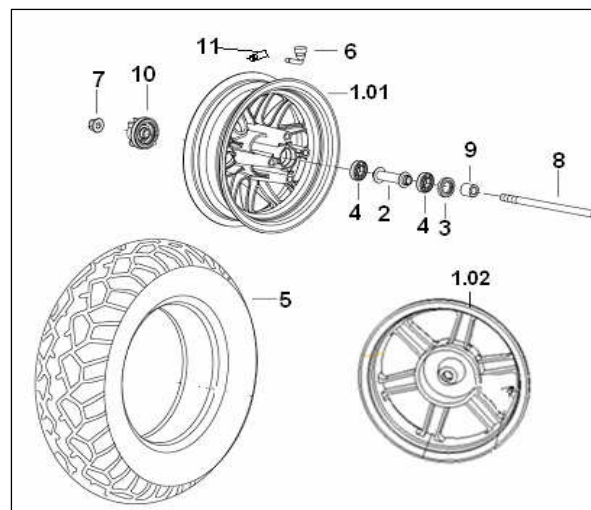
### F02 FRONT FORK ASSY.

NO.	CODE		QTY
1	43300B92BA01	FR.R. FORK ASSY.BLACK	1
2	43200B92BA01	FR. L. FORK ASSY.BLACK	1
3	43100BNAT000	STEM, STEERING	1
4	43008BMAT000	NUT	2
5	43005BMBT001	BALL RACE COVER	1
6	43001BMBT002	BALL RACE, CONNECTING	1
7	B06010150000	STEEL BALLφ5 ( A SET OF 42 )	42
8	43003BMBT000	BALL RACE	2
9	43004BMBT000	BALL RACE	1
10	43204BMBT001	CAP BOLT	2
11	43150BMAT000	CLIP, SPEEDOMETER CABLE	1
12	43290K00P000	DUST SEAL	2
13	43207K00P000	CLIP	2
14	43260K00P000	OIL SEAL	2
15	B01090601265	BOLT 6X12MM	1
16	43035BMBT000	HOLDER, BRAKE HOSE 2	1
17	B01070601665	BOLT 6X16MM	2
18	43021BM0T003	HOLDER, BRAKE HOSE 1	1
19	B01591003065	BOLT 10X1.25X30MM	2



### F03 FRONT WHEEL ASSY.

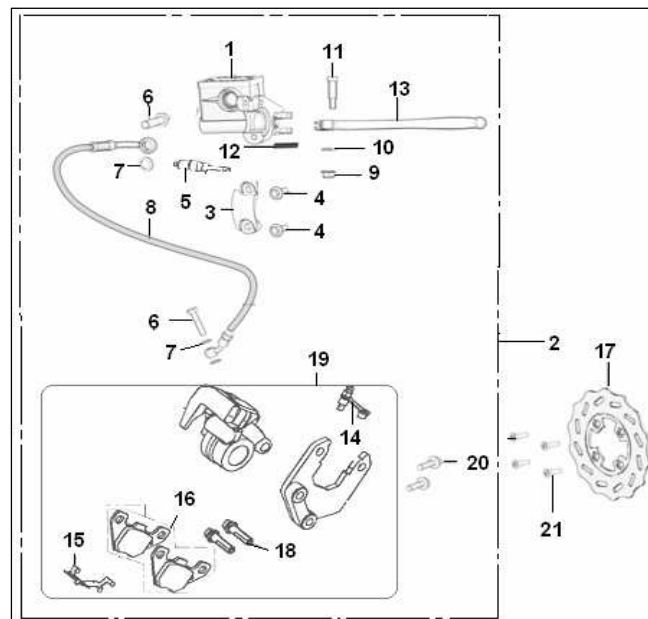
NO.	CODE		QTY
1	44101B47B400	FR. RIM COMP. 2.75×10" BLACK ALLOY	1 OFF-ROAD
	44100B91BH2A	FR. RIM COMP. 3.5X12" (BLACK) ALLOY	1 ON-ROAD
2	44600B910010	DISTANCE COLLAR COMP.	1
3	44300B910000	OIL SEAL 22×35×7	1
4	B12016020100	BALL BEARING 6201-2RS	2
5	B140107F1022	TIRE 120/90-10	1 OFF-ROAD
	B140507D12AB	TIRE 120/70-12(E MARK)	1 ON-ROAD
6	B1403Z201120	RIM VALVE Z2-01-1	1
7	B04171212553	U NUT 12×1.25MM	1
8	44004G250000	FR. WHEEL A×LE 12×1.25×224MM	1
9	44005B910000	COLLAR	1
10	44200B54B400	SPEEDOMETER GEAR COMP.BLACK	1 OFF-ROAD
	44200B54BH00	SPEEDOMETER GEAR COMP.BLACK	1 ON-ROAD
11	B1404Z2011C0	CAP, VALVE	1



## F-act 50 NKD

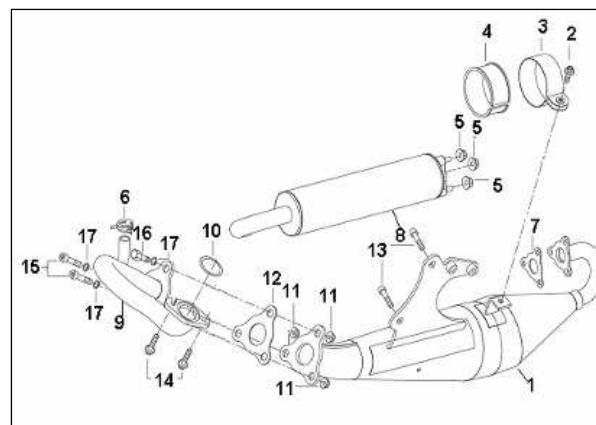
### F04 FRONT DISK BRAKE

NO.	CODE	DESCRIPTION	QTY	NOTES
1	45009BN0T000	MASTER.CYLINDER COMP.(BLACK)	1	
2	45900BWD0T000	DISC BRAKEASSY,FR.(U P BLACK, DOWN RED)	1	OFF-ROAD
	45900BWD0T001	DISC BRAKEASSY,FR.(U P BLACK, DOWN RED)	1	ON-ROAD
3	45023BN0T000	MASTER CYLINDER BRACKET	1	
4	B01070602365	BOLT 6×23MM	2	
5	40750BWD0T000	STOP SWITCH	1	
6	45037J00P000	UNION BOLT	2	
7	45029J00P000	PLATE WASHER	4	
8	45200BWD0T000	FR. BRAKE HOSE	1	
9	B04170600065	NUT 6MM	1	
10	B07000000605	SPRING WASHER 6MM	1	
11	45024G0KP000	BOLT 6MM FOR OFF ROAD	1	OFF-ROAD
	45024JV0T000	BOLT 6MM FOR ON ROAD	1	ON-ROAD
12	45057G0KP000	TENSION SPRING,LEVER	1	
13	45022J3AT000	DISC BRAKE LEVER	1	
14	45021J00P000	BREED SCREW CAP	1	
15	45017G0CT000	PAD SUPPORT	1	
16	45110T4FT000	BRAKE PAD KIT ASSY	1	
17	45033BWD0T000	BRAKE DISC(SILVER)	1	
18	45053G0CT000	GUIDE POLE	2	
19	45500BWD0T000	CALIPER ASSY. (RED)	1	
20	45039J4FT001	BOLT 8×36MM	2	
21	45036BMAT000	BOLT	4	



### F05 MUFFLER

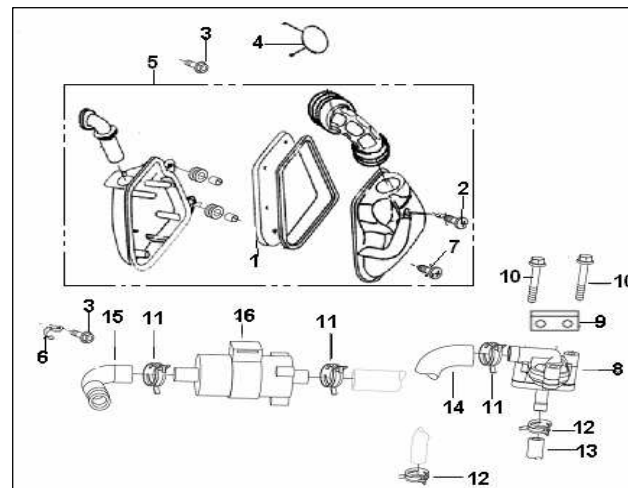
NO.	CODE	DESCRIPTION	QTY	NOTES
1	47100B540000	COMPLETE SILENCIER	1	
2	B01090602064	SCREW M6X20	1	
3	47833B2GT005	SPRING CLAMP	1	
4	48831B2GT005	GASKET	1	
5	47006J0AP000	NUT 6	3	
6	49805BMBT000	CLIP	1	
7	47490BM0T000	GASKET	1	
8	47200B54R800	MUFFLER CANISTER ASSY.RED	1	VRM/PRT
	47200B54E600	MUFFLER CANISTER ASSY.BLUE	1	AZ/BRA
9	47500B540000	EXHAUST PIPE COMP.	1	
10	47800B0DT000	EXHAUST GASKET	1	
11	B04000600054	NUT	3	
12	47490BMBT000	GASKET	1	
13	B01090802065	SCREW M8X20	2	
14	B01090601665	SCREW M6X16	2	
15	B0109060256A	SCREW M6X25	2	
16	08002BM0T001	SCREW	1	
17	B07030000605	WASHER 6	3	
TUNING	47500BMBT005	EXHAUST PIPE COMP	1	
	47490BMBT000	GASKET, FLANGE	1	
	47800B00T000	GROMMET, EXHAUST PIPE	1	



## F-act 50 NKD

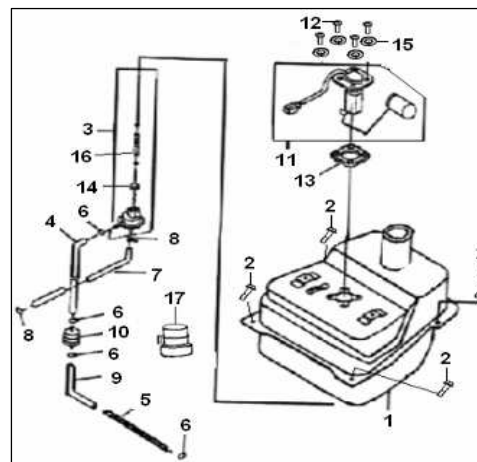
### F06 AIR CLEANER

NO.	CODE		QTY
1	49200BMBT000	FILTER	1
2	B05074202005	TAPPING SCREW 4.2X20MM	5
3	B01090602065	BOLT 6X20MM	2
4	49016BM0T000	CLIP 42.5	1
5	49000BMBT000	AIR CLEANER ASSY.	1
6	49371B0DT000	GUIDE, BRAKE CABLE	1
7	B05074201205	TAPPING SCREW 4.2X1.2MM	4
8	49840B0ES000	ONE WAY VALVE II	1
9	57051B2GT000	PLATE, ONE WAY VALVE	1
10	B01090601265	SCREW 6x12MM	2
11	49805BMBT000	SPRING □, LOCK φ17.5	3
12	49855B0ES000	SPRING □, LOCK φ16.5	2
13	49851BMMT001	HOSE 260MM	1
14	49852BMMT000	HOSE I 250MM	1
15	49853BMMT000	HOSE II 210MM	1
16	49870B2GT000	AIR CLEANER, SMALL	1



### F07 FUEL TANK

NO.	CODE		QTY
1	50100BMBT002	FUEL TANK COMP.	1
2	B01090601665	BOLT 6X16MM	4
3	50300BM0T000	FUEL COCK ASSY.	1
4	50301BM0T000	FUEL HOSE 1 , φ4.5Xφ8.5X80	1
5	50316BMBT000	SPRING(BLACK)	1
6	50307BM0T000	CLIPφ8	4
7	50302BM0T000	VACUUM HOSE,φ4Xφ8X360	1
8	50306BM0T000	CLIPφ7	2
9	50303BM0T000	FUEL HOSE 2,φ4.5Xφ8.5X250	1
10	50340J0ET000	FUEL FILTER ASSY.	1
11	50800BMBT000	SENDER UNIT	1
12	50801BM0T000	BOLT 5X16MM	4
13	50004BMBT000	SENDER UNIT GASKET	1
14	50312J0ET000	SEAL RING	1
15	B07020000505	WASHER 5MM	4
16	50352BM0T000	FUEL FILTER	1
17	50391J0ET000	GASKET	1



## F-act 50 NKD

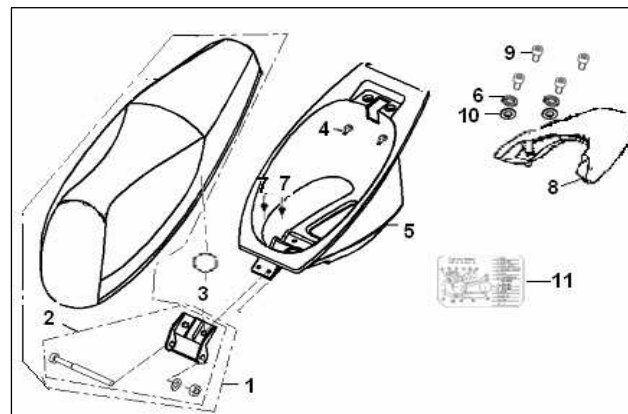
### F08 SEAT

#### NO. CODE

1	51100B540010	SEAT ASSY.BLUE/GRAY
	51100B540020	SEAT ASSY.RED/GRAY
2	51080BMBT001	SEAT HINGE
3	08032BM0T000	O-RING 84.4X3.1
4	08011H60X000	BOLT 6X14MM
5	51004BMBT001	LUGGAGE BOX
6	B07030000805	WASHER 8MM
7	08017J4AT000	BOLT W/WASHER 6X20MM
8	52011B33WF00	RR.. CARRIER COMP WHITE
	52011B33BA00	RR.. CARRIER COMP BLACK
9	B02050804565	SCREW 8X45MM
10	08027J4AT000	WASHER
11	57002B540000	ANTI-TAMPERING PLATE

#### QTY

1	AZ/BRA
1	VRM/PRT
1	
1	
2	
1	
2	
1	AZ/BRA
1	VRM/PRT
4	
2	
1	



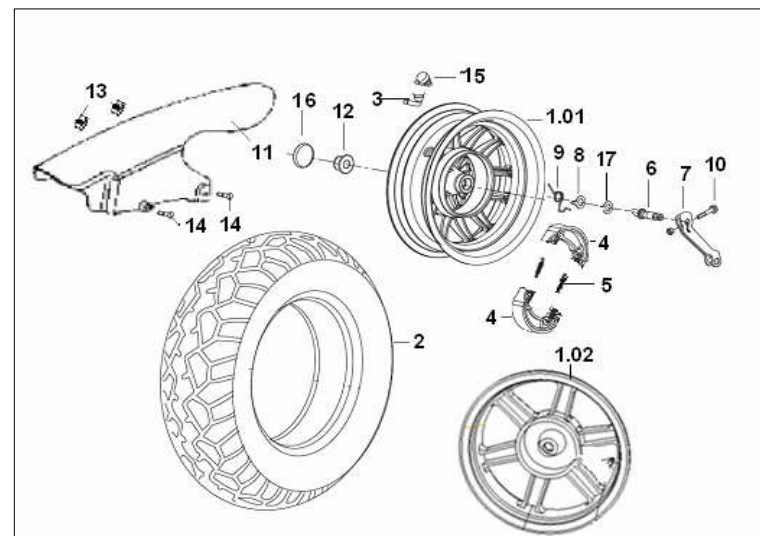
### F09 REAR WHEEL

#### NO. CODE

1	54100B47B400	RIM COMP.3.00x10"
	54100B91BH2A	RR .RIMCOMP.3.5X12" (BLACK BH)
2	B140108F1022	TIRE 130/90-10
	B140508D12BB	TIRE 130/70-12 (E MARK)
3	B1403Z201120	RIM VALVE Z2-01-1
4	54200BMBT000	BRAKE SHOE KIT
5	54001BMBT000	SPRING(BLACK)
6	54003BM0T000	CAM SHAFT, 2
7	54007BM0T000	CAM SHAFT LEVER
8	54002BM0T000	INDICATOR PLATE
9	54008BMBT000	TENSION SPRING
10	08012BM0T000	HEX. BOLT 6X30
11	65701BMBT001	REAR FENDER
12	B04171615053	U NUT 16X1.5MM
13	65803J0ET000	SPRING NUT M6
14	B01090602065	BOLT 6X20MM
15	B1404Z2011C0	CAP, VALVE
16	54027BM0T000	CAP
17	B190101000A0	O RING 10X1.9MM

#### QTY

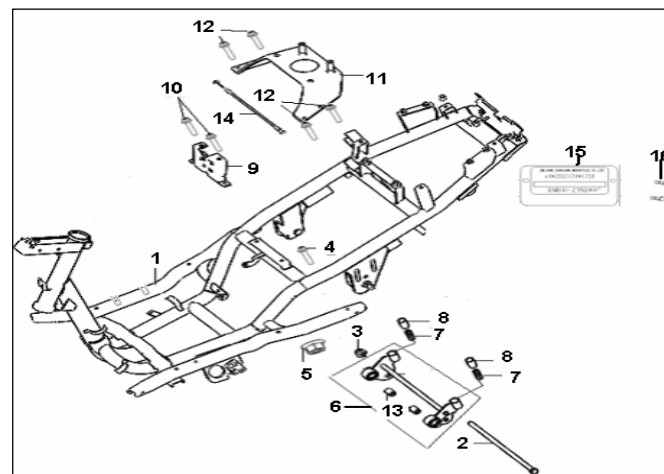
1	OFF-ROAD
1	ON-ROAD
1	OFF-ROAD
1	ON-ROAD
1	
1pai	JOGO
2	
1	
1	
1	
1	
1	
1	
2	
1	
1	
1	
1	
1	
1	



## F-act 50 NKD

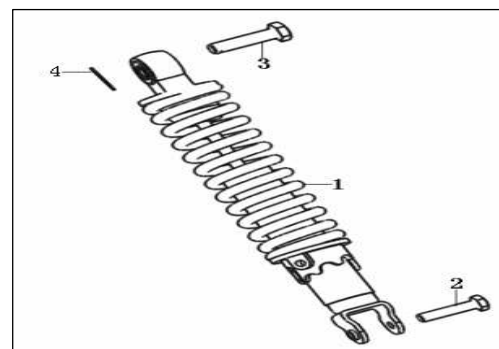
### F10 FRAME BODY

NO.	CODE		QTY
1	57100B540000	FRAME COMP.	1
2	58303BM0T001	E/G MOUNTING BOLT,M12X1.25X280	1
3	B04171212565	U NUT 12X1.25MM	1
4	58301BMBT000	E/G MOUNTING BOLT,	2
5	B04171012555	U NUT 10X1.25MM	2
6	58360BMBT000	E/G BRKT COMP.	1
7	58302B0DT000	DAMPER	2
8	58304BMBT000	SPRING	2
9	58800BM0T000	SEAT CATCH COMP.	1
10	B01090602565	BOLT 6X25MM	2
11	57080BMKT000	CARRIER BRACKET	1
12	B01090601265	BOLT 6X12MM	5
13	58350BMAT000	BUFFER, ENGINE BRACKET	2
14	58900BMBT000	SEAT CABLE	1
15	57001B540000	FRAME BODY NO.	1
16	B05073001005	RIVETM3X10	2



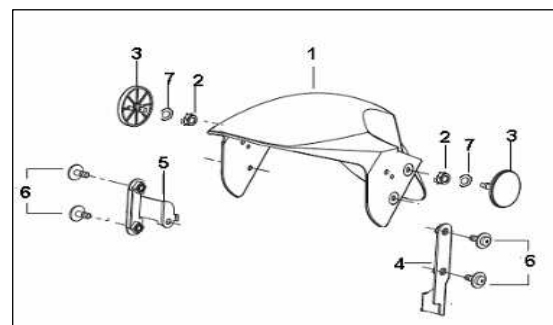
### F11 REAR ABSORBER

NO.	CODE		QTY
1	63100B91BH00	RR. ABSORBER COMP.BLACK	1
2	63015J0ET000	FLANGE BOLT , 8X31MM	1
3	B01141004063	BOLT.W/HOLE 10X1.25X40MM	1
4	63016B0DT000	SPLIT PIN	1



### F12 FRONT FENDER

NO.	CODE		QTY
1	65101B92WF00	FRONT FENDER, (WHITE CE)	1 AZ/BRA
	65101B92BA00	FRONT FENDER, (BLACK BA)	1 VRM/BRA
2	B04000500063	NUT 5MM	2
3	86300BMMT000	FRONT REFLECTOR	2
4	65130BMBT000	FRONT FENDER BRACKET, 1	1
5	65140BMBT000	FRONT FENDER BRACKET, 2	1
6	65114BMBT000	SCREW W/WASHER M6X16	4
7	B07030000503	WASHER 5MM	2



## F-act 50 NKD

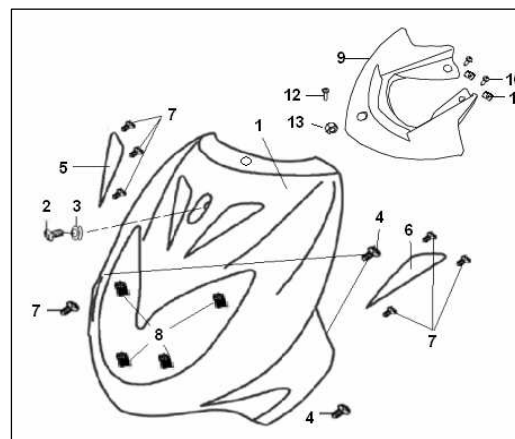
### F13 FRONT COVER

NO. CODE

1	65301B54WF00	LEG SHIELD, (WHITE)
	65301B54BA00	LEG SHIELD, (BLACK)
1A	65301B54001Z	LEG SHIELD, (WHITE)
	65301B54002Z	LEG SHIELD, (BLACK)
2	65314BMBT000	SCREW
3	08027J4AT000	PLASTIC WASHER
4	B05074201605	TAPPING SCREW 4.2X16MM
5	65367BMBT000	COVER , R
6	65366BMBT000	COVER , L
7	B05074001205	TAPPING SCREW 4X12MM
8	65801BMAT000	SPRING NUT 4MM
9	65317B540000	COVER , LEG SHIELD
10	B05074001605	SCREW ST4X16
11	65801BMAT000	CARD
12	B02000604025	SCREW 6X40MM
13	47762J040000	NUTM6

QTY

1	AZ/BRA
1	VRM/PRT
1	AZ/BRA c/ autocolantes
1	VRM/PRT c/ autocolantes
1	
1	
1	
4	
1	
1	
6	
4	
1	
3	
2	
1	
1	



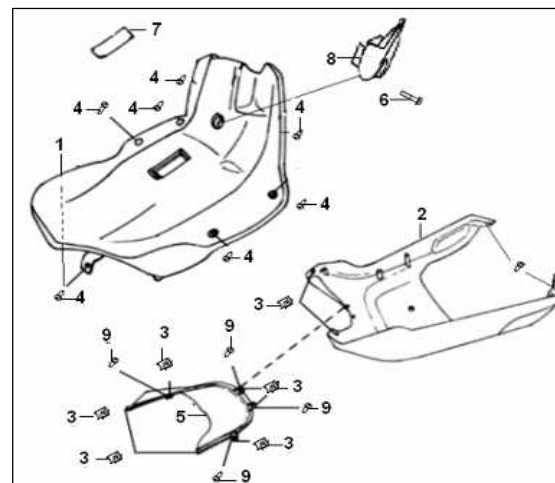
### F14 LEG SHIELD

NO. CODE

1	65402B540000	LEG SHIELD, 2
2	65406B92E600	UNDER COVER(BLUE)
	65406B92R800	UNDER COVER(RED)
2A	65406B92072Z	UNDER COVER(BLUE)
	65406B92073Z	UNDER COVER(RED)
4	B05074801605	TAPPING SCREW 4.8X16MM
5	65407BMKT000	INNER FENDER
6	B01090603065	BOLT 6X30MM
7	65403BMBT000	INSPECT COVER
8	51011BMBT000	HOOK, HELMET
9	B05074201605	TAPPING SCREW 4.2X16MM

QTY

1	
1	AZ/BRA
1	VRM/PRT
1	AZ/BRA c/ autocolantes
1	VRM/PRT c/ autocolantes
8	
1	
1	
1	
1	
1	
8	

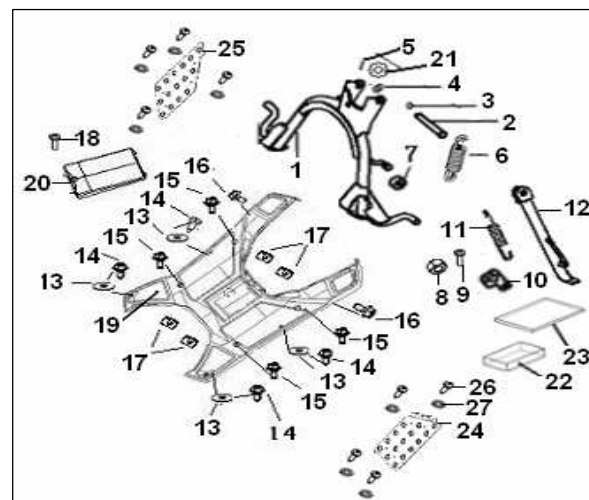




## F-act 50 NKD

### F15 FOOTREST/STAND

NO.	CODE	DESCRIPTION	QTY
1	58520B910003	MAIN STAND COMP.	1
	58520B920001	MAIN STAND COMP.	1
2	58501B450050	PIN	1
3	B190101000A0	O-RING 10X1.8	1
4	58508B0DT000	PLATE WASHER	1
5	63016B0DT000	SPLIT PIN	1
6	58510BM0T000	MAIN STAND SPRING ASSY.	1
7	58507BM0T000	CUSHION, MAIN STAND	1
8	B04070800065	NUT 8MM	1
9	57005BMBT000	BOLT, SINGLE STAND	1
10	57006BM0T000	HOOK SPRING	1
11	57010BM0T000	SIDE STAND SPRING ASSY.	1
12	58700BM0T000	SIDE STAND COMP.	1
13	B07030000505	WASHER 5MM	4
14	B05074001605	TAPPING SCREW 4X16MM	6
15	08011H60X000	BOLT 6X14MM	4
16	B01090601265	BOLT 6X12MM	4
17	65802BMBT000	SPRING NUT 4.8MM	6
18	B05075001605	TAPPING SCREW 5X16MM	1
19	65401BMBT000	FLOOR, BLACK	1
20	65813BMBT000	BATTERY COVER	1
21	B07030001005	WASHER 10MM	1
22	65812BMBT000	BATTERY DAMPER II	1
23	65811BMBT000	BATTERY DAMPER I	1
24	65411BMBT000	FOOT PLATE , L	1
25	65412BMBT000	FOOT PLATE , R	1
26	B05004201305	SCREW 4.2X13MM	8
27	57031BMBT000	WASHER	8



## F-act 50 NKD

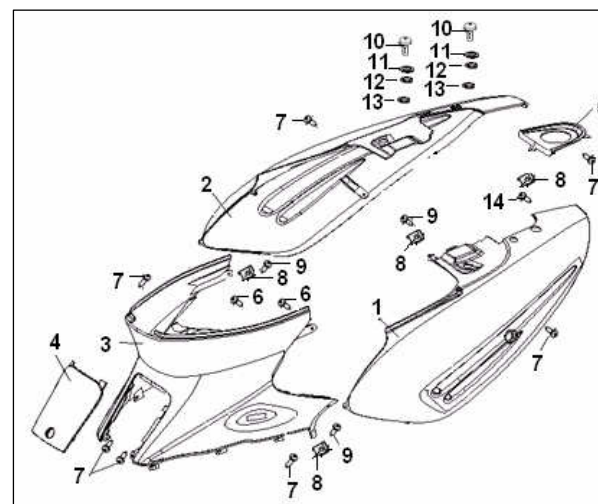
### F16 SIDE COVER

#### NO. CODE

1	65601B92WF00	SIDE COVER,LH (WHITE WF)
	65601B92BA00	SIDE COVER,LH (BLACK BA)
1A	65601B92186Z	SIDE COVER,LH (WHITE WF)
	65601B92187Z	SIDE COVER,LH (BLACK BA)
2	65602B92WF00	SIDE COVER,RH (WHITE WF)
	65602B92BA00	SIDE COVER,RH (BLACK BA)
2A	65602B92186Z	SIDE COVER,RH (WHITE WF)
	65602B92187Z	SIDE COVER,RH (BLACK BA)
3	65605BMBT000	SIDE COVER, 3
4	65619BMBT000	SIDE COVER, 4
5	65606B92WF00	SIDE COVER,5 ( WHITE WF)
	65606B92BA00	SIDE COVER,5 ( BLACK BA)
6	B05074001205	TAPPING SCREW 4X12MM
7	B05074801605	TAPPING SCREW 4.8X16MM
8	65802BMAT000	SPRING NUT 4.8MM
9	B05075001205	TAPPING SCREW 5X12MM
10	B02000602025	SCREW 6X20MM
11	08021BMBT000	WASHER
12	65618J00P000	RUBBER WASHER
13	65709BM0T000	BUSH, RR. FENDER
14	B05074801305	TAPPING SCREW 4.8X13MM

#### QTY

1	AZ/BRA
1	VRM/BRA
1	AZ/BRA c/ autocolantes
1	VRM/BRA c/ autocolantes
1	AZ/BRA
1	VRM/BRA
1	AZ/BRA c/ autocolantes
1	VRM/BRA c/ autocolantes
1	
1	
1	AZ/BRA
1	VRM/BRA
2	
7	
4	
4	
2	
2	
2	
2	
1	



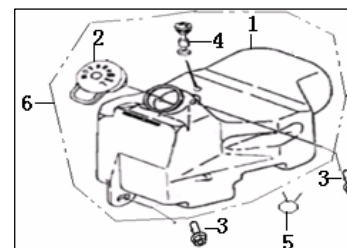
### F17 OIL TANK.

#### NO. CODE

1	64001BMAT000	OIL TANK
2	64090BMAT000	OIL TANK CAP
3	B01090601665	BOLT 6X16MM
4	64100BMAT000	OIL LEVER GAUGE ASSY.
5	50307BM0T000	CLIP φ8
6	64000BMAT000	OIL TANK ASSY.

#### QTY

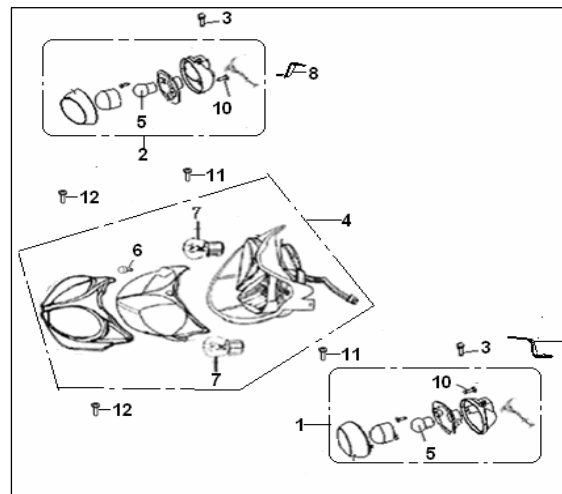
1
1
2
1
1
1



## F-act 50 NKD

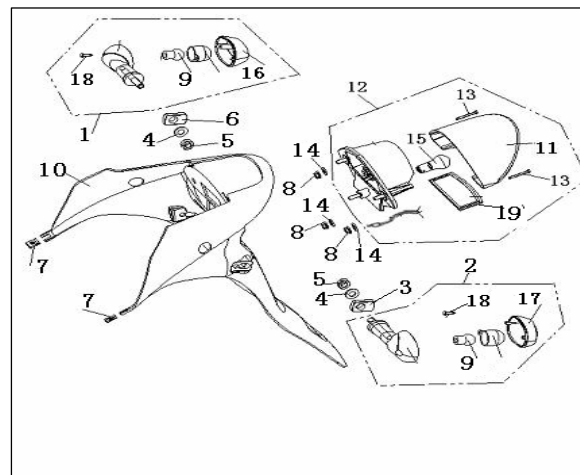
### F18 FLASHER LIGHT/HEAD LIGHT.

NO.	CODE		QTY
1	81100B540000	FLASHER LIGHT ASSY., F..L.	1
2	81300B540000	FLASHER LIGHT ASSY., F..R.	1
3	08005AE0D000	SCREW W/WASHER 5X11.5MM	2
4	80000B540000	HEAD LIGHT ASSY.	1
5	B24012120000	BULB, 12V/10W(R10W)	2
6	B24012920000	BULB 12V-3W(W3W)	2
7	B24010520000	BULB ( 12V35/35W ) (S2)	2
8	08527BNAT000	MOUNTING PLATE OF RIGHT INDICATOR	1
9	08526BNAT000	MOUNTING PLATE OF LEFT INDICATOR	1
10	08011B20T000	SCREW 3X28MM	2
11	B05075016005	TAPPING SCREW 5X16MM	2
12	B05074816005	TAPPING SCREW 5X16MM	2



### F19 TAIL LIGHT

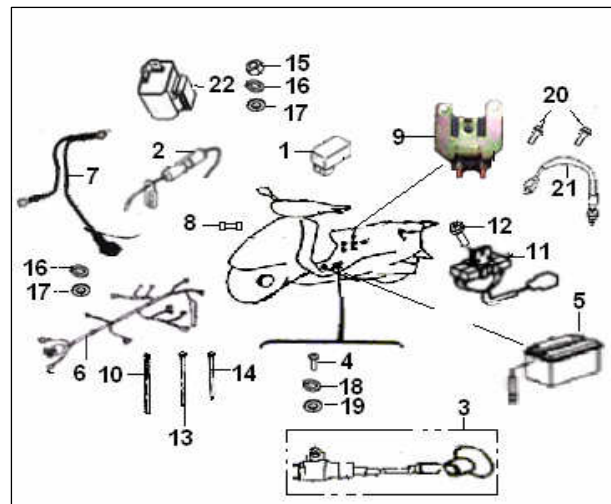
NO.	CODE		QTY
1	81700B20T001	TURN LIGHT,R.R.	1
2	81500B20T001	TURN LIGHT,R.L.	1
3	81511BM0T000	FLASHER LIGHT CUSHION , L	1
4	B07030001005	WASHER 10MM	2
5	B04061012555	NUT 10X1.25MM	2
6	81708BM0T000	FLASHER LIGHT CUSHION , R	1
7	65802BM0T000	SPRING NUT 5MM	2
8	B04070600065	NUT 6MM	3
9	B24012120000	BULB, 12V/10W(R10W)	2
10	08202BM0T000	LICENSE BRACKET	1
11	82008BM0T003	INDICATOR LENS	1
12	82000BM0T001	TAIL LIGHT ASSY. (E MARK)	1
13	08009BM0T000	SCREW 4X28MM	2
14	82011G00P000	RUBBER WASHER	3
15	B24013820000	BULB 12V 21/5W(P21/5W)	1
16	81102B20T000	LIGHT COVER, L.	1
17	81302B20T000	LIGHT COVER, R.	1
18	08011B20T000	SCREW 3X28MM	2
19	86502BM0T000	RR . REFLECTOR	1



## F-act 50 NKD

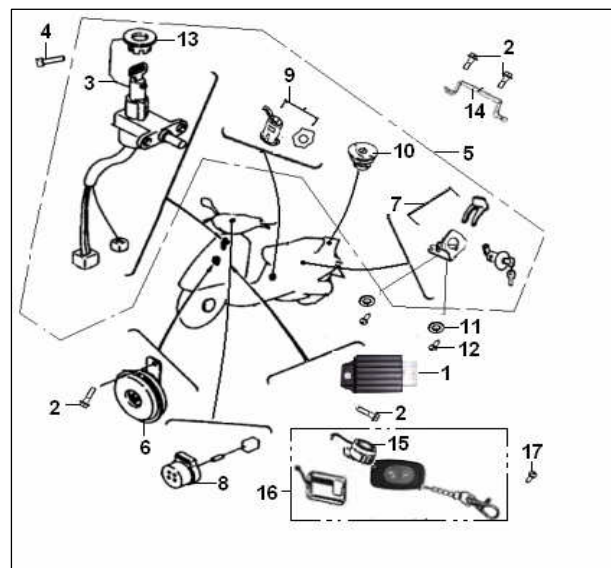
### F20 ELECTRICAL EQUIPMENT I

NO.	CODE		QTY
1	299051070002	C.D.I. UNIT COMP.	1
2	96800BMAT000	FUSE COMP	1
3	96200B540000	IGNITION COIL ASSY	1
4	B02000502025	SCREW 5X20MM	1
5	96100BM0T000	BATTERY ASSY. 12V,4AH	1
6	92000B540000	WIRE HARNESS ASSY.	1
7	96900BMBT000	WIRE HARNESS	1
8	96810BMAT000	FUSE 8A,250V	1
9	94100J000002	STARTER RELAY COMP.	1
10	96001K00P000	BAND 8X250	3
11	96600BMAT000	RESISTOR COMP.	1
12	B01090601265	BOLT 6X12MM	2
13	96003K00P000	BAND 8X200	3
14	96002K00P000	BAND 8X150	1
15	B01090601065	BOLT M6x10	2
16	B07000000605	SPRING WASHER 6MM	1
17	B07030000605	WASHER 6MM	1
18	B07000000505	SPRING WASHER 5MM	1
19	B07030000505	WASHER 5MM	1
20	B01090601065	BOLT 6X10MM	2
21	92200B230002	ELECTRIC CABLE	1
22	96400B920002	FLASHER	1



### F21 ELECTRICAL EQUIPMENT

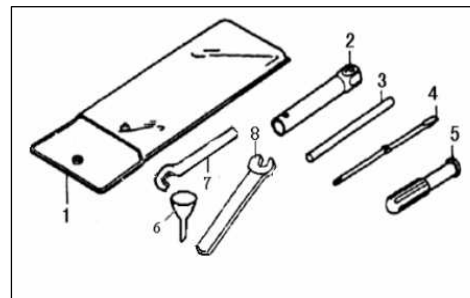
NO.	CODE		QTY
1	299061070000	REGULATOR COMP.	1
2	B01090601265	BOLT 6X12MM	4
3	88100BMBT00A	MAIN SWITCH ASSY.	1
4	08002BMBT000	BOLT M6X12	2
5	88000BMBT00A	LOCK ASSY.	1
6	95000BMDT000	HORN (E MARK)	1
7	88800BMBT000	LOCK ASSY., SEAT	1
8	96500BM0T00B	FLASH&AUDIO PILOT COMP	1
9	88500BMBT000	LOCK, COVER	1
10	88400BMBT000	LOCK ASSY., FUEL TANK	1
11	B07030000505	WASHER 5MM	2
12	B05074001005	TAPPING SCREW 4X10MM	2
13	88101BMBT000	COVER MAIN SWITCH	1
14	95701JCCT000	BAKT ALARMSYSTEM	1
15	95730BMBT002	HORN , ALARM SYSTEM	1
16	95700BMBT002	ALARM SYSTEM ASSY.	1
17	B05074801305	TAPPING SCREW 4.8X13MM	1



## F-act 50 NKD

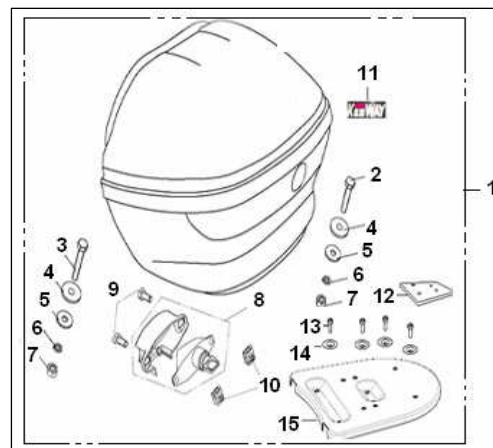
### F22 TOOL KIT

NO.	CODE		QTY
1	02110BM0T000	TOOL BAG	1
2	02102BM0T000	SPARK PLUG SOCKET	1
3	02101BM0T000	SPARK PLUG SOCKET HANDLE	1
4	02103BM0T000	SCREW DRIVER	1
5	02104BM0T000	HANDLE	1
6	02114BM0T000	FILTER, OIL TANK	1
7	02115BM0T000	RR. ABSORBER ADJUSTER	1
8	02117BMBT000	WRENCH 35	1



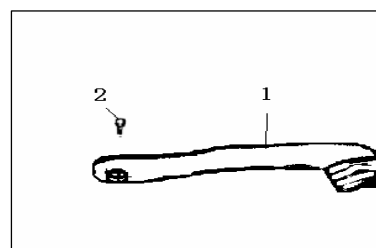
### F23 BACK BOX ASSY

NO	CODE		QTY
1	52200B92WF00	BACK BOX ASSY(WHITE)	1 AZ/BRA
1	52200B92BA00	BACK BOX ASSY(BLACK )	1 VRM/PRT
2	B01010603033	BOLT 6X30MM	2
3	B01010603533	BOLT M6X35	2
4	52221BMBT000	WASHER	4
5	B07020000603	WASHER 6MM	4
6	B07000000603	SPRING WASHER 6MM	4
7	B04000600043	NUT 6MM	4
8	88600BMBT000	BACK BOX LOCK	1
9	B01070601663	SCREW 6X16MM	2
10	52910BMBT000	NUT , CLIPPING 6MM	2
11	05591BMBT000	BACK BOX COVER	1
12	52222BMBT000	RUBBER MAT	1
13	B01010601623	BOLT 6X16MM	4
14	52221BMBT000	WASHER	4
15	52180BMBT000	STORAGE BOX , ASSY PLATE	1



### F24 ENGINE ATTACHMENT

NO.	CODE		QTY
1	08351BM0THU0	STARTING SHAFT	1
2	B02050602565	SCREW 6X25MM	1

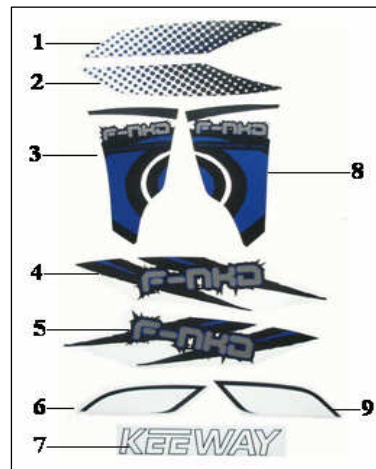


## F-act 50 NKD

### F25/1 STICKER for blue/white E6/WF vehicles

NO.	CODE		QTY
1	05526B54E600	STICKER UPPER FRONT COVER , LH	1
2	05527B54E600	STICKER UPPER FRONT COVER , RH	1
3	05528B54E600	STICKER LOWER FRONT COVER , LH	1
4	05511B54E600	STICKER SIDE COVER , LH	1
5	05512B54E600	STICKER SIDE COVER , RH	1
6	05548B54E600	STICKER LOWER FRONT COVER , LH	1
7	05541B54E600	STICKER LOWER FRONT COVER	1
8	05529B54E600	STICKER LOWER FRONT COVER , RH	1
9	05549B54E600	STICKER LOWER FRONT COVER , RH	1

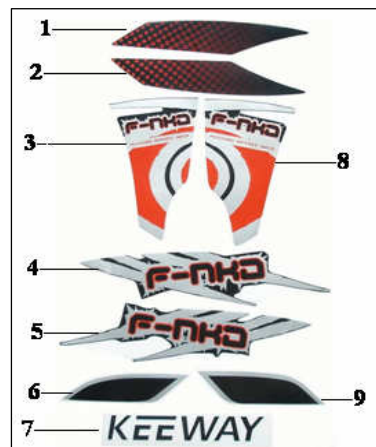
AZ/BRA



### F25/2 STICKER for red/black R8/BA vehicles

NO.	CODE		QTY
1	05526B54R800	STICKER UPPER FRONT COVER , LH	1
2	05527B54R800	STICKER UPPER FRONT COVER , RH	1
3	05528B54R800	STICKER LOWER FRONT COVER , LH	1
4	05511B54R800	STICKER SIDE COVER , LH	1
5	05512B54R800	STICKER SIDE COVER , RH	1
6	05548B54R800	STICKER LOWER FRONT COVER , LH	1
7	05541B54R800	STICKER LOWER FRONT COVER	1
8	05529B54R800	STICKER LOWER FRONT COVER , RH	1
9	05549B54R800	STICKER LOWER FRONT COVER , RH	1

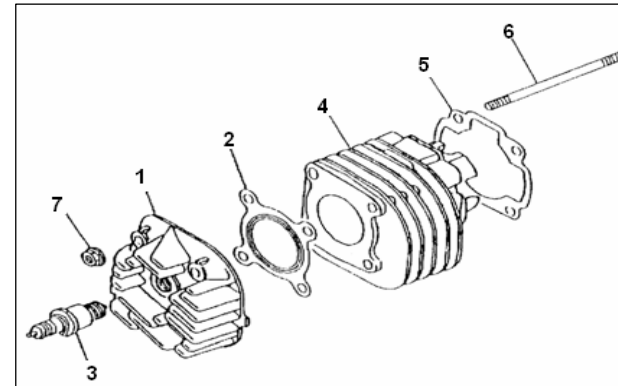
VRM/PRT



## F-act 50 NKD

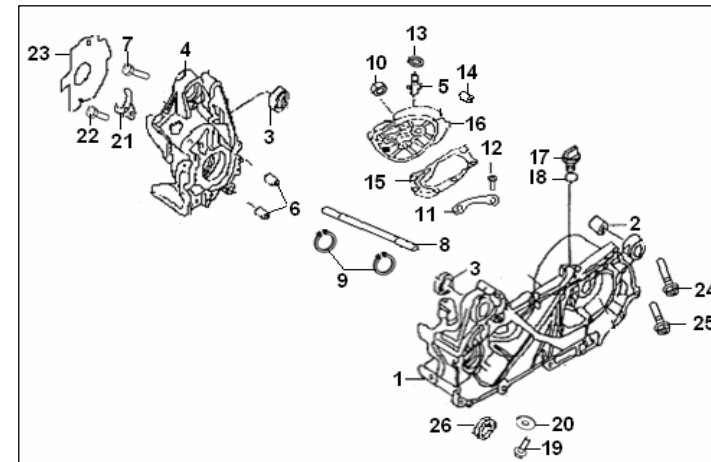
### E01.CYLINDER HEAD ASSY

NO	QJ CODE	DESCRIPTION	QTY	RMK
1	201200.066000	HEAD , CYLINDER	1	
2	30507B01F000	GASKET , CYLINDER HEAD	1	
3	201204.015000	SPEAK PLUG	1	BR7ES
4	204200.041000	CYLINDER	1	
5	204204.001000	GASKET , CYLINDER	1	
6	26107B01F910	STUD BOLT	4	
7	304290700063	NUT	4	



### E02.CRANKCASE ASSY

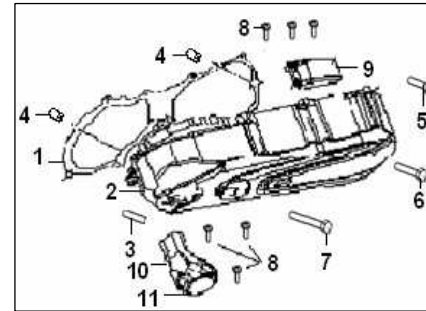
NO	QJ CODE	DESCRIPTION	QTY	RMK
1	206200.057000	CRANKCASE,LH	1	
2	26108G02F000	BUSH,ENGINE MOUNTING	1	
3	B12016600300	BEARING 6003-2RS	2	
4	26211B09F001	CRANKCASE,RH	1	
5	26142G02F000	BRAKE SHOE	1	
6	26123G02F000	DOWEL PIN 12X16	2	
7	301310603565	PAN HEAD SCREW M6X35	6	
8	26109B09F000	AXLE,engine mount	1	
9	B08010001700	CIRCLIP 17	2	
10	B04070812553	NUT M8	1	
11	26214B09F000	BEARING HOLDER	1	
12	B02000601262	PAN HEAD SCREW M6X12	2	
13	14222J01F000	O-RING	1	
14	26123G02F000	DOWEL PIN 12X16	2	
15	214201.004000	GASKET , GEAR BOX	1	
16	18101B09F000	COVER, GEAR BOX	1	
17	206407.004081	OIL PLUG	1	
18	26102G02F000	O RING	1	
19	301310801605	FLANGE BOLT M8X16	1	
20	18105H03F000	PLATE WASHER 8	1	
21	26214G02F910	OIL SEAL HOLDER	1	
22	301310601263	PAN HEAD SCREW M6X12	1	
23	206321.001000	GASKET	1	
24	301310805565	SCREW M8X55	2	
25	301310805065	SCREW M8X50	5	
26	207234.001000	bush	1	



## F-act 50 NKD

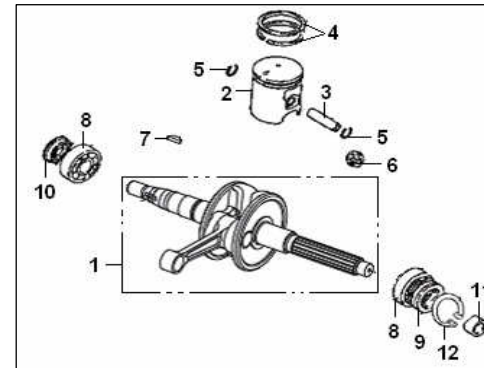
### E03.SIDE COVER ASSY

NO	QJ CODE	DESCRIPTION	QTY	RMK
1	207208.017000	GASKET,L CRANKCASE	1	
2	169021070013	L CRANKCASE COVER	1	
3	26128G02F000	IDLE GEAR	1	
4	26208J01F000	DOWEL PIN	2	
5	301310602565	PAN HEAD SCREW M6X25	8	
6	301310603565	PAN HEAD SCREW M6X35	1	
7	301310606565	PAN HEAD SCREW M6X65	1	
8	3052035014F5	SCREW ST3.5X14	6	
9	14149B09F000	AIR DUCT-OUTLET	1	
10	14148B09F000	AIR DUCT-INLET	1	
11	14150B09F000	FILTER ASSY	1	



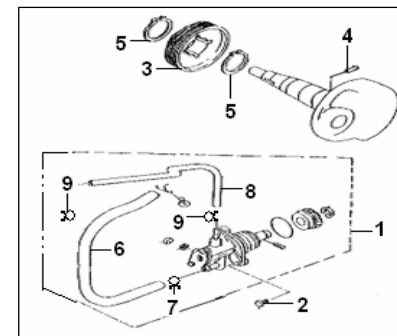
### E04.PISTON CRANKSHAFT CONNECTING ROD ASSY

NO	QJ CODE	DESCRIPTION	QTY	RMK
1	208100.022000	CRANKSHAFT , ASSY	1	
2	15100B09F000	PISTON ASSY	1	
3	15105B16F000	PISTON PIN	1	
4	15103B09F000	PISTON RING ASSY	1	JOGO
5	15111G02F000	CIRCLIP	2	
6	15110B16F000	NEEDLE BEARING	1	
7	15101B01F000	WOODRUFF KEY	1	
8	B12016620453	BEATRING	2	
9	15213G02F000	OIL SEAL	1	
10	26215G02F000	OIL SEAL ASSY	1	
11	15214G02F000	COLLAR	1	
12	17308G02F000	CIRCLIP	1	



### E05.OIL PUMP ASSY

NO	QJ CODE	DESCRIPTION	QTY	RMK
1	219101.008000	OIL PUMP ASSY	1	
2	B02000501463	SCREW	2	
3	15211G02F000	PUMP DRIVE GEAR	1	
4	B090103014C0	PIN	1	
5	15106G02F910	CIRCLIP	2	
6	221405.100000	HOSE,OIL INLET	1	
7	19213G02F00A	HOSE CLIP	2	
8	221405.107000	HOSE,OIL OUTLET	1	
9	19217G02F00A	HOSE CLIP	2	

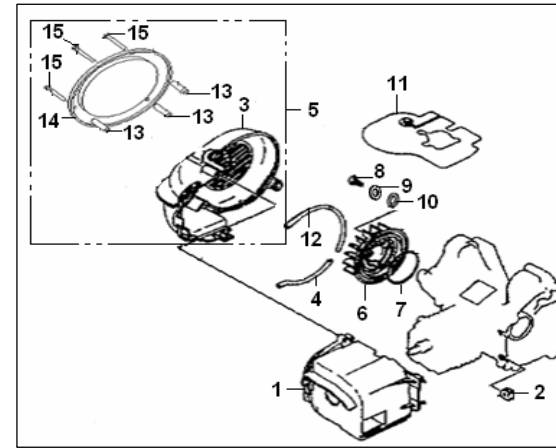




## F-act 50 NKD

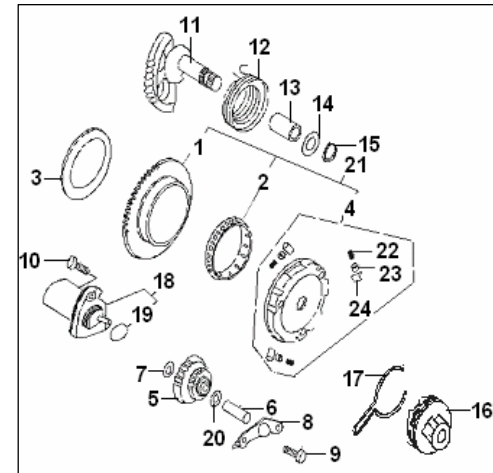
### E06.AIR COOLING SYSTEM

NO	QJ CODE	DESCRIPTION	QTY	RMK
1	20301B01F000	COWLING,cylinder	1	
2	20303G02F000	GROMMET	2	
3	20201B09F000	COELING,fan	1	
4	20208G02F000	BEADING (RUBBER)	1	
5	222103.014000	COVER ASSY (FAN)	1	
6	20401B01F000	FAN ASSY	1	
7	20402G02F000	RUBBER RING 70X3.1	1	
8	B02000601663	SCREW M6X16	3	
9	B07000000600	SPRING WASHER φ6	3	
10	B07030000600	WASHER φ6	3	
11	20102G02F000	DUST COVER (RUBBER)	1	
12	20206G02F000	BEADING (RUBBER)	1	
13	20208B09F000	COLLOR	3	
14	222304.101000	COVER	1	
15	B02000403524	SCREW M4X35	3	



### E07.KICK STARTER ASSY

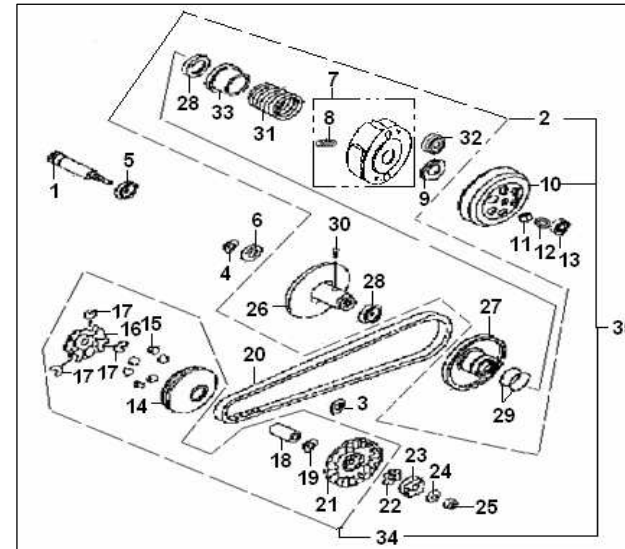
NO	QJ CODE	DESCRIPTION	QTY	RMK
1	34120G02F000	START GEAR ASSY	1	
2	34121G02F000	NEEDLE BEARING	1	
3	34123G02F000	THRUST WASHER	1	
4	34110G02F00A	START HOLDER ASSY	1	
5	34126G02F000	DRIVEN GEAR,STARTER	1	
6	26128G02F000	IDLE GEAR SHAFT	1	
7	34122G02F000	PLATE WASHER	1	
8	34125G02F000	IDLE GEAR HOLDER	1	
9	B02000601063	SCREW	2	
10	302040602065	SCREW	2	
11	216100.003000	SHAFT, kick starter	1	
12	17407G02F000	SPRING	1	
13	216217.004000	BUSH	1	
14	307991005552	WASHER ,kick starter	1	
15	308090150003	CIRCLIP	1	
16	17415G02F000	KICK PINION ASSY	1	
17	17418G02F930	CLIP	1	
18	218100.017472	STARTING MOTOR ASSY	1	
19	B190102120B0	O-RING	1	
20	34130G02F000	PLATE WASHER	1	
21	217100.100000	START CLUTCH ASSY	1	
22	34404G02F00A	SPRING	3	
23	34405G02F00A	CAP	3	
24	34402G02F00A	ROLLER	3	



## F-act 50 NKD

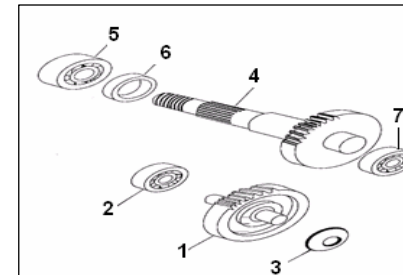
### E08.CLUTCH ASSY

NO	QJ CODE	DESCRIPTION	QTY
1	24201B09F000	PRIMARY DRIVE SHAFT	1
2	24200B01F000	DRIVEN PULLY and CLUTCH ASSY	1
3	213207.023000	WASHER	1
4	B08010001700	CIRCLIP	1
5	B12016620300	ROLING BEARING 6203	1
6	24203B09F000	OIL SEAL	1
7	24301B01F000	CLUTCH ASSY,shoe	3
8	24302B01F000	SPRING	3
9	24303G02F000	NUT	1
10	24700G02F000	CLUTCH DRUM	1
11	24305G02F940	NUT	1
12	24243G02F000	RING	1
13	24209G02F000	BEARING 638Z	1
14	24101B09F000	FACE,movable drive	1
15	213119.005000	ROLLER	6
16	24103G02F000	PLATE,movable drive	1
17	24104G02F000	DAMPER	3
18	24105G02F000	COLLER	1
19	24106B01F000	WASHER	1
20	24107B01F000	V BELT , DRIVE	1
21	24108B09F000	FACE , FIXED DRIVE	1
22	24109G02F000	PLATE , WOODRUFF KEY	1
23	213203.001161	STARTING DISC	1
24	15112G02F010	WASHER , SPRING	1
25	B04031212553	NUT	1
26	24204G02F000	FACE , FIXED DRIVEN	1
27	24205G02F000	FACE , MOVABLE DRIVEN	1
28	24206G02F000	OIL SEAL	1
29	24207G02F000	O-RING	2
30	24208G02F000	PIN , GUIDE	2
31	24308B01F000	SPRING	1
32	24245G02F000	ROLLER BEARING	1
33	24309G02F930	SEAT , SPRING	1
34	24100B09F000	DRIVE ASSY	1
35	213100.022000	SHIFT ASSY	1



### E09.TRANSMISSION SYSTEM ASSY

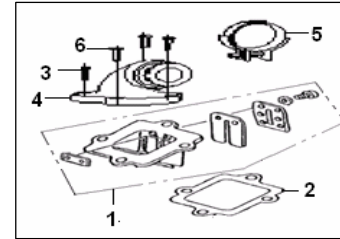
NO	QJ CODE	DESCRIPTION	QTY	RMK
1	17800B09F000	SHAFT , IDLE	1	
2	B12016620000	BEARING 6200	1	
3	17732J01F000	WASHER , thrust	1	
4	17300B09F000	SHAFT , REAR BOX	1	
5	B12016600400	NEEDLE BEARING	1	
6	17317B09F000	OIL SEAL	1	
7	B12016620200	NEEDLE BEARING	1	



## F-act 50 NKD

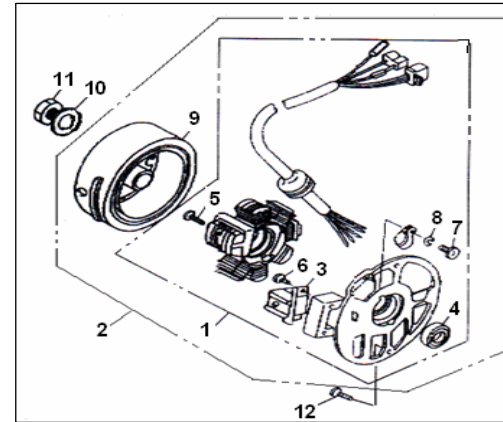
### E10. REED VALVE ASSY

NO	QJ CODE	DESCRIPTION	QTY	RMK
1	32300G02F000	REED VALVE ASSY	1	
2	202306.002000	VALVE SEAT GASKET	1	
3	302040602065	SCREW	3	
4	32200G02F000	PIPE, intake	1	
5	202104.006472	CLIP	1	
6	206412.001472	SCREW	1	



### E11. MAGNETO ASSY

NO	QJ CODE	DESCRIPTION	QTY	RMK
1	299031070002	COIL ASSY	1	
2	299011070002	MAGNETO ASSY	1	
3	34330G02F000	PULSE TRIGGER	1	
4	34350G02F000	OIL SEAT	1	
5	B02000502522	SCREW	2	
6	B02000501262	SCREW	2	
7	B02000400622	SCREW	1	
8	B07000000400	SPRING WASHER	1	
9	299021070002	FLY WHEEL ASSY	1	
10	B07030001200	WASHER	1	
11	15228H03F000	NUT	1	
12	B01070601664	NUT	2	



### E12. CARBURETOR ASSY

NO	CODE	DESCRIPTION	QTY	RMK
1	32510B01F000	NEEDLE, jet	1	
2	32511B01F000	VALVE, PISTON	1	
3	224202.064000	JET, main	1	
4	32612B01F000	ENRICH VALVE	1	
5	32619B01F000	PIN, float	1	
6	32620B01F000	FLOAT	1	
7	32701B01F000	GASKET	1	
8	224100.092000	CARBURETOR ASSY	1	
9	224203.100000	JET, idle	1	
10	32508B01F000	CLIPMM, V shape	1	

