

# PARTS CATALOGUE



## SCOOTERS

SAA1AA(PT)

AK 550



Release Date : 2020/03/08  
Print Date : 2022/07/14

## ABOUT THIS PARTS LIST

- This parts list is compiled all service parts for model SAA1AA(PT).
- Any difference between color chart and motorcycle will be revised according to motorcycle.
- The Mark:
  1. Marking "\*\*\*" must add color code in the end before ordering parts.
  2. Marking "#" are parts with modification, Please find the details from e-Parts system.
- When modification or additions to this parts list are made a revised edition at an appropriate time.



# CONTENTS

● ABOUT THIS PARTS LIST .....	1
● COLOR CHART OF SAA1AA(PT) .....	3
● CONTENTS-ENGINE GROUP .....	7
● CONTENTS-FRAME GROUP .....	9
● ENGINE PARTS LIST .....	12
● FRAME PARTS LIST .....	54
● PART NO. INDEX .....	144

NO	MODEL			COLOR CHART OF SAA1AA(PT)			
	PHOTO NO			NO. 1	NO. 2		
	BASIC COLOR			Mat Deep Blue	Flat Black		
	CODE			Mat Deep Blue	Flat Black		
	PARTS NAME	PARTS NO.	VERSION	PB244FA	NH397FA		
1	FENDER A FRONT	61100-LGC6-E00	5	DLA	D3S		
2	CALIPER ASSY RR	43100-LGC6-E01	4	J2A			
3	BRACKET ASSY RR	43210-LGC6-305	0				
4	WHEEL SET RR	42600-LGC6-305	0	JDA			
5	WHEEL ASSY FR	44600-LGC6-305	0				
6	MOLDING A R SIDE	64302-LGC6-E00	3	CVP			JJP
7	MOLDING A L SIDE	64303-LGC6-E00	3				
8	CARRIER R REAR	81200-LGC6-E00	7				
9	CARRIER L REAR	81210-LGC6-E00	7				
10	COVER R BODY	83500-LGC6-E00	1				
11	COVER R SIDE	83510-LGC6-E00	0				
12	COVER L SIDE	83600-LGC6-E00	3				
13	COVER L SIDE	83610-LGC6-E00	0				
14	COVER B RR CENTER	83750-LGC6-E00	0	JTA			
15	CALIPER ASSY FR L	45100-LGC6-E00	0				
16	CALIPER ASSY FR R	45200-LGC6-E00	0	N1R			
17	COVER COMP. L COVER	1134B-LGC6-E00	9				
18	COVER COMP. R	11630-LGC6-E00	9				
19	COVERRADIATOR	19025-LGC6-E00	2				
20	ISOLATED PLATE	35852-LGC6-E00	0				
21	COVER UP ACHAIN	40510-LGC6-E00	5				
22	COVER UP B CHAIN	40511-LGC6-E00	1				
23	COVER UP B CHAIN	40511-LGC6-E01	2				
24	COVER LOW A CHAIN	40520-LGC6-E00	1				
25	COVER LOW B CHAIN	40521-LGC6-E00	1				
DATE OF STARTING-SALES							
DATE OF END-SALES							

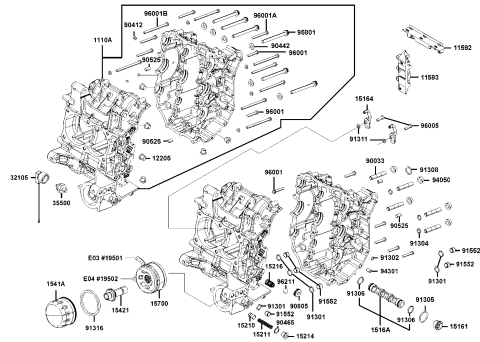
NO	MODEL			COLOR CHART OF SAA1AA(PT)			
	PHOTO NO			NO. 1	NO. 2		
	BASIC COLOR			Mat Deep Blue	Flat Black		
	CODE			Mat Deep Blue	Flat Black		
	PARTS NAME	PARTS NO.	VERSION	PB244FA	NH397FA		
26	CASE BATTERY	50325-LGC6-E00	1				
27	COVER BATTERY	50326-LGC6-E00	1				
28	PROTECTOR	50329-LGC6-E00	0				
29	COVER UNDER	50613-LGC6-E00	0				
30	COVER FR MERTER	53203-LGC6-E00	0				
31	COVER METER	53204-LGC6-E00	6				
32	COVER HANDLE UP	53205-LGC6-E00	2				
33	COVER HANDLE LOW	53206-LGC6-E00	2				
34	FENDER ASSY FRONT	6111A-LGC6-E00	2				
35	HOLDER ASSY R WIND	64130-LGC6-E00	1				
36	COVERR WIND SCREEN	64140-LGC6-E00	3				
37	LID OBD COUPLER	64211-LGC6-E00	0				
38	HOLDER ASSY L WIND	64230-LGC6-E00	1				
39	COVER L WIND SCREEN	64240-LGC6-E00	3				
40	PANEL A R FLOOR	64310-LGC6-E00	0				
41	LID RESERVE TANK	64311-LGC6-E00	0				
42	MAT R FLOOR	64320-LGC6-E00	0				
43	PANEL A L FLOOR	64330-LGC6-E00	0				
44	MAT L FLOOR	64340-LGC6-E00	0				
45	MAT R LEG SHIELD	64350-LGC6-E00	0				
46	MAT L LEG SHIELD	64360-LGC6-E00	0				
47	PANEL B R FLOOR	64370-LGC6-E00	0				
48	PANEL B L FLOOR	64380-LGC6-E00	0				
49	COWL UNDER	64400-LGC6-E00	0				
50	FENDER RR TIRE	80100-LGC6-E00	3				
DATE OF STARTING-SALES							
DATE OF END-SALES							

NO	MODEL			COLOR CHART OF SAA1AA(PT)			
	PHOTO NO			NO. 1	NO. 2		
	BASIC COLOR			Mat Deep Blue	Flat Black		
	CODE			Mat Deep Blue	Flat Black		
	PARTS NAME	PARTS NO.	VERSION	PB244FA	NH397FA		
51	FENDER REAR	80105-LGC6-E00	1	N1R			
52	COVER LICENSE	80107-LGC6-E00	1				
53	FENDER TIRE ASSY RR	8010B-LGC6-E00	2				
54	COVER ASSY. CENTER	8015B-LGC6-E00	4				
55	COVER B ASSY.CENTER	8015C-LGC6-E00	3				
56	BOARD A R SIDE	83520-LGC6-E00	0				
57	BOARD AL SIDE	83620-LGC6-E00	3				
58	COVER B.RR CENTER	83751-LGC6-E00	1				
59	BAND HARNESS WIRE	90656-KUDU-900	0				
60	SPROCKET DRIVEN	41201-LGC6-E00	8				NEA
61	HOLDER RR CALIPER	43110-LGC6-E00	5				
62	STAY FR FENDER R	51421-LGC6-E00	4				
63	STAY FR FENDER L	51521-LGC6-E00	4	NEP			
64	FENDER COVER R SIDE	61101-LGC6-E00	1				
65	FENDER COVER L SIDE	61102-LGC6-E00	1				
66	SKIRT R SIDE	64305-LGC6-E00	0				
67	SKIRT L SIDE	64306-LGC6-E00	0	NJA			
68	CAP ACG	90084-4H28-001	1				
69	TAIL CAP. MUFFLER	18306-LGC6-E00	6	T01			
70	MUFFLER ASSY..	1830A-LGC6-E00	9				
71	MUFF. PROTECTOR	18318-LGC6-E00	6				
72	COVER. SILENCER	18319-LGC6-E00	6				
73	LIGHT ASSY.HEAD	33100-LGC6-E01	2				
74	OUTER RS HEAD LIGHT	33109-LGC6-E00	4				
75	FORK ASSY FR R	51400-LGC6-E00	9				
DATE OF STARTING-SALES							
DATE OF END-SALES							

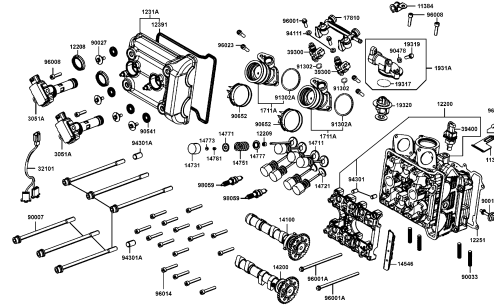
NO	MODEL			COLOR CHART OF SAA1AA(PT)			
	PHOTO NO			NO. 1	NO. 2		
	BASIC COLOR			Mat Deep Blue	Flat Black		
	CODE			Mat Deep Blue	Flat Black		
	PARTS NAME	PARTS NO.	VERSION	PB244FA	NH397FA		
76	FORK ASSY FR L	51500-LGC6-E00	6	T01			
77	CUSHION ASSY RR	52400-LGC6-E00	7				
78	TOP COVER ASSY.	5320C-LGC6-E00	3				
79	WIND SCRRN ASSY.	6422A-LGC6-E00	4				
80	COVER FRONT	64301-LGC6-E00	0				
81	SEAT ASSY (REACH)	77200-LGC6-309	0				
82	LID FUEL CAP MAINT	80152-LGC6-E00	5				
83	COVER KEY	81151-LGC6-E00	5				
84	GRILLE ASSY.R BOARD	8353A-LGC6-E00	2				
85	GRILLE ASSY. L BOARD	8363A-LGC6-E00	3				
86	EMB HANDLE COVER	86020-LGC6-E00	3				
87	EMB KYMCO ASSY.	8620A-LGC6-E00	3				
88	STRIPE SIDE MOLD	86300-LGC6-E00	6				
89	EMB SIDE MOLD	86380-LGC6-E00	2				
90	CAUTION LABEL	87515-LGC6-E00	2				
91	NOTICE MOBILE PHONE	87541-ZZA6-E00	2				
92	LABEL FUEL TANK	87546-ADG5-E00	2				
93	MARK DRIVER CAUTION	87560-LGC6-E00	2				
94	FORK ASSY RR L/H	52100-LGC6-E01	5				T02
95	FORK CAST RR R/H	52120-LGC6-E01	4				
96	HOLDER ASSY FINAL	52130-LGC6-E00	6				
97	CAP FINAL SHAFT	52133-LGC6-E00	6	T03			
98	EMB K-LOGO	86102-LGC6-E00	5				
99	BOARD B R SIDE	83530-LGC6-E00	0	ZBP			
100	BOARD B L SIDE	83630-LGC6-E00	0				
DATE OF STARTING-SALES							
DATE OF END-SALES							

# CONTENTS - ENGINE GROUP

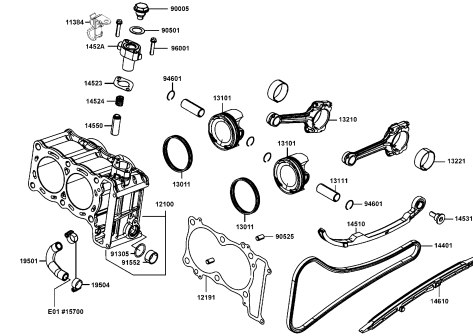
**E01 Crank Case**



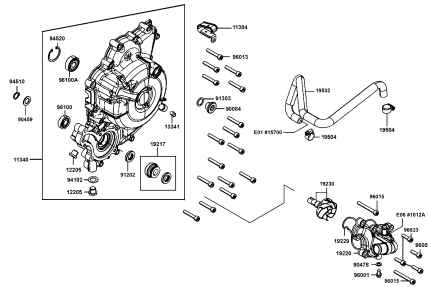
**E02 Cylinder Head Cover Cylinder**



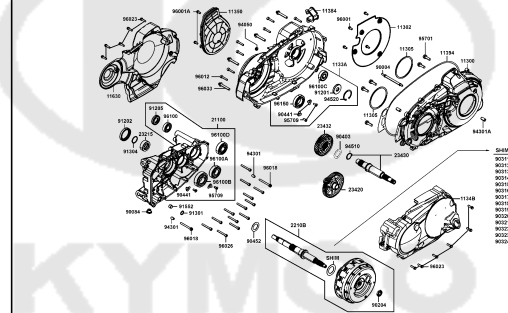
**E03 Cylinder Piston**



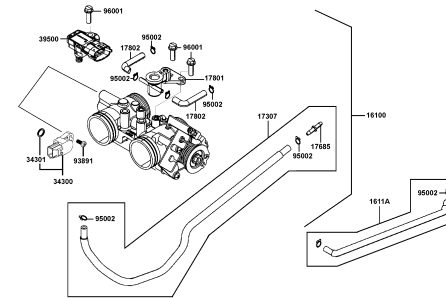
**E04 Left Side Cover Water Pump**



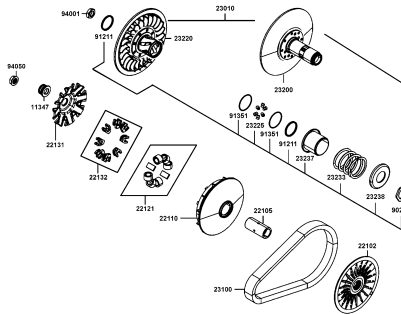
**E05 Right Crankcase Cover Shaft**



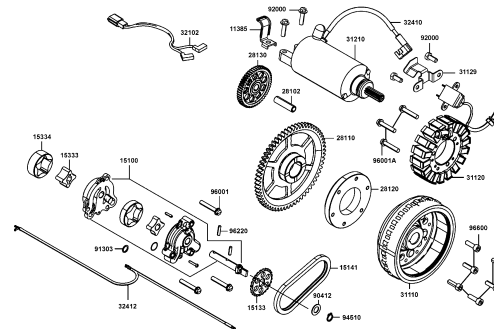
**E06 Throttle Body**



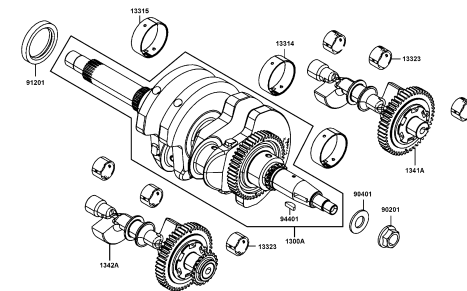
**E07 Transmission Pulley**



**E08 Starting Motor Generator**



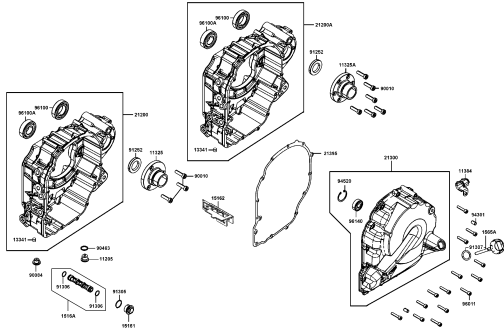
**E09 Crank Shaft Drive Procket**





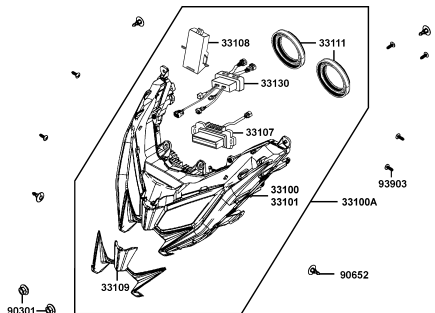
# CONTENTS - ENGINE GROUP

## E10 CASE COMP L MISSION

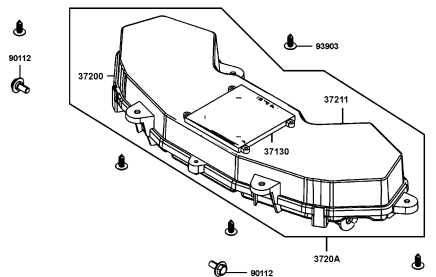


# CONTENTS - FRAME GROUP

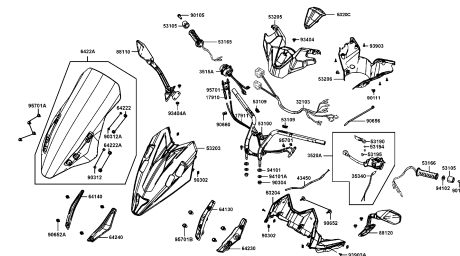
**F01** Head Light



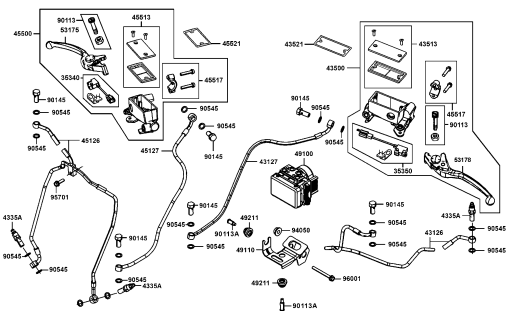
**F02** Speedometer



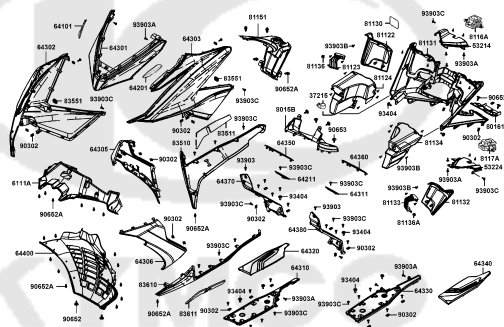
**F03** Handle Steering Handle Cover



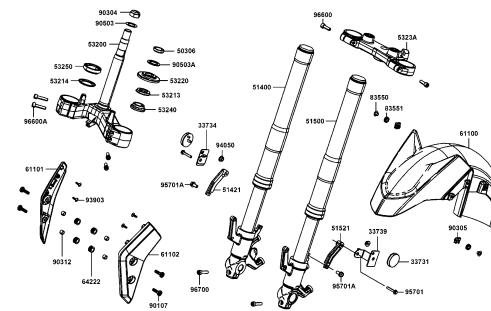
**F04** Brake Master Cylinder



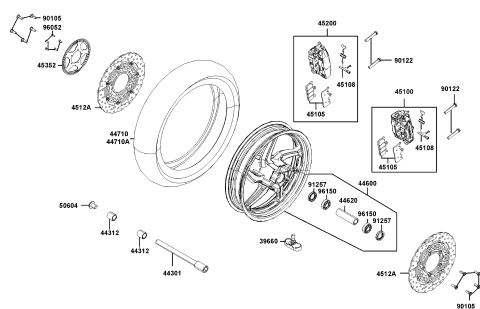
**F05** Front Cover Floor Panel



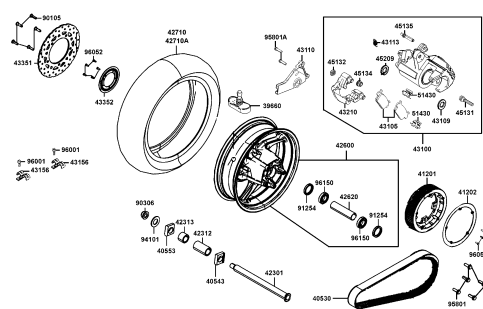
**F06** Front Cushion



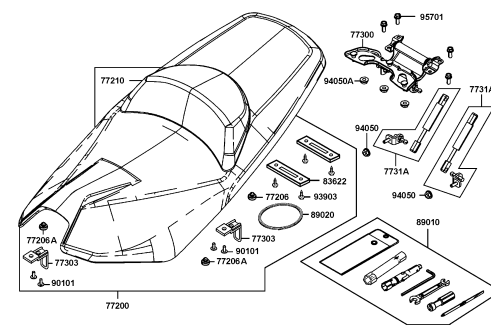
**F07** Front Wheel



**F08** Rear Wheel

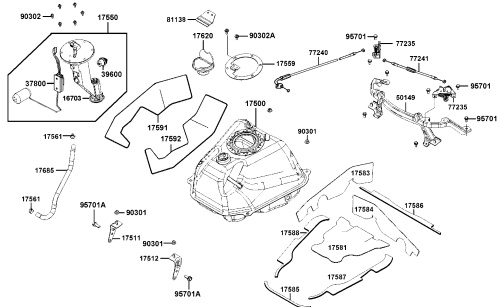


**F09** Seat

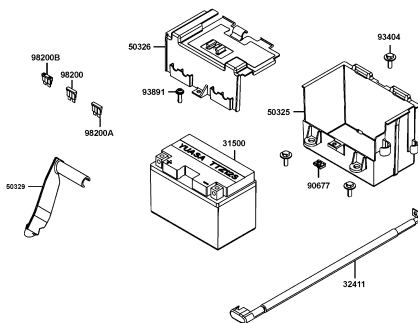


# CONTENTS - FRAME GROUP

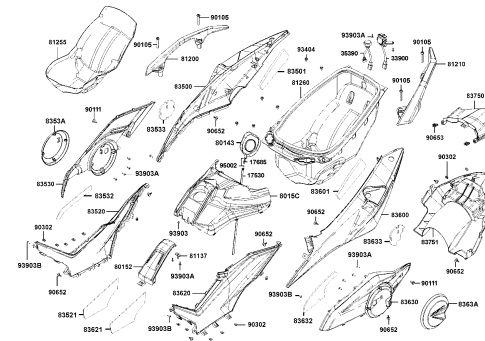
**F10 Fuel Tank**



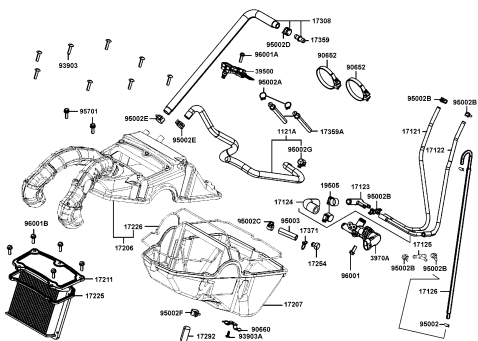
**F11 Battery**



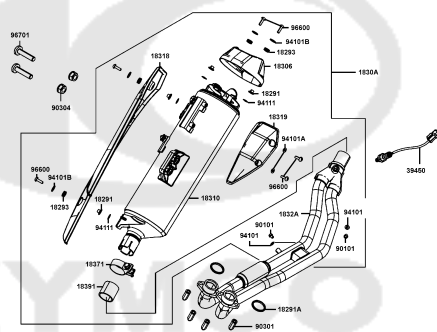
**F12 Body Cover/Luggage Box**



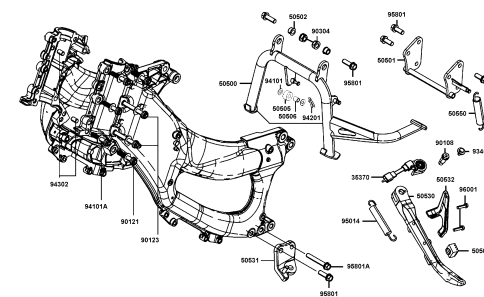
**F13 Air Cleaner**



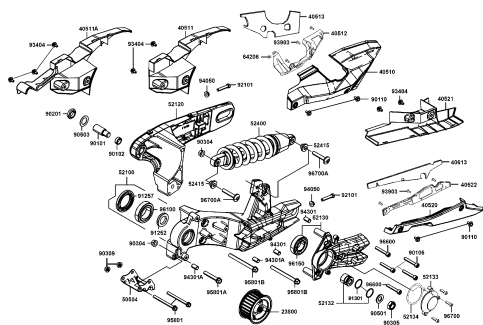
**F14 Exhaust Muffler**



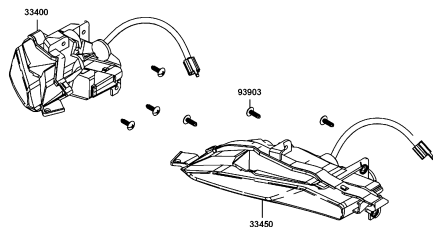
**F15 Fr Body Frame/Stand**



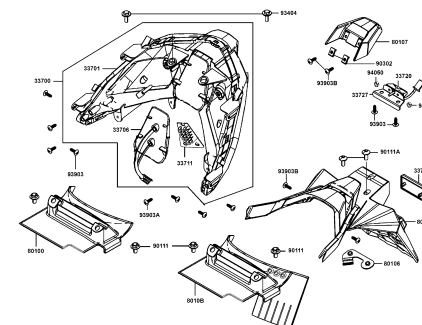
**F16 Rear Cushion**



**F17 Front Winker RR WINKER**

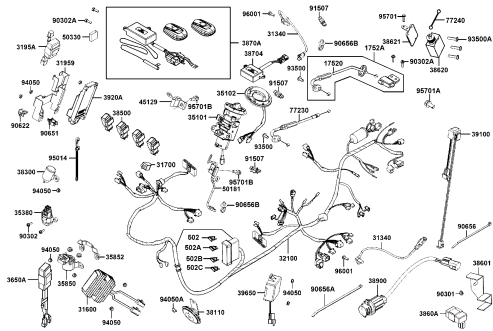


**F18 Rear Light/Rear Fender**

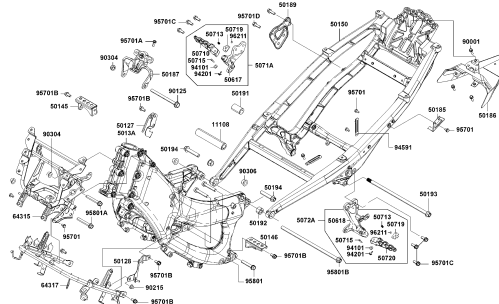


# CONTENTS - FRAME GROUP

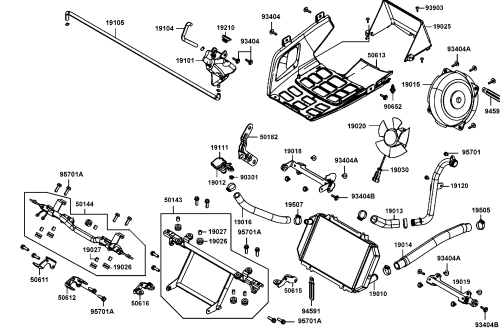
## F19 Wire Harness



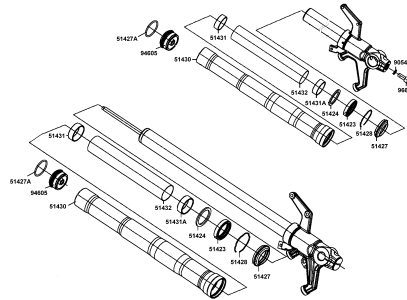
## F20 Frame Body



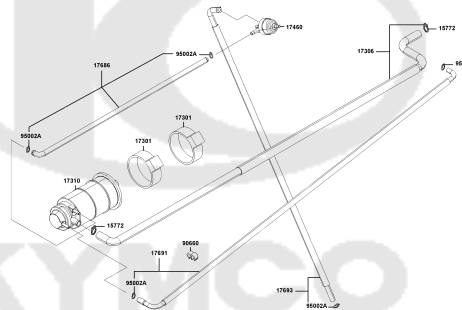
## F21 Radiator



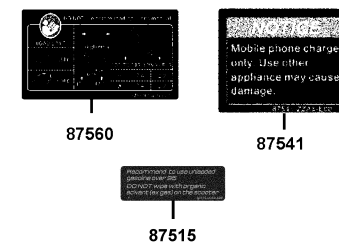
## F22 Separated Parts Of Fr Fork



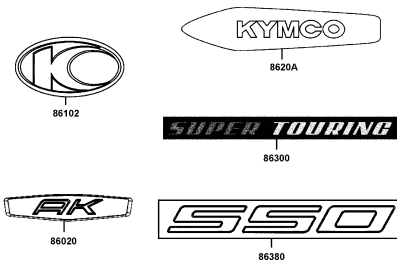
## F23 Canister



## F24 Caution Label



## F25 EMB BODY COVER

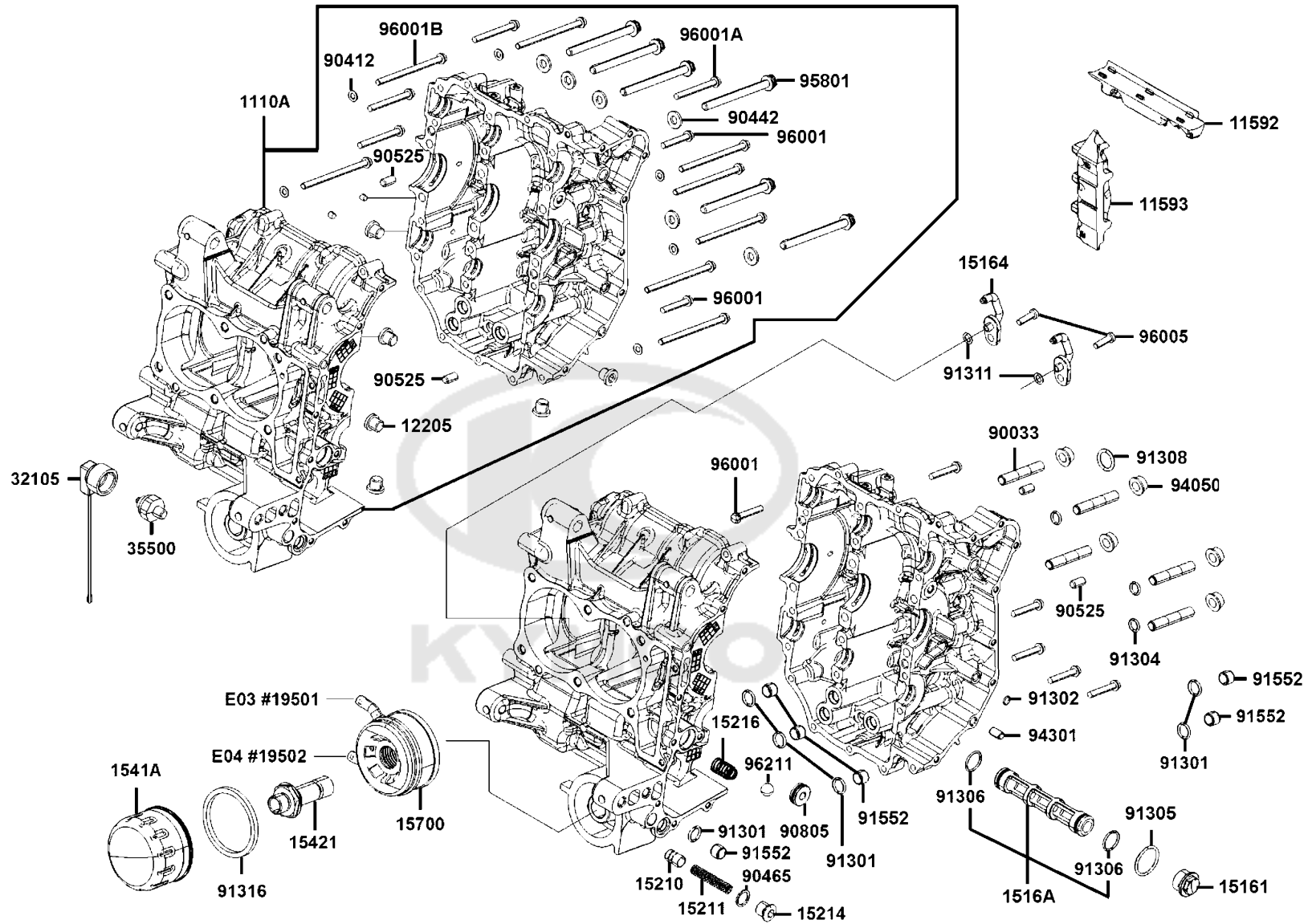


## F26 LABEL OF E5



E01

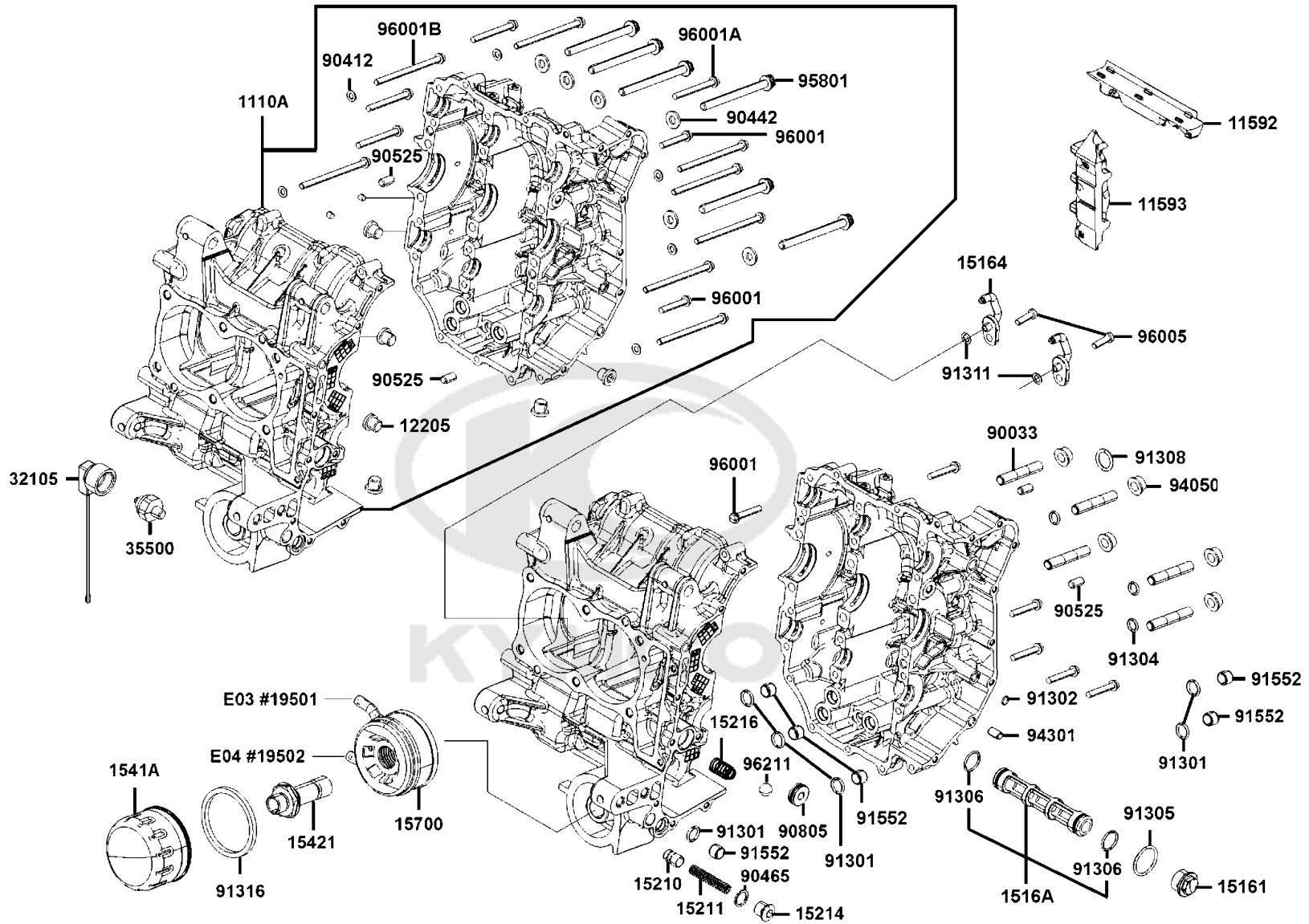
# Crank Case



Sales mark	Ref no	Part no	Description	Reg description	Regd no	E01
	1110A	1110A-LGC6-E00	CRANKCASE ASSEMBLY	CRANKCASE ASSEMBLY	1	
	11592	11592-LGC6-E00	RUBBER B INSERT CASE	RUBBER B INSERT CASE	1	
	11593	11593-LGC6-E00	RUBBER C INSERT CASE	RUBBER C INSERT CASE	1	
	12205	12205-LEA7-E00	BOLT SEALING 12MM	BOLT SEALING 12MM	6	
	15161	15161-LGC6-E00	PLUG SCREW SECTION FILTER	PLUG SCREW SECTION FILTER	1	
	15164	15164-LGC6-E00	PISTON COOLING JET	PISTON COOLING JET	1	
	1516A	1516A-LGC6-E00	SUCTION FILTER ASSY CRANK SIDE	SUCTION FILTER ASSY CRANK SIDE	1	
	15210	15210-PUA5-E00	PISTON PRESSURE VALVE D=12mm	PISTON PRESSURE VALVE D=12mm	1	
	15211	15211-LGC6-E00	COMPRESSION SPRING	COMPRESSION SPRING	1	
	15214	15214-PUA5-E00	PLUG SCREW COMPRESSION SPRING	PLUG SCREW COMPRESSION SPRING	1	
	15216	15216-LGC6-E00	COMPRESSION SPRING	COMPRESSION SPRING	1	
	1541A	1541A-LGC6-E00	OIL FILTER ASSY	OIL FILTER ASSY	1	
	15421	15421-PRA1-E00	OIL FILTER PIPE	OIL FILTER PIPE	1	
	15700	15700-LGC6-E00	OIL WATER HEAT EXCHANGER	OIL WATER HEAT EXCHANGER	1	
	32105	32105-LLJ3-E00	SUB HARNESS	SUB HARNESS	1	
#	35500	35500-LGC6-E00	SW ASSY. OIL PRESSURE	SW ASSY. OIL PRESSURE	1	
	90033	90033-LGC6-E00	BOLT STUD 10X35	BOLT STUD 10X35	5	
	90412	90412-PUA5-E00	WASHER A6.1*11.5-A1	WASHER A6.1*11.5-A1	6	
#	90442	90442-LGC6-E00	SEALING WASHER 18X8.5X2.3	SEALING WASHER 18X8.5X2.3	6	
	90465	90465-PUA5-E00	WASHER DIN7603-A14*20-CU	WASHER DIN7603-A14*20-CU	1	

E01

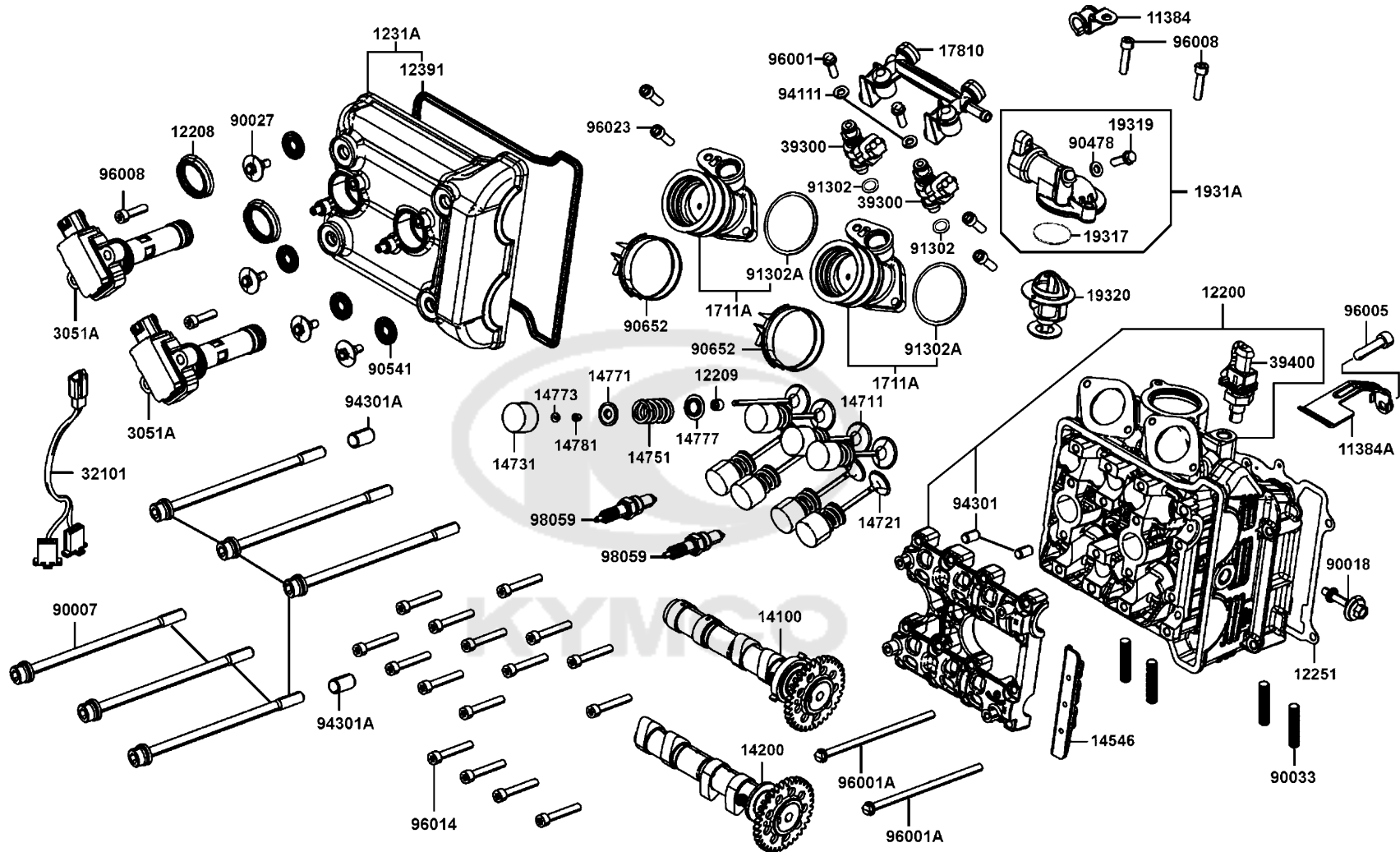
Crank Case



Sales mark	Ref no	Part no	Description	Reg description	Regd no	E01
	90525	90525-KED9-900	LOCK PIN OIL 8*16	LOCK PIN OIL 8*16	2	
	90805	90805-LGC6-E00	CONE TYPE PLUG SPECIAL	CONE TYPE PLUG SPECIAL	1	
	91301	91301-LGC6-E00	O RING	O RING	1	
	91302	91302-PRA1-E00	O-RING 7X17	O-RING 7X17	1	
	91304	91304-LFA7-E00	O-RING 9.4*2.4	O-RING 9.4*2.4	3	
	91305	91305-LEH6-E00	O RING 19.8x1.9	O RING 19.8x1.9	1	
	91306	91306-PUA5-E00	O-RING 13*1.5	O-RING 13*1.5	2	
	91308	91308-LGC6-E00	O-RING 16*3.2	O-RING 16*3.2	1	
	91311	91311-PRA1-E00	O-RING 5.4X2.4 (FOR OIL PIPE)	O-RING 5.4X2.4 (FOR OIL PIPE)	2	
	91316	91316-PRA1-E00	O-RING 64X3	O-RING 64X3	1	
	91552	91552-LGC6-E00	COLLAR 13MM	COLLAR 13MM	6	
	94050	94050-10060	NUT FLANGE 10MM	NUT FLANGE 10MM	5	
	94301	94301-08140	DOWEL PIN 8*14	DOWEL PIN 8*14	1	
	95801	95801-08090-06	BOLT FLANGE 8*90	BOLT FLANGE 8*90	6	
	96001	96001-06035-06	BOLT FLANGE SH 6*35	BOLT FLANGE SH 6*35	8	
	96001A	96001-06055-06	BOLT FLANGE 6*55 **07 C.2005.07.01	BOLT FLANGE 6*55 **07 C.2005.07.01	4	
	96001B	96001-06090-06	BOLT FLANGE SH 6*90	BOLT FLANGE SH 6*90	8	
	96005	96005-PRA1-E00	BOLT M6*12	BOLT M6*12	2	
	96211	96211-16000	BALL STEEL #16	BALL STEEL #16	1	

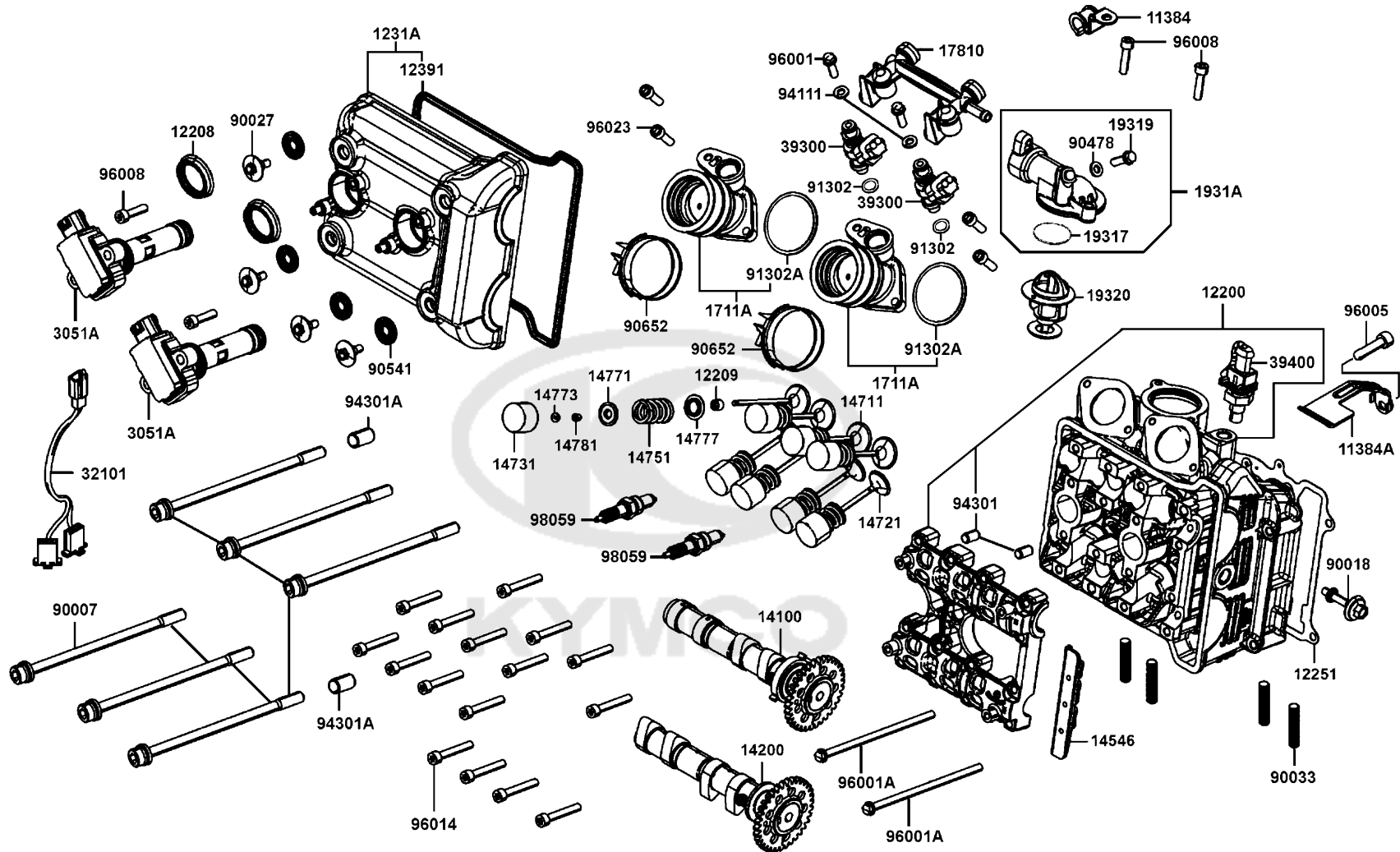


# Cylinder Head Cover Cylinder Head



Sales mark	Ref no	Part no	Description	Reg description	Regd no	E02
11384		11384-LEA7-E05	CLIP WATER PIPE	CLIP WATER PIPE	1	
11384A		11384-LGC6-E02	CLAMPER HOSE STOPPER	CLAMPER HOSE STOPPER	1	
12200		12200-LGC6-E00	HEAD COMP CYLINDER	HEAD COMP CYLINDER	1	
12208		12208-LGC6-E00	SEAL.TUBE SPARK	SEAL.TUBE SPARK	2	
12209		12209-LEA3-900	SEAL VALVE STEM	SEAL VALVE STEM	8	
12251		12251-LGC6-E00	GASKET CYLINDER HEAD	GASKET CYLINDER HEAD	1	
1231A		1231A-LGC6-E00	COVER ASSY CYLN HEAD	COVER ASSY CYLN HEAD	1	
12391		12391-LGC6-E00	SEAL HEAD COVER	SEAL HEAD COVER	1	
14100		14100-LGC6-E00	CAMSHAFT COMP INLET	CAMSHAFT COMP INLET	0	
14200		14200-LGC6-E00	CAMSHAFT COMP EXHAUST	CAMSHAFT COMP EXHAUST	1	
14546		14546-LGC6-E00	CHAIN GUIDE UPPER ASM	CHAIN GUIDE UPPER ASM	1	
14711		14711-LGC6-E00	VALVE. INLET	VALVE. INLET	4	
14721		14721-LGC6-E00	VALVE. EXHAUST	VALVE. EXHAUST	4	
14731		14731-LGC6-E00	LIFTER VALVE	LIFTER VALVE	8	
14751		14751-LGC6-E00	SPRING VALVE	SPRING VALVE	8	
14771		14771-LGC6-C00	RETAINER ALVE SPRING	RETAINER ALVE SPRING	8	
14773		14773-LGC6-E00-01	SHIM 1.50	SHIM 1.50	1	
14773		14773-LGC6-E00-02	SHIM 1.55	SHIM 1.55	1	
14773		14773-LGC6-E00-03	SHIM 1.575	SHIM 1.575	1	
14773		14773-LGC6-E00-04	SHIM 1.60	SHIM 1.60	1	

# Cylinder Head Cover Cylinder Head



Sales mark	Ref no	Part no	Description	Reg description	Regd no	E02
	14773	14773-LGC6-E00-05	SHIM 1.625	SHIM 1.625	1	
	14773	14773-LGC6-E00-06	SHIM 1.65	SHIM 1.65	1	
	14773	14773-LGC6-E00-07	SHIM 1.675	SHIM 1.675	1	
	14773	14773-LGC6-E00-08	SHIM 1.70	SHIM 1.70	1	
	14773	14773-LGC6-E00-09	SHIM 1.725	SHIM 1.725	1	
	14773	14773-LGC6-E00-10	SHIM 1.75	SHIM 1.75	1	
	14773	14773-LGC6-E00-11	SHIM 1.775	SHIM 1.775	1	
	14773	14773-LGC6-E00-12	SHIM 1.80	SHIM 1.80	1	
	14773	14773-LGC6-E00-13	SHIM 1.825	SHIM 1.825	1	
	14773	14773-LGC6-E00-14	SHIM 1.85	SHIM 1.85	1	
	14773	14773-LGC6-E00-15	SHIM 1.875	SHIM 1.875	1	
	14773	14773-LGC6-E00-16	SHIM 1.90	SHIM 1.90	1	
	14773	14773-LGC6-E00-17	SHIM 1.925	SHIM 1.925	1	
	14773	14773-LGC6-E00-18	SHIM 1.95	SHIM 1.95	1	
	14773	14773-LGC6-E00-19	SHIM 2.0	SHIM 2.0	1	
	14777	14777-LGC6-E00	SEAT VALVE SPG	SEAT VALVE SPG	8	
	14781	14781-LGC6-C00	COTTER VALVE	COTTER VALVE	16	
	1711A	1711A-LGC6-E00	PIPE ASSY.. INLET	PIPE ASSY.. INLET	1	
	17810	17810-LGC6-E00	RAIL COMP FUEL SUPPLY	RAIL COMP FUEL SUPPLY	1	
	19317	19317-LBA2-E00	RING 48.3*2	RING 48.3*2	1	



Sales mark	Ref no	Part no	Description	Reg description	Regd no	<b>E02</b>
	19319	19319-LGC6-E00	BREATHABLE SCREW_M6X12	BREATHABLE SCREW_M6X12	1	
	1931A	1931A-LGC6-E00	COVER ASSY THERMOSTAT	COVER ASSY THERMOSTAT	1	
#	19320	19320-KED9-90A	THERMOSTAT	THERMOSTAT	1	
	3051A	3051A-LGC6-E00	COIL ASSY IGN	COIL ASSY IGN	1	
	32101	32101-LGC6-E00	SUB HARNESS COIL	SUB HARNESS COIL	1	
	39300	39300-KKE5-800	INJECTOR UNIT FUEL	INJECTOR UNIT FUEL	1	
	39400	39400-LEA6-800	COLLANT TEMPRATURE SENSOR	COLLANT TEMPRATURE SENSOR	1	
	90007	90007-LGC6-E00	BOLT WASHER 9X160	BOLT WASHER 9X160	6	
	90018	90018-KKE5-E00	BOLT ASSY HEAD COVER	BOLT ASSY HEAD COVER	1	
	90027	90027-PUA5-E00	JACK SCREW M6 VALVE COVER 6*17	JACK SCREW M6 VALVE COVER 6*17	4	
	90033	90033-KGB4-C00	BOLT STUD M8X40 (C)	BOLT STUD M8X40 (C)	4	
	90478	90478-7L00-001	WASHER A 6MM	WASHER A 6MM	1	
	90541	90541-PUA5-E00	PROFILE SEALING WASHER	PROFILE SEALING WASHER	4	
	90652	90652-GFY6-901	BAND 49 AIR/C CONNECTING TUBE	BAND 49 AIR/C CONNECTING TUBE	2	
	91302	91302-KKE5-800	SEAL RING	SEAL RING	1	
	91302A	91302-LDB2-E00	O-RING 37*3	O-RING 37*3	1	
	94111	94111-06800	WASHER SPRING 6MM	WASHER SPRING 6MM	2	
	94301	94301-08140	DOWEL PIN 8*14	DOWEL PIN 8*14	2	
	94301A	94301-12200	DOWEL PIN 12*20	DOWEL PIN 12*20	2	
	96001	96001-06018-06	BOLT FLANGE SH 6X18	BOLT FLANGE SH 6*18	2	



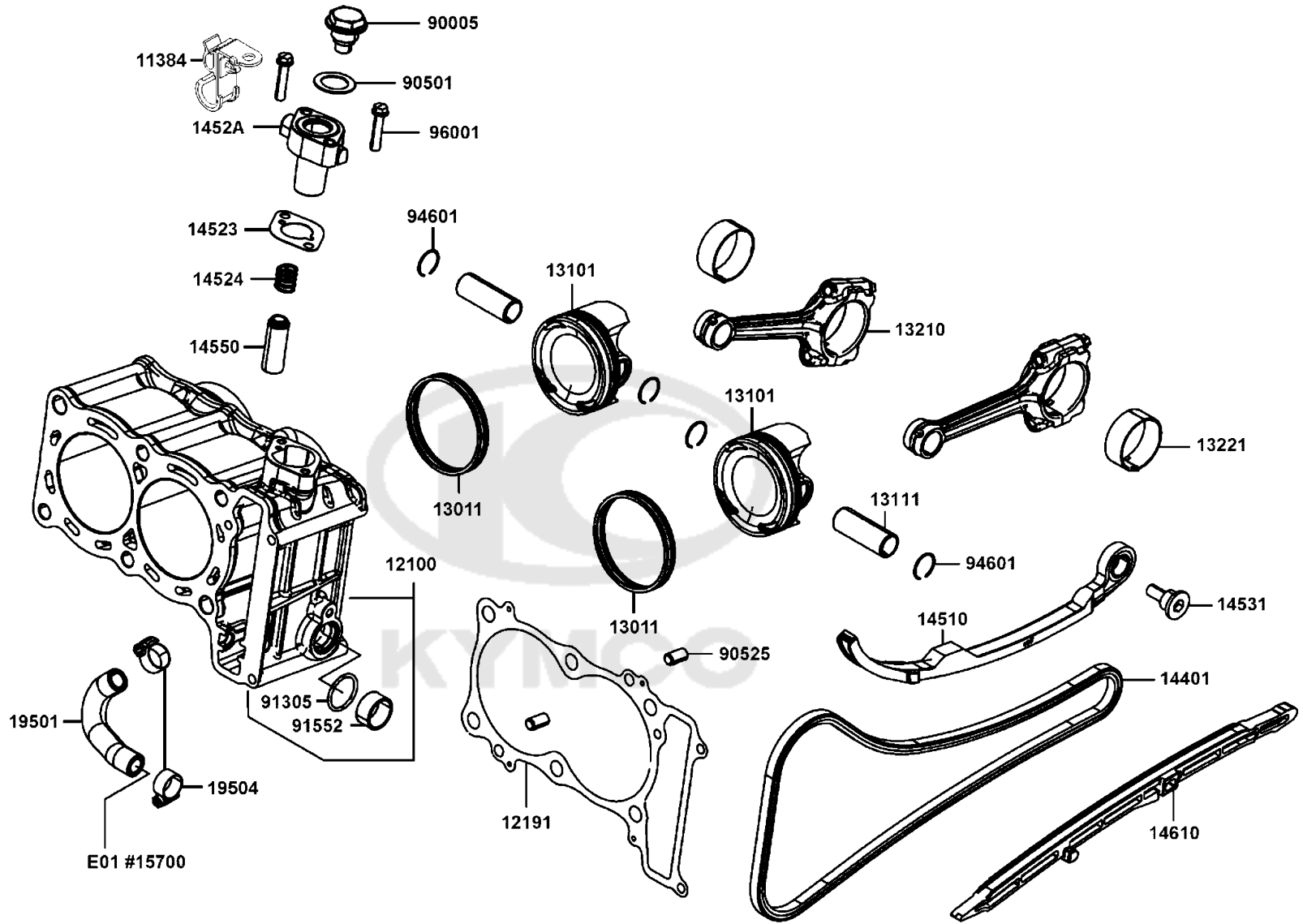
Sales mark	Ref no	Part no	Description	Reg description	Regd no	<b>E02</b>
96001A		96001-06130-06	BOLT FLANGE SH 6*130	BOLT FLANGE SH 6*130	2	
96005		96005-PRA1-E00	BOLT M6*12	BOLT M6*12	1	
96008		96008-PRA1-E00	BOLT M6*25	BOLT M6*25	1	
96014		96014-PRA1-E00	BOLT M6*40	BOLT M6*40	16	
96023		96023-PRA1-E00	BOLT M6*20	BOLT M6*20	4	
98059		98059-57916-00	SPARK PLUG (CR7E)	SPARK PLUG (CR7E)	2	





E03

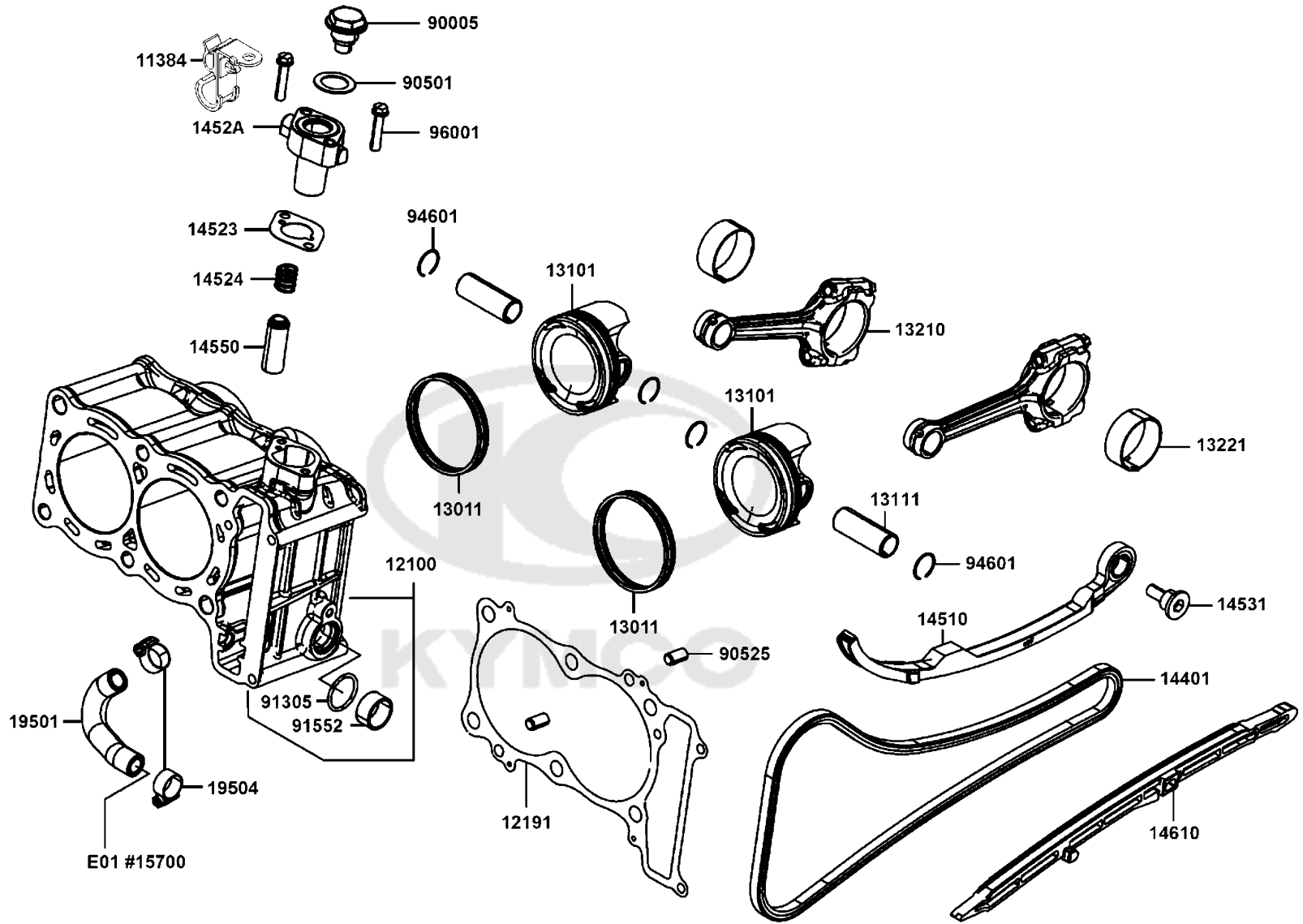
# Cylinder Piston



Sales mark	Ref no	Part no	Description	Reg description	Regd no	<b>E03</b>
	11384	11384-LGC6-E03	CLAMPER A RR BRK HOSE	CLAMPER A RR BRK HOSE	1	
	12100	12100-LGC6-E00	CYLINDER COMP (A)	CYLINDER COMP (A)	1	
	12191	12191-LGC6-E00	GASKET CYLINDER	GASKET CYLINDER	1	
	13011	13011-LGC6-E00	RING SET PISTON	RING SET PISTON	2	
	13101	13101-LGC6-E02	PISTON	PISTON	2	
	13111	13111-LGC6-E00	PIN PISTON	PIN PISTON	2	
	13210	13210-LGC6-E00-1	CONN ROD ASSY 39(0~+0.008)	CONN ROD ASSY 39(0~+0.008)	2	
	13210	13210-LGC6-E00-2	CONN ROD ASSY 39(+0.008~+0.016)	CONN ROD ASSY 39(+0.008~+0.016)	2	
	13221	13221-LGC6-E00-A	BEARING CONN. ROD/ YELLOW	BEARING CONN. ROD/ YELLOW	4	
	13221	13221-LGC6-E00-B	BEARING CONN. ROD/ BLUE	BEARING CONN. ROD/ BLUE	4	
	13221	13221-LGC6-E00-C	BEARING CONN. ROD/ RED	BEARING CONN. ROD/ RED	4	
	13221	13221-LGC6-E00-D	BEARING CONN. ROD/ GREEN	BEARING CONN. ROD/ GREEN	4	
	13221	13221-LGC6-E00-E	BEARING CONN. ROD/ BLACK	BEARING CONN. ROD/ BLACK	4	
	14401	14401-LGC6-E00	CHAIN. CAM	CHAIN. CAM	1	
	14510	14510-LGC6-E00	TENSIONER. CAM CHAIN	TENSIONER. CAM CHAIN	1	
	14523	14523-KKE5-E01	GASKET TENSIONER LIFTER	GASKET TENSIONER LIFTER	1	
	14524	14524-KKE5-E01	SPRING OIL TENSIONER	SPRING OIL TENSIONER	1	
	1452A	1452A-ZPA3-E00	CASE ASM LIFTER TENSIONER	CASE ASM LIFTER TENSIONER	1	
	14531	14531-KHE7-900	PIVOT CAM CHAIN TENSIONER	PIVOT CAM CHAIN TENSIONER	1	
	14550	14550-KKE5-E02	CHAIN TENSIONER	CHAIN TENSIONER	1	

E03

# Cylinder Piston

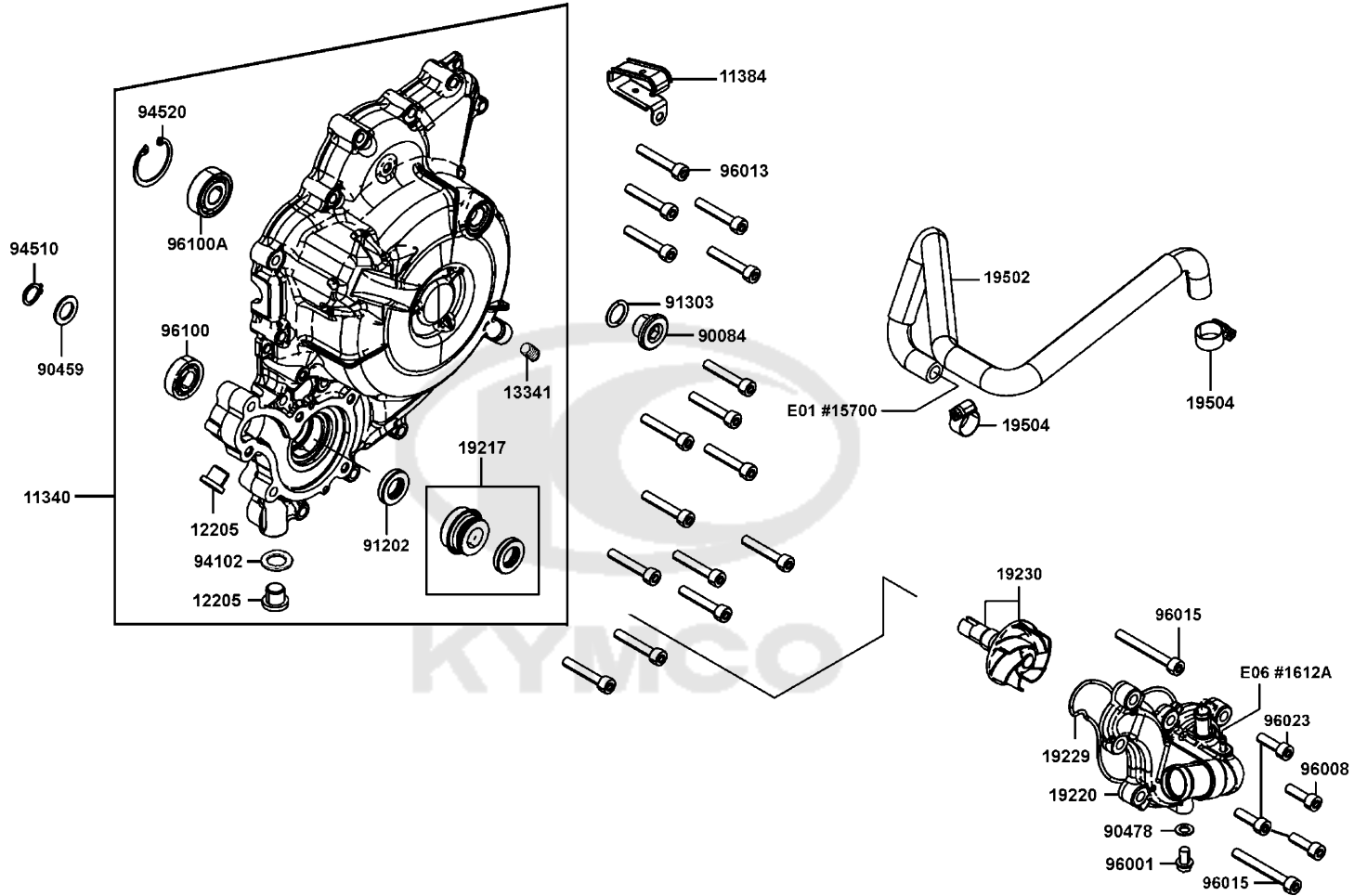


Sales mark	Ref no	Part no	Description	Reg description	Regd no	<b>E03</b>
	14610	14610-LGC6-E00	GUIDE COMP.. CAM CHAIN	GUIDE COMP.. CAM CHAIN	1	
	19501	19501-LGC6-E00	HOSE. WATER A	HOSE. WATER A	1	
	19504	19504-LBA2-E00	CLAMP D16.8	CLAMP D16.8	2	
#	90005	90005-LEH6-E00	BOLT SPECIAL M18*1.0	BOLT SPECIAL M18*1.0	1	
	90501	90501-LEH6-E00	WASHER 28*18.2*1	WASHER 28*18.2*1	1	
	90525	90525-KED9-900	LOCK PIN OIL 8*16	LOCK PIN OIL 8*16	2	
	91305	91305-LEH6-E00	O RING 19.8x1.9	O RING 19.8x1.9	1	
	91552	91552-LEH6-E00	COLLAR 20mm	COLLAR 20mm	1	
	94601	94601-17000	CLIP PISTON PIN 17MM	CLIP PISTON PIN 17MM	4	
	96001	96001-06028-06	BOLT FLANGE SH 6*28	BOLT FLANGE SH 6*28	1	



E04

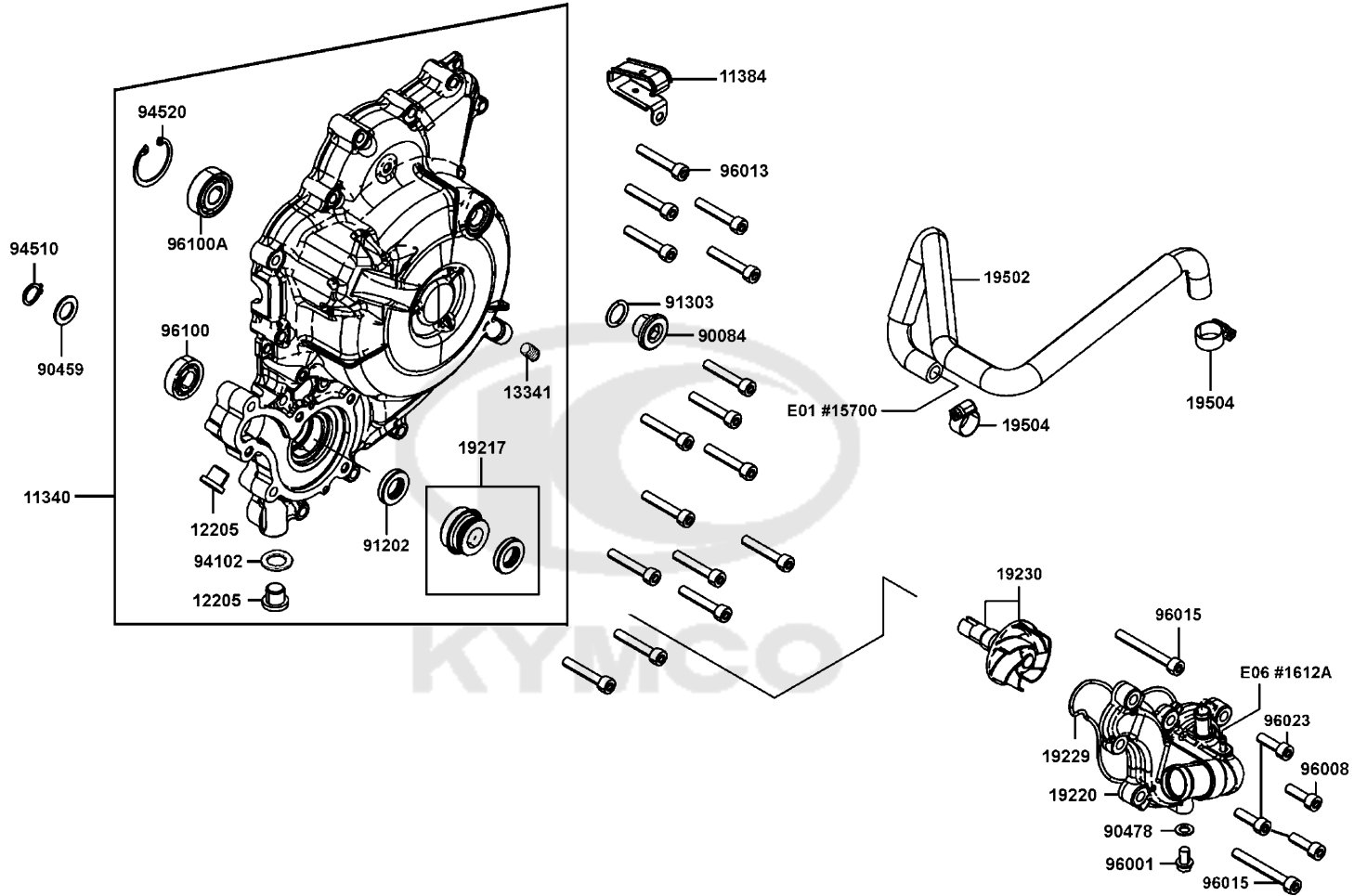
# Left Side Cover Water Pump



Sales mark	Ref no	Part no	Description	Reg description	Regd no	E04
	11340	11340-LGC6-305	COVER SET L SIDE	COVER SET L SIDE	1	
	11384	11384-LGC6-E00	CLAMPER RR BRK HOSE	CLAMPER RR BRK HOSE	1	
	12205	12205-LEA7-E00	BOLT SEALING 12MM	BOLT SEALING 12MM	2	
	13341	13341-LGC6-E00	GRUB SCREW M6X6	GRUB SCREW M6 X 7	1	
#	19217	19217-PRB9-E01	SEAL MECHANICAL	SEAL MECHANICAL	1	
	19220	19220-LGC6-E00	COVER COMP WATER PUMP	COVER COMP WATER PUMP	1	
	19229	19229-LGC6-E00	O-RING W/P BODY	O-RING W/P BODY	1	
	19230	19230-LGC6-E00	SHAFT ASSY IMPELLER	SHAFT ASSY IMPELLER	1	
	19502	19502-LGC6-E00	HOSE B WATER	HOSE B WATER	1	
	19504	19504-LBA2-E00	CLAMP D16.8	CLAMP D16.8	4	
# **	90084	90084-4H28-001	CAP ACG	CAP ACG	1	
	90459	90459-LKF5-E00	WASHER 12MM	WASHER 12MM	1	
	90478	90478-7L00-001	WASHER A 6MM	WASHER A 6MM	1	
#	91202	91202-LKG2-900	OIL SEAL 13.7*24*5	OIL SEAL 13.7*24*5	1	
	91303	91303-3G77-001	O-RING 13.8*2.5	O-RING 13.8*2.5	1	
	94102	94102-LGC6-E00	WASHER 18X12.2X1 AL	WASHER 18X12.2X1 AL	1	
	94510	94510-12000	CIR CLIP EXTERNAL 12	CIR CLIP EXTERNAL 12	1	
	94520	94520-32180	CIR CLIP IN 32	CIR CLIP IN 32	1	
	96001	96001-06010-06	BOLT FLANGE 6*10	BOLT FLANGE 6*10	1	
	96008	96008-PRA1-E00	BOLT M6*25	BOLT M6*25	1	

E04

# Left Side Cover Water Pump



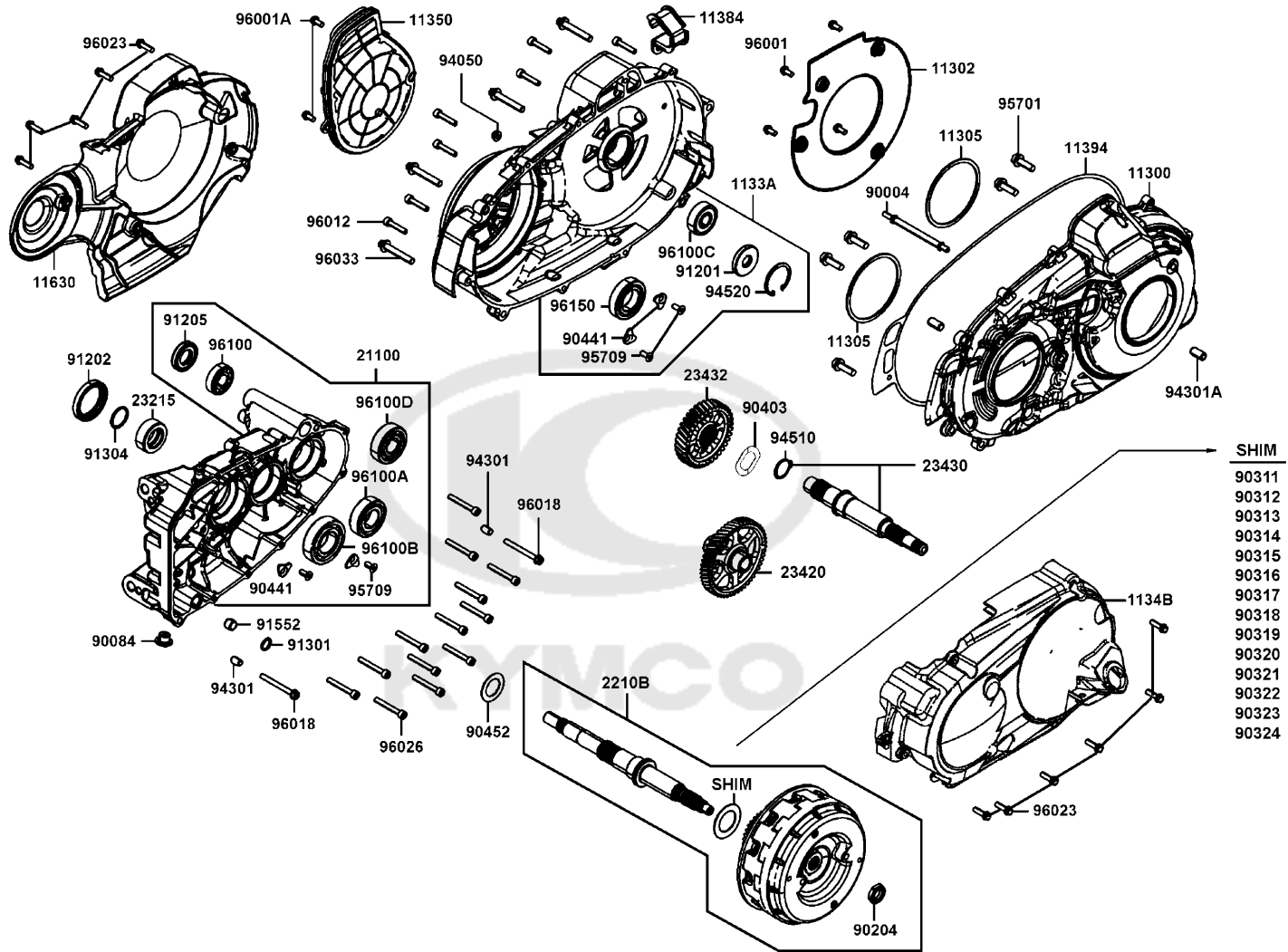
Sales mark	Ref no	Part no	Description	Reg description	Regd no	<b>E04</b>
------------	--------	---------	-------------	-----------------	---------	------------

96013		96013-LGC6-E00	M6X35-8.8-ZNNIV SI	M6X35-8.8-ZNNIV SI	16	
96015		96015-PRA1-E00	BOLT M6*50	BOLT M6*50	2	
96023		96023-PRB9-E00	BOLT M6*20	BOLT M6*20	4	
96100		96100-60010-00	BEARING RADIAL BALL 6001	BEARING RADIAL BALL 6001	1	
96100A		96100-62010-00	BRG BALL RADIAL 6201	BRG BALL RADIAL 6201	1	



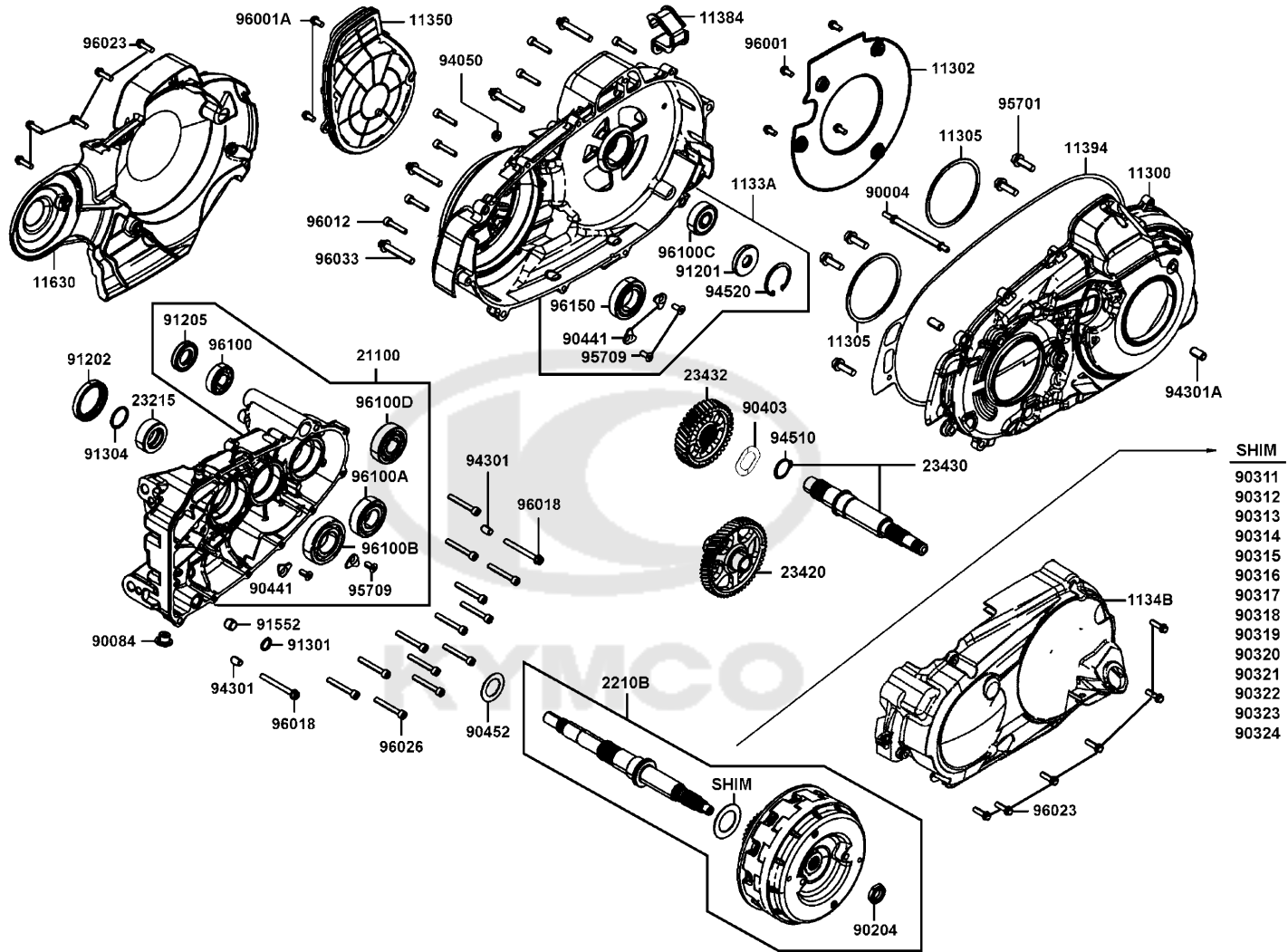


Right Crankcase Cover Shaft Main Shaft Counter



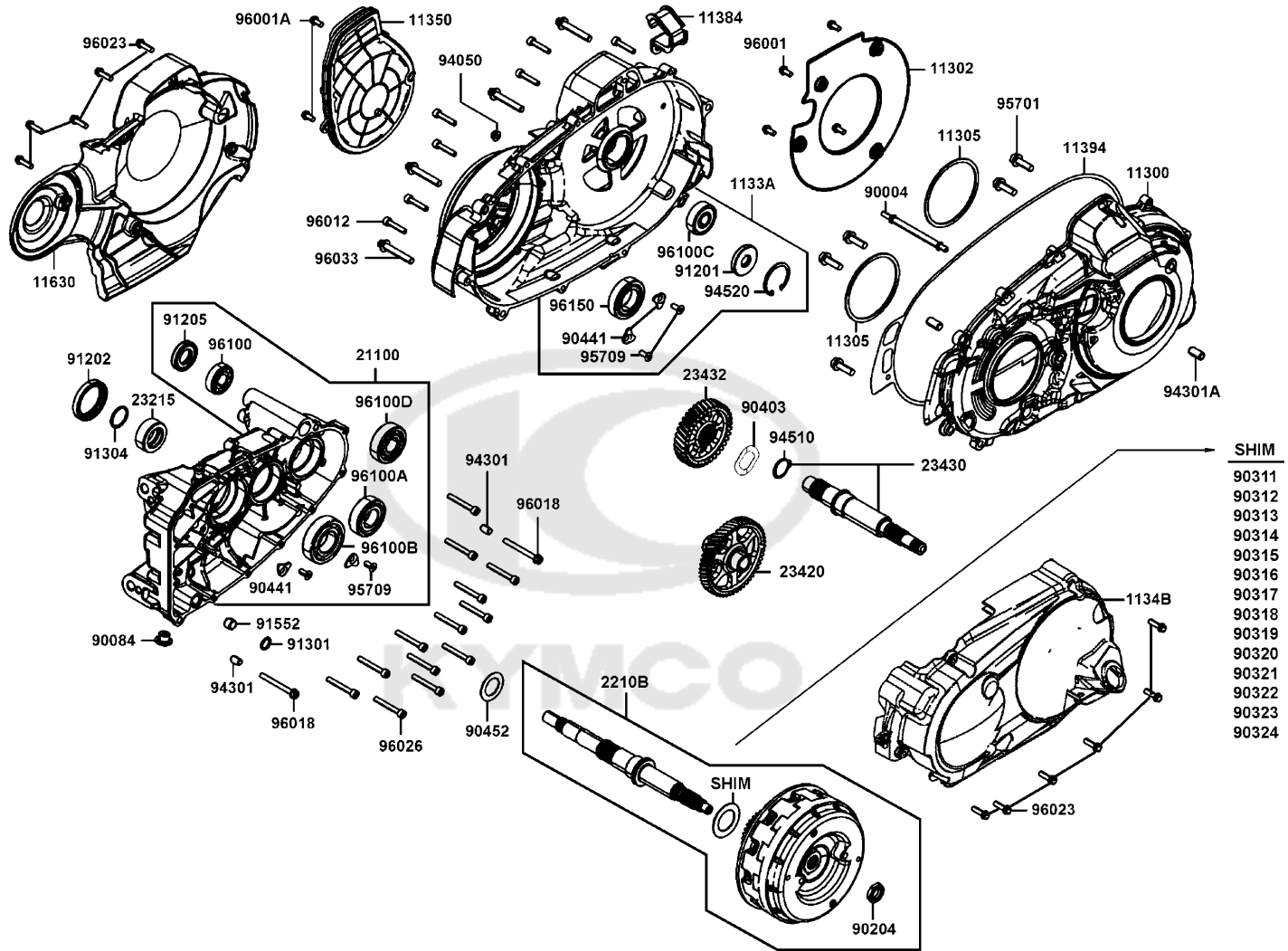
Sales mark	Ref no	Part no	Description	Reg description	Regd no	E05
	11300	11300-LGC6-E00	CASE CVT	CASE CVT	1	
	11302	11302-LGC6-E00	PLATE AIR INTAKE	PLATE AIR INTAKE	1	
	11305	11305-LGC6-E00	GASKET CVT CASE	GASKET CVT CASE	1	
	1133A	1133A-LGC6-E00	COVER COMP CVT	COVER COMP CVT	1	
**	1134B	1134B-LGC6-E00	COVER COMP L COVER	COVER COMP L COVER	1	
	11350	11350-LGC6-E00	ELEMENT COMP CVT COVER	ELEMENT COMP CVT COVER	1	
	11384	11384-LGC6-E01	CLAMPER RR BRK HOSE	CLAMPER RR BRK HOSE	1	
	11394	11394-LGC6-E00	GASKET. R. COVER	GASKET.CVT COVER	1	
**	11630	11630-LGC6-E00	COVER COMP R COVER (Black)	COVER COMP R COVER (Black)	1	
	21100	21100-LGC6-E00	CASE COMP R MISSION	CASE COMP.R MISSION	1	
#	2210B	2210B-LGC6-E02	WET CLUTCH ASSY	WET CLUTCH ASSY	1	
	23215	23215-LGC6-E00	SPACER FIXED DRIVE	SPACER FIXED DRIVE	1	
	23420	23420-LGC6-E00	SHAFT COMP COUNTER	SHAFT COMP COUNTER	1	
	23430	23430-LGC6-E00	SHAFT COMP FINAL	SHAFT COMP FINAL	1	
	23432	23432-LGC6-E00	GEAR FINAL	GEAR FINAL	1	
	90004	90004-LGC6-E00	BOLT SPECIAL	BOLT SPECIAL	1	
	90084	90084-KKE5-E00	CAPE OIL CHANNEL	CAPE OIL CHANNEL	1	
	90204	90204-LGC6-E00	NUT FLANGE M16X1.0	NUT FLANGE M16X1.0	1	
	90311	90311-PWB1-900	SHIM DRIVEN BEVEL GEAR A	SHIM DRIVEN BEVEL GEAR A (0.575~0.625)	1	
	90312	90312-PWB1-900	SHIM DRIVEN BEVEL GEAR B	SHIM DRIVEN BEVEL GEAR B (0.625~0.675)	1	

Right Crankcase Cover Shaft Main Shaft Counter



Sales mark	Ref no	Part no	Description	Reg description	Regd no	E05
	90313	90313-PWB1-900	SHIM DRIVEN BEVEL GEAR C	SHIM DRIVEN BEVEL GEAR C (0.675~0.725)	1	
	90314	90314-PWB1-900	SHIM DRIVEN BEVEL GEAR D	SHIM DRIVEN BEVEL GEAR D (0.725~0.775)	1	
	90315	90315-PWB1-900	SHIM DRIVEN BEVEL GEAR E	SHIM DRIVEN BEVEL GEAR E (0.775~0.825)	1	
	90316	90316-PWB1-900	SHIM DRIVEN BEVEL GEAR F	SHIM DRIVEN BEVEL GEAR F (0.825~0.875)	1	
	90317	90317-PWB1-900	SHIM DRIVEN BEVEL GEAR G	SHIM DRIVEN BEVEL GEAR G (0.875~0.925)	1	
	90318	90318-PWB1-900	SHIM DRIVEN BEVEL GEAR H	SHIM DRIVEN BEVEL GEAR H (0.925~0.975)	1	
	90319	90319-PWB1-900	SHIM DRIVEN BEVEL GEAR I	SHIM DRIVEN BEVEL GEAR I (0.975~1.025)	1	
	90320	90320-PWB1-900	SHIM DRIVEN BEVEL GEAR J	SHIM DRIVEN BEVEL GEAR J (1.025~1.075)	1	
	90321	90321-PWB1-900	SHIM DRIVEN BEVEL GEAR K	SHIM DRIVEN BEVEL GEAR K (1.075~1.125)	1	
	90322	90322-PWB1-900	SHIM DRIVEN BEVEL GEAR L	SHIM DRIVEN BEVEL GEAR L (1.125~1.175)	1	
	90323	90323-PWB1-900	SHIM DRIVEN BEVEL GEAR M	SHIM DRIVEN BEVEL GEAR M (1.175~1.225)	1	
	90324	90324-PWB1-900	SHIM DRIVEN BEVEL GEAR N	SHIM DRIVEN BEVEL GEAR N (1.225~1.275)	1	
	90403	90403-LGC6-E00	WAVE WASHER 25MM	WAVE WASHER 25MM	1	
	90441	90441-LKF5-E00	PLATE BRG HOLD	PLATE BRG HOLD	4	
	90452	90452-LBA7-900	WASHER THRUST 25MM	WASHER THRUST 25MM	1	
	91201	91201-LGC6-E00	OIL SEAL 15X42X7	OIL SEAL 15X42X7	1	
	91202	91202-LGC6-E00	OIL SEAL 42X55X8	OIL SEAL 42X55X8	1	
	91205	91205-LGC6-E00	OIL SEAL 22X40X7	OIL SEAL 22X40X7	1	
	91301	91301-LGC6-E00	O RING	O RING	1	
	91304	91304-LGC6-E00	O RING 25.5X2.5	O RING 25.5X2.5	1	

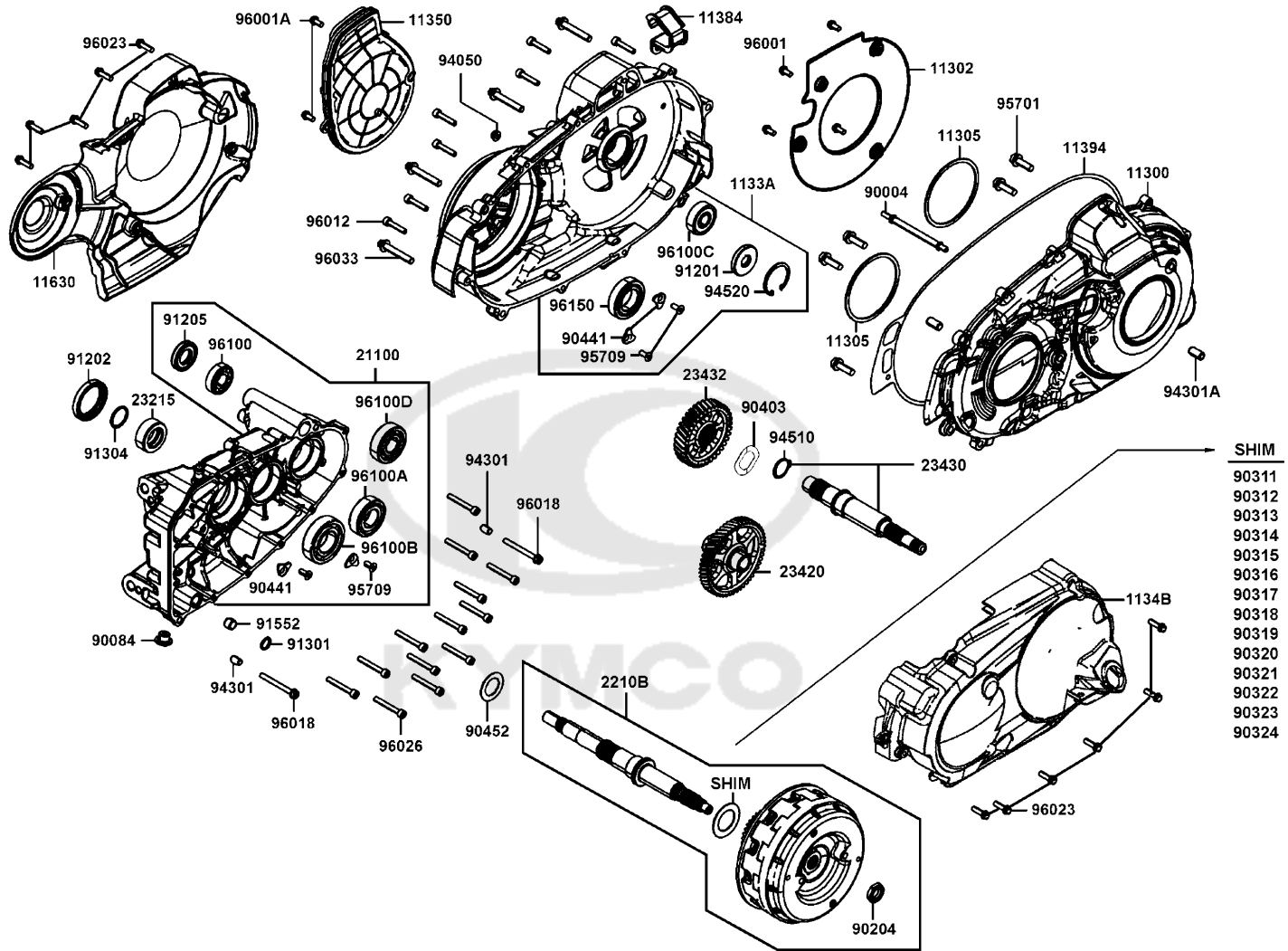
Right Crankcase Cover Shaft Main Shaft Counter



- SHIM
- 90311
- 90312
- 90313
- 90314
- 90315
- 90316
- 90317
- 90318
- 90319
- 90320
- 90321
- 90322
- 90323
- 90324

Sales mark	Ref no	Part no	Description	Reg description	Regd no	E05
91552		91552-LGC6-E00	COLLAR 13MM	COLLAR 13MM	1	
94050		94050-06060	NUT FLANGE 6MM	NUT FLANGE 6MM	1	
94301		94301-08140	DOWEL PIN 8*14	DOWEL PIN 8*14	2	
94301A		94301-10200	DOWEL PIN 10*20	DOWEL PIN 10*20	2	
94510		94510-25000	CIR CLIP EXTERNAL 25	CIR CLIP EXTERNAL 25	1	
94520		94520-42000	CIR CLIP IN 42MM	CIR CLIP IN 42MM	1	
95701		95701-08025-06	BOLT FLANGE 8*25	BOLT FLANGE 8*25	5	
95709		95709-PRA1-E00	SCREW COUNTERSUNK M6*12	SCREW COUNTERSUNK M6*12	4	
96001		96001-06012-06	BOLT FLANGE SH 6*12	BOLT FLANGE SH 6*12	4	
96001A		96001-06014-06	BOLT FLANGE SH 6X14	BOLT FLANGE SH 6X14	2	
96012		96012-PRA1-E00	BOLT M6*30	BOLT M6*30	7	
96018		96018-PRA1-E00	BOLT M6*60	BOLT M6*60	2	
96023		96023-PRA1-E00	BOLT M6*20	BOLT M6*20	11	
96026		96026-PRA1-E00	BOLT M6*45	BOLT M6*45	13	
96033		96033-PRA1-E00	BOLT M8*50	BOLT M8*50	3	
96100		96100-30203-10	BEARING BALL RADIAL	BEARING BALL RADIAL	1	
96100A		96100-62050-00	BEARING BALL RADIAL 6205	BEARING BALL RADIAL 6205	1	
96100B		96100-62060-00	BRG RADIAL BALL 6206	BRG RADIAL BALL 6206	1	
96100C		96100-63020-00	BRG BALL RADIAL 6302	BRG BALL RADIAL 6302	1	
96100D		96100-63040-00	BRG BALL RADIAL 6304	BRG BALL RADIAL 6304	1	

Right Crankcase Cover Shaft Main Shaft Counter



Sales mark	Ref no	Part no	Description	Reg description	Regd no	<b>E05</b>
------------	--------	---------	-------------	-----------------	---------	------------

96150

96150-60060-10

BEARING BALL RADIAL 6006

BEARING BALL RADIAL 6006

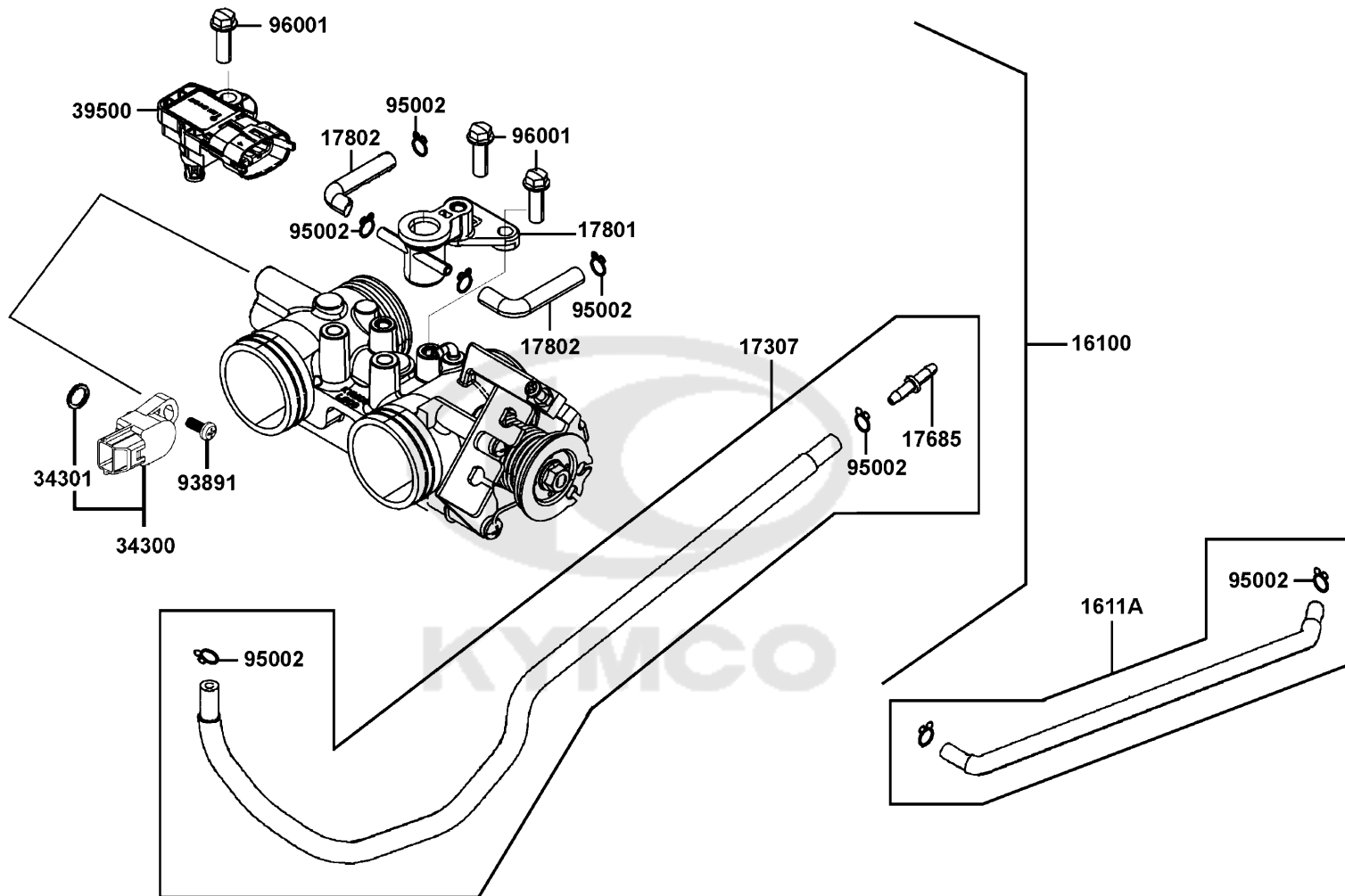
1





E06

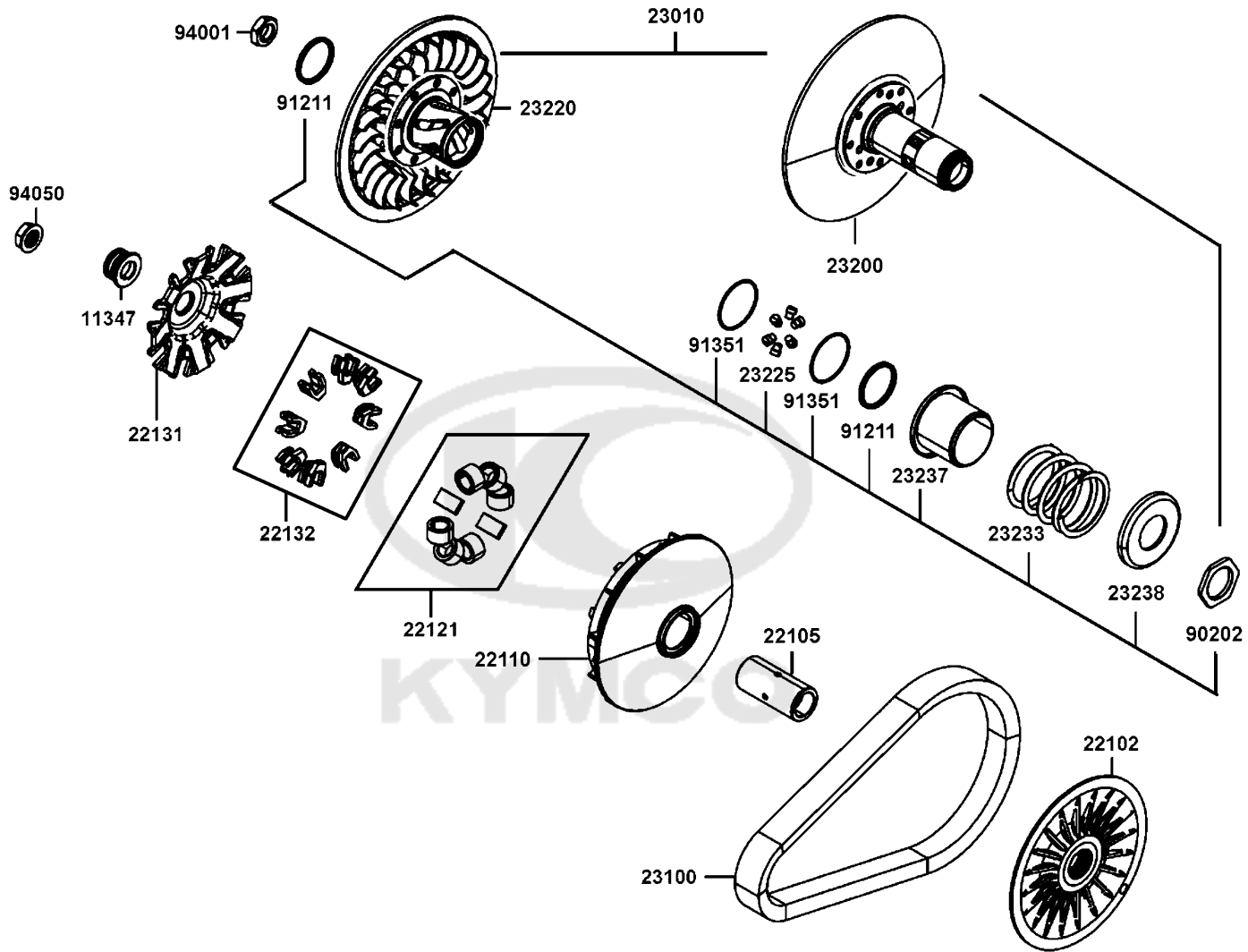
# Throttle Body



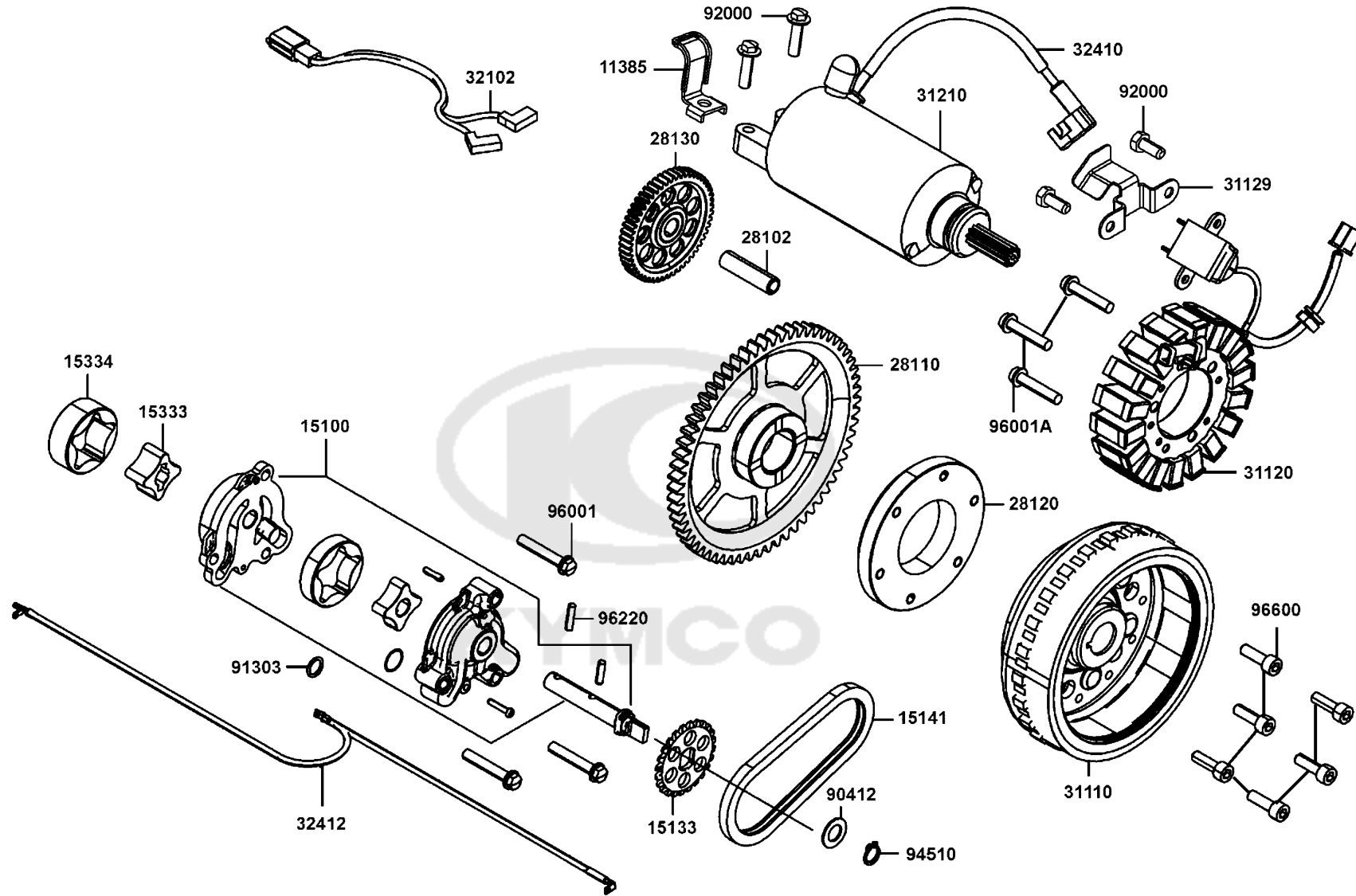
Sales mark	Ref no	Part no	Description	Reg description	Regd no	<b>E06</b>
16100		16100-LGC6-E00	THROTTLE BODY ASSY	THROTTLE BODY ASSY	1	
1611A		1611A-LGC6-E00	HOSE A ASSY T/H BODY	HOSE A ASSY T/H BODY	1	
17307		17307-LGC6-E00	TUBE ASSY	TUBE ASSY	1	
17685		17685-GLE0-301	JOINT COCK-CARB TUBE	JOINT COCK-CARB TUBE	1	
17801		17801-LGC6-E00	JOINT 3 WAY	JOINT 3 WAY	1	
17802		17802-LGC6-E00	TUBE A AIR	TUBE A AIR	1	
34300		34300-LKM8-E00	THROTTLE. POSITION SENSOR	THROTTLE. POSITION SENSOR	1	
34301		34301-KKE3-900	O-RING T.P.S.	O-RING T.P.S.	1	
39500		39500-AAC9-900	SENSOR T-MAP	SENSOR T-MAP	1	
93891		93891-05016-06	SCREW WASHER 5* 16	SCREW WASHER 5* 16	1	
95002		95002-02070	CLIP B7 TUBE	CLIP B7 TUBE	5	
96001		96001-06018-06	BOLT FLANGE SH 6X18	BOLT FLANGE SH 6*18	3	

E07

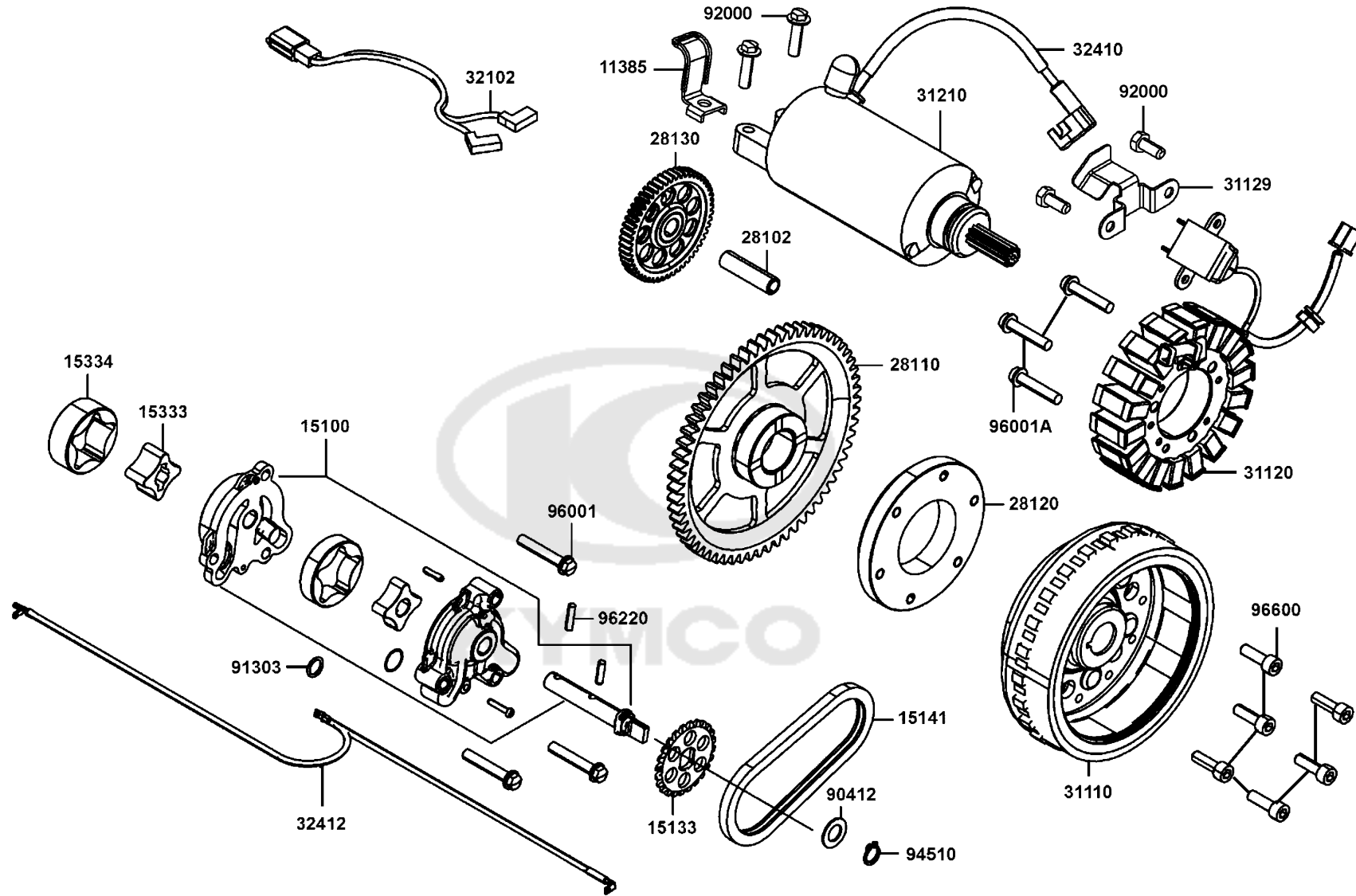
# Transmission Pulley



Sales mark	Ref no	Part no	Description	Reg description	Regd no	E07
	11347	11347-LKF5-E00	BOSS DRIVE SHAFT	BOSS DRIVE SHAFT	1	
	22102	22102-LGC6-E00	FACE DRIVE	FACE DRIVE	1	
	22105	22105-LGC6-E00	BOSS DRIVE FACE	BOSS DRIVE FACE	1	
	22110	22110-LGC6-E00	FACE COMP MOVABLE	FACE COMP MOVABLE	1	
	22121	22121-LGC6-305	ROLLER SET WEIGHT (1SET:8 PCS)	ROLLER SET WEIGHT (1SET:8 PCS)	1	
	22131	22131-LGC6-E00	PLATE RAMP	PLATE RAMP	1	
#	22132	22132-ADG5-305	PIECE SET SLIDE(1 SET:8 PCS)	PIECE SET SLIDE(1 SET:8 PCS)	1	
	23010	23010-LGC6-E00	PULLEY ASSY DRIVEN	PULLEY ASSY DRIVEN	1	
	23100	23100-LGC6-E00	BELT DRIVE (N-6N)	BELT DRIVE (N-6N)	1	
	23200	23200-LGC6-E00	FACE COMP DRIVEN A	FACE COMP DRIVEN A	1	
	23220	23220-LGC6-E00	FACE COMP MOVABLE DRIVEN	FACE COMP. MOVABLE DRIVEN	1	
	23225	23225-LKF5-E00	PIN ROLLER GUIDE	PIN ROLLER GUIDE	6	
	23233	23233-LGC6-E00	SPG DRIVEN FACE	SPG DRIVEN FACE	1	
	23237	23237-LGC6-E00	COLLAR SEAL	COLLAR SEAL	1	
	23238	23238-LDB5-E00	COLLAR SPG	COLLAR SPG	1	
	90202	90202-LDB5-E00	NUT SPECIAL 36MM	NUT SPECIAL 36MM	1	
	91211	91211-LGC6-E00	SEAL DRIVEN 41X47X4	SEAL DRIVEN 41X47X4	2	
	91351	91351-LDB5-E00	O-RING PINION CAP	O-RING PINION CAP	2	
	94001	94001-LGC6-E00	NUT FLANGE M18X1.0	NUT FLANGE M18X1.0	1	
	94050	94050-LKF5-E00	NUT FLANGE 18MM	NUT FLANGE 18MM	1	



Sales mark	Ref no	Part no	Description	Reg description	Regd no	E08
	11385	11385-LGC6-E00	CLAMP BLOW BY HOSE	CLAMP BLOW BY HOSE	1	
	15100	15100-LGC6-E00	PUMP ASSY OIL	PUMP ASSY OIL	1	
	15133	15133-LGC6-E00	SPRKT OIL PUMP DRIVEN	SPRKT OIL PUMP DRIVEN	1	
	15141	15141-GFY6-90C	CHAIN OIL PUMP	CHAIN OIL PUMP	1	
	15333	15333-LEH6-E00	ROTOR ENGINE INNER	ROTOR ENGINE INNER	1	
	15334	15334-LEH6-E00	ROTOR ENGINE OUTER	ROTOR ENGINE OUTER	1	
	28102	28102-LEA7-E00	SHAFT STARTER REDUCTION	SHAFT STARTER REDUCTION	1	
	28110	28110-LGC6-E00	GEAR COMP STARTING CLUTCH (62T)	GEAR COMP STARTING CLUTCH (62T)	1	
#	28110	28110-LGC6-E01	GEAR COMP. STARTING CLUTCH (63T)	GEAR COMP. STARTING CLUTCH (63T)	1	
	28120	28120-LGC6-E00	ONE WAY CLUTCH	ONE WAY CLUTCH	1	
	28130	28130-LGC6-E00	GEAR STARTER REDUCTION (52T/12T)	GEAR STARTER REDUCTION (52T/12T)	1	
#	28130	28130-LGC6-E01	GEAR STARTER REDUCTION (52T/11T)	GEAR STARTER REDUCTION (52T/11T)	1	
	31110	31110-LGC6-E00	FLYWHEEL COMP (D402)	FLYWHEEL COMP (D402)	1	
	31120	31120-LGC6-E00	STATOR COMP (D402)	STATOR COMP.	1	
	31129	31129-LGC6-E00	STAY STATOR COMP	STAY STATOR COMP	1	
	31210	31210-LGC6-E00	MOTOR UNIT STARTER	MOTOR UNIT STARTER	1	
	32102	32102-LGC6-E01	SUB HARNESS ENGINE	SUB HARNESS ENGINE	1	
	32410	32410-LGC6-E00	CABLE. START MOTOR	CABLE. START MOTOR	1	
	32412	32412-LGC6-E01	CABLE EARTH	CABLE EARTH	1	
	90412	90412-3K29-001	WASHER THRUST 10M/M	WASHER THRUST 10M/M	1	



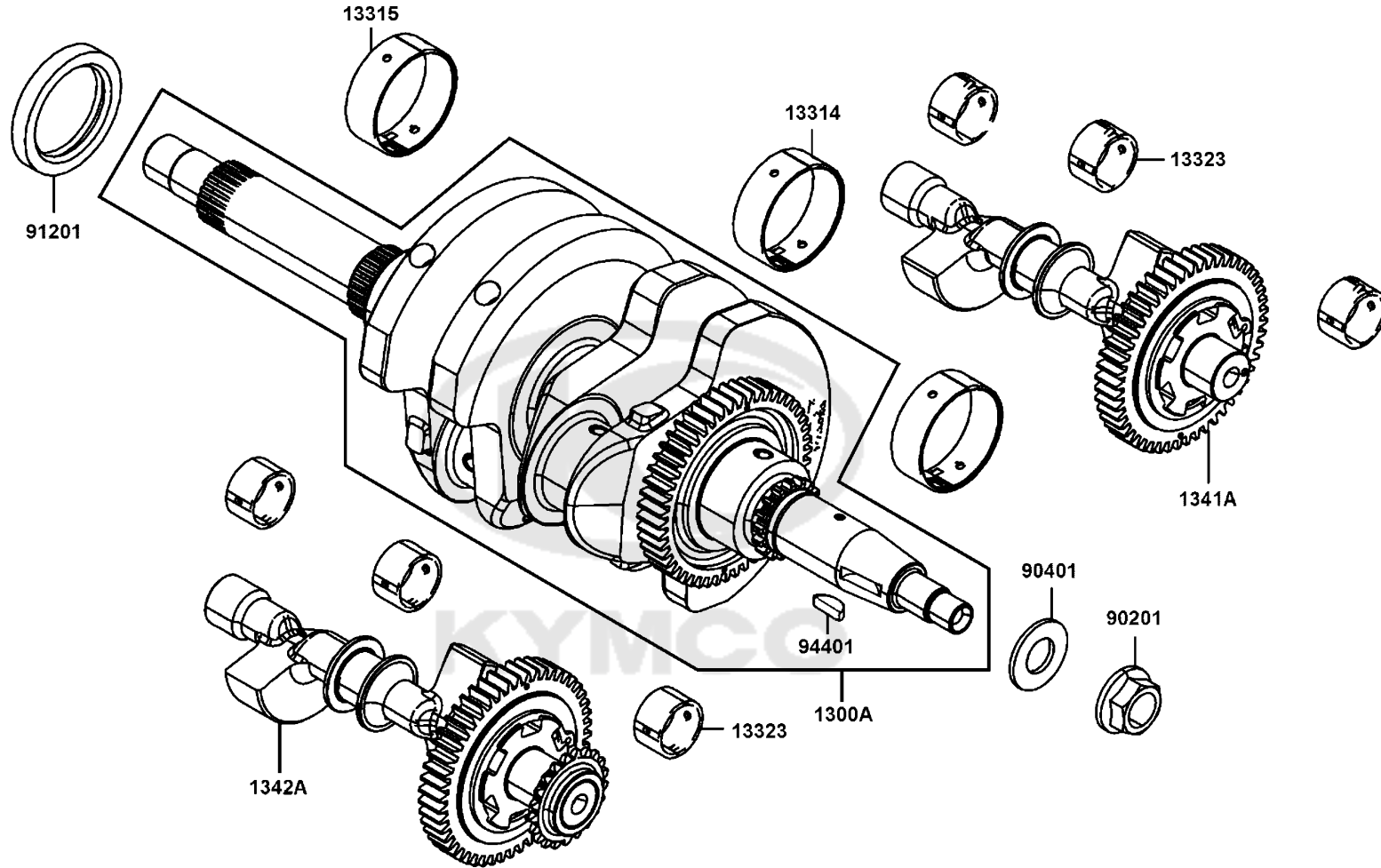
Sales mark	Ref no	Part no	Description	Reg description	Regd no	<b>E08</b>
91303		91303-PUA5-E00	O-RING_9X1_5	O-RING_9X1_5	1	
92000		92000-05016-0G	BOLT HEX 5X16	BOLT HEX 5X16	4	
94510		94510-10000	CIR CLIP EX 10MM	CIR CLIP EX 10MM	1	
96001		96001-06035-06	BOLT FLANGE SH 6*35	BOLT FLANGE SH 6*35	3	
96001A		96001-06040-06	BOLT FLANGE SH 6*40	BOLT FLANGE SH 6*40	3	
96220		96220-40158	NEEDLE PIN 4X15.8	NEEDLE PIN 4X15.8	1	
96600		96600-06015-10	SOCKET BOLT 6*15	SOCKET BOLT 6*15	6	



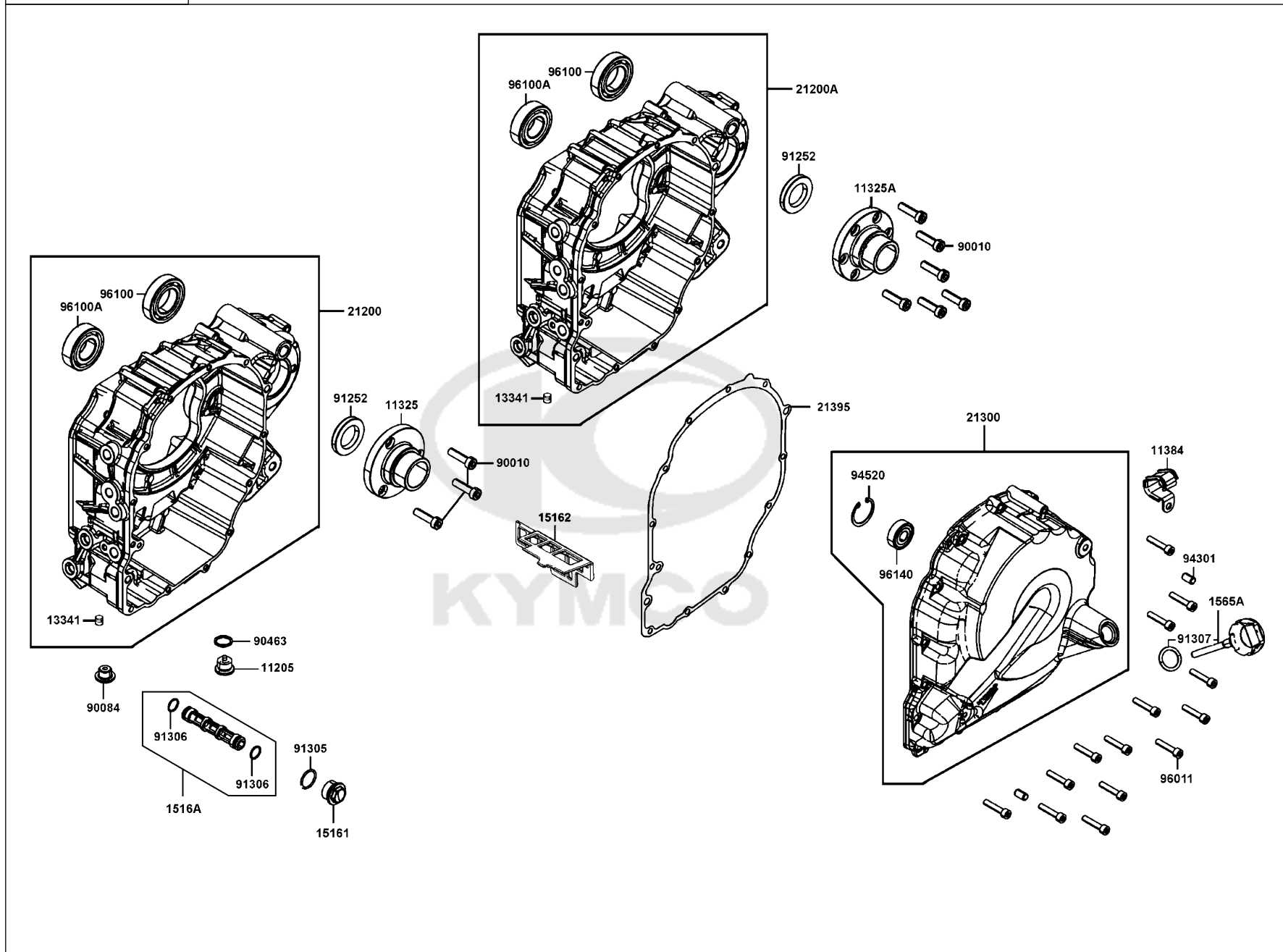


E09

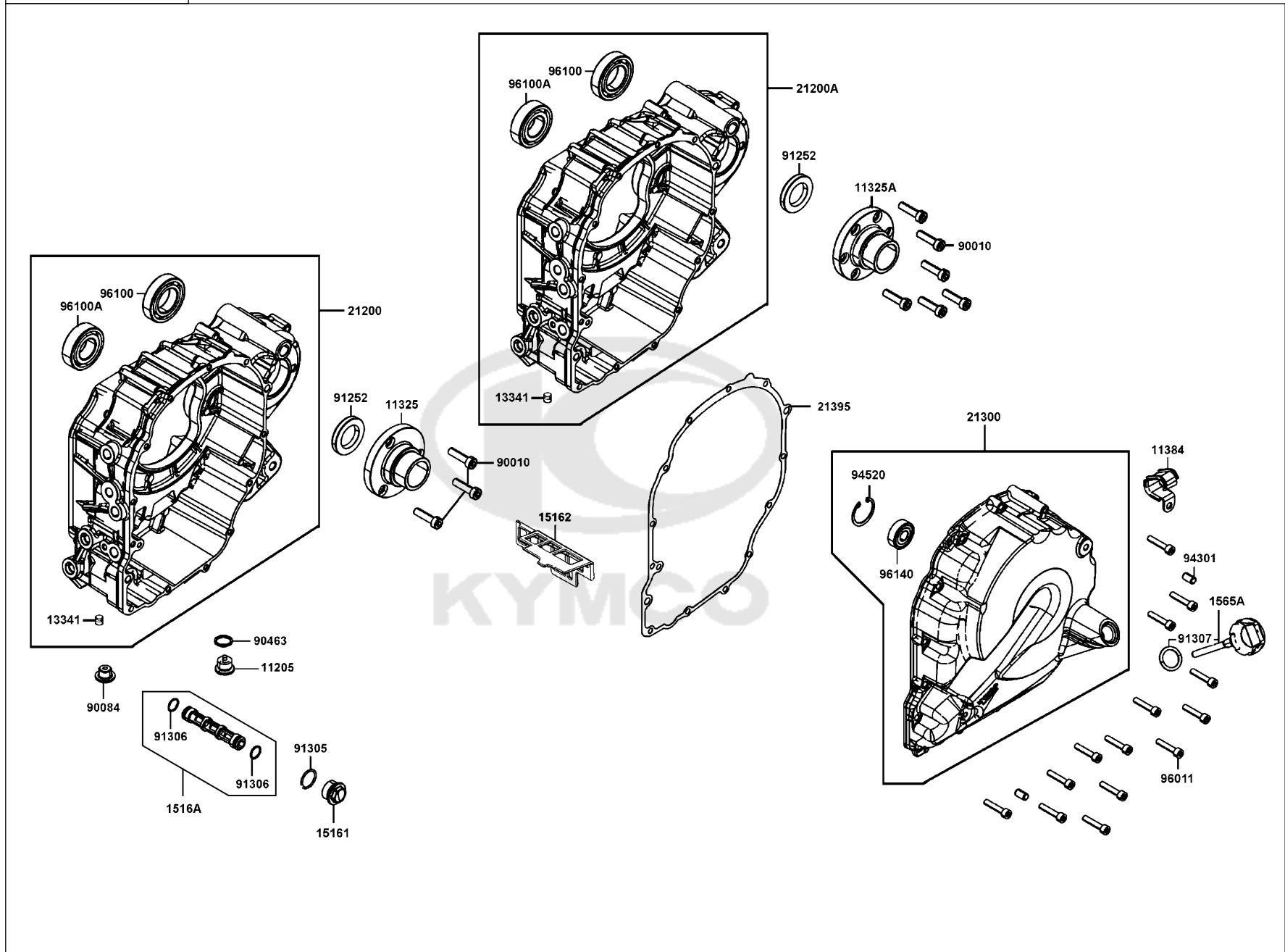
# Crank Shaft Drive Procket



Sales mark	Ref no	Part no	Description	Reg description	Regd no	E09
	1300A	1300A-LGC6-E00	CRANK SHAFT COMP	CRANK SHAFT COMP	1	
	13314	13314-LGC6-E00-A	BEARING A CRANK SHAFT/YELLOW	BEARING A CRANK SHAFT/YELLOW	3	
	13314	13314-LGC6-E00-B	BEARING A CRANK SHAFT/BLUE	BEARING A CRANK SHAFT/BLUE	3	
	13314	13314-LGC6-E00-C	BEARING A CRANK SHAFT/RED	BEARING A CRANK SHAFT/RED	3	
	13314	13314-LGC6-E00-D	BEARING A CRANK SHAFT/GREEN	BEARING A CRANK SHAFT/GREEN	3	
	13314	13314-LGC6-E00-E	BEARING A CRANK SHAFT /BLACK	BEARING A CRANK SHAFT /BLACK	3	
	13315	13315-LGC6-E00-A	BEARING B CRANK SHAFT/ YELLOW	BEARING B CRANK SHAFT/ YELLOW	3	
	13315	13315-LGC6-E00-B	BEARING B CRANK SHAFT /BLUE	BEARING B CRANK SHAFT /BLUE	3	
	13315	13315-LGC6-E00-C	BEARING B, CRANK SHAFT/ RED	BEARING B CRANK SHAFT/ RED	3	
	13315	13315-LGC6-E00-D	BEARING B CRANK SHAFT/GREEN	BEARING B CRANK SHAFT/GREEN	3	
	13315	13315-LGC6-E00-E	BEARING B CRANK SHAFT /BLACK	BEARING B CRANK SHAFT /BLACK	3	
	13323	13323-PRB9-E00-0A	BEARING SHELL BALANCER SHAFT	BEARING SHELL BALANCER SHAFT /BROWN	12	
	13323	13323-PRB9-E00-0B	BEARING SHELL BALANCER SHAFT /	BEARING SHELL BALANCER SHAFT /	12	
	1341A	1341A-LGC6-E00	SHAFT COMP BALANCER	SHAFT COMP BALANCER	1	
	1342A	1342A-LGC6-E00	SHAFT COMP BALANCER	SHAFT COMP BALANCER	1	
	90201	90201-KHR8-75A	NUT FLANGE 14MM	NUT FLANGE 14MM	1	
	90401	90401-KKJ9-001	WASHER THRUST 14*28*2	WASHER THRUST 14*28*2	1	
	91201	91201-LKF5-E00	OIL SEAL 38*50*7	OIL SEAL 38*50*7	1	
	94401	94401-25140	WOODRUFF KEY 25*14	WOODRUFF KEY 25*14	1	



Sales mark	Ref no	Part no	Description	Reg description	Regd no	E10
	11205	11205-PSA6-E00	MAGNETIC SCREW M16*1.5 /B402	MAGNETIC SCREW M16*1.5 /B402	1	
#	11325	11325-LGC6-E01	PIVOT L SWING ARM	PIVOT L SWING ARM	1	
#	11325A	11325-LGC6-E02	PIVOT L SWING ARM	PIVOT L SWING ARM	1	
	11384	11384-LGC6-E01	CLAMPER RR BRK HOSE	CLAMPER RR BRK HOSE	1	
	13341	13341-LGC6-E00	GRUB SCREW M6X6	GRUB SCREW M6 X 7	1	
	15161	15161-LGC6-E00	PLUG SCREW SECTION FILTER	PLUG SCREW SECTION FILTER	1	
#	15162	15162-LGC6-E01	SUCTION FILTER, CRANK SIDE	SUCTION FILTER, CRANK SIDE	1	
	1516A	1516A-LGC6-E00	SUCTION FILTER ASSY CRANK SIDE	SUCTION FILTER ASSY CRANK SIDE	1	
#	1565A	1565A-LGC6-E01	GUAGE OIL LEVEL ASSY	GUAGE OIL LEVEL ASSY	1	
	21200	21200-LGC6-305	CASE SET L MISSION	CASE SET L MISSION	1	
#	21200A	21200-LGC6-306	CASE SET L MISSION	CASE SET L MISSION	1	
	21300	21300-LGC6-305	COVER SET MISSION	COVER SET MISSION	1	
	21395	21395-LGC6-E00	GASKET MISSION COVER	GASKET MISSION COVER	1	
	90010	90010-KKE5-E01	SPOCKET BOLT 8X30	SPOCKET BOLT 8X30	3	
	90084	90084-KKE5-E00	CAPE OIL CHANNEL	CAPE OIL CHANNEL	1	
	90463	90463-PUA5-E00	WASHER DIN 7603-A16*20-A1	WASHER DIN 7603-A16*20-A1	1	
	91252	91252-LGC6-E00	OIL SEAL 28X45X7	OIL SEAL 28X45X7	1	
	91305	91305-LEH6-E00	O RING 19.8x1.9	O RING 19.8x1.9	1	
	91306	91306-PUA5-E00	O-RING 13*1.5	O-RING 13*1.5	2	
	91307	91307-0E35-001	O RING 18*3	O RING 18*3	1	

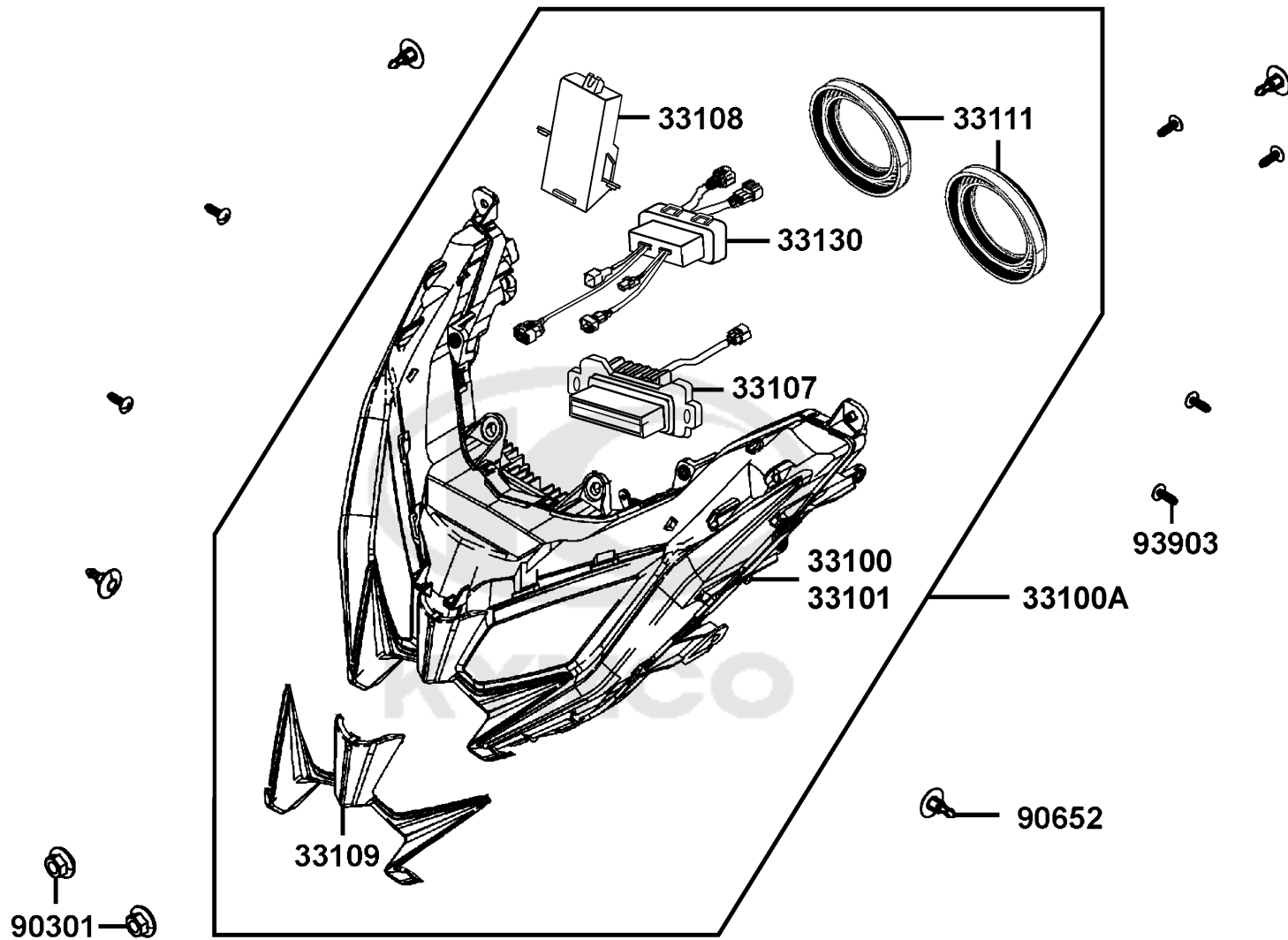


Sales mark	Ref no	Part no	Description	Reg description	Regd no	<b>E10</b>
94301		94301-08140	DOWEL PIN 8*14	DOWEL PIN 8*14	2	
94520		94520-32180	CIR CLIP IN 32	CIR CLIP IN 32	1	
96011		96011-PRA1-E00	BOLT M6*30	BOLT M6*30	14	
96100		96100-60060-00	BEARING BALL RADIAL 6006	BEARING BALL RADIAL 6006	1	
96100A		96100-62050-00	BEARING BALL RADIAL 6205	BEARING BALL RADIAL 6205	1	
96140		96140-62010	BEARING BALL RADIAL 6201 LU	BEARING BALL RADIAL 6201 LU	1	



F01

Head Light

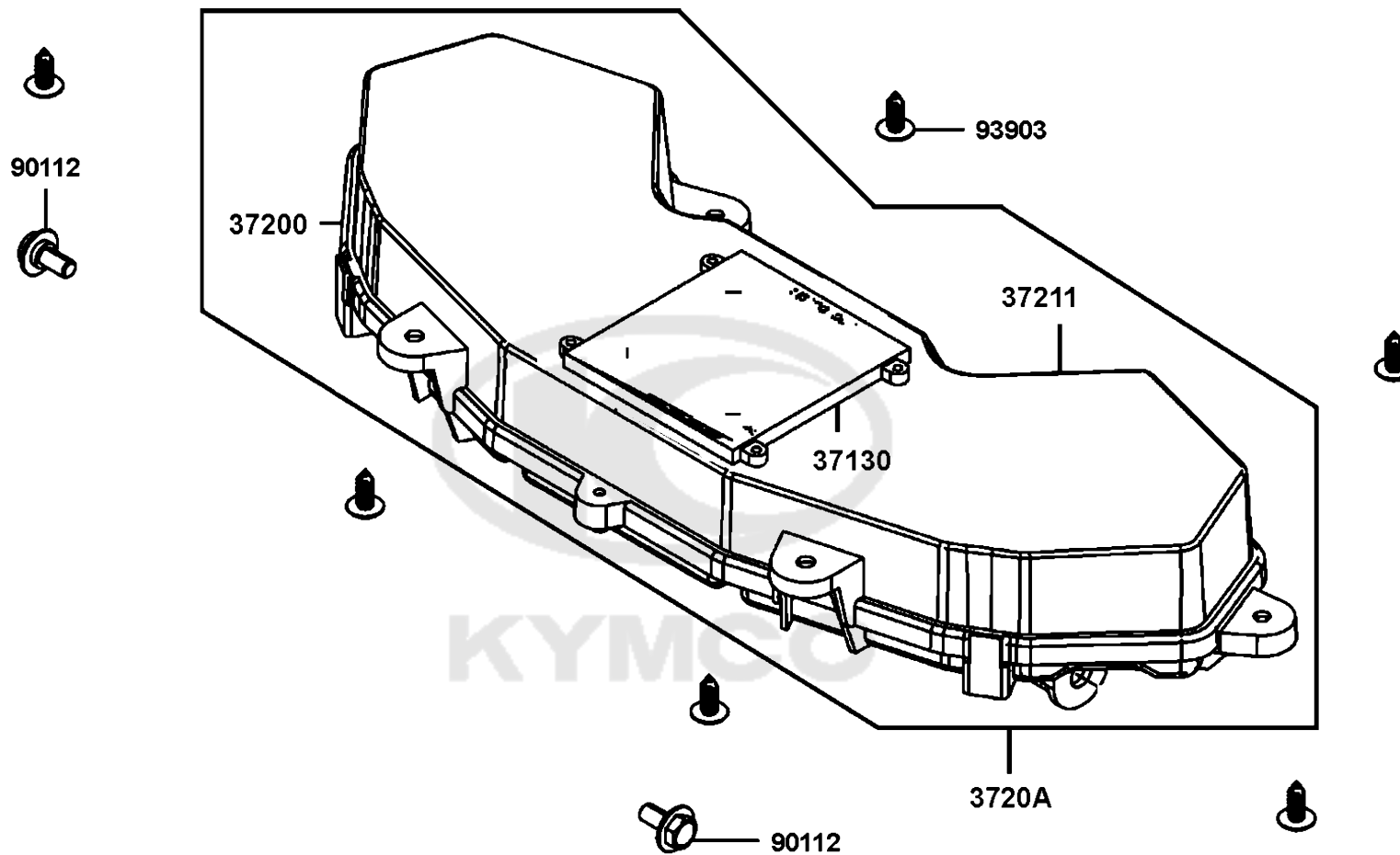


Sales mark	Ref no	Part no	Description	Reg description	Regd no	F01
#	33100	33100-LGC6-306	COMB HEAAD LIGHT	COMB HEAAD LIGHT	1	
# **	33100A	33100-LGC6-E01	LIGHT ASSY.HEAD	LIGHT ASSY.HEAD	1	
	33101	33101-LGC6-305	COMB HEAAD LIGHT	COMB HEAAD LIGHT	1	
	33107	33107-LGC6-E00	DRIVE PCB ASSY POSITION LIGHT	DRIVE PCB ASSY POSITION LIGHT	1	
	33108	33108-LGC6-E00	DRIVE PCB ASSY HEAD LIGHT	DRIVE PCB ASSY HEAD LIGHT	1	
**	33109	33109-LGC6-E00	RUBBER	RUBBER	1	
	33111	33111-LGC6-E00	COVER RUBBER	COVER RUBBER	2	
	33130	33130-LGC6-E00	SOCKET COMP HEAD LIGHT	SOCKET COMP HEAD LIGHT	1	
	90301	90301-6D34-671	NUT FLANGE 6MM	NUT FLANGE 6MM	2	
	90652	90652-LCA4-E00	CLIP MUDGUARD	CLIP MUDGUARD	4	
	93903	93903-35260	SCREW TAPPING 5*12	SCREW TAPPING 5*12	4	



F02

Speedometer

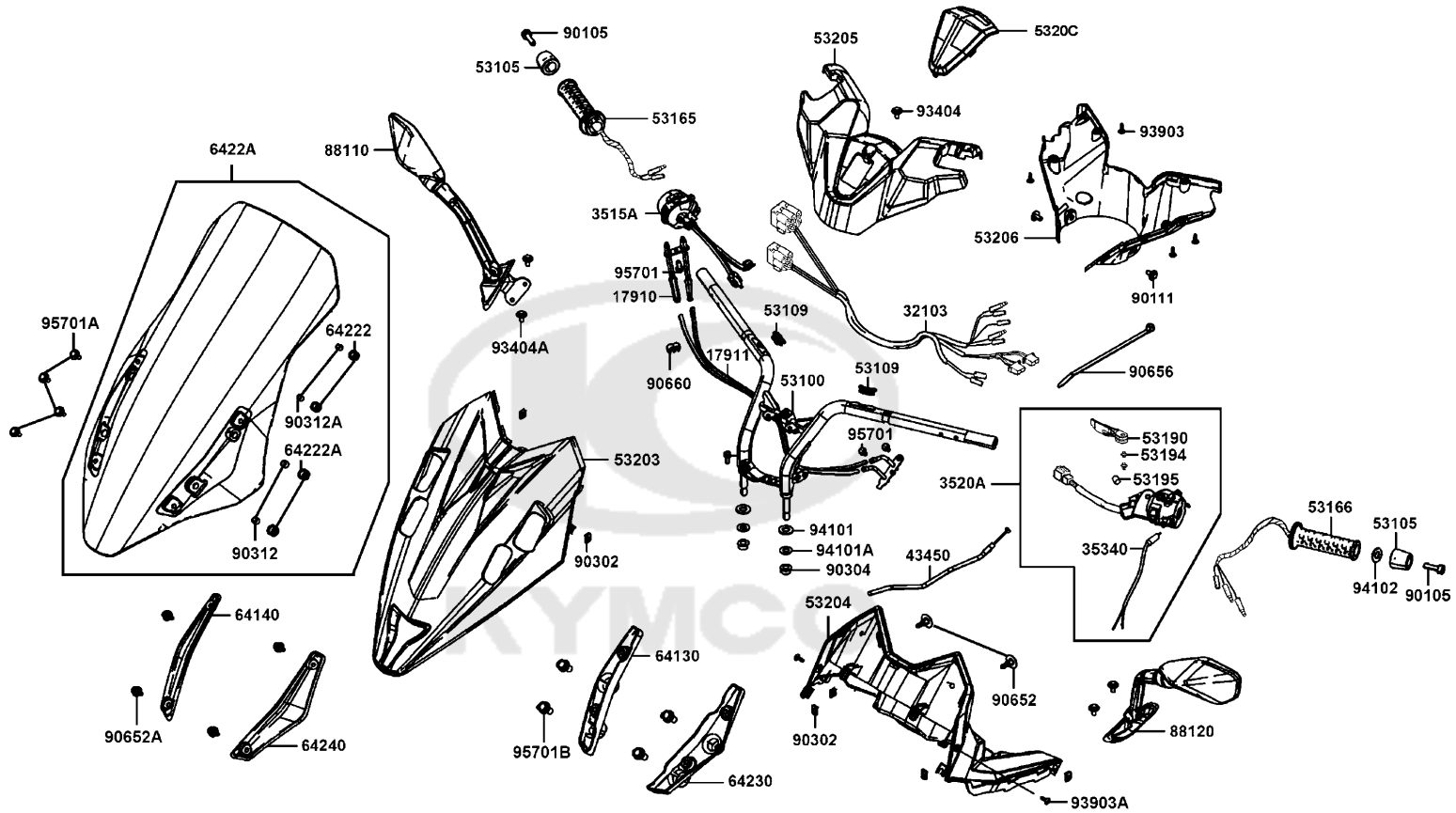


Sales mark	Ref no	Part no	Description	Reg description	Regd no	<b>F02</b>
	37130	37130-LGC6-E01	COMP ASSY TFT&PCBA (noodoe)	COMP ASSY TFT&PCBA (noodoe)	1	
	37200	37200-LGC6-305	METER COMP SPEED(W/O NOODOE)	METER COMP SPEED(W/O NOODOE)	1	
	3720A	3720A-LGC6-E01	METER SET SPEED	METER SET SPEED	1	
	37211	37211-LGC6-E00	LENS ASSY	LENS ASSY	1	
	90112	90112-KNBN-901	BOLT FLANGE 6MM	BOLT FLANGE 6MM	2	
#	93903	93903-LHJ8-910	SCREW TAPPING 5*14	SCREW TAPPING 5*14	6	



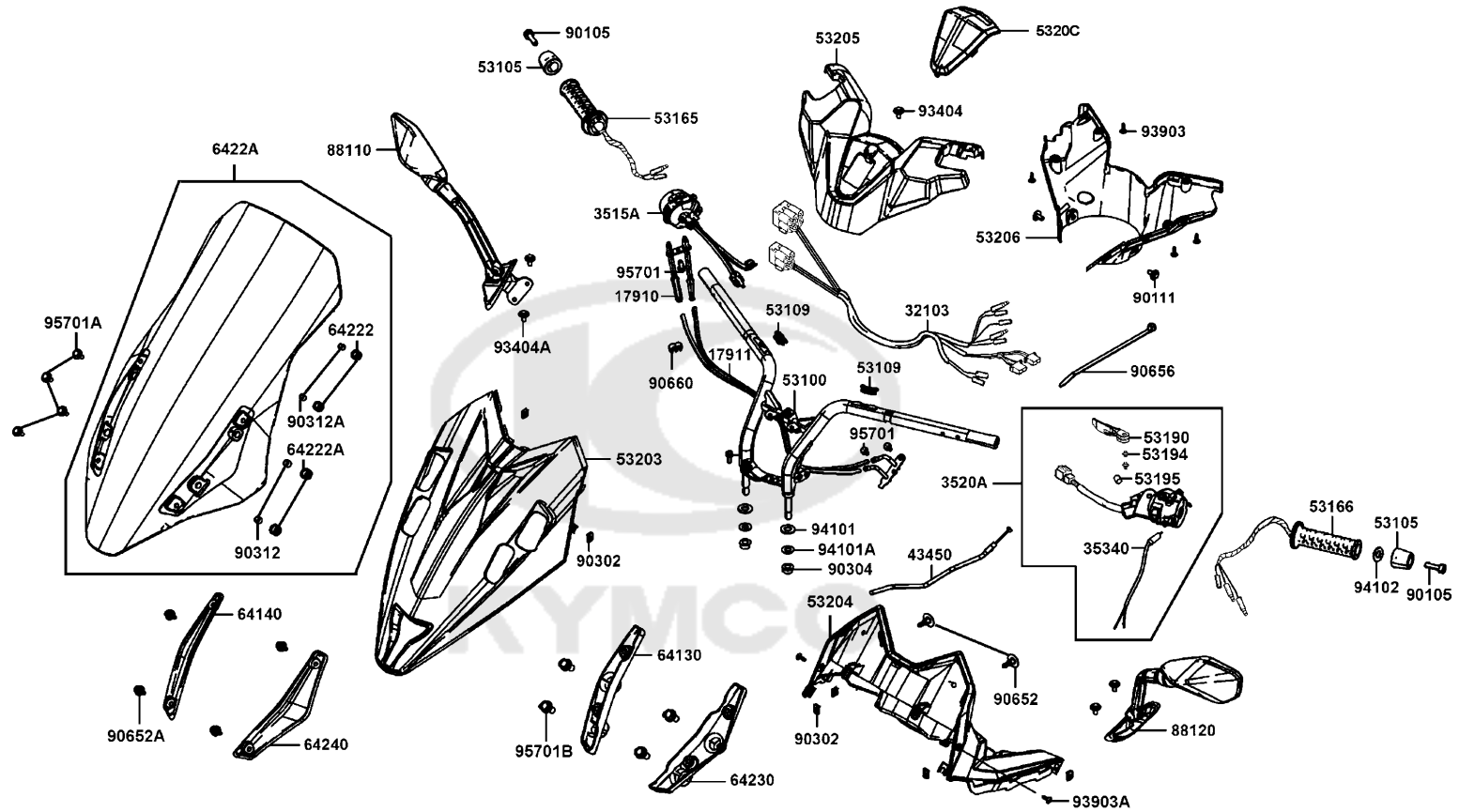
F03

# Handle SteeringHandle Cover



Sales mark	Ref no	Part no	Description	Reg description	Regd no	F03
	17910	17910-LGC6-E00	CABLE A COMP THROT	CABLE A COMP THROT	1	
	17911	17911-LGC6-E00	CABLE B COMP THROT	CABLE B COMP THROT	1	
	32103	32103-LGC6-E02	SUB HARNESS HANDLE	SUB HARNESS HANDLE	1	
	3515A	3515A-LGC6-E00	SW. ASSY.. RH. HANDLE COMP.	SW. ASSY.. RH. HANDLE COMP.	1	
	3520A	3520A-LGC6-E00	SW. ASSY.. LH. HANDLE COMP.	SW. ASSY.. LH. HANDLE COMP.	1	
	35340	35340-KFLF-900	SW ASSY FR STOP	SW ASSY FR STOP	1	
	43450	43450-LGC6-E00	CABLE COMP PARKING	CABLE COMP PARKING	1	
	53100	53100-LGC6-E00	HANDLE COMP STRG	HANDLE COMP STRG	1	
	53105	53105-LGC6-E00	END HANDLE	END HANDLE	2	
	53109	53109-LGC6-E00	GROMMET HANDLE BAR	GROMMET HANDLE BAR	2	
	53165	53165-LGC6-E01	GRIP R HANDLE HEATED	GRIP R HANDLE HEATED	1	
	53166	53166-LGC6-E01	GRIP L HANDLE HEATED	GRIP L HANDLE HEATED	1	
#	53190	53190-LGC6-E00	LEVER PARKING BRAKE	LEVER PARKING BRAKE	1	
#	53194	53194-LGC6-E00	PIVOT BOSS	PIVOT BOSS	2	
#	53195	53195-LGC6-E00	STOPPER RUBBER	STOPPER RUBBER	1	
**	53203	53203-LGC6-E00	COVER FR MERTER	COVER FR MERTER	1	
**	53204	53204-LGC6-E00	COVER METER	COVER METER	1	
**	53205	53205-LGC6-E00	COVER HANDLE UP	COVER HANDLE UP	1	
**	53206	53206-LGC6-E00	COVER HANDLE LOW	COVER HANDLE LOW	1	
**	5320C	5320C-LGC6-E00	TOP COVER ASSY. HANDLE COVER	TOP COVER ASSY. HANDLE COVER	1	

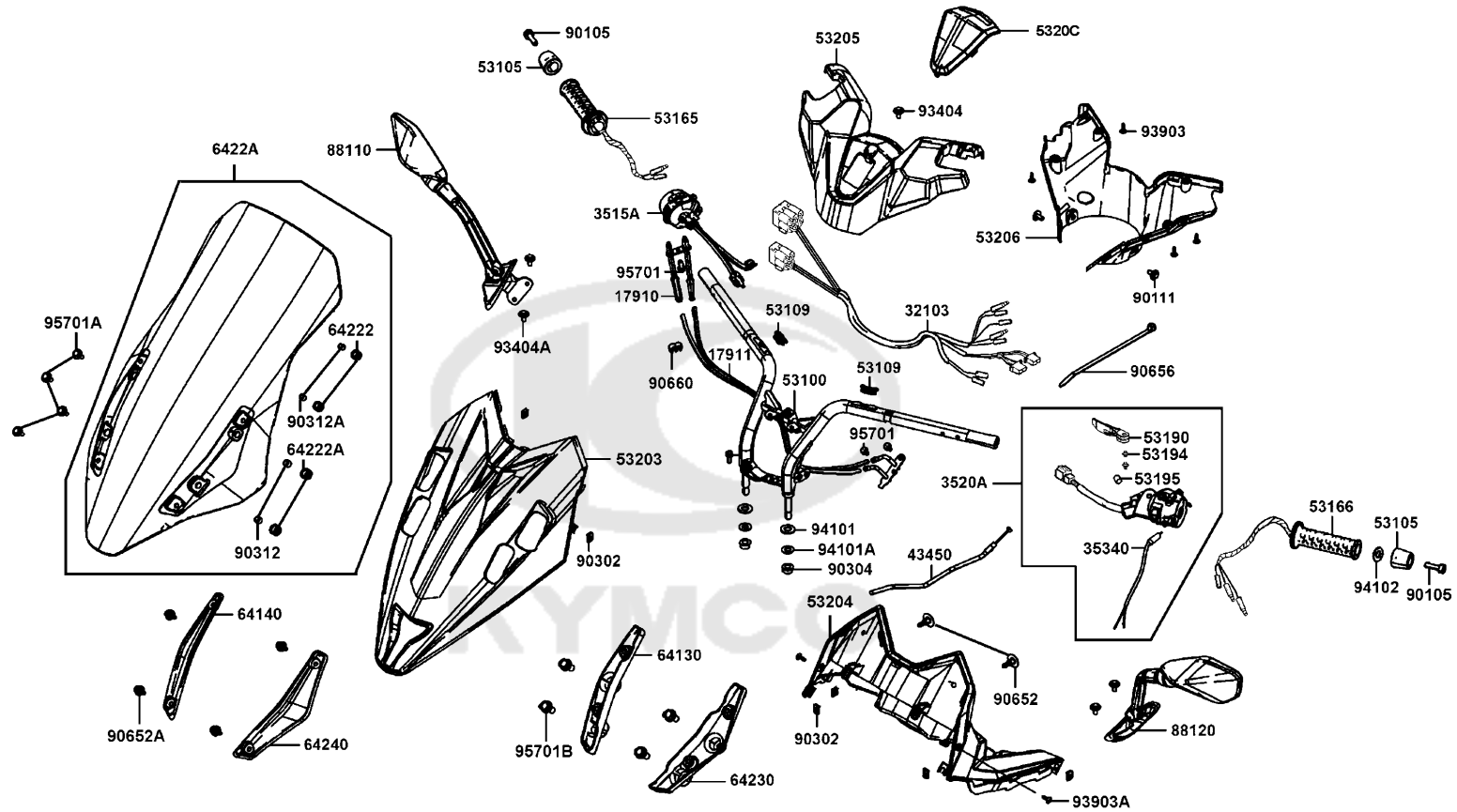
Handle SteeringHandle Cover



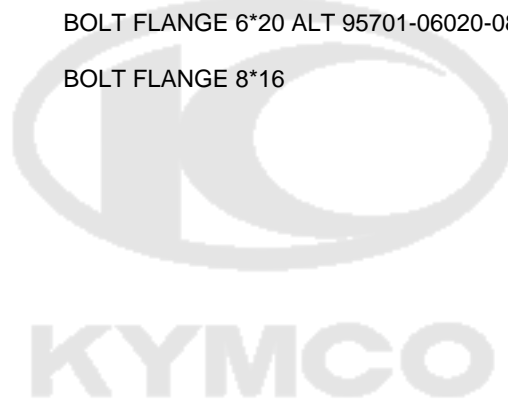
Sales mark	Ref no	Part no	Description	Reg description	Regd no	F03
**	64130	64130-LGC6-E00	HOLDER ASSY R WIND SCREEN	HOLDER ASSY R WIND SCREEN	1	
**	64140	64140-LGC6-E00	COVER,R WIND SCREEN	COVER,R WIND SCREEN	1	
	64222	64222-KKC4-900	RUBBER WIND SCREEN	RUBBER WIND SCREEN	2	
	64222A	64222-LLJ3-E00	RUBBER WIND SCREEN	RUBBER WIND SCREEN	2	
**	6422A	6422A-LGC6-E00	WIND SCRRN ASSY.	WIND SCRRN ASSY.	1	
**	64230	64230-LGC6-E00	HOLDER ASSY L WIND SCREEN	HOLDER ASSY L WIND SCREEN	1	
**	64240	64240-LGC6-E00	COVER L WIND SCREEN	COVER L WIND SCREEN	1	
	88110	88110-LGC6-E00	MIRROR ASSY R BACK	MIRROR ASSY.R BACK	1	
	88120	88120-LGC6-E00	MIRROR ASSY L BACK	MIRROR ASSY.L BACK	1	
	90105	90105-KFC2-900	BOLT WASH 8*32	BOLT WASH 8*32	2	
	90111	90111-LGC6-E01	SCREW PAN 6X14	SCREW PAN 6X14	2	
	90302	90302-SDA4-004	NUT SPRING 4MM	NUT SPRING 4MM	6	
	90304	90304-LEA1-900	NUT U FLNGE 10MM	NUT U 10MM	2	
	90312	90312-GLF0-001	COLLAR BODY COVER	COLLAR BODY COVER	2	
	90312A	90312-LLJ3-E00	COLLAR WIND SCREEN	COLLAR WIND SCREEN	2	
	90652	90652-LCA4-E00	CLIP MUDGUARD	CLIP MUDGUARD	2	
	90652A	90652-LGC6-E00	PUSH RIVET	PUSH RIVET	4	
	90656	90656-KCBC-900	BAND OIL HANDLE 8X146	BAND OIL HANDLE 8X146	2	
	90660	90660-PWA2-900	CLAMP TUBE	CLAMP TUBE	2	
	93404	93404-06012-06	BOLT WASHER 6X12	BOLT WASHER 6X12	1	

F03

# Handle SteeringHandle Cover



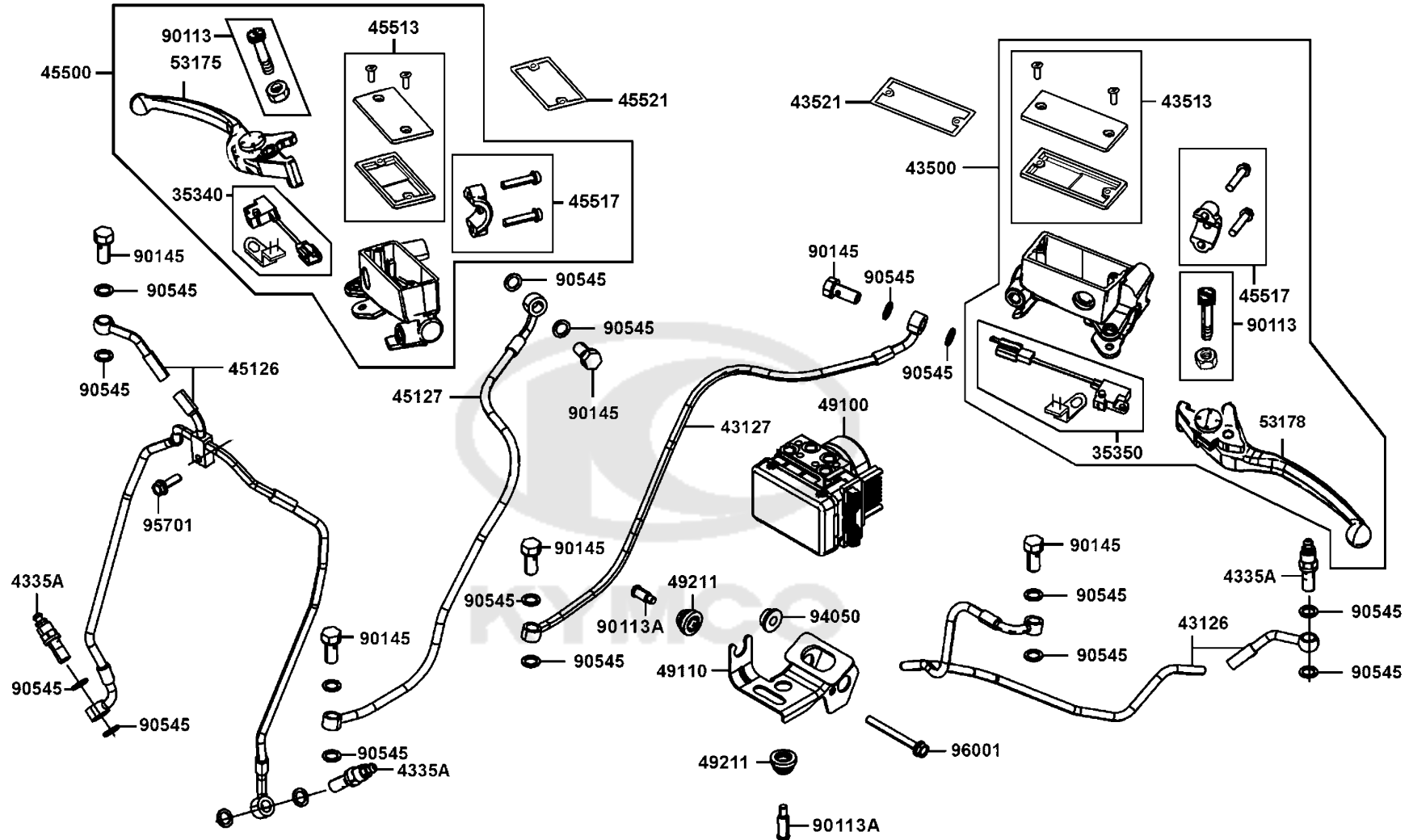
Sales mark	Ref no	Part no	Description	Reg description	Regd no	F03
93404A		93404-06016-06	BOLT WASHER 6*16	BOLT WASHER 6*16	4	
93903		93903-24360	SCREW TAPPING 4*12	SCREW TAPPING 4*12	4	
93903A		93903-LGC6-E01	SCREW TAPPING	SCREW TAPPING	2	
94101		94101-10000	WASHER PLAIN 10MM	WASHER PLAIN 10MM	2	
94101A		94101-12000	WASHER PLAIN 12 MM	WASHER PLAIN 12 MM	2	
94102		94102-08000	WASHER PLAIN 8MM	WASHER PLAIN 8MM	1	
95701		95701-06012-06	BOLT FLANGE 6*12 **07 C.2005.07.01	BOLT FLANGE 6*12 **07 C.2005.07.01	3	
95701A		95701-06020-06	BOLT FLANGE 6*20 ALT 95701-06020-08G	BOLT FLANGE 6*20 ALT 95701-06020-08G	4	
95701B		95701-08016-06	BOLT FLANGE 8*16	BOLT FLANGE 8*16	4	





F04

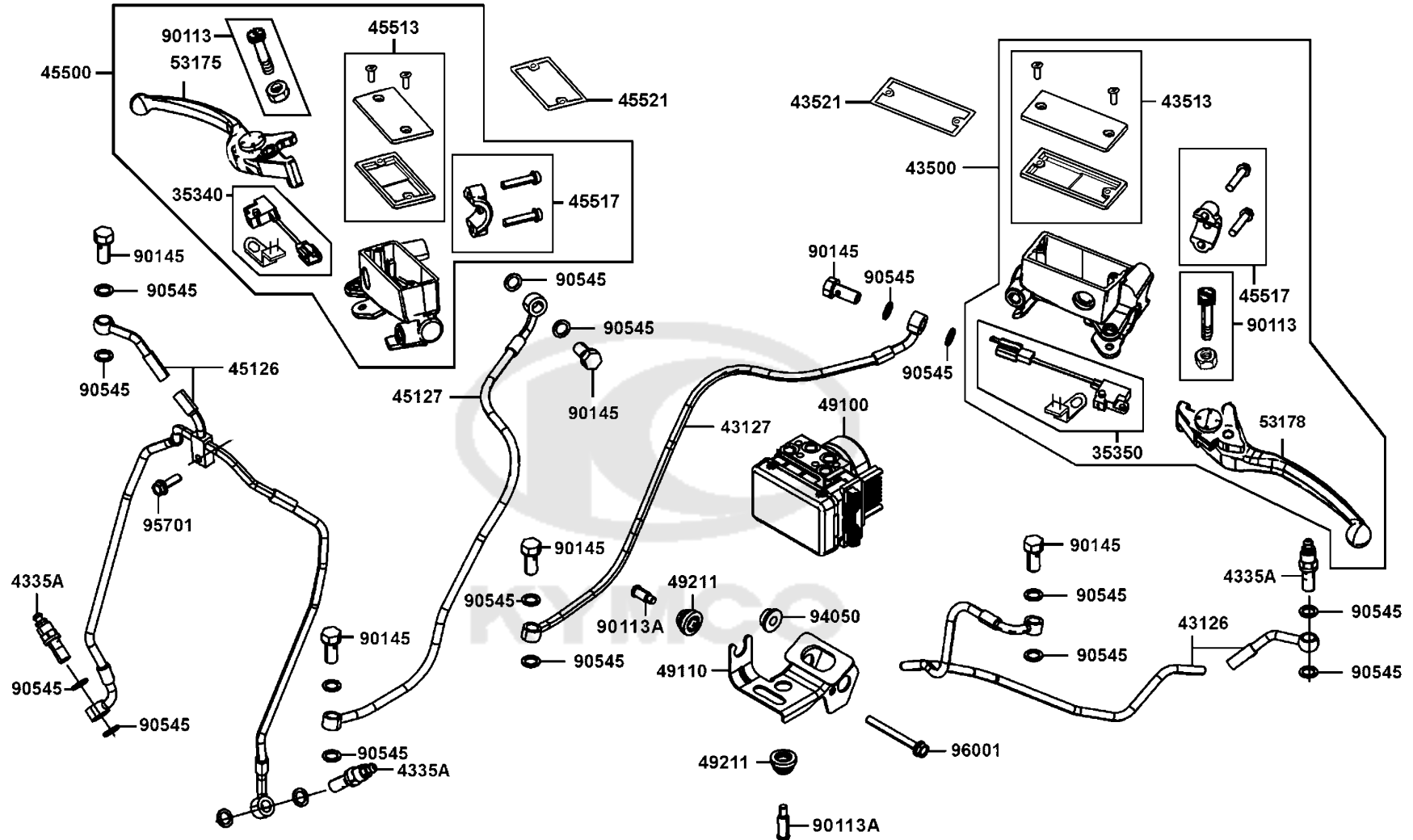
# Brake Master Cylinder



Sales mark	Ref no	Part no	Description	Reg description	Regd no	<b>F04</b>
	35340	35340-LGC6-E00	SW ASSY FR STOP	SW ASSY FR STOP	1	
	35350	35350-LGC6-E00	SW ASSY RR STOP	SW ASSY RR STOP	1	
	43126	43126-LGC6-E00	HOSE COMP A RR BRAKE	HOSE COMP A RR BRAKE	1	
	43127	43127-LGC6-E00	HOSE COMP B RR BRAKE	HOSE COMP B RR BRAKE	1	
	4335A	4335A-LGC6-E00	BLEEDER ASSY	BLEEDER ASSY	1	
	43500	43500-LGC6-E00	M/C ASSY RR	M/C ASSY RR	1	
	43513	43513-LGC6-E00	CAP L M/C	CAP L M/C	1	
#	43521	43521-LGC6-E00	PLATE DIAPHRAGM	PLATE DIAPHRAGM	1	
	45126	45126-LGC6-E00	HOSE COMP A FR BRAKE	HOSE COMP A FR BRAKE	1	
	45127	45127-LGC6-E00	HOSE COMP B FR BRAKE	HOSE COMP B FR BRAKE	1	
	45500	45500-LGC6-E00	M/C ASSY FR	M/C ASSY FR	1	
	45513	45513-LGC6-E00	CAP R M/C	CAP R M/C	1	
	45517	45517-LGC6-E00	HOLDER M/C	HOLDER M/C	1	
#	45521	45521-LGC6-E00	PLATE DIAPHRAGM	PLATE DIAPHRAGM	1	
	49100	49100-LGC6-E00	MODULATOR ASSY ABS	MODULATOR ASSY ABS	1	
	49110	49110-LGC6-E00	STAY ABS	STAY ABS	1	
	49211	49211-LFH1-E00	RUBBER BUSH	RUBBER BUSH	2	
	53175	53175-LGC6-E00	LEVER R STRG HNDL	LEVER R STRG HNDL	1	
	53178	53178-LGC6-E00	LEVER L STRG HNDL	LEVER L STRG HNDL	1	
	90113	90113-LGC6-E00	LEVER PIN	LEVER PIN	2	

F04

# Brake Master Cylinder

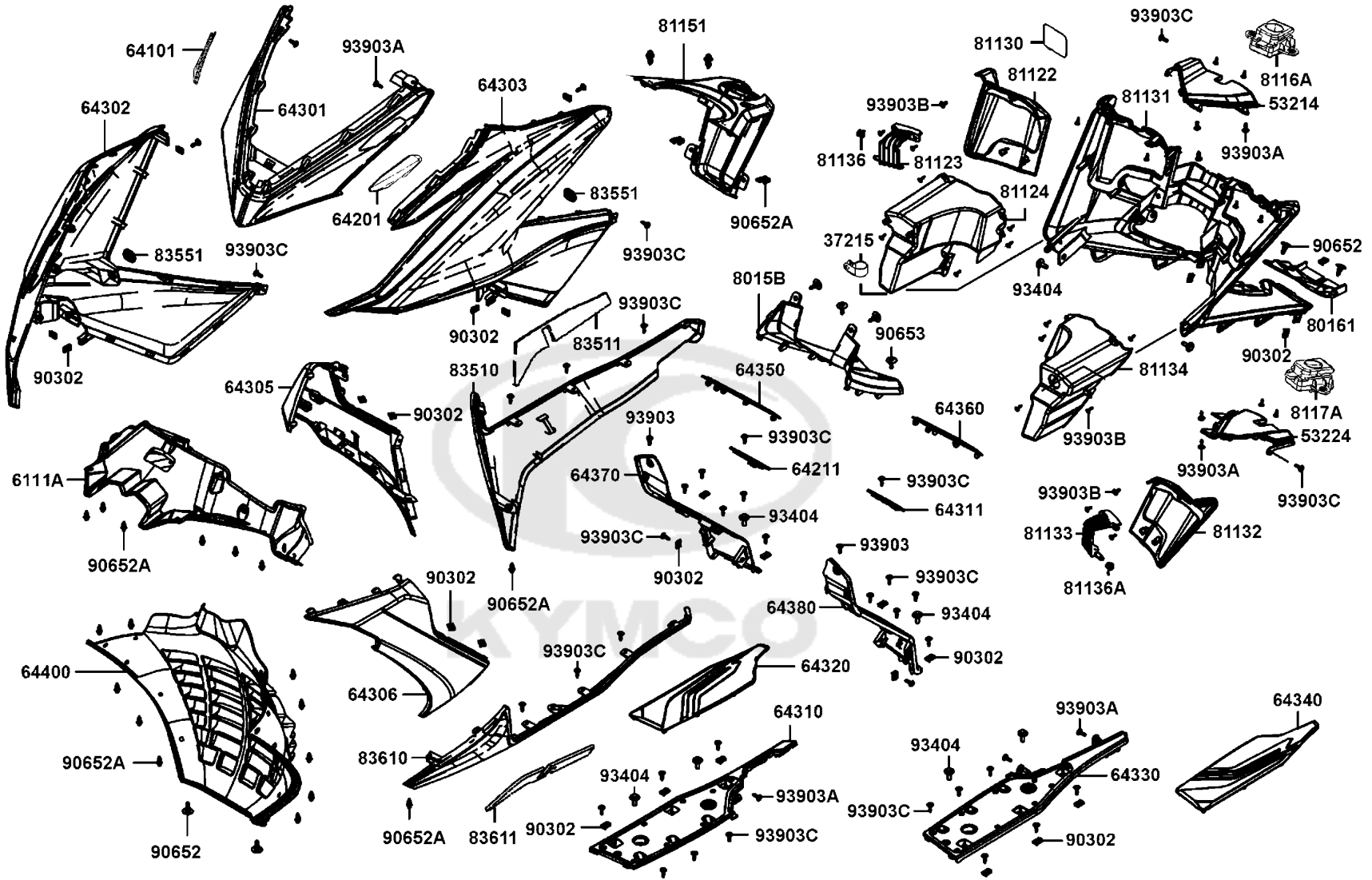


Sales mark	Ref no	Part no	Description	Reg description	Regd no	<b>F04</b>
90113A	90113-LGE5-E01	90113-LGE5-E01	BOLT FLANGE 6*20 ABS	BOLT FLANGE 6X20 ABS	2	
90145	90145-LFH1-E00	90145-LFH1-E00	OIL BOLT 10x22	OIL BOLT 10X22	6	
90545	90545-3L00-001	90545-3L00-001	WASHER OIL BOLT	WASHER OIL BOLT	18	
94050	94050-06060	94050-06060	NUT FLANGE 6MM	NUT FLANGE 6MM	1	
95701	95701-06020-06	95701-06020-06	BOLT FLANGE 6*20 ALT 95701-06020-08G	BOLT FLANGE 6*20 ALT 95701-06020-08G	1	
96001	96001-06060-06	96001-06060-06	BOLT FLANE 6*60	BOLT FLANE 6*60	1	



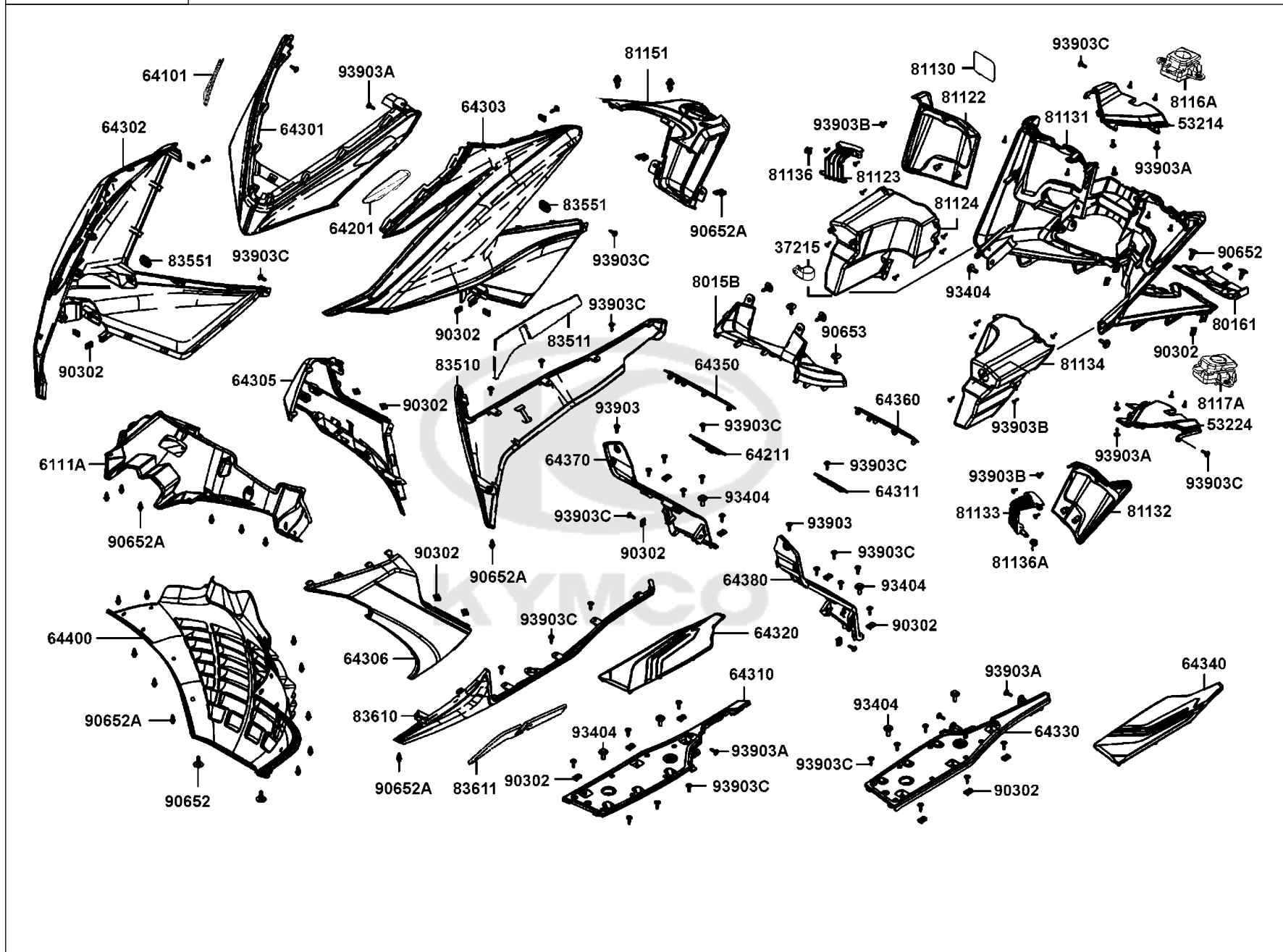
F05

Front CoverFloor Panel



Sales mark	Ref no	Part no	Description	Reg description	Regd no	F05
	37215	37215-LHJ3-900	CLAMPER	CLAMPER	1	
	53214	53214-LGC6-E00	LEG SHIELD UP R SIDE	LEG SHIELD UP R SIDE	1	
	53224	53224-LGC6-E00	LEG SHIELD UP L SIDE	LEG SHIELD UP L SIDE	1	
**	6111A	6111A-LGC6-E00	FENDER ASSY FRONT INNER	FENDER ASSY FRONT INNER	1	
	64101	64101-LGC6-E00	RUBBER R FR COVER	RUBBER R FR COVER	1	
	64201	64201-LGC6-E00	RUBBER L FR COVER	RUBBER L FR COVER	1	
**	64211	64211-LGC6-E00	LID OBD COUPLER	LID OBD COUPLER	1	
**	64301	64301-LGC6-E00	COVER FRONT	COVER FRONT	1	
**	64302	64302-LGC6-E00	MOLDING A R SIDE	MOLDING A R SIDE	1	
**	64303	64303-LGC6-E00	MOLDING A L SIDE	MOLDING A L SIDE	1	
**	64305	64305-LGC6-E00	SKIRT R SIDE	SKIRT R SIDE	1	
**	64306	64306-LGC6-E00	SKIRT L SIDE	SKIRT L SIDE	1	
**	64310	64310-LGC6-E00	PANEL A R FLOOR	PANEL A R FLOOR	1	
**	64311	64311-LGC6-E00	LID RESERVE TANK	LID RESERVE TANK	1	
**	64320	64320-LGC6-E00	MAT R FLOOR	MAT R FLOOR	1	
**	64330	64330-LGC6-E00	PANEL A L FLOOR	PANEL A L FLOOR	1	
**	64340	64340-LGC6-E00	MAT L FLOOR	MAT L FLOOR	1	
**	64350	64350-LGC6-E00	MAT R LEG SHIELD	MAT R LEG SHIELD	1	
**	64360	64360-LGC6-E00	MAT L LEG SHIELD	MAT L LEG SHIELD	1	
**	64370	64370-LGC6-E00	PANEL B R FLOOR	PANEL B R FLOOR	1	

Front CoverFloor Panel

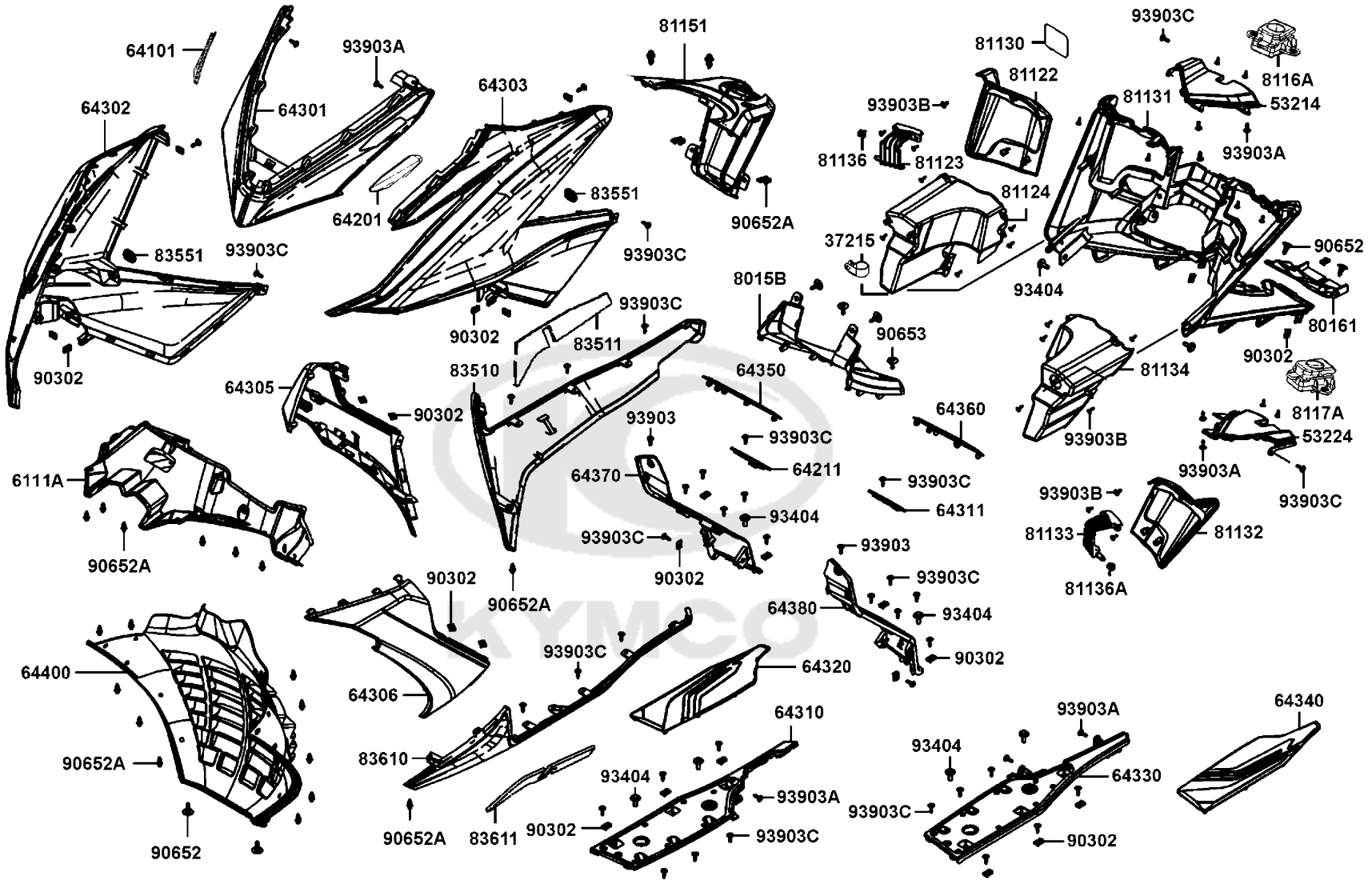


Sales mark	Ref no	Part no	Description	Reg description	Regd no	F05
**	64380	64380-LGC6-E00	PANEL B L FLOOR	PANEL B L FLOOR	1	
**	64400	64400-LGC6-E00	COWL UNDER	COWL UNDER	1	
**	8015B	8015B-LGC6-E00	COVER ASSY CENTER	COVER ASSY CENTER	1	
	80161	80161-LGC6-E00	LID LEG SHIELD	LID LEG SHIELD	1	
	81122	81122-LGC6-E00	LID R FR INNER BOX	LID R FR INNER BOX	1	
	81123	81123-LGC6-E00	HINGE R FR INNER BOX	HINGE R FR INNER BOX	1	
	81124	81124-LGC6-E00	BOX R FR INNER BOX	BOX R FR INNER BOX	1	
	81130	81130-LGC6-E00	SEAL FR INNER BOX	SEAL FR INNER BOX	1	
	81131	81131-LGC6-E00	LEG SHIELD	LEG SHIELD	1	
	81132	81132-LGC6-E00	LID L FR INNER BOX	LID L FR INNER BOX	1	
	81133	81133-LGC6-E00	HINGE L FR INNER BOX	HINGE L FR INNER BOX	1	
	81134	81134-LGC6-E00	BOX L FR INNER BOX	BOX L FR INNER BOX	1	
	81136	81136-ACD5-E00	SPRING FR INNER BOX / R	SPRING FR INNER BOX / R	1	
	81136A	81136-LEA7-E00	SPRING FR INNER BOX L	SPRING FR INNER BOX L	1	
**	81151	81151-LGC6-E00	COVER KEY	COVER KEY	1	
	8116A	8116A-LGC6-E00	LOCK ASSY. R FR BOX	LOCK ASSY. R FR BOX	1	
	8117A	8117A-LGC6-E00	LOCK ASSY L FR BOX	LOCK ASSY L FR BOX	1	
**	83510	83510-LGC6-E00	COVER R SIDE	COVER R SIDE	1	
	83511	83511-LGC6-E00	SPONGE R SIDE COVER	SPONGE R SIDE COVER	1	
	83551	83551-LGC6-E00	GROMMER COVER	GROMMER COVER	2	



F05

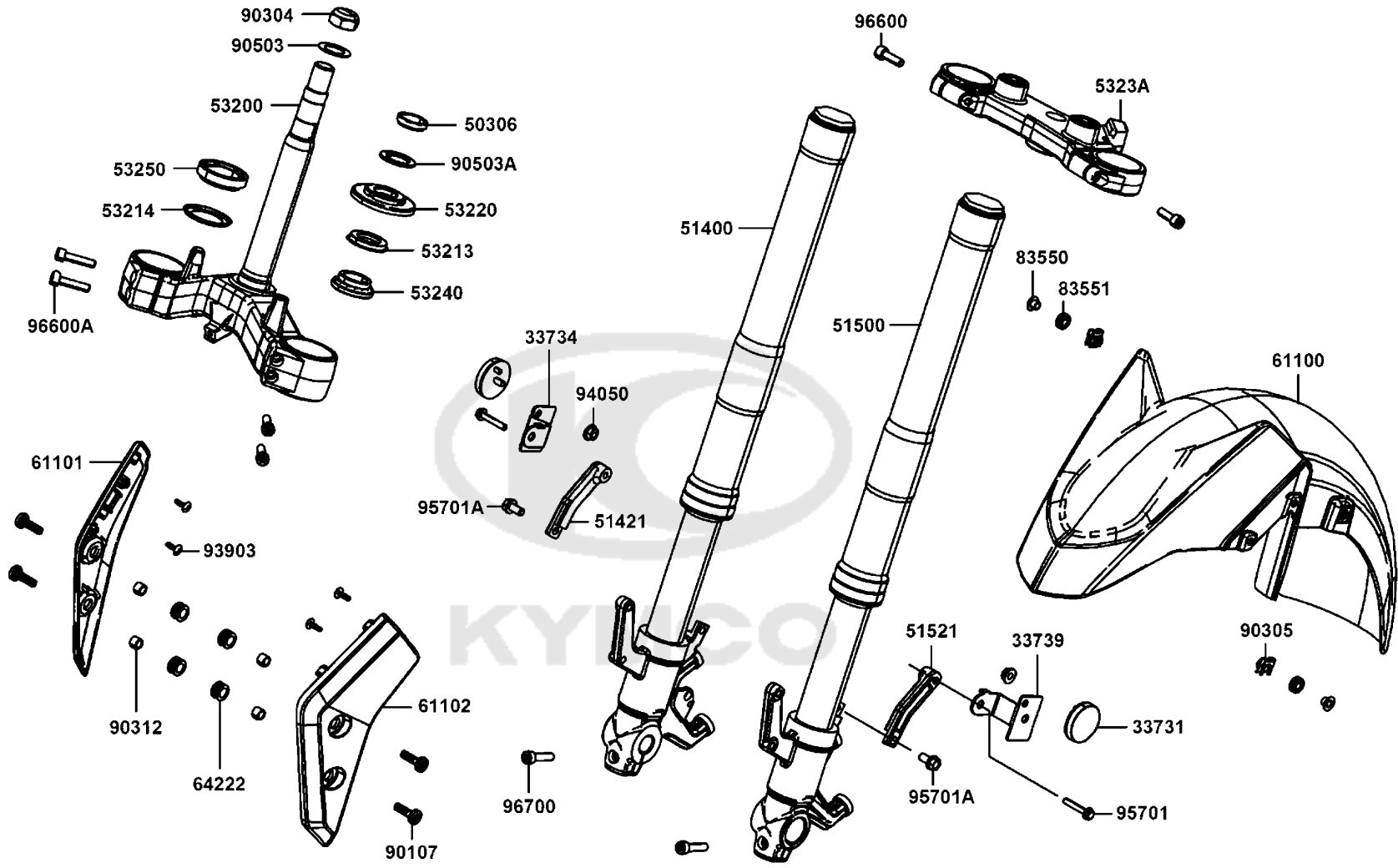
Front CoverFloor Panel



Sales mark	Ref no	Part no	Description	Reg description	Regd no	<b>F05</b>
**	83610	83610-LGC6-E00	COVER L SIDE	COVER L SIDE	1	
	83611	83611-LGC6-E00	SPONGE L SIDE COVER	SPONGE L SIDE COVER	1	
	90302	90302-SDA4-004	NUT SPRING 4MM	NUT SPRING 4MM	24	
	90652	90652-LCA4-E00	CLIP MUDGUARD	CLIP MUDGUARD	6	
	90652A	90652-LFB5-900	CLIP MUDGUARD	CLIP MUDGUARD	22	
	90653	90653-LGC6-E00	CLIP MUDGUARD	CLIP MUDGUARD	4	
	93404	93404-06012-06	BOLT WASHER 6X12	BOLT WASHER 6X12	8	
	93903	93903-14460	SCREW TAPPING 4*16	SCREW TAPPING 4*16	2	
	93903A	93903-24360	SCREW TAPPING 4*12	SCREW TAPPING 4*12	5	
	93903B	93903-34360	SCREW TAPPING 4X12	SCREW TAPPING 4X12	22	
	93903C	93903-GFY6-900	SCREW TAPPING 4*14	SCREW TAPPING 4*14	38	

F06

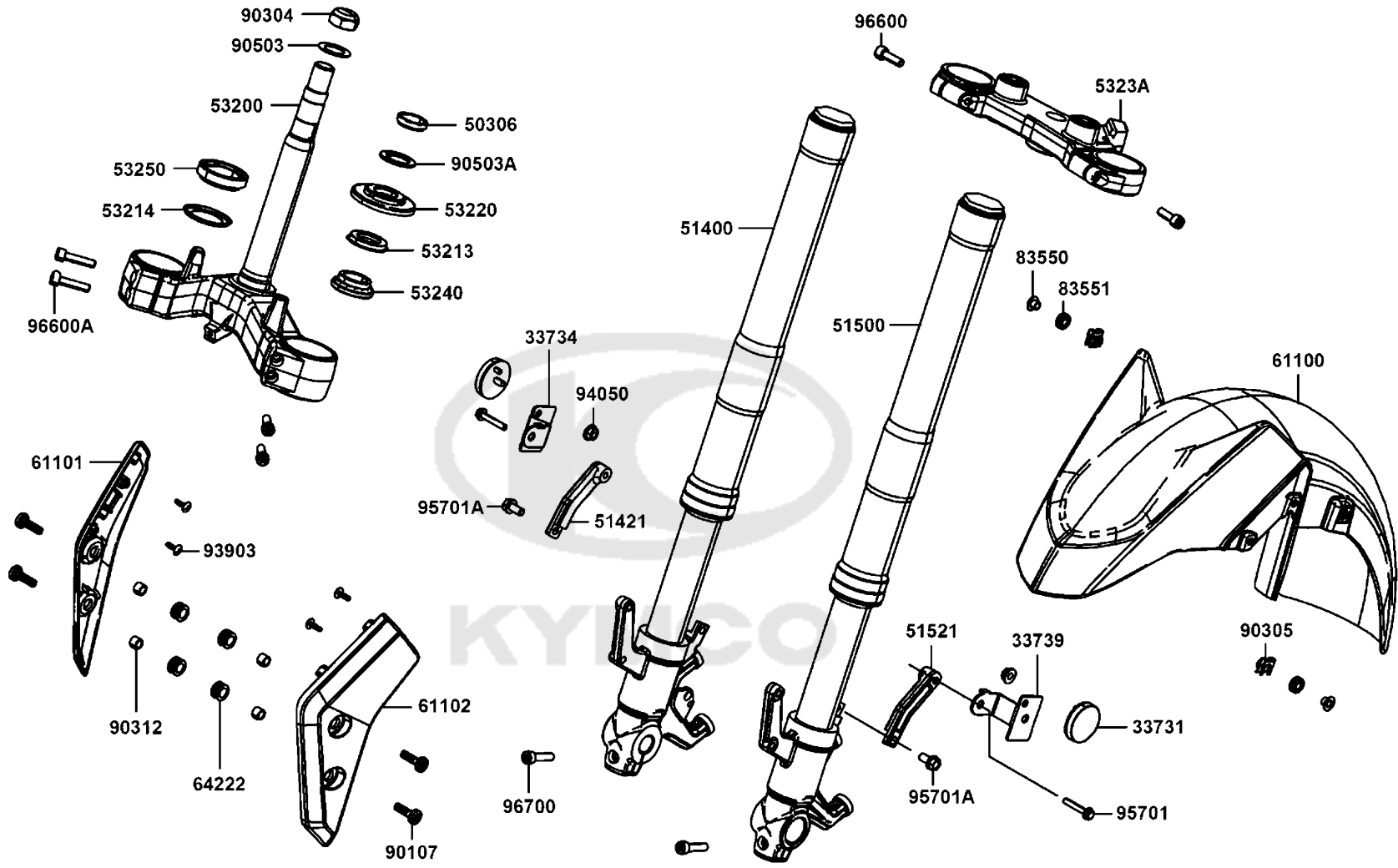
Front Cushion



Sales mark	Ref no	Part no	Description	Reg description	Regd no	F06
	33731	33731-LHJ8-900	REFLEX REFLECTOR SIDE	REFLEX REFLECTOR. SIDE	2	
	33734	33734-LGC6-E00	STAY RH REFLEX REFLECTOR	STAY RH REFLEX REFLECTOR	1	
	33739	33739-LGC6-E00	STAY LH REFLEX REFLECTOR	STAY LH REFLEX REFLECTOR	1	
	50306	50306-1F96-001	NUT STRG STEM LOCK	NUT STRG STEM LOCK	1	
**	51400	51400-LGC6-E00	FORK ASSY FR R	FORK ASSY FR R	1	
**	51421	51421-LGC6-E00	STAY FR FENDER R (Mat Black)	STAY FR FENDER R (Mat Black)	1	
**	51500	51500-LGC6-E00	FORK ASSY FR L	FORK ASSY FR L	1	
**	51521	51521-LGC6-E00	STAY FR FENDER L	STAY FR FENDER L	1	
	53200	53200-LGC6-E00	STEM COMP STRG	STEM COMP STRG	1	
	53213	53213-LBA2-E00	DUST SEAL STRG HEAD TOP	DUST SEAL STRG HEAD TOP	1	
	53214	53214-LBA2-E00	DUST SEAL STRG (HEAD)	DUST SEAL STRG HEAD BOT	1	
	53220	53220-LGC6-E00	THREAD COMP STRG HEAD TOP	THREAD COMP. STRG HEAD TOP	1	
	5323A	5323A-LGC6-E00	BRIDGE ASSY FR FORK	BRIDGE ASSY FR FORK	1	
	53240	53240-LEA7-90A	BEARING TOP STRG (mark:TP1)	BEARING TOP STRG	1	
	53250	53250-LEA7-90A	BEARING BOT STRG (mark:TP1)	BEARING BOT STRG	1	
**	61100	61100-LGC6-E00	FENDER A FRONT (Mat Blue / Mat Black)	FENDER A FRONT (Mat Blue / Mat Black)	1	
**	61101	61101-LGC6-E00	FENDER COVER R SIDE	FENDER COVER R SIDE	1	
**	61102	61102-LGC6-E00	FENDER COVER L SIDE	FENDER COVER L SIDE	1	
	64222	64222-LLJ3-E00	RUBBER WIND SCREEN	RUBBER WIND SCREEN	4	
	83550	83550-KEC8-900	COLLAR	COLLAR	2	

F06

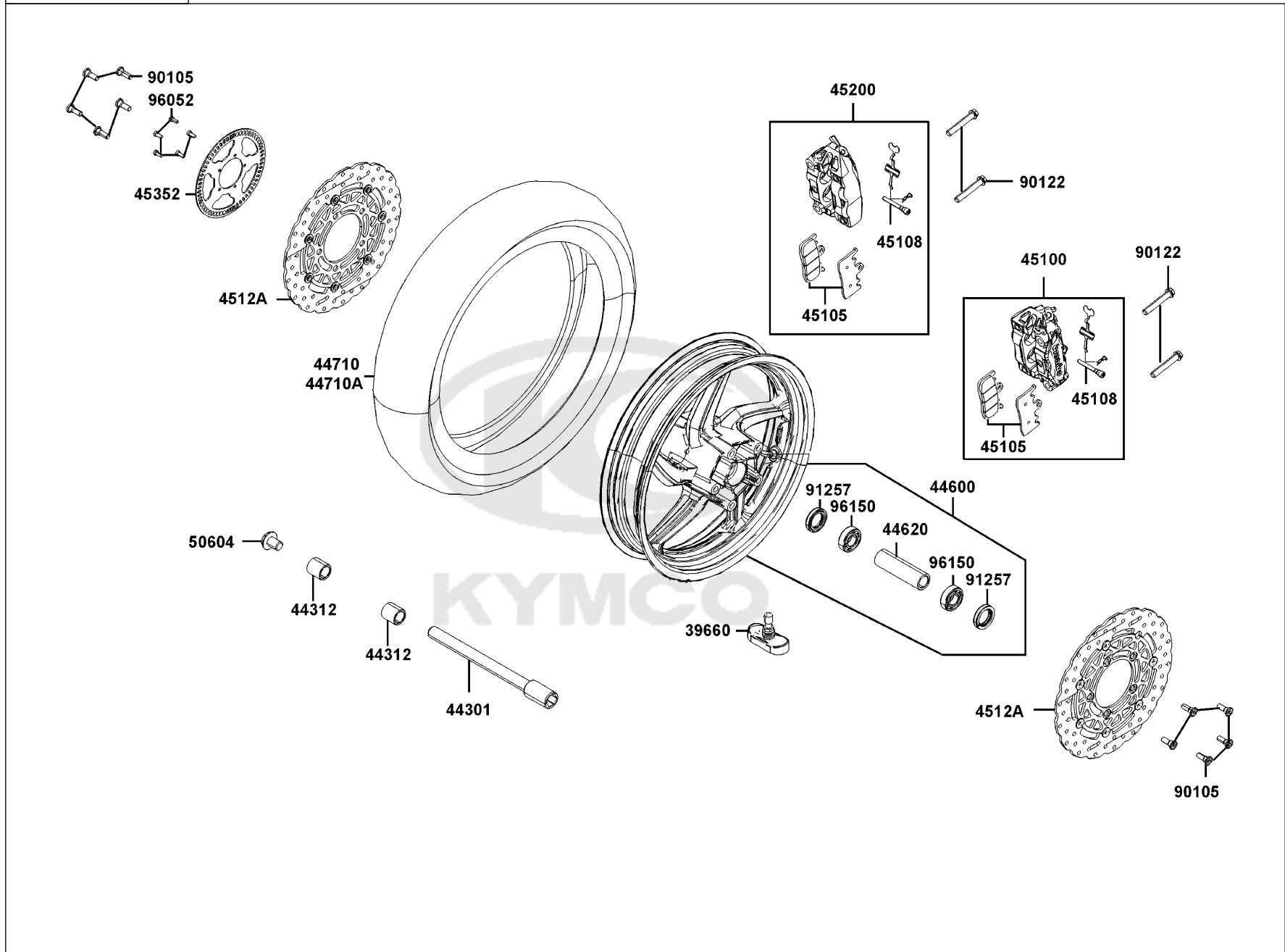
Front Cushion



Sales mark	Ref no	Part no	Description	Reg description	Regd no	<b>F06</b>
	83551	83551-KEC8-900	GROMMET COVER **KEC8-9000	GROMMET COVER **KEC8-9000 C.2005.09.01	2	
	90107	90107-LEA7-E00	BOLT SPECIAL 8MM	BOLT SPECIAL 8MM	4	
	90304	90304-KKE5-E00	NUT. STRG. STEM	NUT. STRG. STEM	1	
	90305	90305-LBA2-E00	NUT CLIP 6MM	NUT CLIP 6MM	2	
	90312	90312-LLJ3-E00	COLLAR WIND SCREEN	COLLAR WIND SCREEN	4	
#	90503	90503-KKE5-E00	WASHER STEERING STEM NUT	WASHER STEERING STEM NUT	1	
	90503A	90503-LEA7-E00	WASHER STRG STEM NUT	WASHER STRG STEM NUT	1	
	93903	93903-24360	SCREW TAPPING 4*12	SCREW TAPPING 4*12	4	
	94050	94050-06060	NUT FLANGE 6MM	NUT FLANGE 6MM	2	
	95701	95701-06040-06	BOLT FLANGE 6*40	BOLT FLANGE 6*40	2	
	95701A	95701-08016-06	BOLT FLANGE 8*16	BOLT FLANGE 8*16	2	
	96600	96600-08025-06	SOCKET BOLT 8X25	SOCKET BOLT 8X25	2	
	96600A	96600-08035-06	SOCKET BOLT 8X35	SOCKET BOLT 8X35	4	
	96700	96700-KED9-900	BOLT SOCKET 8*30	BOLT SOCKET 8*30	2	

F07

Front Wheel

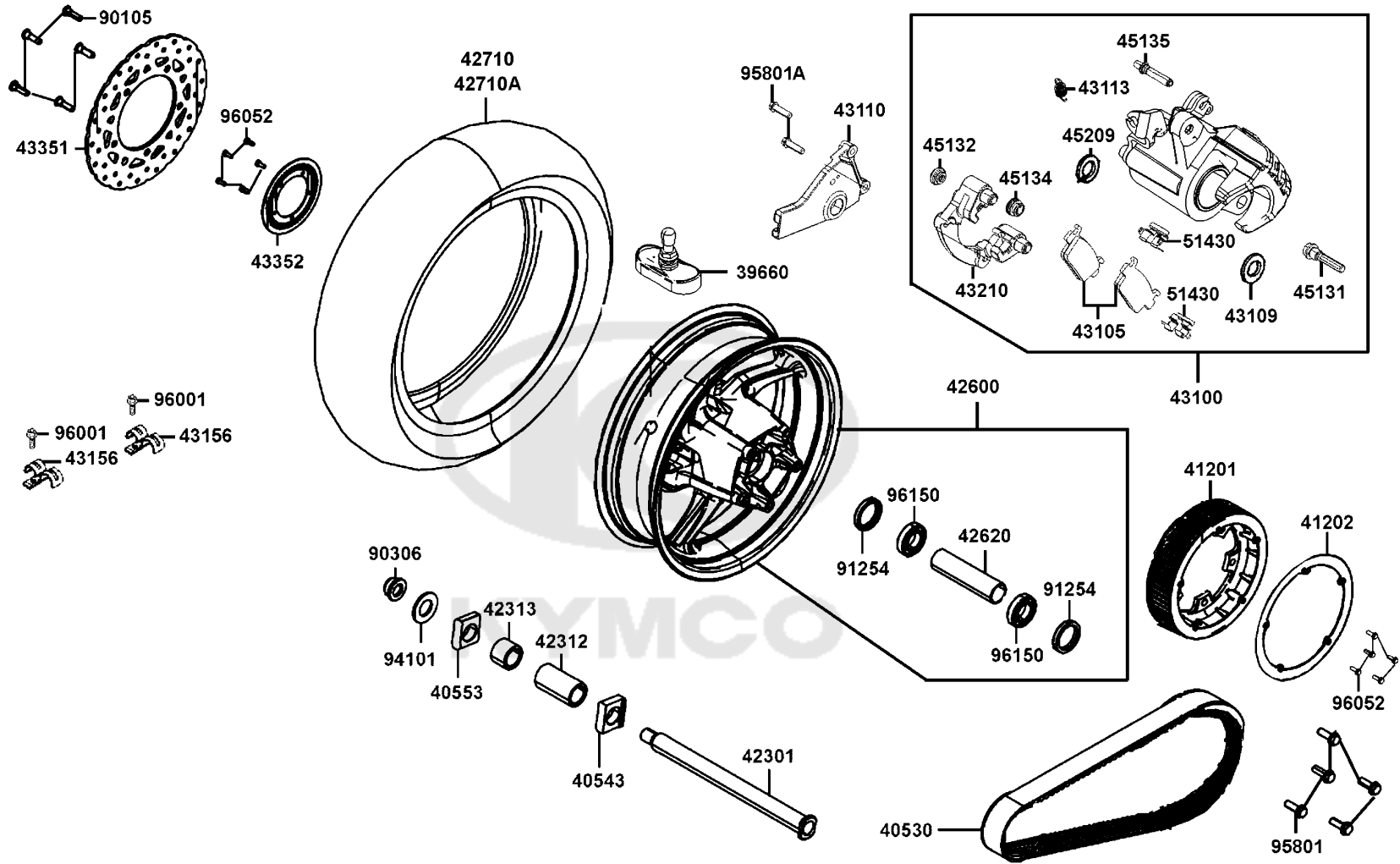


Sales mark	Ref no	Part no	Description	Reg description	Regd no	F07
	39660	39660-LGC6-E00	SENSOR. TIRE PRESURE	SENSOR. TIRE PRESURE	1	
	44301	44301-LGC6-E00	AXLE FE WHEEL	AXLE FE WHEEL	1	
	44312	44312-LBA2-E00	COLLAR FR WHEEL SIDE L	COLLAR FR WHEEL SIDE L	2	
**	44600	44600-LGC6-305	WHEEL ASSY FR	WHEEL ASSY FR	1	
	44620	44620-LGC6-E00	COLLAR FR WHEEL DIST	COLLAR FR WHEEL DIST	1	
#	44710	44710-LGC6-305	TIRE ASSY FR (120/70 R15 56H~ MAXXIS)	TIRE ASSY FR (120/70 R15 56H~ MAXXIS)	1	
	44710A	44710-LGC6-E00	TIRE ASSY FR (120/70 R15 56H ~	TIRE ASSY FR (120/70 R15 56H ~ Metzeler)	1	
**	45100	45100-LGC6-E00	CALIPER ASSY FR L	CALIPER ASSY FR L	1	
	45105	45105-LGC6-305	PAD SET	PAD SET	2	
	45108	45108-LGC6-305	PAD SPRING SET	PAD SPRING SET	2	
#	4512A	4512A-LGC6-E01	DISK ASSY FR BRAKE	DISK ASSY FR BRAKE	2	
**	45200	45200-LGC6-E00	CALIPER ASSY FR R	CALIPER ASSY FR R	1	
	45352	45352-LKF5-E00	TOOTHED RING. SENSOR	TOOTHED RING. SENSOR	1	
	50604	50604-LGC6-E00	BOLT GR AXLE	BOLT GR AXLE	1	
	90105	90105-KCR3-001	BOLT FR DISK 8*24	BOLT FR DISK 8*24	10	
	90122	90122-LKF5-E00	BOLT FLANGE 10X58	BOLT FLANGE 10*58	4	
	91257	91257-KED9-900	DUST SEAL 28*42*8	DUST SEAL 28*42*8	2	
	96052	96052-PRA1-E00	BOLT M5*16	BOLT M5*16	5	
	96150	96150-60040-10	BEARING BALL RADIAL 6004	BEARING BALL RADIAL 6004	2	



F08

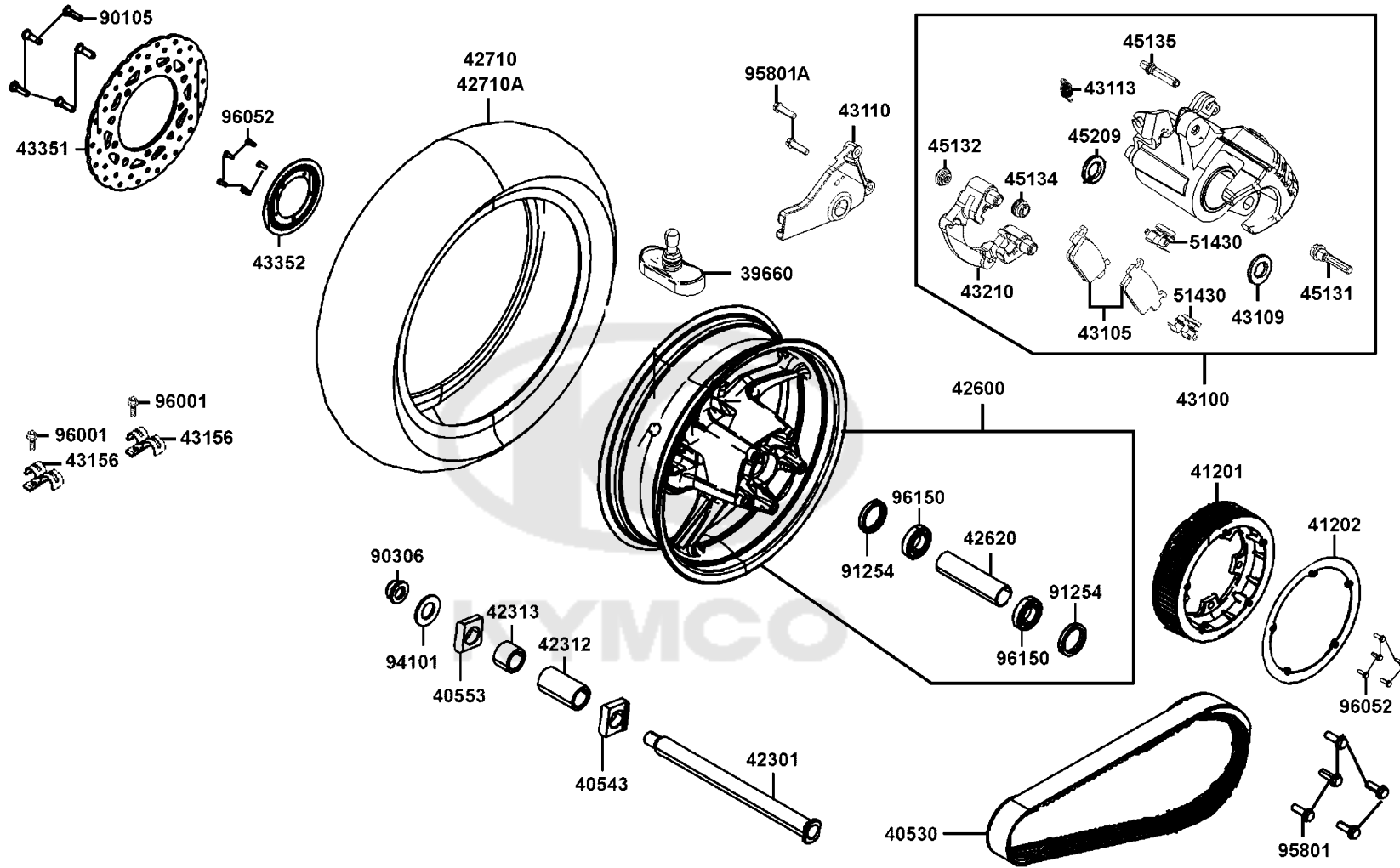
Rear Wheel



Sales mark	Ref no	Part no	Description	Reg description	Regd no	F08
	39660	39660-LGC6-E00	SENSOR. TIRE PRESURE	SENSOR. TIRE PRESURE	1	
	40530	40530-LGC6-E00	TIMING BELT (DRIVE BELT)	TIMING BELT (DRIVE BELT)	1	
	40543	40543-LGC6-E00	ADJUSTER L/H BELT	ADJUSTER L/H BELT	1	
	40553	40553-LGC6-E00	ADJUSTER R/H BELT	ADJUSTER R/H BELT	1	
**	41201	41201-LGC6-E00	SPROCKET DRIVEN	SPROCKET DRIVEN	1	
	41202	41202-LGC6-E00	PLATE FINAL DRIVE	PLATE FINAL DRIVE	1	
	42301	42301-LGC6-E00	AXLE RR WHEEL	AXLE RR WHEEL	1	
	42312	42312-LGC6-E00	COLLAR RR WHEEL SIDE A	COLLAR RR WHEEL SIDE A	1	
	42313	42313-LGC6-E00	COLLAR RR WHEEL SIDE B	COLLAR RR WHEEL SIDE B	1	
**	42600	42600-LGC6-305	WHEEL SET RR	WHEEL SET RR	1	
	42620	42620-LGC6-E00	COLLAR RR WHEEL DIST	COLLAR RR WHEEL DIST	1	
#	42710	42710-LGC6-305	TIRE ASSY RR (160/60 R15 67H ~	TIRE ASSY RR (160/60 R15 67H ~ MAXXIS)	1	
	42710A	42710-LGC6-E00	TIRE ASSY RR (160/60 R15 67H ~	TIRE ASSY RR (160/60 R15 67H ~ Metzeler)	1	
# **	43100	43100-LGC6-E01	CALIPER ASSY RR	CALIPER ASSY RR	1	
	43105	43105-LGC6-305	PAD SET	PAD SET	1	
	43109	43109-LGC6-E00	DUST SEAL	DUST SEAL	1	
**	43110	43110-LGC6-E00	HOLDER, RR CALIPER	HOLDER, RR CALIPER	1	
	43113	43113-LBA2-E00	SPRING BRAKE ARM	SPRING BRAKE ARM	1	
	43156	43156-LGC6-E00	CLAMPER RR BRK HOSE	CLAMPER RR BRK HOSE	2	
**	43210	43210-LGC6-305	BRACKET ASSY RR	BRACKET ASSY RR	1	

F08

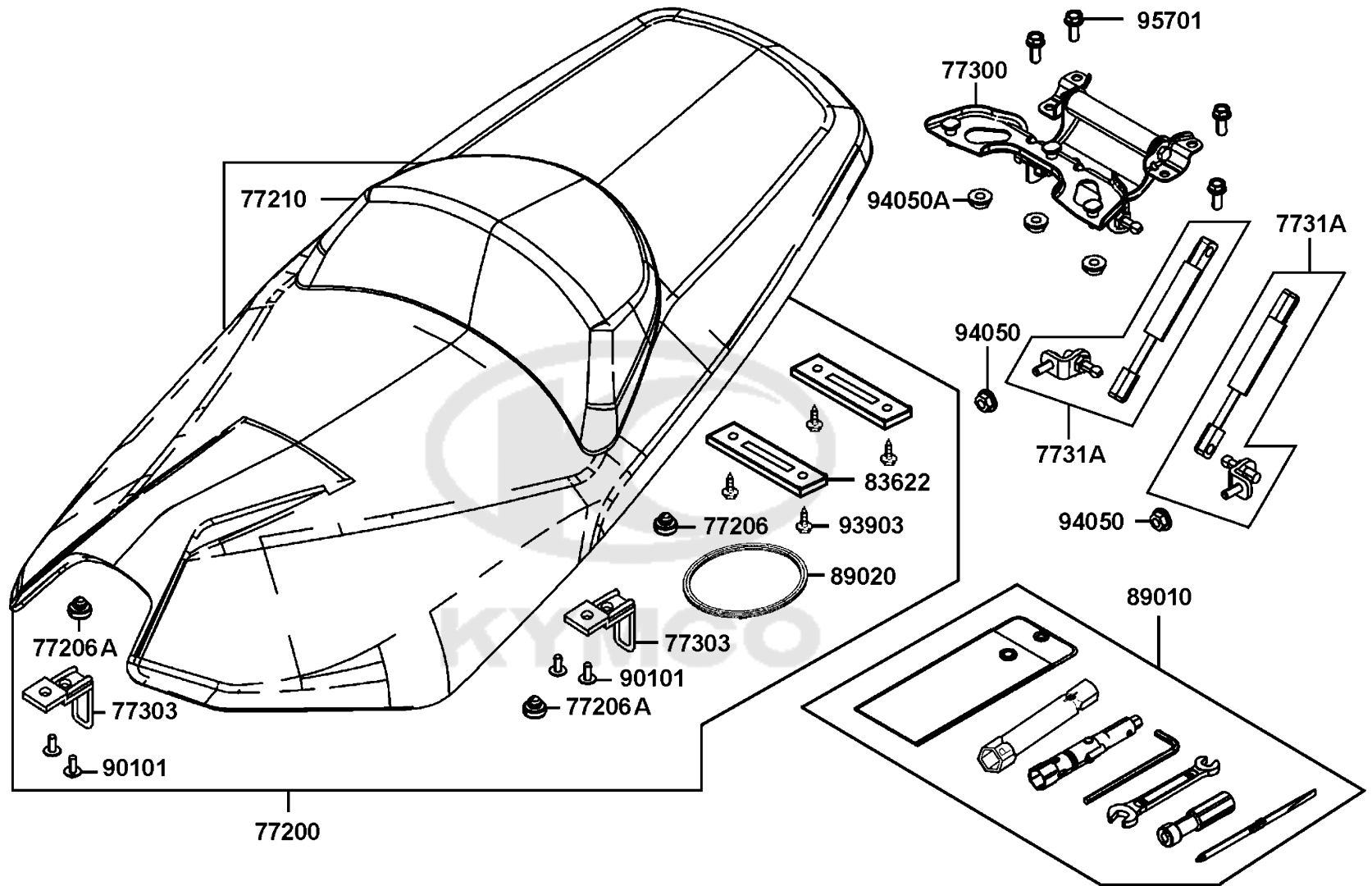
# Rear Wheel



Sales mark	Ref no	Part no	Description	Reg description	Regd no	F08
#	43351	43351-LGC6-E01	DISK RR BRAKE	DISK RR BRAKE	1	
	43352	43352-LGC6-E00	TOOTHED RING RR SENSOR	TOOTHED RING RR SENSOR	1	
	45131	45131-LDH1-E00	PIN BOLT	PIN BOLT	1	
	45132	45132-LDH1-E00	BOOT	BOOT	1	
	45134	45134-KED9-900	BOOT B	BOOT B	1	
	45135	45135-KED9-900	PIN BOLT A	PIN BOLT A	1	
	45209	45209-LGC6-E00	SEAL PISTON	SEAL PISTON	1	
	51430	51430-ACD5-E00	SPRING PAD	SPRING PAD	2	
	90105	90105-KCR3-001	BOLT FR DISK 8*24	BOLT FR DISK 8*24	5	
	90306	90306-LBA2-900	NUT U 20MM	NUT U 20MM	1	
	91254	91254-LGC6-E00	OIL SEAL 40X52X8	OIL SEAL 40X52X8	2	
	94101	94101-LGC6-E00	WASHER PLAIN 20.5X38X3(B)	WASHER PLAIN 20.5X38X3(B)	1	
	95801	95801-10030-06	BOLT FLANGE 10X30	BOLT FLANGE 10X30	5	
	95801A	95801-LEA1-900	BOLT FLANGE 10*35	BOLT FLANGE 10*35	2	
	96001	96001-06012-06	BOLT FLANGE SH 6*12	BOLT FLANGE SH 6*12	2	
	96052	96052-PRA1-E00	BOLT M5*16	BOLT M5*16	10	
	96150	96150-LGC6-E00	BRG. BALL RADIAL 60/28 LLU CGMU9V8	BRG. BALL RADIAL 60/28 LLU CGMU9V8	1	

F09

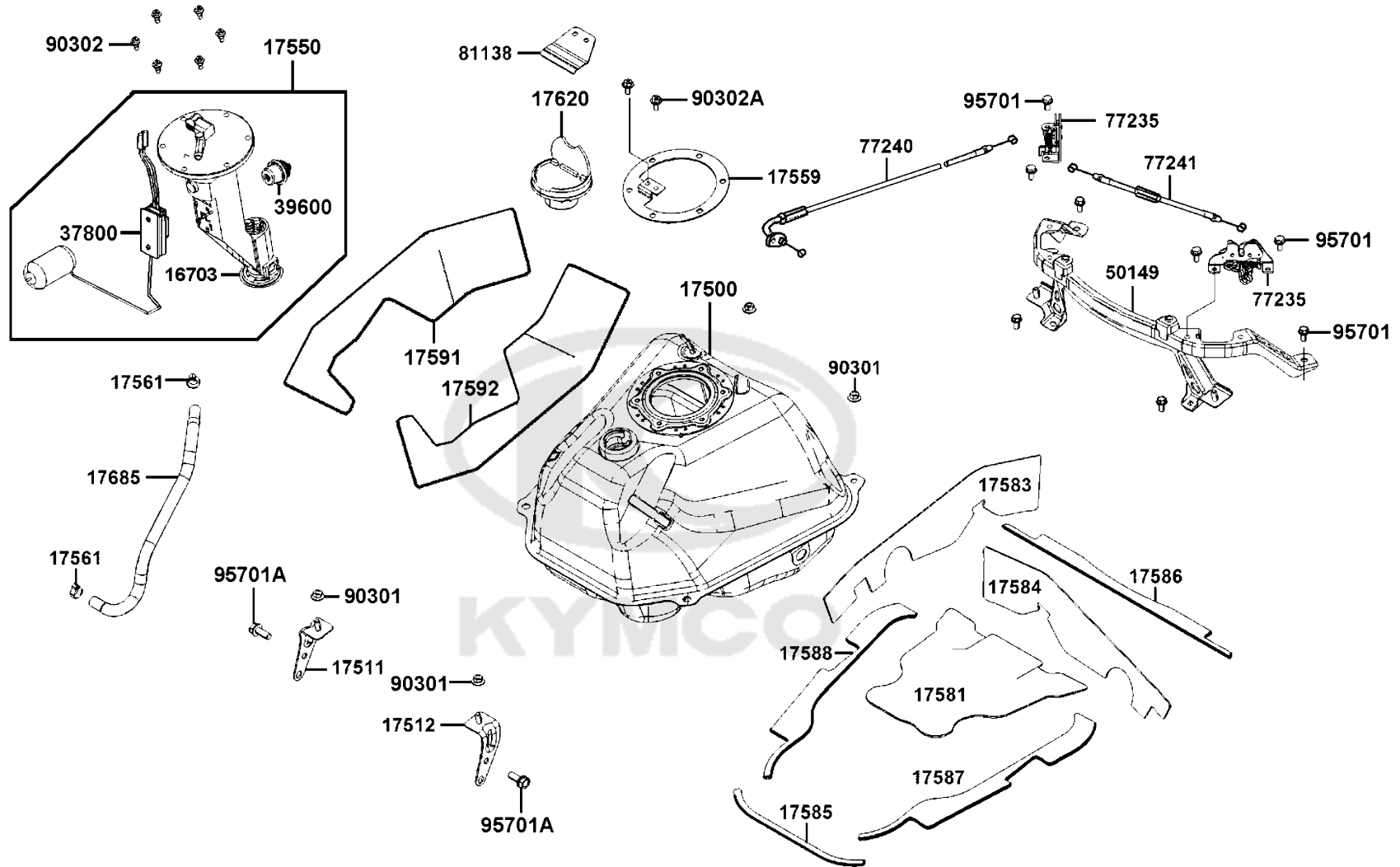
Seat



Sales mark	Ref no	Part no	Description	Reg description	Regd no	F09
**	77200	77200-LGC6-309	SEAT ASSY (REACH)	SEAT ASSY (REACH)	1	
	77206	77206-KGBG-900	RUBBER SEAT CUSHION	RUBBER SEAT CUSHION	3	
#	77206A	77206-LKB9-900	RUBBER SEAT CUSH	RUBBER SEAT CUSH	2	
	77210	77210-LGC6-E00	BACK SEAT ASSY (REACH)	BACK SEAT ASSY (REACH)	1	
	77300	77300-LGC6-E00	HINGE ASSY SEAT	HINGE ASSY SEAT	1	
	77303	77303-LHJ8-900	HOOK SEAT LOCK	HOOKSEAT LOCK	2	
	7731A	7731A-LGC6-E00	STAY ASSY DAMPER	STAY ASSY DAMPER	2	
	83622	83622-KED9-900	STAY BAND	STAY BAND	2	
	89010	89010-LGC6-E00	TOOL SET	TOOL SET	1	
	89020	89020-KKC4-900	BAND TOOL SET	BAND TOOL SET	1	
	90101	90101-KGC4-E00	SCREW SPECIAL 6*15	SCREW SPECIAL 6*15	4	
	93903	93903-34360	SCREW TAPPING 4X12	SCREW TAPPING 4X12	4	
	94050	94050-06060	NUT FLANGE 6MM	NUT FLANGE 6MM	2	
	94050A	94050-06080	NUT FLANGE 6MM	NUT FLANGE 6MM	3	
	95701	95701-08016-06	BOLT FLANGE 8*16	BOLT FLANGE 8*16	4	

F10

Fuel Tank

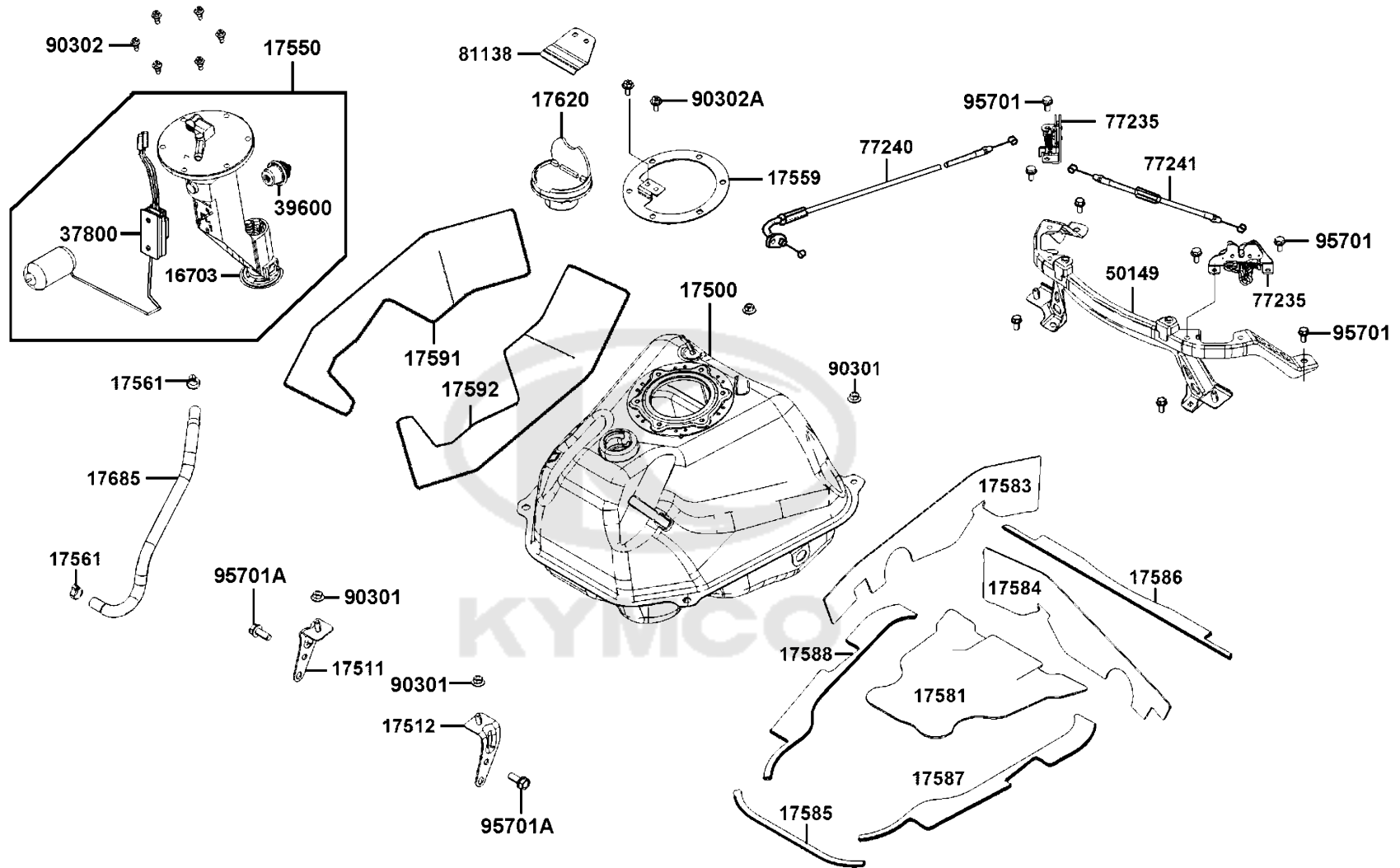


Sales mark	Ref no	Part no	Description	Reg description	Regd no	F10
	16703	16703-LHJ8-800	FUEL FILTER ASSY	FUEL FILTER ASSY	1	
	17500	17500-LGC6-E00	TANK COMP FUEL	TANK COMP FUEL	1	
	17511	17511-LGC6-E00	STAY R FUEL TANK	STAY R FUEL TANK	1	
	17512	17512-LGC6-E00	STAY L FUEL TANK	STAY L FUEL TANK	1	
	17550	17550-LGC6-E00	PUMP ASS'Y FUEL	PUMP ASSY FUEL	1	
	17559	17559-LGC6-E00	STAY FUEL CAP CATCH	STAY FUEL CAP CATCH	1	
	17561	17561-LKB9-900	CLIP 12.5	CLIP 12.5	2	
	17581	17581-LGC6-E00	HEAT GUARD FUEL TANK BOTTOM	HEAT GUARD FUEL TANK BOTTOM	1	
	17583	17583-LGC6-E00	HEAT GUARD FUEL TANK R	HEAT GUARD FUEL TANK R	1	
	17584	17584-LGC6-E00	HEAT GUARD FUEL TANK L	HEAT GUARD FUEL TANK L	1	
	17585	17585-LGC6-E00	HEAT GUARD D FUEL TANK SIDE	HEAT GUARD D FUEL TANK SIDE	1	
	17586	17586-LGC6-E00	HEAT GUARD A FUEL TANK SIDE	HEAT GUARD A FUEL TANK SIDE	1	
	17587	17587-LGC6-E00	HEAT GUARD B FUEL TANK SIDE	HEAT GUARD B FUEL TANK SIDE	1	
	17588	17588-LGC6-E00	HEAT GUARD C FUEL TANK SIDE	HEAT GUARD C FUEL TANK SIDE	1	
	17591	17591-LGC6-E00	HEAT GUARD R FUEL TANK TOPPER	HEAT GUARD RFUEL TANK TOPPER	1	
	17592	17592-LGC6-E00	HEAT GUARD L FUEL TANK TOPPER	HEAT GUARD LFUEL TANK TOPPER	1	
	17620	17620-LGC6-E00	CAP COMP FUEL FILLER	CAP COMP FUEL FILLER	1	
	17685	17685-LGC6-E00	TUBE FUEL PUMP	TUBE FUEL PUMP	1	
	37800	37800-LGC6-E00	FUEL UNIT	FUEL UNIT	1	
	39600	39600-ACH6-900	REGULATOR FUEL	REGULATOR FUEL	1	

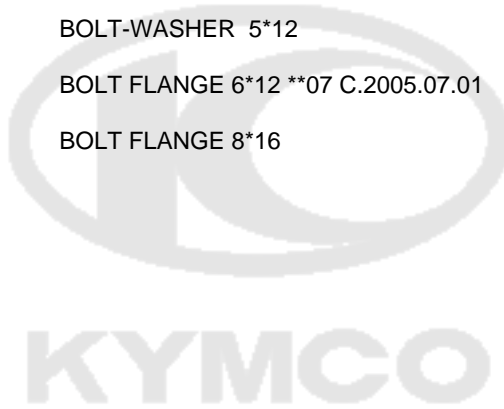


F10

Fuel Tank

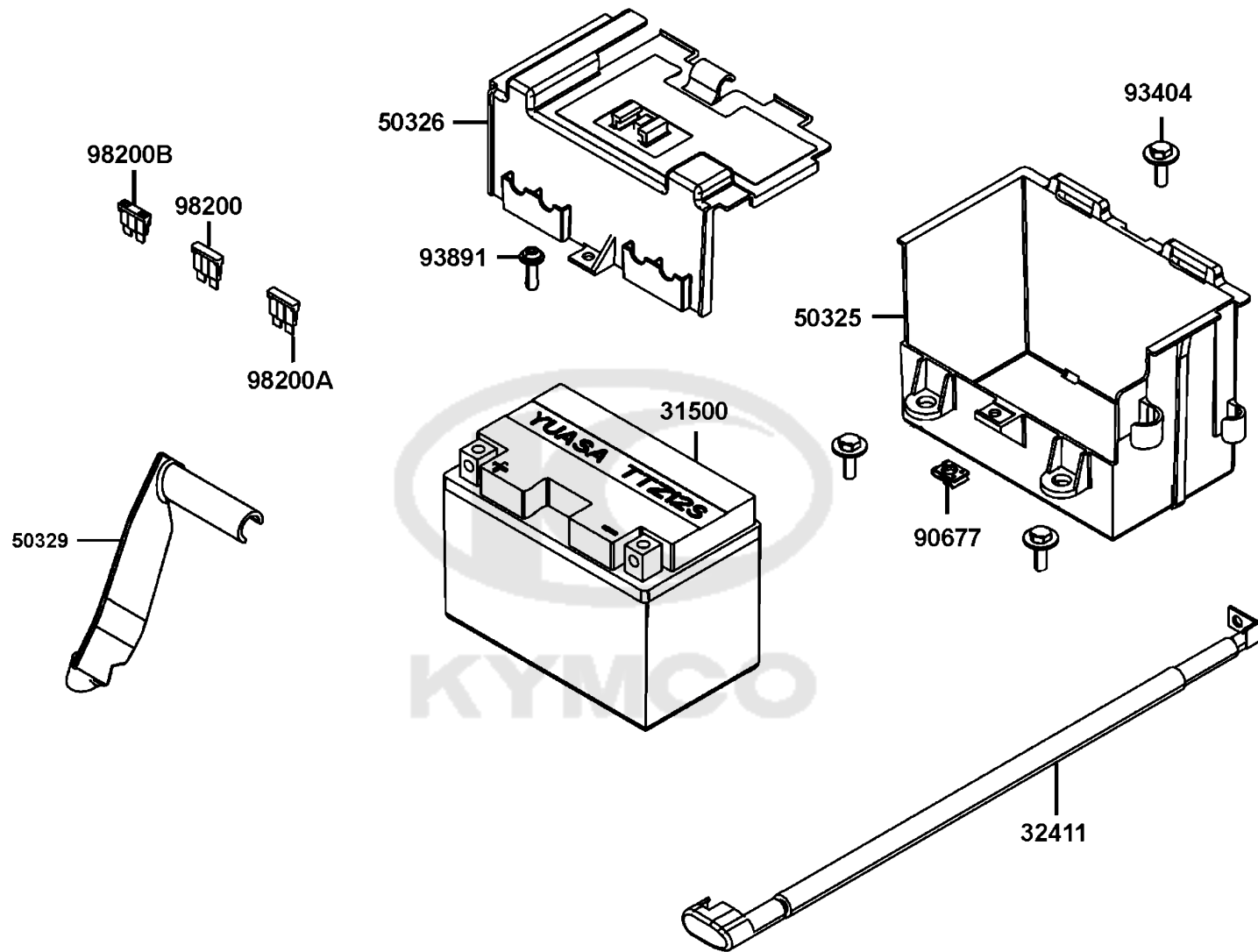


Sales mark	Ref no	Part no	Description	Reg description	Regd no	F10
50149		50149-LGC6-E00	STAY SEAT CATCH	STAY SEAT CATCH	1	
77235		77235-LGC6-E00	CATCH COMP SEAT	CATCH COMP.SEAT	2	
77240		77240-LGC6-E00	CABLE ASSY. SEAT LOCK	CABLE ASSY. SEAT LOCK	1	
77241		77241-LGC6-E00	CABLE COMP SEAT CATCH	CABLE COMP. SEAT CATCH	1	
81138		81138-LGC6-E00	SET LOCK	SET LOCK	1	
90301		90301-6D34-671	NUT FLANGE 6MM	NUT FLANGE 6MM	4	
90302		90302-GFY6-940	BOLT-WASH 5*16	BOLT-WASH 5*16	6	
90302A		90302-LLB1-E00	BOLT-WASHER 5*12	BOLT-WASHER 5*12	2	
95701		95701-06012-06	BOLT FLANGE 6*12 **07 C.2005.07.01	BOLT FLANGE 6*12 **07 C.2005.07.01	8	
95701A		95701-08016-06	BOLT FLANGE 8*16	BOLT FLANGE 8*16	2	

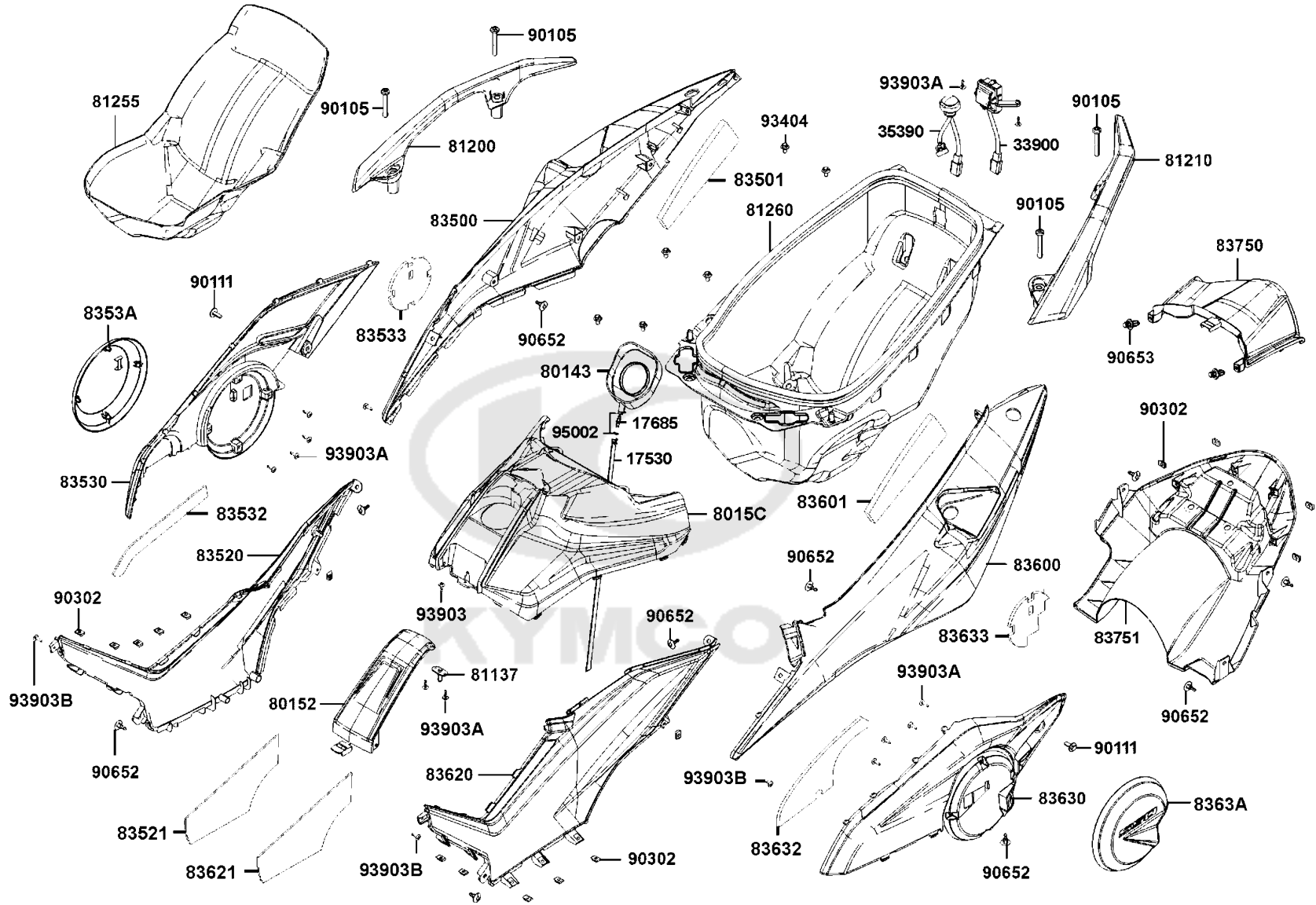


F11

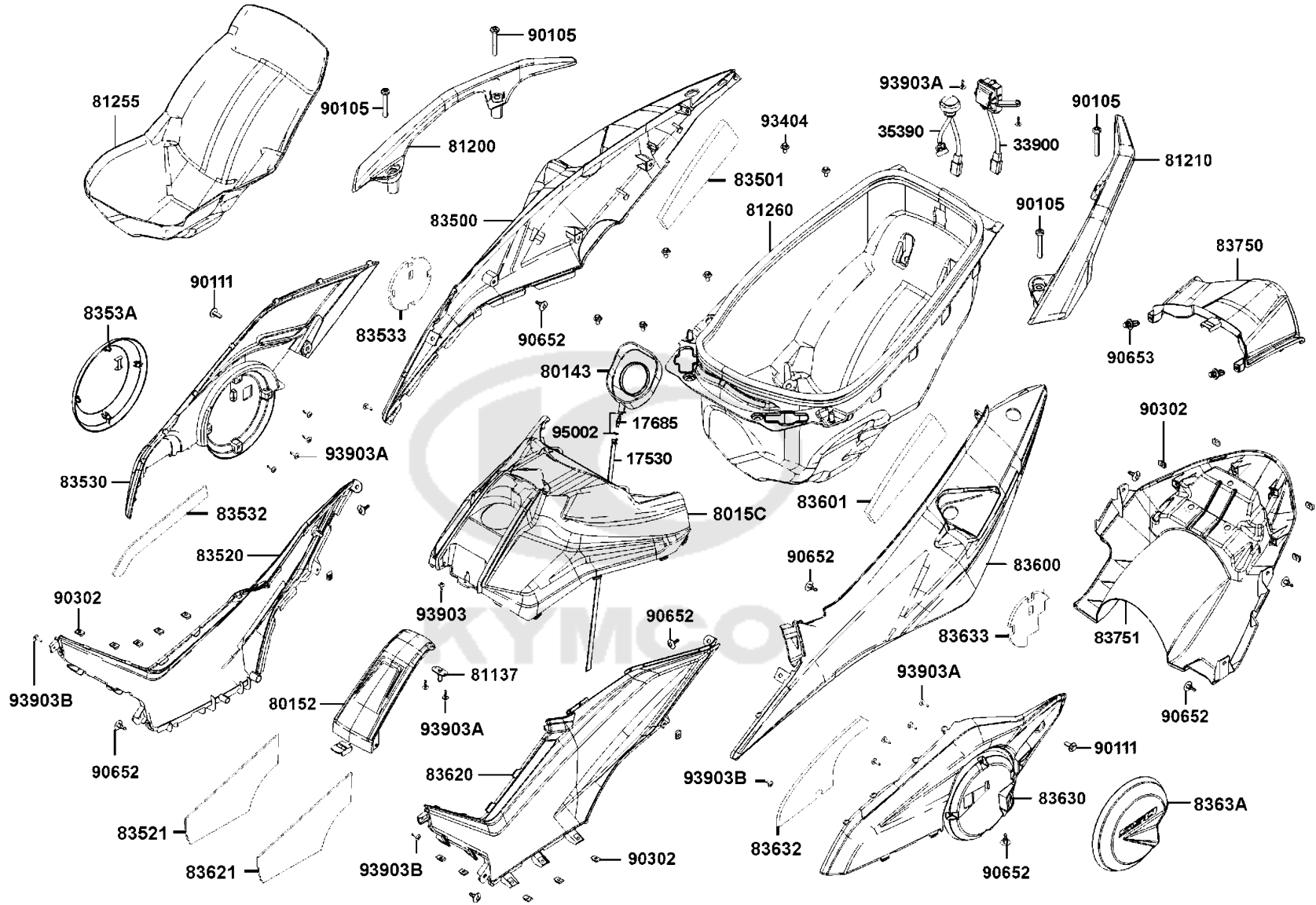
Battery



Sales mark	Ref no	Part no	Description	Reg description	Regd no	F11
#	31500	31500-LGC6-E01	BATTERY TTZ14S	BATTERY TTZ14S	1	
	32411	32411-LGC6-E00	CABLE. BAT.	CABLE. BAT.	1	
**	50325	50325-LGC6-E00	CASE BATTERY	CASE BATTERY	1	
**	50326	50326-LGC6-E00	COVER BATTERY	COVER BATTERY	1	
**	50329	50329-LGC6-E00	PROTECTOR	PROTECTOR	1	
	90677	90677-GAR1-004	NUT CLIP 5MM	NUT CLIP 5MM	1	
	93404	93404-06016-06	BOLT WASHER 6*16	BOLT WASHER 6*16	3	
	93891	93891-05012-06	SCREW WASHER 5*12	SCREW WASHER 5*12	1	
	98200	98200-31000	BLADE FUSE 10A **(0) C.2005.03.01	BLADE FUSE 10A **(0) C.2005.03.01	1	
	98200A	98200-31500	FUSE A15	FUSE A15	1	
	98200B	98200-33000	BLADE FUSE 30A	BLADE FUSE 30A	1	



Sales mark	Ref no	Part no	Description	Reg description	Regd no	F12
	17530	17530-KGB5-900	TUBE ASSY DRAIN	TUBE ASSY DRAIN	1	
	17685	17685-KZCZ-900	JOINT TUBE	JOINT TUBE	1	
	33900	33900-LGC6-E00	LIGHT ASSY LUGGAGE BOX	LIGHT ASSY.. LUGGAGE BOX	1	
	35390	35390-LHG7-E00	SENSOR .LUGGAGE BOX LIGHT	SENSOR .LUGGAGE BOX LIGHT	1	
	80143	80143-LGC6-E00	RUBBER FUEL CAP	RUBBER FUEL CAP	1	
**	80152	80152-LGC6-E00	LID FUEL CAP MAINT	LID FUEL CAP MAINT	1	
**	8015C	8015C-LGC6-E00	COVER B ASSY.,CENTER	COVER B ASSY.,CENTER	1	
	81137	81137-LGC6-E00	HOOK FUEL COVER	HOOK FUEL COVER	1	
**	81200	81200-LGC6-E00	CARRIER R REAR	CARRIER R REAR	1	
**	81210	81210-LGC6-E00	CARRIER L REAR	CARRIER L REAR	1	
	81255	81255-LGC6-E00	PAD LUGGAGE	PAD LUGGAGE	1	
	81260	81260-LGC6-E00	BOX ASSY LUGGAGE	BOX ASSY LUGGAGE	1	
**	83500	83500-LGC6-E00	COVER R BODY	COVER R BODY	1	
	83501	83501-LGC6-E00	SPONGE R BODY COVER	SPONGE R BODY COVER	1	
**	83520	83520-LGC6-E00	BOARD A R SIDE	BOARD A R SIDE	1	
	83521	83521-LGC6-E00	SPONGE BOARD A R SIDE	SPONGE BOARD A R SIDE	1	
**	83530	83530-LGC6-E00	BOARD B R SIDE	BOARD B R SIDE	1	
	83532	83532-LGC6-E00	SPONGE A BOARD B R SIDE	SPONGE A BOARD B R SIDE	1	
	83533	83533-LGC6-E00	SPONGE B BOARD B R SIDE	SPONGE B BOARD B R SIDE	1	
**	8353A	8353A-LGC6-E00	GRILLE ASSY R BOARD	GRILLE ASSY R BOARD	1	

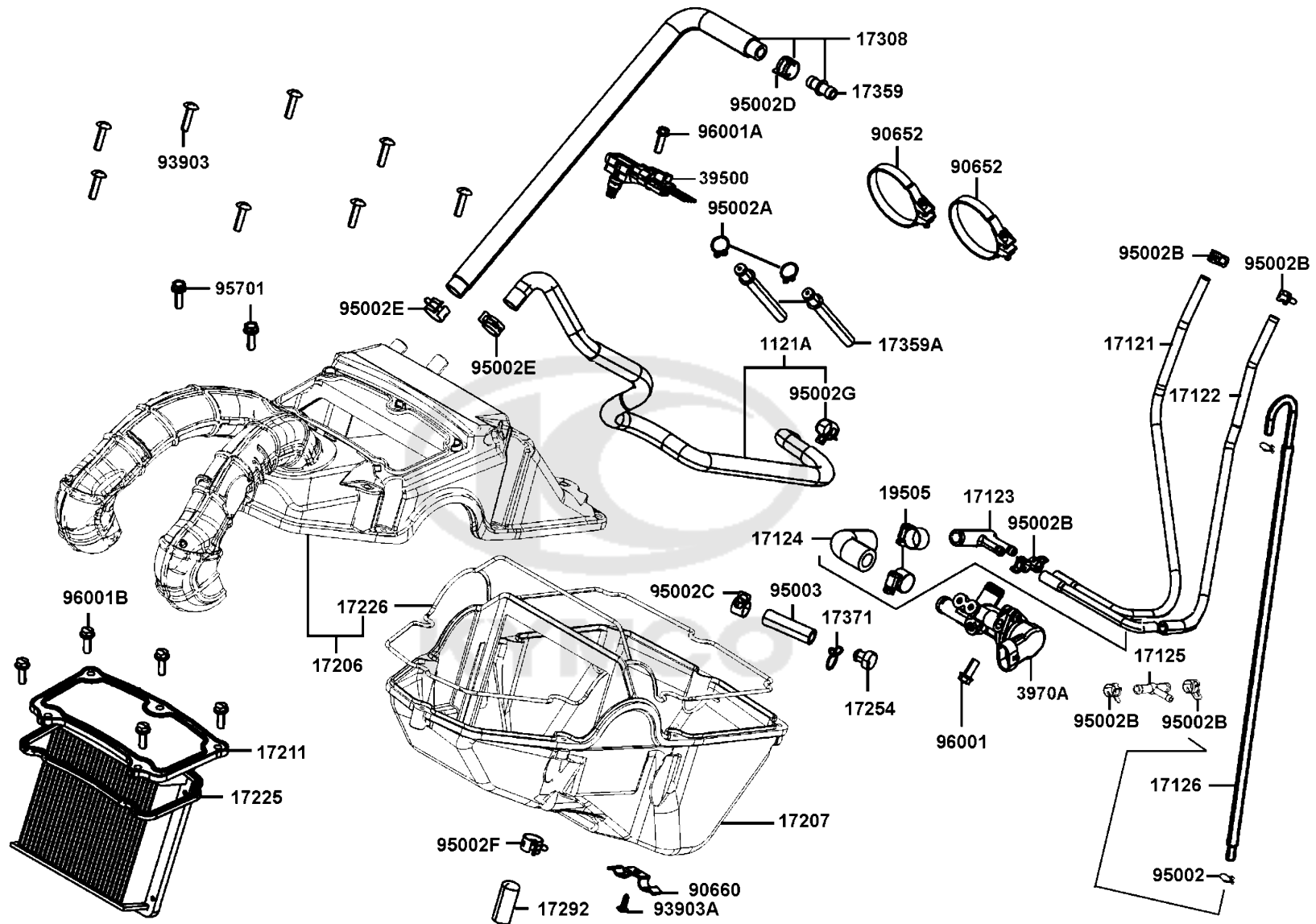


Sales mark	Ref no	Part no	Description	Reg description	Regd no	F12
**	83600	83600-LGC6-E00	COVER L SIDE	COVER L SIDE	1	
	83601	83601-LGC6-E00	SPONGE L BODY COVER	SPONGE L BODY COVER	1	
**	83620	83620-LGC6-E00	BOARD A L SIDE	BOARD A L SIDE	1	
	83621	83621-LGC6-E00	SPONGE BOARD A L SIDE	SPONGE BOARD A L SIDE	1	
**	83630	83630-LGC6-E00	BOARD B L SIDE	BOARD B L SIDE	1	
	83632	83632-LGC6-E00	SPONGE A BOARD B L SIDE	SPONGE A BOARD B L SIDE	1	
	83633	83633-LGC6-E00	SPONGE B BOARD B L SIDE	SPONGE B BOARD B L SIDE	1	
**	8363A	8363A-LGC6-E00	GRILLE ASSY L BOARD	GRILLE ASSY L BOARD	1	
**	83750	83750-LGC6-E00	COVER B RR CENTER	COVER B RR CENTER	1	
**	83751	83751-LGC6-E00	COVER B.RR CENTER	COVER B.RR CENTER	1	
#	90105	90105-LGC6-E00	BOLT-WASH 8MM	BOLT-WASH 8MM	4	
	90111	90111-LGC6-E01	SCREW PAN 6X14	SCREW PAN 6X14	2	
	90302	90302-SDA4-004	NUT SPRING 4MM	NUT SPRING 4MM	12	
	90652	90652-LCA4-E00	CLIP MUDGUARD	CLIP MUDGUARD	10	
	90653	90653-LKB9-900	CLIP.MUDGUARD	CLIP MUDGUARD	2	
	93404	93404-06012-06	BOLT WASHER 6X12	BOLT WASHER 6X12	6	
	93903	93903-14460	SCREW TAPPING 4*16	SCREW TAPPING 4*16	1	
	93903A	93903-24360	SCREW TAPPING 4*12	SCREW TAPPING 4*12	12	
	93903B	93903-GFY6-900	SCREW TAPPING 4*14	SCREW TAPPING 4*14	4	
	95002	95002-02080	CLIP B8 TUBE	CLIP B8 TUBE	2	



F13

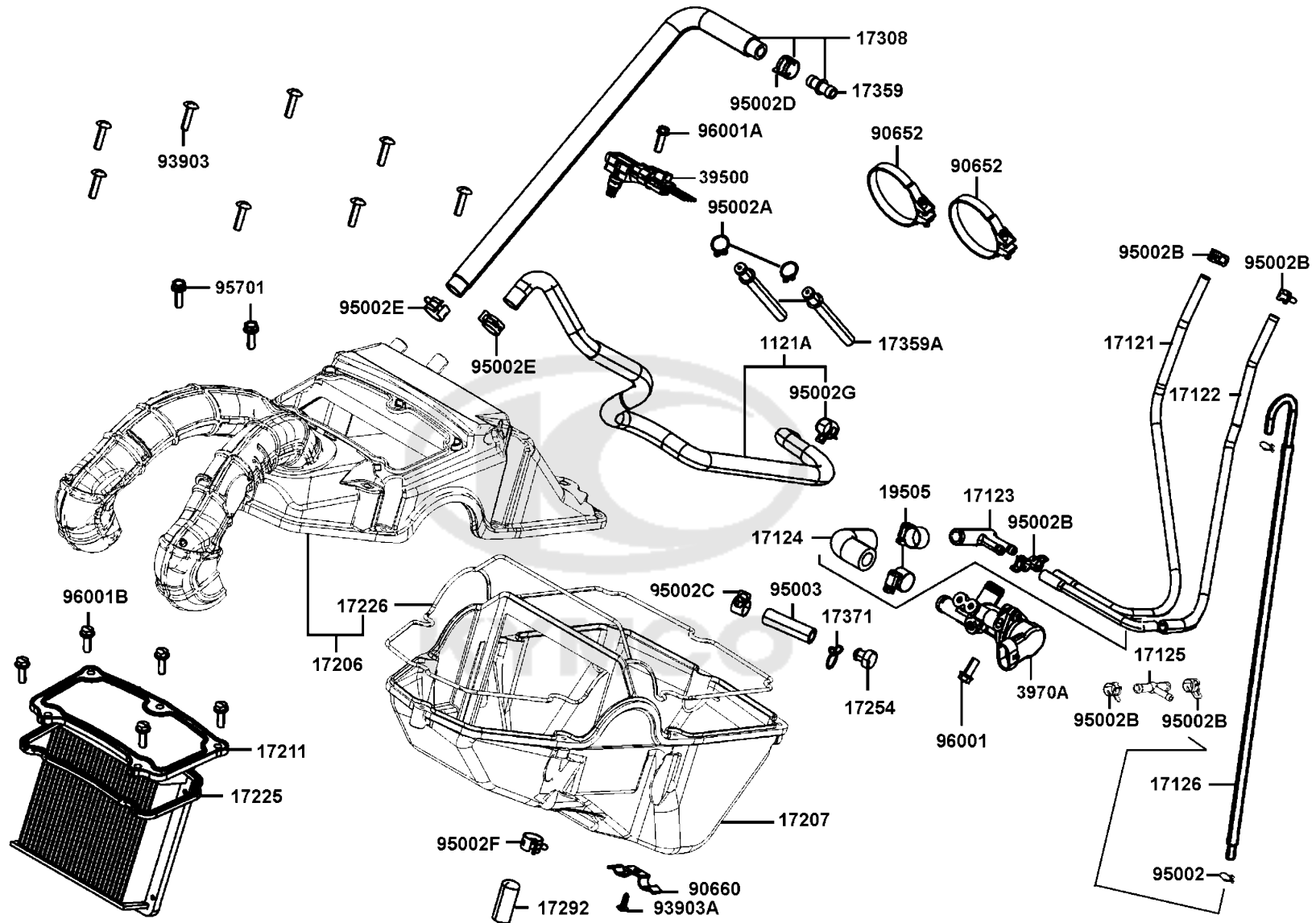
Air Cleaner



Sales mark	Ref no	Part no	Description	Reg description	Regd no	F13
	1121A	1121A-LGC6-E00	TUBE ASSY BREATHER	TUBE ASSY BREATHER	1	
	17121	17121-LGC6-E00	TUBE A ISC AIR	TUBE A ISC AIR	1	
	17122	17122-LGC6-E00	TUBE B ISC AIR	TUBE B ISC AIR	1	
	17123	17123-LGC6-E00	JOINT 3 WAY	JOINT 3 WAY	1	
	17124	17124-LGC6-E00	TUBE ISC TO 3 WAY	TUBE ISC TO 3 WAY	1	
	17125	17125-LGC6-E00	JOINT 3 WAY	JOINT 3 WAY	1	
	17126	17126-LGC6-E00	TUBE C ISC AIR	TUBE C ISC AIR	1	
	17206	17206-LGC6-305	CASE. AIR/C	CASE. AIR/C	1	
	17207	17207-LGC6-E00	COVER. AIR/C	COVER. AIR/C	1	
	17211	17211-LGC6-E00	ELEMENT COMP AIR/C	ELEMENT COMP AIR/C	1	
	17225	17225-LGC6-E00	SEAL. AIR/C COVER	SEAL. AIR/C COVER	1	
	17226	17226-LGC6-E00	SEAL. AIR/C CASE	SEAL. AIR/C CASE	1	
	17254	17254-KACA-P00	PLUG AIR/C CONN TUBE	PLUG AIR/C CONN TUBE	1	
	17292	17292-PWB1-900	PIPE DRAIN	PIPE DRAIN	1	
	17308	17308-LGC6-E00	TUBE ASSY AIR/C	TUBE ASSY AIR/C	1	
	17359	17359-4K19-671	JOINT BREATHER TUBE	JOINT BREATHER TUBE	1	
	17359A	17359-LGC6-E00	JOINT. PURGE TUBE	JOINT. PURGE TUBE	2	
	17371	17371-1D74-671	CLIP BREATHER TUBE	CLIP BREATHER TUBE	1	
	19505	19505-LBC6-900	CLAMP A WATER HOSE	CLAMP A WATER HOSE	2	
	39500	39500-AAC9-900	SENSOR T-MAP	SENSOR T-MAP	1	

F13

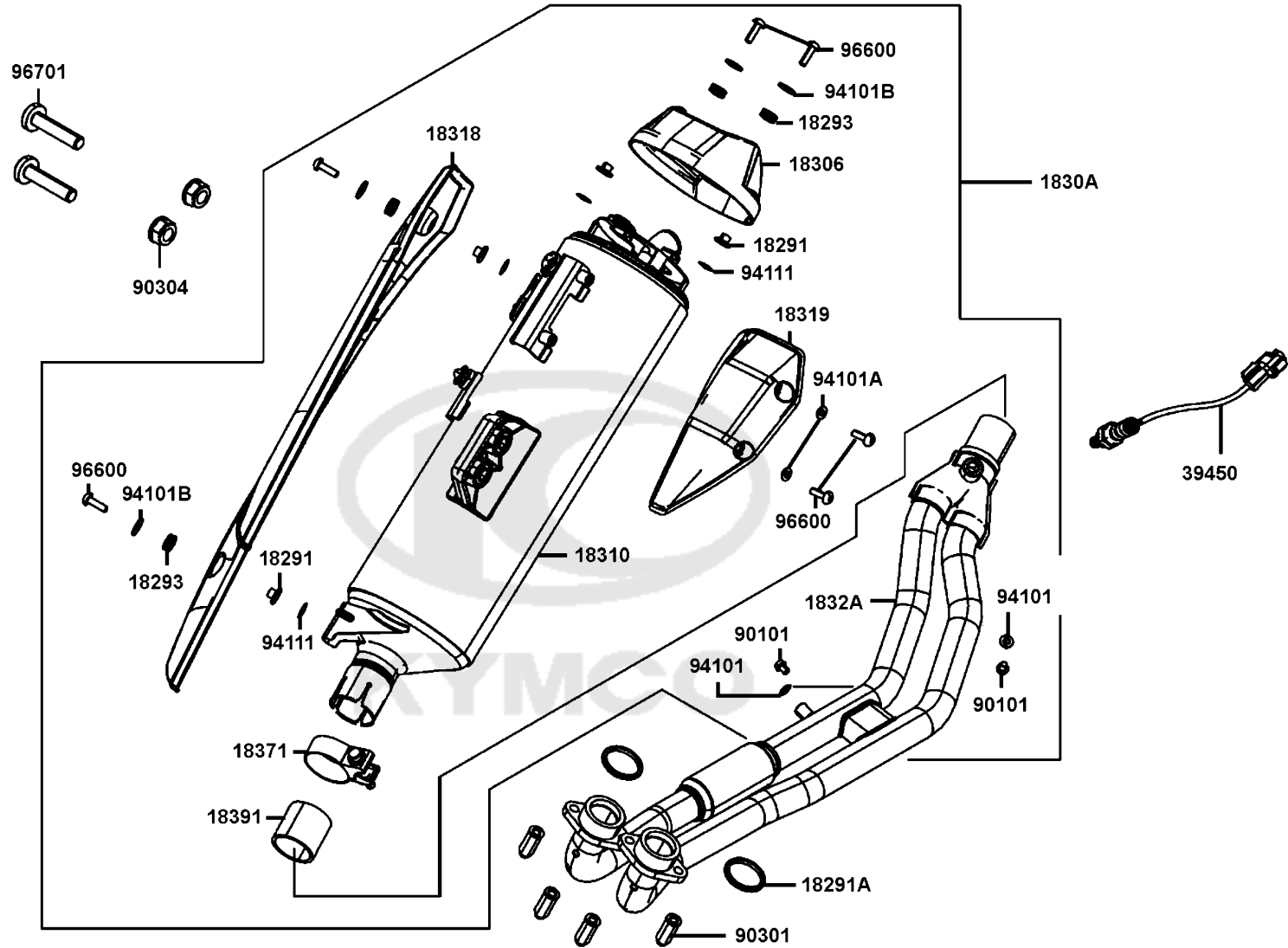
Air Cleaner



Sales mark	Ref no	Part no	Description	Reg description	Regd no	F13
3970A		3970A-LGC6-E00	BY-PASS VALVE ASSY	BY-PASS VALVE ASSY.	1	
90652		90652-KHE7-900	BAND CONNECTING TUBE	BAND CONNECTING TUBE	2	
90660		90660-LGC6-E00	CLAMP TUBE	CLAMP TUBE	1	
93903		93903-25460	SCREW TAPPING 5*20 **93903-25480	SCREW TAPPING 5*20 **93903-25480 C.2005	8	
93903A		93903-34360	SCREW TAPPING 4X12	SCREW TAPPING 4X12	1	
95002		95002-02080	CLIP B8 TUBE	CLIP B8 TUBE	2	
95002A		95002-02110	CLIP	CLIP	2	
95002B		95002-40850-08G	CLAMP D8.5 TUBE	CLAMP D8.5 TUBE	6	
95002C		95002-41100-08	CLIP D 11.0 TUBE	CLIP D 11.0 TUBE	1	
95002D		95002-41250-00	CLIP D12.5 TUBE	CLIP D12.5 TUBE	1	
95002E		95002-KED9-M30	CLAMP D14.8 TUBE	CLAMP D14.8 TUBE	1	
95002F		95002-LHG8-E00	CLAMP.D14 TUBE	CLAMP.D14 TUBE	1	
95002G		95002-LKF5-E00	CLAMP D14.6 TUBE	CLAMP D14.6 TUBE	1	
95003		95003-23004-60	V TUBE 8*12*40	V TUBE 8*12*40	1	
95701		95701-06020-06	BOLT FLANGE 6*20 ALT 95701-06020-08G	BOLT FLANGE 6*20 ALT 95701-06020-08G	2	
96001		96001-06012-06	BOLT FLANGE SH 6*12	BOLT FLANGE SH 6*12	1	
96001A		96001-06018-06	BOLT FLANGE SH 6X18	BOLT FLANGE SH 6*18	1	
96001B		96001-LAB4-900	BOLT SPECIAL M5X16	BOLT SPECIAL M5X16	5	

F14

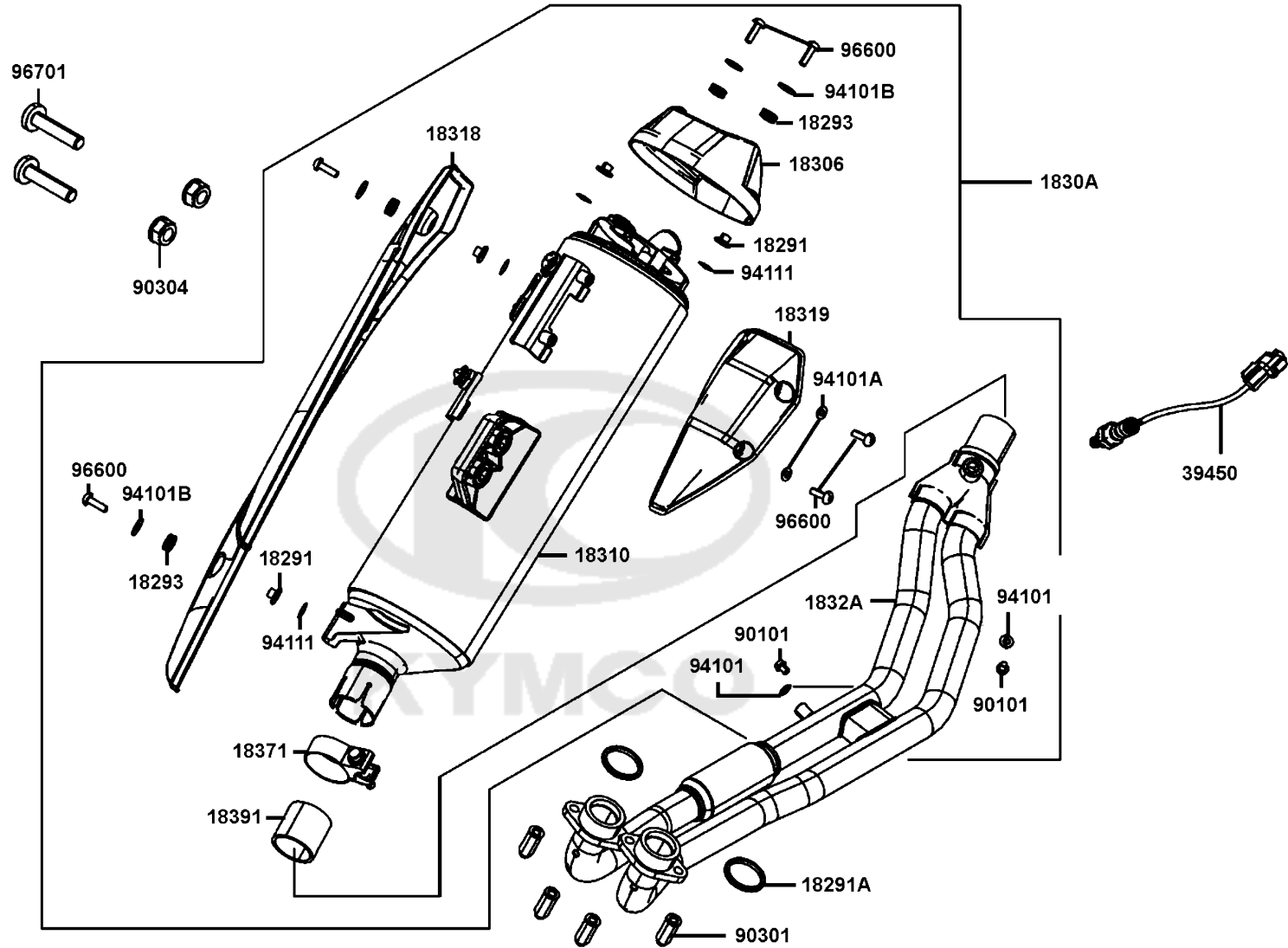
Exhaust Muffler



Sales mark	Ref no	Part no	Description	Reg description	Regd no	F14
	18291	18291-LKG2-90A	COLLAR	COLLAR	4	
	18291A	18291-PWB1-900	SEAL EXHAUST PIPE	SEAL EXHAUST PIPE	2	
	18293	18293-LHJ8-900	RUBBER PKG PROTR	RUBBER PKG PROTR	4	
**	18306	18306-LGC6-E00	TAIL CAP MUFFLER	TAIL CAP MUFFLER	1	
**	1830A	1830A-LGC6-E00	MUFFLER ASSY.. EXHAUST	MUFFLER ASSY.. EXHAUST	1	
	18310	18310-LGC6-E00	MUFFLER COMP	MUFFLER COMP.	1	
**	18318	18318-LGC6-E00	MUFF. PROTECTOR	MUFF. PROTECTOR	1	
**	18319	18319-LGC6-E00	COVER SILENCER	COVER SILENCER	1	
	1832A	1832A-LGC6-E00	PIPE ASSY EXHAUST	PIPE ASSY.. EXHAUST	1	
	18371	18371-LBA2-E00	BAND MUFFLER	BAND MUFFLER	1	
	18391	18391-LKF5-E00	PACKING. MUFFLER	PACKING. MUFFLER	1	
	39450	39450-ZVA6-M00	O2 SENSOR	O2 SENSOR	1	
	90101	90101-LEA7-E00	BOLT FLANGE SH 6X8	BOLT FLANGE SH 6X8	2	
	90301	90301-GFY6-901	NUT CAP 8MM *(1) C.2008.10.28	NUT CAP 8MM *(1) C.2008.10.28	4	
	90304	90304-LGC6-E00	NUT M10X1.25(C)	NUT M10X1.25(C)	2	
	94101	94101-06200	WASHER PLAIN 6MM	WASHER PLAIN 6MM	2	
	94101A	94101-LDB5-E00	WASHER. PLAIN. 6mm	WASHER PLAIN 6MM	2	
	94101B	94101-LEA2-900	WASHER PLAIN 6.5*18*105	WASHER PLAIN 6MM	4	
	94111	94111-ACD5-E00	WASHER.SPG	WASHER SPG 6MM	4	
	96600	96600-LEA7-E01	SOCKET BOLT	SOCKET BOLT	6	

F14

Exhaust Muffler



Sales mark	Ref no	Part no	Description	Reg description	Regd no	<b>F14</b>
------------	--------	---------	-------------	-----------------	---------	------------

96701

96701-LGC6-E01

SOCKET BOLT 10X45

SOCKET BOLT 10X45

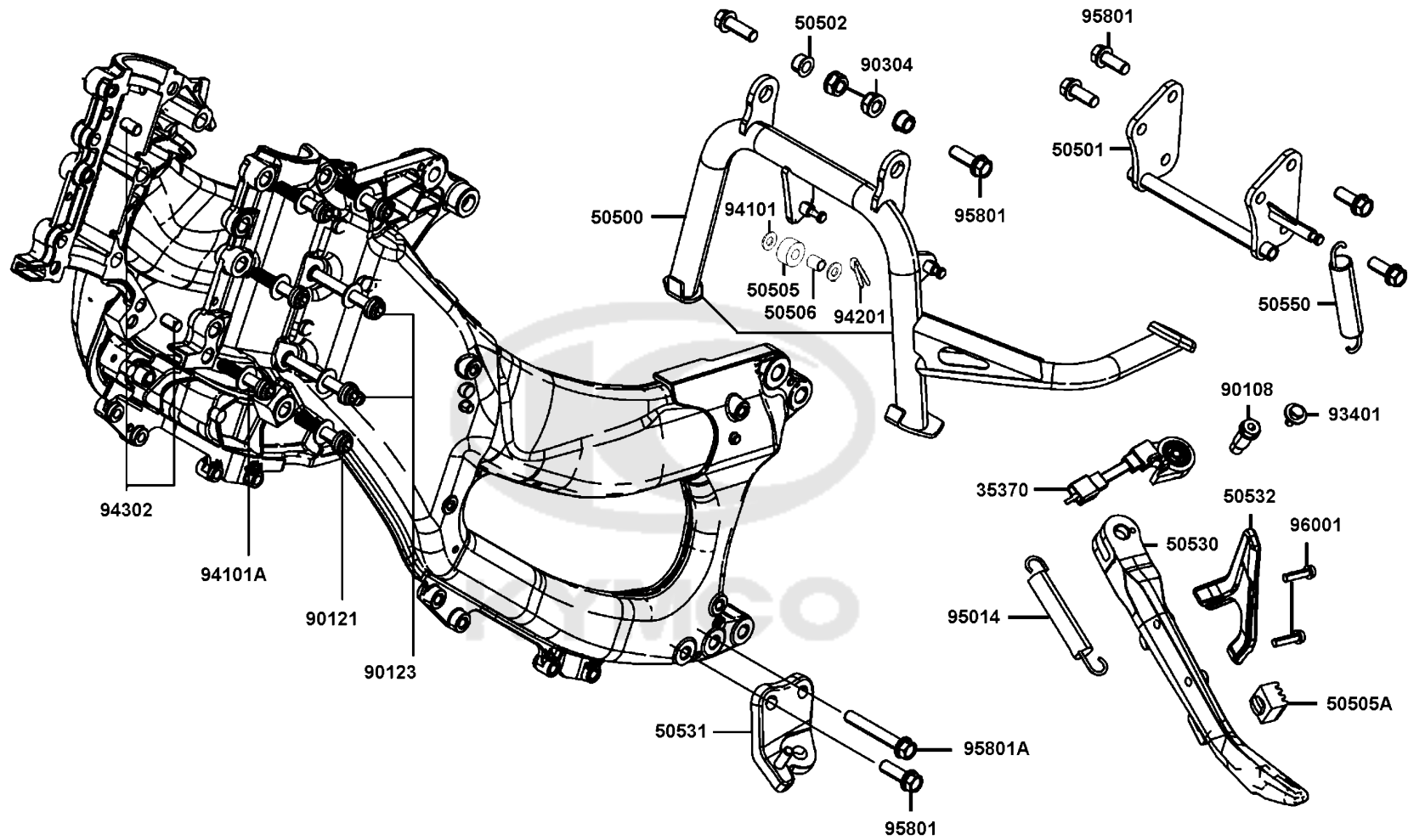
1





F15

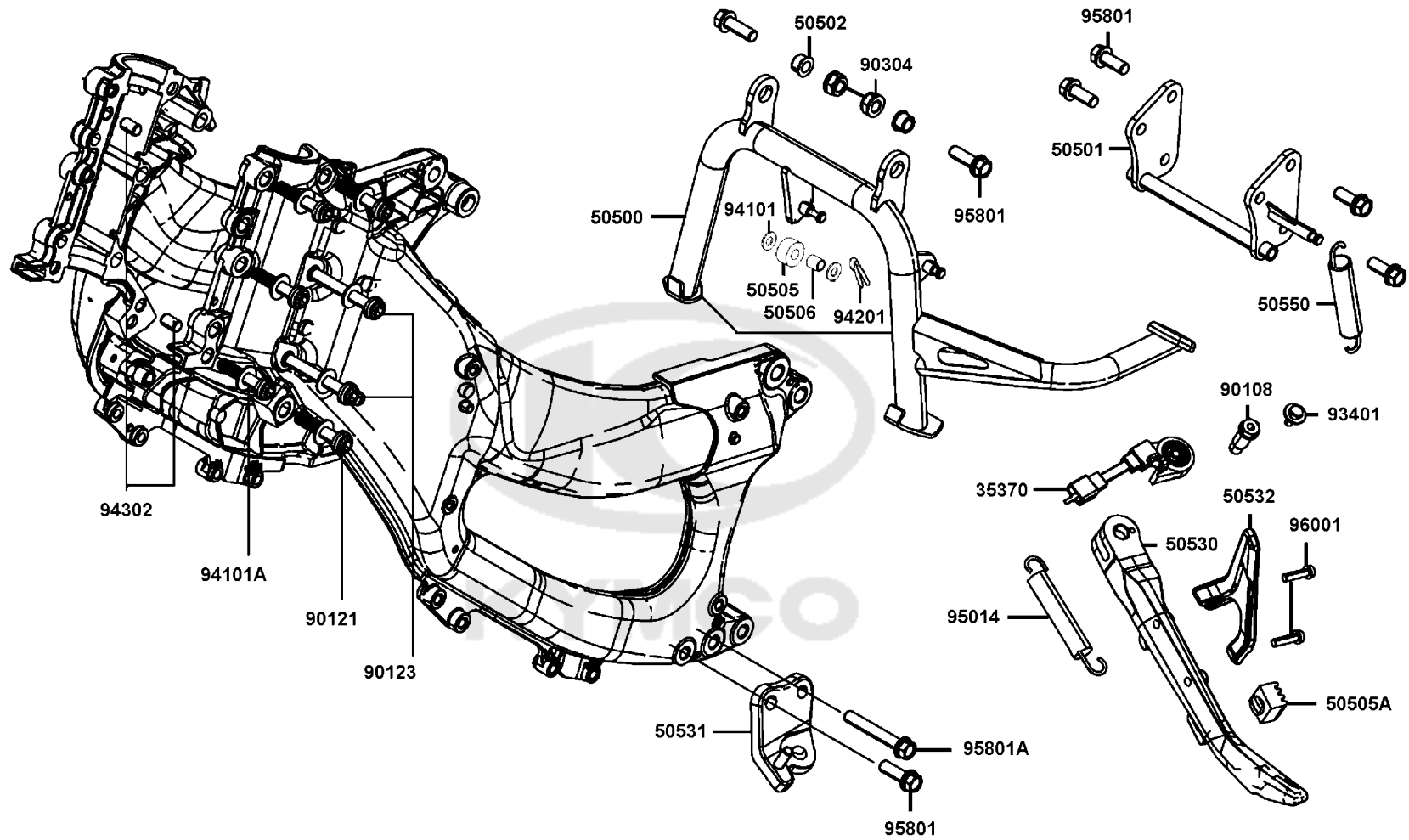
Fr Body FrameStand



Sales mark	Ref no	Part no	Description	Reg description	Regd no	<b>F15</b>
	35370	35370-ZZA6-E00	SW UNIT SIDE STAND	SW UNIT SIDE STAND	1	
	50500	50500-LGC6-E00	STAND COMP MAIN	STAND COMP MAIN	1	
	50501	50501-LGC6-E00	BRKT MAIN STAND	BRKT MAIN STAND	1	
	50502	50502-GFY6-901	COLLAR MAIN STAND	COLLAR MAIN STAND	2	
	50505	50505-LEA7-E00	STOPPER RUBBER	STOPPER RUBBER	1	
	50505A	50505-LKB9-900	RUBBER SIDE STAND	RUBBER SIDE STAND	1	
	50506	50506-KHE7-E00	COLLAR STOPPER RUBBER	COLLAR STOPPER RUBBER	1	
	50530	50530-LGC6-E00	STAND BAR SIDE	STAND BARSIDE	1	
	50531	50531-LGC6-E00	BRKT.SIDE STAND	BRKT.SIDE STAND	1	
	50532	50532-LGC6-E00	KICK BAR SIDE STAND	KICK BAR SIDE STAND	1	
	50550	50550-KKC2-E00	SPG ASSY MAIN STAND	SPG ASSY MAIN STAND	1	
	90108	90108-LGC6-E00	SCREW SIDE STAND PINOT	SCREWSIDE STAND PINOT	1	
	90121	90121-LGC6-E00	BOLT FLANGE 10X50	BOLT FLANGE 10X50	2	
	90123	90123-LGC6-E00	BOLT FLANGE 10X95	BOLT FLANGE 10X95	2	
	90304	90304-LEA1-900	NUT U FLANGE 10MM	NUT U 10MM	2	
#	93401	93401-06020-07	BOLT WASHER 6*20	BOLT WASHER 6*20	1	
	94101	94101-08600	WASH PLAIN 8MM	WASH PLAIN 8MM	2	
	94101A	94101-10000	WASHER PLAIN 10MM	WASHER PLAIN 10MM	7	
	94201	94201-20180	PIN SPLIT 2.0*18	PIN SPLIT 2.0*18	1	
	94302	94302-10160	LOCK PIN	LOCK PIN	2	

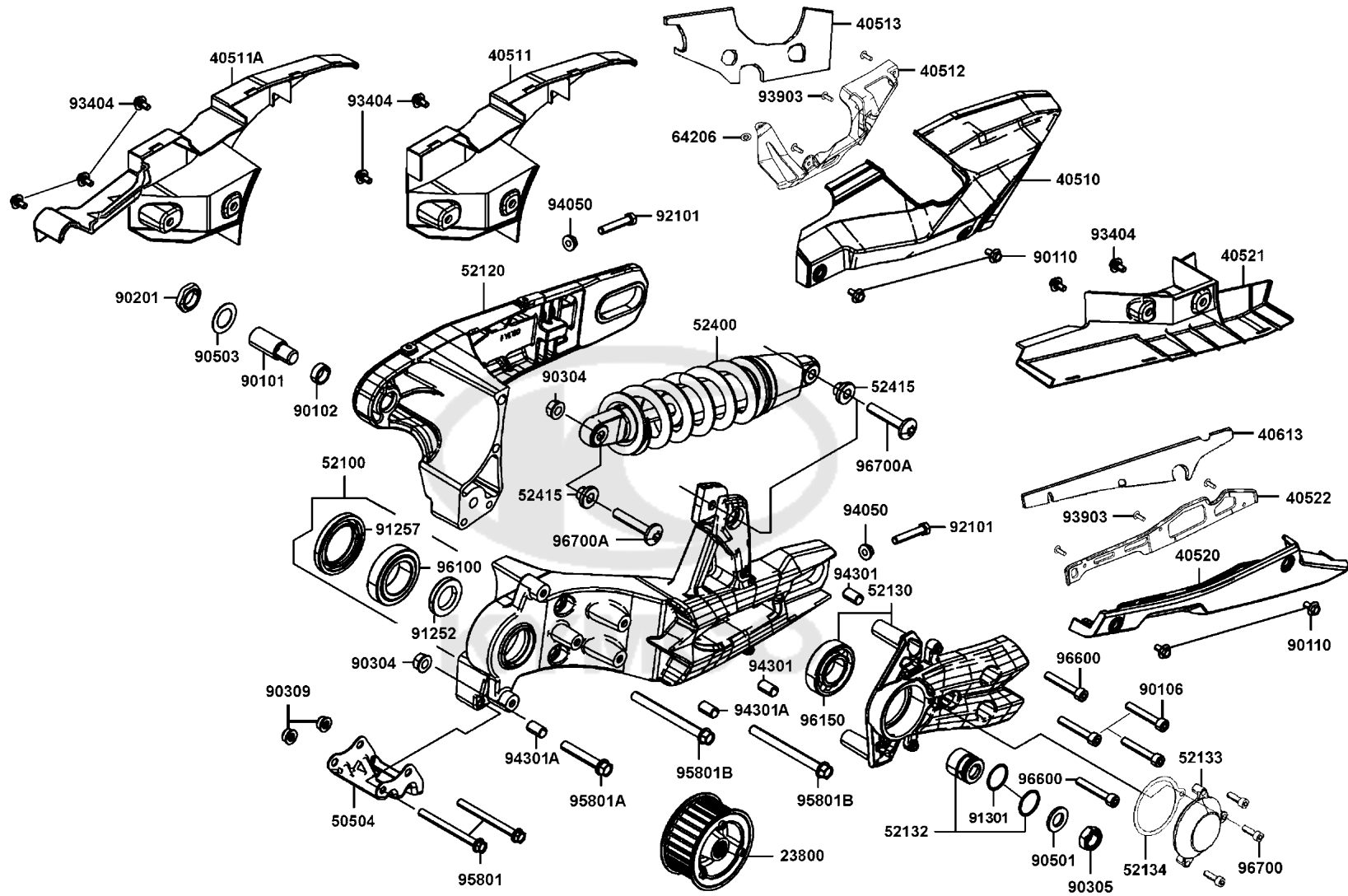
F15

Fr Body FrameStand

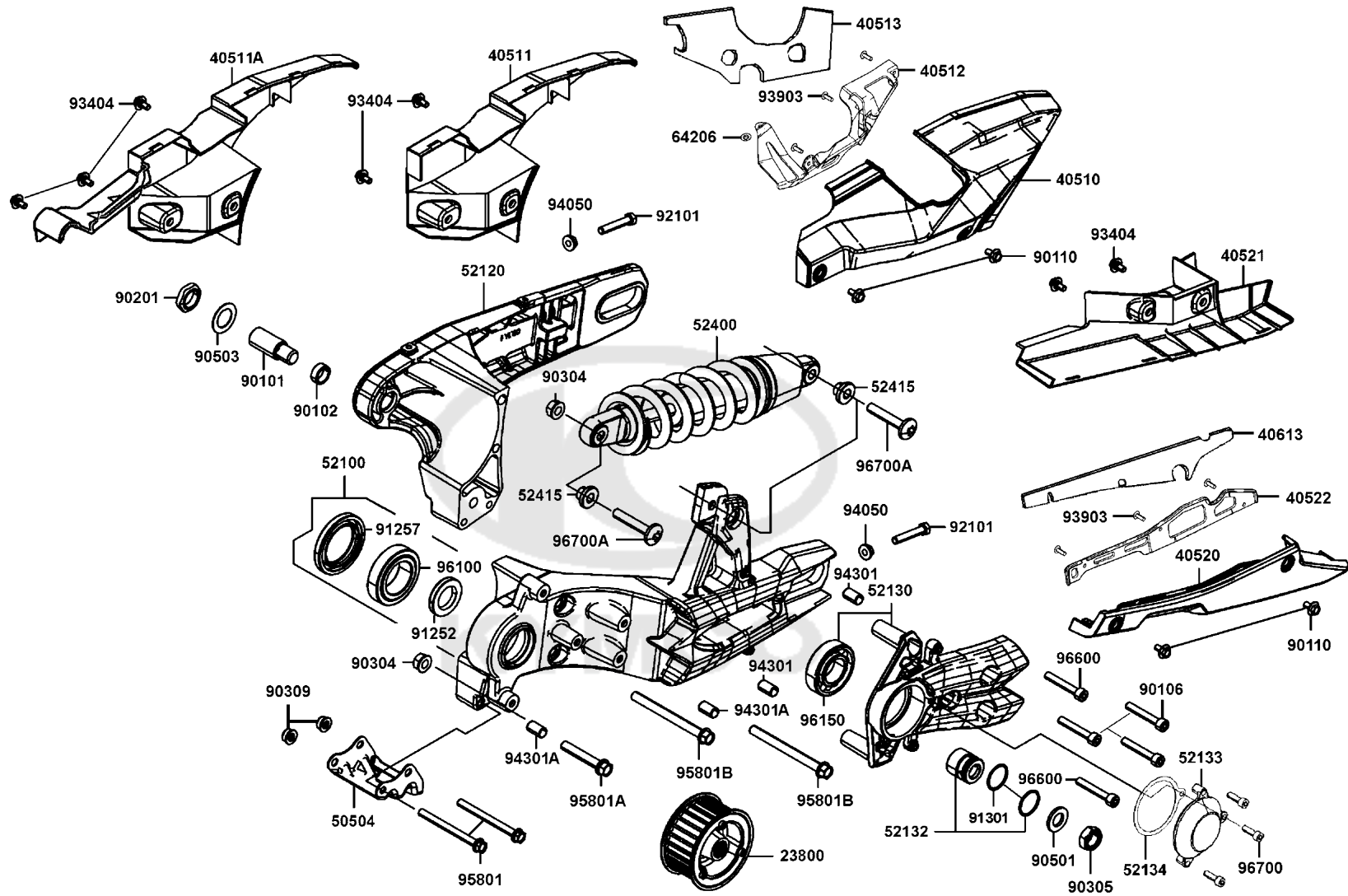


Sales mark	Ref no	Part no	Description	Reg description	Regd no	<b>F15</b>
95014	95014-72204	SPG B1 SIDE STAND	SPG B1 SIDE STAND	SPG B1 SIDE STAND	1	
95801	95801-10030-06	BOLT FLANGE 10X30	BOLT FLANGE 10X30	BOLT FLANGE 10X30	3	
95801A	95801-10065-06	BOLT FLANGE 10*65	BOLT FLANGE 10*65	BOLT FLANGE 10*65	1	
96001	96001-06022-06	BOLT FLANGE SH 6*22 (G)	BOLT FLANGE SH 6*22 (G)	BOLT FLANGE SH 6*22 (G)	2	



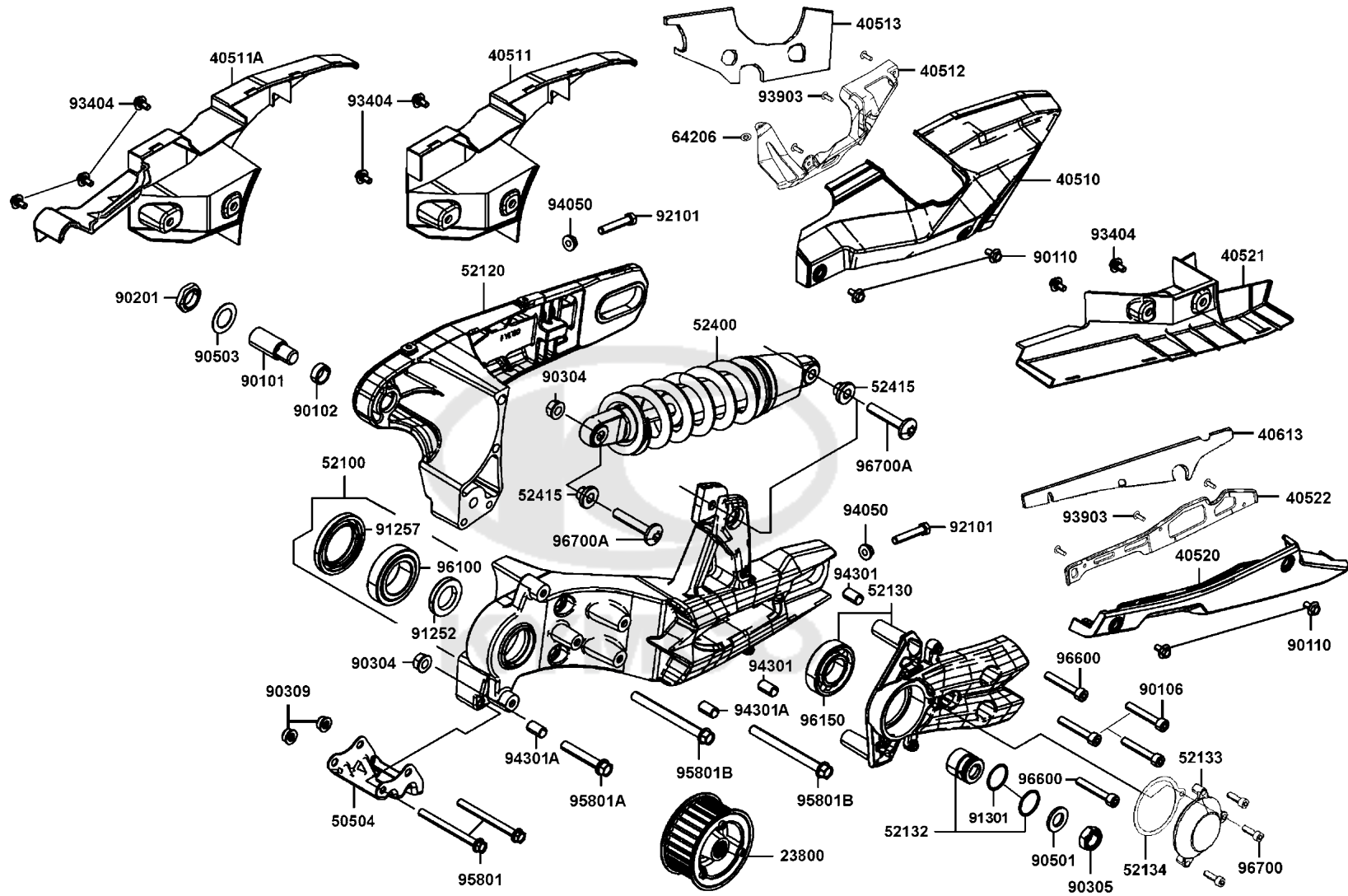


Sales mark	Ref no	Part no	Description	Reg description	Regd no	F16
#	23800	23800-LGC6-E02	DRIVE ASSY TRANS BELT	DRIVE ASSY TRANS BELT	1	
**	40510	40510-LGC6-E00	COVER UP A,CHAIN	COVER UP A,CHAIN	1	
**	40511	40511-LGC6-E00	COVER UP B CHAIN	COVER UP B CHAIN	1	
# **	40511A	40511-LGC6-E01	COVER UP B CHAIN	COVER UP B CHAIN	1	
#	40512	40512-LGC6-E00	COVER UP C CHAIN	COVER UP C CHAIN	1	
#	40513	40513-LGC6-E00	SPONGN	SPONGN	1	
**	40520	40520-LGC6-E00	COVER LOW A CHAIN	COVER LOW A CHAIN	1	
**	40521	40521-LGC6-E00	COVER LOW B CHAIN	COVER LOW B CHAIN	14	
#	40522	40522-LGC6-E00	COVER LOW C CHAIN	COVER LOW C CHAIN	1	
#	40613	40613-LGC6-E00	SPONGN	SPONGN	1	
	50504	50504-LGC6-E00	PLATE MAIN STAND TOPPER	PLATE MAIN STAND TOPPER	1	
# **	52100	52100-LGC6-E01	FORK ASSY RR L/H	FORK ASSY RR L/H	1	
# **	52120	52120-LGC6-E01	FORK CAST, RR R/H	FORK CAST, RR R/H	1	
**	52130	52130-LGC6-E00	HOLDER ASSY, FINAL SHAFT	HOLDER ASSY, FINAL SHAFT	1	
	52132	52132-LGC6-E00	COLLAR FINAL SHAFT HOLDER	COLLAR FINAL SHAFT HOLDER	1	
**	52133	52133-LGC6-E00	CAP FINAL SHAFT HOLDER	CAP FINAL SHAFT HOLDER	1	
	52134	52134-LGC6-E00	GASKET RR FORK CAP	GASKET RR FORK CAP	1	
**	52400	52400-LGC6-E00	CUSHION ASSY RR	CUSHION ASSY RR	1	
	52415	52415-LGC6-E00	COLLAR RR CUSHION	COLLAR RR CUSHION	2	
#	64206	64206-MLJ0-001	NUT SPEED 4MM	NUT SPEED 4MM	1	



Sales mark	Ref no	Part no	Description	Reg description	Regd no	F16
	90101	90101-LGC6-E00	AXLE RR SWING PIVOT	AXLE RR SWING PIVOT	1	
	90102	90102-LGC6-E00	COLLAR RR FORK PIVOT	COLLAR RR FORK PIVOT	1	
	90106	90106-LEC8-900	BOLT SPECIAL M8	BOLT SPECIAL M8	3	
	90110	90110-KED9-900	SCREW PAN 6*18	SCREW PAN 6*18	4	
	90201	90201-LGC6-E00	NUT STRG STEM	NUT STRG STEM	1	
	90304	90304-LEA1-900	NUT U FLANGE 10MM	NUT U 10MM	2	
	90305	90305-KNBN-90A	NUT U 16MM	NUT U 16MM	1	
	90309	90309-GLW0-90A	NUT U FLANGE 8MM	NUT U FLANGE 8MM	2	
	90501	90501-KNBN-901	WASHER 16MM	WASHER 16MM	1	
	90503	90503-0A51-870	WASHER STEERING STEM NUT	WASHER STEERING STEM NUT	1	
	91252	91252-LGC6-E00	OIL SEAL 28X45X7	OIL SEAL 28X45X7	1	
	91257	91257-LGC6-E00	OIL SEAL 48X72X8	OIL SEAL 48X72X8	1	
	91301	91301-0H28-001	O RING 27*2	O RING 27*2	2	
	92101	92101-LGC6-E00	BOLT FEX 8X45	BOLT FEX 8X45	2	
	93404	93404-06012-06	BOLT WASHER 6X12	BOLT WASHER 6X12	4	
	93903	93903-24360	SCREW TAPPING 4*12	SCREW TAPPING 4*12	6	
	94050	94050-08020	NUT FLANGE 8MM	NUT FLANGE 8MM	2	
	94301	94301-10160	DOWEL PIN 10*16	DOWEL PIN 10*16	2	
	94301A	94301-12200	DOWEL PIN 12*20	DOWEL PIN 12*20	2	
	95801	95801-08090-06	BOLT FLANGE 8*90	BOLT FLANGE 8*90	2	



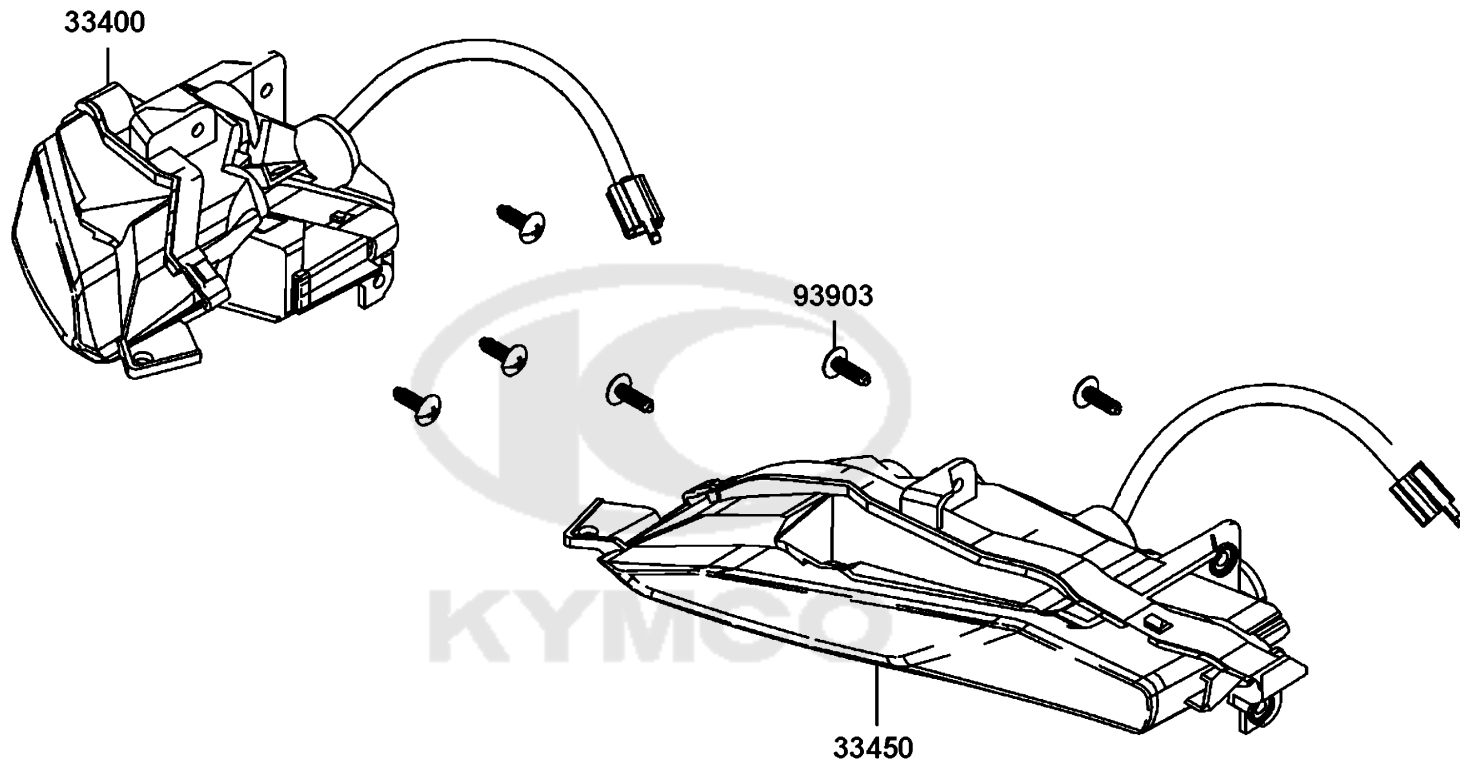


Sales mark	Ref no	Part no	Description	Reg description	Regd no	<b>F16</b>
	95801A	95801-10060-06	BOLT FLANGE 10*60	BOLT FLANGE 10*60	1	
	95801B	95801-10120-06	BOLT FLANGE 10*120	BOLT FLANGE 10*120	2	
	96100	96100-LGC6-E00	TAPPER BEARING 4T-32008X	TAPPER BEARING 4T-32008X	1	
	96150	96150-62060-10	BEARING 6206UU	BEARING 6206UU	1	
#	96600	96600-08050-02	SCOKET BOLT 8X50	SCOKET BOLT 8X50	5	
	96700	96700-06020-06	SOCKET BOLT 6X20	SOCKET BOLT 6X20	3	
	96700A	96700-LGC6-E00	SOCKET BOLT 10X58	SOCKET BOLT 10X58	2	



F17

Front Winker RR WINKER



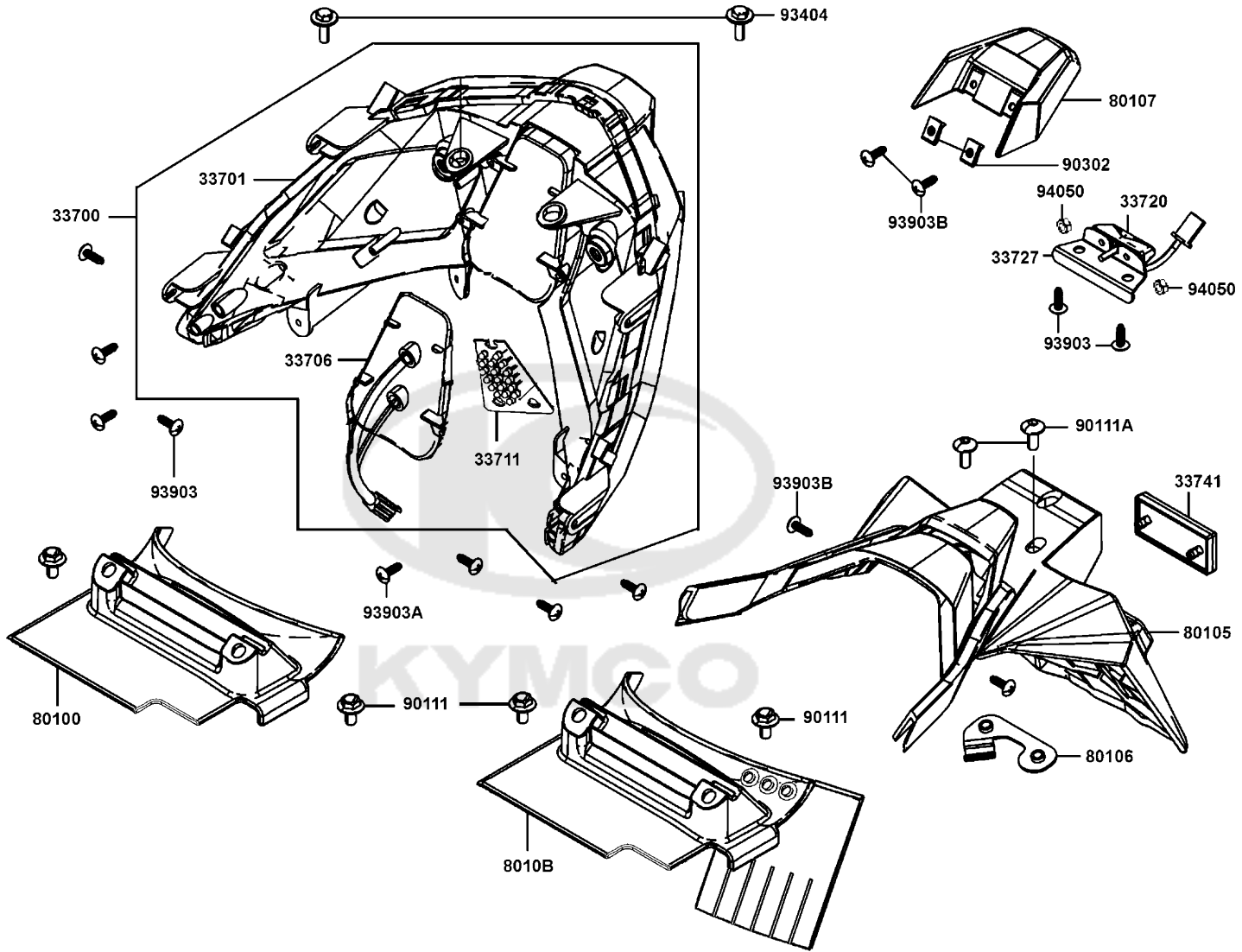
Sales mark	Ref no	Part no	Description	Reg description	Regd no	<b>F17</b>
------------	--------	---------	-------------	-----------------	---------	------------

33400	33400-LGC6-E00	33400-LGC6-E00	WINKER ASSY.. R. FR	WINKER ASSY.. R. FR	1	
33450	33450-LGC6-E00	33450-LGC6-E00	WINKER ASSY.. L. FR	WINKER ASSY.. L. FR	1	
93903	93903-35260	93903-35260	SCREW TAPPING 5*12	SCREW TAPPING 5*12	6	



F18

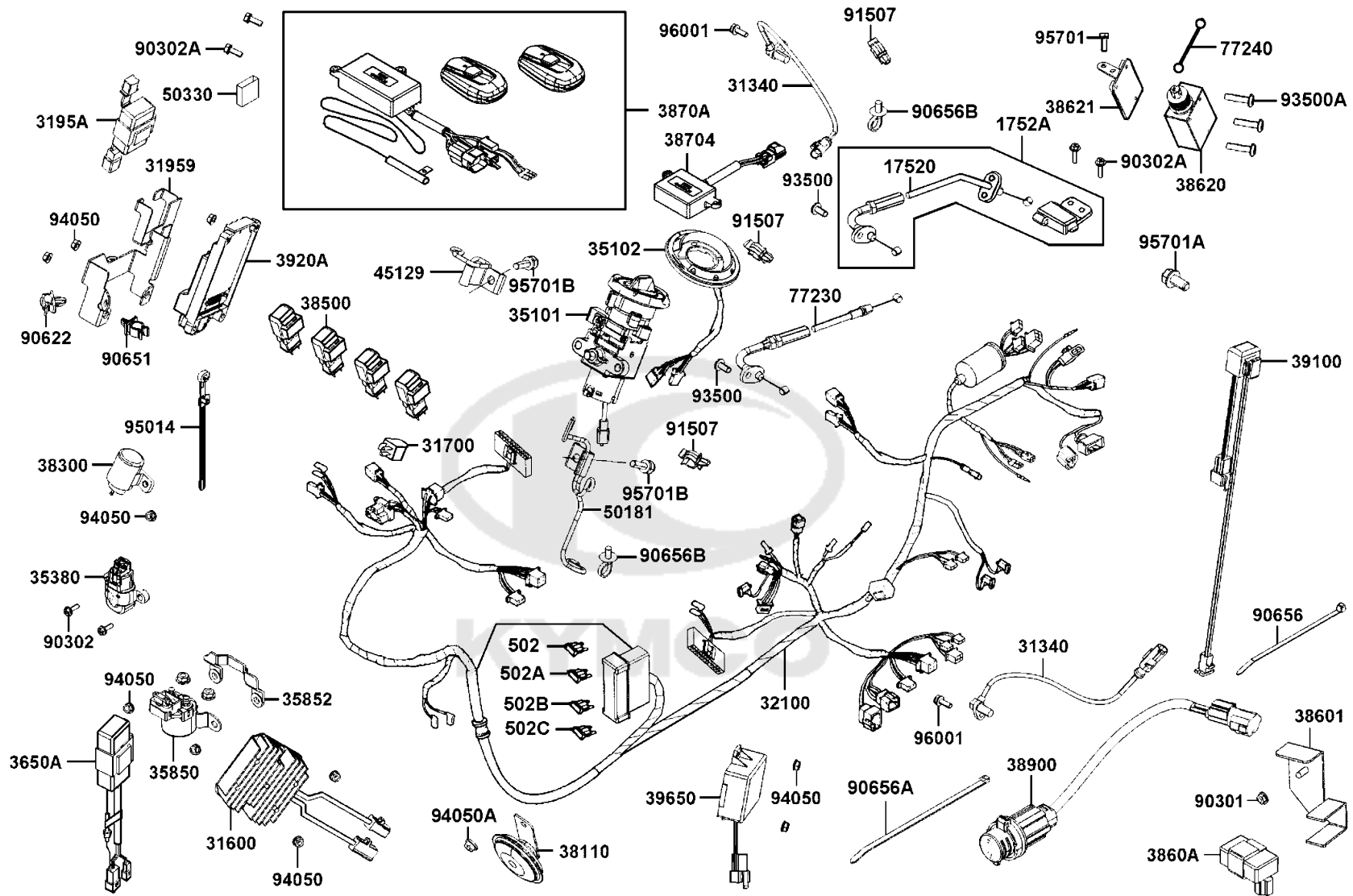
Rear LightRear Fender



Sales mark	Ref no	Part no	Description	Reg description	Regd no	F18
	33700	33700-LGC6-E00	LIGHT ASSY.. RR. COMB.	LIGHT ASSY.. RR. COMB.	1	
	33701	33701-LGC6-305	LENS UNIT TAIL LIGHT	LENS UNIT TAIL LIGHT	1	
	33706	33706-LGC6-E00	COCKET COMP ASSY	COCKET COMP ASSY	1	
	33711	33711-LGC6-E00	PCB STOP LIGHT	PCB STOP LIGHT	1	
	33720	33720-LGC6-305	LIGHT SET LICENSE	LIGHT SET LICENSE	1	
	33727	33727-LGC6-E00	STAY	STAY	1	
	33741	33741-ACH7-900	REFLEX REFLECTOR	REFLEX REFLECTOR	1	
# **	80100	80100-LGC6-E00	FENDER RR TIRE	FENDER RR TIRE	1	
**	80105	80105-LGC6-E00	FENDER REAR	FENDER REAR	1	
	80106	80106-LGC6-E00	STAY RR.FENDER	STAY RR.FENDER	1	
**	80107	80107-LGC6-E00	COVER LICENSE LIGHT	COVER LICENSE LIGHT	0	
**	8010B	8010B-LGC6-E00	FENDER TIRE ASSY RR	FENDER TIRE ASSY RR	1	
	90111	90111-LEB1-900	BOLT FLANGE 6MM	BOLT FLANGE 6MM	2	
	90111A	90111-LEC8-E00	SCREW PAN 6x14	SCREW PAN 6x14	2	
	90302	90302-SDA4-004	NUT SPRING 4MM	NUT SPRING 4MM	2	
	93404	93404-06012-06	BOLT WASHER 6X12	BOLT WASHER 6X12	2	
	93903	93903-24360	SCREW TAPPING 4*12	SCREW TAPPING 4*12	6	
	93903A	93903-GFY6-900	SCREW TAPPING 4*14	SCREW TAPPING 4*14	4	
	93903B	93903-LGC6-E01	SCREW TAPPING	SCREW TAPPING	4	
	94050	94050-LHJ3-900	NUT M4*0.7	NUT M4*0.7	2	

F19

Wire Harness

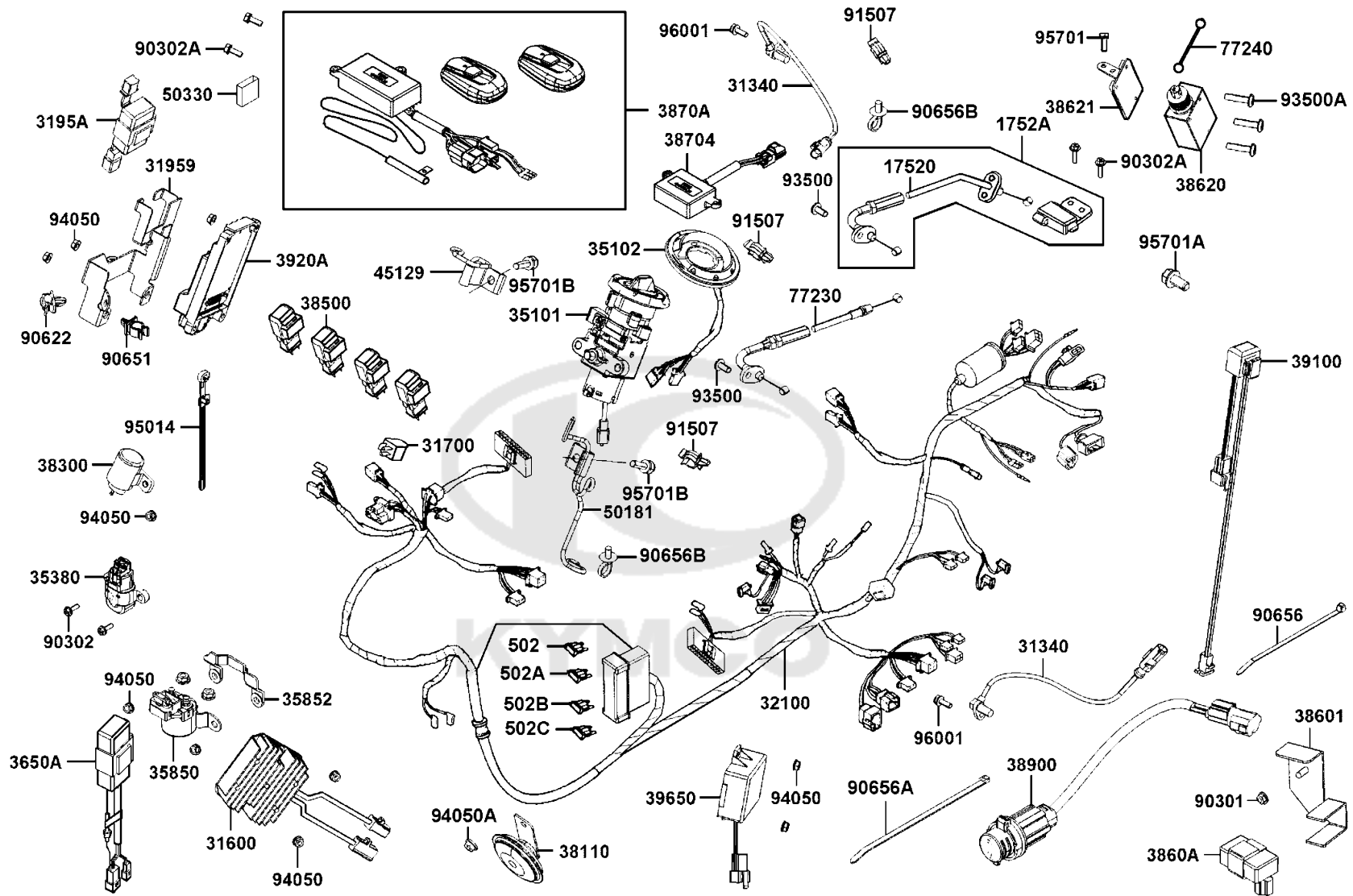


Sales mark	Ref no	Part no	Description	Reg description	Regd no	F19
	17520	17520-LGC6-E00	CABLE COMP FUEL CAP	CABLE COMP FUEL CAP	1	
	1752A	1752A-LGC6-E00	CABLE ASSY FUEL CAP	CABLE ASSY FUEL CAP	1	
	31340	31340-LEA7-E00	SENSOR FR WHEEL SPEED	SENSOR FR WHEEL SPEED	1	
	31600	31600-LKF5-E00	REG REC COMP	REG REC COMP	1	
	31700	31700-KEC8-E00	RECTIFIER COMP DIODE	RECTIFIER COMP DIODE	1	
	31959	31959-LGC6-E00	STAY HAZARD	STAY HAZARD	1	
	3195A	3195A-LBA7-E00	HAZARD CONTROL ASSY	HAZARD CONTROL ASSY	0	
#	32100	32100-LGC6-910	HARNESS WIRE	HARNESS WIRE	1	
	32100	32100-LGC6-E01	HARNESS WIRE	HARNESS WIRE	1	
	35101	35101-LGC6-315	KEY SET LOCK & COMB	KEY SET LOCK & COMB	1	
	35102	35102-LGC6-315	COLLAR MAIN SW	COLLAR MAIN SW	1	
	35380	35380-LEA2-900	SENSOR ANGLE DETECT	SENSOR ANGLE DETECT	1	
	35850	35850-LGC6-E00	SET START MAG	SET START MAG	1	
**	35852	35852-LGC6-E00	ISOLATED PLATE	ISOLATED PLATE	1	
	3650A	3650A-LGC6-E00	DRIVER ASS Y HEATED GRIP	DRIVER ASS Y HEATED GRIP	1	
	38110	38110-KKC3-90A	HORN COMP **90B C.P.N.	HORN COMP **90B C.P.N.	1	
	38300	38300-KKE5-E00	RELAY COMP WINKER	RELAY COMP. WINKER	1	
	38500	38500-LGL3-90A	RELAY ASSY LIGHT	RELAY ASSY LIGHT	1	
	38601	38601-LGC6-E00	STAY LIGHT CONTROLLER	STAY LIGHT CONTROLLER	1	
	3860A	3860A-LGC6-E00	CONTROLLER ASS'Y HEAD LIGHT	CONTROLLER ASS Y HEAD LIGHT	1	



F19

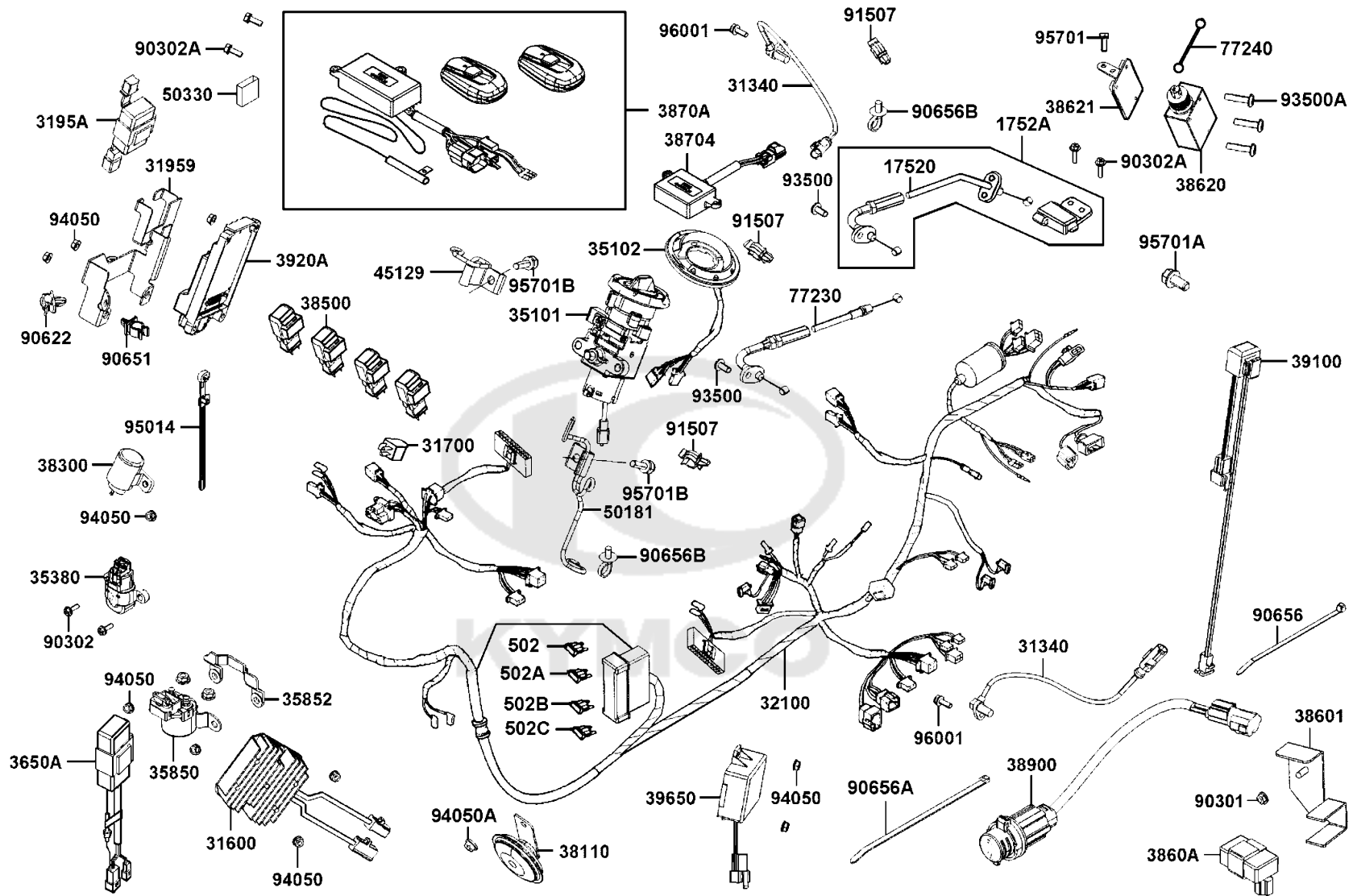
Wire Harness



Sales mark	Ref no	Part no	Description	Reg description	Regd no	F19
38620		38620-LGC6-E00	LINEAR MOTOR ASS'Y	LINEAR MOTOR ASSY	1	
38621		38621-LGC6-E00	STAY LINEAR MOTOR	STAY LINEAR MOTOR	1	
38704		38704-LGC6-E00	ANTENNA COMP.	ANTENNA COMP.	1	
3870A		3870A-LGC6-E00	KEYLESS ASSY	KEYLESS ASSY	1	
38900		38900-ACD5-E00	CONTROLLER USB CHARGER	CONTROLLER USB CHARGER	1	
39100		39100-LGC6-E00	EMI FILTER. FAN MOTOR	EMI FILTER. FAN MOTOR	1	
3920A		3920A-LGC6-E01	ASSY ECU (39KW) M3C	ASSY ECU (39KW) M3C	1	
39650		39650-LGC6-E00	CONTROL UNIT. TIRE PRESURE	CONTROL UNIT. TIRE PRESURE	1	
45129		45129-LGC6-E00	CLIP BRAKE CABLE	CLIP BRAKE CABLE	1	
50181		50181-LGC6-E00	CLIP THROD CABLE	CLIPTHROD CABLE	1	
502		502-00149	BLADE FUSE MINI 15A	BLADE FUSE MINI 15A	4	
502A		502-00151	BLADE FUSE MINI 10A	BLADE FUSE MINI 10A	3	
502B		502-00155	BLADE FUSE MINI 25A	BLADE FUSE MINI 25A	2	
502C		502-00164	BLADE FUSE MINI 5A	BLADE FUSE MINI 5A	2	
50330		50330-LKF5-E00	SPONGE BATTERY CASE	SPONGE BATTERY CASE	1	
77230		77230-LGC6-E00	CABLE ASSY FR INNER BOX LOCK	CABLE ASSY FR INNER BOX LOCK	1	
77240		77240-LGC6-E01	CABLE ASSY SEAT LOCK	CABLE ASSY SEAT LOCK	2	
90301		90301-6D34-671	NUT FLANGE 6MM	NUT FLANGE 6MM	1	
90302		90302-GFY6-940	BOLT-WASH 5*16	BOLT-WASH 5*16	2	
90302A		90302-LLB1-E00	BOLT-WASHER 5*12	BOLT-WASHER 5*12	2	

F19

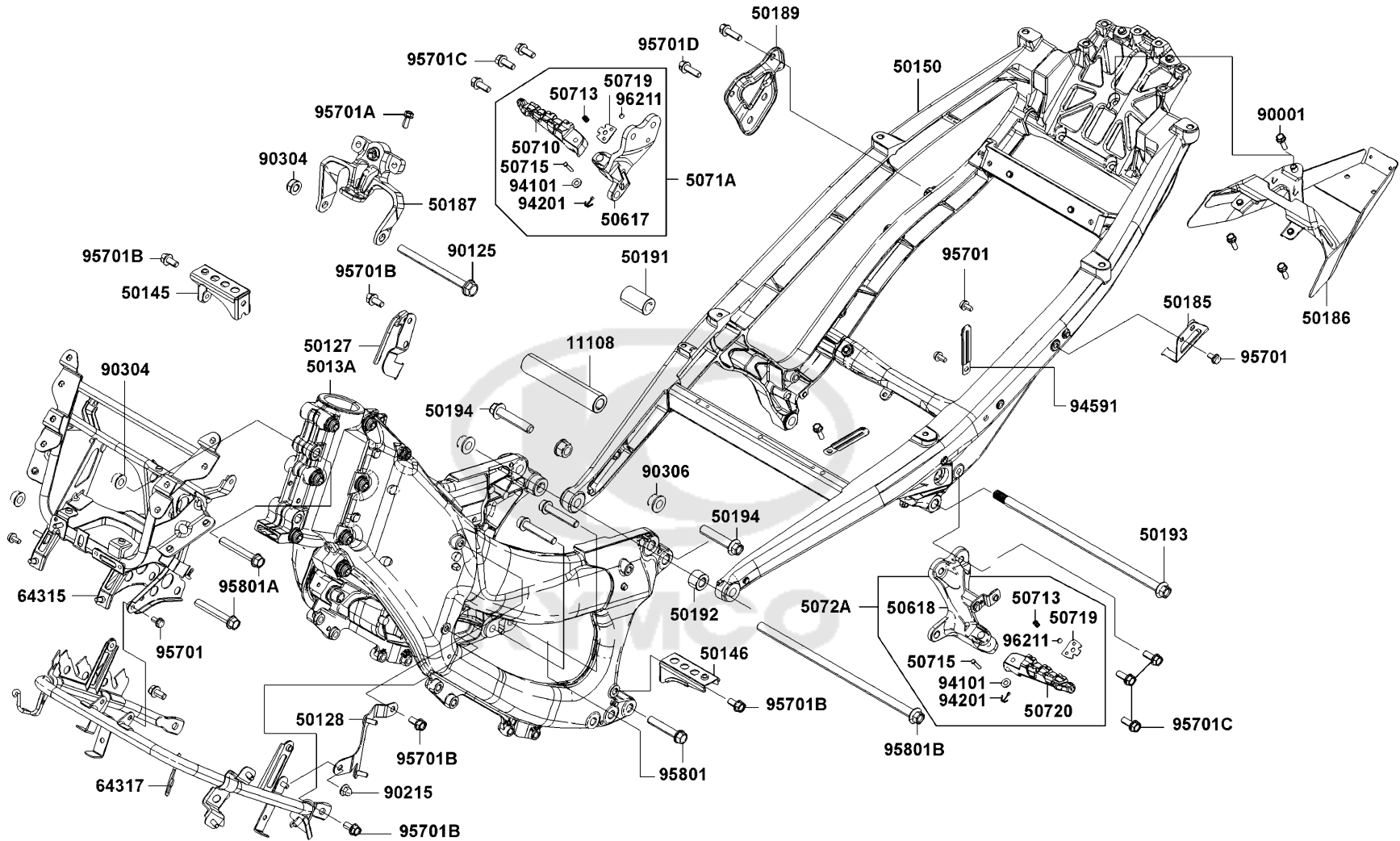
Wire Harness



Sales mark	Ref no	Part no	Description	Reg description	Regd no	<b>F19</b>
	90622	90622-LHJ8-900	CLAMP	CLAMP	1	
	90651	90651-ALH3-700	CLIP WIRE HARN	CLIP WIREE HARN	1	
	90656	90656-KCBC-900	BAND OIL HANDLE 8X146	BAND OIL HANDLE 8X146	11	
**	90656A	90656-KUDU-900	BAND HARNESS WIRE **KUDU-900	BAND HARNESS WIRE **KUDU-900 C.2005.05.	1	
	90656B	90656-ZVA6-M00	CABLE STRAP	CABLE STRAP	4	
	91507	91507-LKE6-900	CLIP	CLIP	3	
	93500	93500-KHC4-90A	SCREW PAN 5*10	SCREW PAN 5*10	4	
	93500A	93500-LGC6-E00	SCREW PAN 4X40	SCREW PAN 4X40	3	
	94050	94050-06060	NUT FLANGE 6MM	NUT FLANGE 6MM	10	
	94050A	94050-08060	NUT FLANGE 8MM	NUT FLANGE 8MM	1	
	95014	95014-PRB3-900	STRAP CABLE	STRAP CABLE	5	
	95701	95701-06012-06	BOLT FLANGE 6*12 **07 C.2005.07.01	BOLT FLANGE 6*12 **07 C.2005.07.01	1	
	95701A	95701-08012-06	BOLT FLANGE 8*12	BOLT FLANGE 8*12	1	
	95701B	95701-LEA5-E00	BOLT TORQUE 8*25 **(0) C.2007.01.22	BOLT TORQUE 8*25 **(0) C.2007.01.22	2	
	96001	96001-06012-06	BOLT FLANGE SH 6*12	BOLT FLANGE SH 6*12	2	

F20

Frame Body



Sales mark	Ref no	Part no	Description	Reg description	Regd no	F20
11108		11108-LGC6-E00	HOLDER. STATOR WIRE	HOLDER. STATOR WIRE	1	
50127		50127-LGC6-E00	STAY KEYLESS CASE	STAY KEYLESS CASE	1	
50128		50128-LGC6-E00	STAY TIRE PRESSURE CONTROLLER	STAY TIRE PRESSURE CONTROLLER	1	
5013A		5013A-LGC6-E00	BODY ASSY FR FRAME	BODY ASSY. FR FRAME	1	
50145		50145-LGC6-E00	RR. STAY R FLOOR PANEL	RR. STAY R FLOOR PANEL	1	
50146		50146-LGC6-E00	RR. STAY L FLOOR PANEL	RR. STAY L FLOOR PANEL	1	
50150		50150-LGC6-E00	BODY ASSY RR FRAME	BODY ASSY.RR FRAME	1	
50185		50185-LGC6-E00	STAY CANISTER	STAY CANISTER	1	
50186		50186-LGC6-E00	STAY RR FENDER	STAY RR FENDER	1	
50187		50187-LGC6-E00	STAY MAIN SW.	STAY MAIN SW.	1	
50189		50189-LGC6-E00	BRKT MUFFLER	BRKT MUFFLER	1	
50191		50191-LGC6-E00	COLLAR R RR ENG MOUNTING	COLLAR R RR ENG MOUNTING	1	
50192		50192-LGC6-E00	COLLAR L FR ENG MOUNTING	COLLAR L FR ENG MOUNTING	1	
50193		50193-LGC6-E00	BOLT FLANGE 12X315	BOLT FLANGE 12X315	1	
50194		50194-LGC6-E00	BOLT FLANGE 12X60	BOLT FLANGE 12X60	1	
50617		50617-LGC6-E00	BRKT R PILLION STEP	BRKT R PILLION STEP	1	
50618		50618-LGC6-E00	ERKT L PILLION STEP	BRKT L PILLION STEP	1	
50710		50710-LGC6-E00	PIPE R RR STEP	BAR R PILLION STEP	1	
50713		50713-KEB7-900	SPRING	SPRING	1	
50715		50715-KKAK-900	PIN RR STEP	PIN RR STEP	2	

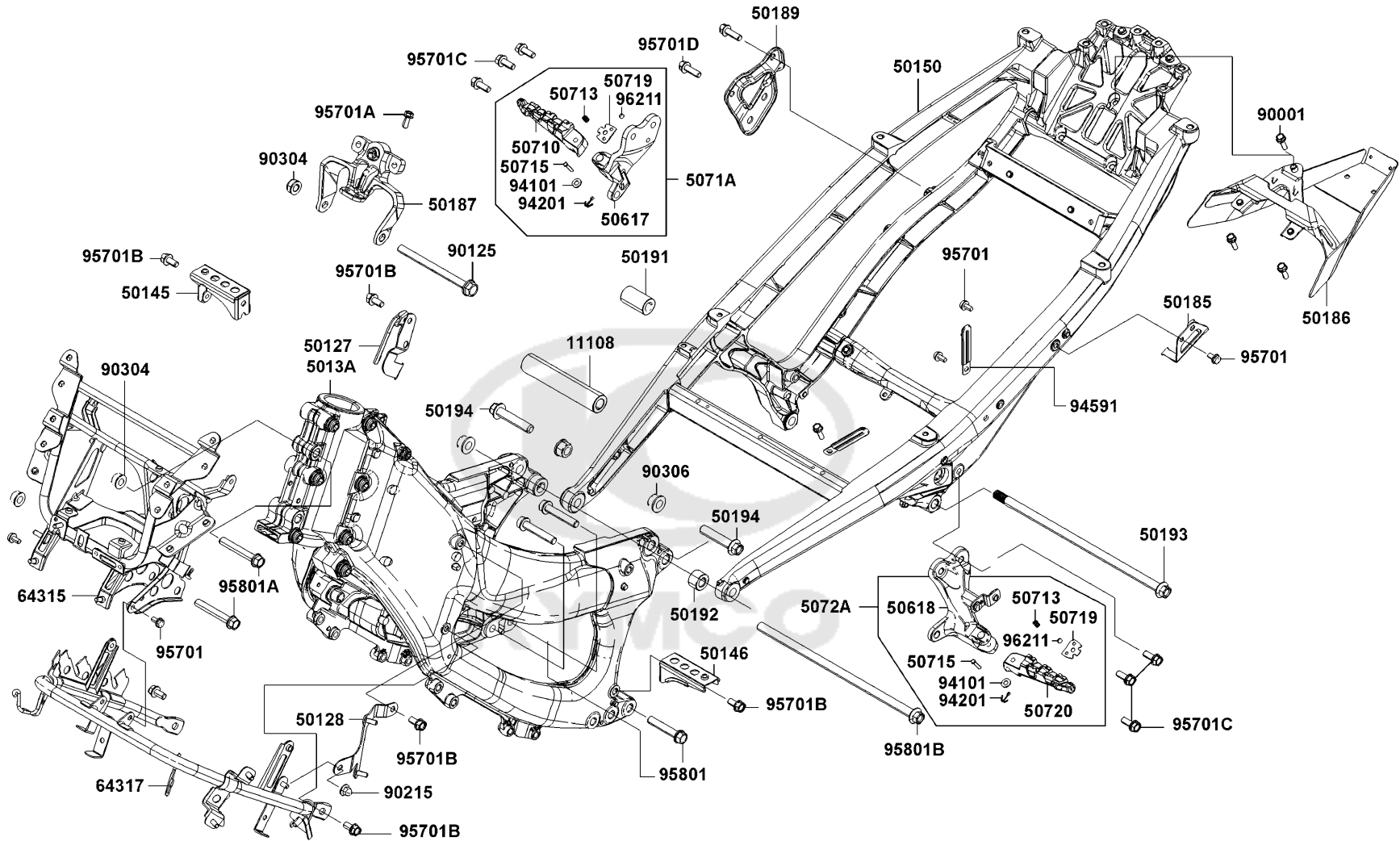


Sales mark	Ref no	Part no	Description	Reg description	Regd no	F20
	50719	50719-LGC6-E00	PLATE PILLION STEP	PLATE PILLION STEP	2	
	5071A	5071A-LGC6-E00	BAR ASSY. R PILLION STEP	BAR ASSY. R PILLION STEP	1	
	50720	50720-LGC6-E00	PIPE L RR STET	BAR L PILLION STEP	1	
	5072A	5072A-LGC6-E00	BAR ASSY. L PILLION STEP	BAR ASSY. L PILLION STEP	1	
	64315	64315-LGC6-E00	BRKT FR COVER	BRKT FR COVER	1	
	64317	64317-LGC6-E00	UNDER PIPE FR COVER BRKT.	UNDER PIPE FR COVER BRKT.	1	
	90001	90001-GBHB-661	BOLT FLANGE SH 6*22	BOLT FLANGE SH 6*22	3	
	90125	90125-LGC6-E00	BOLT FLANGE 10X130	BOLT FLANGE 10X130	1	
	90215	90215-KKC4-900	NUT CAP 6MM	NUT CAP 6MM	1	
	90304	90304-LEA1-900	NUT U FLANGE 10MM	NUT U 10MM	3	
	90306	90306-LFE2-900	NUT FLANGE 12MM	NUT FLANGE 12MM	4	
	94101	94101-06000	WASHER PLAIN 6MM	WASHER PLAIN 6MM	2	
	94201	94201-20180	PIN SPLIT 2.0*18	PIN SPLIT 2.0*18	2	
	94591	94591-LGC6-E00	CLIP 2 X 70	CLIP 2 X 70	1	
	95701	95701-06012-06	BOLT FLANGE 6*12 **07 C.2005.07.01	BOLT FLANGE 6*12 **07 C.2005.07.01	3	
	95701A	95701-06016-06	BOLT FLANGE 6*16 (K)	BOLT FLANGE 6*16 (K)	1	
	95701B	95701-08016-06	BOLT FLANGE 8*16	BOLT FLANGE 8*16	6	
	95701C	95701-08020-06	BOLT FLANGE 8*20MM **07 C.2005.07.01	BOLT FLANGE 8*20MM **07 C.2005.07.01	6	
	95701D	95701-08025-06	BOLT FLANGE 8*25	BOLT FLANGE 8*25	2	
	95801	95801-10055-06	BOLT FLANGE 10*55	BOLT FLANGE 10*55	3	



F20

Frame Body



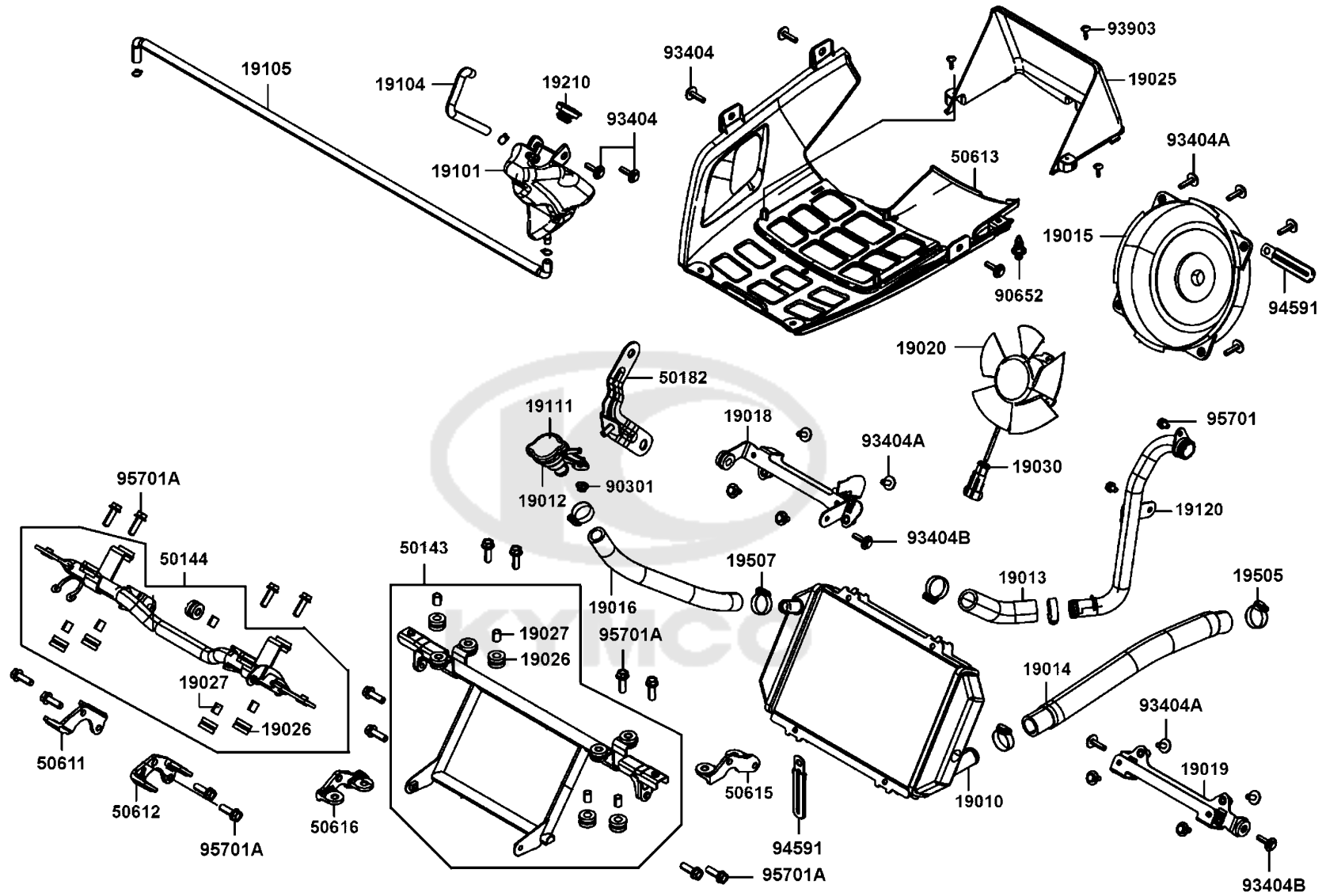
Sales mark	Ref no	Part no	Description	Reg description	Regd no	<b>F20</b>
------------	--------	---------	-------------	-----------------	---------	------------

95801A		95801-10065-06	BOLT FLANGE 10*65	BOLT FLANGE 10*65	2	
95801B		95801-12295-06	BOLT FLANGE 12X295	BOLT FLANGE 12X295	1	
96211		96211-08000	BALL STEEL #8	BALL STEEL #8	2	



F21

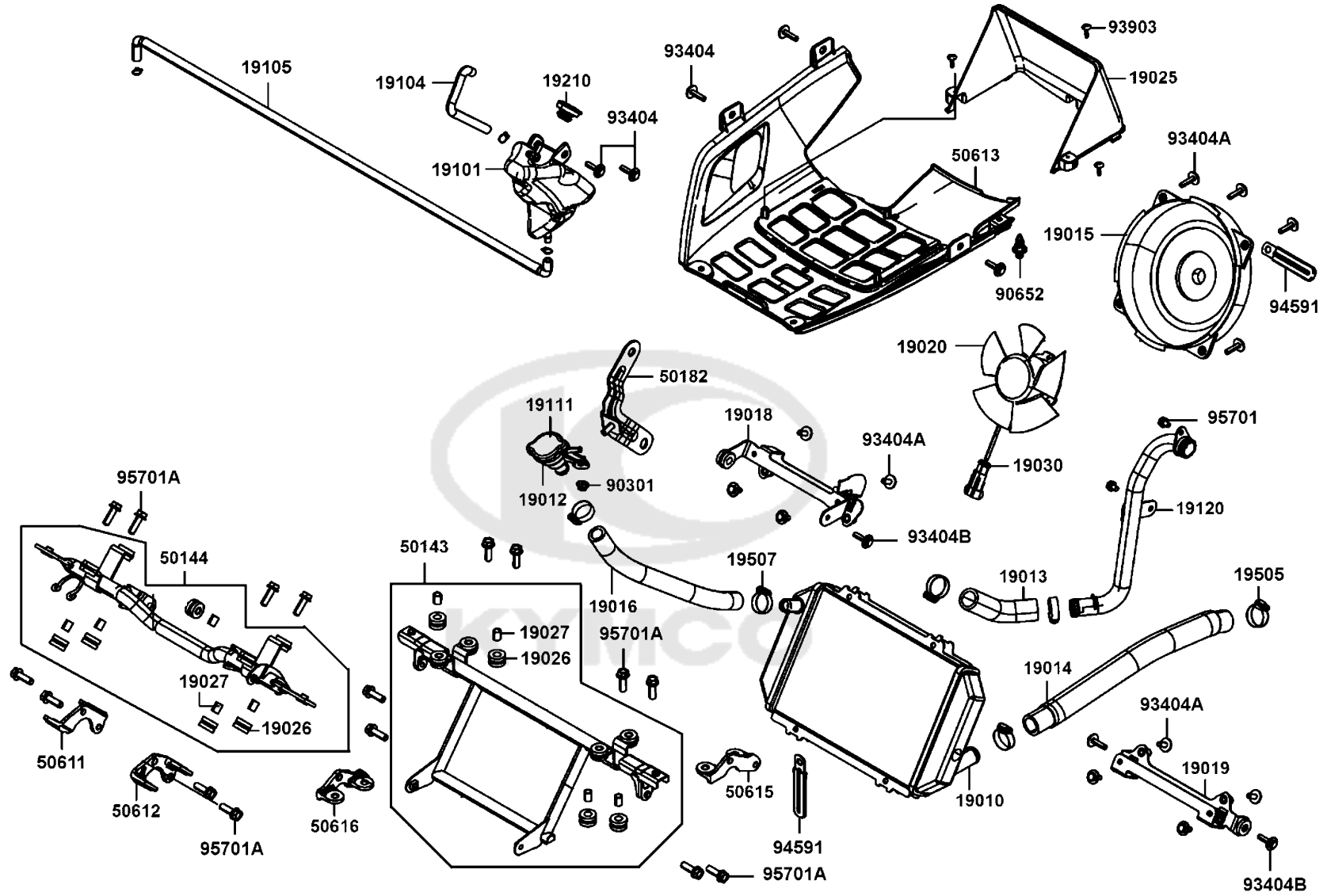
Radiator



Sales mark	Ref no	Part no	Description	Reg description	Regd no	F21
	19010	19010-LGC6-E00	RADIATOR COMP	RADIATOR COMP	1	
	19012	19012-LEA7-E05	UNIT RADIATOR	UNIT RADIATOR	1	
	19013	19013-LGC6-E00	HOSE WATER INLET	HOSE WATER INLET	1	
	19014	19014-LGC6-E00	HOSE WATER OUTLET	HOSE WATER OUTLET	1	
	19015	19015-LBA2-E00	SHROUD COMP	SHROUD COMP	1	
	19016	19016-LGC6-E00	HOSE WATER-UNIT CAP	HOSE WATER-UNIT CAP	1	
	19018	19018-LGC6-E00	HOLDER UPPER RADIATOR	HOLDER UPPER RADIATOR	1	
	19019	19019-LGC6-E00	HOLDER LOWER RADIATOR	HOLDER LOWER RADIATOR	1	
	19020	19020-LBA2-E00	FAN COOLING	FAN COOLING	1	
**	19025	19025-LGC6-E00	COVER RADIATOR	COVER RADIATOR	1	
	19026	19026-LKF5-E00	DAMPING RUBBER RADIATOR	DAMPING RUBBER RADIATOR	9	
	19027	19027-LKF5-E00	COLLAR RADIATOR	COLLAR RADIATOR	9	
	19030	19030-LDB5-E00	MOTOR ASSY FAN	MOTOR ASSY FAN	1	
	19101	19101-LGC6-E00	TANK RESERVE	TANK RESERVE	1	
	19104	19104-ACD5-E00	HOSE ASSY DRAIN	HOSE ASSY DRAIN	1	
	19105	19105-LGC6-E00	HOSE ASSY RESERVE TANK-PRESSURE	HOSE ASSYRESERVE TANK-PRESSURE	1	
	19111	19111-PRB3-900	CAP COMP RADIATOR	CAP COMP RADIATOR	1	
	19120	19120-LGC6-E00	PIPE WATER INLET	PIPE WATER INLET	1	
	19210	19210-KKC4-900	CAP RESERVE TANK	CAP RESERVE TANK	1	
	19505	19505-LBA2-E00	CLAMP WATER HOSE	CLAMP WATER HOSE	4	

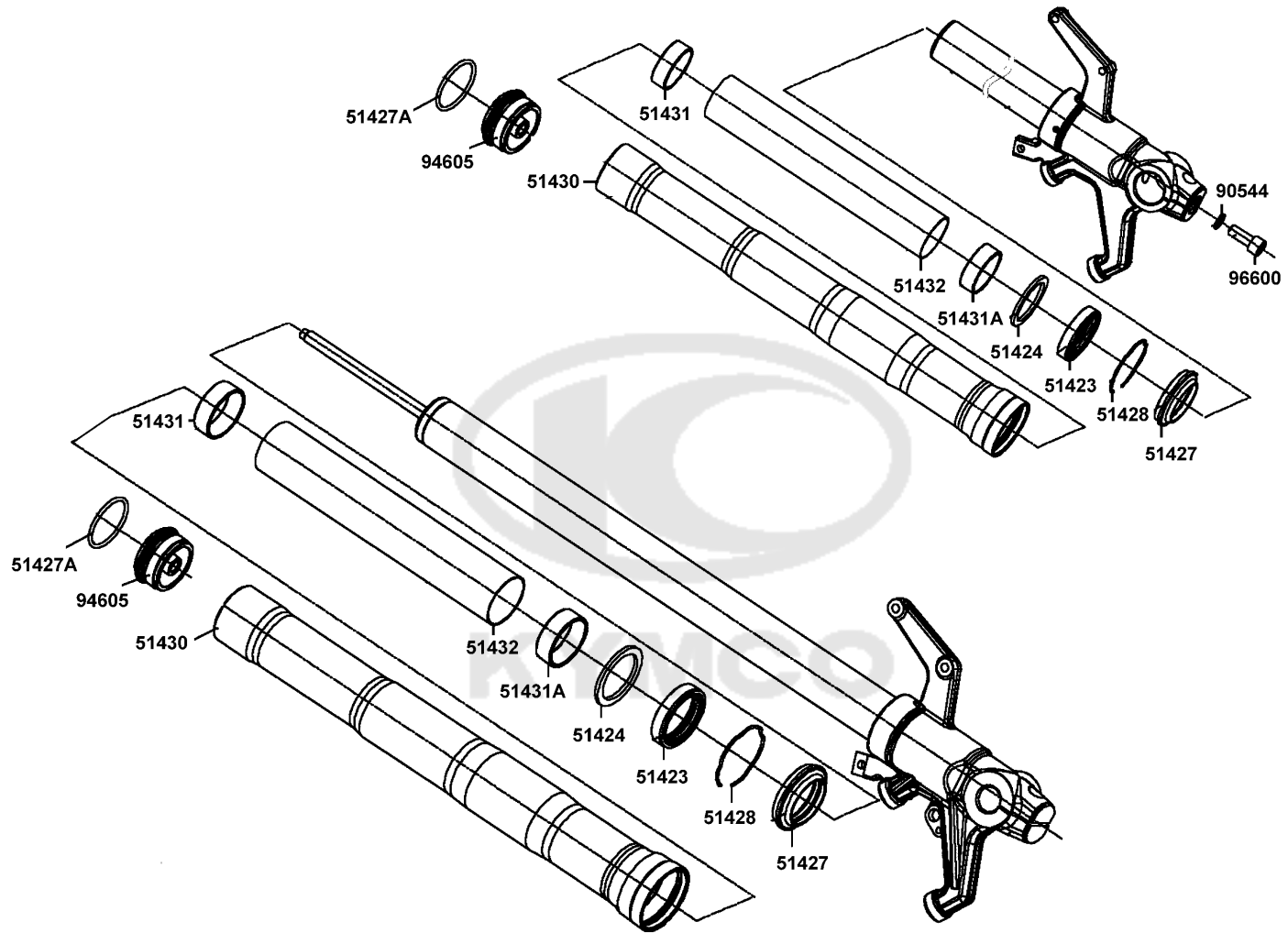
F21

Radiator



Sales mark	Ref no	Part no	Description	Reg description	Regd no	F21
	19507	19507-LDB5-E00	CLAMP D 28	CLAMP D 28	2	
	50143	50143-LGC6-E00	BRKT RADIATOR	BRKT RADIATOR	1	
	50144	50144-LGC6-E00	FR. STAY FLOOR PANEL	FR. STAY FLOOR PANEL	1	
	50182	50182-LGC6-E00	STAY SUPT FILLER NECK	STAY SUPT FILLER NECK	1	
	50611	50611-LGC6-E00	FR. BRKT R FLOOR PANEL	FR. BRKT R FLOOR PANEL	1	
	50612	50612-LGC6-E00	FR. BRKT L FLOOR PANEL	FR. BRKT L FLOOR PANEL	1	
**	50613	50613-LGC6-E00	COVER UNDER	COVER UNDER	1	
	50615	50615-LGC6-E00	CENTER BRKT R FLOOR PANEL	CENTER BRKT R FLOOR PANEL	1	
	50616	50616-LGC6-E00	CENTER BRKT L FLOOR PANEL	CENTER BRKT L FLOOR PANEL	1	
	90301	90301-6D34-671	NUT FLANGE 6MM	NUT FLANGE 6MM	1	
	90652	90652-LFB5-900	CLIP MUDGUARD	CLIP MUDGUARD	1	
	93404	93404-06012-06	BOLT WASHER 6X12	BOLT WASHER 6X12	5	
	93404A	93404-06016-06	BOLT WASHER 6*16	BOLT WASHER 6*16	12	
	93404B	93404-06025-06	BOLT WASHER 6*25	BOLT WASHER 6*25	3	
	93903	93903-24360	SCREW TAPPING 4*12	SCREW TAPPING 4*12	3	
	94591	94591-LLB1-900	CLIP 2*100	CLIP 2*100	1	
	95701	95701-06012-06	BOLT FLANGE 6*12 **07 C.2005.07.01	BOLT FLANGE 6*12 **07 C.2005.07.01	2	
	95701A	95701-08025-06	BOLT FLANGE 8*25	BOLT FLANGE 8*25	16	

Separated Parts Of Fr Fork

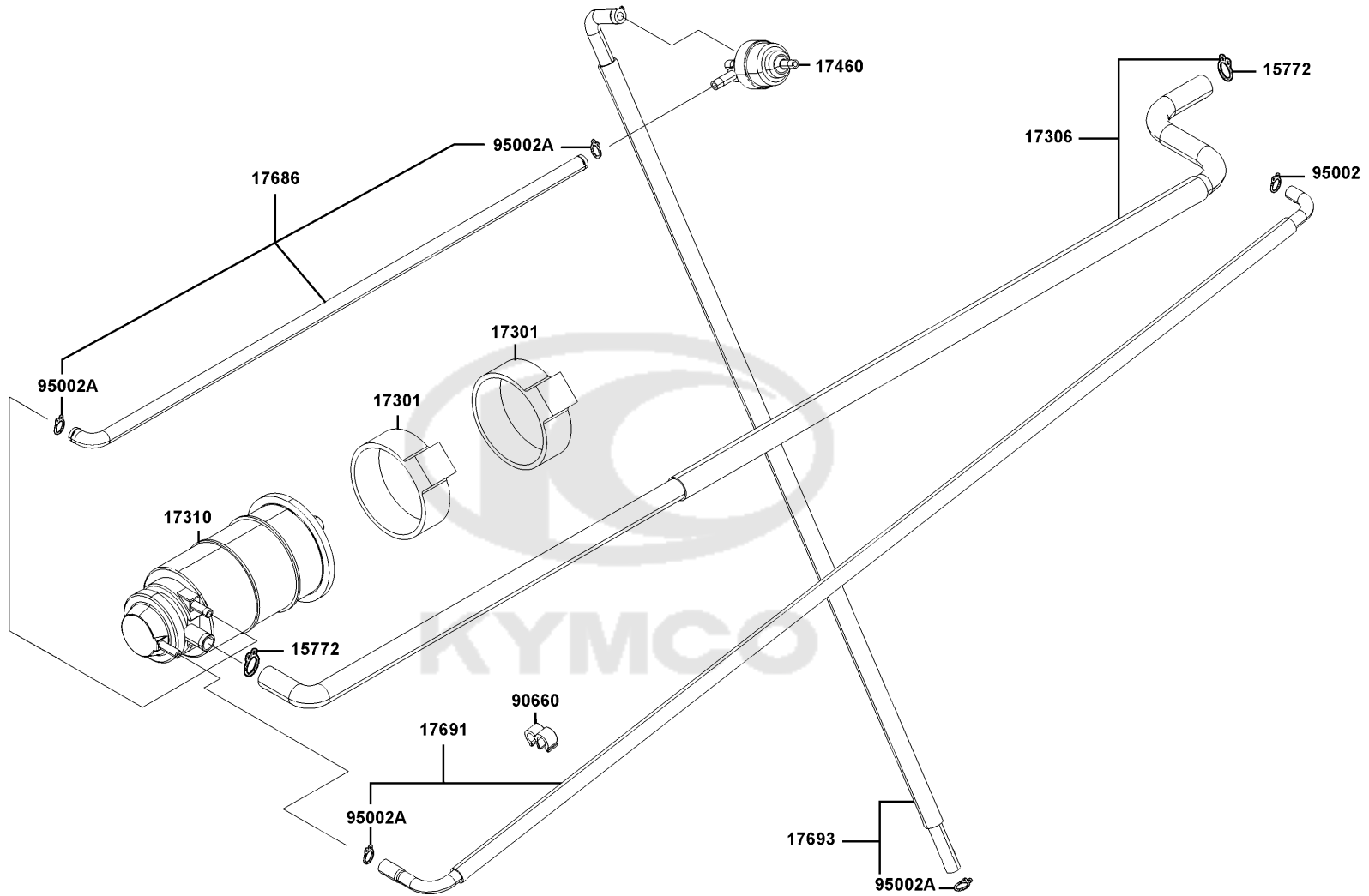


Sales mark	Ref no	Part no	Description	Reg description	Regd no	F22
	51423	51423-KED9-900	OIL SEAL	OIL SEAL	1	
	51424	51424-KED9-900	SPACER	SPACER	1	
	51427A	51427-LGC6-E00	O-RING	O-RING	1	
#	51427	51427-LGC6-E02	DUST SEAL	DUST SEAL	1	
	51428	51428-KED9-900	OIL SEAL STOPPER RING	OIL SEAL STOPPER RING	1	
	51430	51430-LGC6-E00	OUTER TUBE	OUTER TUBE	1	
	51431	51431-KED9-900	GUIDE BUSH	GUIDE BUSH	1	
	51431A	51431-LGC6-E00	GUIDE BUSH	GUIDE BUSH	1	
	51432	51432-LGC6-E00	DIST COLLAR	DIST COLLAR	1	
	90544	90544-KEC8-900	PACKING	PACKING	1	
	94605	94605-LGC6-E00	FORK BOLT	FORK BOLT	2	
	96600	96600-LKF5-E00	BOLT	BOLT	1	

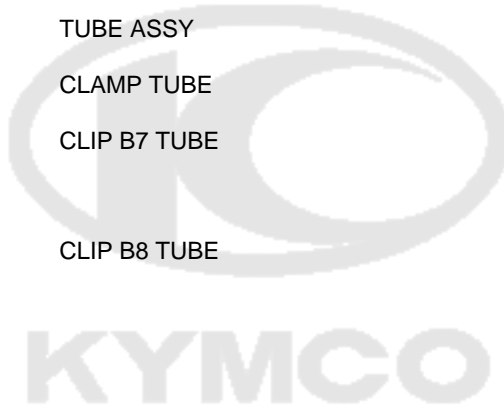


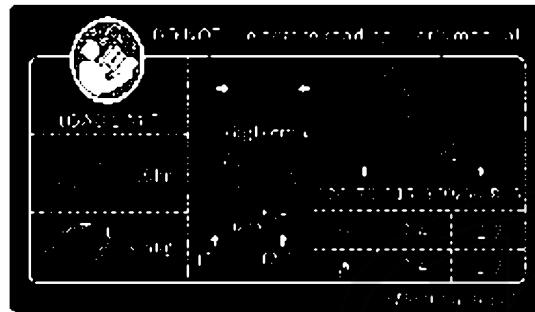
F23

Canister

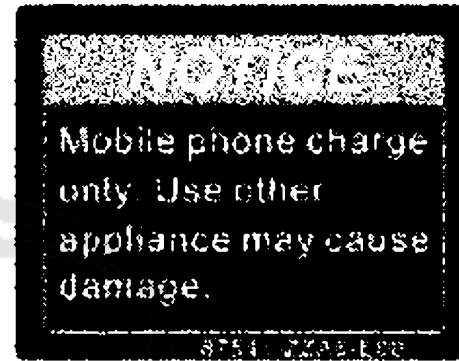


Sales mark	Ref no	Part no	Description	Reg description	Regd no	F23
	15772	15772-5L00-013	CLIP B14.5 TUBE	CLIP B14.5 TUBE	2	
#	17301	17301-GFY6-940	RUBBER CANISTER MOUNT	RUBBER CANISTER MOUNT	2	
	17306	17306-LGC6-E00	TUBE ASSY CANISTER-AIR/C	TUBE ASSY CANISTER-AIR/C	1	
	17310	17310-LGC6-E0C	CANISTER COMP.	CANISTER COMP.	1	
	17460	17460-LGC6-E00	VALVE COMP VAPOR CONTROL	VALVE COMP VAPOR CONTROL	1	
	17686	17686-LGC6-E00	TUBE FUEL FILLER/CANISTER	TUBE FUEL FILLER/CANISTER	1	
	17691	17691-LGC6-E00	TUBE ASSY	TUBE ASSY	1	
	17693	17693-LGC6-E00	TUBE ASSY	TUBE ASSY	1	
	90660	90660-PWA2-900	CLAMP TUBE	CLAMP TUBE	1	
	95002	95002-02070	CLIP B7 TUBE	CLIP B7 TUBE	2	
	95002A	95002-02080	CLIP B8 TUBE	CLIP B8 TUBE	4	

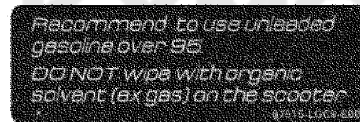




87560



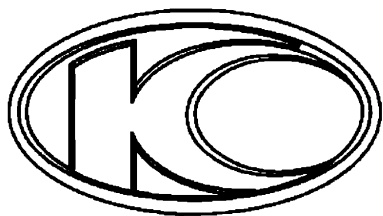
87541



87515

Sales mark	Ref no	Part no	Description	Reg description	Regd no	<b>F24</b>
**	87515	87515-LGC6-E00	CAUTION LABEL	CAUTION LABEL	1	
**	87541	87541-ZZA6-E00	NOTICE MOBILE PHONE	NOTICE MOBILE PHONE	1	
**	87560	87560-LGC6-E00	MARK DRIVER CAUTION	MARK DRIVER CAUTION	1	





86102



8620A



86300



86020



86380

Sales mark	Ref no	Part no	Description	Reg description	Regd no	F25
**	86020	86020-LGC6-E00	EMB HANDLE COVER	EMB HANDLE COVER	1	
**	86102	86102-LGC6-E00	EMB K-LOGO	EMB K-LOGO	1	
**	8620A	8620A-LGC6-E00	EMB KYMCO ASSY.	EMB KYMCO ASSY.	1	
**	86300	86300-LGC6-E00	STRIPE SIDE MOLD	STRIPE SIDE MOLD	1	
**	86380	86380-LGC6-E00	EMB SIDE MOLD	EMB SIDE MOLD	1	





87546

KYMCO

Sales mark	Ref no	Part no	Description	Reg description	Regd no	<b>F26</b>
------------	--------	---------	-------------	-----------------	---------	------------

# **	87546	87546-ADG5-E00	LABEL FUEL TANK	LABEL FUEL TANK	1	
------	-------	----------------	-----------------	-----------------	---	--





## PART NO. INDEX

PART NO.	VERSION	PAGE	PART NO.	VERSION	PAGE	PART NO.	VERSION	PAGE	
<b>11000</b>			11593-LGC6-E00	2	E01	13221-LGC6-E00-C	3	E03	
			11630-LGC6-E00	9	E05	13221-LGC6-E00-D	3	E03	
			<b>12000</b>			13221-LGC6-E00-E	3	E03	
	11108-LGC6-E00	1	F20			13314-LGC6-E00-A	4	E09	
	1110A-LGC6-E00	14	E01			13314-LGC6-E00-B	4	E09	
	11205-PSA6-E00	4	E10	12100-LGC6-E00	6	E03	13314-LGC6-E00-C	4	E09
	1121A-LGC6-E00	3	F13	12191-LGC6-E00	2	E03	13314-LGC6-E00-D	4	E09
	11300-LGC6-E00	5	E05	12200-LGC6-E00	7	E02	13314-LGC6-E00-E	4	E09
	11302-LGC6-E00	3	E05	12205-LEA7-E00	0	E01	13315-LGC6-E00-A	4	E09
	11305-LGC6-E00	3	E05	12205-LEA7-E00	0	E04	13315-LGC6-E00-B	4	E09
	11325-LGC6-E01	2	E10	12208-LGC6-E00	0	E02	13315-LGC6-E00-C	4	E09
	11325-LGC6-E02	1	E10	12209-LEA3-900	0	E02	13315-LGC6-E00-D	4	E09
	1133A-LGC6-E00	1	E05	12251-LGC6-E00	2	E02	13315-LGC6-E00-E	4	E09
	11340-LGC6-305	0	E04	1231A-LGC6-E00	1	E02	13323-PRB9-E00-0A	3	E09
	11347-LKF5-E00	1	E07	12391-LGC6-E00	0	E02	13323-PRB9-E00-0B	3	E09
	1134B-LGC6-E00	9	E05	<b>13000</b>			13341-LGC6-E00	3	E04
	11350-LGC6-E00	2	E05				13341-LGC6-E00	3	E10
	11384-LEA7-E05	2	E02				1341A-LGC6-E00	5	E09
	11384-LGC6-E00	4	E04	1300A-LGC6-E00	9	E09	1342A-LGC6-E00	5	E09
	11384-LGC6-E01	0	E05	13011-LGC6-E00	0	E03			
11384-LGC6-E01	0	E10	13101-LGC6-E02	6	E03	<b>14000</b>			
11384-LGC6-E02	0	E02	13111-LGC6-E00	3	E03				
11384-LGC6-E03	0	E03	13210-LGC6-E00-1	3	E03	14100-LGC6-E00	5	E02	
11385-LGC6-E00	1	E08	13210-LGC6-E00-2	3	E03	14200-LGC6-E00	1	E02	
11394-LGC6-E00	5	E05	13221-LGC6-E00-A	3	E03	14401-LGC6-E00	0	E03	
11592-LGC6-E00	1	E01	13221-LGC6-E00-B	3	E03	14510-LGC6-E00	3	E03	

## PART NO. INDEX

PART NO.	VERSION	PAGE	PART NO.	VERSION	PAGE	PART NO.	VERSION	PAGE
14523-KKE5-E01	4	E03	14773-LGC6-E00-15	0	E02	15421-PRA1-E00	5	E01
14524-KKE5-E01	1	E03	14773-LGC6-E00-16	0	E02	1565A-LGC6-E01	1	E10
1452A-ZPA3-E00	0	E03	14773-LGC6-E00-17	0	E02	15700-LGC6-E00	3	E01
14531-KHE7-900	1	E03	14773-LGC6-E00-18	0	E02	15772-5L00-013	1	F23
14546-LGC6-E00	1	E02	14773-LGC6-E00-19	0	E02			
14550-KKE5-E02	1	E03	14777-LGC6-E00	1	E02	<b>16000</b>		
14610-LGC6-E00	2	E03	14781-LGC6-C00	0	E02			
14711-LGC6-E00	1	E02				16100-LGC6-E00	6	E06
14721-LGC6-E00	1	E02	<b>15000</b>			1611A-LGC6-E00	1	E06
14731-LGC6-E00	3	E02				16703-LHJ8-800	1	F10
14751-LGC6-E00	4	E02	15100-LGC6-E00	5	E08			
14771-LGC6-C00	0	E02	15133-LGC6-E00	1	E08	<b>17000</b>		
14773-LGC6-E00-01	0	E02	15141-GFY6-90C	1	E08			
14773-LGC6-E00-02	0	E02	15161-LGC6-E00	1	E01	1711A-LGC6-E00	4	E02
14773-LGC6-E00-03	0	E02	15161-LGC6-E00	1	E10	17121-LGC6-E00	3	F13
14773-LGC6-E00-04	0	E02	15162-LGC6-E01	0	E10	17122-LGC6-E00	3	F13
14773-LGC6-E00-05	0	E02	15164-LGC6-E00	2	E01	17123-LGC6-E00	1	F13
14773-LGC6-E00-06	0	E02	1516A-LGC6-E00	0	E01	17124-LGC6-E00	1	F13
14773-LGC6-E00-07	0	E02	1516A-LGC6-E00	0	E10	17125-LGC6-E00	0	F13
14773-LGC6-E00-08	0	E02	15210-PUA5-E00	8	E01	17126-LGC6-E00	0	F13
14773-LGC6-E00-09	0	E02	15211-LGC6-E00	2	E01	17206-LGC6-305	0	F13
14773-LGC6-E00-10	0	E02	15214-PUA5-E00	8	E01	17207-LGC6-E00	1	F13
14773-LGC6-E00-11	0	E02	15216-LGC6-E00	1	E01	17211-LGC6-E00	1	F13
14773-LGC6-E00-12	0	E02	15333-LEH6-E00	2	E08	17225-LGC6-E00	0	F13
14773-LGC6-E00-13	0	E02	15334-LEH6-E00	2	E08	17226-LGC6-E00	0	F13
14773-LGC6-E00-14	0	E02	1541A-LGC6-E00	0	E01	17254-KACA-P00	0	F13

## PART NO. INDEX

PART NO.	VERSION	PAGE	PART NO.	VERSION	PAGE	PART NO.	VERSION	PAGE
17292-PWB1-900	1	F13	17591-LGC6-E00	2	F10	18371-LBA2-E00	2	F14
17301-GFY6-940	3	F23	17592-LGC6-E00	2	F10	18391-LKF5-E00	0	F14
17306-LGC6-E00	0	F23	17620-LGC6-E00	3	F10			
17307-LGC6-E00	1	E06	17685-GLE0-301	2	E06	<b>19000</b>		
17308-LGC6-E00	1	F13	17685-KZCZ-900	0	F12			
17310-LGC6-E0C	0	F23	17685-LGC6-E00	3	F10	19010-LGC6-E00	0	F21
17359-4K19-671	0	F13	17686-LGC6-E00	0	F23	19012-LEA7-E05	1	F21
17359-LGC6-E00	0	F13	17691-LGC6-E00	1	F23	19013-LGC6-E00	1	F21
17371-1D74-671	0	F13	17693-LGC6-E00	0	F23	19014-LGC6-E00	2	F21
17460-LGC6-E00	0	F23	17801-LGC6-E00	2	E06	19015-LBA2-E00	0	F21
17500-LGC6-E00	3	F10	17802-LGC6-E00	0	E06	19016-LGC6-E00	1	F21
17511-LGC6-E00	1	F10	17810-LGC6-E00	3	E02	19018-LGC6-E00	1	F21
17512-LGC6-E00	1	F10	17910-LGC6-E00	1	F03	19019-LGC6-E00	3	F21
17520-LGC6-E00	1	F19	17911-LGC6-E00	1	F03	19020-LBA2-E00	0	F21
1752A-LGC6-E00	1	F19				19025-LGC6-E00	2	F21
17530-KGB5-900	1	F12	<b>18000</b>			19026-LKF5-E00	0	F21
17550-LGC6-E00	3	F10				19027-LKF5-E00	0	F21
17559-LGC6-E00	3	F10	18291-LKG2-90A	1	F14	19030-LDB5-E00	2	F21
17561-LKB9-900	1	F10	18291-PWB1-900	4	F14	19101-LGC6-E00	0	F21
17581-LGC6-E00	0	F10	18293-LHJ8-900	2	F14	19104-ACD5-E00	0	F21
17583-LGC6-E00	0	F10	18306-LGC6-E00	6	F14	19105-LGC6-E00	3	F21
17584-LGC6-E00	0	F10	1830A-LGC6-E00	9	F14	19111-PRB3-900	2	F21
17585-LGC6-E00	0	F10	18310-LGC6-E00	8	F14	19120-LGC6-E00	2	F21
17586-LGC6-E00	0	F10	18318-LGC6-E00	6	F14	19210-KKC4-900	0	F21
17587-LGC6-E00	0	F10	18319-LGC6-E00	6	F14	19217-PRB9-E01	2	E04
17588-LGC6-E00	0	F10	1832A-LGC6-E00	7	F14	19220-LGC6-E00	5	E04

## PART NO. INDEX

PART NO.	VERSION	PAGE	PART NO.	VERSION	PAGE	PART NO.	VERSION	PAGE
19229-LGC6-E00	0	E04	2210B-LGC6-E02	2	E05	28110-LGC6-E01	4	E08
19230-LGC6-E00	4	E04	22110-LGC6-E00	7	E07	28120-LGC6-E00	1	E08
19317-LBA2-E00	1	E02	22121-LGC6-305	0	E07	28130-LGC6-E00	2	E08
19319-LGC6-E00	0	E02	22131-LGC6-E00	5	E07	28130-LGC6-E01	2	E08
1931A-LGC6-E00	4	E02	22132-ADG5-305	0	E07			
19320-KED9-90A	1	E02				<b>30000</b>		
19501-LGC6-E00	4	E03	<b>23000</b>					
19502-LGC6-E00	4	E04				3051A-LGC6-E00	3	E02
19504-LBA2-E00	3	E03	23010-LGC6-E00	9	E07			
19504-LBA2-E00	3	E04	23100-LGC6-E00	2	E07	<b>31000</b>		
19505-LBA2-E00	4	F21	23200-LGC6-E00	3	E07			
19505-LBC6-900	0	F13	23215-LGC6-E00	5	E05	31110-LGC6-E00	1	E08
19507-LDB5-E00	1	F21	23220-LGC6-E00	7	E07	31120-LGC6-E00	6	E08
<b>21000</b>			23225-LKF5-E00	4	E07	31129-LGC6-E00	3	E08
			23233-LGC6-E00	0	E07	31210-LGC6-E00	1	E08
			23237-LGC6-E00	0	E07	31340-LEA7-E00	3	F19
21100-LGC6-E00	8	E05	23238-LDB5-E00	1	E07	31500-LGC6-E01	1	F11
21200-LGC6-305	0	E10	23420-LGC6-E00	1	E05	31600-LKF5-E00	0	F19
21200-LGC6-306	0	E10	23430-LGC6-E00	0	E05	31700-KEC8-E00	1	F19
21300-LGC6-305	0	E10	23432-LGC6-E00	4	E05	31959-LGC6-E00	2	F19
21395-LGC6-E00	5	E10	23800-LGC6-E02	7	F16	3195A-LBA7-E00	1	F19
<b>22000</b>			<b>28000</b>			<b>32000</b>		
22102-LGC6-E00	1	E07	28102-LEA7-E00	3	E08	32100-LGC6-910	2	F19
22105-LGC6-E00	4	E07	28110-LGC6-E00	1	E08	32100-LGC6-E01	2	F19

## PART NO. INDEX

PART NO.	VERSION	PAGE	PART NO.	VERSION	PAGE	PART NO.	VERSION	PAGE
32101-LGC6-E00	5	E02	33731-LHJ8-900	2	F06			
32102-LGC6-E01	0	E08	33734-LGC6-E00	2	F06	<b>36000</b>		
32103-LGC6-E02	4	F03	33739-LGC6-E00	2	F06			
32105-LLJ3-E00	2	E01	33741-ACH7-900	0	F18	3650A-LGC6-E00	5	F19
32410-LGC6-E00	0	E08	33900-LGC6-E00	4	F12			
32411-LGC6-E00	0	F11				<b>37000</b>		
32412-LGC6-E01	5	E08	<b>34000</b>					
<b>33000</b>			34300-LKM8-E00	3	E06	37130-LGC6-E01	0	F02
			34301-KKE3-900	2	E06	37200-LGC6-305	0	F02
33100-LGC6-306	0	F01				3720A-LGC6-E01	4	F02
33100-LGC6-E01	2	F01	<b>35000</b>			37211-LGC6-E00	0	F02
33101-LGC6-305	0	F01				37215-LHJ3-900	1	F05
33107-LGC6-E00	0	F01	35101-LGC6-315	0	F19	37800-LGC6-E00	0	F10
33108-LGC6-E00	0	F01	35102-LGC6-315	0	F19			
33109-LGC6-E00	4	F01	3515A-LGC6-E00	5	F03	<b>38000</b>		
33111-LGC6-E00	0	F01	3520A-LGC6-E00	4	F03	38110-KKC3-90A	1	F19
33130-LGC6-E00	0	F01	35340-KFLF-900	2	F03	38300-KKE5-E00	3	F19
33400-LGC6-E00	3	F17	35340-LGC6-E00	0	F04	38500-LGL3-90A	5	F19
33450-LGC6-E00	3	F17	35350-LGC6-E00	0	F04	38601-LGC6-E00	0	F19
33700-LGC6-E00	6	F18	35370-ZZA6-E00	0	F15	3860A-LGC6-E00	2	F19
33701-LGC6-305	0	F18	35380-LEA2-900	2	F19	38620-LGC6-E00	3	F19
33706-LGC6-E00	0	F18	35390-LHG7-E00	5	F12	38621-LGC6-E00	6	F19
33711-LGC6-E00	0	F18	35500-LGC6-E00	2	E01	38704-LGC6-E00	4	F19
33720-LGC6-305	0	F18	35850-LGC6-E00	0	F19	3870A-LGC6-E00	4	F19
33727-LGC6-E00	0	F18	35852-LGC6-E00	0	F19	38900-ACD5-E00	7	F19

## PART NO. INDEX

PART NO.	VERSION	PAGE	PART NO.	VERSION	PAGE	PART NO.	VERSION	PAGE
<b>39000</b>			40530-LGC6-E00	0	F08	43113-LBA2-E00	0	F08
39100-LGC6-E00	0	F19	40543-LGC6-E00	2	F08	43126-LGC6-E00	9	F04
3920A-LGC6-E01	4	F19	40553-LGC6-E00	2	F08	43127-LGC6-E00	5	F04
39300-KKE5-800	2	E02	40613-LGC6-E00	0	F16	43156-LGC6-E00	0	F08
39400-LEA6-800	2	E02	<b>41000</b>			43210-LGC6-305	0	F08
39450-ZVA6-M00	1	F14	41201-LGC6-E00	8	F08	43351-LGC6-E01	3	F08
39500-AAC9-900	1	E06	41202-LGC6-E00	6	F08	43352-LGC6-E00	0	F08
39500-AAC9-900	1	F13	<b>42000</b>			4335A-LGC6-E00	0	F04
39600-ACH6-900	0	F10	42301-LGC6-E00	3	F08	43450-LGC6-E00	9	F03
39650-LGC6-E00	6	F19	42312-LGC6-E00	6	F08	43500-LGC6-E00	1	F04
39660-LGC6-E00	0	F07	42313-LGC6-E00	3	F08	43513-LGC6-E00	0	F04
39660-LGC6-E00	0	F08	42600-LGC6-305	0	F08	43521-LGC6-E00	0	F04
3970A-LGC6-E00	3	F13	42620-LGC6-E00	0	F08	<b>44000</b>		
<b>40000</b>			42710-LGC6-305	0	F08	44301-LGC6-E00	3	F07
40510-LGC6-E00	5	F16	42710-LGC6-E00	0	F08	44312-LBA2-E00	2	F07
40511-LGC6-E00	1	F16	<b>43000</b>			44600-LGC6-305	0	F07
40511-LGC6-E01	2	F16	43100-LGC6-E01	4	F08	44620-LGC6-E00	0	F07
40512-LGC6-E00	0	F16	43105-LGC6-305	0	F08	44710-LGC6-305	0	F07
40513-LGC6-E00	0	F16	43109-LGC6-E00	3	F08	44710-LGC6-E00	0	F07
40520-LGC6-E00	1	F16	43110-LGC6-E00	5	F08	<b>45000</b>		
40521-LGC6-E00	1	F16				45100-LGC6-E00	0	F07
40522-LGC6-E00	0	F16				45105-LGC6-305	0	F07

## PART NO. INDEX

PART NO.	VERSION	PAGE	PART NO.	VERSION	PAGE	PART NO.	VERSION	PAGE
45108-LGC6-305	0	F07	50128-LGC6-E00	0	F20	50504-LGC6-E00	1	F16
45126-LGC6-E00	7	F04	5013A-LGC6-E00	8	F20	50505-LEA7-E00	1	F15
45127-LGC6-E00	5	F04	50143-LGC6-E00	1	F21	50505-LKB9-900	1	F15
45129-LGC6-E00	2	F19	50144-LGC6-E00	2	F21	50506-KHE7-E00	0	F15
4512A-LGC6-E01	2	F07	50145-LGC6-E00	0	F20	50530-LGC6-E00	6	F15
45131-LDH1-E00	0	F08	50146-LGC6-E00	1	F20	50531-LGC6-E00	2	F15
45132-LDH1-E00	0	F08	50149-LGC6-E00	1	F10	50532-LGC6-E00	3	F15
45134-KED9-900	0	F08	50150-LGC6-E00	12	F20	50550-KKC2-E00	0	F15
45135-KED9-900	0	F08	50181-LGC6-E00	4	F19	50604-LGC6-E00	2	F07
45200-LGC6-E00	0	F07	50182-LGC6-E00	0	F21	50611-LGC6-E00	1	F21
45209-LGC6-E00	3	F08	50185-LGC6-E00	0	F20	50612-LGC6-E00	1	F21
45352-LKF5-E00	0	F07	50186-LGC6-E00	2	F20	50613-LGC6-E00	0	F21
45500-LGC6-E00	1	F04	50187-LGC6-E00	4	F20	50615-LGC6-E00	1	F21
45513-LGC6-E00	0	F04	50189-LGC6-E00	4	F20	50616-LGC6-E00	1	F21
45517-LGC6-E00	0	F04	50191-LGC6-E00	0	F20	50617-LGC6-E00	5	F20
45521-LGC6-E00	0	F04	50192-LGC6-E00	0	F20	50618-LGC6-E00	5	F20
			50193-LGC6-E00	1	F20	50710-LGC6-E00	2	F20
<b>49000</b>			50194-LGC6-E00	0	F20	50713-KEB7-900	0	F20
			50306-1F96-001	0	F06	50715-KKAK-900	0	F20
49100-LGC6-E00	0	F04	50325-LGC6-E00	1	F11	50719-LGC6-E00	3	F20
49110-LGC6-E00	1	F04	50326-LGC6-E00	1	F11	5071A-LGC6-E00	7	F20
49211-LFH1-E00	1	F04	50329-LGC6-E00	0	F11	50720-LGC6-E00	2	F20
			50330-LKF5-E00	1	F19	5072A-LGC6-E00	6	F20
<b>50000</b>			50500-LGC6-E00	2	F15			
			50501-LGC6-E00	0	F15			
50127-LGC6-E00	0	F20	50502-GFY6-901	3	F15			

## PART NO. INDEX

PART NO.	VERSION	PAGE	PART NO.	VERSION	PAGE	PART NO.	VERSION	PAGE	
<b>51000</b>			52400-LGC6-E00	7	F16	5323A-LGC6-E00	8	F06	
			52415-LGC6-E00	0	F16	53240-LEA7-90A	2	F06	
						53250-LEA7-90A	2	F06	
			<b>53000</b>						
	51400-LGC6-E00	9	F06						
	51421-LGC6-E00	4	F06			<b>61000</b>			
	51423-KED9-900	0	F22	53100-LGC6-E00	7	F03			
	51424-KED9-900	0	F22	53105-LGC6-E00	2	F03	61100-LGC6-E00	5	F06
	51427-LGC6-E00	0	F22	53109-LGC6-E00	0	F03	61101-LGC6-E00	1	F06
	51427-LGC6-E02	0	F22	53165-LGC6-E01	4	F03	61102-LGC6-E00	1	F06
	51428-KED9-900	0	F22	53166-LGC6-E01	6	F03	6111A-LGC6-E00	2	F05
	51430-ACD5-E00	0	F08	53175-LGC6-E00	0	F04			
	51430-LGC6-E00	0	F22	53178-LGC6-E00	0	F04	<b>64000</b>		
	51431-KED9-900	0	F22	53190-LGC6-E00	0	F03			
	51431-LGC6-E00	0	F22	53194-LGC6-E00	0	F03	64101-LGC6-E00	0	F05
	51432-LGC6-E00	0	F22	53195-LGC6-E00	0	F03	64130-LGC6-E00	1	F03
	51500-LGC6-E00	6	F06	53200-LGC6-E00	4	F06	64140-LGC6-E00	3	F03
51521-LGC6-E00	4	F06	53203-LGC6-E00	0	F03	64201-LGC6-E00	0	F05	
			53204-LGC6-E00	6	F03	64206-MLJ0-001	1	F16	
<b>52000</b>			53205-LGC6-E00	2	F03	64211-LGC6-E00	0	F05	
			53206-LGC6-E00	2	F03	64222-KKC4-900	3	F03	
52100-LGC6-E01	5	F16	5320C-LGC6-E00	3	F03	64222-LLJ3-E00	1	F03	
52120-LGC6-E01	4	F16	53213-LBA2-E00	2	F06	64222-LLJ3-E00	1	F06	
52130-LGC6-E00	6	F16	53214-LBA2-E00	2	F06	6422A-LGC6-E00	4	F03	
52132-LGC6-E00	2	F16	53214-LGC6-E00	0	F05	64230-LGC6-E00	1	F03	
52133-LGC6-E00	6	F16	53220-LGC6-E00	3	F06	64240-LGC6-E00	3	F03	
52134-LGC6-E00	3	F16	53224-LGC6-E00	0	F05	64301-LGC6-E00	0	F05	



## PART NO. INDEX

PART NO.	VERSION	PAGE	PART NO.	VERSION	PAGE	PART NO.	VERSION	PAGE
64302-LGC6-E00	3	F05	77240-LGC6-E01	1	F19	81132-LGC6-E00	5	F05
64303-LGC6-E00	3	F05	77241-LGC6-E00	8	F10	81133-LGC6-E00	0	F05
64305-LGC6-E00	0	F05	77300-LGC6-E00	0	F09	81134-LGC6-E00	0	F05
64306-LGC6-E00	0	F05	77303-LHJ8-900	1	F09	81136-ACD5-E00	1	F05
64310-LGC6-E00	0	F05	7731A-LGC6-E00	2	F09	81136-LEA7-E00	2	F05
64311-LGC6-E00	0	F05				81137-LGC6-E00	4	F12
64315-LGC6-E00	9	F20	<b>80000</b>			81138-LGC6-E00	2	F10
64317-LGC6-E00	2	F20				81151-LGC6-E00	5	F05
64320-LGC6-E00	0	F05	80100-LGC6-E00	3	F18	8116A-LGC6-E00	0	F05
64330-LGC6-E00	0	F05	80105-LGC6-E00	1	F18	8117A-LGC6-E00	0	F05
64340-LGC6-E00	0	F05	80106-LGC6-E00	0	F18	81200-LGC6-E00	7	F12
64350-LGC6-E00	0	F05	80107-LGC6-E00	1	F18	81210-LGC6-E00	7	F12
64360-LGC6-E00	0	F05	8010B-LGC6-E00	2	F18	81255-LGC6-E00	0	F12
64370-LGC6-E00	0	F05	80143-LGC6-E00	0	F12	81260-LGC6-E00	5	F12
64380-LGC6-E00	0	F05	80152-LGC6-E00	5	F12			
64400-LGC6-E00	0	F05	8015B-LGC6-E00	4	F05	<b>83000</b>		
			8015C-LGC6-E00	3	F12			
<b>77000</b>			80161-LGC6-E00	3	F05	83500-LGC6-E00	1	F12
						83501-LGC6-E00	0	F12
77200-LGC6-309	0	F09	<b>81000</b>			83510-LGC6-E00	0	F05
77206-KGBG-900	1	F09				83511-LGC6-E00	0	F05
77206-LKB9-900	1	F09	81122-LGC6-E00	5	F05	83520-LGC6-E00	0	F12
77210-LGC6-E00	0	F09	81123-LGC6-E00	0	F05	83521-LGC6-E00	0	F12
77230-LGC6-E00	0	F19	81124-LGC6-E00	0	F05	83530-LGC6-E00	0	F12
77235-LGC6-E00	4	F10	81130-LGC6-E00	0	F05	83532-LGC6-E00	0	F12
77240-LGC6-E00	2	F10	81131-LGC6-E00	7	F05	83533-LGC6-E00	0	F12

## PART NO. INDEX

PART NO.	VERSION	PAGE	PART NO.	VERSION	PAGE	PART NO.	VERSION	PAGE
8353A-LGC6-E00	2	F12				90027-PUA5-E00	9	E02
83550-KEC8-900	4	F06	<b>87000</b>			90033-KGB4-C00	2	E02
83551-KEC8-900	4	F06				90033-LGC6-E00	0	E01
83551-LGC6-E00	0	F05	87515-LGC6-E00	2	F24	90084-4H28-001	1	E04
83600-LGC6-E00	3	F12	87541-ZZA6-E00	2	F24	90084-KKE5-E00	5	E05
83601-LGC6-E00	0	F12	87546-ADG5-E00	2	F26	90084-KKE5-E00	5	E10
83610-LGC6-E00	0	F05	87560-LGC6-E00	2	F24	90101-KGC4-E00	1	F09
83611-LGC6-E00	0	F05				90101-LEA7-E00	1	F14
83620-LGC6-E00	3	F12	<b>88000</b>			90101-LGC6-E00	1	F16
83621-LGC6-E00	0	F12				90102-LGC6-E00	0	F16
83622-KED9-900	0	F09	88110-LGC6-E00	4	F03	90105-KCR3-001	1	F07
83630-LGC6-E00	0	F12	88120-LGC6-E00	4	F03	90105-KCR3-001	1	F08
83632-LGC6-E00	0	F12				90105-KFC2-900	0	F03
83633-LGC6-E00	0	F12	<b>89000</b>			90105-LGC6-E00	2	F12
8363A-LGC6-E00	3	F12				90106-LEC8-900	1	F16
83750-LGC6-E00	0	F12	89010-LGC6-E00	2	F09	90107-LEA7-E00	4	F06
83751-LGC6-E00	1	F12	89020-KKC4-900	1	F09	90108-LGC6-E00	3	F15
<b>86000</b>			<b>90000</b>			90110-KED9-900	2	F16
86020-LGC6-E00	3	F25	90001-GBHB-661	3	F20	90111-LEB1-900	1	F18
86102-LGC6-E00	5	F25	90004-LGC6-E00	1	E05	90111-LEC8-E00	1	F18
8620A-LGC6-E00	3	F25	90005-LEH6-E00	3	E03	90111-LGC6-E01	1	F03
86300-LGC6-E00	6	F25	90007-LGC6-E00	0	E02	90111-LGC6-E01	1	F12
86380-LGC6-E00	2	F25	90010-KKE5-E01	4	E10	90112-KNBN-901	1	F02
			90018-KKE5-E00	2	E02	90113-LGC6-E00	0	F04
						90113-LGE5-E01	0	F04
						90121-LGC6-E00	0	F15

## PART NO. INDEX

PART NO.	VERSION	PAGE	PART NO.	VERSION	PAGE	PART NO.	VERSION	PAGE
90122-LKF5-E00	1	F07	90304-LEA1-900	1	F20	90412-3K29-001	0	E08
90123-LGC6-E00	0	F15	90304-LGC6-E00	1	F14	90412-PUA5-E00	4	E01
90125-LGC6-E00	0	F20	90305-KNBN-90A	0	F16	90441-LKF5-E00	0	E05
90145-LFH1-E00	1	F04	90305-LBA2-E00	1	F06	90442-LGC6-E00	1	E01
90201-KHR8-75A	1	E09	90306-LBA2-900	1	F08	90452-LBA7-900	1	E05
90201-LGC6-E00	2	F16	90306-LFE2-900	1	F20	90459-LKF5-E00	0	E04
90202-LDB5-E00	3	E07	90309-GLW0-90A	1	F16	90463-PUA5-E00	4	E10
90204-LGC6-E00	0	E05	90311-PWB1-900	0	E05	90465-PUA5-E00	5	E01
90215-KKC4-900	2	F20	90312-GLF0-001	0	F03	90478-7L00-001	0	E02
90301-6D34-671	1	F01	90312-LLJ3-E00	1	F03	90478-7L00-001	0	E04
90301-6D34-671	1	F10	90312-LLJ3-E00	1	F06	90501-KNBN-901	0	F16
90301-6D34-671	1	F19	90312-PWB1-900	0	E05	90501-LEH6-E00	0	E03
90301-6D34-671	1	F21	90313-PWB1-900	0	E05	90503-0A51-870	0	F16
90301-GFY6-901	2	F14	90314-PWB1-900	0	E05	90503-KKE5-E00	1	F06
90302-GFY6-940	2	F10	90315-PWB1-900	0	E05	90503-LEA7-E00	2	F06
90302-GFY6-940	2	F19	90316-PWB1-900	0	E05	90525-KED9-900	2	E01
90302-LLB1-E00	2	F10	90317-PWB1-900	0	E05	90525-KED9-900	2	E03
90302-LLB1-E00	2	F19	90318-PWB1-900	0	E05	90541-PUA5-E00	4	E02
90302-SDA4-004	3	F03	90319-PWB1-900	0	E05	90544-KEC8-900	0	F22
90302-SDA4-004	3	F05	90320-PWB1-900	0	E05	90545-3L00-001	2	F04
90302-SDA4-004	3	F12	90321-PWB1-900	0	E05	90622-LHJ8-900	1	F19
90302-SDA4-004	3	F18	90322-PWB1-900	3	E05	90651-ALH3-700	0	F19
90304-KKE5-E00	1	F06	90323-PWB1-900	0	E05	90652-GFY6-901	1	E02
90304-LEA1-900	1	F03	90324-PWB1-900	0	E05	90652-KHE7-900	0	F13
90304-LEA1-900	1	F15	90401-KKJ9-001	0	E09	90652-LCA4-E00	6	F01
90304-LEA1-900	1	F16	90403-LGC6-E00	1	E05	90652-LCA4-E00	6	F03

## PART NO. INDEX

PART NO.	VERSION	PAGE	PART NO.	VERSION	PAGE	PART NO.	VERSION	PAGE
90652-LCA4-E00	6	F05	91252-LGC6-E00	2	F16	91552-LGC6-E00	0	E01
90652-LCA4-E00	6	F12	91254-LGC6-E00	1	F08	91552-LGC6-E00	0	E05
90652-LFB5-900	3	F05	91257-KED9-900	2	F07			
90652-LFB5-900	3	F21	91257-LGC6-E00	0	F16	<b>92000</b>		
90652-LGC6-E00	0	F03	91301-0H28-001	0	F16			
90653-LGC6-E00	3	F05	91301-LGC6-E00	2	E01	92000-05016-0G	0	E08
90653-LKB9-900	1	F12	91301-LGC6-E00	2	E05	92101-LGC6-E00	2	F16
90656-KCBC-900	0	F03	91302-KKE5-800	1	E02			
90656-KCBC-900	0	F19	91302-LDB2-E00	1	E02	<b>93000</b>		
90656-KUDU-900	0	F19	91302-PRA1-E00	3	E01			
90656-ZVA6-M00	0	F19	91303-3G77-001	0	E04	93401-06020-07	0	F15
90660-LGC6-E00	0	F13	91303-PUA5-E00	3	E08	93404-06012-06	1	F03
90660-PWA2-900	1	F03	91304-LFA7-E00	3	E01	93404-06012-06	1	F05
90660-PWA2-900	1	F23	91304-LGC6-E00	4	E05	93404-06012-06	1	F12
90677-GAR1-004	2	F11	91305-LEH6-E00	0	E01	93404-06012-06	1	F16
90805-LGC6-E00	3	E01	91305-LEH6-E00	0	E03	93404-06012-06	1	F18
			91305-LEH6-E00	0	E10	93404-06012-06	1	F21
<b>91000</b>			91306-PUA5-E00	3	E01	93404-06016-06	1	F03
			91306-PUA5-E00	3	E10	93404-06016-06	1	F11
91201-LGC6-E00	1	E05	91307-0E35-001	1	E10	93404-06016-06	1	F21
91201-LKF5-E00	1	E09	91308-LGC6-E00	3	E01	93404-06025-06	0	F21
91202-LGC6-E00	3	E05	91311-PRA1-E00	3	E01	93500-KHC4-90A	0	F19
91202-LKG2-900	1	E04	91316-PRA1-E00	3	E01	93500-LGC6-E00	0	F19
91205-LGC6-E00	1	E05	91351-LDB5-E00	1	E07	93891-05012-06	0	F11
91211-LGC6-E00	0	E07	91507-LKE6-900	1	F19	93891-05016-06	0	E06
91252-LGC6-E00	2	E10	91552-LEH6-E00	0	E03	93903-14460	0	F05

## PART NO. INDEX

PART NO.	VERSION	PAGE	PART NO.	VERSION	PAGE	PART NO.	VERSION	PAGE
93903-14460	0	F12	94050-06060	1	F06	94301-08140	4	E05
93903-24360	0	F03	94050-06060	1	F09	94301-08140	4	E10
93903-24360	0	F05	94050-06060	1	F19	94301-10160	0	F16
93903-24360	0	F06	94050-06080	2	F09	94301-10200	2	E05
93903-24360	0	F12	94050-08020	0	F16	94301-12200	1	E02
93903-24360	0	F16	94050-08060	0	F19	94301-12200	1	F16
93903-24360	0	F18	94050-10060	0	E01	94302-10160	0	F15
93903-24360	0	F21	94050-LHJ3-900	0	F18	94401-25140	4	E09
93903-25460	0	F13	94050-LKF5-E00	1	E07	94510-10000	0	E08
93903-34360	0	F05	94101-06000	0	F20	94510-12000	0	E04
93903-34360	0	F09	94101-06200	1	F14	94510-25000	0	E05
93903-34360	0	F13	94101-08600	0	F15	94520-32180	0	E04
93903-35260	0	F01	94101-10000	0	F03	94520-32180	0	E10
93903-35260	0	F17	94101-10000	0	F15	94520-42000	2	E05
93903-GFY6-900	1	F05	94101-12000	0	F03	94591-LGC6-E00	0	F20
93903-GFY6-900	1	F12	94101-LDB5-E00	0	F14	94591-LLB1-900	0	F21
93903-GFY6-900	1	F18	94101-LEA2-900	0	F14	94601-17000	0	E03
93903-LGC6-E01	0	F03	94101-LGC6-E00	0	F08	94605-LGC6-E00	0	F22
93903-LGC6-E01	0	F18	94102-08000	5	F03			
93903-LHJ8-910	1	F02	94102-LGC6-E00	3	E04	<b>95000</b>		
			94111-06800	0	E02			
<b>94000</b>			94111-ACD5-E00	1	F14	95002-02070	2	E06
			94201-20180	0	F15	95002-02070	2	F23
94001-LGC6-E00	0	E07	94201-20180	0	F20	95002-02080	0	F12
94050-06060	1	E05	94301-08140	4	E01	95002-02080	0	F13
94050-06060	1	F04	94301-08140	4	E02	95002-02080	0	F23

## PART NO. INDEX

PART NO.	VERSION	PAGE	PART NO.	VERSION	PAGE	PART NO.	VERSION	PAGE
95002-02110	0	F13	95701-08020-06	1	F20	96001-06018-06	0	E02
95002-40850-08G	0	F13	95701-08025-06	0	E05	96001-06018-06	0	E06
95002-41100-08	0	F13	95701-08025-06	0	F20	96001-06018-06	0	F13
95002-41250-00	0	F13	95701-08025-06	0	F21	96001-06022-06	1	F15
95002-KED9-M30	1	F13	95701-LEA5-E00	1	F19	96001-06028-06	0	E03
95002-LHG8-E00	1	F13	95709-PRA1-E00	4	E05	96001-06035-06	0	E01
95002-LKF5-E00	2	F13	95801-08090-06	0	E01	96001-06035-06	0	E08
95003-23004-60	0	F13	95801-08090-06	0	F16	96001-06040-06	0	E08
95014-72204	0	F15	95801-10030-06	0	F08	96001-06055-06	0	E01
95014-PRB3-900	0	F19	95801-10030-06	0	F15	96001-06060-06	0	F04
95701-06012-06	1	F03	95801-10055-06	0	F20	96001-06090-06	2	E01
95701-06012-06	1	F10	95801-10060-06	0	F16	96001-06130-06	1	E02
95701-06012-06	1	F19	95801-10065-06	0	F15	96001-LAB4-900	3	F13
95701-06012-06	1	F20	95801-10065-06	0	F20	96005-PRA1-E00	2	E01
95701-06012-06	1	F21	95801-10120-06	0	F16	96005-PRA1-E00	2	E02
95701-06016-06	1	F20	95801-12295-06	1	F20	96008-PRA1-E00	2	E02
95701-06020-06	1	F03	95801-LEA1-900	1	F08	96008-PRA1-E00	2	E04
95701-06020-06	1	F04				96011-PRA1-E00	2	E10
95701-06020-06	1	F13	<b>96000</b>			96012-PRA1-E00	2	E05
95701-06040-06	0	F06				96013-LGC6-E00	0	E04
95701-08012-06	0	F19	96001-06010-06	0	E04	96014-PRA1-E00	2	E02
95701-08016-06	0	F03	96001-06012-06	0	E05	96015-PRA1-E00	2	E04
95701-08016-06	0	F06	96001-06012-06	0	F08	96018-PRA1-E00	2	E05
95701-08016-06	0	F09	96001-06012-06	0	F13	96023-PRA1-E00	0	E02
95701-08016-06	0	F10	96001-06012-06	0	F19	96023-PRA1-E00	0	E05
95701-08016-06	0	F20	96001-06014-06	0	E05	96023-PRB9-E00	0	E04

## PART NO. INDEX

PART NO.	VERSION	PAGE	PART NO.	VERSION	PAGE	PART NO.	VERSION	PAGE
96026-PRA1-E00	0	E05	96600-LEA7-E01	1	F14			
96033-PRA1-E00	2	E05	96600-LKF5-E00	0	F22			
96052-PRA1-E00	0	F07	96700-06020-06	0	F16			
96052-PRA1-E00	0	F08	96700-KED9-900	3	F06			
96100-30203-10	0	E05	96700-LGC6-E00	1	F16			
96100-60010-00	0	E04	96701-LGC6-E01	0	F14			
96100-60060-00	0	E10						
96100-62010-00	0	E04	<b>98000</b>					
96100-62050-00	2	E05						
96100-62050-00	2	E10	98059-57916-00	2	E02			
96100-62060-00	2	E05	98200-31000	1	F11			
96100-63020-00	0	E05	98200-31500	1	F11			
96100-63040-00	1	E05	98200-33000	0	F11			
96100-LGC6-E00	0	F16						
96140-62010	0	E10	<b>502000</b>					
96150-60040-10	0	F07						
96150-60060-10	0	E05	502-00149	0	F19			
96150-62060-10	0	F16	502-00151	0	F19			
96150-LGC6-E00	0	F08	502-00155	0	F19			
96211-08000	19	F20	502-00164	0	F19			
96211-16000	2	E01						
96220-40158	1	E08						
96600-06015-10	4	E08						
96600-08025-06	0	F06						
96600-08035-06	0	F06						
96600-08050-02	0	F16						