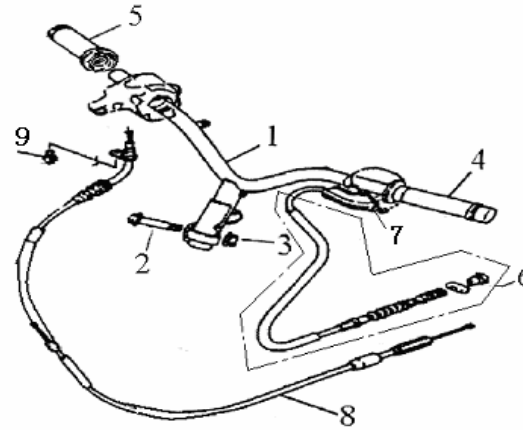


F01. 操纵**F01. STEERING**

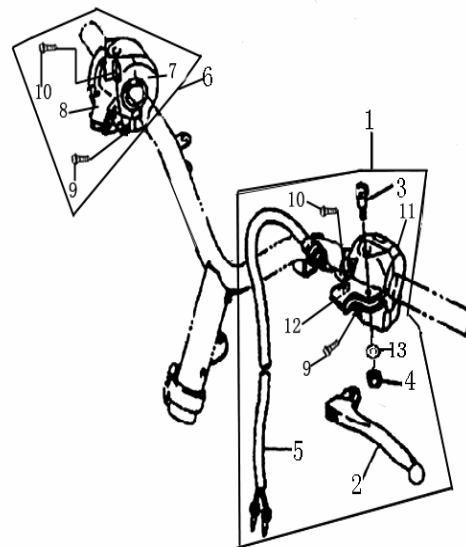
序号	代码	名称及规格	数量	标注 1
NO.	CODE	DESCRIPTION	QTY	REMARK 1
1	40100BMBT001	HANDLE COMP.	1	
2	B01091004565	BOLT M10X1.25X45	1	
3	B04171012565	U NUT M10X1.25	1	
4	40001BMBT000	L. GRIP	1	
5	40210BMBT000	GRIP ASSY.	1	
6	40270J4FT000	BRAKE CABLE ASSY.	1	
7	40008BM0T000	JACKET,RR. BRAKE CABLE	1	
8	40300J4FT000	CABLE ASSY. THROTTLE	1	
9	B02000501025	PAN HEAD SCREW M5X10	1	



F02. 手柄、组合开关

F02. LEVER/HANDLE SWITCH

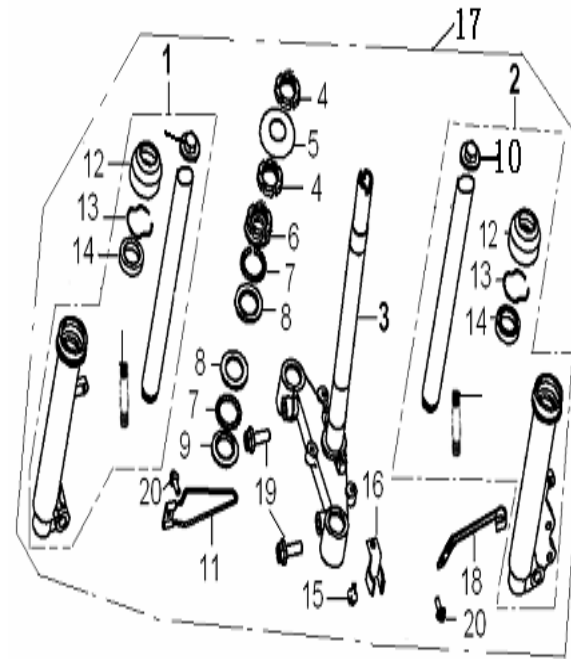
序号	代码	名称及规格	数量
NO.	CODE	DESCRIPTION	QTY.
1	40500BM0T000	LEFT HANDLE SWITCH ASSY.	1
2	40002BM0T000	LEFT LEVER	1
3	40004BMAT000	LEVER MOUNTING SCREW	1
4	B04000500065	NUT M5	1
5	91700BMAT000	STOP SWITCH ASSY.	1
6	40600BM0T000	RIGHT HANDLE SWITCH ASSY.	1
7	40610BM0T000	RIGHT HANDLE SWITCH	1
8	40620BM0T000	R. SWITCH FIXING SEAT	1
9	B02000502025	PAN HEAD SCREW M5×20	2
10	B02000502525	PAN HEAD SCREW M5×25	2
11	40510BM0T000	LEFT HANDLE SWITCH	1
12	40520BM0T000	L. SWITCH FIXING SEAT	1
13	B07000000505	SPRING WASHER 5	1



F03. 前叉

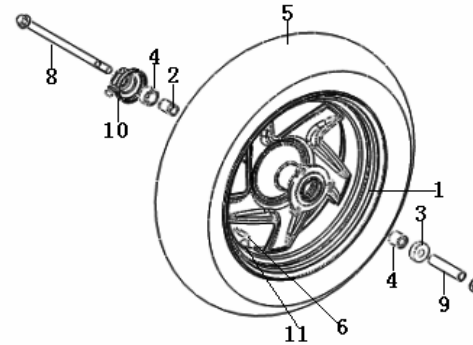
F03. FRONT FORK

序号	代码	名称及规格	数量
NO.	CODE	DESCRIPTION	QTY.
1	43300J4GT000	FR.R. FORK ASSY.	1
2	43200J4GT000	FR. L. FORK ASS'Y.	1
3	43100BMBT003	STEM, STEERING	1
4	43008BMBT000	NUT	2
5	43005BMBT001	BALL RACE COVER	1
6	43001BMBT002	BALL RACE, CONNECTING	1
7	B06010150000	STEEL BALLφ5	42
8	43003BMBT000	BALL RACE	2
9	43004BMBT000	BALL RACE	1
10	43204BMBT001	CAP BOLT	2
11	43150BMBT000	CLIP, SPEEDOMETER CABLE	1
12	43290K00P000	DUST SEAL	2
13	43207K00P000	CLIP	2
14	43260K00P000	OIL SEAL	2
15	B01090601265	BOLT M6×12	1
16	43035BMBT000	HOLDER, BRAKE HOSE 2	1
17	43000J4GT000	FRONT FORK ASS'Y.	1
18	43021BM0T003	HOLDER, BRAKE HOSE 1	1
19	B01091003065	BOLT M10×1.25×30	2
20	B01070601665	BOLT M6×16	2



F04. 前轮**F04. FRONT WHEEL**

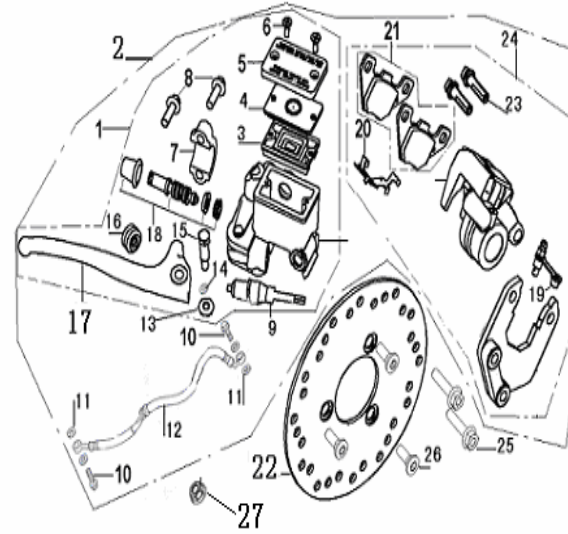
序号	代码	名称及规格	数量
NO.	CODE	DESCRIPTION	QTY.
	44100BM0TB40	FR. RIM COMP. 3.5×12"(MATTE BLACK B4) STEEL	1
	44100BM0TR70	FR. RIM COMP. 3.5×12"(RED R7) STEEL	1
	44100BM0TY50	FR. RIM COMP. 3.5×12"(YELLOW Y5) STEEL	1
	44100BM0TL90	FR. RIM COMP. 3.5×12"(BLUE L9) STEEL	1
1	44100BM0TB4A	FR. RIM COMP. 3.5×12"(MATTE BLACK B4) ALLOY	1
	44100BM0TR7A	FR. RIM COMP. 3.5×12"(RED R7) ALLOY	1
	44100BM0TY5A	FR. RIM COMP. 3.5×12"(YELLOW Y5) ALLOY	1
	44100BM0TL9A	FR. RIM COMP. 3.5×12"(BLUE L9) ALLOY	1
2	44600BM0T910	DISTANCE COLLAR COMP.	1
3	44300BM0T000	OIL SEAL 22×35×7	1
4	B12016020100	BALL BEARING 6201-2RS	2
5	B140107D12AB	TIRE 120/70-12(E MARK)	1
6	B1403Z201100	RIM VALVE Z2-01-1	1
7	B04171212563	U NUT M12X1.25	1
8	44004G4CT000	FR. WHEEL AXLE M12×1.25×224	1
9	44005BM0T000	COLLAR	1
10	44200J5BT000	SPEEDOMETER GEAR COMP.	1
11	B1404Z2011C0	CAP, VALVE	1



F05. 前液刹

F05. FRONT DISK BRAKE

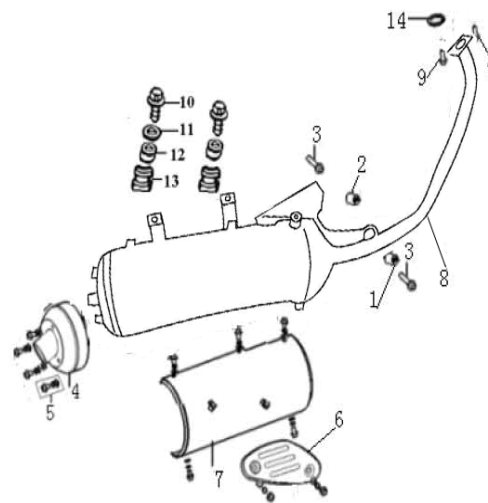
序号	代码		数量
NO.	CODE		QTY
1	45400BMBTB30	CYLINDER COMP.(BLACK)	1
2	45000J4FTRN2	DISC BRAKEASSY,FR.(U P BLACK, DOWN RED)	1
3	45011J1DT000	RESERVOIR DIAPHRAGM	1
4	45013J1DT000	WASHER, CYLINDER	1
5	45012BMBT000	RESERVOIR CAP	1
6	B02010401025	FLAT HEAD SCREW M4×10	2
7	45023J1DT000	MASTER CYLINDER BRACKET	1
8	B01070602365	BOLT M6×23	2
9	45300J3AT000	STOP SWITCH ASSY.	1
10	45037J00P000	UNION BOLT	2
11	45029J00P000	PLATE WASHER	4
12	45200BMBT001	FR. BRAKE HOSE	1
13	B04160600065	NUT M6	1
14	B07000000605	SPRING WASHER 6	1
15	45024J1CT000	BOLT M6	1
16	45057GOKP000	TENSION SPRING,LEVER	1
17	45022J3AT000	DISC BRAKE LEVER	1
18	45140J00P000	PISTON ASSY.	1
19	45021J00P000	BREED SCREW CAP	1
20	45017G0CP000	PAD SUPPORT	1
21	45110J4FT000	BRAKE PAD KIT (1SET 2 PIECES)	1 Pair
22	45033BMBTC20	BRAKE DISC(SILVER)	1
23	45053G0CP000	GUIDE POLE	2
24	45500J4FTRN0	CALIPER ASSY. (RED)	1
25	45039J4FT000	BOLT M8×36	2
26	45036BMAT000	BOLT	3
27	B04171012563	U NUT M10×1.25	3



F06. 消音器

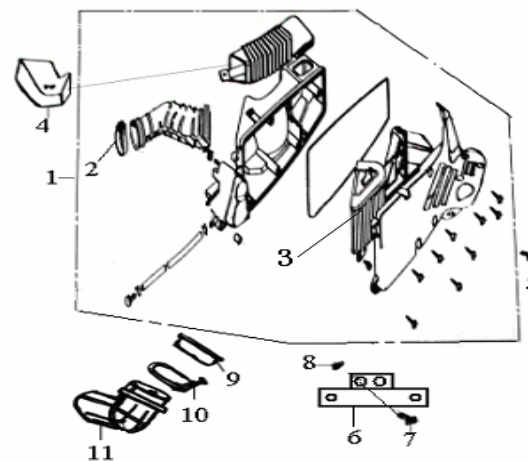
F06. MUFFLER <45km/h>

序号	代码		数量
NO.	CODE		QTY
1	47740J0ET000	WASHER ASSY., FIXING	1
2	47033J4AT000	ORIENTATION BUSH	1
3	B01090805565	BOLT M8×55	2
4	47780J4AT000	COVER COMP.,R.	1
5	B13040601004	SCEW M6×10	10
6	47023BM0T000	COVER, DECORATION	1
7	47760BM0T000	COVER ASSY., DECORATING	1
8	47100J4HT000	MUFFLER JOINTING ASSY.(with catalyst)	1
9	47006J0ET000	NUT M6	2
10	B01020602525	BOLT M6×25	2
11	B07020000605	WASHER 6	2
12	47312J4FT000	BUSH	2
13	45726J4FT000	CUSHION RUBBER	2
14	47800J4AT000	EXHAUST PIPE GASKET	1



F07. 空滤器**F07. AIR CLEANER**

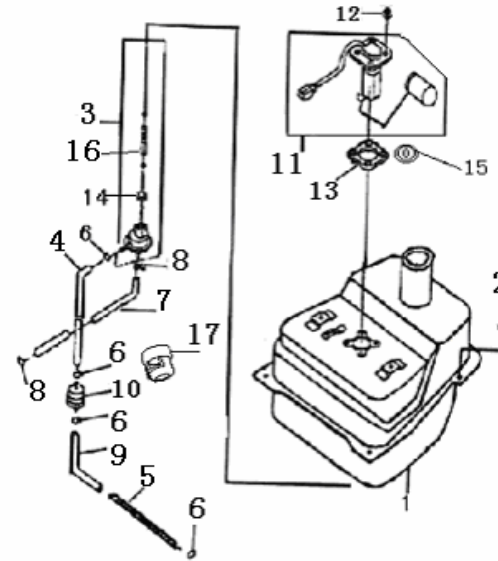
序号	代码		数量
NO.	CODE		QT
1	49100J4FT000	AIR CLEANER COMP.	1
2	49350J0ET000	CLAMP ASSY., AIR CLEANER	1
3	49200J4FT000	FILTER ASSY	1
4	49006J4FT000	SLEEVE, (PP)	1
5	B01090603065	BOLT M6×30	1
6	49025J4FT000	BRACKET, AIR CLEANER	1
7	B01090602565	BOLT M6×25	1
8	B04070600065	NUT M6	1
9	62510J4FT000	FILTER ASSY., AIR INTAKE	1
10	08430J0ET000	CLAMP ASSY., AIR INTAKE PIPE	1
11	62500J4FT000	PIPE ASSY., AIR INTAKE	1



F08. 燃油箱

F08. FUEL TANK

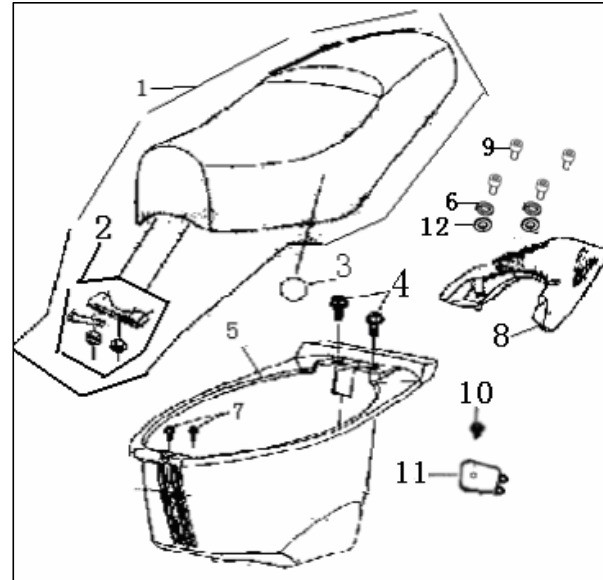
序号	代码	数量
NO.	CODE	QTY
1	50100J4FT001 FUEL TANK COMP.	1
1	50100BMBT002 FUEL TANK COMP.	1
2	B01090601665 BOLT M6×16	4
3	50300BM0T000 FUEL COCK ASSY.	1
4	50301BM0T000 FUEL HOSE 1 , φ4.5×φ8.5×80	1
5	50316BMBT000 SPRING(BLACK)	1
6	50307BM0T000 CLIP φ8	4
7	50302BM0T000 VACUUM HOSE 1,φ4×φ8×360	1
8	50306BM0T000 CLIP φ7	2
9	50303BM0T000 FUEL HOSE 2,φ4.5×φ8.5×250	1
10	50340J0ET000 FUEL FILTER ASSY.	1
11	50800J4FT000 SENDER UNIT	1
11	50800BMBT000 SENDER UNIT	1
12	50801BM0T000 BOLT M5×16	4
13	50004BMBT000 SENDER UNIT GASKET	1
14	50312J0ET000 SEAL RING	1
15	B07020000505 WASHER 5	4
16	50352BM0T000 FUEL FILTER	1
17	50391J0ET000 JACKET, STRAINER COMP	1



F09. 座垫

F09. SEAT

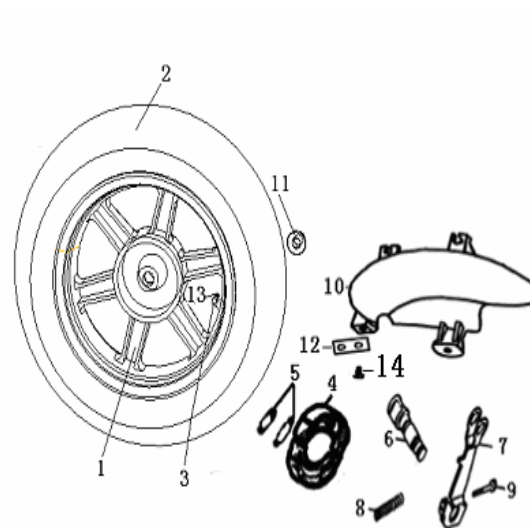
序号	代码	数量
NO.	CODE	QTY.
1	51100BMBT007 SEAT ASSY.	1
2	51080BMBT001 SEAT HINGE	1
3	08032BM0T000 O-RING 84.4×3.1	1
4	08011H60X000 BOLT M6×14	2
5	51004BMBT000 LUGGAGE BOX	1
6	B07030000805 WASHER 8	2
7	08017J4AT000 BOLT W/WASHER M6×20	2
	52011BMKTB40 RR.. CARRIER COMP(MATTE BLACK B4)	1
8	52011BMKTR70 RR.. CARRIER COMP (RED R7)	1
	52011BMKTY50 RR..CARRIER COMP (YELLOW Y5)	1
	52011BMKTL90 RR.. CARRIER COMP (BLUE L9)	1
9	B02050804565 SCREW M8×45	4
10	B05074201305 TAPPING SCREW ST4.2×13	1
11	51005BMBT000 COVER , LUGGAGE BOX	1
12	08027J4AT000 WASHER	2



F10. 后轮

F10. REAR WHEEL

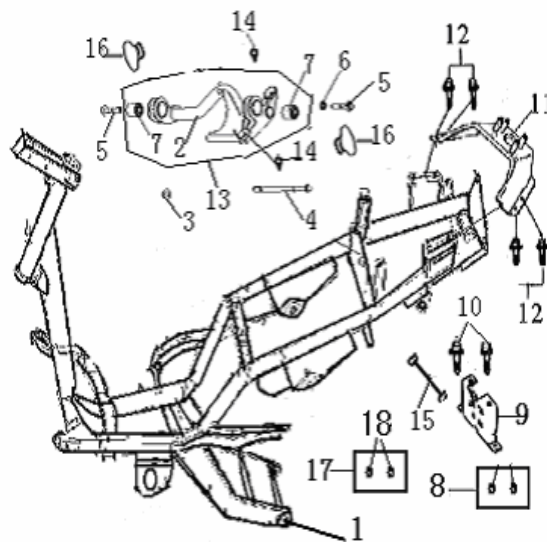
序号	代码	数量	
NO.	CODE	QTY.	
	54100J4FTB40	RR .RIMCOMP.3.5×12" (MATTE BLACK B4) STEEL	1
	54100J4FTR70	RR .RIMCOMP.3.5×12"(RED R7) STEEL	1
	54100J4FTY50	RR RIMCOMP.3.5×12"(YELLOW Y5) STEEL	1
	54100J4FTL90	RR .RIMCOMP.3.5×12"(BLUE L9) STEEL	1
1	54100J4FTB4A	RR .RIMCOMP.3.5×12" (MATTE BLACK B4) ALLOY	1
	54100J4FTR7A	RR .RIMCOMP.3.5×12"(RED R7) ALLOY	1
	54100J4FTY5A	RR RIMCOMP.3.5×12"(YELLOW Y5) ALLOY	1
	54100J4FTL9A	RR .RIMCOMP.3.5×12"(BLUE L9) ALLOY	1
2	B140108D12BB	TIRE 130/70-12 (E MARK)	1
3	B1403Z201100	RIM VALVE Z2-01-1	1
4	54200J4AT000	BRAKE SHOE (1 SET 2 PIECES)	1
5	54001J4AT000	SPRING, BRAKE SHOE	2
6	54003J4AT000	CAM SHAFT	1
7	54250J4AT002	CAM SHAFT LEVER, ASSY	1
8	54008J4AT000	TENSION SPRING	1
9	B01090603565	BOLT M6×35	1
10	65701J4FT001	REAR FENDER	1
11	B04171601563	U NUT M16×1.5	1
12	65771J4FT000	BRKT., RR. FENDER	1
13	B1404Z2011C0	CAP, VALVE	1
14	B01090601265	BOLT M6×12	1



F11. 车架

F11. FRAME BODY

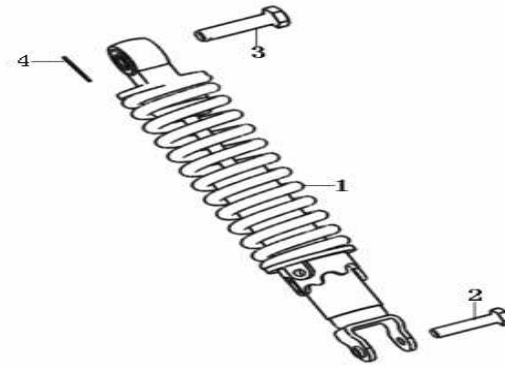
序号	代码		数量
NO.	CODE		QTY.
1	57100J4FT004	FRAME COMP.	1
2	58320J4FT000	E/G BRKT. COMP.	1
3	B04171012565	U NUT M10×1.25	1
4	58301J0ET000	E/G MOUNTING BOLT , M10×1.25×183	1
5	58305J0ET000	BOLT M10×1.25×55	2
6	58307J0ET000	BUSH, LEFT	1
7	58351J0ET000	E/G SET, SHAFT	2
8	57002J4HT000	ANTI-TAMPERING PLATE	1
9	58800BM0T000	SEAT CATCH COMP.	1
10	B01090602565	BOLT M6×25	2
11	57080BMKT000	CARRIER BRACKET	1
12	B01090601265	BOLT M6×12	5
13	58360J4FT000	E/G BRKT. COMP.	1
14	58342J0ET000	BUFFER, RUBBER	2
15	58900BMBT000	CABLE, SEAT	1
16	58353J4FT000	CAP, DECORATION	2
17	57001J4HT000	FRAME BODY NO. PLATE	1
18	B100432007P0	RIVET3.2×7	2



F12. 后减震

F12. REAR ABSORBER

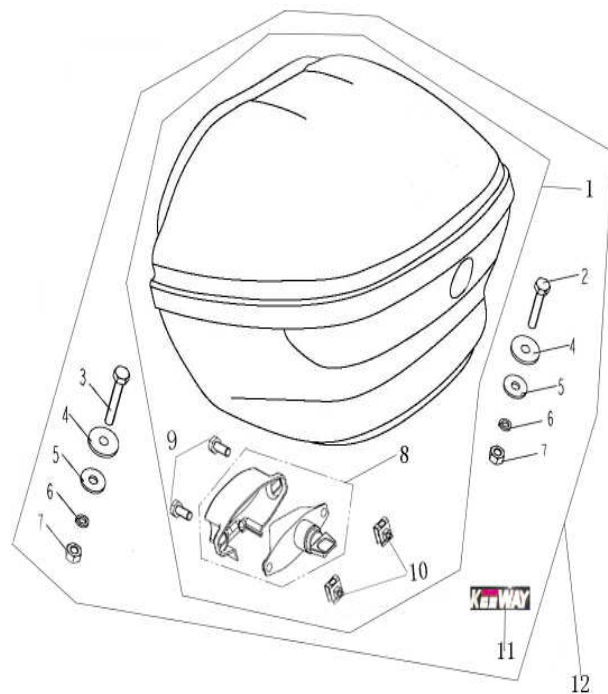
序号	代码		数量
NO.	CODE		QTY.
1	63100J4FTC11	RR. ABSORBER COMP., (SILVER)	1
2	63015J0ET000	FLANGE BOLT M8×31	1
3	B01141004063	BOLT W/HOLE M10×1.25×40	1
4	63016B0DT000	SPLIT PIN	1



F13. 后货箱总成

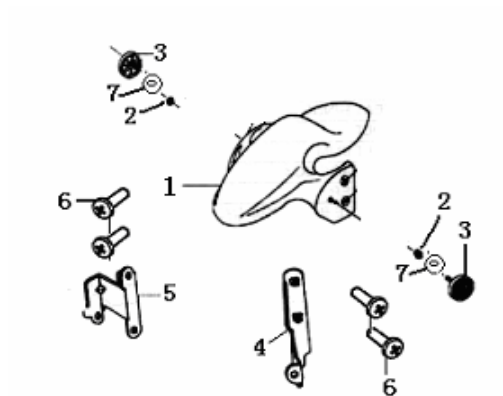
F13. BACK BOX ASSY.

序号	代码		数量
NO.	CODE		QTY.
	52210MBTB40	BACK BOX (MATTE BLACK B4)	1
	52210MBTBA0	BACK BOX (SATIN BLACK BA)	1
1	52210MBTY50	BACK BOX (YELLOW Y5)	1
	52210MBTR70	BACK BOX (RED R7)	1
	52210MBTL90	BACK BOX (BLUE L9)	1
2	B01010603033	BOLT M6×30	2
3	B01010603533	BOLT M6×35	2
4	52221BMBT000	WASHER	4
5	B07020000603	WASHER 6	4
6	B07000000603	SPRING WASHER 6	4
7	B04000600043	NUT M6	4
8	88600BMBT000	BACK BOX LOCK	1
9	B01070601663	SCREW M6×16	2
10	52910BMBT000	NUT , CLIPPING M6	2
11	05591BMBT000	BACK BOX COVER	1
	52200MBTB40	BACK BOX ASSY (MATTE BLACK B4)	1
	52200MBTY50	BACK BOX ASSY(YELLOW Y5)	1
12	52200MBTR70	BACK BOX ASSY (RED R7)	1
	52200MBTL90	BACK BOX ASSY (BLUE L9)	1



F14. 前挡泥板**F14. FRONT FENDER**

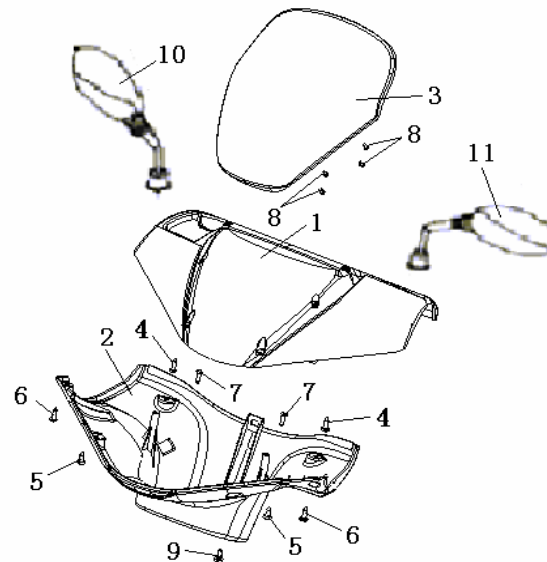
序号	代码		数量
NO.	CODE		QTY.
	65101BMBTB40	FRONT FENDER,(MATTE BLACK B4)	1
1	65101BMBTR70	FRONT FENDER,(RED R7)	1
	65101BMBTY50	FRONT FENDER,(YELLOW Y5)	1
	65101BMBTL90	FRONT FENDER,(BLUE L9)	1
2	B04000500063	NUT M5	2
3	86300BMMT000	FRONT REFLECTOR(E11 020614)	2
4	65130BMBT000	FRONT FENDER BRACKET, 1	1
5	65140BMBT000	FRONT FENDER BRACKET, 2	1
6	65114BMBT000	SCREW W/WASHER M6X16	4
7	B07030000503	WASHER 5	2



F15. 把手盖

F15. HANDLE COVER

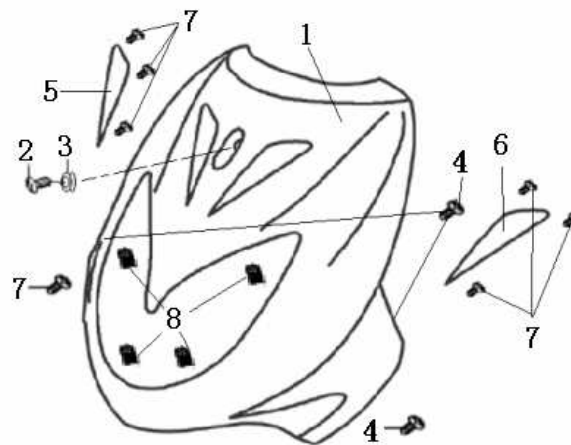
序号	代码	数量
NO.	CODE	QTY.
	65201BMBTB42 HANDLE COVER, 1, (MATTE BLACK)	1
	65201BMBTR72 HANDLE COVER, 1, (RED R7)	1
1	65201BMBTY52 HANDLE COVER, 1, (YELLOW Y5)	1
	65201BMBTL92 HANDLE COVER, 1, (BLUE L9)	1
2	65202BMBT000 HANDLE COVER, 2	1
3	65203BMBT000 METER VISION ASSY.	1
4	B05075001605 TAPPING SCREW ST5×16	2
5	B05075001205 TAPPING SCREW ST5×12	2
6	B05074001205 TAPPING SCREW ST4 ×12	2
7	B05074001605 TAPPING SCREW ST4×16	2
8	B05073001005 TAPPING SCREW ST3×10	4
9	B13010501405 SCREW M5×14	1
10	40470BMBT002 REAR VIEW MIRROR ASSY., R(E-MARK, SILVER/BLACK)	1
11	40460BMBT002 REAR VIEW MIRROR ASSY., L(E-MARK, SILVER/BLACK)	1



F16. 前大罩(双灯)

F16. FRONT COVER

序号	代码	数量						
NO.	CODE	QTY.						
	65301BMBTB4A LEG SHIELD (MATTE BLACK B4)	1						
1	65301BMBTR7A LEG SHIELD (RED Y5)	1						
	65301BMBTY5A LEG SHIELD (YELLOW Y5)	1						
	65301BMBTL9A LEG SHIELD (BLUE L9)	1						
2	65314BMBT000 SCREW	1						
3	08027J4AT000 PLASTIC WASHER	1						
4	B05074201605 TAPPING SCREW ST4.2×16	4						
5	65367BMBT000 COVER , R	1						
6	65366BMBT000 COVER , L	1 <tr><td>7</td><td>B05074001205 TAPPING SCREW ST4×12</td><td>6</td></tr> <tr><td>8</td><td>65801BMAT000 SPRING NUT ST4</td><td>4</td></tr>	7	B05074001205 TAPPING SCREW ST4×12	6	8	65801BMAT000 SPRING NUT ST4	4
7	B05074001205 TAPPING SCREW ST4×12	6						
8	65801BMAT000 SPRING NUT ST4	4						



F17. 脚防护板

F17. LEG SHIELD

序号 代码

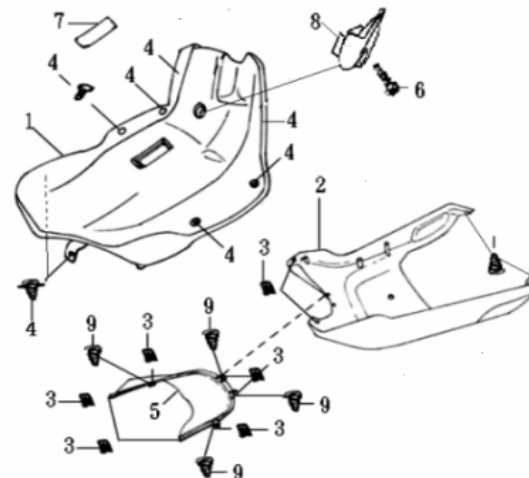
NO. CODE

1	65402BMBT000	LEG SHIELD, 2
	65406BMBTCA0	UNDER COVERSILVER
2	65406BMBTB40	UNDER COVER MATTE BLACK B4
3	65801BMAT000	SPRING NUT ST4
4	B05074801605	TAPPING SCREW ST4.8×16
5	65407BMKT000	INNER FENDER
6	B01090603065	BOLT M6×30
7	65403BMBT000	INSPECT COVER
8	51011BMBT000	HOOK, HELMET
9	B05074201605	TAPPING SCREW ST4.2×16

数量

QTY.

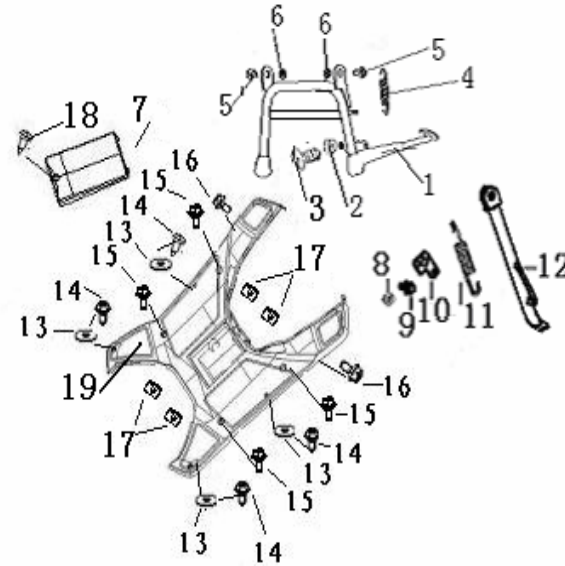
1	1
1	for R7,Y5,L9 vehicle
1	for Matte-black B4 vehicle
8	
8	
1	
1	
1	
1	
8	



F18. 脚踏板/撑架

F18. FOOTREST/STAND

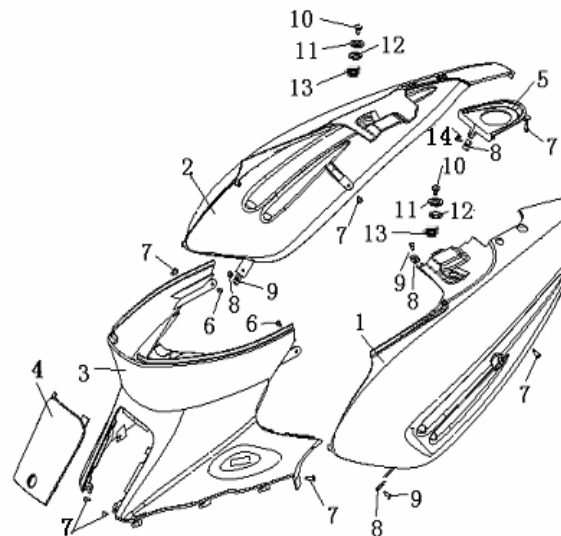
序号	代码		数量
NO.	CODE		QTY.
1	58520J4HT001	MAIN STAND JOINTING ASSY.	1
2	58507G5FT000	CUSHION, MID STAND	1
3	08018J5BT000	BOLT	1
4	58510BM0T000	MAIN STAND SPRING ASSY.	1
5	B01091002565	BOLT M10×1.25×25	2
6	58509JA0T000	BUSH	2
7	65813BMBT000	BATTERY COVER	1
8	B04070800065	NUT M8	1
9	57005BMBT000	BOLT, SINGLE STAND	1
10	57006BM0T000	HOOK SPRING	1
11	57010BM0T000	SIDE STAND SPRING ASSY.	1
12	58700J4FT000	SIDE STAND COMP.	1
13	B07030000505	WASHER 5	4
14	B05074001605	TAPPING SCREW ST4×16	6
15	08011H60X000	BOLT M6×14	4
16	B01090601265	BOLT M6×12	4
17	65802BMBT000	SPRING NUT ST4.8	6
18	B05075001605	TAPPING SCREW ST5×16	1
19	65401BMBT000	FLOOR, BLACK	1



F19. 护板

F19. SIDE COVER

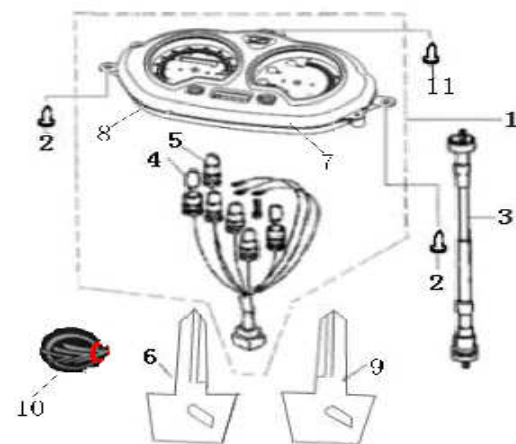
序号	代码	数量
NO.	CODE	QTY.
	65601BMBTB40 SIDE COVER,1 (MATTE BLACK B4)	1
1	65601BMBTR70 SIDE COVER,1 (RED R7)	1
	65601BMBTY50 SIDE COVER,1 (YELLOW Y5)	1
	65601BMBTL90 SIDE COVER,1 (BLUE L9)	1
	65602BMBTB40 SIDE COVER, 2 (MATTE BLACK B4)	1
2	65602BMBTR70 SIDE COVER, 2 (RED R7)	1
	65602BMBTY50 SIDE COVER, 2 (YELLOW Y5)	1
	65602BMBTL90 SIDE COVER, 2 (BLUE L9)	1
3	65605BMBT000 SIDE COVER, 3	1
4	65619BMBT000 SIDE COVER, 4	1
	65606BMBTB40 SIDE COVER, 5, (MATTE BLACK B4)	1
5	65606BMBTR70 SIDE COVER, 5, (RED R7)	1
	65606BMBTY50 SIDE COVER, 5, (YELLOW Y5)	1
	65606BMBTL90 SIDE COVER, 5, (BLUE L9)	1
6	B05074001205 TAPPING SCREW ST4×12	2
7	B05074801605 TAPPING SCREW ST4.8×16	7
8	65802BMAT000 SPRING NUT ST4.8	4
9	B05075001205 TAPPING SCREW ST5×12	4
10	B02000602025 SCREW M6×20	2
11	08021BMBT000 WASHER	2
12	65618J00P000 RUBBER WASHER	2
13	65709BM0T000 BUSH, RR. FENDER	2
14	B05074801305 TAPPING SCREW ST4.8×13	1



F20. 仪表

F20. SPEEDOMETER.

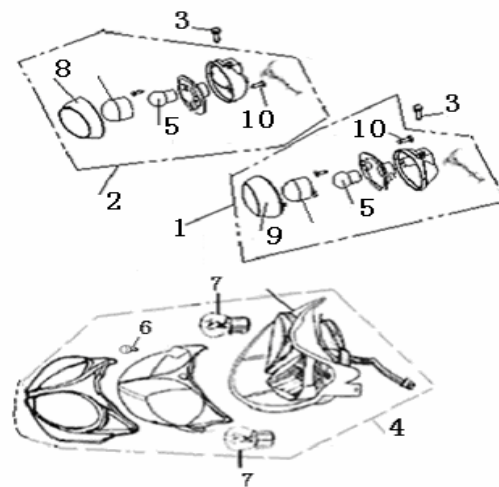
序号	代码		数量
NO.	CODE		QTY.
1	7000J4FTW60	SPEEDOMETER COMP.	1
2	B05074001205	TAPPING SCREW ST4×12	2
3	72900J4FT000	SPEEDOMETERCABLE COMP.	1
4	70001BMBT000	BULB 12V-3W	3
5	70036BMBT000	BULB 12V-2W	3
6	88900BMBT001	KEY NUT RIGHT	1
7	70003BMBT004	SPEEDOMETER COVER	1
8	76000BMBT001	DIGITAL WATCH	1
9	88900BMBT002	KEY NUT LEFT	1
10	05501J4HT000	STICK	1
11	B05074001005	TAPPING SCREW ST4×10	1



F21. 转向灯/前大灯

F21. FLASHER LIGHT/HEAD LIGHT

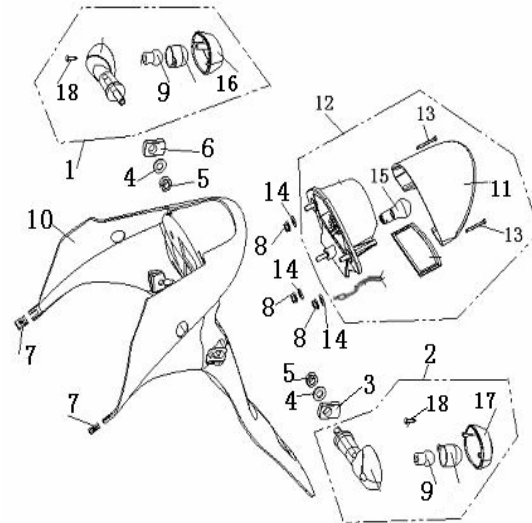
序号	代码		数量
NO.	CODE		QTY.
1	81100B20T001	FLASHER LIGHT ASSY., L. MARK:E3 50R-00 1024	1
2	81300B20T001	FLASHER LIGHT ASSY., R.MARK:E3 50R-00 1024	1
3	B13060501205	SCREW M5×12	2
4	80000J4AT000	HEAD LIGHT ASSY. (E MARK)	1
5	81004BMBT000	BULB, 12V/10W	2
6	70001BMBT000	BULB 12V-3W	2
7	80002B20T000	BULB (12V35/35W)	2
8	81302B20T000	LIGHT COVER, R.	1
9	81102B20T000	LIGHT COVER, L.	1
10	08011B20T000	SCREW 3X28	2



F22.尾灯

F22. TAIL LIGHT

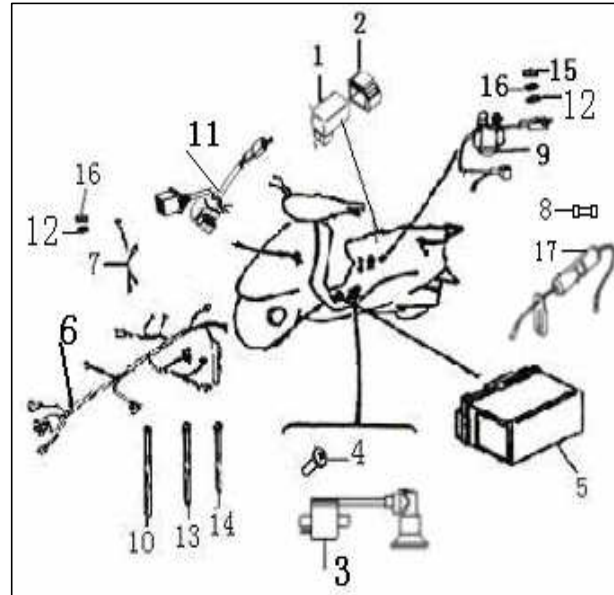
序号	代码	数量	
NO.	CODE	QTY.	
1	81700B20T001	TURN LIGHT,R.R.E-MARK: E3 50R-00 1024	1
2	81500B20T001	TURN LIGHT,R.L.MARK: E3 50R-00 1024	1
3	81511BM0T000	FLASHER LIGHT CUSHION , L	1
4	B07030001005	WASHER 10	2
5	B04061012555	NUT M10X1.25	2
6	81708BM0T000	FLASHER LIGHT CUSHION , R	1
7	65802BM0T000	SPRING NUT	2
8	B04070600065	NUT M6	3
9	81004BMBT000	BULB, 12V/10W	2
10	08202BM0T000	LICENSE BRACKET	1
11	82008BM0T003	INDICATOR LENS	1
12	82000BM0T001	TAIL LIGHT ASSY. (E MARK)	1
13	08009BM0T000	SCREW 4X28	2
14	82011G00P000	RUBBER WASHER	3
15	82005B20T000	BULB 12V 21/5W	1
16	81102B20T000	LIGHT COVER, F.L.	1
17	81302B20T000	LIGHT COVER,F.R.	1
18	08011B20T000	SCREW 3X28	2



F23. 电器I

F23. ELECTRICAL EQUIPMENT I

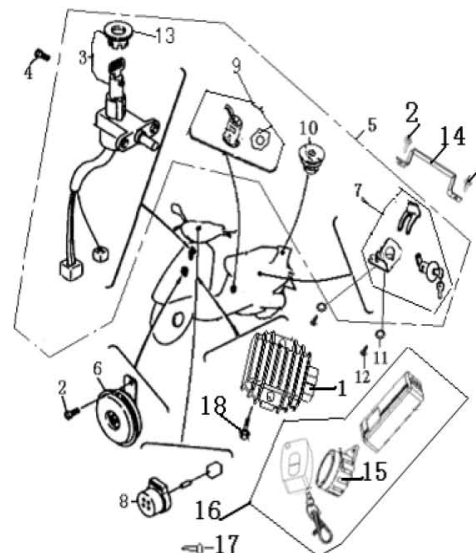
序号	代码	数量	
NO.	CODE	QTY	
1	97701BAAT000	C.D.I. UNIT COMP.	1
2	96007BAAT000	CUSHION. C.D.I	1
3	96200J5BT000	IGNITION COIL ASSY	1
4	B13040602005	SCREW M6×20	2
5	96100J4FT000	BATTERY ASSY. 12V,6AH	1
	92000J4FT005	WIRE HARNESS ASSY.	1
6	92000J4FT007	WIRE HARNESS ASSY.(with waterproof connector)	1
7	96900J4FT000	WIRE HARNESS	1
8	96810K80T000	FUSE 15A	1
9	94000BMBT000	STARTER RELAY COMP.	1
10	96001K00P000	BAND 8X250	3
11	92100J3AT001	DIODE COMP.	1
12	B07030000605	WASHER 6	2
13	96003K00P000	BAND 8X200	3
14	96002K00P000	BAND 8X150	1
15	B04000600055	NUT M6	1
16	B07000000605	SPRING WASHER 6	2
17	96800K80T000	FUSE COMP	1



F24. 电器II

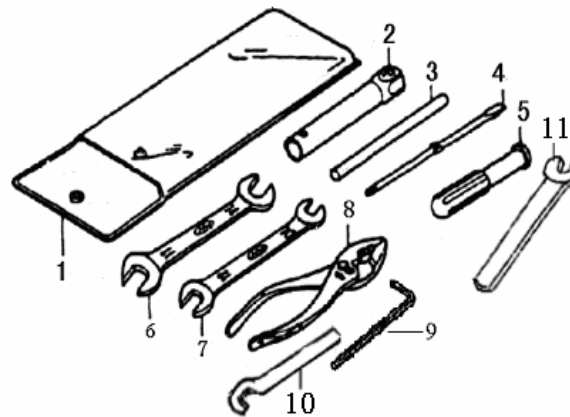
F24. ELECTRICAL EQUIPMENT

序号	代码	数量	
NO.	CODE	QTY.	
1	98801N0FP000	REGULATOR COMP.	1
2	B01090601265	BOLT M6×12	3
3	88100K80T000	MAIN SWITCH ASSY.	1
3	88100K80T00A	MAIN SWITCH ASSY. (with waterproof connector)	1
4	08002BMBT000	BOLT M6×12	2
5	88000J4FT001	LOCK ASSY.	1
5	88000J4FT00A	LOCK ASSY.(with waterproof connector)	1
6	95000B50T000	HORN (E MARK)	1
7	88800BMBT000	LOCK ASSY., SEAT	1
8	96500BM0T00B	FLASH&AUDIO PILOT COMP.	1
9	88500BMBT000	LOCK, COVER	1
10	88400BMBT000	LOCK ASSY., FUEL TANK	1
11	B07030000505	WASHER 5	2
12	B05074001005	TAPPING SCREW ST4×10	2
13	88101BMBT000	COVER MAIN SWITCH	1
14	95701JCCT000	BAKT ALARMSYSTEM	1
15	95730BMBT002	ALARM SYSTEM HORN	1
16	95700J4FT000	ALARM ASSY.	1
17	B05074801305	TAPPING SCREW ST4.8×13	1
18	B01090602065	BOLT M6×20	1



F25. 随车工具**F25. TOOL KIT**

序号	代码		数量
NO.	CODE		QTY.
1	02110G00P000	BAG, TOOL	1
2	02102G00P000	SOCKET, SPARK PLUG	1
3	02101G0BP000	HANDLE , SPARK PLUG SOCKET	1
4	02103G00P000	DRIVER, SCREW	1
5	02104G00P000	HANDLE	1
6	B200113-1600	SPANNER,13×16	1
7	B200110-1200	SPANNER,10×12	1
8	02112BMBT000	PLIERS	1
9	B20020800000	SOCKET SPANNER	1
10	02115BM0T000	RR. ABSORBER ADJUSTER	1
11	02117BMBT000	WRENCH 35	1



F26/1. 贴花总成

F26/1. STICKER

序号	代码	数量	
NO.	CODE	QTY.	
1	05512BMBT01A R , SIDE COVER STICKER	1	
2	05511BMBT01A L , SIDE COVER STICKER	1	
3	05541BMBT010 BLACK STICK KEEWAY	2	for R7,Y5,L9 vehicle for B4,BA vehicle
	05524J4AT005 SILVER STICK KEEWAY	2	
4	05521BMBT01A STICKER FR.COVER L	1	
5	05522BMBT01A STICKER FR.COVER R	1	
6	05523BMBT010 FR.COVER L	1	
7	05524BMBT010 FR.COVER R	1	
	05525BMBTB40 MARK, BIRD BLACK	1	
	05525BMBTR70 MARK, BIRD RED	1	
8	05525BMBTY50 MARK, BIRD YELLOW	1	
	05525BMBTL90 MARK, BIRD BLUE	1	
9	05512BMBT01B STICKER 125	2	
10	05511BMBT01B STICKER 150	2	



F26/2. 贴花总成(Q16-16-T12(双灯)125CC-1A.150CC-1B

F26/2. STICKER

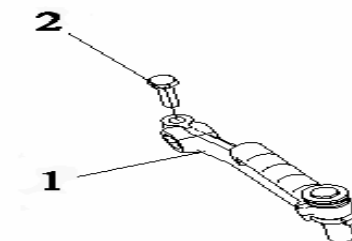
序号	代码	数量
NO.	CODE	QTY.
1	05512BMBT01A R , SIDE COVER STICKER	1
2	05511BMBT01A L , SIDE COVER STICKER	1
3	05541J4FT000 STICKER (BLACK)	2 for R7,Y5,L9 vehicle
	05541J4FT001 STICKER (WHITE)	2 for B4 vehicle
4	05521BMBT01A STICKER FR.COVER L	1
5	05522BMBT01A STICKER FR.COVER R	1
6	05523BMBT010 FR.COVER L	1
7	05524BMBT010 FR.COVER R	1
	05525BMBTB40 MARK, BIRD BLACK	1
8	05525BMBTR70 MARK, BIRD RED	1
	05525BMBTY50 MARK, BIRD YELLOW	1
	05525BMBTL90 MARK, BIRD BLUE	1
9	05529J4AT001 MAKING PASTER	1
10	05511J4FT000 STICKER 125CC	2
11	05511J4FT001 STICKER 150CC	2
12	05525J4AT000 SCUTCHEON	1



F27. 发动机附件

F27. ENGINE ATTACHMENT

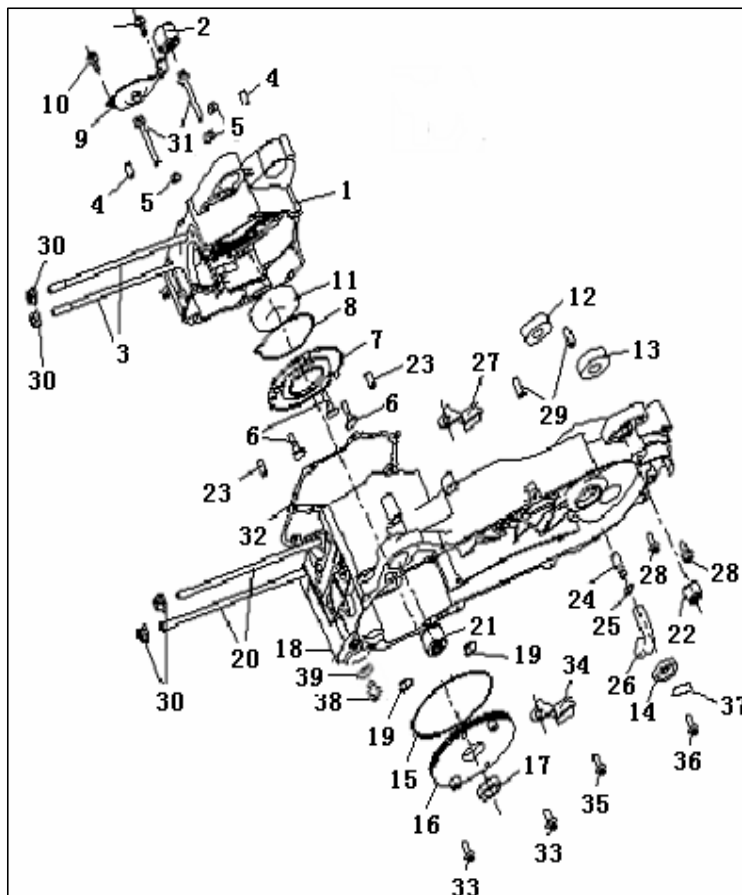
序号	代码	数量
NO.	CODE	QTY.
1	08350J4AT000 STARTING SHAFT COMP.	1
2	B01020602565 SCREW M6×25	1



E01. 曲轴箱总成(153FM-3.6A) : 正常型固定架, 非石棉垫片

E01. CRANKCASE ASSY

序号	代码	名称及规格	数量	备注
NO	CODE(QJ)	DESCRIPTION	QTY	NOTES
1	26210J05F000	CRANKCASE ASSY RH	1	
2	26501H03F000	BUSH	1	
3	26206J05F910	BOLT	2	
4	14206J01F000	PIN DOWEL	2	借用
5	B04170000653	NUT	3	
6	26313J05F930	SCREW	3	
7	26314J05F910	PLATE,stainer	1	
8	26209J05F000	O RING	1	
9	26311J05F000	CAP,oil pump	1	
10	B01090601583	BOLT	2	
11	26217J05F000	ROLLER BEARING	1	
12	B12016620350	ROLLER BEARING	1	
13	B12016620250	ROLLER BEARING	1	
14	26106H03F000	OIL SEAL	1	
15	26102G03F000	O RING	1	
16	26101J05F000	COVER LH,small	1	
17	26130J05F000	OIL SEAL	1	
18	26110J05F000	CRANKCASE ASSY	1	
19	315105719010	O RING	2	
20	26107J05F910	BOLT	2	
21	26501H03F000	BUSH	1	
22	26502G02F000	BUSH,ENGINE MOUNTING	1	
23	26128J05F000	PIN DOWEL	2	
24	26105J05F000	PIPE,breather	1	
25	201227.002371	CLIP	1	
26	206103.001000	HOSE,breather	1	
27	207224.001472	CLIP	1	
28	B01090801583	BOLT	2	正常型
29	26123G02F000	PIN DOWEL	2	
30	B04070000853	NUT	4	
31	B01090605083	BOLT	2	
32	206210.001000	GASKET,crankcase	1	非石棉
33	301310601865	BOLT	2	镀铬
34	216216.001271	PLATE,stopper	1	
35	B01070601463	BOLT	1	
36	B01890801563	SCREW	1	
37	18105H03F000	BOLT	1	
38	206211.002472	BOLT,DRAIN PLUG	1	
39	20761K08F000	GASKET,ANTI_OIL	1	



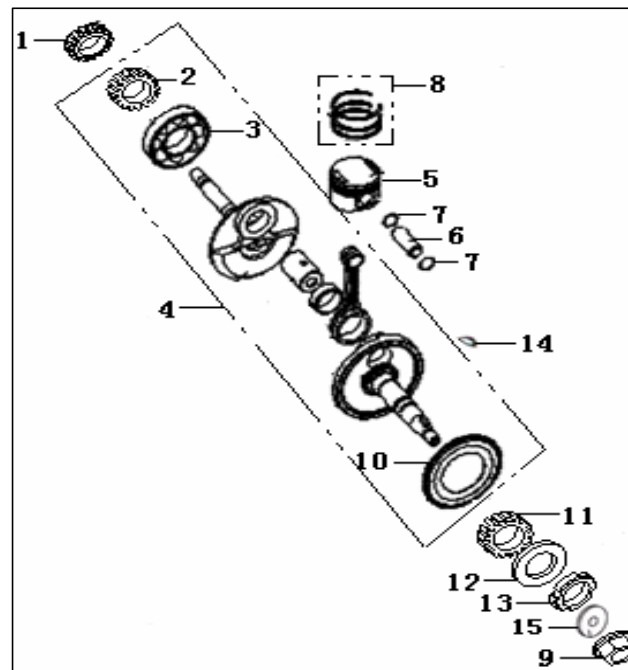
正常型

非石棉
镀铬

E02.曲轴连杆活塞组合(153FM-3.5.1)A

E02. CRANKSHAFT & CONNECTING ROD & PISTON ASSY

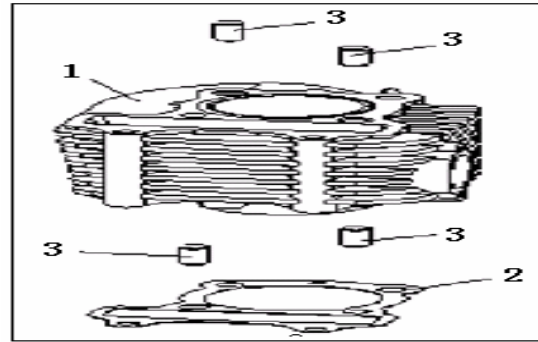
序号	代码	名称及规格	数量	备注
NO	CODE(QJ)	DESCRIPTION	QTY	REM
1	15231J05F000	GEAR,starter driven	1	
2	15232J05F000	SPROCKET,cam chain	1	
3	15210J05F000	ROLLING BEARING	1	
4	15200J05F000	CRANKSHAFT & CONROD ASSY	1	
5	208300.021062	PISTON	1	
6	15105H03F000	PIN,piston	1	
7	208308.004161	CLIP	2	
8	15120H03F000	RING ASSY	1	
9	15206J05F000	NUT,LOCK	1	
10	15227J05F000	PLATE,OIL REVERSE	1	
11	15208J05F000	SPROCKET,	1	
12	15209J05F000	FLAT WASHER	1	
13	208224001161	NUT	1	
14	15101J01F000	KEY	1	
15	B07030001200	WASHER	1	



E03.气缸体组合 (153FM-3.4.1A) : 正常型 , 非石棉垫片

E03. CYLINDER ASSY

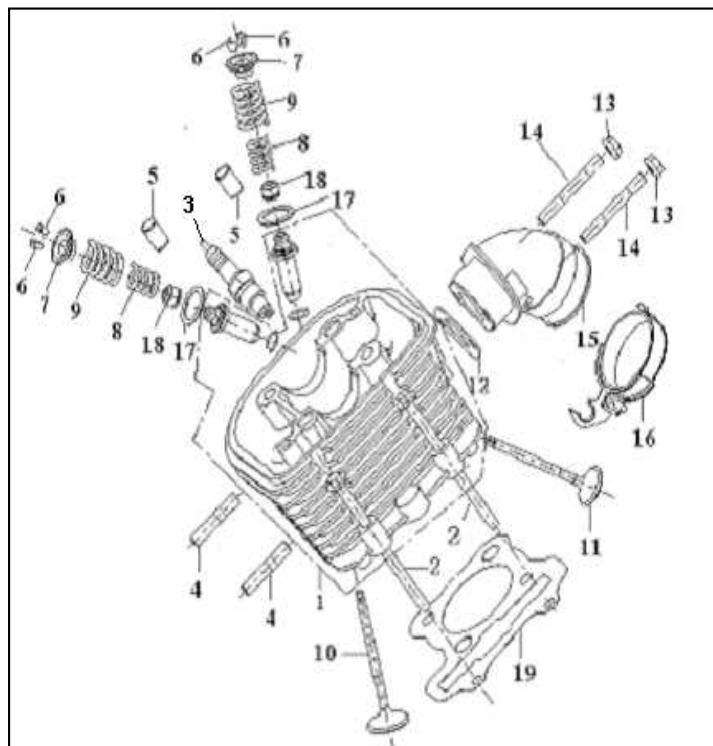
序号	代码	名称及规格	数量	备注
NO	CODE(QJ)	DESCRIPTION	QTY	REM
1	204200.019000	CYLINDER COMP	1	正常型
2	204204.010000	GASKET,cylinder	1	非石棉
3	27105H03F000	PIN DOWEL	4	



E04.气缸盖分总成(153FM-3.2.4A) : 进气管组件为正常型, 火花塞标记: CR7HSA

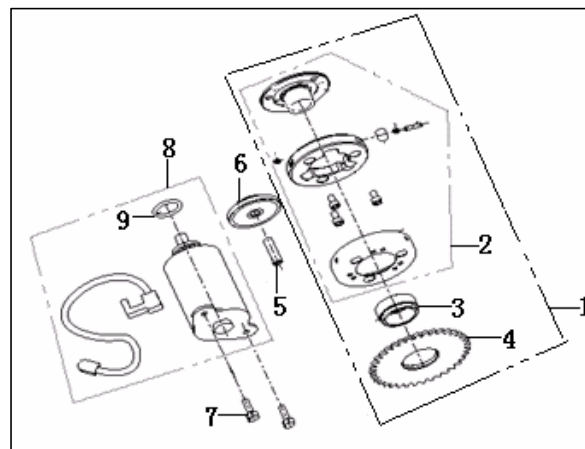
E04. CYLINDER HEAD ASSY.

序号	代码	名称及规格	数量	备注
NO	CODE(QJ)	DESCRIPTION	QTY	REM
1	201100.018000	CYLINDER HEAD	1	
2	30504H03F000	BOLT	2	
3	201204.014000	SPARK PLUG	1	CR7HSA
4	201216.002472	STUD BOLT	2	镀铬
5	27105H03F000	PIN DOWEL	2	
6	30108J05F000	COTTER, valve	4	
7	30106J05F930	UPPER SEAT, valve spring	2	
8	30102J05F930	SPRING, inner	2	
9	30101J05F930	SPRING, outer	2	
10	30201J05F000	EXHAUST VALVE	1	
11	30103J05F000	INLET VALVE	1	
12	30112J05F000	GASKET, insulator	1	
13	304290600065	NUT	2	镀铬
14	201216.006472	STUD BOLT	2	镀铬
15	202100.001000	INSULATOR, carburetor	1	正常
16	202104.002472	CLAMP	1	
17	30208H03F930	WASHER OUT SPRING VALVE	1	
18	30205H03F000	OIL SEAL	2	
19	30503J05F000	GASKET, cylinder head	1	



E05.电启动分总成(153FM-3.9A)马达镀铬**E05. ELECTRIC STAR**

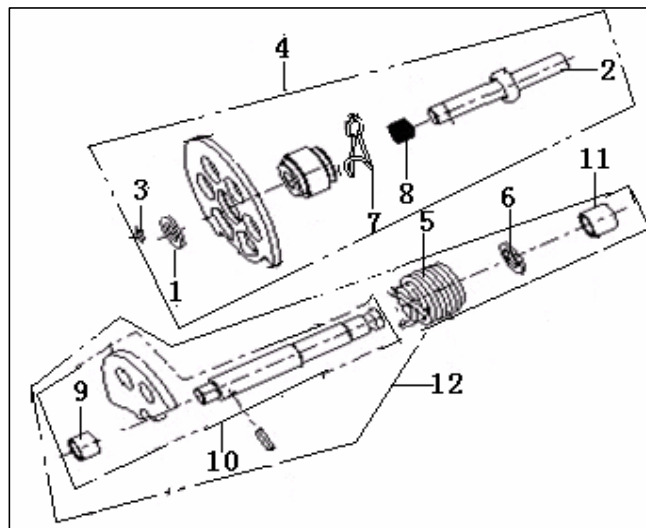
序号	代码	名称及规格	数量	备注
NO	CODE(QJ)	DESCRIPTION	QTY	REM
1	34400J05F000	CLUTCH SET , starter	1	
2	34110J05F000	CLUTCH COMP	1	
3	34124H03F000	BEARING , needle	1	
4	218100.011371	GEAR COMP , starter clutch	1	
5	34146J05F000	SHAFT , shaft starter idle gear	1	
6	34141J05F000	GEAR , starter idle	1	
7	301310601865	BOLT	2	
8	218100.011472	MOTOR ASSY , starting	1	
9	34254J05F000	O RING	1	



E06.脚启动分总成(153FM-3.10)A

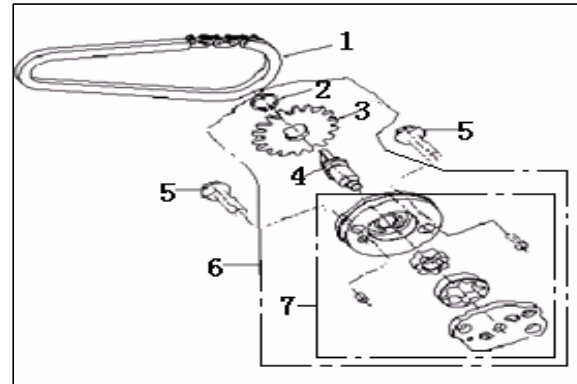
E06. KICK STARTER ASSY

序号	代码	数量	备注
NO	CODE(QJ)	QTY	REM
1	17805H03F000	1	WASHER
2	17811J05F000	1	GEAR SHAFT
3	B090103008B0	1	PIN
4	17806J05F000	1	GEAR ASSY, starter
5	17718J05F930	1	TWEAK SPRING
6	17402H03F000	1	PLATE
7	17809H03F000	1	SPRING
8	17412H03F000	1	SPRING
9	17433H03F000	1	BEARING COVER, starter□
10	17400J05F000	1	SHAFT ASSY, starter
11	17434H03F000	1	BEARING COVER, starter□
12	216100.101000	1	KICK STARTER ASSY



E07.机油泵分总成(153I**E07. OIL PUMP AS:**

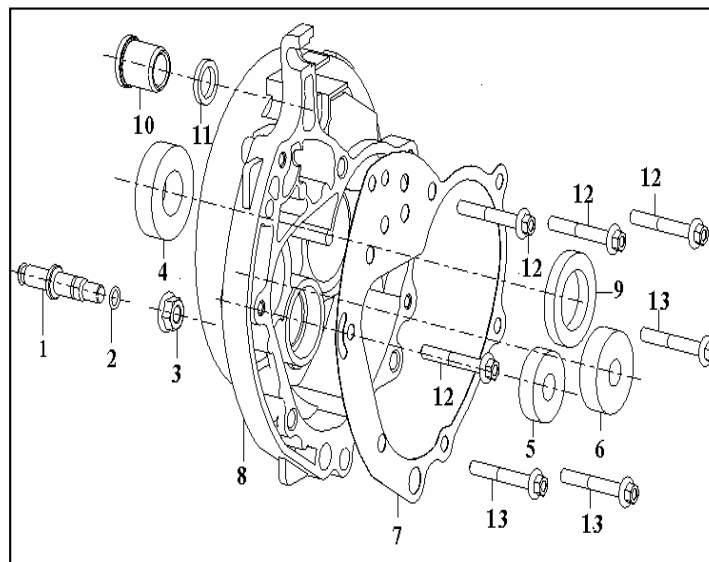
序号	代码	名称及规格	数量	备注
NO	CODE(QJ)	DESCRIPTION	QTY	REM
1	19114J05F000	CHAIN OIL PUMP	1	
2	B08010001000	WASHER	1	
3	19110J05F000	SPROCKET,oil pump driven	1	
4	19107J05F000	SHAFT,oil pump	1	
5	301310602565	BOLT M6X25	2	
6	19000J05F000	OLL PUMP ASSY	1	
7	219100.029000	OLL PUMP BODY ASSY	1	



E08. 齿轮室盖分总成(153FM-3.13A) : 齿轮室盖用非石棉垫片

E08. COVER GEAR B

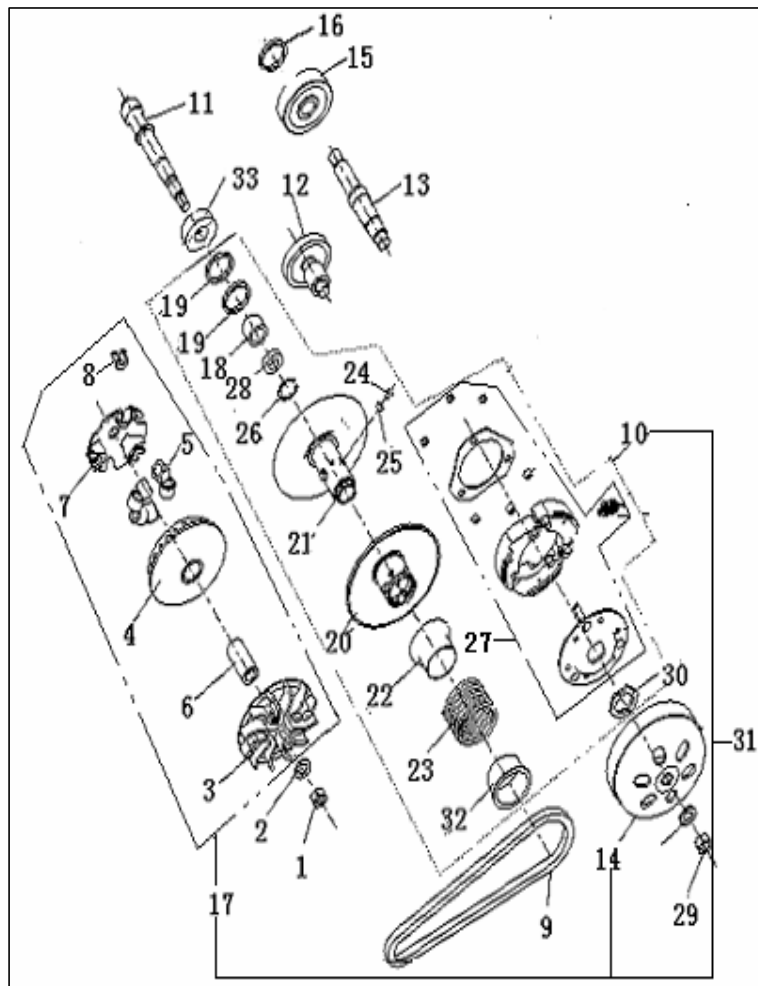
序号	代码	名称及规格	数量	备注
NO	CODE(QJ)	DESCRIPTION	QTY	REM
1	18114J05F930	PIN	1	
2	18112H03F000	O RING	1	
3	B04170000853	NUT	1	
4	B12016600450	ROLLER BEARING	1	
5	B12016620150	ROLLER BEARING	1	
6	B12016630150	ROLLER BEARING	1	
7	214201.002000	GASKET,gear box	1	非石棉
8	18101J05F000	COVER,gear box	1	
9	18102H03F000	OIL SEAL	1	
10	18103J05F000	BUSH	1	
11	18106J05F000	OIL SEAL	1	
12	301310604565	BOLT	4	
13	B01070605561	BOLT	3	



E09.传动系统总成 (153FM-3.8A)输入轴16齿

E09. CLUTCH ASSY

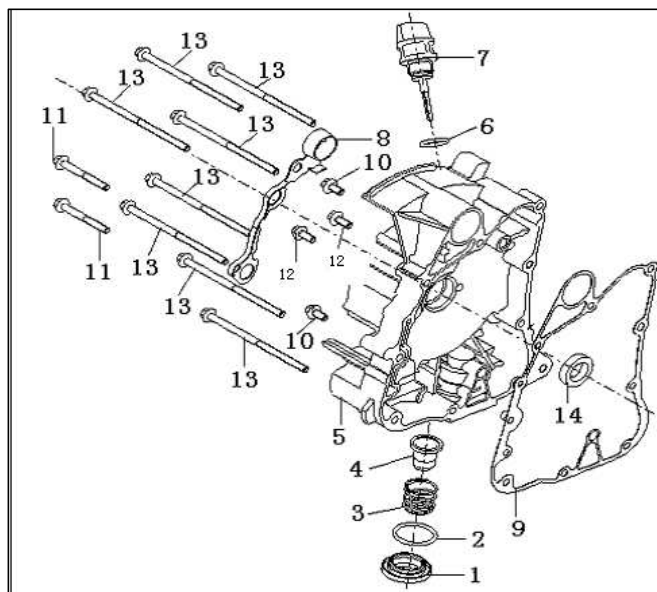
序号	代码	名称及规格	数量	备注
NO	CODE(QJ)	DESCRIPTION	QTY	REM
1	15206H03F000	NUT	1	
2	15209H03F000	WASHER	2	
3	24111J05F000	FACE, fixed drive	1	
4	24101J05F000	FACE COMP, fixed drive	1	
5	24120J05F000	ROLLER	6	
5	217202.008000	ROLLER	6	11克 Q16-30
6	24140J05F000	COLLAR	1	
7	24151J05F930	PLATE, movable drive	1	
8	24130J05F000	DAMPER	3	
9	24160J05F000	V BELT, drive	1	
10	24210J05F000	DRIVEN PLATE ASSY	1	
11	214300.003000	SHAFT ,drive	1	
12	214103.009000	SHAFT ,idle	1	
13	17201J05F000	SHAFT, rear axle	1	
14	24230H03F000	HOUSING, clutch	1	
15	17217J05F000	GEAR	1	
16	B08010002000	CIRCLIP	1	
17	24100J05F000	DRIVE ASSY	1	
17	213100.042000	DRIVE ASSY	1	Q16-30
18	24203J05F000	BEARING	1	
19	24216H03F000	OIL SEAL	2	
20	24211H03F000	FACE, movable driven	1	
21	24212J05F000	FACE COMP, fixed driven	1	
22	24213H03F930	SEAT, spring	1	
23	24240H03F000	SPRING	1	
24	24246H03F000	AXLE	3	
25	24217H03F000	BEARING	3	
26	B08000002600	CIRCLIP	1	
27	24220H03F000	PLATE ASSY , driven	1	
28	24245H03F000	BEARING NSE NACHI JAPAN	1	
29	18330H03F930	NUT	1	
30	24242H03F000	NUT	1	
31	24001J05F000	SHIFT ASSY	1	
31	213112.005000	SHIFT ASSY	1	Q16-30
32	24244H03F000	SEAT, spring	1	
33	B12016620450	BEARING	1	



E10.右箱盖分总成 (153FM-3.12A) : 右箱盖用非石棉垫片

E10. COVERCASE RH ASSY

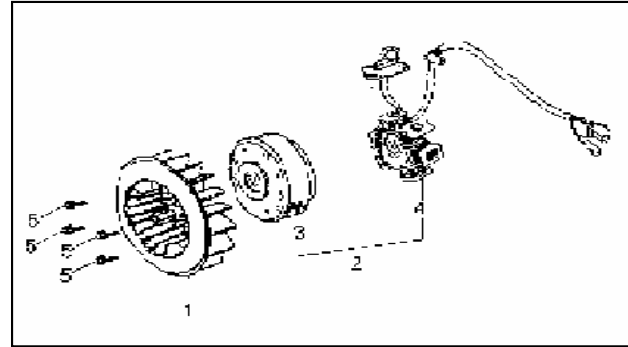
序号	代码	名称及规格	数量	备注
NO	CODE(QJ)	DESCRIPTION	QTY	REM
1	26306H03F000	PLUG,drain	1	
2	26307H03F000	O RING 30.8X3.2	1	
3	26305H03F000	SPRING,stainer	1	
4	26308J01F000	STRAINER,oil	1	
5	14201J05F000	COVER,crankcase RH	1	
6	14215J01F000	O RING	1	
7	207304.008081	GAUGE,oil level	1	
8	14220J05F910	CLIP	1	
9	207303.008000	GASKET,crankcase cover RH	1	非石棉
10	B01090601263	BOLT	2	
11	B01080501263	BOLT	2	
12	B01070602063	BOLT	2	
13	30504H03F000	BOLT	8	
14	26130J05F000	OIL SEAL	1	



E11.飞轮组合(153FM-3.18.01B) : 电瓶点火, 12极

E11. MAGNETO ASSY

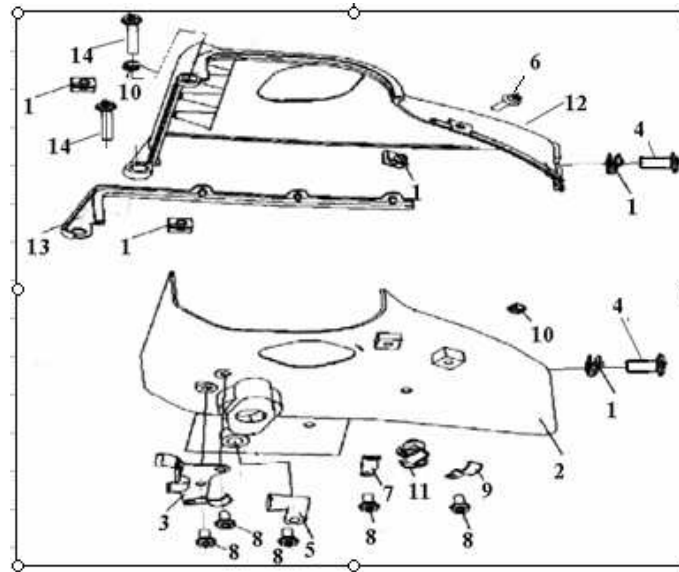
序号	代码	名称及规格	数量	备注
NO	CODE(QJ)	DESCRIPTION	QTY	REM
1	20401J05F000	FAN ASSY	1	
2	223100.004000	MAGNETO ASSY	1	电瓶点火, 12极
3	34301J05F000	FLY WHEEL ASSY	1	
4	34310J05F000	COIL ASSY	1	
5	B01080601863	BOLT	4	



E12.导风罩分总成 (153FM-3.14A) SHROUD ASSY不取:

序号	代码		数量
NO	CODE(QJ)		QTY
1	20312J05F910	CLIP	4
2	20307J05FT10	SHROUD,upper	1
3	20308J05F000	CLIP ASSY.	1
4	B01090601663	SCREW	2
5	222218.002472	CLIP	1
6	B01090601463	SCREW	1
7	222218.003472	CLIP	1
8	B01090602563	SCREW	5
9	222218.004472	CLIP	1
10	20327J05F000	DOWEL	2
11	20313J05F000	NENON CLIP	1
12	20302J05FT10	SHROUD,lower	1
13	20306J05F000	SEAL,lower shroud	1
14	B01090602063	SCREW	2

备注
REM

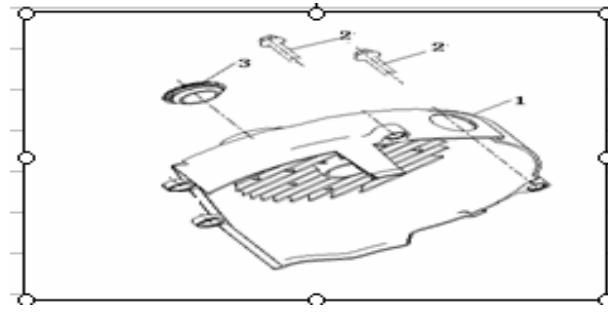


E13.风扇蜗壳体分总成(1

E13. COVER FAN ASSY

序号	代码	名称及规格
NO	CODE(QJ)	DESCRIPTION
1	20201J05FT10	COVER , fan
2	B01890602563	SCREW
3	20204J05F000	CAP,OBSERVE

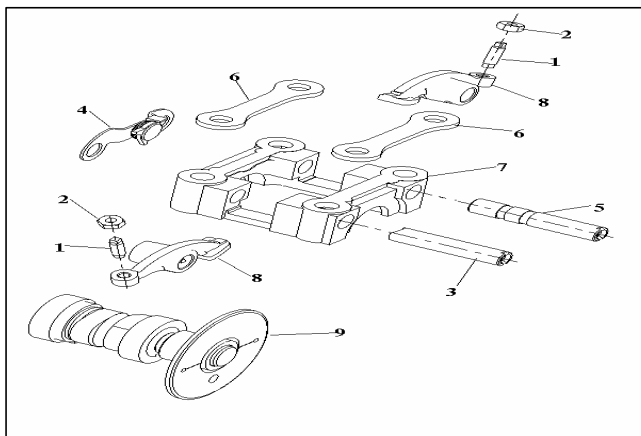
数量	备注
QTY	REM
1	
2	
2	



E14.配气机构分总成(153FM-3.2)A

E14. AIR MIX DEVICE

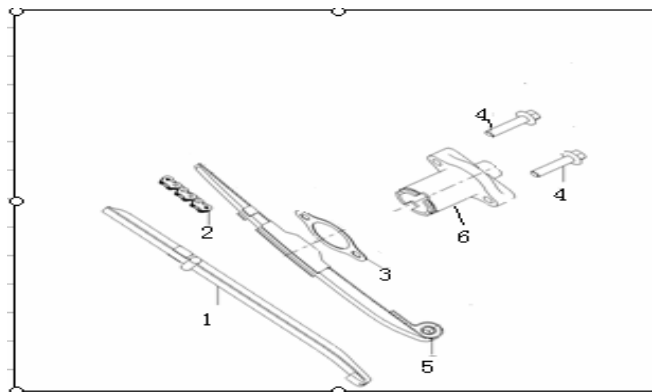
序号	代码		数量	备注
NO	CODE(QJ)		QTY	REM
1	30303H03F000	SCREW,tappet adjusting	2	
2	30302H03F930	NUT,tappet adjusting	2	
3	203306.013063	SHAFT , EXHAUST ROCKER ARM	1	
4	30600H03F000	PLATE, stopper	1	
5	203102.002063	ARM,inlet rocker arm	1	
6	30310J05F000	GASKET,holder	2	
7	203406.003000	HOLDER,cam shaft	1	
8	30301J05F000	ARM,rocker	2	
9	203103.004000	CAMSHAFT ASSY	1	



E15. 凸轮链条张紧器分总成(153FM-3.3)A

E15. AM CHAIN & TENSIONER ASSY.

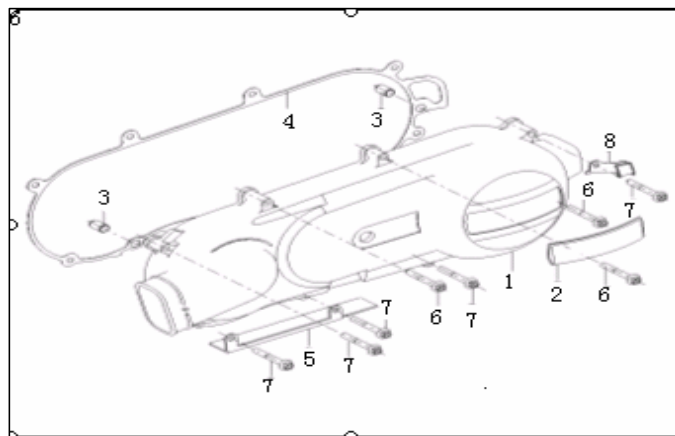
序号	代码	名称及规格	数量	备注
NO	CODE(QJ)	DESCRIPTION	QTY	REM
1	27421J05F000	GUIDE CAM CHAIN(-)	1	
2	27327J05F000	CAM CHAIN	1	
3	205300.002000	GASKET , tensioner	1	
4	B01070602563	SCREW	2	
5	27200J05F000	GUIDE ASSY.	1	
6	27300J05F000	TENSIONOR COMP	1	



E16.左箱盖分总成 (153FM-3.11D) 喷黑漆, 商标:光板,非石棉垫片, 不取消护板, 标志牌KEEWAY

E16. COVER LH ASSY

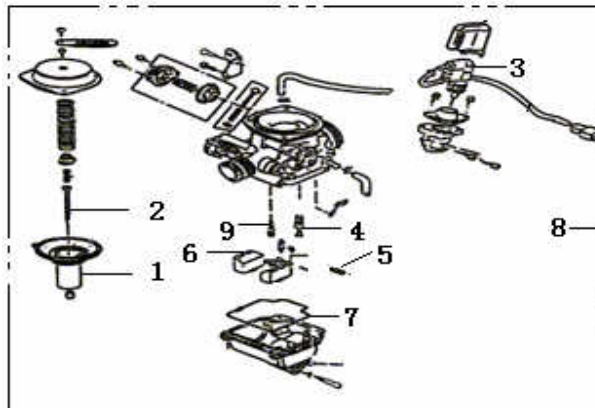
序号	代码	名称及规格	数量	备注
NO	CODE(QJ)	DESCRIPTION	QTY	REM
1	207200.018081	COVER,clutch	1	
2	207236.020472	SIGN CARDS	1	KEEWAY
3	27105H03F000	PIN DOWEL	2	
4	207208.007000	GASKET , cankcase LH	1	非石棉:
5	207225.004472	PLATE , protector	1	
6	301310604565	BOLT	3	
7	301310603565	BOLT	5	
8	222218.003472	CLIP	1	



E17.化油器分总成 (PD24JC) G : 主量孔179 (正常型) 怠速量孔为30

1	32506J05F000	VALVE,PISTON	1	
2	224208.029000	NEEDLE,iet	1	147
3	32612H03F000	ENRICH VALVE	1	
4	224202.046000	JET , main	1	179
5	32621H03F000	PIN , float	1	
6	32624H03F000	FLOAT	1	
7	32701H03F000	GASKET , float chamber	1	
8	224100.034000	CARBURETOR ASSY	1	
9	224203.038000	JET , main	1	

主量孔191 (正常型)



E18.汽缸罩盖分总成 (153FM-3.1) A

序号	代码		数量
NO	CODE(QJ)		QTY
1	30700J05F000	COVER ,cylinder head	1
2	30704J05F000	GASKET	1
3	201313.005472	SCREW,cylinder head cover	2
4	30714N02F000	GASKET,	2
5	201110.003000	HOSE,oil	1
6	201227.002472	CLIP,hose	1
7	30718J05F000	NUT BUSH,rubber	1

备注
REM

