

PARTS CATALOGUE



SCOOTERS

SK80BC(PT)

Xciting 400 MMC



Release Date : 2018/01/03
Print Date : 2022/08/03

ABOUT THIS PARTS LIST

- This parts list is compiled all service parts for model SK80BC(PT).
- Any difference between color chart and motorcycle will be revised according to motorcycle.
- The Mark:
 1. Marking "***" must add color code in the end before ordering parts.
 2. Marking "#" are parts with modification, Please find the details from e-Parts system.
- When modification or additions to this parts list are made a revised edition at an appropriate time.



CONTENTS

● ABOUT THIS PARTS LIST	1
● COLOR CHART OF SK80BC(PT)	3
● CONTENTS-ENGINE GROUP	8
● CONTENTS-FRAME GROUP	9
● ENGINE PARTS LIST	12
● FRAME PARTS LIST	48
● PART NO. INDEX	134

NO	MODEL			COLOR CHART OF SK80BC(PT)			
	PHOTO NO			NO. 1	NO. 2	NO. 3	
	BASIC COLOR			Mat White	Flat Black	Flat Brown	
	CODE			Mat White	Flat Black	Flat Brown	
	PARTS NAME	PARTS NO.	VERSION	NH265FA	NH397FA	YR392FA	
1	FENDER SET FR	61100-LKF5-305	0	D2V	D3S	DKY	
2	PROTECTOR. MUFFLER	18318-LKF5-E00	4	D34			
3	FRONT COVER COMP L	1134B-LKF5-E00	0	J2P			
4	HANDLE COVER LOW	53206-LKF5-E00	2	J8P	JJP	ZBP	
5	MOLDING SET FR (Flat	64302-LGR2-305	0				
6	SKIRT R SIDE (Flat	64305-LKF5-E00	2				
7	SKIRT.L SIDE	64306-LKF5-E00	2				
8	CARRIERRR.	81200-LGR2-E00	5				
9	COVER R.. BODY	83500-LKF5-E00	3				
10	COVER L.. BODY	83600-LKF5-E00	3				
11	COVER RR CENTER	83750-LKF5-E00	2	JEP	JHA	M2S	
12	COVER FR TOP	64301-LGR2-E00	1				
13	TUNNEL LEG SHIELD	81141-LKF5-E00	4				
14	BOARD R SIDE COVER	83510-LKF5-E00	2				
15	BOARD L SIDE COVER	83610-LKF5-E00	2	M3A	MLA	N1P	
16	WHEEL COMP. . RR	42601-LKF5-E00	2				
17	WHEEL SET FR	44600-LKF5-305	0				
18	CUSHION ASSY RR R	52400-LKF5-E70	1	M3A	MLA	N1P	
19	CUSHION ASSY RR L/H	52500-LKF5-E70	1				
20	LEVER R STRG HANDLE	53175-LKF5-E00	0	N1P	MLA	N1P	
21	LEVER L STRG HANDLE	53178-LKF5-E00	0				
22	COVER COMP R CRANK	11330-LKF5-E00	7				
23	SKIRT A.R SIDE	64205-LKF5-E00	1	N1P	MLA	N1P	
24	SKIRT A.L SIDE	64206-LKF5-E00	1				
25	SKIRT FR R SIDE	64307-LGR2-E00	0				
DATE OF STARTING-SALES							
DATE OF END-SALES							

NO	MODEL			COLOR CHART OF SK80BC(PT)			
	PHOTO NO			NO. 1	NO. 2	NO. 3	
	BASIC COLOR			Mat White	Flat Black	Flat Brown	
	CODE			Mat White	Flat Black	Flat Brown	
	PARTS NAME	PARTS NO.	VERSION	NH265FA	NH397FA	YR392FA	
26	SKIRT FR L SIDE	64308-LGR2-E00	0	N1P			
27	MIRROR ASSY. R BACK	88110-LKF5-E00	5				
28	MIRROR ASSY. L BACK	88120-LKF5-E00	5				
29	CASE ASSY BATTERY	5032A-LKF5-E00	0				
30	BATTERY COVER.ASSY.	5032B-LKF5-E00	1				
31	COVER.UNDER	50613-LKF5-E00	1				
32	GRIP COMP THROT	53140-KKC4-900	1				
33	GRIP L HANDLE	53166-KGB5-900	1				
34	COVER METER FR	53203-LBA2-E00	3				
35	COVER METER RR	53204-LBA2-E00	3				
36	HANDLE COVER UP	53205-LKF5-E00	6	N1R			
37	LID.HANDLE UP	53208-LKF5-E00	1				
38	COVER R WIND	64140-LKF5-E01	2				
39	HOLDER ASSY WIND	6423A-LKF5-E01	5				
40	COVER L WIND	64240-LKF5-E01	2				
41	FLOOR.PANEL R	64310-LKF5-E00	2				
42	MAT FLOOR.R	64320-LKF5-E00	1				
43	FLOOR.PANEL L	64330-LKF5-E00	2				
44	MAT FLOOR.L	64340-LKF5-E00	1				
45	COWL.UNDER	64400-LKF5-E00	2				
46	FENDER RR. INNER	80101-LKF5-E00	3				
47	RR FRNDER.UP	80105-LKF5-E00	2				
48	RR FENDER LOW	80106-LKF5-E00	0				
49	COVER LICENSE LIGHT	80107-LKF5-E00	0				
50	FENDER ASSY.RR TIRE	8010B-LKF5-E00	6				
DATE OF STARTING-SALES							
DATE OF END-SALES							

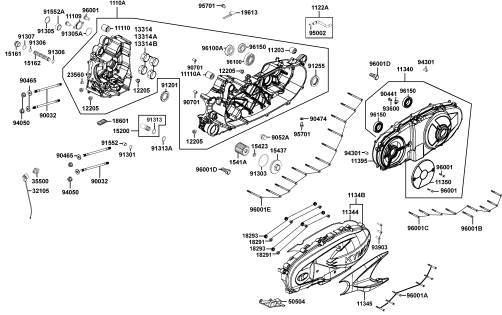
NO	MODEL			COLOR CHART OF SK80BC(PT)			
	PHOTO NO			NO. 1	NO. 2	NO. 3	
	BASIC COLOR			Mat White	Flat Black	Flat Brown	
	CODE			Mat White	Flat Black	Flat Brown	
	PARTS NAME	PARTS NO.	VERSION	NH265FA	NH397FA	YR392FA	
51	COVER CENTER	80151-LKF5-E00	5	N1R			
52	LID.FUEL TANK MAINT	80152-LKF5-E00	4				
53	LID B.FUEL TANK MAINT	80154-LKF5-E00	1				
54	LEG SHIELD	81131-LKF5-E00	5				
55	LID.FR. INNER BOX	81132-LKF5-E00	2				
56	COVER.INNER CAP.LID	81134-LKF5-E00	3				
57	RETAIN PLATE.INNER	81135-LKF5-E00	1				
58	RUBBER.ADJUSTER	81136-LKF5-E00	2				
59	COVER.RADIATOR	81137-LKF5-E00	1				
60	LID RESERVE TANK	81138-LKF5-E00	1				
61	LID FR.ASSY..INNER	8113A-LKF5-E00	2				
62	COVER.R SIDE	83530-LKF5-E00	5				
63	COVER.L SIDE	83630-LKF5-E00	5				
64	BAND HARNESS WIRE	90656-KUDU-900	0				
65	COVER WATER PUMP	19220-LKF5-305	0				
66	COVER ASSY WATER	1922A-LKF5-E00	5				
67	CALIPER ASSY RR	43100-LKF5-E30	1				
68	CALIPER ASSY FR R/H	45100-LKF5-E00	7				
69	CALIPER ASSY FR R/H	45200-LKF5-E00	7				
70	FORK ASSY FR R	51400-LKF5-E30	2				
71	BOTTOM CASE R	51421-LKF5-E00	0				
72	FORK ASSY FR L	51500-LKF5-E30	2				
73	BOTTOM CASE L	51521-LKF5-E00	0				
74	FORK ASSY RR	52000-LKF5-E01	3				
75	FORK A RR CAST	52110-LKF5-E00	0				
DATE OF STARTING-SALES							
DATE OF END-SALES							

NO	MODEL			COLOR CHART OF SK80BC(PT)			
	PHOTO NO			NO. 1	NO. 2	NO. 3	
	BASIC COLOR			Mat White	Flat Black	Flat Brown	
	CODE			Mat White	Flat Black	Flat Brown	
	PARTS NAME	PARTS NO.	VERSION	NH265FA	NH397FA	YR392FA	
76	SIDE COVER L COVER	11345-LKF5-E00	3	NEP			
77	TAIL CAP MUFFLER	18306-LKF5-E02	0				
78	MOLD.R SIDE	83520-LKF5-E00	1				
79	MOLD.L SIDE	83620-LKF5-E00	1				
80	PROTECTOR. EXH PIPE	18325-LKF5-E00	4	NES			
81	END HANDLE	53102-LEA5-E00	3				
82	END R STRG HANDLE	53105-LEA5-E00	3				
83	SEAT ASSY (REACH)	77200-LKF5-E30	0				
84	BACK SEAT COMP	77210-LKF5-E00	3	T01			
85	EMB K-LOGO	86102-LKJ1-900	2				
86	EMB K-LOGO ASSY	8610A-LGC6-E00	0				
87	EMB BODY COVER	86202-LKF5-E00	2				
88	STRIPE R FR MOLD	86282-LGR2-E00	2				
89	STRIPE L FR MOLD	86283-LGR2-E00	2				
90	STRIPE B R FR MOLD	86284-LGR2-E00	2				
91	STRIPE B L FR MOLD	86286-LGR2-E00	2				
92	STRIPE COVER TUNNEL	86701-LKF5-E00	3				
93	EMB MARK KYMCO	87206-LBA2-E00	3				
94	LABEL TIRE	87505-LKF5-E00	3				
95	LABEL CLEANNESS	87508-KKC4-E00	2				
96	CAUTION FILTER	87512-LBA2-E00	3				
97	CAUTION SIDE STAND	87541-GAR1-E00	2				
98	CAUTION MOBILE	87541-KKC2-E00	2				
99	MARK MAINT CAUTION	87542-GAR1-E00	3				
100	LABEL FUEL TANK	87546-ADG5-E00	2				
DATE OF STARTING-SALES							
DATE OF END-SALES							

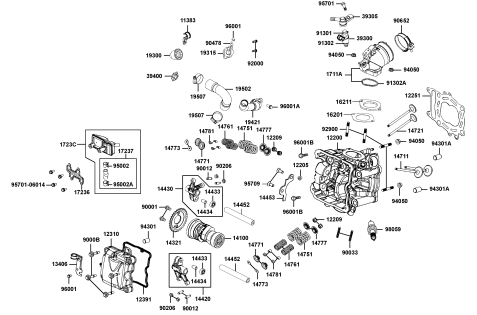
NO	MODEL			COLOR CHART OF SK80BC(PT)		
	PHOTO NO			NO. 1	NO. 2	NO. 3
	BASIC COLOR			Mat White	Flat Black	Flat Brown
	CODE			Mat White	Flat Black	Flat Brown
	PARTS NAME	PARTS NO.	VERSION	NH265FA	NH397FA	YR392FA
101	MARK DRIVE CAUTION	87560-GFY6-E00	5	T01		
102	STRIPE R FR FENDER	86161-LGR2-E00	2	T02		
103	STRIPE L FR FENDER	86171-LGR2-E00	2			
DATE OF STARTING-SALES						
DATE OF END-SALES						

CONTENTS - ENGINE GROUP

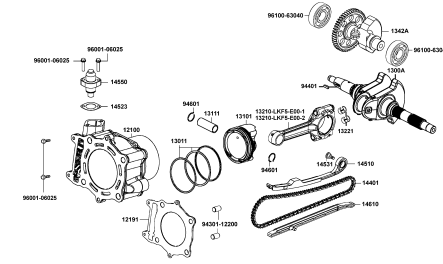
E01 Crank Case



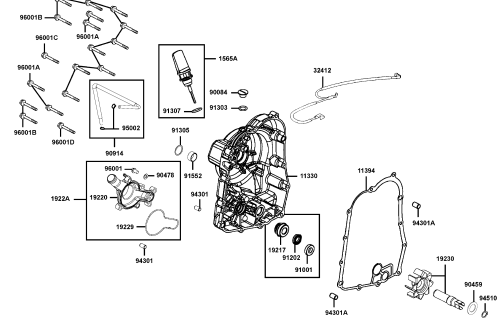
E02 Cylinder Head Cover Cylinder



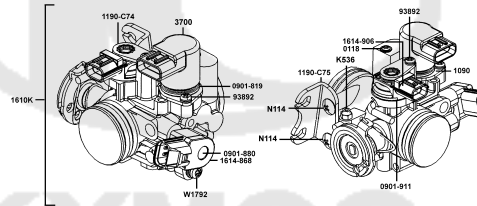
E03 Cylinder Piston Crankshaft



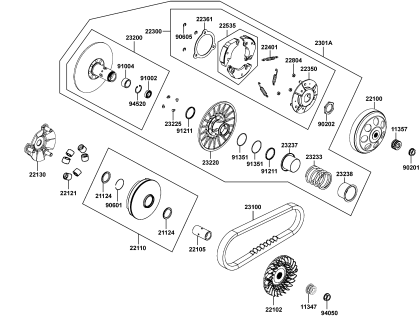
E04 Right Crankcase Cover Water



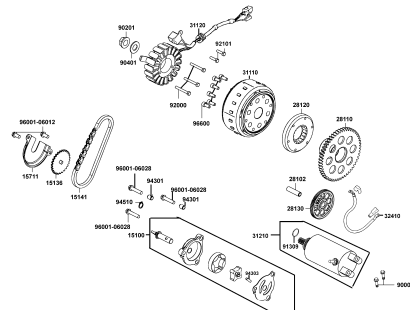
E05 Throttle Body Assy



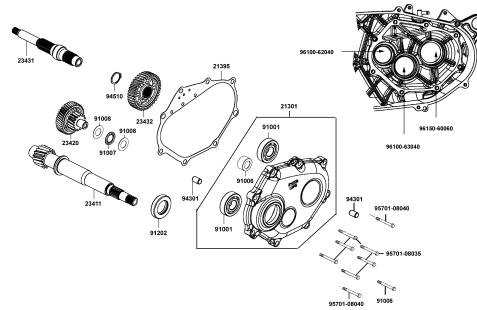
E06 Drive Pulley



E07 Starting Motor Generator

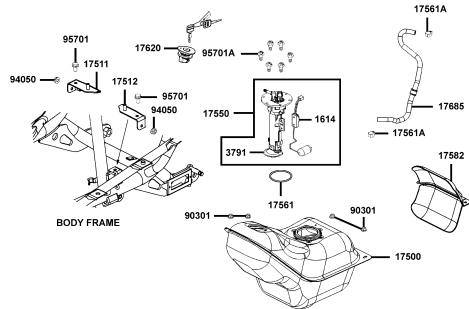


E08 Shaft Reduction

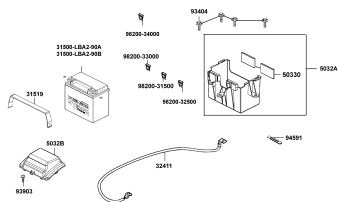


CONTENTS - FRAME GROUP

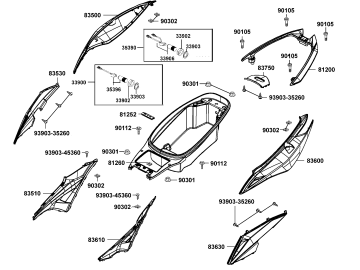
F10 Fuel Tank



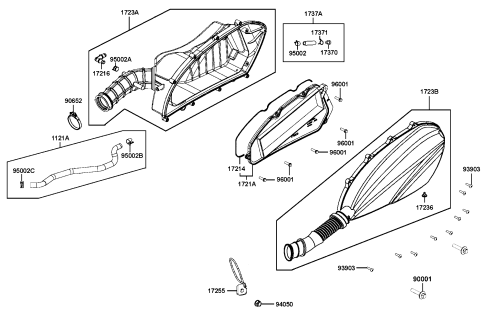
F11 Battery



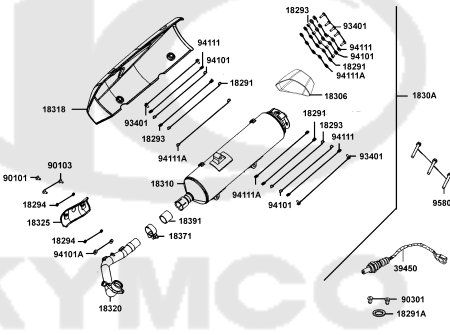
F12 Body Cover Luggage Box



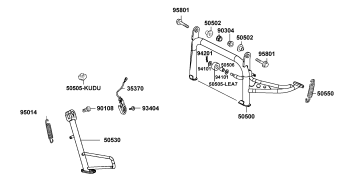
F13 Air Cleaner



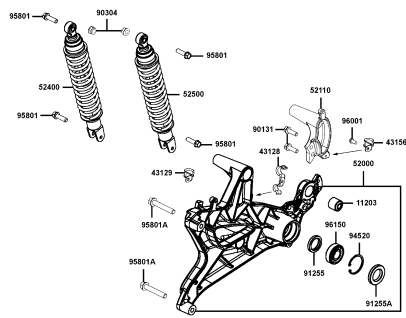
F14 Exhaust Muffler



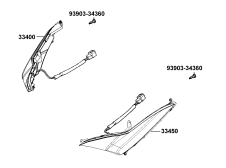
F15 Stand



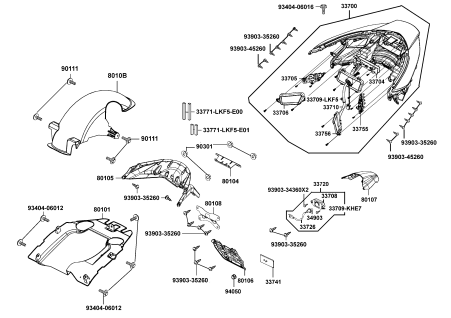
F16 Rr Cushion



F17 Winker

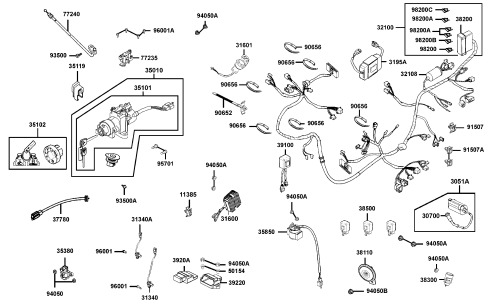


F18 Light Tail

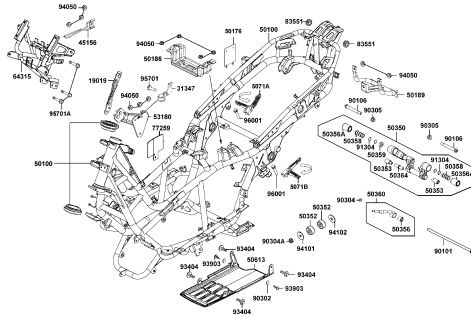


CONTENTS - FRAME GROUP

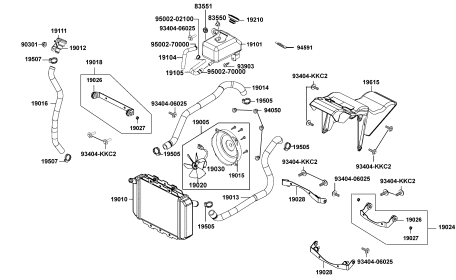
F19 Harness Wire



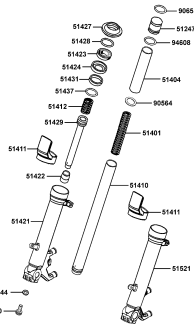
F20 Frame Body



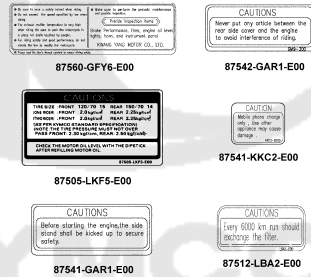
F21 Radiator



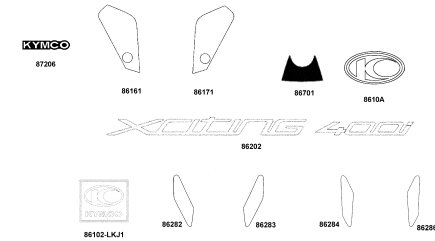
F22 Separated Parts Of Fr Fork



F23 Caution Label



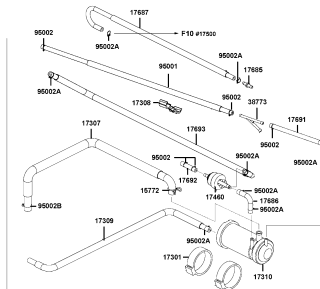
F24 Emblem Stripe



F25 Key



F26 Canister Pcv Assy

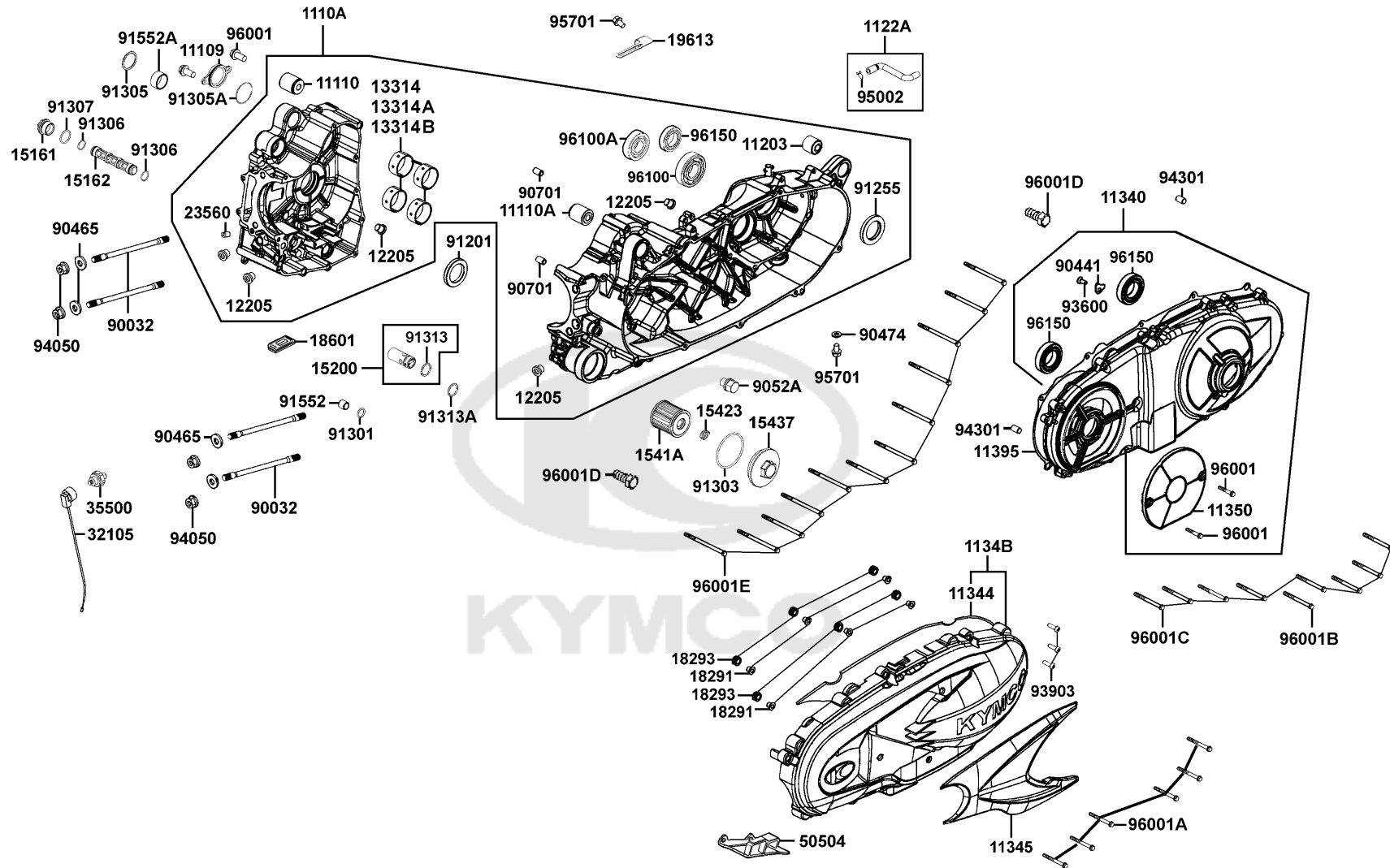


F27 LABEL OF E5



E01

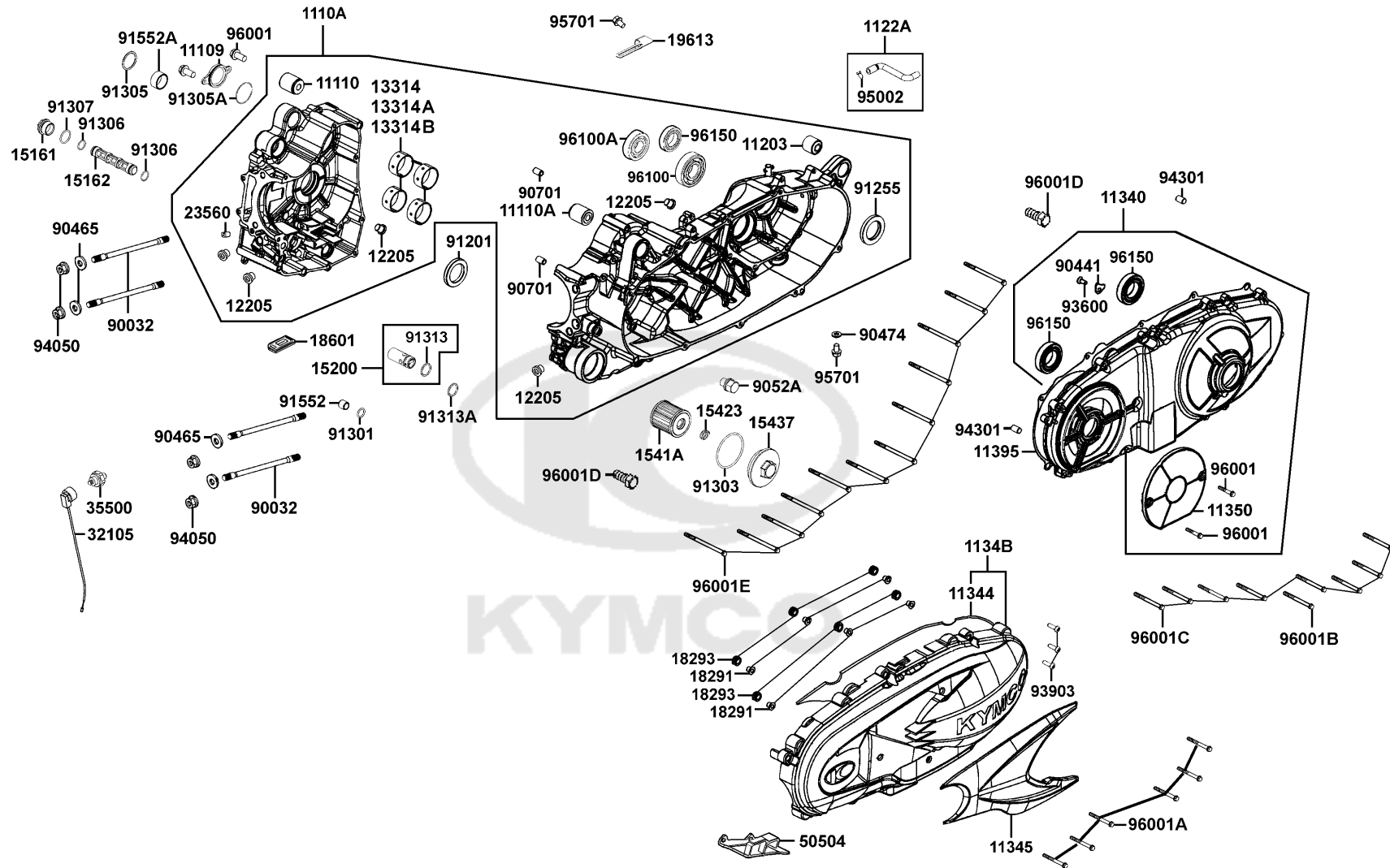
Crank Case



Sales mark	Ref no	Part no	Description	Reg description	Regd no	E01
	11109	11109-LKF5-E00	COVER BLANCE SHAFT	COVER BLANCE SHAFT	1	
	1110A	1110A-LKF5-315	CRANK CASE R/L ASSY	CRANK CASE R/L ASSY	1	
	11110	11110-LKF5-900	BUSH ASSY ENG. HANGER	BUSH ASSY ENG. HANGER	1	
	11110A	11110-LLJ3-E00	RUB BUSH ENG HANGER	RUB BUSH ENG HANGER	1	
	11203	11203-LBA2-E00	RUB BUSH L CASE	RUB BUSH L CASE	1	
	1122A	1122A-LEA7-E00	TUBE ASSY BREATHER	TUBE ASSY BREATHER	1	
	11340	11340-LKF5-E02	COVER COMP. L. CRANK CASE	COVER COMP. L. CRANK CASE	1	
	11344	11344-LKF5-E00	DUCT B L COVER	DUCT B L COVER	1	
**	11345	11345-LKF5-E00	SIDE COVER L COVER	SIDE COVER L COVER	1	
**	1134B	1134B-LKF5-E00	FRONT COVER COMP L COVER	FRONT COVER COMP L COVER	1	
	11350	11350-LKF5-E00	ELEMENT DUCT. A L. COVER	ELEMENT DUCT. A L. COVER	1	
	11395	11395-LKF5-E00	GASKET L COVER @A	GASKET. L. COVER A	1	
	12205	12205-LEA7-E00	BOLT SEALING 12MM	BOLT SEALING 12MM	5	
	13314	13314-LKF5-E00-A	BEARING. CRANK SHAFT	BEARING. CRANK SHAFT (RED/1.495~1.498)	4	
	13314A	13314-LKF5-E00-B	BEARING. CRANK SHAFT	BEARING. CRANK SHAFT	4	
	13314B	13314-LKF5-E00-C	BEARING. CRANK SHAFT	BEARING. CRANK SHAFT	4	
	15161	15161-PUA5-E00	PLUG SCREW SECTION FILTER	PLUG SCREW SECTION FILTER	1	
	15162	15162-PUA5-E00	SUCTION FILTER CRANK SIDE	SUCTION FILTER CRANK SIDE	1	
	15200	15200-LKF5-E00	OIL RELIEF VALVE ASSY	OIL RELIEF VALVE ASSY	1	
	1541A	1541A-LEH6-E00	ELEMENT ASSY OIL FILTER	ELEMENT ASSY OIL FILTER	1	

E01

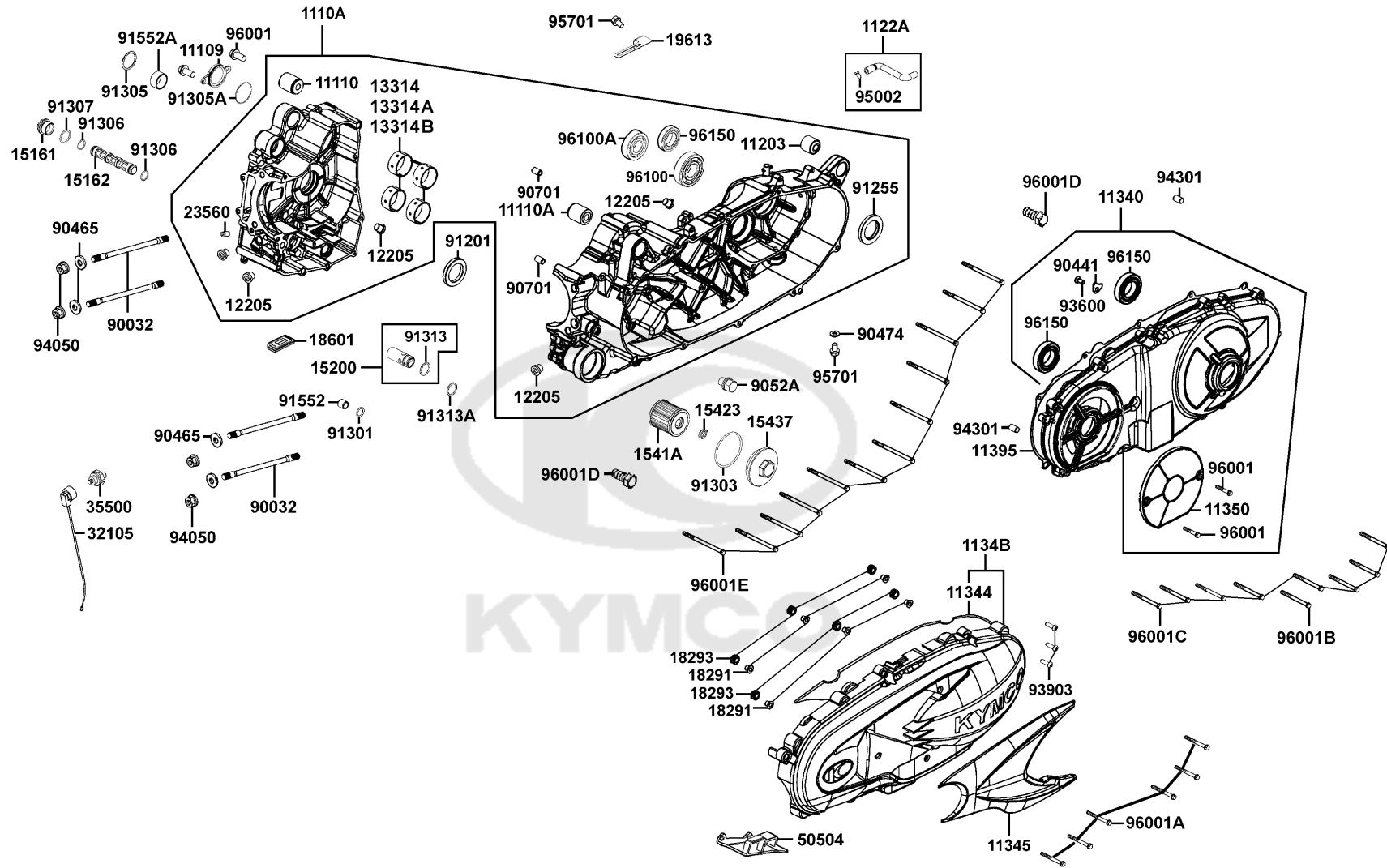
Crank Case



Sales mark	Ref no	Part no	Description	Reg description	Regd no	E01
	15423	15423-KKC3-900	SPRING CAP OIL	SPRING CAP OIL	1	
	15437	15437-LEA7-E00	CAP OIL FILTER	CAP OIL FILTER	1	
	18291	18291-KKC4-900	COLLAR	COLLAR	6	
	18293	18293-KKC4-900	RUBBER	RUBBER	6	
	18601	18601-LKF5-E00	REED VALVE COMP.	REED VALVE COMP.	1	
	19613	19613-LEA7-E00	CLAMPER STARTER MOTOR CORD	CLAMPER STARTER MOTOR CORD	1	
	23560	23560-LBA2-E00	ORIFICE R CASE	ORIFICE R CASE	1	
	32105	32105-LLJ3-E00	SUB HARNESS	SUB HARNESS	1	
	35500	35500-KED9-900	SW ASSY OIL PRESSURE	SW ASSY OIL PRESSURE	1	
	50504	50504-LKF5-E00	STOPPER PLATE.MAIN STAND	STOPPER PLATE.MAIN STAND	1	
	90032	90032-LEA7-E00	BOLT B STUD 10*180	BOLT B STUD 10*180	4	
	90441	90441-LKF5-E00	PLATE BRG HOLD	PLATE BRG HOLD	1	
	90465	90465-LBA2-E00	WASHER 10.2 MM	WASHER 10.2 MM	4	
	90474	90474-3C33-001	WASHER 8MM	WASHER 8MM	1	
	9052A	9052A-LEB1-900	BOLT ASSY DRAIN PLUG	BOLT ASSY DRAIN PLUG	1	
	90701	90701-9E65-001	PIN DOWEL 10*16	PIN DOWEL 10*16	2	
	91201	91201-LKF5-E00	OIL SEAL 38*50*7	OIL SEAL 38*50*7	1	
	91255	91255-LKF5-E00	OIL SEAL 38X56X7	OIL SEAL 38X56X7	1	
	91301	91301-2L00-001	O-RING 10*1.6	O-RING 10*1.6	1	
	91303	91303-LEA7-E00	O-RING 52.5x2.5	O-RING 52.5x2.5	1	

E01

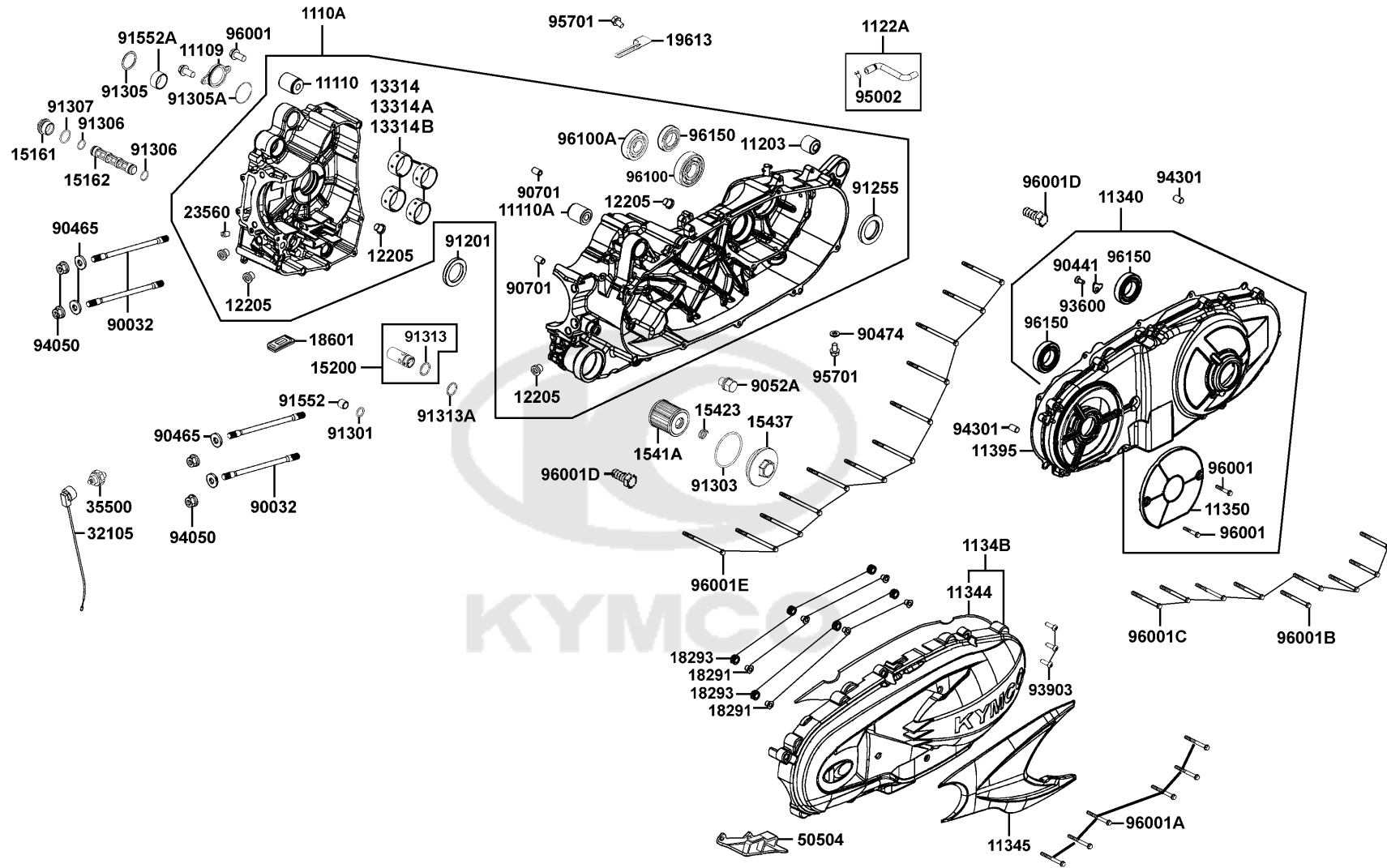
Crank Case



Sales mark	Ref no	Part no	Description	Reg description	Regd no	E01
	91305	91305-LEH6-E00	O RING 19.8x1.9	O RING 19.8x1.9	1	
	91305A	91305-LKF5-E00	O-RING 48*1.8	O-RING 48*1.8	1	
	91306	91306-PUA5-E00	O-RING 13*1.5	O-RING 13*1.5	2	
	91307	91307-PUA5-E00	O-RING 18*2	O-RING 18*2	1	
	91313	91313-KED9-900	O-RING 15.5*1.5	O-RING 15.5*1.5	1	
	91313A	91313-LKF5-E00	O RING 14X2	O RING 14X2	1	
	91552	91552-LEA7-E00	COLLAR.10.5MM	COLLAR.10.5MM	1	
	91552A	91552-LEH6-E00	COLLAR 20mm	COLLAR 20mm	1	
	93600	93600-LKF5-E00	BOLT FLAT SOCKET	BOLT SOCKET 6X15	1	
	93903	93903-25380	SCREW TAPP 5*16	SCREW TAPP 5*16	3	
	94050	94050-10060	NUT FLANGE 10MM	NUT FLANGE 10MM	4	
	94301	94301-10160	DOWEL PIN 10*16	DOWEL PIN 10*16	2	
	95002	95002-50000	CLIP C9 TUBE	CLIP C9 TUBE	2	
	95701	95701-08012-06	BOLT FLANGE 8*12	BOLT FLANGE 8*12	2	
	96001	96001-06012-06	BOLT FLANGE SH 6*12	BOLT FLANGE SH 6*12	1	
	96001A	96001-06020-06	BOLT FLANGE SH 6*20	BOLT FLANGE SH 6*20	6	
	96001B	96001-06022-06	BOLT FLANGE SH 6*22 (G)	BOLT FLANGE SH 6*22 (G)	1	
	96001C	96001-06030-06	BOLT FLANGE SH 6X30	BOLT FLANGE SH 6X30	1	
	96001D	96001-06035-06	BOLT FLANGE SH 6*35	BOLT FLANGE SH 6*35	1	
	96001E	96001-06070-06	BOLT FLANGE SH 6*70	BOLT FLANGE SH 6*70	12	

E01

Crank Case

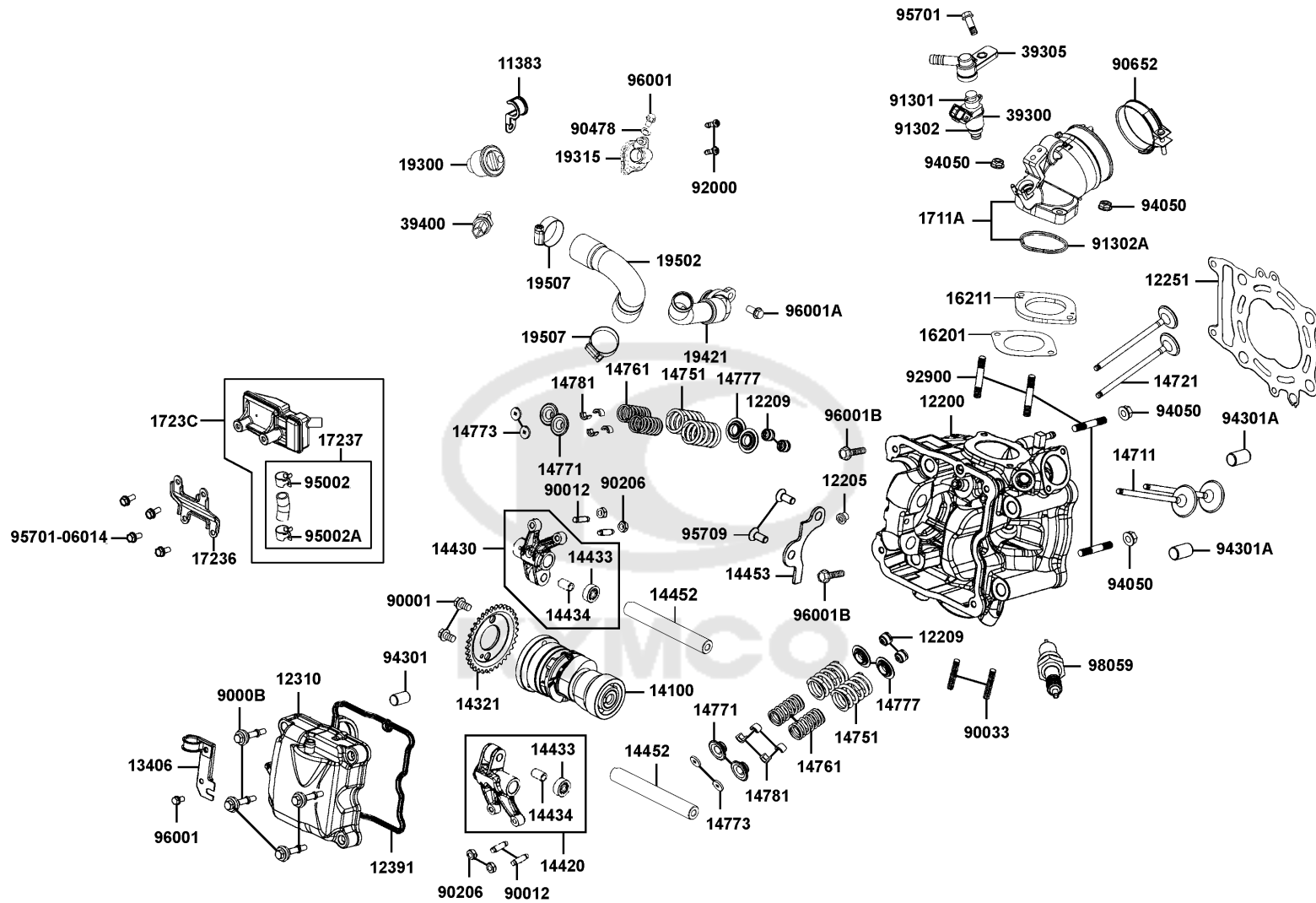


Sales mark	Ref no	Part no	Description	Reg description	Regd no	E01
------------	--------	---------	-------------	-----------------	---------	------------

96100		96100-62040-00	BEARING BALL RADIAL 6204	BEARING BALL RADIAL 6204	1	
96100A		96100-63040-00	BRG BALL RADIAL 6304	BRG BALL RADIAL 6304	1	
96150		96150-60060-10	BEARING BALL RADIAL 6006	BEARING BALL RADIAL 6006	4	

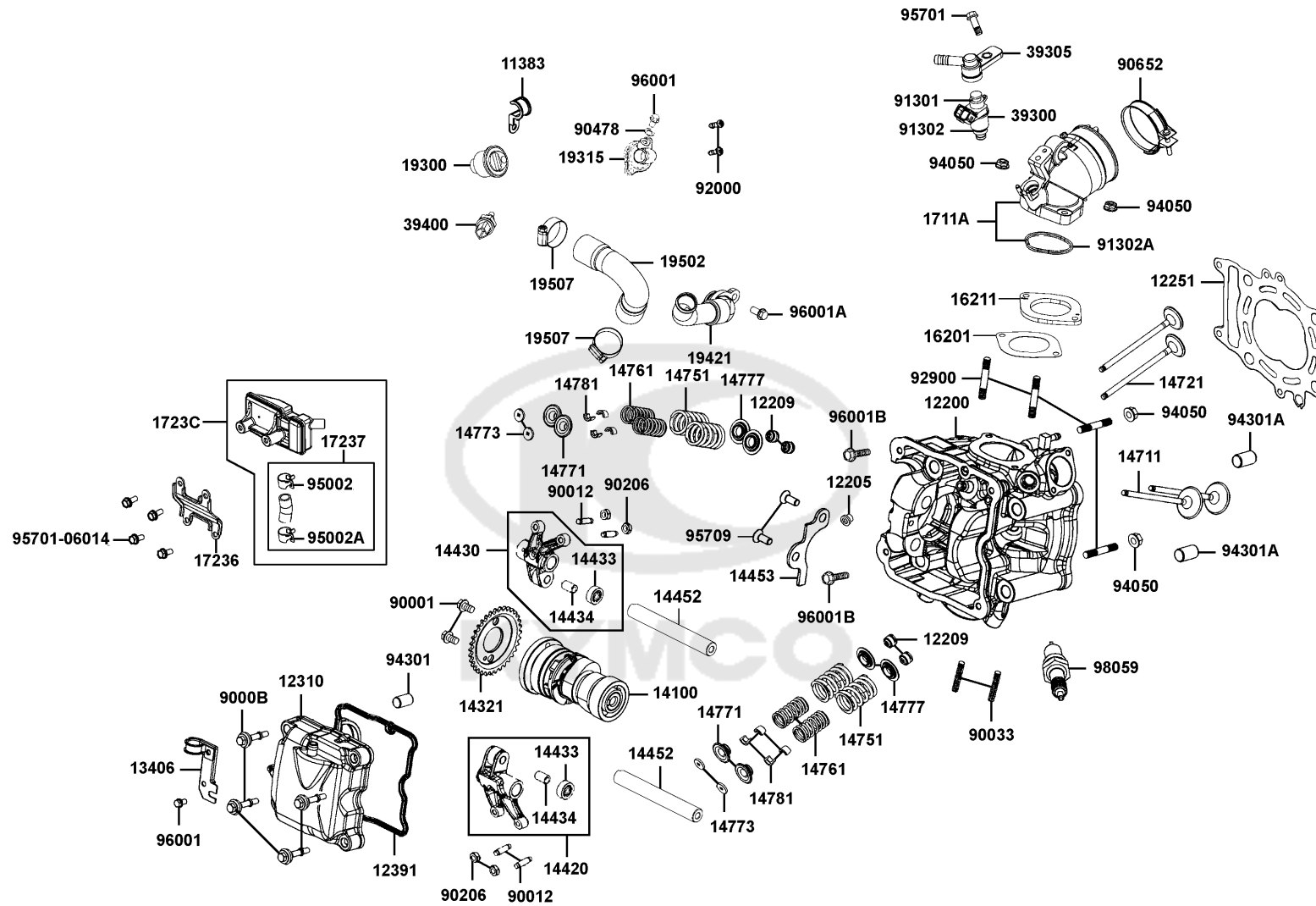


Cylinder Head Cover Cylinder Head

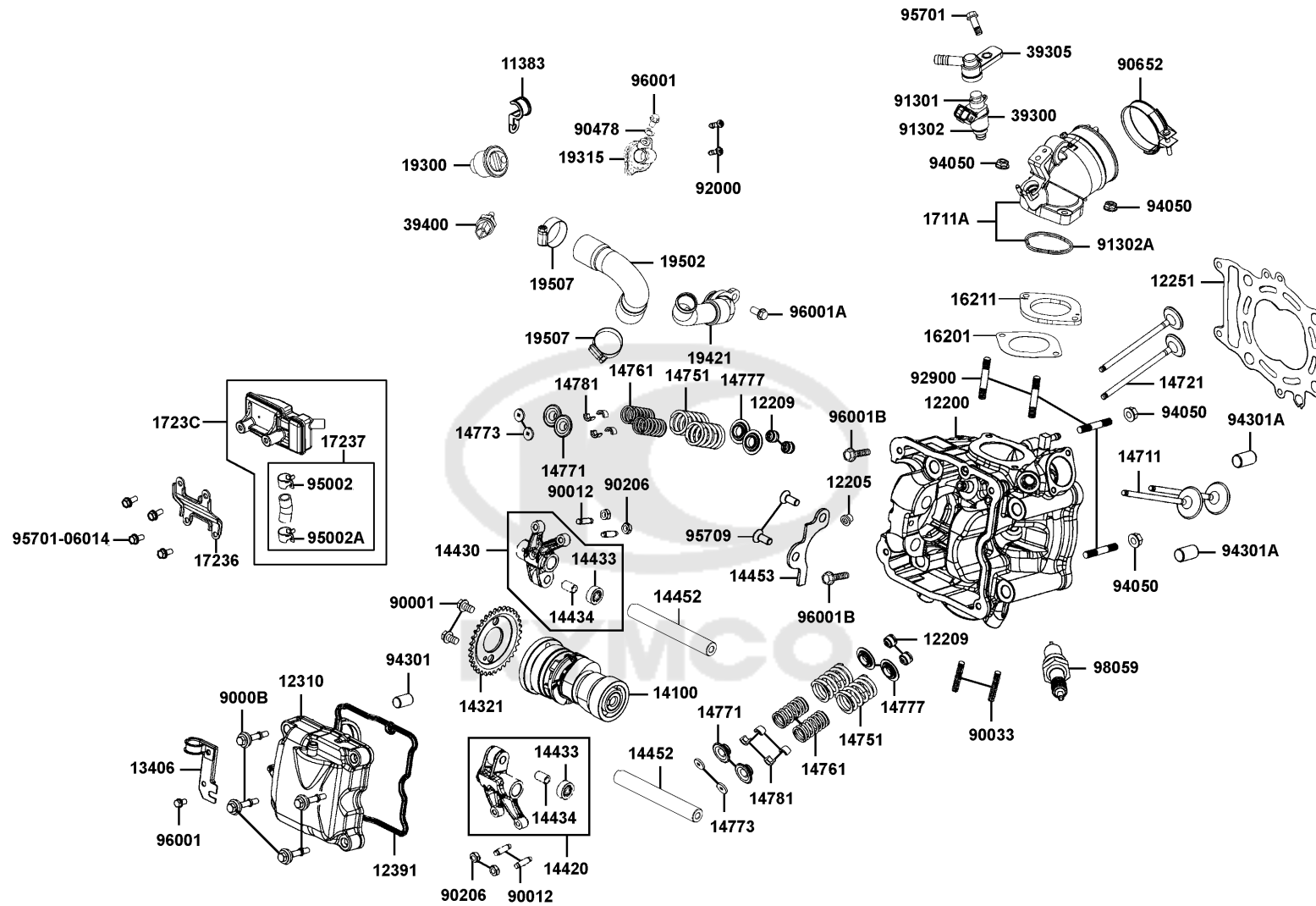


Sales mark	Ref no	Part no	Description	Reg description	Regd no	E02
	11383	11383-KHE7-900	CLAMPER RR BRK HOSE	CLAMPER RR BRK HOSE	1	
	12200	12200-LKF5-E00	HEAD COMP CYLINDER	HEAD COMP.. CYLINDER	1	
	12205	12205-KHE8-301	BOLT SEALING 12MM	BOLT SEALING 12MM	5	
	12209	12209-GDB4-68B	SEAL VALVE STEM	SEAL VALVE STEM	1	
	12251	12251-LKF5-E00	GASKET CYLINDER HEAD	GASKET CYLINDER HEAD	1	
	12310	12310-LKF5-E01	COVER COMP HEAD	COVER COMP HEAD	1	
	12391	12391-LKF5-900	GASKET CYLINDER HEAD COVER	GASKET CYLINDER HEAD COVER	1	
	13406	13406-LEA7-E00	PLATE FUEL INJECTOR	PLATE FUEL INJECTOR	1	
	14100	14100-LKF5-E00	SHAFT COMP.. CAM	SHAFT COMP.. CAM	1	
	14321	14321-LEA7-E00	SPROCKET CAMSHAFT	SPROCKET CAMSHAFT	1	
	14420	14420-LKF5-E00	ARM COMP. EXH VALVE ROCKER	ARM COMP. EXH VALVE ROCKER	1	
	14430	14430-LKF5-E00	ARM COMP. IN VALVE ROCKER	ARM COMP. IN VALVE ROCKER	1	
	14433	14433-PTA1-900	ROCKER ASSY ROCKER ARM	ROCKER ASSY ROCKER ARM	2	
	14434	14434-PTA1-900	PIN ROCKER ARM	PIN ROCKER ARM	2	
	14452	14452-LKF5-E00	SHAFT. ROCKER ARM	SHAFT. ROCKER ARM	2	
	14453	14453-LKF5-E00	SET. PLATE. ROCKER ARM SHAFT	SET. PLATE. ROCKER ARM SHAFT	1	
	14711	14711-ABE1-E00	VALVE INLET	VALVE INLET	1	
	14721	14721-ABE1-E00	VALVE EXHAUST	VALVE EXHAUST	1	
	14751	14751-LKF5-E00	SPRING. VALVE OUTER	SPRING. VALVE OUTER	4	
	14761	14761-LKF5-E00	SPRING. VALVE INNER	SPRING. VALVE INNER	4	

Cylinder Head Cover Cylinder Head

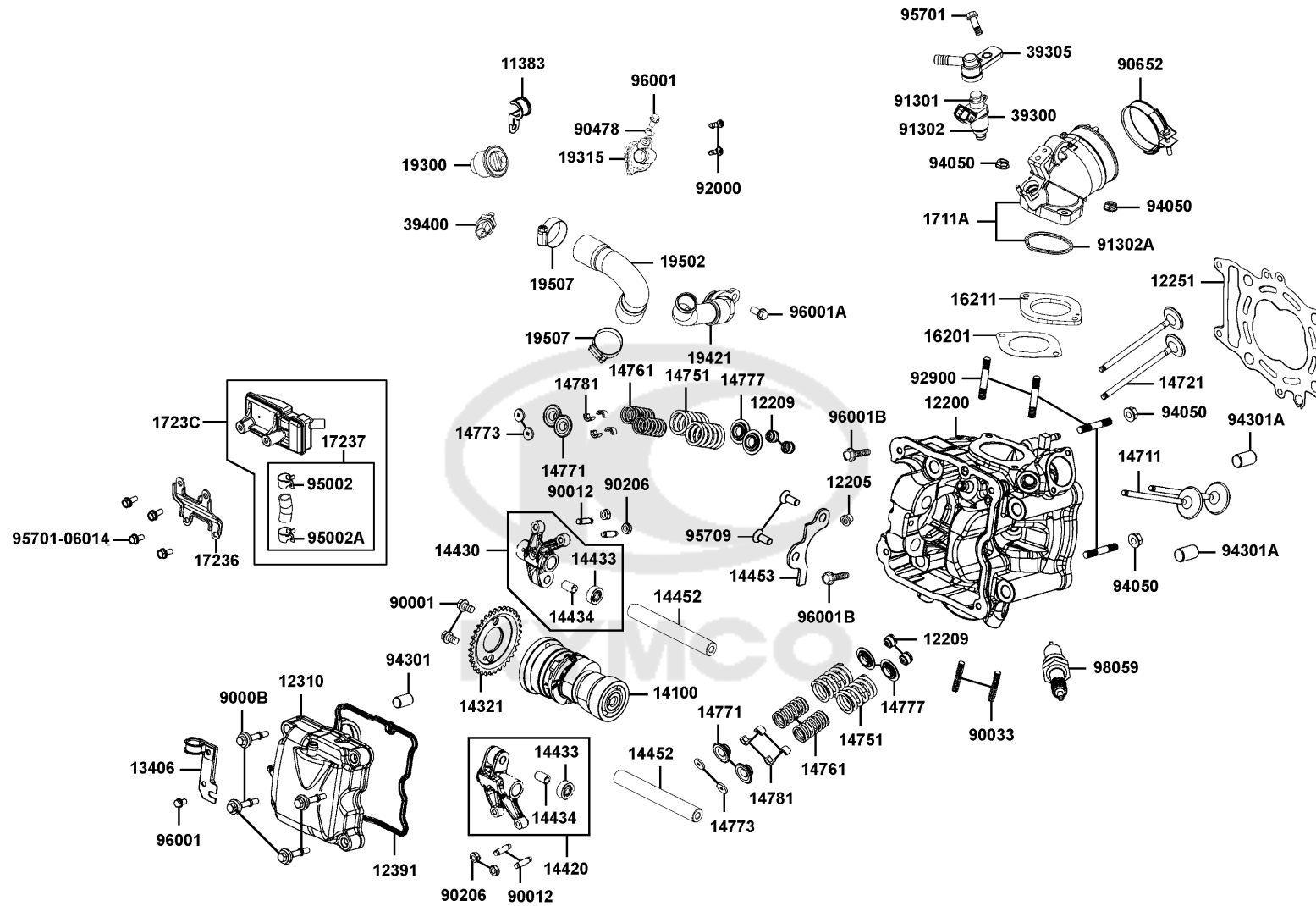


Sales mark	Ref no	Part no	Description	Reg description	Regd no	E02
	14771	14771-LKF5-E00	RETAINER. VALVE SPRING	RETAINER. VALVE SPRING	4	
	14773	14773-LKF5-E00	SHIM	SHIM	4	
	14777	14777-LBA2-E00	SEAT VALVE SPG	SEAT VALVE SPG	4	
	14781	14781-MFA6-001	COTTER VALVE	COTTER VALVE	8	
	16201	16201-LKF5-E00	GASKET. CARB INSULATOR @A	GASKET. CARB INSULATOR A	1	
	16211	16211-LKF5-E00	INSULATOR. CARB	INSULATOR. CARB	1	
	1711A	1711A-LKF5-E00	PIPE ASSY.. INLET	PIPE ASSY.. INLET	1	
	17236	17236-LKF5-E00	STAY OIL CATCH	STAY OIL CATCH	1	
	17237	17237-LKF5-E00	TUBE OIL CATCH	TUBE OIL CATCH	1	
	1723C	1723C-LKF5-E00	OIL CATCH COMP.	OIL CATCH COMP.	1	
	19300	19300-KAE1-004	THERMOSTAT ASSY	THERMOSTAT ASSY	1	
	19315	19315-LKF5-E00	COVER THERMOSTAT	COVER THERMOSTAT	1	
	19421	19421-LKF5-E00	JOINT WATER HOSE	JOINT WATER HOSE	1	
	19502	19502-LKF5-E00	HOSE . B WATER	HOSE . B WATER	1	
	19507	19507-LDB5-E00	CLAMP D 28	CLAMP D 28	2	
	39300	39300-LDG7-M90	INJECTOR UNIT FUEL	INJECTOR UNIT FUEL	1	
	39305	39305-LKF5-E00	HOLDER. FUEL INJECTOR	HOLDER. FUEL INJECTOR	1	
	39400	39400-LDF2-800	WATER TEMP SENSOR	WATER TEMP SENSOR	1	
	90001	90001-GFY6-901	SOCKET BOLT 6*10 (B)	SOCKET BOLT 6*10 (B)	2	
	9000B	9000B-KHD6-900	BOLT ASSY SPECIAL 6*41.5	BOLT ASSY SPECIAL 6*41.5	4	



Sales mark	Ref no	Part no	Description	Reg description	Regd no	E02
	90012	90012-LKF5-E00	SCREW TAPPET ADJUSTING	SCREW TAPPET ADJUSTING	4	
	90033	90033-GFY6-900	BOLT STUD 8*32	BOLT STUD 8*32	2	
	90206	90206-0A01-001	NUT TAPPET ADJG	NUT TAPPET ADJG	4	
	90478	90478-7L00-001	WASHER A 6MM	WASHER A 6MM	1	
	90652	90652-LDG7-900	C-HOPE 50~70	C-HOPE 50~70	1	
	91301	91301-LDF2-M90	O-RING 7.3*2.2 (BLACK)	O-RING 7.3X2.2	1	
	91302	91302-LDF2-M90	SEAL RING	SEAL RING	1	
	91302A	91302-LKF5-E00	SET RUBBER.	SET RUBBER.	1	
	92000	92000-05016-0G	BOLT HEX 5X16	BOLT HEX 5X16	1	
	92900	92900-06040-0E	BOLT STUD 6*40	BOLT STUD 6*40	4	
	94050	94050-06080	NUT FLANGE 6MM	NUT FLANGE 6MM	4	
	94301	94301-08100	DOWEL PIN 8*10	DOWEL PIN 8*10	1	
	94301A	94301-12200	DOWEL PIN 12*20	DOWEL PIN 12*20	2	
	95002	95002-KED9-M31	CLAMP D14.8 TUBE	CLAMP D14.8 TUBE	1	
	95002A	95002-LKF5-E00	CLAMP D14.6 TUBE	CLAMP D14.6 TUBE	1	
	95701-06014	95701-06014-06	BOLT FLANGE 6*14	BOLT FLANGE 6*14	4	
	95701	95701-06016-06	BOLT FLANGE 6*16 (K)	BOLT FLANGE 6*16 (K)	1	
	95709	95709-PRA1-E00	SCREW COUNTERSUNK M6*12	SCREW COUNTERSUNK M6*12	2	
	96001	96001-06010-00	BOLT FLANGE SH 6X10	BOLT FLANGE SH 6X10	2	
	96001A	96001-06016-06	BOLT FLANGE SH 6X16	BOLT FLANGE SH 6*16	2	

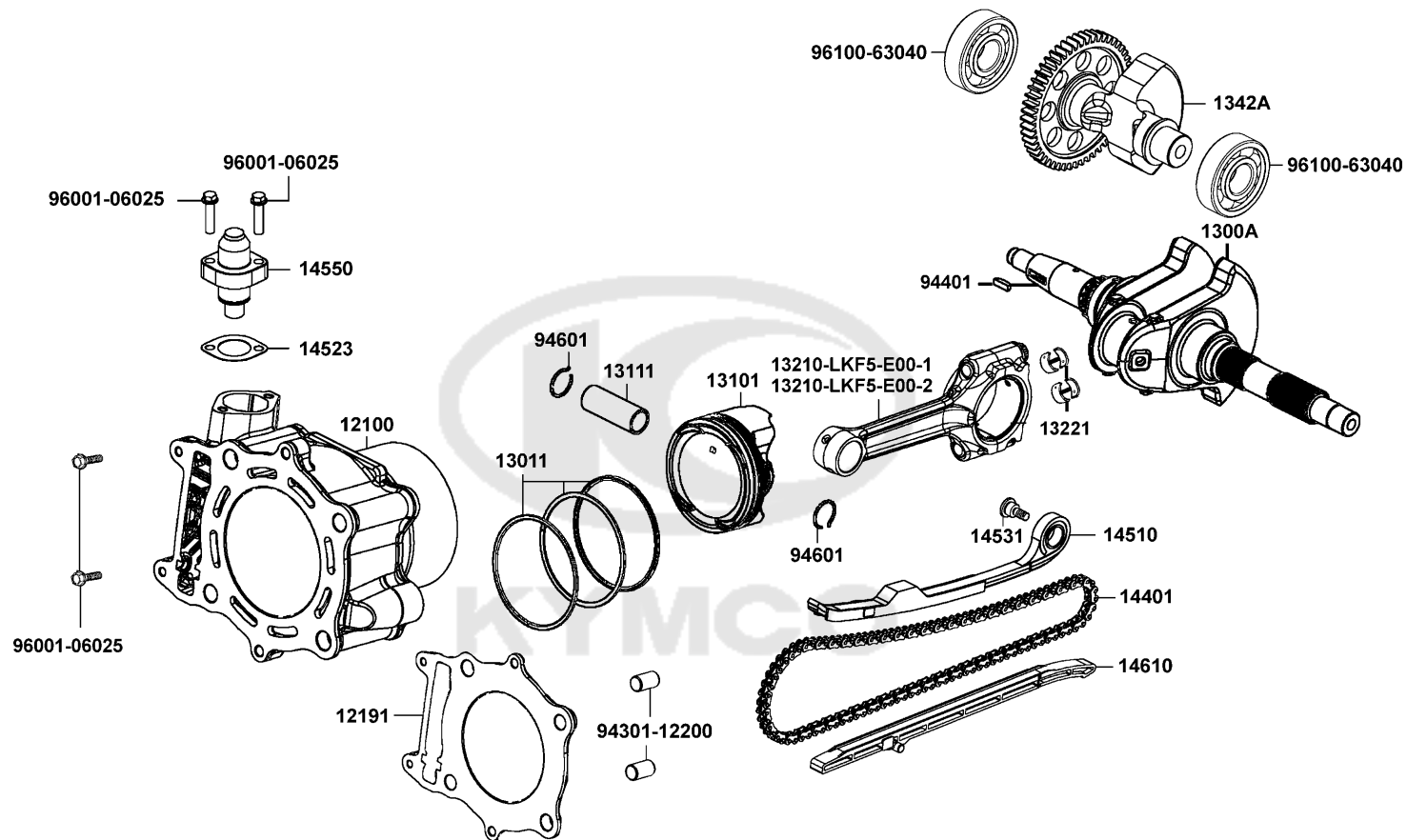
Cylinder Head Cover Cylinder Head



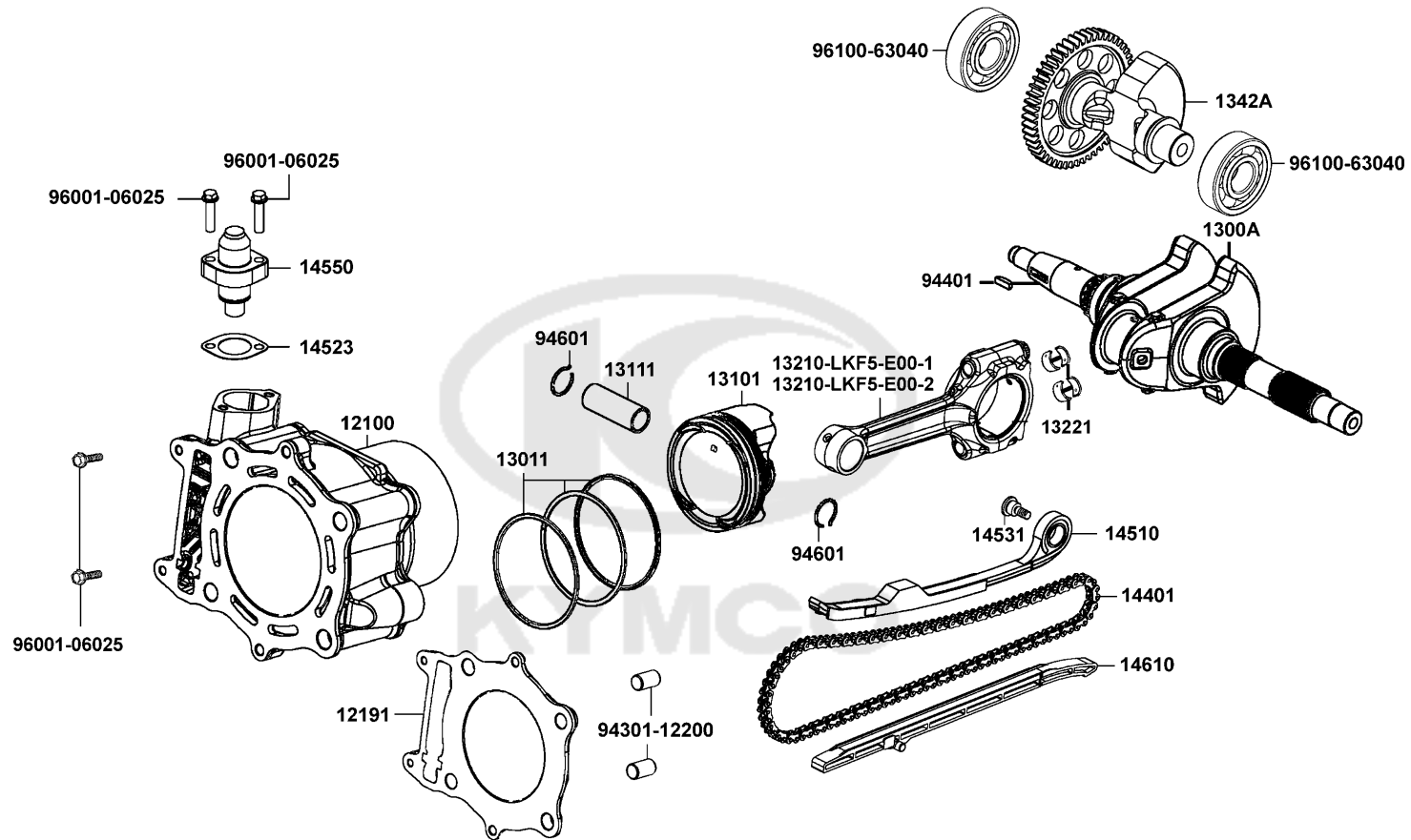
Sales mark	Ref no	Part no	Description	Reg description	Regd no	E02
------------	--------	---------	-------------	-----------------	---------	------------

	96001B	96001-06025-06	BOLT FLANGE SH 6*25	BOLT FLANGE SH 6*25	2	
	98059	98059-57916-00	SPARK PLUG (CR7E)	SPARK PLUG (CR7E)	1	





Sales mark	Ref no	Part no	Description	Reg description	Regd no	E03
	12100	12100-LKF5-E00	CYLINDER COMP (A)	CYLINDER COMP.	1	
	12191	12191-LKF5-E00	GASKET CYLINDER @A	GASKET CYLINDER @A	1	
	1300A	1300A-LKF5-E01	CRANK SHAFT COMP	CRANK SHAFT COMP	1	
	13011	13011-LKF5-E00	RING SET PISTON	RING SET PISTON	1	
	13101	13101-LKF5-E00	PISTON	PISTON	1	
	13111	13111-LKF5-E00	PIN. PISTON	PIN. PISTON	1	
	13210-LKF5-E00-1	13210-LKF5-E00-1	CONN. ROD ASSY 40(0~+0.008)	CONN. ROD ASSY 40(0~+0.008)	1	
	13210-LKF5-E00-2	13210-LKF5-E00-2	CONN. ROD ASSY 40(+0.008~+0.016)	CONN. ROD ASSY 40(+0.008~+0.016)	1	
	13221	13221-ABE1-E00-01	BEARING CONN ROD(RED/1.494~1.498)	BEARING CONN ROD(RED/1.494~1.498)	1	
	13221	13221-ABE1-E00-02	BEARING CONN	BEARING CONN ROD(GREEN/1.490~1.494)	1	
	13221	13221-ABE1-E00-03	BEARING CONN	BEARING CONN ROD(BLACK/1.486~1.490)	1	
	1342A	1342A-LKF5-E01	SHAFT COMP.. BALANCER	SHAFT COMP.. BALANCER	1	
	14401	14401-PWB1-900	CHAIN CAM	CHAIN CAM	1	
	14510	14510-LKF5-E01	TENSIONER. CAM CHAIN	TENSIONER. CAM CHAIN	1	
	14523	14523-LKF5-E00	GASKET TENSIONER LIFTER @A	GASKET TENSIONER LIFTER @A	1	
	14531	14531-KHE7-900	PIVOT CAM CHAIN TENSIONER	PIVOT CAM CHAIN TENSIONER	1	
	14550	14550-LKF5-E00	ADJUSTER CAM CHAIN	ADJUSTER. CAM CHAIN	1	
	14610	14610-LEA7-E00	GUIDE COMP CAM CHAIN	GUIDE COMP CAM CHAIN	1	
	94301-12200	94301-12200	DOWEL PIN 12*20	DOWEL PIN 12*20	2	
	94401	94401-25140	WOODRUFF KEY 25*14	WOODRUFF KEY 25*14	1	



Sales mark	Ref no	Part no	Description	Reg description	Regd no	E03
	94601	94601-PSA6-E00	CIRCLIP PISTON PIN 20MM	CIRCLIP PISTON PIN 20MM	2	
	96001-06025	96001-06025-06	BOLT FLANGE SH 6*25	BOLT FLANGE SH 6*25	3	
	96100-63040	96100-63040-00	BRG BALL RADIAL 6304	BRG BALL RADIAL 6304	2	



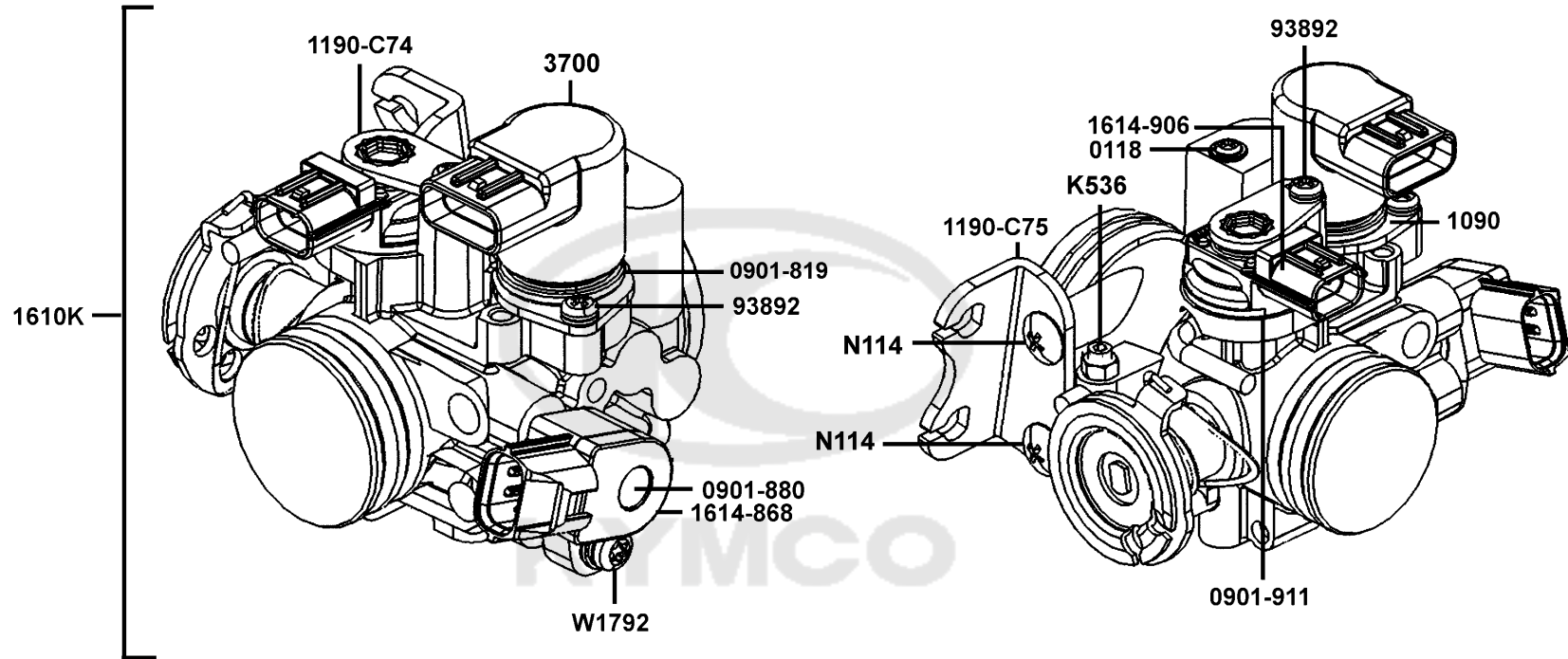
Sales mark	Ref no	Part no	Description	Reg description	Regd no	E04
**	11330	11330-LKF5-E00	COVER COMP R CRANK CASE (Flat	COVER COMP R CRANK CASE (Flat Black)	1	
	11394	11394-LKF5-E00	GASKET R COVER @A	GASKET R COVER @A	1	
	1565A	1565A-LBA2-E00	GAUGE OIL LEVEL ASSY	GAUGE OIL LEVEL ASSY	1	
	19217	19217-ZPA3-E00	SEAL MECHANICAL	SEAL MECHANICAL	1	
**	19220	19220-LKF5-305	COVER WATER PUMP	COVER WATER PUMP	1	
	19229	19229-LKF5-E00	O-RING. WATER PUMP	O-RING. WATER PUMP	1	
**	1922A	1922A-LKF5-E00	COVER ASSY WATER PUMP	COVER ASSY WATER PUMP	1	
	19230	19230-LKF5-E00	ASSY WATER PUMP	ASSY WATER PUMP	1	
	32412	32412-ABE1-E01	CABLE EARTH	CABLE EARTH	1	
	90084	90084-KKF9-901	CAP AC GENERATOR	CAP ACG	1	
	90459	90459-LKF5-E00	WASHER 12MM	WASHER 12MM	1	
	90478	90478-7L00-001	WASHER A 6MM	WASHER A 6MM	1	
	90914	90914-LKF5-E00	TUBE ASSY.WATER	TUBE ASSY.WATER	1	
	91001	91001-KKJ9-006	BRG BALL RADIAL 6901	BRG BALL RADIAL 6901	1	
	91202	91202-LKG2-900	OIL SEAL 13.7*24*5	OIL SEAL 13.7*24*5	1	
	91303	91303-3G77-001	O-RING 13.8*2.5	O-RING 13.8*2.5	1	
	91305	91305-LEH6-E00	O RING 19.8x1.9	O RING 19.8x1.9	1	
	91307	91307-0E35-001	O RING 18*3	O RING 18*3	1	
	91552	91552-LEH6-E00	COLLAR 20mm	COLLAR 20mm	1	
	94301	94301-08140	DOWEL PIN 8*14	DOWEL PIN 8*14	2	

Sales mark	Ref no	Part no	Description	Reg description	Regd no	E04
94301A		94301-10160	DOWEL PIN 10*16	DOWEL PIN 10*16	2	
94510		94510-12000	CIR CLIP EXTERNAL 12	CIR CLIP EXTERNAL 12	1	
95002		95002-02070	CLIP B7 TUBE	CLIP B7 TUBE	2	
96001		96001-06010-00	BOLT FLANGE SH 6X10	BOLT FLANGE SH 6X10	1	
96001A		96001-06022-06	BOLT FLANGE SH 6*22 (G)	BOLT FLANGE SH 6*22 (G)	4	
96001B		96001-06028-06	BOLT FLANGE SH 6*28	BOLT FLANGE SH 6*28	12	
96001C		96001-06035-06	BOLT FLANGE SH 6*35	BOLT FLANGE SH 6*35	1	
96001D		96001-06125-06	BOLT FLANGE SH 6*125	BOLT FLANGE SH 6*125	1	



E05

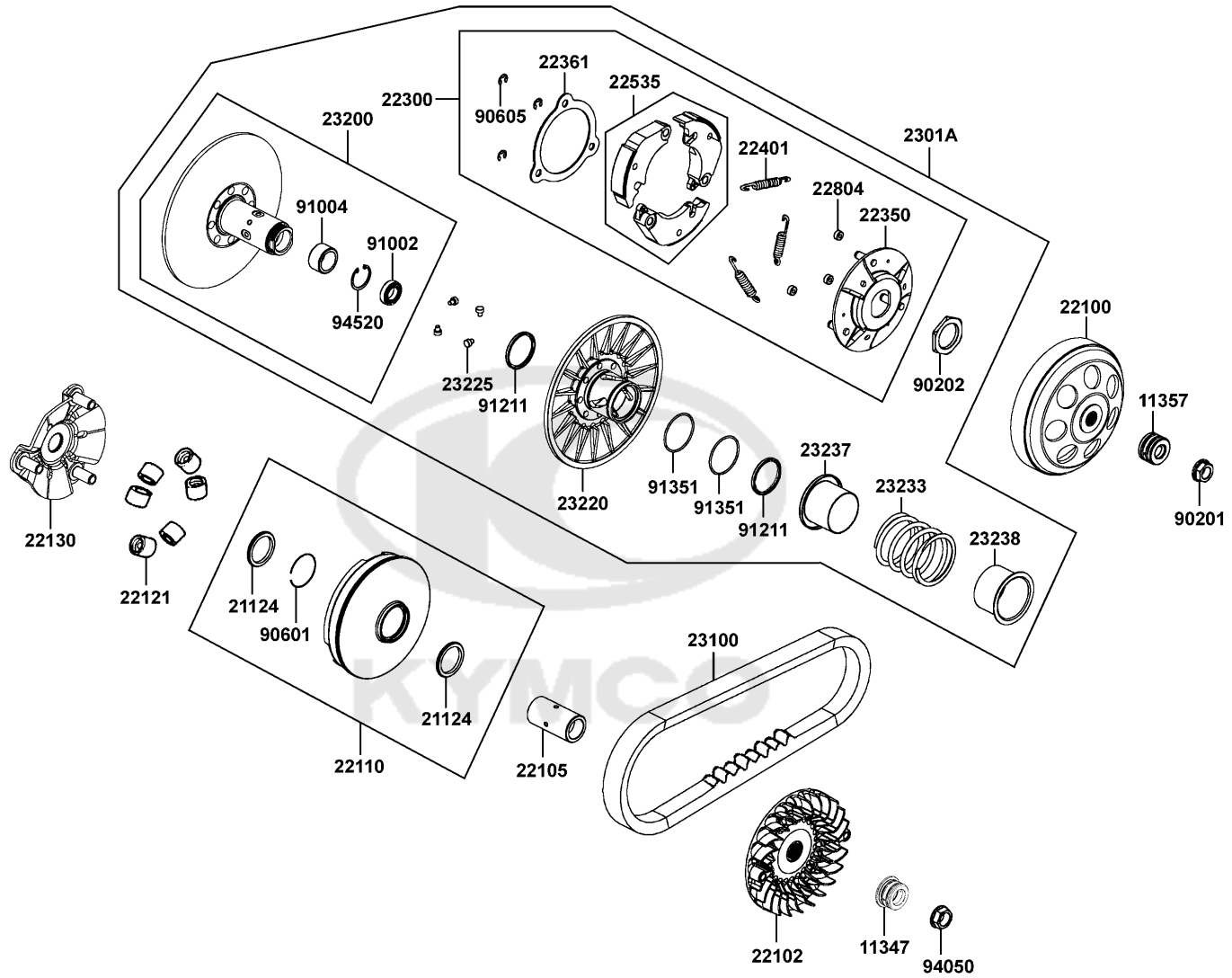
Throttle Body Assy



Sales mark	Ref no	Part no	Description	Reg description	Regd no	E05
0118		0118-814-1100-3	SCREW SET	SCREW SET	1	
0901-819		0901-819-6001	O-RING	O-RING	1	
0901-880		0901-880-6000	O-RING/TPS	O-RING/TPS	1	
0901-911		0901-911-6000	O-RING	O-RING	1	
1090		1090-873-2001	SET PLATE	SET PLATE	1	
1190-C74		1190-C74-2000	STAY PLATE	STAY PLATE	1	
1190-C75		1190-C75-2000	BRACKET / THROTTLE CABLE	BRACKET / THROTTLE CABLE	1	
1610K		1610K-LKF5-900	THROTTLE BODY ASSY	CARBURETOR ASSY.	1	
1614-868		1614-868-0000-S	THROTTLE POSITION SENSER	THROTTLE POSITION SENSER	1	
1614-906		1614-906-0002	MAP SENSOR	MAP SENSOR	1	
3700		3700-A35B-0110	ISC VALVE	ISC VALVE	1	
93892		93892-04008-16	SCREW WASHER 4X8	SCREW WASHER 4X8	1	
K536		K536-174-0200	SCREW SET	SCREW SET	1	
N114		N114-05103-3	SCREW WASHER	SCREW WASHER	2	
W1792		W1792-048-9901	SCREW TORX M5*0.8/TPS	SCREW TORX M5*0.8/TPS	1	

E06

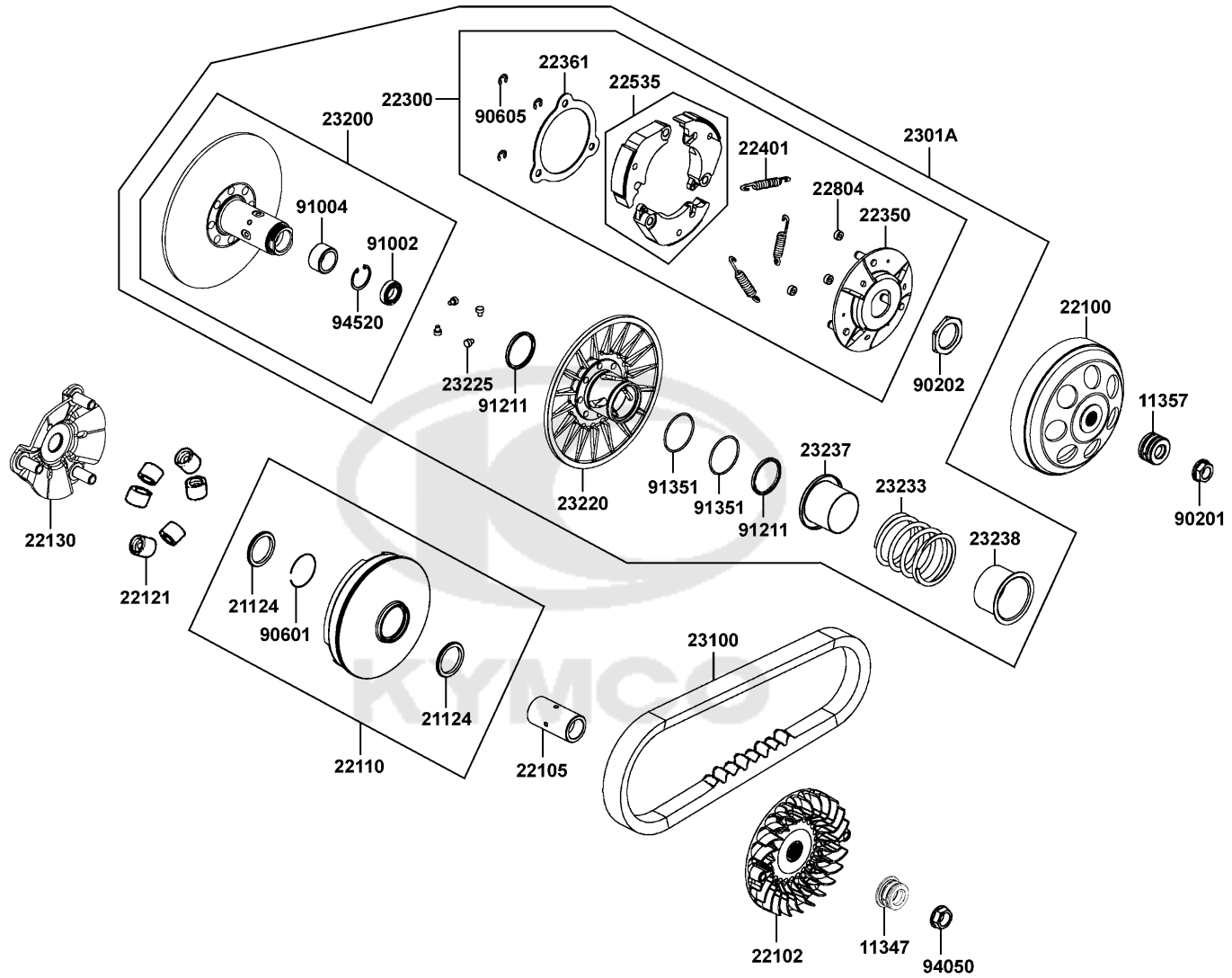
Drive Pulley



Sales mark	Ref no	Part no	Description	Reg description	Regd no	E06
11347		11347-LKF5-E00	BOSS DRIVE SHAFT	BOSS DRIVE SHAFT	1	
11357		11357-LKF5-E00	BOSS DRIVE SHAFT	BOSS DRIVE SHAFT	1	
21124		21124-LKF5-E00	OIL SEAL 35*45*4	OIL SEAL 35*45*4	2	
22100		22100-LKF5-E00	OUTER COMP CLUTCH	OUTER COMP.. CLUTCH	1	
22102		22102-LKF5-E02	FACE COMP DRIVER	FACE COMP DRIVER	1	
22105		22105-LKF5-E02	BOSS DRIVE FACE	BOSS DRIVE FACE	1	
22110		22110-LKF5-E02	FACE COMP MOVABLE	FACE COMP MOVABLE	1	
22121		22121-LKF5-305	ROLLER SET WEIGHT (1SET:6PCS)	ROLLER SET WEIGHT (1SET:6PCS)	1	
22130		22130-LKF5-E00	RAMP PLATE COMP.	RAMP PLATE COMP.	1	
22300		22300-LKF5-E02	PLATE ASSY DRIVE	PLATE ASSY DRIVE	1	
22350		22350-LKF5-E00	PLATE COMP. DRIVE	PLATE COMP. DRIVE	1	
22361		22361-LKF5-E00	PLATE. CLUTCH SIDE	PLATE. CLUTCH SIDE	1	
22401		22401-LKF5-E02	SPRING CLUTCH	SPRING CLUTCH	3	
22535		22535-LKF5-305	WEIGHT SET CLUTCH (1SET:3PCS)	WEIGHT SET CLUTCH (1SET:3PCS)	1	
22804		22804-GBB2-001	RUBBER CLUTCH DAMPER	RUBBER CLUTCH DAMPER	3	
2301A		2301A-LKF5-E02	PULLEY SUB ASSY	PULLEY SUB ASSY	1	
23100		23100-LKF5-E02	BELT DRIVE (N-6M)	BELT DRIVE (N-6M)	1	
23200		23200-LKF5-E02	FACE ASSY DRIVEN	FACE ASSY DRIVEN	1	
23220		23220-LKF5-E02	FACE COMP MOVABLE DRIVEN	FACE COMP MOVABLE DRIVEN	1	
23225		23225-LKF5-E00	PIN ROLLER GUIDE	PIN ROLLER GUIDE	4	

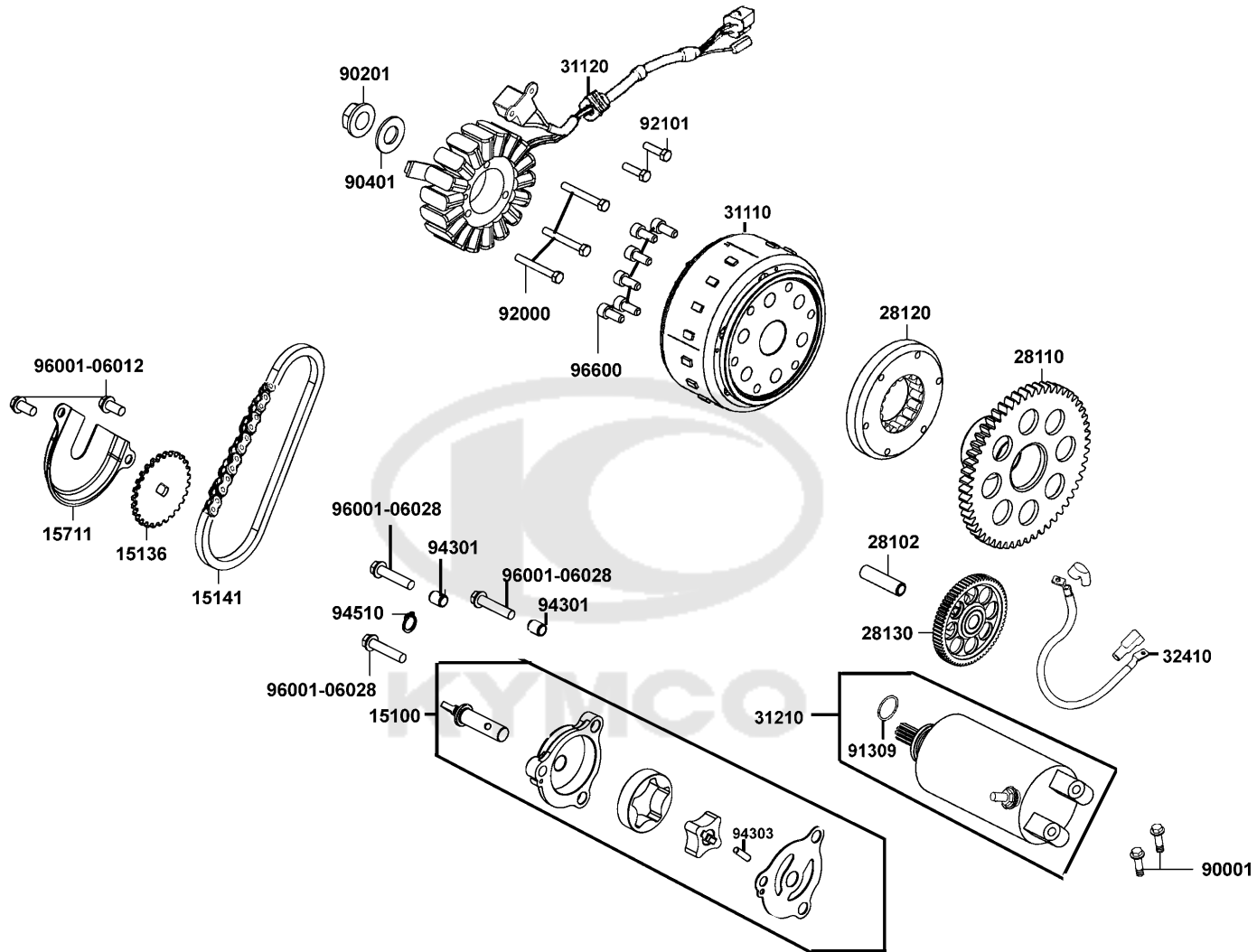
E06

Drive Pulley



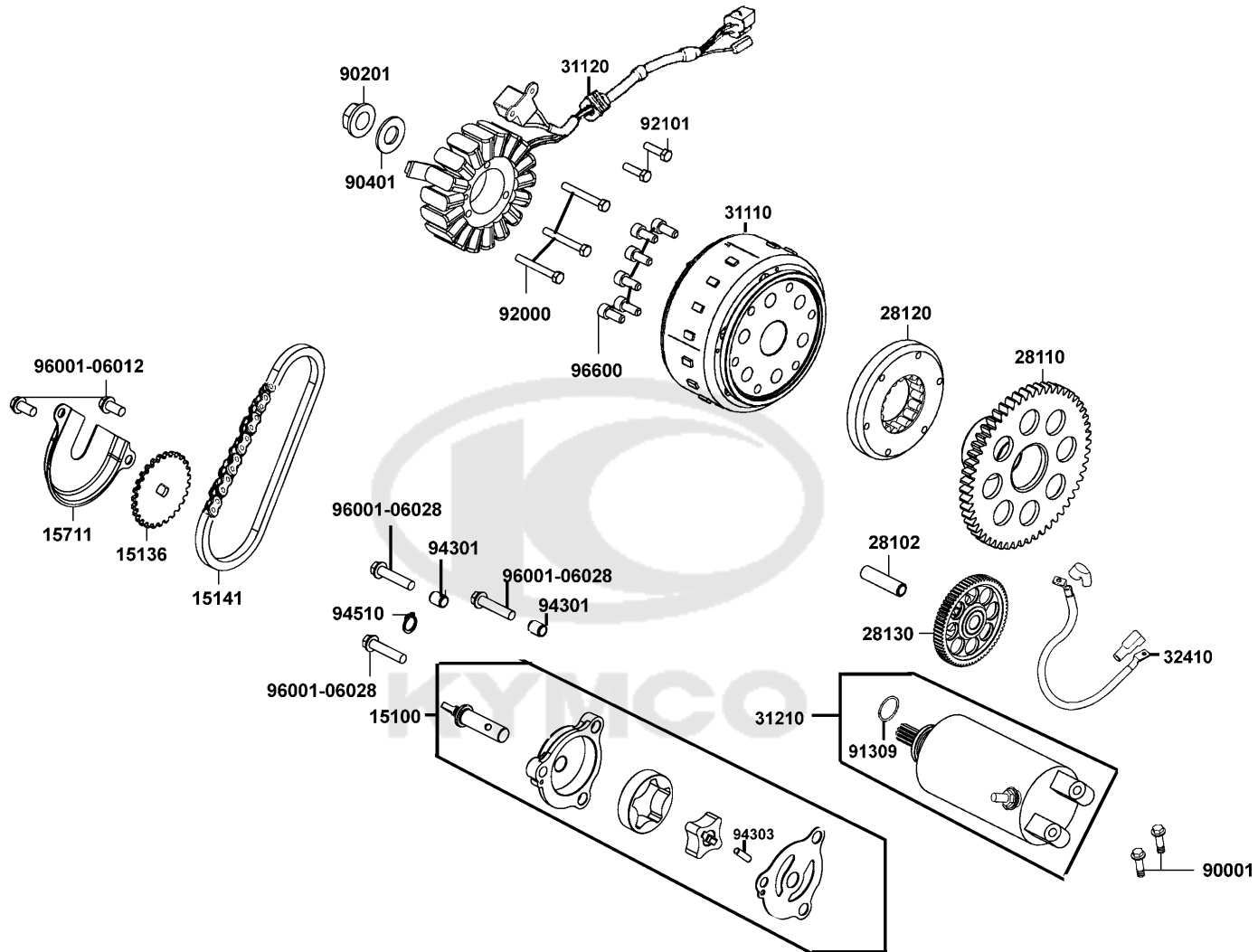
Sales mark	Ref no	Part no	Description	Reg description	Regd no	E06
23233		23233-LKF5-E00	SPG.. DRIVEN FACE	SPG.. DRIVEN FACE	1	
23237		23237-LKF5-E00	COLLAR SEAL	COLLAR SEAL	1	
23238		23238-LKF5-E01	COLLAR SPG	COLLAR SPG	1	
90201		90201-LKF5-E00	NUT. HEX	NUT. HEX	1	
90202		90202-LDB5-E00	NUT SPECIAL 36MM	NUT SPECIAL 36MM	1	
90601		90601-LKF5-E00	TUBE NULL	TUBE NULL	1	
90605		90605-1F66-721	CIR CLIP 7MM	CIR CLIP 7MM	3	
91002		91002-LKF5-E00	SET RING	SET RING	1	
91004		91004-LBA2-E00	BRG NDL 25*33*18	BRG NDL 25*33*18	1	
91211		91211-LDB5-E00	SEAL DRIVEN FACE 40.2*47*4	SEAL DRIVEN FACE 40.2*47*4	2	
91351		91351-LDB5-E00	O-RING PINION CAP	O-RING PINION CAP	2	
94050		94050-LKF5-E00	NUT FLANGE 18MM	NUT FLANGE 18MM	1	
94520		94520-30000	CIR CLIP IN 30	CIR CLIP IN 30	1	

Starting Motor Generator



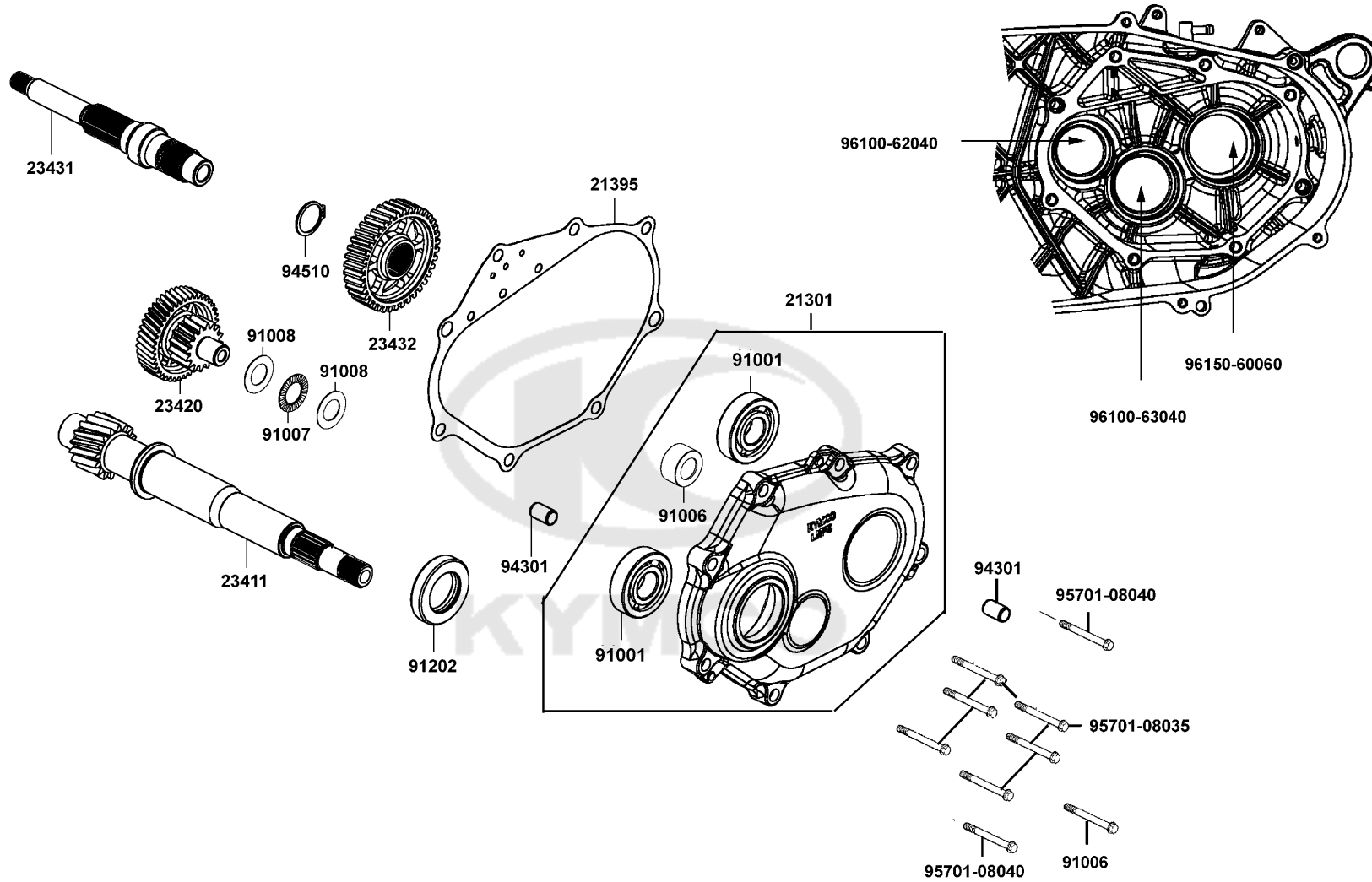
Sales mark	Ref no	Part no	Description	Reg description	Regd no	E07
15100		15100-LKF5-E00	PUMP ASSY OIL	PUMP ASSY OIL	1	
15136		15136-KKE5-E00	SPROCKET W/P DRIVEN	SPROCKET W/P DRIVEN	1	
15141		15141-LKF5-E00	CHAIN. OIL PUMP	CHAIN. OIL PUMP	1	
15711		15711-LKF5-E00	SEPARATOR OIL	SEPARATOR OIL	1	
28102		28102-LEA7-E00	SHAFT STARTER REDUCTION	SHAFT STARTER REDUCTION	1	
28110		28110-LKF5-E00	GEAR COMP.. STARTING CLUTCH	GEAR COMP., STARTING CLUTCH	1	
28120		28120-LKF5-E00	ONE WAY CLUTCH	ONE WAY CLUTCH	1	
28130		28130-LKF5-E00	GEAR COMP.. REDUCTION	GEAR COMP.. REDUCTION	1	
31110		31110-LKF5-E00	FLYWHEEL COMP (D402)	FLYWHEEL COMP (D402)	1	
31120		31120-LKF5-E01	STATOR COMP (D402)	STATOR COMP.	1	
31210		31210-LKF5-E00	MOTOR UNIT STARTER	MOTOR UNIT STARTER	1	
32410		32410-ABE1-E00	CABLE. START MOTOR	CABLE. START MOTOR	1	
90001		90001-GBHB-661	BOLT FLANGE SH 6*22	BOLT FLANGE SH 6*22	2	
90201		90201-KHR8-75A	NUT FLANGE 14MM	NUT FLANGE 14MM	1	
90401		90401-KKJ9-001	WASHER THRUST 14*28*2	WASHER THRUST 14*28*2	1	
91309		91309-4E25-004	O-RING 24.4*3.1	O-RING 24.4*3.1	1	
92000		92000-LEA6-900	BOLT HEX 5*40	BOLT HEX 5*40	3	
92101		92101-05012-0G	BOLT HEX 5X12	BOLT HEX 5*12	1	
94301		94301-08100	DOWEL PIN 8*10	DOWEL PIN 8*10	2	
94303		94303-04160	PIN 4x16	PIN 4x16	1	

Starting Motor Generator



Sales mark	Ref no	Part no	Description	Reg description	Regd no	E07
	94510	94510-10000	CIR CLIP EX 10MM	CIR CLIP EX 10MM	1	
	96001-06012	96001-06012-06	BOLT FLANGE SH 6*12	BOLT FLANGE SH 6*12	1	
	96001-06028	96001-06028-06	BOLT FLANGE SH 6*28	BOLT FLANGE SH 6*28	3	
	96600	96600-06015-10	SOCKET BOLT 6*15	SOCKET BOLT 6*15	6	

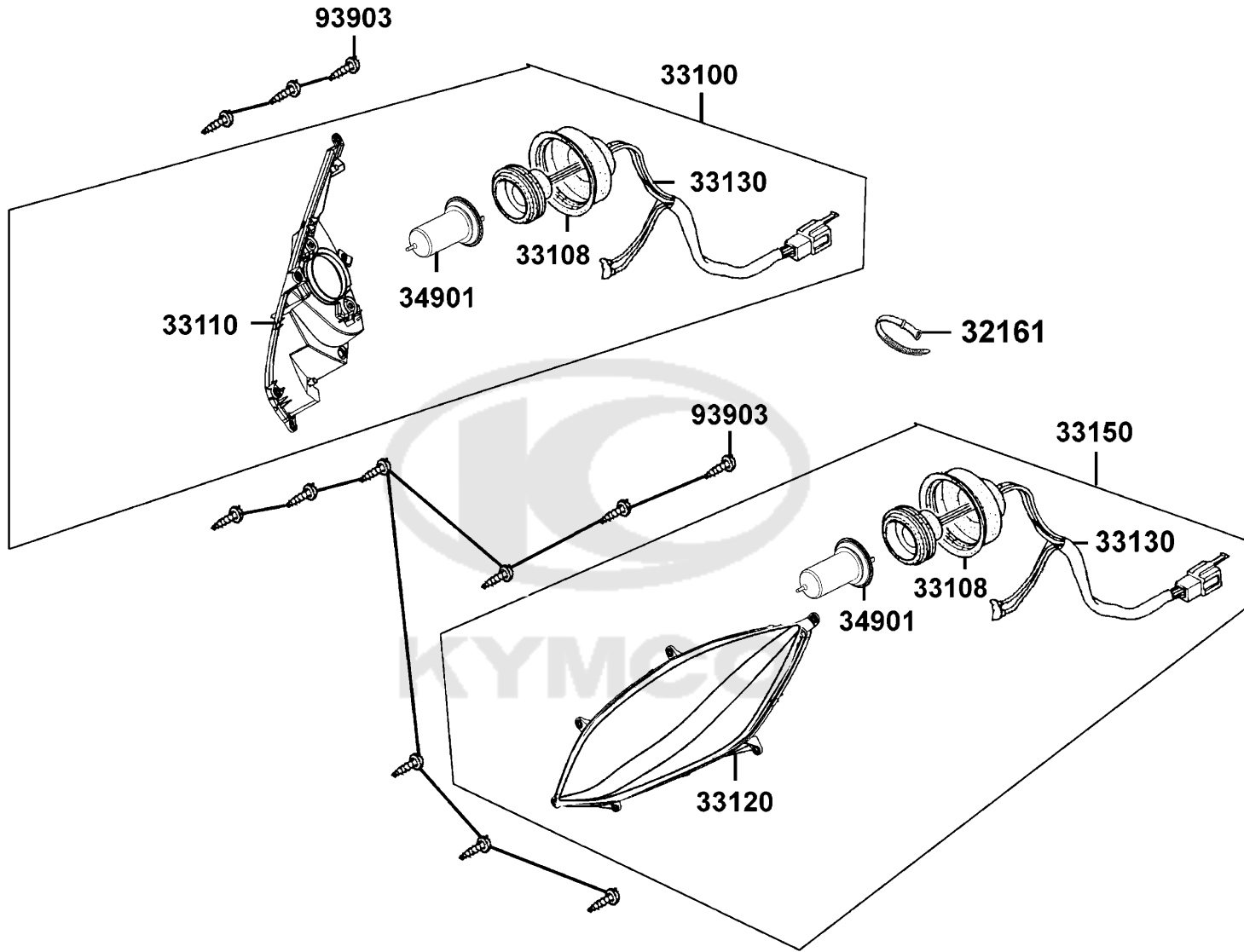




Sales mark	Ref no	Part no	Description	Reg description	Regd no	E08
21301		21301-LKF5-315	COVER MISSION	COVER MISSION	1	
21395		21395-LKF5-E00	GASKET MISSION CASE @A	GASKET MISSION CASE @A	1	
23411		23411-LKF5-E02	SHAFT DRIVE	SHAFT DRIVE	1	
23420		23420-LKF5-E00	SHAFT COMP.. COUNTER	SHAFT COMP.. COUNTER	1	
23431		23431-LKF5-E00	SHAFT. FINAL	SHAFT. FINAL	1	
23432		23432-LKF5-E00	GEAR. FINAL	GEAR. FINAL	1	
91001		91001-KHV8-004	BRG BALL RADIAL 6305	BRG BALL RADIAL 6305	2	
91006		91006-LKF5-E00	BEARING NK20X34X18	BEARING NK20X34X18	1	
91007		91007-LKF5-E00	BEARING AXK1104	BEARING AXK1104	1	
91008		91008-LKF5-E00	PLATE .BEARING	PLATE .BEARING	2	
91202		91202-LEA7-E00	OIL SEAL 25*35*6	OIL SEAL 25X35X6	1	
91202		91202-LEA7-E0A	OIL SEAL 25*35*6	OIL SEAL 25*35*6	1	
94301		94301-10160	DOWEL PIN 10*16	DOWEL PIN 10*16	2	
94510		94510-29000	CIR CLIP EX 29	CIR CLIP EX 29	1	
95701-08035		95701-08035-06	BOLT FLANGE 8*28	BOLT FLANGE 8*28	1	
95701-08040		95701-08040-06	BOLT FLANGE 8x40 (G)	BOLT FLANGE 8x40 (G)	1	
96100-62040		96100-62040-00	BEARING BALL RADIAL 6204	BEARING BALL RADIAL 6204	1	
96100-63040		96100-63040-00	BRG BALL RADIAL 6304	BRG BALL RADIAL 6304	1	
96150-60060		96150-60060-10	BEARING BALL RADIAL 6006	BEARING BALL RADIAL 6006	1	

F01

Head Light

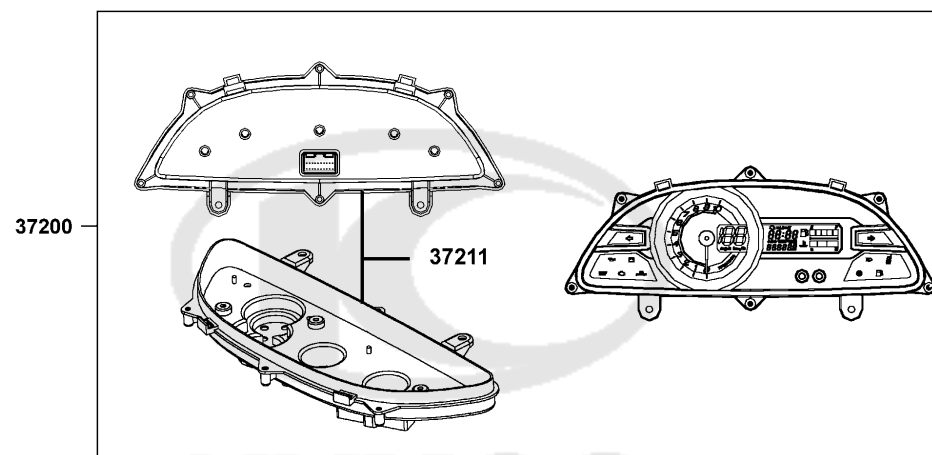


Sales mark	Ref no	Part no	Description	Reg description	Regd no	F01
	32161	32161-LBA7-900	BAND WIRE	BAND WIRE	1	
	33100	33100-LKF5-E01	LIGHT ASSY HEAD RH	LIGHT ASSY..HEAD RH	1	
	33108	33108-KHE7-E00	COVER A RUBBER	COVER A RUBBER	2	
	33110	33110-LKF5-E01	UNIT HEAD LIGHT R	UNIT HEAD LIGHT R	1	
	33120	33120-LKF5-E01	UNIT HEAD LIGHT L	UNIT HEAD LIGHT L	1	
	33130	33130-LGR2-E00	SOCKET COMP R	SOCKET COMP R	2	
	33150	33150-LKF5-E01	LIGHT ASSY .HEAD LH	LIGHT ASSY .HEAD LH	1	
	34901	34901-KFA6-900	BULB HEAD LIGHT (HSI 12V 35/35W)	BULB HEAD LIGHT (HSI 12V 35/35W)	2	
	93903	93903-35360	SCREW TAPPING 5*16	SCREW TAPPING 5*16	1	



F02

Speed meter



93903-35320

93903-35320

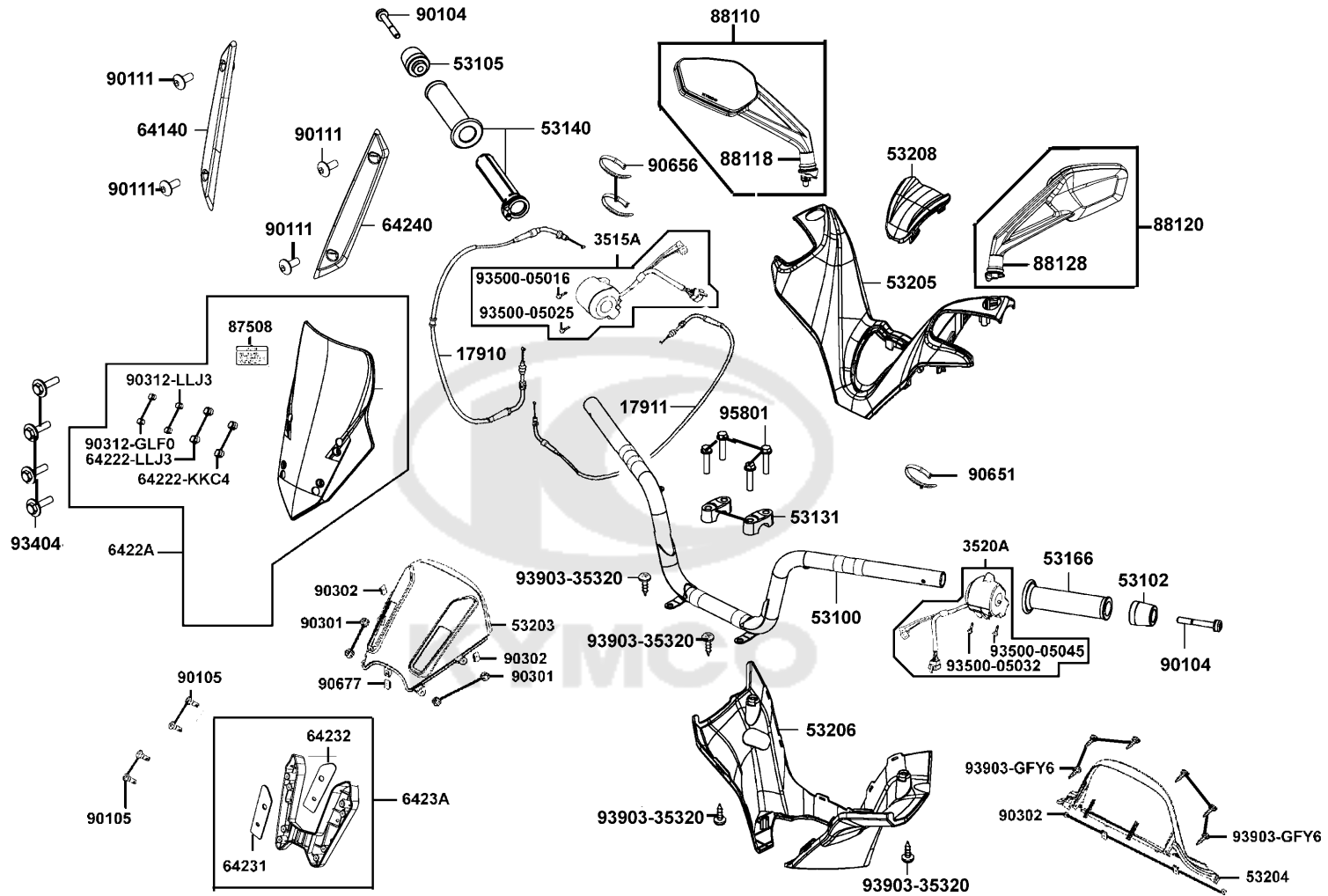
Sales mark	Ref no	Part no	Description	Reg description	Regd no	F02
------------	--------	---------	-------------	-----------------	---------	------------

37200	37200-LKF5-E05	37200-LKF5-E05	METER ASSY SPEED	METER ASSY SPEED	1	
37211	37211-LKF5-E03	37211-LKF5-E03	LENS ASSY	LENS ASSY	1	
93903-35320	93903-35320	93903-35360	SCREW TAPPING 5*16	SCREW TAPPING 5*16	1	

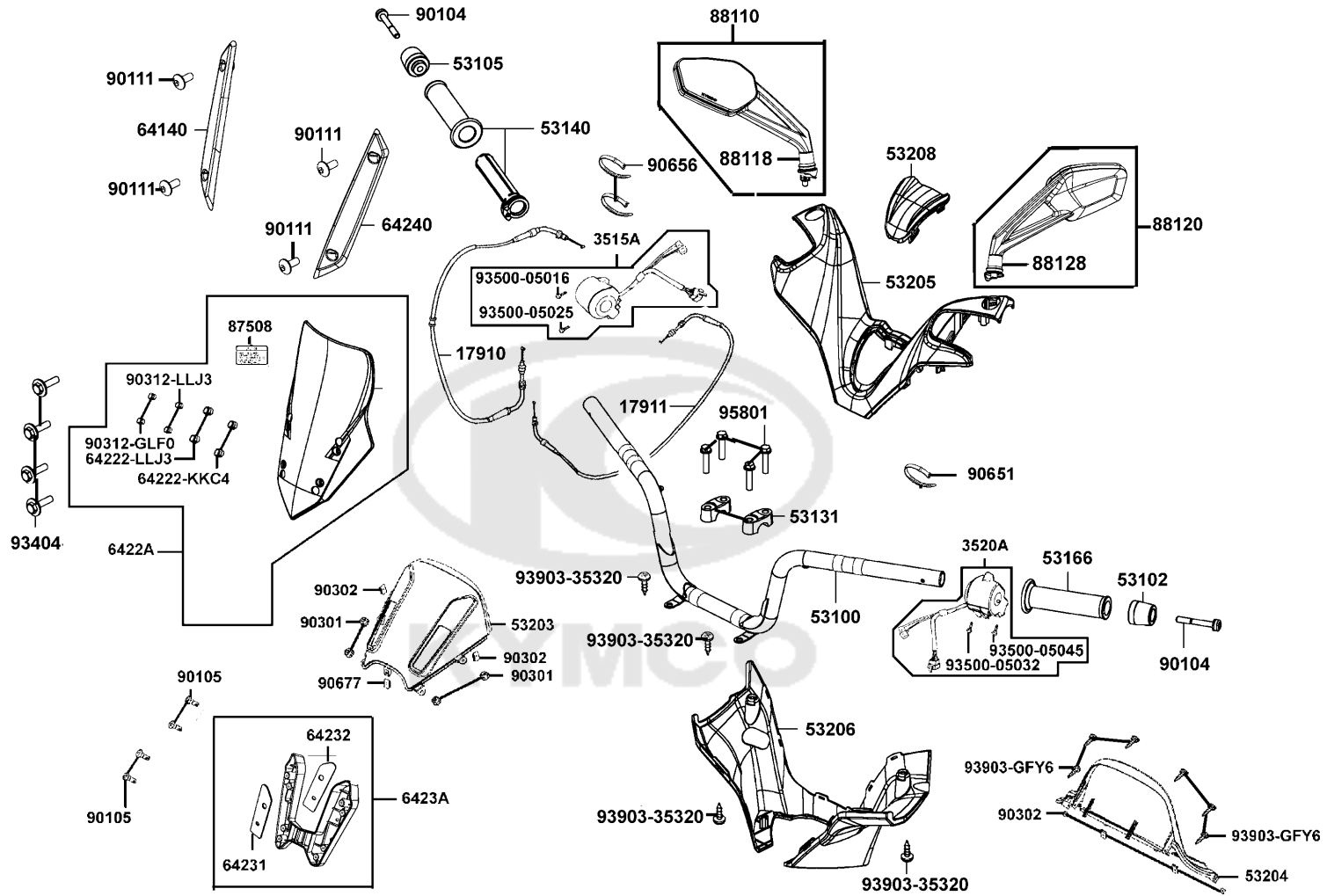


F03

Handle Steering



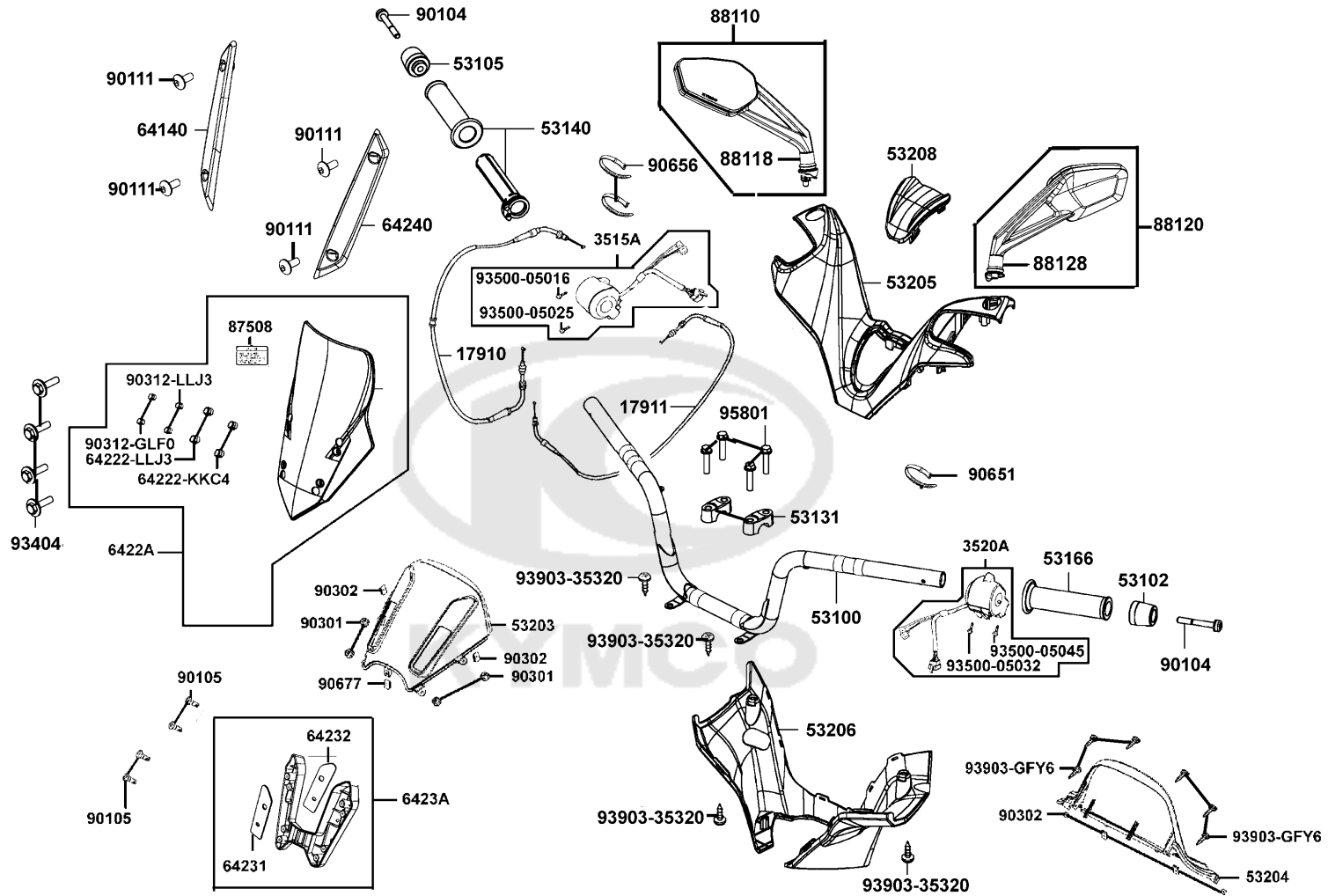
Sales mark	Ref no	Part no	Description	Reg description	Regd no	F03
	17910	17910-LKF5-E00	CABLE A.THROT	CABLE A.THROT	1	
	17911	17911-LKF5-E00	CABLE BTHROT	CABLE B THROT	1	
	3515A	3515A-LDB2-B80	SW ASSY RH HNDL COM(A.H.C.)	SW ASSY RH HNDL COM(A.H.C.)	1	
	3520A	3520A-KEBE-900	SW ASSY L HNDL COMP	SW ASSY L HNDL COMP	1	
	53100	53100-LKF5-E00	HANDLE COMP STEERING	HANDLE COMP STEERING	1	
**	53102	53102-LEA5-E00	END L STRG HANDLE **(2)	END L STRG HANDLE **(2)	1	
**	53105	53105-LEA5-E00	END R STRG HANDLE **(2) C.2007.01.03	END R STRG HANDLE **(2) C.2007.01.03	1	
	53131	53131-3H98-941	HOLDER HANDLE PIPE	HOLDER HANDLE PIPE	2	
**	53140	53140-KKC4-900	GRIP COMP THROT	GRIP COMP THROT	1	
**	53166	53166-KGB5-900	GRIP L HANDLE	GRIP L HANDLE	1	
**	53203	53203-LBA2-E00	COVER METER FR	COVER METER FR	1	
**	53204	53204-LBA2-E00	COVER METER RR	COVER METER RR	1	
**	53205	53205-LKF5-E00	HANDLE COVER UP	HANDLE COVER UP	1	
**	53206	53206-LKF5-E00	HANDLE COVER LOW	HANDLE COVER LOW	1	
**	53208	53208-LKF5-E00	LID.HANDLE UP	LID.HANDLE UP	1	
**	64140	64140-LKF5-E01	COVER R WIND SCREEN	COVER R WIND SCREEN	1	
	64222-KKC4	64222-KKC4-900	RUBBER WIND SCREEN	RUBBER WIND SCREEN	2	
	64222-LLJ3	64222-LLJ3-E00	RUBBER WIND SCREEN	RUBBER WIND SCREEN	2	
	6422A	6422A-LKF5-E01	ASSY WIND SCREEN	ASSY WIND SCREEN	1	
	64231	64231-LKF5-E01	SPONGE TAPE R HOLDER	SPONGE TAPE R HOLDER	1	



Sales mark	Ref no	Part no	Description	Reg description	Regd no	F03
	64232	64232-LKF5-E01	SPONGE TAPE L HOLDER	SPONGE TAPE L HOLDER	1	
**	6423A	6423A-LKF5-E01	HOLDER ASSY WIND SCREEN	HOLDER ASSY WIND SCREEN	1	
**	64240	64240-LKF5-E01	COVER L WIND SCREEN	COVER L WIND SCREEN	1	
**	87508	87508-KKC4-E00	LABEL CLEANNESS CAUTION	LABEL CLEANNESS CAUTION	1	
**	88110	88110-LKF5-E00	MIRROR ASSY R BACK	MIRROR ASSY R BACK	1	
	88118	88118-LKF5-E00	COVER R STEM MIRROR	COVER R STEM MIRROR	1	
**	88120	88120-LKF5-E00	MIRROR ASSY L BACK	MIRROR ASSY L BACK	1	
	88128	88128-LKF5-E00	COVER L STEM MIRROR	COVER L STEM MIRROR	1	
	90104	90104-LEA7-E00	BOLT WASH M8*60	BOLT WASH M8*60	2	
	90105	90105-LLJ3-E00	BOLT SPECIAL 8MM	BOLT SPECIAL 8MM	4	
#	90111	90111-LEC8-E01	SCREW.PAN 6X14(CG)	SCREW.PAN 6X14(CG)	4	
	90301	90301-6D34-671	NUT FLANGE 6MM	NUT FLANGE 6MM	4	
	90302	90302-SDA4-004	NUT SPRING 4MM	NUT SPRING 4MM	6	
	90312-GLF0	90312-GLF0-001	COLLAR BODY COVER	COLLAR BODY COVER	2	
	90312-LLJ3	90312-LLJ3-E00	COLLAR WIND SCREEN	COLLAR WIND SCREEN	2	
	90651	90651-LKF5-E01	CLIP WIRE HARN	CLIP WIRE HARN	1	
	90656	90656-KCBC-900	BAND OIL HANDLE 8X146	BAND OIL HANDLE 8X146	2	
	90677	90677-GAR1-004	NUT CLIP 5MM	NUT CLIP 5MM	1	
	93404	93404-06020-06	BOLT WASHER 6*20 (G)	BOLT WASHER 6*20 (G)	4	
	93500-05016	93500-05016-1B	SCREW PAN 5*16	SCREW PAN 5*16	1	

F03

Handle Steering

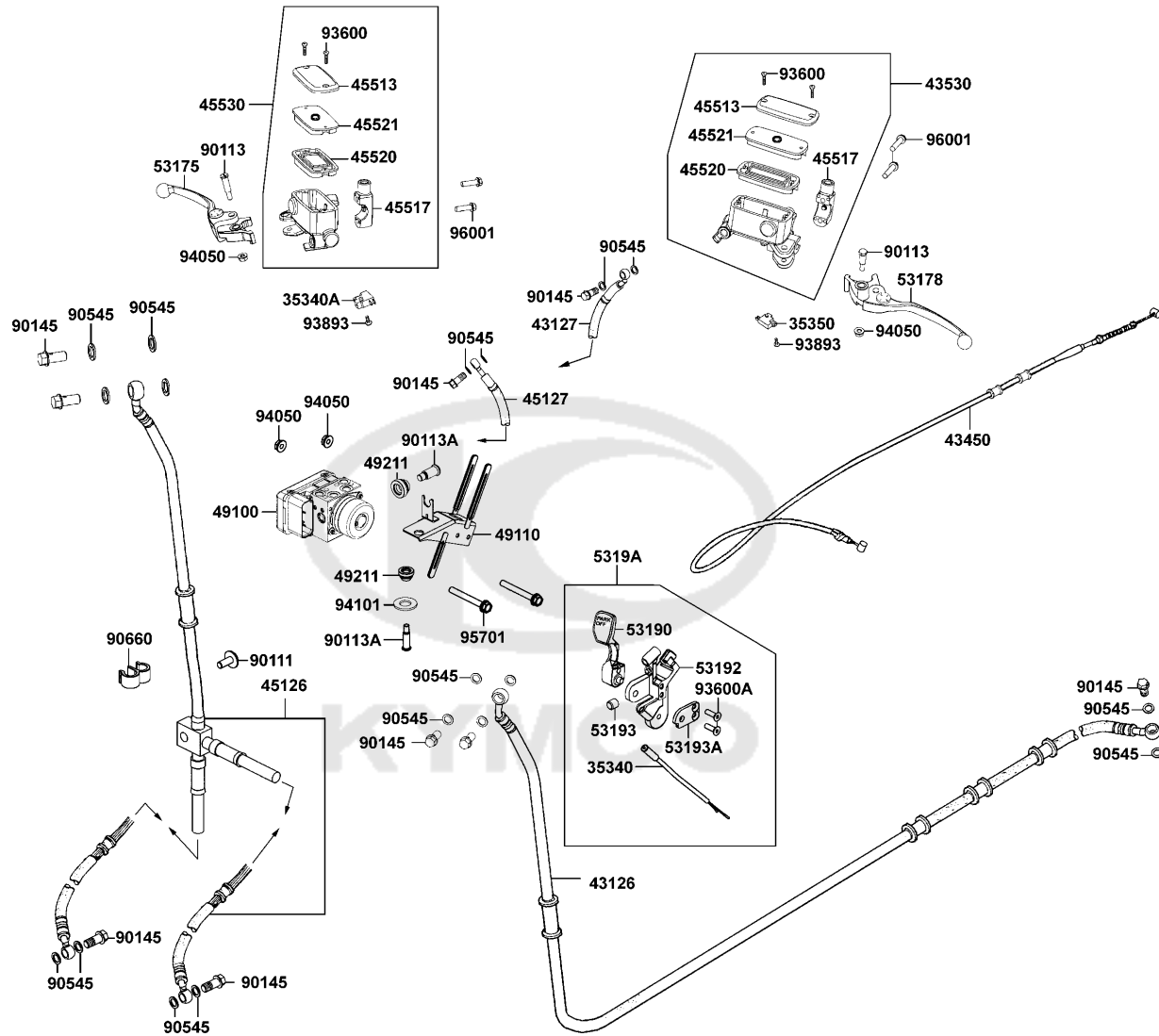


Sales mark	Ref no	Part no	Description	Reg description	Regd no	F03
	93500-05025	93500-05025-1B	SCREW PAN 5*25	SCREW PAN 5*25	1	
	93500-05032	93500-05032-1B	SCREW PAN 5*32	SCREW PAN 5*32	1	
	93500-05045	93500-05045-1B	SCREW PAN 5*45	SCREW PAN 5*45	1	
	93903-35320	93903-35360	SCREW TAPPING 5*16	SCREW TAPPING 5*16	1	
	93903-GFY6	93903-GFY6-900	SCREW TAPPING 4*14	SCREW TAPPING 4*14	6	
	95801	95801-08035-06	BOLT FLANGE 8*35	BOLT FLANGE 8*35	4	



F04

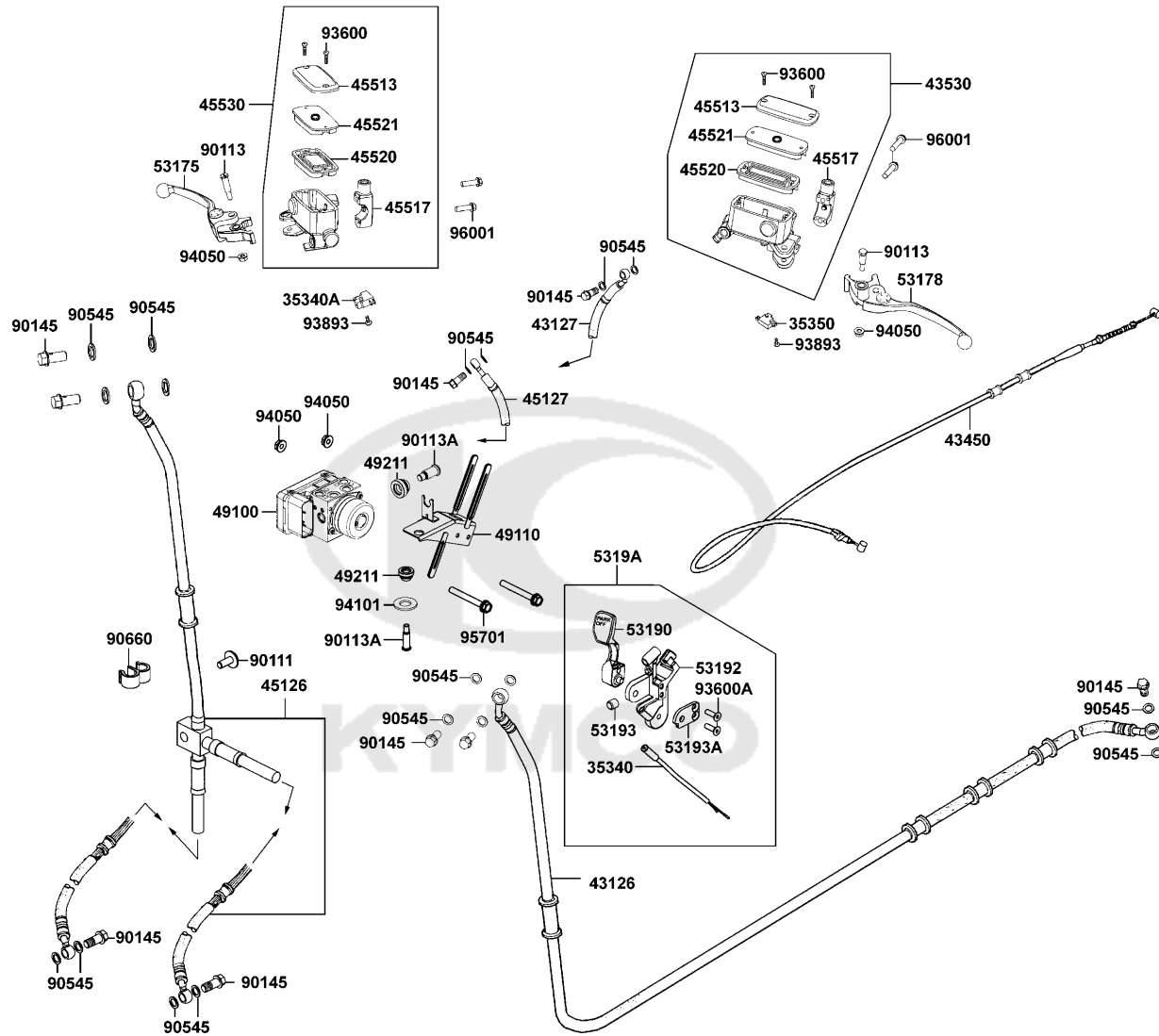
Master Cylinder



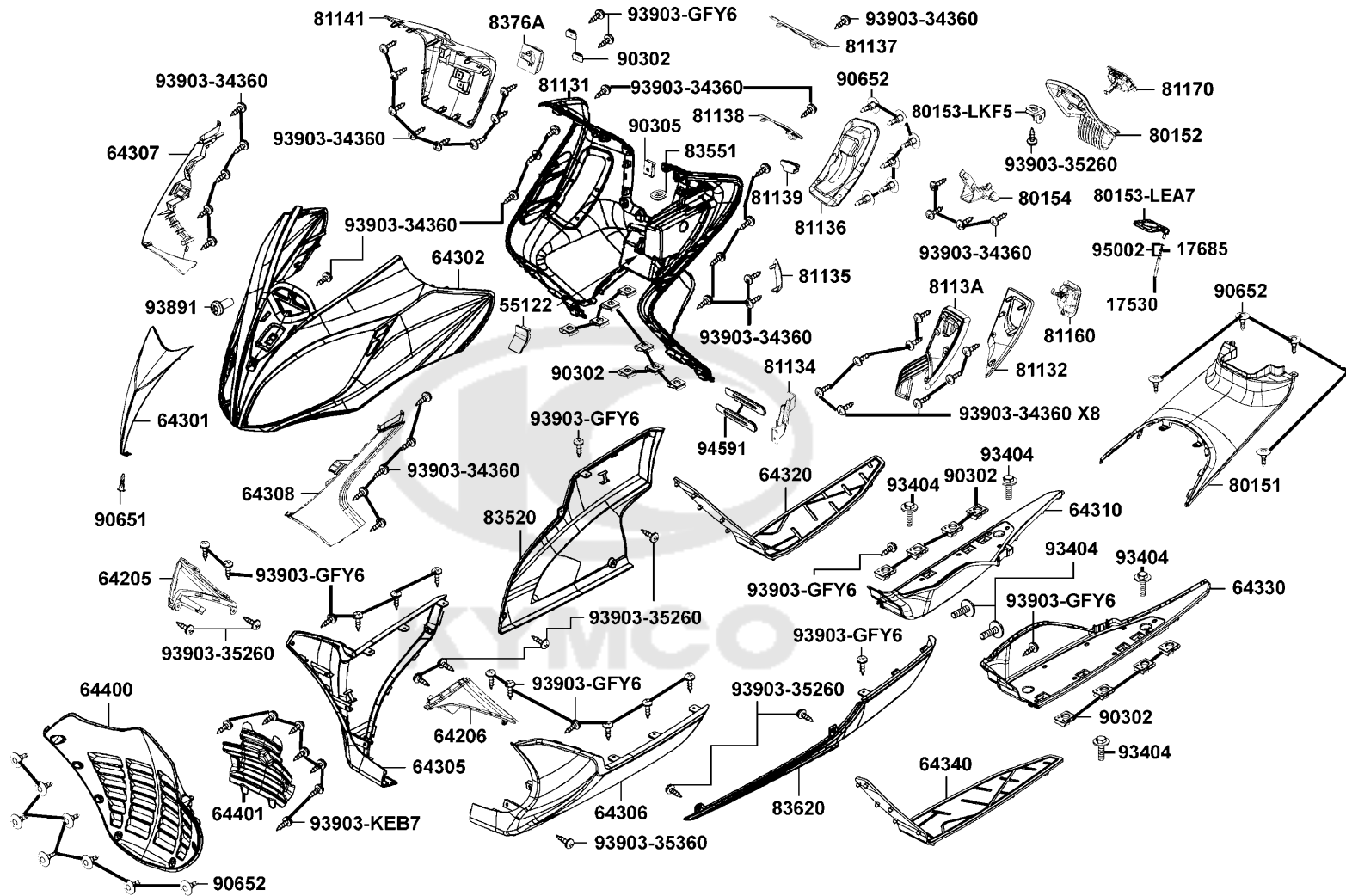
Sales mark	Ref no	Part no	Description	Reg description	Regd no	F04
	35340	35340-KFLF-900	SW ASSY FR STOP	SW ASSY FR STOP	1	
	35340A	35340-LKF5-E01	SW ASSY FR STOP	SW ASSY FR STOP	1	
	35350	35350-LKF5-E01	SW ASSY RR STOP	SW ASSY RR STOP	1	
	43126	43126-LKF5-E01	HOSE ASSY RR BRK	HOSE ASSY RR BRK	1	
	43127	43127-LKF5-E01	HOSE ASSY M/C RR BRK	HOSE ASSY M/C RR BRK	1	
	43450	43450-LKF5-E30	CABLE COMP PARKING	CABLE COMP PARKING	1	
	43530	43530-LKF5-305	CYLINDER SET RR MASTER	CYLINDER SET RR MASTER	1	
	45126	45126-LKF5-E01	HOSE ASSY FR BRK(RH)	HOSE ASSY FR BRK(RH)	1	
	45127	45127-LKF5-E01	HOSE ASSY M/C BRK RH(ABS)	HOSE ASSY M/C BRK RH(ABS)	1	
	45513	45513-LEA7-E00	CAP MASTER CYLINDER	CAP MASTER CYLINDER	2	
	45517	45517-LKF5-E00	HOLDER M/C	HOLDER M/C	2	
	45520	45520-KKA8-900	DIAPHRAGM	DIAPHRAGM	2	
	45521	45521-LEA7-E00	PLATE DIAPHRAGM	PLATE DIAPHRAGM	2	
	45530	45530-LKF5-305	CYLINDER SET FR MASTER	CYLINDER SET FR MASTER	1	
	49100	49100-LKF5-E01	MODULATOR ASSY ABS	MODULATOR ASSY ABS	1	
	49110	49110-LKF5-E01	STAY ABS	STAY ABS	1	
	49211	49211-LFH1-E00	RUBBER BUSH	RUBBER BUSH	2	
**	53175	53175-LKF5-E00	LEVER R STRG HANDLE	LEVER R STRG HANDLE	1	
**	53178	53178-LKF5-E00	LEVER L STRG HANDLE	LEVER L STRG HANDLE	1	
	53190	53190-LKF5-305	LEVER. PARKING BRAKE	LEVER. PARKING BRAKE	1	

F04

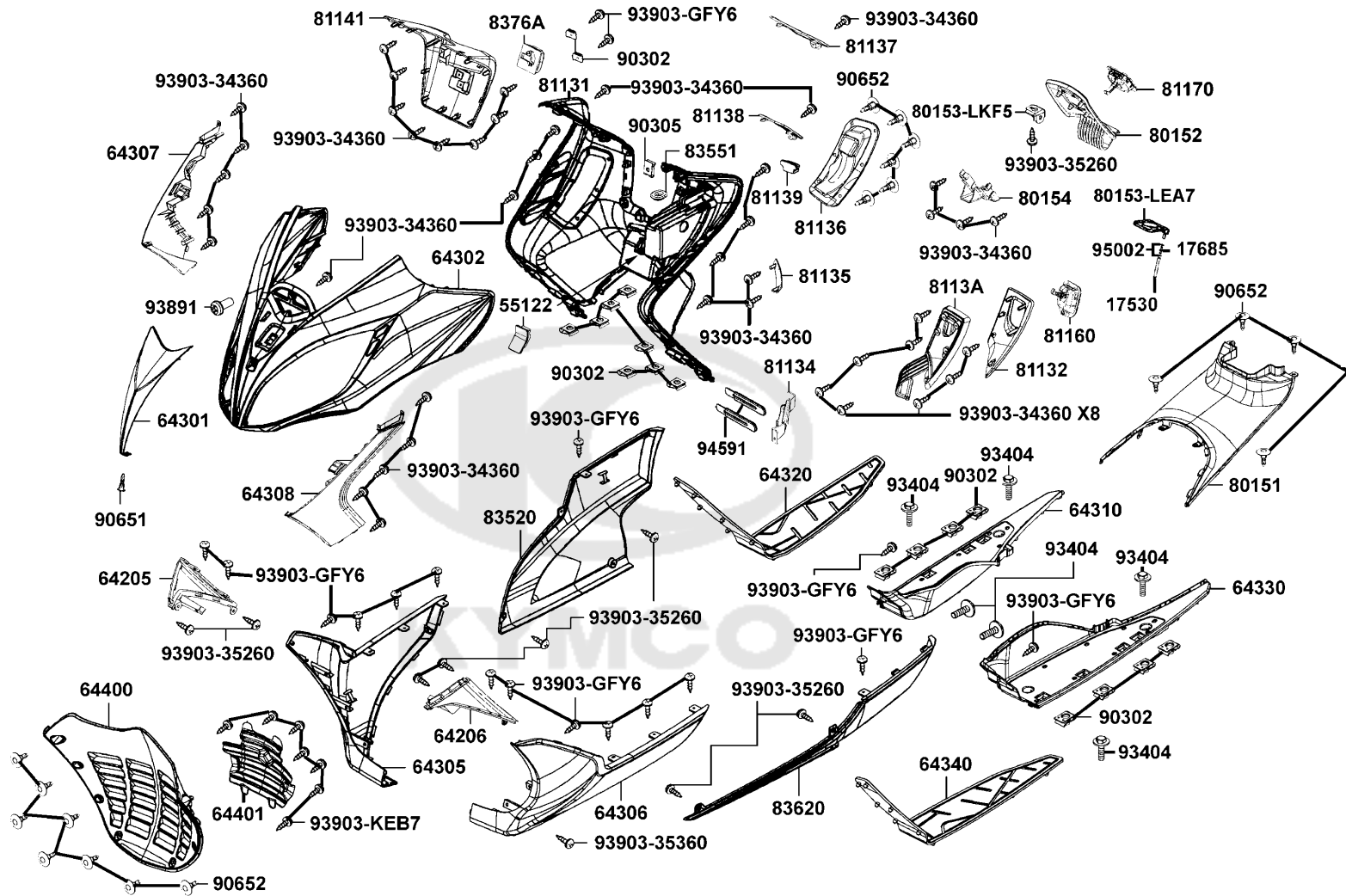
Master Cylinder



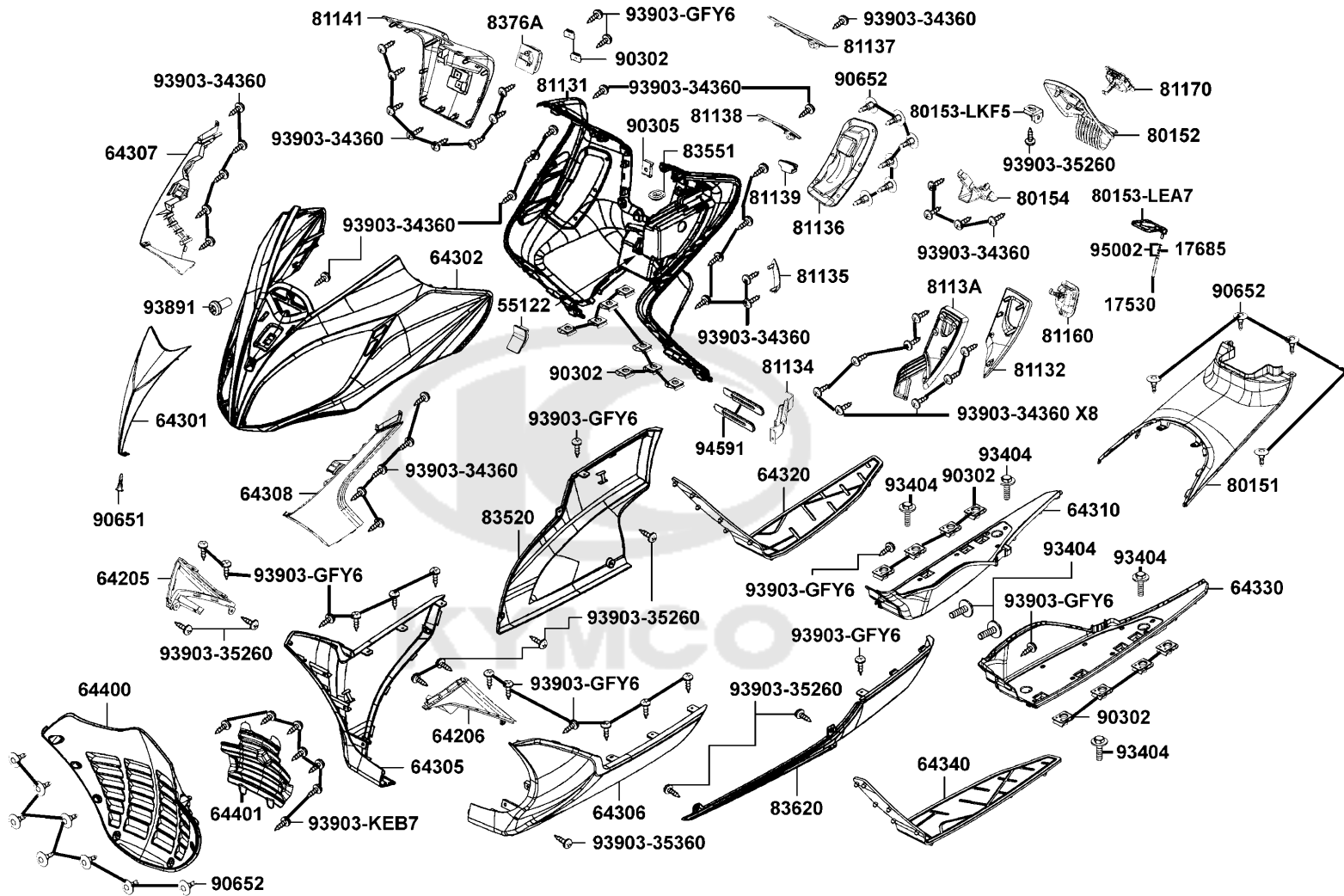
Sales mark	Ref no	Part no	Description	Reg description	Regd no	F04
	53192	53192-LKF5-E01	BRACKET PARKING BRAKE	BRACKET PARKING BRAKE	1	
	53193	53193-LDE9-E00	STOPPER	STOPPER	1	
	53193A	53193-LKF5-E00	PLATE PARKING	PLATE PARKING	1	
	5319A	5319A-LKF5-E01	BRAKE ASSY PARKING	BRAKE ASSY PARKING	1	
#	90111	90111-LEC8-E01	SCREW.PAN 6X14(CG)	SCREW.PAN 6X14(CG)	1	
	90113	90113-KKA8-900	BOLT L STEERING HANDLE	BOLT L STEERING HANDLE	2	
	90113A	90113-LGE5-E01	BOLT FLANGE 6*20 ABS	BOLT FLANGE 6X20 ABS	2	
	90145	90145-LEA3-E00	OIL BOLT 10*22	OIL BOLT 10*22	9	
	90545	90545-3L00-001	WASHER OIL BOLT	WASHER OIL BOLT	18	
	90660	90660-PWA2-900	CLAMP TUBE	CLAMP TUBE	2	
	93600	93600-04012-1G	SCREW FLAT 4X12	SCREW FLAT 4X12	4	
	93600A	93600-LDE9-E00	SCREW FLAT M6	SCREW FLAT M6	2	
	93893	93893-04012-18	SCREW WASHER 4*12	SCREW WASHER 4*12	2	
	94050	94050-06060	NUT FLANGE 6MM	NUT FLANGE 6MM	4	
	94101	94101-08600	WASH PLAIN 8MM	WASH PLAIN 8MM	1	
	95701	95701-06050-06	BOLT FLANGE 6*50	BOLT FLANGE 6*50	2	
	96001	96001-06028-06	BOLT FLANGE SH 6*28	BOLT FLANGE SH 6*28	4	



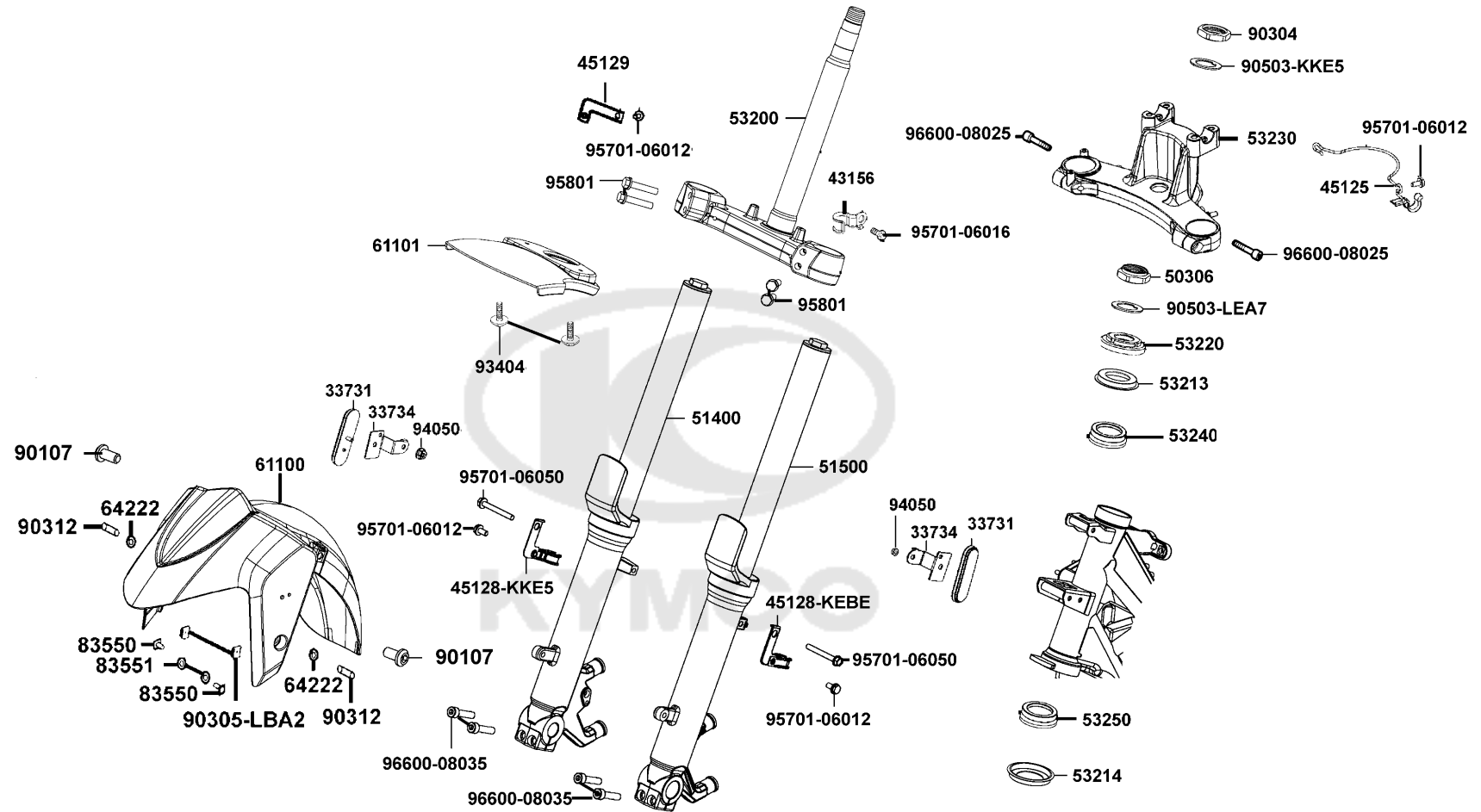
Sales mark	Ref no	Part no	Description	Reg description	Regd no	F05
	17530	17530-KGB5-900	TUBE ASSY DRAIN	TUBE ASSY DRAIN	1	
	17685	17685-KZCZ-900	JOINT TUBE	JOINT TUBE	1	
	55122	55122-LKF5-E00	PLUG FUEL TANK MAINT	PLUG FUEL TANK MAINT	1	
**	64205	64205-LKF5-E00	SKIRT A.R SIDE	SKIRT A.R SIDE	1	
**	64206	64206-LKF5-E00	SKIRT A.L SIDE	SKIRT A.L SIDE	1	
**	64301	64301-LGR2-E00	COVER FR TOP	COVER FR TOP	1	
**	64302	64302-LGR2-305	MOLDING FR	MOLDING FR	1	
**	64305	64305-LKF5-E00	SKIRT R SIDE	SKIRT R SIDE	1	
**	64306	64306-LKF5-E00	SKIRT L SIDE	SKIRT L SIDE	1	
**	64307	64307-LGR2-E00	SKIRT FR R SIDE	SKIRT FR R SIDE	1	
**	64308	64308-LGR2-E00	SKIRT FR L SIDE	SKIRT FR L SIDE	1	
**	64310	64310-LKF5-E00	FLOOR.PANEL R	FLOOR.PANEL R	1	
**	64320	64320-LKF5-E00	MAT FLOOR.R	MAT FLOOR.R	1	
**	64330	64330-LKF5-E00	FLOOR.PANEL L	FLOOR.PANEL L	1	
**	64340	64340-LKF5-E00	MAT FLOOR.L	MAT FLOOR.L	1	
**	64400	64400-LKF5-E00	COWL.UNDER	COWL.UNDER	1	
	64401	64401-LKF5-E00	MESH.UNDER COWL	MESH.UNDER COWL	1	
**	80151	80151-LKF5-E00	COVER CENTER	COVER CENTER	1	
**	80152	80152-LKF5-E00	LID.FUEL TANK MAINT	LID.FUEL TANK MAINT	1	
	80153-LEA7	80153-LEA7-E00	RUBBER FUEL CAP	RUBBER FUEL CAP	1	



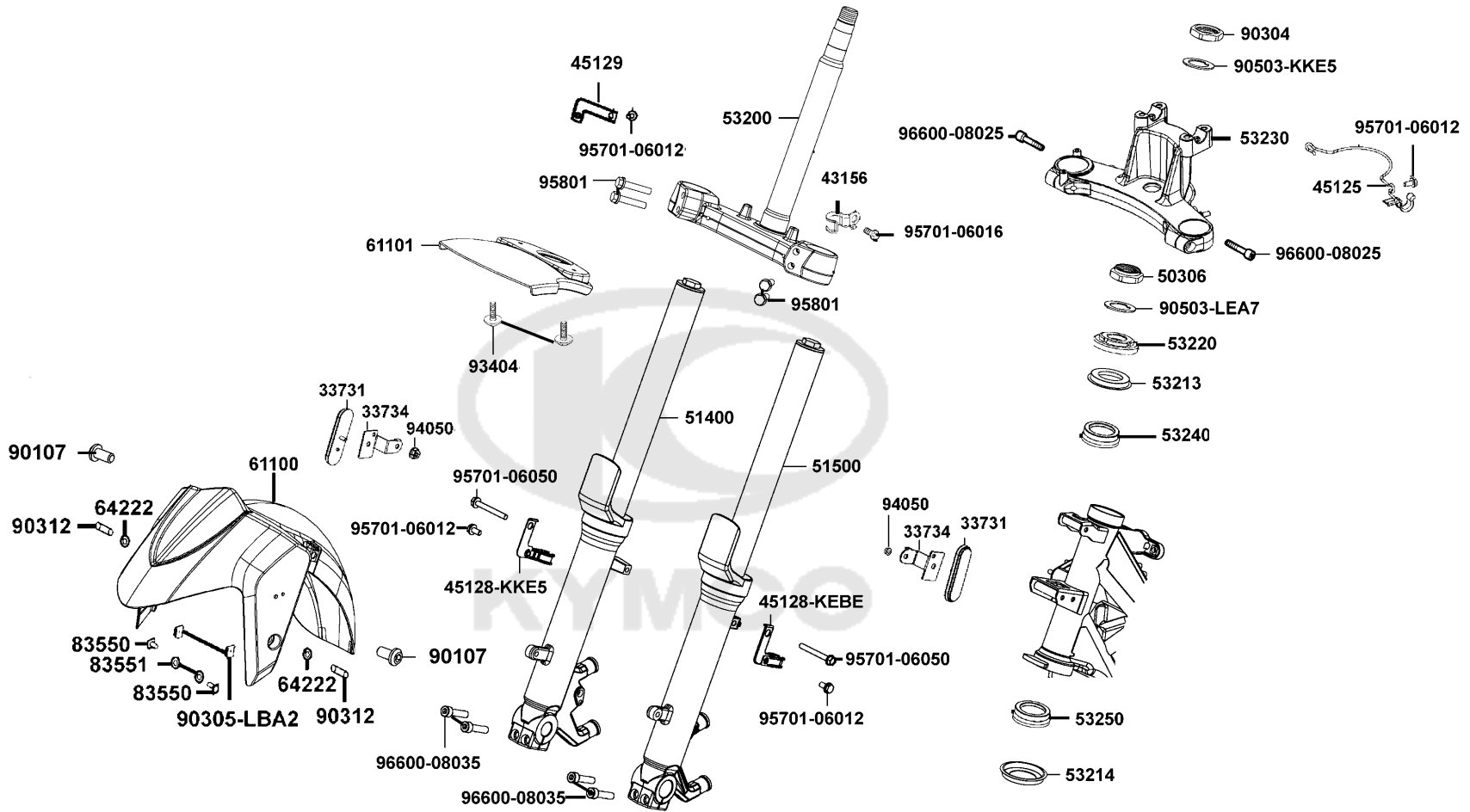
Sales mark	Ref no	Part no	Description	Reg description	Regd no	F05
	80153-LKF5	80153-LKF5-E00	STAY FUEL COVER	STAY FUEL COVER	1	
**	80154	80154-LKF5-E00	LID B.FUEL TANK MAINT	LID B.FUEL TANK MAINT	1	
**	81131	81131-LKF5-E00	LEG SHIELD	LEG SHIELD	1	
**	81132	81132-LKF5-E00	LID.FR. INNER BOX	LID.FR. INNER BOX	1	
**	81134	81134-LKF5-E00	COVER.INNER CAP.LID	COVER.INNER CAP.LID	1	
**	81135	81135-LKF5-E00	RETAIN PLATE.INNER BOX	RETAIN PLATE.INNER BOX	1	
**	81136	81136-LKF5-E00	RUBBER.ADJUSTER HANDLE	RUBBER.ADJUSTER HANDLE	1	
**	81137	81137-LKF5-E00	COVER.RADIATOR MAINT	COVER.RADIATOR MAINT	1	
**	81138	81138-LKF5-E00	LID RESERVE TANK	LID RESERVE TANK	1	
	81139	81139-LKF5-E00	PLUG INNER BOX	PLUG INNER BOX	1	
**	8113A	8113A-LKF5-E00	LID FR.ASSY..INNER BOX B	LID FR.ASSY..INNER BOX B	1	
**	81141	81141-LKF5-E00	TUNNEL LEG SHIELD	TUNNEL LEG SHIELD	1	
	81160	81160-LKF5-E00	LOCK ASSY..FR INNER BOX	LOCK ASSY..FR INNER BOX	1	
	81170	81170-LKF5-E00	LOCK ASSY..FUEL TANK MAINT.LID	LOCK ASSY..FUEL TANK MAINT.LID	1	
**	83520	83520-LKF5-E00	MOLD.R SIDE	MOLD.R SIDE	1	
	83551	83551-KKAK-900	GROMMET AIR CLEANER CASE	GROMMET AIR CLEANER CASE	1	
**	83620	83620-LKF5-E00	MOLD.L SIDE	MOLD.L SIDE	1	
	8376A	8376A-LHJ3-900	HOOK CENTER ASSY	HOOK CENTER ASSY	1	
	90302	90302-SDA4-004	NUT SPRING 4MM	NUT SPRING 4MM	18	
	90305	90305-LBA2-E00	NUT CLIP 6MM	NUT CLIP 6MM	2	



Sales mark	Ref no	Part no	Description	Reg description	Regd no	F05
90651		90651-LCA5-E00	CLIP FENDER	CLIP FENDER	1	
90652		90652-LFB5-900	CLIP MUDGUARD	CLIP MUDGUARD	14	
93404		93404-06016-06	BOLT WASHER 6*16	BOLT WASHER 6*16	6	
93891		93891-05016-06	SCREW WASHER 5* 16	SCREW WASHER 5* 16	1	
93903-34360		93903-34360	SCREW TAPPING 4X12	SCREW TAPPING 4X12	43	
93903-35260		93903-35260	SCREW TAPPING 5*12	SCREW TAPPING 5*12	9	
93903-35360		93903-35360	SCREW TAPPING 5*16	SCREW TAPPING 5*16	1	
93903-GFY6		93903-GFY6-900	SCREW TAPPING 4*14	SCREW TAPPING 4*14	18	
93903-KEB7		93903-KEB7-900-06	SCREW WASHER 4*12 (G)	SCREW WASHER 4*12 (G)	7	
94591		94591-27000	CLIP 2*70	CLIP 2*70	2	
95002		95002-02080	CLIP B8 TUBE	CLIP B8 TUBE	2	



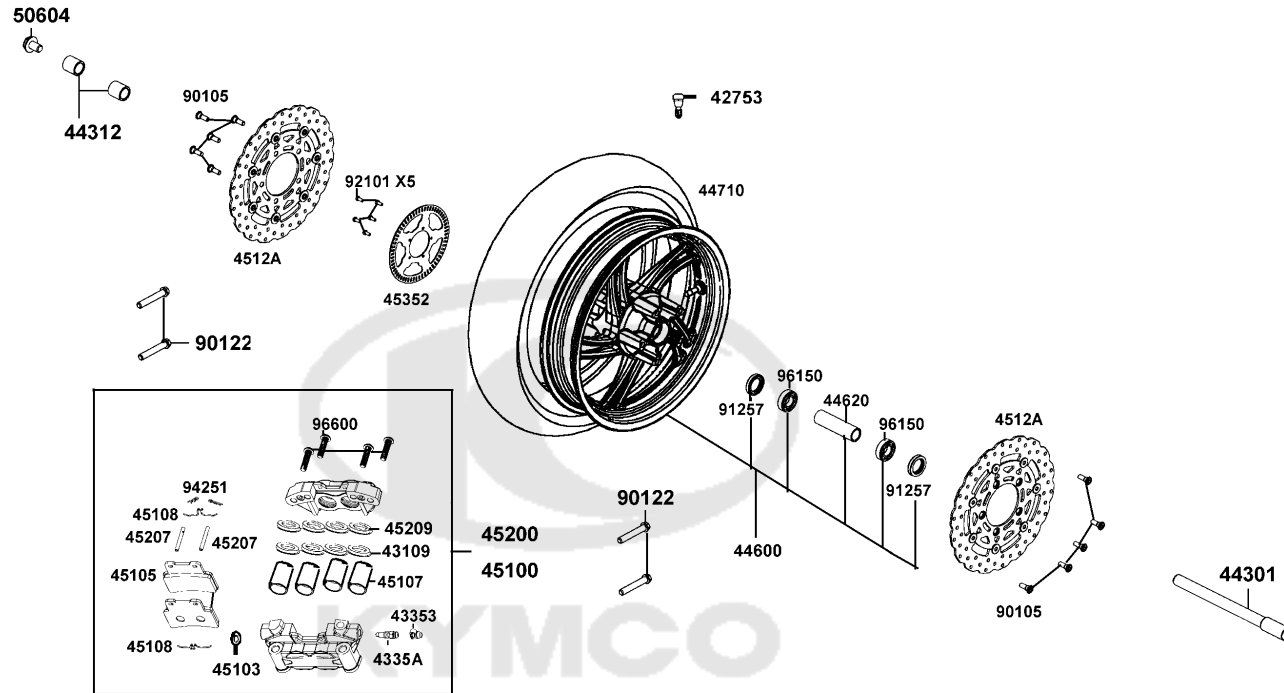
Sales mark	Ref no	Part no	Description	Reg description	Regd no	F06
#	33731	33731-PUA6-MX0	REFLEX REFLECTOR	REFLEX REFLECTOR	2	
	33734	33734-LKF5-E30	STAY REFLECTOR FR	STAY REFLECTOR FR	2	
	43156	43156-KKE5-E00	CLAMPER RR BRK HOSE	CLAMPER RR BRK HOSE	1	
	45125	45125-LKF5-E00	CLIP. BRAKE HOSE(TOP BRIDGE)	CLIP. BRAKE HOSE(TOP BRIDGE)	1	
	45128-KEBE	45128-KEBE-900	CLAMPER FR BRAKE HOSE	CLAMPER FR BRAKE HOSE	1	
	45128-KKE5	45128-KKE5-E00	CLAMPER FR BRK HOSE	CLAMPER FR BRK HOSE	1	
	45129	45129-LKF5-E01	SET HOSE ASSY	SET HOSE ASSY	1	
	50306	50306-1F96-001	NUT STRG STEM LOCK	NUT STRG STEM LOCK	1	
**	51400	51400-LKF5-E30	FORK ASSY FR R	FORK ASSY FR R	1	
**	51500	51500-LKF5-E30	FORK ASSY FR L	FORK ASSY FR L	1	
	53200	53200-LKF5-E02	STEM COMP STRG	STEM COMP STRG	1	
	53213	53213-LBA2-E00	DUST SEAL STRG HEAD TOP	DUST SEAL STRG HEAD TOP	1	
	53214	53214-LBA2-E00	DUST SEAL STRG (HEAD)	DUST SEAL STRG HEAD BOT	1	
	53220	53220-LBA2-E00	THREAD COMP STRG HEAD TOP	THREAD COMP STRG HEAD TOP	1	
	53230	53230-LKF5-E00	BRIDGE, FORK TOP	BRIDGE FORK TOP	1	
	53240	53240-LEA7-90A	BEARING TOP STRG (mark:TP1)	BEARING TOP STRG	1	
	53250	53250-LEA7-90A	BEARING BOT STRG (mark:TP1)	BEARING BOT STRG	1	
**	61100	61100-LKF5-305	FENDER SET FR	FENDER SET FR	1	
	61101	61101-LBA2-E00	FENDER FR INNER	FENDER FR INNER	1	
	64222	64222-LLJ3-E00	RUBBER WIND SCREEN	RUBBER WIND SCREEN	2	



Sales mark	Ref no	Part no	Description	Reg description	Regd no	F06
83550		83550-KEC8-900	COLLAR	COLLAR	2	
83551		83551-KEC8-900	GROMMET COVER **KEC8-9000	GROMMET COVER **KEC8-9000 C.2005.09.01	2	
90107		90107-LEA7-E00	BOLT SPECIAL 8MM	BOLT SPECIAL 8MM	2	
90304		90304-KKE5-E00	NUT. STRG. STEM	NUT. STRG. STEM	1	
90305-LBA2		90305-LBA2-E00	NUT CLIP 6MM	NUT CLIP 6MM	2	
90312		90312-LLJ3-E01	COLLAR WIND SCREEN	COLLAR WIND SCREEN	2	
90503-KKE5		90503-KKE5-E00	WASHER STEERING STEM NUT	WASHER STEERING STEM NUT	1	
90503-LEA7		90503-LEA7-E00	WASHER STRG STEM NUT	WASHER STRG STEM NUT	1	
93404		93404-06012-06	BOLT WASHER 6X12	BOLT WASHER 6X12	2	
94050		94050-05060	NUT FLANGE 5MM	NUT FLANGE 5MM	2	
95701-06012		95701-06012-06	BOLT FLANGE 6*12 **07 C.2005.07.01	BOLT FLANGE 6*12 **07 C.2005.07.01	4	
95701-06016		95701-06016-06	BOLT FLANGE 6*16 (K)	BOLT FLANGE 6*16 (K)	1	
95701-06050		95701-06050-06	BOLT FLANGE 6*50	BOLT FLANGE 6*50	2	
95801		95801-08040-06	BOLT FLANGE 8*40	BOLT FLANGE 8*40	1	
96600-08025		96600-08025-06	SOCKET BOLT 8X25	SOCKET BOLT 8X25	2	
96600-08035		96600-08035-06	SOCKET BOLT 8X35	SOCKET BOLT 8X35	4	

F07

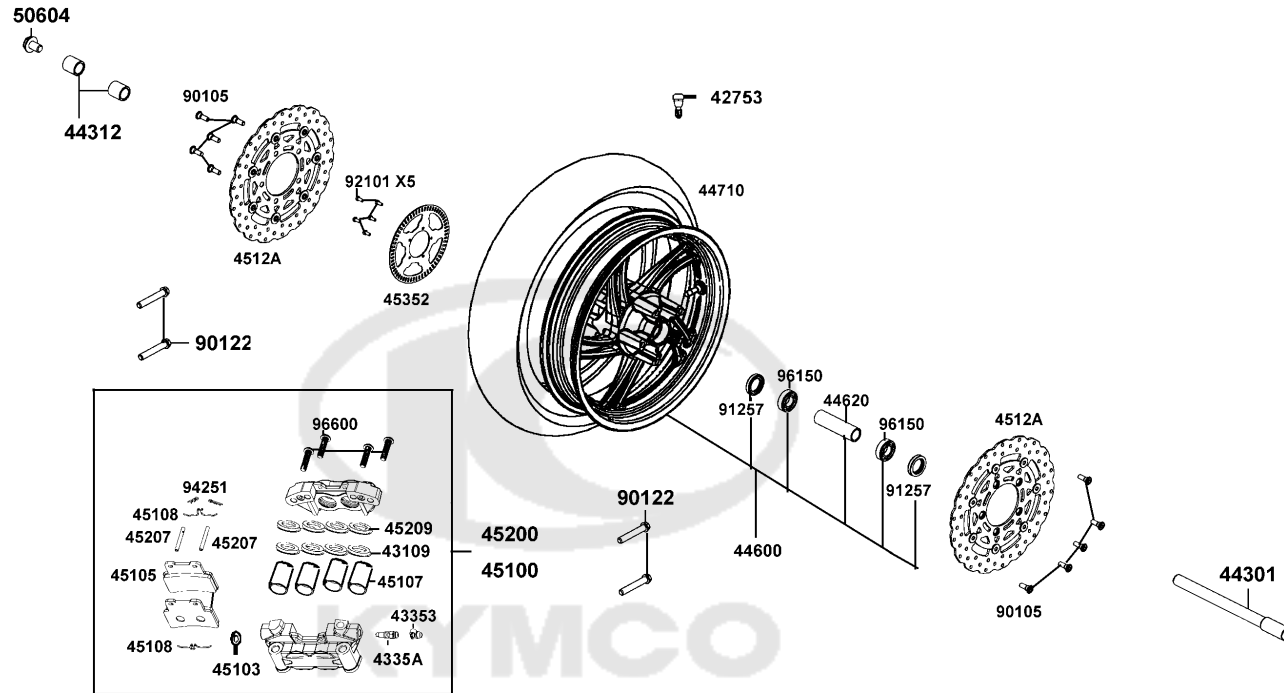
Front Wheel



Sales mark	Ref no	Part no	Description	Reg description	Regd no	F07
	42753	42753-KNBN-90B	VALAE RIM (TR412)	VALAE RIM (TR412)	1	
	43109	43109-GBE2-007	SEAL PISTON	SEAL PISTON	8	
	43353	43353-KED9-900	CAP BLEEDER	CAP BLEEDER	2	
	4335A	4335A-LBA2-E01	BLEEDER ASSY	SCREW BLEEDER	2	
	44301	44301-LKF5-E00	AXLE. FR WHEEL	AXLE. FR WHEEL	1	
	44312	44312-LKF5-E00	COLLAR. FR WHEEL SIDE L	COLLAR. FR WHEEL SIDE L	2	
**	44600	44600-LKF5-305	WHEEL SET FR	WHEEL SET FR	1	
	44620	44620-LBA2-E00	COLLAR FR AXLE DISTANCE	COLLAR FR AXLE DISTANCE	1	
	44710	44710-LKF5-E00	TIRE ASSY FR(120/70-15 56S)	TIRE ASSY FR	1	
**	45100	45100-LKF5-E00	CALIPER ASSY, FR R/H	CALIPER ASSY, FR R/H	1	
	45103	45103-MGR7-007	SEAL JOINT	SEAL JOINT	2	
	45105	45105-LKF5-305	PAD SET	PAD SET	2	
	45107	45107-LKF5-E00	PISTON C/P	PISTON C/P	8	
	45108	45108-LKF5-E00	SPRING PAD	SPRING PAD	8	
	4512A	4512A-LKF5-E00	DISK COMP.. FR BRAKE	DISK COMP.. FR BRAKE	2	
**	45200	45200-LKF5-E00	CALIPER ASSY FR R/H	CALIPER ASSY FR R/H	1	
	45207	45207-LKF5-E00	PIN HANGER	PIN HANGER	2	
	45209	45209-GBE2-007	SEAL PISTON	SEAL PISTON	8	
	45352	45352-LKF5-E00	TOOTHED RING. SENSOR	TOOTHED RING. SENSOR	1	
	50604	50604-KED9-950	BOLT FR AXLE	BOLT FR AXLE	1	

F07

Front Wheel

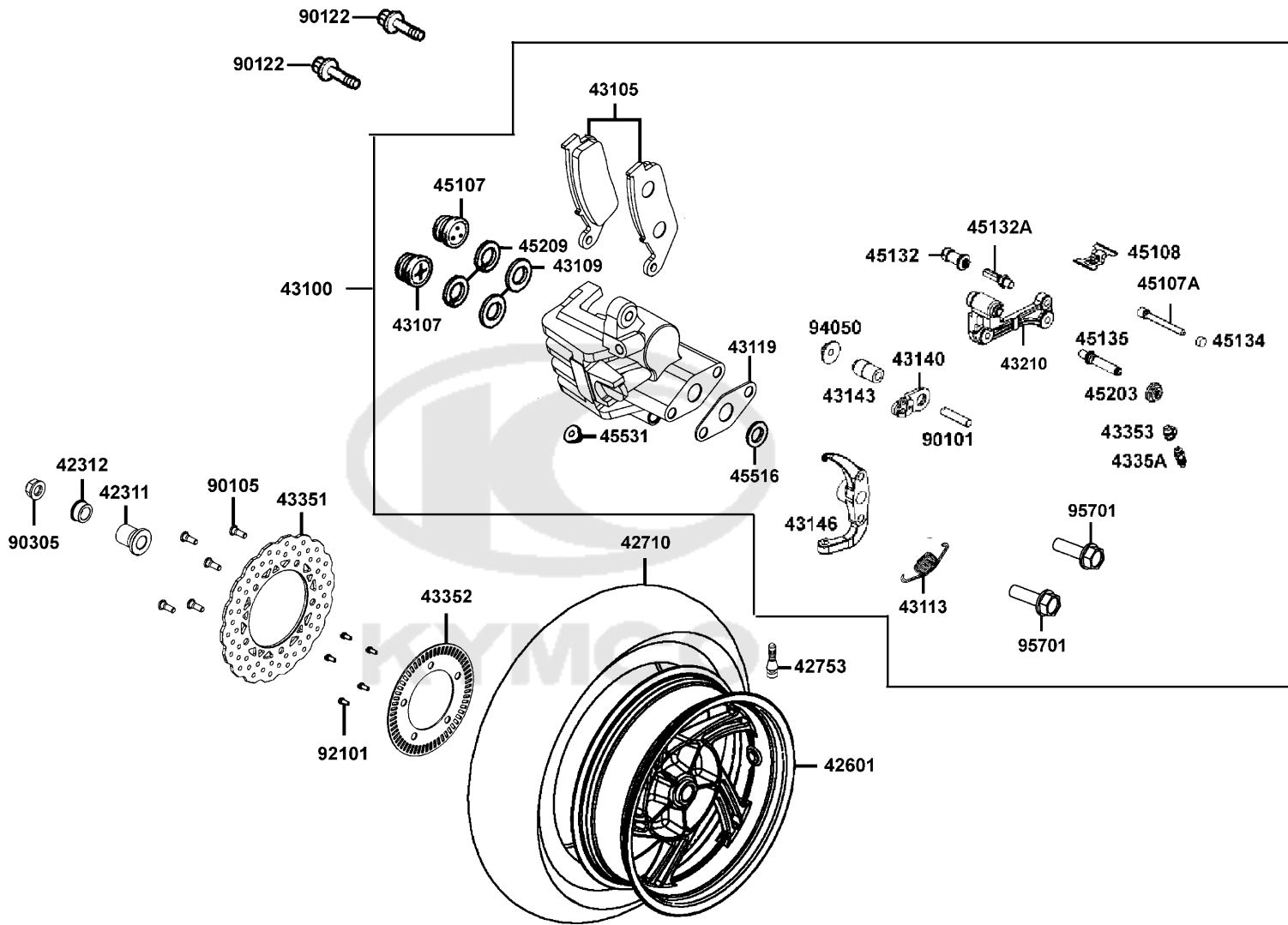


Sales mark	Ref no	Part no	Description	Reg description	Regd no	F07
90105		90105-KCR3-001	BOLT FR DISK 8*24	BOLT FR DISK 8*24	10	
90122		90122-LKF5-E00	BOLT FLANGE 10X58	BOLT FLANGE 10*58	4	
91257		91257-KED9-900	DUST SEAL 28*42*8	DUST SEAL 28*42*8	2	
92101		92101-05012-0G	BOLT HEX 5X12	BOLT HEX 5*12	1	
94251		94251-08400	PIN LOCK 8MM	PIN LOCK 8MM	4	
96150		96150-60040-10	BEARING BALL RADIAL 6004	BEARING BALL RADIAL 6004	2	
96600		96600-KKC4-900	SOCKET BOLT	SOCKET BOLT	8	



F08

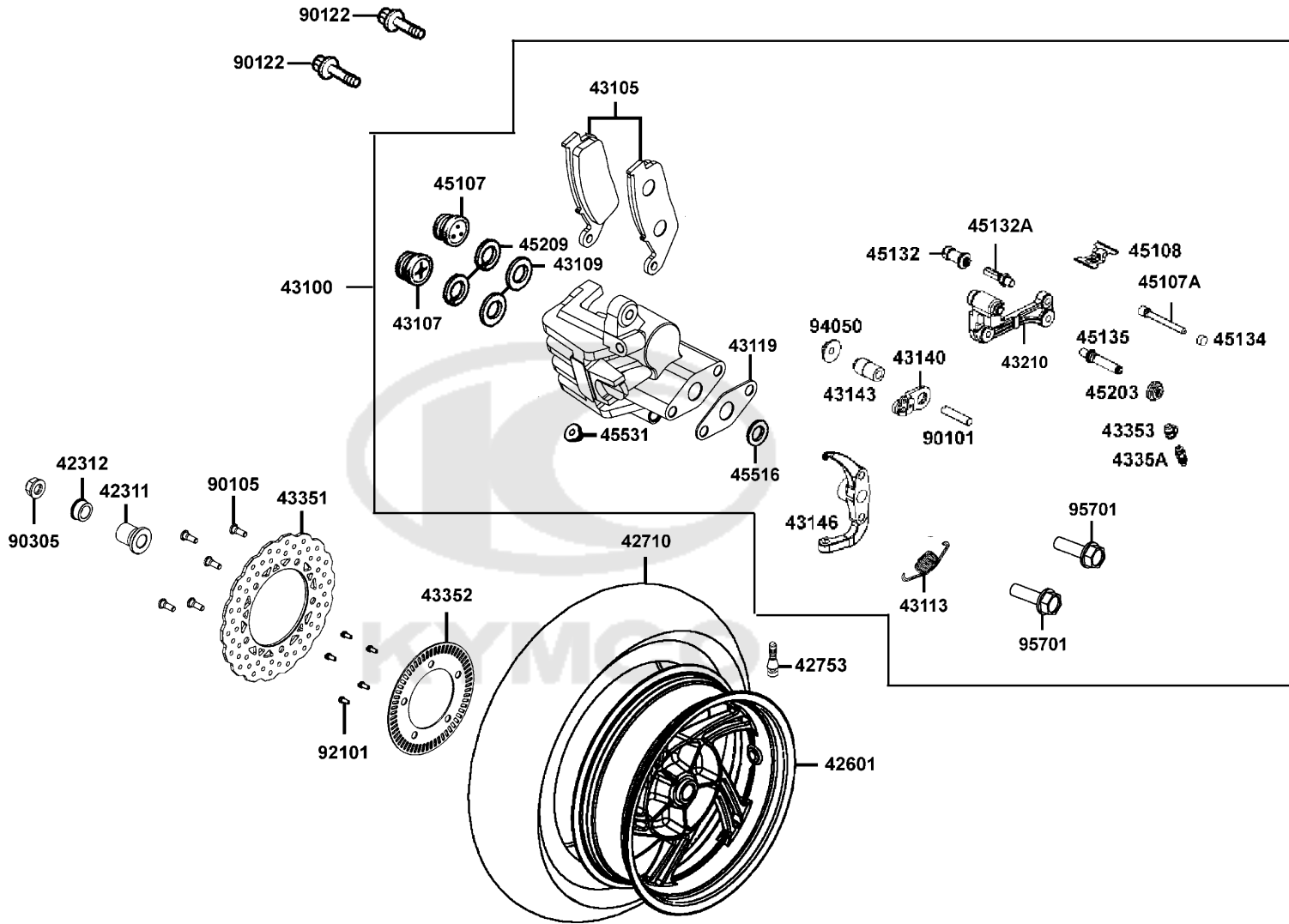
Rear Wheel



Sales mark	Ref no	Part no	Description	Reg description	Regd no	F08
	42311	42311-LEA7-E00	COLLAR RR AXLE SIDE A	COLLAR RR AXLE SIDE A	1	
	42312	42312-LEA7-E00	COLLAR RR AXLE SIDE	COLLAR RR AXLE SIDE	1	
**	42601	42601-LKF5-E00	WHEEL COMP. . RR	WHEEL COMP. . RR	1	
	42710	42710-LKF5-E00	TIRE ASSY RR(150/70-14 66S)	TIRE ASSY RR	1	
	42753	42753-KNBN-90B	VALAE RIM (TR412)	VALAE RIM (TR412)	1	
**	43100	43100-LKF5-E30	CALIPER ASSY RR	CALIPER ASSY RR	1	
	43105	43105-LKF5-305	PAD SET	PAD SET	1	
	43107	43107-LBA2-E00	PISTON ASSY	PISTON ASSY	1	
	43109	43109-MCA3-007	DUST SEAL	DUST SEAL	2	
	43113	43113-LBA2-E00	SPRING BRAKE ARM	SPRING BRAKE ARM	1	
	43119	43119-LBA2-E00	GASKET WATER PROOF	GASKET WATER PROOF	1	
	43140	43140-LKF5-E30	ARM BRAKE ASSY	ARM BRAKE ASSY	1	
	43143	43143-LBA2-E00	BOLT DRIVE	BOLT DRIVE	1	
	43146	43146-LKF5-E00	BRACKET CABLE	BRACKET CABLE	1	
	43210	43210-LKF5-305	BRACKET RR	BRACKET RR	1	
	43351	43351-LKF5-E00	DISK. RR BRAKE	DISK. RR BRAKE	1	
	43352	43352-LKF5-E01	TOOTHED RING SENSOR	TOOTHED RING SENSOR	1	
	43353	43353-KED9-900	CAP BLEEDER	CAP BLEEDER	1	
	4335A	4335A-LBA2-E01	BLEEDER ASSY	SCREW BLEEDER	1	
	45107	45107-LLJ3-E00	PISTON	PISTON	1	

F08

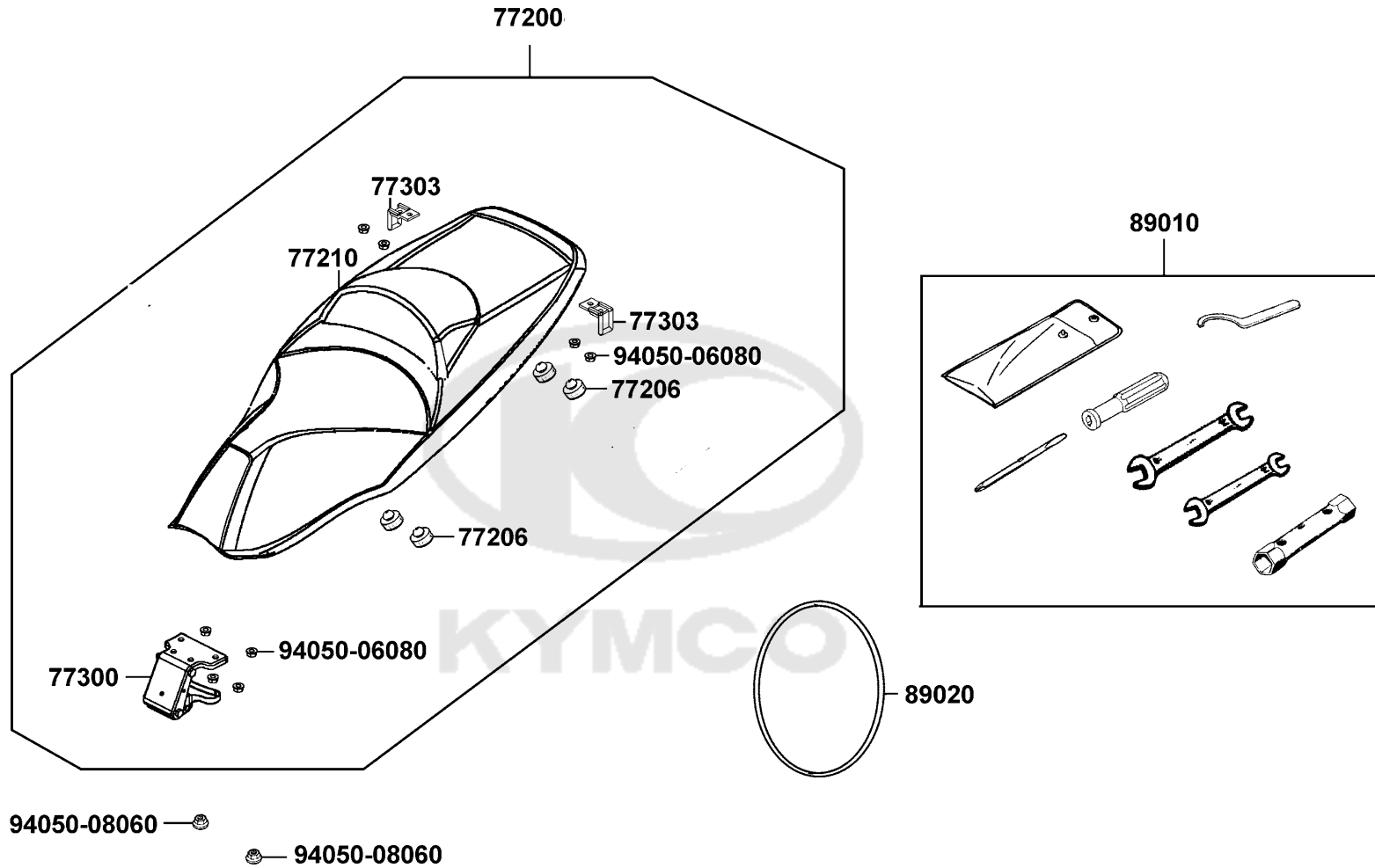
Rear Wheel



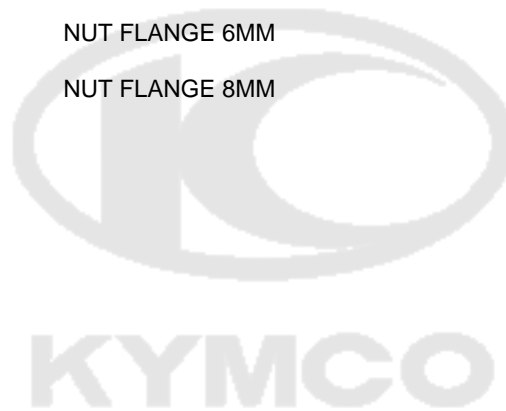
Sales mark	Ref no	Part no	Description	Reg description	Regd no	F08
45107A		45107-LLJ3-E90	PIN HANGE	PIN HANGE	1	
45108		45108-KED9-900	SPRING PAD	SPRING PAD	1	
45132		45132-1F66-017	BUSH BOOT PIN	BUSH BOOT PIN	1	
45132A		45132-KED9-900	PIN BOLT	PIN BOLT	1	
45134		45134-KED9-900	BOOT B	BOOT B	1	
45135		45135-KED9-900	PIN BOLT A	PIN BOLT A	1	
45203		45203-KED9-900	PLUG PIN	PLUG PIN	1	
45209		45209-KED9-900	SEAL PISTON	SEAL PISTON	2	
45516		45516-LBA2-E00	O RING	O RING	1	
45531		45531-KED9-900	PLUG	PLUG	1	
90101		90101-LBA2-E00	BOLT BUSH ROD	BOLT BUSH ROD	1	
90105		90105-KCR3-001	BOLT FR DISK 8*24	BOLT FR DISK 8*24	5	
90122		90122-LEA7-E00	BOLT FLANGE 10X42	BOLT FLANGE 10X42	2	
90305		90305-KKAK-900	NUT U 16MM	NUT U 16MM	1	
92101		92101-05012-0G	BOLT HEX 5X12	BOLT HEX 5*12	1	
94050		94050-86000	FLANGE NUT M6*1.0	FLANGE NUT M6*1.0	1	
95701		95701-LBA2-E00	BOLT FLANGE	BOLT FLANGE	1	

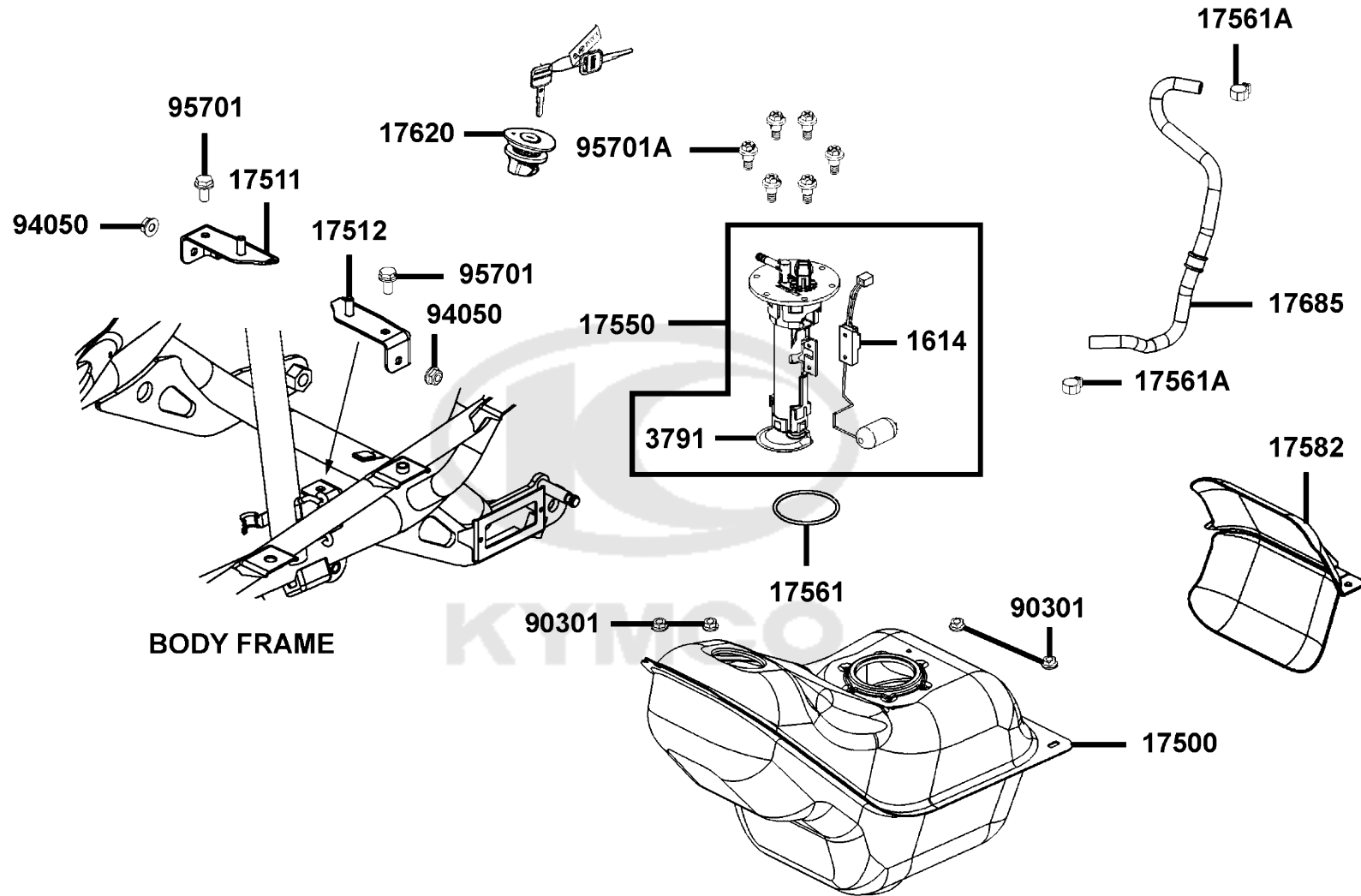
F09

Seat

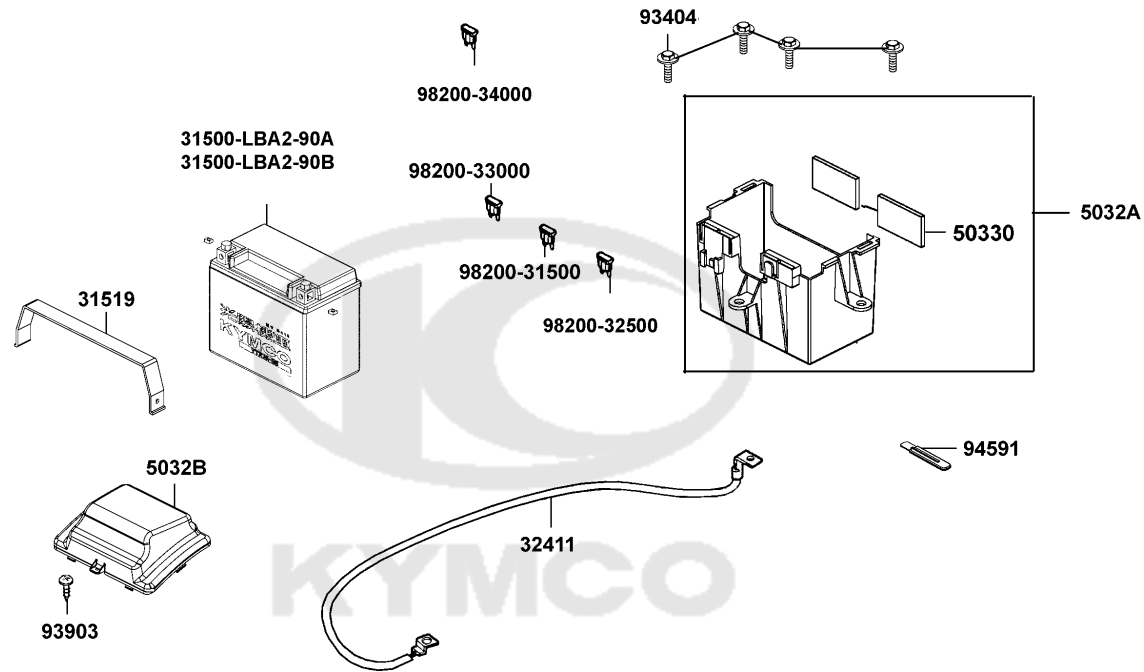


Sales mark	Ref no	Part no	Description	Reg description	Regd no	F09
**	77200	77200-LKF5-E30	SEAT ASSY (REACH)	SEAT ASSY (REACH)	1	
	77206	77206-KEB7-900	RUBBER SEAT CUSH	RUBBER SEAT CUSH	4	
**	77210	77210-LKF5-E00	BACK SEAT COMP (REACH)	BACK SEAT COMP (REACH)	1	
	77300	77300-LKF5-E00	HINGE ASSY..SEAT	HINGE ASSY..SEAT	1	
	77303	77303-LKF5-E00	HOOK SEAT LOCK	HOOK SEAT LOCK	1	
	89010	89010-LKF5-E00	TOOL SET	TOOL SET	1	
	89020	89020-KKC4-900	BAND TOOL SET	BAND TOOL SET	1	
	94050-06080	94050-06080	NUT FLANGE 6MM	NUT FLANGE 6MM	8	
	94050-08060	94050-08060	NUT FLANGE 8MM	NUT FLANGE 8MM	2	

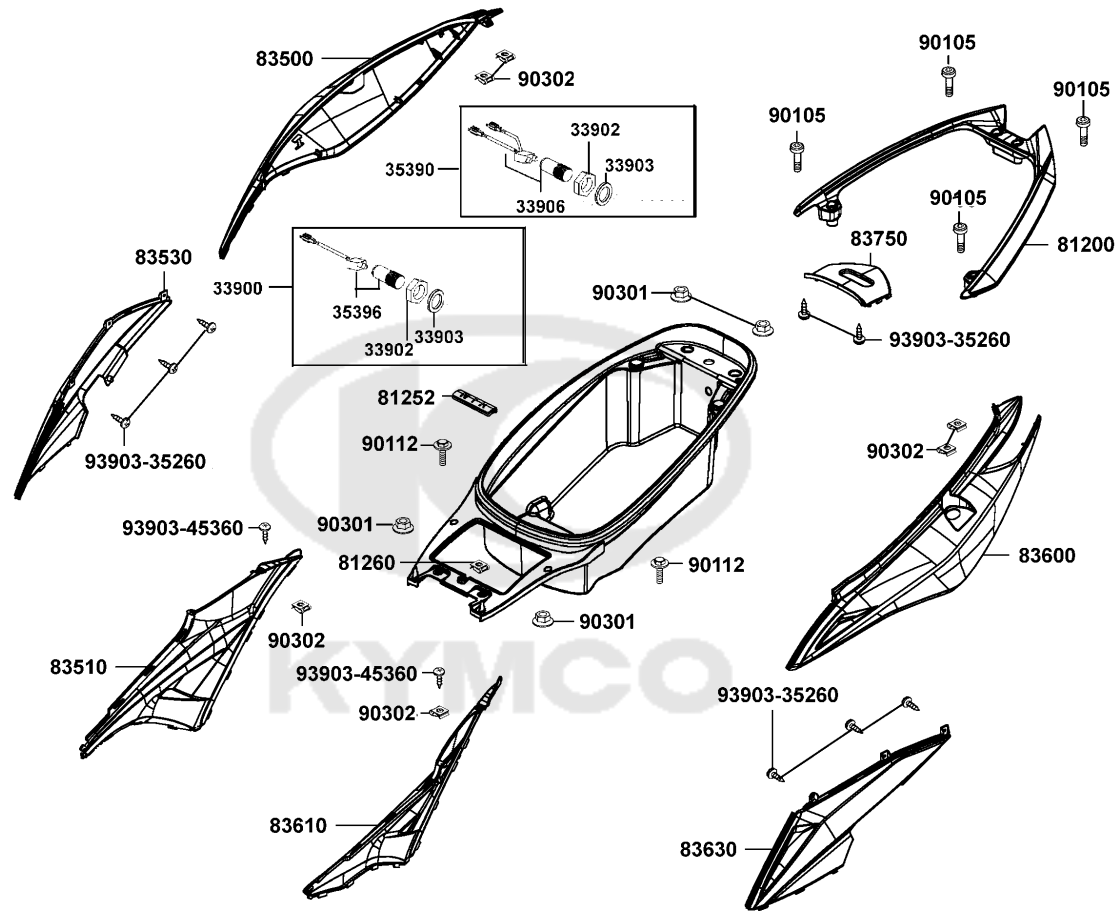




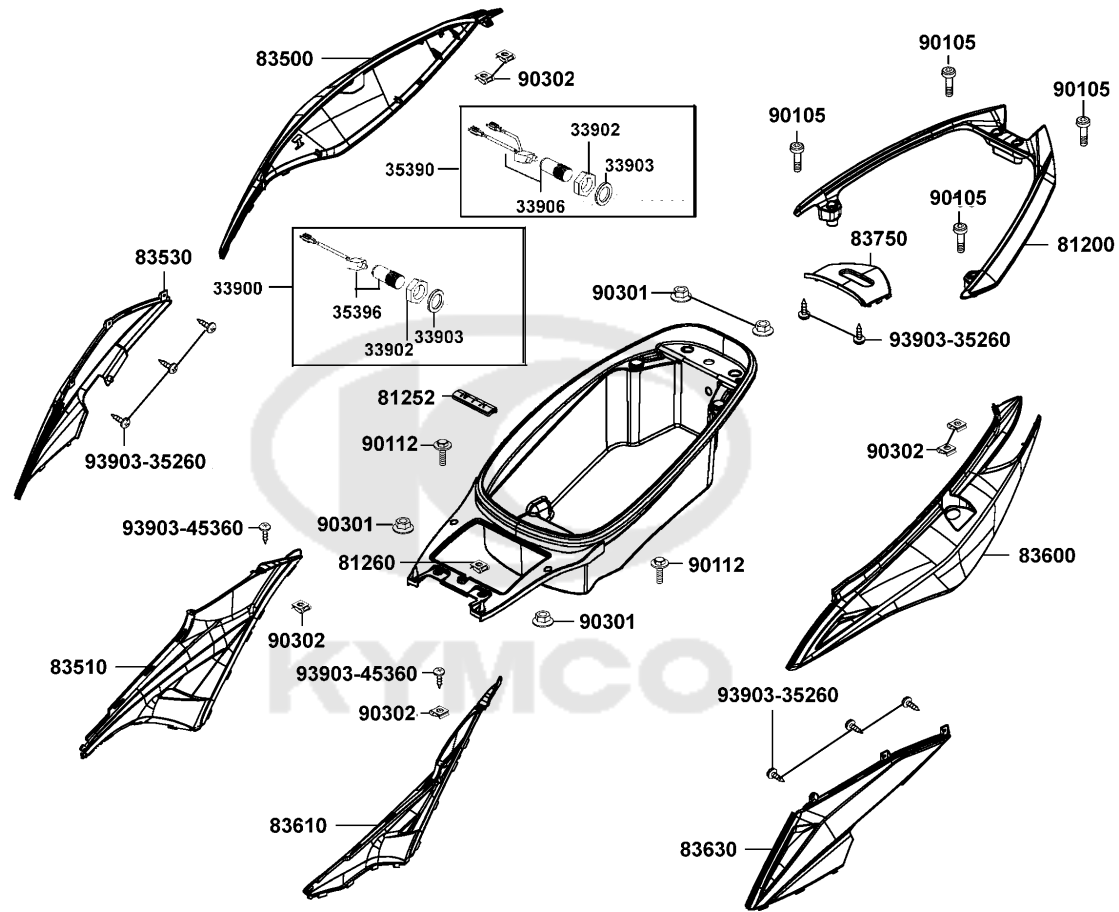
Sales mark	Ref no	Part no	Description	Reg description	Regd no	F10
1614		1614-A22C-0000-Y	FUEL LEVER SENSOR COMP	FUEL LEVER SENSOR COMP	1	
17500		17500-LEA7-900	TANK COMP. FUEL	TANK COMP. FUEL	1	
17511		17511-LKF5-E00	STAY R.FUEL TANK	STAY R.FUEL TANK	1	
17512		17512-LKF5-E00	STAY L.FUEL TANK	STAY L.FUEL TANK	1	
17550		17550-LKF5-E00	PUMP ASSY FUEL	PUMP ASSY FUEL	1	
17561		17561-LDF2-900	O-RING	O-RING	1	
17561A		17561-LGE5-E00	CLIP 13.5	CLIP 13.5	1	
17582		17582-LKF5-E00	HEAD GUARD COVER	HEAD GUARD COVER	1	
17620		17620-LKF5-316-M2	CAP COMP FUEL FILLER	CAP COMP FUEL FILLER	1	
17685		17685-LKF5-E00	TUBE.FUEL PUMP	TUBE.FUEL PUMP	1	
3791		3791-HN80-0000	FILTER COMP	FILTER COMP	1	
90301		90301-6D34-671	NUT FLANGE 6MM	NUT FLANGE 6MM	4	
94050		94050-06080	NUT FLANGE 6MM	NUT FLANGE 6MM	2	
95701		95701-06012-06	BOLT FLANGE 6*12 **07 C.2005.07.01	BOLT FLANGE 6*12 **07 C.2005.07.01	1	
95701A		95701-LDF2-800	BOLT FLANGE 5*6.5	BOLT FLANGE 5*6.5	6	



Sales mark	Ref no	Part no	Description	Reg description	Regd no	F11
	31500-LBA2-90A	31500-LBA2-90A	BATTERY YTX14-BS	BATTERY YTX14-BS	1	
	31500-LBA2-90B	31500-LBA2-90B	BATTERY GTX14-BS	BATTERY GTX14-BS	1	
	31519	31519-LKF5-E00	FIX STAY. BATTERY	FIX STAY. BATTERY	1	
	32411	32411-KHD8-900	CABLE BATTERY	CABLE BATTERY	1	
**	5032A	5032A-LKF5-E00	CASE ASSY BATTERY	CASE ASSY BATTERY	1	
**	5032B	5032B-LKF5-E00	BATTERY COVER.ASSY.	BATTERY COVER.ASSY.	1	
	50330	50330-LKF5-E00	SPONGE BATTERY CASE	SPONGE BATTERY CASE	2	
	93404	93404-06012-06	BOLT WASHER 6X12	BOLT WASHER 6X12	1	
	93903	93903-45260	SCREW TAPPING 5*12	SCREW TAPPING 5*12	1	
	94591	94591-KFBF-900	CLIP 2*70	CLIP 2*70	1	
	98200-31500	98200-31500	FUSE A15	FUSE A15	1	
	98200-32500	98200-32500	BLADE FUSE 25A	BLADE FUSE 25A	1	
	98200-33000	98200-33000	BLADE FUSE 30A	BLADE FUSE 30A	1	
	98200-34000	98200-34000	BLADE FUSE 40A	BLADE FUSE 40A	1	



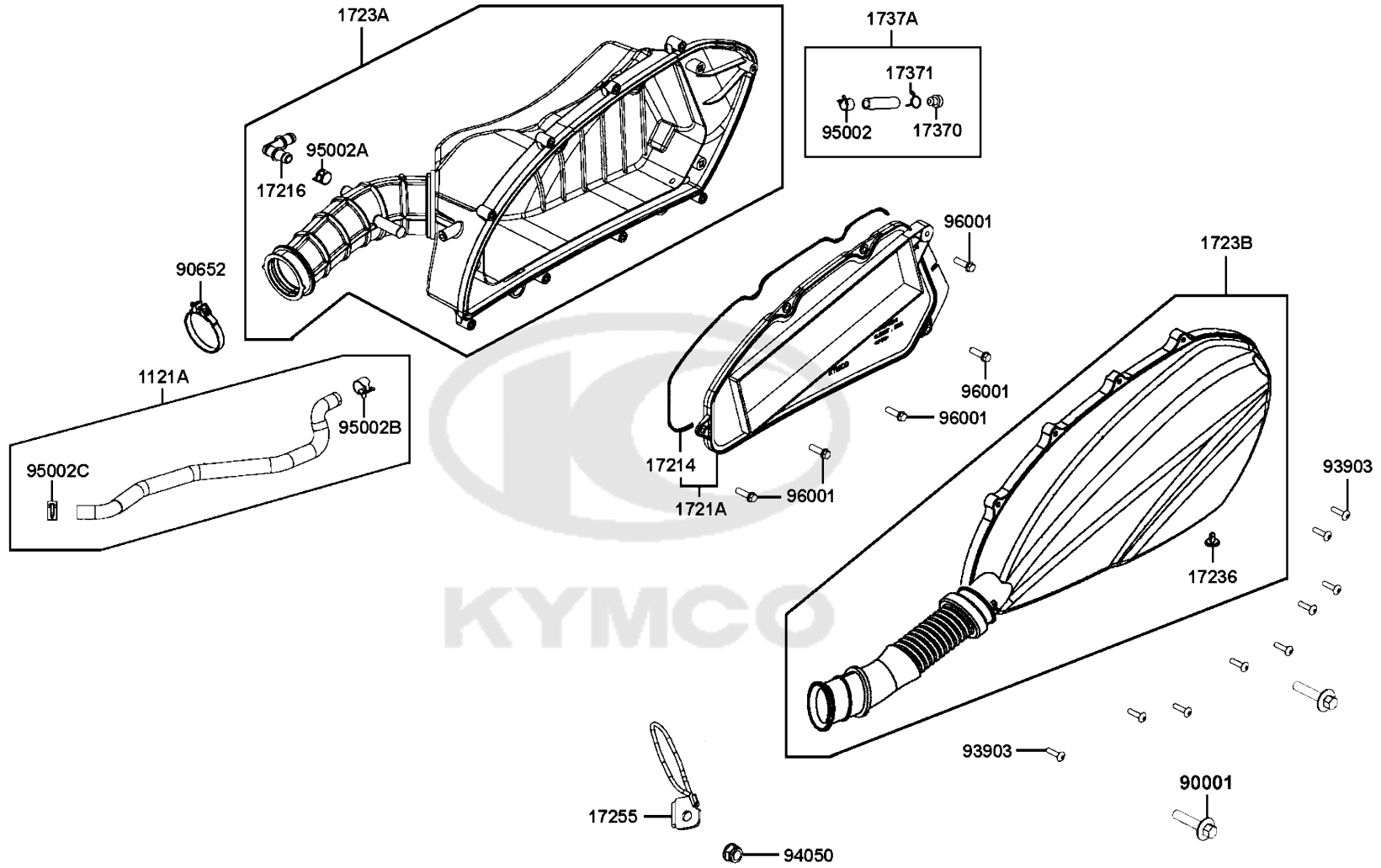
Sales mark	Ref no	Part no	Description	Reg description	Regd no	F12
	33900	33900-LKF5-E00	LIGHT ASSY LUGGAGE BOX	LIGHT ASSY LUGGAGE BOX	1	
	33902	33902-LHG7-E00	NUT SCREW	NUT SCREW	2	
	33903	33903-LHG7-E00	PACKING	PACKING	2	
	33906	33906-LKF5-E00	SOCKET ASSY	SOCKET ASSY	1	
	35390	35390-LKF5-E00	SENSOR LUGGAGE BOX LIGHT	SENSOR LUGGAGE BOX LIGHT	1	
	35396	35396-LKF5-E00	SOCKET ASSY	SOCKET ASSY	1	
**	81200	81200-LGR2-E00	CARRIER RR	CARRIER RR	1	
	81252	81252-KKE5-E00	PLUG LUGGAGE BOX	PLUG LUGGAGE BOX	1	
	81260	81260-LKF5-E00	BOX.COMP. LUGGAGE	BOX.COMP. LUGGAGE	1	
**	83500	83500-LKF5-E00	COVER R BODY	COVER R BODY	1	
**	83510	83510-LKF5-E00	BOARD R SIDE COVER	BOARD R SIDE COVER	1	
**	83530	83530-LKF5-E00	COVER.R SIDE	COVER.R SIDE	1	
**	83600	83600-LKF5-E00	COVER L BODY	COVER L BODY	1	
**	83610	83610-LKF5-E00	BOARD L SIDE COVER	BOARD L SIDE COVER	1	
**	83630	83630-LKF5-E00	COVER.L SIDE	COVER.L SIDE	1	
**	83750	83750-LKF5-E00	COVER RR CENTER	COVER RR CENTER	1	
	90105	90105-KHB4-900	BOLT WASH M8*60	BOLT WASH M8*60	4	
	90112	90112-KFA1-900	BOLT FLANGE 6MM	BOLT FLANGE 6MM	2	
	90301	90301-6C93-001	NUT 6MM OPENSTAY	NUT 6MM OPENSTAY	4	
	90302	90302-LKB9-900	NUT SPRING 5MM	NUT SPRING 5MM	4	



Sales mark	Ref no	Part no	Description	Reg description	Regd no	F12
------------	--------	---------	-------------	-----------------	---------	------------

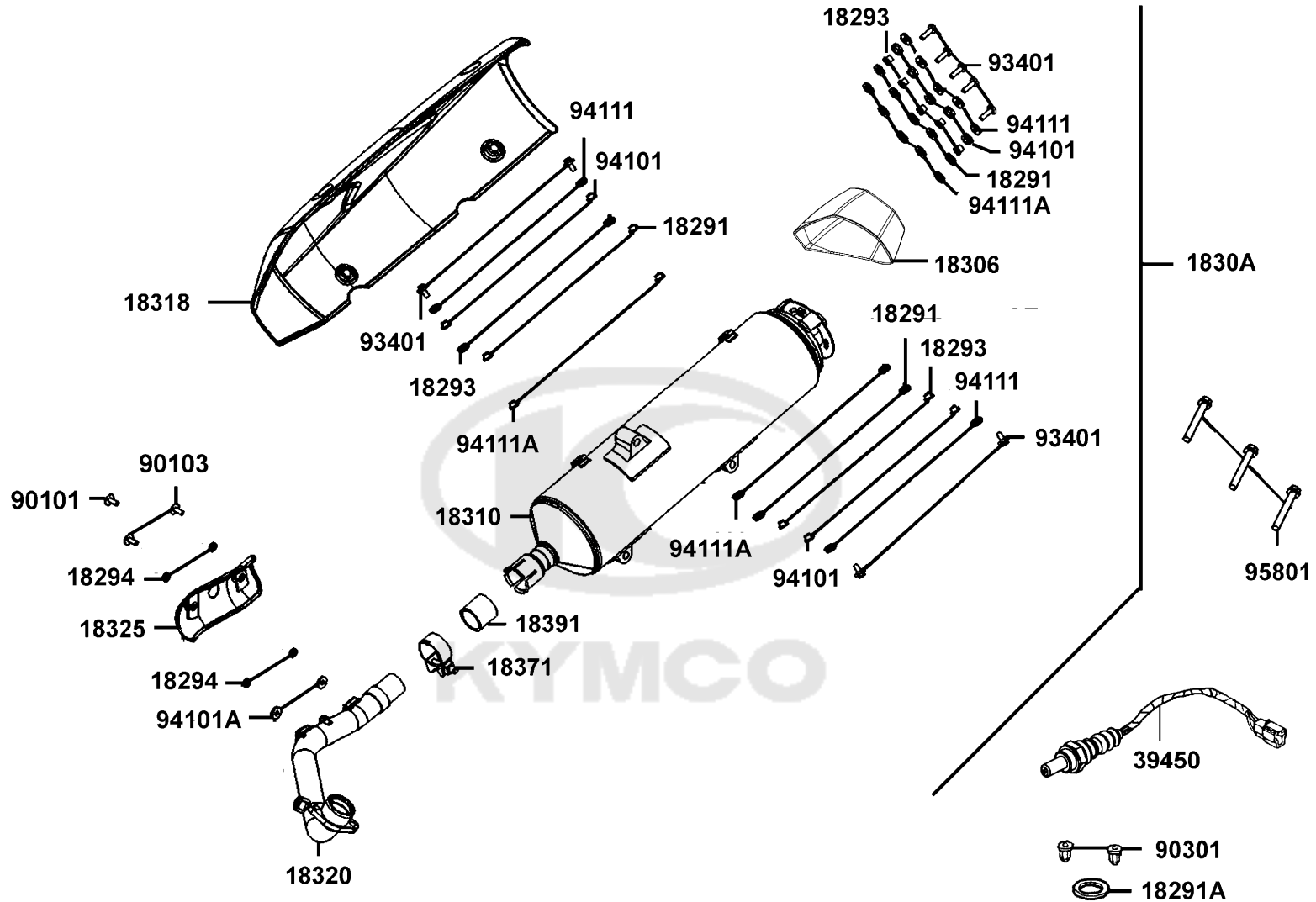
93903-35260	93903-35260	93903-35260	SCREW TAPPING 5*12	SCREW TAPPING 5*12	8	
93903-45360	93903-45360	93903-45360	SCREW TAPPING 5*16	SCREW TAPPING 5*16	2	



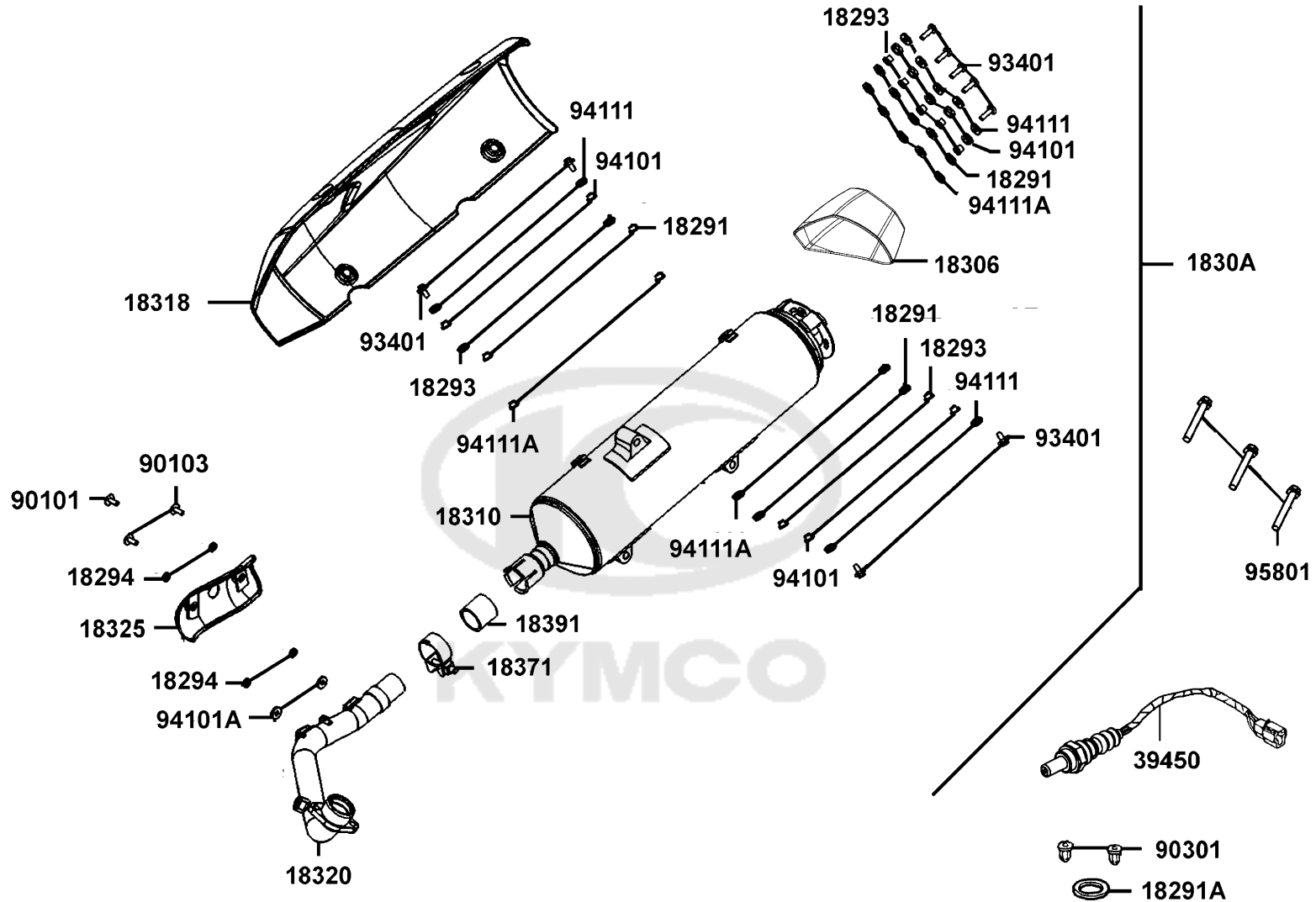


Sales mark	Ref no	Part no	Description	Reg description	Regd no	F13
	1121A	1121A-LKF5-E01	TUBE BREATHER	TUBE BREATHER	1	
	17214	17214-LDB2-E00	SEAL CASE	SEAL CASE	1	
	17216	17216-KHC4-900	L JOINT BREATHER TUBE	L JOINT BREATHER TUBE	1	
	1721A	1721A-LKF5-E01	ELEMENT ASSY AIR/C	ELEMENT ASSY AIR/C	1	
	17236	17236-KFBF-910	PLATE	PLATE	1	
	1723A	1723A-LKF5-E01	CASE ASSY AIR/C	CASE ASSY AIR/C	1	
	1723B	1723B-LKF5-E01	COVER ASSY AIR/C	COVER ASSY AIR/C	1	
	17255	17255-LKF5-E01	STAY AIR/C. DUCT	STAY AIR/C. DUCT	1	
	17370	17370-4K19-701	PLUG BREATHER TUBE	PLUG BREATHER TUBE	1	
	17371	17371-1D74-671	CLIP BREATHER TUBE	CLIP BREATHER TUBE	1	
	1737A	1737A-LKF5-E01	V TUBE ASSY	V TUBE ASSY	1	
	90001	90001-GBHB-681	BOLT FLANGE SHF 6*28	BOLT FLANGE SHF 6*28	2	
	90652	90652-LKF5-E00	CLAMP (54)	CLAMP (54)	1	
	93903	93903-25460	SCREW TAPPING 5*20 **93903-25480	SCREW TAPPING 5*20 **93903-25480 C.2005	9	
	94050	94050-06060	NUT FLANGE 6MM	NUT FLANGE 6MM	1	
	95002	95002-41100-04	CLIP D11 TUBE	CLIP D11 TUBE	1	
	95002A	95002-41150-00	CLIP D11.5 TUBE	CLIP D11.5 TUBE	2	
	95002B	95002-KED9-M30	CLAMP D14.8 TUBE	CLAMP D14.8 TUBE	2	
	95002C	95002-LKF5-E00	CLAMP D14.6 TUBE	CLAMP D14.6 TUBE	2	
	96001	96001-GFY6-900	BOLT SPECIAL 5X10	BOLT SPECIAL 5X10	5	

Exhaust Muffler



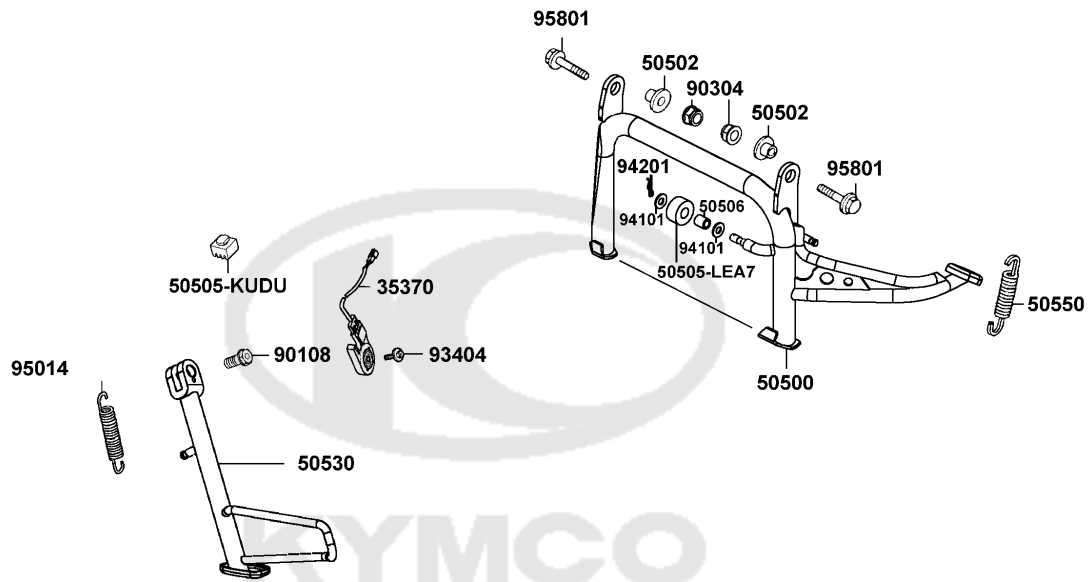
Sales mark	Ref no	Part no	Description	Reg description	Regd no	F14
	18291	18291-LKG2-90A	COLLAR	COLLAR	9	
	18291A	18291-PWB1-900	SEAL EXHAUST PIPE	SEAL EXHAUST PIPE	1	
	18293	18293-LHJ8-900	RUBBER PKG PROTR	RUBBER PKG PROTR	9	
	18294	18294-KTCT-900	PACKING PROTECTOR	PACKING PROTECTOR	4	
**	18306	18306-LKF5-E02	TAIL CAP MUFFLER	TAIL CAP MUFFLER	1	
	1830A	1830A-LKF5-E04	MUFFLER ASSY EXHAUST	MUFFLER ASSY.. EXHAUST	1	
	18310	18310-LKF5-E03	MUFFLER COMP	MUFFLER COMP.	1	
**	18318	18318-LKF5-E00	PROTECTOR. MUFFLER	PROTECTOR. MUFFLER	1	
	18320	18320-LKF5-E00	PIPE COMP.. EXHAUST	PIPE COMP.. EXHAUST	1	
**	18325	18325-LKF5-E00	PROTECTOR. EXH PIPE	PROTECTOR. EXH PIPE	1	
	18371	18371-LBA2-E00	BAND MUFFLER	BAND MUFFLER	1	
	18391	18391-LKF5-E00	PACKING. MUFFLER	PACKING. MUFFLER	1	
	39450	39450-LEA6-800	O2 SENSOR	O2 SENSOR	1	
	90101	90101-LEA7-E00	BOLT FLANGE SH 6X8	BOLT FLANGE SH 6X8	1	
	90103	90103-LGE5-E00	BOLT WASHER 6X14	BOLT WASHER 6X14	2	
	90301	90301-GFY6-901	NUT CAP 8MM *(1) C.2008.10.28	NUT CAP 8MM *(1) C.2008.10.28	2	
	93401	93401-LEA7-900	BOLT WASHER 6X22	BOLT WASHER 6X22	4	
	94101	94101-LDB5-E00	WASHER. PLAIN. 6mm	WASHER PLAIN 6MM	9	
	94101A	94101-LEA2-900	WASHER PLAIN 6.5*18*105	WASHER PLAIN 6MM	2	
	94111	94111-06700	WASHER SPG 6MM	WASHER SPG 6MM	9	



Sales mark	Ref no	Part no	Description	Reg description	Regd no	F14
------------	--------	---------	-------------	-----------------	---------	------------

94111A	94111-ACD5-E00	94111-ACD5-E00	WASHER.SPG	WASHER SPG 6MM	9	
95801	95801-10060-06	95801-10060-06	BOLT FLANGE 10*60	BOLT FLANGE 10*60	3	

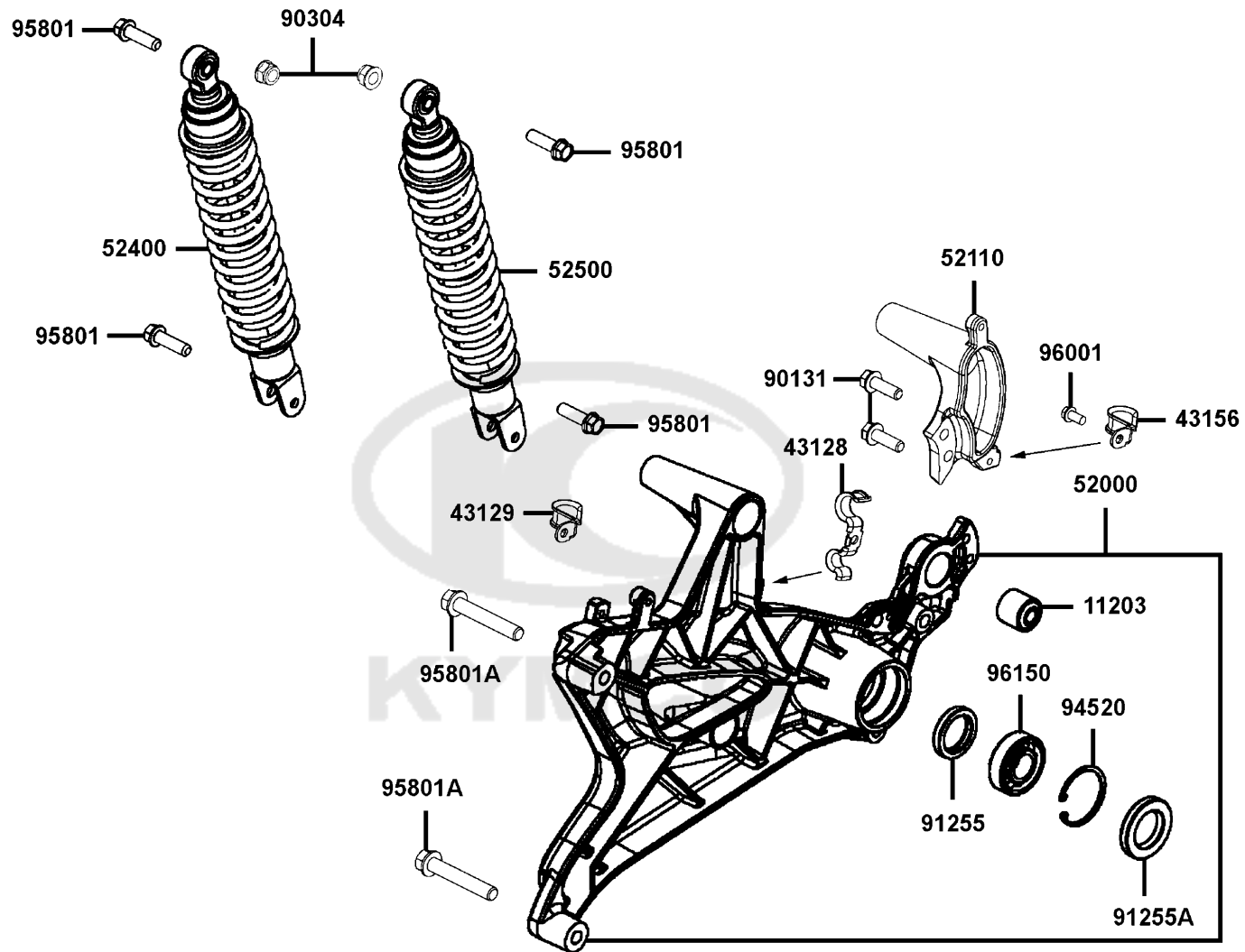




Sales mark	Ref no	Part no	Description	Reg description	Regd no	F15
35370		35370-LLJ3-E00	SW UNIT SIDE STAND	SW UNIT SIDE STAND	1	
50500		50500-LKF5-E00	STAND COMP..MAIN	STAND COMP..MAIN	1	
50502		50502-GFY6-901	COLLAR MAIN STAND	COLLAR MAIN STAND	2	
50505-KUDU		50505-KUDU-900	STOPPER RUBBER STAND	STOPPER RUBBER STAND	1	
50505-LEA7		50505-LEA7-E00	STOPPER RUBBER	STOPPER RUBBER	1	
50506		50506-KHE7-E00	COLLAR STOPPER RUBBER	COLLAR STOPPER RUBBER	1	
50530		50530-LKF5-E00	STAND COMP..SIDE	STAND COMP..SIDE	1	
50550		50550-KKC2-E00	SPG ASSY MAIN STAND	SPG ASSY MAIN STAND	1	
90108		90108-KKC4-900	SCREW SIDE STAND PIVOT	SCREW SIDE STAND PIVOT	1	
90304		90304-LEA1-900	NUT U FLANGE 10MM	NUT U 10MM	2	
93404		93404-06016-06	BOLT WASHER 6*16	BOLT WASHER 6*16	1	
94101		94101-08600	WASH PLAIN 8MM	WASH PLAIN 8MM	2	
94201		94201-20180	PIN SPLIT 2.0*18	PIN SPLIT 2.0*18	1	
95014		95014-72204	SPG B1 SIDE STAND	SPG B1 SIDE STAND	1	
95801		95801-10030-06	BOLT FLANGE 10X30	BOLT FLANGE 10X30	2	

F16

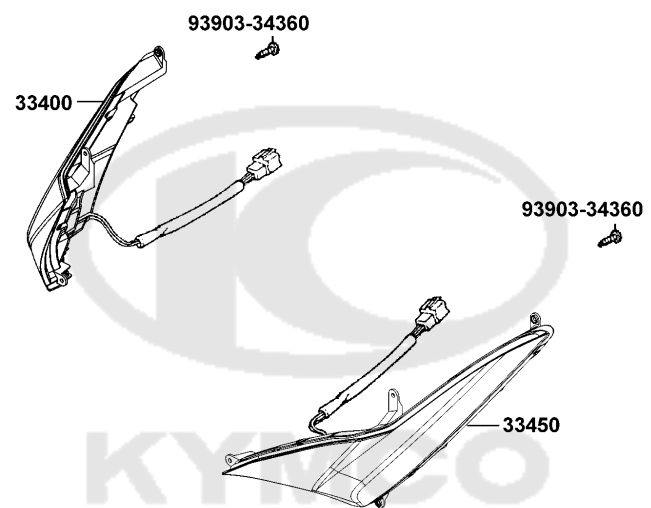
Rr Cushion



Sales mark	Ref no	Part no	Description	Reg description	Regd no	F16
	11203	11203-LBA2-E00	RUB BUSH L CASE	RUB BUSH L CASE	1	
	43128	43128-LKF5-E00	CLAMPER. RR BRK HOSE AND CABLE	CLAMPER. RR BRK HOSE AND CABLE	1	
	43129	43129-LKF5-E00	CLAMPER. RR BRK HOSE & CABLE. 1.B	CLAMPER. RR BRK HOSE & CABLE. 1.B	1	
	43156	43156-LDB2-900	CLAMPER HOSE RR	CLAMPER HOSE RR	1	
**	52000	52000-LKF5-E01	FORK ASSY RR	FORK ASSY RR	1	
**	52110	52110-LKF5-E00	FORK A RR CAST	FORK A RR CAST	1	
**	52400	52400-LKF5-E70	CUSHION ASSY RR R	CUSHION ASSY RR R	1	
**	52500	52500-LKF5-E70	CUSHION ASSY RR L/H	CUSHION ASSY RR L/H	1	
	90131	90131-KEBE-900	BOLT FLANGE 8*24	BOLT FLANGE 8*24	2	
	90304	90304-GLW0-90A	NUT U FLANGE 10MM	NUT U FLANGE 10MM	2	
	91255	91255-LGE5-E00	OIL SEAL 30*48*7	OIL SEAL 30*48*7	1	
	91255A	91255-LLB1-900	OIL SEAL 30*40*7	OIL SEAL 30*40*7	1	
	94520	94520-47000	CIR CLIP IN 47	CIR CLIP IN 47	1	
	95801	95801-10040-06	BOLT FLANGE 10X40	BOLT FLANGE 10*40	4	
	95801A	95801-10060-06	BOLT FLANGE 10*60	BOLT FLANGE 10*60	2	
	96001	96001-06012-06	BOLT FLANGE SH 6*12	BOLT FLANGE SH 6*12	3	
	96150	96150-62040-10	BEARING BALL RADIAL 6204	BEARING BALL RADIAL 6204	1	

F17

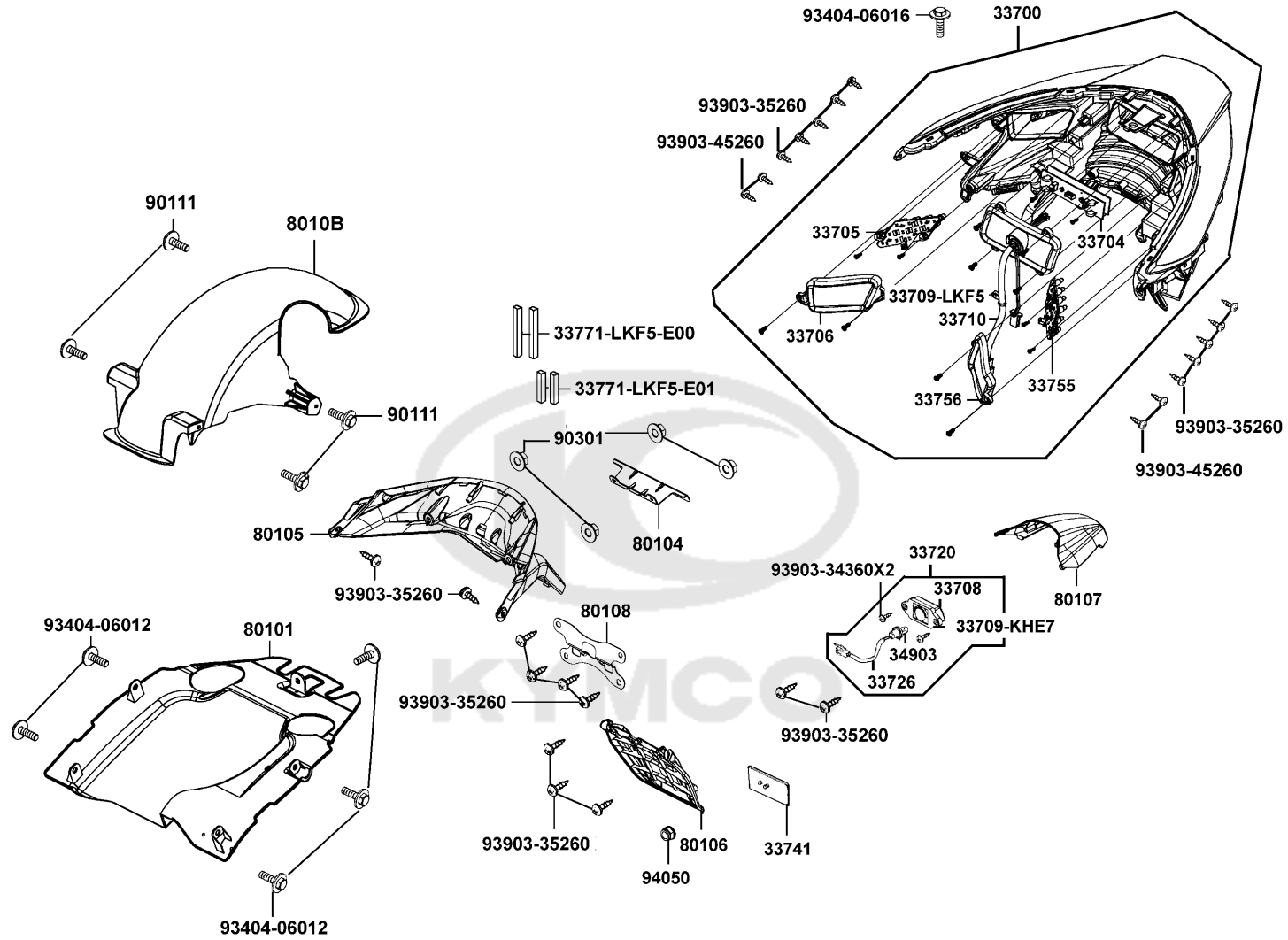
Winker



Sales mark	Ref no	Part no	Description	Reg description	Regd no	F17
------------	--------	---------	-------------	-----------------	---------	------------

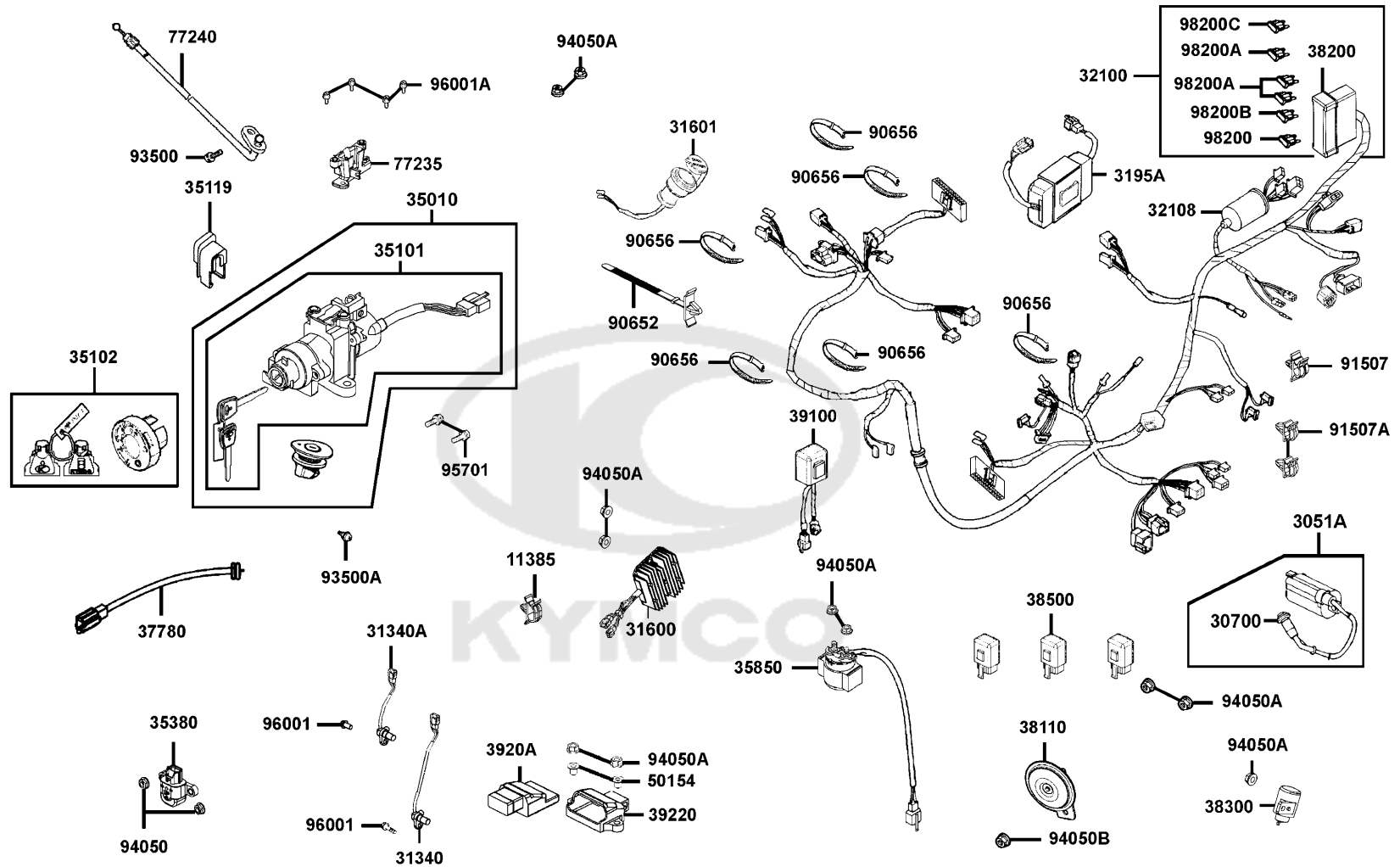
33400		33400-LKF5-E01	WINKER ASSY R FR	WINKER ASSY R FR	1	
33450		33450-LKF5-E01	WINKER ASSY L FR	WINKER ASSY L FR	1	
93903-34360		93903-34360	SCREW TAPPING 4X12	SCREW TAPPING 4X12	2	





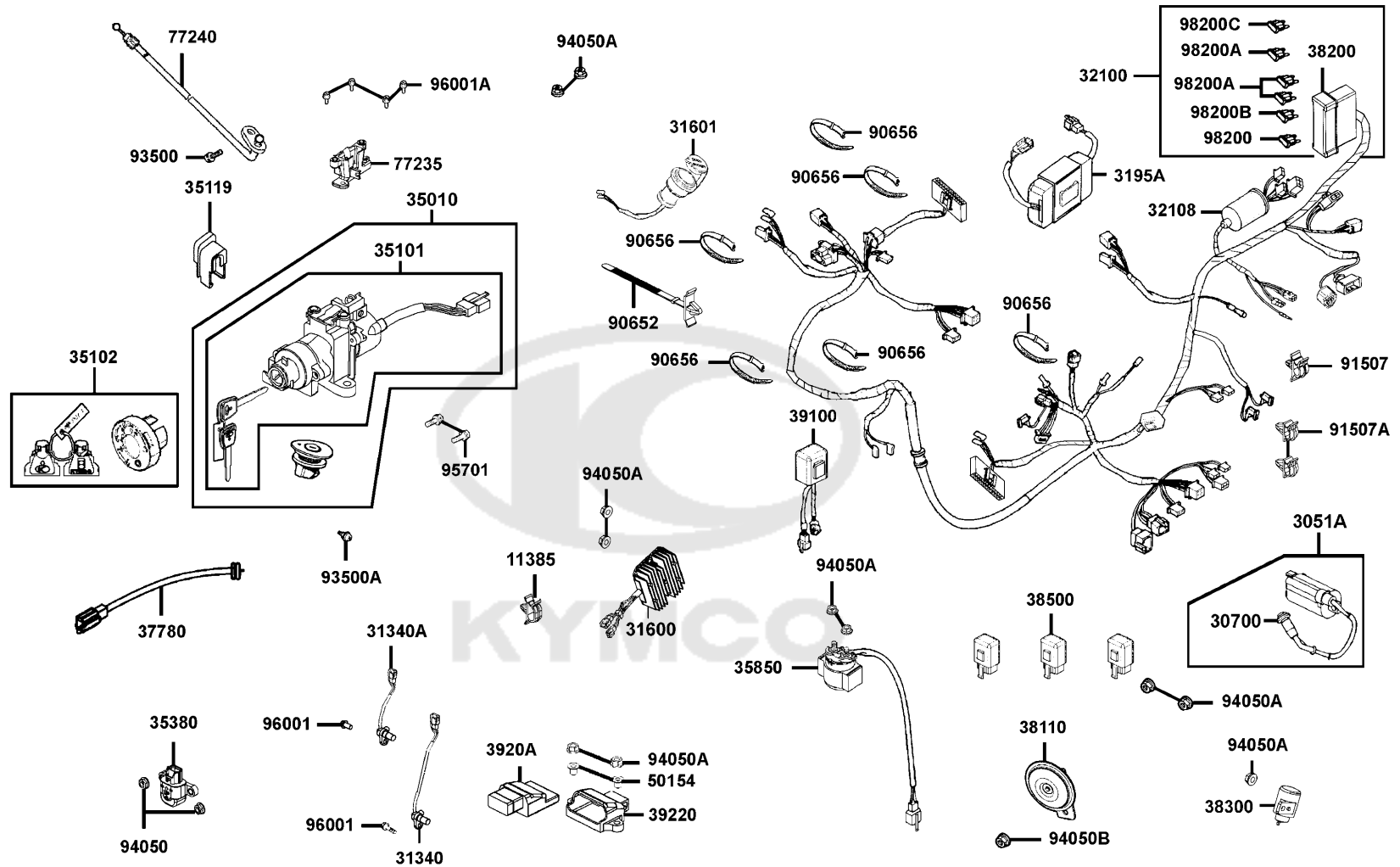
Sales mark	Ref no	Part no	Description	Reg description	Regd no	F18
	33700	33700-LKF5-E02	LIGHT ASSY RR. COMB	LIGHT ASSY RR. COMB	1	
	33704	33704-LKF5-E02	PCB ASSYTAIL LIGHT	PCB ASSYTAIL LIGHT	1	
	33705	33705-LKF5-E00	PCB ASSY R WINKER	PCB ASSY R WINKER	1	
	33706	33706-LKF5-E00	COVER COMP R	COVER COMP R	1	
	33708	33708-KHE7-E00	LENS LICENSE	LENS LICENSE	1	
	33709-KHE7	33709-KHE7-E00	BASE LICENSE	BASE LICENSE	1	
	33709-LKF5	33709-LKF5-327	LIGHT ASSY	LIGHT ASSY	1	
	33710	33710-LKF5-E00	SOCKET COMP	SOCKET COMP	1	
	33720	33720-LBB5-E00	LIGHT ASSY LICENSE	LIGHT ASSY LICENSE	1	
	33726	33726-LBB5-E00	SCOKET COMP	SCOKET COMP	1	
	33741	33741-KHC5-M00	REFLEX REFLECTOR	REFLEX REFLECTOR	1	
	33755	33755-LKF5-E00	PCB ASSY L WINKER	PCB ASSY L WINKER	1	
	33756	33756-LKF5-E00	COVER COMP L	COVER COMP L	1	
	33771-LKF5-E00	33771-LKF5-E00	PACKING. TAIL LIGHT	PACKING. TAIL LIGHT	2	
	33771-LKF5-E01	33771-LKF5-E01	PACKING. TAIL LIGHT	PACKING. TAIL LIGHT	2	
	34903	34903-KPCP-900	BULB POSITION LIGHT 12V5W **KCP-	BULB POSITION LIGHT 12V5W **KCP-9000	1	
**	80101	80101-LKF5-E00	FENDER.RR. INNER	FENDER.RR. INNER	1	
	80104	80104-LKF5-E00	STAY.NO.PLATE	STAY.NO.PLATE	1	
**	80105	80105-LKF5-E00	RR FRNDER.UP	RR FRNDER.UP	1	
**	80106	80106-LKF5-E00	RR FENDER LOW	RR FENDER LOW	1	


Sales mark	Ref no	Part no	Description	Reg description	Regd no	F18
**	80107	80107-LKF5-E00	COVER LICENSE LIGHT	COVER LICENSE LIGHT	1	
	80108	80108-LKG7-E00	STAY RR FENDER	STAY RR FENDER	1	
**	8010B	8010B-LKF5-E00	FENDER ASSY.RR TIRE	FENDER ASSY.RR TIRE	1	
	90111	90111-LEB1-900	BOLT FLANGE 6MM	BOLT FLANGE 6MM	4	
	90301	90301-6C93-001	NUT 6MM OPENSTAY	NUT 6MM OPENSTAY	4	
	93404-06012	93404-06012-06	BOLT WASHER 6X12	BOLT WASHER 6X12	5	
	93404-06016	93404-06016-06	BOLT WASHER 6*16	BOLT WASHER 6*16	5	
	93903-34360	93903-34360	SCREW TAPPING 4X12	SCREW TAPPING 4X12	2	
	93903-35260	93903-35260	SCREW TAPPING 5*12	SCREW TAPPING 5*12	21	
	93903-45260	93903-45260	SCREW TAPPING 5*12	SCREW TAPPING 5*12	4	
	94050	94050-05080	NUT FLANGE 5MM	NUT FLANGE 5MM	1	



Sales mark	Ref no	Part no	Description	Reg description	Regd no	F19
11385		11385-KGBG-900	CLIP VACUUM TUBE	CLIP VACUUM TUBE	1	
3051A		3051A-LKF5-E00	COIL ASSY IGN	COIL ASSY IGN	1	
30700		30700-KKE3-900	CAP ASSY NOISE SUPPRESOR	CAP ASSY NOISE SUPPRESOR	1	
31340		31340-LEA7-E00	SENSOR FR WHEEL SPEED	SENSOR FR WHEEL SPEED	1	
31340A		31340-LFH1-E00	SENSOR RR WHEEL SPEED	SENSOR RR WHEEL SPEED	1	
31600		31600-LKF5-E00	REG REC COMP	REG REC COMP	1	
31601		31601-LKF5-E01	SOCKET COMP. DC 12V	SOCKET COMP. DC 12V	1	
3195A		3195A-LKF5-E00	CONTROL ASSY..HAZARD	CONTROL ASSY..HAZARD	1	
32100		32100-LKF5-E05	HARNESS WIRE	HARNESS WIRE	1	
32108		32108-GAR1-711	COVER HARNESS WIRE	COVER HARNESS WIRE	1	
35010		35010-LKF5-316-M2	KEY SET (D106)	KEY SET (D106)	1	
35101		35101-LKF5-315-M2	SW COMB & LOCK	SW COMB & LOCK	1	
35102		35102-LKF5-315-M2	SHUTTER MAGNETIC LOCK	SHUTTER MAGNETIC LOCK	1	
35119		35119-KHC4-90B	COVER SEAT CABLE	COVER SEAT CABLE	1	
35380		35380-ABE1-E00	SENSOR ANGLE DETECT (D106)	SENSOR ANGLE DETECT	1	
35850		35850-LKF5-E0A	SW ASSY. START MAG.(D402)	SW ASSY. START MAG.(D402)	1	
35850		35850-LKF5-E0B	SW ASSY. START MAG.(D406)	SW ASSY. START MAG.(D406)	1	
37780		37780-ACD5-E00	SENSOR ASSY. ROOM TEMP	SENSOR ASSY. ROOM TEMP	1	
38110		38110-KHB4-E0A	HORN COMP (D405)	HORN COMP (D405)	1	
38110		38110-KHB4-E0B	HORN COMP (D203)	HORN COMP (D203)	1	

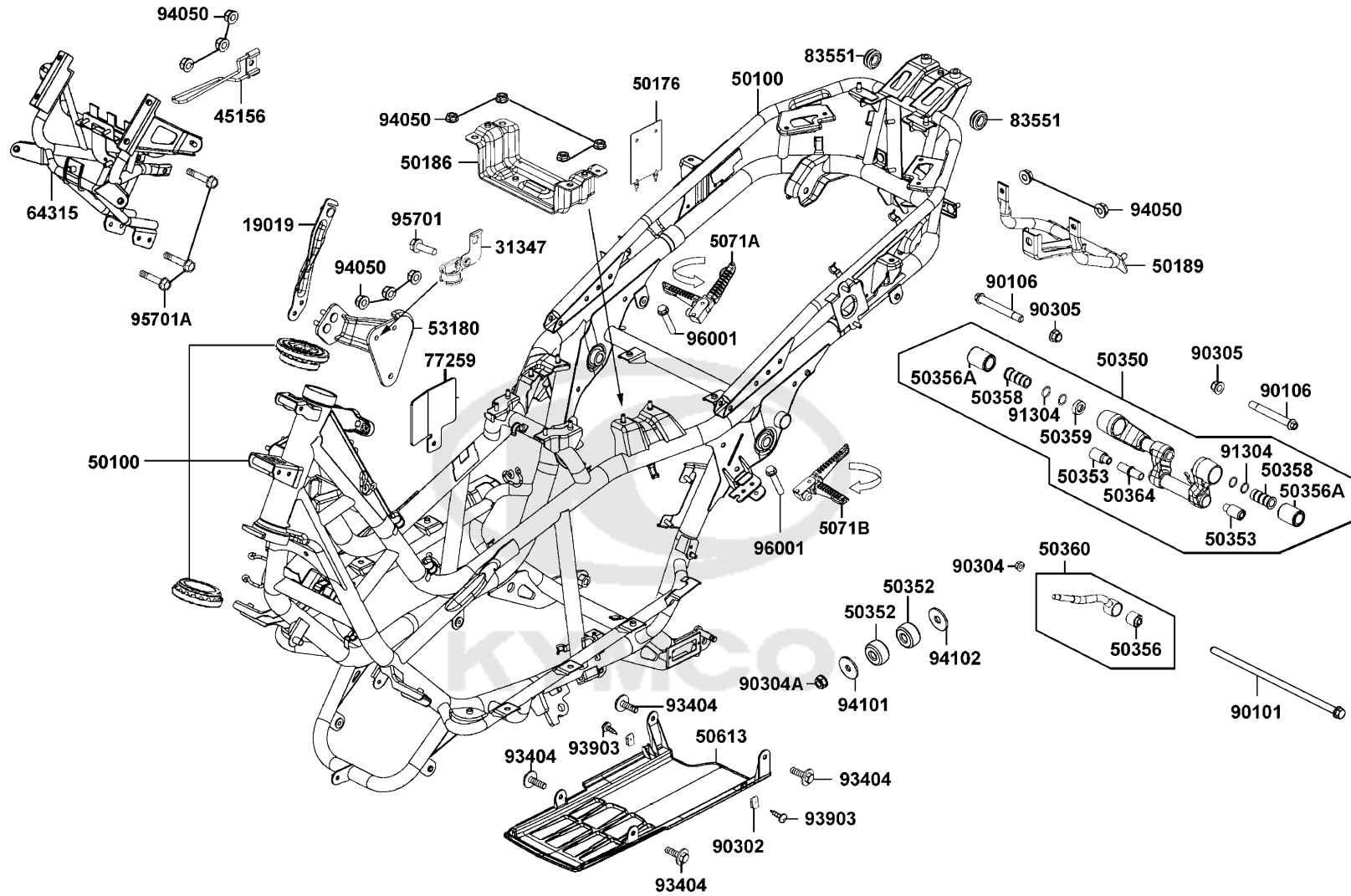
Sales mark	Ref no	Part no	Description	Reg description	Regd no	F19
	38200	38200-KHE7-900	BOX COMP FUSE	BOX COMP FUSE	1	
	38300	38300-KKE5-E00	RELAY COMP WINKER	RELAY COMP. WINKER	1	
	38500	38500-LGL3-90A	RELAY ASSY LIGHT	RELAY ASSY LIGHT	1	
	39100	39100-LKF5-E00	EMI FILTER. FAN MOTOR	EMI FILTER. FAN MOTOR	1	
	3920A	3920A-LKF5-E01	ASSY ECU	ASSY. ECU	1	
	39220	39220-ACD5-E00	CUSHION CASE ECU	CUSHION CASE ECU	1	
	50154	50154-KKE3-900	COLLAR ECU **(0) C.2005.08.25	COLLAR ECU **(0) C.2005.08.25	2	
	77235	77235-KGC4-E0B	SEAT CATCH	SEAT CATCH	1	
	77240	77240-LKF5-E00	CABLE ASSY. SEAT LOCK	CABLE ASSY. SEAT LOCK	1	
	90652	90652-LGL7-E00	CLIP 8*120	CLIP 8*120	1	
**	90656	90656-KUDU-900	BAND HARNESS WIRE **KUDU-900	BAND HARNESS WIRE **KUDU-900 C.2005.05.	6	
	91507	91507-LEA7-E00	CLIP	CLIP	1	
	91507A	91507-LKE6-900	CLIP	CLIP	2	
	93500	93500-KHC4-90A	SCREW PAN 5*10	SCREW PAN 5*10	1	
	93500A	93500-LKF5-E00	SCREW PAN 5X15	SCREW PAN 5X15	1	
	94050	94050-05080	NUT FLANGE 5MM	NUT FLANGE 5MM	2	
	94050A	94050-06080	NUT FLANGE 6MM	NUT FLANGE 6MM	10	
	94050B	94050-08080	NUT FLANGE 8MM	NUT FLANGE 8MM	1	
	95701	95701-LEA5-E00	BOLT TORQUE 8*25 **(0) C.2007.01.22	BOLT TORQUE 8*25 **(0) C.2007.01.22	2	
	96001	96001-06012-06	BOLT FLANGE SH 6*12	BOLT FLANGE SH 6*12	2	



Sales mark	Ref no	Part no	Description	Reg description	Regd no	F19
96001A		96001-06014-06	BOLT FLANGE SH 6X14	BOLT FLANGE SH 6X14	1	
98200		98200-31000	BLADE FUSE 10A **(0) C.2005.03.01	BLADE FUSE 10A **(0) C.2005.03.01	1	
98200A		98200-31500	FUSE A15	FUSE A15	3	
98200B		98200-32500	BLADE FUSE 25A	BLADE FUSE 25A	1	
98200C		98200-33000	BLADE FUSE 30A	BLADE FUSE 30A	1	
						

F20

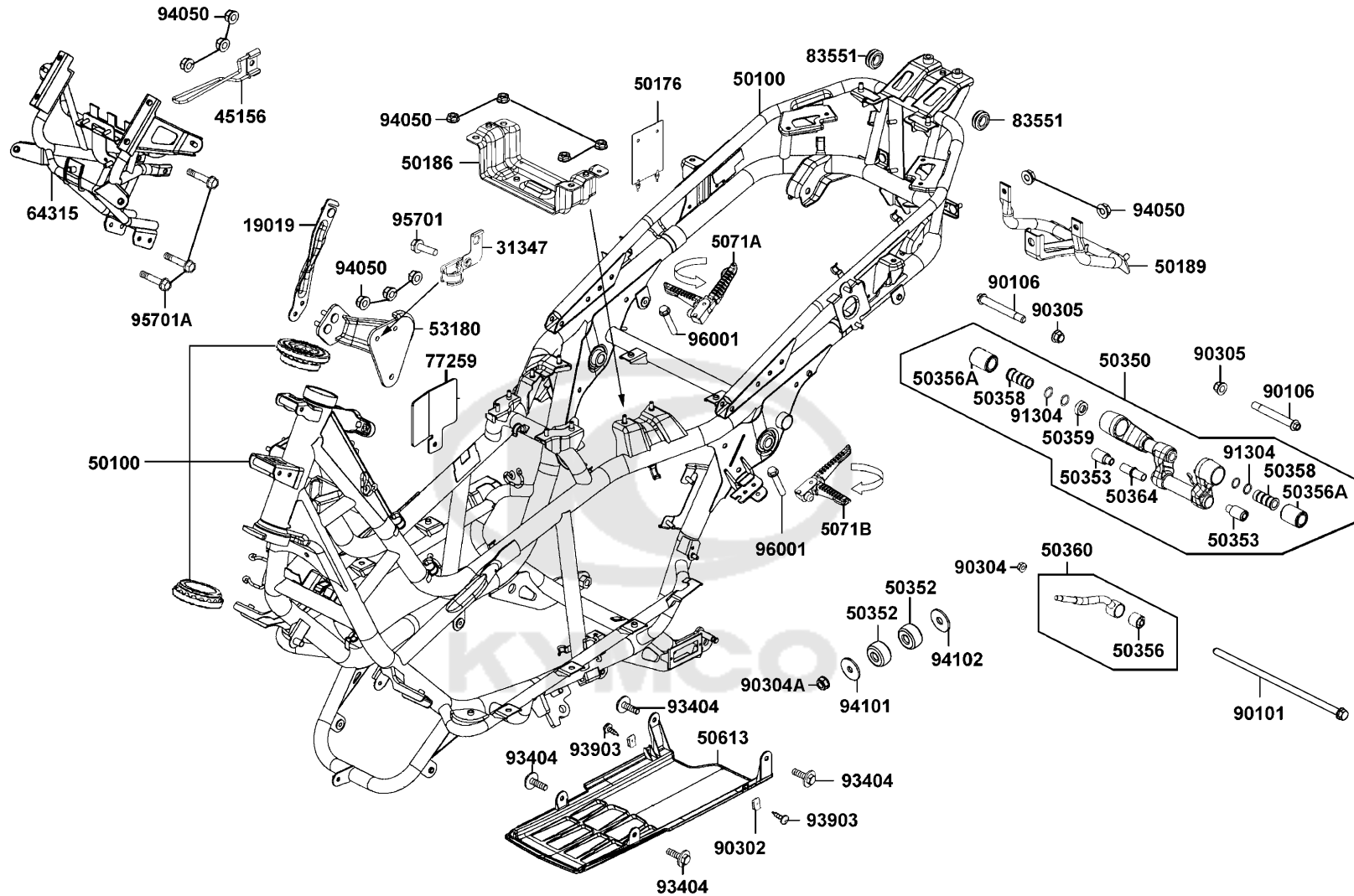
Frame Body



Sales mark	Ref no	Part no	Description	Reg description	Regd no	F20
	19019	19019-LKF5-E00	STAY.RADIATOR UNIT	STAY.RADIATOR UNIT	1	
	31347	31347-LKF5-E00	CLAMPER. SPEED SENSOR	CLAMPER. SPEED SENSOR	1	
	45156	45156-KECE-900	CLAMPER FR BRK CABLE	CLAMPER FR BRK CABLE	1	
#	50100	50100-LKF5-315	BODY ASSY FRAME (E01)	BODY ASSY FRAME (E01)	1	
	50176	50176-LGE5-E00	PLATE FRAME GUARD	PLATE FRAME GUARD	1	
	50186	50186-LKF5-E00	BRKT..BATTERY	BRKT..BATTERY	1	
	50189	50189-LKF5-E00	STAY.RR FENDER	STAY.RR FENDER	1	
	50350	50350-LKF5-E02	HANGER ASSY ENG	HANGER ASSY ENG	1	
	50352	50352-LBA2-E00	RUBBER STOPPER	RUBBER STOPPER	2	
	50353	50353-KGN7-901	BUSH A ENG HANGER	BUSH A ENG HANGER	2	
	50356	50356-LEA7-E01	RUB BUSH ENG HANGER	RUB BUSH ENG HANGER	1	
	50356A	50356-LHG7-E00	RUBBER BUSH ENG HANGER	RUBBER BUSH ENG HANGER	2	
	50358	50358-LKF5-E01	BUSH INNER SWING LOCK	BUSH INNER SWING LOCK	2	
	50359	50359-LKF5-E01	COLLAR	COLLAR	1	
	50360	50360-LKF5-E00	TIE-ROD ASSY. ENG HANGER	TIE-ROD ASSY. ENG HANGER	1	
	50364	50364-KHE7-E00	COLLAR B ENG HANGER	COLLAR B ENG HANGER	1	
**	50613	50613-LKF5-E00	COVER.UNDER	COVER.UNDER	1	
	5071A	5071A-LKF5-E0A	BAR R ASSY RR STEP	BAR R ASSY RR STEP	1	
	5071A	5071A-LKF5-E0B	BAR R ASSY RR STEP	BAR R ASSY RR STEP	1	
	5071B	5071B-LKF5-E0A	BAR L ASSY RR STEP	BAR L ASSY RR STEP	1	

F20

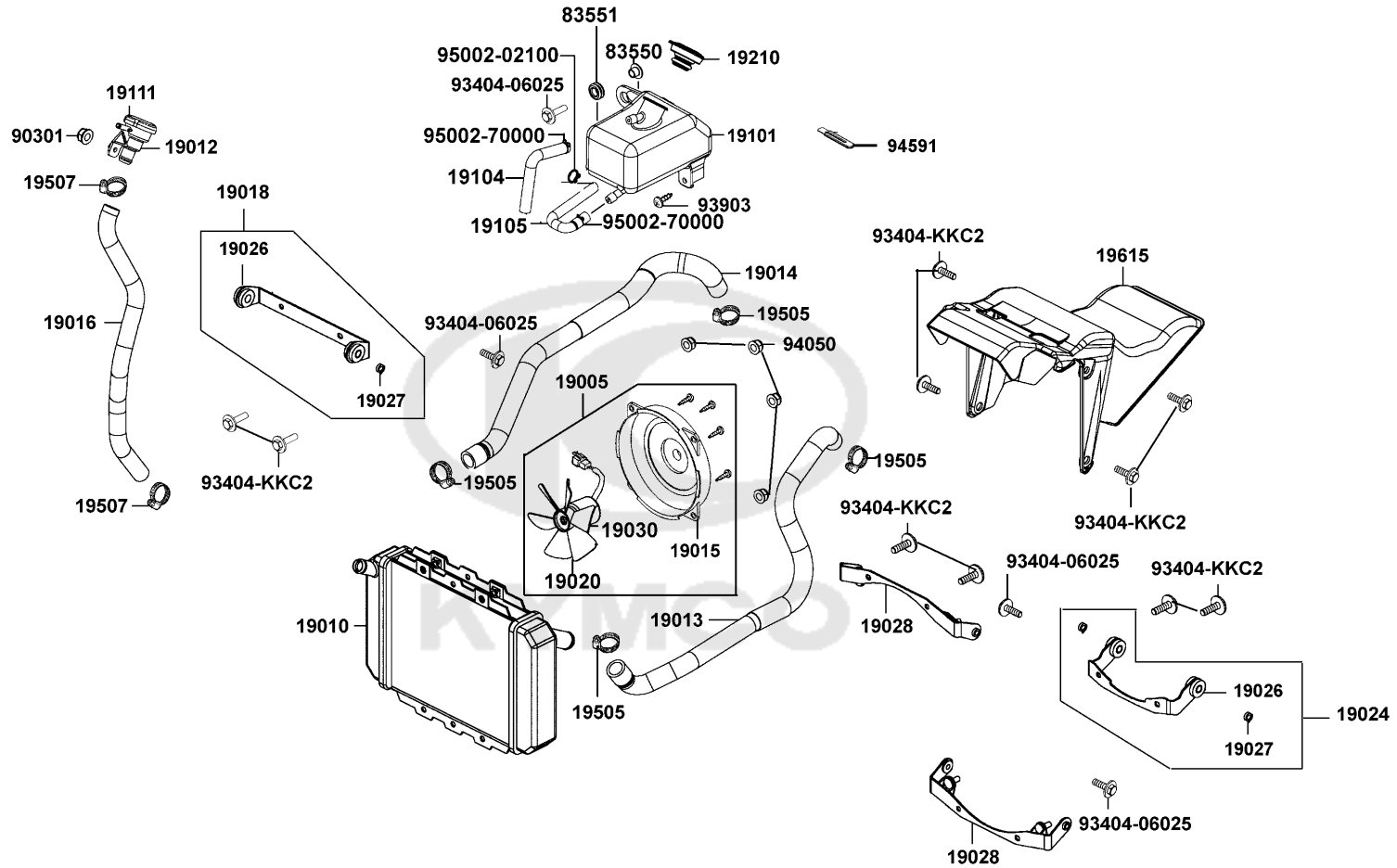
Frame Body



Sales mark	Ref no	Part no	Description	Reg description	Regd no	F20
	5071B	5071B-LKF5-E0B	BAR L ASSY RR STEP	BAR L ASSY RR STEP	1	
	53180	53180-LKF5-E00	STAY COMP.. PARKING BRAKE	STAY COMP.. PARKING BRAKE	1	
	64315	64315-LKF5-E01	BRKTFR. COVER	BRKT FR. COVER	1	
	77259	77259-LKF5-E00	PLATE. ANTI THIEF	PLATE. ANTI THIEF	1	
	83551	83551-KEC8-900	GROMMET COVER **KEC8-9000	GROMMET COVER **KEC8-9000 C.2005.09.01	2	
	90101	90101-LKF5-E00	BOLT FLANGE 10X275	BOLT FLANGE 10*275	1	
	90106	90106-LKF5-E00	BOLT FLANGE 15X122(M14)	BOLT FLANGE 15X122(M14)	2	
	90302	90302-SDA4-004	NUT SPRING 4MM	NUT SPRING 4MM	2	
	90304	90304-GHE8-004	NUT U 10MM	NUT U 10MM	1	
	90304A	90304-LBD4-900	NUT U FLANGE 10MM	NUT U FLANGE 10MM	1	
	90305	90305-LBD4-900	NUT U 14MM	NUT U 14MM	2	
	91304	91304-LGE5-E00	O-RING 17.8*2.4	O-RING 17.8x2.4	4	
	93404	93404-06012-06	BOLT WASHER 6X12	BOLT WASHER 6X12	4	
	93903	93903-GFY6-900	SCREW TAPPING 4*14	SCREW TAPPING 4*14	2	
	94050	94050-06080	NUT FLANGE 6MM	NUT FLANGE 6MM	12	
	94101	94101-LBA2-E00	WASHER PLATE 10.5*38*3.0	WASHER PLATE 10.5*38*3.0	1	
	94102	94102-LBA2-E00	WASHER PLAIN 38*12.5*3	WASHER PLAIN 38*12.5*3	1	
	95701	95701-06012-06	BOLT FLANGE 6*12 **07 C.2005.07.01	BOLT FLANGE 6*12 **07 C.2005.07.01	1	
	95701A	95701-06070-06	BOLT FLANGE 6X70	BOLT FLANGE 6X70	1	
	96001	96001-06032-06	BOLT FLANGE 6*32	BOLT FLANGE 6*32	2	

F21

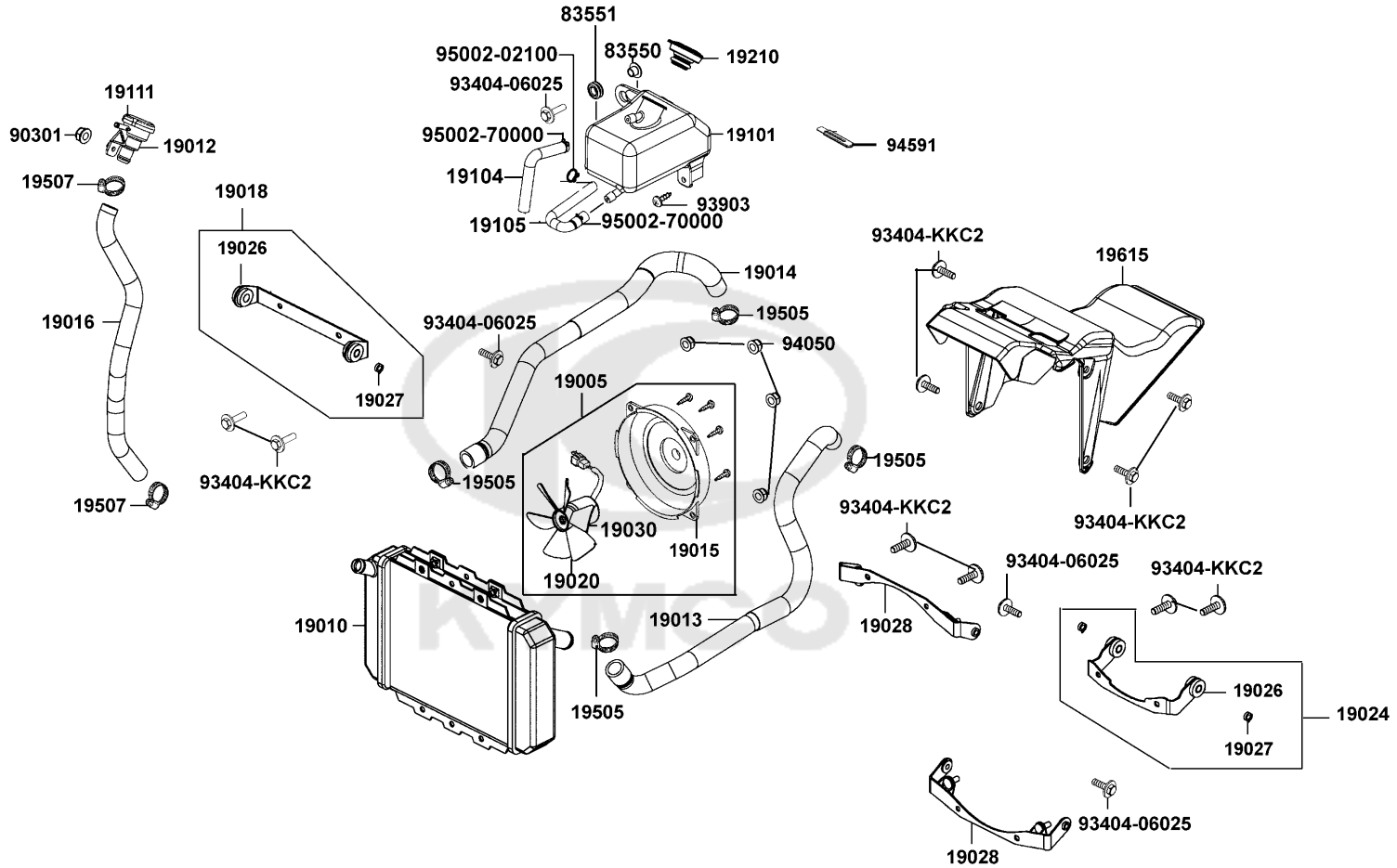
Radiator



Sales mark	Ref no	Part no	Description	Reg description	Regd no	F21
19005		19005-LKF5-E01	SHROUD ASSY.	SHROUD ASSY.	1	
19010		19010-LKF5-E00	RADIATOR COMP	RADIATOR COMP	1	
19012		19012-LEA7-E05	UNIT RADIATOR	UNIT RADIATOR	1	
19013		19013-LKF5-E00	HOSE.WATER INLET	HOSE.WATER INLET	1	
19014		19014-LKF5-E00	HOSE.WATER OUTLET	HOSE.WATER OUTLET	1	
19015		19015-LBA2-E00	SHROUD COMP	SHROUD COMP	1	
19016		19016-LKF5-E00	HOSE.WATER-UNIT CAP	HOSE.WATER-UNIT CAP	1	
19018		19018-LKF5-E00	HOLDER UPPER.RADIATOR	HOLDER UPPER.RADIATOR	1	
19020		19020-LBA2-E00	FAN COOLING	FAN COOLING	1	
19024		19024-LKF5-E00	HOLDER LOWER.RADIATOR	HOLDER LOWER.RADIATOR	1	
19026		19026-LKF5-E00	DAMPING RUBBER RADIATOR	DAMPING RUBBER RADIATOR	4	
19027		19027-LKF5-E00	COLLAR RADIATOR	COLLAR RADIATOR	3	
19028		19028-LKF5-E00	STAY.RADIATOR FAN	STAY.RADIATOR FAN	2	
19030		19030-LBA2-E00	MOTOR ASSY FAN	MOTOR ASSY FAN	1	
19101		19101-LKF5-E00	TANK.RESERVE	TANK.RESERVE	1	
19104		19104-LKF5-900	HOSE ASSY DRAIN	HOSE ASSY DRAIN	1	
19105		19105-LKF5-E00	HOSE ASSY RESERVE TANK	HOSE ASSY RESERVE TANK	1	
19111		19111-PRB3-900	CAP COMP RADIATOR	CAP COMP RADIATOR	1	
19210		19210-KKC4-900	CAP RESERVE TANK	CAP RESERVE TANK	1	
19505		19505-LKF5-E00	CLAMP.D31	CLAMP.D31	4	

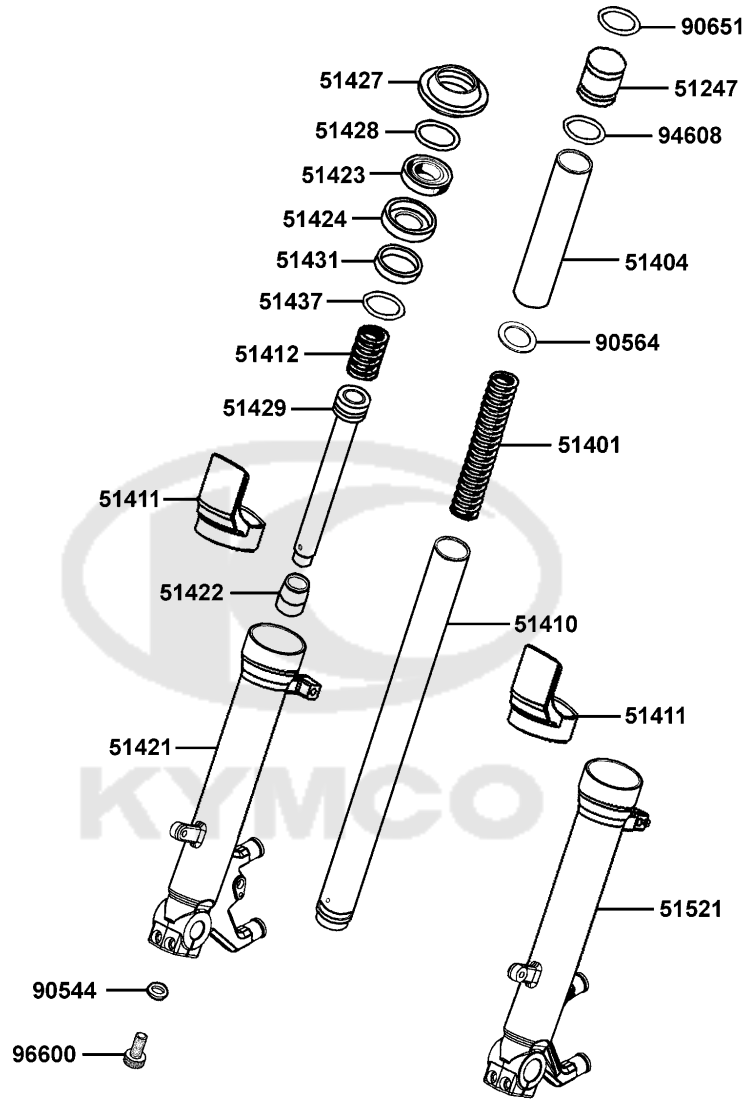
F21

Radiator



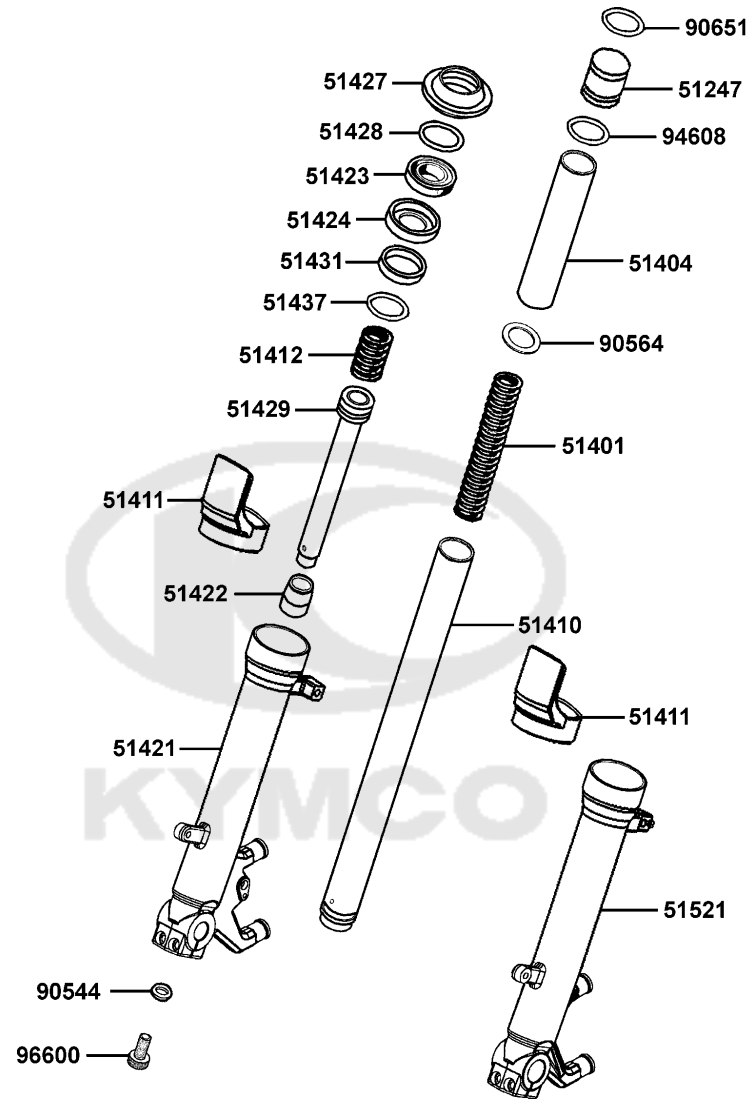
Sales mark	Ref no	Part no	Description	Reg description	Regd no	F21
19507		19507-LDB5-E00	CLAMP D 28	CLAMP D 28	2	
19615		19615-LKF5-E00	COVER.RADLATOR	COVER.RADLATOR	1	
83550		83550-KEC8-900	COLLAR	COLLAR	1	
83551		83551-KEC8-900	GROMMET COVER **KEC8-9000	GROMMET COVER **KEC8-9000 C.2005.09.01	1	
90301		90301-6D34-671	NUT FLANGE 6MM	NUT FLANGE 6MM	1	
93404-06025		93404-06025-06	BOLT WASHER 6*25	BOLT WASHER 6*25	4	
93404-KKC2		93404-KKC2-900	BOLT WASH 6*16	BOLT WASH 6*16	10	
93903		93903-35360	SCREW TAPPING 5*16	SCREW TAPPING 5*16	1	
94050		94050-06060	NUT FLANGE 6MM	NUT FLANGE 6MM	4	
94591		94591-KFBF-900	CLIP 2*70	CLIP 2*70	1	
95002-02100		95002-02100	CLIP B15 TUBE	CLIP B15 TUBE	1	
95002-70000		95002-70000	CLIP C11 TUBE	CLIP C11 TUBE	2	

Separated Parts Of Fr Fork



Sales mark	Ref no	Part no	Description	Reg description	Regd no	F22
	51247	51247-LKF5-E00	FORK BOLT CAP	FORK BOLT CAP	2	
	51401	51401-LKF5-E00	SPRING	SPRING	4	
	51404	51404-LKF5-E30	SPRING COLLAR	SPRING COLLAR	2	
	51410	51410-LKF5-E00	FORK PIPE COMP	FORK PIPE COMP	2	
	51411	51411-KKE5-E00	FORK FENDER	FORK FENDER	2	
	51412	51412-LKF5-E00	REBOUND SPRING	REBOUND SPRING	2	
**	51421	51421-LKF5-E00	BOTTOM CASE R	BOTTOM CASE R	1	
	51422	51422-LBA2-E00	OIL LOCK PIECE	OIL LOCK PIECE	2	
	51423	51423-KED9-900	OIL SEAL	OIL SEAL	2	
	51424	51424-KED9-900	SPACER	SPACER	2	
	51427	51427-KED9-900	DUST SEAL	DUST SEAL	2	
	51428	51428-KED9-900	OIL SEAL STOPPER RING	OIL SEAL STOPPER RING	2	
	51429	51429-LKF5-E00	PIPE SEAT COMP	PIPE SEAT COMP	2	
	51431	51431-KED9-900	GUIDE BUSH	GUIDE BUSH	2	
	51437	51437-KED9-900	PISTON RING	PISTON RING	2	
**	51521	51521-LKF5-E00	BOTTOM CASE L	BOTTOM CASE L	1	
	90544	90544-KEC8-900	PACKING	PACKING	2	
	90564	90564-KED9-900	PLANE WASHER	PLANE WASHER	2	
	90651	90651-LKF5-900	STOPPER RING	STOPPER RING	2	
	94608	94608-LKF5-E00	O-RING	O-RING	2	

Separated Parts Of Fr Fork



Sales mark	Ref no	Part no	Description	Reg description	Regd no	F22
------------	--------	---------	-------------	-----------------	---------	------------

96600

96600-LKF5-E00

BOLT

BOLT

2



Caution Label

● Be sure to wear a safety helmet when riding.
 ● Do not exceed the speed specified by law when riding.
 ● The exhaust muffler temperature is very high after riding. Be sure to park the motorcycle in a place not easily touched by people.
 ● For riding safety and good performance, do not violate the law to modify the motorcycle.
 ● Please read the User's Manual carefully to ensure driving safety.

● Make sure to perform the periodic maintenance and provide inspection.
 Pre-ride inspection items
 Brake Performance, tires, engine oil level, lights, horn, and instrument panel
 KWANG YANG MOTOR CO., LTD.

87560-GFY6-E00

CAUTIONS

Never put any article between the rear side cover and the engine to avoid interference of riding.

GM9-300

87542-GAR1-E00

CAUTIONS

TIRE SIZE : FRONT 120/70 15 REAR 150/70 14
 (ONE RIDER) : FRONT 2.0 kg/cm² REAR 2.25 kg/cm²
 (TWO RIDER) : FRONT 2.0 kg/cm² REAR 2.25 kg/cm²
 (AS PER KYMCO STANDARD SPECIFICATION)
 (NOTE: THE TIRE PRESSURE MUST NOT OVER
 PASS FRONT: 2.30 kg/cm, REAR: 2.50 kg/cm²)

CHECK THE MOTOR OIL LEVEL WITH THE DIPSTICK AFTER REFILLING MOTOR OIL.

87505-LKF5-E00

87505-LKF5-E00

CAUTION

Mobile phone charge only, Use other appliance may cause damage.

KKC2-E000

87541-KKC2-E00

CAUTIONS

Before starting the engine, the side stand shall be kicked up to secure safety.

87541-GAR1-E00

CAUTIONS

Every 6000 km run should exchange the filter.

LRB2-E00

87512-LBA2-E00

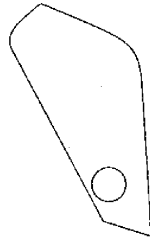
Sales mark	Ref no	Part no	Description	Reg description	Regd no
------------	--------	---------	-------------	-----------------	---------

**	87505-LKF5-E00	87505-LKF5-E00	LABEL TIRE	LABEL TIRE	1
**	87512-LBA2-E00	87512-LBA2-E00	CAUTION FILTER	CAUTION FILTER	1
**	87541-GAR1-E00	87541-GAR1-E00	CAUTION SIDE STAND	CAUTION SIDE STAND	1
**	87541-KKC2-E00	87541-KKC2-E00	CAUTION MOBILE PHONE	CAUTION MOBILE PHONE	1
**	87542-GAR1-E00	87542-GAR1-E00	MARK MAINT CAUTION	MARK MAINT CAUTION	1
**	87560-GFY6-E00	87560-GFY6-E00	MARK DRIVE CAUTION	MARK DRIVE CAUTION	1

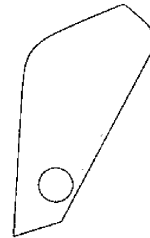




87206



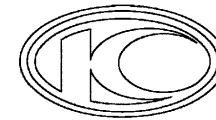
86161



86171



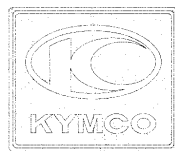
86701



8610A



86202



86102-LKJ1



86282



86283



86284



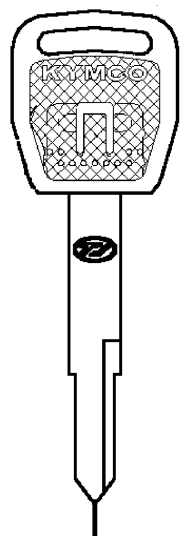
86286

Sales mark	Ref no	Part no	Description	Reg description	Regd no	F24
**	86102-LKJ1	86102-LKJ1-900	EMB K-LOGO	EMB K-LOGO	1	
**	8610A	8610A-LGC6-E00	EMB K-LOGO ASSY	EMB K-LOGO ASSY	1	
**	86161	86161-LGR2-E00	STRIPE R FR FENDER	STRIPE R FR FENDER	1	
**	86171	86171-LGR2-E00	STRIPE L FR FENDER	STRIPE L FR FENDER	1	
**	86202	86202-LKF5-E00	EMB BODY COVER	EMB BODY COVER	2	
**	86282	86282-LGR2-E00	STRIPE R FR MOLD	STRIPE R FR MOLD	1	
**	86283	86283-LGR2-E00	STRIPE L FR MOLD	STRIPE L FR MOLD	1	
**	86284	86284-LGR2-E00	STRIPE B R FR MOLD	STRIPE B R FR MOLD	1	
**	86286	86286-LGR2-E00	STRIPE B L FR MOLD	STRIPE B L FR MOLD	1	
**	86701	86701-LKF5-E00	STRIPE COVER TUNNEL	STRIPE COVER TUNNEL	1	
**	87206	87206-LBA2-E00	EMB MARK KYMCO	EMB MARK KYMCO	1	

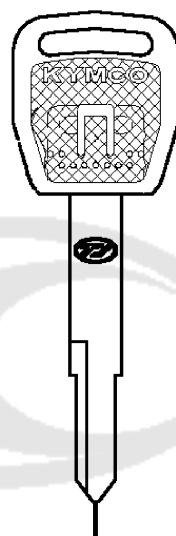


F25

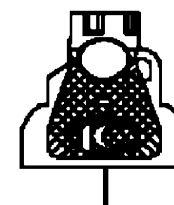
Key



35111



35111A



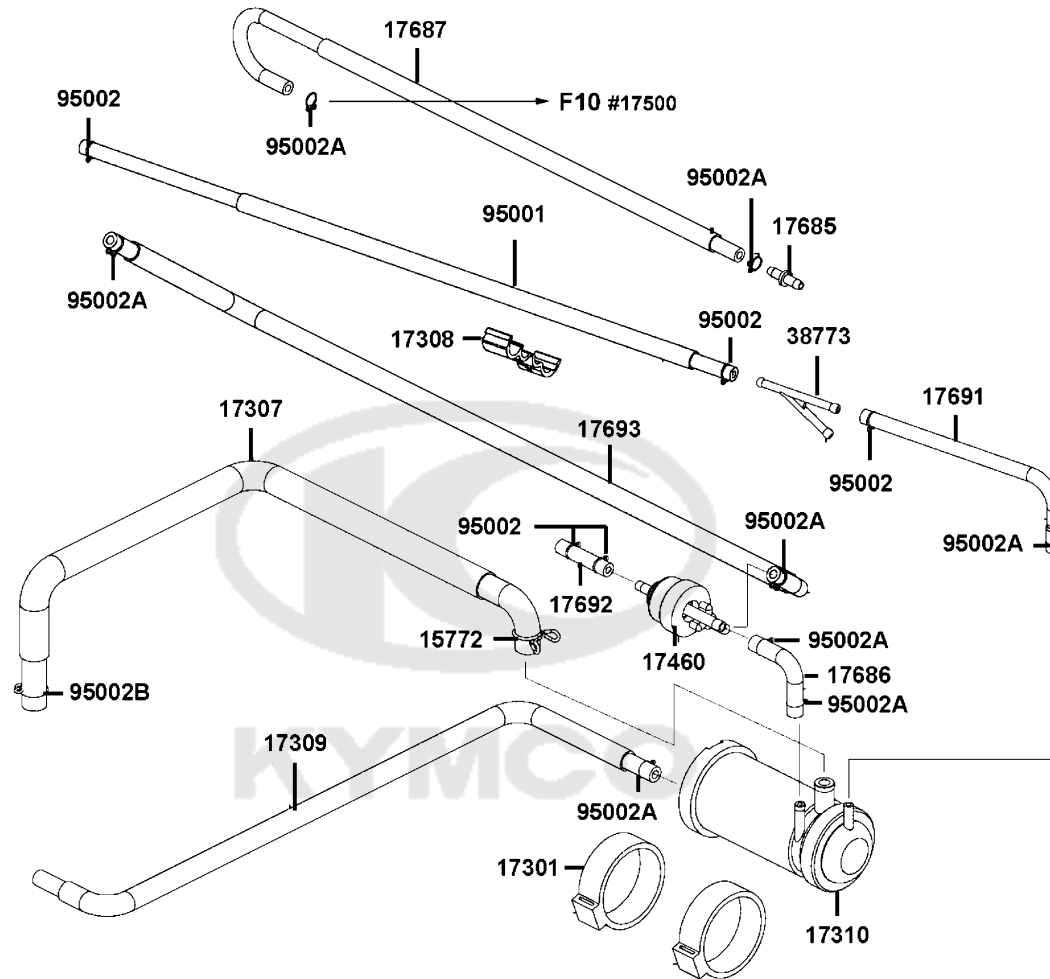
35111B

Sales mark	Ref no	Part no	Description	Reg description	Regd no	F25
------------	--------	---------	-------------	-----------------	---------	------------

35111		35111-LDC1-305-M2	KEY COMP (R TANGENT PLANE/TJ)	KEY COMP (R TANGENT PLANE/TJ)	1	
35111A		35111-LDC1-306-M2	KEY COMP (L TANGENT PLANE/TJ)	KEY COMP (L TANGENT PLANE/TJ)	1	
35111B		35111-LEA1-307-M2	KEY COMP SHOTTER MAGNETIC (TJ)	KEY COMP SHOTTER MAGNETIC (TJ)	1	



Canister Pcv Assy



Sales mark	Ref no	Part no	Description	Reg description	Regd no	F26
15772		15772-5L00-013	CLIP B14.5 TUBE	CLIP B14.5 TUBE	1	
17301		17301-KNBN-960	RUBBER CANISTER MOUNT	RUBBER CANISTER MOUNT	2	
17307		17307-LKF5-900	TUBE ASSY.	TUBE ASSY.	1	
17308		17308-LKF5-900	CLAMP. TUBE	CLAMP. TUBE	1	
17309		17309-LKF5-900	TUBE. ASSY	TUBE. ASSY	1	
17310		17310-LKF5-E03	CANISTER COMP	CANISTER COMP	1	
17460		17460-KED9-M31	VALVE COMP VAPOR CONTROL	VALVE COMP VAPOR CONTROL	1	
17685		17685-KZCZ-900	JOINT TUBE	JOINT TUBE	1	
17686		17686-LKF5-E03	TUBE FUEL FILLER	TUBE FUEL FILLER	1	
17687		17687-LKG7-305	TUBE FUEL COMP	TUBE FUEL COMP	1	
17691		17691-LKF5-E03	TUBE ASSY	TUBE ASSY	1	
17692		17692-LKF5-E03	TUBE ASSY	TUBE ASSY	1	
17693		17693-LKF5-E03	TUBE ASSY	TUBE ASSY	1	
38773		38773-KEC3-900	JOINT ASSY TANK CAP	JOINT ASSY TANK CAP	1	
95001		95001-LKF5-E03	TUBE ASSY	TUBE ASSY	1	
95002		95002-02070	CLIP B7 TUBE	CLIP B7 TUBE	5	
95002A		95002-02080	CLIP B8 TUBE	CLIP B8 TUBE	8	
95002B		95002-02130	CLIP B12.5 TUBE	CLIP B12.5 TUBE	1	



87546

KYMCO

Sales mark	Ref no	Part no	Description	Reg description	Regd no	F27
------------	--------	---------	-------------	-----------------	---------	------------

**	87546	87546-ADG5-E00	LABEL FUEL TANK	LABEL FUEL TANK	1	
----	-------	----------------	-----------------	-----------------	---	--



PART NO. INDEX

PART NO.	VERSION	PAGE	PART NO.	VERSION	PAGE	PART NO.	VERSION	PAGE
			11110-LKF5-900	2	E01	12209-GDB4-68B	0	E02
			11110-LLJ3-E00	2	E01	12251-LKF5-E00	0	E02
			11203-LBA2-E00	2	E01	12310-LKF5-E01	2	E02
0118-814-1100-3	0	E05	11203-LBA2-E00	2	F16	12391-LKF5-900	2	E02
0901-819-6001	0	E05	1121A-LKF5-E01	3	F13			
0901-880-6000	0	E05	1122A-LEA7-E00	2	E01	13000		
0901-911-6000	0	E05	11330-LKF5-E00	7	E04			
			11340-LKF5-E02	5	E01	1300A-LKF5-E01	4	E03
1000			11344-LKF5-E00	0	E01	13011-LKF5-E00	0	E03
			11345-LKF5-E00	3	E01	13101-LKF5-E00	6	E03
1090-873-2001	0	E05	11347-LKF5-E00	1	E06	13111-LKF5-E00	2	E03
1190-C74-2000	0	E05	1134B-LKF5-E00	0	E01	13210-LKF5-E00-1	8	E03
1190-C75-2000	0	E05	11350-LKF5-E00	4	E01	13210-LKF5-E00-2	8	E03
1614-868-0000-S	0	E05	11357-LKF5-E00	1	E06	13221-ABE1-E00-01	1	E03
1614-906-0002	0	E05	11383-KHE7-900	0	E02	13221-ABE1-E00-02	1	E03
1614-A22C-0000-Y	0	F10	11385-KGBG-900	0	F19	13221-ABE1-E00-03	1	E03
			11394-LKF5-E00	3	E04	13314-LKF5-E00-A	0	E01
3000			11395-LKF5-E00	2	E01	13314-LKF5-E00-B	0	E01
						13314-LKF5-E00-C	0	E01
3700-A35B-0110	0	E05	12000			13406-LEA7-E00	2	E02
3791-HN80-0000	0	F10				1342A-LKF5-E01	8	E03
			12100-LKF5-E00	7	E03			
11000			12191-LKF5-E00	1	E03	14000		
			12200-LKF5-E00	9	E02			
11109-LKF5-E00	2	E01	12205-KHE8-301	5	E02	14100-LKF5-E00	15	E02
1110A-LKF5-315	0	E01	12205-LEA7-E00	0	E01	14321-LEA7-E00	8	E02

PART NO. INDEX

PART NO.	VERSION	PAGE	PART NO.	VERSION	PAGE	PART NO.	VERSION	PAGE
14401-PWB1-900	2	E03	15161-PUA5-E00	5	E01	1723B-LKF5-E01	0	F13
14420-LKF5-E00	3	E02	15162-PUA5-E00	7	E01	1723C-LKF5-E00	7	E02
14430-LKF5-E00	3	E02	15200-LKF5-E00	2	E01	17255-LKF5-E01	2	F13
14433-PTA1-900	3	E02	1541A-LEH6-E00	2	E01	17301-KNBN-960	0	F26
14434-PTA1-900	2	E02	15423-KKC3-900	1	E01	17307-LKF5-900	2	F26
14452-LKF5-E00	0	E02	15437-LEA7-E00	1	E01	17308-LKF5-900	2	F26
14453-LKF5-E00	1	E02	1565A-LBA2-E00	2	E04	17309-LKF5-900	0	F26
14510-LKF5-E01	2	E03	15711-LKF5-E00	1	E07	17310-LKF5-E03	0	F26
14523-LKF5-E00	1	E03	15772-5L00-013	1	F26	17370-4K19-701	1	F13
14531-KHE7-900	1	E03				17371-1D74-671	0	F13
14550-LKF5-E00	2	E03	16000			1737A-LKF5-E01	1	F13
14610-LEA7-E00	2	E03				17460-KED9-M31	0	F26
14711-ABE1-E00	2	E02	1610K-LKF5-900	4	E05	17500-LEA7-900	7	F10
14721-ABE1-E00	1	E02	16201-LKF5-E00	2	E02	17511-LKF5-E00	2	F10
14751-LKF5-E00	3	E02	16211-LKF5-E00	2	E02	17512-LKF5-E00	2	F10
14761-LKF5-E00	1	E02				17530-KGB5-900	1	F05
14771-LKF5-E00	0	E02	17000			17550-LKF5-E00	2	F10
14773-LKF5-E00	1	E02				17561-LDF2-900	0	F10
14777-LBA2-E00	4	E02	1711A-LKF5-E00	1	E02	17561-LGE5-E00	1	F10
14781-MFA6-001	0	E02	17214-LDB2-E00	1	F13	17582-LKF5-E00	2	F10
			17216-KHC4-900	0	F13	17620-LKF5-316-M2	0	F10
15000			1721A-LKF5-E01	0	F13	17685-KZCZ-900	0	F05
			17236-KFBF-910	1	F13	17685-KZCZ-900	0	F26
15100-LKF5-E00	9	E07	17236-LKF5-E00	0	E02	17685-LKF5-E00	3	F10
15136-KKE5-E00	6	E07	17237-LKF5-E00	4	E02	17686-LKF5-E03	0	F26
15141-LKF5-E00	1	E07	1723A-LKF5-E01	0	F13	17687-LKG7-305	0	F26

PART NO. INDEX

PART NO.	VERSION	PAGE	PART NO.	VERSION	PAGE	PART NO.	VERSION	PAGE
17691-LKF5-E03	0	F26				1922A-LKF5-E00	5	E04
17692-LKF5-E03	0	F26	19000			19230-LKF5-E00	1	E04
17693-LKF5-E03	0	F26				19300-KAE1-004	1	E02
17910-LKF5-E00	4	F03	19005-LKF5-E01	1	F21	19315-LKF5-E00	2	E02
17911-LKF5-E00	5	F03	19010-LKF5-E00	2	F21	19421-LKF5-E00	5	E02
18000			19012-LEA7-E05	1	F21	19502-LKF5-E00	3	E02
			19013-LKF5-E00	4	F21	19505-LKF5-E00	0	F21
			19014-LKF5-E00	4	F21	19507-LDB5-E00	1	E02
18291-KKC4-900	1	E01	19015-LBA2-E00	0	F21	19507-LDB5-E00	1	F21
18291-LKG2-90A	1	F14	19016-LKF5-E00	0	F21	19613-LEA7-E00	1	E01
18291-PWB1-900	4	F14	19018-LKF5-E00	1	F21	19615-LKF5-E00	2	F21
18293-KKC4-900	0	E01	19019-LKF5-E00	2	F20			
18293-LHJ8-900	2	F14	19020-LBA2-E00	0	F21	21000		
18294-KTCT-900	1	F14	19024-LKF5-E00	0	F21			
18306-LKF5-E02	0	F14	19026-LKF5-E00	0	F21	21124-LKF5-E00	1	E06
1830A-LKF5-E04	3	F14	19027-LKF5-E00	0	F21	21301-LKF5-315	0	E08
18310-LKF5-E03	3	F14	19028-LKF5-E00	2	F21	21395-LKF5-E00	0	E08
18318-LKF5-E00	4	F14	19030-LBA2-E00	0	F21			
18320-LKF5-E00	4	F14	19101-LKF5-E00	3	F21	22000		
18325-LKF5-E00	4	F14	19104-LKF5-900	0	F21			
18371-LBA2-E00	2	F14	19105-LKF5-E00	2	F21	22100-LKF5-E00	5	E06
18391-LKF5-E00	0	F14	19111-PRB3-900	2	F21	22102-LKF5-E02	1	E06
18601-LKF5-E00	0	E01	19210-KKC4-900	0	F21	22105-LKF5-E02	3	E06
			19217-ZPA3-E00	2	E04	22110-LKF5-E02	4	E06
			19220-LKF5-305	0	E04	22121-LKF5-305	0	E06
			19229-LKF5-E00	3	E04	22130-LKF5-E00	9	E06

PART NO. INDEX

PART NO.	VERSION	PAGE	PART NO.	VERSION	PAGE	PART NO.	VERSION	PAGE
22300-LKF5-E02	1	E06	28110-LKF5-E00	4	E07			
22350-LKF5-E00	6	E06	28120-LKF5-E00	2	E07	32000		
22361-LKF5-E00	1	E06	28130-LKF5-E00	4	E07			
22401-LKF5-E02	0	E06				32100-LKF5-E05	0	F19
22535-LKF5-305	0	E06	30000			32105-LLJ3-E00	2	E01
22804-GBB2-001	0	E06				32108-GAR1-711	1	F19
23000			3051A-LKF5-E00	4	F19	32161-LBA7-900	0	F01
			30700-KKE3-900	2	F19	32410-ABE1-E00	1	E07
2301A-LKF5-E02	9	E06	31000			32411-KHD8-900	2	F11
23100-LKF5-E02	0	E06				32412-ABE1-E01	2	E04
23200-LKF5-E02	2	E06	31110-LKF5-E00	4	E07	33000		
23220-LKF5-E02	0	E06	31120-LKF5-E01	3	E07			
23225-LKF5-E00	4	E06	31210-LKF5-E00	6	E07	33100-LKF5-E01	2	F01
23233-LKF5-E00	4	E06	31340-LEA7-E00	3	F19	33108-KHE7-E00	0	F01
23237-LKF5-E00	3	E06	31340-LFH1-E00	1	F19	33110-LKF5-E01	0	F01
23238-LKF5-E01	3	E06	31347-LKF5-E00	2	F20	33120-LKF5-E01	0	F01
23411-LKF5-E02	0	E08	31500-LBA2-90A	6	F11	33130-LGR2-E00	0	F01
23420-LKF5-E00	7	E08	31500-LBA2-90B	4	F11	33150-LKF5-E01	0	F01
23431-LKF5-E00	4	E08	31519-LKF5-E00	0	F11	33400-LKF5-E01	0	F17
23432-LKF5-E00	3	E08	31600-LKF5-E00	0	F19	33450-LKF5-E01	0	F17
23560-LBA2-E00	2	E01	31601-LKF5-E01	4	F19	33700-LKF5-E02	0	F18
28000			3195A-LKF5-E00	4	F19	33704-LKF5-E02	0	F18
						33705-LKF5-E00	0	F18
28102-LEA7-E00	3	E07				33706-LKF5-E00	0	F18
						33708-KHE7-E00	0	F18

PART NO. INDEX

PART NO.	VERSION	PAGE	PART NO.	VERSION	PAGE	PART NO.	VERSION	PAGE
33709-KHE7-E00	0	F18	35102-LKF5-315-M2	0	F19			
33709-LKF5-327	0	F18	35111-LDC1-305-M2	0	F25	38000		
33710-LKF5-E00	0	F18	35111-LDC1-306-M2	0	F25			
33720-LBB5-E00	3	F18	35111-LEA1-307-M2	0	F25	38110-KHB4-E0A	2	F19
33726-LBB5-E00	1	F18	35119-KHC4-90B	0	F19	38110-KHB4-E0B	3	F19
33731-PUA6-MX0	2	F06	3515A-LDB2-B80	0	F03	38200-KHE7-900	0	F19
33734-LKF5-E30	0	F06	3520A-KEBE-900	3	F03	38300-KKE5-E00	3	F19
33741-KHC5-M00	1	F18	35340-KFLF-900	2	F04	38500-LGL3-90A	5	F19
33755-LKF5-E00	0	F18	35340-LKF5-E01	2	F04	38773-KEC3-900	0	F26
33756-LKF5-E00	0	F18	35350-LKF5-E01	1	F04			
33771-LKF5-E00	0	F18	35370-LLJ3-E00	5	F15	39000		
33771-LKF5-E01	0	F18	35380-ABE1-E00	2	F19			
33900-LKF5-E00	3	F12	35390-LKF5-E00	4	F12	39100-LKF5-E00	0	F19
33902-LHG7-E00	0	F12	35396-LKF5-E00	0	F12	3920A-LKF5-E01	3	F19
33903-LHG7-E00	0	F12	35500-KED9-900	7	E01	39220-ACD5-E00	1	F19
33906-LKF5-E00	0	F12	35850-LKF5-E0A	0	F19	39300-LDG7-M90	2	E02
			35850-LKF5-E0B	0	F19	39305-LKF5-E00	4	E02
34000			37000			39400-LDF2-800	3	E02
34901-KFA6-900	0	F01				39450-LEA6-800	5	F14
34903-KPCP-900	0	F18	37200-LKF5-E05	0	F02	42000		
			37211-LKF5-E03	0	F02			
35000			37780-ACD5-E00	1	F19	42311-LEA7-E00	3	F08
35010-LKF5-316-M2	0	F19				42312-LEA7-E00	1	F08
35101-LKF5-315-M2	0	F19				42601-LKF5-E00	2	F08
						42710-LKF5-E00	2	F08

PART NO. INDEX

PART NO.	VERSION	PAGE	PART NO.	VERSION	PAGE	PART NO.	VERSION	PAGE
42753-KNBN-90B	1	F07	4335A-LBA2-E01	2	F07	45128-KEBE-900	0	F06
42753-KNBN-90B	1	F08	4335A-LBA2-E01	2	F08	45128-KKE5-E00	2	F06
43000			43450-LKF5-E30	1	F04	45129-LKF5-E01	1	F06
			43530-LKF5-305	0	F04	4512A-LKF5-E00	4	F07
			44000			45132-1F66-017	0	F08
						45132-KED9-900	0	F08
43100-LKF5-E30	1	F08			45134-KED9-900	0	F08	
43105-LKF5-305	0	F08			45135-KED9-900	0	F08	
43107-LBA2-E00	0	F08	44301-LKF5-E00	1	F07	45156-KECE-900	2	F20
43109-GBE2-007	0	F07	44312-LKF5-E00	0	F07	45200-LKF5-E00	7	F07
43109-MCA3-007	0	F08	44600-LKF5-305	0	F07	45203-KED9-900	0	F08
43113-LBA2-E00	0	F08	44620-LBA2-E00	3	F07	45207-LKF5-E00	0	F07
43119-LBA2-E00	0	F08	44710-LKF5-E00	2	F07	45209-GBE2-007	0	F07
43126-LKF5-E01	5	F04				45209-KED9-900	0	F08
43127-LKF5-E01	2	F04	45000			45352-LKF5-E00	0	F07
43128-LKF5-E00	1	F16				45513-LEA7-E00	1	F04
43129-LKF5-E00	1	F16	45100-LKF5-E00	7	F07	45516-LBA2-E00	0	F08
43140-LKF5-E30	0	F08	45103-MGR7-007	0	F07	45517-LKF5-E00	2	F04
43143-LBA2-E00	0	F08	45105-LKF5-305	0	F07	45520-KKA8-900	0	F04
43146-LKF5-E00	0	F08	45107-LKF5-E00	0	F07	45521-LEA7-E00	1	F04
43156-KKE5-E00	1	F06	45107-LLJ3-E00	0	F08	45530-LKF5-305	0	F04
43156-LDB2-900	2	F16	45107-LLJ3-E90	0	F08	45531-KED9-900	0	F08
43210-LKF5-305	0	F08	45108-KED9-900	0	F08			
43351-LKF5-E00	1	F08	45108-LKF5-E00	0	F07			
43352-LKF5-E01	2	F08	45125-LKF5-E00	1	F06	49000		
43353-KED9-900	0	F07	45126-LKF5-E01	6	F04			
43353-KED9-900	0	F08	45127-LKF5-E01	2	F04	49100-LKF5-E01	0	F04

PART NO. INDEX

PART NO.	VERSION	PAGE	PART NO.	VERSION	PAGE	PART NO.	VERSION	PAGE	
49110-LKF5-E01	1	F04	50505-KUDU-900	1	F15	51428-KED9-900	0	F22	
49211-LFH1-E00	1	F04	50505-LEA7-E00	1	F15	51429-LKF5-E00	0	F22	
50000			50506-KHE7-E00	0	F15	51431-KED9-900	0	F22	
			50530-LKF5-E00	3	F15	51437-KED9-900	0	F22	
			50550-KKC2-E00	0	F15	51500-LKF5-E30	2	F06	
			50604-KED9-950	0	F07	51521-LKF5-E00	0	F22	
	50100-LKF5-315	0	F20	50613-LKF5-E00	1	F20	52000		
50154-KKE3-900	3	F19	5071A-LKF5-E0A	1	F20				
50176-LGE5-E00	2	F20	5071A-LKF5-E0B	2	F20				
50186-LKF5-E00	1	F20	5071B-LKF5-E0A	2	F20	52000-LKF5-E01		3	F16
50189-LKF5-E00	4	F20	5071B-LKF5-E0B	2	F20	52110-LKF5-E00		0	F16
50306-1F96-001	0	F06	51000			52400-LKF5-E70	1	F16	
5032A-LKF5-E00	0	F11				52500-LKF5-E70	1	F16	
5032B-LKF5-E00	1	F11				53000			
50330-LKF5-E00	1	F11							
50350-LKF5-E02	2	F20		51247-LKF5-E00	0		F22		
50352-LBA2-E00	1	F20	51400-LKF5-E30	2	F06				
50353-KGN7-901	0	F20	51401-LKF5-E00	0	F22		53100-LKF5-E00	4	F03
50356-LEA7-E01	1	F20	51404-LKF5-E30	0	F22	53102-LEA5-E00	3	F03	
50356-LHG7-E00	2	F20	51410-LKF5-E00	0	F22	53105-LEA5-E00	3	F03	
50358-LKF5-E01	4	F20	51411-KKE5-E00	0	F22	53131-3H98-941	0	F03	
50359-LKF5-E01	1	F20	51412-LKF5-E00	0	F22	53140-KKC4-900	1	F03	
50360-LKF5-E00	0	F20	51421-LKF5-E00	0	F22	53166-KGB5-900	1	F03	
50364-KHE7-E00	4	F20	51422-LBA2-E00	0	F22	53175-LKF5-E00	0	F04	
50500-LKF5-E00	7	F15	51423-KED9-900	0	F22	53178-LKF5-E00	0	F04	
50502-GFY6-901	3	F15	51424-KED9-900	0	F22	53180-LKF5-E00	4	F20	
50504-LKF5-E00	1	E01	51427-KED9-900	0	F22	53190-LKF5-305	0	F04	

PART NO. INDEX

PART NO.	VERSION	PAGE	PART NO.	VERSION	PAGE	PART NO.	VERSION	PAGE
53192-LKF5-E01	1	F04				64401-LKF5-E00	1	F05
53193-LDE9-E00	0	F04	64000					
53193-LKF5-E00	0	F04				77000		
5319A-LKF5-E01	2	F04	64140-LKF5-E01	2	F03			
53200-LKF5-E02	0	F06	64205-LKF5-E00	1	F05	77200-LKF5-E30	0	F09
53203-LBA2-E00	3	F03	64206-LKF5-E00	1	F05	77206-KEB7-900	0	F09
53204-LBA2-E00	3	F03	64222-KKC4-900	3	F03	77210-LKF5-E00	3	F09
53205-LKF5-E00	6	F03	64222-LLJ3-E00	1	F03	77235-KGC4-E0B	2	F19
53206-LKF5-E00	2	F03	64222-LLJ3-E00	1	F06	77240-LKF5-E00	3	F19
53208-LKF5-E00	1	F03	6422A-LKF5-E01	3	F03	77259-LKF5-E00	0	F20
53213-LBA2-E00	2	F06	64231-LKF5-E01	0	F03	77300-LKF5-E00	5	F09
53214-LBA2-E00	2	F06	64232-LKF5-E01	0	F03	77303-LKF5-E00	1	F09
53220-LBA2-E00	4	F06	6423A-LKF5-E01	5	F03			
53230-LKF5-E00	2	F06	64240-LKF5-E01	2	F03	80000		
53240-LEA7-90A	2	F06	64301-LGR2-E00	1	F05			
53250-LEA7-90A	2	F06	64302-LGR2-305	0	F05	80101-LKF5-E00	3	F18
			64305-LKF5-E00	2	F05	80104-LKF5-E00	0	F18
55000			64306-LKF5-E00	2	F05	80105-LKF5-E00	2	F18
			64307-LGR2-E00	0	F05	80106-LKF5-E00	0	F18
55122-LKF5-E00	0	F05	64308-LGR2-E00	0	F05	80107-LKF5-E00	0	F18
			64310-LKF5-E00	2	F05	80108-LKG7-E00	0	F18
61000			64315-LKF5-E01	1	F20	8010B-LKF5-E00	6	F18
			64320-LKF5-E00	1	F05	80151-LKF5-E00	5	F05
61100-LKF5-305	0	F06	64330-LKF5-E00	2	F05	80152-LKF5-E00	4	F05
61101-LBA2-E00	1	F06	64340-LKF5-E00	1	F05	80153-LEA7-E00	3	F05
			64400-LKF5-E00	2	F05	80153-LKF5-E00	1	F05

PART NO. INDEX

PART NO.	VERSION	PAGE	PART NO.	VERSION	PAGE	PART NO.	VERSION	PAGE
80154-LKF5-E00	1	F05	83550-KEC8-900	4	F06	87000		
81000			83550-KEC8-900	4	F21			
			83551-KEC8-900	4	F06			
			83551-KEC8-900	4	F20		87206-LBA2-E00	3
			83551-KEC8-900	4	F21	87505-LKF5-E00	3	F23
81131-LKF5-E00	5	F05	83551-KKAK-900	0	F05	87508-KKC4-E00	2	F03
81132-LKF5-E00	2	F05	83600-LKF5-E00	3	F12	87512-LBA2-E00	3	F23
81134-LKF5-E00	3	F05	83610-LKF5-E00	2	F12	87541-GAR1-E00	2	F23
81135-LKF5-E00	1	F05	83620-LKF5-E00	1	F05	87541-KKC2-E00	2	F23
81136-LKF5-E00	2	F05	83630-LKF5-E00	5	F12	87542-GAR1-E00	3	F23
81137-LKF5-E00	1	F05	83750-LKF5-E00	2	F12	87546-ADG5-E00	2	F27
81138-LKF5-E00	1	F05	8376A-LHJ3-900	6	F05	87560-GFY6-E00	5	F23
81139-LKF5-E00	0	F05	86000			88000		
8113A-LKF5-E00	2	F05						
81141-LKF5-E00	4	F05						
81160-LKF5-E00	2	F05						
81170-LKF5-E00	1	F05	86102-LKJ1-900	2	F24	88110-LKF5-E00	5	F03
81200-LGR2-E00	5	F12	8610A-LGC6-E00	0	F24	88118-LKF5-E00	0	F03
81252-KKE5-E00	2	F12	86161-LGR2-E00	2	F24	88120-LKF5-E00	5	F03
81260-LKF5-E00	9	F12	86171-LGR2-E00	2	F24	88128-LKF5-E00	0	F03
83000			86202-LKF5-E00	2	F24	89000		
			86282-LGR2-E00	2	F24			
			86283-LGR2-E00	2	F24			
			86284-LGR2-E00	2	F24		89010-LKF5-E00	3
83500-LKF5-E00	3	F12	86286-LGR2-E00	2	F24	89020-KKC4-900	1	F09
83510-LKF5-E00	2	F12	86701-LKF5-E00	3	F24			
83520-LKF5-E00	1	F05						
83530-LKF5-E00	5	F12						

PART NO. INDEX

PART NO.	VERSION	PAGE	PART NO.	VERSION	PAGE	PART NO.	VERSION	PAGE	
90000			90112-KFA1-900	2	F12	90305-KKAK-900	0	F08	
			90113-KKA8-900	0	F04	90305-LBA2-E00	1	F05	
			90113-LGE5-E01	0	F04	90305-LBA2-E00	1	F06	
	90001-GBHB-661	3	E07	90122-LEA7-E00	2	F08	90305-LBD4-900	1	F20
	90001-GBHB-681	3	F13	90122-LKF5-E00	1	F07	90312-GLF0-001	0	F03
	90001-GFY6-901	5	E02	90131-KEBE-900	2	F16	90312-LLJ3-E00	1	F03
	9000B-KHD6-900	2	E02	90145-LEA3-E00	1	F04	90312-LLJ3-E01	0	F06
	90012-LKF5-E00	5	E02	90201-KHR8-75A	1	E07	90401-KKJ9-001	0	E07
	90032-LEA7-E00	2	E01	90201-LKF5-E00	1	E06	90441-LKF5-E00	0	E01
	90033-GFY6-900	1	E02	90202-LDB5-E00	3	E06	90459-LKF5-E00	0	E04
	90084-KKF9-901	0	E04	90206-0A01-001	4	E02	90465-LBA2-E00	1	E01
	90101-LBA2-E00	0	F08	90301-6C93-001	2	F12	90474-3C33-001	1	E01
	90101-LEA7-E00	1	F14	90301-6C93-001	2	F18	90478-7L00-001	0	E02
	90101-LKF5-E00	0	F20	90301-6D34-671	1	F03	90478-7L00-001	0	E04
	90103-LGE5-E00	1	F14	90301-6D34-671	1	F10	90503-KKE5-E00	1	F06
	90104-LEA7-E00	3	F03	90301-6D34-671	1	F21	90503-LEA7-E00	2	F06
	90105-KCR3-001	1	F07	90301-GFY6-901	2	F14	9052A-LEB1-900	2	E01
	90105-KCR3-001	1	F08	90302-LKB9-900	4	F12	90544-KEC8-900	0	F22
	90105-KHB4-900	0	F12	90302-SDA4-004	3	F03	90545-3L00-001	2	F04
	90105-LLJ3-E00	3	F03	90302-SDA4-004	3	F05	90564-KED9-900	0	F22
90106-LKF5-E00	2	F20	90302-SDA4-004	3	F20	90601-LKF5-E00	2	E06	
90107-LEA7-E00	4	F06	90304-GHE8-004	0	F20	90605-1F66-721	0	E06	
90108-KKC4-900	1	F15	90304-GLW0-90A	1	F16	90651-LCA5-E00	1	F05	
90111-LEB1-900	1	F18	90304-KKE5-E00	1	F06	90651-LKF5-900	0	F22	
90111-LEC8-E01	3	F03	90304-LBD4-900	2	F20	90651-LKF5-E01	1	F03	
90111-LEC8-E01	3	F04	90304-LEA1-900	1	F15	90652-LDG7-900	1	E02	

PART NO. INDEX

PART NO.	VERSION	PAGE	PART NO.	VERSION	PAGE	PART NO.	VERSION	PAGE
90652-LFB5-900	3	F05	91255-LLB1-900	2	F16			
90652-LGL7-E00	1	F19	91257-KED9-900	2	F07	92000		
90652-LKF5-E00	0	F13	91301-2L00-001	0	E01			
90656-KCBC-900	0	F03	91301-LDF2-M90	2	E02	92000-05016-0G	0	E02
90656-KUDU-900	0	F19	91302-LDF2-M90	2	E02	92000-LEA6-900	2	E07
90660-PWA2-900	1	F04	91302-LKF5-E00	0	E02	92101-05012-0G	0	E07
90677-GAR1-004	2	F03	91303-3G77-001	0	E04	92101-05012-0G	0	F07
90701-9E65-001	0	E01	91303-LEA7-E00	1	E01	92101-05012-0G	0	F08
90914-LKF5-E00	2	E04	91304-LGE5-E00	1	F20	92900-06040-0E	2	E02
91000			91305-LEH6-E00	0	E01			
			91305-LEH6-E00	0	E04	93000		
			91305-LKF5-E00	0	E01			
91001-KHV8-004	0	E08	91306-PUA5-E00	3	E01	93401-LEA7-900	1	F14
91001-KKJ9-006	0	E04	91307-0E35-001	1	E04	93404-06012-06	1	F06
91002-LKF5-E00	1	E06	91307-PUA5-E00	3	E01	93404-06012-06	1	F11
91004-LBA2-E00	1	E06	91309-4E25-004	0	E07	93404-06012-06	1	F18
91006-LKF5-E00	0	E08	91313-KED9-900	3	E01	93404-06012-06	1	F20
91007-LKF5-E00	0	E08	91313-LKF5-E00	1	E01	93404-06016-06	1	F05
91008-LKF5-E00	0	E08	91351-LDB5-E00	1	E06	93404-06016-06	1	F15
91201-LKF5-E00	1	E01	91507-LEA7-E00	1	F19	93404-06016-06	1	F18
91202-LEA7-E00	4	E08	91507-LKE6-900	1	F19	93404-06020-06	1	F03
91202-LEA7-E0A	4	E08	91552-LEA7-E00	1	E01	93404-06025-06	0	F21
91202-LKG2-900	1	E04	91552-LEH6-E00	0	E01	93404-KKC2-900	1	F21
91211-LDB5-E00	1	E06	91552-LEH6-E00	0	E04	93500-05016-1B	0	F03
91255-LGE5-E00	1	F16				93500-05025-1B	0	F03
91255-LKF5-E00	1	E01				93500-05032-1B	0	F03

PART NO. INDEX

PART NO.	VERSION	PAGE	PART NO.	VERSION	PAGE	PART NO.	VERSION	PAGE
93500-05045-1B	0	F03	93903-GFY6-900	1	F05	94101-LEA2-900	0	F14
93500-KHC4-90A	0	F19	93903-GFY6-900	1	F20	94102-LBA2-E00	1	F20
93500-LKF5-E00	0	F19	93903-KEB7-900-06	1	F05	94111-06700	0	F14
93600-04012-1G	0	F04				94111-ACD5-E00	1	F14
93600-LDE9-E00	0	F04	94000			94201-20180	0	F15
93600-LKF5-E00	2	E01				94251-08400	0	F07
93891-05016-06	0	F05	94050-05060	2	F06	94301-08100	1	E02
93892-04008-16	0	E05	94050-05080	0	F18	94301-08100	1	E07
93893-04012-18	0	F04	94050-05080	0	F19	94301-08140	4	E04
93903-25380	0	E01	94050-06060	1	F04	94301-10160	0	E01
93903-25460	0	F13	94050-06060	1	F13	94301-10160	0	E04
93903-34360	0	F05	94050-06060	1	F21	94301-10160	0	E08
93903-34360	0	F17	94050-06080	2	E02	94301-12200	1	E02
93903-34360	0	F18	94050-06080	2	F09	94301-12200	1	E03
93903-35260	0	F05	94050-06080	2	F10	94303-04160	0	E07
93903-35260	0	F12	94050-06080	2	F19	94401-25140	4	E03
93903-35260	0	F18	94050-06080	2	F20	94510-10000	0	E07
93903-35360	0	F01	94050-08060	0	F09	94510-12000	0	E04
93903-35360	0	F02	94050-08080	0	F19	94510-29000	0	E08
93903-35360	0	F03	94050-10060	0	E01	94520-30000	0	E06
93903-35360	0	F05	94050-86000	0	F08	94520-47000	0	F16
93903-35360	0	F21	94050-LKF5-E00	1	E06	94591-27000	0	F05
93903-45260	0	F11	94101-08600	0	F04	94591-KFBF-900	2	F11
93903-45260	0	F18	94101-08600	0	F15	94591-KFBF-900	2	F21
93903-45360	0	F12	94101-LBA2-E00	1	F20	94601-PSA6-E00	3	E03
93903-GFY6-900	1	F03	94101-LDB5-E00	0	F14	94608-LKF5-E00	0	F22

PART NO. INDEX

PART NO.	VERSION	PAGE	PART NO.	VERSION	PAGE	PART NO.	VERSION	PAGE	
95000			95701-06050-06	0	F06	96001-06020-06	0	E01	
			95701-06070-06	0	F20	96001-06022-06	1	E01	
			95701-08012-06	0	E01	96001-06022-06	1	E04	
	95001-LKF5-E03	0	F26	95701-08035-06	1	E08	96001-06025-06	0	E02
	95002-02070	2	E04	95701-08040-06	0	E08	96001-06025-06	0	E03
	95002-02070	2	F26	95701-LBA2-E00	0	F08	96001-06028-06	0	E04
	95002-02080	0	F05	95701-LDF2-800	2	F10	96001-06028-06	0	E07
	95002-02080	0	F26	95701-LEA5-E00	1	F19	96001-06028-06	0	F04
	95002-02100	0	F21	95709-PRA1-E00	4	E02	96001-06030-06	0	E01
	95002-02130	0	F26	95801-08035-06	1	F03	96001-06032-06	0	F20
	95002-41100-04	0	F13	95801-08040-06	0	F06	96001-06035-06	0	E01
	95002-41150-00	0	F13	95801-10030-06	0	F15	96001-06035-06	0	E04
	95002-50000	0	E01	95801-10040-06	0	F16	96001-06070-06	0	E01
	95002-70000	0	F21	95801-10060-06	0	F14	96001-06125-06	1	E04
	95002-KED9-M30	1	F13	95801-10060-06	0	F16	96001-GFY6-900	2	F13
	95002-KED9-M31	4	E02	96000			96100-62040-00	0	E01
	95002-LKF5-E00	2	E02		96100-62040-00	0	E08		
95002-LKF5-E00	2	F13	96100-63040-00	1	E01				
95014-72204	0	F15	96001-06010-00	0	E02	96100-63040-00	1	E03	
95701-06012-06	1	F06	96001-06010-00	0	E04	96100-63040-00	1	E08	
95701-06012-06	1	F10	96001-06012-06	0	E01	96150-60040-10	0	F07	
95701-06012-06	1	F20	96001-06012-06	0	E07	96150-60060-10	0	E01	
95701-06014-06	0	E02	96001-06012-06	0	F16	96150-60060-10	0	E08	
95701-06016-06	1	E02	96001-06012-06	0	F19	96150-62040-10	0	F16	
95701-06016-06	1	F06	96001-06014-06	0	F19	96600-06015-10	4	E07	
95701-06050-06	0	F04	96001-06016-06	0	E02	96600-08025-06	0	F06	

PART NO. INDEX

PART NO.	VERSION	PAGE	PART NO.	VERSION	PAGE	PART NO.	VERSION	PAGE
96600-08035-06	0	F06	W	0	E05			
96600-KKC4-900	0	F07						
96600-LKF5-E00	0	F22						
98000			W1792-048-9901					
98059-57916-00	2	E02						
98200-31000	1	F19						
98200-31500	1	F11						
98200-31500	1	F19						
98200-32500	0	F11						
98200-32500	0	F19						
98200-33000	0	F11						
98200-33000	0	F19						
98200-34000	0	F11						
K								
K536-174-0200	0	E05						
N								
N114-05103-3	0	E05						