

PARTS CATALOGUE



SCOOTERS

KL25JA(PT)

Agility Delivery 125



Release Date : 2023/01/12
Print Date : 2023/04/20

ABOUT THIS PARTS LIST

- This parts list is compiled all service parts for model KL25JA(PT).
- Any difference between color chart and motorcycle will be revised according to motorcycle.
- The Mark:
 1. Marking "***" must add color code in the end before ordering parts.
 2. Marking "#" are parts with modification, Please find the details from e-Parts system.
- When modification or additions to this parts list are made a revised edition at an appropriate time.



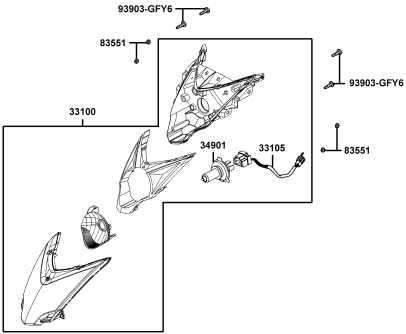
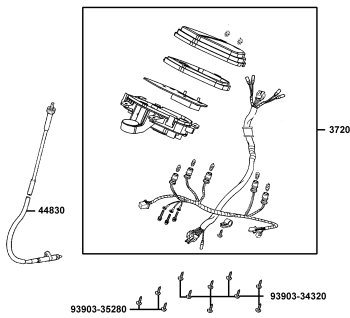
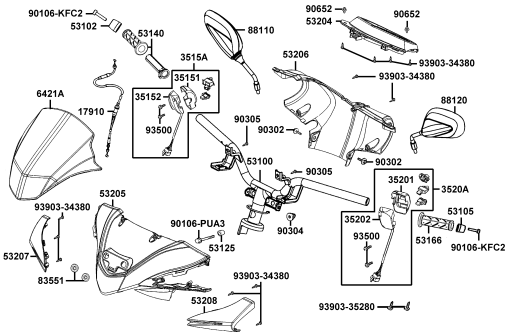
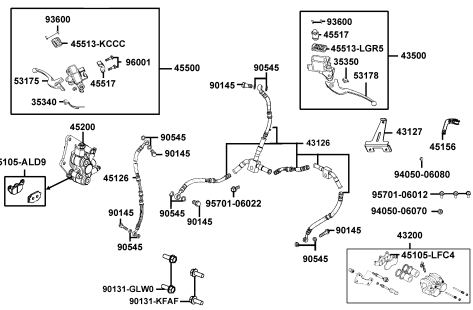
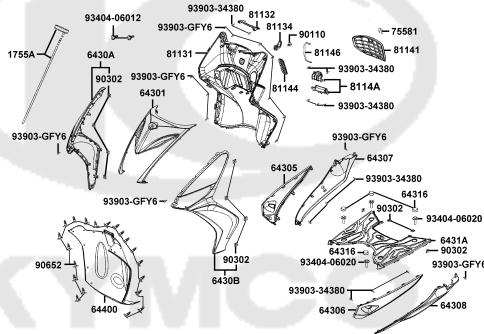
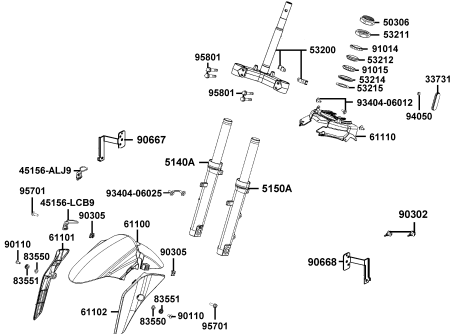
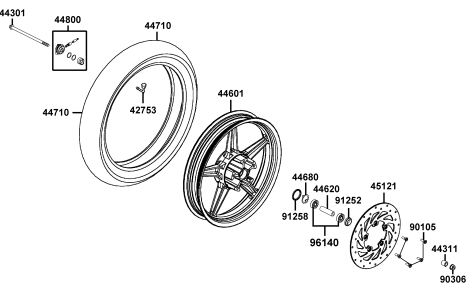
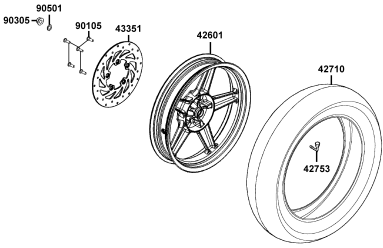
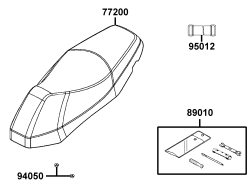
CONTENTS

● ABOUT THIS PARTS LIST	1
● COLOR CHART OF KL25JA(PT)	3
● CONTENTS-ENGINE GROUP	6
● CONTENTS-FRAME GROUP	7
● ENGINE PARTS LIST	10
● FRAME PARTS LIST	38
● PART NO. INDEX	98

NO	MODEL			COLOR CHART OF KL25JA(PT)			
	PHOTO NO			NO. 1			
	BASIC COLOR			Pearly White			
	CODE			Pearly White			
	PARTS NAME	PARTS NO.	VERSION	NH193PA			
1	COVER LEFT	11341-ALJ8-E10	0	66A			
2	FENDER FR INNER	61100-ALJ8-E10	1	D1S			
3	COVER METER	53204-ALJ8-E10	1	HUP			
4	M/C ASY RR BRK	43500-LFC3-E10	0	M3A			
5	M/C ASSY FR	45500-ALJ8-E10	1				
6	LEVER L STRG HANDLE	53178-KNBN-C00	0				
7	WHEEL CAST FR	42601-ALJ8-E10	1	N1A			
8	WHEEL COMP FR CAST	44601-LFC2-E10	2				
9	HEAT GUARD FUEL	17582-ALJ8-E10	0	N1R			
10	COLLAR FUEL CAP	17623-ALJ8-E10	2				
11	COVER BATTERY	50326-AED9-E10	0				
12	COVER UNDER	50613-ALJ8-E10	4				
13	COVER HANDLE RR	53206-ALJ8-E10	2				
14	PROTECTOR R HANDLE	53207-ALJ8-E10	2				
15	PROTECTOR L HANDLE	53208-ALJ8-E10	2				
16	FENDER FR INNER	61110-ALJ8-E10	1				
17	ASSY METER VISOR	6421A-ALJ8-E11	2				
18	SKIRT A R SIDE	64305-ALJ8-E10	3				
19	SKIRT A L SIDE	64306-ALJ8-E10	3				
20	MOLD R FRONT ASSY	6430A-ALJ8-E10	4				
21	MOLD L FRONT ASSY	6430B-ALJ8-E10	4				
22	PLUG FLOOR	64316-LCB9-C10	5				
23	FLOOR PANEL	6431A-ALJ8-E10	2				
24	COWL UNDER	64400-ALJ8-E10	2				
25	FENDER RR TIRE	80100-ALJ8-E11	2				
DATE OF STARTING-SALES							
DATE OF END-SALES							

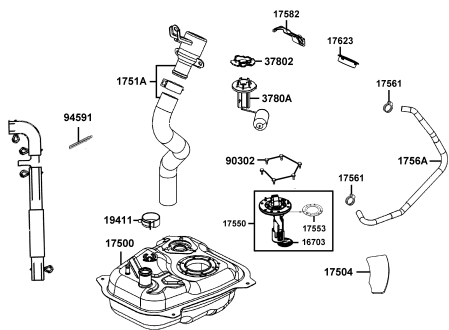
NO	MODEL			COLOR CHART OF KL25JA(PT)			
	PHOTO NO			NO. 1			
	BASIC COLOR			Pearly White			
	CODE			Pearly White			
	PARTS NAME	PARTS NO.	VERSION	NH193PA			
26	FENDER RR INNER	80101-ALJ8-E10	3	N1R			
27	LID MAINT TAIL LIGHT	80102-ALJ8-E10	2				
28	FENDER RR	80105-ALJ8-E10	3				
29	FENDER B RR INNER	80108-BLA8-E80	0				
30	COVER CENTER	8015A-ALJ8-E10	2				
31	LEG SHIELD	81131-BLA8-E80	0				
32	CAP LEG SHIELD UP	81132-BLA8-E80	0				
33	LID INNER BOX	81141-ALJ8-E10	3				
34	HING LID INNER ASSY	8114A-ALJ8-E10	1				
35	BOX ASSY LUGGAGE	81260-BLA8-E80	0				
36	COVER R RR SIDE	8351A-ALJ8-E10	2				
37	LID R. BODY COVER	83520-ALJ8-E10	1				
38	COVER L RR SIDE	8361A-ALJ8-E10	3				
39	LID L. BODY COVER	83620-ALJ8-E10	1				
40	CUSHION ASSY REAR	52400-ALJ8-E10	1	N1S			
41	FORK ASSY RH FR	5140A-ALJ8-E10	0	NEA			
42	FORK ASSY LH FR	5150A-ALJ8-E10	0				
43	FENDER B R FR	61101-ALJ8-E10	1	NEP			
44	FENDER B L FR	61102-ALJ8-E10	1				
45	MIRROR ASSY R BACK	88110-LEB5-C11	2				
46	MIRROR ASSY L BACK	88120-LEB5-C11	2				
47	CALIPER ASSY RR BRK	43200-ALJ9-E15	0	NJA			
48	CALIPER ASSY FR BRK	45200-ALJ9-E12	0				
49	COVER HANDLE FRONT	53205-ALJ8-E10	1	NVP			
50	COVER FR	64301-ALJ8-E10	1				
DATE OF STARTING-SALES							
DATE OF END-SALES							

CONTENTS - FRAME GROUP

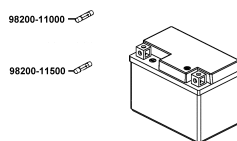
<p>F01 Head Light</p> 	<p>F02 Speedometer</p> 	<p>F03 Handle Steering Handle Cover</p> 
<p>F04 Brake Master Cylinder</p> 	<p>F05 Front Cover Front Fender</p> 	<p>F06 Stem Steering Front Cushion</p> 
<p>F07 Front Wheel</p> 	<p>F08 Rear Wheel</p> 	<p>F09 Seat</p> 

CONTENTS - FRAME GROUP

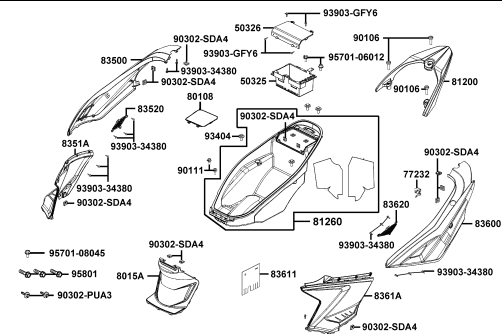
F10 Fuel Tank



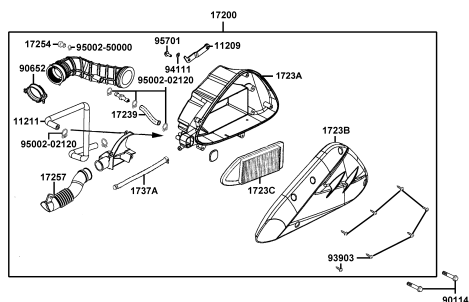
F11 Battery



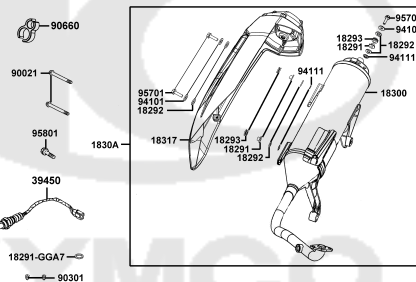
F12 Body Cover Luggage Box



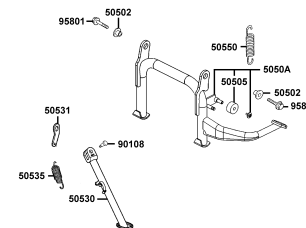
F13 Air Cleaner



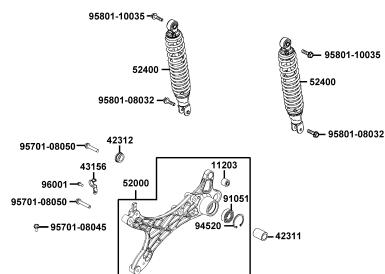
F14 Exhaust Muffler



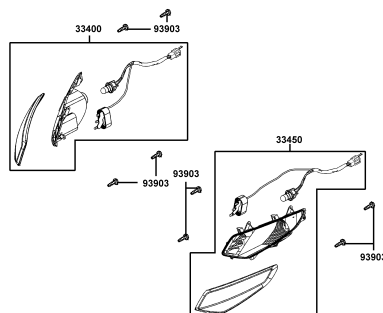
F15 Stand Kick Starter Arm



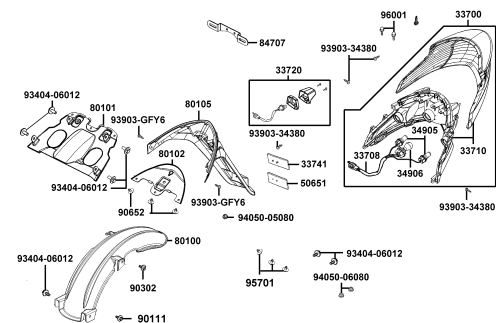
F16 Rear Cushion



F17 Front Winker



F18 Tail Light

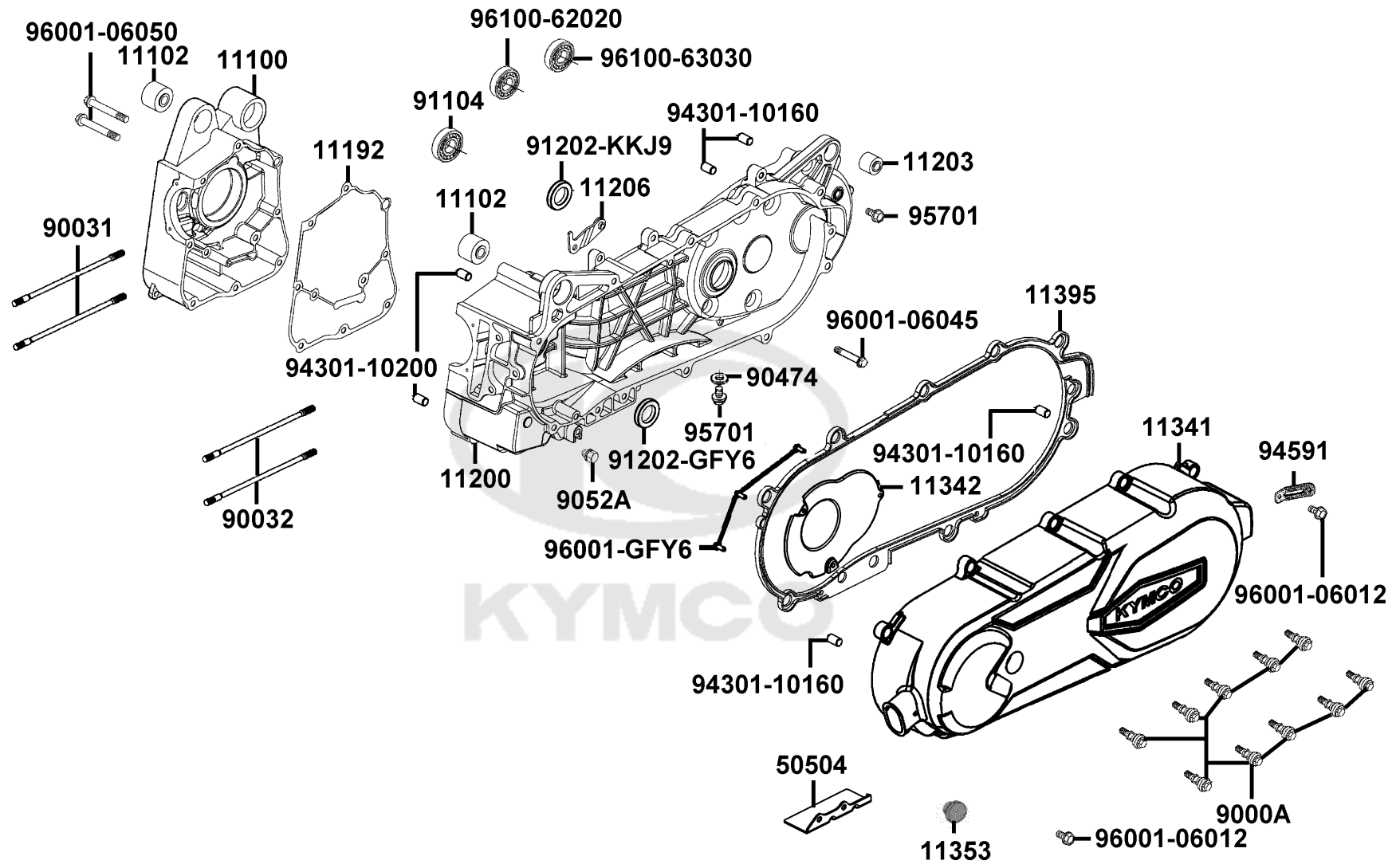


CONTENTS - FRAME GROUP

F19 Wire Harness	F20 Frame Body	F21 CANISTER-PCV ASSY
F22 Emblem Stripe		

E01

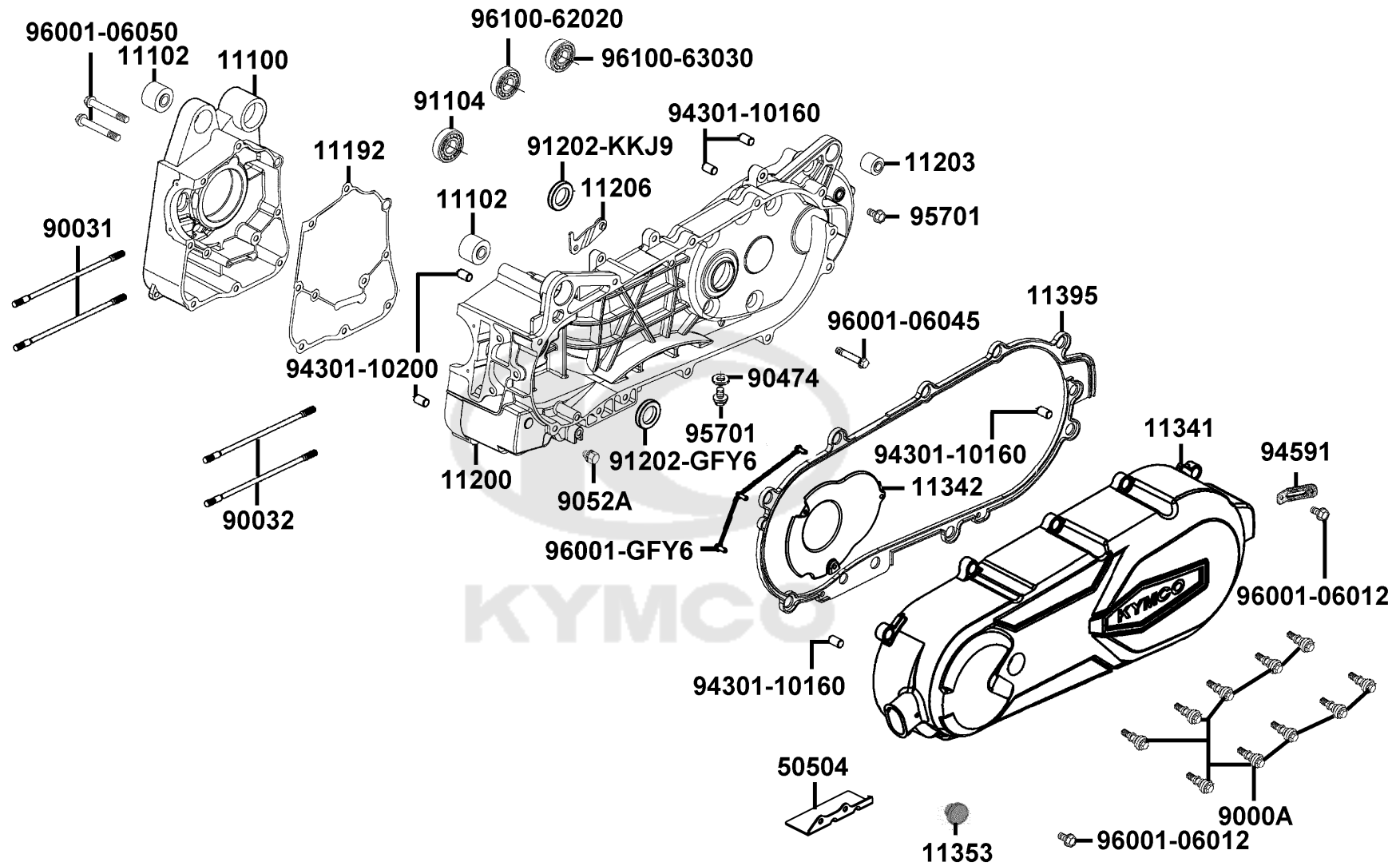
Crank Case



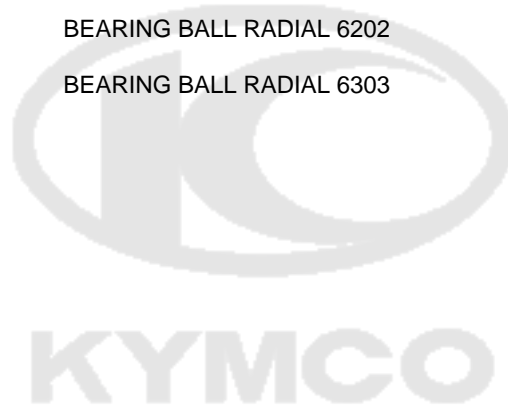
Sales mark	Ref no	Part no	Description	Reg description	Regd no	E01
	11100	11100-KUDU-C00	CASE COMP R CRANK	CASE COMP R CRANK	1	
	11102	11102-1G87-C00	RUB BUSH ENG HANGER	RUB BUSH ENG HANGER	2	
	11192	11192-KUDU-E90	GASKET CRANK CASE @ A	GASKET CRANK CASE @ A	1	
	11200	11200-LCD3-C00	CRANK CASE COMP L	CRANK CASE COMP L	1	
	11203	11203-GGC7-W10	UNDER RUBBER BUSH REAR CUSHION	UNDER RUBBER BUSH REAR CUSHION	1	
	11206	11206-LCD3-C00	STAY A RR FENDER	STAY A RR FENDER	1	
**	11341	11341-ALJ8-E10	COVER COMP L SIDE	COVER COMP L SIDE	1	
	11342	11342-ALJ8-E10	PLATE L COVER	PLATE L COVER	1	
	11353	11353-ALJ8-E11	RUBBER PLUG L COVER KICK	RUBBER PLUG L COVER KICK	1	
	11395	11395-KHB4-C00	GASKET L COVER @A	GASKET L COVER @A	1	
	50504	50504-LEJ3-E11	STAND MAIN STOPPER	STAND MAIN STOPPER	1	
	9000A	9000A-KTDT-C03	BOLT ASSY SPECIAL 6*29.5(G)	BOLT ASSY SPECIAL 6*29.5	10	
	90031	90031-KUDU-C01	BOLT A STUD 8*200.5	BOLT A STUD 8*200.5	2	
	90032	90032-KUDU-C01	BOLT B STUD 8*208.5	BOLT B STUD 8*208.5	2	
	90474	90474-3C33-C00	WASHER 8MM (T*2)	WASHER 8MM (T*2)	1	
	9052A	9052A-PUA3-B50	BOLT ASSY DRAIN PLUG 12*15	BOLT ASSY DRAIN PLUG 12*15	1	
	91104	91104-KGN7-671	BRG BALL RADIAL 6204	BRG BALL RADIAL 6204	1	
	91202-GFY6	91202-GFY6-90C	OIL SEAL 19.8*30*5	OIL SEAL 19.8*30*5	1	
	91202-KKJ9	91202-KKJ9-C00	OIL SEAL 20*32*6	OIL SEAL 20*32*6	1	
	94301-10160	94301-10160	DOWEL PIN 10*16	DOWEL PIN 10*16	4	

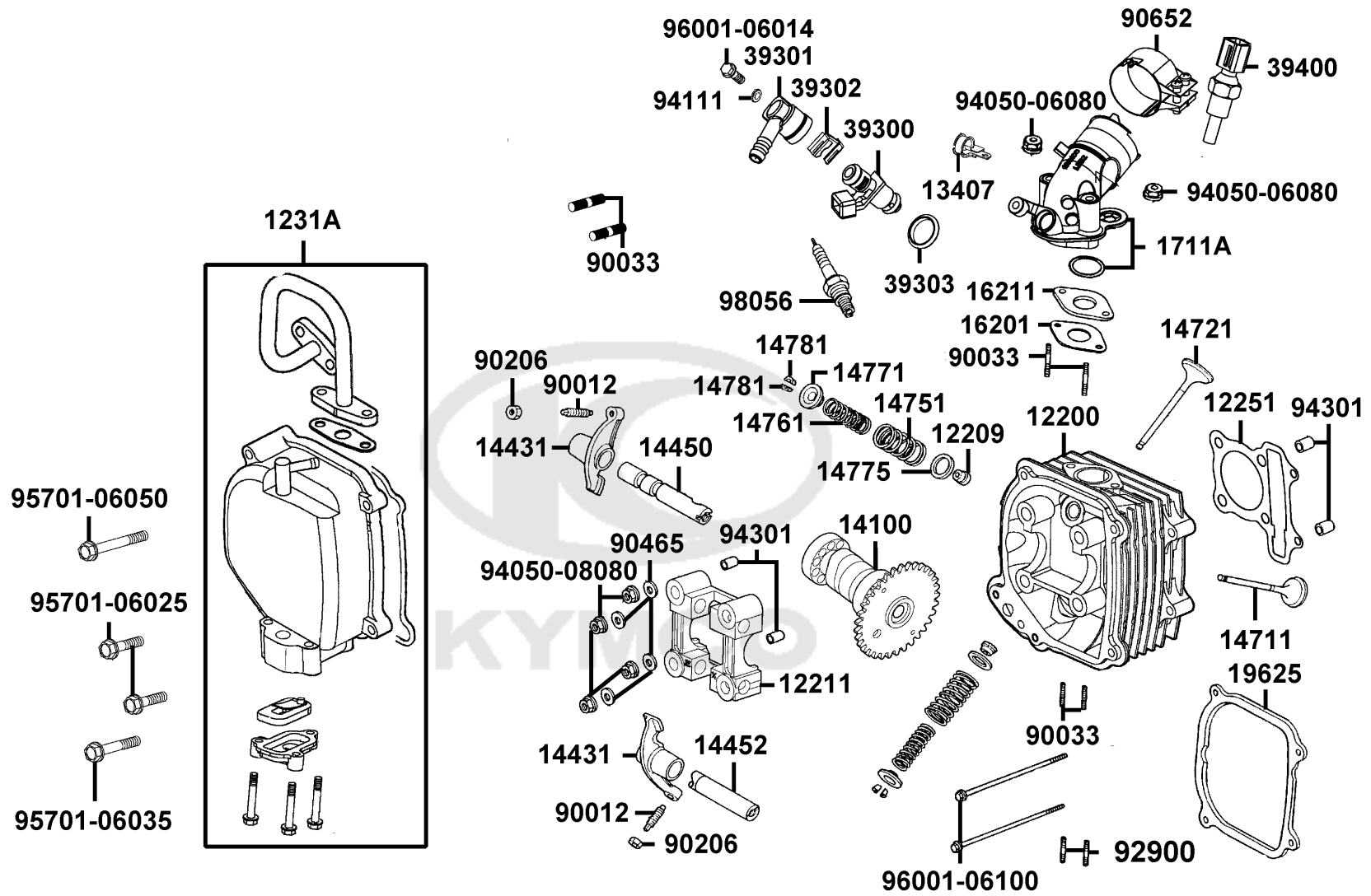
E01

Crank Case

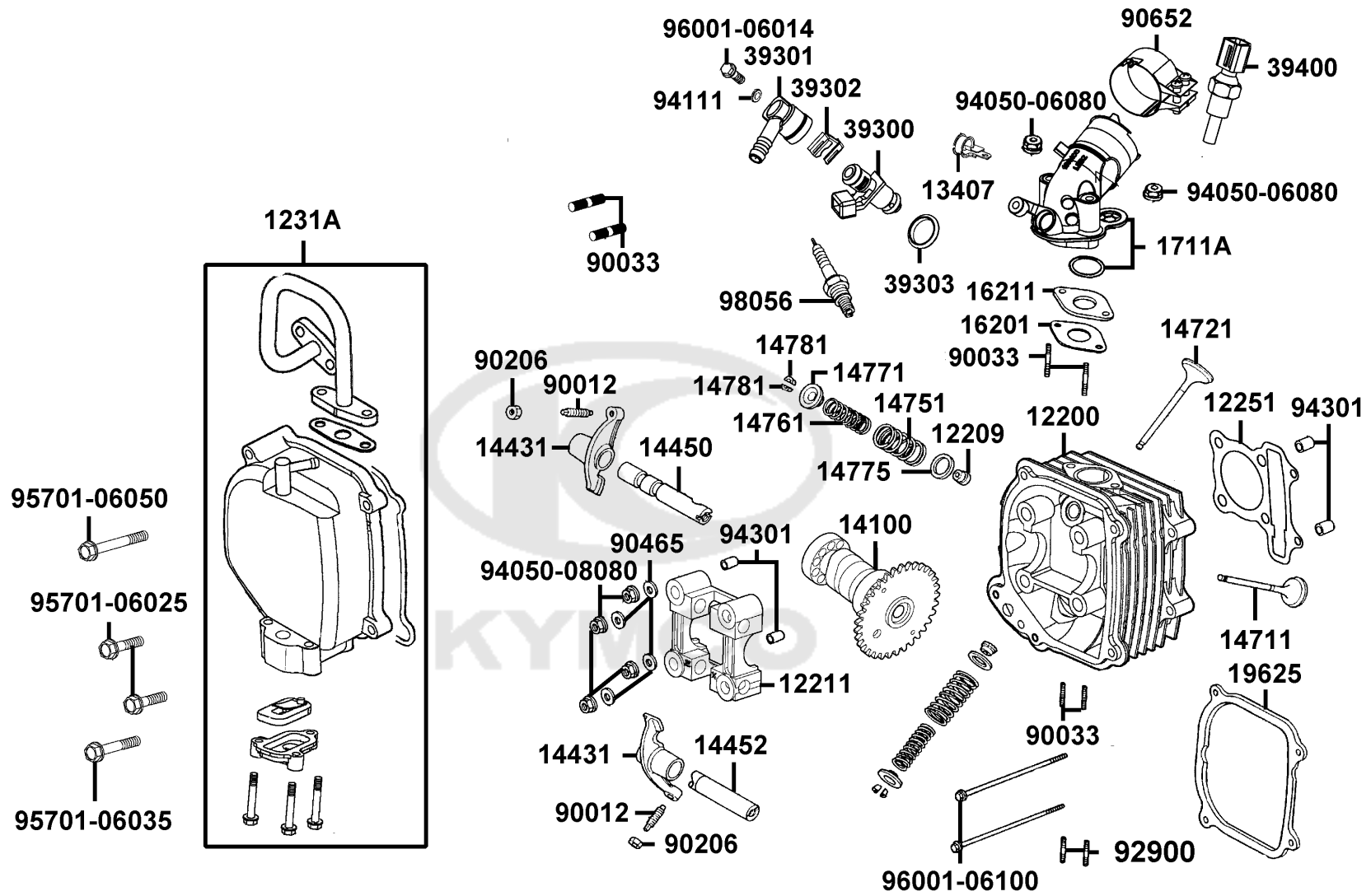


Sales mark	Ref no	Part no	Description	Reg description	Regd no	E01
	94301-10200	94301-10200	DOWEL PIN 10*20	DOWEL PIN 10*20	2	
	94591	94591-LDC8-E10	CLIP BIND	CLIP BIND	1	
	95701	95701-08012-08G	BOLT FLANGE 8X12(C)	BOLT FLANGE 8X12(C)	2	
	96001-06012	96001-06012-08G	BOLT FLANGE SH 6X12 (C)	BOLT FLANGE SH 6X12 (C)	2	
	96001-06045	96001-06045-08G	BOLT FLANGE SH 6x45 (C)	BOLT FLANGE SH 6*45 (C)	10	
	96001-06050	96001-06050-08G	BOLT FLANGE SH 6*50 (C)	BOLT FLANGE SH 6*50 (C)	2	
	96001-GFY6	96001-GFY6-C01	BOLT SPECIAL 5X10	BOLT SPECIAL 5X10	3	
	96100-62020	96100-62020-00	BEARING BALL RADIAL 6202	BEARING BALL RADIAL 6202	1	
	96100-63030	96100-63030-00	BEARING BALL RADIAL 6303	BEARING BALL RADIAL 6303	1	

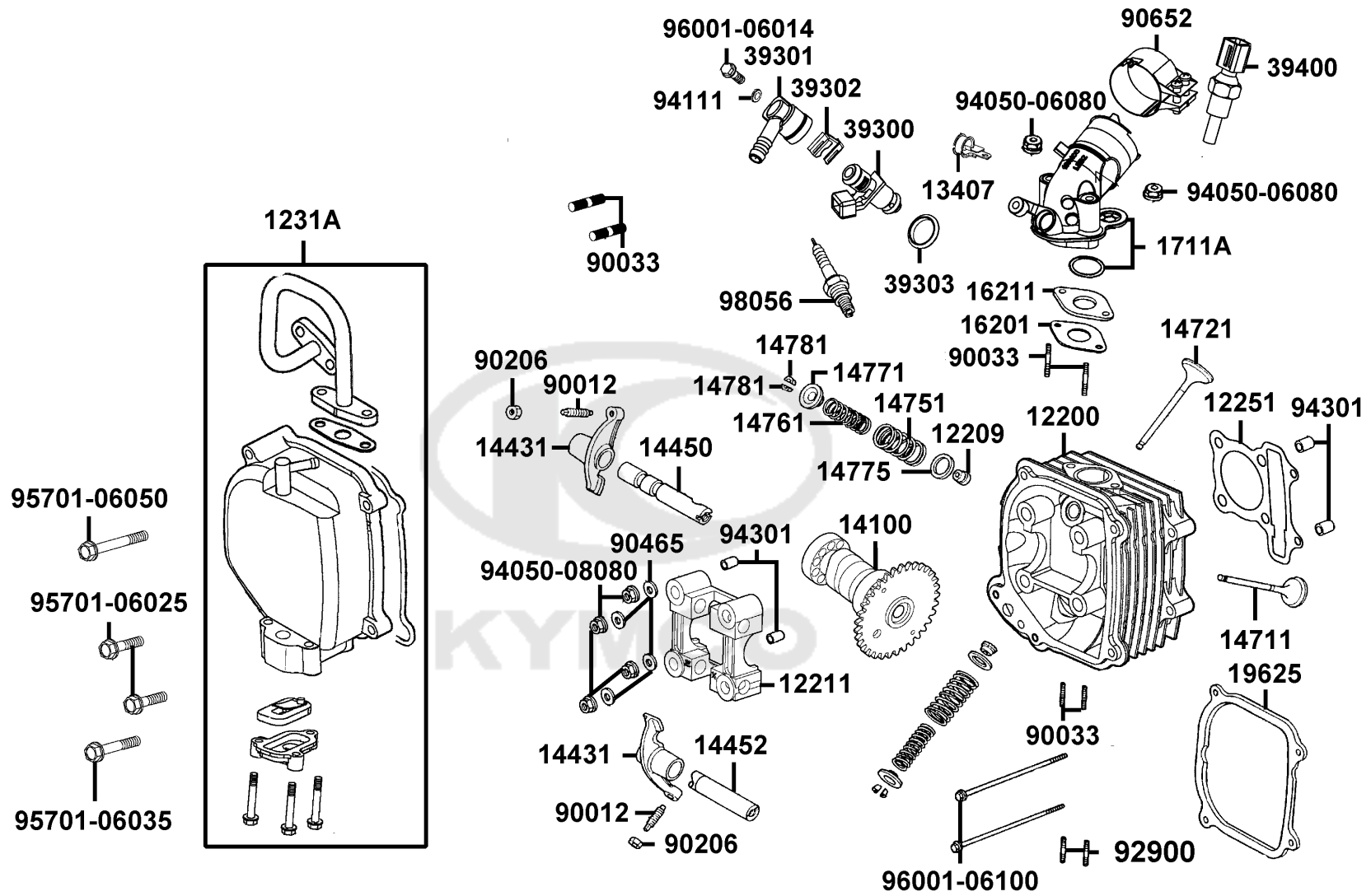




Sales mark	Ref no	Part no	Description	Reg description	Regd no	E02
	12200	12200-KKE3-900	HEAD COMP CYLINDER	HEAD COMP CYLINDER	1	
	12209	12209-GDB4-C00	SEAL VALVE STEM	SEAL VALVE STEM	2	
	12211	12211-KUDU-W10	HOLDER CAM SHAFT	HOLDER CAM SHAFT	1	
	12251	12251-GFY6-C00	GASKET CYLINDER HEAD	GASKET CYLINDER HEAD	1	
	1231A	1231A-ALL1-C00	HEAD COVER	HEAD COVER	1	
	13407	13407-LKC6-C00	PLATE A ECU MODULE	PLATE A ECU MODULE	1	
	14100	14100-ALK6-EZ5	SHAFT COMP CAM	SHAFT COMP CAM	1	
	14431	14431-KUDU-W10	ARM VALVE ROCKER	ARM VALVE ROCKER	2	
	14450	14450-GFY6-W10	SHAFT COMP IN ROCKER ARM	SHAFT COMP IN ROCKER ARM	1	
	14452	14452-GFY6-W10	SHAFT EXH ROCKER ARM	SHAFT EXH ROCKER ARM	1	
	14711	14711-KUDU-C00	VALVE INLET	VALVE INLET	1	
	14721	14721-KUDU-C00	VALVE EXHAUST	VALVE EXHAUST	1	
	14751	14751-KUDU-C10	SPRING VALVE OUTER	SPRING VALVE OUTER	2	
	14761	14761-KUDU-C10	SPG VALVE INNER	SPG VALVE INNER	2	
	14771	14771-GDB4-C00	RETAINER VALVE SPRING	RETAINER VALVE SPRING	2	
	14775	14775-MFA6-C00	SEAT VALVE SPG OUTER	SEAT VALVE SPG OUTER	2	
	14781	14781-MFA6-C00	COTTER VALVE	COTTER VALVE	4	
	16201	16201-GFY6-E90	GASKET CARBURETOR INSULATOR	GASKET CARB INSULATOR	1	
	16211	16211-GFY6-W10	INSULATOR	INSULATOR	1	
	1711A	1711A-ALD9-E16	PIPE ASSY INLET	PIPE ASSYINLET	1	



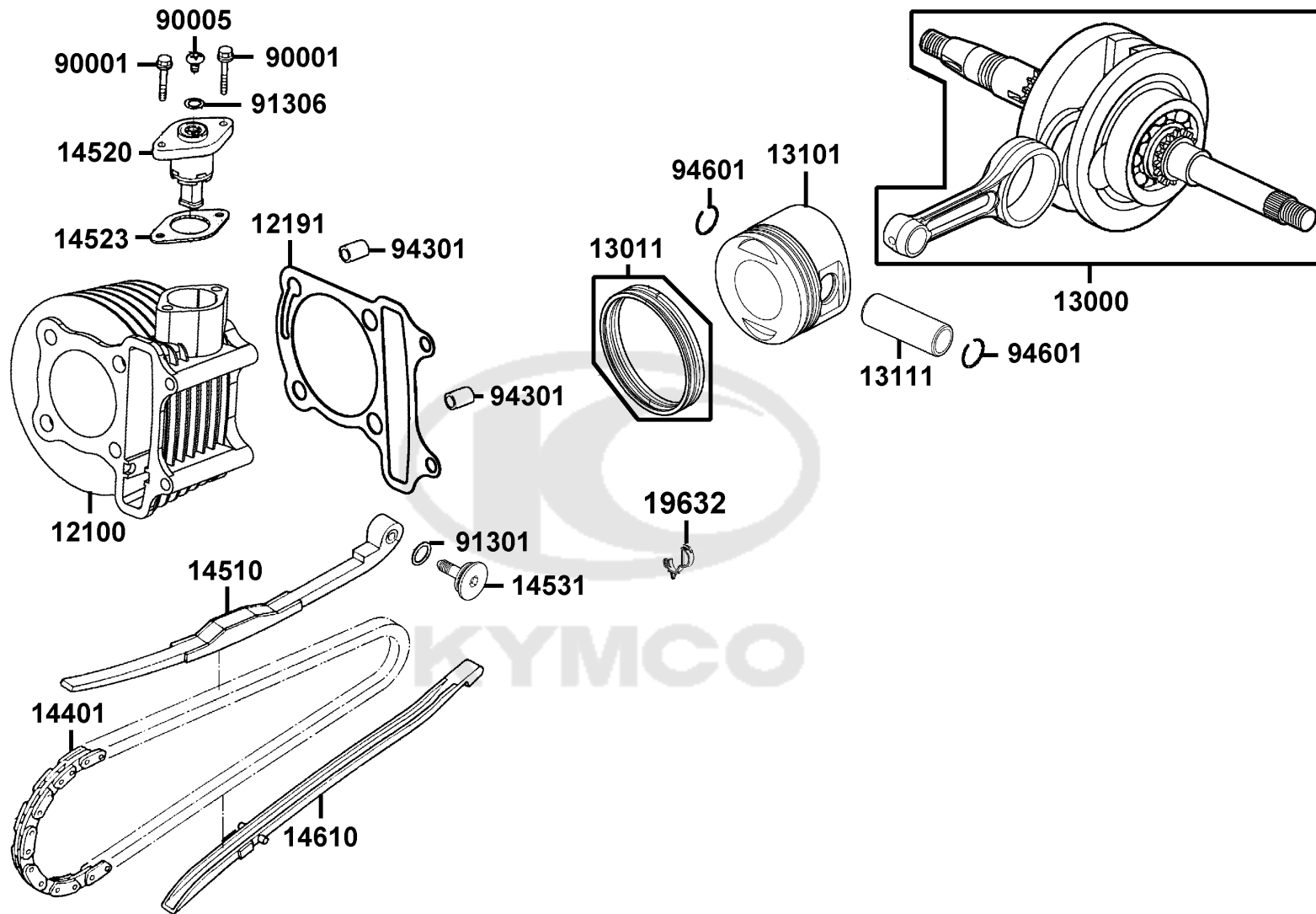
Sales mark	Ref no	Part no	Description	Reg description	Regd no	E02
19625		19625-KUDU-C00	SEAL SHROUD	SEAL SHROUD	1	
39300		39300-LEA6-800	FUEL INJECTOR	FUEL INJECTOR	1	
39301		39301-ALK6-EZ5	HOLDER ASSY FUEL	HOLDER ASSY FUEL	1	
39302		39302-KKE3-C00	CLIP SPRING FUEL INJECTOR	CLIP SPRING FUEL INJECTOR	1	
39303		39303-LEB2-C00	SEAL,HIGH TENSION FUEL INJECT	SEAL,HIGH TENSION FUEL INJECT	1	
39400		39400-LHJ3-900	SENSOR. HEAD TEMPERATURE	SENSOR. HEAD TEMPERATURE	1	
90012		90012-3C33-C00	SCREW TAPPET ADJUSTING	SCREW TAPPET ADJUSTING	2	
90033		90033-GFY6-C01	BOLT STUD 8*32	BOLT STUD 8*32	2	
90206		90206-0A01-C00	NUT TAPPET ADJG	NUT TAPPET ADJG	1	
90465		90465-MDC4-C01	WASHER 8MM	WASHER 8MM	4	
90652		90652-ALB8-C00	BAND 48 INLET-PIPE	BAND 48 INLET-PIPE	1	
92900		92900-06060-0BG	BOLT STUD 6*60	BOLT STUD 6*60	2	
94050-06080		94050-06080-G	NUT FLANGE 6MM	NUT FLANGE 6MM	2	
94050-08080		94050-08080-G	NUT FLANGE 8MM	FLANGE NUT 8MM(C)	4	
94111		94111-06800-G	WASHER SPG 6MM(C)	WASHER SPG 6MM(C)	1	
94301		94301-10160	DOWEL PIN 10*16	DOWEL PIN 10*16	4	
95701-06025		95701-06025-08G	BOLT FLANGE 6*25	BOLT FLANGE 6*25	2	
95701-06035		95701-06035-08G	BOLT FLANGE 6*35	BOLT FLANGE 6*35 (C)	1	
95701-06050		95701-06050-08G	BOLT FLANGE 6*50	BOLT FLANGE 6*50	1	
96001-06014		96001-06014-08G	BOLT FLANGE SH 6*14 (C)	BOLT FLANGE SH 6*14 (C)	1	



Sales mark	Ref no	Part no	Description	Reg description	Regd no	E02
------------	--------	---------	-------------	-----------------	---------	------------

96001-06100		96001-06100-08G	BOLT FLANGE SH 6x100 (C)	BOLT FLANGE SH 6x100 (C)	2	
98056		98056-5771R-00	SPARK PLUG (CR7HSA)	SPARK PLUG (CR7HSA)	1	

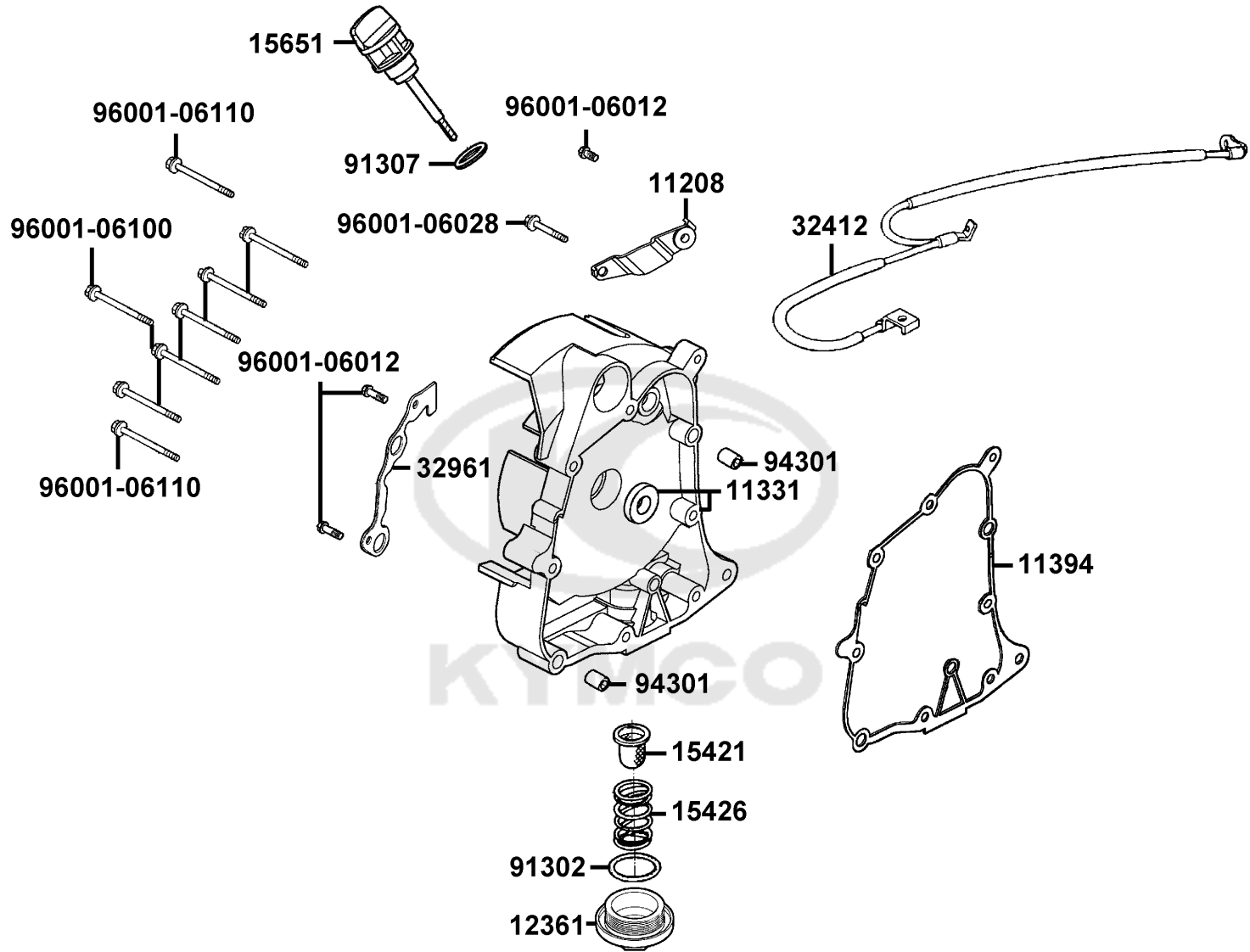




Sales mark	Ref no	Part no	Description	Reg description	Regd no	E03
12100		12100-GFY6-C00	CYLINDER COMP	CYLINDER COMP	1	
12191		12191-GFY6-E90	GASKET CRANK CASE @ A	GASKET CRANK CASE @ A	1	
13000		13000-KUDU-C00	CRANK SHAFT COMP	CRANK SHAFT COMP	1	
13011		13011-LAC7-90B	RING ASSY PISTON	RING ASSY PISTON	1	
13101		13101-AKC6-E10	PISTON	PISTON	1	
13111		13111-3D84-C00	PIN,PISTON	PIN PISTON	1	
14401		14401-KUDU-C00	CHAIN CAM	CHAIN CAM	1	
14510		14510-KUDU-C00	TENSIONER CAM CHAIN	TENSIONER CAM CHAIN	1	
14510		14510-KUDU-C0B	TENSIONER CAM CHAIN	TENSIONER CAM CHAIN	1	
14520		14520-GFY6-C00	LIFTER ASSY TENSIONER	LIFTER ASSY TENSIONER	1	
14523		14523-GFY6-E90	GASKET TENSIONER LIFTER @A	GASKET TENSIONER LIFTER@A	1	
14531		14531-GLR0-W11	PIVOT CAM CHAIN TENSIONER	PIVOT CAM CHAIN TENSIONER	1	
14610		14610-KUDU-C0B	GUIDE COMP CAM CHAIN	GUIDE COMP CAM CHAIN	1	
19632		19632-LFB6-C00	CLIP??FUEL HOSE	CLIP??FUEL HOSE	2	
90001		90001-GBHB-C05	BOLT FLANGE SHF 6*22 (B)	BOLT FLANGE SHF 6*22 (B)	2	
90005		90005-KAW1-C00	SCREW PAN 6*6(G)	SCREW PAN 6*6(G)	1	
91301		91301-GLR0-W10	O-RING 15.2*1.5	O-RING 15.2*1.5	1	
91306		91306-1E05-C00	O-RING 1.5*9.5	O-RING 1.5*9.5	1	
94301		94301-10160	DOWEL PIN 10*16	DOWEL PIN 10*16	2	
94601		94601-15000	CLIP PISTON PIN 15MM	CLIP PISTON PIN 15MM	2	

E04

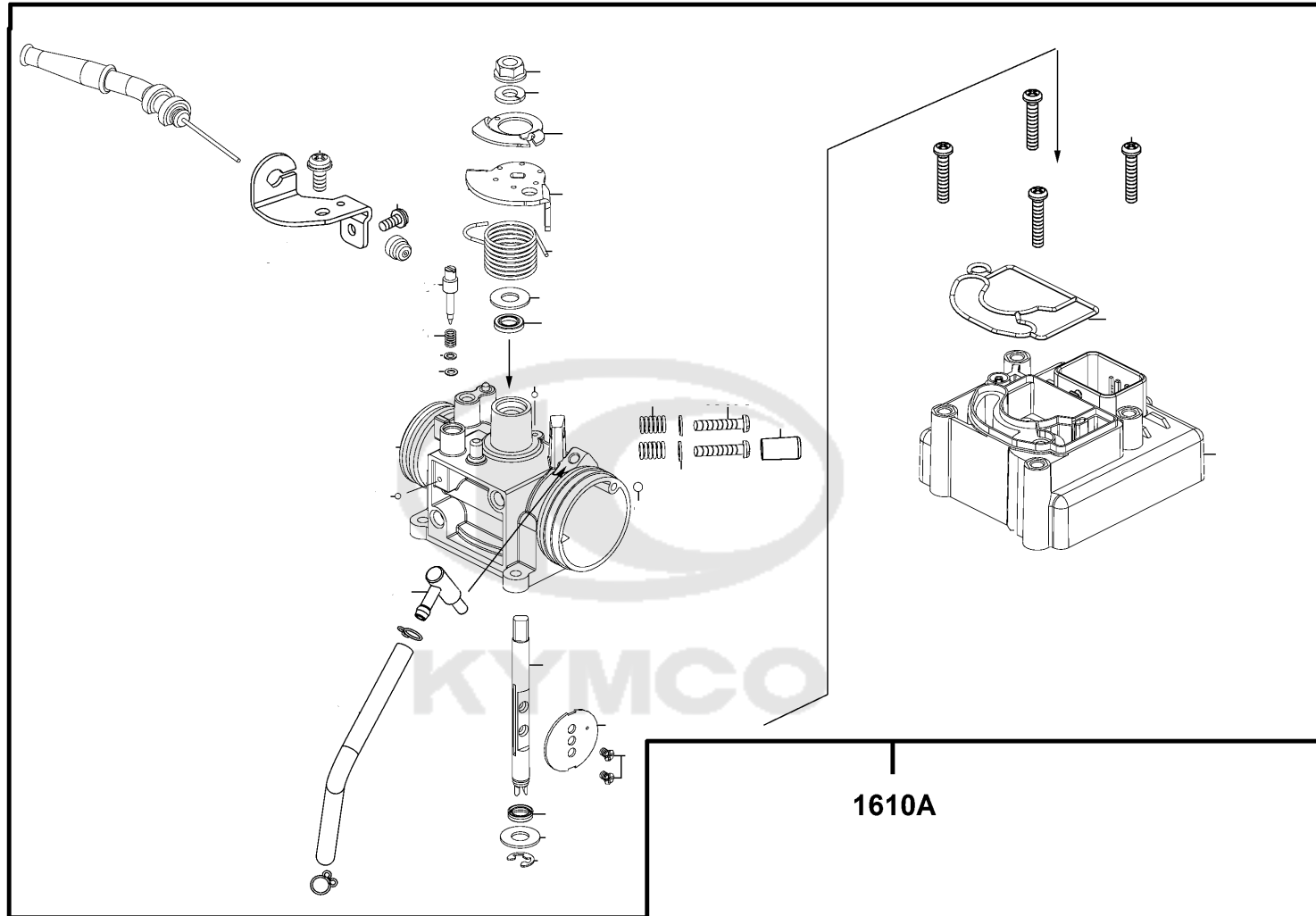
Right Crankcase Cover



Sales mark	Ref no	Part no	Description	Reg description	Regd no	E04
11208		11208-LFC3-E10	STAY RR TIRE FENDER	STAY RR TIRE FENDER	1	
11331		11331-LCD3-E00	COVER R CRANK CASE	COVER R CRANK CASE	1	
11394		11394-KUDU-E90	GASKET.R COVER	GASKET R COVER	1	
12361		12361-GFY6-C00	HOLE CAP TAPPET ADJUSTING	HOLE CAP TAPPET ADJUSTING	1	
15421		15421-1G07-C00	SCREEN OIL FILTER	SCREEN OIL FILTER	1	
15426		15426-GAE1-C00	SPG OIL FILTER SCREEN	SPG OIL FILTER SCREEN	1	
15651		15651-KUDU-W10	GUAGE OIL LEVEL	GUAGE OIL LEVEL	1	
32412		32412-ALJ8-E10	CABLE.EARTH	CABLE EARTH	1	
32961		32961-KUDU-C00	CLAMPER ACG CORD	CLAMPER ACG CORD	1	
91302		91302-0A01-C00	O-RING 30.8MM	O-RING 30.8MM	1	
91307		91307-0E35-W10	O-RING 18*3	O-RING 18*3	1	
94301		94301-10160	DOWEL PIN 10*16	DOWEL PIN 10*16	2	
96001-06012		96001-06012-08G	BOLT FLANGE SH 6X12 (C)	BOLT FLANGE SH 6X12 (C)	3	
96001-06028		96001-06028-08G	BOLT FLANGE SH 6x28 (C)	BOLT FLANGE SH 6x28 (C)	1	
96001-06100		96001-06100-08G	BOLT FLANGE SH 6x100 (C)	BOLT FLANGE SH 6x100 (C)	6	
96001-06110		96001-06110-08G	BOLT FLANGE SH 6*110 (B)	BOLT FLANGE SH 6*110 (B)	2	

E05

Carburetor

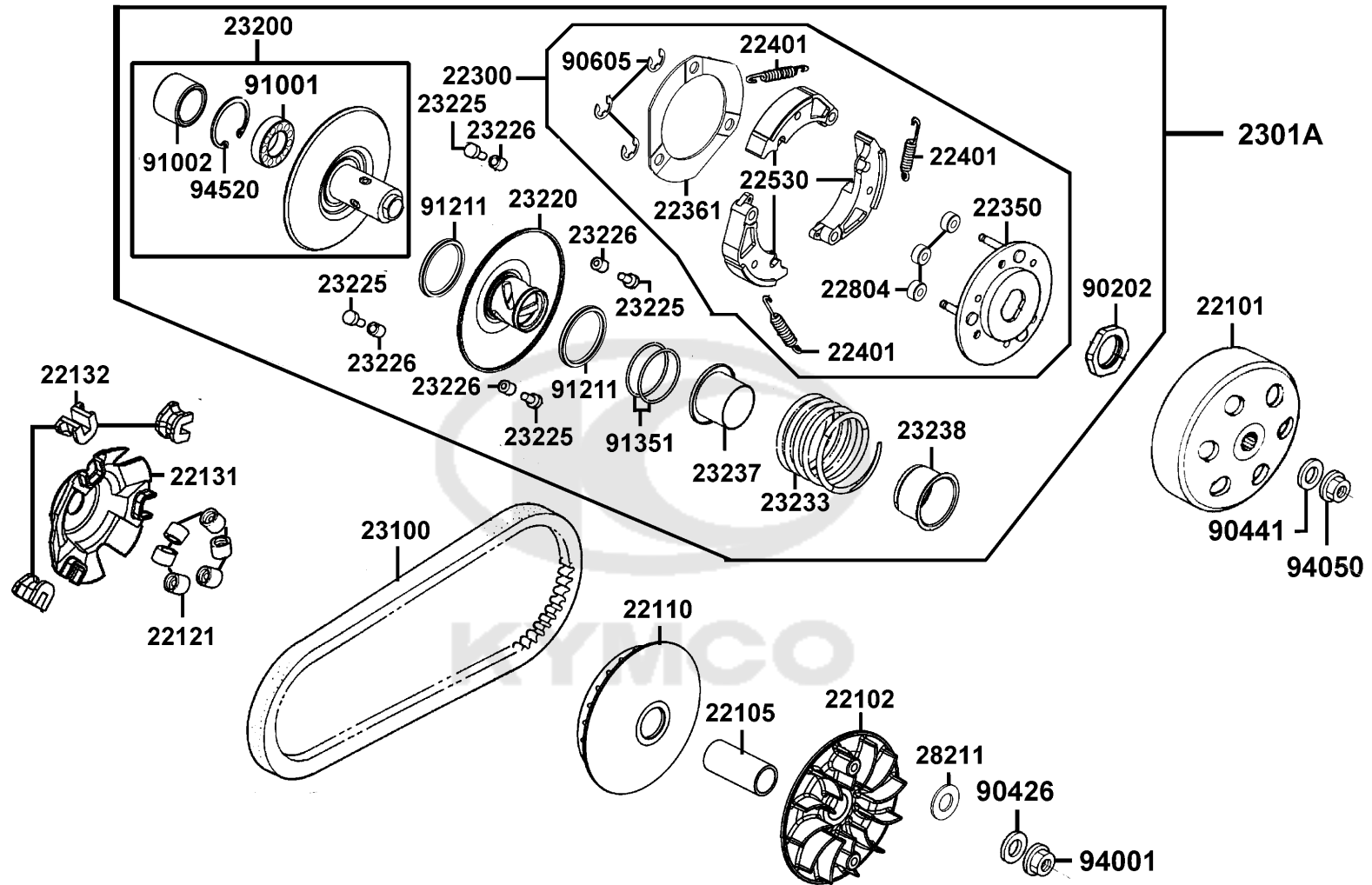


Sales mark	Ref no	Part no	Description	Reg description	Regd no	E05
------------	--------	---------	-------------	-----------------	---------	------------

1610A	1610A-BLA8-E80	1610A-BLA8-E80	THROTTLE BODY ASSY	THROTTLE BODY ASSY	1	
-------	----------------	----------------	--------------------	--------------------	---	--

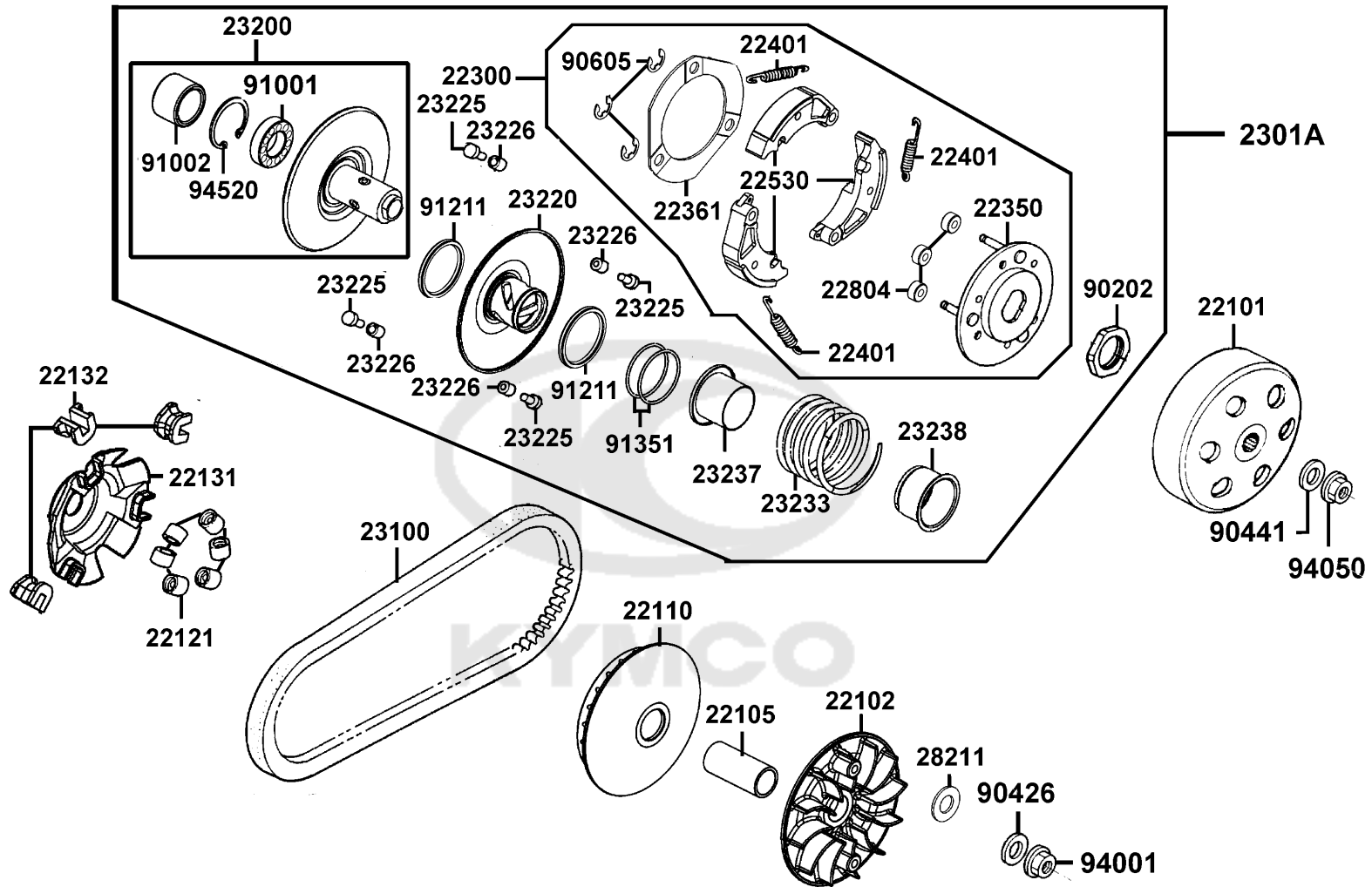


Driven Pulley



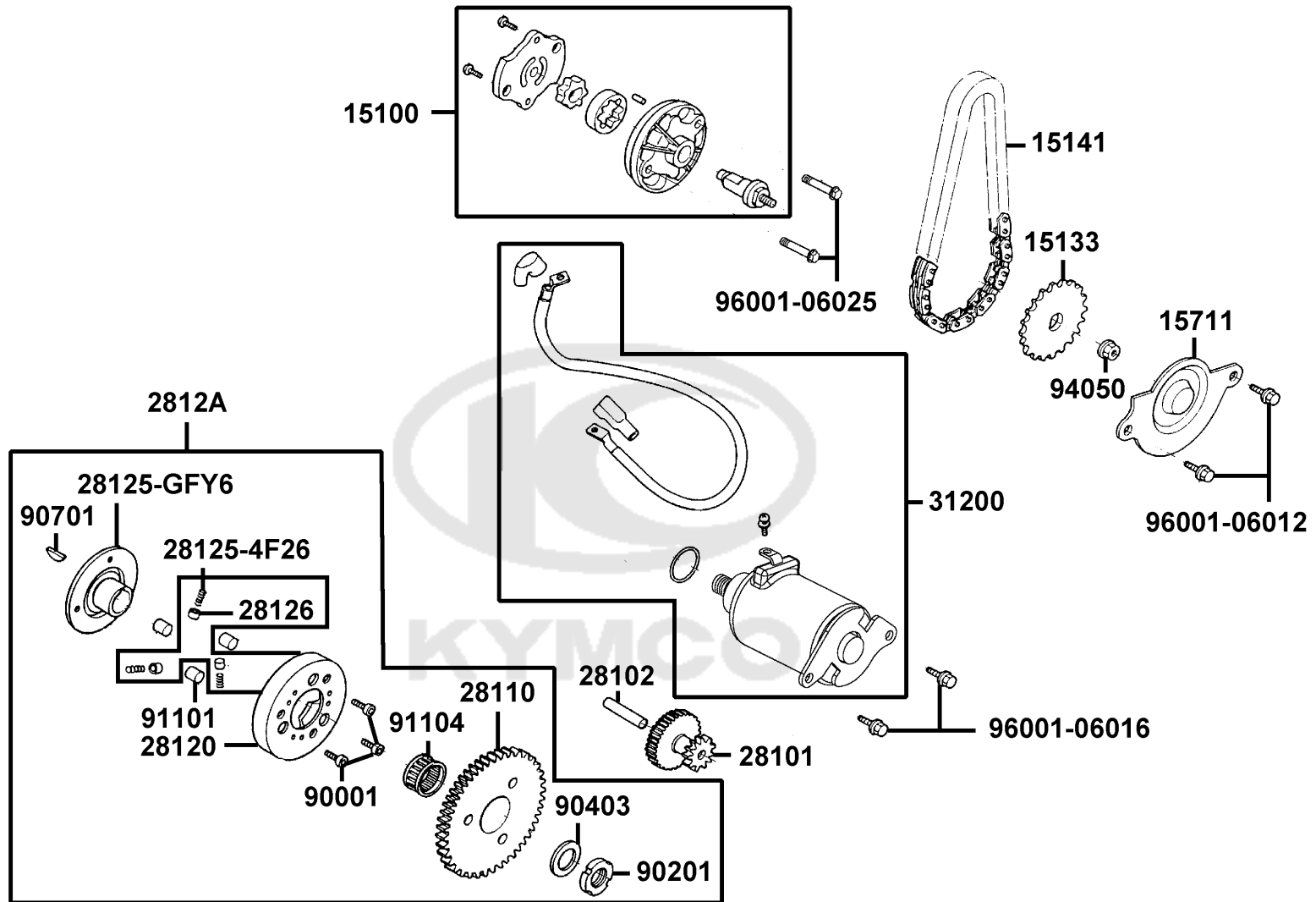
Sales mark	Ref no	Part no	Description	Reg description	Regd no	E06
	22101	22101-LCD3-C00	OUTER CLUTCH	OUTER CLUTCH	1	
	22102	22102-KUDU-E80	FACE DRIVE	FACE DRIVE	1	
	22105	22105-GFY6-C00	BOSS DRIVE FACE	BOSS DRIVE FACE	1	
	22110	22110-KUDU-E80	FACE MOVABLE DRIVE	FACE COMP MOVABLE DRIVE	1	
	22121	22121-KFAF-C00	ROLLAR COMP WEIGHT	ROLLER COMP WEIGHT	6	
	22131	22131-GFY6-C00	PLATE RAMP	PLATE RAMP	1	
	22132	22132-KBN2-315	PIECE SLIDE COMP	PIECE SLIDE	3	
	22300	22300-LCD4-C00	PLATE ASSY DRIVE	PLATE ASSY DRIVE	1	
	22350	22350-GFY6-C00	PLATE COMP DRIVE	PLATE COMP DRIVE	1	
	22361	22361-KGN7-C00	PLATE CLUTCH SIDE	PLATE CLUTCH SIDE	1	
	22401	22401-GFY6-C0A	SPRING CLUTCH	SPRING CLUTCH	3	
	22530	22530-LCD3-C00	WEIGHT CLUTCH	"WEIGHT,CLUTCH"	3	
	22804	22804-GBB2-C00	RUBBER CLUTCH DAMPER	RUBBER CLUTCH DAMPER	3	
	2301A	2301A-LCD4-C00	PULLEY SUB ASSY	PULLEY SUB ASSY	1	
	23100	23100-KEC4-C0E	BELT DRIVE	BELT DRIVE	1	
	23200	23200-GFY6-C00	FACE ASSY DRIVEN	FACE ASSY DRIVEN	1	
	23220	23220-KFBF-C00	FACE COMP MOVABLE DRIVEN	FACE MOVABLE DRIVEN	1	
	23225	23225-GHC8-C00	PIN ROLLER GUIDE	PIN ROLLER GUIDE	3	
	23226	23226-GHC8-C00	ROLLER GUIDE	"ROLLER,GUIDE"	3	
	23233	23233-LEJ3-E10	"BOSS,DRIVE FACE"	"BOSS,DRIVE FACE"	1	

Driven Pulley



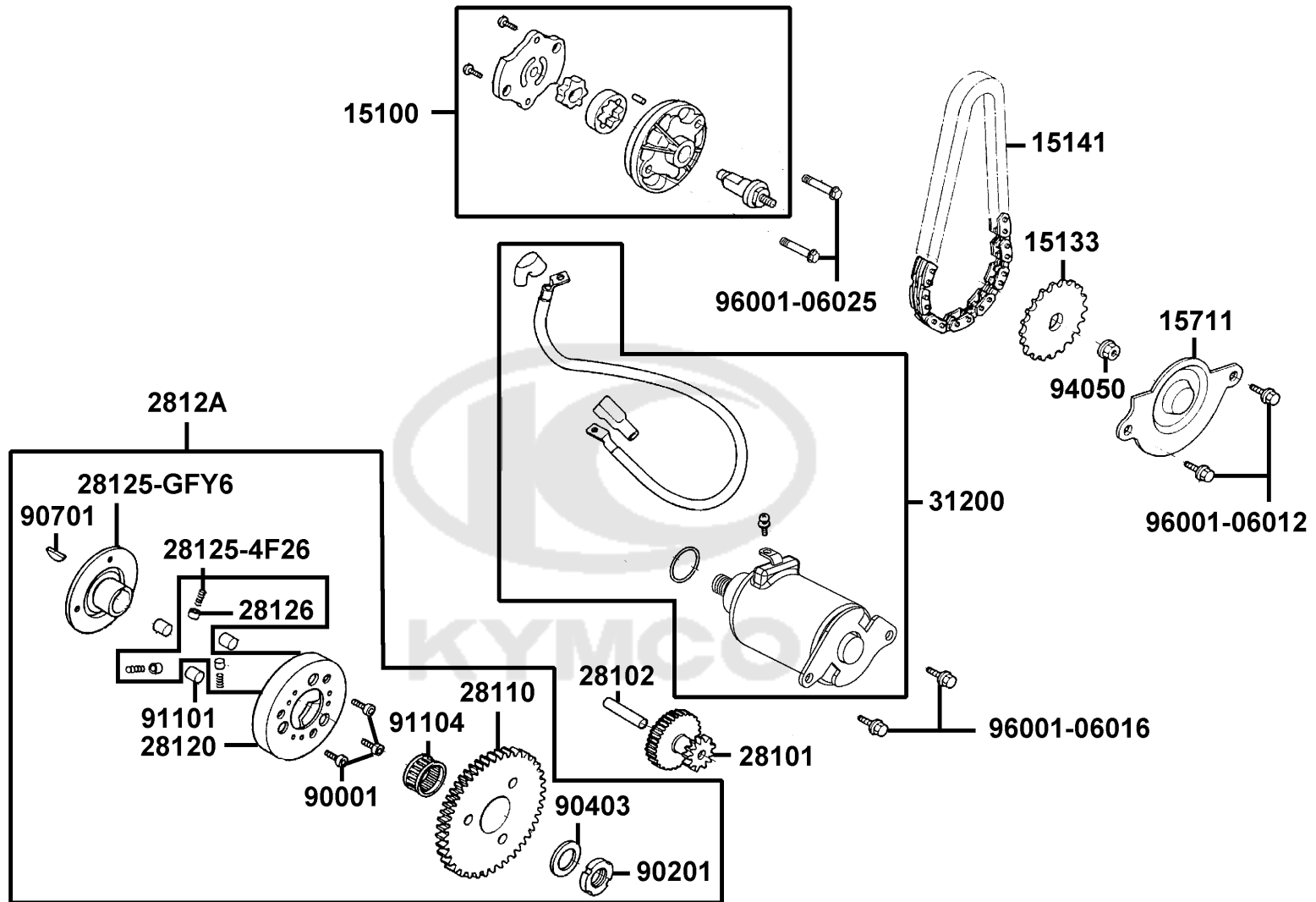
Sales mark	Ref no	Part no	Description	Reg description	Regd no	E06
23237		23237-GFY6-C00	COLLAR SEAL	COLLAR SEAL	1	
23238		23238-GFY6-C00	COLLAR SPG	COLLAR SPG	1	
28211		28211-LGK2-C00	WASHER 15.2x24x5	WASHER 15.2x24x5	1	
90202		90202-1G87-C00	NUT SPECIAL 28MM	NUT SPECIAL 28MM	1	
90426		90426-KNBN-C01	WASHER SPECIAL 12MM	WASHER SPECIAL 12MM	1	
90441		90441-GFY6-C01	WASHER 12.2*29*2.5	WASHER 12.2*29*2.5	1	
90605		90605-1F66-C00	CIR CLIP 7MM	CIR CLIP 7MM	3	
91001		91001-GFY6-C00	BRG CON-ROD 20*29*18	BRG CON-ROD 20*29*18	1	
91002		91002-GGA7-C00	BRG BALL RADIAL 6902U	BRG BALL RADIAL 6902U	1	
91211		91211-KEBE-C00	SEAL DRIVEN FACE 34*41*4	SEAL DRIVEN FACE 34*41*4	2	
91351		91351-6B42-C00	O-RING PINION CAP	O-RING PINION CAP	2	
94001		94001-12280-0SG	NUT HEX 12MM(C)	NUT HEX 12MM(C)	1	
94050		94050-12080-G	NUT FLANGE 12MM (C)	NUT FLANGE 12MM (C)	1	
94520		94520-28000	CIR CLIP IN 28	CIR CLIP IN 28	1	

Starting Motor Oil Pump



Sales mark	Ref no	Part no	Description	Reg description	Regd no	E07
	15100	15100-KFB7-C00	OIL PUMP ASSY	PUMP ASSY OIL	1	
	15133	15133-GFY6-W10	SPROCKET OIL PUMP DRIVE	SPROCKET OIL PUMP DRIVE	1	
	15141	15141-GFY6-C00	CHAIN OIL PUMP	CHAIN OIL PUMP	1	
	15711	15711-KUDU-C00	SEPARATER OIL	SEPARATER OIL	1	
	28101	28101-GFY6-C00	GEAR STARTER REDUCTION	GEAR STARTER REDUCTION	1	
	28102	28102-GFY6-C00	SHAFT STARTER REDUCTION GEAR	SHAFT STARTER REDUCTION GEAR	1	
	28110	28110-GFY6-C10	OUTER ASSY START CLUTCH	OUTER ASSY START CLUTCH	1	
	28120	28120-GFY6-C10	OUTER COMP STARTING CLUTCH	OUTER COMP STARTING CLUTCH	1	
	28125-4F26	28125-4F26-C00	SPRING ROLLER STARTER CLUTCH	SPRING ROLLER STARTER CLUTCH	3	
	28125-GFY6	28125-GFY6-C10	SPRING ROLLER STARTER CLUTCH	SPRING ROLLER STARTER CLUTCH	1	
	28126	28126-GFY6-C10	CAP STARTING ROLLER SPRING	FLANGE STARTING CLUTCH	3	
	2812A	2812A-GFY6-C10	OUTER ASSY START CLUTCH	OUTER ASSY START CLUTCH	1	
	31200	31200-ALJ8-E10	MOTOR ASSY START	MOTOR ASSY START	1	
	90001	90001-GFY6-C01	SOCKET BOLT 6*10	SOCKET BOLT 6*10	3	
	90201	90201-GFY6-901	NUT LOCK 22MM	NUT LOCK 22MM	1	
	90403	90403-KUDU-C00	WASHER THRUST 22.2*39*2.5	WASHER THRUST 22.2*39*2.5	1	
	90701	90701-GFY6-901	CAP STARTING ROLLER SPRING	CAP STARTING ROLLER SPRING	1	
	91101	91101-1K79-C00	ROLLER 10*10	ROLLER 10*10	3	
	91104	91104-GFY6-C00	BRG NEEDLE 28*32*17	BRG NEEDLE 28*32*17	1	
	94050	94050-06080-G	NUT FLANGE 6MM	NUT FLANGE 6MM	1	

Starting Motor Oil Pump



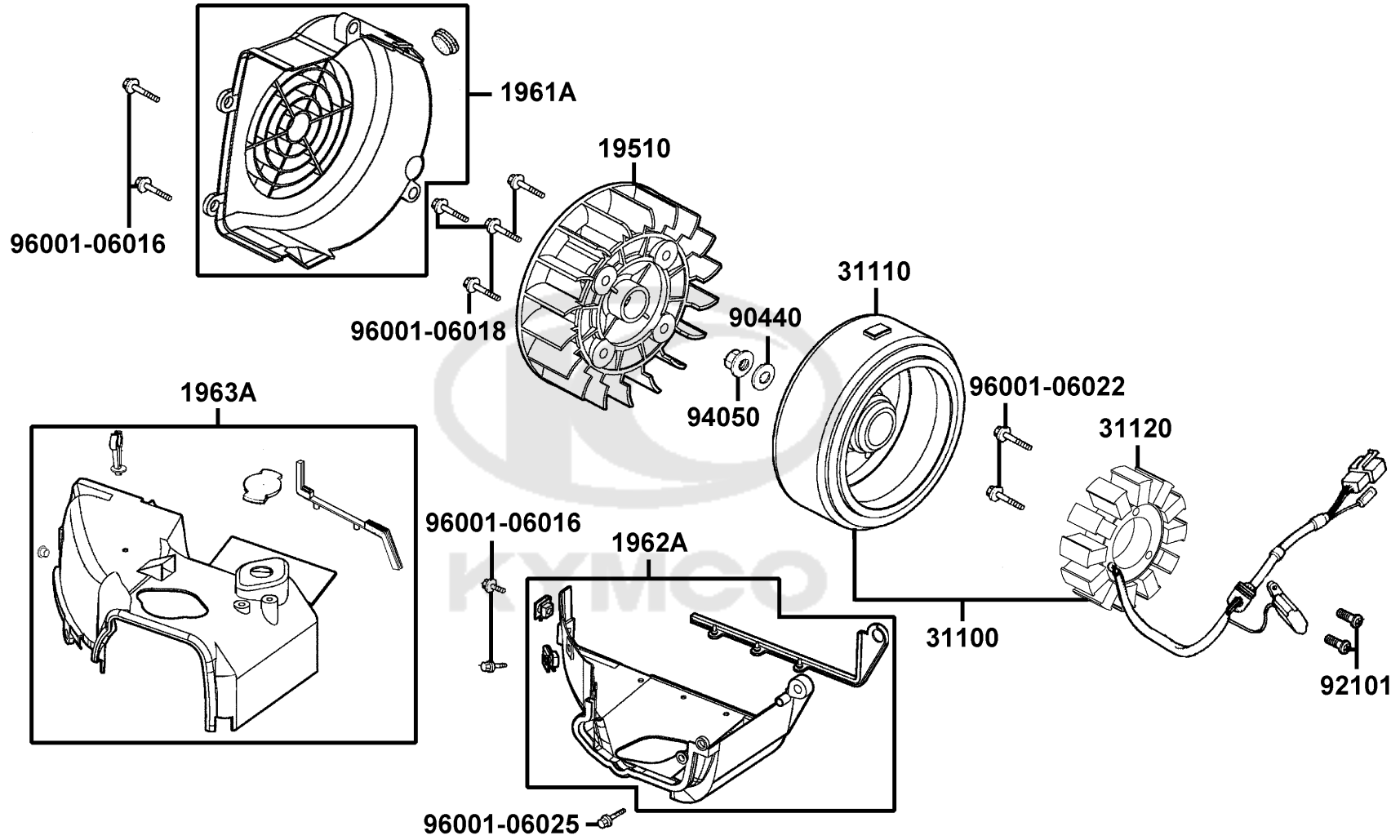
Sales mark	Ref no	Part no	Description	Reg description	Regd no	E07
------------	--------	---------	-------------	-----------------	---------	------------

96001-06012		96001-06012-08G	BOLT FLANGE SH 6X12 (C)	BOLT FLANGE SH 6X12 (C)	2	
96001-06016		96001-06016-08G	BOLT FLANGE SH 6x16 (C)	BOLT FLANGE SH 6*16 (CR3+)	2	
96001-06025		96001-06025-08G	BOLT FLANGE SH 6*25 (C)	BOLT FLANGE SH 6*25 (Cr3+)	2	

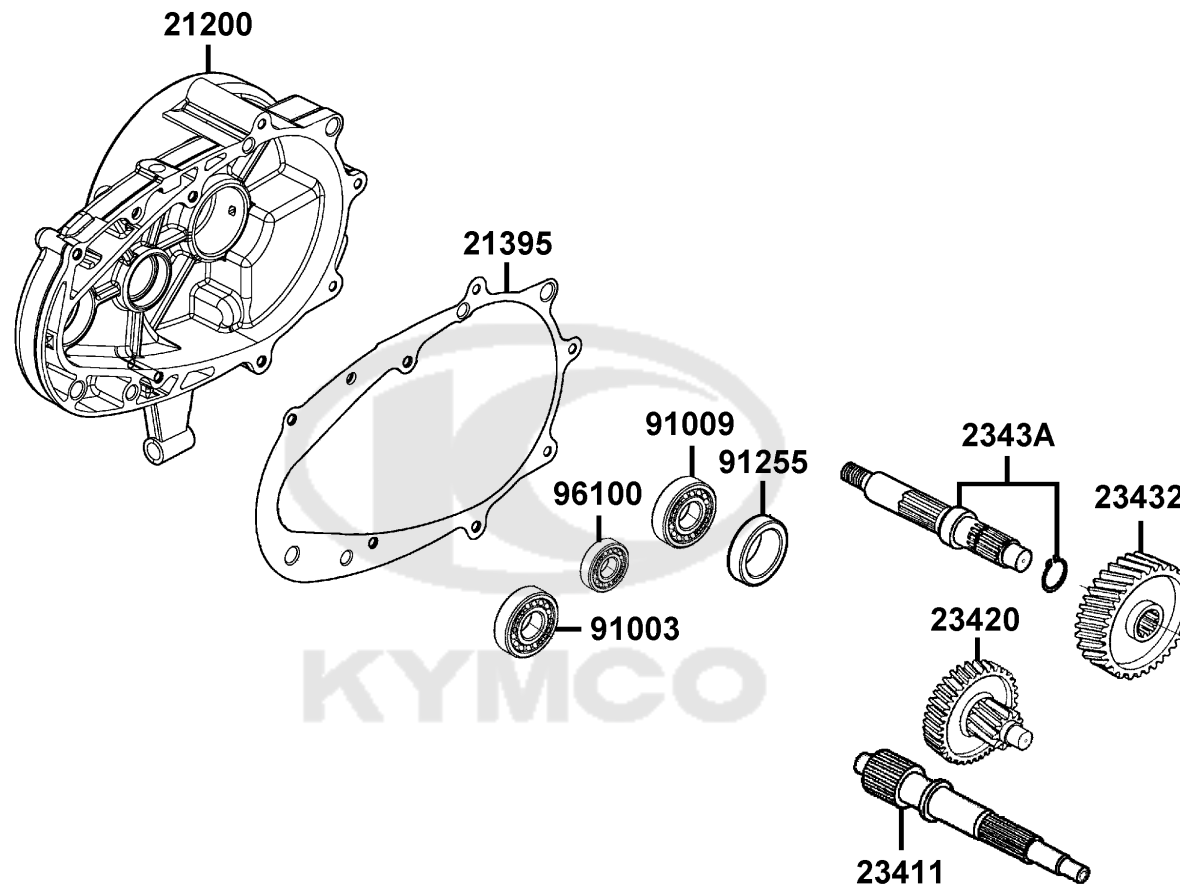


E08

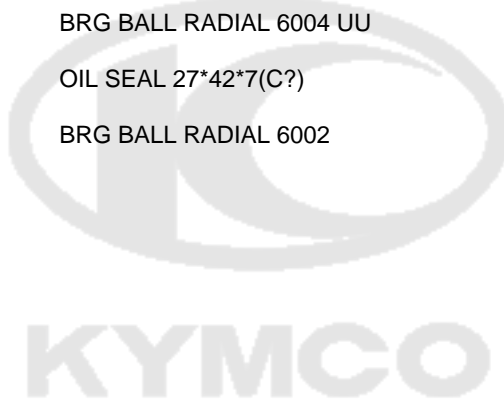
Fan Cover Generator



Sales mark	Ref no	Part no	Description	Reg description	Regd no	E08
19510		19510-LDA7-C00	FAN COMP COOLING	FAN COMP COOLING	1	
1961A		1961A-AKC6-E10	COVER ASSY FAN	COVER ASSY FAN	1	
1962A		1962A-ALD9-BA0	SHROUD ASSY A	SHROUD ASSY A	1	
1963A		1963A-AAD2-C00	SHROUD ASSY B	SHROUD ASSY B	1	
31100		31100-LGS6-E10	A.C. GEN. ASS'Y	A.C. GEN. ASS'Y	1	
31110		31110-KKE3-C00	FLYWHEEL COMP	FLYWHEEL COMP	1	
31120		31120-LGS6-E10	STATOR COMP.	STATOR COMP.	1	
90440		90440-1F66-C00	WASHER PLAIN 12MM	WASHER PLAIN 12MM	1	
92101		92101-05012-0HG	BOLT HEX 5*12	BOLT HEX 5*12	2	
94050		94050-12080-G	NUT FLANGE 12MM (C)	NUT FLANGE 12MM (C)	1	
96001-06016		96001-06016-08G	BOLT FLANGE SH 6x16 (C)	BOLT FLANGE SH 6*16 (CR3+)	4	
96001-06018		96001-06018-08G	BOLT FLANGE SH 6*18 (C)	BOLT FLANGE SH 6*18 (CR3+)	4	
96001-06022		96001-06022-08G	BOLT FLANGE 6*22	BOLT FLANGE 6*22	2	
96001-06025		96001-06025-08G	BOLT FLANGE SH 6*25 (C)	BOLT FLANGE SH 6*25 (Cr3+)	1	

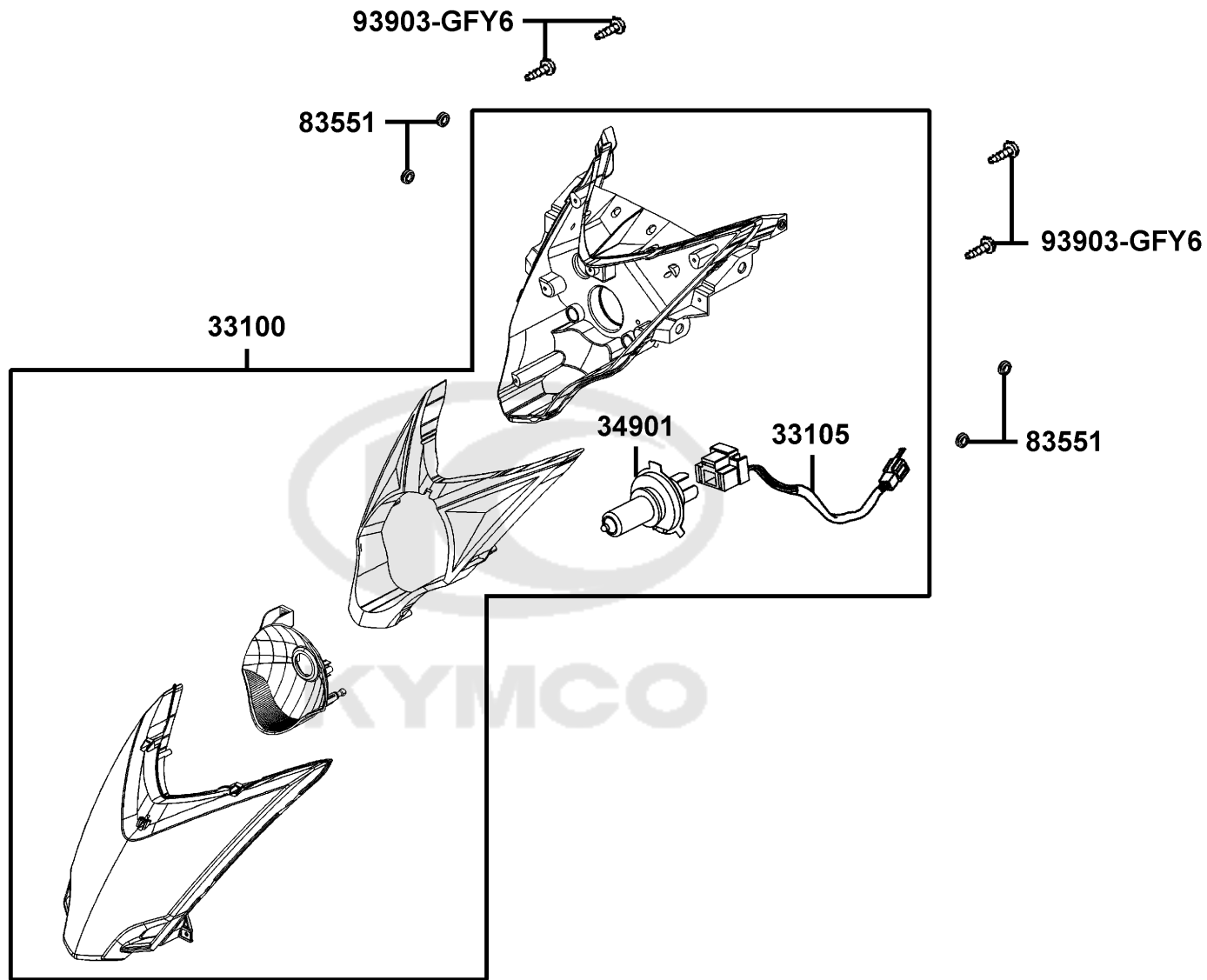


Sales mark	Ref no	Part no	Description	Reg description	Regd no	E09
21200		21200-LEJ8-C00	CASE COMP MISSION	CASE COMP MISSION	1	
21395		21395-LCD3-E90	GASKET MISSION CASE@A	GASKET MISSION CASE@A	1	
23411		23411-ALJ8-E10	SHAFT, DRIVE	SHAFT DRIVE	1	
23420		23420-AKC6-E10	SHAFT COMP COUNTER	SHAFT COMP COUNTER	1	
23432		23432-AKC6-E10	GEAR FINAL	GEAR FINAL	1	
2343A		2343A-ALJ8-E10	SHAFT ASSY. FINAL	SHAFT FINAL	1	
91003		91003-KDS4-C00	BRG BALL RADIAL 6301TMB	BRG BALL RADIAL 6301TMB	1	
91009		91009-GLE0-004	BRG BALL RADIAL 6004 UU	BRG BALL RADIAL 6004 UU	1	
91255		91255-LDC8-E10	OIL SEAL 27*42*7(C?)	OIL SEAL 27*42*7(C?)	1	
96100		96100-60020-00	BRG BALL RADIAL 6002	BRG BALL RADIAL 6002	1	



F01

Head Light

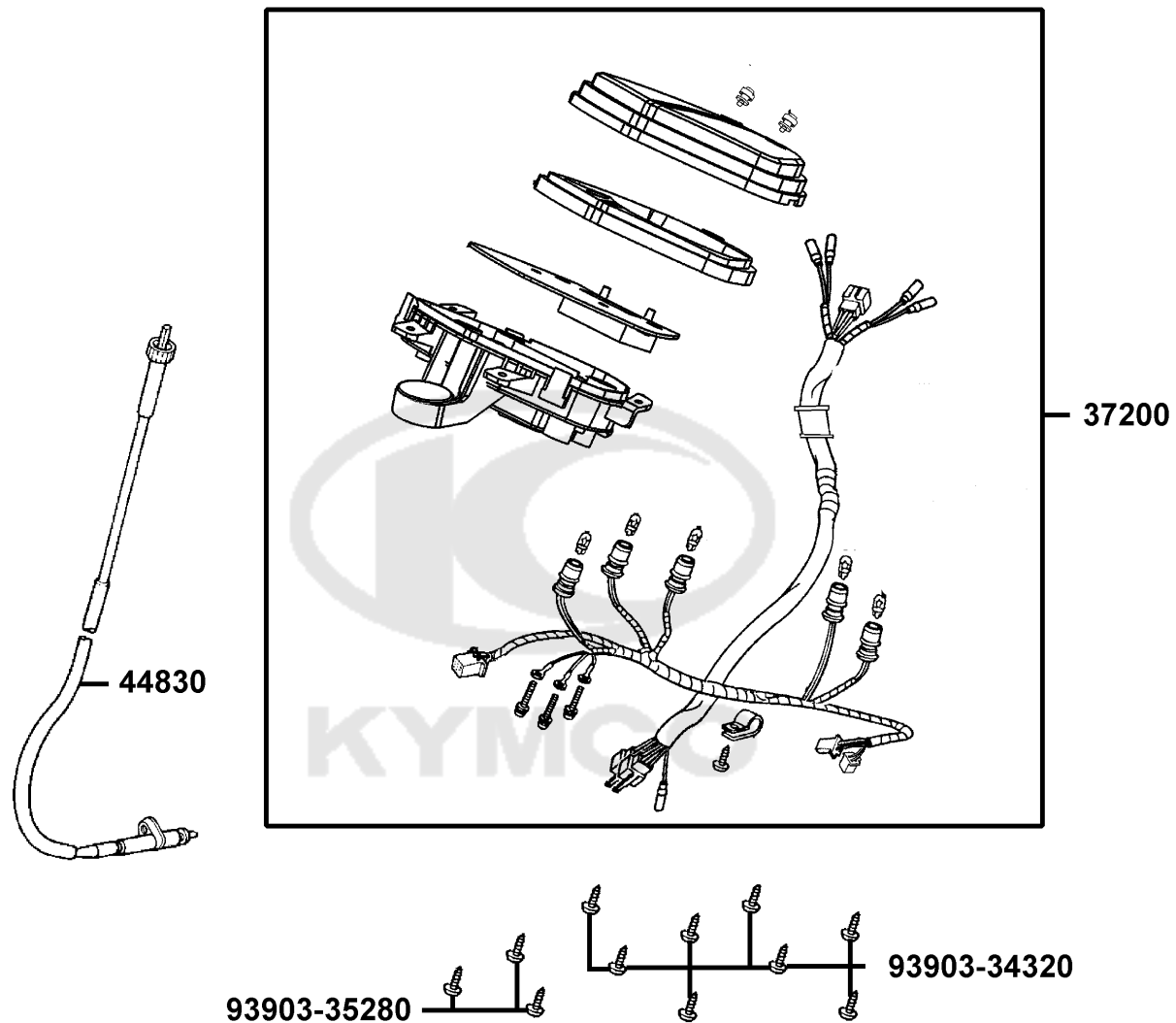


Sales mark	Ref no	Part no	Description	Reg description	Regd no	F01
33100	33100-ALJ8-EZ5	33100-ALJ8-EZ5	LIGHT ASSY HEAD	LIGHT ASSY HEAD	1	
33105	33105-ALJ8-EZ5	33105-ALJ8-EZ5	SOCKET COMP..HEAD LIGHT	SOCKET COMP..HEAD LIGHT	1	
34901	34901-ALJ8-EZ5	34901-ALJ8-EZ5	BULB HEAD LIGHT	BULB HEAD LIGHT	1	
83551	83551-KEC8-C10	83551-KEC8-C10	GROMMET COVER	GROMMET COVER	4	
93903-GFY6	93903-GFY6-C01	93903-GFY6-C01	SCREW TAPPING 4*14(K)	"SCREW,TAPPING4*14"	4	



F02

Speedometer



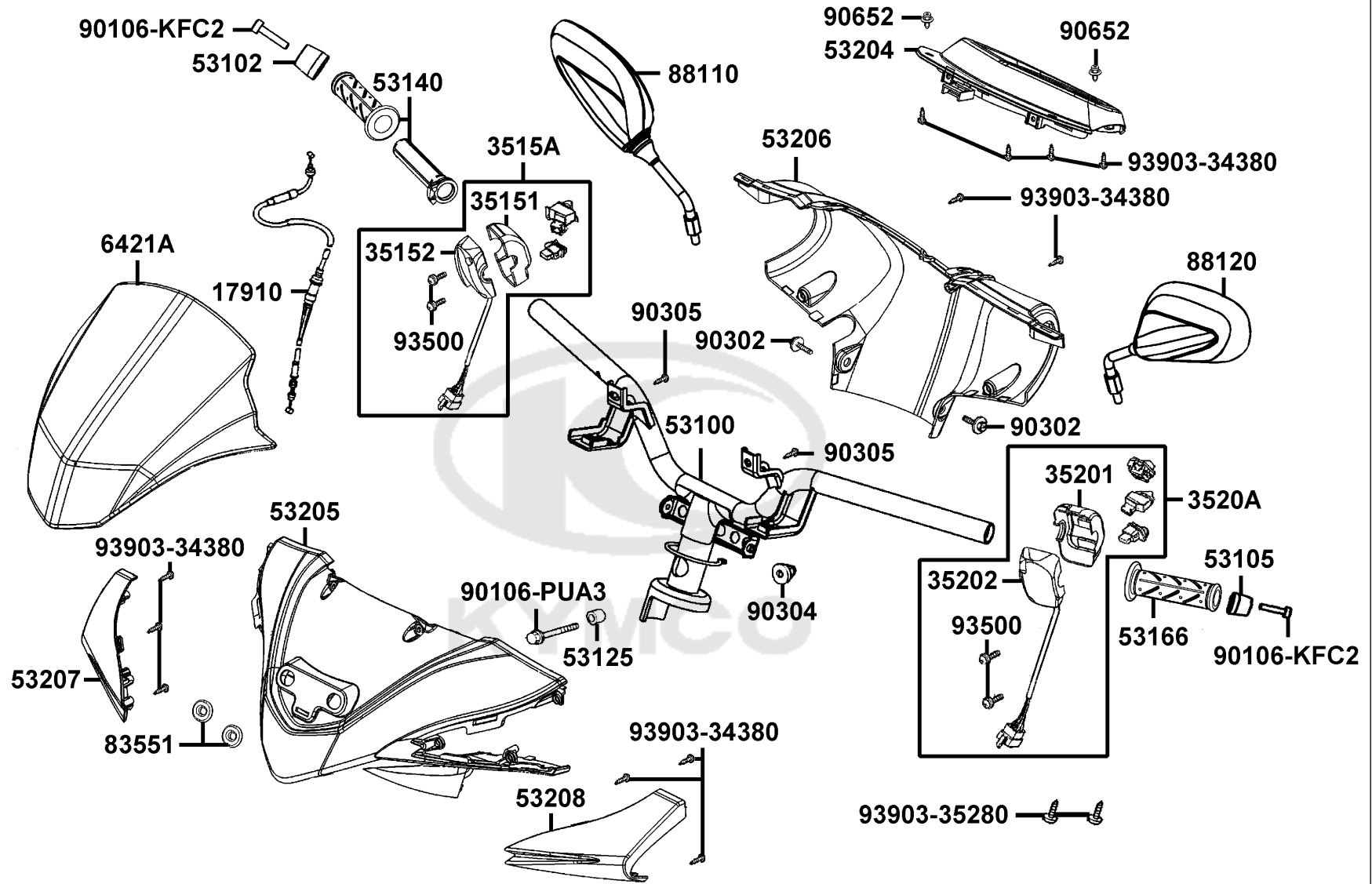
Sales mark	Ref no	Part no	Description	Reg description	Regd no	F02
------------	--------	---------	-------------	-----------------	---------	------------

37200	37200	ALJ8-E10	METER ASSY COMBINATION	METER ASSY COMBINATION	1	
44830	44830	LCD3-C00	CABLE COMP SPDMT	CABLE COMP SPDMT	1	
93903-34320	93903-34320	93903-34320-G	SCREW TAPPING 4*12	SCREW TAPPING 4*12	8	
93903-35280	93903-35280	93903-35280-G	SCREW TAPPING 5*12 (K)	SCREW TAPPING 5*12 (KG)	3	



F03

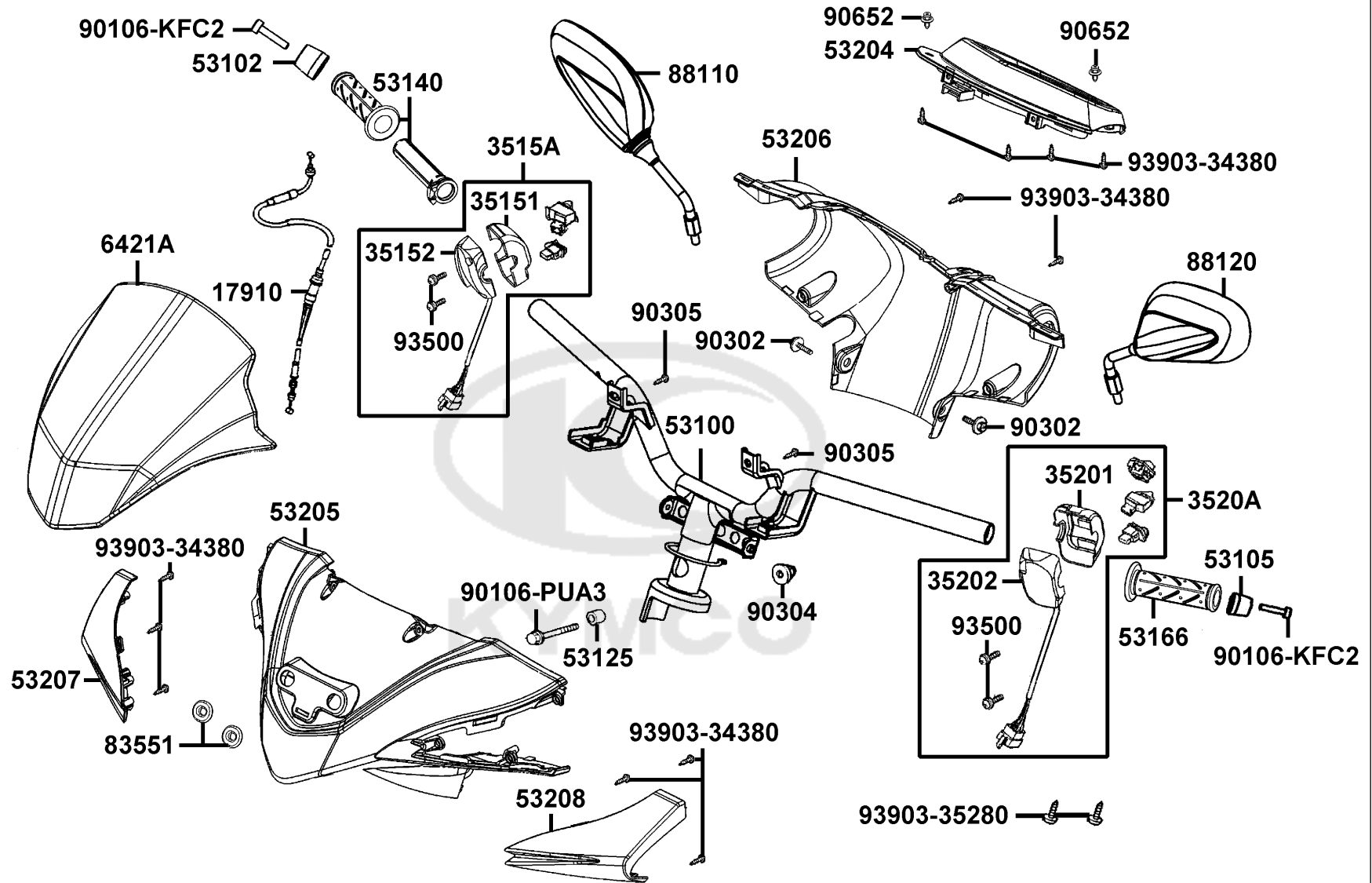
Handle Steering Handle Cover



Sales mark	Ref no	Part no	Description	Reg description	Regd no	F03
	17910	17910-ACC1-EZ5	CABLE COMP THROT	CABLE COMP THROT	1	
	35151	35151-LGB5-EV0	FR CASE RH HNDL COMP SW	FR CASE RH HNDL COMP SW	1	
	35152	35152-LGB5-E10	RR CASE RH HNDL COMP SW	RR CASE RH HNDL COMP SW	1	
	3515A	3515A-LGB5-EV0	SW ASSY RH HANDLE COMP	SW ASSY RH HNDL COMP	1	
	35201	35201-LGB5-E10	FR CASE LH HNDL COMP SW	FR CASE LH HNDL COMP SW	1	
	35202	35202-LGB5-E10	RR CASE LH HNDL SW COMP	RR CASE LH HNDL SW COMP	1	
	3520A	3520A-LGB5-E11	"SW ASS'Y..LH HANDLE COMP"	"SW ASS'Y..LH HANDLE COMP"	1	
	53100	53100-ALJ9-E12	HANDLE COMP STRG	HANDLE COMP STRG	1	
	53102	53102-ALJ8-E10	"END,L HANDLE"	"END,L HANDLE"	1	
	53105	53105-ALJ8-E10	"END,R HANDLE"	"END,R HANDLE"	1	
	53125	53125-GEN5-C00	COLLAR HANDLE SET	COLLAR HANDLE SET	1	
	53140	53140-ALJ8-E10	GRIP COMP THROT	GRIP COMP THROT	1	
**	53204	53204-ALJ8-E10	COVER METER	COVER METER	1	
**	53205	53205-ALJ8-E10	COVER HANDLE FRONT	COVER HANDLE FRONT	1	
**	53206	53206-ALJ8-E10	COVER RR HANDLE	COVER RR HANDLE	1	
**	53207	53207-ALJ8-E10	PROTECTOR R HANDLE	PROTECTOR R HANDLE	1	
**	53208	53208-ALJ8-E10	PROTECTOR L HANDLE	PROTECTOR L HANDLE	1	
**	6421A	6421A-ALJ8-E11	ASSY METER VISOR	ASSY METER VISOR	1	
	83551	83551-KKAK-C00	GROMMET AIR CLEANER C	GROMMET AIR CLEANER CASE	2	
**	88110	88110-LEB5-C11	MIRROR ASSY R BACK	MIRROR ASSY R BACK	1	

F03

Handle Steering Handle Cover

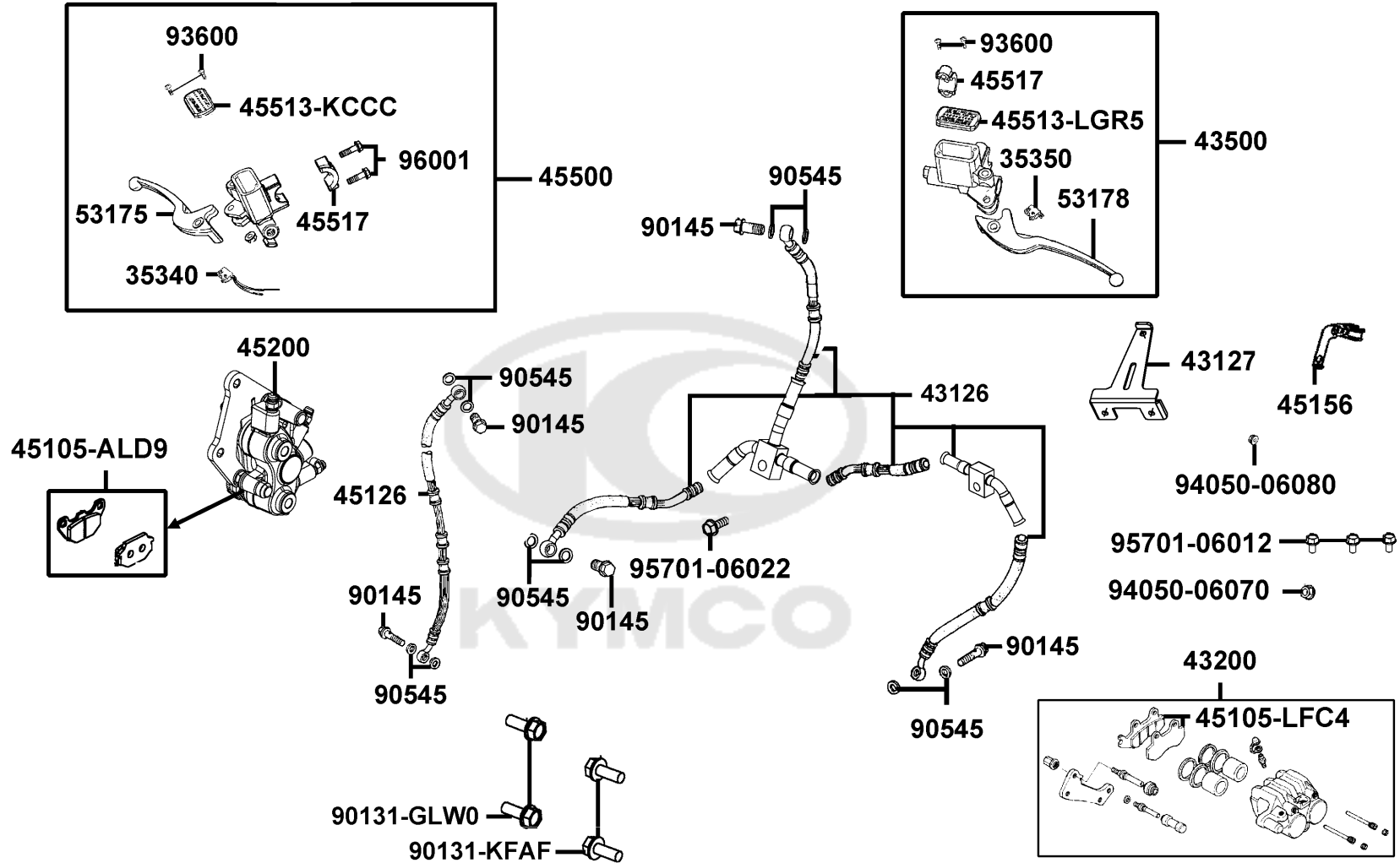


Sales mark	Ref no	Part no	Description	Reg description	Regd no	F03
**	88120	88120-LEB5-C11	MIRROR ASSY L BACK	MIRROR ASSY L BACK	1	
	90106-KFC2	90106-KFC2-900	BOLT SPECIAL 8MM	BOLT SPECIAL 8MM	2	
	90106-PUA3	90106-PUA3-B50	BOLT FLANGE 10*50	BOLT FLANGE 10*50	1	
	90302	90302-LLB1-C01	BOLT-WASH 5*12	"BOLT-WASHER,5*12"	2	
	90304	90304-GHE8-C01	NUT U 10MM (C)	NUT U 10MM(C)	1	
	90305	90305-GHK8-C01	NUT CLIP 6MM	NUT CLIP 6MM	4	
	90652	90652-LCA4-C10	CLIP MUDGUARD	CLIP MUDGUARD	2	
	93500	93500-05025	SCREW PAN 5*25	SCREW PAN 5*25	4	
	93903-34380	93903-34380-G	SCREW TAPPING 4x12	SCREW TAPPING 4x12	12	
	93903-35280	93903-35280-G	SCREW TAPPING 5*12 (K)	SCREW TAPPING 5*12 (KG)	2	



F04

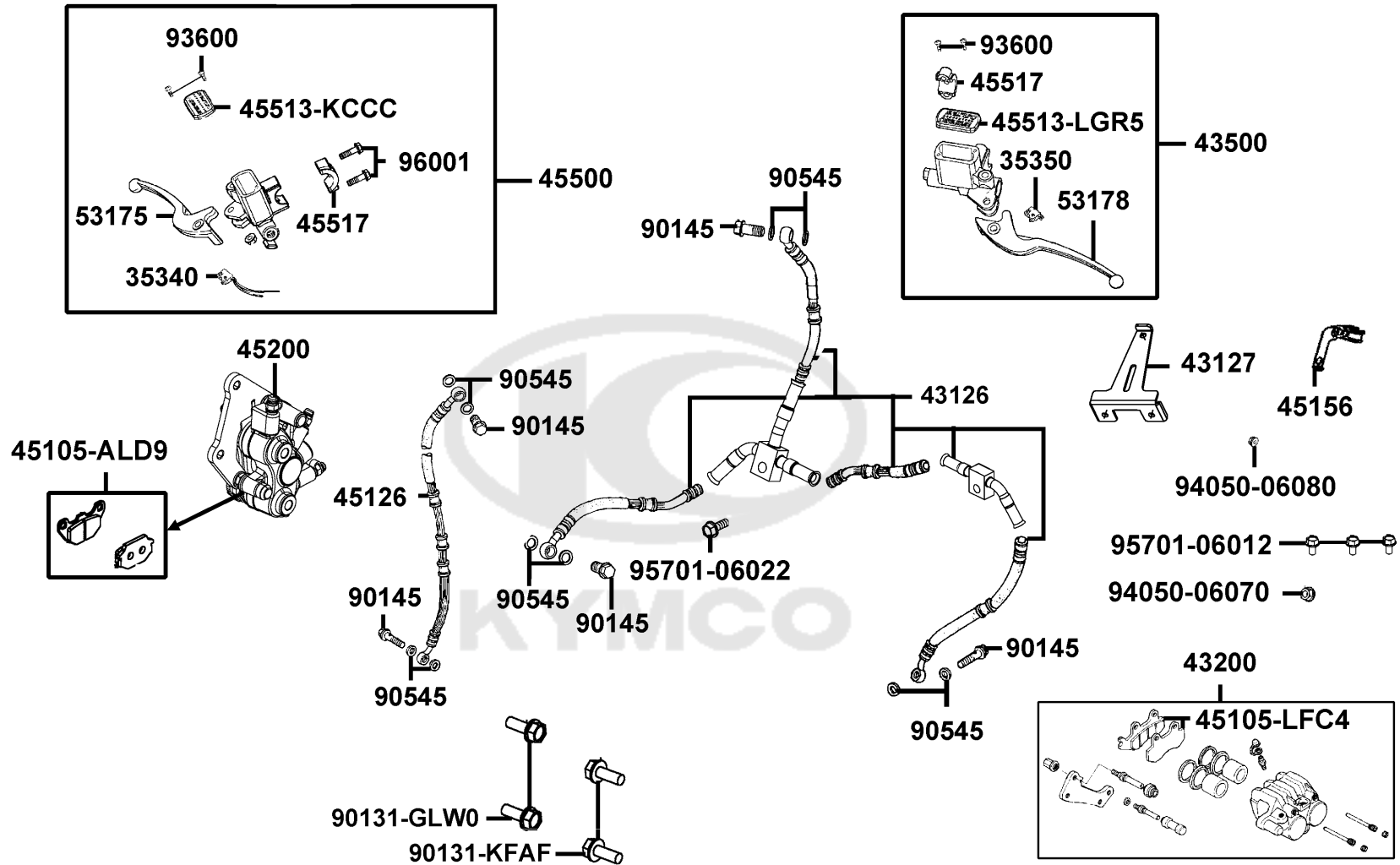
Brake Master Cylinder




Sales mark	Ref no	Part no	Description	Reg description	Regd no	F04
	35340	35340-KNBN-C00	SW ASSY FR STOP	SW ASSY FR STOP	1	
	35350	35350-KNBN-C00	SW ASSY RR STOP	SW ASSY RR STOP	1	
	43126	43126-ALJ9-E12	HOSE ASSY RR BRK (CBS)	HOSE ASSY RR BRK (CBS)	1	
	43127	43127-ALJ9-E12	CBS STAY	HANDLE COMP STRG	1	
**	43200	43200-ALJ9-E15	CALIPER ASSY RR BRK	CALIPER ASSY RR BRK	1	
**	43500	43500-LFC3-E10	M/C ASY RR BRK	M/C ASY RR BRK	1	
	45105-ALD9	45105-ALD9-306	PAD COMP A&B	PAD COMP A&B	1	
	45105-LFC4	45105-LFC4-305	PAD A&B	PAD A&B	1	
	45126	45126-ALJ9-E12	HOSE ASSY FR BRK	HOSE ASSY FR BRK	1	
	45156	45156-ALD9-E14	CLAMPER FR BRAKE HOSE	CLAMPER BRK HOSE	1	
**	45200	45200-ALJ9-E12	CALIPER ASSY FR BRK	CALIPER ASSY FR BRK	1	
**	45500	45500-ALJ8-E10	M/C ASSY FR	M/C ASSY FR	1	
	45513-KCCC	45513-KCCC-900	CAP M/C	CAP M/C	1	
	45513-LGR5	45513-LGR5-E10	CAP M/C	CAP M/C	1	
	45517	45517-KFAF-910	HOLDER M/C	HOLDER M/C	2	
	53175	53175-KTCT-C01	LEVER R STRG HNDL	LEVER R STRG HNDL	1	
**	53178	53178-KNBN-C00	LEVER L STRG HANDLE	LEVER L STRG HANDLE	1	
	90131-GLW0	90131-GLW0-C03	BOLT FLANGE 8*35	BOLT FLANGE 8*35	2	
	90131-KFAF	90131-KFAF-C03	BOLT FLANGE 8*42	BOLT FLANGE 8*42	2	
	90145	90145-9A61-C00	OIL BOLT 10*22	OIL BOLT 10*22	1	

F04

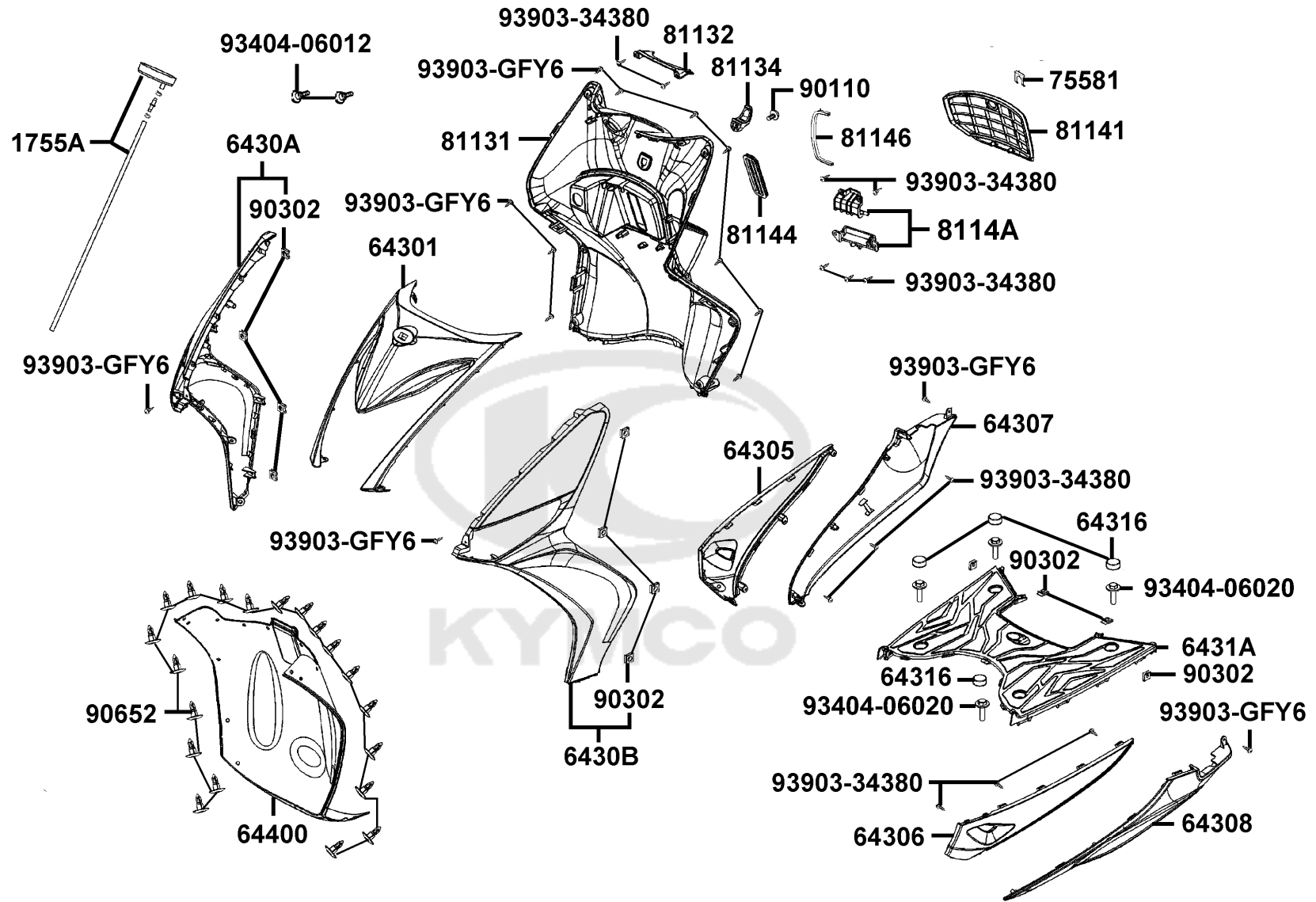
Brake Master Cylinder



Sales mark	Ref no	Part no	Description	Reg description	Regd no	F04
	90545	90545-3L00-C00	WASHER OIL BOLT	WASHER OIL BOLT	1	
	93600	93600-04012-1G	SCREW FLAT 4*12	SCREW FLAT 4*12	4	
	94050-06070	94050-06070-G	NUT FLANGE 6MM (KG)	NUT FLANGE 6MM (G)	1	
	94050-06080	94050-06080-G	NUT FLANGE 6MM	NUT FLANGE 6MM	1	
	95701-06012	95701-06012-07G	BOLT FLANGE 6X12(KG)	BOLT FLANGE 6X12(KG)	3	
	95701-06022	95701-06022-07G	BOLT FLANGE 6*22 (K)	BOLT FLANGE 6*22 (K)	1	
	96001	96001-06025-00	BOLT FLANGE SH 6*25	BOLT FLANGE SH 6*25	2	
						

F05

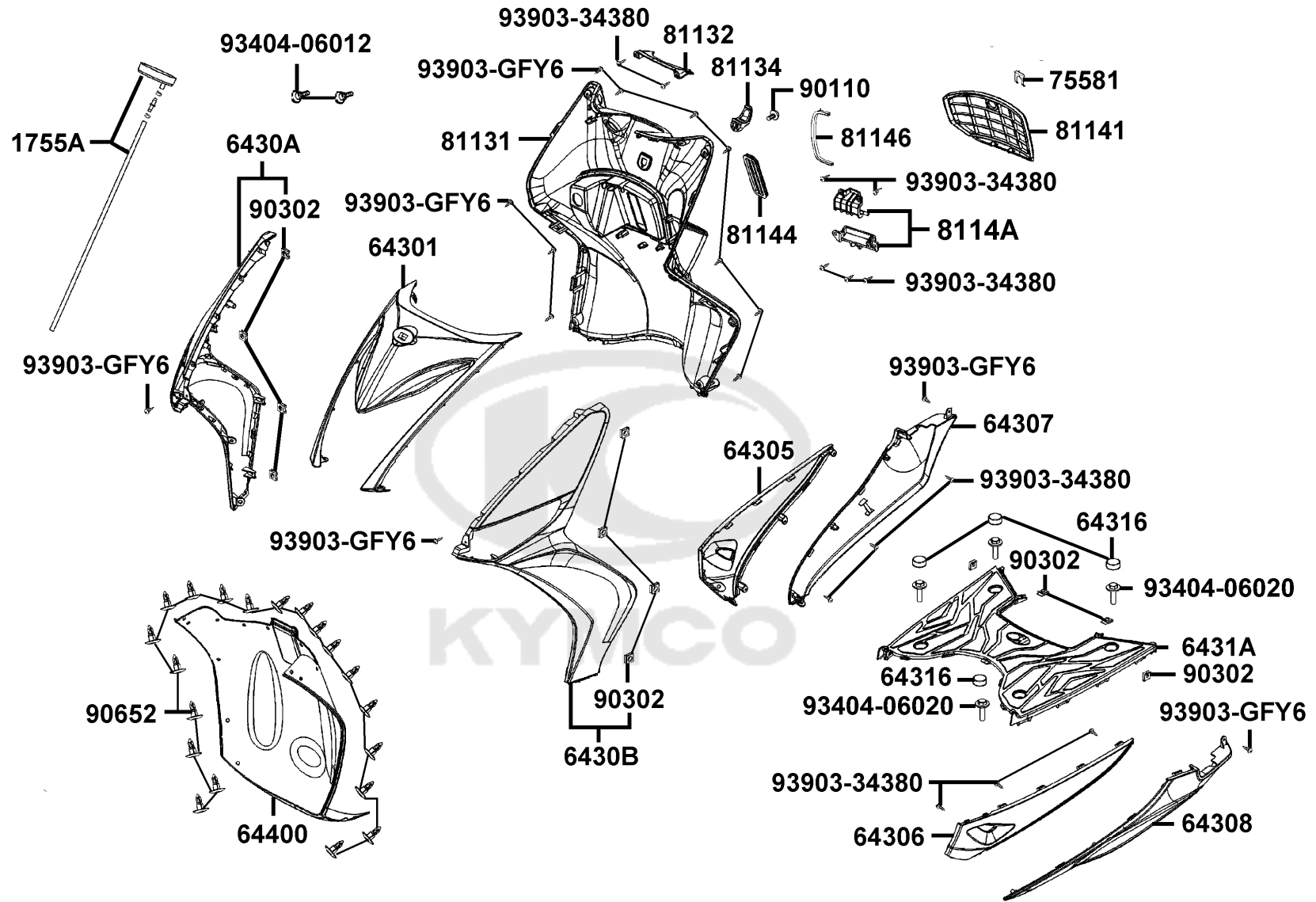
Front Cover Front Fender



Sales mark	Ref no	Part no	Description	Reg description	Regd no	F05
	1755A	1755A-ALJ8-E10	TRAY ASSY FUEL CAP	TRAY ASSY FUEL CAP	1	
**	64301	64301-ALJ8-E10	COVER FR	COVER FR	1	
**	64305	64305-ALJ8-E10	SKIRT R SIDE	SKIRT R SIDE	1	
**	64306	64306-ALJ8-E10	SKIRT L SIDE	SKIRT L SIDE	1	
**	64307	64307-ALJ8-E10	COVER R SIDE SKIRT	COVER R SIDE SKIRT	1	
**	64308	64308-ALJ8-E10	COVER L SIDE SKIRT	COVER L SIDE SKIRT	1	
**	6430A	6430A-ALJ8-E10	FRONT COVER	FRONT COVER	1	
**	6430B	6430B-ALJ8-E10	MOLDING FRONT COMP	MOLDING FRONT COMP	1	
**	64316	64316-LCB9-C10	PLUG FLOOR	PLUG FLOOR	1	
**	6431A	6431A-ALJ8-E10	FLOOR ASSY PANEL	FLOOR ASSY PANEL	1	
**	64400	64400-ALJ8-E10	COWL ASSY UNDER	COWL ASSY UNDER	1	
	75581	75581-6C73-C00	SET SPG LOCK KET(43*C)	SET SPG LOCK KET(43*C)	1	
**	81131	81131-BLA8-E80	LEG SHIELD	LEG SHIELD	1	
**	81132	81132-BLA8-E80	CAP LEG SHIELD UP	CAP LEG SHIELD UP	1	
	81134	81134-KGBG-C00	HOOK LUGGAGE	HOOK LUGGAGE	1	
**	81141	81141-ALJ8-E10	LID INNER BOX	LID INNER BOX	1	
	81144	81144-ALJ8-E10	LID LEG SHIELD	LID LEG SHIELD	1	
	81146	81146-ALJ8-E10	SEAL A LID INNER BOX	SEAL RUBBER A	1	
**	8114A	8114A-ALJ8-E10	HING ASSY	HING ASSY	1	
	90110	90110-GLW0-C00	SCREW SPECIFIED 6*14	SCREW SPECIAL 6*14(CR)	1	

F05

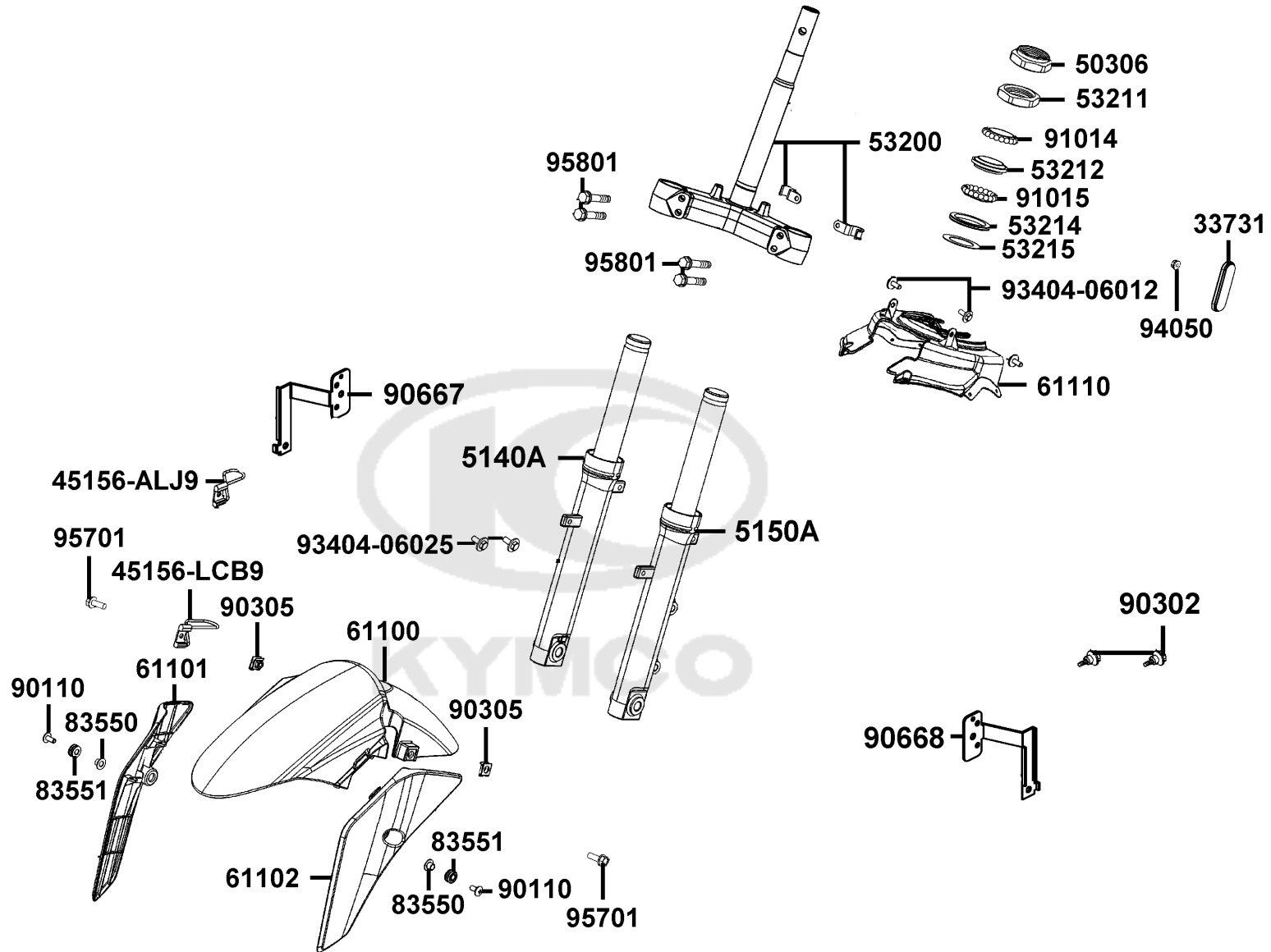
Front Cover Front Fender



Sales mark	Ref no	Part no	Description	Reg description	Regd no	F05
90302	90302-SDA4-C01	90302-SDA4-C01	"NUT,SPPING 4MM"	"NUT,SPPING 4MM"	30	
90652	90652-LFB5-C00	90652-LFB5-C00	"CLIP,MUDGUARD"	"CLIP,MUDGUARD"	7	
93404-06012	93404-06012-07G	93404-06012-07G	BOLT WASHER 6*12 (K)	BOLT WASHER 6*12 (K)	2	
93404-06020	93404-06020-07G	93404-06020-07G	BOLT-WASH 6x20	BOLT-WASH 6x20	8	
93903-34380	93903-34380-G	93903-34380-G	SCREW TAPPING 4x12	SCREW TAPPING 4x12	22	
93903-GFY6	93903-GFY6-C01	93903-GFY6-C01	SCREW TAPPING 4*14(K)	"SCREW,TAPPING4*14"	14	



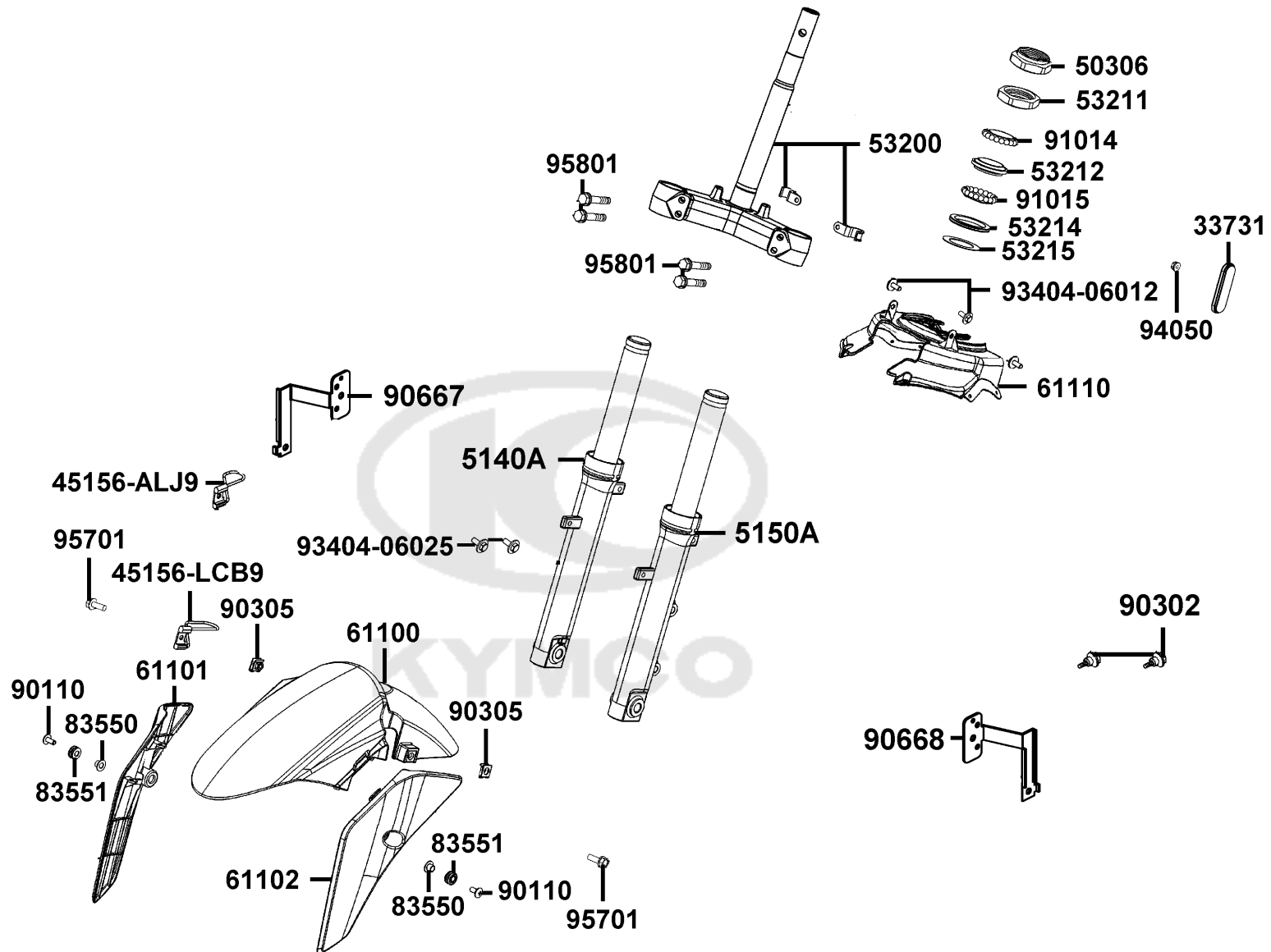
Stem Steering Front Cushion



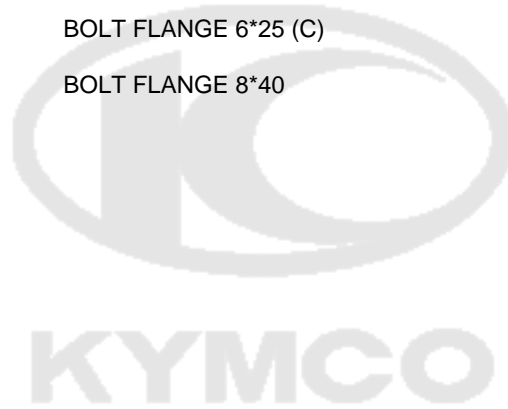
Sales mark	Ref no	Part no	Description	Reg description	Regd no	F06
	33731	33731-KGB5-EZ0	REFLEX REFLECTOR SIDE	REFLEX REFLECTOR SIDE	1	
	45156-ALJ9	45156-ALJ9-E15	CLAMPER FR BRAKE HOSE	CLAMPER FR BRAKE HOSE	1	
	45156-LCB9	45156-LCB9-B21	CLAMPER FR. BRK. HOSE	CLAMPER FR. BRK. HOSE	1	
	50306	50306-1F96-C00	NUT STRG STEM LOCK	NUT STRG STEM LOCK	1	
**	5140A	5140A-ALJ8-E10	FORK SET R FR.	FORK SET R FR.	1	
**	5150A	5150A-ALJ8-E10	FORK SET L FR.	FORK SET L FR.	1	
	53200	53200-ALJ9-E12	STEM COMP STRG	STEM COMP STRG	1	
	53211	53211-GFY6-C00	RACE STRG. CONE TOP	RACE STRG. CONE TOP	1	
	53212	53212-2L50-C00	RACE STRG. BOTTOM CONE	RACE STRG. BOTTOM CONE	1	
	53214	53214-2L50-C00	DUST SEAL STRG HEAD	DUST SEAL STRG. HEAD BOT	1	
	53215	53215-2L50-C00	WASHER STRG HDL DUST-SEAL	"WASHER,STRG. HEAD DUST SEAL"	1	
**	61100	61100-ALJ8-E10	FENDER A FR INNER	FENDER A FR INNER	1	
**	61101	61101-ALJ8-E10	FENDER B FR R	FENDER B FR R	1	
**	61102	61102-ALJ8-E10	FENDER B FR L	FENDER B FR L	1	
**	61110	61110-ALJ8-E10	FENDER FR INNER	FENDER FR INNER	1	
	83550	83550-KEC8-C00	COLLAR SET METER	COLLAR	2	
	83551	83551-KEC8-C10	GROMMET COVER	GROMMET COVER	2	
	90110	90110-KEB7-C01	SCREW SPECIAL 6*14	SCREW FLAT U LOCK	2	
	90302	90302-KNBN-C01	BOLT PAN 5*10	BOLT PAN 5*15.5(K)	2	
	90305	90305-GHK8-C01	NUT CLIP 6MM	NUT CLIP 6MM	2	

F06

Stem Steering Front Cushion

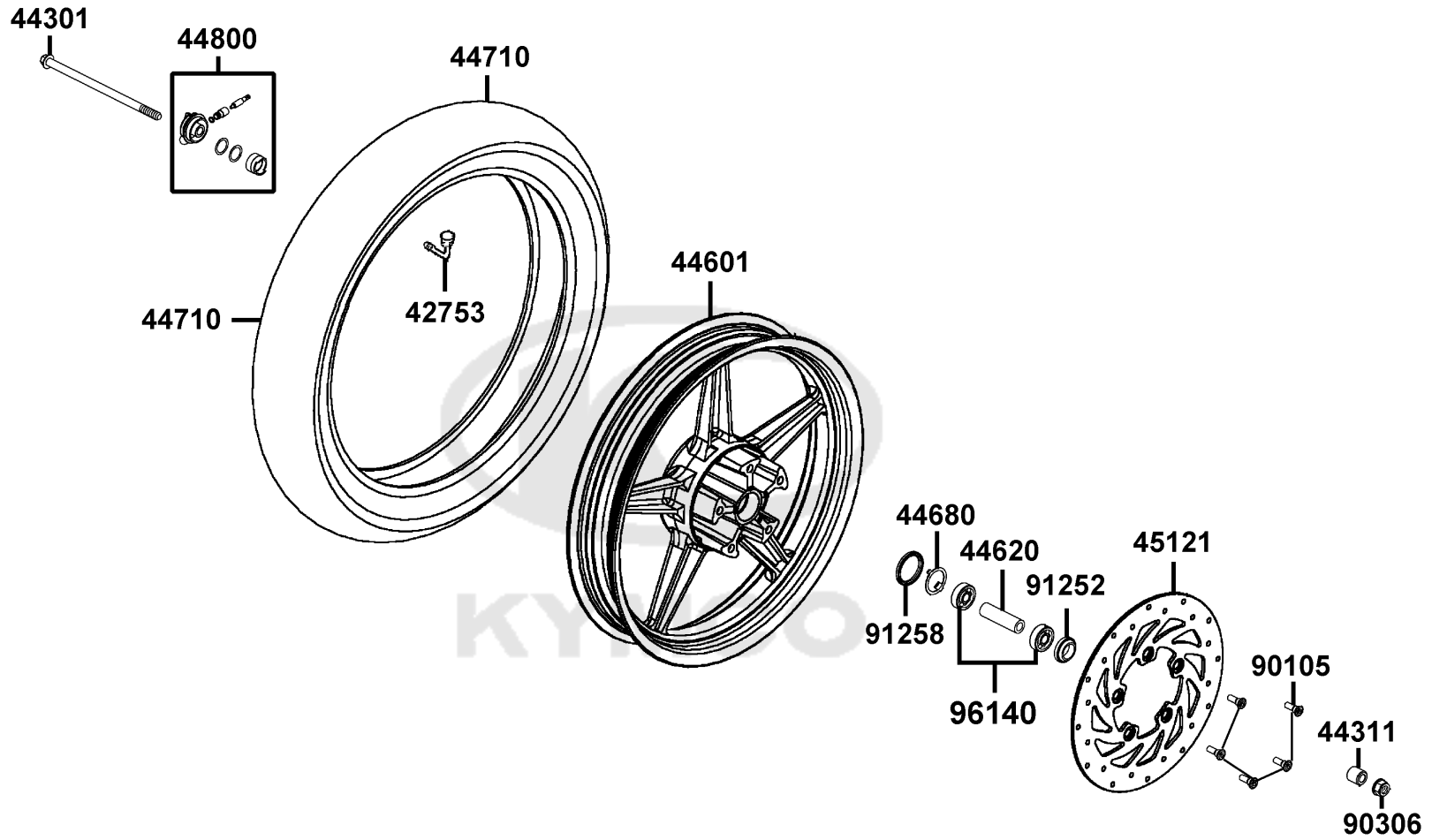


Sales mark	Ref no	Part no	Description	Reg description	Regd no	F06
	90667	90667-LFC2-MG0	"STAY,R/L,SIDE REFLECTOR"	"STAY,R/L,SIDE REFLECTOR"	1	
	90668	90668-LFC2-MG0	"STAY,SIDE REFLECTOR"	"STAY,SIDE REFLECTOR"	1	
	91014	91014-LLJ3-C00	CAGE STRG TOPP	CAGE STRG TOPP	1	
	91015	91015-LLJ3-C00	CAGE STRG BOT	CAGE STRG BOT	1	
	93404-06012	93404-06012-07G	BOLT WASHER 6*12 (K)	BOLT WASHER 6*12 (K)	2	
	93404-06025	93404-06025-07G	BOLT WASHER 6*25 (G)	BOLT WASHER 6*25 (G)	2	
	94050	94050-06080-G	NUT FLANGE 6MM	NUT FLANGE 6MM	2	
	95701	95701-06025-07G	BOLT FLANGE 6*25 (C)	BOLT FLANGE 6X25 (K)	2	
	95801	95801-08040-08G	BOLT FLANGE 8*40	BOLT FLANGE 8*40	4	

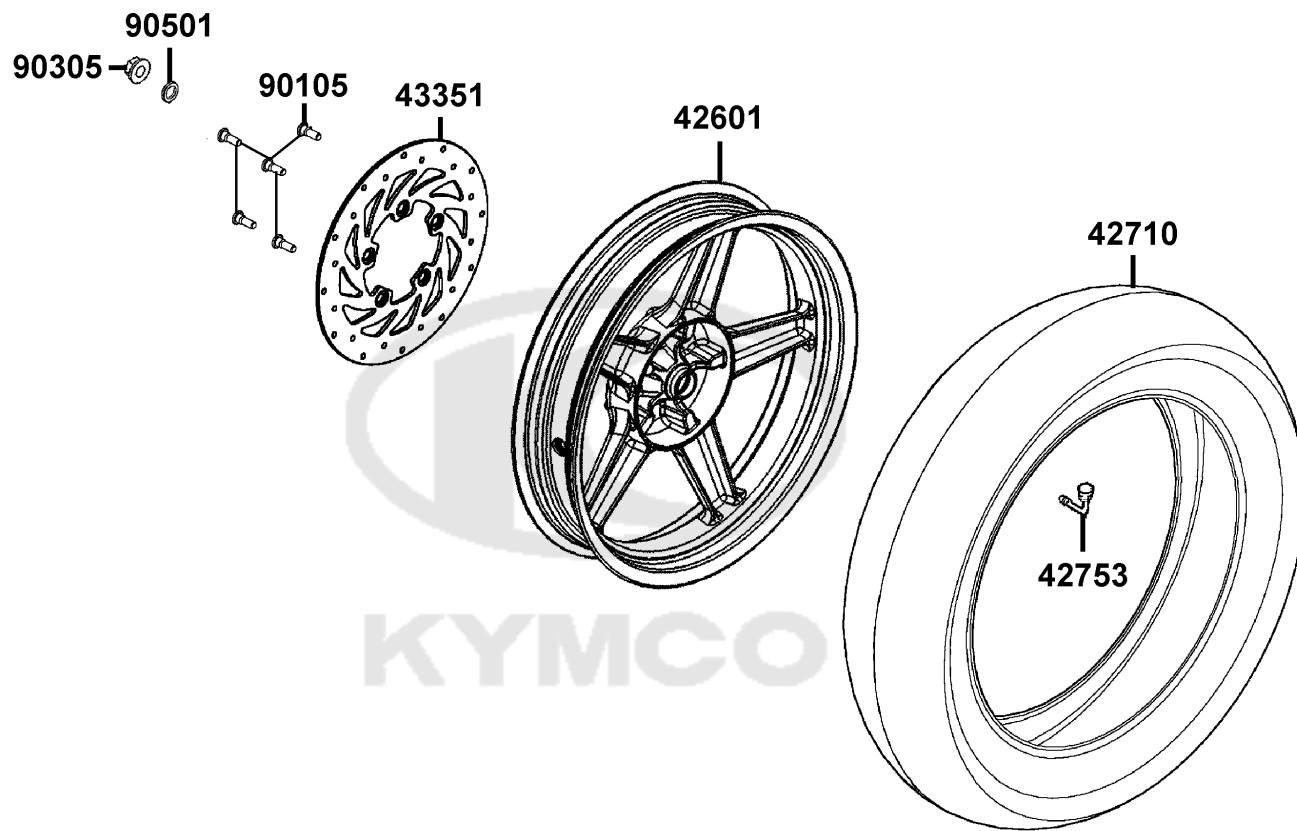


F07

Front Wheel



Sales mark	Ref no	Part no	Description	Reg description	Regd no	F07
	42753	42753-0A01-C00	VALVE (TR 412) & CAP (C)	VALVE (TR 412) & CAP (C)	1	
	44301	44301-LEJ2-E13	AXLE FR WHEEL 12*243(K)	AXLE FR WHEEL 12*243(K)	1	
	44311	44311-LFC2-E10	COLLAR FR WHEEL SIDE	COLLAR FR WHEEL SIDE	1	
**	44601	44601-LFC2-E10	WHEEL CAST FR	WHEEL CAST FR	1	
	44620	44620-KFLF-C00	COLLAR FR DIST	COLLAR FR DIST	1	
	44680	44680-4L10-C00	RETAINER GEAR BOX	RETAINER GEAR BOX	1	
	44710	44710-LFC4-E91	TIRE FR	TIRE ASSY FR ?	1	
	44800	44800-LKD1-E10	GEAR BOX ASSY SPDMT	GEAR BOX ASSY SPDMT	1	
	45121	45121-LFC2-E80	DISK FR BRK	DISK FR BRK	1	
	90105	90105-KCR3-C02	BOLT FR DISK 8*24	BOLT FR DISK 8*24	5	
	90306	90306-LKL5-E31	NUT U FLANGE 12MM(K)	NUT U FLANGE 12MM(K)	1	
	91252	91252-0L30-C00	OIL SEAL 23*37*7	OIL SEAL 23*37*7	1	
	91258	91258-4L10-007	DUST SEAL 40*50*5	DUST SEAL 40*50*5	1	
	96140	96140-63010-10	BEARING BALL RADIAL 6301 U	BEARING BALL RADIAL 6301 U	1	

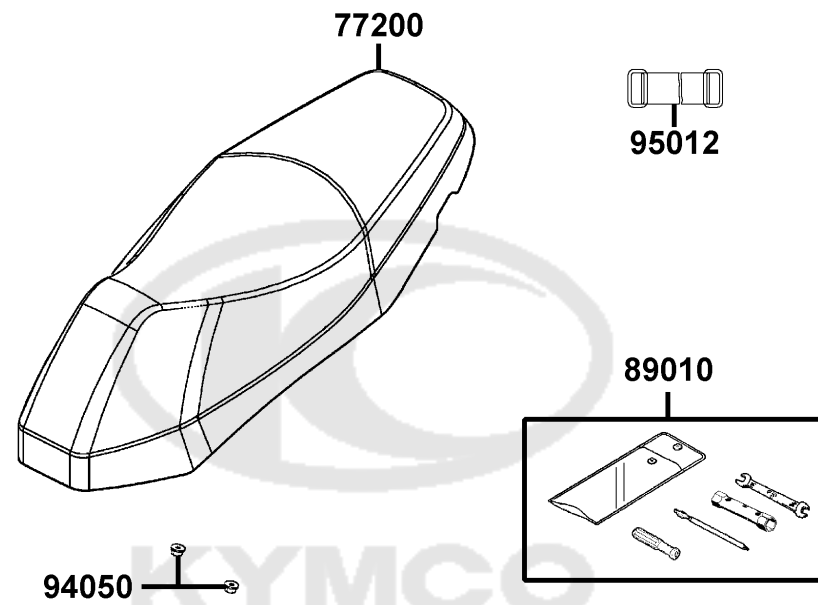


Sales mark	Ref no	Part no	Description	Reg description	Regd no	F08
**	42601	42601-ALJ8-E10	WHEEL COMP FR CAST	WHEEL COMP FR CAST	1	
	42710	42710-ALJ8-E10	TIRE ASSY. RR	TIRE ASSY RR 120/80-14	1	
	42753	42753-0A01-C00	VALVE (TR 412) & CAP (C)	VALVE (TR 412) & CAP (C)	1	
	43351	43351-LFC3-E80	DISK RR BRK	DISK FR BRK	1	
	90105	90105-KCR3-C02	BOLT FR DISK 8*24	BOLT FR DISK 8*24	5	
	90305	90305-KNBN-C03	NUT U 16MM(C)	NUT U 16MM(K)	1	
	90501	90501-KNBN-C01	WASHER 16MM	WASHER 16MM	1	



F09

Seat



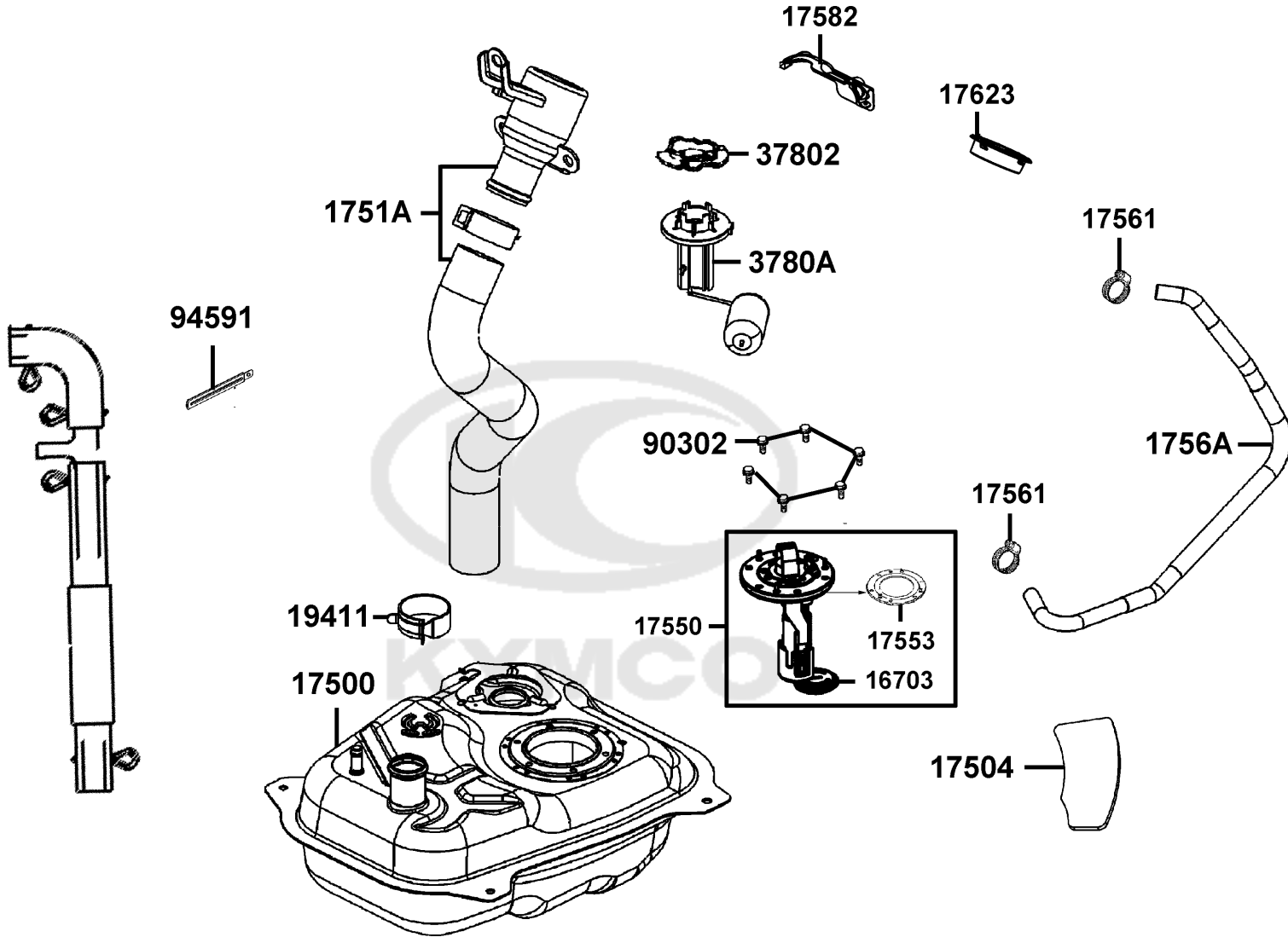
Sales mark	Ref no	Part no	Description	Reg description	Regd no	F09
------------	--------	---------	-------------	-----------------	---------	------------

**	77200	77200-BLA8-E80	SEAT ASSY	SEAT ASSY	1	
	89010	89010-KGBG-C00	TOOL SET	TOOL SET	1	
	94050	94050-06080-G	NUT FLANGE 6MM	NUT FLANGE 6MM	2	
	95012	95012-KGE2-C10	BATTERY BAND	BATTERY BAND	1	



F10

Fuel Tank



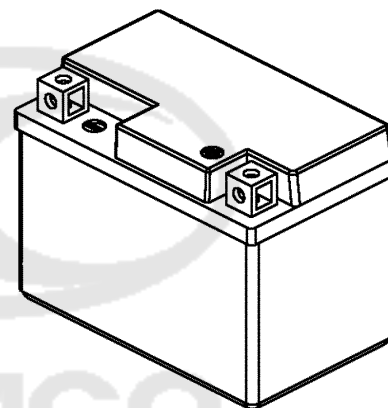
Sales mark	Ref no	Part no	Description	Reg description	Regd no	F10
	16703	16703-LKD2-M90	FUEL FILTER COMP	FUEL FILTER COMP	1	
	17500	17500-ALJ8-E10	TANK COMP FUEL	TANK COMP FUEL	1	
	17504	17504-ALJ8-E10	SPONGE TANK	SPONGE TANK	1	
	1751A	1751A-ALJ9-E15	TUBE PIPE ASSY	FUEL PIPE ASSY	1	
	17550	17550-ALD9-E14	FUEL PUMP ASSY	FUEL PUMP ASSY	1	
	17553	17553-LEB2-900	PACKING PUMP	PACKING PUMP	1	
	17561	17561-LGK8-C00	CLIP 12.0	CLIP 12.0	2	
	1756A	1756A-ALJ8-E10	TUBE PUMP INJECTOR	TUBE PUMP INJECTOR	1	
**	17582	17582-ALJ8-E10	HEAT GUARD FUEL TANK	HEAT GUARD FUEL TANK	1	
**	17623	17623-ALJ8-E10	COLLAR FUEL CAP	COLLAR FUEL CAP	1	
	19411	19411-KBCB-900	CLIP HOSE	CLIP HOSE	1	
	37802	37802-GGA7-C00	RET FUEL UNIT	RET FUEL UNIT	1	
	3780A	3780A-ALJ8-E10	FUEL UNIT. ASSY.	FUEL UNIT ASSY	1	
	90302	90302-GFY6-C11	BOLT-WASH 5*16	BOLT-WASH 5*16	6	
	94591	94591-LGR5-E10	CLIP 1*100	CLIP 1*100	1	

F11

Battery

98200-11000 

98200-11500 

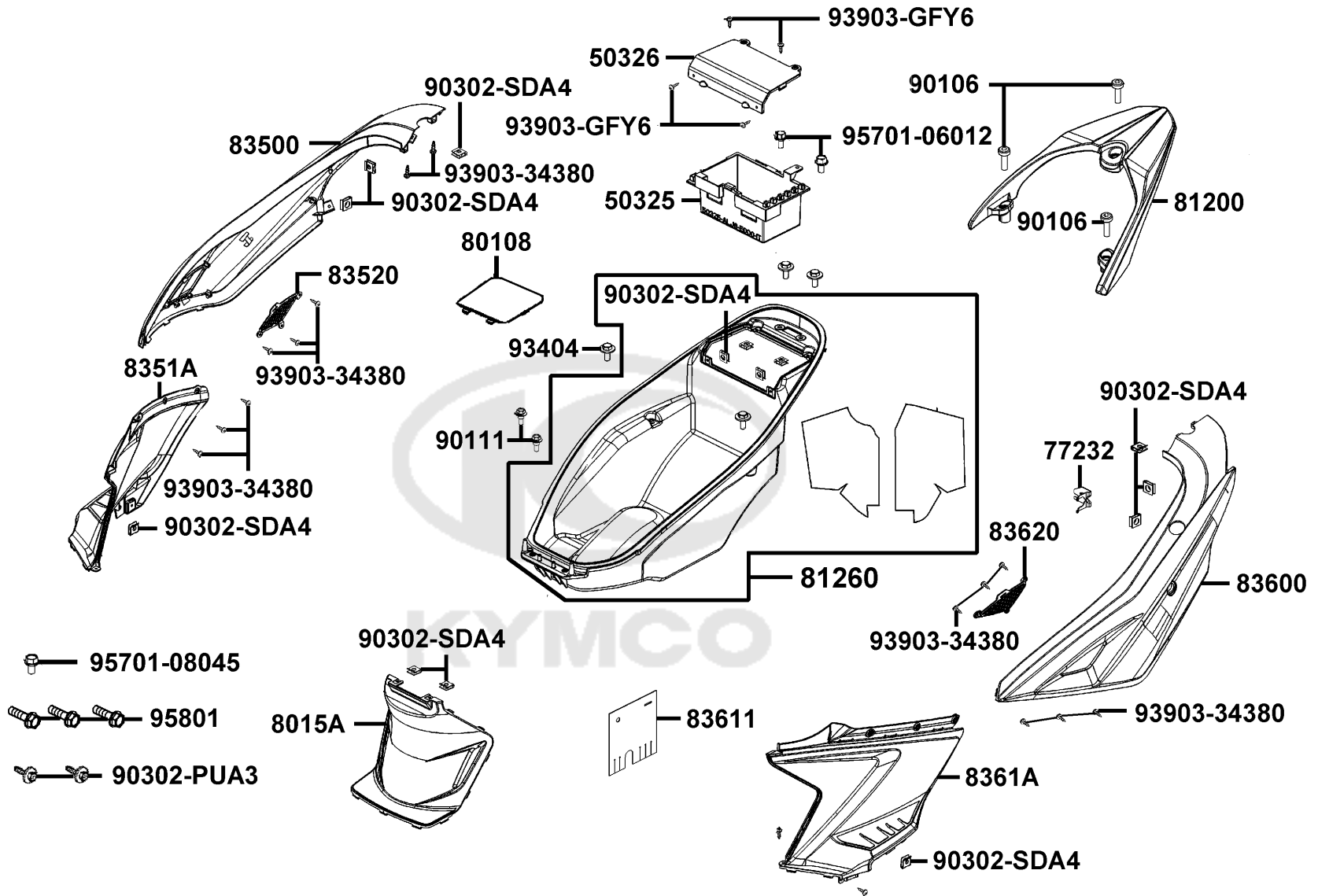


KYMCO

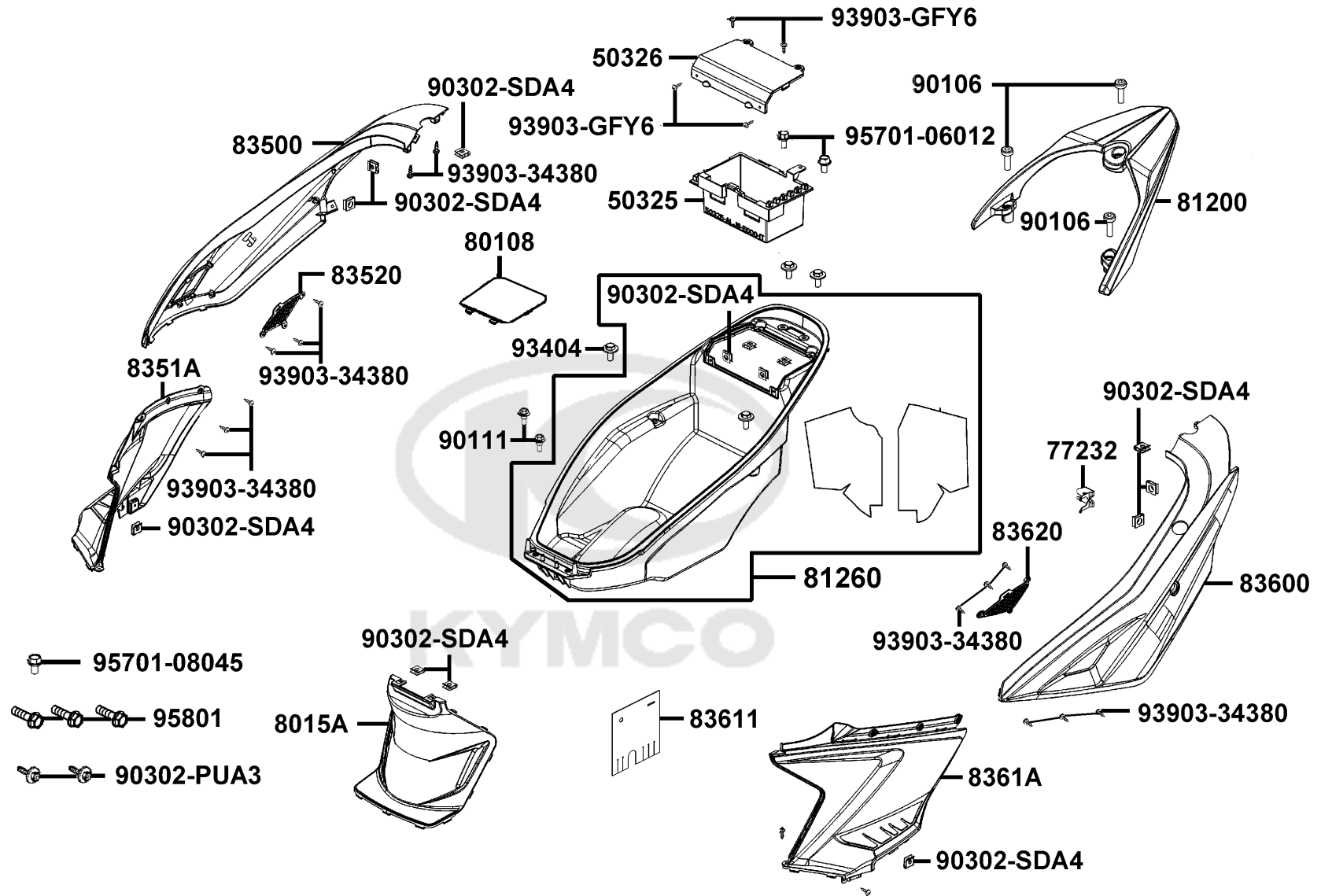
Sales mark	Ref no	Part no	Description	Reg description	Regd no	F11
------------	--------	---------	-------------	-----------------	---------	------------

98200-11000	98200-11000	FUSE A10	FUSE 10A	1	
98200-11500	98200-11500	FUSE A15	FUSE A15	1	





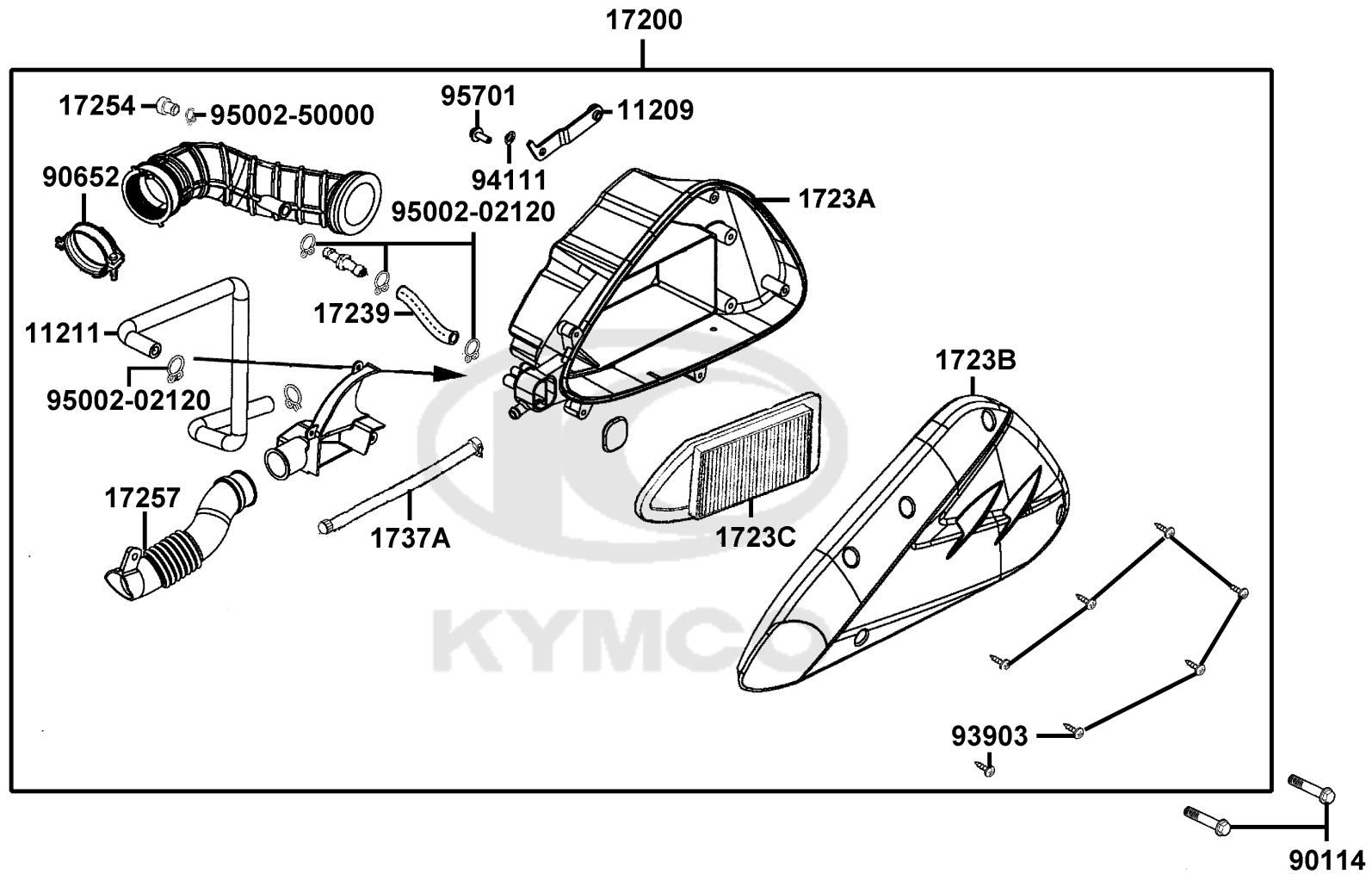
Sales mark	Ref no	Part no	Description	Reg description	Regd no	F12
	77232	77232-KCAC-C00	SET SPG SEAT LOCK	SET SPG SEAT LOCK	1	
**	80108	80108-BLA8-E80	FENDER B RR INNER	FENDER B RR INNER	1	
**	8015A	8015A-ALJ8-E10	COVER ASSY CENTER	COVER ASSY CENTER	1	
	81200	81200-BLA8-E80	CARRIER RR ASSY	CARRIER RR ASSY	1	
**	81260	81260-BLA8-E80	BOX ASSY LUGGAGE	BOX ASSY LUGGAGE	1	
**	83500	83500-ALJ8-E10	COVER R BODY	COVER R BODY	1	
**	8351A	8351A-ALJ8-E10	COVER R RR SIDE	COVER R RR SIDE	1	
**	83520	83520-ALJ8-E10	LID R BODY COVER	LID R BODY COVER	1	
**	83600	83600-ALJ8-E10	COVER L BODY	COVER L BODY	1	
	83611	83611-ALJ8-E10	PLATE SPLASH BOARD	PLATE SPLASH BOARD	1	
**	8361A	8361A-ALJ8-E10	COVER L RR SIDE	COVER L RR SIDE	1	
**	83620	83620-ALJ8-E10	LID L BODY COVER	LID L BODY COVER	1	
	90106	90106-KFC2-900	BOLT SPECIAL 8MM	BOLT SPECIAL 8MM	3	
	90111	90111-1G87-C01	BOLT FLANGE 6MM	BOLT FLANGE 6MM	2	
	90302-PUA3	90302-PUA3-B51	BOLT-WASH 5*12	BOLT-WASH 5*12	2	
	90302-SDA4	90302-SDA4-C01	"NUT,SPPING 4MM"	"NUT,SPPING 4MM"	10	
	93404	93404-06012-07G	BOLT WASHER 6*12 (K)	BOLT WASHER 6*12 (K)	5	
	93903-34380	93903-34380-G	SCREW TAPPING 4x12	SCREW TAPPING 4x12	14	
	93903-GFY6	93903-GFY6-C01	SCREW TAPPING 4*14(K)	"SCREW,TAPPING4*14"	4	
	95701-06012	95701-06012-08G	BOLT FLANGE 6*12	BOLT FLANGE 6*12	2	



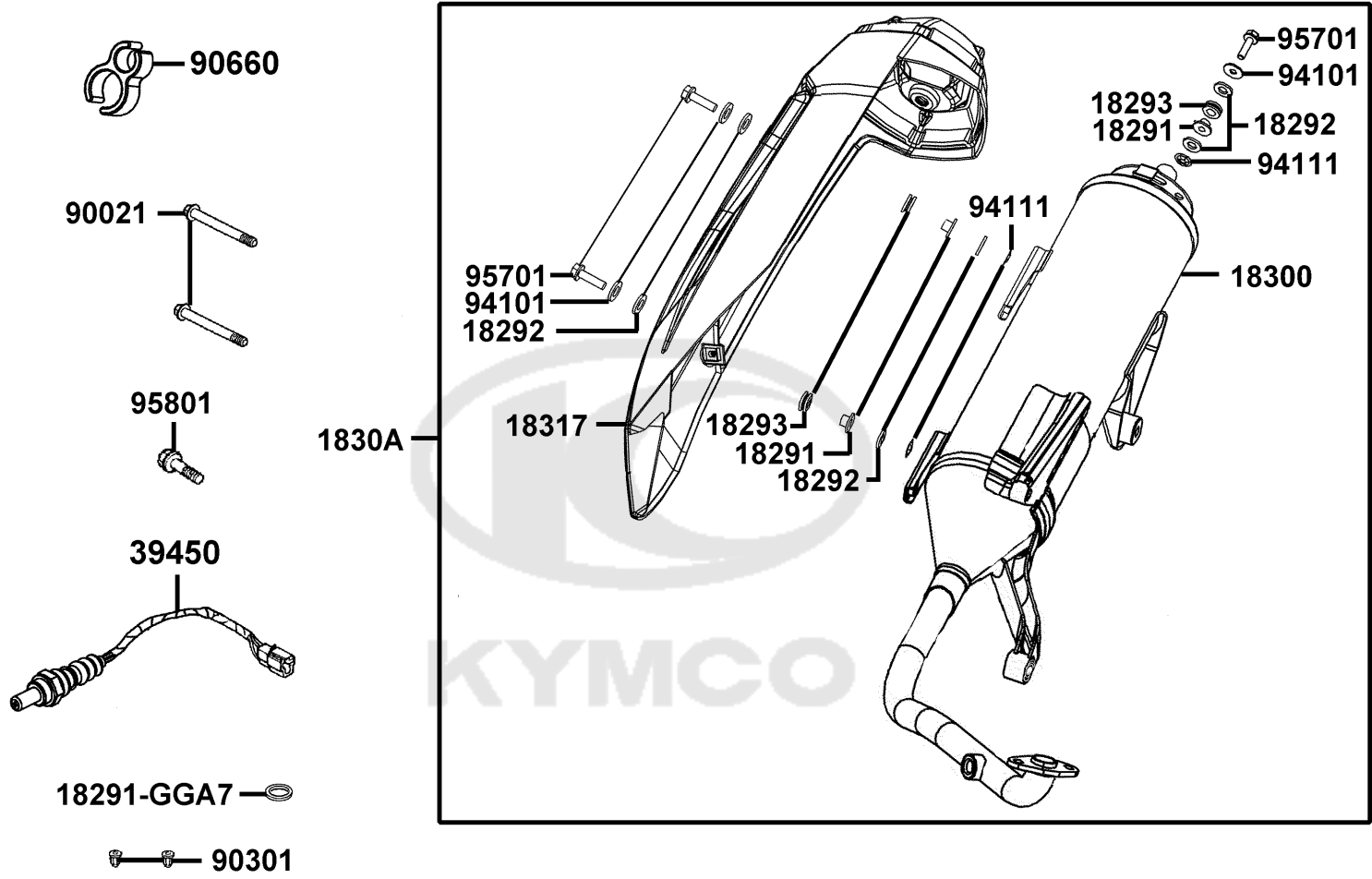
Sales mark	Ref no	Part no	Description	Reg description	Regd no	F12
------------	--------	---------	-------------	-----------------	---------	------------

	95701-08045	95701-08045-07G	BOLT FLANGE 8*45(K)	BOLT FLANGE 8*45(K)	1	
	95801	95801-08060-07G	BOLT FLANGE 8*60(G)	BOLT FLANGE 8*60(G)	2	

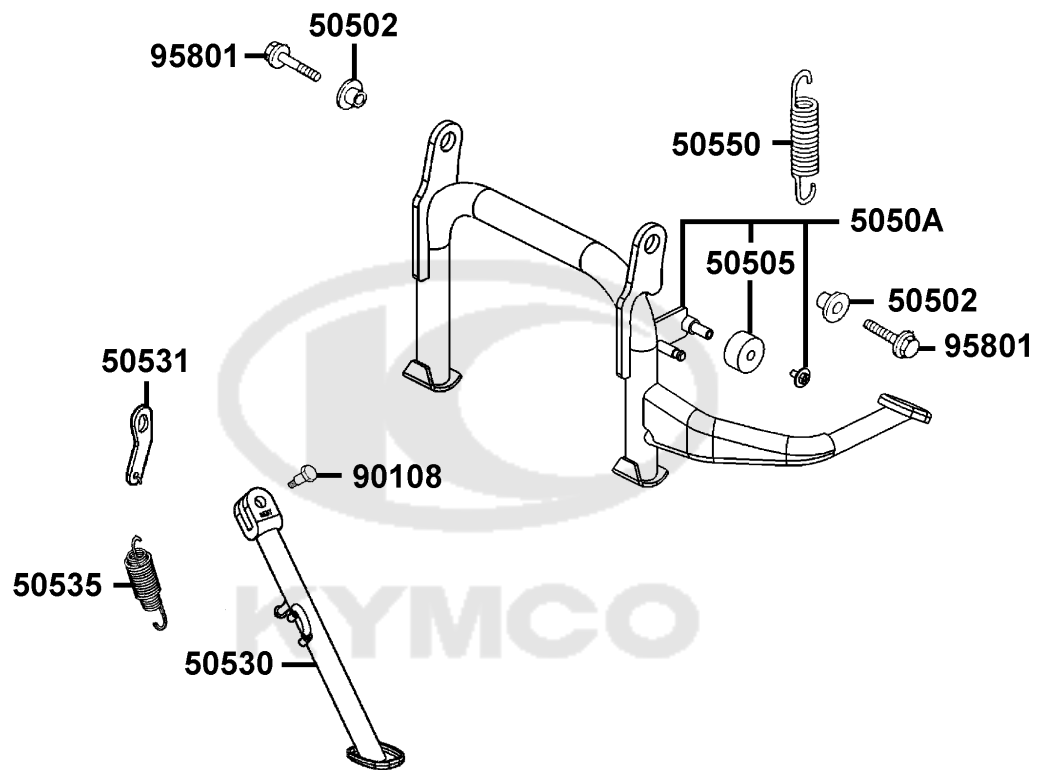




Sales mark	Ref no	Part no	Description	Reg description	Regd no	F13
11209		11209-LCD3-E00	STAY B RR FENDER	STAY B RR FENDER	1	
11211		11211-LKD2-C00	TUBE BREATHER	TUBE BREATHER	1	
17200		17200-BLA8-E80	AIR/C ASSY	AIR/C ASSY	1	
17239		17239-KHB4-C00	TUBE AIR/C BLOW BY	TUBE AIR/C BLOW BY	1	
1723A		1723A-LKD2-E10	CASE ASSY AIR/C	CASE ASSY AIR/C	1	
1723B		1723B-LFC4-E10	COVER COMP AIR/C	COVER COMP AIR/C	1	
1723C		1723C-LEJ3-E10	ELEMENT ASSY AIR/C	ELEMENT COMP AIR/C	1	
17254		17254-KACA-P00	PLUG AIR/C CONN TUBE	PLUG AIR/C CONN TUBE	1	
17257		17257-AKC6-E10	DUCT AIR/C	DUCT AIR/C	1	
1737A		1737A-LCD3-E00	V TUBE ASSY	V TUBE ASSY	1	
90114		90114-GDM4-C01	BOLT FLANGE SH 6*28	BOLT FLANGE SH 6*28	1	
90652		90652-GFY6-C00	BAND 49 AIR/C CONNECTING TUBE	BAND 49 AIR/C CONNECTING TUBE	1	
93903		93903-25480	SCREW TAPPING 5*20 (K)	SCREW TAPPING 5*20 (K)	6	
94111		94111-06800	WASHER SPRING 6MM	WASHER SPRING 6MM	1	
95002-02120		95002-02120	CLIP B12 TUBE	CLIP B12 TUBE	5	
95002-50000		95002-50000	CLIP C9 TUBE	CLIP C9 TUBE	1	
95701		95701-06008-08	BOLT FLANGE 6*8	BOLT FLANGE 6*8	1	



Sales mark	Ref no	Part no	Description	Reg description	Regd no	F14
	18291-GGA7	18291-GGA7-C01	GASKET EXH PIPE	GASKET EXH PIPE	1	
	18291	18291-LKG2-C00	COLLAR	COLLAR	3	
	18292	18292-KEBE-C00	PACKING PROTECTOR	PACKING PROTECTOR	6	
	18293	18293-LHJ8-900	RUBBER PKG PROTR	RUBBER PKG PROTR	3	
	18300	18300-AKC6-E10	MUFFLER COMP EXH	MUFFLER COMP EXH	1	
**	1830A	1830A-AKC6-E10	MUFFLER ASSY EXHAUST	MUFFLER ASSY EXHAUST	1	
**	18317	18317-AKC6-E10	PROTECTOR ASSY MUFFLER	PROTECTOR ASSY MUFFLER	1	
	39450	39450-ZVA6-M00	O2 SENSOR	O2 SENSOR	1	
	90021	90021-GFY6-C11	BOLT WASHER COMP	BOLT WASHER COMP	3	
	90301	90301-GFY6-C01	NUT (HEX) CAP 8MM	NUT (HEX) CAP 8MM	1	
	90660	90660-KNBN-C00	CLAMPER TUBE	CLAMPER TUBE	1	
	94101	94101-LEA2-C00	"WASHER PLAIN.6.5X18X1.5"	"WASHER PLAIN.6.5X18X1.5"	3	
	94111	94111-ACD5-C00	WASHER SPG	WASHER SPG	3	
	95701	95701-06022-07G	BOLT FLANGE 6*22 (K)	BOLT FLANGE 6*22 (K)	3	
	95801	95801-08050-07G	BOLT FLANGE 8*50(G)	BOLT FLANGE 8*50(G)	1	

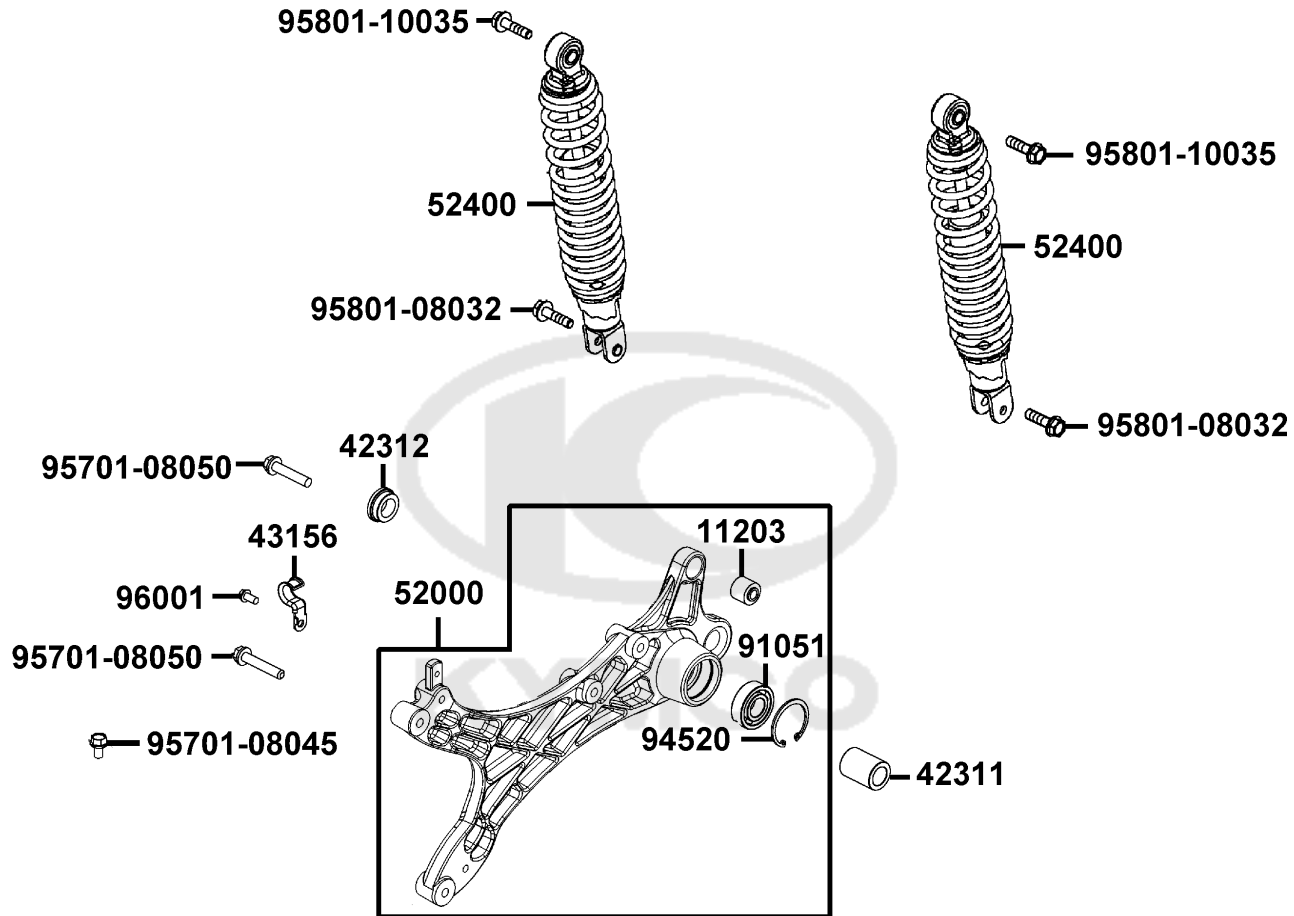


Sales mark	Ref no	Part no	Description	Reg description	Regd no	F15
50502		50502-LDF7-C00	COLLAR,MAIN STAND	COLLAR MAIN STAND	2	
50505		50505-LCB9-C00	STOPPER RUBBER	STOPPER RUBBER	1	
5050A		5050A-AKC6-E10	STAND ASSY MAIN	STAND ASSY MAIN	1	
50530		50530-ALJ8-E10	BAR SIDE STAND	BAR SIDE STAND	1	
50531		50531-KEB7-C00	PLATE SPRING STOPPER	PLATE SPRING STOPPER	1	
50535		50535-KEB7-W10	SPRING COMP SIDE STAND	SPRING COMP SIDE STAND	1	
50550		50550-KEB7-C01	SPG ASSY MAIN STAND	SPG ASSY MAIN STAND	1	
90108		90108-KFA6-E01	SCREW SIDE STAND PIVOT	SCREW SIDE STAND PIVOT	1	
95801		95801-10025-07G	BOLT FLANGE 10*25	BOLT FLANGE 10*25 (G)	2	



F16

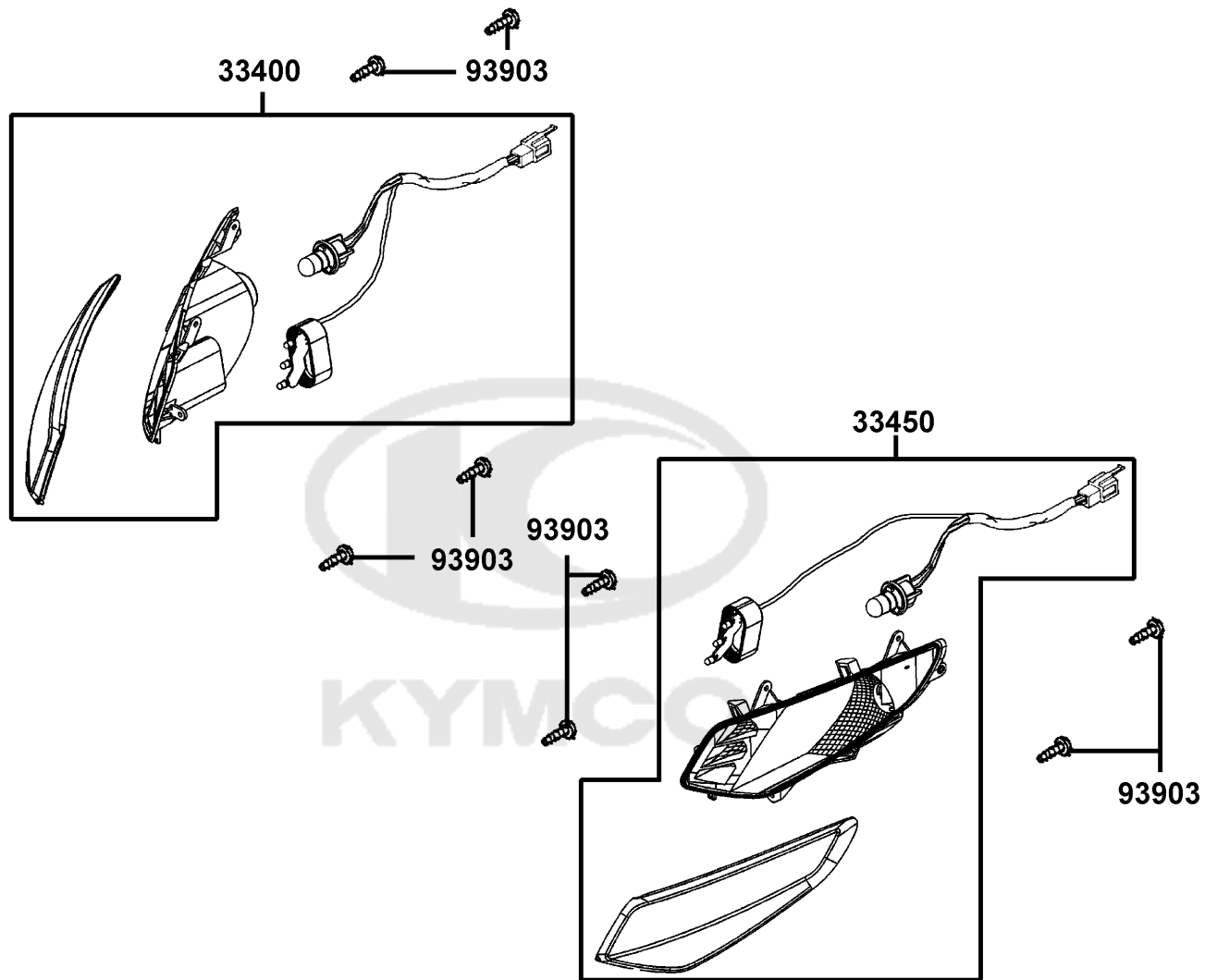
Rear Cushion



Sales mark	Ref no	Part no	Description	Reg description	Regd no	F16
	11203	11203-GGC7-W10	UNDER RUBBER BUSH REAR CUSHION	UNDER RUBBER BUSH REAR CUSHION	1	
	42311	42311-KHB4-C00	COLLAR RR AXLE A	COLLAR RR AXLE A	1	
	42312	42312-LEJ2-E10	COLLAR RR AXLE SIDE	COLLAR RR AXLE SIDE	1	
	43156	43156-LFC3-E10	CLAMPER HOSE RR	CLAMPER HOSE RR	1	
**	52400	52400-ALJ8-E10	CUSHION ASSY RR	CUSHION ASSY RR	1	
	91051	91051-KFBF-C00	BRG BALL RADIAL 6203 LLU	BRG BALL RADIAL 6203 LLU	1	
	94520	94520-40000	CIR CLIP IN 40	CIR CLIP IN 40	1	
	95701-08045	95701-08045-07G	BOLT FLANGE 8*45(K)	BOLT FLANGE 8*45(K)	1	
	95701-08050	95701-08050-07G	BOLT FLANGE 8*45 (K)	BOLT FLANGE 8*50(K)	3	
	95801-08032	95801-08032-07G	BOLT FLANGE 8*32(K)	BOLT FLANGE 8*32(K)	2	
	95801-10035	95801-10035-08G	BOLT FLANGE 10X35	BOLT FLANGE 10X35	2	
	96001	96001-06012-07G	BOLT FLANGE 6*12(G)	BOLT FLANGE SH 6*12 (KG)	3	

F17

Front Winker



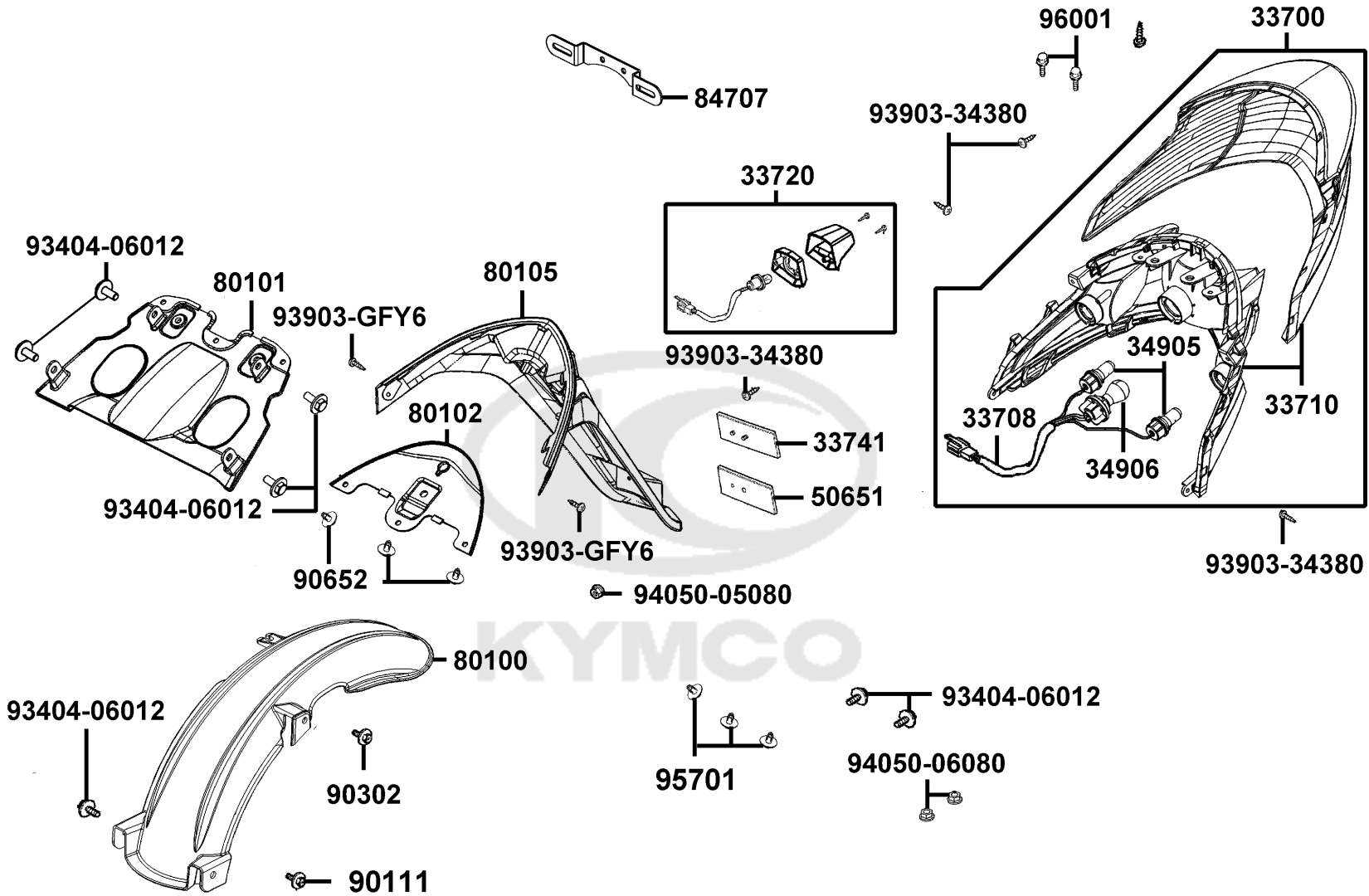
Sales mark	Ref no	Part no	Description	Reg description	Regd no	F17
------------	--------	---------	-------------	-----------------	---------	------------

33400		33400-ALJ8-EZ5	WINKER ASSY R FR	WINKER ASSY R FR	1	
33450		33450-ALJ8-EZ5	WINKER ASSY L FR	WINKER ASSY L FR	1	
93903		93903-34380-G	SCREW TAPPING 4x12	SCREW TAPPING 4x12	8	



F18

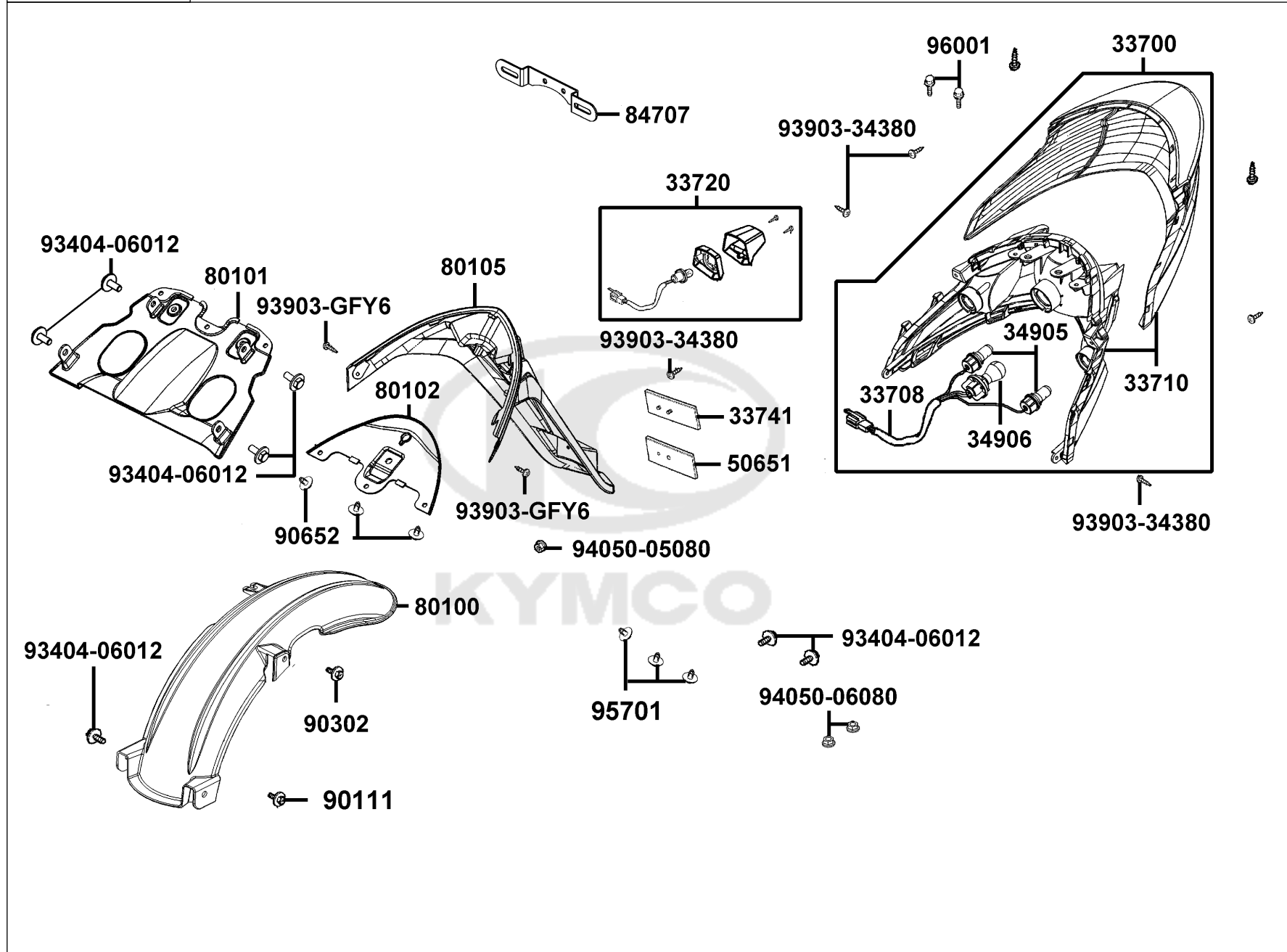
Tail Light



Sales mark	Ref no	Part no	Description	Reg description	Regd no	F18
	33700	33700-ALJ8-E10	LIGHT ASSY RR COMB	LIGHT ASSY RR COMB	1	
	33708	33708-ALJ8-E10	SOCKER COMP RR COMB	SOCKER COMP RR COMB	1	
	33710	33710-ALJ8-E10	LIGHT COMP RR COMB	LIGHT COMP RR COMB	1	
	33720	33720-LEJ2-E10	LIGHT ASSY LICENSE	LIGHT ASSY LICENSE	1	
	33741	33741-LEH3-EZ0	REFLEX REFLECTOR	REFLEX REFLECTOR	1	
	34905	34905-LCA5-E00	BULB WINKER (12V 10W)	BULB WINKER (12V 10W)	2	
	34906	34906-KPCP-C00	BULB TAIL LIGHT	BULB TAIL LIGHT	1	
	50651	50651-LFC4-E10	STAY RR FENDER BALANCE	STAY RR FENDER BALANCE	1	
**	80100	80100-ALJ8-E11	FENDER RR TIRE	FENDER RR TIRE	1	
**	80101	80101-ALJ8-E10	FENDER RR INNER	FENDER RR INNER	1	
**	80102	80102-ALJ8-E10	LID MAINT TAIL LIGHT	LID MAINT TAIL LIGHT	1	
**	80105	80105-ALJ8-E10	FENDER RR	FENDER RR	1	
	84707	84707-LFC3-B20	UNDER NUMBER BRKT FR	UNDER NUMBER BRKT FR	1	
	90111	90111-06016-07G	BOLT FLANGE 6*16 (K)	BOLT FLANGE 6*16 (K)	4	
	90302	90302-PUA3-B51	BOLT-WASH 5*12	BOLT-WASH 5*12	5	
	90652	90652-LCA4-C10	CLIP MUDGUARD	CLIP MUDGUARD	3	
	93404-06012	93404-06012-07G	BOLT WASHER 6*12 (K)	BOLT WASHER 6*12 (K)	16	
	93903-34380	93903-34380-G	SCREW TAPPING 4x12	SCREW TAPPING 4x12	5	
	93903-GFY6	93903-GFY6-C01	SCREW TAPPING 4*14(K)	"SCREW,TAPPING4*14"	7	
	94050-05080	94050-05080-G	NUT FLANGE 5MM	NUT FLANGE 5MM	3	

F18

Tail Light



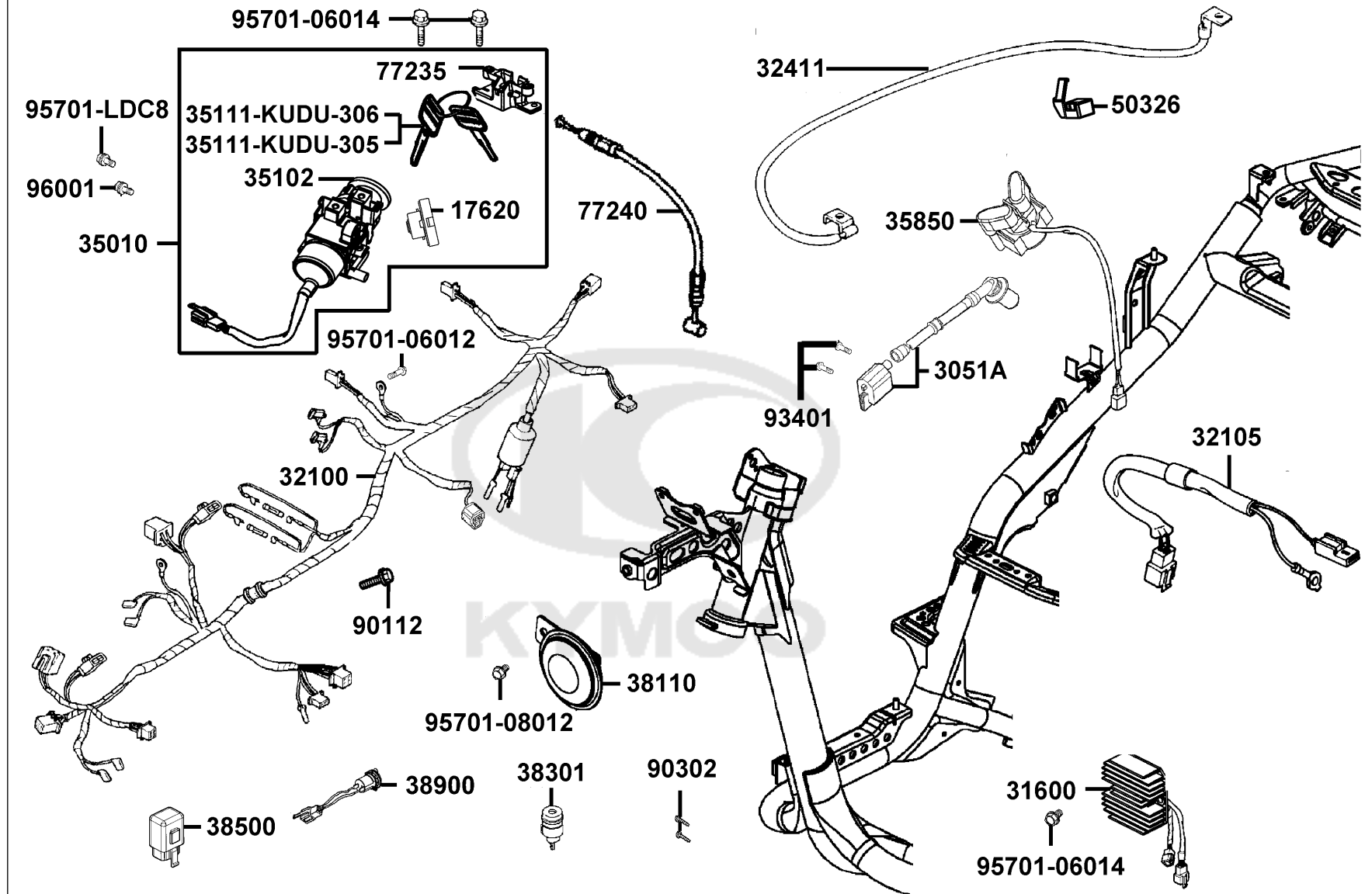
Sales mark	Ref no	Part no	Description	Reg description	Regd no	F18
------------	--------	---------	-------------	-----------------	---------	------------

	94050-06080	94050-06080-G	NUT FLANGE 6MM	NUT FLANGE 6MM	2	
	95701	95701-06016-07G	BOLT FLANGE SH 6*16 (KG)	BOLT FLANGE SH 6*16 (KG)	3	
	96001	96001-06012-08G	BOLT FLANGE SH 6X12 (C)	BOLT FLANGE SH 6X12 (C)	2	



F19

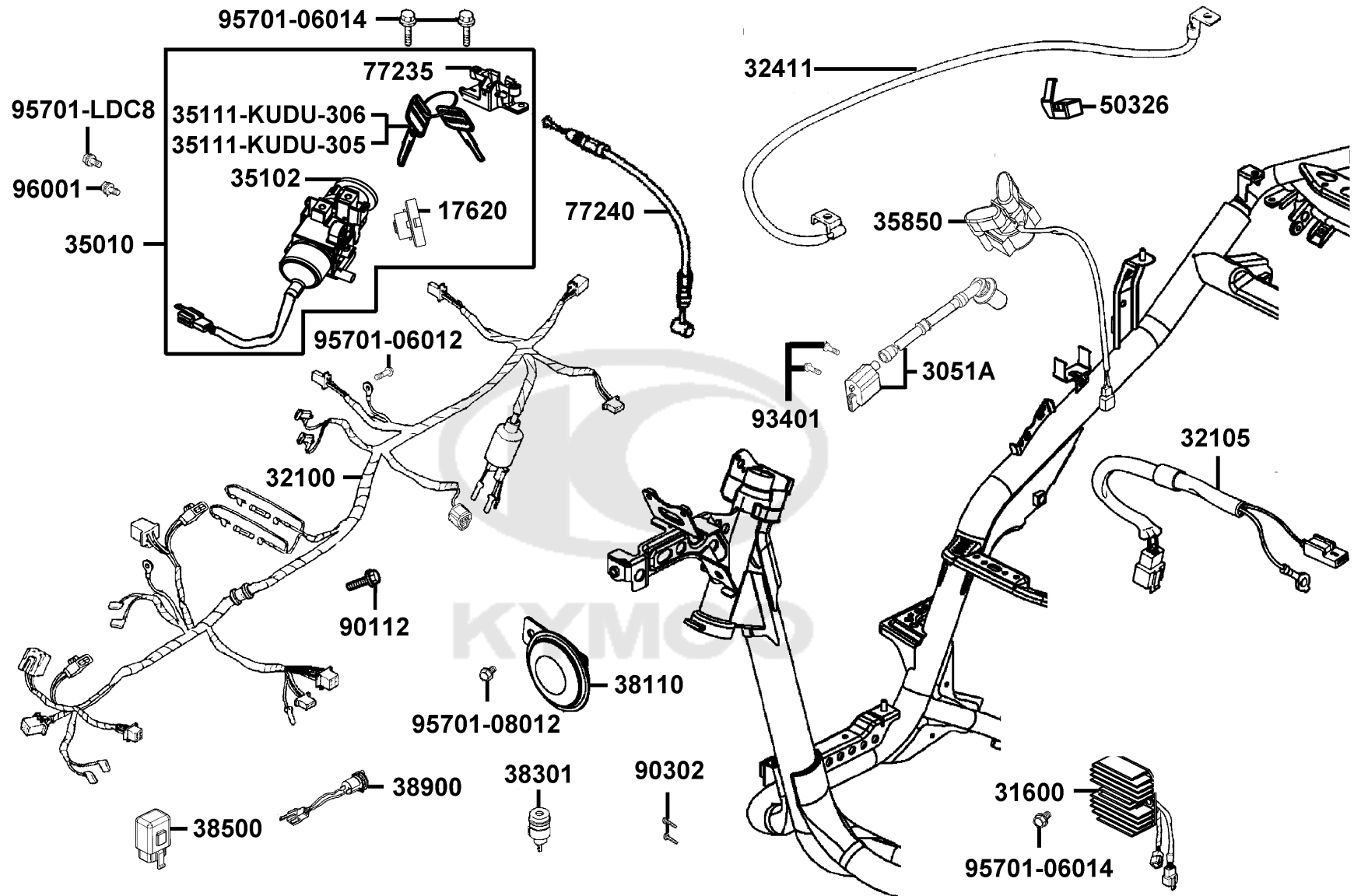
Wire Harness



Sales mark	Ref no	Part no	Description	Reg description	Regd no	F19
	17620	17620-ALJ9-E15	CAP COMP FUEL FILLER	CAP COMP FUEL FILLER	1	
	3051A	3051A-ALJ8-C00	COIL ASSY IGN	COIL ASSY IGN	1	
	31600	31600-LEA5-C01	REG RECT COMP	REG REC COMP(DC)	1	
	32100	32100-BLA8-E80	HARNESS WIRE	HARNESS WIRE	1	
	32105	32105-LFA7-E00	SUB CORD OBD	SUB CORD OBD	1	
	32411	32411-ALJ8-E10	CABLE BAT.	CABLE BAT	1	
	35010	35010-BLA8-E80	KEY SET	KEY SET	1	
	35102	35102-KGBG-91B	COLLAR MAIN SW	COLLAR MAIN SW	1	
	35111-KUDU-305	35111-KUDU-305	BLANK KEY R	BLACK KEY R	1	
	35111-KUDU-306	35111-KUDU-306	BLANK KEY L	BLACK KEY L	1	
	35850	35850-KHD8-C00	RELAY ASSY START	SET START MAG	1	
	38110	38110-KHB4-C00	HORN COMP	HORN COMP	1	
	38301	38301-ALJ9-E15	RELAY ASSY WINKER	RELAY COMP AP WINKER	1	
	38500	38500-LGL3-90A	RELAY ASSY LIGHT	RELAY ASSY LIGHT	1	
	38900	38900-ACD5-E00	CONTROLLER USB CHARGER	CONTROLLER USB CHARGER	1	
**	50326	50326-AED9-E10	COVER BATTERY	COVER BATTERY	1	
	77235	77235-LEA1-C00	CATCH COMP. SEAT.	CATCH COMP. SEAT.	1	
	77240	77240-BLA8-E80	CABLE SEAT LOCK	CABLE SEAT LOCK	1	
	90112	90112-PUA3-B50	BOLT FLANGE 5*22	BOLT FLANGE 5*22	1	
	90302	90302-GFY6-C11	BOLT-WASH 5*16	BOLT-WASH 5*16	2	

F19

Wire Harness

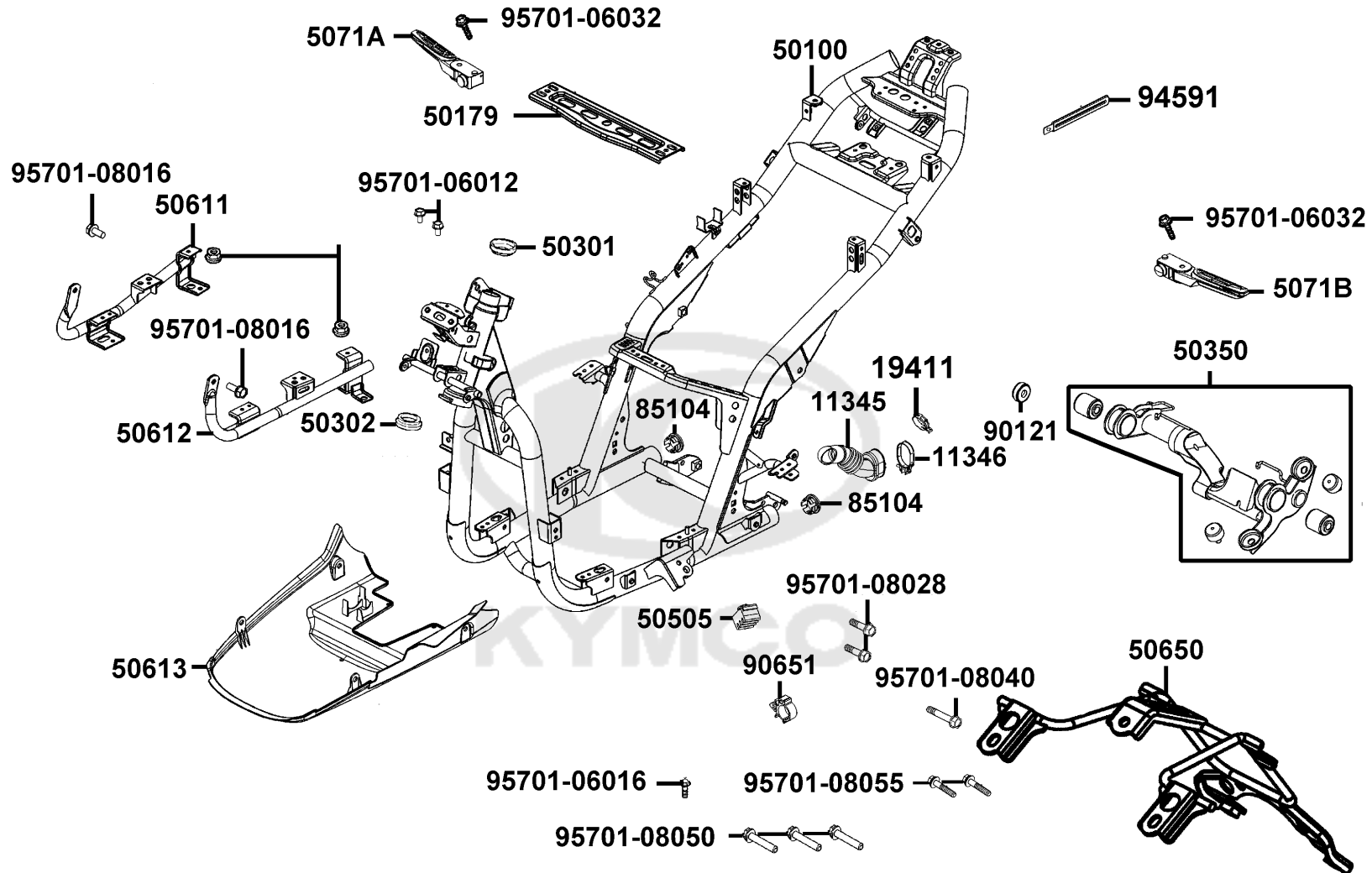


Sales mark	Ref no	Part no	Description	Reg description	Regd no	F19
93401		93401-04025-08	BOLT WASHER 4*25	BOLT WASHER 4*25	1	
95701-06012		95701-06012-08G	BOLT FLANGE 6*12	BOLT FLANGE 6*12	3	
95701-06014		95701-06014-08G	BOLT FLANGE 6*14 (C)	BOLT FLANGE 6*14 (C)	3	
95701-08012		95701-08012-08G	BOLT FLANGE 8X12(C)	BOLT FLANGE 8X12(C)	1	
95701-LDC8		95701-LDC8-E11	BOLT TORQUE 6x16	BOLT TORQUE 6x16	1	
96001		96001-06016-08G	BOLT FLANGE SH 6x16 (C)	BOLT FLANGE SH 6*16 (CR3+)	1	



F20

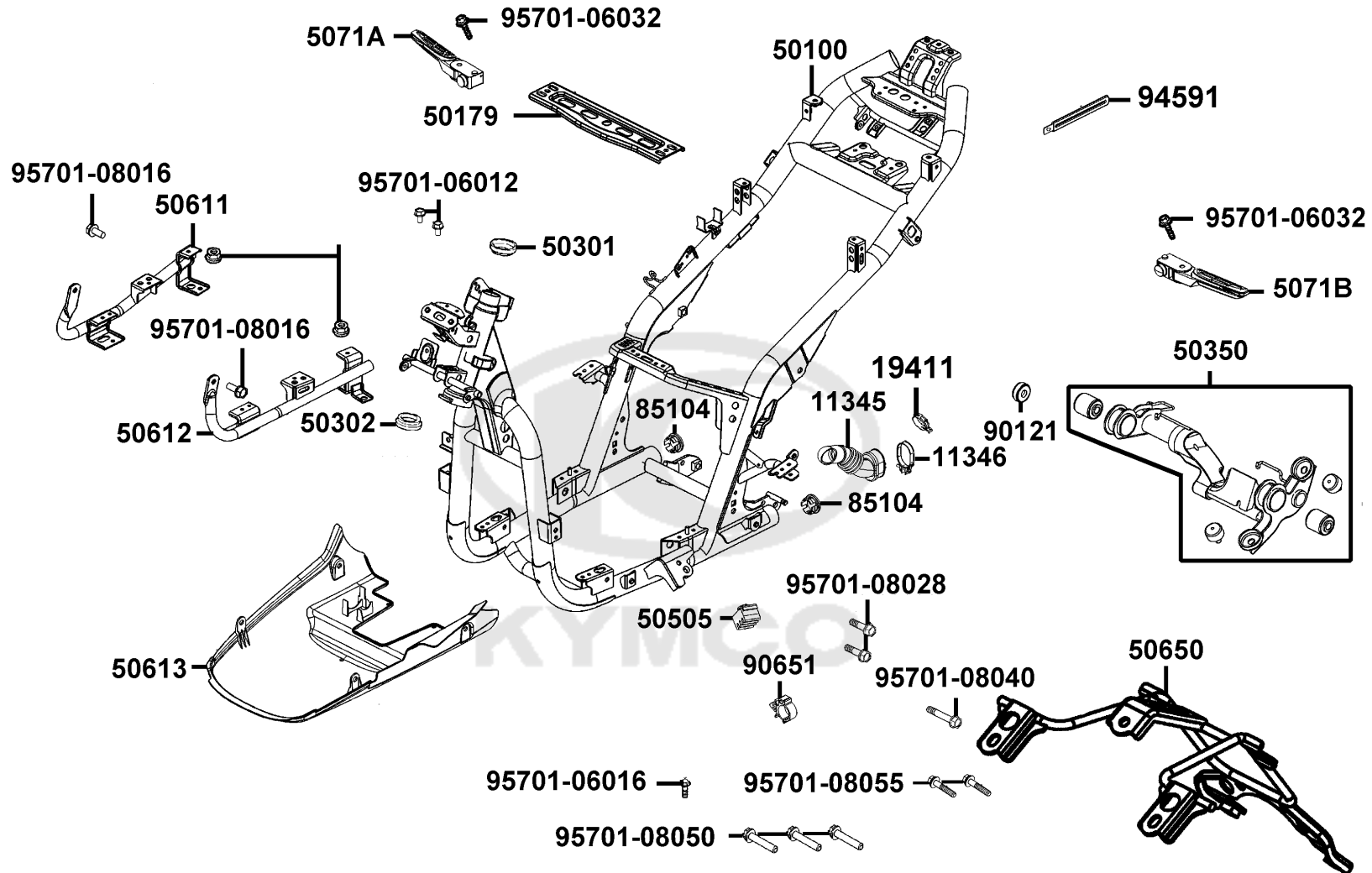
Frame Body



Sales mark	Ref no	Part no	Description	Reg description	Regd no	F20
	11345	11345-ALJ8-E10	"DUCT,L COVER"	DUCT L COVER	1	
	11346	11346-KEBE-C00	BAND L COVER DUCT	BAND L COVER DUCT	1	
	19411	19411-KNBN-C10	CLIP HOSE	CLIP HOSE	1	
	50100	50100-BLA8-E80	BODY COMP FRAME	BODY COMP FRAME	1	
	50179	50179-ALJ8-E10	BRKT FLOOR PANEL	BRKT FLOOR PANEL	1	
	50301	50301-KGN7-C00	RACE UPPER STRG BALL	RACE UP STRG BALL	1	
	50302	50302-2H68-C00	RACE (STRG BOT) BALL	RACE (STRG BOT) BALL	1	
	50350	50350-LEJ3-B40	ENG HANGER ASSY	ENG HANGER ASSY	1	
	50505	50505-PUA3-B50	STOPPER RUBBER	STOPPER RUBBER	1	
	50611	50611-ALJ8-E10	"RNFCT R, FLOOR"	RNFCT R FLOOR	1	
	50612	50612-ALJ8-E10	"RNFCT L, FLOOR"	RNFCT L FLOOR	1	
**	50613	50613-ALJ8-E10	COVER UNDER	COVER UNDER	1	
	50650	50650-LFC2-E10	STAY RR. FENDER	STAY RR. FENDER	1	
	5071A	5071A-LDA6-C00	BAR R P STEP ASSY	BAR STEP R ASSY	1	
	5071B	5071B-LDA6-C00	BAR L P STEP ASSY	BAR STEP L ASSY	1	
	85104	85104-ALJ8-E10	STOPPER	STOPPER	1	
	90121	90121-GFY6-C00	COLLAR DISTANCE	COLLAR DISTANCE	1	
	90651	90651-ALJ8-E10	CLIP CABLE	CLIP CABLE	1	
	94591	94591-LDC8-E10	CLIP BIND	CLIP BIND	1	
	95701-06012	95701-06012-07G	BOLT FLANGE 6X12(KG)	BOLT FLANGE 6X12(KG)	2	

F20

Frame Body

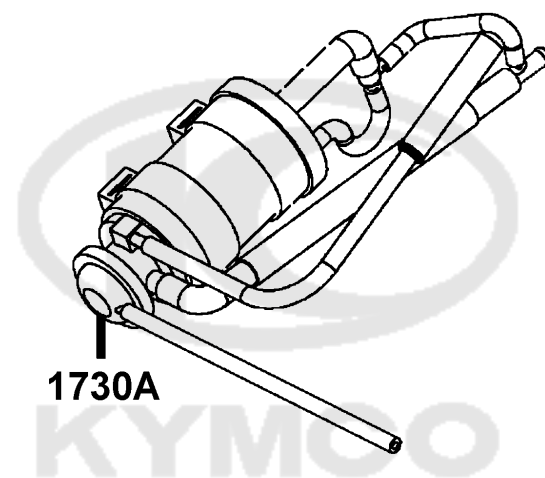


Sales mark	Ref no	Part no	Description	Reg description	Regd no	F20
	95701-06016	95701-06016-08G	BOLT FLANGE 6*16 (C)	BOLT FLANGE 6*16 (C)	1	
	95701-06032	95701-06032-08G	BOLT FLANGE 6*32	BOLT FLANGE 6*32	2	
	95701-08016	95701-08016-07G	BOLT FLANGE 8*16 (K)	BOLT FLANGE 8*16 (K)	2	
	95701-08028	95701-08028-08G	BOLT FLANGE 8*28 (B)	BOLT FLANGE 8*28	2	
	95701-08040	95701-08040-08G	BOLT FLANGE 8*40	BOLT FLANGE 8*40	1	
	95701-08050	95701-08050-07G	BOLT FLANGE 8*45 (K)	BOLT FLANGE 8*50(K)	3	
	95701-08055	95701-08055-07G	BOLT FLANGE 8*55(K)	BOLT FLANGE 8*55(K)	2	



F21

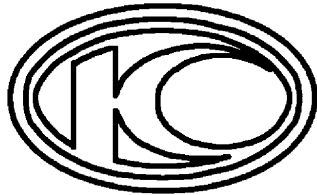
CANISTER-PCV ASSY



Sales mark	Ref no	Part no	Description	Reg description	Regd no	F21
------------	--------	---------	-------------	-----------------	---------	------------

1730A	1730A-ALJ9-E15	CANISTER-PCV ASSY	CANISTER-PCV ASSY		1	
-------	----------------	-------------------	-------------------	--	---	--





86102

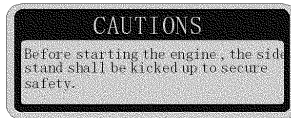
AGILITY 16+

86202

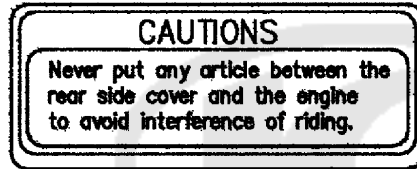


86231

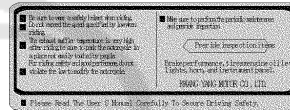
86221



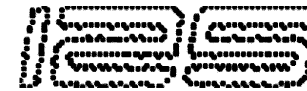
87541-GAR1



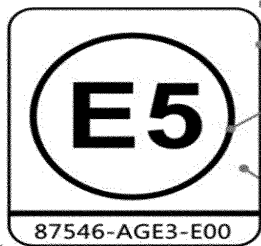
87542



87560



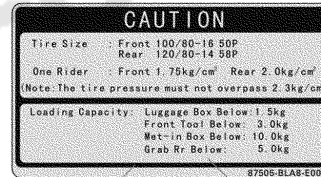
87140



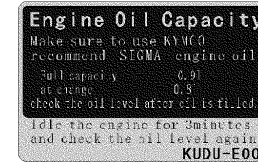
87546



86407



87505



87541-KUDU

Sales mark	Ref no	Part no	Description	Reg description	Regd no	F22
**	86102	86102-ALG1-E00	EMB K-LOGO	EMB KYMCO	1	
**	86202	86202-ALJ8-E10	EMB BODY COVER	EMB BODY COVER	1	
**	86221	86221-BLA8-E00	STRIPE L BODY COVER	STRIPE L BODY COVER	1	
**	86231	86231-BLA8-E00	STRIPE L BODY COVER	STRIPE L BODY COVER	1	
**	86407	86407-ALJ8-E10	STRIPE METER	STRIPE METER	1	
**	87140	87140-AKC6-E10	EMB MARK 125 TAPE A	EMB MARK 125 TAPE A	2	
**	87505	87505-BLA8-E00	LABEL TIRE	LABEL TIRE	1	
**	87541-GAR1	87541-GAR1-C01	CAUTION SIDE STAND	CAUTION SIDE STAND	1	
**	87541-KUDU	87541-KUDU-E00	LABEL OIL CAP	LABEL OIL CAP	1	
**	87542	87542-GAR1-C01	MARK MAINT CAUTION R	MARK MAINT CAUTION R	1	
**	87546	87546-AGE3-E00	LABEL FUEL TANK	LABEL FUEL TANK	1	
**	87560	87560-GFY6-E11	MARK DRIVE CAUTION	MARK DRIVE CAUTION	1	

PART NO. INDEX

PART NO.	VERSION	PAGE	PART NO.	VERSION	PAGE	PART NO.	VERSION	PAGE
11000			12200-KKE3-900	1	E02	14531-GLR0-W11	1	E03
11100-KUDU-C00	6	E01	12209-GDB4-C00	2	E02	14610-KUDU-C0B	0	E03
11102-1G87-C00	3	E01	12211-KUDU-W10	4	E02	14711-KUDU-C00	1	E02
11192-KUDU-E90	1	E01	12251-GFY6-C00	1	E02	14721-KUDU-C00	1	E02
11200-LCD3-C00	2	E01	1231A-ALL1-C00	0	E02	14751-KUDU-C10	2	E02
11203-GGC7-W10	2	E01	12361-GFY6-C00	5	E04	14761-KUDU-C10	2	E02
11203-GGC7-W10	2	F16	13000			14771-GDB4-C00	2	E02
11206-LCD3-C00	0	E01	13000-KUDU-C00	9	E03	14775-MFA6-C00	5	E02
11208-LFC3-E10	2	E04	13011-LAC7-90B	0	E03	14781-MFA6-C00	4	E02
11209-LCD3-E00	3	F13	13101-AKC6-E10	1	E03	15000		
11211-LKD2-C00	0	F13	13111-3D84-C00	1	E03	15100-KFB7-C00	1	E07
11331-LCD3-E00	5	E04	13407-LKC6-C00	1	E02	15133-GFY6-W10	1	E07
11341-ALJ8-E10	0	E01	14000			15141-GFY6-C00	1	E07
11342-ALJ8-E10	0	E01	14100-ALK6-EZ5	0	E02	15421-1G07-C00	1	E04
11345-ALJ8-E10	2	F20	14401-KUDU-C00	1	E03	15426-GAE1-C00	1	E04
11346-KEBE-C00	1	F20	14431-KUDU-W10	4	E02	15651-KUDU-W10	5	E04
11353-ALJ8-E11	0	E01	14450-GFY6-W10	1	E02	15711-KUDU-C00	1	E07
11394-KUDU-E90	1	E04	14452-GFY6-W10	1	E02	16000		
11395-KHB4-C00	0	E01	14510-KUDU-C00	1	E03	1610A-BLA8-E80	0	E05
12000			14510-KUDU-C0B	0	E03	16201-GFY6-E90	0	E02
12100-GFY6-C00	6	E03	14520-GFY6-C00	1	E03	16211-GFY6-W10	1	E02
12191-GFY6-E90	1	E03	14523-GFY6-E90	1	E03	16703-LKD2-M90	0	F10

PART NO. INDEX

PART NO.	VERSION	PAGE	PART NO.	VERSION	PAGE	PART NO.	VERSION	PAGE
17000			18000			22000		
1711A-ALD9-E16	0	E02	18291-GGA7-C01	1	F14	22101-LCD3-C00	3	E06
17200-BLA8-E80	0	F13	18291-LKG2-C00	0	F14	22102-KUDU-E80	1	E06
17239-KHB4-C00	0	F13	18292-KEBE-C00	0	F14	22105-GFY6-C00	0	E06
1723A-LKD2-E10	0	F13	18293-LHJ8-900	2	F14	22110-KUDU-E80	0	E06
1723B-LFC4-E10	0	F13	18300-AKC6-E10	0	F14	22121-KFAF-C00	2	E06
1723C-LEJ3-E10	0	F13	1830A-AKC6-E10	0	F14	22131-GFY6-C00	3	E06
17254-KACA-P00	1	F13	18317-AKC6-E10	0	F14	22132-KBN2-315	0	E06
17257-AKC6-E10	0	F13				22300-LCD4-C00	0	E06
1730A-ALJ9-E15	0	F21	19000			22350-GFY6-C00	1	E06
1737A-LCD3-E00	0	F13	19411-KBCB-900	1	F10	22361-KGN7-C00	0	E06
17500-ALJ8-E10	0	F10	19411-KNBN-C10	2	F20	22401-GFY6-C0A	0	E06
17504-ALJ8-E10	1	F10	19510-LDA7-C00	0	E08	22530-LCD3-C00	0	E06
1751A-ALJ9-E15	0	F10	1961A-AKC6-E10	2	E08	22804-GBB2-C00	0	E06
17550-ALD9-E14	0	F10	19625-KUDU-C00	1	E02	23000		
17553-LEB2-900	0	F10	1962A-ALD9-BA0	0	E08	2301A-LCD4-C00	1	E06
1755A-ALJ8-E10	2	F05	19632-LFB6-C00	0	E03	23100-KEC4-C0E	0	E06
17561-LGK8-C00	0	F10	1963A-AAD2-C00	0	E08	23200-GFY6-C00	3	E06
1756A-ALJ8-E10	0	F10	21000			23220-KFBF-C00	1	E06
17582-ALJ8-E10	0	F10	21200-LEJ8-C00	2	E09	23225-GHC8-C00	1	E06
17620-ALJ9-E15	0	F19	21395-LCD3-E90	0	E09	23226-GHC8-C00	1	E06
17623-ALJ8-E10	2	F10				23233-LEJ3-E10	0	E06
17910-ACC1-EZ5	0	F03						

PART NO. INDEX

PART NO.	VERSION	PAGE	PART NO.	VERSION	PAGE	PART NO.	VERSION	PAGE
23237-GFY6-C00	1	E06	31110-KKE3-C00	3	E08			
23238-GFY6-C00	1	E06	31120-LGS6-E10	0	E08	34000		
23411-ALJ8-E10	4	E09	31200-ALJ8-E10	1	E07			
23420-AKC6-E10	3	E09	31600-LEA5-C01	2	F19	34901-ALJ8-EZ5	0	F01
23432-AKC6-E10	4	E09				34905-LCA5-E00	0	F18
2343A-ALJ8-E10	1	E09	32000			34906-KPCP-C00	0	F18
28000			32100-BLA8-E80	0	F19	35000		
			32105-LFA7-E00	0	F19			
28101-GFY6-C00	1	E07	32411-ALJ8-E10	1	F19	35010-BLA8-E80	0	F19
28102-GFY6-C00	1	E07	32412-ALJ8-E10	1	E04	35102-KGBG-91B	1	F19
28110-GFY6-C10	1	E07	32961-KUDU-C00	5	E04	35111-KUDU-305	0	F19
28120-GFY6-C10	1	E07				35111-KUDU-306	0	F19
28125-4F26-C00	1	E07	33000			35151-LGB5-EV0	0	F03
28125-GFY6-C10	3	E07				35152-LGB5-E10	0	F03
28126-GFY6-C10	1	E07	33100-ALJ8-EZ5	0	F01	3515A-LGB5-EV0	0	F03
2812A-GFY6-C10	2	E07	33105-ALJ8-EZ5	0	F01	35201-LGB5-E10	1	F03
28211-LGK2-C00	5	E06	33400-ALJ8-EZ5	0	F17	35202-LGB5-E10	0	F03
30000			33450-ALJ8-EZ5	0	F17	3520A-LGB5-E11	0	F03
			33700-ALJ8-E10	4	F18	35340-KNBN-C00	1	F04
			33708-ALJ8-E10	0	F18	35350-KNBN-C00	1	F04
3051A-ALJ8-C00	0	F19	33710-ALJ8-E10	0	F18	35850-KHD8-C00	1	F19
31000			33720-LEJ2-E10	0	F18			
			33731-KGB5-EZ0	0	F06	37000		
			33741-LEH3-EZ0	1	F18			
31100-LGS6-E10	0	E08				37200-ALJ8-E10	0	F02

PART NO. INDEX

PART NO.	VERSION	PAGE	PART NO.	VERSION	PAGE	PART NO.	VERSION	PAGE
37802-GGA7-C00	1	F10	42753-0A01-C00	1	F08	45121-LFC2-E80	1	F07
3780A-ALJ8-E10	4	F10				45126-ALJ9-E12	0	F04
38000			43000			45156-ALD9-E14	0	F04
			43126-ALJ9-E12	0	F04	45156-ALJ9-E15	0	F06
38110-KHB4-C00	0	F19	43127-ALJ9-E12	0	F04	45156-LCB9-B21	0	F06
38301-ALJ9-E15	0	F19	43156-LFC3-E10	2	F16	45200-ALJ9-E12	0	F04
38500-LGL3-90A	5	F19	43200-ALJ9-E15	0	F04	45500-ALJ8-E10	1	F04
38900-ACD5-E00	7	F19	43351-LFC3-E80	2	F08	45513-KCCC-900	0	F04
39000			43500-LFC3-E10	0	F04	45513-LGR5-E10	0	F04
			44000			45517-KFAF-910	1	F04
						50000		
39300-LEA6-800	0	E02						
39301-ALK6-EZ5	0	E02	44301-LEJ2-E13	1	F07	50100-BLA8-E80	0	F20
39302-KKE3-C00	1	E02	44311-LFC2-E10	2	F07	50179-ALJ8-E10	0	F20
39303-LEB2-C00	1	E02	44601-LFC2-E10	2	F07	50301-KGN7-C00	2	F20
39400-LHJ3-900	1	E02	44620-KFLF-C00	1	F07	50302-2H68-C00	2	F20
39450-ZVA6-M00	0	F14	44680-4L10-C00	1	F07	50306-1F96-C00	1	F06
42000			44710-LFC4-E91	0	F07	50325-ALJ8-E10	1	F12
			44800-LKD1-E10	2	F07	50326-AED9-E10	0	F19
			44830-LCD3-C00	0	F02	50326-BLA8-E80	0	F12
42311-KHB4-C00	0	F16				50350-LEJ3-B40	0	F20
42312-LEJ2-E10	1	F16	45000			50502-LDF7-C00	1	F15
42601-ALJ8-E10	1	F08				50504-LEJ3-E11	1	E01
42710-ALJ8-E10	1	F08	45105-ALD9-306	0	F04	50505-LCB9-C00	1	F15
42753-0A01-C00	1	F07	45105-LFC4-305	0	F04	50505-PUA3-B50	2	F20

PART NO. INDEX

PART NO.	VERSION	PAGE	PART NO.	VERSION	PAGE	PART NO.	VERSION	PAGE
5050A-AKC6-E10	3	F15	53102-ALJ8-E10	2	F03	61102-ALJ8-E10	1	F06
50530-ALJ8-E10	2	F15	53105-ALJ8-E10	2	F03	61110-ALJ8-E10	0	F06
50531-KEB7-C00	1	F15	53125-GEN5-C00	1	F03	61110-ALJ8-E10	1	F06
50535-KEB7-W10	3	F15	53140-ALJ8-E10	1	F03			
50550-KEB7-C01	0	F15	53166-ALJ8-E10	1	F03	64000		
50611-ALJ8-E10	3	F20	53175-KTCT-C01	0	F04			
50612-ALJ8-E10	3	F20	53178-KNBN-C00	0	F04	6421A-ALJ8-E11	2	F03
50613-ALJ8-E10	4	F20	53200-ALJ9-E12	0	F06	64301-ALJ8-E10	0	F05
50650-LFC2-E10	3	F20	53204-ALJ8-E10	1	F03	64301-ALJ8-E10	1	F05
50651-LFC4-E10	1	F18	53205-ALJ8-E10	0	F03	64305-ALJ8-E10	0	F05
5071A-LDA6-C00	2	F20	53205-ALJ8-E10	1	F03	64305-ALJ8-E10	3	F05
5071B-LDA6-C00	2	F20	53206-ALJ8-E10	0	F03	64306-ALJ8-E10	0	F05
			53206-ALJ8-E10	2	F03	64306-ALJ8-E10	3	F05
51000			53207-ALJ8-E10	2	F03	64307-ALJ8-E10	0	F05
			53208-ALJ8-E10	2	F03	64307-ALJ8-E10	1	F05
5140A-ALJ8-E10	0	F06	53211-GFY6-C00	1	F06	64308-ALJ8-E10	0	F05
5150A-ALJ8-E10	0	F06	53212-2L50-C00	1	F06	64308-ALJ8-E10	1	F05
			53214-2L50-C00	5	F06	6430A-ALJ8-E10	4	F05
52000			53215-2L50-C00	1	F06	6430B-ALJ8-E10	4	F05
						64316-LCB9-C10	5	F05
52000-ALJ8-E10	0	F16	61000			6431A-ALJ8-E10	2	F05
52400-ALJ8-E10	1	F16				64400-ALJ8-E10	2	F05
			61100-ALJ8-E10	1	F06			
53000			61101-ALJ8-E10	0	F06	75000		
			61101-ALJ8-E10	1	F06			
53100-ALJ9-E12	0	F03	61102-ALJ8-E10	0	F06	75581-6C73-C00	1	F05

PART NO. INDEX

PART NO.	VERSION	PAGE	PART NO.	VERSION	PAGE	PART NO.	VERSION	PAGE
77000			81134-KGBG-C00	2	F05			
			81141-ALJ8-E10	0	F05	84000		
			81141-ALJ8-E10	3	F05			
77200-BLA8-E80	0	F09	81144-ALJ8-E10	2	F05	84707-LFC3-B20	0	F18
77232-KCAC-C00	2	F12	81146-ALJ8-E10	1	F05			
77235-LEA1-C00	0	F19	8114A-ALJ8-E10	1	F05	85000		
77240-BLA8-E80	0	F19	81200-BLA8-E80	0	F12			
			81260-BLA8-E80	0	F12	85104-ALJ8-E10	1	F20
80000			83000			86000		
80100-ALJ8-E11	0	F18						
80100-ALJ8-E11	2	F18	83500-ALJ8-E10	1	F12	86102-ALG1-E00	2	F22
80101-ALJ8-E10	0	F18	8351A-ALJ8-E10	1	F12	86202-ALJ8-E10	0	F22
80101-ALJ8-E10	3	F18	8351A-ALJ8-E10	2	F12	86221-BLA8-E00	0	F22
80102-ALJ8-E10	0	F18	83520-ALJ8-E10	0	F12	86231-BLA8-E00	0	F22
80102-ALJ8-E10	2	F18	83520-ALJ8-E10	1	F12	86407-ALJ8-E10	0	F22
80105-ALJ8-E10	0	F18	83550-KEC8-C00	4	F06			
80105-ALJ8-E10	3	F18	83551-KEC8-C10	4	F01	87000		
80108-BLA8-E80	0	F12	83551-KEC8-C10	4	F06			
8015A-ALJ8-E10	0	F12	83551-KKAK-C00	0	F03	87140-AKC6-E10	0	F22
8015A-ALJ8-E10	2	F12	83600-ALJ8-E10	1	F12	87505-BLA8-E00	0	F22
			83611-ALJ8-E10	2	F12	87541-GAR1-C01	1	F22
81000			8361A-ALJ8-E10	1	F12	87541-KUDU-E00	1	F22
			8361A-ALJ8-E10	3	F12	87542-GAR1-C01	2	F22
81131-BLA8-E80	0	F05	83620-ALJ8-E10	0	F12	87546-AGE3-E00	0	F22
81132-BLA8-E80	0	F05	83620-ALJ8-E10	1	F12	87560-GFY6-E11	3	F22

PART NO. INDEX

PART NO.	VERSION	PAGE	PART NO.	VERSION	PAGE	PART NO.	VERSION	PAGE
88000			90108-KFA6-E01	0	F15	90305-KNBN-C03	1	F08
			90110-GLW0-C00	0	F05	90306-LKL5-E31	0	F07
			90110-KEB7-C01	1	F06	90403-KUDU-C00	1	E07
88110-LEB5-C11	2	F03	90111-06016-07G	0	F18	90426-KNBN-C01	1	E06
88120-LEB5-C11	2	F03	90111-1G87-C01	1	F12	90440-1F66-C00	1	E08
89000			90112-PUA3-B50	0	F19	90441-GFY6-C01	1	E06
			90114-GDM4-C01	1	F13	90465-MDC4-C01	0	E02
			90121-GFY6-C00	1	F20	90474-3C33-C00	1	E01
89010-KGBG-C00	1	F09	90131-GLW0-C03	0	F04	90501-KNBN-C01	1	F08
90000			90131-KFAF-C03	0	F04	9052A-PUA3-B50	1	E01
			90145-9A61-C00	1	F04	90545-3L00-C00	2	F04
			90201-GFY6-901	1	E07	90605-1F66-C00	0	E06
90001-GBHB-C05	0	E03	90202-1G87-C00	1	E06	90651-ALJ8-E10	1	F20
90001-GFY6-C01	0	E07	90206-0A01-C00	2	E02	90652-ALB8-C00	1	E02
90005-KAW1-C00	0	E03	90301-GFY6-C01	0	F14	90652-GFY6-C00	1	F13
9000A-KTDT-C03	0	E01	90302-GFY6-C11	1	F10	90652-LCA4-C10	6	F03
90012-3C33-C00	1	E02	90302-GFY6-C11	1	F19	90652-LCA4-C10	6	F18
90021-GFY6-C11	0	F14	90302-KNBN-C01	1	F06	90652-LFB5-C00	1	F05
90031-KUDU-C01	0	E01	90302-LLB1-C01	1	F03	90660-KNBN-C00	0	F14
90032-KUDU-C01	0	E01	90302-PUA3-B51	1	F12	90667-LFC2-MG0	0	F06
90033-GFY6-C01	1	E02	90302-PUA3-B51	1	F18	90668-LFC2-MG0	0	F06
90105-KCR3-C02	1	F07	90302-SDA4-C01	0	F05	90701-GFY6-901	6	E07
90105-KCR3-C02	1	F08	90302-SDA4-C01	0	F12			
90106-KFC2-900	2	F03	90304-GHE8-C01	0	F03	91000		
90106-KFC2-900	2	F12	90305-GHK8-C01	0	F03			
90106-PUA3-B50	0	F03	90305-GHK8-C01	0	F06		91001-GFY6-C00	0

PART NO. INDEX

PART NO.	VERSION	PAGE	PART NO.	VERSION	PAGE	PART NO.	VERSION	PAGE
91002-GGA7-C00	0	E06						
91003-KDS4-C00	1	E09	93000			94000		
91009-GLE0-004	1	E09						
91014-LLJ3-C00	1	F06	93401-04025-08	0	F19	94001-12280-0SG	1	E06
91015-LLJ3-C00	1	F06	93404-06012-07G	0	F05	94050-05080-G	1	F18
91051-KFBF-C00	1	F16	93404-06012-07G	0	F06	94050-06070-G	0	F04
91101-1K79-C00	1	E07	93404-06012-07G	0	F12	94050-06080-G	1	E02
91104-GFY6-C00	1	E07	93404-06012-07G	0	F18	94050-06080-G	1	E07
91104-KGN7-671	0	E01	93404-06020-07G	1	F05	94050-06080-G	1	F04
91202-GFY6-90C	1	E01	93404-06025-07G	1	F06	94050-06080-G	1	F06
91202-KKJ9-C00	5	E01	93500-05025	0	F03	94050-06080-G	1	F09
91211-KEBE-C00	1	E06	93600-04012-1G	1	F04	94050-06080-G	1	F18
91252-0L30-C00	0	F07	93903-25480	1	F13	94050-08080-G	1	E02
91255-LDC8-E10	5	E09	93903-34320-G	0	F02	94050-12080-G	0	E06
91258-4L10-007	1	F07	93903-34380-G	0	F03	94050-12080-G	0	E08
91301-GLR0-W10	1	E03	93903-34380-G	0	F05	94101-LEA2-C00	0	F14
91302-0A01-C00	10	E04	93903-34380-G	0	F12	94111-06800	1	F13
91306-1E05-C00	1	E03	93903-34380-G	0	F17	94111-06800-G	0	E02
91307-0E35-W10	1	E04	93903-34380-G	0	F18	94111-ACD5-C00	0	F14
91351-6B42-C00	1	E06	93903-35280-G	1	F02	94301-10160	4	E01
			93903-35280-G	1	F03	94301-10160	4	E02
92000			93903-GFY6-C01	1	F01	94301-10160	4	E03
			93903-GFY6-C01	1	F05	94301-10160	4	E04
92101-05012-0HG	1	E08	93903-GFY6-C01	1	F12	94301-10200	4	E01
92900-06060-0BG	0	E02	93903-GFY6-C01	1	F18	94520-28000	1	E06
						94520-40000	1	F16

PART NO. INDEX

PART NO.	VERSION	PAGE	PART NO.	VERSION	PAGE	PART NO.	VERSION	PAGE
94591-LDC8-E10	1	E01	95701-08012-08G	1	F19	96001-06016-08G	1	E08
94591-LDC8-E10	1	F20	95701-08016-07G	1	F20	96001-06016-08G	1	F19
94591-LGR5-E10	1	F10	95701-08028-08G	0	F20	96001-06018-08G	1	E08
94601-15000	10	E03	95701-08040-08G	1	F20	96001-06022-08G	1	E08
95000			95701-08045-07G	0	F12	96001-06025-00	0	F04
			95701-08045-07G	0	F16	96001-06025-08G	1	E07
			95701-08050-07G	1	F16	96001-06025-08G	1	E08
			95701-08050-07G	1	F20	96001-06028-08G	1	E04
95002-02120	1	F13	95701-08055-07G	0	F20	96001-06045-08G	1	E01
95002-50000	1	F13	95701-LDC8-E11	0	F19	96001-06050-08G	1	E01
95012-KGE2-C10	0	F09	95801-08032-07G	1	F16	96001-06100-08G	1	E02
95701-06008-08	0	F13	95801-08040-08G	1	F06	96001-06100-08G	1	E04
95701-06012-07G	1	F04	95801-08050-07G	1	F14	96001-06110-08G	1	E04
95701-06012-07G	1	F20	95801-08060-07G	0	F12	96001-GFY6-C01	1	E01
95701-06012-08G	1	F12	95801-10025-07G	0	F15	96100-60020-00	1	E09
95701-06012-08G	1	F19	95801-10035-08G	0	F16	96100-62020-00	1	E01
95701-06014-08G	1	F19	96000			96100-63030-00	1	E01
95701-06016-07G	1	F18				96140-63010-10	1	F07
95701-06016-08G	1	F20				98000		
95701-06022-07G	1	F04						
95701-06022-07G	1	F14	96001-06012-07G	1	F16			
95701-06025-07G	1	F06	96001-06012-08G	1	E01			
95701-06025-08G	1	E02	96001-06012-08G	1	E04	98056-5771R-00	1	E02
95701-06032-08G	1	F20	96001-06012-08G	1	E07	98200-11000	1	F11
95701-06035-08G	1	E02	96001-06012-08G	1	F18	98200-11500	2	F11
95701-06050-08G	1	E02	96001-06014-08G	0	E02			
95701-08012-08G	1	E01	96001-06016-08G	1	E07			