



Benelli

LEONCINO 250 EU5 - 2021

CATALOGO
RICAMBI
SPARE PARTS CATALOGUE
CATALOGUE PIÉCES DETACHEES
ERSATZTEILKATALOG
CATALOGO PIEZAS DE REPUESTO

🇮🇹 INFORMAZIONI GENERALI

QUESTO CATALOGO SERVE PER RICHIEDERE CON ESATTEZZA LE PARTI DI RICAMBIO.

NELLE ORDINAZIONI INDICARE:IL NUMERO DEI CODICI DEI PARTICOLARI SEGUITO DALLA DESCRIZIONE E LA QUANTITÀ DESIDERATA.

LE INDICAZIONI CON LE FRECCE SI RIFERISCONO AI LATI DEL VEICOLO RISPETTO AL SENSO DI MARCIA.

I DISEGNI DELLE PARTI DI RICAMBIO SONO SOLO INDICATIVI E NON RAPPRESENTANO IL PEZZO IN OGGETTO.

I DATI CONTENUTI IN QUESTO CATALOGO SONO INDICATIVI E POSSONO ESSERE SOGGETTI A MODIFICHE SENZA IMPEGNO DI PREAVVISO.

🇬🇧 GENERAL INFORMATION

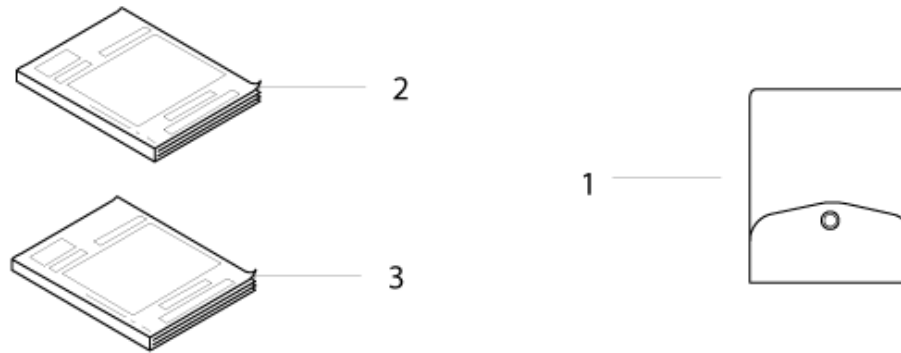
THE PRESENT SPARE PARTS ORDER EXACTLY THE RIGHT SPARE PARTS.

WHEN ORDERING SPECIFY:THE PART'S CODE NUMBER FOLLOWED BY ITS DESCRIPTION AND QUANTITY NEEDED.

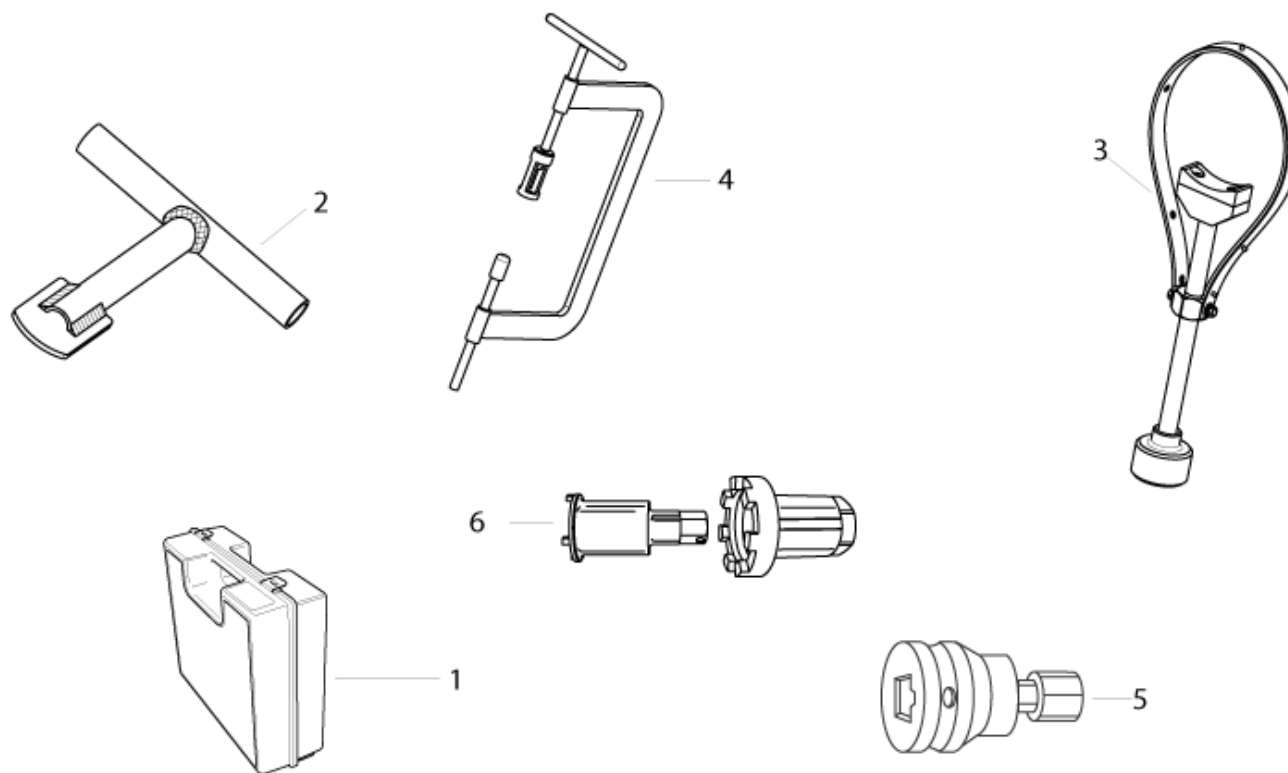
REFERENCE WITH ARROWS APPLY TO THE VEHICLE IN TERMS OF ITS DIRECTION OF MOVEMENT.

SPARE PARTS DRAWINGS ARE GENERAL AND DO NOT REPRESENT THE PART.

THE CONTENTS OF THIS CATALOGUE ARE GENERAL AND CAN UNDERGO CHANGES WITHOUT PRIOR NOTICE.

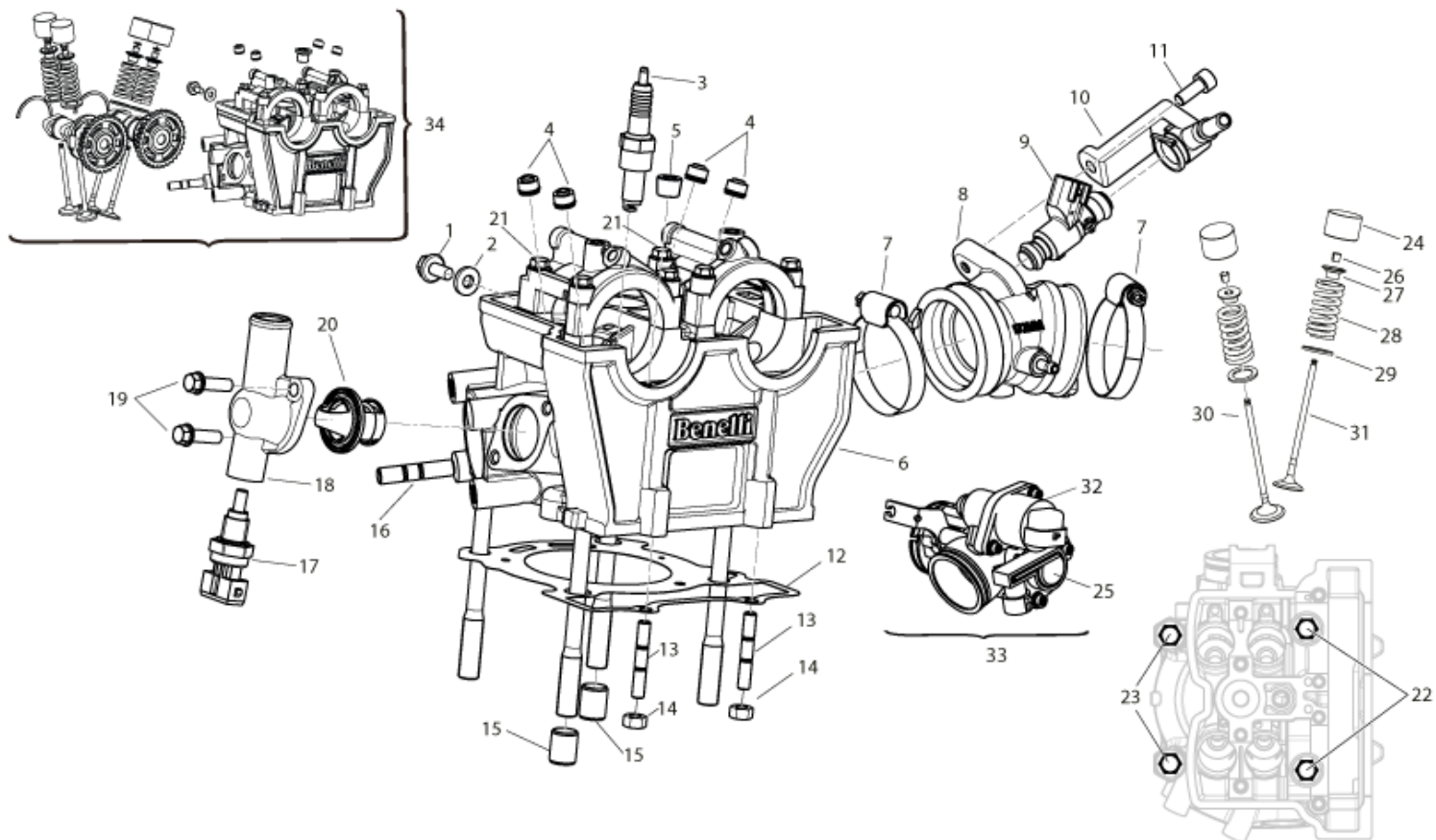
T00A - EQUIPMENT

| POSIZIONE | ITEM NUMBER | REPLACEMENT CODE | DESCRIZIONE ITA | DESCRIPTION | VARIANT NOTE | NOTE |
|-----------|---------------|------------------|--------------------------------|------------------------------|-----------------------|------|
| 1 | 02100N220001 | | TROUSSE ATTREZZI COMPLETA | COMPLETE TOOLS CASE | | |
| 2 | 02401N290004 | | LIB.USO.MAN. LEONCINO 250 EU 5 | USE AND M. LEONCINO 250 EU 5 | | |
| 3 | 0000094103002 | | LIBRETTO GARANZIA GOLD | WARRANTY BOOKLET GOLD | ONLY FOR ITALY | |
| 3 | 02411B450000 | | LIBRETTO GARANZIA BENELLI | WARRANTY BOOKLET BENELLI | FOR ALL OTHER MARKETS | |

T0AA - SPECIAL TOOLS

| POSIZIONE | ITEM NUMBER | REPLACEMENT CODE | DESCRIZIONE ITA | DESCRIPTION | VARIANT NOTE | NOTE |
|-----------|---------------|------------------|--------------------------------|--------------------------------|--------------|------|
| 1 | A000097505000 | | KIT STRUMENTO DIAGNOSI OBD | KIT DIAGNOSIS INSTRUMENT OBD | | |
| 2 | 0320097043000 | | CACCIAVITE COPERCHIO VOLANO | FLYWHEEL COVER SCRENDRIVER | | |
| 3 | 0320097044000 | | CHIAVE VOLANO | FLYWHEEL FIXER | | |
| 4 | 0320097050000 | | ATTREZZATURA MONTAGGIO VALVOLE | TOOL VALVE ASSEMBLY | | |
| 5 | R300097146000 | | CHIAVE DADO PIASTRA DI STERZO | TOOL MOUNTING STEERING STEM | | |
| 6 | R180297129000 | | CHIAVE PER CONTROGHIERA STERZO | WRENCH STEER. BEARING RING NUT | | |

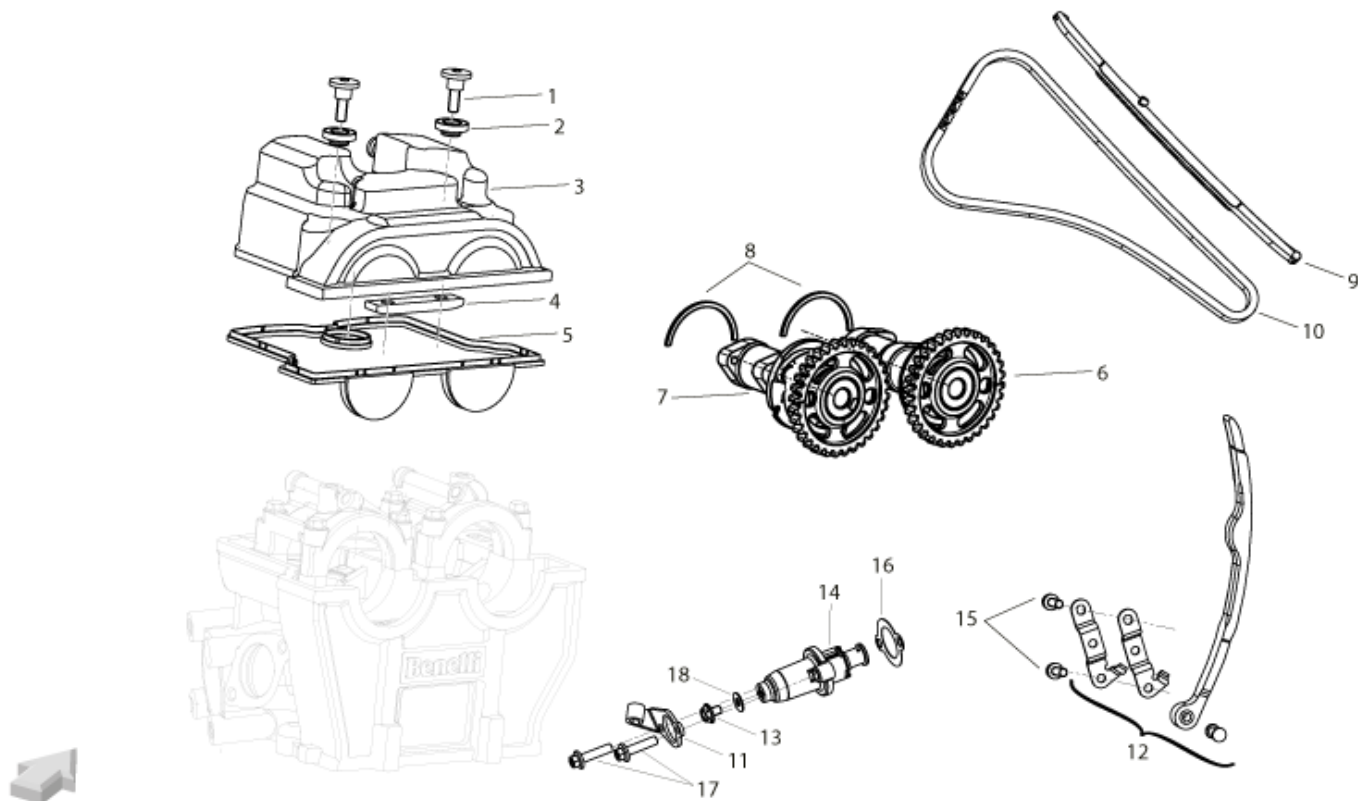
T001 - CYLINDER HEAD



| POSIZIONE | ITEM NUMBER | REPLACEMENT CODE | DESCRIZIONE ITA | DESCRIPTION | VARIANT NOTE | NOTE |
|-----------|---------------|------------------|-----------------------------|-----------------------------|--------------|------|
| 1 | B0107060126H | | VITE M6X12 | SCREW M6X12 | | |
| 2 | R030652245000 | | RONDELLA KIT 4 | WASHER | | |
| 3 | 299073160000 | | CANDELA | SPARK PLUG | | |
| 4 | 120015090000 | | GOMMINO VALVOLA | RUBBER PAD VALVE | | |
| 5 | 150166090000 | | TAPPO | PLUG | | |
| 6 | 109055150140 | | TESTA CILINDRO | CYLINDER HEAD | | |
| 7 | 100355150000 | | FASCETTA | CLAMP | | |
| 8 | 119015150020 | | COLLETTORE ASPIRAZIONE | INTAKE MANIFOLD | | |
| 9 | 289035110010 | | INIETTORE | INJECTOR | | |
| 10 | 280045140010 | | SUPPORTO INIETTORE | INJECTOR HOLDER | | |
| 11 | B01070601464 | | VITE M6X14 | SCREW M6X14 | | |
| 12 | 100205150011 | | GUARNIZIONE TESTA | HEAD GASKET | | |
| 13 | B03000602565 | | PRIGIONIERO | STUD BOLT | | |
| 14 | B04000600054 | | DADO AUTOBLOCCANTE M6 | SELF LOCKING NUT M6 | | |
| 15 | 100255150000 | | BOCCOLA DI GUIDA | BUSH OF GUIDE | | |
| 16 | B0300080206H | | PRIGIONIERO M8X20 | STUD BOLT M8X20 | | |
| 17 | 270013160002 | | SENSORE TEMPERATURA ACQUA | WATER TEMPERATURE SENSOR | | |
| 18 | 100265150040 | | TAZZA TERMOSTATO | THERMOSTAT CUP | | |
| 19 | B01070602064 | | VITE M6X20 | SCREW M6X20 | | |
| 20 | 279165050000 | | TERMOSTATO | THERMOSTAT | | |
| 21 | B01070604061 | | VITE M6X40 | SCREW M6X40 | | |
| 22 | 100155150000 | | PRIGIONIERO | STUD BOLT | | |
| 23 | 100185150000 | | PRIGIONIERO | STUD BOLT | | |
| 24 | 120115150510 | | BICCHIERINO VALVOLA MM. 510 | VALVE LIFTER BUCKET MM. 510 | 510 | |
| 24 | 120115150512 | | BICCHIERINO VALVOLA MM. 512 | VALVE LIFTER BUCKET MM. 512 | 512 | |
| 24 | 120115150514 | | BICCHIERINO VALVOLA MM. 514 | VALVE LIFTER BUCKET MM. 514 | 514 | |
| 24 | 120115150516 | | BICCHIERINO VALVOLA MM. 516 | VALVE LIFTER BUCKET MM. 516 | 516 | |
| 24 | 120115150518 | | BICCHIERINO VALVOLA MM. 518 | VALVE LIFTER BUCKET MM. 518 | 518 | |

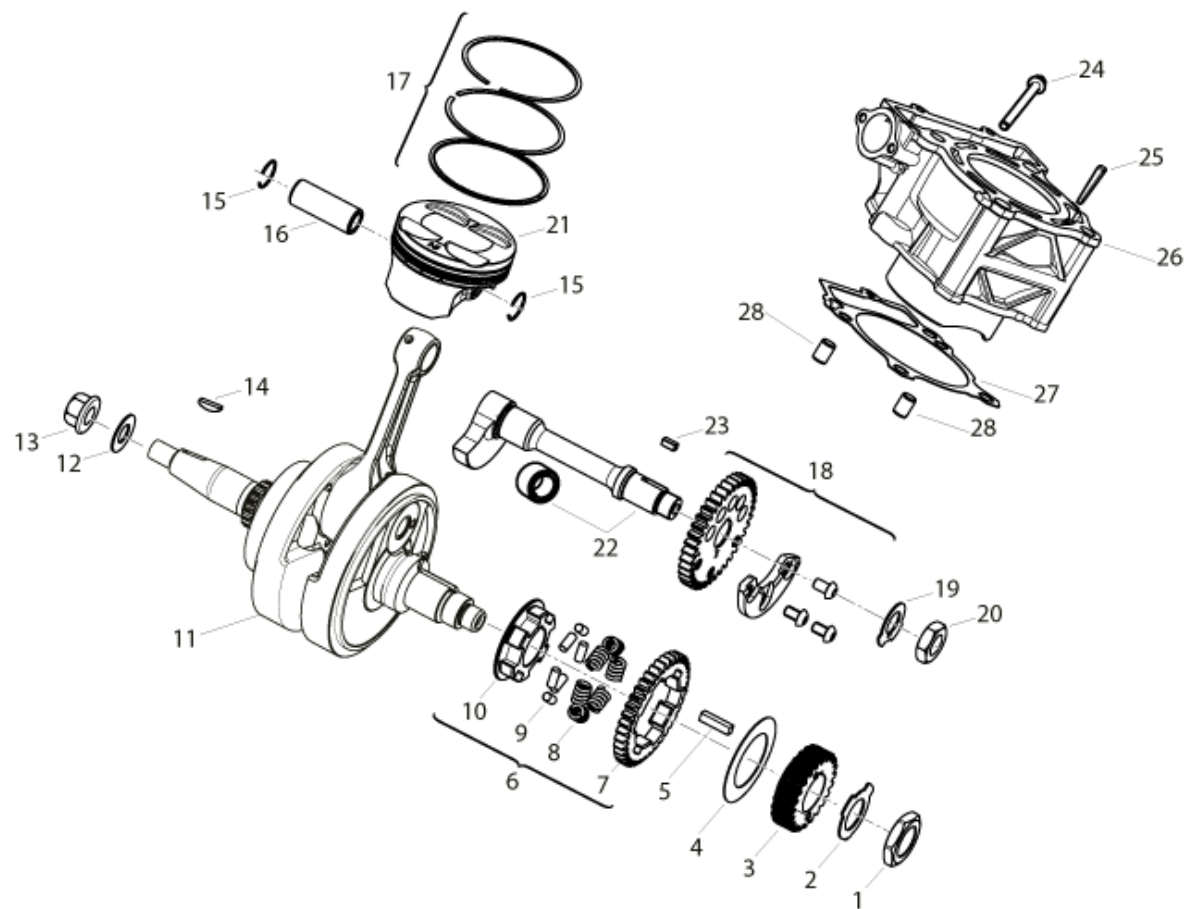
| POSIZIONE | ITEM NUMBER | REPLACEMENT CODE | DESCRIZIONE ITA | DESCRIPTION | VARIANT NOTE | NOTE |
|-----------|--------------|------------------|-----------------------------|-----------------------------|--------------|------|
| 24 | 120115150520 | | BICCHIERINO VALVOLA MM. 520 | VALVE LIFTER BUCKET MM. 520 | 520 | |
| 24 | 120115150522 | | BICCHIERINO VALVOLA MM. 522 | VALVE LIFTER BUCKET MM. 522 | 522 | |
| 24 | 120115150524 | | BICCHIERINO VALVOLA MM. 524 | VALVE LIFTER BUCKET MM. 524 | 524 | |
| 24 | 120115150526 | | BICCHIERINO VALVOLA MM. 526 | VALVE LIFTER BUCKET MM. 526 | 526 | |
| 24 | 120115150528 | | BICCHIERINO VALVOLA MM. 528 | VALVE LIFTER BUCKET MM. 528 | 528 | |
| 24 | 120115150530 | | BICCHIERINO VALVOLA 530 | VALVE LIFTER BUCKET 530 | 530 | |
| 24 | 120115150532 | | BICCHIERINO VALVOLA 532 | VALVE LIFTER BUCKET 532 | 532 | |
| 24 | 120115150534 | | BICCHIERINO VALVOLA 534 | VALVE LIFTER BUCKET 534 | 534 | |
| 24 | 120115150536 | | BICCHIERINO VALVOLA 536 | VALVE LIFTER BUCKET 536 | 536 | |
| 24 | 120115150538 | | BICCHIERINO VALVOLA 538 | VALVE LIFTER BUCKET 538 | 538 | |
| 24 | 120115150540 | | BICCHIERINO VALVOLA 540 | VALVE LIFTER BUCKET 540 | 540 | |
| 24 | 120115150542 | | BICCHIERINO VALVOLA 542 | VALVE LIFTER BUCKET 542 | 542 | |
| 24 | 120115150544 | | BICCHIERINO VALVOLA 544 | VALVE LIFTER BUCKET 544 | 544 | |
| 24 | 120115150546 | | BICCHIERINO VALVOLA 546 | VALVE LIFTER BUCKET 546 | 546 | |
| 24 | 120115150548 | | BICCHIERINO VALVOLA 548 | VALVE LIFTER BUCKET 548 | 548 | |
| 24 | 120115150550 | | BICCHIERINO VALVOLA 550 | VALVE LIFTER BUCKET 550 | 550 | |
| 24 | 120115150552 | | BICCHIERINO VALVOLA 552 | VALVE LIFTER BUCKET 552 | 552 | |
| 24 | 120115150554 | | BICCHIERINO VALVOLA 554 | VALVE LIFTER BUCKET 554 | 554 | |
| 24 | 120115150556 | | BICCHIERINO VALVOLA 556 | VALVE LIFTER BUCKET 556 | 556 | |
| 24 | 120115150558 | | BICCHIERINO VALVOLA 558 | VALVE LIFTER BUCKET 558 | 558 | |
| 24 | 120115150560 | | BICCHIERINO VALVOLA 560 | VALVE LIFTER BUCKET 560 | 560 | |
| 24 | 120115150562 | | BICCHIERINO VALVOLA 562 | VALVE LIFTER BUCKET 562 | 562 | |
| 24 | 120115150564 | | BICCHIERINO VALVOLA 564 | VALVE LIFTER BUCKET 564 | 564 | |
| 24 | 120115150566 | | BICCHIERINO VALVOLA 566 | VALVE LIFTER BUCKET 566 | 566 | |
| 24 | 120115150568 | | BICCHIERINO VALVOLA 568 | VALVE LIFTER BUCKET 568 | 568 | |
| 24 | 120115150570 | | BICCHIERINO VALVOLA 570 | VALVE LIFTER BUCKET 570 | 570 | |
| 24 | 120115150572 | | BICCHIERINO VALVOLA 572 | VALVE LIFTER BUCKET 572 | 572 | |
| 24 | 120115150574 | | BICCHIERINO VALVOLA 574 | VALVE LIFTER BUCKET 574 | 574 | |

| POSIZIONE | ITEM NUMBER | REPLACEMENT CODE | DESCRIZIONE ITA | DESCRIPTION | VARIANT NOTE | NOTE |
|-----------|--------------|------------------|-------------------------|-------------------------|--------------|------|
| 24 | 120115150576 | | BICCHIERINO VALVOLA 576 | VALVE LIFTER BUCKET 576 | 576 | |
| 24 | 120115150578 | | BICCHIERINO VALVOLA 578 | VALVE LIFTER BUCKET 578 | 578 | |
| 25 | 280756030001 | | SENSORE TPS | SENSOR TPS | | |
| 26 | 129225150000 | | SEMICONO | HALFCONE | | |
| 27 | 129335150000 | | SCODELLINO SUPERIORE | UPPER RETAINER | | |
| 28 | 129255150000 | | MOLLA VALVOLA | VALVE SPRING | | |
| 29 | 129215150000 | | SCODELLINO INFERIORE | LOWER RETAINER | | |
| 30 | 129195150000 | | VALVOLA DI SCARICO | EXHAUST VALVE | | |
| 31 | 129185150000 | | VALVOLA ASPIRAZIONE | INTAKE VALVE | | |
| 32 | 280476030010 | 280025320000 | MOTORINO PASSO PASSO | STEPPER MOTOR | | |
| 33 | 289005150020 | | CORPO FARFALLATO | THROTTLE BODY | | |
| 34 | 10905515BY1Z | | GRUPPO TESTA COMPLETO | COMPLETE CYLINDER HEAD | | |

T002 - TIMING

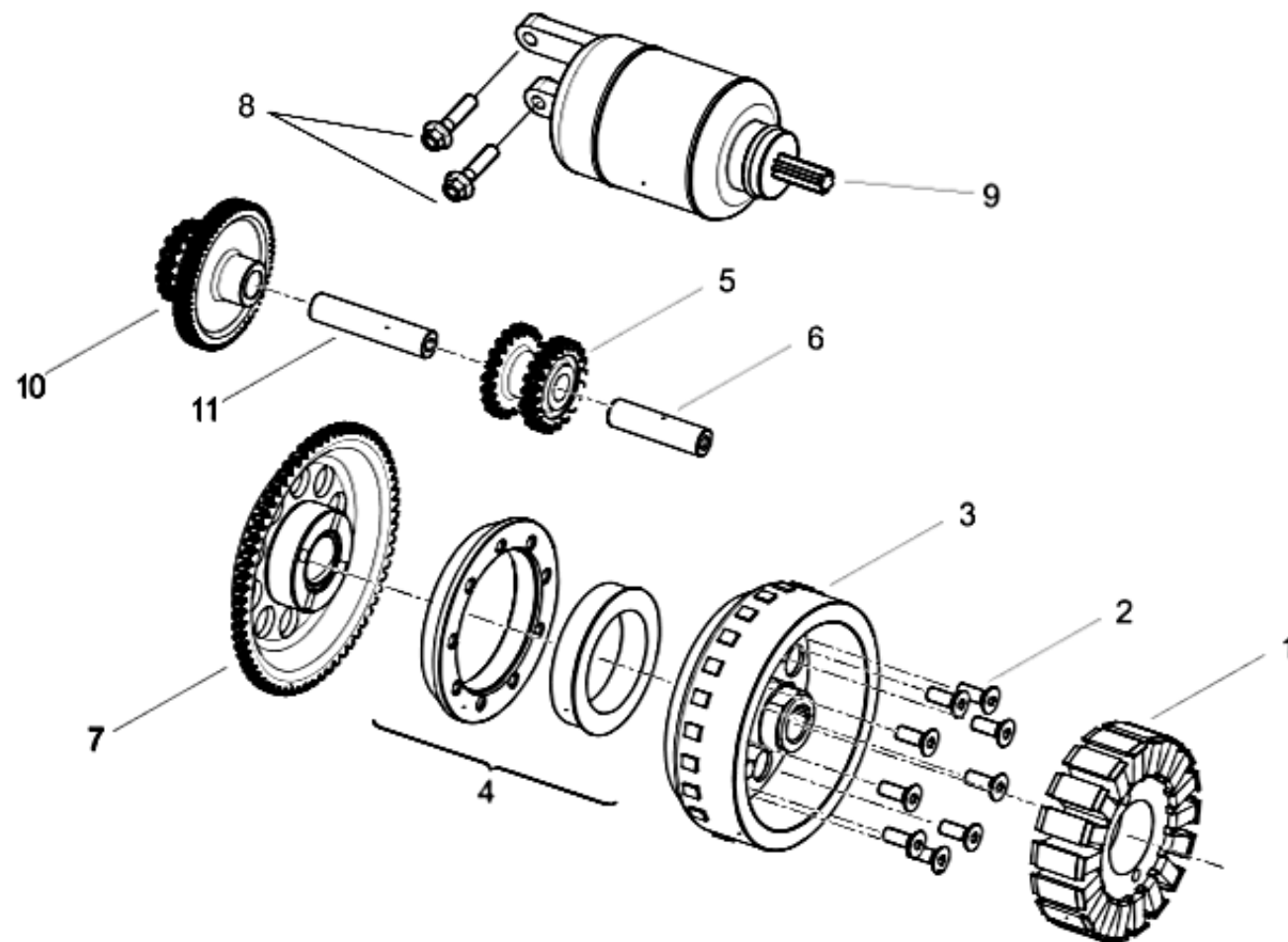
| POSIZIONE | ITEM NUMBER | REPLACEMENT CODE | DESCRIZIONE ITA | DESCRIPTION | VARIANT NOTE | NOTE |
|-----------|--------------|------------------|--------------------------------|------------------------------|--------------|------|
| 1 | 110026030000 | | VITE | SCREW | | |
| 2 | 100066030000 | | GOMMINO | RUBBER PAD | | |
| 3 | 100405150100 | | COPERCHIO DISTRIBUZIONE | COVER CYLINDER HEAD | | |
| 4 | 100045150000 | | PATTINO CATENA | CHAIN SLIDING BLOCK | | |
| 5 | 100055150010 | | GUARNIZIONE COPERCHIO DISTRIB. | TIMING COVER GASKET | | |
| 6 | 129095150000 | | ALBERO DISTRIBUZIONE ASPIRAZ. | INTAKE CAMSHAFT | | |
| 7 | 129105150000 | | ALBERO DISTRIBUZIONE SCARICO | EXHAUST CAMSHAFT | | |
| 8 | 120025150000 | | FERMO CUSCINETTO | BEARING LOCK | | |
| 9 | 149025150000 | | PATTINO CATENA SUPERIORE | UPPER CHAIN SLIDING BLOCK | | |
| 10 | 129025150000 | | CATENA DISTRIBUZIONE | CHAIN DISTRIBUTION | | |
| 11 | 200305150030 | | PIASTRINO | PLATE | | |
| 12 | 140015150000 | | PATTINO CATENA INFERIORE COMP. | LOWER CHAIN SLIDING BLOCK C. | | |
| 14 | 149035150030 | | TENDICATENA | CHAIN TENSIONER | | |
| 15 | B01090601465 | | VITE M6X14 | SCREW M6X14 | | |
| 16 | 140176030000 | | GUARNIZIONE TENDICATENA | CHAIN TENSIONER GASKET | | |
| 17 | B0205060306H | | VITE M6X30 | SCREW M6X30 | | |
| 18 | 140116030000 | | RONDELLA | WASHER | | |
| 19 | 140106030000 | | VITE | SCREW | | |

T003 - CRANK GEAR ASSEMBLY



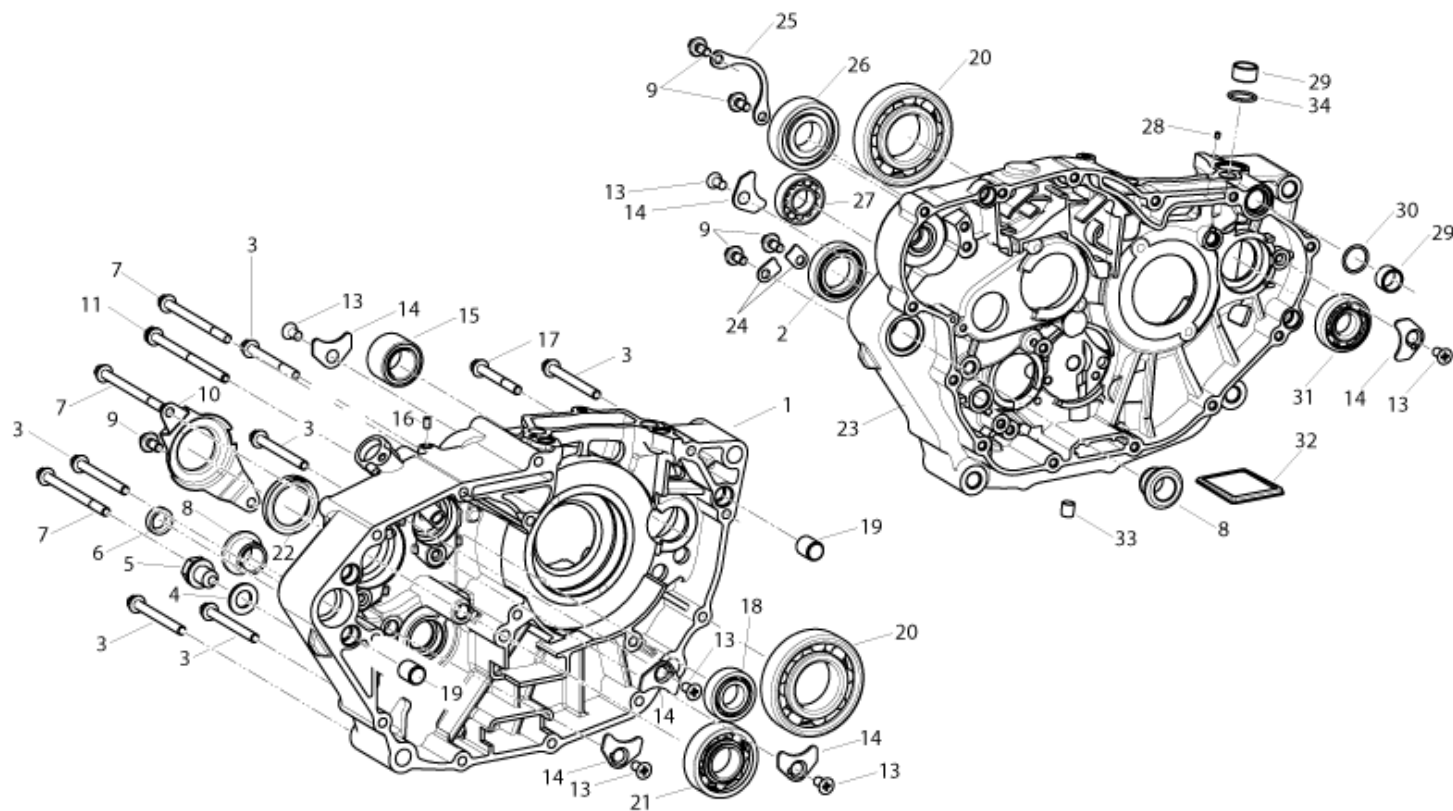
| POSIZIONE | ITEM NUMBER | REPLACEMENT CODE | DESCRIZIONE ITA | DESCRIPTION | VARIANT NOTE | NOTE |
|-----------|---------------|------------------|------------------------------|----------------------|--------------|------|
| 1 | 170275150000 | | DADO | NUT | | |
| 2 | 170225150000 | | PIASTRINA | PLATE | | |
| 3 | 170035150000 | | INGRANAGGIO | GEAR | | |
| 4 | 170355150000 | | RASAMENTO | SHIM | | |
| 5 | B11130505020 | | SPINA | PIN | | |
| 6 | 170235150020 | | INGRANAGGIO | GEAR | | |
| 7 | 170025150020 | | INGRANAGGIO | GEAR | | |
| 8 | 170195150010 | | MOLLA DI CONTRASTO | SPRING OF CONTRAST | | |
| 9 | 170205150010 | | ANTIVIBRANTE | VIBRATION DAMPING | | |
| 10 | 170185150030 | | MOZZO FRIZIONE | CLUTCH ASSY SHOE | | |
| 11 | 179015150030 | 179015150050 | ALBERO MOTORE COMPLETO | CRANKSHAFT COMPLETE | | |
| 12 | B0703000120H | | RONDELLA | WASHER | | |
| 13 | 27002305001X | | DADO M12X1,25 | NUT M12X1,25 | | |
| 14 | R170009044000 | 260093070000 | CHIAVETTA VOLANO | FLYWHEEL KEY | | |
| 15 | R700052059000 | 179155050000 | ANELLINO | CIRCLIP PISTON PIN | | |
| 16 | 179145150010 | | SPINOTTO PISTONE | PISTON PIN | | |
| 17 | 170245150000 | | SERIE SEGMENTI PISTONE | PISTON RINGS SET | | |
| 18 | 170345150000 | | INGRANAGGIO DI BILANCIAMENTO | GEAR BALANCE SHAFT | | |
| 19 | 170055150000 | | PIASTRINA | PLATE | | |
| 20 | 170065150110 | | DADO | NUT | | |
| 21 | 179135150020 | | PISTONE | PISTON | | |
| 22 | 170365150000 | | ALBERO DI BILANCIAMENTO | BALANCE SHAFT | | |
| 23 | B11130404009 | | SPINA | PIN | | |
| 24 | B01070603564 | B0107060356H | VITE M6X35 | SCREW M6X35 | | |
| 25 | 130015150000 | | ANTIVIBRANTE | VIBRATION DAMPING | | |
| 26 | 139015150120 | | CILINDRO | CYLINDER | | |
| 27 | 139025150060 | | GUARNIZIONE BASE CILINDRO | CYLINDER BASE GASKET | | |
| 28 | R050315044000 | 150083070000 | BOCCOLA DI GUIDA KIT 2 | BUSH OF GUIDE | | |

T004 - FLYWHEEL



| POSIZIONE | ITEM NUMBER | REPLACEMENT CODE | DESCRIZIONE ITA | DESCRIPTION | VARIANT NOTE | NOTE |
|-----------|---------------|------------------|------------------------|-------------------------|--------------|------|
| 1 | 299035150010 | | STATORE | STATOR | | |
| 2 | 100995150000 | | VITE M6X17 | SCREW M6X17 | | |
| 3 | 299025150020 | | ROTORE VOLANO | FLYWHEEL ROTOR | | |
| 4 | 249105150000 | | KIT RUOTA LIBERA | KIT FREE WHEEL | | |
| 5 | 249045150000 | | INGRANAGGIO AVVIAMENTO | GEAR STARTER IDLE | | |
| 6 | 249055150000 | | ALBERINO AVVIAMENTO | KICK STARTER SHAFT ASSY | | |
| 7 | 240265150000 | | CORONA AVVIAMENTO | ELECTRIC STARTER GEAR | | |
| 8 | R050304071000 | | VITE M6X20 KIT 10 | SCREW M6X20 | | |
| 9 | 249015150050 | | MOTORINO AVVIAMENTO | STARTING MOTOR | | |
| 10 | 240035150000 | | INGRANAGGIO AVVIAMENTO | GEAR STARTER IDLE | | |
| 11 | 240045150000 | | ALBERINO AVVIAMENTO | KICK STARTER SHAFT ASSY | | |

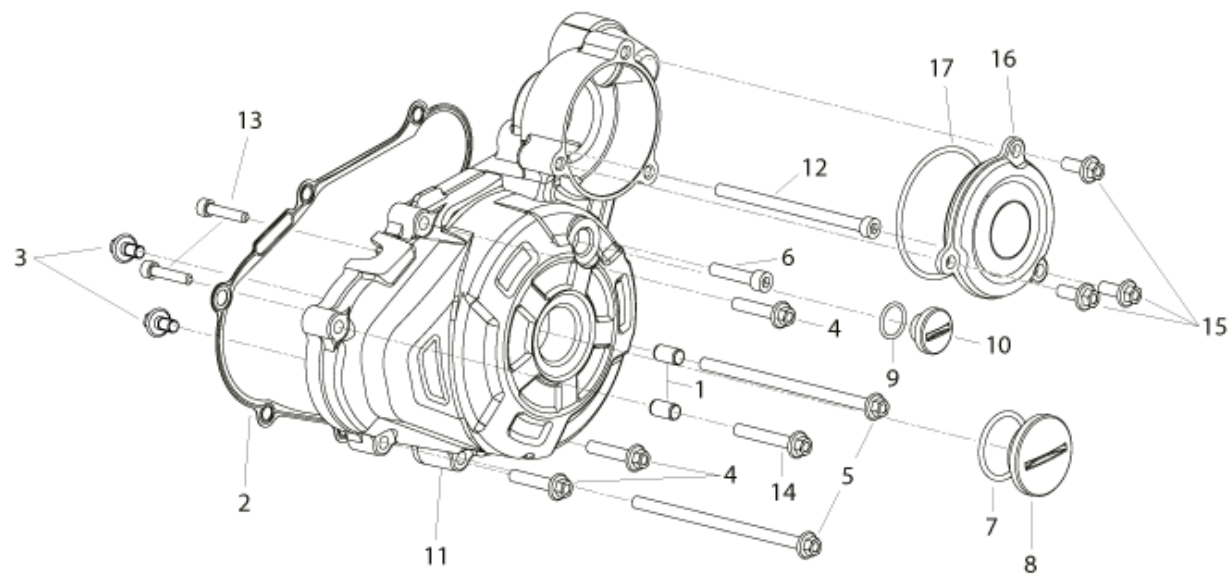
T005 - COUPLE CRANKCASES



| POSIZIONE | ITEM NUMBER | REPLACEMENT CODE | DESCRIZIONE ITA | DESCRIPTION | VARIANT NOTE | NOTE |
|-----------|---------------|------------------|---------------------|----------------|--------------|------|
| 1 | 159045150090 | | SEMICARTER SINISTRO | LH CRANKCASE | | |
| 2 | B12016190503 | | CUSCINETTO | BEARING | | |
| 3 | B0107060606H | | VITE (M6X60) | SCREW M6X60 | | |
| 4 | 200014130000 | | RONDELLA | WASHER | | |
| 5 | 15006305002X | | SPINA | PIN | | |
| 6 | 200001050000 | | PARAOLIO | OIL SEAL | | |
| 7 | B0107060806H | | VITE M6X80 | SCREW M6X80 | | |
| 8 | 150045150000 | | BOCCOLA | BUSH | | |
| 9 | R020051115000 | B0107060126H | VITE M6X12 KIT 10 | SCREW M6X12 | | |
| 10 | 150055150000 | | FLANGIA | FLANGE | | |
| 11 | B01070609564 | | VITE M6X95 | SCREW M6X95 | | |
| 13 | R320002044000 | 200001050000 | PARAOLIO | OIL SEAL | | |
| 14 | B1212K121002 | | CUSCINETTO A RULLI | BEARING NEEDLE | | |
| 15 | 150124230000 | | CUSCINETTO A RULLI | BEARING NEEDLE | | |
| 16 | B0201060126H | | VITE M6X12 | SCREW M6X12 | | |
| 17 | B0107060506H | | VITE M6X50 | SCREW M6X50 | | |
| 18 | B12016000305 | | CUSCINETTO | BEARING | | |
| 19 | 100255150000 | | BOCCOLA DI GUIDA | BUSH OF GUIDE | | |
| 20 | 150304230030 | | CUSCINETTO | BEARING | | |
| 21 | B12016622206 | | CUSCINETTO | BEARING | | |
| 22 | 150235150000 | | PARAOLIO | OIL SEAL | | |
| 23 | 159055150080 | | SEMICARTER DESTRO | RH SEMICARTER | | |
| 24 | 150135150000 | | PIASTRINO | PLATE | | |
| 25 | 150125150000 | | PIASTRINO | PLATE | | |
| 26 | R170052023000 | | CUSCINETTO | BEARING | | |
| 27 | R030652044000 | | CUSCINETTO A RULLI | BEARING NEEDLE | | |
| 28 | 150103300000 | | TAPPO | PLUG | | |
| 29 | 150155150000 | | BOCCOLA | BUSH | | |

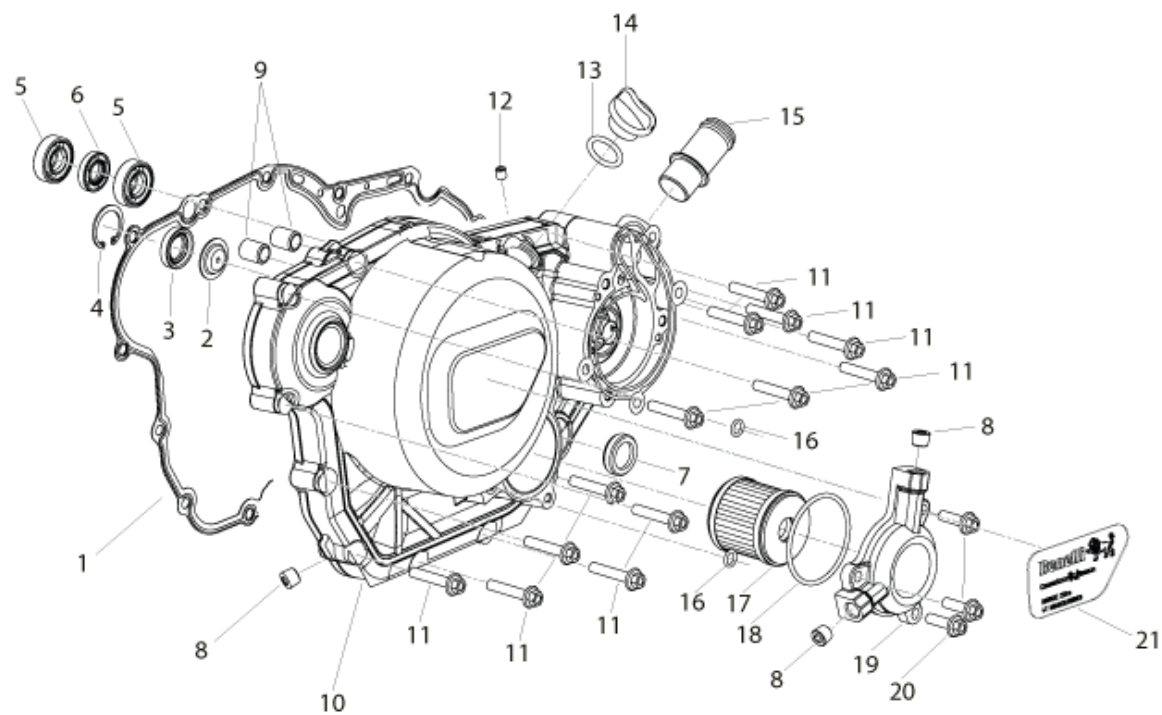
| POSIZIONE | ITEM NUMBER | REPLACEMENT CODE | DESCRIZIONE ITA | DESCRIPTION | VARIANT NOTE | NOTE |
|-----------|--------------|------------------|--------------------|--------------|--------------|------|
| 30 | B190101700A0 | | GUARNIZIONE O-RING | O-RING | | |
| 31 | B12016020308 | | CUSCINETTO | BEARING | | |
| 32 | 150175150000 | | FILTRO | FILTER | | |
| 33 | 100066090000 | | TAPPO FILETTATO | THREADED CAP | | |
| 34 | 100415150000 | | GUARNIZIONE O-RING | O-RING | | |

T006 - L.H. ENGINE COVER

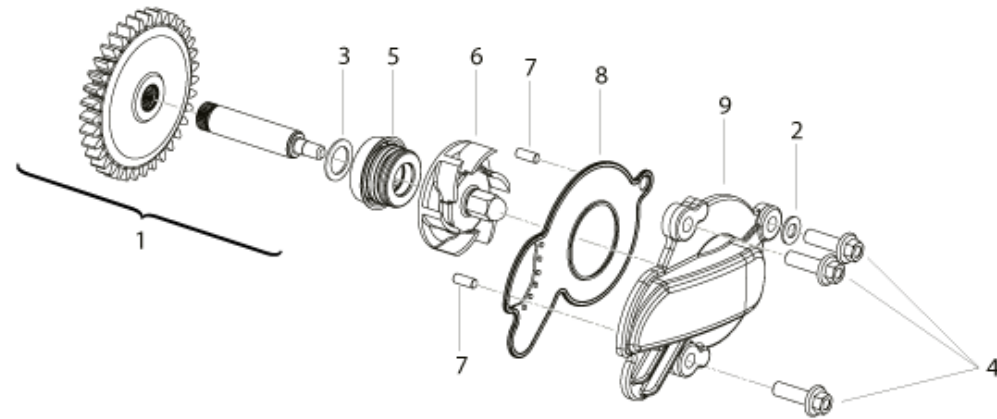


| POSIZIONE | ITEM NUMBER | REPLACEMENT CODE | DESCRIZIONE ITA | DESCRIPTION | VARIANT NOTE | NOTE |
|-----------|---------------|------------------|--------------------------|------------------------|--------------|------|
| 1 | R050315033000 | 160073070000 | BOCCOLA KIT 5 | BUSH | | |
| 2 | 169075150020 | | GUARNIZIONE | GASKET | | |
| 3 | B0107050126H | | VITE M5X12 | SCREW M5X12 | | |
| 4 | B01070603564 | B0107060356H | VITE M6X35 | SCREW M6X35 | | |
| 5 | B0107061156H | | VITE M6X115 | SCREW M6X115 | | |
| 6 | B0205060306H | | VITE M6X30 | SCREW M6X30 | | |
| 7 | B190103000B0 | | GUARNIZIONE O-RING | O-RING | | |
| 8 | 169085150010 | | TAPPO | PLUG | | |
| 9 | B190101500A0 | | GUARNIZIONE O-RING | O-RING | | |
| 10 | 169165150010 | | TAPPO MAGNETICO | MAGNETIC CAP | | |
| 11 | 169025250020 | | COPERCHIO VOLANO MAGNETE | COVER MAGNETO FLYWHEEL | | |
| 12 | B0205061006H | | VITE M6X100 | SCREW M6X100 | | |
| 13 | R700052064000 | | VITE M5X25 | SCREW M5X25 | | |
| 14 | R050304131000 | | VITE M6X35 | SCREW M6X35 | | |
| 15 | R030451014000 | | VITE M6X16 KIT 10 | SCREW M6X16 | | |
| 16 | 169065150060 | | COPERCHIO | COVER | | |
| 17 | B190106200B0 | | GUARNIZIONE O-RING | O-RING | | |

T007 - R.H. ENGINE COVERS



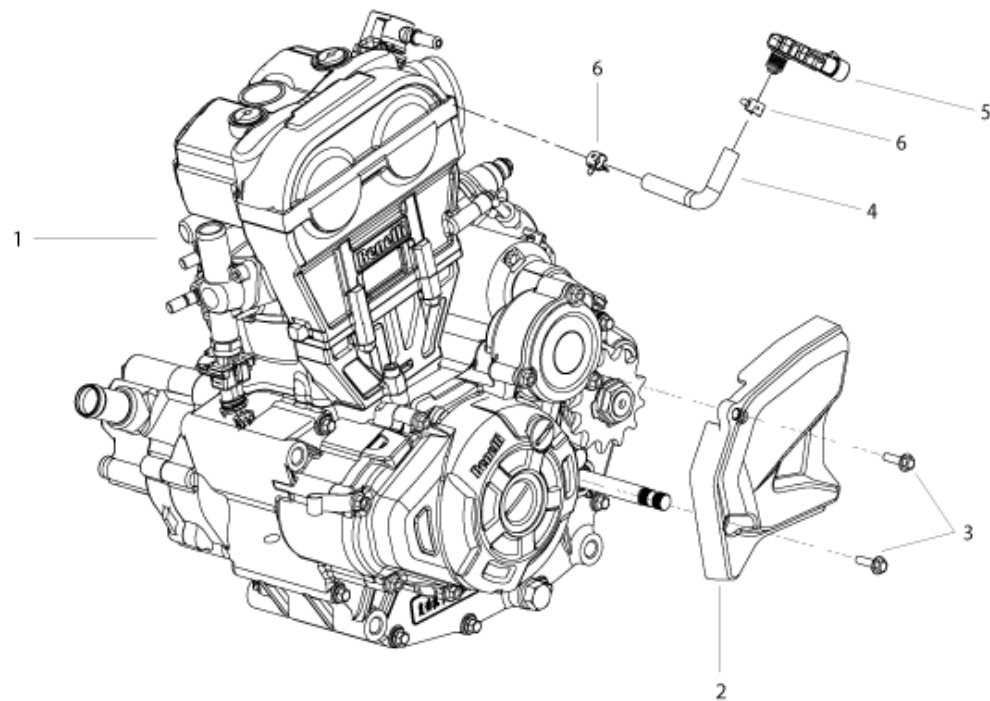
| POSIZIONE | ITEM NUMBER | REPLACEMENT CODE | DESCRIZIONE ITA | DESCRIPTION | VARIANT NOTE | NOTE |
|-----------|---------------|------------------|--------------------------------|-----------------------|--------------|------|
| 1 | 169115150020 | | GUARNIZIONE COPERCHIO FRIZIONE | CLUTCH COVER GASKET | | |
| 2 | 160135150000 | | LAMELLA | LAMELLE | | |
| 3 | 160015040000 | | PARAOLIO | OIL SEAL | | |
| 4 | B08000002500 | | ANELLO SEEGER | CIRCLIP | | |
| 5 | B12016000100 | | CUSCINETTO | BEARING | | |
| 6 | 270153160000 | | PARAOLIO | OIL SEAL | | |
| 7 | 160083090000 | | OBLÒ ISPEZIONE LIVELLO OLIO | OIL LEVEL SIGHT GLASS | | |
| 8 | 150166090000 | | TAPPO | PLUG | | |
| 9 | R050302057000 | | BOCCOLA | BUSH | | |
| 10 | 169105250030 | | COPERCHIO FRIZIONE | CLUTCH COVER | | |
| 11 | B01070603264 | | VITE M6X32 | SCREW M6X32 | | |
| 12 | 150056090000 | | SPINA | PIN | | |
| 13 | R050307054000 | 160063070000 | ANELLO O-RING 18X3,5 | O-RING 18X3,5 | | |
| 14 | 160063090000 | 160063090070 | TAPPO CARICO OLIO | OIL LOAD PLUG | | |
| 15 | 279085250000 | | TUBO INGRESSO SCAMBIATORE | EXCHANGER INLET TUBE | | |
| 16 | B190100710A0 | | GUARNIZIONE O-RING | O-RING | | |
| 17 | 160125150010 | | FILTRO OLIO | OIL FILTER | | |
| 18 | 160095150000 | | GUARNIZIONE O-RING | O-RING | | |
| 19 | 260135150040 | | COPERCHIO FILTRO OLIO | OIL FILTER COVER | | |
| 20 | B01070602064 | | VITE M6X20 | SCREW M6X20 | | |
| 21 | 160015250000 | | ADESIVO | STICKER | | |

T008 - WATER PUMP

| POSIZIONE | ITEM NUMBER | REPLACEMENT CODE | DESCRIZIONE ITA | DESCRIPTION | VARIANT NOTE | NOTE |
|-----------|---------------|------------------|-----------------------------|---------------------------|--------------|------|
| 1 | 270025250000 | | ALBERO POMPA ACQUA COMPLETO | WATER PUMP SHAFT COMPLETE | | |
| 2 | R320052262000 | 270345050000 | RONDELLA | WASHER | | |
| 3 | 240036090000 | | RONDELLA | WASHER | | |
| 4 | B01070602064 | | VITE M6X20 | SCREW M6X20 | | |
| 5 | 270216030000 | | TENUTA MECCANICA | MECHANICAL SEAL | | |
| 6 | 279215250000 | | GIRANTE POMPA ACQUA | WATER PUMP FAN | | |
| 7 | B091404010B0 | | SPINA | PIN | | |
| 8 | 279265250000 | | GUARNIZIONE O-RING | O-RING | | |
| 9 | 279255250020 | | COPERCHIO POMPA ACQUA | WATER PUMP COVER | | |

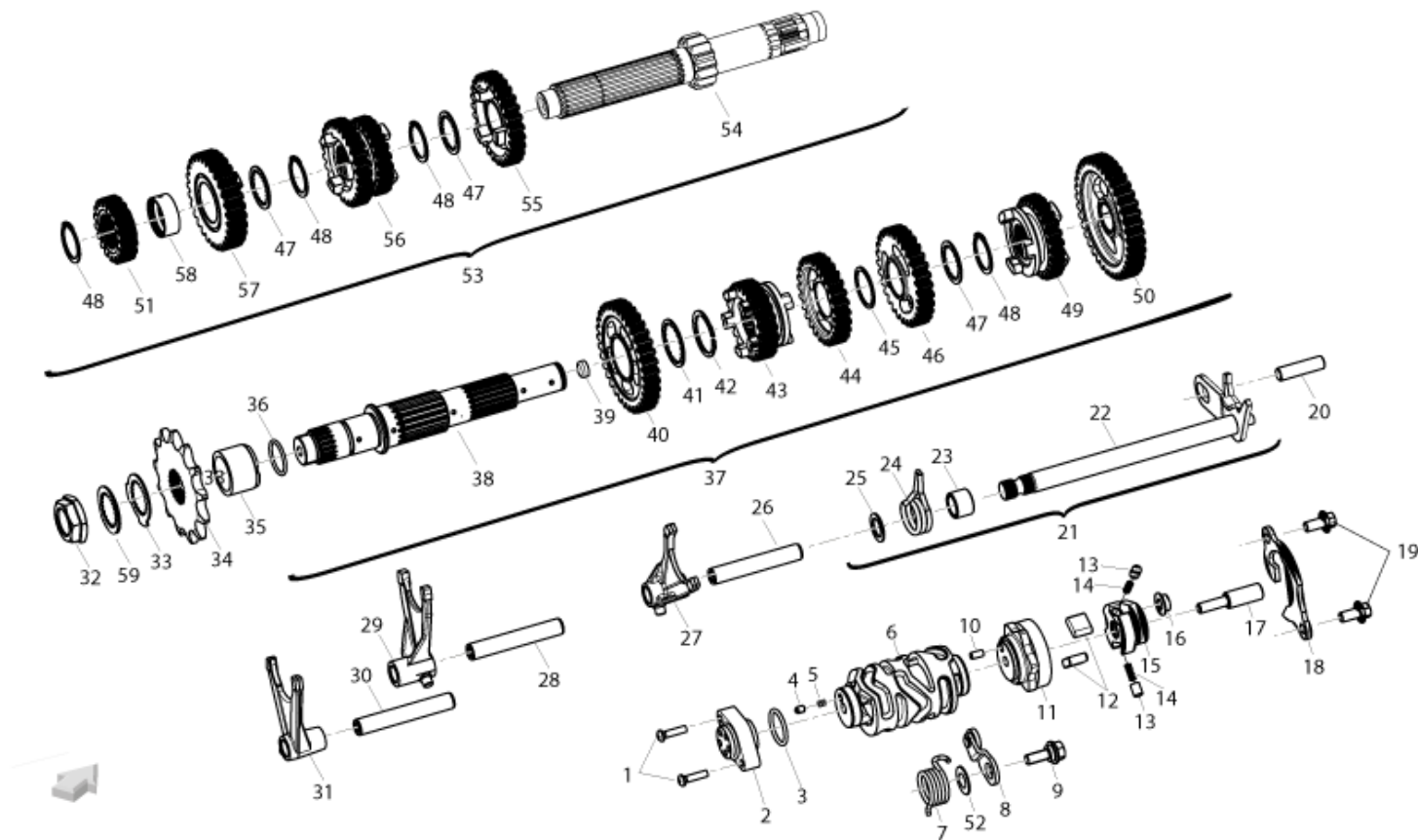
| POSIZIONE | ITEM NUMBER | REPLACEMENT CODE | DESCRIZIONE ITA | DESCRIPTION | VARIANT NOTE | NOTE |
|-----------|---------------|------------------|--------------------------|----------------------------|--------------|------|
| 1 | 209255150000 | | FRIZIONE COMPLETA | COMPLETE CLUTCH | | |
| 2 | 209245150000 | | CAMPANA FRIZIONE | CLUTCH HOUSING | | |
| 3 | R320452066000 | | RONDELLA AD INTAGLI | WASHER-CROWN | | |
| 4 | 209205150000 | | TAMBURO FRIZIONE | CLUTCH DRUM | | |
| 5 | R320079079000 | 200236030001 | DISCO ACCIAIO | STEEL DISK | | |
| 6 | R320052222000 | 200226030001 | MOLLA A TAZZA | CUP SPRING | | |
| 7 | 200375150000 | | DISCO FRIZIONE GUARNITO | DRIVE CLUTCH DISK | | |
| 8 | 200145150010 | | DISCO FRIZIONE ACCIAIO | STEEL CLUTCH PLATE | | |
| 9 | 200385150000 | | DISCO FRIZIONE GUARNITO | DRIVE CLUTCH DISK | | |
| 10 | 200135150010 | | DISCO FRIZIONE GUARNITO | DRIVE CLUTCH DISK | | |
| 11 | 200175150000 | | RONDELLA DI SICUREZZA | WASHER LOCK | | |
| 12 | 200315150000 | | DADO FLANGIATO | NUT FLANGE | | |
| 13 | 200355150000 | | PERNO SPINGIDISCO | PRESSURE PLATE PIN | | |
| 14 | B12016190303 | | CUSCINETTO | BEARING | | |
| 15 | 200155150000 | | PIATTO SPINGIDISCO | DISK PRESSURE PLATE | | |
| 16 | 200165150010 | | MOLLA | SPRING | | |
| 17 | R320052180000 | B1331060250N | VITE M6X25 | SCREW M6X25 | | |
| 18 | 200365150000 | | PERNO SPINGIDISCO | PRESSURE PLATE PIN | | |
| 19 | B0402060000H | | DADO M8 | NUT M8 | | |
| 20 | B06010290000 | | SFERA | BALL | | |
| 21 | 200405150000 | | ASTA DI ROTAZIONE | CLUTCH CONTROL ROD | | |
| 22 | 200195150010 | | LEVA DISINNESTO FRIZIONE | DISENGAGEMENT LEVER CLUTCH | | |
| 23 | B01070601264 | B0107060126H | VITE M6X12 | SCREW M6X12 | | |
| 24 | 200225150010 | | MOLLA INTERNA | INNER SPRING | | |
| 25 | 200235150000 | | PIASTRINO MOLLA | PLATE SPRING | | |
| 26 | 200001050000 | | PARAOLIO | OIL SEAL | | |
| 27 | B1212K121002 | | CUSCINETTO A RULLI | BEARING NEEDLE | | |

T00B - COMPLETE ENGINE



| POSIZIONE | ITEM NUMBER | REPLACEMENT CODE | DESCRIZIONE ITA | DESCRIPTION | VARIANT NOTE | NOTE |
|-----------|---------------|------------------|-------------------------------|------------------------------|--------------|------|
| 1 | C2515002BG00 | | MOTORE COMPLETO (LEONCINO 250 | ENGINE COMPLETE LEONCINO 250 | | |
| 2 | 169045150080 | | COPERCHIO PIGNONE | SPROCKET COVER | | |
| 3 | B02810602062 | | VITE M6X20 | SCREW M6X20 | | |
| 4 | 110075130000 | | TUBO | TUBE | | |
| 5 | 280106220000 | | SENSORE MAP | MAP SENSOR | | |
| 6 | R320452109000 | 49016B350010 | FASCETTA ELASTICA | SPRING CLAMP | | |

T010 - GEAR-BOX

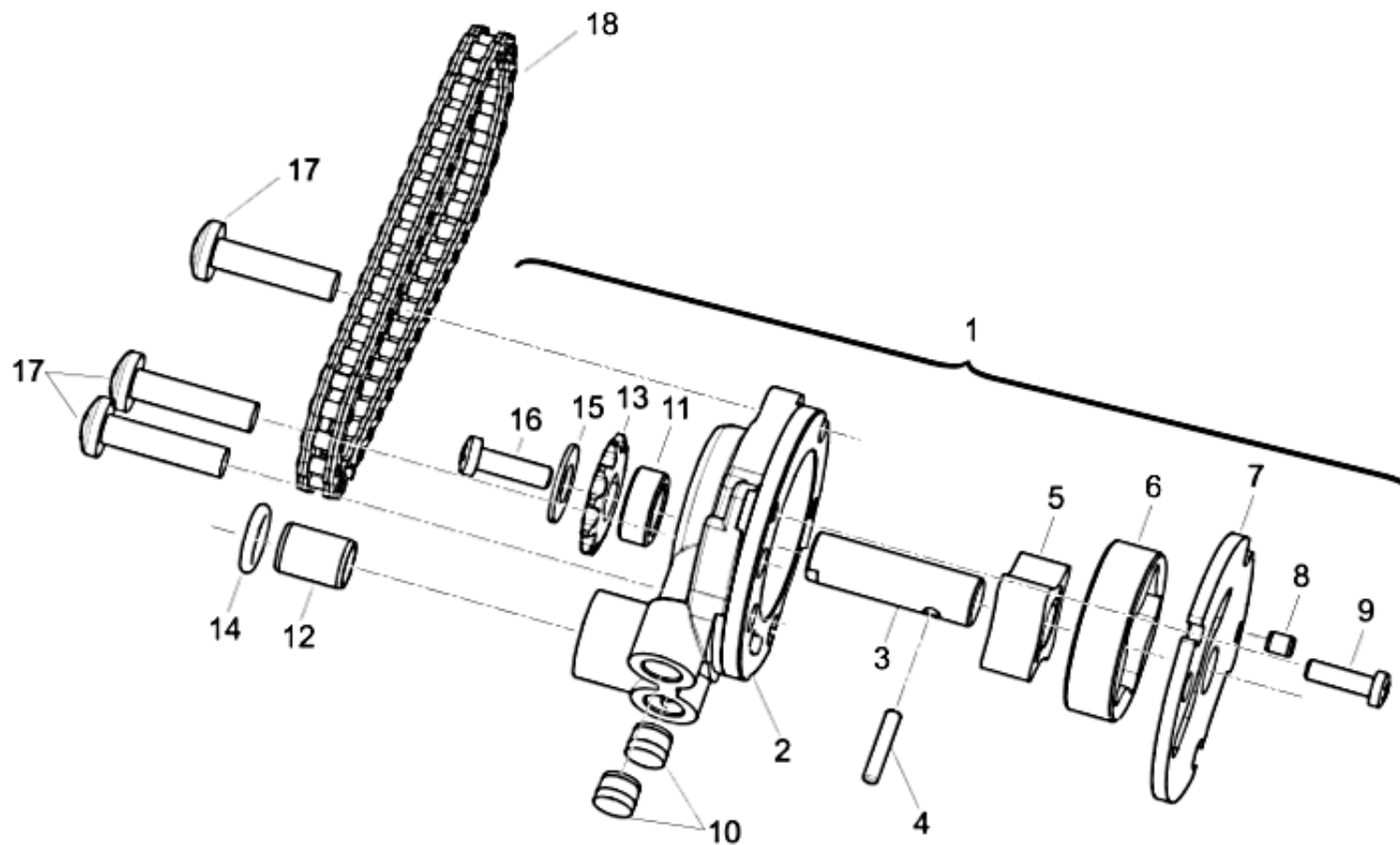


| POSIZIONE | ITEM NUMBER | REPLACEMENT CODE | DESCRIZIONE ITA | DESCRIPTION | VARIANT NOTE | NOTE |
|-----------|--------------|------------------|-------------------------------|---------------------------------|--------------|------|
| 1 | B1305040160H | | VITE M4X16 | SCREW M4 X16 | | |
| 2 | 219075150000 | | SENSORE CAMBIO | GEAR-BOX SENSOR | | |
| 3 | 210043070000 | | GUARNIZIONE O-RING | O-RING | | |
| 4 | 210343070000 | | PIOLO | PIN | | |
| 5 | 210383070000 | | MOLLA | SPRING | | |
| 6 | 219055150000 | | DESMODROMICO | DESMODROMIC | | |
| 7 | 210415150000 | | MOLLA INTERNA | INNER SPRING | | |
| 8 | 210375150010 | | PIASTRINO | PLATE | | |
| 9 | 210395150000 | | VITE | SCREW | | |
| 10 | B091404009A1 | | SPINA | PIN | | |
| 11 | 210216060000 | | TAMBURO CAMBIO | GEARBOX DRUM | | |
| 12 | 210316090000 | | LAMELLA | LAMELLE | | |
| 13 | 210326090000 | | BOCCOLA | BUSH | | |
| 14 | 210475150000 | | MOLLA | SPRING | | |
| 15 | 210265150000 | | ROCCHETTO DESMODROMICO | SPROCKET DESMODROMIC | | |
| 16 | 210275150000 | | BOCCOLA | BUSH | | |
| 17 | 210296090000 | | PERNO | PIN | | |
| 18 | 210305150000 | | FLANGIA | FLANGE | | |
| 19 | B01070601464 | | VITE M6X14 | SCREW M6X14 | | |
| 20 | B091408030A4 | 150092080000 | ALBERINO | SHAFT | | |
| 21 | 210525150000 | | ALBERO SELETTORE COMPLETO | SELECTOR SHAFT COMPLETE | | |
| 22 | 210535150000 | | ALBERO SELETTORE | SELECTOR SHAFT | | |
| 23 | 210325150000 | | CUSCINETTO A RULLI | BEARING NEEDLE | | |
| 24 | 210335150000 | | MOLLA INTERNA | INNER SPRING | | |
| 25 | 260025150000 | | RONDELLA | WASHER | | |
| 26 | 210185150000 | | ALBERINO SELETTORE CAMB. 5 V. | SHAFT GEAR SHIFT 5 ^a | | |
| 27 | 210175150000 | | FORCHETTA SELETTORE CAMBIO 5 | FORK, GEAR SHIFT 5 | | |
| 28 | 210155150000 | | ALBERO SELETTORE CAMBIO | SELECTOR SHAFT | | |

| POSIZIONE | ITEM NUMBER | REPLACEMENT CODE | DESCRIZIONE ITA | DESCRIPTION | VARIANT NOTE | NOTE |
|-----------|--------------|------------------|-------------------------------|-----------------------|-----------------------------|------|
| 29 | 210145150000 | | FORCHETTA SELETTORE CAMBIO | FORK GEAR SHIFT | | |
| 30 | 210215150000 | | ALBERINO SELETTORE CAMB. 6 V. | SHAFT GEAR SHIFT 6ª | | |
| 31 | 210205150010 | | FORCHETTA SELETTORE CAMB. 6ª | FORK GEAR SHIFT 6 S. | | |
| 32 | 210455150100 | | DADO FLANGIATO | NUT FLANGE | | |
| 33 | 210445150010 | | RONDELLA DI SICUREZZA | WASHER LOCK | | |
| 34 | 210435150020 | 210435150050 | PIGNONE | SPROCKET | | |
| 35 | 210425150000 | | BUSSOLA | BUSH | | |
| 36 | B190101900A0 | | GUARNIZIONE O-RING | O-RING | | |
| 37 | 219215150010 | | ALBERO SECONDARIO COMPLETO | DRIVEN SHAFT ASSEMBLY | UP TO VIN NUMBER: *MBC70995 | |
| 37 | 219215150011 | | ALBERO SECONDARIO COMPLETO | DRIVEN SHAFT ASSEMBLY | START TO VIN N.: *MBC70996 | |
| 38 | 219225150010 | | ALBERO SECONDARIO | SECONDARY SHAFT | UP TO VIN NUMBER: *MBC70995 | |
| 38 | 219225150011 | | ALBERO SECONDARIO | SECONDARY SHAFT | START TO VIN N.: *MBC70996 | |
| 39 | 210115150000 | | TAPPO | PLUG | | |
| 40 | 219245150000 | | INGRANAGGIO CONDOTTO 2 VEL. | DRIVEN GEAR 2ND. | | |
| 41 | 210055150010 | | RASAMENTO | SHIM | | |
| 42 | 210065150000 | | ANELLO SEEGER | CIRCLIP | | |
| 43 | 219285150010 | | INGRANAGGIO CONDOTTO 6 VEL. | DRIVEN GEAR 6TH. | | |
| 44 | 219265150000 | | INGRANAGGIO CONDOTTO 4 VEL. | DRIVEN GEAR 4TH. | | |
| 45 | 210125150000 | | RONDELLA | WASHER | | |
| 46 | 219255150000 | | INGRANAGGIO CONDOTTO 3 VEL. | DRIVEN GEAR 3RD. | | |
| 47 | 210035150000 | | RASAMENTO | SHIM | | |
| 48 | 210045150000 | | ANELLO SEEGER | CIRCLIP | | |
| 49 | 219275150000 | | INGRANAGGIO CONDOTTO 5 VEL. | DRIVEN GEAR 5TH. | | |
| 50 | 210095150000 | | INGRANAGGIO CONDOTTO 1 VEL. | DRIVEN GEAR 1ST. | | |
| 51 | 219165150000 | | INGRANAGGIO CONDOTTO 2 VEL. | DRIVEN GEAR 2ND. | | |
| 52 | 219494320000 | | RONDELLA | WASHER | | |
| 53 | 219315150000 | | ALBERO PRIMARIO COMPLETO | MAIN SHAFT ASSEMBLY | | |
| 54 | 219305150000 | | ALBERO PRIMARIO | MAIN SHAFT | | |

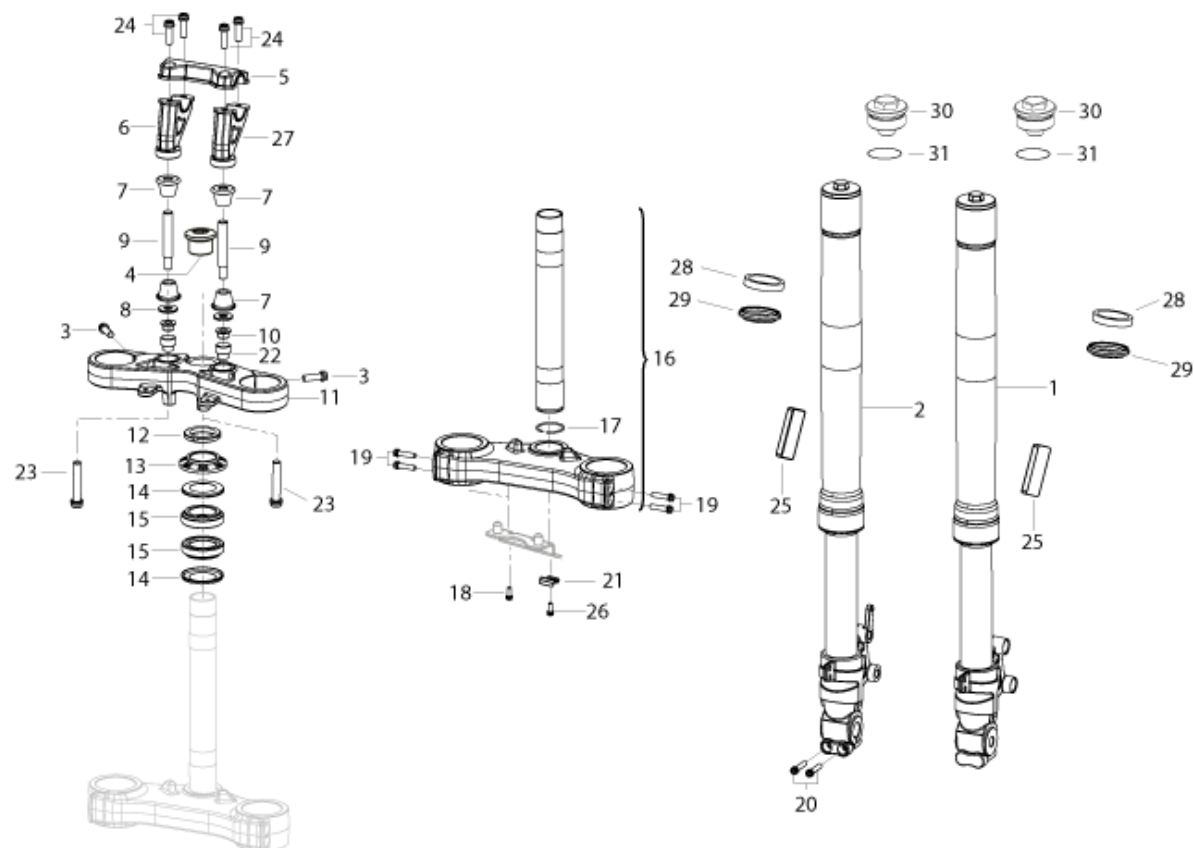
| POSIZIONE | ITEM NUMBER | REPLACEMENT CODE | DESCRIZIONE ITA | DESCRIPTION | VARIANT NOTE | NOTE |
|-----------|--------------|------------------|-----------------------------|-----------------------|--------------|------|
| 55 | 219195150000 | | INGRANAGGIO CONDOTTO 5 VEL. | DRIVEN GEAR 5TH. | | |
| 56 | 210025150000 | | INGRANAGGIO CONDOTTO 3-4 | DRIVEN GEAR 3RD.-4TH. | | |
| 57 | 219205150000 | | INGRANAGGIO CONDOTTO 6 VEL. | DRIVEN GEAR 6TH. | | |
| 58 | 210015150000 | | CUSCINETTO RULLI | BEARING, NEEDLE | | |
| 59 | 210445150000 | | RONDELLA DI SICUREZZA | WASHER OF SECURITY | | |

T011 - LUBRICATION



| POSIZIONE | ITEM NUMBER | REPLACEMENT CODE | DESCRIZIONE ITA | DESCRIPTION | VARIANT NOTE | NOTE |
|-----------|---------------|------------------|------------------------|-------------------|--------------|------|
| 1 | 269245150000 | | POMPA OLIO COMPLETA | COMPLETE OIL PUMP | | |
| 2 | 269095150001 | | CORPO POMPA OLIO | OIL PUMP BODY | | |
| 3 | 269235150000 | | ALBERO POMPA OLIO | OIL PUMP SHAFT | | |
| 4 | B090103016B0 | | PIOLO | PIN | | |
| 5 | 260115150001 | | ROTORE INTERNO | INNER ROTOR | | |
| 6 | 260105150000 | | ROTORE ESTERNO | OUTER ROTOR | | |
| 7 | 269105150000 | | COPERCHIO POMPA OLIO | OIL PUMP COVER | | |
| 8 | B090104005A0 | | SPINA | PIN | | |
| 9 | R320052164000 | | VITE M4X10 | SCREW M4 X10 | | |
| 10 | 260195150000 | | TAPPO | PLUG | | |
| 11 | 269215150000 | | BOCCOLA | BUSH | | |
| 12 | R050315044000 | 150083070000 | BOCCOLA DI GUIDA KIT 2 | BUSH OF GUIDE | | |
| 13 | 269225150000 | | PIGNONE POMPA OLIO | OIL PUMP SPROCKET | | |
| 14 | 260113070000 | | GUARNIZIONE O-RING | O-RING | | |
| 15 | 260053300000 | | RONDELLA | WASHER | | |
| 16 | B13140502002 | B0107050106H | VITE M5X10 | SCREW M5X10 | | |
| 17 | B0204060256H | | VITE M6X25 | SCREW M6X25 | | |
| 18 | 269205150000 | | CATENA POMPA OLIO | OIL PUMP CHAIN | | |

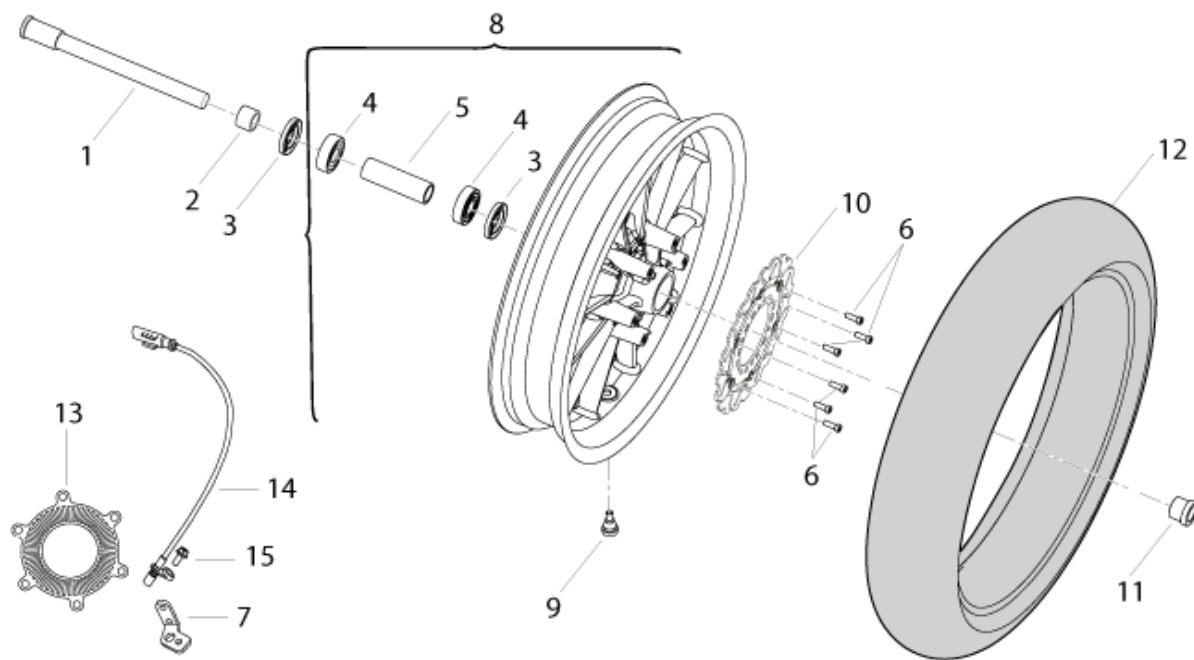
T012 - FRONT FORK



| POSIZIONE | ITEM NUMBER | REPLACEMENT CODE | DESCRIZIONE ITA | DESCRIPTION | VARIANT NOTE | NOTE |
|-----------|---------------|------------------|--------------------------------|-----------------------------|--------------|------|
| 1 | 43200N290000 | | ASSIEME GAMBA SINISTRA | LEFT FORK LEG ASSEMBLY | | |
| 2 | 43300N290000 | | ASSIEME GAMBA DESTRA | RIGHT FORK LEG ASSEMBLY | | |
| 3 | R90751451B | | VITE TCEI M8X25 ZB | SCREW TCEI M8X25 ZB | | |
| 4 | 43049P250000 | | VITE SPECIALE | SPECIAL SCREW | | |
| 5 | 43014P260000 | | CAVALLOTTO MANUBRIO | HANDLEBAR BRACKET | | |
| 6 | 43013P260023 | | DISTANZIALE MANUBRIO DX | RH SPACER HANDLEBAR | | |
| 7 | 47015P010010 | | SILENT-BLOCK MANUBRIO | HANDLEBAR SILENT-BLOCK | | |
| 8 | 40089P010100 | | RONDELLA | WASHER | | |
| 9 | 40086P260001 | | PRIGIONIERO FISSAGGIO MANUBRIO | STUD BOLT, HANDLEBAR FIXING | | |
| 10 | R91350091B | | DADO M10X1,25 | NUT M10X1,25 | | |
| 11 | R320469007000 | 43011P100000 | BASE DI STERZO SUPERIORE | UPPER STEERING PLATE | | |
| 12 | R90752321A | | GHIERA PERNO DI STERZO ZB | STEERING RING NUT PIN ZB | | |
| 13 | 43009P260000 | | GHIERA DI STERZO | STEERING RING NUT | | |
| 14 | R21413031A | | ANELLO PARAPOLVERE | RING DUST COVER | | |
| 15 | R21413021A | 43130S010000 | CUSCINETTO DI STERZO | BEARING | | |
| 16 | R320469008000 | 43100P100000 | BASE DI STERZO | STEERING PLATE | | |
| 17 | R320052045000 | | ANELLO | SEAL RING | | |
| 18 | B02810602062 | | VITE M6X20 | SCREW M6X20 | | |
| 19 | B02810803062 | | VITE M8X30 | SCREW M8X30 | | |
| 20 | R90750531B | | VITE M6X30 | SCREW M6X30 | | |
| 21 | 45099N290000 | | PASSACAVALLO | FAIRLEAD | | |
| 22 | 58306P160000 | | TAPPO | PLUG | | |
| 23 | B02070602022 | B0207060202H | VITE TCEIF M6X20 8.8 ZB | SCREW TCEIF M6X20 8.8 ZB | | |
| 24 | B0205080256K | | VITE M8X25 | SCREW M8X25 | | |
| 25 | 86200P250001 | | CATADIOTTRO LATERALE | SIDE REFLECTOR | | |
| 26 | B01090602562 | B0109060256H | VITE | SCREW | | |
| 27 | 43013P260013 | | DISTANZIALE MANUBRIO SX | LH SPACER HANDLEBAR | | |
| 28 | 43260N220010 | | PARAOILIO | OIL SEAL | | |

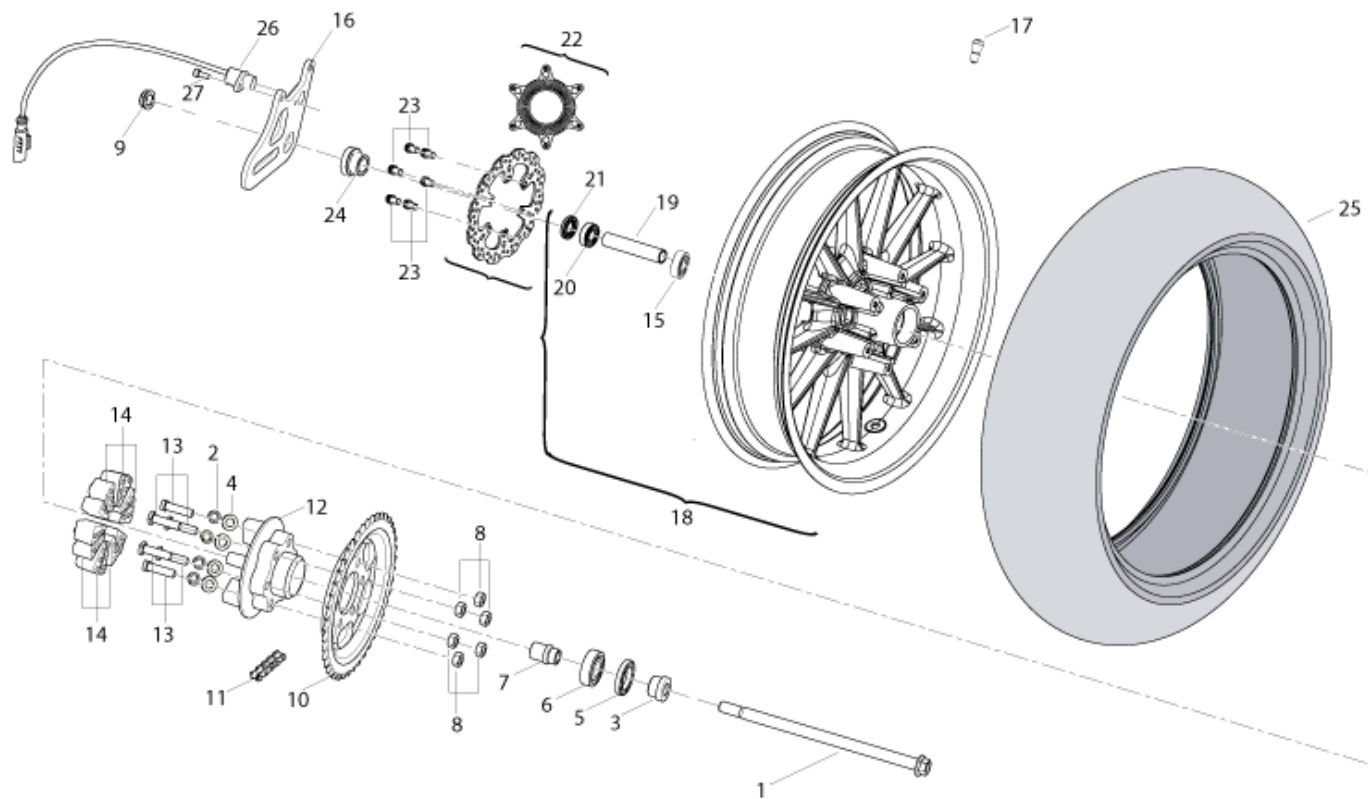
| POSIZIONE | ITEM NUMBER | REPLACEMENT CODE | DESCRIZIONE ITA | DESCRIPTION | VARIANT NOTE | NOTE |
|-----------|--------------|------------------|--------------------|--------------------|--------------|------|
| 29 | 43290N220001 | | PARAPOLVERE | DUST COVER | | |
| 30 | 43204P100010 | | TAPPO FORCELLA | FRONT FORK CAP | | |
| 31 | B190104170B0 | | GUARNIZIONE O-RING | GUARNIZIONE O-RING | | |

T013 - FRONT WHEEL



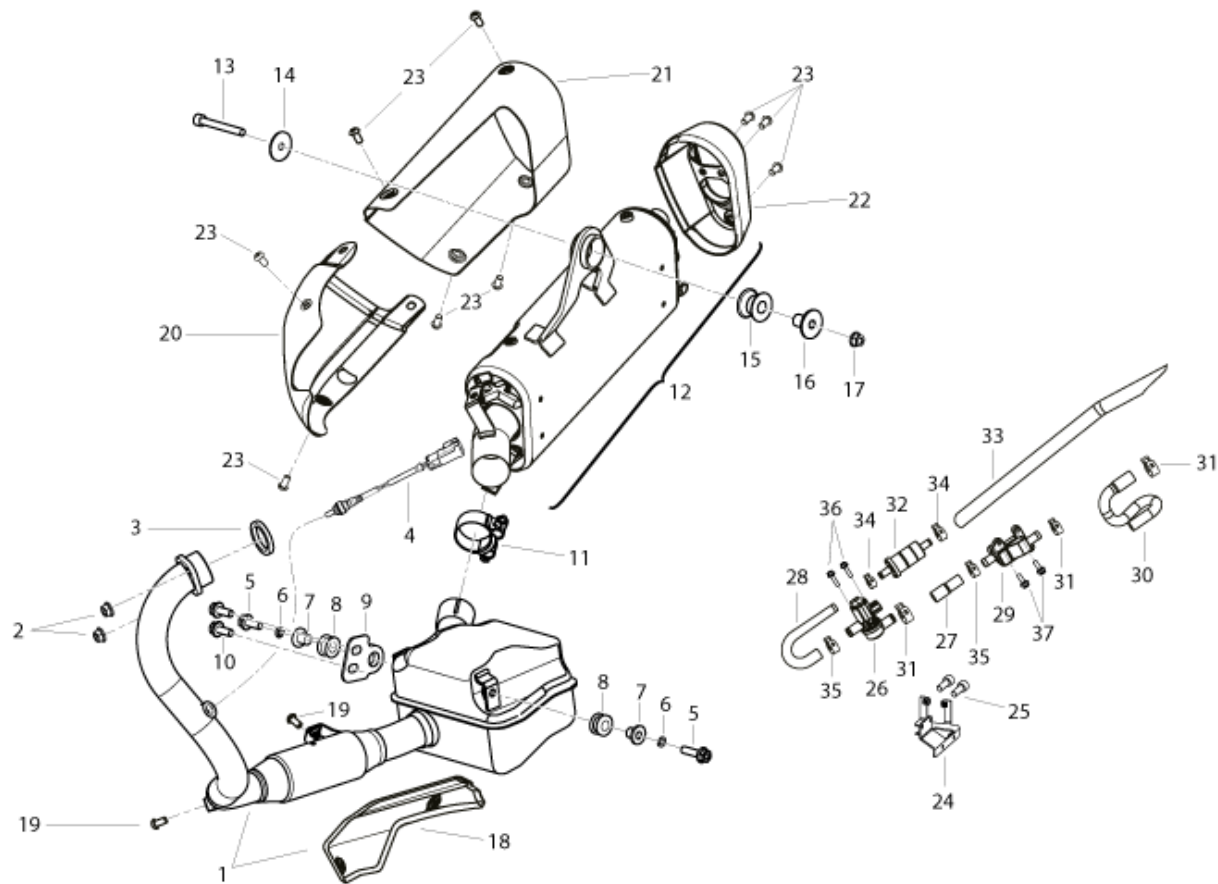
| POSIZIONE | ITEM NUMBER | REPLACEMENT CODE | DESCRIZIONE ITA | DESCRIPTION | VARIANT NOTE | NOTE |
|-----------|---------------|------------------|------------------------------|---------------------------|--------------|------|
| 1 | 44004P100000 | 44004P100100 | PERNO RUOTA ANTERIORE | FRONT WHEEL AXLE | | |
| 2 | 44016P100000 | 44016P100100 | DISTANZIALE | SPACER | | |
| 3 | 60200J000001 | | PARAOILIO | OIL SEAL | | |
| 4 | B12016020400 | | CUSCINETTO | BEARING | | |
| 5 | 44006P100000 | | DISTANZIALE INTERNO | INNER SPACER | | |
| 6 | 08014P06000J | | VITE M8X1,25X20 | SCREW M8X1,25X20 | | |
| 7 | 45094P100000 | | STAFFA | BRACKET | | |
| 9 | R020072108000 | B1403Z201100 | VALVOLA PNEUMATICO | TYRE VALVE | | |
| 10 | 45030N220002 | | DISCO FRENO ANTERIORE | FRONT BRAKE DISK | | |
| 11 | 44005P100000 | | DISTANZIALE | SPACER | | |
| 12 | B140106D1702 | | PNEUMATICO ANTER. 110-70-R17 | FRONT TYRE 110-70-R17 | | |
| 13 | 45702P100000 | | RUOTA FONICA ABS | WHEEL SPEED FASTENING ABS | | |
| 14 | 45710P100000 | | SENSORE DI VELOCITÀ ABS | SPEED SENSOR ABS | | |
| 15 | R90750501B | B02810601662 | VITE TCEIF M6X16 | SCREW TCEIF M6X16 | | |

T014 - REAR WHEEL



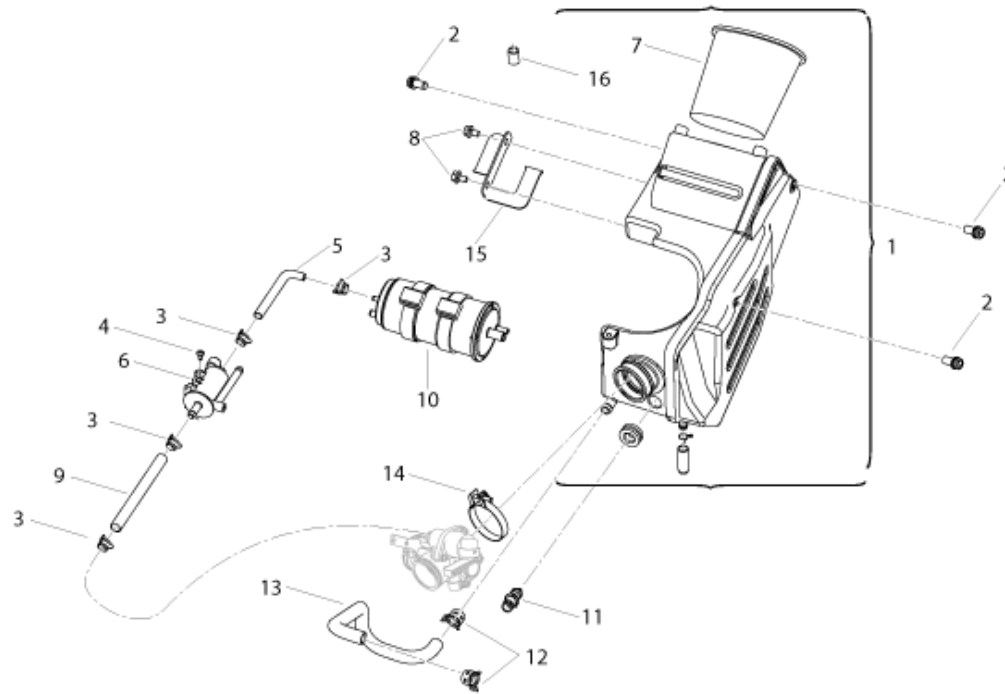
| POSIZIONE | ITEM NUMBER | REPLACEMENT CODE | DESCRIZIONE ITA | DESCRIPTION | VARIANT NOTE | NOTE |
|-----------|---------------|------------------|-------------------------------|----------------------|--------------|------|
| 1 | 54004J670200 | | PERNO RUOTA | FRONT WHEEL AXLE | | |
| 2 | B07000001004 | B0700000100K | RONDELLA | ELASTIC WASHER | | |
| 3 | 54016N220100 | | DISTANZIALE | SPACER | | |
| 4 | B0703000100H | | RONDELLA | WASHER | | |
| 5 | 60200J000001 | | PARAOLIO | OIL SEAL | | |
| 6 | B12016020400 | | CUSCINETTO | BEARING | | |
| 7 | 60006J000001 | | BOCCOLA | BUSH | | |
| 8 | R91350091B | | DADO M10X1,25 | NUT M10X1,25 | | |
| 9 | B04171415045 | | DADO M14 | NUT M14 | | |
| 10 | 60002N220001 | | CORONA Z43 | REAR SPROCKET T43 | | |
| 11 | 60310N290001 | | CATENA TRASMISSIONE | CHAIN TRANSMISSION | | |
| 12 | 60001N210000 | | MOZZO RUOTA POSTERIORE | REAR WHEEL HUB | | |
| 13 | 60015M190201 | | VITE M10X38 | SCREW M10X38 | | |
| 14 | 54024N210000 | | GOMMA PARASTRAPPI | RUBBER PAD | | |
| 15 | B12016020200 | | CUSCINETTO | BEARING | | |
| 16 | 55410N220003 | | PIASTRA PORTA PINZA | CALIPER HOLDER PLATE | | |
| 17 | R020072108000 | B1403Z201100 | VALVOLA PNEUMATICO | TYRE VALVE | | |
| 18 | 54100N30B20Z | | CERCHIO RUOTA POSTERIORE | REAR WHEEL RIM | | |
| 19 | 54006J800000 | | DISTANZIALE | SPACER | | |
| 20 | R020271015000 | B12016030200 | CUSCINETTO | BEARING | | |
| 21 | R020271052000 | | ANELLO DI TENUTA | SEAL RING | | |
| 22 | 55030P100003 | | DISCO FRENO POSTERIORE | REAR BRAKE DISK | | |
| 23 | 45036D010300 | | VITE M6X16 | SCREW M6X16 | | |
| 24 | 55095N220101 | | BOCCOLA | BUSH | | |
| 25 | B140110C1700 | | PNEUMATICO POSTER. 150-60-R17 | REAR TYRE 150-60-R17 | | |
| 26 | 45710P100000 | | SENSORE DI VELOCITÀ ABS | SPEED SENSOR ABS | | |
| 27 | R320052145000 | B02810601262 | VITE M6X12 | SCREW M6X12 | | |

T015 - EXHAUST SYSTEM



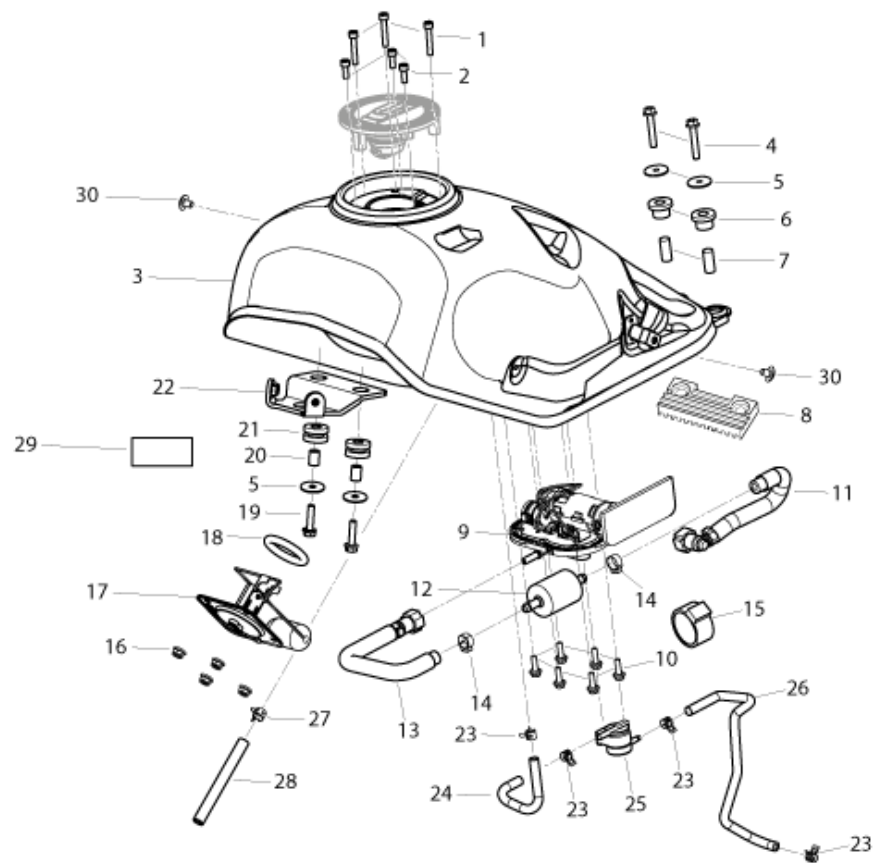
| POSIZIONE | ITEM NUMBER | REPLACEMENT CODE | DESCRIZIONE ITA | DESCRIPTION | VARIANT NOTE | NOTE |
|-----------|---------------|------------------|---------------------|--------------------|--------------|------|
| 1 | 47200N290003 | | MARMITTA | MUFFLER | | |
| 2 | R320052054000 | | DADO M8 | NUT M8 | | |
| 3 | 47800J060000 | | GUARNIZIONE SCARICO | EXHAUST GASKET | | |
| 4 | 280586030020 | | SONDA LAMBDA | LAMBDA SENSOR | | |
| 5 | B0109080256H | | VITE M8X25 | SCREW M8X25 | | |
| 6 | B07000000802 | B0700000080H | RONDELLA ELASTICA | ELASTIC WASHER | | |
| 7 | 65613P260000 | | BOCCOLA | BUSH | | |
| 8 | 65617H010010 | | GOMMINO | RUBBER PAD | | |
| 9 | 47601N220000 | | PIASTRINO | PLATE | | |
| 10 | B0109080166H | | VITE M8X16 | SCREW M8X16 | | |
| 11 | 47830P130000 | | FASCETTA A VITE | SCREW HOSE CLAMP | | |
| 12 | 48200N290000 | | MARMITTA | MUFFLER | | |
| 13 | B0205080656H | | VITE (M8X65) | SCREW M8X65 | | |
| 14 | 47022N290000 | | RONDELLA | WASHER | | |
| 15 | 47028H390000 | | GOMMINO | RUBBER PAD | | |
| 16 | 47021N290000 | | BOCCOLA | BUSH | | |
| 17 | B04170800042 | | DADO M8 | NUT M8 | | |
| 18 | 47761N290100 | | PROTEZIONE MARMITTA | MUFFLER PROTECTION | | |
| 19 | B1304060100A | | VITE M6X10 | SCREW M6X10 | | |
| 20 | 47791N290100 | | PROTEZIONE MARMITTA | MUFFLER PROTECTION | | |
| 21 | 47781N290000 | | PROTEZIONE MARMITTA | MUFFLER PROTECTION | | |
| 22 | 47355N290100 | | COPERCHIO | COVER | | |
| 23 | B0218060106A | | VITE M6X10 | SCREW M6X10 | | |
| 24 | 59510N290000 | | SUPPORTO | SUPPORT | | |
| 25 | 08002P620001 | | VITE M6X12 | SCREW M6X12 | | |
| 26 | 49760P090000 | | SOLENOIDE | SOLENOID | | |
| 27 | 49808P090000 | | TUBO | TUBE | | |
| 28 | 49809N300000 | | TUBO | TUBE | | |

| POSIZIONE | ITEM NUMBER | REPLACEMENT CODE | DESCRIZIONE ITA | DESCRIPTION | VARIANT NOTE | NOTE |
|-----------|---------------|------------------|-------------------------------|-----------------------------|--------------|------|
| 29 | 49810M210000 | | VALVOLA DI NON RITORNO | ONE-WAY VALVE | | |
| 30 | 49852N300000 | 49852N300001 | TUBO | TUBE | | |
| 31 | R020086160000 | 49855J000400 | MOLLETTA PASSATUBO 16,5X10X1 | HOSE GUIDE SPRING 16,5X10X1 | | |
| 32 | 49870K980000 | | VALVOLA ARIA SECONDARIA | AIR VALVE SECONDARY | | |
| 33 | 49904N300000 | | TUBO | TUBE | | |
| 34 | R030652295000 | 50307J140000 | FASCET.MOL.D.13,5X12X0,8KIT10 | SPRING HOSE CLAMP | | |
| 35 | 49016N250000 | | FASCETTA A MOLLA | SPRING HOSE CLAMP | | |
| 36 | B01090502065 | | VITE M5X20 | SCREW M5X20 | | |
| 37 | R700052157000 | | VITE M6X16 | SCREW M6X16 | | |

T016 - INTAKE

| POSIZIONE | ITEM NUMBER | REPLACEMENT CODE | DESCRIZIONE ITA | DESCRIPTION | VARIANT NOTE | NOTE |
|-----------|---------------|------------------|--------------------------------|-------------------------------|--------------|------|
| 1 | 49100N300001 | | SCATOLA FILTRO ARIA COMPLETA | COMPLETE AIR FILTER BOX | | |
| 2 | R320052145000 | B02810601262 | VITE M6X12 | SCREW M6X12 | | |
| 3 | 50307J140002 | | FASCETTA A MOLLA | SPRING HOSE CLAMP | | |
| 4 | B0507420101G | | VITE ST4,2X10 | SCREW ST4,2X10 | | |
| 5 | 49922N290000 | | TUBO | TUBE | | |
| 6 | 49710N070000 | | VALVOLA FVR (RICI.VAPO.CARBU.) | VALVE FVR (FUEL VAPOR RECIR.) | | |
| 7 | 49202N220002 | | FILTRO ARIA | AIR FILTER | | |
| 8 | R320052046000 | | VITE M6X8 | SCREW M6X8 | | |
| 9 | 49923N290000 | | TUBO | TUBE | | |
| 10 | 49912K670000 | | FILTRO CANISTER | FILTER CANISTER | | |
| 11 | 310015040000 | | SENSORE TEMPERATURA ARIA | AIR TEMPERATURE SENSOR | | |
| 12 | 49016N250000 | | FASCETTA A MOLLA | SPRING HOSE CLAMP | | |
| 13 | 49311N220001 | | TUBO | TUBE | | |
| 14 | 49016N070000 | | FASCETTA A VITE | SCREW HOSE CLAMP | | |
| 15 | 57054N220000 | | STAFFA | BRACKET | | |
| 16 | 49613B720000 | | SPUGNA | SPONGE | | |

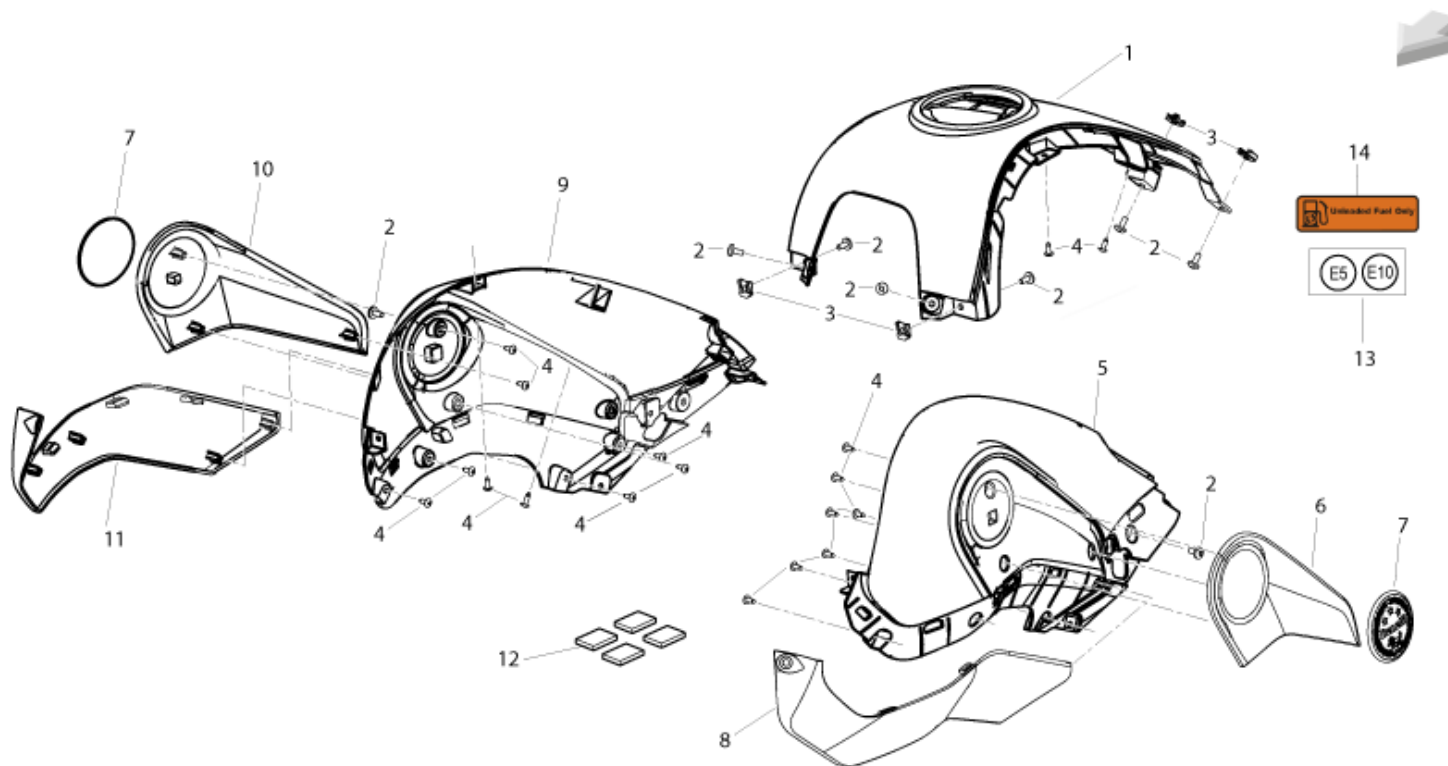
T017 - FUEL TANK



| POSIZIONE | ITEM NUMBER | REPLACEMENT CODE | DESCRIZIONE ITA | DESCRIPTION | VARIANT NOTE | NOTE |
|-----------|---------------|------------------|--------------------------------|------------------------------|--------------|------|
| 1 | R90250478E | | VITE M5X30 TCEI A INOX KIT 10 | SCREW M5X30 TCEI A INOX 5931 | | |
| 2 | R90250408E | | VITE M5X14 TCEI A INOX 5931 | SCREW M5X14 TCEI A INOX 5931 | | |
| 3 | 50100N290000 | | SERBATOIO BENZINA | FUEL TANK | | |
| 4 | B01090603565 | | VITE M6X35 | SCREW M6X35 | | |
| 5 | 08023J000100 | | RONDELLA | WASHER | | |
| 6 | 50222J000001 | | BUSSOLA | BUSH | | |
| 7 | 50221J000001 | 50221J000101 | BOCCOLA | BUSH | | |
| 8 | 50006J000001 | | TAMPONE | BUFFER | | |
| 9 | 50400N290000 | | POMPA BENZINA | FUEL PUMP | | |
| 10 | B0109050166H | | VITE M5X16 | SCREW M5X16 | | |
| 11 | 50370N300000 | | TUBO BENZINA | FUEL PIPE | | |
| 12 | R700090026000 | 50340N100001 | FILTRO BENZINA | FUEL FILTER | | |
| 13 | 50380N300000 | | TUBO BENZINA | FUEL PIPE | | |
| 14 | 50307J690000 | | FASCETTA | CLAMP | | |
| 15 | 50391N070000 | 50391N070010 | GOMMINO SUPP. FILTRO BENZINA | RUBBER SUPPORT FUEL FILTER | | |
| 16 | B0407060005H | | DADO M6 | NUT M6 | | |
| 17 | 50800N290000 | 50800N290001 | SONDA LIVELLO CARBURANTE | FUEL LEVEL SENSOR | | |
| 18 | R320403055000 | 50002K020000 | GUARNIZIONE | GASKET | | |
| 19 | R320052143000 | B0109060256H | VITE M6X25 | SCREW M6X25 | | |
| 20 | 50014P250010 | | BOCCOLA | BUSH | | |
| 21 | 50005P250000 | | GOMMINO | RUBBER PAD | | |
| 22 | 57070N290000 | | PIASTRINO | PLATE | | |
| 23 | R320452109000 | 49016B350010 | FASCETTA ELASTICA | SPRING CLAMP | | |
| 24 | B16010C21801 | | TUBO | TUBE | | |
| 25 | 50260T730000 | | VALVOLA DI NON RITORNO | ONE-WAY VALVE | | |
| 26 | B16010C23301 | | TUBO | TUBE | | |
| 27 | R050351191000 | 50307J140002 | FASCETTA A MOLLA D. 10,5 KIT10 | SPRING D. 10,5 | | |
| 28 | B16010726001 | | TUBO | PIPE | | |

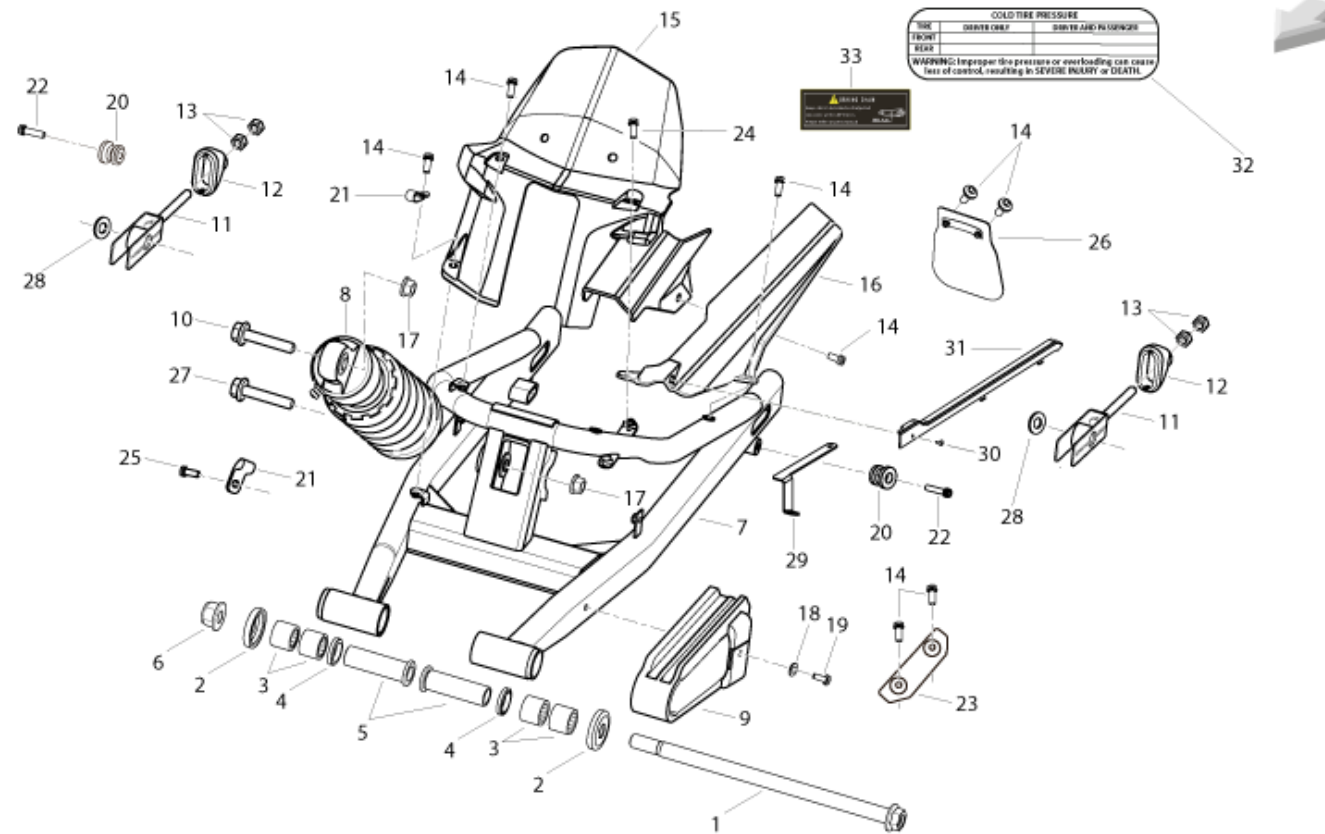
| POSIZIONE | ITEM NUMBER | REPLACEMENT CODE | DESCRIZIONE ITA | DESCRIPTION | VARIANT NOTE | NOTE |
|-----------|---------------|------------------|--------------------|--------------------|--------------|------|
| 29 | R320074077000 | | PROTEZIONE TERMICA | THERMAL PROTECTION | | |
| 30 | R320052046000 | | VITE M6X8 | SCREW M6X8 | | |

T018 - FUEL TANK FAIRINGS



| POSIZIONE | ITEM NUMBER | REPLACEMENT CODE | DESCRIZIONE ITA | DESCRIPTION | VARIANT NOTE | NOTE |
|-----------|---------------|------------------|--------------------------------|--------------------------------|------------------------|------|
| 1 | 65672N29BG00 | | COPERCHIO CENTRALE SERBATOIO | CENTRAL TANK COVER | | |
| 2 | 08011P160000 | | VITE M5X12 | SCREW M5X12 | | |
| 3 | 65624P160000 | | CLIP FISSAGGIO RAPIDO | QUICK FASTENING | | |
| 4 | B05074201305 | | VITE ST4,2X13 | SCREW ST4,2X13 | | |
| 5 | 50015N29WT00 | | CAL. SER. BENZ.SX(BIA.)S-AD | LH FUEL TANK COV.WH.WITHO.ST. | WHITE WITHOUT ADHESIVE | |
| 5 | 50015N29JM00 | | CALOT.SERB.BEN.SX (GR.JM) S-AD | LH. FUEL TANK CAP (GR.JM) WO-S | GRAY WITHOUT ADHESIVE | |
| 6 | 65651N29BW00 | | CARENA ESTERNA SX (NE.L.) S-AD | LH OUTER UPPER FAIRING BLACK | | |
| 7 | 05531P180000 | | ADESIVO LOGO BENELLI | STICKER LOGO BENELLI | | |
| 8 | 65673N290000 | | PANNELLO SINISTRO | LH PANEL | | |
| 9 | 50016N29WT00 | | CAL. SER. BENZ.DX(BIA.)S-AD | RH FUEL TA. COVER WH.WITHO.ST. | WHITE WITHOUT ADHESIVE | |
| 9 | 50016N29JM00 | | CAL. SER. BENZ.DX(GRIJM) S-AD | RH FUEL TANK COVER GR.WITH.ST. | GRAY WITHOUT ADHESIVE | |
| 10 | 65661N29BW00 | | CAR.SUP. EST. DX (NE. L.) S-AD | RH OUTER UP.FA.BLA.G.WITHO.ST. | | |
| 11 | 65674N290000 | | PANNELLO DESTRO | RH PANEL | | |
| 12 | R160052096000 | | SPUGNA | SPONGE | | |
| 13 | 05532P260000 | | ADESIVO OMOLOGAZIONE E5-E10 | STICKER HOMOLOGATION E5-E10 | | |
| 14 | 05531P130005 | | ADESIVO BENZINA SENZA PIOMBO | STICKER UNLEADED FUEL | | |

T019 - SWINGARM



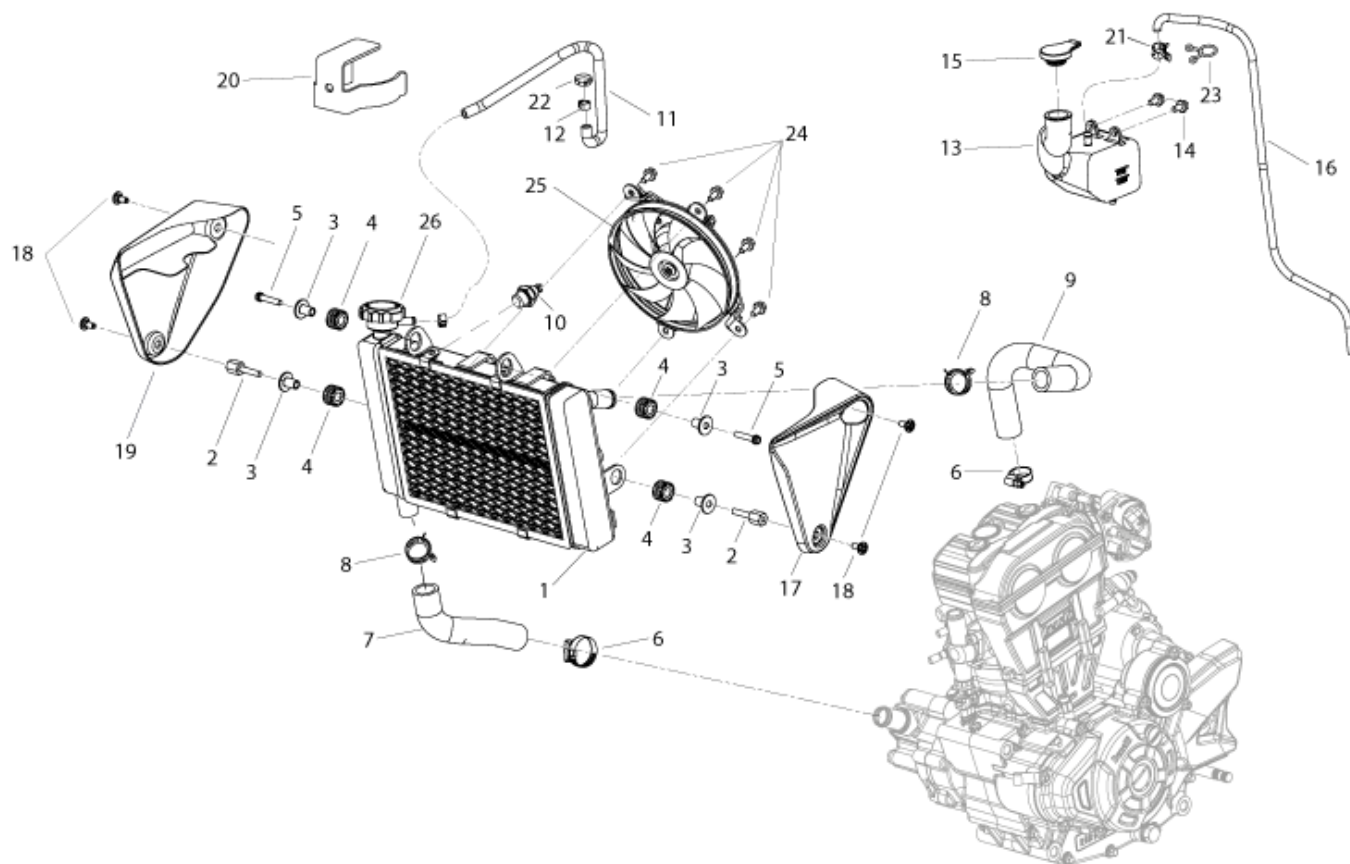
| POSIZIONE | ITEM NUMBER | REPLACEMENT CODE | DESCRIZIONE ITA | DESCRIPTION | VARIANT NOTE | NOTE |
|-----------|---------------|------------------|--------------------------------|--------------------------------|--------------|------|
| 1 | 53001K990100 | | PERNO FISSAGGIO FORCELLONE | SWINGAR.FIXING PIV.M14X1,5X280 | | |
| 2 | 53220J690000 | | CUFFIA PARAPOLVERE | DUST COVER | | |
| 3 | B1212K202000 | | CUSCINETTO | BEARING | | |
| 4 | 53210J060000 | | PARAOLIO | OIL SEAL | | |
| 5 | 53005N300000 | | DISTANZIALE | SPACER | | |
| 6 | B04171415045 | | DADO M14 | NUT M14 | | |
| 7 | 53100N290000 | | FORCELLONE | SWINGARM | | |
| 8 | 63800N290000 | | AMMORTIZZATORE POSTERIORE | REAR SHOCK ABSORBER | | |
| 9 | 53004N300001 | | PATTINO CATENA | CHAIN SLIDING BLOCK | | |
| 10 | R90750111B | | VITE TCEIF M10X1,25X55 10.9 ZB | SCREW TCEIF M10X1,25X5510.9 ZB | | |
| 11 | 53230K980100 | | TENDICATENA TRASMISSIONE | CHAIN TENSIONER | | |
| 12 | 53234K980000 | | PIASTRINO SPECIALE | SPECIAL PLATE | | |
| 13 | B04000800055 | B0400080005H | DADO M8 | NUT M8 | | |
| 14 | 08018B910100 | | VITE M6X14 | SCREW M6X14 | | |
| 15 | 65761N300000 | | PARAFANGO POSTERIORE | REAR FENDER | | |
| 16 | 60101N290000 | | CARTER CATENA | CHAIN GUARD | | |
| 17 | R91350091B | | DADO M10X1,25 | NUT M10X1,25 | | |
| 18 | 08023J000100 | | RONDELLA | WASHER | | |
| 19 | 08012P160000 | | VITE M5X16 | SCREW M5X16 | | |
| 20 | 53021P250000 | | NOTTOLINO FORCELLONE | SWINGARM PAWLS | | |
| 21 | R320057048001 | | GUIDA TUBO | TUBE GUIDE | | |
| 22 | R90750531B | | VITE M6X30 | SCREW M6X30 | | |
| 23 | R320474046000 | 53018P100000 | PATTINO CATENA FORCELLONE | CHAIN SLIDING BLOCK SWINGARM | | |
| 24 | 58603J670100 | | VITE M6X16 | SCREW M6X16 | | |
| 25 | R320052145000 | B02810601262 | VITE M6X12 | SCREW M6X12 | | |
| 26 | 65160J570000 | | MEMBRANA IN GOMMA | DIAPHRAGM | | |
| 27 | 08012V030000 | | VITE (M10X77) | SCREW M10X77 | | |
| 28 | 08021K670000 | | RONDELLA 16X32X2 | WASHER 16X32X2 | | |

| POSIZIONE | ITEM NUMBER | REPLACEMENT CODE | DESCRIZIONE ITA | DESCRIPTION | VARIANT NOTE | NOTE |
|-----------|--------------|------------------|---------------------|----------------|--------------|------|
| 29 | 53021N300000 | | STAFFA | BRACKET | | |
| 30 | B05074201305 | | VITE ST4,2X13 | SCREW ST4,2X13 | | |
| 31 | 60102N290000 | | STAFFA | BRACKET | | |
| 32 | 05581N220001 | | ADESIVO INFORMATIVO | DATA STICKER | | |
| 33 | 05583L350000 | | ADESIVO | STICKER | | |

| POSIZIONE | ITEM NUMBER | REPLACEMENT CODE | DESCRIZIONE ITA | DESCRIPTION | VARIANT NOTE | NOTE |
|-----------|---------------|------------------|--------------------------------|--------------------------------|--------------|------|
| 1 | R320463113000 | 55110P100001 | COPPIA PASTIGLIE FRENO | BRAKE PADS PAIR | | |
| 2 | 45400N300010 | | POMPA FRENO ANTERIORE COMPLETA | FRONT BRAKE PUMP COMPLETE | | |
| 3 | 45078P300000 | | GUARNIZIONE | GASKET | | |
| 4 | R320064006000 | 55037P300000 | VITE FORATA FRENI | EYE SCREW BRAKES | | |
| 5 | 45240N290000 | | TUBO POMPA FRENO ANT.CENTR.ABS | FR.BRAKE PUMP PIPE ABS C. UNIT | | |
| 6 | 45500J800302 | | PINZA FRENO ANTERIORE SINISTRA | LH FRONT BRAKE CALIPER | | |
| 7 | R000000128000 | | COPPIA PASTIGLIE FRENO ANTER. | BRAKE PADS PAIR FRONT | | |
| 8 | B02810602562 | | VITE M6X25 | SCREW M6X25 | | |
| 9 | 45023P250000 | | CAVALLOTTO | BRACKET | | |
| 10 | 45020P300000 | | LEVA COMANDO FRENO ANTERIORE | FRONT BRAKE CONTROL LEVER | | |
| 11 | R030458034000 | | DADO AUTOBLOCCANTE KIT 10 | SELF LOCKING NUT | | |
| 12 | B0204040122H | | VITE M4X12 | SCREW M4 X12 | | |
| 13 | R320452291000 | 45024P300000 | VITE SPECIALE | DRAIN SCREW | | |
| 14 | 08012P160000 | | VITE M5X16 | SCREW M5X16 | | |
| 15 | R320463014000 | 45300J000010 | MICROINTERRUTTORE | MICROSWITCH | | |
| 16 | 55500P10001Z | 55500P160000 | PINZA FRENO POSTERIORE | REAR BRAKE CALIPER | | |
| 17 | 55400N290000 | | POMPA FRENO POSTERIORE | REAR BRAKE PUMP | | |
| 18 | 54003B920000 | | PERNO SPECIALE | SPECIAL PIN | | |
| 19 | 45270N290000 | | TUBO PINZA FRENO ANT.CENTR.ABS | FR.BRAKE CAL. PIPE ABS C. UNIT | | |
| 20 | 55240N290000 | | TUBO POMPA FRENO POS.CENTR.ABS | RR.BRAKE PUMP PIPE ABS C. UNIT | | |
| 21 | 45700N290000 | | UNITÀ IDRAULICA ABS | HYDRAULIC UNIT ABS | | |
| 22 | 55270N290000 | | TUBO PINZA FRENO POS.CENTR.ABS | RR.BRAKE CAL. PIPE ABS C. UNIT | | |
| 23 | 57041V030001 | | PIASTRINO | PLATE | | |
| 24 | 59710N290000 | | PASSACAVO | FAIRLEAD | | |
| 25 | 45044P160000 | | FASCETTA A MOLLA | SPRING HOSE CLAMP | | |
| 26 | 55037P250000 | | VITE FORATA FRENI | EYE SCREW BRAKES | | |
| 27 | 45019N100000 | | VITE SPURGO FRENI | DRAIN SCREW BRAKES | | |
| 28 | R320079045000 | | GOMMINO | RUBBER PAD | | |

| POSIZIONE | ITEM NUMBER | REPLACEMENT CODE | DESCRIZIONE ITA | DESCRIPTION | VARIANT NOTE | NOTE |
|-----------|--------------|------------------|---------------------|------------------|--------------|------|
| 29 | 45037P300000 | | VITE FORATA FRENI | EYE SCREW BRAKES | | |
| 30 | 45180J000000 | | RONDELLA SPECIALE | SPECIAL WASHER | | |
| 31 | 55300P180000 | | IDROSTOP POSTERIORE | REAR HYDROSTOP | | |

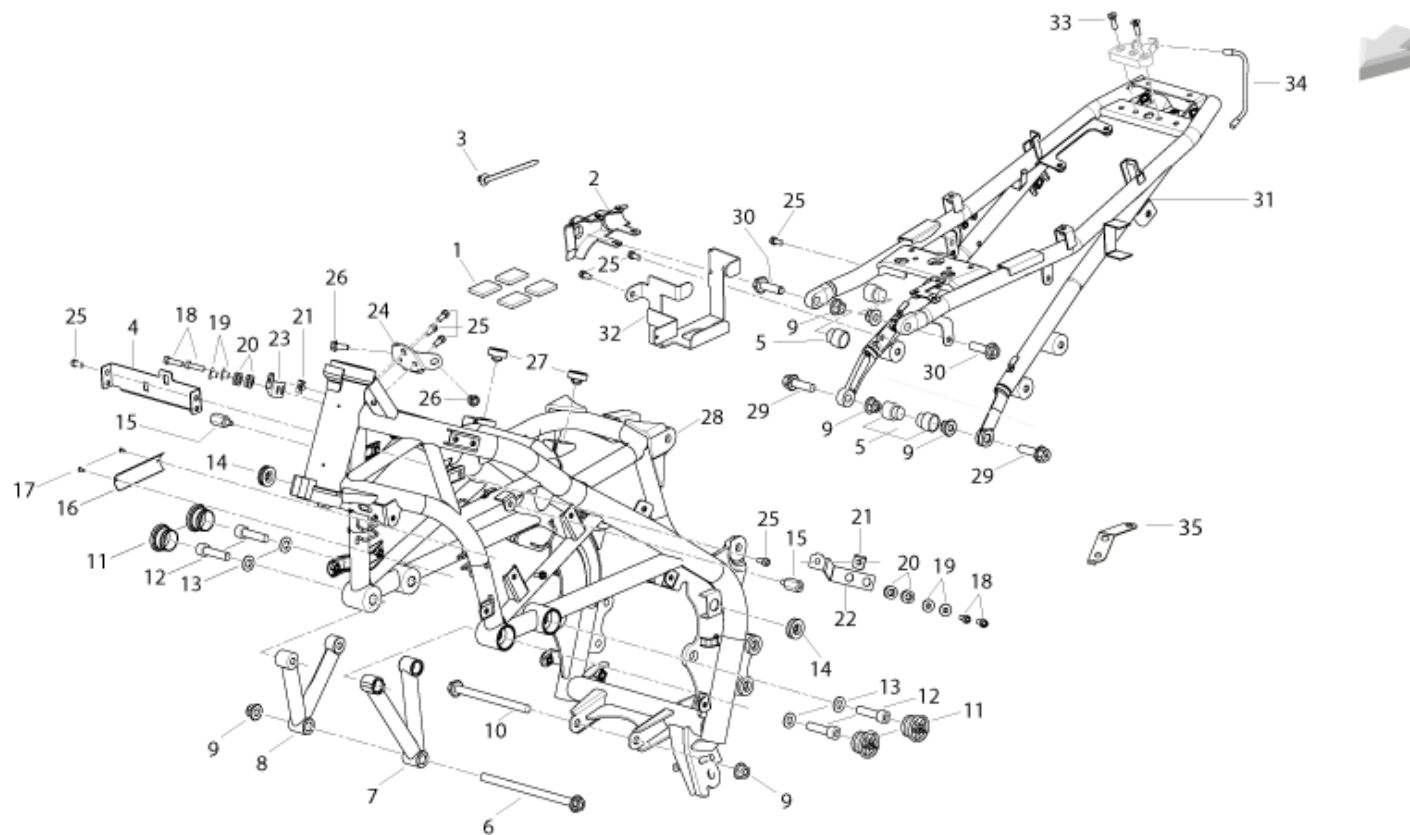
T021 - COOLING CIRCUIT



| POSIZIONE | ITEM NUMBER | REPLACEMENT CODE | DESCRIZIONE ITA | DESCRIPTION | VARIANT NOTE | NOTE |
|-----------|---------------|------------------|-----------------------------|--------------------------|--|------|
| 1 | 279125250000 | | RADIATORE ACQUA | WATER RADIATOR | | |
| 2 | 08011N290000 | | VITE SPECIALE | DRAIN SCREW | | |
| 3 | R320052134000 | 59452P250000 | BOCCOLA | BUSH | | |
| 4 | 65616L430000 | | GOMMINO ANTIVIBRANTE | VIBRATION DAMPER PAD | | |
| 5 | R90750531B | | VITE M6X30 | SCREW M6X30 | | |
| 6 | 06104N300000 | | FASCETTA A VITE | SCREW HOSE CLAMP | | |
| 7 | 06211N290000 | | MANICOTTO | HOSE | | |
| 8 | 06103N290000 | | FASCETTA A VITE | CLAMP | | |
| 9 | 06101N300000 | | MANICOTTO | HOSE | | |
| 10 | 279115050000 | | BULBO RADIATORE | WATER TEMPERATURE SENSOR | | |
| 11 | 06103N220000 | | TUBO | TUBE | | |
| 12 | 50376S010000 | | FASCETTA | CLAMP | | |
| 13 | 06111N220000 | | SERBATOIO ACQUA | WATER TANK | UP TO VIN NUMBER: *LBB76177 | |
| 13 | 06111N220001 | | SERBATOIO ACQUA | WATER TANK | START TO VIN NUMBER: *LBB76178 | |
| 14 | 08011H010200 | | VITE M6X14 | SCREW M6X14 | START TO VIN NUMBER: *LBB76178 | |
| 14 | B0109060126H | | VITE M6X12 | SCREW M6X12 | UP TO VIN NUMBER: *LBB76177 | |
| 15 | R320474060000 | 06112J690000 | TAPPO | PLUG | | |
| 16 | R320490049000 | 06102T430007 | TUBO | TUBE | | |
| 17 | 65691N29BW00 | | CONVOGLIATORE SINISTRO NERO | CONVEYOR LEFT BLACK | BLACK WITHOUT STICKER | |
| 17 | 65691N29001Z | | CONVOGLIATORE SINISTRO NERO | CONVEYOR LEFT BLACK | FOR MODEL BROWN, WHITE AND GREY CON STICKER | |
| 17 | 65691N29002Z | | CONVOGLIATORE SINISTRO NERO | CONVEYOR LEFT BLACK | FOR RED MODEL WITH STICKER | |
| 18 | B0284060200A | | VITE M6X20 | SCREW M6X20 | | |
| 19 | 65692N29BW00 | | CONVOGLIATORE DESTRO NERO | CONVEYOR RIGHT | BLACK WITHOUT STICKER | |
| 19 | 65692N29001Z | | CONVOGLIATORE DESTRO NERO | CONVEYOR RIGHT | FOR MODEL BROWN, WHITE AND GREY WITH STICKER | |
| 19 | 65692N29002Z | | CONVOGLIATORE DESTRO NERO | CONVEYOR RIGHT | FOR RED MODEL WITH STICKER | |
| 20 | 57042N290000 | | PIASTRINO | PLATE | | |

| POSIZIONE | ITEM NUMBER | REPLACEMENT CODE | DESCRIZIONE ITA | DESCRIPTION | VARIANT NOTE | NOTE |
|-----------|---------------|------------------|--------------------|-------------------|--------------|------|
| 21 | 50307J140002 | | FASCETTA A MOLLA | SPRING HOSE CLAMP | | |
| 22 | R700052132000 | | MOLLETTA | CLAMP | | |
| 23 | 50306J690000 | | MOLLETTA PASSATUBO | HOSE GUIDE SPRING | | |
| 24 | B01090601265 | | VITE M6X12 | SCREW M6X12 | | |
| 25 | 279026030040 | | VENTOLA | FAN | | |
| 26 | 270265050000 | | TAPPO RADIATORE | RADIATOR CAP | | |

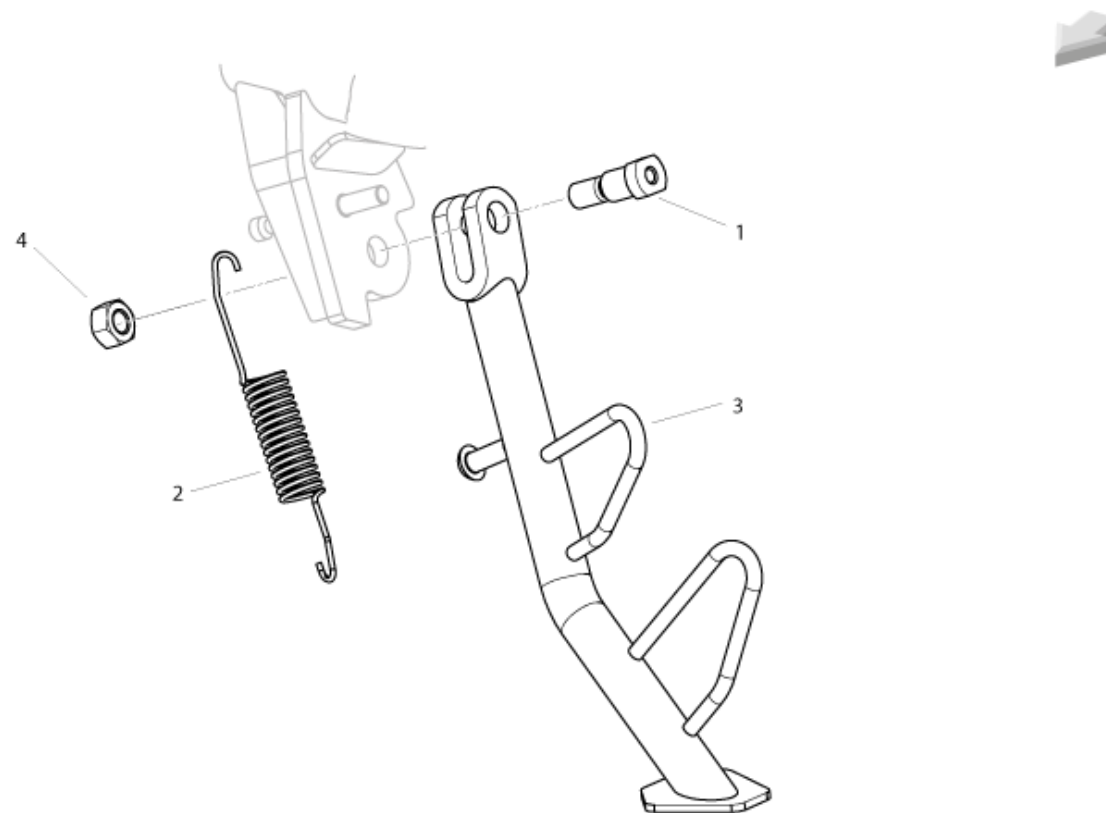
T022 - FRAME



| POSIZIONE | ITEM NUMBER | REPLACEMENT CODE | DESCRIZIONE ITA | DESCRIPTION | VARIANT NOTE | NOTE |
|-----------|---------------|------------------|--------------------------------|-----------------------------|--------------|------|
| 1 | R160052096000 | | SPUGNA | SPONGE | | |
| 2 | 57041N290000 | | GOMMINO ANTIVIBRANTE | VIBRATION DAMPER PAD | | |
| 3 | 96001P360000 | | PASSACAVO | FAIRLEAD | | |
| 4 | 59450N290000 | | STAFFA | BRACKET | | |
| 5 | 58306P160000 | | TAPPO | PLUG | | |
| 6 | B0159101656H | | PERNO FISSAGGIO MOTORE (M10X65 | ENGINE FIXING PIVOT M10X165 | | |
| 7 | 57020N220000 | | SUPPORTO MOTORE SINISTRO | ENGINE BRACKET LEFT | | |
| 8 | 57030N220000 | | SUPPORTO MOTORE DESTRO | ENGINE BRACKET RIGHT | | |
| 9 | R91350091B | | DADO M10X1,25 | NUT M10X1,25 | | |
| 10 | B0159101306H | | PERNO FISSAGGIO MOTORE M10X130 | ENGINE FIXING PIVOT M10X130 | | |
| 11 | 57142N22BG10 | | TAPPO | PLUG | | |
| 12 | B02051004062 | B0205100406H | VITE M10X40 | SCREW M10X40 | | |
| 13 | B07030001002 | B0703000100H | RONDELLA | WASHER | | |
| 14 | 65618J000000 | | GOMMINO | RUBBER PAD | | |
| 15 | 08011T850000 | 08011T850100 | TAPPO | PLUG | | |
| 16 | 57001N290001 | | PIASTRINO | PLATE | | |
| 17 | R170052095000 | | RIVETTO 3,2X7 | RIVET 3,2X7 | | |
| 18 | B02810602062 | | VITE M6X20 | SCREW M6X20 | | |
| 19 | 531865010010 | | BOCCOLA | BUSH | | |
| 20 | 43038P250000 | | GOMMINO ANTIVIBRANTE | VIBRATION DAMPER PAD | | |
| 21 | 65624P160000 | | CLIP FISSAGGIO RAPIDO | QUICK FASTENING | | |
| 22 | 57081N290000 | | STAFFA SINISTRA | LH BRACKET | | |
| 23 | 57082N290000 | | STAFFA DESTRA | LH BRACKET | | |
| 24 | 58722N290000 | | STAFFA | BRACKET | | |
| 25 | R320052145000 | B02810601262 | VITE M6X12 | SCREW M6X12 | | |
| 26 | B01090601662 | B0109060166H | VITE M6X16 | SCREW M6X16 | | |
| 27 | 51103V030000 | | GOMMINO ANTIVIBRANTE | VIBRATION DAMPER PAD | | |
| 28 | 57110N29BH02 | | TELAIO (NERO) | FRAME BLACK | | |

| POSIZIONE | ITEM NUMBER | REPLACEMENT CODE | DESCRIZIONE ITA | DESCRIPTION | VARIANT NOTE | NOTE |
|-----------|--------------|------------------|---------------------|--------------------|---|------|
| 29 | 08012N290000 | | VITE | SCREW | | |
| 30 | B01591003562 | | VITE M10X1,25X35 | SCREW M10X1,25X35 | | |
| 31 | 57120N29BH00 | | TELAIO POSTERIORE | REAR FRAME | UP TO THE VIN NUMBER: ZBNN29009KBB07590 | |
| 31 | 57120N29BH01 | | TELAIO POSTERIORE | REAR FRAME | STAR TO VIN NUMER: ZBNN29009KBB07591 | |
| 32 | 58750N290000 | | SUPPORTO BATTERIA | SUPPORT BATTERY | | |
| 33 | B02010602525 | B0201060252H | VITE M6X25 | SCREW M6X25 | | |
| 34 | 58900N290000 | | CAVO APERTURA SELLA | CABLE OPENING SEAT | | |
| 35 | 59471N350000 | | PIASTRINO | PLATE | | |

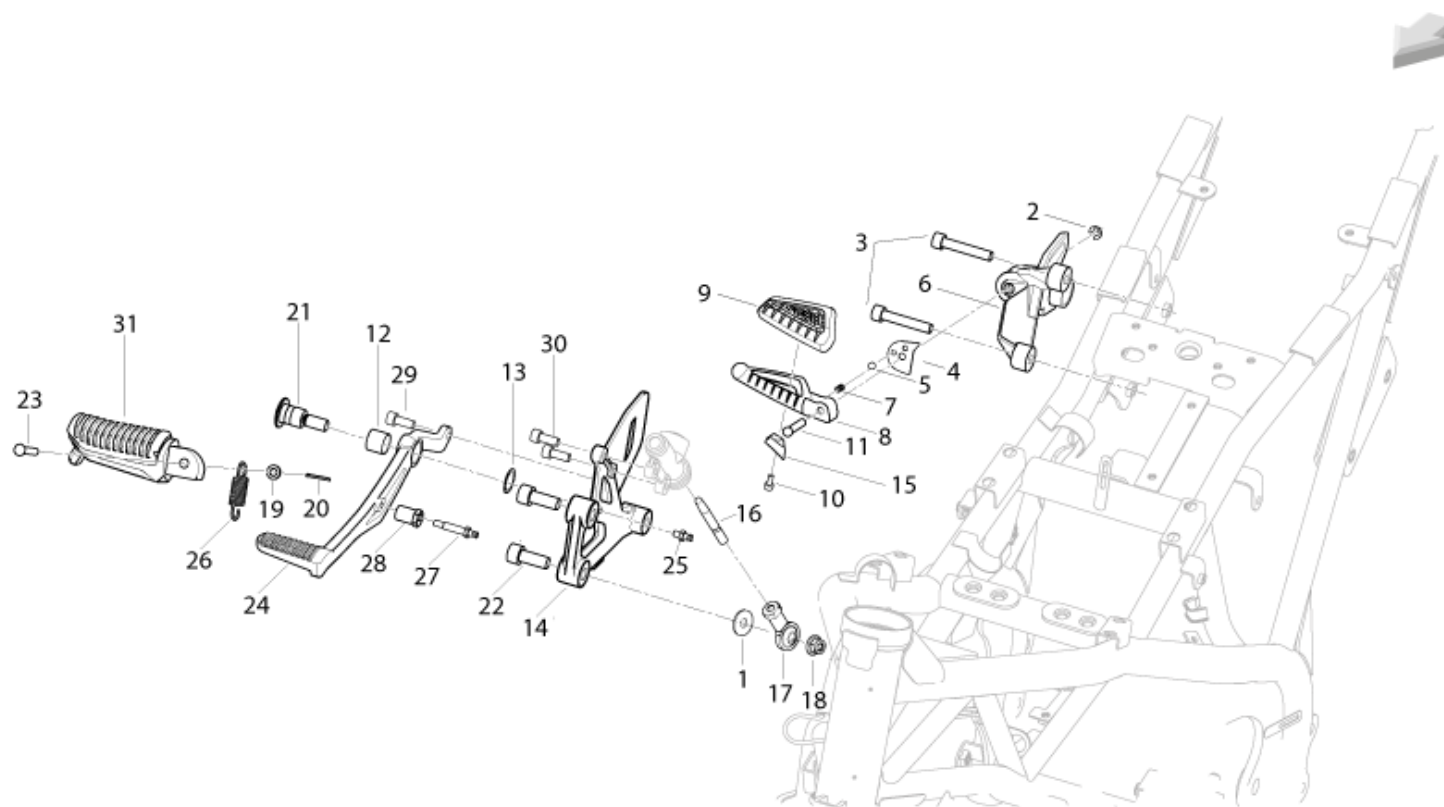
T023 - STAND



| POSIZIONE | ITEM NUMBER | REPLACEMENT CODE | DESCRIZIONE ITA | DESCRIPTION | VARIANT NOTE | NOTE |
|-----------|--------------|------------------|--------------------------|----------------------|--------------|------|
| 1 | 57005V020001 | | VITE CAVALLETTO LATERALE | SCREW SIDE STAND | | |
| 2 | 57010N300000 | | COPPIA MOLLE CAVALLETTO | STAND SPRING | | |
| 3 | 58700N290000 | | CAVALLETTO LATERALE | SIDE STAND | | |
| 4 | B0401101255H | | DADO AUTOBLOCCANTE M10 | SELF LOCKING NUT M10 | | |

| POSIZIONE | ITEM NUMBER | REPLACEMENT CODE | DESCRIZIONE ITA | DESCRIPTION | VARIANT NOTE | NOTE |
|-----------|---------------|------------------|--------------------------------|----------------------------|--------------|------|
| 1 | R320058045000 | 58266P250010 | PIASTRA PORTA PEDANA POST. SX | REAR FOOTREST SUPPORT LH | | |
| 2 | R92650088D | B0882000050A | SEEGER UNI 7434-5 INOX KIT 10 | CIRCLIP UNI 7434-5 INOX | | |
| 3 | B0205080356H | | VITE M8X35 | SCREW M8X35 | | |
| 4 | 58451S010000 | | PIASTRINO | PLATE | | |
| 5 | R26110101A | B06000002000 | SFERA PED. PASS. | BALL | | |
| 6 | 08352S020000 | | COPRIPEDANA IN GOMMA SINISTRO | LEFT FOOT PEG RUBBER COVER | | |
| 7 | 58222B930000 | | MOLLA | SPRING | | |
| 8 | R020058003000 | 58266S010000 | PEDANA POGGIPIEDI SX | FOOTREST BOARD LEFT | | |
| 9 | R300358029000 | | ARRESTO GOMMINO ANTISCIVOLO SX | RUBBER LEFT RETAINER | | |
| 10 | R320052114000 | B0280040100A | VITE M4X10 | SCREW M4 X10 | | |
| 11 | 58217S010001 | | PERNO PER PEDANA | PIN | | |
| 12 | B01090601662 | B0109060166H | VITE M6X16 | SCREW M6X16 | | |
| 13 | B01090601662 | B0109060166H | VITE M6X16 | SCREW M6X16 | | |
| 14 | 08390N220001 | 08390N220002 | PIASTRINO | PLATE | | |
| 15 | 58226N220100 | | PIASTRA PORTA PEDANA ANTER. SX | FRONT FOOTREST SUPPORT LH | | |
| 16 | B07020000602 | | RONDELLA | WASHER | | |
| 17 | B01030602265 | | VITE M6X22 | SCREW M6X22 | | |
| 18 | B0417060004H | | DADO AUTOBLOCCANTE M6 | SELF LOCKING NUT M6 | | |
| 19 | B0703000060H | | RONDELLA | WASHER | | |
| 20 | R320452060000 | B090002018AH | COPIGLIA | SPLIT PIN | | |
| 21 | R90750531B | | VITE M6X30 | SCREW M6X30 | | |
| 22 | 08023J000100 | | RONDELLA | WASHER | | |
| 23 | 58213H010002 | | PERNO PER PEDANA ZB | PIN ZB | | |
| 24 | 08370N290000 | | PEDALE COMANDO CAMBIO | GEAR CHANGE PEDAL | | |
| 25 | R020051041000 | B0700000060H | RONDELLA M. 6 | WASHER M. 6 | | |
| 26 | B02051004062 | B0205100406H | VITE M10X40 | SCREW M10X40 | | |
| 27 | 58220N290000 | | PEDANA ANTERIORE SX | FRONT FOOTREST LEFT | | |

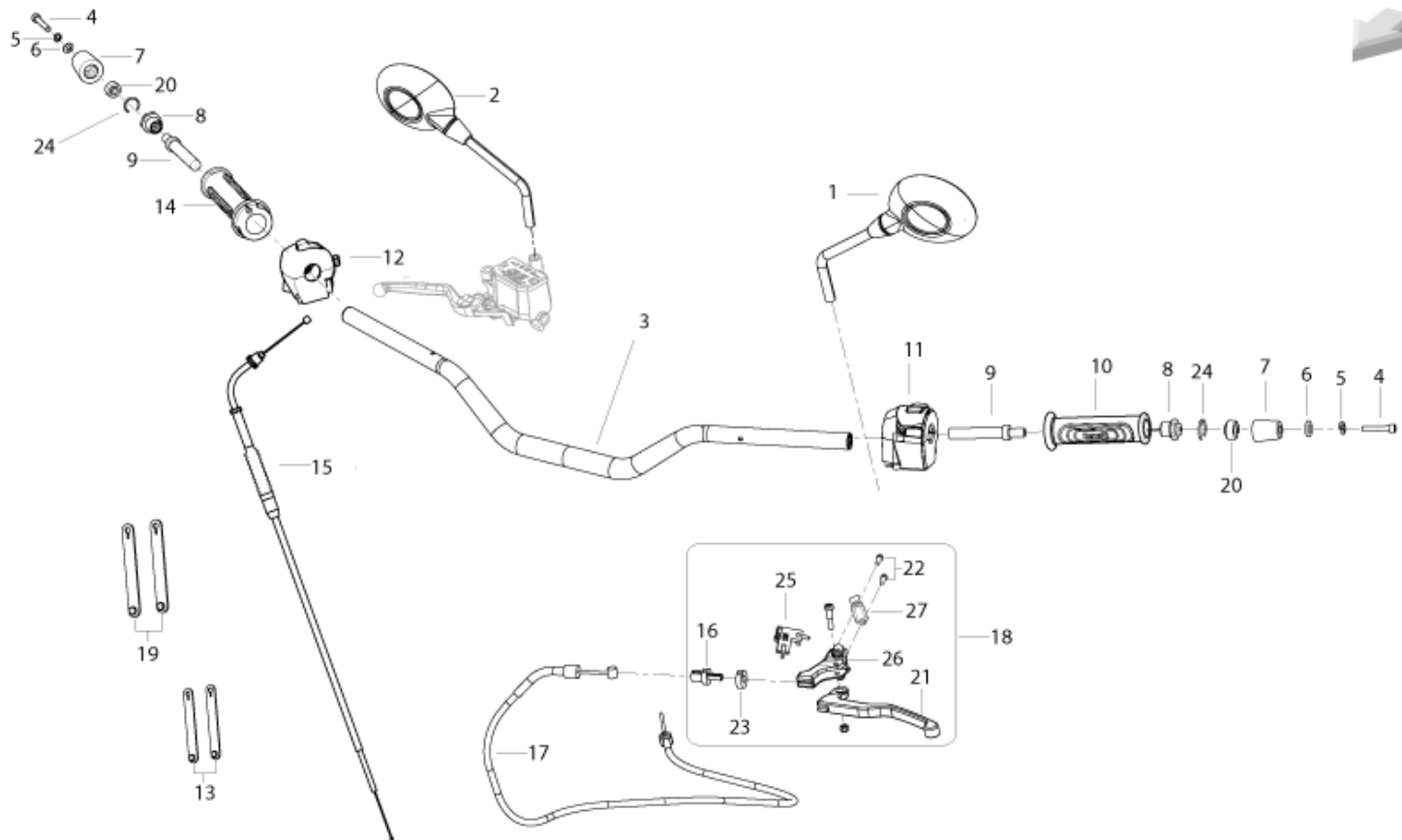
T025 - R.H. FOOTPEG



| POSIZIONE | ITEM NUMBER | REPLACEMENT CODE | DESCRIZIONE ITA | DESCRIPTION | VARIANT NOTE | NOTE |
|-----------|---------------|------------------|--------------------------------|-------------------------------|--------------|------|
| 1 | B07020000602 | | RONDELLA | WASHER | | |
| 2 | R92650088D | B0882000050A | SEEGER UNI 7434-5 INOX KIT 10 | CIRCLIP UNI 7434-5 INOX | | |
| 3 | B0205080356H | | VITE M8X35 | SCREW M8X35 | | |
| 4 | 584515010000 | | PIASTRINO | PLATE | | |
| 5 | R26110101A | B06000002000 | SFERA PED. PASS. | BALL | | |
| 6 | R320058046000 | | PIASTRA PORTA PEDANA POST. DX | REAR FOOTREST SUPPORT RH | | |
| 7 | 58222B930000 | | MOLLA | SPRING | | |
| 8 | 58286S010000 | | PEDANA POSTERIORE DESTRA | REAR FOOTREST RIGHT | | |
| 9 | R300358030000 | | GOMMINO ANTISCIVOLO PEDANE DX | RIGHT ANTI-SLIP RUBBER | | |
| 10 | R320052114000 | B0280040100A | VITE M4X10 | SCREW M4 X10 | | |
| 11 | 58217S010001 | | PERNO PER PEDANA | PIN | | |
| 12 | R21215081A | 58511S010000 | BOCCOLA AUTOLUBRIFIC. 16X18X15 | BUSH AUTOLUBRIFICANT 16X18X15 | | |
| 13 | R21215391A | | RONDELLA ONDULATA | WASHER, WAVE | | |
| 14 | 58246N220100 | | PIASTRA PORTA PEDANA ANTER. DX | FRONT FOOTREST SUPPORT RH | | |
| 15 | R300358026000 | 58405S020000 | ARRESTO GOMMINO ANTISCIVOLO DX | RUBBER RIGHT RETAINER | | |
| 16 | 55061N220000 | | ASTA DI REGISTRO | ADJUSTER ROD | | |
| 17 | R21813851A | 40283S010000 | TESTA A SNODO M6 | BALL JOINT M6 | | |
| 18 | B0417060004H | | DADO AUTOBLOCCANTE M6 | SELF LOCKING NUT M6 | | |
| 19 | B0703000060H | | RONDELLA | WASHER | | |
| 20 | R320452060000 | B090002018AH | COPIGLIA | SPLIT PIN | | |
| 21 | 40706P250001 | | VITE | SCREW | | |
| 22 | R320052096000 | B02051003062 | VITE M10X30 | SCREW M10X30 | | |
| 23 | 58213H010002 | | PERNO PER PEDANA ZB | PIN ZB | | |
| 24 | 40712P250011 | | PEDALE COMANDO FRENO | BRAKE CONTROL PEDAL | | |
| 25 | R320452155000 | 40273P250000 | PERNO FILETTATO | THREADED PIN | | |
| 26 | 40702N220000 | 40702N220010 | MOLLA | SPRING | | |
| 27 | 40717P250001 | | PERNO FILETTATO | THREADED PIN | | |
| 28 | R320070050000 | 40705P250000 | ECCENTRICO | ECCENTRIC | | |

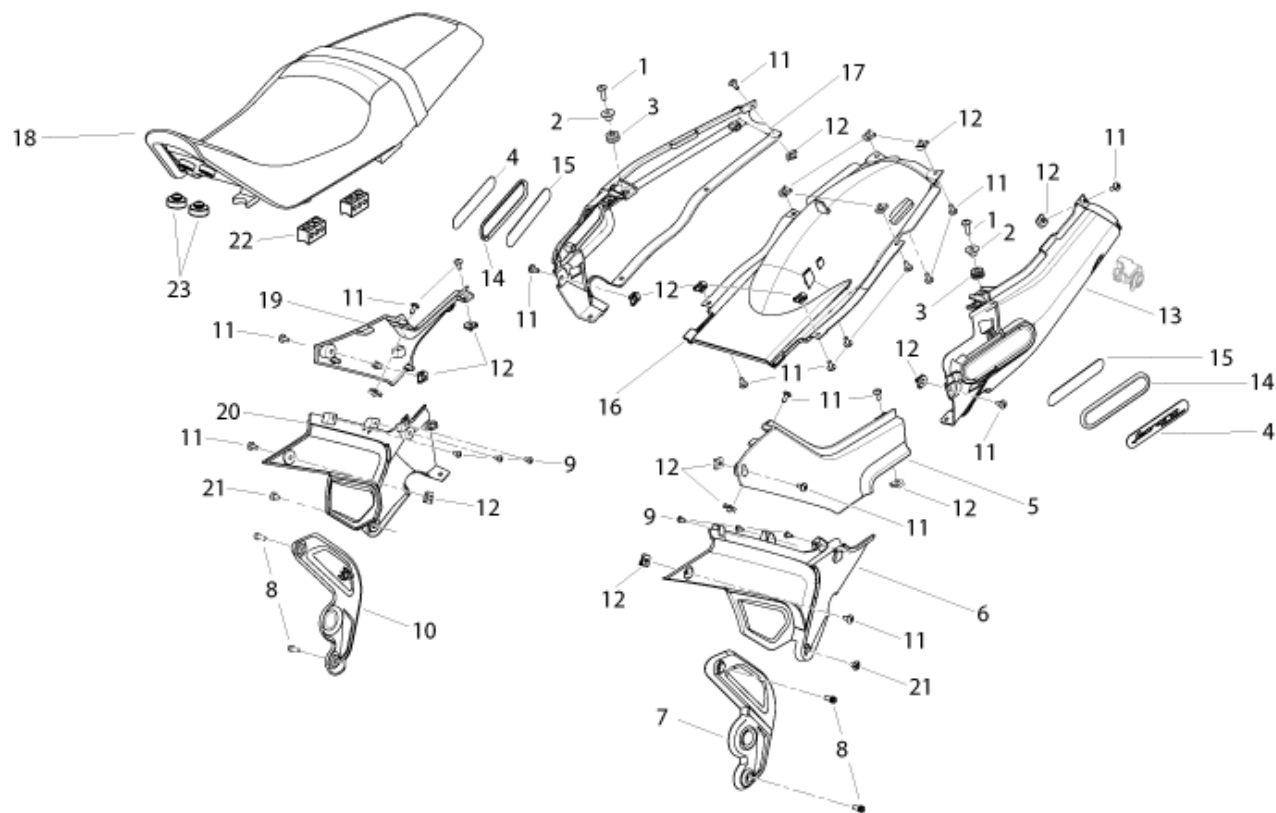
| POSIZIONE | ITEM NUMBER | REPLACEMENT CODE | DESCRIZIONE ITA | DESCRIPTION | VARIANT NOTE | NOTE |
|-----------|--------------|------------------|---------------------|----------------------|--------------|------|
| 29 | R90750531B | | VITE M6X30 | SCREW M6X30 | | |
| 30 | B02810602062 | | VITE M6X20 | SCREW M6X20 | | |
| 31 | 58240N290000 | | PEDANA ANTERIORE DX | FRONT FOOTREST RIGHT | | |

T026 - HANDLEBAR AND CONTROLS



| POSIZIONE | ITEM NUMBER | REPLACEMENT CODE | DESCRIZIONE ITA | DESCRIPTION | VARIANT NOTE | NOTE |
|-----------|---------------|------------------|-------------------------------|-------------------------------|--------------|------|
| 1 | 40450P180001 | | SPECCHIO RETROVISORE SINISTRO | REAR MIRROR LEFT | | |
| 2 | 40480P180001 | | SPECCHIO RETROVISORE DESTRO | REAR MIRROR RIGHT | | |
| 3 | 40101K740200 | | MANUBRIO | HANDLEBAR | | |
| 4 | B02810603562 | B0281060356H | VITE M6X35 | SCREW M6X35 | | |
| 5 | R020051041000 | B0700000060H | RONDELLA M. 6 | WASHER M. 6 | | |
| 6 | B0703000060H | | RONDELLA | WASHER | | |
| 7 | 40031P130000 | 40031P130003 | TERMINALE MANOPOLA | HAND GRIP TERMINAL | | |
| 8 | 40032P250000 | | CONTRODADO TERMINALE MANOPOLA | COUNTERNUT HAND GRIP TERMINAL | | |
| 9 | R300061003000 | | TERMINALE MANOPOLA | HAND GRIP TERMINAL | | |
| 10 | 40001P180000 | 40001P180010 | MANOPOLA SINISTRA | LEFT GRIP | | |
| 11 | 40500L210004 | | COMMUTATORE LUCI SINISTRO | LH LIGHTS SWITCH | | |
| 12 | 40600L210005 | | COMMUTATORE LUCI DESTRO | RH LIGHTS SWITCH | | |
| 13 | R320052198000 | 96003P250000 | FASCETTA IN GOMMA | RUBBER HOSE CLAMP | | |
| 14 | 40210N290000 | | TUBO COMANDO GAS | THROTTLE CONTROL PIPE | | |
| 15 | 40300L430000 | 40300N290000 | TRASMISSIONE GAS | THROTTLE CABLE | | |
| 16 | R320052290000 | 40086K010000 | VITE SPECIALE | DRAIN SCREW | | |
| 17 | 40400N290000 | | CAVO FRIZIONE | CLUTCH CABLE | | |
| 18 | 40080P250000 | | COMANDO FRIZIONE | CLUTCH CONTROL | | |
| 19 | R170088042000 | 49371T620000 | GUIDA TUBO | TUBE GUIDE | | |
| 20 | 40040P130000 | | BOCCOLA | BUSH | | |
| 21 | 40084P250001 | | LEVA COMANDO FRIZIONE | CLUTCH CONTROL LEVER | | |
| 22 | R90750531B | | VITE M6X30 | SCREW M6X30 | | |
| 23 | R320052294000 | 40087K010000 | DADO SPECIALE | SPECIAL NUT | | |
| 24 | B080000020A1 | | ANELLO SEEGER | CIRCLIP | | |
| 25 | 91090P250000 | | INTERRUTTORE FRIZIONE | CLUTCH SWITCH | | |
| 26 | 40081P250001 | | SUPPORTO LEVA | LEVER HOLDER | | |
| 27 | 45023P250000 | | CAVALLOTTO | BRACKET | | |

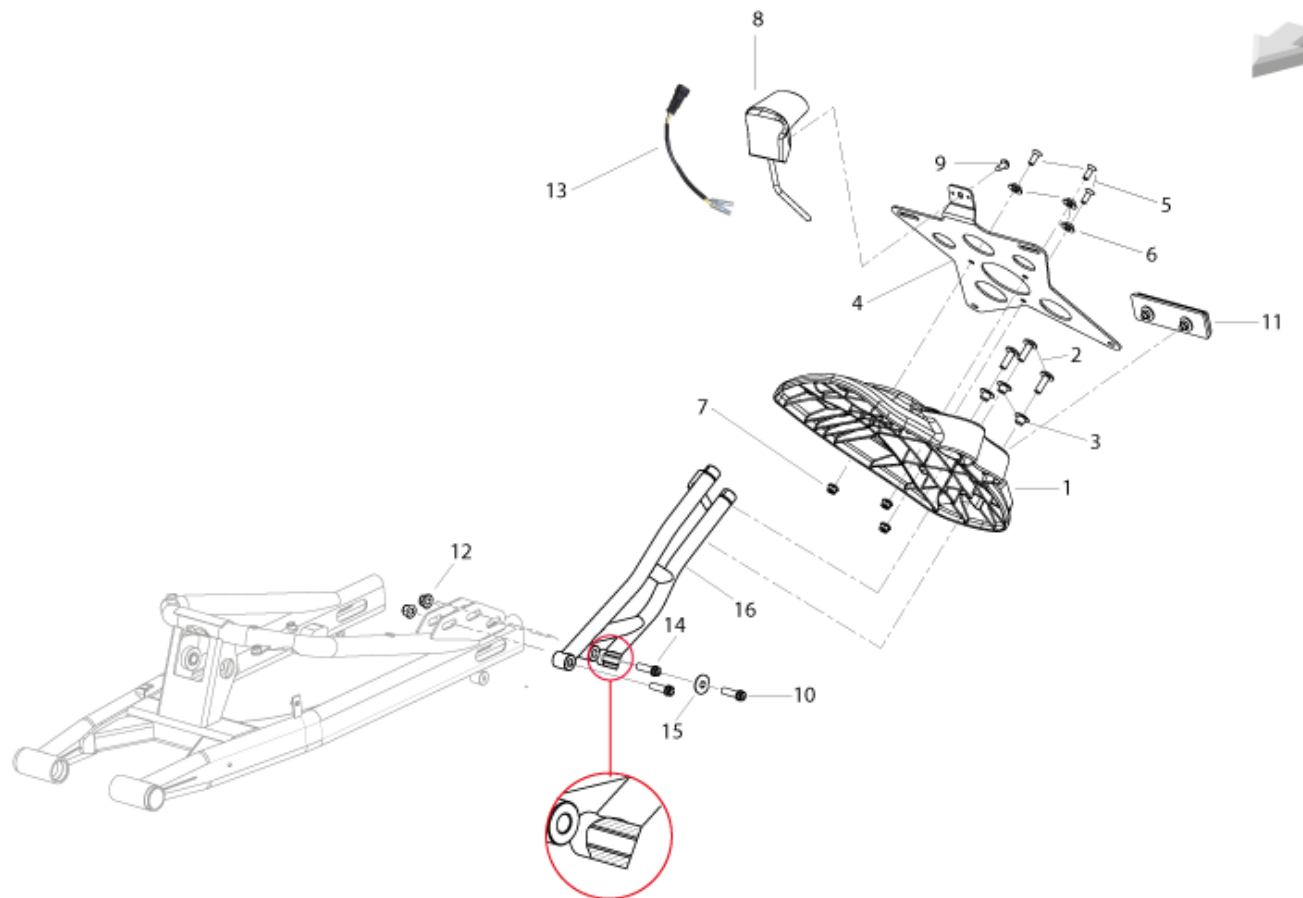
T027 - TAIL GUARD



| POSIZIONE | ITEM NUMBER | REPLACEMENT CODE | DESCRIZIONE ITA | DESCRIPTION | VARIANT NOTE | NOTE |
|-----------|--------------|------------------|--------------------------------|--------------------------------|--|------|
| 1 | B02830601962 | | VITE M6X19 | SCREW M6X19 | | |
| 2 | 65517J900101 | | BOCCOLA | BUSH | | |
| 3 | 65616L430000 | | GOMMINO ANTIVIBRANTE | VIBRATION DAMPER PAD | | |
| 4 | 05511N290000 | | ADESIVO | STICKER | | |
| 5 | 65601N29WT00 | | FIANC. SUP. SX (BIANCO)S-AD | LH UPPER BODY PA.WH. WITHO.ST. | WHITE WITHOUT ADHESIVE | |
| 5 | 65601N29JM00 | | FIANCHETTO SX SUPERIORE GRIGIO | LH UPPER BODY PANEL GREY | GRAY WITHOUT ADHESIVE | |
| 6 | 65603N290000 | | PANNELLO INFERIORE SINISTRO | LEFT LOWER PANEL | | |
| 7 | 65681N290000 | | PROTEZIONE TELAIO SINISTRA | LH FRAME PROTECTION | | |
| 8 | R90750501B | B02810601662 | VITE TCEIF M6X16 | SCREW TCEIF M6X16 | | |
| 9 | B05074201305 | | VITE ST4,2X13 | SCREW ST4,2X13 | | |
| 10 | 65682N290000 | | PROTEZIONE TELAIO DESTRA | RH FRAME PROTECTION | | |
| 11 | 08011P160000 | | VITE M5X12 | SCREW M5X12 | | |
| 12 | 65624P160000 | | CLIP FISSAGGIO RAPIDO | QUICK FASTENING | | |
| 13 | 65901N29BG00 | | FIAN. POS. SX (NERO) S-AD | LH TAIL GUARD FAIRING BLACK | BLACK WITHOUT STICKER | |
| 13 | 65901N29003Z | | CARENATURA CODONE SX NERA | LH TAIL GUARD FAIRING BLACK | FOR BROWN, WHITE & GREY WITHOUT STICKER | |
| 13 | 65901N29004Z | | CARENATURA CODONE SX NERA | LH TAIL GUARD FAIRING BLACK | FOR RED MODEL WITH STICKER | |
| 14 | 58381P180000 | | SUPPORTO ADESIVO | ADHESIVE SUPPORT | | |
| 15 | 58382P180000 | | BIADESIVO | DOUBLE-SIDED ADHESIVE STRIP | | |
| 16 | 65406N290000 | | COPERTURA INFERIORE | LOWER COVER | | |
| 17 | 65902N29BG00 | | FIAN. POS. DX (NERO) S-AD | RH TAIL GUARD FAIRING BLACK | BLACK WITHOUT STICKER | |
| 17 | 65902N29003Z | | CARENATURA CODONE DX NERA | RH TAIL GUARD FAIRING BLACK | FOR BROWN, WHITE & GREY MODEL WITH STICKER | |
| 17 | 65902N29004Z | | FIANCHETTO POSTERIORE DESTRO (| RH TAIL GUARD FAIRING BLACK | FOR RED MODEL WITH STICKER | |
| 18 | 51100N290101 | | SELLA | SEAT | | |
| 19 | 65602N29WT00 | | FIANC. SUP. DX (BIANCO)S-AD | RH UPPER BODY PA. WH.WITHO.ST. | WHITE WITHOUT ADHESIVE | |
| 19 | 65602N29JM00 | | FIANCHETTO DX SUPERIORE GRIGIO | RH UPPER BODY PANEL GREY | GRAY WITHOUT ADHESIVE | |
| 20 | 65604N290000 | | PANNELLO INFERIORE DESTRO | RIGHT LOWER PANEL | | |

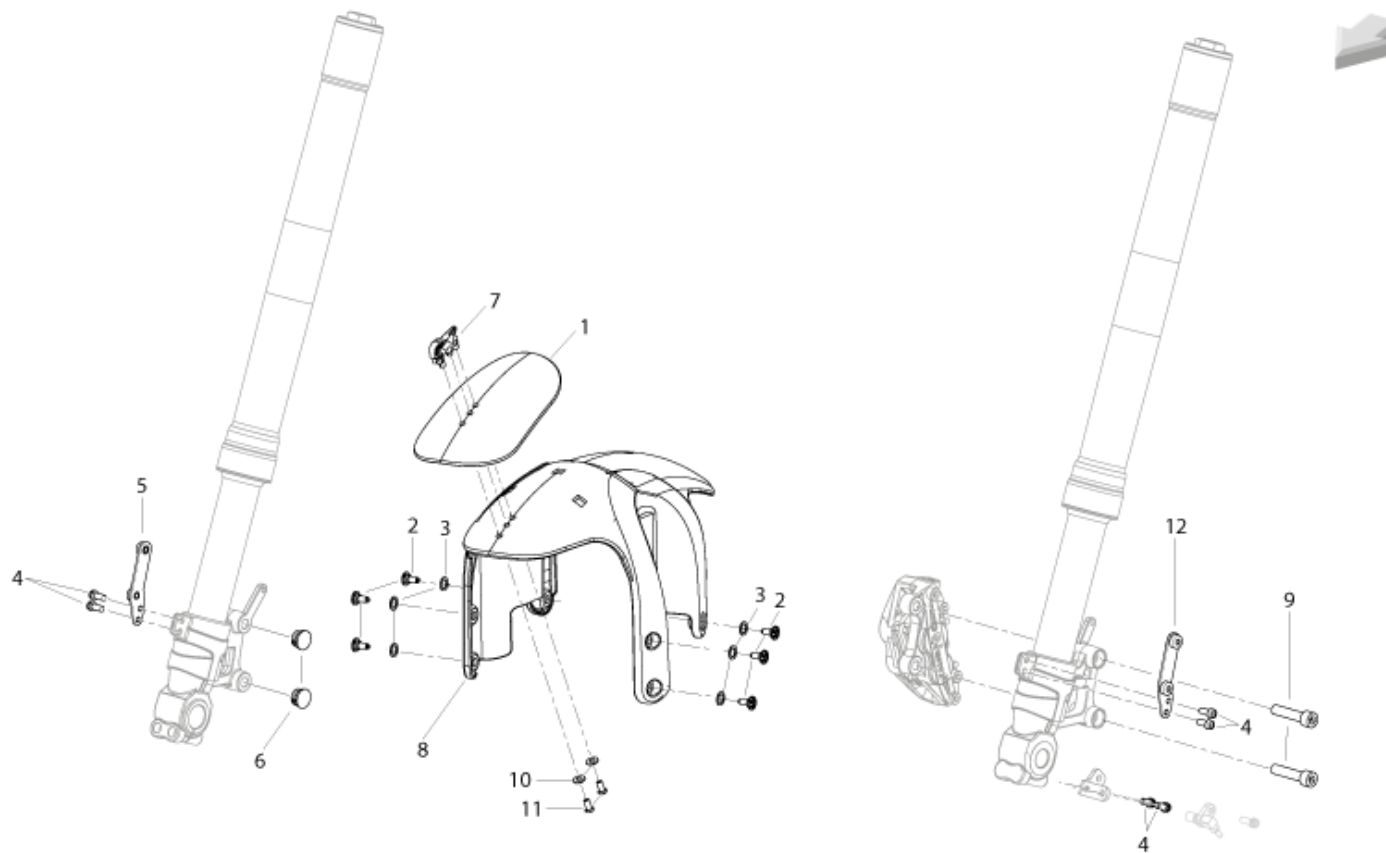
| POSIZIONE | ITEM NUMBER | REPLACEMENT CODE | DESCRIZIONE ITA | DESCRIPTION | VARIANT NOTE | NOTE |
|-----------|--------------|------------------|----------------------|----------------------|--------------|------|
| 21 | 08002P260000 | | VITE M6X10 | SCREW M6X10 | | |
| 22 | 51103V300000 | | GOMMINO ANTIVIBRANTE | VIBRATION DAMPER PAD | | |
| 23 | 51103V030000 | | GOMMINO ANTIVIBRANTE | VIBRATION DAMPER PAD | | |

T028 - NUMBER PLATE HOLDER



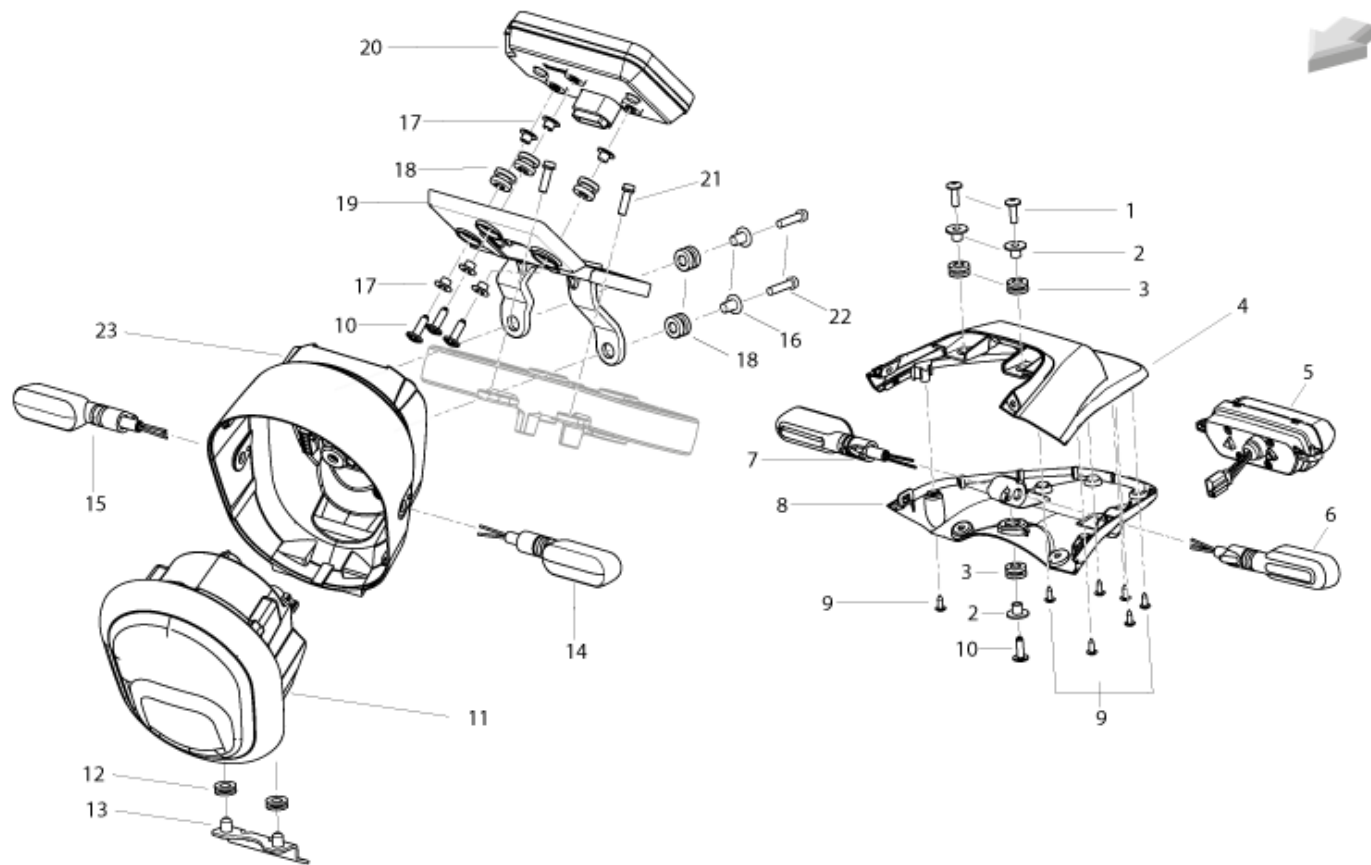
| POSIZIONE | ITEM NUMBER | REPLACEMENT CODE | DESCRIZIONE ITA | DESCRIPTION | VARIANT NOTE | NOTE |
|-----------|---------------|------------------|-------------------------------|---------------------------|--------------|------|
| 1 | 65741P180010 | 65741P18BG10 | PARASPRUZZI | MUDFLAP | | |
| 2 | B0284060200A | | VITE M6X20 | SCREW M6X20 | | |
| 3 | R90750351B | | BOCCOLA | BUSH | | |
| 4 | 08252P180002 | | SUPPORTO PORTATARGA | NUMBER PLATE HOLDER | | |
| 5 | B02010501625 | B0201050162H | VITE M5X16 | SCREW M5X16 | | |
| 6 | 08207N120100 | | BOCCOLA | BUSH | | |
| 7 | B04170500045 | B0417050004H | DADO M5 | NUT M5 | | |
| 8 | 82900N290000 | | FANALE ILLUMINAZIONE TARGA | NUMBER PLATE LIGHT | | |
| 9 | R030451008000 | | VITE ST4,2X16 KIT 10 | SCREW ST4,2X16 | | |
| 10 | R90751451B | | VITE TCEI M8X25 ZB | SCREW TCEI M8X25 ZB | | |
| 11 | R320078123000 | 86500B720001 | CATADIOTTRO | REFLECTOR | | |
| 12 | B04170800055 | | DADO M8 | NUT M8 | | |
| 13 | 82920N290000 | | CABLAGGIO LUCE TARGA | NUMBER PLATE LIGHT WIRING | | |
| 14 | B02810804062 | | VITE M8X40 | SCREW M8X40 | | |
| 15 | B07020000805 | | RONDELLA | WASHER | | |
| 16 | 65770N290001 | | SUPPORTO PARAFANGO POSTERIORE | REAR FENDER SUPPORT | | |

T029 - FRONT MUDGUARD



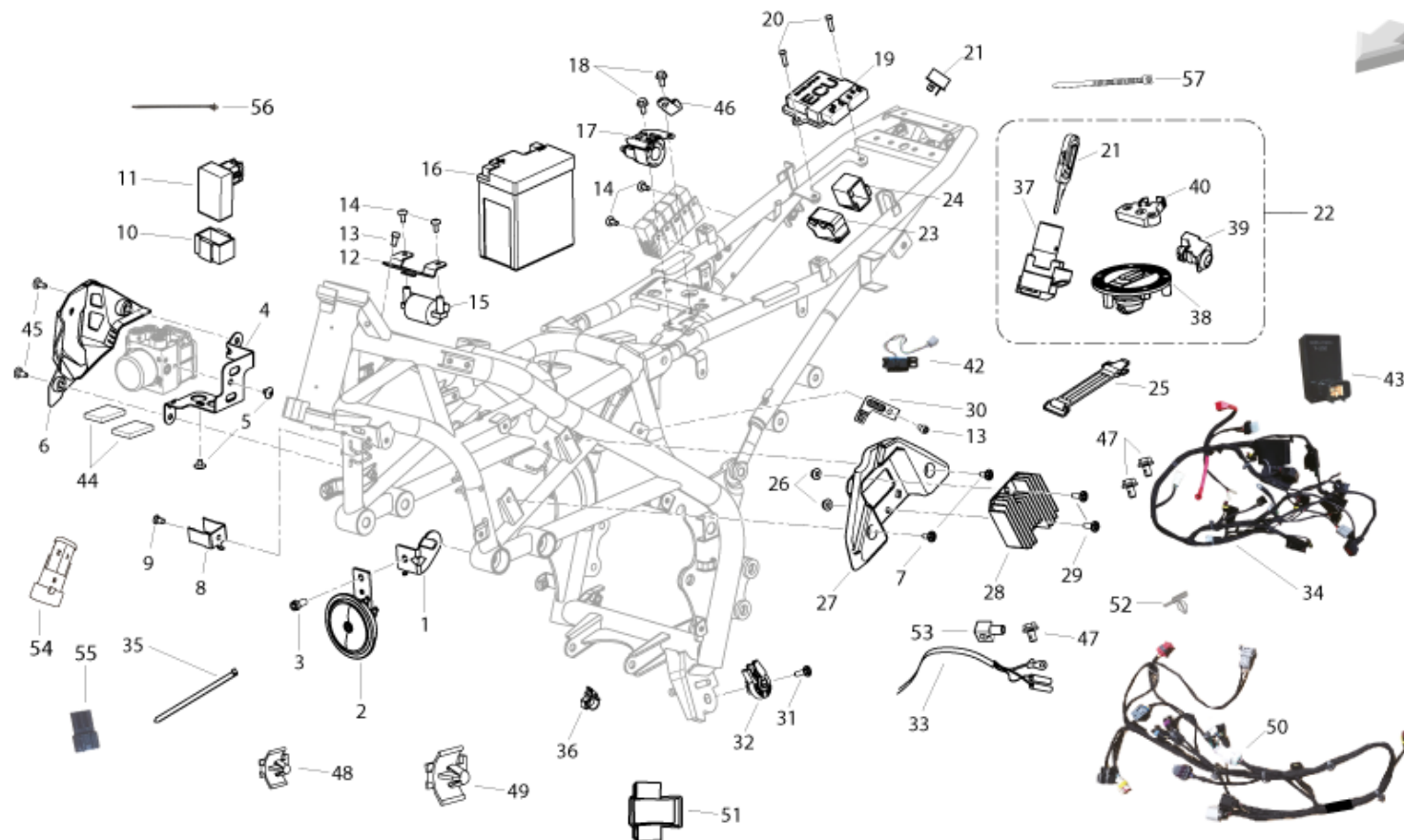
| POSIZIONE | ITEM NUMBER | REPLACEMENT CODE | DESCRIZIONE ITA | DESCRIPTION | VARIANT NOTE | NOTE |
|-----------|---------------|------------------|------------------------------|------------------------------|------------------------|------|
| 1 | 65102N29WT00 | | PARAFANGO ANT. (BIANCO) S-AD | FRONT FENDER WHITE WITHO.ST. | WHITE WITHOUT ADHESIVE | |
| 1 | 65102N29JM00 | | PARAFANGO ANTERIORE GRIGIO | FRONT MUDGUARD GREY | GRAY WITHOUT ADHESIVE | |
| 2 | R90752268E | B0284060150A | VITE M6X15,2 | SCREW M6X15,2 | | |
| 3 | R90752302B | | ROSETTA 9,5X14X1 N. G. KIT 5 | WASHER 9,5X14X1 N. G. KIT 5 | | |
| 4 | R320052145000 | B02810601262 | VITE M6X12 | SCREW M6X12 | | |
| 5 | 65150N290000 | | PIASTRA SUPPORTO PARAFANGO | FRONT FENDER SUPPORT | | |
| 6 | 43058N300000 | | TAPPO | PLUG | | |
| 7 | 05501P180100 | | FREGIO LEONE | FRIEZE LION | | |
| 8 | 65101N29BG00 | | PARAFANGO ANT. (NERO OP.) | FRONT FENDER BLACK MATT | | |
| 9 | 08001N30000J | | VITE M10X40 | SCREW M10X40 | | |
| 10 | B0702000040H | | RONDELLA | WASHER | | |
| 11 | B0201030062H | | VITE M3X6 | SCREW M3X6 | | |
| 12 | 65140N290000 | | PIASTRA SUPPORTO PARAFANGO | FRONT FENDER SUPPORT | | |

T030 - HEAD-LIGHTS AND INSTRUMENTATION



| POSIZIONE | ITEM NUMBER | REPLACEMENT CODE | DESCRIZIONE ITA | DESCRIPTION | VARIANT NOTE | NOTE |
|-----------|---------------|------------------|--------------------------------|----------------------------|--|------|
| 1 | B02830601962 | | VITE M6X19 | SCREW M6X19 | | |
| 2 | 65517J900101 | | BOCCOLA | BUSH | | |
| 3 | 65616L430000 | | GOMMINO ANTIVIBRANTE | VIBRATION DAMPER PAD | | |
| 4 | 65907N29BG00 | | CARENA CENTRALE INFERIORE | LOWER CENTRAL FAIRING | | |
| 5 | 82000N290000 | | FANALE POSTERIORE | REAR HEADLIGHT | | |
| 6 | 81500N290000 | | INDICATORE DIREZIONE POST. SX | REAR LH TURN INDICATOR | START TO VIN NUMBER: ZBNN29009KBB07590 | |
| 6 | 81500P180000 | | INDIC. DIREZIONE POS. SX | REAR LH TURN INDICATOR | UP TO THE VIN N.: ZBNN29009KBB07589 | |
| 7 | 81700N290000 | | INDICATORE DIREZIONE POST. DX | REAR RH TURN INDICATOR | START TO VIN NUMBER: ZBNN29009KBB07590 | |
| 7 | 81700P180000 | | INDIC. DIREZIONE POS. DX | REAR LH TURN INDICATOR | UP TO THE VIN N.: ZBNN29009KBB07589 | |
| 8 | 65701N29BG00 | | CARENATURA CENTRALE POST. NERO | REAR CENTRAL FAIRING BLACK | | |
| 9 | B05074201305 | | VITE ST4,2X13 | SCREW ST4,2X13 | | |
| 10 | B0284060200A | | VITE M6X20 | SCREW M6X20 | | |
| 11 | 80000N290000 | | FANALE ANTERIORE | FRONT HEADLIGHT | | |
| 12 | R050386073000 | | GOMMINO COPRIMARMITTA | RUBBER PAD | | |
| 13 | 08330N290000 | | SUPPORTO FARO ANTERIORE | FRONT HEAD-LIGHT HOLDER | | |
| 14 | 81100N290000 | | INDIC. DIREZIONE ANT. SX | FRONT LH TURN INDICATOR | | |
| 15 | 81300N290000 | | INDICATORE DI DIREZIONE ANT.DX | FRONT RH TURN INDICATOR | | |
| 16 | 65517K320100 | | BOCCOLA | BUSH | | |
| 17 | 82015S010010 | | BOCCOLA H6 | BUSH H6 | | |
| 18 | 70168N290000 | | ANTIVIBRANTE | VIBRATION DAMPING | | |
| 19 | 70078N290000 | | SUPPORTO STRUMENTO | INSTRUMENT SUPPORT | | |
| 20 | 70000N290008 | | CRUSCOTTO STRUMENTI | DASHBOARD | | |
| 21 | R90750501B | B02810601662 | VITE TCEIF M6X16 | SCREW TCEIF M6X16 | | |
| 22 | B02810602562 | | VITE M6X25 | SCREW M6X25 | | |
| 23 | 80016N290000 | | CORPO FANALE ANTERIORE | LIGHTHOUSE BODY FRONT | | |

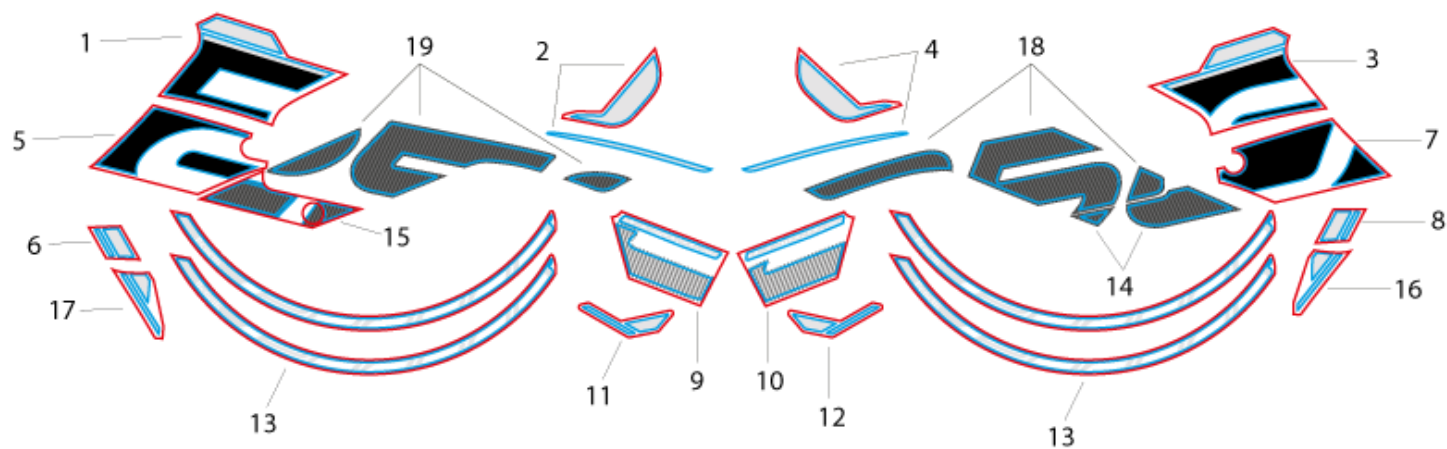
T031 - ELETRIC SYSTEM



| POSIZIONE | ITEM NUMBER | REPLACEMENT CODE | DESCRIZIONE ITA | DESCRIPTION | VARIANT NOTE | NOTE |
|-----------|---------------|------------------|--------------------------------|-------------------------------|--------------|------|
| 1 | 59440N220000 | | STAFFA | BRACKET | | |
| 2 | 95100J820000 | | AVVISATORE ACUSTICO | HORN | | |
| 3 | R90751421B | | VITE TCEI M8X16 | SCREW TCEI M8X16 | | |
| 4 | 57042N220000 | | SUPPORTO ABS | ABS SUPPORT | | |
| 5 | R320052046000 | | VITE M6X8 | SCREW M6X8 | | |
| 6 | 65639N290000 | | COPERCHIO ABS | ABS COVER | | |
| 7 | R90752268E | B0284060150A | VITE M6X15,2 | SCREW M6X15,2 | | |
| 8 | 57437N290000 | | STAFFA | BRACKET | | |
| 9 | R320652042000 | B02010601225 | VITE M6X12 | SCREW M6X12 | | |
| 10 | 96007B720000 | | GOMMINO SUPPORTO INTERMITTENZA | RUBBER SUPPORT FLASHER | | |
| 11 | 96400H390001 | | INTERMITTENZA | FLASHER | | |
| 12 | 58771N290000 | | STAFFA | BRACKET | | |
| 13 | R320052145000 | B02810601262 | VITE M6X12 | SCREW M6X12 | | |
| 14 | 08011P160000 | | VITE M5X12 | SCREW M5X12 | | |
| 15 | 96200N300000 | | BOBINA | IGNITION COIL | | |
| 16 | 96100V030000 | | BATTERIA YTX7L-BS 12V 6A | BATTERY YTX7L-BS 12V 6A | | |
| 17 | R050377034000 | 94100J000002 | RELE' AVVIAMENTO | RELAY START | | |
| 18 | B01090601265 | | VITE M6X12 | SCREW M6X12 | | |
| 19 | 96C00U350A00 | 96C00N300001 | CENTRALINA ELETTRONICA ECU | ELECTRONIC CONTROL UNIT ECU | | |
| 20 | R320452102000 | B0109060166H | VITE M6X16 | SCREW M6X16 | | |
| 21 | 96700K060000 | | DIODO | DIODE | | |
| 22 | 88000N290000 | | GRUPPO SERRATURE | LOCKS KIT | | |
| 23 | R320077045000 | 91210N300000 | SENSORE DI SPEGNIMENTO | SWITCH OFF SENSOR | | |
| 24 | R300077150000 | | GOMMINO SUPPORTO SENSORE SPEG. | RUBBER SUPP. SWITCH-OFF SENS. | | |
| 25 | 96020N220001 | | CINGHIA ELASTICA | ELASTIC BELT | | |
| 26 | B0407060005H | | DADO M6 | NUT M6 | | |
| 27 | 65638N290000 | | SUPPORTO REGOLATORE | REGULATOR SUPPORT | | |
| 28 | 299066080010 | 29906N490000 | REGOLATORE | VOLTAGE REGULATOR | | |

| POSIZIONE | ITEM NUMBER | REPLACEMENT CODE | DESCRIZIONE ITA | DESCRIPTION | VARIANT NOTE | NOTE |
|-----------|---------------|------------------|--------------------------------|--------------------------|--------------|------|
| 29 | B0284060200A | | VITE M6X20 | SCREW M6X20 | | |
| 30 | 96911T740100 | | STAFFA | BRACKET | | |
| 31 | B0284060200A | | VITE M6X20 | SCREW M6X20 | | |
| 32 | 91170V020000 | | INTERRUTTORE CAVALLETTO LATER. | SIDE STAND SWITCH | | |
| 33 | 92500N290000 | | CAVO DI MASSA | GROUNDING CABLE | | |
| 34 | 92050N290004 | | IMPIANTO ELETTRICO | ELECTRIC SYSTEM | | |
| 35 | 40098B450000 | | FASCETTA 150 MM. | CLAMP 150 MM. | | |
| 36 | 65833P160000 | | GUIDA TUBO | TUBE GUIDE | | |
| 37 | 88100N290000 | | BLOCCHETTO ACCENSIONE | IGNITION BLOCK | | |
| 38 | 88400P180000 | | TAPPO SERBATOIO CARBURANTE | FUEL TANK CAP | | |
| 39 | R320066014000 | | SERRATURA SELLA | SEAT LOCK | | |
| 40 | R180266102000 | | LEVA APERTURA SELLA | SEAT LEVER | | |
| 41 | 88900P180000 | | CHIAVE NEUTRA | KEY BLANK | | |
| 42 | 92940P100000 | | CAVO DIAGNOSI OBD | CABLE DIAGNOSIS OBD | | |
| 43 | 94400N290000 | | RELE' CONTROLLO LUCI | LIGHT CONTROL RELAY | | |
| 44 | R160052096000 | | SPUGNA | SPONGE | | |
| 45 | R90750708E | | VITE M6X19,2 | SCREW M6X19,2 | | |
| 46 | R320057048001 | | GUIDA TUBO | TUBE GUIDE | | |
| 47 | 08013P100000 | | VITE M6X16 | SCREW M6X16 | | |
| 48 | 96031N350000 | | PIASTRINO FIS. CAVO (D.1,5) | FIXING PLATE CABLE Ø 1,5 | | |
| 49 | 96032N350000 | | PIASTRINO FIS. CAVO D. 2,3 | FIXING PLATE CABLE Ø 2,3 | | |
| 50 | 92070N290002 | | CABLAGGIO EFI | WIRING EFI | | |
| 51 | 96011N290000 | | SUPPORTO RELE' | RELAY SUPPORT | | |
| 52 | 92070N290001 | | CABLAGGIO SAT | WIRING SAT | | |
| 53 | 92056N300000 | | CAPPUCCIO | CAP | | |
| 54 | 92058P060000 | | CONNETTORE ABS | ABS CONNECTOR | | |
| 55 | 92059P060000 | | INTERFACCIA IOT | INTERFACE IOT | | |
| 56 | 96001N350000 | | FASCETTA | CLAMP | | |

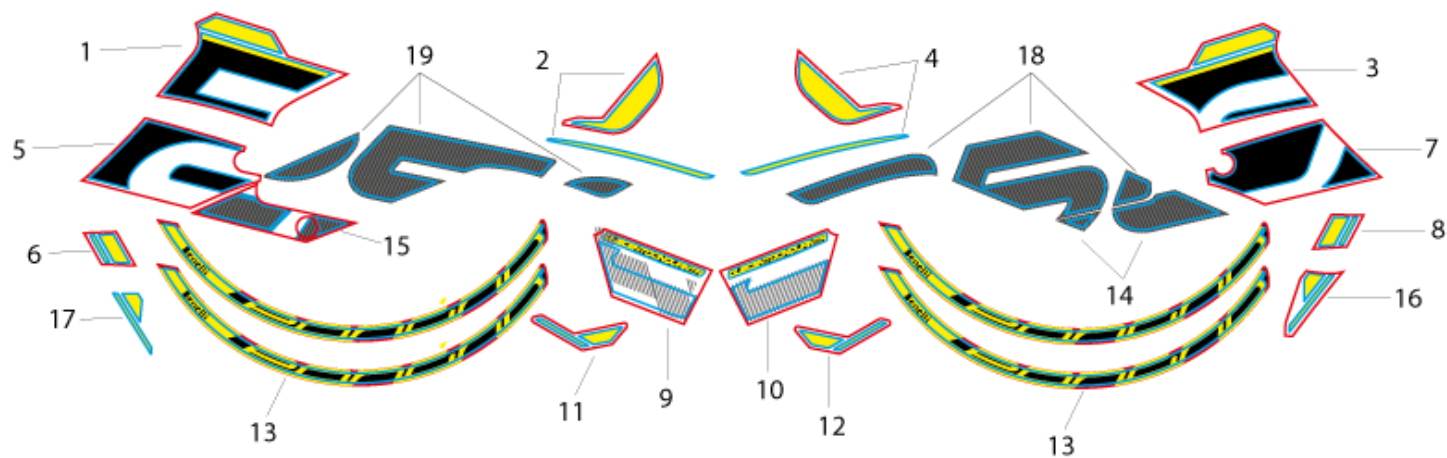
| POSIZIONE | ITEM NUMBER | REPLACEMENT CODE | DESCRIZIONE ITA | DESCRIPTION | VARIANT NOTE | NOTE |
|-----------|--------------|------------------|-----------------|-------------|--------------|------|
| 57 | 96003P360000 | | FASCETTA 5X300 | CLAMP 5X300 | | |

T032 - STICKERS FOR RED MODEL**STICKERS FOR RED MODEL**

| POSIZIONE | ITEM NUMBER | REPLACEMENT CODE | DESCRIZIONE ITA | DESCRIPTION | VARIANT NOTE | NOTE |
|-----------|--------------|------------------|--------------------------------|--------------------------------|--------------|------|
| 1 | 05534N29FB05 | | ADES. SERBATOIO DX A (ROS. FB) | ADES. SERBATOIO DX A (ROS. FB) | | |
| 2 | 05532N29FB05 | | ADES. SERBATOIO DX B (ROS. FB) | ADES. SERBATOIO DX B (ROS. FB) | | |
| 3 | 05533N29FB05 | | ADES. SERBATOIO SX A (ROS. FB) | ADES. SERBATOIO SX A (ROS. FB) | | |
| 4 | 05531N29FB05 | | ADES. SERBATOIO SX B (ROS. FB) | ADES. SERBATOIO SX B (ROS. FB) | | |
| 5 | 05512N29FB05 | | ADESIVO DX A (ROSSO FB) | ADESIVO DX A (ROSSO FB) | | |
| 6 | 05514N29FB05 | | ADESIVO DX B (ROSSO FB) | ADESIVO DX B (ROSSO FB) | | |
| 7 | 05511N29FB05 | | ADESIVO SX A (ROSSO FB) | ADESIVO SX A (ROSSO FB) | | |
| 8 | 05513N29FB05 | | ADESIVO SX B (ROSSO FB) | ADESIVO SX B (ROSSO FB) | | |
| 9 | 05572N29FB05 | | ADES. RADIA.ACQUA SX (ROS. FB) | ADES. RADIA.ACQUA SX (ROS. FB) | | |
| 10 | 05571N29FB05 | | ADES. RADIA.ACQUA SX (ROS. FB) | ADES. RADIA.ACQUA SX (ROS. FB) | | |
| 11 | 05502N29FB05 | | ADESIVO PARAF.ANT. B (ROS. FB) | ADESIVO PARAF.ANT. B (ROS. FB) | | |
| 12 | 05501N29FB05 | | ADESIVO PARAF.ANT. A (ROS. FB) | ADESIVO PARAF.ANT. A (ROS. FB) | | |
| 13 | 05582N290005 | | ADESIVO RUOTE | ADESIVO RUOTE | | |
| 14 | 05515N29FB05 | | ADESIVO SX A (ROSSO FB) | ADESIVO SX A (ROSSO FB) | | |
| 15 | 05516N29FB05 | | ADESIVO DX A (ROSSO FB) | ADESIVO DX A (ROSSO FB) | | |
| 16 | 05517N29FB05 | | ADESIVO SX B (ROSSO FB) | ADESIVO SX B (ROSSO FB) | | |
| 17 | 05518N29FB05 | | ADESIVO DX B (ROSSO FB) | ADESIVO DX B (ROSSO FB) | | |
| 18 | 05535N29FB05 | | ADES. INF. SERB. SX (ROSS. FB) | ADES. INF. SERB. SX (ROSS. FB) | | |
| 19 | 05536N29FB05 | | ADES. INF. SERB. DX (ROSS. FB) | ADES. INF. SERB. DX (ROSS. FB) | | |

T033 - STICKERS FOR GREY, GREEN AND WHITE MODEL

STICKERS FOR GREY, GREEN AND WHITE MODEL



| POSIZIONE | ITEM NUMBER | REPLACEMENT CODE | DESCRIZIONE ITA | DESCRIPTION | VARIANT NOTE | NOTE |
|-----------|--------------|------------------|--------------------------------|--------------------------------|--------------|------|
| 1 | 05534N29JM04 | | ADES. SERBATOIO DX A (GRIG.JM) | ADES. SERBATOIO DX A (GRIG.JM) | | |
| 2 | 05532N29JM04 | | ADES. SERBATOIO DX B (GRIG.JM) | ADES. SERBATOIO DX B (GRIG.JM) | | |
| 3 | 05533N29JM04 | | ADES. SERBATOIO SX A (GRIG.JM) | ADES. SERBATOIO SX A (GRIG.JM) | | |
| 4 | 05531N29JM04 | | ADES. SERBATOIO SX B (GRIG.JM) | ADES. SERBATOIO SX B (GRIG.JM) | | |
| 5 | 05512N29JM04 | | ADESIVO DX A (GRIGIO JM) | ADESIVO DX A (GRIGIO JM) | | |
| 6 | 05514N29JM04 | | ADESIVO DX B (GRIGIO JM) | ADESIVO DX B (GRIGIO JM) | | |
| 7 | 05511N29JM04 | | ADESIVO SX A (GRIGIO JM) | ADESIVO SX A (GRIGIO JM) | | |
| 8 | 05513N29JM04 | | ADESIVO SX B (GRIGIO JM) | ADESIVO SX B (GRIGIO JM) | | |
| 9 | 05538N29JM04 | | ADES. RADIA.ACQUA SX (GRIG.JM) | ADES. RADIA.ACQUA SX (GRIG.JM) | | |
| 10 | 05537N29JM04 | | ADES. RADIA.ACQUA SX (GRIG.JM) | ADES. RADIA.ACQUA SX (GRIG.JM) | | |
| 11 | 05502N29JM04 | | ADESIVO PARAF.ANT. B (GRIG.JM) | ADESIVO PARAF.ANT. B (GRIG.JM) | | |
| 12 | 05501N29JM04 | | ADESIVO PARAF.ANT. A (GRIG.JM) | ADESIVO PARAF.ANT. A (GRIG.JM) | | |
| 13 | 05582N29JM04 | | ADESIVO RUOTA | WHEEL STICKER | | |
| 14 | 05515N29JM04 | | ADESIVO SX A (GRIGIO JM) | ADESIVO SX A (GRIGIO JM) | | |
| 15 | 05516N29JM04 | | ADESIVO DX A (GRIGIO JM) | ADESIVO DX A (GRIGIO JM) | | |
| 16 | 05517N29JM04 | | ADESIVO SX B (GRIGIO JM) | ADESIVO SX B (GRIGIO JM) | | |
| 17 | 05518N29JM04 | | ADESIVO DX B (GRIGIO JM) | ADESIVO DX B (GRIGIO JM) | | |
| 18 | 05535N29JM04 | | ADES. INF. SERB. SX (GRIG. JM) | ADES. INF. SERB. SX (GRIG. JM) | | |
| 19 | 05536N29JM04 | | ADES. INF. SERB. DX (GRIG. JM) | ADES. INF. SERB. DX (GRIG. JM) | | |