

PARTS CATALOGUE



SCOOTERS

KM25AC(PT)

PEOPLE ONE 125(2013)



Release Date : 2018/12/19
Print Date : 2022/10/24

ABOUT THIS PARTS LIST

- This parts list is compiled all service parts for model KM25AC(PT).
- Any difference between color chart and motorcycle will be revised according to motorcycle.
- The Mark:
 1. Marking "***" must add color code in the end before ordering parts.
 2. Marking "#" are parts with modification, Please find the details from e-Parts system.
- When modification or additions to this parts list are made a revised edition at an appropriate time.



CONTENTS

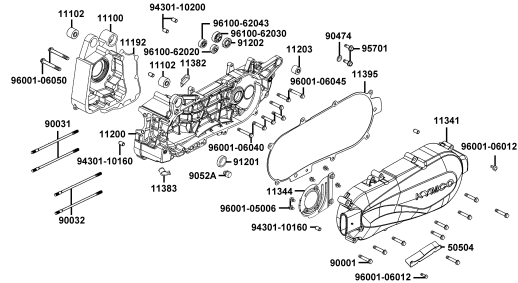
● ABOUT THIS PARTS LIST	1
● COLOR CHART OF KM25AC(PT)	3
● CONTENTS-ENGINE GROUP	5
● CONTENTS-FRAME GROUP	6
● ENGINE PARTS LIST	9
● FRAME PARTS LIST	39
● PART NO. INDEX	95

NO	MODEL			COLOR CHART OF KM25AC(PT)			
	PHOTO NO			NO. 1	NO. 2		
	BASIC COLOR			Black Blue	Pearly White		
	CODE			Black Blue	Pearly White		
	PARTS NAME	PARTS NO.	VERSION	PB184PA	NH193PA		
1	PROTECTOR MUFFLER	18318-ALD9-E10	0	F1P			
2	WHEEL COMP	42601-ALD9-E10	0	HUA			
3	WHEEL COMP	44601-ALD9-E10	0				
4	FENDER RR INNER	80101-ALD9-E10	0				
5	FENDER REAR	80105-ALD9-E10	0				
6	COVER LICENDE LIGHT	80107-ALD9-E10	0	N1R			
7	HOOK LUGGAGE	81132-LDC8-E10	1				
8	COVER PROTR SEAT	83503-KHD6-C00	0				
9	CUSHION ASSY REAR	52400-ALD9-E10	0	NES			
10	END R HANDLE	53105-LGR5-E10	1				
11	COVER LEFT	11341-ALD9-E10	0	NHA			
12	"LID, HANDLE FR"	53208-ALD9-BA0	0				
13	"LID , HANDLE RR"	53209-ALD9-BA0	0				
14	"LID , LEG SHIELD LOW"	81142-ALD9-BA0	0	NHP			
15	COVER R RR SIDE	83501-ALD9-E10	0				
16	COVER L RR SIDE	83601-ALD9-E10	0				
17	FORK ASSY R FR	51400-ALD9-E10	0				
18	FORK ASSY L FR	51500-ALD9-E10	0	NJA			
19	"CARRIER , RR"	81200-ALD9-BA0	0				
20	COVER UP	53205-ALD9-BA0	0				
21	"FENDER . FR"	61100-ALD9-BA0	0				
22	COVER FRONT	64301-ALD9-BA0	0				
23	MOLDING FRONT	64302-ALD9-BA0	0				
24	"SKIRT , R SIDE"	64305-ALD9-BA0	0				
25	"SKIRT , L SIDE"	64306-ALD9-BA0	0	BJP			NVP
DATE OF STARTING-SALES							
DATE OF END-SALES							

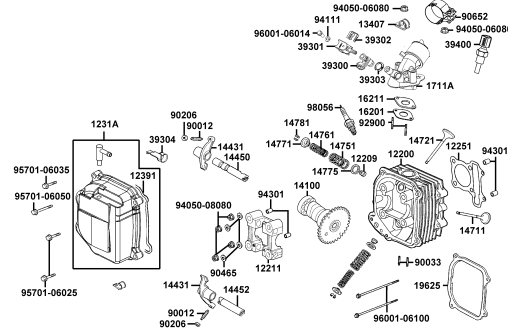
NO	MODEL			COLOR CHART OF KM25AC(PT)			
	PHOTO NO			NO. 1	NO. 2		
	BASIC COLOR			Black Blue	Pearly White		
	CODE			Black Blue	Pearly White		
	PARTS NAME	PARTS NO.	VERSION	PB184PA	NH193PA		
26	LEG SHIELD UP	81131-ALD9-BA0	0	BJP	NVP		
27	"0 CAP . LEG SHIELD	81132-ALD9-BA0	0				
28	COVER . FUEL CAP	81134-ALD9-BA0	0				
29	RR BOX	8150A-ALD9-E13	0				
30	COVER RR BOX 2016	8150L-LFC4-E10	0				
31	"COVER . R BODY"	83500-ALD9-BA0	0				
32	"COVER . L BODY"	83600-ALD9-BA0	0				
33	"COVER . RR. CENTER"	83750-ALD9-BA0	0				
34	SEAT ASSY	77200-ALD9-E10	0				
35	EMB K-LOGO	86102-ALG1-E00	2			T01	
36	FENDER	86202-ALD9-E10	0				
37	EMB MARK 125I	87140-ALD9-E10	0				
38	LABEL TIRE	87505-ALD9-E10	0				
39	CAUTION SIDE STAND	87541-GAR1-C01	1				
40	LABEL OIL CAP	87541-KUDU-E00	1				
41	MARK MAINT CAUTION	87542-GAR1-C01	2				
42	MARK DRIVE CAUTION	87560-GFY6-E11	3				
43	EMB MARK K-LOGO	86102-ALJ8-E00	0	T01	T02		
DATE OF STARTING-SALES							
DATE OF END-SALES							

CONTENTS - ENGINE GROUP

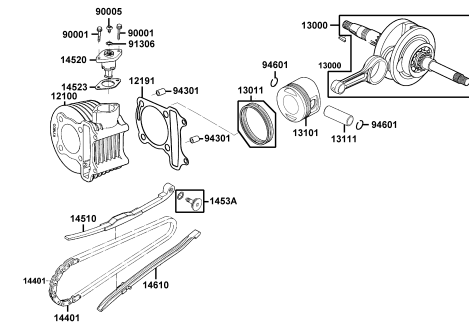
E01 Crank Case



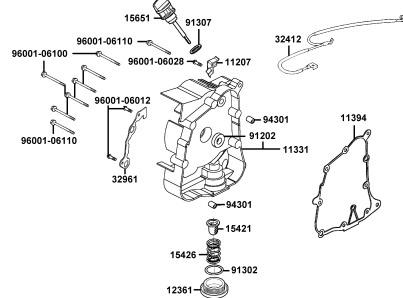
E02 Cylinder Head



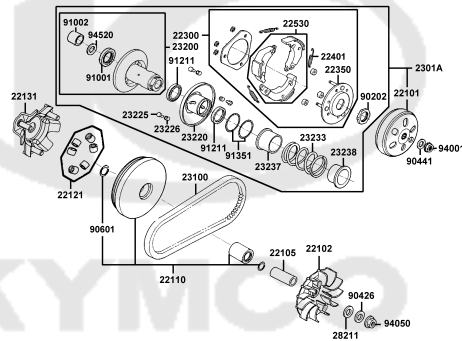
E03 Cylinder Piston Crankshaft



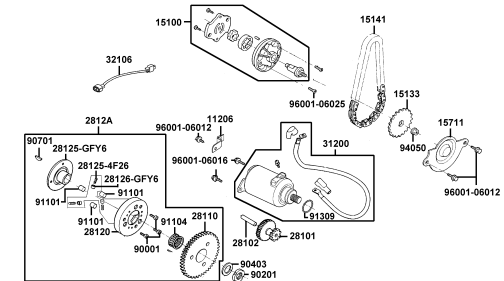
E04 Right Crankcase Cover



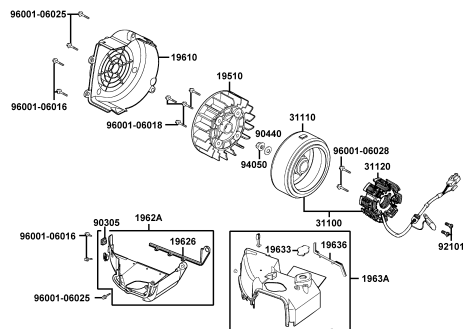
E05 Driven Pulley



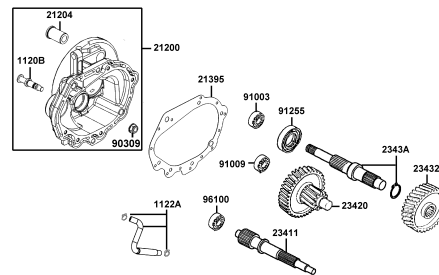
E06 Starting Motor Oil Pump



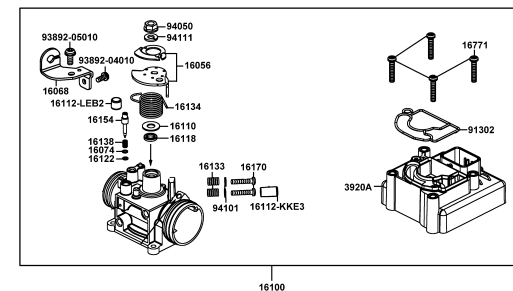
E07 Fan Cover Generator



E08 Transmission

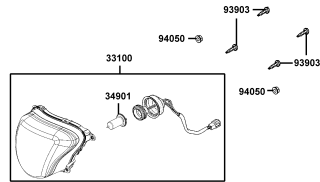


E09 Carburetor

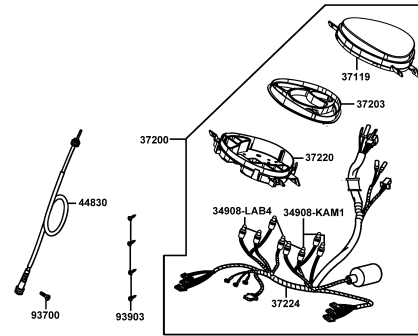


CONTENTS - FRAME GROUP

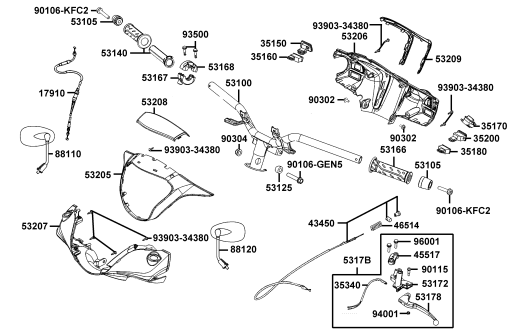
F01 Head Light



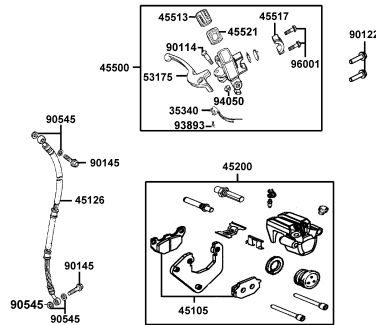
F02 Speedometer



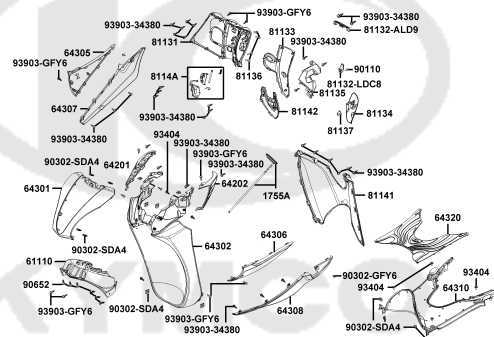
F03 Handle Steering Handle Cover



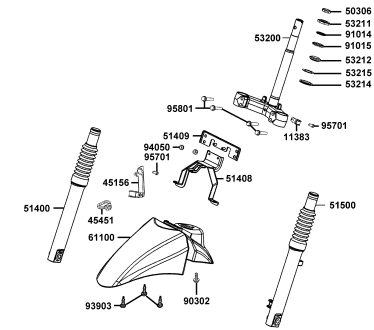
F04 Brake Master Cylinder



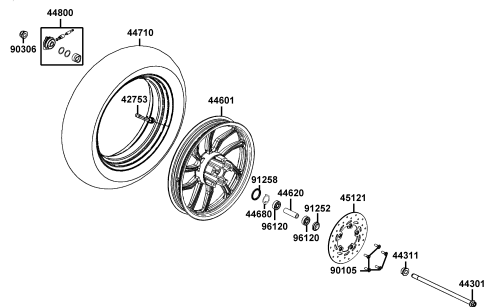
F05 Front Cover Front Fender



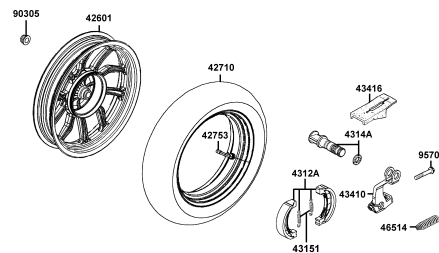
F06 Stem Steering Front Cushion



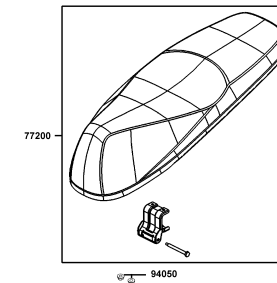
F07 Front Wheel



F08 Rear Wheel



F09 Seat



CONTENTS - FRAME GROUP

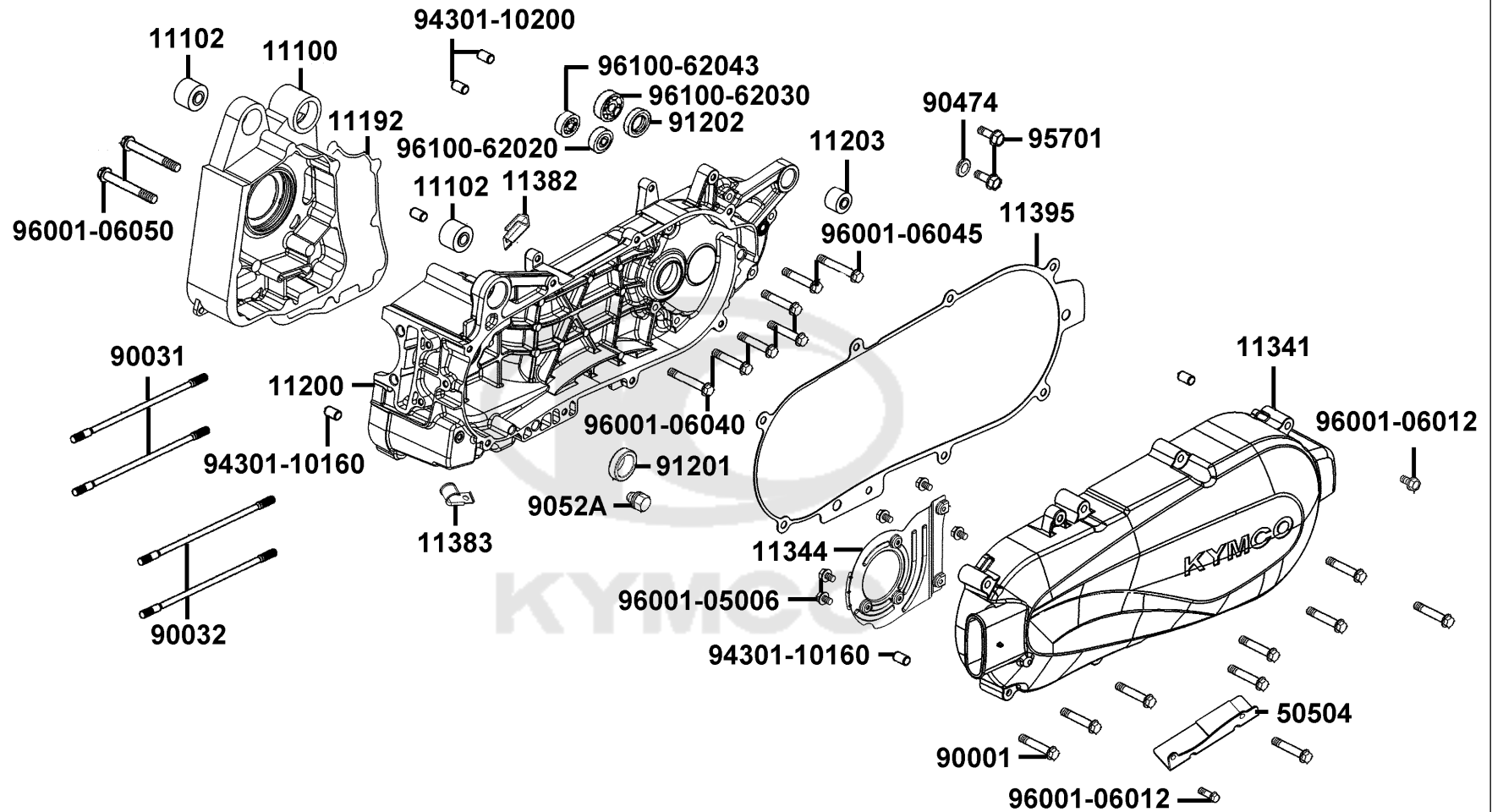
<p>F10 Fuel Tan</p>	<p>F11 Battery</p>	<p>F12 Body Cover Luggage Box</p>
<p>F13 Air Cleaner</p>	<p>F14 Exhaust Muffler</p>	<p>F15 Stand Kick Starter Arm</p>
<p>F16 Rear Cushion</p>	<p>F17 Front Winker</p>	<p>F18 Tail Light</p>

CONTENTS - FRAME GROUP

F19 Wire Harness	F20 Frame Body	F21 Emblem Stripe
		<div style="display: flex; justify-content: space-between;"> <div style="text-align: center;"> <p>86102</p> </div> <div style="text-align: center;"> <p>87541-GAR1</p> </div> <div style="text-align: center;"> <p>87560</p> </div> <div style="text-align: center;"> <p>87541-KUDU</p> </div> </div> <div style="display: flex; justify-content: space-between; margin-top: 20px;"> <div style="text-align: center;"> <p>87140</p> </div> <div style="text-align: center;"> <p>87542</p> </div> <div style="text-align: center;"> <p>87505</p> </div> </div> <div style="display: flex; justify-content: space-between; margin-top: 20px;"> <div style="text-align: center;"> <p>86202</p> </div> </div> <div style="margin-top: 20px;"> <p>Engine Oil Capacity Make sure to use KYMCO recommended SAE engine oil. Full Capacity: 0.8L Oil Change: 0.4L Check the oil level after oil is filled. Take the engine for a 20-minute run-in check first oil change. See the owner's manual for details.</p> </div>
<h2 style="text-align: center;">F22 Rr Box</h2>		

E01

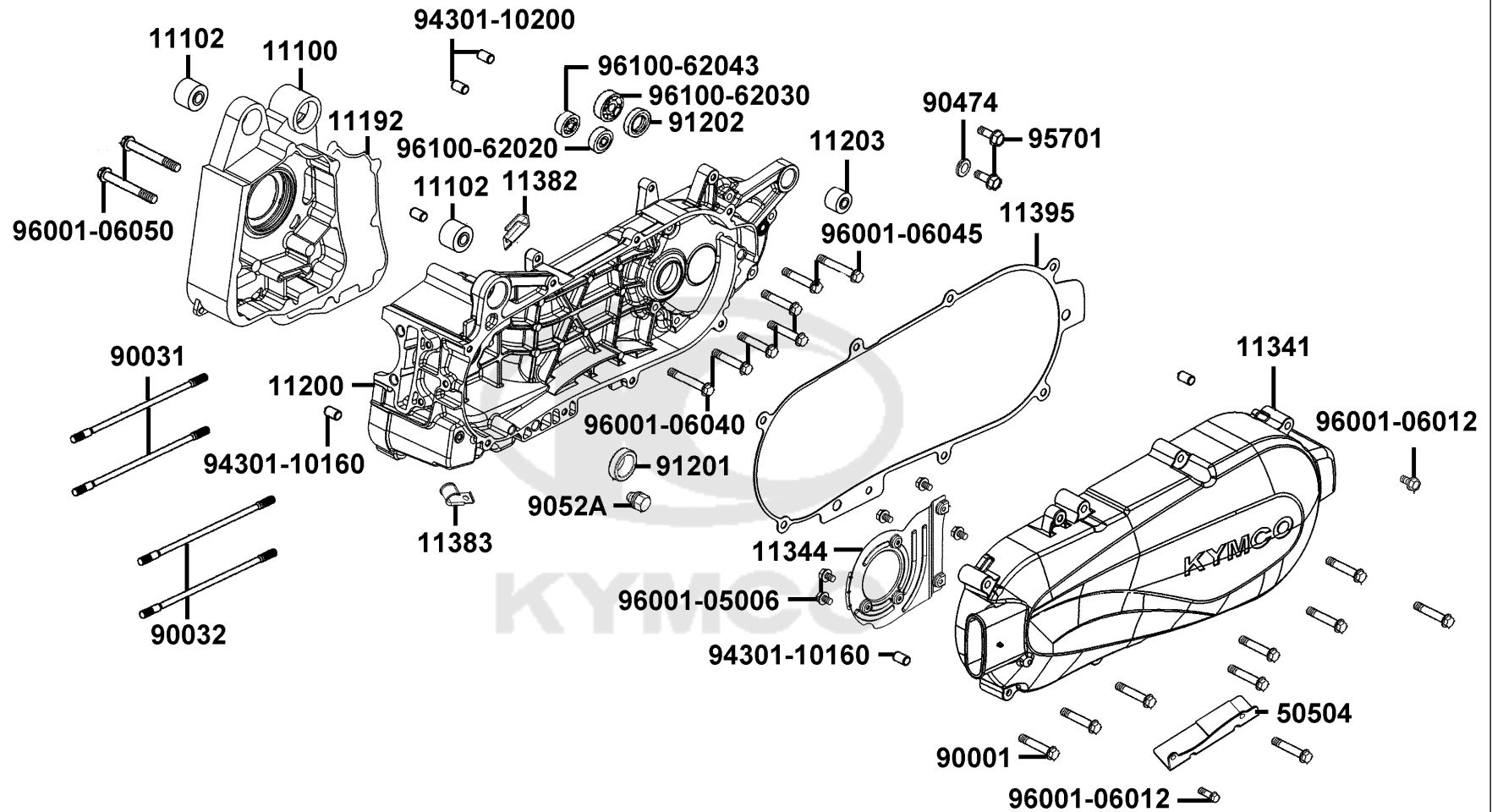
Crank Case



Sales mark	Ref no	Part no	Description	Reg description	Regd no	E01
	11100	11100-KUDU-C00	CASE COMP R CRANK	CASE COMP R CRANK	1	
	11102	11102-1G87-C00	RUB BUSH ENG HANGER	RUB BUSH ENG HANGER	2	
#	11192	11192-KUDU-E90	GASKET CRANK CASE @ A	GASKET CRANK CASE @ A	1	
	11200	11200-ALD9-E10	CRANK CASE COMP. L.	CRANK CASE COMP. L.	1	
	11203	11203-GGC7-W10	UNDER RUBBER BUSH REAR CUSHION	UNDER RUBBER BUSH REAR CUSHION	1	
**	11341	11341-ALD9-E10	COVER LEFT	COVER LEFT	1	
	11344	11344-ALD9-E10	PLATE L COVER	PLATE L COVER	1	
	11382	11382-KUDU-W10	CLAMPER BRAKE CABLE	CLAMPER BRAKE CABLE	1	
	11383	11383-LEA1-C00	CLAMPER DRAIN TUBE	CLAMPER DRAIN TUBE	1	
#	11395	11395-ALD9-E90	GASKET,L COVER @A	GASKET L COVER @A	1	
	50504	50504-LGR5-C00	STAY MAIN STAND COMP	STAY MAIN STAND COMP	1	
	90001	90001-LGR5-BA0	BOLT FLANGE SHF 6*40(Cr)	BOLT FLANGE SHF 6*40(Cr)	9	
#	90031	90031-KUDU-C01	BOLT A STUD 8*200.5	BOLT A STUD 8*200.5	2	
	90032	90032-KUDU-C00	BOLT B STUD 8*208.5	BOLT B STUD 8*208.5	2	
	90474	90474-3C33-C00	WASHER 8MM (T*2)	WASHER 8MM (T*2)	1	
	9052A	9052A-GFY6-C00	BOLT ASSY DRAIN PLUG	BOLT ASSY DRAIN PLUG	1	
	91201	91201-GFY6-C00	OIL SEAL 19.8*30*5	OIL SEAL 19.8*30*5	1	
	91202	91202-KKJ9-C00	OIL SEAL 20*32*6	OIL SEAL 20*32*6	1	
	94301-10160	94301-10160	DOWEL PIN 10*16	DOWEL PIN 10*16	4	
	94301-10200	94301-10200	DOWEL PIN 10*20	DOWEL PIN 10*20	2	

E01

Crank Case

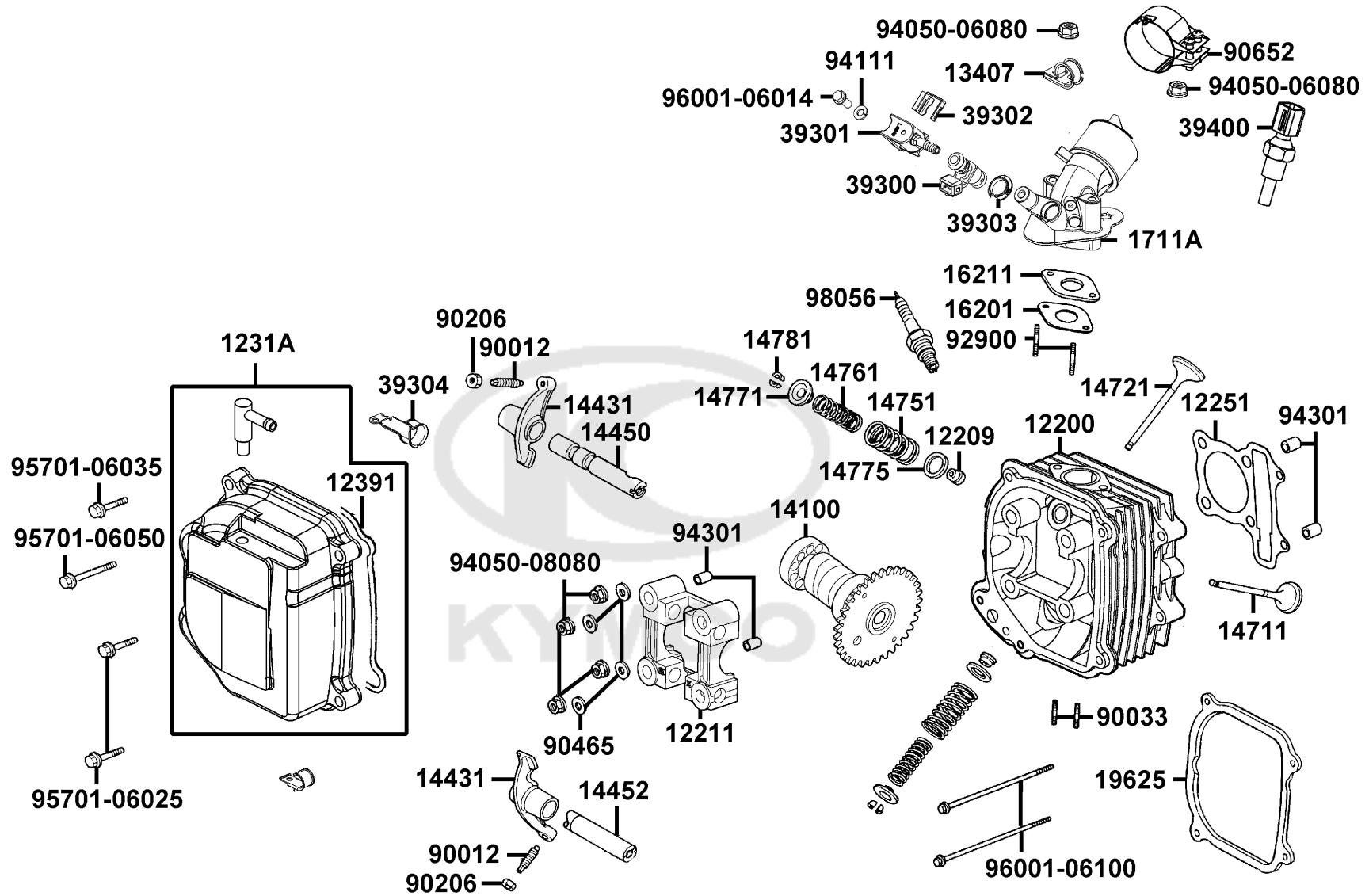


Sales mark	Ref no	Part no	Description	Reg description	Regd no	E01
	95701	95701-08012-08G	BOLT FLANGE 8X12(C)	BOLT FLANGE 8X12(C)	2	
	96001-06012	96001-06012-02	BOLT FLANGE SH 6*12	BOLT FLANGE SH 6*12	2	
	96001-06040	96001-06040-08	BOLT FLANGE 6*40	BOLT FLANGE SH 6*40 (C)	5	
	96001-06040	96001-06040-08	BOLT FLANGE 6*40	BOLT FLANGE 6*40	5	
	96001-06045	96001-06045-08	BOLT FLANGE SH 6*45 (C)	BOLT FLANGE SH 6*45	2	
	96001-06050	96001-06050-08	BOLT FLANGE 6*50	BOLT FLANGE 6*50	2	
#	96001-05006	96001-GFY6-C00	BOLT SPECIAL 5*10	BOLT SPECIAL 5X10	5	
	96100-62020	96100-62020-00	BEARING BALL RADIAL 6202	BEARING BALL RADIAL 6202	1	
	96100-62030	96100-62030-00	BRG BALL RADIAL 6203	BRG BALL RADIAL 6203	1	
	96100-62043	96100-62043-00	BEARING BALL RADIAL 6204	BEARING BALL RADIAL 6204	1	



E02

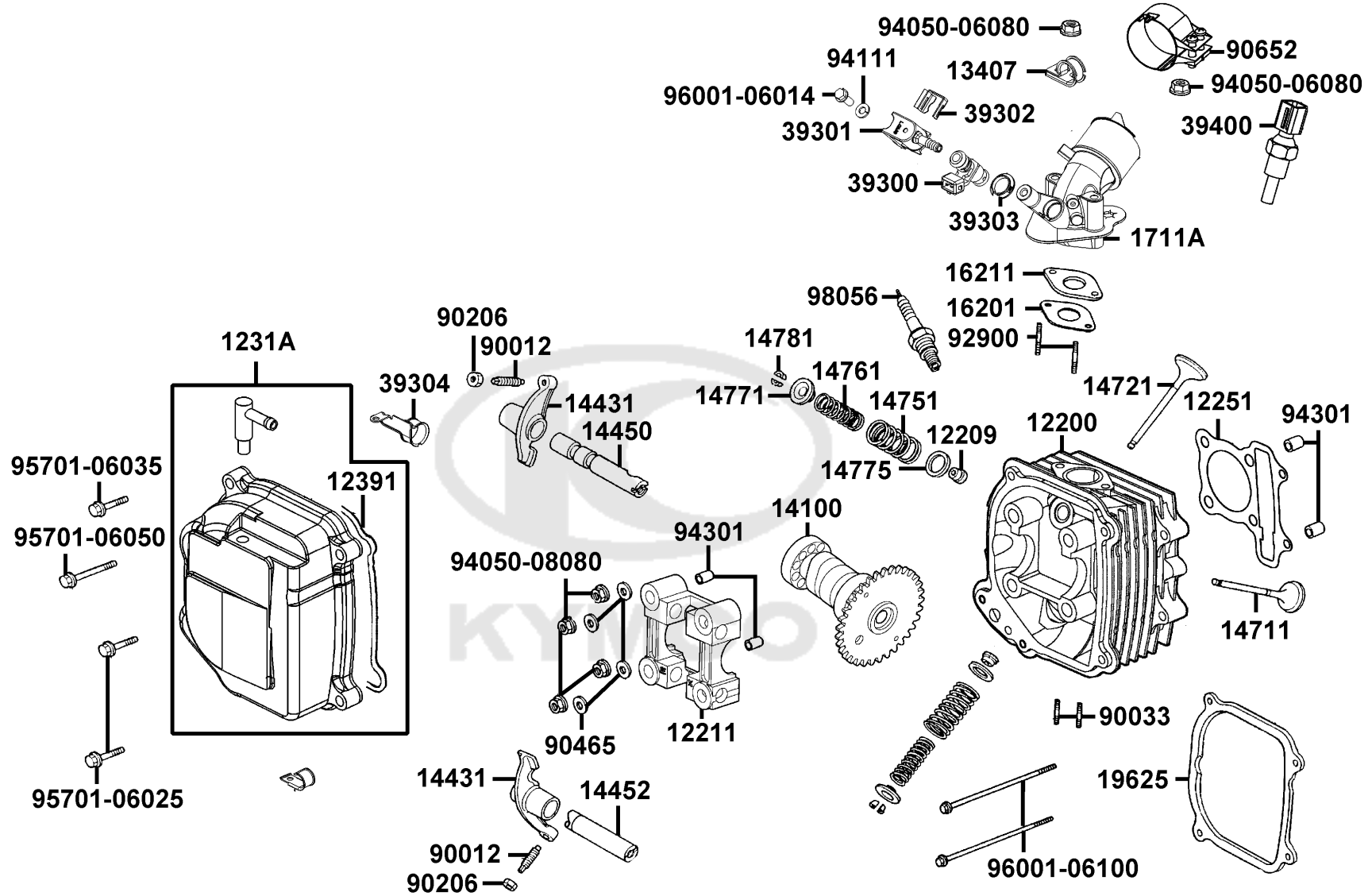
Cylinder Head



Sales mark	Ref no	Part no	Description	Reg description	Regd no	E02
	12200	12200-KKE3-900	HEAD COMP CYLINDER	HEAD COMP CYLINDER	1	
	12209	12209-GDB4-68A	SEAL VALVE STEM	SEAL VALVE STEM	2	
	12211	12211-KUDU-W10	HOLDER CAM SHAFT	HOLDER CAM SHAFT	1	
	12251	12251-GFY6-C00	GASKET CYLINDER HEAD	GASKET CYLINDER HEAD	1	
	1231A	1231A-ALL1-C00	HEAD COVER	HEAD COVER	1	
	12391	12391-GFY6-C00	GASKET CYLINDER HEAD COVER	GASKET HEAD COVER	1	
	13407	13407-LKC6-C00	PLATE A ECU MODULE	PLATE A ECU MODULE	1	
	14100	14100-LGS6-E10	SHAFT COMP CAM	SHAFT COMP CAM	1	
	14431	14431-KUDU-W10	ARM VALVE ROCKER	ARM VALVE ROCKER	2	
	14450	14450-GFY6-W10	SHAFT COMP IN ROCKER ARM	SHAFT COMP IN ROCKER ARM	1	
	14452	14452-GFY6-W10	SHAFT EXH ROCKER ARM	SHAFT EXH ROCKER ARM	1	
	14711	14711-KUDU-C00	VALVE INLET	VALVE INLET	1	
	14721	14721-KUDU-C00	VALVE EXHAUST	VALVE EXHAUST	1	
	14751	14751-LFD7-C00	SPG VALVE OUTER	SPRING VALVE OUTER	2	
	14761	14761-KKJ9-C00	SPG VALVE INNER	SPG VALVE INNER	2	
	14771	14771-GDB4-C00	RETAINER VALVE SPRING	RETAINER VALVE SPRING	2	
	14775	14775-MFA6-C00	SEAT VALVE SPG OUTER	SEAT VALVE SPG OUTER	2	
	14781	14781-MFA6-C00	COTTER VALVE	COTTER VALVE	4	
#	16201	16201-LAB4-E90	GASKET CARB INSULATOR @A	GASKET CARB INSULATOR	1	
	16211	16211-LAB4-C00	INSULATOR CARB	INSULATOR CARB	1	

E02

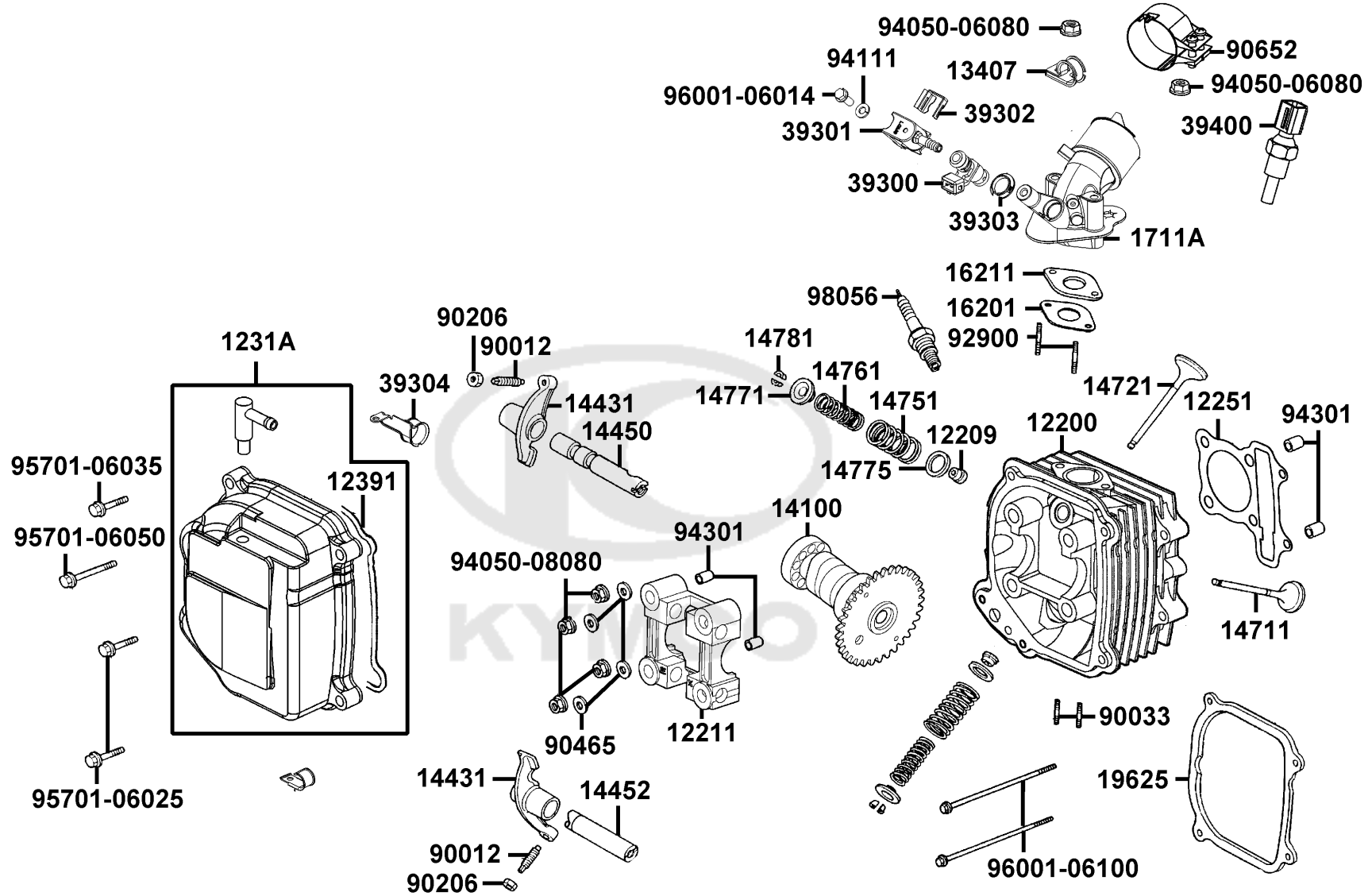
Cylinder Head



Sales mark	Ref no	Part no	Description	Reg description	Regd no	E02
	1711A	1711A-LGL3-C10	PIPE ASSY INLET	FUEL INJECTOR AND INLET PIPE ASSY	1	
	19625	19625-KUDU-C00	SEAL SHROUD	SEAL SHROUD	1	
	39300	39300-LEA6-800	FUEL INJECTOR	FUEL INJECTOR	1	
	39301	39301-LGM9-900	HOLDER ASSY. FUEL INJECTOR	HOLDER ASSY. FUEL INJECTOR	1	
	39302	39302-KKE3-C00	CLIP SPRING FUEL INJECTOR	CLIP SPRING FUEL INJECTOR	1	
	39303	39303-LEB2-C00	SEAL,HIGH TENSION FUEL INJECT	SEAL,HIGH TENSION FUEL INJECT	1	
	39304	39304-ALD9-E10	CLAMPER FUEL TUBE	CLAMPER FUEL TUBE	1	
	39400	39400-LHJ3-900	SENSOR. HEAD TEMPERATURE	SENSOR. HEAD TEMPERATURE	1	
	90012	90012-3C33-C00	SCREW TAPPET ADJUSTING	SCREW TAPPET ADJUSTING	2	
	90033	90033-GFY6-C00	BOLT STUD 8*32	BOLT 8*32	2	
	90206	90206-0A01-C00	NUT TAPPET ADJG	NUT TAPPET ADJG	2	
	90465	90465-MDC4-C00	WASHER 8MM	WASHER 8MM	4	
	90652	90652-LGJ9-900	BAND 48. INLET-PIPE	BAND 48 INLET-PIPE	1	
	92900	92900-06060-0B	BOLT STUD 6*60	BOLT STUD 6*60	2	
	94050-06080	94050-06080	NUT FLANGE 6MM	NUT FLANGE 6MM	2	
	94050-08080	94050-08080	NUT FLANGE 8MM	NUT FLANGE 8MM	4	
	94111	94111-06800	WASHER SPRING 6MM	WASHER SPRING 6MM	1	
	94301	94301-10160	DOWEL PIN 10*16	DOWEL PIN 10*16	4	
	95701-06025	95701-06025-08	BOLT FLANGE 6*25	BOLT FLANGE 6*25	2	
	95701-06035	95701-06035-08	BOLT FLANGE 6*35 (C)	BOLT FLANGE 6*35	1	

E02

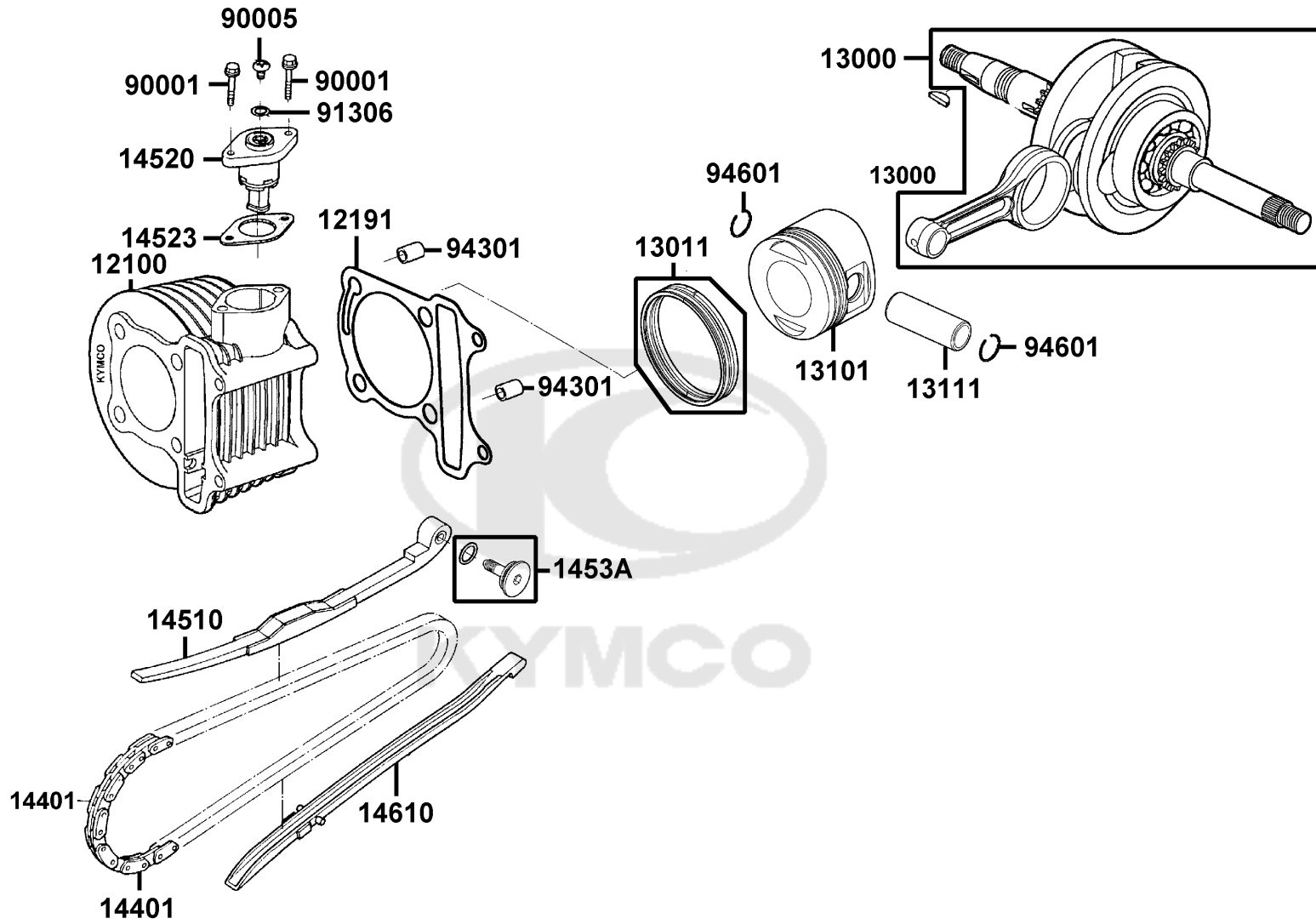
Cylinder Head



Sales mark	Ref no	Part no	Description	Reg description	Regd no	E02
------------	--------	---------	-------------	-----------------	---------	------------

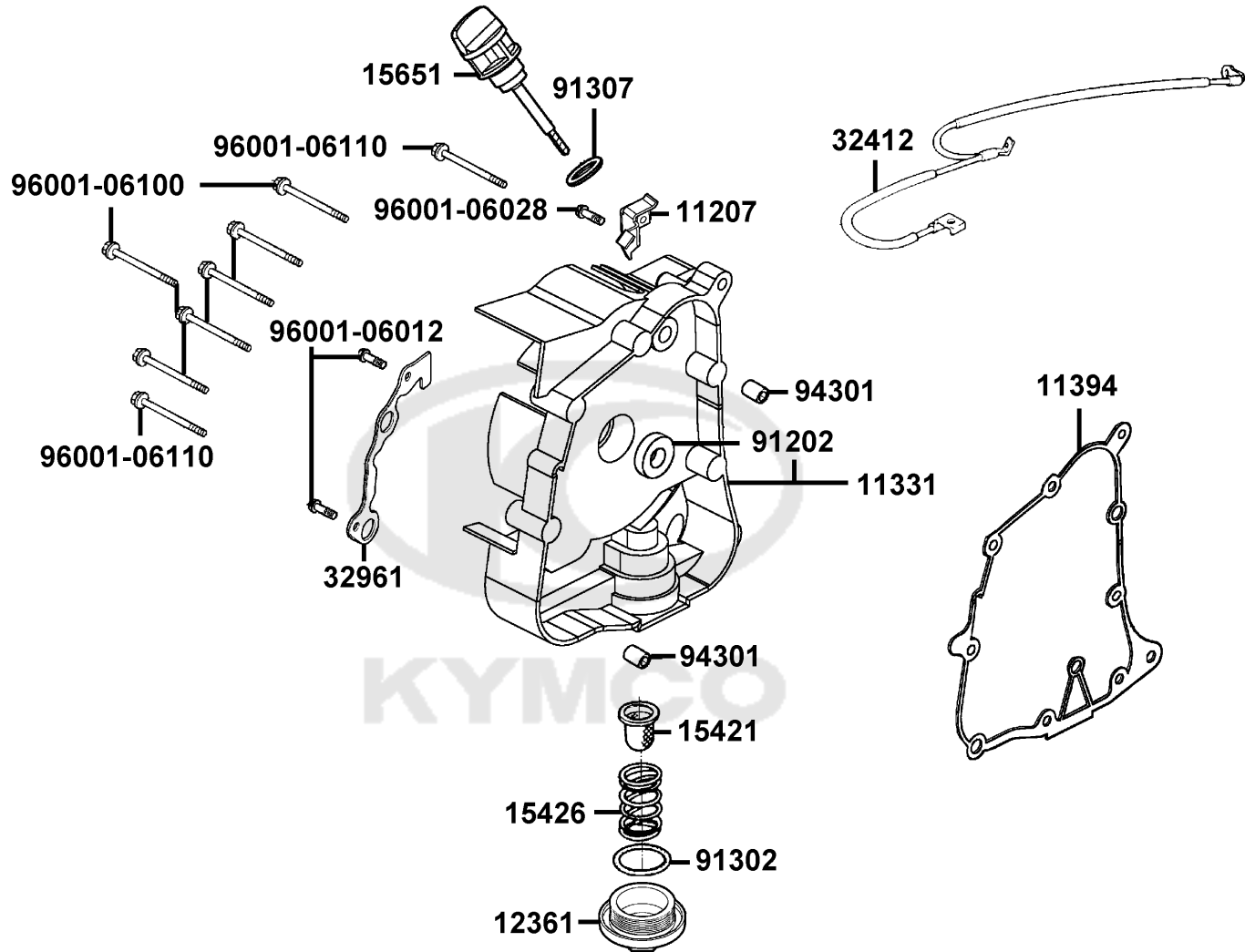
	95701-06050	95701-06050-08	BOLT FLANGE 6X50	BOLT FLANGE 6*50 (C)	1	
	96001-06014	96001-06014-08	BOLT FLANGE 6*14	BOLT FLANGE 6*14	1	
	96001-06100	96001-06100-08	BOLT FLANGE SH 6*100 (C)	BOLT FLANGE SH 6*100	2	
	98056	98056-5771R-00	SPARK PLUG (CR7HSA)	SPARK PLUG (CR7HSA)	1	





Sales mark	Ref no	Part no	Description	Reg description	Regd no	E03
	12100	12100-GFY6-C00	CYLINDER COMP	CYLINDER COMP	1	
#	12191	12191-GFY6-E90	GASKET CRANK CASE @ A	GASKET CRANK CASE @ A	1	
	13000	13000-KUDU-C00	CRANK SHAFT COMP	CRANK SHAFT COMP	1	
	13011	13011-GFY6-C00	RING ASSY PISTON	RING ASSY PISTON	1	
	13101	13101-KUDU-C00	PISTON	PISTON A	1	
	13111	13111-3D84-C00	PIN,PISTON	PIN PISTON	1	
	14401	14401-KUDU-C00	CHAIN CAM	CHAIN CAM	1	
#	14510	14510-KUDU-C0B	TENSIONER CAM CHAIN	TENSIONER CAM CHAIN	1	
	14520	14520-GFY6-C00	LIFTER ASSY TENSIONER	LIFTER ASSY TENSIONER	1	
#	14523	14523-GFY6-E90	GASKET TENSIONER LIFTER @A	GASKET TENSIONER LIFTER@A	1	
	1453A	1453A-GFY6-W10	PIVOT CAM CHAIN TENSIONER	PIVOT CAM CHAIN TENSIONER	1	
#	14610	14610-KUDU-C0B	GUIDE COMP CAM CHAIN	GUIDE COMP CAM CHAIN	1	
#	90001	90001-GBHB-C05	BOLT FLANGE SHF 6*22 (B)	BOLT FLANGE SHF 6*22 (B)	2	
	90005	90005-KAW1-C11	SCREW PAN 6*6	SCREW PAN 6*6	1	
	91306	91306-1E05-C00	O-RING 1.5*9.5	O-RING 1.5*9.5	1	
	94301	94301-10160	DOWEL PIN 10*16	DOWEL PIN 10*16	2	
	94601	94601-15000	CLIP PISTON PIN 15MM	CLIP PISTON PIN 15MM	2	

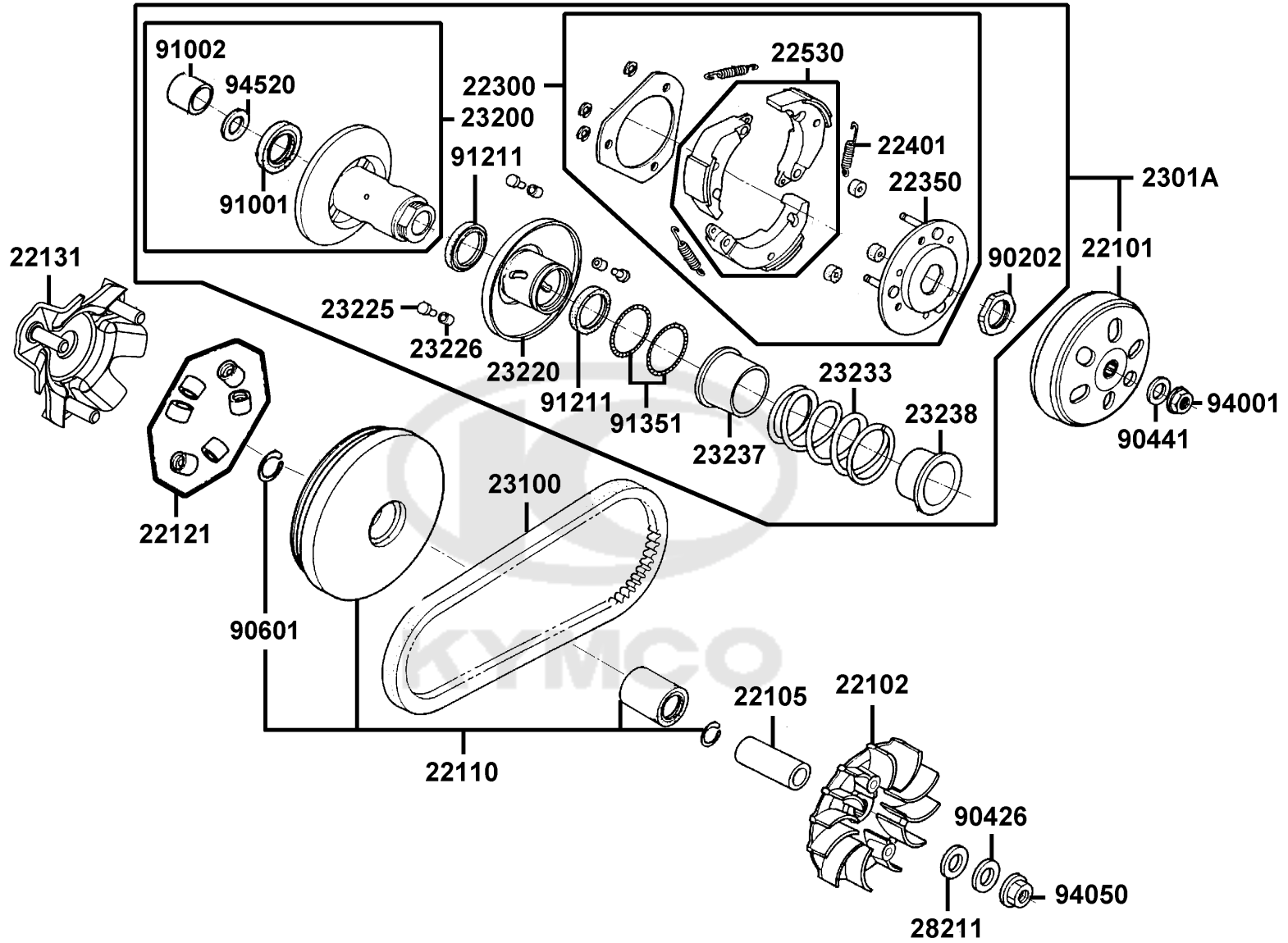
Right Crankcase Cover



Sales mark	Ref no	Part no	Description	Reg description	Regd no	E04
	11207	11207-KKE3-C00	STAY B RR FENDER	STAY B RR FENDER	1	
	11331	11331-ALD9-E10	COVER R CRANK CASE	COVER R CRANK CASE	1	
#	11394	11394-KUDU-E90	GASKET.R COVER	GASKET R COVER	1	
	12361	12361-GFY6-C00	HOLE CAP TAPPET ADJUSTING	HOLE CAP TAPPET ADJUSTING	1	
#	15421	15421-1G07-C00	SCREEN OIL FILTER	SCREEN OIL FILTER	1	
	15426	15426-GAE1-C00	SPG OIL FILTER SCREEN	SPG OIL FILTER SCREEN	1	
	15651	15651-KUDU-W10	GUAGE OIL LEVEL	GUAGE OIL LEVEL	1	
	32412	32412-ALD9-E10	CABLE EARTH	CABLE EARTH	1	
	32961	32961-KUDU-C00	CLAMPER ACG CORD	CLAMPER ACG CORD	1	
#	91202	91202-GFY6-90C	OIL SEAL 19.8*30*5	OIL SEAL 19.8*30*5	1	
	91302	91302-0A01-C00	O-RING 30.8MM	O-RING 30.8MM	1	
	91307	91307-0E35-W10	O-RING 18*3	O-RING 18*3	1	
	94301	94301-10160	DOWEL PIN 10*16	DOWEL PIN 10*16	2	
	96001-06012	96001-06012-08G	BOLT FLANGE SH 6X12 (C)	BOLT FLANGE SH 6X12 (C)	2	
	96001-06028	96001-06028-08	BOLT FLANGE SH 6*28	BOLT FLANGE SH 6*28	1	
	96001-06100	96001-06100-08	BOLT FLANGE SH 6*100 (C)	BOLT FLANGE SH 6*100	6	
	96001-06110	96001-06110-08	BOLT FLANGE SH 6*110	BOLT FLANGE SH 6*110	2	

E05

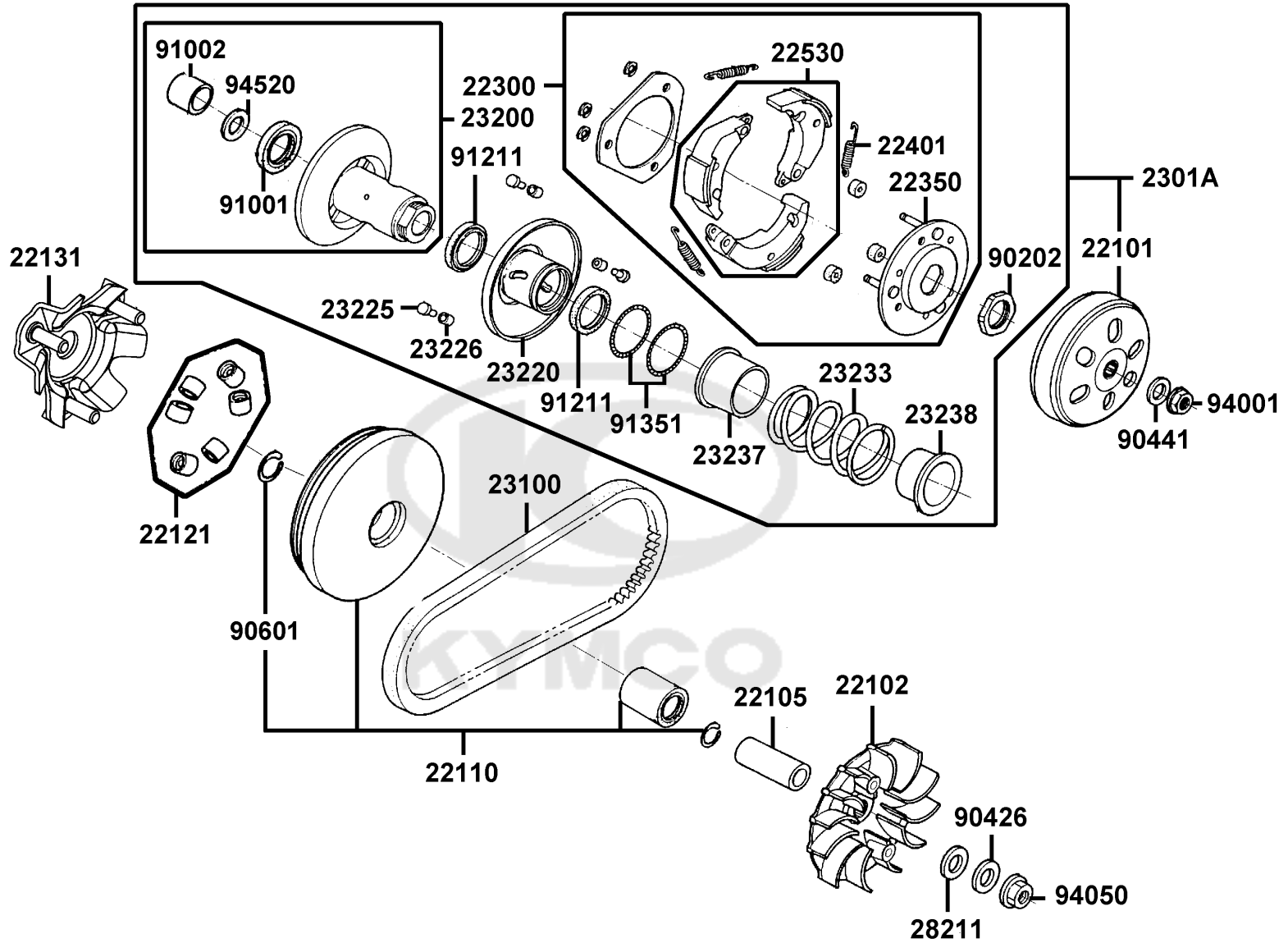
Driven Pulley



Sales mark	Ref no	Part no	Description	Reg description	Regd no	E05
	22101	22101-LCD3-C00	OUTER CLUTCH	OUTER CLUTCH	1	
	22102	22102-KUDU-E80	FACE DRIVE	FACE DRIVE	1	
	22105	22105-GFY6-C10	BOSS DRIVE FACE	BOSS DRIVE FACE	1	
	22110	22110-KUDU-E80	FACE MOVABLE DRIVE	FACE COMP MOVABLE DRIVE	1	
#	22121	22121-KKD7-315	ROLLER SET WEIGHT (1SET:6PCS)	ROLLER COMP WEIGHT	1	
	22131	22131-GFY6-C00	PLATE RAMP	PLATE RAMP	1	
	22300	22300-KEC6-C00	PLATE ASSY DRIVE	PLATE ASSY DRIVE	1	
	22350	22350-GFY6-C00	PLATE COMP DRIVE	PLATE COMP DRIVE	1	
#	22401	22401-GFY6-C0A	SPRING CLUTCH	SPRING CLUTCH	1	
	22530	22530-GFY6-C00	WEIGHT CLUTCH	WEIGHT CLUTCH	1	
	2301A	2301A-KEC6-C00	PULLEY SUB ASSY	PULLEY ASSY DRIVEN	1	
#	23100	23100-KEC4-C0E	BELT DRIVE	BELT DRIVE	1	
	23200	23200-GFY6-C00	FACE ASSY DRIVEN	FACE ASSY DRIVEN	1	
	23220	23220-KFBF-C00	FACE COMP MOVABLE DRIVEN	FACE MOVABLE DRIVEN	1	
	23225	23225-GHC8-C00	PIN ROLLER GUIDE	PIN ROLLER GUIDE	1	
	23226	23226-GHC8-C00	ROLLER GUIDE	"ROLLER,GUIDE"	1	
	23233	23233-GCW3-C00	SPG DRIVEN FACE	SPG DRIVEN FACE	1	
	23237	23237-GFY6-C00	COLLAR SEAL	COLLAR SEAL	1	
	23238	23238-GFY6-C00	COLLAR SPG	COLLAR SPG	1	
	28211	28211-LGK2-C00	WASHER 15.2x24x5	WASHER 15.2x24x5	1	

E05

Driven Pulley

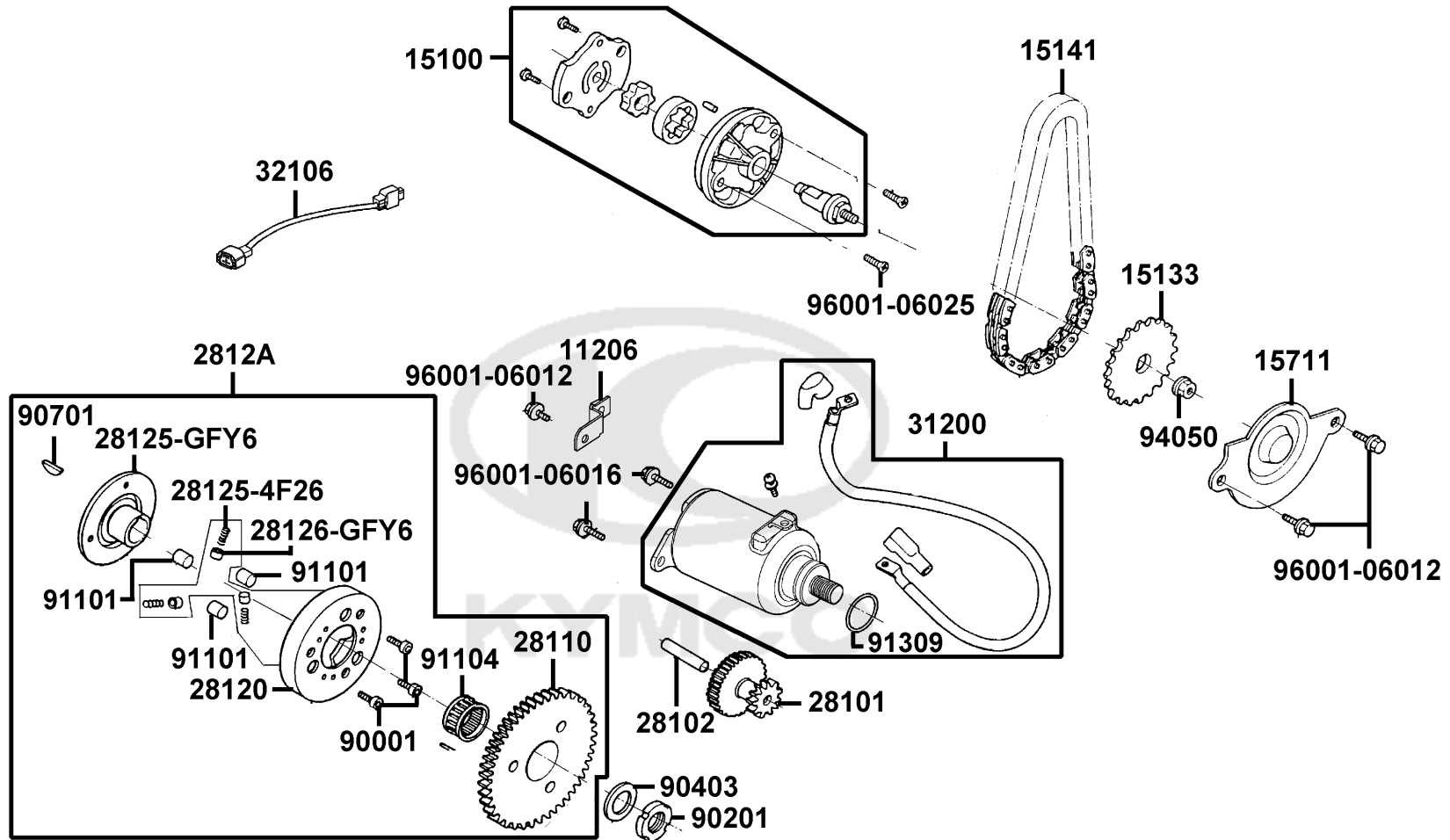


Sales mark	Ref no	Part no	Description	Reg description	Regd no	E05
	90202	90202-1G87-C00	NUT SPECIAL 28MM	NUT SPECIAL 28MM	1	
#	90426	90426-KNBN-C01	WASHER SPECIAL 12MM	WASHER SPECIAL 12MM	1	
	90441	90441-GFY6-C00	WASHER 12.2*29*2.5	WASHER 12.2*29*2.5	1	
	90601	90601-GFY6-901	CLIP 28MM	CLIP 28MM	2	
	91001	91001-GFY6-C00	BRG CON-ROD 20*29*18	BRG CON-ROD 20*29*18	1	
	91002	91002-GGA7-C00	BRG BALL RADIAL 6902U	BRG BALL RADIAL 6902U	1	
	91211	91211-KEBE-C00	SEAL DRIVEN FACE 34*41*4	SEAL DRIVEN FACE 34*41*4	1	
	91351	91351-6B42-C00	O-RING PINION CAP	O-RING PINION CAP	1	
#	94001	94001-12280-0SG	NUT HEX 12MM(C)	NUT HEX 12MM(C)	1	
	94050	94050-12080	NUT FLANGE 12MM	NUT FLANGE 12MM	1	
	94520	94520-28000	CIR CLIP IN 28	CIR CLIP IN 28	1	



E06

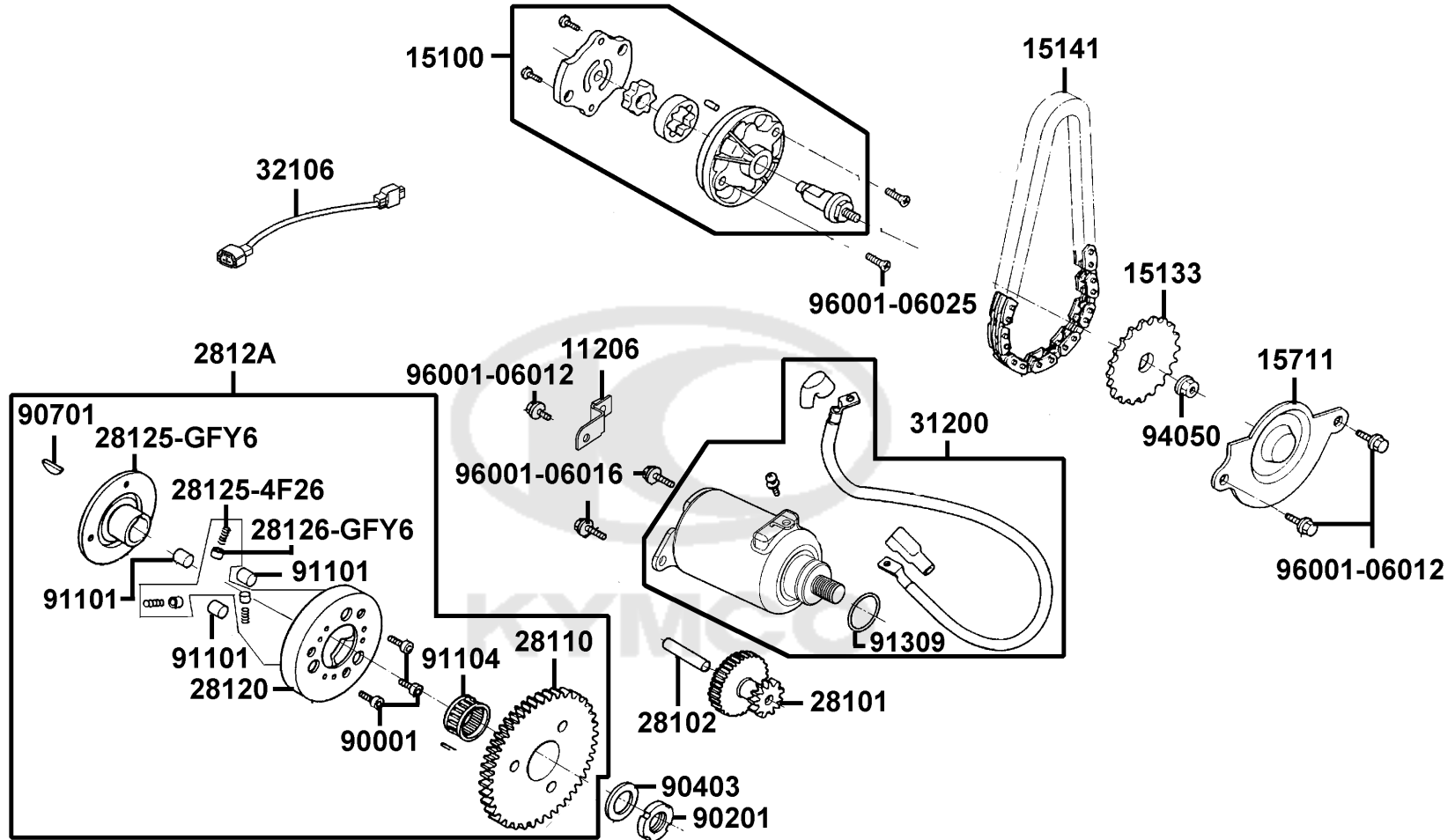
Starting Motor Oil Pump




Sales mark	Ref no	Part no	Description	Reg description	Regd no	E06
	11206	11206-LGR5-E10	"STAY A, RR FENDER"	"STAY A, RR FENDER"	1	
	15100	15100-KUDU-W10	PUMP ASSY OIL	PUMP ASSY OIL	1	
	15133	15133-GFY6-W10	SPROCKET OIL PUMP DRIVE	SPROCKET OIL PUMP DRIVE	1	
	15141	15141-GFY6-C00	CHAIN OIL PUMP	CHAIN OIL PUMP	1	
	15711	15711-KUDU-C00	SEPARATER OIL	SEPARATER OIL	1	
	28101	28101-GFY6-C00	GEAR STARTER REDUCTION	GEAR STARTER REDUCTION	1	
	28102	28102-GFY6-C00	SHAFT STARTER REDUCTION GEAR	SHAFT STARTER REDUCTION GEAR	1	
	28110	28110-GFY6-C10	OUTER ASSY START CLUTCH	OUTER ASSY START CLUTCH	1	
	28120	28120-GFY6-C10	OUTER COMP STARTING CLUTCH	OUTER COMP STARTING CLUTCH	1	
	28125-4F26	28125-4F26-C00	SPRING ROLLER STARTER CLUTCH	SPRING ROLLER STARTER CLUTCH	3	
	28125-GFY6	28125-GFY6-C10	SPRING ROLLER STARTER CLUTCH	SPRING ROLLER STARTER CLUTCH	1	
	28126	28126-GFY6-C10	CAP STARTING ROLLER SPRING	FLANGE STARTING CLUTCH	3	
	2812A	2812A-GFY6-C10	OUTER ASSY START CLUTCH	OUTER ASSY START CLUTCH	1	
	31200	31200-LDF7-E10	MOTOR ASS'Y,START	MOTOR ASS'Y,START	1	
	32106	32106-KKE3-900	SUB HARNESS A	SUB HARNESS A	1	
	90001	90001-GFY6-C00	SOCKET BOLT 6*10	SOCKET BOLT 6*10	3	
	90201	90201-GFY6-901	NUT LOCK 22MM	NUT LOCK 22MM	1	
	90403	90403-KUDU-900	WASHER THRUST 22.2*39*2.5	WASHER THRUST 22.2*39*2.5	1	
#	90701	90701-GFY6-901	CAP STARTING ROLLER SPRING	CAP STARTING ROLLER SPRING	1	
	91101	91101-1K79-C00	ROLLER 10*10	ROLLER 10*10	3	

E06

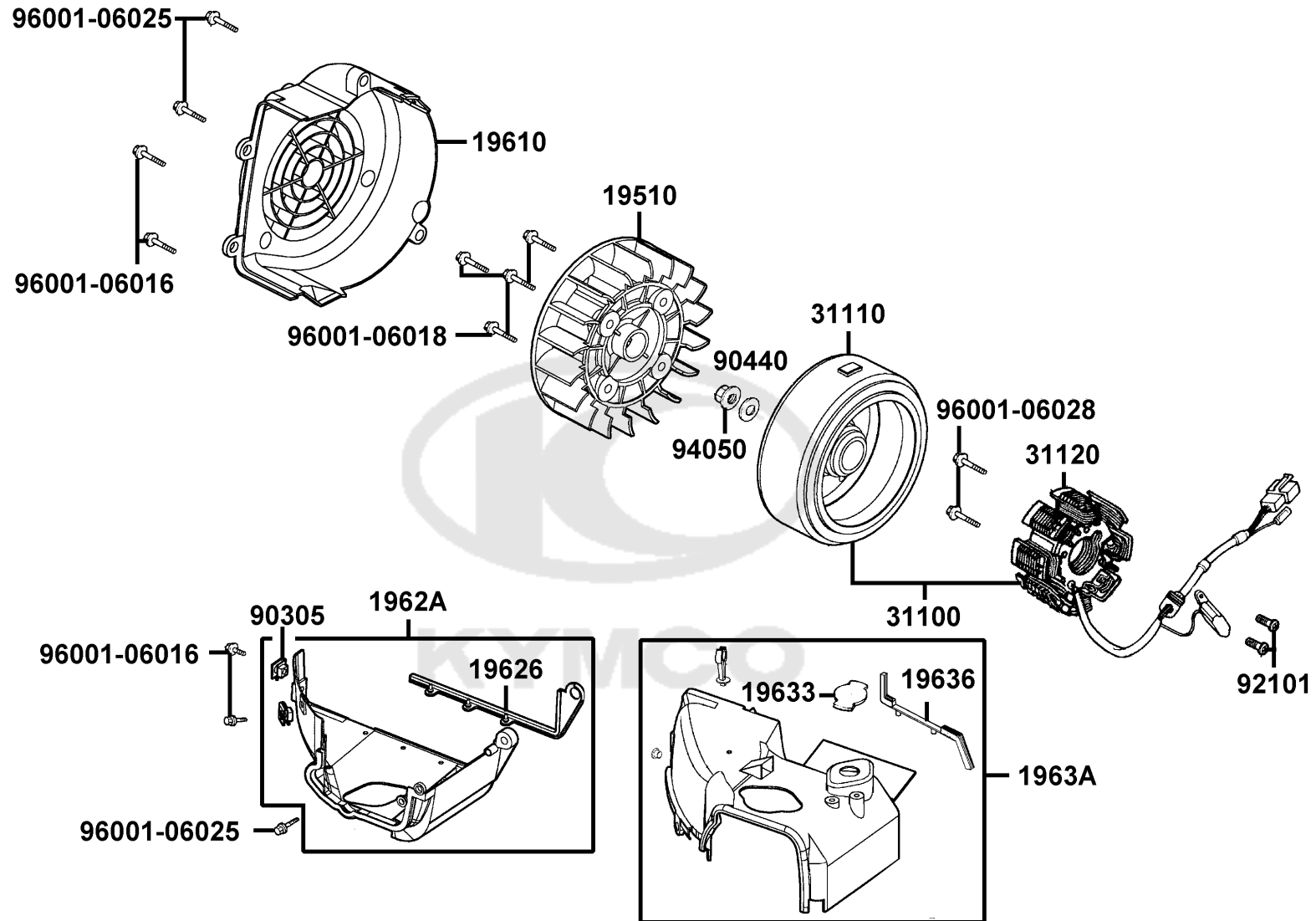
Starting Motor Oil Pump



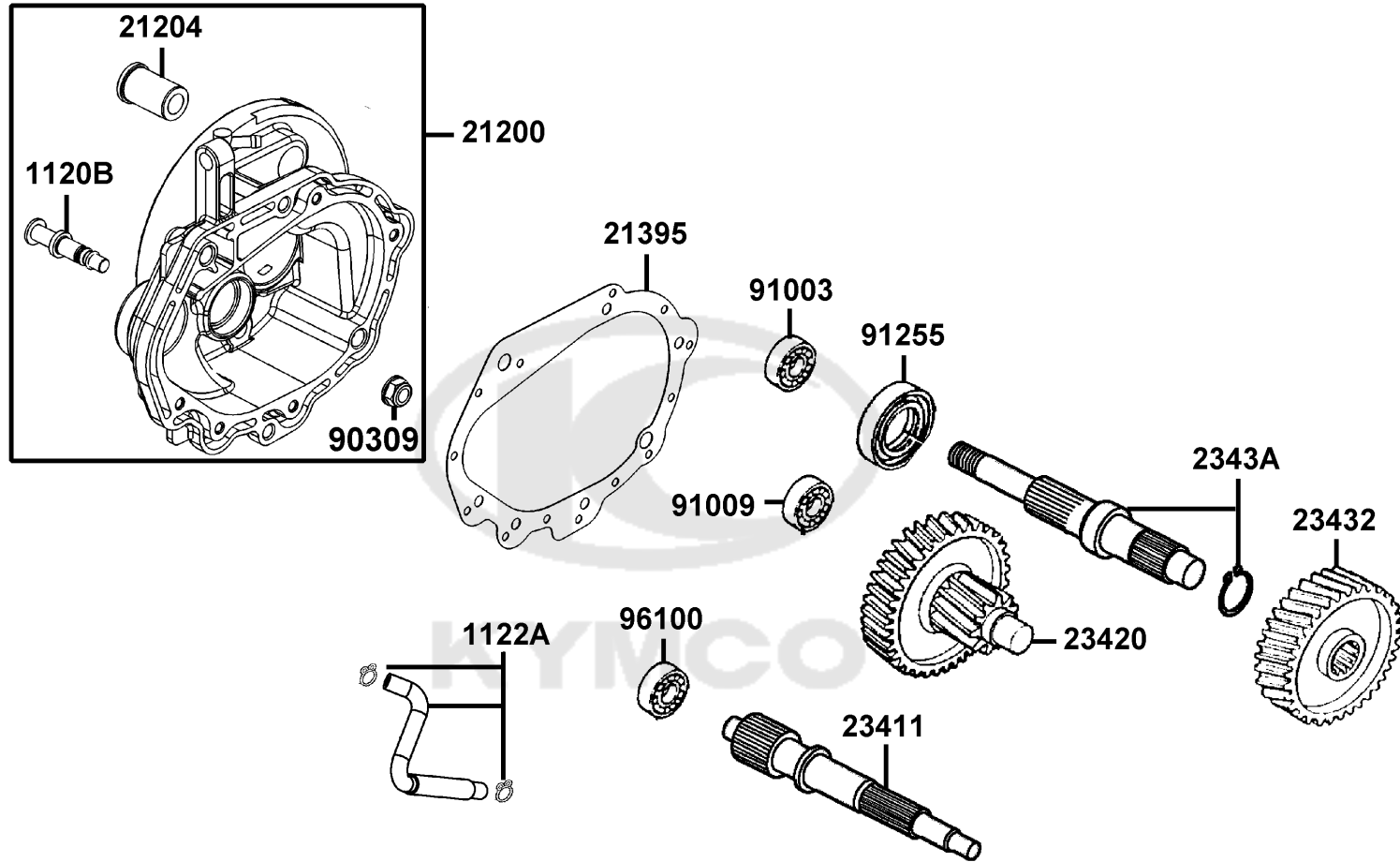
Sales mark	Ref no	Part no	Description	Reg description	Regd no	E06
	91104	91104-GFY6-C00	BRG NEEDLE 28*32*17	BRG NEEDLE 28*32*17	2	
	91309	91309-4E25-004	O-RING 24.4*3.1	O-RING 24.4*3.1	1	
	94050	94050-06080	NUT FLANGE 6MM	NUT FLANGE 6MM	1	
	96001-06012	96001-06012-08G	BOLT FLANGE SH 6X12 (C)	BOLT FLANGE SH 6X12 (C)	2	
	96001-06016	96001-06016-08	BOLT FLANGE SH 6*16	BOLT FLANGE SH 6*16	2	
	96001-06025	96001-06025-08	BOLT FLANGE SH 6*25 (C)	BOLT FLANGE SH 6*25	2	
						

E07

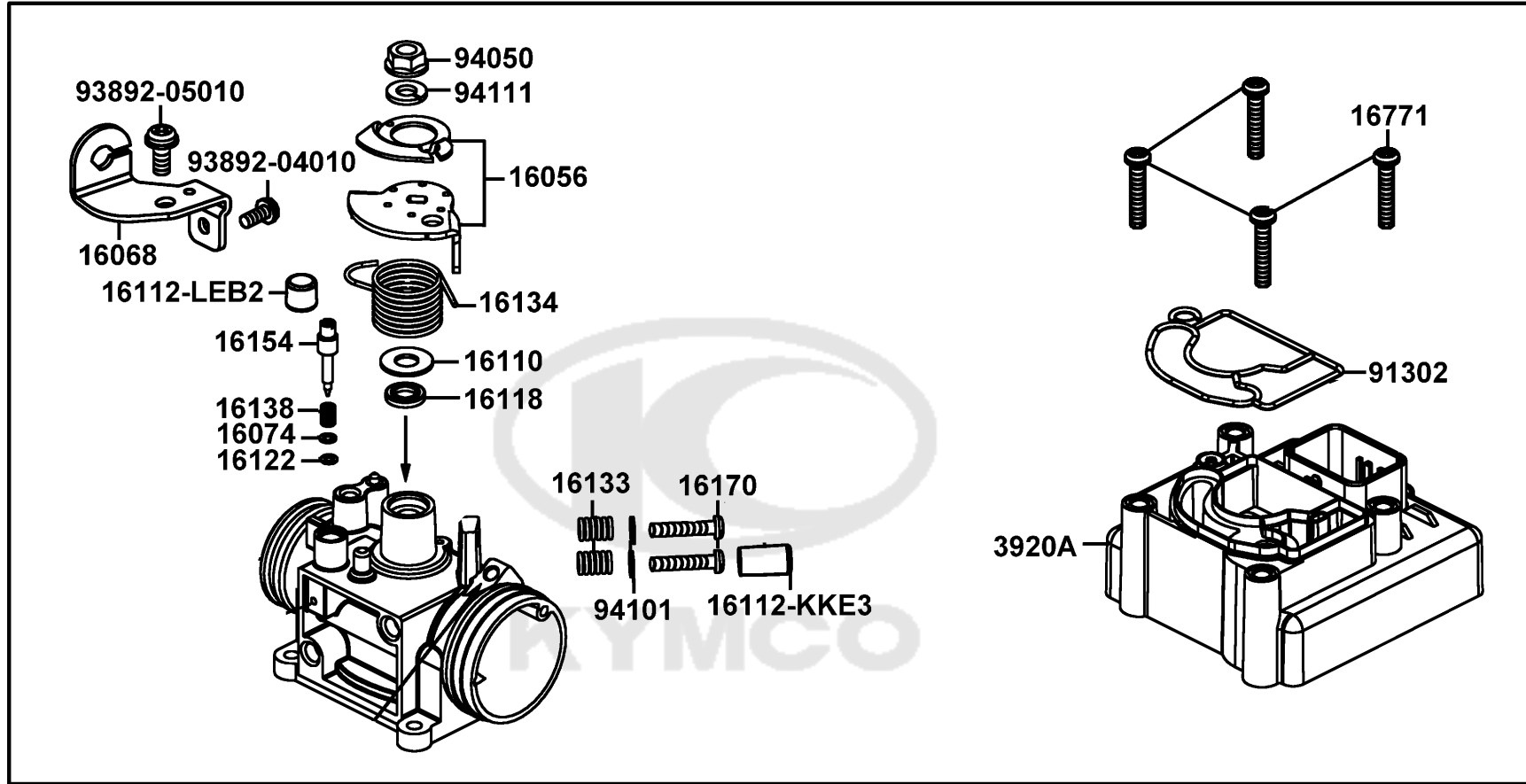
Fan Cover Generator



Sales mark	Ref no	Part no	Description	Reg description	Regd no	E07
	19510	19510-GFY6-C00	FAN COMP COOLING	FAN COMP COOLING	1	
	19610	19610-ALD9-BA0	COVER COMP FAN	COVER ASSY FAN	1	
	19626	19626-KUDU-900	SEAL SHROUD A	SEAL SHROUD A	1	
	1962A	1962A-ALD9-BA0	SHROUD ASSY A	SHROUD ASSY A	1	
#	19633	19633-GFY6-C00	GROMET SHROUD B	GROMET SHROUD B	1	
	19636	19636-KUDU-C10	BOX TENSIONER LIFTER	SEAL SHROUD B	1	
	1963A	1963A-ALD9-E10	SHROUD ASSY B	SHROUD ASSY B	1	
	31100	31100-ALD9-E10	AC GEN ASSY	AC GEN ASSY	1	
	31110	31110-KKE3-C00	FLYWHEEL COMP	FLYWHEEL COMP	1	
	31120	31120-ALD9-E10	STATOR COMP	STATOR COMP	1	
	90305	90305-GHK8-C00	NUT CLIP 6MM	NUT U 16MM(C)	2	
	90440	90440-1F66-C00	WASHER PLAIN 12MM	WASHER PLAIN 12MM	1	
	92101	92101-05012-0H	BOLT HEX 5*12	BOLT HEX 5*12	2	
	94050	94050-12080	NUT FLANGE 12MM	NUT FLANGE 12MM	1	
	96001-06016	96001-06016-08	BOLT FLANGE SH 6*16	BOLT FLANGE SH 6*16	2	
	96001-06018	96001-06018-08	BOLT FLANGE SH 6*18	BOLT FLANGE SH 6*18	4	
	96001-06025	96001-06025-08	BOLT FLANGE SH 6*25 (C)	BOLT FLANGE SH 6*25	3	
	96001-06028	96001-06028-08	BOLT FLANGE SH 6*28	BOLT FLANGE SH 6*28	2	

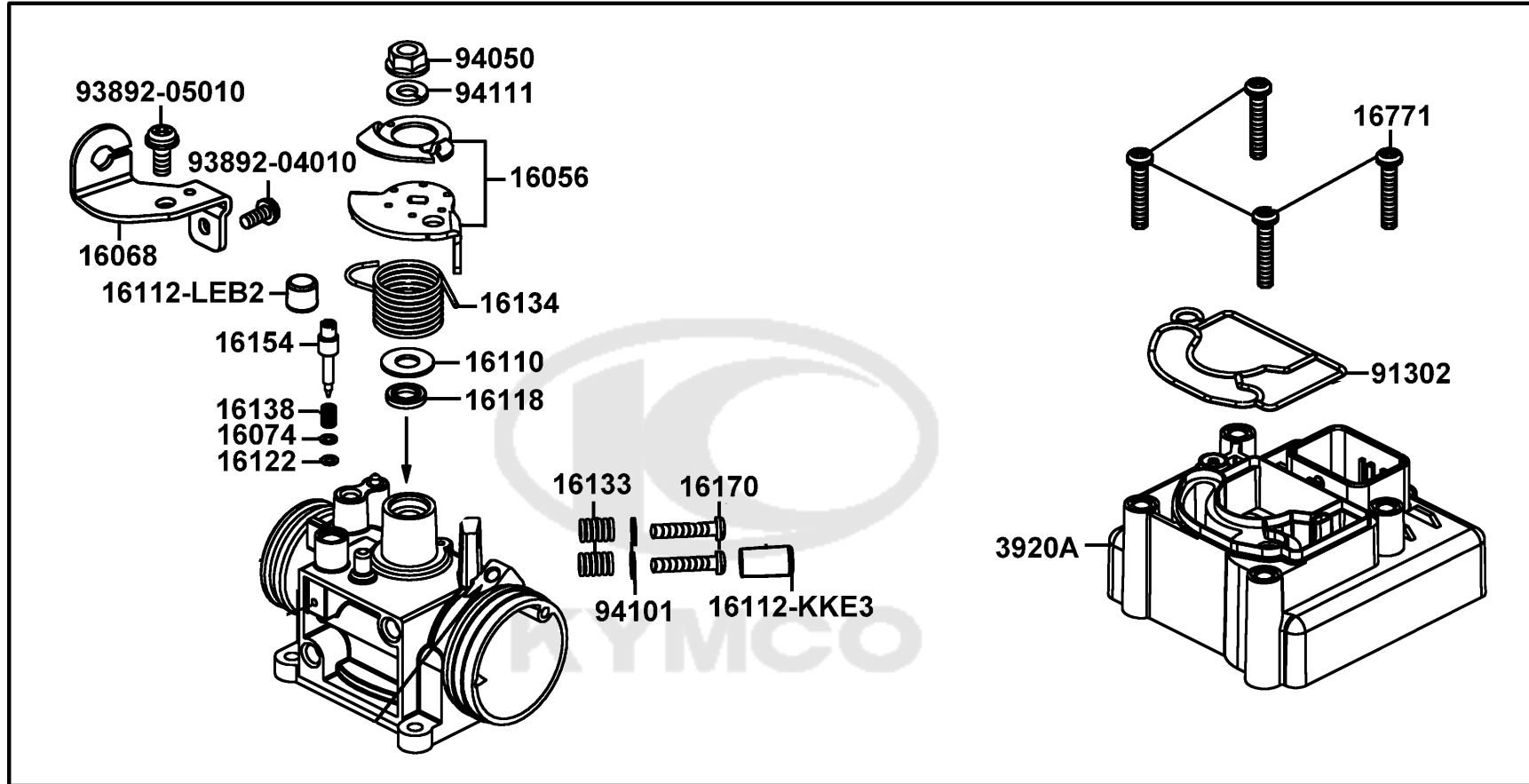


Sales mark	Ref no	Part no	Description	Reg description	Regd no	E08
	1120B	1120B-KUDU-C00	PIN ASSY ANCHOR	PIN ASSY ANCHOR	1	
	1122A	1122A-ALD9-E10	TUBE ASSY	TUBE ASSY	1	
	21200	21200-ALD9-E10	CASE COMP. MISSION	CASE COMP. MISSION	1	
	21204	21204-ALD9-E10	BUSH MISSION	BUSH MISSION	1	
#	21395	21395-ALD9-E90	GASKET,MISSION CASE	GASKET MISSION CASE	1	
	23411	23411-KEC4-C00	SHAFT DRIVE	SHAFT DRIVE	1	
	23420	23420-KEC4-C00	SHAFT COMP COUNTER	SHAFT COMP COUNTER	1	
	23432	23432-KEC4-C00	GEAR FINAL	GEAR FINAL	1	
	2343A	2343A-KKD5-C00	SHAFT FINAL	SHAFT FINAL	1	
	90309	90309-KLF0-C00	NUT FLANGE 8MM	NUT FLANGE 8MM(C)	1	
	91003	91003-KDS4-C00	BRG BALL RADIAL 6301TMB	BRG BALL RADIAL 6301TMB	1	
	91009	91009-GLE0-C00	BRG BALL RADIAL 6004 UU	BRG BALL RADIAL 6004 UU	1	
	91255	91255-LDC8-E10	OIL SEAL 27*42*7(C?)	OIL SEAL 27*42*7(C?)	1	
	96100	96100-60020-00	BRG BALL RADIAL 6002	BRG BALL RADIAL 6002	1	



16100

Sales mark	Ref no	Part no	Description	Reg description	Regd no	E09
	16056	16056-LEB2-C00	LEVER ASSY..THROTTLE	LEVER ASSY..THROTTLE	1	
	16068	16068-LEB2-C00	PLATE WIRE FIXED	PLATE WIRE FIXED	1	
	16074	16074-KEC3-C00	WASHER IDLE ADJUST SCREW	WASHER IDLE ADJUST SCREW	1	
	16100	16100-ALD9-E10	THROTTLE BODY ASSY	THROTTLE BODY ASSY	1	
	16110	16110-KEC3-900	WASHER THROTTLE ASSY	WASHER THROTTLE COMP	1	
	16112-KKE3	16112-KKE3-C00	COVER IDLE SCREW	COVER IDLE SCREW	1	
	16112-LEB2	16112-LEB2-C00	COVER IDLE BYPASS	COVER IDLE BYPASS	1	
	16118	16118-KEC3-C00	SEAL THROTTLE SHAFT	SEAL THROTTLE SHAFT	1	
	16122	16122-KEC3-C00	O-RING IDLE SCREW	O-RING IDLE SCREW	1	
	16133	16133-KEC3-C00	SPG THROTTLE ADJ SCREW	SPG THROTTLE ADJ SCREW	2	
	16134	16134-KKE3-C00	SPRING THROTTLE SHAFT	SPRING THROTTLE SHAFT	1	
	16138	16138-KGC5-C00	SPRING IDLE ADJUST SCREW	SPRING IDLE ADJUST SCREW	1	
	16154	16154-KKE3-C00	SCREW IDLE ADJUST	SCREW IDLE ADJUST	1	
	16170	16170-KEC3-C00	SCREW THROTTLE ADJUST	SCREW THROTTLE ADJUST	2	
#	16771	16771-GKAK-220	SCREW-WASHER M4x30	SCREW-WASHER M4*30	1	
	3920A	3920A-ALD9-E10	MODULE ASS.Y. ECU	MODULE ASS.Y. ECU	1	
	91302	91302-LEB2-C00	SEAL THROTTLE-ECU	SEAL THROTTLE-ECU	1	
	93892-04010	93892-04010-08	SCREW WASHER 4*10	SCREW WASHER 4*10	1	
	93892-05010	93892-05010-08	SCREW WASHER 5X10	SCREW WASHER 5X10	1	
	94050	94050-06080	NUT FLANGE 6MM	NUT FLANGE 6MM	1	



16100

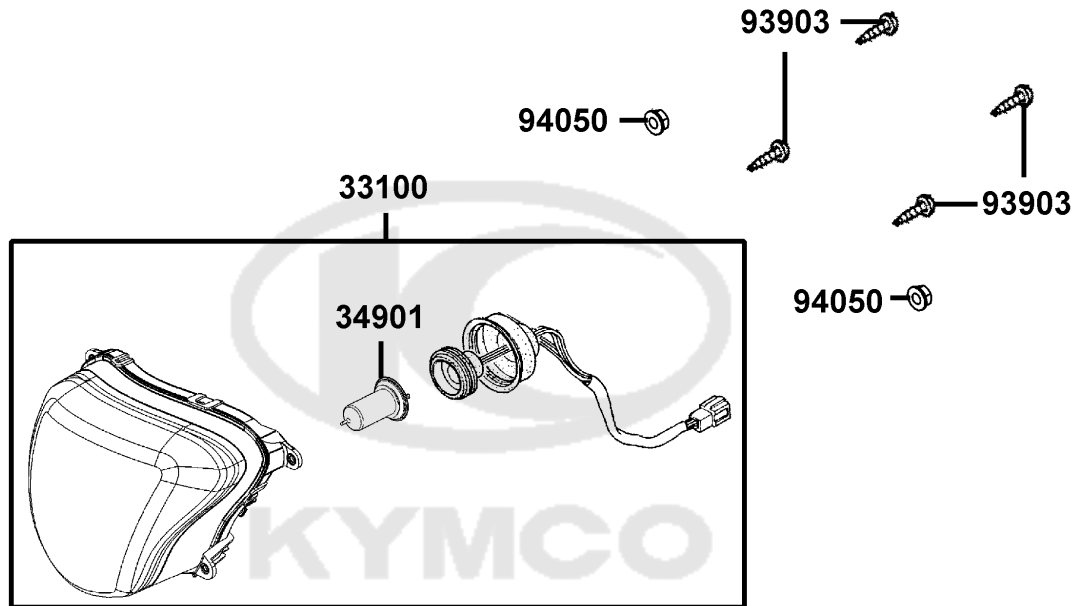
Sales mark	Ref no	Part no	Description	Reg description	Regd no	E09
------------	--------	---------	-------------	-----------------	---------	------------

94101		94101-KKE3-C00	WASHER SPG 4MM	WASHER SPG 4MM	2	
94111		94111-06800	WASHER SPRING 6MM	WASHER SPRING 6MM	1	



F01

Head Light



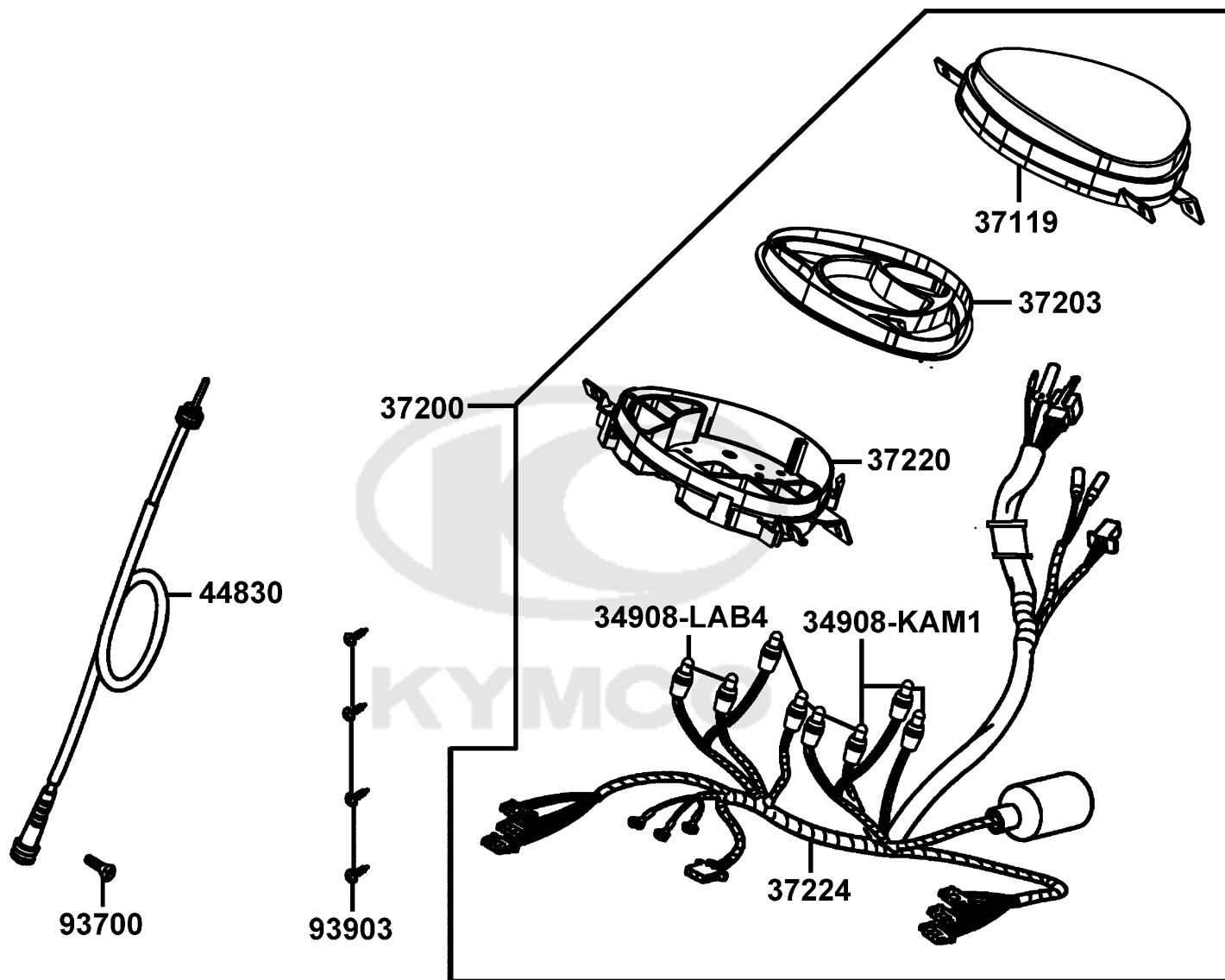
Sales mark	Ref no	Part no	Description	Reg description	Regd no	F01
------------	--------	---------	-------------	-----------------	---------	------------

33100		33100-ALD9-BA0	LIGHT ASSY HEAD	LIGHT ASSY HEAD	1	
34901		34901-ALD9-BA0	BULB HEAD LIGHT(12V/35/35W HSI)	BULB HEAD LIGHT(12V/35/35W) HSI	1	
93903		93903-35320	SCREW TAPPING 5*16	SCREW TAPPING 5*16	4	
94050		94050-05080	NUT FLANGE 5MM	NUT FLANGE 5MM	2	

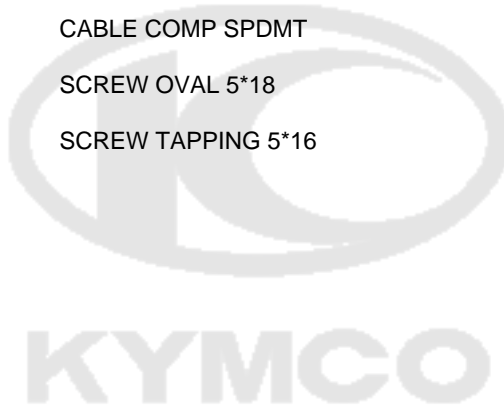


F02

Speedometer

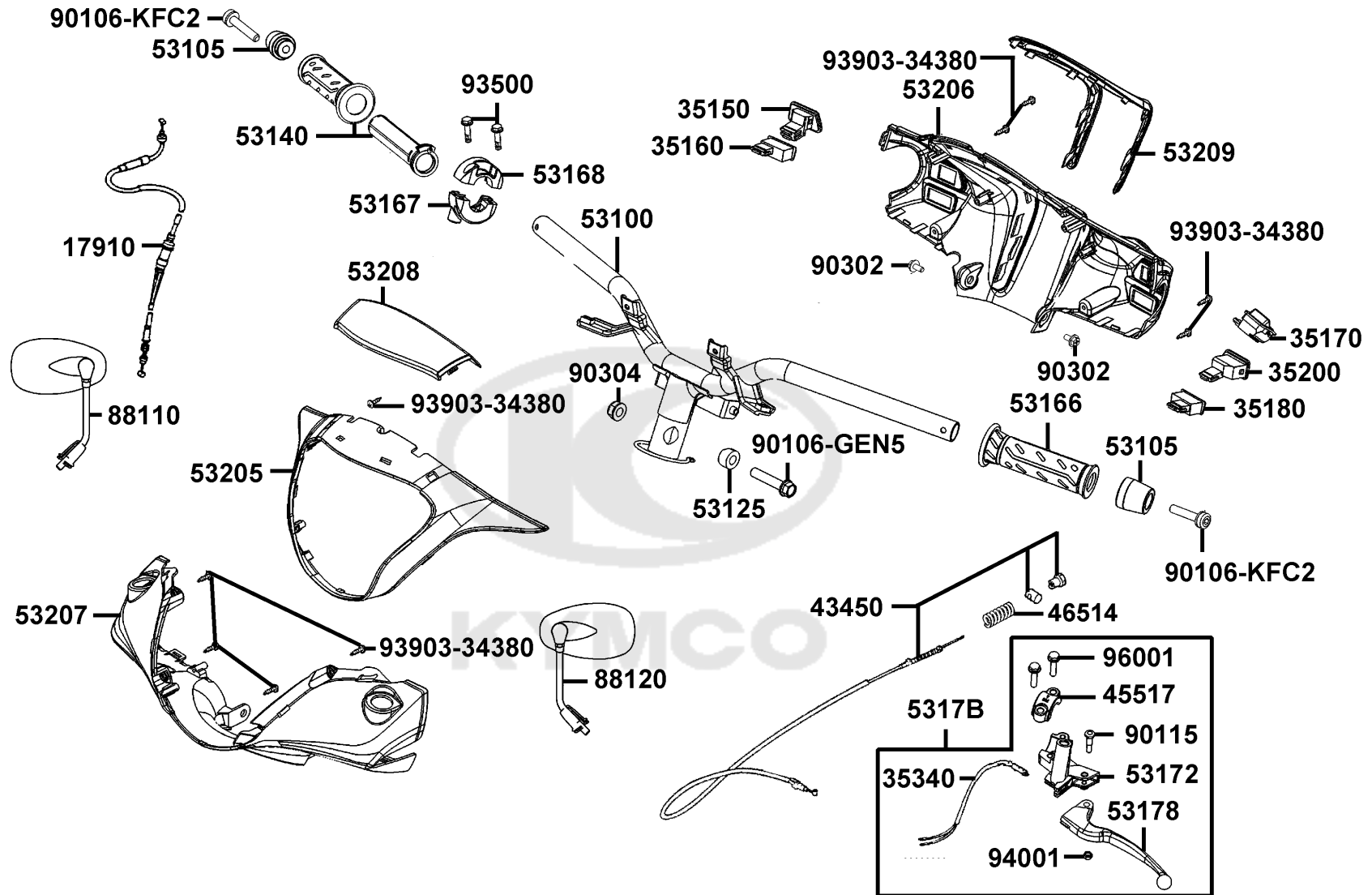


Sales mark	Ref no	Part no	Description	Reg description	Regd no	F02
	34908-KAM1	34908-KAM1-BA0	BLUB WEDGE BASE	BLUB WEDGE BASE	6	
	34908-LAB4	34908-LAB4-BA0	BULB WEDGE BASE	BULB WEDGE BASE	2	
	37119	37119-ALD9-BA0	LENS , PMMA, TRANSPARENT	LENS METER	1	
	37200	37200-ALD9-E10	METER ASSY SPEED	METER ASSY SPEED	1	
	37203	37203-ALD9-BA0	PLATE COSMETIC	PLATE COSMETIC	1	
	37220	37220-ALD9-BA0	"CASE, PP, WHITE"	CASE METER	1	
	37224	37224-ALD9-E10	METER CORD COMP	METER CORD COMP	1	
	44830	44830-ALD9-E10	CABLE COMP SPDMT	CABLE COMP SPDMT	1	
	93700	93700-05018-0H	SCREW OVAL 5*18	SCREW OVAL 5*18	1	
	93903	93903-35360	SCREW TAPPING 5*16	SCREW TAPPING 5*16	4	



F03

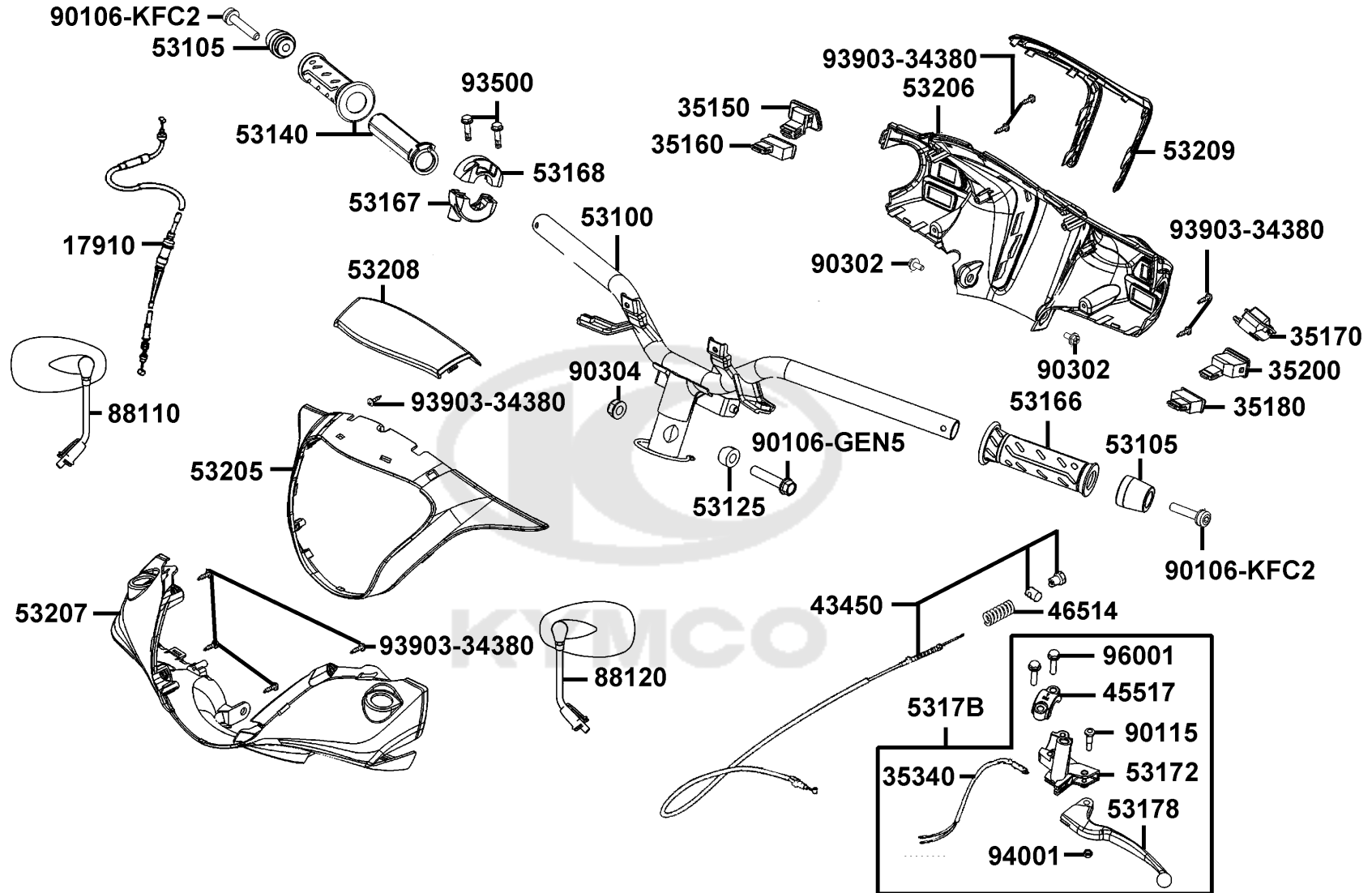
Handle Steering Handle Cover



Sales mark	Ref no	Part no	Description	Reg description	Regd no	F03
	17910	17910-ALD9-E10	CABLE COMP.THROT	CABLE COMP.THROT	1	
	35150	35150-GFY6-C00	SW. ASSY. RH HNDL. COMP.	SW. ASSY. RH HNDL. COMP.	1	
	35160	35160-GFY6-C00	SW UNIT START	SW UNIT START	1	
	35170	35170-ALD9-E10	SW UNIT DIMMER PASSING	SW UNIT DIMMER PASSING	1	
	35180	35180-GFY6-C00	SW UNIT HORN	SW UNIT HORN	1	
	35200	35200-GFY6-C00	SW. ASSY. LH HNDL COMP.	SW. ASSY. LH HNDL COMP.	1	
	35340	35340-KFLF-C00	SW ASSY FR STOP	SW ASSY FR STOP	1	
	43450	43450-ALD9-E10	CABLE COMP RR BRAKE	CABLE COMP RR BRAKE	1	
	45517	45517-GFY6-900	HOLDER HNDL BRKT	HOLDER HNDL BRKT	1	
	46514	46514-ALK3-E10	SPG,BRK ARM	SPG,BRK ARM	1	
	53100	53100-ALD9-E10	HANDLE COMP.	HANDLE COMP.	1	
**	53105	53105-LGR5-E10	END R HANDLE	END R HANDLE	2	
	53125	53125-GEN5-C00	COLLAR HANDLE SET	COLLAR HANDLE SET	1	
	53140	53140-ALD9-E10	GRIP COMP R	GRIP COMP R	1	
	53166	53166-ALD9-E10	GRIP L HANDLE	GRIP L HANDLE	1	
	53167	53167-KFA1-C00	HOUSING UND THROT	HOUSING UND THROT	1	
	53168	53168-KFA1-C00	HOUSING UP THROT	HOUSING UP THROT	1	
	53168	53168-KFA1-C00	HOUSING UP THROT	HOUSING UP THROT	1	
	53172	53172-ALD9-E10	BRKT	BRKT	1	
	53178	53178-AAD3-C00	LEVER L. STRG. HANDLE	LEVER L. STRG. HANDLE	1	

F03

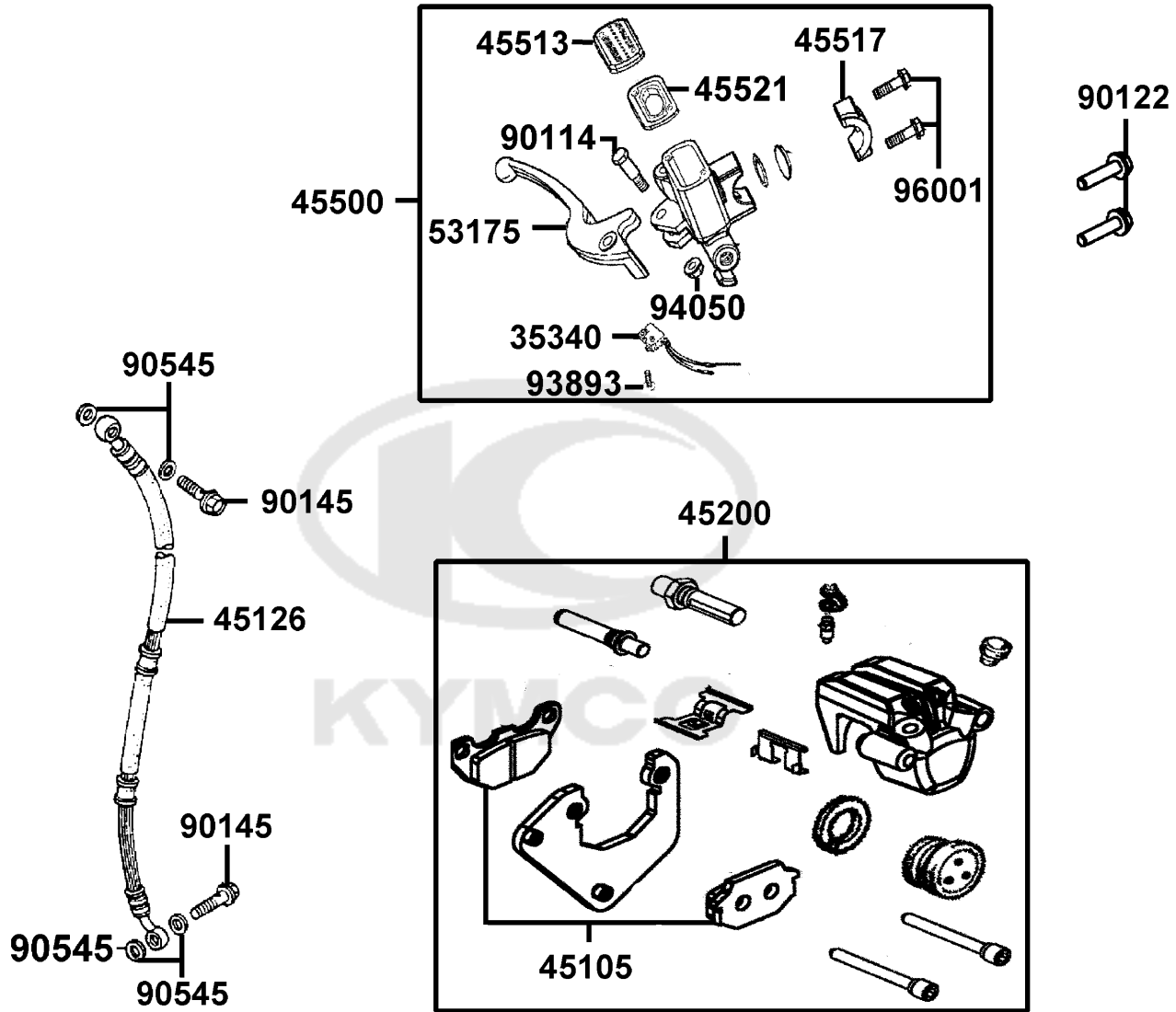
Handle Steering Handle Cover



Sales mark	Ref no	Part no	Description	Reg description	Regd no	F03
	5317B	5317B-ALD9-E10	BRKT ASSY HNDL L/H	BRKT ASSY HNDL L/H	1	
**	53205	53205-ALD9-BA0	COVER UP	COVER UP	1	
	53206	53206-ALD9-BA0	COVER	"COVER , HANDLE RR"	1	
	53207	53207-ALD9-BA0	COVER LOW	COVER LOW	1	
**	53208	53208-ALD9-BA0	LID	LID	1	
**	53209	53209-ALD9-BA0	LID	LID	1	
	88110	88110-ALD9-E10	MIRROR ASSY.	MIRROR ASSY.	1	
	88120	88120-ALD9-E10	MIRROR ASSY.	MIRROR ASSY.	1	
	90106-GEN5	90106-GEN5-901	BOLT FLANGE 10*50	BOLT FLANGE 10*50	1	
	90106-KFC2	90106-KFC2-900	BOLT SPECIAL 8MM	BOLT SPECIAL 8MM	2	
	90115	90115-GLE0-C00	BOLT HNDL LEVER PIVOT	BOLT HNDL LEVER PIVOT	1	
#	90302	90302-SDA4-C01	"NUT,SPPING 4MM"	"NUT,SPPING 4MM"	12	
	90304	90304-GHE8-C00	NUT U 10MM (C)	NUT U 10MM (C)	1	
	93500	93500-05022-0G	SCREW PAN 5*22	SCREW PAN 5*22	2	
	93903-34380	93903-34380	SCREW TAPPING 4*12	SCREW TAPPING 4*12 (K)	9	
	94001	94001-05080-0S	NUT HEX 5MM	NUT HEX 5MM	1	
	96001	96001-06025-06	BOLT FLANGE SH 6*25	BOLT FLANGE SH 6*25	2	

F04

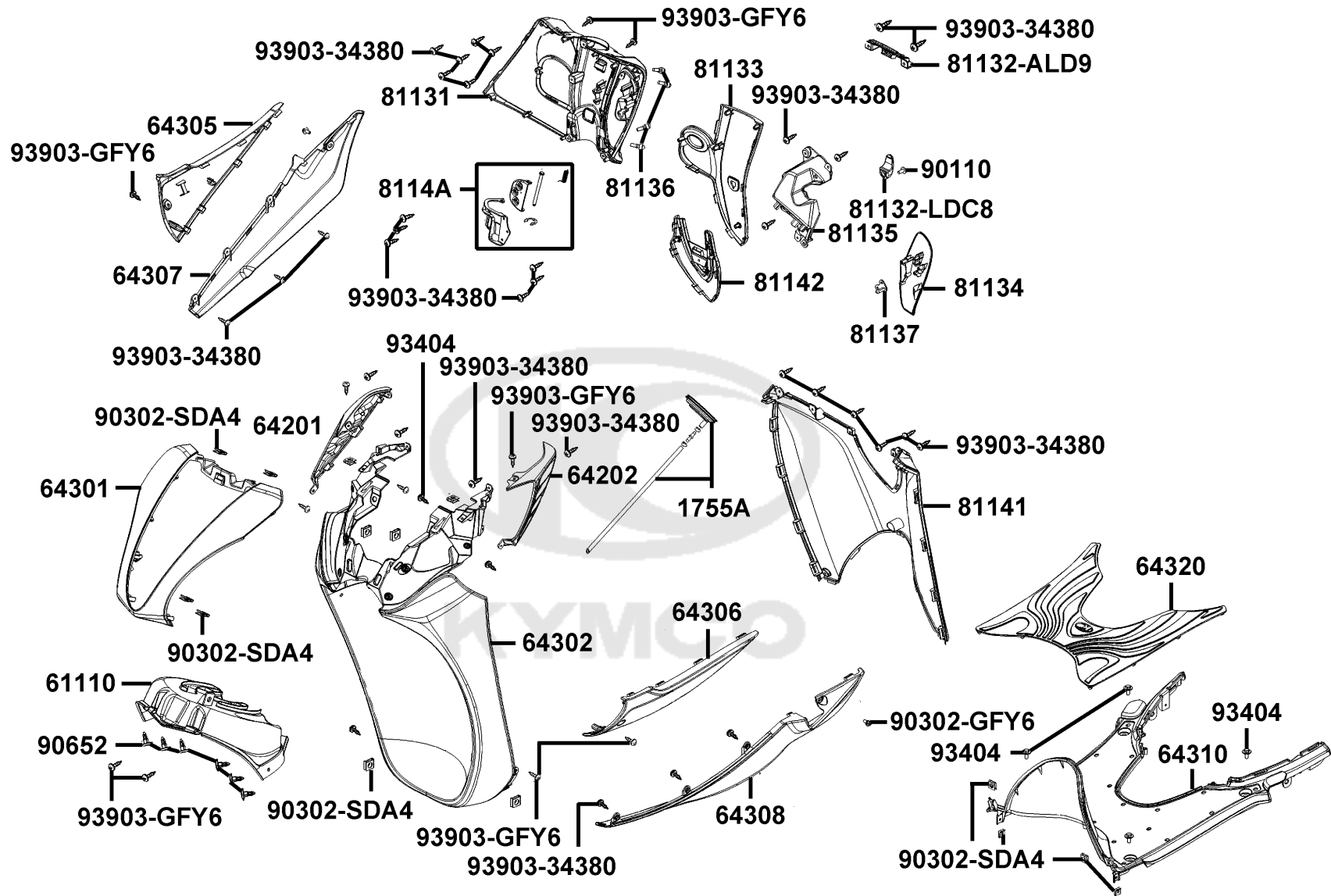
Brake Master Cylinder



Sales mark	Ref no	Part no	Description	Reg description	Regd no	F04
35340		35340-KNBN-901	SW ASSY FR STOP	SW ASSY FR STOP	1	
45105		45105-ALD9-305	PAD COMP A&B	PAD COMP A&B	1	
45126		45126-ALD9-E10	HOSE ASSY	HOSE ASSY	1	
45200		45200-ALD9-E10	CALIPER ASSY	CALIPER ASSY	1	
45500		45500-ALD9-E10	M/C ASSY	M/C ASSY	1	
45513		45513-LFE2-900	CAP MASTER CYLINDER	CAP M/C	1	
45517		45517-KFAF-910	HOLDER M/C	HOLDER M/C	1	
45521		45521-KCCC-900	PLATE DIAPHRAGM	PLATE DIAPHRAGM	1	
53175		53175-LFG3-E10	LEVER R STRG HANDLE	LEVER R STRG HANDLE	1	
90114		90114-KKAK-900	BOLT HANDLE LEVER	BOLT HANDLE LEVER	1	
90122		90122-ALD9-E10	BOLT FLANGE 8*32	BOLT FLANGE 8*32	2	
90145		90145-MKS9-61A	OIL BOLT 10*22	OIL BOLT 10*22	2	
90545		90545-3L00-C00	WASHER OIL BOLT	WASHER OIL BOLT	4	
93893		93893-04012-18	SCREW WASHER 4*12	SCREW WASHER 4*12	1	
94050		94050-06000	NUT FLANGE 6MM	NUT FLANGE 6MM	1	
96001		96001-06022-02	FLANGE BOLT 6*22	FLANGE BOLT 6*22	2	

F05

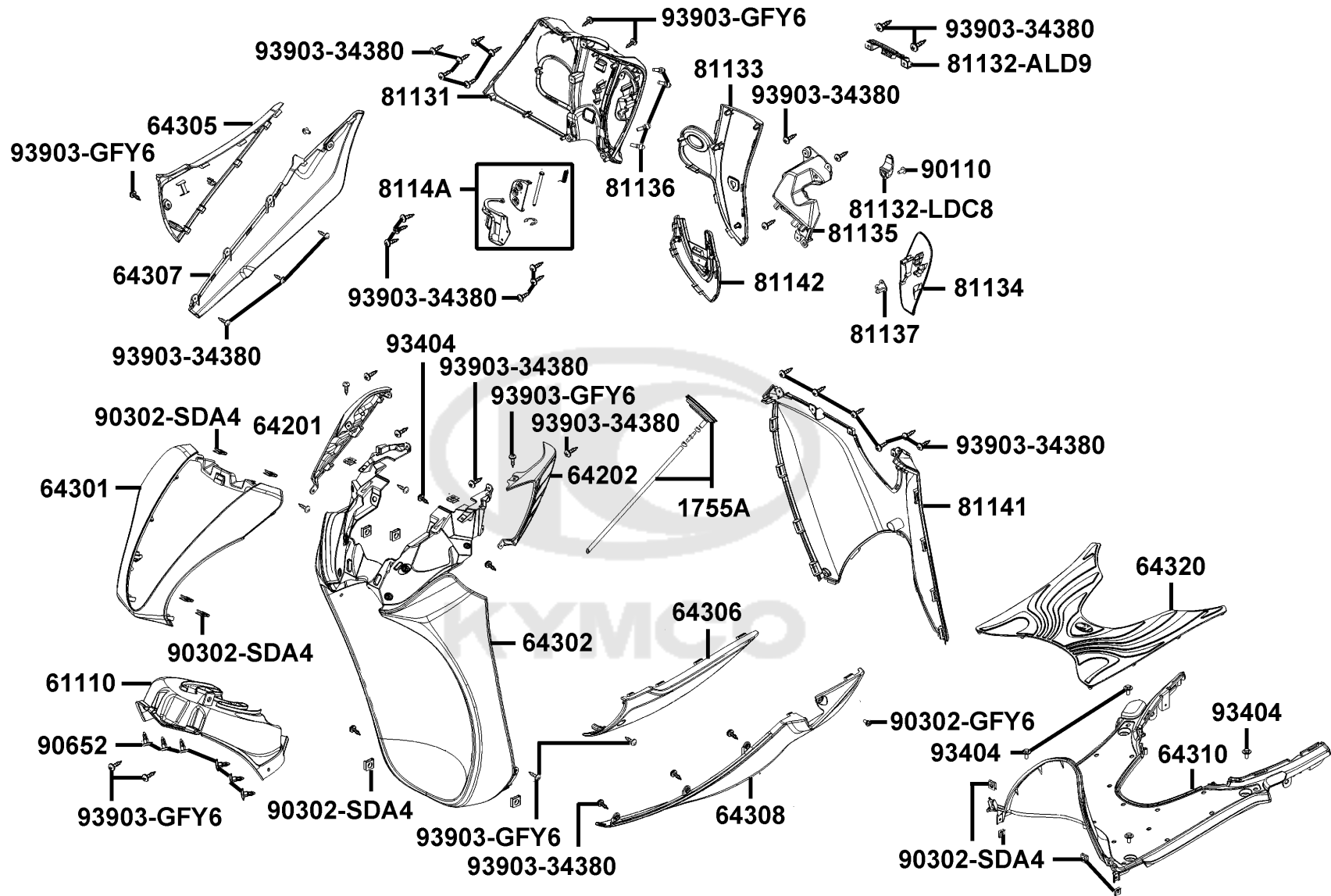
Front Cover Front Fender



Sales mark	Ref no	Part no	Description	Reg description	Regd no	F05
	1755A	1755A-ALD9-E10	TRAY ASSY.	TRAY ASSY.	1	
	61110	61110-ALD9-BA0	FENDER	FENDER	1	
	64201	64201-ALD9-BA0	COVER R	"COVER , R FR. SIDE"	1	
	64202	64202-ALD9-BA0	COVER L	"COVER , L FR. SIDE"	1	
**	64301	64301-ALD9-BA0	COVER FRONT	COVER FRONT	1	
**	64302	64302-ALD9-BA0	MOLDING FRONT	MOLDING FRONT	1	
**	64305	64305-ALD9-BA0	SKIRT	SKIRT	1	
**	64306	64306-ALD9-BA0	SKIRT	SKIRT	1	
	64307	64307-ALD9-BA0	COVER R	"COVER , R SIDE SKIRT"	1	
	64308	64308-ALD9-BA0	COVER L	"COVER , L SIDE SKIRT"	1	
	64310	64310-ALD9-BA0	FLOOR	FLOOR	1	
	64320	64320-ALD9-BA0	MAT	MAT	1	
**	81131	81131-ALD9-BA0	LEG SHIEL UP WHITE	LEG SHIEL UP WHITE	1	
**	81132-ALD9	81132-ALD9-BA0	CAP	CAP	1	
**	81132-LDC8	81132-LDC8-E10	HOOK LUGGAGE	HOOK LUGGAGE	1	
	81133	81133-ALD9-BA0	CAP	"CAP , LEG SHIELD UP"	1	
**	81134	81134-ALD9-BA0	COVER	COVER	1	
	81135	81135-ALD9-BA0	CASE	CASE	1	
	81136	81136-ALD9-E10	RUBBER	RUBBER	4	
	81137	81137-ALD9-E10	HOOK	HOOK	1	

F05

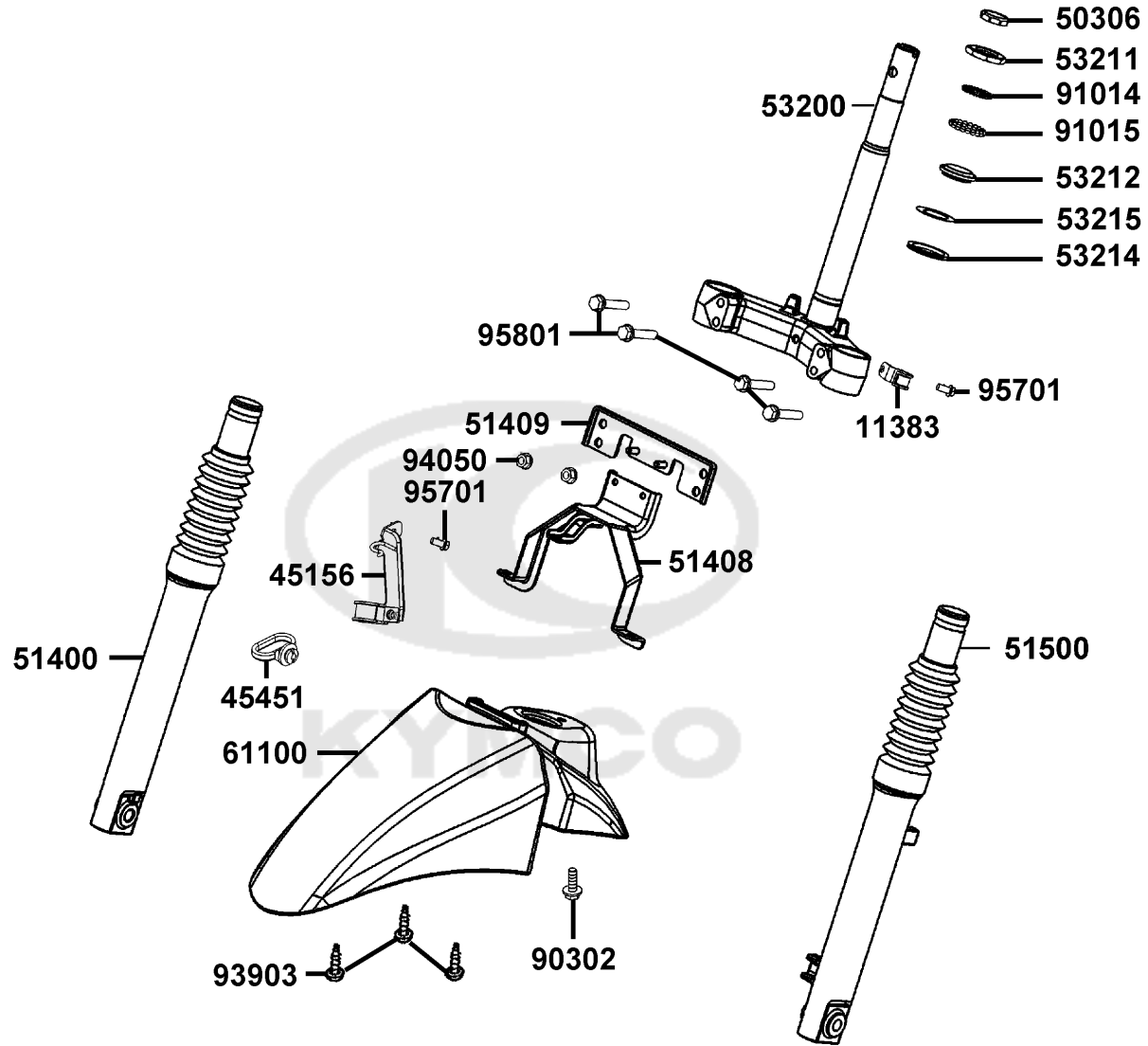
Front Cover Front Fender



Sales mark	Ref no	Part no	Description	Reg description	Regd no	F05
	81141	81141-ALD9-BA0	LEG SHIELD LOW	LEG SHIELD LOW	1	
**	81142	81142-ALD9-BA0	LID	LID	1	
	8114A	8114A-ALD9-E10	HINGE ASSY.	HINGE ASSY.	1	
	90110	90110-GLW0-C00	SCREW SPECIFIED 6*14	SCREW SPECIAL 6*14(CR)	1	
	90302-GFY6	90302-GFY6-C00	BOLT-WASH 5*12	BOLT-WASH 5*12	2	
#	90302-SDA4	90302-SDA4-C01	"NUT,SPPING 4MM"	"NUT,SPPING 4MM"	24	
	90652	90652-LFB5-900	CLIP MUDGUARD	CLIP MUDGUARD	6	
	93404	93404-06016-07	BOTL WASHER 6*16	BOTL WASHER 6*16	4	
	93903-34380	93903-34380	SCREW TAPPING 4*12	SCREW TAPPING 4*12 (K)	36	
	93903-GFY6	93903-GFY6-C01	SCREW TAPPING 4*14(K)	"SCREW,TAPPING4*14"	1	



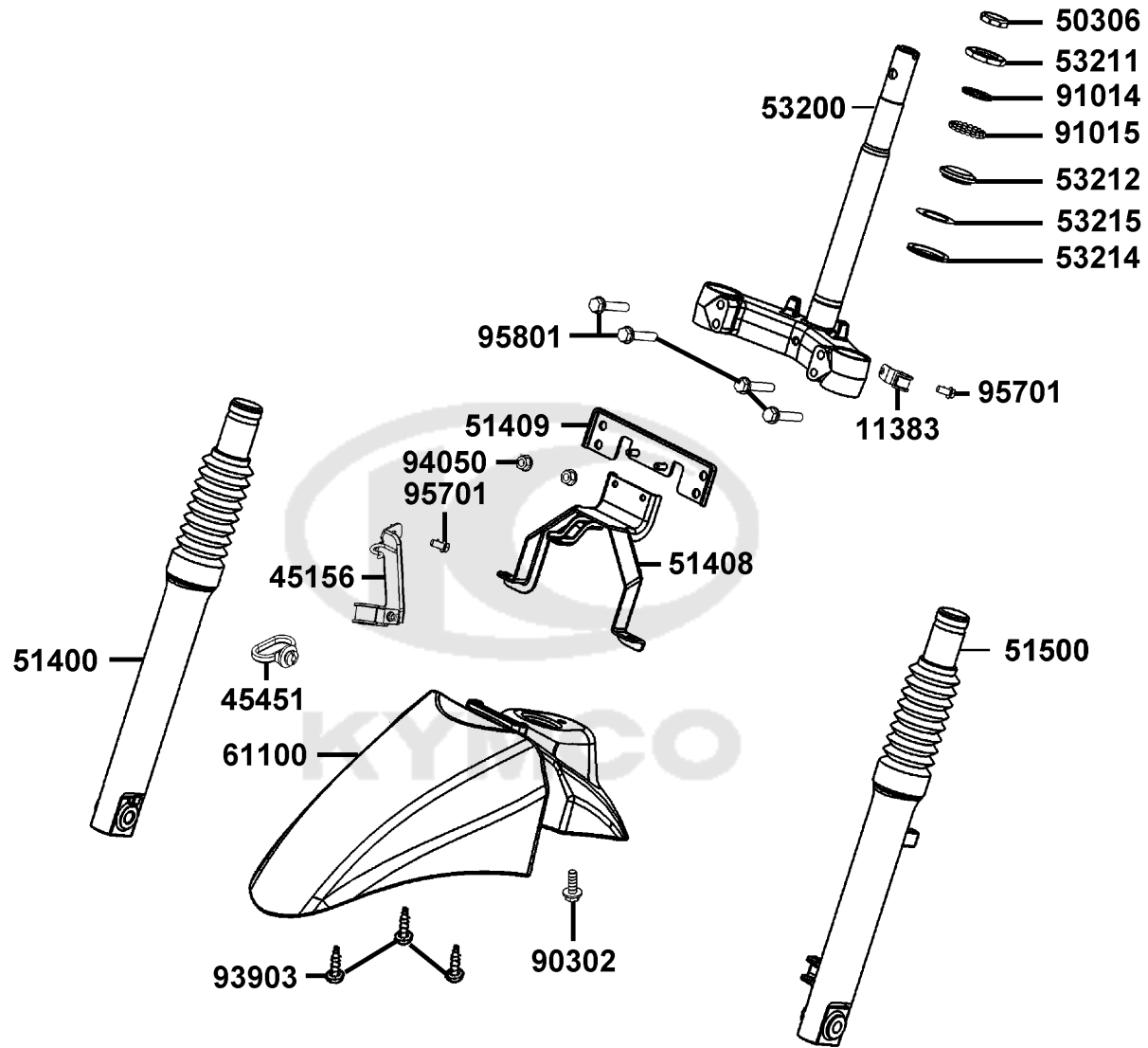
Stem Steering Front Cushion



Sales mark	Ref no	Part no	Description	Reg description	Regd no	F06
	11383	11383-KHE7-900	CLAMPER RR BRK HOSE	CLAMPER RR BRK HOSE	1	
	45156	45156-ALD9-E10	CLAMPER FR BRK HOSE	CLAMPER FR BRK HOSE	1	
	45451	45451-4A71-C00	GROMMET WIRE	GROMMET WIRE	1	
	50306	50306-1F96-C00	NUT STRG STEM LOCK	NUT STRG STEM LOCK	1	
**	51400	51400-ALD9-E10	FORK ASSY R FR	FORK ASSY R FR	1	
	51408	51408-ALD9-E10	BRKT FR FENDER STAY	BRKT FR FENDER STAY	1	
	51409	51409-ALD9-E10	STAY FR FENDER	STAY FR FENDER	1	
**	51500	51500-ALD9-E10	FORK ASSY L FR	FORK ASSY L FR	1	
	53200	53200-ALD9-E10	STEM COMP STEERING	STEM COMP STEERING	1	
	53211	53211-GFY6-C00	RACE STRG. CONE TOP	RACE STRG. CONE TOP	1	
	53212	53212-2L50-C00	RACE STRG. BOTTOM CONE	RACE STRG. BOTTOM CONE	1	
	53214	53214-2L50-C00	DUST SEAL STRG HEAD	DUST SEAL STRG. HEAD BOT	1	
	53215	53215-2L50-C00	WASHER STRG HDL DUST-SEAL	"WASHER,STRG. HEAD DUST SEAL"	1	
**	61100	61100-ALD9-BA0	FENDER	FENDER	1	
	90302	90302-GFY6-C00	BOLT-WASH 5*12	BOLT-WASH 5*12	1	
	91014	91014-LLJ3-C00	CAGE STRG TOPP	CAGE STRG TOPP	1	
	91015	91015-LLJ3-C00	CAGE STRG BOT	CAGE STRG BOT	1	
	93903	93903-35380	SCREW TAPPING 5*16 (K)	SCREW TAPPING 5*16 (K)	3	
	94050	94050-06070-G	NUT FLANGE 6MM (KG)	NUT FLANGE 6MM (G)	2	
	95701	95701-06012-08	BOLT FLANGE 6*12	BOLT FLANGE 6*12	1	

F06

Stem Steering Front Cushion



Sales mark	Ref no	Part no	Description	Reg description	Regd no	F06
------------	--------	---------	-------------	-----------------	---------	------------

95801

95801-08040-08

BOLT FLANGE 8*40 (C)

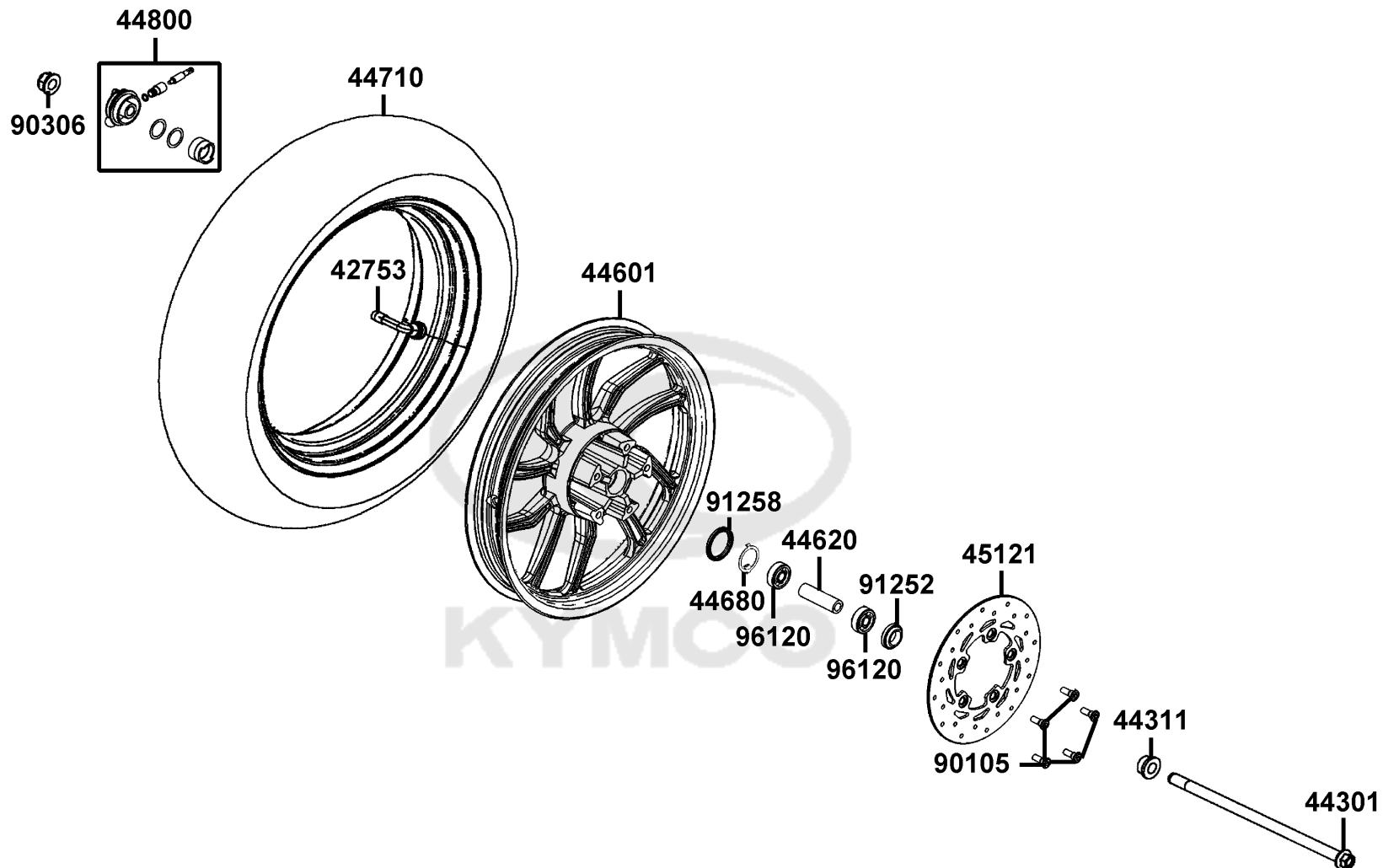
BOLT FLANGE 8*40

4



F07

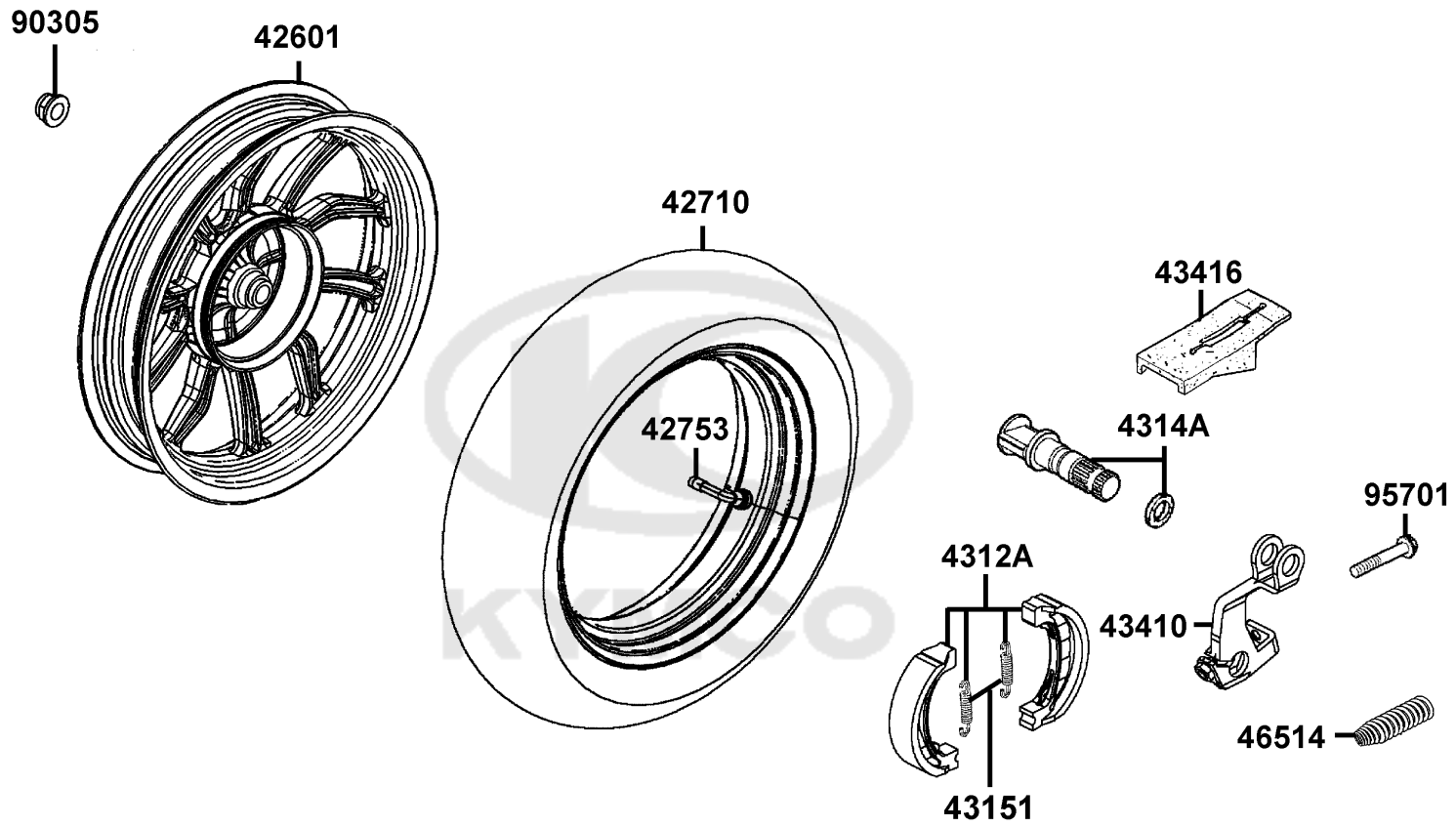
Front Wheel



Sales mark	Ref no	Part no	Description	Reg description	Regd no	F07
	42753	42753-0A01-C00	VALVE (TR 412) & CAP (C)	VALVE (TR 412) & CAP (C)	1	
#	44301	44301-LFE2-C01	"AXL,FRWHEEL"	"AXL,FRWHEEL"	1	
	44311	44311-KHB4-C00	COLLAR FR WHEEL SIDE	COLLAR FR WHEEL SIDE	1	
**	44601	44601-ALD9-E10	WHEEL COMP	WHEEL COMP	1	
	44620	44620-KFLF-C00	COLLAR FR DIST	COLLAR FR DIST	1	
	44680	44680-4L10-C00	RETAINER GEAR BOX	RETAINER GEAR BOX	1	
	44710	44710-ALD9-E10	"TIRE ASSY ,FR"	"TIRE ASSY ,FR"	1	
#	44800	44800-KEC8-900	GEAR BOX ASSY SPDMT	GEAR BOX ASSY SPDMT	1	
	45121	45121-ALD9-E10	DISK	DISK	1	
	90105	90105-KCR3-001	BOLT FR DISK 8*24	BOLT FR DISK 8*24	5	
	90306	90306-LFE2-C00	NUT U FLANGE 12MM (G)	NUT U FLANGE 12MM (G)	1	
#	91252	91252-0L30-C00	OIL SEAL 23*37*7	OIL SEAL 23*37*7	1	
#	91258	91258-4L10-007	DUST SEAL 40*50*5	DUST SEAL 40*50*5	1	
	96120	96120-63010-10	BEARING BALL RADIAL 6301	BEARING BALL RADIAL 6301	2	

F08

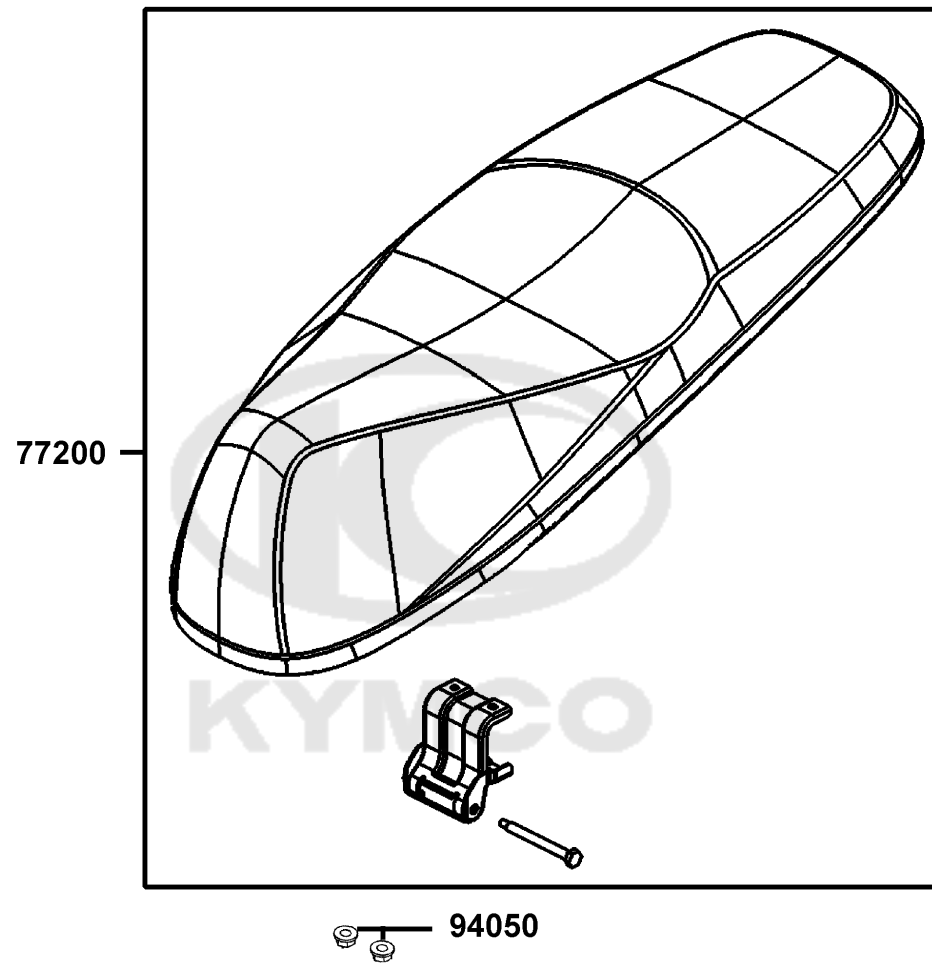
Rear Wheel



Sales mark	Ref no	Part no	Description	Reg description	Regd no	F08
**	42601	42601-ALD9-E10	WHEEL COMP	WHEEL COMP	1	
	42710	42710-ALD9-E10	"TIRE ASSY ,RR"	"TIRE ASSY ,RR"	1	
	42753	42753-0A01-C00	VALVE (TR 412) & CAP (C)	VALVE (TR 412) & CAP (C)	1	
	4312A	4312A-LFB5-800	"SHOE ASSY .RR BRAKE"	"SHOE ASSY .RR BRAKE"	1	
	4314A	4314A-ALD9-BA0	CAM ASSY. RR. BRK.	CAM ASSY RR BRK	1	
	43151	43151-LEB1-900	SPRING BRAKE SHOE REAR	SPRING BRAKE SHOE	2	
	43410	43410-ALD9-E10	ARM COMP RR BRAKE	ARM COMP RR BRAKE	1	
	43416	43416-KUDU-C00	GUARD RR BRK ARM	GUARD RR BRK ARM	1	
	46514	46514-ALK3-E10	SPG,BRK ARM	SPG,BRK ARM	1	
	90305	90305-KFW6-C00	NUT U FLANGE 16MM(C)	NUT U FLANGE 16MM(C)	1	
	95701	95701-06032-08	BOLT FLANGE 6*32(C)	BOLT FLANGE 6*32	1	

F09

Seat



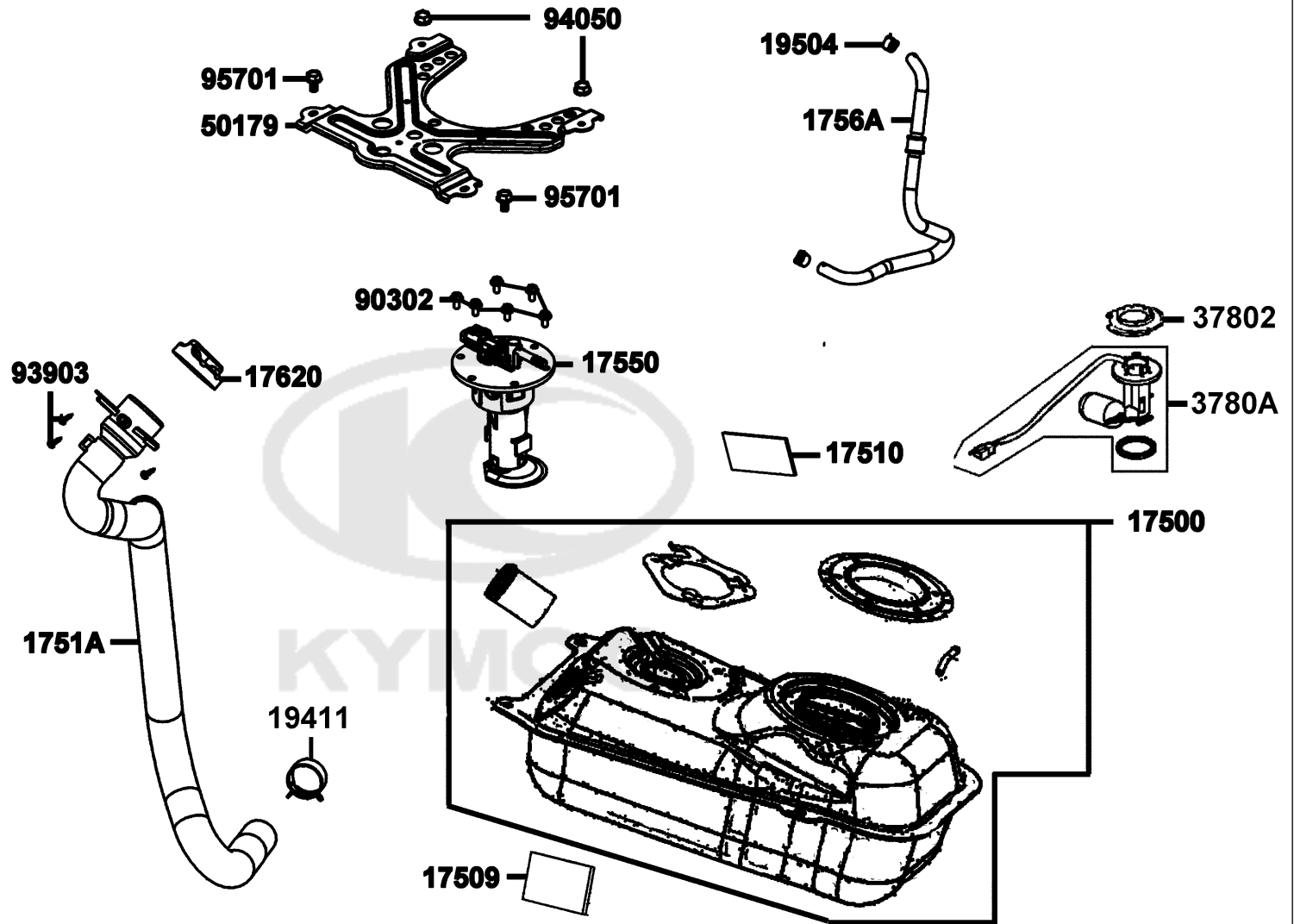
Sales mark	Ref no	Part no	Description	Reg description	Regd no	F09
------------	--------	---------	-------------	-----------------	---------	------------

**	77200	77200-ALD9-E10	SEAT ASSY	SEAT ASSY	1	
	94050	94050-06080	NUT FLANGE 6MM	NUT FLANGE 6MM	2	



F10

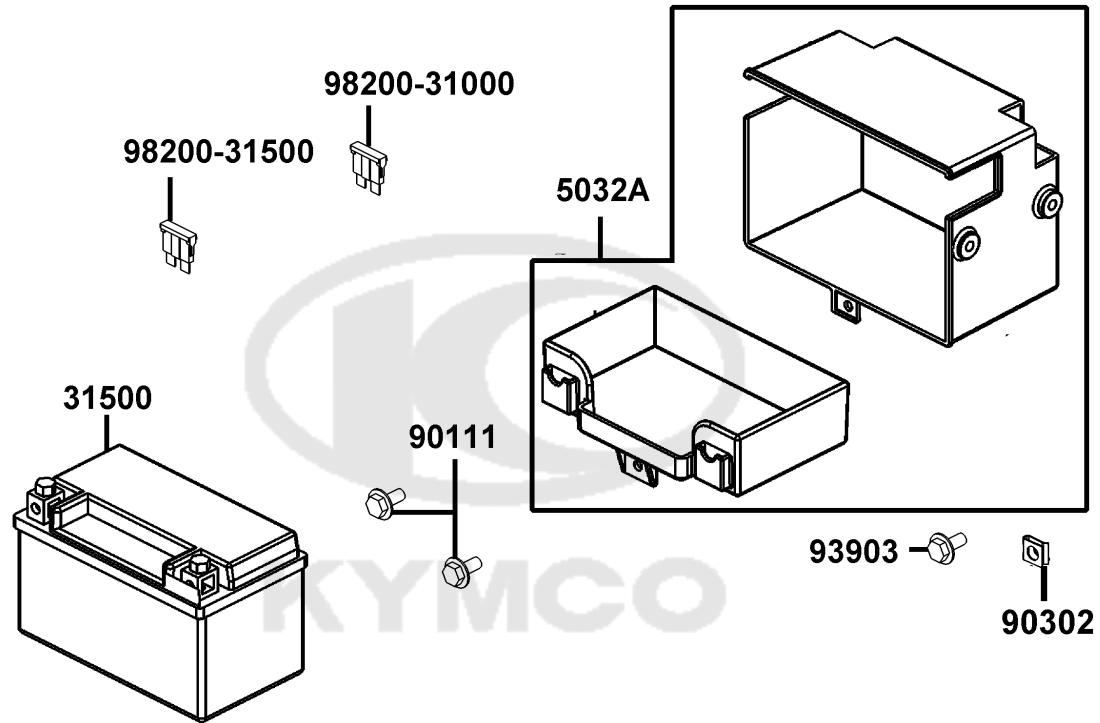
Fuel Tan



Sales mark	Ref no	Part no	Description	Reg description	Regd no	F10
	17500	17500-ALD9-E10	TANK COMP.	TANK COMP.	1	
	17509	17509-ALD9-E10	TANK COLLAR	TANK COLLAR	1	
	17510	17510-ALD9-E10	TANK COMP.	TANK COMP.	1	
	1751A	1751A-ALD9-E10	FUEL PIPE ASSY	FUEL PIPE ASSY	1	
	17550	17550-ALD9-BA1	PUMP ASSY FUEL/D106	PUMP ASSY FUEL/D106	1	
	1756A	1756A-ALD9-E10	TUBE. A FUEL	TUBE. A FUEL	1	
	17620	17620-GGS7-C00	CAP COMP FUEL FILLER	CAP COMP FUEL FILLER	1	
	19411	19411-KBCB-900	CLIP HOSE	CLIP HOSE	1	
	19504	19504-LBA2-C00	CLAMP D16.8	CLAMP D16.8	2	
	37802	37802-GGA7-C00	RET FUEL UNIT	RET FUEL UNIT	1	
	3780A	3780A-ALD9-E10	FUEL UNIT ASSY	FUEL UNIT ASSY	1	
	50179	50179-ALD9-E10	BRKT	BRKT	1	
	90302	90302-GFY6-C10	BOLT-WASH 5*16	BOLT WASHER 5*16	6	
#	93903	93903-35280-G	SCREW TAPPING 5*12 (K)	SCREW TAPPING 5*12 (KG)	3	
	94050	94050-06080	NUT FLANGE 6MM	NUT FLANGE 6MM	2	
	95701	95701-06012-08	BOLT FLANGE 6*12	BOLT FLANGE 6*12	2	

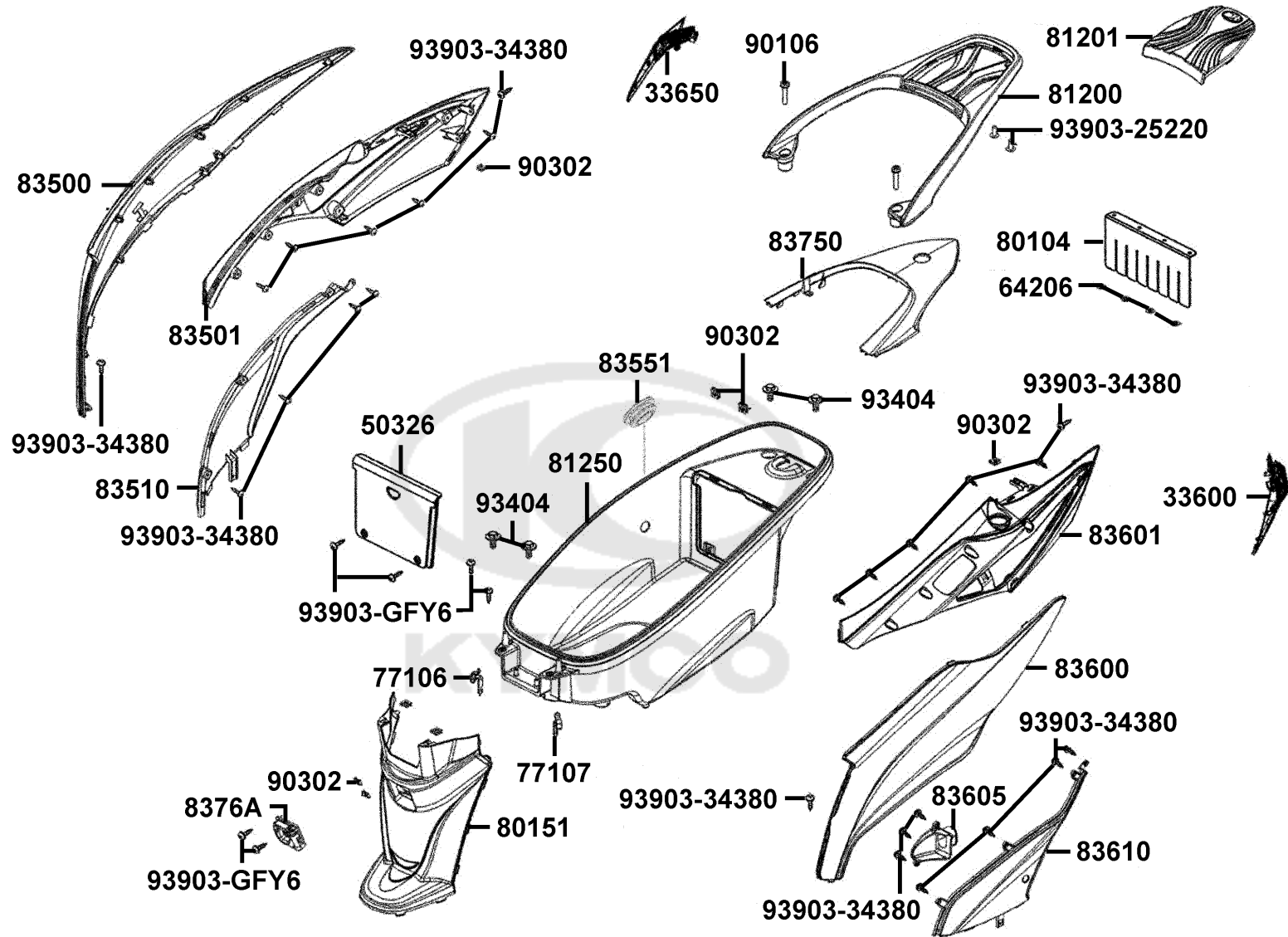
F11

Battery



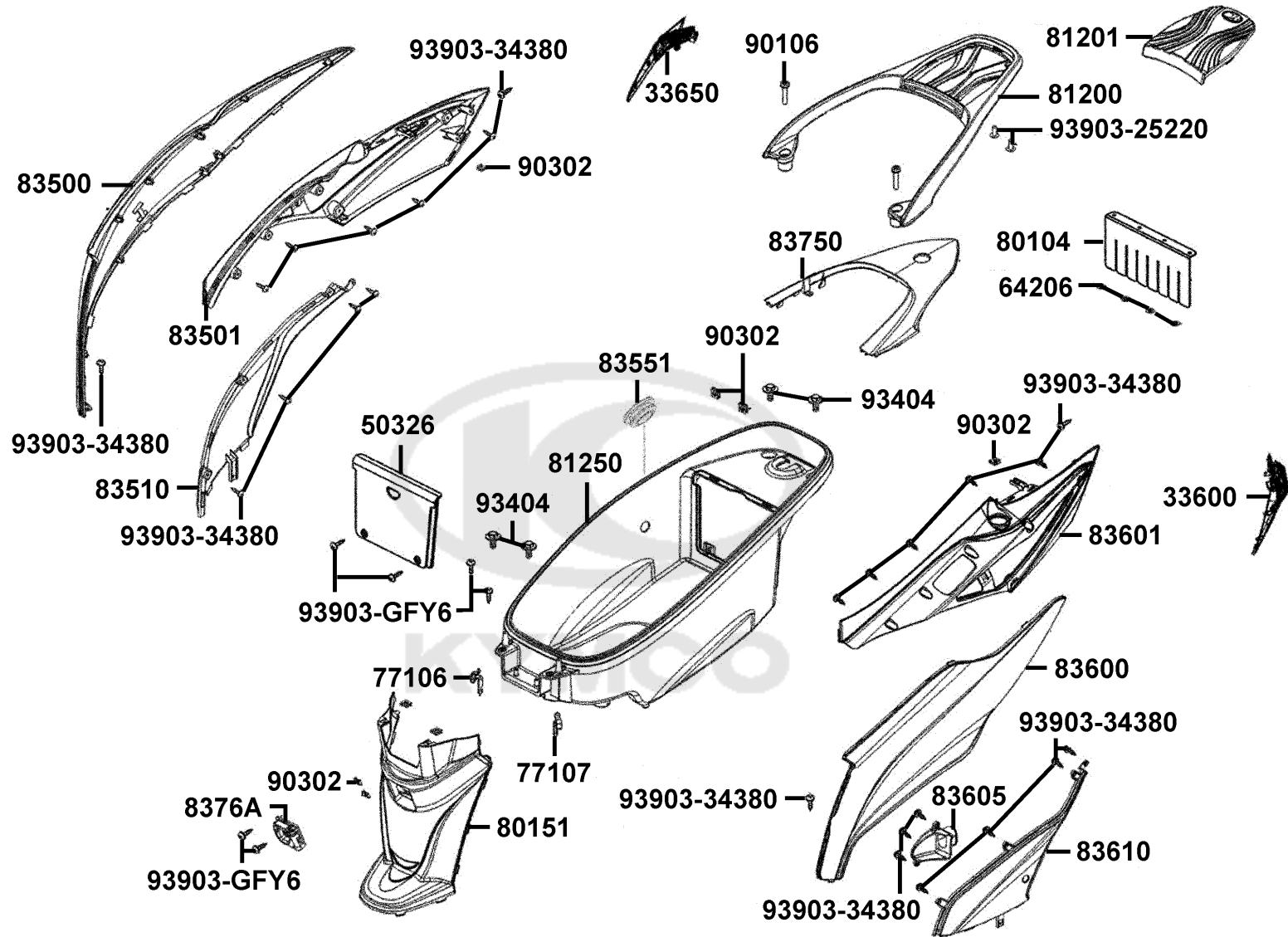
Sales mark	Ref no	Part no	Description	Reg description	Regd no	F11
	31500	31500-GFY6-C00	BATTERY YTX7A-BS	BATTERY GTX7A-BS	1	
	5032A	5032A-ALD9-BA0	CASE ASSY BATTERY	CASE ASSY BATTERY	1	
#	90111	90111-1G87-C01	BOLT FLANGE 6MM	BOLT FLANGE 6MM	2	
	90302	90302-SAD4-C00	NUT CLIP 5MM	NUT CLIP 5MM	1	
	93903	93903-14380	SCREW TAPPING 4*12 (K)	SCREW TAPPING 4*12	1	
	98200-31000	98200-31000	BLADE FUSE 10A **(0) C.2005.03.01	BLADE FUSE 10A **(0) C.2005.03.01	1	
	98200-31500	98200-31500	FUSE A15	FUSE A15	1	





Sales mark	Ref no	Part no	Description	Reg description	Regd no	F12
	33600	33600-ALD9-E10	WINKER ASSY. R RR	WINKER ASSY. R RR	1	
	33650	33650-ALD9-E10	WINKER ASSY. L RR	WINKER ASSY. L RR	1	
	50326	50326-ALD9-BA0	COVER	COVER	1	
	64206	64206-MLJ0-C00	NUT SPEED 4MM	NUT SPEED 4MM	4	
	77106	77106-KKE5-E00	HOOK R HELMENT	HOOK R HELMENT	1	
	77107	77107-KKE5-E00	HOOK L HELMENT	HOOK L HELMENT	1	
	80104	80104-ALD9-E10	PLATE SPLASH GUARD	PLATE SPLASH GUARD	1	
**	81200	81200-ALD9-BA0	CARRIER	CARRIER	1	
	81250	81250-ALD9-BA0	BOX	BOX	1	
**	83500	83500-ALD9-BA0	COVER	COVER	1	
**	83501	83501-ALD9-E10	COVER	COVER	1	
	83510	83510-ALD9-BA0	COVER	"COVER , R SIDE"	1	
	83551	83551-ALD9-E10	BOX ASSY LUGGAGE RUBBER	BOX ASSY LUGGAGE RUBBER	1	
**	83600	83600-ALD9-BA0	COVER	COVER	1	
**	83601	83601-ALD9-E10	COVER	COVER	1	
	83605	83605-ALD9-BA0	CHANBER AIR/C	CHANBER AIR/C	1	
	83610	83610-ALD9-BA0	COVER	"COVER , L SIDE"	1	
**	83750	83750-ALD9-BA0	COVER	COVER	1	
	8376A	8376A-KECE-C00	CLIP CENTER	CLIP ASSY CENTER	1	
	90106	90106-KFC2-900	BOLT SPECIAL 8MM	BOLT SPECIAL 8MM	3	

Body Cover Luggage Box

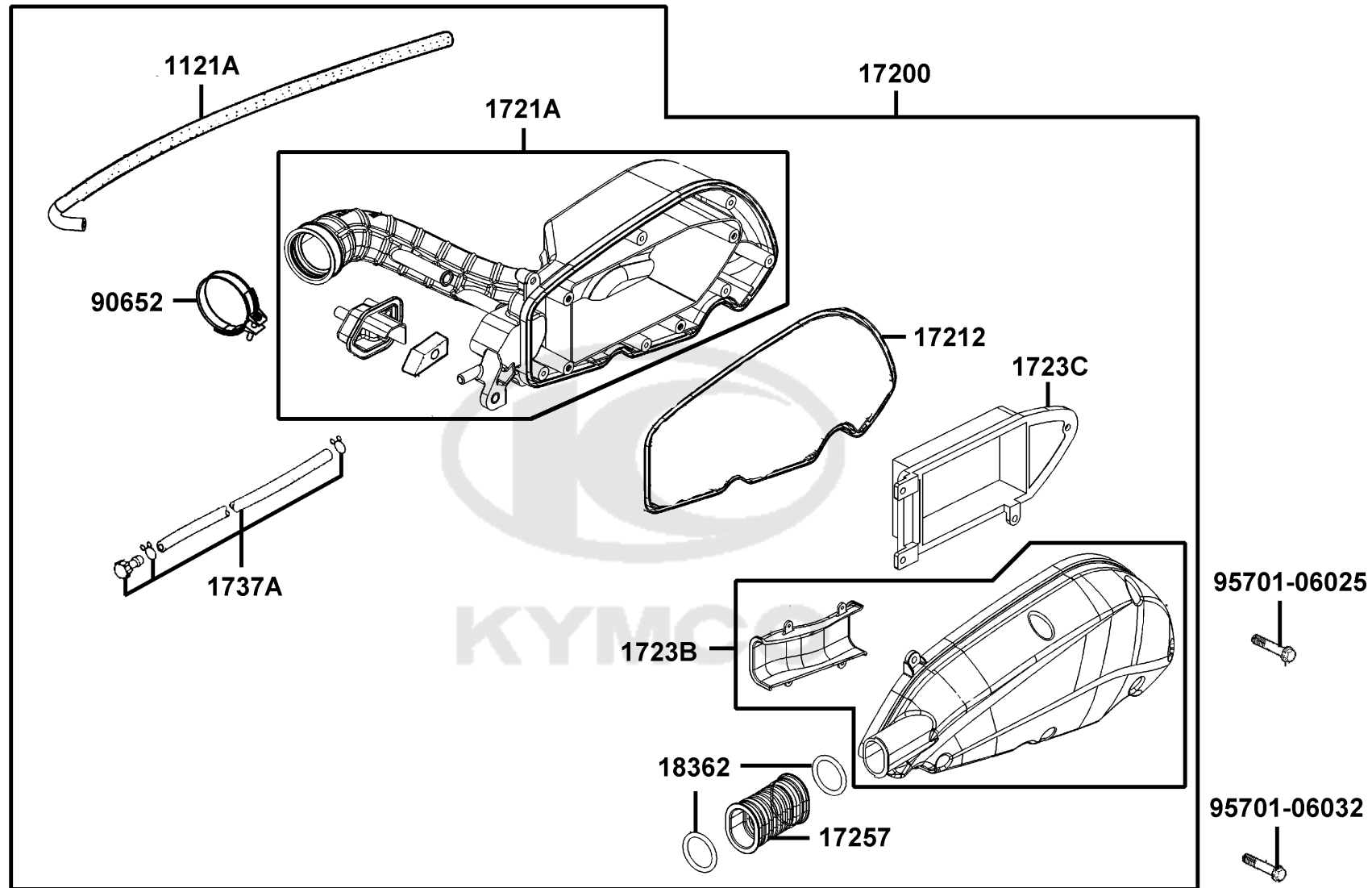


Sales mark	Ref no	Part no	Description	Reg description	Regd no	F12
#	90302	90302-SDA4-C01	"NUT,SPPING 4MM"	"NUT,SPPING 4MM"	8	
	93404	93404-06012-07	BOLT WASH 6*12	BOLT WASH 6*12	4	
	93903-25220	93903-25220	SCREW TAPPING 5*12	SCREW TAPPING 5*12	2	
	93903-34380	93903-34380	SCREW TAPPING 4*12	SCREW TAPPING 4*12 (K)	49	
	93903-GFY6	93903-GFY6-C01	SCREW TAPPING 4*14(K)	"SCREW,TAPPING4*14"	10	



F13

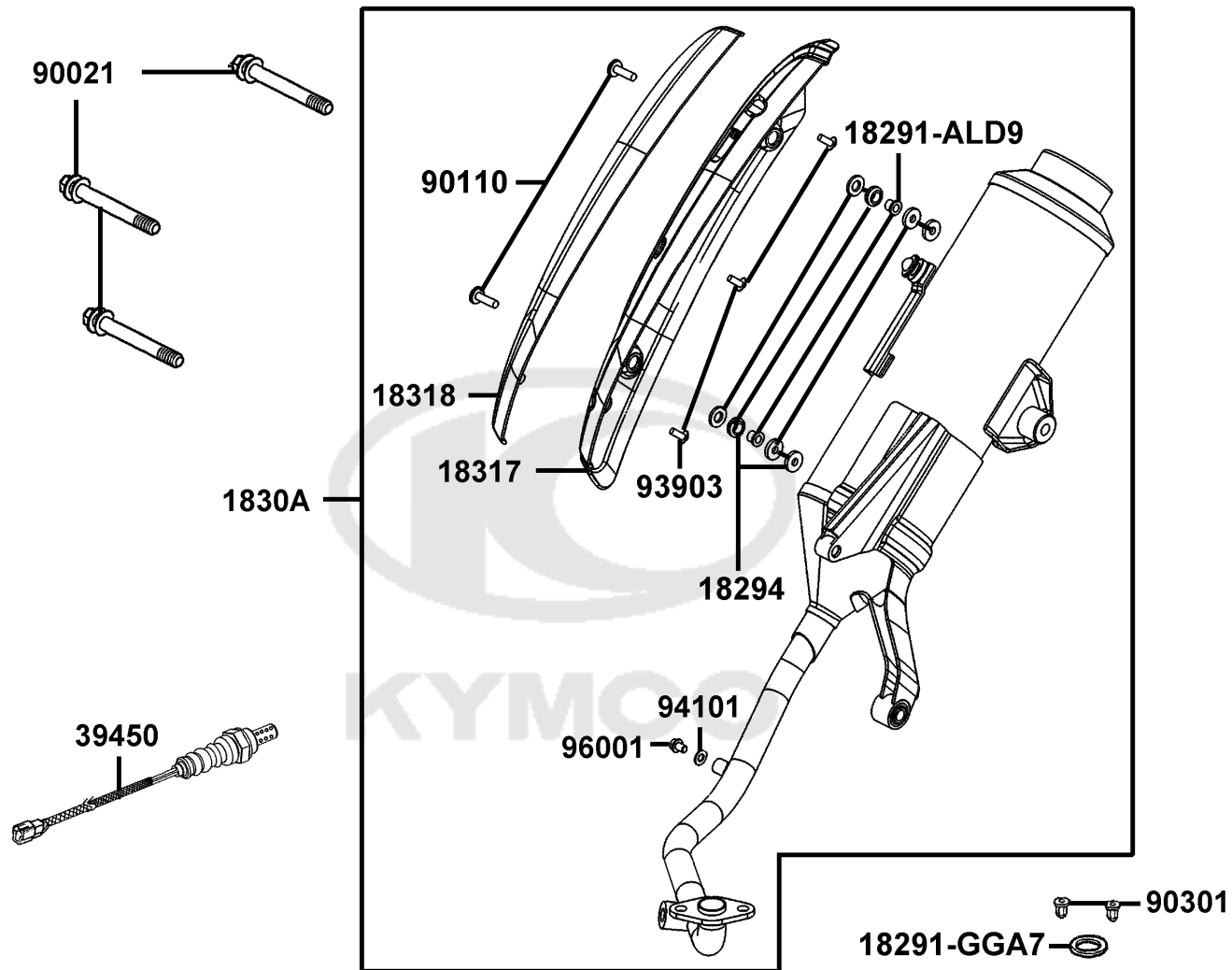
Air Cleaner



Sales mark	Ref no	Part no	Description	Reg description	Regd no	F13
	1121A	1121A-LGS6-E10	TUBE ASSY AIR/C	TUBE ASSY AIR/C	1	
	17200	17200-ALD9-E10	AIR/C ASSY	AIR/C ASSY	1	
	17212	17212-ALD9-E10	SEAL AIR/C COVER	SEAL AIR/C COVER	1	
	1721A	1721A-ALD9-E10	CASE ASSY AIR/C	CASE ASSY AIR/C	1	
	1723B	1723B-ALD9-E10	COVER COMP AIR/C	COVER COMP AIR/C	1	
	1723C	1723C-LEJ3-E10	ELEMENT ASSY AIR/C	ELEMENT COMP AIR/C	1	
	17257	17257-ALD9-E10	TUBE AIR/C INLET	TUBE AIR/C INLET	4	
#	1737A	1737A-KUDU-C00	V TUBE ASSY	V TUBE ASSY	1	
	18362	18362-LGR5-E10	SPRING CLIP	SPRING CLIP	1	
	90652	90652-GFY6-C00	BAND 49 AIR/C CONNECTING TUBE	BAND 49 AIR/C CONNECTING TUBE	1	
	95701-06025	95701-06025-08G	BOLT FLANGE 6*25	BOLT FLANGE 6*25	1	
	95701-06032	95701-06032-08G	BOLT FLANGE 6*32	BOLT FLANGE 6*32	1	

F14

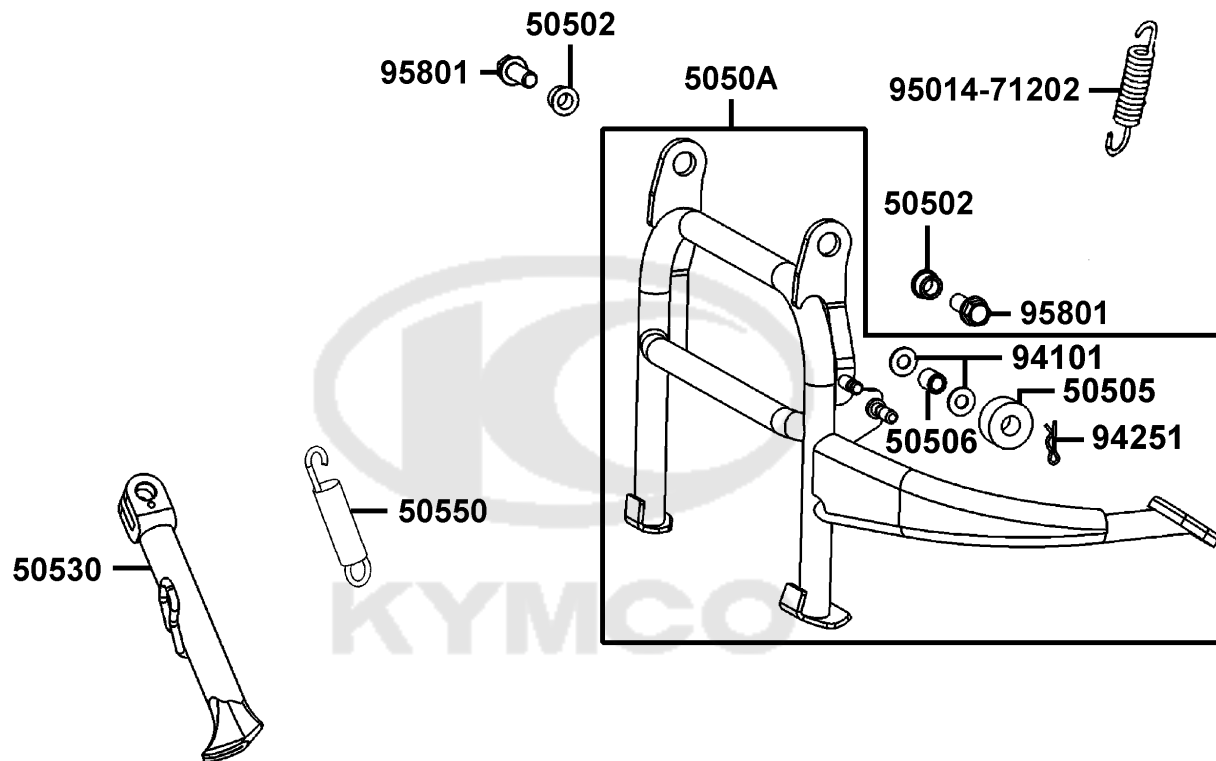
Exhaust Muffler



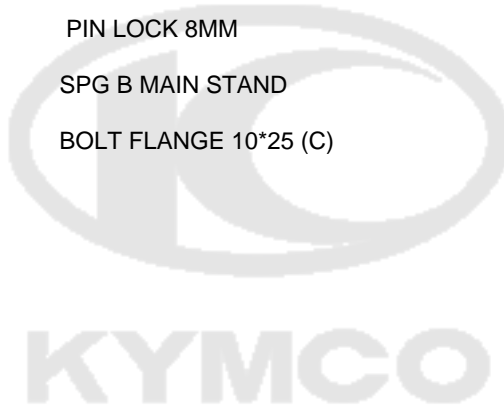
Sales mark	Ref no	Part no	Description	Reg description	Regd no	F14
	18291-ALD9	18291-ALD9-E10	COLLAR	COLLAR	2	
#	18291-GGA7	18291-GGA7-C01	GASKET EXH PIPE	GASKET EXH PIPE	1	
#	18294	18294-PUA3-B50	PACKING PTOTECTOR	PACKING PROTECTOR	1	
	1830A	1830A-ALD9-E10	MUFFLER ASSY.	MUFFLER ASSY.	1	
	18317	18317-ALD9-E10	PROTELTOR A MUFFLER	PROTELTOR A MUFFLER	1	
**	18318	18318-ALD9-E10	PROTECTOR MUFFLERB	PROTECTOR MUFFLERB	1	
	39450	39450-LEA6-800	O2 SENSOR	O2 SENSOR	1	
#	90021	90021-GFY6-C11	BOLT WASHER COMP	BOLT WASHER COMP	3	
	90110	90110-KHD8-900	SCREW SPECIAL 6*20	SCREW SPECIAL 6*20	2	
#	90301	90301-GFY6-C01	NUT (HEX) CAP 8MM	NUT (HEX) CAP 8MM	2	
	93903	93903-34380	SCREW TAPPING 4*12	SCREW TAPPING 4*12 (K)	3	
	94101	94101-06200	WASHER PLAIN 6MM	WASHER PLAIN 6MM	1	
	96001	96001-06008-02	BOLT FLANGE SH 6*8(cr)	BOLT FLANGE SH 6*8(cr)	1	

F15

Stand Kick Starter Arm

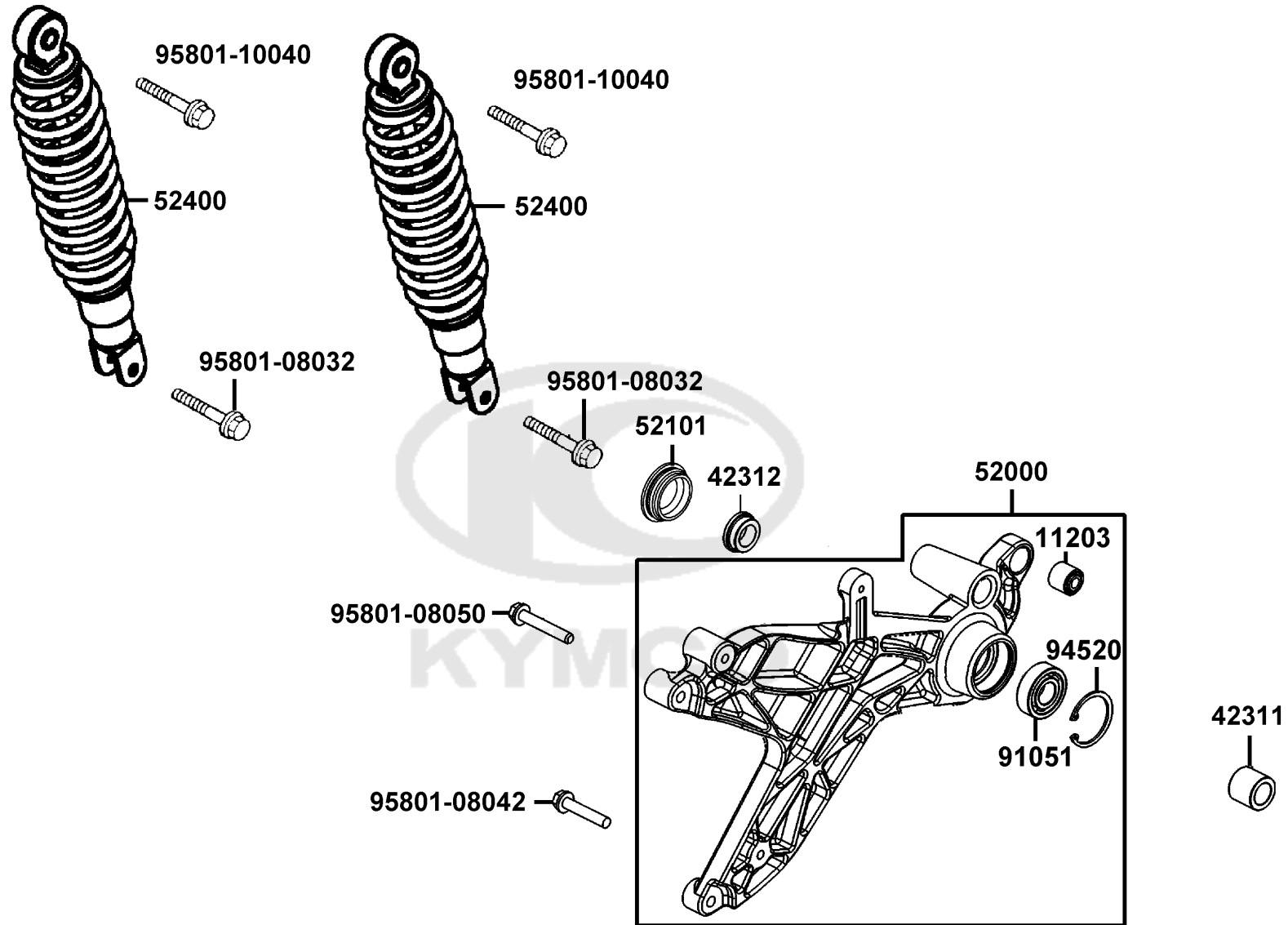


Sales mark	Ref no	Part no	Description	Reg description	Regd no	F15
50502		50502-LDF7-C00	COLLAR,MAIN STAND	COLLAR MAIN STAND	2	
50505		50505-LEA7-E00	STOPPER RUBBER	STOPPER RUBBER	1	
50506		50506-KHE7-E00	COLLAR STOPPER RUBBER	COLLAR STOPPER RUBBER	1	
5050A		5050A-ALD9-E10	STAND ASSY MAIN	STAND ASSY MAIN	1	
50530		50530-ALD9-E10	STAND COMP	STAND COMP	1	
50550		50550-KEB7-C00	SPG MAIN STAND COMP	SPG ASSY MAIN STAND	1	
94101		94101-08600	WASH PLAIN 8MM	WASH PLAIN 8MM	2	
94251		94251-08400	PIN LOCK 8MM	PIN LOCK 8MM	1	
95014-71202		95014-71202	SPG B MAIN STAND	SPG B MAIN STAND	1	
95801		95801-10025-07	BOLT FLANGE 10*25 (C)	BOLT FLANGE 10*25 (C)	2	



F16

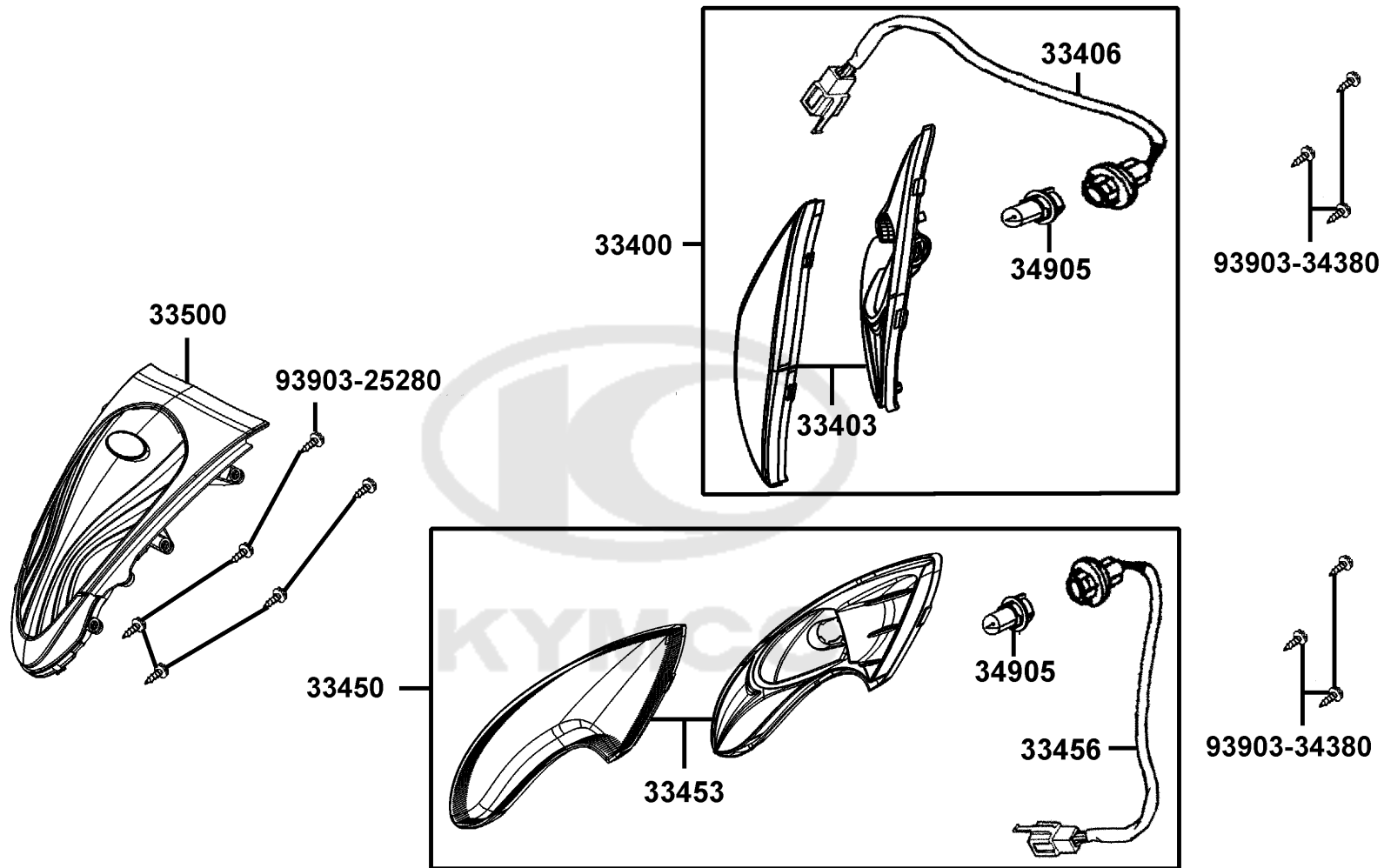
Rear Cushion



Sales mark	Ref no	Part no	Description	Reg description	Regd no	F16
	11203	11203-GGC7-W10	UNDER RUBBER BUSH REAR CUSHION	UNDER RUBBER BUSH REAR CUSHION	1	
	42311	42311-KKD5-C10	COLLAR RR AXLE A	COLLAR RR AXLE A	1	
	42312	42312-KHB4-C00	CLOLLAR RR AXLE SIDE	CLOLLAR RR AXLE SIDE	1	
	52000	52000-ALD9-BA0	FORK ASSY RR	FORK ASSY RR	1	
	52101	52101-ALD9-E10	FORK RR	FORK RR	1	
**	52400	52400-ALD9-E10	CUSHION ASSY REAR	CUSHION ASSY REAR	2	
	91051	91051-KFBF-C00	BRG BALL RADIAL 6203 LLU	BRG BALL RADIAL 6203 LLU	1	
	94520	94520-40000	CIR CLIP IN 40	CIR CLIP IN 40	1	
	95801-08032	95801-08032-08	BOLT FLANGE 8*32(C)	BOLT FLANGE 8*32(C)	1	
	95801-08042	95801-08042-08	BOLT	BOLT	1	
	95801-08050	95801-08050-08	BOLT FLANGE 8*75 (K)	BOLT FLANGE 8*75 (K)	1	
	95801-10040	95801-10040-08G	BOLT FLANGE 10*40	BOLT FLANGE	1	

F17

Front Winker

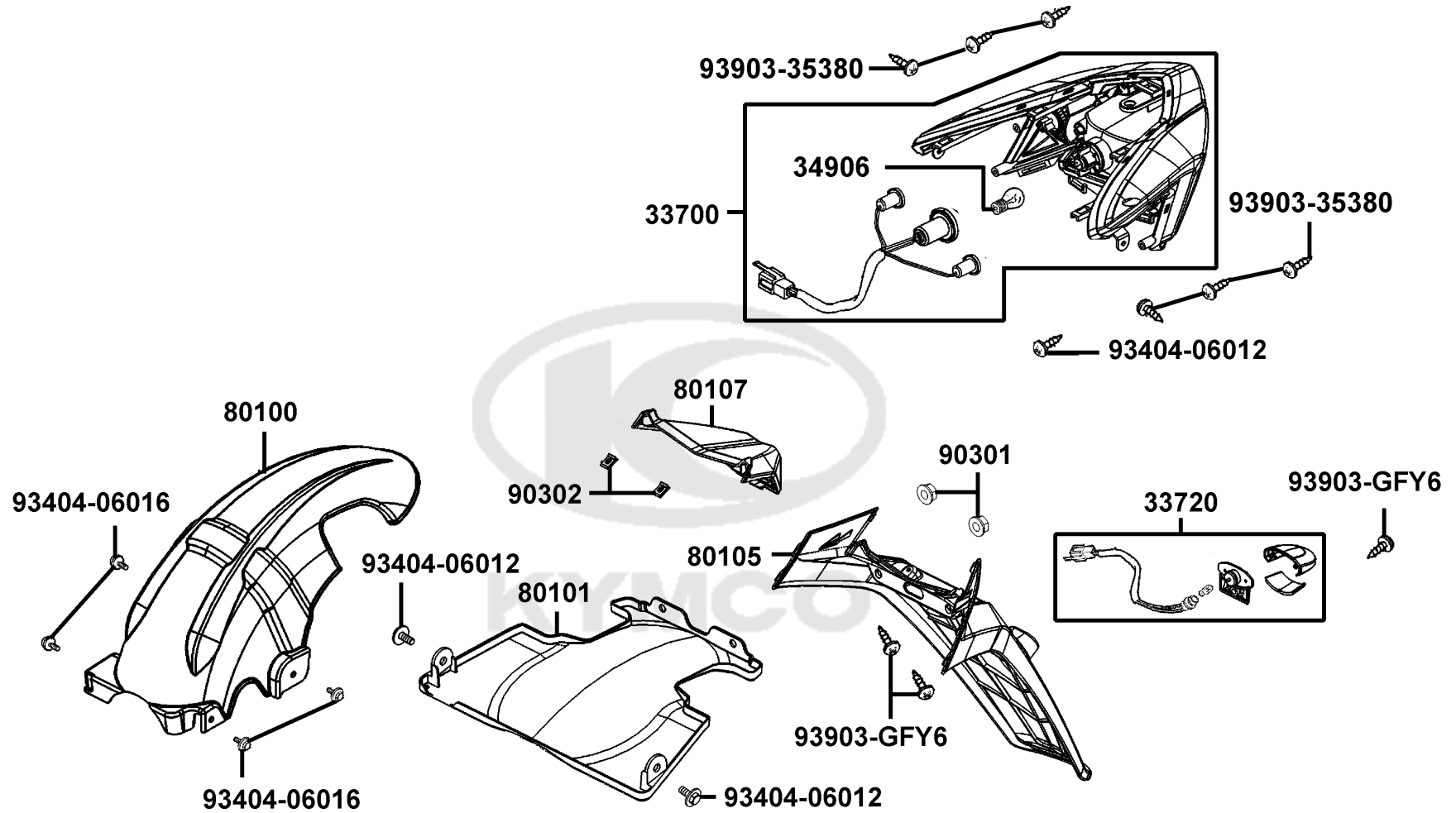


Sales mark	Ref no	Part no	Description	Reg description	Regd no	F17
	33400	33400-ALD9-BA0	WINKER ASSY RH/FR	WINKER ASSY RH/FR	1	
	33403	33403-ALD9-305	WINKER COMP	LENS ASSY R FR WINKER	1	
	33406	33406-ALD9-BA0	SOCKET COMP R RR WINKER	WIRE ASSY R WINKER	1	
	33450	33450-ALD9-BA0	WINKER ASSY LH/FR	WINKER ASSY LH/FR	1	
	33453	33453-ALD9-305	WINKER COMP	LENS ASSY L FR WINKER	1	
	33456	33456-ALD9-BA0	SOCKET COMP L FR WINKER	WIRE ASSY L WINKER	1	
	33500	33500-ALD9-E10	LIGHT ASSY FR POSITION	LIGHT ASSY FR POSITION	1	
	34905	34905-ALD9-BA0	WINKER BULB 12V 10W	BULB WINKER	2	
	93903-25280	93903-25280	SCREW TAPPING 5*12 (G)	SCREW TAPPING 5*12 (G)	2	
	93903-34380	93903-34380	SCREW TAPPING 4*12	SCREW TAPPING 4*12 (K)	6	



F18

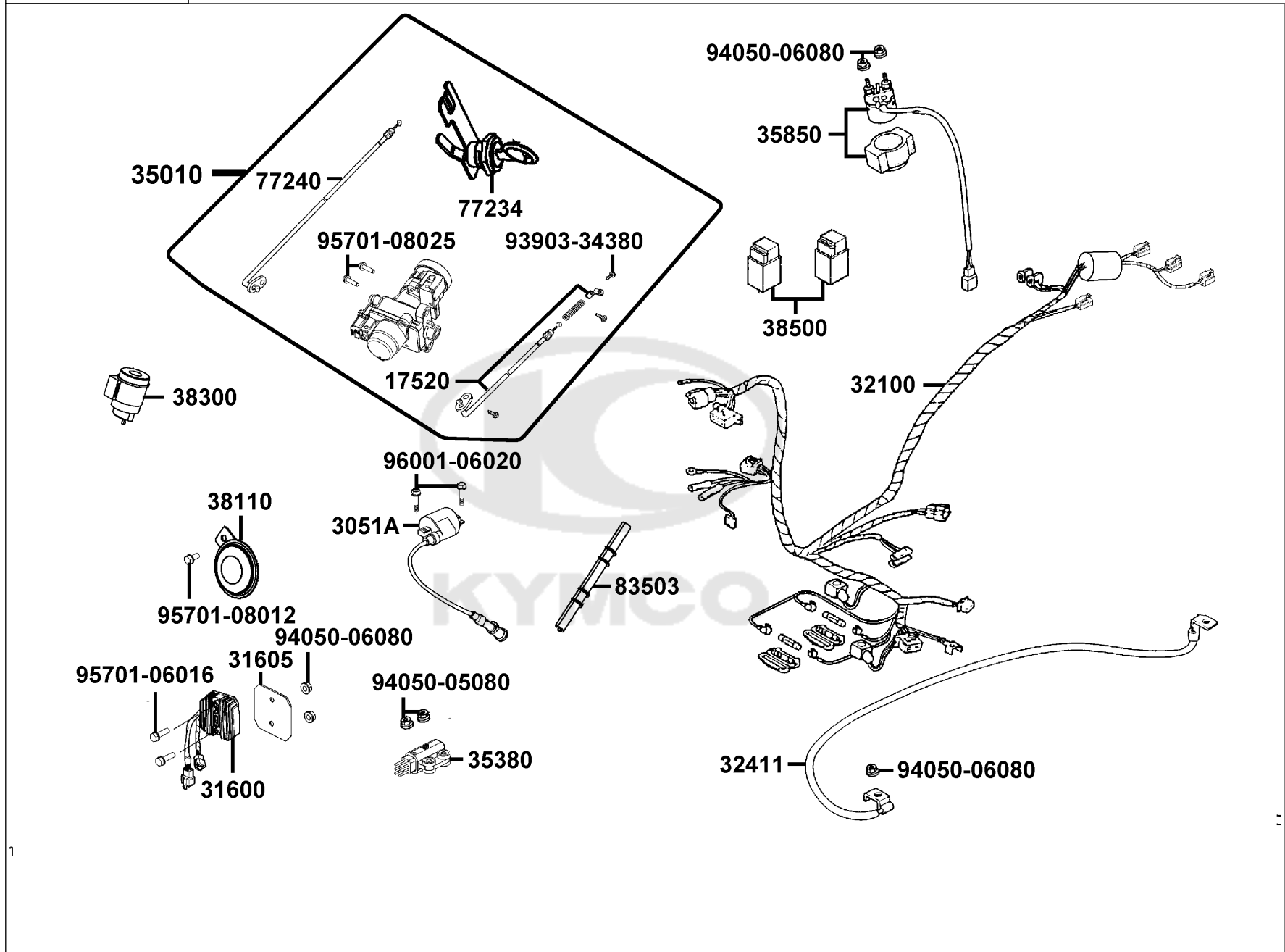
Tail Light



Sales mark	Ref no	Part no	Description	Reg description	Regd no	F18
	33700	33700-ALD9-E10	LIGHT ASSY RR COMB	LIGHT ASSY RR COMB	1	
	33720	33720-ALD9-E10	LIGHT ASSY.	LIGHT ASSY.	1	
	34906	34906-KPCP-900	BULB TAIL & STOP	BULB TAIL & STOP	1	
	80100	80100-ALD9-BA0	FENDER	FENDER	1	
**	80101	80101-ALD9-E10	FENDER	FENDER	1	
**	80105	80105-ALD9-E10	FENDER	FENDER	1	
**	80107	80107-ALD9-E10	COVER	COVER	1	
#	90301	90301-6D34-C01	NUT FLANGE 6MM(C)	NUT FLANGE 6MM(C)	2	
#	90302	90302-SDA4-C01	"NUT,SPPING 4MM"	"NUT,SPPING 4MM"	2	
	93404-06012	93404-06012-07	BOLT WASH 6*12	BOLT WASH 6*12	3	
	93404-06016	93404-06016-02	BOLT WASHER 6*16 (Cr)	BOLT WASHER 6*16 (Cr)	4	
	93903-35380	93903-35380	SCREW TAPPING 5*16 (K)	SCREW TAPPING 5*16 (K)	6	
	93903-GFY6	93903-GFY6-C01	SCREW TAPPING 4*14(K)	"SCREW,TAPPING4*14"	7	

F19

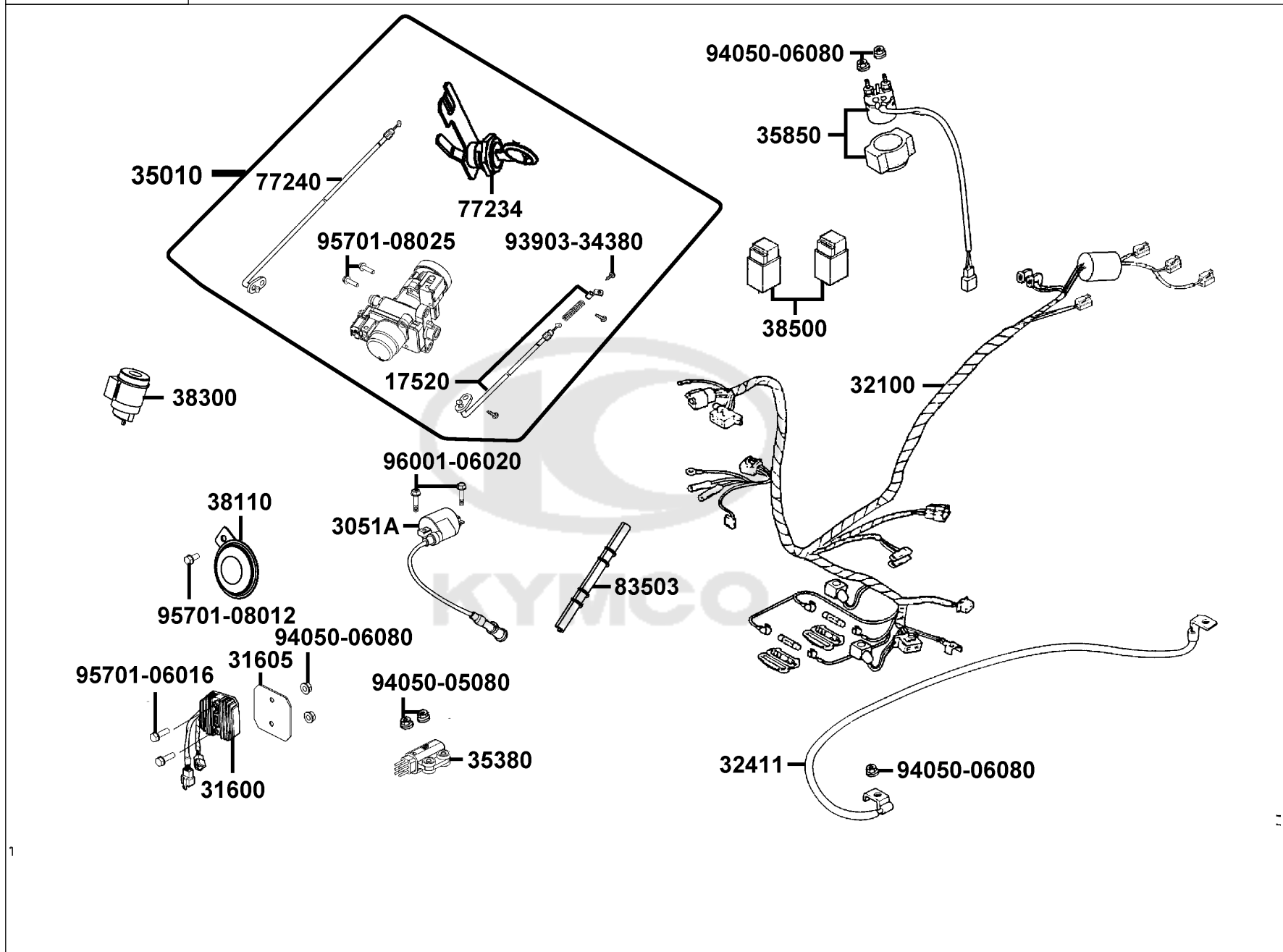
Wire Harness



Sales mark	Ref no	Part no	Description	Reg description	Regd no	F19
	17520	17520-ALD9-E10	CABLE COMP FUEL CAP	CABLE COMP FUEL CAP	1	
	3051A	3051A-ALD9-BA0	COIL ASSY IGN	COIL ASSY IGN	1	
	31600	31600-LEA5-E00	REG REC COMP	REG REC COMP	1	
	31605	31605-ALD9-E10	STAY REG REC COMP	STAY REG REC COMP	1	
	32100	32100-ALD9-E10	HARNES WIRE	HARNES WIRE	1	
	32411	32411-ALD9-E10	CABLE BAT	CABLE BAT	1	
	35010	35010-ALD9-E11	KEY SET	KEY SET	1	
#	35380	35380-ABE1-C00	SENSOR ANGLE	SENSOR ANGLE	1	
	35850	35850-ALD9-BA0	SW ASSY START MAG	SW ASSY START MAG	1	
	38110	38110-LEF1-C10	HORN COMP	HORN COMP	1	
	38300	38300-LFC8-C10	RELAY ASSY WINKER	RELAY ASSY WINKER	1	
	38500	38500-ALD9-BA0	RELAY ASSY LIGHT (12V)	RELAY ASSY LIGHT (12V)	1	
	77234	77234-LFC4-E10	LOCK ASSY RR BOX	LOCK ASSY RR BOX	1	
	77240	77240-ALD9-E10	CABLE COMP SEAT LOCK	CABLE COMP SEAT LOCK	1	
**	83503	83503-KHD6-C00	COVER PROTR SEAT WIRE	COVER PROTR SEAT WIRE	1	
	93903	93903-34380	SCREW TAPPING 4*12	SCREW TAPPING 4*12 (K)	3	
	94050-05080	94050-05080	NUT FLANGE 5MM	NUT FLANGE 5MM	2	
	94050-06080	94050-06080	NUT FLANGE 6MM	NUT FLANGE 6MM	5	
	95701-06016	95701-06016-08	BOLT FLANGE 6*16 (C)	BOLT FLANGE 6*16	2	
	95701-08012	95701-08012-08G	BOLT FLANGE 8X12(C)	BOLT FLANGE 8X12(C)	1	

F19

Wire Harness



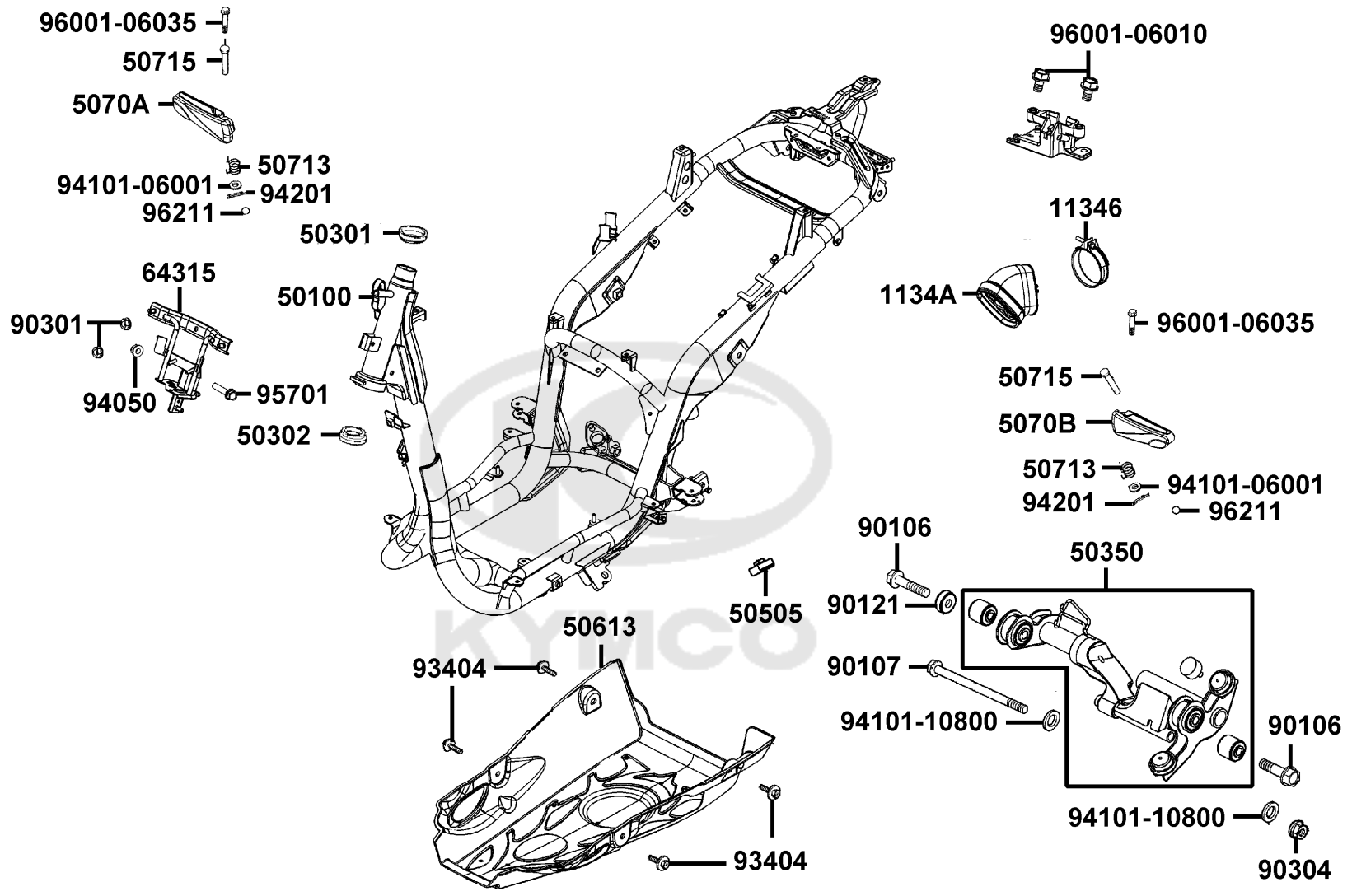
Sales mark	Ref no	Part no	Description	Reg description	Regd no	F19
------------	--------	---------	-------------	-----------------	---------	------------

	95701-08025	95701-08025-08	BOLT FLANGE 8*25	BOLT FLANGE 8*25	4	
	96001-06020	96001-06020-08	BOLT FLANGE SH 6*20 (C)	BOLT FLANGE SH 6*20	2	



F20

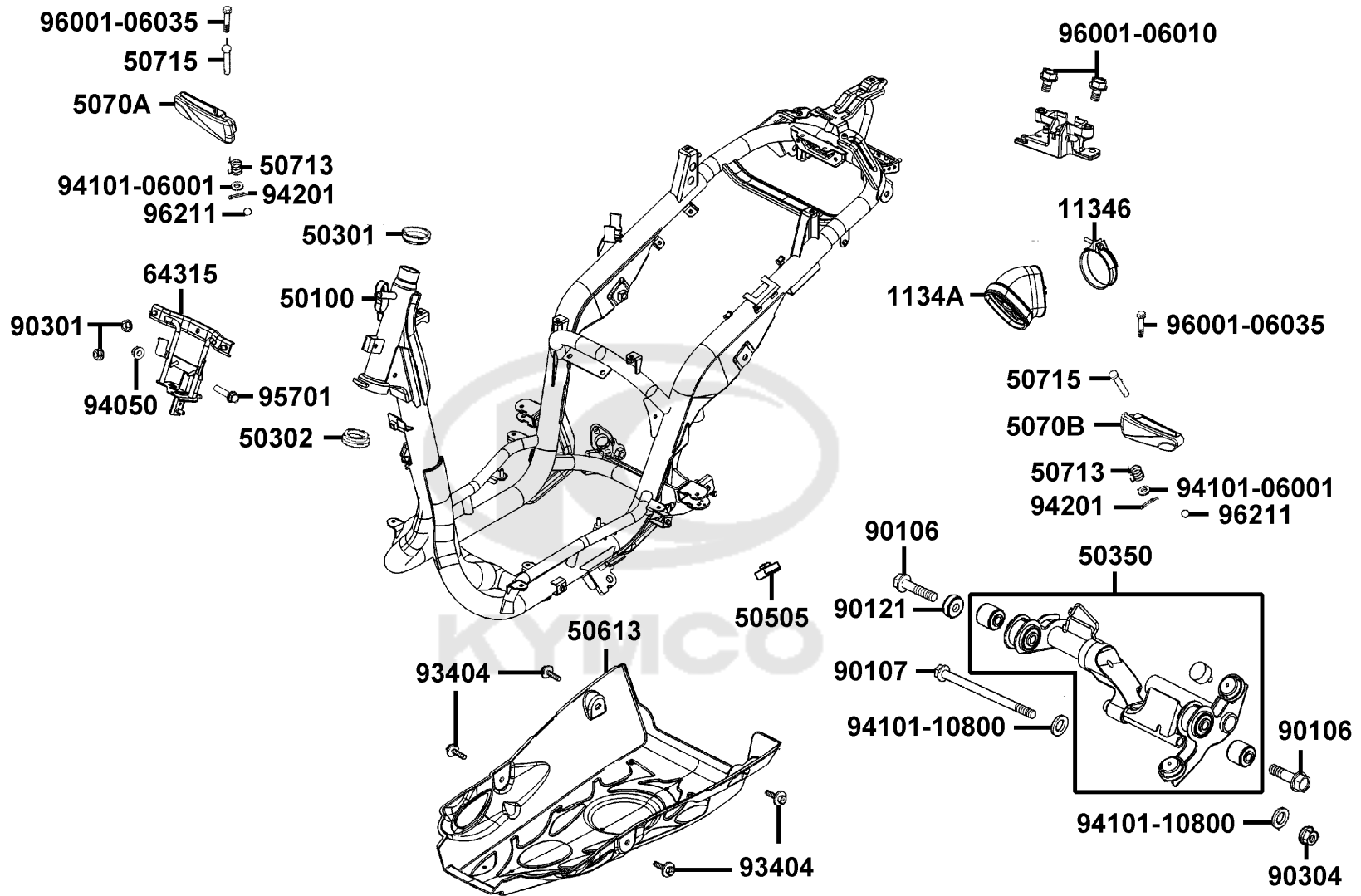
Frame Body



Sales mark	Ref no	Part no	Description	Reg description	Regd no	F20
	11346	11346-ALD9-E10	BAND L COVER DUCT	BAND L COVER DUCT	1	
	1134A	1134A-ALD9-E10	DUCT ASSY L COVER	DUCT ASSY L COVER	1	
	50100	50100-ALD9-E10	BODY COMP. FRAME	BODY COMP. FRAME	1	
	50301	50301-GLM0-C00	RACE UPPER STRG BALL	RACE UPPER STRG BALL	1	
	50302	50302-2H68-C00	RACE (STRG BOT) BALL	RACE (STRG BOT) BALL	1	
	50350	50350-LFC3-B40	ENG HANGER COMP	ENG HANGER COMP	1	
	50505	50505-KEBE-900	STOPPER RUBBER	STOPPER RUBBER	1	
	50613	50613-ALD9-BA0	COVER	COVER	1	
	50713	50713-KEB7-C00	SPRING	SPRING	1	
	50715	50715-LKL5-E30	PIN RR STEP 6*31.5	PIN RR STEP 6*31.5	2	
	64315	64315-ALD9-E10	STAY	STAY	1	
	90106	90106-LGB6-E10	"BOLT,FLANGE,10x55"	"BOLT,FLANGE,10x55"	2	
	90107	90107-KUDU-900	BOLT FLANGE 10*188	BOLT FLANGE 10*188	1	
	90121	90121-GFY6-C00	COLLAR DISTANCE	COLLAR DISTANCE	1	
#	90301	90301-6D34-C01	NUT FLANGE 6MM(C)	NUT FLANGE 6MM(C)	2	
	90304	90304-GHE8-C00	NUT U 10MM (C)	NUT U 10MM (C)	1	
	93404	93404-06012-07	BOLT WASH 6*12	BOLT WASH 6*12	4	
	94050	94050-06080	NUT FLANGE 6MM	NUT FLANGE 6MM	1	
	94101-06001	94101-06001	WASHER PLAIN 6MM (B)	WASHER PLAIN 6MM (B)	2	
	94101-10800	94101-10800	WASHER PLAIN 10*22*1.6	WASHER PLAIN 10*22*1.6	2	

F20

Frame Body



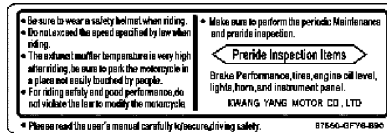
Sales mark	Ref no	Part no	Description	Reg description	Regd no	F20
------------	--------	---------	-------------	-----------------	---------	------------

94201		94201-16150	PIN SPLIT 1.6*15	PIN SPLIT 1.6*15	2	
95701		95701-06032-08	BOLT FLANGE 6*32(C)	BOLT FLANGE 6*32	1	
96001-06010		96001-06010-08	BOLT FLANGE SH 6*10	BOLT FLANGE SH 6*10	2	
96001-06035		96001-06035-08	BOLT FLANGE SH 6X35	BOLT FLANGE SH 6X35	2	
96211		96211-08000	BALL STEEL #8	BALL STEEL #8	2	

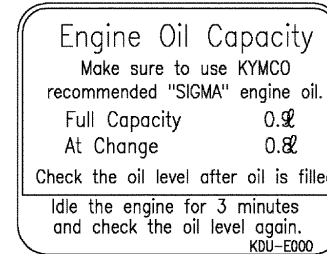




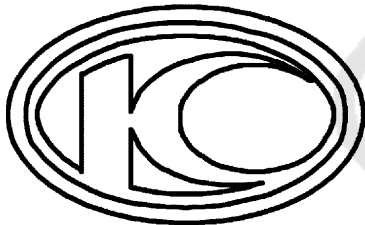
87541-GAR1



87560



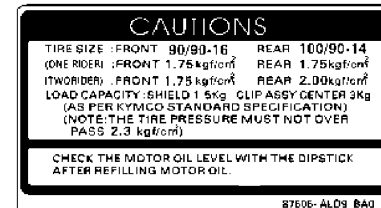
87541-KUDU



86102



87542



87505



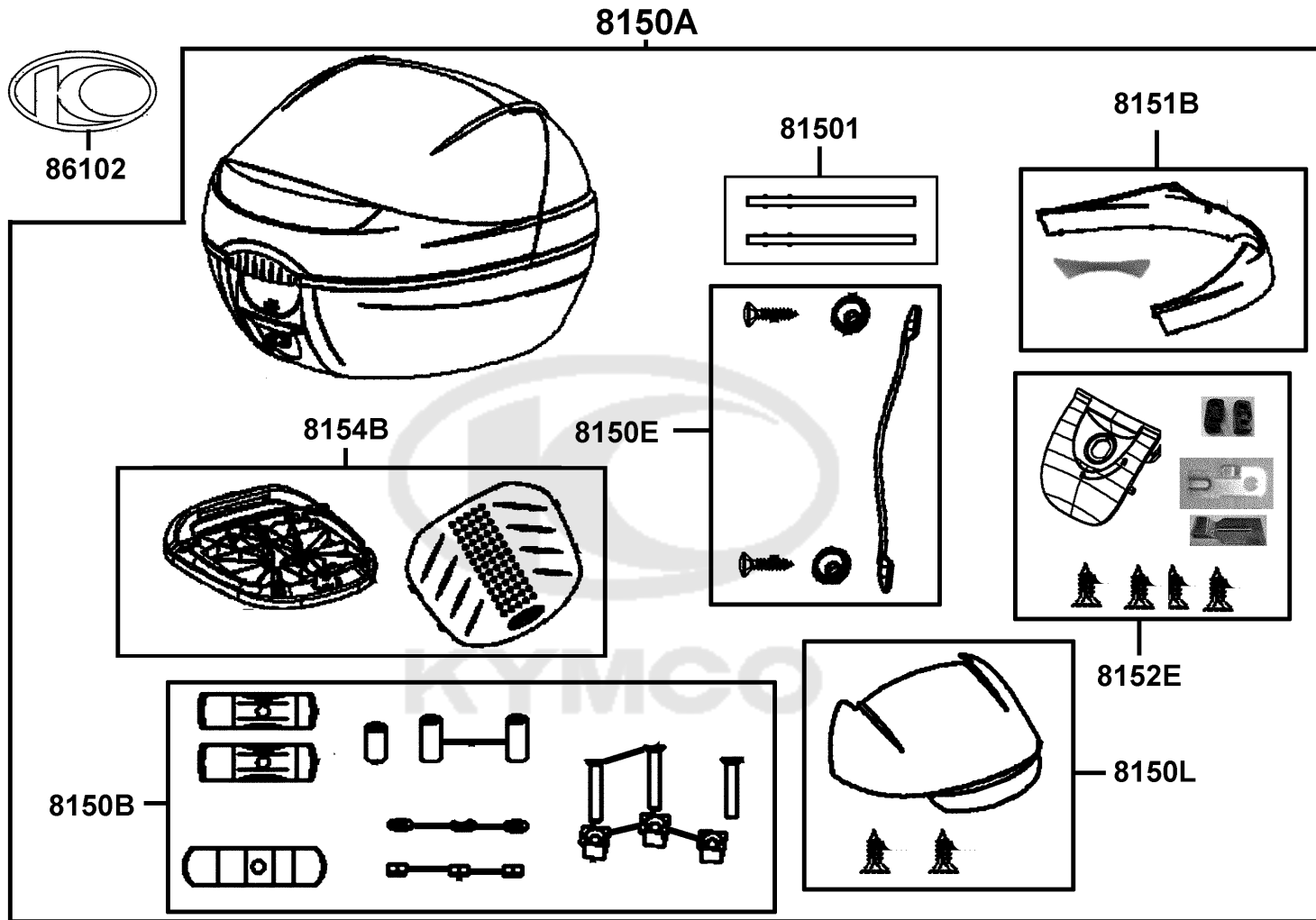
87140



86202

Sales mark	Ref no	Part no	Description	Reg description	Regd no	F21
**	86102	86102-ALG1-E00	EMB K-LOGO	EMB K-LOGO	1	
**	86202	86202-ALD9-E10	EMB BODY COVER	EMB BODY COVER	2	
**	87140	87140-ALD9-E10	EMB MARK 125	EMB MARK 125	2	
**	87505	87505-ALD9-E10	LABEL TIRE	LABEL TIRE	1	
**	87541-GAR1	87541-GAR1-C01	CAUTION SIDE STAND	CAUTION SIDE STAND	1	
**	87541-KUDU	87541-KUDU-E00	LABEL OIL CAP	LABEL OIL CAP	1	
# **	87542	87542-GAR1-C01	MARK MAINT CAUTION R	MARK MAINT CAUTION R	1	
**	87560	87560-GFY6-E11	MARK DRIVE CAUTION	MARK DRIVE CAUTION	1	





Sales mark	Ref no	Part no	Description	Reg description	Regd no	F22
	81501	81501-LFC4-E10	AXIS HINGE SH29 ? 3x58.5	AXIS HINGE SH29	1	
**	8150A	8150A-ALD9-E13	RR BOX	RR BOX	1	
	8150B	8150B-AAD2-C00	SCREW BAG KY33 3 KYMCO	SCREW BAG KY33 3 KYMCO	1	
	8150E	8150E-LFC4-E10	INTERIOR STRIP	INTERIOR STRIP	1	
**	8150L	8150L-LFC4-E10	COVER RR BOX SH33 2016	COVER RR BOX SH33 2016	1	
	8151B	8151B-LFC4-E10	SPARE PART REFLECTOR WHITE SH33	COVER REAR BOX UP	1	
	8152E	8152E-LFC4-E10	HOOK KY33 KYMCO	HOOK KY33 KYMCO	1	
	8154B	8154B-AAD2-C00	SET CASE SUPPORT	SET CASE SUPPORT LOGO KYMCO	1	
**	86102	86102-ALJ8-E00	EMB MARK K-LOGO	EMB MARK K-LOGO	1	



PART NO. INDEX

PART NO.	VERSION	PAGE	PART NO.	VERSION	PAGE	PART NO.	VERSION	PAGE
11000			12000			14450-GFY6-W10	1	E02
11100-KUDU-C00	6	E01	12100-GFY6-C00	6	E03	14452-GFY6-W10	1	E02
11102-1G87-C00	3	E01	12191-GFY6-E90	1	E03	14510-KUDU-C0B	0	E03
11192-KUDU-E90	1	E01	12200-KKE3-900	1	E02	14520-GFY6-C00	1	E03
11200-ALD9-E10	1	E01	12209-GDB4-68A	2	E02	14523-GFY6-E90	1	E03
11203-GGC7-W10	2	E01	12211-KUDU-W10	4	E02	1453A-GFY6-W10	1	E03
11203-GGC7-W10	2	F16	12251-GFY6-C00	1	E02	14610-KUDU-C0B	0	E03
11206-LGR5-E10	1	E06	1231A-ALL1-C00	0	E02	14711-KUDU-C00	1	E02
11207-KKE3-C00	6	E04	12361-GFY6-C00	5	E04	14721-KUDU-C00	1	E02
1120B-KUDU-C00	1	E08	12391-GFY6-C00	5	E02	14751-LFD7-C00	1	E02
1121A-LGS6-E10	0	F13	13000			14761-KKJ9-C00	2	E02
1122A-ALD9-E10	0	E08	13000-KUDU-C00	9	E03	14771-GDB4-C00	2	E02
11331-ALD9-E10	4	E04	13011-GFY6-C00	1	E03	14775-MFA6-C00	5	E02
11341-ALD9-E10	0	E01	13101-KUDU-C00	1	E03	14781-MFA6-C00	4	E02
11341-ALD9-E10	1	E01	13111-3D84-C00	1	E03	15000		
11344-ALD9-E10	0	E01	13407-LKC6-C00	1	E02	15100-KUDU-W10	1	E06
11346-ALD9-E10	0	F20	14000			15133-GFY6-W10	1	E06
1134A-ALD9-E10	1	F20	14100-LGS6-E10	1	E02	15141-GFY6-C00	1	E06
11382-KUDU-W10	1	E01	14401-KUDU-C00	1	E03	15421-1G07-C00	1	E04
11383-KHE7-900	0	F06	14431-KUDU-W10	4	E02	15426-GAE1-C00	1	E04
11383-LEA1-C00	0	E01				15651-KUDU-W10	5	E04
11394-KUDU-E90	1	E04				15711-KUDU-C00	1	E06
11395-ALD9-E90	1	E01						

PART NO. INDEX

PART NO.	VERSION	PAGE	PART NO.	VERSION	PAGE	PART NO.	VERSION	PAGE
16000			1721A-ALD9-E10	0	F13	19000		
16056-LEB2-C00	0	E09	1723B-ALD9-E10	0	F13	19411-KBCB-900	1	F10
16068-LEB2-C00	0	E09	1723C-LEJ3-E10	0	F13	19504-LBA2-C00	1	F10
16074-KEC3-C00	3	E09	17257-ALD9-E10	0	F13	19510-GFY6-C00	1	E07
16100-ALD9-E10	0	E09	1737A-KUDU-C00	0	F13	19610-ALD9-BA0	0	E07
16110-KEC3-900	1	E09	17500-ALD9-E10	0	F10	19625-KUDU-C00	1	E02
16112-KKE3-C00	0	E09	17509-ALD9-E10	0	F10	19626-KUDU-900	0	E07
16112-LEB2-C00	0	E09	17510-ALD9-E10	0	F10	1962A-ALD9-BA0	0	E07
16118-KEC3-C00	0	E09	1751A-ALD9-E10	0	F10	19633-GFY6-C00	0	E07
16122-KEC3-C00	0	E09	17520-ALD9-E10	1	F19	19636-KUDU-C10	0	E07
16133-KEC3-C00	0	E09	17550-ALD9-BA1	1	F10	1963A-ALD9-E10	0	E07
16134-KKE3-C00	0	E09	1755A-ALD9-E10	0	F05			
16138-KGC5-C00	0	E09	1756A-ALD9-E10	0	F10	21000		
16154-KKE3-C00	0	E09	17620-GGS7-C00	0	F10	21200-ALD9-E10	1	E08
16170-KEC3-C00	0	E09	17910-ALD9-E10	0	F03	21204-ALD9-E10	1	E08
16201-LAB4-E90	1	E02	18000			21395-ALD9-E90	1	E08
16211-LAB4-C00	1	E02	18291-ALD9-E10	0	F14			
16771-GKAK-220	0	E09	18291-GGA7-C01	1	F14	22000		
17000			18294-PUA3-B50	1	F14	22101-LCD3-C00	3	E05
1711A-LGL3-C10	0	E02	1830A-ALD9-E10	0	F14	22102-KUDU-E80	1	E05
17200-ALD9-E10	0	F13	18317-ALD9-E10	0	F14	22105-GFY6-C10	1	E05
17212-ALD9-E10	0	F13	18318-ALD9-E10	0	F14	22110-KUDU-E80	0	E05
			18362-LGR5-E10	1	F13			

PART NO. INDEX

PART NO.	VERSION	PAGE	PART NO.	VERSION	PAGE	PART NO.	VERSION	PAGE
22121-KKD7-315	0	E05	28102-GFY6-C00	1	E06	32106-KKE3-900	2	E06
22131-GFY6-C00	3	E05	28110-GFY6-C10	1	E06	32411-ALD9-E10	0	F19
22300-KEC6-C00	0	E05	28120-GFY6-C10	1	E06	32412-ALD9-E10	0	E04
22350-GFY6-C00	1	E05	28125-4F26-C00	1	E06	32961-KUDU-C00	5	E04
22401-GFY6-C0A	0	E05	28125-GFY6-C10	3	E06			
22530-GFY6-C00	1	E05	28126-GFY6-C10	1	E06	33000		
23000			2812A-GFY6-C10	2	E06			
			28211-LGK2-C00	5	E05	33100-ALD9-BA0	1	F01
2301A-KEC6-C00	1	E05	30000			33400-ALD9-BA0	1	F17
23100-KEC4-C0E	0	E05				33403-ALD9-305	0	F17
23200-GFY6-C00	3	E05	3051A-ALD9-BA0	1	F19	33406-ALD9-BA0	0	F17
23220-KFBF-C00	1	E05	31000			33450-ALD9-BA0	1	F17
23225-GHC8-C00	1	E05				33453-ALD9-305	0	F17
23226-GHC8-C00	1	E05				33456-ALD9-BA0	0	F17
23233-GCW3-C00	1	E05	31100-ALD9-E10	0	E07	33500-ALD9-E10	0	F17
23237-GFY6-C00	1	E05	31110-KKE3-C00	3	E07	33600-ALD9-E10	0	F12
23238-GFY6-C00	1	E05	31120-ALD9-E10	0	E07	33650-ALD9-E10	0	F12
23411-KEC4-C00	1	E08	31200-LDF7-E10	4	E06	33700-ALD9-E10	0	F18
23420-KEC4-C00	1	E08	31500-GFY6-C00	1	F11	33720-ALD9-E10	1	F18
23432-KEC4-C00	1	E08	31600-LEA5-E00	2	F19	34000		
2343A-KKD5-C00	0	E08	31605-ALD9-E10	0	F19			
28000			32000			34901-ALD9-BA0	0	F01
						34905-ALD9-BA0	0	F17
28101-GFY6-C00	1	E06	32100-ALD9-E10	2	F19	34906-KPCP-900	0	F18
						34908-KAM1-BA0	0	F02

PART NO. INDEX

PART NO.	VERSION	PAGE	PART NO.	VERSION	PAGE	PART NO.	VERSION	PAGE
34908-LAB4-BA0	0	F02						
35000			38000			43000		
			38110-LEF1-C10	0	F19	4312A-LFB5-800	1	F08
35010-ALD9-E11	0	F19	38300-LFC8-C10	2	F19	4314A-ALD9-BA0	1	F08
35150-GFY6-C00	5	F03	38500-ALD9-BA0	1	F19	43151-LEB1-900	0	F08
35160-GFY6-C00	5	F03				43410-ALD9-E10	1	F08
35170-ALD9-E10	1	F03	39000			43416-KUDU-C00	1	F08
35180-GFY6-C00	2	F03				43450-ALD9-E10	0	F03
35200-GFY6-C00	5	F03	3920A-ALD9-E10	0	E09			
35340-KFLF-C00	2	F03	39300-LEA6-800	0	E02	44000		
35340-KNBN-901	1	F04	39301-LGM9-900	0	E02			
35380-ABE1-C00	0	F19	39302-KKE3-C00	1	E02	44301-LFE2-C01	0	F07
35850-ALD9-BA0	0	F19	39303-LEB2-C00	1	E02	44311-KHB4-C00	0	F07
			39304-ALD9-E10	0	E02	44601-ALD9-E10	0	F07
37000			39400-LHJ3-900	1	E02	44620-KFLF-C00	1	F07
			39450-LEA6-800	2	F14	44680-4L10-C00	1	F07
37119-ALD9-BA0	0	F02				44710-ALD9-E10	0	F07
37200-ALD9-E10	0	F02	42000			44800-KEC8-900	2	F07
37203-ALD9-BA0	0	F02				44830-ALD9-E10	0	F02
37220-ALD9-BA0	0	F02	42311-KKD5-C10	1	F16			
37224-ALD9-E10	0	F02	42312-KHB4-C00	1	F16	45000		
37802-GGA7-C00	1	F10	42601-ALD9-E10	0	F08			
3780A-ALD9-E10	0	F10	42710-ALD9-E10	0	F08	45105-ALD9-305	0	F04
			42753-0A01-C00	1	F07	45121-ALD9-E10	0	F07
			42753-0A01-C00	1	F08	45126-ALD9-E10	0	F04

PART NO. INDEX

PART NO.	VERSION	PAGE	PART NO.	VERSION	PAGE	PART NO.	VERSION	PAGE	
45156-ALD9-E10	0	F06	50505-KEBE-900	0	F20	53000			
45200-ALD9-E10	0	F04	50505-LEA7-E00	1	F15				
45451-4A71-C00	1	F06	50506-KHE7-E00	0	F15				
45500-ALD9-E10	0	F04	5050A-ALD9-E10	0	F15		53100-ALD9-E10	1	F03
45513-LFE2-900	0	F04	50530-ALD9-E10	1	F15		53105-LGR5-E10	1	F03
45517-GFY6-900	5	F03	50550-KEB7-C00	1	F15		53105-LGR5-E10	2	F03
45517-KFAF-910	1	F04	50613-ALD9-BA0	0	F20		53125-GEN5-C00	1	F03
45521-KCCC-900	0	F04	5070A-ALD9-E10	0	F20		53140-ALD9-E10	1	F03
46000			5070B-ALD9-E10	0	F20		53166-ALD9-E10	1	F03
			50713-KEB7-C00	0	F20		53167-KFA1-C00	1	F03
			50715-LKL5-E30	0	F20	53168-KFA1-C00	1	F03	
						53172-ALD9-E10	1	F03	
46514-ALK3-E10	0	F03	51000			53175-LFG3-E10	0	F04	
46514-ALK3-E10	0	F08				53178-AAD3-C00	0	F03	
50000				51400-ALD9-E10	0	F06	5317B-ALD9-E10	1	F03
				51408-ALD9-E10	1	F06	53200-ALD9-E10	0	F06
				51409-ALD9-E10	1	F06	53205-ALD9-BA0	0	F03
50100-ALD9-E10	0	F20		51500-ALD9-E10	0	F06	53206-ALD9-BA0	0	F03
50179-ALD9-E10	1	F10		52000			53207-ALD9-BA0	0	F03
50301-GLM0-C00	1	F20					53208-ALD9-BA0	0	F03
50302-2H68-C00	2	F20					53209-ALD9-BA0	0	F03
50306-1F96-C00	1	F06					53211-GFY6-C00	1	F06
50326-ALD9-BA0	0	F12	52000-ALD9-BA0		0	F16	53212-2L50-C00	1	F06
5032A-ALD9-BA0	0	F11	52101-ALD9-E10		0	F16	53214-2L50-C00	5	F06
50350-LFC3-B40	1	F20	52400-ALD9-E10		0	F16	53215-2L50-C00	1	F06
50502-LDF7-C00	1	F15							
50504-LGR5-C00	0	E01							

PART NO. INDEX

PART NO.	VERSION	PAGE	PART NO.	VERSION	PAGE	PART NO.	VERSION	PAGE
			77234-LFC4-E10	0	F19	81201-ALD9-BA0	0	F12
			77240-ALD9-E10	0	F19	81250-ALD9-BA0	0	F12
						81501-LFC4-E10	0	F22
61000			80000			8150A-ALD9-E13	0	F22
61100-ALD9-BA0	0	F06				8150B-AAD2-C00	0	F22
61110-ALD9-BA0	0	F05				8150E-LFC4-E10	0	F22
			80100-ALD9-BA0	0	F18	8150L-LFC4-E10	0	F22
64000			80101-ALD9-E10	0	F18	8151B-LFC4-E10	0	F22
			80104-ALD9-E10	0	F12	8152E-LFC4-E10	0	F22
64201-ALD9-BA0	0	F05	80105-ALD9-E10	0	F18	8154B-AAD2-C00	0	F22
64202-ALD9-BA0	0	F05	80107-ALD9-E10	0	F18			
64206-MLJ0-C00	1	F12	80151-ALD9-BA0	0	F12	83000		
64301-ALD9-BA0	0	F05						
64302-ALD9-BA0	0	F05	81000			83500-ALD9-BA0	0	F12
64305-ALD9-BA0	0	F05				83501-ALD9-E10	0	F12
64306-ALD9-BA0	0	F05	81131-ALD9-BA0	0	F05	83503-KHD6-C00	0	F19
64307-ALD9-BA0	0	F05	81132-ALD9-BA0	0	F05	83510-ALD9-BA0	0	F12
64308-ALD9-BA0	0	F05	81132-LDC8-E10	1	F05	83551-ALD9-E10	0	F12
64310-ALD9-BA0	0	F05	81133-ALD9-BA0	0	F05	83600-ALD9-BA0	0	F12
64315-ALD9-E10	1	F20	81134-ALD9-BA0	0	F05	83601-ALD9-E10	0	F12
64320-ALD9-BA0	0	F05	81135-ALD9-BA0	0	F05	83605-ALD9-BA0	2	F12
			81136-ALD9-E10	0	F05	83610-ALD9-BA0	0	F12
77000			81137-ALD9-E10	0	F05	83750-ALD9-BA0	0	F12
			81141-ALD9-BA0	0	F05	8376A-KECE-C00	2	F12
77106-KKE5-E00	0	F12	81142-ALD9-BA0	0	F05			
77107-KKE5-E00	0	F12	8114A-ALD9-E10	1	F05			
77200-ALD9-E10	0	F09	81200-ALD9-BA0	0	F12			

PART NO. INDEX

PART NO.	VERSION	PAGE	PART NO.	VERSION	PAGE	PART NO.	VERSION	PAGE	
86000			90005-KAW1-C11	1	E03	90302-GFY6-C00	2	F05	
			90012-3C33-C00	1	E02	90302-GFY6-C00	2	F06	
			90021-GFY6-C11	0	F14	90302-GFY6-C10	1	F10	
	86102-ALG1-E00	2	F21	90031-KUDU-C01	0	E01	90302-SAD4-C00	0	F11
	86102-ALJ8-E00	0	F22	90032-KUDU-C00	5	E01	90302-SDA4-C01	0	F03
	86202-ALD9-E10	0	F21	90033-GFY6-C00	2	E02	90302-SDA4-C01	0	F05
				90105-KCR3-001	3	F07	90302-SDA4-C01	0	F12
				90106-GEN5-901	1	F03	90302-SDA4-C01	0	F18
				90106-KFC2-900	2	F03	90304-GHE8-C00	1	F03
	87140-ALD9-E10	0	F21	90106-KFC2-900	2	F12	90304-GHE8-C00	1	F20
87505-ALD9-E10	0	F21	90106-LGB6-E10	1	F20	90305-GHK8-C00	2	E07	
87541-GAR1-C01	1	F21	90107-KUDU-900	5	F20	90305-KFW6-C00	1	F08	
87541-KUDU-E00	1	F21	90110-GLW0-C00	0	F05	90306-LFE2-C00	1	F07	
87542-GAR1-C01	2	F21	90110-KHD8-900	0	F14	90309-KLF0-C00	1	E08	
87560-GFY6-E11	3	F21	90111-1G87-C01	1	F11	90403-KUDU-900	1	E06	
88000			90114-KKAK-900	0	F04	90426-KNBN-C01	1	E05	
			90115-GLE0-C00	6	F03	90440-1F66-C00	1	E07	
			90121-GFY6-C00	1	F20	90441-GFY6-C00	1	E05	
	88110-ALD9-E10	0	F03	90122-ALD9-E10	0	F04	90465-MDC4-C00	1	E02
	88120-ALD9-E10	0	F03	90145-MKS9-61A	1	F04	90474-3C33-C00	1	E01
				90201-GFY6-901	1	E06	9052A-GFY6-C00	5	E01
				90202-1G87-C00	1	E05	90545-3L00-C00	2	F04
				90206-0A01-C00	2	E02	90601-GFY6-901	0	E05
	90001-GBHB-C05	0	E03	90301-6D34-C01	1	F18	90652-GFY6-C00	1	F13
	90001-GFY6-C00	4	E06	90301-6D34-C01	1	F20	90652-LFB5-900	3	F05
90001-LGR5-BA0	1	E01	90301-GFY6-C01	0	F14	90652-LGJ9-900	2	E02	

PART NO. INDEX

PART NO.	VERSION	PAGE	PART NO.	VERSION	PAGE	PART NO.	VERSION	PAGE
90701-GFY6-901	6	E06				93903-34380	6	F19
			92000			93903-35280-G	1	F10
						93903-35320	4	F01
			92101-05012-0H	2	E07	93903-35360	0	F02
			92900-06060-0B	2	E02	93903-35380	2	F06
						93903-35380	2	F18
			93000			93903-GFY6-C01	1	F05
91001-GFY6-C00	0	E05				93903-GFY6-C01	1	F12
91002-GGA7-C00	0	E05				93903-GFY6-C01	1	F18
91003-KDS4-C00	1	E08						
91009-GLE0-C00	1	E08						
91014-LLJ3-C00	1	F06	93404-06012-07	5	F12			
91015-LLJ3-C00	1	F06	93404-06012-07	5	F18			
91051-KFBF-C00	1	F16	93404-06012-07	5	F20	94000		
91101-1K79-C00	1	E06	93404-06016-02	1	F18			
91104-GFY6-C00	1	E06	93404-06016-07	1	F05	94001-05080-0S	0	F03
91201-GFY6-C00	1	E01	93500-05022-0G	2	F03	94001-12280-0SG	1	E05
91202-GFY6-90C	1	E04	93700-05018-0H	1	F02	94050-05080	6	F01
91202-KKJ9-C00	5	E01	93892-04010-08	0	E09	94050-05080	6	F19
91211-KEBE-C00	1	E05	93892-05010-08	0	E09	94050-06000	0	F04
91252-0L30-C00	0	F07	93893-04012-18	0	F04	94050-06070-G	0	F06
91255-LDC8-E10	5	E08	93903-14380	0	F11	94050-06080	2	E02
91258-4L10-007	1	F07	93903-25220	2	F12	94050-06080	2	E06
91302-0A01-C00	10	E04	93903-25280	0	F17	94050-06080	2	E09
91302-LEB2-C00	0	E09	93903-34380	6	F03	94050-06080	2	F09
91306-1E05-C00	1	E03	93903-34380	6	F05	94050-06080	2	F10
91307-0E35-W10	1	E04	93903-34380	6	F12	94050-06080	2	F19
91309-4E25-004	0	E06	93903-34380	6	F14	94050-06080	2	F20
91351-6B42-C00	1	E05	93903-34380	6	F17	94050-08080	4	E02

PART NO. INDEX

PART NO.	VERSION	PAGE	PART NO.	VERSION	PAGE	PART NO.	VERSION	PAGE
94050-12080	1	E05	95701-06025-08	2	E02	96001-06016-08	6	E07
94050-12080	1	E07	95701-06025-08G	1	F13	96001-06018-08	1	E07
94101-06001	0	F20	95701-06032-08	1	F08	96001-06020-08	2	F19
94101-06200	1	F14	95701-06032-08	1	F20	96001-06022-02	0	F04
94101-08600	0	F15	95701-06032-08G	1	F13	96001-06025-06	1	F03
94101-10800	1	F20	95701-06035-08	1	E02	96001-06025-08	4	E06
94101-KKE3-C00	0	E09	95701-06050-08	1	E02	96001-06025-08	4	E07
94111-06800	1	E02	95701-08012-08G	1	E01	96001-06028-08	1	E04
94111-06800	1	E09	95701-08012-08G	1	F19	96001-06028-08	1	E07
94201-16150	0	F20	95701-08025-08	2	F19	96001-06035-08	7	F20
94251-08400	0	F15	95801-08032-08	1	F16	96001-06040-08	0	E01
94301-10160	4	E01	95801-08040-08	4	F06	96001-06045-08	1	E01
94301-10160	4	E02	95801-08042-08	0	F16	96001-06050-08	1	E01
94301-10160	4	E03	95801-08050-08	0	F16	96001-06100-08	2	E02
94301-10160	4	E04	95801-10025-07	1	F15	96001-06100-08	2	E04
94301-10200	4	E01	95801-10040-08G	1	F16	96001-06110-08	1	E04
94520-28000	1	E05				96001-GFY6-C00	3	E01
94520-40000	1	F16	96000			96100-60020-00	1	E08
94601-15000	10	E03				96100-62020-00	1	E01
			96001-06008-02	0	F14	96100-62030-00	1	E01
95000			96001-06010-08	0	F20	96100-62043-00	1	E01
			96001-06012-02	3	E01	96120-63010-10	0	F07
95014-71202	1	F15	96001-06012-08G	1	E04	96211-08000	19	F20
95701-06012-08	3	F06	96001-06012-08G	1	E06			
95701-06012-08	3	F10	96001-06014-08	1	E02			
95701-06016-08	1	F19	96001-06016-08	6	E06			

PART NO. INDEX

PART NO.	VERSION	PAGE	PART NO.	VERSION	PAGE	PART NO.	VERSION	PAGE
98000								
98056-5771R-00	1	E02						
98200-31000	1	F11						
98200-31500	1	F11						

