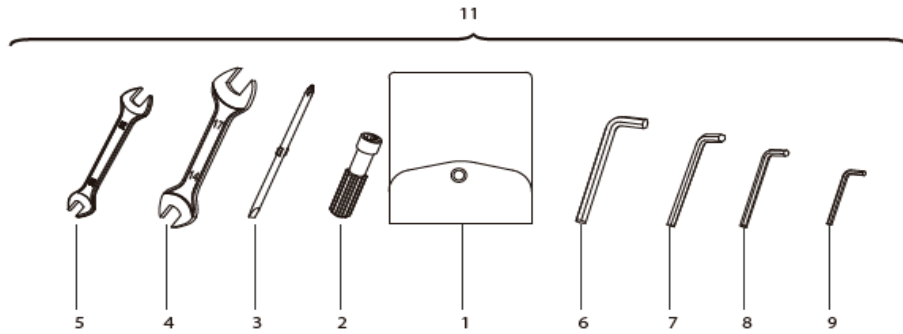
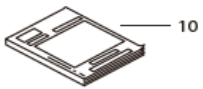
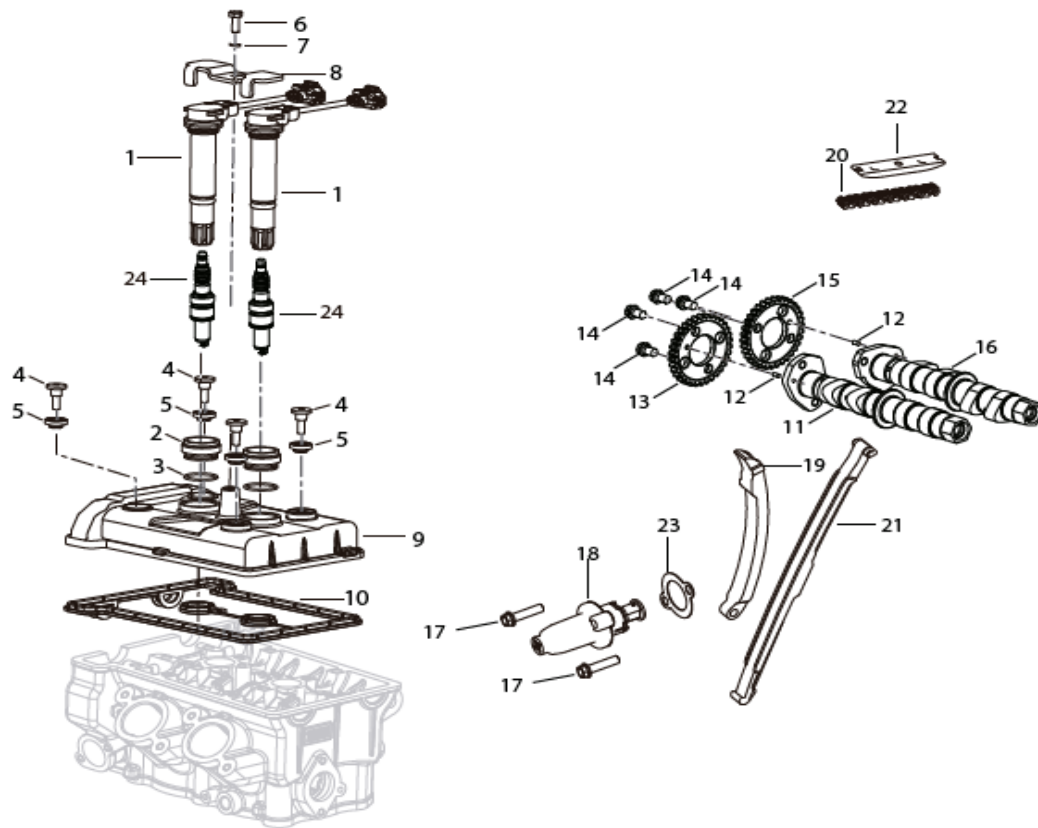


BN 302 ABS

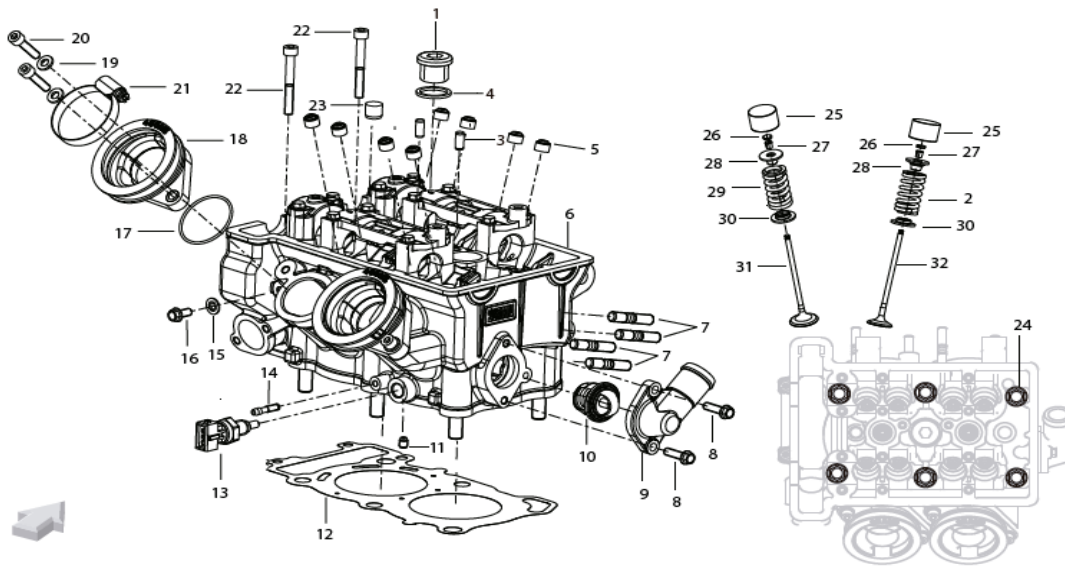


P	CD.Q.J.	SPECIAL TOOLS	Q.TY.PAK.	Q.TY.TAB.
1	02110J000000	TOOLS CASE	1	1
2	02106J000000	HANDLE SCREWDRIVER	1	1
3	02103J000000	SCREWDRIVER	1	1
4	B20011401703	WRENCH 14/17	1	1
5	B20011301603	WRENCH 13/16	1	1
6	B20020800003	ALLEN WRENCH (8)	1	1
7	B20020600003	ALLEN WRENCH (6)	1	1
8	B20020500003	ALLEN WRENCH (5)	1	1
9	B20020400003	ALLEN WRENCH (4)	1	1
10	02401P10000A	OWNER'S MANUAL (BN 302 EU4)	1	1
11	02100N220001	COMPLETE TOOLS CASE	1	1

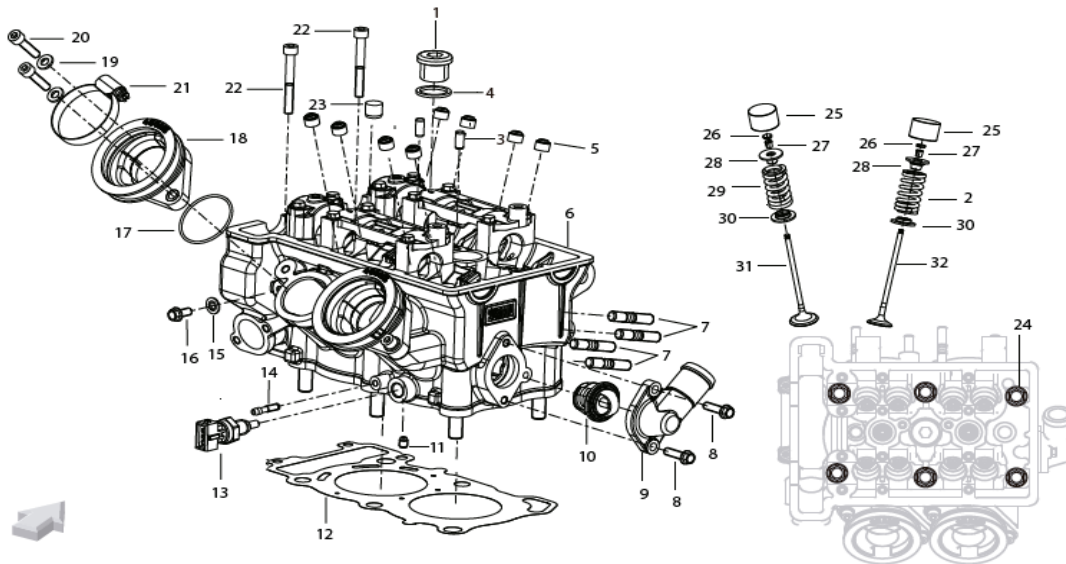
P	CD.Q.J.	COMPLETE ENGINE	Q.TY.PAK.	Q.TY.TAB.
1	C2622019HT00	ENGINE COMPLETE (BN302 EU4)	1	1



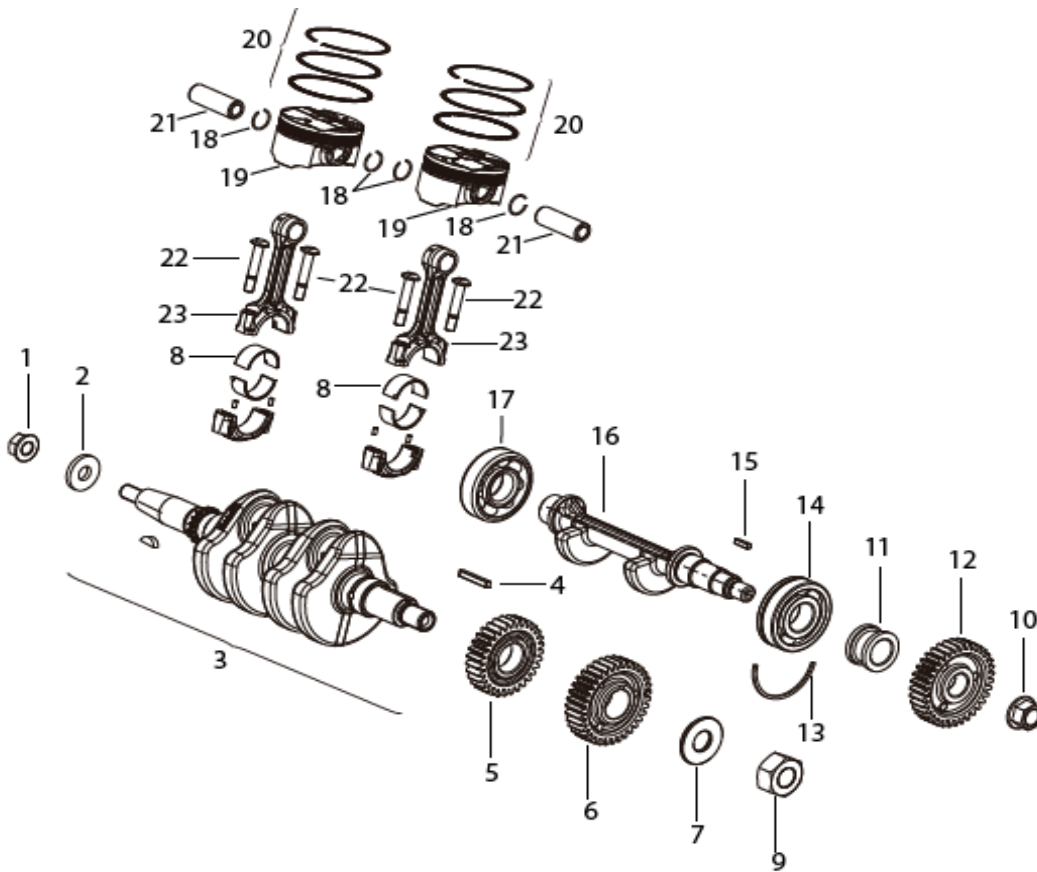
P	CD.Q.J.	TIMING	Q.TY.PAK.	Q.TY.TAB.
1	96200P300000	COIL	1	2
2	100286030000	RUBBER PAD	1	2
3	B190102650B0	O-RING	1	2
4	110026030010	SCREW	1	4
5	100066030000	RUBBER PAD	1	4
6	B0107060166H	SCREW (M6X16)	10	1
7	B0700000060H	SPECIAL WASHER	10	1
8	100276220000	BRACKET	1	1
9	109016220010	CAMSHAFT COVER	1	1
10	100146220000	TIMING COVER GASKET	1	1
11	129106220000	INTAKE CAMSHAFT	1	1
12	B090103006A4	PIN (3X6)	1	2
13	129036220001	SPROCKET, CAMSHAFT TIMING	1	1
14	120156030000	SCREW (M7)	1	4
15	129036220000	SPROCKET, CAMSHAFT TIMING	1	1
16	129096220000	EXHAUST CAMSHAFT	1	1
17	160106030120	SCREW (M6X25)	1	2
18	140036030000	CHAIN TENSIONER	1	1
19	140256030000	LOWER CHAIN SLIDING SHOE	1	1
20	140016030000	CHAIN DISTRIBUTION	1	1
21	140216030000	CHAIN SLIDING SHOE	1	1
22	140186030000	UPPER CHAIN SLIDING SHOE	1	1
23	140176030000	GASKET	1	1
24	299073160000	SPARK PLUG	1	2



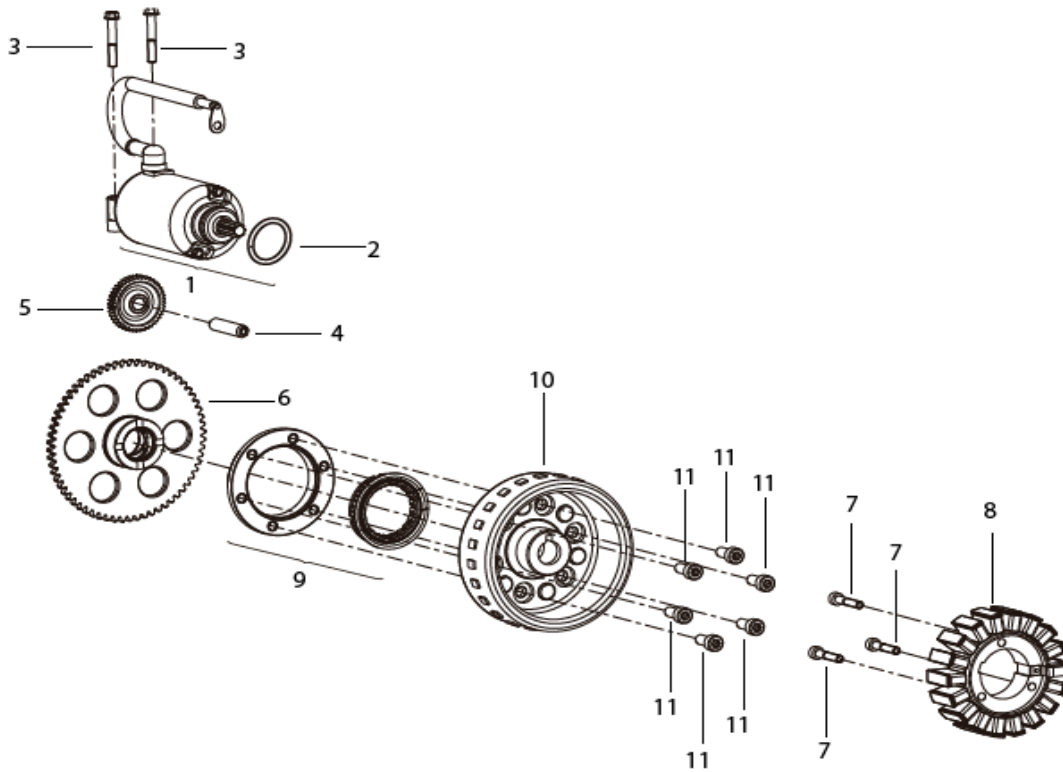
P	CD.Q.J.	CYLINDER HEAD	Q.TY.PAK.	Q.TY.TAB.
1	150136030100	BUSH (M20)	1	1
2	120186220000	VALVE EXTERNAL SPRING	1	4
3	B091406014A0	BUSH (6X14)	1	2
4	100126030000	WASHER	1	1
5	120126030000	RUBBER PAD VALVE	1	8
6	109056220010	CYLINDER HEAD	1	1
7	10004609001X	SCREW (M8X41)	2	4
8	270156030010	SCREW (M6X20)	1	2
9	270776220010	THERMOSTAT BELLEVILLE	1	1
10	279165050000	THERMOSTAT	1	1
11	120166220000	DOWEL	1	1
12	109076220000	HEAD GASKET	1	1
13	270013160002	WATER TEMPERATURE SENSOR	1	1
14	110033060000	UNION	1	1
15	120133090002	STOP WASHER	1	1
16	160106030100	SCREW (M6X12)	1	1
17	160056090000	O-RING	10	2
18	280146030000	INTAKE MANIFOLD	1	2
19	280306060000	WASHER	1	4
20	B02050602565	SCREW (M6X25)	1	4
21	280426030000	SCREW HOSE CLAMP	1	2
22	B0205060508H	SCREW (M6X50)	1	2
23	150076110000	CAP	1	1
23	100306220000	CAP	1	1
24	100236030000	SCREW	1	6
25	120106030000	VALVE LIFTER BUCKET	1	8
26	120096030000	VALVE PAD (1600 MM)	1	8
26	120096030020	VALVE PAD (1.625 MM)	1	8
26	120096030021	VALVE PAD (1650 MM)	1	8
26	120096030022	VALVE PAD (1.675 MM)	1	8
26	120096030023	VALVE PAD (1700 MM)	1	8
26	120096030024	VALVE PAD (1.725 MM)	1	8



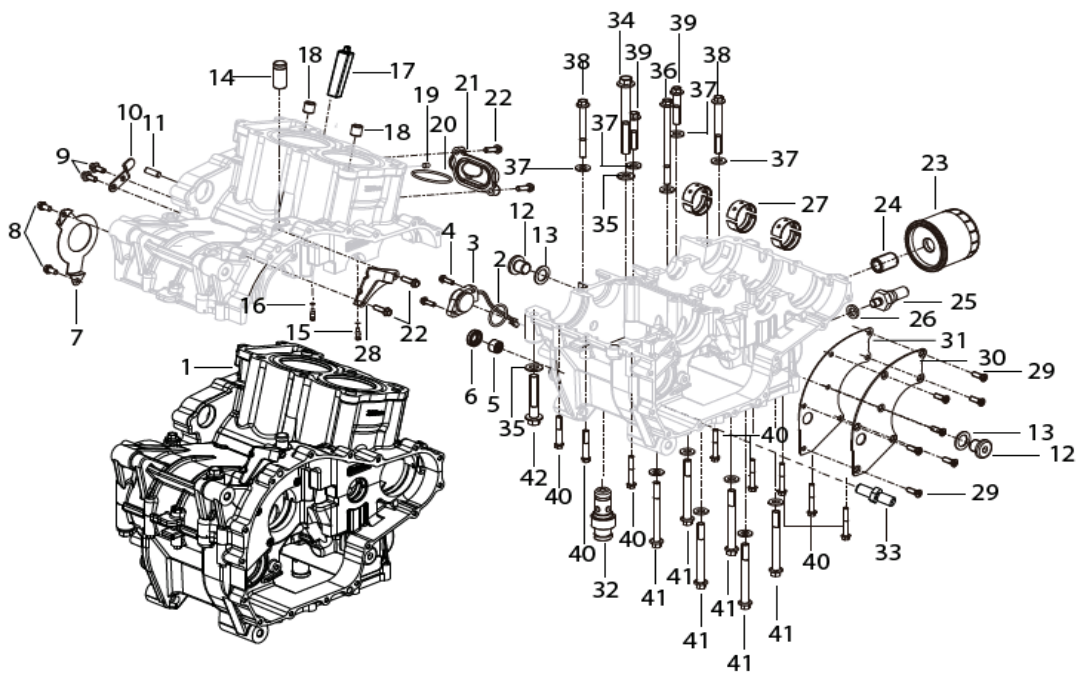
P	CD.Q.J.	CYLINDER HEAD	Q.TY.PAK.	Q.TY.TAB.
26	120096030025	VALVE PAD (1.75 MM)	1	8
26	120096030026	VALVE PAD (1.775 MM)	1	8
26	120096030027	VALVE PAD (1.80 MM)	1	8
26	120096030028	VALVE PAD (1.825 MM)	1	8
26	120096030029	VALVE PAD (1.85 MM)	1	8
26	120096030030	VALVE PAD (1.875 MM)	1	8
26	120096030031	VALVE PAD (1.90 MM)	1	8
26	120096030032	VALVE PAD (1.925 MM)	1	8
26	120096030033	VALVE PAD (1.95 MM)	1	8
26	120096030034	VALVE PAD (1.975 MM)	1	8
26	120096030035	VALVE PAD (2.00MM)	1	8
26	120096030036	VALVE PAD (2.025 MM)	1	8
26	120096030037	VALVE PAD (2.050 MM)	1	8
26	120096030038	VALVE PAD (2.075 MM)	1	8
26	120096030039	VALVE PAD (2.10MM)	1	8
26	120096030040	VALVE PAD (2.125 MM)	1	8
26	120096030041	VALVE PAD (2.15 MM)	1	8
26	120096030042	VALVE PAD (2.175 MM)	1	8
26	120096030043	VALVE PAD (2.20MM)	1	8
26	120096030044	VALVE PAD (2.225 MM)	1	8
26	120096030045	VALVE PAD (2.25MM)	1	8
26	120096030046	VALVE PAD (2.275 MM)	1	8
27	120086030000	HALF CONE	1	16
28	129336220000	UPPER RETAINER	1	8
29	120176220000	VALVE INTERNAL SPRING	1	4
30	129216220000	LOWER RETAINER	1	8
31	129186030000	INTAKE VALVE	1	4
32	129196030000	EXHAUST VALVE	1	4



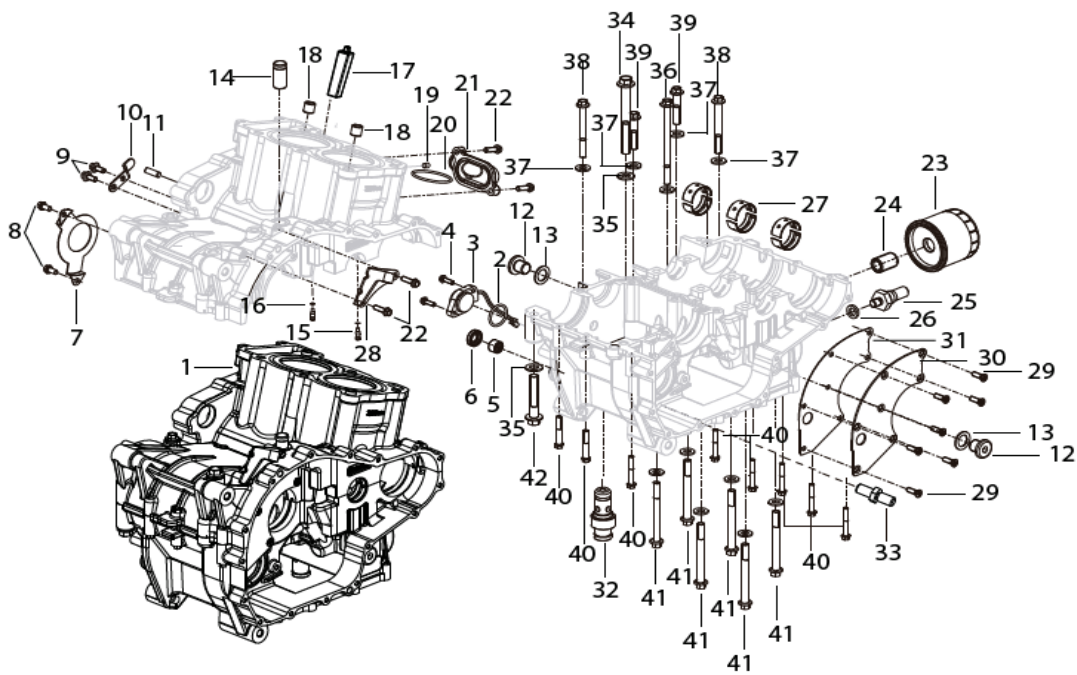
P	CD.Q.J.	CRANK GEAR ASSEMBLY	Q.TY.PAK.	Q.TY.TAB.
1	27002305011X	NUT (M12X1.25)	1	1
2	170075040000	WASHER	1	1
3	179016220010	CRANKSHAFT	1	1
4	170096220000	PIN	1	1
5	170016220000	GEAR	1	1
6	179236220000	CRANKSHAFT GEAR	1	1
7	170016110000	WASHER	1	1
8	170116030000	HALF-BEARING (YELLOW)	1	4
8	170116030010	HALF-BEARING (BLUE)	1	4
8	170116030011	HALF-BEARING (GRREN)	1	4
9	170126220000	NUT	1	1
10	170186220100	NUT	1	1
11	170106220000	BUSH OF GUIDE	1	1
12	179366220000	BALANCE SHAFT GEAR	1	1
13	210186030000	BEARING LOCK	1	1
14	210136030010	BEARING	1	1
15	B11130044014	PIN	5	1
16	179256220000	BALANCE SHAFT	1	1
17	B12016030503	BEARING	1	1
18	179155140000	CIRCLIP PISTON PIN	1	4
19	179136030010	PISTON	1	2
20	170146030010	PISTON RINGS SET	1	2
21	179146030000	PISTON PIN	1	2
22	170036280000	SCREW (M8)	1	4
23	179036030010	CONNECTING ROD	1	2



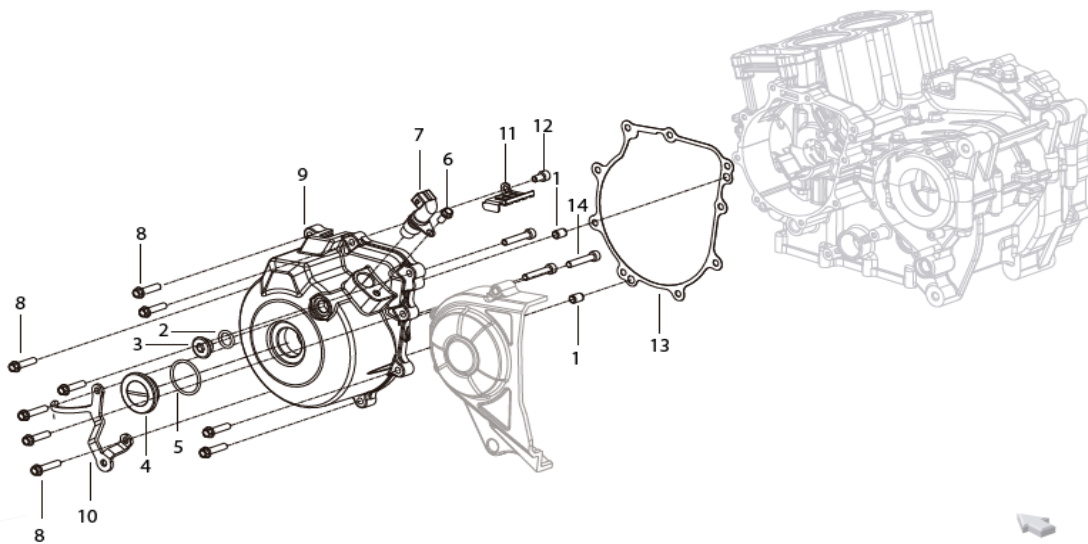
P	CD.Q.J.	FLYWHEEL	Q.TY.PAK.	Q.TY.TAB.
1	249016030000	STARTING MOTOR	1	1
2	240013060000	O-RING	1	1
3	B0107060386H	SCREW (M6X38)	1	2
4	16020307001X	SPINDLE KICK STARTER	1	1
5	249046030000	DOUBLE GEAR	1	1
6	249016220000	GEAR, STARTER IDLER	1	1
7	B0205060326H	SCREW (M6X32)	1	3
8	299036280000	MAGNETO FLYWHEEL	1	1
9	240026030000	COMPLETE STARTER CLUTCH	1	1
9	249106280000	COMPLETE STARTER CLUTCH	1	1
10	299026280000	ROTOR MAGNETO FLYWHEEL	1	1
10	299026280010	ROTOR MAGNETO FLYWHEEL	1	1
11	B02070801683	SCREW (M8X16)	1	6



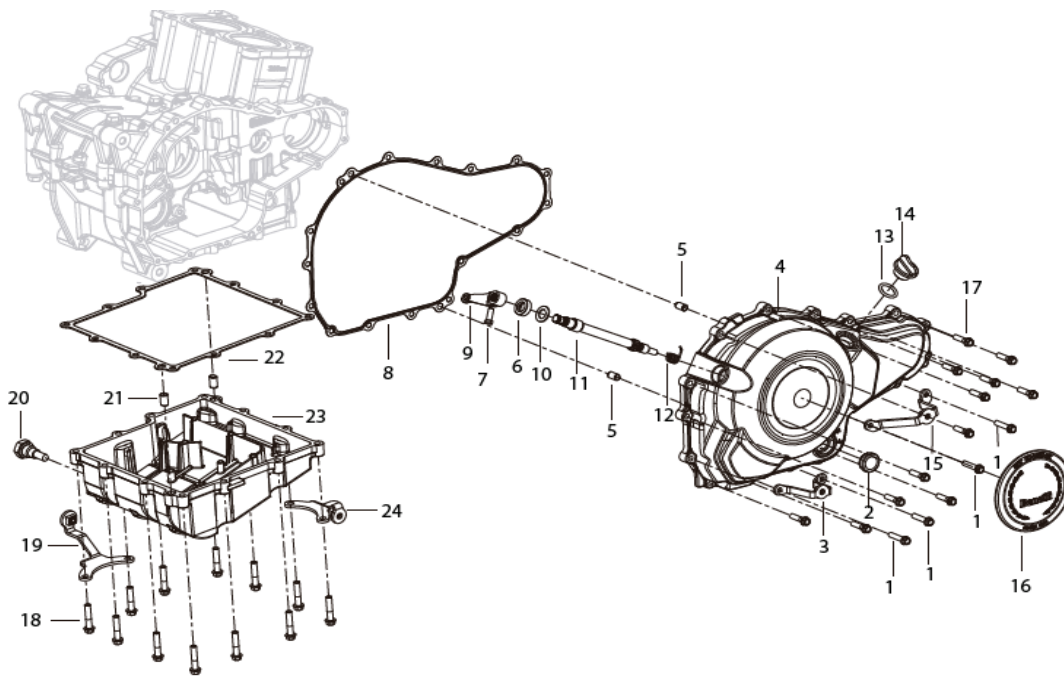
P	CD.Q.J.	HALF CRANKCASES	Q.TY.PAK.	Q.TY.TAB.
1	150056220040	CRANKCASE SET	1	1
2	B190102580B0	O-RING	1	1
3	150196030010	NEUTRAL SENSOR	1	1
4	150316030180	SCREW (M5X16)	1	2
5	B1212K121002	BEARING, NEEDLE	1	1
6	150025040000	OIL SEAL	1	1
7	150346030000	PLATE	1	1
8	B01070601264	SCREW (M6X12)	1	2
9	B01070601464	SCREW (M6X14)	1	2
10	150136220000	PLATE	1	1
11	150156220000	PIN	1	1
12	150086030100	SPECIAL SCREW	1	2
13	150086220000	STOP WASHER	1	2
14	150146220000	FORK	1	1
15	150046030000	JET	1	2
16	150036030000	O-RING	1	2
17	150116220000	RUBBER PAD	1	1
18	170236090000	CENTRING BUSH	3	2
19	150103070000	BUSH	2	1
20	150066030000	O-RING	1	1
21	150106220010	WATER UNION	1	1
22	270156030010	SCREW (M6X20)	1	4
23	260146090010	OIL FILTER	1	1
24	160106110000	UNION	1	1
25	240026090000	OIL PRESSURE SENSOR	1	1
26	240056090000	ALLUMINIUM GASKET	1	1
27	150026030000	DEMI-ROULEMENT (JAUNE)	1	6
27	150026030010	HALF-BEARING (RED)	1	6
27	150026030011	HALF-BEARING (GRREN)	1	6
27	150026030012	HALF-BEARING (BLUE)	1	6



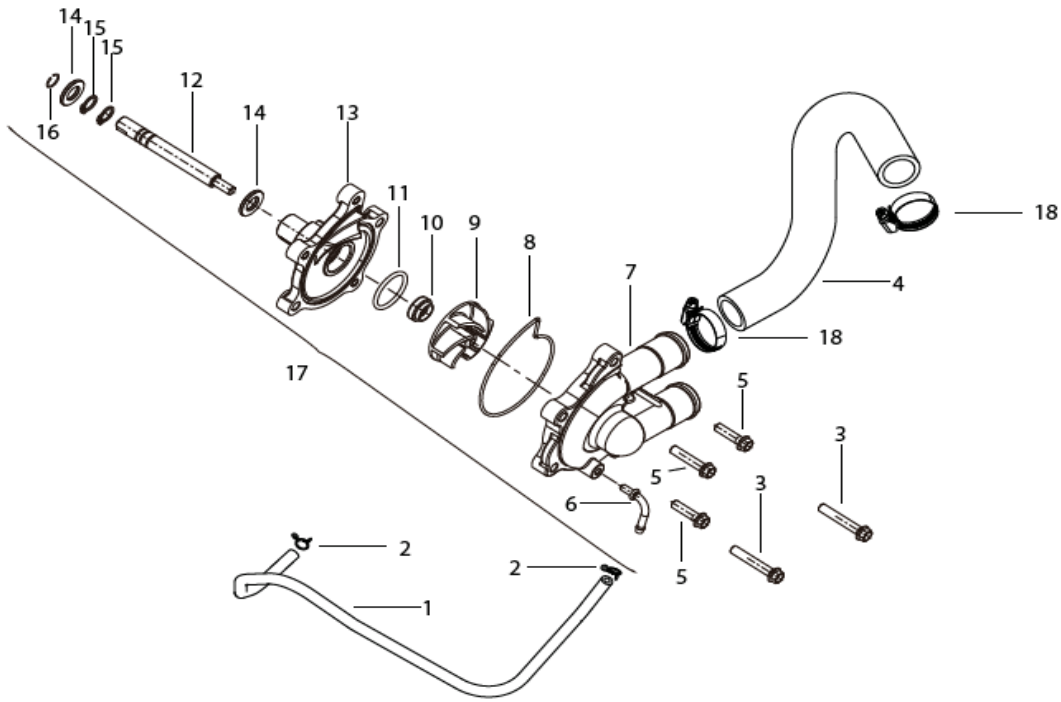
P	CD.Q.J.	HALF CRANKCASES	Q.TY.PAK.	Q.TY.TAB.
28	169246220000	PLATE	1	1
29	B0201060162H	SCREW (M6X16)	1	7
30	150046220000	FLANGE	1	1
31	150036220000	GASKET	1	1
32	260126030010	OIL OVER PRESURE VALVE	1	1
33	150116030100	SPECIAL SCREW	1	1
34	150316030120	SCREW (M10X100)	1	1
35	240056090000	ALLUMINIUM GASKET	1	2
36	150316030130	SCREW (M8X115)	1	1
37	150156030000	WASHER	1	11
38	150316030110	SCREW (M8X75)	1	2
39	150316030140	SCREW (M8X45)	1	2
40	150316030150	SCREW (M6X40)	1	8
41	B01070808589	SCREW (M8X85)	1	6
42	150316030160	SCREW (M10X60)	1	1



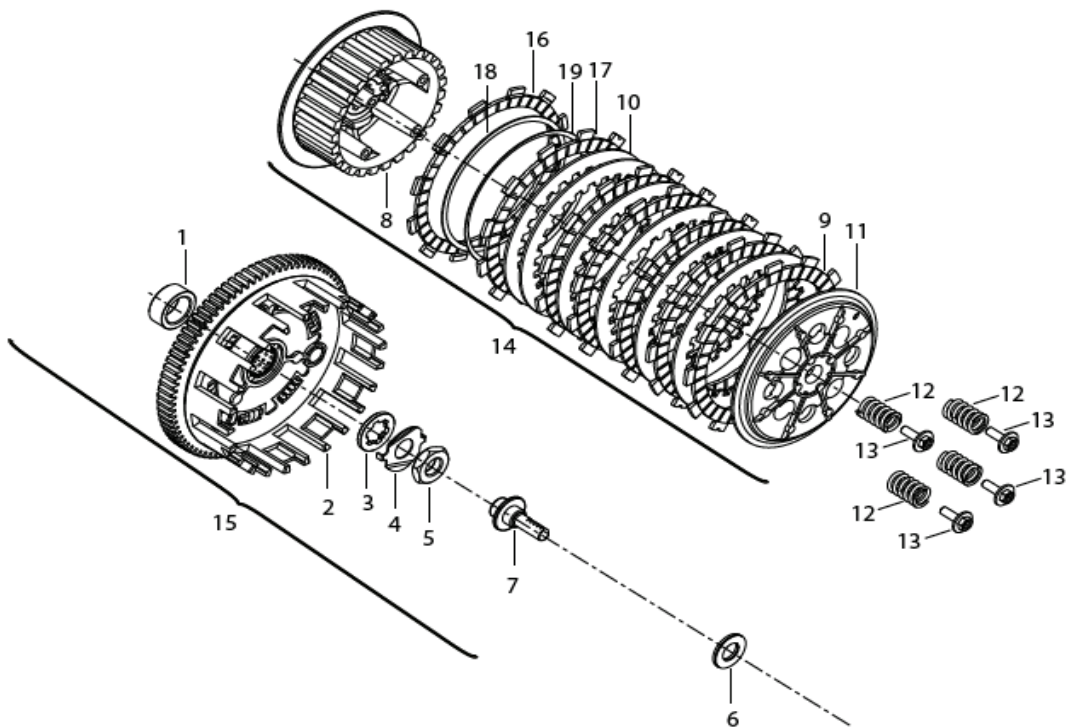
P	CD.Q.J.	L.H. ENGINE COVER	Q.TY.PAK.	Q.TY.TAB.
1	160056030000	BUSH	1	2
2	B190101330B0	O-RING	1	1
3	160053070030	THREADED CAP	1	1
4	169166030030	MAGNETIC CAP	1	1
5	160076030000	O-RING	1	1
6	160106030100	SCREW (M6X12)	1	1
7	290016220000	PHASE SENSOR	1	1
8	160106030120	SCREW (M6X25)	1	9
9	169026220010	GENERATOR COVER	1	1
10	260096220000	L.H. PLATE	1	1
11	160046030000	PLATE	1	1
12	B0205060106H	SCREW (M6X10)	1	1
13	169076220000	FLYWHEELCOVER GASKET	1	1
14	B0205060326H	SCREW (M6X32)	1	3



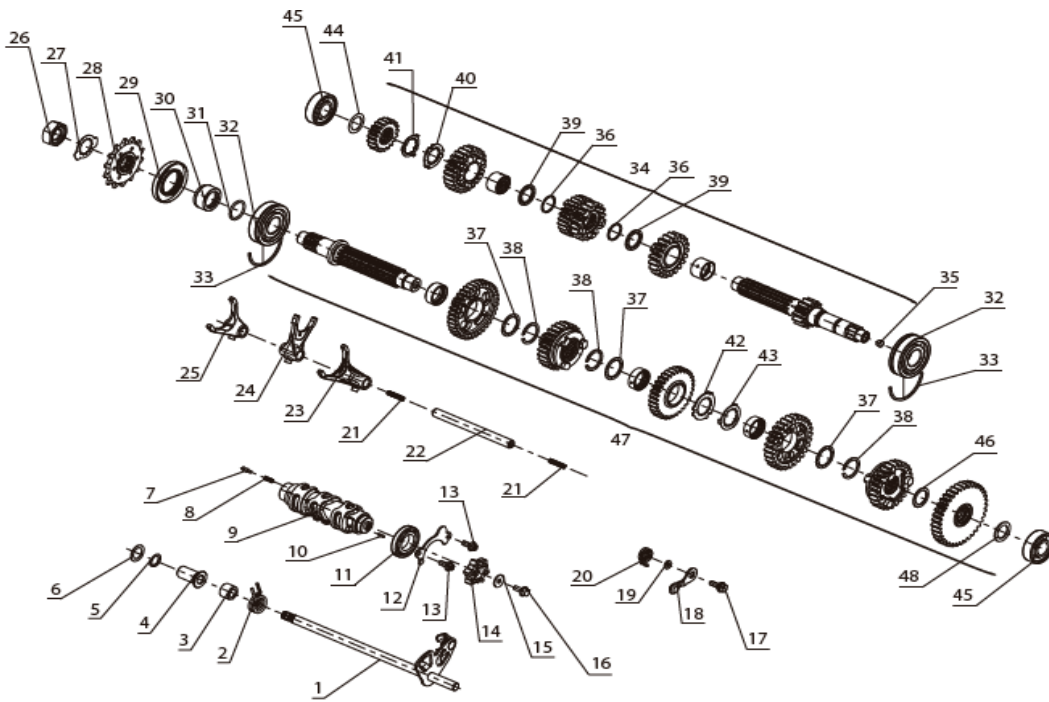
P	CD.Q.J.	R.H. ENGINE COVERS	Q.TY.PAK.	Q.TY.TAB.
1	270016220020	SCREW (M6X28)	1	4
2	160083090000	OIL LEVEL SIGHT GLASS	1	1
3	160016220000	R.H. LOWER PLATE	1	1
4	169106220020	CLUTCH COVER	1	1
5	160073070000	BUSH	1	2
6	160023090000	OIL SEAL	1	1
7	B02810601662	SCREW (TCEIF M6X16)	5	1
8	169116220010	CLUTCH COVER GASKET	1	1
9	209073090010	CLUTCH CONTROL LEVER	1	1
10	160106220000	GASKET	1	1
11	169226220000	CLUTCH CONTROL SHAFT	1	1
12	200034050000	SPRING	1	1
13	160063070000	O-RING (18X3.5)	1	1
14	160063090050	OIL LOAD PLUG	1	1
15	160056220000	R.H. PLATE	1	1
16	05597K740000	BENELLI STICKER	1	1
17	160106030120	SCREW (M6X25)	1	12
18	160106030130	SCREW (M6X30)	1	12
19	260056220000	L.H. PLATE	1	1
20	260346030000	MAGNETIC CAP	1	1
21	160073070000	BUSH	1	2
22	260036220000	OIL SUMP GASKET	1	1
23	260016220010	OIL SUMP	1	1
24	260076220000	R.H. REAR PLATE	1	1



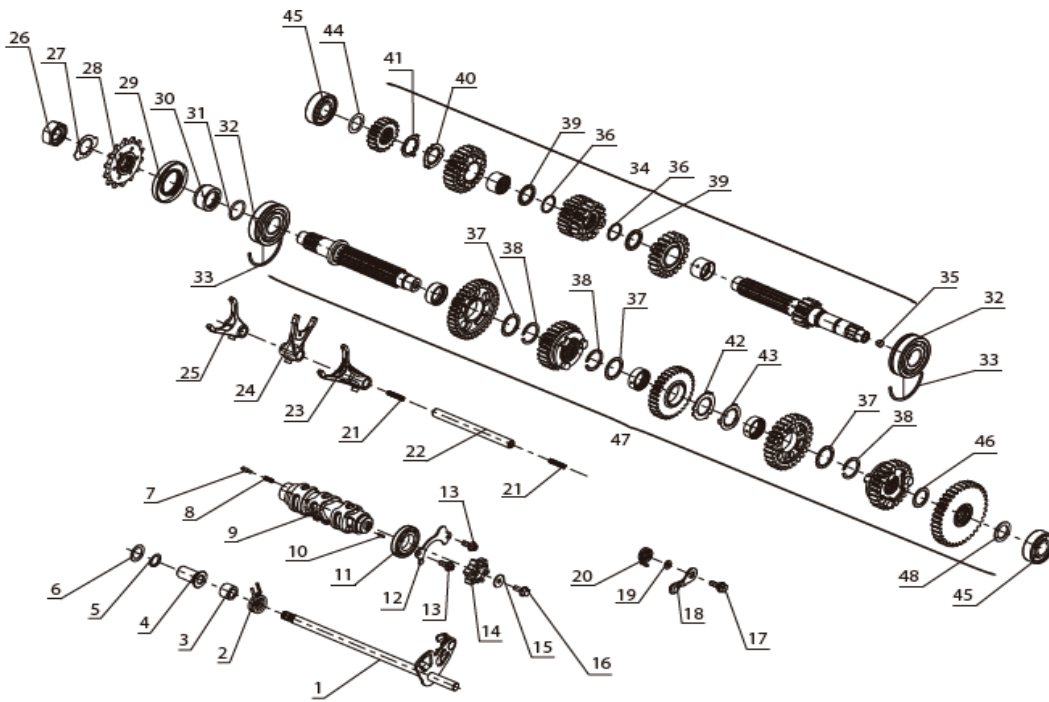
P	CD.Q.J.	WATER PUMP	Q.TY.PAK.	Q.TY.TAB.
1	279116220000	TUBE	1	1
2	B17010065003	SPRING	1	2
3	270016220110	SCREW (M6X35)	1	2
4	279106220000	HOSE	1	1
5	B0107060256H	SCREW (M6X22)	1	3
6	270076220000	UNION "L"	1	1
7	279336220000	WATER PUMP COVER	1	1
8	279026220000	SEAL RING	1	1
9	279216220000	WATER PUMP FAN	1	1
10	160253160000	SEAL RING	1	1
11	270365050000	O-RING	1	1
12	279226220020	WATER PUMP SHAFT	1	1
13	279316220020	WATER PUMP BODY	1	1
14	270166030020	BUSH	1	1
15	B08010001000	CIRCLIP	1	2
16	270195050000	OIL SEAL	1	1
17	279256220020	COMPLETE WATER PUMP	1	1
18	330265050000	SCREW HOSE CLAMP	1	2
19	B12016000002	BEARING	1	2



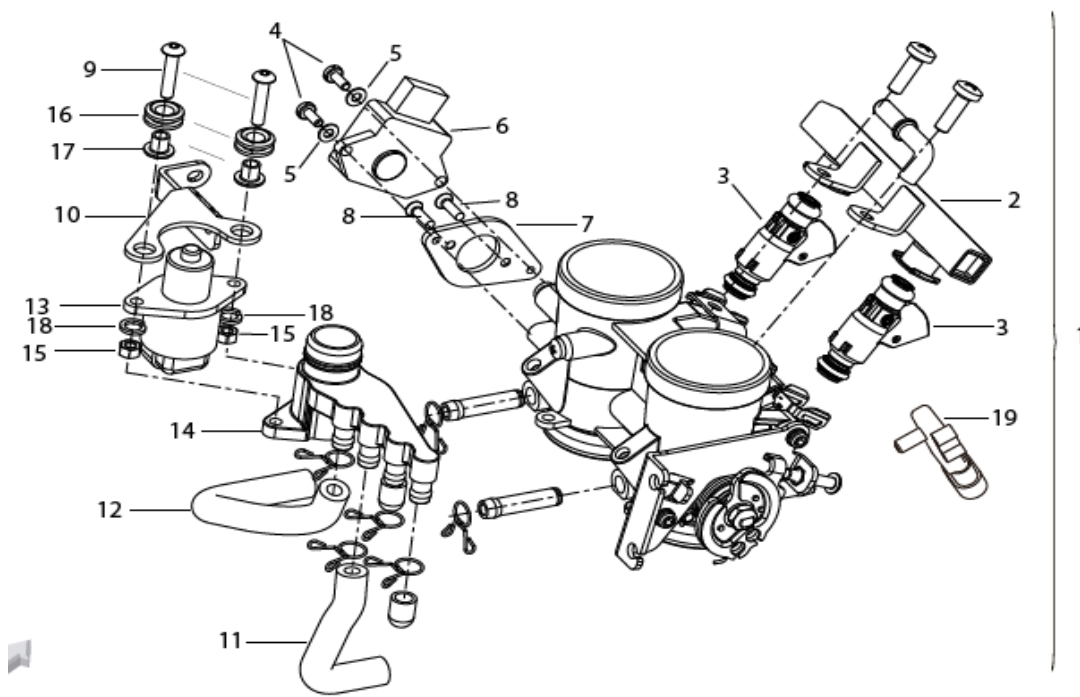
P	CD.Q.J.	CLUTCH	Q.TY.PAK.	Q.TY.TAB.
1	200056220000	BUSH OF GUIDE	1	1
2	200046220010	CLUTCH HOUSING	1	1
3	200025040000	WASHER-CROWN	1	1
4	200065040000	PLATE	1	1
5	200075040000	NUT	1	1
6	200123090030	BEARING, NEEDLE	1	1
7	209106220000	PRESSURE PLATE PIN	1	1
8	209076220000	CLUTCH DRUM	1	1
9	200115040010	DRIVEN CLUTCH PLATE	1	5
10	200125040010	STEEL CLUTCH PLATE	1	6
11	200235040000	DISC PRESSURE PLATE	1	1
12	200116220000	CLUTCH SPRING	1	4
13	200055040000	SCREW	1	4
14	200026220010	CLUTCH PLATES SET	1	1
15	209016220020	COMPLET CLUTCH HOUSING	1	1
16	200325040000	DRIVEN CLUTCH PLATE	1	1
17	200115040000	DRIVEN CLUTCH PLATE	1	1
18	200106220000	SPRING WASHER	1	1
19	200096220000	SPRING WASHER	1	1



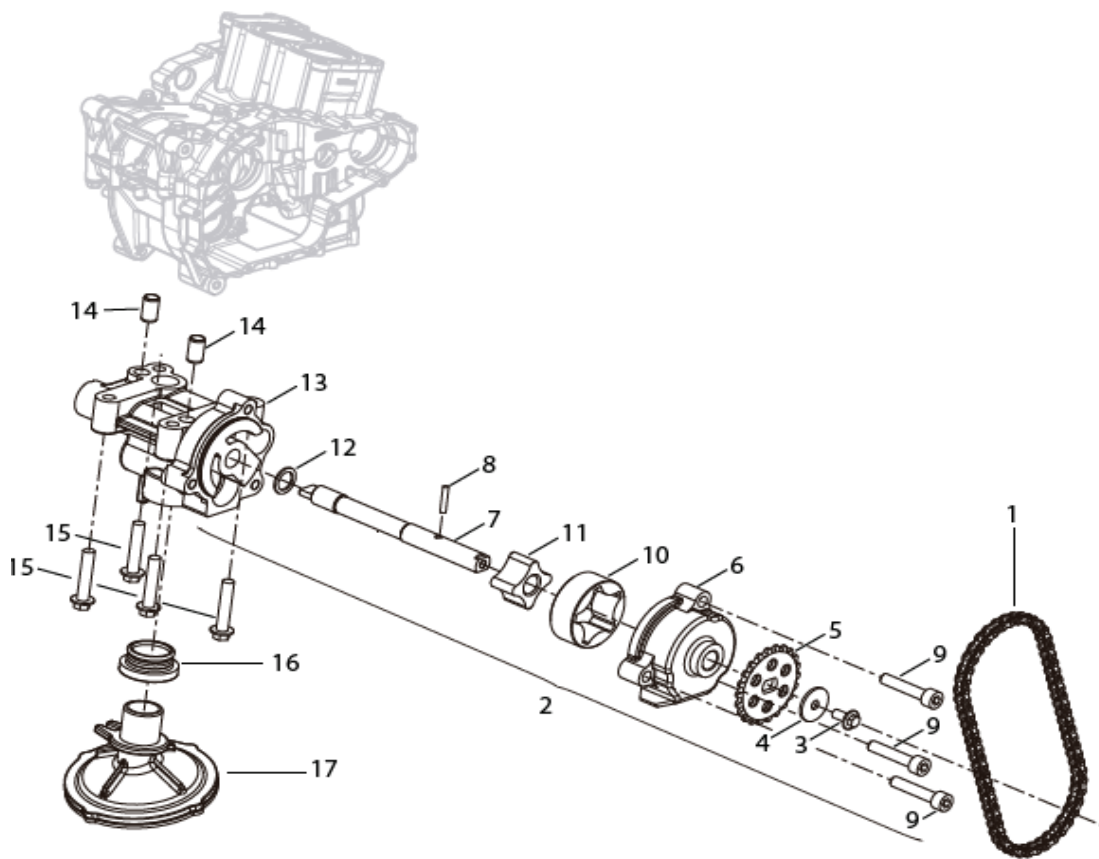
P	CD.Q.J.	GEAR-BOX	Q.TY.PAK.	Q.TY.TAB.
1	219066220000	SELECTOR SHAFT	1	1
2	210056030000	GEAR STOP SPRING	1	1
3	210046030000	SPACER	1	1
4	210396030000	BUSH	1	1
5	B08010001701	SNAP RING	1	1
6	210406030000	SHIM	1	1
7	210323090000	PIN	1	1
8	210313090000	SPRING	1	1
9	219056030000	SHIFT CAM	1	1
10	210356030000	PIN	1	1
11	B12016600501	BEARING	1	1
12	210036030000	PLATE	1	1
13	B01090601463	SCREW (M6X14)	1	2
14	210366030000	GEARBOX DRUM	1	1
15	210376030000	WASHER	1	1
16	B0107060156H	SCREW (M6X15)	1	1
17	210303420000	SCREW	1	1
18	219046220000	GEAR STOPPER	1	1
19	210343090000	WASHER	4	1
20	219016220000	SPRING ROCKER	1	1
21	210016030000	SPRING	1	2
22	219086030000	PIN	1	1
23	219126030000	1ST, 4TH-2ND, 3RD GEAR SELECTOR FORK	1	1
24	219116030000	5TH, 6TH GEAR SELECTOR FORK	1	1
25	219106030000	5TH, 6TH GEAR SELECTOR FORK	1	1
26	210196030000	NUT (M18)	1	1
27	210306030000	WASHER	1	1
28	219296030000	SPROCKET	1	1
29	210216030010	OIL SEAL	1	1



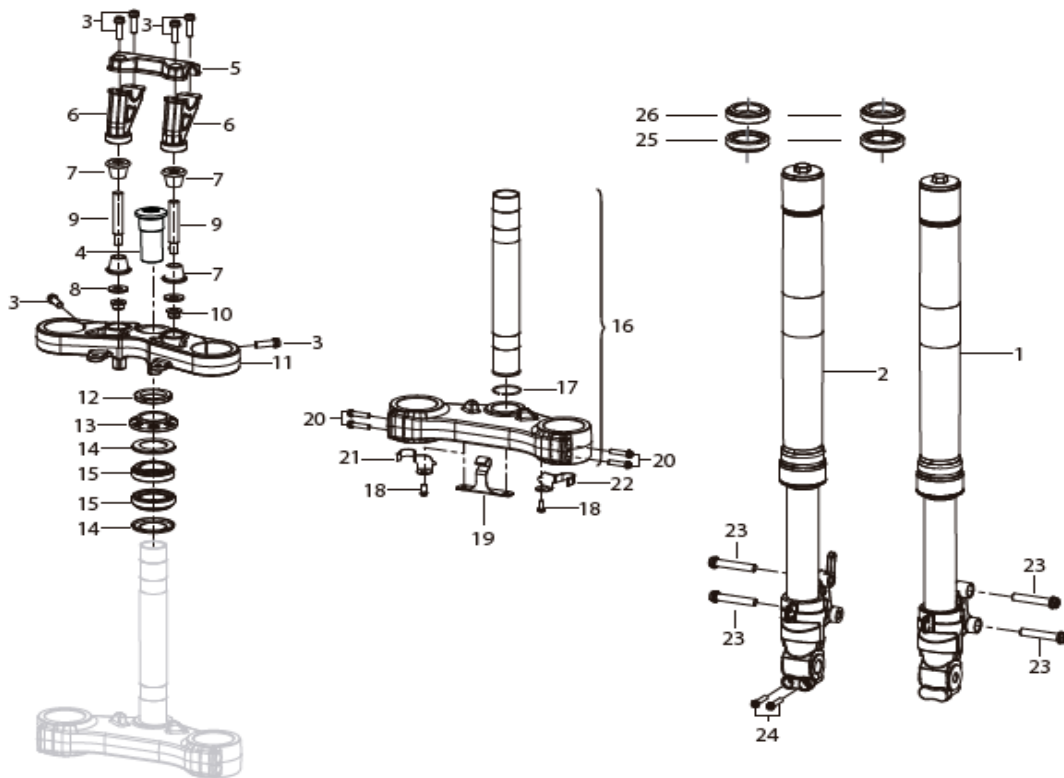
P	CD.Q.J.	GEAR-BOX	Q.TY.PAK.	Q.TY.TAB.
30	210206030000	BROACHED BUSH	1	1
31	210316030000	O-RING	1	1
32	210136030010	BEARING	1	2
33	210186030000	BEARING LOCK	1	2
34	219136220022	COMPLETE MAIN SHAFT	1	1
35	210375040000	STOPPER	1	1
36	210106060000	SNAP RING	1	2
37	210236030000	SHIM	1	3
38	210246030000	SNAP RING	1	3
39	210096030000	WASHER-CROWN	1	2
40	210076030000	WASHER-CROWN	1	1
41	210066030000	WASHER-CROWN	1	1
42	210266030000	WASHER-CROWN	1	1
43	210276030000	WASHER-CROWN	1	1
44	210566030010	GASKET	1	1
45	B12016020406	BEARING	1	2
46	210326030000	SHIM	1	1
47	219216220020	COMPLETE LAY SHAFT	1	1
48	210296030000	WASHER	1	1



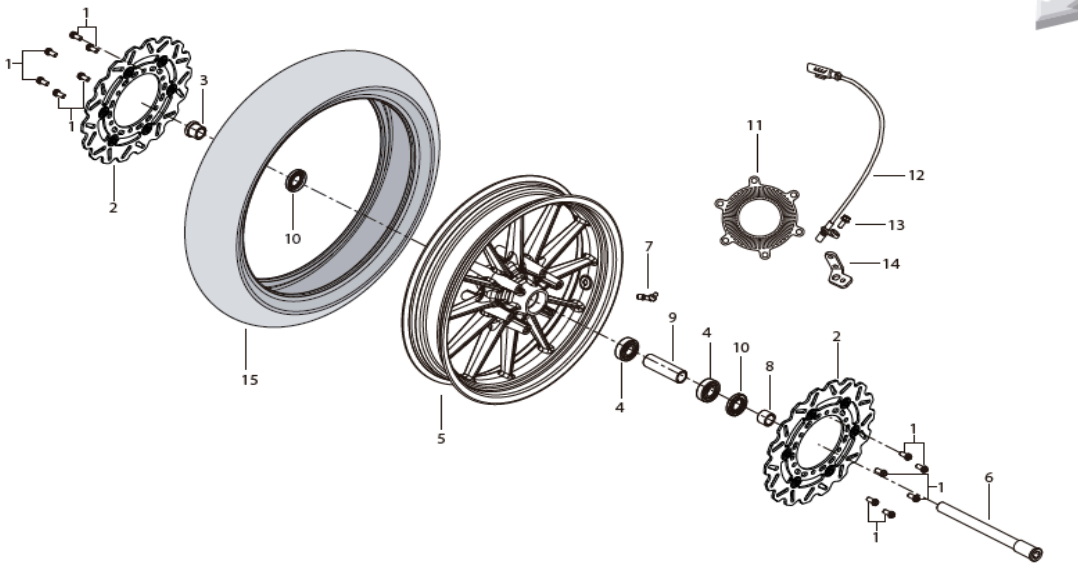
P	CD.Q.J.	THROTTLE BODY	Q.TY.PAK.	Q.TY.TAB.
1	289006220030	THROTTLE BODY COMPLETE	1	1
2	280026220000	FUEL RAIL	1	1
3	289036030000	INJECTOR	1	2
4	B02040401023	SCREW (M4X10)	1	2
5	65705S010000	O-RING	1	2
6	280756030000	POTENTIOMETER	1	1
7	280116130000	PLATE	1	1
8	B02010401225	SCREW (M4X12)	1	2
9	B0283050250A	SCREW (M5X25)	1	2
10	280396030000	SPECIAL PLATE	1	1
11	280616030000	2 MINIMUM AIR PIPE	1	1
12	280606030000	1 MINIMUM AIR PIPE	1	1
13	280476030000	STEPPER MOTOR	1	1
14	280646030000	TIMING SYSTEM	1	1
15	B04000500054	NUT (M5)	1	2
16	57039S010000	VIBRATION DAMPER PAD	3	2
17	49004S010000	BUSH	1	2
18	B07000000503	WASHER	1	2
19	96910N120000	SENSOR	1	1



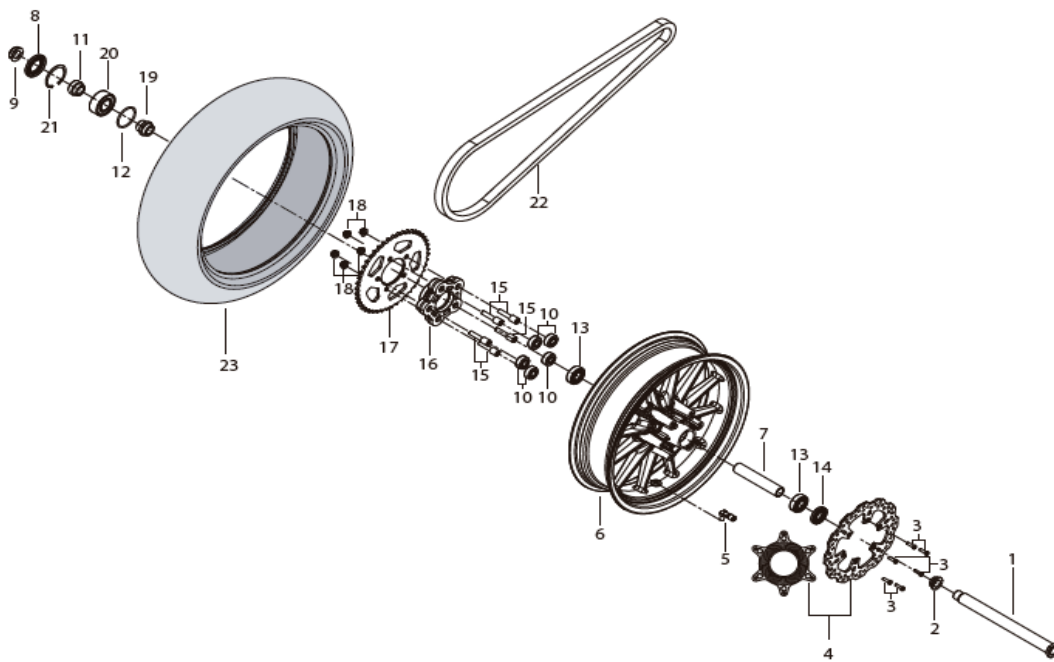
P	CD.Q.J.	LUBRIFICATION	Q.TY.PAK.	Q.TY.TAB.
1	269056030000	OIL PUMP CHAIN	1	1
2	269016220010	COMPLETE OIL PUMP	1	1
3	B01070501063	SCREW (M5X10)	1	1
4	260106030000	WASHER	1	1
5	269066220000	OIL PUMP SPROCKET	1	1
6	269016220000	OIL PUMP COVER	1	1
7	269036220000	OIL PUMP SHAFT	1	1
8	B090103016B0	PIN	1	1
9	B01070603064	SCREW (M6X30)	1	3
10	269056220000	OUTER ROTOR	1	1
11	269046220000	INNER ROTOR	1	1
12	260086030000	WASHER	1	1
13	269026220000	OIL PUMP BODY	1	1
14	160073070000	BUSH	1	2
15	B0107060306A	SCREW (M6X30)	1	4
16	260036030000	QUICK-COUPLING UNION	1	1
17	269086220000	INTAKE FILTER	1	1



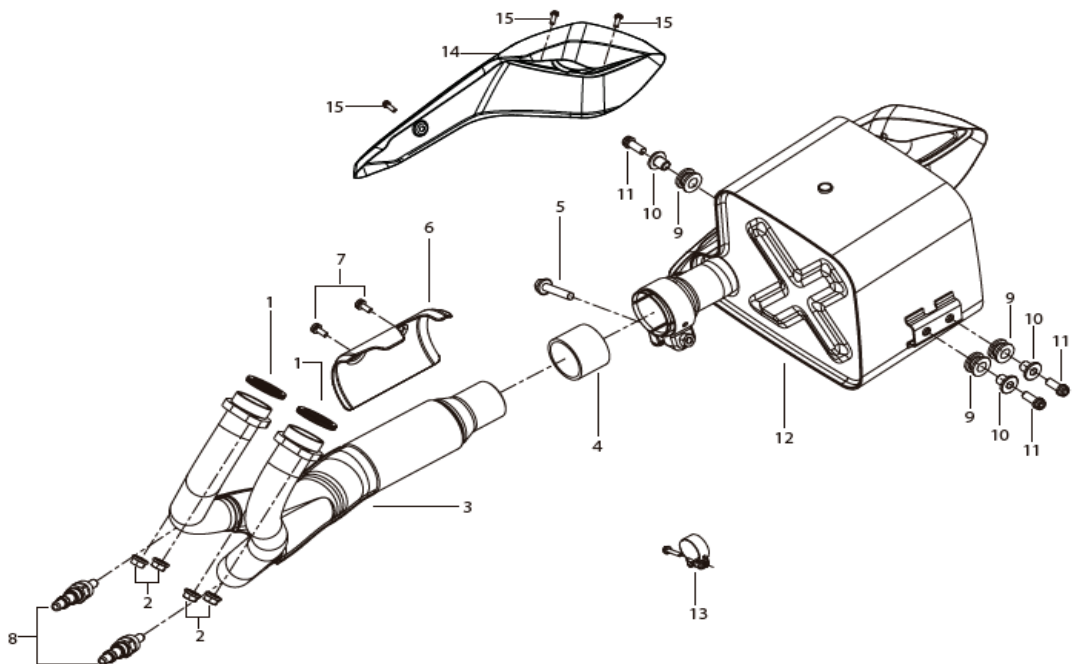
P	CD.Q.J.	FRONT FORK	Q.TY.PAK.	Q.TY.TAB.
1	43200P100001	L.H. FORK LEG ASSEMBLY	1	1
2	43300P100020	R.H. FORK LEG ASSEMBLY	1	1
3	B0281080256H	SCREW (TCEI M8X25)	1	6
4	43049P250000	SPECIAL SCREW	1	1
5	43014P260000	HANDLEBAR BRACKET	1	1
6	43013P260003	SPACER HANDLEBAR	1	2
7	47015P010000	BUSH	1	4
8	40089P010000	WASHER	1	2
9	40086P260001	STUD BOLT	1	2
10	B04821012552	NUT (M10)	1	2
11	43011P100000	UPPER STEERING HEAD BASE	1	1
12	43008S010010	STEERING RING NUT PIN	1	1
13	43009P260000	STEERING RING NUT	1	1
14	43005S010000	RING,PROTECTION DUST	1	2
15	43130S010000	BEARING	1	2
16	43100P100000	LOWER STEERING HEAD BASE	1	1
17	43103S010000	CIRCLIP	1	1
18	B0283060146H	SCREW (M6X14)	5	2
19	43057P100000	FAIRLEAD	1	1
20	B02810803062	SCREW (TCEI M8X30)	1	4
21	43036P100000	FAIRLEAD	1	1
22	43035P100000	FAIRLEAD	1	1
23	B02551004062	SCREW (M10X40)	1	4
24	B02810603062	SCREW (M6X30)	1	2
26	43524N220000	SEAL,DUST	1	2



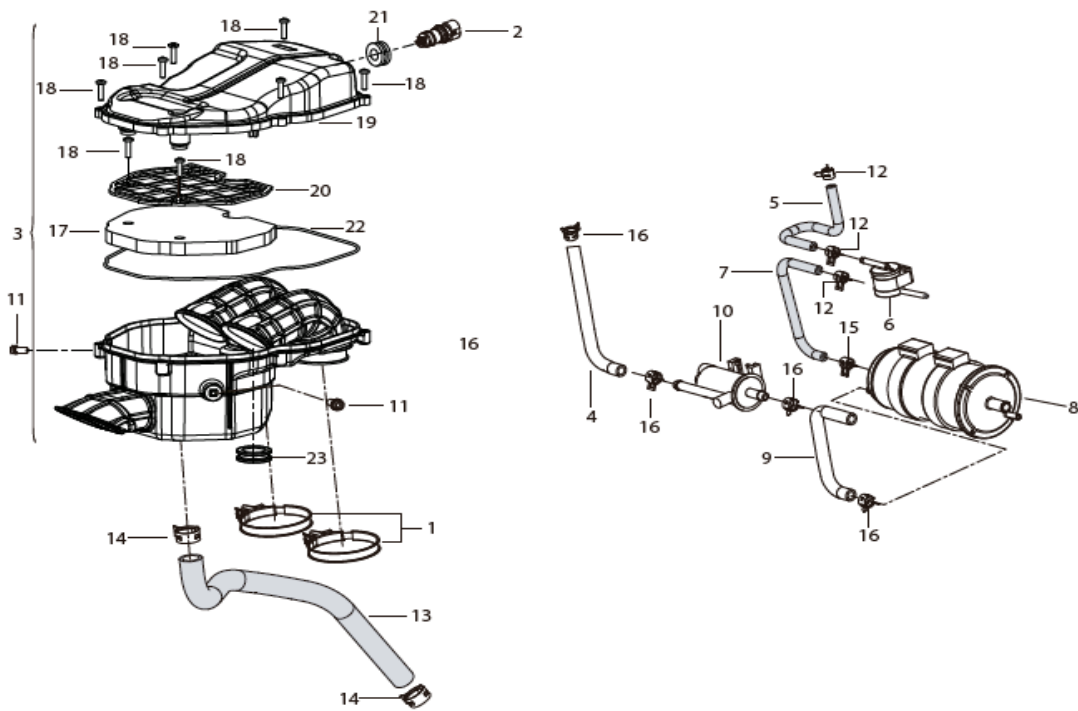
P	CD.Q.J.	FRONT WHEEL	Q.TY.PAK.	Q.TY.TAB.
1	B02810802062	SCREW (M8X1.25X20)	5	12
2	45030P100105	FRONT BRAKE DISC	1	2
3	44005P100000	L.H. SPACER	1	1
4	B12016020400	BEARING	1	2
5	44101P10HT00	FRONT WHEEL RIM (GREY)	1	1
6	44004P100100	FRONT WHEEL SPINDLE	1	1
7	B1403Z201100	VALVE	1	1
8	44016P100000	SPACER	1	1
9	44006P100000	INNER SPACER	1	1
10	60200J000001	OIL SEAL	1	2
11	45702P100000	PHASE SENSOR ABS - REAR WHEEL	1	1
12	45710P100000	REAR WHEEL SPEED SENSOR ABS	1	1
13	B01820601462	SCREW (TEF M6X14)	5	1
14	45094P100000	BRACKET	1	1
15	B140107D1780	FRONT TYRE 120/70-R17	1	1



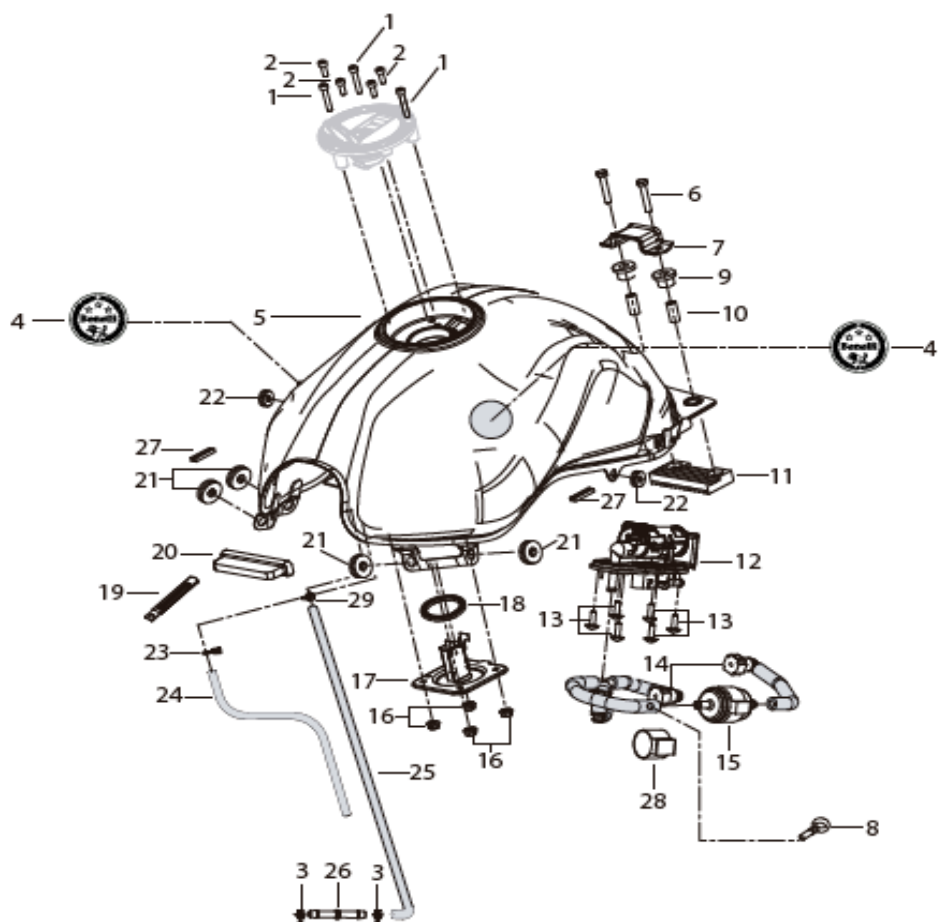
P	CD.Q.J.	REAR WHEEL	Q.TY.PAK.	Q.TY.TAB.
1	54004P100100	REAR WHEEL SPINDLE	1	1
2	54005P100000	BUSH	1	1
3	B0282060208H	SCREW (M6X20)	1	6
4	55030P100002	REAR BRAKE DISC	1	1
5	B1403Z201100	VALVE	1	1
6	54101P10HT00	REAR WHEEL RIM (BLACK)	1	1
7	54006P100000	INNER SPACER	1	1
8	60200P100000	SEAL,DUST	1	1
9	08051P100100	NUT	1	1
10	54622S010000	SPRING DRIVE RUBBER	1	5
11	54016P100000	SPACER	1	1
12	B190105300C0	O-RING	1	1
13	B12016020400	BEARING	1	2
14	60200J000001	OIL SEAL	1	1
15	60015P250010	SCREW (M10X41)	1	5
16	60001P100000	REAR SPROCKET FLANGE	1	1
17	60002P100001	RING GEAR	1	1
18	B04821012552	NUT (M10)	1	5
19	60006P100000	SPACER	1	1
20	54553S010000	BEARING	1	1
21	B08810006200	SNAP RING	1	1
22	60310P100000	CHAIN	1	1
23	B140111C1780	REAR TIRE 160/60-R17	1	1



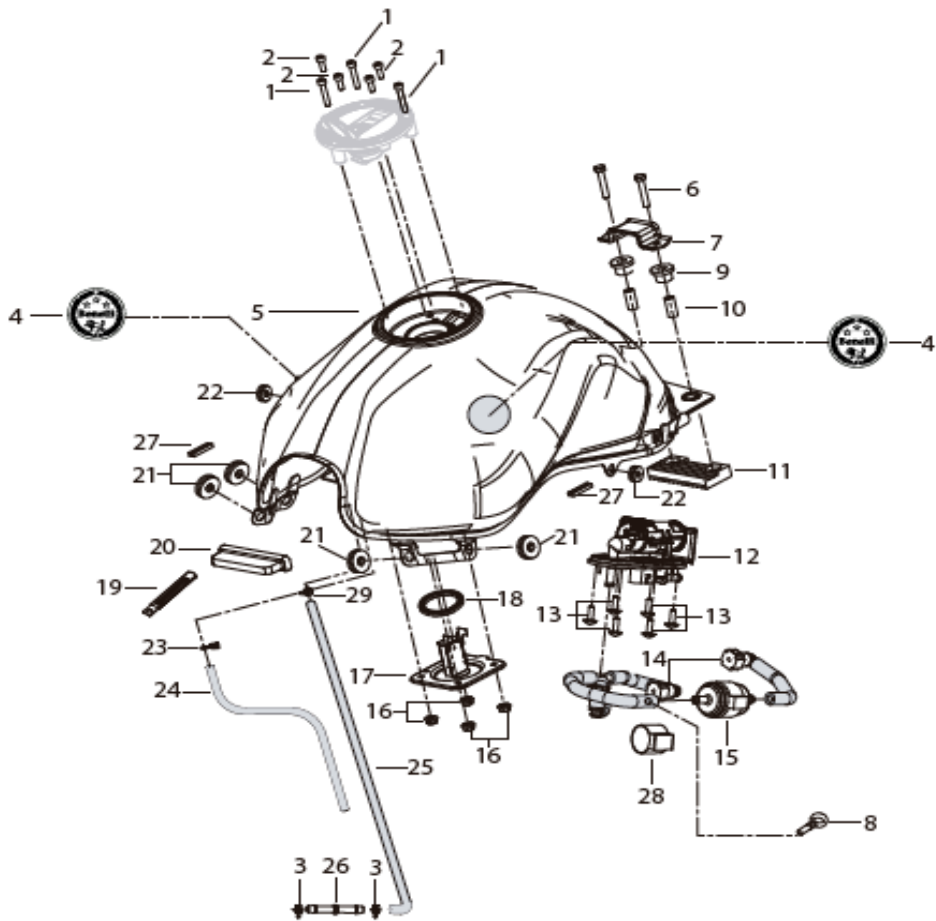
P	CD.Q.J.	EXHAUST SYSTEM	Q.TY.PAK.	Q.TY.TAB.
1	47800P250000	EXHAUST GASKET	1	2
2	B0407080005H	NUT (M8)	1	4
3	47500P100600	EXHAUST MANIFOLD	1	1
4	47035P250000	GASKET (GRAPHITE)	1	1
5	B0218050106A	SCREW (M5X10)	3	1
6	47023S040100	MUFFLER PROTECTION	1	1
7	B1304060120A	SCREW (M6X12)	1	2
8	280586030000	LAMBDA SENSOR	1	2
9	65617H010010	RUBBER PAD	1	3
10	65613P260000	BUSH	1	3
11	B0281080256H	SCREW (TCEI M8X25)	1	3
12	47200P100D03	SILENCER	1	1
13	48830P290000	SCREW HOSE CLAMP	1	1
14	47761P100003	MUFFLER PROTECTION	1	1



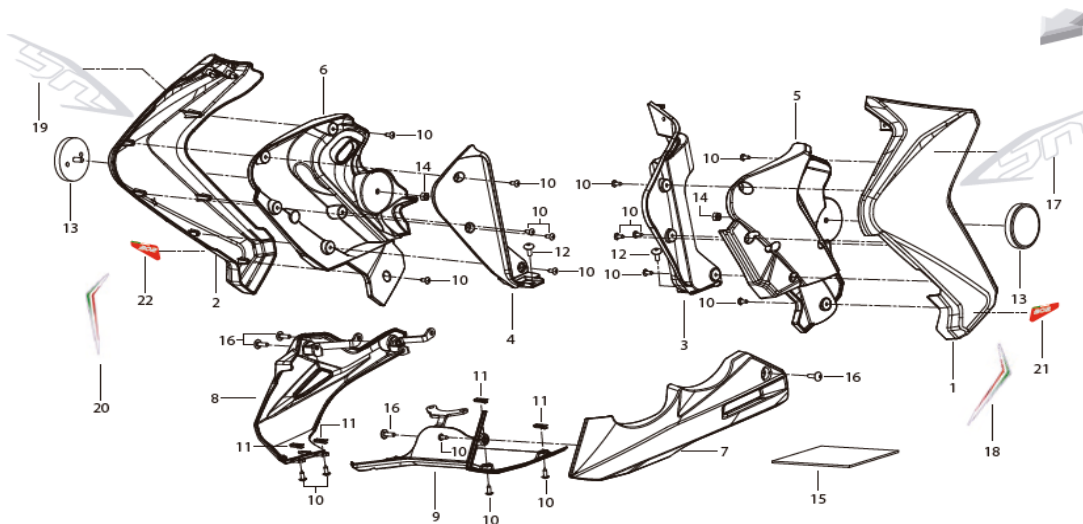
P	CD.Q.J.	INTAKE	Q.TY.PAK.	Q.TY.TAB.
1	49016N070001	SCREW HOSE CLAMP	1	2
2	310015040000	AIR TEMPERATURE SENSOR	1	1
3	49100P100002	COMPLETE AIR BOX	1	1
4	49924P100000	TUBE	1	1
5	49924P250000	TUBE	1	1
6	50260T730005	ONE-WAY VALVE	1	1
7	49922P100000	TUBE	1	1
8	49912K670000	FILTER CANISTER	1	1
9	49922P250001	TUBE	1	1
10	49710N070000	VALVE	1	1
11	B02810601462	SCREW (M6X14)	5	2
12	50306T450010	SPRING HOSE CLAMP	10	3
13	49025P100000	HOSE	1	1
14	49805J000000	HOSE GUIDE SPRING	10	2
15	49016B350010	HOSE GUIDE SPRING	1	1
16	50307J140002	SPRING HOSE CLAMP	10	4
17	49202P100001	AIR FILTER	1	1
18	B02000502025	SCREW (M5X20)	10	8
19	49001P100002	AIR BOX COVER	1	1
20	49205P100001	SUPPORT PLATE	1	1
21	49023P250000	RUBBER PAD	1	1
22	49103P100000	GASKET	1	1
23	49013P100000	RUBBER PAD	1	1



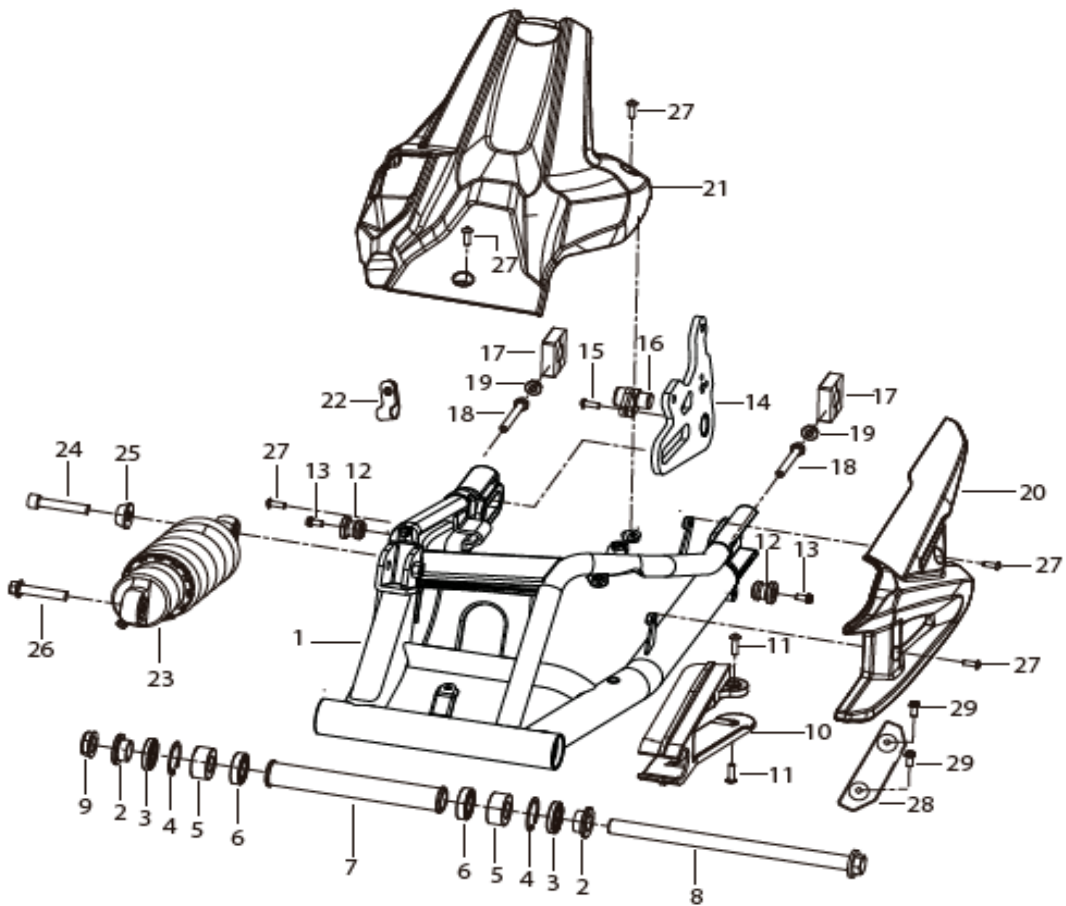
P	CD.Q.J.	FUEL TANK	Q.TY.PAK.	Q.TY.TAB.
1	B0280050300A	SCREW (M5X30)	10	3
2	B0280050140A	SCREW (M5X14)	10	4
3	49016B350010	HOSE GUIDE SPRING	1	2
4	05535P10WF06	STICKER BENELLI (BLACK)	1	2
4	05535P10GT06	STICKER BENELLI (WHITE)	1	2
5	50100K98137Z	FUEL TANK CAP (WHITE WHIT BLACK STICKER)	1	1
5	50100K98138Z	FUEL TANK CAP (GREEN WHIT WHITE STICKER)	1	1
5	50100K98139Z	FUEL TANK CAP (BLACK WHIT WHITE STICKER)	1	1
5	50100K98140Z	FUEL TANK CAP (ORANGE)	1	1
6	B0281060356H	SCREW (M6X35)	1	2
7	50138K980000	PLATE	1	1
8	52008P100000	PIN	1	1
9	50222J000001	BUSH	1	2
10	50221J000001	BUSH	1	2
11	50006K980000	VIBRATION DAMPER PAD	1	1
12	50400P100010	FUEL PUMP	1	1
13	B0109050166H	SCREW (M5X16)	5	6
14	50370K980003	PIPES	1	1
15	50340N100001	FUEL FILTER	1	1
16	B04070600052	NUT (M6)	1	4
17	50800K980000	FUEL LEVEL SENSOR	1	1
18	50002K020000	GASKET	1	1
19	58430J000000	FAIRLEAD	1	1



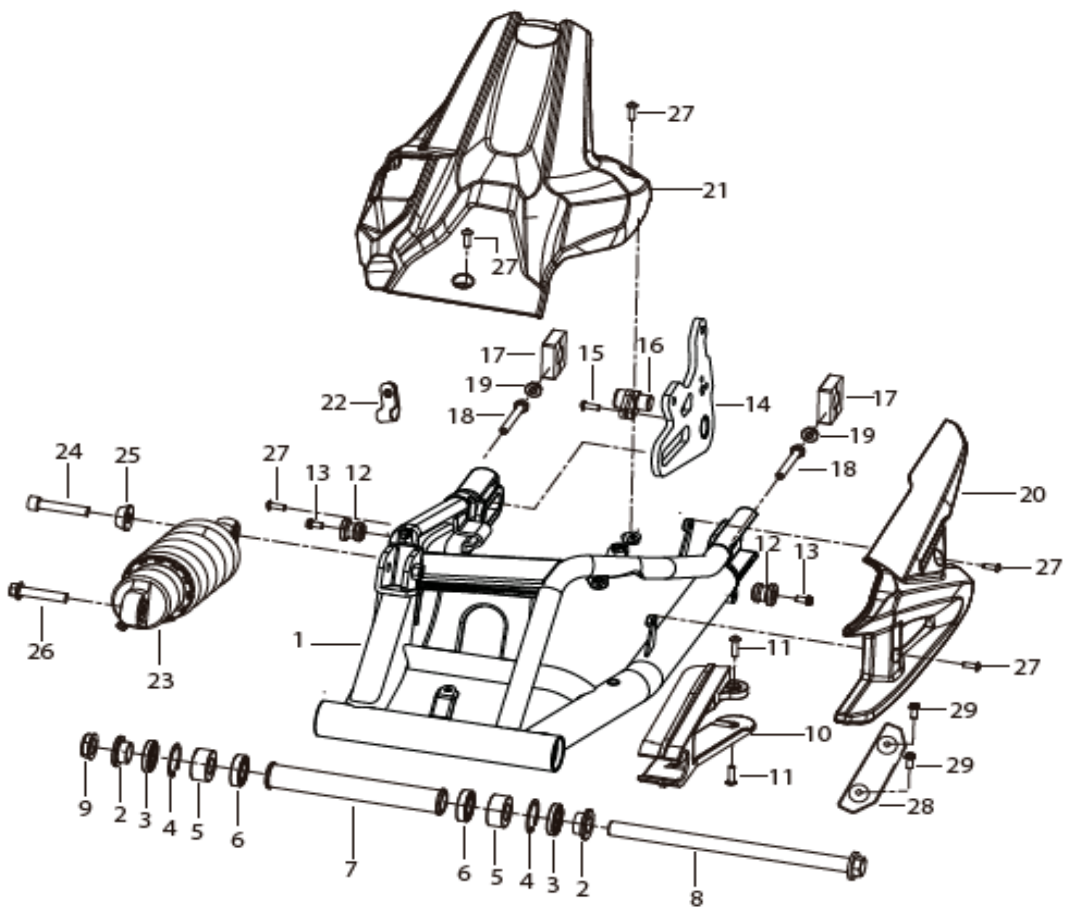
P	CD.Q.J.	FUEL TANK	Q.TY.PAK.	Q.TY.TAB.
20	50005K980000	PAD	1	1
21	65618J000000	RUBBER PAD	1	4
22	65704J000000	RUBBER PAD	1	2
23	B17010105003	SPRING	5	1
24	50012K980000	TUBE	1	1
25	49905K980000	TUBE	1	1
26	50008K670000	UNION	1	1
27	65616H030001	PAD	1	2
28	50391N070000	HOLDER FILTER	1	1
29	49016B350010	HOSE GUIDE SPRING	1	1
30	50080P100000	TUBE	1	1
31	50090P100000	TUBE	1	1
32	50307J690000	CLAMP	1	2



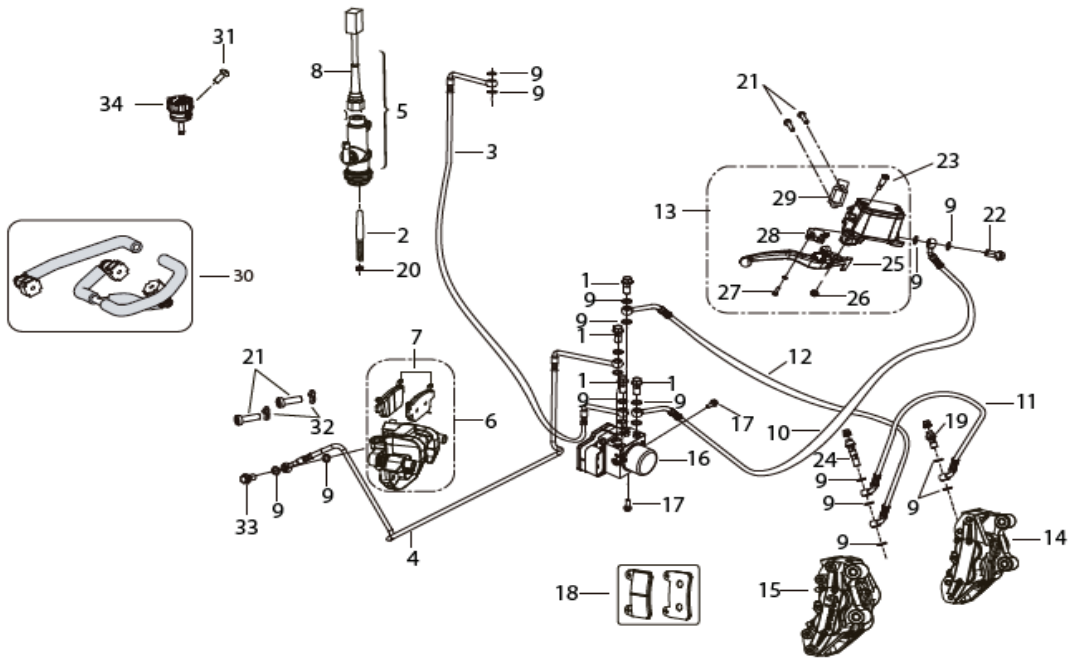
P	CD.Q.J.	FUEL TANK FAIRING	Q.TY.PAK.	Q.TY.TAB.
1	50015P10040Z	L.H. OUTER UPPER FAIRING (BLACK DARK)	1	1
1	50015P10041Z	L.H. OUTER UPPER FAIRING (BLACK DARK)	1	1
2	50016P10040Z	R.H. OUTER UPPER FAIRING (BLACK DARK)	1	1
2	50016P10041Z	R.H. OUTER UPPER FAIRING (BLACK DARK)	1	1
3	65671P100000	SIDE L.H. PROTECTION	1	1
4	65672P100000	SIDE R.H. PROTECTION	1	1
5	65673P100000	L.H. COVER	1	1
6	65674P100000	R.H. COVER	1	1
7	65406P100000	L.H. ENGINE PROTECTION	1	1
8	65407P100000	R.H. ENGINE PROTECTION	1	1
9	65436P100000	MAIN ENGINE PROTECTION	1	1
10	B05074201305	SCREW (ST4.2X13)	10	17
11	65801T020020	QUIK FASTENING	10	4
12	B0283060146H	SCREW (M6X14)	5	2
13	86300J000002	REFLECTOR	1	2
14	B04070500052	NUT (M5)	1	2
15	65616P100000	REFLECTING GLAZING	1	1
16	B0284060150A	SCREW (M6X15.2)	5	4
17	05531P10WF0D	L.H. STICKER (BN)	1	1
17	05531P10GT0D	L.H. STICKER (BN)	1	
18	05535P10WF0D	L.H. STICKER	1	1
18	05535P10GT0D	L.H. STICKER	1	1
19	05532P10WF0D	R.H. STICKER (BN)	1	
19	05532P10GT0D	R.H. STICKER (BN)	1	
20	05536P10WF0D	R.H. STICKER	1	
20	05536P10GT0D	R.H. STICKER	1	
21	05533P100006	L.H. STICKER (302)	1	1
22	05534P100006	R.H. STICKER (302)	1	1



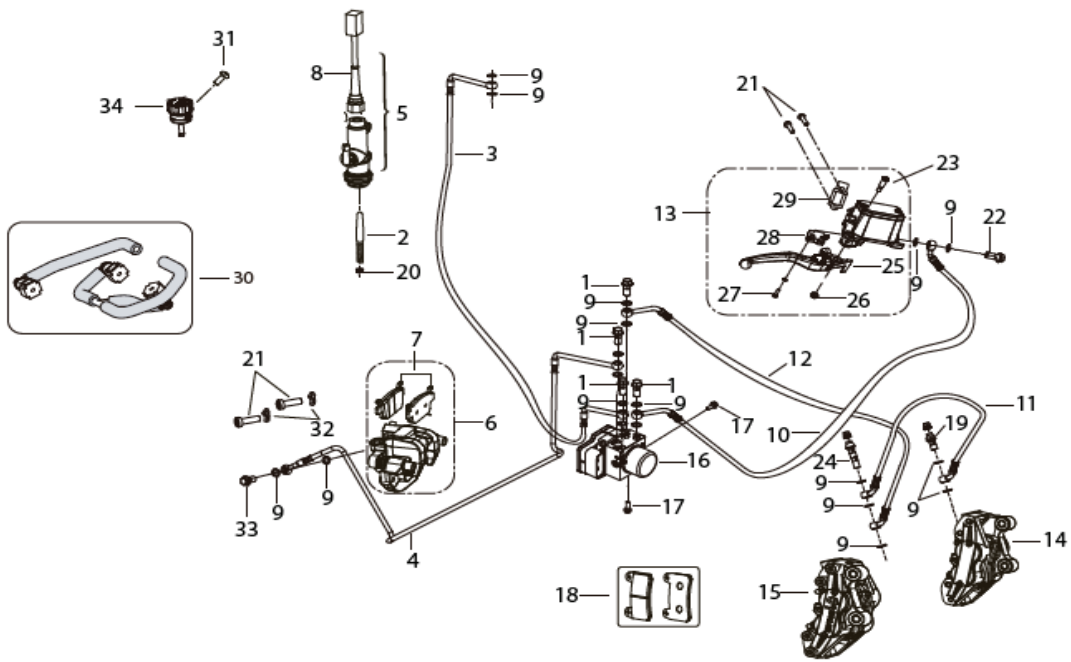
P	CD.Q.J.	SWINGARM	Q.TY.PAK.	Q.TY.TAB.
1	53100P100001	SWINGARM (BLACK)	1	1
2	53006P100000	BUSH	1	2
3	53220P100000	OIL SEAL	1	2
4	B08000003701	CIRCLIP	1	2
5	B1210H490400	BEARING	1	2
6	B12016190400	BEARING	1	2
7	53005P100000	INNER SPACER	1	1
8	53001P100000	PIN	1	1
9	08051P100100	NUT	1	1
10	53004P100000	LOWER CHAIN SLIDING SHOE	1	1
11	B0284060190A	SCREW (M6X19.2)	5	2
12	53021P250000	BUSH OF GUIDE	1	2
13	B02810603062	SCREW (M6X30)	1	2
14	55610P100002	PLATE	1	1
15	B02810601662	SCREW (TCEIF M6X16)	5	1
16	55710P100000	RATE SENSOR	1	1
17	53231P100000	CHAIN ADJUSTER SLIDING SHOE	1	2
18	08002P300010	SCREW (M8)	1	2
19	B0407080005H	NUT (M8)	1	2
20	60101P100002	CHAIN GUARD	1	1
21	65761P100001	REAR MUDGUARD	1	1
22	43070J670010	CLAMP	1	1
23	63800P100100	REAR SHOCK ABSORBER (BLACK)	1	1



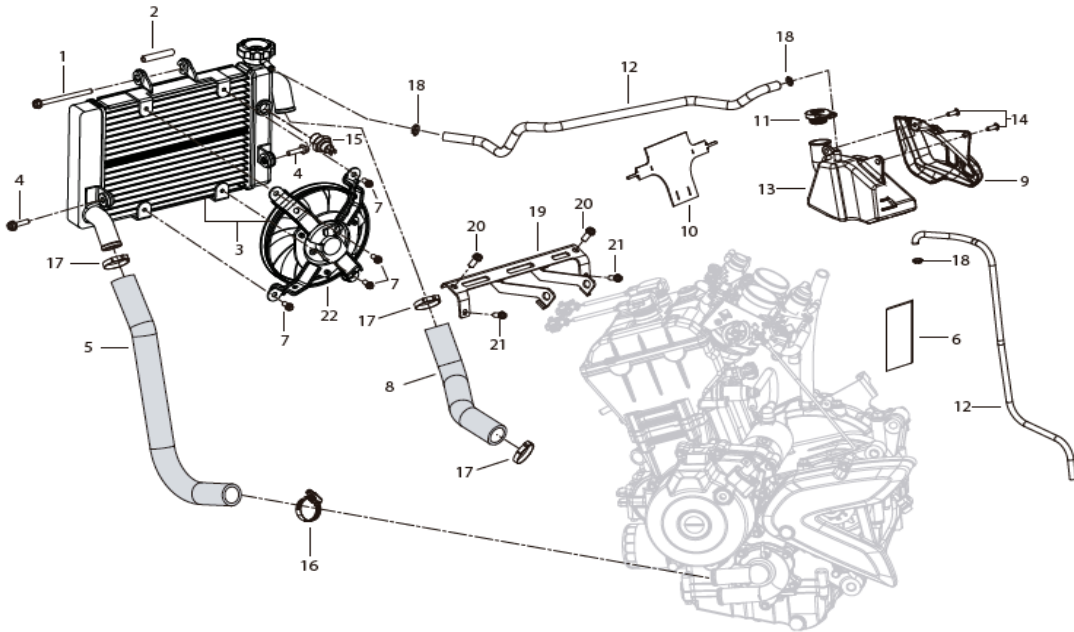
P	CD.Q.J.	SWINGARM	Q.TY.PAK.	Q.TY.TAB.
23	63800P100000	REAR SHOCK ABSORBER (RED)	1	1
24	08012P100000	SCREW (M10X50)	1	1
25	08026P100000	SPACER	1	1
26	08011P100000	SCREW (M10X45)	1	1
27	B0284060150A	SCREW (M6X15.2)	5	5
28	53018P100000	VIBRATION DAMPER PAD	1	1
29	B01090601665	SCREW (M6X16)	5	2



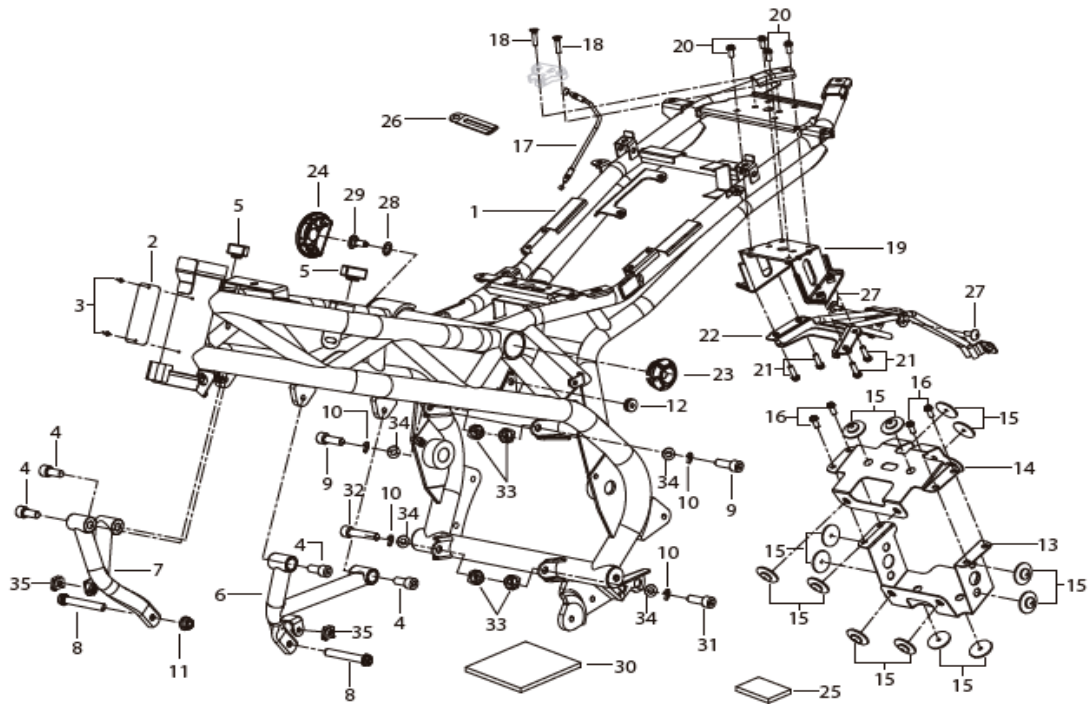
P	CD.Q.J.	FRONT/REAR BRAKE	Q.TY.PAK.	Q.TY.TAB.
1	55037P300000	SPECIAL SCREW	1	4
2	55061P100010	ADJUSTER ROD	1	1
3	55240P100001	REAR BRAKE LINE	1	1
4	55270P100001	REAR BRAKE LINE	1	1
5	55400P10002Z	REAR BRAKE PUMP	1	1
6	55500P100400	REAR BRAKE CALIPER	1	1
7	55120P100000	BRAKE PADS PAIR (REAR)	1	1
8	55300P100001	REAR HYDROSTOP	1	1
9	45078P300000	GASKET	1	19
10	45240P100001	FRONT BRAKE TUBE	1	1
11	45250P100000	FRONT BRAKE TUBE	1	1
12	45270P100001	FRONT BRAKE TUBE	1	1
13	45400P100012	FRONT BRAKE PUMP COMPLET	1	1
14	45500J800212	L.H. FRONT BRAKE CALIPER	1	1
15	45600P100211	R.H. FRONT BRAKE CALIPER	1	1
16	45700P100001	HYDRAULIC UNIT ABS	1	1
17	B0109060126H	SCREW (M6X12)	1	2
18	45120P100000	BRAKE PADS PAIR	1	1
19	45037P300000	SPECIAL SCREW	1	1
20	B04020600018	NUT (M6)	1	1
21	B0281080256H	SCREW (TCEI M8X25)	1	4
22	45037J000000	SPECIAL SCREW	1	1
23	45024P300000	SPECIAL SCREW	1	1
24	45037P150000	SPECIAL SCREW	1	1
25	45020P300000	FRONT BRAKE CONTROL LEVER	1	1
26	B04170600055	NUT, SELF - LOCKING	10	1
27	B02040401225	SCREW (M6X12)	1	1
28	45300J000010	MICROSWITCH	1	1
29	45023P250000	BRACKET	1	1
30	50370P250002	PIPES	1	1



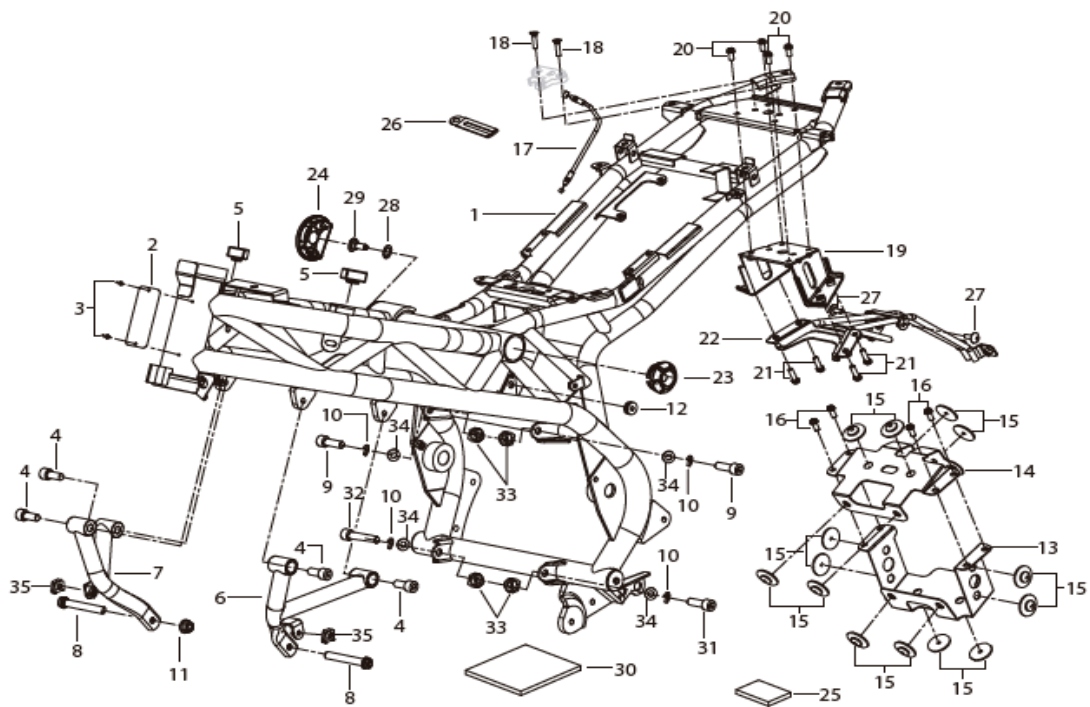
P	CD.Q.J.	FRONT/REAR BRAKE	Q.TY.PAK.	Q.TY.TAB.
31	B0284060200A	SCREW (M6X20)	1	1
32	B07000000802	ELASTIC WASHER	1	1
33	55037J410000	FLANGE SCREW (M6X105)	1	1
34	55140P260000	OIL TANK BRAKE	1	1



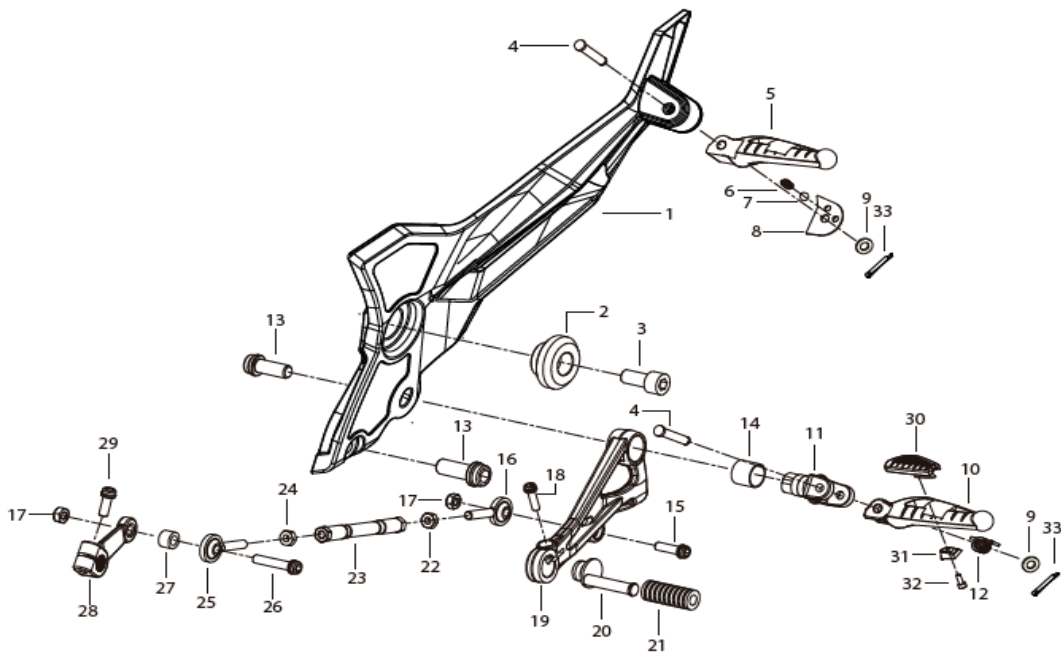
P	CD.Q.J.	COOLING CIRCUIT	Q.TY.PAK.	Q.TY.TAB.
1	B01090609562	SCREW (M6X95)	1	1
2	57025P100000	BUSH	1	1
3	279126220000	WATER RADIATOR	1	1
4	B02810602562	SCREW (M6X25)	1	2
5	06211P100000	HOSE	1	1
6	06228P250000	THERMAL PROTECTION	1	1
7	B02810601262	SCREW (M6X12)	1	4
8	06251P100000	HOSE	1	1
9	65424P100000	EXPANSION TANK COVER	1	1
10	65703P100000	RUBBER PROTECTOR	1	1
11	06112J690000	CAP	1	1
12	06102T430007	TUBE	1	2
13	06111P100000	WATER TANK	1	1
14	B0284060200A	SCREW (M6X20)	1	2
15	279115050000	THERMOSTATIC SENSOR	1	1
16	270026110000	SCREW HOSE CLAMP	1	1
17	49650S010000	CLAMP	1	3
18	50376S010000	CLAMP	1	3
19	50040P100000	HOLDER	1	1
20	B02810601662	SCREW (TCEIF M6X16)	5	2
21	B02810601462	SCREW (M6X14)	5	2
22	279026030020	ELECTRIC FAN	1	1



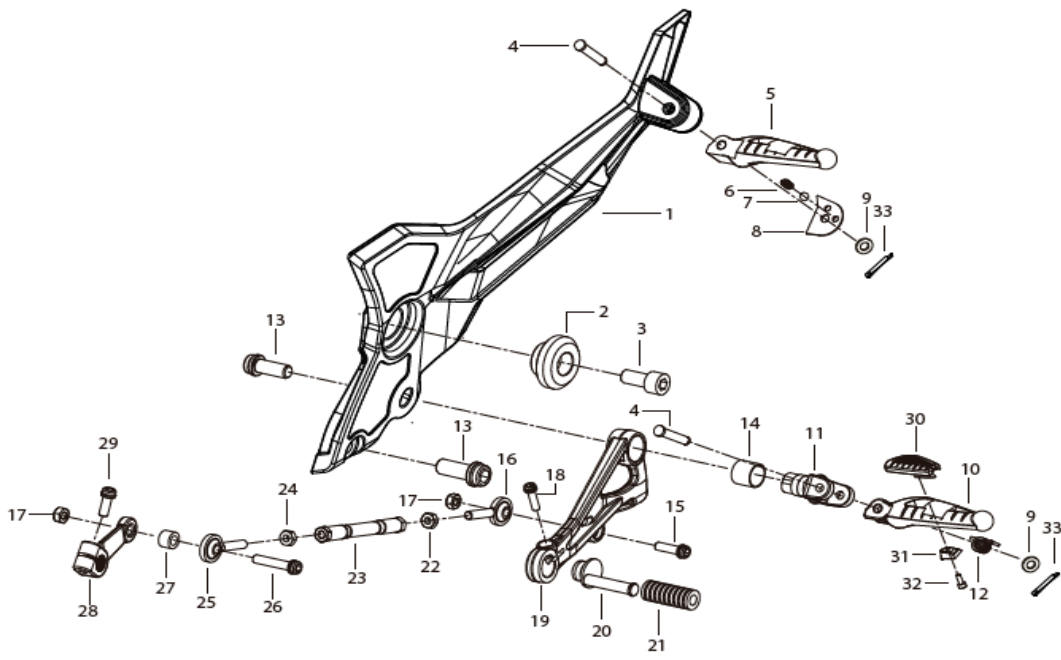
P	CD.Q.J.	FRAME	Q.TY.PAK.	Q.TY.TAB.
1	57100P10TY00	FRAME (RED)	1	1
1	57100P10H400	FRAME (BLACK)	1	1
2	57001P100009	PLATE	1	1
3	B100432007P0	RIVET (3.2X7)	1	2
4	B02051002262	SCREW (M10X22)	1	4
5	43504E070001	PAD	1	2
6	58630P100001	L.H. HOLDER	1	1
7	58640P100001	R.H. HOLDER	1	1
8	B02551004562	SCREW (M10X1.25X45)	1	2
9	B02051007062	SCREW (M10X70)	1	2
10	B07000001002	WASHER	1	4
11	B04821012552	NUT (M10)	1	1
12	65704J000000	RUBBER PAD	1	1
13	58752K980010	LOWER BATTERY BOX MOUNT	1	1
14	58750P100000	UPPER BATTERY BOX MOUNT	1	1
15	58821J040001	RUBBER PAD	1	14
16	B02810601262	SCREW (M6X12)	1	4
17	58900K980000	CABLE OPENING SEAT	1	1
18	B02810603062	SCREW (M6X30)	1	2
19	65770K980000	HOLDER	1	1
20	B02810601662	SCREW (TCEIF M6X16)	5	4
21	B02810802562	SCREW (M6X20)	5	4
22	65770K990001	NUMBER PLATE HOLDER	1	1
23	65532K98C900	L.H. CAP	1	1
24	65533K98C901	R.H. CAP	1	1
25	58752J000000A	PAD	1	1
26	58430J670000	CLAMP	1	1
27	B02830601262	SCREW (M6X12)	1	2



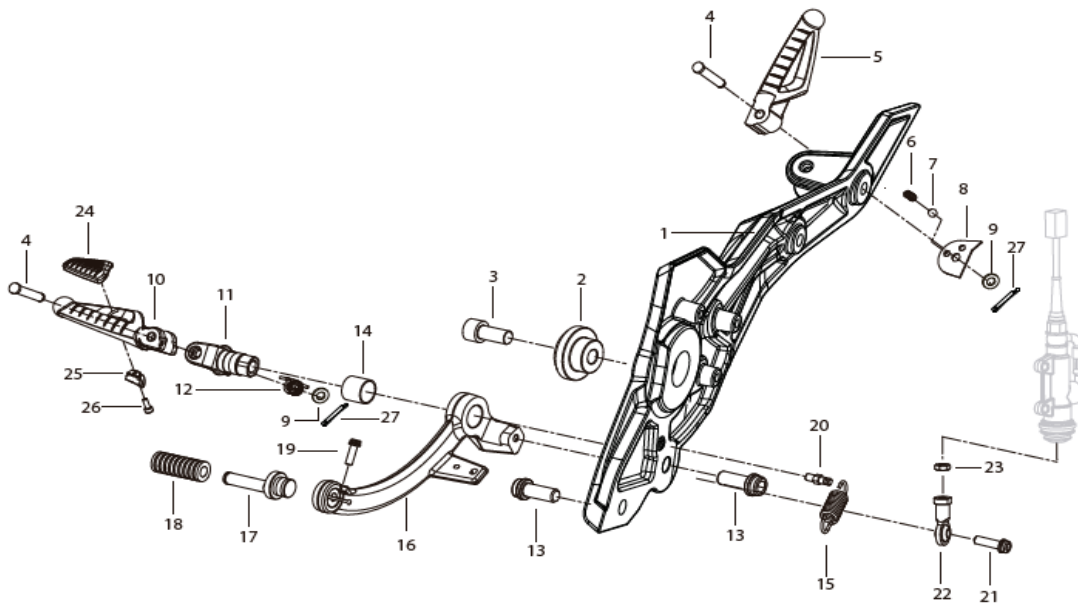
P	CD.Q.J.	FRAME	Q.TY.PAK.	Q.TY.TAB.
28	47936S010000	WASHER NYLON	5	1
29	B0284060150A	SCREW (M6X15.2)	5	1
30	58752P250000	PAD	1	1
31	B02051005562	SCREW (M10X55)	1	1
32	B02051008062	SCREW (M10X80)	1	1
33	B04171000042	NUT (M10)	1	4
34	B07030001002	WASHER	1	4
35	65625J560000	QUIK FASTENING (M6)	1	2



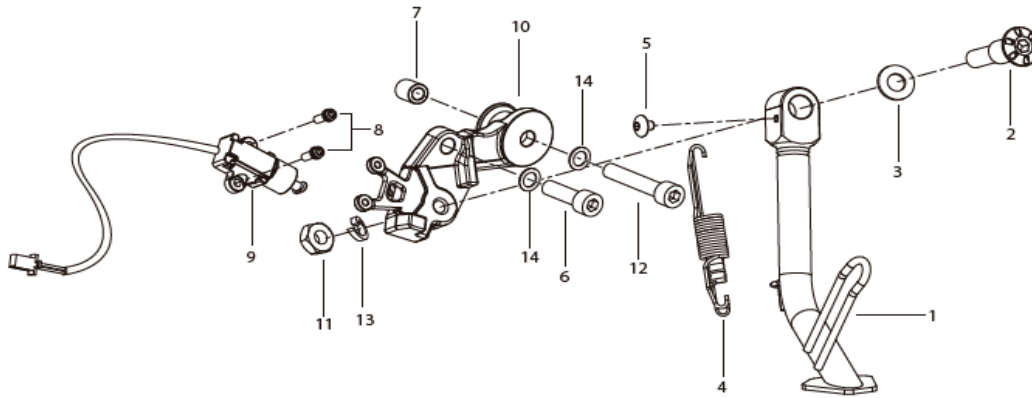
P	CD.Q.J.	L.H. FOOTPEG	Q.TY.PAK.	Q.TY.TAB.
1	58226P100001	FRONT L.H. FOOT PEG HOLDER (BLACK)	1	1
2	57026P100000	CENTRING BUSH	1	1
3	B02051002262	SCREW (M10X22)	1	1
4	58217P100000	PIN	1	2
5	58266P910010	L.H. REAR FOOT PEG	1	1
6	58222B930000	SPRING	1	1
7	B06000002000	BALL	1	1
8	58451S010000	PLATE	1	1
9	B0703000060H	WASHER	1	2
10	52532P910010	LH. FRONT FOOT PEG (BLACK)	1	1
11	08386S04N100	FORK	1	1
12	58222S010010	SPRING	1	1
13	08012S010010	SCREW (M10X25)	1	2
14	58511S010000	BUSH	1	1
15	B02810603062	SCREW (M6X30)	1	1
16	08375S010000	BALL JOINT	1	1
17	B04810600052	NUT (M6)	10	2
18	B02810501862	SCREW (M5X0.8X18)	5	1
19	08381P100001	GEARCHANGE PEDAL	1	1
20	40712P100001	RUNNER ECCENTRIC	1	1
21	08372D010000	RUBBER PAD PEDAL	1	1
22	B04800600052	NUT (M6)	10	1
23	08371P100000	GEARBOX TRANSMISSION ROD	1	1
24	08051S040010	NUT (M6)	1	1
25	40706S040000	BALL JOINT	1	1
26	B02810602562	SCREW (M6X25)	1	1
27	08355S040000	BUSH	1	1
28	08386P100001	GEARCHANGE CONTROL LEVER	1	1
29	B02810602062	SCREW (M6X20)	5	1
30	08352S020000	L.H. FOOT PEG RUBBER COVER	1	1



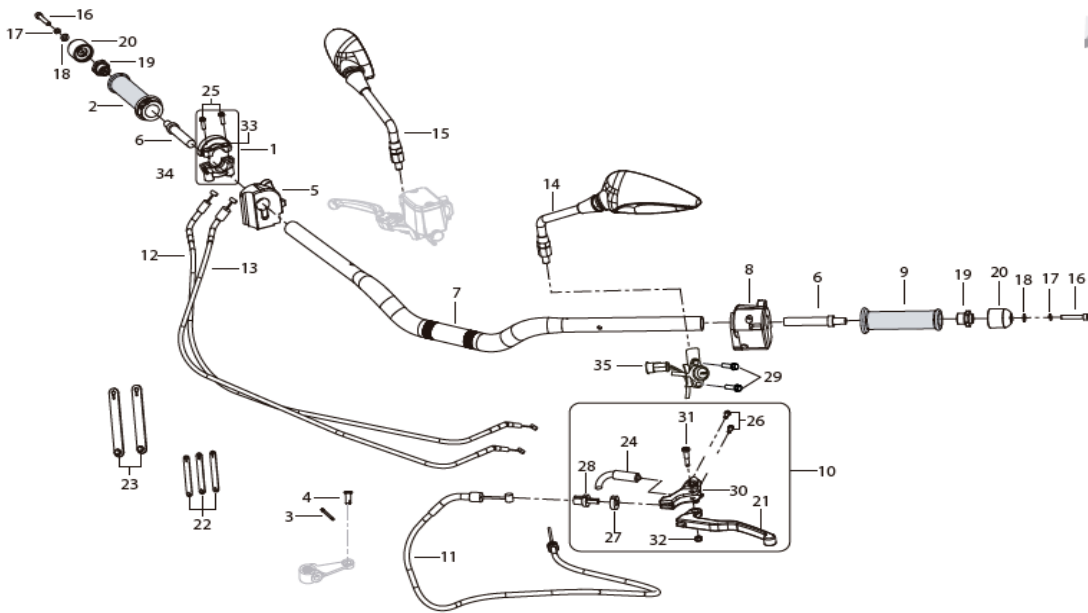
P	CD.Q.J.	L.H. FOOTPEG	Q.TY.PAK.	Q.TY.TAB.
31	58205S020000	L.H. FIXED RUBBER	1	2
32	B0280040100A	SCREW (M4X10)	1	1
33	B090002018A2	SPLIT PIN	1	2



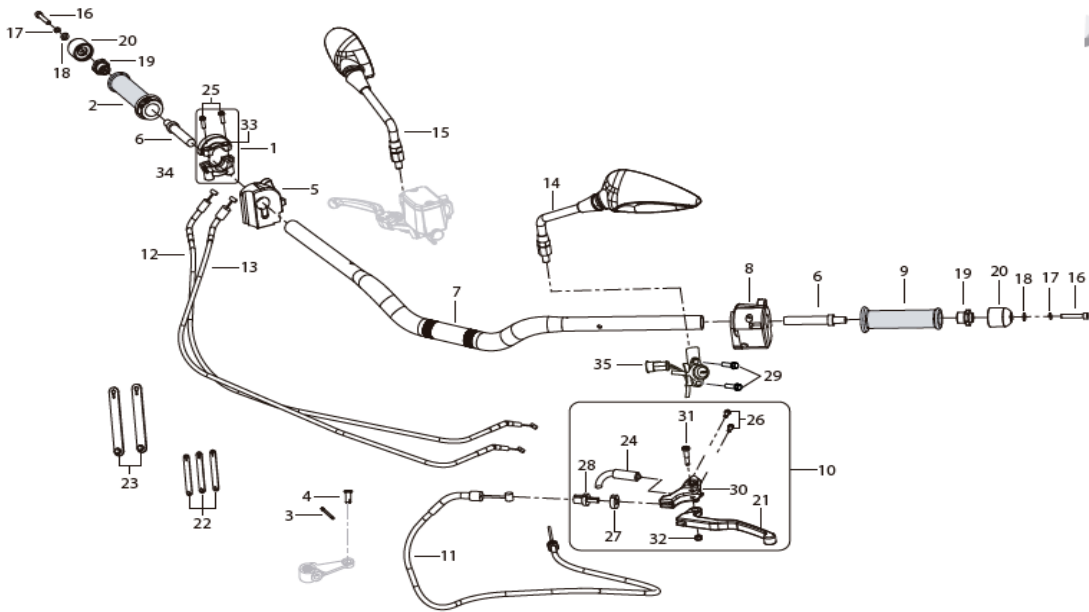
P	CD.Q.J.	R.H. FOOTPEG	Q.TY.PAK.	Q.TY.TAB.
1	58246P100001	FRONT R.H. FOOT PEG HOLDER PLATE (BLACK)	1	1
2	57026P100000	CENTRING BUSH	1	1
3	B02051002262	SCREW (M10X22)	1	1
4	58217P100000	PIN	1	2
5	58286P910010	R.H. REAR FOOT PEG	1	1
6	58222B930000	SPRING	1	1
7	B06000002000	BALL	1	1
8	58451S010000	PLATE	1	1
9	B0703000060H	WASHER	1	2
10	52552P910010	RH. FRONT FOOT PEG (BLACK)	1	1
11	08386S04N100	FORK	1	1
12	58222S010010	SPRING	1	1
13	08012S010010	SCREW (M10X25)	1	2
14	58511S010000	BUSH	1	1
15	40702P100002	SPRING	1	1
16	40711P100001	BRAKE CONTROL PEDAL	1	1
17	40712P100001	RUNNER ECCENTRIC	1	1
18	08372D010000	RUBBER PAD PEDAL	1	1
19	B02810501862	SCREW (M5X0.8X18)	5	1
20	40273P250000	THREADED PIN	1	1
21	B02810601662	SCREW (TCEIF M6X16)	5	1
22	40283S010000	BALL JOINT	1	1
23	B04800600052	NUT (M6)	10	1
24	08372S020000	R.H. FOOT PEG RUBBER COVER	1	1
25	58405S020000	R.H. FIXED RUBBER	1	1
26	B0280040100A	SCREW (M4X10)	1	1
27	B090002018A2	SPLIT PIN	1	2



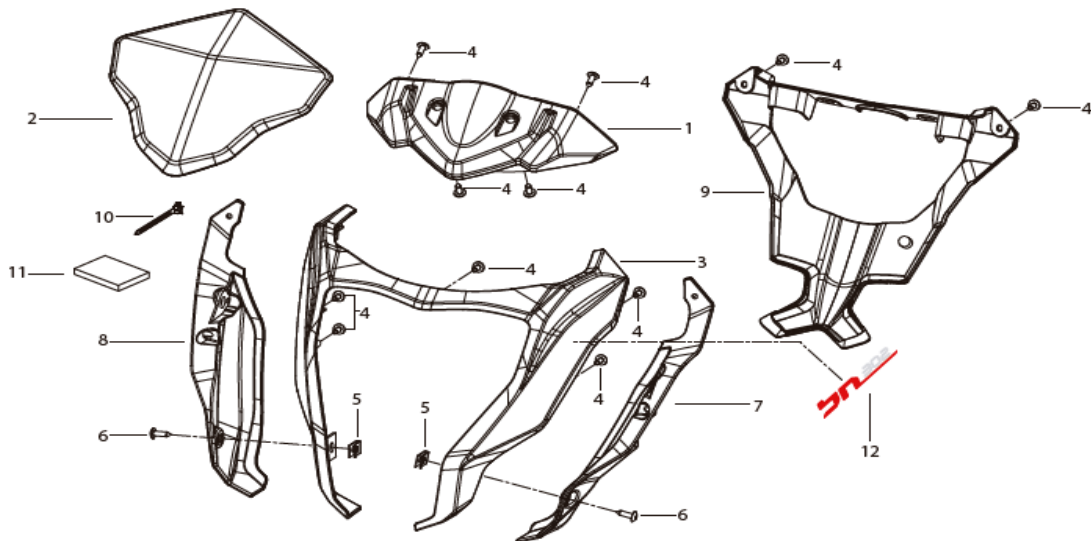
P	CD.Q.J.	STAND	Q.TY.PAK.	Q.TY.TAB.
1	58700P100000	SIDE STAND	1	1
2	57005P280000	SPECIAL SCREW	1	1
3	08021P250000	WASHER	1	1
4	57010P280000	STAND SPRINGS PAIR	1	1
5	B02830600862	SCREW (M6X8)	1	1
6	B02051003062	SCREW (M10X30)	1	1
7	57027P100000	BUSH	1	1
8	B02810501462	SCREW (M5X0.8X14)	5	2
9	91170N070000	SIDE STAND SENSOR	1	1
10	57405P280000	SIDE STAND SUPPORT PLATE	1	1
11	B04031212514	NUT (M12X1.25)	1	1
12	B02051005062	SCREW (M10X50)	1	1
12	B02051005562	SCREW (M10X55)	1	1
13	B07000001204	SPRING WASHER	1	1
14	B07030001002	WASHER	2	2



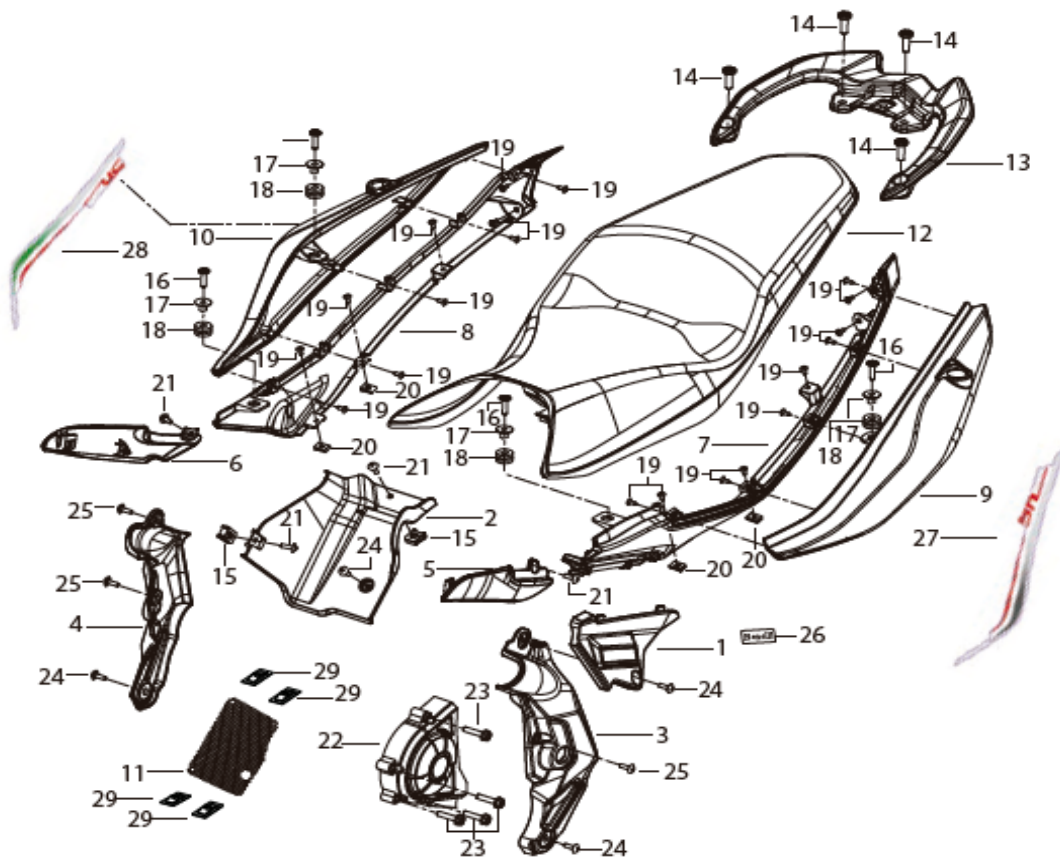
P	CD.Q.J.	HANDLEBAR AND CONTROLS	Q.TY.PAK.	Q.TY.TAB.
1	40320P250000	THROTTLE CONTROL	1	1
2	40210P250001	RIGHT GRIP	1	1
3	B090002018AH	SPLIT PIN	1	1
4	B090406014AH	PIN	1	1
5	40600P100004	R.H. LIGHTS SWITCH	1	1
6	40031S010000	HAND GRIP TERMINAL	1	2
7	40101P100000	HANDLEBAR	1	1
8	40500P100004	L.H. LIGHTS SWITCH	1	1
9	40001K740000	LEFT GRIP	1	1
10	40080S01003Z	CLUTCH CONTROL	1	1
11	40400P100001	CLUTCH CABLE	1	1
12	40300P100200	CABLE OPENING THROTTLE	1	1
13	40330P250101	CABLE THROTTLE CLOSING	1	1
14	40460P250100	L.H. REAR-VIEW MIRROR	1	1
15	40470P250100	R.H. REAR-VIEW MIRROR	1	1
16	B0205060356H	SCREW (M6X35)	1	2
17	B0700000060H	ELASTIC WASHER	1	2
18	B0703000060H	WASHER	1	2
19	40032P250000	HANDLE GRIP CAP	1	2
20	40031P250000	ROCKER	1	2
21	40084S010000	CLUTCH CONTROL LEVER	1	1
22	49371T620000	TUBE GUIDE	1	3
23	96003P250000	RUBBER HOSE CLAMP	1	2
24	40088S010000	CLUTCH SWITCH	1	1
25	B02810501462	SCREW (M5X0.8X14)	5	2
26	B02810602562	SCREW (M6X25)	1	2
27	40087K010000	SPECIAL NUT	1	1
28	40086K010000	SPECIAL SCREW	1	1
29	B02810602562	SCREW (M6X25)	1	1
30	40081P250000	LEVER HOLDER	1	1
31	40083P250000	SCREW	1	1



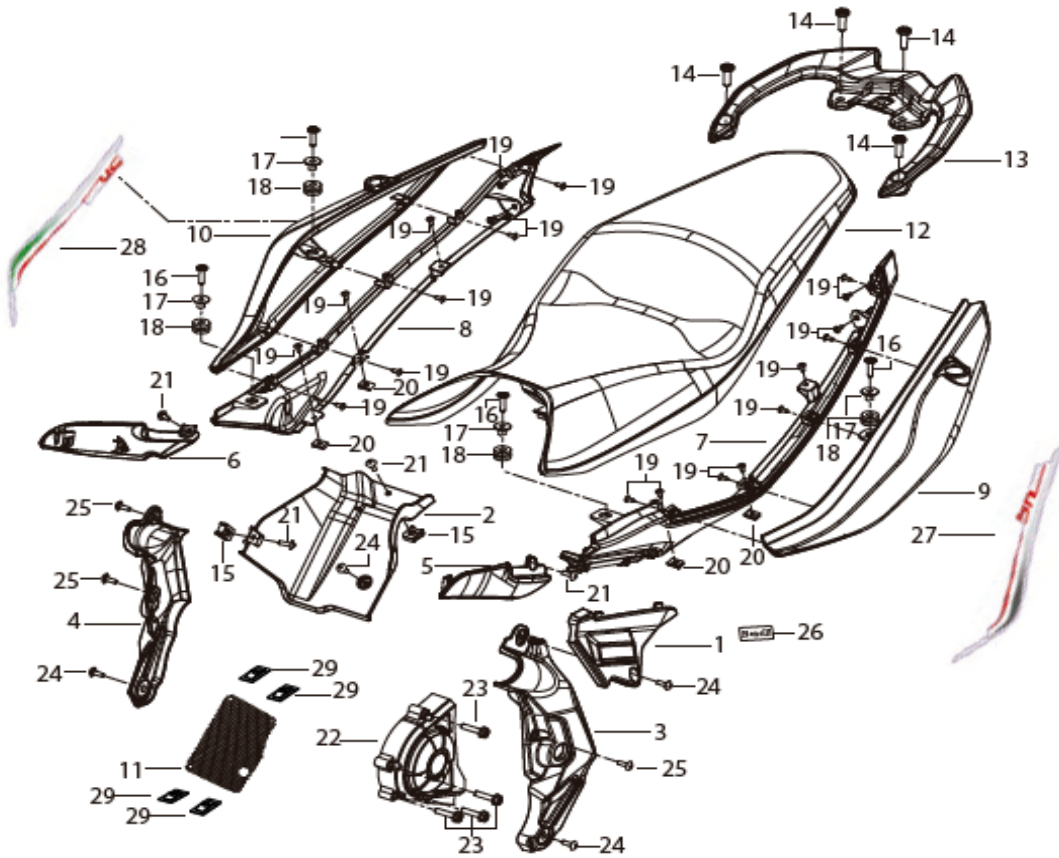
P	CD.Q.J.	HANDLEBAR AND CONTROLS	Q.TY.PAK.	Q.TY.TAB.
32	B04160600065	NUT (M6)	1	1
33	40213S010000	THROTTLE CONTROL UPPER	1	1
34	40214S010000	THROTTLE CONTROL LOWER	1	1
35	91190P25000Z	ABS SWITCH	1	1



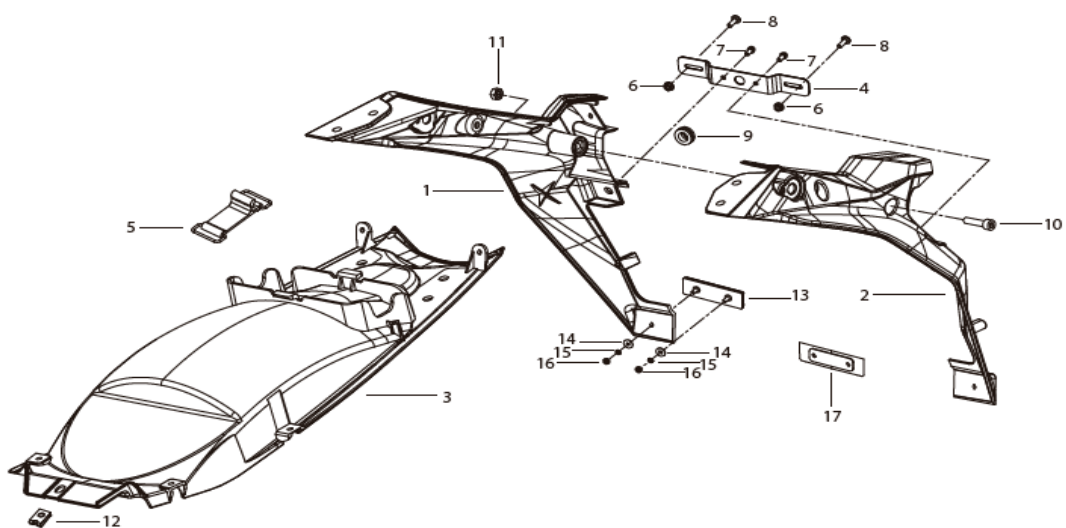
P	CD.Q.J.	HEADLIGHT FAIRING	Q.TY.PAK.	Q.TY.TAB.
1	70004P100000	INSTRUMENT HOLDER (WHITE)	1	1
2	65203P100000	HEADLIGHT FAIRING	1	1
3	65501P10008Z	HEADLIGHT FAIRING HOLDER (WHITE)	1	1
3	65501P10020Z	HEADLIGHT FAIRING HOLDER (GREEN)	1	1
3	65501P10010Z	HEADLIGHT FAIRING HOLDER (BLACK)	1	1
3	65501P10021Z	HEADLIGHT FAIRING HOLDER (ORANGE)	1	1
4	B05074201305	SCREW (ST4.2X13)	10	11
5	65801T020020	QUIK FASTENING	10	2
6	B05074201605	SCREW (ST4.2X16)	10	2
7	65541P100000	L.H. BODY PANEL (DOME)	1	1
8	65551P100000	R.H. BODY PANEL (DOME)	1	1
9	65521P100000	REAR COVER HEAD LIGHT	1	1
10	96001J000000	CLAMP	1	1
11	65509J060000	PAD	1	1
12	05521P10WF06	STICKER (RED BN302)	1	1



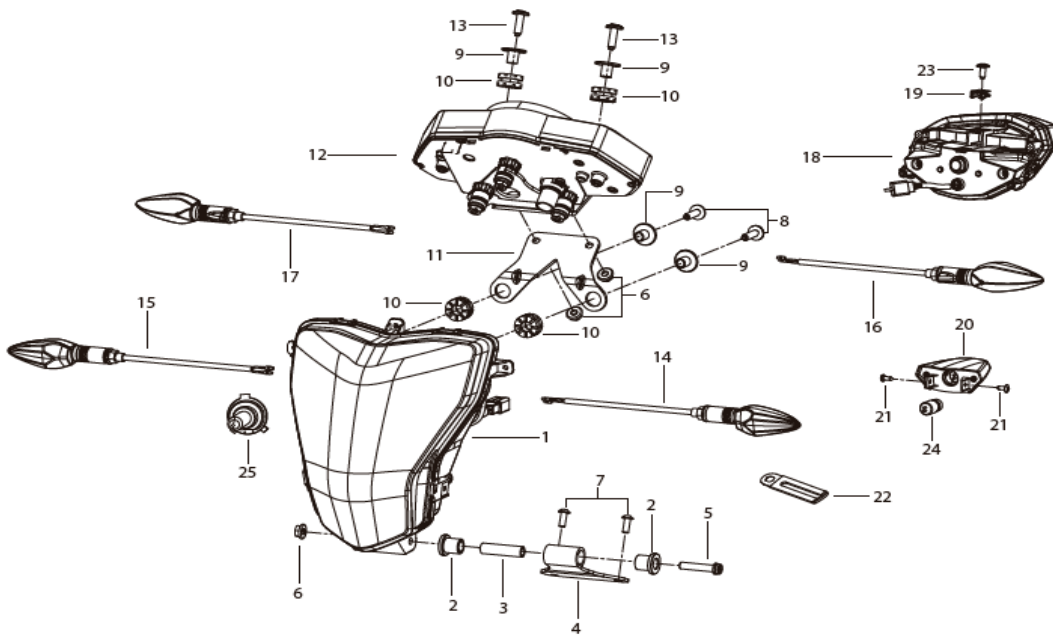
P	CD.Q.J.	TAIL GUARD	Q.TY.PAK.	Q.TY.TAB.
1	65601P100000	L.H. PANEL	1	1
2	65602P100001	INNER PANEL	1	1
3	58211P100000	L.H. FRAME COVER	1	1
4	58311P100000	R.H. FRAME COVER	1	1
5	50015K980000	SIDE COVER L.H.	1	1
6	50016K980000	SIDE COVER R.H.	1	1
7	65911K980000	L.H. REAR BODY PANEL	1	1
8	65912K980000	R.H. REAR BODY PANEL	1	1
9	65901K98061Z	L.H. TAIL GUARD (BLACK)	1	1
9	65901K98062Z	L.H. TAIL GUARD (GREEN)	1	1
10	65902K98061Z	R.H. TAIL GUARD (BLACK)	1	1
10	65902K98062Z	R.H. TAIL GUARD (GREEN)	1	1
11	65622P100001	GRID	1	1
12	51100K980001	SEAT	1	1
13	52002K98HT00	REAR HANDLE	1	1
14	52018J800000	SCREW (M8X25)	1	4
15	65625J560000	QUIK FASTENING (M6)	1	2
16	B0284060250A	SCREW (M6X25)	1	4
17	14003S040000	UPPER BUSH	1	4
18	65618J820000	VIBRATION DAMPER PAD	1	4
19	B05074201305	SCREW (ST4.2X13)	10	20
20	65801T020020	QUIK FASTENING	10	4
21	B0283060146H	SCREW (M6X14)	5	4
22	169046220000	SPROCKET COVER	1	1



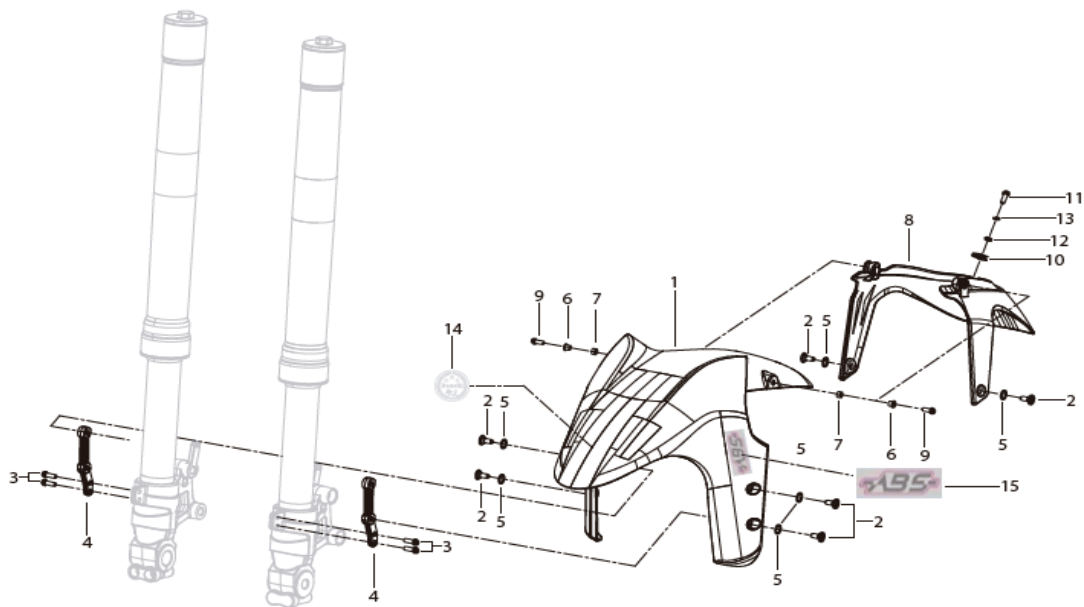
P	CD.Q.J.	TAIL GUARD	Q.TY.PAK.	Q.TY.TAB.
23	B01070603065	SCREW (M6X30)	1	4
24	B0284060200A	SCREW (M6X20)	1	4
25	B0284060150A	SCREW (M6X15.2)	5	3
26	05511P10WF0D	STICKER	1	1
27	05571P10WF0D	STICKER REAR FAIRING L.H.	1	1
27	05571P10GT0D	STICKER REAR FAIRING L.H.	1	1
28	05572P10WF0D	STICKER REAR FAIRING R.H.	1	1
28	05572P10GT0D	STICKER REAR FAIRING R.H.	1	1
29	65311B910000	HOOK	1	4



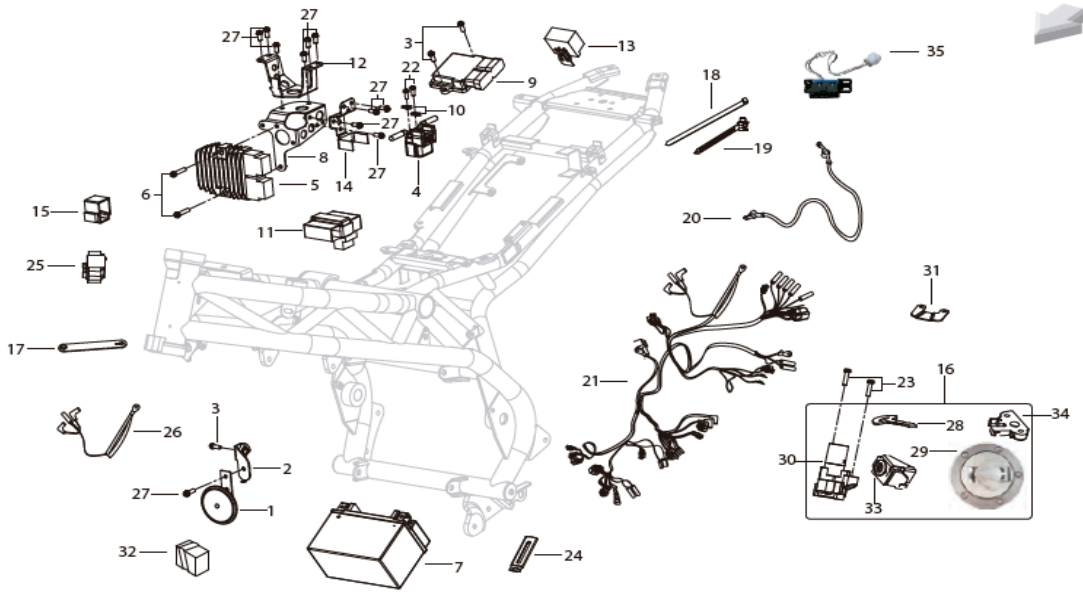
P	CD.Q.J.	NUMBER PLATE HOLDER	Q.TY.PAK.	Q.TY.TAB.
1	65709K990000	R.H. NUMBER PLATE HOLDER	1	1
2	65701K990000	L.H. NUMBER PLATE HOLDER	1	1
3	65731K980000	INNER PANEL	1	1
4	08202G120000	LICENCE PLATE BRACKET	1	1
5	02120J690000	ELASTIC BELT	1	1
6	B04070600052	NUT (M6)	1	2
7	B02810601662	SCREW (TCEIF M6X16)	5	2
8	B0109060166H	SCREW (M6X16)	1	2
9	65713H160000	RUBBER PAD	1	1
10	B02830602562	SCREW (M6X25)	1	1
11	B04810600052	NUT (M6)	10	1
12	65625J560000	QUIK FASTENING (M6)	1	1
13	86500B720001	REFLECTOR	1	1
14	B07020000503	WASHER	1	2
15	B07000000503	WASHER	1	2
16	B04000500052	NUT (M5)	1	2
17	08482P100000	PLATE	1	1



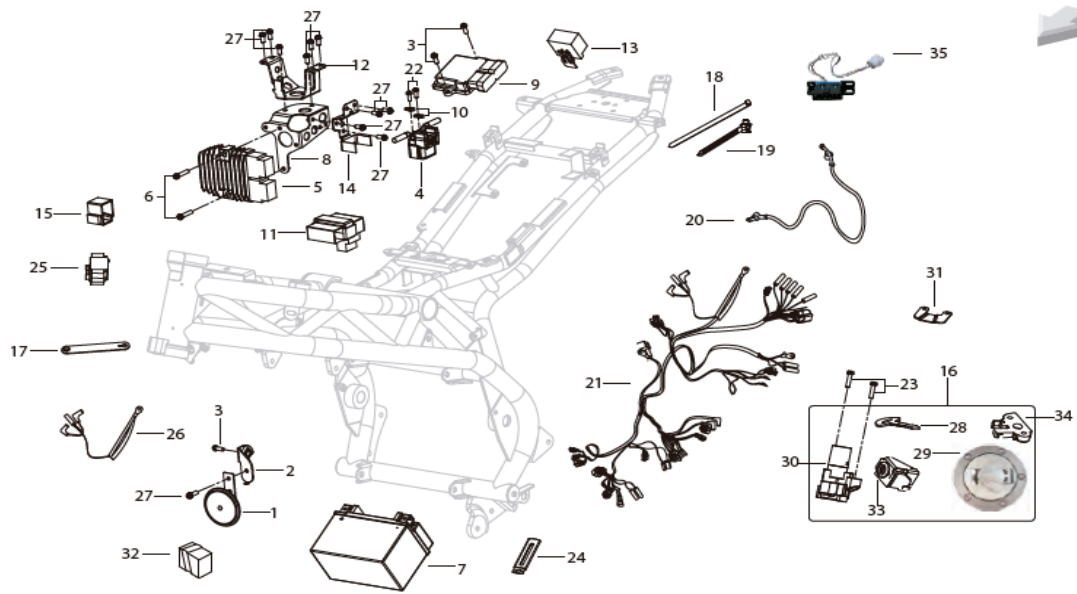
P	CD.Q.J.	HEAD-LIGHTS AND INSTRUMENTATION	Q.TY.PAK.	Q.TY.TAB.
1	80000P100000	FRONT HEADLIGHT	1	1
2	08524P250000	BUSH	1	2
3	08523P250000	SPACER	1	1
4	08332P100000	HOLDER	1	1
5	08002B980000	SCREW (M6X60)	1	1
6	B04070600052	NUT (M6)	1	3
7	B02810601662	SCREW (TCEIF M6X16)	5	2
8	B0284060250A	SCREW (M6X25)	1	2
9	14003S040000	UPPER BUSH	1	4
10	65618J820000	VIBRATION DAMPER PAD	1	4
11	08331P100000	PLATE	1	1
12	70000P100005	INSTRUMENT PANEL	1	1
13	B0284060300A	SPECIAL SCREW (M6X30)	1	2
14	81100K980000	COMPLETE TURN INDICATOR (FRONT L.H.)	1	1
15	81300K980000	COMPLETE TURN INDICATOR (FRONT R.H.)	1	1
16	81500K980000	TURN INDICATOR (REAR R.H.)	1	1
17	81700K980000	TURN INDICATOR (REAR R.H.)	1	1
18	82000K980000	REAR HEADLIGHT	1	1
19	65625J560000	QUIK FASTENING (M6)	1	1
20	82900N210000	NUMBER PLATE LIGHT	1	1
21	B05074201305	SCREW (ST4.2X13)	10	2
22	58430J670000	CLAMP	1	1
23	B0284060200A	SCREW (M6X20)	1	1
24	B24013120000	BULB (12V5W)	1	1
25	B240137200F0	BULB (12V55W-H7)	1	1



P	CD.Q.J.	FRONT MUDGUARD	Q.TY.PAK.	Q.TY.TAB.
1	65101P10027Z	FRONT MUDGUARD (WHITE)	1	1
1	65101P10028Z	FRONT MUDGUARD (GREEN)	1	1
1	65101P10029Z	FRONT MUDGUARD (BLACK)	1	1
1	65101P10030Z	FRONT MUDGUARD (ORANGE)	1	1
2	B0284060150A	SCREW (M6X15.2)	5	6
3	B02810601462	SCREW (M6X14)	5	4
4	65141S010000	MUDGUARD SUPPORT PLATE	1	2
5	47936S010000	WASHER NYLON	5	6
6	65105S040000	BUSH "T"	1	2
7	B04000500052	NUT (M5)	1	2
8	65102N220000	INFERIOR MUDGUARD	1	1
9	B02810501462	SCREW (M5X0.8X14)	5	2
10	08053G120000	QUIK FASTENING (M5)	1	1
11	B02180501262	SCREW (M5X12)	1	1
12	B0703000050A	WASHER	1	1
13	B0700000050L	ELASTIC WASHER	1	1
14	05501P10GT06	STICKER (BENELLI)	1	1
15	05503P10WF0D	STICKER (ABS)	1	2
15	05503P10GT0D	STICKER (ABS)	1	2



P	CD.Q.J.	ELECTRIC SYSTEM	Q.TY.PAK.	Q.TY.TAB.
1	95100S010002	HORN	1	1
2	59440P100001	BRACKET	1	1
3	B02810601462	SCREW (M6X14)	5	3
4	94000S010000	RELAY START	1	1
5	299066060000	VOLTAGE REGULATOR	1	1
6	B02810603062	SCREW (M6X30)	1	2
7	96100P160000	BATTERY	1	1
8	57070P100000	BRACKET	1	1
9	96C00P100003	INJECTION CONTROL UNIT	1	1
10	08053G120000	QUIK FASTENING (M5)	1	2
11	96400B720000	RELAY BULB	1	1
12	57470P100001	HOLDER	1	1
13	96700K060000	DIODE	1	1
14	57403P100000	PLATE	1	1
15	98901S010000	RUBBER PAD	1	1
16	88000P100004	LOCKS KIT	1	1
17	40023P250000	RUBBER HOSE CLAMP	1	1
18	40098B450000	CLAMP	1	1
19	96002J000000	CLAMP	5	1
20	92200P100000	BATTERY WIRING	1	1
21	92000P10000C	INJECTION WIRING ECU2	1	1
22	B02810501262	SCREW (M5X0.8X12)	5	2
23	B02070602022	SCREW (M6X20)	1	2
24	58430J000000	FAIRLEAD	1	1
25	91210P250000	SWITCH OF ENGINE SENSOR	1	1
26	92300P100000	GROUNDING CABLE	1	1
27	B02810601262	SCREW (M6X12)	1	11
28	88900P10090X	KEY BLANK	1	1
29	88400J820005	FUEL TANK CAP WITH LOCK	1	1
30	88100P100000	IGNITION BLOCK	1	1
31	57007P100000	PLATE	1	1



P	CD.Q.J.	ELECTRIC SYSTEM	Q.TY.PAK.	Q.TY.TAB.
32	94400N140000	RELAY BULB	1	1
33	88800J820000	SEAT REMOVE	1	1
34	58800P250000	SEAT LOCK	1	1
35	92940P100000	JACK OBD	1	1