

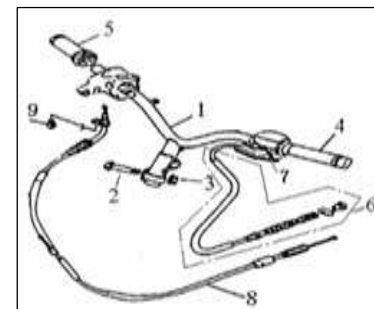
F-ACT 125 2009



F-ACT 125 2009

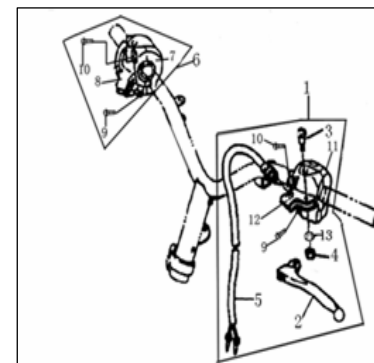
**STEERING**

NO.	PART NO.	EN DESCRIPTION	QTY	NOTES
1	40100BMBT001	HANDLE COMP.	1	
2	B01591004565	BOLT M10×1.25×45	1	
3	B04171012555	U NUT M10×1.25	1	
4	40001J4AT000	L.GRIP	1	
5	40212J4AT000	GRIP, THROTTLE	1	
6	40270J4FT000	BRAKE CABLE ASSY.	1	
7	40008BM0T000	JACKET,RR. BRAKE CABLE	1	
8	40300J4FT000	CABLE ASSY. THROTTLE	1	
9	B02000501025	PAN HEAD SCREW M5×10	1	



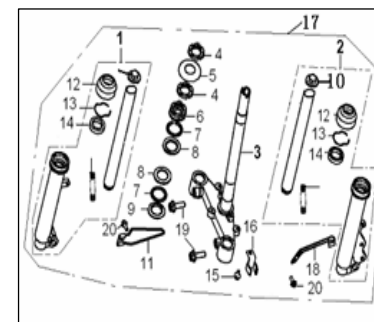
**LEVER/HANDLE SWITCH**

NO.	PART NO.	EN DESCRIPTION	QTY	NOTES
1	40500BM0T000	LEFT HANDLE SWITCH ASSY.	1	
2	40002BM0T000	LEFT LEVER	1	
3	40004BMAT000	LEVER MOUNTING SCREW	1	
4	B04000500065	NUT M5	1	
5	91700BMAT000	STOP SWITCH ASSY.	1	
6	40600B910001	RIGHT HANDLE SWITCH ASSY.	1	
7	40610B910000	RIGHT HANDLE SWITCH	1	
8	40620BM0T000	R. SWITCH FIXING SEAT	1	
9	B02000502025	PAN HEAD SCREW M5×20	2	
10	B02000502525	PAN HEAD SCREW M5×25	2	
11	40510BM0T000	LEFT HANDLE SWITCH	1	
12	40520BM0T000	L. SWITCH FIXING SEAT	1	
13	B07000000505	SPRING WASHER 5	1	



**FRONT FORK**

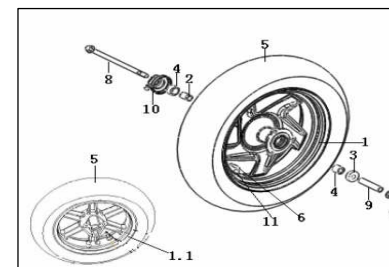
NO.	PART NO.	EN DESCRIPTION	QTY	NOTES
1	43300T39HU00	FR. R. FORK ASSY.	1	
2	43200T39HU00	FR. L. FORK ASSY.	1	
3	43100BMBT003	STEM, STEERING	1	
4	43008BMAT000	NUT	2	
5	43005BMBT001	BALL RACE COVER	1	
6	43001BMBT002	BALL RACE, CONNECTING	1	
7	B06010150000	STEEL BALLφ5	42	
8	43003BMBT000	BALL RACE	2	
9	43004BMBT000	BALL RACE	1	
10	43204BMBT001	CAP BOLT	2	
11	43150BMAT000	CLIP, SPEEDOMETER CABLE	1	
12	43290K00P000	DUST SEAL	2	
13	43207K00P000	CLIP	2	
14	43260K00P000	OIL SEAL	2	
15	B01090601265	BOLT M6×12	1	
16	43035BMBT000	HOLDER, BRAKE HOSE 2	1	
17	43000J4GT000	FRONT FORK ASS'Y.	1	
18	43021BM0T003	HOLDER, BRAKE HOSE 1	1	
19	B01091003065	BOLT M10×1.25×30	2	
20	B01070601665	BOLT M6×16	2	



F-ACT 125 2009

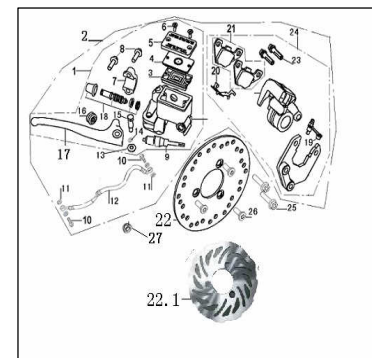
**FRONT WHEEL**

NO.	PART NO.	EN DESCRIPTION	QTY	NOTES
1.1	44100B91BH2A	FR. RIM COMP. 3.5×12"(BLACK BH)	1	
2	44600BM0T910	DISTANCE COLLAR COMP.	1	
3	44300BM0T000	OIL SEAL 22×35×7	1	
4	B12016020100	BALL BEARING 6201-2RS	2	
5	B140507D12AB	TIRE 120/70-12(E MARK)	1	
6	B1403Z201100	RIM VALVE Z2-01-1	1	
7	B04171212553	U NUT 12×1.25MM	1	
8	44004G4CT000	FR. WHEEL A×LE M12×1.25×224	1	
9	44005BM0T000	COLLAR	1	
10	44200J5BTBHO	SPEEDOMETER GEAR COMP.(BLACK BL)	1	
11	B1404Z2011C0	CAP, VALVE	1	



**FRONT DISK BRAKE**

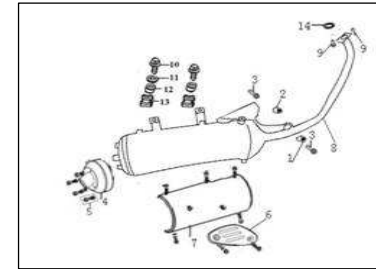
NO.	PART NO.	EN DESCRIPTION	QTY	NOTES
1	45400BMBTB30	CYLINDER COMP.(BLACK)	1	
2	45000J4FTRN2	DISC BRAKE ASSY,FR.	1	
3	45011J1DT000	RESERVOIR DIAPHRAGM	1	
4	45013J1DT000	WASHER, CYLINDER	1	
5	45012BMBT000	RESERVOIR CAP	1	
6	B02010401025	FLAT HEAD SCREW M4×10	2	
7	45023J1DT000	MASTERCYLINDER BRACKET	1	
8	B01070602365	BOLT M6×23	2	
9	45300J3AT000	STOP SWITCH ASSY.	1	
10	45037J00P000	UNION BOLT	2	
11	45029J00P000	PLATE WASHER	4	
12	45200BMBT001	FR. BRAKE HOSE	1	
13	B04160600065	NUT M6	1	
14	B07000000605	SPRING WASHER 6	1	
15	45024J1CT000	BOLT M6	1	
16	45057G0KP000	TENSION SPRING,LEVER	1	
17	45022J3AT000	DISC BRAKE LEVER	1	
18	45140J00P000	PISTON ASSY.	1	
19	45021J00P000	BREED SCREW CAP	1	
20	45017G0CP000	PAD SUPPORT	1	
21	45110J4FT000	BRAKE PAD KIT	1	JOGO
22	45033BMBT001	BRAKE DISC (wavy shape)	1	
23	45053G0CP000	GUIDE POLE	2	
24	45500J4FTRN0	CALIPER ASSY. (RED)	1	
25	45039J4FT000	BOLT M8×36	2	
26	45036BMAT000	BOLT	3	
27	B04171012553	U NUT M10×1.25	3	



F-ACT 125 2009

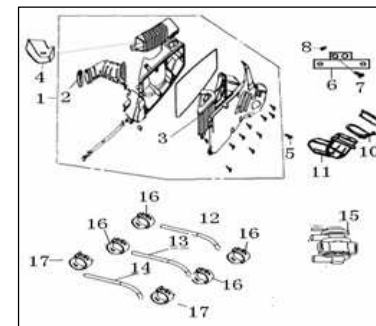
**MUFFLER**

NO.	PART NO.	EN DESCRIPTION	QTY	NOTES
1	47740J0ET000	WASHER ASSY., FIXING	1	
2	47033J4AT000	ORIENTATION BUSH	1	
3	B01090805565	BOLT M8×55	2	
4	47780J4AT000	COVER COMP.,R.	1	
5	B13040601004	SCEW M6×10	10	
6	47023BM0T000	COVER, DECORATION	1	
7	47760BM0T000	COVER ASSY., DECORATING	1	
8	47100J4HT005	MUFFLER JOINTING ASSY.	1	125cc
	47100T110007	MUFFLER JOINTING ASSY.	1	150cc
9	47006J0ET000	NUT M6	2	
10	B01020602525	BOLT M6×25	2	
11	B07020000605	WASHER 6	2	
12	47312J4FT000	BUSH	2	
13	45726J4FT000	CUSHION RUBBER	2	
14	47800J4AT000	EXHAUST PIPE GASKET	1	



**AIR CLEANER**

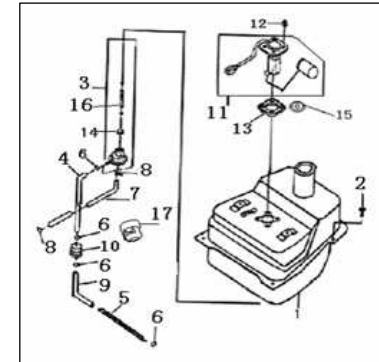
NO.	PART NO.	EN DESCRIPTION	QTY	NOTES
1	49100J4FT001	AIR CLEANER COMP.	1	
2	49350J0ET000	CLAMP ASSY., AIR CLEANER	1	
3	49200J4FT000	FILTER ASSY	1	
4	49006J4FT000	SLEEVE, (PP)	1	
5	B01090603065	BOLT M6×30	1	
6	49025J4FT000	BRACKET, AIR CLEANER	1	
7	B01090602565	BOLT M6×25	1	
8	B04070600055	NUT M6	1	
9	62510J4FT000	FILTER ASSY., AIR INTAKE	1	
10	08430J0ET000	CLAMP ASSY., AIR INTAKE PIPE	1	
11	62500J4FT000	PIPE ASSY., AIR INTAKE	1	
12	49802J4HT000	HOSE II 550MM	1	
13	49801T110001	HOSE I 300MM	1	
14	49803J4HT000	HOSE 475MM	1	
15	49800N0JP000	RETAINER VALVE	1	
16	49804J00P000	SPRING □,LOCK φ17.5	4	
17	49806J00P000	SPRING □,LOCK φ16.5	2	



F-ACT 125 2009

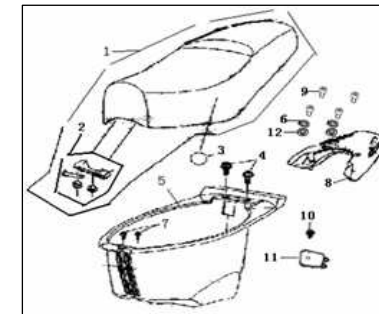
FUEL TANK

NO.	PART NO.	EN DESCRIPTION	QTY	NOTES
1	50100J4FT001	FUEL TANK COMP.	1	
2	B01090601665	BOLT M6×16	4	
3	50300BM0T000	FUEL COCK ASSY.	1	
4	50301BM0T000	FUEL HOSE 1 , φ4.5×φ8.5×80	1	
5	50316BMBT000	SPRING(BLACK)	1	
6	50307BM0T000	CLIP φ8	4	
7	50302BM0T000	VACUUM HOSE 1,φ4×φ8×360	1	
8	50306BM0T000	CLIP φ7	2	
9	50303BM0T000	FUEL HOSE 2,φ4.5×φ8.5×250	1	
10	50340J0ET000	FUEL FILTER ASSY.	1	
11	50800J4FT000	SENDER UNIT	1	
12	50801BM0T000	BOLT M5×16	4	
13	50004BMBT000	SENDER UNIT GASKET	1	
14	50312J0ET000	SEAL RING	1	
15	B07020000505	WASHER 5	4	
16	50352BM0T000	FUEL FILTER	1	
17	50391J0ET000	JACKET, STRAINER COMP	1	



SEAT

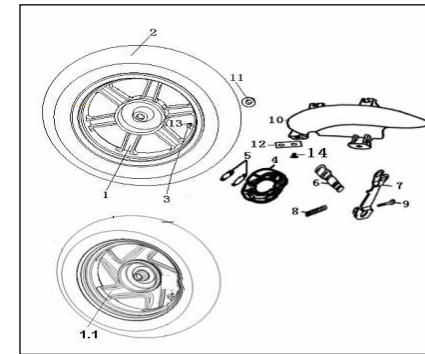
NO.	PART NO.	EN DESCRIPTION	QTY	NOTES
1	51100BMBT007	SEAT ASSY.	1	
	51100B92002N	SEAT ASSY.	1	C/ LISTA VERMELHA
2	51080BMBT001	SEAT HINGE	1	
3	08032BM0T000	O-RING 84.4×3.1	1	
4	08011H60X000	BOLT M6×14	2	
5	51004BMBT000	LUGGAGE BOX	1	
	51004BMBT001	LUGGAGE BOX	1	NOVA VERSÃO (+ ALARGADO)
6	B07030000805	WASHER 6MM	2	
7	08017J4AT000	BOLT W/WASHER M6×20	2	
8	52011BMKTBA0	RR.. CARRIER COMP (BLACK BA)	1	
	52011BMKTWF0	RR.. CARRIER COMP (WHITE WF)	1	PRT
	52011BMKTC90	RR.. CARRIER COMP (SILVER C9)	1	AZ, LAR, BRA
9	B02050804565	SCREW M8×45	4	VRM/CZ
10	B05074201305	TAPPING SCREW ST4.2×13	1	
11	51005BMBT000	COVER,LUGGAGE BOX	1	
12	08027J4AT000	WASHER	2	



F-ACT 125 2009

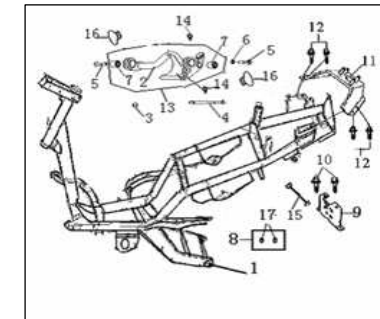
REAR WHEEL

NO.	PART NO.	EN DESCRIPTION	QTY	NOTES
1	54100T10BH2A	RR .RIMCOMP.3.5×12"(BLACK BH)	1	
2	B140508D12BB	TIRE 130/70-12	1	
3	B1403Z201100	RIM VALVE Z2-01-1	1	
4	54200J4AT000	BRAKE SHOE	1	JOGO
5	54001J4AT000	SPRING, BRAKE SHOE	2	
6	54003J4AT000	CAM SHAFT	1	
7	54250J4AT002	CAM SHAFT LEVER, ASSY	1	
8	54008J4AT000	TENSION SPRING	1	
9	B01090603565	BOLT M6×35	1	
10	65701J4FT001	REAR FENDER	1	
11	B04171615053	U NUT M16×1.5	1	
12	65771J4FT000	BRKT., RR. FENDER	1	
13	B1404Z2011C0	CAP, VALVE	1	
14	B01090601265	BOLT M6×12	1	



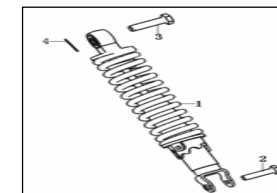
FRAME BODY

NO.	PART NO.	EN DESCRIPTION	QTY	NOTES
1	57100J4FT005	FRAME COMP.	1	
2	58320J4FT000	E/G BRKT. COMP.	1	
3	B04171012555	U NUT M10×1.25	1	
4	58301J0ET000	E/G MOUNTING BOLT,	1	
5	58305J0ET000	BOLT M10×1.25×55	2	
6	58307J0ET000	BUSH, LEFT	1	
7	58351J0ET000	E/G SET, SHAFT	2	
8	57001J4HT001	FRAME BODY NO. PLATE	1	125cc
	57002J4HT001	ANTI-TAMPERING PLATE	1	150cc
9	58800BM0T000	SEAT CATCH COMP.	1	
10	B01090602565	BOLT M6×25	2	
11	57080BMKT000	CARRIER BRACKET	1	
12	B01090601265	BOLT M6×12	5	
13	58360J4FT000	E/G BRKT. COMP.	1	
14	58342J0ET000	BUFFER, RUBBER	2	
15	58900BMBT000	CABLE, SEAT	1	
16	58353J4FT000	CAP, DECORATION	2	
17	B100432007P0	RIVET3.2×7	2	



REAR ABSORBER

NO.	PART NO.	EN DESCRIPTION	QTY	NOTES
1	63100J4FTBA1	RR. ABSORBER COMP.,(BLACK BA)	1	TODOS OS MODELOS
2	63015J0ET000	FLANGE BOLT M8×31	1	
3	B01141004063	BOLT W/HOLE M10×1.25×40	1	
4	63016B0DT000	SPLIT PIN	1	

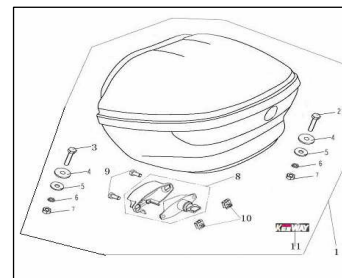


F-ACT 125 2009

**REAR BOX ASSY.**

NO.	PART NO.	EN DESCRIPTION	QTY
1	52200BMBTBA0	BACK BOX ASSY (BLACK BA)	1
1	52200B92WF00	BA)	1
2	B01010603033	BOLT M6×30	2
3	B01010603533	BOLT M6×35	2
4	52221BMBT000	WASHER	4
5	B07020000603	WASHER 6	4
6	B07000000603	SPRING WASHER 6	4
7	B04000600043	NUT M6	4
8	88600BMBT000	BACK BOX LOCK	1
9	B01070601663	SCREW M6×16	2
10	52910BMBT000	NUT,CLIPPING M6	2
11	05591BMBT000	BACK BOX COVER	1

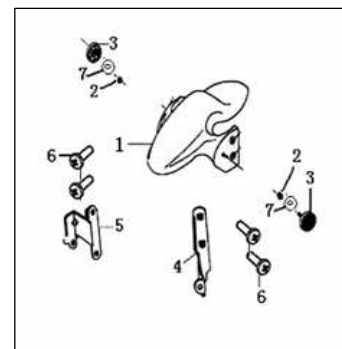
**NOTES**  
PRT, LAR, AZ, VRM/CZ  
BRA



**FRONT FENDER**

NO.	PART NO.	EN DESCRIPTION	QTY
1	65101BMBTR80	FRONT FENDER,(RED R8)	1
1	65101BMBTBA0	FRONT FENDER,(BLACK BA)	1
1	65101B92D500	FRONT FENDER,(WATERMARK D5)	1
1	65101B92WF00	FRONT FENDER,(WHITE WF)	1
2	B04000500063	NUT M5	2
3	86300BMMT000	FRONT REFLECTOR(E11 020614)	2
4	65130BMBT000	FRONT FENDER BRACKET, 1	1
5	65140BMBT000	FRONT FENDER BRACKET, 2	1
6	65114BMBT000	SCREW W/WASHER M6×16	4
7	B07030000503	WASHER 5	2

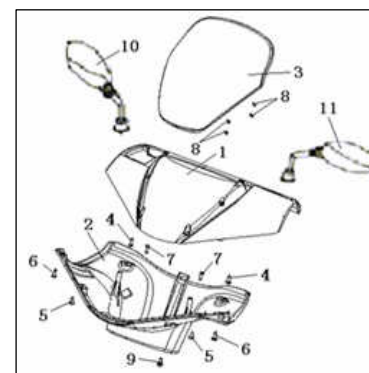
**NOTES**  
VRM/CZ  
PRT  
AZ, LAR  
BRA



**HANDLE COVER**

NO.	PART NO.	EN DESCRIPTION	QTY
1	65201BMBTBA2	HANDLE COVER, 1, (BLACK BA)	1
	65201B92004Z	HANDLE COVER, 1, (BLACK BA)	1
	65201B92BH02	HANDLE COVER, 1, (BLACK BH)	1
	65201B92081Z	HANDLE COVER, 1, (BLACK BA)	1
	65201B92082Z	HANDLE COVER, 1, (BLACK BA)	1
2	65202BMBT000	HANDLE COVER, 2	1
3	65203BMBT000	METER VISION ASSY.	1
	65203B92WF00	METER VISION ASSY.	1
	65203B92001Z	METER VISION ASSY.	1
	65203B92002Z	METER VISION ASSY.	1
4	B05075001605	TAPPING SCREW ST5×16	2
5	B05075001205	TAPPING SCREW ST5×12	2
6	B05074001205	TAPPING SCREW ST4 ×12	2
7	B05074001605	TAPPING SCREW ST4×16	2
8	B05073001005	TAPPING SCREW ST3×10	4
9	B13010501405	SCREW M5×14	1
10	40470BMBT000	REAR VIEW MIRROR ASSY., R	1
11	40460BMBT000	REAR VIEW MIRROR ASSY., L	1

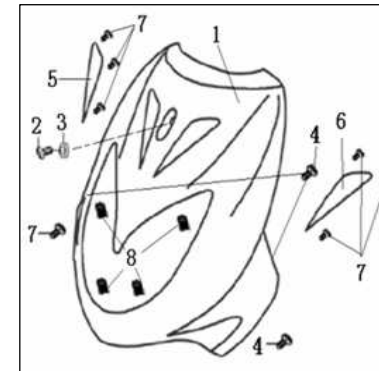
**NOTES**  
VRM/CZ, BRA S/ AUTOCOLANTE  
PRT C/ AUTOCOLANTE  
LAR, AZ S/ AUTOCOLANTE  
VRM/CZ C/ AUTOCOLANTE  
PRT, BRA C/ AUTOCOLANTE  
VRM/CZ, BRA, PRT S/ AUTOCOLANTE  
AZ, LAR S/ AUTOCOLANTE  
VRM/CZ, BRA, PRT C/ AUTOCOLANTE  
AZ, LAR C/ AUTOCOLANTE



F-ACT 125 2009

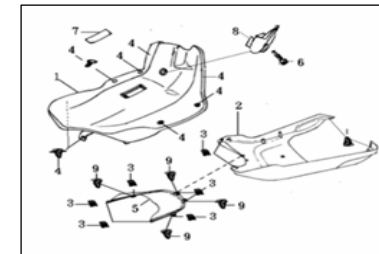
**FRONT COVER**

NO.	PART NO.	EN DESCRIPTION	QTY	NOTES
1	65301BMBTR8A	LEG SHIELD, (RED R8)	1	VRM/CZ S/ AUTOCOLANTE
	65301BMBTBAA	LEG SHIELD, (BLACK BA)	1	PRT S/ AUTOCOLANTE
	65301B92M90A	LEG SHIELD (ORANGE M9)	1	LAR S/ AUTOCOLANTE
	65301B92E60A	LEG SHIELD (BLUE E6)	1	AZ S/ AUTOCOLANTE
	65301B92WF0A	LEG SHIELD (WHITE WF)	1	BRA S/ AUTOCOLANTE
	65301B92154Z	LEG SHIELD (ORANGE M9)	1	LAR C/ AUTOCOLANTE
	65301B92155Z	LEG SHIELD (BLUE E6)	1	AZ C/ AUTOCOLANTE
	65301B92157Z	LEG SHIELD (WHITE WF)	1	BRA C/ AUTOCOLANTE
	65301B92158Z	LEG SHIELD(BLACK BA)	1	PRT C/ AUTOCOLANTE
2	65314BMBT000	SCREW	1	
3	08027J4AT000	PLASTIC WASHER	1	
4	B05074201605	TAPPING SCREW ST4.2×16	4	
5	65367BMBT000	COVER,R	1	
6	65366BMBT000	COVER,L	1	
7	B05074001205	TAPPING SCREW ST4×12	6	
8	65801BMAT000	SPRING NUT ST4	4	



**LEG SHIELD**

NO.	PART NO.	EN DESCRIPTION	QTY	NOTES
1	65402BMBT000	LEG SHIELD, 2	1	
2	65406BMBTBAA	UNDER COVER (BLACK BA)	1	VRM/CZ S/ AUTOCOLANTE
	65406BMBTR80	UNDER COVER(RED R8)	1	BRA S/ AUTOCOLANTE
	65406B92WF00	UNDER COVERSILVER (WHITE WF)	1	LAR, AZ S/ AUTOCOLANTE
	65406B92074Z	UNDER COVER(WHITE WF)	1	LAR C/ AUTOCOLANTE
	65406B92075Z	UNDER COVER(WHITE WF)	1	AZ C/ AUTOCOLANTE
	65406B92076Z	UNDER COVER(BLACK BA)	1	PRT, BRA, VRM/CZ C/ AUTOCOLANTE
3	65801BMAT000	SPRING NUT ST4	8	
4	B05074801605	TAPPING SCREW ST4.8×16	8	
5	65407B920000	INNER FENDER	1	
6	B01090603065	BOLT M6×30	1	
7	65403BMBT000	INSPECT COVER	1	
8	51011BMBT000	HOOK, HELMET	1	
9	B05074201605	TAPPING SCREW ST4.2×16	8	

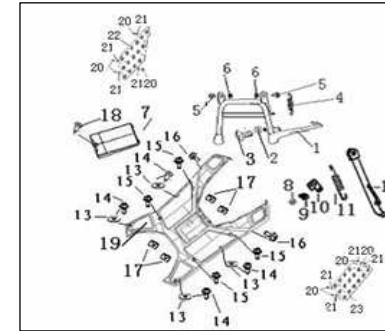




F-ACT 125 2009

**FOOTREST/STAND**

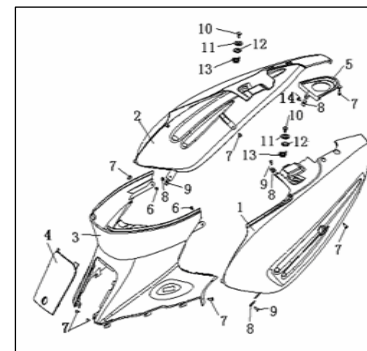
NO.	PART NO.	EN DESCRIPTION	QTY	NOTES
1	58520J4HT001	MAIN STAND JOINTING ASSY.	1	
2	58507G5FT000	CUSHION, MID STAND	1	
3	08018J5BT000	BOLT	1	
4	58510BM0T000	MAIN STAND SPRING ASSY.	1	
5	B01091002565	BOLT M10×1.25×25	2	
6	58509JA0T000	BUSH	2	
7	65813BMBT000	BATTERY COVER	1	
8	B04070800065	NUT M8	1	
9	57005BMBT000	BOLT, SINGLE STAND	1	
10	57006BM0T000	HOOK SPRING	1	
11	57010BM0T000	SIDE STAND SPRING ASSY.	1	
12	58700J4FT000	SIDE STAND COMP.	1	
13	B07030000505	WASHER 5	4	
14	B05074001605	TAPPING SCREW ST4×16	6	
15	08011H60X000	BOLT M6×14	4	
16	B01090601265	BOLT M6×12	4	
17	65802BMAT000	SPRING NUT ST4.8	6	
18	B05075001605	TAPPING SCREW ST5×16	1	
19	65401BMBT000	FLOOR, BLACK	1	
20	B05004201305	SCREW 4.2×13MM	8	
21	57031BMBT000	WASHER	8	
22	65412BMBT000	FLOOR COVER,R	1	
23	65411BMBT000	FLOOR COVER,L	1	



F-ACT 125 2009

**SIDE COVER**

NO.	PART NO.	EN DESCRIPTION	QTY	NOTES	
1	65601BMBTBA0	SIDECOVER,1 (BLACK BA)	1	PRT S/ AUTOCOLANTE	
	65601B92M900	SIDE COVER,1 (ORANGE M9)	1	LAR S/ AUTOCOLANTE	
	65601B92E600	SIDE COVER,1 (BLUE E6 )	1	AZ S/ AUTOCOLANTE	
	65601B92C900	SIDE COVER,1 (SILVER C9)	1	VRM/CZ S/ AUTOCOLANTE	
	65601B92WF00	SIDE COVER,1 (WHITE WF)	1	BRA S/ AUTOCOLANTE	
	65601B92188Z	SIDE COVER,1 (ORANGE M9)	1	LAR C/ AUTOCOLANTE	
	65601B92189Z	SIDE COVER,1 (BLUE E6 )	1	AZ C/ AUTOCOLANTE	
	65601B92221Z	SIDE COVER,1 (SILVER C9)	1	VRM/CZ C/ AUTOCOLANTE	
	65601B92222Z	SIDE COVER,1 (WHITE WF)	1	BRA C/ AUTOCOLANTE	
	65601B92223Z	SIDE COVER,1 (BLACK BA)	1	PRT C/ AUTOCOLANTE	
	2	65602BMBTBA0	SIDECOVER,2 (BLACK BA)	1	PRT S/ AUTOCOLANTE
		65602B92M900	SIDE COVER,2 (ORANGE M9)	1	LAR S/ AUTOCOLANTE
		65602B92E600	SIDE COVER,2 (BLUE E6 )	1	AZ S/ AUTOCOLANTE
		65602B92C900	SIDE COVER,2 (SILVER C9)	1	VRM/CZ S/ AUTOCOLANTE
65602B92WF00		SIDE COVER,2 (WHITE WF)	1	BRA S/ AUTOCOLANTE	
65602B92188Z		SIDE COVER,2 (ORANGE M9)	1	LAR C/ AUTOCOLANTE	
65602B92189Z		SIDE COVER,2 (BLUE E6)	1	AZ C/ AUTOCOLANTE	
65602B92221Z		SIDE COVER,2 (SILVER C9)	1	VRM/CZ C/ AUTOCOLANTE	
65602B92222Z		SIDE COVER,2 (WHITE WF)	1	BRA C/ AUTOCOLANTE	
65602B92223Z		SIDE COVER,2 (BLACK BA)	1	PRT C/ AUTOCOLANTE	
3	65605BMBT000	SIDE COVER, 3	1		
4	65619BMBT000	SIDE COVER, 4	1		
5	65606BMBTBA0	SIDE COVER,5 (BLACK BA)	1	PRT	
	65602B92M900	SIDE COVER,5 (ORANGE M9)	1	LAR	
	65602B92E600	SIDE COVER,5 (BLUE E6 )	1	AZ	
	65602B92R800	SIDE COVER,5 (RED R8)	1	VRM/CZ	
	65602B92WF00	SIDE COVER,5 (WHITE WF)	1	BRA	
6	B05074001205	TAPPING SCREW ST4×12	2		
7	B05074801605	TAPPING SCREW ST4.8×16	7		
8	65802BMAT000	SPRING NUT ST4.8	4		
9	B05075001205	TAPPING SCREW ST5×12	4		
10	B02000602025	SCREW M6×20	2		
11	08021BMBT000	WASHER	2		
12	65618J00P000	RUBBER WASHER	2		
13	65709BM0T000	BUSH, RR. FENDER	2		
14	B05074801305	TAPPING SCREW ST4.8×13	1		

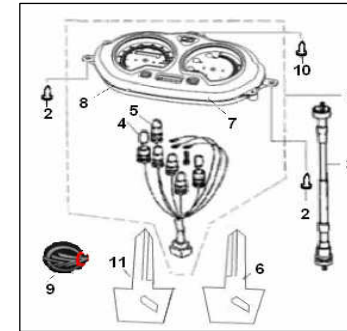


F-ACT 125 2009

**ANALOG SPEEDOMETER.**

NO.	PART NO.	EN DESCRIPTION	QTY
1	7000J4FTW60	SPEEDOMETER COMP.	1
2	B05074001205	TAPPING SCREW ST4×12	2
3	72900J4FT000	SPEEDOMETERCABLE COMP.	1
4	70001BMBT000	BULB 12V-3W	3
5	70036BMBT000	BULB 12V-2W	3
6	88900T10000X	KEY NUT LEFT	1
7	70003BMBT004	SPEEDOMETER COVER	1
8	76000BMBT001	DIGITAL WATCH	1
9	05501J4HT000	STICK	1
10	B05074001205	TAPPING SCREW 4×12 MM	1
11	88900T10001X	KEY NUT RIGHT	1

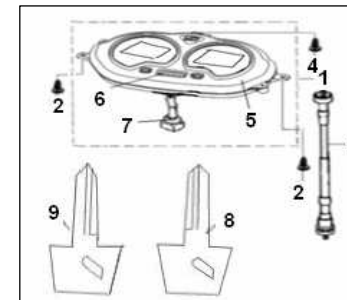
CONTA-KMS ANALÓGICO



**DIGITAL SPEEDOMETER.**

NO.	PART NO.	EN DESCRIPTION	QTY
1	7000J4FT00A	SPEEDOMETER COMP.	1
2	B05074001205	SCREW 4X12MM	2
3	72900T100000	SPEEDOMETER CABLE COMP.	1
4	B05074001205	SCREW 4X12	1
5	70003BMBT002	SPEEDOMETER COVER	1
6	76000BMBT000	DIGITAL WATCH	1
7	75000BMBT000	SPEEDOMETER WIRE ASSY	1
8	88900T10000X	KEY NUT LEFT	1
9	88900T10001X	KEY NUT RIGHT	1

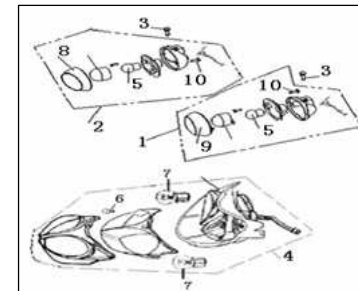
CONTA-KMS DIGITAL



**FLASHER LIGHT/HEAD LIGHT**

NO.	PART NO.	EN DESCRIPTION	QTY
1	81100B20T001	FLASHER LIGHT ASSY., L.	1
2	81300B20T001	FLASHER LIGHT ASSY.	1
3	08005AE0D000	SCREW W/WASHER 5×11.5	2
4	8000J4AT000	HEAD LIGHT ASSY.	1
5	81004BMBT000	BULB, 12V/10W	2
6	70001BMBT000	BULB 12V-3W	2
7	80002B20T000	BULB (12V35/35W)	2
8	81302B20T000	LIGHT COVER, R.	1
9	81102B20T000	LIGHT COVER, L.	1
10	08011B20T000	SCREW 3×28	2

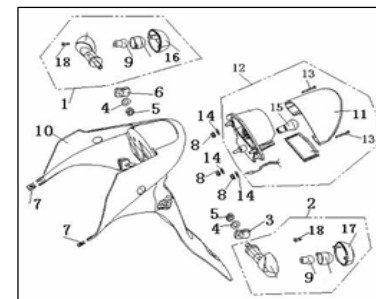
NOTES



F-ACT 125 2009

**TAIL LIGHT**

NO.	PART NO.	EN DESCRIPTION	QTY	NOTES
1	81700B20T001	TURN LIGHT,R.R.	1	
2	81500B20T001	TURN LIGHT,R.L.	1	
3	81511BM0T000	FLASHER LIGHT CUSHION,L	1	
4	B07030001005	WASHER 10	2	
5	B04061012555	NUT M10×1.25	2	
6	81708BM0T000	FLASHER LIGHT CUSHION,R	1	
7	65802BM0T000	SPRING NUT	2	
8	B04070600065	NUT M6	3	
9	81004BMBT000	BULB, 12V/10W	2	
10	08202BM0T000	LICENSE BRACKET	1	
11	82008BM0T003	INDICATOR LENS	1	
12	82000BM0T001	TAIL LIGHT ASSY.	1	
13	08009BM0T000	SCREW 4×28	2	
14	82011G00P000	RUBBER WASHER	3	
15	82005B20T000	BULB 12V 21/5W	1	
16	81102B20T000	LIGHT COVER, F.L.	1	
17	81302B20T000	LIGHT COVER,F.R.	1	
18	08011B20T000	SCREW 3×28	2	

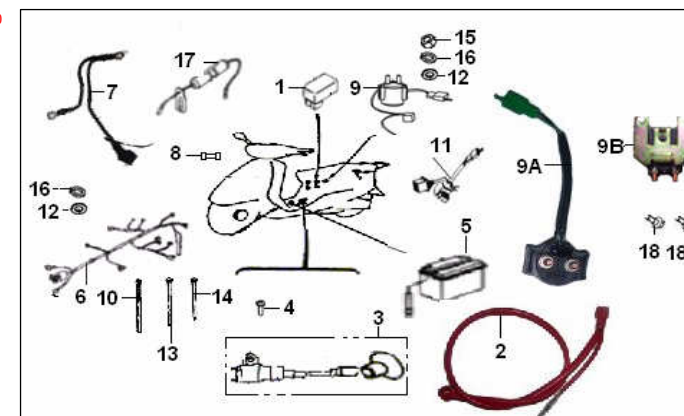


**ELECTRICAL EQUIPMENT I**

NO.	PART NO.	EN DESCRIPTION	QTY	NOTES
1	97701BAAT000	C.D.I. UNIT COMP.	1	
2	92200B230002	ELECTRIC CABLE	1	
3	96200J5BT000	IGNITION COIL ASSY	1	
4	B13040602005	SCREW M6×20	2	
5	96100T100000	BATTERY YTX7L-BS 12V , 6AH	1	
6	92000T10000B	WIRE HARNESS ASSY.	1	
7	96900J4FT000	WIRE HARNESS	1	
8	96810K80T000	FUSE 15A	1	
9A	94100K240000	STARTER RELAY COMP.	1	
9B	94100J000002	STARTER RELAY COMP.	1	
10	96001K00P000	BAND 8×250	3	
11	92100J3AT001	DIODE COMP.	1	
12	B07030000605	WASHER 6	2	
13	96003K00P000	BAND 8×200	3	
14	96002K00P000	BAND 8×150	1	
15	B04000600055	NUT M6	1	
16	B07000000605	SPRING WASHER 6	2	
17	96800K80T000	FUSE COMP	1	
18	B01090601065	BOLT M6×10	2	

USADO C/ NOVO RELÉ 94100K240000

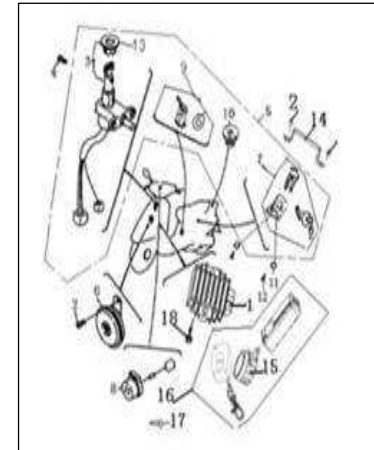
APÓS VIN NO. 29B546801  
ATÉ VIN NO. 29B546801



F-ACT 125 2009

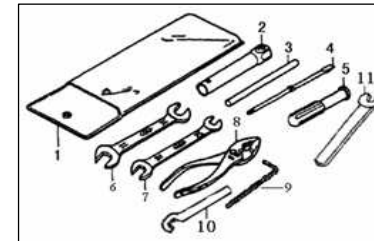
**ELECTRICAL EQUIPMENT II**

NO.	PART NO.	EN DESCRIPTION	QTY	NOTES
1	98801N04FN04	REGULATOR COMP.	1	
2	B01090601265	BOLT M6×12	3	
3	88100K80T00A	MAIN SWITCH ASSY.	1	
4	08002BMBT000	BOLT M6×12	2	
5	88000T100006	LOCK ASSY.	1	
6	95000B50T000	HORN (E MARK)	1	
7	88800BMBT000	LOCK ASSY., SEAT	1	
8	96500BM0T00B	FLASH&AUDIO PILOT COMP.	1	
9	88500BMBT000	LOCK, COVER	1	
10	88400B920000	LOCK ASSY., FUEL TANK	1	
11	B07030000505	WASHER 5	2	
12	B05074001005	TAPPING SCREW ST4×10	2	
13	88101BMBT000	COVER MAIN SWITCH	1	
14	95701JCCT000	BAKT ALARMSYSTEM	1	
15	95730BMBT002	ALARM SYSTEM HORN	1	
16	95700J4FT000	ALARM ASSY.	1	
17	B05074801305	TAPPING SCREW	1	
18	B01090602065	BOLT M6×20	1	



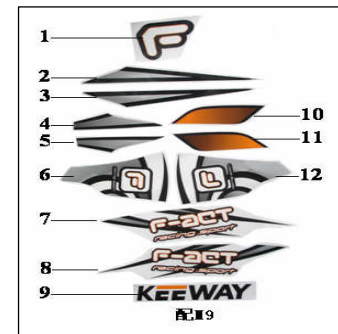
**TOOL KIT**

NO.	PART NO.	EN DESCRIPTION	QTY	NOTES
1	02110G00P000	BAG, TOOL	1	
2	02102G00P000	SOCKET, SPARK PLUG	1	
3	02101G0BP000	HANDLE , SPARK PLUG SOCKET	1	
4	02103G00P000	DRIVER, SCREW	1	
5	02104G00P000	HANDLE	1	
6	B20011301603	SPANNER,13×16	1	
7	B20011001203	SPANNER,10×12	1	
8	02112BMBT000	PLIERS	1	
9	B20020800000	SOCKET SPANNER	1	
10	02115BM0T000	RR. ABSORBER ADJUSTER	1	
11	02117BMBT000	WRENCH 35	1	



**STICKER for orange M9 vehicle**

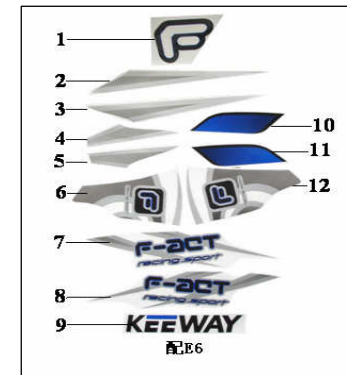
NO.	PART NO.	EN DESCRIPTION	QTY	NOTES
1	05501B92M90X	STICKER,HANDLE COVER	1	
2	05523B92M90X	STICKER UPPER FRONT COVER ,LH	1	
3	05524B92M90X	STICKER UPPER FRONT COVER ,RH	1	
4	05525B92M90X	STICKER UPPER FRONT COVER ,L	1	
5	05526B92M90X	STICKER UPPER FRONT COVER ,R	1	
6	05527B92M90X	STICKER LOWER FRONT COVER,LH	1	
7	05511B92M90X	STICKER SIDE COVER,L	1	
8	05512B92M90X	STICKER SIDE COVER , R	1	
9	05541B92M90X	STICKER UNDER COVER	2	
10	05548B92M90X	STICKER UNDER COVER,L	1	
11	05549B92M90X	STICKER UNDER COVER,R	1	
12	05528B92M90X	STICKER LOWER FRONT COVER,RH	1	



F-ACT 125 2009

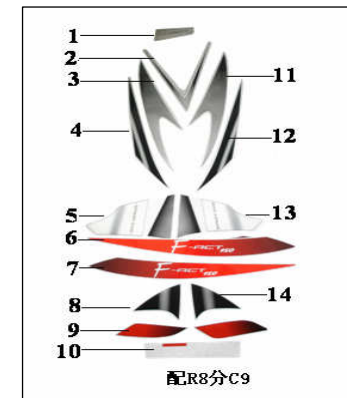
STICKER for blue E6 vehicle

NO.	PART NO.	EN DESCRIPTION	QTY	NOTES
1	05501B92E60X	STICKER,HANDLE COVER	1	
2	05523B92E60X	STICKER UPPER FRONT COVER ,LH	1	
3	05524B92E60X	STICKER UPPER FRONT COVER ,RH	1	
4	05525B92E60X	STICKER UPPER FRONT COVER ,L	1	
5	05526B92E60X	STICKER UPPER FRONT COVER ,R	1	
6	05527B92E60X	STICKER LOWER FRONT COVER,LH	1	
7	05511B92E60X	STICKER SIDE COVER,L	1	AZ
8	05512B92E60X	STICKER SIDE COVER , R	1	
9	05541B92E60X	STICKER UNDER COVER	2	
10	05548B92E60X	STICKER UNDER COVER,L	1	
11	05549B92E60X	STICKER UNDER COVER,R	1	
12	05528B92E60X	STICKER LOWER FRONT COVER,RH	1	



STICKER for red/silver R8/C9 vehicle

NO.	PART NO.	EN DESCRIPTION	QTY	NOTES
1	0550ET10R80E	STICKER,HANDLE COVER	1	
2	05522B92R80X	STICKER UPPER FRONT COVER	1	
3	05524B92R80X	STICKER UPPER FRONT COVER ,RH	1	
4	05526B92R80X	STICKER UPPER FRONT COVER ,R	1	
5	05528B92R80X	STICKER LOWER FRONT COVER,RH	1	
6	05512T10R80E	STICKER SIDE COVER,RH	1	
7	05511T10R80E	STICKER SIDE COVER,LH	1	
8	05513B92000W	STICKER SIDE COVER,L	1	VRM/CZ
9	05543B92000W	STICKER UNDER COVER,L	1	
10	05541B92R80X	STICKER UNDER COVER	1	
11	05523B92R80X	STICKER UPPER FRONT COVER ,LH	1	
12	05525B92R80X	STICKER UPPER FRONT COVER ,L	1	
13	05527B92R80X	STICKER LOWER FRONT COVER,LH	1	
14	05514B92000W	STICKER SIDE COVER,RH	1	
15	05544B92000W	STICKER UNDER COVER,R	1	



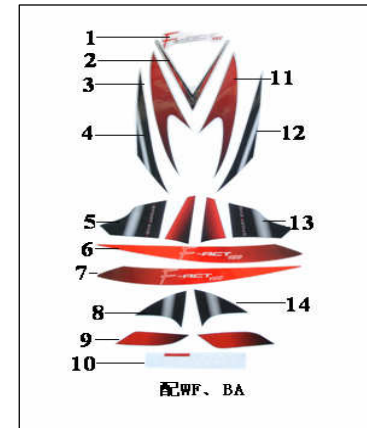
F-ACT 125 2009

**STICKER for white WF or black BA vehicle**

NO.	PART NO.	EN DESCRIPTION	QTY
1	0550ET10WF0E	STICKER,HANDLE COVER	1
2	05522B92WF0X	STICKER UPPER FRONT COVER	1
3	05524B92WF0X	STICKER UPPER FRONT COVER ,RH	1
4	05526B92R80X	STICKER UPPER FRONT COVER ,R	1
5	05528B92WF0X	STICKER LOWER FRONT COVER,RH	1
6	05512T10WF0E	STICKER SIDE COVER,RH	1
7	05511T10WF0E	STICKER SIDE COVER,LH	1
8	05513B92000W	STICKER SIDE COVER,L	1
9	05543B92000W	STICKER UNDER COVER,L	1
10	05541B92R80X	STICKER UNDER COVER	1
11	05523B92WF0X	STICKER UPPER FRONT COVER ,LH	1
12	05525B92R80X	STICKER UPPER FRONT COVER ,L	1
13	05527B92WF0X	STICKER LOWER FRONT COVER,LH	1
14	05514B92000W	STICKER SIDE COVER,RH	1
15	05544B92000W	STICKER UNDER COVER,R	1

NOTES

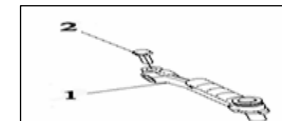
BRA, PRT



**ENGINE ATTACHMENT**

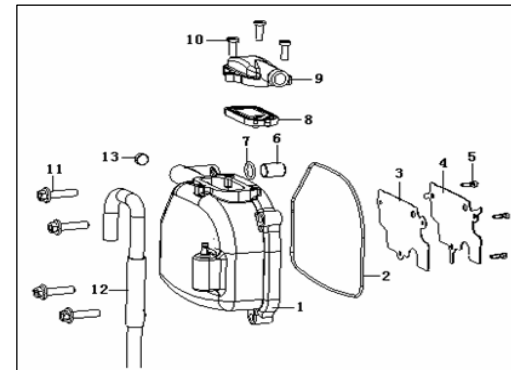
NO.	PART NO.	EN DESCRIPTION	QTY
1	08350J4AT000	STARTING SHAFT COMP.	1
2	B01020602565	SCREW 6×25MM	1

NOTES



**E01.2 COVER CYLINDER HEAD ASSY.**

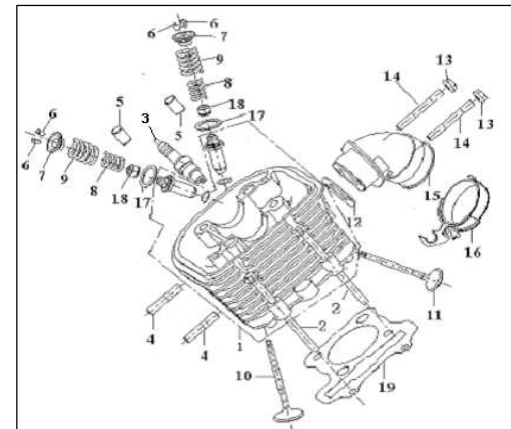
NO.	CODE	EN DESCRIPTION	QTY.	NOTES
1	201300.046000	COVER ,CYLINDER HEAD	1	
2	201329.021000	MOLD,COWLING	1	
3	201332.012000	GASKET	1	
4	201217.003000	HOLDER	1	
5	302210301062	SCREW M3X10	3	
6	26123G02F000	PIN DOWEL 12X16	1	
7	315112020062	O RING 12X2	1	
8	229108.001000	REED VALVE ASSY	1	
9	201302.006000	HOSE,BREATHER	1	
10	302270501462	SCREW M5X14	3	
11	301310602562	BOLT M6X25	4	
12	201110.004000	HOSE,breather	1	
13	201223.010000	STOPPER	1	



**E02 CYLINDER HEAD ASSY.**

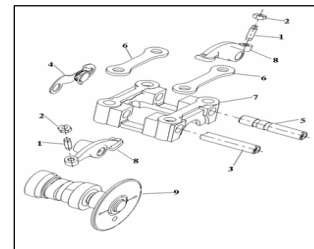
NO.	CODE	EN DESCRIPTION	QTY.	NOTES
1	201100.072000	CYLINDER HEAD	1	
2	30504H03F000	BOLT	2	
3	201204.014000	SPARK PLUG	1	
4	201216.002472	STUD BOLT	2	
5	27105H03F000	PIN DOWEL	2	
6	30108J05F000	COTTER, valve	4	
7	30106J05F930	UPPER SEAT, valve spring	2	
8	30102J05F930	SPRING, inner	2	
9	30101J05F930	SPRING, outer	2	
10	30201J05F000	EXHAUST VALVE	1	
11	30103J05F000	INLET VALVE	1	
12	30112J05F000	GASKET, insulator	1	
13	304290600065	NUT (chromeplated)	2	
14	201216.006472	STUD BOLT (chromeplated)	2	
15	202100.020000	INSULATOR, carburetor	1	
16	202104.002472	CLAMP	1	
17	30208H03F930	WASHER OUT SPRING VALVE	1	
18	30205H03F000	OIL SEAL	2	
19	30503J05F000	GASKET, cylinder head	1	

CR7HSA



**E03 AIR MIX DEVICE**

NO.	CODE	EN DESCRIPTION	QTY.	NOTES
1	30303H03F000	SCREW, tappet adjusting	2	
2	30302H03F930	NUT, tappet adjusting	2	
3	203306.013063	SHAFT ,EXHAUST ROCKER ARM	1	
4	30600H03F000	PLATE, stopper	1	
5	203102.002063	ARM, inlet rocker arm	1	
6	30310J05F000	GASKET, holder	2	
7	203406.003000	HOLDER, cam shaft (new type)	1	
8	30301J05F000	ARM, rocker	2	
9	203103.004000	CAMSHAFT ASSY (new type)	1	



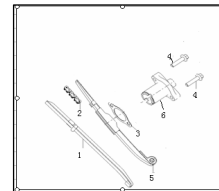


F-ACT 125 2009

**E04 CAM CHAIN & TENSIONER ASSY.**

NO.	CODE	EN DESCRIPTION	QTY.
1	27421J05F000	GUIDE CAM CHAIN(→)	1
2	27327J05F000	CAM CHAIN	1
3	205300.002000	GASKET,tensioner	1
4	B01070602563	SCREW	2
5	27200J05F000	GUIDE ASSY.	1
6	27300J05F000	TENSIONOR COMP	1

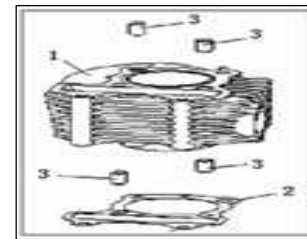
NOTES



**E05 CYLINDER ASSY\_FOR F-ACT 125CC**

NO.	CODE	EN DESCRIPTION	QTY.
1	204200.019000	CYLINDER COMP	1
2	204204.010000	GASKET,cylinder	1
3	27105H03F000	PIN DOWEL	4

NOTES

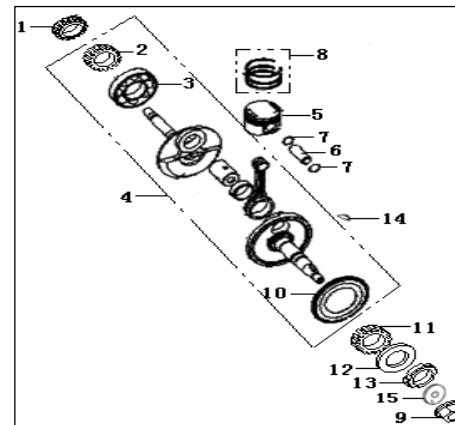


**E06 CRANKSHAFT & CONNECTING ROD & PISTON ASSY**

NO.	CODE	EN DESCRIPTION	QTY.
1	15231J05F000	GEAR,starter driven	1
2	15232J05F000	SP ROCKET,cam chain	1
3	15210J05F000	ROLLING BEARING	1
4	179103180000	CRANKSHAFT & CONROD ASSY	1
5	208300.021062	PISTON	1
6	15105H03F000	PIN,piston	1
7	208308.004161	CLIP	2
8	17918305003Z	RING ASSY	1
9	15206J05F000	NUT,lock	1
10	15227J05F000	PLATE,oil reverse	1
11	15208J05F000	SPROCKET,	1
12	15209J05F000	WASHER	1
13	208224.001161	NUT	1
14	15101J01F000	KEY	1
15	B07030001200	WASHER	1

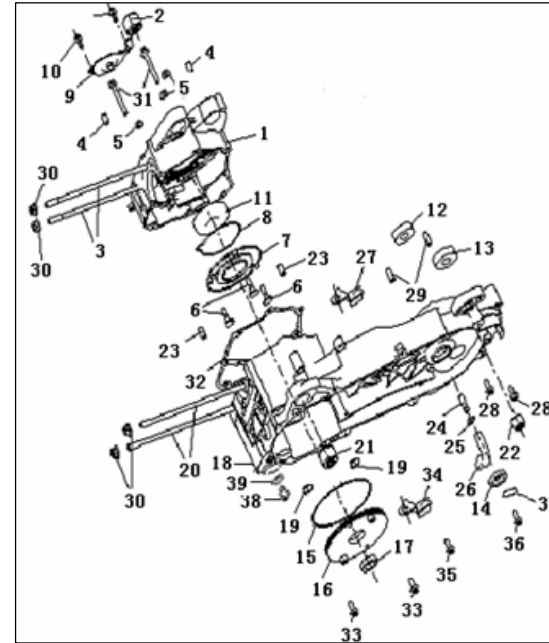
NOTES

JOGO



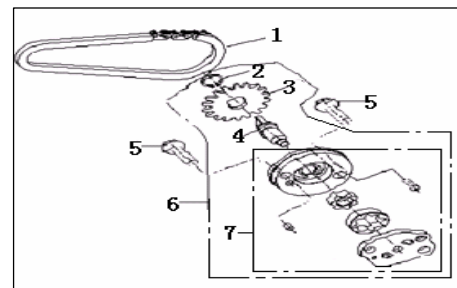
**E07 CRANKCASE ASSY**

NO.	CODE	EN DESCRIPTION	QTY.	NOTES
1	26210J05F000	CRANKCASE ASSY RH	1	
2	26501H03F000	BUSH	1	
3	26206J05F910	BOLT	2	
4	14206J01F000	PIN DOWEL	2	
5	B04170000653	NUT	3	
6	26313J05F930	SCREW	3	
7	26314J05F910	PLATE, strainer	1	
8	26209J05F000	O RING	1	
9	26311J05F000	CAP, oil pump	1	
10	B01090601583	BOLT	2	
11	26217J05F000	ROLLER BEARING	1	
12	B12016620350	ROLLER BEARING	1	
13	B12016620250	ROLLER BEARING	1	
14	26106H03F000	OIL SEAL	1	
15	26102G03F000	O RING	1	
16	26101J05F000	COVER LH, small	1	
17	26130J05F000	OIL SEAL	1	
18	26110J05F000	CRANKCASE ASSY (125cc)	1	
19	B190100570A0	O RING 5.7X1.8	2	
20	26107J05F910	BOLT	2	
21	26501H03F000	BUSH	1	
22	26502G02F000	BUSH, ENGINE MOUNTING	1	
23	26128J05F000	PIN DOWEL	2	
24	26105J05F000	PIPE, breather	1	
25	201227.002371	CLIP	1	
26	206103.001000	HOSE, breather	1	
27	207224.003472	CLIP	1	
28	B01090801583	BOLT	2	
29	26123G02F000	PIN DOWEL 12X16	2	
30	B04070000853	NUT	4	
31	B01090605083	BOLT	2	
32	206210.001000	GASKET, crankcase	1	
33	301310601865	BOLT(chromplate)	2	
34	216216.001271	PLATE, stopper	1	
35	B01070601463	BOLT	1	
36	B01890801563	SCREW	1	
37	18105H03F000	WASHER	2	
38	206211.002472	BOLT, DRAIN PLUG	1	
39	20761K08F000	GASKET, ANTI_OIL	1	



**E08 OIL PUMP ASSY**

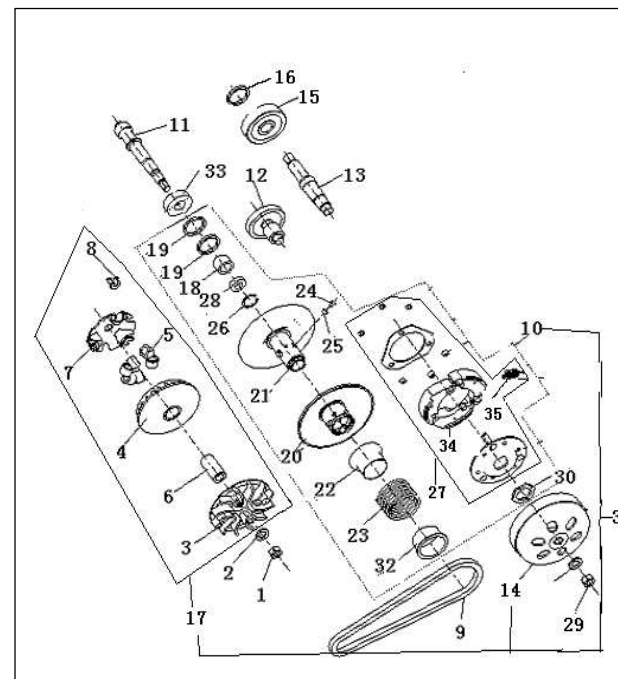
NO.	CODE	EN DESCRIPTION	QTY.	NOTES
1	19114J05F000	CHAIN OIL PUMP	1	
2	B08010001000	WASHER	1	
3	19110J05F000	SPROCKET,oil pump driven	1	
4	19107J05F000	SHAFT,oil pump	1	
5	301310602565	BOLT M6X25	2	
6	19000J05F000	OIL PUMP ASSY	1	
7	219100.029000	OIL PUMP BODY ASSY	1	



**E09 CLUTCH ASSY**

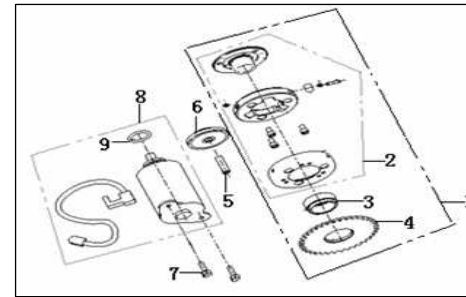
NO.	CODE	EN DESCRIPTION	QTY.	NOTES
1	15206H03F000	NUT	1	
2	15209H03F000	WASHER	2	
3	24111J05F000	FACE, fixed drive	1	
4	220043060000	FACE COMP, fixed drive	1	
5	24120J05F000	ROLLER(11.5g)	6	
6	24140J05F000	COLLAR	1	
7	24151J05F930	PLATE, movable drive	1	
8	24130J05F000	DAMPER	3	
9	24160J05F000	V BELT, drive	1	
10	24210J05F000	DRIVEN PLATE ASSY	1	
11	229043060000	SHAFT ,drive (15 teeth)	1	
12	229063060000	SHAFT ,idle (42 teeth)	1	
13	17201J05F000	SHAFT, rear axle	1	
14	24230H03F000	HOUSING, clutch	1	
15	17217J05F000	GEAR	1	
16	B08010002000	CIRCLIP	1	
17	24100J05F000	DRIVE ASSY	1	
18	24203J05F000	BEARING	1	
19	24216H03F000	OIL SEAL	2	
20	24211H03F000	FACE, movable driven	1	
21	24212J05F000	FACE COMP, fixed driven	1	
22	24213H03F930	SEAT, spring	1	
23	24240H03F000	SPRING	1	
24	24246H03F000	AXLE	3	
25	24217H03F000	BEARING	3	
26	B08000002600	CIRCLIP	1	
27	24220H03F000	PLATE ASSY, driven	1	
28	24245H03F000	BEARING NSE NACHI JAPAN	1	
29	18330H03F930	NUT	1	
30	24242H03F000	NUT	1	
31	24001J05F000	SHIFT ASSY	1	
32	24244H03F000	SEAT, spring	1	
33	B12016620450	BEARING	1	
34	24231H03F000	SHOE, CLUTCH	3	
35	24224H03F000	SPRING, CLUTCH	3	

UNIDADE



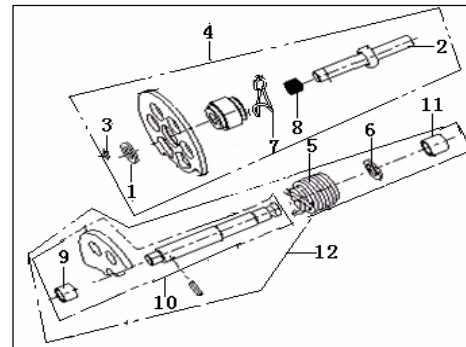
**E10 ELECTRIC STARTER ASSY**

NO.	CODE	EN DESCRIPTION	QTY.	NOTES
1	34400J05F000	CLUTCH SET,starter	1	
2	34110J05F000	CLUTCH COMP	1	
3	34124H03F000	BEARING,needle	1	
4	218100.011371	GEAR COMP,starter clutch	1	
5	34146J05F000	SHAFT,shaft starter idle gear	1	
6	34141J05F000	GEAR,starter idle	1	
7	301310601865	BOLT	2	
8	218100.011472	MOTOR ASSY,starting	1	
9	34254J05F000	O RING	1	



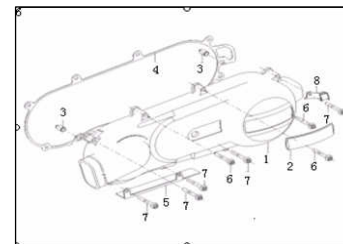
**E11 KICK STARTER ASSY**

NO.	CODE	EN DESCRIPTION	QTY.	NOTES
1	17805H03F000	WASHER	1	
2	17811J05F000	GEAR SHAFT	1	
3	B090103008B0	PIN	1	
4	17806J05F000	GEAR ASSY, starter	1	
5	17718J05F930	TWEAK SPRING	1	
6	17402H03F000	PLATE	1	
7	17809H03F000	SPRING	1	
8	17412H03F000	SPRING	1	
9	17433H03F000	BEARING COVER, starter□	1	
10	17400J05F000	SHAFT ASSY, starter	1	
11	17434H03F000	BEARING COVER, starter□	1	
12	216100.023000	KICK STARTER ASSY	1	



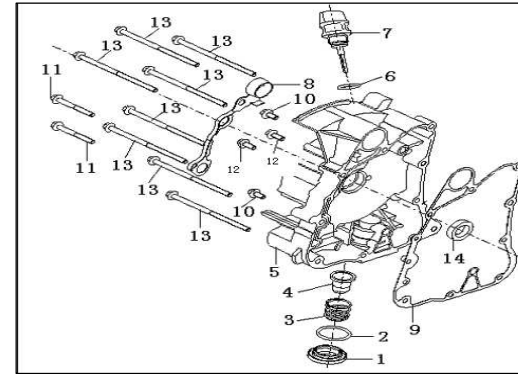
**E12 COVER LH ASSY**

NO.	CODE	EN DESCRIPTION	QTY.	NOTES
1	207200.018081	COVER,clutch	1	
2	207236.020472	SIGN CARDS "KEEWAY"	1	
3	27105H03F000	PIN DOWEL	2	
4	207208.007000	GASKET,cankcase LH	1	
5	207225.004472	PLATE,protector	1	
6	301310604565	BOLT	3	
7	301310603565	BOLT	5	
8	222218.003472	CLIP	1	



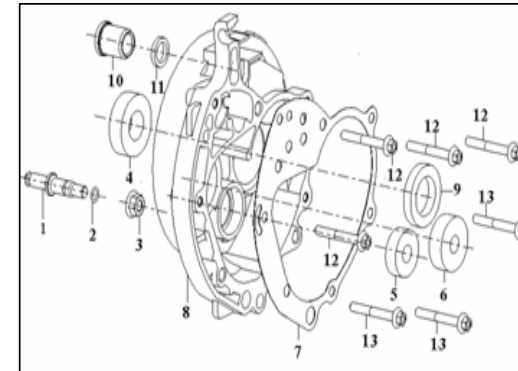
**E13 COVERCASE RH ASSY**

NO.	CODE	EN DESCRIPTION	QTY.	NOTES
1	26306H03F000	PLUG,drain	1	
2	26307H03F000	O RING 30.8X3.2	1	
3	26305H03F000	SPRING,stainer	1	
4	26308J01F000	STRAINER,oil	1	
5	14201J05F000	COVER,crankcase RH	1	
6	14215J01F000	O RING	1	
7	207304.008081	GAUGE,oil level	1	
8	14220J05F910	CLIP	1	
9	207303.008000	GASKET,crankcase cover RH	1	
10	B01090601263	BOLT	2	
11	B01080501263	BOLT	2	
12	B01070602063	BOLT	2	
13	30504H03F000	BOLT	8	
14	26130J05F000	OIL SEAL	1	



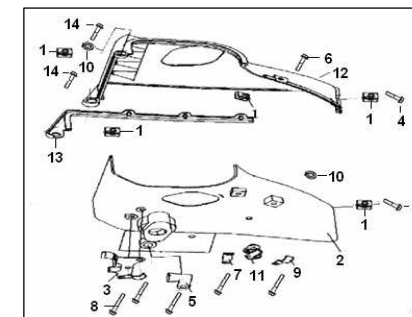
**E14 COVER GEAR BOX ASSY**

NO.	CODE	EN DESCRIPTION	QTY.	NOTES
1	18114J05F930	PIN	1	
2	18112H03F000	O RING	1	
3	B04170000853	NUT M8	1	
4	B12016600450	ROLLER BEARING	1	
5	B12016620150	ROLLER BEARING	1	
6	B12016630150	ROLLER BEARING	1	
7	214201.002000	GASKET,gear box	1	
8	18101J05F000	COVER,gear box	1	
9	18102H03F000	OIL SEAL	1	
10	18103J05F000	BUSH	1	
11	18106J05F000	OIL SEAL	1	
12	301310604565	BOLT	4	
13	B01070605561	BOLT	3	



**E15 SHROUD ASSY.**

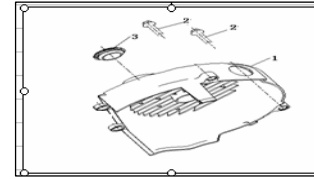
NO.	CODE	EN DESCRIPTION	QTY.	NOTES
1	20312J05F910	CLIP	4	
2	222101.005000	SHROUD,upper	1	
3	20308J05F000	CLIP ASSY.	1	
4	B01090601663	SCREW	2	
5	222218.002472	CLIP	1	
6	B01090601463	SCREW	1	
7	222218.003472	CLIP	1	
8	B01090602563	SCREW	5	
9	222218.004472	CLIP	1	
10	222223.002000	DOWEL	2	
11	20313J05F000	NENON CLIP	1	
12	222102.005000	SHROUD,lower	1	
13	20306J05F000	SEAL,lower shroud	1	
14	B01090602063	SCREW	2	



F-ACT 125 2009

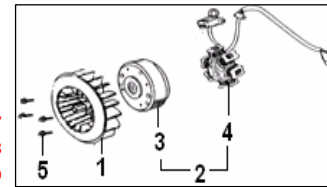
**E16 COVER FAN ASSY**

NO.	CODE	EN DESCRIPTION	QTY.	NOTES
1	20201J05FT10	COVER,fan	1	
2	B01890602563	SCREW	2	
3	20204J05F000	CAP,OBSERVE	2	



**E17 MAGNETO ASSY**

NO.	CODE	EN DESCRIPTION	QTY.	NOTES
1	20401J05F000	FAN ASSY	1	
2	223100.004000	MAGNETO ASSY (battery ignition,12 poles)	1	ATÉ VIN NO. 28B276387
3	34301J05F000	FLY WHEEL ASSY (battery ignition,12 poles)	1	ATÉ VIN NO. 28B276388
4	34310J05F000	COIL ASSY (battery ignition,12 poles)	1	ATÉ VIN NO. 28B276389
2A	223100010000	MAGNETO ASSY (battery ignition , 18poles)	1	APÓS VIN NO. 28B276387
3A	223101.036000	FLY WHEEL ASSY (battery ignition , 18poles)	1	APÓS VIN NO. 28B276388
4A	223102.041000	COIL ASSY (battery ignition , 18poles)	1	APÓS VIN NO. 28B276389
5	B01080601863	BOLT	4	



**E18 CARBURETOR ASSY**

NO.	CODE	EN DESCRIPTION	QTY.	NOTES
1	32506H03F000	VALVE,PISTON	1	
2	224208.029000	NEEDLE JET (147#)	1	
3	32612H03F000	ENRICH VALVE	1	
4	224202.045000	JET , main 191#	1	
5	32621H03F000	PIN,float	1	
6	32624H03F000	FLOAT	1	
7	32701H03F000	GASKET,float chamber	1	
8	224100.100000	CARBURETOR ASSY MJ191#,NJ37.5#	1	
9	224203.037000	JET , main 37.5#	1	
10	3342001K0000	VALVE NEEDLE	1	

