

MATRIX 50 2009



BRA/LAR

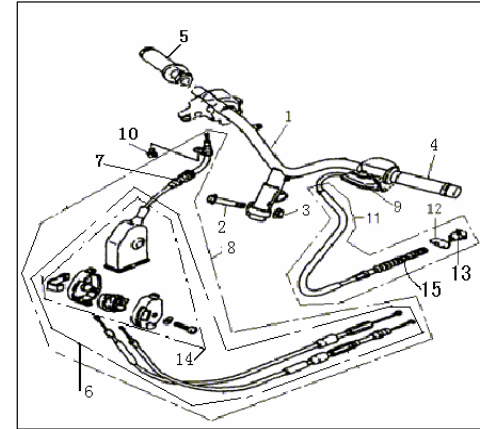


BRA/VRD

MATRIX 50 2009

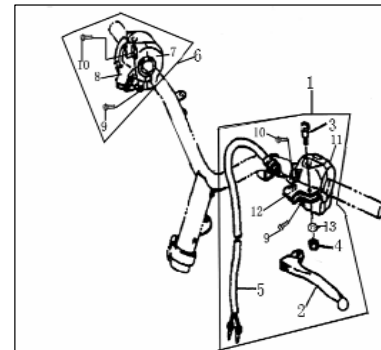
F01. STEERING

NO.	CODE	EN DESCRIPTION	QTY.	NOTES
1	40100BMMT000	HANDLE COMP.	1	
2	B01591004565	BOLT 10×1.25×45MM	1	
3	B04171012555	U NUT 10×1.25MM	1	
4	40001J4AT000	L. GRIP	1	
5	40212J4AT000	GRIP ASSY.	1	
6	40330BMOT000	CABLEASSY.THROTTLE 2	1	
7	40306BMOT000	CABLE THROTTLE 1	1	
8	40300BMOT001	CABLE ASSY. THROTTLE	1	
9	40008BMOT000	JACKET,RR. BRAKE CABLE	1	
10	B02000501025	PAN HEAD SCREW 5×10MM	1	
11	40270BMBT000	BRAKE CABLE ASSY.	1	
12	40273BMOT000	PIN,STOP	1	
13	40271BMOT000	NUT, ADJUSTING	1	
14	40340BMOT001	JUNCTION BOX	1	
15	40274BMBT000	SPRING	1	



F02. LEVER/HANDLE SWITCH

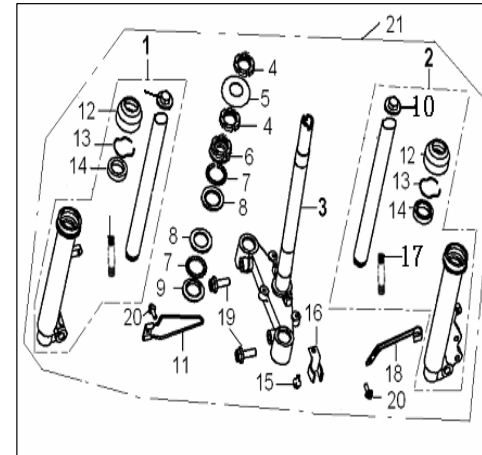
NO.	CODE	EN DESCRIPTION	QTY.	NOTES
1	40500BMOT002	LEFT HANDLE SWITCH ASSY.	1	
2	40002BMBT000	LEFT LEVER	1	
3	40004BMAT000	LEVER MOUNTING SCREW 5MM	1	
4	B04000500055	NUT 5MM	1	
5	91700BMAT000	STOP SWITCH ASSY.	1	
6	40600BMOT000	RIGHT HANDLE SWITCH ASSY.	1	
7	40610BMOT000	RIGHT HANDLE SWITCH	1	
8	40620BMOT000	R. SWITCH FIXING SEAT	1	
9	B02000502025	PAN HEAD SCREW 5×20MM	2	
10	B02000502525	PAN HEAD SCREW 5×25MM	2	
11	40510BMOT000	LEFT HANDLE SWITCH	1	
12	40520BMOT000	L. SWITCH FIXING SEAT	1	
13	B07000000505	SPRING WASHER 5MM	1	



MATRIX 50 2009

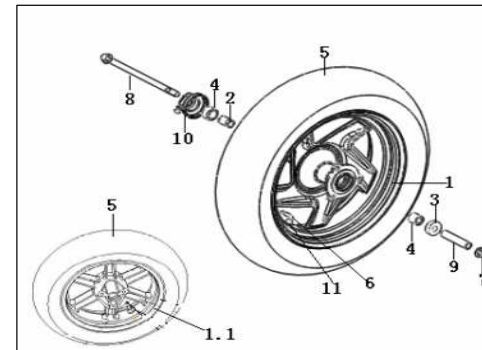
F03. FRONT FORK

NO.	CODE	EN DESCRIPTION	QTY.	NOTES
1	43300B92BA01	FR. R. FORK ASSY.	1	
2	43200B92BA01	FR. L. FORK ASSY.	1	
3	43100BMBT003	STEM, STEERING	1	
4	43008BMBT000	NUT II	2	
5	43005BMBT001	BALL RACE COVER	1	
6	43001BMBT002	BALL RACE, CONNECTING	1	
7	B06010150000	STEEL BALLφ5	42	UNIDADE
8	43003BMBT000	BALL RACE	2	
9	43004BMBT000	BALL RACE	1	
10	43204BMBT001	CAP BOLT	2	
11	43150BMBT000	CLIP, SPEEDOMETER CABLE	1	
12	43290K00P000	DUST SEAL	2	
13	43207K00P000	CLIP	2	
14	43260K00P000	OIL SEAL	2	
15	B01090601265	BOLT 6×12MM	1	
16	43035BMBT000	HOLDER, BRAKE HOSE 2	1	
17	43202BMBT001	SPRING	2	
18	43021BMBT003	HOLDER, BRAKE HOSE 1	1	
19	B01591003065	BOLT 10×1.25×30MM	2	
20	B01070601665	BOLT 6×16MM	2	
21	43000B92BA01	FRONT FORK ASSY.	1	



F04. FRONT WHEEL

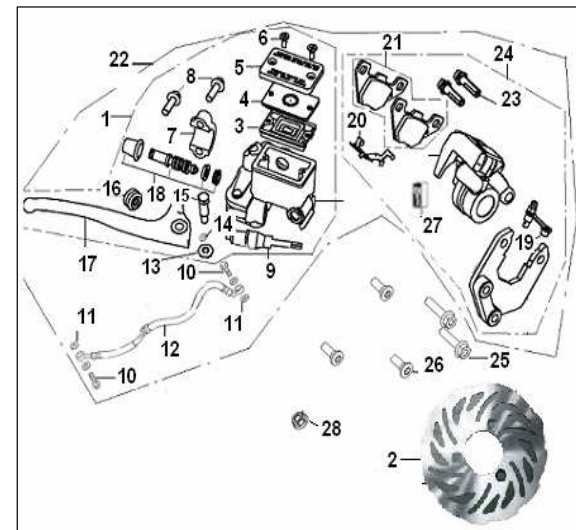
NO.	CODE	EN DESCRIPTION	QTY.	NOTES
1	44100B91BH2A	FR. RIM COMP. 3.5×12"	1	
2	44600BM0T910	DISTANCE COLLAR COMP.	1	
3	44300BM0T000	OIL SEAL 22×35×7	1	
4	B12016020100	BALL BEARING 6201-2RS	2	
5	B140507D12AB	TIRE 120/70-12	1	
6	B1403Z201120	RIM VALVE Z2-01-1	1	
7	B04171212553	U NUT 12×1.25MM	1	
8	44004G4CT000	FR. WHEEL A×LE M12×1.25×224	1	
9	44005BM0T000	COLLAR	1	
10	44200J5BTBH0	SPEEDOMETER GEAR COMP.	1	
11	B1404Z2011C0	CAP, VALVE	1	



MATRIX 50 2009

F05.FRONT DISK BRAKE

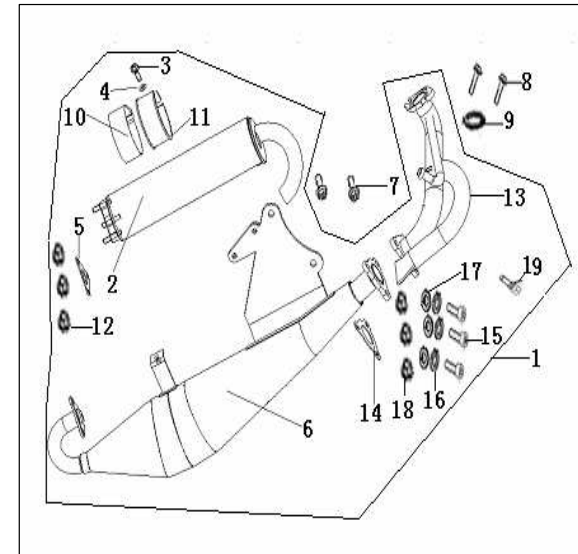
NO.	CODE	EN DESCRIPTION	QTY.	NOTES
1	45400BMMTB30	CYLINDER COMP.	1	
2	45033BMBT001	BRAKE DISC	1	
3	45011J1DT000	RESERVOIR DIAPHRAGM	1	
4	45013J1DT000	WASHER, CYLINDER	1	
5	45012BMBT000	RESERVOIR CAP	1	
6	B02010401025	FLAT HEAD SCREW 4×10MM	2	
7	45023J1DT000	MASTER CYLINDER BRACKET	1	
8	B01070602365	BOLT 6×23MM	2	
9	45300J3AT000	STOP SWITCH ASSY.	1	
10	45037J00P000	UNION BOLT	2	
11	45029J00P000	PLATE WASHER	4	
12	45200BMBT000	FR. BRAKE HOSE	1	
13	B04160600065	NUT 6MM	1	
14	B07000000605	SPRING WASHER 6MM	1	
15	45024J1CT000	BOLT 6MM	1	
16	45057G0KP000	TENSION SPRING,LEVER	1	
17	45022BMBT001	DISC BRAKE LEVER	1	
18	45140J00P000	PISTON ASSY.	1	
19	45021J00P000	BREED SCREW CAP	1	
20	45017G0CP000	PAD SUPPORT	1	
21	45110J4FT000	BRAKE PAD KIT	1	JOGO
22	45000BMMTRN0	DISC BRAKE ASSY.,FR.	1	
23	45053G0CP000	GUIDE POLE	2	
24	45500J4FTRN0	CALIPER ASSY.	1	
25	45039J4FT000	BOLT 8×36MM	2	
26	08001B030010	BOLT 8X20	3	
27	45700BMBTB30	A.B.S.	1	



MATRIX 50 2009

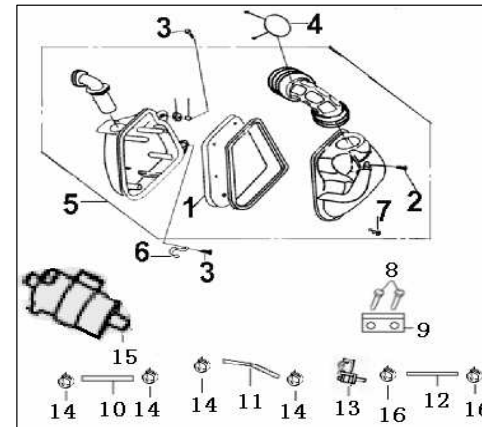
F06 MUFFLER

NO.	CODE	EN DESCRIPTION	QTY.	NOTES
1	47100B9200DZ	MUFFLER ASSY. COMP	1	
2	48300BM0T002	MUFFLER CANISTER ASSY.	1	
3	B01090602064	BOLT 6X20MM	1	
4	B07000000604	WASHER 6MM	1	
5	47490BM0T005	CUSHION	1	
6	47200BM0T005	MUFFLER CANISTER ASSY.	1	
7	B01090802065	BOLT 8X20MM	2	
8	B01090601665	BOLT 6X16MM	2	
9	47800B0D0T000	GASKET, EXHAUST PIPE	1	
10	47833B2GT005	ADIABATIC RUBBER	1	
11	48831B2GT005	MUFFLER HOOP	1	
12	47006J0AP000	NUT 6MM	3	
13	47500B92000D	EXHAUST PIPE COMP.	1	
14	47490BMBT000	GASKET, FLANGE	1	
15	B02050602565	SCREW M6X25	3	
16	B07000000605	SPRING WASHER 6	3	
17	B07030000605	WASHER 6	3	
18	B04000600055	NUT 6MM	3	
19	08002BM0T001	SCREW M6X25	1	
TUNING	47500B92000E	EXHAUST PIPE COMP.	1	
	47490BMBT000	GASKET, FLANGE	1	
	47800B00T000	GROMMET, EXHAUST PIPE	1	



F07 AIR CLEANER

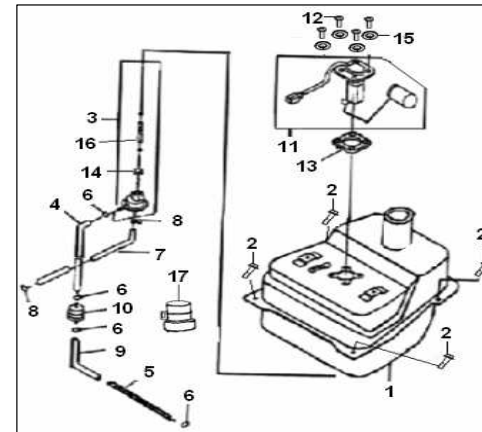
NO.	CODE	EN DESCRIPTION	QTY.	NOTES
1	49200BMBT000	FILTER	1	
2	B05074202005	TAPPING SCREW 4.2x20MM	5	
3	B01090602065	BOLT 6x20MM	2	
4	49016BM0T000	CLIP 42.5	1	
5	49000BMBT000	AIR CLEANER ASSY.	1	
6	49371B0D0T000	GUIDE, BRAKE CABLE	1	
7	B05074201205	TAPPING SCREW 4.2x12MM	4	
8	B01090601265	SCREW 6x12MM	2	
9	57051B2GT000	PLATE, ONE WAY VALVE	1	
10	49853BMMT000	HOSE II 205MM	1	
11	49852BMMT000	HOSE I 230MM	1	
12	49851BMMT002	HOSE 550MM	1	
13	49840B0ES000	ONE WAY VALVE II	1	
14	49805BMBT000	SPRING □, LOCK φ17.5	4	
15	49870B2GT000	AIR CLEANER, SMALL	1	
16	49855B0ES000	SPRING □, LOCK φ16.5	2	



MATRIX 50 2009

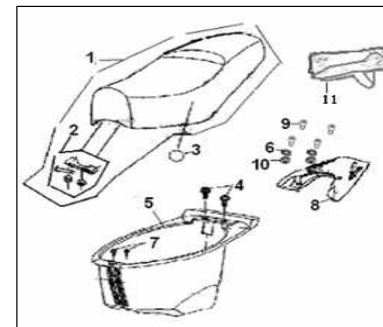
F08.FUEL TANK

NO.	CODE	EN DESCRIPTION	QTY.	NOTES
1	50100BMBT002	FUEL TANK COMP.	1	
2	B01090601665	BOLT M6×16	4	
3	50300BMT000	FUEL COCK ASSY.	1	
4	50301BMT000	FUEL HOSE 1 , φ4.5×φ8.5×80	1	
5	50316BMBT000	SPRING(BLACK)	1	
6	50307BMT000	CLIPφ8	4	
7	50302BMT000	VACUUM HOSE ,φ4×φ8×360	1	
8	50306BMT000	CLIPφ7	2	
9	50303BMT000	FUEL HOSE 2,φ4.5×φ8.5×250	1	
10	50340J0ET000	FUEL FILTER ASSY.	1	
11	50800BMBT000	SENDER UNIT	1	
12	50801BMT000	BOLT 5×16MM	4	
13	50004BMBT000	SENDER UNIT GASKET	1	
14	50312J0ET000	SEAL RING	1	
15	B07020000505	WASHER 5MM	4	
16	50352BMT000	FUEL FILTER	1	
17	50391J0ET000	GASKET	1	



F09.SEAT

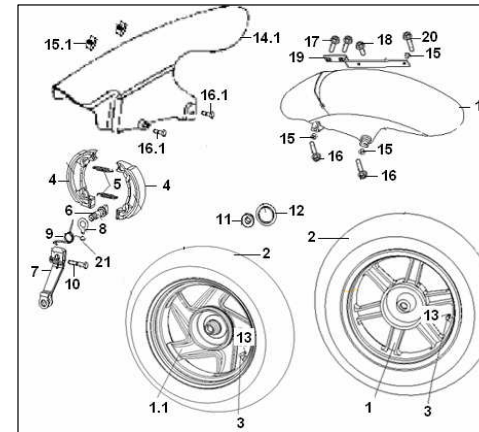
NO.	CODE	EN DESCRIPTION	QTY.	NOTES
1	51100K250000	SEAT ASSY.	1	
2	51080BMBT001	SEAT HINGE	1	
3	08032BMT000	O-RING 84.4×3.1	1	
4	08011H60X000	BOLT 6×14MM	2	
5	51004BMMT000	LUGGAGE BOX	1	
6	B07030000805	WASHER 8MM	2	
7	08017J4AT000	BOLT W/WASHER 6×20MM	2	
8	52011BMKTBH0	RR.CARRIER COMP	1	
9	B02050804565	SCREW 8×45MM	4	
10	08027J4AT000	WASHER	2	



MATRIX 50 2009

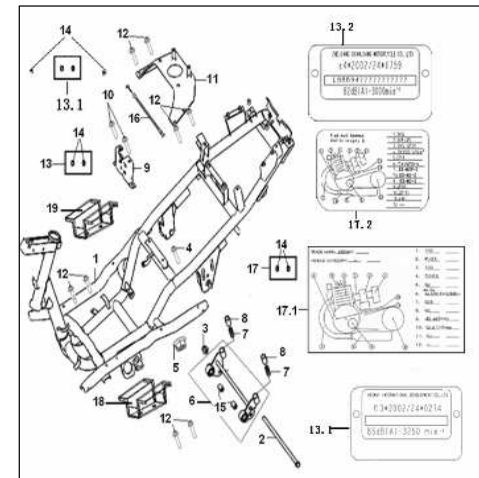
F10. REAR WHEEL

NO.	CODE	EN DESCRIPTION	QTY.	NOTES
1	54100B91BH2A	RR .RIM COMP.3.5×12	1	
2	B140508D12BB	TIRE 130/70-12	1	
3	B1403Z201120	RIM VALVE Z2-01-1	1	
4	54200BMBT000	BRAKE SHOE KIT	1	JOGO
5	54001BMBT000	SPRING(BLACK)	2	
6	54003BMOT000	CAM SHAFT, 2	1	
7	54007BMOT000	CAM SHAFT LEVER	1	
8	54002BMOT000	INDICATOR PLATE	1	
9	54008BMBT000	TENSION SPRING	1	
10	08012BMOT000	HEX. BOLT 6×30MM	1	
11	B04171615053	U NUT 16×1.5MM	1	
12	54027BMOT000	CAP	1	
13	B1404Z2011C0	CAP, VALVE	1	
14,1	65701BMBT001	REAR FENDER	1	
15,1	65803J0ET000	SPRING NUT M6	2	
16,1	B01090602065	BOLT 6X20MM	2	
21	B190101000A0	O RING 10×1.9MM	1	



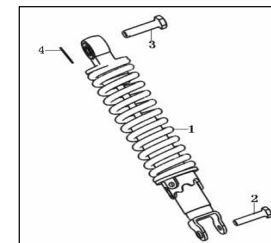
F11. FRAME BODY

NO.	CODE	EN DESCRIPTION	QTY.	NOTES
1	57100BMBT004	FRAME COMP.	1	
2	58303BMOT000	E/G MOUNTING BOLT, M12×1.25×280	1	
3	B04171212553	U NUT 12×1.25MM	1	
4	58301BMBT000	E/G MOUNTING BOLT	2	
5	B04171012555	U NUT 10×1.25MM	2	
6	58360BMBT000	E/G BRKT COMP.	1	
7	58302B0DT000	DAMPER	2	
8	58304BMBT000	SPRING	2	
9	58800BMOT000	SEAT CATCH COMP.	1	
10	B01090602565	BOLT 6×25MM	2	
11	57080BMKT000	CARRIER BRACKET	1	
12	B01090601265	BOLT 6×12MM	8	
13	57001BMMT004	FRAME BODY NO. PLATE	1	
14	B100432007P0	RIVET 3.2×7MM	6	
15	58350BMBT000	BUFFER, ENGINE BRACKET	2	
16	58900BMBT000	SEAT CABLE	1	
17	57002BMBT014	ANTI-TAMPERING PLATE	1	
18	57417BMMT000	FR.L.FLOOR BRACKET	1	
19	57418BMMT000	FR.R.FLOOR BRACKET	1	



F12. REAR ABSORBER

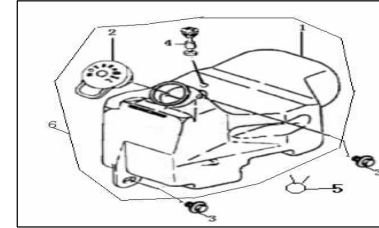
NO.	CODE	EN DESCRIPTION	QTY.	NOTES
1	63100BMOTBH0	RR. ABSORBER COMP.	1	
2	63015J0ET000	FLANGE BOLT 8×31MM	1	
3	B01141004063	BOLT.W/HOLE 10×1.25×40MM	1	
4	63016B0DT000	SPLIT PIN	1	



MATRIX 50 2009

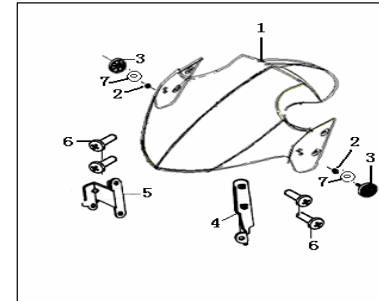
F13.OIL TANK

NO.	CODE	EN DESCRIPTION	QTY.	NOTES
1	64001BMAT000	OIL TANK	1	
2	64090BMAT000	OIL TANK CAP	1	
3	B01090601665	BOLT 6×16MM	2	
4	64100BMAT000	OIL LEVER GAUGE ASSY.	1	
5	50307BMOT000	CLIPφ8	1	
6	64000BMAT000	OIL TANK ASSY.	1	



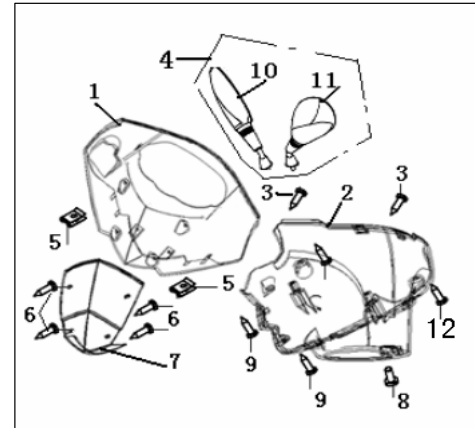
F14.FRONT FENDER

NO.	CODE	EN DESCRIPTION	QTY.	NOTES
1	65101B94D501	FRONT FENDER	1	
2	B04000500063	NUT 5MM	2	
3	86300BMMT000	FRONT REFLECTOR	2	
4	65130B20T000	FRONT FENDER BRACKET, 1	1	ATÉ AO VIN 29B564128
	65130B940000	FRONT FENDER BRACKET ASSY LEFT	1	APÓS O VIN 29B564128
5	65140B20T000	FRONT FENDER BRACKET, 2	1	ATÉ AO VIN 29B564128
	65140B940000	FRONT FENDER BRACKET ASSY RIGHT	1	APÓS O VIN 29B564128
6	65114BMBT000	SCREW W/WASHER 6×16MM	4	
7	B07030000503	WASHER 5MM	2	



F15.HANDLE COVER

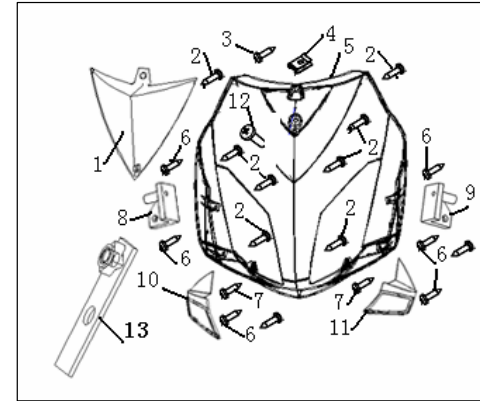
NO.	CODE	EN DESCRIPTION	QTY.	NOTES
1	65201B94M900	HANDLE COVER	1	BRA/LAR
	65201B94U100	HANDLE COVER	1	BRA/VRD
	65201B94014Z	HANDLE COVER	1	BRA/LAR C/ AUTOCOLANTES
	65201B94016Z	HANDLE COVER	1	BRA/VRD C/ AUTOCOLANTES
2	65202BMMT000	HANDLE COVER	1	
3	B05074801305	TAPPING SCREW 4.8×13MM	2	
4	40450BMBT000	EAR VIEW MIRROR ASSYE-MARK	1	
5	65801BMAT000	SPRING NUT 4MM	2	
6	B05074001005	TAPPING SCREW 4×10MM	4	
7	65203B94D500	METER VISION ASSY	1	
8	B02060501425	SCREW 5×14MM	1	
9	B05074201605	TAPPING SCREW 4.2×16MM	2	
10	40470BMBT000	VIEW MIRROR R.	1	
11	40460BMBT000	VIEW MIRROR L.	1	
12	B05074001605	TAPPING SCREW 4×16MM	2	



MATRIX 50 2009

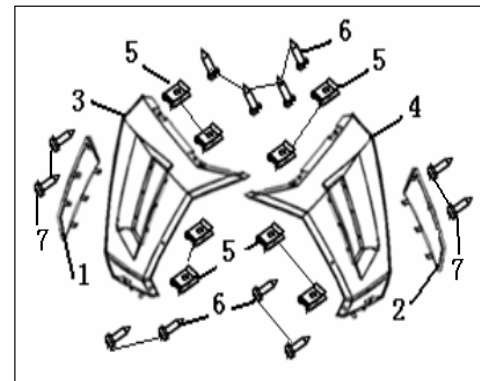
F16.FRONT COVER

NO.	CODE	EN DESCRIPTION	QTY.	NOTES
1	65303BMMTBA0	COVER	1	
2	B05074001605	TAPPING SCREW 4×16MM	8	
3	B05074201605	TAPPING SCREW 4.2×16MM	1	
4	65801BMAT000	SPRING NUT 4MM	1	
5	65301B940130	FRONT COVER	1	BRA/LAR
	65301B940150	FRONT COVER	1	BRA/VRD
	65301B94050Z	FRONT COVER	1	BRA/LAR C/ AUTOCOLANTES
	65301B94052Z	FRONT COVER	1	BRA/VRD C/ AUTOCOLANTES
6	B05074201605	TAPPING SCREW 4.2×16MM	8	
7	B05074201305	TAPPING SCREW 4.2×13MM	2	
8	65355BMMT000	HEADLIGHT BRACKET. R	1	
9	65354BMMT000	HEADLIGHT BRACKET. L	1	
10	65367BMMTBA0	HEADLIGHT BRACKET. R	1	
11	65366BMMTBA0	HEADLIGHT BRACKET. L	1	
12	B13010601605	SCREW 6×16MM	1	
13	57130BMMT000	COVER BRACKET	1	



F17.FRONT COVER DECORATION ASSY.

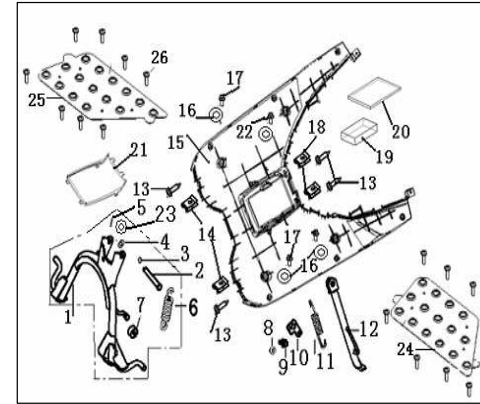
NO.	CODE	EN DESCRIPTION	QTY.	NOTES
1	65363BMMTBA0	DECORATION. R.	1	
2	65362BMMTBA0	DECORATION. L.	1	
3	65365B94WF00	FRONT COVER BRACKET .R	1	BRA/LAR, BRA/VRD
	65635B94014Z	FRONT COVER BRACKET .R	1	BRA/LAR C/ AUTOCOLANTES
	65635B94016Z	FRONT COVER BRACKET .R	1	BRA/VRD C/ AUTOCOLANTES
4	65365B94WF00	FRONT COVER BRACKET .L	1	BRA/LAR, BRA/VRD
	65364B94014Z	FRONT COVER BRACKET .L	1	BRA/LAR C/ AUTOCOLANTES
	65364B94016Z	FRONT COVER BRACKET .L	1	BRA/VRD C/ AUTOCOLANTES
5	65802BMAT000	SPRING NUT 4.8MM	8	
6	B05074801605	TAPPING SCREW 4.8×16MM	8	
7	B05074201305	TAPPING SCREW 4.2×13MM	4	



MATRIX 50 2009

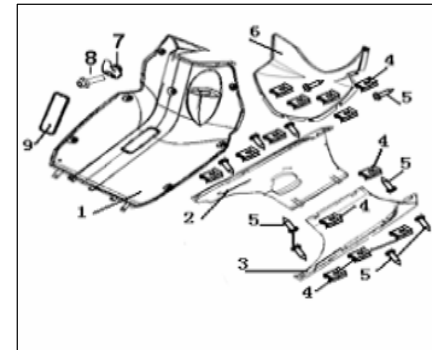
F18.FOOTREST/STAND

NO.	CODE	EN DESCRIPTION	QTY.	NOTES
1	58520B920001	MAIN STAND COMP.	1	
2	58501B450050	PIN	1	
3	B190101000AA	O-RING 10x1.8	1	
4	58508B0DT000	PLATE WASHER 10	1	
5	63016B0DT000	SPLIT PIN	1	
6	58510BM0T000	MAIN STAND SPRING ASSY.	1	
7	58507BM0T000	CUSHION, MAIN STAND	1	
8	B04070800055	NUT 8MM	1	
9	57005BMBT000	BOLT, SINGLE STAND	1	
10	57006BM0T000	HOOK SPRING	1	
11	57010BM0T000	SIDE STAND SPRING ASSY.	1	
12	58700BN0T000	SIDE STAND COMP.	1	
13	B05074801605	TAPPING SCREW 4.8x16MM	4	
14	65802BMA0T000	SPRING NUT 4.8MM	2	
15	65401BMMT000	FLOOR COMP.	1	
16	B07020000605	WASHER 6MM	4	
17	B01000604525	BOLT 6x45MM	2	
18	65802BM0T000	SPRING NUT 5MM	2	
19	65812BMBT000	BATTERY DAMPER II	1	
20	65811BMBT000	BATTERY DAMPER I	1	
21	65813BMMT000	BATTERY COVER	1	
22	B01020603365	BOLT 6x33MM	1	
23	B07030001005	WASHER 10MM	1	
24	65411BMMT000	FLOOR COVER , L	1	
25	65412BMMT000	FLOOR COVER , R	1	
26	B05004201305	SCREW 4.2x13MM	16	



F19.LEG SHIELD

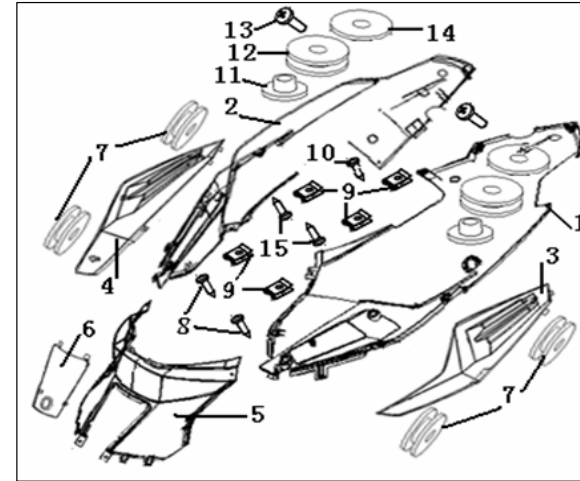
NO.	CODE	EN DESCRIPTION	QTY.	NOTES
1	65402BMMT000	LEG SHIELD	1	
2	65408BMMTBH0	DOWN COVER..L	1	TODOS OS MODELOS
	65408B94022Z	DOWN COVER..L	1	BRA/LAR C/ AUTOCOLANTES
	65408B94024Z	DOWN COVER..L	1	BRA/VRD C/ AUTOCOLANTES
3	65409BMMTBH0	DOWN COVER..R	1	TODOS OS MODELOS
	65409B94022Z	DOWN COVER..R	1	BRA/LAR C/ AUTOCOLANTES
	65409B94024Z	DOWN COVER..R	1	BRA/VRD C/ AUTOCOLANTES
4	65801BMA0T000	SPRING NUT 4MM	16	
5	B05074201605	TAPPING SCREW 4.2x16MM	16	
6	65406BMMT000	INNER FENDER	1	
7	51011BMBT000	HELMET POTHOOK	1	
8	B01090602565	BOLT 6x25MM	1	
9	65403BMMT000	INSPECT COVER	1	



MATRIX 50 2009

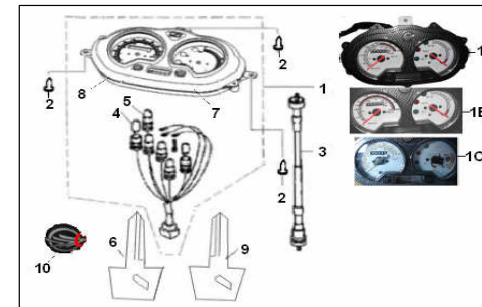
F20.SIDE COVER

NO.	CODE	EN DESCRIPTION	QTY.	NOTES
1	65601BMMTBH0	SIDE COVER..L.	1	BRA/LAR, BRA/VRD
	65601B94046Z	SIDE COVER..L.	1	BRA/LAR C/ AUTOCOLANTES
	65601B94048Z	SIDE COVER..L.	1	BRA/VRD C/ AUTOCOLANTES
2	65602BMMTBH0	SIDE COVER..R.	1	BRA/LAR, BRA/VRD
	65602B94046Z	SIDE COVER..R.	1	BRA/LAR C/ AUTOCOLANTES
	65602B94048Z	SIDE COVER..R.	1	BRA/VRD C/ AUTOCOLANTES
3	65603B94D500	DOWN COVER .L.	1	TODOS OS MODELOS
4	65604B94D500	DOWN COVER .R.	1	TODOS OS MODELOS
5	65605BMMT000	LUGGAGE BOX FR.. COVER	1	
6	65619BMMT000	LITTLE COVER	1	
7	65617J00P000	RUBBER WASHER	4	
8	B05074201605	TAPPING SCREW 4.2×16MM	2	
9	65801BMMT000	SPRING NUT 4MM	5	
10	B05074001205	TAPPING SCREW 4×12MM	1	
11	65709BMMT000	BUSH, RR. FENDER	2	
12	65618J00P000	RUBBER WASHER	2	
13	B02000602025	SCREW 6×20MM	2	
14	08021BMMT000	WASHER	2	
15	B05074201905	TAPPING SCREW 4.2×19MM	2	



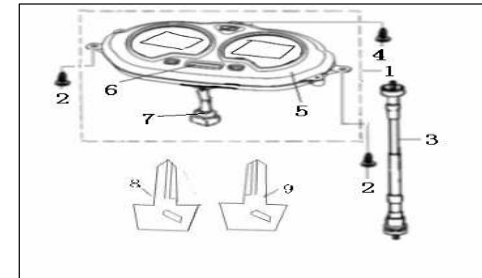
F21.1 ANALOG SPEEDOMETER ASSY.

NO.	CODE	EN DESCRIPTION	QTY.	NOTES
1A	70000BMMTW6	SPEEDOMETER COMP.45KM VER	1	
2	B05074001205	TAPPING SCREW 4×12MM	3	
3	72900BMMT000	SPEEDOMETER CABLE COMP.	1	
4	B24012920000	BULB 12V-3W	3	
5	B24020221100	BULB 12V-2W	3	
6	88900B92000X	KEY NUT LEFT	1	
7	70003BMMT004	SPEEDOMETER COVER	1	
8	76000BMMT001	DIGITAL WATCH	1	
9	88900B92001X	KEY NUT RIGHT	1	
10	05501J4HT000	STICK	1	



F21.2 DIGITAL SPEEDOMETER ASSY.

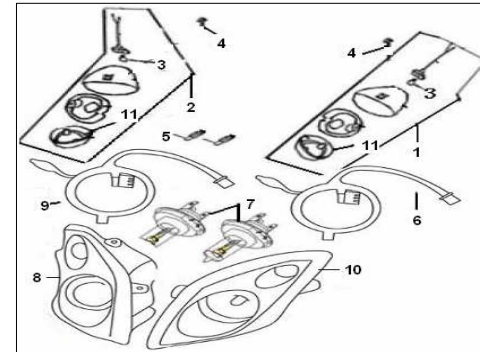
NO.	CODE	EN DESCRIPTION	QTY.	NOTES
1	70000B920012	SPEEDOMETER COMP.	1	
2	B05074001205	SCREW 4×12MM	2	
3	72900BMMT000	SPEEDOMETER CABLE COMP.	1	
4	B05074001005	SCREW 4×10	1	
5	70003BMMT002	SPEEDOMETER COVER	1	
6	76000BMMT000	DIGITAL WATCH	1	
7	75000BMMT007	SPEEDOMETER WIRE ASSY	1	
8	88900B92000X	KEY NUT LEFT	1	
9	88900B92001X	KEY NUT RIGHT	1	



MATRIX 50 2009

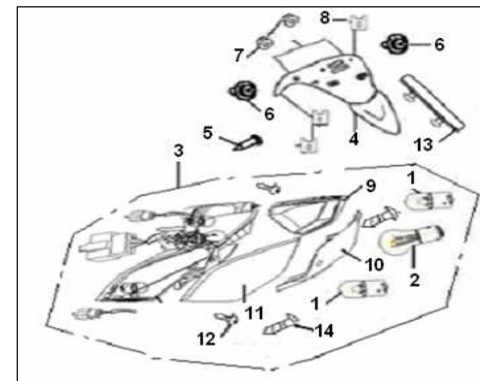
F22 FLASHER LIGHT/HEAD LIGHT

NO.	CODE	EN DESCRIPTION	QTY.	NOTES
1	81100BMMT001	FLASHER LIGHT ASSY.,F. L	1	
2	81300BMMT001	FLASHER LIGHT ASSY.,F. R	1	
3	B24014020002	BULB (ORANGE150° 12V/10W)	2	
4	B13060501405	SCREW 5×14MM	2	
5	B24013120000	BULB (12V5W)	2	
6	80009BMMT001	FAR HEADLIGHT WIRE ASSY	1	
7	B24010320000	BULB (12V35/35W)	2	
8	80300BMMT000	NEAR HEAD LIGHT ASSY	1	
9	80009BMMT000	NEAR HEADLIGHT WIRE ASSY	1	
10	80200BMMT000	FAR HEAD LIGHT ASSY	1	
11	81102BMMT001	FLASHER LIGHT COVER	2	



F23 TAIL LIGHT

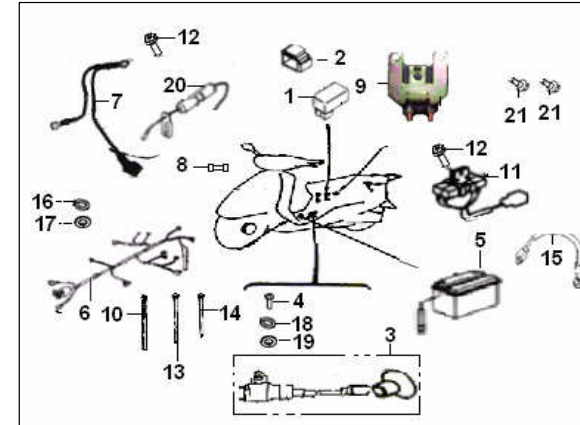
NO.	CODE	EN DESCRIPTION	QTY.	NOTES
1	B24012120000	BULB, 12V/10W	2	
2	B24013820000	BULB 12V 21/5W	1	
3	82000BMMT000	TAIL LIGHT ASSY.	1	
4	08202BMMT000	LICENSE BRACKET	1	
5	B05074201605	TAPPING SCREW 4.2×16MM	2	
6	B13060601605	SCREW 6×16MM	2	
7	B04070600065	NUT 6MM	2	
8	65801BMAT000	SPRING NUT 4MM	3	
9	81703BMMT000	LIGHT COVER..R.R	1	
10	82008BMMT000	INDICATOR LENS	1	
11	81503BMMT000	LIGHT COVER..R.L	1	
12	08011BN0T000	SCREW 3×8MM	2	
13	86500BN0T000	RR . REFLECTOR	1	
14	08009BMMT000	SCREW 5×20MM	2	



MATRIX 50 2009

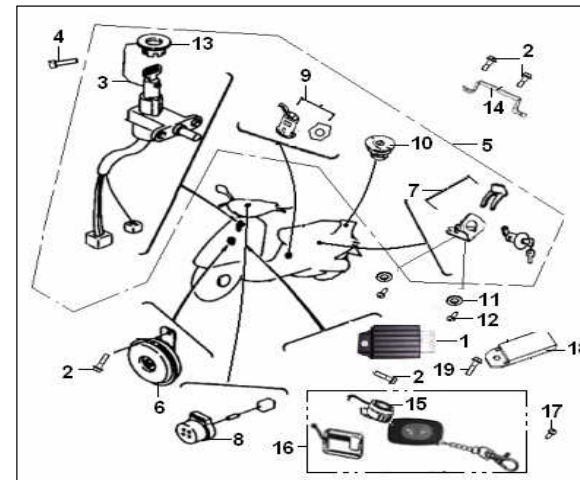
F24 ELECTRICAL EQUIPMENT I

NO.	CODE	EN DESCRIPTION	QTY.	NOTES
1	97701BMOT001	C.D.I. UNIT COMP.	1	
2	96007BMOT000	CUSHION. C.D.I	1	
3	96200BNOT000	IGNITION COIL ASSY	1	
4	B02000502025	SCREW 5×20MM	1	
5	96100BMOT000	BATTERY ASSY.	1	YTX5L-BS
6	92000B94000F	WIRE HARNESS ASSY	1	
7	96900BMBT000	WIRE HARNESS	1	
8	96810BMAT000	FUSE 8A,250V	1	
9	94100J000002	STARTER RELAY COMP.	1	
10	96001K00P000	BAND 8×250	3	
11	96600BMAT000	RESISTOR COMP.	1	
12	B01090601265	BOLT 6×12MM	2	
13	96003K00P000	BAND 8×200	3	
14	96002K00P000	BAND 8×150	1	
15	92210B940000	ELECTRIC CABLE	1	
16	B07000000605	SPRING WASHER 6MM	1	
17	B07030000605	WASHER 6MM	1	
18	B07000000505	SPRING WASHER 5MM	1	
19	B07030000505	WASHER 5MM	1	
20	96800BMAT000	FUSE COMP	1	
21	B01090601065	BOLT M6×10	2	



F25 ELECTRICAL EQUIPMENT

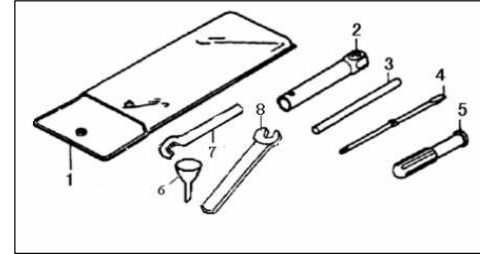
NO.	CODE	EN DESCRIPTION	QTY.	NOTES
1	98801J0ET000	REGULATOR COMP.	1	
2	B01090601265	BOLT 6×12MM	4	
3	88100BMBT00A	MAIN SWITCH ASSY.	1	
4	08002BMBT000	BOLT M6×12	2	
5	88000B940000	LOCK ASSY.	1	
6	95000BMDT000	HORN	1	
7	88800BMBT000	LOCK ASSY., SEAT	1	
8	96500BMOT00B	FLASH&AUDIO PILOT COMP.	1	
9	88500BMBT000	LOCK, COVER	1	
10	88400B940000	LOCK ASSY., FUEL TANK	1	
11	B07030000505	WASHER 5MM	2	
12	B05074001005	TAPPING SCREW 4×10MM	2	
13	88101BMBT000	COVER MAIN SWITCH	1	
14	95701JCT000	BAKT ALARMSYSTEM	1	
15	95730BMBT002	ALARM SYSTEM HORN	1	
16	95700BMBT002	ALARM ASSY.	1	
17	B05074801305	TAPPING SCREW 4.8×13MM	1	
19	B01090601265	BOLT 6×12MM	1	



MATRIX 50 2009

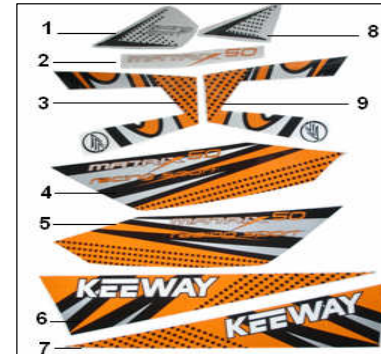
F26 TOOL KIT

NO.	CODE	EN DESCRIPTION	QTY.	NOTES
1	02110BM0T000	TOOL BAG	1	
2	02102BM0T000	SPARK PLUG SOCKET	1	
3	02101BM0T000	SPARK PLUG SOCKET HANDLE	1	
4	02103BM0T000	SCREW DRIVER	1	
5	02104BM0T000	HANDLE	1	
6	02114BM0T000	FILTER, OIL TANK	1	
7	02115BM0T000	RR. ABSORBER ADJUSTER	1	
8	02117BMBT000	WRENCH 35	1	



F27.2 STICKER

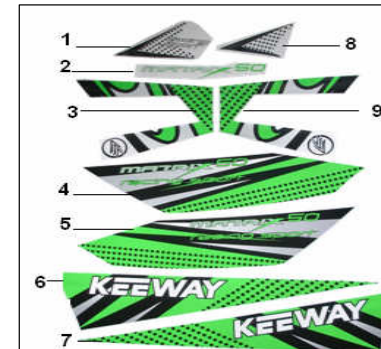
NO.	CODE	EN DESCRIPTION	QTY.	NOTES
1	05524B94000G	STICKER , HANDLE COVER LH	1	
2	05521B94M90G	STICKER FRONT COVER	1	
3	05526B94M90G	STICKER FRONT COVER BRACKET LH	1	
4	05511B94M90G	STICKER SIDE COVER , LH	1	
5	05512B94M90G	STICKER SIDE COVER , RH	1	
6	05530B94M90G	STICKER UNDER COVER , LH	1	
7	05531B94M90G	STICKER UNDER COVER , RH	1	
8	05525B94000G	STICKER , HANDLE COVER RH	1	
9	05527B94M90G	STICKER FRONT COVER BRACKET RH	1	



BRA/LAR

F27.4 STICKER

NO.	CODE	EN DESCRIPTION	QTY.	NOTES
1	05524B94000G	STICKER , HANDLE COVER LH	1	
2	05521B94U10G	STICKER FRONT COVER	1	
3	05526B94U10G	STICKER FRONT COVER BRACKET LH	1	
4	05511B94U10G	STICKER SIDE COVER , LH	1	
5	05512B94U10G	STICKER SIDE COVER , RH	1	
6	05530B94U10G	STICKER UNDER COVER , LH	1	
7	05531B94U10G	STICKER UNDER COVER , RH	1	
8	05525B94000G	STICKER , HANDLE COVER RH	1	
9	05527B94U10G	STICKER FRONT COVER BRACKET RH	1	

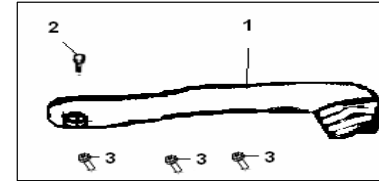


BRA/VRD

MATRIX 50 2009

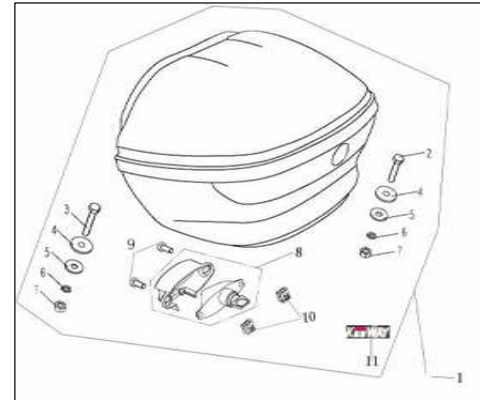
F28 ENGINE ATTACHMENT

NO.	CODE	EN DESCRIPTION	QTY.	NOTES
1	08351B91HU00	STARTING SHAFT	1	
2	B02050602565	SCREW 6×25MM	1	
3	B01070602564	BOLT 6X25MM	3	



F29 BACK BOX ASSY

NO.	CODE	EN DESCRIPTION	QTY.	NOTES
1	52200B92BHBA	BACK BOX	1	TODOS OS MODELOS
2	B01010603033	BOLT 6×30MM	2	
3	B01010603533	BOLT 6×35MM	2	
4	52221BMBT000	WASHER	4	
5	B07020000603	WASHER 6	4	
6	B07000000603	SPRING WASHER 6	4	
7	B04000600043	NUT M6	4	
8	88600BMBT000	BACK BOX LOCK	1	
9	B01070601663	SCREW 6×16MM	2	
10	52910BMBT000	NUT , CLIPPING 6MM	2	
11	05591BMBT000	BACK BOX COVER	1	



MATRIX 50 2009

MOTOR 2009

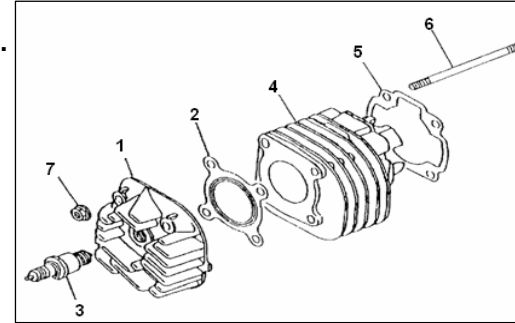
MERCADO	APARTIR DO VIN N°.
EEC2	TSYTABMN29B549675
EEC2	LBBB942C29B557811

E01 CYLINDER HEAD ASSY

NO.	CODE	EN DESCRIPTION
1	30701B01F000	HEAD , CYLINDER
2	30507B01F000	GASKET,CYLINDER HEAD
3	201204.013000	SPARK PLUG
4	27101B01F00A	CYLINDER
5	204204.001000	GASKET,CYLINDER
6	26107B01F910	STUD BOLT
7	304290700062	NUT

QTY.

1
1
1
1
1
4
4

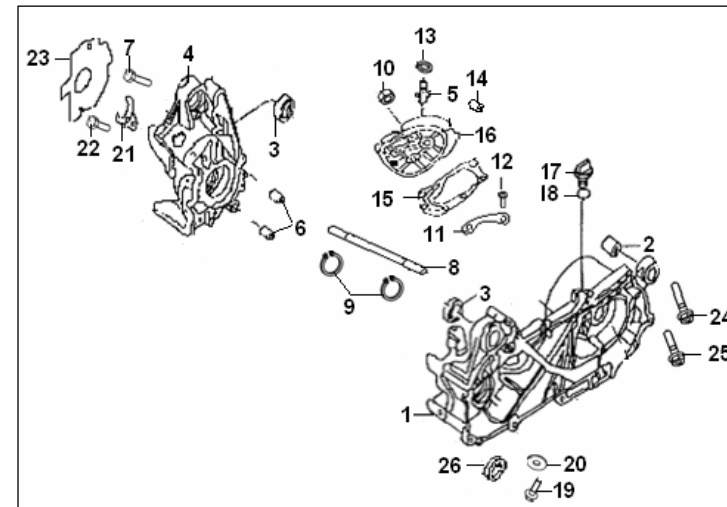


E02.CRANKCASE ASSY

NO.	CODE	EN DESCRIPTION
1	206200.057000	CRANKCASE,LH
2	26108G02F000	BUSH,ENGINE MOUNTING
3	B12016600300	BEARING
4	26211B09F001	CRANKCASE,RH
5	26142G02F000	BRAKE SHOE
6	26123G02F000	DOWEL PIN
7	301310603565	PAN HEAD SCREW
8	26109B09F000	AXLE,engine mount
9	B08010001700	CIRCLIP
10	B04070812553	NUT
11	26214B09F000	BEARING HOLDER
12	B02000601262	PAN HEAD SCREW
13	14222J01F000	O-RING
14	26123G02F000	DOWEL PIN
15	214201.004000	MISSION CASE GASKET
16	18101B09F000	COVER, GEAR BOX
17	206407.004081	OIL PLUG
18	26102G02F000	O RING
19	301310801605	FLANGE BOLT
20	18105H03F000	PLATE WASHER
21	26214G02F910	OIL SEAL HOLDER
22	301310601263	PAN HEAD SCREW
23	206321.001000	GASKET
24	301310805565	SCREW M8X55
25	301310805065	SCREW M8X50
26	207234.001000	BUSH

QTY.

1
1
2
1
1
2
6
1
2
1
1
2
1
1
1
1
1
1
1
1
1
1
1
1
1
2
5
1



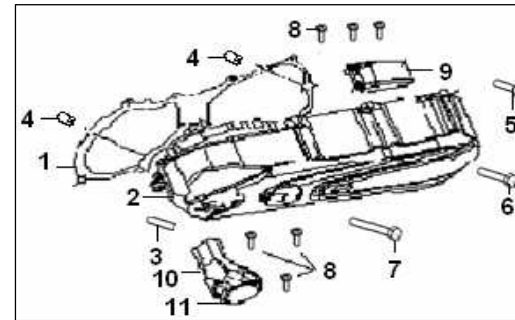
MATRIX 50 2009

E03.SIDECOVER ASSY

NO.	CODE	EN DESCRIPTION
1	207208.017000	GASKET,L CRANKCASE
2	169021070013	L CRANKCASE COVER
3	26128G02F000	IDLE GEAR
4	26208J01F000	DOWEL PIN
5	301310602565	PAN HEAD SCREW M6X25
6	301310603565	PAN HEAD SCREW M6X35
7	301310606565	PAN HEAD SCREW M6X65
8	3052035014F5	SCREW ST3.5X14
9	14149B09F000	AIR DUCT-OUTLET
10	14148B09F000	AIR DUCT-INLET
11	14150B09F000	FILTER ASSY

QTY.

1
1
1
1
2
8
1
1
1
6
1
1
1

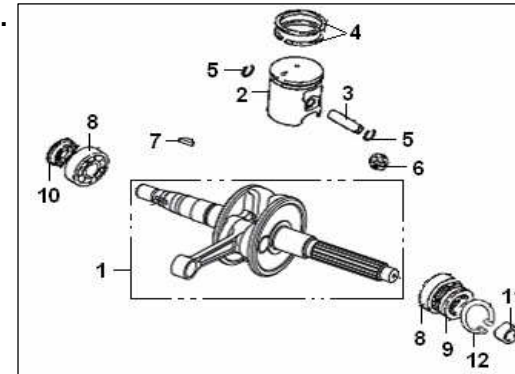


E04.PISTON CRANKSHAFT CONNECTING ROD ASSY

NO.	CODE	EN DESCRIPTION
1	208100.022000	CRANKSHAFT , ASSY
2	15100B01F00B	PISTON ASSY
3	15105B16F000	PISTON PIN
4	15103B01F000	PISTON RING ASSY
5	15111G02F000	CIRCLIP
6	15110B16F000	NEEDLE BEARING
7	15101B01F000	WOODRUFF KEY
8	B12016620453	BEATRING
9	15213G02F000	OIL SEAL
10	26215G02F000	OIL SEAL ASSY
11	15214G02F000	COLLAR
12	17308G02F000	CIRCLIP

QTY.

1
1
1
1
1
2
1
1
2
1
1
1
1

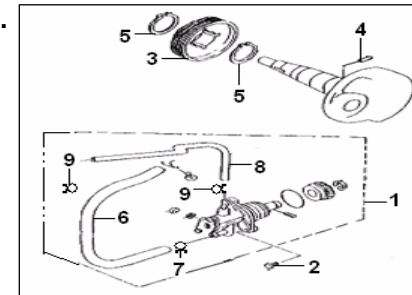


E05.OIL PUMP ASSY

NO.	CODE	EN DESCRIPTION
1	219101.008000	OIL PUMP ASSY
2	B02000501463	SCREW
3	15211G02F000	PUMP DRIVE GEAR
4	B090103014C0	PIN
5	15106G02F910	CIRCLIP
6	221405.100000	HOSE,OIL INLET
7	19213G02F00A	HOSE CLIP
8	221405.101000	HOSE,OIL OUTLET
9	19217G02F00A	HOSE CLIP

QTY.

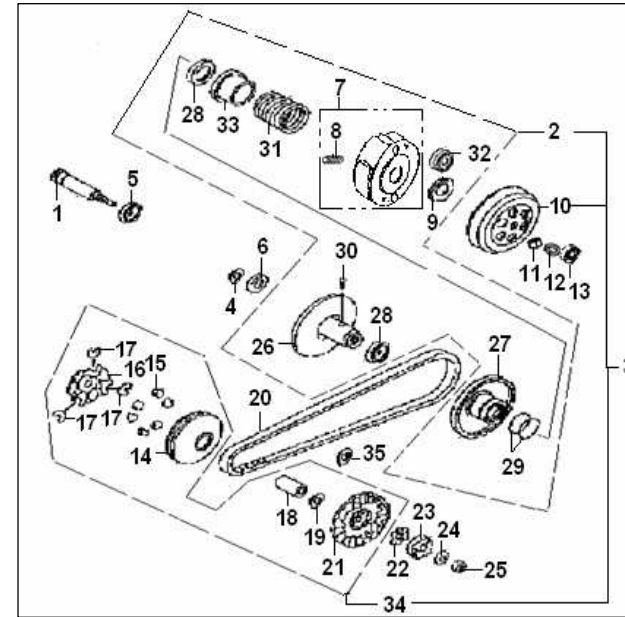
1
2
2
1
1
2
1
2
1
2



MATRIX 50 2009

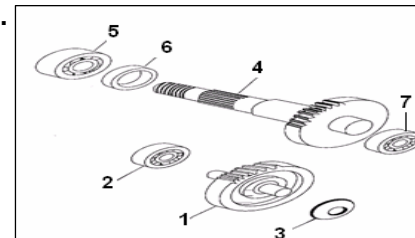
E08.CLUTCH ASSY

NO.	CODE	EN DESCRIPTION	QTY.
1	24201B09F000	PRIMARY DRIVE SHAFT	1
2	24200B01F000	DRIVEN PULLEY and CLUTCH ASSY	1
3	213100.010000	SHIFT ASSY	1
4	B08010001700	CIRCLIP	1
5	B12016620300	ROLING BEARING 6203	1
6	24203B09F000	OIL SEAL	1
7	24301B01F000	CLUTCH ASSY,shoe	3
8	24302B01F000	SPRING	3
9	24303G02F000	NUT	1
10	24700G02F000	HOUSING	1
11	24305G02F940	NUT	1
12	24243G02F000	O-RING	1
13	24209G02F000	BEARING 638Z	1
14	24101B09F000	FACE,movable drive	1
15	213119.003000	ROLLER	6
16	24103G02F000	PLATE,movable drive	1
17	24104G02F000	DAMPER	3
18	24105G02F000	COLLER	1
19	24106B01F000	WASHER	1
20	24107B01F000	V BELT , DRIVE	1
21	24108B09F000	FACE , FIXED DRIVE	1
22	24109G02F000	PLATE , WOODRUFF KEY	1
23	213203.001161	STARTING DISC	1
24	15112G02F010	WASHER , SPRING	1
25	B04031212553	NUT	1
26	24204G02F000	FACE , FIXED DRIVEN	1
27	24205G02F000	FACE , MOVABLE DRIVEN	1
28	24206G02F000	OIL SEAL	1
29	24207G02F000	O-RING	2
30	24208G02F000	PIN , GUIDE	2
31	24308B01F000	SPRING	1
32	24245G02F000	ROLLER BEARING	1
33	24309G02F930	SEAT , SPRING	1
34	24100B09F000	DRIVE ASSY	1
35	200011070043	WASHER	1



E09 TRANSMISSION SYSTEM ASSY

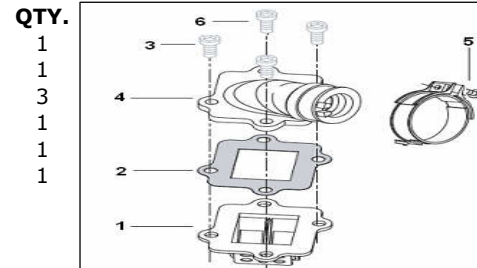
NO.	CODE	EN DESCRIPTION	QTY.
1	17800B09F000	SHAFT , IDLE	1
2	B12016620000	BEARING 6200	1
3	17732J01F000	WASHER , thrust	1
4	17300B09F000	SHAFT , REAR BOX	1
5	B12016600400	NEEDLE BEARING	1
6	17317B09F000	OIL SEAL	1
7	B12016620200	NEEDLE BEARING	1



MATRIX 50 2009

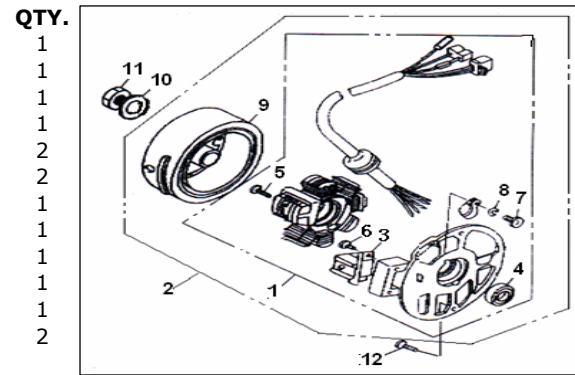
E10. REED VALVE ASSY

NO.	CODE	EN DESCRIPTION
1	32300G02F000	REED VALVE ASSY
2	202306.002000	VALVE SEAT GASKET
3	302040602065	SCREW
4	32200G02F000	PIPE, intake
5	202104.006472	CLIP
6	206412.001472	SCREW



E11. MAGNETO ASSY

NO.	CODE	EN DESCRIPTION
1	223102.104000	COIL ASSY 17°
2	223100.101000	MAGNETO ASSY 17°
3	34330G02F000	PULSE TRIGGER
4	34350G02F000	OIL SEAT
5	B02000502522	SCREW
6	B02000501262	SCREW
7	B02000400622	SCREW
8	B07000000400	SPRING WASHER
9	223101.022000	FLY WHEEL ASSY 17°
10	B07030001200	WASHER
11	15228H03F000	NUT
12	B01070601664	SCREW M6X16



E12. CARBURETOR ASSY

NO.	CODE	EN DESCRIPTION
1	32510B01F000	NEEDLE, jet
2	32511B01F000	VALVE,PISTON
3	224202.112000	JET, main, 62.5#
4	32612B01F000	ENRICH VALVE
5	32619B01F000	PIN, float
6	32620B01F000	FLOAT
7	32701B01F000	GASKET
8	339001070050	CARBURETOR ASSY (C/ VÁLVULA ENRIQUECIMENTO)
	339001070060	CARBURETOR ASSY (S/ VÁLVULA ENRIQUECIMENTO)
9	32800B09F000	HEATING ASSY
10	32801B09F000	L WASHER
11	224203.100000	JET, idle
12	32508B01F000	CLIPMM,V shape
13	330031070000	OIL PIPE ASSY

