

PARTS CATALOGUE



MOTORCYCLES

KT25BA(PT)

VISAR 125(2019)



Release Date : 2020/03/17
Print Date : 2022/10/14

ABOUT THIS PARTS LIST

- This parts list is compiled all service parts for model KT25BA(PT).
- Any difference between color chart and motorcycle will be revised according to motorcycle.
- The Mark:
 1. Marking "***" must add color code in the end before ordering parts.
 2. Marking "#" are parts with modification, Please find the details from e-Parts system.
- When modification or additions to this parts list are made a revised edition at an appropriate time.



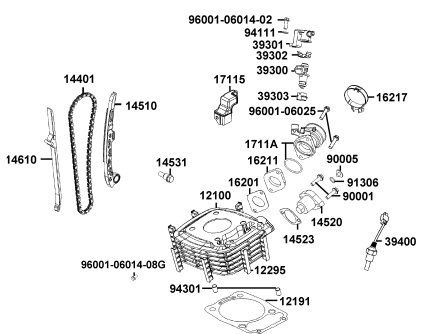
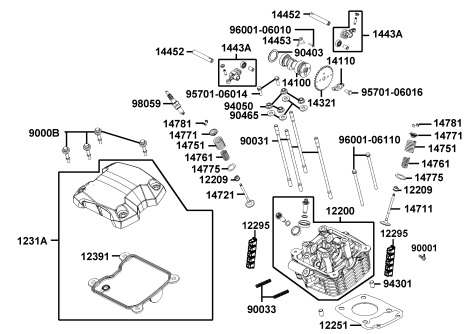
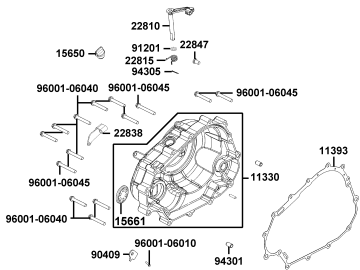
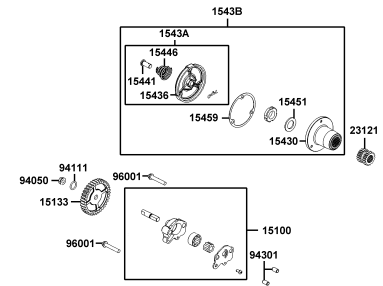
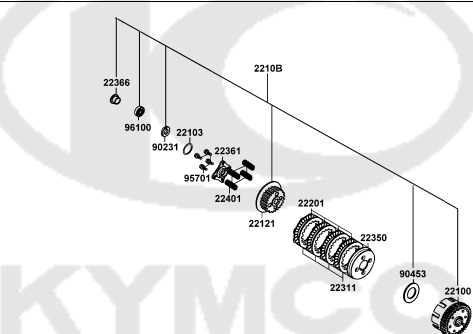
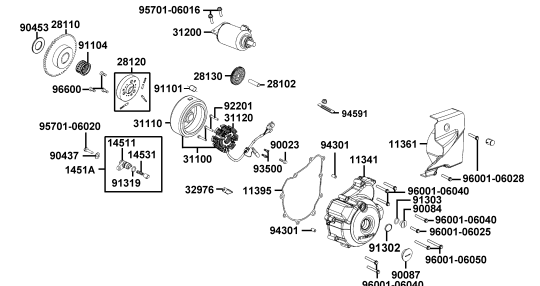
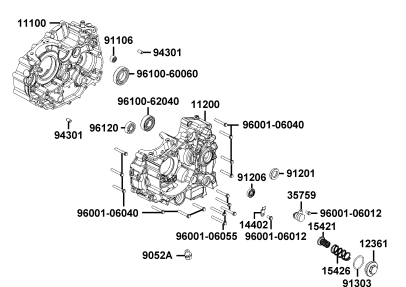
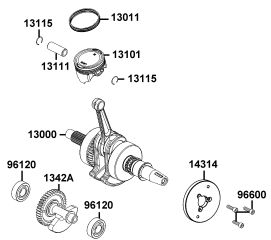
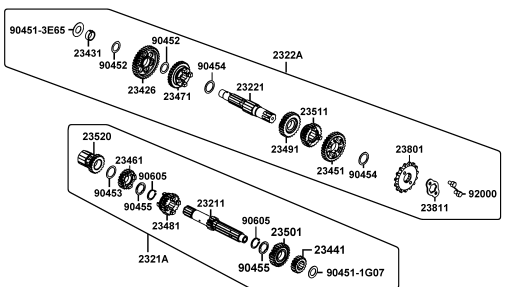
CONTENTS

● ABOUT THIS PARTS LIST	1
● COLOR CHART OF KT25BA(PT)	3
● CONTENTS-ENGINE GROUP	6
● CONTENTS-FRAME GROUP	8
● ENGINE PARTS LIST	11
● FRAME PARTS LIST	41
● PART NO. INDEX	101

NO	MODEL			COLOR CHART OF KT25BA(PT)			
	PHOTO NO			NO. 1			
	BASIC COLOR			Mat Metallic			
	CODE			Mat Metallic			
	PARTS NAME	PARTS NO.	VERSION	NH503FA			
1	CRANK CASE COMP	11100-LKH3-C00	0	45A			
2	CRANK CASE COMP	11200-LKH3-C00	0				
3	COVER COMP R CRANK	11330-LKH3-C00	0				
4	COVER COMP L CRANK	11341-LKH3-C00	0				
5	COVER LEFT REAR	11361-LKH3-C00	0				
6	FORK ASSY FR R	51400-LKH3-E03	1				
7	BOTTOM CASE R	51420-LKH3-E03	0				
8	FORK ASSY L FR	51500-LKH3-C00	0				
9	BOTTOM CASE LH	51520-LKH3-C00	0				
10	HOLDER UPPER	53131-LKH3-C00	0				
11	HOLDER UNDER	53132-ALD7-C10	0				
12	BRIDGE FORK TOP	53230-LKH3-C00	0				
13	CAP ACG	90084-LBA8-E80	0				
14	CAP 30MM	90087-4H28-E80	0				
15	COVER TANK	17700-LKH3-C00	0	49P			
16	COVER B R SIDE	64250-LKH3-C00	0				
17	COVER B L SIDE	64260-LKH3-C00	0				
18	PROTECTOR MUFFLER	18318-LKH3-C00	0	DKP			
19	COVER R TANK SIDE	17710-LKH3-C00	0	HLP			
20	COVER L TANK SIDE	17720-LKH3-C00	0				
21	FENDER FR	61100-LKH3-C00	0				
22	"COVER, R LIGHT HEAD"	64340-LKH3-C00	0				
23	"COVER, L LIGHT HEAD"	64342-LKH3-C00	0				
24	COVER R BODY	83500-LKH3-C00	0				
25	COVER L BODY	83600-LKH3-C00	0				
DATE OF STARTING-SALES							
DATE OF END-SALES							

NO	MODEL			COLOR CHART OF KT25BA(PT)			
	PHOTO NO			NO. 1			
	BASIC COLOR			Mat Metallic			
	CODE			Mat Metallic			
	PARTS NAME	PARTS NO.	VERSION	NH503FA			
26	TANK COMP FUEL	17500-LKH3-E03	0	HLS			
27	DISK FR BRAKE	45121-LEC8-E00	0	M2S			
28	BRKT R FR STEP	50611-LKH3-C00	0	M5A			
29	BRKT L FR STEP	50621-LKH3-C00	0				
30	R BAR RR STEP	50710-LKH3-C00	0				
31	L BAR RR STEP	50720-LKH3-C00	0				
32	HEAD COMP CYLN	12200-LKH3-E03	0	N1A			
33	WHEEL ASSY RR HUB	4260A-ABD6-C00	0				
34	PANEL COMP. RR BRK	43100-LKH3-E03	1				
35	WHEEL ASSY FR RUB	4460A-LKH3-C00	0				
36	CALIPER ASSY FR	45200-LKH3-E03	0				
37	CARRIRE RR	81200-LKH3-C00	0				
38	VISOR METER	64210-LKH3-C00	0				
39	"CASE ASS'Y.,BATTERY"	5032A-ABD6-C00	0	N1P			
40	COVER METER	53204-LKH3-C00	0				
41	GRID FR LIGHT R	64240-LKH3-C00	0				
42	GRID FR LIGHT L	64242-LKH3-C00	0				
43	GRILL UNDER COWL	64400-LKH3-C00	0				
44	FENDER RR TIER	80100-LKH3-C00	0				
45	COVER SPLASH GUARD	80104-LKH3-C00	0				
46	FENDER REAR	80105-LKH3-C00	0				
47	FENDER RR TIER	8010A-LKH3-C00	0				
48	GRILL R SIDE	83510-LKH3-C00	0				
49	COVER B R SIDE	83520-LKH3-C00	0				
50	GRILL L SIDE	83610-LKH3-C00	0				
DATE OF STARTING-SALES							
DATE OF END-SALES							

CONTENTS - ENGINE GROUP

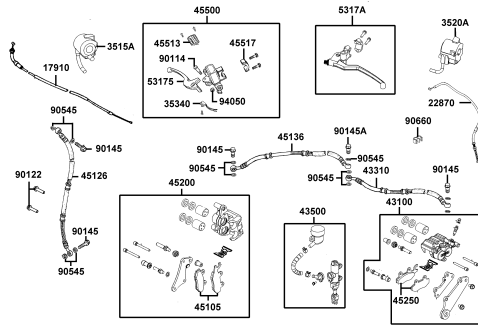
<p>E01 Cylinder Head</p> 	<p>E02 Cam Shaft Comp</p> 	<p>E03 ValveCam Shaft</p> 
<p>E04 Oil Pump</p> 	<p>E05 Clutch Assy</p> 	<p>E06 Starting Motor</p> 
<p>E07 Crankcase</p> 	<p>E08 PistonConnecting</p> 	<p>E09 Shaft Main Transmission Assy</p> 

CONTENTS - ENGINE GROUP

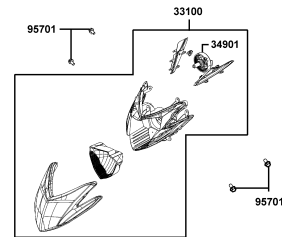
E10 Gear Shift	E11 Throttle Body Assy	

CONTENTS - FRAME GROUP

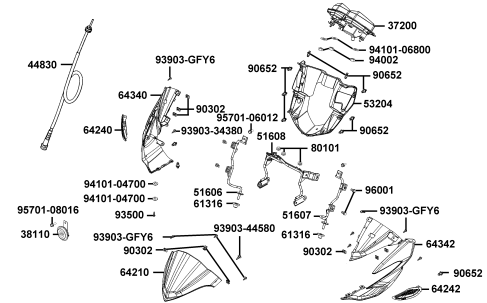
F01 Brake Master Cylinder



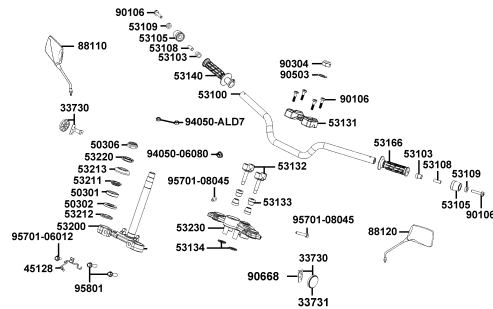
F02 Head Light



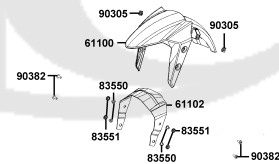
F03 Speedometer



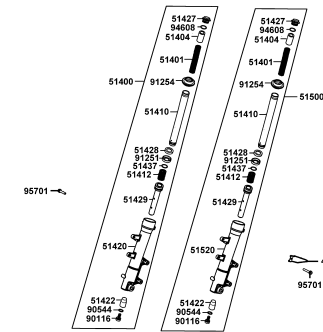
F04 Handle Steering



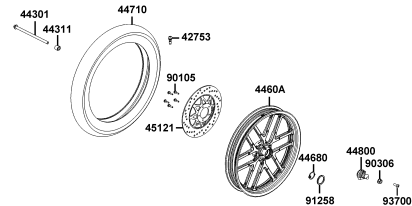
F05 Front Fender



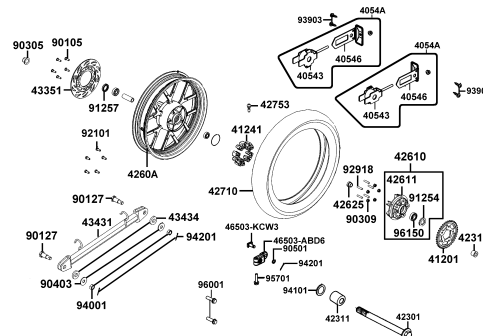
F06 Fork Assy



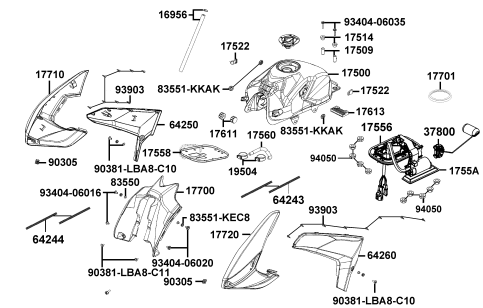
F07 Front Wheel



F08 Rear Wheel

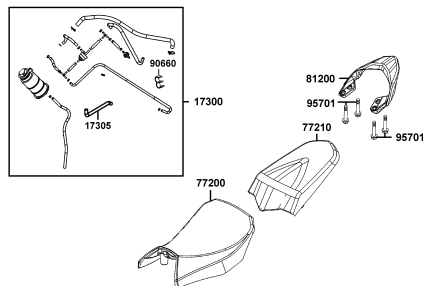


F09 Fuel Tank

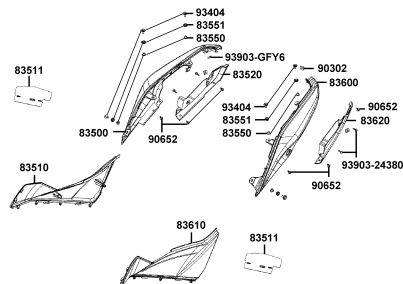


CONTENTS - FRAME GROUP

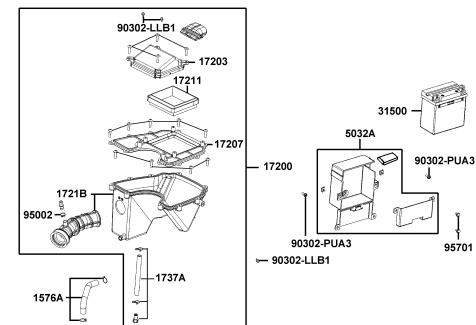
F10 Rr Carrier



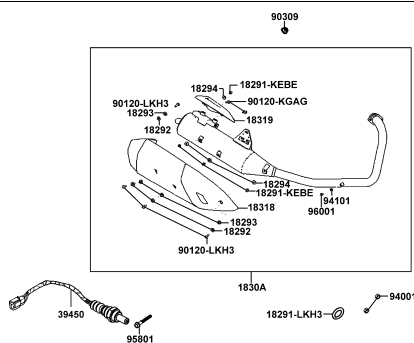
F11 Cover Body



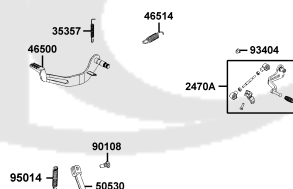
F12 Battery



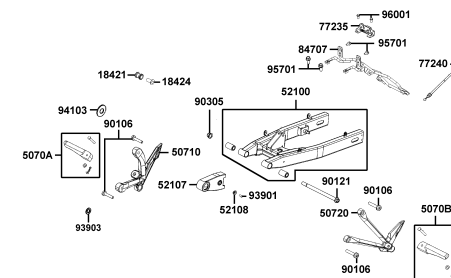
F13 Exhaust Muffler



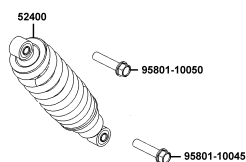
F14 Stand Kick Starter Arm



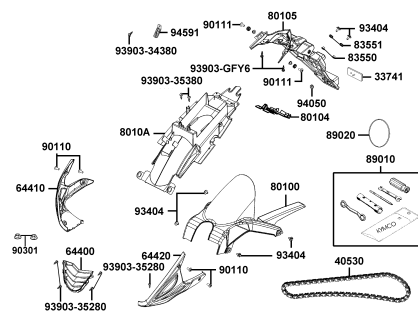
F15 Fork AssyY Rr



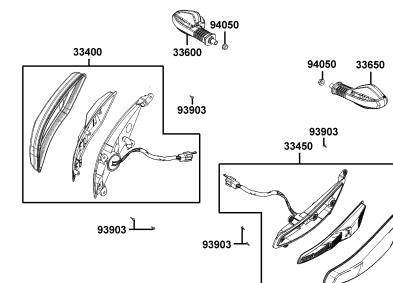
F16 Rear Cushion



F17 Fender Rear

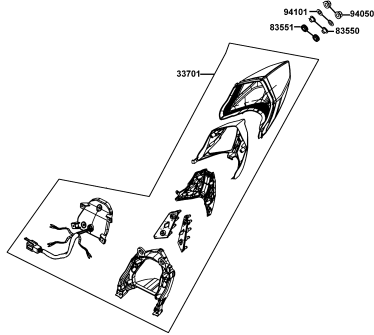


F18 Front Winker

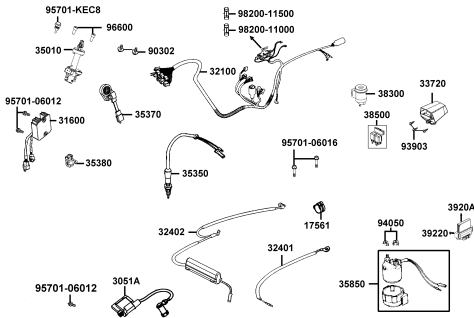


CONTENTS - FRAME GROUP

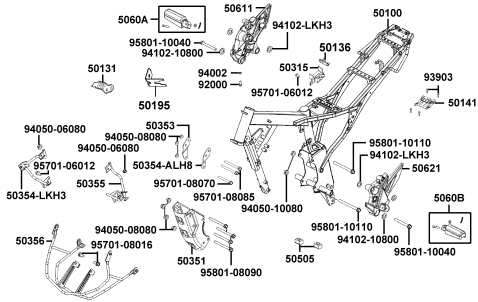
F19 Tail Light



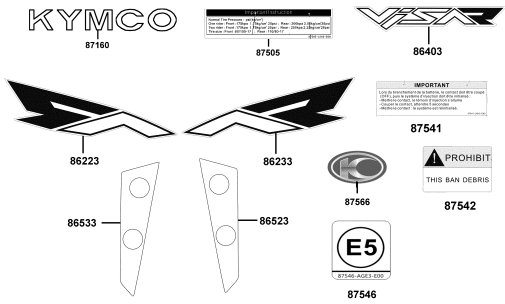
F20 Wire Harness



F21 Frame Body

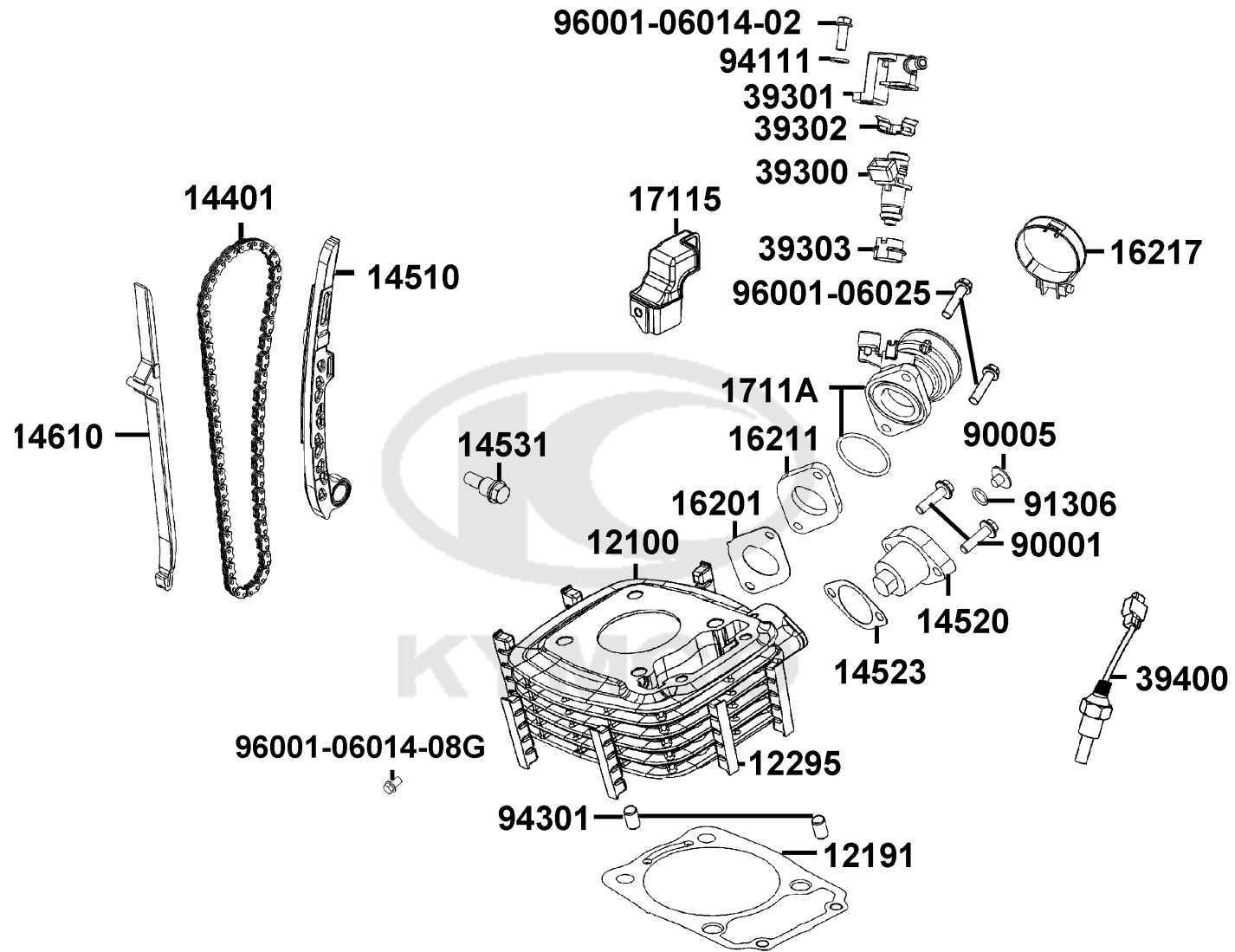


F22 Emblem Stripe



E01

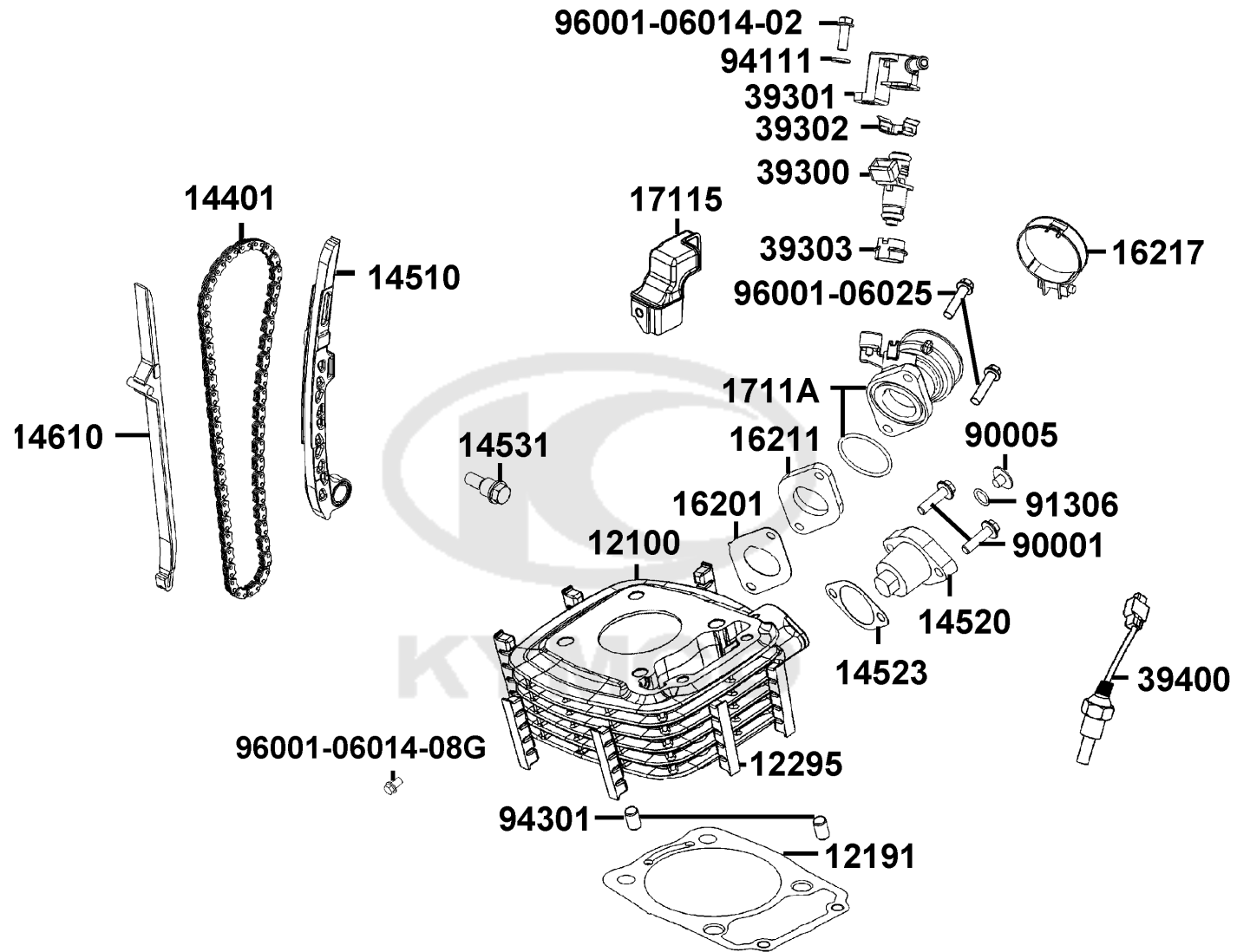
Cylinder Head




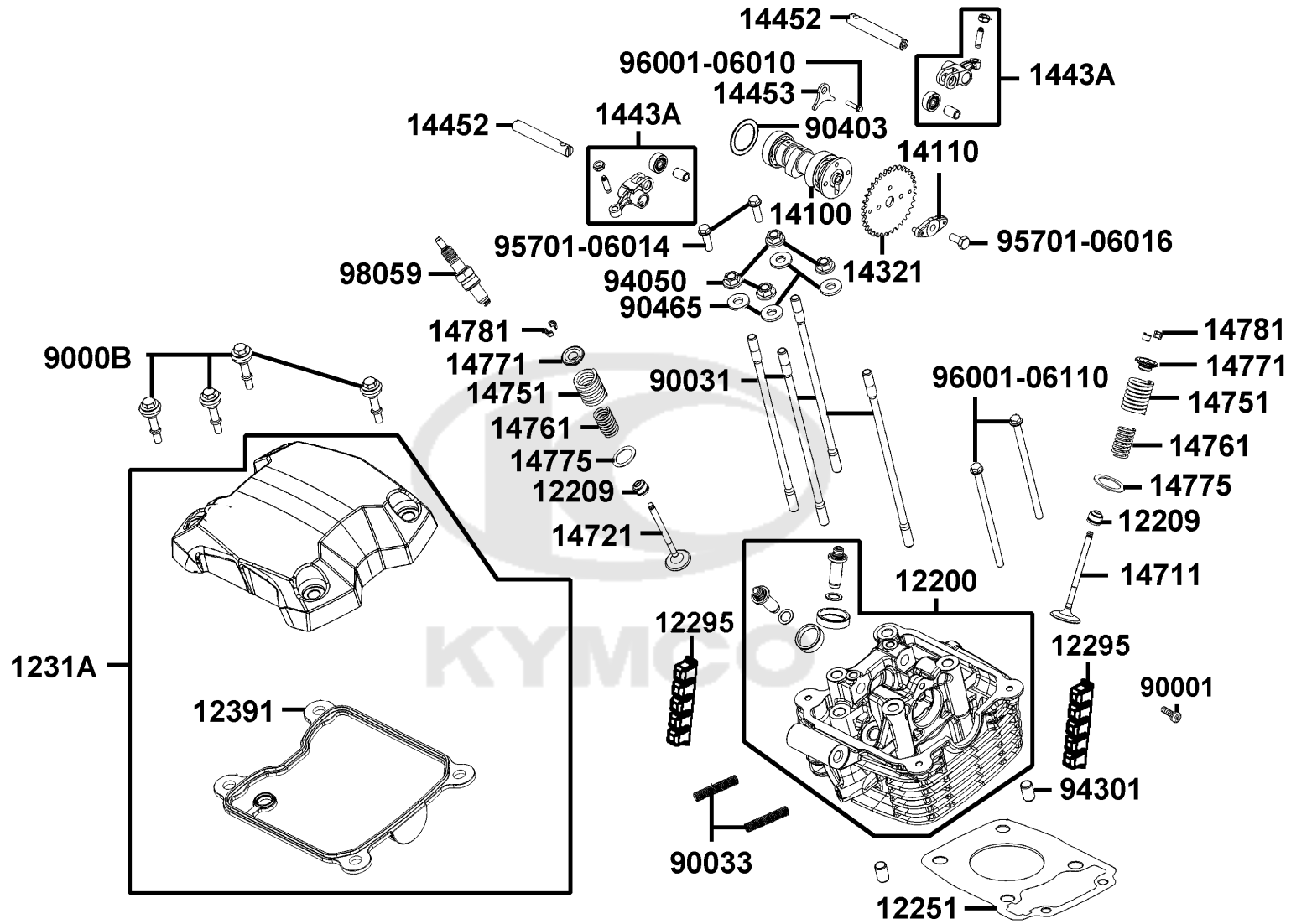
Sales mark	Ref no	Part no	Description	Reg description	Regd no	E01
	12100	12100-LKH3-C00	CYLINDER COMP	CYLINDER COMP	1	
	12191	12191-LKH3-C00	"GASKET,CYLINDER@A"	"GASKET,CYLINDER@A"	1	
	12295	12295-LKH3-C00	"RUBBER A, INSERT CYLINDER"	"RUBBER A, INSERT CYLINDER"	7	
	14401	14401-KUDU-C00	CHAIN CAM	CHAIN CAM	1	
	14510	14510-LKH3-C00	TENSIONER, CAM CHAIN	TENSIONER, CAM CHAIN	1	
	14520	14520-LBE8-C00	LIFTER ASSY. TENSIONER	LIFTER ASSY. TENSIONER	1	
	14523	14523-LKH3-C00	GASKET,TENSIONER LIFTER @A	GASKET,TENSIONER LIFTER @A	1	
	14531	14531-KKJ9-C00	PIVOT CAM CHAIN TENSIONER	PIVOT CAM CHAIN TENSIONER	1	
#	14610	14610-LEB1-90B	GUIDE CAM CHAIN	GUIDE CAM CHAIN	1	
	16201	16201-LKH3-C00	GASKET, CARB. INSULATOR	GASKET, CARB. INSULATOR	1	
	16211	16211-LKH3-E03	INSULATOR CARB	INSULATOR CARB	1	
	16217	16217-LGM5-C00	BAND INSULATOR	BAND INSULATOR	1	
	17115	17115-LKH3-E03	COVER ASSY..INJECTOR	"COVER ASSY.,INJECTOR"	1	
	1711A	1711A-ABD6-C00	PIPE ASSY INLET	PIPE ASSY INLET	1	
	39300	39300-LEA6-800	FUEL INJECTOR	FUEL INJECTOR	1	
	39301	39301-LEB2-C00	CUP COMP FUEL INJECTOR	CUP COMP FUEL INJECTOR	1	
	39302	39302-KKE3-C00	CLIP SPRING FUEL INJECTOR	CLIP SPRING FUEL INJECTOR	1	
	39303	39303-ABD6-C00	"SEAL,HIGH TENSION FUEL INJECTOR "	"SEAL,HIGH TENSION FUEL INJECTOR "	1	
	39400	39400-LHJ3-900	SENSOR. HEAD TEMPERATURE	SENSOR. HEAD TEMPERATURE	1	
	90001	90001-GBHB-C06	BOLT FLANGE SHF 6*22	BOLT	1	

E01

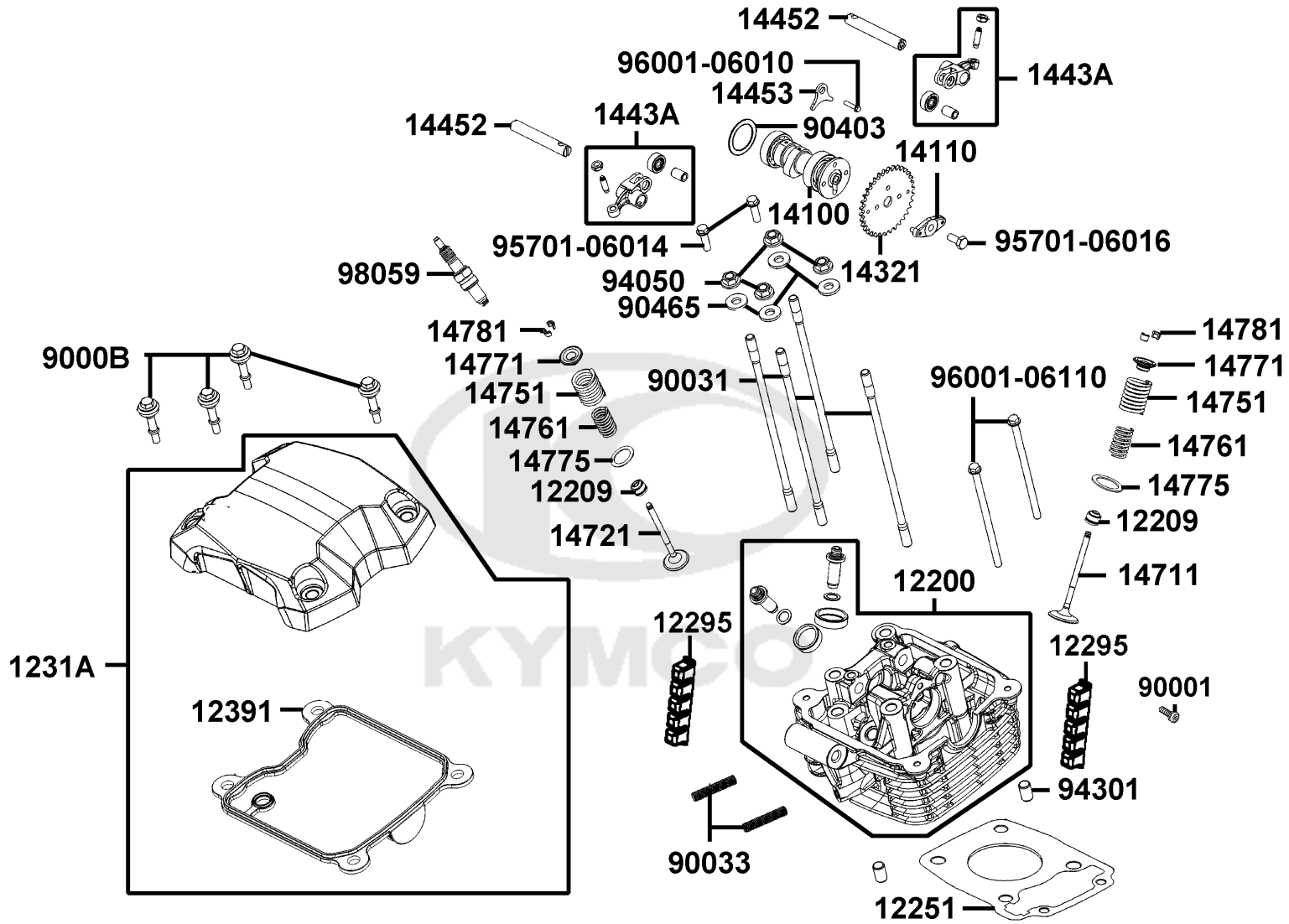
Cylinder Head



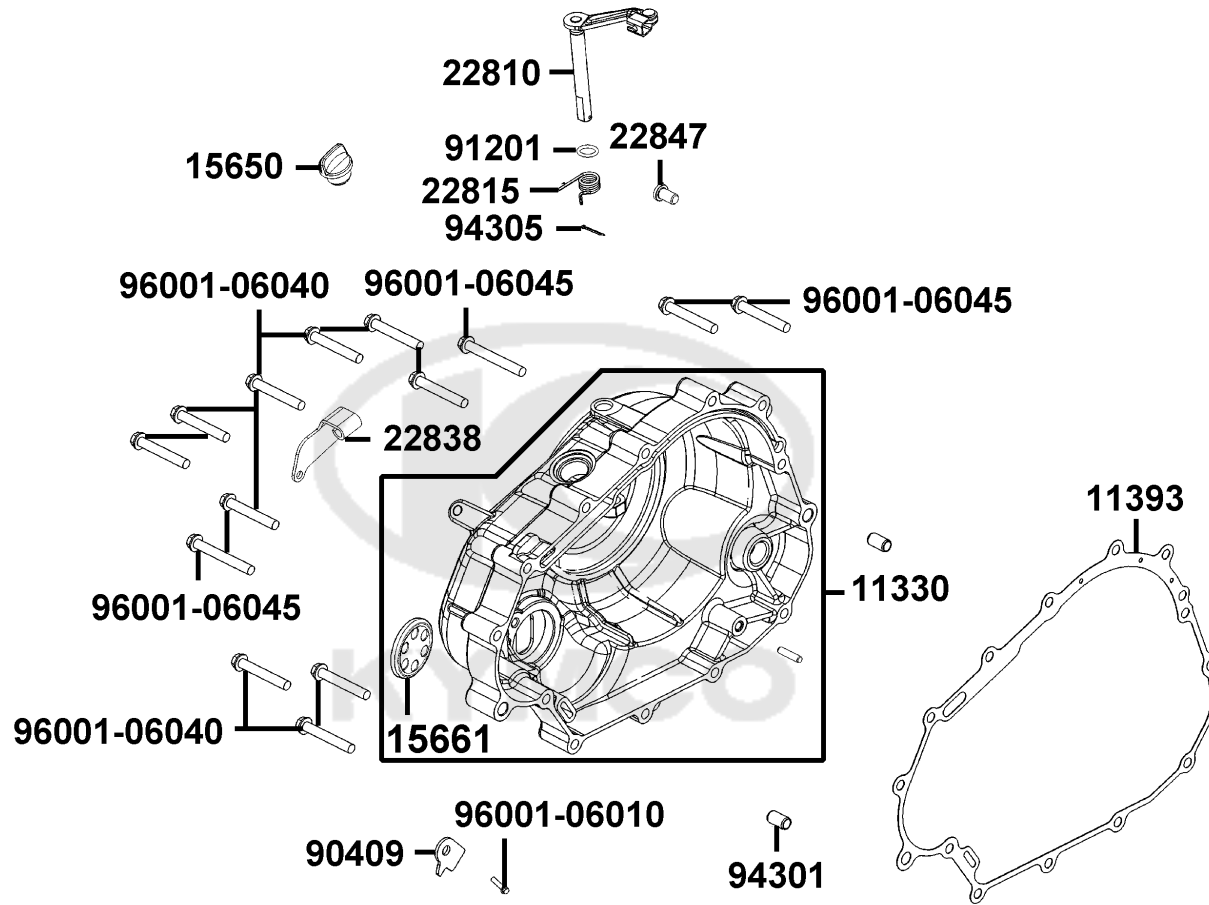
Sales mark	Ref no	Part no	Description	Reg description	Regd no	E01
	90005	90005-KAW1-C00	SCREW PAN 6*6(G)	SCREW PAN 6*6(G)	1	
	91306	91306-1E05-C00	O-RING 1.5*9.5	O-RING 1.5*9.5	1	
	94111	94111-06800-G	WASHER SPG 6MM(C)	WASHER SPG 6MM(C)	1	
	94301	94301-10160	DOWEL PIN 10*16	DOWEL PIN 10*16	2	
	96001-06014-02	96001-06014-02	BOLT FLANGE 6*14	BOLT FLANGE 6*14	1	
	96001-06014-08G	96001-06014-08G	BOLT FLANGE SH 6*14 (C)	BOLT FLANGE SH 6*14 (C)	1	
	96001-06025	96001-06025-07G	BOLT FLANGE SH 6*25 (K)	BOLT FLANGE SH 6*25 (G)	2	
						



Sales mark	Ref no	Part no	Description	Reg description	Regd no	E02
**	12200	12200-LKH3-E03	HEAD COMP CYLINDER	HEAD COMP CYLINDER	1	
	12209	12209-GDB4-C00	SEAL VALVE STEM	SEAL VALVE STEM	2	
	12251	12251-LKH3-C00	"GASKET,CYLINDER HEAD"	"GASKET,CYLINDER HEAD"	1	
	12295	12295-LKH3-C00	"RUBBER A, INSERT CYLINDER"	"RUBBER A, INSERT CYLINDER"	2	
	1231A	1231A-LKH3-E03	COVER ASSY HEAD	COVER ASSY HEAD	1	
	12391	12391-LKH3-C00	"GASKET, HEAD COVER"	"GASKET, HEAD COVER"	1	
	14100	14100-LKH3-C00	"SHAFT, CAM"	"SHAFT, CAM"	1	
	14110	14110-LEB1-C00	"FIXTURE,CAMSHAFT"	"FIXTURE,CAMSHAFT"	1	
	14321	14321-LEB1-C00	SPROCKET CAM	SPROCKET CAM	1	
	1443A	1443A-LKH3-C00	"ARM ASSY, VALVE ROCKER"	"ARM ASSY, VALVE ROCKER"	2	
	14452	14452-LKH3-C00	SHAFT, EXH ROCKER ARM	SHAFT, EXH ROCKER ARM	2	
	14453	14453-LKH3-C00	SET PLATE,ROCKER ARM SHAFT	SET PLATE,ROCKER ARM SHAFT	1	
	14711	14711-KUDU-C00	VALVE INLET	VALVE INLET	1	
	14721	14721-KUDU-C00	VALVE EXHAUST	VALVE EXHAUST	1	
	14751	14751-LFD7-900	SPG VALVE OUTER	SPG VALVE OUTER	2	
	14761	14761-KKJ9-C00	SPG VALVE INNER	SPG VALVE INNER	2	
	14771	14771-GDB4-C00	RETAINER VALVE SPRING	RETAINER VALVE SPRING	2	
	14775	14775-MFA6-C00	SEAT VALVE SPG OUTER	SEAT VALVE SPG OUTER	2	
	14781	14781-MFA6-C00	COTTER VALVE	COTTER VALVE	4	
	90001	90001-GFY6-C01	SOCKET BOLT 6*10	SOCKET BOLT 6*10	1	



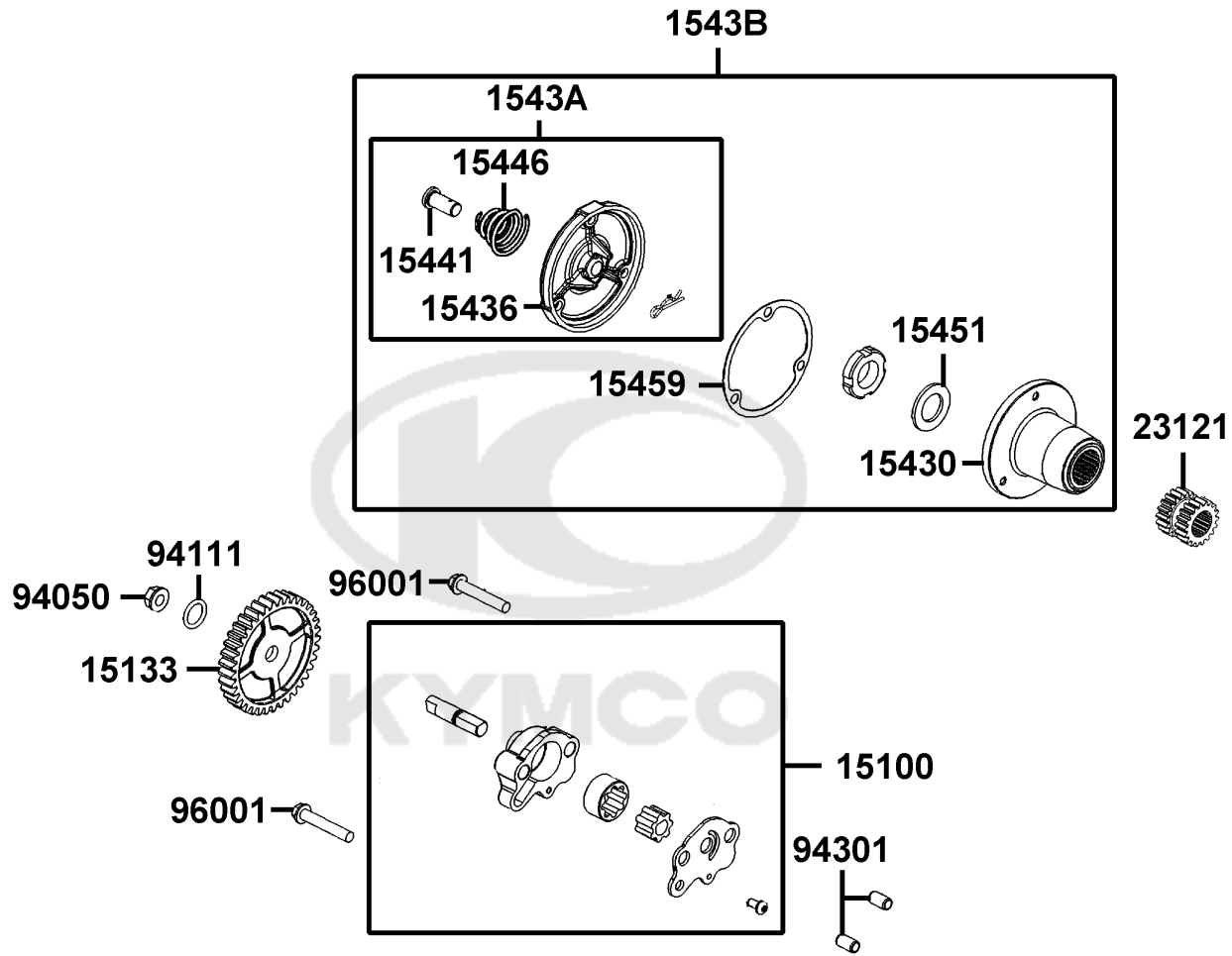
Sales mark	Ref no	Part no	Description	Reg description	Regd no	E02
9000B		9000B-KHD6-C02	BOLT ASSY SPECIAL 6X41.5(G)	BOLT ASSY SPECIAL 6X41.5(G)	1	
90031		90031-KUDU-C01	BOLT A STUD 8*200.5	BOLT A STUD 8*200.5	1	
90033		90033-KGB4-C11	BOLT STUD 8*40	BOLT STUD 8*40	1	
90403		90403-LKH3-C00	"WASHER, WAVE"	"WASHER, WAVE"	1	
90465		90465-MDC4-C01	WASHER 8MM	WASHER 8MM	1	
94050		94050-08080-G	NUT FLANGE 8MM	FLANGE NUT 8MM(C)	4	
94301		94301-10160	DOWEL PIN 10*16	DOWEL PIN 10*16	3	
95701-06014		95701-06014-08G	BOLT FLANGE 6*14 (C)	BOLT FLANGE 6*14 (C)	1	
95701-06016		95701-06016-08G	BOLT FLANGE 6*16 (C)	BOLT FLANGE 6*16 (C)	1	
96001-06010		96001-06010-08G	BOLT FLANGE SH 6*10 (C)	BOLT FLANGE SH 6*10 (C)	1	
96001-06110		96001-06110-08G	BOLT FLANGE SH 6*110 (B)	BOLT FLANGE SH 6*110 (B)	1	
98059		98059-58916-00	PLUG SPARK(CR8E)	PLUG SPARK(CR8E)	1	



Sales mark	Ref no	Part no	Description	Reg description	Regd no	E03
**	11330	11330-LKH3-C00	COVER COMP R CRANK CASE	COVER COMP R CRANK CASE	1	
	11393	11393-LKH3-C00	GASKET R CRANK CASE	GASKET R CRANK CASE	1	
	15650	15650-PWA1-C00	GAUGE OIL LEVEL	GAUGE OIL LEVEL	1	
	15661	15661-LBA7-C00	FINDER OIL LEVEL	FINDER OIL LEVEL	1	
	22810	22810-LKH3-C00	LEVER CLUTCH ASSY	LEVER CLUTCH ASSY	1	
	22815	22815-LBG5-C10	SPRING CLUTCH LEVER	SPRING CLUTCH LEVER	1	
	22838	22838-LKH3-C00	HOLDER CLUTCH WIRE	HOLDER CLUTCH WIRE	1	
	22847	22847-KED9-C00	"ROD, CLUTCH LIFTER"	"ROD, CLUTCH LIFTER"	1	
	90409	90409-LEC8-C00	WASHER.,FINDER OIL LEVEL	WASHER.,FINDER OIL LEVEL	1	
	91201	91201-LEF2-C10	OIL SEAL 12*22*5	OIL SEAL 12*22*5	1	
	94301	94301-08140	DOWEL PIN 8*14	DOWEL PIN 8*14	2	
	94305	94305-LBG5-C10	PIN SPRING 3X10	PIN SPRING 3X10	1	
	96001-06010	96001-06010-08G	BOLT FLANGE SH 6*10 (C)	BOLT FLANGE SH 6*10 (C)	1	
	96001-06040	96001-06040-07G	BOLT FLANGE SH 6*40 (G)	BOLT FLANGE SH 6*40 (KG)	1	
	96001-06045	96001-06045-07G	BOLT FLANGE SH 6*45 (G)	BOLT FLANGE SH 6*45 (C)	1	

E04

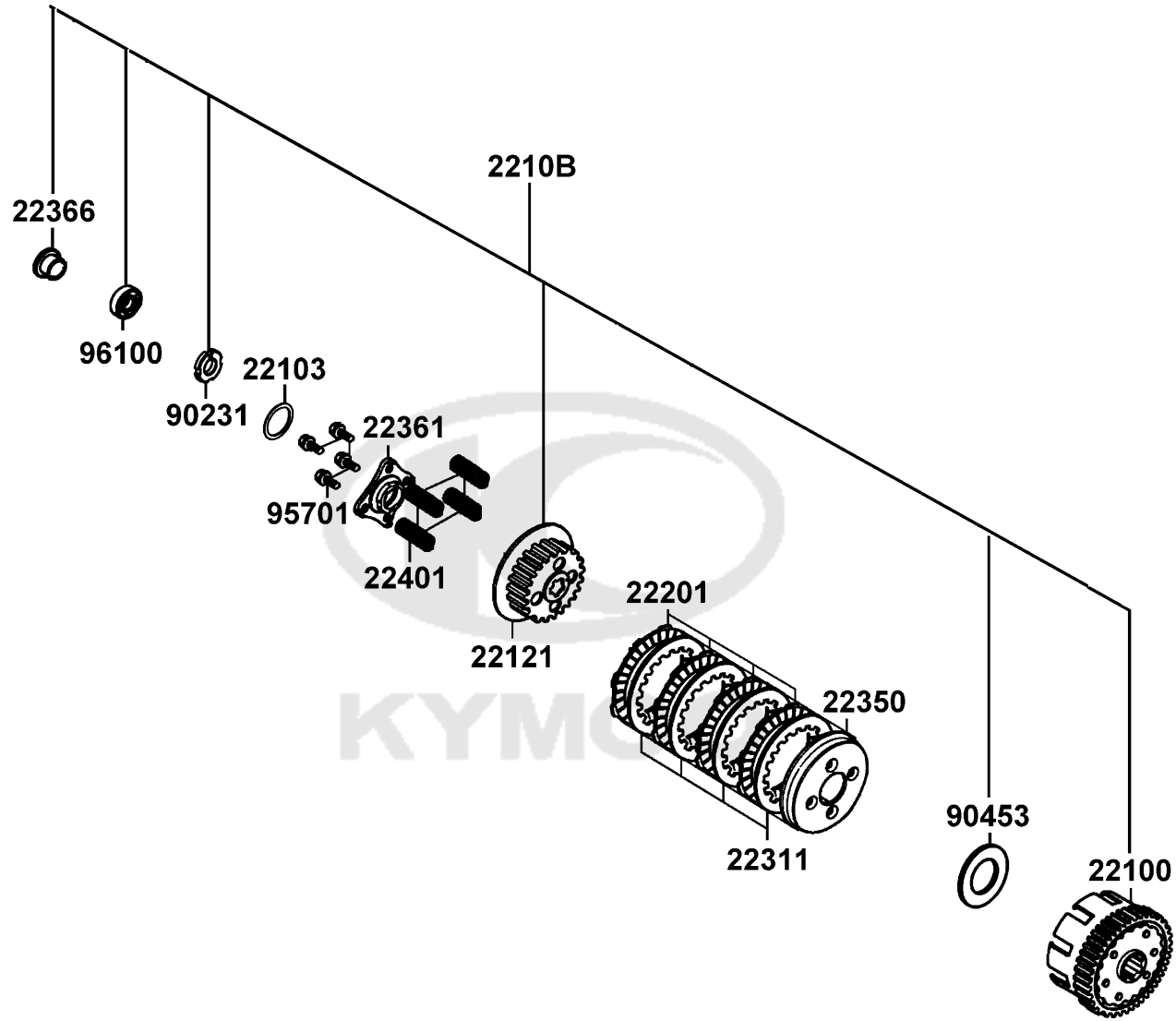
Oil Pump



Sales mark	Ref no	Part no	Description	Reg description	Regd no	E04
15100		15100-LKH3-C00	PUMP ASSY OIL	PUMP ASSY OIL	1	
15133		15133-LKH3-C00	GEAR, OIL PUMP DRIVEN	GEAR, OIL PUMP DRIVEN	1	
15430		15430-KKAK-C00	ROTER COMP OIL FILTER	ROTER COMP OIL FILTER	1	
15436		15436-1G07-C00	CAP OIL FILTER ROTOR	CAP OIL FILTER ROTOR	1	
1543A		1543A-KGG7-C00	CAP SET OIL FILTER ROTOR	CAP SET OIL FILTER ROTOR	1	
1543B		1543B-LKH3-C00	CAP SET OIL FILTER ROTOR	CAP SET OIL FILTER ROTOR	1	
15441		15441-1G07-C00	OIL THROUGH	OIL THROUGH	1	
15446		15446-1G07-C00	SPRING OIL THROUGH	SPRING OIL THROUGH	1	
15451		15451-1G07-C00	WASHER LOCK OIL FILTER ROTOR	WASHER LOCK OIL FILTER	1	
15459		15459-1G07-C00	GASKET OIL FILTER ROTOR CAP	GASKET OIL FILTER ROTOR CAP	1	
23121		23121-LKH3-C00	"GEAR, PRIMARY DRIVE"	"GEAR, PRIMARY DRIVE"	1	
94050		94050-06080-G	NUT FLANGE 6MM	NUT FLANGE 6MM	1	
94111		94111-06800-G	WASHER SPG 6MM(C)	WASHER SPG 6MM(C)	1	
94301		94301-08140	DOWEL PIN 8*14	DOWEL PIN 8*14	2	
96001		96001-06035-08G	BOLT FLANGE SH 6*35	BOLT M6x35	1	

E05

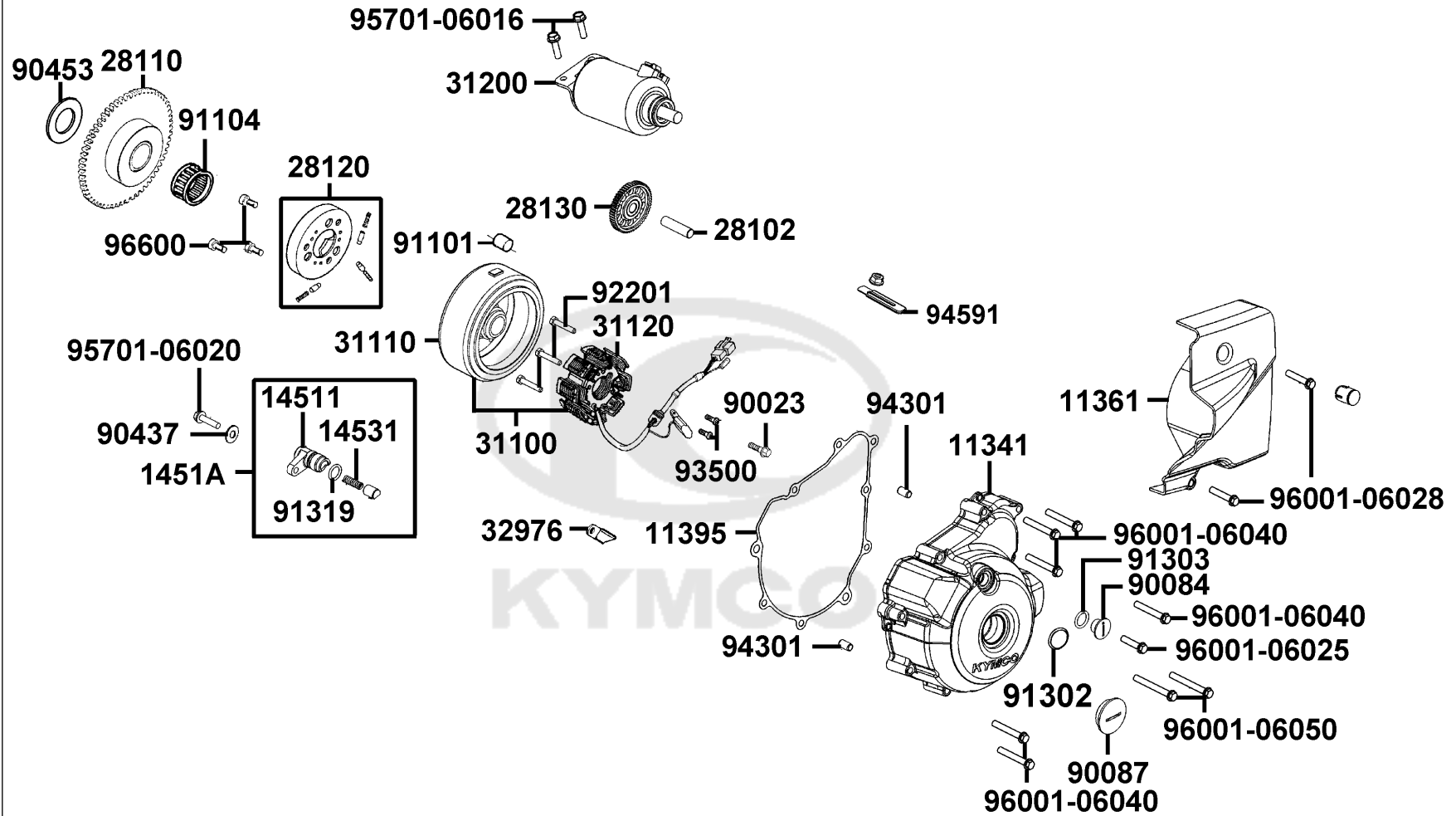
Clutch Assy



Sales mark	Ref no	Part no	Description	Reg description	Regd no	E05
	22100	22100-1G07-C00	OUTER COMP CLUTCH	OUTER COMP CLUTH	1	
	22103	22103-1G07-C00	CLIP	SPG WASHER CLUTCH	1	
	2210B	2210B-LEF1-C10-S01	CLUTCH ASSY	CLUTCH ASSY	1	
	22121	22121-LEF1-C00	CENTER CLUTCH	CENTER CLUTCH	1	
	22201	22201-LEF1-C00	DISK, CLUTCH FRICTION	DISK CLUTCH FRICTION	5	
	22311	22311-LEF1-C00	PLATE CLUTCH	PLATE CLUTCH	4	
	22350	22350-LEF1-C00	PLATE CLUTCH PRESSURE	PLATE CLUTCH PRESSURE	1	
	22361	22361-LEF1-C00	PLATE CLUTCH LIFTER	PLATE CLUTCH LIFTER	1	
	22366	22366-LKH3-C00	GUIDE PIN CLUTCH LIFTER	GUIDE PIN CLUTCH LIFTER	1	
	22401	22401-LEF1-C00	SPRING CLUTCH	SPRING CLUTCH	4	
	90231	90231-LEF1-C00	NUT LOCK	NUT LOCK	1	
	90453	90453-LEF1-C00	WASHER THRUST 20MM	WASHER THRUST 20MM	1	
	95701	95701-1G07-C00	BOLT FLANGE 6*22(C)	BOLT FLANGE 6*22	1	
	96100	96100-60030-00	BEARING BALL RADIAL 6003	BEARING BALL RADIAL 6003	1	

E06

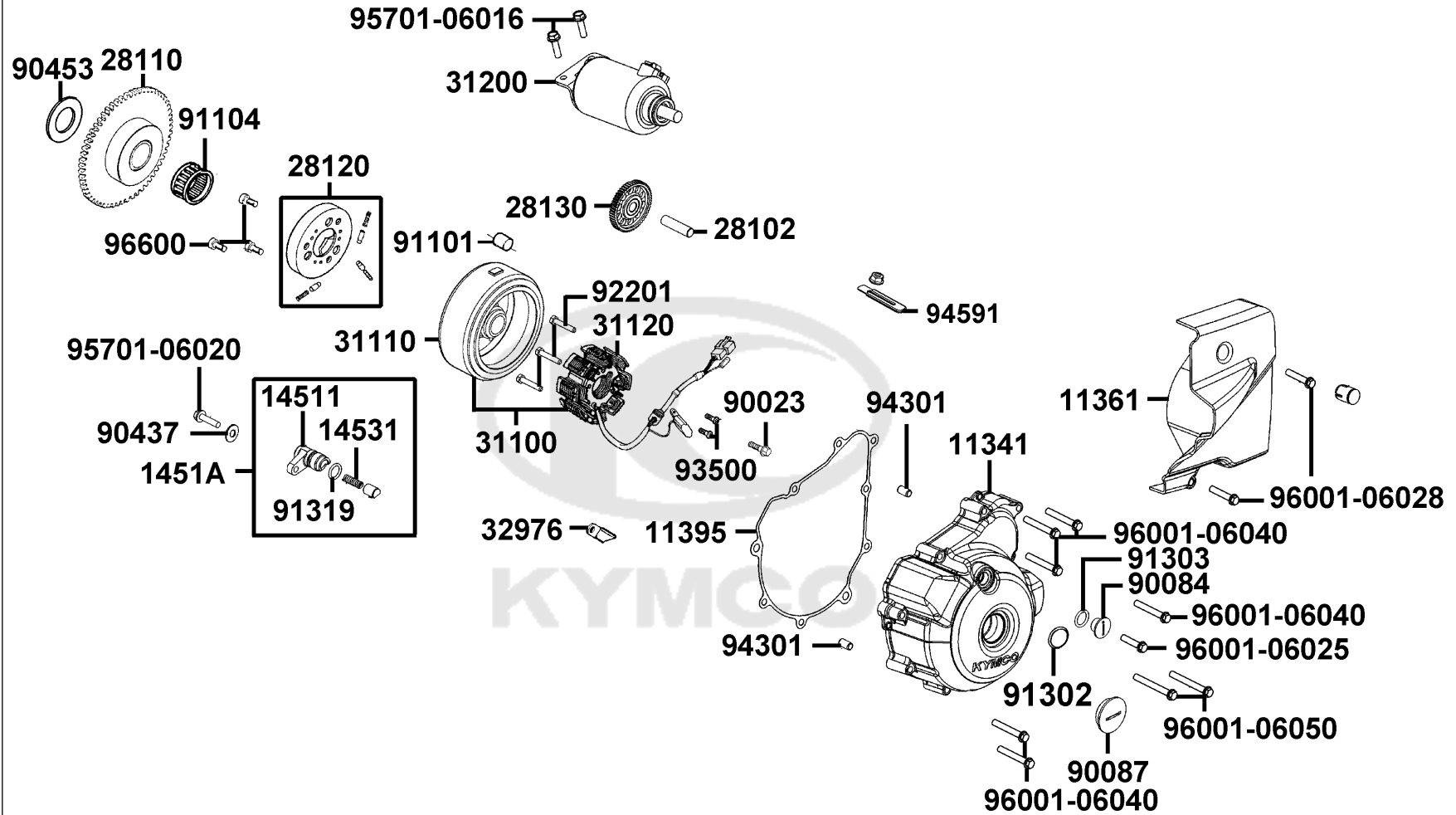
Starting Motor



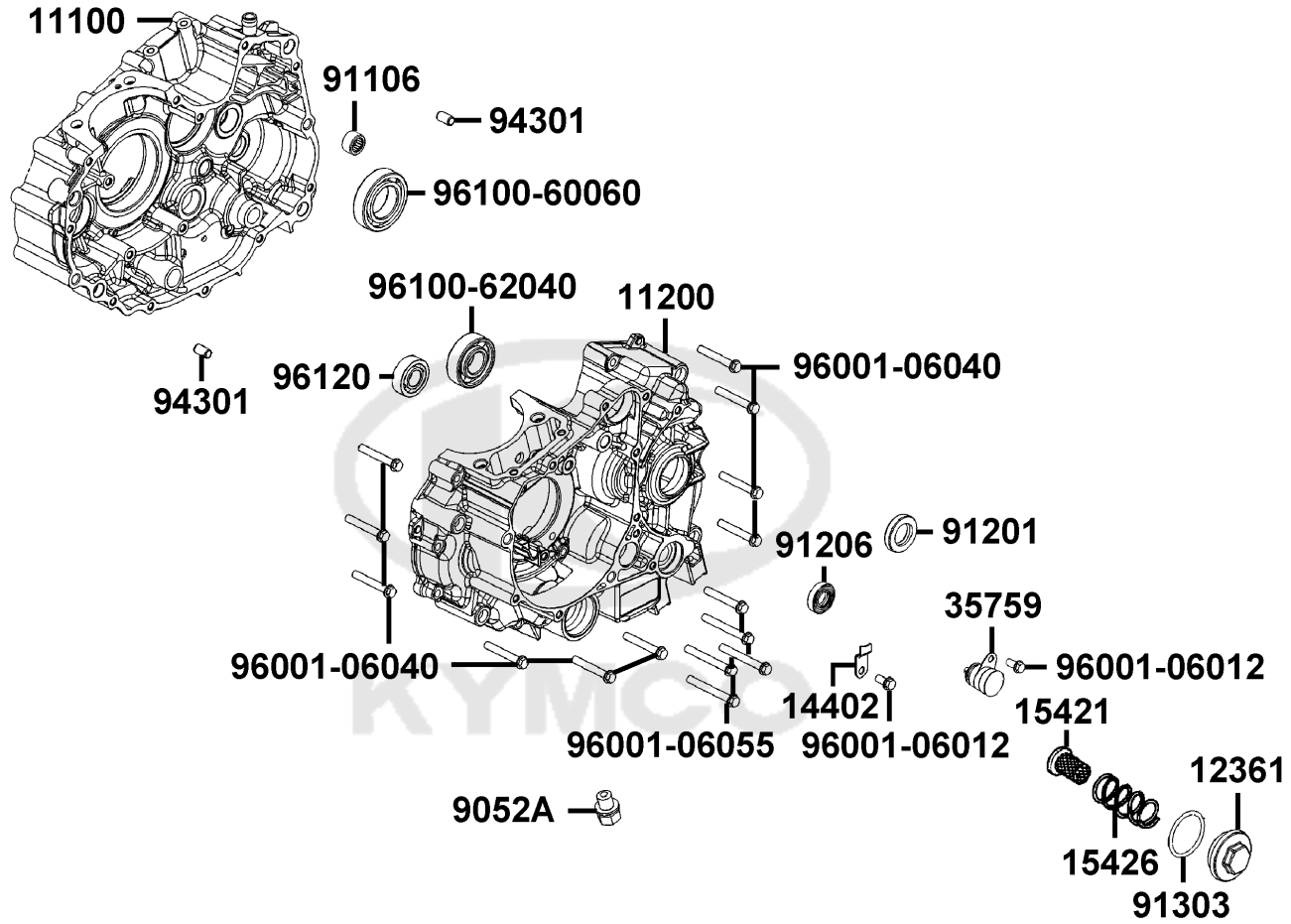
Sales mark	Ref no	Part no	Description	Reg description	Regd no	E06
**	11341	11341-LKH3-C00	"COVER, L. CRANK CASE"	"COVER, L. CRANK CASE"	1	
**	11361	11361-LKH3-C00	COVER. L. REAR CRANK CASE	COVER. L. REAR CRANK CASE	1	
	11395	11395-LKH3-C00	GASKET L CRANK CASE	GASKET L CRANK CASE	1	
	14511	14511-3G97-C00	HOLDER PUSH PLUG	HOLDER PUSH PLUG	1	
	1451A	1451A-3G97-C00	HOLDER ASSY PUSH PLUG	TENSIONER CAM CHAIN	1	
	14531	14531-3G97-C00	SPRING BEARING PUSH	SPRING BEARING PUSH	1	
	28102	28102-KHE7-C00	SHAFT STARTER REDUCTION	SHAFT STARTER REDUCTION	1	
	28110	28110-LKH3-C00	GEAR COMP STARTING CLUTCH	GEAR COMP STARTING CLUTCH	1	
	28120	28120-GFY6-C10	OUTER COMP STARTING CLUTCH	OUTER COMP STARTING CLUTCH	1	
	28130	28130-LKH3-C00	GEAR STARTER REDUCTION	GEAR STARTER REDUCTION	1	
	31100	31100-ABD6-C01	AC GEN ASSY	AC GEN ASSY	1	
	31110	31110-ABD6-C01	FLYWHEEL COMP.	FLYWHEEL COMP.	1	
	31120	31120-ABD6-C00	STATOR COMP.	STATOR COMP.	1	
	31200	31200-LKH3-C00	MOTOR ASSY START	MOTOR ASSY START	1	
	32976	32976-1G07-C00	CLAMPER WIRE HARNESS	CLAMPER WIRE HARNESS	1	
	90023	90023-KGG7-C00	BOLT ROTOR SETTING	BOLT ROTOR SETTING	1	
**	90084	90084-LBA8-E80	CAP ACG	CAP ACG	1	
**	90087	90087-4H28-E80	CAP 30MM	CAP 30MM	1	
	90122	90122-LEA7-C01	BOLT FLANGE 8*32	BOLT FLANGE 8*32	2	
	90437	90437-LKH3-C00	GASKET,HOLDER	GASKET,HOLDER	1	

E06

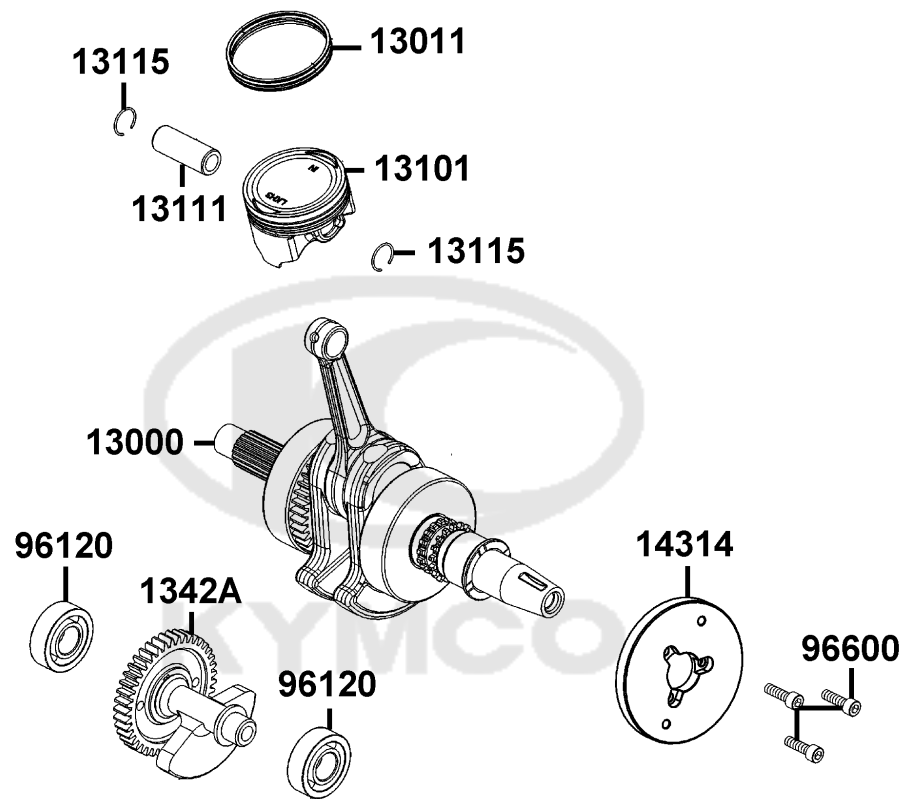
Starting Motor



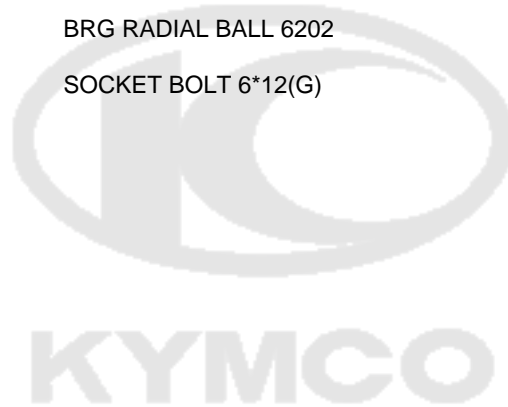
Sales mark	Ref no	Part no	Description	Reg description	Regd no	E06
	90453	90453-LKH3-C00	WASHER THRUST	WASHER THRUST	1	
	91101	91101-1K79-711	ROLLER 10*10	ROLLER 10*10	1	
	91104	91104-KEC8-C00	NEEDLE ROLLER BEARING	NEEDLE ROLLER BEARING	1	
	91302	91302-5G67-C00	O-RING 27.4*2.4	O-RING 27.4*2.4	1	
	91303	91303-3G77-C00	O-RING 13.8*2.5	O-RING 13.8*2.5	1	
	91319	91319-3L00-C00	O-RING 13*2.5	O-RING 13*2.5	1	
	92201	92201-05025-0HG	BOLT HEX 5*25 (C)	BOLT HEX 5*25 (C)	1	
	93500	93500-05016-0HG	SCREW,PAN	"SCREW,PAN"	1	
	94301	94301-08140	DOWEL PIN 8*14	DOWEL PIN 8*14	2	
	94591	94591-KFBF-C00	CLIP 2*71	CLIP 2*70	1	
	95701-06016	95701-06016-07G	BOLT FLANGE SH 6*16 (KG)	BOLT FLANGE SH 6*16 (KG)	1	
	95701-06020	95701-06020-08G	BOLT FLANGE 6*20	BOLT FLANGE 6*20 (C)	1	
	96001-06025	96001-06025-07G	BOLT FLANGE SH 6*25 (K)	BOLT FLANGE SH 6*25 (G)	1	
	96001-06028	96001-06028-07G	BOLT FLANGE SH 6*28 (G)	BOLT FLANGE SH 6*28 (G)	2	
	96001-06040	96001-06040-07G	BOLT FLANGE SH 6*40 (G)	BOLT FLANGE SH 6*40 (KG)	6	
	96001-06050	96001-06050-07G	BOLT FLANGE SH 6*50 (K)	BOLT FLANGE SH 6*50 (K)	2	
	96600	96600-08016-07G	SOCKET BOLT 8*16 (G)	SOCKET BOLT	3	



Sales mark	Ref no	Part no	Description	Reg description	Regd no	E07
**	11100	11100-LKH3-C00	CRANK CASE COMP. R	CRANK CASE COMP. R	1	
**	11200	11200-LKH3-C00	CRANK CASE COMP. L	CRANK CASE COMP. L	1	
**	12361	12361-1G07-001	HOLDER CAP TAPPET ADJST	HOLDER CAP TAPPET ADJST	1	
	14402	14402-LKH3-C00	PLATE SET CAM CHAIN	PLATE SET CAM CHAIN	1	
	15421	15421-1G07-C00	SCREEN OIL FILTER	SCREEN OIL FILTER	1	
	15426	15426-1G07-C00	SPRING OIL FILTER SCREEN	SPRING OIL FILTER SCREEN	1	
	35759	35759-KHC6-C00	SW ASSY GEAR CHANGE	SW ASSY GEAR CHANGE	1	
	9052A	9052A-LEB1-C01	BOLT ASSY DRAIN PLUG12*15(C)	BOLT ASSY DRAIN PLUG12*15(C)	1	
	91106	91106-3C83-C00	BRG NEEDLE 15MM	BRG NEEDLE 15MM	1	
	91201	91201-0L30-C00	OIL SEAL 20*34*7	OIL SEAL 20*34*7	1	
	91206	91206-2F86-C00	OIL SEAL 14*28*7	OIL SEAL 14*28*7	1	
	91303	91303-1G07-C00	O-RING35*3	O-RING35*3	1	
	94301	94301-08140	DOWEL PIN 8*14	DOWEL PIN 8*14	2	
	96001-06012	96001-06012-02	BOLT FLANGE SH 6*12	BOLT FLANGE SH 6*12	2	
	96001-06040	96001-06040-07G	BOLT FLANGE SH 6*40 (G)	BOLT FLANGE SH 6*40 (KG)	11	
	96001-06055	96001-06055-08G	BOLT FLANGE SH 6*55 (C)	BOLT FLANGE SH 6*55 (C)	5	
	96100-60060	96100-60060-00	BEARING BALL RADIAL 6006	BEARING BALL RADIAL 6006	1	
	96100-62040	96100-62040-00	BEARING BALL RADIAL 6204	BEARING BALL RADIAL 6204	1	
	96120	96120-62020-00	BRG RADIAL BALL 6202	BRG RADIAL BALL 6202	1	

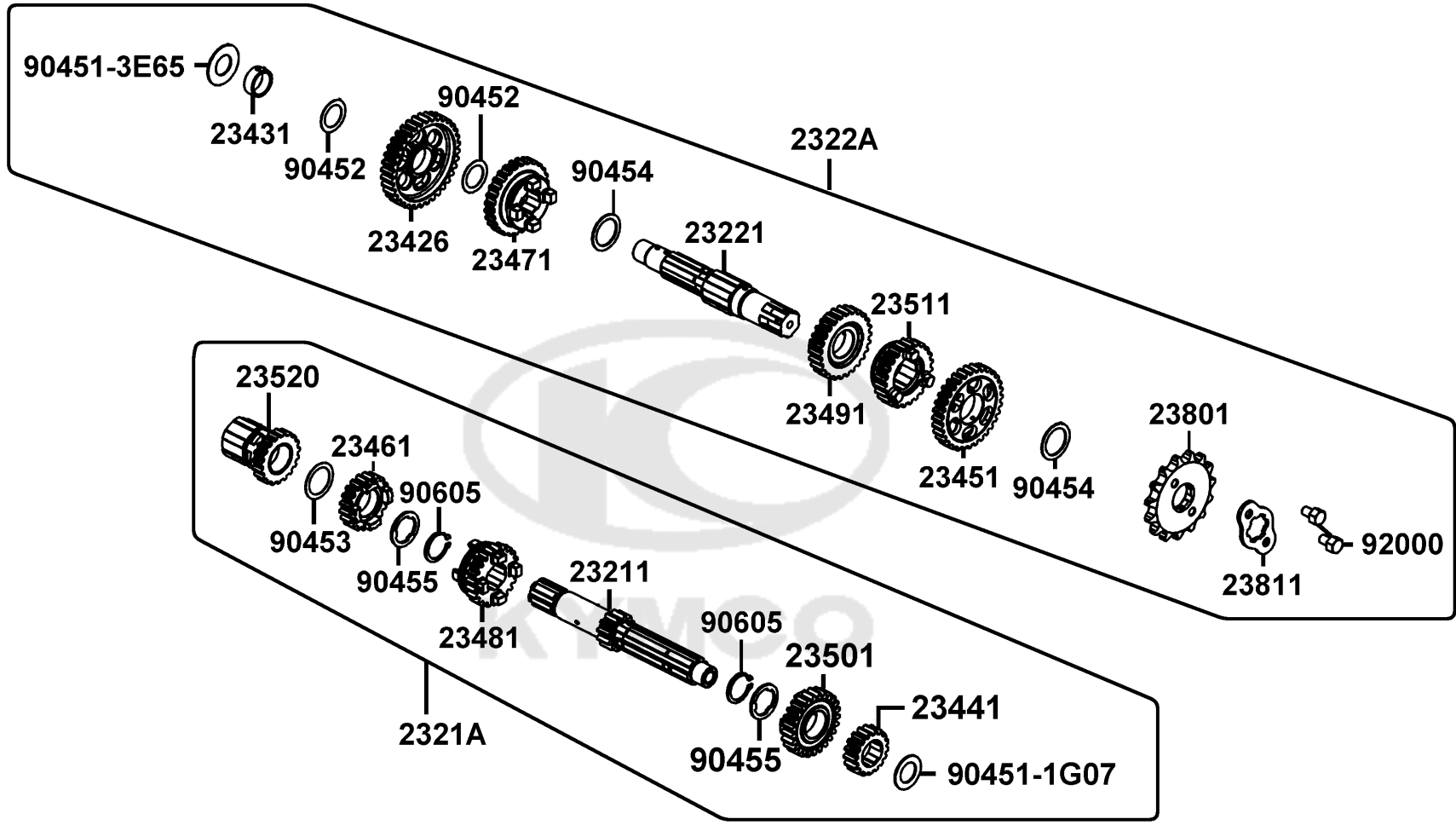


Sales mark	Ref no	Part no	Description	Reg description	Regd no	E08
	13000	13000-LKH3-C00	"CRANK SHAFT, COMP"	"CRANK SHAFT, COMP"	1	
	13011	13011-LKH3-C00	"RING ASSY, PISTON"	"RING ASSY, PISTON"	1	
#	13101	13101-LKH3-C00	PISTON	PISTON	1	
	13111	13111-KEE1-C00	PIN PISTON	PIN PISTON	1	
	13115	13115-0A01-C00	PISTON PIN CLIP	PISTON CLIP PIN	2	
	1342A	1342A-LKH3-C00	"SHAFT COMP., BALANCER"	"SHAFT COMP., BALANCER"	1	
	14314	14314-LKH3-C00	INNER, BALANCER SHAFT	INNER, BALANCER SHAFT	1	
	96120	96120-62020-00	BRG RADIAL BALL 6202	BRG RADIAL BALL 6202	2	
	96600	96600-LKH3-C03	SOCKET BOLT 6*12(G)	SOCKET BOLT 6*12	1	



E09

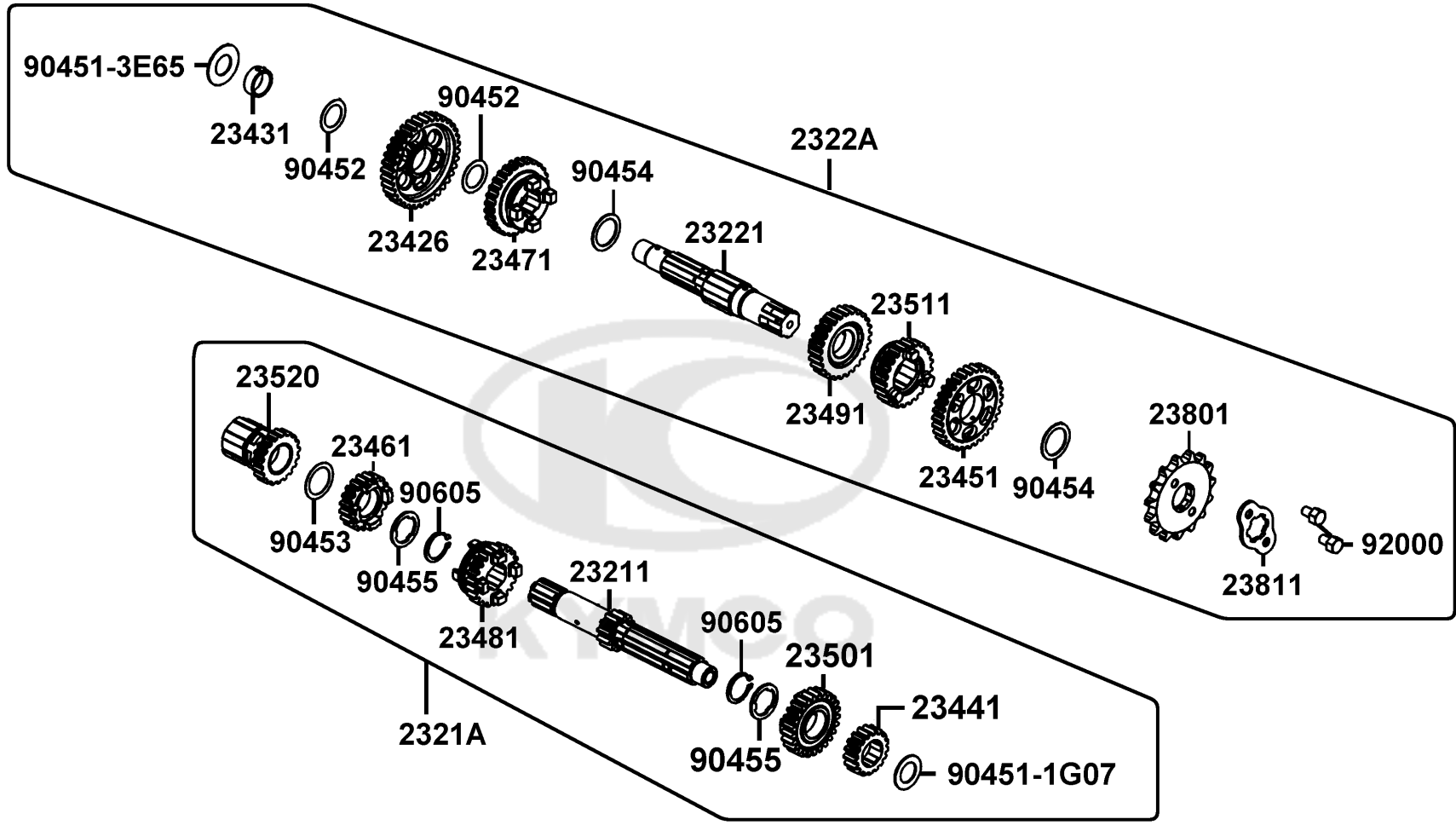
Shaft Main Transmission Assy



Sales mark	Ref no	Part no	Description	Reg description	Regd no	E09
	23211	23211-LKH3-C00	"SHAFT, MAIN TRANSMISION"	"SHAFT, MAIN TRANSMISION"	1	
	2321A	2321A-LKH3-C00	SHAFT MAIN TRANSMISSION ASSY	SHAFT MAIN TRANSMISSION ASSY	1	
	23221	23221-1G07-C00	COUNTERSHAFT TRANSMISSION	COUNTERSHAFT TRANSMISSION	1	
	2322A	2322A-LKH3-C00	COUNTERSHAFT TRANSMISSION ASSY	COUNTERSHAFT TRANSMISSION ASSY	1	
	23426	23426-LKH3-C00	GEAR COUNTER SHAFT LOW	GEAR COUNTER SHAFT LOW	1	
	23431	23431-LKH3-C00	COLLAR IDLE STARTER GEAR	COLLAR IDLE STARTER GEAR	1	
	23441	23441-4K39-C00	GEAR M-2	GEAR M-2	1	
	23451	23451-4K39-C00	GEAR C-2	GEAR C-2	1	
	23461	23461-LKH3-C00	GEAR M-3	GEAR M-3	1	
	23471	23471-LKH3-C00	GEAR C-3	GEAR C-3	1	
	23481	23481-LKH3-C00	GEAR M-4	GEAR M-4	1	
	23491	23491-LKH3-C00	GEAR C-4	GEAR C-4	1	
	23501	23501-LKH3-C00	GEAR MAIN SHAFT FIFTH (25T)	GEAR MAIN SHAFT FIFTH (25T)	1	
	23511	23511-ABD6-C00	GEAR C-5	GEAR C-5	1	
	23520	23520-3C83-C00	GEAR COMP STARTER	GEAR COMP STARTER	1	
	23801	23801-3D24-C00	SPROCKET DRIVE	GEAR DRIVE 15T	1	
	23811	23811-KCR3-C00	PLATE A2 FIXING	PLATE A2 FIXING	1	
	90451-1G07	90451-1G07-C00	WASHER THRUST 15MM	WASHER THRUST 15MM	1	
	90451-3E65	90451-3E65-C00	WASHER THRUST 15MM	WASHER THRUST 15MM	1	
	90452	90452-1G07-C00	WASHER THRUST 16.5MM	WASHER THRUST 16.5MM	1	

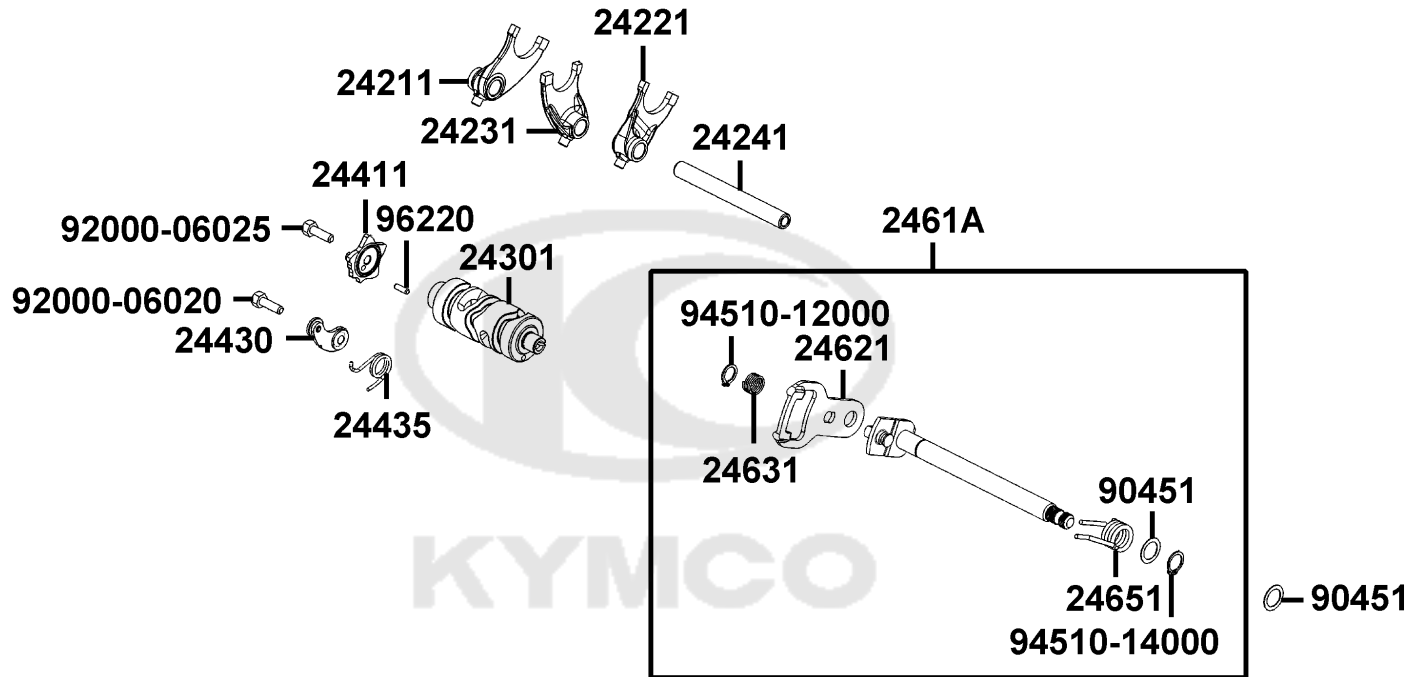
E09

Shaft Main Transmission Assy



Sales mark	Ref no	Part no	Description	Reg description	Regd no	E09
90453		90453-1G07-C00	WASHER THRUST 20MM	WASHER THRUST 20MM	1	
90454		90454-1G07-C00	WASHER THRUST 20MM B	WASHER THRUST 20MM B	1	
90455		90455-1G07-C00	WASHER SPLINE 20MM A	WASHER SPLINE 20MM A	1	
90605		90605-2L00-C00	SET RING 20MM	SET RING 20MM	1	
92000		92000-06010-0HG	BOLT HEX 6*10 (C)	BOLT HEX 6*10 (C)	1	

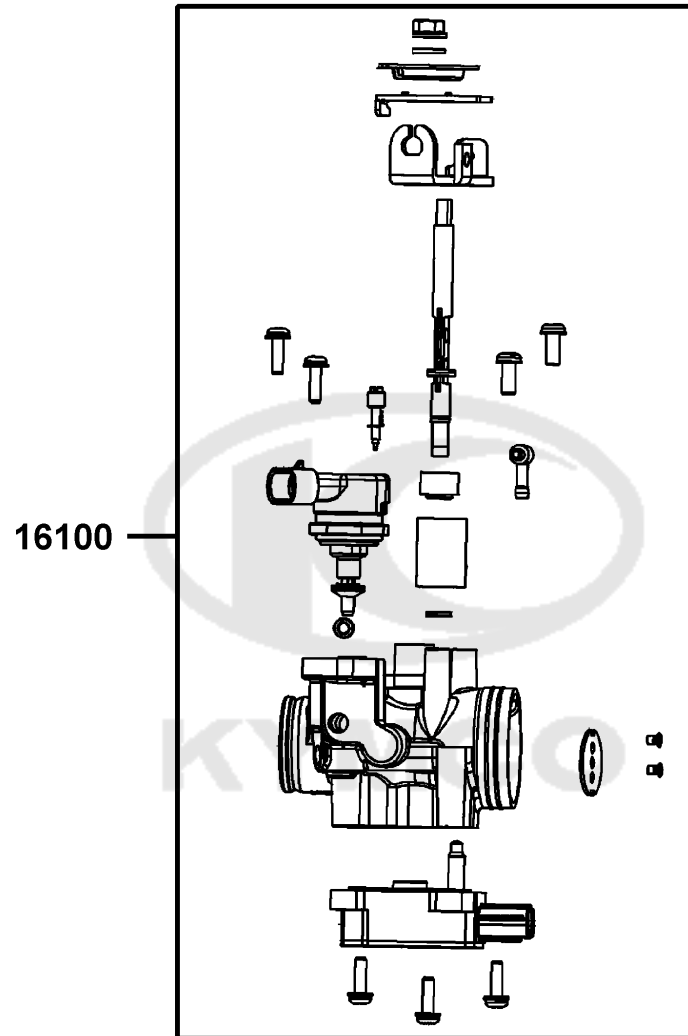




Sales mark	Ref no	Part no	Description	Reg description	Regd no	E10
24211		24211-1G07-C00	FORK R GEARSHIFT	FORK RIGHT GEAR SHIFT	1	
24221		24221-3E55-C00	FORK LEFT GEAR SHIFT	FORK LEFT GEAR SHIET	1	
24231		24231-1G07-C00	FORK CENTER GEARSHIFT	FORK CENTER GEAR SHIFT	1	
24241		24241-1G07-C00	FOLLOWER CAM	FOLLOWER CAM	1	
24301		24301-KHC6-C00	DRUM GEAR SHIFT	DRUM GEAR SHIFT	1	
24411		24411-KKAK-900	CAM GEAR SHIFT	CAM GEAR SHIFT	1	
24430		24430-3D24-C00	STOPPER COMP GEAR SHIFT DRUM	STOPPER COMP GEAR SHIFT DRUN	1	
24435		24435-KKAK-C00	SPG SHIFT DRUM STOPPER	SPG SHIFT DRUM STOPPER	1	
2461A		2461A-KBE2-C00	SPINDLE SET. GEAR SHIFT	SPINDLE SET. GEAR SHIFT	1	
24621		24621-1G07-C00	PLATE GEAR SHIFT	PLATE GEAR SHIFT	1	
24631		24631-1G07-C00	SPRING GEAR SHIFT PLATE	SPRING GEAR SHIFT BPLATE	1	
24651		24651-3H98-C00	SPRING GEAR SHIFT RETURN	SPRING GEAR SHIFT RETURN	1	
90451		90451-0A01-C00	WASHER THRUST 14M/M	WASHER THRUST 14M/M	2	
92000-06020		92000-06020-OHG	BOLT HEX	BOLT HEX	1	
92000-06025		92000-06025-08G	BOLT HEX 6*25(C)	BOLT HEX 6*25(C)	1	
94510-12000		94510-12000	CIR CLIP EXTERNAL 12	CIR CLIP EXTERNAL 12	1	
94510-14000		94510-14000	CIR CLIP EXTERNAL 14	CIR CLIP EXTERNAL 14	1	
96220		96220-40100	ROLLER 4*10	ROLLER 4*10	1	

E11

Throttle Body Assy



Sales mark	Ref no	Part no	Description	Reg description	Regd no	E11
------------	--------	---------	-------------	-----------------	---------	------------

16100

16100-LKH3-E03

THROTTLE BODY ASSY

THROTTLE BODY ASSY

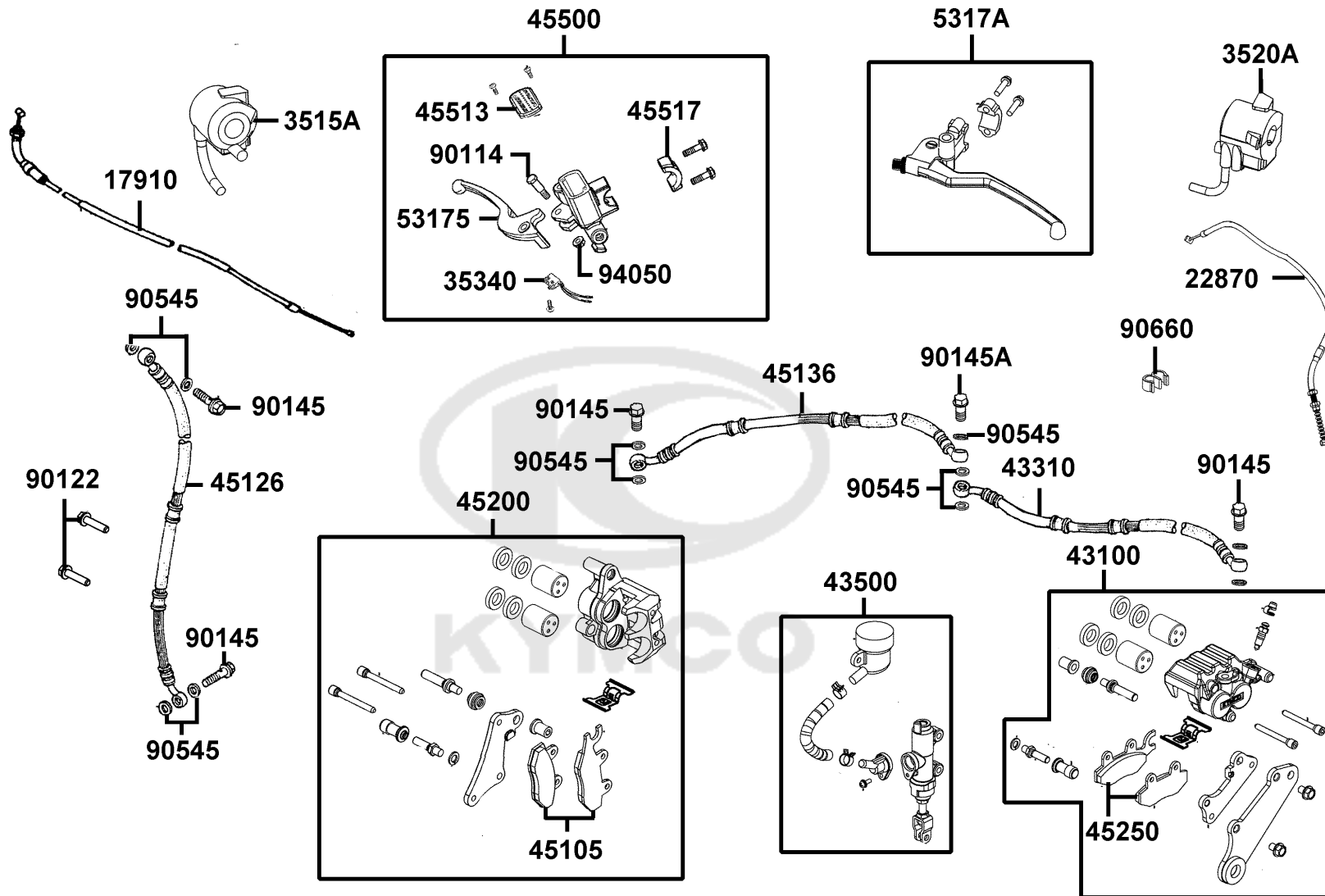
1



Sales mark	Ref no	Part no	Description	Reg description	Regd no	F01
	17910	17910-ABD6-C00	"CABLE COMP., THROT"	"CABLE COMP., THROT"	1	
	22870	22870-LKH3-C00	CABLE COMP CLUTCH	CABLE COMP CLUTCH	1	
	3515A	3515A-LKH3-E03	SW ASSY RH HANDLE COMP	SW ASSY RH HANDLE COMP	1	
	3520A	3520A-ABD6-C00	"SW. ASS'Y.,LH.HANDLE COMP."	"SW. ASS'Y.,LH.HANDLE COMP."	1	
	35340	35340-KNBN-C00	SW ASSY FR STOP	SW ASSY FR STOP	1	
**	43100	43100-LKH3-E03	PANEL COMP. RR BRK	PANEL COMP. RR BRK	1	
	43310	43310-ABD6-C00	"HOSE, RR BRAKE"	"HOSE, RR BRAKE"	1	
	43500	43500-LKH3-E03	M/C ASSY.. REAR	"M/C ASSY., REAR"	1	
	45105	45105-LGE5-305	PAD SET	PAD ASSY	1	
	45126	45126-LKH3-E03	HOSE FR ASSY BRK	HOSE FR ASSY BRK	1	
	45136	45136-LKH3-E03	HOSE ASSY FR BRK	HOSE ASSY FR BRK	1	
**	45200	45200-LKH3-E03	CALIPER ASSY FR	CALIPER ASSY FR	1	
	45250	45250-LKG2-305	PAD ASSY	PAD ASSY	1	
	45500	45500-LKH3-C00	"M/C ASSY, FR"	"M/C ASSY, FR"	1	
	45513	45513-KFAF-901	CAP MASTER CYLINDER	CAP MASTER CYLINDER	1	
	45517	45517-KFAF-900	HOLDER M/C	HOLDER M/C	2	
	53175	53175-LKH3-C00	LEVER HANDLE	LEVER HANDLE	1	
	5317A	5317A-LKH3-C00	BRKT ASSY HNDL L	BRKT ASSY HNDL L	1	
	90114	90114-1F66-C00	BOLT HANDLE LEVER	BOLT HANDLE LEVER	1	
	90122	90122-LEA7-C01	BOLT FLANGE 8*32	BOLT FLANGE 8*32	1	

F01

Brake Master Cylinder

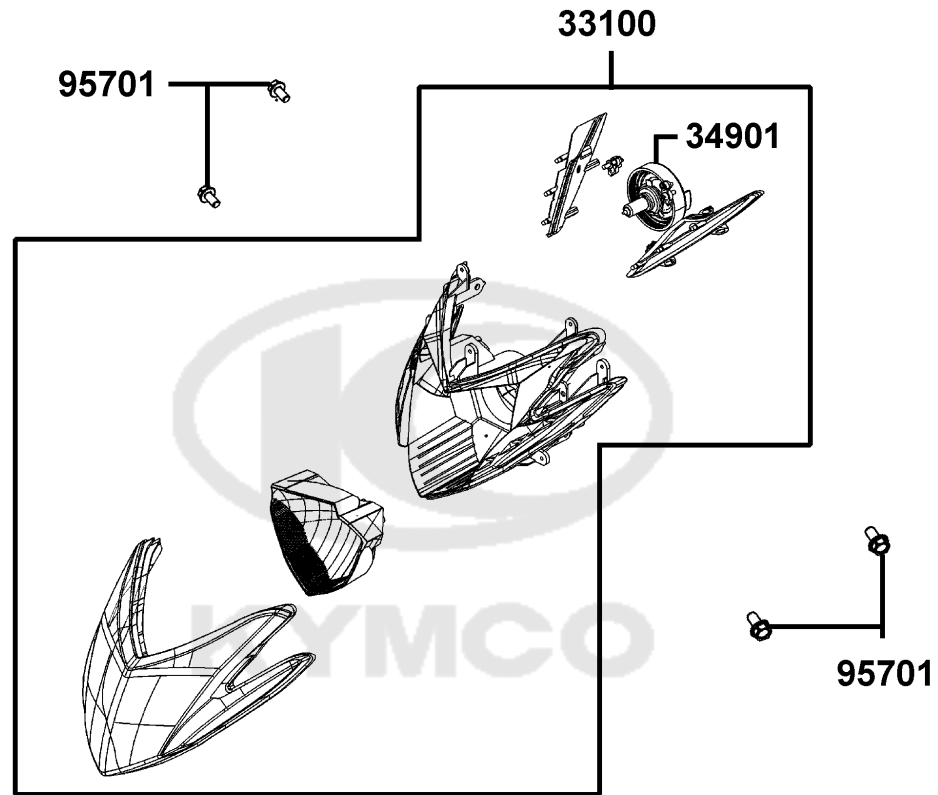


Sales mark	Ref no	Part no	Description	Reg description	Regd no	F01
90145		90145-9A61-C00	OIL BOLT 10*22	OIL BOLT 10*22	2	
90145A		90145-LBA2-E00	OIL BOLT 10*33	OIL BOLT 10*33	1	
90545		90545-3L00-C00	WASHER OIL BOLT	WASHER OIL BOLT	4	
90660		90660-PWA2-900	CLAMP TUBE	CLAMP TUBE	1	
94050		94050-06060	NUT FLANGE 6MM	NUT FLANGE 6MM	1	



F02

Head Light



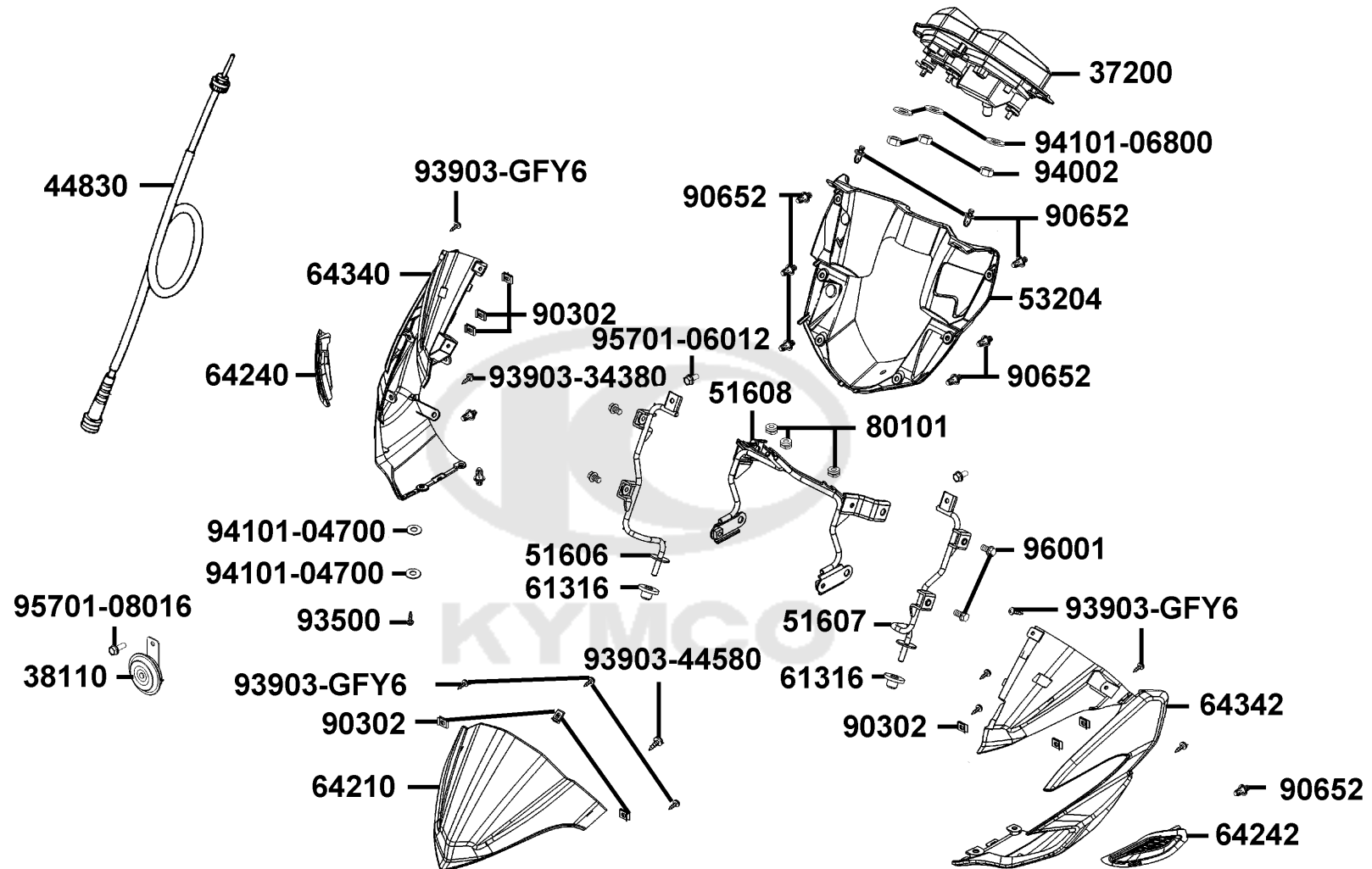
Sales mark	Ref no	Part no	Description	Reg description	Regd no	F02
------------	--------	---------	-------------	-----------------	---------	------------

33100		33100-LKH3-C00	"LIGHT ASSY.,HEAD"	"LIGHT ASSY.,HEAD"	1	
34901		34901-KED9-900	BULB HEAD LIGHT (12V 60/55W12342)	BULB HEAD LIGHT (12V 60/55W12342)	1	
95701		95701-06016-07G	BOLT FLANGE SH 6*16 (KG)	BOLT FLANGE SH 6*16 (KG)	4	



F03

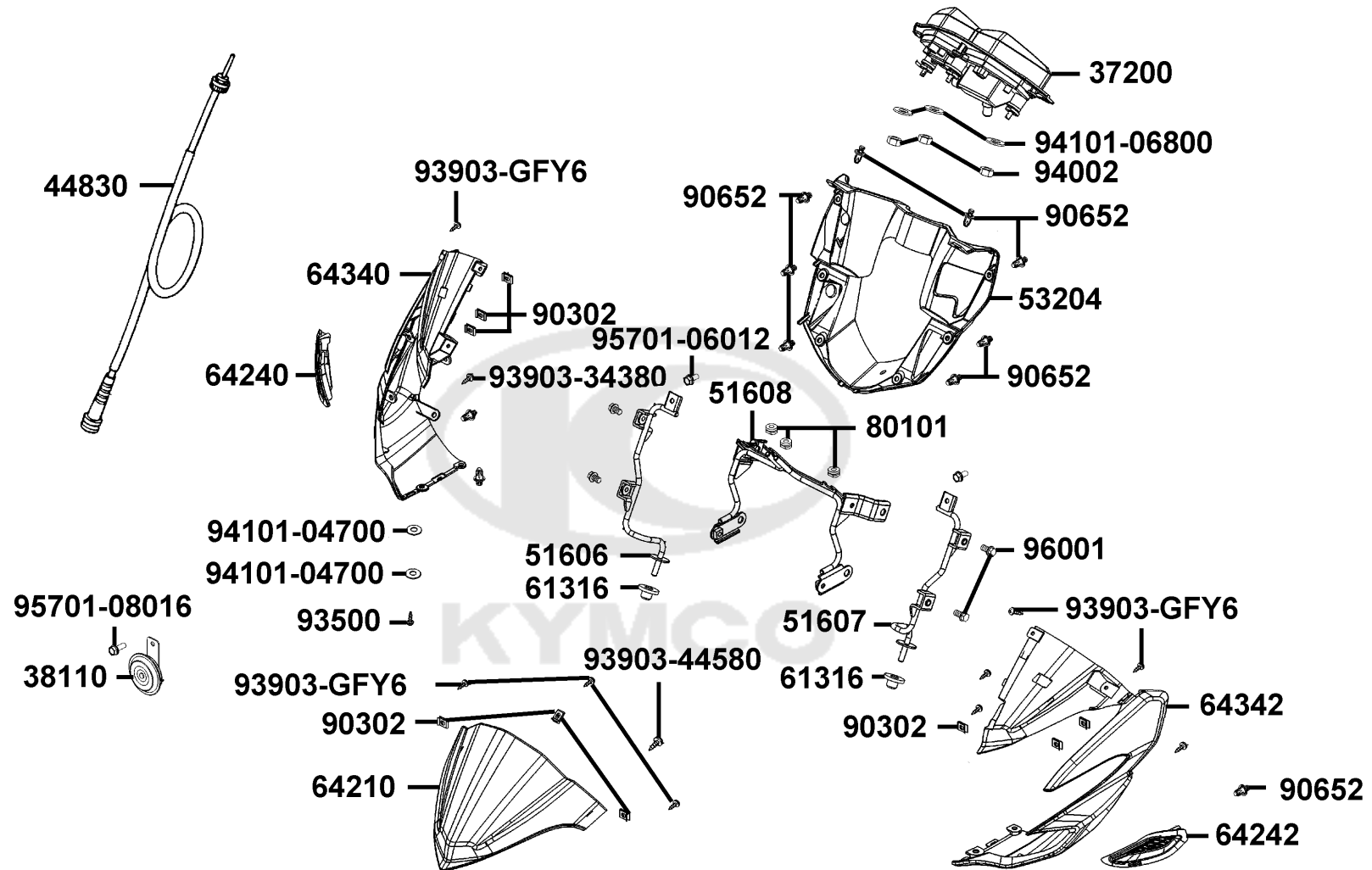
Speedometer



Sales mark	Ref no	Part no	Description	Reg description	Regd no	F03
	37200	37200-LKH3-E03	METER ASSY SEED	METER ASSY SPEED	1	
	38110	38110-KHB4-E0A	HORN COMP (D405)	HORN COMP (D405)	1	
	44830	44830-LKH3-C00	CABLE ASSY SPDMT	CABLE ASSY SPDMT	1	
	51606	51606-LKH3-E03	STAY L. HEAD LIGHT	"STAY L, HEAD LIGHT"	1	
	51607	51607-LKH3-E03	PLATE R HEAD LIGHT	PLATE R HEAD LIGHT	1	
	51608	51608-LKH3-C00	"STAY, SPEEDOMETER"	"STAY, SPEEDOMETER"	1	
**	53204	53204-LKH3-C00	"COVER,METER"	"COVER,METER"	1	
	61316	61316-4A71-C00	RUBBER H/L STAY	RUBBER H/L STAY	2	
**	64210	64210-LKH3-C00	VISOR METER	VISOR METER	1	
**	64240	64240-LKH3-C00	"COVER,R GRID"	"COVER,R GRID"	1	
**	64242	64242-LKH3-C00	"COVER,L GRID"	"COVER,L GRID"	1	
**	64340	64340-LKH3-C00	COVER R LIGHT HEAD A	COVER R LIGHT HEAD A	1	
**	64342	64342-LKH3-C00	COVER L LIGHT HEAD A	COVER L LIGHT HEAD A	1	
	80101	80101-2C83-C00	RUBBER RR FENDER	RUBBER RR FENDER	3	
	90302	90302-SDA4-C01	"NUT,SPPING 4MM"	"NUT,SPPING 4MM"	9	
	90652	90652-LFB5-C00	"CLIP,MUDGUARD"	"CLIP,MUDGUARD"	1	
	93500	93500-04012-07G	SCREW PAN 4*12(K)	SCREW PAN 4*12(K)	1	
	93903-34380	93903-34380-G	SCREW TAPPING 4x12	SCREW TAPPING 4x12	2	
	93903-44580	93903-44580-G	SCREW TAPPING 4*20 (K)	SCREW TAPPING 4*20 (K)	1	
	93903-GFY6	93903-GFY6-C01	SCREW TAPPING 4*14(K)	"SCREW,TAPPING4*14"	8	

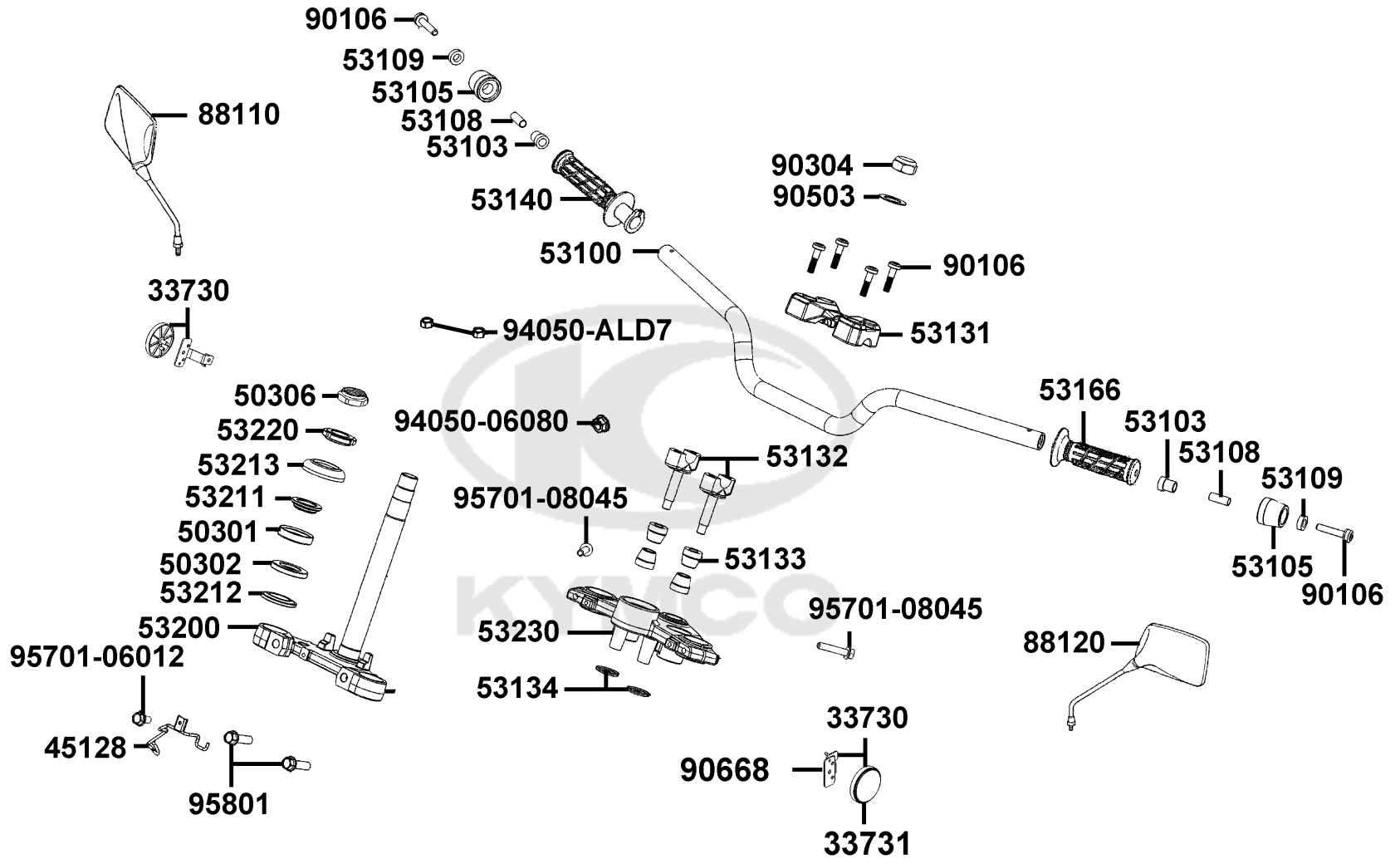
F03

Speedometer



Sales mark	Ref no	Part no	Description	Reg description	Regd no	F03
	94002	94002-06080-0SG	NUT HEX 6MM	NUT HEX 6MM	3	
	94101-04700	94101-04700-G	WASHER PLAIN 4MM(K)	WASHER PLAIN 4MM(K)	1	
	94101-06800	94101-06800-G	WASHER PLAN 6MM	WASHER PLAN 6MM	3	
	95701-06012	95701-06012-08G	BOLT FLANGE 6*12	BOLT FLANGE 6*12	2	
	95701-08016	95701-08016-08G	BOLT FLANGE 8*16	BOLT FLANGE 8*16	1	
	96001	96001-06012-08G	BOLT FLANGE SH 6X12 (C)	BOLT FLANGE SH 6X12 (C)	4	

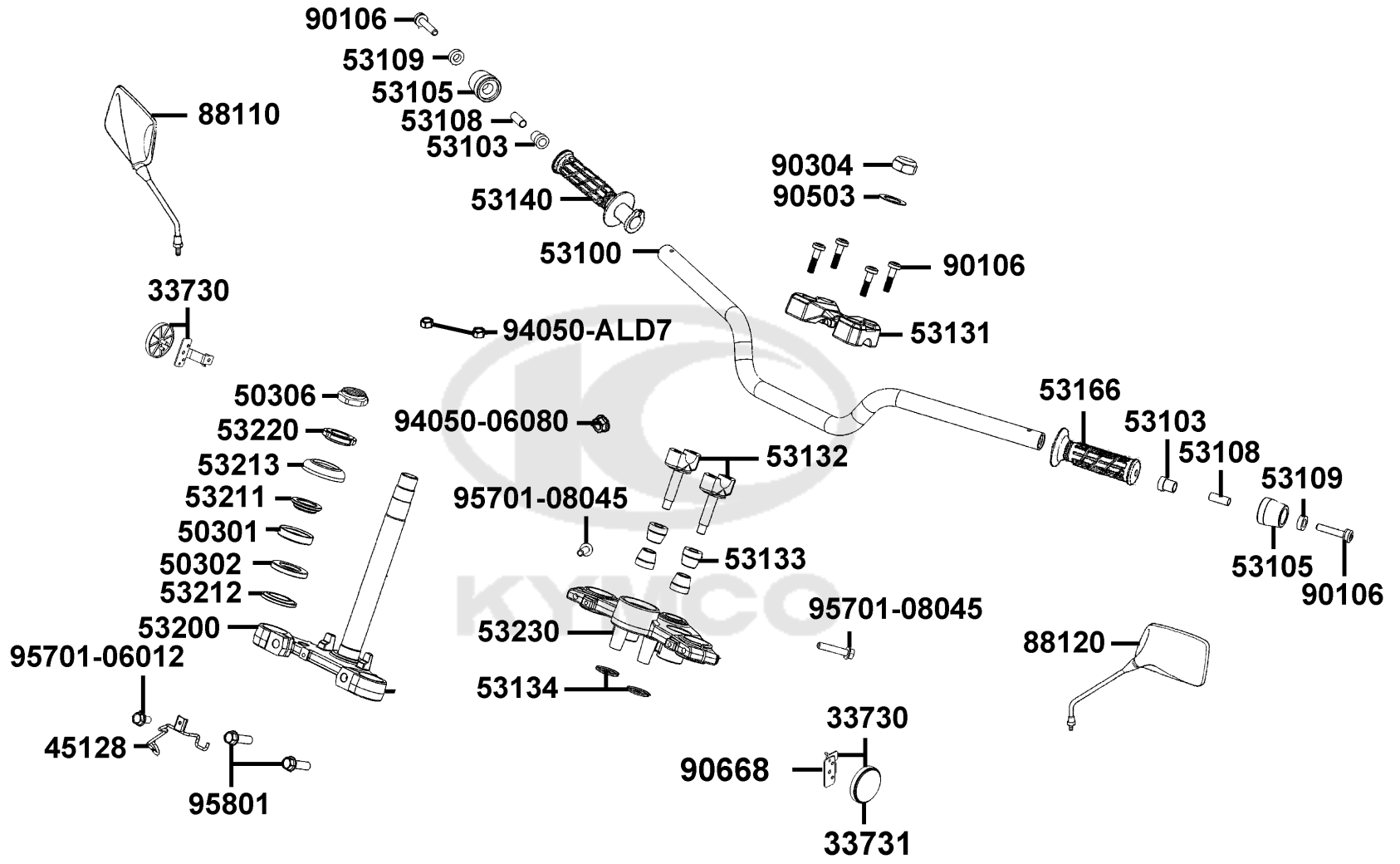




Sales mark	Ref no	Part no	Description	Reg description	Regd no	F04
	33730	33730-LKH3-C00	"REFLECTOR COMP. ASS'Y.,SIDE"	"REFLECTOR COMP. ASS'Y.,SIDE"	2	
	33731	33731-GFY6-C00	REFLEX REFLECTOR SIDE	REFLEX REFLECTOR SIDE	1	
	45128	45128-LKH3-E03	CLAMPER FR BRK HOSE	CLAMPER FR BRK HOSE	1	
	50301	50301-LEF1-C1A	RACE UP STRG BALL	RACE UP STRG BALL	1	
	50302	50302-LEF1-C1A	RACE (STRG BOT) BALL	RACE (STRG BOT) BALL	1	
	50306	50306-LKH3-C00	"NUT, STRG STEM LOCK"	"NUT, STRG STEM LOCK"	1	
	53100	53100-LKH3-C00	"HANDLE COMP.,STGE"	"HANDLE COMP.,STGE"	1	
	53103	53103-LFC4-E10	RUBBER	RUBBER	2	
	53105	53105-LFC4-E10	END L HANDLE	END L HANDLE	2	
	53108	53108-LFC4-E10	R COLLAR	R COLLAR	2	
	53109	53109-LFC4-E10	RUBBER	RUBBER	2	
**	53131	53131-LKH3-C00	HOLDER HANDLE PIPE	HOLDER HANDLE PIPE	1	
**	53132	53132-ALD7-C10	HOLDER UNDER HANDLE COMP.	HOLDER UNDER HANDLE COMP.	2	
	53133	53133-3H98-C00	RUBBER HANDLE CUSHION	RUBBER HANDLE CUSHION	4	
	53134	53134-2C83-C01	HANDLE CUSHION WASHER	HANDLE CUSHION WASHER	1	
	53140	53140-LKH3-C00	COMP THROT GRIP	COMP THROT GRIP	1	
	53166	53166-LKH3-C00	GRIR L HANDLE	GRIR L HANDLE	1	
	53200	53200-LKH3-C00	"STEM COMP, STRG"	"STEM COMP, STRG"	1	
	53211	53211-LEF1-C10	RACE STRG TOP CONE	RACE STRG TOP CONE	1	
	53212	53212-LEF1-C10	RACE STRG BOTTOM CONE	RACE STRG BOTTOM CONE	1	

F04

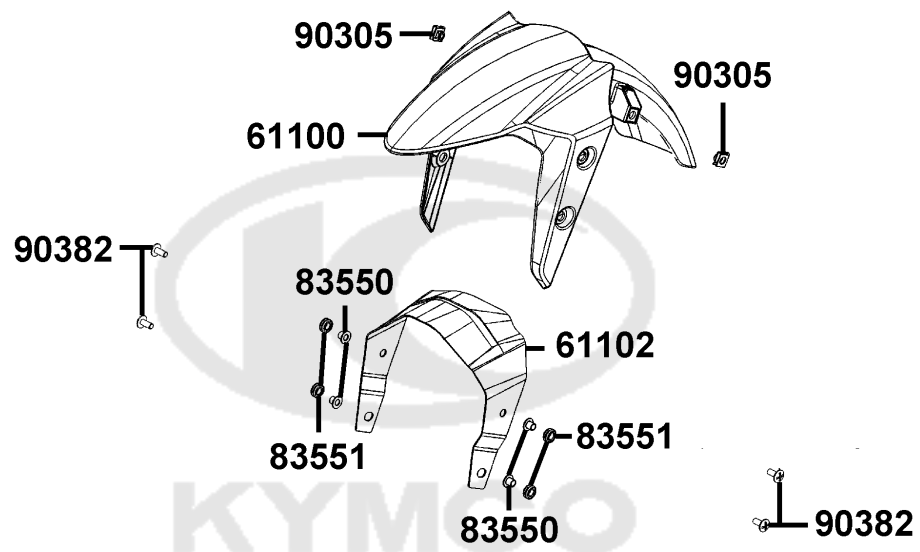
Handle Steering



Sales mark	Ref no	Part no	Description	Reg description	Regd no	F04
	53213	53213-LEF1-C10	DUST SEAL,STRG TOP	DUST SEAL,STRG TOP	1	
	53220	53220-LEF1-C01	NUT STRG STEM LOCK	NUT STRG STEM LOCK	1	
**	53230	53230-LKH3-C00	"BRIDGE, FORK TOP"	"BRIDGE, FORK TOP"	1	
	88110	88110-LKH3-C01	MIRROR ASSY R	MIRROR ASSY R	1	
	88120	88120-LKH3-C01	MIRROR ASSY L	MIRROR ASSY L	1	
	90106	90106-KFAF-900	BOLT SPECIAL	BOLT SPECIAL	1	
	90106	90106-KFC2-900	BOLT SPECIAL 8MM	BOLT SPECIAL 8MM	2	
	90304	90304-LKH3-C00	NUT STEERING STEM	NUT STEERING STEM	1	
	90503	90503-0A51-C00	WASHER STEERING STEM NUT	WASHER STEERING STEM NUT	1	
	90668	90668-LDC8-E10	STAY SIDE REFLECTOR	STAY SIDE REFLECTOR	1	
	94050-06080	94050-06080-G	NUT FLANGE 6MM	NUT FLANGE 6MM	2	
	94050-ALD7	94050-ALD7-C11	NUT FLANGE 10MM	NUT HEX CAP 6MM	2	
	95701-06012	95701-06012-07G	BOLT FLANGE 6X12(KG)	BOLT FLANGE 6X12(KG)	1	
	95701-08045	95701-08045-07G	BOLT FLANGE 8*45(K)	BOLT FLANGE 8*45(K)	2	
	95801	95801-10035-08G	BOLT FLANGE 10X35	BOLT FLANGE 10X35	2	

F05

Front Fender

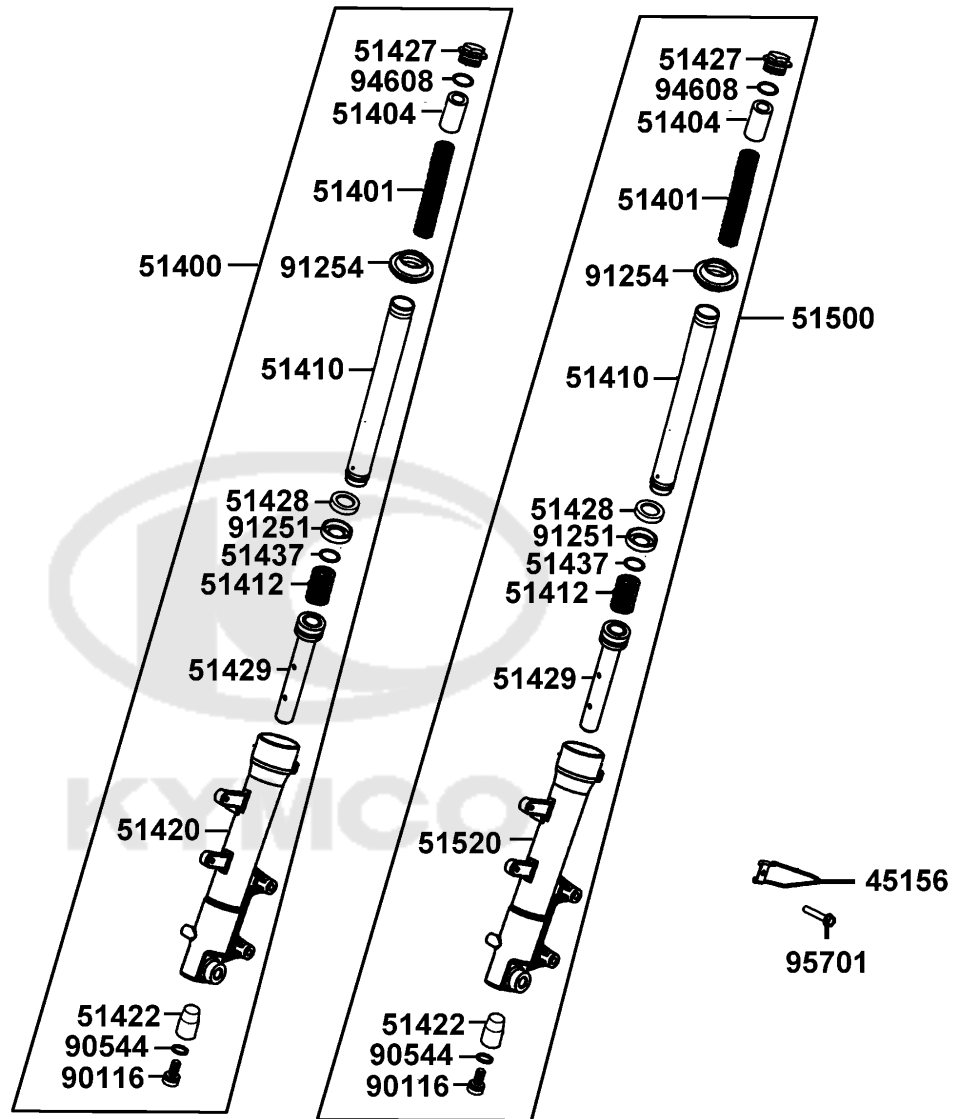


Sales mark	Ref no	Part no	Description	Reg description	Regd no	F05
**	61100	61100-LKH3-C00	"FENDER, FR. TIRE"	"FENDER, FR. TIRE"	1	
	61102	61102-LKH3-C00	"STAY, FR. FENDER"	"STAY, FR. FENDER"	1	
	83550	83550-KEC8-C00	COLLAR SET METER	COLLAR	4	
	83551	83551-KEC8-C10	GROMMET COVER	GROMMET COVER	4	
	90305	90305-GHK8-C01	NUT CLIP 6MM	NUT CLIP 6MM	2	
	90382	90382-LBA8-C10	SCREW SPECIAL 6*25	SCREW SPECIAL 6*25	4	



F06

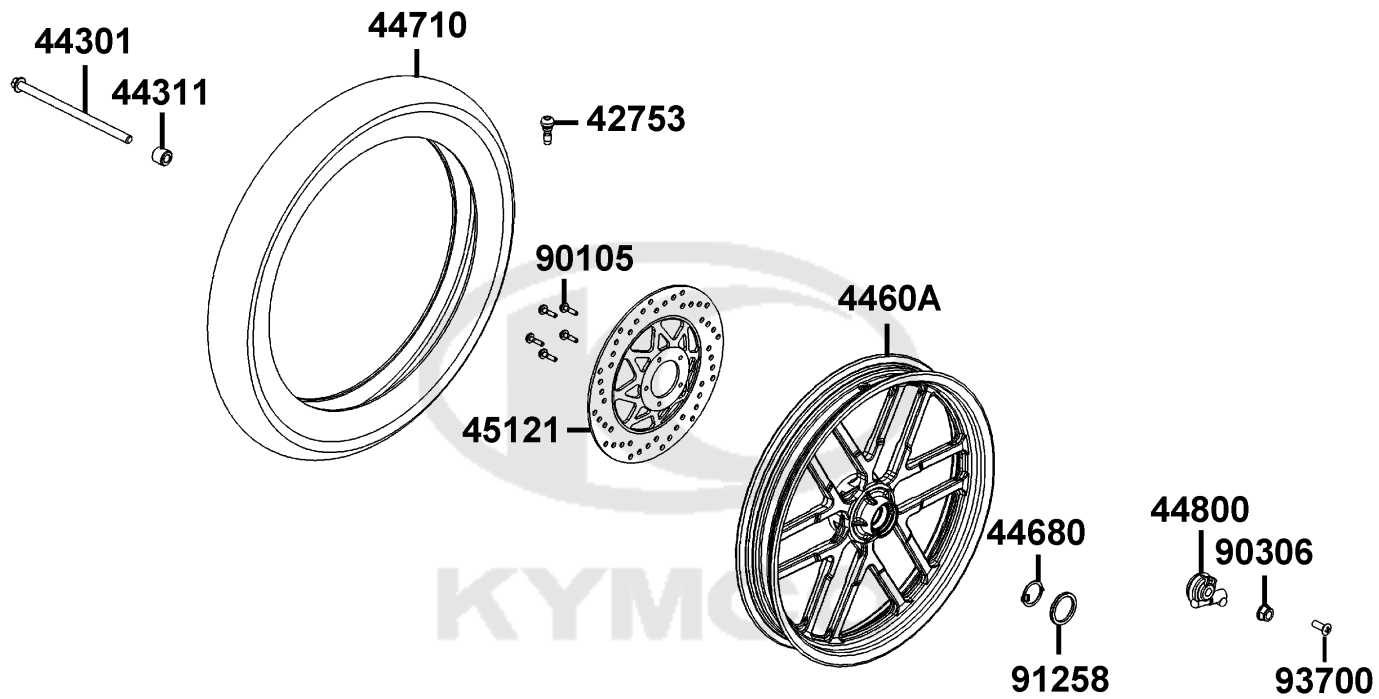
Fork Assy



Sales mark	Ref no	Part no	Description	Reg description	Regd no	F06
	45156	45156-KECE-C00	CLAMPER FR BRK CABLE	CLAMPER HOSE FR	1	
**	51400	51400-LKH3-E03	FORK ASSY FR R	FORK ASSY FR R	1	
	51401	51401-LKH3-C00	SPRING	SPRING	2	
	51404	51404-LKH3-C00	SPRING COLLAR	SPRING COLLAR	2	
	51410	51410-LKH3-C00	FORK PIPE COMP	FORK PIPE COMP	2	
	51412	51412-LEJ2-E10	REBOUND SPRING	REBOUND SPRING	2	
**	51420	51420-LKH3-E03	BOTTOM CASE RH	BOTTOM CASE RH	1	
	51422	51422-LEJ2-E10	OIL LOCK PIECE	OIL LOCK PIECE	2	
	51427	51427-LKH3-C00	FORK BOLT	FORK BOLT	2	
	51428	51428-LEJ2-E10	OIL SEAL STOP RING	OIL SEAL STOP RING	2	
	51429	51429-LKH3-C00	PIPE SEAT	PIPE SEAT	2	
	51437	51437-LEJ2-E10	PISTON RING	PISTON RING	2	
**	51500	51500-LKH3-C00	FORK ASSY FR L	FORK ASSY FR L	1	
**	51520	51520-LKH3-C00	BOTTOM CASE LH	BOTTOM CASE LH	1	
	90116	90116-LEJ2-E10	BOLT	BOLT	2	
	90544	90544-LEJ2-E10	PACKINGCUB	PACKINGCUB	2	
	91251	91251-LEJ2-E10	OIL SEAL	OIL SEAL	2	
	91254	91254-LEJ2-E10	DUST SEAL	DUST SEAL	2	
	94608	94608-LEJ2-E10	O-RING 23X2.4	O-RING 23X2.4	2	
	95701	95701-06030-08G	BOLT FLANGE 6*30	BOLT FLANGE 6X30	2	

F07

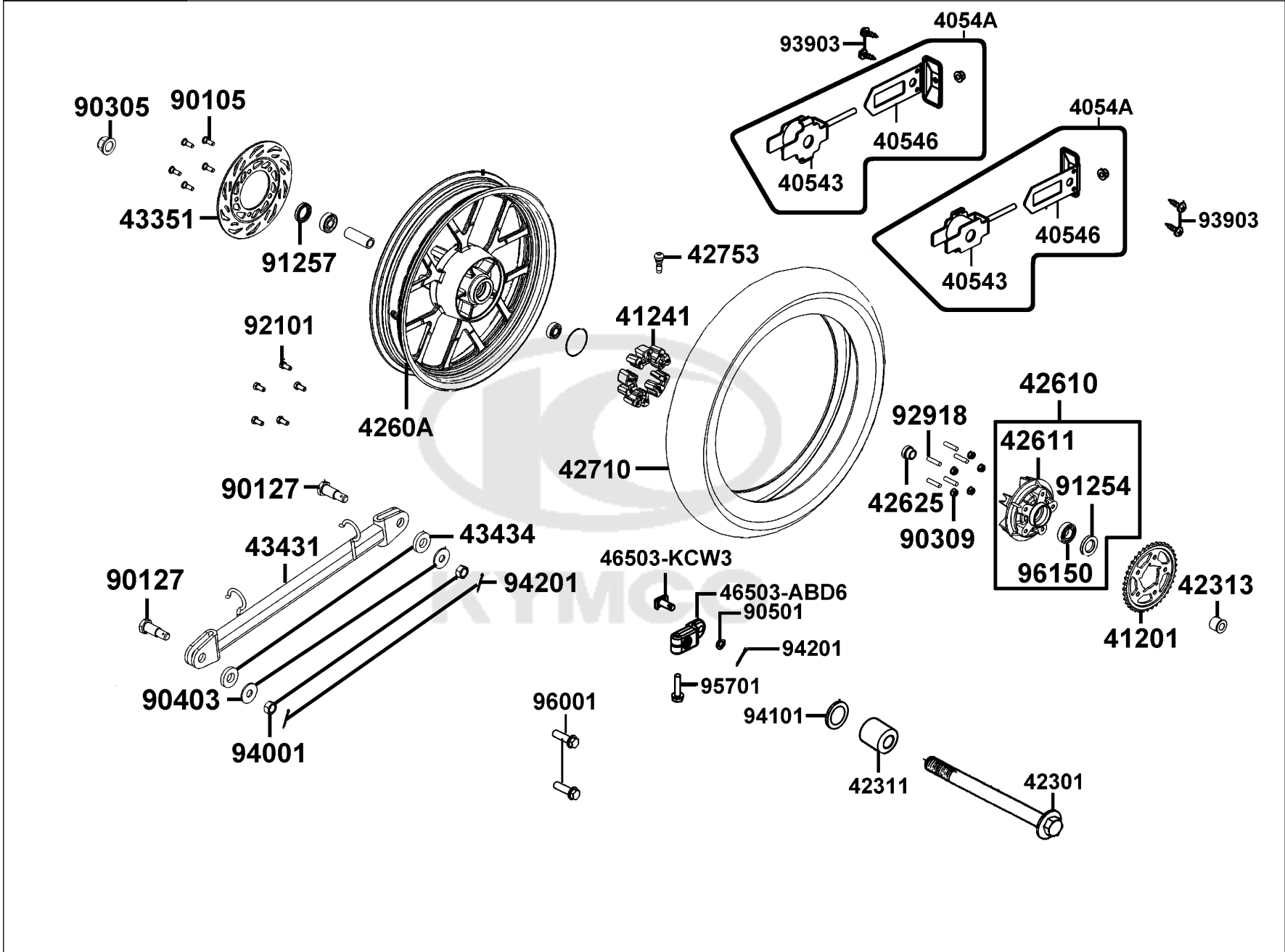
Front Wheel



Sales mark	Ref no	Part no	Description	Reg description	Regd no	F07
	42753	42753-0A01-C00	VALVE (TR 412) & CAP (C)	VALVE (TR 412) & CAP (C)	1	
	44301	44301-KGG7-C01	AXLE FR WHEEL M12*226(C)	AXLE FR WHEEL M12*226(C)	1	
	44311	44311-LKH3-C00	COLLAR FR WHEEL SIDE	COLLAR FR WHEEL SIDE	1	
**	4460A	4460A-LKH3-C00	"WHEEL ASSY., FR"	"WHEEL ASSY., FR"	1	
	44680	44680-4L10-C00	RETAINER GEAR BOX	RETAINER GEAR BOX	1	
	44710	44710-LKH3-C00	"TIRE ASSY, FR"	"TIRE ASSY, FR"	1	
	44800	44800-LKH3-C00	GEAR BOX ASSY SPDMT	GEAR BOX ASSY SPDMT	1	
**	45121	45121-LEC8-E00	DISK FRONT BRAKE	DISK FRONT BRAKE	1	
	90105	90105-KAR1-C00	BOLT SPL 6*25	BOLT SPL 6*25	5	
	90306	90306-GLW0-C01	NUT U FLANGE 12MM(C)	NUT U FLANGE 12MM(C)	1	
	91258	91258-4L10-007	DUST SEAL 40*50*5	DUST SEAL 40*50*5	1	
	93700	93700-05016-0HG	SCREW OVAL 5*16 (C)	SCREW OVAL 5*16 (C)	1	

F08

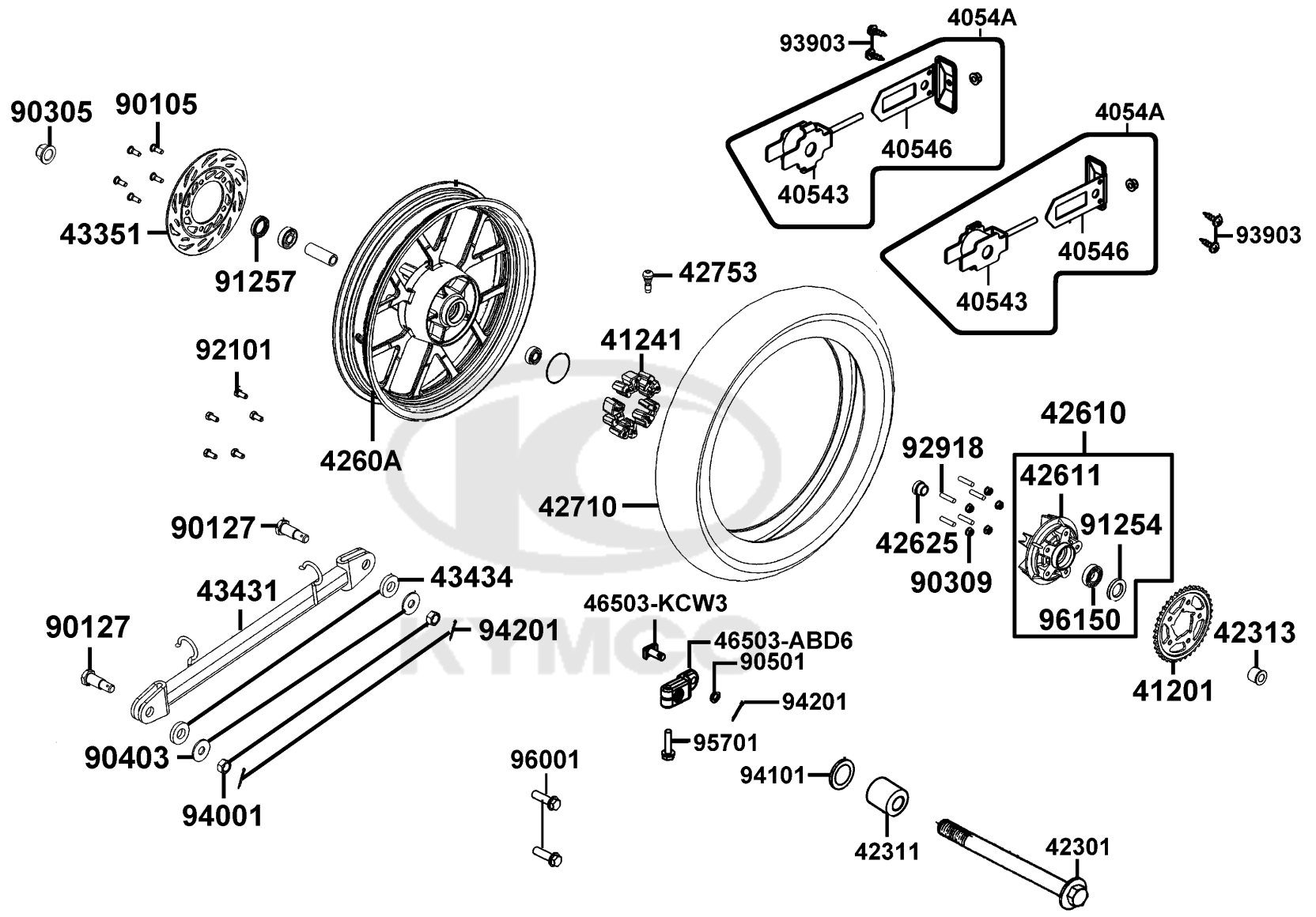
Rear Wheel



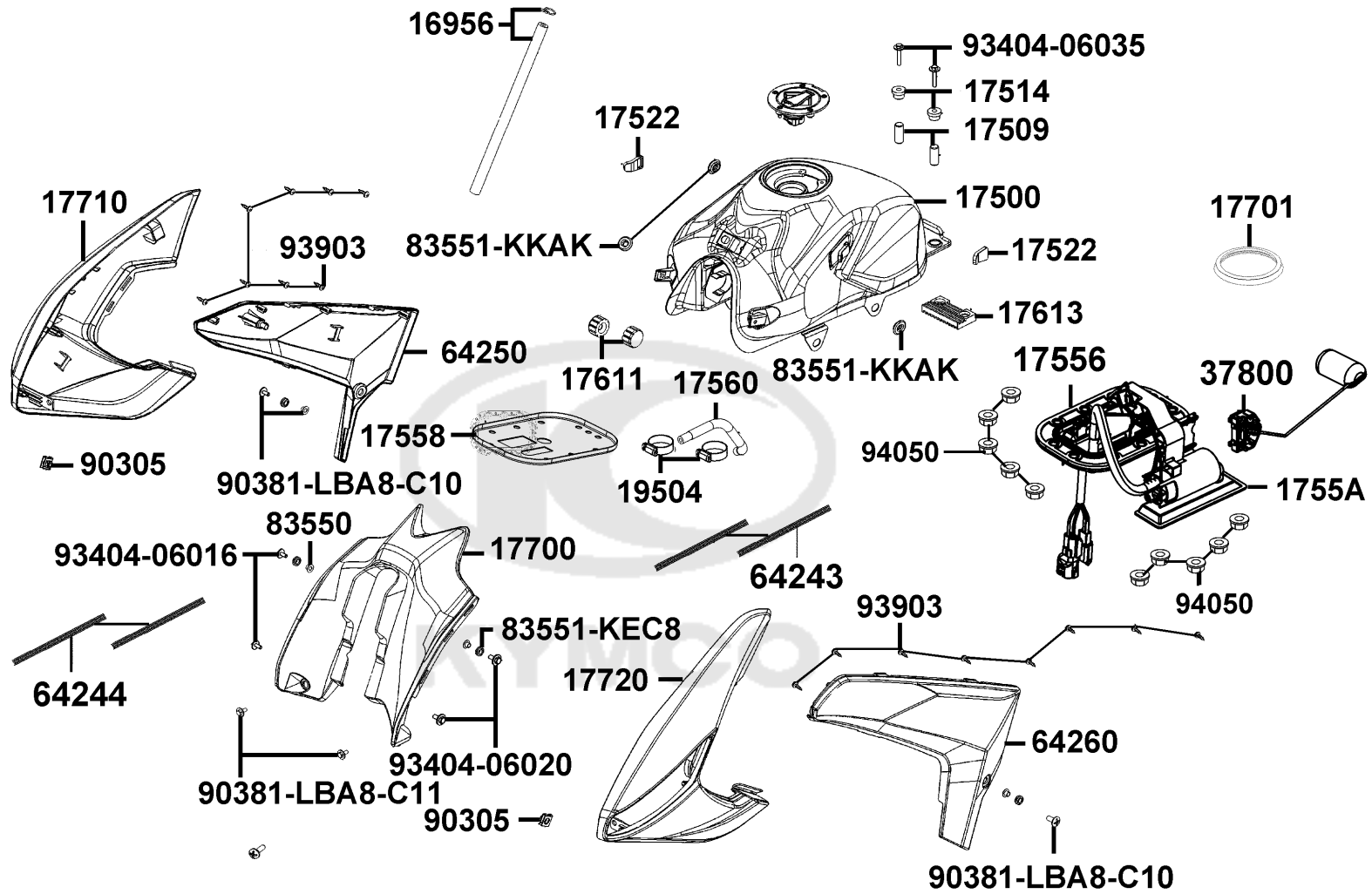
Sales mark	Ref no	Part no	Description	Reg description	Regd no	F08
	40543	40543-LKH3-C10	ADJUSTER CHAIN	ADJUSTER CHAIN	2	
	40546	40546-LKH3-C10	CAP RR FORK ENG	CAP RR FORK ENG	2	
	4054A	4054A-LKH3-C00	ADJUSTER CHAIN ASSY	ADJUSTER CHAIN ASSY	2	
	41201	41201-ABD6-C00	"SPROCKET,FINAL DRIVEN (38T)"	"SPROCKET,FINAL DRIVEN (38T)"	1	
	41241	41241-ABD6-C00	"DAMPER, RR WHEEL"	"DAMPER, RR WHEEL"	5	
	42301	42301-LKH3-C00	AXLE RR WHEEL	AXLE RR WHEEL	1	
	42311	42311-ABD6-C00	COLLAR RR PANDL SIDE	COLLAR RR PANDL SIDE	1	
	42313	42313-ABD6-C00	"COLLAR, RR HUB SIDE"	"COLLAR, RR HUB SIDE"	1	
**	4260A	4260A-ABD6-C00	"WHEEL, RR CAST"	"WHEEL, RR CAST"	1	
	42610	42610-ABD6-C00	SPRKT HUB ASSY	SPRKT HUB ASSY	1	
	42611	42611-ABD6-C00	SPRKT SEAT	SPRKT SEAT	1	
	42625	42625-ABD6-C00	"COLLAR B, RR AXLE DIST"	"COLLAR B, RR AXLE DIST"	1	
	42710	42710-LKH3-C00	"TIRE ASSY, RR"	"TIRE ASSY, RR"	1	
	42753	42753-0A01-C00	VALVE (TR 412) & CAP (C)	VALVE (TR 412) & CAP (C)	1	
**	43351	43351-ABD6-C00	DISK RR BRK	DISK RR BRK	1	
	43431	43431-LEB6-E81	ARM RR BRK STOPPER	ARM RR BRK STOPPER	1	
	43434	43434-2F86-C00	RUBBER STOPPER ARM CUSHION	RUBBER STOPPER ARM CUSHION	1	
	46503-ABD6	46503-ABD6-C00	"ARM, PEDAL"	"ARM, PEDAL"	1	
	46503-KCW3	46503-KCW3-C00	"PIN COMP,BRK. ROD"	"PIN COMP,BRK. ROD"	1	
	90105	90105-KCR3-C02	BOLT FR DISK 8*24	BOLT FR DISK 8*24	1	

F08

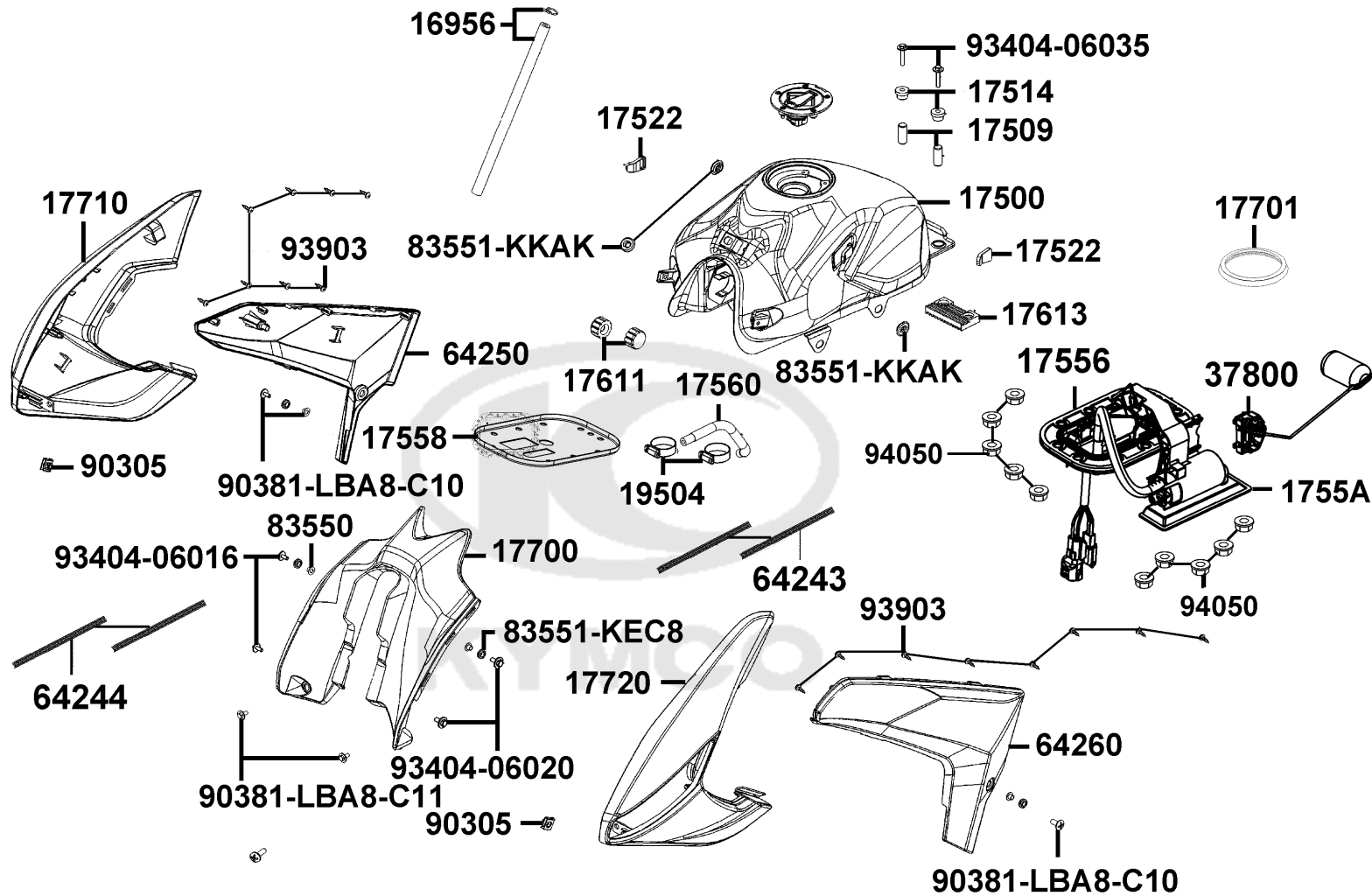
Rear Wheel



Sales mark	Ref no	Part no	Description	Reg description	Regd no	F08
90127		90127-LBA8-C11	SPECIAL BOLT 8*30(C)	BOLT FLANGE8*30	1	
90305		90305-LEF1-C00	NUT U 14mm	NUT U 14mm	1	
90309		90309-PUA3-B50	NUT FLANGE 8MM	NUT FLANGE 8MM	1	
90403		90403-KFN6-C01	WASHER THRUST 8*24	WASHER 8X24	1	
90501		90501-3L10-C00	WASH 7*12	WASH 7*12	1	
91254		91254-KGC4-C00	DUST SEAL 21X45X7	DUST SEAL 21X45X7	1	
91257		91257-KED9-C00	DUST SEAL 28X42X8	DUST SEAL 28X42X8	1	
92101		92101-05012-0HG	BOLT HEX 5*12	BOLT HEX 5*12	1	
92918		92918-ABD6-C00	"BOLT, STUD II 8*37"	"BOLT, STUD II 8*37"	5	
93903		93903-14380-G	SCREWTAPPING 4x12	SCREWTAPPING 4x12	1	
94001		94001-08080-0SG	NUT HEX 8MM	NUT HEX 8MM	2	
94101		94101-14800-G	WASHER PLAIN 14MM	WASHER PLAIN 14MM	1	
94201		94201-20150-08G	PIN SPLIT 2*15	PIN SPLIT 2*15	2	
95701		95701-06025-08G	BOLT FLANGE 6*25	BOLT FLANGE 6*25	1	
96001		96001-06020-08G	BOLT FLANGED SMALL	BOLT FLANGED SMALL	1	
96150		96150-ABD6-C00	BRG. BALL RADIAL 60/22LLU	BRG. BALL RADIAL 60/22LLU	1	



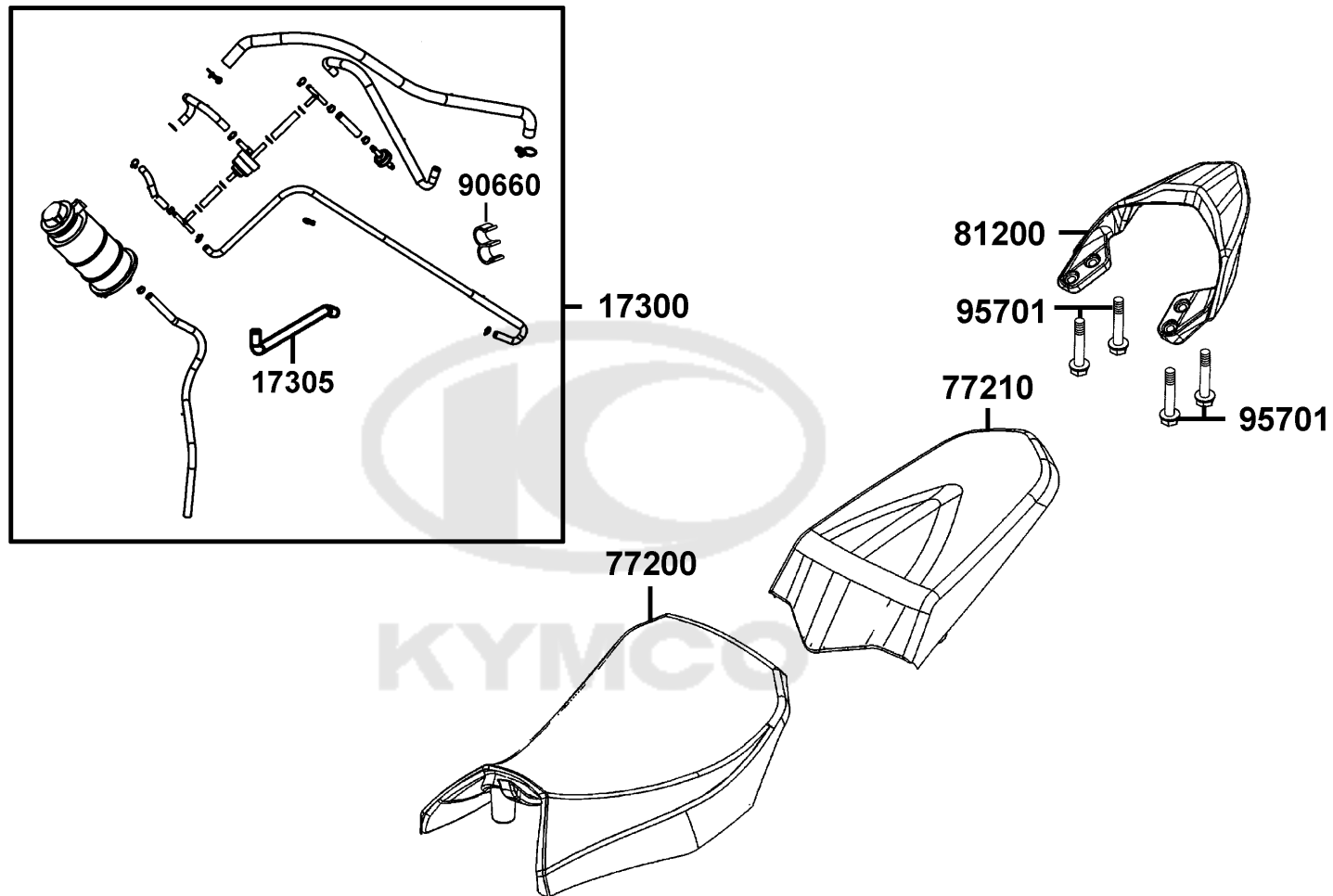
Sales mark	Ref no	Part no	Description	Reg description	Regd no	F09
	16956	16956-LKH3-C00	"TUBE ASSY.,TANK-AIR"	"TUBE ASSY.,TANK-AIR"	1	
**	17500	17500-LKH3-E03	TANK COMP FUEL	TANK COMP FUEL	1	
	17509	17509-LEF1-C10	TANK COLLAR	TANK COLLAR	2	
	17514	17514-LEF1-C10	CUSH FUEL TANK RR B	CUSH FUEL TANK RR B	2	
	17522	17522-LKH3-C00	"RUBBER, TANK SIDE"	"RUBBER, TANK SIDE"	2	
	17556	17556-ABD6-C01	"PACKING, FUEL PUMP"	"PACKING, FUEL PUMP"	1	
	17558	17558-LGM5-900	PROTECTOR.PUMP	PROTECTOR.PUMP	1	
	1755A	1755A-LKH3-E03	FUEL PUMP ASSY	FUEL PUMP ASSY	1	
	17560	17560-LKH3-E03	TUBE PUMP..INJECTOR	"TUBE PUMP.,INJECTOR"	1	
	17611	17611-LEF1-C10	CUSHION FRONT FUEL TANK	CUSHION FRONT FUEL TANK	2	
	17613	17613-LEF1-C10	CUSH FUEL TANK RR	CUSH FUEL TANK RR	1	
**	17700	17700-LKH3-C00	"COVER,TANK TOP"	"COVER,TANK TOP"	1	
	17701	17701-LKH3-C00	RUBBER TANK COVER	RUBBER TANK COVER	1	
**	17710	17710-LKH3-C00	COVER.R TANK SIDE	COVER.R TANK SIDE	1	
**	17720	17720-LKH3-C00	COVER.L TANK SIDE	COVER.L TANK SIDE	1	
	19504	19504-LBA2-C00	CLAMP D16.8	CLAMP D16.8	2	
	37800	37800-LKH3-E03	FUEL UNIT	FUEL UNIT ASSY	1	
	64243	64243-LKH3-C00	SEAL A SIDE TANK COVER	SEAL A SIDE TANK COVER	1	
	64244	64244-LKH3-C00	SEAL B SIDE TANK COVER	SEAL B SIDE TANK COVER	1	
**	64250	64250-LKH3-C00	COVER B R SIDE	COVER B R SIDE	1	



Sales mark	Ref no	Part no	Description	Reg description	Regd no	F09
**	64260	64260-LKH3-C00	COVER B L SIDE	COVER B L SIDE	1	
	83550	83550-KEC8-C00	COLLAR SET METER	COLLAR	4	
	83551-KEC8	83551-KEC8-C10	GROMMET COVER	GROMMET COVER	4	
	83551-KKAK	83551-KKAK-C00	GROMMET AIR CLEANER C	GROMMET AIR CLEANER CASE	5	
	90305	90305-GHK8-C01	NUT CLIP 6MM	NUT CLIP 6MM	2	
	90381-LBA8-C10	90381-LBA8-C10	SCREW SPECIAL 6*20	SCREW SPECIAL 6*20	2	
	90381-LBA8-C11	90381-LBA8-C11	SCREW SPECIAL 6*25	SCREW SPECIAL 6*25	2	
	90660	90660-PWA2-900	CLAMP TUBE	CLAMP TUBE	1	
	93404-06016	93404-06016-08G	BOLT WASHER 6*16	BOLT WASHER 6*16	2	
	93404-06020	93404-06020-08G	BOLT WASHER 6*20	BOLT WASHER 6*20	2	
	93404-06035	93404-06035-08G	BOLT WASHER 6*35 (C)	BOLT WASHER 6*35 (C)	2	
	93903	93903-34380-G	SCREW TAPPING 4x12	SCREW TAPPING 4x12	16	
	94050	94050-05080-G	NUT FLANGE 5MM	NUT FLANGE 5MM	10	

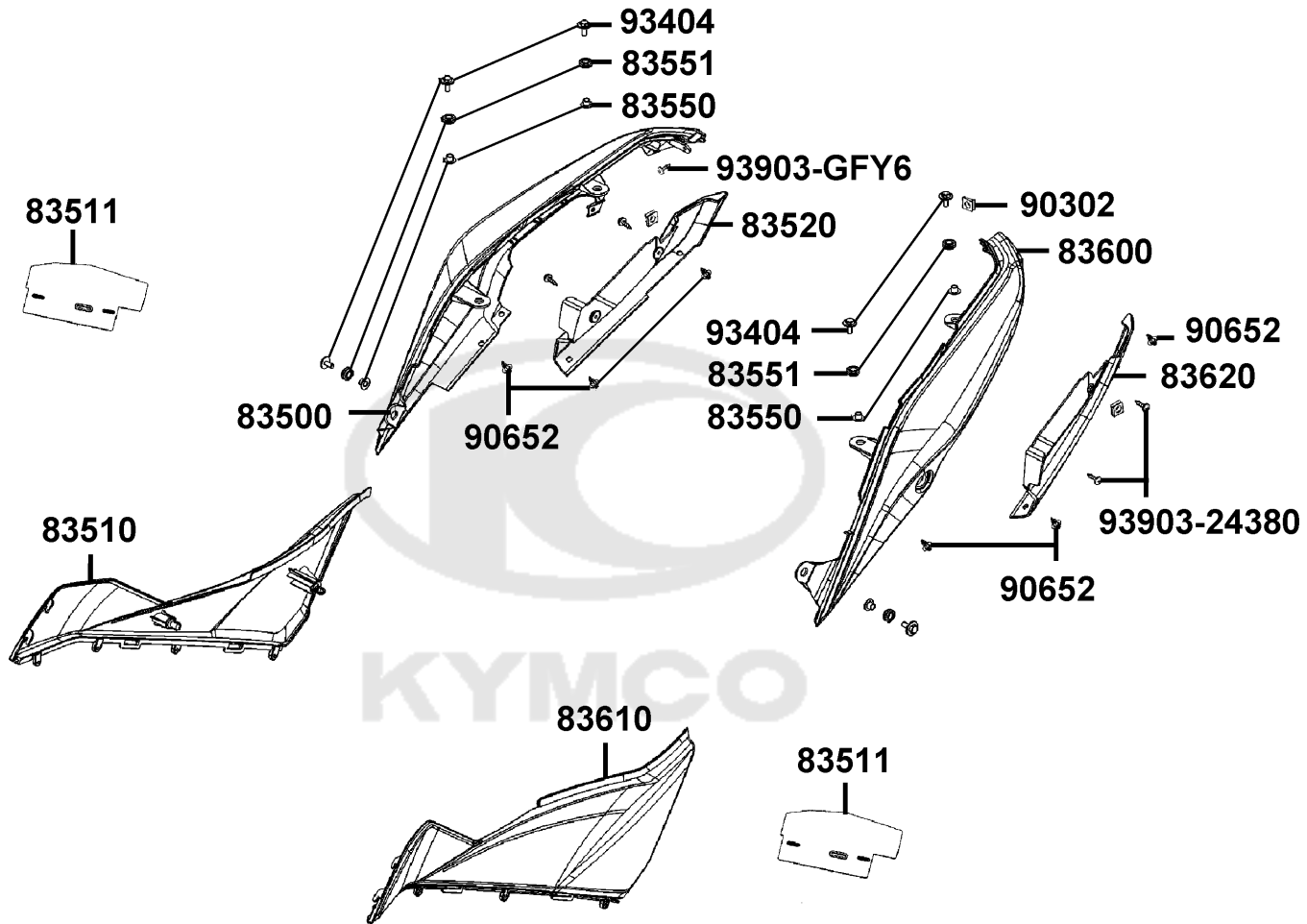
F10

Rr Carrier



Sales mark	Ref no	Part no	Description	Reg description	Regd no	F10
	17300	17300-LKH3-E04	CANISTER-PCV ASSY	CANISTER-PCV ASSY	1	
	17305	17305-LKH3-C00	TUBE TANK-JOINT	TUBE TANK-JOINT	1	
**	77200	77200-LKH3-C00	"SEAT ASSY,FR"	"SEAT ASSY,FR"	1	
**	77210	77210-LKH3-C00	"SEAT ASSY,BACK"	"SEAT ASSY,BACK"	1	
**	81200	81200-LKH3-C00	CARRIER RR	CARRIER RR	1	
	90660	90660-LDE9-E00	CLAMP TUBE	CLAMP TUBE	1	
	95701	95701-08035-08G	BOLT FLANGE 8*35 (C)	BOLT FLANGE 8*35	4	

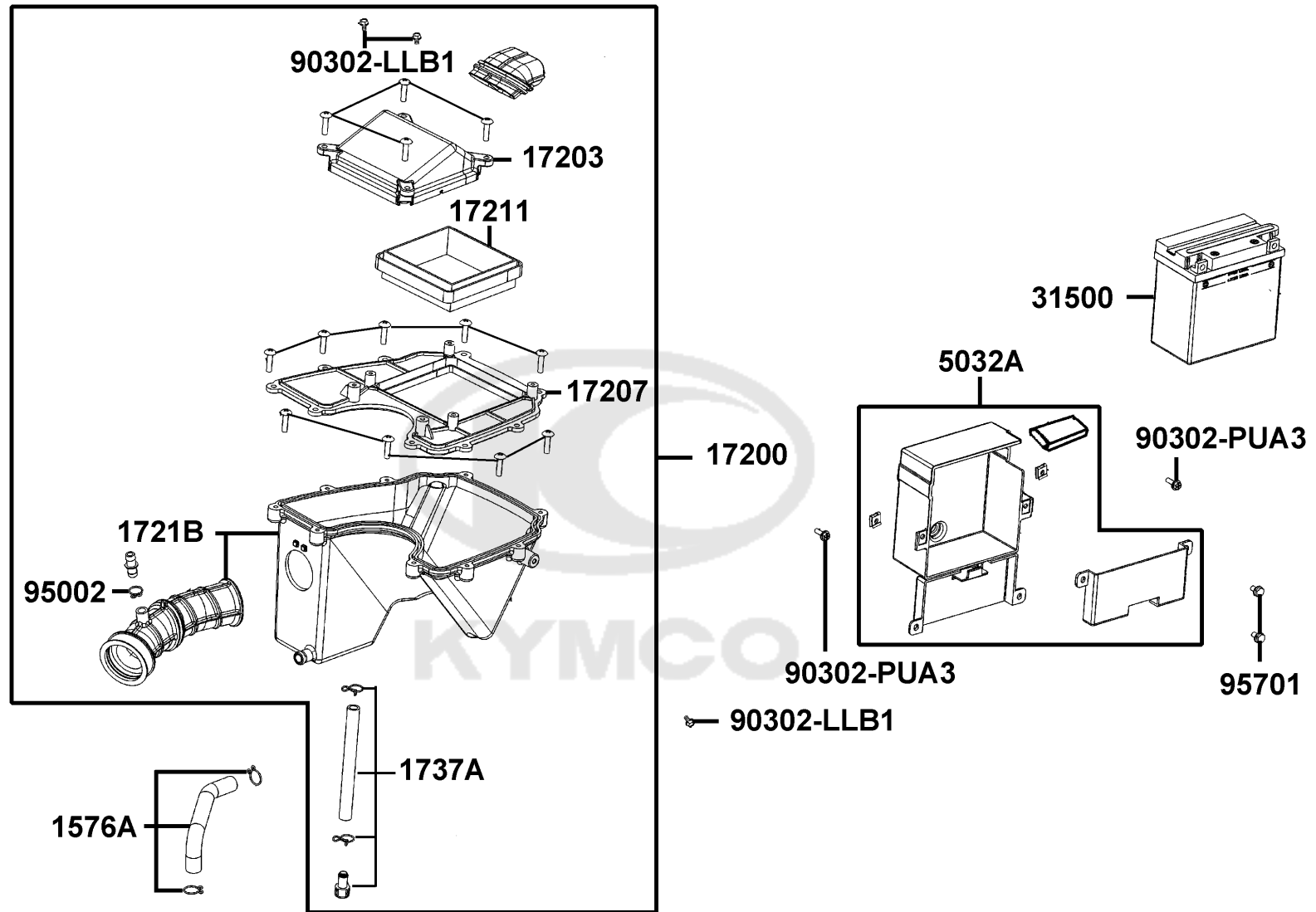




Sales mark	Ref no	Part no	Description	Reg description	Regd no	F11
**	83500	83500-LKH3-C00	COVER R BODY	COVER R BODY	1	
**	83510	83510-LKH3-C00	COVER A R SIDE	COVER A R SIDE	1	
	83511	83511-LKH3-C00	"PLATE,SIDE SPLASH GUARD"	"PLATE,SIDE SPLASH GUARD"	2	
**	83520	83520-LKH3-C00	COVER B R SIDE	COVER B R SIDE	1	
	83550	83550-KEC8-C00	COLLAR SET METER	COLLAR	6	
	83551	83551-KEC8-C10	GROMMET COVER	GROMMET COVER	6	
**	83600	83600-LKH3-C00	COVER L BODY	COVER L BODY	1	
**	83610	83610-LKH3-C00	COVER A L SIDE	COVER A L SIDE	1	
**	83620	83620-LKH3-C00	COVER B L SIDE	COVER B L SIDE	1	
	90302	90302-SDA4-C01	"NUT,SPPING 4MM"	"NUT,SPPING 4MM"	3	
	90652	90652-LFB5-C00	"CLIP,MUDGUARD"	"CLIP,MUDGUARD"	6	
	93404	93404-06016-08G	BOLT WASHER 6*16	BOLT WASHER 6*16	6	
	93903-24380	93903-24380	SCREW TAPPING 4*12	SCREW TAPPING 4*12	4	
	93903-GFY6	93903-GFY6-C01	SCREW TAPPING 4*14(K)	"SCREW,TAPPING4*14"	1	

F12

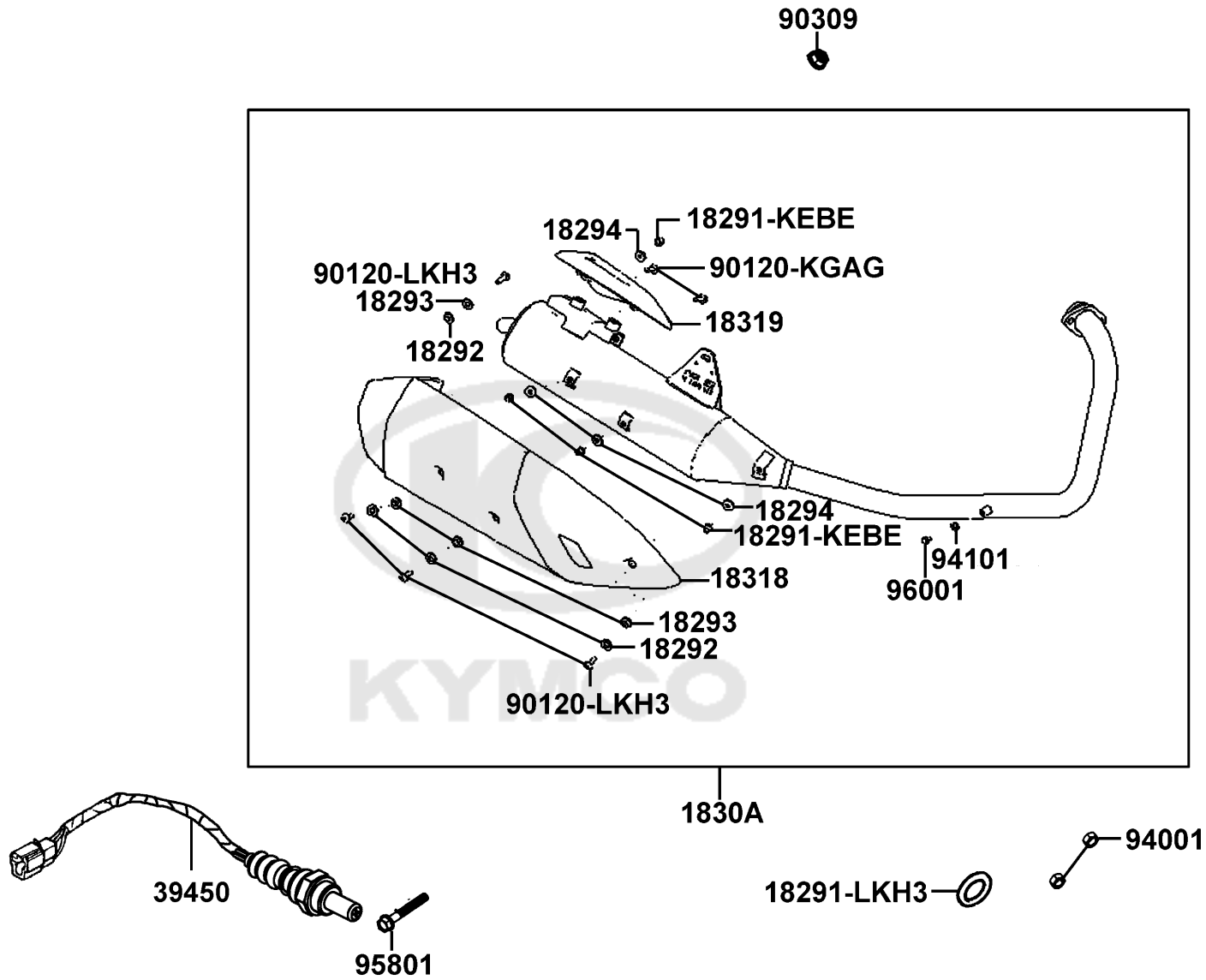
Battery



Sales mark	Ref no	Part no	Description	Reg description	Regd no	F12
	1576A	1576A-LKH3-C00	"TUBE, BREATHER ASSY."	"TUBE, BREATHER ASSY."	1	
	17200	17200-LKH3-E03	AIR/C ASSY	AIR/C ASSY	1	
	17203	17203-LKH3-C00	COVER, AIR/C	COVER, AIR/C	1	
	17207	17207-LKH3-C00	"COVER, AIR/C CASE"	"COVER, AIR/C CASE"	1	
	17211	17211-ABD6-C00	"ELEMENT COMP., AIR/C"	"ELEMENT COMP., AIR/C"	1	
	1721B	1721B-LKH3-C00	CASE ASSY	CASE ASSY	1	
	1737A	1737A-LKH3-C00	V TUBE ASSY 8*12*120	V TUBE ASSY 8*12*120	1	
	31500	31500-ABD6-C00	BATTERY 12N9-4B	BATTERY 12N9-4B	1	
**	5032A	5032A-ABD6-C00	"CASE ASS'Y.,BATTERY"	"CASE ASS'Y.,BATTERY"	1	
	90302-LLB1	90302-LLB1-C01	BOLT-WASH 5*12	"BOLT-WASHER,5*12"	1	
	90302-PUA3	90302-PUA3-B53	BOLT-WASH 5*16	BOLT-WASH 5*16	2	
	95002	95002-02120	CLIP B12 TUBE	CLIP B12 TUBE	1	
	95701	95701-06010-08G	BOLT FLANGE 6*10	BOLT FLANGE 6*10	2	

F13

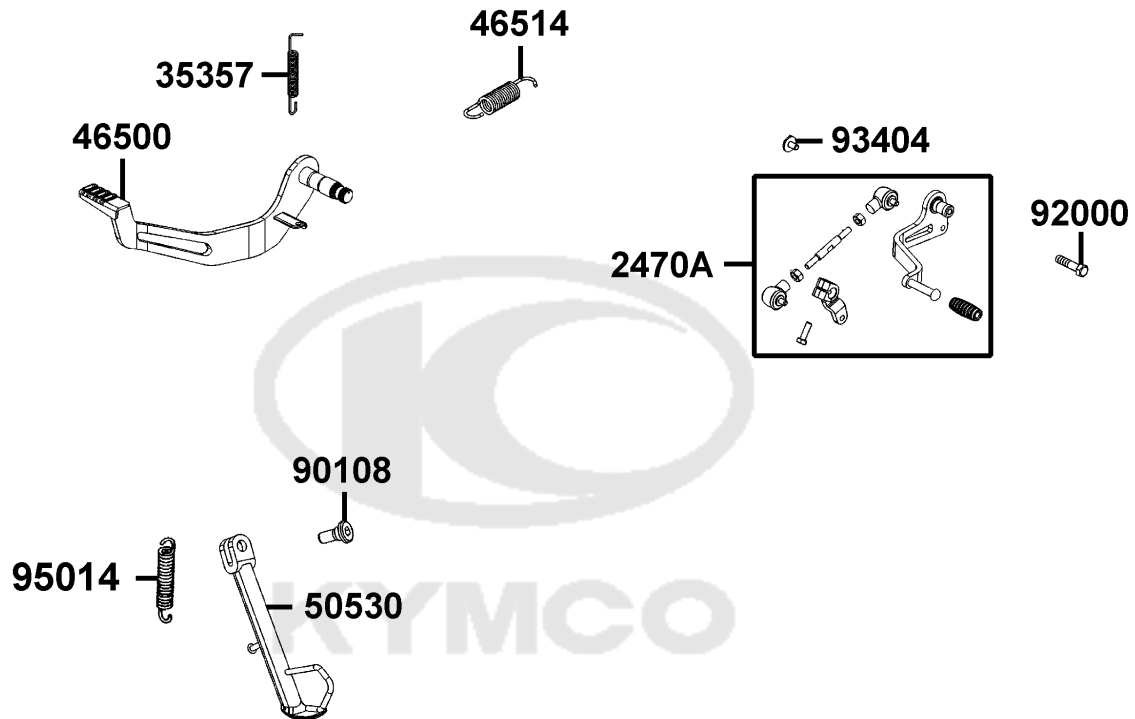
Exhaust Muffler



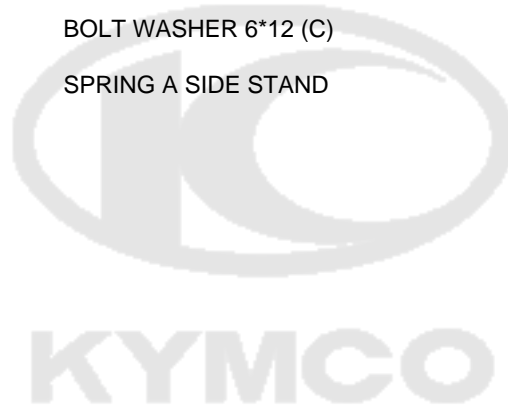
Sales mark	Ref no	Part no	Description	Reg description	Regd no	F13
	18291-KEBE	18291-KEBE-C00	COLLAR	COLLAR	1	
	18291-LKH3	18291-LKH3-E90	GASKET EXH PIPE	GASKET EXH PIPE	1	
	18292	18292-KEBE-C00	PACKING PROTECTOR	PACKING PROTECTOR	1	
	18293	18293-KEBE-C00	RUBBER PKG PROTR	RUBBER PRK PROTR	1	
	18294	18294-PUA3-B50	PACKING PTOTECTOR	PACKING PROTECTOR	1	
	1830A	1830A-LKH3-E03	MUFFLER ASSY EXH	MUFFLER ASSY EXH	1	
**	18318	18318-LKH3-C00	PROTECTOR MUFFLER	PROTECTOR MUFFLER	1	
	18319	18319-LKH3-C00	COVER SILENCER	COVER SILENCER	1	
	39450	39450-LKH3-E03	O2. SENSOR	O2 SENSOR	1	
	90120-KGAG	90120-KGAG-520	SOCKET BOT SPECIAL 6*22	SOCKET BOT SPECIAL 6*22	1	
	90120-LKH3	90120-LKH3-C00	SOCKET BOLT SPECIAL 6*20	SOCKET BOLT SPECIAL 6*20	1	
	90309	90309-PUA3-B50	NUT FLANGE 8MM	NUT FLANGE 8MM	1	
	94001	94001-08080-0SG	NUT HEX 8MM	NUT HEX 8MM	2	
	94101	94101-06700	WASHER PLAIN 6MM	WASHER PLAIN 6MM	1	
	95801	95801-08045-08G	BOLT FLANGE 8*45	BOLT FLANGE 8*45	1	
	96001	96001-06008-07	BOLT FLANGE SH 6*8	BOLT FLANGE SH 6*8	1	

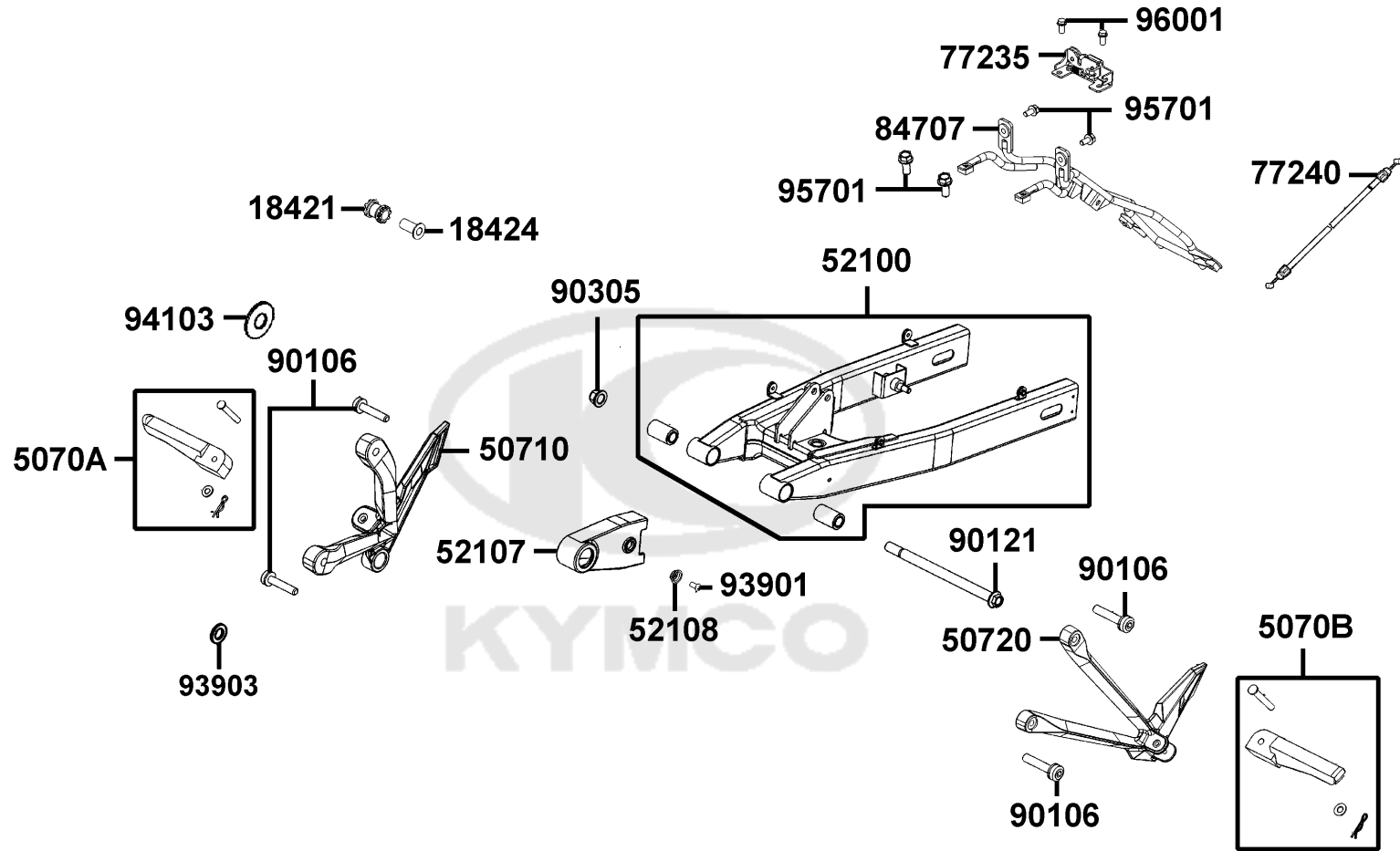
F14

Stand Kick Starter Arm



Sales mark	Ref no	Part no	Description	Reg description	Regd no	F14
2470A		2470A-LKH3-C00	PEDAL ASSY CHANGE	PEDAL ASSY CHANGE	1	
35357		35357-LDB5-C00	SPG STOP SW	SPG STOP SW	1	
46500		46500-ABD6-C00	"PEDAL, RR BRAKE"	"PEDAL, RR BRAKE"	1	
46514		46514-ALH8-C01	SPRING BRAKE PEDAL	SPRING BRAKE PEDAL	1	
50530		50530-LKH3-E70	"SHAFT, MAIN STAND PIVOT"	"SHAFT, MAIN STAND PIVOT"	1	
90108		90108-KKC4-900	SCREW SIDE STAND PIVOT	SCREW SIDE STAND PIVOT	1	
92000		92000-06020-0HG	BOLT HEX	BOLT HEX	1	
93404		93404-06012-08G	BOLT WASHER 6*12 (C)	BOLT WASHER 6*12 (C)	1	
95014		95014-LKH3-C00	SPRING A SIDE STAND	SPRING A SIDE STAND	1	

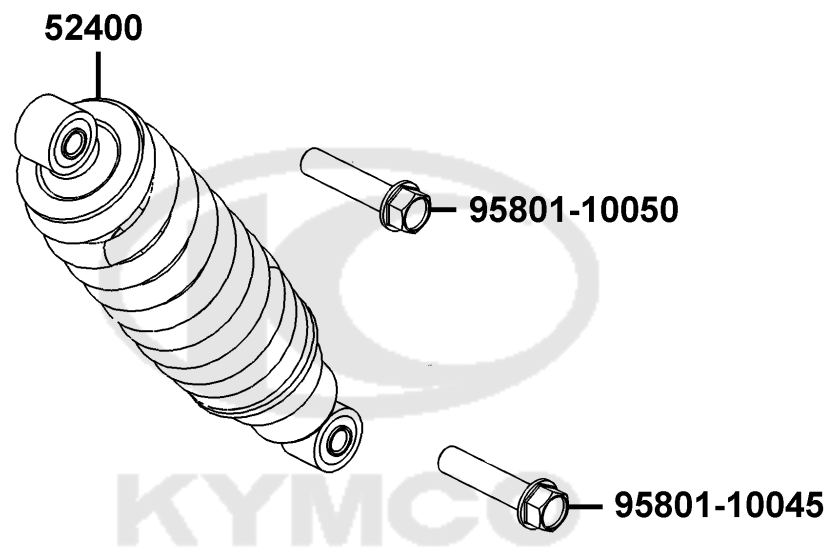




Sales mark	Ref no	Part no	Description	Reg description	Regd no	F15
	18421	18421-LCA3-B50	RUBBER MUFF MOUNT	RUBBER MUFF MOUNT	1	
	18424	18424-LCA3-B50	COLLAR MUFF MOUNT	COLLAR MUFF MOUNT	1	
	5070A	5070A-LKH3-C01	RR R STER ASSY	RR R STER ASSY	1	
	5070B	5070B-LKH3-C01	RR L STER ASSY.	RR L STER ASSY.	1	
**	50710	50710-LKH3-C00	"R BAR, RR. STEP"	"R BAR, RR. STEP"	1	
**	50720	50720-LKH3-C00	"L BAR, RR. STEP"	"L BAR, RR. STEP"	1	
	52100	52100-ABD6-C00	"FORK ASSY, RR."	"FORK ASSY, RR."	1	
	52107	52107-LKH3-C00	SLIDER CHAIN	SLIDER CHAIN	1	
	52108	52108-KFW6-C00	COLLAR CHAIN SLIDER	COLLAR CHAIN SLIDER	1	
	77235	77235-LGB5-E10	SEAT CATCH COMP	SEAT CATCH COMP	1	
	77240	77240-LKH3-C00	CABLE COMP SEAT LOCK	CABLE COMP SEAT LOCK	1	
	84707	84707-LKH3-C00	UNDER NUMBER BRKT RR	UNDER NUMBER BRKT RR	1	
	90106	90106-KFC2-900	BOLT SPECIAL 8MM	BOLT SPECIAL 8MM	4	
	90121	90121-LKH3-C00	"AXLE, RR FORK PIVOT"	"AXLE, RR FORK PIVOT"	1	
	90305	90305-MAA1-C01	U NUT FLANGE 14MM	U NUT FLANGE 14MM	1	
	93901	93901-26120-G	SCREW TAPPING 6*12(C)	SCREW TAPPING 6*12(C)	1	
	93903	93903-LKH3-C00	PLAIN	PLAIN	1	
	94103	94103-08200	WASHER SPECIAL	WASHER PLAIN 8mm	1	
	95701	95701-06012-08G	BOLT FLANGE 6*12	BOLT FLANGE 6*12	4	
	96001	96001-06012-08G	BOLT FLANGE SH 6X12 (C)	BOLT FLANGE SH 6X12 (C)	1	

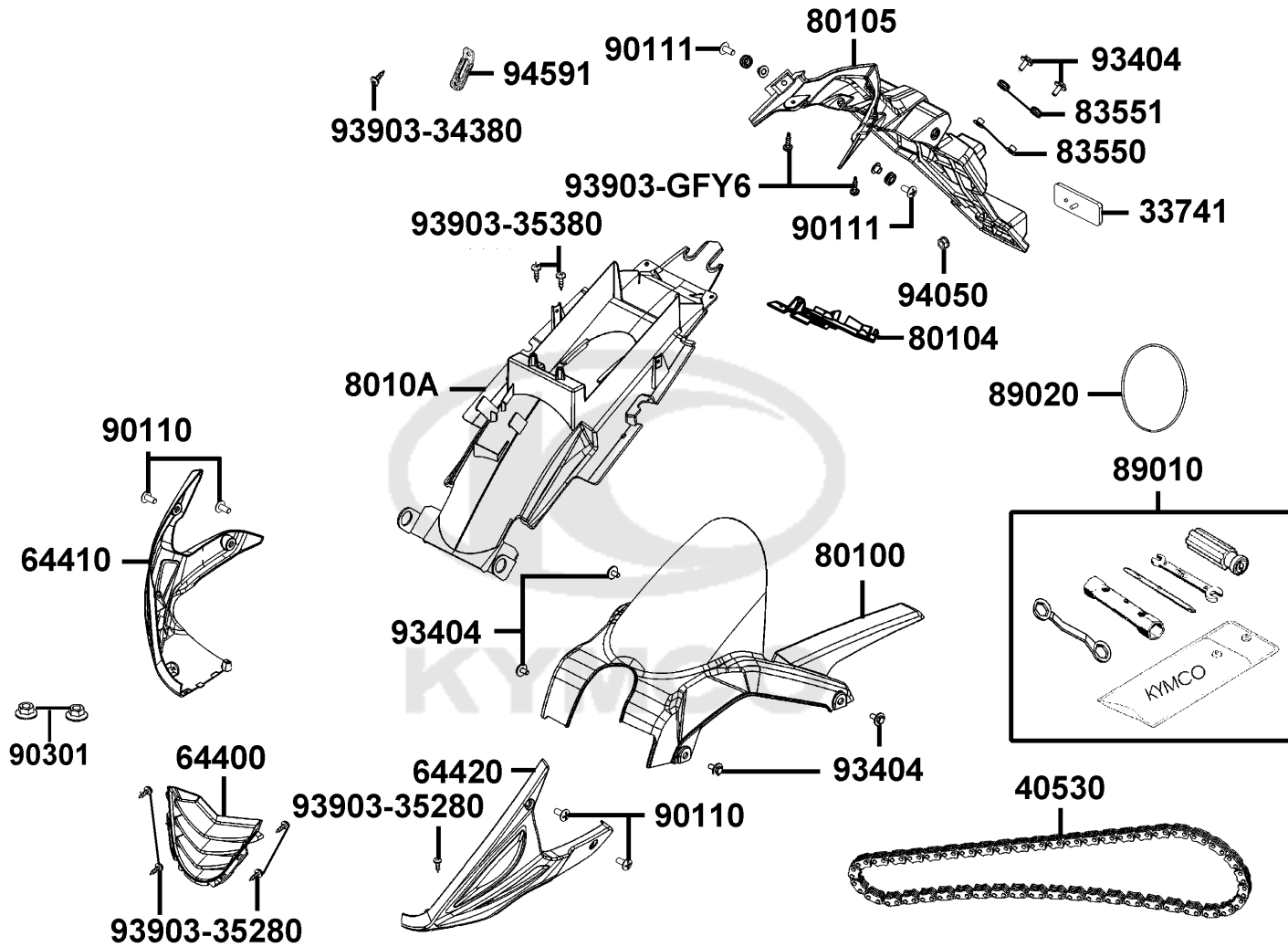
F16

Rear Cushion

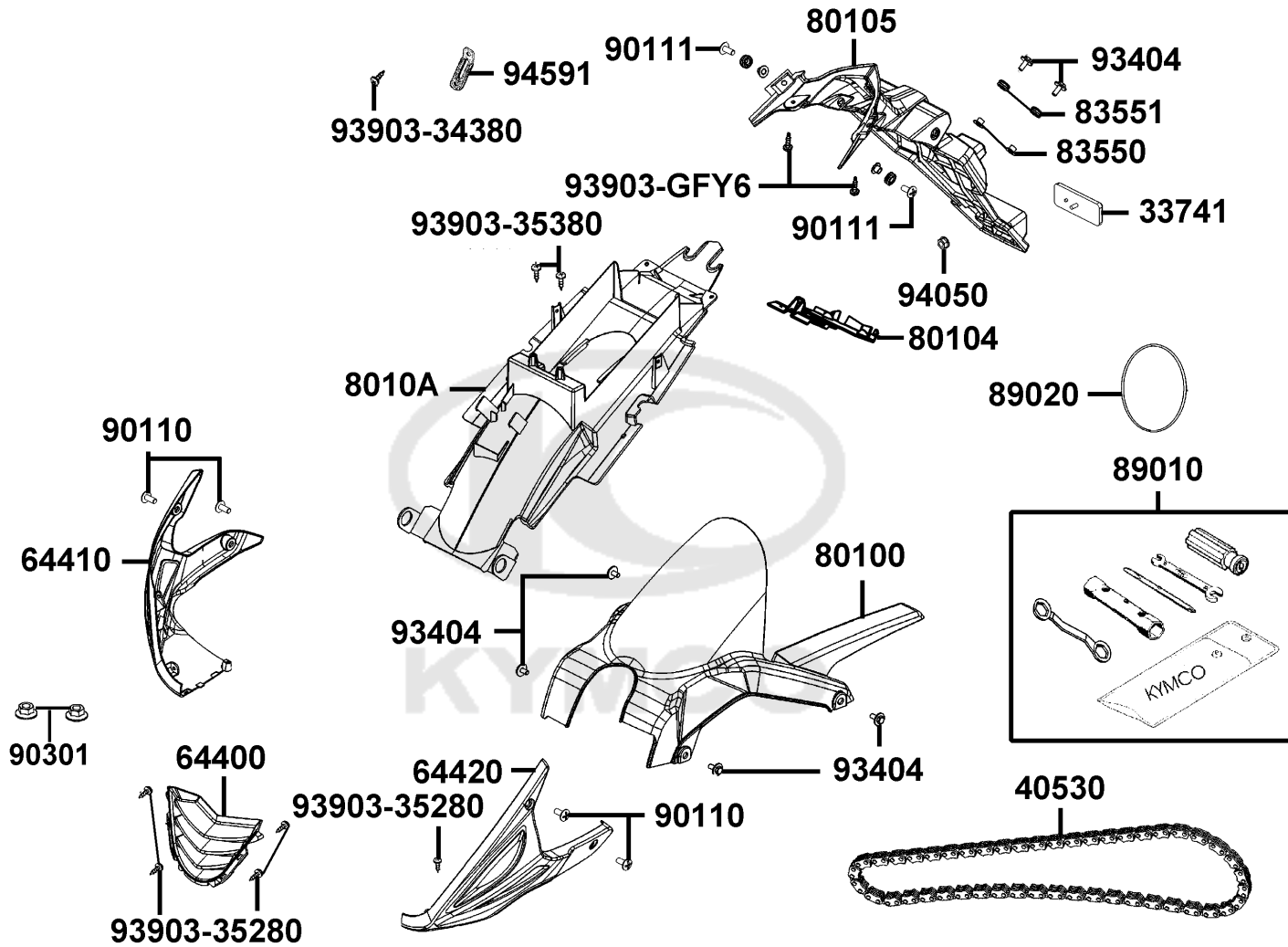


Sales mark	Ref no	Part no	Description	Reg description	Regd no	F16
**	52400	52400-LKH3-C00	CUSHION ASSY REAR	CUSHION ASSY REAR	1	
	95801-10045	95801-10045-08G	BOLT FLANGE 10X45	BOLT FLANGE 10X45	1	
	95801-10050	95801-10050-08G	BOLT FLANGE 10X50	BOLT FLANGE 10X50	1	





Sales mark	Ref no	Part no	Description	Reg description	Regd no	F17
#	33741	33741-LEH3-EZ0	REFLEX REFLECTOR	REFLEX REFLECTOR	1	
	40530	40530-LKH3-C00	CHAIN DRIVE	CHAIN DRIVE	1	
**	64400	64400-LKH3-C00	"GRILL ,UNDER COWL"	"GRILL ,UNDER COWL"	1	
**	64410	64410-LKH3-C00	COWL R UNDER	COWL R UNDER	1	
**	64420	64420-LKH3-C00	COWL L UNDER	COWL L UNDER	1	
**	80100	80100-LKH3-C00	"FENDER,RR TIRE"	"FENDER,RR TIRE"	1	
**	80104	80104-LKH3-C00	"COVER,RR SPLASH GUARD"	"COVER,RR SPLASH GUARD"	1	
**	80105	80105-LKH3-C00	"FENDER,RR"	"FENDER,RR"	1	
**	8010A	8010A-LKH3-C00	FENDER ASSY RR	FENDER ASSY RR	1	
	83550	83550-KEC8-C00	COLLAR SET METER	COLLAR	4	
	83551	83551-KEC8-C10	GROMMET COVER	GROMMET COVER	4	
	89010	89010-LKH3-C00	TOOL SET	TOOL SET	1	
	89020	89020-KKC4-C00	BAND TOOL SET	BAND TOOL SET	1	
	90110	90110-GLW0-C00	SCREW SPECIFIED 6*14	SCREW SPECIAL 6*14(CR)	4	
	90111	90111-ALD7-C10	SCREW PIN 6*16	SCREW PIN 6*16	2	
	90301	90301-6D34-C01	NUT FLANGE 6MM(C)	NUT FLANGE 6MM(C)	4	
	93404	93404-06016-08G	BOLT WASHER 6*16	BOLT WASHER 6*16	8	
	93903-34380	93903-34380-G	SCREW TAPPING 4x12	SCREW TAPPING 4x12	4	
	93903-35280	93903-35280-G	SCREW TAPPING 5*12 (K)	SCREW TAPPING 5*12 (KG)	1	
	93903-35380	93903-35380-G	SCREW TAPPING 5*16 (K)	SCREW TAPPING 5*16	1	



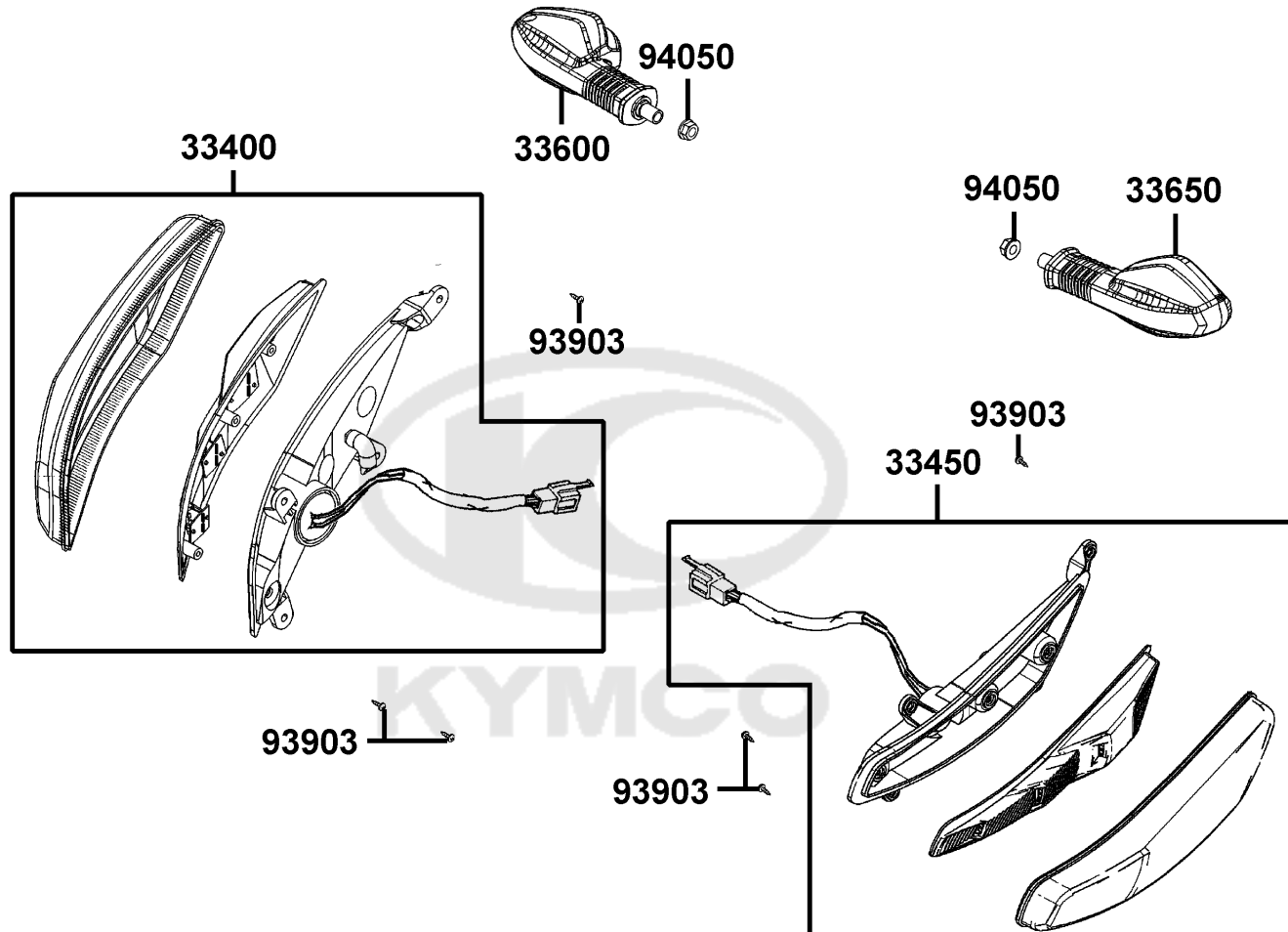
Sales mark	Ref no	Part no	Description	Reg description	Regd no	F17
------------	--------	---------	-------------	-----------------	---------	------------


	93903-GFY6	93903-GFY6-C01	SCREW TAPPING 4*14(K)	"SCREW,TAPPING4*14"	2	
	94050	94050-05080-G	NUT FLANGE 5MM	NUT FLANGE 5MM	1	
	94591	94591-27000	CLIP 2*70	CLIP 2*70	1	



F18

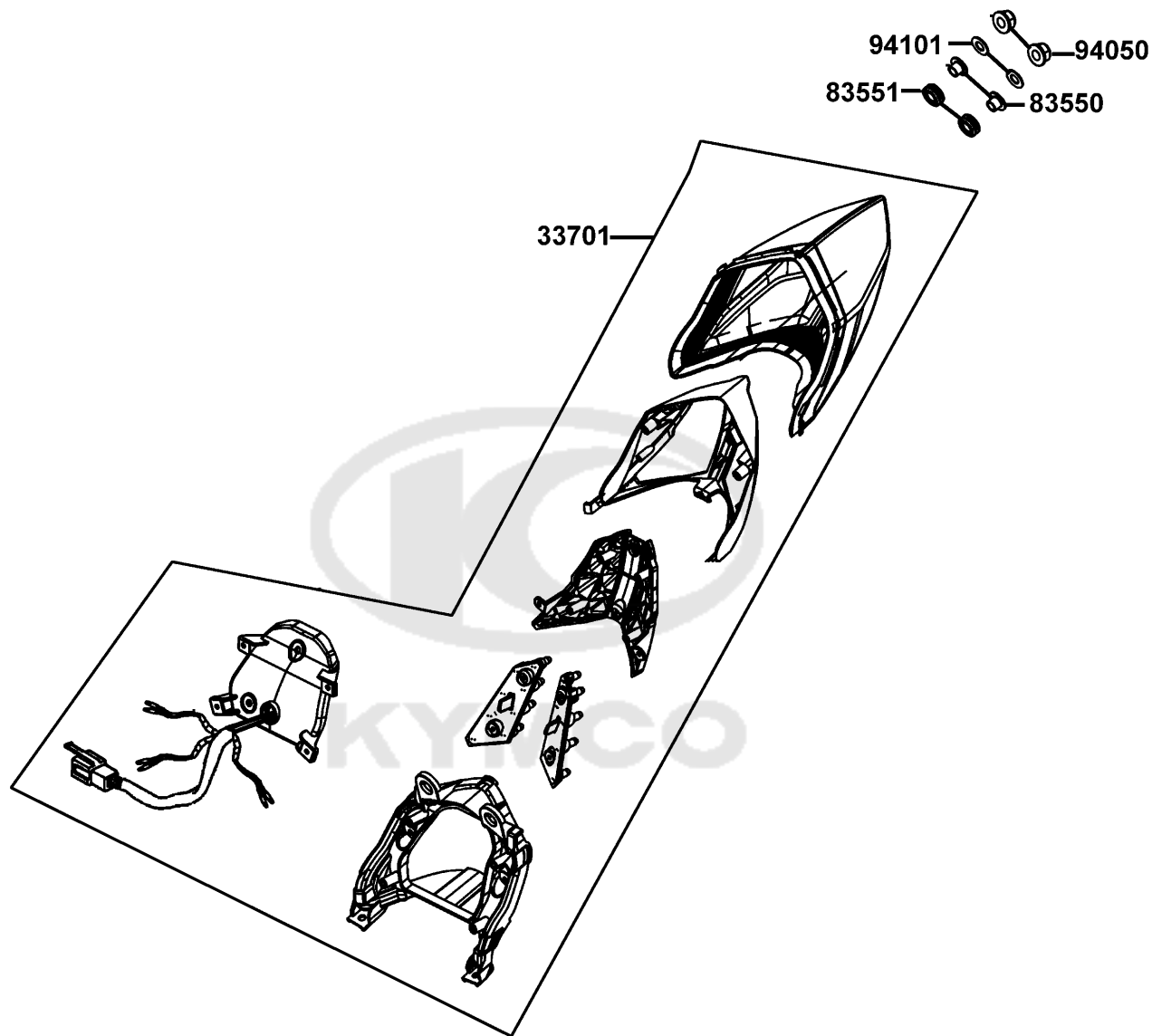
Front Winker




Sales mark	Ref no	Part no	Description	Reg description	Regd no	F18
	33400	33400-LKH3-C00	"WINKER ASS'Y., R, FR"	"WINKER ASS'Y., R, FR"	1	
	33450	33450-LKH3-C00	"WINKER ASS'Y., L, FR"	"WINKER ASS'Y., L, FR"	1	
	33600	33600-LKH3-C00	"WINKER ASS'Y., R/L, RR"	"WINKER ASS'Y., R/L, RR"	1	
	33650	33650-LKH3-C00	"WINKER ASS'Y., L, RR"	"WINKER ASS'Y., L, RR"	1	
	93903	93903-GFY6-C01	SCREW TAPPING 4*14(K)	"SCREW,TAPPING4*14"	6	
	94050	94050-ALD7-C11	NUT FLANGE 10MM	NUT HEX CAP 6MM	1	
						

F19

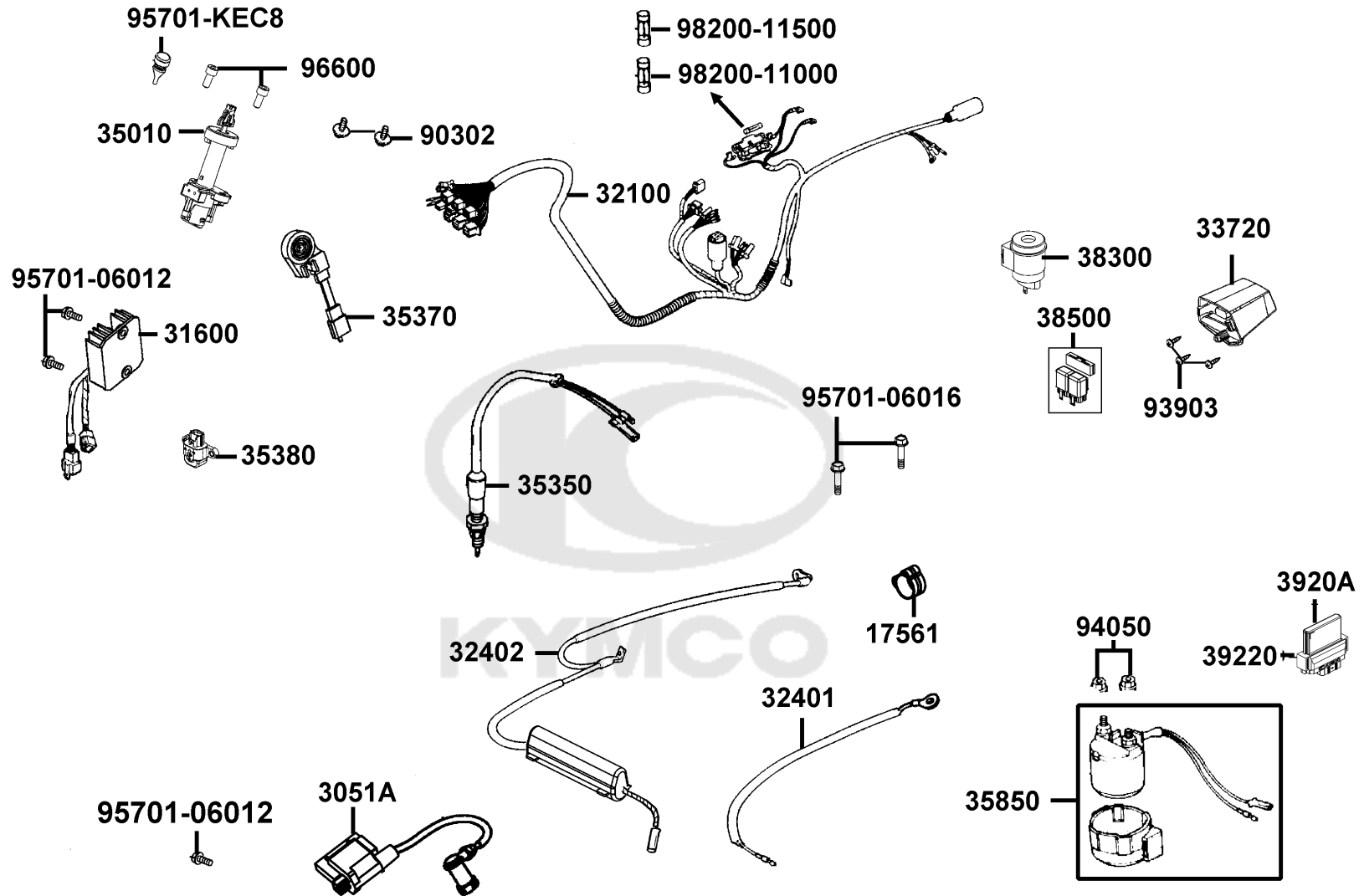
Tail Light



Sales mark	Ref no	Part no	Description	Reg description	Regd no	F19
	33701	33701-ABD6-C00	"UNIT, TAIL LIGHT"	"UNIT, TAIL LIGHT"	1	
	83550	83550-KEC8-C00	COLLAR SET METER	COLLAR	2	
	83551	83551-KEC8-C10	GROMMET COVER	GROMMET COVER	2	
	94050	94050-06080-G	NUT FLANGE 6MM	NUT FLANGE 6MM	2	
	94101	94101-06800-G	WASHER PLAN 6MM	WASHER PLAN 6MM	2	
						

F20

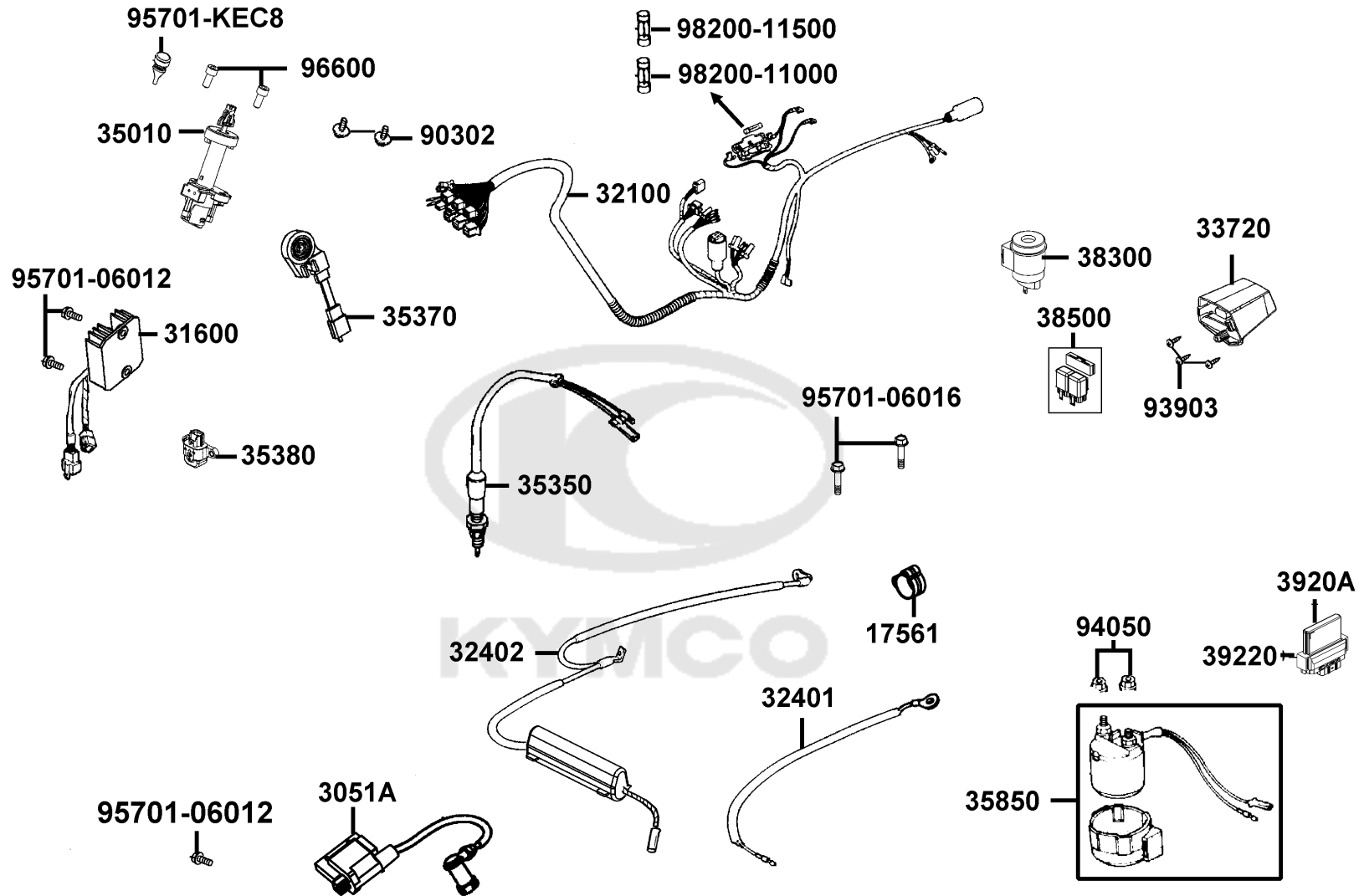
Wire Harness



Sales mark	Ref no	Part no	Description	Reg description	Regd no	F20
	17561	17561-LHG8-E00	CLIP 13.0	CLIP 13	1	
	3051A	3051A-LKH3-E03	COIL ASSY IGN	COIL COMP IGN	1	
	31600	31600-KED9-910	REG REC COMP	REG REC COMP	1	
	32100	32100-LKH3-E03	HARNESS WIRE	HARNESS WIRE	1	
	32401	32401-LKH3-C00	CORD EARTH	CORD EARTH	1	
	32402	32402-LKH3-E03	CABLE RELAY	CABLE RELAY	1	
	33720	33720-LKH3-C00	"LIGHT ASS'Y.,LINCENSE"	"LIGHT ASS'Y.,LINCENSE"	1	
	35010	35010-LKH3-C00	KEY SET	KEY SET	1	
	35350	35350-KBE2-C00	SWITCH ASSY RR STOP	SWITCH ASSY RR STOP	1	
	35370	35370-LKG7-E00	SW UNIT SIDE STAND	SW UNIT SIDE STAND	1	
#	35380	35380-ABE1-C00	SENSOR ANGLE	SENSOR ANGLE	1	
	35850	35850-KHD8-C00	RELAY ASSY START	SET START MAG	1	
	38300	38300-LKH3-E03	RELAY ASSY WINKER	RELAY ASSY WINKER	1	
	38500	38500-AAD2-C00	RELAY ASSY LIGHT	RELAY ASSY START	1	
	3920A	3920A-LKH3-E03	ASSY ECU	ECU ASS Y	1	
	39220	39220-LDF2-900	CUSHION CASE ECU	CUSHION CASE ECU	1	
	90302	90302-GFY6-C11	BOLT-WASH 5*16	BOLT-WASH 5*16	1	
	93903	93903-34380-G	SCREW TAPPING 4x12	SCREW TAPPING 4x12	3	
	94050	94050-06080-G	NUT FLANGE 6MM	NUT FLANGE 6MM	2	
	95701-06012	95701-06012-08G	BOLT FLANGE 6*12	BOLT FLANGE 6*12	3	

F20

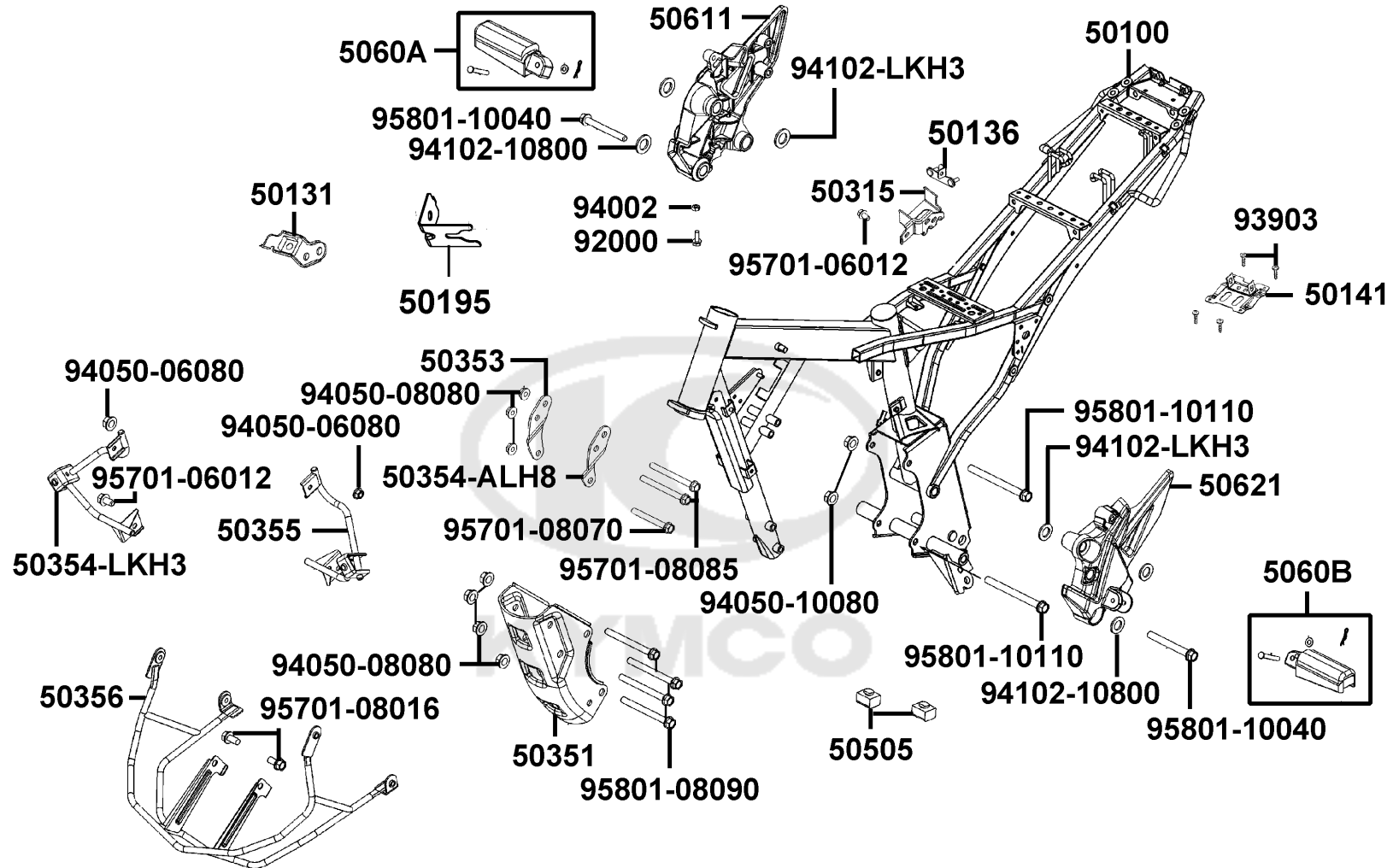
Wire Harness



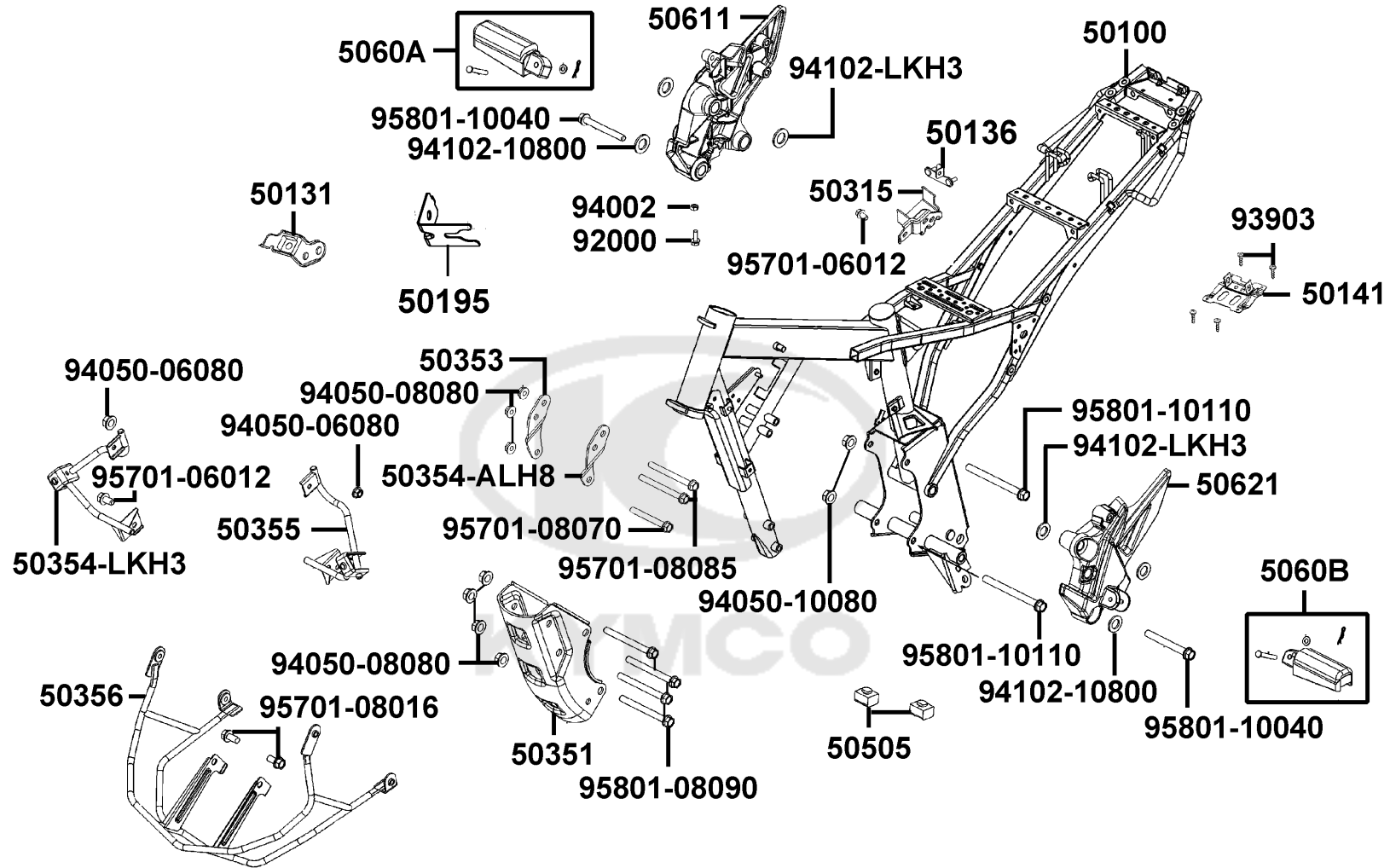
Sales mark	Ref no	Part no	Description	Reg description	Regd no	F20
------------	--------	---------	-------------	-----------------	---------	------------

	95701-06016	95701-06016-08G	BOLT FLANGE 6*16 (C)	BOLT FLANGE 6*16 (C)	2	
	95701-KEC8	95701-KEC8-E01	BOLT FLANGE 8*19	BOLT FLANGE 8*19	1	
	96600	96600-08018-08G	SOCKET BOLT 8*18 (B)	SOCKET BOLT 8*15	1	
	98200-11000	98200-11000	FUSE A10	FUSE 10A	1	
	98200-11500	98200-11500	FUSE A15	FUSE A15	1	





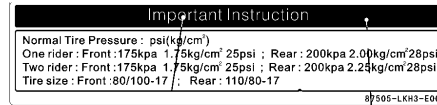
Sales mark	Ref no	Part no	Description	Reg description	Regd no	F21
	50100	50100-LKH3-E03	BODY COMP FRAME	BODY COMP FRAME	1	
	50131	50131-LKH3-C00	"STAY, HORN"	"STAY, HORN"	1	
	50136	50136-LKH3-E03	STAY. ANGLE DETECTMP	"STAY, ANGLE DETECTMP"	1	
	50141	50141-ABD6-C00	"STAY, ECU"	"STAY, ECU"	1	
	50195	50195-LKH3-E03	CBS	CBS	1	
	50315	50315-ABD6-C00	"STAY, START MAG."	"STAY, START MAG."	1	
	50351	50351-LKH3-C00	"PLATE, FR ENGINE HANGER"	"PLATE, FR ENGINE HANGER"	1	
	50353	50353-ALH8-C10	PLATE ENG UOHANGER R	PLATE ENG UOHANGER R	1	
	50354-ALH8	50354-ALH8-C10	PLATE ENG UP HANGER	PLATE ENG UP HANGER	1	
	50354-LKH3	50354-LKH3-C00	"BAR, TANK SIDE COVER"	"BAR, TANK SIDE COVER"	1	
	50355	50355-LKH3-C00	"BAR, TANK SIDE COVER"	"BAR, TANK SIDE COVER"	1	
	50356	50356-LKH3-C00	"BAR, UNDER COWL"	"BAR, UNDER COWL"	1	
	50505	50505-LDC8-E10	STOPPER RUBBER	STOPPER RUBBER	2	
	5060A	5060A-LKH3-C00	BAR STER R	BAR STER R	1	
	5060B	5060B-LKH3-C00	BAR STER L	BAR STER L	1	
**	50611	50611-LKH3-C00	"BRKT. R, FR STEP"	"BRKT. R, FR STEP"	1	
**	50621	50621-LKH3-C00	"BRKT. L, FR STEP"	"BRKT. L, FR STEP"	1	
	92000	92000-06020-OHG	BOLT HEX	BOLT HEX	1	
	93903	93903-35380-G	SCREW TAPPING 5*16 (K)	SCREW TAPPING 5*16	1	
	94002	94002-06080-OSG	NUT HEX 6MM	NUT HEX 6MM	1	



Sales mark	Ref no	Part no	Description	Reg description	Regd no	F21
	94050-06080	94050-06080-G	NUT FLANGE 6MM	NUT FLANGE 6MM	2	
	94050-08080	94050-08080-G	NUT FLANGE 8MM	FLANGE NUT 8MM(C)	7	
	94050-10080	94050-10080-G	NUT FLANGE 10MM (C)	NUT FLANGE 10MM (C)	2	
	94102-10800	94102-10800-G	WASHER PLAIN 10MM	WASHER PLAIN 10.5*22*2.5	1	
	94102-LKH3	94102-LKH3-C00	WASHER PLAIN 14MM	WASHER PLAIN 14MM	4	
	95701-06012	95701-06012-08G	BOLT FLANGE 6*12	BOLT FLANGE 6*12	2	
	95701-08016	95701-08016-08G	BOLT FLANGE 8*16	BOLT FLANGE 8*16	2	
	95701-08070	95701-08070-08G	BOLT FLANGE 8X70	BOLT FLANGE 8*70	1	
	95701-08085	95701-08085-08G	BOLT FLANGE 8*85	BOLT FLANGE 8*85	2	
	95801-08090	95801-08090-08G	BOLT FLANGE 8*90 (C)	BOLT FLANGE 8*90 (C)	1	
	95801-10040	95801-10040-08G	BOLT FLANGE 10*40	BOLT FLANGE	2	
	95801-10110	95801-10110-08G	BOLT FLANGE 10*110	BOLT FLANGE 10*110	2	



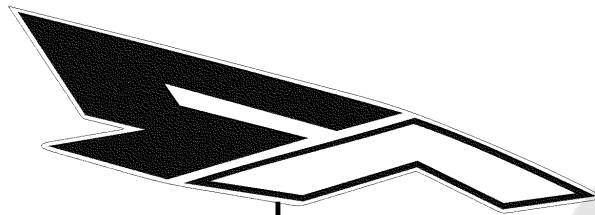
87160



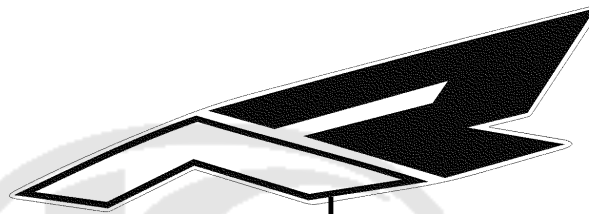
87505



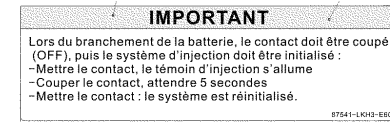
86403



86223

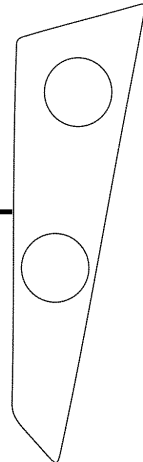


86233

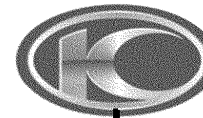
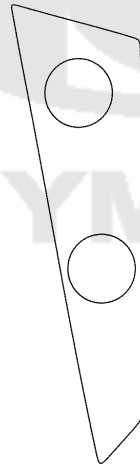


87541

86533



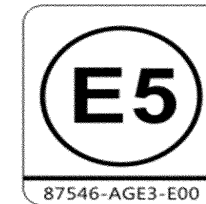
86523



87566



87542



87546

Sales mark	Ref no	Part no	Description	Reg description	Regd no	F22
**	86223	86223-LKH3-E70	STRIPE R FUEL TANK	STRIPE R FUEL TANK	1	
**	86233	86233-LKH3-E70	STRIPE L FUEL TANK	STRIPE L FUEL TANK	1	
**	86403	86403-LKH3-E70	STRIPE BODY COVER	STRIPE BODY COVER	1	
**	86523	86523-LKH3-E70	STRIPE R FR FENDER	STRIPE R FR FENDER	1	
**	86533	86533-LKH3-E70	STRIPE L FR FENDER	STRIPE L FR FENDER	1	
**	87160	87160-LKH3-C10	EMB MARK KYMCO	EMB MARK KYMCO	1	
**	87505	87505-LKH3-E00	MARK ANTI TAMPERING	MARK ANTI TAMPERING	1	
**	87541	87541-LKH3-E60	CAUTION SIDE STAND	CAUTION SIDE STAND	1	
**	87542	87542-LKH3-E00	MARK MAINT CAUTION	MARK MAINT CAUTION	1	
**	87546	87546-AGE3-E00	LABEL FUEL TANK	LABEL FUEL TANK	1	
**	87566	87566-LEH3-C10	MARK K LOGO	MARK K LOGO	1	

PART NO. INDEX

PART NO.	VERSION	PAGE	PART NO.	VERSION	PAGE	PART NO.	VERSION	PAGE
11000			13000			14531-3G97-C00	0	E06
11100-LKH3-C00	0	E07	13000-LKH3-C00	1	E08	14531-KKJ9-C00	0	E01
11200-LKH3-C00	0	E07	13011-LKH3-C00	0	E08	14610-LEB1-90B	0	E01
11330-LKH3-C00	0	E03	13101-LKH3-C00	1	E08	14711-KUDU-C00	1	E02
11341-LKH3-C00	0	E06	13111-KEE1-C00	0	E08	14721-KUDU-C00	1	E02
11361-LKH3-C00	0	E06	13115-0A01-C00	2	E08	14751-LFD7-900	0	E02
11361-LKH3-C00	1	E06	1342A-LKH3-C00	1	E08	14761-KKJ9-C00	2	E02
11393-LKH3-C00	0	E03	14000			14771-GDB4-C00	2	E02
11395-LKH3-C00	2	E06	14100-LKH3-C00	0	E02	14775-MFA6-C00	5	E02
12000			14110-LEB1-C00	1	E02	14781-MFA6-C00	4	E02
12100-LKH3-C00	2	E01	14314-LKH3-C00	0	E08	15000		
12191-LKH3-C00	1	E01	14321-LEB1-C00	1	E02	15100-LKH3-C00	0	E04
12200-LKH3-E03	0	E02	14401-KUDU-C00	1	E01	15133-LKH3-C00	0	E04
12209-GDB4-C00	2	E02	14402-LKH3-C00	1	E07	15421-1G07-C00	1	E07
12251-LKH3-C00	1	E02	1443A-LKH3-C00	1	E02	15426-1G07-C00	0	E07
12295-LKH3-C00	0	E01	14452-LKH3-C00	1	E02	15430-KKAK-C00	0	E04
12295-LKH3-C00	0	E02	14453-LKH3-C00	0	E02	15436-1G07-C00	0	E04
1231A-LKH3-E03	1	E02	14510-LKH3-C00	1	E01	1543A-KGG7-C00	0	E04
12361-1G07-001	0	E07	14511-3G97-C00	0	E06	1543B-LKH3-C00	0	E04
12391-LKH3-C00	0	E02	1451A-3G97-C00	0	E06	15441-1G07-C00	0	E04
			14520-LBE8-C00	0	E01	15446-1G07-C00	0	E04
			14523-LKH3-C00	0	E01	15451-1G07-C00	0	E04
						15459-1G07-C00	0	E04
						15650-PWA1-C00	0	E03

PART NO. INDEX

PART NO.	VERSION	PAGE	PART NO.	VERSION	PAGE	PART NO.	VERSION	PAGE
15661-LBA7-C00	0	E03	17522-LKH3-C00	1	F09			
1576A-LKH3-C00	0	F12	17556-ABD6-C01	0	F09	19000		
16000			17558-LGM5-900	0	F09			
			1755A-LKH3-E03	0	F09	19504-LBA2-C00	1	F09
			17560-LKH3-E03	1	F09			
16100-LKH3-E03	1	E11	17561-LHG8-E00	0	F20	22000		
16201-LKH3-C00	0	E01	17611-LEF1-C10	0	F09			
16211-LKH3-E03	1	E01	17613-LEF1-C10	0	F09	22100-1G07-C00	0	E05
16217-LGM5-C00	0	E01	17700-LKH3-C00	0	F09	22103-1G07-C00	0	E05
16956-LKH3-C00	0	F09	17701-LKH3-C00	0	F09	2210B-LEF1-C10-S01	0	E05
17000			17710-LKH3-C00	0	F09	22121-LEF1-C00	0	E05
			17720-LKH3-C00	0	F09	22201-LEF1-C00	0	E05
			17910-ABD6-C00	0	F01	22311-LEF1-C00	0	E05
17115-LKH3-E03	1	E01	18000			22350-LEF1-C00	0	E05
1711A-ABD6-C00	0	E01				22361-LEF1-C00	0	E05
17200-LKH3-E03	1	F12				22366-LKH3-C00	0	E05
17203-LKH3-C00	0	F12	18291-KEBE-C00	1	F13	22401-LEF1-C00	0	E05
17207-LKH3-C00	2	F12	18291-LKH3-E90	0	F13	22810-LKH3-C00	0	E03
17211-ABD6-C00	0	F12	18292-KEBE-C00	0	F13	22815-LBG5-C10	0	E03
1721B-LKH3-C00	0	F12	18293-KEBE-C00	1	F13	22838-LKH3-C00	0	E03
17300-LKH3-E04	1	F10	18294-PUA3-B50	1	F13	22847-KED9-C00	0	E03
17305-LKH3-C00	0	F10	1830A-LKH3-E03	1	F13	22870-LKH3-C00	0	F01
1737A-LKH3-C00	0	F12	18318-LKH3-C00	0	F13			
17500-LKH3-E03	0	F09	18319-LKH3-C00	0	F13	23000		
17509-LEF1-C10	1	F09	18421-LCA3-B50	0	F15			
17514-LEF1-C10	0	F09	18424-LCA3-B50	0	F15	23121-LKH3-C00	0	E04

PART NO. INDEX

PART NO.	VERSION	PAGE	PART NO.	VERSION	PAGE	PART NO.	VERSION	PAGE
23211-LKH3-C00	4	E09	24430-3D24-C00	0	E10	31600-KED9-910	0	F20
2321A-LKH3-C00	0	E09	24435-KKAK-C00	0	E10			
23221-1G07-C00	0	E09	2461A-KBE2-C00	0	E10	32000		
2322A-LKH3-C00	0	E09	24621-1G07-C00	0	E10			
23426-LKH3-C00	1	E09	24631-1G07-C00	0	E10	32100-LKH3-E03	0	F20
23431-LKH3-C00	1	E09	24651-3H98-C00	0	E10	32401-LKH3-C00	0	F20
23441-4K39-C00	0	E09	2470A-LKH3-C00	1	F14	32402-LKH3-E03	0	F20
23451-4K39-C00	0	E09				32976-1G07-C00	0	E06
23461-LKH3-C00	1	E09	28000					
23471-LKH3-C00	1	E09				33000		
23481-LKH3-C00	1	E09	28102-KHE7-C00	1	E06			
23491-LKH3-C00	1	E09	28110-LKH3-C00	4	E06	33100-LKH3-C00	0	F02
23501-LKH3-C00	1	E09	28120-GFY6-C10	1	E06	33400-LKH3-C00	0	F18
23511-ABD6-C00	0	E09	28130-LKH3-C00	2	E06	33450-LKH3-C00	0	F18
23520-3C83-C00	0	E09				33600-LKH3-C00	1	F18
23801-3D24-C00	0	E09	30000			33650-LKH3-C00	1	F18
23811-KCR3-C00	0	E09				33701-ABD6-C00	0	F19
			3051A-LKH3-E03	1	F20	33720-LKH3-C00	0	F20
24000						33730-LKH3-C00	0	F04
			31000			33731-GFY6-C00	0	F04
24211-1G07-C00	2	E10				33741-LEH3-EZ0	1	F17
24221-3E55-C00	1	E10	31100-ABD6-C01	1	E06			
24231-1G07-C00	1	E10	31110-ABD6-C01	0	E06	34000		
24241-1G07-C00	0	E10	31120-ABD6-C00	0	E06			
24301-KHC6-C00	0	E10	31200-LKH3-C00	5	E06	34901-KED9-900	0	F02
24411-KKAK-900	0	E10	31500-ABD6-C00	0	F12			

PART NO. INDEX

PART NO.	VERSION	PAGE	PART NO.	VERSION	PAGE	PART NO.	VERSION	PAGE
35000			39000			42000		
35010-LKH3-C00	1	F20	3920A-LKH3-E03	0	F20	42301-LKH3-C00	1	F08
3515A-LKH3-E03	0	F01	39220-LDF2-900	1	F20	42311-ABD6-C00	0	F08
3520A-ABD6-C00	0	F01	39300-LEA6-800	0	E01	42313-ABD6-C00	0	F08
35340-KNBN-C00	1	F01	39301-LEB2-C00	0	E01	4260A-ABD6-C00	0	F08
35350-KBE2-C00	0	F20	39302-KKE3-C00	1	E01	42610-ABD6-C00	0	F08
35357-LDB5-C00	0	F14	39303-ABD6-C00	0	E01	42611-ABD6-C00	0	F08
35370-LKG7-E00	0	F20	39400-LHJ3-900	1	E01	42625-ABD6-C00	0	F08
35380-ABE1-C00	0	F20	39450-LKH3-E03	0	F13	42710-LKH3-C00	1	F08
35759-KHC6-C00	0	E07				42753-0A01-C00	1	F07
35850-KHD8-C00	1	F20	40000			42753-0A01-C00	1	F08
37000			40530-LKH3-C00	0	F17	43000		
			40543-LKH3-C10	0	F08			
37200-LKH3-E03	0	F03	40546-LKH3-C10	0	F08	43100-LKH3-E03	1	F01
37800-LKH3-E03	0	F09	4054A-LKH3-C00	1	F08	43310-ABD6-C00	0	F01
38000			41000			43351-ABD6-C00	0	F08
						43431-LEB6-E81	0	F08
38110-KHB4-E0A	2	F03	41201-ABD6-C00	0	F08	43434-2F86-C00	0	F08
38300-LKH3-E03	0	F20	41241-ABD6-C00	0	F08	43500-LKH3-E03	0	F01
38500-AAD2-C00	5	F20				44000		
						44301-KGG7-C01	0	F07

PART NO. INDEX

PART NO.	VERSION	PAGE	PART NO.	VERSION	PAGE	PART NO.	VERSION	PAGE
44311-LKH3-C00	0	F07	46503-KCW3-C00	0	F08	50611-LKH3-C00	1	F21
4460A-LKH3-C00	0	F07	46514-ALH8-C01	0	F14	50621-LKH3-C00	0	F21
4460A-LKH3-C00	1	F07				50621-LKH3-C00	1	F21
44680-4L10-C00	1	F07	50000			5070A-LKH3-C01	1	F15
44710-LKH3-C00	1	F07				5070B-LKH3-C01	1	F15
44800-LKH3-C00	0	F07	50100-LKH3-E03	1	F21	50710-LKH3-C00	0	F15
44830-LKH3-C00	0	F03	50131-LKH3-C00	0	F21	50710-LKH3-C00	1	F15
			50136-LKH3-E03	1	F21	50720-LKH3-C00	0	F15
45000			50141-ABD6-C00	0	F21	50720-LKH3-C00	1	F15
			50195-LKH3-E03	0	F21			
45105-LGE5-305	0	F01	50301-LEF1-C1A	0	F04	51000		
45121-LEC8-E00	0	F07	50302-LEF1-C1A	0	F04			
45126-LKH3-E03	0	F01	50306-LKH3-C00	0	F04	51400-LKH3-E03	1	F06
45128-LKH3-E03	1	F04	50315-ABD6-C00	0	F21	51401-LKH3-C00	0	F06
45136-LKH3-E03	0	F01	5032A-ABD6-C00	0	F12	51404-LKH3-C00	0	F06
45156-KECE-C00	0	F06	50351-LKH3-C00	1	F21	51410-LKH3-C00	0	F06
45200-LKH3-E03	0	F01	50353-ALH8-C10	2	F21	51412-LEJ2-E10	0	F06
45250-LKG2-305	0	F01	50354-ALH8-C10	2	F21	51420-LKH3-E03	0	F06
45500-LKH3-C00	1	F01	50354-LKH3-C00	0	F21	51422-LEJ2-E10	0	F06
45513-KFAF-901	0	F01	50355-LKH3-C00	0	F21	51427-LKH3-C00	0	F06
45517-KFAF-900	0	F01	50356-LKH3-C00	2	F21	51428-LEJ2-E10	0	F06
			50505-LDC8-E10	2	F21	51429-LKH3-C00	0	F06
46000			50530-LKH3-E70	0	F14	51437-LEJ2-E10	0	F06
			5060A-LKH3-C00	0	F21	51500-LKH3-C00	0	F06
46500-ABD6-C00	0	F14	5060B-LKH3-C00	0	F21	51500-LKH3-C00	1	F06
46503-ABD6-C00	0	F08	50611-LKH3-C00	0	F21	51520-LKH3-C00	0	F06

PART NO. INDEX

PART NO.	VERSION	PAGE	PART NO.	VERSION	PAGE	PART NO.	VERSION	PAGE
51606-LKH3-E03	1	F03	5317A-LKH3-C00	0	F01	64400-LKH3-C00	0	F17
51607-LKH3-E03	1	F03	53200-LKH3-C00	2	F04	64410-LKH3-C00	0	F17
51608-LKH3-C00	1	F03	53204-LKH3-C00	0	F03	64420-LKH3-C00	0	F17
52000			53211-LEF1-C10	0	F04	77000		
			53212-LEF1-C10	0	F04			
			53213-LEF1-C10	1	F04			
52100-ABD6-C00	0	F15	53220-LEF1-C01	0	F04	77200-LKH3-C00	0	F10
52107-LKH3-C00	1	F15	53230-LKH3-C00	0	F04	77210-LKH3-C00	0	F10
52108-KFW6-C00	0	F15	61000			77235-LGB5-E10	6	F15
52400-LKH3-C00	2	F16				77240-LKH3-C00	0	F15
53000			61100-LKH3-C00	0	F05	80000		
			61102-LKH3-C00	1	F05			
53100-LKH3-C00	0	F04	61316-4A71-C00	0	F03	80100-LKH3-C00	0	F17
53103-LFC4-E10	0	F04	64000			80101-2C83-C00	0	F03
53105-LFC4-E10	0	F04				80104-LKH3-C00	0	F17
53108-LFC4-E10	0	F04				80105-LKH3-C00	0	F17
53109-LFC4-E10	0	F04	64210-LKH3-C00	0	F03	8010A-LKH3-C00	0	F17
53131-LKH3-C00	0	F04	64240-LKH3-C00	0	F03	81000		
53131-LKH3-C00	1	F04	64242-LKH3-C00	0	F03			
53132-ALD7-C10	0	F04	64243-LKH3-C00	0	F09			
53133-3H98-C00	0	F04	64244-LKH3-C00	0	F09	81200-LKH3-C00	0	F10
53134-2C83-C01	1	F04	64250-LKH3-C00	0	F09	83000		
53140-LKH3-C00	0	F04	64260-LKH3-C00	0	F09			
53166-LKH3-C00	0	F04	64340-LKH3-C00	0	F03			
53175-LKH3-C00	0	F01	64342-LKH3-C00	0	F03	83500-LKH3-C00	0	F11

PART NO. INDEX

PART NO.	VERSION	PAGE	PART NO.	VERSION	PAGE	PART NO.	VERSION	PAGE
83510-LKH3-C00	0	F11	86403-LKH3-E70	1	F22	90001-GFY6-C01	0	E02
83511-LKH3-C00	0	F11	86523-LKH3-E70	1	F22	90005-KAW1-C00	0	E01
83520-LKH3-C00	0	F11	86533-LKH3-E70	1	F22	9000B-KHD6-C02	1	E02
83550-KEC8-C00	4	F05				90023-KGG7-C00	0	E06
83550-KEC8-C00	4	F09	87000			90031-KUDU-C01	0	E02
83550-KEC8-C00	4	F11				90033-KGB4-C11	0	E02
83550-KEC8-C00	4	F17	87160-LKH3-C10	0	F22	90084-LBA8-E80	0	E06
83550-KEC8-C00	4	F19	87505-LKH3-E00	0	F22	90087-4H28-E80	0	E06
83551-KEC8-C10	4	F05	87541-LKH3-E60	1	F22	90105-KAR1-C00	0	F07
83551-KEC8-C10	4	F09	87542-LKH3-E00	0	F22	90105-KCR3-C02	1	F08
83551-KEC8-C10	4	F11	87546-AGE3-E00	0	F22	90106-KFAF-900	2	F04
83551-KEC8-C10	4	F17	87566-LEH3-C10	0	F22	90106-KFC2-900	2	F04
83551-KEC8-C10	4	F19				90106-KFC2-900	2	F15
83551-KKAK-C00	0	F09	88000			90108-KKC4-900	0	F14
83600-LKH3-C00	0	F11				90110-GLW0-C00	0	F17
83610-LKH3-C00	0	F11	88110-LKH3-C01	0	F04	90111-ALD7-C10	0	F17
83620-LKH3-C00	0	F11	88120-LKH3-C01	0	F04	90114-1F66-C00	2	F01
84000			89000			90116-LEJ2-E10	0	F06
						90120-KGAG-520	0	F13
						90120-LKH3-C00	0	F13
84707-LKH3-C00	1	F15	89010-LKH3-C00	0	F17	90121-LKH3-C00	2	F15
86000			89020-KKC4-C00	1	F17	90122-LEA7-C01	0	E06
			90000			90122-LEA7-C01	0	F01
						90127-LBA8-C11	1	F08
86223-LKH3-E70	1	F22				90145-9A61-C00	1	F01
86233-LKH3-E70	1	F22	90001-GBHB-C06	1	E01	90145-LBA2-E00	0	F01

PART NO. INDEX

PART NO.	VERSION	PAGE	PART NO.	VERSION	PAGE	PART NO.	VERSION	PAGE
90231-LEF1-C00	0	E05	90453-1G07-C00	1	E09	91206-2F86-C00	0	E07
90301-6D34-C01	1	F17	90453-LEF1-C00	0	E05	91251-LEJ2-E10	0	F06
90302-GFY6-C11	1	F20	90453-LKH3-C00	2	E06	91254-KGC4-C00	0	F08
90302-LLB1-C01	1	F12	90454-1G07-C00	1	E09	91254-LEJ2-E10	0	F06
90302-PUA3-B53	1	F12	90455-1G07-C00	1	E09	91257-KED9-C00	0	F08
90302-SDA4-C01	0	F03	90465-MDC4-C01	0	E02	91258-4L10-007	1	F07
90302-SDA4-C01	0	F11	90501-3L10-C00	0	F08	91302-5G67-C00	0	E06
90304-LKH3-C00	0	F04	90503-0A51-C00	0	F04	91303-1G07-C00	0	E07
90305-GHK8-C01	0	F05	9052A-LEB1-C01	0	E07	91303-3G77-C00	0	E06
90305-GHK8-C01	0	F09	90544-LEJ2-E10	0	F06	91306-1E05-C00	1	E01
90305-LEF1-C00	0	F08	90545-3L00-C00	2	F01	91319-3L00-C00	1	E06
90305-MAA1-C01	0	F15	90605-2L00-C00	1	E09			
90306-GLW0-C01	0	F07	90652-LFB5-C00	1	F03	92000		
90309-PUA3-B50	0	F08	90652-LFB5-C00	1	F11			
90309-PUA3-B50	0	F13	90660-LDE9-E00	0	F10	92000-06010-0HG	1	E09
90381-LBA8-C10	0	F09	90660-PWA2-900	1	F01	92000-06020-0HG	0	E10
90381-LBA8-C11	0	F09	90660-PWA2-900	1	F09	92000-06020-0HG	0	F14
90382-LBA8-C10	4	F05	90668-LDC8-E10	1	F04	92000-06020-0HG	0	F21
90403-KFN6-C01	1	F08				92000-06025-08G	1	E10
90403-LKH3-C00	0	E02	91000			92101-05012-0HG	1	F08
90409-LEC8-C00	0	E03				92201-05025-0HG	1	E06
90437-LKH3-C00	1	E06	91101-1K79-711	1	E06	92918-ABD6-C00	0	F08
90451-0A01-C00	0	E10	91104-KEC8-C00	1	E06			
90451-1G07-C00	0	E09	91106-3C83-C00	1	E07	93000		
90451-3E65-C00	1	E09	91201-0L30-C00	0	E07			
90452-1G07-C00	1	E09	91201-LEF2-C10	0	E03	93404-06012-08G	0	F14

PART NO. INDEX

PART NO.	VERSION	PAGE	PART NO.	VERSION	PAGE	PART NO.	VERSION	PAGE
93404-06016-08G	0	F09	94000			94102-LKH3-C00	0	F21
93404-06016-08G	0	F11				94103-08200	0	F15
93404-06016-08G	0	F17				94111-06800-G	0	E01
93404-06020-08G	0	F09	94001-08080-0SG	0	F08	94111-06800-G	0	E04
93404-06035-08G	0	F09	94001-08080-0SG	0	F13	94201-20150-08G	0	F08
93500-04012-07G	1	F03	94002-06080-0SG	0	F03	94301-08140	4	E03
93500-05016-0HG	1	E06	94002-06080-0SG	0	F21	94301-08140	4	E04
93700-05016-0HG	0	F07	94050-05080-G	1	F09	94301-08140	4	E06
93901-26120-G	0	F15	94050-05080-G	1	F17	94301-08140	4	E07
93903-14380-G	0	F08	94050-06060	1	F01	94301-10160	4	E01
93903-24380	0	F11	94050-06080-G	1	E04	94301-10160	4	E02
93903-34380-G	0	F03	94050-06080-G	1	F04	94305-LBG5-C10	0	E03
93903-34380-G	0	F09	94050-06080-G	1	F19	94510-12000	0	E10
93903-34380-G	0	F17	94050-06080-G	1	F20	94510-14000	0	E10
93903-34380-G	0	F20	94050-06080-G	1	F21	94591-27000	0	F17
93903-35280-G	1	F17	94050-08080-G	1	E02	94591-KFBF-C00	1	E06
93903-35380-G	1	F17	94050-08080-G	1	F21	94608-LEJ2-E10	0	F06
93903-35380-G	1	F21	94050-10080-G	1	F21			
93903-44580-G	1	F03	94050-ALD7-C11	0	F04	95000		
93903-GFY6-C01	1	F03	94050-ALD7-C11	0	F18			
93903-GFY6-C01	1	F11	94101-04700-G	1	F03	95002-02120	1	F12
93903-GFY6-C01	1	F17	94101-06700	1	F13	95014-LKH3-C00	0	F14
93903-GFY6-C01	1	F18	94101-06800-G	1	F03	95701-06010-08G	0	F12
93903-LKH3-C00	0	F15	94101-06800-G	1	F19	95701-06012-07G	1	F04
			94101-14800-G	0	F08	95701-06012-08G	1	F03
			94102-10800-G	0	F21	95701-06012-08G	1	F15

PART NO. INDEX

PART NO.	VERSION	PAGE	PART NO.	VERSION	PAGE	PART NO.	VERSION	PAGE
95701-06012-08G	1	F20				96120-62020-00	0	E07
95701-06012-08G	1	F21	96000			96120-62020-00	0	E08
95701-06014-08G	1	E02				96150-ABD6-C00	0	F08
95701-06016-07G	1	E06	96001-06008-07	1	F13	96220-40100	0	E10
95701-06016-07G	1	F02	96001-06010-08G	1	E02	96600-08016-07G	1	E06
95701-06016-08G	1	E02	96001-06010-08G	1	E03	96600-08018-08G	1	F20
95701-06016-08G	1	F20	96001-06012-02	3	E07	96600-LKH3-C03	1	E08
95701-06020-08G	1	E06	96001-06012-08G	1	F03			
95701-06025-08G	1	F08	96001-06012-08G	1	F15	98000		
95701-06030-08G	0	F06	96001-06014-02	0	E01			
95701-08016-08G	0	F03	96001-06014-08G	0	E01	98059-58916-00	2	E02
95701-08016-08G	0	F21	96001-06020-08G	1	F08	98200-11000	1	F20
95701-08035-08G	1	F10	96001-06025-07G	0	E01	98200-11500	2	F20
95701-08045-07G	0	F04	96001-06025-07G	0	E06			
95701-08070-08G	0	F21	96001-06028-07G	1	E06			
95701-08085-08G	0	F21	96001-06035-08G	1	E04			
95701-1G07-C00	0	E05	96001-06040-07G	1	E03			
95701-KEC8-E01	0	F20	96001-06040-07G	1	E06			
95801-08045-08G	0	F13	96001-06040-07G	1	E07			
95801-08090-08G	0	F21	96001-06045-07G	1	E03			
95801-10035-08G	0	F04	96001-06050-07G	1	E06			
95801-10040-08G	1	F21	96001-06055-08G	1	E07			
95801-10045-08G	0	F16	96001-06110-08G	1	E02			
95801-10050-08G	0	F16	96100-60030-00	0	E05			
95801-10110-08G	0	F21	96100-60060-00	0	E07			
			96100-62040-00	0	E07			